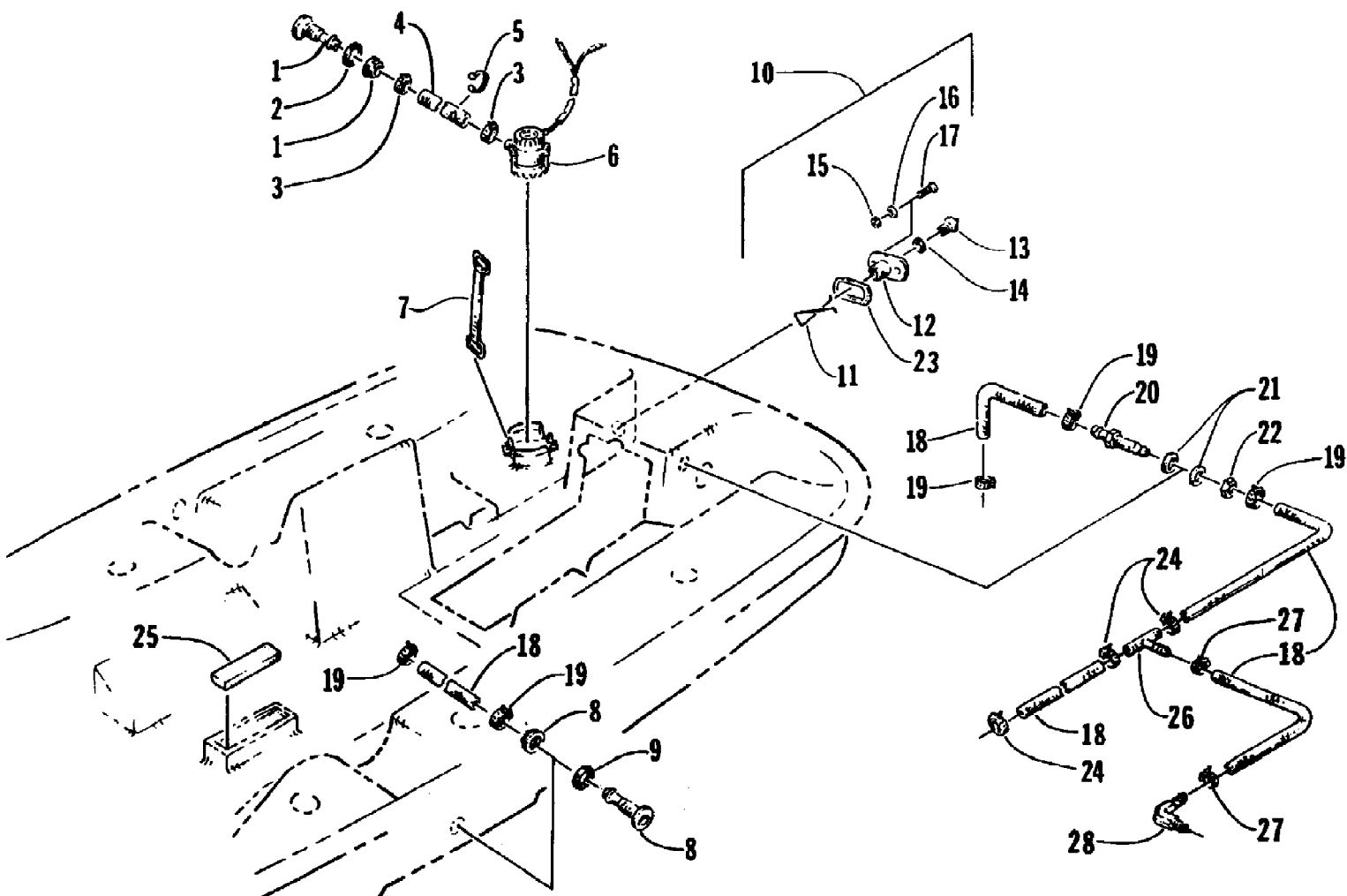


1993 TIGERSHARK DAYTONA (0672-003-1993)
BILGE PUMP AND COOLANT ASSEMBLY

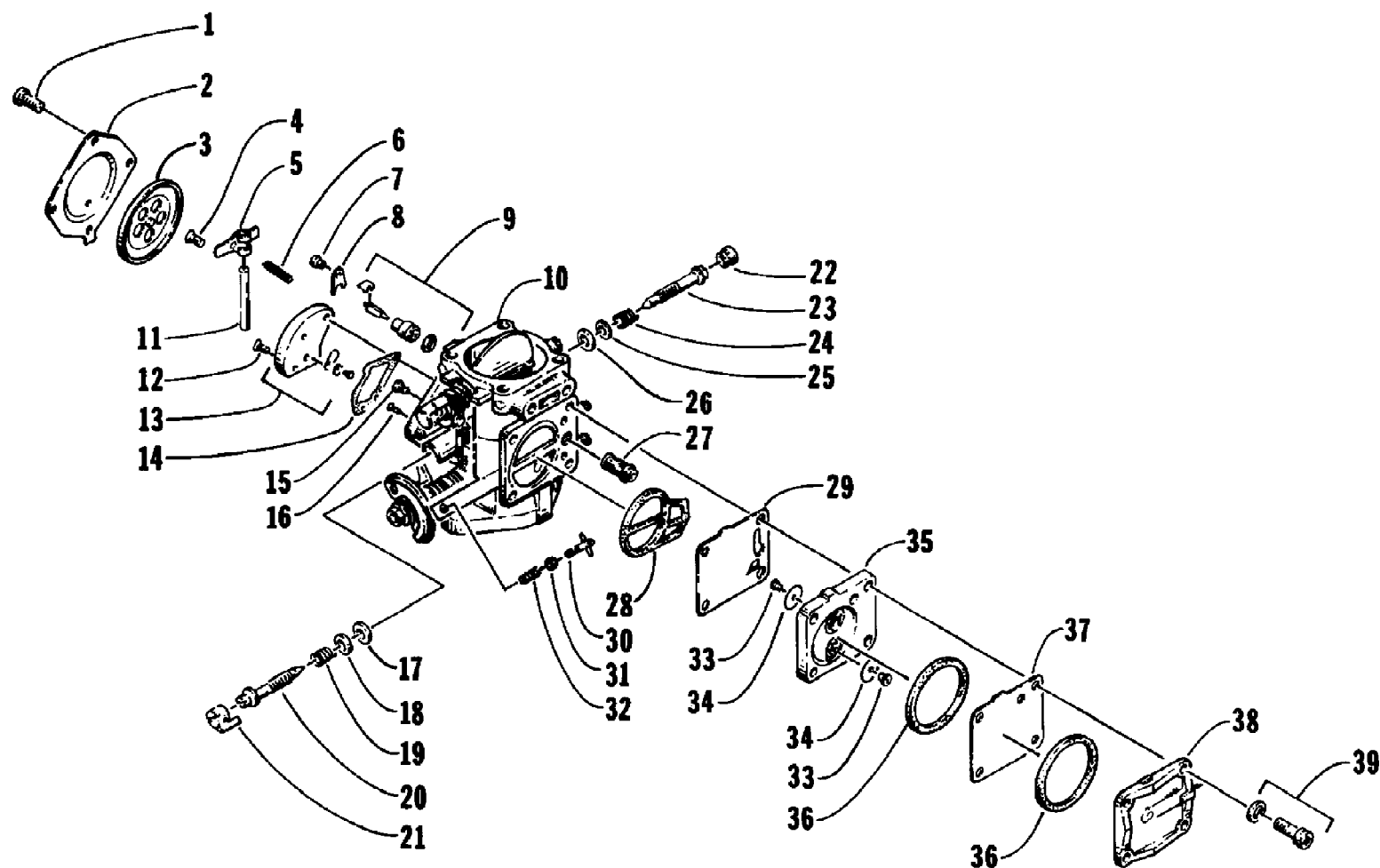


1993 TIGERSHARK DAYTONA (0672-003-1993)
 BILGE PUMP AND COOLANT ASSEMBLY

Page 2 of 45

Ref #	Part Number	Qty	S/P/F	Description
1	0673-002	1		OUTLET, BILGE W/NUT
2	0612-361	1		SEAL
3	0624-018	2		CLAMP, HOSE
4	0610-090	1	S	HOSE, BILGE PUMP
5	0123-788	1	/P	TIE, DOWN
6	0673-012	1		PUMP, BILGE
7	0673-128	1	/P	TIE DOWN
8	0673-001	1		OUTLET, WATER W/NUT
9	0612-360	1		SEAL, WATER OUTLET
10	0773-026	1	/P	DRAIN PLUG ASSEMBLY (INC. 11-14)
11	0624-118	1		. WIRE FORM, DRAIN PLUG
12	0673-131	1	S	. RETAINER, DRAIN PLUG
13	0673-130	1	S	. PLUG, DRAIN
14	0612-365	1		. SEAL
15	0624-131	2		NUT, LOCK
16	0624-130	2		WASHER
17	0624-129	2		SCREW, MACHINE
18	0610-106	0	/P	HOSE, WATER
19	0624-016	5		CLAMP, HOSE
20	0673-022	1		FITTING
21	0624-116	2		WASHER
22	0624-117	1		NUT
23	0612-366	1		SEAL, RETAINER
24	0624-121	3		CLAMP, HOSE
25	0673-132	1		MOUNT, SNUBBER
26	0673-137	1		FITTING, TEE
27	0624-016	2		CLAMP, HOSE
28	0624-170	2		FITTING, ELBOW

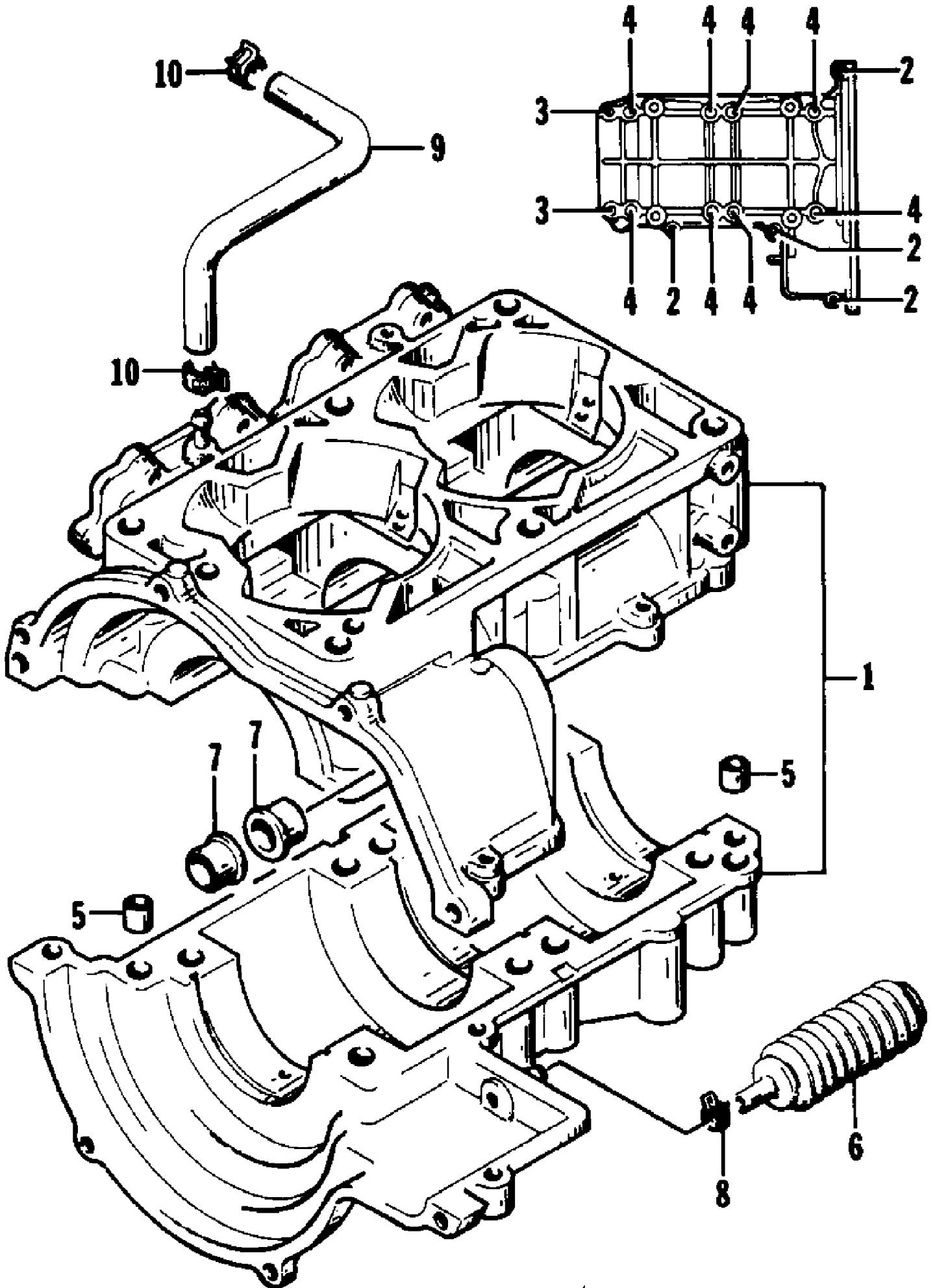
1993 TIGERSHARK DAYTONA (0672-003-1993)
CARBURETOR- BN 44-40-54



1993 TIGERSHARK DAYTONA (0672-003-1993)
CARBURETOR- BN 44-40-54

Page 4 of 45

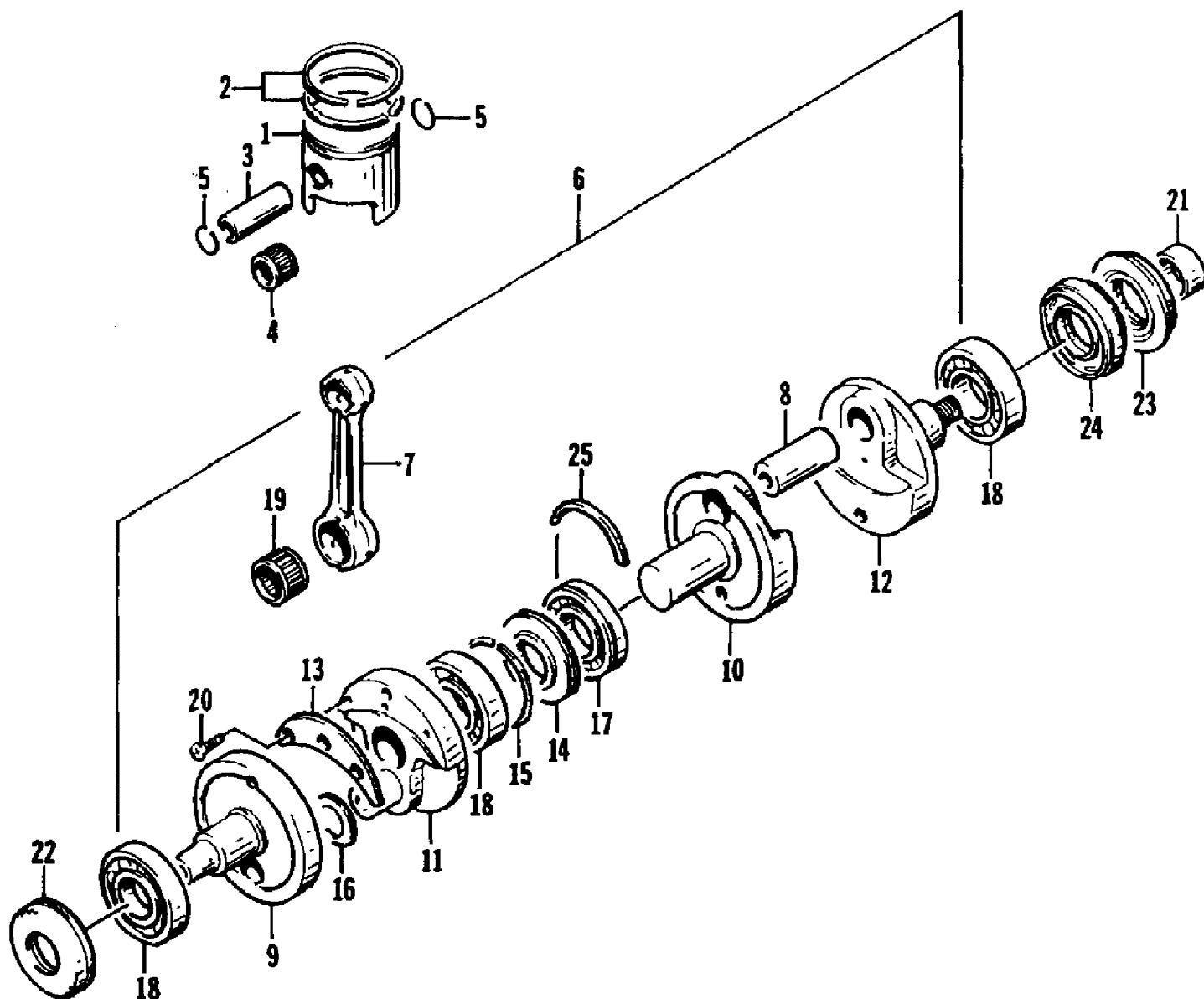
Ref #	Part Number	Qty	S/P/F	Description
	0670-328	1		CARBURETOR ASS'Y
1	6505-689	4		SCREW
2	6505-662	1		COVER
3	6505-663	1		DIAPHRAGM ASS'Y
4	6505-692	1		SCREW
5	6505-664	1		ARM
6	6505-669	1		SPRING
7	6505-695	1		SCREW
8	6505-682	1		PLATE
9	6505-671	1		NEEDLE VALVE ASS'Y
10	*	1	F	MIXING BODY
11	6505-681	1		PIN
12	6505-679	2		SCREW
13	6505-680	1		BLOCK, METERING
14	6505-677	1		GASKET
15	6505-750	1		MAIN JET- 152.5
16	6505-690	1	S	PILOT JET- 125
17	6505-668	1		SEAL
18	6505-661	1		WASHER
19	6505-660	1		SPRING
20	6505-667	1		ADJUSTER
21	6505-659	1		CAP
22	6505-698	1		CAP
23	6505-699	1		ADJUSTER
24	6505-678	1		SPRING
25	6505-703	1		WASHER
26	6505-700	1	S	O-RING
27	6505-676	1		FILTER
28	6505-665	1		O-RING
29	6505-715	1	S	DIAPHRAGM, DAMPER
30	6505-702	1		SCREW, ASS'Y
31	6505-703	1		WASHER
32	6505-651	1		SPRING
33	*	2	F	GROMMET
34	*	2	F	VALVE
35	6505-655	1		DIAPHRAGM BODY ASS'Y
36	6505-683	1		O-RING
37	6505-654	1		DIAPHRAGM, PUMP
38	6505-652	1		COVER, PUMP
39	6505-704	4		SCREW W/ WASHER
40	6505-653	1		O-RING



1993 TIGERSHARK DAYTONA (0672-003-1993)
CRANKCASE

Page 6 of 45

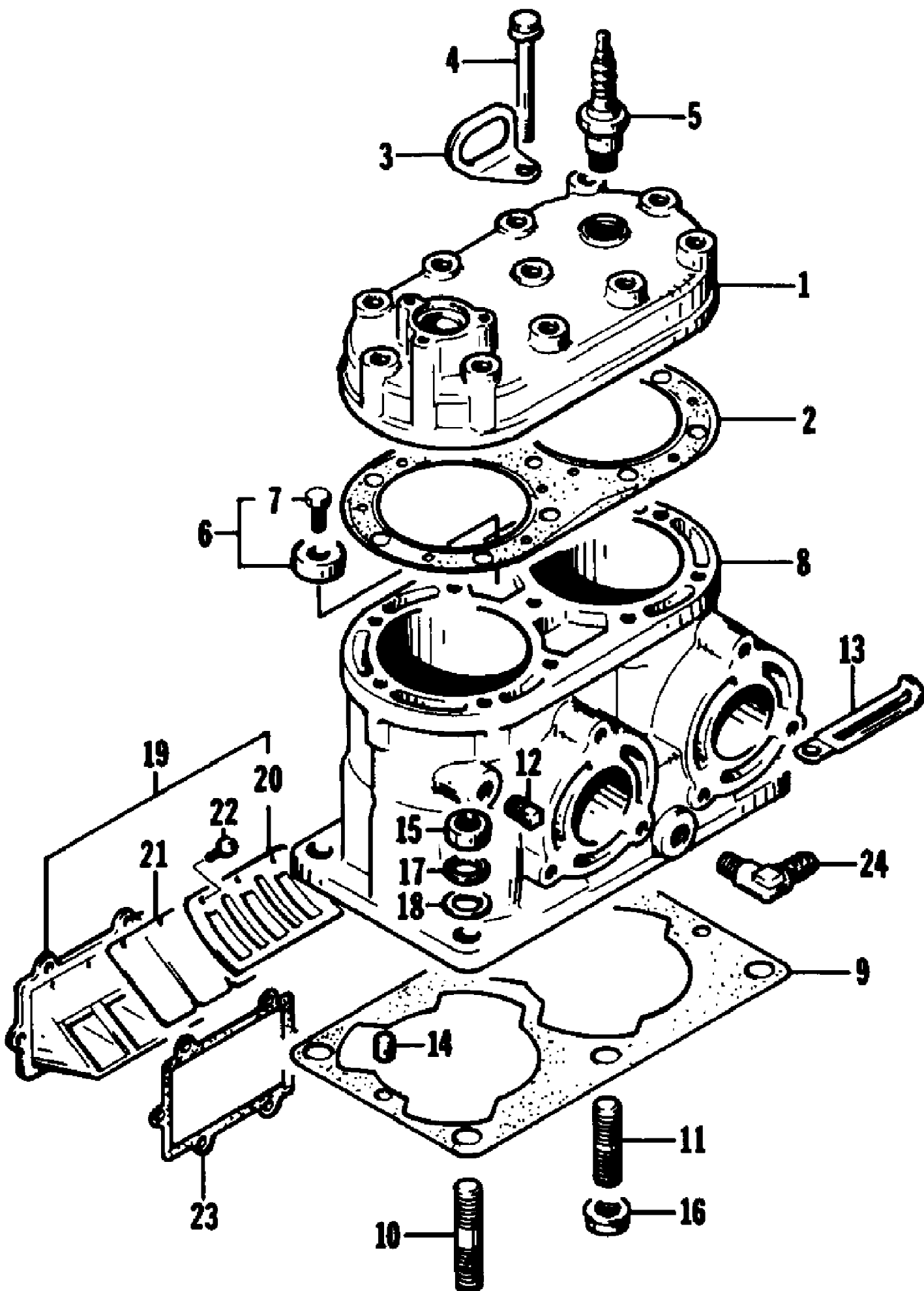
Ref #	Part Number	Qty	S/P/F	Description
1	3008-176	1		CRANKCASE ASS'Y (INC. 2-5)
2	3008-210	4	/P	. BOLT
3	3008-211	2	S	. BOLT
4	3008-212	8	/P	. BOLT
5	3008-199	2	/P	. BOLT
6	3008-100	1		BLADDER, MAGNETO CASE
7	3008-105	2		BUSHING, PINION SHAFT
8	3008-038	1		CLAMP
9	3008-200	1	/P	HOSE, VACUUM
10	3008-039	2		CLAMP, HOSE



1993 TIGERSHARK DAYTONA (0672-003-1993)
CRANKSHAFT

Page 8 of 45

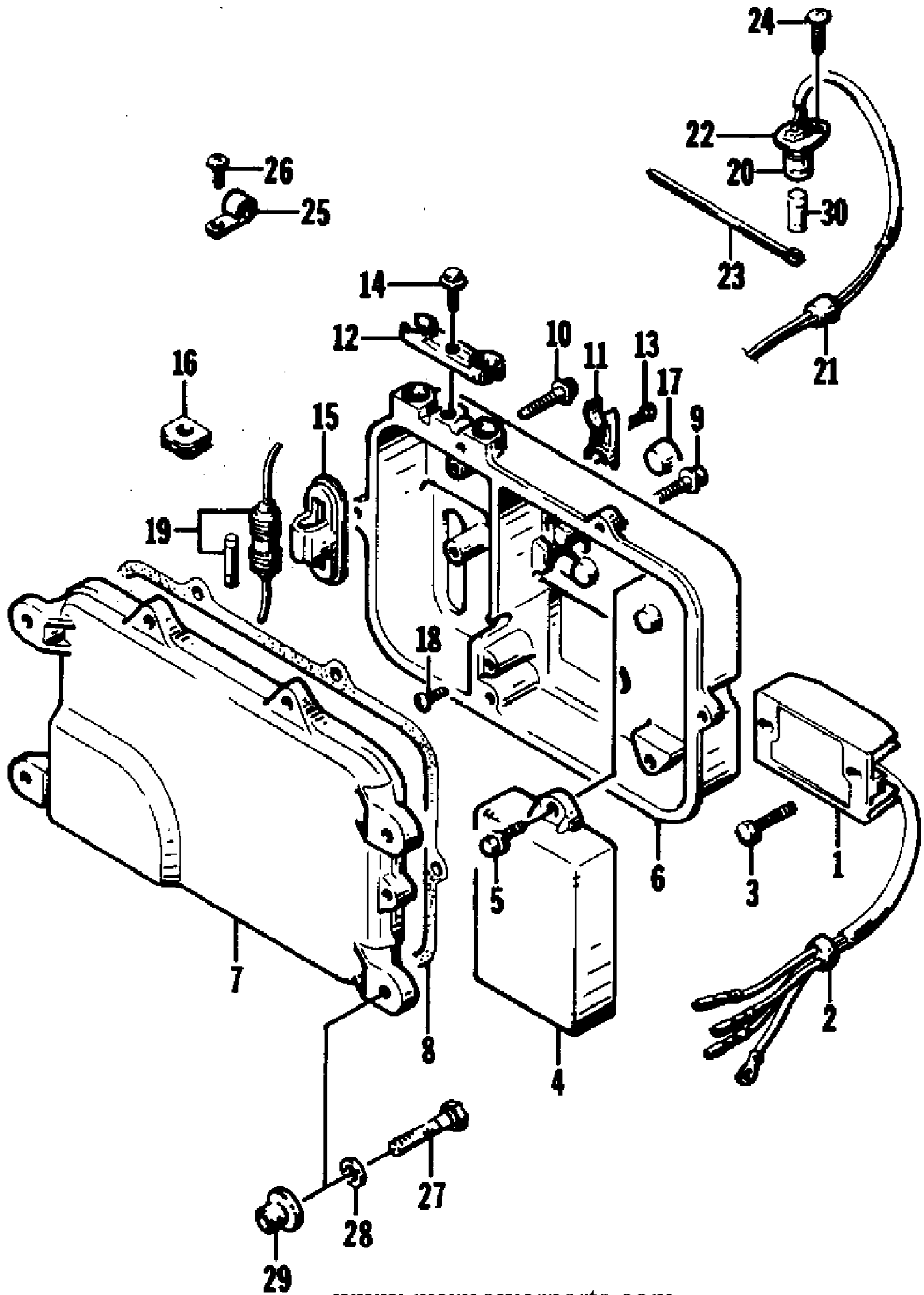
Ref #	Part Number	Qty	S/P/F	Description
1	3008-060	2		PISTON, STANDARD
1	3008-181	2		PISTON+ .010", OPTIONAL
1	3008-182	2		PISTON+ .0200, OPTIONAL
2	3008-143	2	/P	RING SET, STANDARD
2	3008-183	2		RING SET+ .010", OPTIONAL
2	3008-184	2		RING SET+ .020", OPTIONAL
3	3003-338	2	S	PIN
4	3003-433	2	/P	BEARING
5	3003-439	4	/P	SNAP RING
6	3008-063	1	S	CRANKSHAFT ASS'Y (INC. 7-20)
7	3008-062	2		. CONNECTING ROD
8	3008-064	1	S	. CRANK PIN
9	3008-065	1		. CRANKSHAFT, RIGHT
10	3008-066	1		. CRANKSHAFT, CENTER
11	3008-067	1		. WHEEL
12	3008-068	1		. CRANSHAFT, LEFT
13	3008-069	1		. BALANCER
14	3008-070	1		. RACE, CENTER
15	3008-071	1	S	. RING CENTER
16	3008-019	1		. WASHER
17	3008-027	1		. BEARING
18	3008-028	3	S	. BEARING
19	3008-029	2		. BEARING
20	3004-372	1	S	. SCREW
21	3008-072	1		SPACER, CRANKSHAFT
22	3008-031	1		SEAL, OIL- RIGHT
23	3008-032	1		SEAL, OIL- LEFT
24	3008-033	1		SEAL, OIL- CENTER
25	3003-216	1		C- RING



1993 TIGERSHARK DAYTONA (0672-003-1993)
CYLINDER

Page 10 of 45

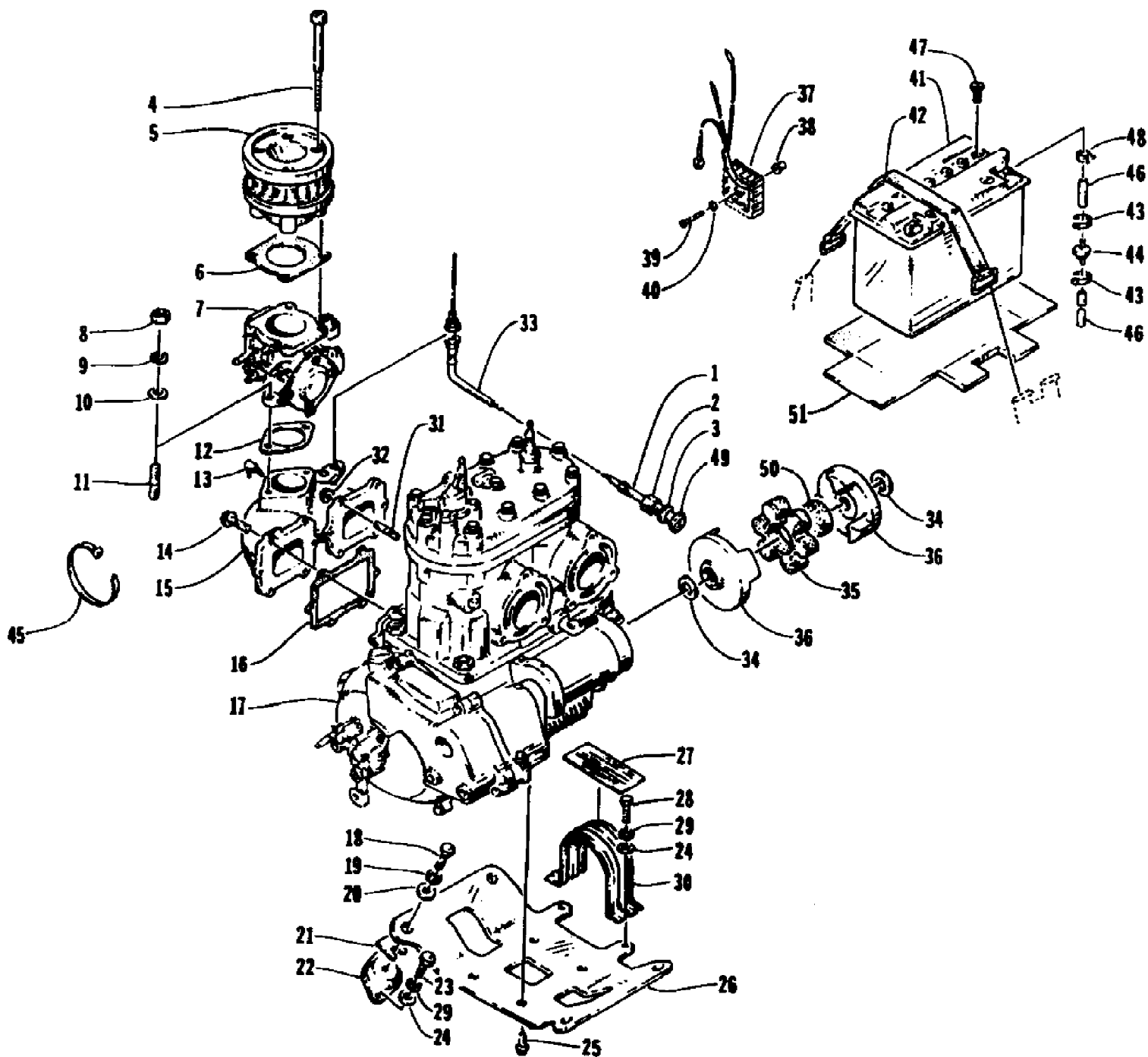
Ref #	Part Number	Qty	S/P/F	Description
1	3008-194	1	S	HEAD, CYLINDER
2	3008-174	1	S	GASKET, CYLINDER HEAD
3	3008-059	1		HOOK
4	3008-144	11	S	BOLT
5	0217-700	2		SPARK PLUG (BR9ES)
6	3008-047	1		ZINC ANODE (INC.7)
7	3008-013	1		. BOLT
8	3008-175	1	S	CYLINDER
9	3008-050	1		GASKET, CYLINDER
10	3008-005	5		STUD
11	3008-145	1	S	STUD
12	3008-024	1	S	PLUG
13	3008-043	2	S	CLAMP
14	3008-146	2		PIN
15	3008-209	5	/P	NUT
16	3008-208	1		NUT
17	3008-207	5	/P	WASHER, LOCK
18	3004-363	5	S	WASHER
19	3008-073	2	S	REED VALVE ASS'Y (INC. 20-22)
20	3008-074	4		. STOPPER, REED VALVE
21	3008-075	4		. VALVE, REED
22	3004-210	12		. SCREW
23	3008-076	2	S	GASKET, REED VALVE
24	3008-092	1		UNION
25	3008-089	1		CAP
25	0636-070	0	/P/F	SEALANT
26	3008-216	3		BOLT
26	3008-142	1	F	GASKET SET, ENGINE (INC. 2, 9, 23)



1993 TIGERSHARK DAYTONA (0672-003-1993)
ELECTRICAL

Page 12 of 45

Ref #	Part Number	Qty	S/P/F	Description
1	3008-120	1		REGULATOR ASS'Y (INC. 2)
2	3008-112	1		. GROMMET
3	3008-008	2		BOLT
4	3008-196	1		UNIT, CDI
5	3008-218	2		BOLT
6	3008-122	1		CASE
7	3008-123	1		COVER
8	3008-127	1		GASKET
9	3008-008	5		BOLT
10	3008-007	1		BOLT
11	3008-124	3		HOLDER
12	3008-125	1		HOLDER
13	3008-010	6	/P	SCREW
14	3008-169	1		BOLT
15	3008-139	1		HOLDER
16	3008-034	1		GROMMET
17	3008-116	1	S	GROMMET
18	3008-217	2		SCREW
19	3008-180	1		CASE, FUSE
19	0630-024	1		FUSE, 15 AMP.
20	3008-133	1	S	HEAT SENSOR ASS'Y (INC. 21, 22)
21	3008-113	1		. GROMMET
22	3008-134	1		. RETAINER, SENSOR- HEAT
23	3003-787	2		TIE, CABLE
24	3008-219	3		SCREW
25	3008-040	1		CLAMP
26	3008-006	1		BOLT
27	0624-052	4		BOLT
28	0624-036	4		WASHER
29	0624-082	4		WELLNUT
30	0630-023	1		FUSE, 3 AMP.



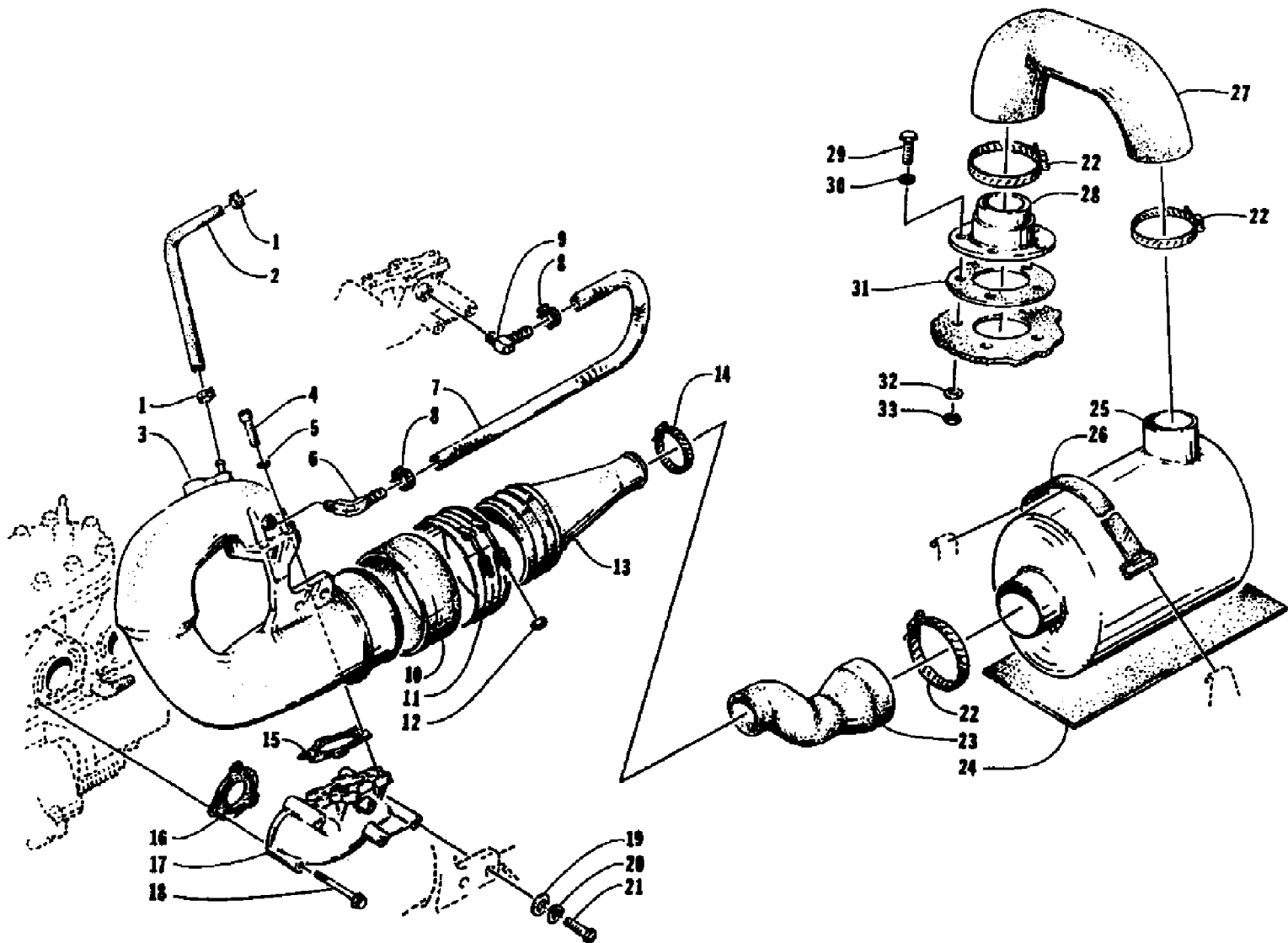
1993 TIGERSHARK DAYTONA (0672-003-1993)
ENGINE AND RELATED PARTS

Page 14 of 45

Ref #	Part Number	Qty	S/P/F	Description
1	0687-052	1	/P	COVER, BOOT
2	0687-051	1	/P	NUT
3	0687-050	1	/P	SCREW, SET
4	0624-162	4		SCREW, CAP
5	0673-134	1	S	SPARK ARRESTOR
6	0673-058	1		GASKET, SPARKET ARRESTOR
7	0670-328	1		CARBURETOR
8	0624-061	2		NUT, JAM
9	0624-027	2		WASHER, LOCK
10	0624-028	2		WASHER
11	0624-051	2		STUD
12	0673-057	1		GASKET, INTAKE
13	3008-087	1	S	VALVE, CHECK
14	3008-153	8	S	SCREW, CAP
15	0673-039	1		MANIFOLD, INTAKE
16	3008-076	2	S	GASKET REED VALVE
17	0662-110	1	S/F	ENGINE
18	3008-188	4		SCREW, CAP
19	3008-021	4		WASHER, LOCK
20	3008-016	4		WASHER
21	3008-056	0	S	SHIM, 0.5MM
21	3008-057	0	S	SHIM, 1.5MM
22	3008-054	4		MOUNT, MOTOR-34.0106MM
22	0773-044	4		MOUNT, MOTOR-30-2006MM
22	0773-058	4		MOUNT, MOTOR-32.1056MM
23	3008-155	8		BOLT
24	3008-015	10		WASHER
25	3008-198	4	S	BOLT, ENGINE PLATE
26	3008-202	1	S	PLATE, ENGINE MOUNT
27	1611-608	1		DECAL, WARNING
28	3008-001	2		SCREW, CAP
29	0624-012	10		WASHER, LOCK
30	0773-054	1	S	GUARD, COUPLER
31	3008-187	4	S	STUD
32	3008-214	4		NUT
33	0687-043	1		CABLE, CHOKE (INC. 1-3, 49)
34	3008-018	2		WASHER
35	3008-091	1	S	DAMPER, ENGINE
36	3008-090	2	/P	COUPLER, ENGINE
37	0630-022	1		MODULE, BILGE PUMP
38	0624-082	1		WELLNUT
39	0624-056	1		SCREW, CAP
40	0624-022	1		WASHER
41	0645-157	1		BATTERY (INC. 46-48)
42	0673-016	2		STRAP, BATTERY
43	0123-811	2		TIE, CABLE
44	0670-295	1		VALVE, CHECK W/ FILLER
45	3003-787	0		TIE, CABLE
46	0645-179	1	S	HOSE, BATTERY VENT
47	0645-045	6		CAP, BATTERY
48	0645-152	1		CLAMP, HOSE- BATTERY
49	0687-049	1	S	KNOB, CHOKE (INC.3)
50	0673-146			INSERT DAMPER

1993 TIGERSHARK DAYTONA (0672-003-1993)
ENGINE AND RELATED PARTS

Ref #	Part Number	Qty	S/P/F	Description
51	0673-088	1		PAD, BATTERY

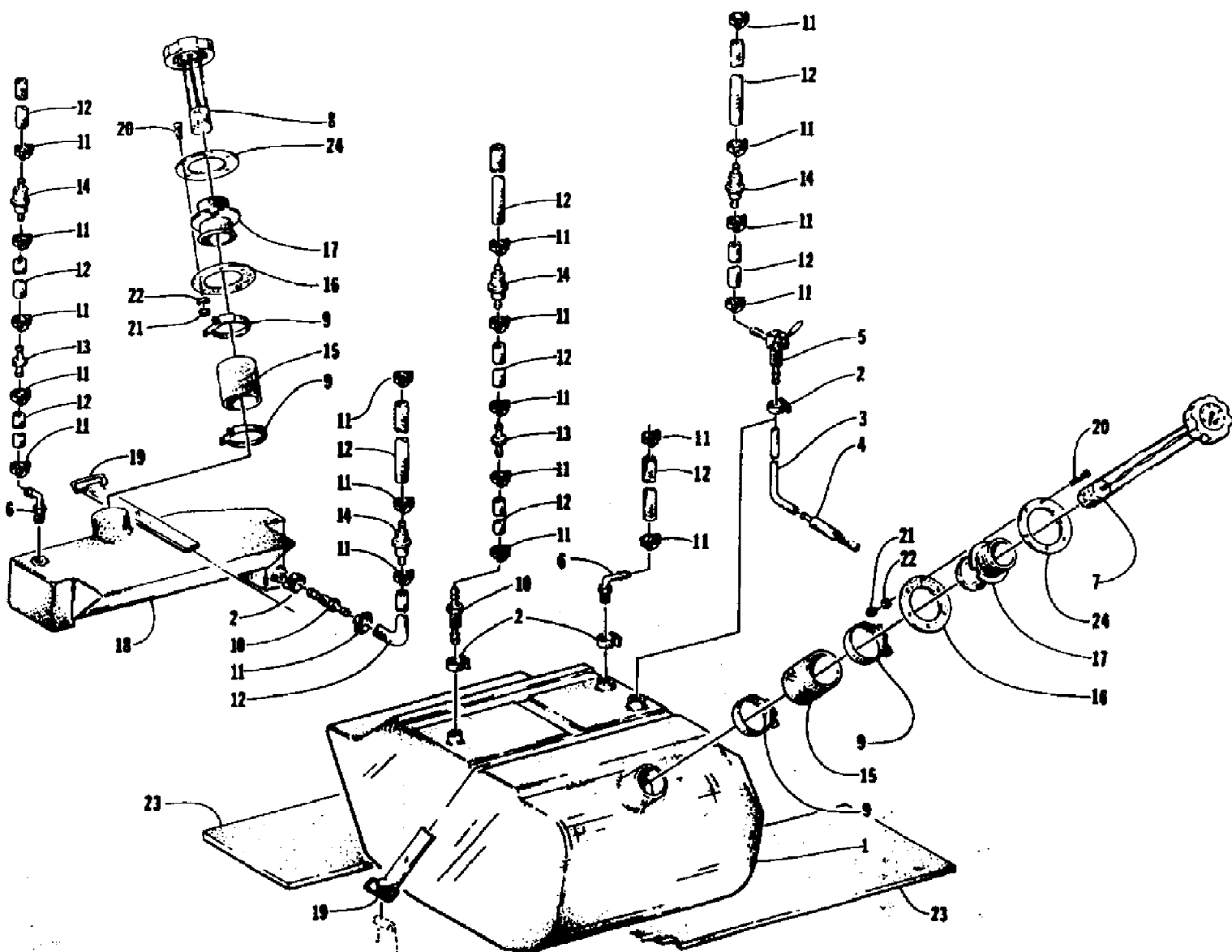


1993 TIGERSHARK DAYTONA (0672-003-1993)
EXHAUST ASSEMBLY

Page 17 of 45

Ref #	Part Number	Qty	S/P/F	Description
1	3008-039	2		CLAMP
2	3008-036	1	S	HOSE, BY-PASS
3	0673-379	1		PIPE, EXHAUST BODY
4	0624-157	5		SCREW, CAP
5	0624-027	5		WASHER, LOCK
6	0624-170	1		FITTING, ELBOW
7	0610-141	1		HOSE, WATER
8	0624-121	2		CLAMP, HOSE
9	0624-171	1		FITTING, ELBOW
10	0673-380	1		SEAL, PIPE
11	0673-382	1		CLAMP, PIPE
12	0624-187	2		NUT, LOCK
13	0673-381	1		NOZZLE, EXHAUST
14	0624-038	1		CLAMP, HOSE
15	3008-081	1	S	GASKET EXHAUST
16	3008-080	2	S	GASKET EXHAUST
17	3008-195	1		MANIFOLD, EXHAUST
18	3008-151	6	S	BOLT
19	3008-189	2		WASHER
20	3008-021	2		WASHER, LOCK
21	3008-188	2		SCREW, CAP
22	0624-169	3		CLAMP, HOSE
23	0610-119	1		HOSE, EXHAUST- IN
24	0673-089	1		PAD, MUFFLER
25	0712-090	1	/P	MUFFLER
26	0673-016	2		TIEDOWN, MUFFLER
27	0610-120	1		HOSE, EXHAUST- OUT
28	0773-131	1	S	FITTING, EXHAUST OUTLET
29	0624-102	4		SCREW, CAP
30	0624-004	4		WASHER, LOCK
31	0612-391	1		SEAL, EXHAUST OUTLET
32	0624-004	4		WASHER
33	0624-005	4	/P	NUT, LOCK
34	0673-114	1		PIPE, EXHAUST (INC. 3-6, 10-13)

1993 TIGERSHARK DAYTONA (0672-003-1993)
GAS AND OIL TANK ASSEMBLY

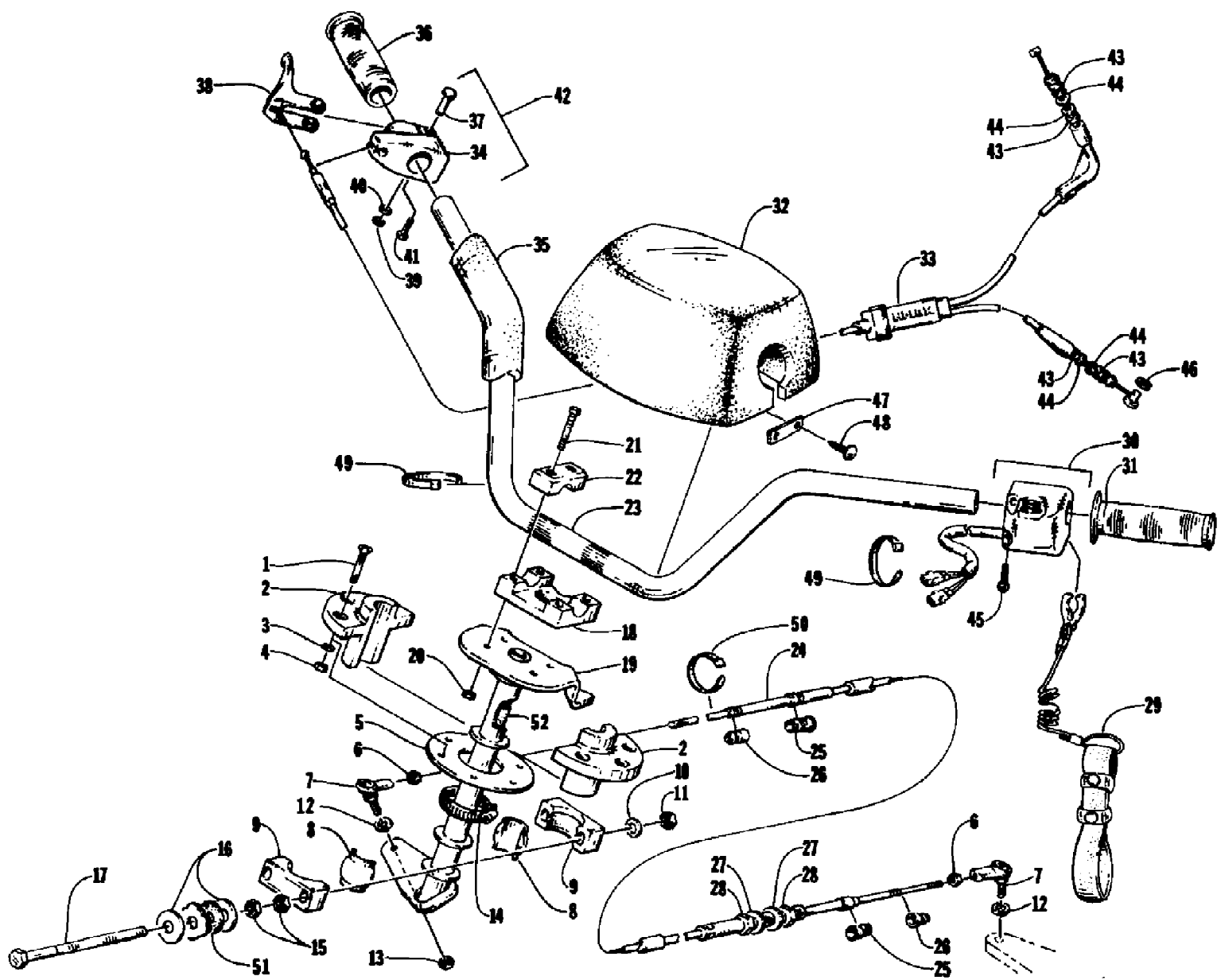


1993 TIGERSHARK DAYTONA (0672-003-1993)
GAS AND OIL TANK ASSEMBLY

Page 19 of 45

Ref #	Part Number	Qty	S/P/F	Description
1	0770-094	1	/P	TANK GAS (INC. 2-5)
2	0624-016	4		CLAMP
3	0610-017	0	/P	. HOSE, GASLINE- 100'
3	0610-008	0	/P	. HOSE, GASLINE- 25'
4	0510-358	1	/P	. STRAINER, GAS TANK
5	0670-125	1		. VALVE
6	0115-607	2	S	. FITTING
7	0670-286	1	S	CAP, GAS W/GAUGE
8	0670-287	1	/P	CAP, OIL W/ GAUGE
9	0624-037	4		CLAMP, HOSE
10	0670-042	1	/P	OUTLET, TANK
11	0624-120	20		CLAMP, HOSE
12	0610-107	0		HOSE- 25'
12	0610-117	0		HOSE- 100'
13	0610-121	2		VALVE, CHECK
14	0510-335	4	/P	FILTER, FUEL
15	0610-096	2	S	HOSE
16	0670-271	2		SEAL
17	0670-270	2		NECK, FILLER
18	0670-286	1	S	TANK, OIL
19	0673-014	4	S	HOLDDOWN
20	0624-031	12		SCREW
21	0624-005	12	/P	NUT
22	0624-004	12		WASHER
23	0673-090	2	S	PAD, GAS TANK
24	0670-304	2		RING
25	0670-042	1	/P	FITTING

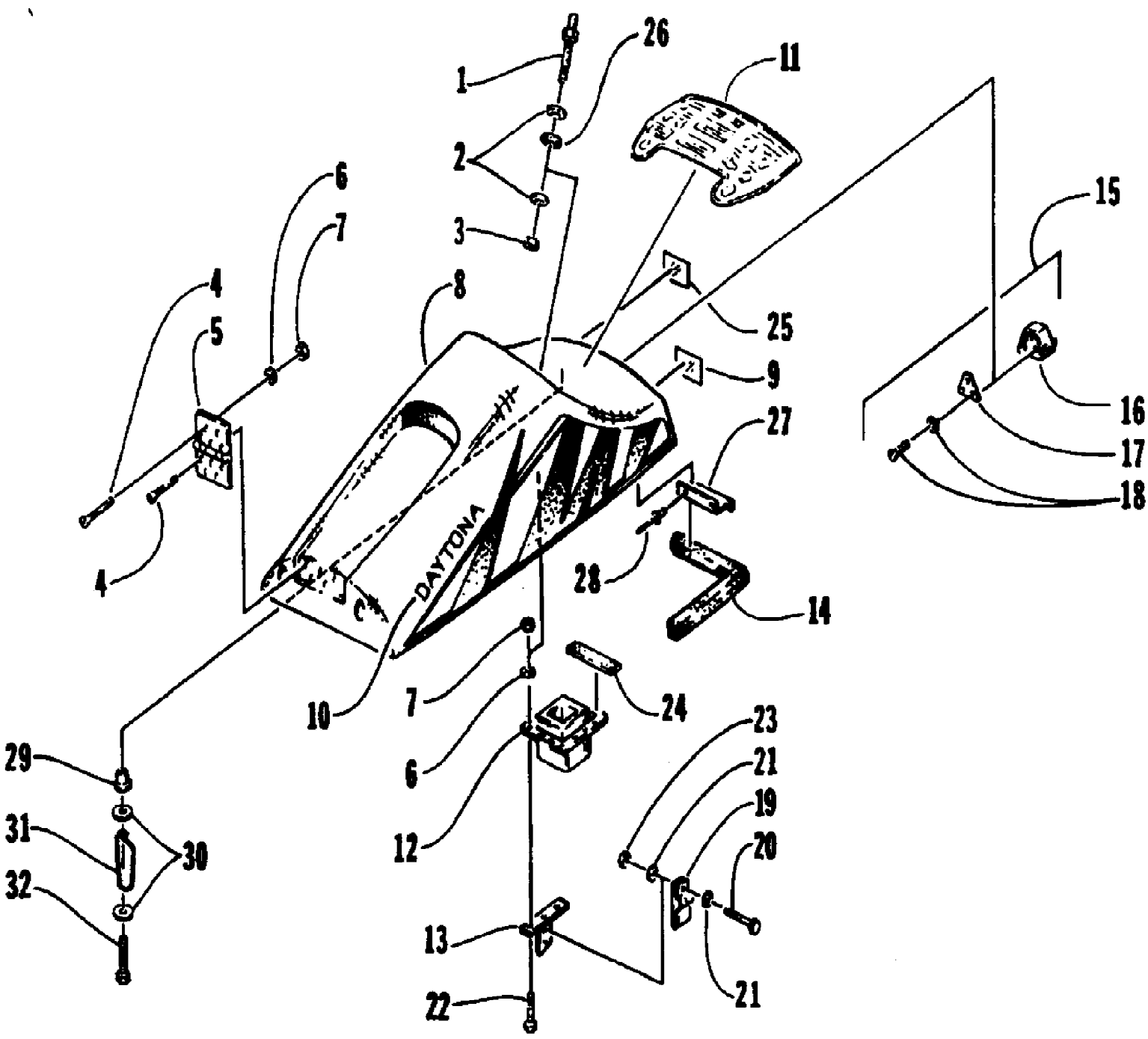
1993 TIGERSHARK DAYTONA (0672-003-1993)
HANDLEBAR AND STEERING POST ASSEMBLY



1993 TIGERSHARK DAYTONA (0672-003-1993)
HANDLEBAR AND STEERING POST ASSEMBLY

Page 21 of 45

Ref #	Part Number	Qty	S/P/F	Description
1	0624-081	6		SCREW, MACHINE
2	0673-122	2		BEARING, HALF- STEERING POST
3	0624-022	6		WASHER
4	0624-021	10		NUT, LOCK
5	0673-056	1		SEAL
6	0624-107	2		NUT, JAM
7	0673-028	2		WASHER
8	0605-149	2		BEARING, HALF STEERING POST
9	0705-064	2	/P	HOUSING, BEARING
10	0624-028	2		WASHER
11	0624-090	2		NUT, LOCK
12	0624-115	2		WASHER, LOCK
13	0624-114	1		NUT, LOCK
14	0624-038	1		CLAMP
15	0624-016	4		NUT, JAM
16	0624-125	4	/P	WASHER
17	0624-133	2		SCREW, CAP
18	0773-015	1		BLOCK, ADJUSTER
19	0773-023	1	/P	POST, STEERING
20	0624-021	4		NUT, LOCK
21	0624-056	4		SCREW, CAP
22	0105-350	2		CAP, STEERING ADJUSTER
23	0673-129	1	/P	HANDLEBAR
24	0673-133	1	S	CABLE, STEERING
25	0612-363	2		SEAL, ROD
26	0612-364	2		SEAL, STEERING CABLE
27	0624-106	2		WASHER
28	0624-105	2		NUT, JAM
29	0609-176	1	S	TETHER STRAP
30	0609-167	1		TETHER SWITCH ASS'Y (INC. 29, 45)
31	0673-101	1		GRIP, HANDLEBAR- LEFT
32	0605-237	1	/P	PAD, HANDLEBAR
33	0687-047	1	/P	CABLE, THROTTLE
34	0605-235	1		HOUSING, THROTTLE
35	0673-081	2		WRAP, FOAM
36	0673-021	1		GRIP, HANDLEBAR- RIGHT
37	0605-236	1		PIN
38	0605-234	1		LEVER, THROTTLE
39	0624-113	1		C-CLIP
40	0624-099	1		WASHER
41	0624-091	1		SCREW, MACHINE
42	0773-018	1		THROTTLE ASS'Y (INC. 34, 37-41)
43	0624-146	4		NUT
44	0624-147	4		WASHER
45	0624-148	2		SCREW
46	0624-104	1		C-CLIP
47	0673-160	2		PLATE, BACKING
48	0623-453	4		CLIP, RETAINING
49	0123-788	2	/P	TIE, CABLE-7"
50	0123-811	1		TIE, CABLE-4"
51	0673-176	1		SEAL, STEERING POST
52	0717-052	0	/P	FOAM, NEOPRENE TAPE



1993 TIGERSHARK DAYTONA (0672-003-1993)
HOOD ASSEMBLY

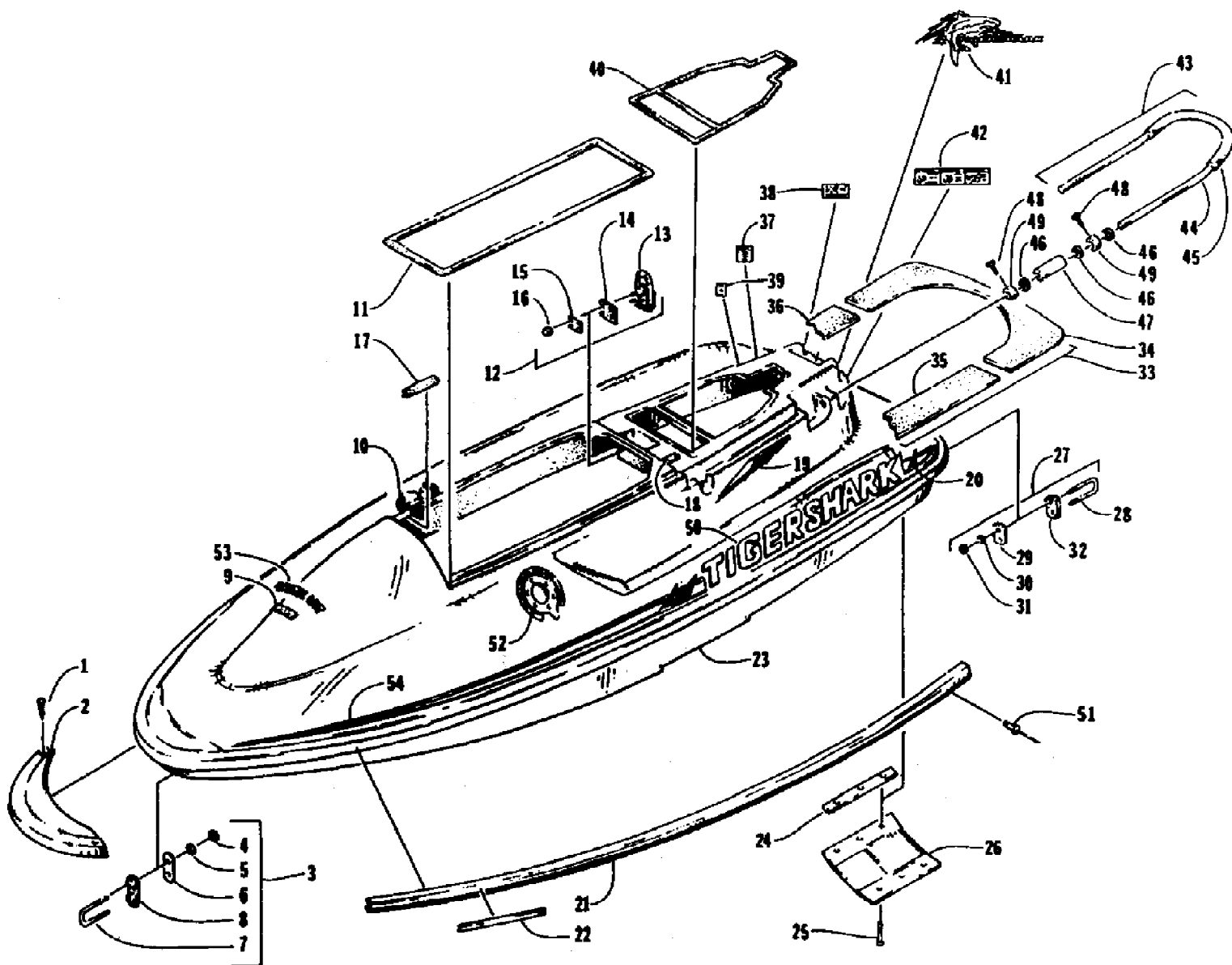
Page 23 of 45

Ref #	Part Number	Qty	S/P/F	Description
1	0624-086	1		STUD, STEERING STOP
2	0624-013	2		WASHER
3	0624-009	1		NUT, LOCK- THIN
4	0624-079	10		SCREW, MACHINE
5	0624-039	1		HINGE, HOOK
6	0624-022	14		WASHER
7	0624-021	14		NUT, LOCK
8	0773-129	1		HOOD ASS'Y (INC. 9-13)
9	1611-820	1		. DECAL, WARNING
10	1611-922	1		. DECAL, HOOD- RIGHT
10	1611-923	1		. DECAL, HOOD- LEFT
11	1611-603	1		. DECAL, DASH
12	0673-142	1		. DUCT, INTAKE
13	0773-045	1		. BRACKET
14	0673-170	1		SEAL, HOOD- FOAM
15	0624-101	1	/P	LATCH, HOOD ASS'Y
	0624-140	1	S	. LATCH, HOOD
	0624-144	1		. SEAL
	0624-143	1		. PLATE, SUPPORT
16	0624-139	4		. NUT, CROWN
17	0673-174	1		TRIM, EDGE- 2.50"
17	0673-175	1		TRIM, EDGE- 1.50"
18	0673-172	9		BUMPER, HOOD
19	1611-926	1		DECAL, DECK SIDE- RIGHT
19	1611-927	1		DECAL, DECK SIDE- LEFT
20	1611-930	1		DECAL, DECK REAR- RIGHT
20	1611-931	1		DECAL, DECK REAR- LEFT
21	0673-147	1		TRIM, EDGE- SIDE
22	0673-168	1		INSERT, TRIM
23	0773-195	1		HULL/DECK ASS'Y
24	0673-006	2		PLATE, NUT
25	0624-079	6		SCREW, MACHINE
26	0623-113	1		PLATE, RIDE
27	0624-001	2	/P	EYE HOOK ASS'Y (INC. 28-32)
28	0624-153	2	S	. HOOK, EYE
29	0624-152	2		. PLATE, SUPPORT
30	0624-036	4		. WASHER, LOCK
31	0624-057	2		. NUT
32	0624-166	1		. GASKET, RUBBER- 1"
33	0773-053	1		PAD, FOOT- DECK ASS'Y (INC. 34-36)
34	0673-166	1		. PAD, FOOT- REAR
35	0673-165	1		. PAD, FOOT- LEFT
36	0673-164	1		. PAD, FOOT- RIGHT
37	1611-808	1		DECAL, USCG EXEMPTION
38	1611-609	1		DECAL, CAUTION- HULL
39	1611-607	1		DECAL, FIRE EXTINGUISHER
40	0673-103	1		SEAL
41	1611-924	1		DECAL, "TIGERSHARK"
42	1611-610	1		DECAL, WARNING
43	0773-025	1	/P	HANDLE, GRAB ASS'Y (INC. 44-45)
44	0673-020	1	S	. TUBE, GRAB HANDLE
45	0673-068	1		. WRAP, GRAB HANDLE- REAR
46	0624-124			

1993 TIGERSHARK DAYTONA (0672-003-1993)
HOOD ASSEMBLY

Page 24 of 45

Ref #	Part Number	Qty	S/P/F	Description
47	0673-067	2		WRAP, GRAB HANDLE
48	0624-046	4		SCREW, CAP
49	0673-082	4		COLLAR, LOCK
50	1611-920	2		DECAL, "TIGERSHARK"
51	0624-030	54		RIVET
52	1611-604	1		DECAL, WARNING- FUEL
53	1611-921	1		DECAL, "ARCTIC CAT"
54	1611-928	1		DECAL, DECK FRINT- RIGHT
54	1611-929	1		DECAL, DECK FRONT- LEFT



1993 TIGERSHARK DAYTONA (0672-003-1993)
HULL AND DECK ASSEMBLY

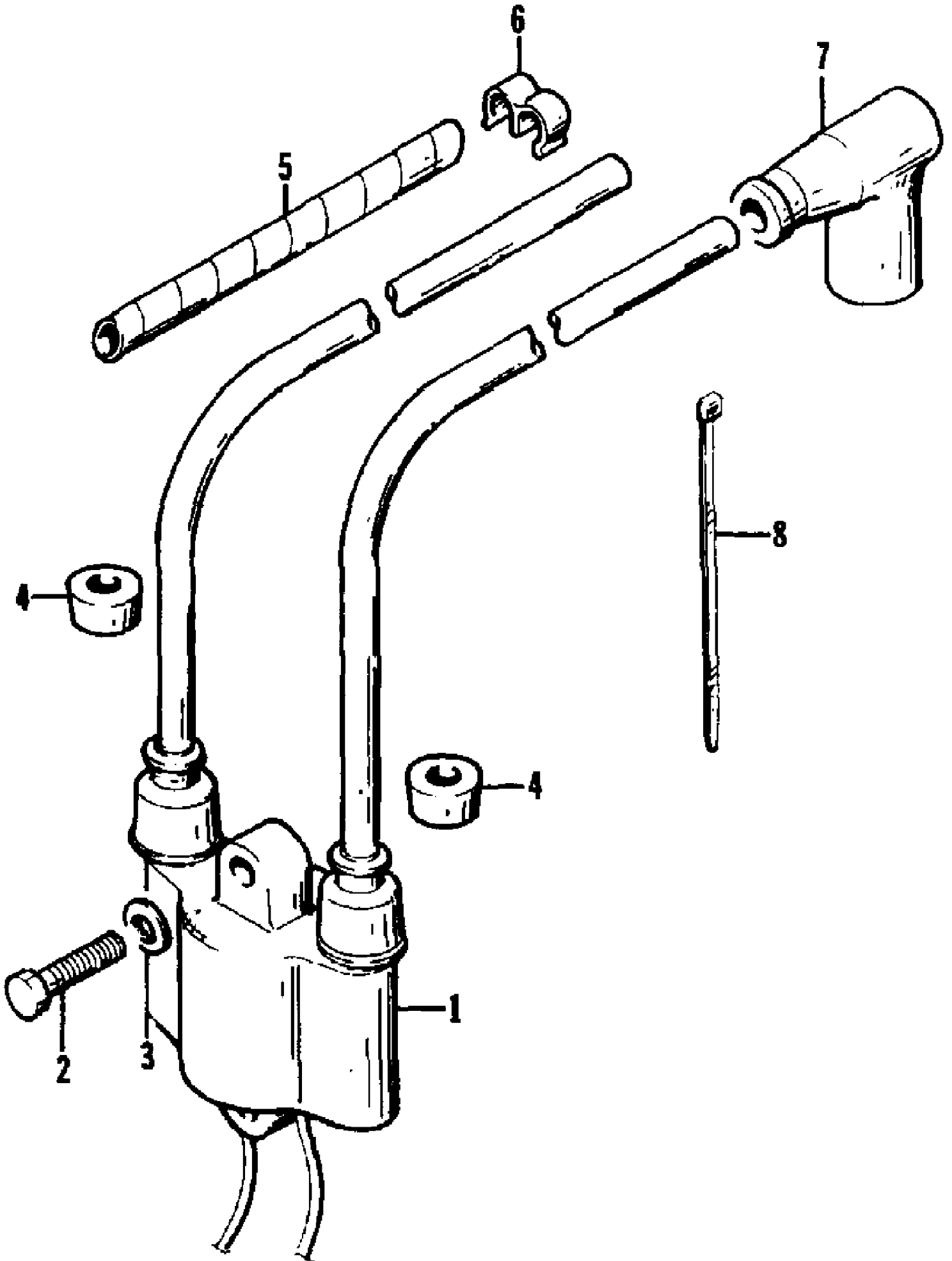
Page 26 of 45

Ref #	Part Number	Qty	S/P/F	Description
1	0623-453	2		CLIP, RETAINER
2	0673-111	1		NOSECONE
3	0624-002	1		EYE HOOK ASS'Y (INC. 4, 8)
4	0624-149	2		. NUT
5	0624-027	2		. WASHER, LOCK
6	0624-150	1		. PLATE, SUPPORT
7	0624-151	1		. HOOK, EYE
8	0624-165	1		. GASKET, RUBBER- 11/2"
9	0673-167	1		PAD, HOOD
10	1611-605	1		DECAL, WARNING- OIL
11	0673-102	1		SEAL, HOOD
12	0624-101	1	/P	LATCH HOOD ASS'Y
13	0624-140	1	S	. LATCH, HOOD
14	0624-144	1		. SEAL
15	0624-143	1		. PLATE, SUPPORT
16	0624-139	4		. NUT, CROWN
	0624-141	1		. LATCH, HOOD- HULL
	0624-142	1		. PLATE, SUPPORT
	0624-168	1		. SCREW, MACHINE W/ WASHER
17	0673-174	1		TRIM, EDGE- 2.50"
17	0673-175	1		TRIM, EDGE- 1.50
18	0673-172	9		BUMPER, HOOD
19	1611-926	1		DECAL, DECK SIDE- RIGHT
19	1611-927	1		DECAL, DECK SIDE- LEFT
20	1611-930	1		DECAL, DECK SIDE- RIGHT
20	1611-931	1		DECAL, DECK SIDE- LEFT
21	0673-147	1		TRIM EDGE- SIDE
22	0673-168	1		INSERT, TRIM
23	0773-195	1		HULL/DECK ASS'Y
24	0673-006	2		PLATE, NUT
25	0624-079	6		SCREW, MACHINE
26	0673-113	1		PLATE, RIDE
27	0624-001	2	/P	EYE HOOK ASS'Y (INC. 28-32)
28	0624-153	3	S	. HOOK, EYE
29	0624-152	2		. PLATE, SUPPORT
30	0624-036	4		. WASHER, LOCK
31	0624-057	4		. NUT,
32	0624-166	2		. GASKET, RUBBER- 1"
33	0773-053	1		PAD, FOOT- DECK ASS'Y (INC. 34-36)
34	0673-166	1		. PAD, FOOT- REAR
35	0673-165	1		. PAD, FOOT- LEFT
36	0673-164	1		. PAD, FOOT- RIGHT
37	1611-808	1		DECAL, USCG EXEMPTION
38	1611-609	1		DECAL, CAUTION- HULL
39	1611-607	1		DECAL, FIRE EXTINGUISHER
40	0673-103	1		SEAL
41	1611-924	1		DECAL, "TIGERSHARK"
42	1611-610	1		DECAL, WARNING
43	0773-025	1	/P	HANDLE, GRAB- ASS'Y (INC. 44, 45)
44	0673-020	1	S	. TUBE, GRAB HANDLE
45	0673-068	1		. WRAP, GRAB HANDLE- REAR
46	0624-124	6		GROMMET
47	0673-082	1		CLIP, HOOD

1993 TIGERSHARK DAYTONA (0672-003-1993)
HULL AND DECK ASSEMBLY

Page 27 of 45

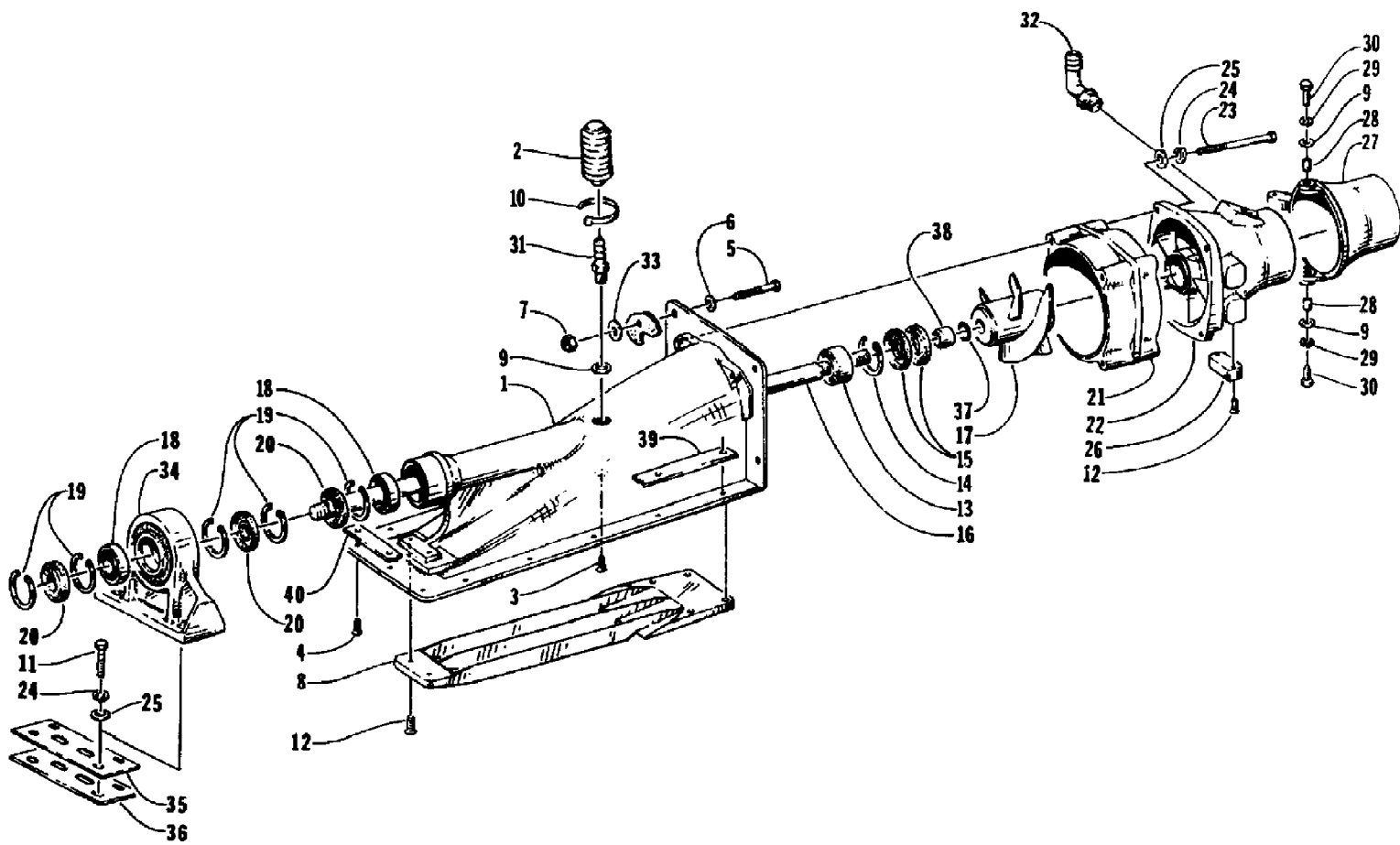
Ref #	Part Number	Qty	S/P/F	Description
50	1611-920	2		DECAL, "TIGERSHARK"
51	0624-030	54		RIVET
52	1611-604	1		DECAL, WARNING FUEL
53	1611-921	1		DECAL, "ARCTIC CAT"
54	1611-928	1		DECAL, DECK FRONT- RIGHT
54	1611-929	1		DECAL, DECK FRONT- LEFT



1993 TIGERSHARK DAYTONA (0672-003-1993)
IGNITION COIL

Page 29 of 45

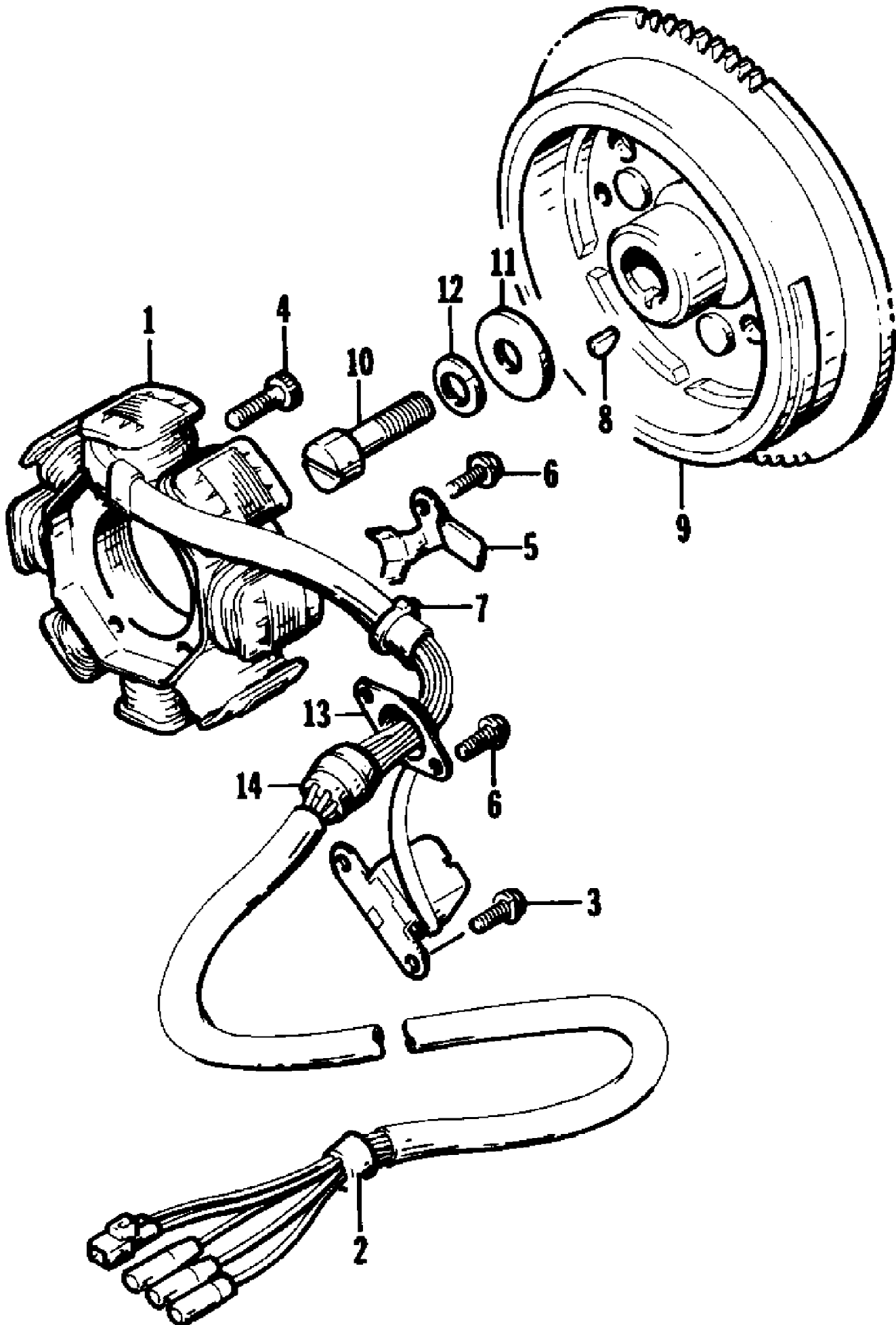
Ref #	Part Number	Qty	S/P/F	Description
1	3008-170	1	S	COIL ASS'Y, IGNITION
2	3008-220	2		BOLT
3	3003-023	2	/P	WASHER
4	3008-114	2		GROMMET
5	3008-129	2	/P	PROTECTOR, LEAD WIRE
6	3008-045	1		CLIP
7	3003-737	2	S	CAP ASS'Y, SPARK PLUG
8	3003-787	2		TIE, CABLE



1993 TIGERSHARK DAYTONA (0672-003-1993)
IMPELLER DRIVE ASSEMBLY

Page 31 of 45

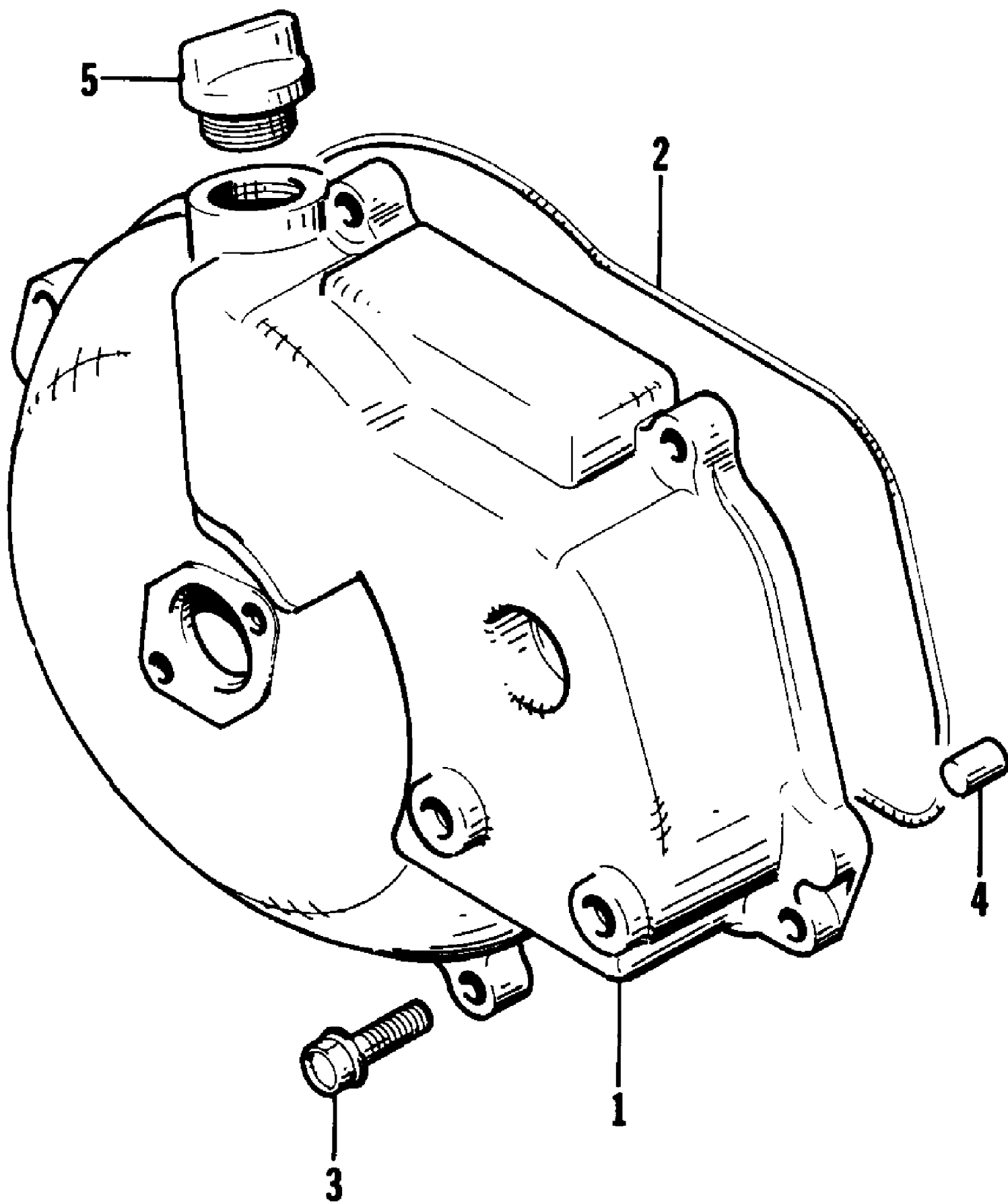
Ref #	Part Number	Qty	S/P/F	Description
1	0673-125	1	S	INLET, PUMP
2	3008-100	1		BLADDER, CASE
3	0624-091	1		SCREW, MACHINE
4	0624-079	13		SCREW, MACHINE
5	0624-119	4		SCREW, CAP
6	0624-008	4		WASHER, FLAT
7	0624-009	4		NUT, LOCK- THIN
8	0673-261	1		GRATE, INLET
9	0624-106	3		WASHER, FLAT
10	0123-811	1		TIE, CABLE
11	0624-158	4		SCREW, CAP
12	0624-078	6		SCREW, MACHINE
13	0673-032	1	/P	BEARING
14	0624-044	1		RING, SNAP
15	0673-033	2		SEAL
16	0673-041	1		DRIVESHAFT
17	0773-103	1	/P	IMPELLER (INC. 37, 38)
18	0673-030	2		BEARING
19	0624-043	5		RING, SNAP
20	0673-031	3		SEAL
21	0673-119	1		RING, WEAR
22	0673-127	1		STATOR, VENTURI
23	0624-156	4		SCREW, CAP
24	0624-027	8		WASHER, LOCK
25	0624-028	8		WASHER
26	0624-084	1		ANODE, ZINC
27	0673-038	1		NOZZLE
28	0673-083	2		BUSHING
29	0624-036	2		WASHER, LOCK
30	0624-112	2	/P	SCREW, CAP
31	0670-339	1		FITTING
32	0670-002	1		FITTING, ELBOW
33	0624-116	4		WASHER
34	0673-156	1		HANGER BEARING
35	0624-134	0		SHIM, PILLOW BLOCK- 1.5MM
36	0624-135	0		SHIM, PILLOW BLOCK- 0.5MM
37	0673-258	1		O-RING- IMPELLER
38	0673-256	1		SPACER- IMPELLER
39	0673-008	2		PLATE, NUT- 18"
40	0673-009	1		PLATE, NUT-8"



1993 TIGERSHARK DAYTONA (0672-003-1993)
MAGNETO

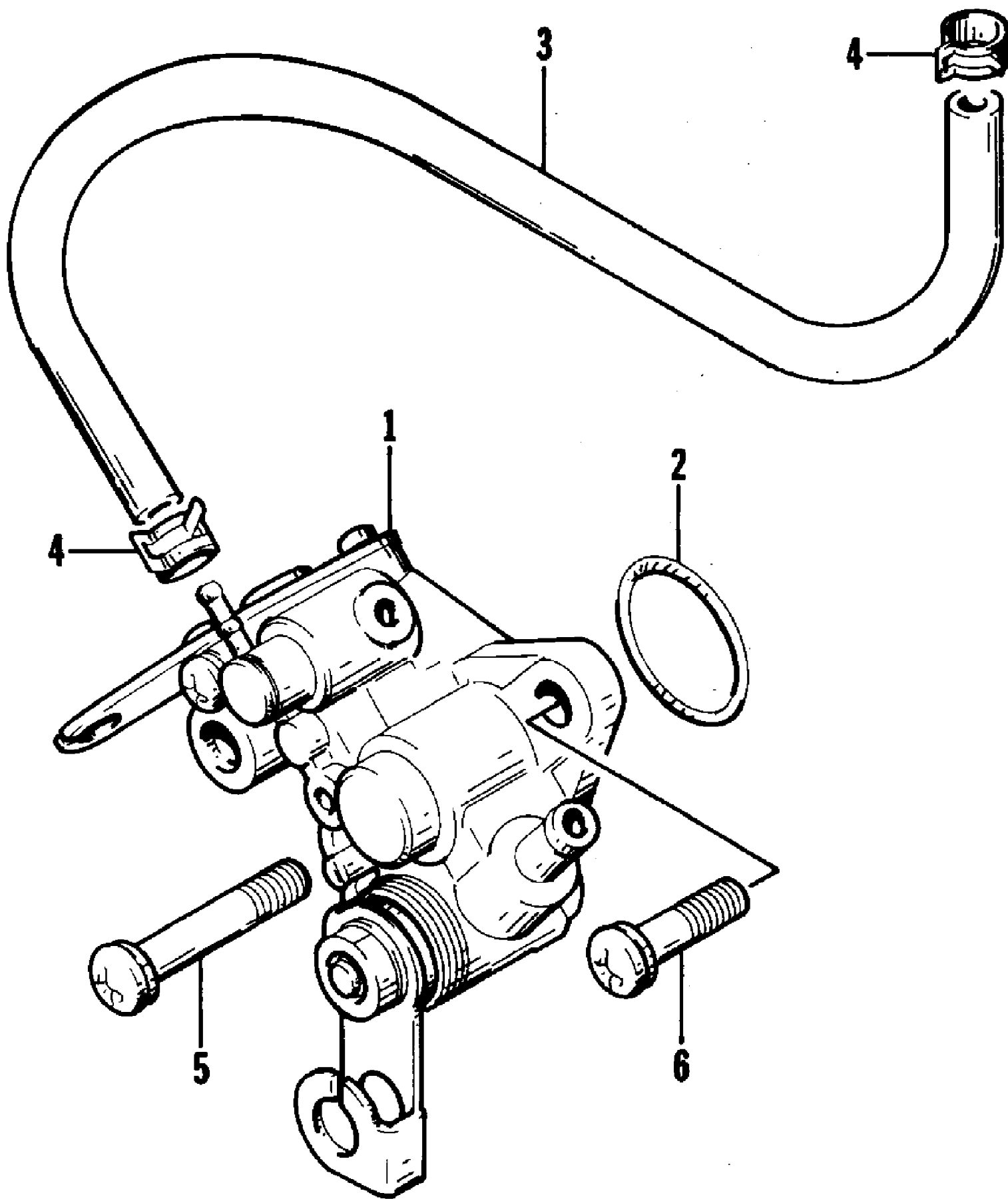
Page 33 of 45

Ref #	Part Number	Qty	S/P/F	Description
1	3008-107	1	S	STATOR
2	3008-111	1		GROMMET
3	3003-912	2		SCREW
4	3008-166	3		BOLT
5	3008-109	1		HOLDER
6	3003-912	3		SCREW
7	3003-787	1		CLAMP
8	3002-018	1	S	WOODRUFF KEY
9	3008-108	1	S	FLYWHEEL
10	3008-119	1	S	BOLT
11	3008-017	1		WASHER
12	3008-207	1	/P	WASHER
13	3008-110	1		HOLDER
14	3008-118	1		GROMMET



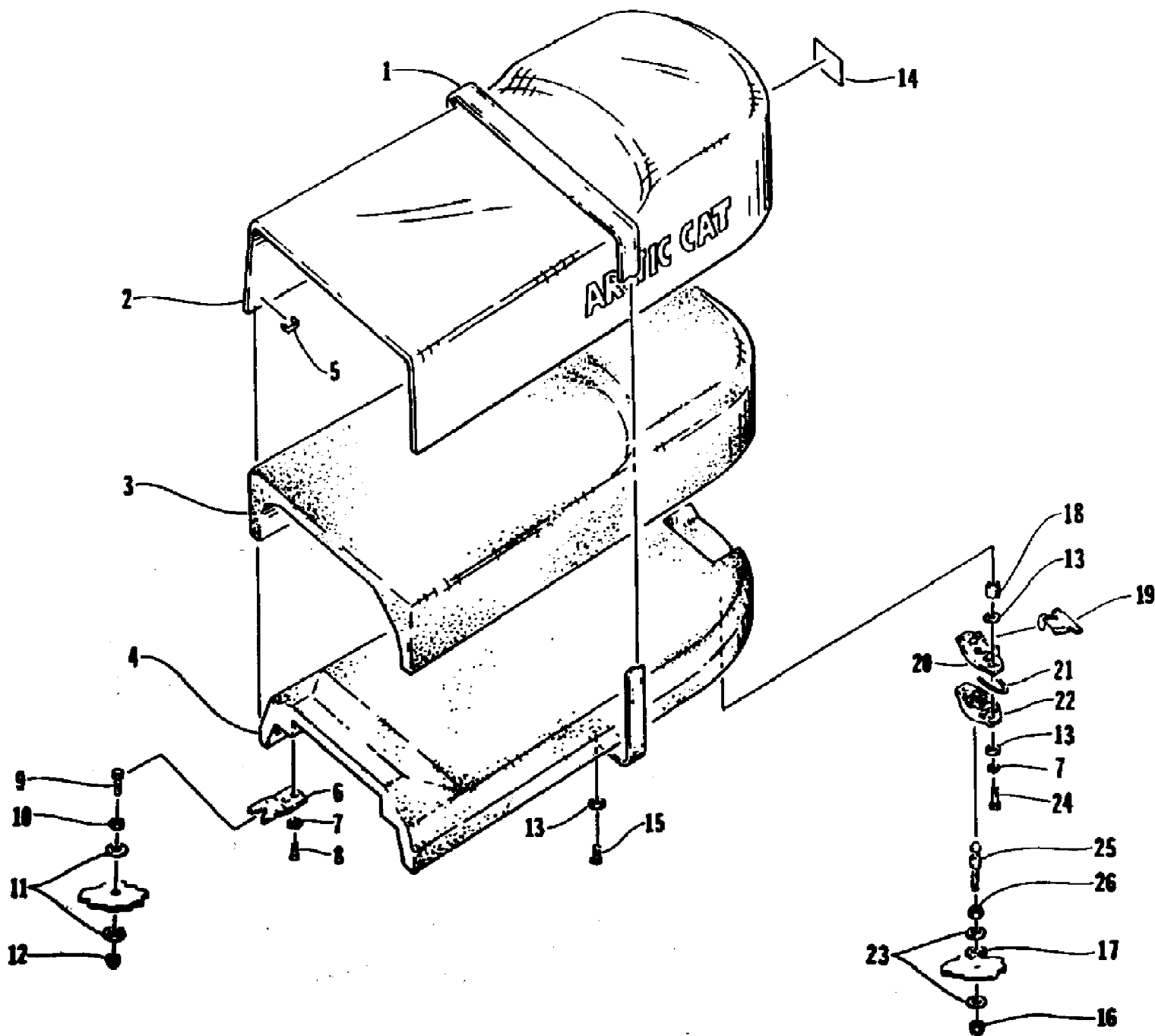
1993 TIGERSHARK DAYTONA (0672-003-1993)
MAGNETO CASE

Ref #	Part Number	Qty	S/P/F	Description
1	3008-052	1	S	CASE, MAGNETO
2	3008-053	1		O- RING
3	3008-213	6	/P	BOLT
4	3008-146	2		PIN
5	3008-023	1		PLUG



1993 TIGERSHARK DAYTONA (0672-003-1993)
OIL PUMP

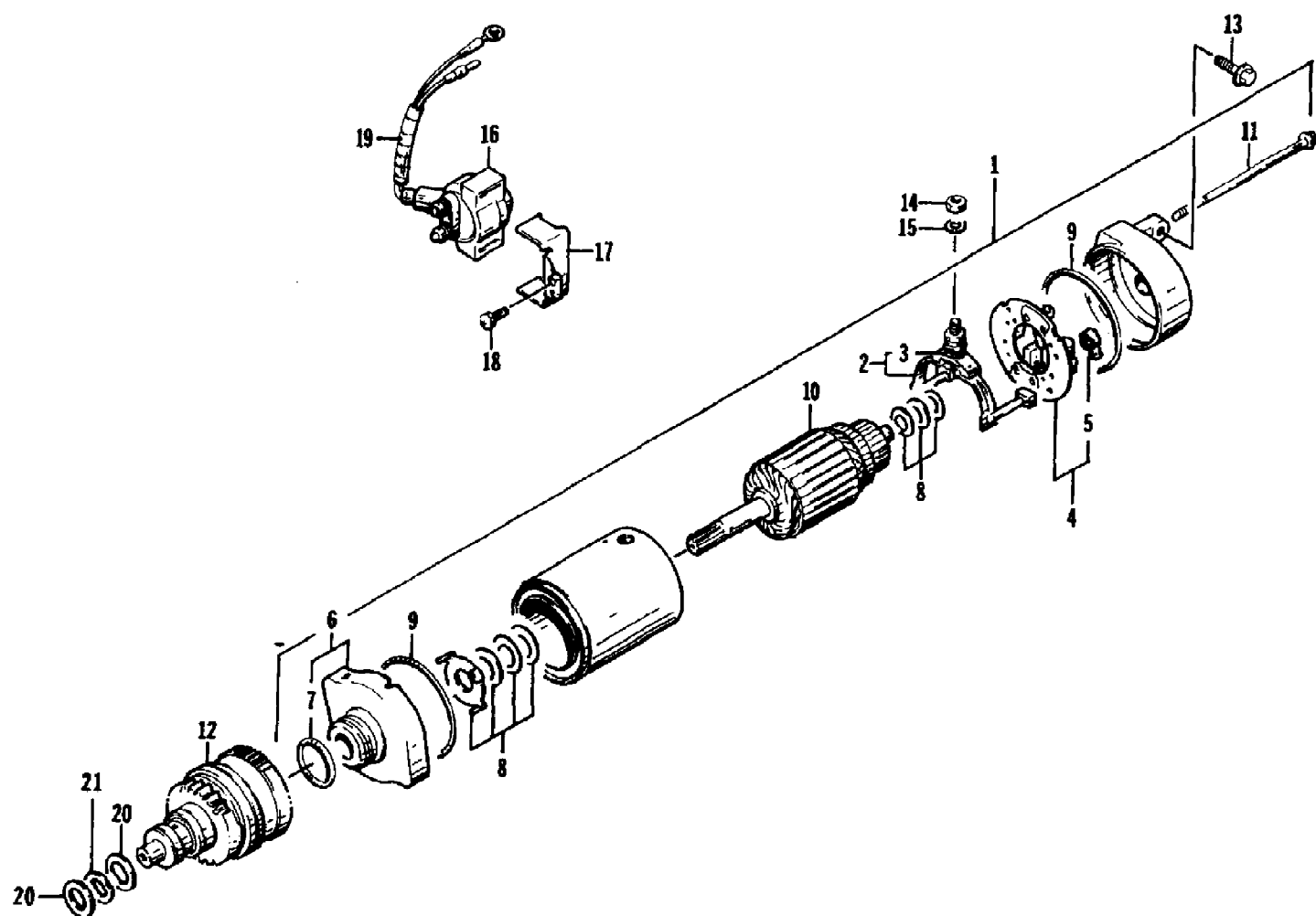
Ref #	Part Number	Qty	S/P/F	Description
1	3008-205	1	S	OIL PUMP ASS'Y
2	3008-030	1		O- RING
3	3008-035	1	/P	HOSE
4	3008-037	2	/P	CLIP
5	3008-162	1		SCREW
6	3008-192	1		SCREW



1993 TIGERSHARK DAYTONA (0672-003-1993)
SEAT ASSEMBLY

Page 39 of 45

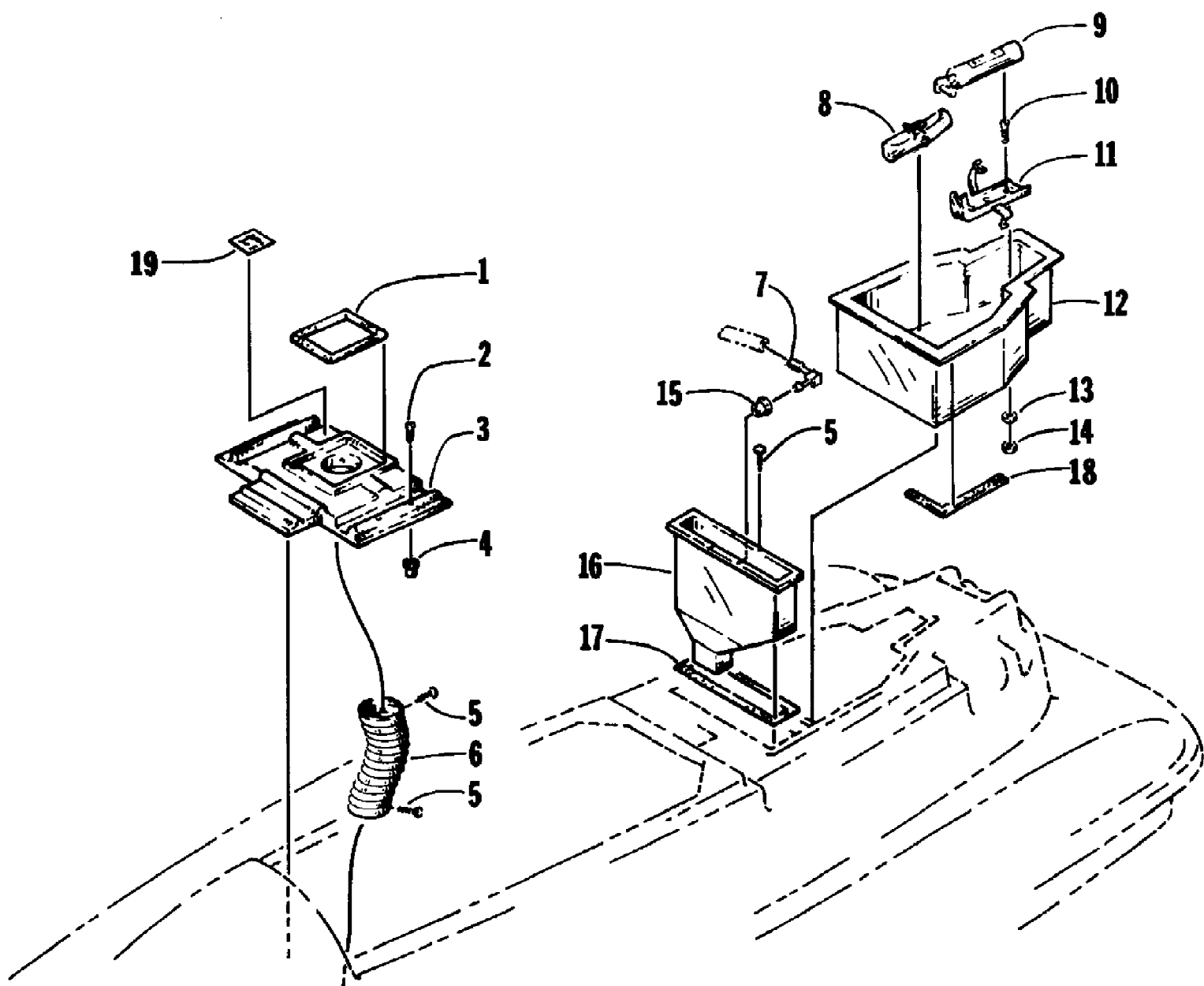
Ref #	Part Number	Qty	S/P/F	Description
1	0673-110	1	S	STRAP, SEAT
2	0773-172	1		COVER, SEAT (INC. 14)
3	0773-005	1		FOAM, SEAT
4	0673-107	1		BASE, SEAT
5	0624-263	0	F	STAPLE
6	0673-051	2		HOOK, SEAT BASE
7	0624-036	6		WASHER, LOCK
8	0624-046	4		SCREW, CAP
9	0624-087	2		SCREW, CAP
10	0624-061	2		NUT, JAM
11	0624-125	4	/P	WASHER
12	0624-090	2		NUT, LOCK
13	0624-022	6		WASHER
14	1611-687	1		DECAL, CAUTION- TOWING
15	0624-128	2		SCREW, CAP
16	0624-009	1		NUT, LOCK THIN
17	0623-391	1		WASHER, RUBBER
18	0673-083	2		BUSHING
19	0673-026	1		LEVER, RELEASE
20	0673-024	1	S	COVER, LATCH SEAT
21	0673-023	1		CLIP, RETAINING
22	0673-025	1		BACK, LATCH SEAT
23	0624-013	2		WASHER
24	0624-053	2	/P	SCREW, CAP
25	0673-007	1		STUD
26	0624-047	1		NUT, JAM



1993 TIGERSHARK DAYTONA (0672-003-1993)
STARTER MOTOR

Page 41 of 45

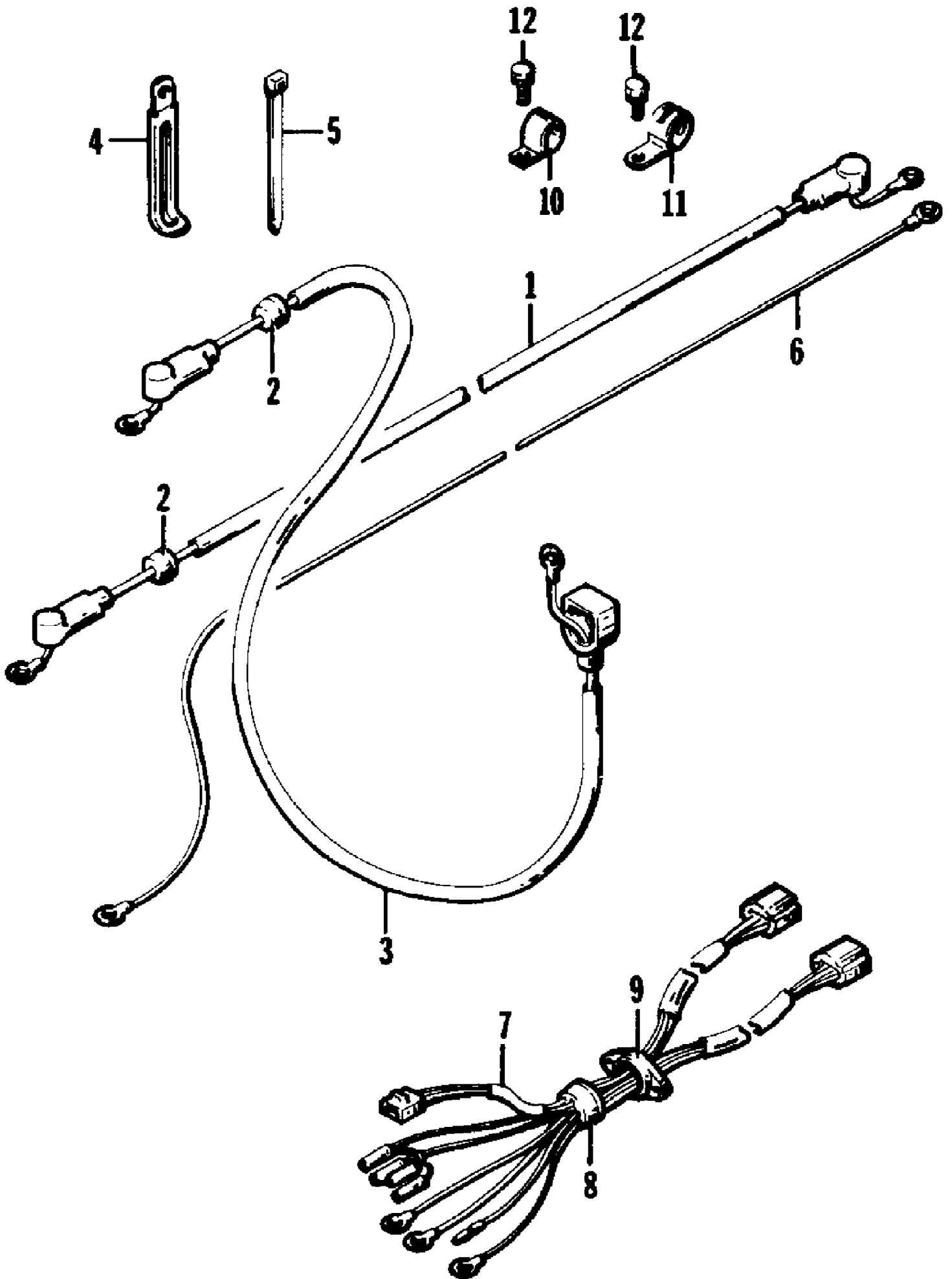
Ref #	Part Number	Qty	S/P/F	Description
1	3008-093	1	S	STARTER MOTOR ASS'Y (INC. 2-11)
2	3008-094	1	/P	. TERMINAL SET, BRUSH (INC. 3)
3	3008-164	1		.. O- RING
4	3008-095	1	/P	. HOLDER SET, BRUSH (INC. 5)
5	3008-096	1		.. SPRING, BRUSH
6	3008-097	1	S	. FRONT BRACKET ASS'Y (INC. 7)
7	3008-098	1	S	.. O- RING
9	3008-101	2	S	. O- RING
10	3008-103	1		. ARMATURE
11	3008-102	2		. BOLT
12	3008-104	1	S	PINION ASS'Y
13	3008-009	2		BOLT
14	3008-014	1		NUT
15	3008-020	1		WASHER
16	3008-165	1	/P	RELAY
17	3008-140	1		BRACKET
18	3008-217	1		SCREW
19	3008-135	1	S	TUBE
20	3008-193	2	S	WASHER
21	3008-221	1		WASHER



1993 TIGERSHARK DAYTONA (0672-003-1993)
STORAGE AND VENTING ASSEMBLY

Page 43 of 45

Ref #	Part Number	Qty	S/P/F	Description
1	0673-104	1		SEAL, AIR VENT
2	0624-031	6		SCREW, MACHINE
3	0673-138	1		INTAKE, AIR
4	0123-010	6	/P	NUT, EXPANSION
5	0606-586	10		CLIP, RETAINING
6	0610-098	1		HOSE, AIR
7	0109-414	1	S	FITTING, ELBOW
8	0744-008	1		TOOL KIT
9	0673-093	1	S	EXTINGUISHER, FIRE
10	0624-031	2		SCREW, MACHINE
11	0673-159	1	S	BRACKET, EXTINGUISHER
12	0673-112	1		TRAY, STORAGE
13	0624-004	2		WASHER
14	0624-005	2	/P	NUT, LOCK
15	0109-413	1	S	BUSHING, FITTING
16	0673-108	1		TUBE, AIR EXTINGUISHER
17	0673-169	1		GASKET, TUBE- AIR EXHAUST
18	0673-173	1		SEAL, STORAGE TRAY
19	0611-709	1		DECAL, FUEL- ON/OFF



1993 TIGERSHARK DAYTONA (0672-003-1993)
WIRING HARNESS

Page 45 of 45

Ref #	Part Number	Qty	S/P/F	Description
1	3008-130	1		CABLE, STARTER MOTOR (INC. 2)
2	3008-115	2		. GROMMET
3	3008-131	1		CABLE, BATTERY
4	3008-157	1		CLAMP
5	3008-044	2		TIE CABLE
6	3008-154	1		CABLE, GROUND
7	3008-179	1		HARNESS, WIRING (INC. 8, 9)
8	3008-117	1		. GROMMET
9	3008-126	1		. HOLDER, GROMMET
10	3008-041	1		CLAMP
11	3008-042	1		CLAMP
12	3008-006	2		BOLT