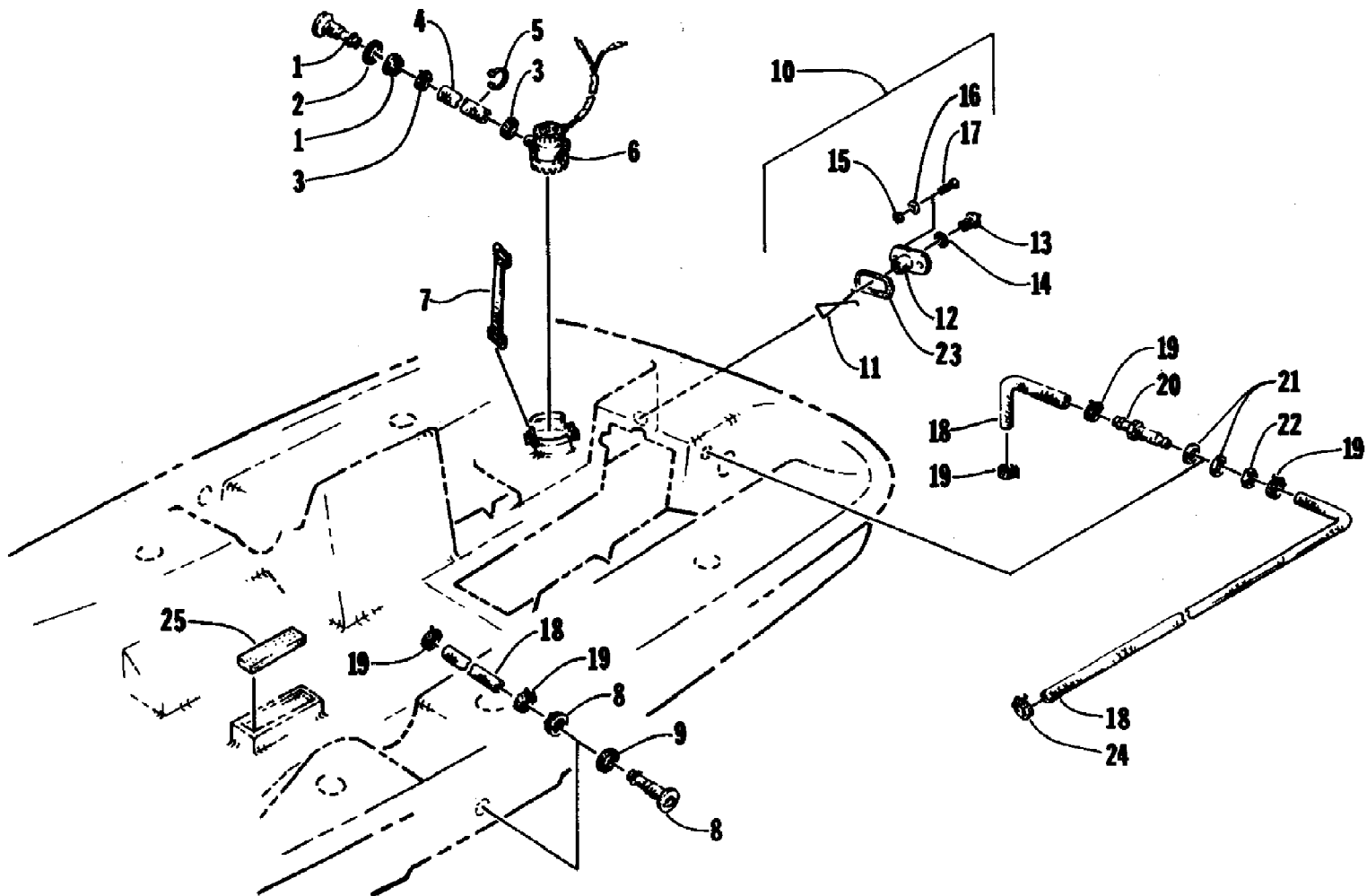


1993 TIGERSHARK (0672-002-1993)
BILGE PUMP AND COOLANT ASSEMBLY

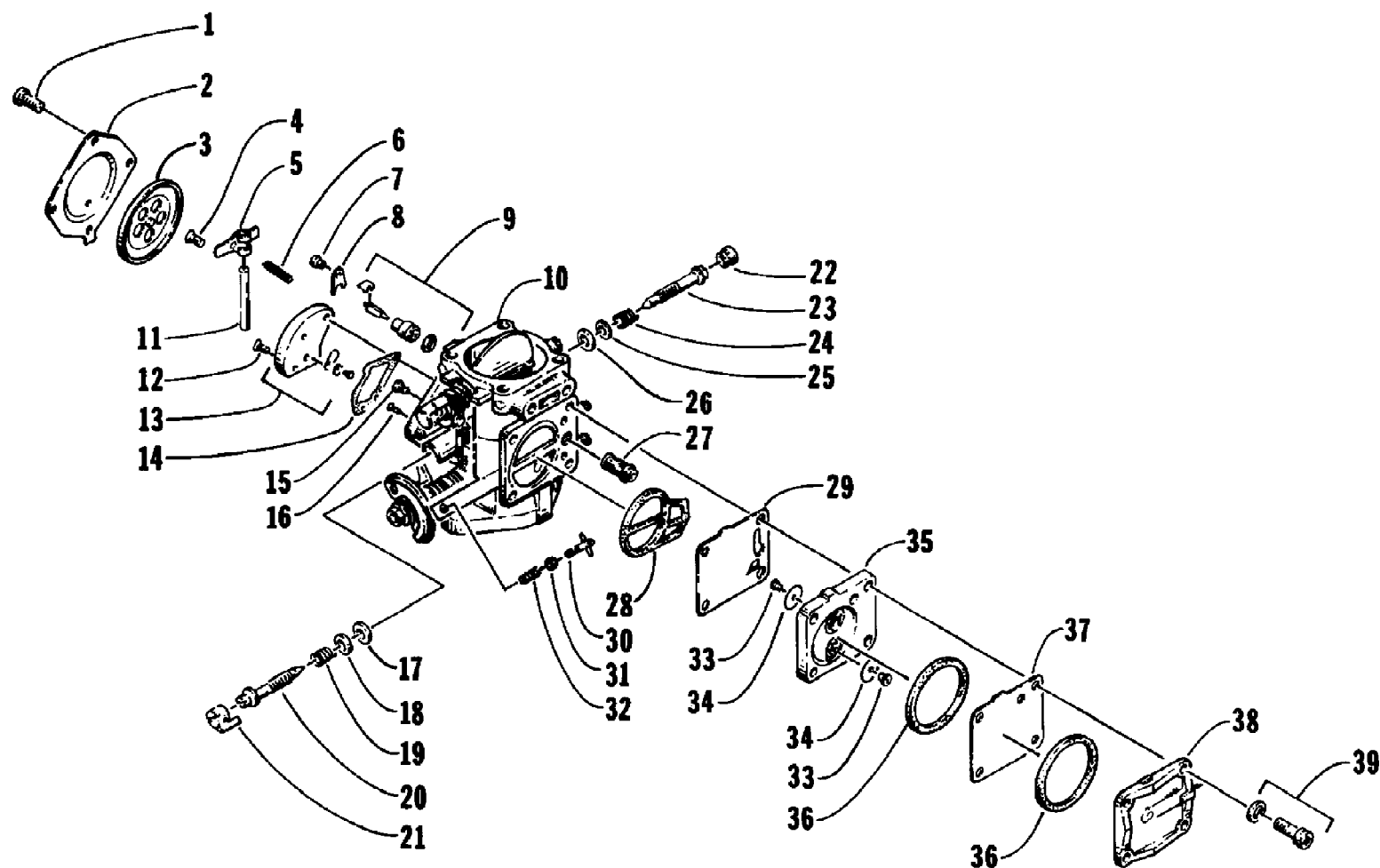


1993 TIGERSHARK (0672-002-1993)
 BILGE PUMP AND COOLANT ASSEMBLY

Page 2 of 46

Ref #	Part Number	Qty	S/P/F	Description
1	0673-002	1		Outlet, Bilge w/Nut
2	0612-361	1		Seal
3	0624-018	2		Clamp, Hose
4	0610-090	1	S	Hose, Bilge Pump
5	0123-788	1	/P	Tie, Cable
6	0673-012	1		Pump, Bilge
7	0673-128	1	/P	Tie Down
8	0673-001	1		Outlet, Water w/Nut
9	0612-360	1		Seal, Water Outlet
10	0773-026	1	/P	Drain Plug Assembly (inc. 11-14)
11	0624-118	1		. Wire Form, Drain Plug
12	0673-131	1	S	. Retainer, Drain Plug
13	0673-130	1	S	. Plug, Drain
14	0612-365	1		. Seal
15	0624-131	2		Nut, Lock
16	0624-130	2		Washer
17	0624-129	2		Screw, Machine
18	0610-106	0	/P	Hose, Water
19	0624-016	5		Clamp, Hose
20	0673-022	1		Fitting
21	0624-116	2		Washer
22	0624-117	1		Nut
23	0612-366	1		Seal, Retainer
24	0624-121	1		Clamp, Hose
25	0673-150	1		Plate, Support

1993 TIGERSHARK (0672-002-1993)
CARBURETOR

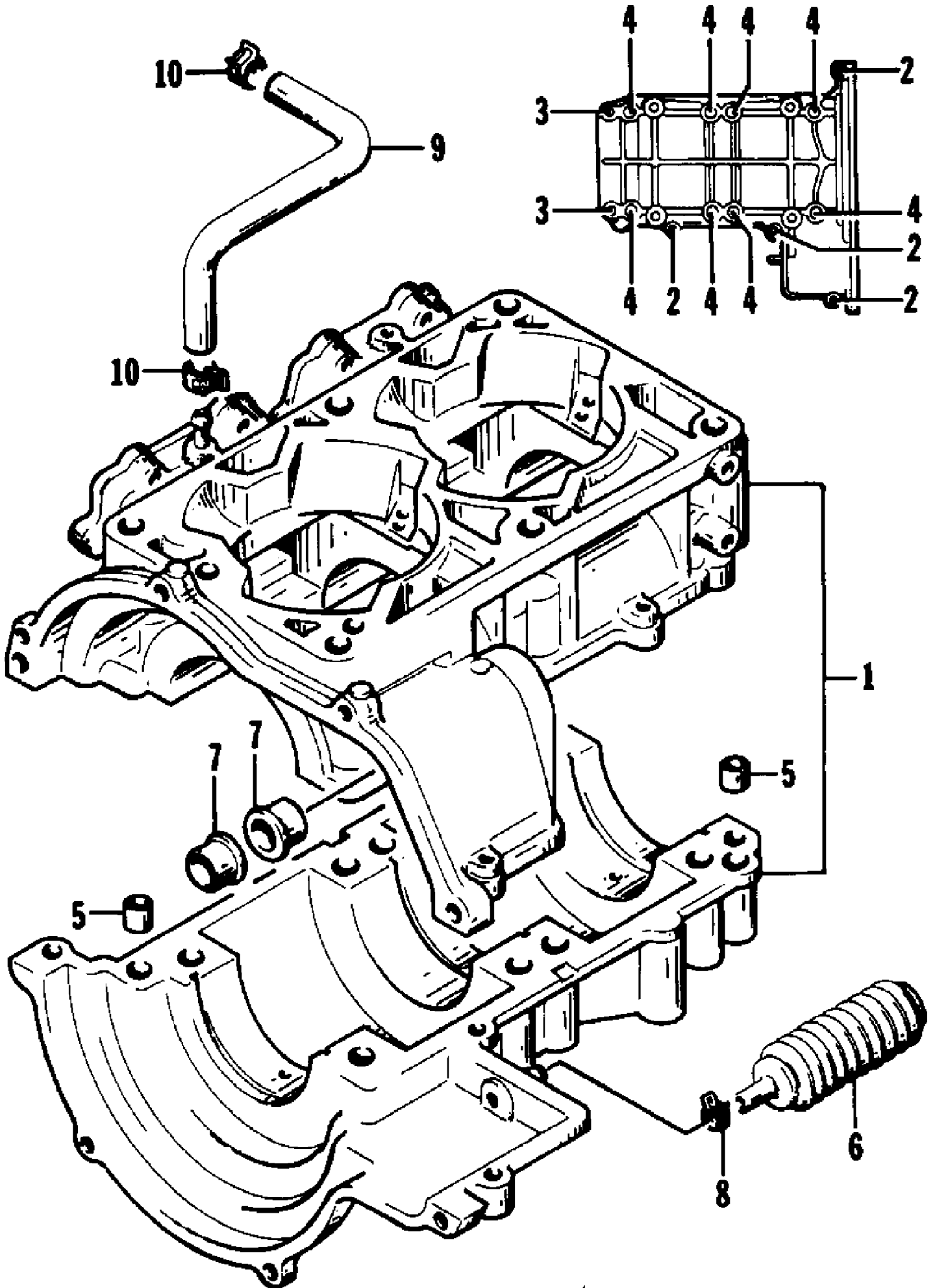


1993 TIGERSHARK (0672-002-1993)
CARBURETOR

Page 4 of 46

Ref #	Part Number	Qty	S/P/F	Description
1	6505-689	4		Screw
2	6505-662	1		Cover
3	6505-663	1		Diaphragm Assembly
4	6505-692	1		Screw
5	6505-664	1		Arm
6	6505-669	1		Spring
7	6505-695	1		Screw
8	6505-682	1		Plate
9	6505-671	1		Needle Valve Assembly
10	*	1	F	Mixing Body
11	6505-681	1		Pin
12	6505-679	2		Screw
13	6505-680	1		Block, Metering
14	6505-677	1		Gasket
15	6505-694	1		Main Jet - 107.5
16	6505-690	1	S	Pilot Jet - 125
17	6505-668	1		Seal
18	6505-661	1		Washer
19	6505-660	1		Spring
20	6505-667	1		Adjuster
21	6505-659	1		Cap
22	6505-698	1		Cap
23	6505-699	1		Adjuster
24	6505-678	1		Spring
25	6505-703	1		Washer
26	6505-700	1	S	O-Ring
27	6505-676	1		Filter
28	6505-665	1		O-Ring
29	6505-715	1	S	Diaphragm, Damper
30	6505-702	1		Screw Assembly
31	6505-703	1		Washer
32	6505-651	1		Spring
33	*	2	F	Grommet
34	*	2	F	Valve
35	6505-655	1		Diaphragm Body Assembly
36	6505-683	2		O-Ring
37	6505-654	1		Diaphragm, Pump
38	6505-652	1		Cover, Pump
39	6505-704	4		Screw w/Washer

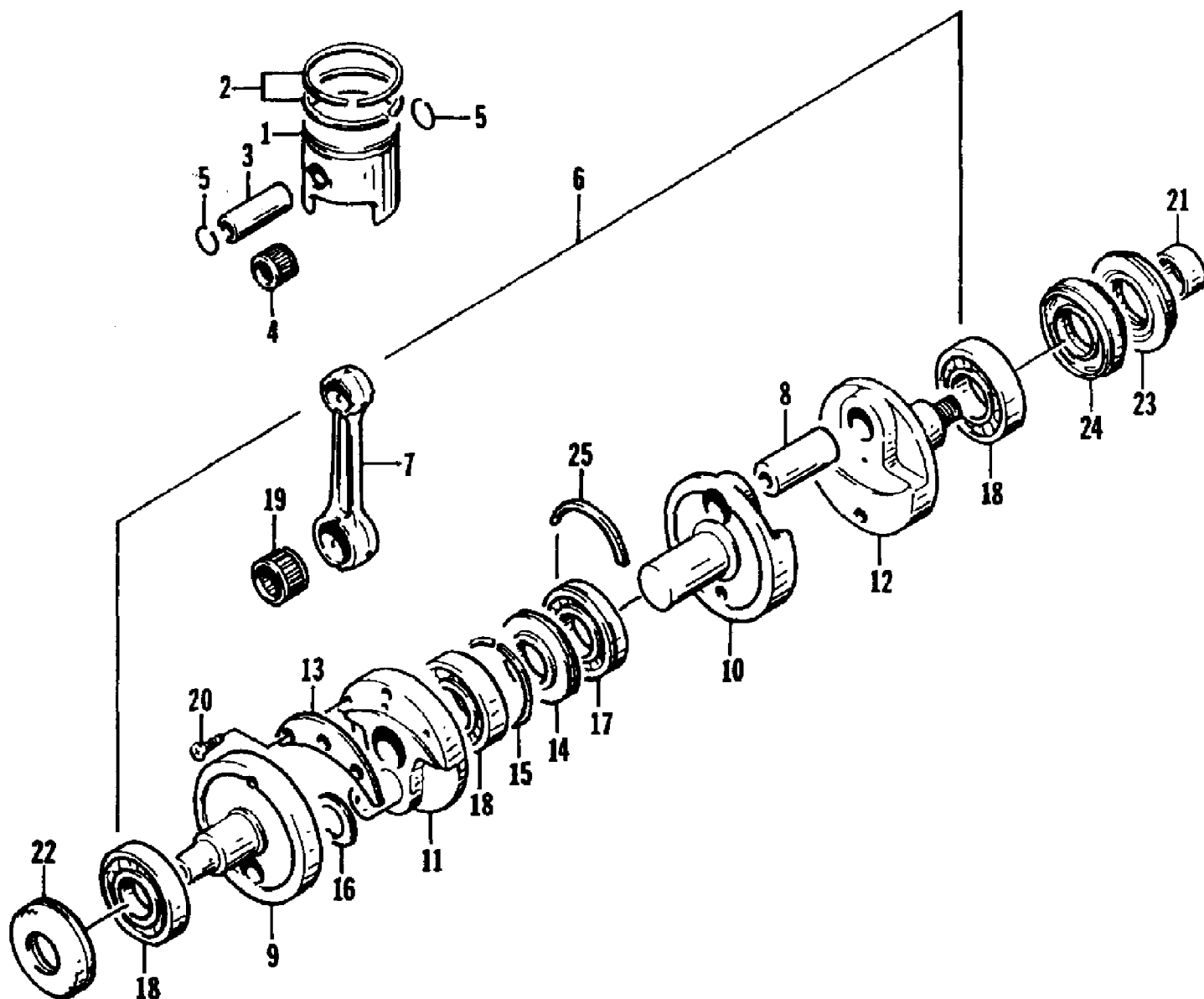
1993 TIGERSHARK (0672-002-1993)
CRANKCASE



1993 TIGERSHARK (0672-002-1993)
CRANKCASE

Page 6 of 46

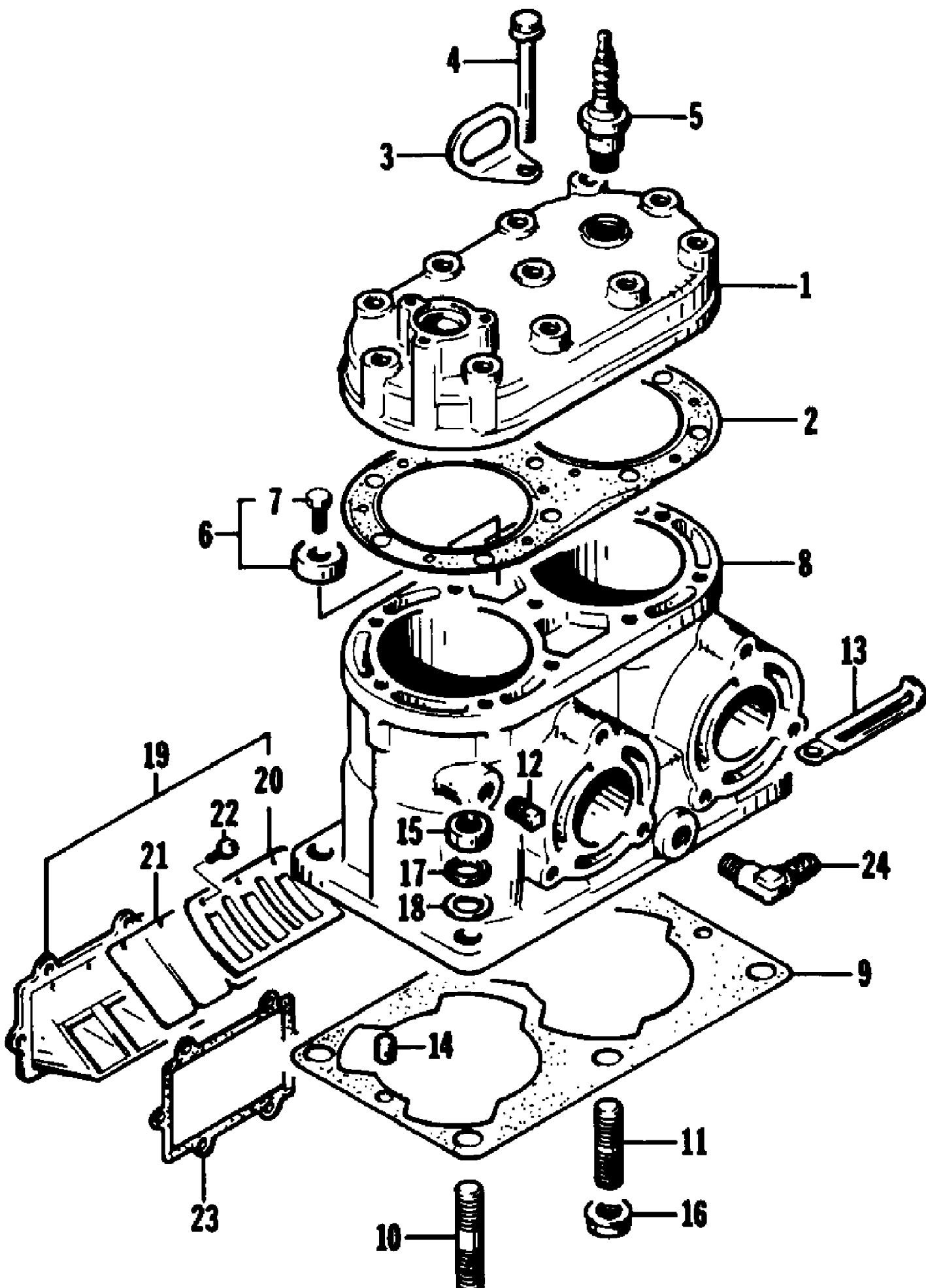
Ref #	Part Number	Qty	S/P/F	Description
1	3008-176	1		Crankcase Assembly (inc. 2-5)
2	3008-210	4	/P	. Bolt
3	3008-211	2	S	. Bolt
4	3008-212	8	/P	. Bolt
5	3008-199	2	/P	. Pin
6	3008-100	1		Bladder, Magneto Case
7	3008-105	2		Bushing, Pinion Shaft
8	3008-038	1		Clamp
9	3008-200	1	/P	Hose, Vacuum
10	3008-039	2		Clamp, Hose



1993 TIGERSHARK (0672-002-1993)
CRANKSHAFT

Page 8 of 46

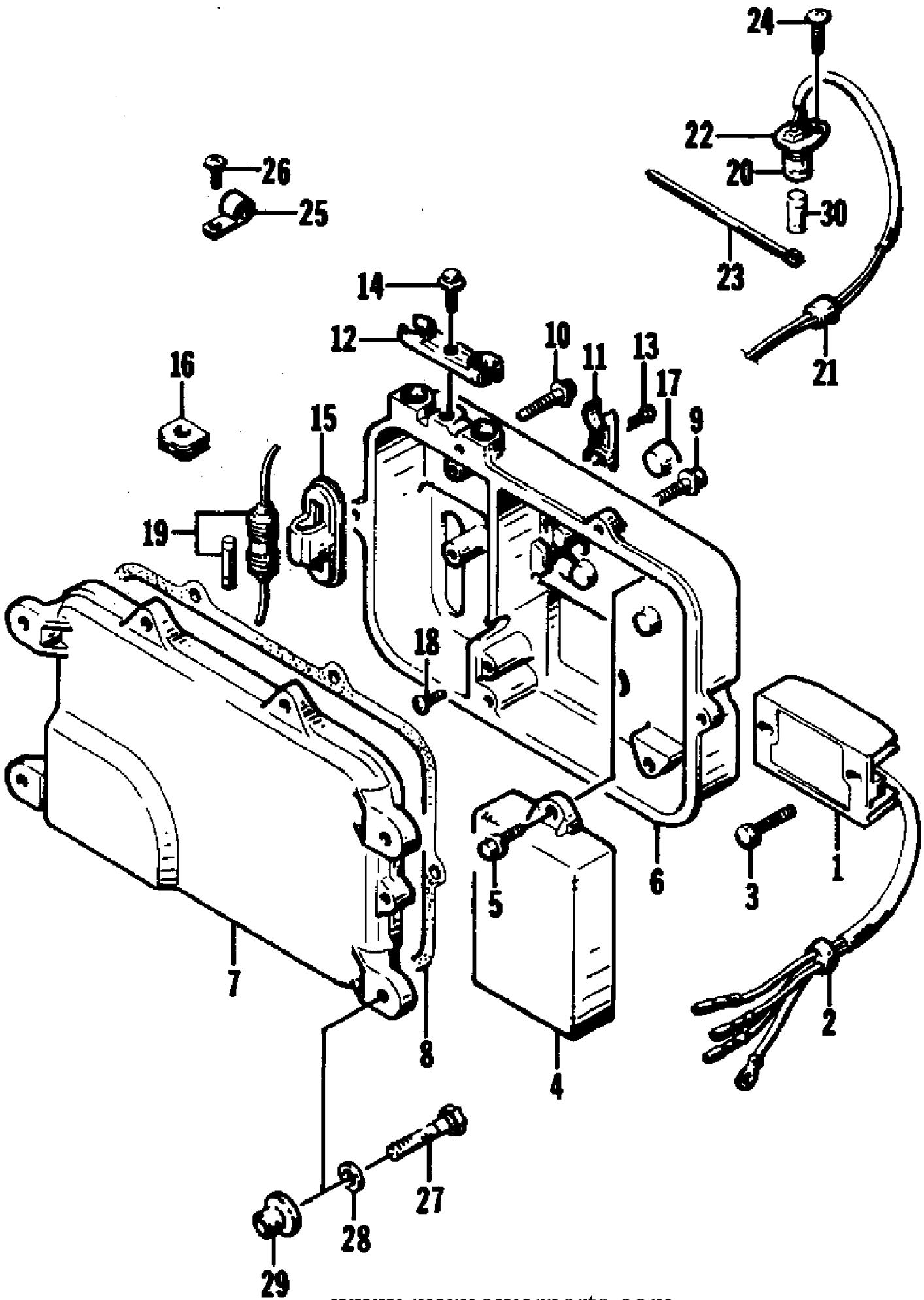
Ref #	Part Number	Qty	S/P/F	Description
1	3008-060	2		Piston, Standard
1	3008-181	2		Piston + .010", Optional
1	3008-182	2		Piston + .020", Optional
2	3008-143	2	/P	Ring Set, Standard
2	3008-183	2		Ring Set + .010", Optional
2	3008-184	2		Ring Set + .020", Optional
3	3003-338	2	S	Pin
4	3003-433	2	/P	Bearing
5	3003-439	4	/P	Snap Ring
6	3008-063	1	S	Crankshaft Assembly (inc. 7-20)
7	3008-062	2		. Connecting Rod
8	3008-064	1	S	. Crank Pin
9	3008-065	1		. Crankshaft, Right
10	3008-066	1		. Crankshaft, Center
11	3008-067	1		. Wheel
12	3008-068	1		. Crankshaft, Left
13	3008-069	1		. Balancer
14	3008-070	1		. Race, Center
15	3008-071	1	S	. Ring, Center
16	3008-019	1		. Washer
17	3008-027	1		. Bearing
18	3008-028	3	S	. Bearing
19	3008-029	2		. Bearing
20	3004-372	3	S	. Screw
21	3008-072	1		Spacer, Crankshaft
22	3008-031	1		Seal, Oil - Right
23	3008-032	1		Seal, Oil - Left
24	3008-033	1		Seal, Oil - Center
25	3003-216	1		C-Ring



1993 TIGERSHARK (0672-002-1993)
CYLINDER

Page 10 of 46

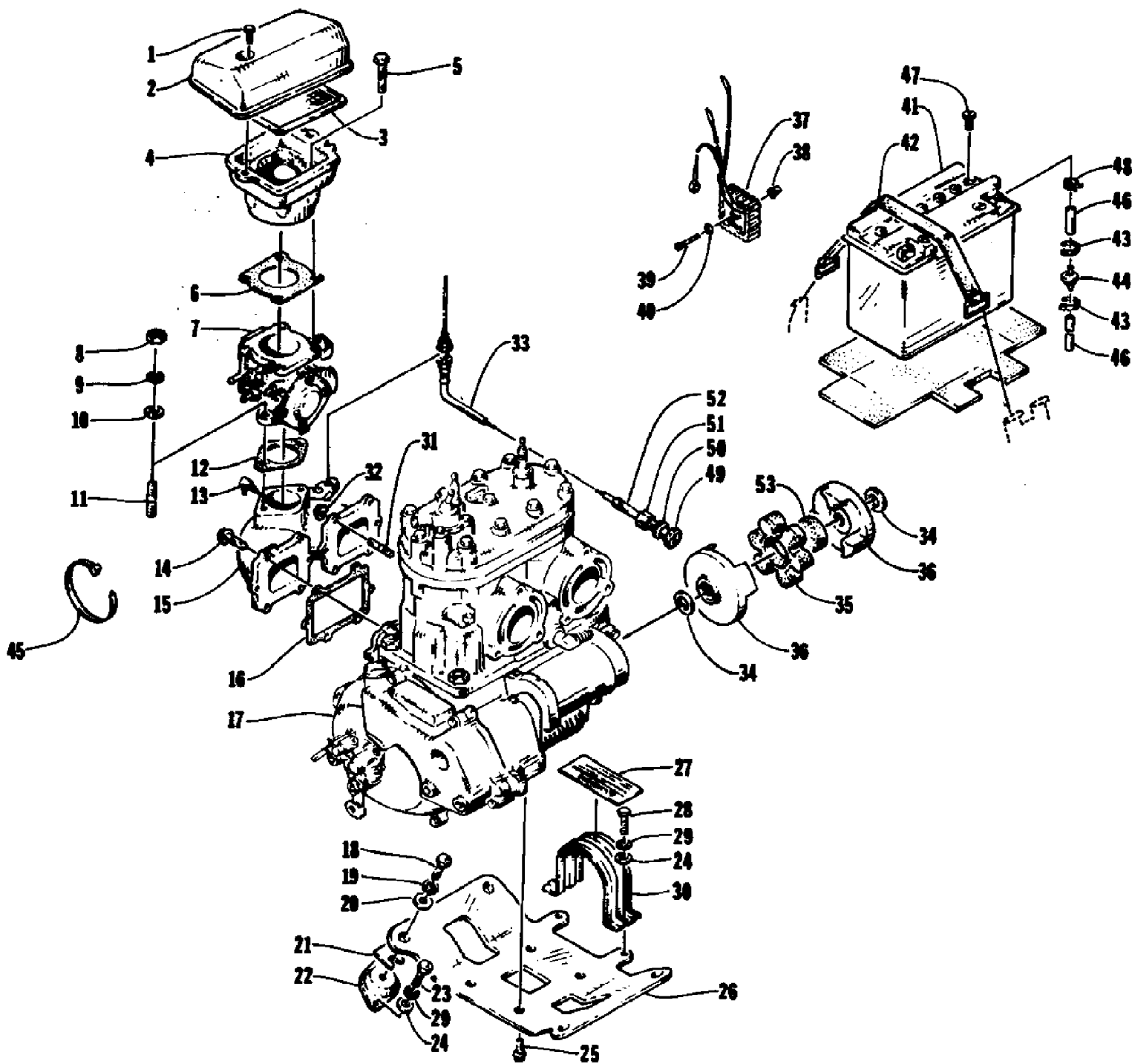
Ref #	Part Number	Qty	S/P/F	Description
1	3008-046	1		Head, Cylinder
2	3008-174	1	S	Gasket, Cylinder Head
3	3008-059	1		Hook
4	3008-144	11	S	Bolt
5	0217-700	2		Spark Plug (BR9ES)
6	3008-047	1		Zinc Anode (inc. 7)
7	3008-013	1		. Bolt
8	3008-175	1	S	Cylinder
9	3008-050	1		Gasket, Cylinder
10	3008-005	5		Stud
11	3008-145	1	S	Stud
12	3008-024	1	S	Plug
13	3008-043	2	S	Clamp
14	3008-146	2		Pin
15	3008-209	5	/P	Nut
16	3008-208	1		Nut
17	3008-207	5	/P	Washer, Lock
18	3004-363	5	S	Washer
19	3008-073	2	S	Reed Valve Assembly (inc. 20-22)
20	3008-074	4		. Stopper, Reed Valve
21	3008-075	4		. Valve, Reed
22	3004-210	12		. Screw
23	3008-076	2	S	Gasket, Reed Valve
24	3008-092	1		Union
24	3008-142	1	F	Gasket Set, Engine (inc. 2, 9, 23)



1993 TIGERSHARK (0672-002-1993)
ELECTRICAL

Page 12 of 46

Ref #	Part Number	Qty	S/P/F	Description
1	3008-120	1		Regulator Assembly (inc. 2)
2	3008-112	1		. Grommet
3	3008-008	2		Bolt
4	3008-178	1		Unit, CDI
5	3008-218	2		Bolt
6	3008-122	1		Case
7	3008-123	1		Cover
8	3008-127	1		Gasket
9	3008-008	5		Bolt
10	3008-007	1		Bolt
11	3008-124	3		Holder
12	3008-125	1		Holder
13	3008-010	6	/P	Screw
14	3008-169	1		Bolt
15	3008-139	1		Holder
16	3008-034	1		Grommet
17	3008-116	1	S	Grommet
18	3008-217	2		Screw
19	3008-180	1		Case, Fuse
19	0630-024	1		Fuse, 15 amp.
20	3008-133	1	S	Heat Sensor Assembly (inc. 21, 22)
21	3008-113	1		. Grommet
22	3008-134	1		. Retainer, Sensor - Heat
23	3003-787	2		Tie, Cable
24	3008-219	2		Screw
25	3008-040	1		Clamp
26	3008-006	1		Bolt
27	0624-052	4		Bolt
28	0624-036	4		Washer
29	0624-082	4		Nut, Well
30	0630-023	1		Fuse, 3 amp.



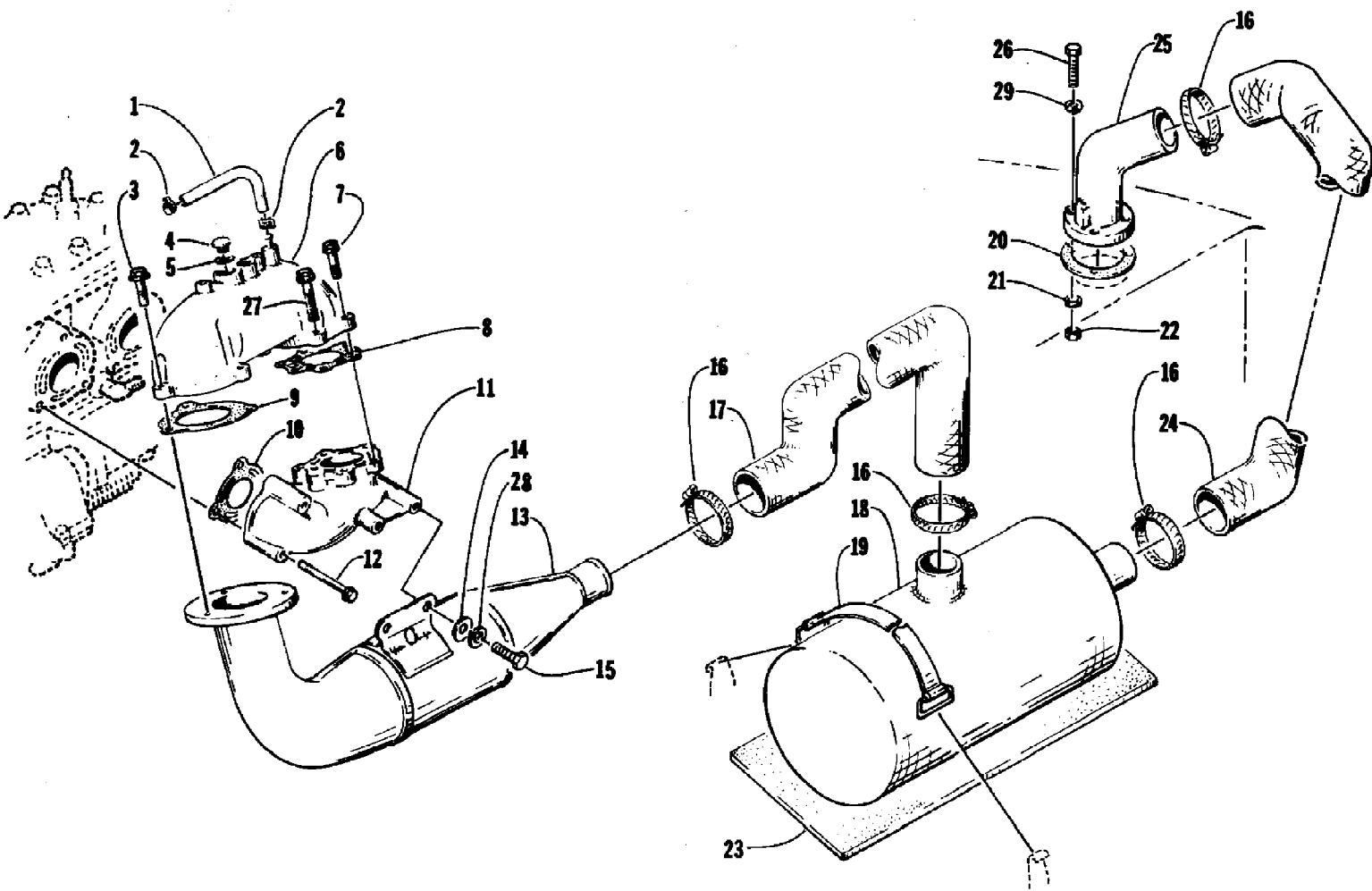
1993 TIGERSHARK (0672-002-1993)
ENGINE AND RELATED PARTS

Page 14 of 46

Ref #	Part Number	Qty	S/P/F	Description
1	0624-046	2		Screw, Cap
2	3008-177	1		Cover, Spark Arrestor
3	3008-197	1	S	Screen, Spark Arrestor
4	0673-044	1		Spark Arrestor, Lower
5	0624-053	4	/P	Screw, Cap
6	0673-058	1		Gasket, Spark Arrestor
7	0670-325	1		Carburetor
8	0624-061	2		Nut, Jam
9	0624-027	2		Washer, Lock
10	0624-028	2		Washer
11	0624-051	2		Stud
12	0673-057	1		Gasket, Intake
13	3008-087	1	S	Valve, Check
14	3008-153	8	S	Screw, Cap
15	0673-039	1		Manifold, Intake
16	3008-076	2	S	Gasket, Reed Valve
17	0662-094	1		Engine (inc. 1-16, 25-32, 34-36)
18	3008-188	4		Screw, Cap
19	3008-021	4		Washer, Lock
20	3008-016	4		Washer
21	3008-056	0	S	Shim, 0.5 mm
21	3008-057	0	S	Shim, 1.5 mm
22	3008-054	4		Mount, Motor - 34.0106 mm
22	0773-044	4		Mount, Motor - 30.2006 mm
22	0773-058	4		Mount, Motor - 32.1056 mm
23	3008-155	8		Bolt
24	3008-015	10		Washer
25	3008-198	4	S	Bolt, Engine Plate
26	3008-055	1	S	Plate, Engine Mount
27	1611-608	1		Decal, Warning
28	3008-001	2		Screw, Cap
29	0624-012	10		Washer, Lock
30	0773-054	1	S	Guard, Coupler
31	3008-156	4	S	Stud
32	3008-158	4	/P	Nut
33	0687-043	1		Cable, Choke
34	3008-018	2		Washer
35	3008-091	1	S	Damper, Engine
36	3008-090	2	/P	Coupler, Engine
37	0630-022	1		Module, Bilge Pump
38	0624-082	1		Nut, Well
39	0624-056	1		Screw, Cap
40	0624-022	1		Washer
41	0645-157	1		Battery (inc. 46-48)
42	0673-016	2		Strap, Battery
43	0123-811	2		Tie, Cable
44	0670-295	1		Valve, Check w/Filter
45	3003-787	0		Tie, Cable
46	0645-179	1	S	Hose, Battery Vent
47	0645-046	6		Cap, Battery
48	0645-152	1		Clamp, Hose - Battery
49	0687-049	1	S	Knob, Choke
50	0687-050	1		Knob, Choke

1993 TIGERSHARK (0672-002-1993)
ENGINE AND RELATED PARTS

Ref #	Part Number	Qty	S/P/F	Description
51	0687-051	1	/P	Nut
52	0687-052	1	/P	Cover, Boot
53	0673-146	1		Insert, Damper

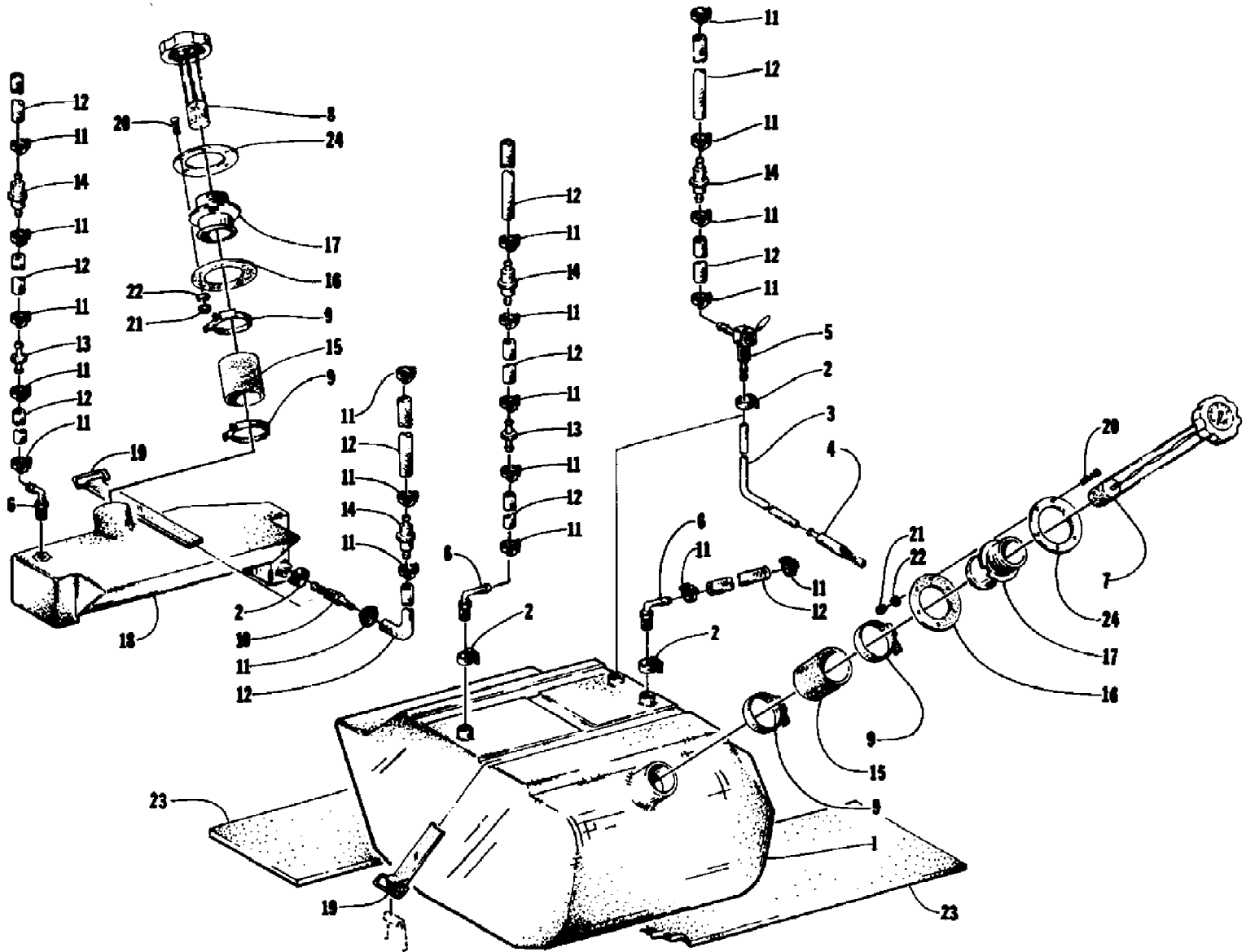


1993 TIGERSHARK (0672-002-1993)
EXHAUST ASSEMBLY

Page 17 of 46

Ref #	Part Number	Qty	S/P/F	Description
1	3008-036	1	S	Hose, By-Pass
2	3008-039	2		Clamp
3	3008-004	3	S	Bolt
4	3008-025	1		Plug
5	3008-022	1		Gasket
6	3008-171	1		Pipe, Exhaust
7	3008-159	3	S	Bolt
8	3008-081	1	S	Gasket, Exhaust Pipe
9	3008-082	1	S	Gasket, Exhaust Joint
10	3008-080	2	S	Gasket, Exhaust Manifold
11	3008-172	1	S	Manifold, Exhaust
12	3008-151	6	S	Bolt
13	3008-173	1	S	Muffler
14	3008-189	2		Washer
15	3008-188	2		Bolt
16	0624-038	4		Clamp, Hose
17	0610-091	1		Hose, Exhaust
18	0712-072	1		Muffler
19	0673-016	2		Tiedown, Muffler
20	0612-283	1		Seal, Outlet Exhaust
21	0624-004	4		Washer
22	0624-005	4	/P	Nut, Lock
23	0673-089	1		Pad, Muffler
24	0610-124	1		Hose, Exhaust
25	0673-040	1		Outlet, Exhaust
26	0624-102	4		Screw, Cap
27	3008-201	2		Bolt
28	3008-021	2		Washer, Lock
29	0624-012	4		Washer, Lock

1993 TIGERSHARK (0672-002-1993)
GAS AND OIL TANK ASSEMBLY

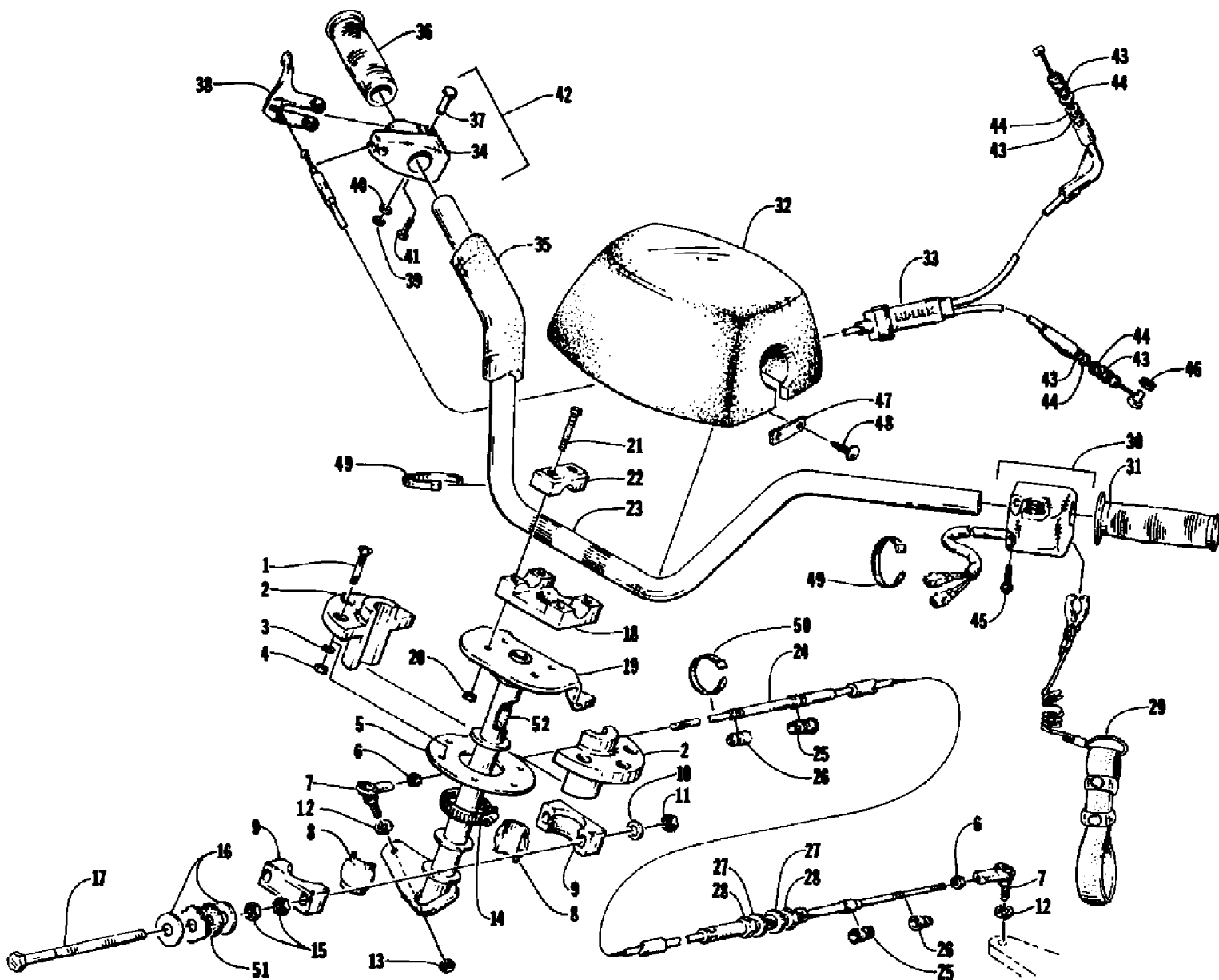


1993 TIGERSHARK (0672-002-1993)
GAS AND OIL TANK ASSEMBLY

Page 19 of 46

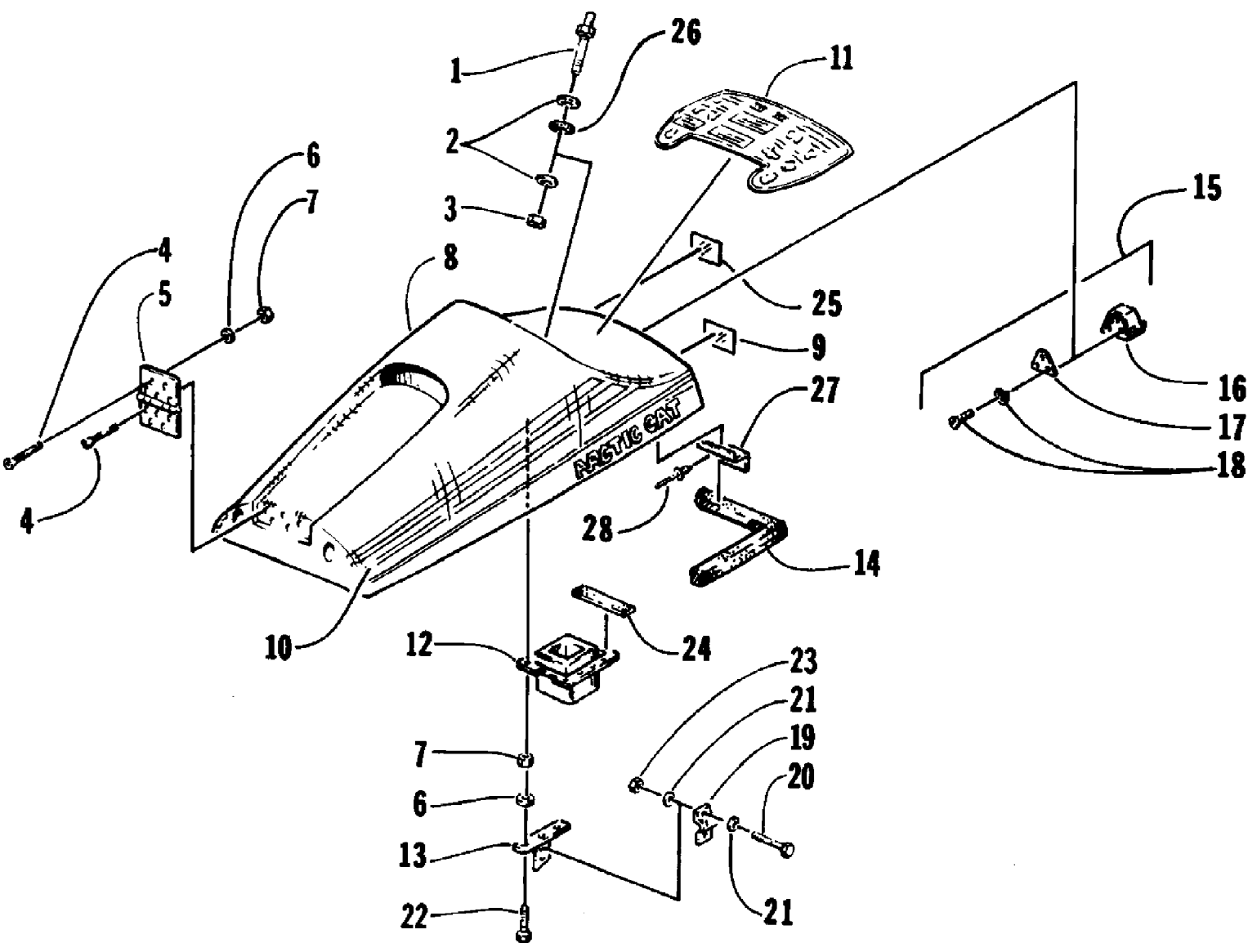
Ref #	Part Number	Qty	S/P/F	Description
1	0770-094	1	/P	Tank, Gas (inc. 2-6)
2	0624-016	4		. Clamp
3	0610-017	0	/P	. Hose, Gasline - 100'
3	0610-008	0	/P	. Hose, Gasline - 25'
4	0510-358	1	/P	. Strainer, Gas Tank
5	0670-125	1		. Valve
6	0115-607	3	S	. Fitting
7	0670-286	1	S	Cap, Gas w/Gauge
8	0670-287	1	/P	Cap, Oil w/Gauge
9	0624-037	4		Clamp, Hose
10	0670-042	1	/P	Outlet, Tank
11	0624-120	20		Clamp, Hose
12	0610-107	0		Hose - 25'
12	0610-117	0		Hose - 100'
13	0610-121	2		Valve, Check
14	0510-335	4	/P	Filter, Fuel
15	0610-096	2	S	Hose
16	0670-271	2		Seal
17	0670-270	2		Neck, Filler
18	0670-268	1		Tank, Oil
19	0673-014	4	S	Tie Down
20	0624-031	12		Screw
21	0624-005	12	/P	Nut
22	0624-004	12		Washer
23	0673-090	2	S	Pad, Gas Tank
24	0670-304	2		Ring

1993 TIGERSHARK (0672-002-1993)
HANDLEBAR AND STEERING POST ASSEMBLY



1993 TIGERSHARK (0672-002-1993)
HANDLEBAR AND STEERING POST ASSEMBLY

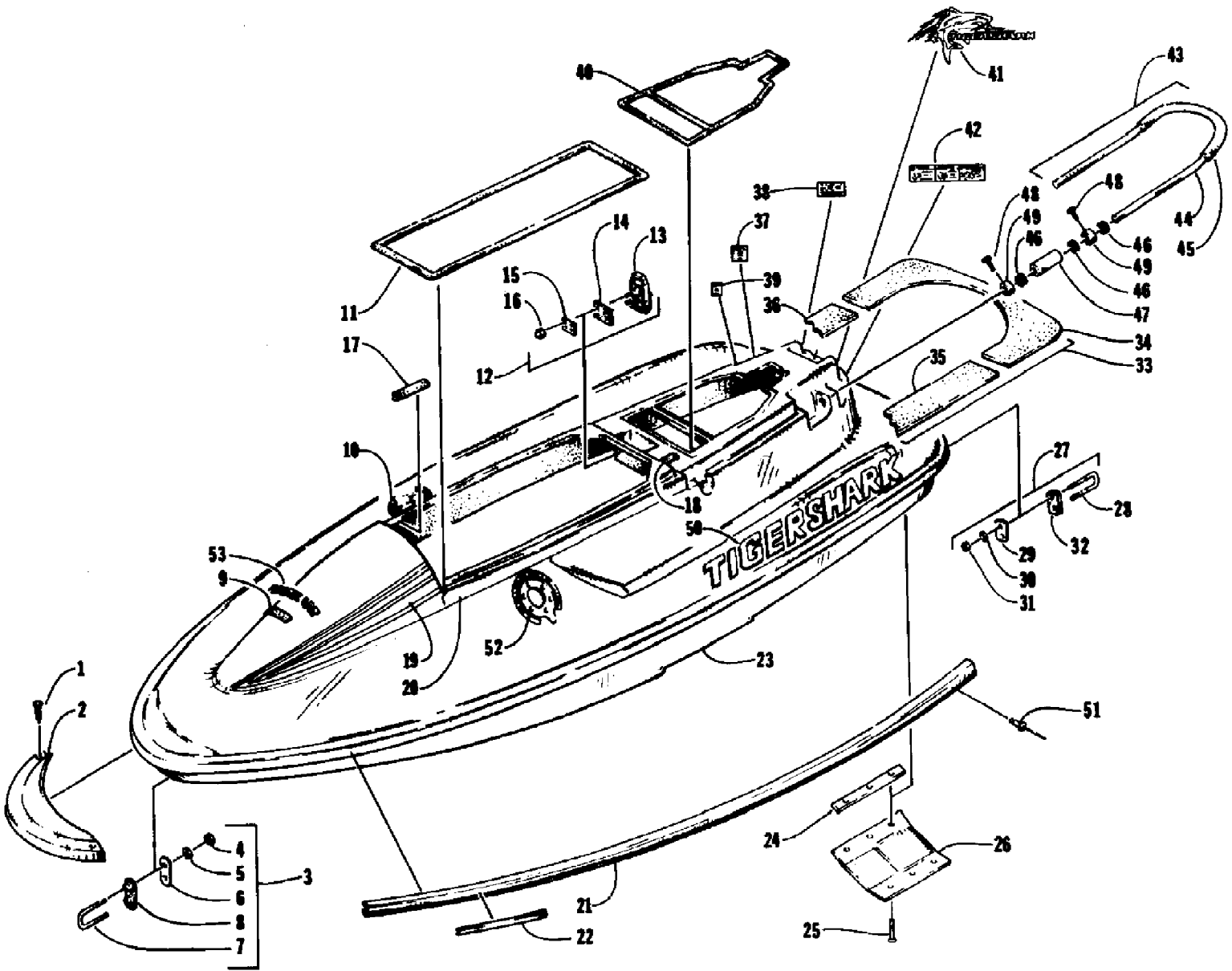
Ref #	Part Number	Qty	S/P/F	Description
1	0624-081	6		Screw, Machine
2	0673-122	2		Bearing, Half - Steering Post
3	0624-022	6		Washer
4	0624-021	10		Nut, Lock
5	0673-056	1		Seal
6	0624-107	2		Nut, Jam
7	0673-028	2		End, Steering Cable
8	0605-149	2		Bearing, Half - Steering Post
9	0705-064	2	/P	Housing, Bearing
10	0624-028	2		Washer
11	0624-090	2		Nut, Lock
12	0624-115	2		Washer, Lock
13	0624-114	1		Nut, Lock
14	0624-038	1		Clamp
15	0624-016	4		Nut, Jam
16	0624-125	4	/P	Washer
17	0624-133	2		Screw, Cap
18	0773-015	1		Block, Adjuster
19	0773-023	1	/P	Post, Steering
20	0624-021	4		Nut, Lock
21	0624-056	4		Screw, Cap
22	0105-350	2		Cap, Steering Adjuster
23	0673-129	1	/P	Handlebar
24	0673-004	1	/P	Cable, Steering
25	0612-363	2		Seal, Rod
26	0612-364	2		Seal, Steering Cable
27	0624-106	2		Washer
28	0624-105	2		Nut, Jam
29	0609-176	1	S	Tether Strap
30	0609-167	1		Tether Switch Assembly (inc. 29, 45)
31	0673-101	1		Grip, Handlebar - Left
32	0605-237	1	/P	Pad, Handlebar
33	0687-047	1	/P	Cable, Throttle
34	0605-235	1		Housing, Throttle
35	0673-081	2		Wrap, Foam
36	0673-021	1		Grip, Handlebar - Right
37	0605-236	1		Pin
38	0605-234	1		Lever, Throttle
39	0624-113	1		C-Clip
40	0624-099	1		Washer
41	0624-091	1		Screw, Machine
42	0773-018	1		Throttle Assembly (inc. 34, 37-41)
43	0624-146	4		Nut
44	0624-147	4		Washer
45	0624-148	2		Screw
46	0624-104	1		C-Clip
47	0673-160	2		Plate, Backing
48	0623-453	4		Clip, Retaining
49	0123-788	2	/P	Tie, Cable - 7"
50	0123-811	1		Tie, Cable - 4"
51	0673-176	1		Seal, Steering Post
52	0707-152	0		Foam, Neoprene Tape



1993 TIGERSHARK (0672-002-1993)
HOOD ASSEMBLY

Page 23 of 46

Ref #	Part Number	Qty	S/P/F	Description
1	0624-086	1		Stud, Steering Stop
2	0624-013	2		Washer
3	0624-009	1		Nut, Lock - Thin
4	0624-079	10		Screw, Machine
5	0624-039	1		Hinge, Hood
6	0624-022	14		Washer
7	0624-021	14		Nut, Lock
8	0773-059	1	/P	Hood Assembly (inc. 9-13)
9	1611-820	1		. Decal, Warning
10	1611-590	1		. Decal, Hood - Right
10	1611-591	1		. Decal, Hood - Left
11	1611-603	1		. Decal, Dash
12	0673-142	1		. Duct, Intake
13	0773-045	1		. Bracket
14	0673-170	1		Seal, Hood - Foam
15	0624-101	1	/P	Latch, Hood Assembly - Hood
	0624-140	1	S	. Latch, Hood
	0624-144	1		. Seal
	0624-143	1		. Plate, Support
16	0624-141	1		. Latch, Hood
17	0624-142	1		. Plate, Support
18	0624-168	3		. Screw, Machine w/Washer
19	0624-041	1		Clamp
20	0624-092	2		Screw, Cap
21	0624-099	4		Washer
22	0624-053	3	/P	Screw, Cap
23	0624-005	2	/P	Nut, Lock
24	0717-052	0	/P	Foam, Neoprene Tape
25	1611-866	1		Decal, Warning - Gas Vapors
26	0623-391	1		Washer, Rubber
27	0673-163	1		Plate, Angled
28	0624-074	2		Rivet



1993 TIGERSHARK (0672-002-1993)
HULL AND DECK ASSEMBLY

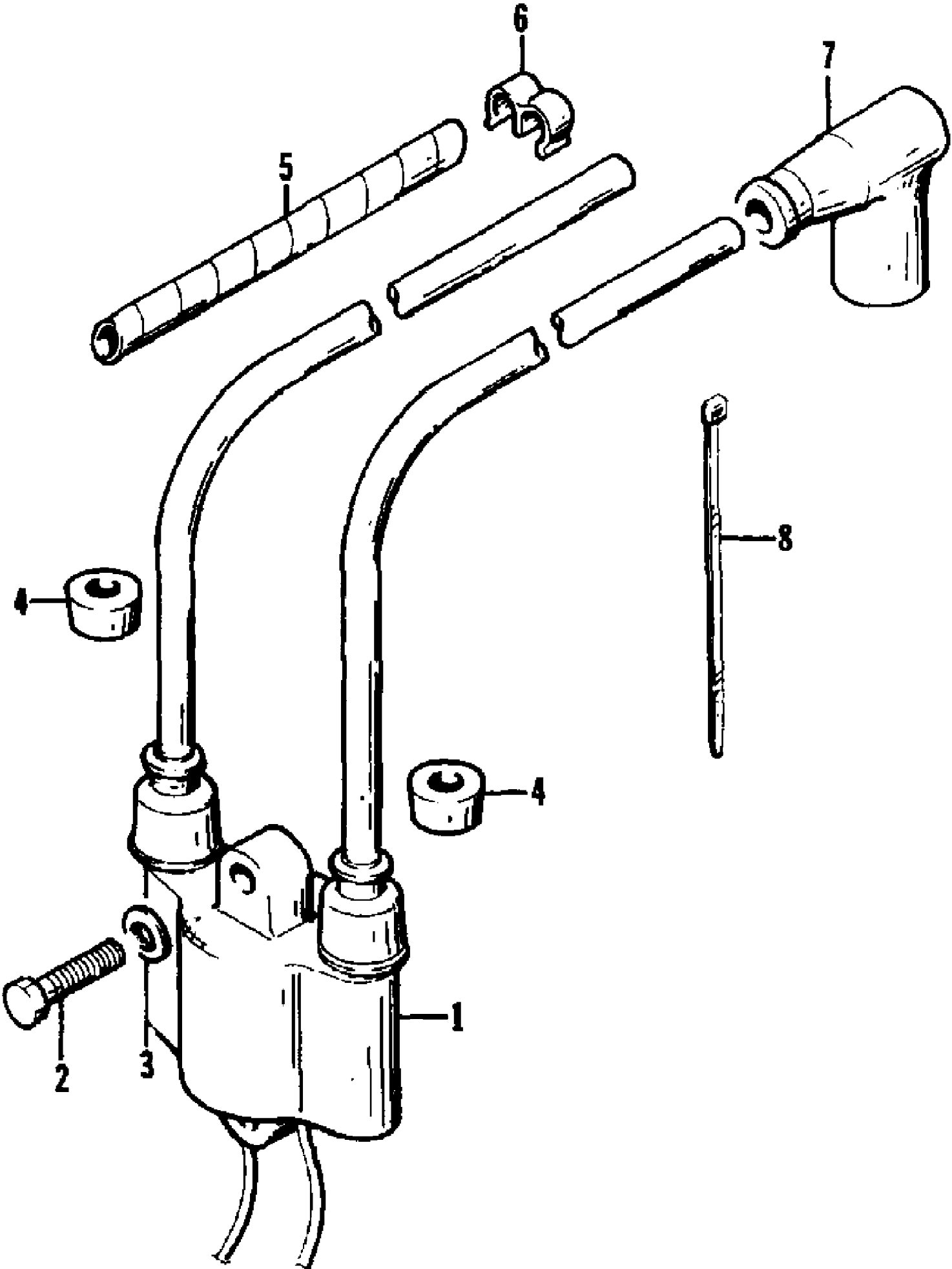
Page 25 of 46

Ref #	Part Number	Qty	S/P/F	Description
1	0623-453	2		Clip, Retainer
2	0673-111	1		Nosecone
3	0624-002	1		Eye Hook Assembly (inc. 4, 8)
4	0624-149	2		. Nut
5	0624-027	2		. Washer, Lock
6	0624-150	1		. Plate, Support
7	0624-151	1		. Hook, Eye
8	0624-165	1		. Gasket, Rubber - 1 «"
9	0673-143	1		Pad, Hood
10	1611-605	1		Decal, Warning - Oil
11	0673-102	1		Seal, Hood
12	0624-101	1	/P	Latch, Hood Assembly -Hull
	0624-141	1		. Latch, Hood
	0624-142	1		. Plate Support
	0624-168	3		. Screw, Machine w/Washer
13	0624-140	1	S	. Latch, Hood
14	0624-144	1		. Seal
15	0624-143	1		. Plate, Support
16	0624-139	4		. Nut, Crown
17	0673-174	1		Trim, Edge - 2.50"
17	0673-175	1		Trim, Edge - 1.50"
18	0673-172	9		Bumper, Hood
19	1611-592	1		Decal, Deck Front - Right
19	1611-593	1		Decal, Deck Front - Left
20	1611-594	1		Decal, Deck - Right
20	1611-595	1		Decal, Deck - Left
21	0673-147	1		Trim, Edge - Side
22	0673-148	1	S	Insert, Trim
23	0773-047	1		Hull/Deck Assembly
24	0673-006	2		Plate, Nut
25	0624-079	6		Screw, Machine
26	0673-113	1		Plate, Ride
27	0624-001	2	/P	Eye Hook Assembly (inc. 28-32)
28	0624-153	2	S	. Hook, Eye
29	0624-152	2		. Plate, Support
30	0624-036	4		. Washer, Lock
31	0624-057	4		. Nut
32	0624-166	2		. Gasket, Rubber - 1"
33	0773-052	1		Pad, Foot - Deck Assembly (inc. 34-36)
34	0673-078	1		. Pad, Foot - Rear
35	0673-077	1		. Pad, Foot - Left
36	0673-076	1		. Pad, Foot - Right
37	1611-808	1		Decal, USCG Exemption
38	1611-609	1		Decal, Caution - Hull
39	1611-607	1		Decal, Fire Extinguisher
40	0673-103	1		Seal
41	1611-587	1		Decal, "Tigershark"
42	1611-610	1		Decal, Warning
43	0773-025	1	/P	Handle, Grab - Assembly (inc. 44, 45)
44	0673-020	1	S	. Tube, Grab Handle
45	0673-068	1		. Wrap, Grab Handle - Rear
46	0624-124	6		Grommet
47	0673-067	1		Wrap, Grab Handle

1993 TIGERSHARK (0672-002-1993)
HULL AND DECK ASSEMBLY

Page 26 of 46

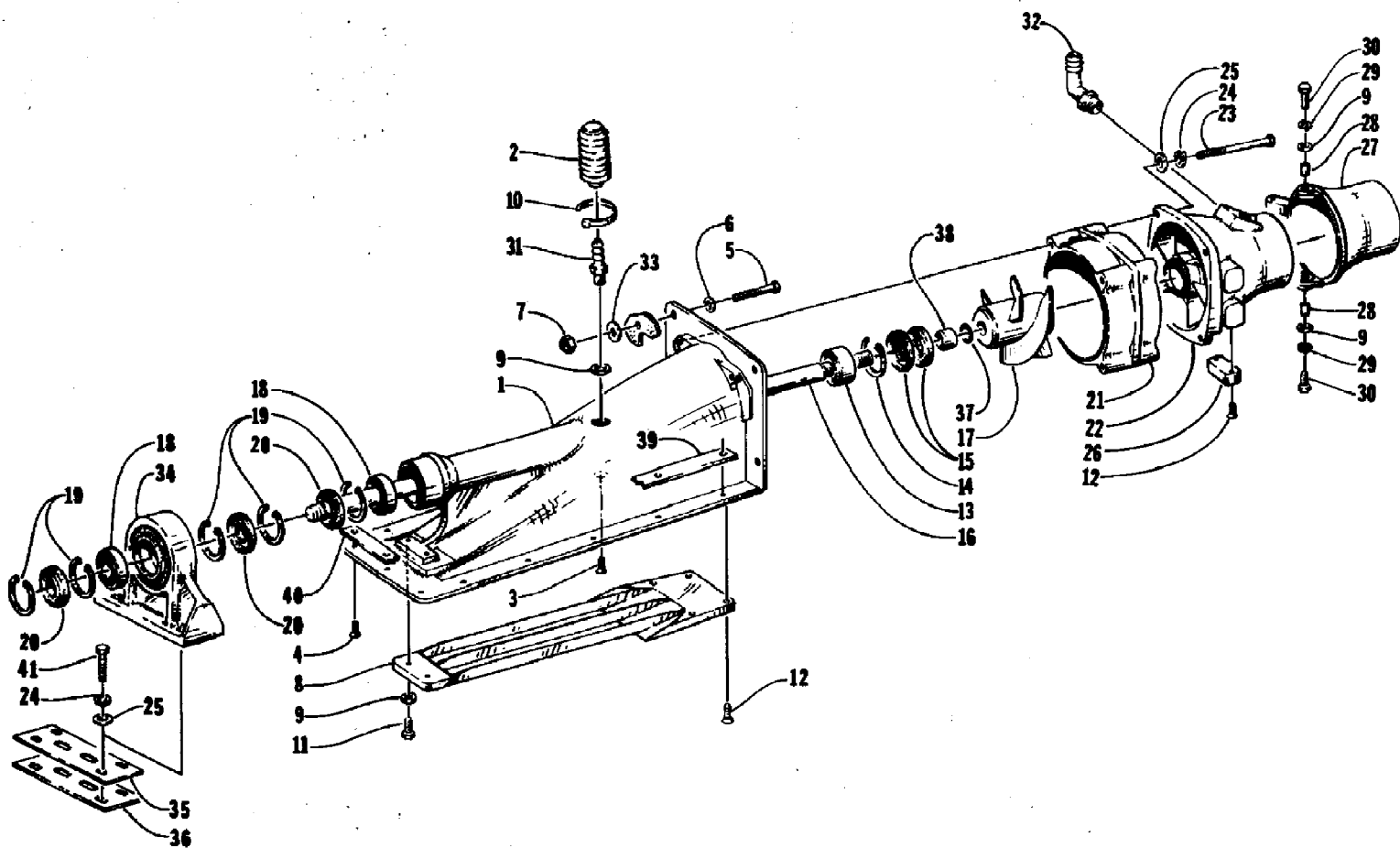
Ref #	Part Number	Qty	S/P/F	Description
48	0624-046	4		Screw, Cap
49	0673-082	4		Collar, Lock
50	1611-586	2		Decal, "Tigershark"
51	0624-030	54		Rivet
52	1611-604	1		Decal, Warning - Fuel
53	1611-585	1		Decal, "Arctic Cat"



1993 TIGERSHARK (0672-002-1993)
IGNITION COIL

Page 28 of 46

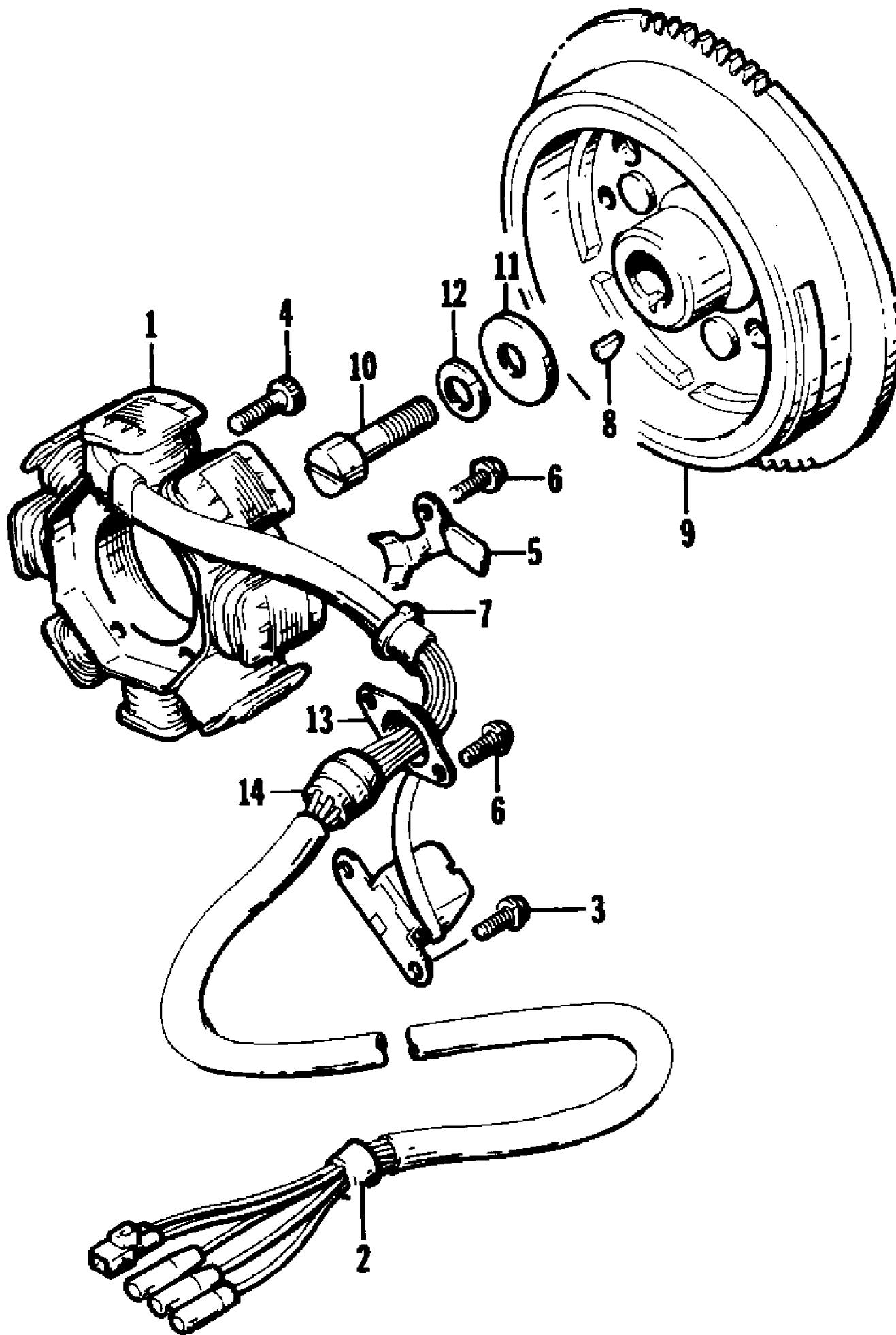
Ref #	Part Number	Qty	S/P/F	Description
1	3008-170	1	S	Coil Assembly, Ignition
2	3008-220	2		Bolt
3	3003-023	2	/P	Washer
4	3008-114	2		Grommet
5	3008-129	2	/P	Protector, Lead Wire
6	3008-045	1		Clip
7	3003-737	2	S	Cap Assembly, Spark Plug
8	3003-787	2		Tie, Cable



1993 TIGERSHARK (0672-002-1993)
IMPELLER DRIVE ASSEMBLY

Page 30 of 46

Ref #	Part Number	Qty	S/P/F	Description
1	0673-125	1	S	Inlet, Pump
2	3008-100	1		Bladder, Case
3	0624-091	1		Screw, Machine
4	0624-079	13		Screw, Machine
5	0624-119	4		Screw, Cap
6	0624-008	4		Washer, Flat
7	0624-009	4		Nut, Lock - Thin
8	0673-034	1	S	Grate, Inlet
9	0624-106	5		Washer, Flat
10	0123-811	1		Tie, Cable
11	0624-112	2	/P	Screw, Cap
12	0624-078	6		Screw, Machine
13	0673-032	1	/P	Bearing
14	0624-044	1		Ring, Snap
15	0673-033	2		Seal
16	0673-041	1		Driveshaft
17	0773-102	1	S	Impeller (inc. 38, 39)
18	0673-030	2		Bearing
19	0624-043	5		Ring, Snap
20	0673-031	3		Seal
21	0673-126	1	/P	Ring, Wear
22	0673-124	1		Stator, Venturi
23	0624-045	4		Screw, Cap
24	0624-027	8		Washer, Lock
25	0624-028	8		Washer
26	0624-084	1		Anode, Zinc
27	0673-038	1		Nozzle
28	0673-083	2		Bushing
29	0624-036	2		Washer, Lock
30	0624-112	2	/P	Screw, Cap
31	0670-339	1		Fitting
32	0670-002	1		Fitting, Elbow
33	0624-116	4		Washer, Flat
34	0673-156	1		Block, Pillow
35	0624-134	0		Shim, Pillow Block - 1.5 mm
36	0624-135	0		Shim, Pillow Block - 0.5 mm
37	0673-258	1		O-Ring - Impeller
38	0673-256	1		Spacer - Impeller
39	0673-008	2		Plate, Nut - 18"
40	0673-009	1		Plate, Nut - 8"
41	0624-158	4		Screw, Cap

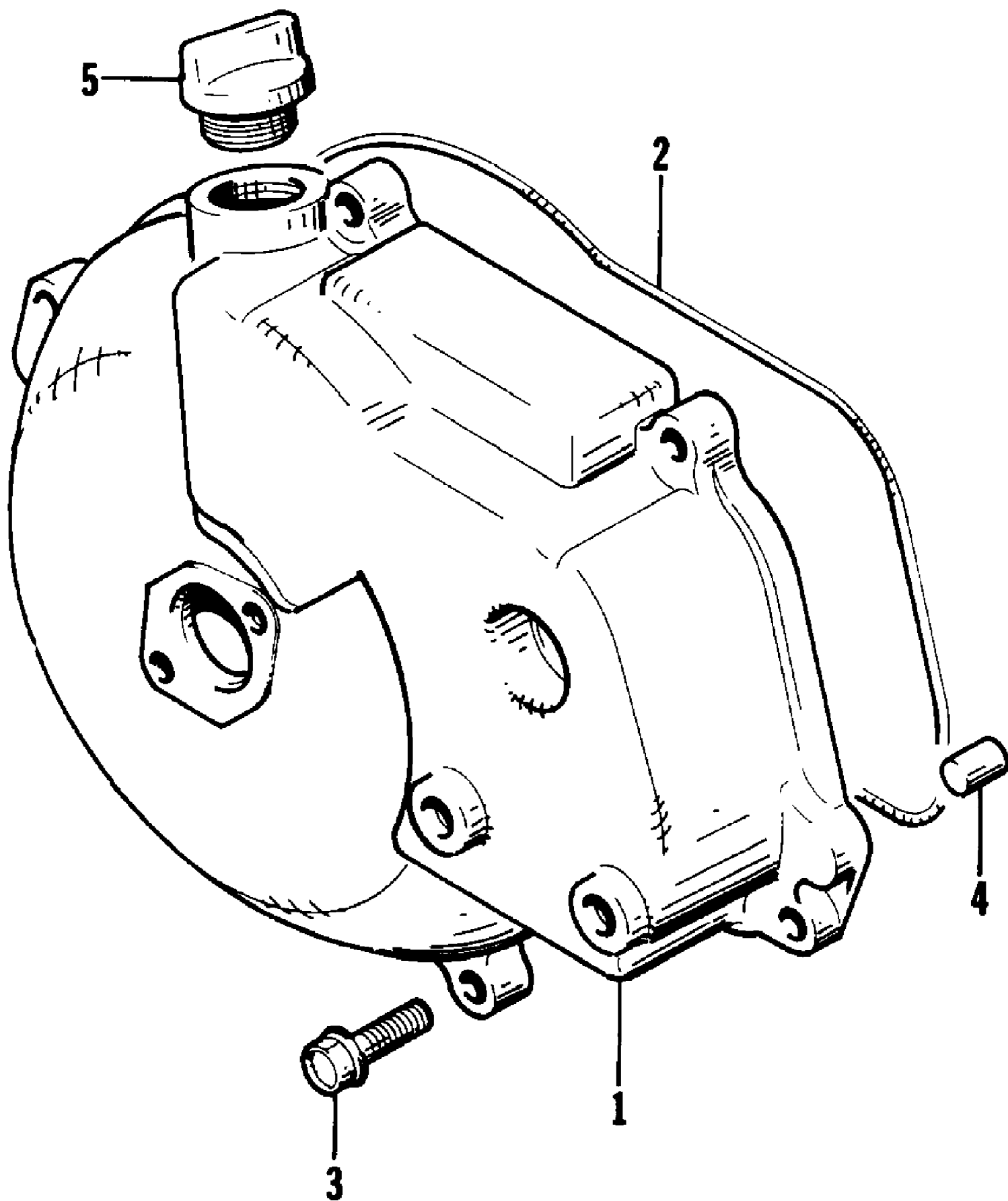


1993 TIGERSHARK (0672-002-1993)
MAGNETO

Page 32 of 46

Ref #	Part Number	Qty	S/P/F	Description
1	3008-107	1	S	Stator
2	3008-111	1		Grommet
3	3003-912	2		Screw
4	3008-166	3		Bolt
5	3008-109	1		Holder
6	3003-912	3		Screw
7	3003-787	1		Clamp
8	3002-018	1	S	Woodruff Key
9	3008-108	1	S	Flywheel
10	3008-119	1	S	Bolt
11	3008-017	1		Washer
12	3008-207	1	/P	Washer
13	3008-110	1		Holder
14	3008-118	1		Grommet

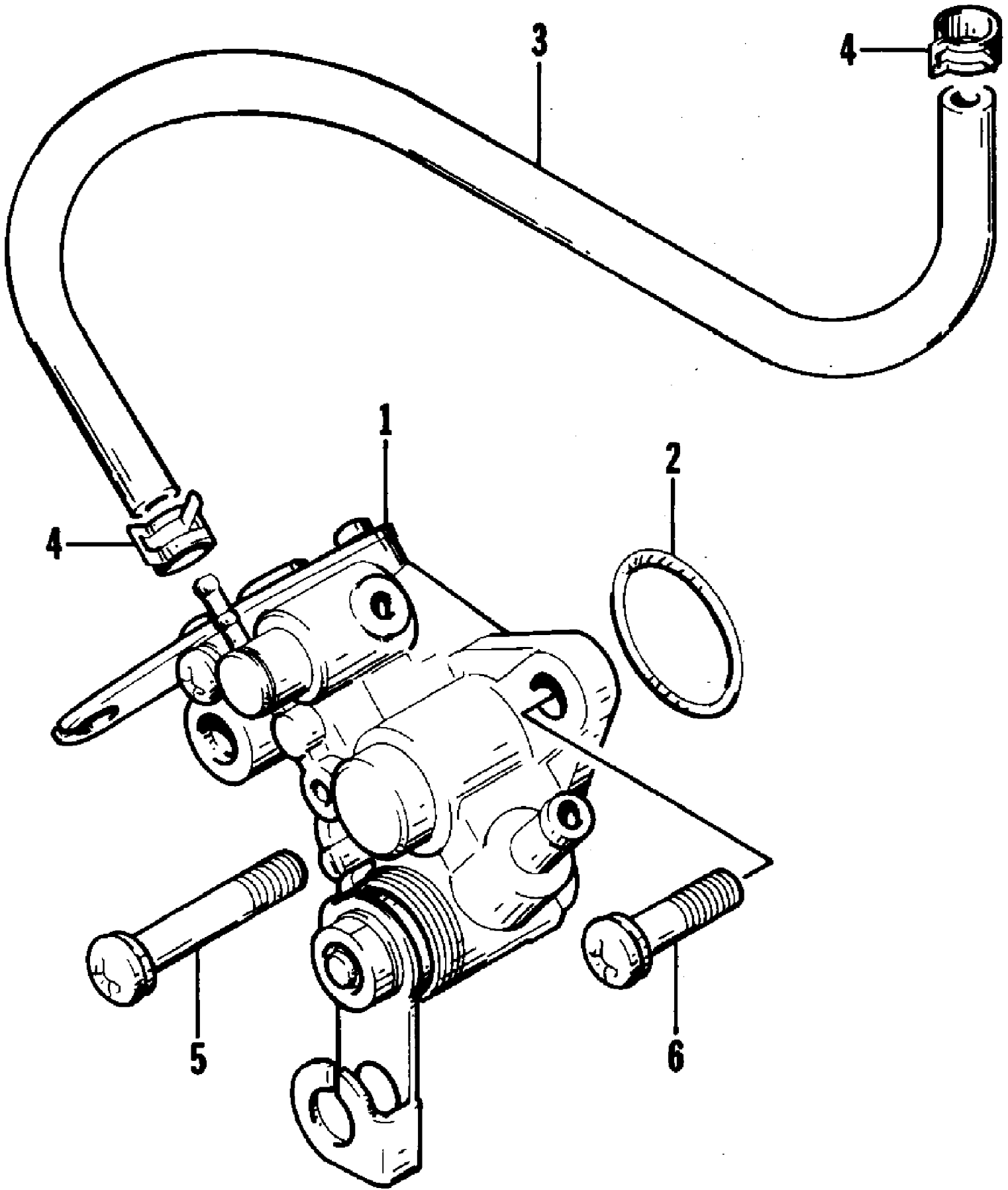
1993 TIGERSHARK (0672-002-1993)
MAGNETO CASE



1993 TIGERSHARK (0672-002-1993)
MAGNETO CASE

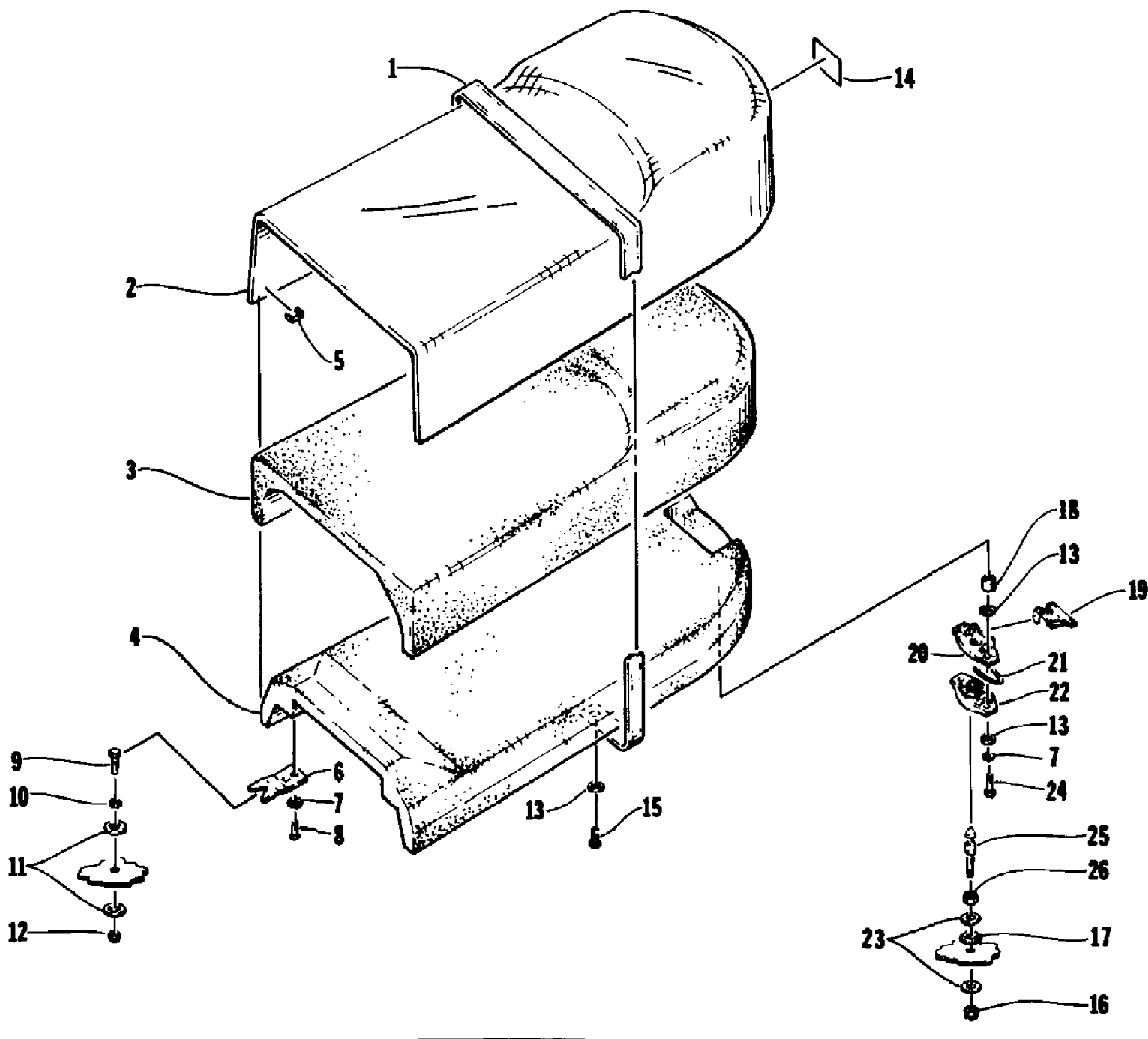
Ref #	Part Number	Qty	S/P/F	Description
1	3008-052	1	S	Case, Magneto
2	3008-053	1		O-Ring
3	3008-213	6	/P	Bolt
4	3008-146	2		Pin
5	3008-023	1		Plug

1993 TIGERSHARK (0672-002-1993)
OIL PUMP



1993 TIGERSHARK (0672-002-1993)
OIL PUMP

Ref #	Part Number	Qty	S/P/F	Description
1	3008-191	1	S	Oil Pump Assembly
2	3008-030	1		O-Ring
3	3008-035	1	/P	Hose
4	3008-037	2	/P	Clip
5	3008-162	1		Screw
6	3008-192	1		Screw

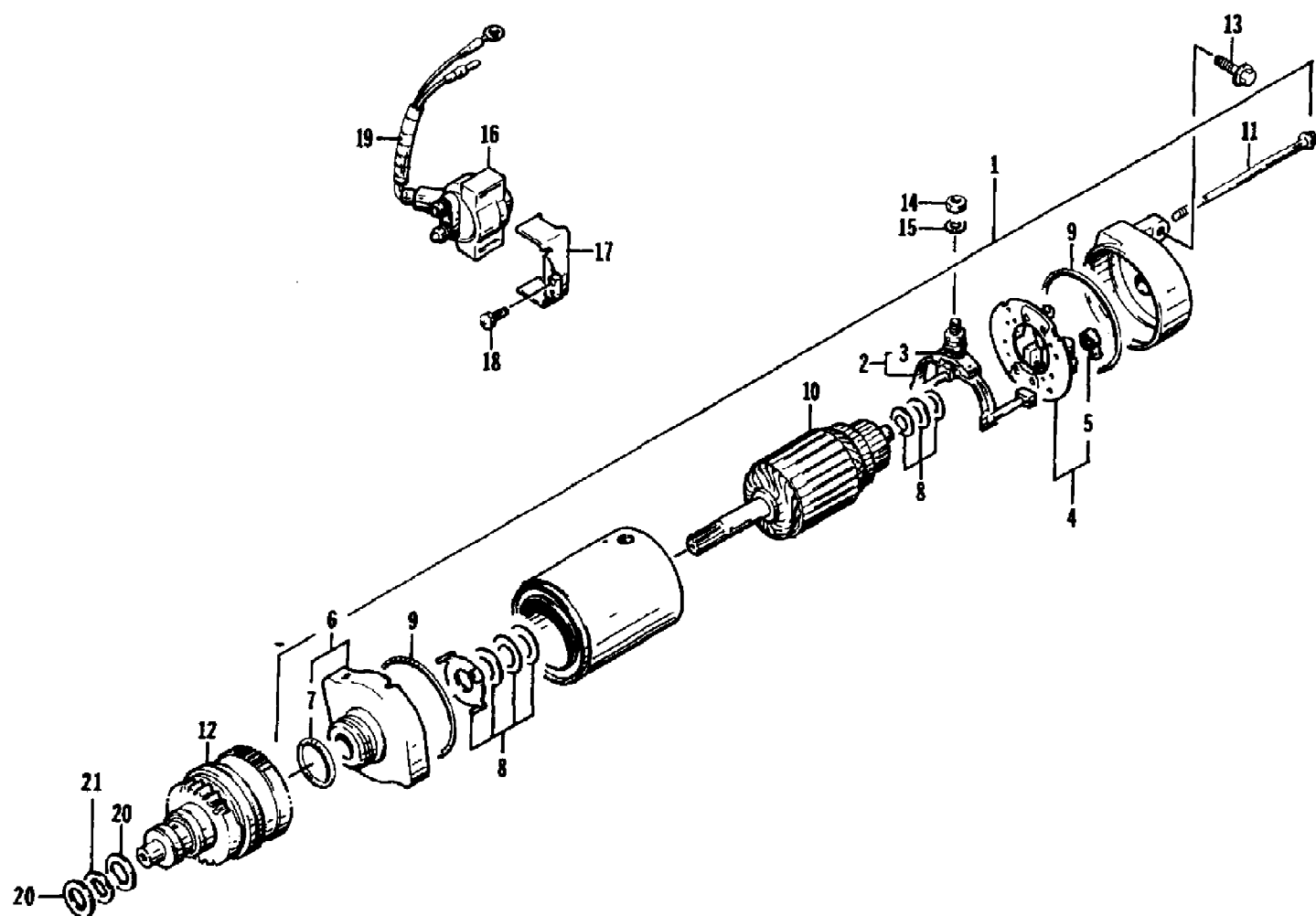


1993 TIGERSHARK (0672-002-1993)
SEAT ASSEMBLY

Page 38 of 46

Ref #	Part Number	Qty	S/P/F	Description
1	0673-110	1	S	Strap, Seat
2	0773-029	1		Cover, Seat (inc. 14)
3	0773-005	1		Foam, Seat
4	0673-107	1		Base, Seat
5	0624-263	0	F	Staple
6	0673-051	2		Hook, Seat Base
7	0624-036	6		Washer, Lock
8	0624-046	4		Screw, Cap
9	0624-087	2		Screw, Cap
10	0624-061	2		Nut, Jam
11	0624-125	4	/P	Washer
12	0624-090	2		Nut, Lock
13	0624-022	6		Washer
14	1611-687	1		Decal, Caution - Towing
15	0624-128	2		Screw, Cap
16	0624-009	1		Nut, Lock - Thin
17	0623-391	1		Washer, Rubber
18	0673-083	2		Bushing
19	0673-026	1		Lever, Release
20	0673-024	1	S	Cover, Latch Seat
21	0673-023	1		Clip, Retaining
22	0673-025	1		Back, Latch Seat
23	0624-013	2		Washer
24	0624-053	2	/P	Screw, Cap
25	0673-007	1		Stud
26	0624-047	1		Nut, Jam

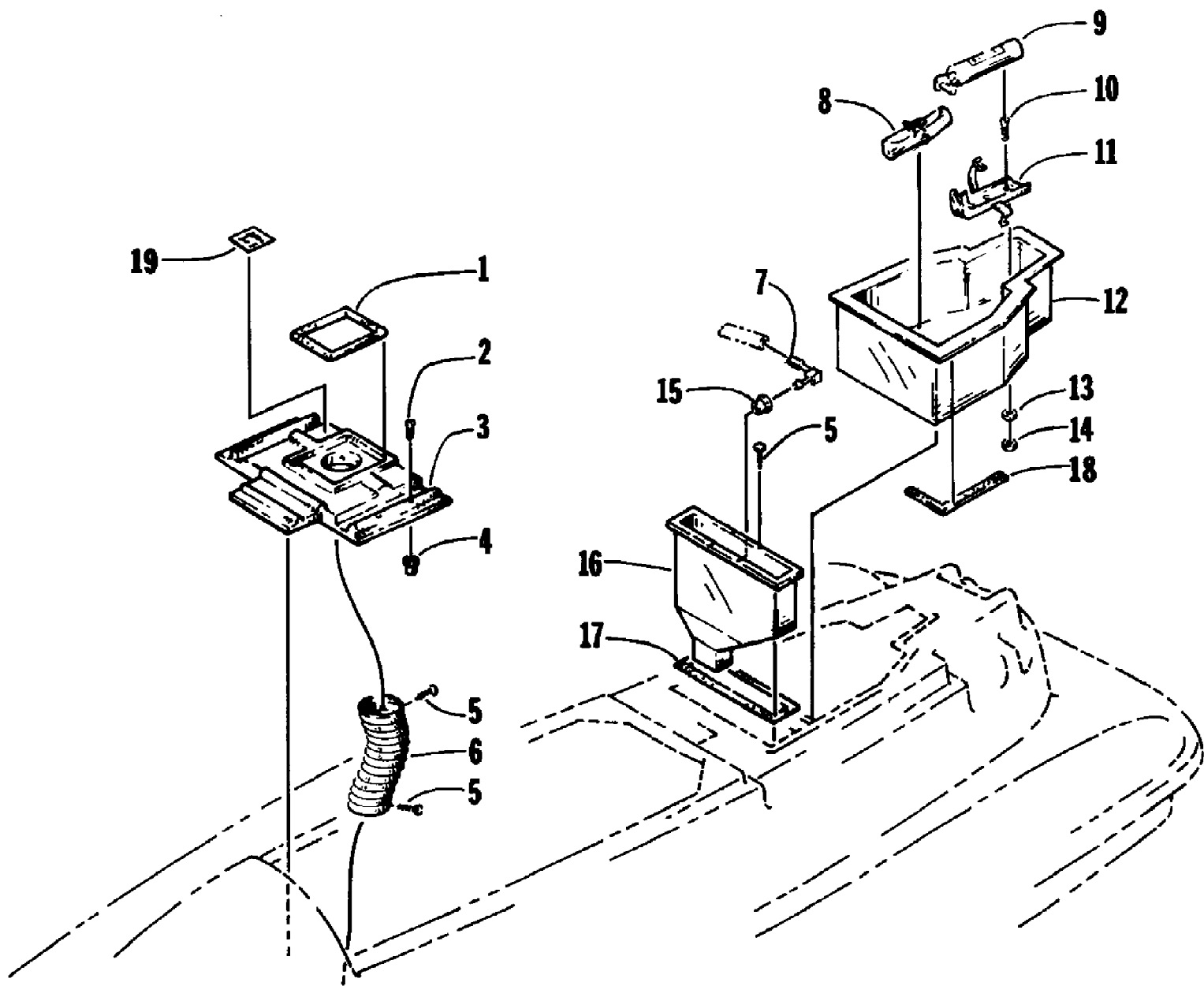
1993 TIGERSHARK (0672-002-1993)
STARTER MOTOR



1993 TIGERSHARK (0672-002-1993)
STARTER MOTOR

Page 40 of 46

Ref #	Part Number	Qty	S/P/F	Description
1	3008-093	1	S	Starter Motor Assembly (inc. 2-11)
2	3008-094	1	/P	. Terminal Set, Brush (inc. 3)
3	3008-164	1		.. O-Ring
4	3008-095	1	/P	. Holder Set, Brush (inc. 5)
5	3008-096	4		.. Spring, Brush
6	3008-097	1	S	. Front Bracket Assembly (inc. 7)
7	3008-098	1	S	.. O-Ring
8	3008-099	2		. Washer Set
9	3008-101	2	S	. O-Ring
10	3008-103	1		. Armature
11	3008-102	2		. Bolt
12	3008-104	1	S	Pinion Assembly
13	3008-009	2		Bolt
14	3008-014	1		Nut
15	3008-020	1		Washer
16	3008-165	1	/P	Relay
17	3008-140	1		Bracket
18	3008-217	1		Screw
19	3008-135	1	S	Tube
20	3008-193	2	S	Washer
21	3008-221	1		Washer

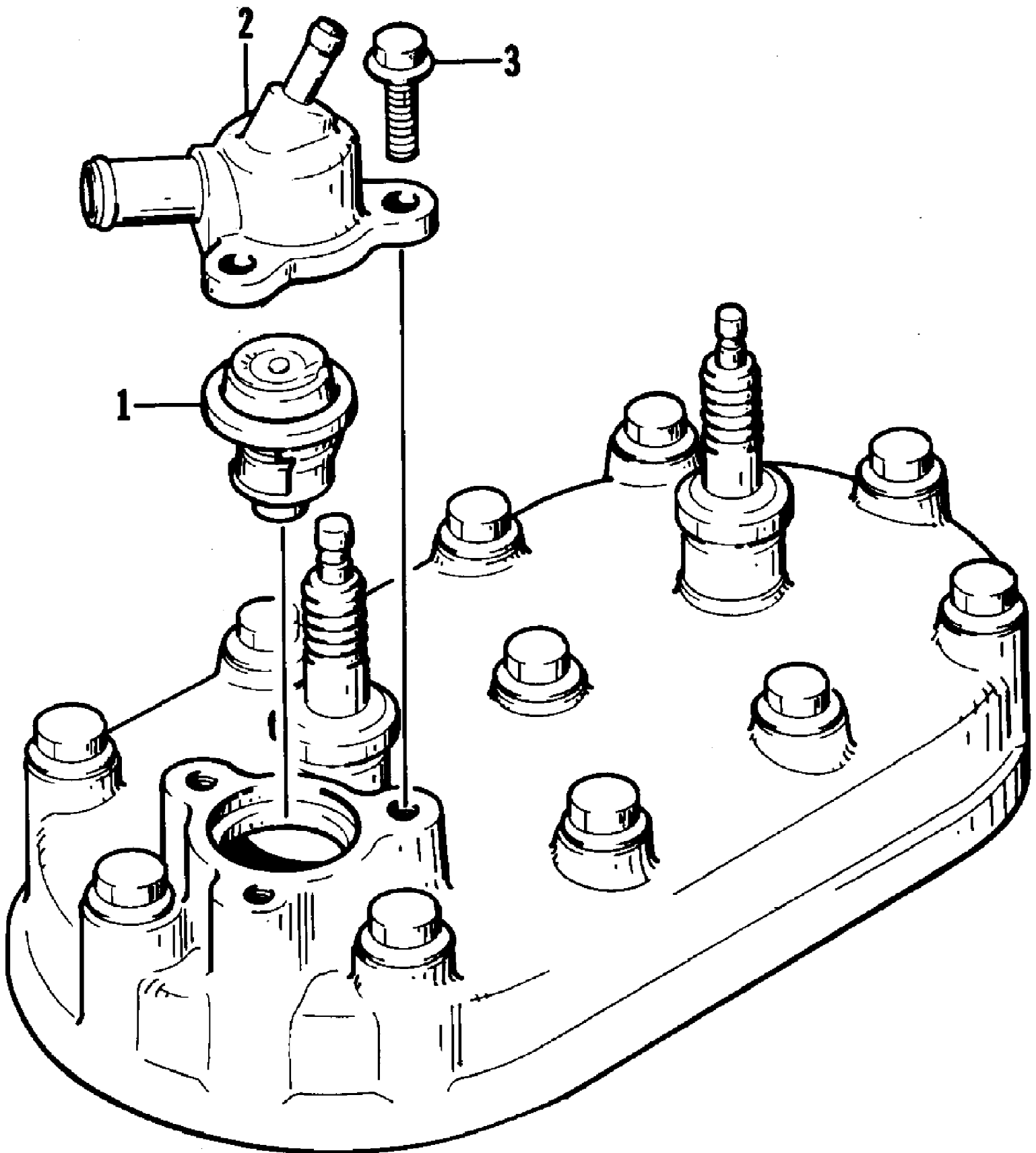


1993 TIGERSHARK (0672-002-1993)
STORAGE AND VENTING ASSEMBLY

Page 42 of 46

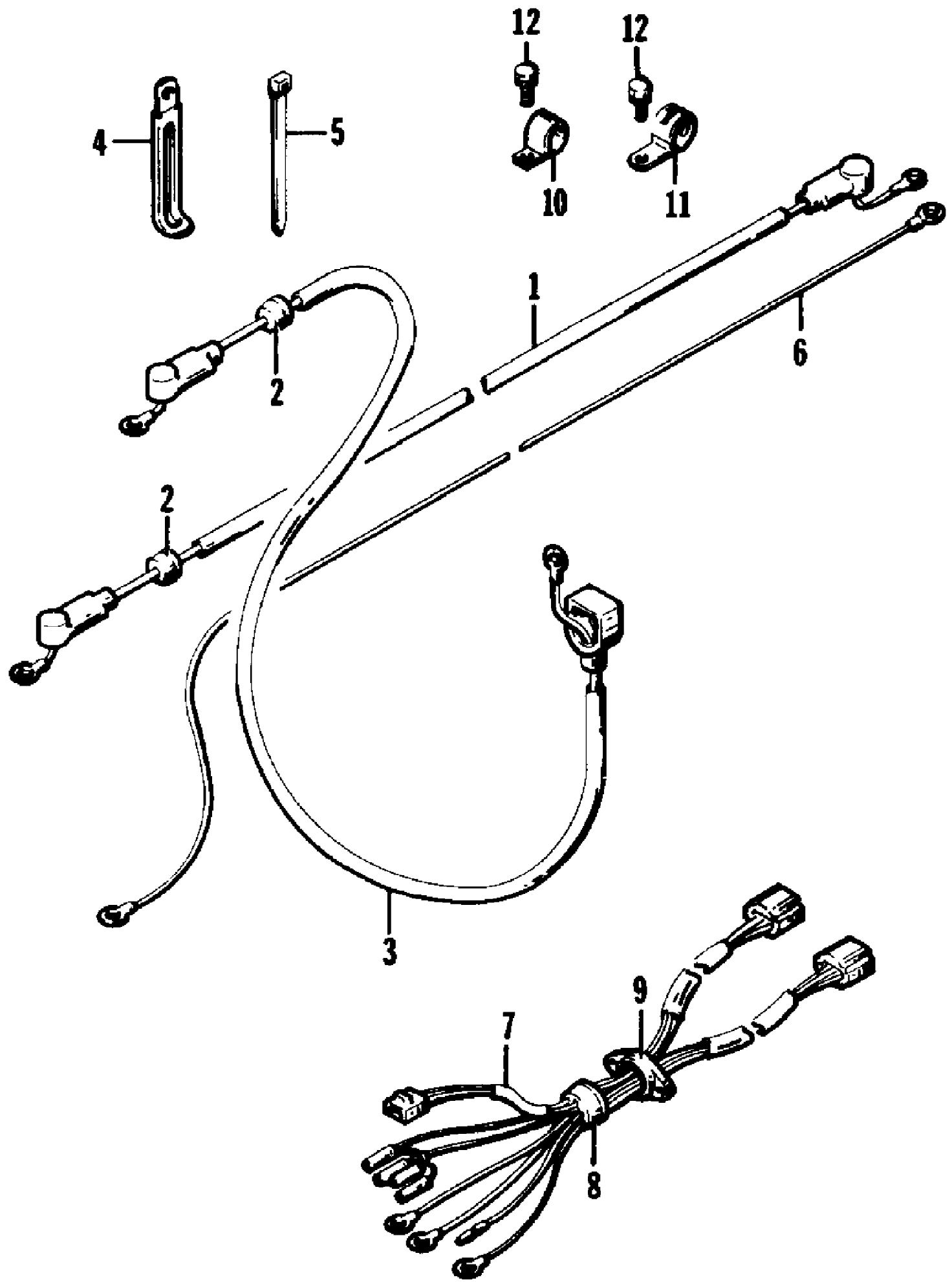
Ref #	Part Number	Qty	S/P/F	Description
1	0673-104	1		Seal, Air Vent
2	0624-031	6		Screw, Machine
3	0673-138	1		Intake, Air
4	0123-010	6	/P	Nut, Expansion
5	0606-586	10		Clip, Retaining
6	0610-098	1		Hose, Air
7	0109-414	1	S	Fitting, Elbow
8	0744-008	1		Tool Kit
9	0673-093	1	S	Extinguisher, Fire
10	0624-031	2		Screw, Machine
11	0673-159	1	S	Bracket, Extinguisher
12	0673-112	1		Tray, Storage
13	0624-004	2		Washer
14	0624-005	2	/P	Nut, Lock
15	0109-413	1	S	Bushing, Fitting
16	0673-108	1		Tube, Air Exhaust
17	0673-169	1		Gasket, Tube - Air Exhaust
18	0673-173	1		Seal, Storage Tray
19	0611-709	1		Decal, Fuel - On/Off

1993 TIGERSHARK (0672-002-1993)
THERMOSTAT



1993 TIGERSHARK (0672-002-1993)
THERMOSTAT

Ref #	Part Number	Qty	S/P/F	Description
1	3008-088	1		Thermostat
2	3008-089	1		Cap
3	3008-216	3		Bolt



1993 TIGERSHARK (0672-002-1993)
WIRING HARNESS

Page 46 of 46

Ref #	Part Number	Qty	S/P/F	Description
1	3008-130	1		Cable, Starter Motor (inc. 2)
2	3008-115	2		. Grommet
3	3008-131	1		Cable, Battery
4	3008-157	1		Clamp
5	3008-044	2		Tie, Cable
6	3008-154	1		Cable, Ground
7	3008-179	1		Harness, Wiring (inc. 8, 9)
8	3008-117	1		. Grommet
9	3008-126	1		. Holder, Grommet
10	3008-041	1		Clamp
11	3008-042	1		Clamp
12	3008-006	1		Bolt