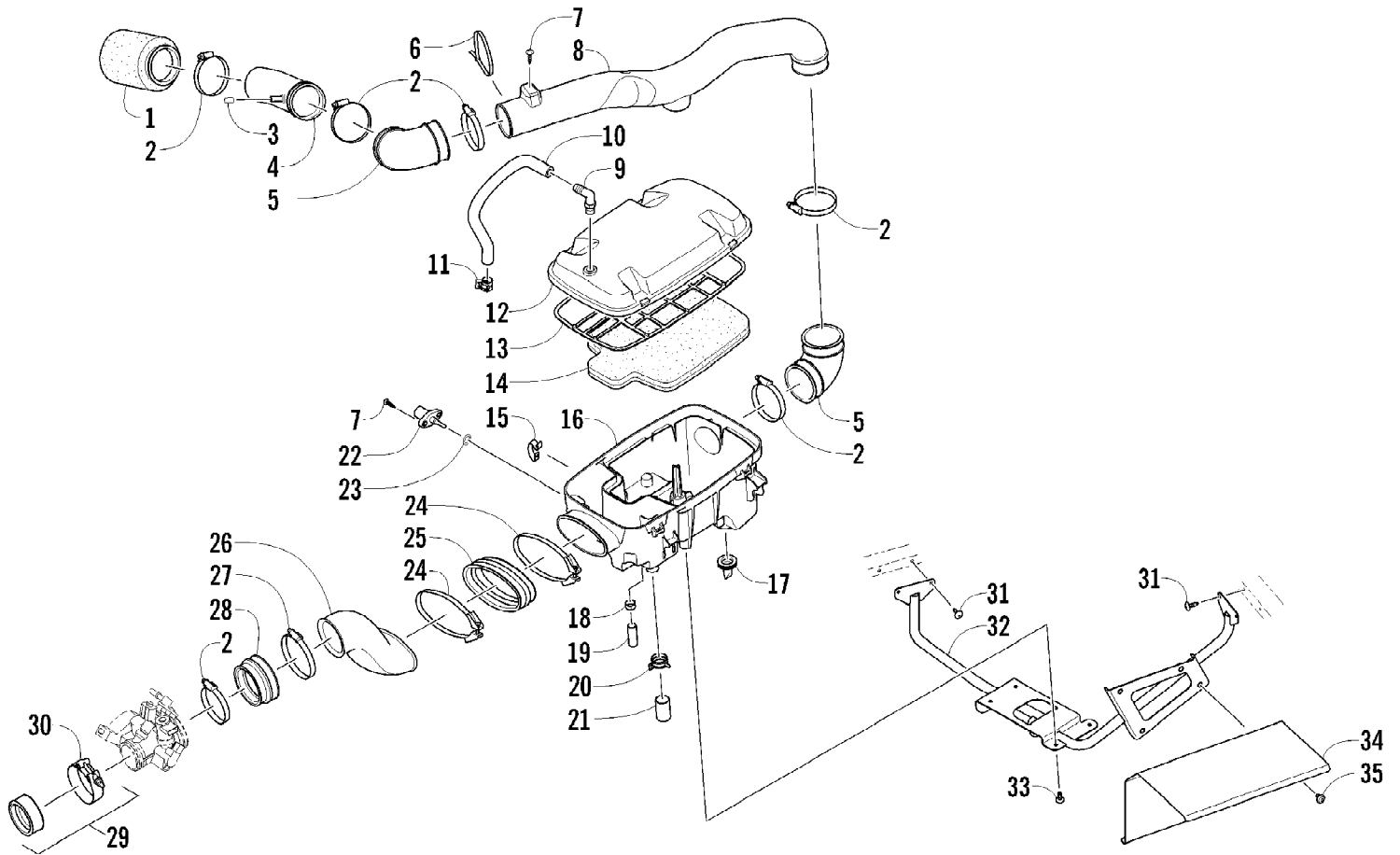


2012 PROWLER 700 HDX TIMBER CAMO (U2012P5T1PUSH)
ACCELERATOR ASSEMBLY

Page 2 of 87

Ref #	Part Number	Qty	S/P/F	Description
1	1502-590	1		Pedal, Accelerator
2	0405-233	1		Spring
3	0402-872	1		Axle
4	1602-213	2	/P	O-Ring
5	8422-002	1		Nut, Lock
6	8477-616	2		Screw, Machine
7	0502-991	1		Bracket, Accelerator Pedal
8	8427-602	2		Nut, Lock
9	0487-066	1		Cable, Accelerator

2012 PROWLER 700 HDX TIMBER CAMO (U2012P5T1PUSH)
AIR INTAKE ASSEMBLY

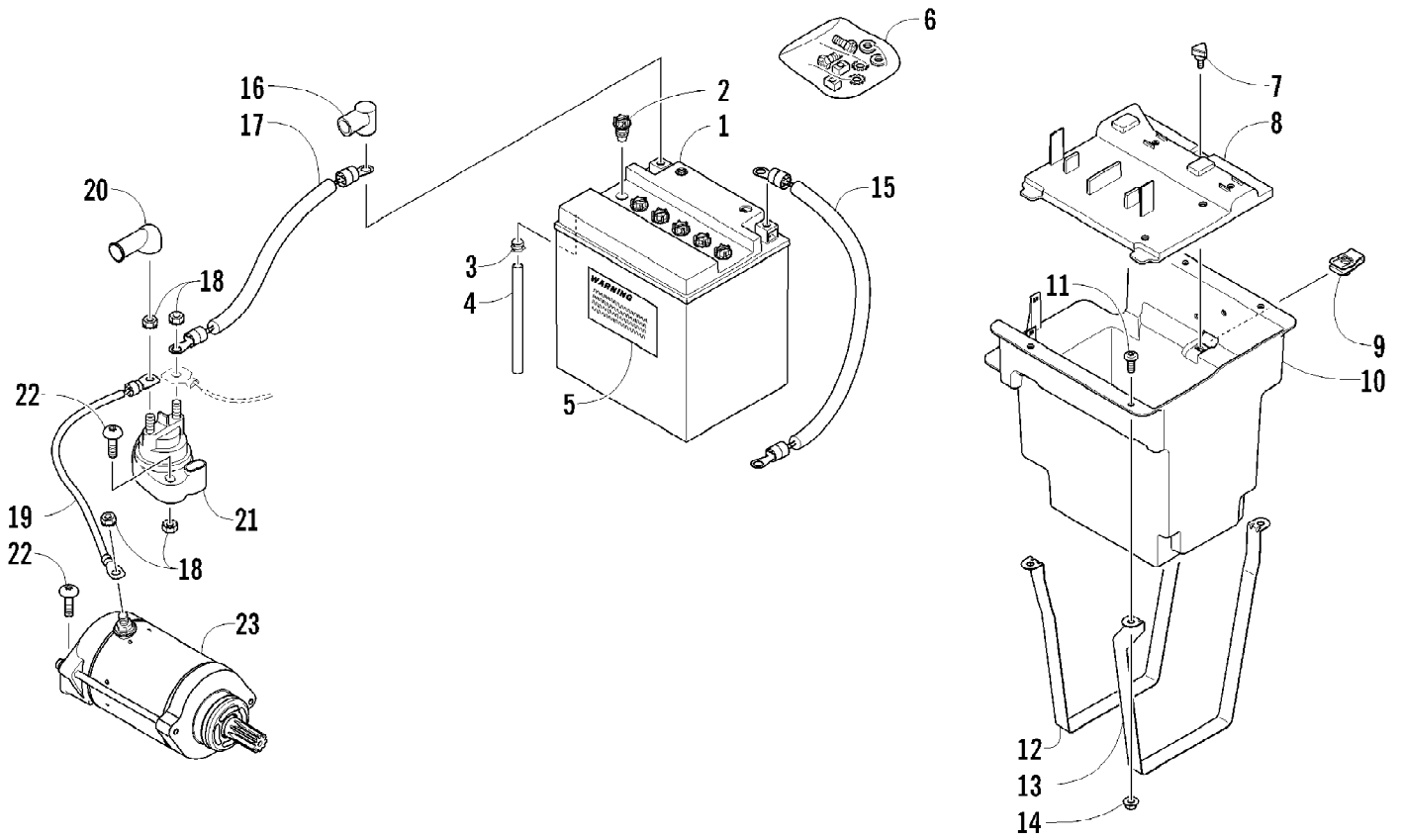


2012 PROWLER 700 HDX TIMBER CAMO (U2012P5T1PUSH)
AIR INTAKE ASSEMBLY

Page 4 of 87

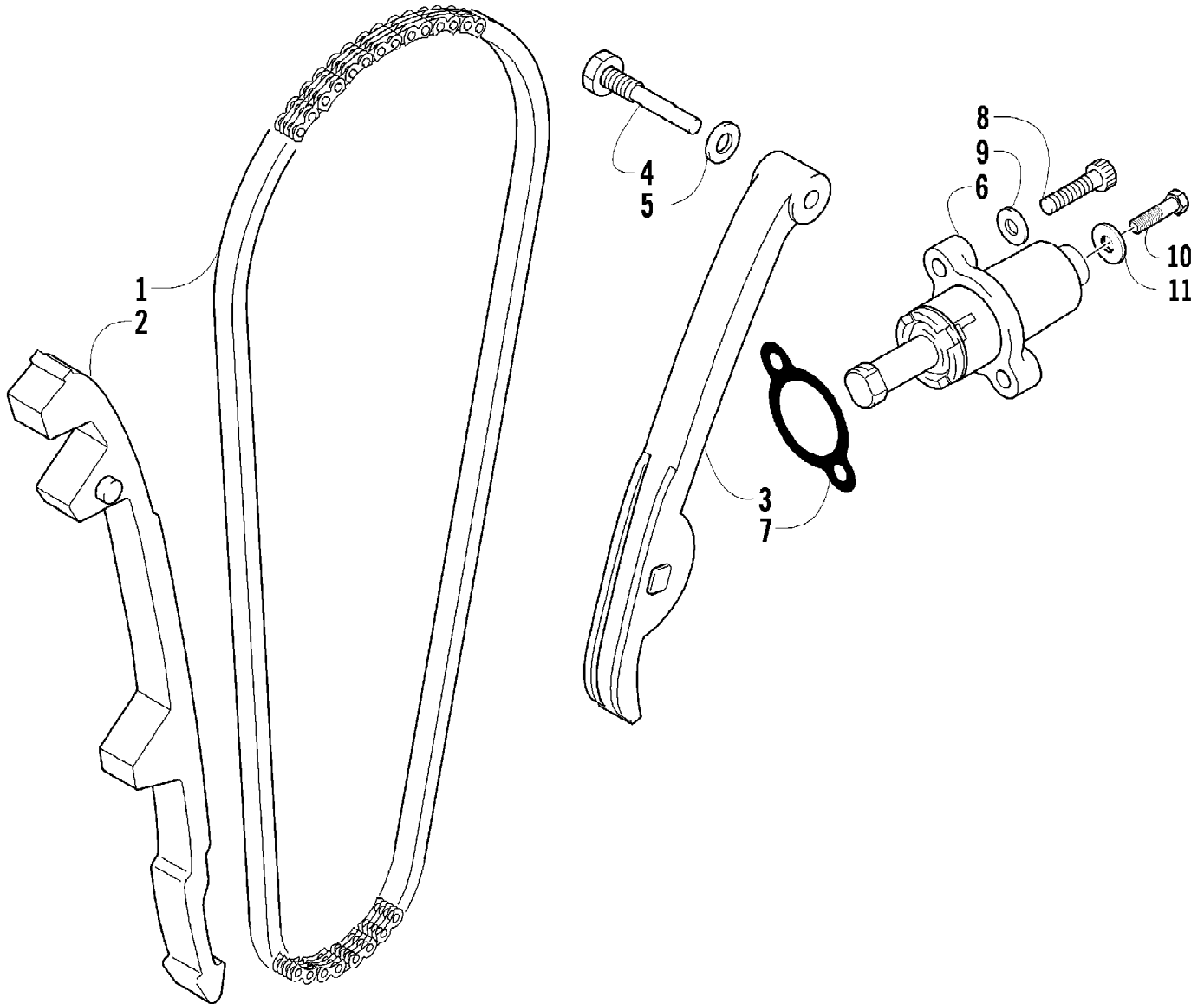
Ref #	Part Number	Qty	S/P/F	Description
1	0470-834	1		Filter, Intake
2	0423-019	6		Clamp
3	1423-050	1		Cap
4	0513-043	1		Duct, Intake
5	0413-098	2		Boot, Air-In
6	0123-903	AR		Cable Tie - 11.5 in.
7	0423-342	4	/P	Screw, Self-Tapping
8	0470-900	1		Duct, Intake
9	0470-881	1		Fitting, Elbow
10	0410-226	1		Hose, Vent
11	1623-281	1		Clamp, Hose
12	0470-861	1		Cover, Air Intake
13	0470-560	1		Screen, Air Filter
14	0470-558	1		Filter, Air
15	0423-455	4		Clip, Spring
16	0570-327	1		Housing, Air Intake
17	0470-442	1	/P	Valve, Drain
18	0610-563	1		Clamp, Hose
19	0470-863	1		Cap, Drain
20	1623-287	1		Clamp, Hose
21	0423-766	1		Cap, Drain
22	0430-055	1		Sensor, Air Temperature (inc. 23)
23	5507-224	1		O-Ring
24	1423-074	2		Clamp
25	0470-906	1		Boot, Intake
26	0470-901	1		Boot, Intake
27	0423-018	1		Clamp
28	0470-907	1		Boot
29	0437-069	1	/P	Boot (inc. 30)
30	1423-041	1		Clamp, Manifold
31	0623-784	4		Screw, Self-Tapping
32	2516-706	1		Mount, Airbox
33	8468-612	4		Screw, Machine
34	0470-908	1		Shield, Heat
35	8477-610	4		Screw, Machine

2012 PROWLER 700 HDX TIMBER CAMO (U2012P5T1PUSH)
BATTERY AND STARTER MOTOR ASSEMBLY



2012 PROWLER 700 HDX TIMBER CAMO (U2012P5T1PUSH)
BATTERY AND STARTER MOTOR ASSEMBLY

Ref #	Part Number	Qty	S/P/F	Description
1	0445-081	1		Battery (inc. 2-6)
2	0645-588	6	/P	Cap, Battery
3	0645-152	1		Clamp, Hose
4	0645-262	1		Hose, Vent
5	0645-430	2		Decal, Warning
6	0445-082	1		Kit, Hardware
7	1441-624	1		Screw, Thumb
8	2406-947	1		Cover, Battery Box
9	0423-577	1		Clip, U-Nut
10	2406-914	1		Box, Battery
11	8476-616	4		Screw, Machine
12	0470-854	1		Hold-Down, Battery Box - Right
13	0470-855	1		Hold-Down, Battery Box - Left
14	8424-602	4	/P	Nut
15	0445-050	1		Cable, Battery/Ground
16	0645-019	2		Boot, Terminal
17	0445-049	1		Cable, Battery/Solenoid
18	0623-038	5		Nut w/Washer
19	0445-061	1		Cable, Solenoid/Starter
20	0645-327	1		Boot, Terminal - Solenoid
21	0445-058	1	/P	Solenoid
22	8476-625	4		Screw, Machine
23	0825-013	1	/P	Motor, Starter - Assembly

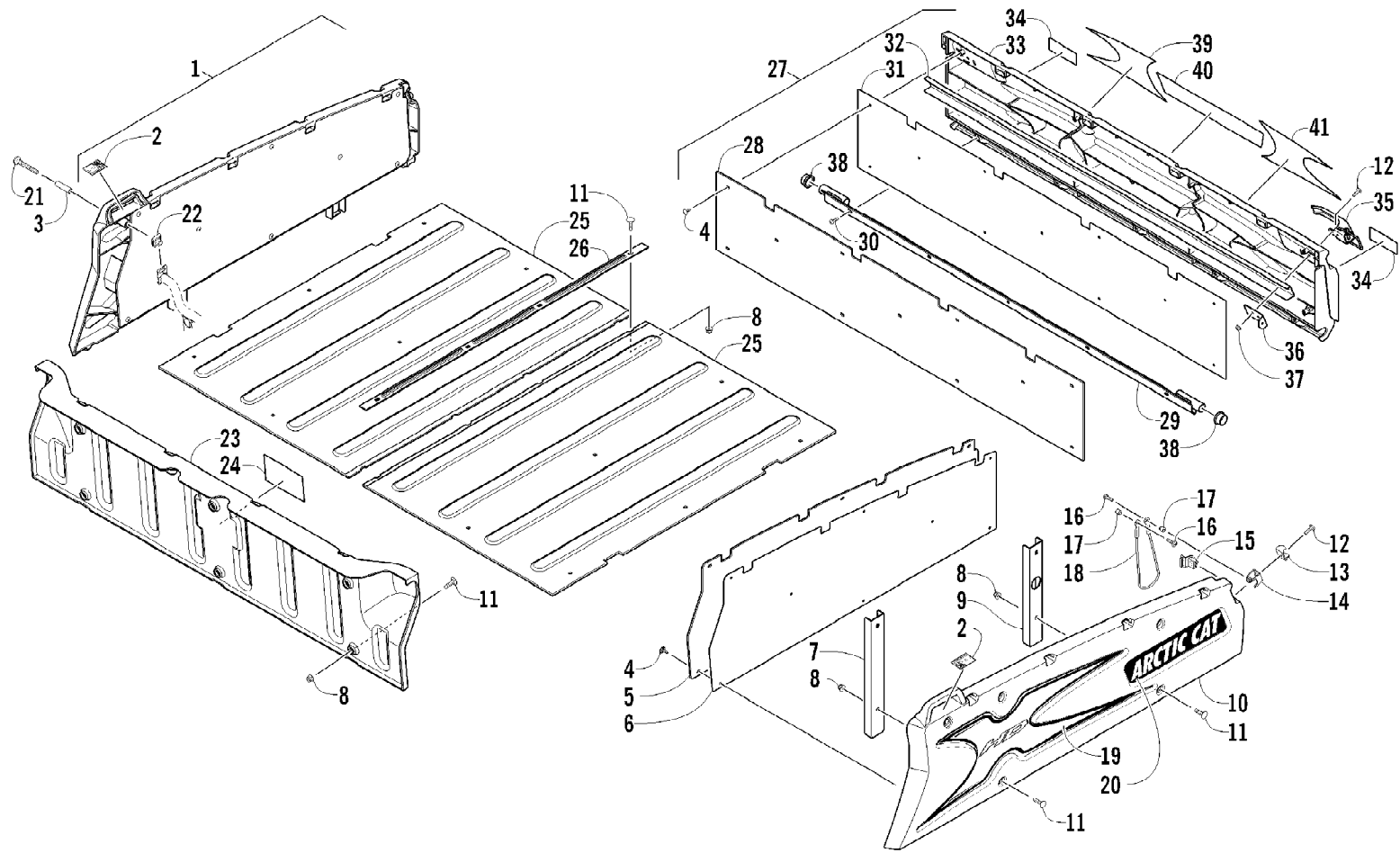


2012 PROWLER 700 HDX TIMBER CAMO (U2012P5T1PUSH)
CAM CHAIN ASSEMBLY

Page 8 of 87

Ref #	Part Number	Qty	S/P/F	Description
1	0810-001	1		Chain, Cam
2	0810-002	1		Guide, Chain
3	0810-003	1		Tensioner, Chain
4	0826-036	1		Pivot, Tensioner
5	0830-025	1		Washer, Crush
6	0810-004	1		Adjuster, Tensioner - Assembly
7	0830-018	1		Gasket
8	8468-625	2		Screw, Machine
9	0830-107	2		Gasket
10	8400-610	1		Screw, Cap
11	0828-129	1		Washer

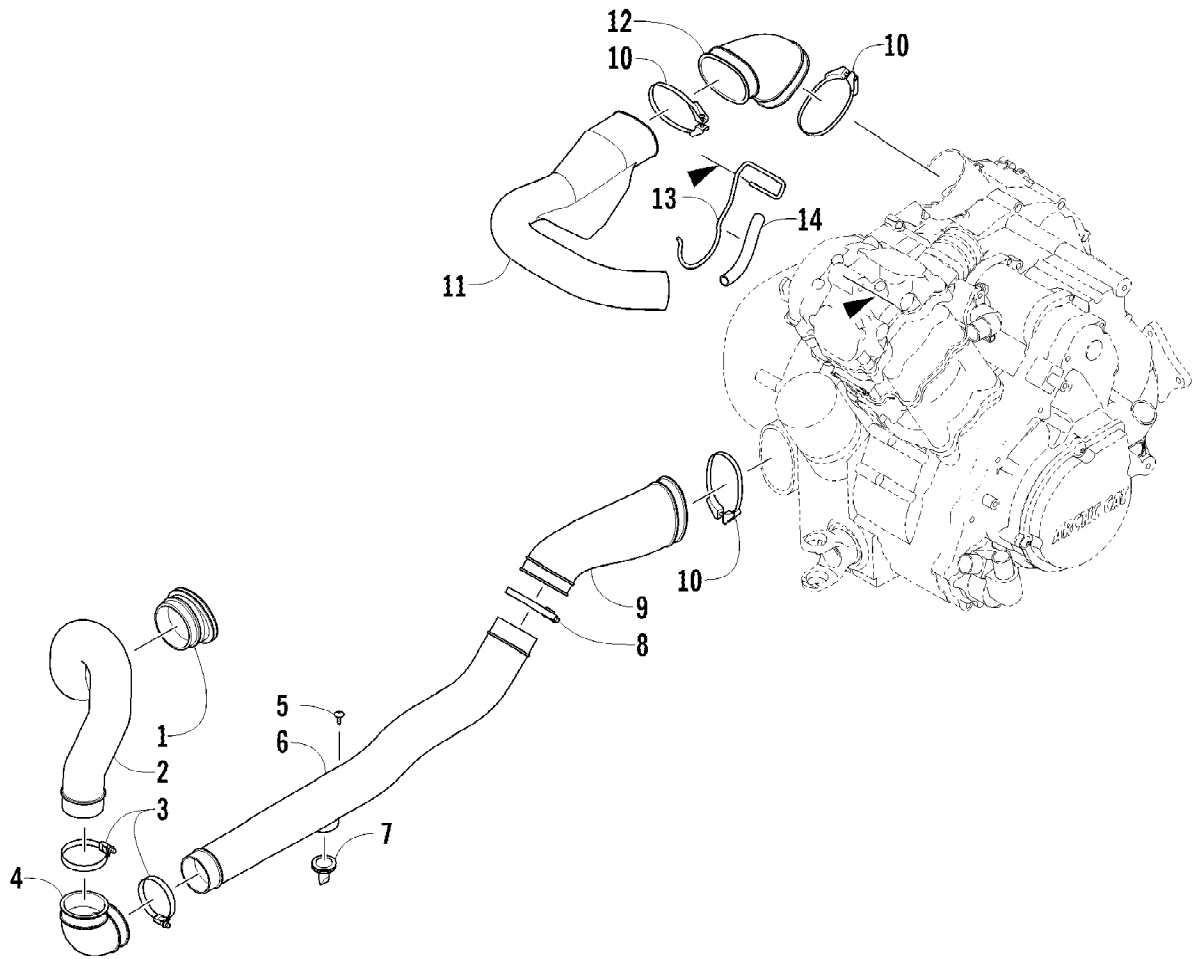
2012 PROWLER 700 HDX TIMBER CAMO (U2012P5T1PUSH)
CARGO BOX AND TAILGATE ASSEMBLY



2012 PROWLER 700 HDX TIMBER CAMO (U2012P5T1PUSH)
CARGO BOX AND TAILGATE ASSEMBLY

Page 10 of 87

Ref #	Part Number	Qty	S/P/F	Description
1	4506-522	1		Side, Cargo Box - Assembly - Right (inc. 2-15)
1	4506-523	1		Side, Cargo Box - Assembly - Left (inc. 2-15)
2	2411-294	2		Decal, Warning - Pinch Point
3	2416-368	2		Spacer
4	1423-011	27		Screw, Self-Tapping
5	4506-524	2		Panel, Side - Inner
6	2416-647	2		Pad, Foam
7	4506-154	2		Brace, Support - Front
8	8427-802	30		Nut, Lock
9	4506-153	2		Brace, Support - Rear
10	2416-392	1		Side, Cargo Box - Right
10	2416-393	1		Side, Cargo Box - Left
11	0423-623	30		Bolt, Carriage
12	1423-038	6		Screw, Machine
13	2516-710	2		Bracket, Retaining - Latch
14	2416-379	2		Bracket, Retaining - Cable
15	2416-390	1		Insert, Panel - Right
15	2416-391	1		Insert, Panel - Left
16	8470-520	4		Screw, Machine
17	1423-009	4		Spacer
18	0487-080	2		Cable, Tailgate
19	2411-822	1		Decal, Side Panel - Right
19	2411-823	1		Decal, Side Panel -Left
20	2411-244	1		Decal, "Arctic Cat" - Right
20	2411-245	1		Decal, "Arctic Cat" - Left
21	1423-010	2		Screw, Machine
22	2416-378	2		Clip, U-Nut
23	2416-394	1		Panel, Front
24	2411-229	1		Decal, Warning - Cargo Box
25	2416-396	2		Panel, Lower
26	2516-871	1		Bracket, Retaining - Lower Panel
27	4506-589	1		Tailgate Assembly (inc. 28-37)
28	4506-526	1		Panel, Tailgate - Inner
29	4506-626	1		Shaft, Pivot - Tailgate
30	1423-083	5		Screw, Self-Tapping
31	2416-648	1		Pad, Foam
32	2416-652	1		Brace, Support
33	2416-395	1		Panel, Tailgate - Outer
34	2411-182	2		Decal, Reflector
35	2516-729	2		Latch, Tailgate - Assembly
36	2416-370	2		Bracket, Support - Latch
37	8424-602	4	/P	Nut
38	2416-363	2		Bushing
39	2411-836	1		Decal, Tailgate - Right
40	2411-237	1		Decal, Tailgate - Center
41	2411-837	1		Decal, Tailgate - Left

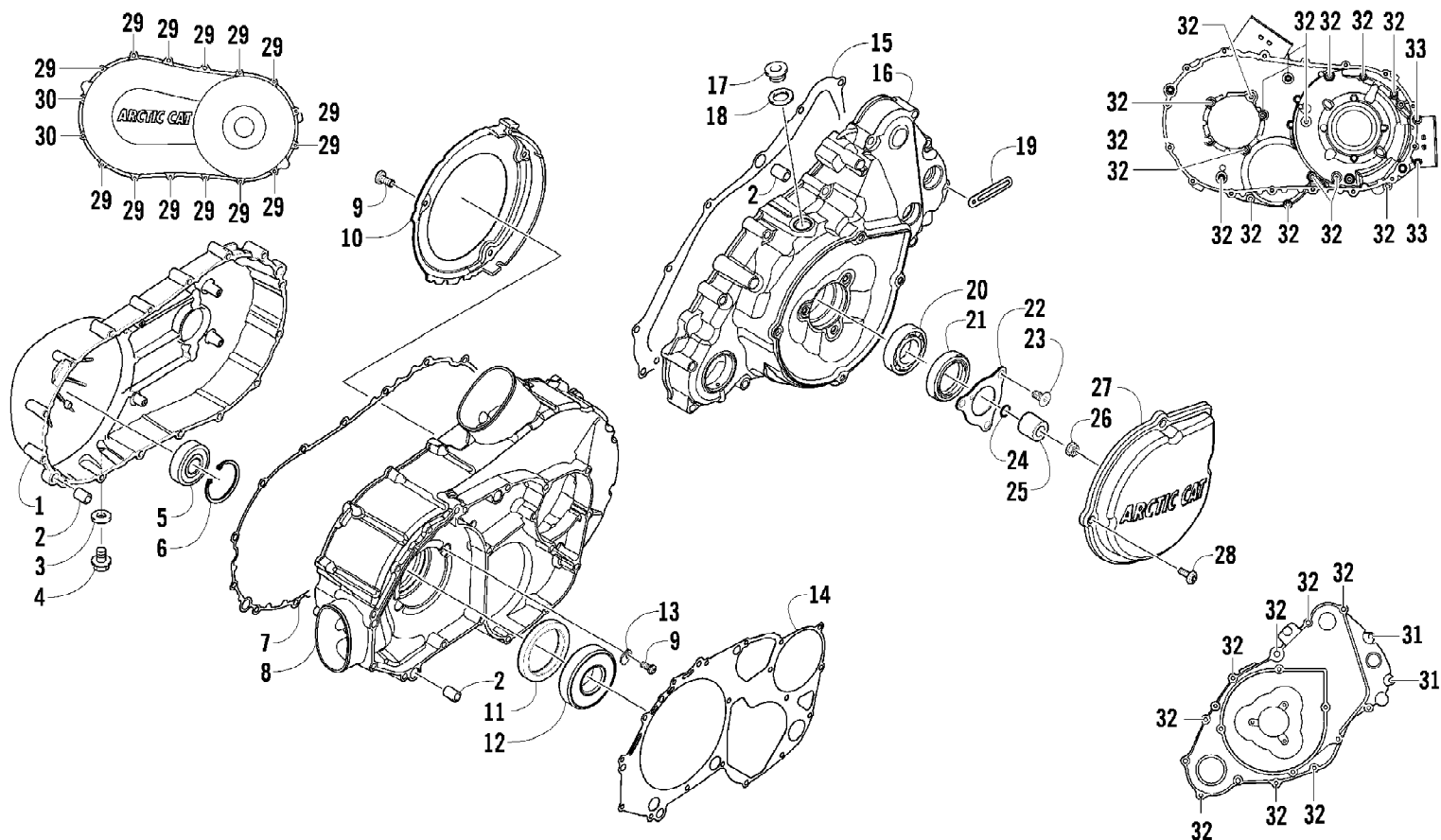


2012 PROWLER 700 HDX TIMBER CAMO (U2012P5T1PUSH)
CASE/BELT COOLING ASSEMBLY

Page 12 of 87

Ref #	Part Number	Qty	S/P/F	Description
1	2416-088	1		Boot, Air-In
2	0413-275	1		Duct, Air-In
3	0423-019	2		Clamp
4	0413-098	1		Boot, Air Duct
5	0623-784	1		Screw, Self-Tapping
6	0413-236	1		Duct, Air-In
7	0470-442	1	/P	Valve, Drain
8	0423-018	1		Clamp
9	0413-274	1		Boot, Air-In
10	0423-730	3		Clamp
11	0413-291	1	/P	Duct, Air-Out
12	0413-109	1		Duct, Air-Out
13	0413-298	1		Wire Form, Support
14	0610-513	AR		Hose - 25 ft

2012 PROWLER 700 HDX TIMBER CAMO (U2012P5T1PUSH)
CLUTCH/V-BELT/MAGNETO COVER ASSEMBLY

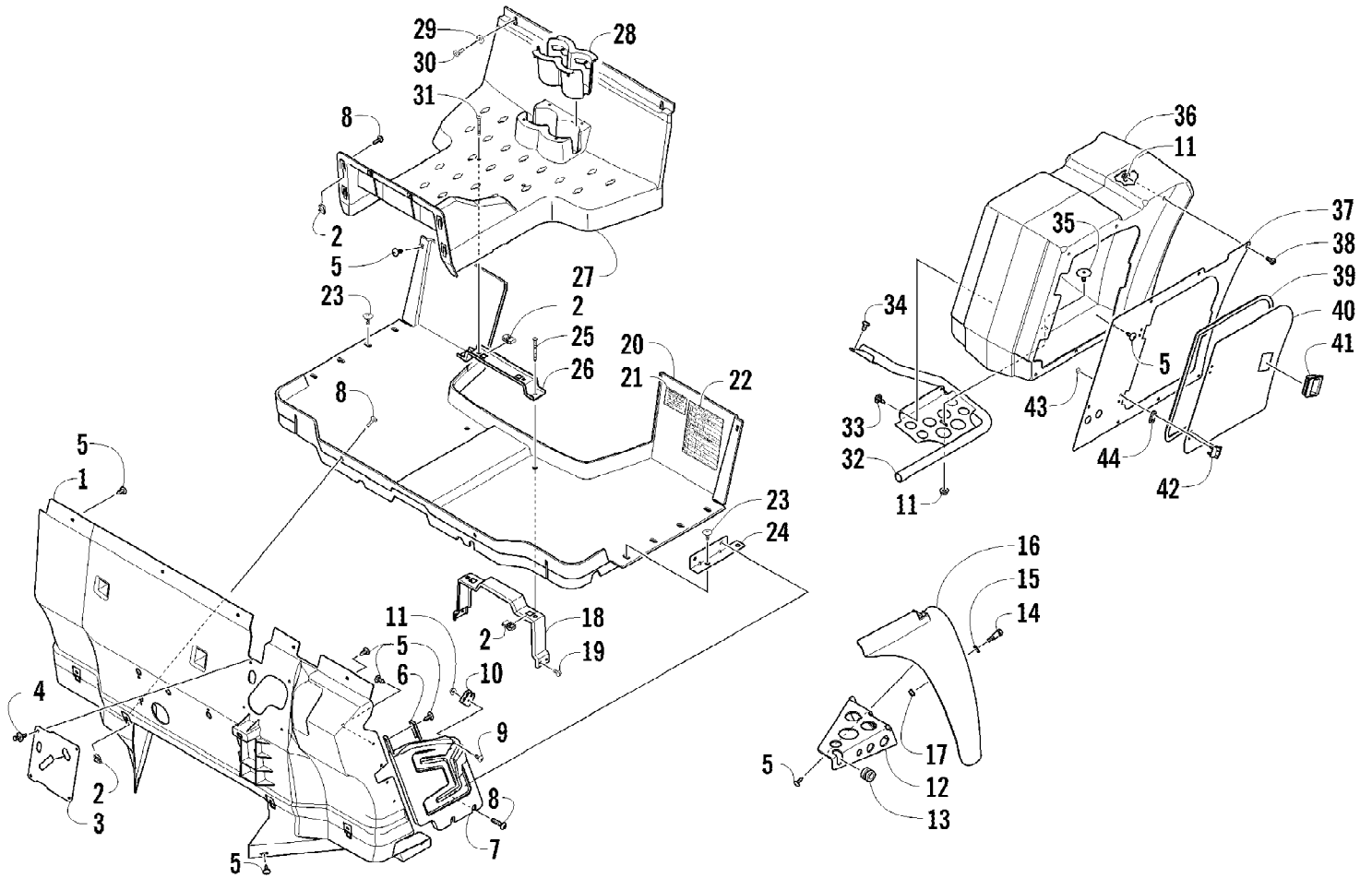


2012 PROWLER 700 HDX TIMBER CAMO (U2012P5T1PUSH)
CLUTCH/V-BELT/MAGNETO COVER ASSEMBLY

Page 14 of 87

Ref #	Part Number	Qty	S/P/F	Description
1	0806-088	1	/P	Cover, V-Belt
2	0829-002	6		Pin, Dowel
3	0830-013	1		Washer, Crush
4	8408-812	1		Screw, Cap
5	0832-060	1		Bearing
6	0831-078	1		Ring, Retaining
7	0830-174	1	/P	Gasket, V-Belt Cover
8	0806-091	1		Cover, Clutch
9	0826-029	5		Screw, Machine
10	0806-048	1		Plate, Air Intake
11	0830-188	1	/P	Seal
12	0832-009	1	/P	Bearing
13	0822-010	2	/P	Retainer, Bearing
14	0830-116	1	/P	Gasket, Clutch Cover
15	0830-128	1		Gasket, Magneto Cover
16	0806-082	1	/P	Cover, Magneto - Assembly
17	0826-155	1		Plug
18	0830-015	1		Washer, Crush
19	3002-964	1	/P	Clamp, Wire
20	1602-981	1	/P	Bearing
21	0830-158	1		Seal
22	0805-008	1		Retainer, Seal
23	0826-031	3		Screw, Machine
24	0830-108	1		O-Ring
25	0820-061	1		Bushing
26	0827-008	1		Nut
27	0820-062	1		Cover, Magneto
28	8468-616	4		Screw, Machine
29	8468-645	14		Screw, Machine
30	8468-655	2		Screw, Machine
31	8468-625	2		Screw, Machine
32	8468-640	24		Screw, Machine
33	8468-675	2		Screw, Machine

2012 PROWLER 700 HDX TIMBER CAMO (U2012P5T1PUSH)
CONSOLE, FLOOR PANEL & STORAGE BOX ASSEMBLY

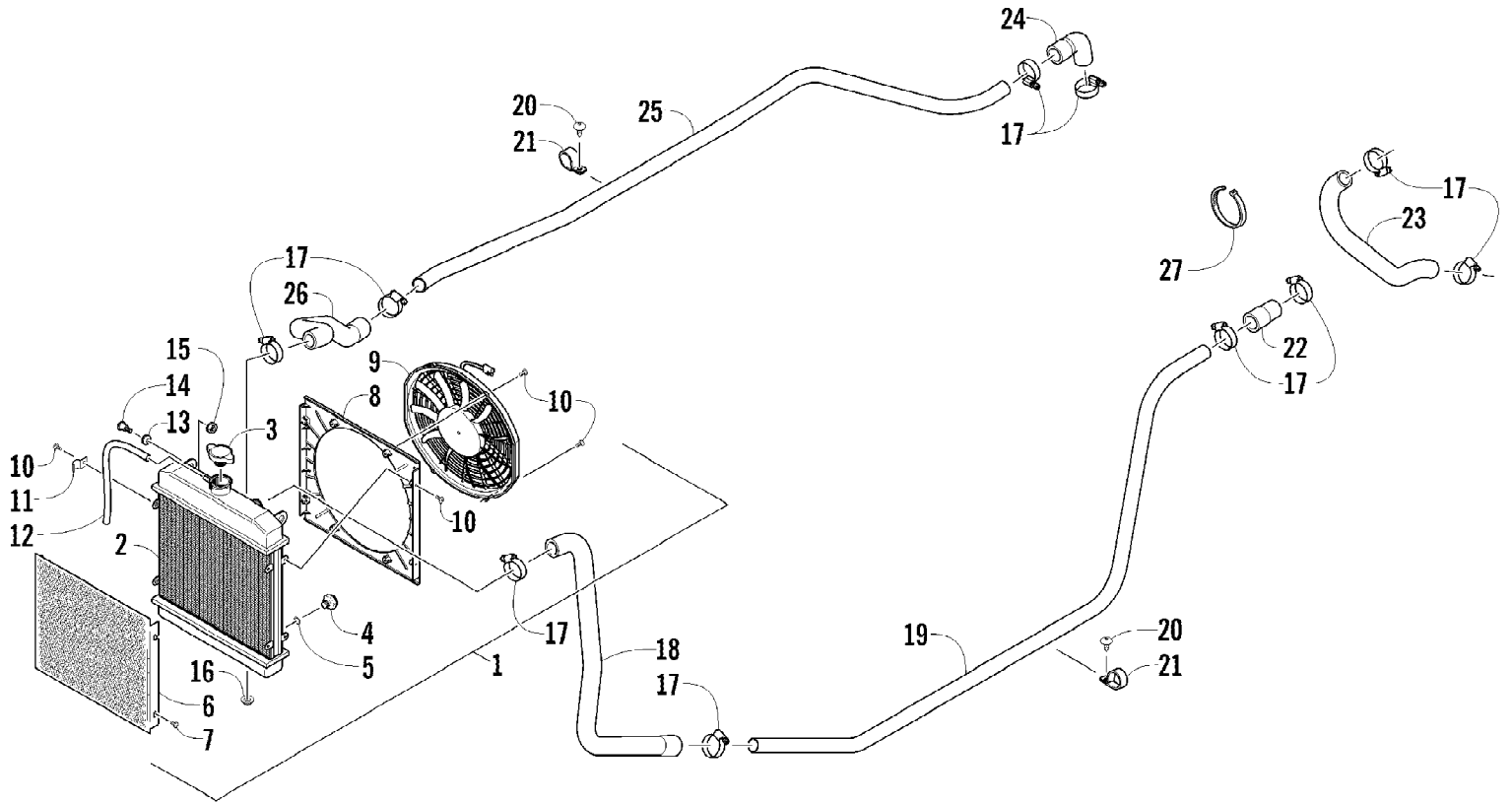


2012 PROWLER 700 HDX TIMBER CAMO (U2012P5T1PUSH)
CONSOLE, FLOOR PANEL & STORAGE BOX ASSEMBLY

Page 16 of 87

Ref #	Part Number	Qty	S/P/F	Description
1	2516-798	1		Panel, Fender - Inner
2	0423-577	17		Clip, U-Nut
3	0405-407	1		Seal, Steering Column
4	0623-362	4		Rivet, Reinstallable
5	0623-784	36		Screw, Self-Tapping
6	4506-596	2		Cap, Reinforcement
7	2416-848	2		Panel, Side
8	8468-625	14		Screw, Machine
9	0423-419	4		Screw, Machine
10	2416-846	2		Latch, Side Restraint
11	0423-540	18		Nut, Lock
12	2506-066	1		Bracket, Support - Right
12	2506-067	1		Bracket, Support - Left
13	0423-447	2		Grommet
14	0623-855	2		Screw, Shoulder
15	8050-217	2	/P	Washer
16	2516-426	1		Fender, Front - Right
16	2516-427	1		Fender, Front - Left
17	8048-366	2		Nut, Lock
18	2516-313	1		Bracket, Support
19	8476-616	4		Screw, Machine
20	2416-085	1		Floor
21	2411-233	1		Decal, "Tread Lightly"
22	2411-232	1		Decal, Pre-Ride
23	0423-545	8	/P	Screw, Shoulder
24	4506-260	1		Bracket, Side Panel - Right
24	4506-261	1		Bracket, Side Panel - Left
25	8468-670	2		Screw, Machine
26	2416-483	1		Bracket, Support - Center Footrest
27	2416-412	1		Footrest, Center
28	2416-109	1		Insert, Cupholder
29	8450-133	2		Washer
30	8476-630	2		Screw, Machine
31	8468-655	2		Screw, Machine
32	2516-854	1		Bracket, Support - Storage Box - Right
32	2516-855	1		Bracket, Support - Storage Box - Left
33	0623-797	4		Screw, Self-Tapping
34	8476-816	2		Screw, Machine
35	0423-101	2		Screw, Shoulder
36	4506-528	1		Storage Box - Right - Assembly (inc. 37-44 and 12 No. 11)
36	4506-527	1		Storage Box - Left - Assembly (inc. 37-44 and 12 No. 11)
37	2516-858	2		Panel, Reinforcement
38	8477-616	12		Screw, Machine
39	2416-504	2		Seal, Access Door
40	2516-853	2		Door, Access
41	1423-035	2		Latch, Access Door
42	1423-037	4		Hinge (inc. 43)
43	1623-928	16		Nut, Stamped
44	1423-036	4		Spacer

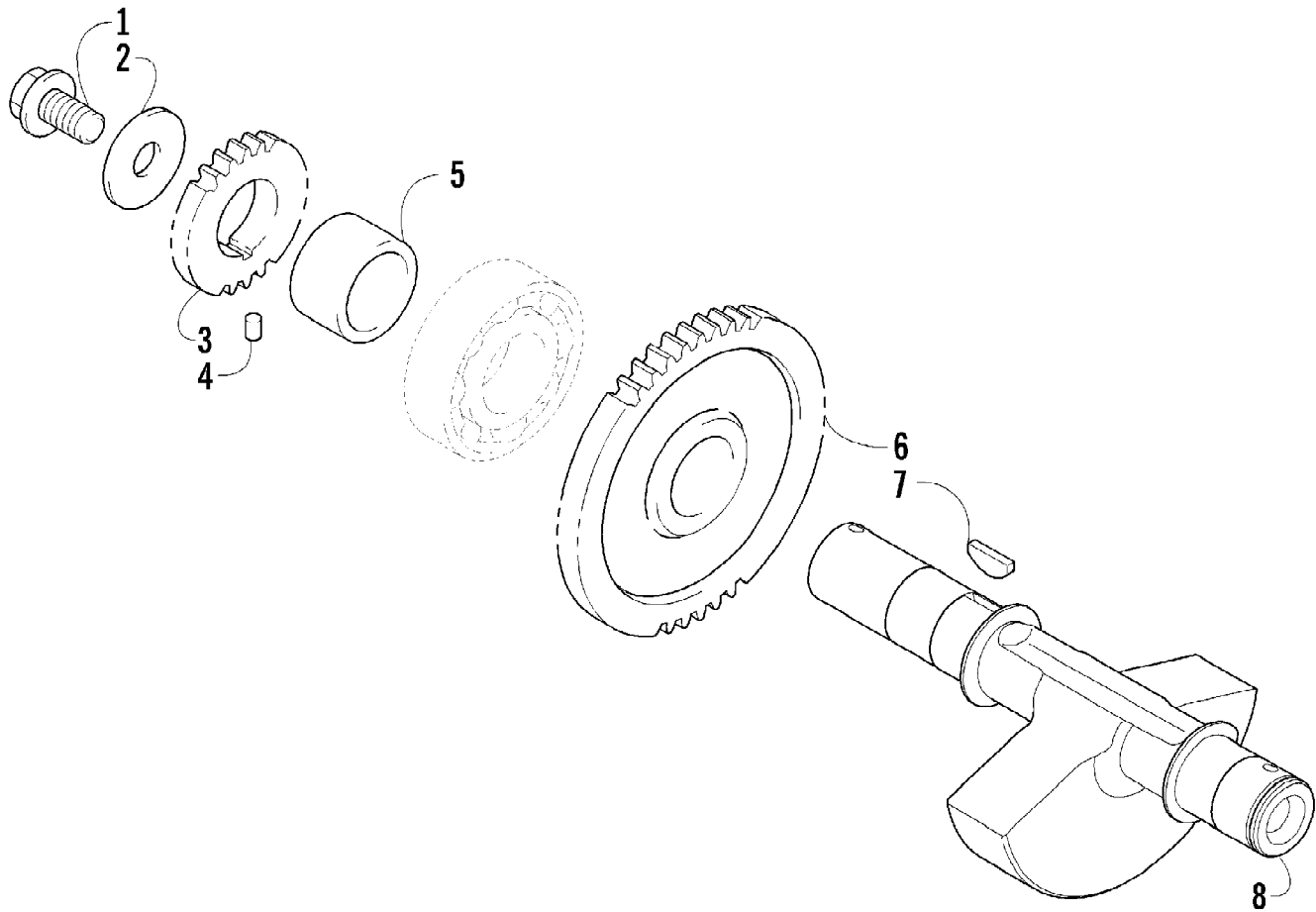
2012 PROWLER 700 HDX TIMBER CAMO (U2012P5T1PUSH)
COOLING ASSEMBLY



2012 PROWLER 700 HDX TIMBER CAMO (U2012P5T1PUSH)
COOLING ASSEMBLY

Page 18 of 87

Ref #	Part Number	Qty	S/P/F	Description
1	0413-256	1	/P	Radiator - Assembly (inc. 2-13)
2	0413-205	1		Radiator
3	0413-255	1	/P	Cap, Radiator
4	0413-195	1		Plug, Drain
5	1602-213	1	/P	O-Ring
6	0413-007	1		Screen, Radiator
7	8475-512	4		Screw, Machine
8	0413-203	1		Shroud, Fan
9	0413-123	1	/P	Fan, Cooling
10	0623-378	8		Screw, Self-Tapping
11	0423-351	1		Clamp, Wire
12	0610-016	AR	/P	Hose - 25 ft
12	0610-015	AR	/P	Hose - 100 ft
13	0423-030	2		Grommet
14	0423-484	2		Screw, Shoulder
15	0623-038	2		Nut w/Washer
16	0423-028	2		Bushing, Stem
17	0423-496	10		Clamp, Hose
18	0410-092	1		Hose, Coolant - Upper Radiator
19	0410-223	1		Pipe, Coolant - Upper
20	0623-784	2		Screw, Self-Tapping
21	0423-594	2		Clamp, Pipe - Coolant
22	0410-225	1		Hose, Coolant - Pipe/Thermostat Cover
23	0410-022	1		Hose, Coolant - Rear
24	0410-215	1		Hose, Coolant
25	0410-224	1		Pipe, Coolant - Lower
26	0410-094	1		Hose, Coolant - Lower Radiator
27	0623-751	AR		Tie, Cable - Reusable

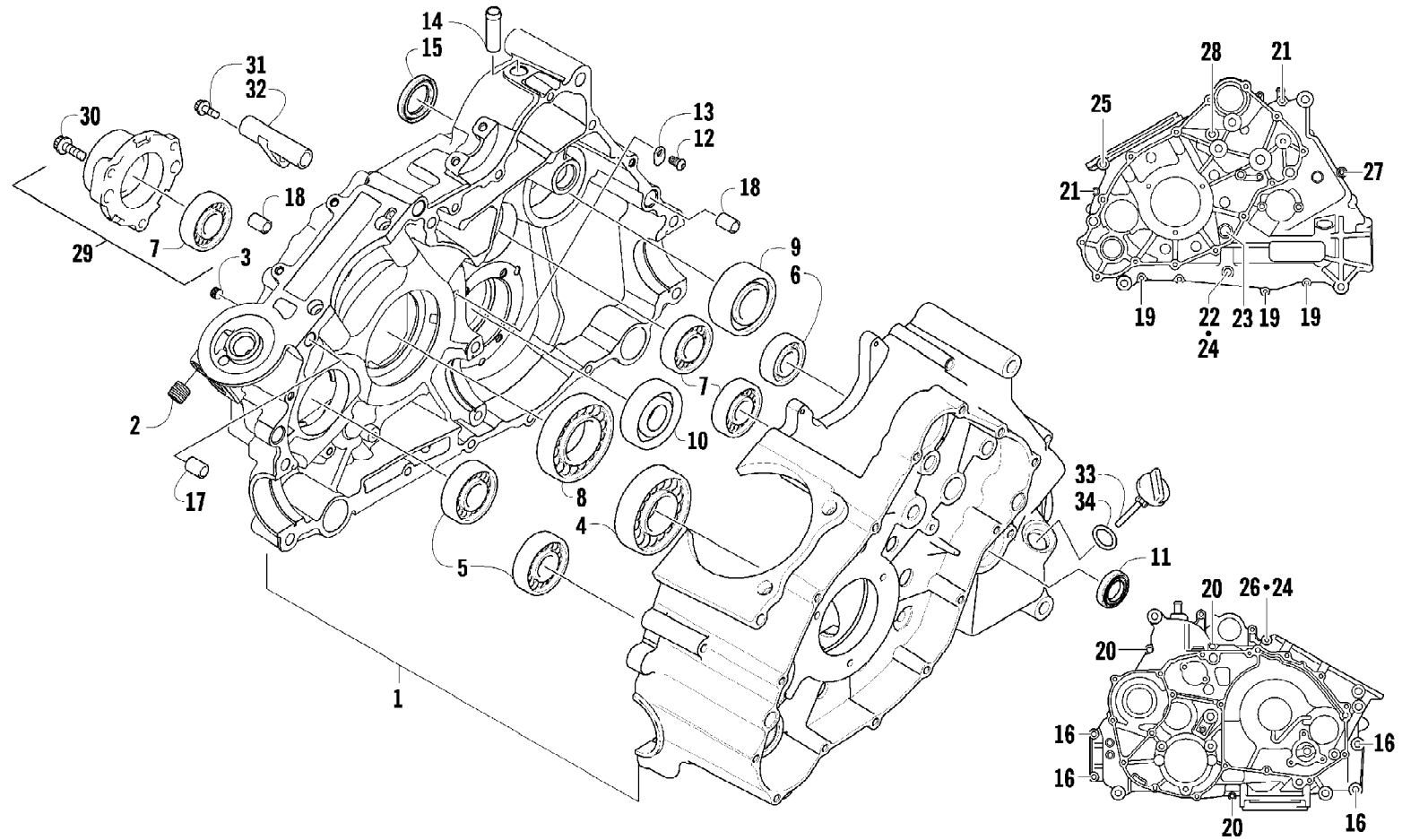


2012 PROWLER 700 HDX TIMBER CAMO (U2012P5T1PUSH)
CRANK BALANCER ASSEMBLY

Page 20 of 87

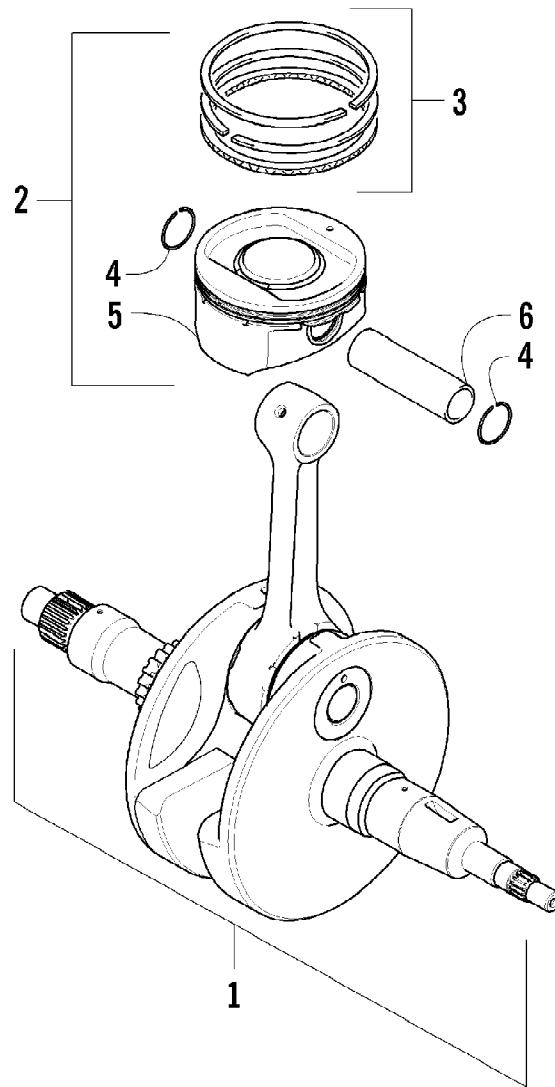
Ref #	Part Number	Qty	S/P/F	Description
1	0826-033	1		Screw, Cap
2	0828-003	1		Washer
3	0811-003	1		Gear, Oil Pump Drive
4	0829-007	1		Pin, Dowel
5	0811-004	1		Spacer
6	0811-034	1		Gear, Driven
7	0829-006	1		Key
8	0805-304	1		Balancer, Crank

2012 PROWLER 700 HDX TIMBER CAMO (U2012P5T1PUSH)
CRANKCASE ASSEMBLY



2012 PROWLER 700 HDX TIMBER CAMO (U2012P5T1PUSH)
CRANKCASE ASSEMBLY

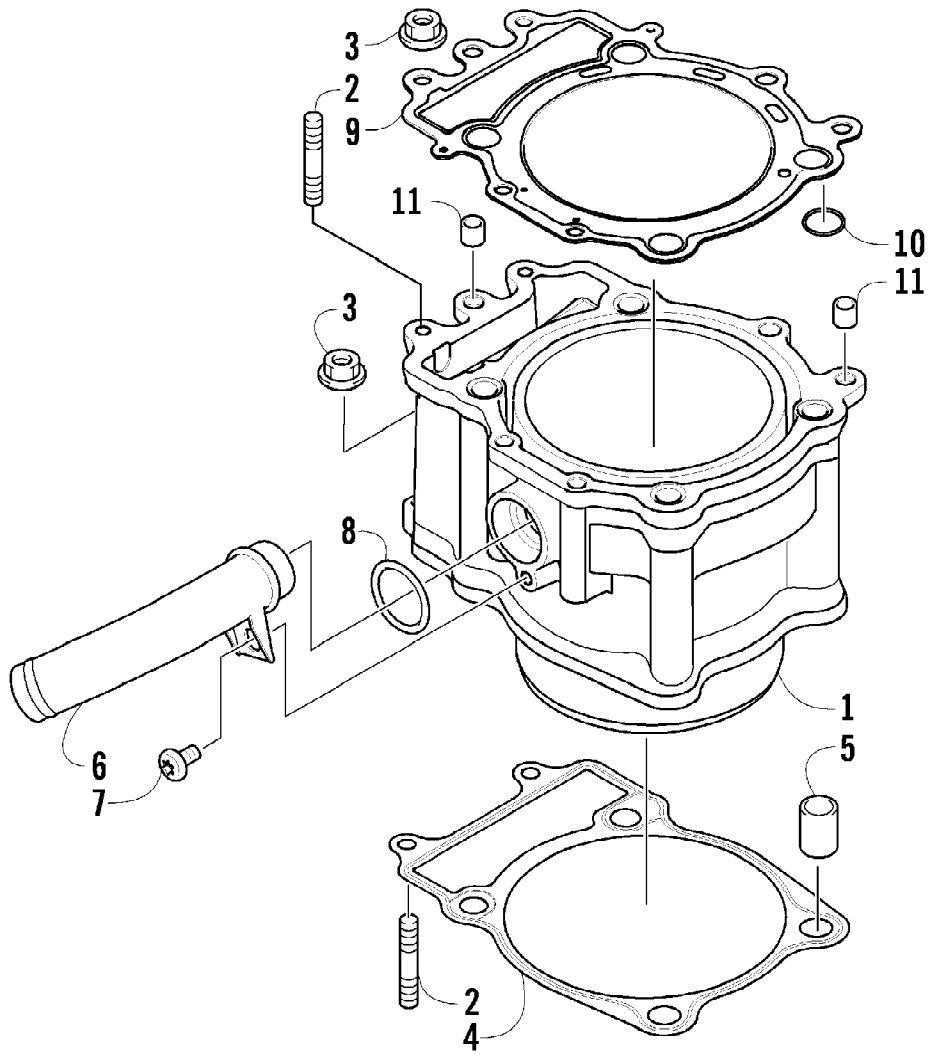
Ref #	Part Number	Qty	S/P/F	Description
1	0801-151	1		Crankcase Assembly (inc. 2-15)
2	0812-064	2		Plug
3	0801-002	1		Plug
4	0832-043	1	/P	Bearing
5	0832-044	2	/P	Bearing
6	0832-049	1	/P	Bearing
7	0832-050	3	/P	Bearing
8	0832-042	1	/P	Bearing
9	0832-048	1	/P	Bearing
10	0832-077	1	/P	Bearing
11	0822-052	1		Seal, Countershaft
12	0826-100	4		Screw, Machine
13	0822-010	4	/P	Retainer, Bearing
14	0801-028	1		Pipe, Breather
15	0830-035	1		Seal, Driveshaft
16	8412-850	4		Screw, Cap
17	0829-003	1		Pin, Dowel
18	0829-002	5		Pin, Dowel
19	8468-645	3		Screw, Machine
20	8468-655	3		Screw, Machine
21	8468-675	2		Screw, Machine
22	8412-860	1		Screw, Cap
23	0826-017	1		Screw, Cap
24	0830-008	2		Gasket
25	0826-019	1		Screw, Cap
26	0826-018	1		Screw, Cap
27	8468-695	1		Screw, Machine
28	8468-680	1		Screw, Machine
29	0801-029	1		Housing, Secondary Shaft (inc. one No. 7)
30	0826-105	3		Screw, Cap
31	0826-038	1		Screw, Cap
32	0801-069	1		Pipe, Breather
33	0801-073	1		Stick, Oil Level (inc. 34)
34	0830-010	1		O-Ring



2012 PROWLER 700 HDX TIMBER CAMO (U2012P5T1PUSH)
CRANKSHAFT AND PISTON ASSEMBLY

Page 24 of 87

Ref #	Part Number	Qty	S/P/F	Description
1	0805-326	1		Crankshaft Assembly
2	0805-297	1	/P	Piston Set (inc. 3-6)
3	0805-132	1		Ring, Piston - Set
4	0831-001	2		Circlip, Piston Pin
5	0805-296	1		Piston
6	0805-210	1		Pin, Piston

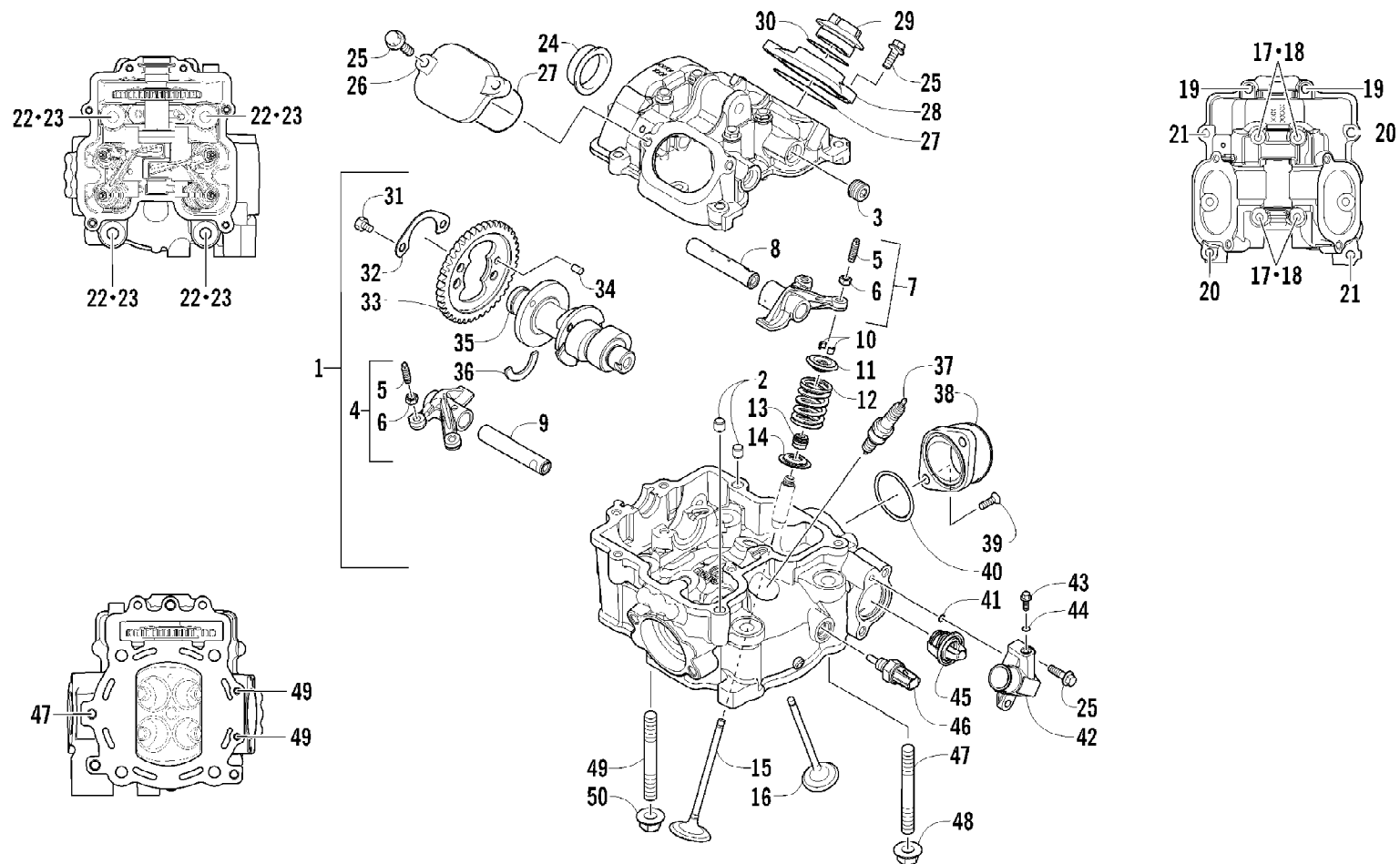


2012 PROWLER 700 HDX TIMBER CAMO (U2012P5T1PUSH)
CYLINDER ASSEMBLY

Page 26 of 87

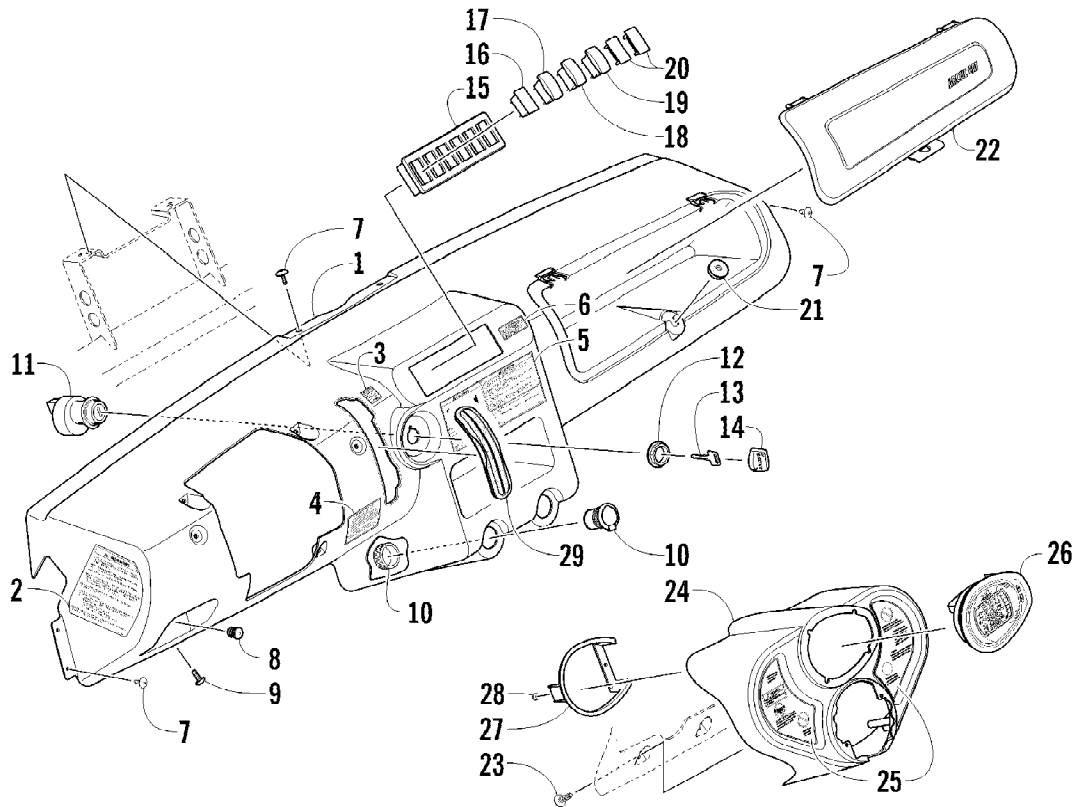
Ref #	Part Number	Qty	S/P/F	Description
1	0804-053	1	/P	Cylinder
2	0827-002	4		Bolt, Stud
3	8424-604	4		Nut
4	0830-111	1		Gasket, Base
5	0829-002	2		Pin, Dowel
6	0804-047	1	/P	Union, Coolant Hose
7	8468-612	1		Screw, Machine
8	0830-007	1		O-Ring
9	0830-112	1		Gasket, Cylinder Head
10	0830-113	4		O-Ring
11	0829-048	2	/P	Pin, Dowel

2012 PROWLER 700 HDX TIMBER CAMO (U2012P5T1PUSH)
CYLINDER HEAD AND CAMSHAFT/VALVE ASSEMBLY



2012 PROWLER 700 HDX TIMBER CAMO (U2012P5T1PUSH)
CYLINDER HEAD AND CAMSHAFT/VALVE ASSEMBLY

Ref #	Part Number	Qty	S/P/F	Description
1	0808-184	1		Head, Cylinder - Assembly (inc. 2-17)
2	0829-048	2	/P	Pin, Dowel
3	0831-092	2		Plug, Shaft
4	0809-237	1	/P	Arm, Valve Rocker - Exhaust (inc. two No. 5-6)
5	0809-240	4	/P	Screw, Adjuster
6	0827-059	4		Nut
7	0809-234	1	/P	Arm, Valve Rocker - Intake (inc. two No. 5-6)
8	0809-241	1		Shaft, Rocker Arm - Intake
9	0809-242	1		Shaft, Rocker Arm - Exhaust
10	0809-233	8		Cotter, Valve
11	0809-232	4		Retainer, Spring
12	0809-231	4	/P	Spring, Valve
13	0830-186	4	/P	Seal, Oil
14	0809-215	4		Seat, Spring - Valve
15	0809-228	2	/P	Valve, Intake
16	0809-229	2	/P	Valve, Exhaust
17	0826-149	4		Screw, Cap
18	0830-155	4	/P	Gasket
19	0826-002	2		Screw, Cap
20	0826-005	2		Screw, Cap
21	0826-006	2		Screw, Cap
22	0808-037	4	/P	Screw, Cap
23	0830-147	4	/P	Washer
24	0808-077	1		Plug, Cylinder Head
25	0826-007	6		Screw, Cap
26	0808-003	1		Cap, Inspection
27	0830-167	2	/P	O-Ring
28	0808-206	1		Cap, Inspection
29	0812-089	1		Plug, Oil Fill
30	0830-215	1		O-Ring
31	0826-034	2		Screw, Cap
32	0828-004	1		Plate, Retainer
33	0809-212	1		Sprocket
34	0829-049	1		Pin, Dowel
35	0809-245	1	/P	Camshaft
36	0809-003	1		C-Ring
37	0217-799	1	/P	Spark Plug CPR8E
38	0470-668	1		Flange, Intake Manifold
39	0826-008	2		Screw, Machine
40	0830-090	1		O-Ring
41	0830-168	1	/P	O-Ring
42	0808-208	1		Cover, Thermostat (inc. 43-44)
43	8408-512	1		Screw, Cap
44	0423-182	1	/P	O-Ring
45	0808-078	1		Thermostat
46	0808-124	1		Switch, Engine Coolant Temperature
47	0827-031	1		Bolt, Stud
48	8424-804	1		Nut
49	0827-054	2		Bolt, Stud
50	8424-604	2		Nut

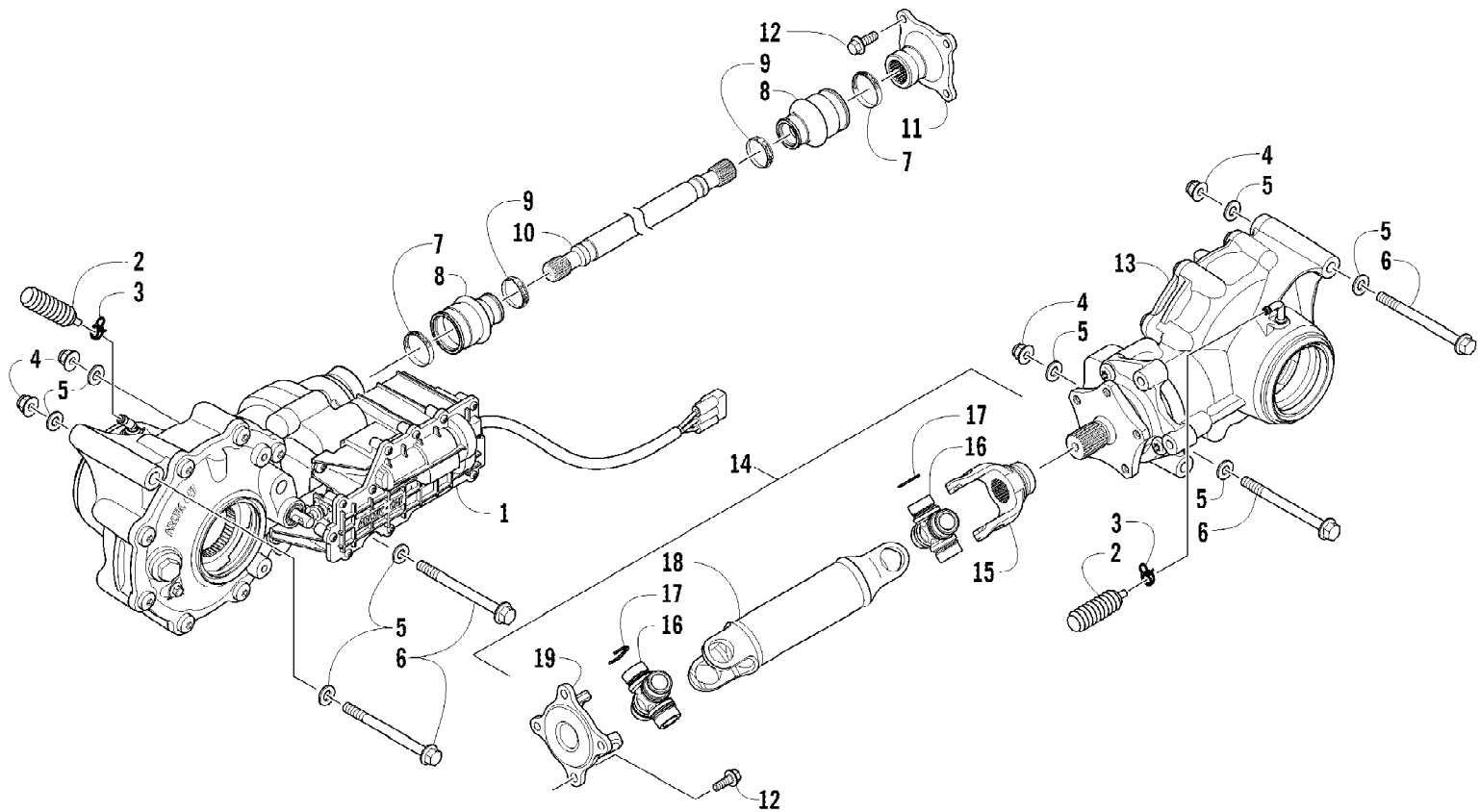


2012 PROWLER 700 HDX TIMBER CAMO (U2012P5T1PUSH)
DASH ASSEMBLY

Page 30 of 87

Ref #	Part Number	Qty	S/P/F	Description
1	4506-684	1		Panel, Dash
2	2411-236	1		Decal, Warning - Dash Side
3	2411-560	1		Decal, Caution - Engine RPM
4	2411-311	1		Decal, Starting
5	2411-881	1		Decal, Warning - Dash Center
6	1411-124	1		Decal, Warning - Differential Lock
7	0623-784	AR		Screw, Self-Tapping
8	1623-697	1		Plug, Hole
9	0423-419	3		Screw, Machine
10	0641-897	2	/P	Outlet, Accessory - 12V
11	0430-089	1	/P	Switch, Ignition (inc. 12-14)
12	0430-050	1		Nut, Retaining
13	0430-042	1		Key, Ignition - Series (Y Series - Left-Side Cut)
13	0430-043	1		Key, Ignition - Series (Z Series - Right-Side Cut)
14	0430-054	1		Cover, Key
15	0409-142	1		Panel, Switch - Mount
16	0420-111	1		Indicator, Seat Belt/Park
17	0409-067	1		Switch, Light
18	0409-061	1		Switch, 2WD/4WD/Differential Lock
19	0409-071	1		Switch, Reverse Override
20	0409-070	2		Plug, Switch Hole
21	0423-541	1		Grommet, Latch - Glove Box
22	1406-789	1		Cover, Glove Box
23	0423-342	5	/P	Screw, Self-Tapping
24	2406-539	1		Pod, Instrument
25	2411-292	1		Decal, Warning - Dash - Right
25	2411-293	1		Decal, Warning - Dash - Left
26	0520-172	1		Gauge, Analog LCD
27	0420-065	1	/P	Bracket, Retaining
28	0423-493	2		Nut w/Washer
29	2416-849	1		Boot, Shift

2012 PROWLER 700 HDX TIMBER CAMO (U2012P5T1PUSH)
DRIVE TRAIN ASSEMBLY

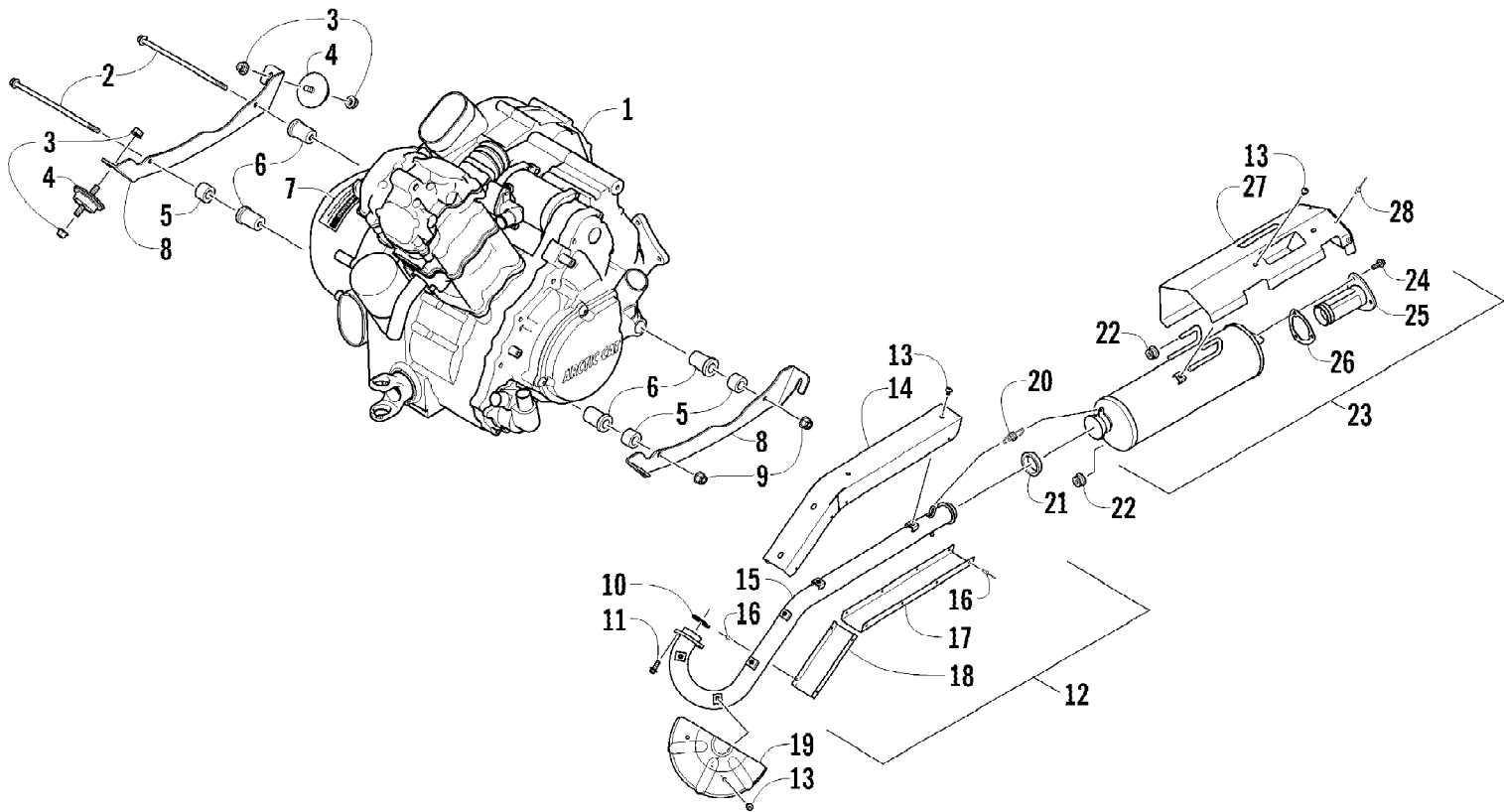


2012 PROWLER 700 HDX TIMBER CAMO (U2012P5T1PUSH)
DRIVE TRAIN ASSEMBLY

Page 32 of 87

Ref #	Part Number	Qty	S/P/F	Description
1	1502-888	1		Gearcase, Front
2	1402-620	2	/P	Bladder, Gearcase
3	0423-315	2		Clamp, Hose
4	8428-002	4		Nut, Lock
5	0423-426	8		Washer
6	0423-404	4		Screw, Cap
7	0423-393	2		Clamp
8	0402-985	2	/P	Boot
9	0423-411	2		Clamp
10	1402-904	1		Shaft, Propeller - Front
11	0402-950	1		Flange, Output
12	8408-820	8	/P	Screw, Cap
13	1502-889	1		Gearcase, Rear
14	1502-743	1		Driveshaft, Rear - Assembly (inc. 15-19)
15	1402-567	1		Yoke, Slip
16	0402-944	2	/P	Joint, Universal (inc.17)
17	0423-395	8		Ring, Retaining
18	1502-736	1		Driveshaft, Rear
19	1402-689	1		Yoke, Flange

2012 PROWLER 700 HDX TIMBER CAMO (U2012P5T1PUSH)
ENGINE AND EXHAUST

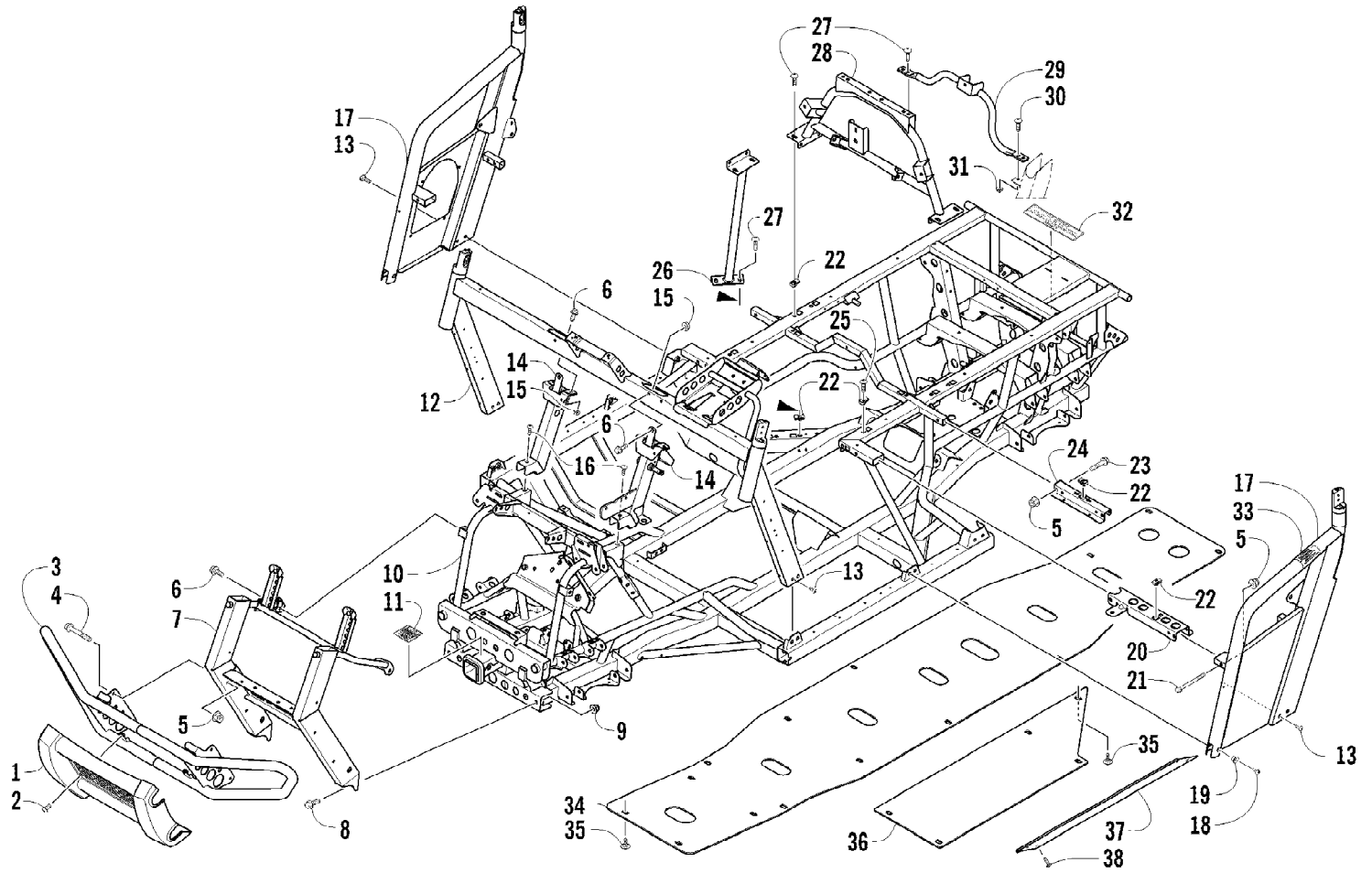


2012 PROWLER 700 HDX TIMBER CAMO (U2012P5T1PUSH)
ENGINE AND EXHAUST

Page 34 of 87

Ref #	Part Number	Qty	S/P/F	Description
1	0800-123	1		Engine, A700L
2	1423-064	2	/P	Screw, Cap
3	8424-002	8		Nut
4	0408-014	4		Mount, Engine
5	1423-025	3	/P	Spacer
6	0801-180	4	/P	Bushing
7	0411-426	1		Decal, Warning
8	2516-768	1		Bracket, Engine - Right
8	2516-769	1		Bracket, Engine - Left
9	8428-002	2		Nut, Lock
10	0412-338	1	/P	Gasket, Exhaust
11	8408-820	2	/P	Screw, Cap
12	0512-531	1		Pipe, Exhaust - Assembly (inc. four No. 13 and 14-18)
13	8477-610	9		Screw, Machine
14	0412-581	1		Shield, Pipe - Upper Rear
15	0512-532	1		Pipe, Exhaust
16	1623-130	12		Rivet
17	0412-580	1		Shield, Pipe - Lower Rear
18	0412-579	1		Shield, Pipe - Lower Front
19	0512-547	1		Shield, Pipe - Forward
20	0612-668	2	/P	Spring
21	0412-375	1	/P	Seal, Exhaust
22	0412-544	3		Bushing
23	0512-355	1	/P	Muffler - Assembly (inc. 24-26)
24	8408-616	3		Screw, Cap
25	0512-219	1	/P	Spark Arrester Assembly
26	0412-313	1		Gasket, Spark Arrester
27	0512-578	1		Shield, Heat - Muffler (inc. 28)
28	8061-486	3	/P	Rivet

2012 PROWLER 700 HDX TIMBER CAMO (U2012P5T1PUSH)
FRAME AND RELATED PARTS

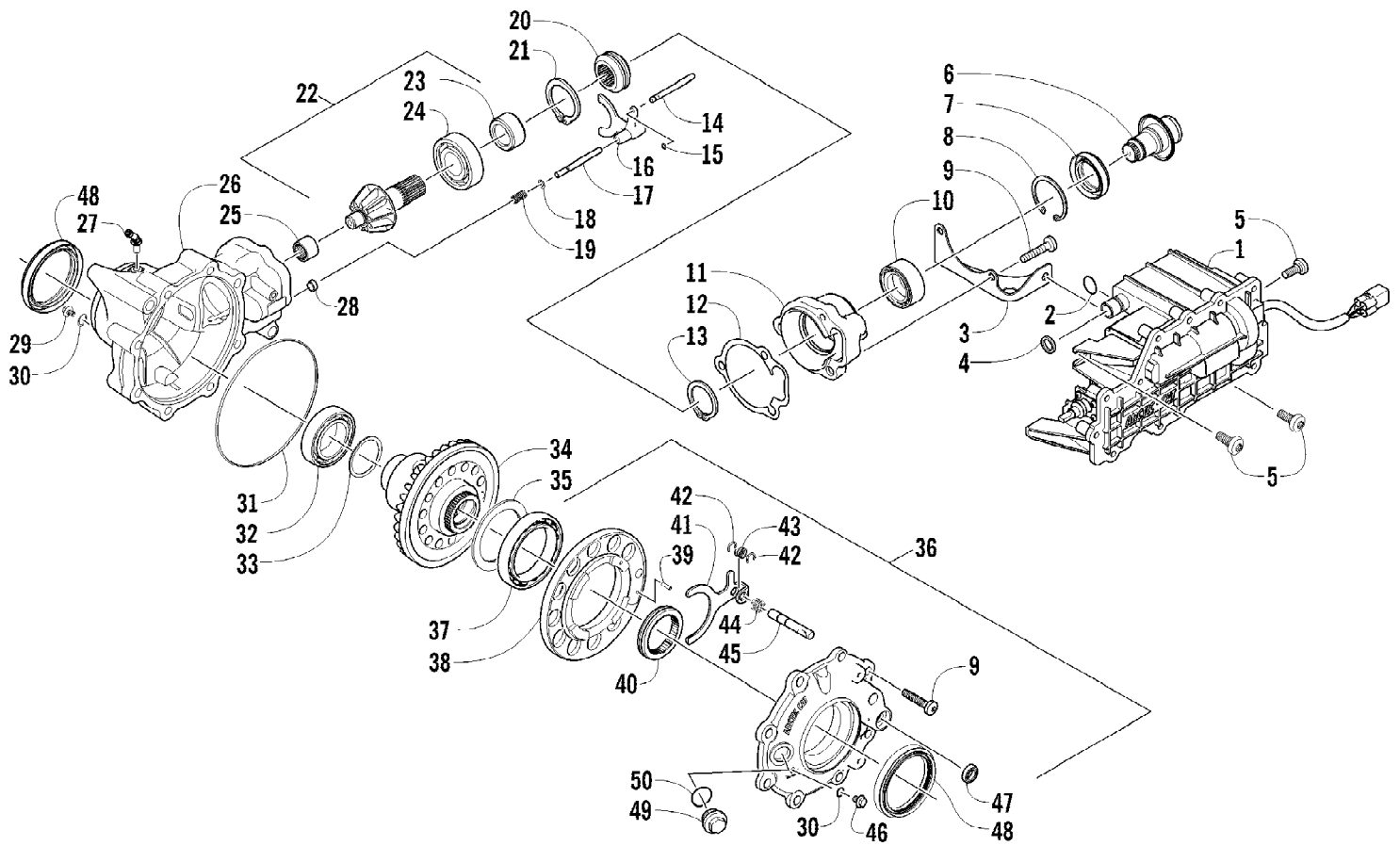


2012 PROWLER 700 HDX TIMBER CAMO (U2012P5T1PUSH)
FRAME AND RELATED PARTS

Page 36 of 87

Ref #	Part Number	Qty	S/P/F	Description
1	2406-713	1		Fascia, Bumper - Front
2	8477-616	4		Screw, Machine
3	2506-779	1		Bumper
4	8408-860	4		Screw, Cap
5	8427-802	14		Nut, Lock
6	8408-820	8	/P	Screw, Cap
7	2516-556	1		Bracket, Mounting - Bumper
8	8409-020	2	/P	Screw, Cap
9	8427-002	2		Nut, Lock
10	4506-567	1	/P	Frame, Main
11	1411-122	1		Decal, Warning - Towing - Front
12	4506-599	1		Support, Steering
13	0423-817	8		Screw, Machine
14	0505-688	1		Bracket, Steering Support - Right
14	1502-928	1		Bracket, Steering Support - Left
15	8424-802	6		Nut
16	8476-820	2		Screw, Machine
17	4506-608	1		Support, Overhead - Right
17	4506-609	1		Support, Overhead - Left
18	0423-886	2		Screw, Machine
19	1423-051	2		Spacer
20	2516-644	1		Bracket, Seat Support - Front - Right
20	2516-645	1		Bracket, Seat Support - Front - Left
21	8408-870	6		Screw, Cap
22	0423-577	16		Clip, U-Nut
23	8408-850	6		Screw, Cap
24	1506-842	2		Bracket, Seat Support - Rear
25	8477-620	2		Screw, Machine
26	2516-777	1		Tube, Support
27	8476-616	6		Screw, Machine
28	4506-601	1		Support, ROPS
29	4506-604	1		Seat, Support - Right
29	4506-605	1		Seat, Support - Left
30	8476-620	8		Screw, Machine
31	8427-602	4		Nut, Lock
32	2411-234	1		Decal, Warning - Towing - Rear
33	2411-522	1		Decal, Warning - ROPS
34	2416-452	1		Plate, Skid - Center
35	0423-545	26	/P	Screw, Shoulder
36	2416-453	2		Panel, Belly - Side
37	2506-612	2		Plate, Skid - Side
38	0423-849	8		Screw, Self-Tapping

2012 PROWLER 700 HDX TIMBER CAMO (U2012P5T1PUSH)
FRONT DRIVE GEARCASE ASSEMBLY



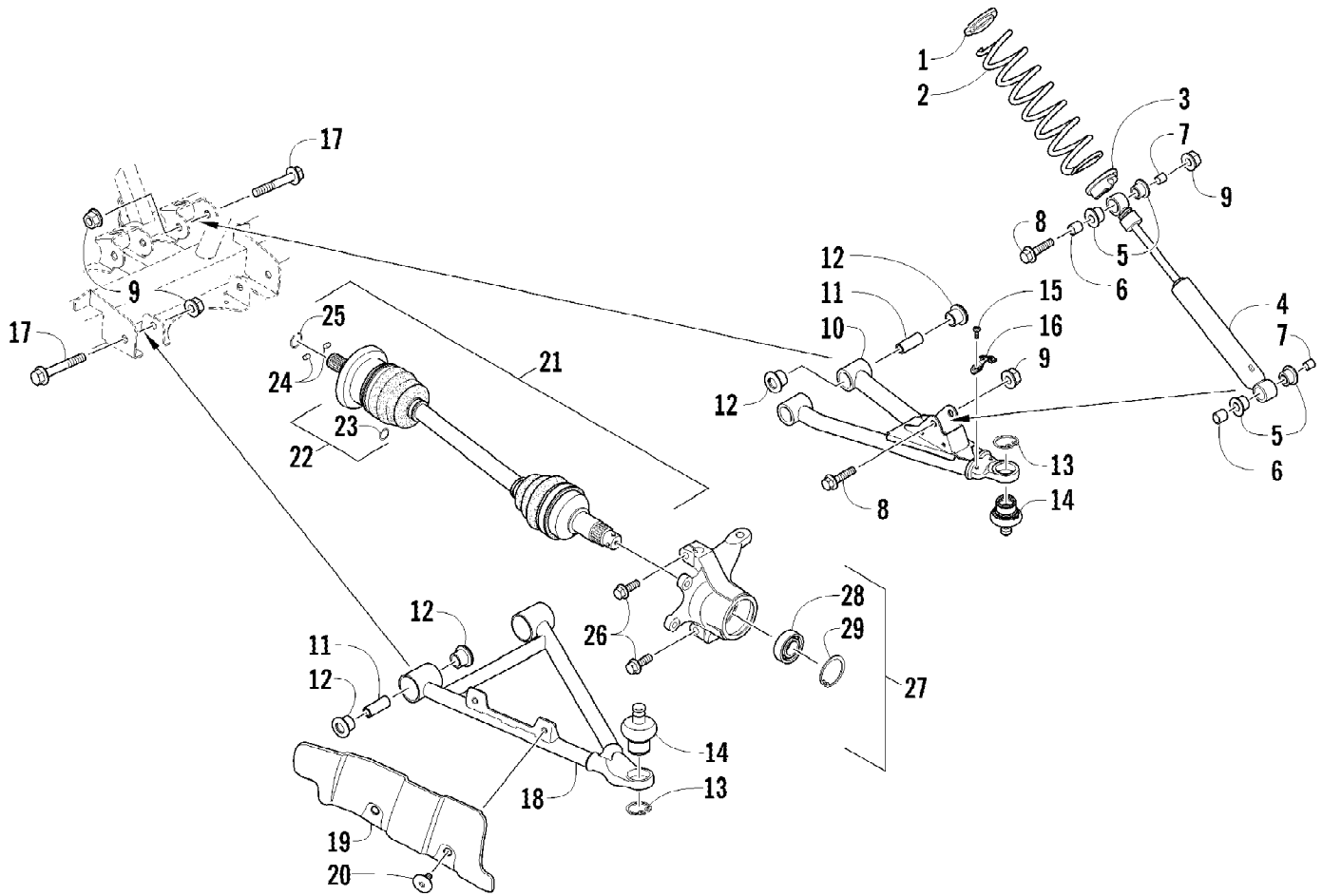
Ref #	Part Number	Qty	S/P/F	Description
	1502-888	1		Complete Front Drive Gearcase Assembly
1	1502-909	1	/P	Actuator (inc. 2)
2	1402-981	1		O-Ring
3	1502-237	1		Bracket, Actuator
4	0423-892	1	/P	O-Ring
5	0423-396	3		Screw, Self-Tapping
6	1502-085	1	/P	Shaft, Input
7	1402-011	1		Seal
8	0423-423	1		Ring, Retaining
9	0423-118	11		Screw, Self-Tapping
10	1402-043	1		Bearing
11	0502-528	1	/P	Housing, Pinion
12	0402-947	1		Gasket, Flange
13	0423-417	1		Ring, Retaining
14	0402-997	1		Shaft, Selector
15	0423-402	1		Ring, Retaining
16	0402-998	1		Fork, Selector
17	0402-417	1		Shaft, Shuttle
18	0423-147	1		O-Ring
19	0402-999	1		Spring, Return
20	0402-413	1		Coupler, Drive
21	1423-067	1		Ring, Retaining
22	1502-863	1		Gear, Pinion - Assembly - 10T (inc. 23-24)
23	1402-977	1		Collar, Retaining
24	0402-327	1		Bearing
25	0402-328	1		Bearing
26	1502-856	1		Housing, Gearcase
27	1402-980	1		Fitting, Elbow
28	0402-411	1		Pin, Dowel
29	1402-210	1	/P	Plug, Magnetic (inc. one No. 30)
30	0423-153	2		O-Ring
31	0423-149	1		O-Ring
32	0402-393	1		Bearing
33	0402-405	AR		Shim, 41 x 49 x 1.3 mm
33	0402-406	AR		Shim, 41 x 49 x 1.4 mm
33	0402-407	AR		Shim, 41 x 49 x 1.5 mm
33	0402-408	AR		Shim, 41 x 49 x 1.6 mm
33	0402-409	AR		Shim, 41 x 49 x 1.7 mm
34	1502-860	1		Gear, Ring - 36T
35	1402-074	AR		Shim, 61 x 69 x 1.3 mm
35	1402-075	AR		Shim, 61 x 69 x 1.4 mm
35	1402-076	AR		Shim, 61 x 69 x 1.5 mm
35	1402-077	AR		Shim, 61 x 69 x 1.6 mm
35	1402-078	AR		Shim, 61 x 69 x 1.7 mm
36	1502-895	1		Cover, Gearcase (inc. one No. 30, 37-47, and one No. 48)
37	1402-053	1		Bearing
38	0502-413	1		Flange, Bearing
39	1402-079	1		Pin, Parallel
40	1402-042	1		Collar, Sliding
41	1402-054	1		Fork
42	1402-058	2		Ring, Retaining

2012 PROWLER 700 HDX TIMBER CAMO (U2012P5T1PUSH)
FRONT DRIVE GEARCASE ASSEMBLY

Page 39 of 87

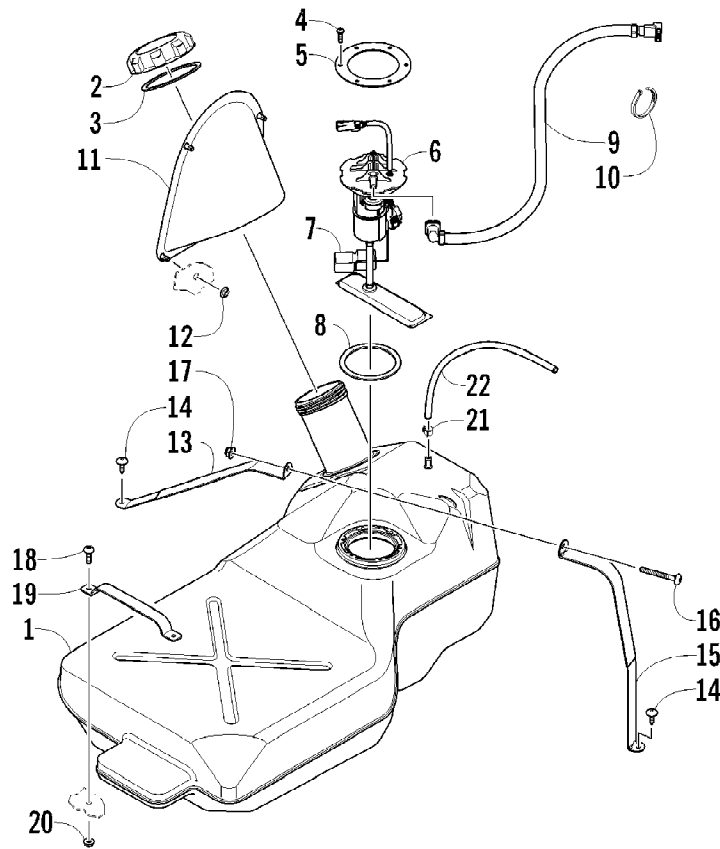
Ref #	Part Number	Qty	S/P/F	Description
43	1402-057	1		Spring
44	1402-063	1		Spring
45	1402-656	1		Shaft, Lock
46	1402-211	1		Plug, Oil Level (inc. one No. 30)
47	1402-056	1		Seal
48	1402-950	2	/P	Seal
49	0402-333	1	/P	Plug, Fill (inc. 50)
50	0423-154	1		O-Ring

2012 PROWLER 700 HDX TIMBER CAMO (U2012P5T1PUSH)
FRONT SUSPENSION ASSEMBLY



2012 PROWLER 700 HDX TIMBER CAMO (U2012P5T1PUSH)
FRONT SUSPENSION ASSEMBLY

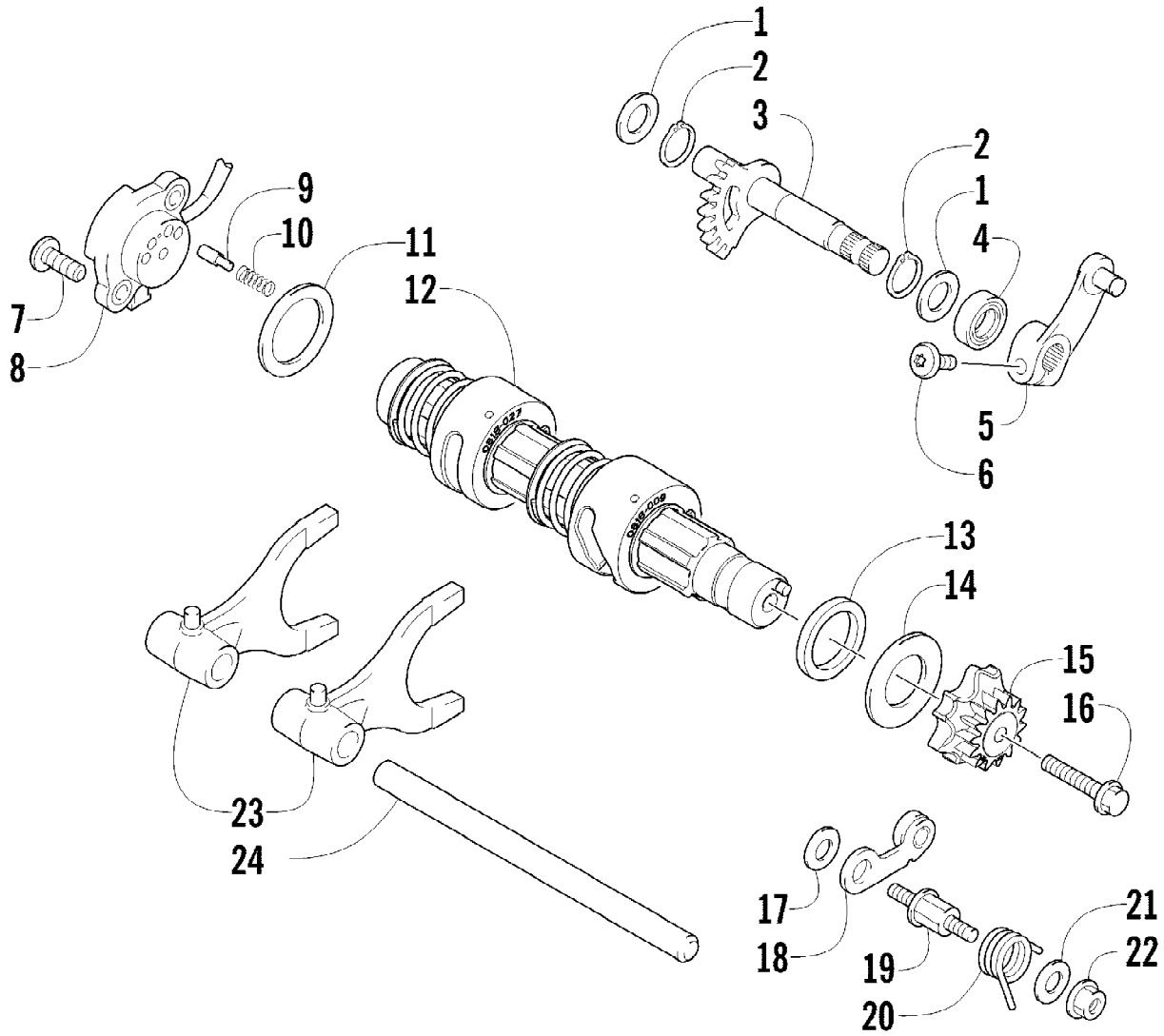
Ref #	Part Number	Qty	S/P/F	Description
1	1603-889	2	/P	Retainer, Spring
2	0403-211	2		Spring, Suspension
3	0404-057	2		Cam, Spring Adjuster
4	0403-256	2		Shock Absorber (inc. 5-6)
5	0603-955	8		Bushing
6	1603-209	4		Sleeve
7	0404-116	4		Sleeve
8	8409-055	4		Screw, Cap
9	8428-002	12		Nut, Lock
10	0503-432	1		A-Arm, Upper Right (inc. 11-14)
10	0503-433	1		A-Arm, Upper Left (inc. 11-14)
11	0403-214	8	/P	Axle
12	0403-208	16	/P	Bushing
13	0423-009	4	/P	Ring, Retaining
14	0405-115	4	/P	Ball Joint
15	0423-946	4		Screw, Self-Tapping
16	1502-594	2		Clamp, Routing
17	8409-075	8		Screw, Cap
18	0503-376	1	/P	A-Arm, Lower Right (inc. 11-14)
18	0503-377	1	/P	A-Arm, Lower Left (inc. 11-14)
19	1406-034	1		Guard, Boot - Right
19	1406-035	1		Guard, Boot - Left
20	0423-545	4	/P	Screw, Shoulder
21	1502-803	1	S	Axle, Drive - Right (inc. 22-25)
21	1502-802	1	S/P	Axle, Drive - Locking - Left (inc. 22-25)
22	1436-419	2		Repair Kit, Boot (inc. 23)
23	1441-988	2		Clip, Retaining
24	1402-885	4		Pin, Detent
25	1402-889	2		Clip, Retaining
26	0423-998	4		Screw, Shoulder
27	0505-580	1	/P	Knuckle - Assembly - Right (inc. 28-29)
27	0505-581	1	/P	Knuckle - Assembly - Left (inc. 28-29)
28	1402-809	2	/P	Bearing
29	0423-423	2		Ring, Retaining



2012 PROWLER 700 HDX TIMBER CAMO (U2012P5T1PUSH)
GAS TANK ASSEMBLY

Page 43 of 87

Ref #	Part Number	Qty	S/P/F	Description
1	0570-309	1		Tank, Gas - Assembly (inc. 2-5)
2	0470-541	1	/P	Cap, Gas Tank (inc. 3)
3	1670-228	1		Gasket, Gas Tank Cap
4	0423-898	6		Screw, Self-Tapping
5	2670-042	1		Plate, Retaining
6	0570-334	1	/P	Pump, Fuel - Assembly (inc. 7-8)
7	2670-235	1		Float
8	0470-838	1		Seal
9	0470-745	1		Hose, Gasline
10	0123-788	AR	/P	Tie, Cable - 8 in.
11	1406-886	1		Insert, Gas Tank Cap
12	0423-357	4		Nut, Stamped
13	0470-829	1		Bracket, Hold-Down - Right
14	0623-784	2		Screw, Self-Tapping
15	0470-830	1		Bracket, Hold-Down - Left
16	8476-650	1		Screw, Machine
17	8427-602	1		Nut, Lock
18	8476-620	2		Screw, Machine
19	0470-544	1		Bracket, Hold-Down - Front
20	0623-038	2		Nut w/Washer
21	0423-688	1		Clamp, Hose
22	0410-070	AR	/P	Hose, Gasline - 25 ft

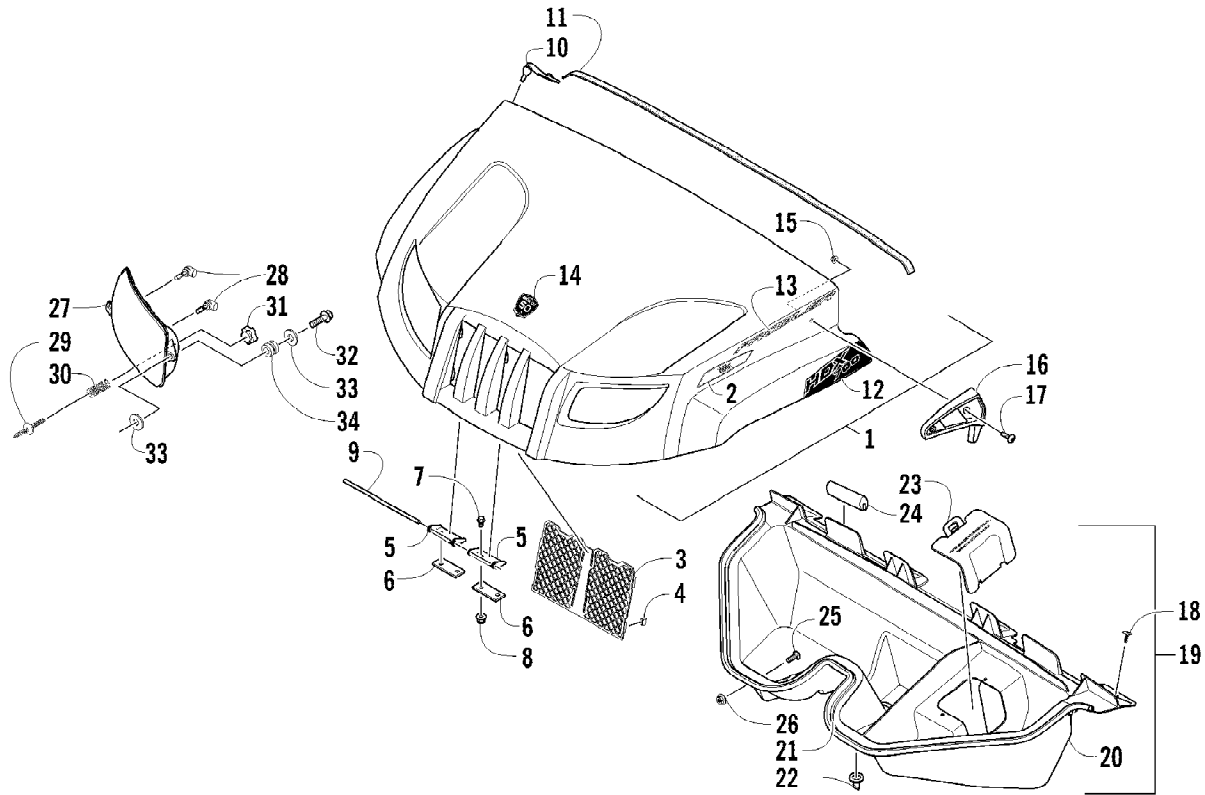


2012 PROWLER 700 HDX TIMBER CAMO (U2012P5T1PUSH)
GEAR SHIFTING ASSEMBLY

Page 45 of 87

Ref #	Part Number	Qty	S/P/F	Description
1	0828-036	2		Washer
2	0831-010	2		Ring, Retaining
3	0818-007	1	/P	Shaft, Sub-Gear Shift
4	0830-044	1		Seal, Sub-Gear Shift Shaft
5	0818-014	1		Arm, Select
6	8468-620	1	/P	Screw, Machine
7	8470-520	2		Screw, Machine
8	0409-090	1	/P	Switch, Gear Position
9	0818-013	2		Contact
10	0818-017	2		Spring
11	0828-040	1		Washer
12	0818-093	1		Shaft, Gear Shift - Assembly
13	0828-131	1		Spacer
14	0828-037	1		Washer
15	0818-143	1		Plate, Gear Shift Cam
16	0826-006	1		Screw, Cap
17	0828-038	1		Washer
18	0818-002	1		Stopper, Cam
19	0818-004	1		Support, Cam Stopper
20	0818-144	1		Spring
21	0828-035	1		Washer
22	8424-602	1	/P	Nut
23	0818-072	2	/P	Fork, Shift
24	0818-006	1		Shaft, Shift Fork

2012 PROWLER 700 HDX TIMBER CAMO (U2012P5T1PUSH)
HOOD AND HEADLIGHT ASSEMBLY

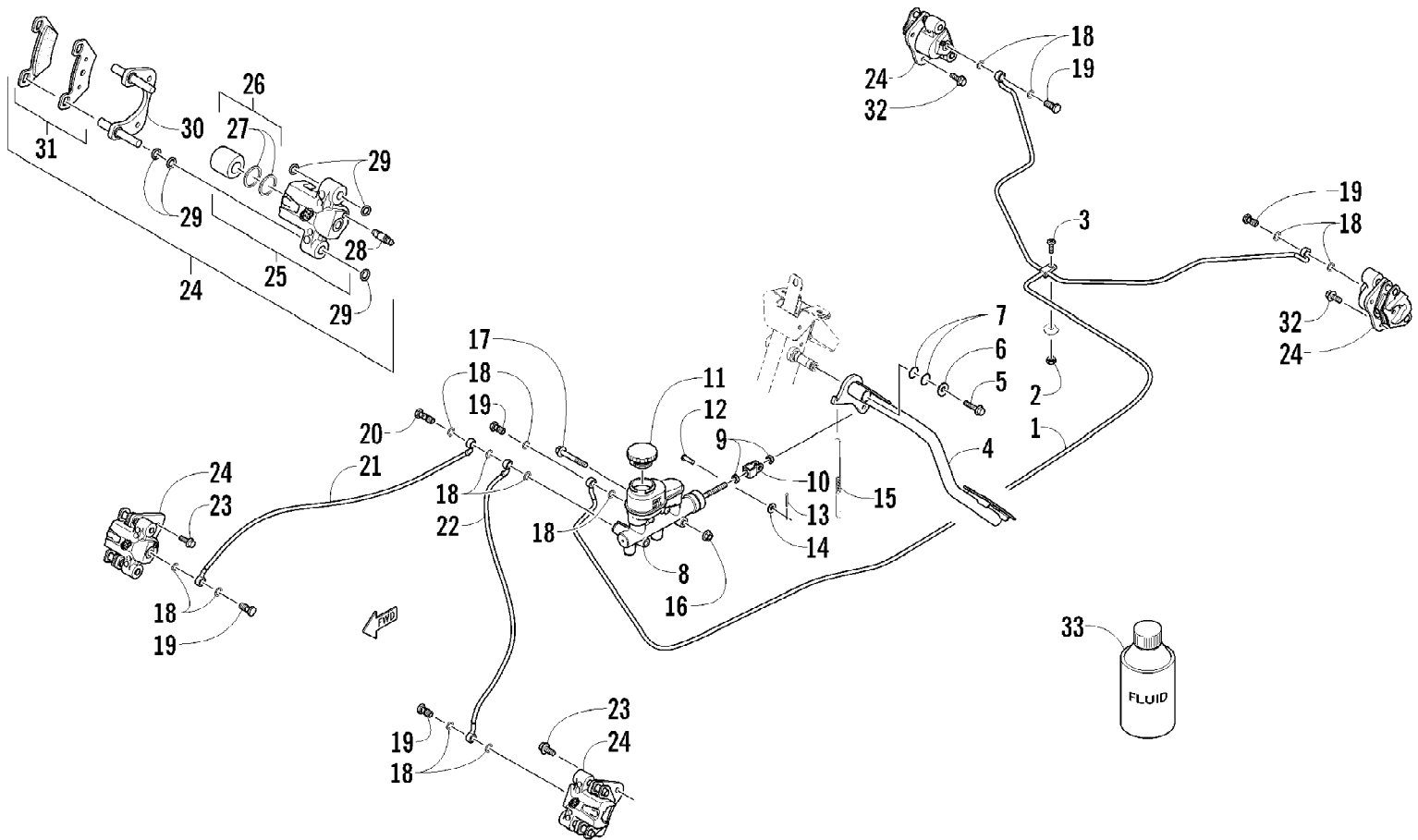


2012 PROWLER 700 HDX TIMBER CAMO (U2012P5T1PUSH)
HOOD AND HEADLIGHT ASSEMBLY

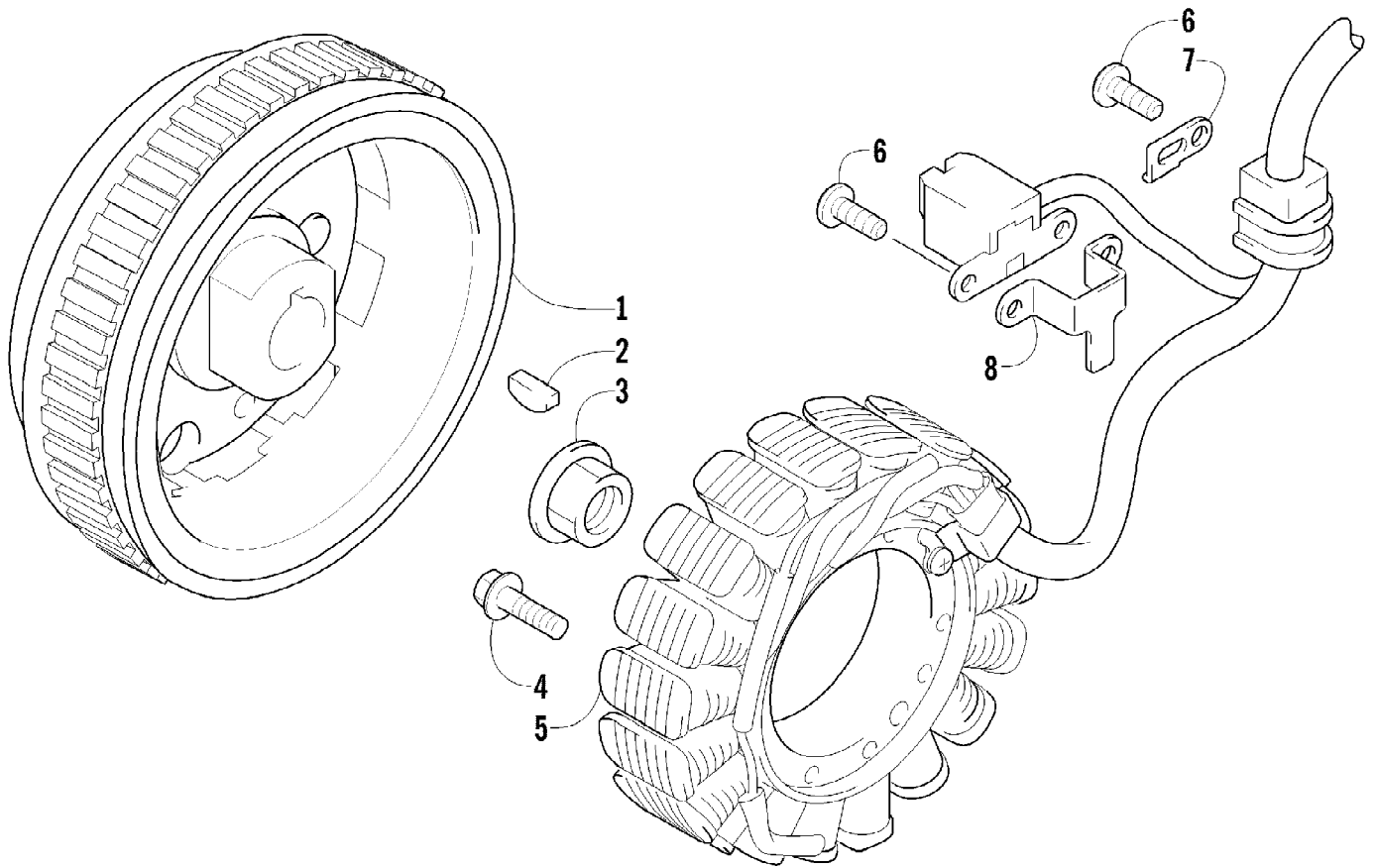
Page 47 of 87

Ref #	Part Number	Qty	S/P/F	Description
1	4506-486	1		Hood - Assembly (inc. 2)
2	0411-818	1		Decal, Reflector - Right
2	0411-819	1		Decal, Reflector - Left
3	1406-733	1	/P	Screen, Grille
4	0123-987	8		Clip, U
5	2516-606	2		Bracket, Hood
6	2506-868	AR		Shim, Hood
7	8408-820	4	/P	Screw, Cap
8	8427-802	4		Nut, Lock
9	1406-915	1		Pin, Hood
10	2606-624	2		Strap, Hold-Down
11	0417-013	1		Trim, Hood/Dash
12	2411-820	1		Decal, Hood - "HDX" - Right
12	2411-821	1		Decal, Hood - "HDX" - Left
13	2411-755	2		Decal, Hood - "Prowler"
14	9611-399	1		Decal, 50th Anniversary
15	0423-450	4		Nut, Lock
16	2416-512	1		Louver - Right
16	2416-513	1		Louver - Left
17	0423-356	4		Screw, Shoulder
18	0423-545	4	/P	Screw, Shoulder
19	4506-037	1	/P	Storage, Under-Hood - Assembly (inc. 20-23)
20	2416-520	1		Box, Storage
21	1406-946	1		Seal, Storage Box
22	0470-442	1	/P	Valve, Drain
23	1406-944	1		Cover, Access - Master Cylinder
24	0417-014	AR		Trim, Dash Support
25	8476-616	2		Screw, Machine
26	8424-602	2	/P	Nut
27	0509-044	1	/P	Headlight Assembly - Right (inc. 28)
27	0509-035	1		Headlight Assembly - Left (inc. 28)
28	0409-055	4		Bulb, Headlight
29	0423-514	2		Stud, Adjuster
30	0423-522	2		Spring, Adjuster
31	0423-513	2		Knob, Adjuster
32	0623-785	4		Screw, Self-Tapping
33	8050-217	8	/P	Washer
34	0423-447	4		Grommet

2012 PROWLER 700 HDX TIMBER CAMO (U2012P5T1PUSH)
HYDRAULIC BRAKE ASSEMBLY



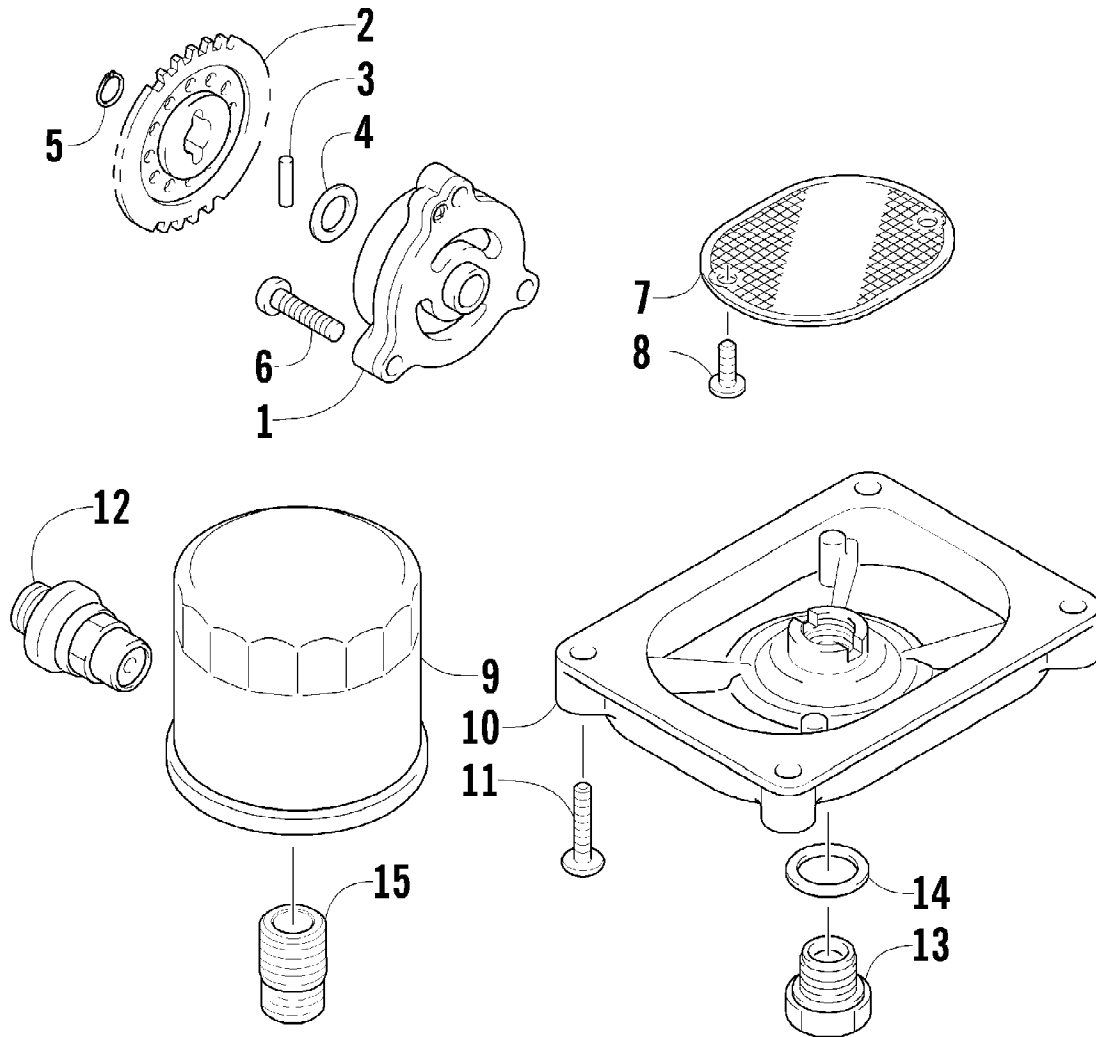
Ref #	Part Number	Qty	S/P/F	Description
1	1402-893	1		Hose, Rear Brake
2	0623-038	1		Nut w/Washer
3	8476-616	1		Screw, Machine
4	1502-692	1		Lever, Brake
5	8408-822	1		Screw, Cap
6	0623-044	1		Washer
7	1602-213	2	/P	O-Ring
8	0502-786	1		Cylinder, Master Brake - Assembly (inc. 9-11)
9	0402-592	2		Nut
10	1402-520	1		Clevis
11	0405-225	1		Cap, Reservoir
12	1402-377	1		Pin, Clevis
13	0117-868	1		Pin, Cotter
14	8050-217	1	/P	Washer
15	0502-785	1		Spring, Brake Switch
16	8424-802	2		Nut
17	8408-860	2		Screw, Cap
18	0423-178	13		Washer, Crush
19	0423-413	5		Bolt, Banjo-Fitting
20	0423-610	1		Bolt, Double Banjo-Fitting
21	1402-290	1		Hose, Brake - Front Right
22	1402-389	1		Hose, Brake - Front Left
23	8408-826	4		Screw, Cap
24	1502-730	1	/P	Caliper, Brake - Front Right (inc. 25-31)
24	1502-731	1	/P	Caliper, Brake - Front Left (inc. 25-31)
24	1436-422	1	/P	Caliper, Brake - Rear Right (inc. 25-32)
24	1436-423	1	/P	Caliper, Brake - Rear Left (inc. 25-32)
25	1436-160	1	/P	Housing, Caliper - Assembly - Front Right
25	1436-161	1	/P	Housing, Caliper - Assembly - Front Left
25	1436-160	1	/P	Housing, Caliper - Assembly - Rear Right
25	1436-161	1	/P	Housing, Caliper - Assembly - Rear Left
26	0502-606	4		Piston/Seal Set (inc. 27)
27	0502-607	4		Seal Set
28	0502-609	4	/P	Valve, Bleed
29	0502-608	4		O-Ring, Guide - Set
30	0502-960	2		Bracket Assembly - Front
30	0502-605	2		Bracket Assembly - Rear
31	1502-694	4	S	Pad, Brake - Set
32	8408-821	4	/P	Screw, Cap
33	0436-902	AR	/P	Fluid, Brake - 12 oz



2012 PROWLER 700 HDX TIMBER CAMO (U2012P5T1PUSH)
MAGNETO ASSEMBLY

Page 51 of 87

Ref #	Part Number	Qty	S/P/F	Description
1	0802-048	1		Rotor/Flywheel
2	0829-012	1		Key
3	0827-014	1		Nut
4	8409-632	3		Screw, Cap
5	0802-041	1		Stator - Assembly
6	8470-510	3		Screw, Machine
7	0802-015	1		Clamp - No. 1
8	0802-016	1		Clamp - No. 2

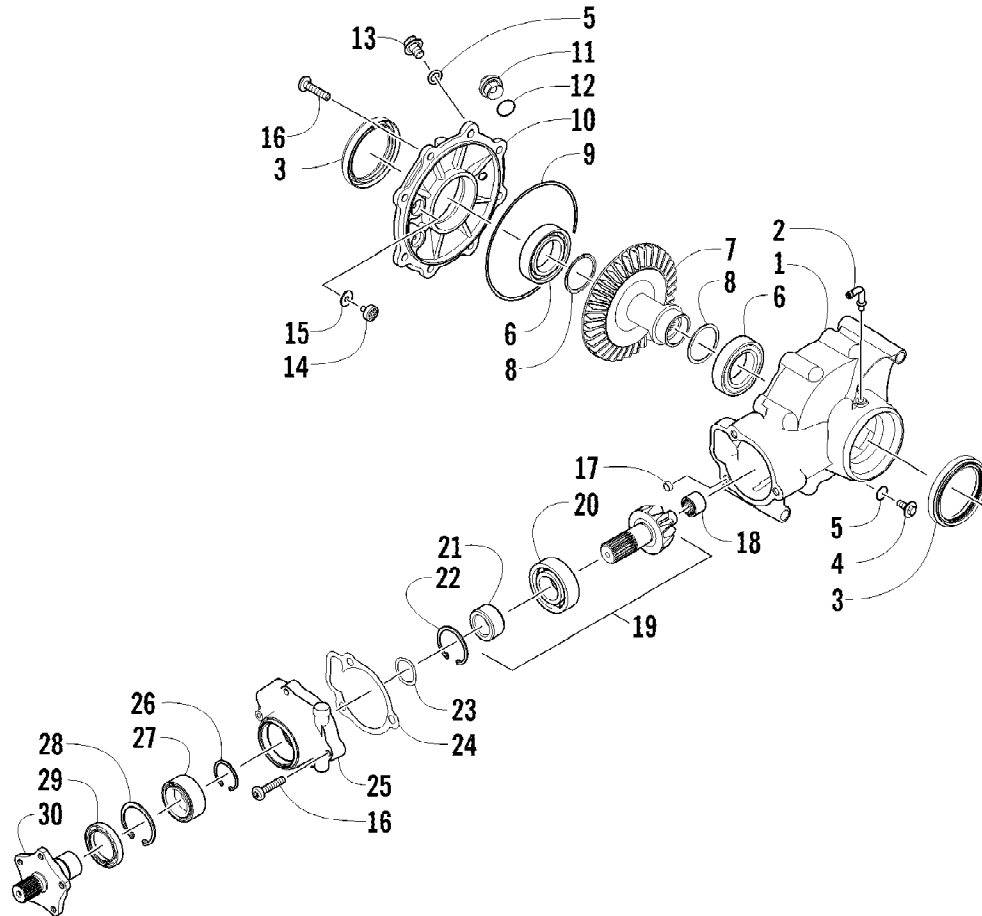


2012 PROWLER 700 HDX TIMBER CAMO (U2012P5T1PUSH)
OIL FILTER/PUMP ASSEMBLY

Page 53 of 87

Ref #	Part Number	Qty	S/P/F	Description
1	0812-023	1		Pump, Oil
2	0812-083	1	/P	Gear, Driven
3	0829-009	1		Pin
4	0828-007	1	/P	Washer
5	0831-002	1		Ring, Retaining
6	0826-039	3		Screw, Machine
7	0812-057	1	/P	Strainer, Oil
8	0826-040	2		Screw, Machine
9	0812-029	1	S	Filter, Oil
10	0812-053	1		Cap, Oil Strainer
11	8468-625	4		Screw, Machine
12	0812-007	1		Valve, Oil-Relief - Assembly
13	0812-006	1		Plug, Drain
14	0830-017	1		Gasket, Drain Plug
15	0812-008	1		Union, Oil Filter

2012 PROWLER 700 HDX TIMBER CAMO (U2012P5T1PUSH)
REAR DRIVE GEARCASE ASSEMBLY

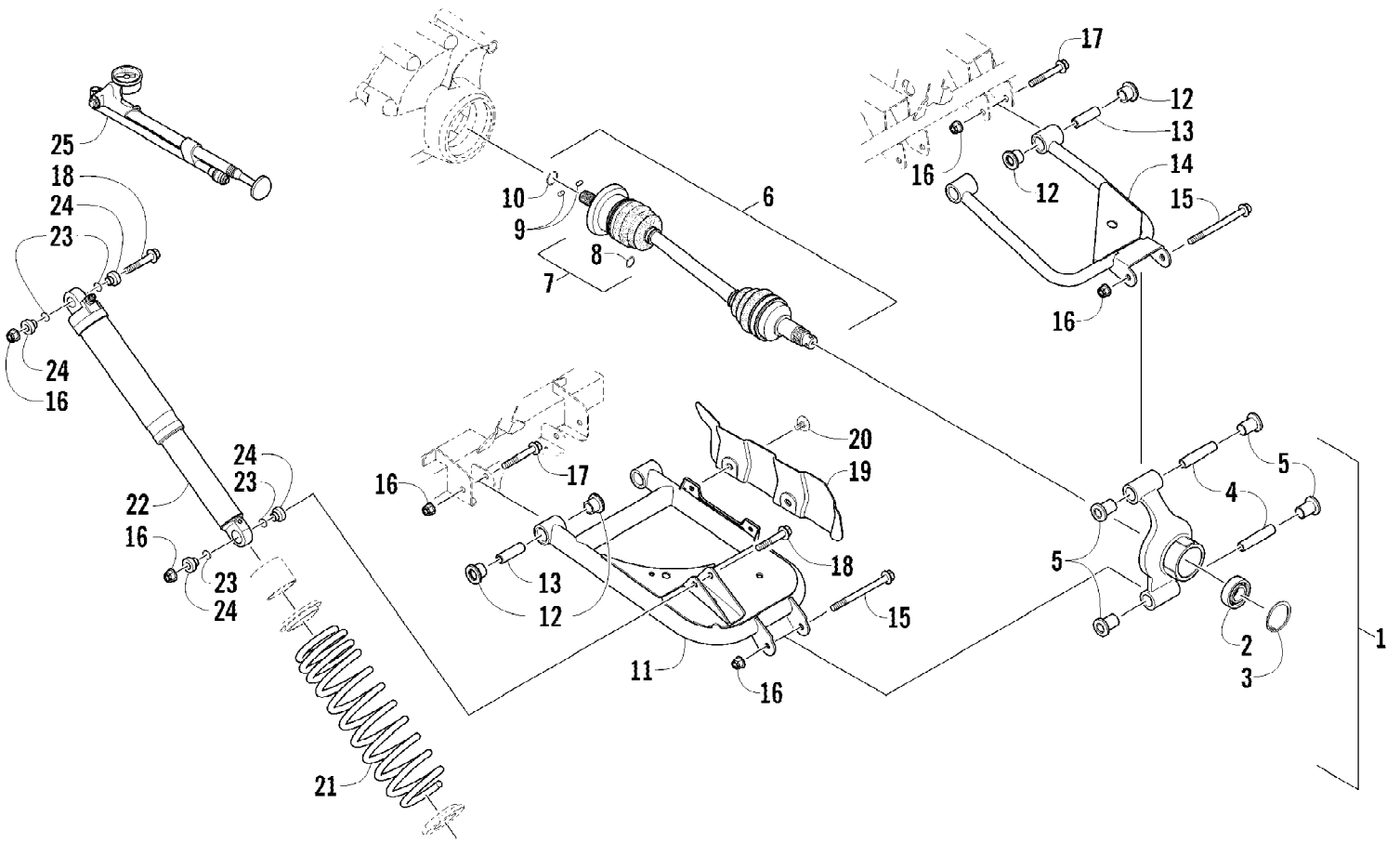


2012 PROWLER 700 HDX TIMBER CAMO (U2012P5T1PUSH)
REAR DRIVE GEARCASE ASSEMBLY

Page 55 of 87

Ref #	Part Number	Qty	S/P/F	Description
	1502-889	1		Complete Rear Drive Gearcase Assembly
1	1502-896	1		Housing, Gearcase
2	1402-442	1		Fitting, Elbow
3	1402-950	2	/P	Seal
4	1402-210	1	/P	Plug, Fill (inc. one No. 5)
5	0423-153	2		O-Ring
6	0402-393	2		Bearing
7	1402-032	1		Gear, Ring - 36T
8	0402-405	AR		Shim, 41 x 49 x 1.3 mm
8	0402-406	AR		Shim, 41 x 49 x 1.4 mm
8	0402-407	AR		Shim, 41 x 49 x 1.5 mm
8	0402-408	AR		Shim, 41 x 49 x 1.6 mm
8	0402-409	AR		Shim, 41 x 49 x 1.7 mm
9	0423-149	1		O-Ring
10	1502-897	1		Cover, Gearcase
11	0402-333	1	/P	Plug, Magnetic (inc. 12)
12	0423-154	1		O-Ring
13	1402-211	1		Plug, Oil Level (inc. one No. 5)
14	0402-326	1		Button, Thrust
15	0402-429	AR		Shim, 6.3 x 18 x 1.3 mm
15	0402-430	AR		Shim, 6.3 x 18 x 1.4 mm
15	0402-431	AR		Shim, 6.3 x 18 x 1.5 mm
15	0402-432	AR		Shim, 6.3 x 18 x 1.6 mm
15	0402-433	AR		Shim, 6.3 x 18 x 1.7 mm
16	0423-118	11		Screw, Self-Tapping
17	0402-411	1		Pin, Dowel
18	0402-328	1		Bearing
19	1502-863	1		Gear, Pinion - Assembly - 10T (inc. 20-21)
20	0402-327	1		Bearing
21	1402-977	1		Collar, Retaining
22	1423-067	1		Ring, Retaining
23	0402-982	1		Washer, Wave
24	0402-947	1		Gasket, Flange
25	0502-746	1		Housing, Pinion
26	0423-546	1		Ring, Retaining
27	0402-324	1		Bearing
28	0402-347	1		Ring, Retaining
29	1402-314	1		Seal
30	1502-748	1		Shaft, Input

2012 PROWLER 700 HDX TIMBER CAMO (U2012P5T1PUSH)
REAR SUSPENSION ASSEMBLY

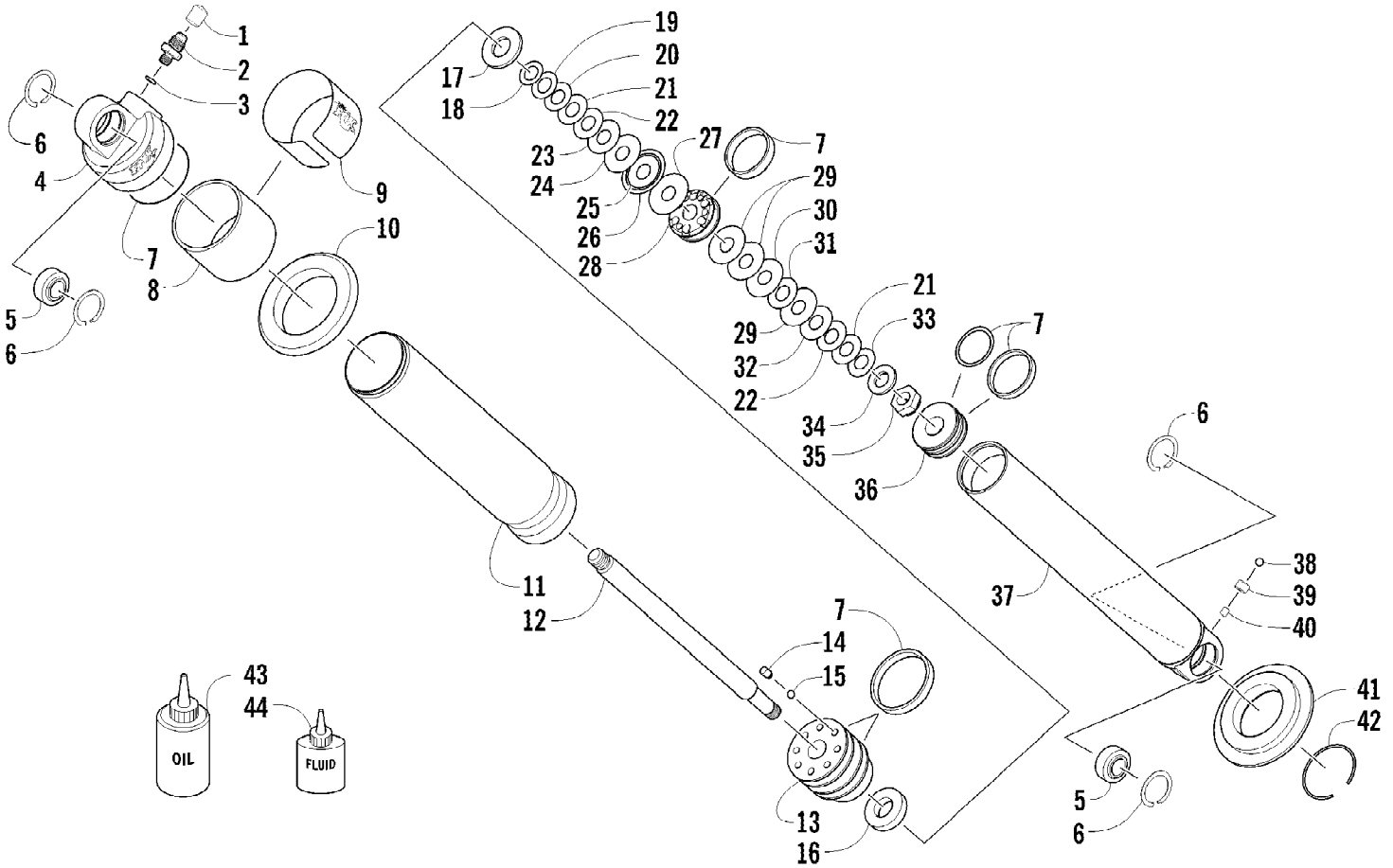


2012 PROWLER 700 HDX TIMBER CAMO (U2012P5T1PUSH)
REAR SUSPENSION ASSEMBLY

Page 57 of 87

Ref #	Part Number	Qty	S/P/F	Description
1	0504-613	2		Knuckle, Rear - Assembly (inc. 2-5)
2	1402-809	2	/P	Bearing
3	0423-423	2		Ring, Retaining
4	0403-213	4	/P	Axle
5	0403-206	8	/P	Bushing
6	1502-801	2	S	Axle, Drive (inc. 7-10)
7	1436-419	2		Repair Kit, Boot (inc. 8)
8	1441-988	2		Clip, Retaining
9	1402-884	4		Pin, Detent
10	1402-890	2		Clip, Retaining
11	0504-592	1		A-Arm, Rear - Lower Right (inc. 12-13)
11	0504-593	1		A-Arm, Rear - Lower Left (inc. 12-13)
12	0403-208	16	/P	Bushing
13	0403-214	8	/P	Axle
14	0504-598	1		A-Arm, Rear - Upper Right (inc. 12-13)
14	0504-599	1		A-Arm, Rear - Upper Left (inc. 12-13)
15	8409-000	4		Screw, Cap
16	8428-002	16		Nut, Lock
17	8409-075	8		Screw, Cap
18	8409-060	4		Screw, Cap
19	1406-068	1		Guard, Boot - Right
19	1406-069	1		Guard, Boot - Left
20	0423-545	4	/P	Screw, Shoulder
21	0504-612	2		Spring, Suspension
22	0404-256	2		Shock Absorber
23	2604-698	8		O-Ring
24	0504-684	8		Spacer
25	2603-614	1	/P	Pump, Air - Shock

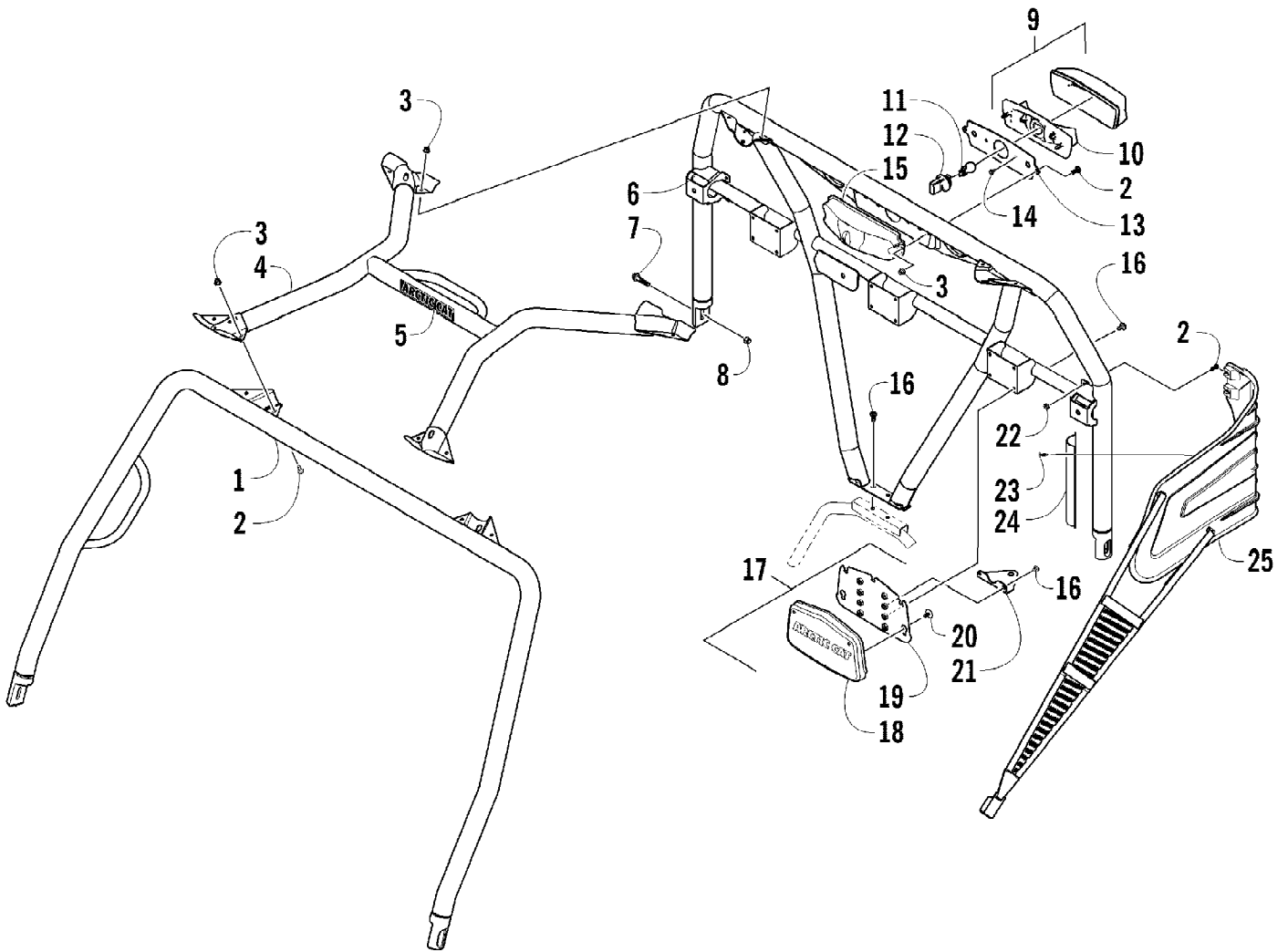
2012 PROWLER 700 HDX TIMBER CAMO (U2012P5T1PUSH)
REAR SUSPENSION SHOCK ABSORBER



2012 PROWLER 700 HDX TIMBER CAMO (U2012P5T1PUSH)
REAR SUSPENSION SHOCK ABSORBER

Page 59 of 87

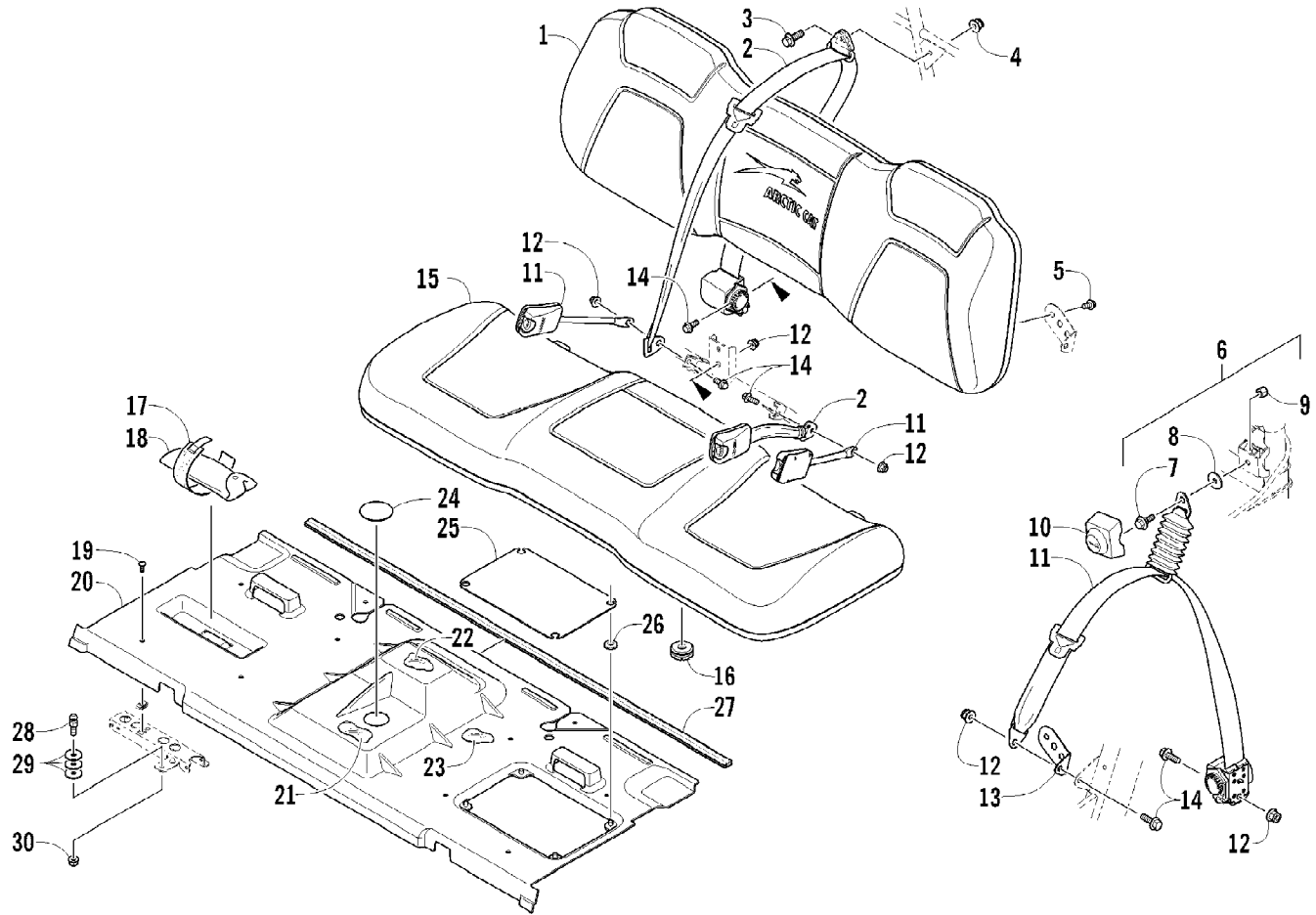
Ref #	Part Number	Qty	S/P/F	Description
	0404-256	1		Complete Shock Absorber
1	2603-327	1		Cap, Air Valve
2	2603-651	1		Valve, Air (inc. 3)
3	1604-318	1		O-Ring
4	0404-225	1		End Cap, Shock
5	1604-664	2		Bearing
6	3604-147	4		Ring, Retaining
7	2604-796	1		Kit, Seal/Cap Rebuild
8	0404-198	1		Sleeve, Wear
9	2411-567	1		Decal, Shock
10	0404-196	1		Spring Retainer, Upper
11	0404-234	1		Body, Shock - Upper
12	3604-481	1		Rod, Shock
13	2603-333	1		Bearing - Assembly
14	1603-940	1		Screw, Set
15	1604-315	1		Ball, Bleed
16	0603-386	1	/P	Bumper, Internal - Top Out
17	0603-540	1	/P	Washer, Top Out
18	2603-224	1		Valve, 0.620 x 0.015 in.
19	0603-878	1	/P	Valve, 0.700 x 0.012 in.
20	0603-879	1	/P	Valve, 0.800 x 0.012 in.
21	0603-338	2	/P	Valve, 0.900 x 0.010 in.
22	0603-341	2	/P	Valve, 1.000 x 0.010 in.
23	0603-344	1	/P	Valve, 1.100 x 0.010 in.
24	0603-347	1		Valve, 1.250 x 0.010 in.
25	0603-342	1	/P	Valve, 1.100 x 0.006 in.
26	2603-936	1		Valve Ring, 1.250 x 0.008 in.
27	0603-349	1	/P	Valve, 1.300 x 0.008 in.
28	0603-208	1		Piston, 0.078 in. - Orifice
29	0603-346	3	/P	Valve, 1.250 x 0.008 in.
30	0603-345	1		Valve, 1.250 x 0.006 in.
31	0603-336	1		Valve, 0.900 x 0.006 in.
32	0603-343	1		Valve, 1.100 x 0.008 in.
33	0603-335	1	/P	Valve, 0.800 x 0.010 in.
34	0603-389	1	/P	Washer, Backup
35	0603-301	1	/P	Nut
36	0404-230	1		Piston, Floating
37	0404-227	1		Body, Shock - Lower
38	2603-337	1		Ball, Air Valve
39	2603-338	1		Screw, Set
40	1604-428	1		Plug, Rubber - Valve
41	0404-197	1		Spring Retainer, Lower
42	2603-245	1		Retainer
43	5639-240	AR	S/P	Oil, Shock - 1 qt
44	4639-012	AR		Fluid, Float Shock - 8 oz



2012 PROWLER 700 HDX TIMBER CAMO (U2012P5T1PUSH)
ROPS AND TAILLIGHT ASSEMBLY

Page 61 of 87

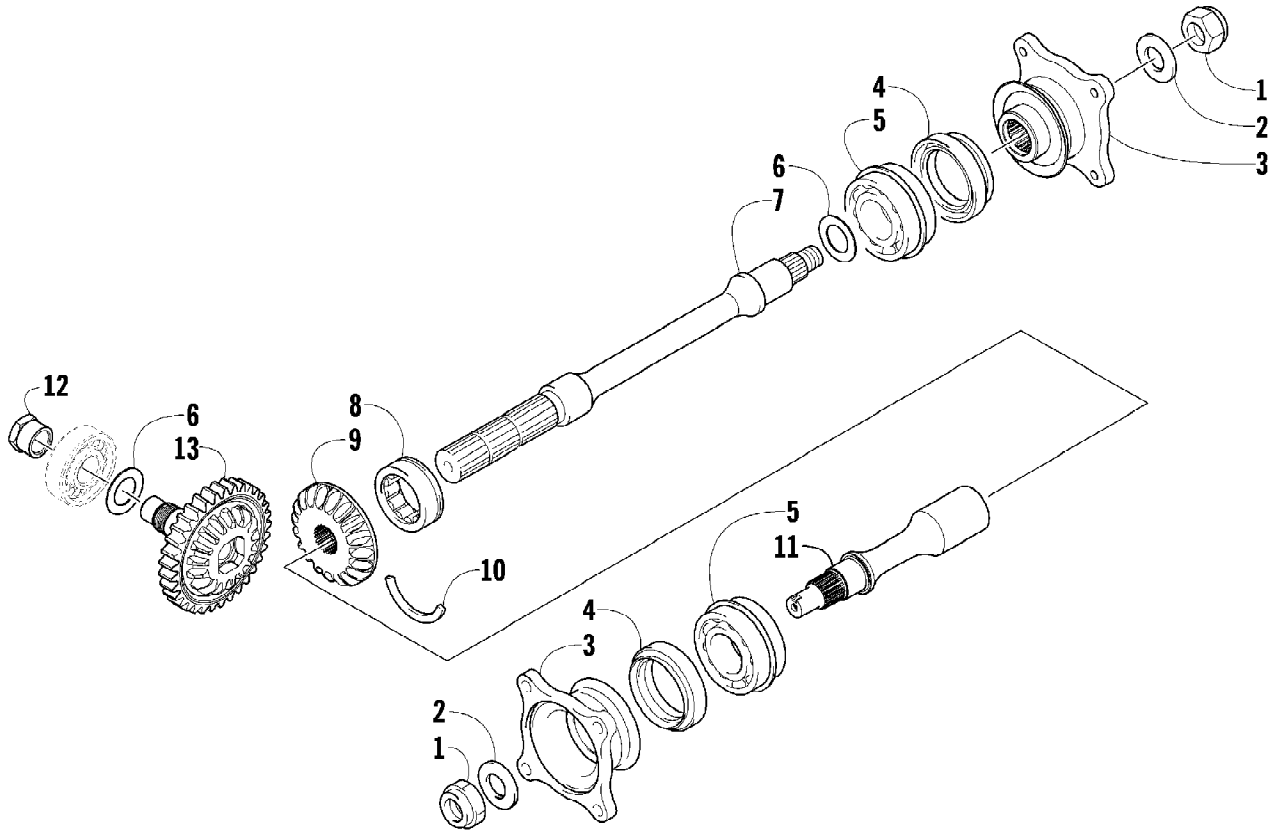
Ref #	Part Number	Qty	S/P/F	Description
1	2516-653	1		Tube, ROPS - Front
2	8468-616	14		Screw, Machine
3	8427-602	10		Nut, Lock
4	2516-658	1		Support, ROPS
5	0411-501	1		Decal, "Arctic Cat"
6	4506-612	1		Tube, ROPS - Rear
7	8410-835	8		Screw, Cap
8	8432-802	8		Nut, Lock
9	0509-022	1		Taillight Assembly (inc. 10-12)
10	0509-025	1		Housing, Taillight
11	0409-056	1		Bulb, Taillight
12	0409-057	1		Socket, Taillight
13	2406-069	1		Bracket, Taillight Mounting
14	0623-301	2	/P	Screw, Self-Tapping
15	2516-893	1		Cover, Taillight
16	0423-361	14		Screw, Machine
17	1506-795	3		Pad, Headrest - Assembly (inc. 18-20)
18	1406-884	3		Pad, Headrest
19	1506-722	3		Mount, Headrest
20	0623-544	15		Clip, Retaining
21	4506-296	1		Bracket, Mounting - Flag
22	8424-602	4	/P	Nut
23	0623-784	8		Screw, Self-Tapping
24	4506-149	2		Bracket, Mounting - Side Restraint
25	0517-146	1		Restraint, Side - Right
25	0517-147	1		Restraint, Side - Left



2012 PROWLER 700 HDX TIMBER CAMO (U2012P5T1PUSH)
SEAT ASSEMBLY

Page 63 of 87

Ref #	Part Number	Qty	S/P/F	Description
1	2516-897	1		Backrest Assembly
2	2516-887	1		Belt, Seat - 3 Point
3	8411-025	1		Screw, Cap
4	8427-005	1		Nut, Lock
5	8408-820	4	/P	Screw, Cap
6	0423-915	2		Shoulder Screw Assembly (inc. 7-9)
7	0	2	F	Screw, Shoulder
8	0	2	F	Washer
9	0	2	F	Nut, Lock
10	2416-638	2		Cover, Seat Belt
11	2516-886	2		Belt, Seat
12	8427-002	7		Nut, Lock
13	2516-868	1		Bracket, Backrest Support - Right
13	2516-869	1		Bracket, Backrest Support - Left
14	8408-025	7		Screw, Cap
15	2516-898	1		Seat Assembly (inc. 16)
16	1423-066	2		Grommet
17	0707-582	1		Retainer, Toolkit
18	2516-863	1	/P	Kit, Tool
19	8477-620	8		Screw, Machine
20	2416-457	1		Base, Seat
21	0412-583	1		Foil, Protective
22	0412-584	1		Foil, Protective
23	0412-585	1		Foil, Protective
24	0623-600	1		Plug
25	2416-491	1		Cover, Access
26	1623-156	4		Grommet
27	2406-915	1		Seal, Cargo Box
28	0423-559	2		Stud, Latch - Seat
29	0423-073	6		Washer
30	8424-002	2		Nut

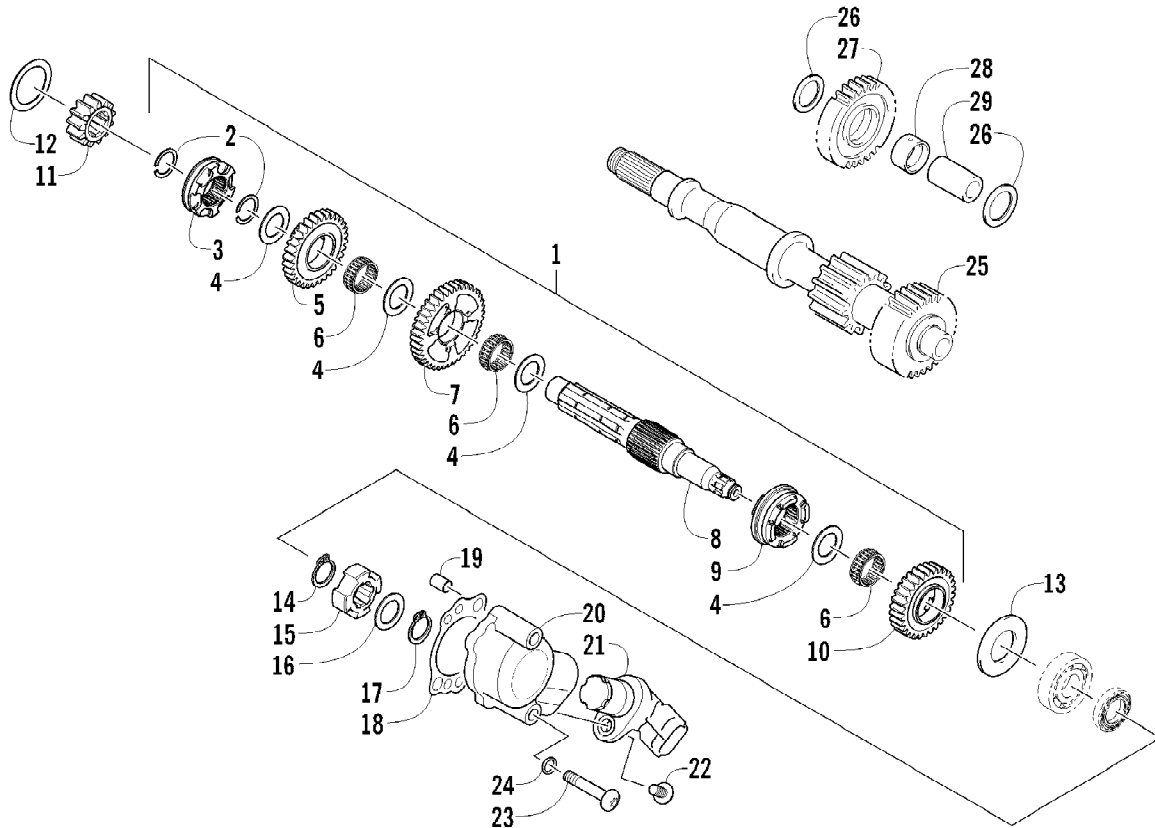


2012 PROWLER 700 HDX TIMBER CAMO (U2012P5T1PUSH)
SECONDARY DRIVE ASSEMBLY

Page 65 of 87

Ref #	Part Number	Qty	S/P/F	Description
1	0827-013	2		Nut
2	0828-020	2		Washer
3	0819-005	2		Flange, Output Joint
4	0830-043	2		Seal, Oil
5	0832-017	2		Bearing
6	0828-021	AR		Shim, 25 x 34 x 0.25 mm
6	0828-022	AR		Shim, 25 x 34 x 0.30 mm
6	0828-023	AR		Shim, 25 x 34 x 0.70 mm
6	0828-024	AR		Shim, 25 x 34 x 0.90 mm
6	0828-025	AR		Shim, 25 x 34 x 0.95 mm
6	0828-026	AR		Shim, 25 x 34 x 1.00 mm
6	0828-027	AR		Shim, 25 x 34 x 1.05 mm
6	0828-028	AR		Shim, 25 x 34 x 1.10 mm
6	0828-029	AR		Shim, 25 x 34 x 1.15 mm
7	0819-089	1	/P	Shaft, Secondary Driven - Front
8	0832-016	1		Bearing
9	0822-106	1		Gear, Secondary Driven
10	0819-011	1		Ring, Driven Bearing
11	0819-053	1		Shaft, Secondary Driven - Rear
12	0827-052	1		Nut
13	0822-131	1		Gear, Secondary Drive

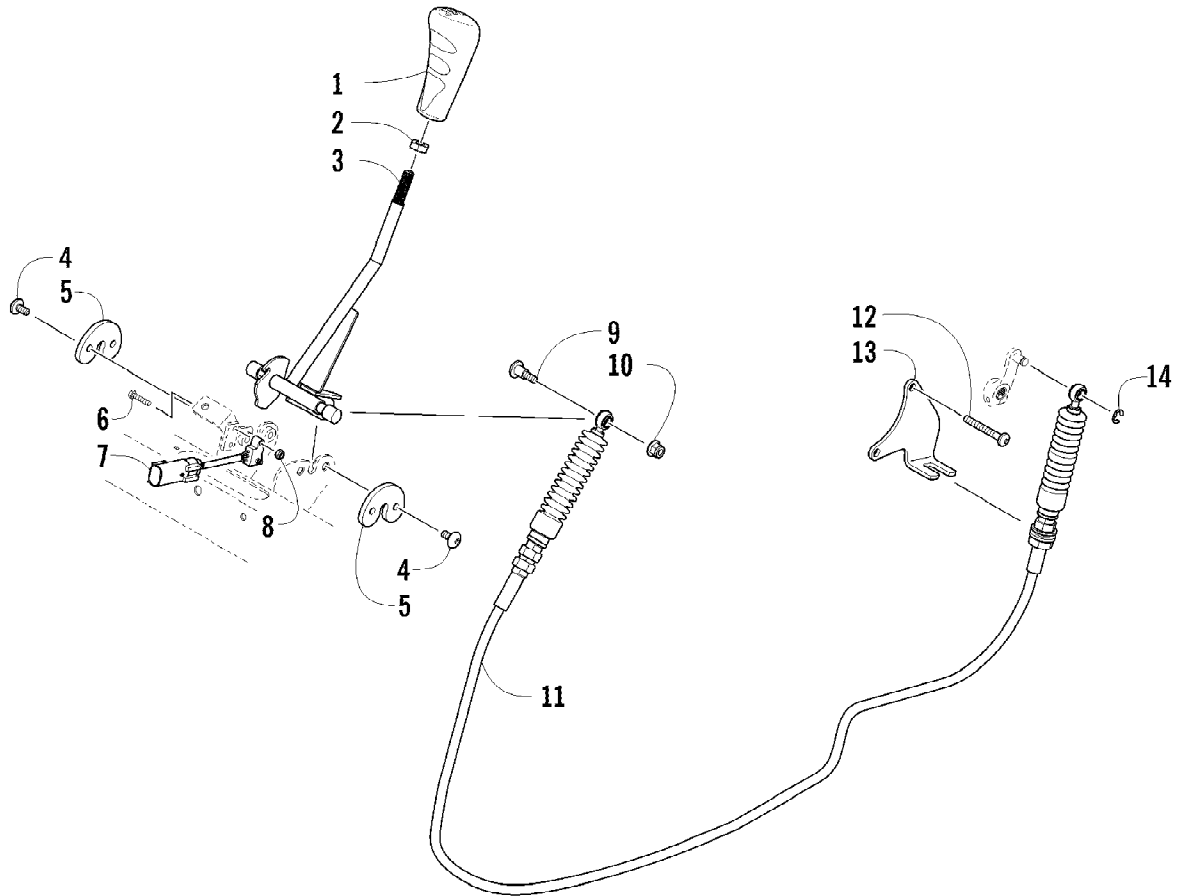
2012 PROWLER 700 HDX TIMBER CAMO (U2012P5T1PUSH)
SECONDARY TRANSMISSION ASSEMBLY



2012 PROWLER 700 HDX TIMBER CAMO (U2012P5T1PUSH)
SECONDARY TRANSMISSION ASSEMBLY

Page 67 of 87

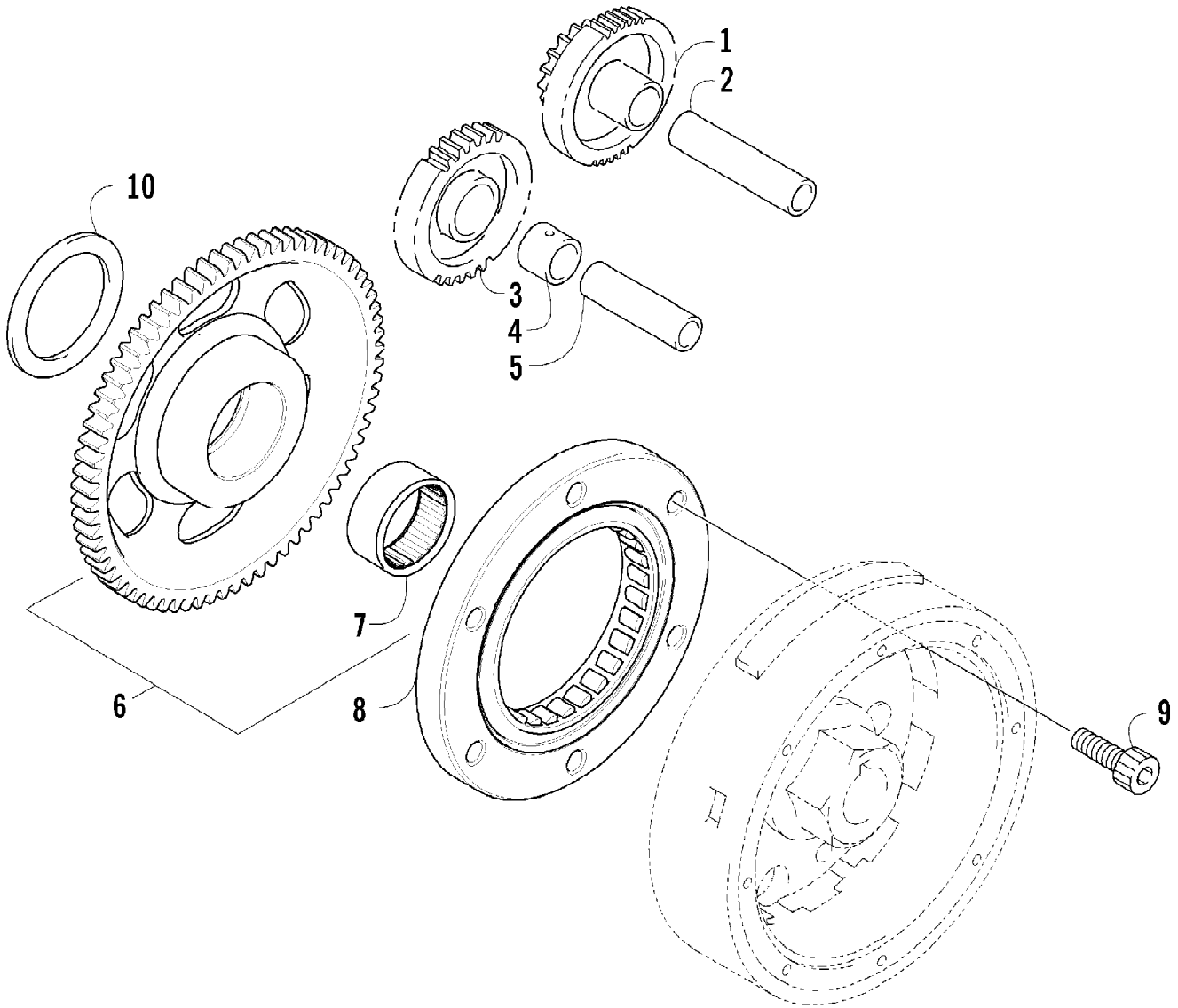
Ref #	Part Number	Qty	S/P/F	Description
1	0822-124	1		Countershaft Assembly (inc. 2-10)
2	0831-085	2		Ring, Retaining
3	0822-120	1		Gear Select, Reverse
4	0822-121	4		Shim
5	0822-119	1		Gear, Reverse Driven
6	0832-082	3		Bearing
7	0822-114	1		Gear, Driven - Low
8	0822-113	1		Countershaft
9	0822-116	1		Gear Select, Sliding
10	0822-115	1		Gear, Driven - High
11	0822-125	1		Gear, Drive
12	0828-019	1		Washer, Thrust
13	0828-011	1		Washer
14	0831-040	1		Ring, Retaining
15	0822-050	1		Trigger, Speedometer Sensor
16	0828-069	1		Washer, Thrust
17	0831-039	1		Ring, Retaining
18	0830-129	1		Gasket
19	0829-023	2		Pin, Dowel
20	0822-049	1		Housing, Speedometer Sensor
21	0430-091	1		Sensor, Speedometer
22	8468-620	1	/P	Screw, Machine
23	8468-645	2		Screw, Machine
24	0830-107	2		Gasket
25	0822-001	1		Driveshaft
26	0828-016	2		Washer, Thrust
27	0822-011	1		Gear, Reverse Idle
28	0822-012	1		Bushing
29	0822-015	1		Shaft, Reverse Idle



2012 PROWLER 700 HDX TIMBER CAMO (U2012P5T1PUSH)
SHIFTER ASSEMBLY

Page 69 of 87

Ref #	Part Number	Qty	S/P/F	Description
1	2402-004	1		Knob, Shift
2	0423-885	1		Nut
3	1502-916	1	/P	Lever, Shift
4	0826-029	4		Screw, Machine
5	1402-275	2		Retainer, Shift Linkage
6	1423-056	1		Screw, Machine
7	0409-131	1		Switch, Parking Brake
8	1441-328	1		Nut, Lock
9	0423-356	1		Screw, Shoulder
10	8427-602	1		Nut, Lock
11	0487-078	1		Cable, Shift
12	8468-645	2		Screw, Machine
13	2406-894	1	/P	Bracket, Shift Cable
14	0124-057	1	/P	E-Ring

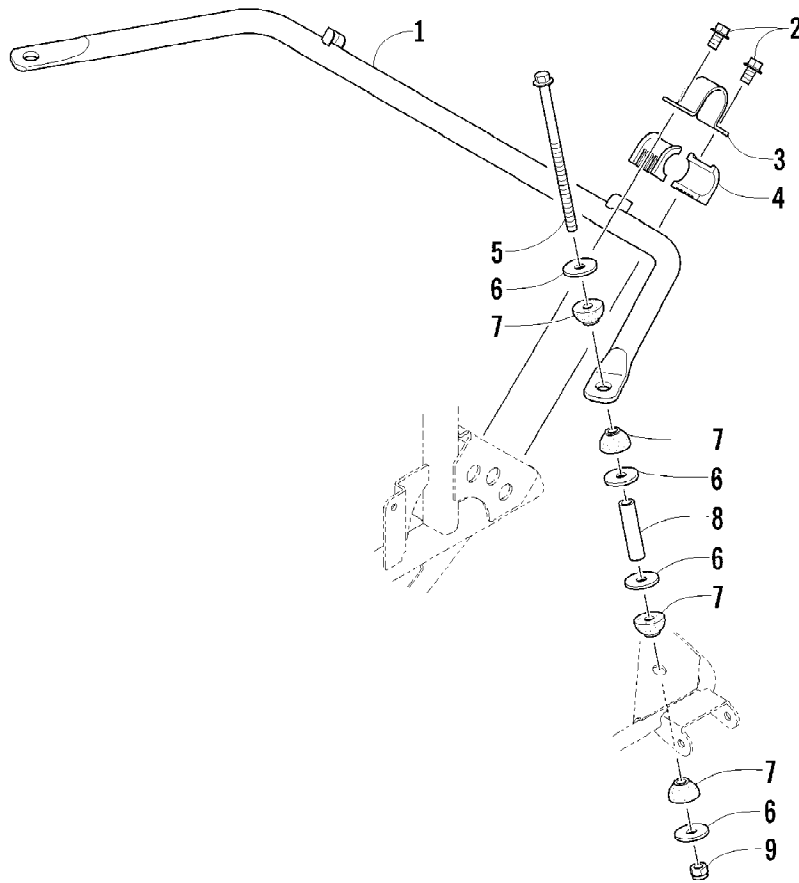


2012 PROWLER 700 HDX TIMBER CAMO (U2012P5T1PUSH)
STARTER CLUTCH ASSEMBLY

Page 71 of 87

Ref #	Part Number	Qty	S/P/F	Description
1	0815-001	1		Gear, Starter Idler - No. 1
2	0829-031	1	/P	Shaft, Starter Gear
3	0815-002	1		Gear, Starter Idler - No. 2
4	0815-003	1		Spacer, Starter Idler Gear No. 2
5	0829-032	1	/P	Shaft, Starter Gear
6	0815-004	1		Gear, Starter Clutch (inc. 7)
7	0832-079	1	/P	Bearing
8	0802-035	1		Clutch, Starter
9	0826-069	6		Screw, Machine
10	0828-094	1		Washer

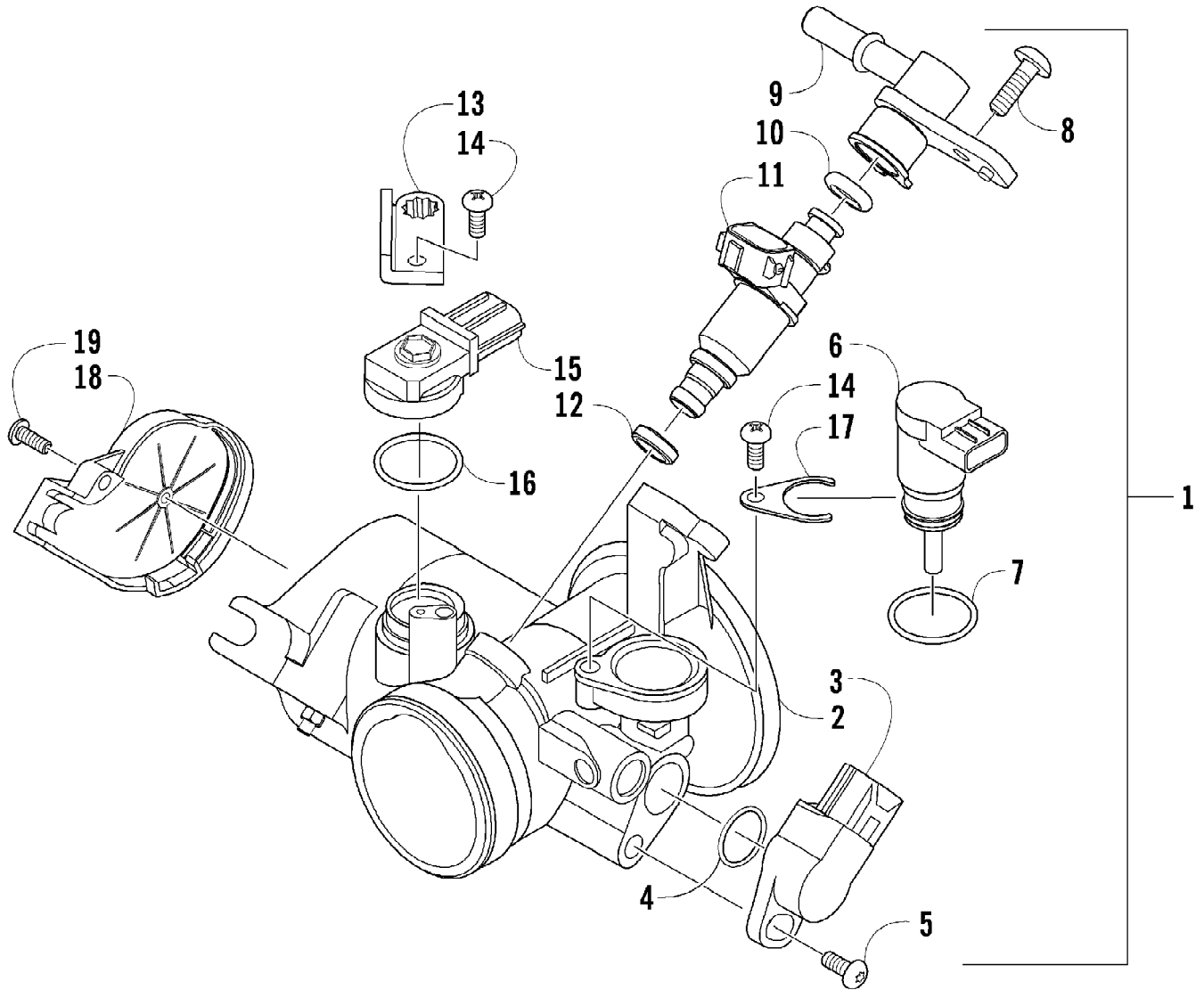
Ref #	Part Number	Qty	S/P/F	Description
1	0505-690	1		Cap, Steering Wheel (inc. 2)
2	1411-798	1		Decal, Steering Wheel
3	0423-884	1		Nut
4	0405-398	1		Wheel, Steering - Assembly
5	0405-339	1		Boot
6	0423-743	2		Screw, Self-Tapping
7	0405-258	1		Support
8	1423-045	1		Clip, Retaining
9	0505-588	1	/P	Mechanism, Tilt
10	2406-590	1		Cap, Tilt Lever
11	8476-620	2		Screw, Machine
12	8408-825	2		Screw, Cap
13	8427-802	3		Nut, Lock
14	8427-602	4		Nut, Lock
15	0405-155	1		Bushing
16	1423-047	1		Screw, Cap
17	0405-435	1		Shaft, Steering - Assembly
18	1423-076	2		Screw, Cap
19	0505-768	1		Assembly, Electronic Power Steering
20	4506-152	1		Bracket, Mounting
21	8408-816	4		Screw, Cap
22	8409-020	4	/P	Screw, Cap
23	0405-440	1		Coupler, Steering
24	1423-053	1		Screw, Cap
25	8408-070	2		Screw, Cap
26	0623-728	2		Washer
27	0505-689	1	/P	Housing, Rack and Pinion (inc. 28-34)
28	0505-719	2	/P	Tie Rod - Assembly (inc. 29-34)
29	0405-428	2		Plate, Retaining
30	0505-745	2		Kit, Tie Rod Boot (inc. 31-32)
31	0123-903	2		Tie, Cable - 11.5 in.
32	0623-175	2		Pin, Cotter
33	0505-744	2		Kit, Nut (inc. 32)
34	0505-743	2	/P	Kit, Tie Rod End (inc. 32)
35	0423-072	2		Nut



2012 PROWLER 700 HDX TIMBER CAMO (U2012P5T1PUSH)
SWAY BAR ASSEMBLY

Page 75 of 87

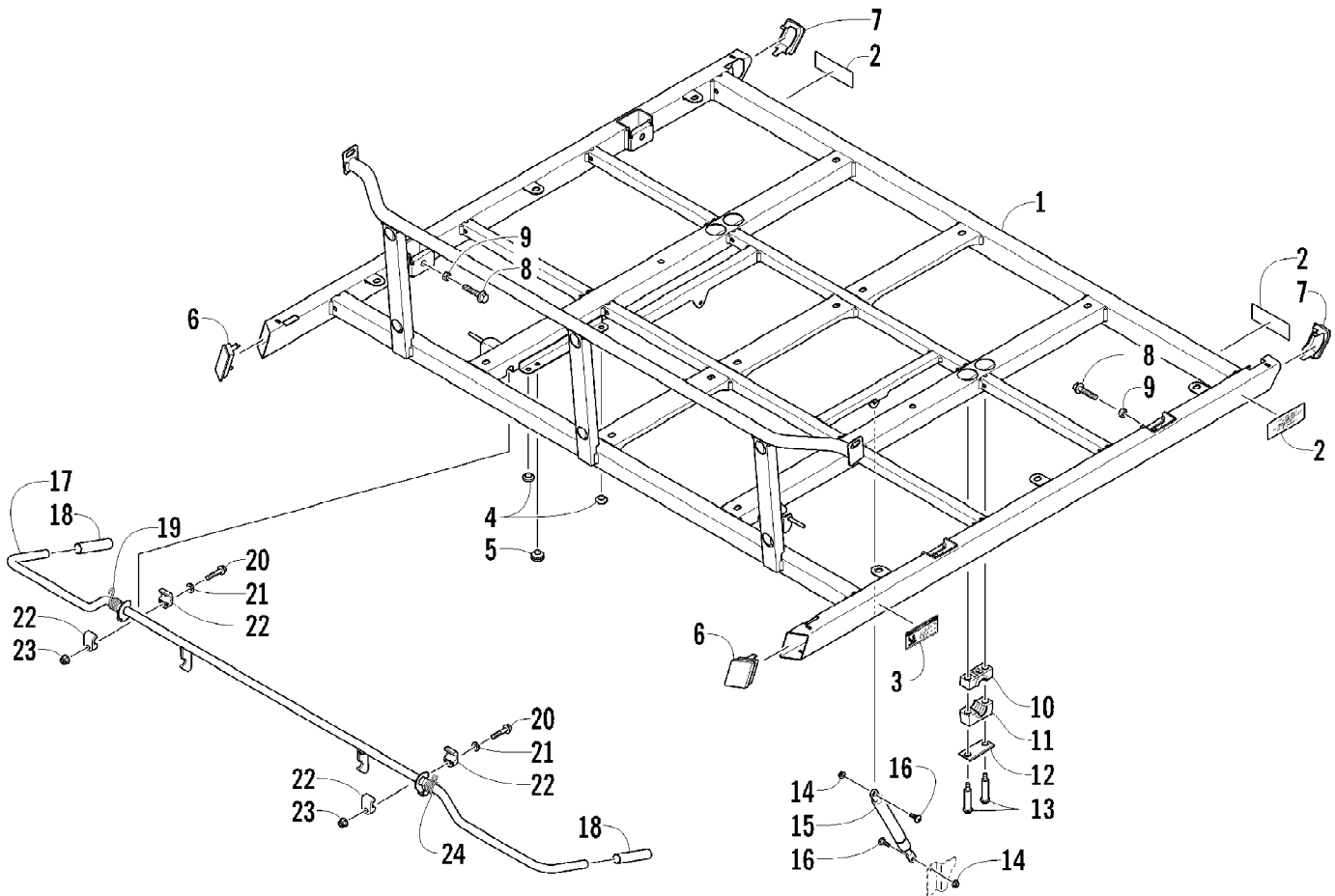
Ref #	Part Number	Qty	S/P/F	Description
1	0504-634	1		Bar, Sway
2	8409-016	4		Screw, Cap
3	0504-631	2		Clamp, Sway Bar Bushing
4	0404-190	4		Half-Clamp
5	0423-723	2		Screw, Cap
6	0423-073	8		Washer
7	1402-434	8		Bushing
8	1423-039	2		Spacer
9	8422-002	2		Nut, Lock



2012 PROWLER 700 HDX TIMBER CAMO (U2012P5T1PUSH)
THROTTLE BODY ASSEMBLY

Page 77 of 87

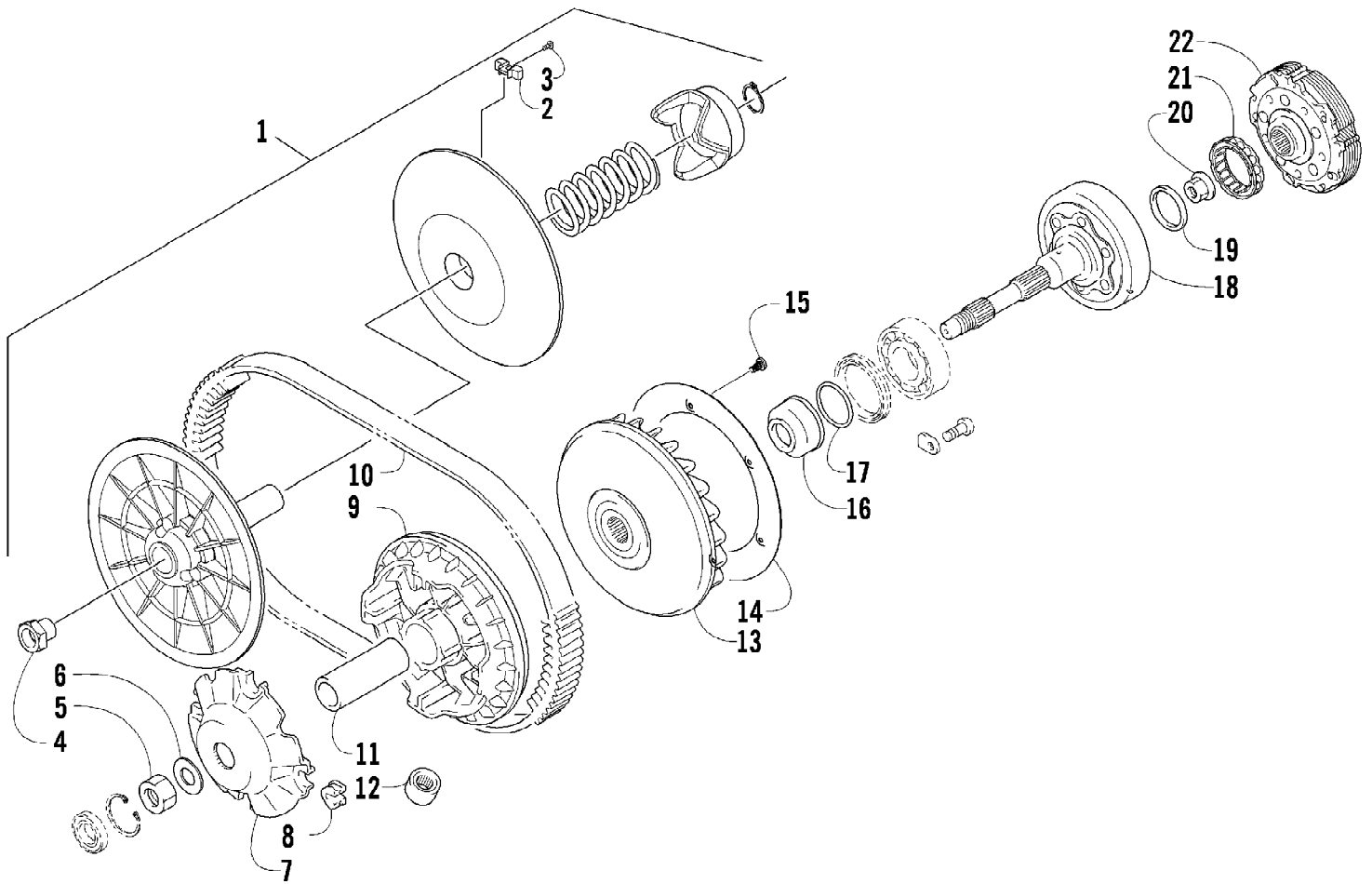
Ref #	Part Number	Qty	S/P/F	Description
1	0470-753	1		Throttle Body - Assembly (inc. 2-19)
2	0	1	F	Throttle Body
3	0430-072	1		Sensor, Throttle Position
4	5507-234	1		O-Ring, Throttle Position Sensor
5	5507-231	1		Screw, Machine
6	0430-074	1		Valve, ISC
7	5507-233	1		O-Ring, ISC Valve
8	5507-238	1		Screw, Machine
9	0470-687	1		Rail, Fuel
10	0470-767	1		O-Ring, Fuel Injector
11	0470-762	1		Injector, Fuel
12	0470-768	1		Seal, Fuel Injector
13	5507-227	1		Bracket, MAP Sensor
14	5507-117	2	/P	Screw, Machine
15	0430-073	1		Sensor, MAP
16	5507-232	1		O-Ring, MAP Sensor
17	5507-229	1		Plate, Retaining
18	5507-223	1		Cover
19	5507-037	1	/P	Screw, Machine



2012 PROWLER 700 HDX TIMBER CAMO (U2012P5T1PUSH)
TILT FRAME ASSEMBLY

Page 79 of 87

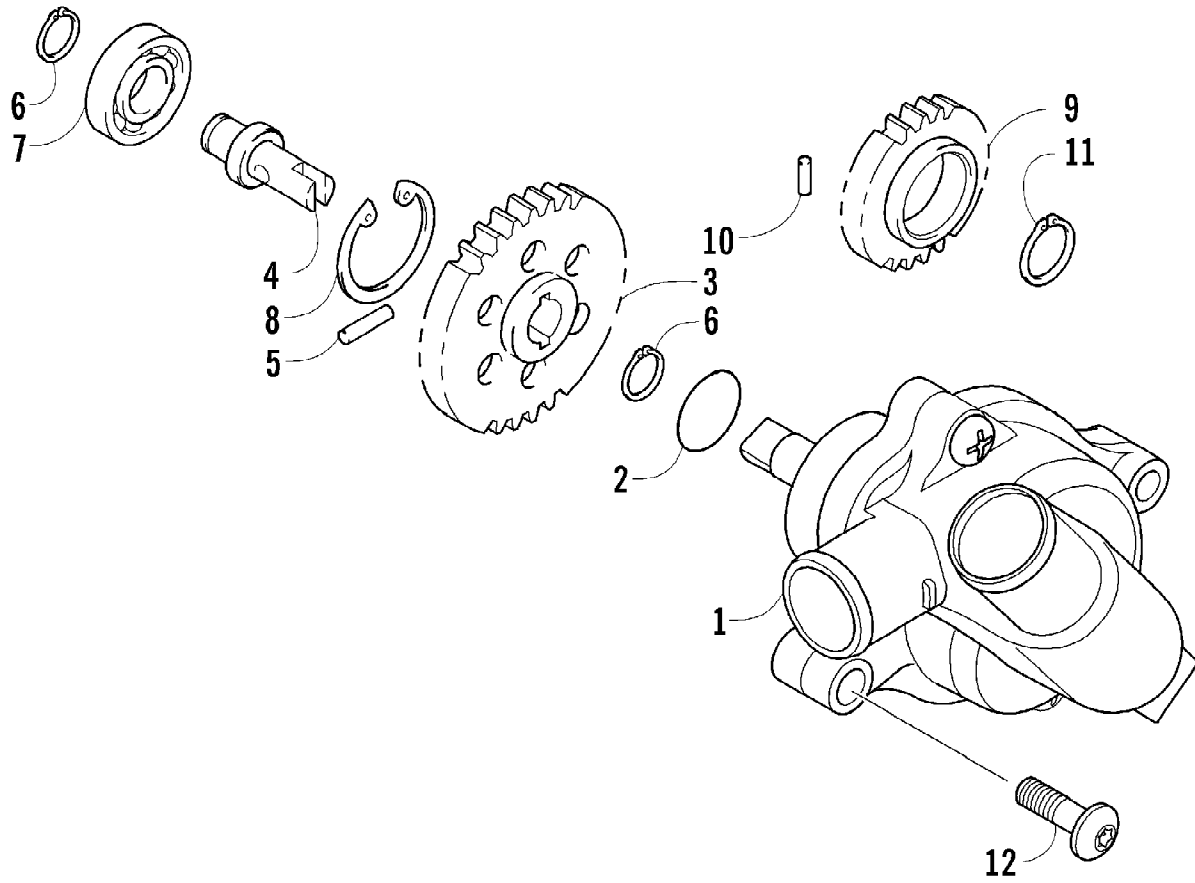
Ref #	Part Number	Qty	S/P/F	Description
1	2516-712	1		Frame,Tilt - Assembly
2	2411-182	4		Decal, Reflector
3	1411-120	2		Decal, Warning - Pinch Point
4	0406-877	4	/P	Bumper
5	1423-057	2		Bumper
6	2416-366	1		Endcap, Front - Right
6	2416-367	1		Endcap, Front - Left
7	2416-364	1		Endcap, Rear - Right
7	2416-365	1		Endcap, Rear - Left
8	8420-002	4	/P	Screw, Cap
9	1423-012	4		Nut
10	0405-139	2		Housing, Upper
11	0405-138	2		Housing, Lower
12	0405-166	2		Cap, Housing
13	0423-505	4		Screw, Shoulder
14	8424-602	4	/P	Nut
15	2506-194	2		Support, Lift
16	0423-356	4		Screw, Shoulder
17	2516-724	1		Rod, Latch - Tilt Frame
18	1406-736	2		Grip, Latch Rod
19	2416-404	1		Spring, Latch - Right
20	8408-845	2		Screw, Cap
21	0423-087	2		Washer
22	1406-674	4		Half-Clamp
23	8427-802	2		Nut, Lock
24	2416-405	1		Spring, Latch - Left



2012 PROWLER 700 HDX TIMBER CAMO (U2012P5T1PUSH)
TRANSMISSION ASSEMBLY

Page 81 of 87

Ref #	Part Number	Qty	S/P/F	Description
1	0823-354	1	/P	Pulley, Driven - Assembly (inc. 2-4)
2	0823-176	3	/P	Shoe, Cam
3	0823-177	3		Screw, Machine
4	0823-178	1		Nut
5	0827-010	1		Nut
6	0828-106	1		Washer
7	0823-276	1		Plate, Movable Drive Face
8	0823-277	4		Damper, Movable Drive Face
9	0823-273	1		Face, Movable Drive
10	0823-013	1		Belt, Drive
11	0823-271	1		Spacer
12	0823-164	8		Roller
13	0823-272	1		Face, Fixed Drive
14	0823-131	1		Shroud, Drive Face
15	0623-914	6		Screw, Self-Tapping
16	0823-015	1		Spacer, Fixed Drive Face
17	0470-531	1		O-Ring
18	0821-002	1	/P	Housing, Clutch - Assembly
19	0830-189	1	/P	Seal
20	0827-011	1		Nut
21	0823-018	1		Clutch, One-Way
22	0823-310	1	/P	Clutch, Centrifugal - 6 Plate

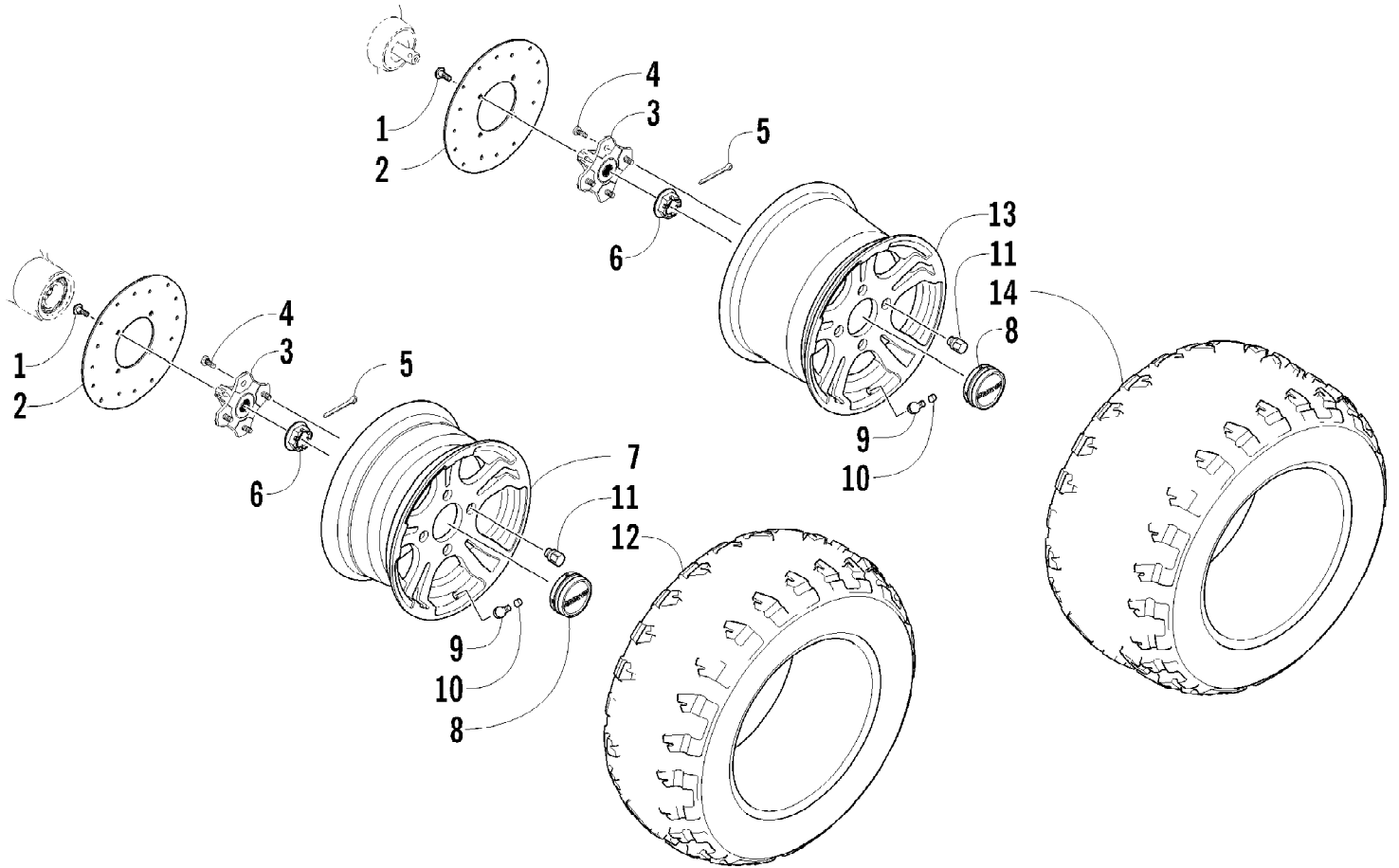


2012 PROWLER 700 HDX TIMBER CAMO (U2012P5T1PUSH)
WATER PUMP ASSEMBLY

Page 83 of 87

Ref #	Part Number	Qty	S/P/F	Description
1	0813-001	1		Pump, Water - Assembly (inc. 2)
2	0830-029	1		O-Ring
3	0813-004	1		Gear, Driven
4	0813-005	1		Shaft, Driven Gear
5	0829-009	1		Pin
6	0831-002	2		Ring, Retaining
7	0832-046	1	/P	Bearing
8	0831-004	1		Ring, Retaining
9	0811-003	1		Gear, Water Pump Drive
10	0829-007	1		Pin
11	0831-005	1		Ring, Retaining
12	8468-665	2		Screw, Machine

2012 PROWLER 700 HDX TIMBER CAMO (U2012P5T1PUSH)
WHEEL AND TIRE ASSEMBLY

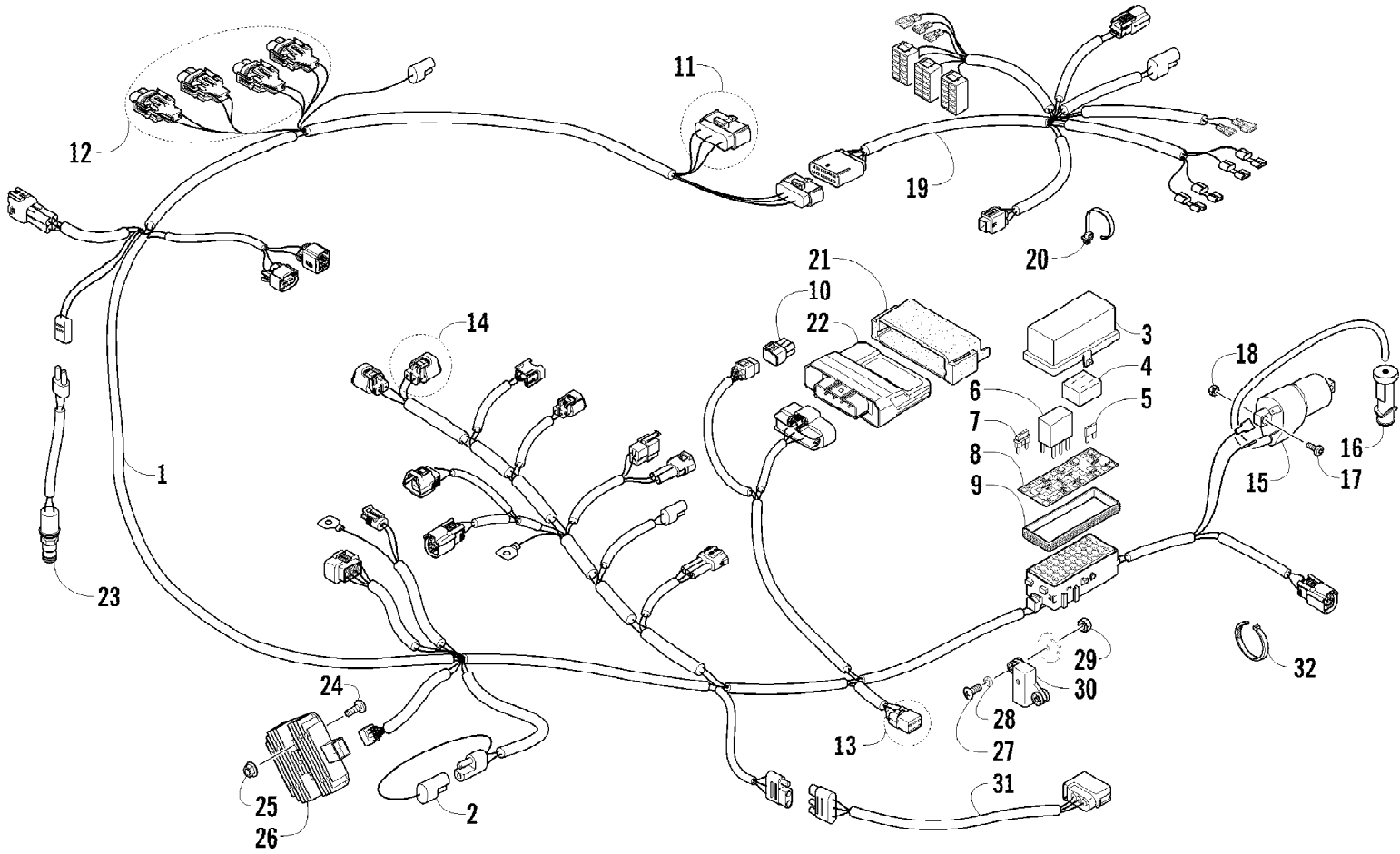


2012 PROWLER 700 HDX TIMBER CAMO (U2012P5T1PUSH)
WHEEL AND TIRE ASSEMBLY

Page 85 of 87

Ref #	Part Number	Qty	S/P/F	Description
1	0423-557	16		Screw, Shoulder
2	1436-418	2	/P	Disc, Brake - Front
2	1436-164	2	/P	Disc, Brake - Rear
3	1502-433	2	/P	Hub, Wheel - Front (inc. 4)
3	1502-437	2		Hub, Wheel - Rear (inc. 4)
4	0402-974	16	/P	Stud
5	0423-407	4		Pin, Cotter
6	0423-607	4		Nut, Castle
7	1402-732	2		Wheel - Front (inc. 8)
8	1402-736	4		Cap, Wheel
9	0402-064	4		Stem, Valve (inc. 10)
10	0402-140	4		Cap, Valve Stem
11	0423-618	16		Nut, Lug
12	1402-860	2		Tire - Front
13	1402-918	2	/P	Wheel - Rear (inc. 8)
14	1402-861	2		Tire - Rear

2012 PROWLER 700 HDX TIMBER CAMO (U2012P5T1PUSH)
WIRING HARNESS ASSEMBLY



Ref #	Part Number	Qty	S/P/F	Description
1	0486-426	1		Harness, Main (inc. 2-10)
2	0486-164	1		Tether, Accessory Connector
3	0430-085	1		Cover, Fuse Block
4	0430-037	1		Holder, Fuse
5	0430-032	5		Fuse - 10 Amp
5	0430-031	4		Fuse - 15 Amp
5	0430-030	3		Fuse - 30 Amp
6	0430-045	6	/P	Relay (4-Pin) - 20 Amp
7	0430-034	2		Diode
8	2411-213	1		Decal, Fuse Block
9	0430-086	1		Seal
10	0430-097	1		Cover, Diagnostics Connector
11	1436-415	1		Repair Kit, Connector - LCD Gauge
12	1436-290	AR		Repair Kit, Connector - Headlight
13	1436-416	1		Repair Kit, Connector - Tilt Sensor
14	1436-417	1		Repair Kit, Connector - Idle Speed Control
15	0824-043	1		Coil, Ignition - Assembly
16	0824-049	1	/P	Cap, Spark Plug
17	8476-620	2		Screw, Machine
18	0623-038	2		Nut w/Washer
19	0486-398	1		Harness, Console
20	0423-075	AR		Tie, Cable - Push-Mount
21	0430-076	1		Cushion, ECU
22	0530-076	1		ECU
23	0409-089	1		Switch, Brake - Assembly
24	8476-625	2		Screw, Machine
25	8424-602	2	/P	Nut
26	0824-037	1	/P	Regulator, Voltage
27	8468-425	2		Screw, Machine
28	0123-802	2		Washer
29	0423-493	2		Nut w/Washer
30	0409-064	1		Sensor, Tilt
31	0486-403	1		Harness, Adapter - Taillight
32	0123-788	AR	/P	Tie, Cable - 8 in.
32	0123-903	AR		Tie, Cable - 11.5 in.
32	0623-144	AR		Tie, Cable - 17.5 in.