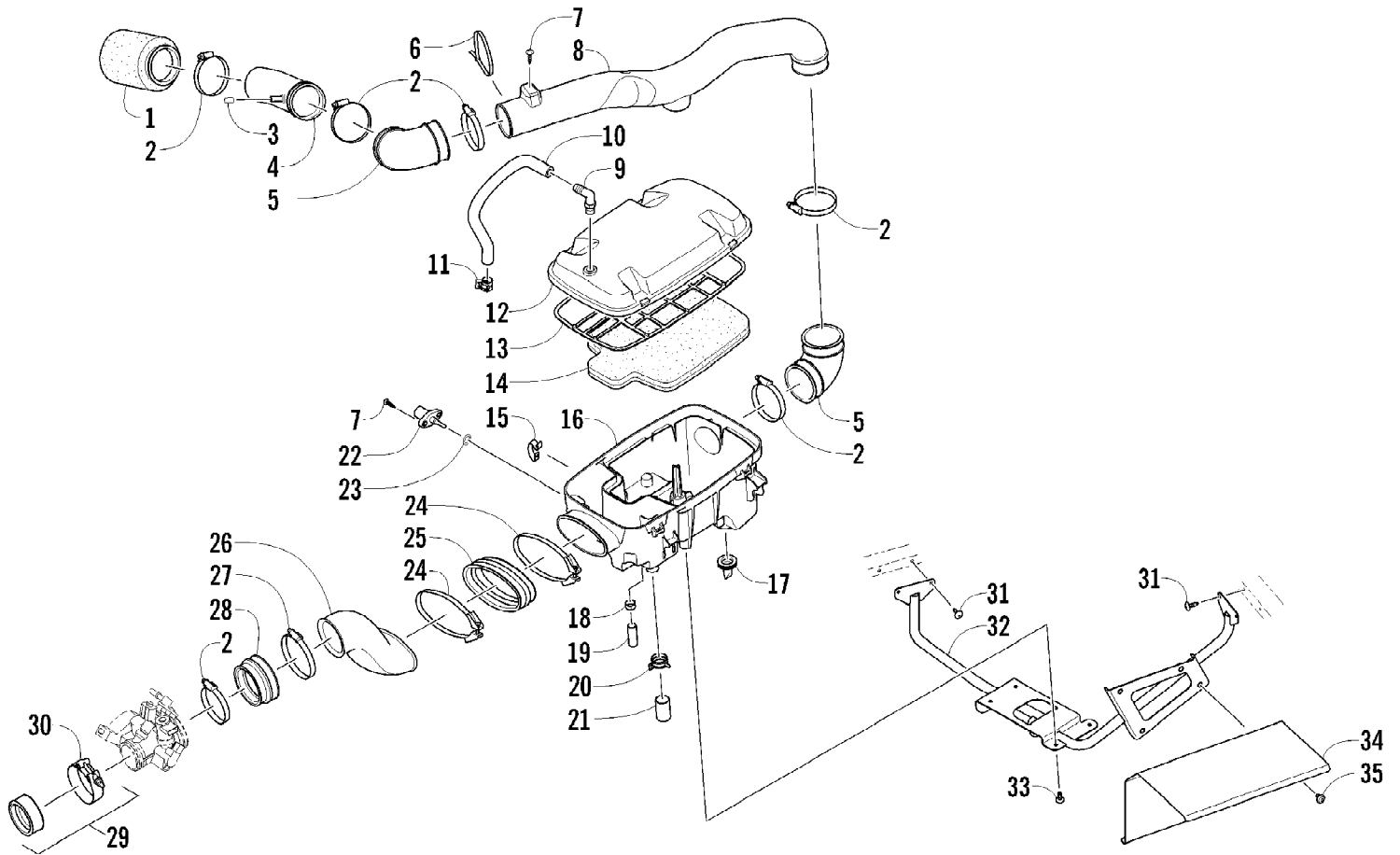


2012 PROWLER 700 HDX METALLIC GREEN (U2012P5T1PUSN)
ACCELERATOR ASSEMBLY

Page 2 of 87

| Ref # | Part Number | Qty | S/P/F | Description |
|-------|-------------|-----|-------|----------------------------|
| 1 | 1502-590 | 1 | | Pedal, Accelerator |
| 2 | 0405-233 | 1 | | Spring |
| 3 | 0402-872 | 1 | | Axle |
| 4 | 1602-213 | 2 | /P | O-Ring |
| 5 | 8422-002 | 1 | | Nut, Lock |
| 6 | 8477-616 | 2 | | Screw, Machine |
| 7 | 0502-991 | 1 | | Bracket, Accelerator Pedal |
| 8 | 8427-602 | 2 | | Nut, Lock |
| 9 | 0487-066 | 1 | | Cable, Accelerator |

2012 PROWLER 700 HDX METALLIC GREEN (U2012P5T1PUSN)
AIR INTAKE ASSEMBLY

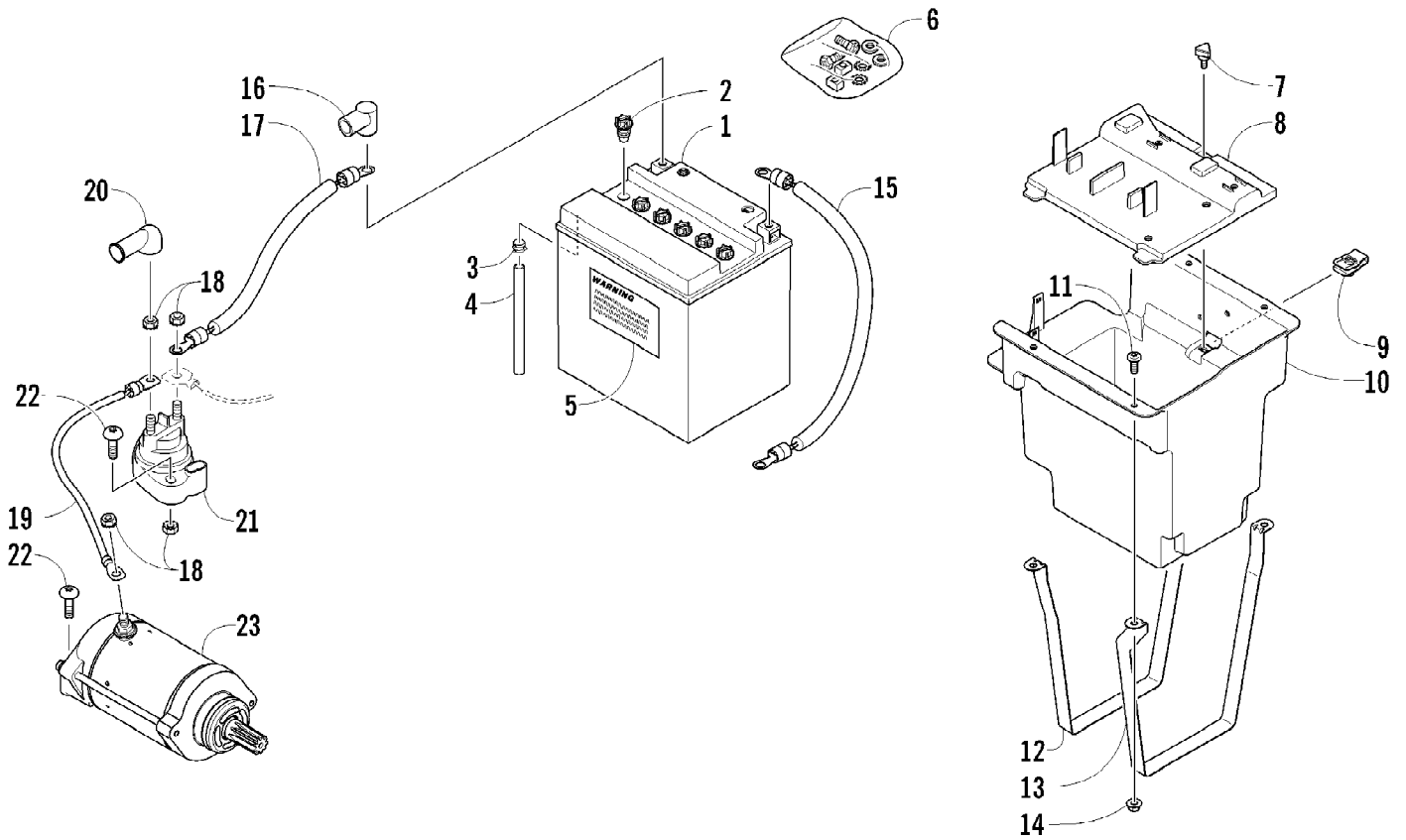


2012 PROWLER 700 HDX METALLIC GREEN (U2012P5T1PUSN)
AIR INTAKE ASSEMBLY

Page 4 of 87

| Ref # | Part Number | Qty | S/P/F | Description |
|-------|-------------|-----|-------|-----------------------------------|
| 1 | 0470-834 | 1 | | Filter, Intake |
| 2 | 0423-019 | 6 | | Clamp |
| 3 | 1423-050 | 1 | | Cap |
| 4 | 0513-043 | 1 | | Duct, Intake |
| 5 | 0413-098 | 2 | | Boot, Air-In |
| 6 | 0123-903 | AR | | Cable Tie - 11.5 in. |
| 7 | 0423-342 | 4 | /P | Screw, Self-Tapping |
| 8 | 0470-900 | 1 | | Duct, Intake |
| 9 | 0470-881 | 1 | | Fitting, Elbow |
| 10 | 0410-226 | 1 | | Hose, Vent |
| 11 | 1623-281 | 1 | | Clamp, Hose |
| 12 | 0470-861 | 1 | | Cover, Air Intake |
| 13 | 0470-560 | 1 | | Screen, Air Filter |
| 14 | 0470-558 | 1 | | Filter, Air |
| 15 | 0423-455 | 4 | | Clip, Spring |
| 16 | 0570-327 | 1 | | Housing, Air Intake |
| 17 | 0470-442 | 1 | /P | Valve, Drain |
| 18 | 0610-563 | 1 | | Clamp, Hose |
| 19 | 0470-863 | 1 | | Cap, Drain |
| 20 | 1623-287 | 1 | | Clamp, Hose |
| 21 | 0423-766 | 1 | | Cap, Drain |
| 22 | 0430-055 | 1 | | Sensor, Air Temperature (inc. 23) |
| 23 | 5507-224 | 1 | | O-Ring |
| 24 | 1423-074 | 2 | | Clamp |
| 25 | 0470-906 | 1 | | Boot, Intake |
| 26 | 0470-901 | 1 | | Boot, Intake |
| 27 | 0423-018 | 1 | | Clamp |
| 28 | 0470-907 | 1 | | Boot |
| 29 | 0437-069 | 1 | /P | Boot (inc. 30) |
| 30 | 1423-041 | 1 | | Clamp, Manifold |
| 31 | 0623-784 | 4 | | Screw, Self-Tapping |
| 32 | 2516-706 | 1 | | Mount, Airbox |
| 33 | 8468-612 | 4 | | Screw, Machine |
| 34 | 0470-908 | 1 | | Shield, Heat |
| 35 | 8477-610 | 4 | | Screw, Machine |

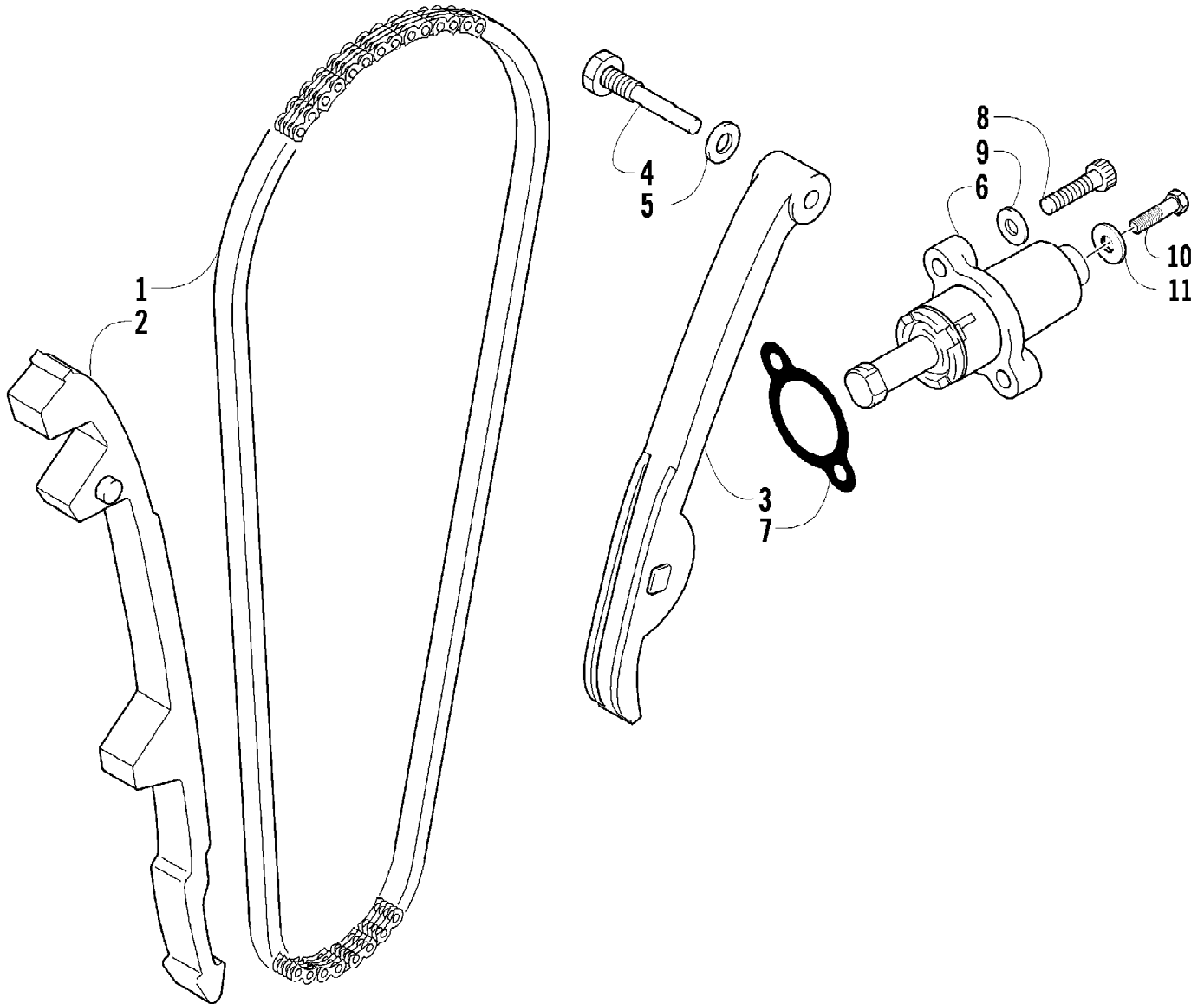
2012 PROWLER 700 HDX METALLIC GREEN (U2012P5T1PUSN)
BATTERY AND STARTER MOTOR ASSEMBLY



2012 PROWLER 700 HDX METALLIC GREEN (U2012P5T1PUSN)
 BATTERY AND STARTER MOTOR ASSEMBLY

Page 6 of 87

| Ref # | Part Number | Qty | S/P/F | Description |
|-------|-------------|-----|-------|--------------------------------|
| 1 | 0445-081 | 1 | | Battery (inc. 2-6) |
| 2 | 0645-588 | 6 | /P | Cap, Battery |
| 3 | 0645-152 | 1 | | Clamp, Hose |
| 4 | 0645-262 | 1 | | Hose, Vent |
| 5 | 0645-430 | 2 | | Decal, Warning |
| 6 | 0445-082 | 1 | | Kit, Hardware |
| 7 | 1441-624 | 1 | | Screw, Thumb |
| 8 | 2406-947 | 1 | | Cover, Battery Box |
| 9 | 0423-577 | 1 | | Clip, U-Nut |
| 10 | 2406-914 | 1 | | Box, Battery |
| 11 | 8476-616 | 4 | | Screw, Machine |
| 12 | 0470-854 | 1 | | Hold-Down, Battery Box - Right |
| 13 | 0470-855 | 1 | | Hold-Down, Battery Box - Left |
| 14 | 8424-602 | 4 | /P | Nut |
| 15 | 0445-050 | 1 | | Cable, Battery/Ground |
| 16 | 0645-019 | 2 | | Boot, Terminal |
| 17 | 0445-049 | 1 | | Cable, Battery/Solenoid |
| 18 | 0623-038 | 5 | | Nut w/Washer |
| 19 | 0445-061 | 1 | | Cable, Solenoid/Starter |
| 20 | 0645-327 | 1 | | Boot, Terminal - Solenoid |
| 21 | 0445-058 | 1 | /P | Solenoid |
| 22 | 8476-625 | 4 | | Screw, Machine |
| 23 | 0825-013 | 1 | /P | Motor, Starter - Assembly |

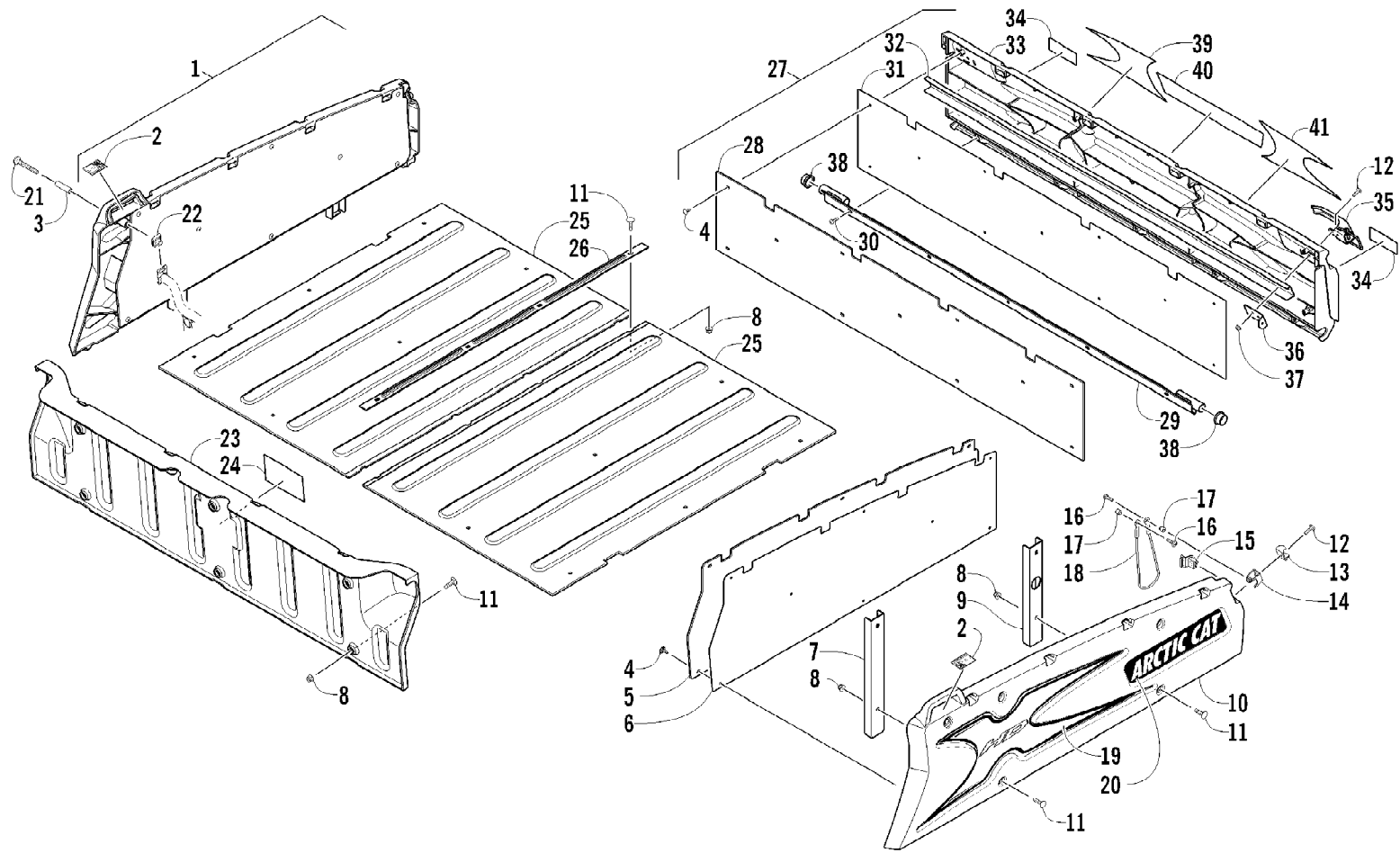


2012 PROWLER 700 HDX METALLIC GREEN (U2012P5T1PUSN)
CAM CHAIN ASSEMBLY

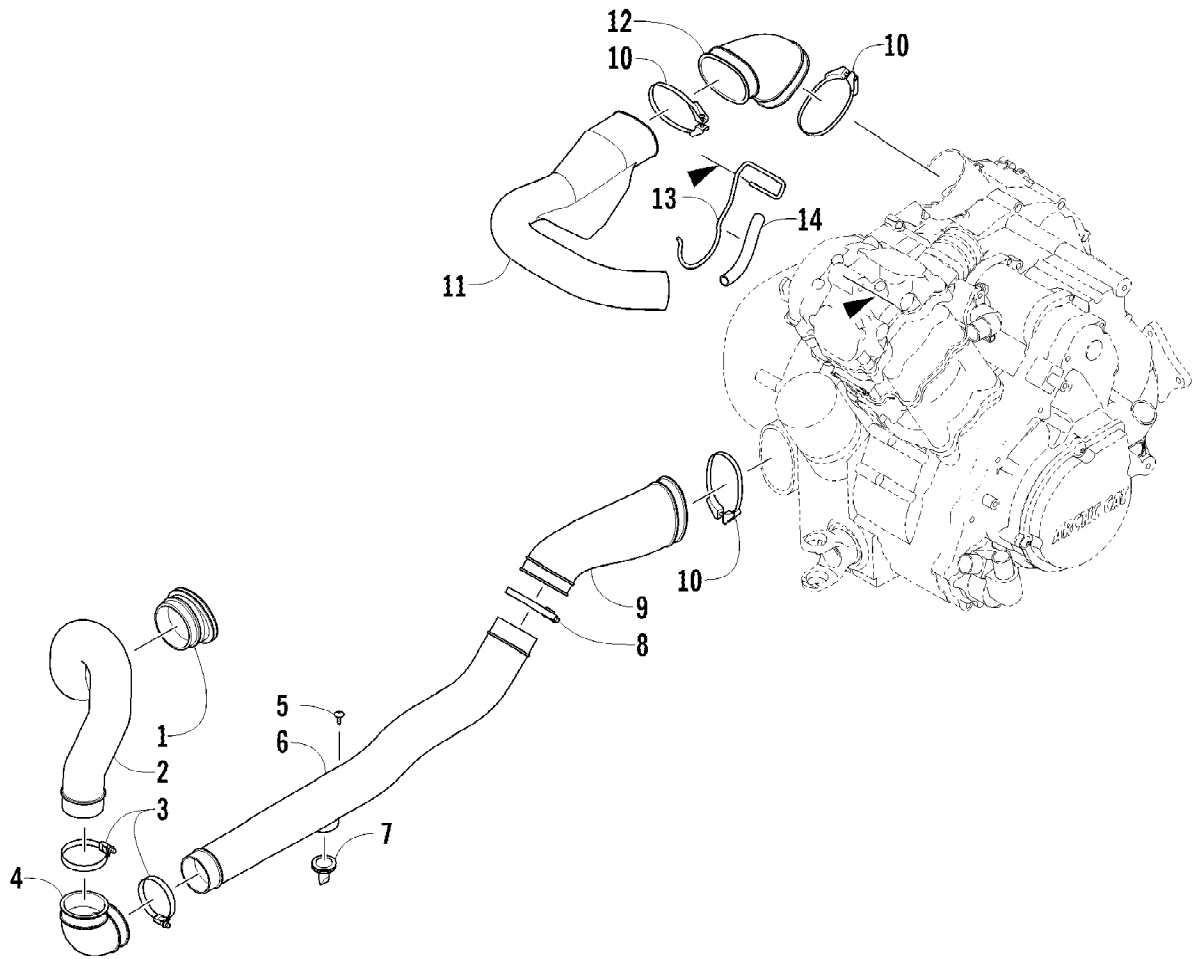
Page 8 of 87

| Ref # | Part Number | Qty | S/P/F | Description |
|-------|-------------|-----|-------|--------------------------------|
| 1 | 0810-001 | 1 | | Chain, Cam |
| 2 | 0810-002 | 1 | | Guide, Chain |
| 3 | 0810-003 | 1 | | Tensioner, Chain |
| 4 | 0826-036 | 1 | | Pivot, Tensioner |
| 5 | 0830-025 | 1 | | Washer, Crush |
| 6 | 0810-004 | 1 | | Adjuster, Tensioner - Assembly |
| 7 | 0830-018 | 1 | | Gasket |
| 8 | 8468-625 | 2 | | Screw, Machine |
| 9 | 0830-107 | 2 | | Gasket |
| 10 | 8400-610 | 1 | | Screw, Cap |
| 11 | 0828-129 | 1 | | Washer |

2012 PROWLER 700 HDX METALLIC GREEN (U2012P5T1PUSN)
CARGO BOX AND TAILGATE ASSEMBLY



| Ref # | Part Number | Qty | S/P/F | Description |
|-------|-------------|-----|-------|--|
| 1 | 4506-522 | 1 | | Side, Cargo Box - Assembly - Right (inc. 2-15) |
| 1 | 4506-523 | 1 | | Side, Cargo Box - Assembly - Left (inc. 2-15) |
| 2 | 2411-294 | 2 | | Decal, Warning - Pinch Point |
| 3 | 2416-368 | 2 | | Spacer |
| 4 | 1423-011 | 27 | | Screw, Self-Tapping |
| 5 | 4506-524 | 2 | | Panel, Side - Inner |
| 6 | 2416-647 | 2 | | Pad, Foam |
| 7 | 4506-154 | 2 | | Brace, Support - Front |
| 8 | 8427-802 | 30 | | Nut, Lock |
| 9 | 4506-153 | 2 | | Brace, Support - Rear |
| 10 | 2416-392 | 1 | | Side, Cargo Box - Right |
| 10 | 2416-393 | 1 | | Side, Cargo Box - Left |
| 11 | 0423-623 | 30 | | Bolt, Carriage |
| 12 | 1423-038 | 6 | | Screw, Machine |
| 13 | 2516-710 | 2 | | Bracket, Retaining - Latch |
| 14 | 2416-379 | 2 | | Bracket, Retaining - Cable |
| 15 | 2416-390 | 1 | | Insert, Panel - Right |
| 15 | 2416-391 | 1 | | Insert, Panel - Left |
| 16 | 8470-520 | 4 | | Screw, Machine |
| 17 | 1423-009 | 4 | | Spacer |
| 18 | 0487-080 | 2 | | Cable, Tailgate |
| 19 | 2411-812 | 1 | | Decal, Side Panel - Right |
| 19 | 2411-813 | 1 | | Decal, Side Panel -Left |
| 20 | 2411-208 | 1 | | Decal, "Arctic Cat" - Right |
| 20 | 2411-209 | 1 | | Decal, "Arctic Cat" - Left |
| 21 | 1423-010 | 2 | | Screw, Machine |
| 22 | 2416-378 | 2 | | Clip, U-Nut |
| 23 | 2416-394 | 1 | | Panel, Front |
| 24 | 2411-229 | 1 | | Decal, Warning - Cargo Box |
| 25 | 2416-396 | 2 | | Panel, Lower |
| 26 | 2516-871 | 1 | | Bracket, Retaining - Lower Panel |
| 27 | 4506-589 | 1 | | Tailgate Assembly (inc. 28-37) |
| 28 | 4506-526 | 1 | | Panel, Tailgate - Inner |
| 29 | 4506-626 | 1 | | Shaft, Pivot - Tailgate |
| 30 | 1423-083 | 5 | | Screw, Self-Tapping |
| 31 | 2416-648 | 1 | | Pad, Foam |
| 32 | 2416-652 | 1 | | Brace, Support |
| 33 | 2416-395 | 1 | | Panel, Tailgate - Outer |
| 34 | 2411-182 | 2 | | Decal, Reflector |
| 35 | 2516-729 | 2 | | Latch, Tailgate - Assembly |
| 36 | 2416-370 | 2 | | Bracket, Support - Latch |
| 37 | 8424-602 | 4 | /P | Nut |
| 38 | 2416-363 | 2 | | Bushing |
| 39 | 2411-834 | 1 | | Decal, Tailgate - Right |
| 40 | 2411-212 | 1 | | Decal, Tailgate - Center |
| 41 | 2411-835 | 1 | | Decal, Tailgate - Left |

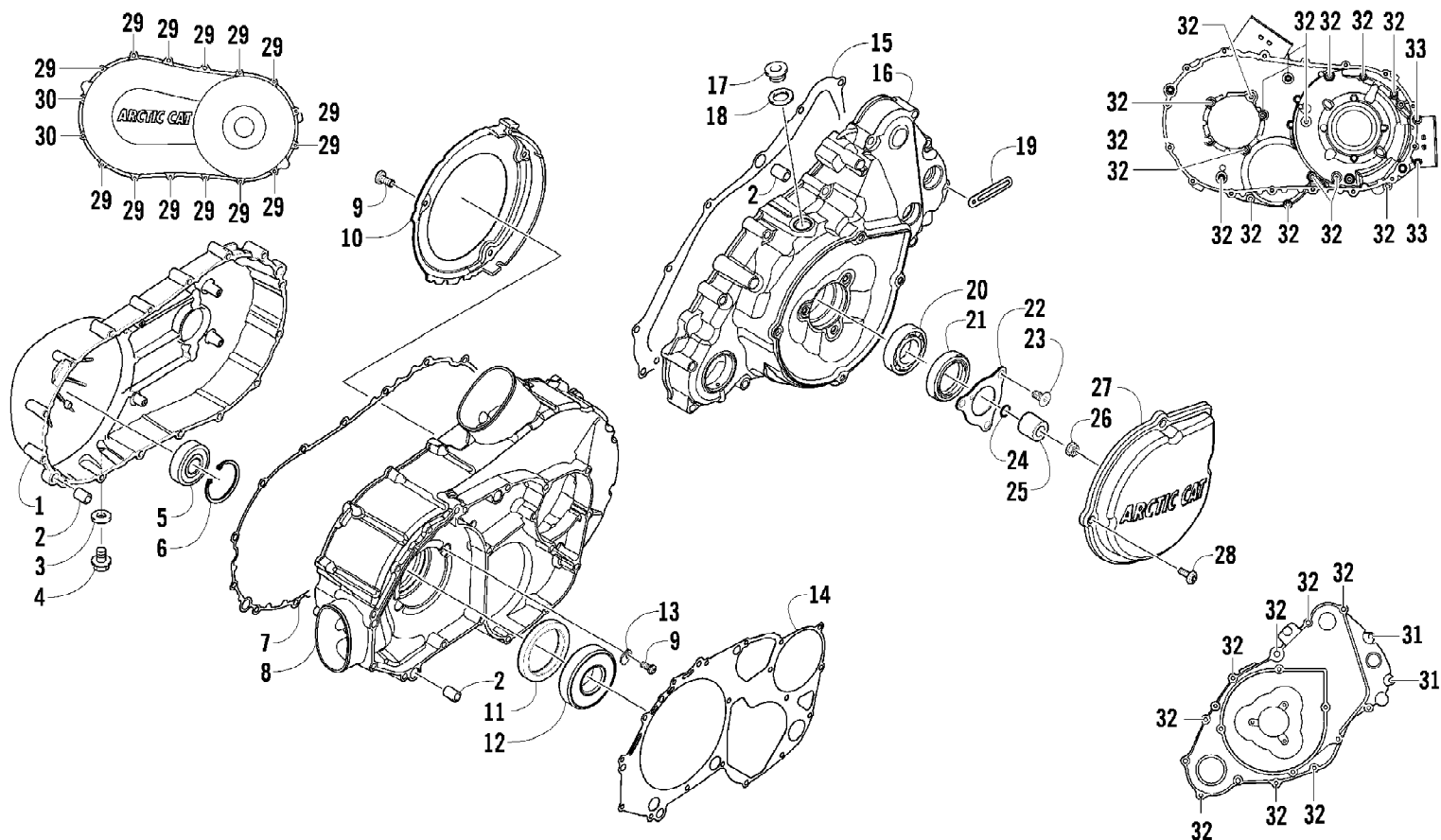


2012 PROWLER 700 HDX METALLIC GREEN (U2012P5T1PUSN)
CASE/BELT COOLING ASSEMBLY

Page 12 of 87

| Ref # | Part Number | Qty | S/P/F | Description |
|-------|-------------|-----|-------|---------------------|
| 1 | 2416-088 | 1 | | Boot, Air-In |
| 2 | 0413-275 | 1 | | Duct, Air-In |
| 3 | 0423-019 | 2 | | Clamp |
| 4 | 0413-098 | 1 | | Boot, Air Duct |
| 5 | 0623-784 | 1 | | Screw, Self-Tapping |
| 6 | 0413-236 | 1 | | Duct, Air-In |
| 7 | 0470-442 | 1 | /P | Valve, Drain |
| 8 | 0423-018 | 1 | | Clamp |
| 9 | 0413-274 | 1 | | Boot, Air-In |
| 10 | 0423-730 | 3 | | Clamp |
| 11 | 0413-291 | 1 | /P | Duct, Air-Out |
| 12 | 0413-109 | 1 | | Duct, Air-Out |
| 13 | 0413-298 | 1 | | Wire Form, Support |
| 14 | 0610-513 | AR | | Hose - 25 ft |

2012 PROWLER 700 HDX METALLIC GREEN (U2012P5T1PUSN)
CLUTCH/V-BELT/MAGNETO COVER ASSEMBLY

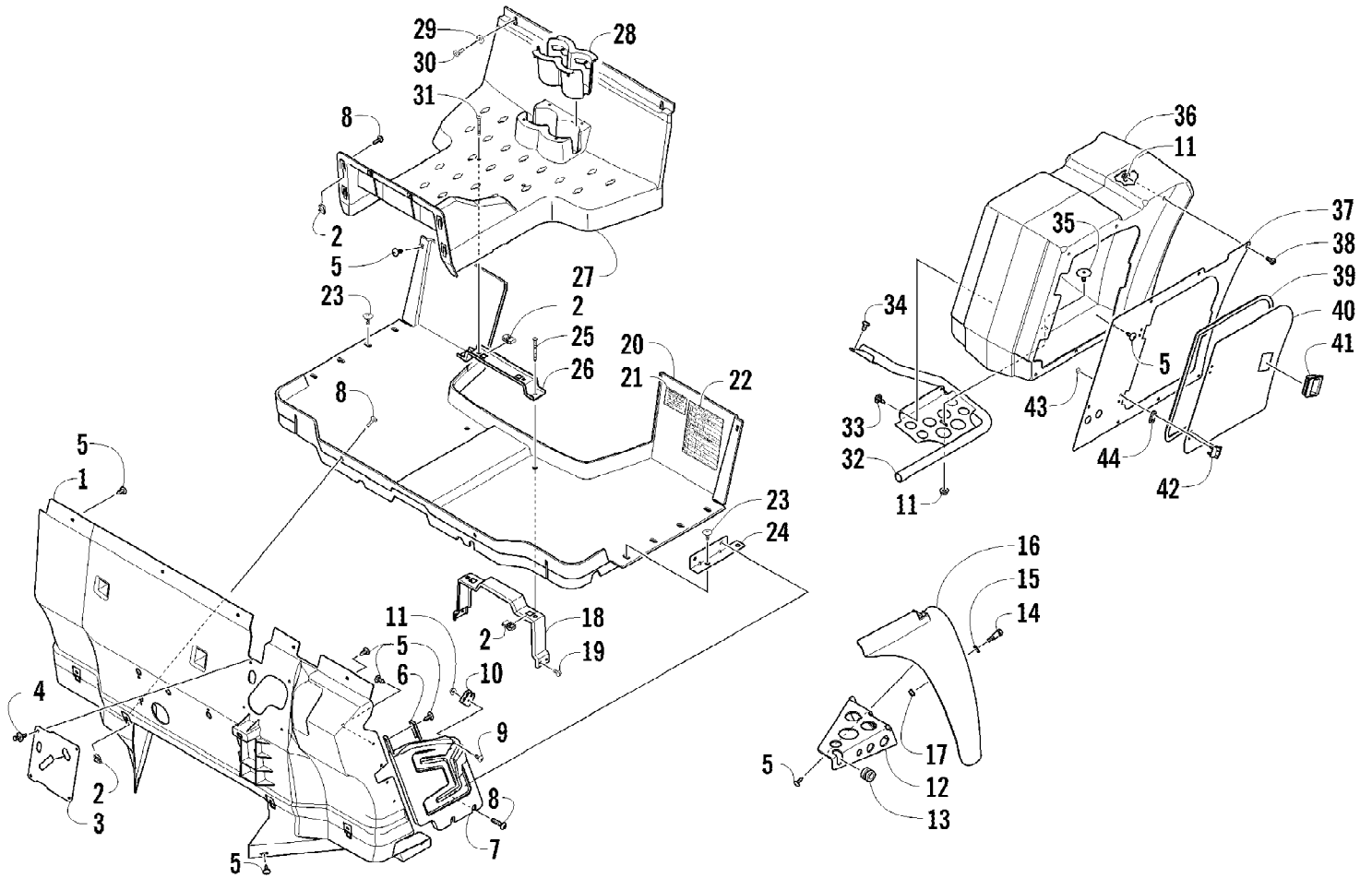


2012 PROWLER 700 HDX METALLIC GREEN (U2012P5T1PUSN)
CLUTCH/V-BELT/MAGNETO COVER ASSEMBLY

Page 14 of 87

| Ref # | Part Number | Qty | S/P/F | Description |
|-------|-------------|-----|-------|---------------------------|
| 1 | 0806-088 | 1 | /P | Cover, V-Belt |
| 2 | 0829-002 | 6 | | Pin, Dowel |
| 3 | 0830-013 | 1 | | Washer, Crush |
| 4 | 8408-812 | 1 | | Screw, Cap |
| 5 | 0832-060 | 1 | | Bearing |
| 6 | 0831-078 | 1 | | Ring, Retaining |
| 7 | 0830-174 | 1 | /P | Gasket, V-Belt Cover |
| 8 | 0806-091 | 1 | | Cover, Clutch |
| 9 | 0826-029 | 5 | | Screw, Machine |
| 10 | 0806-048 | 1 | | Plate, Air Intake |
| 11 | 0830-188 | 1 | /P | Seal |
| 12 | 0832-009 | 1 | /P | Bearing |
| 13 | 0822-010 | 2 | /P | Retainer, Bearing |
| 14 | 0830-116 | 1 | /P | Gasket, Clutch Cover |
| 15 | 0830-128 | 1 | | Gasket, Magneto Cover |
| 16 | 0806-082 | 1 | /P | Cover, Magneto - Assembly |
| 17 | 0826-155 | 1 | | Plug |
| 18 | 0830-015 | 1 | | Washer, Crush |
| 19 | 3002-964 | 1 | /P | Clamp, Wire |
| 20 | 1602-981 | 1 | /P | Bearing |
| 21 | 0830-158 | 1 | | Seal |
| 22 | 0805-008 | 1 | | Retainer, Seal |
| 23 | 0826-031 | 3 | | Screw, Machine |
| 24 | 0830-108 | 1 | | O-Ring |
| 25 | 0820-061 | 1 | | Bushing |
| 26 | 0827-008 | 1 | | Nut |
| 27 | 0820-062 | 1 | | Cover, Magneto |
| 28 | 8468-616 | 4 | | Screw, Machine |
| 29 | 8468-645 | 14 | | Screw, Machine |
| 30 | 8468-655 | 2 | | Screw, Machine |
| 31 | 8468-625 | 2 | | Screw, Machine |
| 32 | 8468-640 | 24 | | Screw, Machine |
| 33 | 8468-675 | 2 | | Screw, Machine |

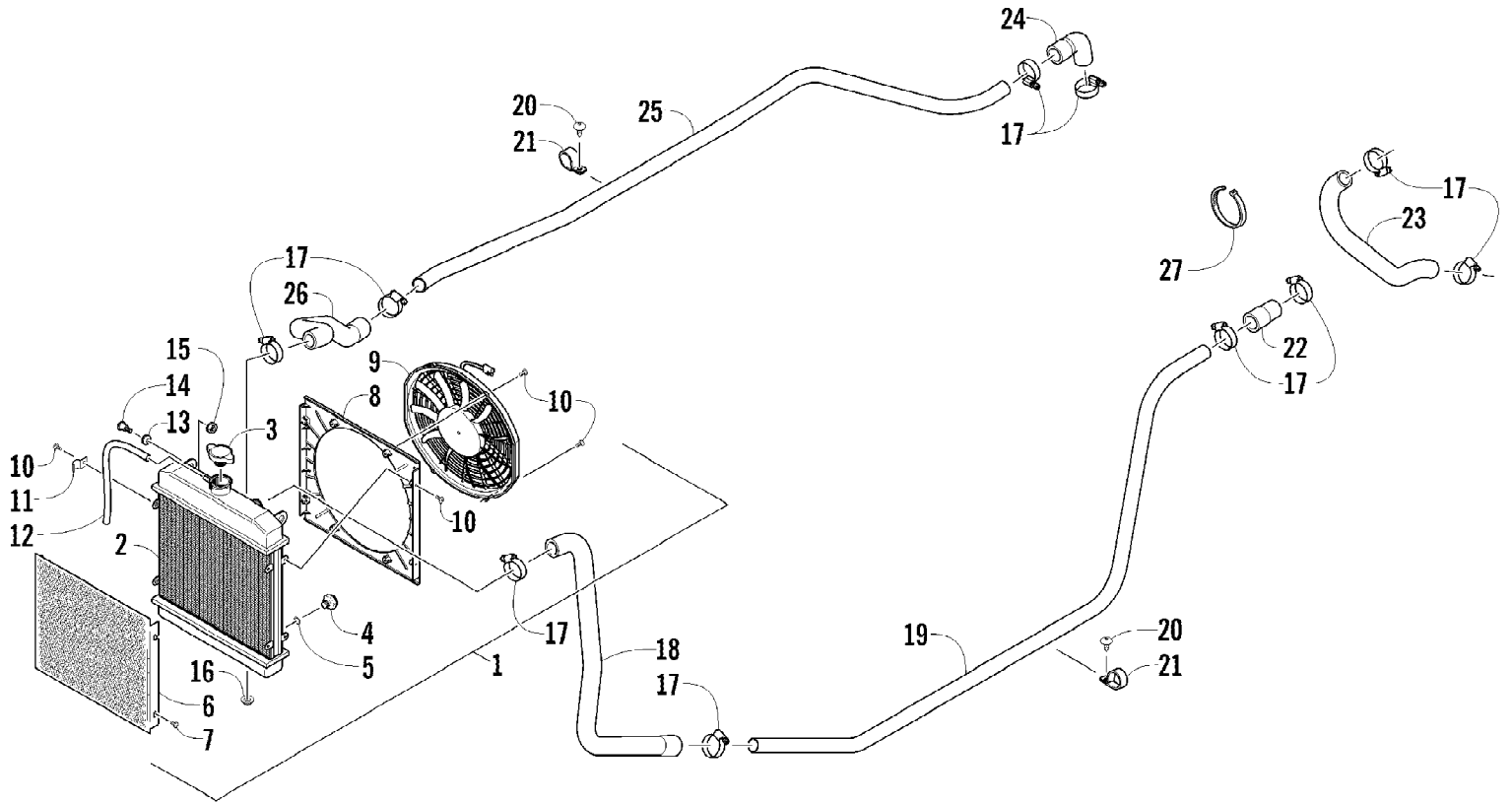
2012 PROWLER 700 HDX METALLIC GREEN (U2012P5T1PUSN)
CONSOLE, FLOOR PANEL & STORAGE BOX ASSEMBLY



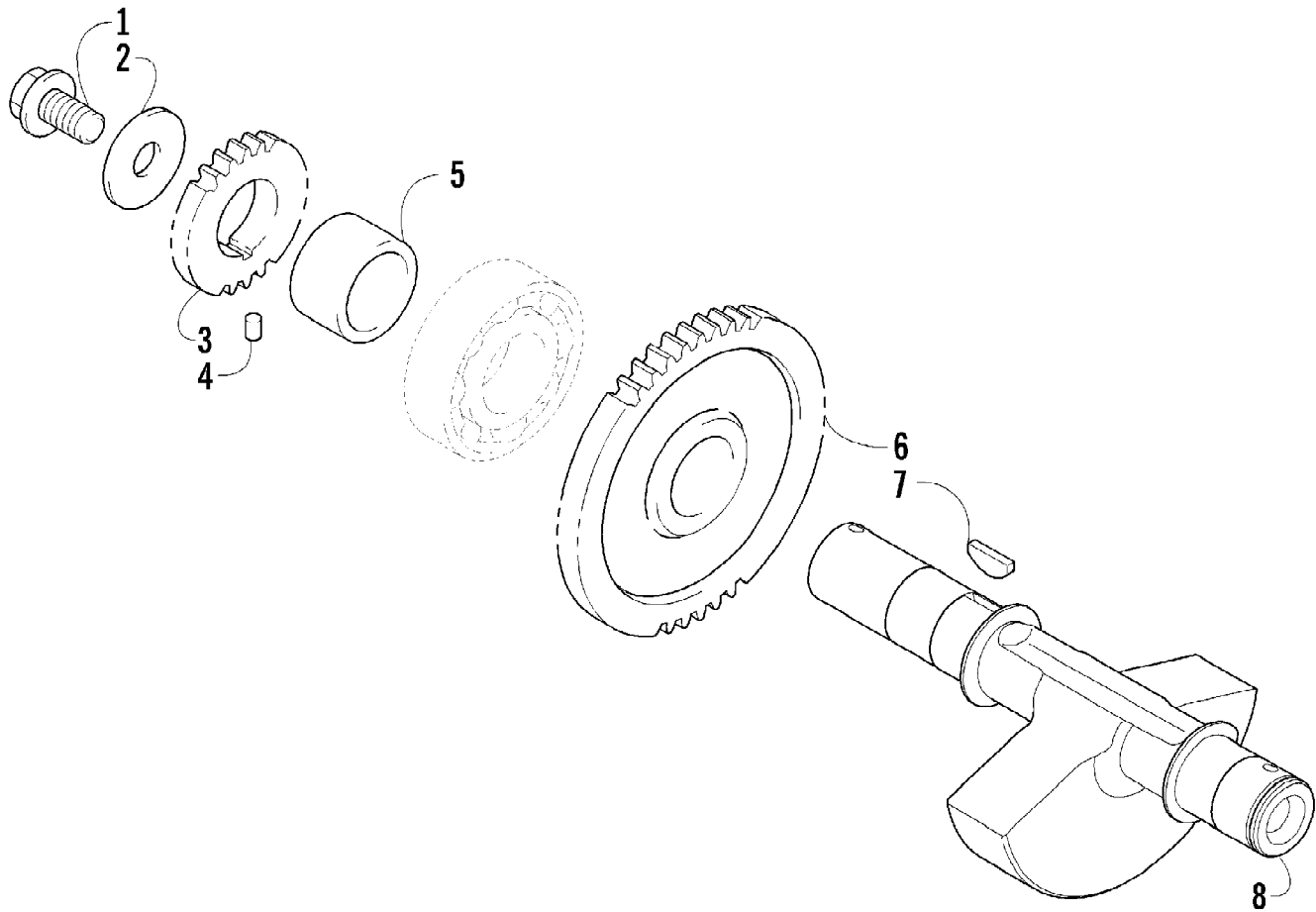
2012 PROWLER 700 HDX METALLIC GREEN (U2012P5T1PUSN)
CONSOLE, FLOOR PANEL & STORAGE BOX ASSEMBLY

Page 16 of 87

| Ref # | Part Number | Qty | S/P/F | Description |
|-------|-------------|-----|-------|---|
| 1 | 2516-798 | 1 | | Panel, Fender - Inner |
| 2 | 0423-577 | 17 | | Clip, U-Nut |
| 3 | 0405-407 | 1 | | Seal, Steering Column |
| 4 | 0623-362 | 4 | | Rivet, Reinstallable |
| 5 | 0623-784 | 36 | | Screw, Self-Tapping |
| 6 | 4506-596 | 2 | | Cap, Reinforcement |
| 7 | 2416-848 | 2 | | Panel, Side |
| 8 | 8468-625 | 14 | | Screw, Machine |
| 9 | 0423-419 | 4 | | Screw, Machine |
| 10 | 2416-846 | 2 | | Latch, Side Restraint |
| 11 | 0423-540 | 18 | | Nut, Lock |
| 12 | 2506-066 | 1 | | Bracket, Support - Right |
| 12 | 2506-067 | 1 | | Bracket, Support - Left |
| 13 | 0423-447 | 2 | | Grommet |
| 14 | 0623-855 | 2 | | Screw, Shoulder |
| 15 | 8050-217 | 2 | /P | Washer |
| 16 | 4506-642 | 1 | | Fender, Front - Right |
| 16 | 4506-643 | 1 | | Fender, Front - Left |
| 17 | 8048-366 | 2 | | Nut, Lock |
| 18 | 2516-313 | 1 | | Bracket, Support |
| 19 | 8476-616 | 4 | | Screw, Machine |
| 20 | 2416-085 | 1 | | Floor |
| 21 | 2411-233 | 1 | | Decal, "Tread Lightly" |
| 22 | 2411-232 | 1 | | Decal, Pre-Ride |
| 23 | 0423-545 | 8 | /P | Screw, Shoulder |
| 24 | 4506-260 | 1 | | Bracket, Side Panel - Right |
| 24 | 4506-261 | 1 | | Bracket, Side Panel - Left |
| 25 | 8468-670 | 2 | | Screw, Machine |
| 26 | 2416-483 | 1 | | Bracket, Support - Center Footrest |
| 27 | 2416-412 | 1 | | Footrest, Center |
| 28 | 2416-109 | 1 | | Insert, Cupholder |
| 29 | 8450-133 | 2 | | Washer |
| 30 | 8476-630 | 2 | | Screw, Machine |
| 31 | 8468-655 | 2 | | Screw, Machine |
| 32 | 2516-854 | 1 | | Bracket, Support - Storage Box - Right |
| 32 | 2516-855 | 1 | | Bracket, Support - Storage Box - Left |
| 33 | 0623-797 | 4 | | Screw, Self-Tapping |
| 34 | 8476-816 | 2 | | Screw, Machine |
| 35 | 0423-101 | 2 | | Screw, Shoulder |
| 36 | 4506-528 | 1 | | Storage Box - Right - Assembly (inc. 37-44 and 12 No. 11) |
| 36 | 4506-527 | 1 | | Storage Box - Left - Assembly (inc. 37-44 and 12 No. 11) |
| 37 | 2516-858 | 2 | | Panel, Reinforcement |
| 38 | 8477-616 | 12 | | Screw, Machine |
| 39 | 2416-504 | 2 | | Seal, Access Door |
| 40 | 2516-853 | 2 | | Door, Access |
| 41 | 1423-035 | 2 | | Latch, Access Door |
| 42 | 1423-037 | 4 | | Hinge (inc. 43) |
| 43 | 1623-928 | 16 | | Nut, Stamped |
| 44 | 1423-036 | 4 | | Spacer |



| Ref # | Part Number | Qty | S/P/F | Description |
|-------|-------------|-----|-------|---------------------------------------|
| 1 | 0413-256 | 1 | /P | Radiator - Assembly (inc. 2-13) |
| 2 | 0413-205 | 1 | | Radiator |
| 3 | 0413-255 | 1 | /P | Cap, Radiator |
| 4 | 0413-195 | 1 | | Plug, Drain |
| 5 | 1602-213 | 1 | /P | O-Ring |
| 6 | 0413-007 | 1 | | Screen, Radiator |
| 7 | 8475-512 | 4 | | Screw, Machine |
| 8 | 0413-203 | 1 | | Shroud, Fan |
| 9 | 0413-123 | 1 | /P | Fan, Cooling |
| 10 | 0623-378 | 8 | | Screw, Self-Tapping |
| 11 | 0423-351 | 1 | | Clamp, Wire |
| 12 | 0610-016 | AR | /P | Hose - 25 ft |
| 12 | 0610-015 | AR | /P | Hose - 100 ft |
| 13 | 0423-030 | 2 | | Grommet |
| 14 | 0423-484 | 2 | | Screw, Shoulder |
| 15 | 0623-038 | 2 | | Nut w/Washer |
| 16 | 0423-028 | 2 | | Bushing, Stem |
| 17 | 0423-496 | 10 | | Clamp, Hose |
| 18 | 0410-092 | 1 | | Hose, Coolant - Upper Radiator |
| 19 | 0410-223 | 1 | | Pipe, Coolant - Upper |
| 20 | 0623-784 | 2 | | Screw, Self-Tapping |
| 21 | 0423-594 | 2 | | Clamp, Pipe - Coolant |
| 22 | 0410-225 | 1 | | Hose, Coolant - Pipe/Thermostat Cover |
| 23 | 0410-022 | 1 | | Hose, Coolant - Rear |
| 24 | 0410-215 | 1 | | Hose, Coolant |
| 25 | 0410-224 | 1 | | Pipe, Coolant - Lower |
| 26 | 0410-094 | 1 | | Hose, Coolant - Lower Radiator |
| 27 | 0623-751 | AR | | Tie, Cable - Reusable |

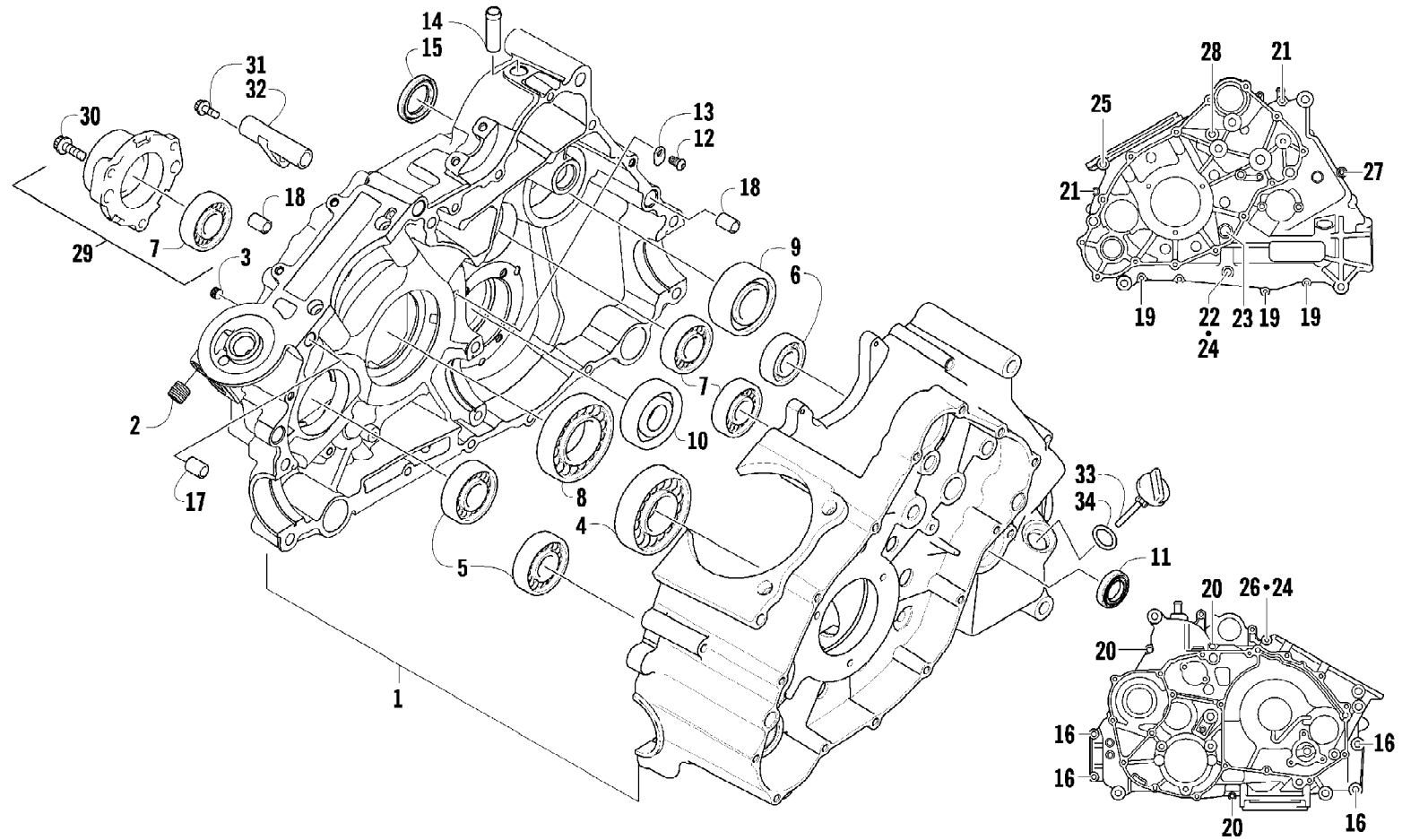


2012 PROWLER 700 HDX METALLIC GREEN (U2012P5T1PUSN)
CRANK BALANCER ASSEMBLY

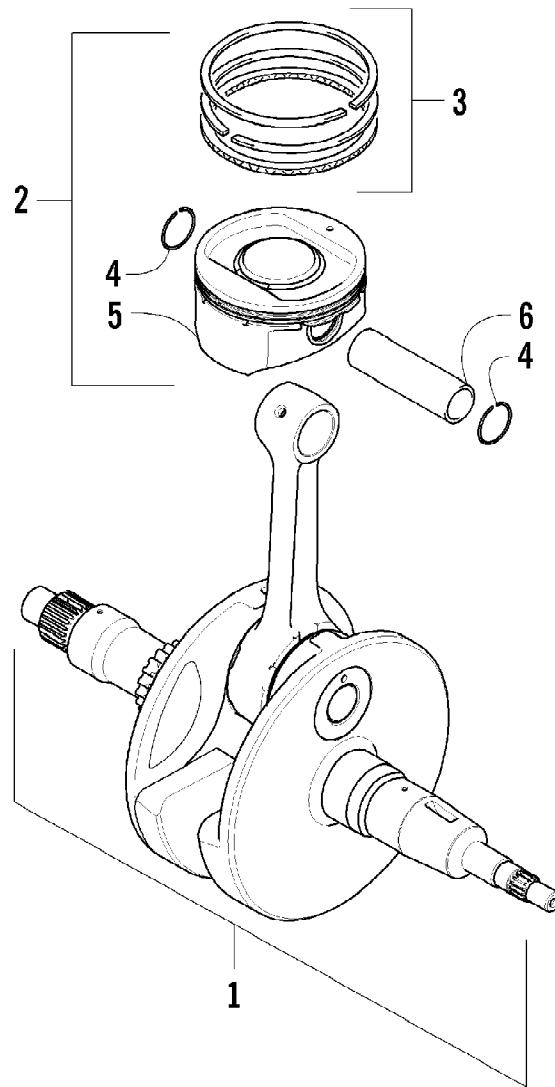
Page 20 of 87

| Ref # | Part Number | Qty | S/P/F | Description |
|-------|-------------|-----|-------|----------------------|
| 1 | 0826-033 | 1 | | Screw, Cap |
| 2 | 0828-003 | 1 | | Washer |
| 3 | 0811-003 | 1 | | Gear, Oil Pump Drive |
| 4 | 0829-007 | 1 | | Pin, Dowel |
| 5 | 0811-004 | 1 | | Spacer |
| 6 | 0811-034 | 1 | | Gear, Driven |
| 7 | 0829-006 | 1 | | Key |
| 8 | 0805-304 | 1 | | Balancer, Crank |

2012 PROWLER 700 HDX METALLIC GREEN (U2012P5T1PUSN)
CRANKCASE ASSEMBLY



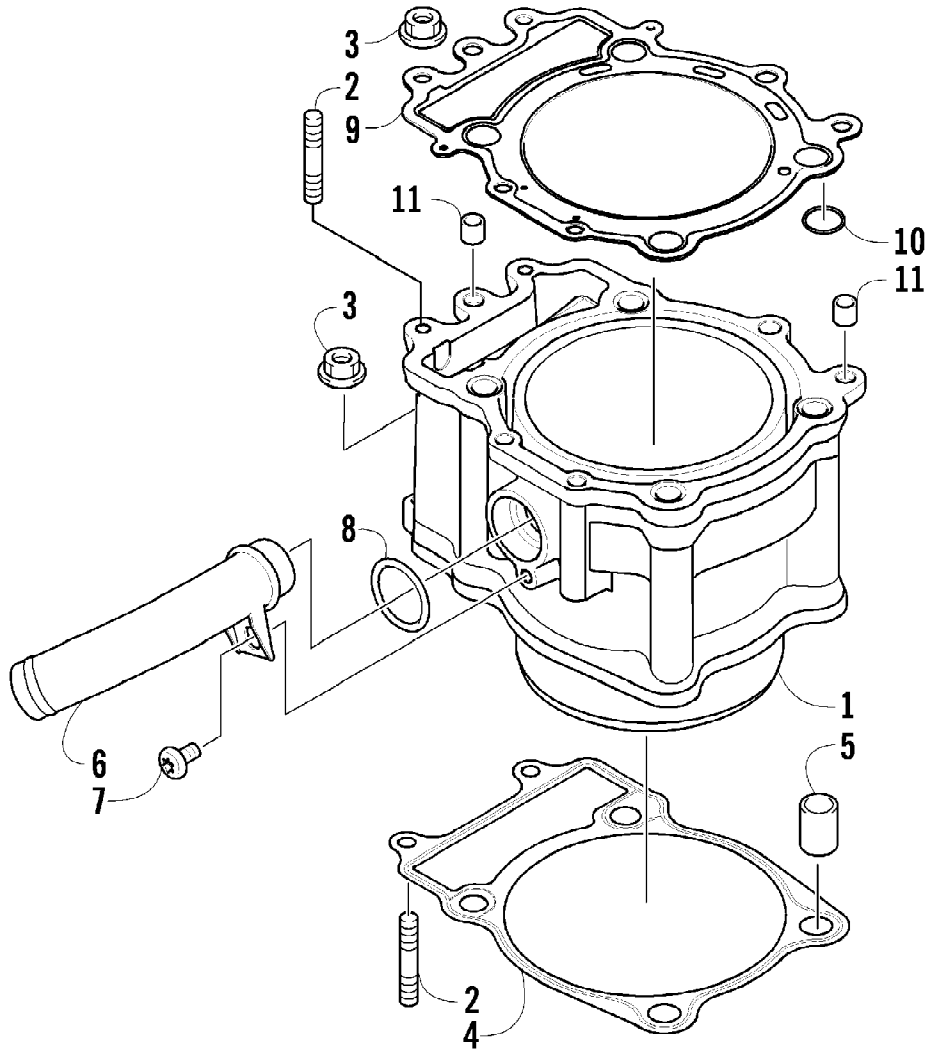
| Ref # | Part Number | Qty | S/P/F | Description |
|-------|-------------|-----|-------|---|
| 1 | 0801-151 | 1 | | Crankcase Assembly (inc. 2-15) |
| 2 | 0812-064 | 2 | | Plug |
| 3 | 0801-002 | 1 | | Plug |
| 4 | 0832-043 | 1 | /P | Bearing |
| 5 | 0832-044 | 2 | /P | Bearing |
| 6 | 0832-049 | 1 | /P | Bearing |
| 7 | 0832-050 | 3 | /P | Bearing |
| 8 | 0832-042 | 1 | /P | Bearing |
| 9 | 0832-048 | 1 | /P | Bearing |
| 10 | 0832-077 | 1 | /P | Bearing |
| 11 | 0822-052 | 1 | | Seal, Countershaft |
| 12 | 0826-100 | 4 | | Screw, Machine |
| 13 | 0822-010 | 4 | /P | Retainer, Bearing |
| 14 | 0801-028 | 1 | | Pipe, Breather |
| 15 | 0830-035 | 1 | | Seal, Driveshaft |
| 16 | 8412-850 | 4 | | Screw, Cap |
| 17 | 0829-003 | 1 | | Pin, Dowel |
| 18 | 0829-002 | 5 | | Pin, Dowel |
| 19 | 8468-645 | 3 | | Screw, Machine |
| 20 | 8468-655 | 3 | | Screw, Machine |
| 21 | 8468-675 | 2 | | Screw, Machine |
| 22 | 8412-860 | 1 | | Screw, Cap |
| 23 | 0826-017 | 1 | | Screw, Cap |
| 24 | 0830-008 | 2 | | Gasket |
| 25 | 0826-019 | 1 | | Screw, Cap |
| 26 | 0826-018 | 1 | | Screw, Cap |
| 27 | 8468-695 | 1 | | Screw, Machine |
| 28 | 8468-680 | 1 | | Screw, Machine |
| 29 | 0801-029 | 1 | | Housing, Secondary Shaft (inc. one No. 7) |
| 30 | 0826-105 | 3 | | Screw, Cap |
| 31 | 0826-038 | 1 | | Screw, Cap |
| 32 | 0801-069 | 1 | | Pipe, Breather |
| 33 | 0801-073 | 1 | | Stick, Oil Level (inc. 34) |
| 34 | 0830-010 | 1 | | O-Ring |



2012 PROWLER 700 HDX METALLIC GREEN (U2012P5T1PUSN)
CRANKSHAFT AND PISTON ASSEMBLY

Page 24 of 87

| Ref # | Part Number | Qty | S/P/F | Description |
|-------|-------------|-----|-------|-----------------------|
| 1 | 0805-326 | 1 | | Crankshaft Assembly |
| 2 | 0805-297 | 1 | /P | Piston Set (inc. 3-6) |
| 3 | 0805-132 | 1 | | Ring, Piston - Set |
| 4 | 0831-001 | 2 | | Circlip, Piston Pin |
| 5 | 0805-296 | 1 | | Piston |
| 6 | 0805-210 | 1 | | Pin, Piston |

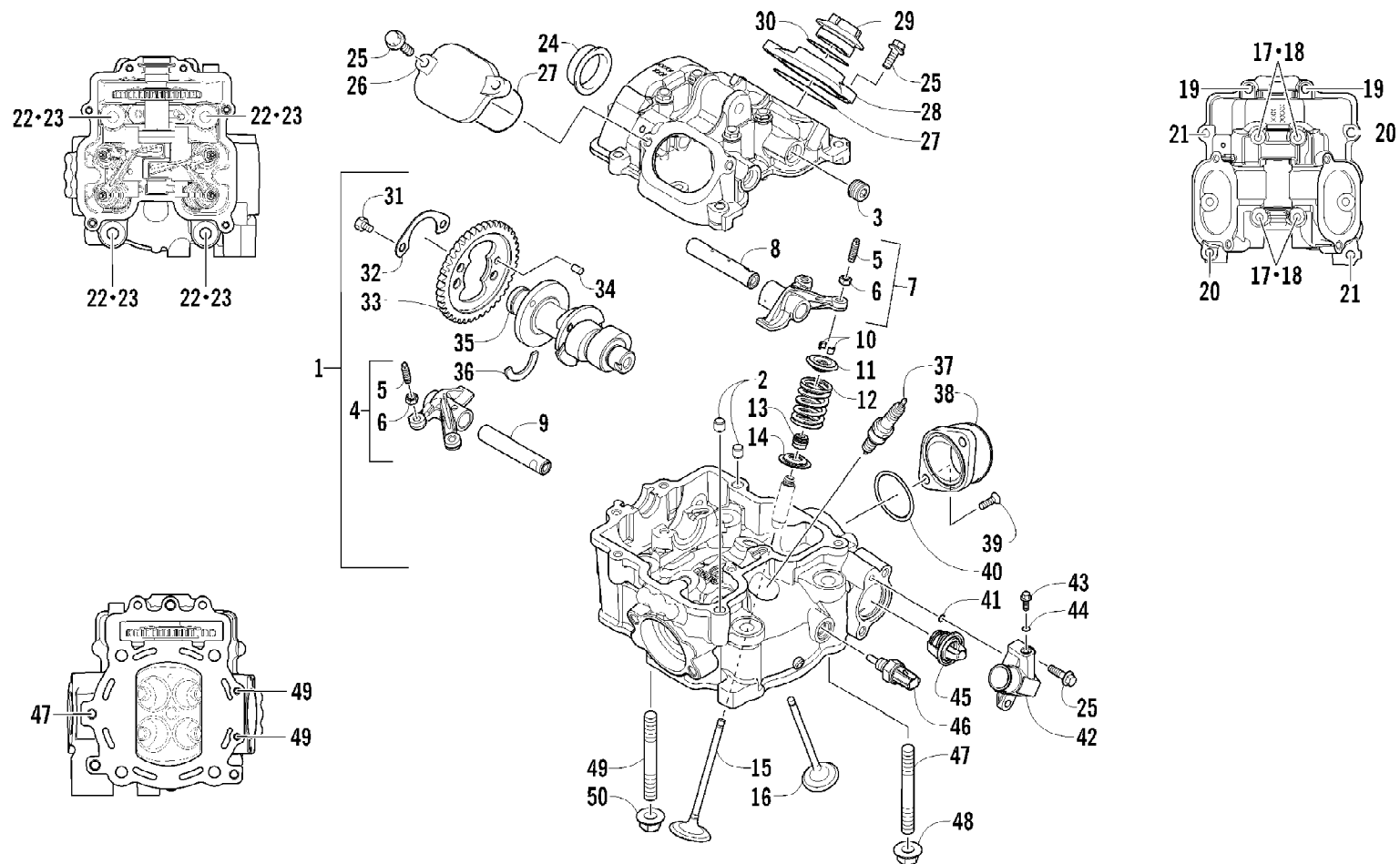


2012 PROWLER 700 HDX METALLIC GREEN (U2012P5T1PUSN)
CYLINDER ASSEMBLY

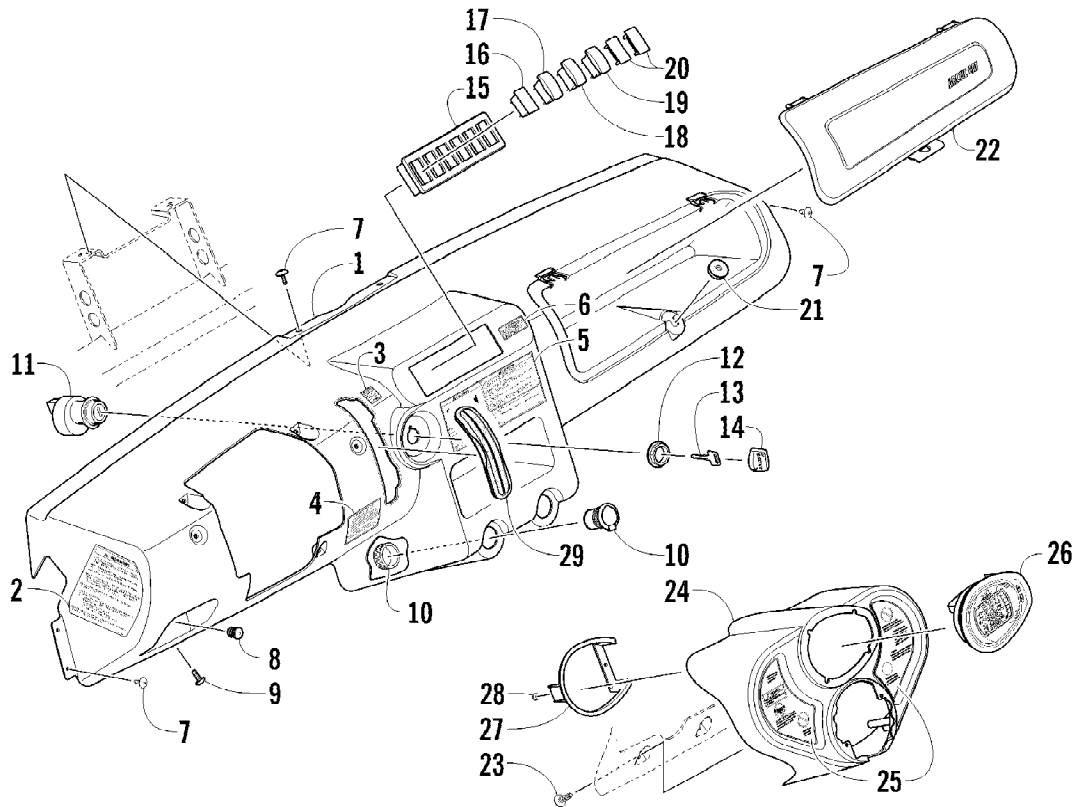
Page 26 of 87

| Ref # | Part Number | Qty | S/P/F | Description |
|-------|-------------|-----|-------|-----------------------|
| 1 | 0804-053 | 1 | /P | Cylinder |
| 2 | 0827-002 | 4 | | Bolt, Stud |
| 3 | 8424-604 | 4 | | Nut |
| 4 | 0830-111 | 1 | | Gasket, Base |
| 5 | 0829-002 | 2 | | Pin, Dowel |
| 6 | 0804-047 | 1 | /P | Union, Coolant Hose |
| 7 | 8468-612 | 1 | | Screw, Machine |
| 8 | 0830-007 | 1 | | O-Ring |
| 9 | 0830-112 | 1 | | Gasket, Cylinder Head |
| 10 | 0830-113 | 4 | | O-Ring |
| 11 | 0829-048 | 2 | /P | Pin, Dowel |

2012 PROWLER 700 HDX METALLIC GREEN (U2012P5T1PUSN)
CYLINDER HEAD AND CAMSHAFT/VALVE ASSEMBLY

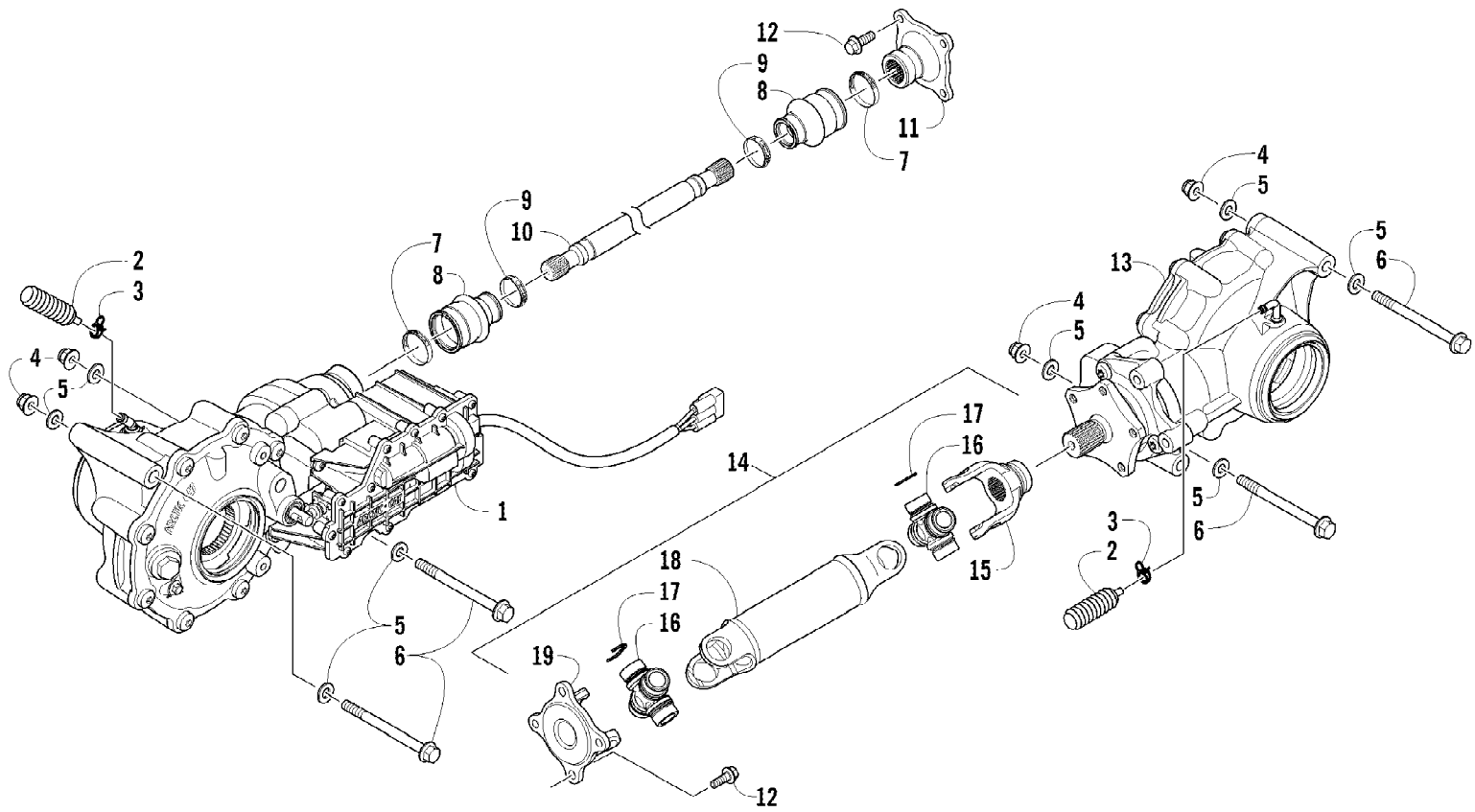


| Ref # | Part Number | Qty | S/P/F | Description |
|-------|-------------|-----|-------|--|
| 1 | 0808-184 | 1 | | Head, Cylinder - Assembly (inc. 2-17) |
| 2 | 0829-048 | 2 | /P | Pin, Dowel |
| 3 | 0831-092 | 2 | | Plug, Shaft |
| 4 | 0809-237 | 1 | /P | Arm, Valve Rocker - Exhaust (inc. two No. 5-6) |
| 5 | 0809-240 | 4 | /P | Screw, Adjuster |
| 6 | 0827-059 | 4 | | Nut |
| 7 | 0809-234 | 1 | /P | Arm, Valve Rocker - Intake (inc. two No. 5-6) |
| 8 | 0809-241 | 1 | | Shaft, Rocker Arm - Intake |
| 9 | 0809-242 | 1 | | Shaft, Rocker Arm - Exhaust |
| 10 | 0809-233 | 8 | | Cotter, Valve |
| 11 | 0809-232 | 4 | | Retainer, Spring |
| 12 | 0809-231 | 4 | /P | Spring, Valve |
| 13 | 0830-186 | 4 | /P | Seal, Oil |
| 14 | 0809-215 | 4 | | Seat, Spring - Valve |
| 15 | 0809-228 | 2 | /P | Valve, Intake |
| 16 | 0809-229 | 2 | /P | Valve, Exhaust |
| 17 | 0826-149 | 4 | | Screw, Cap |
| 18 | 0830-155 | 4 | /P | Gasket |
| 19 | 0826-002 | 2 | | Screw, Cap |
| 20 | 0826-005 | 2 | | Screw, Cap |
| 21 | 0826-006 | 2 | | Screw, Cap |
| 22 | 0808-037 | 4 | /P | Screw, Cap |
| 23 | 0830-147 | 4 | /P | Washer |
| 24 | 0808-077 | 1 | | Plug, Cylinder Head |
| 25 | 0826-007 | 6 | | Screw, Cap |
| 26 | 0808-003 | 1 | | Cap, Inspection |
| 27 | 0830-167 | 2 | /P | O-Ring |
| 28 | 0808-206 | 1 | | Cap, Inspection |
| 29 | 0812-089 | 1 | | Plug, Oil Fill |
| 30 | 0830-215 | 1 | | O-Ring |
| 31 | 0826-034 | 2 | | Screw, Cap |
| 32 | 0828-004 | 1 | | Plate, Retainer |
| 33 | 0809-212 | 1 | | Sprocket |
| 34 | 0829-049 | 1 | | Pin, Dowel |
| 35 | 0809-245 | 1 | /P | Camshaft |
| 36 | 0809-003 | 1 | | C-Ring |
| 37 | 0217-799 | 1 | /P | Spark Plug CPR8E |
| 38 | 0470-668 | 1 | | Flange, Intake Manifold |
| 39 | 0826-008 | 2 | | Screw, Machine |
| 40 | 0830-090 | 1 | | O-Ring |
| 41 | 0830-168 | 1 | /P | O-Ring |
| 42 | 0808-208 | 1 | | Cover, Thermostat (inc. 43-44) |
| 43 | 8408-512 | 1 | | Screw, Cap |
| 44 | 0423-182 | 1 | /P | O-Ring |
| 45 | 0808-078 | 1 | | Thermostat |
| 46 | 0808-124 | 1 | | Switch, Engine Coolant Temperature |
| 47 | 0827-031 | 1 | | Bolt, Stud |
| 48 | 8424-804 | 1 | | Nut |
| 49 | 0827-054 | 2 | | Bolt, Stud |
| 50 | 8424-604 | 2 | | Nut |



| Ref # | Part Number | Qty | S/P/F | Description |
|-------|-------------|-----|-------|--|
| 1 | 4506-684 | 1 | | Panel, Dash |
| 2 | 2411-236 | 1 | | Decal, Warning - Dash Side |
| 3 | 2411-560 | 1 | | Decal, Caution - Engine RPM |
| 4 | 2411-311 | 1 | | Decal, Starting |
| 5 | 2411-881 | 1 | | Decal, Warning - Dash Center |
| 6 | 1411-124 | 1 | | Decal, Warning - Differential Lock |
| 7 | 0623-784 | AR | | Screw, Self-Tapping |
| 8 | 1623-697 | 1 | | Plug, Hole |
| 9 | 0423-419 | 3 | | Screw, Machine |
| 10 | 0641-897 | 2 | /P | Outlet, Accessory - 12V |
| 11 | 0430-089 | 1 | /P | Switch, Ignition (inc. 12-14) |
| 12 | 0430-050 | 1 | | Nut, Retaining |
| 13 | 0430-042 | 1 | | Key, Ignition - Series (Y Series - Left-Side Cut) |
| 13 | 0430-043 | 1 | | Key, Ignition - Series (Z Series - Right-Side Cut) |
| 14 | 0430-054 | 1 | | Cover, Key |
| 15 | 0409-142 | 1 | | Panel, Switch - Mount |
| 16 | 0420-111 | 1 | | Indicator, Seat Belt/Park |
| 17 | 0409-067 | 1 | | Switch, Light |
| 18 | 0409-061 | 1 | | Switch, 2WD/4WD/Differential Lock |
| 19 | 0409-071 | 1 | | Switch, Reverse Override |
| 20 | 0409-070 | 2 | | Plug, Switch Hole |
| 21 | 0423-541 | 1 | | Grommet, Latch - Glove Box |
| 22 | 1406-789 | 1 | | Cover, Glove Box |
| 23 | 0423-342 | 5 | /P | Screw, Self-Tapping |
| 24 | 2406-539 | 1 | | Pod, Instrument |
| 25 | 2411-292 | 1 | | Decal, Warning - Dash - Right |
| 25 | 2411-293 | 1 | | Decal, Warning - Dash - Left |
| 26 | 0520-172 | 1 | | Gauge, Analog LCD |
| 27 | 0420-065 | 1 | /P | Bracket, Retaining |
| 28 | 0423-493 | 2 | | Nut w/Washer |
| 29 | 2416-849 | 1 | | Boot, Shift |

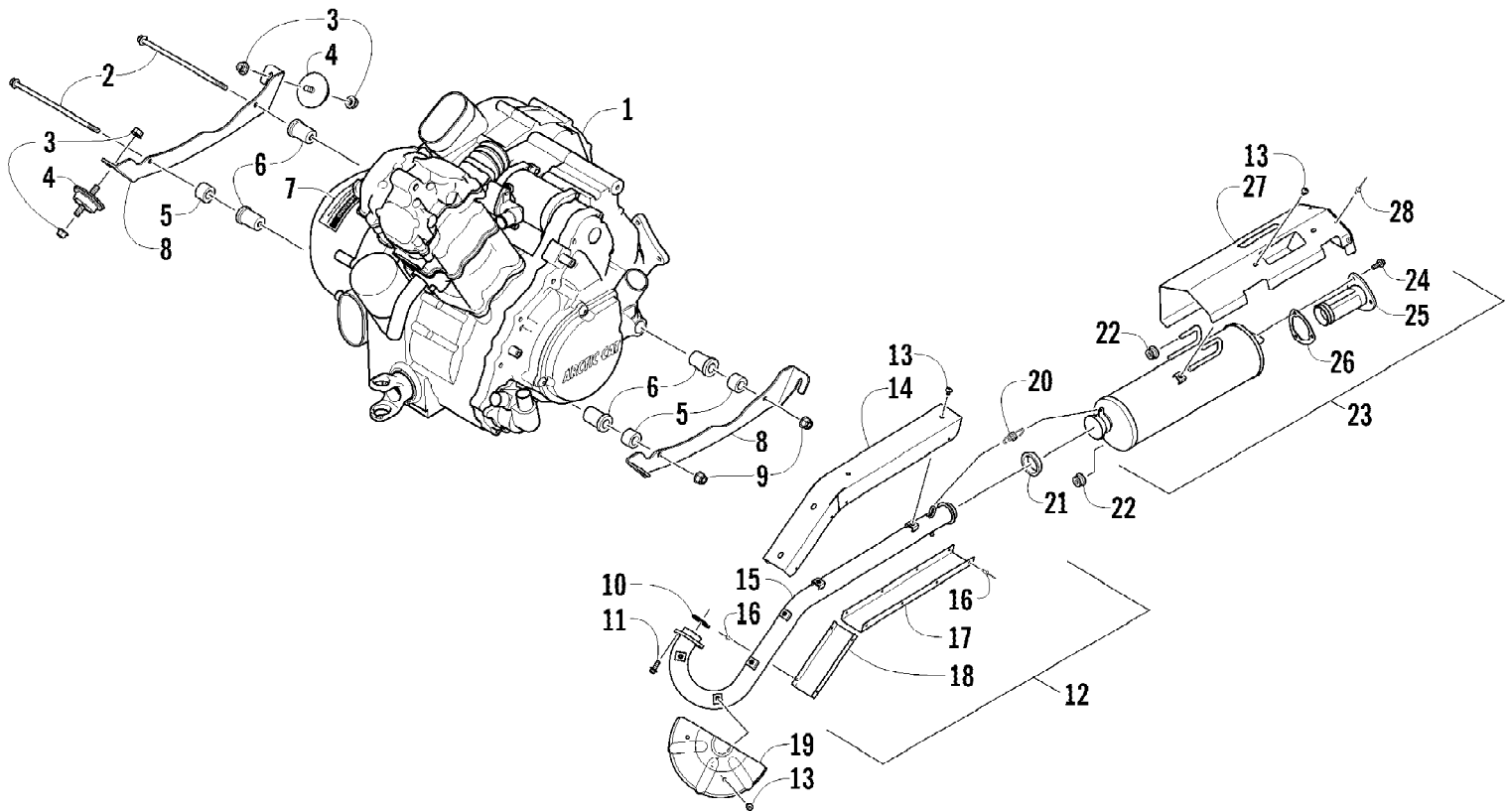
2012 PROWLER 700 HDX METALLIC GREEN (U2012P5T1PUSN)
DRIVE TRAIN ASSEMBLY



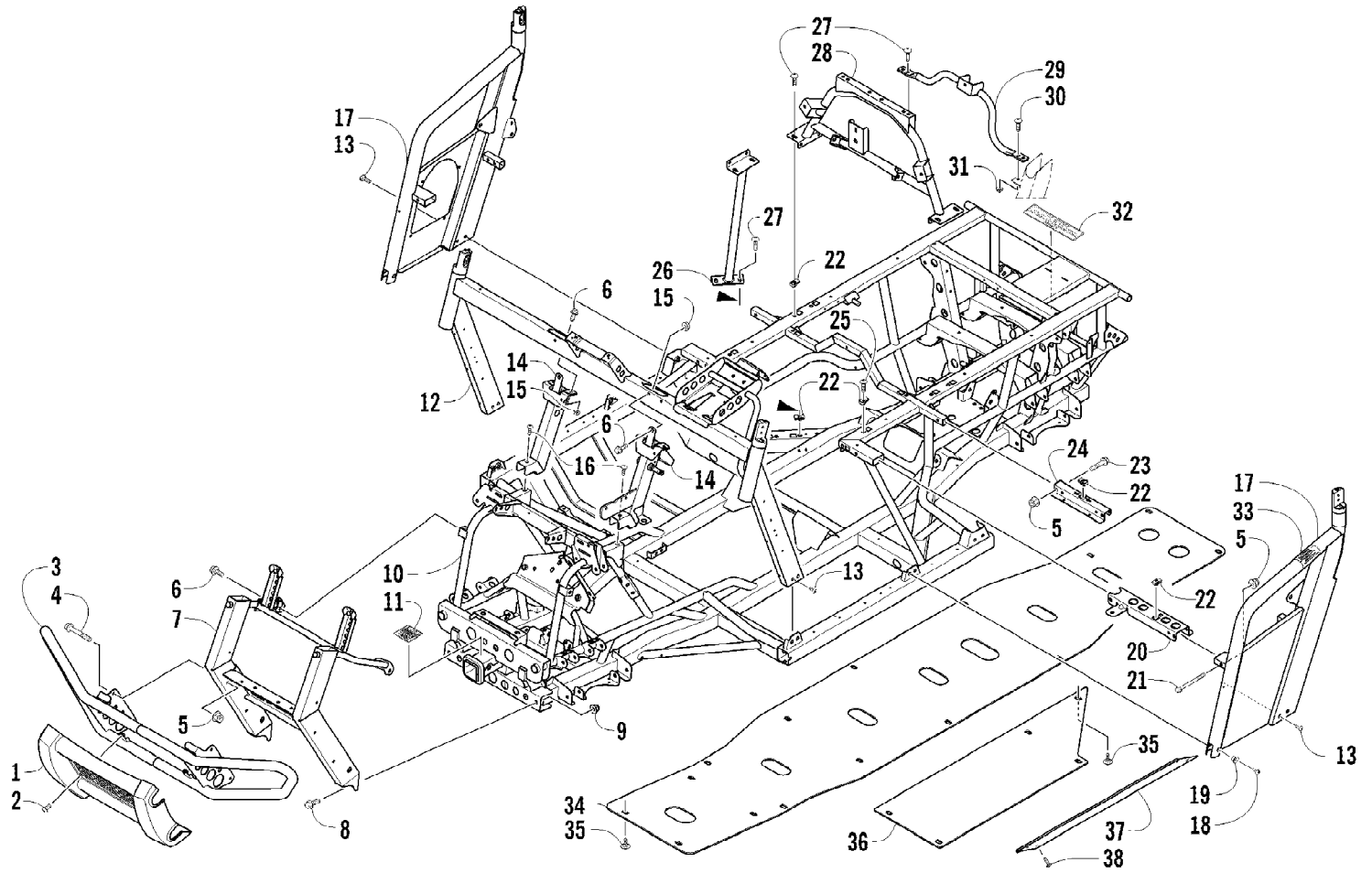
2012 PROWLER 700 HDX METALLIC GREEN (U2012P5T1PUSN)
DRIVE TRAIN ASSEMBLY

Page 32 of 87

| Ref # | Part Number | Qty | S/P/F | Description |
|-------|-------------|-----|-------|--|
| 1 | 1502-888 | 1 | | Gearcase, Front |
| 2 | 1402-620 | 2 | /P | Bladder, Gearcase |
| 3 | 0423-315 | 2 | | Clamp, Hose |
| 4 | 8428-002 | 4 | | Nut, Lock |
| 5 | 0423-426 | 8 | | Washer |
| 6 | 0423-404 | 4 | | Screw, Cap |
| 7 | 0423-393 | 2 | | Clamp |
| 8 | 0402-985 | 2 | /P | Boot |
| 9 | 0423-411 | 2 | | Clamp |
| 10 | 1402-904 | 1 | | Shaft, Propeller - Front |
| 11 | 0402-950 | 1 | | Flange, Output |
| 12 | 8408-820 | 8 | /P | Screw, Cap |
| 13 | 1502-889 | 1 | | Gearcase, Rear |
| 14 | 1502-743 | 1 | | Driveshaft, Rear - Assembly (inc. 15-19) |
| 15 | 1402-567 | 1 | | Yoke, Slip |
| 16 | 0402-944 | 2 | /P | Joint, Universal (inc.17) |
| 17 | 0423-395 | 8 | | Ring, Retaining |
| 18 | 1502-736 | 1 | | Driveshaft, Rear |
| 19 | 1402-689 | 1 | | Yoke, Flange |



| Ref # | Part Number | Qty | S/P/F | Description |
|-------|-------------|-----|-------|---|
| 1 | 0800-123 | 1 | | Engine, A700L |
| 2 | 1423-064 | 2 | /P | Screw, Cap |
| 3 | 8424-002 | 8 | | Nut |
| 4 | 0408-014 | 4 | | Mount, Engine |
| 5 | 1423-025 | 3 | /P | Spacer |
| 6 | 0801-180 | 4 | /P | Bushing |
| 7 | 0411-426 | 1 | | Decal, Warning |
| 8 | 2516-768 | 1 | | Bracket, Engine - Right |
| 8 | 2516-769 | 1 | | Bracket, Engine - Left |
| 9 | 8428-002 | 2 | | Nut, Lock |
| 10 | 0412-338 | 1 | /P | Gasket, Exhaust |
| 11 | 8408-820 | 2 | /P | Screw, Cap |
| 12 | 0512-531 | 1 | | Pipe, Exhaust - Assembly (inc. four No. 13 and 14-18) |
| 13 | 8477-610 | 9 | | Screw, Machine |
| 14 | 0412-581 | 1 | | Shield, Pipe - Upper Rear |
| 15 | 0512-532 | 1 | | Pipe, Exhaust |
| 16 | 1623-130 | 12 | | Rivet |
| 17 | 0412-580 | 1 | | Shield, Pipe - Lower Rear |
| 18 | 0412-579 | 1 | | Shield, Pipe - Lower Front |
| 19 | 0512-547 | 1 | | Shield, Pipe - Forward |
| 20 | 0612-668 | 2 | /P | Spring |
| 21 | 0412-375 | 1 | /P | Seal, Exhaust |
| 22 | 0412-544 | 3 | | Bushing |
| 23 | 0512-355 | 1 | /P | Muffler - Assembly (inc. 24-26) |
| 24 | 8408-616 | 3 | | Screw, Cap |
| 25 | 0512-219 | 1 | /P | Spark Arrester Assembly |
| 26 | 0412-313 | 1 | | Gasket, Spark Arrester |
| 27 | 0512-578 | 1 | | Shield, Heat - Muffler (inc. 28) |
| 28 | 8061-486 | 3 | /P | Rivet |

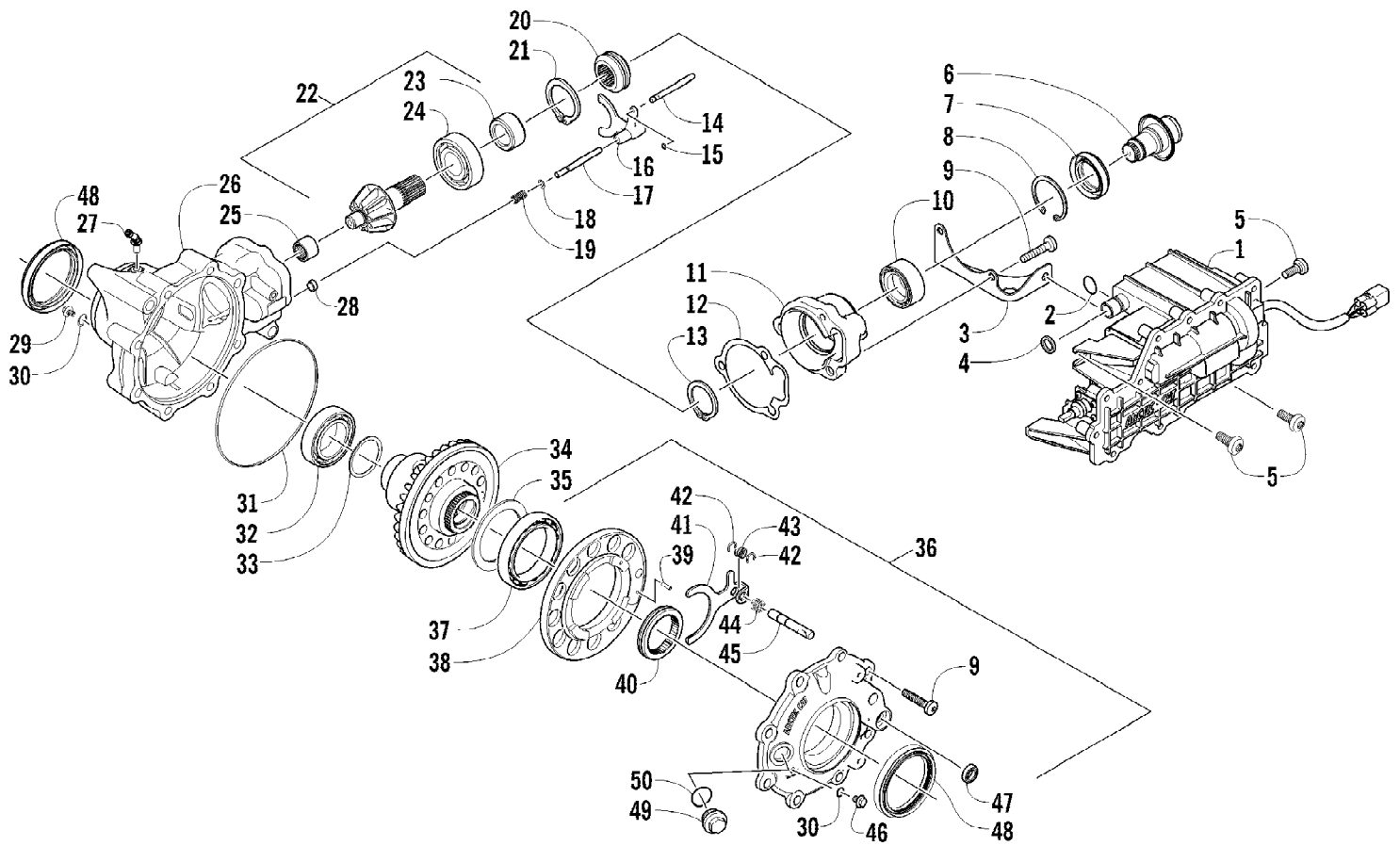


2012 PROWLER 700 HDX METALLIC GREEN (U2012P5T1PUSN)
FRAME AND RELATED PARTS

Page 36 of 87

| Ref # | Part Number | Qty | S/P/F | Description |
|-------|-------------|-----|-------|---------------------------------------|
| 1 | 2406-713 | 1 | | Fascia, Bumper - Front |
| 2 | 8477-616 | 4 | | Screw, Machine |
| 3 | 2506-779 | 1 | | Bumper |
| 4 | 8408-860 | 4 | | Screw, Cap |
| 5 | 8427-802 | 14 | | Nut, Lock |
| 6 | 8408-820 | 8 | /P | Screw, Cap |
| 7 | 2516-556 | 1 | | Bracket, Mounting - Bumper |
| 8 | 8409-020 | 2 | /P | Screw, Cap |
| 9 | 8427-002 | 2 | | Nut, Lock |
| 10 | 4506-567 | 1 | /P | Frame, Main |
| 11 | 1411-122 | 1 | | Decal, Warning - Towing - Front |
| 12 | 4506-599 | 1 | | Support, Steering |
| 13 | 0423-817 | 8 | | Screw, Machine |
| 14 | 0505-688 | 1 | | Bracket, Steering Support - Right |
| 14 | 1502-928 | 1 | | Bracket, Steering Support - Left |
| 15 | 8424-802 | 6 | | Nut |
| 16 | 8476-820 | 2 | | Screw, Machine |
| 17 | 4506-608 | 1 | | Support, Overhead - Right |
| 17 | 4506-609 | 1 | | Support, Overhead - Left |
| 18 | 0423-886 | 2 | | Screw, Machine |
| 19 | 1423-051 | 2 | | Spacer |
| 20 | 2516-644 | 1 | | Bracket, Seat Support - Front - Right |
| 20 | 2516-645 | 1 | | Bracket, Seat Support - Front - Left |
| 21 | 8408-870 | 6 | | Screw, Cap |
| 22 | 0423-577 | 16 | | Clip, U-Nut |
| 23 | 8408-850 | 6 | | Screw, Cap |
| 24 | 1506-842 | 2 | | Bracket, Seat Support - Rear |
| 25 | 8477-620 | 2 | | Screw, Machine |
| 26 | 2516-777 | 1 | | Tube, Support |
| 27 | 8476-616 | 6 | | Screw, Machine |
| 28 | 4506-601 | 1 | | Support, ROPS |
| 29 | 4506-604 | 1 | | Seat, Support - Right |
| 29 | 4506-605 | 1 | | Seat, Support - Left |
| 30 | 8476-620 | 8 | | Screw, Machine |
| 31 | 8427-602 | 4 | | Nut, Lock |
| 32 | 2411-234 | 1 | | Decal, Warning - Towing - Rear |
| 33 | 2411-522 | 1 | | Decal, Warning - ROPS |
| 34 | 2416-452 | 1 | | Plate, Skid - Center |
| 35 | 0423-545 | 26 | /P | Screw, Shoulder |
| 36 | 2416-453 | 2 | | Panel, Belly - Side |
| 37 | 2506-612 | 2 | | Plate, Skid - Side |
| 38 | 0423-849 | 8 | | Screw, Self-Tapping |

2012 PROWLER 700 HDX METALLIC GREEN (U2012P5T1PUSN)
FRONT DRIVE GEARCASE ASSEMBLY



2012 PROWLER 700 HDX METALLIC GREEN (U2012P5T1PUSN)
FRONT DRIVE GEARCASE ASSEMBLY

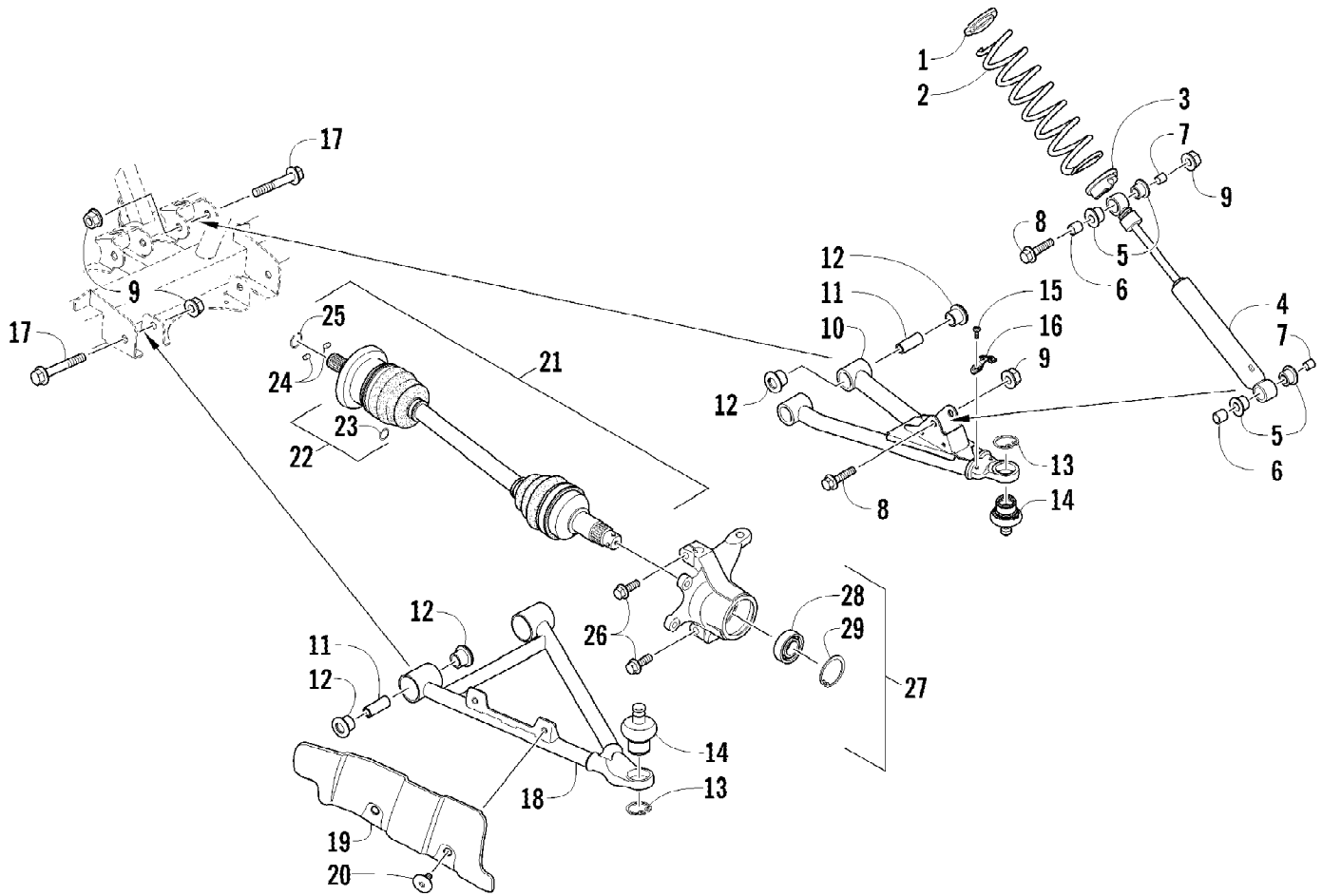
| Ref # | Part Number | Qty | S/P/F | Description |
|-------|-------------|-----|-------|--|
| | 1502-888 | 1 | | Complete Front Drive Gearcase Assembly |
| 1 | 1502-909 | 1 | /P | Actuator (inc. 2) |
| 2 | 1402-981 | 1 | | O-Ring |
| 3 | 1502-237 | 1 | | Bracket, Actuator |
| 4 | 0423-892 | 1 | /P | O-Ring |
| 5 | 0423-396 | 3 | | Screw, Self-Tapping |
| 6 | 1502-085 | 1 | /P | Shaft, Input |
| 7 | 1402-011 | 1 | | Seal |
| 8 | 0423-423 | 1 | | Ring, Retaining |
| 9 | 0423-118 | 11 | | Screw, Self-Tapping |
| 10 | 1402-043 | 1 | | Bearing |
| 11 | 0502-528 | 1 | /P | Housing, Pinion |
| 12 | 0402-947 | 1 | | Gasket, Flange |
| 13 | 0423-417 | 1 | | Ring, Retaining |
| 14 | 0402-997 | 1 | | Shaft, Selector |
| 15 | 0423-402 | 1 | | Ring, Retaining |
| 16 | 0402-998 | 1 | | Fork, Selector |
| 17 | 0402-417 | 1 | | Shaft, Shuttle |
| 18 | 0423-147 | 1 | | O-Ring |
| 19 | 0402-999 | 1 | | Spring, Return |
| 20 | 0402-413 | 1 | | Coupler, Drive |
| 21 | 1423-067 | 1 | | Ring, Retaining |
| 22 | 1502-863 | 1 | | Gear, Pinion - Assembly - 10T (inc. 23-24) |
| 23 | 1402-977 | 1 | | Collar, Retaining |
| 24 | 0402-327 | 1 | | Bearing |
| 25 | 0402-328 | 1 | | Bearing |
| 26 | 1502-856 | 1 | | Housing, Gearcase |
| 27 | 1402-980 | 1 | | Fitting, Elbow |
| 28 | 0402-411 | 1 | | Pin, Dowel |
| 29 | 1402-210 | 1 | /P | Plug, Magnetic (inc. one No. 30) |
| 30 | 0423-153 | 2 | | O-Ring |
| 31 | 0423-149 | 1 | | O-Ring |
| 32 | 0402-393 | 1 | | Bearing |
| 33 | 0402-405 | AR | | Shim, 41 x 49 x 1.3 mm |
| 33 | 0402-406 | AR | | Shim, 41 x 49 x 1.4 mm |
| 33 | 0402-407 | AR | | Shim, 41 x 49 x 1.5 mm |
| 33 | 0402-408 | AR | | Shim, 41 x 49 x 1.6 mm |
| 33 | 0402-409 | AR | | Shim, 41 x 49 x 1.7 mm |
| 34 | 1502-860 | 1 | | Gear, Ring - 36T |
| 35 | 1402-074 | AR | | Shim, 61 x 69 x 1.3 mm |
| 35 | 1402-075 | AR | | Shim, 61 x 69 x 1.4 mm |
| 35 | 1402-076 | AR | | Shim, 61 x 69 x 1.5 mm |
| 35 | 1402-077 | AR | | Shim, 61 x 69 x 1.6 mm |
| 35 | 1402-078 | AR | | Shim, 61 x 69 x 1.7 mm |
| 36 | 1502-895 | 1 | | Cover, Gearcase (inc. one No. 30, 37-47, and one No. 48) |
| 37 | 1402-053 | 1 | | Bearing |
| 38 | 0502-413 | 1 | | Flange, Bearing |
| 39 | 1402-079 | 1 | | Pin, Parallel |
| 40 | 1402-042 | 1 | | Collar, Sliding |
| 41 | 1402-054 | 1 | | Fork |
| 42 | 1402-058 | 2 | | Ring, Retaining |

2012 PROWLER 700 HDX METALLIC GREEN (U2012P5T1PUSN)
FRONT DRIVE GEARCASE ASSEMBLY

Page 39 of 87

| Ref # | Part Number | Qty | S/P/F | Description |
|-------|-------------|-----|-------|-----------------------------------|
| 43 | 1402-057 | 1 | | Spring |
| 44 | 1402-063 | 1 | | Spring |
| 45 | 1402-656 | 1 | | Shaft, Lock |
| 46 | 1402-211 | 1 | | Plug, Oil Level (inc. one No. 30) |
| 47 | 1402-056 | 1 | | Seal |
| 48 | 1402-950 | 2 | /P | Seal |
| 49 | 0402-333 | 1 | /P | Plug, Fill (inc. 50) |
| 50 | 0423-154 | 1 | | O-Ring |

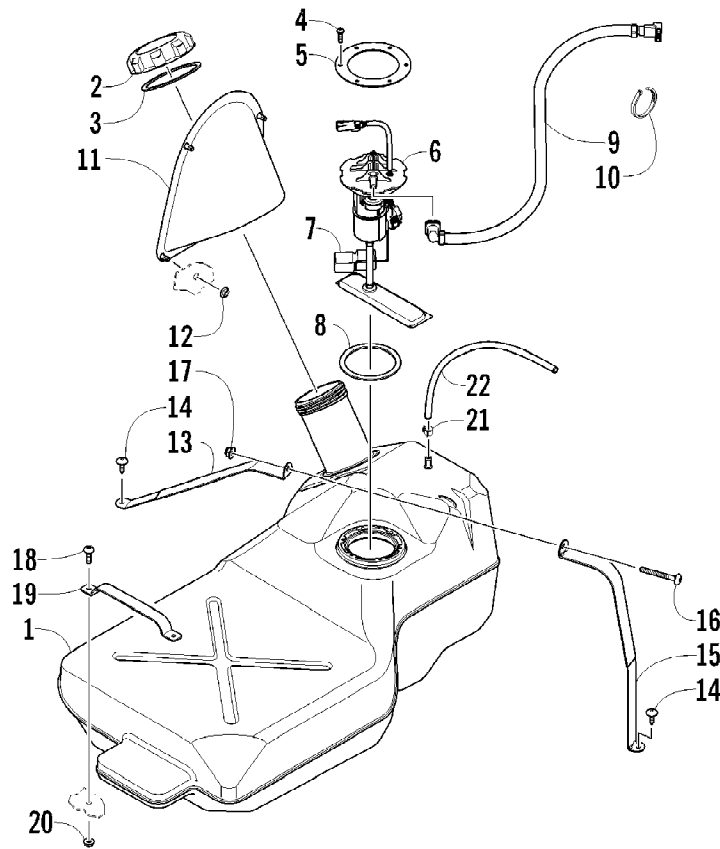
2012 PROWLER 700 HDX METALLIC GREEN (U2012P5T1PUSN)
FRONT SUSPENSION ASSEMBLY



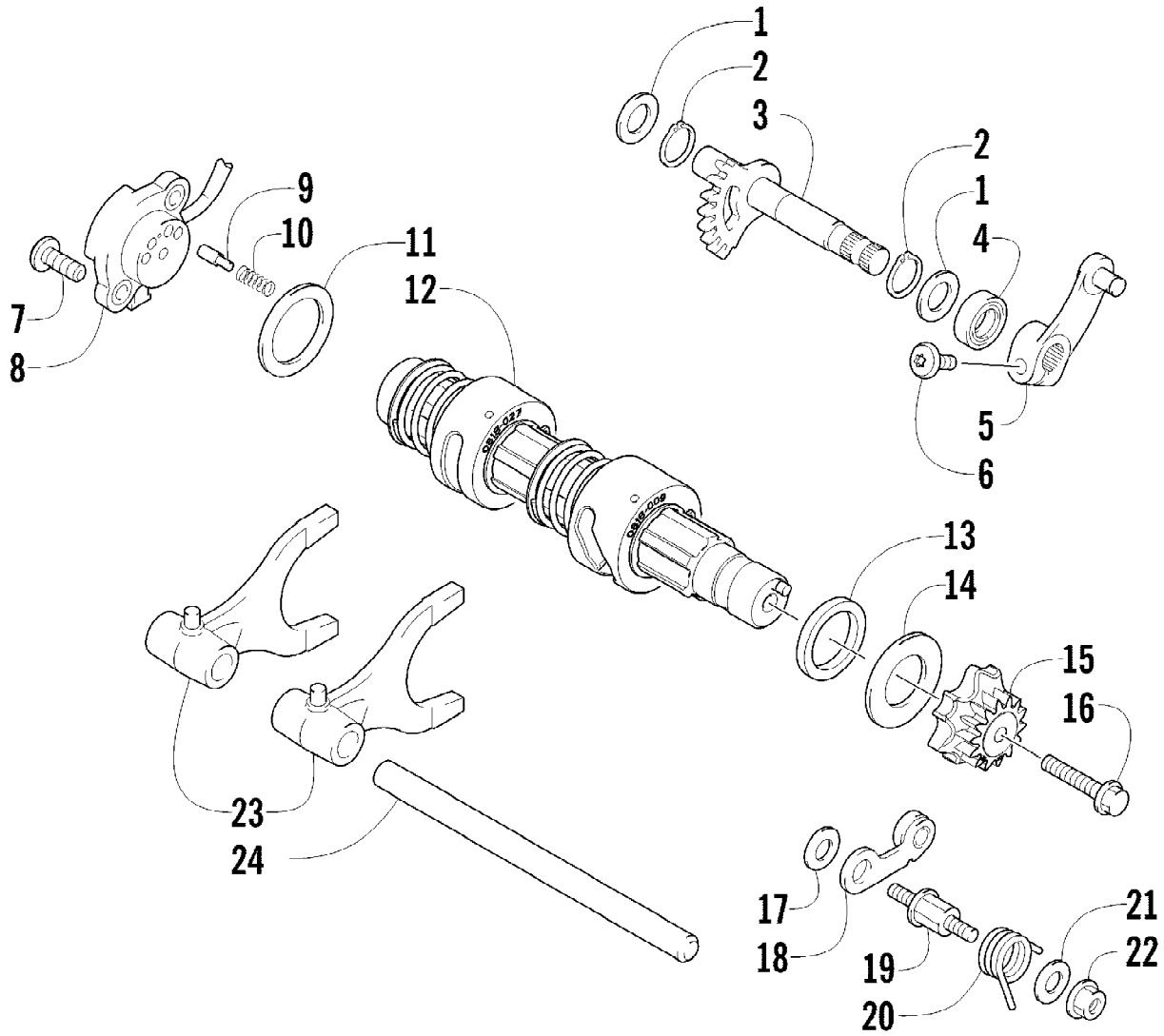
2012 PROWLER 700 HDX METALLIC GREEN (U2012P5T1PUSN)
FRONT SUSPENSION ASSEMBLY

Page 41 of 87

| Ref # | Part Number | Qty | S/P/F | Description |
|-------|-------------|-----|-------|---|
| 1 | 1603-889 | 2 | /P | Retainer, Spring |
| 2 | 0403-211 | 2 | | Spring, Suspension |
| 3 | 0404-057 | 2 | | Cam, Spring Adjuster |
| 4 | 0403-256 | 2 | | Shock Absorber (inc. 5-6) |
| 5 | 0603-955 | 8 | | Bushing |
| 6 | 1603-209 | 4 | | Sleeve |
| 7 | 0404-116 | 4 | | Sleeve |
| 8 | 8409-055 | 4 | | Screw, Cap |
| 9 | 8428-002 | 12 | | Nut, Lock |
| 10 | 0503-432 | 1 | | A-Arm, Upper Right (inc. 11-14) |
| 10 | 0503-433 | 1 | | A-Arm, Upper Left (inc. 11-14) |
| 11 | 0403-214 | 8 | /P | Axle |
| 12 | 0403-208 | 16 | /P | Bushing |
| 13 | 0423-009 | 4 | /P | Ring, Retaining |
| 14 | 0405-115 | 4 | /P | Ball Joint |
| 15 | 0423-946 | 4 | | Screw, Self-Tapping |
| 16 | 1502-594 | 2 | | Clamp, Routing |
| 17 | 8409-075 | 8 | | Screw, Cap |
| 18 | 0503-376 | 1 | /P | A-Arm, Lower Right (inc. 11-14) |
| 18 | 0503-377 | 1 | /P | A-Arm, Lower Left (inc. 11-14) |
| 19 | 1406-034 | 1 | | Guard, Boot - Right |
| 19 | 1406-035 | 1 | | Guard, Boot - Left |
| 20 | 0423-545 | 4 | /P | Screw, Shoulder |
| 21 | 1502-803 | 1 | S | Axle, Drive - Right (inc. 22-25) |
| 21 | 1502-802 | 1 | S/P | Axle, Drive - Locking - Left (inc. 22-25) |
| 22 | 1436-419 | 2 | | Repair Kit, Boot (inc. 23) |
| 23 | 1441-988 | 2 | | Clip, Retaining |
| 24 | 1402-885 | 4 | | Pin, Detent |
| 25 | 1402-889 | 2 | | Clip, Retaining |
| 26 | 0423-998 | 4 | | Screw, Shoulder |
| 27 | 0505-580 | 1 | /P | Knuckle - Assembly - Right (inc. 28-29) |
| 27 | 0505-581 | 1 | /P | Knuckle - Assembly - Left (inc. 28-29) |
| 28 | 1402-809 | 2 | /P | Bearing |
| 29 | 0423-423 | 2 | | Ring, Retaining |

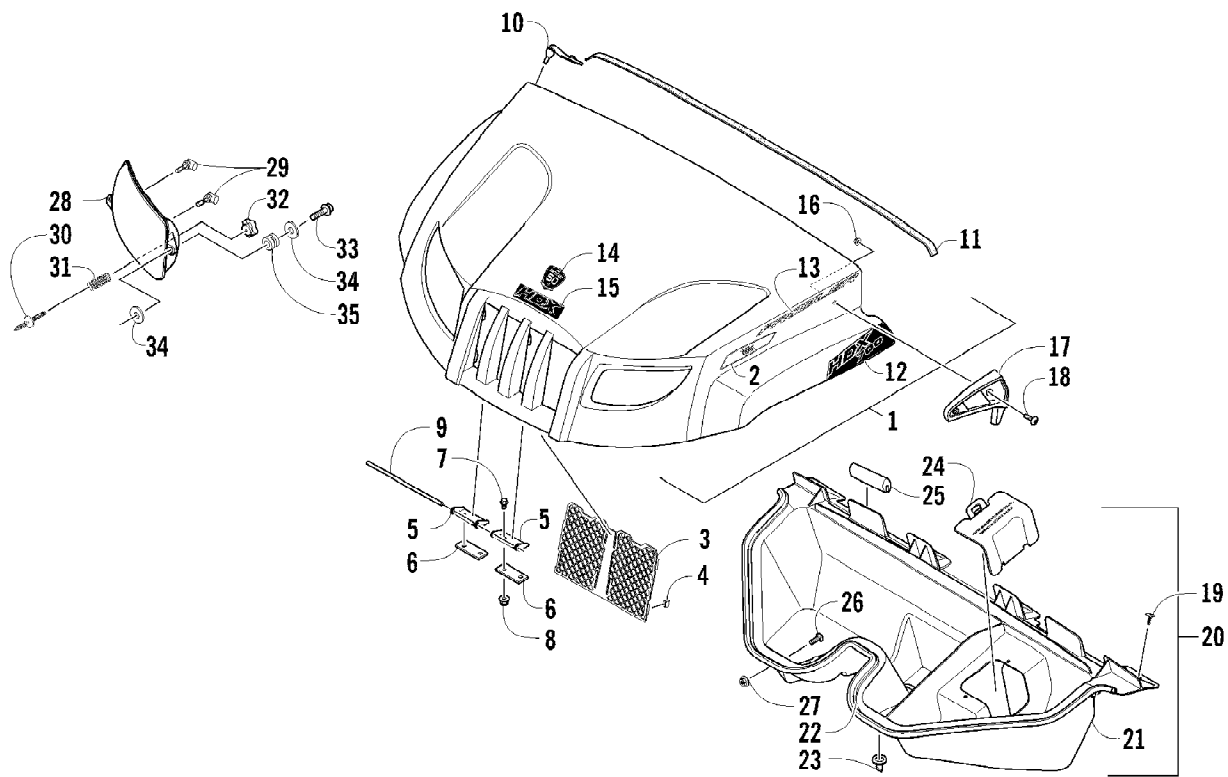


| Ref # | Part Number | Qty | S/P/F | Description |
|-------|-------------|-----|-------|----------------------------------|
| 1 | 0570-309 | 1 | | Tank, Gas - Assembly (inc. 2-5) |
| 2 | 0470-541 | 1 | /P | Cap, Gas Tank (inc. 3) |
| 3 | 1670-228 | 1 | | Gasket, Gas Tank Cap |
| 4 | 0423-898 | 6 | | Screw, Self-Tapping |
| 5 | 2670-042 | 1 | | Plate, Retaining |
| 6 | 0570-334 | 1 | /P | Pump, Fuel - Assembly (inc. 7-8) |
| 7 | 2670-235 | 1 | | Float |
| 8 | 0470-838 | 1 | | Seal |
| 9 | 0470-745 | 1 | | Hose, Gasline |
| 10 | 0123-788 | AR | /P | Tie, Cable - 8 in. |
| 11 | 1406-886 | 1 | | Insert, Gas Tank Cap |
| 12 | 0423-357 | 4 | | Nut, Stamped |
| 13 | 0470-829 | 1 | | Bracket, Hold-Down - Right |
| 14 | 0623-784 | 2 | | Screw, Self-Tapping |
| 15 | 0470-830 | 1 | | Bracket, Hold-Down - Left |
| 16 | 8476-650 | 1 | | Screw, Machine |
| 17 | 8427-602 | 1 | | Nut, Lock |
| 18 | 8476-620 | 2 | | Screw, Machine |
| 19 | 0470-544 | 1 | | Bracket, Hold-Down - Front |
| 20 | 0623-038 | 2 | | Nut w/Washer |
| 21 | 0423-688 | 1 | | Clamp, Hose |
| 22 | 0410-070 | AR | /P | Hose, Gasline - 25 ft |



| Ref # | Part Number | Qty | S/P/F | Description |
|-------|-------------|-----|-------|------------------------------|
| 1 | 0828-036 | 2 | | Washer |
| 2 | 0831-010 | 2 | | Ring, Retaining |
| 3 | 0818-007 | 1 | /P | Shaft, Sub-Gear Shift |
| 4 | 0830-044 | 1 | | Seal, Sub-Gear Shift Shaft |
| 5 | 0818-014 | 1 | | Arm, Select |
| 6 | 8468-620 | 1 | /P | Screw, Machine |
| 7 | 8470-520 | 2 | | Screw, Machine |
| 8 | 0409-090 | 1 | /P | Switch, Gear Position |
| 9 | 0818-013 | 2 | | Contact |
| 10 | 0818-017 | 2 | | Spring |
| 11 | 0828-040 | 1 | | Washer |
| 12 | 0818-093 | 1 | | Shaft, Gear Shift - Assembly |
| 13 | 0828-131 | 1 | | Spacer |
| 14 | 0828-037 | 1 | | Washer |
| 15 | 0818-143 | 1 | | Plate, Gear Shift Cam |
| 16 | 0826-006 | 1 | | Screw, Cap |
| 17 | 0828-038 | 1 | | Washer |
| 18 | 0818-002 | 1 | | Stopper, Cam |
| 19 | 0818-004 | 1 | | Support, Cam Stopper |
| 20 | 0818-144 | 1 | | Spring |
| 21 | 0828-035 | 1 | | Washer |
| 22 | 8424-602 | 1 | /P | Nut |
| 23 | 0818-072 | 2 | /P | Fork, Shift |
| 24 | 0818-006 | 1 | | Shaft, Shift Fork |

2012 PROWLER 700 HDX METALLIC GREEN (U2012P5T1PUSN)
HOOD AND HEADLIGHT ASSEMBLY

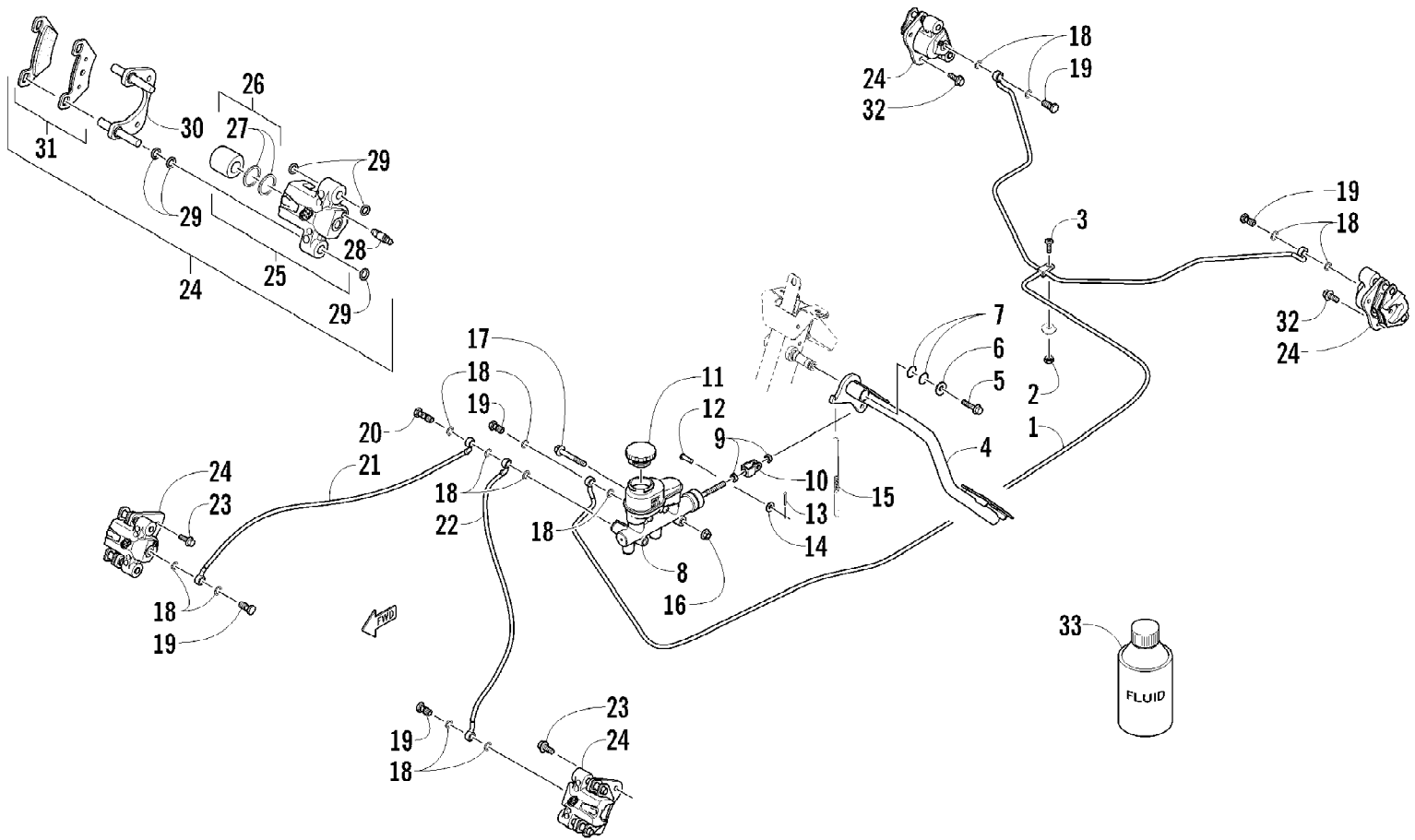


2012 PROWLER 700 HDX METALLIC GREEN (U2012P5T1PUSN)
HOOD AND HEADLIGHT ASSEMBLY

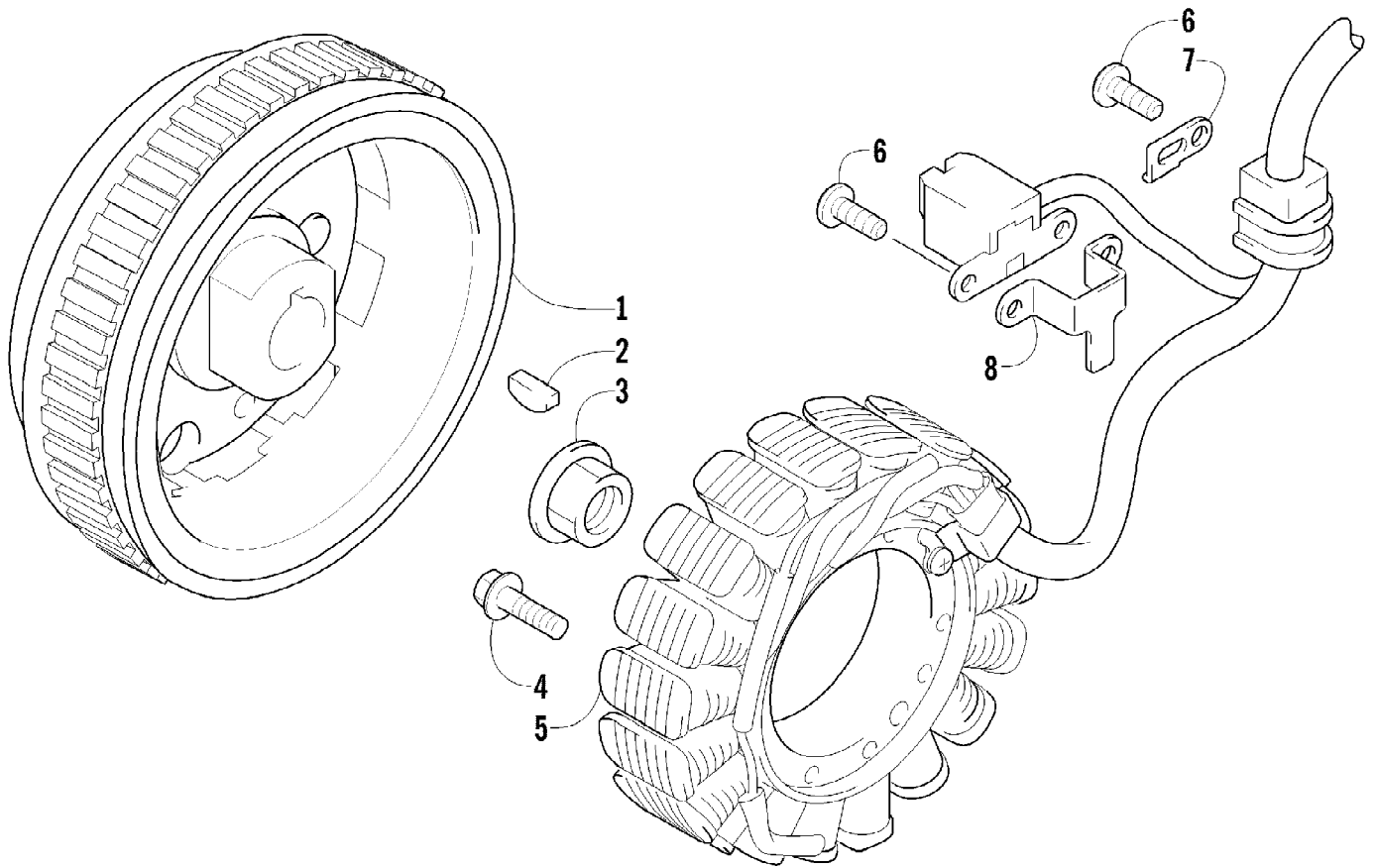
Page 47 of 87

| Ref # | Part Number | Qty | S/P/F | Description |
|-------|-------------|-----|-------|---|
| 1 | 4506-641 | 1 | | Hood - Assembly (inc. 2) |
| 2 | 0411-818 | 1 | | Decal, Reflector - Right |
| 2 | 0411-819 | 1 | | Decal, Reflector - Left |
| 3 | 1406-733 | 1 | /P | Screen, Grille |
| 4 | 0123-987 | 8 | | Clip, U |
| 5 | 2516-606 | 2 | | Bracket, Hood |
| 6 | 2506-868 | AR | | Shim, Hood |
| 7 | 8408-820 | 4 | /P | Screw, Cap |
| 8 | 8427-802 | 4 | | Nut, Lock |
| 9 | 1406-915 | 1 | | Pin, Hood |
| 10 | 2606-624 | 2 | | Strap, Hold-Down |
| 11 | 0417-013 | 1 | | Trim, Hood/Dash |
| 12 | 2411-810 | 1 | | Decal, Hood - "HDX" - Right |
| 12 | 2411-811 | 1 | | Decal, Hood - "HDX" - Left |
| 13 | 2411-755 | 2 | | Decal, Hood - "Prowler" |
| 14 | 9611-603 | 1 | | Decal, 50th Anniversary |
| 15 | 2411-818 | 1 | | Decal, Hood - Front Center |
| 16 | 0423-450 | 4 | | Nut, Lock |
| 17 | 2416-512 | 1 | | Louver - Right |
| 17 | 2416-513 | 1 | | Louver - Left |
| 18 | 0423-356 | 4 | | Screw, Shoulder |
| 19 | 0423-545 | 4 | /P | Screw, Shoulder |
| 20 | 4506-037 | 1 | /P | Storage, Under-Hood - Assembly (inc. 21-24) |
| 21 | 2416-520 | 1 | | Box, Storage |
| 22 | 1406-946 | 1 | | Seal, Storage Box |
| 23 | 0470-442 | 1 | /P | Valve, Drain |
| 24 | 1406-944 | 1 | | Cover, Access - Master Cylinder |
| 25 | 0417-014 | AR | | Trim, Dash Support |
| 26 | 8476-616 | 2 | | Screw, Machine |
| 27 | 8424-602 | 2 | /P | Nut |
| 28 | 0509-044 | 1 | /P | Headlight Assembly - Right (inc. 29) |
| 28 | 0509-035 | 1 | | Headlight Assembly - Left (inc. 29) |
| 29 | 0409-055 | 4 | | Bulb, Headlight |
| 30 | 0423-514 | 2 | | Stud, Adjuster |
| 31 | 0423-522 | 2 | | Spring, Adjuster |
| 32 | 0423-513 | 2 | | Knob, Adjuster |
| 33 | 0623-785 | 4 | | Screw, Self-Tapping |
| 34 | 8050-217 | 8 | /P | Washer |
| 35 | 0423-447 | 4 | | Grommet |

2012 PROWLER 700 HDX METALLIC GREEN (U2012P5T1PUSN)
HYDRAULIC BRAKE ASSEMBLY



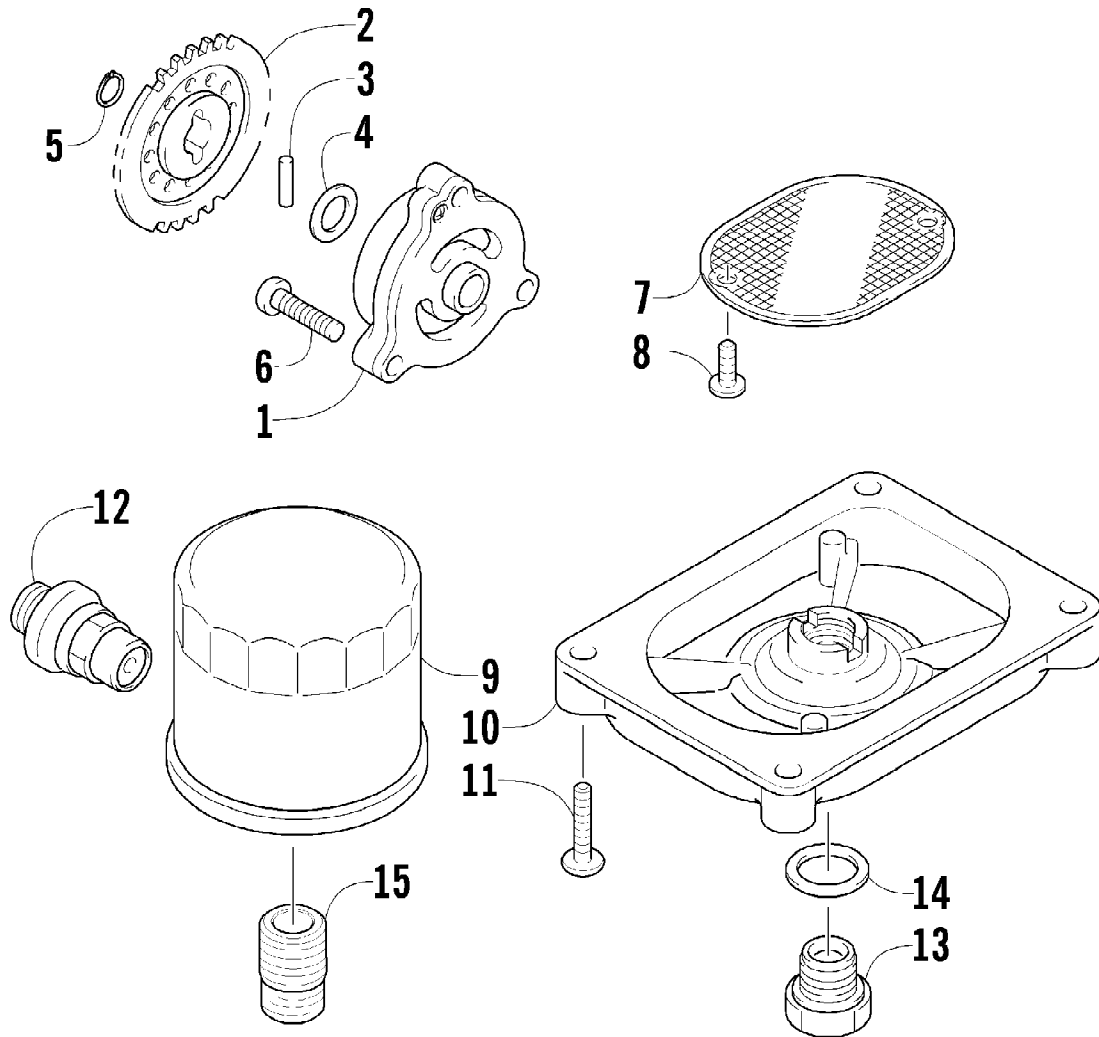
| Ref # | Part Number | Qty | S/P/F | Description |
|-------|-------------|-----|-------|---|
| 1 | 1402-893 | 1 | | Hose, Rear Brake |
| 2 | 0623-038 | 1 | | Nut w/Washer |
| 3 | 8476-616 | 1 | | Screw, Machine |
| 4 | 1502-692 | 1 | | Lever, Brake |
| 5 | 8408-822 | 1 | | Screw, Cap |
| 6 | 0623-044 | 1 | | Washer |
| 7 | 1602-213 | 2 | /P | O-Ring |
| 8 | 0502-786 | 1 | | Cylinder, Master Brake - Assembly (inc. 9-11) |
| 9 | 0402-592 | 2 | | Nut |
| 10 | 1402-520 | 1 | | Clevis |
| 11 | 0405-225 | 1 | | Cap, Reservoir |
| 12 | 1402-377 | 1 | | Pin, Clevis |
| 13 | 0117-868 | 1 | | Pin, Cotter |
| 14 | 8050-217 | 1 | /P | Washer |
| 15 | 0502-785 | 1 | | Spring, Brake Switch |
| 16 | 8424-802 | 2 | | Nut |
| 17 | 8408-860 | 2 | | Screw, Cap |
| 18 | 0423-178 | 13 | | Washer, Crush |
| 19 | 0423-413 | 5 | | Bolt, Banjo-Fitting |
| 20 | 0423-610 | 1 | | Bolt, Double Banjo-Fitting |
| 21 | 1402-290 | 1 | | Hose, Brake - Front Right |
| 22 | 1402-389 | 1 | | Hose, Brake - Front Left |
| 23 | 8408-826 | 4 | | Screw, Cap |
| 24 | 1502-730 | 1 | /P | Caliper, Brake - Front Right (inc. 25-31) |
| 24 | 1502-731 | 1 | /P | Caliper, Brake - Front Left (inc. 25-31) |
| 24 | 1436-422 | 1 | /P | Caliper, Brake - Rear Right (inc. 25-32) |
| 24 | 1436-423 | 1 | /P | Caliper, Brake - Rear Left (inc. 25-32) |
| 25 | 1436-160 | 1 | /P | Housing, Caliper - Assembly - Front Right |
| 25 | 1436-161 | 1 | /P | Housing, Caliper - Assembly - Front Left |
| 25 | 1436-160 | 1 | /P | Housing, Caliper - Assembly - Rear Right |
| 25 | 1436-161 | 1 | /P | Housing, Caliper - Assembly - Rear Left |
| 26 | 0502-606 | 4 | | Piston/Seal Set (inc. 27) |
| 27 | 0502-607 | 4 | | Seal Set |
| 28 | 0502-609 | 4 | /P | Valve, Bleed |
| 29 | 0502-608 | 4 | | O-Ring, Guide - Set |
| 30 | 0502-960 | 2 | | Bracket Assembly - Front |
| 30 | 0502-605 | 2 | | Bracket Assembly - Rear |
| 31 | 1502-694 | 4 | S | Pad, Brake - Set |
| 32 | 8408-821 | 4 | /P | Screw, Cap |
| 33 | 0436-902 | AR | /P | Fluid, Brake - 12 oz |



2012 PROWLER 700 HDX METALLIC GREEN (U2012P5T1PUSN)
MAGNETO ASSEMBLY

Page 51 of 87

| Ref # | Part Number | Qty | S/P/F | Description |
|-------|-------------|-----|-------|-------------------|
| 1 | 0802-048 | 1 | | Rotor/Flywheel |
| 2 | 0829-012 | 1 | | Key |
| 3 | 0827-014 | 1 | | Nut |
| 4 | 8409-632 | 3 | | Screw, Cap |
| 5 | 0802-041 | 1 | | Stator - Assembly |
| 6 | 8470-510 | 3 | | Screw, Machine |
| 7 | 0802-015 | 1 | | Clamp - No. 1 |
| 8 | 0802-016 | 1 | | Clamp - No. 2 |

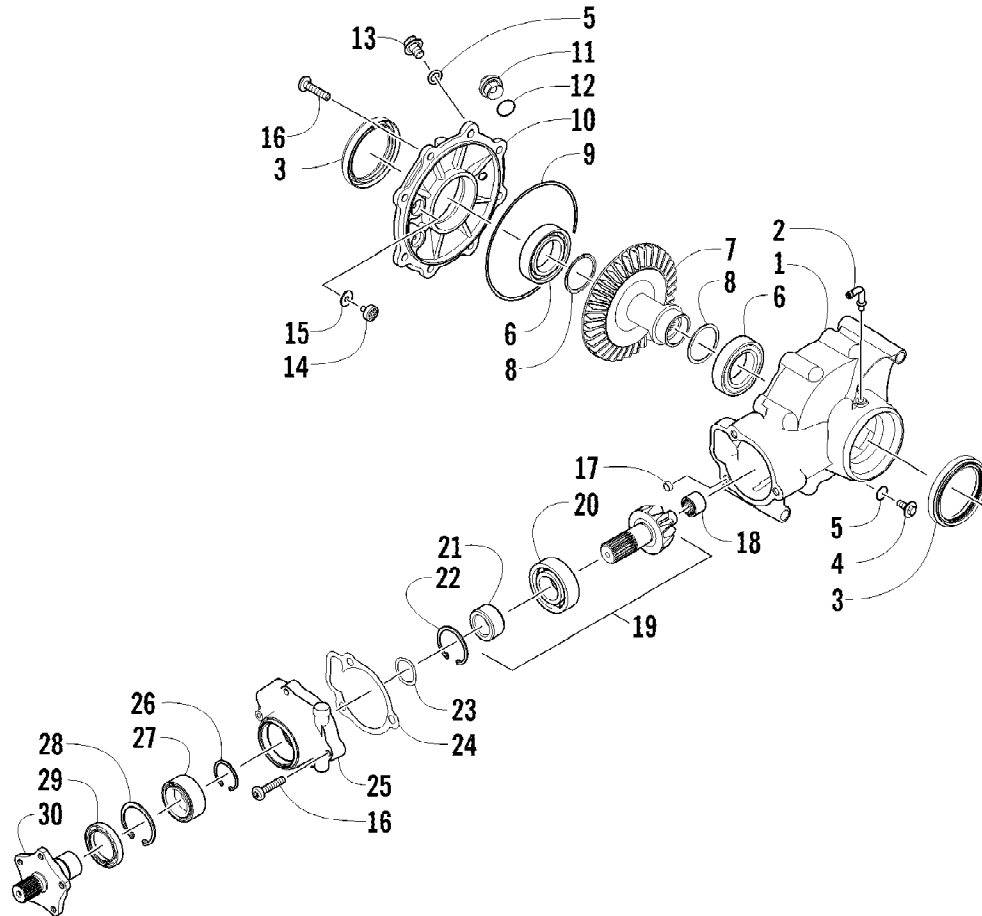


2012 PROWLER 700 HDX METALLIC GREEN (U2012P5T1PUSN)
OIL FILTER/PUMP ASSEMBLY

Page 53 of 87

| Ref # | Part Number | Qty | S/P/F | Description |
|-------|-------------|-----|-------|------------------------------|
| 1 | 0812-023 | 1 | | Pump, Oil |
| 2 | 0812-083 | 1 | /P | Gear, Driven |
| 3 | 0829-009 | 1 | | Pin |
| 4 | 0828-007 | 1 | /P | Washer |
| 5 | 0831-002 | 1 | | Ring, Retaining |
| 6 | 0826-039 | 3 | | Screw, Machine |
| 7 | 0812-057 | 1 | /P | Strainer, Oil |
| 8 | 0826-040 | 2 | | Screw, Machine |
| 9 | 0812-029 | 1 | S | Filter, Oil |
| 10 | 0812-053 | 1 | | Cap, Oil Strainer |
| 11 | 8468-625 | 4 | | Screw, Machine |
| 12 | 0812-007 | 1 | | Valve, Oil-Relief - Assembly |
| 13 | 0812-006 | 1 | | Plug, Drain |
| 14 | 0830-017 | 1 | | Gasket, Drain Plug |
| 15 | 0812-008 | 1 | | Union, Oil Filter |

2012 PROWLER 700 HDX METALLIC GREEN (U2012P5T1PUSN)
REAR DRIVE GEARCASE ASSEMBLY

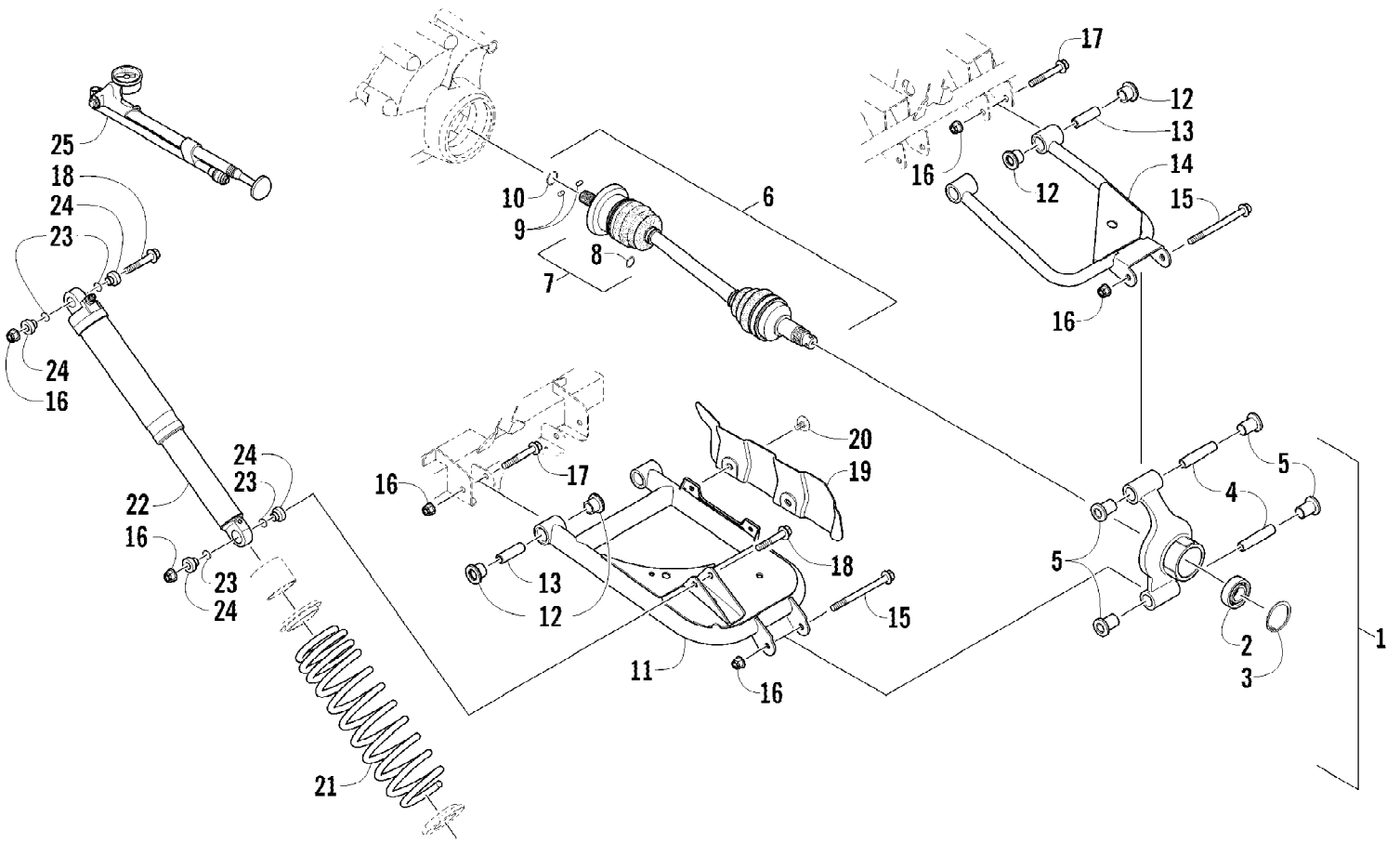


2012 PROWLER 700 HDX METALLIC GREEN (U2012P5T1PUSN)
REAR DRIVE GEARCASE ASSEMBLY

Page 55 of 87

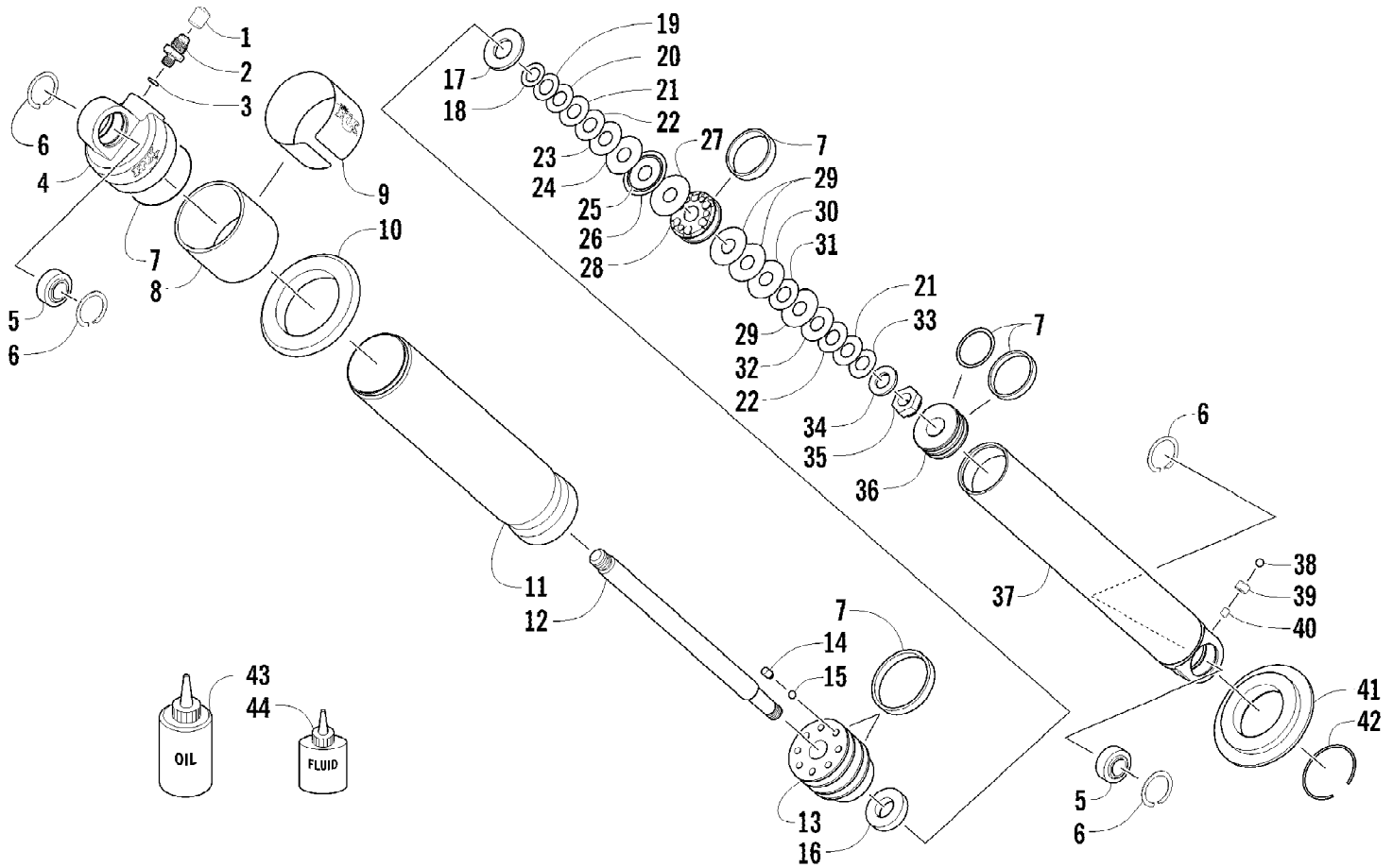
| Ref # | Part Number | Qty | S/P/F | Description |
|-------|-------------|-----|-------|--|
| | 1502-889 | 1 | | Complete Rear Drive Gearcase Assembly |
| 1 | 1502-896 | 1 | | Housing, Gearcase |
| 2 | 1402-442 | 1 | | Fitting, Elbow |
| 3 | 1402-950 | 2 | /P | Seal |
| 4 | 1402-210 | 1 | /P | Plug, Fill (inc. one No. 5) |
| 5 | 0423-153 | 2 | | O-Ring |
| 6 | 0402-393 | 2 | | Bearing |
| 7 | 1402-032 | 1 | | Gear, Ring - 36T |
| 8 | 0402-405 | AR | | Shim, 41 x 49 x 1.3 mm |
| 8 | 0402-406 | AR | | Shim, 41 x 49 x 1.4 mm |
| 8 | 0402-407 | AR | | Shim, 41 x 49 x 1.5 mm |
| 8 | 0402-408 | AR | | Shim, 41 x 49 x 1.6 mm |
| 8 | 0402-409 | AR | | Shim, 41 x 49 x 1.7 mm |
| 9 | 0423-149 | 1 | | O-Ring |
| 10 | 1502-897 | 1 | | Cover, Gearcase |
| 11 | 0402-333 | 1 | /P | Plug, Magnetic (inc. 12) |
| 12 | 0423-154 | 1 | | O-Ring |
| 13 | 1402-211 | 1 | | Plug, Oil Level (inc. one No. 5) |
| 14 | 0402-326 | 1 | | Button, Thrust |
| 15 | 0402-429 | AR | | Shim, 6.3 x 18 x 1.3 mm |
| 15 | 0402-430 | AR | | Shim, 6.3 x 18 x 1.4 mm |
| 15 | 0402-431 | AR | | Shim, 6.3 x 18 x 1.5 mm |
| 15 | 0402-432 | AR | | Shim, 6.3 x 18 x 1.6 mm |
| 15 | 0402-433 | AR | | Shim, 6.3 x 18 x 1.7 mm |
| 16 | 0423-118 | 11 | | Screw, Self-Tapping |
| 17 | 0402-411 | 1 | | Pin, Dowel |
| 18 | 0402-328 | 1 | | Bearing |
| 19 | 1502-863 | 1 | | Gear, Pinion - Assembly - 10T (inc. 20-21) |
| 20 | 0402-327 | 1 | | Bearing |
| 21 | 1402-977 | 1 | | Collar, Retaining |
| 22 | 1423-067 | 1 | | Ring, Retaining |
| 23 | 0402-982 | 1 | | Washer, Wave |
| 24 | 0402-947 | 1 | | Gasket, Flange |
| 25 | 0502-746 | 1 | | Housing, Pinion |
| 26 | 0423-546 | 1 | | Ring, Retaining |
| 27 | 0402-324 | 1 | | Bearing |
| 28 | 0402-347 | 1 | | Ring, Retaining |
| 29 | 1402-314 | 1 | | Seal |
| 30 | 1502-748 | 1 | | Shaft, Input |

2012 PROWLER 700 HDX METALLIC GREEN (U2012P5T1PUSN)
REAR SUSPENSION ASSEMBLY



| Ref # | Part Number | Qty | S/P/F | Description |
|-------|-------------|-----|-------|--|
| 1 | 0504-613 | 2 | | Knuckle, Rear - Assembly (inc. 2-5) |
| 2 | 1402-809 | 2 | /P | Bearing |
| 3 | 0423-423 | 2 | | Ring, Retaining |
| 4 | 0403-213 | 4 | /P | Axle |
| 5 | 0403-206 | 8 | /P | Bushing |
| 6 | 1502-801 | 2 | S | Axle, Drive (inc. 7-10) |
| 7 | 1436-419 | 2 | | Repair Kit, Boot (inc. 8) |
| 8 | 1441-988 | 2 | | Clip, Retaining |
| 9 | 1402-884 | 4 | | Pin, Detent |
| 10 | 1402-890 | 2 | | Clip, Retaining |
| 11 | 0504-592 | 1 | | A-Arm, Rear - Lower Right (inc. 12-13) |
| 11 | 0504-593 | 1 | | A-Arm, Rear - Lower Left (inc. 12-13) |
| 12 | 0403-208 | 16 | /P | Bushing |
| 13 | 0403-214 | 8 | /P | Axle |
| 14 | 0504-598 | 1 | | A-Arm, Rear - Upper Right (inc. 12-13) |
| 14 | 0504-599 | 1 | | A-Arm, Rear - Upper Left (inc. 12-13) |
| 15 | 8409-000 | 4 | | Screw, Cap |
| 16 | 8428-002 | 16 | | Nut, Lock |
| 17 | 8409-075 | 8 | | Screw, Cap |
| 18 | 8409-060 | 4 | | Screw, Cap |
| 19 | 1406-068 | 1 | | Guard, Boot - Right |
| 19 | 1406-069 | 1 | | Guard, Boot - Left |
| 20 | 0423-545 | 4 | /P | Screw, Shoulder |
| 21 | 0504-612 | 2 | | Spring, Suspension |
| 22 | 0404-256 | 2 | | Shock Absorber |
| 23 | 2604-698 | 8 | | O-Ring |
| 24 | 0504-684 | 8 | | Spacer |
| 25 | 2603-614 | 1 | /P | Pump, Air - Shock |

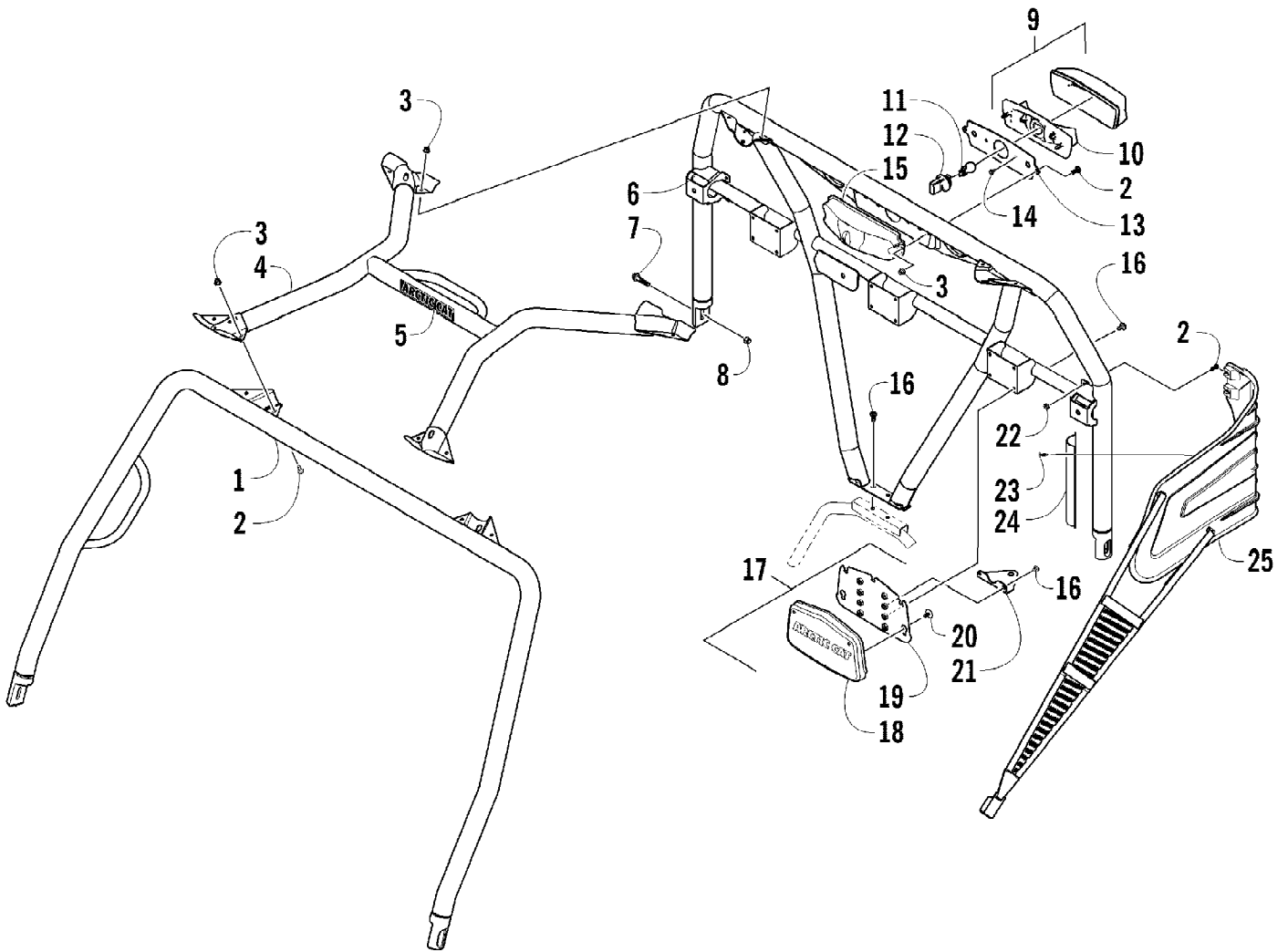
2012 PROWLER 700 HDX METALLIC GREEN (U2012P5T1PUSN)
REAR SUSPENSION SHOCK ABSORBER



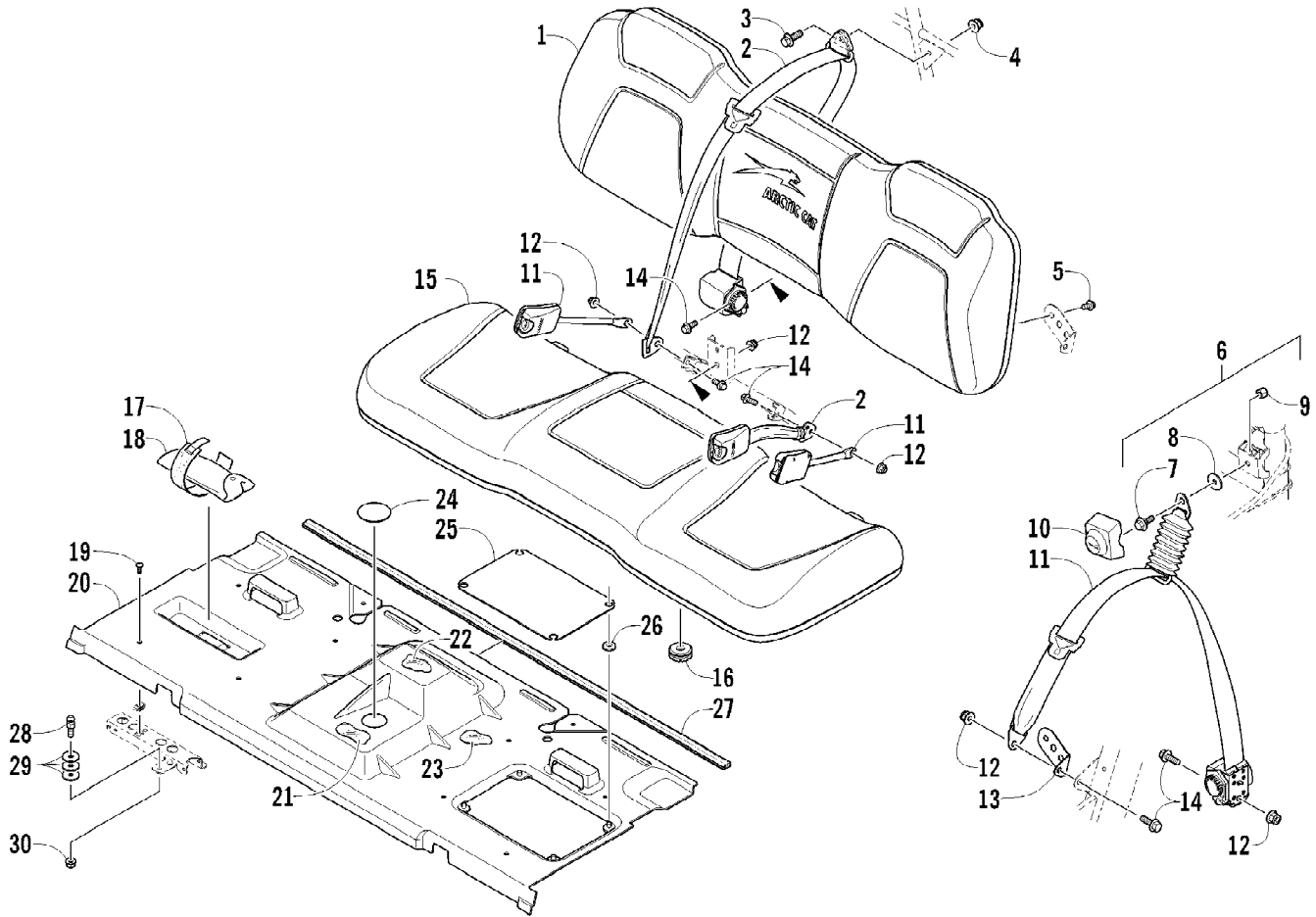
2012 PROWLER 700 HDX METALLIC GREEN (U2012P5T1PUSN)
REAR SUSPENSION SHOCK ABSORBER

Page 59 of 87

| Ref # | Part Number | Qty | S/P/F | Description |
|-------|-------------|-----|-------|-------------------------------|
| | 0404-256 | 1 | | Complete Shock Absorber |
| 1 | 2603-327 | 1 | | Cap, Air Valve |
| 2 | 2603-651 | 1 | | Valve, Air (inc. 3) |
| 3 | 1604-318 | 1 | | O-Ring |
| 4 | 0404-225 | 1 | | End Cap, Shock |
| 5 | 1604-664 | 2 | | Bearing |
| 6 | 3604-147 | 4 | | Ring, Retaining |
| 7 | 2604-796 | 1 | | Kit, Seal/Cap Rebuild |
| 8 | 0404-198 | 1 | | Sleeve, Wear |
| 9 | 2411-567 | 1 | | Decal, Shock |
| 10 | 0404-196 | 1 | | Spring Retainer, Upper |
| 11 | 0404-234 | 1 | | Body, Shock - Upper |
| 12 | 3604-481 | 1 | | Rod, Shock |
| 13 | 2603-333 | 1 | | Bearing - Assembly |
| 14 | 1603-940 | 1 | | Screw, Set |
| 15 | 1604-315 | 1 | | Ball, Bleed |
| 16 | 0603-386 | 1 | /P | Bumper, Internal - Top Out |
| 17 | 0603-540 | 1 | /P | Washer, Top Out |
| 18 | 2603-224 | 1 | | Valve, 0.620 x 0.015 in. |
| 19 | 0603-878 | 1 | /P | Valve, 0.700 x 0.012 in. |
| 20 | 0603-879 | 1 | /P | Valve, 0.800 x 0.012 in. |
| 21 | 0603-338 | 2 | /P | Valve, 0.900 x 0.010 in. |
| 22 | 0603-341 | 2 | /P | Valve, 1.000 x 0.010 in. |
| 23 | 0603-344 | 1 | /P | Valve, 1.100 x 0.010 in. |
| 24 | 0603-347 | 1 | | Valve, 1.250 x 0.010 in. |
| 25 | 0603-342 | 1 | /P | Valve, 1.100 x 0.006 in. |
| 26 | 2603-936 | 1 | | Valve Ring, 1.250 x 0.008 in. |
| 27 | 0603-349 | 1 | /P | Valve, 1.300 x 0.008 in. |
| 28 | 0603-208 | 1 | | Piston, 0.078 in. - Orifice |
| 29 | 0603-346 | 3 | /P | Valve, 1.250 x 0.008 in. |
| 30 | 0603-345 | 1 | | Valve, 1.250 x 0.006 in. |
| 31 | 0603-336 | 1 | | Valve, 0.900 x 0.006 in. |
| 32 | 0603-343 | 1 | | Valve, 1.100 x 0.008 in. |
| 33 | 0603-335 | 1 | /P | Valve, 0.800 x 0.010 in. |
| 34 | 0603-389 | 1 | /P | Washer, Backup |
| 35 | 0603-301 | 1 | /P | Nut |
| 36 | 0404-230 | 1 | | Piston, Floating |
| 37 | 0404-227 | 1 | | Body, Shock - Lower |
| 38 | 2603-337 | 1 | | Ball, Air Valve |
| 39 | 2603-338 | 1 | | Screw, Set |
| 40 | 1604-428 | 1 | | Plug, Rubber - Valve |
| 41 | 0404-197 | 1 | | Spring Retainer, Lower |
| 42 | 2603-245 | 1 | | Retainer |
| 43 | 5639-240 | AR | S/P | Oil, Shock - 1 qt |
| 44 | 4639-012 | AR | | Fluid, Float Shock - 8 oz |



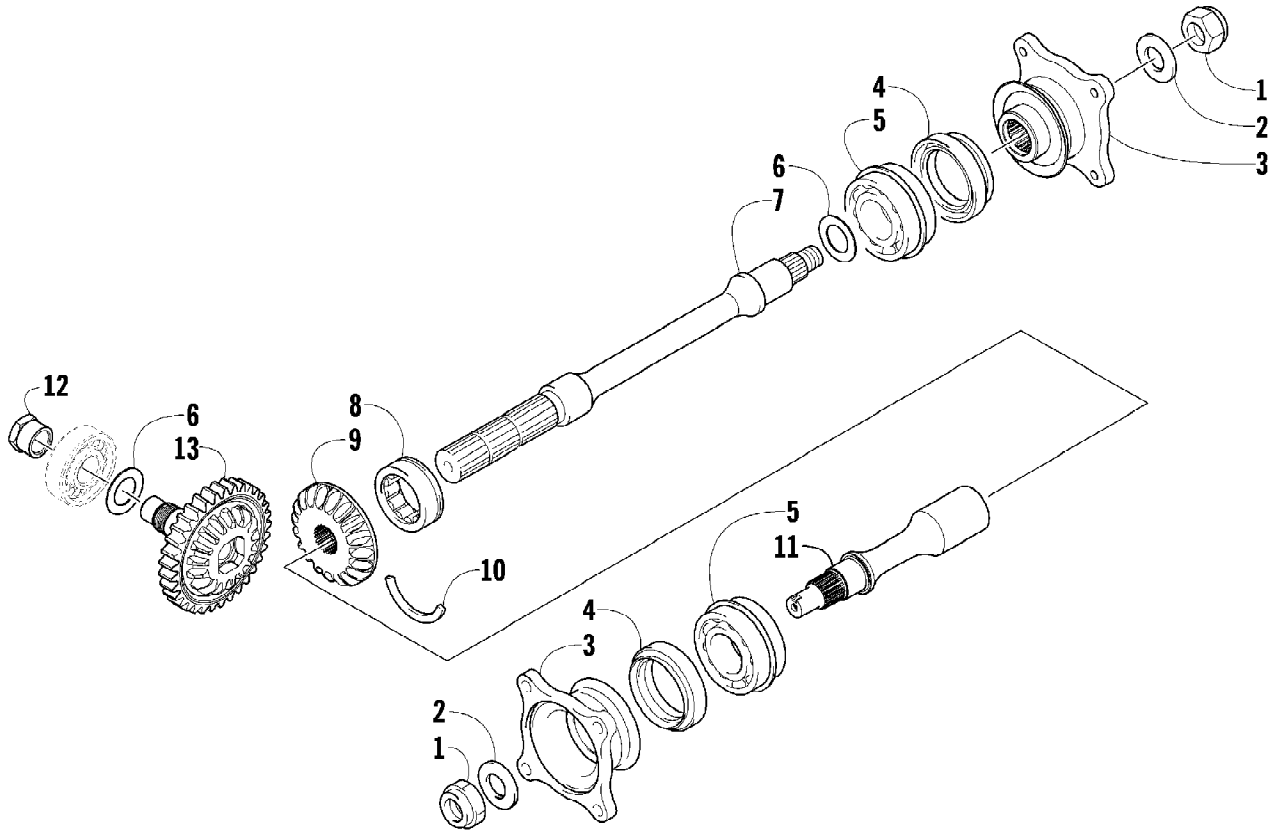
| Ref # | Part Number | Qty | S/P/F | Description |
|-------|-------------|-----|-------|---------------------------------------|
| 1 | 2516-653 | 1 | | Tube, ROPS - Front |
| 2 | 8468-616 | 14 | | Screw, Machine |
| 3 | 8427-602 | 10 | | Nut, Lock |
| 4 | 2516-658 | 1 | | Support, ROPS |
| 5 | 0411-501 | 1 | | Decal, "Arctic Cat" |
| 6 | 4506-612 | 1 | | Tube, ROPS - Rear |
| 7 | 8410-835 | 8 | | Screw, Cap |
| 8 | 8432-802 | 8 | | Nut, Lock |
| 9 | 0509-022 | 1 | | Taillight Assembly (inc. 10-12) |
| 10 | 0509-025 | 1 | | Housing, Taillight |
| 11 | 0409-056 | 1 | | Bulb, Taillight |
| 12 | 0409-057 | 1 | | Socket, Taillight |
| 13 | 2406-069 | 1 | | Bracket, Taillight Mounting |
| 14 | 0623-301 | 2 | /P | Screw, Self-Tapping |
| 15 | 2516-893 | 1 | | Cover, Taillight |
| 16 | 0423-361 | 14 | | Screw, Machine |
| 17 | 1506-795 | 3 | | Pad, Headrest - Assembly (inc. 18-20) |
| 18 | 1406-884 | 3 | | Pad, Headrest |
| 19 | 1506-722 | 3 | | Mount, Headrest |
| 20 | 0623-544 | 15 | | Clip, Retaining |
| 21 | 4506-296 | 1 | | Bracket, Mounting - Flag |
| 22 | 8424-602 | 4 | /P | Nut |
| 23 | 0623-784 | 8 | | Screw, Self-Tapping |
| 24 | 4506-149 | 2 | | Bracket, Mounting - Side Restraint |
| 25 | 0517-146 | 1 | | Restraint, Side - Right |
| 25 | 0517-147 | 1 | | Restraint, Side - Left |



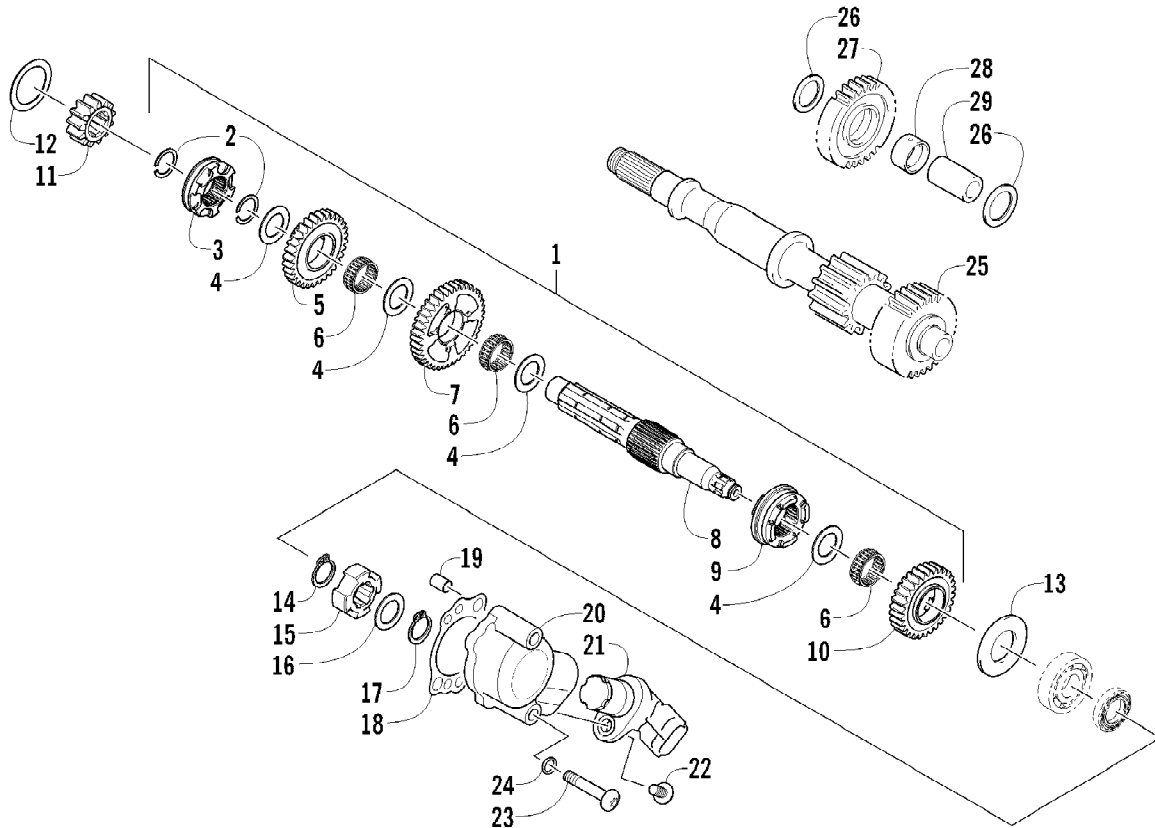
2012 PROWLER 700 HDX METALLIC GREEN (U2012P5T1PUSN)
SEAT ASSEMBLY

Page 63 of 87

| Ref # | Part Number | Qty | S/P/F | Description |
|-------|-------------|-----|-------|------------------------------------|
| 1 | 2516-897 | 1 | | Backrest Assembly |
| 2 | 2516-887 | 1 | | Belt, Seat - 3 Point |
| 3 | 8411-025 | 1 | | Screw, Cap |
| 4 | 8427-005 | 1 | | Nut, Lock |
| 5 | 8408-820 | 4 | /P | Screw, Cap |
| 6 | 0423-915 | 2 | | Shoulder Screw Assembly (inc. 7-9) |
| 7 | 0 | 2 | F | Screw, Shoulder |
| 8 | 0 | 2 | F | Washer |
| 9 | 0 | 2 | F | Nut, Lock |
| 10 | 2416-638 | 2 | | Cover, Seat Belt |
| 11 | 2516-886 | 2 | | Belt, Seat |
| 12 | 8427-002 | 7 | | Nut, Lock |
| 13 | 2516-868 | 1 | | Bracket, Backrest Support - Right |
| 13 | 2516-869 | 1 | | Bracket, Backrest Support - Left |
| 14 | 8408-025 | 7 | | Screw, Cap |
| 15 | 2516-898 | 1 | | Seat Assembly (inc. 16) |
| 16 | 1423-066 | 2 | | Grommet |
| 17 | 0707-582 | 1 | | Retainer, Toolkit |
| 18 | 2516-863 | 1 | /P | Kit, Tool |
| 19 | 8477-620 | 8 | | Screw, Machine |
| 20 | 2416-457 | 1 | | Base, Seat |
| 21 | 0412-583 | 1 | | Foil, Protective |
| 22 | 0412-584 | 1 | | Foil, Protective |
| 23 | 0412-585 | 1 | | Foil, Protective |
| 24 | 0623-600 | 1 | | Plug |
| 25 | 2416-491 | 1 | | Cover, Access |
| 26 | 1623-156 | 4 | | Grommet |
| 27 | 2406-915 | 1 | | Seal, Cargo Box |
| 28 | 0423-559 | 2 | | Stud, Latch - Seat |
| 29 | 0423-073 | 6 | | Washer |
| 30 | 8424-002 | 2 | | Nut |



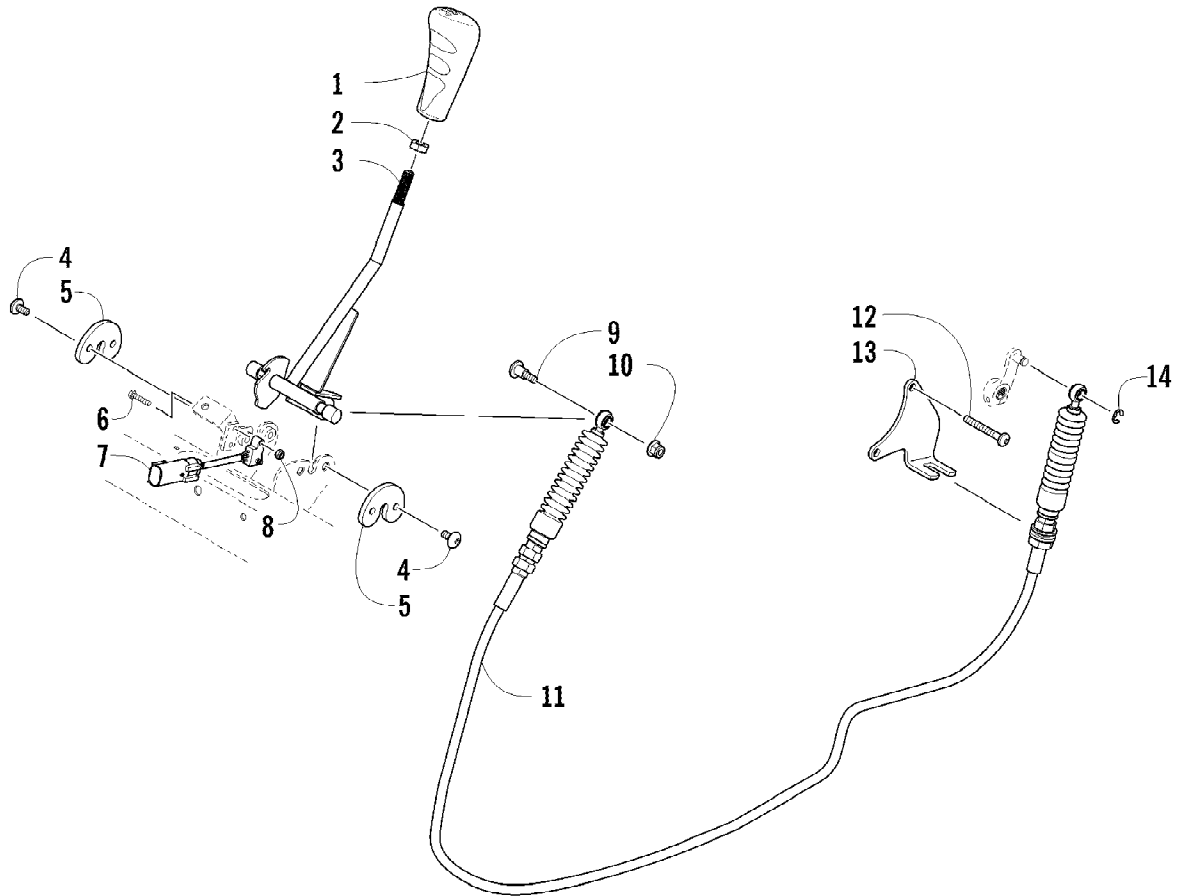
| Ref # | Part Number | Qty | S/P/F | Description |
|-------|-------------|-----|-------|---------------------------------|
| 1 | 0827-013 | 2 | | Nut |
| 2 | 0828-020 | 2 | | Washer |
| 3 | 0819-005 | 2 | | Flange, Output Joint |
| 4 | 0830-043 | 2 | | Seal, Oil |
| 5 | 0832-017 | 2 | | Bearing |
| 6 | 0828-021 | AR | | Shim, 25 x 34 x 0.25 mm |
| 6 | 0828-022 | AR | | Shim, 25 x 34 x 0.30 mm |
| 6 | 0828-023 | AR | | Shim, 25 x 34 x 0.70 mm |
| 6 | 0828-024 | AR | | Shim, 25 x 34 x 0.90 mm |
| 6 | 0828-025 | AR | | Shim, 25 x 34 x 0.95 mm |
| 6 | 0828-026 | AR | | Shim, 25 x 34 x 1.00 mm |
| 6 | 0828-027 | AR | | Shim, 25 x 34 x 1.05 mm |
| 6 | 0828-028 | AR | | Shim, 25 x 34 x 1.10 mm |
| 6 | 0828-029 | AR | | Shim, 25 x 34 x 1.15 mm |
| 7 | 0819-089 | 1 | /P | Shaft, Secondary Driven - Front |
| 8 | 0832-016 | 1 | | Bearing |
| 9 | 0822-106 | 1 | | Gear, Secondary Driven |
| 10 | 0819-011 | 1 | | Ring, Driven Bearing |
| 11 | 0819-053 | 1 | | Shaft, Secondary Driven - Rear |
| 12 | 0827-052 | 1 | | Nut |
| 13 | 0822-131 | 1 | | Gear, Secondary Drive |



2012 PROWLER 700 HDX METALLIC GREEN (U2012P5T1PUSN)
SECONDARY TRANSMISSION ASSEMBLY

Page 67 of 87

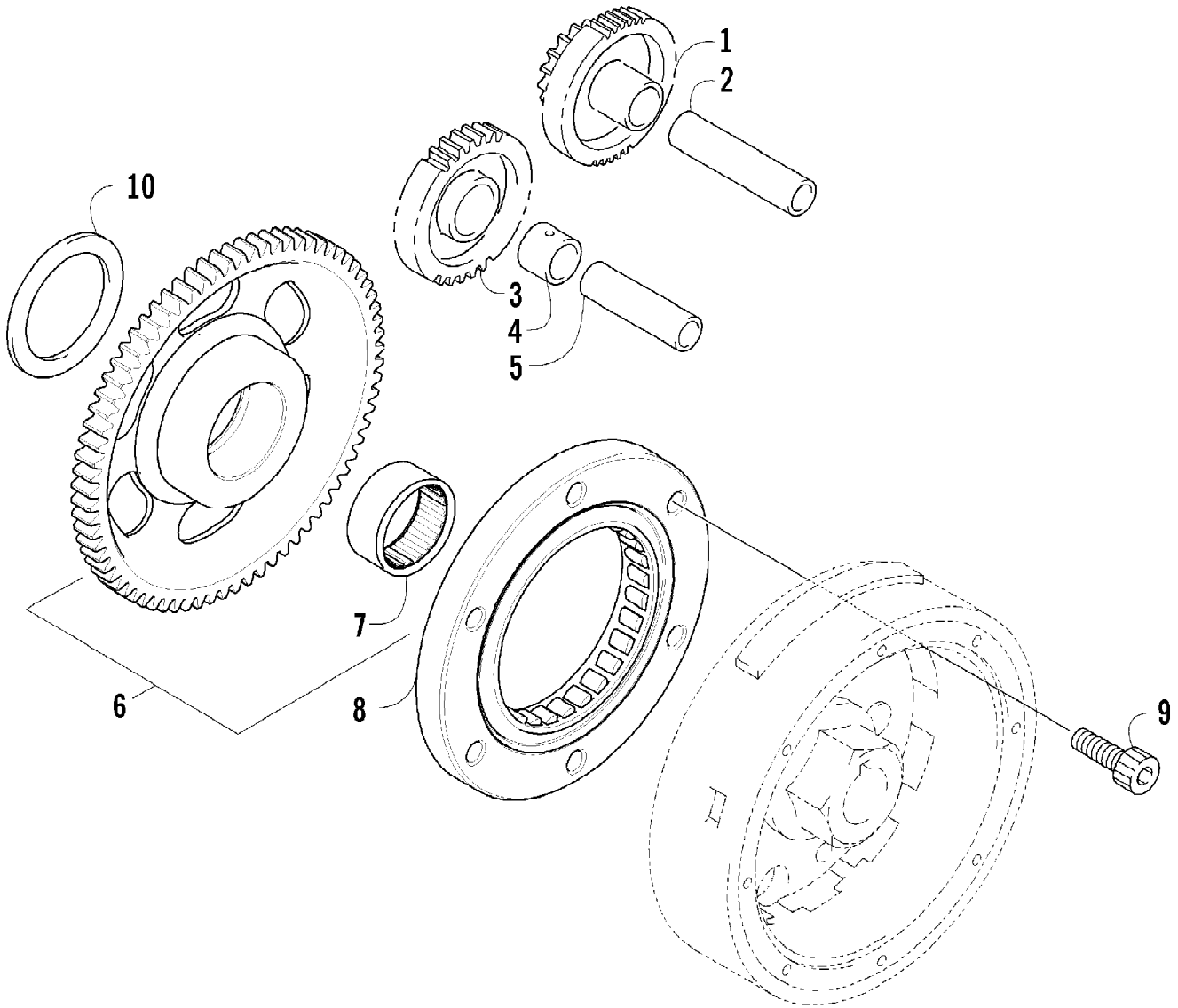
| Ref # | Part Number | Qty | S/P/F | Description |
|-------|-------------|-----|-------|-----------------------------------|
| 1 | 0822-124 | 1 | | Countershaft Assembly (inc. 2-10) |
| 2 | 0831-085 | 2 | | Ring, Retaining |
| 3 | 0822-120 | 1 | | Gear Select, Reverse |
| 4 | 0822-121 | 4 | | Shim |
| 5 | 0822-119 | 1 | | Gear, Reverse Driven |
| 6 | 0832-082 | 3 | | Bearing |
| 7 | 0822-114 | 1 | | Gear, Driven - Low |
| 8 | 0822-113 | 1 | | Countershaft |
| 9 | 0822-116 | 1 | | Gear Select, Sliding |
| 10 | 0822-115 | 1 | | Gear, Driven - High |
| 11 | 0822-125 | 1 | | Gear, Drive |
| 12 | 0828-019 | 1 | | Washer, Thrust |
| 13 | 0828-011 | 1 | | Washer |
| 14 | 0831-040 | 1 | | Ring, Retaining |
| 15 | 0822-050 | 1 | | Trigger, Speedometer Sensor |
| 16 | 0828-069 | 1 | | Washer, Thrust |
| 17 | 0831-039 | 1 | | Ring, Retaining |
| 18 | 0830-129 | 1 | | Gasket |
| 19 | 0829-023 | 2 | | Pin, Dowel |
| 20 | 0822-049 | 1 | | Housing, Speedometer Sensor |
| 21 | 0430-091 | 1 | | Sensor, Speedometer |
| 22 | 8468-620 | 1 | /P | Screw, Machine |
| 23 | 8468-645 | 2 | | Screw, Machine |
| 24 | 0830-107 | 2 | | Gasket |
| 25 | 0822-001 | 1 | | Driveshaft |
| 26 | 0828-016 | 2 | | Washer, Thrust |
| 27 | 0822-011 | 1 | | Gear, Reverse Idle |
| 28 | 0822-012 | 1 | | Bushing |
| 29 | 0822-015 | 1 | | Shaft, Reverse Idle |



2012 PROWLER 700 HDX METALLIC GREEN (U2012P5T1PUSN)
SHIFTER ASSEMBLY

Page 69 of 87

| Ref # | Part Number | Qty | S/P/F | Description |
|-------|-------------|-----|-------|-------------------------|
| 1 | 2402-004 | 1 | | Knob, Shift |
| 2 | 0423-885 | 1 | | Nut |
| 3 | 1502-916 | 1 | /P | Lever, Shift |
| 4 | 0826-029 | 4 | | Screw, Machine |
| 5 | 1402-275 | 2 | | Retainer, Shift Linkage |
| 6 | 1423-056 | 1 | | Screw, Machine |
| 7 | 0409-131 | 1 | | Switch, Parking Brake |
| 8 | 1441-328 | 1 | | Nut, Lock |
| 9 | 0423-356 | 1 | | Screw, Shoulder |
| 10 | 8427-602 | 1 | | Nut, Lock |
| 11 | 0487-078 | 1 | | Cable, Shift |
| 12 | 8468-645 | 2 | | Screw, Machine |
| 13 | 2406-894 | 1 | /P | Bracket, Shift Cable |
| 14 | 0124-057 | 1 | /P | E-Ring |

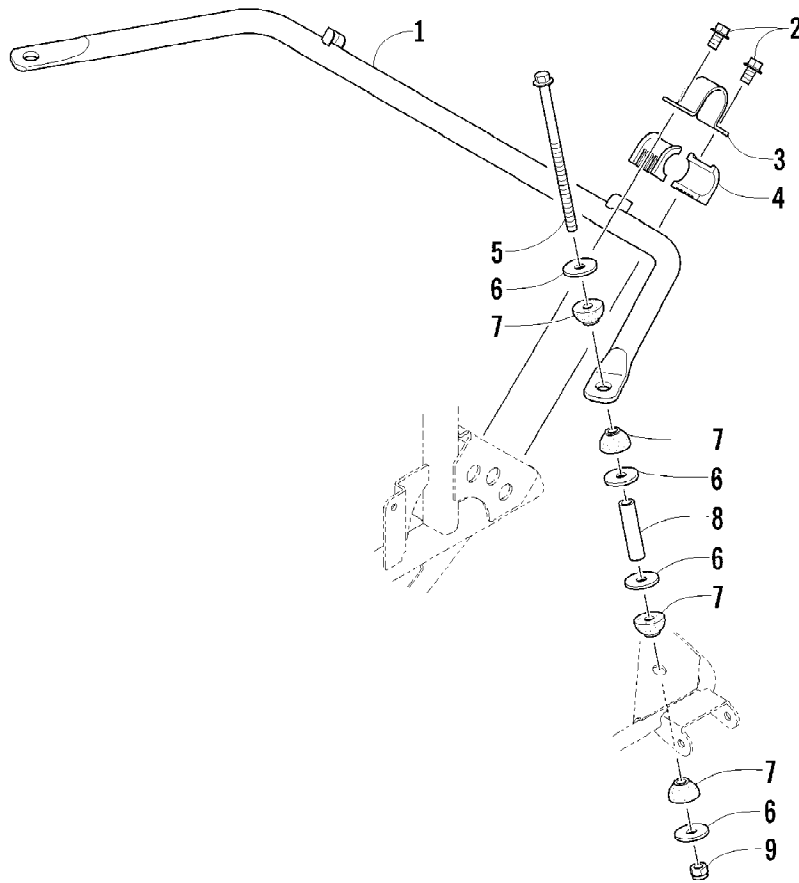


2012 PROWLER 700 HDX METALLIC GREEN (U2012P5T1PUSN)
STARTER CLUTCH ASSEMBLY

Page 71 of 87

| Ref # | Part Number | Qty | S/P/F | Description |
|-------|-------------|-----|-------|----------------------------------|
| 1 | 0815-001 | 1 | | Gear, Starter Idler - No. 1 |
| 2 | 0829-031 | 1 | /P | Shaft, Starter Gear |
| 3 | 0815-002 | 1 | | Gear, Starter Idler - No. 2 |
| 4 | 0815-003 | 1 | | Spacer, Starter Idler Gear No. 2 |
| 5 | 0829-032 | 1 | /P | Shaft, Starter Gear |
| 6 | 0815-004 | 1 | | Gear, Starter Clutch (inc. 7) |
| 7 | 0832-079 | 1 | /P | Bearing |
| 8 | 0802-035 | 1 | | Clutch, Starter |
| 9 | 0826-069 | 6 | | Screw, Machine |
| 10 | 0828-094 | 1 | | Washer |

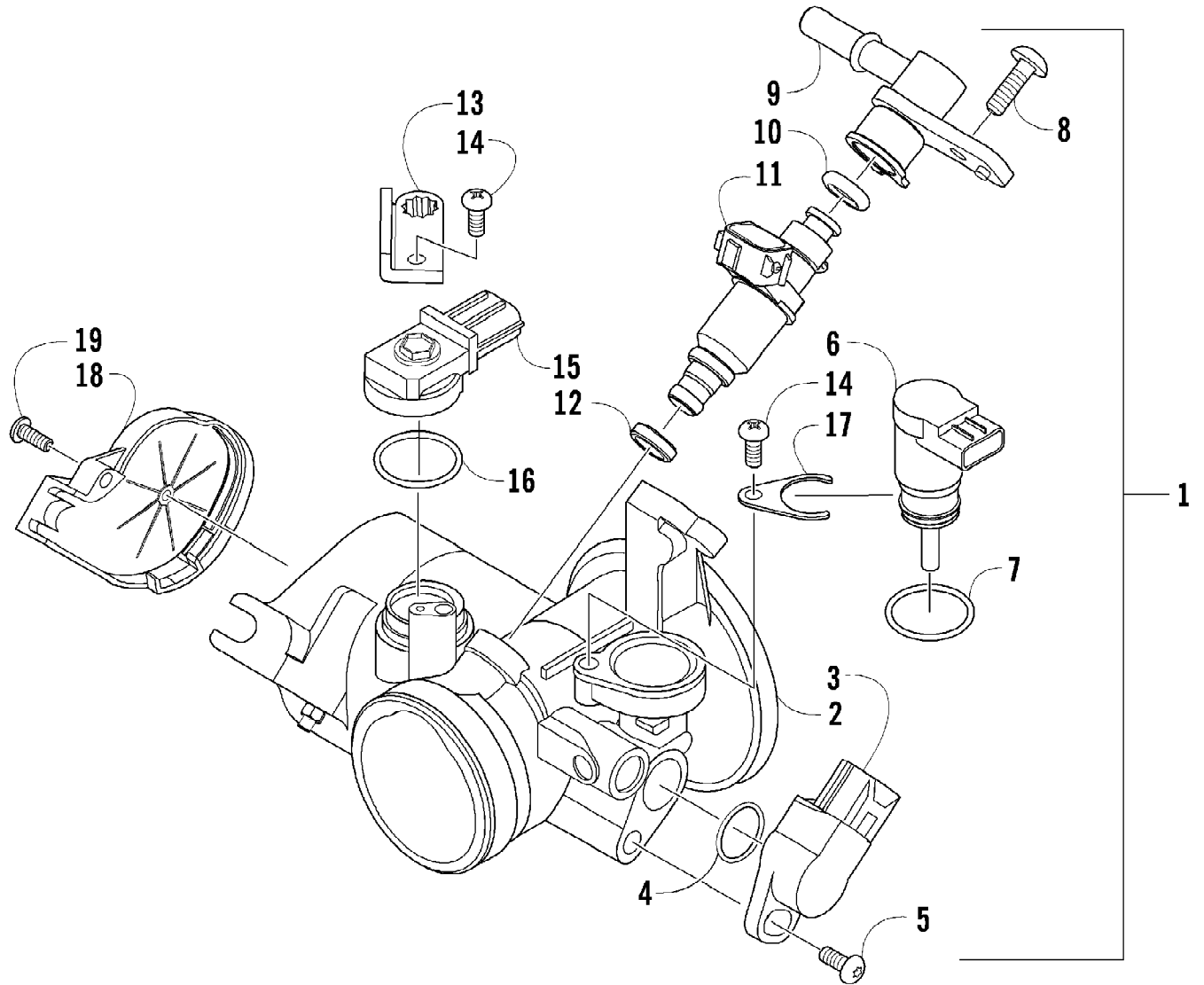
| Ref # | Part Number | Qty | S/P/F | Description |
|-------|-------------|-----|-------|---------------------------------------|
| 1 | 0505-690 | 1 | | Cap, Steering Wheel (inc. 2) |
| 2 | 1411-798 | 1 | | Decal, Steering Wheel |
| 3 | 0423-884 | 1 | | Nut |
| 4 | 0405-398 | 1 | | Wheel, Steering - Assembly |
| 5 | 0405-339 | 1 | | Boot |
| 6 | 0423-743 | 2 | | Screw, Self-Tapping |
| 7 | 0405-258 | 1 | | Support |
| 8 | 1423-045 | 1 | | Clip, Retaining |
| 9 | 0505-588 | 1 | /P | Mechanism, Tilt |
| 10 | 2406-590 | 1 | | Cap, Tilt Lever |
| 11 | 8476-620 | 2 | | Screw, Machine |
| 12 | 8408-825 | 2 | | Screw, Cap |
| 13 | 8427-802 | 3 | | Nut, Lock |
| 14 | 8427-602 | 4 | | Nut, Lock |
| 15 | 0405-155 | 1 | | Bushing |
| 16 | 1423-047 | 1 | | Screw, Cap |
| 17 | 0405-435 | 1 | | Shaft, Steering - Assembly |
| 18 | 1423-076 | 2 | | Screw, Cap |
| 19 | 0505-768 | 1 | | Assembly, Electronic Power Steering |
| 20 | 4506-152 | 1 | | Bracket, Mounting |
| 21 | 8408-816 | 4 | | Screw, Cap |
| 22 | 8409-020 | 4 | /P | Screw, Cap |
| 23 | 0405-440 | 1 | | Coupler, Steering |
| 24 | 1423-053 | 1 | | Screw, Cap |
| 25 | 8408-070 | 2 | | Screw, Cap |
| 26 | 0623-728 | 2 | | Washer |
| 27 | 0505-689 | 1 | /P | Housing, Rack and Pinion (inc. 28-34) |
| 28 | 0505-719 | 2 | /P | Tie Rod - Assembly (inc. 29-34) |
| 29 | 0405-428 | 2 | | Plate, Retaining |
| 30 | 0505-745 | 2 | | Kit, Tie Rod Boot (inc. 31-32) |
| 31 | 0123-903 | 2 | | Tie, Cable - 11.5 in. |
| 32 | 0623-175 | 2 | | Pin, Cotter |
| 33 | 0505-744 | 2 | | Kit, Nut (inc. 32) |
| 34 | 0505-743 | 2 | /P | Kit, Tie Rod End (inc. 32) |
| 35 | 0423-072 | 2 | | Nut |



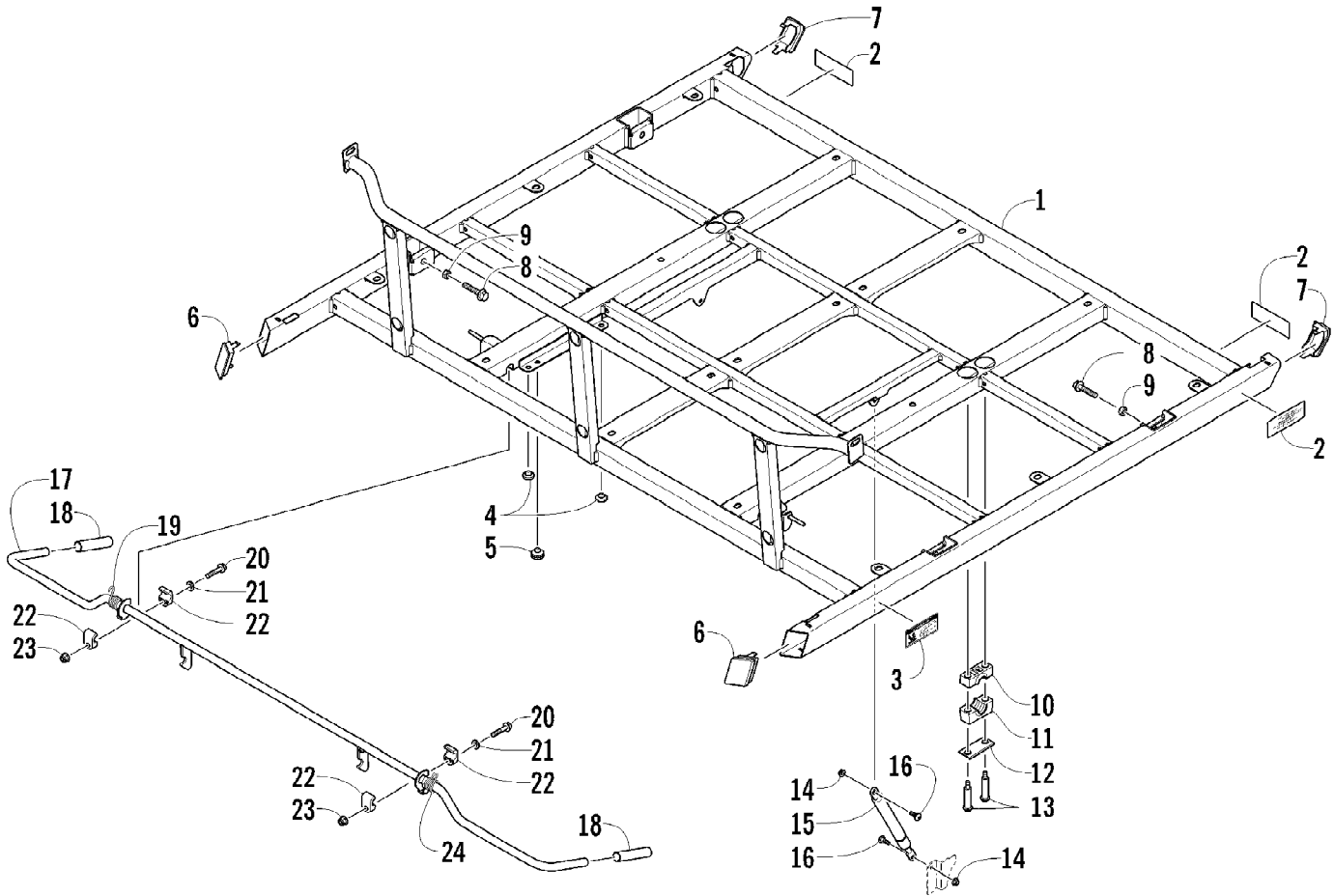
2012 PROWLER 700 HDX METALLIC GREEN (U2012P5T1PUSN)
SWAY BAR ASSEMBLY

Page 75 of 87

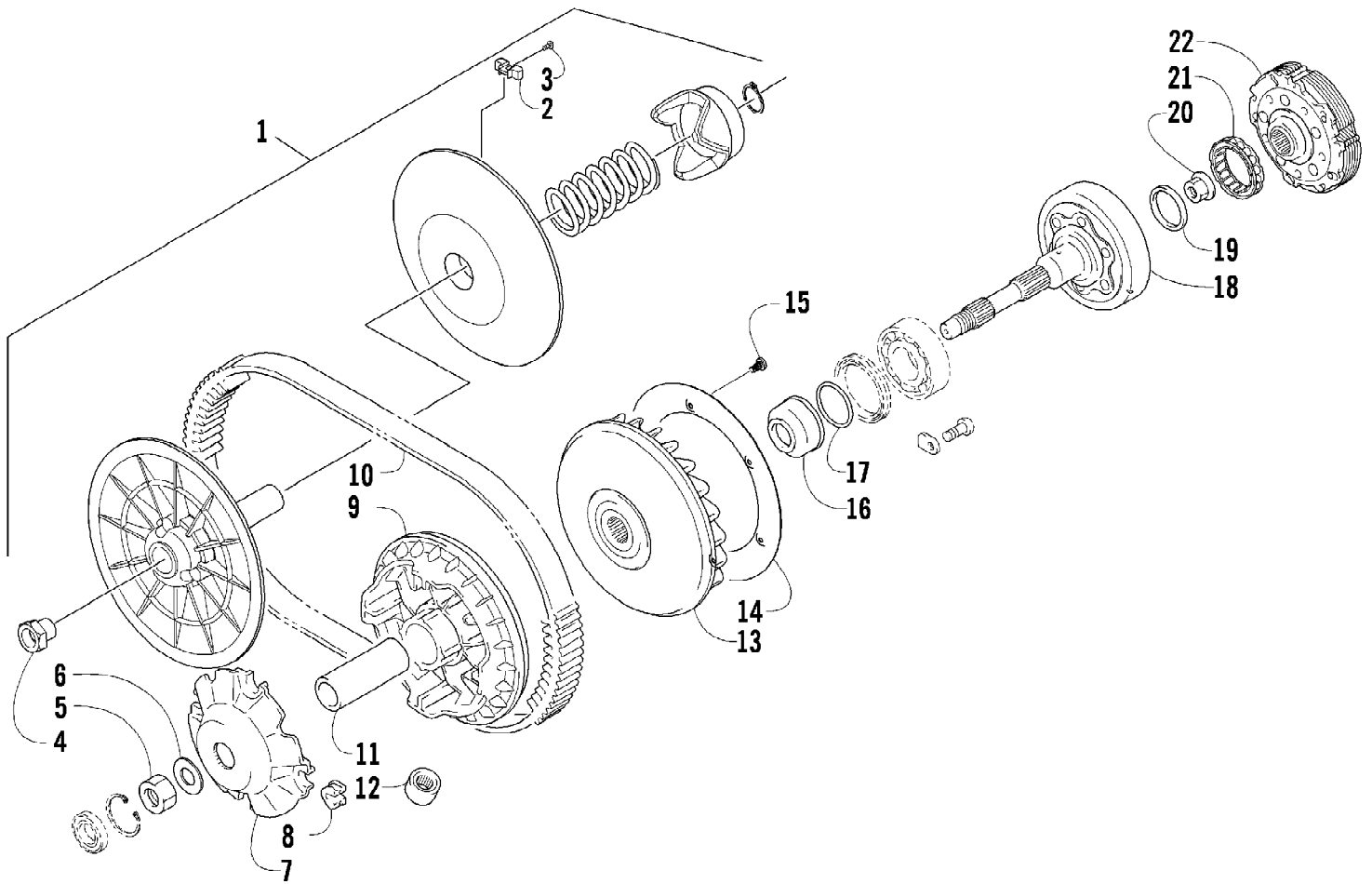
| Ref # | Part Number | Qty | S/P/F | Description |
|-------|-------------|-----|-------|-------------------------|
| 1 | 0504-634 | 1 | | Bar, Sway |
| 2 | 8409-016 | 4 | | Screw, Cap |
| 3 | 0504-631 | 2 | | Clamp, Sway Bar Bushing |
| 4 | 0404-190 | 4 | | Half-Clamp |
| 5 | 0423-723 | 2 | | Screw, Cap |
| 6 | 0423-073 | 8 | | Washer |
| 7 | 1402-434 | 8 | | Bushing |
| 8 | 1423-039 | 2 | | Spacer |
| 9 | 8422-002 | 2 | | Nut, Lock |



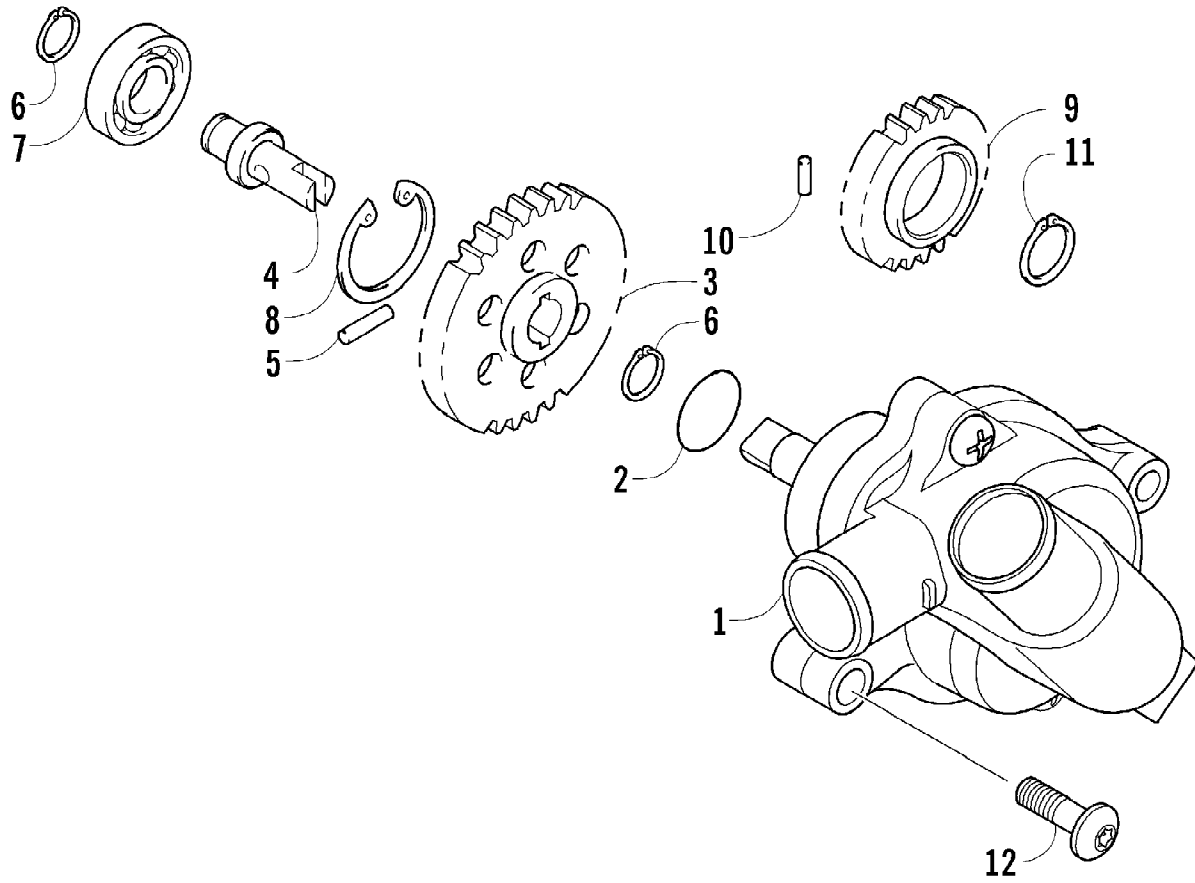
| Ref # | Part Number | Qty | S/P/F | Description |
|-------|-------------|-----|-------|--------------------------------------|
| 1 | 0470-753 | 1 | | Throttle Body - Assembly (inc. 2-19) |
| 2 | 0 | 1 | F | Throttle Body |
| 3 | 0430-072 | 1 | | Sensor, Throttle Position |
| 4 | 5507-234 | 1 | | O-Ring, Throttle Position Sensor |
| 5 | 5507-231 | 1 | | Screw, Machine |
| 6 | 0430-074 | 1 | | Valve, ISC |
| 7 | 5507-233 | 1 | | O-Ring, ISC Valve |
| 8 | 5507-238 | 1 | | Screw, Machine |
| 9 | 0470-687 | 1 | | Rail, Fuel |
| 10 | 0470-767 | 1 | | O-Ring, Fuel Injector |
| 11 | 0470-762 | 1 | | Injector, Fuel |
| 12 | 0470-768 | 1 | | Seal, Fuel Injector |
| 13 | 5507-227 | 1 | | Bracket, MAP Sensor |
| 14 | 5507-117 | 2 | /P | Screw, Machine |
| 15 | 0430-073 | 1 | | Sensor, MAP |
| 16 | 5507-232 | 1 | | O-Ring, MAP Sensor |
| 17 | 5507-229 | 1 | | Plate, Retaining |
| 18 | 5507-223 | 1 | | Cover |
| 19 | 5507-037 | 1 | /P | Screw, Machine |



| Ref # | Part Number | Qty | S/P/F | Description |
|-------|-------------|-----|-------|------------------------------|
| 1 | 2516-712 | 1 | | Frame,Tilt - Assembly |
| 2 | 2411-182 | 4 | | Decal, Reflector |
| 3 | 1411-120 | 2 | | Decal, Warning - Pinch Point |
| 4 | 0406-877 | 4 | /P | Bumper |
| 5 | 1423-057 | 2 | | Bumper |
| 6 | 2416-366 | 1 | | Endcap, Front - Right |
| 6 | 2416-367 | 1 | | Endcap, Front - Left |
| 7 | 2416-364 | 1 | | Endcap, Rear - Right |
| 7 | 2416-365 | 1 | | Endcap, Rear - Left |
| 8 | 8420-002 | 4 | /P | Screw, Cap |
| 9 | 1423-012 | 4 | | Nut |
| 10 | 0405-139 | 2 | | Housing, Upper |
| 11 | 0405-138 | 2 | | Housing, Lower |
| 12 | 0405-166 | 2 | | Cap, Housing |
| 13 | 0423-505 | 4 | | Screw, Shoulder |
| 14 | 8424-602 | 4 | /P | Nut |
| 15 | 2506-194 | 2 | | Support, Lift |
| 16 | 0423-356 | 4 | | Screw, Shoulder |
| 17 | 2516-724 | 1 | | Rod, Latch - Tilt Frame |
| 18 | 1406-736 | 2 | | Grip, Latch Rod |
| 19 | 2416-404 | 1 | | Spring, Latch - Right |
| 20 | 8408-845 | 2 | | Screw, Cap |
| 21 | 0423-087 | 2 | | Washer |
| 22 | 1406-674 | 4 | | Half-Clamp |
| 23 | 8427-802 | 2 | | Nut, Lock |
| 24 | 2416-405 | 1 | | Spring, Latch - Left |

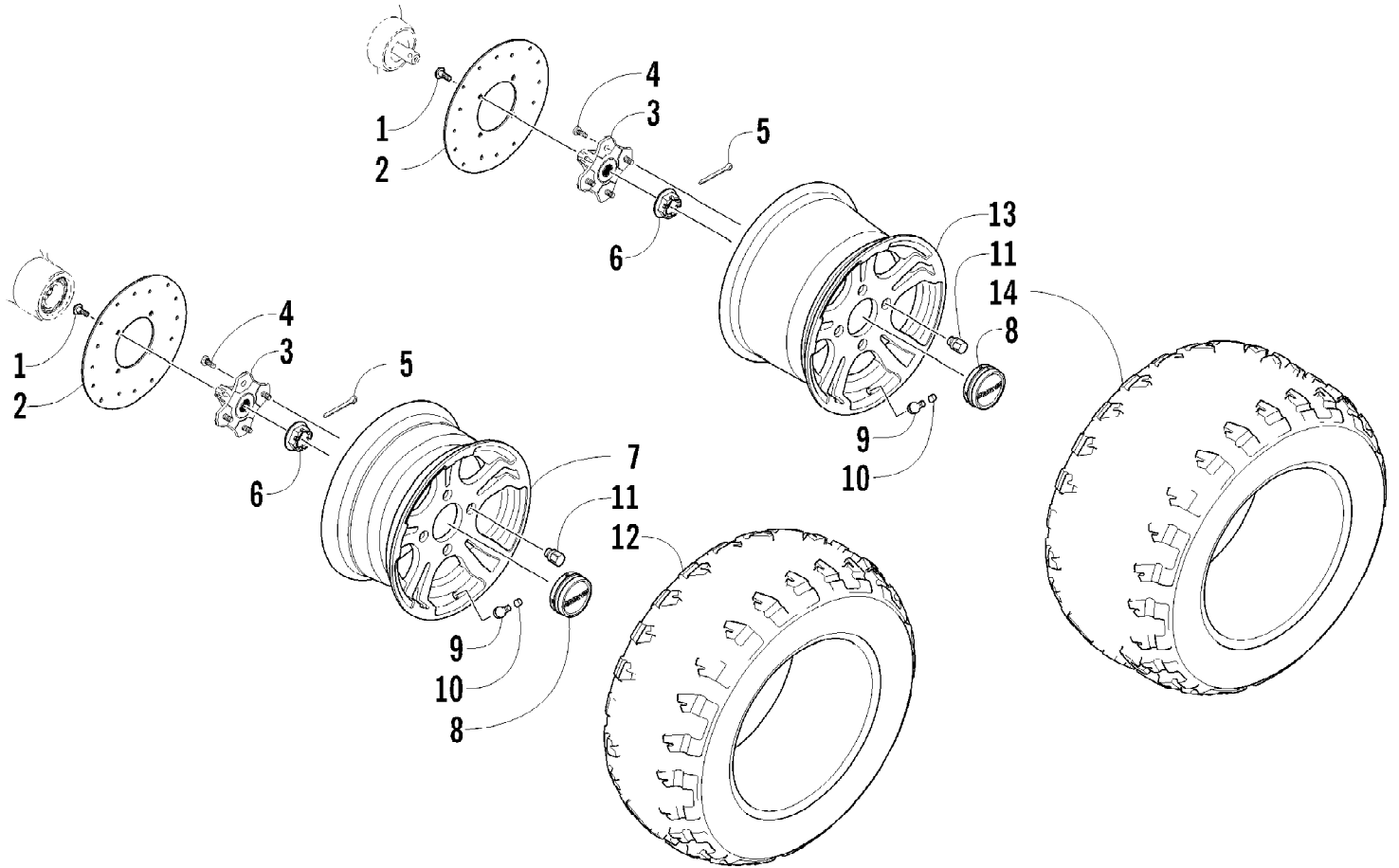


| Ref # | Part Number | Qty | S/P/F | Description |
|-------|-------------|-----|-------|--------------------------------------|
| 1 | 0823-354 | 1 | /P | Pulley, Driven - Assembly (inc. 2-4) |
| 2 | 0823-176 | 3 | /P | Shoe, Cam |
| 3 | 0823-177 | 3 | | Screw, Machine |
| 4 | 0823-178 | 1 | | Nut |
| 5 | 0827-010 | 1 | | Nut |
| 6 | 0828-106 | 1 | | Washer |
| 7 | 0823-276 | 1 | | Plate, Movable Drive Face |
| 8 | 0823-277 | 4 | | Damper, Movable Drive Face |
| 9 | 0823-273 | 1 | | Face, Movable Drive |
| 10 | 0823-013 | 1 | | Belt, Drive |
| 11 | 0823-271 | 1 | | Spacer |
| 12 | 0823-164 | 8 | | Roller |
| 13 | 0823-272 | 1 | | Face, Fixed Drive |
| 14 | 0823-131 | 1 | | Shroud, Drive Face |
| 15 | 0623-914 | 6 | | Screw, Self-Tapping |
| 16 | 0823-015 | 1 | | Spacer, Fixed Drive Face |
| 17 | 0470-531 | 1 | | O-Ring |
| 18 | 0821-002 | 1 | /P | Housing, Clutch - Assembly |
| 19 | 0830-189 | 1 | /P | Seal |
| 20 | 0827-011 | 1 | | Nut |
| 21 | 0823-018 | 1 | | Clutch, One-Way |
| 22 | 0823-310 | 1 | /P | Clutch, Centrifugal - 6 Plate |



| Ref # | Part Number | Qty | S/P/F | Description |
|-------|-------------|-----|-------|---------------------------------|
| 1 | 0813-001 | 1 | | Pump, Water - Assembly (inc. 2) |
| 2 | 0830-029 | 1 | | O-Ring |
| 3 | 0813-004 | 1 | | Gear, Driven |
| 4 | 0813-005 | 1 | | Shaft, Driven Gear |
| 5 | 0829-009 | 1 | | Pin |
| 6 | 0831-002 | 2 | | Ring, Retaining |
| 7 | 0832-046 | 1 | /P | Bearing |
| 8 | 0831-004 | 1 | | Ring, Retaining |
| 9 | 0811-003 | 1 | | Gear, Water Pump Drive |
| 10 | 0829-007 | 1 | | Pin |
| 11 | 0831-005 | 1 | | Ring, Retaining |
| 12 | 8468-665 | 2 | | Screw, Machine |

2012 PROWLER 700 HDX METALLIC GREEN (U2012P5T1PUSN)
WHEEL AND TIRE ASSEMBLY

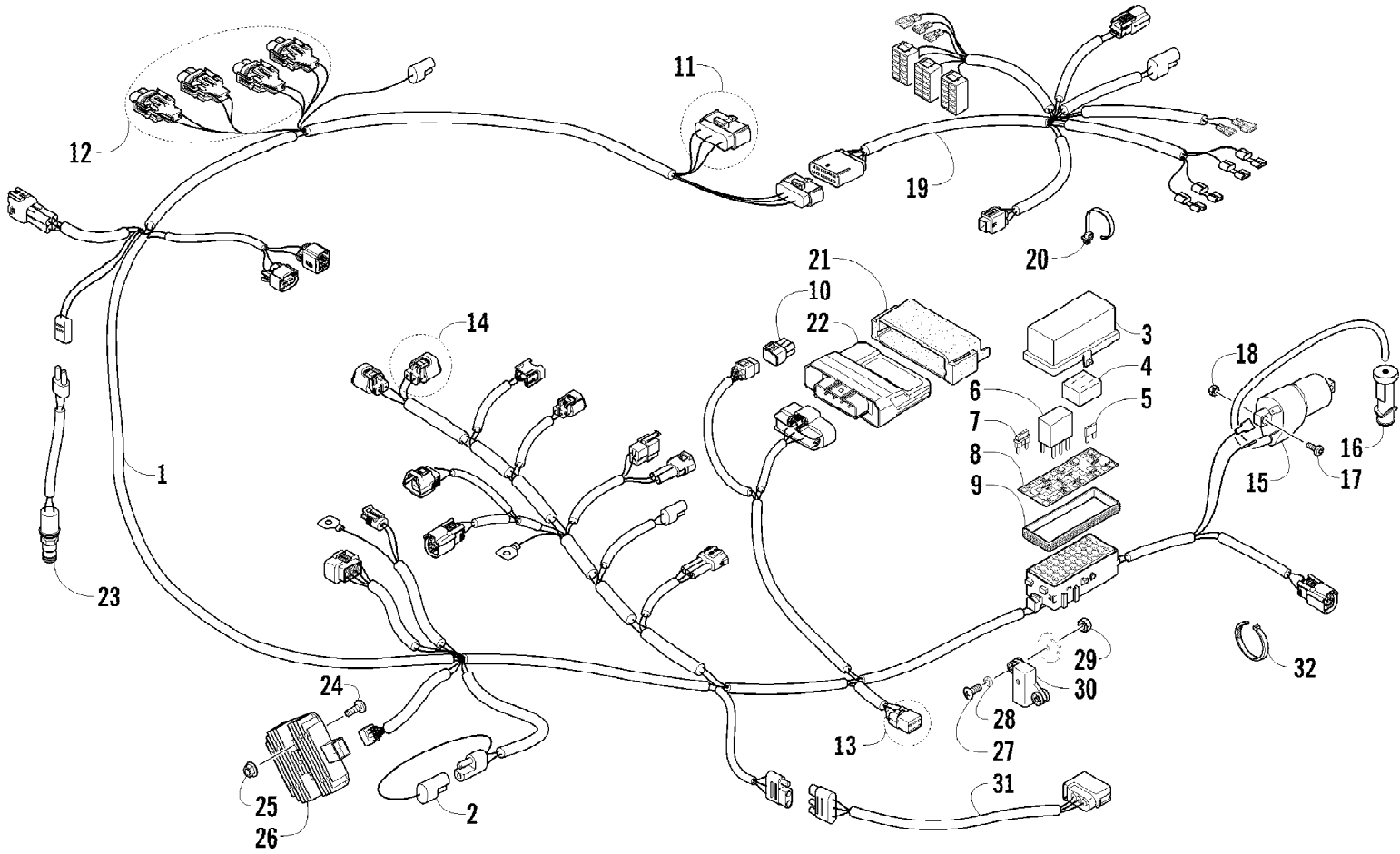


2012 PROWLER 700 HDX METALLIC GREEN (U2012P5T1PUSN)
WHEEL AND TIRE ASSEMBLY

Page 85 of 87

| Ref # | Part Number | Qty | S/P/F | Description |
|-------|-------------|-----|-------|-----------------------------|
| 1 | 0423-557 | 16 | | Screw, Shoulder |
| 2 | 1436-418 | 2 | /P | Disc, Brake - Front |
| 2 | 1436-164 | 2 | /P | Disc, Brake - Rear |
| 3 | 1502-433 | 2 | /P | Hub, Wheel - Front (inc. 4) |
| 3 | 1502-437 | 2 | | Hub, Wheel - Rear (inc. 4) |
| 4 | 0402-974 | 16 | /P | Stud |
| 5 | 0423-407 | 4 | | Pin, Cotter |
| 6 | 0423-607 | 4 | | Nut, Castle |
| 7 | 1402-732 | 2 | | Wheel - Front (inc. 8) |
| 8 | 1402-736 | 4 | | Cap, Wheel |
| 9 | 0402-064 | 4 | | Stem, Valve (inc. 10) |
| 10 | 0402-140 | 4 | | Cap, Valve Stem |
| 11 | 0423-618 | 16 | | Nut, Lug |
| 12 | 1402-860 | 2 | | Tire - Front |
| 13 | 1402-918 | 2 | /P | Wheel - Rear (inc. 8) |
| 14 | 1402-861 | 2 | | Tire - Rear |

2012 PROWLER 700 HDX METALLIC GREEN (U2012P5T1PUSN)
WIRING HARNESS ASSEMBLY



| Ref # | Part Number | Qty | S/P/F | Description |
|-------|-------------|-----|-------|--|
| 1 | 0486-426 | 1 | | Harness, Main (inc. 2-10) |
| 2 | 0486-164 | 1 | | Tether, Accessory Connector |
| 3 | 0430-085 | 1 | | Cover, Fuse Block |
| 4 | 0430-037 | 1 | | Holder, Fuse |
| 5 | 0430-032 | 5 | | Fuse - 10 Amp |
| 5 | 0430-031 | 4 | | Fuse - 15 Amp |
| 5 | 0430-030 | 3 | | Fuse - 30 Amp |
| 6 | 0430-045 | 6 | /P | Relay (4-Pin) - 20 Amp |
| 7 | 0430-034 | 2 | | Diode |
| 8 | 2411-213 | 1 | | Decal, Fuse Block |
| 9 | 0430-086 | 1 | | Seal |
| 10 | 0430-097 | 1 | | Cover, Diagnostics Connector |
| 11 | 1436-415 | 1 | | Repair Kit, Connector - LCD Gauge |
| 12 | 1436-290 | AR | | Repair Kit, Connector - Headlight |
| 13 | 1436-416 | 1 | | Repair Kit, Connector - Tilt Sensor |
| 14 | 1436-417 | 1 | | Repair Kit, Connector - Idle Speed Control |
| 15 | 0824-043 | 1 | | Coil, Ignition - Assembly |
| 16 | 0824-049 | 1 | /P | Cap, Spark Plug |
| 17 | 8476-620 | 2 | | Screw, Machine |
| 18 | 0623-038 | 2 | | Nut w/Washer |
| 19 | 0486-398 | 1 | | Harness, Console |
| 20 | 0423-075 | AR | | Tie, Cable - Push-Mount |
| 21 | 0430-076 | 1 | | Cushion, ECU |
| 22 | 0530-076 | 1 | | ECU |
| 23 | 0409-089 | 1 | | Switch, Brake - Assembly |
| 24 | 8476-625 | 2 | | Screw, Machine |
| 25 | 8424-602 | 2 | /P | Nut |
| 26 | 0824-037 | 1 | /P | Regulator, Voltage |
| 27 | 8468-425 | 2 | | Screw, Machine |
| 28 | 0123-802 | 2 | | Washer |
| 29 | 0423-493 | 2 | | Nut w/Washer |
| 30 | 0409-064 | 1 | | Sensor, Tilt |
| 31 | 0486-403 | 1 | | Harness, Adapter - Taillight |
| 32 | 0123-788 | AR | /P | Tie, Cable - 8 in. |
| 32 | 0123-903 | AR | | Tie, Cable - 11.5 in. |
| 32 | 0623-144 | AR | | Tie, Cable - 17.5 in. |