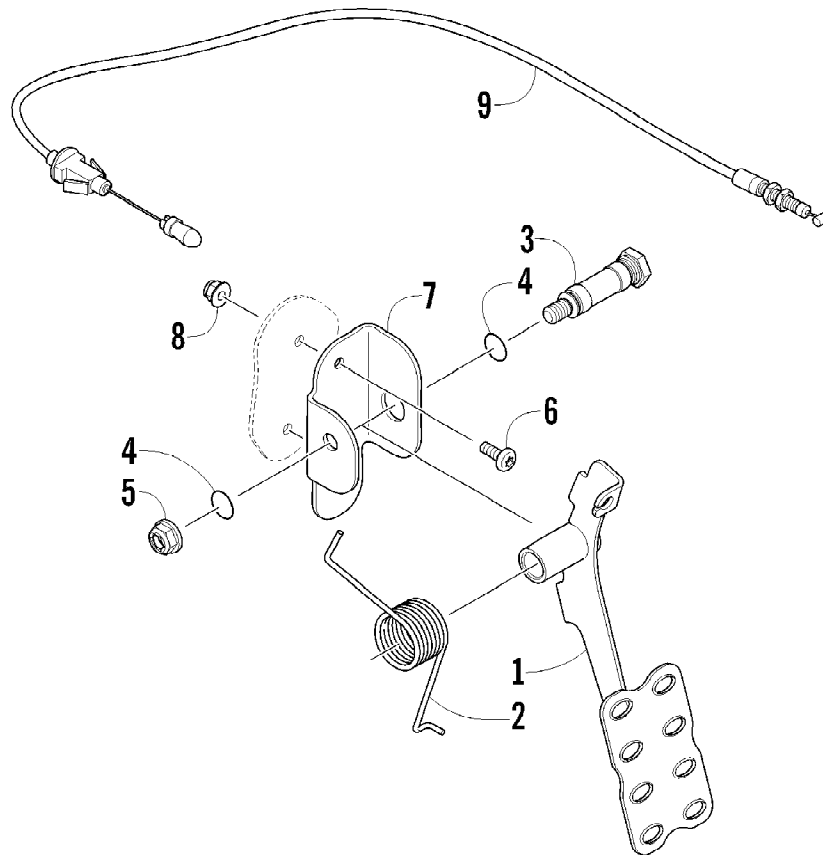


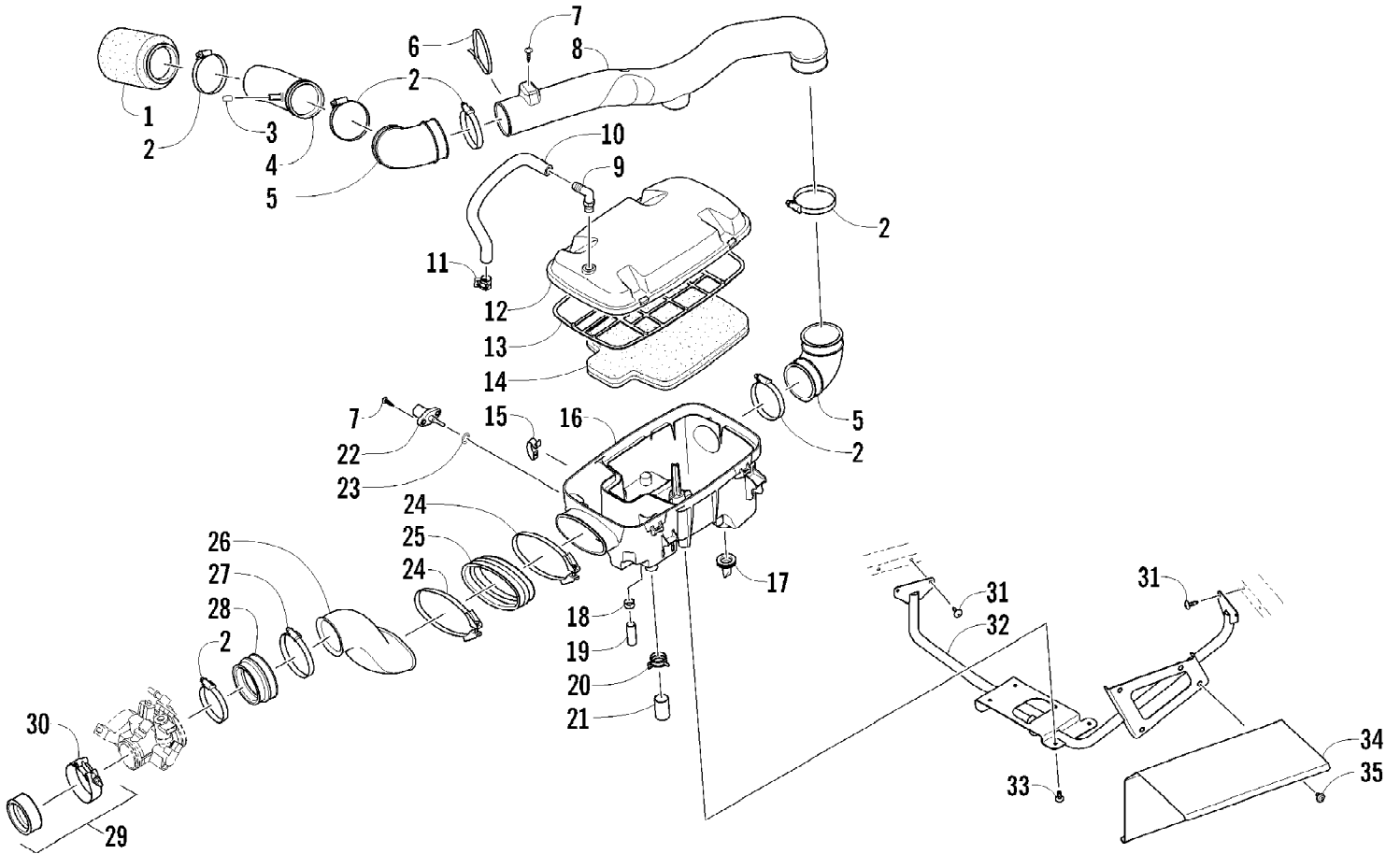
2012 PROWLER 700 HDX INTERNATIONAL METALLIC GRAY (U2012P5T1PO85) Page 1 of 87
ACCELERATOR ASSEMBLY



2012 PROWLER 700 HDX INTERNATIONAL METALLIC GRAY (U2012P5T1PO85) Page 2 of 87
ACCELERATOR ASSEMBLY

Ref #	Part Number	Qty	S/P/F	Description
1	1502-590	1		Pedal, Accelerator
2	0405-233	1		Spring
3	0402-872	1		Axle
4	1602-213	2	/P	O-Ring
5	8422-002	1		Nut, Lock
6	8477-616	2		Screw, Machine
7	0502-991	1		Bracket, Accelerator Pedal
8	8427-602	2		Nut, Lock
9	0487-066	1		Cable, Accelerator

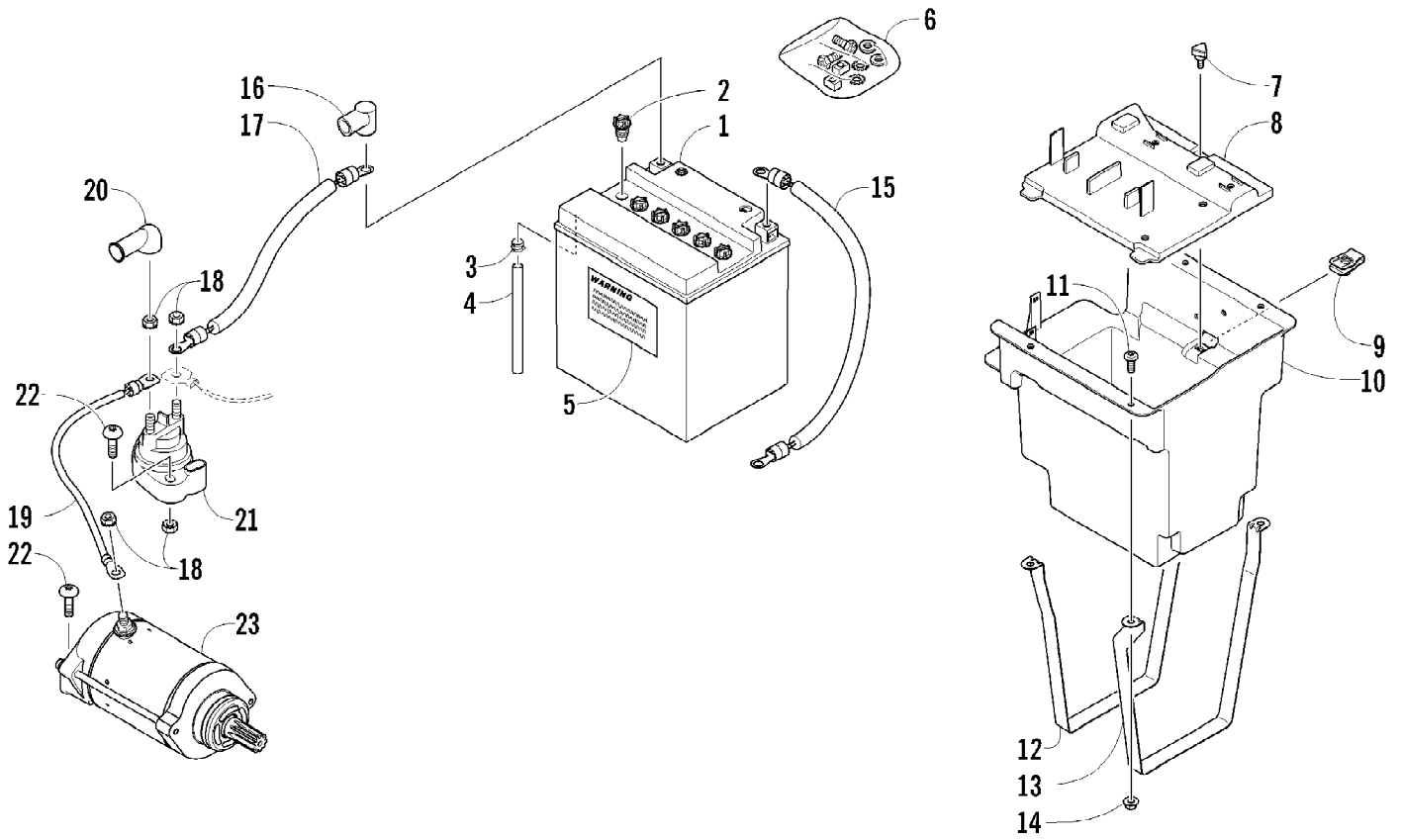
2012 PROWLER 700 HDX INTERNATIONAL METALLIC GRAY (U2012P5T1PO85) Page 3 of 87
AIR INTAKE ASSEMBLY



2012 PROWLER 700 HDX INTERNATIONAL METALLIC GRAY (U2012P5T1PO85) Page 4 of 87
AIR INTAKE ASSEMBLY

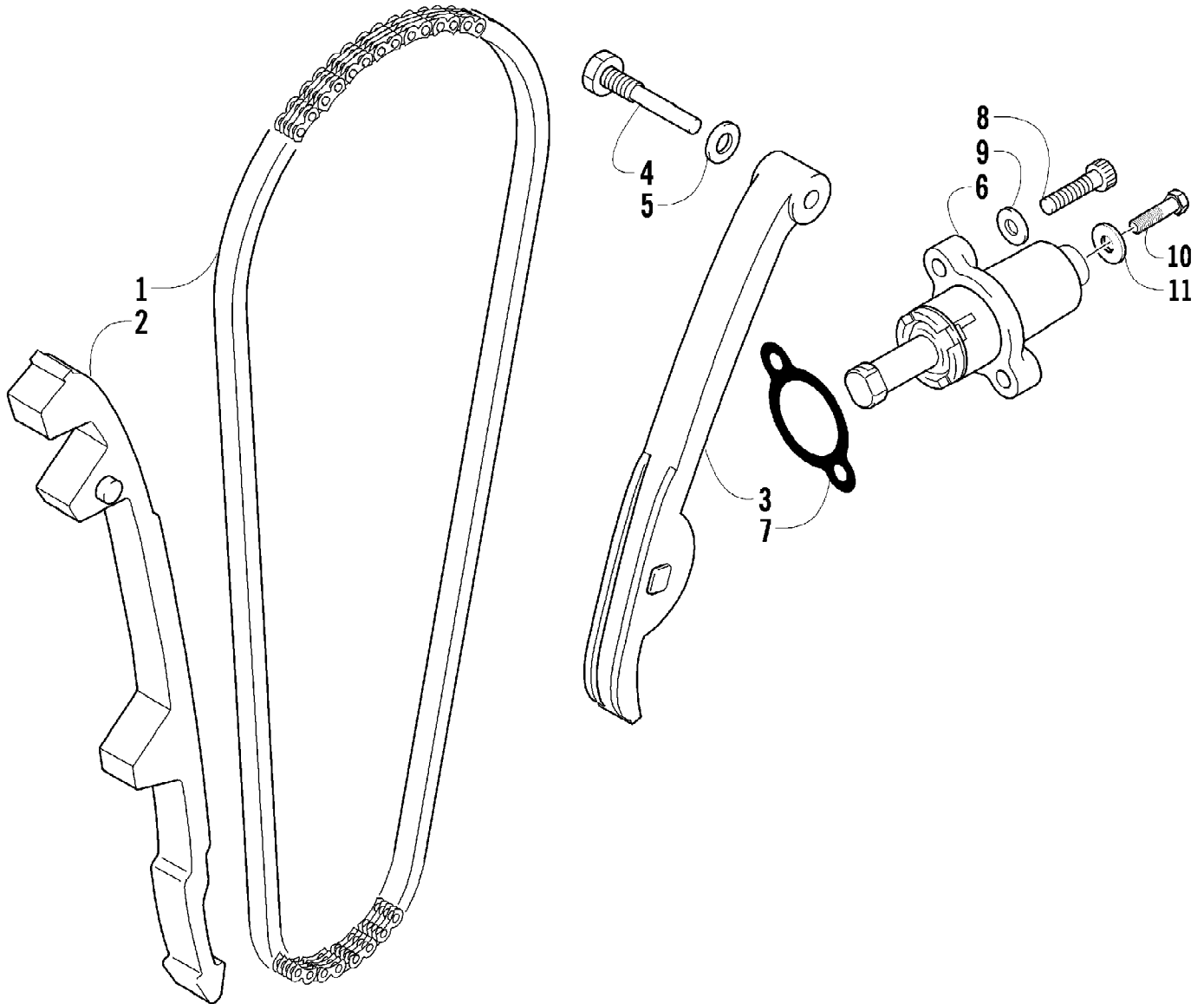
Ref #	Part Number	Qty	S/P/F	Description
1	0470-834	1		Filter, Intake
2	0423-019	6		Clamp
3	1423-050	1		Cap
4	0513-043	1		Duct, Intake
5	0413-098	2		Boot, Air-In
6	0123-903	AR		Cable Tie - 11.5 in.
7	0423-342	4	/P	Screw, Self-Tapping
8	0470-900	1		Duct, Intake
9	0470-881	1		Fitting, Elbow
10	0410-226	1		Hose, Vent
11	1623-281	1		Clamp, Hose
12	0470-861	1		Cover, Air Intake
13	0470-560	1		Screen, Air Filter
14	0470-558	1		Filter, Air
15	0423-455	4		Clip, Spring
16	0570-327	1		Housing, Air Intake
17	0470-442	1	/P	Valve, Drain
18	0610-563	1		Clamp, Hose
19	0470-863	1		Cap, Drain
20	1623-287	1		Clamp, Hose
21	0423-766	1		Cap, Drain
22	0430-055	1		Sensor, Air Temperature (inc. 23)
23	5507-224	1		O-Ring
24	1423-074	2		Clamp
25	0470-906	1		Boot, Intake
26	0470-901	1		Boot, Intake
27	0423-018	1		Clamp
28	0470-907	1		Boot
29	0437-069	1	/P	Boot (inc. 30)
30	1423-041	1		Clamp, Manifold
31	0623-784	4		Screw, Self-Tapping
32	2516-706	1		Mount, Airbox
33	8468-612	4		Screw, Machine
34	0470-908	1		Shield, Heat
35	8477-610	4		Screw, Machine

2012 PROWLER 700 HDX INTERNATIONAL METALLIC GRAY (U2012P5T1PO85) Page 5 of 87
BATTERY AND STARTER MOTOR ASSEMBLY



2012 PROWLER 700 HDX INTERNATIONAL METALLIC GRAY (U2012P5T1PO85) Page 6 of 87
BATTERY AND STARTER MOTOR ASSEMBLY

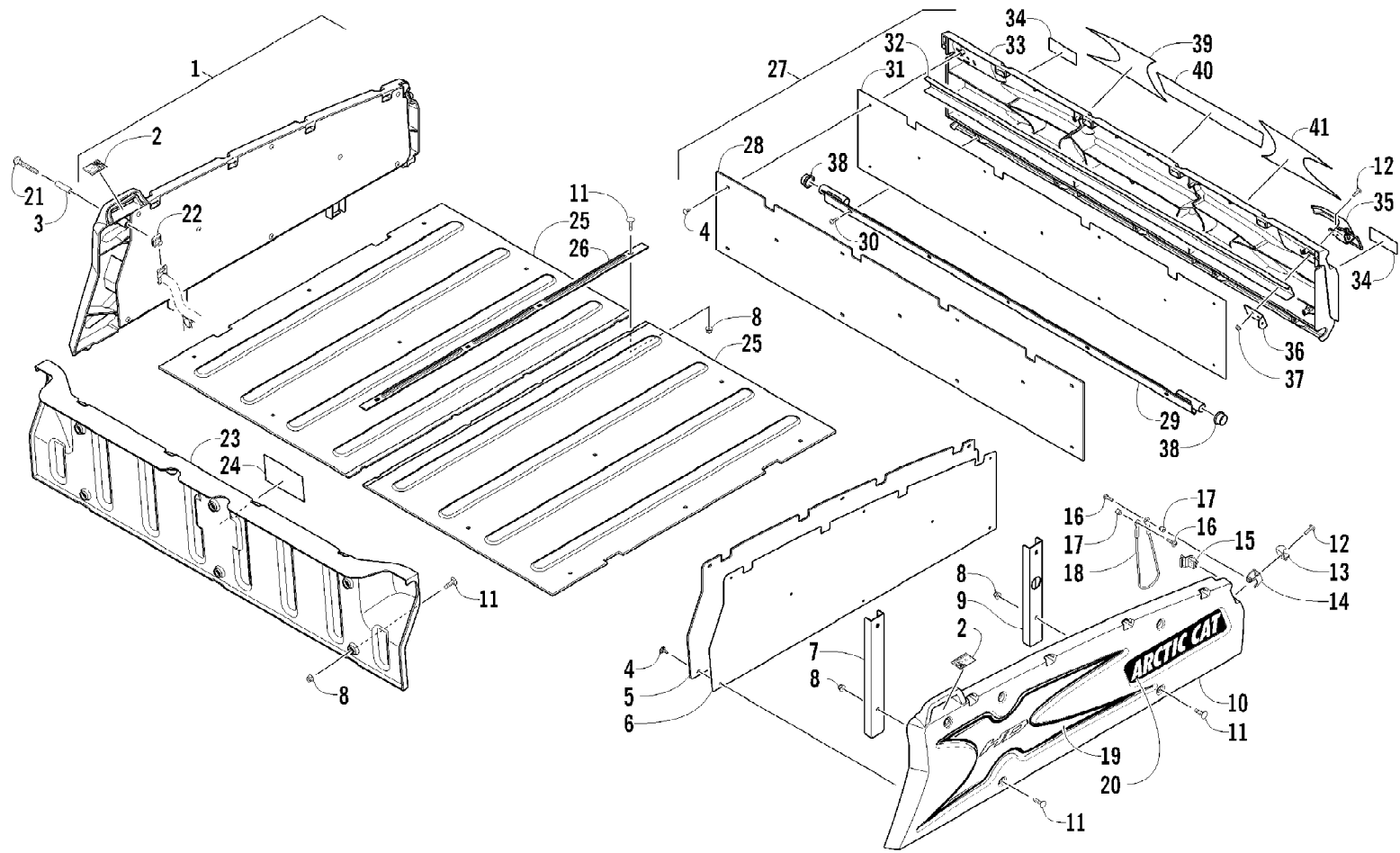
Ref #	Part Number	Qty	S/P/F	Description
1	0445-081	1		Battery (inc. 2-6)
2	0645-588	6	/P	Cap, Battery
3	0645-152	1		Clamp, Hose
4	0645-262	1		Hose, Vent
5	0645-430	2		Decal, Warning
6	0445-082	1		Kit, Hardware
7	1441-624	1		Screw, Thumb
8	2406-947	1		Cover, Battery Box
9	0423-577	1		Clip, U-Nut
10	2406-914	1		Box, Battery
11	8476-616	4		Screw, Machine
12	0470-854	1		Hold-Down, Battery Box - Right
13	0470-855	1		Hold-Down, Battery Box - Left
14	8424-602	4	/P	Nut
15	0445-050	1		Cable, Battery/Ground
16	0645-019	2		Boot, Terminal
17	0445-049	1		Cable, Battery/Solenoid
18	0623-038	5		Nut w/Washer
19	0445-061	1		Cable, Solenoid/Starter
20	0645-327	1		Boot, Terminal - Solenoid
21	0445-058	1	/P	Solenoid
22	8476-625	4		Screw, Machine
23	0825-013	1	/P	Motor, Starter - Assembly



2012 PROWLER 700 HDX INTERNATIONAL METALLIC GRAY (U2012P5T1PO85) Page 8 of 87
CAM CHAIN ASSEMBLY

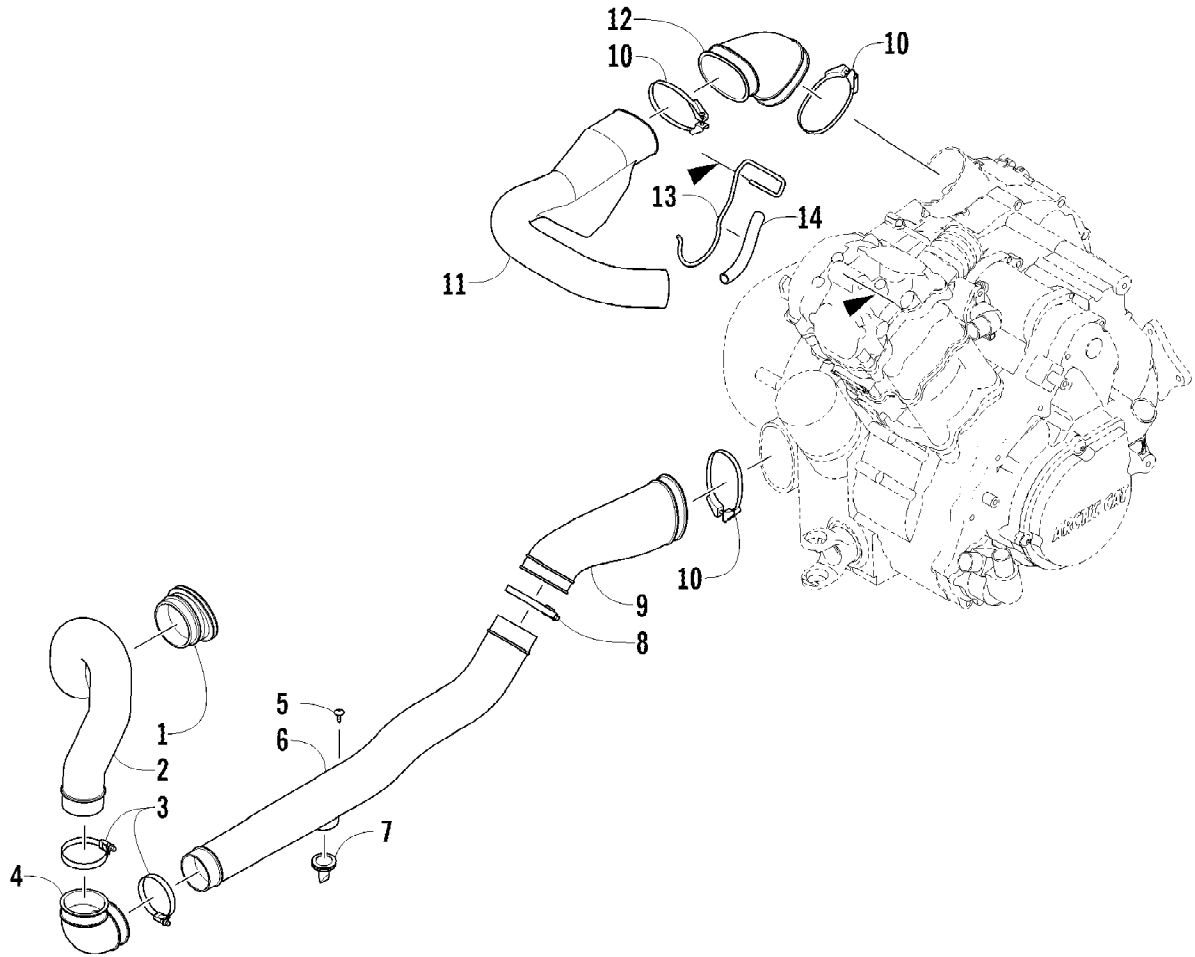
Ref #	Part Number	Qty	S/P/F	Description
1	0810-001	1		Chain, Cam
2	0810-002	1		Guide, Chain
3	0810-003	1		Tensioner, Chain
4	0826-036	1		Pivot, Tensioner
5	0830-025	1		Washer, Crush
6	0810-004	1		Adjuster, Tensioner - Assembly
7	0830-018	1		Gasket
8	8468-625	2		Screw, Machine
9	0830-107	2		Gasket
10	8400-610	1		Screw, Cap
11	0828-129	1		Washer

2012 PROWLER 700 HDX INTERNATIONAL METALLIC GRAY (U2012P5T1PO85) Page 9 of 87
CARGO BOX AND TAILGATE ASSEMBLY



2012 PROWLER 700 HDX INTERNATIONAL METALLIC GRAY (U2012P5T1P036) Page 10 of 87
CARGO BOX AND TAILGATE ASSEMBLY

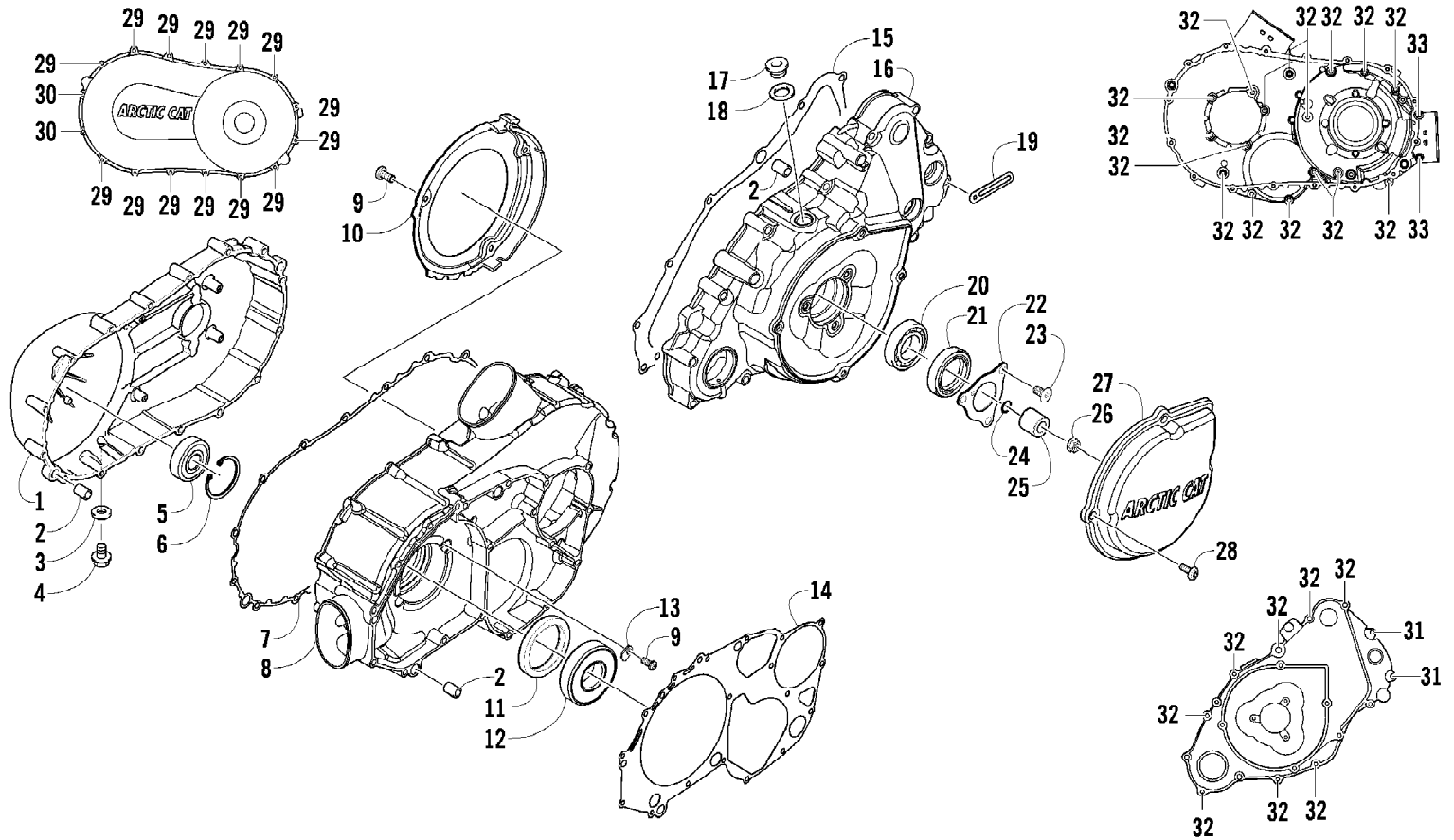
Ref #	Part Number	Qty	S/P/F	Description
1	4506-522	1		Side, Cargo Box - Assembly - Right (inc. 2-15)
1	4506-523	1		Side, Cargo Box - Assembly - Left (inc. 2-15)
2	2411-294	2		Decal, Warning - Pinch Point
3	2416-368	2		Spacer
4	1423-011	27		Screw, Self-Tapping
5	4506-524	2		Panel, Side - Inner
6	2416-647	2		Pad, Foam
7	4506-154	2		Brace, Support - Front
8	8427-802	30		Nut, Lock
9	4506-153	2		Brace, Support - Rear
10	2416-392	1		Side, Cargo Box - Right
10	2416-393	1		Side, Cargo Box - Left
11	0423-623	30		Bolt, Carriage
12	1423-038	6		Screw, Machine
13	2516-710	2		Bracket, Retaining - Latch
14	2416-379	2		Bracket, Retaining - Cable
15	2416-390	1		Insert, Panel - Right
15	2416-391	1		Insert, Panel - Left
16	8470-520	4		Screw, Machine
17	1423-009	4		Spacer
18	0487-080	2		Cable, Tailgate
19	2411-814	1		Decal, Side Panel - Right
19	2411-815	1		Decal, Side Panel -Left
20	2411-208	1		Decal, "Arctic Cat" - Right
20	2411-209	1		Decal, "Arctic Cat" - Left
21	1423-010	2		Screw, Machine
22	2416-378	2		Clip, U-Nut
23	2416-394	1		Panel, Front
24	2411-229	1		Decal, Warning - Cargo Box
25	2416-396	2		Panel, Lower
26	2516-871	1		Bracket, Retaining - Lower Panel
27	4506-589	1		Tailgate Assembly (inc. 28-37)
28	4506-526	1		Panel, Tailgate - Inner
29	4506-626	1		Shaft, Pivot - Tailgate
30	1423-083	5		Screw, Self-Tapping
31	2416-648	1		Pad, Foam
32	2416-652	1		Brace, Support
33	2416-395	1		Panel, Tailgate - Outer
34	2411-182	2		Decal, Reflector
35	2516-729	2		Latch, Tailgate - Assembly
36	2416-370	2		Bracket, Support - Latch
37	8424-602	4	/P	Nut
38	2416-363	2		Bushing
39	2411-832	1		Decal, Tailgate - Right
40	2411-212	1		Decal, Tailgate - Center
41	2411-833	1		Decal, Tailgate - Left



2012 PROWLER 700 HDX INTERNATIONAL METALLIC GRAY (U2012P5T1P036) Page 12 of 87
CASE/BELT COOLING ASSEMBLY

Ref #	Part Number	Qty	S/P/F	Description
1	2416-088	1		Boot, Air-In
2	0413-275	1		Duct, Air-In
3	0423-019	2		Clamp
4	0413-098	1		Boot, Air Duct
5	0623-784	1		Screw, Self-Tapping
6	0413-236	1		Duct, Air-In
7	0470-442	1	/P	Valve, Drain
8	0423-018	1		Clamp
9	0413-274	1		Boot, Air-In
10	0423-730	3		Clamp
11	0413-291	1	/P	Duct, Air-Out
12	0413-109	1		Duct, Air-Out
13	0413-298	1		Wire Form, Support
14	0610-513	AR		Hose - 25 ft

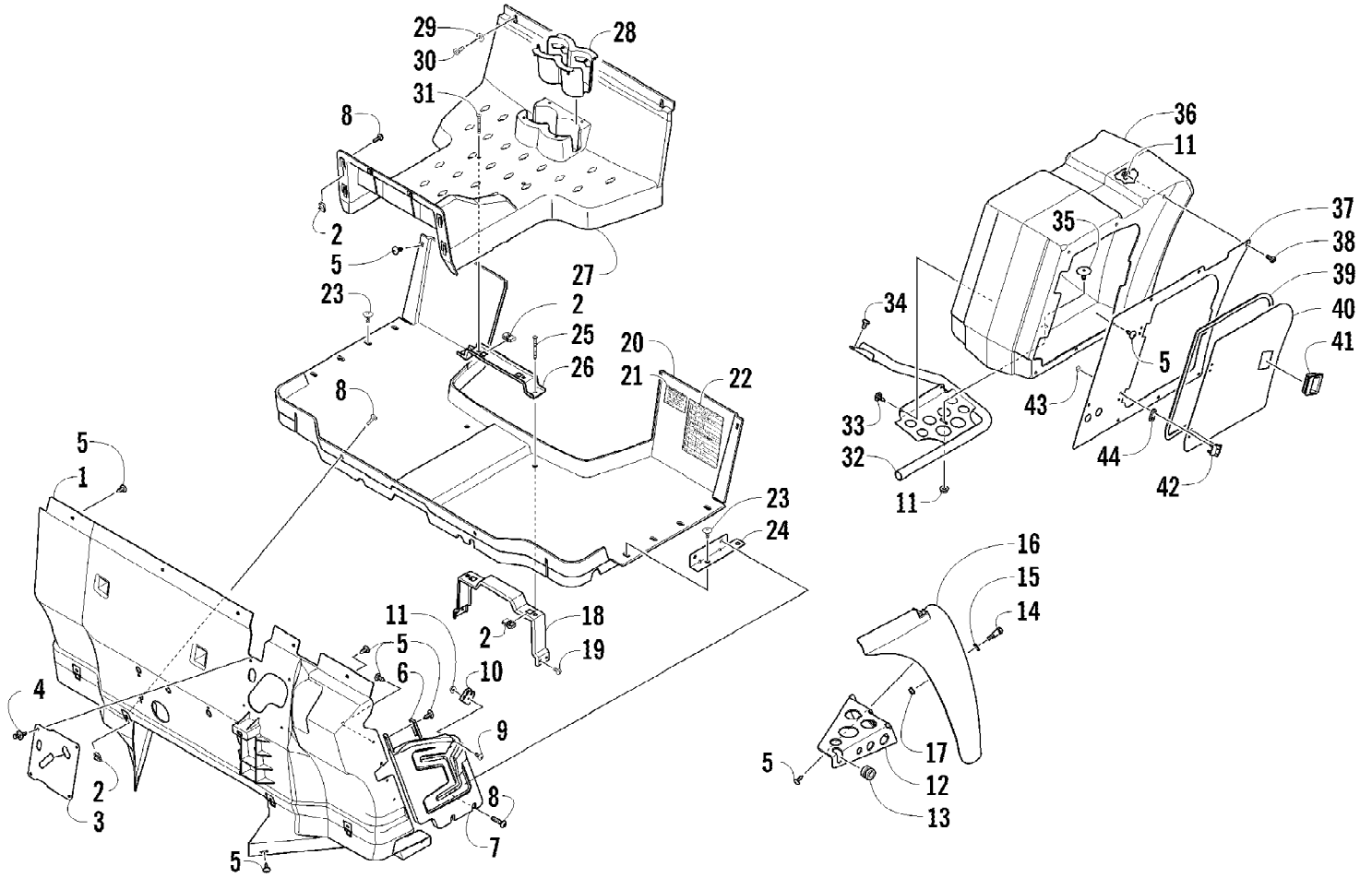
2012 PROWLER 700 HDX INTERNATIONAL METALLIC GRAY (U2012P5T1P036) Page 13 of 87
CLUTCH/V-BELT/MAGNETO COVER ASSEMBLY



2012 PROWLER 700 HDX INTERNATIONAL METALLIC GRAY (U2012P5T1P036) Page 14 of 87
CLUTCH/V-BELT/MAGNETO COVER ASSEMBLY

Ref #	Part Number	Qty	S/P/F	Description
1	0806-088	1	/P	Cover, V-Belt
2	0829-002	6		Pin, Dowel
3	0830-013	1		Washer, Crush
4	8408-812	1		Screw, Cap
5	0832-060	1		Bearing
6	0831-078	1		Ring, Retaining
7	0830-174	1	/P	Gasket, V-Belt Cover
8	0806-091	1		Cover, Clutch
9	0826-029	5		Screw, Machine
10	0806-048	1		Plate, Air Intake
11	0830-188	1	/P	Seal
12	0832-009	1	/P	Bearing
13	0822-010	2	/P	Retainer, Bearing
14	0830-116	1	/P	Gasket, Clutch Cover
15	0830-128	1		Gasket, Magneto Cover
16	0806-082	1	/P	Cover, Magneto - Assembly
17	0826-155	1		Plug
18	0830-015	1		Washer, Crush
19	3002-964	1	/P	Clamp, Wire
20	1602-981	1	/P	Bearing
21	0830-158	1		Seal
22	0805-008	1		Retainer, Seal
23	0826-031	3		Screw, Machine
24	0830-108	1		O-Ring
25	0820-061	1		Bushing
26	0827-008	1		Nut
27	0820-062	1		Cover, Magneto
28	8468-616	4		Screw, Machine
29	8468-645	14		Screw, Machine
30	8468-655	2		Screw, Machine
31	8468-625	2		Screw, Machine
32	8468-640	24		Screw, Machine
33	8468-675	2		Screw, Machine

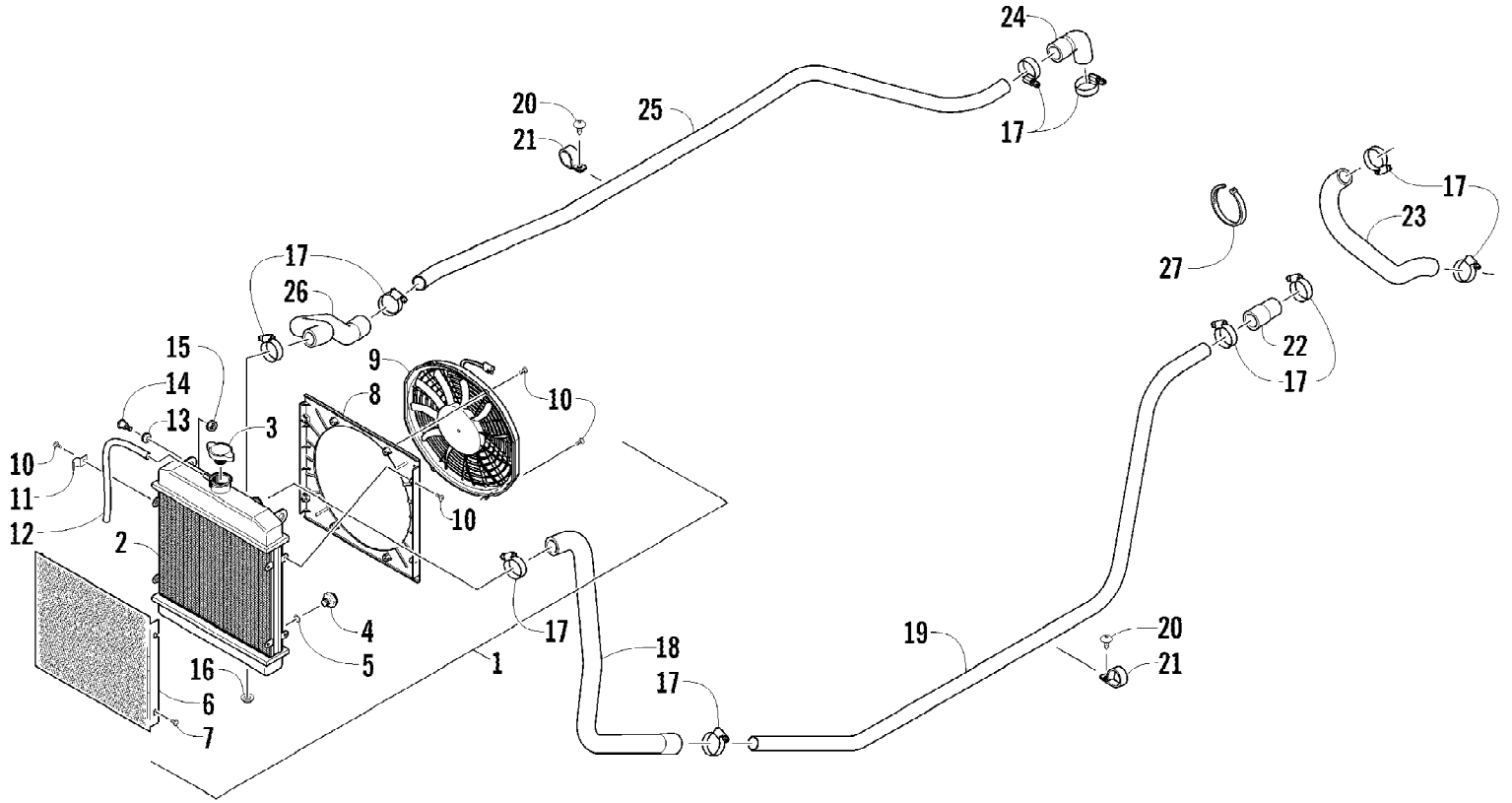
2012 PROWLER 700 HDX INTERNATIONAL METALLIC GRAY (U2012P5T1P036) 15 of 87
CONSOLE, FLOOR PANEL & STORAGE BOX ASSEMBLY



2012 PROWLER 700 HDX INTERNATIONAL METALLIC GRAY (U2012P5T1P036) 16 of 87
CONSOLE, FLOOR PANEL & STORAGE BOX ASSEMBLY

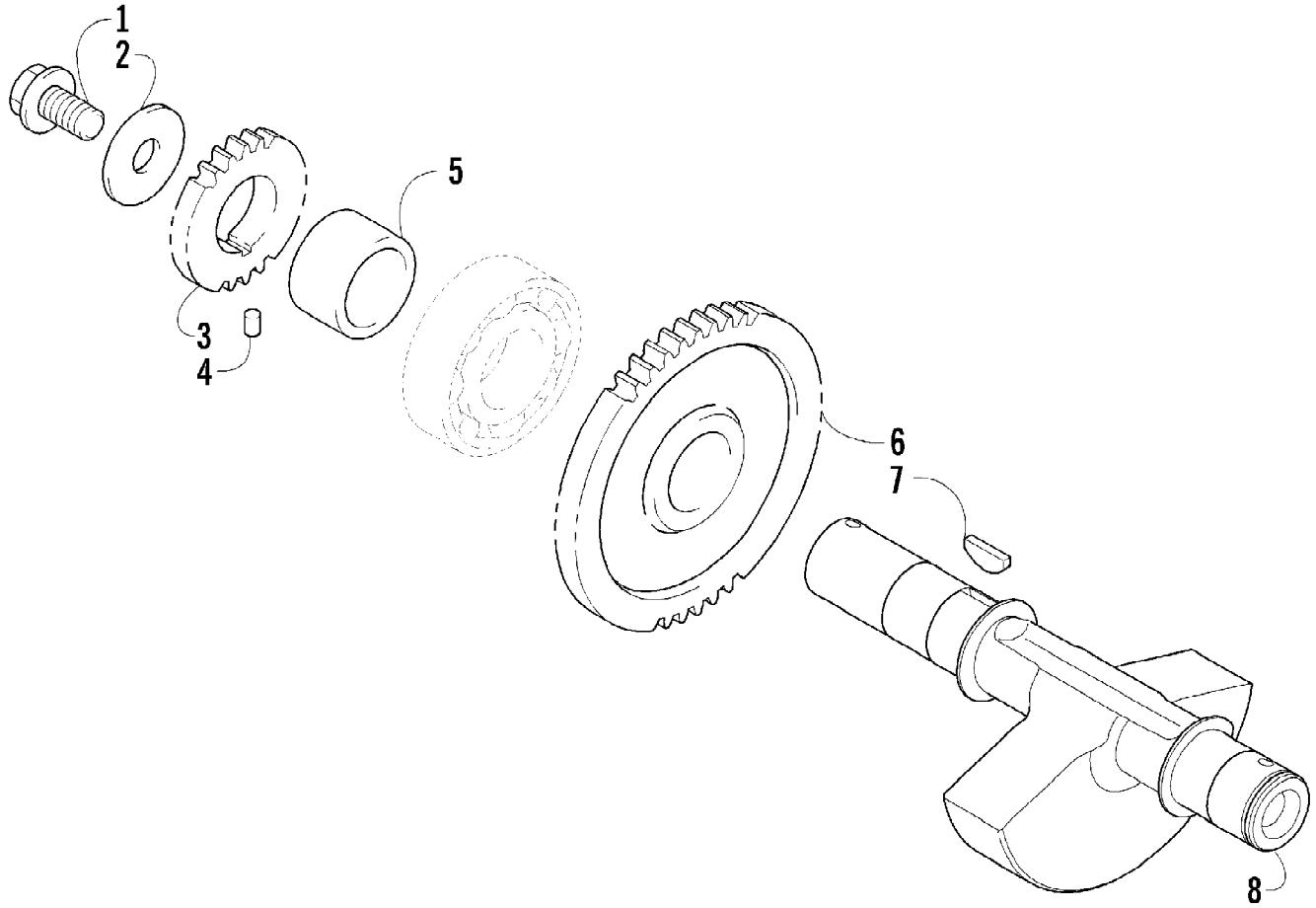
Ref #	Part Number	Qty	S/P/F	Description
1	2516-798	1		Panel, Fender - Inner
2	0423-577	17		Clip, U-Nut
3	0405-407	1		Seal, Steering Column
4	0623-362	4		Rivet, Reinstallable
5	0623-784	36		Screw, Self-Tapping
6	4506-596	2		Cap, Reinforcement
7	2416-848	2		Panel, Side
8	8468-625	14		Screw, Machine
9	0423-419	4		Screw, Machine
10	2416-846	2		Latch, Side Restraint
11	0423-540	18		Nut, Lock
12	2506-066	1		Bracket, Support - Right
12	2506-067	1		Bracket, Support - Left
13	0423-447	2		Grommet
14	0623-855	2		Screw, Shoulder
15	8050-217	2	/P	Washer
16	4506-054	1		Fender, Front - Right
16	4506-055	1		Fender, Front - Left
17	8048-366	2		Nut, Lock
18	2516-313	1		Bracket, Support
19	8476-616	4		Screw, Machine
20	2416-085	1		Floor
21	2411-233	1		Decal, "Tread Lightly"
22	2411-232	1		Decal, Pre-Ride
23	0423-545	8	/P	Screw, Shoulder
24	4506-260	1		Bracket, Side Panel - Right
24	4506-261	1		Bracket, Side Panel - Left
25	8468-670	2		Screw, Machine
26	2416-483	1		Bracket, Support - Center Footrest
27	2416-412	1		Footrest, Center
28	2416-109	1		Insert, Cupholder
29	8450-133	2		Washer
30	8476-630	2		Screw, Machine
31	8468-655	2		Screw, Machine
32	2516-854	1		Bracket, Support - Storage Box - Right
32	2516-855	1		Bracket, Support - Storage Box - Left
33	0623-797	4		Screw, Self-Tapping
34	8476-816	2		Screw, Machine
35	0423-101	2		Screw, Shoulder
36	4506-528	1		Storage Box - Right - Assembly (inc. 37-44 and 12 No. 11)
36	4506-527	1		Storage Box - Left - Assembly (inc. 37-44 and 12 No. 11)
37	2516-858	2		Panel, Reinforcement
38	8477-616	12		Screw, Machine
39	2416-504	2		Seal, Access Door
40	2516-853	2		Door, Access
41	1423-035	2		Latch, Access Door
42	1423-037	4		Hinge (inc. 43)
43	1623-928	16		Nut, Stamped
44	1423-036	4		Spacer

2012 PROWLER 700 HDX INTERNATIONAL METALLIC GRAY (U2012P5T1P036) Page 17 of 87
COOLING ASSEMBLY



2012 PROWLER 700 HDX INTERNATIONAL METALLIC GRAY (U2012P5T1P036) Page 18 of 87
 COOLING ASSEMBLY

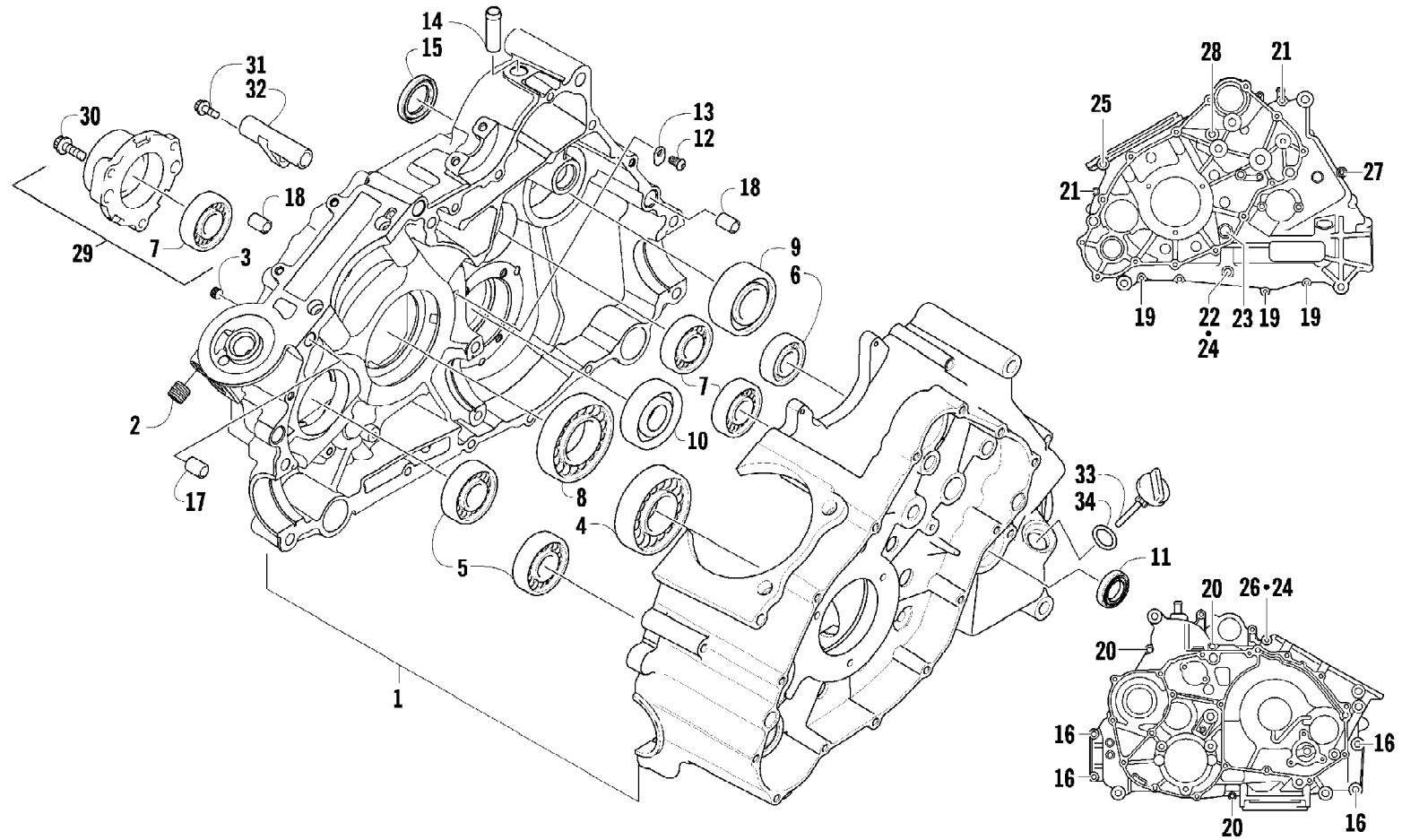
Ref #	Part Number	Qty	S/P/F	Description
1	0413-256	1	/P	Radiator - Assembly (inc. 2-13)
2	0413-205	1		Radiator
3	0413-255	1	/P	Cap, Radiator
4	0413-195	1		Plug, Drain
5	1602-213	1	/P	O-Ring
6	0413-007	1		Screen, Radiator
7	8475-512	4		Screw, Machine
8	0413-203	1		Shroud, Fan
9	0413-123	1	/P	Fan, Cooling
10	0623-378	8		Screw, Self-Tapping
11	0423-351	1		Clamp, Wire
12	0610-016	AR	/P	Hose - 25 ft
12	0610-015	AR	/P	Hose - 100 ft
13	0423-030	2		Grommet
14	0423-484	2		Screw, Shoulder
15	0623-038	2		Nut w/Washer
16	0423-028	2		Bushing, Stem
17	0423-496	10		Clamp, Hose
18	0410-092	1		Hose, Coolant - Upper Radiator
19	0410-223	1		Pipe, Coolant - Upper
20	0623-784	2		Screw, Self-Tapping
21	0423-594	2		Clamp, Pipe - Coolant
22	0410-225	1		Hose, Coolant - Pipe/Thermostat Cover
23	0410-022	1		Hose, Coolant - Rear
24	0410-215	1		Hose, Coolant
25	0410-224	1		Pipe, Coolant - Lower
26	0410-094	1		Hose, Coolant - Lower Radiator
27	0623-751	AR		Tie, Cable - Reusable



2012 PROWLER 700 HDX INTERNATIONAL METALLIC GRAY (U2012P5T1P036) Page 20 of 87
CRANK BALANCER ASSEMBLY

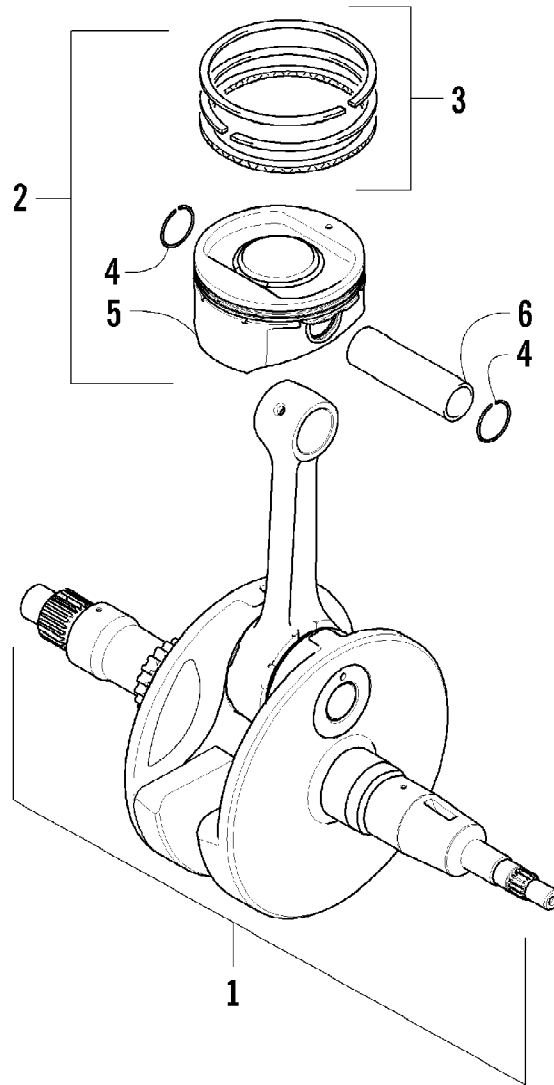
Ref #	Part Number	Qty	S/P/F	Description
1	0826-033	1		Screw, Cap
2	0828-003	1		Washer
3	0811-003	1		Gear, Oil Pump Drive
4	0829-007	1		Pin, Dowel
5	0811-004	1		Spacer
6	0811-034	1		Gear, Driven
7	0829-006	1		Key
8	0805-304	1		Balancer, Crank

2012 PROWLER 700 HDX INTERNATIONAL METALLIC GRAY (U2012P5T1P036) 21 of 87
CRANKCASE ASSEMBLY



2012 PROWLER 700 HDX INTERNATIONAL METALLIC GRAY (U2012P5T1P036) Page 22 of 87
CRANKCASE ASSEMBLY

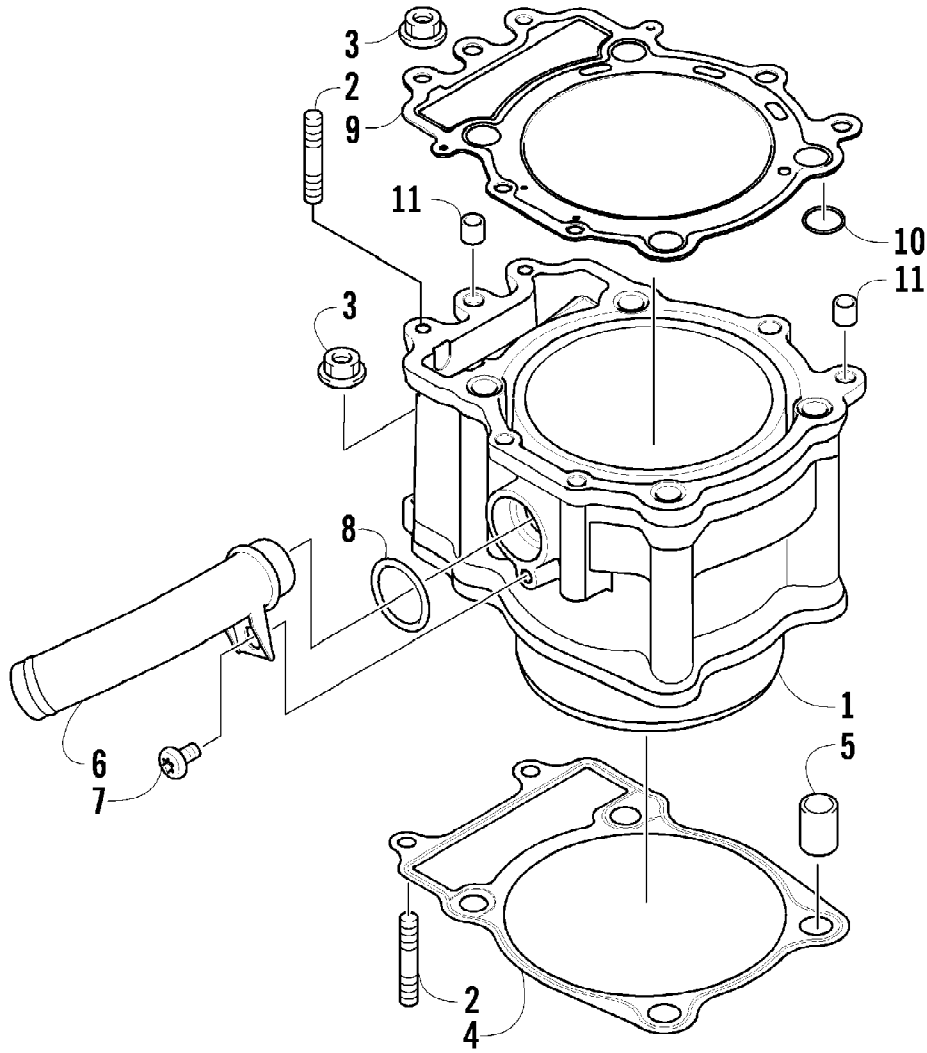
Ref #	Part Number	Qty	S/P/F	Description
1	0801-151	1		Crankcase Assembly (inc. 2-15)
2	0812-064	2		Plug
3	0801-002	1		Plug
4	0832-043	1	/P	Bearing
5	0832-044	2	/P	Bearing
6	0832-049	1	/P	Bearing
7	0832-050	3	/P	Bearing
8	0832-042	1	/P	Bearing
9	0832-048	1	/P	Bearing
10	0832-077	1	/P	Bearing
11	0822-052	1		Seal, Countershaft
12	0826-100	4		Screw, Machine
13	0822-010	4	/P	Retainer, Bearing
14	0801-028	1		Pipe, Breather
15	0830-035	1		Seal, Driveshaft
16	8412-850	4		Screw, Cap
17	0829-003	1		Pin, Dowel
18	0829-002	5		Pin, Dowel
19	8468-645	3		Screw, Machine
20	8468-655	3		Screw, Machine
21	8468-675	2		Screw, Machine
22	8412-860	1		Screw, Cap
23	0826-017	1		Screw, Cap
24	0830-008	2		Gasket
25	0826-019	1		Screw, Cap
26	0826-018	1		Screw, Cap
27	8468-695	1		Screw, Machine
28	8468-680	1		Screw, Machine
29	0801-029	1		Housing, Secondary Shaft (inc. one No. 7)
30	0826-105	3		Screw, Cap
31	0826-038	1		Screw, Cap
32	0801-069	1		Pipe, Breather
33	0801-073	1		Stick, Oil Level (inc. 34)
34	0830-010	1		O-Ring



2012 PROWLER 700 HDX INTERNATIONAL METALLIC GRAY (U2012P5T1P036) Page 24 of 87
 CRANKSHAFT AND PISTON ASSEMBLY

Ref #	Part Number	Qty	S/P/F	Description
1	0805-326	1		Crankshaft Assembly
2	0805-297	1	/P	Piston Set (inc. 3-6)
3	0805-132	1		Ring, Piston - Set
4	0831-001	2		Circlip, Piston Pin
5	0805-296	1		Piston
6	0805-210	1		Pin, Piston

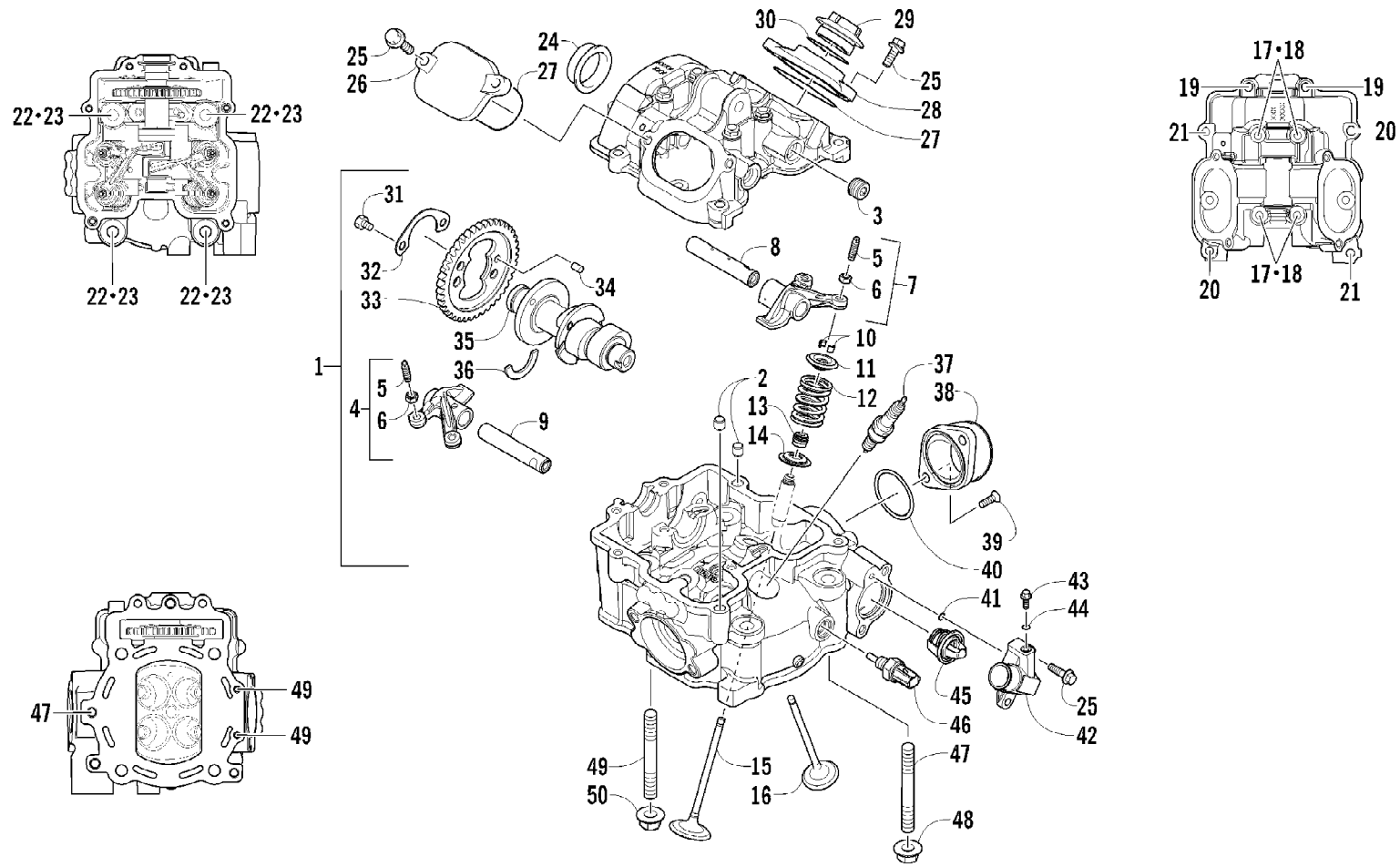
2012 PROWLER 700 HDX INTERNATIONAL METALLIC GRAY (U2012P5T1P036) 25 of 87
CYLINDER ASSEMBLY



2012 PROWLER 700 HDX INTERNATIONAL METALLIC GRAY (U2012P5T1P036) Page 26 of 87
CYLINDER ASSEMBLY

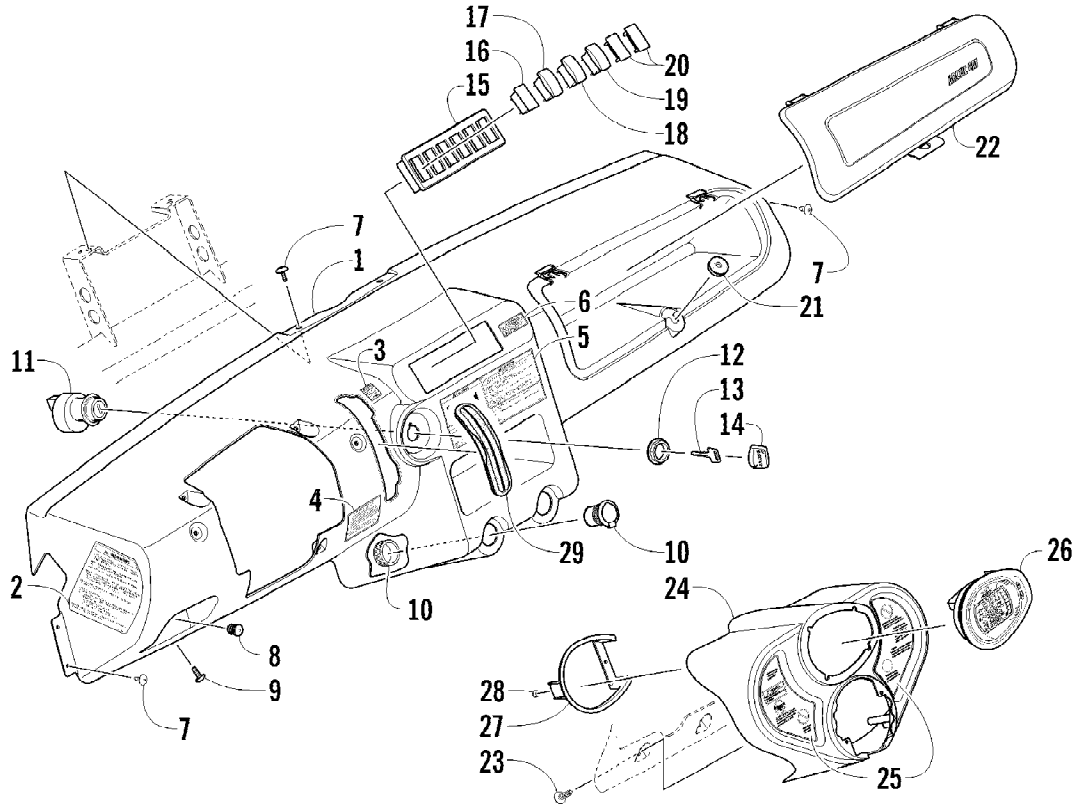
Ref #	Part Number	Qty	S/P/F	Description
1	0804-053	1	/P	Cylinder
2	0827-002	4		Bolt, Stud
3	8424-604	4		Nut
4	0830-111	1		Gasket, Base
5	0829-002	2		Pin, Dowel
6	0804-047	1	/P	Union, Coolant Hose
7	8468-612	1		Screw, Machine
8	0830-007	1		O-Ring
9	0830-112	1		Gasket, Cylinder Head
10	0830-113	4		O-Ring
11	0829-048	2	/P	Pin, Dowel

2012 PROWLER 700 HDX INTERNATIONAL METALLIC GRAY (U2012P5T1P036) 27 of 87
CYLINDER HEAD AND CAMSHAFT/VALVE ASSEMBLY



2012 PROWLER 700 HDX INTERNATIONAL METALLIC GRAY (U2012P5T1P036) Page 28 of 87
CYLINDER HEAD AND CAMSHAFT/VALVE ASSEMBLY

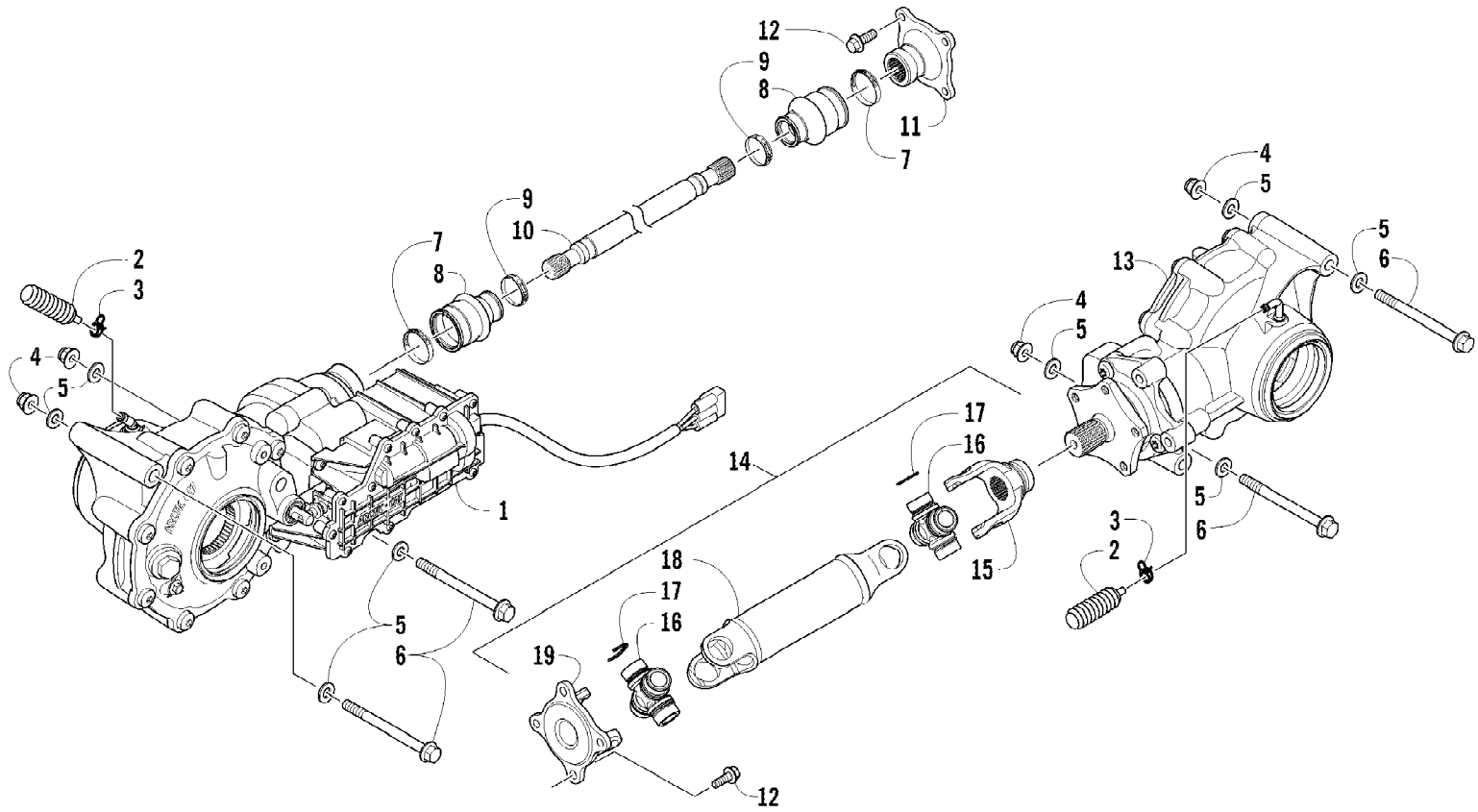
Ref #	Part Number	Qty	S/P/F	Description
1	0808-184	1		Head, Cylinder - Assembly (inc. 2-17)
2	0829-048	2	/P	Pin, Dowel
3	0831-092	2		Plug, Shaft
4	0809-237	1	/P	Arm, Valve Rocker - Exhaust (inc. two No. 5-6)
5	0809-240	4	/P	Screw, Adjuster
6	0827-059	4		Nut
7	0809-234	1	/P	Arm, Valve Rocker - Intake (inc. two No. 5-6)
8	0809-241	1		Shaft, Rocker Arm - Intake
9	0809-242	1		Shaft, Rocker Arm - Exhaust
10	0809-233	8		Cotter, Valve
11	0809-232	4		Retainer, Spring
12	0809-231	4	/P	Spring, Valve
13	0830-186	4	/P	Seal, Oil
14	0809-215	4		Seat, Spring - Valve
15	0809-228	2	/P	Valve, Intake
16	0809-229	2	/P	Valve, Exhaust
17	0826-149	4		Screw, Cap
18	0830-155	4	/P	Gasket
19	0826-002	2		Screw, Cap
20	0826-005	2		Screw, Cap
21	0826-006	2		Screw, Cap
22	0808-037	4	/P	Screw, Cap
23	0830-147	4	/P	Washer
24	0808-077	1		Plug, Cylinder Head
25	0826-007	6		Screw, Cap
26	0808-003	1		Cap, Inspection
27	0830-167	2	/P	O-Ring
28	0808-206	1		Cap, Inspection
29	0812-089	1		Plug, Oil Fill
30	0830-215	1		O-Ring
31	0826-034	2		Screw, Cap
32	0828-004	1		Plate, Retainer
33	0809-212	1		Sprocket
34	0829-049	1		Pin, Dowel
35	0809-245	1	/P	Camshaft
36	0809-003	1		C-Ring
37	0217-799	1	/P	Spark Plug CPR8E
38	0470-668	1		Flange, Intake Manifold
39	0826-008	2		Screw, Machine
40	0830-090	1		O-Ring
41	0830-168	1	/P	O-Ring
42	0808-208	1		Cover, Thermostat (inc. 43-44)
43	8408-512	1		Screw, Cap
44	0423-182	1	/P	O-Ring
45	0808-078	1		Thermostat
46	0808-124	1		Switch, Engine Coolant Temperature
47	0827-031	1		Bolt, Stud
48	8424-804	1		Nut
49	0827-054	2		Bolt, Stud
50	8424-604	2		Nut



2012 PROWLER 700 HDX INTERNATIONAL METALLIC GRAY (U2012P5T1P036) Page 30 of 87
DASH ASSEMBLY

Ref #	Part Number	Qty	S/P/F	Description
1	4506-684	1		Panel, Dash
2	2411-236	1		Decal, Warning - Dash Side
3	2411-560	1		Decal, Caution - Engine RPM
4	2411-311	1		Decal, Starting
5	2411-881	1		Decal, Warning - Dash Center
6	1411-124	1		Decal, Warning - Differential Lock
7	0623-784	AR		Screw, Self-Tapping
8	1623-697	1		Plug, Hole
9	0423-419	3		Screw, Machine
10	0641-897	2	/P	Outlet, Accessory - 12V
11	0430-089	1	/P	Switch, Ignition (inc. 12-14)
12	0430-050	1		Nut, Retaining
13	0430-042	1		Key, Ignition - Series (Y Series - Left-Side Cut)
13	0430-043	1		Key, Ignition - Series (Z Series - Right-Side Cut)
14	0430-054	1		Cover, Key
15	0409-142	1		Panel, Switch - Mount
16	0420-111	1		Indicator, Seat Belt/Park
17	0409-067	1		Switch, Light
18	0409-061	1		Switch, 2WD/4WD/Differential Lock
19	0409-071	1		Switch, Reverse Override
20	0409-070	2		Plug, Switch Hole
21	0423-541	1		Grommet, Latch - Glove Box
22	1406-789	1		Cover, Glove Box
23	0423-342	5	/P	Screw, Self-Tapping
24	2406-539	1		Pod, Instrument
25	2411-292	1		Decal, Warning - Dash - Right
25	2411-293	1		Decal, Warning - Dash - Left
26	0520-172	1		Gauge, Analog LCD
27	0420-065	1	/P	Bracket, Retaining
28	0423-493	2		Nut w/Washer
29	2416-849	1		Boot, Shift

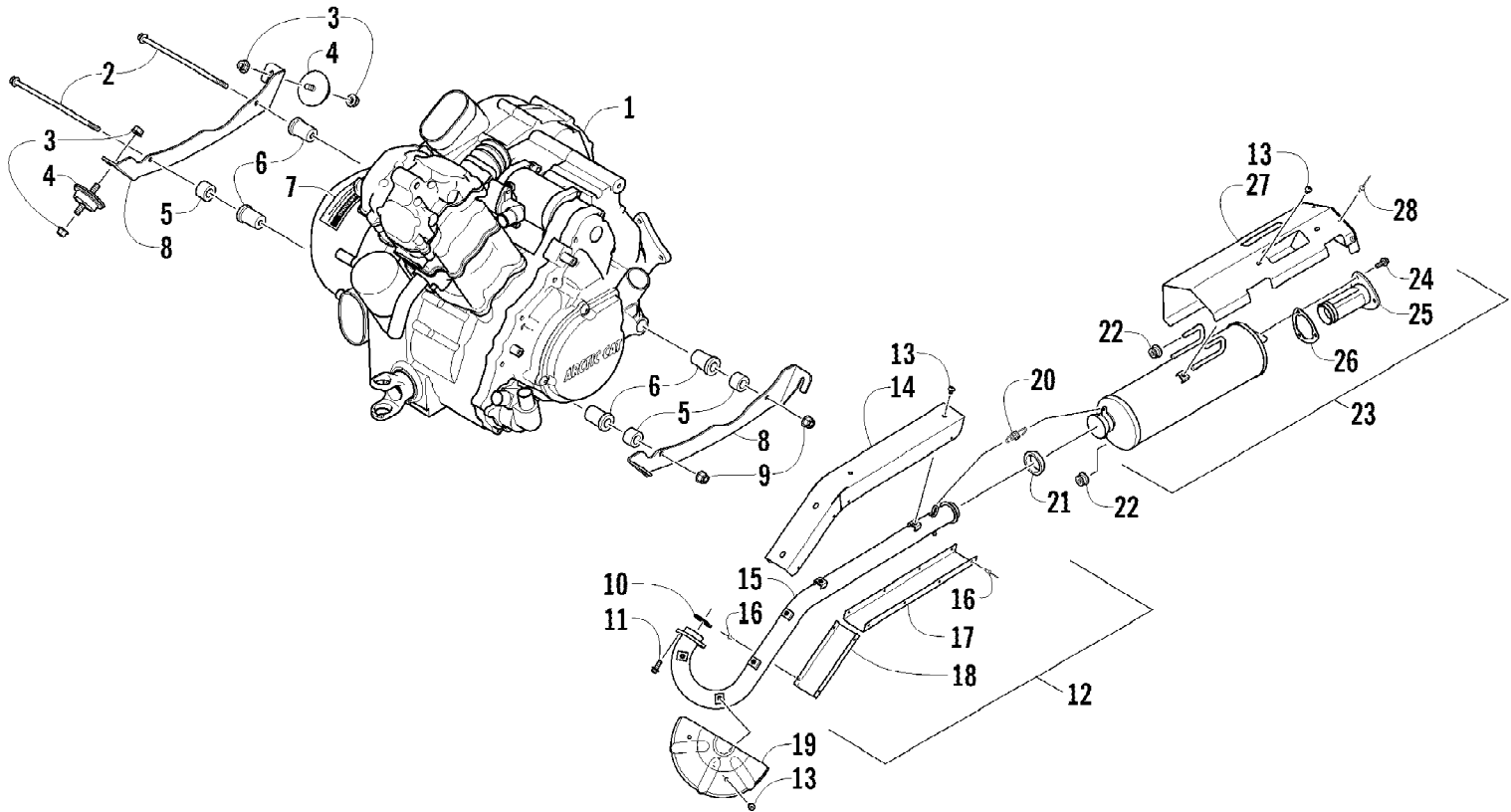
2012 PROWLER 700 HDX INTERNATIONAL METALLIC GRAY (U2012P5T1P036) 31 of 87
DRIVE TRAIN ASSEMBLY



2012 PROWLER 700 HDX INTERNATIONAL METALLIC GRAY (U2012P5T1P036) 32 of 87
 DRIVE TRAIN ASSEMBLY

Ref #	Part Number	Qty	S/P/F	Description
1	1502-888	1		Gearcase, Front
2	1402-620	2	/P	Bladder, Gearcase
3	0423-315	2		Clamp, Hose
4	8428-002	4		Nut, Lock
5	0423-426	8		Washer
6	0423-404	4		Screw, Cap
7	0423-393	2		Clamp
8	0402-985	2	/P	Boot
9	0423-411	2		Clamp
10	1402-904	1		Shaft, Propeller - Front
11	0402-950	1		Flange, Output
12	8408-820	8	/P	Screw, Cap
13	1502-889	1		Gearcase, Rear
14	1502-743	1		Driveshaft, Rear - Assembly (inc. 15-19)
15	1402-567	1		Yoke, Slip
16	0402-944	2	/P	Joint, Universal (inc.17)
17	0423-395	8		Ring, Retaining
18	1502-736	1		Driveshaft, Rear
19	1402-689	1		Yoke, Flange

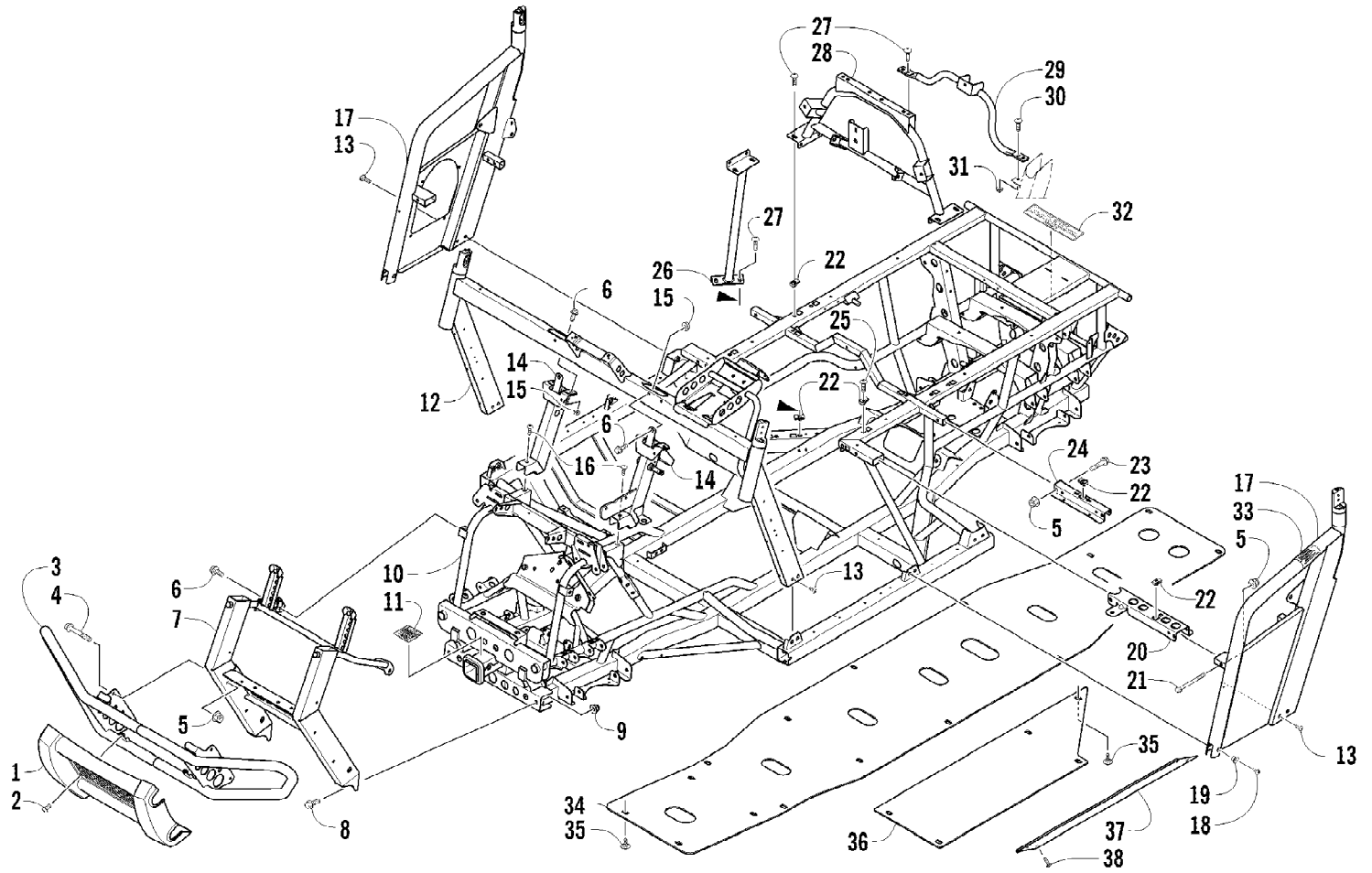
2012 PROWLER 700 HDX INTERNATIONAL METALLIC GRAY (U2012P5T1P036) 33 of 87
ENGINE AND EXHAUST



2012 PROWLER 700 HDX INTERNATIONAL METALLIC GRAY (U2012P5T1P036) Page 34 of 87
ENGINE AND EXHAUST

Ref #	Part Number	Qty	S/P/F	Description
1	0800-123	1		Engine, A700L
2	1423-064	2	/P	Screw, Cap
3	8424-002	8		Nut
4	0408-014	4		Mount, Engine
5	1423-025	3	/P	Spacer
6	0801-180	4	/P	Bushing
7	0411-426	1		Decal, Warning
8	2516-768	1		Bracket, Engine - Right
8	2516-769	1		Bracket, Engine - Left
9	8428-002	2		Nut, Lock
10	0412-338	1	/P	Gasket, Exhaust
11	8408-820	2	/P	Screw, Cap
12	0512-531	1		Pipe, Exhaust - Assembly (inc. four No. 13 and 14-18)
13	8477-610	9		Screw, Machine
14	0412-581	1		Shield, Pipe - Upper Rear
15	0512-532	1		Pipe, Exhaust
16	1623-130	12		Rivet
17	0412-580	1		Shield, Pipe - Lower Rear
18	0412-579	1		Shield, Pipe - Lower Front
19	0512-547	1		Shield, Pipe - Forward
20	0612-668	2	/P	Spring
21	0412-375	1	/P	Seal, Exhaust
22	0412-544	3		Bushing
23	0512-355	1	/P	Muffler - Assembly (inc. 24-26)
24	8408-616	3		Screw, Cap
25	0512-219	1	/P	Spark Arrester Assembly
26	0412-313	1		Gasket, Spark Arrester
27	0512-578	1		Shield, Heat - Muffler (inc. 28)
28	8061-486	3	/P	Rivet

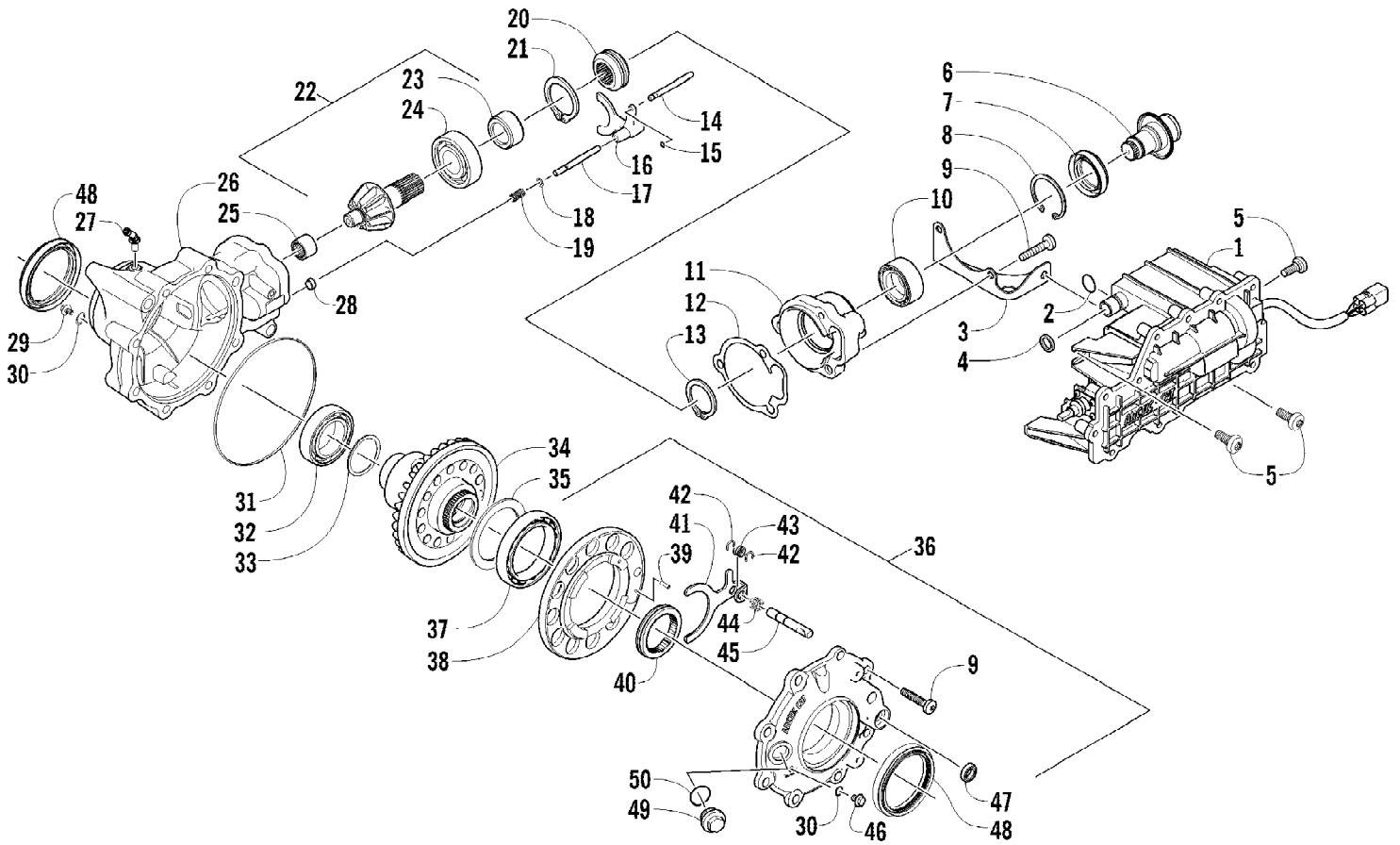
2012 PROWLER 700 HDX INTERNATIONAL METALLIC GRAY (U2012P5T1P036) 35 of 87
FRAME AND RELATED PARTS



2012 PROWLER 700 HDX INTERNATIONAL METALLIC GRAY (U2012P5T1P036) Page 36 of 87
FRAME AND RELATED PARTS

Ref #	Part Number	Qty	S/P/F	Description
1	2406-713	1		Fascia, Bumper - Front
2	8477-616	4		Screw, Machine
3	2506-779	1		Bumper
4	8408-860	4		Screw, Cap
5	8427-802	14		Nut, Lock
6	8408-820	8	/P	Screw, Cap
7	2516-556	1		Bracket, Mounting - Bumper
8	8409-020	2	/P	Screw, Cap
9	8427-002	2		Nut, Lock
10	4506-567	1	/P	Frame, Main
11	1411-122	1		Decal, Warning - Towing - Front
12	4506-599	1		Support, Steering
13	0423-817	8		Screw, Machine
14	0505-688	1		Bracket, Steering Support - Right
14	1502-928	1		Bracket, Steering Support - Left
15	8424-802	6		Nut
16	8476-820	2		Screw, Machine
17	4506-608	1		Support, Overhead - Right
17	4506-609	1		Support, Overhead - Left
18	0423-886	2		Screw, Machine
19	1423-051	2		Spacer
20	2516-644	1		Bracket, Seat Support - Front - Right
20	2516-645	1		Bracket, Seat Support - Front - Left
21	8408-870	6		Screw, Cap
22	0423-577	16		Clip, U-Nut
23	8408-850	6		Screw, Cap
24	1506-842	2		Bracket, Seat Support - Rear
25	8477-620	2		Screw, Machine
26	2516-777	1		Tube, Support
27	8476-616	6		Screw, Machine
28	4506-601	1		Support, ROPS
29	4506-604	1		Seat, Support - Right
29	4506-605	1		Seat, Support - Left
30	8476-620	8		Screw, Machine
31	8427-602	4		Nut, Lock
32	2411-234	1		Decal, Warning - Towing - Rear
33	2411-522	1		Decal, Warning - ROPS
34	2416-452	1		Plate, Skid - Center
35	0423-545	26	/P	Screw, Shoulder
36	2416-453	2		Panel, Belly - Side
37	2506-612	2		Plate, Skid - Side
38	0423-849	8		Screw, Self-Tapping

2012 PROWLER 700 HDX INTERNATIONAL METALLIC GRAY (U2012P5T1P036) 37 of 87
FRONT DRIVE GEARCASE ASSEMBLY



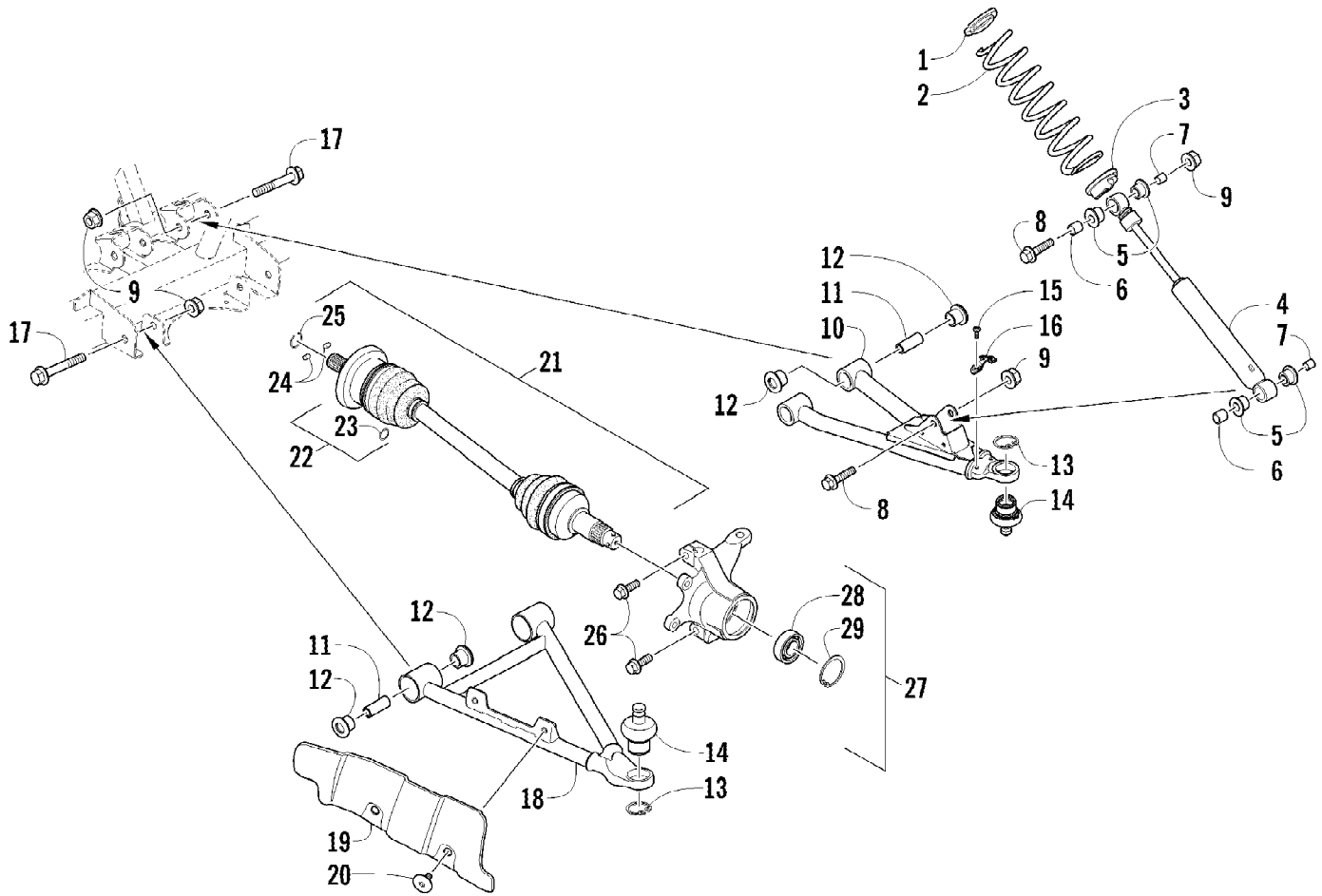
2012 PROWLER 700 HDX INTERNATIONAL METALLIC GRAY (U2012P5T1P036) 38 of 87
FRONT DRIVE GEARCASE ASSEMBLY

Ref #	Part Number	Qty	S/P/F	Description
	1502-888	1		Complete Front Drive Gearcase Assembly
1	1502-909	1	/P	Actuator (inc. 2)
2	1402-981	1		O-Ring
3	1502-237	1		Bracket, Actuator
4	0423-892	1	/P	O-Ring
5	0423-396	3		Screw, Self-Tapping
6	1502-085	1	/P	Shaft, Input
7	1402-011	1		Seal
8	0423-423	1		Ring, Retaining
9	0423-118	11		Screw, Self-Tapping
10	1402-043	1		Bearing
11	0502-528	1	/P	Housing, Pinion
12	0402-947	1		Gasket, Flange
13	0423-417	1		Ring, Retaining
14	0402-997	1		Shaft, Selector
15	0423-402	1		Ring, Retaining
16	0402-998	1		Fork, Selector
17	0402-417	1		Shaft, Shuttle
18	0423-147	1		O-Ring
19	0402-999	1		Spring, Return
20	0402-413	1		Coupler, Drive
21	1423-067	1		Ring, Retaining
22	1502-863	1		Gear, Pinion - Assembly - 10T (inc. 23-24)
23	1402-977	1		Collar, Retaining
24	0402-327	1		Bearing
25	0402-328	1		Bearing
26	1502-856	1		Housing, Gearcase
27	1402-980	1		Fitting, Elbow
28	0402-411	1		Pin, Dowel
29	1402-210	1	/P	Plug, Magnetic (inc. one No. 30)
30	0423-153	2		O-Ring
31	0423-149	1		O-Ring
32	0402-393	1		Bearing
33	0402-405	AR		Shim, 41 x 49 x 1.3 mm
33	0402-406	AR		Shim, 41 x 49 x 1.4 mm
33	0402-407	AR		Shim, 41 x 49 x 1.5 mm
33	0402-408	AR		Shim, 41 x 49 x 1.6 mm
33	0402-409	AR		Shim, 41 x 49 x 1.7 mm
34	1502-860	1		Gear, Ring - 36T
35	1402-074	AR		Shim, 61 x 69 x 1.3 mm
35	1402-075	AR		Shim, 61 x 69 x 1.4 mm
35	1402-076	AR		Shim, 61 x 69 x 1.5 mm
35	1402-077	AR		Shim, 61 x 69 x 1.6 mm
35	1402-078	AR		Shim, 61 x 69 x 1.7 mm
36	1502-895	1		Cover, Gearcase (inc. one No. 30, 37-47, and one No. 48)
37	1402-053	1		Bearing
38	0502-413	1		Flange, Bearing
39	1402-079	1		Pin, Parallel
40	1402-042	1		Collar, Sliding
41	1402-054	1		Fork
42	1402-058	2		Ring, Retaining

2012 PROWLER 700 HDX INTERNATIONAL METALLIC GRAY (U2012P5T1P036) Page 39 of 87
FRONT DRIVE GEARCASE ASSEMBLY

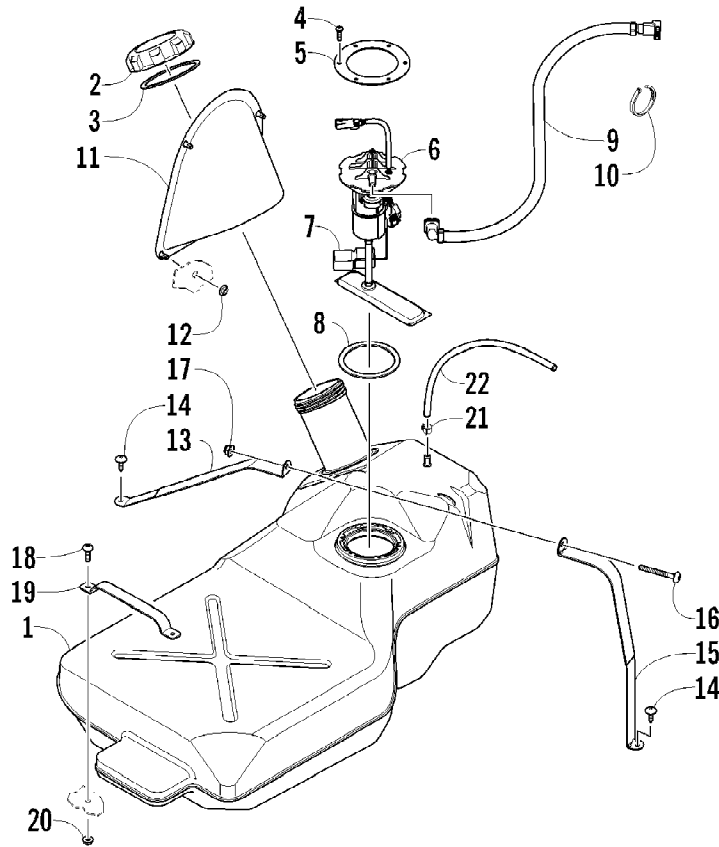
Ref #	Part Number	Qty	S/P/F	Description
43	1402-057	1		Spring
44	1402-063	1		Spring
45	1402-656	1		Shaft, Lock
46	1402-211	1		Plug, Oil Level (inc. one No. 30)
47	1402-056	1		Seal
48	1402-950	2	/P	Seal
49	0402-333	1	/P	Plug, Fill (inc. 50)
50	0423-154	1		O-Ring

2012 PROWLER 700 HDX INTERNATIONAL METALLIC GRAY (U2012P5T1P036) 40 of 87
FRONT SUSPENSION ASSEMBLY



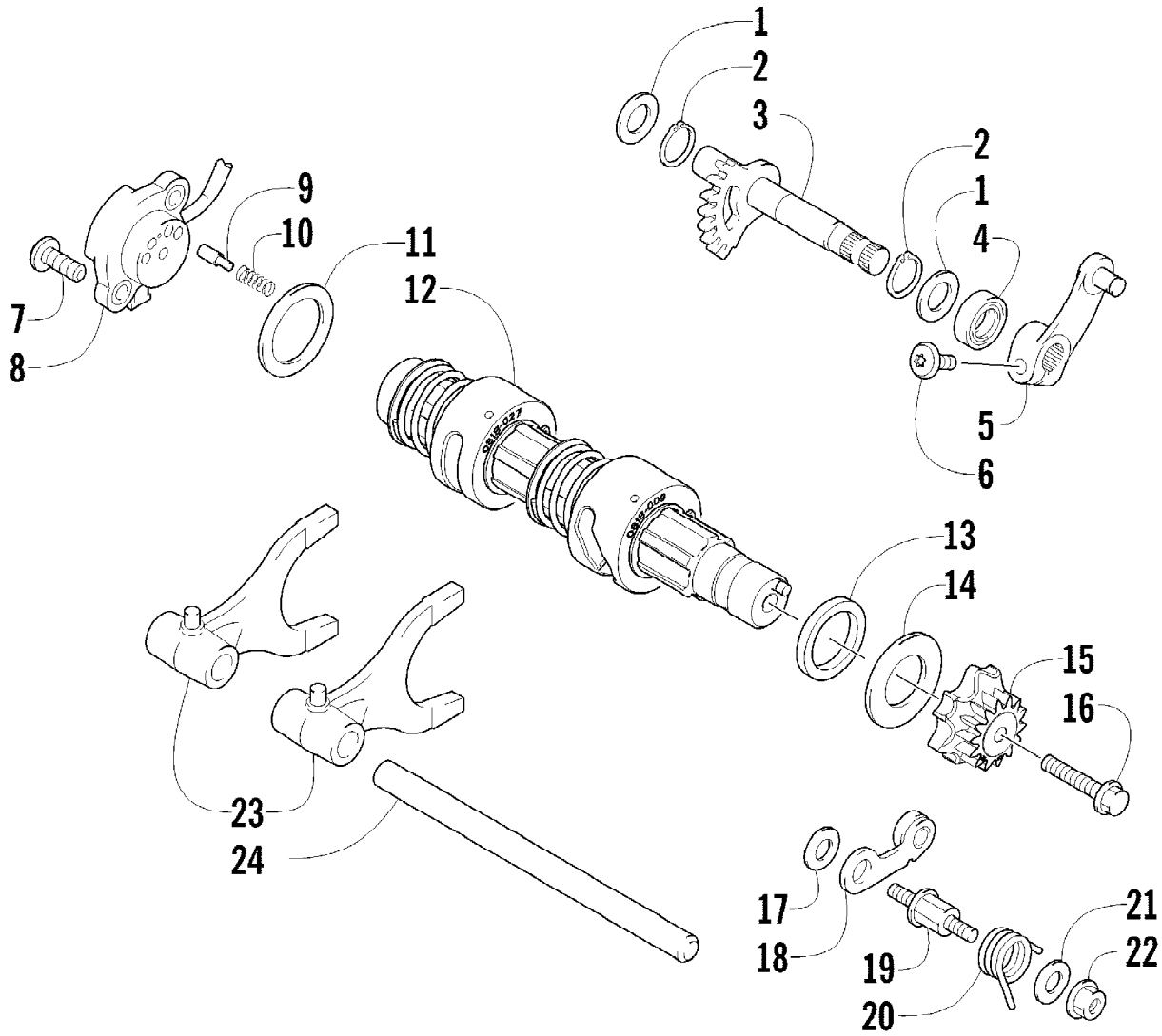
2012 PROWLER 700 HDX INTERNATIONAL METALLIC GRAY (U2012P5T1P036) Page 41 of 87
FRONT SUSPENSION ASSEMBLY

Ref #	Part Number	Qty	S/P/F	Description
1	1603-889	2	/P	Retainer, Spring
2	0403-211	2		Spring, Suspension
3	0404-057	2		Cam, Spring Adjuster
4	0403-256	2		Shock Absorber (inc. 5-6)
5	0603-955	8		Bushing
6	1603-209	4		Sleeve
7	0404-116	4		Sleeve
8	8409-055	4		Screw, Cap
9	8428-002	12		Nut, Lock
10	0503-432	1		A-Arm, Upper Right (inc. 11-14)
10	0503-433	1		A-Arm, Upper Left (inc. 11-14)
11	0403-214	8	/P	Axle
12	0403-208	16	/P	Bushing
13	0423-009	4	/P	Ring, Retaining
14	0405-115	4	/P	Ball Joint
15	0423-946	4		Screw, Self-Tapping
16	1502-594	2		Clamp, Routing
17	8409-075	8		Screw, Cap
18	0503-376	1	/P	A-Arm, Lower Right (inc. 11-14)
18	0503-377	1	/P	A-Arm, Lower Left (inc. 11-14)
19	1406-034	1		Guard, Boot - Right
19	1406-035	1		Guard, Boot - Left
20	0423-545	4	/P	Screw, Shoulder
21	1502-803	1	S	Axle, Drive - Right (inc. 22-25)
21	1502-802	1	S/P	Axle, Drive - Locking - Left (inc. 22-25)
22	1436-419	2		Repair Kit, Boot (inc. 23)
23	1441-988	2		Clip, Retaining
24	1402-885	4		Pin, Detent
25	1402-889	2		Clip, Retaining
26	0423-998	4		Screw, Shoulder
27	0505-580	1	/P	Knuckle - Assembly - Right (inc. 28-29)
27	0505-581	1	/P	Knuckle - Assembly - Left (inc. 28-29)
28	1402-809	2	/P	Bearing
29	0423-423	2		Ring, Retaining



2012 PROWLER 700 HDX INTERNATIONAL METALLIC GRAY (U2012P5T1P036) Page 43 of 87
 GAS TANK ASSEMBLY

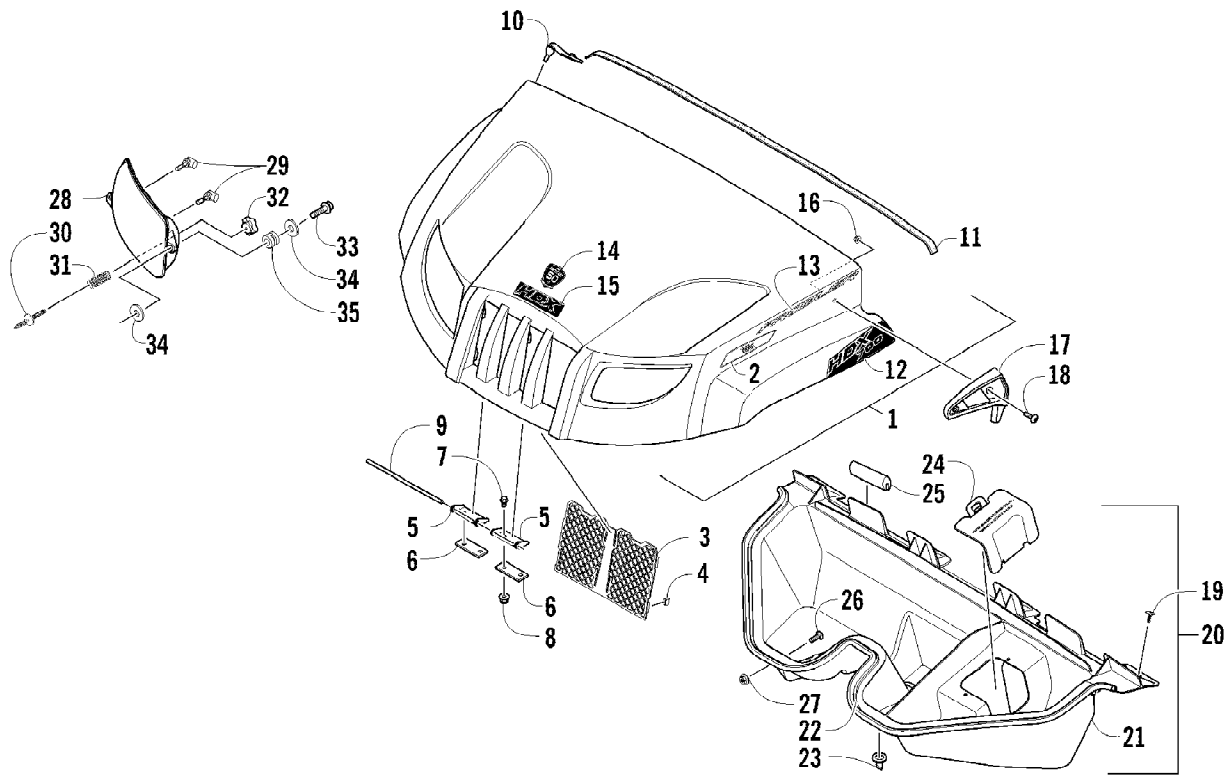
Ref #	Part Number	Qty	S/P/F	Description
1	0570-309	1		Tank, Gas - Assembly (inc. 2-5)
2	0470-541	1	/P	Cap, Gas Tank (inc. 3)
3	1670-228	1		Gasket, Gas Tank Cap
4	0423-898	6		Screw, Self-Tapping
5	2670-042	1		Plate, Retaining
6	0570-334	1	/P	Pump, Fuel - Assembly (inc. 7-8)
7	2670-235	1		Float
8	0470-838	1		Seal
9	0470-745	1		Hose, Gasline
10	0123-788	AR	/P	Tie, Cable - 8 in.
11	1406-886	1		Insert, Gas Tank Cap
12	0423-357	4		Nut, Stamped
13	0470-829	1		Bracket, Hold-Down - Right
14	0623-784	2		Screw, Self-Tapping
15	0470-830	1		Bracket, Hold-Down - Left
16	8476-650	1		Screw, Machine
17	8427-602	1		Nut, Lock
18	8476-620	2		Screw, Machine
19	0470-544	1		Bracket, Hold-Down - Front
20	0623-038	2		Nut w/Washer
21	0423-688	1		Clamp, Hose
22	0410-070	AR	/P	Hose, Gasline - 25 ft



2012 PROWLER 700 HDX INTERNATIONAL METALLIC GRAY (U2012P5T1P036) Page 45 of 87
GEAR SHIFTING ASSEMBLY

Ref #	Part Number	Qty	S/P/F	Description
1	0828-036	2		Washer
2	0831-010	2		Ring, Retaining
3	0818-007	1	/P	Shaft, Sub-Gear Shift
4	0830-044	1		Seal, Sub-Gear Shift Shaft
5	0818-014	1		Arm, Select
6	8468-620	1	/P	Screw, Machine
7	8470-520	2		Screw, Machine
8	0409-090	1	/P	Switch, Gear Position
9	0818-013	2		Contact
10	0818-017	2		Spring
11	0828-040	1		Washer
12	0818-093	1		Shaft, Gear Shift - Assembly
13	0828-131	1		Spacer
14	0828-037	1		Washer
15	0818-143	1		Plate, Gear Shift Cam
16	0826-006	1		Screw, Cap
17	0828-038	1		Washer
18	0818-002	1		Stopper, Cam
19	0818-004	1		Support, Cam Stopper
20	0818-144	1		Spring
21	0828-035	1		Washer
22	8424-602	1	/P	Nut
23	0818-072	2	/P	Fork, Shift
24	0818-006	1		Shaft, Shift Fork

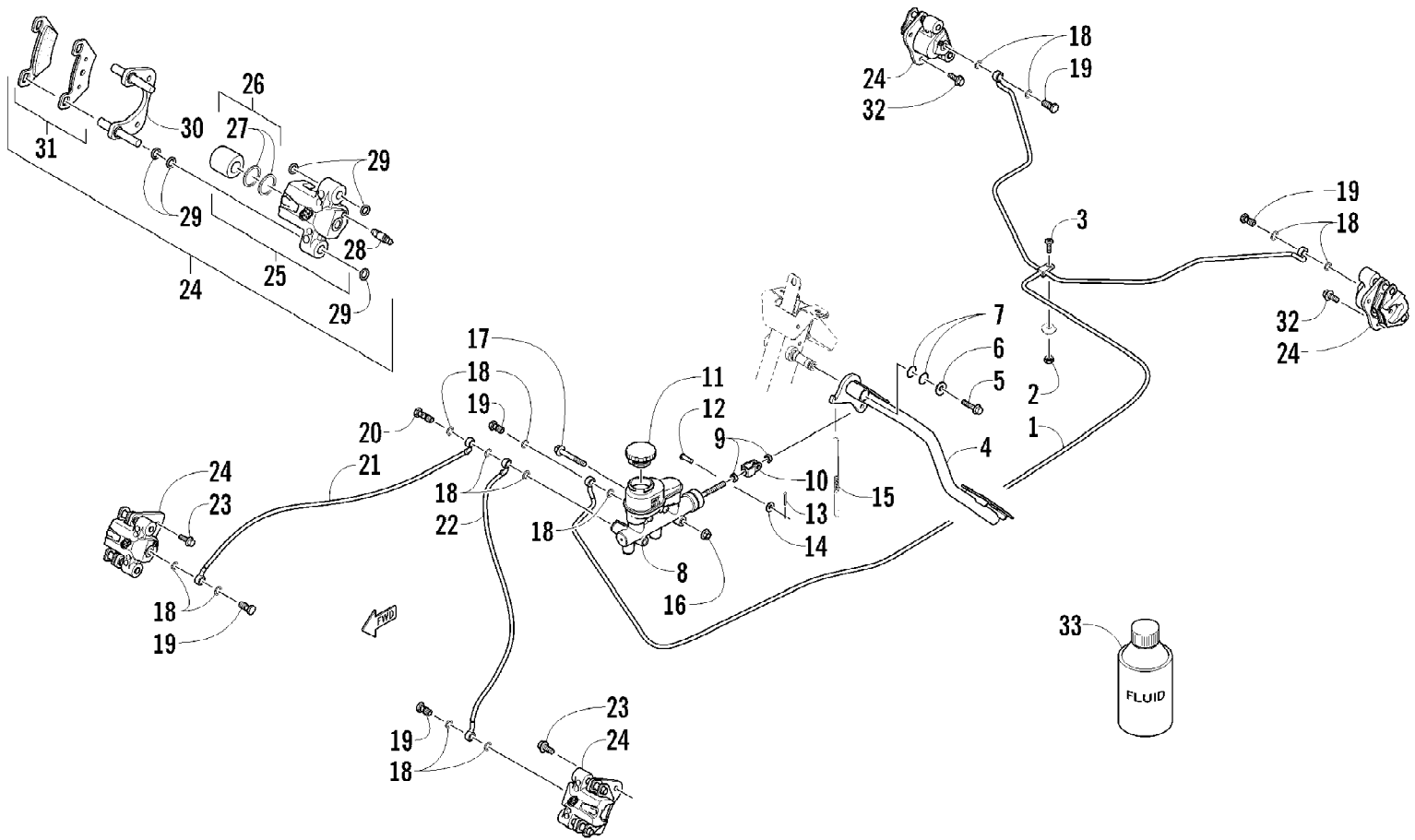
2012 PROWLER 700 HDX INTERNATIONAL METALLIC GRAY (U2012P5T1P036) 46 of 87
HOOD AND HEADLIGHT ASSEMBLY



2012 PROWLER 700 HDX INTERNATIONAL METALLIC GRAY (U2012P5T1P036) Page 47 of 87
HOOD AND HEADLIGHT ASSEMBLY

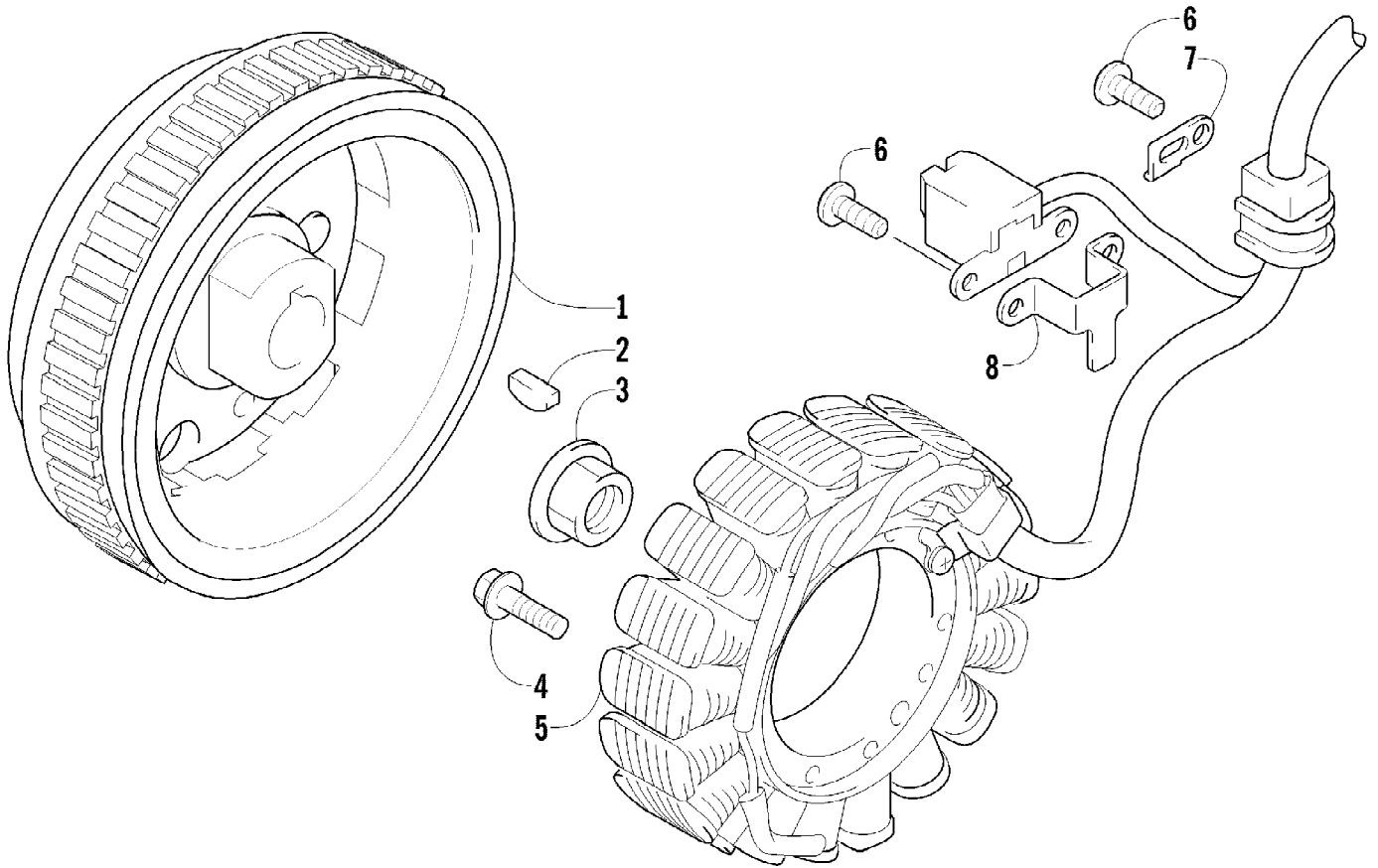
Ref #	Part Number	Qty	S/P/F	Description
1	4506-488	1		Hood - Assembly (inc. 2)
2	0411-818	1		Decal, Reflector - Right
2	0411-819	1		Decal, Reflector - Left
3	1406-733	1	/P	Screen, Grille
4	0123-987	8		Clip, U
5	2516-606	2		Bracket, Hood
6	2506-868	AR		Shim, Hood
7	8408-820	4	/P	Screw, Cap
8	8427-802	4		Nut, Lock
9	1406-915	1		Pin, Hood
10	2606-624	2		Strap, Hold-Down
11	0417-013	1		Trim, Hood/Dash
12	2411-816	1		Decal, Hood - "HDX" - Right
12	2411-817	1		Decal, Hood - "HDX" - Left
13	2411-755	2		Decal, Hood - "Prowler"
14	9611-399	1		Decal, 50th Anniversary
15	2411-819	1		Decal, Hood - Front Center
16	0423-450	4		Nut, Lock
17	2416-512	1		Louver - Right
17	2416-513	1		Louver - Left
18	0423-356	4		Screw, Shoulder
19	0423-545	4	/P	Screw, Shoulder
20	4506-037	1	/P	Storage, Under-Hood - Assembly (inc. 21-24)
21	2416-520	1		Box, Storage
22	1406-946	1		Seal, Storage Box
23	0470-442	1	/P	Valve, Drain
24	1406-944	1		Cover, Access - Master Cylinder
25	0417-014	AR		Trim, Dash Support
26	8476-616	2		Screw, Machine
27	8424-602	2	/P	Nut
28	0509-044	1	/P	Headlight Assembly - Right (inc. 29)
28	0509-035	1		Headlight Assembly - Left (inc. 29)
29	0409-055	4		Bulb, Headlight
30	0423-514	2		Stud, Adjuster
31	0423-522	2		Spring, Adjuster
32	0423-513	2		Knob, Adjuster
33	0623-785	4		Screw, Self-Tapping
34	8050-217	8	/P	Washer
35	0423-447	4		Grommet

2012 PROWLER 700 HDX INTERNATIONAL METALLIC GRAY (U2012P5T1P036) 48 of 87
HYDRAULIC BRAKE ASSEMBLY



2012 PROWLER 700 HDX INTERNATIONAL METALLIC GRAY (U2012P5T1P036) Page 49 of 87
 HYDRAULIC BRAKE ASSEMBLY

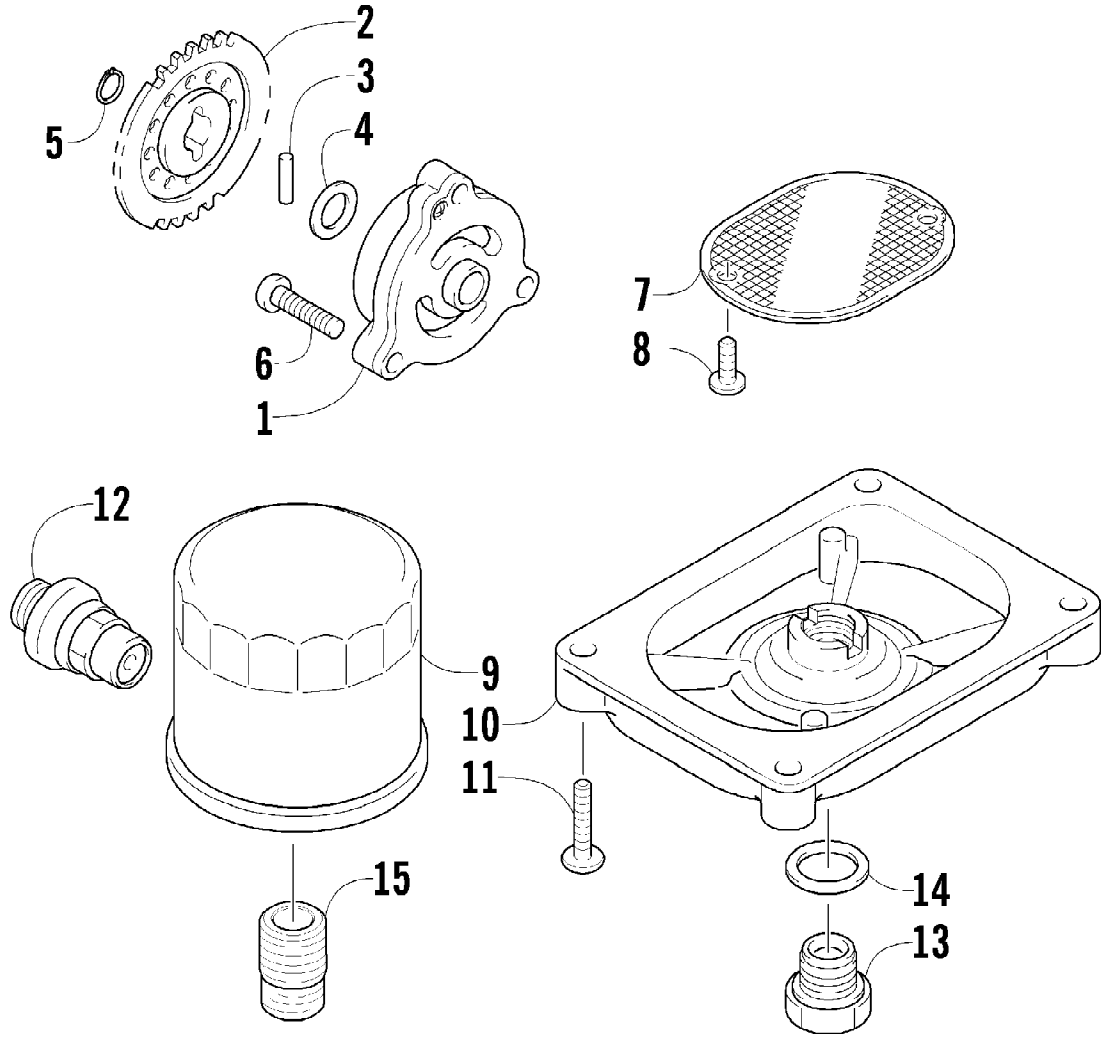
Ref #	Part Number	Qty	S/P/F	Description
1	1402-893	1		Hose, Rear Brake
2	0623-038	1		Nut w/Washer
3	8476-616	1		Screw, Machine
4	1502-692	1		Lever, Brake
5	8408-822	1		Screw, Cap
6	0623-044	1		Washer
7	1602-213	2	/P	O-Ring
8	0502-786	1		Cylinder, Master Brake - Assembly (inc. 9-11)
9	0402-592	2		Nut
10	1402-520	1		Clevis
11	0405-225	1		Cap, Reservoir
12	1402-377	1		Pin, Clevis
13	0117-868	1		Pin, Cotter
14	8050-217	1	/P	Washer
15	0502-785	1		Spring, Brake Switch
16	8424-802	2		Nut
17	8408-860	2		Screw, Cap
18	0423-178	13		Washer, Crush
19	0423-413	5		Bolt, Banjo-Fitting
20	0423-610	1		Bolt, Double Banjo-Fitting
21	1402-290	1		Hose, Brake - Front Right
22	1402-389	1		Hose, Brake - Front Left
23	8408-826	4		Screw, Cap
24	1502-730	1	/P	Caliper, Brake - Front Right (inc. 25-31)
24	1502-731	1	/P	Caliper, Brake - Front Left (inc. 25-31)
24	1436-422	1	/P	Caliper, Brake - Rear Right (inc. 25-32)
24	1436-423	1	/P	Caliper, Brake - Rear Left (inc. 25-32)
25	1436-160	1	/P	Housing, Caliper - Assembly - Front Right
25	1436-161	1	/P	Housing, Caliper - Assembly - Front Left
25	1436-160	1	/P	Housing, Caliper - Assembly - Rear Right
25	1436-161	1	/P	Housing, Caliper - Assembly - Rear Left
26	0502-606	4		Piston/Seal Set (inc. 27)
27	0502-607	4		Seal Set
28	0502-609	4	/P	Valve, Bleed
29	0502-608	4		O-Ring, Guide - Set
30	0502-960	2		Bracket Assembly - Front
30	0502-605	2		Bracket Assembly - Rear
31	1502-694	4	S	Pad, Brake - Set
32	8408-821	4	/P	Screw, Cap
33	0436-902	AR	/P	Fluid, Brake - 12 oz



2012 PROWLER 700 HDX INTERNATIONAL METALLIC GRAY (U2012P5T1P036) Page 51 of 87
MAGNETO ASSEMBLY

Ref #	Part Number	Qty	S/P/F	Description
1	0802-048	1		Rotor/Flywheel
2	0829-012	1		Key
3	0827-014	1		Nut
4	8409-632	3		Screw, Cap
5	0802-041	1		Stator - Assembly
6	8470-510	3		Screw, Machine
7	0802-015	1		Clamp - No. 1
8	0802-016	1		Clamp - No. 2

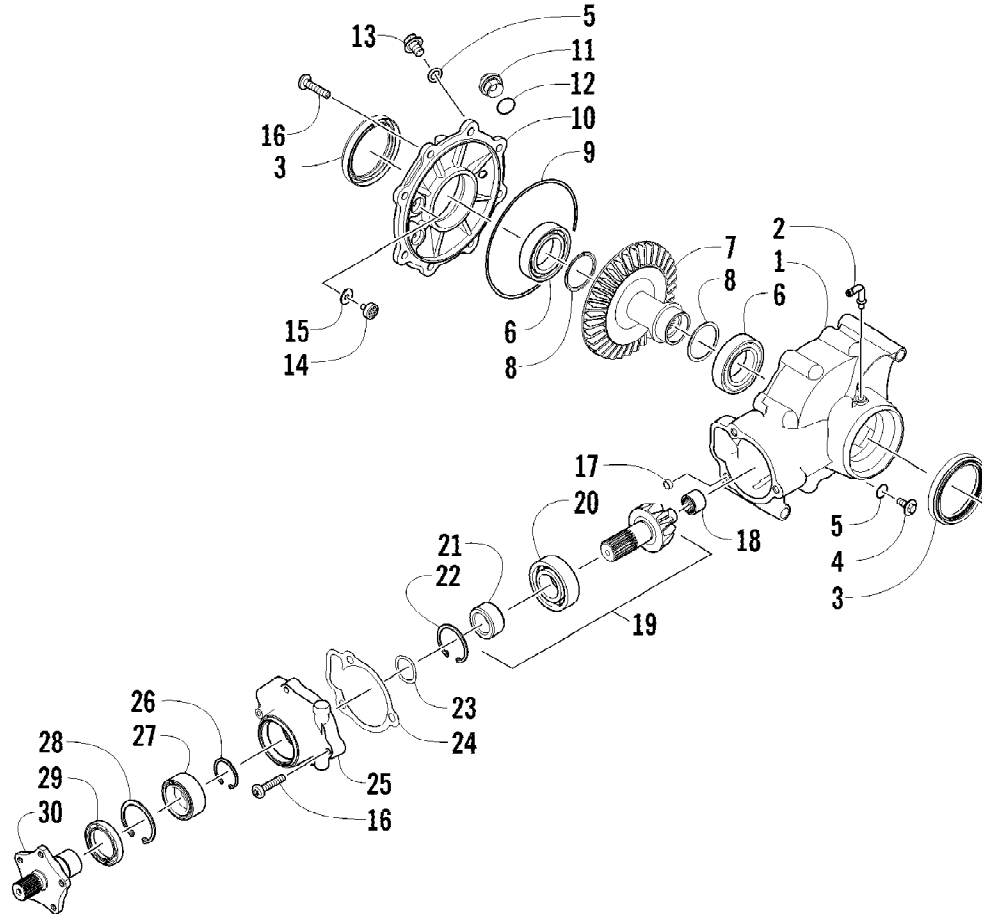
2012 PROWLER 700 HDX INTERNATIONAL METALLIC GRAY (U2012P5T1P036) Page 52 of 87
OIL FILTER/PUMP ASSEMBLY



2012 PROWLER 700 HDX INTERNATIONAL METALLIC GRAY (U2012P5T1P036) Page 53 of 87
OIL FILTER/PUMP ASSEMBLY

Ref #	Part Number	Qty	S/P/F	Description
1	0812-023	1		Pump, Oil
2	0812-083	1	/P	Gear, Driven
3	0829-009	1		Pin
4	0828-007	1	/P	Washer
5	0831-002	1		Ring, Retaining
6	0826-039	3		Screw, Machine
7	0812-057	1	/P	Strainer, Oil
8	0826-040	2		Screw, Machine
9	0812-029	1	S	Filter, Oil
10	0812-053	1		Cap, Oil Strainer
11	8468-625	4		Screw, Machine
12	0812-007	1		Valve, Oil-Relief - Assembly
13	0812-006	1		Plug, Drain
14	0830-017	1		Gasket, Drain Plug
15	0812-008	1		Union, Oil Filter

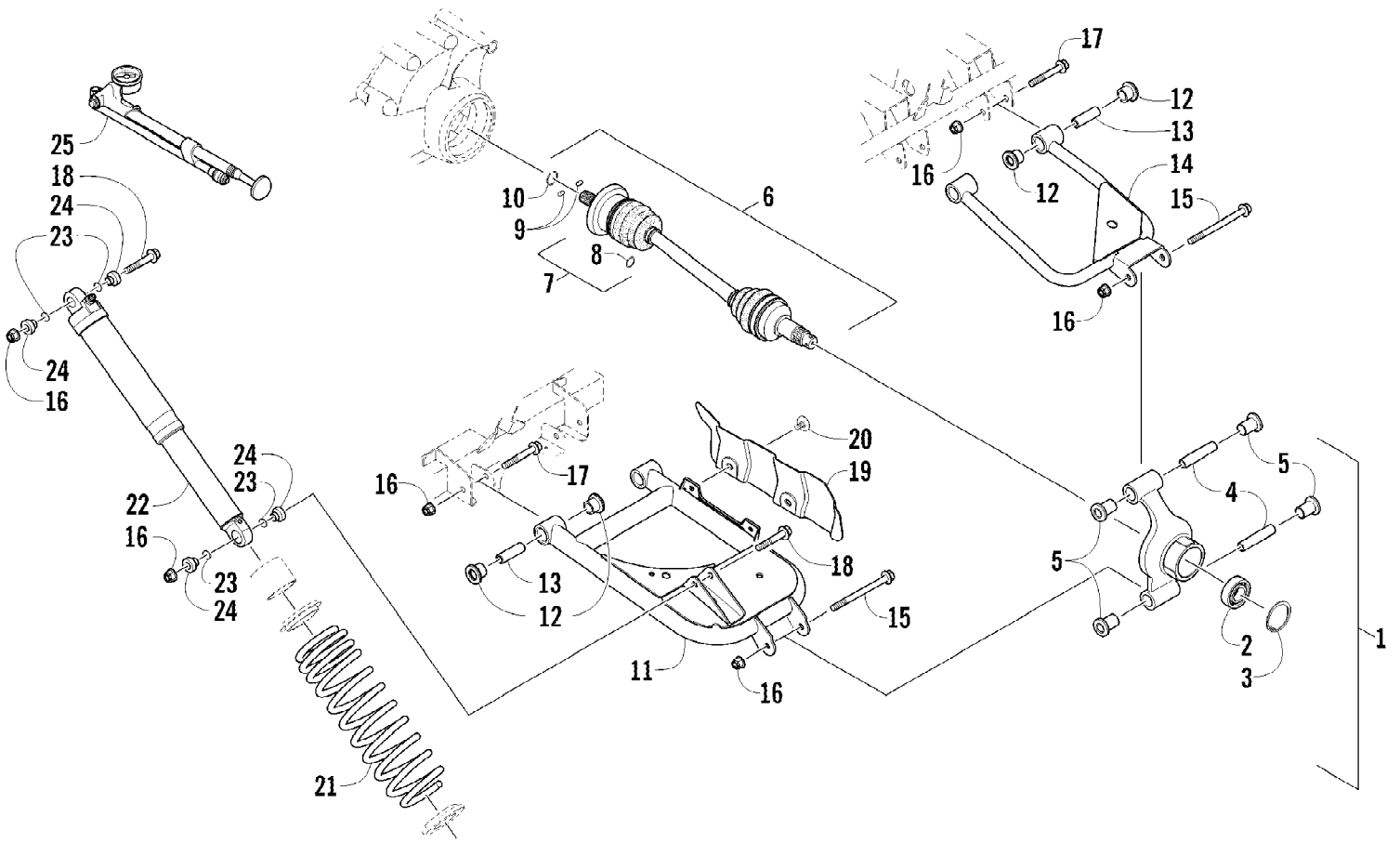
2012 PROWLER 700 HDX INTERNATIONAL METALLIC GRAY (U2012P5T1P036) 54 of 87
REAR DRIVE GEARCASE ASSEMBLY



2012 PROWLER 700 HDX INTERNATIONAL METALLIC GRAY (U2012P5T1P036) 55 of 87
REAR DRIVE GEARCASE ASSEMBLY

Ref #	Part Number	Qty	S/P/F	Description
	1502-889	1		Complete Rear Drive Gearcase Assembly
1	1502-896	1		Housing, Gearcase
2	1402-442	1		Fitting, Elbow
3	1402-950	2	/P	Seal
4	1402-210	1	/P	Plug, Fill (inc. one No. 5)
5	0423-153	2		O-Ring
6	0402-393	2		Bearing
7	1402-032	1		Gear, Ring - 36T
8	0402-405	AR		Shim, 41 x 49 x 1.3 mm
8	0402-406	AR		Shim, 41 x 49 x 1.4 mm
8	0402-407	AR		Shim, 41 x 49 x 1.5 mm
8	0402-408	AR		Shim, 41 x 49 x 1.6 mm
8	0402-409	AR		Shim, 41 x 49 x 1.7 mm
9	0423-149	1		O-Ring
10	1502-897	1		Cover, Gearcase
11	0402-333	1	/P	Plug, Magnetic (inc. 12)
12	0423-154	1		O-Ring
13	1402-211	1		Plug, Oil Level (inc. one No. 5)
14	0402-326	1		Button, Thrust
15	0402-429	AR		Shim, 6.3 x 18 x 1.3 mm
15	0402-430	AR		Shim, 6.3 x 18 x 1.4 mm
15	0402-431	AR		Shim, 6.3 x 18 x 1.5 mm
15	0402-432	AR		Shim, 6.3 x 18 x 1.6 mm
15	0402-433	AR		Shim, 6.3 x 18 x 1.7 mm
16	0423-118	11		Screw, Self-Tapping
17	0402-411	1		Pin, Dowel
18	0402-328	1		Bearing
19	1502-863	1		Gear, Pinion - Assembly - 10T (inc. 20-21)
20	0402-327	1		Bearing
21	1402-977	1		Collar, Retaining
22	1423-067	1		Ring, Retaining
23	0402-982	1		Washer, Wave
24	0402-947	1		Gasket, Flange
25	0502-746	1		Housing, Pinion
26	0423-546	1		Ring, Retaining
27	0402-324	1		Bearing
28	0402-347	1		Ring, Retaining
29	1402-314	1		Seal
30	1502-748	1		Shaft, Input

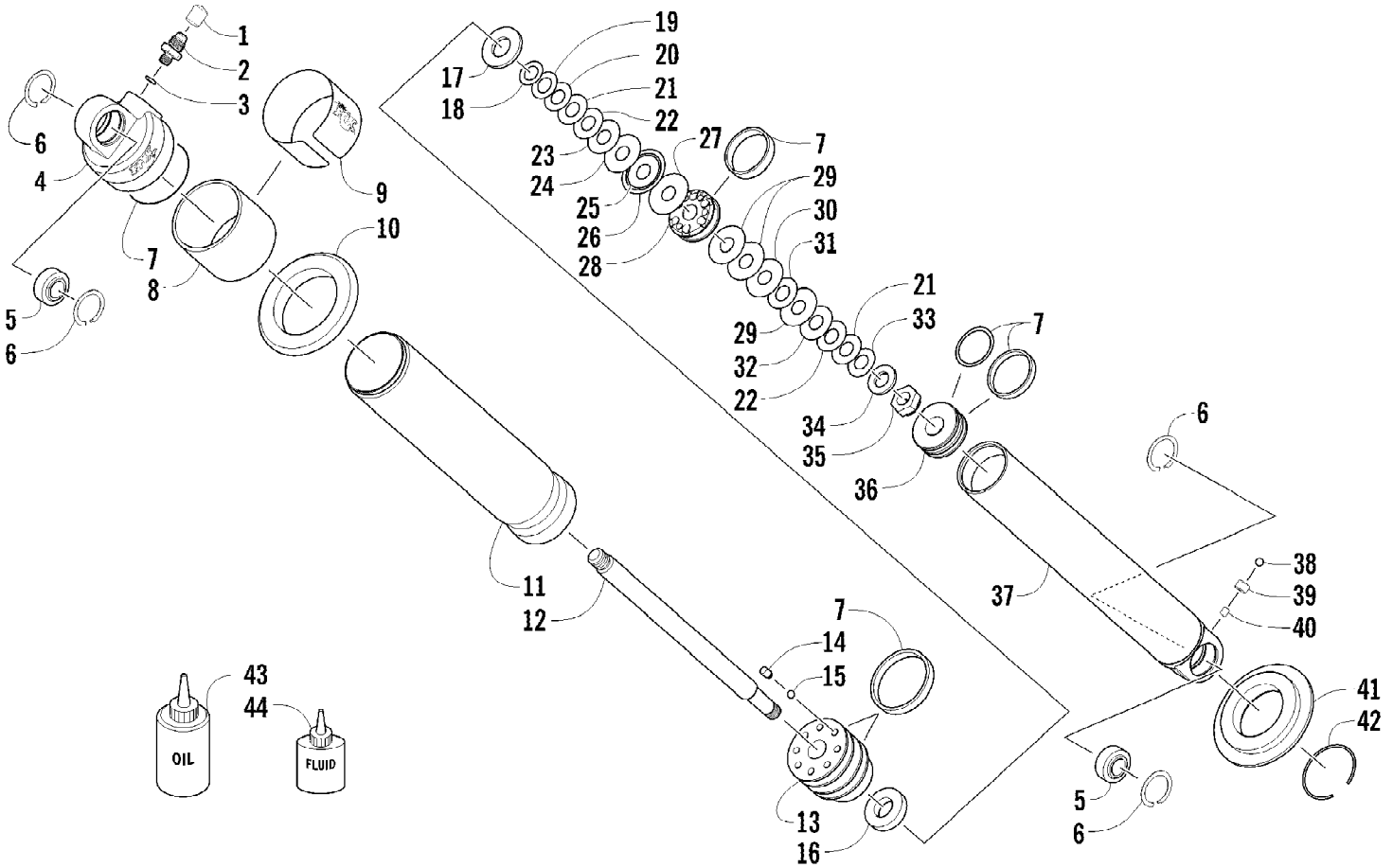
2012 PROWLER 700 HDX INTERNATIONAL METALLIC GRAY (U2012P5T1P036) 56 of 87
REAR SUSPENSION ASSEMBLY



2012 PROWLER 700 HDX INTERNATIONAL METALLIC GRAY (U2012P5T1P036) Page 57 of 87
REAR SUSPENSION ASSEMBLY

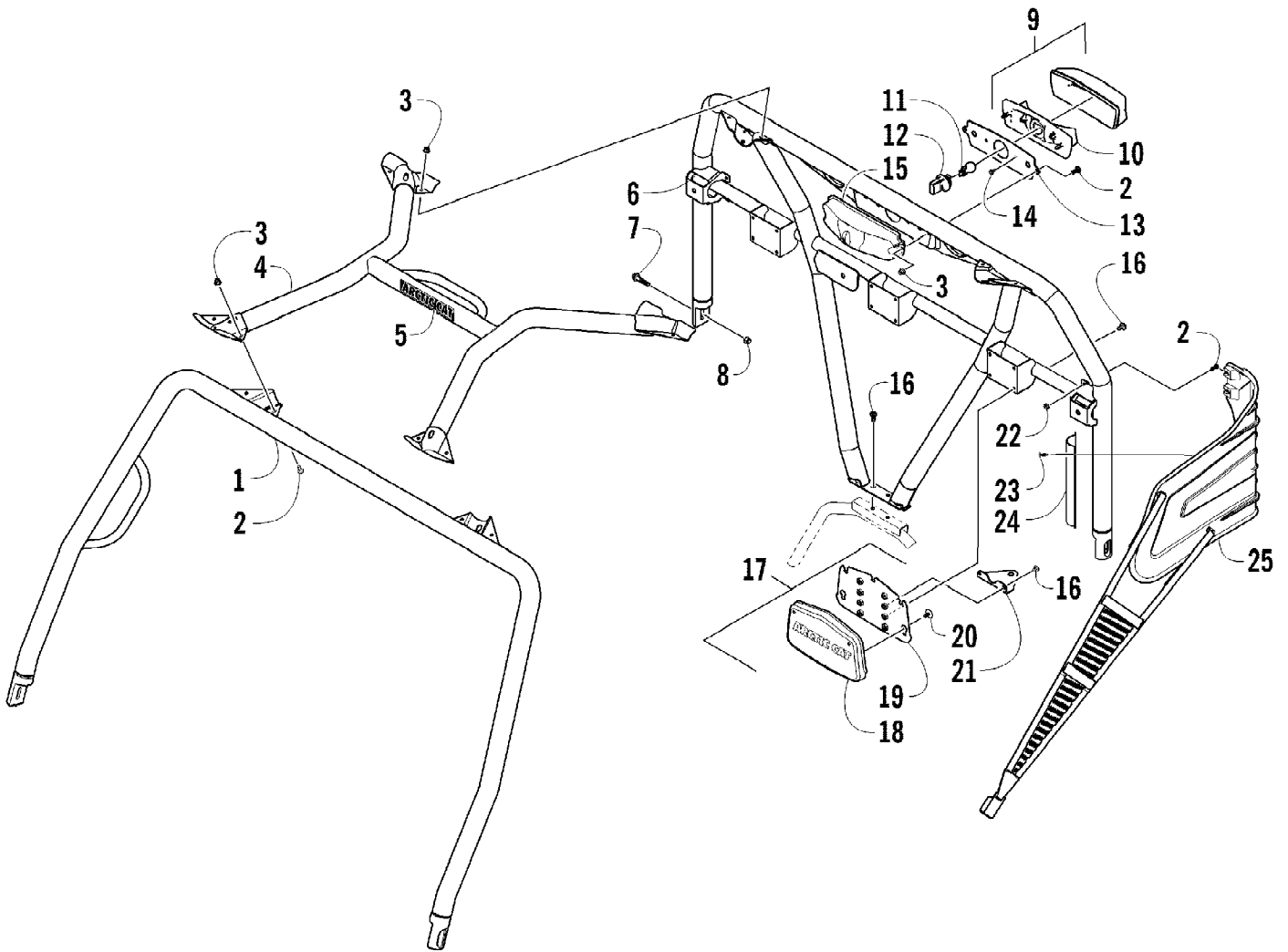
Ref #	Part Number	Qty	S/P/F	Description
1	0504-613	2		Knuckle, Rear - Assembly (inc. 2-5)
2	1402-809	2	/P	Bearing
3	0423-423	2		Ring, Retaining
4	0403-213	4	/P	Axle
5	0403-206	8	/P	Bushing
6	1502-801	2	S	Axle, Drive (inc. 7-10)
7	1436-419	2		Repair Kit, Boot (inc. 8)
8	1441-988	2		Clip, Retaining
9	1402-884	4		Pin, Detent
10	1402-890	2		Clip, Retaining
11	0504-592	1		A-Arm, Rear - Lower Right (inc. 12-13)
11	0504-593	1		A-Arm, Rear - Lower Left (inc. 12-13)
12	0403-208	16	/P	Bushing
13	0403-214	8	/P	Axle
14	0504-598	1		A-Arm, Rear - Upper Right (inc. 12-13)
14	0504-599	1		A-Arm, Rear - Upper Left (inc. 12-13)
15	8409-000	4		Screw, Cap
16	8428-002	16		Nut, Lock
17	8409-075	8		Screw, Cap
18	8409-060	4		Screw, Cap
19	1406-068	1		Guard, Boot - Right
19	1406-069	1		Guard, Boot - Left
20	0423-545	4	/P	Screw, Shoulder
21	0504-612	2		Spring, Suspension
22	0404-256	2		Shock Absorber
23	2604-698	8		O-Ring
24	0504-684	8		Spacer
25	2603-614	1	/P	Pump, Air - Shock

2012 PROWLER 700 HDX INTERNATIONAL METALLIC GRAY (U2012P5T1P036) 58 of 87
REAR SUSPENSION SHOCK ABSORBER



2012 PROWLER 700 HDX INTERNATIONAL METALLIC GRAY (U2012P5T1P036) 59 of 87
REAR SUSPENSION SHOCK ABSORBER

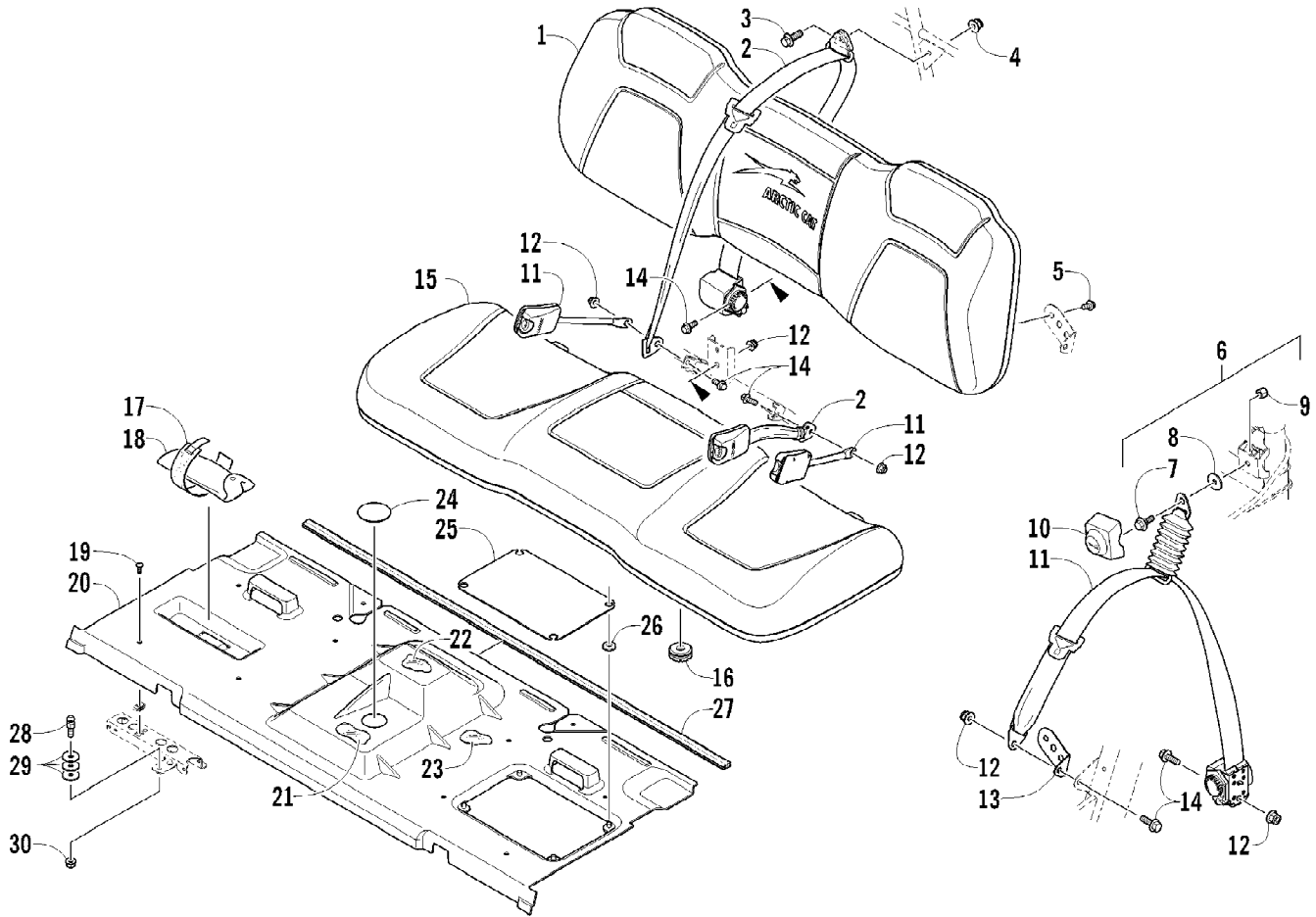
Ref #	Part Number	Qty	S/P/F	Description
	0404-256	1		Complete Shock Absorber
1	2603-327	1		Cap, Air Valve
2	2603-651	1		Valve, Air (inc. 3)
3	1604-318	1		O-Ring
4	0404-225	1		End Cap, Shock
5	1604-664	2		Bearing
6	3604-147	4		Ring, Retaining
7	2604-796	1		Kit, Seal/Cap Rebuild
8	0404-198	1		Sleeve, Wear
9	2411-567	1		Decal, Shock
10	0404-196	1		Spring Retainer, Upper
11	0404-234	1		Body, Shock - Upper
12	3604-481	1		Rod, Shock
13	2603-333	1		Bearing - Assembly
14	1603-940	1		Screw, Set
15	1604-315	1		Ball, Bleed
16	0603-386	1	/P	Bumper, Internal - Top Out
17	0603-540	1	/P	Washer, Top Out
18	2603-224	1		Valve, 0.620 x 0.015 in.
19	0603-878	1	/P	Valve, 0.700 x 0.012 in.
20	0603-879	1	/P	Valve, 0.800 x 0.012 in.
21	0603-338	2	/P	Valve, 0.900 x 0.010 in.
22	0603-341	2	/P	Valve, 1.000 x 0.010 in.
23	0603-344	1	/P	Valve, 1.100 x 0.010 in.
24	0603-347	1		Valve, 1.250 x 0.010 in.
25	0603-342	1	/P	Valve, 1.100 x 0.006 in.
26	2603-936	1		Valve Ring, 1.250 x 0.008 in.
27	0603-349	1	/P	Valve, 1.300 x 0.008 in.
28	0603-208	1		Piston, 0.078 in. - Orifice
29	0603-346	3	/P	Valve, 1.250 x 0.008 in.
30	0603-345	1		Valve, 1.250 x 0.006 in.
31	0603-336	1		Valve, 0.900 x 0.006 in.
32	0603-343	1		Valve, 1.100 x 0.008 in.
33	0603-335	1	/P	Valve, 0.800 x 0.010 in.
34	0603-389	1	/P	Washer, Backup
35	0603-301	1	/P	Nut
36	0404-230	1		Piston, Floating
37	0404-227	1		Body, Shock - Lower
38	2603-337	1		Ball, Air Valve
39	2603-338	1		Screw, Set
40	1604-428	1		Plug, Rubber - Valve
41	0404-197	1		Spring Retainer, Lower
42	2603-245	1		Retainer
43	5639-240	AR	S/P	Oil, Shock - 1 qt
44	4639-012	AR		Fluid, Float Shock - 8 oz



2012 PROWLER 700 HDX INTERNATIONAL METALLIC GRAY (U2012P5T1P036) Page 61 of 87
 ROPS AND TAILLIGHT ASSEMBLY

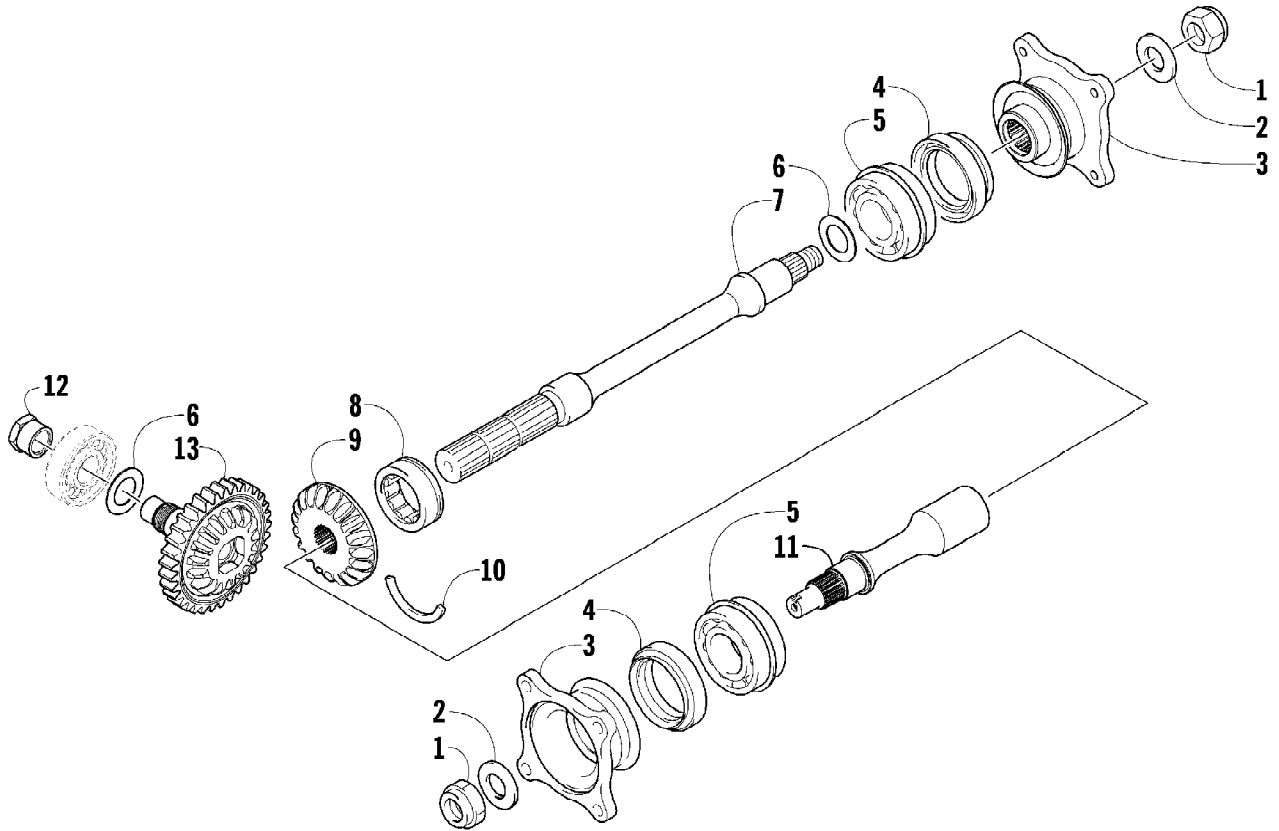
Ref #	Part Number	Qty	S/P/F	Description
1	2516-653	1		Tube, ROPS - Front
2	8468-616	14		Screw, Machine
3	8427-602	10		Nut, Lock
4	2516-658	1		Support, ROPS
5	0411-501	1		Decal, "Arctic Cat"
6	4506-612	1		Tube, ROPS - Rear
7	8410-835	8		Screw, Cap
8	8432-802	8		Nut, Lock
9	0509-022	1		Taillight Assembly (inc. 10-12)
10	0509-025	1		Housing, Taillight
11	0409-056	1		Bulb, Taillight
12	0409-057	1		Socket, Taillight
13	2406-069	1		Bracket, Taillight Mounting
14	0623-301	2	/P	Screw, Self-Tapping
15	2516-893	1		Cover, Taillight
16	0423-361	14		Screw, Machine
17	1506-795	3		Pad, Headrest - Assembly (inc. 18-20)
18	1406-884	3		Pad, Headrest
19	1506-722	3		Mount, Headrest
20	0623-544	15		Clip, Retaining
21	4506-296	1		Bracket, Mounting - Flag
22	8424-602	4	/P	Nut
23	0623-784	8		Screw, Self-Tapping
24	4506-149	2		Bracket, Mounting - Side Restraint
25	0517-146	1		Restraint, Side - Right
25	0517-147	1		Restraint, Side - Left

2012 PROWLER 700 HDX INTERNATIONAL METALLIC GRAY (U2012P5T1P036) Page 62 of 87
SEAT ASSEMBLY



2012 PROWLER 700 HDX INTERNATIONAL METALLIC GRAY (U2012P5T1P036) Page 63 of 87
SEAT ASSEMBLY

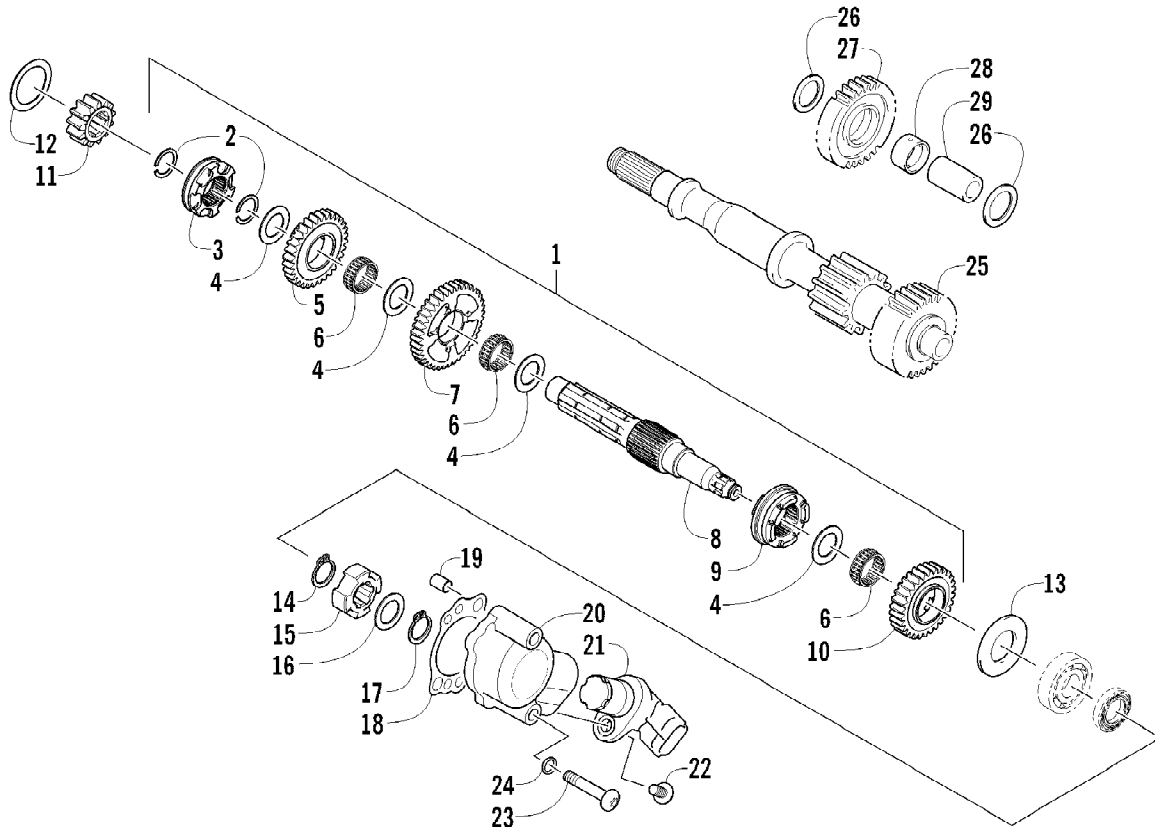
Ref #	Part Number	Qty	S/P/F	Description
1	2516-897	1		Backrest Assembly
2	2516-887	1		Belt, Seat - 3 Point
3	8411-025	1		Screw, Cap
4	8427-005	1		Nut, Lock
5	8408-820	4	/P	Screw, Cap
6	0423-915	2		Shoulder Screw Assembly (inc. 7-9)
7	0	2	F	Screw, Shoulder
8	0	2	F	Washer
9	0	2	F	Nut, Lock
10	2416-638	2		Cover, Seat Belt
11	2516-886	2		Belt, Seat
12	8427-002	7		Nut, Lock
13	2516-868	1		Bracket, Backrest Support - Right
13	2516-869	1		Bracket, Backrest Support - Left
14	8408-025	7		Screw, Cap
15	2516-898	1		Seat Assembly (inc. 16)
16	1423-066	2		Grommet
17	0707-582	1		Retainer, Toolkit
18	2516-863	1	/P	Kit, Tool
19	8477-620	8		Screw, Machine
20	2416-457	1		Base, Seat
21	0412-583	1		Foil, Protective
22	0412-584	1		Foil, Protective
23	0412-585	1		Foil, Protective
24	0623-600	1		Plug
25	2416-491	1		Cover, Access
26	1623-156	4		Grommet
27	2406-915	1		Seal, Cargo Box
28	0423-559	2		Stud, Latch - Seat
29	0423-073	6		Washer
30	8424-002	2		Nut



2012 PROWLER 700 HDX INTERNATIONAL METALLIC GRAY (U2012P5T1P036) Page 65 of 87
SECONDARY DRIVE ASSEMBLY

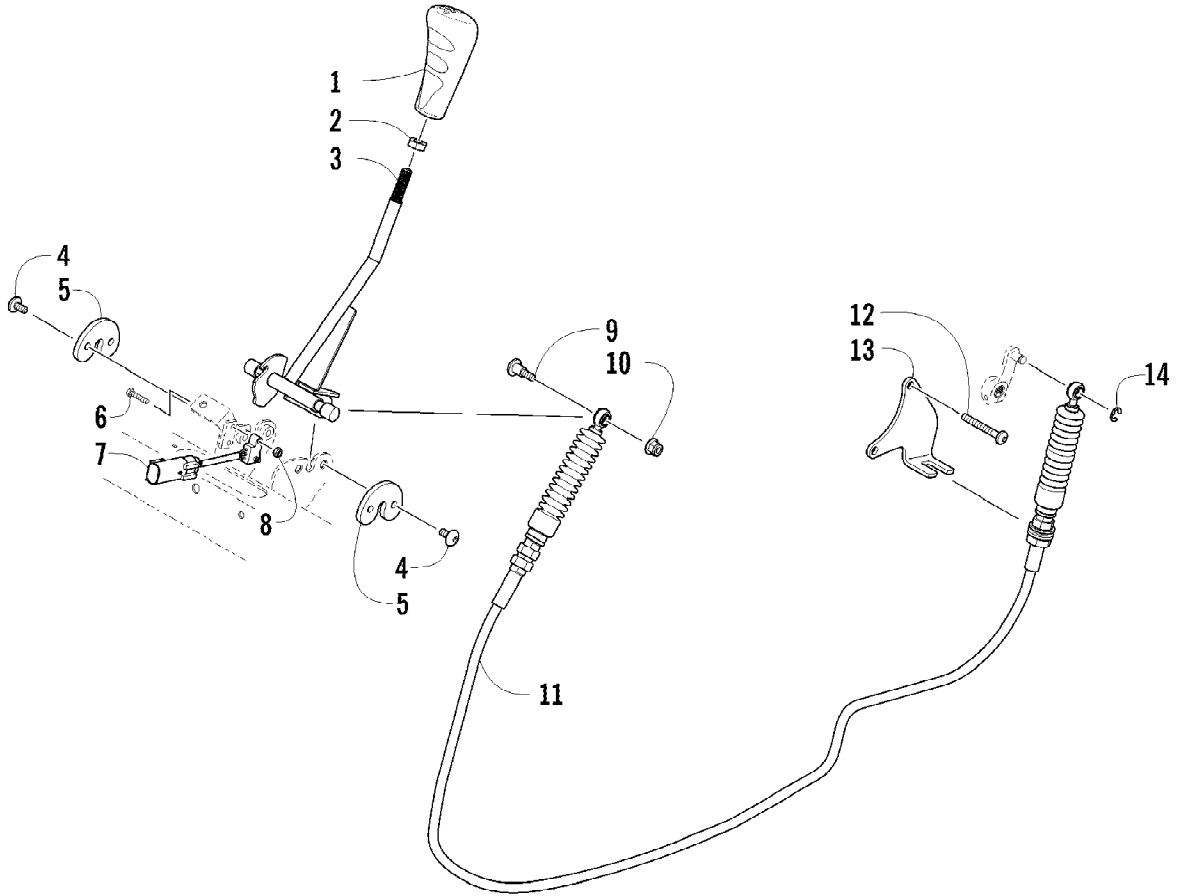
Ref #	Part Number	Qty	S/P/F	Description
1	0827-013	2		Nut
2	0828-020	2		Washer
3	0819-005	2		Flange, Output Joint
4	0830-043	2		Seal, Oil
5	0832-017	2		Bearing
6	0828-021	AR		Shim, 25 x 34 x 0.25 mm
6	0828-022	AR		Shim, 25 x 34 x 0.30 mm
6	0828-023	AR		Shim, 25 x 34 x 0.70 mm
6	0828-024	AR		Shim, 25 x 34 x 0.90 mm
6	0828-025	AR		Shim, 25 x 34 x 0.95 mm
6	0828-026	AR		Shim, 25 x 34 x 1.00 mm
6	0828-027	AR		Shim, 25 x 34 x 1.05 mm
6	0828-028	AR		Shim, 25 x 34 x 1.10 mm
6	0828-029	AR		Shim, 25 x 34 x 1.15 mm
7	0819-089	1	/P	Shaft, Secondary Driven - Front
8	0832-016	1		Bearing
9	0822-106	1		Gear, Secondary Driven
10	0819-011	1		Ring, Driven Bearing
11	0819-053	1		Shaft, Secondary Driven - Rear
12	0827-052	1		Nut
13	0822-131	1		Gear, Secondary Drive

2012 PROWLER 700 HDX INTERNATIONAL METALLIC GRAY (U2012P5T1P036) 66 of 87
SECONDARY TRANSMISSION ASSEMBLY



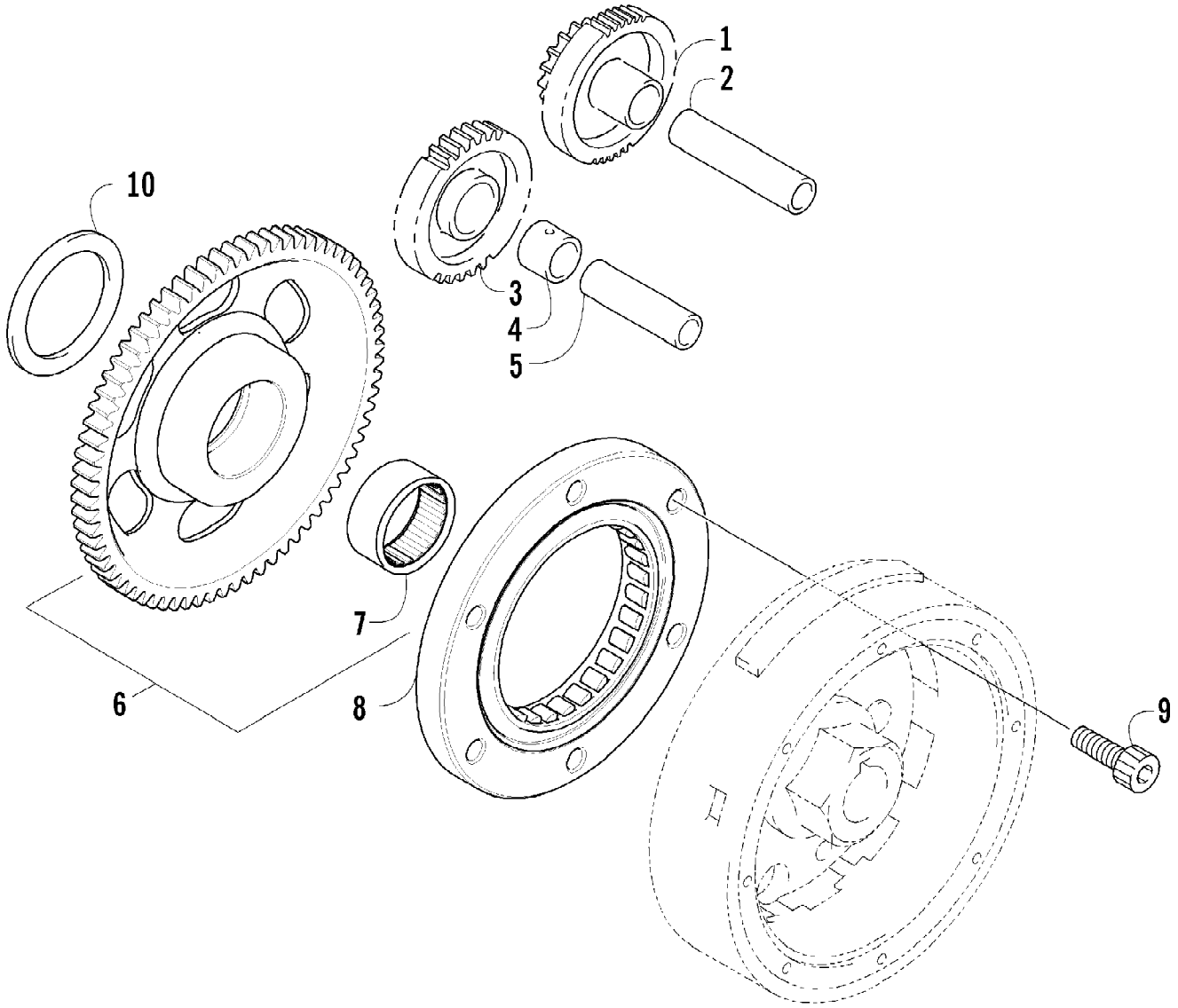
2012 PROWLER 700 HDX INTERNATIONAL METALLIC GRAY (U2012P5T1P036) Page 67 of 87
SECONDARY TRANSMISSION ASSEMBLY

Ref #	Part Number	Qty	S/P/F	Description
1	0822-124	1		Countershaft Assembly (inc. 2-10)
2	0831-085	2		Ring, Retaining
3	0822-120	1		Gear Select, Reverse
4	0822-121	4		Shim
5	0822-119	1		Gear, Reverse Driven
6	0832-082	3		Bearing
7	0822-114	1		Gear, Driven - Low
8	0822-113	1		Countershaft
9	0822-116	1		Gear Select, Sliding
10	0822-115	1		Gear, Driven - High
11	0822-125	1		Gear, Drive
12	0828-019	1		Washer, Thrust
13	0828-011	1		Washer
14	0831-040	1		Ring, Retaining
15	0822-050	1		Trigger, Speedometer Sensor
16	0828-069	1		Washer, Thrust
17	0831-039	1		Ring, Retaining
18	0830-129	1		Gasket
19	0829-023	2		Pin, Dowel
20	0822-049	1		Housing, Speedometer Sensor
21	0430-091	1		Sensor, Speedometer
22	8468-620	1	/P	Screw, Machine
23	8468-645	2		Screw, Machine
24	0830-107	2		Gasket
25	0822-001	1		Driveshaft
26	0828-016	2		Washer, Thrust
27	0822-011	1		Gear, Reverse Idle
28	0822-012	1		Bushing
29	0822-015	1		Shaft, Reverse Idle



2012 PROWLER 700 HDX INTERNATIONAL METALLIC GRAY (U2012P5T1P036) Page 69 of 87
SHIFTER ASSEMBLY

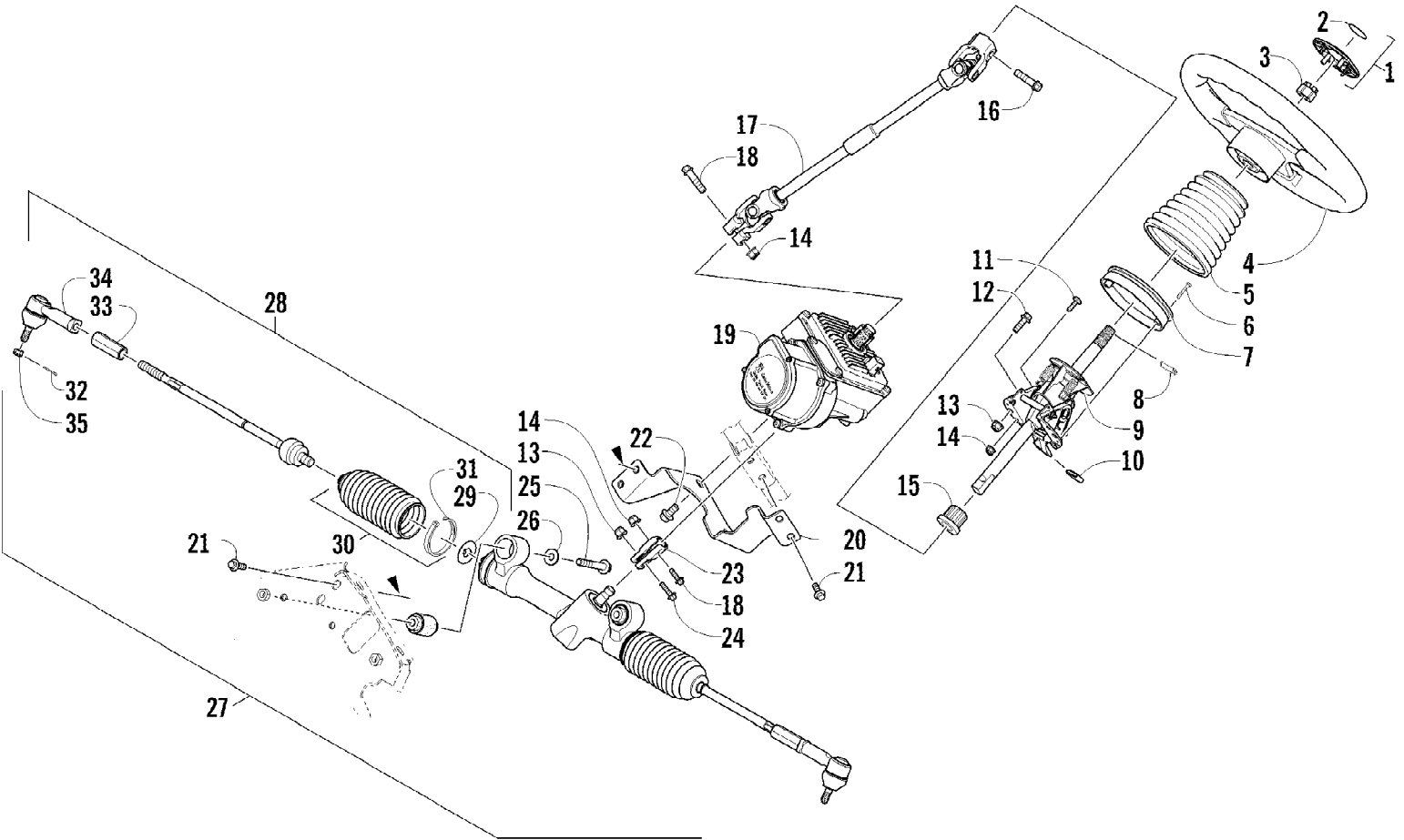
Ref #	Part Number	Qty	S/P/F	Description
1	2402-004	1		Knob, Shift
2	0423-885	1		Nut
3	1502-916	1	/P	Lever, Shift
4	0826-029	4		Screw, Machine
5	1402-275	2		Retainer, Shift Linkage
6	1423-056	1		Screw, Machine
7	0409-131	1		Switch, Parking Brake
8	1441-328	1		Nut, Lock
9	0423-356	1		Screw, Shoulder
10	8427-602	1		Nut, Lock
11	0487-078	1		Cable, Shift
12	8468-645	2		Screw, Machine
13	2406-894	1	/P	Bracket, Shift Cable
14	0124-057	1	/P	E-Ring



2012 PROWLER 700 HDX INTERNATIONAL METALLIC GRAY (U2012P5T1P036) Page 71 of 87
STARTER CLUTCH ASSEMBLY

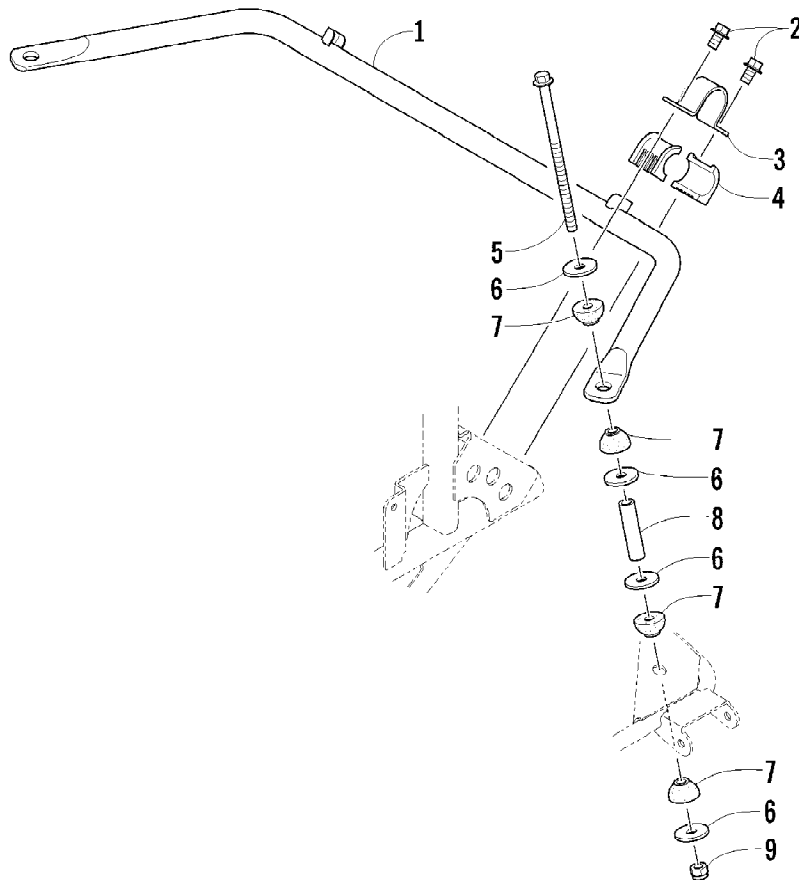
Ref #	Part Number	Qty	S/P/F	Description
1	0815-001	1		Gear, Starter Idler - No. 1
2	0829-031	1	/P	Shaft, Starter Gear
3	0815-002	1		Gear, Starter Idler - No. 2
4	0815-003	1		Spacer, Starter Idler Gear No. 2
5	0829-032	1	/P	Shaft, Starter Gear
6	0815-004	1		Gear, Starter Clutch (inc. 7)
7	0832-079	1	/P	Bearing
8	0802-035	1		Clutch, Starter
9	0826-069	6		Screw, Machine
10	0828-094	1		Washer

2012 PROWLER 700 HDX INTERNATIONAL METALLIC GRAY (U2012P5T1P036) Page 72 of 87
STEERING ASSEMBLY



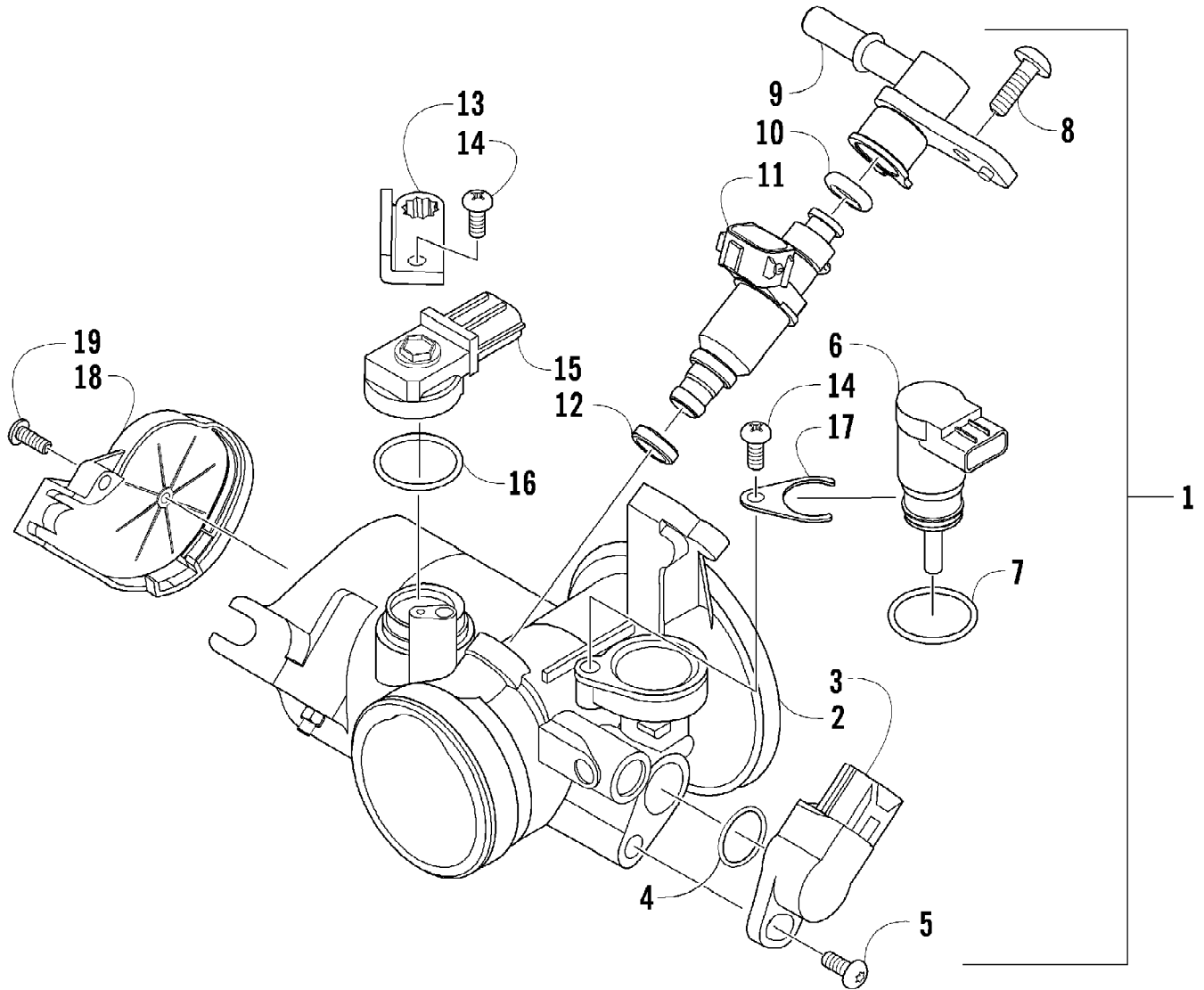
2012 PROWLER 700 HDX INTERNATIONAL METALLIC GRAY (U2012P5T1P036) Page 73 of 87
STEERING ASSEMBLY

Ref #	Part Number	Qty	S/P/F	Description
1	0505-690	1		Cap, Steering Wheel (inc. 2)
2	1411-798	1		Decal, Steering Wheel
3	0423-884	1		Nut
4	0405-398	1		Wheel, Steering - Assembly
5	0405-339	1		Boot
6	0423-743	2		Screw, Self-Tapping
7	0405-258	1		Support
8	1423-045	1		Clip, Retaining
9	0505-588	1	/P	Mechanism, Tilt
10	2406-590	1		Cap, Tilt Lever
11	8476-620	2		Screw, Machine
12	8408-825	2		Screw, Cap
13	8427-802	3		Nut, Lock
14	8427-602	4		Nut, Lock
15	0405-155	1		Bushing
16	1423-047	1		Screw, Cap
17	0405-435	1		Shaft, Steering - Assembly
18	1423-076	2		Screw, Cap
19	0505-768	1		Assembly, Electronic Power Steering
20	4506-152	1		Bracket, Mounting
21	8408-816	4		Screw, Cap
22	8409-020	4	/P	Screw, Cap
23	0405-440	1		Coupler, Steering
24	1423-053	1		Screw, Cap
25	8408-070	2		Screw, Cap
26	0623-728	2		Washer
27	0505-689	1	/P	Housing, Rack and Pinion (inc. 28-34)
28	0505-719	2	/P	Tie Rod - Assembly (inc. 29-34)
29	0405-428	2		Plate, Retaining
30	0505-745	2		Kit, Tie Rod Boot (inc. 31-32)
31	0123-903	2		Tie, Cable - 11.5 in.
32	0623-175	2		Pin, Cotter
33	0505-744	2		Kit, Nut (inc. 32)
34	0505-743	2	/P	Kit, Tie Rod End (inc. 32)
35	0423-072	2		Nut



2012 PROWLER 700 HDX INTERNATIONAL METALLIC GRAY (U2012P5T1P036) Page 75 of 87
SWAY BAR ASSEMBLY

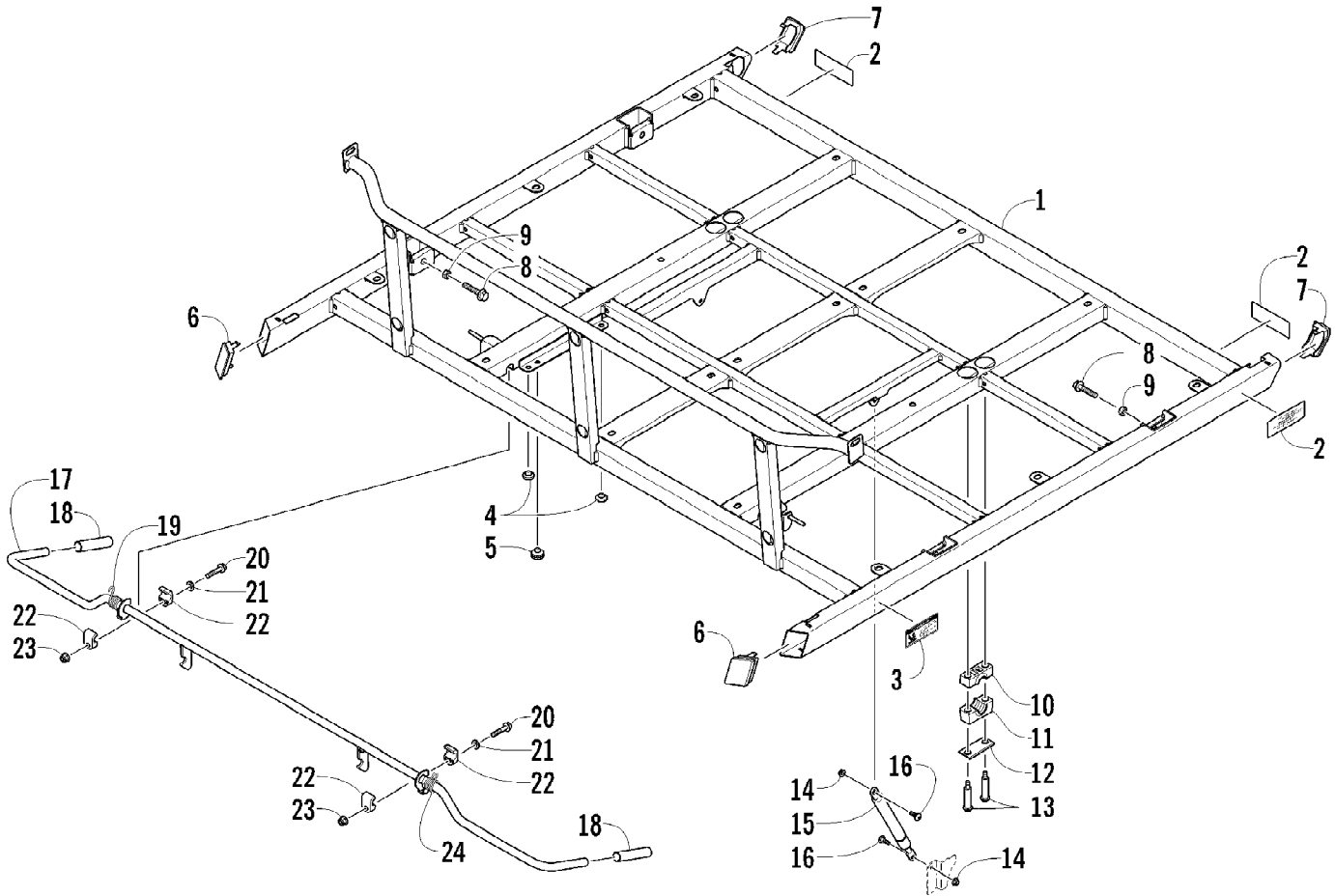
Ref #	Part Number	Qty	S/P/F	Description
1	0504-634	1		Bar, Sway
2	8409-016	4		Screw, Cap
3	0504-631	2		Clamp, Sway Bar Bushing
4	0404-190	4		Half-Clamp
5	0423-723	2		Screw, Cap
6	0423-073	8		Washer
7	1402-434	8		Bushing
8	1423-039	2		Spacer
9	8422-002	2		Nut, Lock



2012 PROWLER 700 HDX INTERNATIONAL METALLIC GRAY (U2012P5T1P036) Page 77 of 87
THROTTLE BODY ASSEMBLY

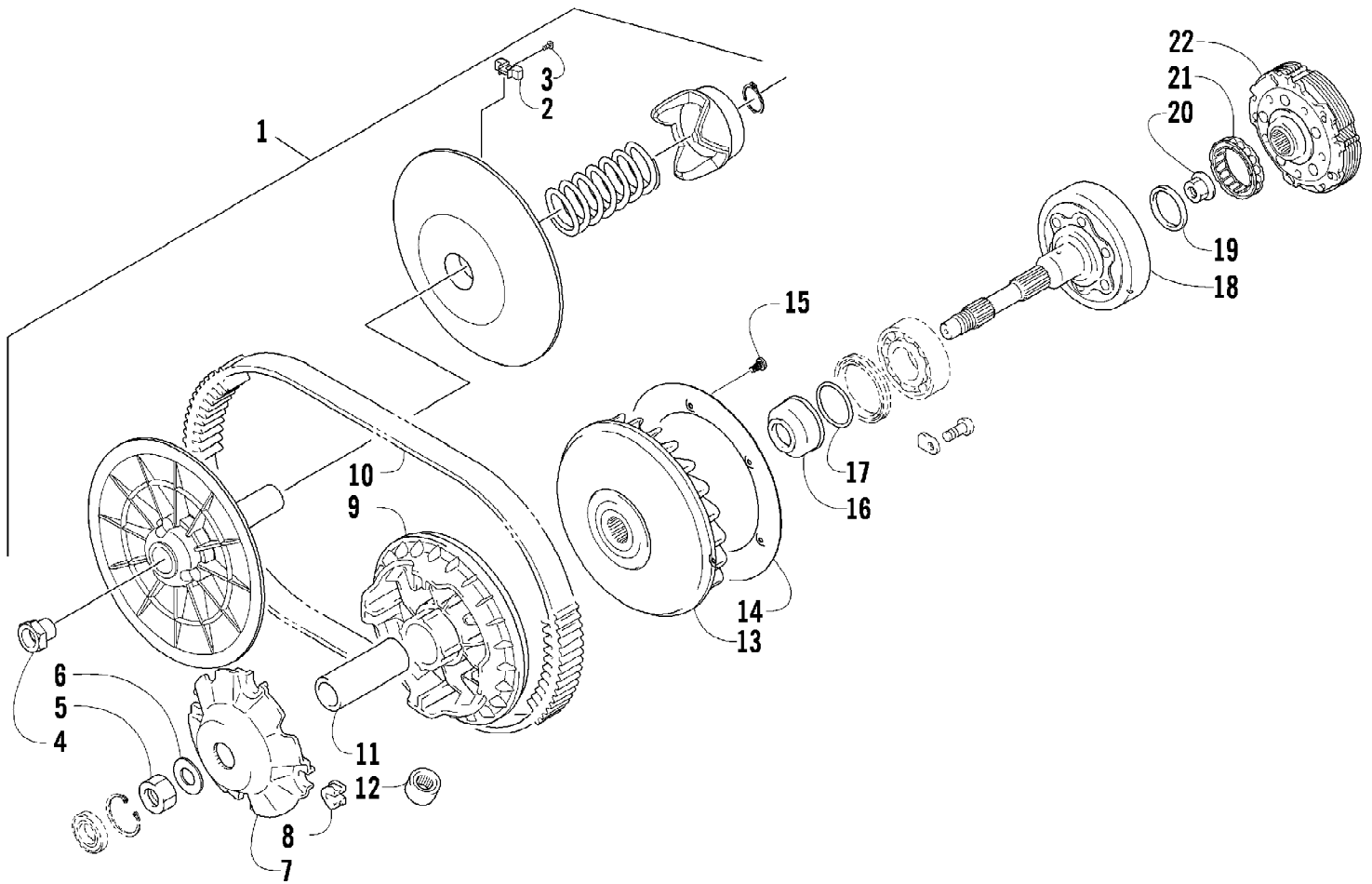
Ref #	Part Number	Qty	S/P/F	Description
1	0470-753	1		Throttle Body - Assembly (inc. 2-19)
2	0	1	F	Throttle Body
3	0430-072	1		Sensor, Throttle Position
4	5507-234	1		O-Ring, Throttle Position Sensor
5	5507-231	1		Screw, Machine
6	0430-074	1		Valve, ISC
7	5507-233	1		O-Ring, ISC Valve
8	5507-238	1		Screw, Machine
9	0470-687	1		Rail, Fuel
10	0470-767	1		O-Ring, Fuel Injector
11	0470-762	1		Injector, Fuel
12	0470-768	1		Seal, Fuel Injector
13	5507-227	1		Bracket, MAP Sensor
14	5507-117	2	/P	Screw, Machine
15	0430-073	1		Sensor, MAP
16	5507-232	1		O-Ring, MAP Sensor
17	5507-229	1		Plate, Retaining
18	5507-223	1		Cover
19	5507-037	1	/P	Screw, Machine

2012 PROWLER 700 HDX INTERNATIONAL METALLIC GRAY (U2012P5T1P036) 78 of 87
TILT FRAME ASSEMBLY



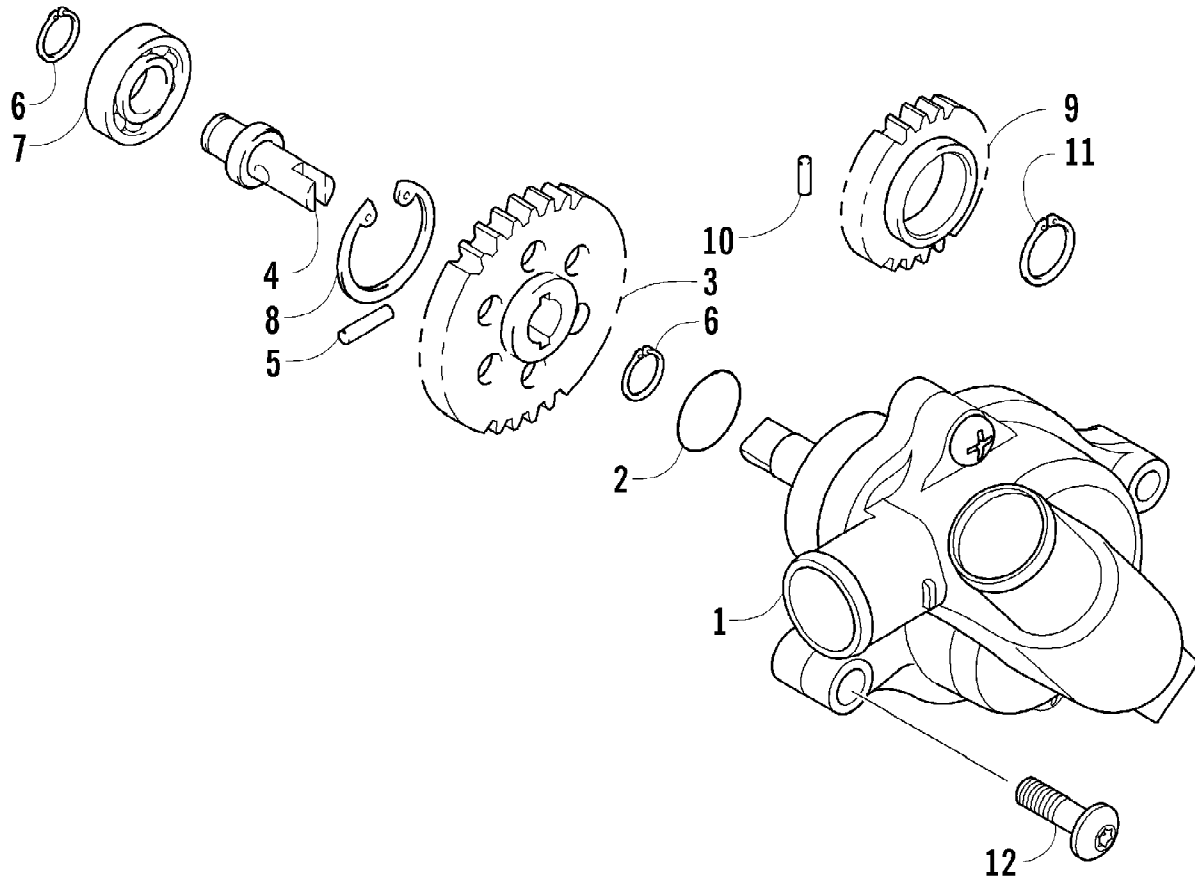
2012 PROWLER 700 HDX INTERNATIONAL METALLIC GRAY (U2012P5T1P036) Page 79 of 87
 TILT FRAME ASSEMBLY

Ref #	Part Number	Qty	S/P/F	Description
1	2516-712	1		Frame, Tilt - Assembly
2	2411-182	4		Decal, Reflector
3	1411-120	2		Decal, Warning - Pinch Point
4	0406-877	4	/P	Bumper
5	1423-057	2		Bumper
6	2416-366	1		Endcap, Front - Right
6	2416-367	1		Endcap, Front - Left
7	2416-364	1		Endcap, Rear - Right
7	2416-365	1		Endcap, Rear - Left
8	8420-002	4	/P	Screw, Cap
9	1423-012	4		Nut
10	0405-139	2		Housing, Upper
11	0405-138	2		Housing, Lower
12	0405-166	2		Cap, Housing
13	0423-505	4		Screw, Shoulder
14	8424-602	4	/P	Nut
15	2506-194	2		Support, Lift
16	0423-356	4		Screw, Shoulder
17	2516-724	1		Rod, Latch - Tilt Frame
18	1406-736	2		Grip, Latch Rod
19	2416-404	1		Spring, Latch - Right
20	8408-845	2		Screw, Cap
21	0423-087	2		Washer
22	1406-674	4		Half-Clamp
23	8427-802	2		Nut, Lock
24	2416-405	1		Spring, Latch - Left



2012 PROWLER 700 HDX INTERNATIONAL METALLIC GRAY (U2012P5T1P036) 81 of 87
 TRANSMISSION ASSEMBLY

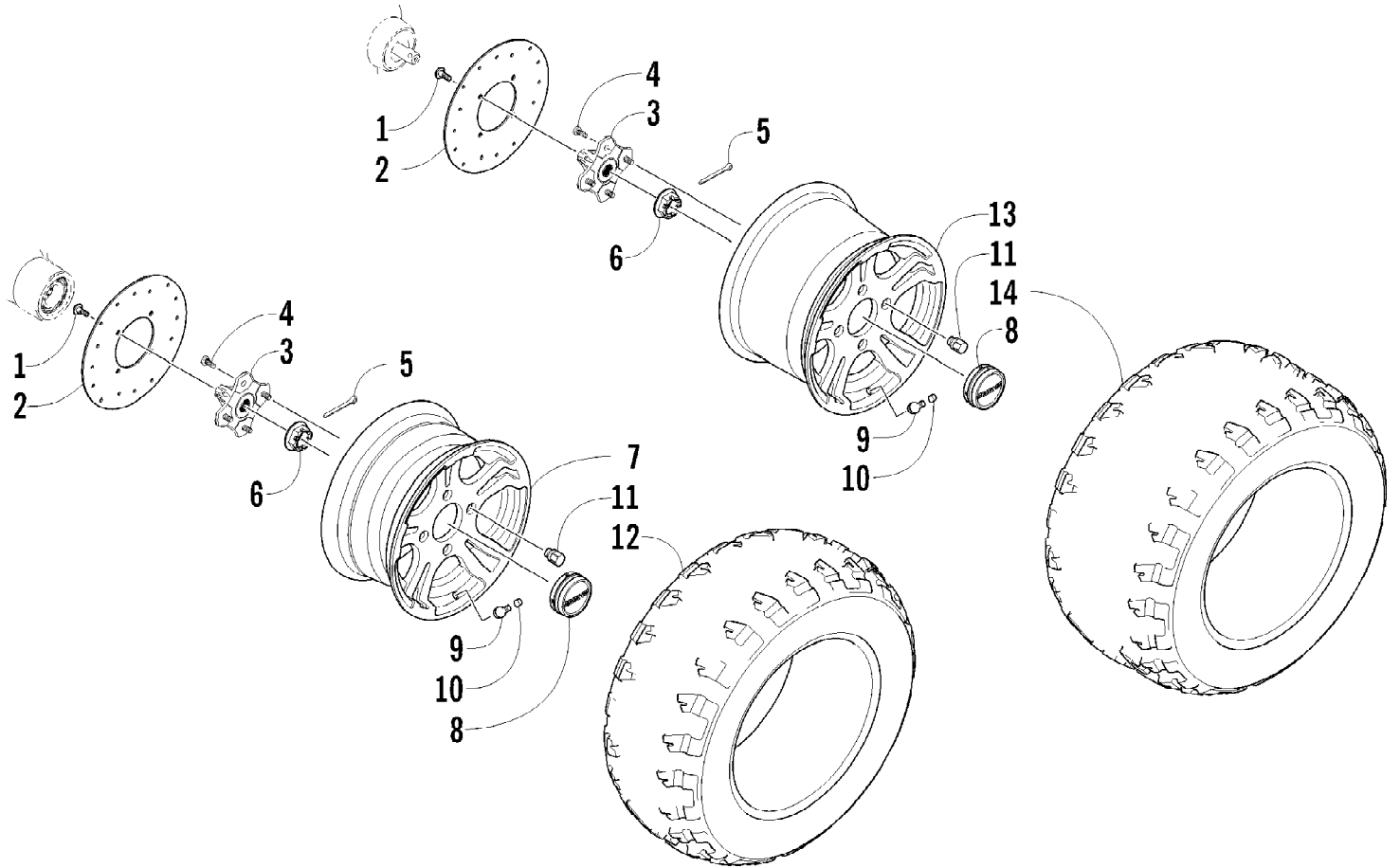
Ref #	Part Number	Qty	S/P/F	Description
1	0823-354	1	/P	Pulley, Driven - Assembly (inc. 2-4)
2	0823-176	3	/P	Shoe, Cam
3	0823-177	3		Screw, Machine
4	0823-178	1		Nut
5	0827-010	1		Nut
6	0828-106	1		Washer
7	0823-276	1		Plate, Movable Drive Face
8	0823-277	4		Damper, Movable Drive Face
9	0823-273	1		Face, Movable Drive
10	0823-013	1		Belt, Drive
11	0823-271	1		Spacer
12	0823-164	8		Roller
13	0823-272	1		Face, Fixed Drive
14	0823-131	1		Shroud, Drive Face
15	0623-914	6		Screw, Self-Tapping
16	0823-015	1		Spacer, Fixed Drive Face
17	0470-531	1		O-Ring
18	0821-002	1	/P	Housing, Clutch - Assembly
19	0830-189	1	/P	Seal
20	0827-011	1		Nut
21	0823-018	1		Clutch, One-Way
22	0823-310	1	/P	Clutch, Centrifugal - 6 Plate



2012 PROWLER 700 HDX INTERNATIONAL METALLIC GRAY (U2012P5T1P036) Page 83 of 87
WATER PUMP ASSEMBLY

Ref #	Part Number	Qty	S/P/F	Description
1	0813-001	1		Pump, Water - Assembly (inc. 2)
2	0830-029	1		O-Ring
3	0813-004	1		Gear, Driven
4	0813-005	1		Shaft, Driven Gear
5	0829-009	1		Pin
6	0831-002	2		Ring, Retaining
7	0832-046	1	/P	Bearing
8	0831-004	1		Ring, Retaining
9	0811-003	1		Gear, Water Pump Drive
10	0829-007	1		Pin
11	0831-005	1		Ring, Retaining
12	8468-665	2		Screw, Machine

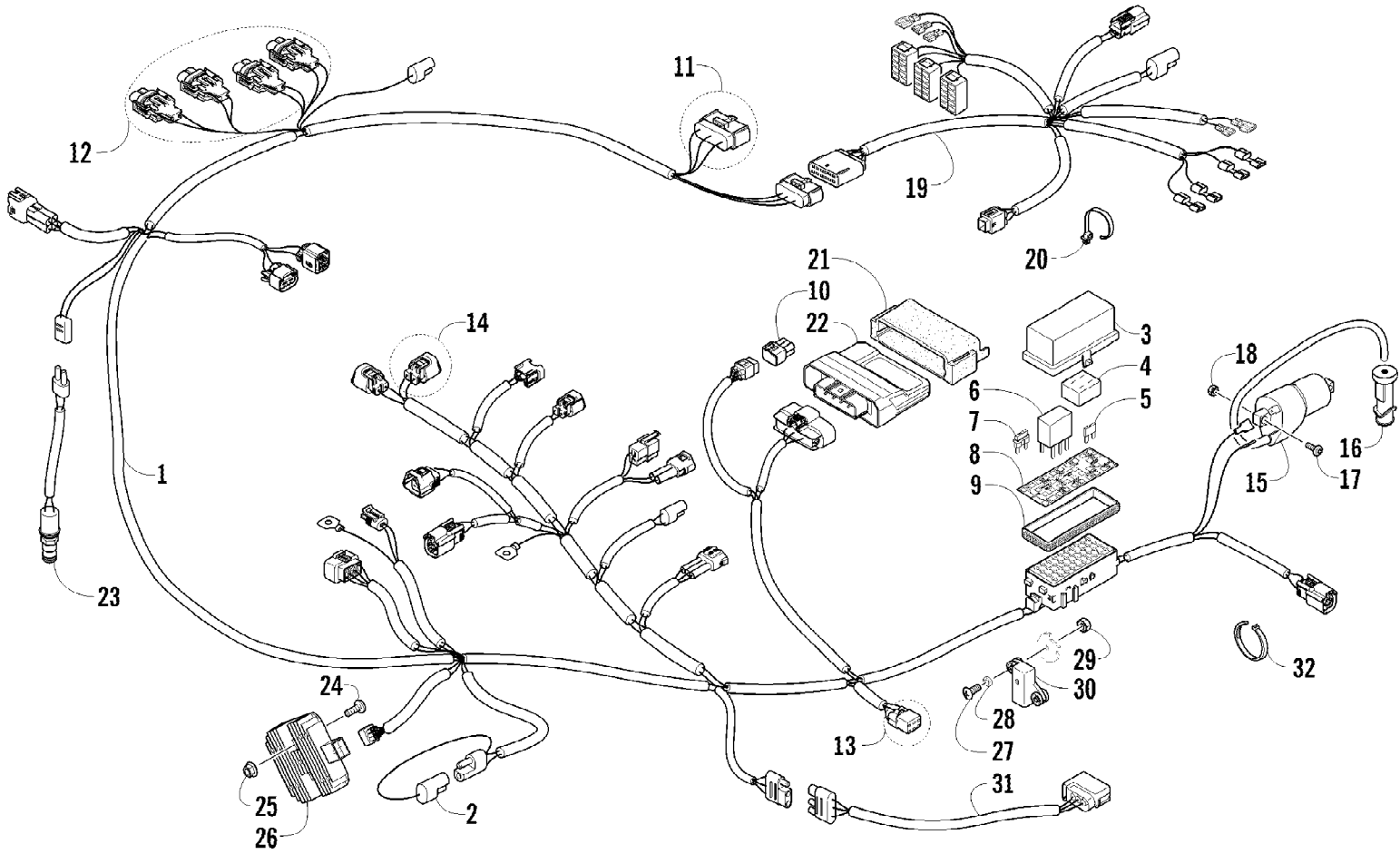
2012 PROWLER 700 HDX INTERNATIONAL METALLIC GRAY (U2012P5T1P036) 84 of 87
WHEEL AND TIRE ASSEMBLY



2012 PROWLER 700 HDX INTERNATIONAL METALLIC GRAY (U2012P5T1P036) Page 85 of 87
 WHEEL AND TIRE ASSEMBLY

Ref #	Part Number	Qty	S/P/F	Description
1	0423-557	16		Screw, Shoulder
2	1436-418	2	/P	Disc, Brake - Front
2	1436-164	2	/P	Disc, Brake - Rear
3	1502-433	2	/P	Hub, Wheel - Front (inc. 4)
3	1502-437	2		Hub, Wheel - Rear (inc. 4)
4	0402-974	16	/P	Stud
5	0423-407	4		Pin, Cotter
6	0423-607	4		Nut, Castle
7	1402-732	2		Wheel - Front (inc. 8)
8	1402-736	4		Cap, Wheel
9	0402-064	4		Stem, Valve (inc. 10)
10	0402-140	4		Cap, Valve Stem
11	0423-618	16		Nut, Lug
12	1402-860	2		Tire - Front
13	1402-918	2	/P	Wheel - Rear (inc. 8)
14	1402-861	2		Tire - Rear

2012 PROWLER 700 HDX INTERNATIONAL METALLIC GRAY (U2012P5T1P036) 86 of 87
WIRING HARNESS ASSEMBLY



2012 PROWLER 700 HDX INTERNATIONAL METALLIC GRAY (U2012P5T1P036) 87 of 87
WIRING HARNESS ASSEMBLY

Ref #	Part Number	Qty	S/P/F	Description
1	0486-426	1		Harness, Main (inc. 2-10)
2	0486-164	1		Tether, Accessory Connector
3	0430-085	1		Cover, Fuse Block
4	0430-037	1		Holder, Fuse
5	0430-032	5		Fuse - 10 Amp
5	0430-031	4		Fuse - 15 Amp
5	0430-030	3		Fuse - 30 Amp
6	0430-045	6	/P	Relay (4-Pin) - 20 Amp
7	0430-034	2		Diode
8	2411-213	1		Decal, Fuse Block
9	0430-086	1		Seal
10	0430-097	1		Cover, Diagnostics Connector
11	1436-415	1		Repair Kit, Connector - LCD Gauge
12	1436-290	AR		Repair Kit, Connector - Headlight
13	1436-416	1		Repair Kit, Connector - Tilt Sensor
14	1436-417	1		Repair Kit, Connector - Idle Speed Control
15	0824-043	1		Coil, Ignition - Assembly
16	0824-049	1	/P	Cap, Spark Plug
17	8476-620	2		Screw, Machine
18	0623-038	2		Nut w/Washer
19	0486-398	1		Harness, Console
20	0423-075	AR		Tie, Cable - Push-Mount
21	0430-076	1		Cushion, ECU
22	0530-076	1		ECU
23	0409-089	1		Switch, Brake - Assembly
24	8476-625	2		Screw, Machine
25	8424-602	2	/P	Nut
26	0824-037	1	/P	Regulator, Voltage
27	8468-425	2		Screw, Machine
28	0123-802	2		Washer
29	0423-493	2		Nut w/Washer
30	0409-064	1		Sensor, Tilt
31	0486-403	1		Harness, Adapter - Taillight
32	0123-788	AR	/P	Tie, Cable - 8 in.
32	0123-903	AR		Tie, Cable - 11.5 in.
32	0623-144	AR		Tie, Cable - 17.5 in.