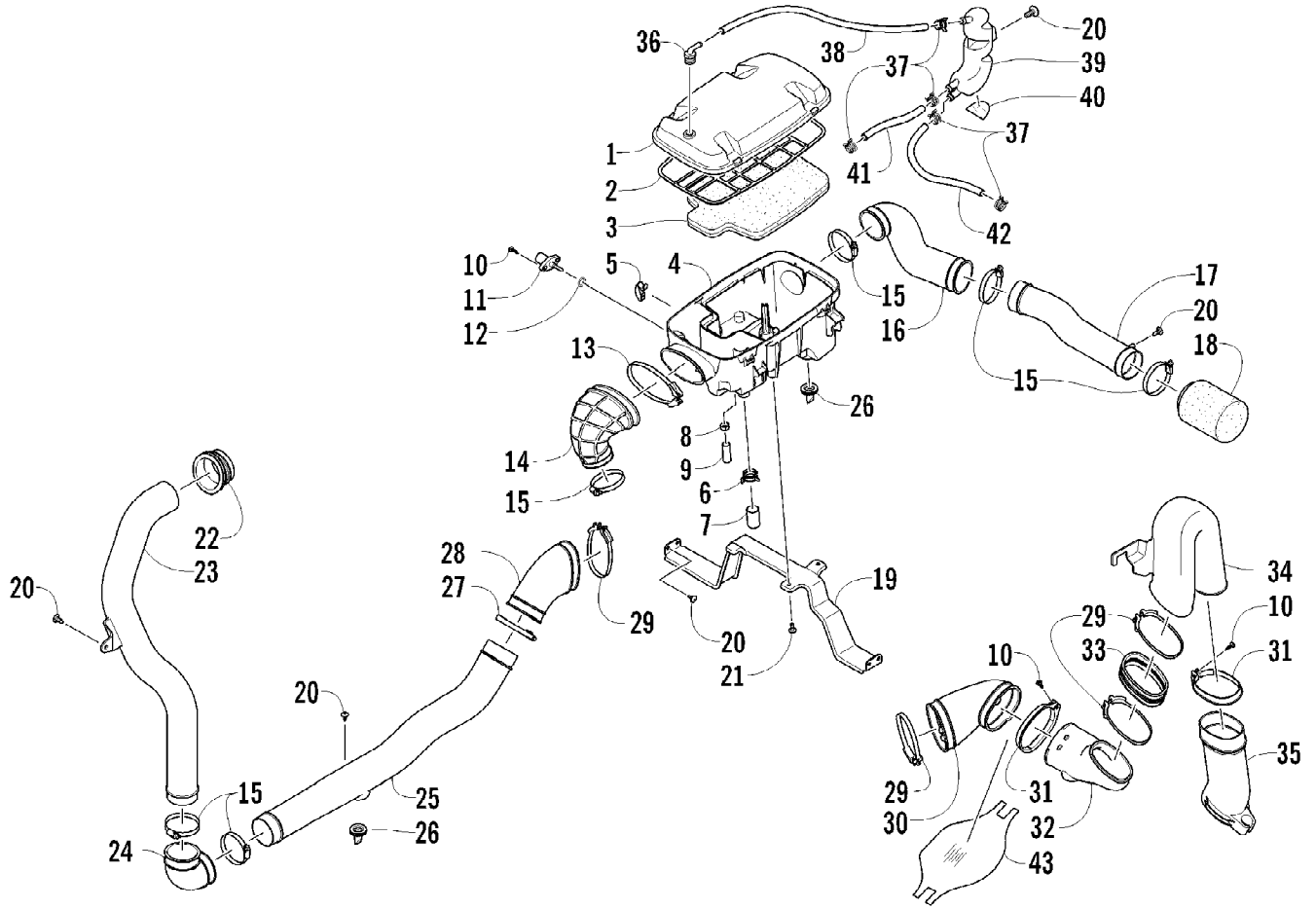


2012 PROWLER 1000 XTZ ORANGE (U2012P4W1PUSY)
ACCELERATOR ASSEMBLY

Page 2 of 85

Ref #	Part Number	Qty	S/P/F	Description
1	1502-590	1		Pedal, Accelerator
2	0405-233	1		Spring
3	0402-872	1		Axle
4	1602-213	2	/P	O-Ring
5	8422-002	1		Nut, Lock
6	8477-616	2		Screw, Machine
7	0502-991	1		Bracket, Accelerator Pedal
8	8427-602	2		Nut, Lock
9	0487-066	1		Cable, Accelerator

2012 PROWLER 1000 XTZ ORANGE (U2012P4W1PUSY)
AIR INTAKE ASSEMBLY

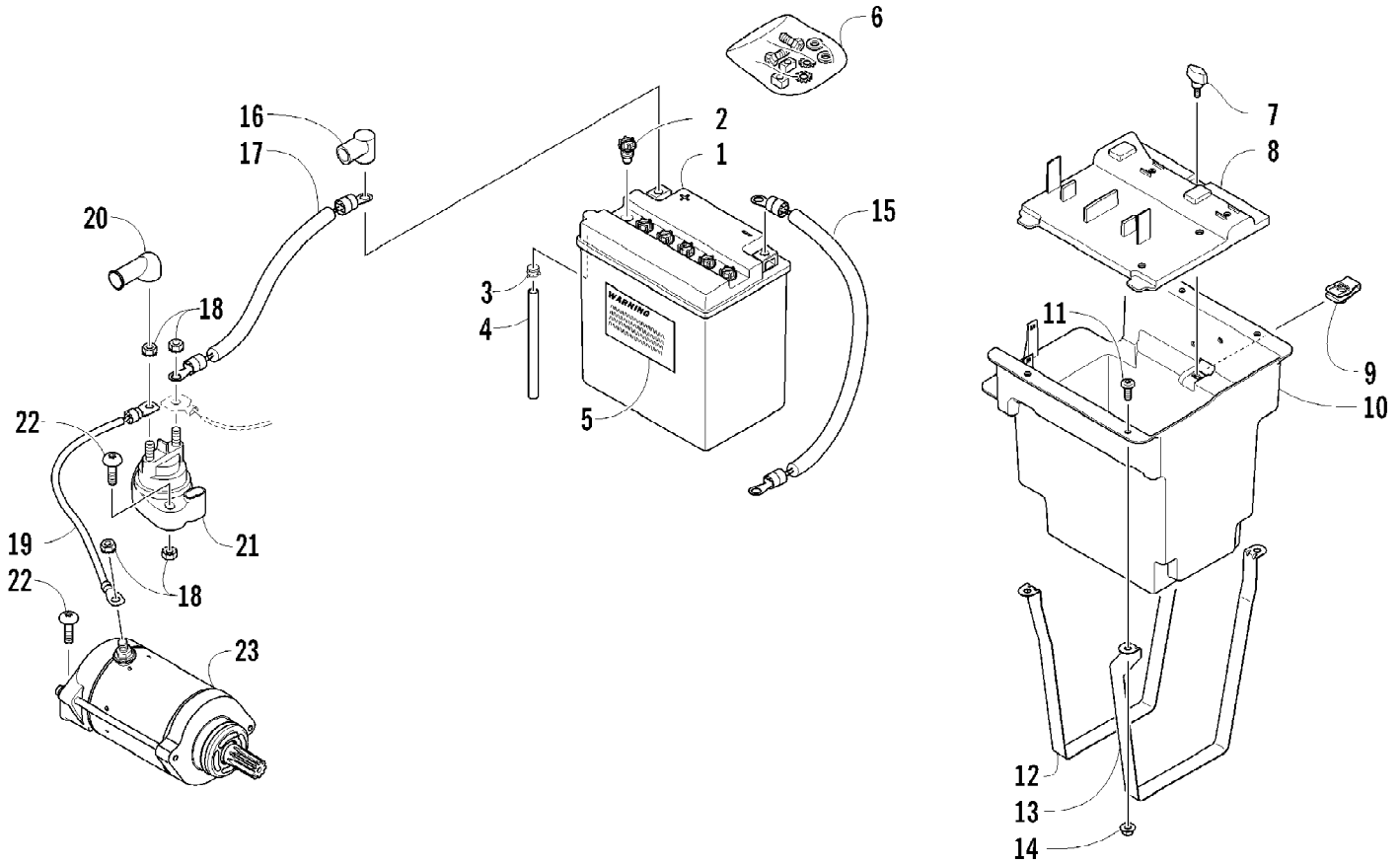


2012 PROWLER 1000 XTZ ORANGE (U2012P4W1PUSY)
AIR INTAKE ASSEMBLY

Page 4 of 85

Ref #	Part Number	Qty	S/P/F	Description
1	0470-861	1		Cover, Air Intake
2	0470-560	1		Screen, Air Filter
3	0470-558	1		Filter, Air
4	0470-728	1		Housing, Air Intake
5	0423-455	4		Clip, Spring
6	1623-287	1		Clamp, Hose
7	0423-766	1		Cap, Drain
8	0610-563	1		Clamp, Hose
9	0470-863	1		Valve, Drain
10	0423-342	5	/P	Screw, Self-Tapping
11	0430-055	1		Sensor, Air Temperature (inc. 12)
12	5507-224	1		O-Ring
13	0423-554	1		Clamp
14	0413-225	1		Boot, Intake
15	0423-019	6		Clamp
16	0413-232	1		Duct, Intake
17	0413-219	1		Duct, Intake
18	0470-834	1		Filter, Intake
19	2516-166	1		Bracket, Support
20	0623-784	8		Screw, Self-Tapping
21	8476-616	2		Screw, Machine
22	2416-088	1		Boot, Air-In
23	0413-237	1		Duct, Air-In
24	0413-098	1		Boot, Air-In
25	0413-236	1		Duct, Air-In
26	0470-442	2	/P	Valve, Drain
27	0423-018	1		Clamp
28	0413-233	1		Boot, Air-In
29	0423-730	4		Clamp
30	0413-234	1		Boot, Air-Out
31	0423-550	2		Clamp
32	0413-247	1		Duct, Air-Out
33	0413-248	1		Boot, Air-Out
34	0413-235	1		Duct, Air-Out
35	0413-226	1		Duct, Air-Out
36	0470-881	1		Fitting, Elbow
37	1623-281	5		Clamp, Hose
38	0410-187	1		Hose, Vent
39	0470-857	1		Separator, Oil
40	1441-822	1		Foil, Protective
41	0410-221	1		Hose, Vent
42	0410-220	1		Hose, Vent
43	0412-576	1		Foil, Protective

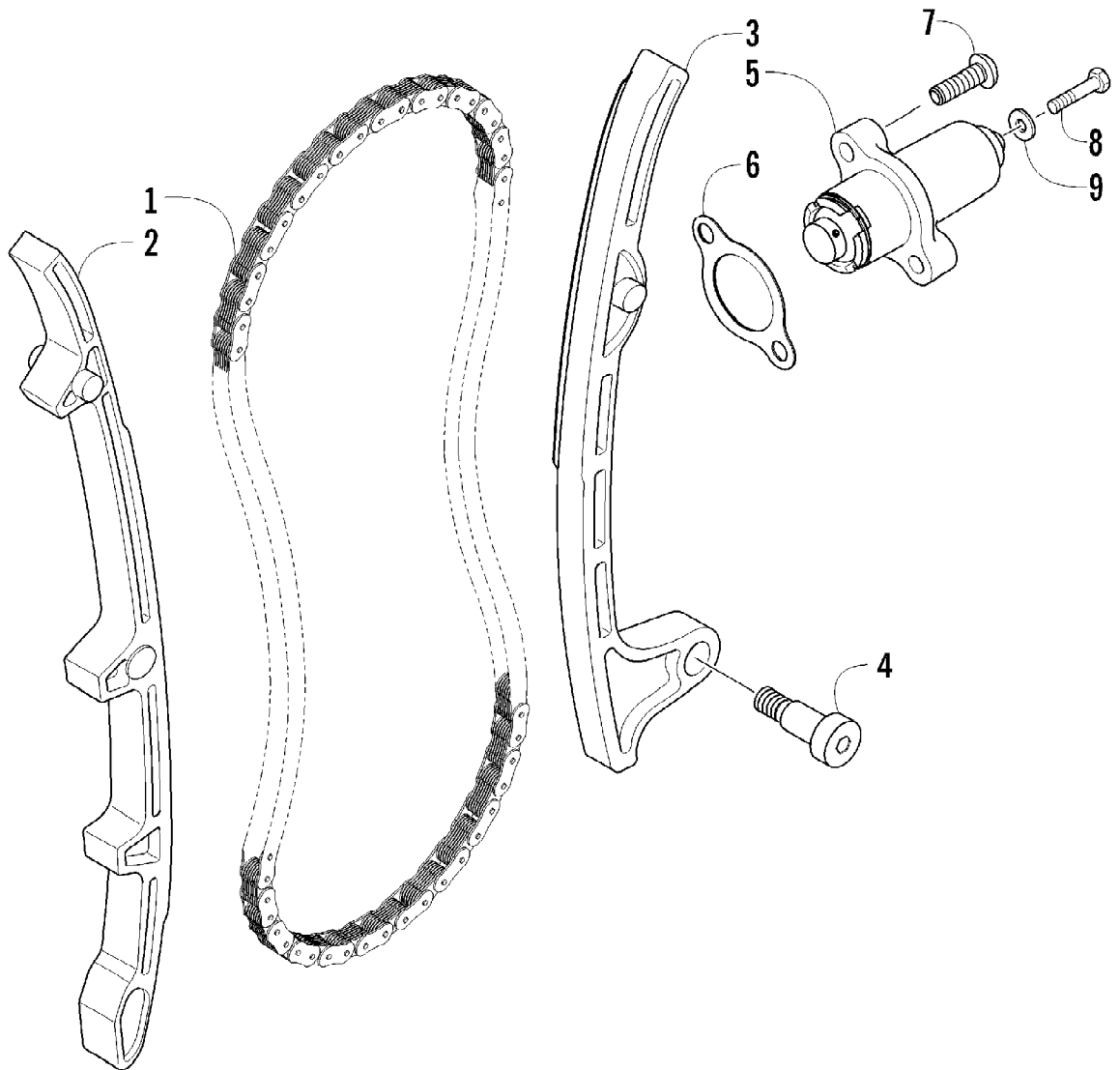
2012 PROWLER 1000 XTZ ORANGE (U2012P4W1PUSY)
BATTERY AND STARTER MOTOR ASSEMBLY



2012 PROWLER 1000 XTZ ORANGE (U2012P4W1PUSY)
 BATTERY AND STARTER MOTOR ASSEMBLY

Page 6 of 85

Ref #	Part Number	Qty	S/P/F	Description
1	0445-081	1		Battery (inc. 2-6)
2	0645-588	6	/P	Cap, Battery
3	0645-152	1		Clamp, Hose
4	0645-262	1		Hose, Vent
5	0645-430	2		Decal, Warning
6	0445-082	1		Kit, Hardware
7	1441-624	1		Screw, Thumb
8	2406-949	1		Cover, Battery Box
9	0423-577	1		Clip, U-Nut
10	2406-914	1		Box, Battery
11	8476-616	4		Screw, Machine
12	0470-854	1		Hold-Down, Battery Box - Right
13	0470-855	1		Hold-Down, Battery Box - Left
14	8424-602	4	/P	Nut
15	0445-079	1		Cable, Battery/Ground
16	0645-019	1		Boot, Terminal
17	0445-078	1		Cable, Battery/Solenoid
18	0623-038	5		Nut w/Washer
19	0445-080	1		Cable, Solenoid/Starter
20	0645-327	1		Boot, Terminal - Solenoid
21	0445-058	1	/P	Solenoid
22	8476-625	4		Screw, Machine
23	0825-015	1		Motor, Starter - Assembly

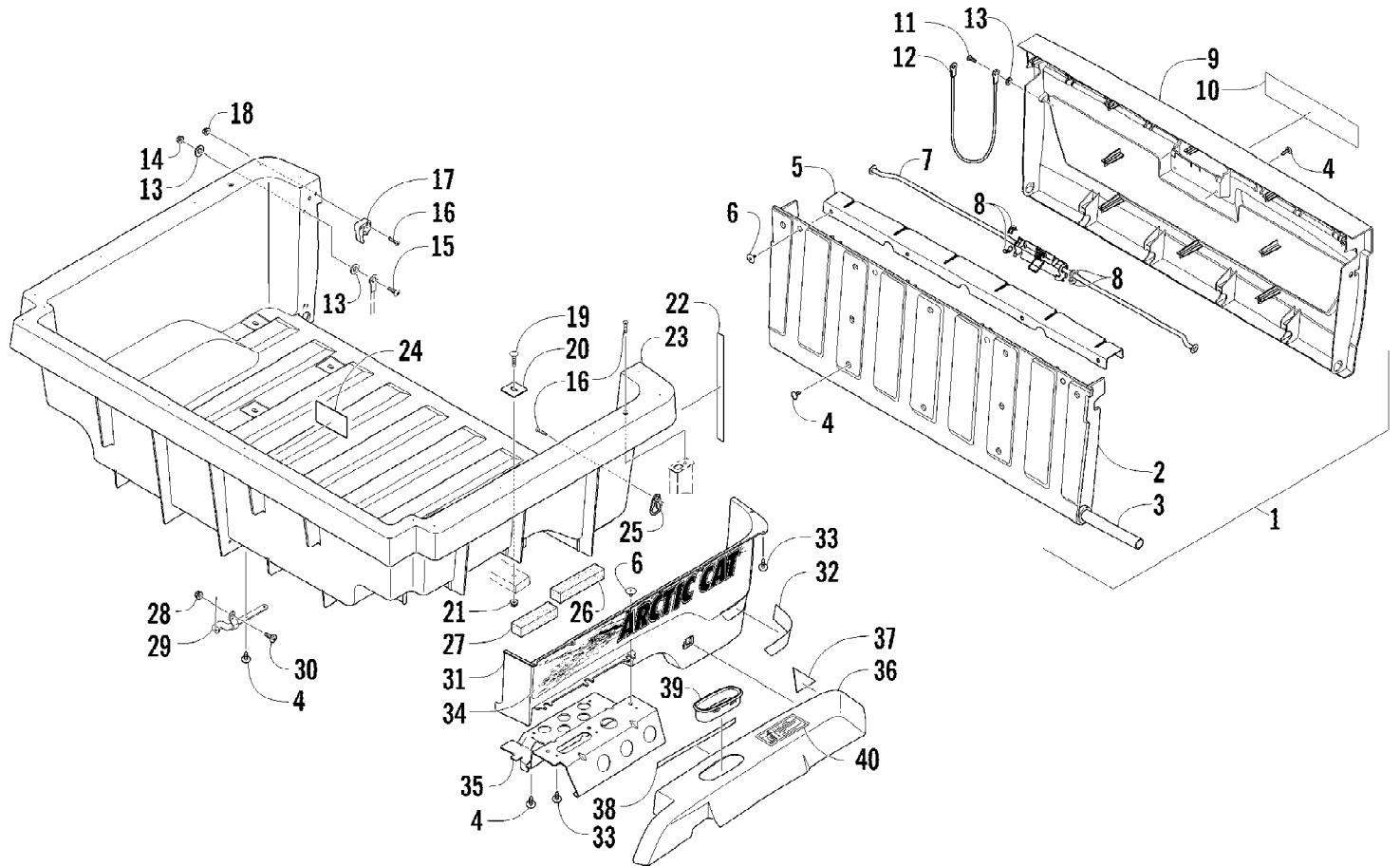


2012 PROWLER 1000 XTZ ORANGE (U2012P4W1PUSY)
CAM CHAIN ASSEMBLY

Page 8 of 85

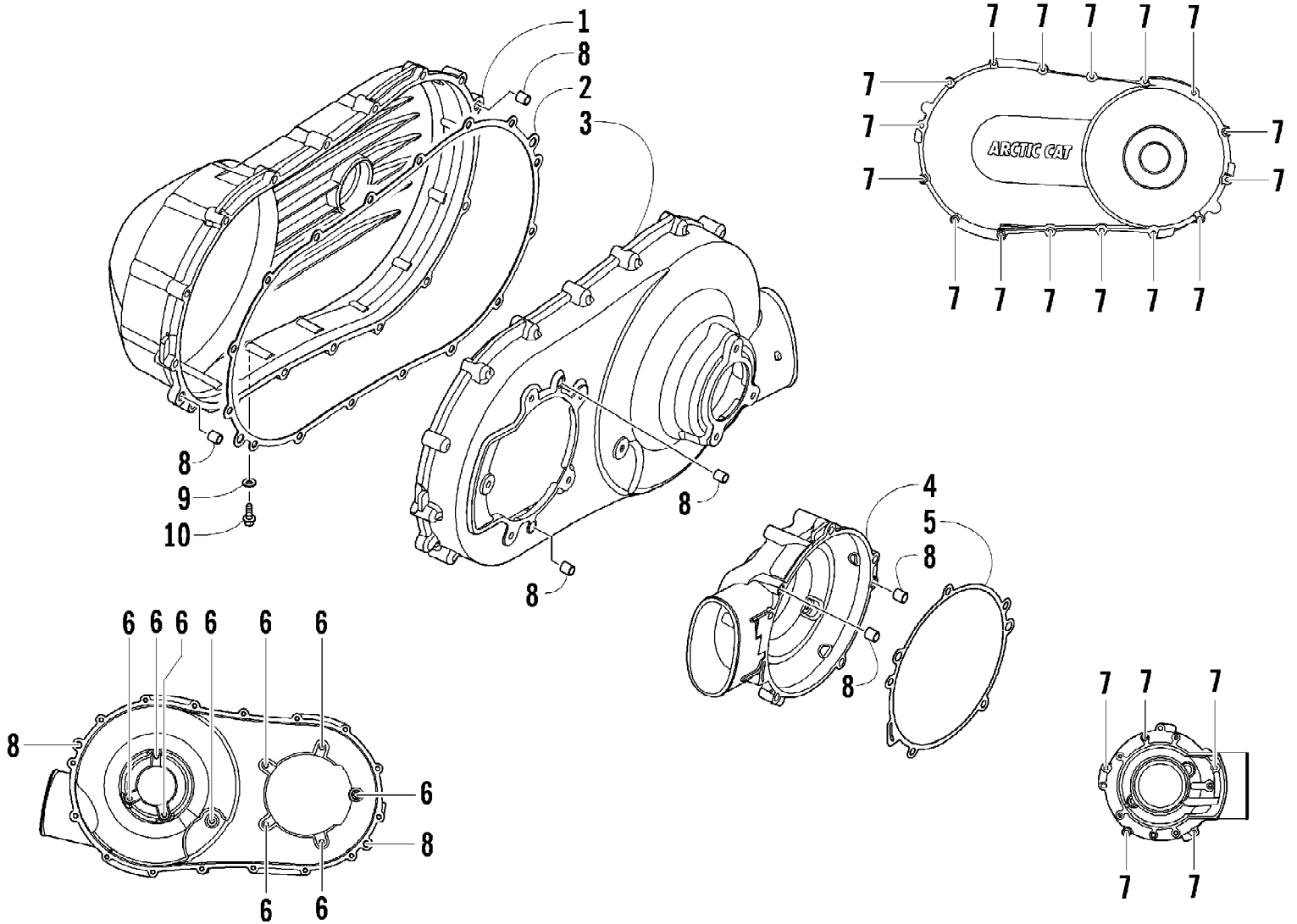
Ref #	Part Number	Qty	S/P/F	Description
1	0810-001	2		Chain, Cam
2	0810-046	2		Guide, Chain
3	0810-049	2		Tensioner, Chain
4	0826-106	2		Pivot, Tensioner
5	0810-004	2		Adjuster, Tensioner - Assembly
6	0830-134	2		Gasket
7	8468-620	4	/P	Screw, Machine
8	8400-610	2		Screw, Cap
9	0828-129	2		Washer

2012 PROWLER 1000 XTZ ORANGE (U2012P4W1PUSY)
CARGO BOX AND TAILGATE ASSEMBLY



2012 PROWLER 1000 XTZ ORANGE (U2012P4W1PUSY)
CARGO BOX AND TAILGATE ASSEMBLY

Ref #	Part Number	Qty	S/P/F	Description
1	2506-205	1	/P	Tailgate Assembly (inc. 2-9)
2	2406-365	1	/P	Panel, Tailgate - Inner
3	1406-927	1		Shaft, Pivot - Tailgate
4	0623-784	20		Screw, Self-Tapping
5	1506-704	1		Brace, Tailgate
6	0423-101	10		Screw, Shoulder
7	2506-056	1		Latch, Tailgate - Assembly
8	1406-706	4		Bushing
9	2406-369	1	/P	Panel, Tailgate - Outer
10	2411-442	1		Decal, Box - "Arctic Cat"
11	8476-625	2		Screw, Machine
12	0487-045	2		Cable, Tailgate
13	8050-217	6	/P	Washer
14	0624-250	2		Nut, Lock
15	8476-620	2		Screw, Machine
16	8474-630	8		Screw, Machine
17	2506-664	1		Striker, Tailgate - Right
17	2506-665	1	/P	Striker, Tailgate - Left
18	8424-602	4	/P	Nut
19	0423-623	8		Bolt, Carriage
20	1506-933	8		Plate, Retainer
21	8424-802	8		Nut
22	0417-006	2		Strip, Foam
23	2406-916	1	/P	Box, Cargo
24	1411-119	1		Decal, Warning - Cargo
25	1506-539	1		Bracket, Tailgate
26	0417-010	2		Foam, Cargo Box
27	0417-011	2		Foam, Cargo Box
28	0423-540	1		Nut, Lock
29	2516-178	1	/P	Bracket, Cargo Box Latch
30	8476-616	1		Screw, Machine
31	1406-762	1	/P	Panel, Box - Right
31	1406-761	1	/P	Panel, Box - Left
32	1411-128	1		Decal, Reflector - Right
32	1411-129	1		Decal, Reflector - Left
33	0423-342	28	/P	Screw, Self-Tapping
34	2411-806	1		Decal, Box - Right
34	2411-807	1		Decal, Box - Left
35	1506-776	1		Bracket, Fender Support - Right
35	2506-927	1		Bracket, Fender Support - Left
36	2516-186	1		Fender, Rear - Assembly - Upper Right (inc. 37-38)
36	2516-187	1		Fender, Rear - Assembly - Upper Left (inc. 37-39)
37	0417-008	2		Pad, Foam
38	0417-007	2		Strip, Foam
39	2516-037	1		Ring, Trim
40	1411-120	2		Decal, Warning - Pinch Point

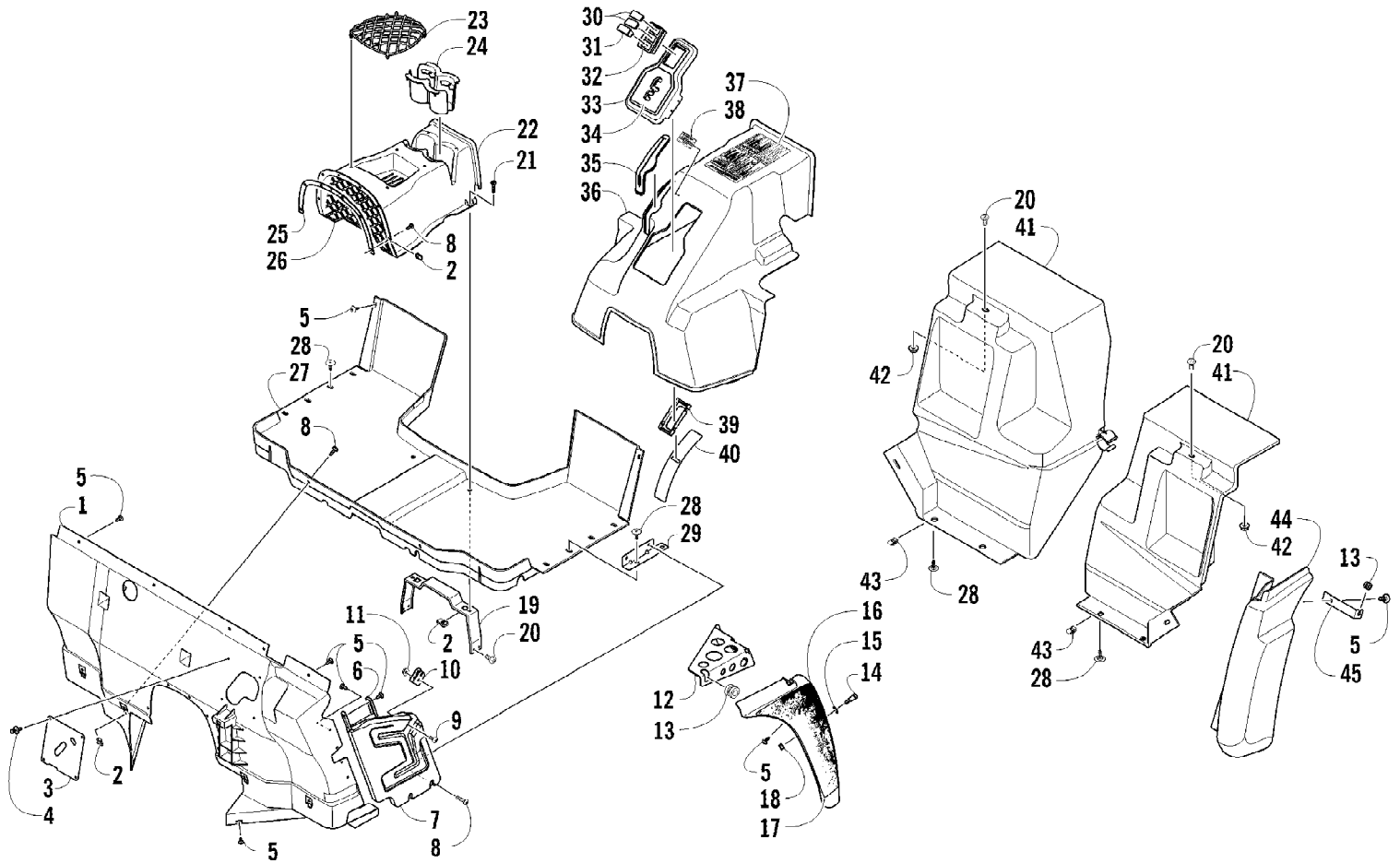


2012 PROWLER 1000 XTZ ORANGE (U2012P4W1PUSY)
CLUTCH SIDE ENGINE COVERS

Page 12 of 85

Ref #	Part Number	Qty	S/P/F	Description
1	0806-112	1	/P	Cover, Outside
2	0830-137	1		Gasket, Cover
3	0806-110	1		Cover, Inside
4	0806-109	1		Cover, Clutch
5	0830-133	1		Gasket, Clutch Cover
6	8468-616	9		Screw, Machine
7	8468-630	21		Screw, Machine
8	0829-048	6	/P	Pin, Dowel
9	0830-013	1		Washer, Crush
10	8408-812	1		Screw, Cap

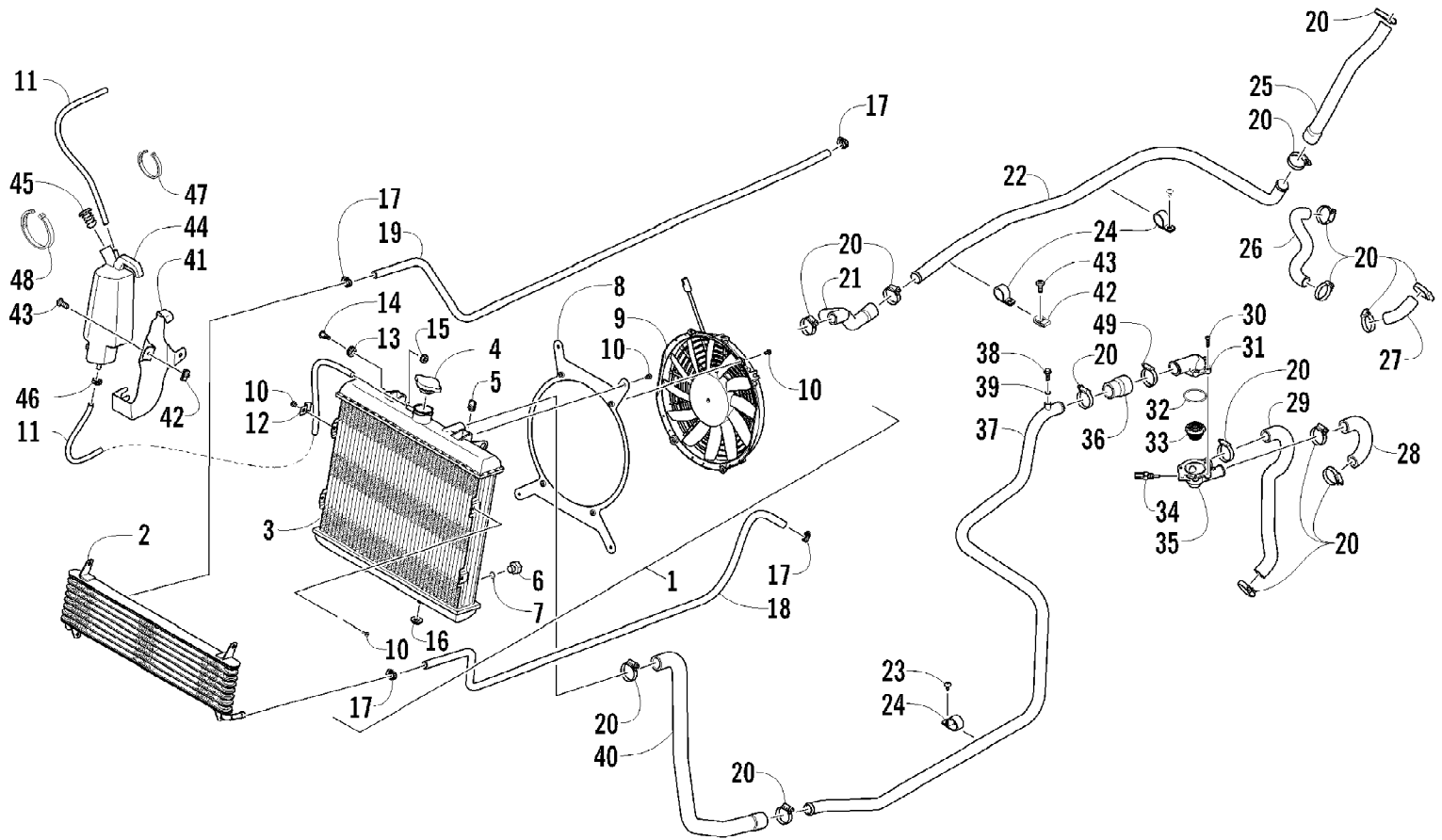
2012 PROWLER 1000 XTZ ORANGE (U2012P4W1PUSY)
CONSOLE AND FLOOR PANEL ASSEMBLY



2012 PROWLER 1000 XTZ ORANGE (U2012P4W1PUSY)
CONSOLE AND FLOOR PANEL ASSEMBLY

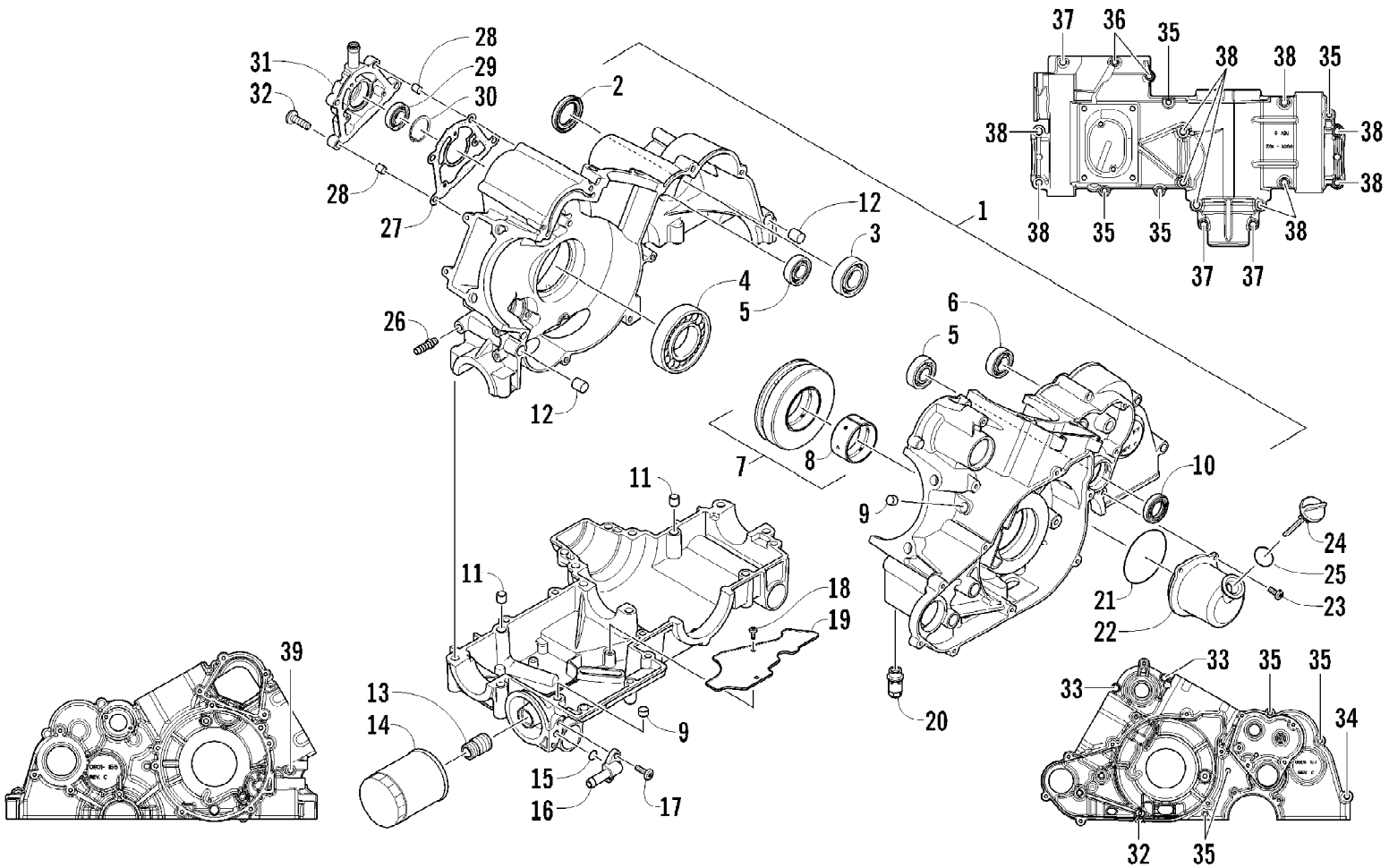
Ref #	Part Number	Qty	S/P/F	Description
1	4506-021	1		Panel, Fender - Inner
2	0423-577	15		Clip, U-Nut
3	0405-427	1		Boot, Steering
4	0623-362	4		Rivet, Reinstallable
5	0623-784	40		Screw, Self-Tapping
6	4506-596	2		Cap, Reinforcement
7	2416-848	2		Panel, Side
8	8468-625	16		Screw, Machine
9	0423-419	4		Screw, Machine
10	2416-846	2		Latch, Side Restraint
11	0423-540	4		Nut, Lock
12	2506-066	1		Bracket, Support - Right
12	2506-067	1		Bracket, Support - Left
13	0423-447	4		Grommet
14	0623-855	2		Screw, Shoulder
15	8050-217	2	/P	Washer
16	2516-182	1		Fender, Front - Right
16	2516-183	1		Fender, Front - Left
17	2411-804	1		Decal, Front Fender - Right
17	2411-805	1		Decal, Front Fender - Left
18	8048-366	2		Nut, Lock
19	2516-313	1		Bracket, Support
20	8476-616	6		Screw, Machine
21	8468-670	2		Screw, Machine
22	2416-081	1		Console - Front
23	2416-111	1		Net, Storage
24	2416-109	1		Insert, Cupholder
25	0417-019	1		Foam, Console
26	0417-018	1		Foam, Console
27	2416-085	1		Floor
28	0423-545	12	/P	Screw, Shoulder
29	4506-260	1		Bracket, Side Panel - Right
29	4506-261	1		Bracket, Side Panel - Left
30	0409-070	2		Plug, Switch-Hole
31	0409-071	1		Switch, Reverse Override
32	0409-069	1		Panel, Switch-Mount
33	1502-520	1		Gate, Shift (inc. 34)
34	1411-985	1		Decal, Shift Gate
35	2406-960	1		Boot, Parking Brake Lever
36	2406-951	1		Console, Center
37	2411-879	1		Decal, Warning - Console
38	2411-094	1		Decal, Brake Lever
39	1402-793	1		Slide, Shift Gate
40	1402-794	1		Slide, Shift
41	2416-018	1		Panel, Splash - Right
41	2416-019	1		Panel, Splash - Left
42	8424-602	2	/P	Nut
43	0423-466	4		Clip, U-Nut
44	2516-194	1		Fender, Rear - Lower - Right
44	2516-195	1		Fender, Rear - Lower - Left
45	2516-326	2		Bracket, Fender Support - Lower

2012 PROWLER 1000 XTZ ORANGE (U2012P4W1PUSY)
COOLING ASSEMBLY



Ref #	Part Number	Qty	S/P/F	Description
1	0513-036	1		Radiator Assembly (inc. 2-13)
2	0413-241	1		Cooler, Oil
3	0413-216	1		Radiator
4	0413-255	1	/P	Cap, Radiator
5	1623-637	4		Clip, U-Nut
6	0413-195	1		Plug, Drain
7	1602-213	1	/P	O-Ring
8	0413-217	1		Bracket, Mounting - Fan
9	0413-123	1	/P	Fan, Cooling
10	8470-510	12		Screw, Machine
11	0610-011	AR	/P	Hose - 25 ft
12	0423-351	1		Clamp, Routing
13	0423-030	2		Grommet
14	0423-484	2		Screw, Shoulder
15	0623-038	2		Nut w/Washer
16	0423-028	2		Bushing, Stem
17	0423-632	4		Clamp, Hose
18	0410-183	1		Hose, Oil Cooler - In
19	0410-184	1		Hose, Oil Cooler - Out
20	0423-496	15		Clamp, Hose
21	0410-251	1		Hose, Coolant - Radiator/Coolant Pipe
22	0410-249	1		Pipe, Coolant
23	0623-784	1		Screw, Self-Tapping
24	0423-594	3		Clamp, Routing
25	0410-252	1		Hose, Coolant - Coolant Pipe/Water Pump
26	0410-116	1		Hose, Coolant - Crossover
27	0410-115	1		Hose, Coolant - Crossover
28	0410-191	1		Hose, Coolant - Cylinder/Thermostat
29	0410-190	1		Hose, Coolant - Cylinder/Thermostat
30	8470-520	4		Screw, Machine
31	0808-092	1		Cover, Thermostat
32	0830-173	1		O-Ring
33	0808-093	1		Thermostat
34	0808-124	1		Sensor, Engine Coolant Temperature
35	0808-189	1		Housing, Thermostat
36	0410-189	1		Hose, Coolant - Thermostat/Coolant Pipe
37	0510-597	1		Pipe, Coolant w/Bleed Valve
38	0423-984	1	S	Screw, Bleed
39	0423-921	1		O-Ring
40	0410-092	1		Hose, Coolant - Coolant Pipe/Radiator
41	0410-199	1		Bracket, Mounting - Overflow Bottle
42	0423-577	3		Clip, U-Nut
43	8476-616	3		Screw, Machine
44	0413-086	1		Bottle, Overflow
45	0413-087	1		Plug
46	0124-045	1	/P	Clamp, Hose
47	0623-751	AR		Cable Tie - 11.75 in.
48	0623-316	AR		Tie, Cable - 14 in.
49	1623-093	1		Clamp, Hose

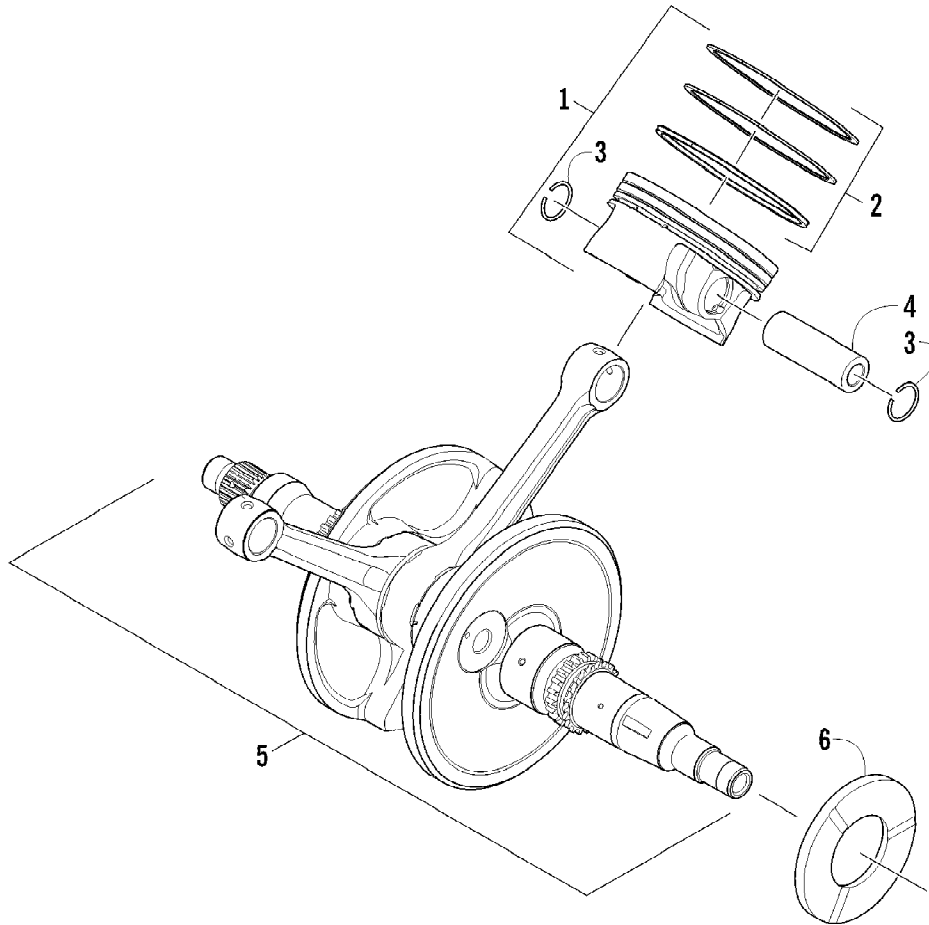
2012 PROWLER 1000 XTZ ORANGE (U2012P4W1PUSY)
CRANKCASE ASSEMBLY



2012 PROWLER 1000 XTZ ORANGE (U2012P4W1PUSY)
CRANKCASE ASSEMBLY

Page 18 of 85

Ref #	Part Number	Qty	S/P/F	Description
1	0801-172	1		Crankcase - Assembly (inc. 2-13)
2	0830-035	1		Seal, Driveshaft
3	0832-048	1	/P	Bearing
4	0832-042	1	/P	Bearing
5	0832-050	2	/P	Bearing
6	0832-049	1	/P	Bearing
7	0832-055	1		Bearing - Assembly (inc. 8)
8	0832-057	1		Bearing
9	0801-002	2		Plug, Engine Case
10	0822-052	1		Seal, Countershaft - Right
11	0829-003	2		Pin, Dowel
12	0829-002	2		Pin, Dowel
13	0812-008	1		Union, Oil Filter
14	0812-029	1	S	Filter, Oil
15	0830-172	1		O-Ring
16	0812-060	1		Fitting, Oil
17	8468-620	2	/P	Screw, Machine
18	0623-914	2		Screw, Self-Tapping
19	0812-079	1		Plate, Oil Sump
20	0812-052	1		Valve, Oil-Relief - Assembly
21	0830-162	1		O-Ring, Oil Filler Cover
22	0812-081	1		Cover, Oil Filler
23	8468-616	3		Screw, Machine
24	0801-179	1		Stick, Oil Level
25	0830-010	1		O-Ring
26	0812-078	1		Fitting, Oil - Threaded
27	0830-191	1		Gasket, Breather
28	0829-048	2	/P	Pin, Dowel
29	0832-084	1		Bearing
30	0831-086	1		Circlip
31	0801-193	1		Cover, Breather
32	8468-625	5		Screw, Machine
33	8468-630	2		Screw, Machine
34	8412-875	1		Screw, Cap
35	8468-660	8		Screw, Machine
36	8468-640	2		Screw, Machine
37	8412-830	3		Screw, Cap
38	8412-860	10		Screw, Cap
39	8412-850	1		Screw, Cap

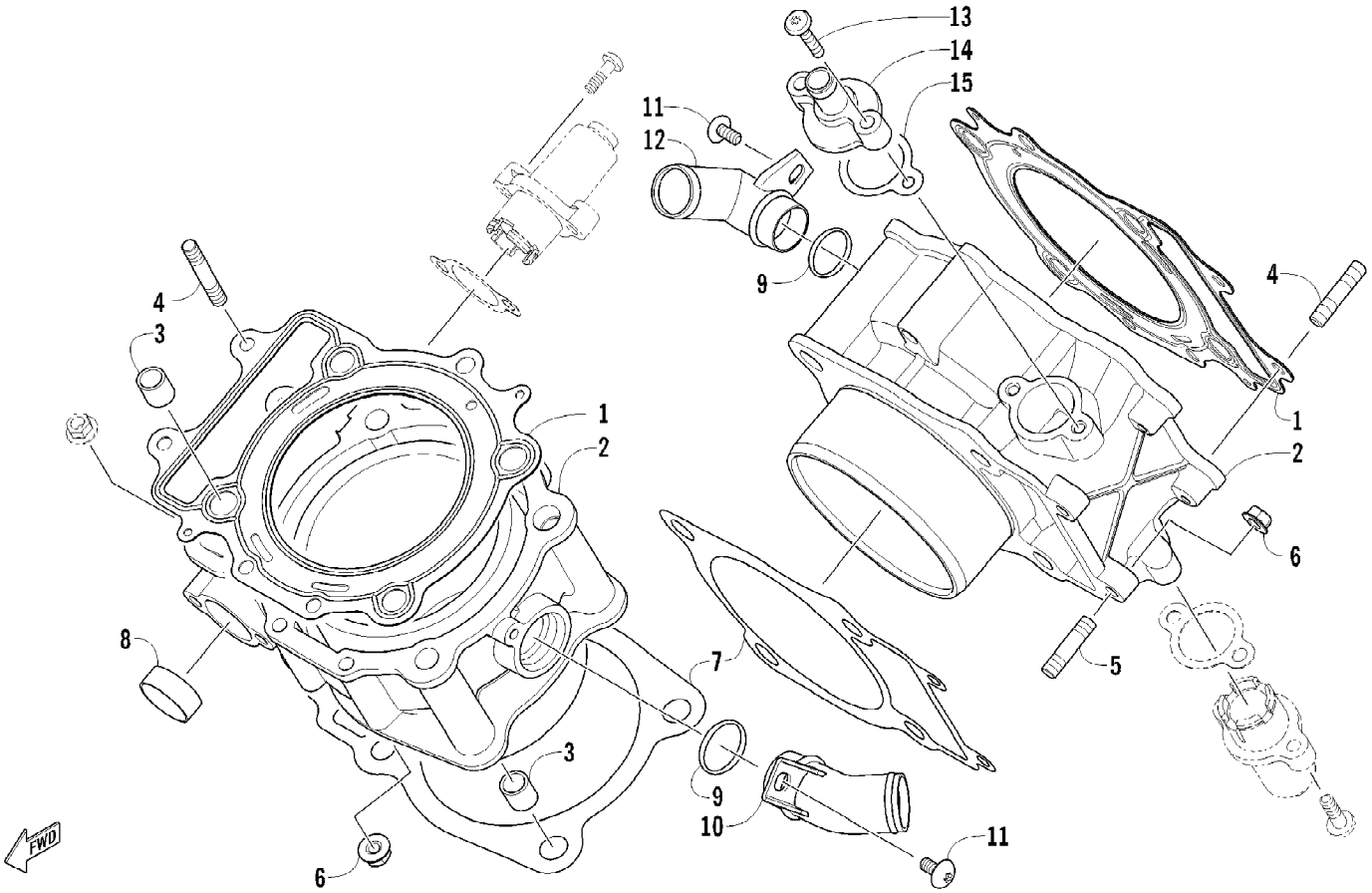


2012 PROWLER 1000 XTZ ORANGE (U2012P4W1PUSY)
CRANKSHAFT AND PISTON ASSEMBLY

Page 20 of 85

Ref #	Part Number	Qty	S/P/F	Description
1	0805-299	2	/P	Piston Set - Assembly (inc. 2-4)
2	0805-164	2		Ring, Piston - Set
3	0805-199	4		Circlip, Piston Pin
4	0805-198	2		Pin, Piston
5	0805-331	1	/P	Crankshaft - Assembly
6	0805-273	1		Washer, Thrust

2012 PROWLER 1000 XTZ ORANGE (U2012P4W1PUSY)
CYLINDER ASSEMBLY

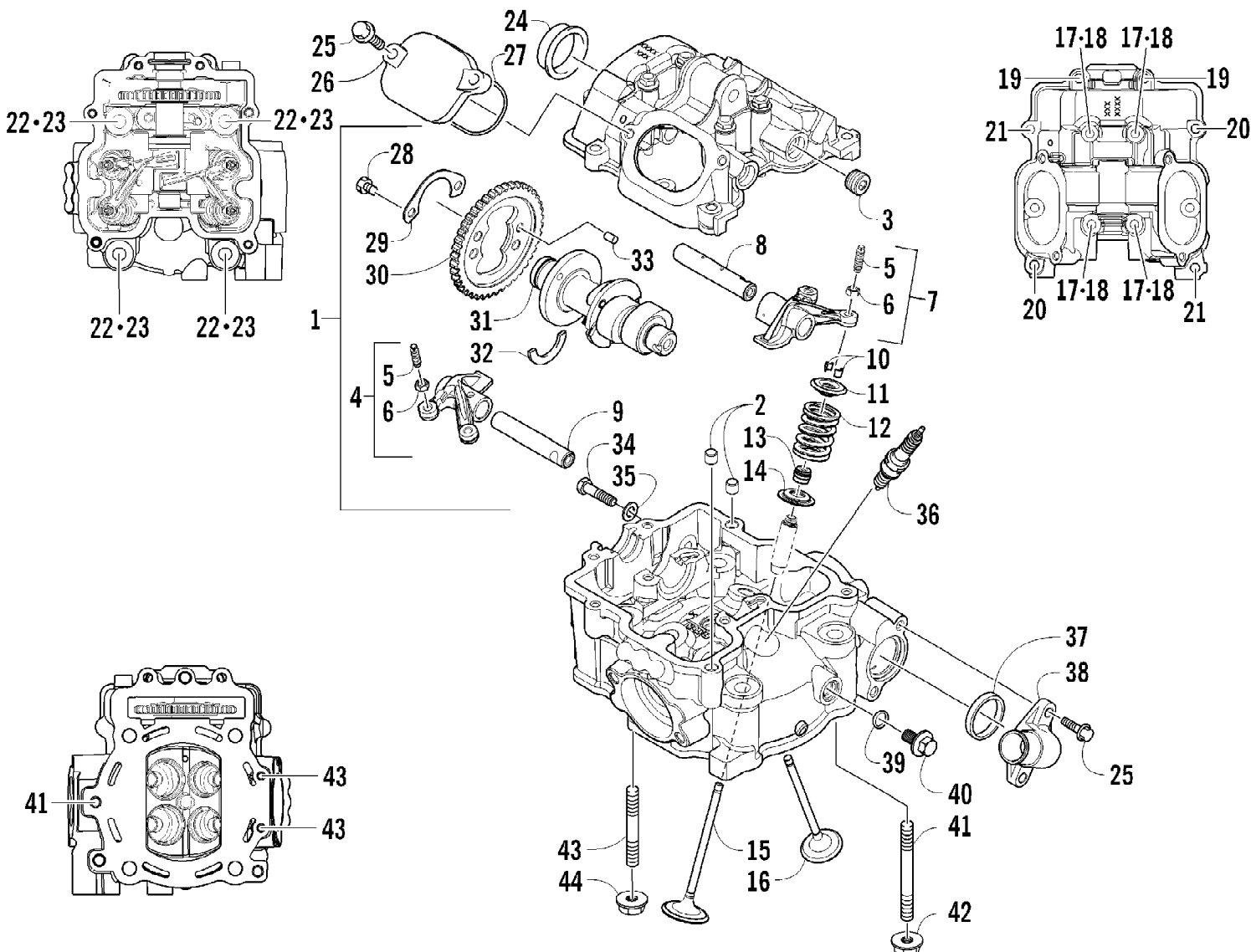


2012 PROWLER 1000 XTZ ORANGE (U2012P4W1PUSY)
CYLINDER ASSEMBLY

Page 22 of 85

Ref #	Part Number	Qty	S/P/F	Description
1	0830-209	2	/P	Gasket, Head
2	0804-031	2		Cylinder
3	0829-002	8		Pin, Dowel
4	0827-002	4		Bolt, Stud
5	0827-018	4		Bolt, Stud
6	8424-604	8		Nut
7	0830-193	2		Gasket, Base
8	0804-037	1		Plug, Cylinder
9	0830-007	2		O-Ring
10	0804-046	1		Union, Coolant Hose
11	8468-612	2		Screw, Machine
12	0804-030	1		Union, Coolant Hose
13	8468-630	2		Screw, Machine
14	0801-174	1		Cover, Breather
15	0830-134	1		Gasket

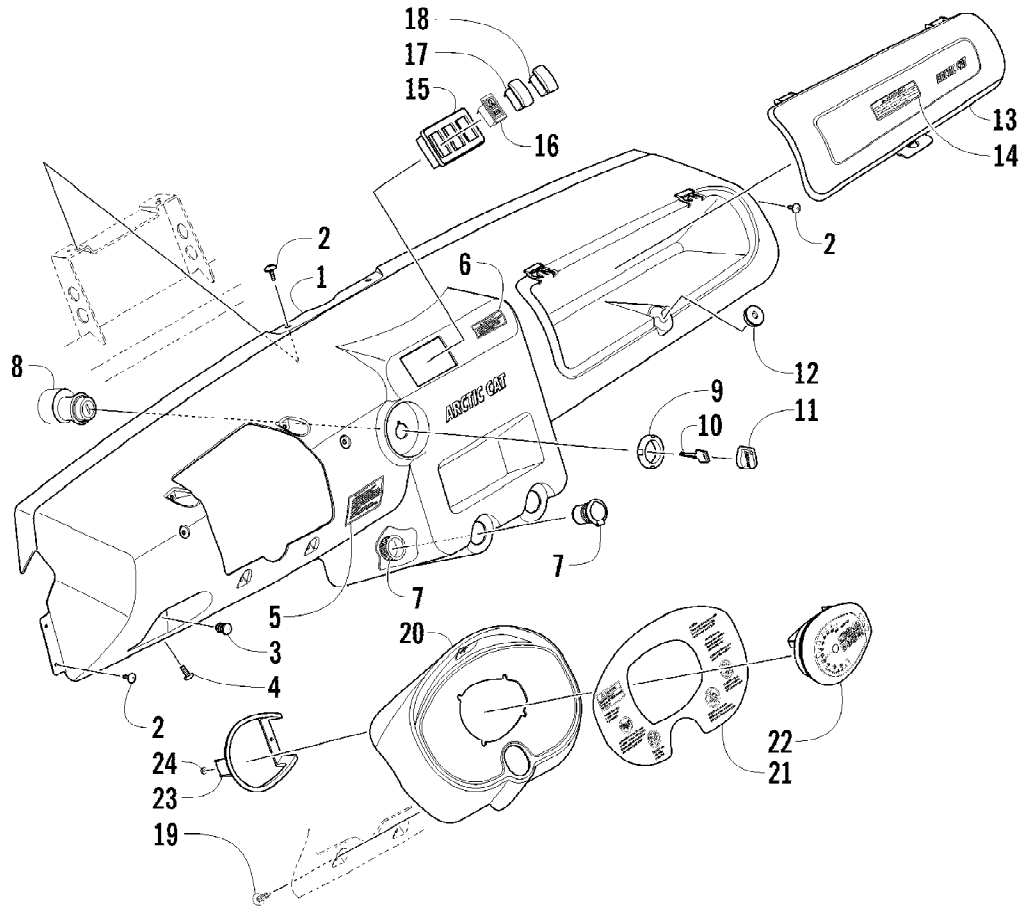
2012 PROWLER 1000 XTZ ORANGE (U2012P4W1PUSY)
CYLINDER HEAD AND CAMSHAFT/VALVE ASSEMBLY



2012 PROWLER 1000 XTZ ORANGE (U2012P4W1PUSY)
CYLINDER HEAD AND CAMSHAFT/VALVE ASSEMBLY

Page 24 of 85

Ref #	Part Number	Qty	S/P/F	Description
1	0808-175	2	S	Head, Cylinder - Assembly (inc. 2-17)
2	0829-048	4	/P	Pin, Dowel
3	0831-092	4		Plug, Shaft
4	0809-237	2	/P	Arm, Valve Rocker - Exhaust (inc. two No. 5-6)
5	0809-240	8	/P	Screw, Adjuster
6	0827-059	8		Nut
7	0809-234	2	/P	Arm, Valve Rocker - Intake (inc. two No. 5-6)
8	0809-241	2		Shaft, Rocker Arm - Intake
9	0809-242	2		Shaft, Rocker Arm - Exhaust
10	0809-233	16		Cotter, Valve
11	0809-232	8		Retainer, Spring
12	0809-231	8	/P	Spring, Valve
13	0830-186	8	/P	Seal, Oil
14	0809-230	8		Seat, Spring - Valve
15	0809-228	4	/P	Valve, Intake
16	0809-229	4	/P	Valve, Exhaust
17	0826-149	8		Screw, Cap
18	0830-155	8	/P	Gasket
19	0826-002	4		Screw, Cap
20	0826-005	4		Screw, Cap
21	0826-006	4		Screw, Cap
22	0808-090	8		Screw, Cap
23	0830-147	8	/P	Washer
24	0808-077	2		Plug, Cylinder Head
25	0826-007	12		Screw, Cap
26	0808-003	4		Cap, Inspection
27	0830-167	4	/P	O-Ring
28	0826-034	4		Screw, Cap
29	0828-004	2		Plate, Retainer
30	0809-212	2		Sprocket
31	0809-246	1	/P	Camshaft, Front Cylinder
31	0809-248	1	/P	Camshaft, Rear Cylinder
32	0809-003	2		C-Ring
33	0829-049	2		Pin, Dowel
34	8400-812	2		Screw, Cap
35	0830-025	2		Washer, Crush
36	0217-799	2	/P/F	Spark Plug
37	0830-120	2		Seal
38	0808-008	2		Cover, Thermostat
39	0830-213	2		O-Ring
40	0826-157	2		Screw, Cap
41	0827-062	2		Bolt, Stud
42	8424-804	2		Nut
43	0827-030	4		Bolt, Stud
44	8424-604	4		Nut

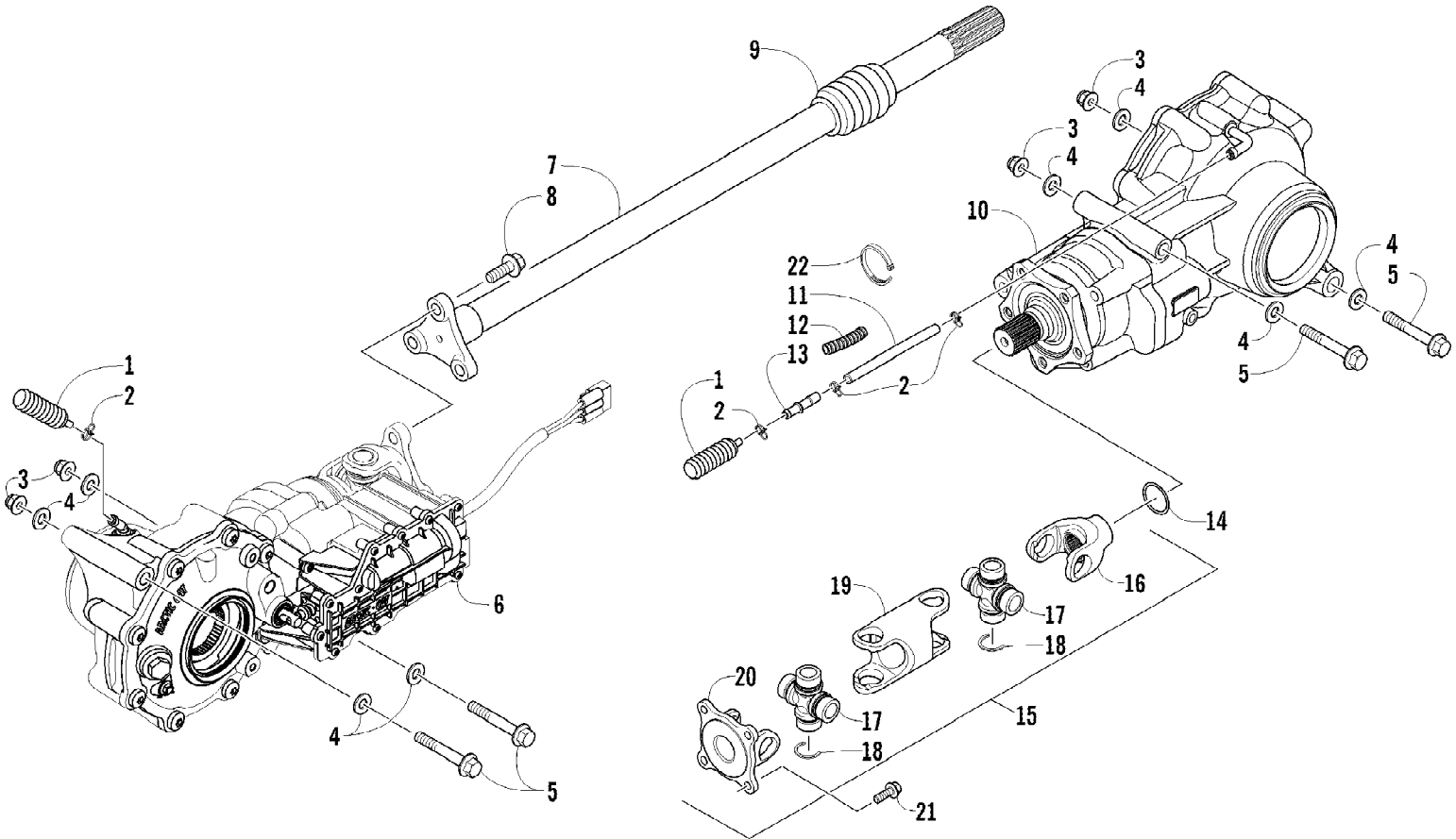


2012 PROWLER 1000 XTZ ORANGE (U2012P4W1PUSY)
DASH ASSEMBLY

Page 26 of 85

Ref #	Part Number	Qty	S/P/F	Description
1	4506-357	1		Panel, Dash
2	0623-784	8		Screw, Self-Tapping
3	1623-697	1		Plug
4	0423-419	3		Screw, Machine
5	1411-904	1		Decal, Starting
6	1411-124	1		Decal, Warning - Differential Lock
7	0641-897	2	/P	Outlet, Accessory - 12V
8	0430-089	1	/P	Switch, Ignition (inc. 9-11)
9	0430-050	1		Nut, Retaining
10	0430-042	1		Key, Ignition - Series (Y Series - Left-Side Cut)
10	0430-043	1		Key, Ignition - Series (Z Series - Right-Side Cut)
11	0430-054	1		Cover, Key
12	0423-541	1		Grommet, Latch - Glove Box
13	4506-420	1	/P	Cover, Glove Box (inc. 14)
14	2411-512	1	/P	Decal, Warning - Passenger
15	0409-069	1		Panel, Switch-Mount
16	0420-111	1		Light, Indicator
17	0409-067	1		Switch, Light
18	0409-061	1		Switch, 2WD/4WD/Differential Lock
19	0423-342	6	/P	Screw, Self-Tapping
20	1406-727	1		Pod, Instrument
21	1411-125	1		Decal, Warning - Dash
22	0520-159	1		Gauge, Analog/LCD
23	0420-065	1	/P	Bracket, Retaining
24	0423-493	2		Nut w/Washer

2012 PROWLER 1000 XTZ ORANGE (U2012P4W1PUSY)
DRIVE TRAIN ASSEMBLY



2012 PROWLER 1000 XTZ ORANGE (U2012P4W1PUSY)
DRIVE TRAIN ASSEMBLY

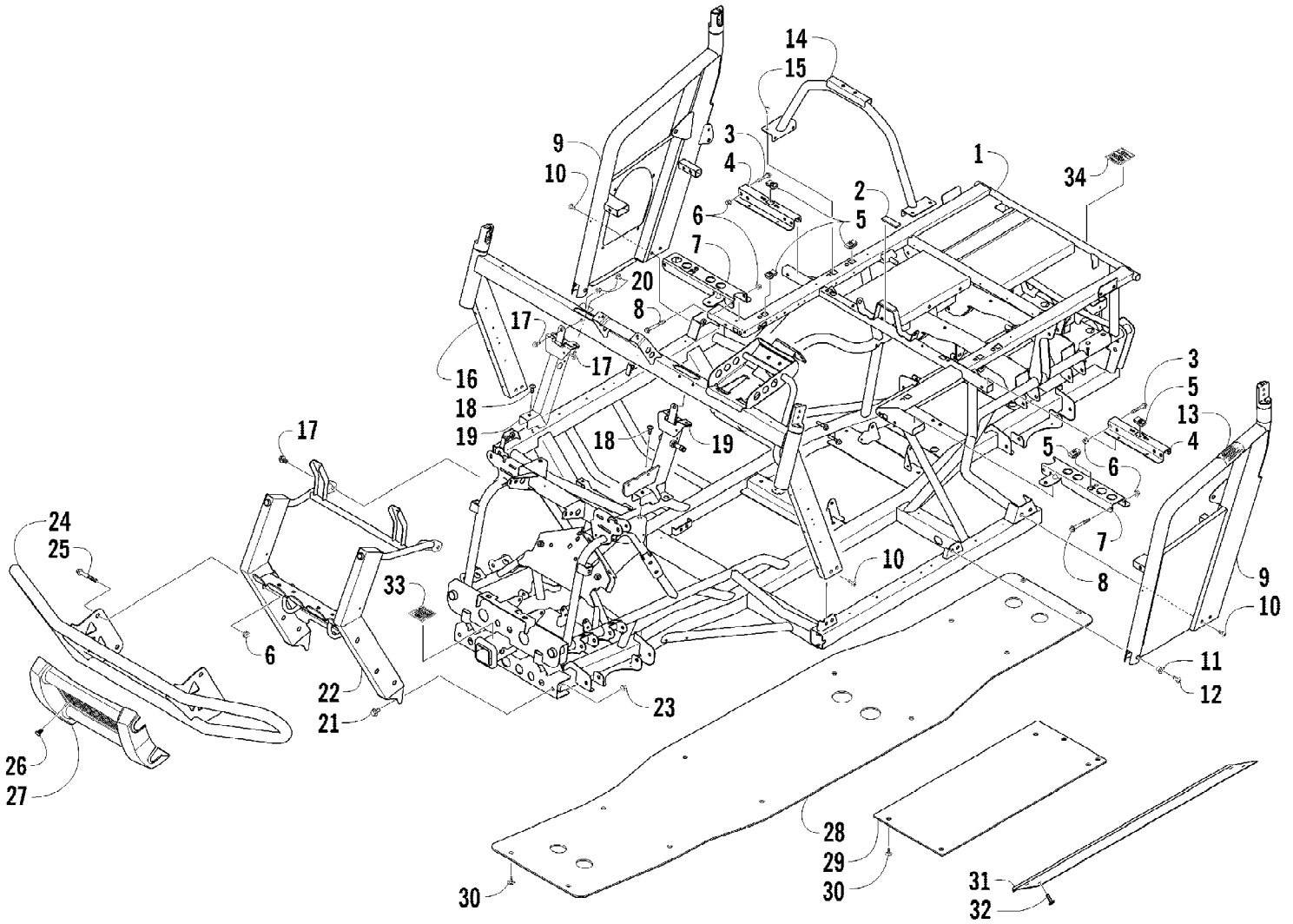
Page 28 of 85

Ref #	Part Number	Qty	S/P/F	Description
1	1402-620	2	/P	Bladder, Gearcase
2	0423-315	4		Clamp, Hose
3	8428-002	4		Nut, Lock
4	0423-426	8		Washer
5	0423-404	4		Screw, Cap
6	1502-890	1		Gearcase, Front
7	1402-795	1		Driveshaft, Front
8	8409-025	3		Screw, Cap
9	0402-966	1		Boot, Shaft
10	1502-891	1		Gearcase, Rear
11	0410-070	AR	/P	Hose, Vent - 25 ft
12	0419-392	AR		Conduit, Flexible - 3 ft
13	0470-702	1	/P	Fitting, Vent
14	1402-203	1		O-Ring
15	1502-560	1		Driveshaft, Rear - Assembly (inc. 16-20)
16	0502-522	1		Yoke, Slip
17	0402-944	2	/P	Joint, Universal (inc. 18)
18	0423-395	8		Ring, Retaining
19	1502-561	1		Driveshaft, Rear
20	1402-689	1		Yoke, Flange
21	8408-820	4	/P	Screw, Cap
22	0123-788	AR	/P	Tie, Cable - 8 in.

2012 PROWLER 1000 XTZ ORANGE (U2012P4W1PUSY)
ENGINE AND EXHAUST

Page 30 of 85

Ref #	Part Number	Qty	S/P/F	Description
1	0800-095	1		Engine, A950GH2 (inc. 2-3)
2	0801-128	1		Spacer, Engine Mount
3	0801-091	4		Mount, Engine
4	0423-426	2		Washer
5	0423-734	1		Screw, Cap
6	0423-451	1		Screw, Cap
7	8428-002	2		Nut, Lock
8	0411-426	1		Decal, Warning - Clutch Cover
9	0412-338	2	/P	Gasket, Exhaust Pipe
10	8408-820	4	/P	Screw, Cap
11	0512-517	1	/P	Pipe, Exhaust - Front
12	0512-528	1		Shield, Exhaust Pipe - Upper
13	0512-529	1		Shield, Exhaust Pipe - Lower
14	8408-616	9		Screw, Cap
15	8050-222	6	/P	Washer
16	0423-909	6		Isolator
17	0423-908	6		Isolator
18	0512-519	1	/P	Pipe, Exhaust - Rear
19	0412-543	1		Shield, Exhaust Pipe - Rear
20	0412-561	1		Shield, Heat
21	8476-616	4		Screw, Machine
22	0423-577	4		Clip, U-Nut
23	0612-668	6	/P	Spring, Extension
24	0412-375	2	/P	Seal, Exhaust Pipe
25	0512-500	1		Muffler - Assembly (inc. 26-27 and three No. 14)
26	0412-313	1		Gasket, Spark Arrester
27	0512-219	1	/P	Arrester, Spark - Assembly
28	8476-612	6		Screw, Machine
29	0412-553	2		Bracket, Muffler Support
30	0412-544	4		Bushing
31	0412-551	1		Cover, Muffler

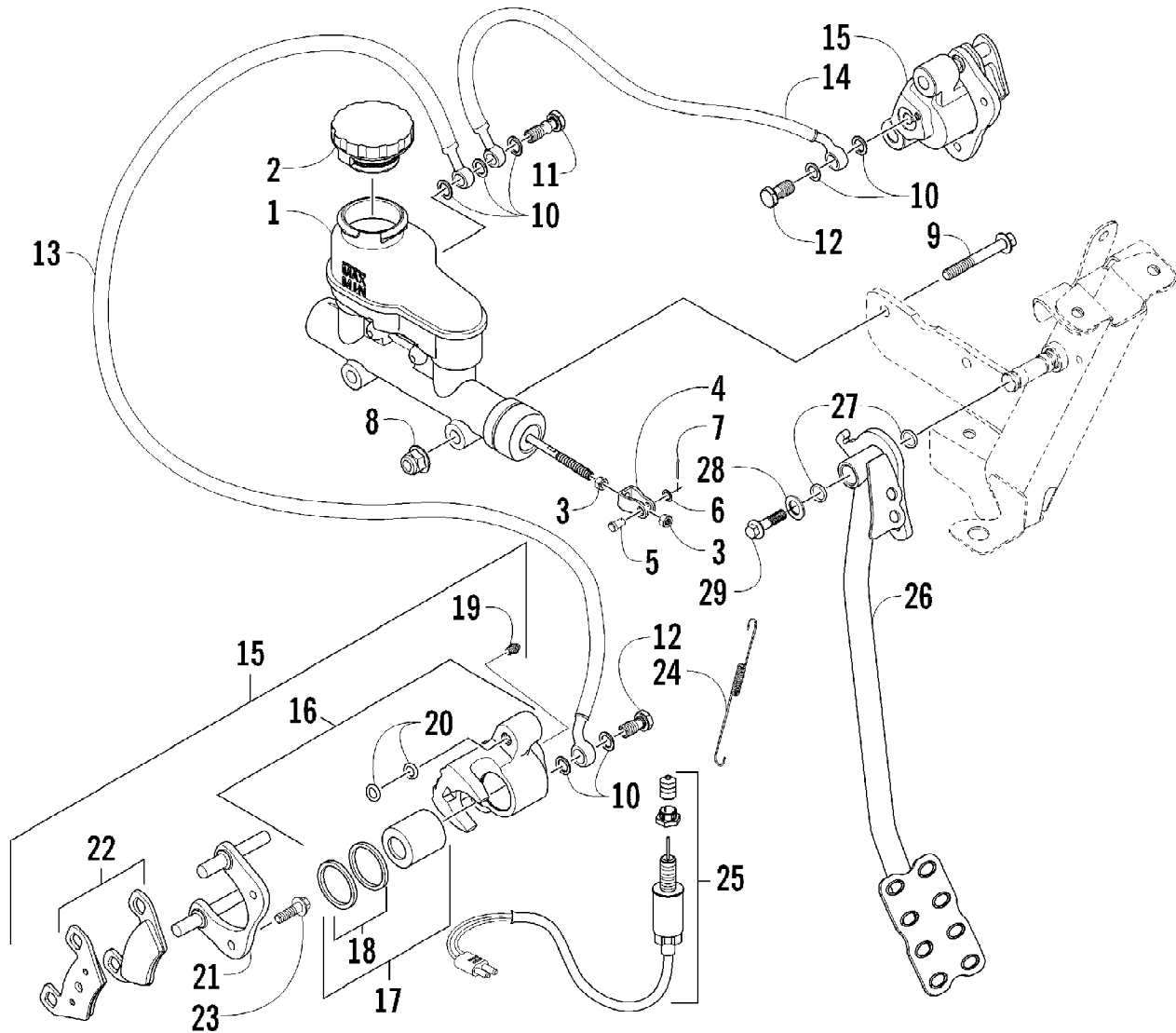


2012 PROWLER 1000 XTZ ORANGE (U2012P4W1PUSY)
FRAME AND RELATED PARTS

Page 32 of 85

Ref #	Part Number	Qty	S/P/F	Description
1	4506-616	1		Frame, Main (inc. 2)
2	0406-879	1		Bumper, Seat
3	8408-850	6		Screw, Cap
4	1506-842	2		Bracket, Seat Support - Rear
5	0423-577	12		Clip, U-Nut
6	8427-802	14		Nut, Lock
7	2516-644	1		Bracket, Seat Support - Front - Right
7	2516-645	1		Bracket, Seat Support - Front - Left
8	8408-870	4		Screw, Cap
9	4506-506	1		Support, Overhead - Right
9	4506-507	1		Support, Overhead - Left
10	0423-817	8		Screw, Machine
11	1423-051	2		Spacer
12	0423-886	2		Screw, Machine
13	2411-522	1		Decal, Warning - ROPS
14	2506-638	1		Support, ROPS
15	8476-616	4		Screw, Machine
16	4506-019	1		Support, Steering
17	8408-820	8	/P	Screw, Cap
18	8476-820	2		Screw, Machine
19	0505-688	1		Bracket, Steering Support - Right
19	1502-930	1		Bracket, Steering Support - Left
20	8424-802	6		Nut
21	8409-020	2	/P	Screw, Cap
22	2516-556	1		Bracket, Mounting - Bumper
23	8427-002	2		Nut, Lock
24	2506-779	1		Bumper
25	8408-860	4		Screw, Cap
26	8477-616	4		Screw, Machine
27	2406-713	1		Fascia, Bumper - Front
28	2416-076	1		Plate, Skid - Center
29	1406-721	2		Panel, Belly - Side
30	0423-545	20	/P	Screw, Shoulder
31	2506-612	2		Plate, Skid - Side
32	0423-849	8		Screw, Self-Tapping
33	1411-122	1		Decal, Warning - Towing - Front
34	1411-123	1		Decal, Warning - Towing - Rear

2012 PROWLER 1000 XTZ ORANGE (U2012P4W1PUSY)
FRONT BRAKE ASSEMBLY

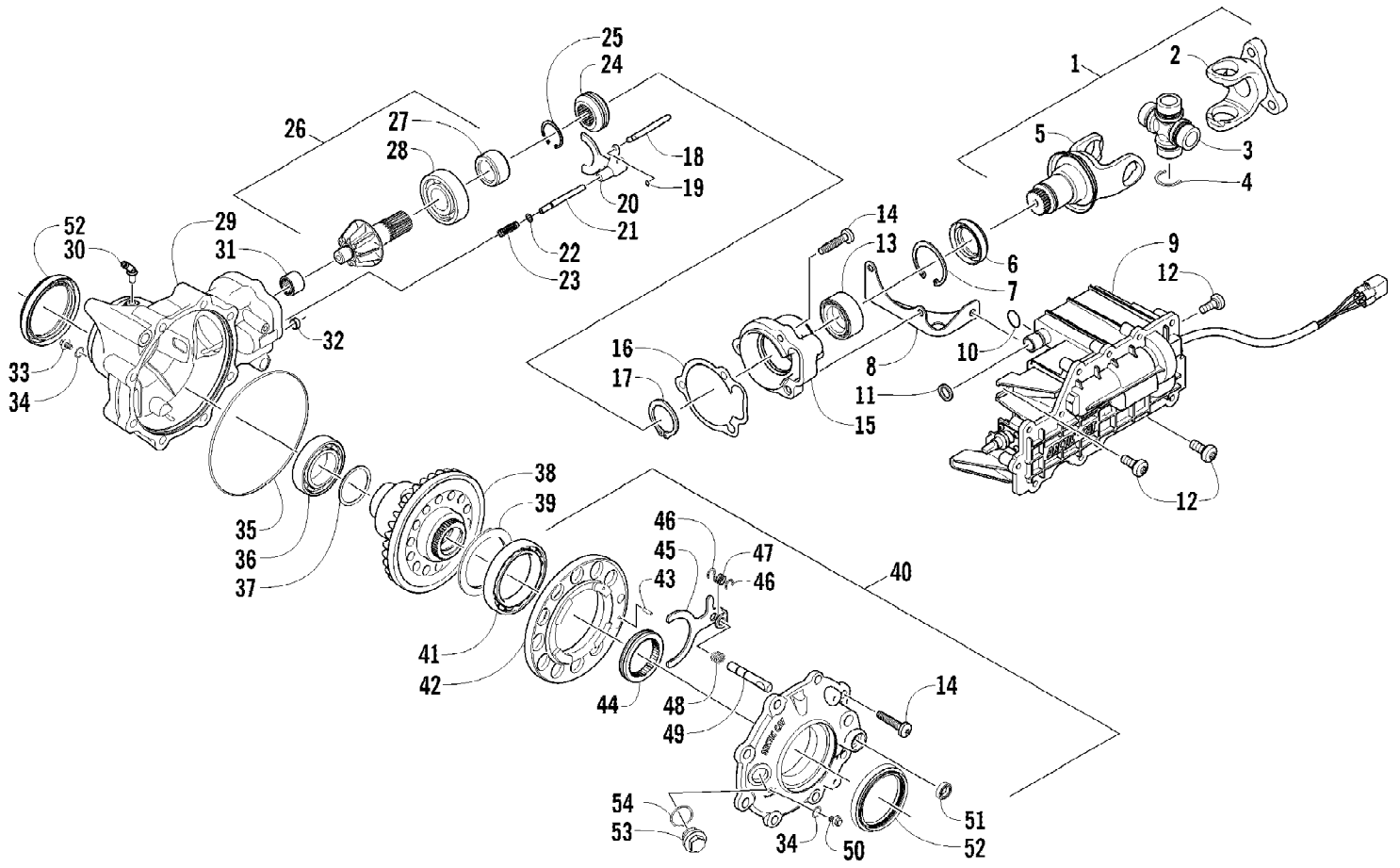


2012 PROWLER 1000 XTZ ORANGE (U2012P4W1PUSY)
FRONT BRAKE ASSEMBLY

Page 34 of 85

Ref #	Part Number	Qty	S/P/F	Description
1	0502-786	1		Cylinder, Master Brake - Assembly (inc. 2-4)
2	0405-225	1		Cap, Reservoir
3	0402-592	2		Nut
4	1402-520	1		Clevis
5	1402-377	1		Pin, Clevis
6	8050-217	1	/P	Washer
7	0117-868	1		Pin, Cotter
8	8424-802	2		Nut
9	8408-860	2		Screw, Cap
10	0423-178	7		Washer, Crush
11	0423-610	1		Bolt, Double Banjo-Fitting
12	0423-413	2		Bolt, Banjo-Fitting
13	1402-389	1		Hose, Brake - Left
14	1402-290	1		Hose, Brake - Right
15	1502-730	1	/P	Caliper, Brake - Front Right (inc. 16-22)
15	1502-731	1	/P	Caliper, Brake - Front Left (inc. 16-22)
16	1436-160	1	/P	Housing, Caliper - Assembly - Front Right (inc. 17-19)
16	1436-161	1	/P	Housing, Caliper - Assembly - Front Left (inc. 17-19)
17	0502-606	2		Piston/Seal Set (inc. 18)
18	0502-607	2		Seal Set
19	0502-609	2	/P	Valve, Bleed
20	0502-608	2		O-Ring, Guide - Set
21	0502-960	2		Bracket Assembly
22	1502-694	2	S	Pad, Brake - Set
23	8408-826	4		Screw, Cap
24	0502-785	1		Spring, Brake Switch
25	0409-089	1		Switch, Brake - Assembly
26	1502-692	1		Lever, Brake
27	1602-213	2	/P	O-Ring
28	0623-044	1		Washer
29	8408-822	1		Screw, Cap

2012 PROWLER 1000 XTZ ORANGE (U2012P4W1PUSY)
FRONT DRIVE GEARCASE ASSEMBLY



2012 PROWLER 1000 XTZ ORANGE (U2012P4W1PUSY)
FRONT DRIVE GEARCASE ASSEMBLY

Page 36 of 85

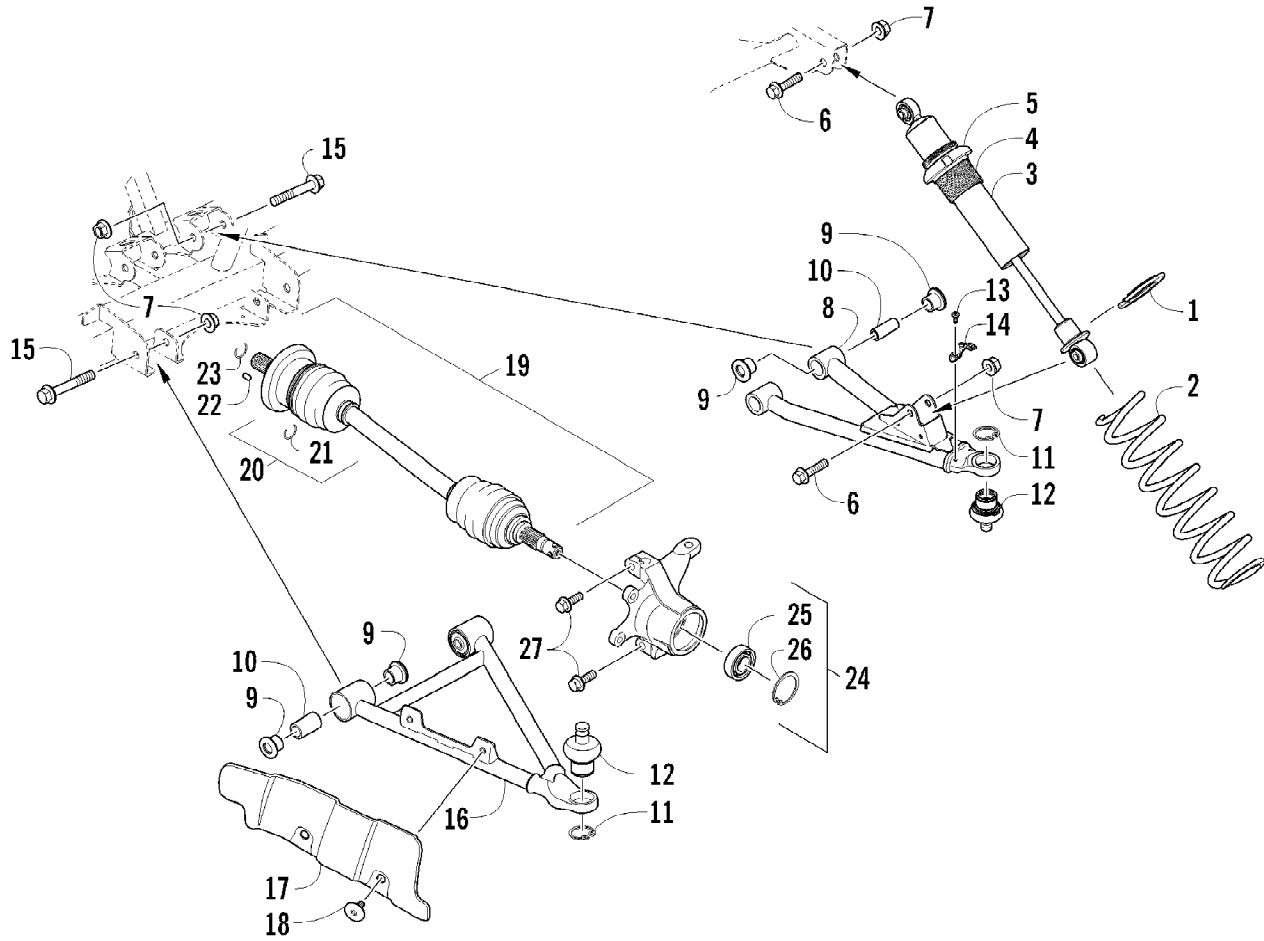
Ref #	Part Number	Qty	S/P/F	Description
	1502-890	1		Complete Front Drive Gearcase Assembly
1	1502-559	1		Shaft, Coupler - Assembly (inc. 2-5)
2	0502-331	1		Coupler, Driveshaft
3	0402-944	1	/P	Joint, Universal (inc. 4)
4	0423-395	4		Ring, Retaining
5	0502-518	1		Yoke, Slip
6	1402-011	1		Seal
7	0423-423	1		Ring, Retaining
8	1502-237	1		Bracket, Actuator
9	1502-909	1	/P	Actuator (inc. 10)
10	1402-981	1		O-Ring
11	0423-892	1	/P	O-Ring
12	0423-396	3		Screw, Self-Tapping
13	1402-043	1		Bearing
14	0423-118	11		Screw, Self-Tapping
15	0502-528	1	/P	Housing, Pinion
16	0402-947	1		Gasket
17	0423-417	1		Ring, Retaining
18	0402-997	1		Shaft, Selector
19	0423-402	1		Ring, Retaining
20	0402-998	1		Fork, Selector
21	0402-417	1		Shaft, Shuttle
22	0423-147	1		O-Ring
23	0402-999	1		Spring, Return
24	0402-413	1		Coupler, Drive
25	1423-067	1		Ring, Retaining
26	1502-851	1		Gear, Pinion - Assembly - 11T (inc. 27-28)
27	1402-977	1		Collar, Retaining
28	0402-327	1		Bearing
29	1502-856	1		Housing, Gearcase
30	1402-980	1		Fitting, Elbow
31	0402-328	1		Bearing
32	0402-411	1		Pin, Dowel
33	1402-210	1	/P	Plug, Magnetic (inc. one No. 34)
34	0423-153	2		O-Ring
35	0423-149	1		O-Ring
36	0402-393	1		Bearing
37	0402-405	AR		Shim, 41 x 49 x 1.3 mm
37	0402-406	AR		Shim, 41 x 49 x 1.4 mm
37	0402-407	AR		Shim, 41 x 49 x 1.5 mm
37	0402-408	AR		Shim, 41 x 49 x 1.6 mm
37	0402-409	AR		Shim, 41 x 49 x 1.7 mm
38	1502-859	1		Gear, Ring - 34T
39	1402-074	AR		Shim, 61 x 69 x 1.3 mm
39	1402-075	AR		Shim, 61 x 69 x 1.4 mm
39	1402-076	AR		Shim, 61 x 69 x 1.5 mm
39	1402-077	AR		Shim, 61 x 69 x 1.6 mm
39	1402-078	AR		Shim, 61 x 69 x 1.7 mm
40	1502-895	1		Cover, Gearcase (inc. one No. 34, 41-51, and one No. 52)
41	1402-053	1		Bearing
42	0502-413	1		Flange, Bearing

2012 PROWLER 1000 XTZ ORANGE (U2012P4W1PUSY)
FRONT DRIVE GEARCASE ASSEMBLY

Page 37 of 85

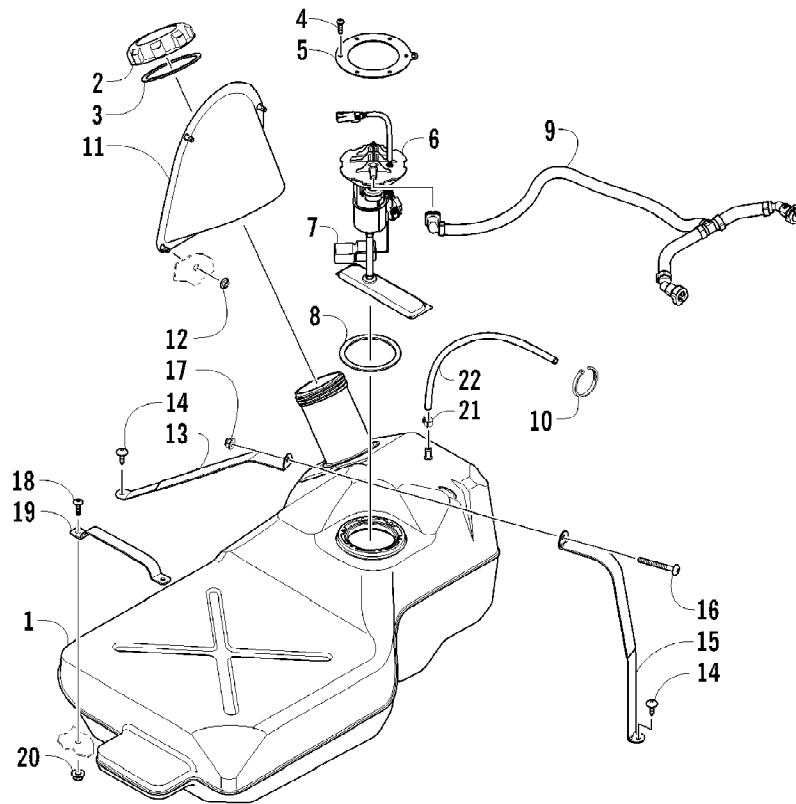
Ref #	Part Number	Qty	S/P/F	Description
43	1402-079	1		Pin, Alignment
44	1402-042	1		Collar, Sliding
45	1402-054	1		Fork
46	1402-058	2		Ring, Retaining
47	1402-057	1		Spring
48	1402-063	1		Spring
49	1402-656	1		Shaft, Lock
50	1402-211	1		Plug, Oil Level (inc. one No. 34)
51	1402-056	1		Seal
52	1402-950	2	/P	Seal
53	0402-333	1	/P	Plug, Fill (inc. 54)
54	0423-154	1		O-Ring

2012 PROWLER 1000 XTZ ORANGE (U2012P4W1PUSY)
FRONT SUSPENSION ASSEMBLY



2012 PROWLER 1000 XTZ ORANGE (U2012P4W1PUSY)
FRONT SUSPENSION ASSEMBLY

Ref #	Part Number	Qty	S/P/F	Description
1	0423-920	2		Retainer, Spring
2	0503-437	2		Spring, Suspension
3	0403-215	2		Shock Absorber (inc. 4)
4	0423-917	2		Sleeve, Shock - Threaded
5	0423-919	2		Nut, Spring Retainer
6	8409-055	4		Screw, Cap
7	8428-002	12		Nut, Lock
8	0503-432	1		A-Arm, Upper Right (inc. 9-12)
8	0503-433	1		A-Arm, Upper Left (inc. 9-12)
9	0403-208	16	/P	Bushing
10	0403-214	8	/P	Axle
11	0423-009	4	/P	Ring, Retaining
12	0405-115	4	/P	Ball Joint
13	0423-946	4		Screw, Self-Tapping
14	1502-594	2		Clamp, Routing
15	8409-075	8		Screw, Cap
16	0503-376	1	/P	A-Arm, Lower Right (inc. 9-12)
16	0503-377	1	/P	A-Arm, Lower Left (inc. 9-12)
17	1406-034	1		Guard, Boot - Right
17	1406-035	1		Guard, Boot - Left
18	0423-545	4	/P	Screw, Shoulder
19	1502-803	1	S	Axle - Front - Right (inc. 20-23)
19	1502-802	1	S/P	Axle - Front - Locking - Left (inc. 20-23)
20	1436-419	2		Repair Kit, Boot (inc. 21)
21	1441-988	2		Clip, Retaining
22	1402-885	4		Pin, Detent
23	1402-889	2		Clip, Retaining
24	0505-580	1	/P	Knuckle - Assembly - Right (inc. 25-26)
24	0505-581	1	/P	Knuckle - Assembly - Left (inc. 25-26)
25	1402-809	2	/P	Bearing
26	0423-423	2		Ring, Retaining
27	0423-998	4		Screw, Shoulder

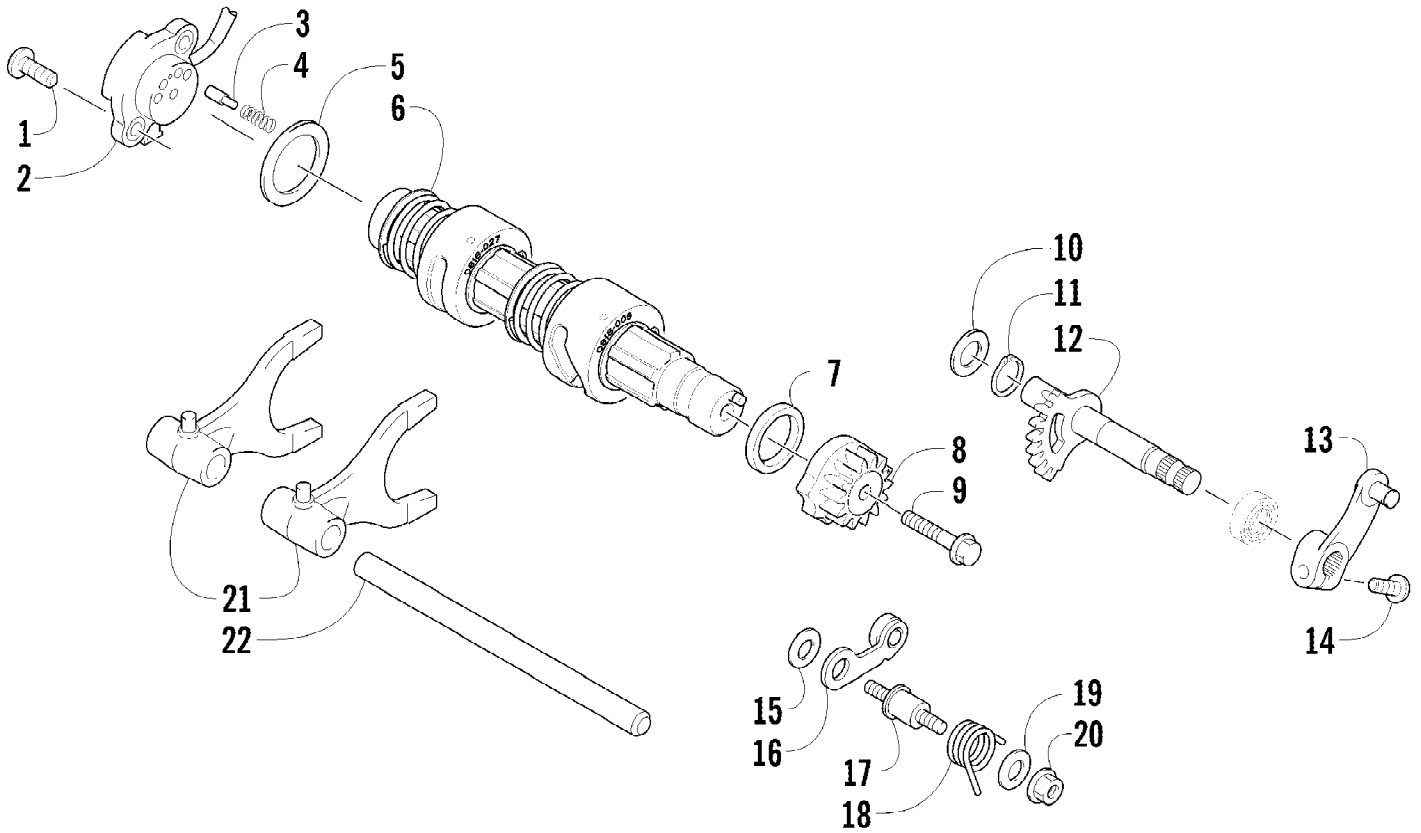


2012 PROWLER 1000 XTZ ORANGE (U2012P4W1PUSY)
GAS TANK ASSEMBLY

Page 41 of 85

Ref #	Part Number	Qty	S/P/F	Description
1	0570-309	1		Tank, Gas - Assembly (inc. 2-5)
2	0470-541	1	/P	Cap, Gas Tank (inc. 3)
3	1670-228	1		Gasket, Gas Tank Cap
4	0423-898	6		Screw, Self-Tapping
5	2670-042	1		Plate, Retaining
6	0570-334	1	/P	Pump, Fuel - Assembly (inc. 7-8)
7	2670-235	1		Float
8	0470-838	1		Seal
9	0570-293	1		Hose, Gasline
10	0123-788	AR	/P	Tie, Cable - 8 in.
11	1406-886	1		Insert, Gas Tank Cap
12	0423-357	4		Nut, Stamped
13	0470-829	1		Bracket, Hold-Down - Right
14	0623-784	2		Screw, Self-Tapping
15	0470-830	1		Bracket, Hold-Down - Left
16	8476-650	1		Screw, Machine
17	8427-602	1		Nut, Lock
18	8476-620	2		Screw, Machine
19	0470-544	1		Bracket, Hold-Down - Front
20	0623-038	2		Nut w/Washer
21	0423-688	1		Clamp, Hose
22	0410-070	AR	/P	Hose, Gasline - 25 ft

2012 PROWLER 1000 XTZ ORANGE (U2012P4W1PUSY)
GEAR SHIFTING ASSEMBLY

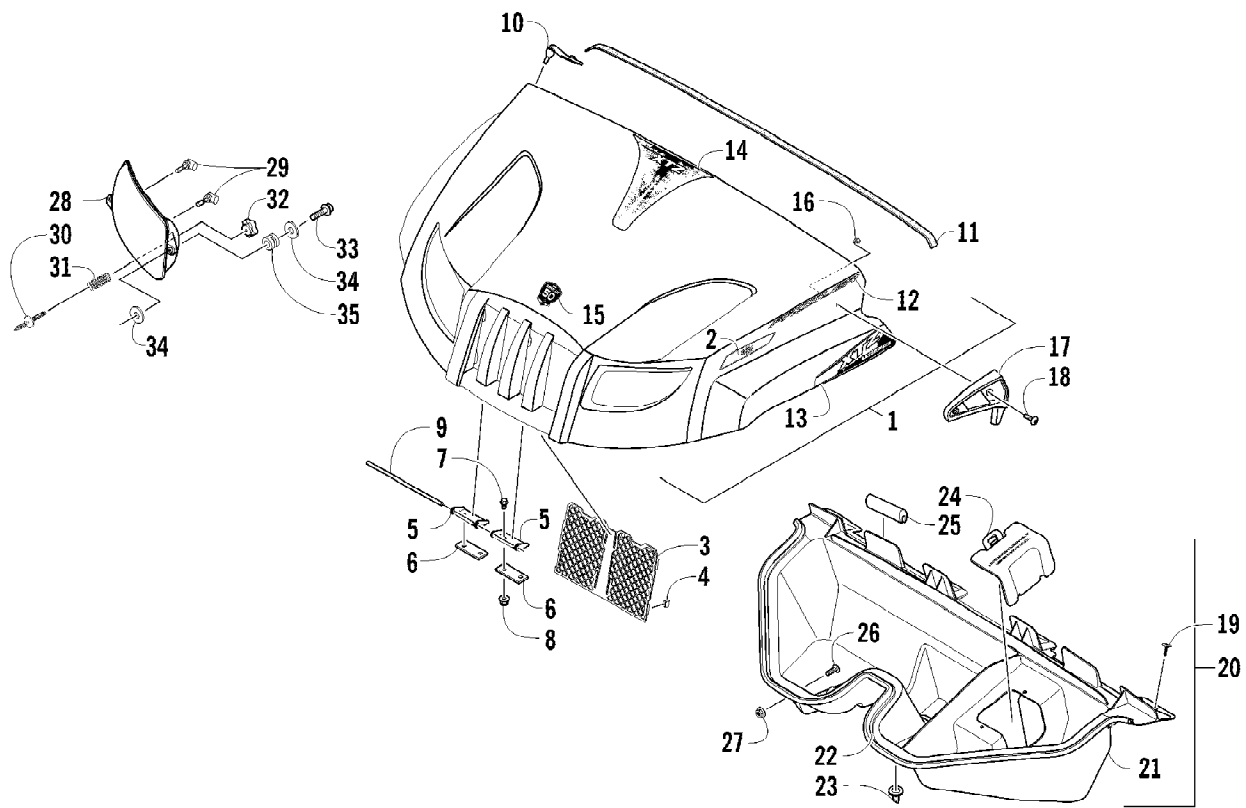


2012 PROWLER 1000 XTZ ORANGE (U2012P4W1PUSY)
GEAR SHIFTING ASSEMBLY

Page 43 of 85

Ref #	Part Number	Qty	S/P/F	Description
1	8470-516	2		Screw, Machine
2	0409-091	1		Switch, Gear Position
3	0818-013	2		Contact
4	0818-017	2		Spring
5	0828-040	1		Washer
6	0818-046	1		Shaft, Gear Shift - Assembly
7	0828-131	1		Spacer
8	0818-055	1		Cam, Gear Shift
9	0826-006	1		Screw, Cap
10	0828-036	1		Washer
11	0831-010	1		Ring, Retaining
12	0818-095	1		Shaft, Sub-Gear Shift
13	0818-014	1		Arm, Shift
14	8468-620	1	/P	Screw, Machine
15	0828-038	1		Washer
16	0818-002	1		Stopper, Cam
17	0818-004	1		Support, Cam Stopper
18	0818-090	1		Spring
19	0828-035	1		Washer
20	8424-602	1	/P	Nut
21	0818-072	2	/P	Fork, Shift
22	0818-006	1		Shaft, Shift Fork

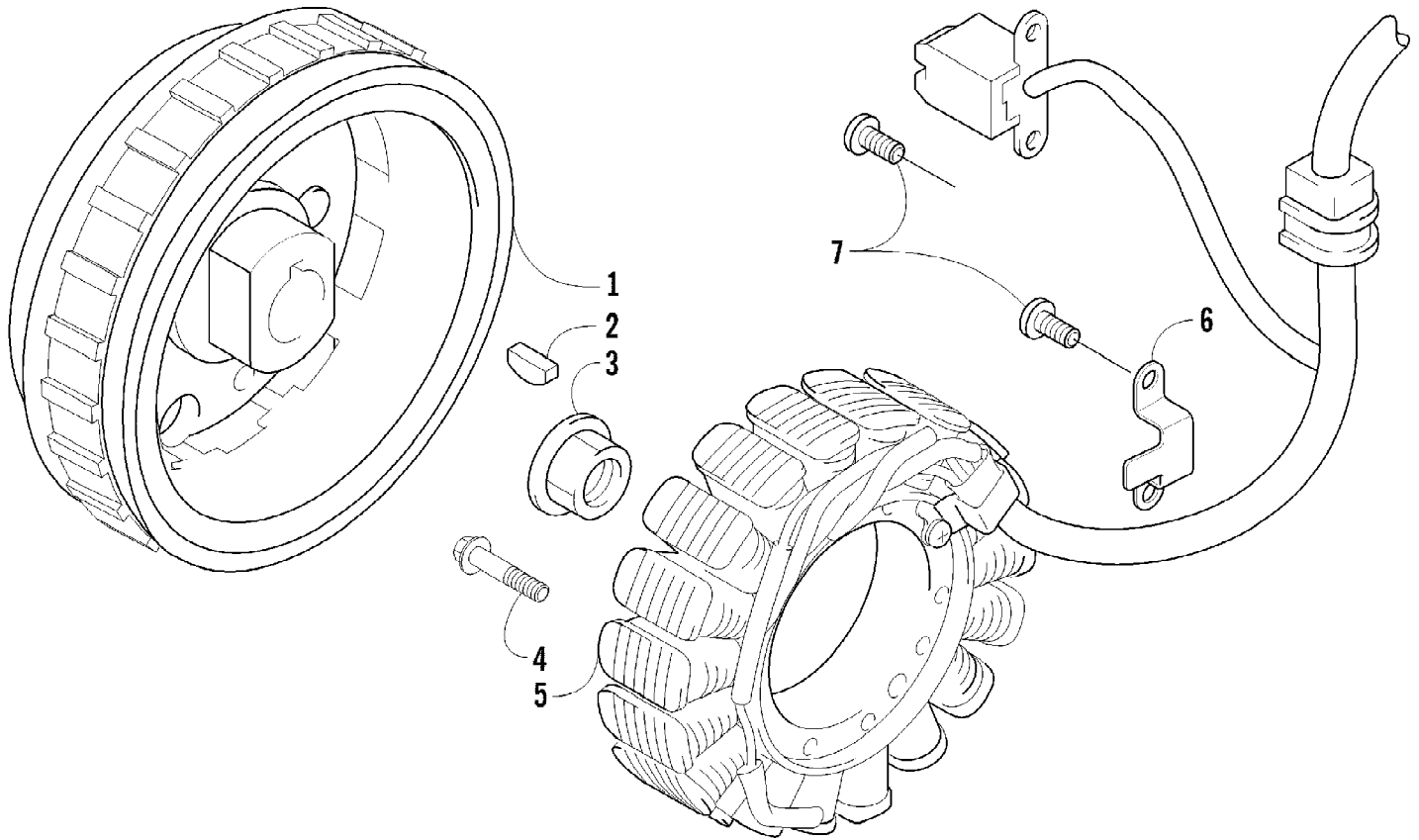
2012 PROWLER 1000 XTZ ORANGE (U2012P4W1PUSY)
HOOD AND HEADLIGHT ASSEMBLY



2012 PROWLER 1000 XTZ ORANGE (U2012P4W1PUSY)
HOOD AND HEADLIGHT ASSEMBLY

Page 45 of 85

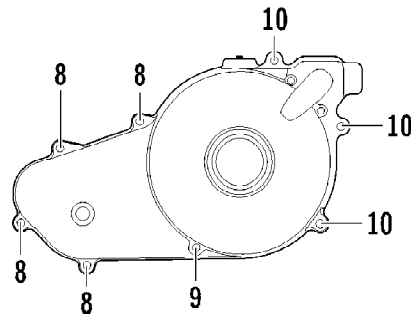
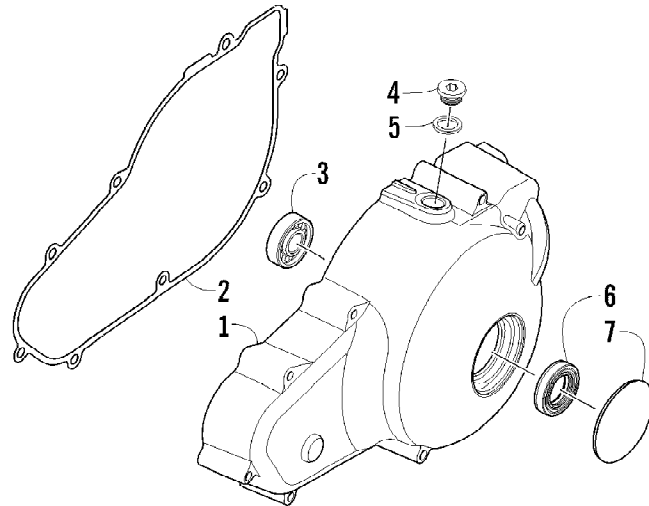
Ref #	Part Number	Qty	S/P/F	Description
1	4506-491	1		Hood - Assembly (inc. 2)
2	0411-818	1		Decal, Reflector - Right
2	0411-819	1		Decal, Reflector - Left
3	1406-733	1	/P	Screen, Grille
4	0123-987	8		Clip, U
5	2516-606	2		Bracket, Hood
6	2506-868	AR		Shim, Hood
7	8408-820	4	/P	Screw, Cap
8	8427-802	4		Nut, Lock
9	1406-915	1		Pin, Hood
10	2606-624	2		Strap, Hold-Down
11	0417-013	1		Trim, Hood/Dash
12	2411-755	2		Decal, Hood - "Prowler"
13	2411-802	1		Decal, Hood - "XTZ 1000" - Right
13	2411-803	1		Decal, Hood - "XTZ 1000" - Left
14	2411-809	1		Decal, Hood - Crest
15	9611-399	1		Decal, 50th Anniversary
16	0423-540	4		Nut, Lock
17	2416-512	1		Louver - Right
17	2416-513	1		Louver - Left
18	0423-356	4		Screw, Shoulder
19	0423-545	4	/P	Screw, Shoulder
20	4506-037	1	/P	Storage, Under-Hood - Assembly (inc. 21-24)
21	2416-520	1		Box, Storage
22	1406-946	1		Seal, Storage Box
23	0470-442	1	/P	Valve, Drain
24	1406-944	1		Cover, Access - Master Cylinder
25	0417-014	AR		Trim, Dash Support
26	8476-616	2		Screw, Machine
27	8424-602	2	/P	Nut
28	0509-044	1	/P	Headlight Assembly - Right (inc. 29)
28	0509-035	1		Headlight Assembly - Left (inc. 29)
29	0409-055	4		Bulb, Headlight
30	0423-514	2		Stud, Adjuster
31	0423-522	2		Spring, Adjuster
32	0423-513	2		Knob, Adjuster
33	0623-785	4		Screw, Self-Tapping
34	8050-217	8	/P	Washer
35	0423-447	4		Grommet



2012 PROWLER 1000 XTZ ORANGE (U2012P4W1PUSY)
MAGNETO ASSEMBLY

Page 47 of 85

Ref #	Part Number	Qty	S/P/F	Description
1	0802-042	1		Rotor/Flywheel
2	0829-012	1		Key
3	0827-010	1		Nut
4	8409-632	3		Screw, Cap
5	0802-041	1		Stator - Assembly
6	0831-064	1		Clamp
7	8470-510	4		Screw, Machine

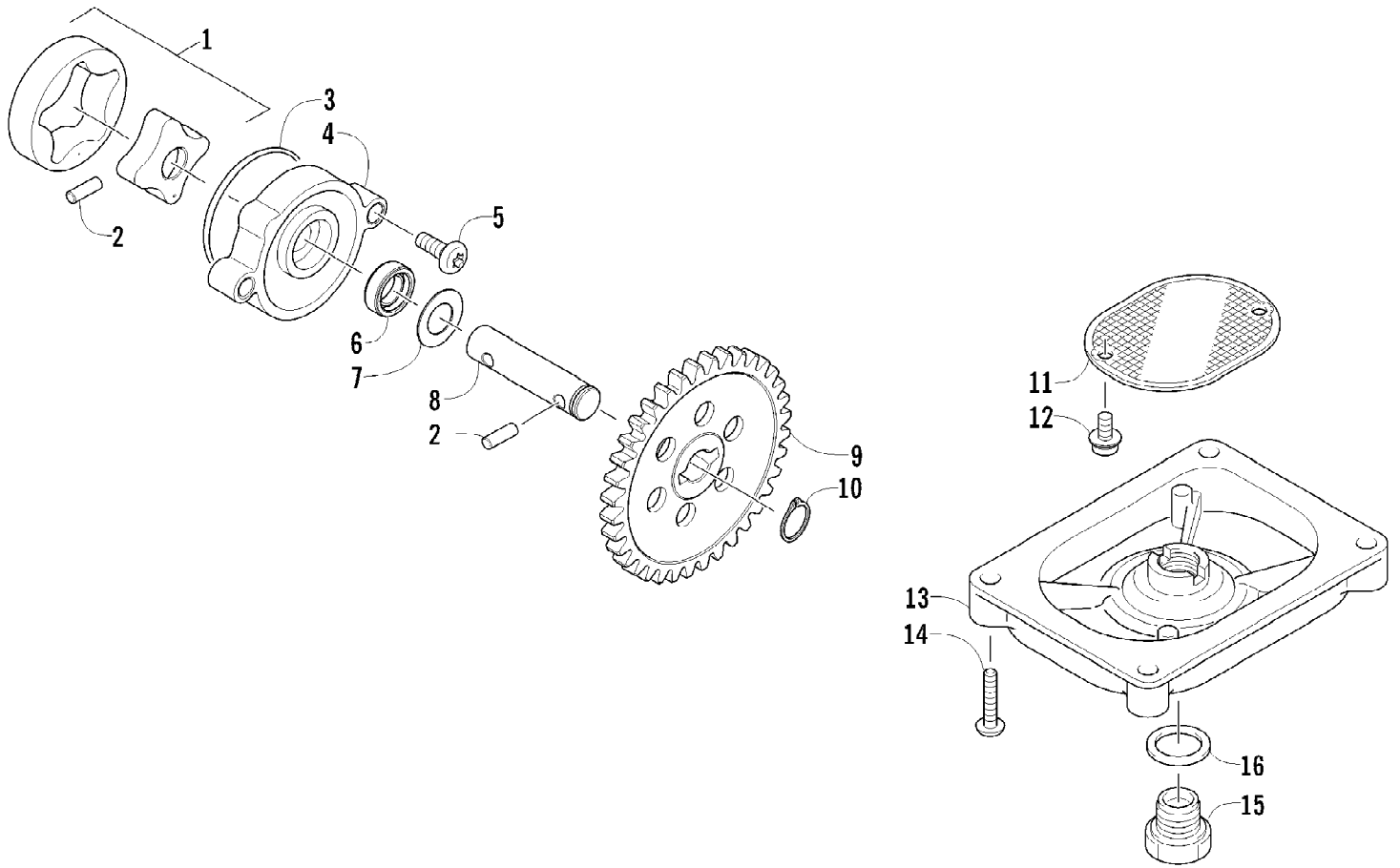


2012 PROWLER 1000 XTZ ORANGE (U2012P4W1PUSY)
MAGNETO SIDE ENGINE COVERS

Page 49 of 85

Ref #	Part Number	Qty	S/P/F	Description
1	0806-107	1		Cover, Magneto
2	0830-132	1		Gasket, Magneto Cover
3	0832-010	1		Bearing
4	0826-155	1		Plug, Check
5	0830-015	1		Washer, Crush
6	0830-176	1	/P	Seal, Cap
7	0806-066	1		Cap, Magneto Cover
8	8468-650	4		Screw, Machine
9	8468-695	1		Screw, Machine
10	8468-665	3		Screw, Machine

2012 PROWLER 1000 XTZ ORANGE (U2012P4W1PUSY)
OIL PUMP ASSEMBLY

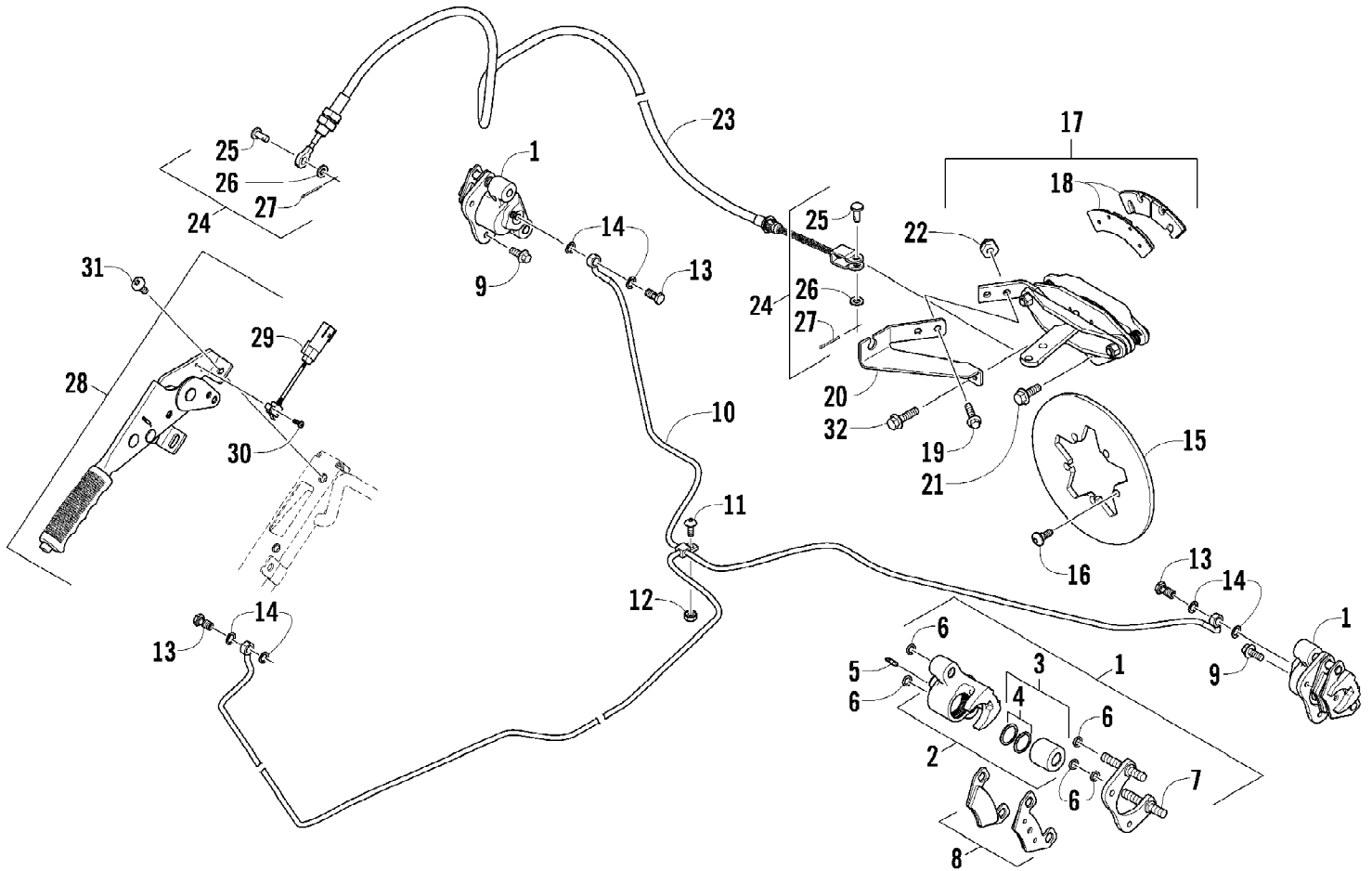


2012 PROWLER 1000 XTZ ORANGE (U2012P4W1PUSY)
OIL PUMP ASSEMBLY

Page 51 of 85

Ref #	Part Number	Qty	S/P/F	Description
1	0812-041	1		Gerotor - Set
2	0829-009	2		Pin, Dowel
3	0812-048	1		O-Ring
4	0812-040	1		Housing, Oil Pump
5	8468-625	2		Screw, Machine
6	0812-047	1		Seal, Oil Pump
7	0828-007	1	/P	Shim
8	0812-046	1		Shaft, Oil Pump
9	0812-045	1		Gear, Driven
10	0831-002	1		Ring, Retaining
11	0812-057	1	/P	Strainer, Oil
12	0826-040	2		Screw, Machine
13	0812-053	1		Cap, Oil Strainer
14	8468-625	4		Screw, Machine
15	0812-006	1		Plug, Drain
16	0830-017	1		Gasket, Drain Plug

2012 PROWLER 1000 XTZ ORANGE (U2012P4W1PUSY)
REAR AND PARKING BRAKE ASSEMBLY

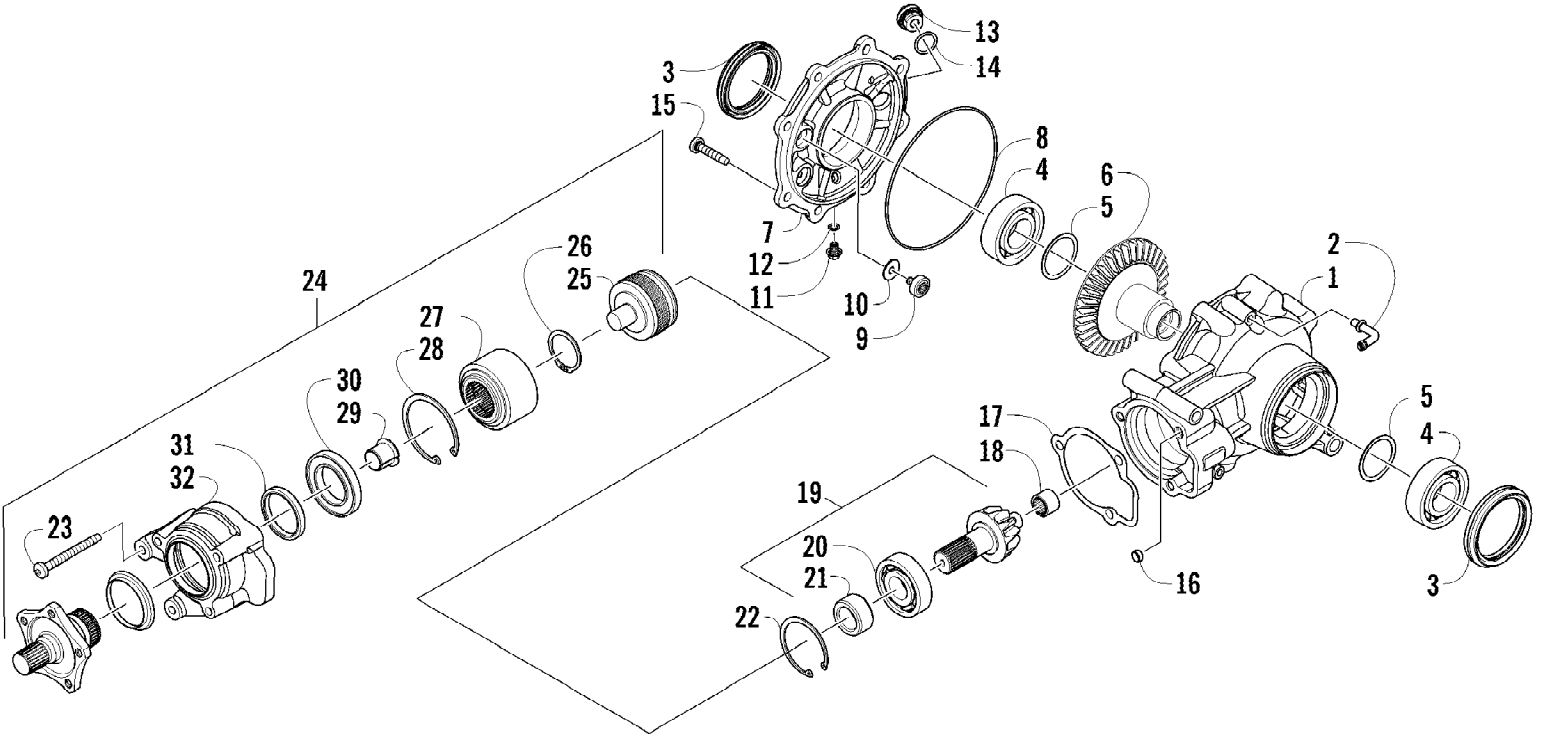


2012 PROWLER 1000 XTZ ORANGE (U2012P4W1PUSY)
 REAR AND PARKING BRAKE ASSEMBLY

Page 53 of 85

Ref #	Part Number	Qty	S/P/F	Description
1	1436-422	1	/P	Caliper, Brake - Right (inc. 2-8 and two No. 9)
1	1436-423	1	/P	Caliper, Brake - Left (inc. 2-8 and two No. 9)
2	1436-160	1	/P	Housing, Caliper - Assembly - Right (inc. 3-5)
2	1436-161	1	/P	Housing, Caliper - Assembly - Left (inc. 3-5)
3	0502-606	2		Piston/Seal Set (inc. 4)
4	0502-607	2		Seal Set
5	0502-609	2	/P	Valve, Bleed
6	0502-608	2		O-Ring, Guide - Set
7	0502-605	2		Bracket Assembly
8	1502-694	2	S	Pad, Brake - Set
9	8408-821	4	/P	Screw, Cap
10	1402-845	1		Hose, Brake
11	8476-616	1		Screw, Machine
12	0623-038	1		Nut w/Washer
13	0423-413	3		Bolt, Banjo-Fitting
14	0423-178	6		Washer, Crush
15	1402-914	1	/P	Disc, Brake
16	0423-557	5		Screw, Shoulder
17	1502-581	1		Caliper, Parking Brake (inc. 18)
18	1502-582	1		Pad, Brake - Set
19	8408-825	2		Screw, Cap
20	1502-579	1		Bracket, Mounting - Cable
21	8408-836	1		Screw, Cap
22	8432-802	2		Nut, Lock
23	0487-061	1		Cable, Parking Brake
24	0423-894	2		Pin, Retaining - Assembly (inc. 25-27)
25	0423-989	2		Pin
26	0423-990	2		Washer
27	0423-991	2		Pin, Cotter
28	1502-497	1		Lever, Parking Brake - Assembly (inc. 29-30)
29	0409-131	1		Switch, Limiter
30	0423-992	1		Screw, Machine
31	8468-820	2		Screw, Machine
32	8408-841	1		Screw, Cap

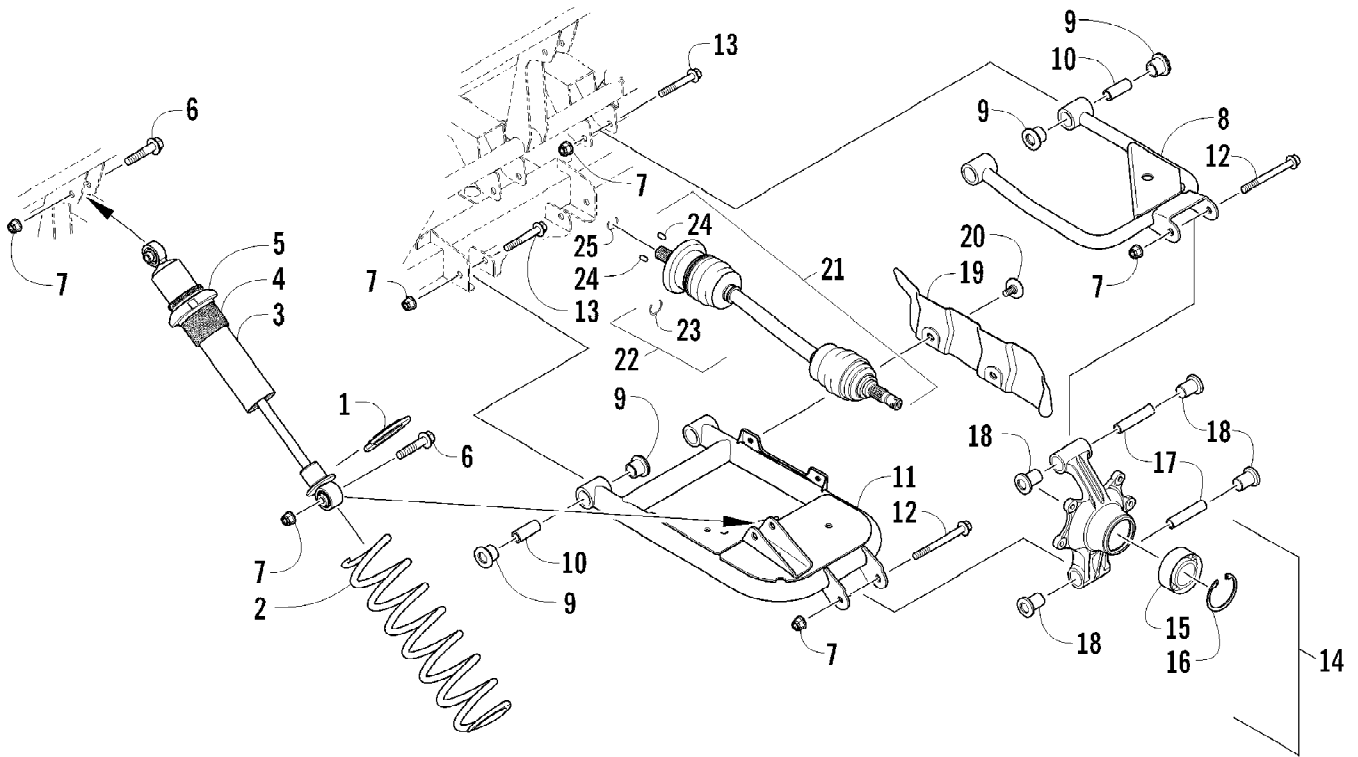
2012 PROWLER 1000 XTZ ORANGE (U2012P4W1PUSY)
REAR DRIVE GEARCASE ASSEMBLY



2012 PROWLER 1000 XTZ ORANGE (U2012P4W1PUSY)
REAR DRIVE GEARCASE ASSEMBLY

Ref #	Part Number	Qty	S/P/F	Description
	1502-891	1		Complete Rear Drive Gearcase Assembly
1	1502-900	1		Housing, Gearcase
2	1402-442	1		Fitting, Elbow
3	1402-950	2	/P	Seal
4	0402-393	2		Bearing
5	0402-405	AR		Shim, 41 x 49 x 1.3 mm
5	0402-406	AR		Shim, 41 x 49 x 1.4 mm
5	0402-407	AR		Shim, 41 x 49 x 1.5 mm
5	0402-408	AR		Shim, 41 x 49 x 1.6 mm
5	0402-409	AR		Shim, 41 x 49 x 1.7 mm
6	1402-033	1		Gear, Ring - 34T
7	1502-588	1		Cover, Gearcase
8	0423-149	1		O-Ring
9	0402-326	1		Button, Thrust
10	0402-429	AR		Shim, 6.3 x 18 x 1.3 mm
10	0402-430	AR		Shim, 6.3 x 18 x 1.4 mm
10	0402-431	AR		Shim, 6.3 x 18 x 1.5 mm
10	0402-432	AR		Shim, 6.3 x 18 x 1.6 mm
10	0402-433	AR		Shim, 6.3 x 18 x 1.7 mm
11	1402-210	1	/P	Plug, Magnetic (inc. 12)
12	0423-153	1		O-Ring
13	0402-333	1	/P	Plug, Fill (inc. 14)
14	0423-154	1		O-Ring
15	0423-118	8		Screw, Self-Tapping
16	0402-411	1		Pin, Dowel
17	0402-947	1		Gasket
18	0402-328	1		Bearing
19	1502-851	1		Gear, Pinion - Assembly - 11T (inc. 20-21)
20	0402-327	1		Bearing
21	1402-977	1		Collar, Retaining
22	1423-067	1		Ring, Retaining
23	0423-834	3		Screw, Self-Tapping
24	1502-563	1		Shaft, Input (inc. 25-32)
25	1502-564	1	/P	Cartridge, Clutch - Assembly
26	0423-799	1		Ring, Retaining - External
27	1402-682	1		Basket, Clutch
28	0423-798	1		Ring, Retaining - Internal
29	1402-678	1		Bearing, Flange
30	1402-677	1		Bearing
31	1402-687	1		Seal
32	1502-565	1		Housing, Input

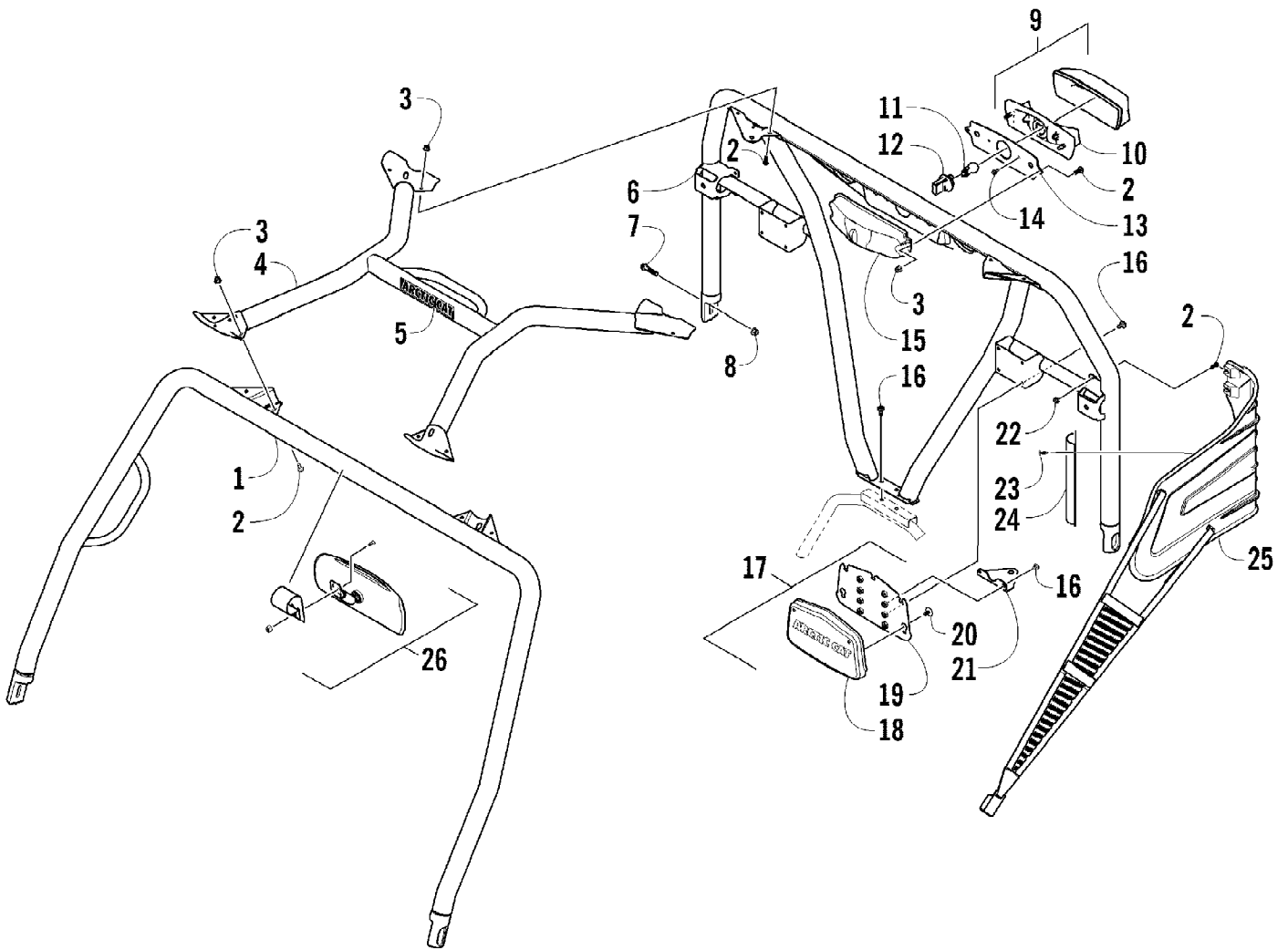
2012 PROWLER 1000 XTZ ORANGE (U2012P4W1PUSY)
REAR SUSPENSION ASSEMBLY



2012 PROWLER 1000 XTZ ORANGE (U2012P4W1PUSY)
 REAR SUSPENSION ASSEMBLY

Page 57 of 85

Ref #	Part Number	Qty	S/P/F	Description
1	0423-920	2		Retainer, Spring
2	0504-629	2		Spring, Suspension
3	0404-182	2		Shock Absorber (inc. 4)
4	0423-917	2		Sleeve, Shock - Threaded
5	0423-919	2		Nut, Spring Adjuster
6	8409-060	4		Screw, Cap
7	8428-002	16		Nut, Lock
8	0504-598	1		A-Arm, Rear - Upper Right (inc. 9-10)
8	0504-599	1		A-Arm, Rear - Upper Left (inc. 9-10)
9	0403-208	16	/P	Bushing
10	0403-214	8	/P	Axle
11	0504-592	1		A-Arm, Rear - Lower Right (inc. 9-10)
11	0504-593	1		A-Arm, Rear - Lower Left (inc. 9-10)
12	8409-000	4		Screw, Cap
13	8409-075	8		Screw, Cap
14	0504-613	2		Knuckle, Rear - Assembly (inc. 15-18)
15	1402-809	2	/P	Bearing
16	0423-423	2		Ring, Retaining
17	0403-213	4	/P	Axle
18	0403-206	8	/P	Bushing
19	1406-068	1		Guard, Boot - Right
19	1406-069	1		Guard, Boot - Left
20	0423-545	4	/P	Screw, Shoulder
21	1502-801	2	S	Axle, Drive (inc. 22-25)
22	1436-419	2		Repair Kit, Boot (inc. 23)
23	1441-988	2		Clip, Retaining
24	1402-884	4		Pin, Detent
25	1402-890	2		Clip, Retaining

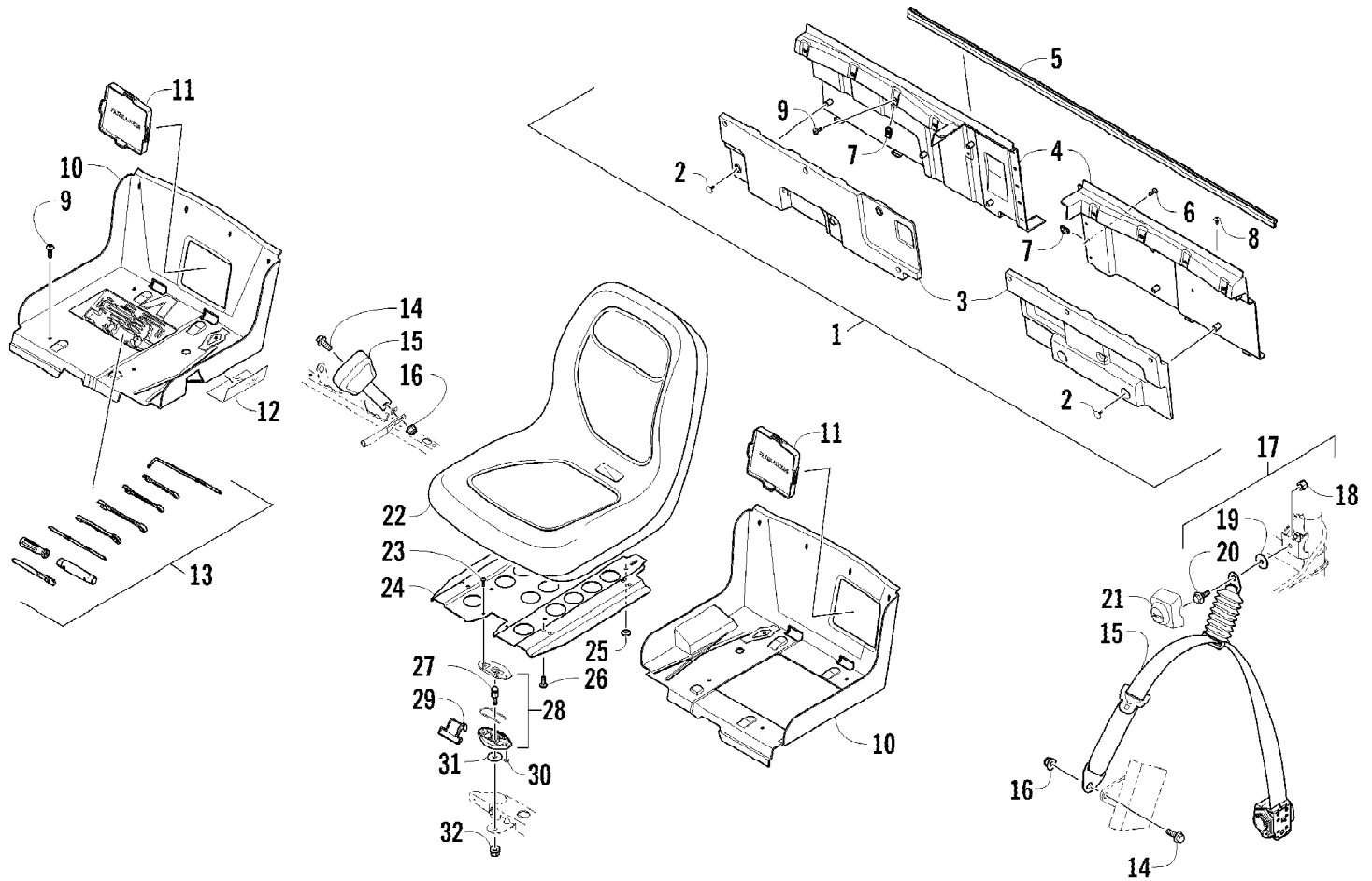


2012 PROWLER 1000 XTZ ORANGE (U2012P4W1PUSY)
ROPS AND TAILLIGHT ASSEMBLY

Page 59 of 85

Ref #	Part Number	Qty	S/P/F	Description
1	2516-653	1		Tube, ROPS - Front
2	8468-616	14		Screw, Machine
3	8427-602	10		Nut, Lock
4	2516-658	1		Support, ROPS
5	0411-501	1		Decal, "Arctic Cat"
6	2516-656	1		Tube, ROPS - Rear
7	8410-835	8		Screw, Cap
8	8432-802	8		Nut, Lock
9	0509-022	1		Taillight Assembly (inc. 10-12)
10	0509-025	1		Housing, Taillight
11	0409-056	1		Bulb, Taillight
12	0409-057	1		Socket, Taillight
13	2406-069	1		Bracket, Taillight Mounting
14	0623-301	2	/P	Screw, Self-Tapping
15	2516-893	1		Cover, Taillight
16	0423-361	10		Screw, Machine
17	1506-795	2		Pad, Headrest - Assembly (inc. 18-20)
18	1406-884	2		Pad, Headrest
19	1506-722	2		Mount, Headrest
20	0623-544	10		Clip, Retaining
21	4506-296	1		Bracket, Mounting - Flag
22	8424-602	4	/P	Nut
23	0623-784	8		Screw, Self-Tapping
24	4506-149	2		Bracket, Mounting - Side Restraint
25	0517-146	1		Restraint, Side - Right
25	0517-147	1		Restraint, Side - Left
26	1436-414	1		Kit, Mirror

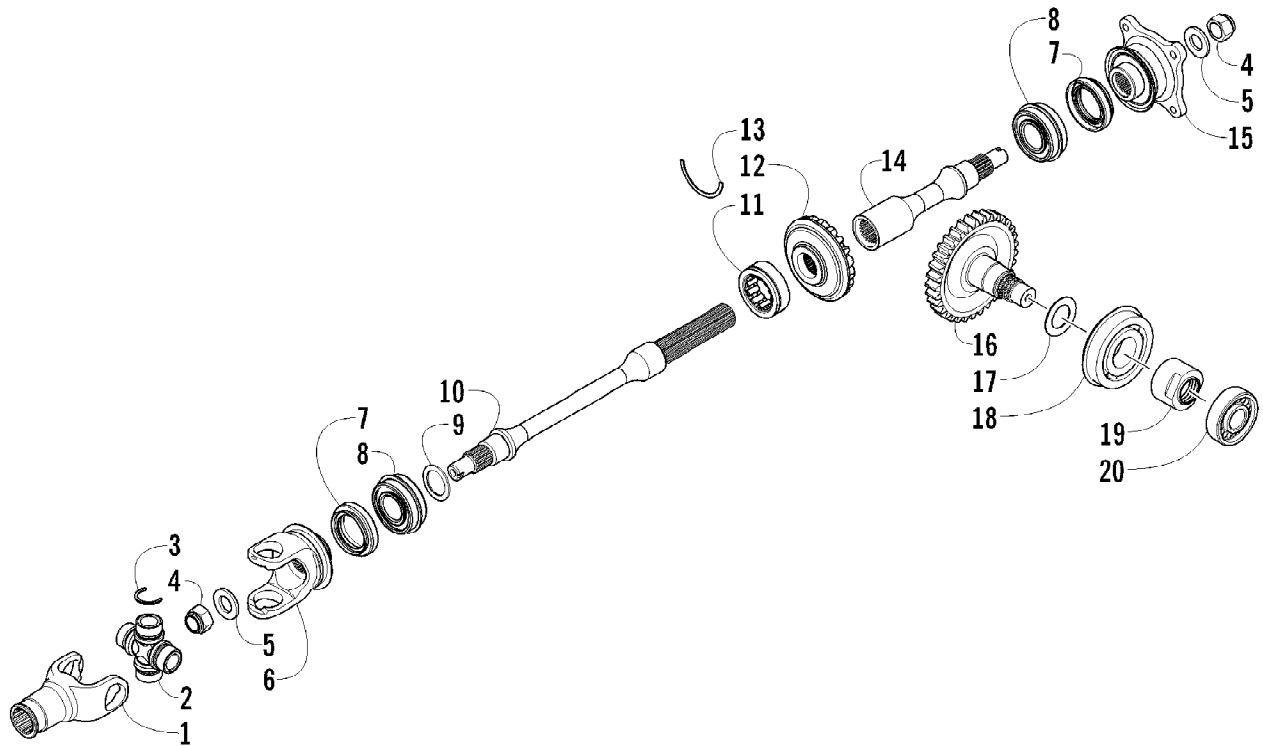
2012 PROWLER 1000 XTZ ORANGE (U2012P4W1PUSY)
SEAT ASSEMBLY



2012 PROWLER 1000 XTZ ORANGE (U2012P4W1PUSY)
SEAT ASSEMBLY

Page 61 of 85

Ref #	Part Number	Qty	S/P/F	Description
1	2516-094	1		Panel, Seat - Assembly (inc. 2-6 and five No. 7)
2	0623-544	11		Clip, Retaining
3	2516-146	1		Panel, Seat - Front Right
3	2516-147	1		Panel, Seat - Front Left
4	2406-912	1		Panel, Seat - Rear Right
4	2406-913	1		Panel, Seat - Rear Left
5	2406-915	1		Seal, Seat Panel
6	8476-620	5		Screw, Machine
7	0423-577	13		Clip, U-Nut
8	0623-784	3		Screw, Self-Tapping
9	8477-620	16		Screw, Machine
10	2406-910	1		Base, Seat - Right
10	2406-911	1		Base, Seat - Left
11	2416-091	2		Cover, Access - Air Filter
12	0412-560	AR		Foil, Protective
13	0444-122	1	S/P	Tool Kit - Assembly
14	8408-020	6		Screw, Cap
15	2516-325	2		Belt, Seat
16	8427-002	6		Nut, Lock
17	0423-915	2		Screw, Shoulder - Assembly (inc. 18-20)
18	0	2	F	Nut, Lock
19	0	2	F	Washer
20	0	2	F	Screw, Shoulder
21	2416-638	2		Cover, Seat Belt
22	1506-925	2		Seat, Low-Back
23	8468-620	4	/P	Screw, Machine
24	2506-780	2	/P	Plate, Base - Seat
25	0406-877	8	/P	Bumper, Seat
26	8468-820	8		Screw, Machine
27	0423-559	2		Stud, Latch - Seat
28	2706-164	2	/P	Latch - Assembly (inc. 298)
29	2606-854	2	S	Lever, Release - Seat Latch
30	0623-038	4		Nut w/Washer
31	0423-073	2		Washer
32	8424-002	2		Nut

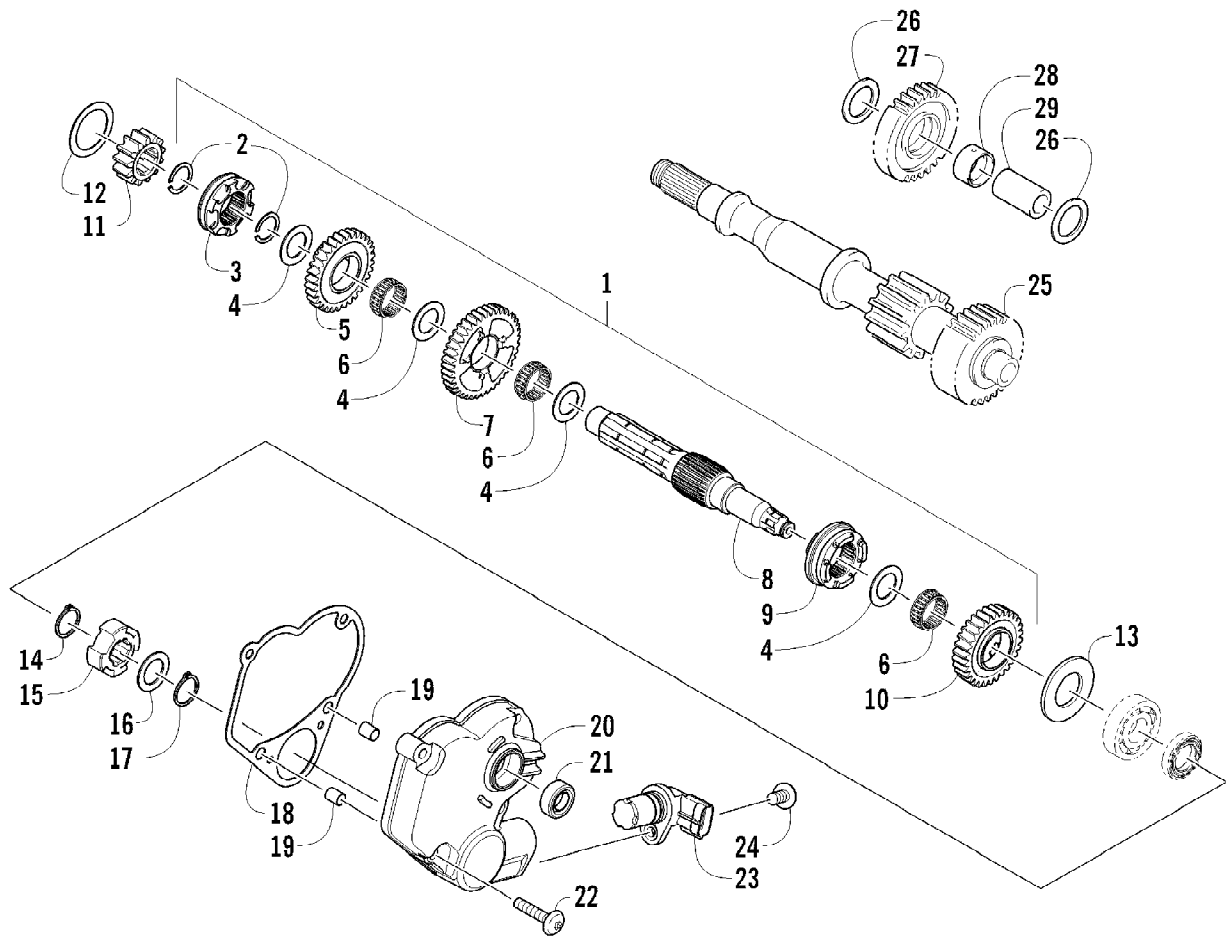


2012 PROWLER 1000 XTZ ORANGE (U2012P4W1PUSY)
SECONDARY DRIVE ASSEMBLY

Page 63 of 85

Ref #	Part Number	Qty	S/P/F	Description
1	0502-829	1		Yoke, Drive Output
2	0402-944	1	/P	Joint, Universal - Set (inc. 3)
3	0423-395	4		Ring, Retaining
4	0827-013	2		Nut
5	0828-020	2		Washer
6	0502-828	1		Yoke, Propeller Shaft Joint
7	0830-043	2		Seal, Oil
8	0832-017	2		Bearing
9	0828-021	AR		Shim, 25 x 34 x 0.25 mm
9	0828-022	AR		Shim, 25 x 34 x 0.30 mm
9	0828-023	AR		Shim, 25 x 34 x 0.70 mm
9	0828-024	AR		Shim, 25 x 34 x 0.90 mm
9	0828-025	AR		Shim, 25 x 34 x 0.95 mm
9	0828-026	AR		Shim, 25 x 34 x 1.00 mm
9	0828-027	AR		Shim, 25 x 34 x 1.05 mm
9	0828-028	AR		Shim, 25 x 34 x 1.10 mm
9	0828-029	AR		Shim, 25 x 34 x 1.15 mm
10	0819-089	1	/P	Shaft, Secondary Driven - Front
11	0832-016	1		Bearing, Driven Gear
12	0822-106	1		Gear, Secondary Driven
13	0819-011	1		Ring, Driven Bearing
14	0819-053	1		Shaft, Secondary Driven - Rear
15	0819-005	1		Flange, Output Joint
16	0822-132	1		Gear, Secondary Drive
17	0828-119	AR		Shim, 30 x 48 x 0.25 mm
17	0828-120	AR		Shim, 30 x 48 x 0.30 mm
17	0828-121	AR		Shim, 30 x 48 x 0.35 mm
17	0828-122	AR		Shim, 30 x 48 x 0.90 mm
17	0828-123	AR		Shim, 30 x 48 x 0.95 mm
17	0828-124	AR		Shim, 30 x 48 x 1.00 mm
17	0828-125	AR		Shim, 30 x 48 x 1.05 mm
17	0828-126	AR		Shim, 30 x 48 x 1.10 mm
17	0828-127	AR		Shim, 30 x 48 x 1.15 mm
18	0832-083	1	/P	Bearing
19	0827-060	1		Nut
20	0832-050	1	/P	Bearing

2012 PROWLER 1000 XTZ ORANGE (U2012P4W1PUSY)
SECONDARY TRANSMISSION ASSEMBLY

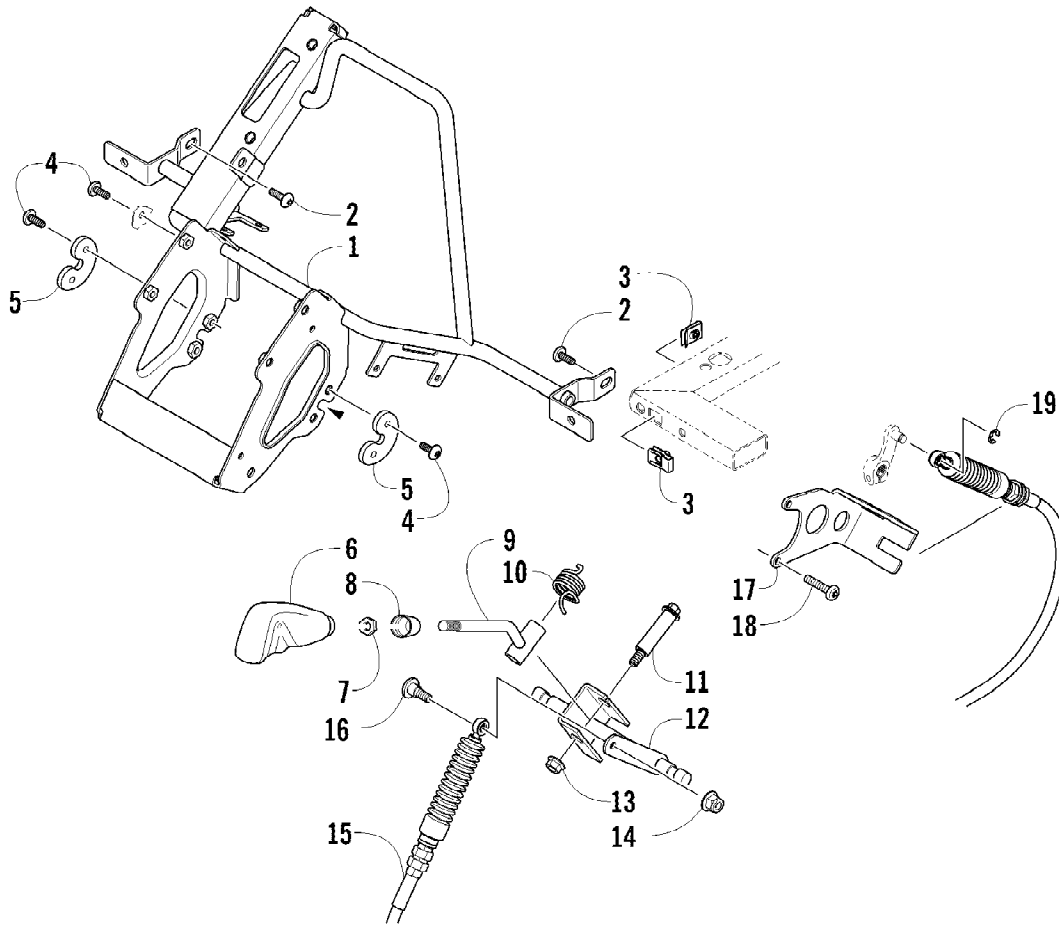


2012 PROWLER 1000 XTZ ORANGE (U2012P4W1PUSY)
SECONDARY TRANSMISSION ASSEMBLY

Page 65 of 85

Ref #	Part Number	Qty	S/P/F	Description
1	0822-124	1		Countershaft Assembly (inc. 2-10)
2	0831-085	2		Ring, Retaining
3	0822-120	1		Gear Select, Reverse
4	0822-121	4		Shim
5	0822-119	1		Gear, Reverse Driven
6	0832-082	3		Bearing
7	0822-114	1		Gear, Driven - Low
8	0822-113	1		Countershaft
9	0822-116	1		Gear Select, Sliding
10	0822-115	1		Gear, Driven - High
11	0822-125	1		Gear, Drive
12	0828-019	1		Washer, Thrust
13	0828-011	1		Washer
14	0831-040	1		Ring, Retaining
15	0822-050	1		Trigger, Speedometer Sensor
16	0828-069	1		Washer, Thrust
17	0831-039	1		Ring, Retaining
18	0830-194	1		Gasket
19	0829-048	2	/P	Pin, Dowel
20	0806-105	1		Housing, Speedometer Sensor
21	0830-044	1		Seal
22	8468-630	4		Screw, Machine
23	0824-042	1	/P	Sensor, Speedometer
24	8468-620	1	/P	Screw, Machine
25	0822-001	1		Driveshaft
26	0828-016	2		Washer, Thrust
27	0822-011	1		Gear, Reverse Idle
28	0822-012	1		Bushing
29	0822-015	1		Shaft, Reverse Idle

2012 PROWLER 1000 XTZ ORANGE (U2012P4W1PUSY)
SHIFTER ASSEMBLY

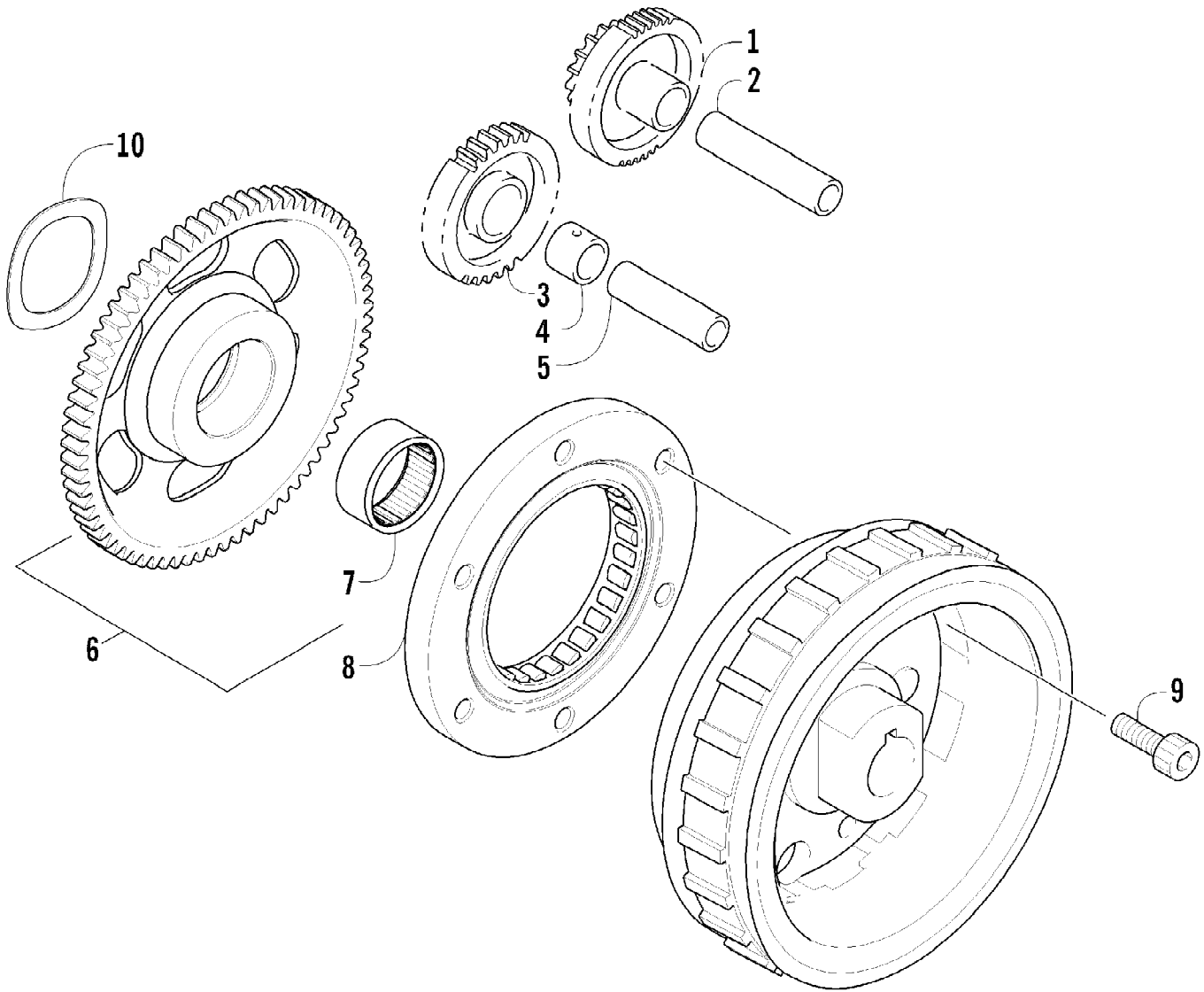


2012 PROWLER 1000 XTZ ORANGE (U2012P4W1PUSY)
SHIFTER ASSEMBLY

Page 67 of 85

Ref #	Part Number	Qty	S/P/F	Description
1	1502-516	1		Mount, Shift
2	8476-620	4		Screw, Machine
3	0423-577	4		Clip, U-Nut
4	8477-616	8		Screw, Machine
5	1402-275	2		Retainer, Shift Linkage
6	1402-844	1		Knob, Shift
7	0423-885	1		Nut
8	1402-854	1		End Cap, Shift Knob
9	1502-510	1		Lever, Shift
10	1402-880	1		Spring
11	0423-505	1		Screw, Shoulder
12	1502-666	1		Axle, Shift
13	8424-802	1		Nut
14	8427-602	1		Nut, Lock
15	0487-063	1		Cable, Shift
16	0423-356	1		Screw, Shoulder
17	2516-609	1		Bracket, Shift Cable
18	8468-635	2		Screw, Machine
19	0124-057	1	/P	E-Ring

2012 PROWLER 1000 XTZ ORANGE (U2012P4W1PUSY)
STARTER CLUTCH ASSEMBLY

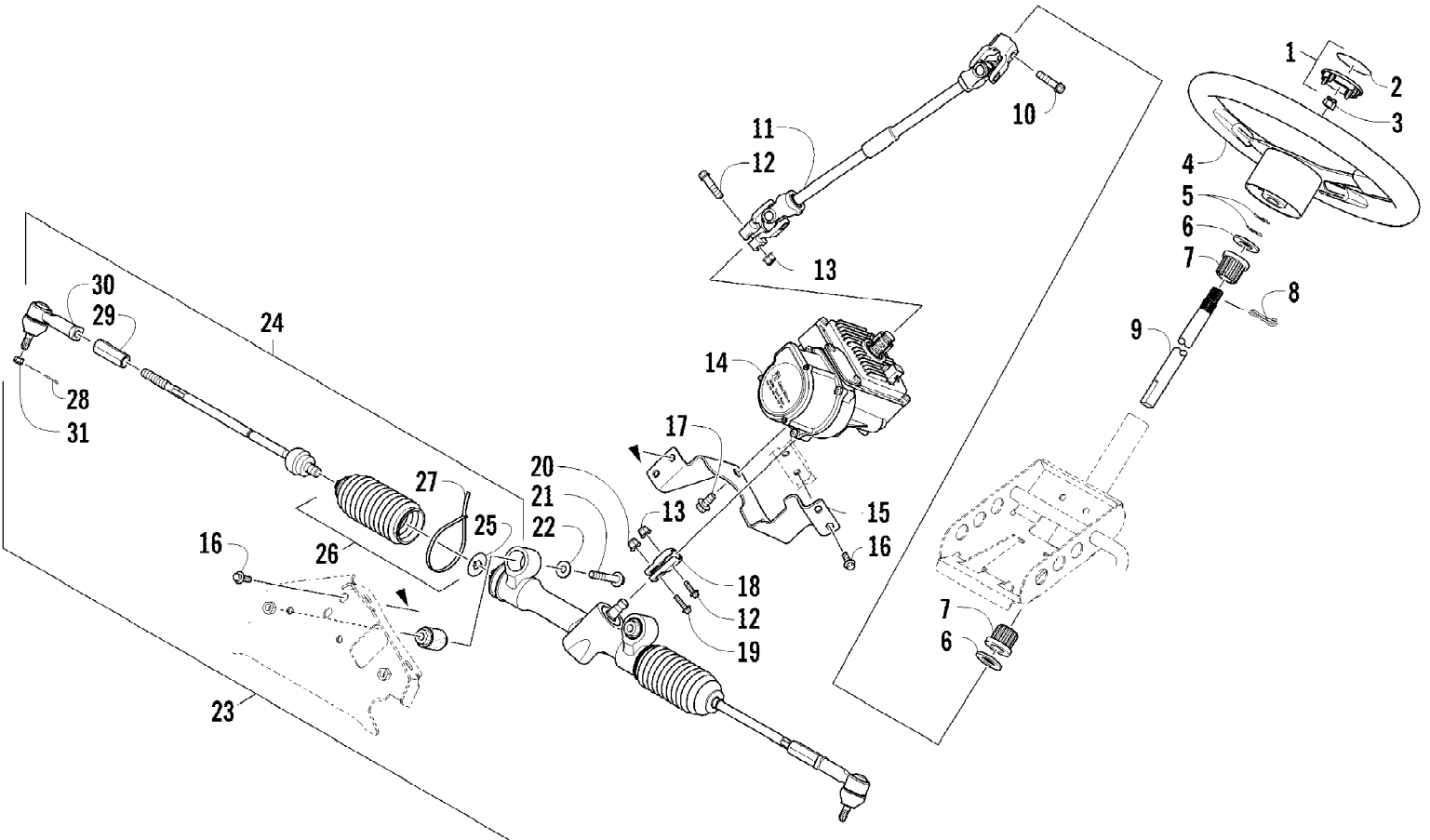


2012 PROWLER 1000 XTZ ORANGE (U2012P4W1PUSY)
STARTER CLUTCH ASSEMBLY

Page 69 of 85

Ref #	Part Number	Qty	S/P/F	Description
1	0815-026	1		Gear, Starter Idler - No. 1
2	0829-031	1	/P	Shaft, Starter Gear
3	0815-002	1		Gear, Starter Idler - No. 2
4	0815-003	1		Spacer, Starter Idler Gear No. 2
5	0829-032	1	/P	Shaft, Starter Gear
6	0815-004	1		Gear, Starter Clutch (inc. 7)
7	0832-079	1	/P	Bearing
8	0802-035	1		Clutch, Starter
9	0826-069	6		Screw, Cap
10	0828-113	1		Washer, Wave

2012 PROWLER 1000 XTZ ORANGE (U2012P4W1PUSY)
STEERING ASSEMBLY

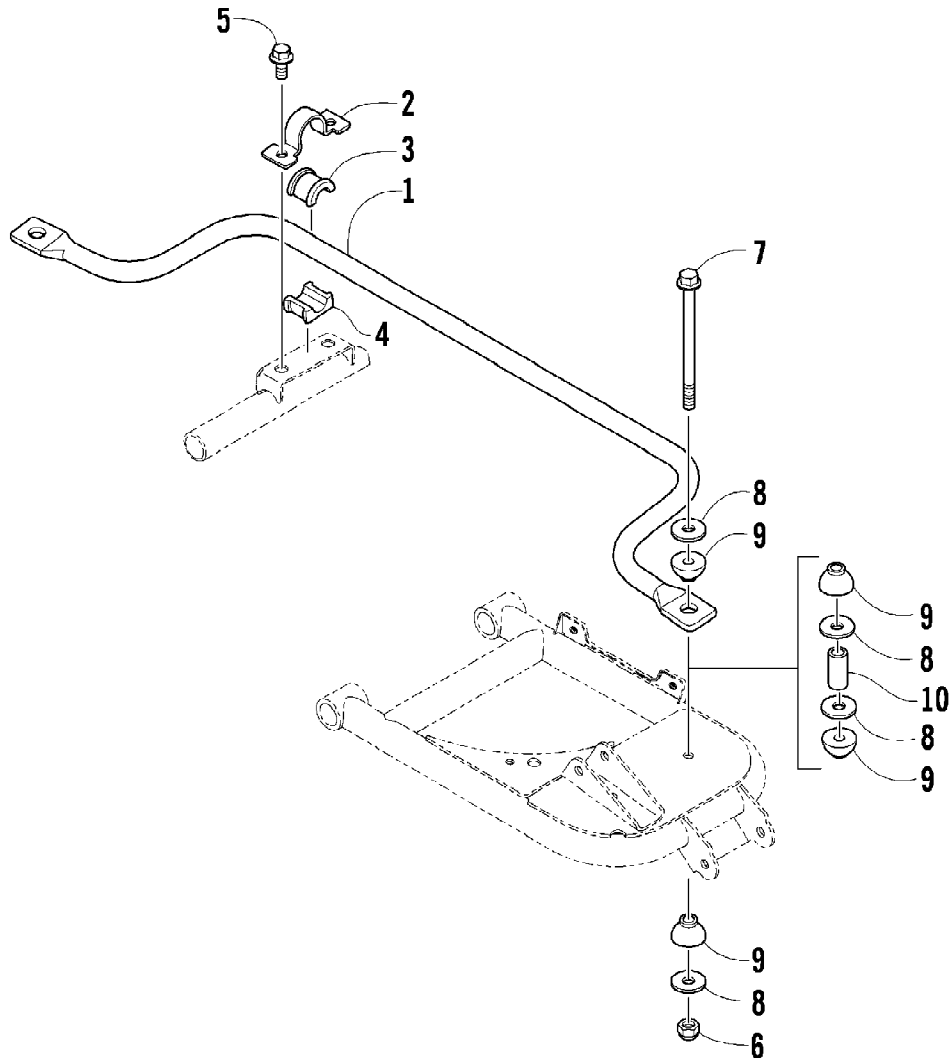


2012 PROWLER 1000 XTZ ORANGE (U2012P4W1PUSY)
STEERING ASSEMBLY

Page 71 of 85

Ref #	Part Number	Qty	S/P/F	Description
1	0505-690	1		Cap, Steering Wheel (inc. 2)
2	1411-798	1		Decal, Steering Wheel
3	0423-884	1		Nut
4	0405-398	1		Wheel, Steering - Assembly
5	0828-071	2		Washer
6	0423-558	2		Washer
7	0405-155	2		Bushing
8	1423-045	1		Clip, Retaining
9	0405-321	1	/P	Shaft, Upper Steering
10	1423-047	1		Screw, Cap
11	0405-435	1		Shaft, Steering - Assembly
12	1423-076	2		Screw, Cap
13	8427-602	2		Nut, Lock
14	0505-769	1		Assembly, Electronic Power Steering
15	4506-152	1		Bracket, Mounting
16	8408-816	4		Screw, Cap
17	8409-020	4	/P	Screw, Cap
18	0405-440	1		Coupler, Steering
19	1423-053	1		Screw, Cap
20	8427-802	1		Nut, Lock
21	8408-070	2		Screw, Cap
22	0623-728	2		Washer
23	0505-689	1	/P	Housing, Rack and Pinion (inc. 24-30)
24	0505-719	2	/P	Tie Rod - Assembly (inc. 25-30)
25	0405-428	2		Plate, Retaining
26	0505-745	2		Kit, Tie Rod Boot (inc. 27-28)
27	0123-903	2		Tie, Cable - 11.5 in.
28	0623-175	2		Pin, Cotter
29	0505-744	2		Kit, Nut (inc. 28)
30	0505-743	2	/P	Kit, Tie Rod End (inc. 28)
31	0423-072	2		Nut

2012 PROWLER 1000 XTZ ORANGE (U2012P4W1PUSY)
SWAY BAR ASSEMBLY

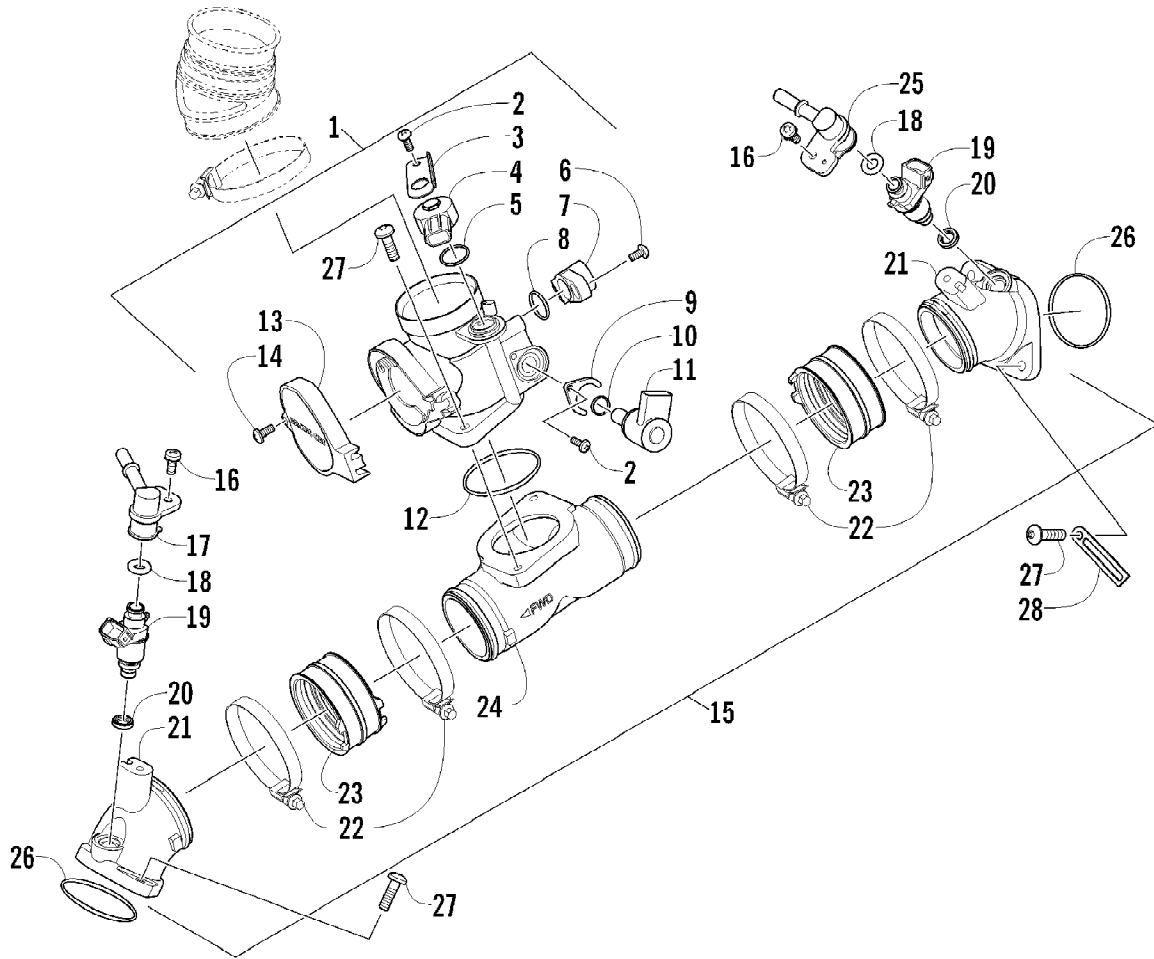


2012 PROWLER 1000 XTZ ORANGE (U2012P4W1PUSY)
SWAY BAR ASSEMBLY

Page 73 of 85

Ref #	Part Number	Qty	S/P/F	Description
1	0404-110	1		Bar, Sway
2	0404-135	2		Clamp, Sway Bar Bushing
3	0404-094	2		Bushing, Sway Bar - Upper
4	0404-095	2		Bushing, Sway Bar - Lower
5	8409-016	4		Screw, Cap
6	8422-002	2		Nut, Lock
7	0423-335	2		Screw, Cap
8	0423-073	8		Washer
9	1402-434	8		Bushing
10	0423-620	2		Spacer

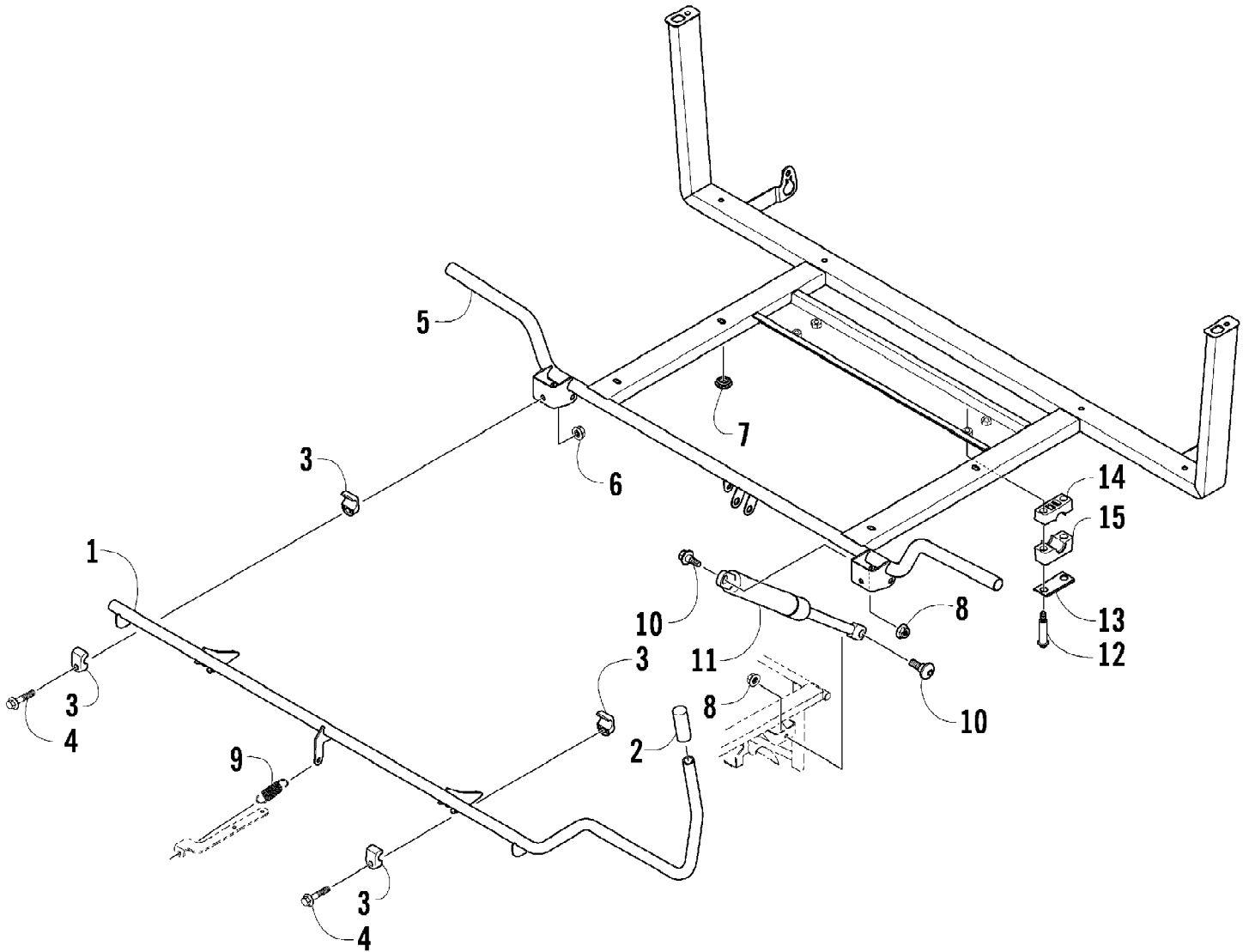
2012 PROWLER 1000 XTZ ORANGE (U2012P4W1PUSY)
THROTTLE BODY ASSEMBLY



2012 PROWLER 1000 XTZ ORANGE (U2012P4W1PUSY)
THROTTLE BODY ASSEMBLY

Page 75 of 85

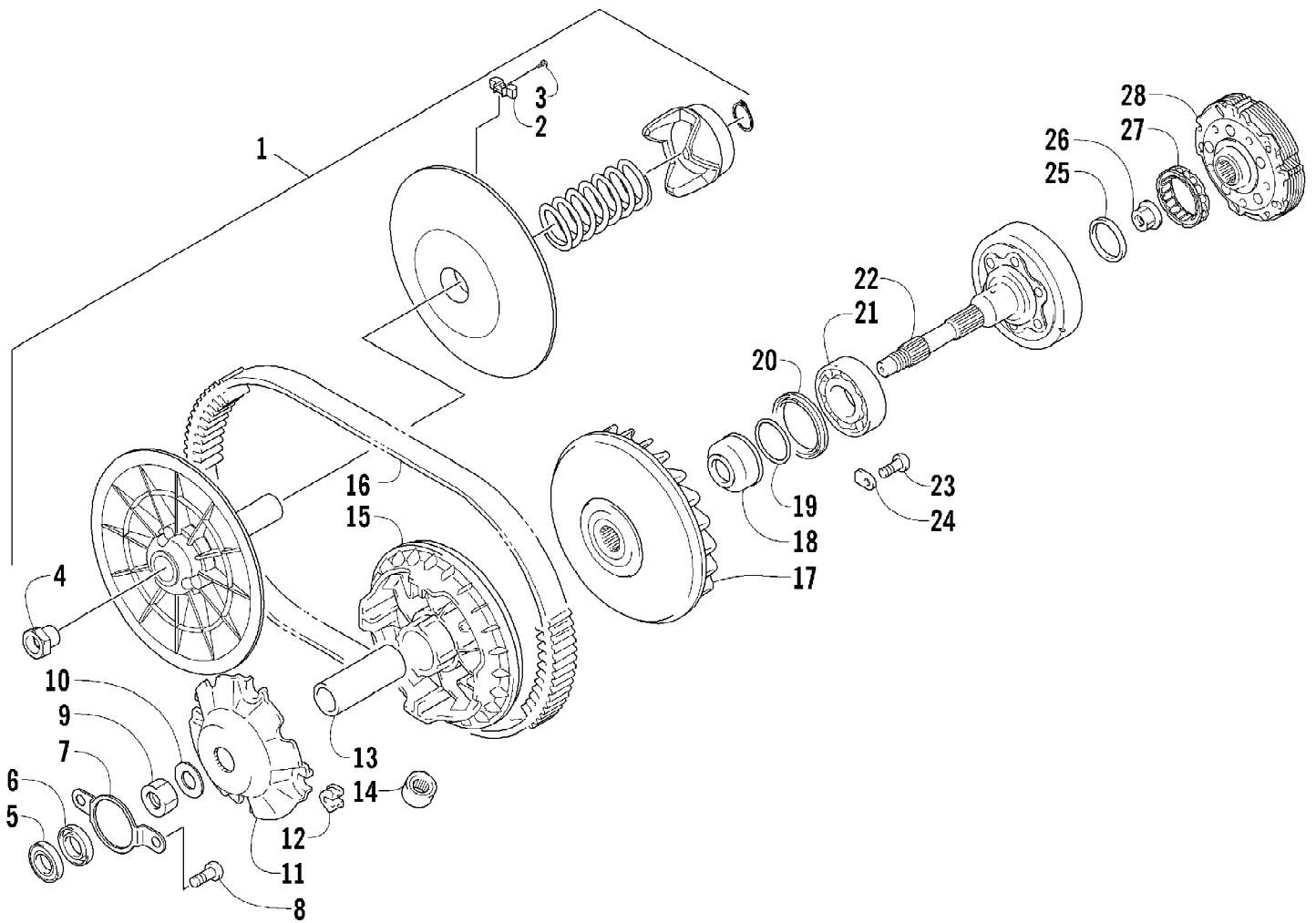
Ref #	Part Number	Qty	S/P/F	Description
1	0470-686	1		Throttle - Assembly (inc. 2-14)
2	5507-117	2	/P	Screw, Machine
3	5507-227	1		Bracket, MAP Sensor
4	0430-073	1		Sensor, MAP
5	5507-232	1		O-Ring, MAP Sensor
6	5507-231	1		Screw, Machine
7	0430-072	1		Sensor, Throttle Position
8	5507-234	1		O-Ring, Throttle Position Sensor
9	5507-229	1		Plate, ISC Valve
10	5507-233	1		O-Ring, ISC Valve
11	0430-074	1		Valve, ISC
12	5507-235	1		O-Ring
13	5507-223	1		Cover
14	5507-037	1	/P	Screw, Machine
15	0570-319	1		Manifold, Intake - Assembly (inc. 16-25)
16	0423-371	2		Screw, Machine
17	0470-893	1		Rail, Fuel - Front Cylinder
18	0470-767	2		O-Ring, Fuel Injector
19	0470-688	2		Injector, Fuel
20	0470-768	2		Ring, Seal - Fuel Injector
21	0570-140	2		Manifold, Intake
22	0423-066	4		Clamp
23	0470-660	2		Boot, Intake - Manifold
24	0570-156	1		Plenum, Intake
25	0470-764	1		Rail, Fuel - Rear Cylinder
26	0830-090	2		O-Ring
27	0826-008	6		Screw, Machine
28	3002-964	1	/P	Clamp, Wire



2012 PROWLER 1000 XTZ ORANGE (U2012P4W1PUSY)
TILT FRAME ASSEMBLY

Page 77 of 85

Ref #	Part Number	Qty	S/P/F	Description
1	2506-919	1		Rod, Cargo Box Latch
2	1406-736	1		Grip, Latch Rod
3	1406-674	4		Bushing, Pivot
4	8408-840	2		Screw, Cap
5	2506-197	1	/P	Frame, Box
6	8427-802	2		Nut, Lock
7	0423-628	4		Grommet
8	8427-602	2		Nut, Lock
9	2416-086	1		Spring
10	0423-356	2		Screw, Shoulder
11	2506-194	1		Support, Lift
12	0423-505	4		Screw, Shoulder
13	0405-166	2		Cap, Housing
14	0405-138	2		Housing, Lower
15	0405-139	2		Housing, Upper

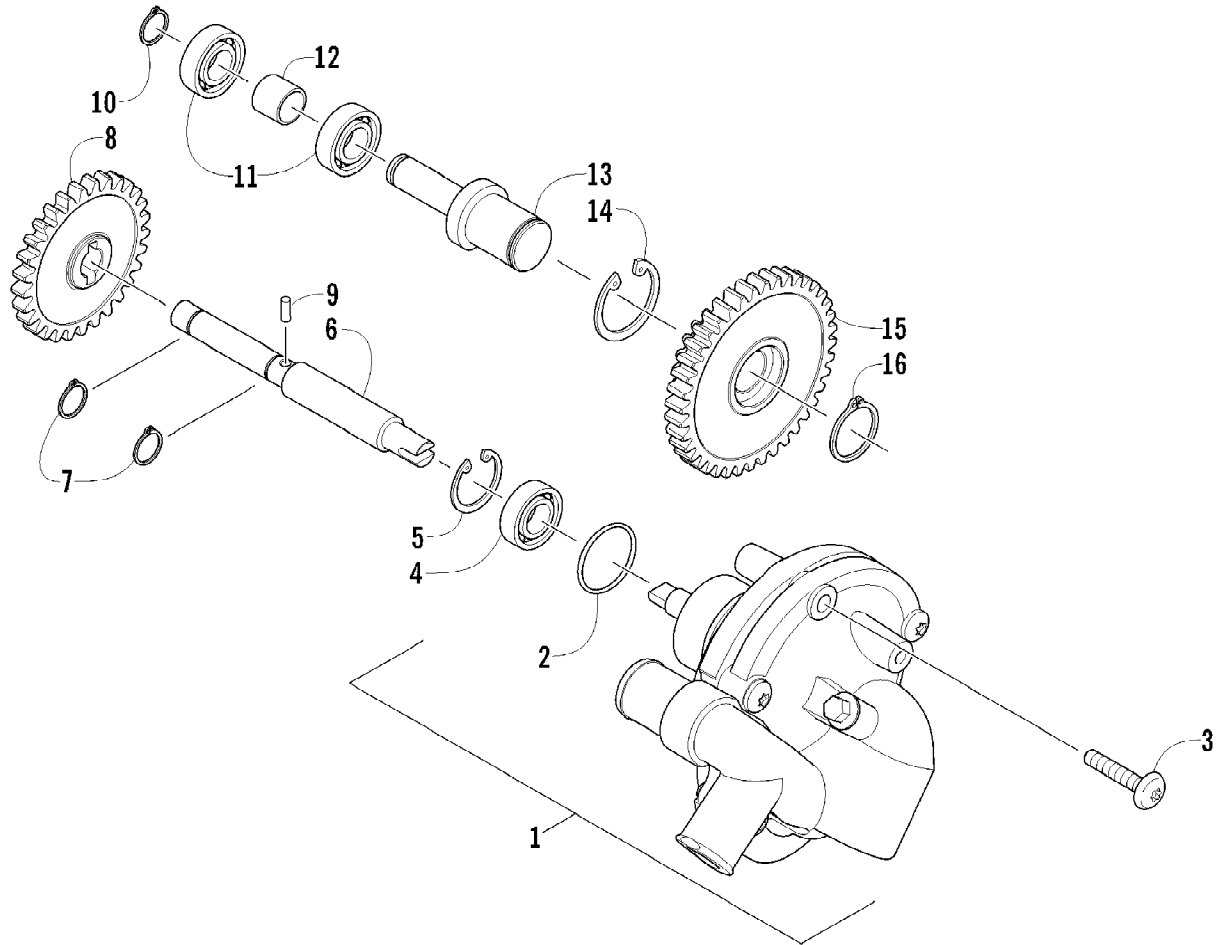


2012 PROWLER 1000 XTZ ORANGE (U2012P4W1PUSY)
TRANSMISSION ASSEMBLY

Page 79 of 85

Ref #	Part Number	Qty	S/P/F	Description
1	0823-353	1	/P	Pulley, Driven - Assembly (inc. 2-4)
2	0823-176	3	/P	Shoe, Cam
3	0823-177	3		Screw, Machine
4	0823-178	1		Nut, Driven Pulley
5	0832-010	1		Bearing
6	0830-176	1	/P	Seal
7	0823-020	1		Retainer, Bearing
8	0826-031	2		Screw, Machine
9	0827-010	1		Nut
10	0828-106	1		Washer
11	0823-276	1		Plate, Movable Drive Face
12	0823-277	4		Damper, Movable Drive Face
13	0823-358	1		Spacer, Movable Drive Face
14	0823-170	8	/P	Roller, Movable Drive Face
15	0823-273	1		Face, Movable Drive
16	0823-231	1		Belt, Drive
17	0823-272	1		Face, Fixed Drive
18	0823-015	1		Spacer, Fixed Drive Face
19	0470-531	1		O-Ring
20	0830-188	1	/P	Seal, Clutch Housing - Right
21	0832-047	1	S	Bearing
22	0821-002	1	/P	Housing, Clutch
23	0826-029	2		Screw, Machine
24	0822-010	2	/P	Retainer, Bearing
25	0830-189	1	/P	Seal, Clutch Housing - Left
26	0827-011	1		Nut
27	0823-018	1		Clutch, One-Way
28	0823-310	1	/P	Clutch, Centrifugal - 6 Plate

2012 PROWLER 1000 XTZ ORANGE (U2012P4W1PUSY)
WATER PUMP ASSEMBLY

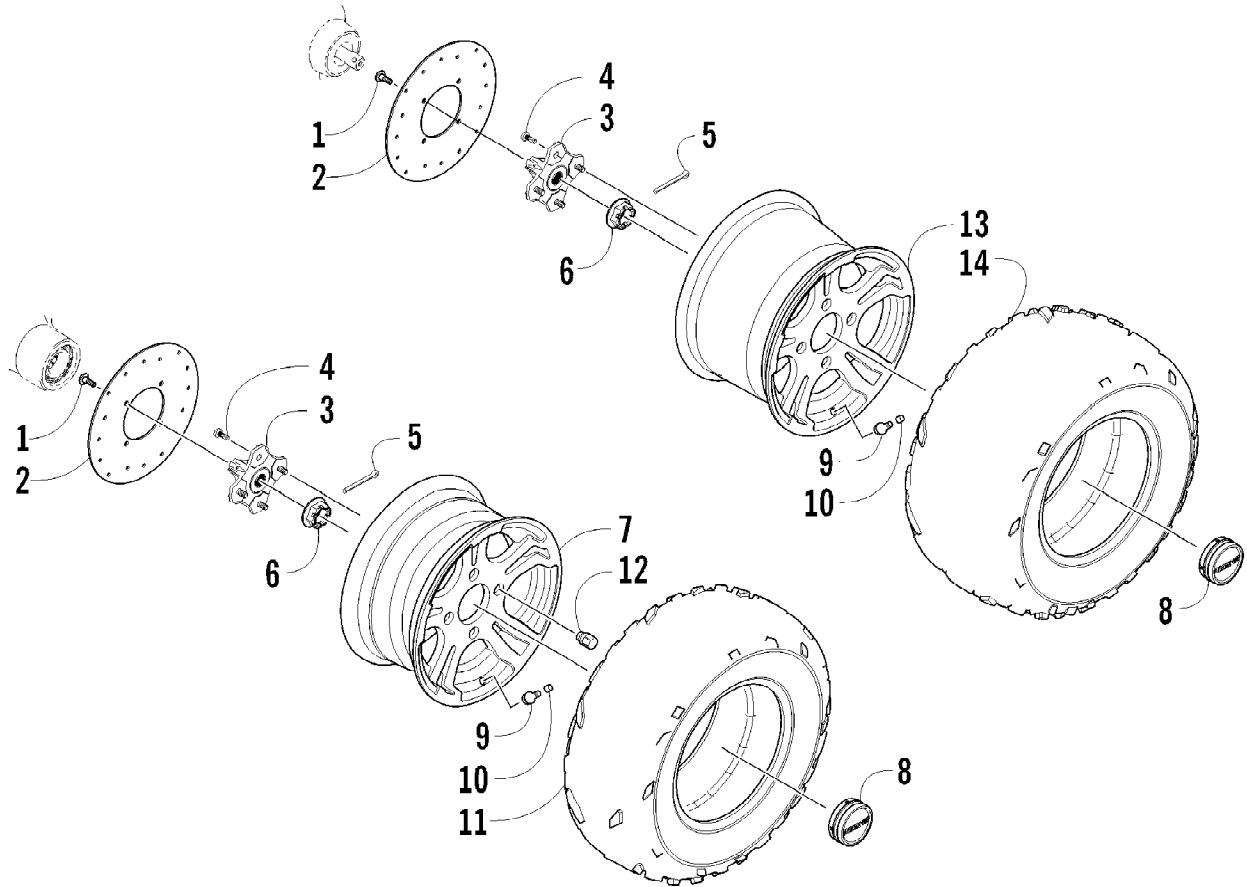


2012 PROWLER 1000 XTZ ORANGE (U2012P4W1PUSY)
WATER PUMP ASSEMBLY

Page 81 of 85

Ref #	Part Number	Qty	S/P/F	Description
1	0813-056	1	/P	Pump, Water - Assembly (inc. 2)
2	0830-029	1		O-Ring
3	8468-650	2		Screw, Machine
4	0832-084	1		Bearing
5	0831-086	1		Circlip
6	0813-041	1		Shaft, Driven Gear
7	0831-010	2		Ring, Retaining
8	0813-043	1		Gear, Driven
9	0829-009	1		Pin, Dowel
10	0831-002	1		Ring, Retaining
11	0832-046	2	/P	Bearing
12	0813-028	1		Spacer, Idler - Water Pump
13	0813-026	1		Shaft, Water Pump Idler Gear
14	0831-004	1		Ring, Retaining
15	0813-027	1		Gear, Idler - Water Pump - Drive
16	0831-040	1		Ring, Retaining

2012 PROWLER 1000 XTZ ORANGE (U2012P4W1PUSY)
WHEEL AND TIRE ASSEMBLY

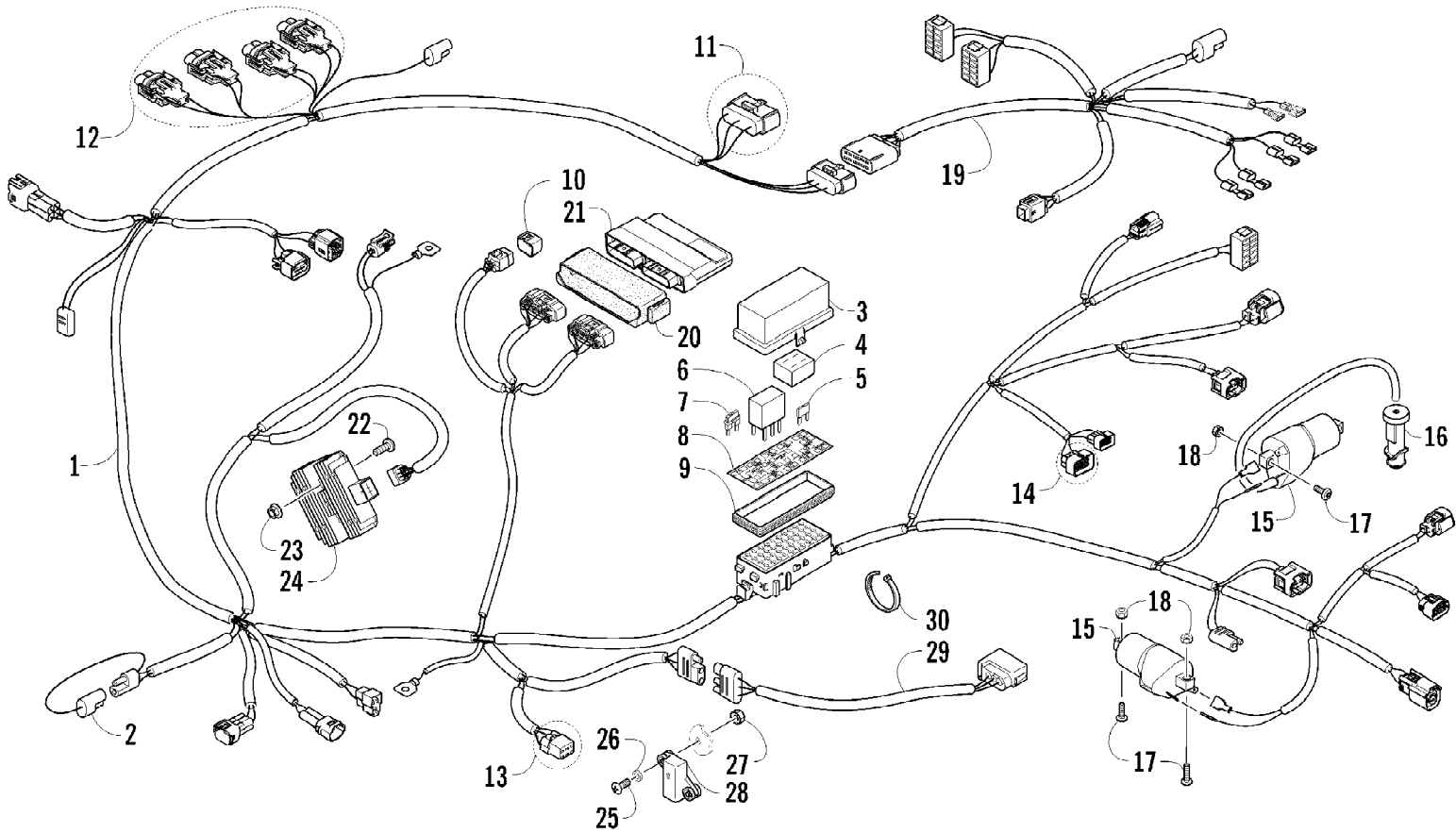


2012 PROWLER 1000 XTZ ORANGE (U2012P4W1PUSY)
WHEEL AND TIRE ASSEMBLY

Page 83 of 85

Ref #	Part Number	Qty	S/P/F	Description
1	0423-557	16		Screw, Shoulder
2	1436-418	2	/P	Disc, Brake - Front
2	1436-164	2	/P	Disc, Brake - Rear
3	1502-433	2	/P	Hub, Wheel - Front (inc. 4)
3	1502-437	2		Hub, Wheel - Rear (inc. 4)
4	0402-974	16	/P	Stud
5	0423-407	4		Pin, Cotter
6	0423-607	4		Nut, Castle
7	1402-732	2		Wheel - Front (inc. 8)
8	1402-736	4		Cap, Wheel
9	0402-064	4		Stem, Valve (inc. 10)
10	0402-140	4		Cap, Valve Stem
11	1402-937	2		Tire - Front
12	0423-618	16		Nut, Lug
13	1402-918	2	/P	Wheel - Rear (inc. 8)
14	1402-938	2		Tire - Rear

2012 PROWLER 1000 XTZ ORANGE (U2012P4W1PUSY)
WIRING HARNESS ASSEMBLY



2012 PROWLER 1000 XTZ ORANGE (U2012P4W1PUSY)
WIRING HARNESS ASSEMBLY

Ref #	Part Number	Qty	S/P/F	Description
1	0486-391	1		Harness, Main (inc. 2-10)
2	0486-164	1		Tether, Accessory Connector
3	0430-085	1		Cover, Fuse Block
4	0430-037	1		Holder, Fuse
5	0430-032	5		Fuse - 10 Amp
5	0430-031	4		Fuse - 15 Amp
5	0430-030	3		Fuse - 30 Amp
6	0430-045	6	/P	Relay (4-Pin) - 20 Amp
7	0430-034	2		Diode
8	2411-213	1		Decal, Fuse Block
9	0430-086	1		Seal
10	0430-097	1		Cover, Diagnostics Connector
11	1436-415	1		Repair Kit, Connector - LCD Gauge
12	1436-290	AR		Repair Kit, Connector - Headlight
13	1436-416	1		Repair Kit, Connector - Tilt Sensor
14	1436-417	1		Repair Kit, Connector - Idle Speed Control
15	0824-043	2		Coil, Ignition - Assembly
16	0824-049	2	/P	Cap, Spark Plug
17	8476-620	3		Screw, Machine
18	0623-038	3		Nut w/Washer
19	0486-399	1		Harness, Console
20	0430-059	1		Cushion, ECU
21	0530-025	1		ECU
22	8476-625	2		Screw, Machine
23	8424-602	2	/P	Nut
24	0824-037	1	/P	Regulator, Voltage
25	8468-425	2		Screw, Machine
26	0123-802	2		Washer
27	0423-493	2		Nut w/Washer
28	0409-064	1		Sensor, Tilt
29	0486-403	1		Harness, Adapter - Taillight
30	0123-788	AR	/P	Tie, Cable - 8 in.
30	0123-903	AR		Tie, Cable - 11.5 in.
30	0623-144	AR		Tie, Cable - 17.5 in.