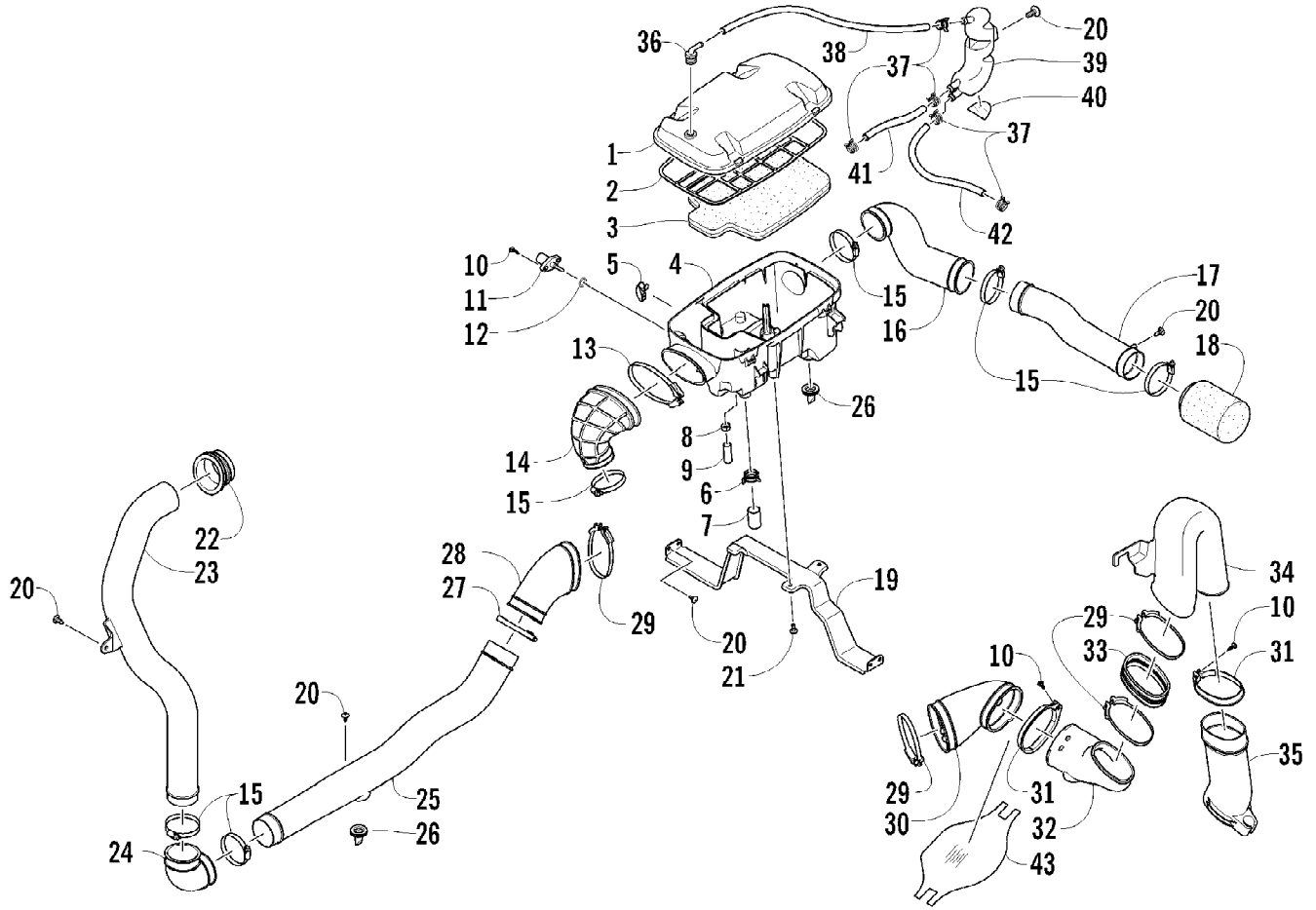
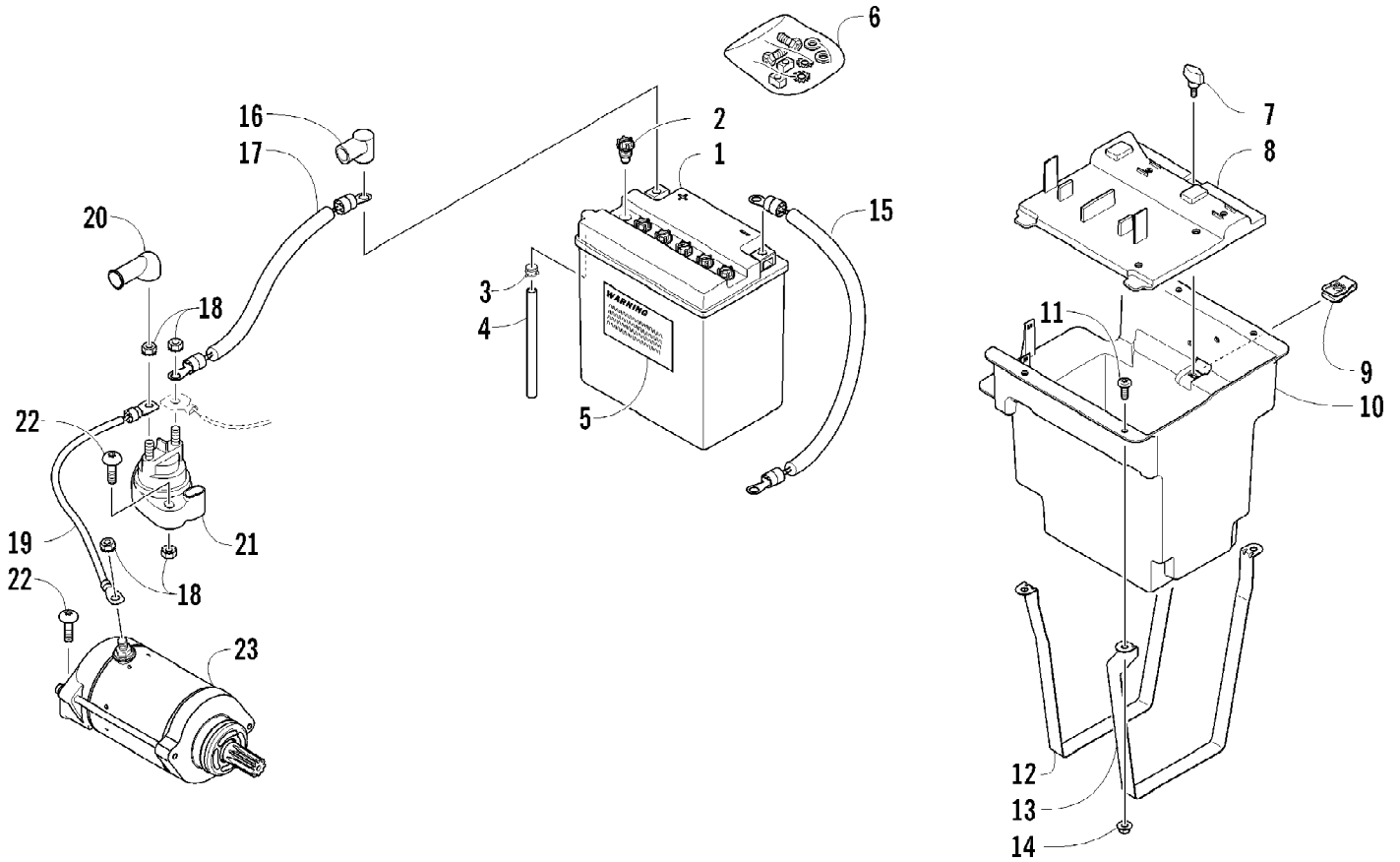


2012 PROWLER 1000 XTZ INTERNATIONAL ORANGE (U2012P4W1POSY) Page 2 of 85
ACCELERATOR ASSEMBLY

Ref #	Part Number	Qty	S/P/F	Description
1	1502-590	1		Pedal, Accelerator
2	0405-233	1		Spring
3	0402-872	1		Axle
4	1602-213	2	/P	O-Ring
5	8422-002	1		Nut, Lock
6	8477-616	2		Screw, Machine
7	0502-991	1		Bracket, Accelerator Pedal
8	8427-602	2		Nut, Lock
9	0487-066	1		Cable, Accelerator

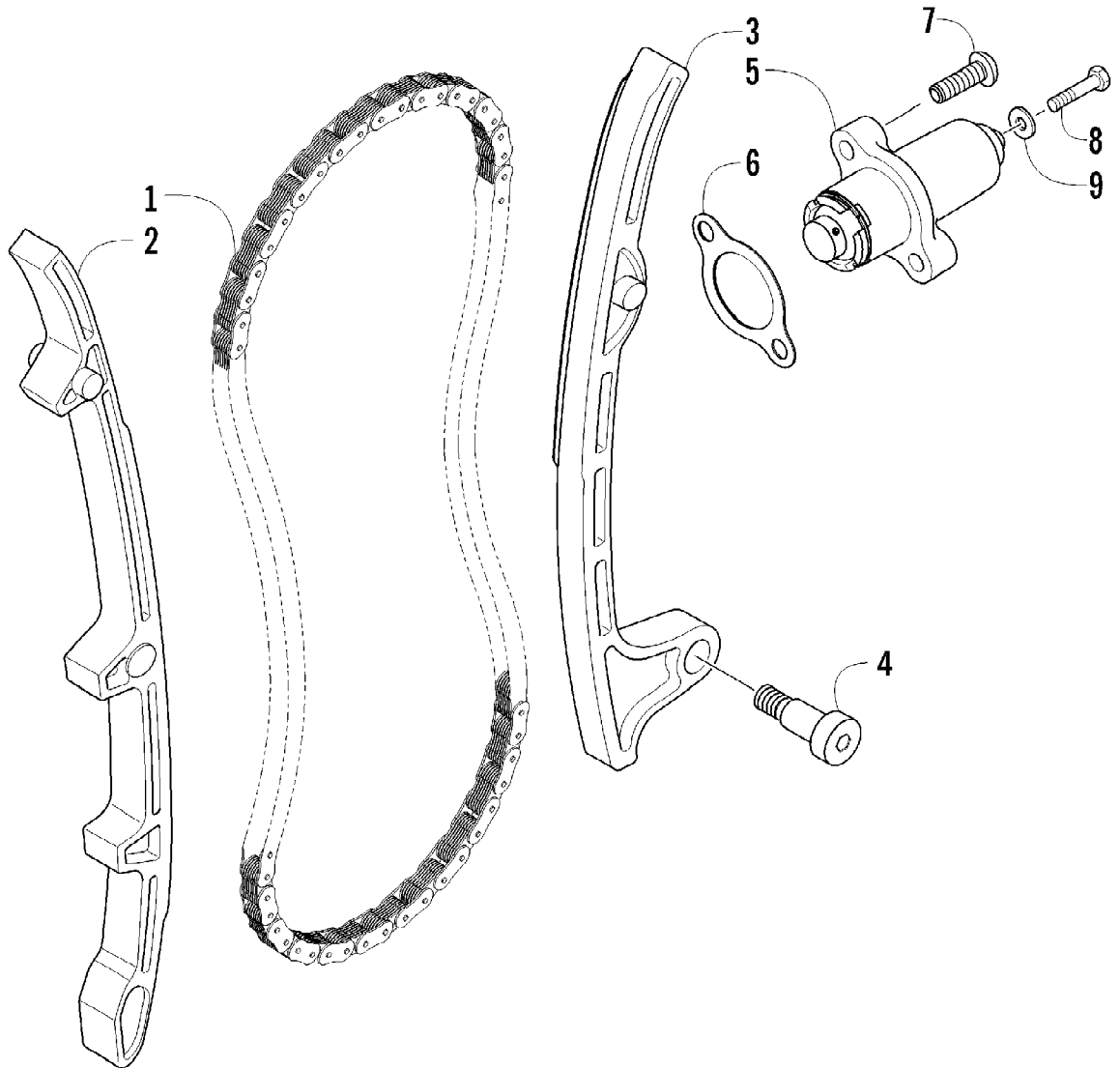


Ref #	Part Number	Qty	S/P/F	Description
1	0470-861	1		Cover, Air Intake
2	0470-560	1		Screen, Air Filter
3	0470-558	1		Filter, Air
4	0470-728	1		Housing, Air Intake
5	0423-455	4		Clip, Spring
6	1623-287	1		Clamp, Hose
7	0423-766	1		Cap, Drain
8	0610-563	1		Clamp, Hose
9	0470-863	1		Valve, Drain
10	0423-342	5	/P	Screw, Self-Tapping
11	0430-055	1		Sensor, Air Temperature (inc. 12)
12	5507-224	1		O-Ring
13	0423-554	1		Clamp
14	0413-225	1		Boot, Intake
15	0423-019	6		Clamp
16	0413-232	1		Duct, Intake
17	0413-219	1		Duct, Intake
18	0470-834	1		Filter, Intake
19	2516-166	1		Bracket, Support
20	0623-784	8		Screw, Self-Tapping
21	8476-616	2		Screw, Machine
22	2416-088	1		Boot, Air-In
23	0413-237	1		Duct, Air-In
24	0413-098	1		Boot, Air-In
25	0413-236	1		Duct, Air-In
26	0470-442	2	/P	Valve, Drain
27	0423-018	1		Clamp
28	0413-233	1		Boot, Air-In
29	0423-730	4		Clamp
30	0413-234	1		Boot, Air-Out
31	0423-550	2		Clamp
32	0413-247	1		Duct, Air-Out
33	0413-248	1		Boot, Air-Out
34	0413-235	1		Duct, Air-Out
35	0413-226	1		Duct, Air-Out
36	0470-881	1		Fitting, Elbow
37	1623-281	5		Clamp, Hose
38	0410-187	1		Hose, Vent
39	0470-857	1		Separator, Oil
40	1441-822	1		Foil, Protective
41	0410-221	1		Hose, Vent
42	0410-220	1		Hose, Vent
43	0412-576	1		Foil, Protective



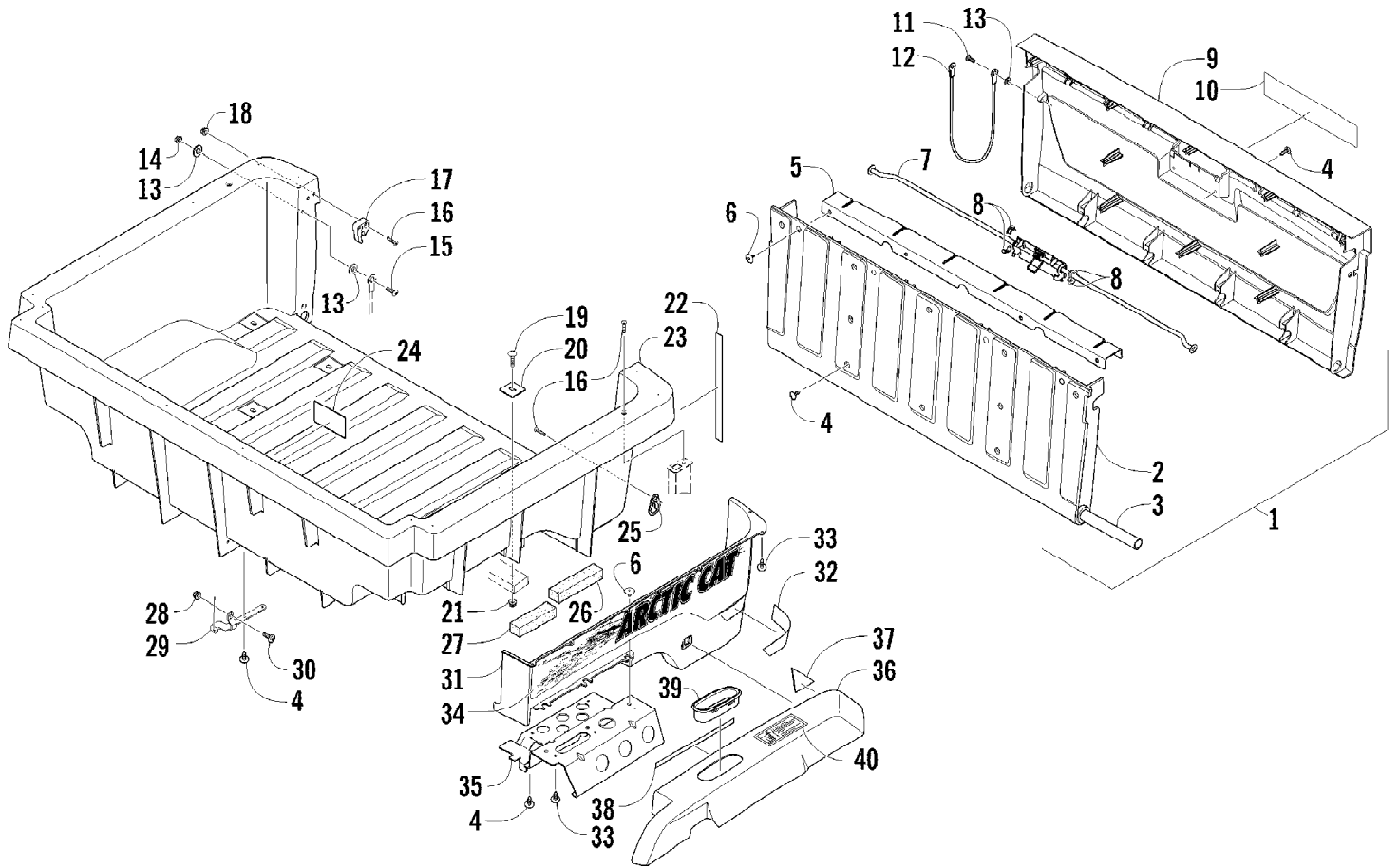
2012 PROWLER 1000 XTZ INTERNATIONAL ORANGE (U2012P4W1POSY) Page 6 of 85
 BATTERY AND STARTER MOTOR ASSEMBLY

Ref #	Part Number	Qty	S/P/F	Description
1	0445-081	1		Battery (inc. 2-6)
2	0645-588	6	/P	Cap, Battery
3	0645-152	1		Clamp, Hose
4	0645-262	1		Hose, Vent
5	0645-430	2		Decal, Warning
6	0445-082	1		Kit, Hardware
7	1441-624	1		Screw, Thumb
8	2406-949	1		Cover, Battery Box
9	0423-577	1		Clip, U-Nut
10	2406-914	1		Box, Battery
11	8476-616	4		Screw, Machine
12	0470-854	1		Hold-Down, Battery Box - Right
13	0470-855	1		Hold-Down, Battery Box - Left
14	8424-602	4	/P	Nut
15	0445-079	1		Cable, Battery/Ground
16	0645-019	1		Boot, Terminal
17	0445-078	1		Cable, Battery/Solenoid
18	0623-038	5		Nut w/Washer
19	0445-080	1		Cable, Solenoid/Starter
20	0645-327	1		Boot, Terminal - Solenoid
21	0445-058	1	/P	Solenoid
22	8476-625	4		Screw, Machine
23	0825-015	1		Motor, Starter - Assembly



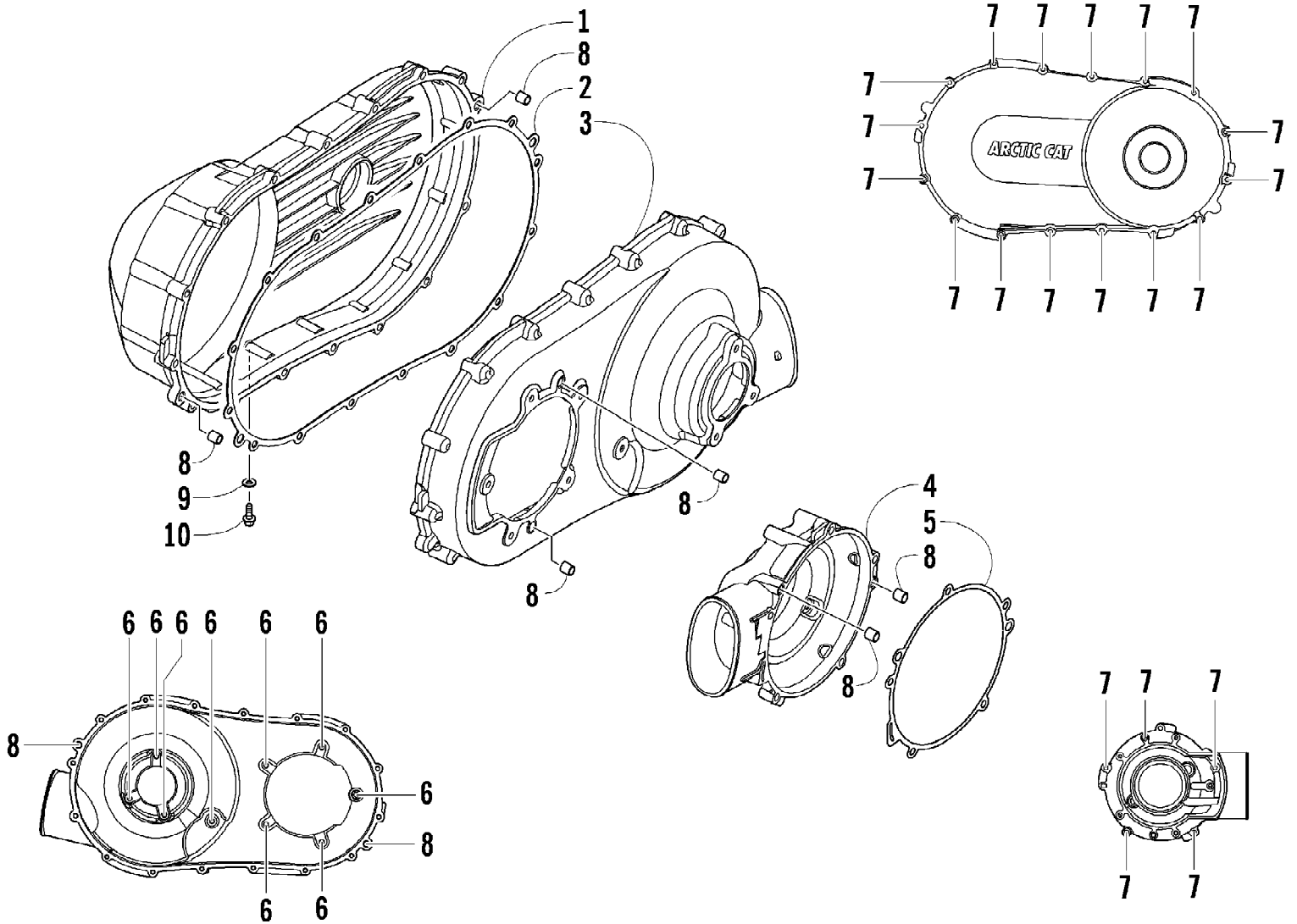
2012 PROWLER 1000 XTZ INTERNATIONAL ORANGE (U2012P4W1POSY) Page 8 of 85
CAM CHAIN ASSEMBLY

Ref #	Part Number	Qty	S/P/F	Description
1	0810-001	2		Chain, Cam
2	0810-046	2		Guide, Chain
3	0810-049	2		Tensioner, Chain
4	0826-106	2		Pivot, Tensioner
5	0810-004	2		Adjuster, Tensioner - Assembly
6	0830-134	2		Gasket
7	8468-620	4	/P	Screw, Machine
8	8400-610	2		Screw, Cap
9	0828-129	2		Washer



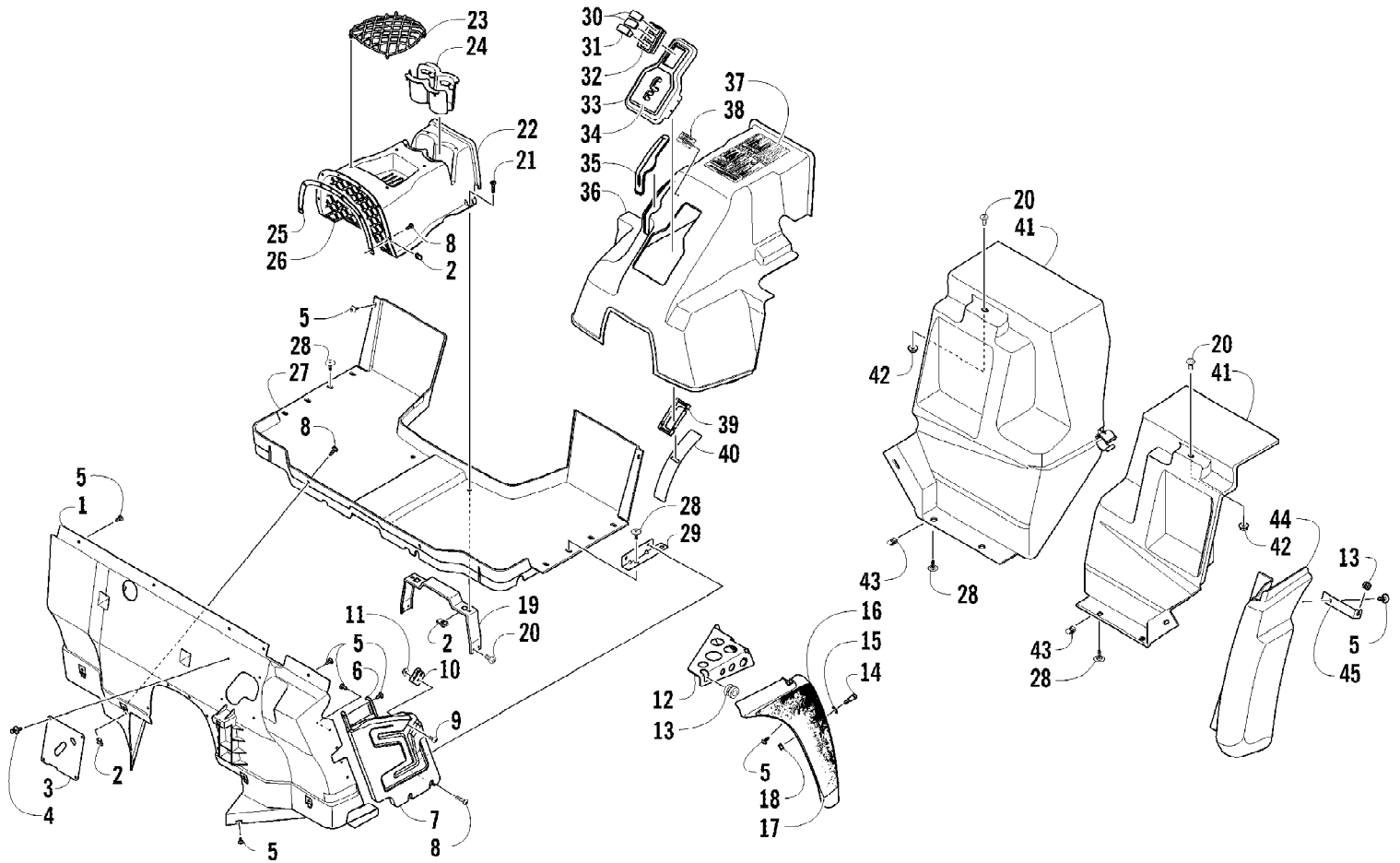
2012 PROWLER 1000 XTZ INTERNATIONAL ORANGE (U2012P4W1POSY) Page 10 of 85
CARGO BOX AND TAILGATE ASSEMBLY

Ref #	Part Number	Qty	S/P/F	Description
1	2506-205	1	/P	Tailgate Assembly (inc. 2-9)
2	2406-365	1	/P	Panel, Tailgate - Inner
3	1406-927	1		Shaft, Pivot - Tailgate
4	0623-784	20		Screw, Self-Tapping
5	1506-704	1		Brace, Tailgate
6	0423-101	10		Screw, Shoulder
7	2506-056	1		Latch, Tailgate - Assembly
8	1406-706	4		Bushing
9	2406-369	1	/P	Panel, Tailgate - Outer
10	2411-442	1		Decal, Box - "Arctic Cat"
11	8476-625	2		Screw, Machine
12	0487-045	2		Cable, Tailgate
13	8050-217	6	/P	Washer
14	0624-250	2		Nut, Lock
15	8476-620	2		Screw, Machine
16	8474-630	8		Screw, Machine
17	2506-664	1		Striker, Tailgate - Right
17	2506-665	1	/P	Striker, Tailgate - Left
18	8424-602	4	/P	Nut
19	0423-623	8		Bolt, Carriage
20	1506-933	8		Plate, Retainer
21	8424-802	8		Nut
22	0417-006	2		Strip, Foam
23	2406-916	1	/P	Box, Cargo
24	1411-119	1		Decal, Warning - Cargo
25	1506-539	1		Bracket, Tailgate
26	0417-010	2		Foam, Cargo Box
27	0417-011	2		Foam, Cargo Box
28	0423-540	1		Nut, Lock
29	2516-178	1	/P	Bracket, Cargo Box Latch
30	8476-616	1		Screw, Machine
31	1406-762	1	/P	Panel, Box - Right
31	1406-761	1	/P	Panel, Box - Left
32	1411-128	1		Decal, Reflector - Right
32	1411-129	1		Decal, Reflector - Left
33	0423-342	28	/P	Screw, Self-Tapping
34	2411-806	1		Decal, Box - Right
34	2411-807	1		Decal, Box - Left
35	1506-776	1		Bracket, Fender Support - Right
35	2506-927	1		Bracket, Fender Support - Left
36	2516-186	1		Fender, Rear - Assembly - Upper Right (inc. 37-38)
36	2516-187	1		Fender, Rear - Assembly - Upper Left (inc. 37-39)
37	0417-008	2		Pad, Foam
38	0417-007	2		Strip, Foam
39	2516-037	1		Ring, Trim
40	1411-120	2		Decal, Warning - Pinch Point



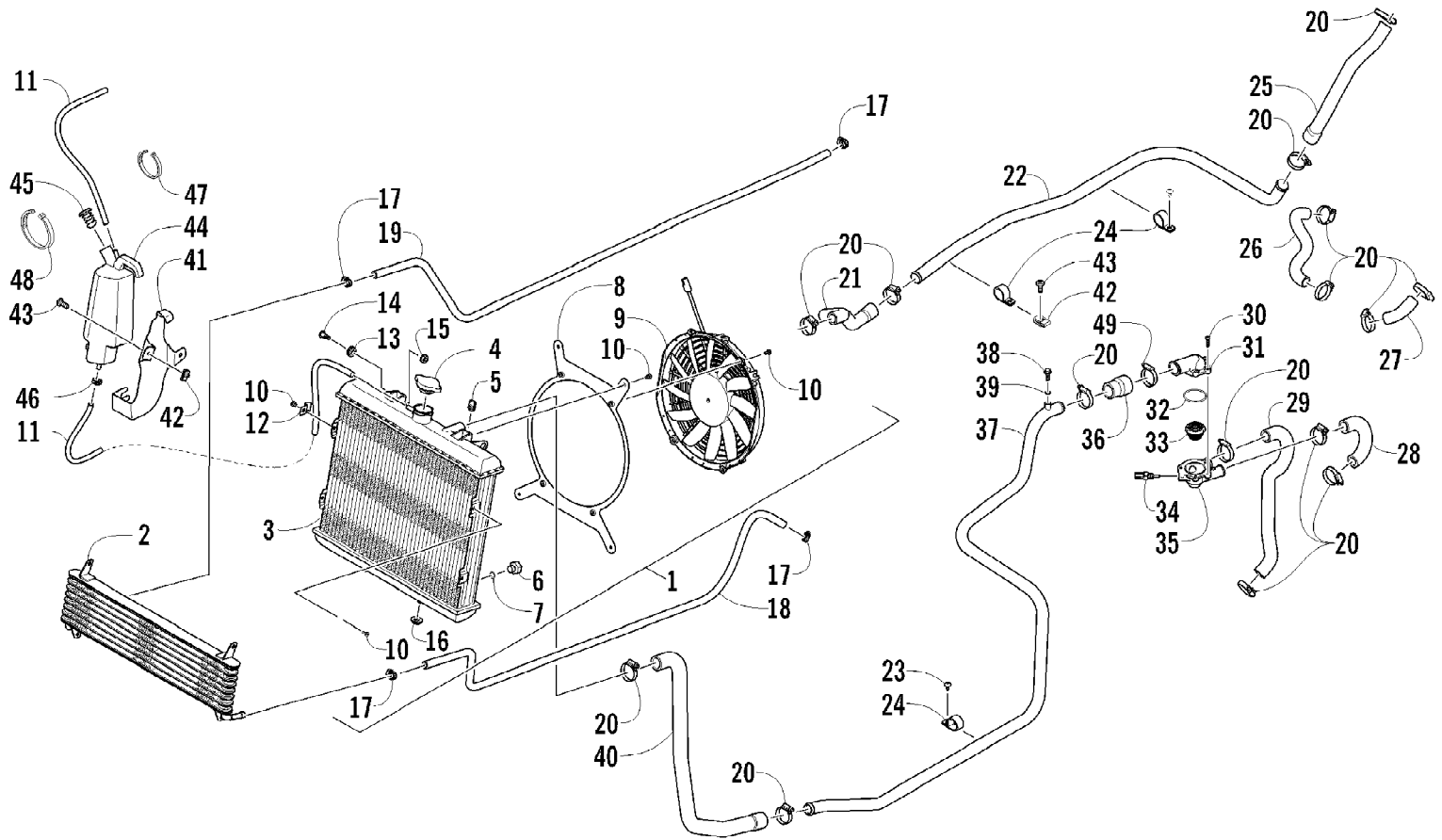
2012 PROWLER 1000 XTZ INTERNATIONAL ORANGE (U2012P4W1POSY) Page 12 of 85
CLUTCH SIDE ENGINE COVERS

Ref #	Part Number	Qty	S/P/F	Description
1	0806-112	1	/P	Cover, Outside
2	0830-137	1		Gasket, Cover
3	0806-110	1		Cover, Inside
4	0806-109	1		Cover, Clutch
5	0830-133	1		Gasket, Clutch Cover
6	8468-616	9		Screw, Machine
7	8468-630	21		Screw, Machine
8	0829-048	6	/P	Pin, Dowel
9	0830-013	1		Washer, Crush
10	8408-812	1		Screw, Cap



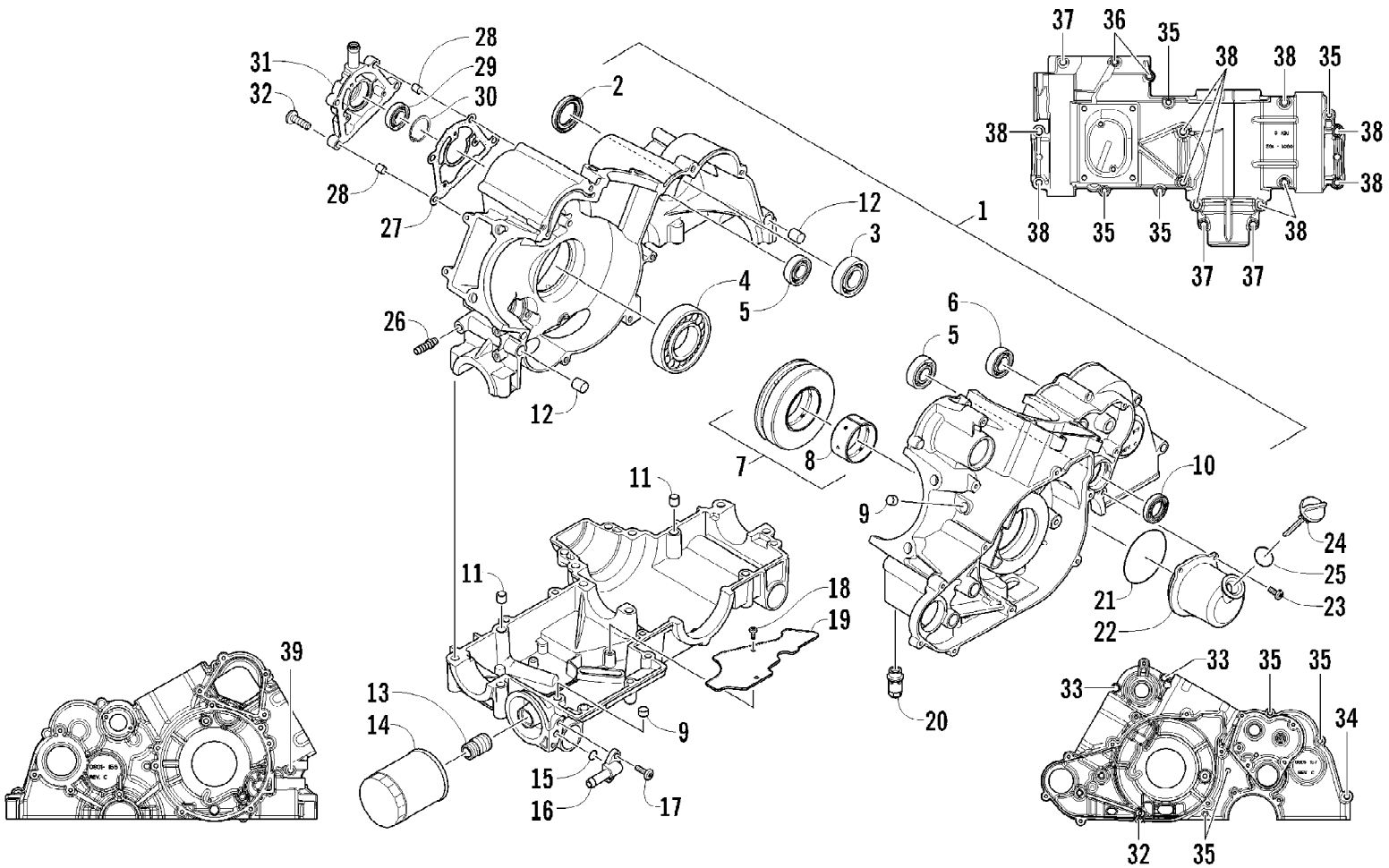
2012 PROWLER 1000 XTZ INTERNATIONAL ORANGE (U2012P4W1POSY) Page 14 of 85
CONSOLE AND FLOOR PANEL ASSEMBLY

Ref #	Part Number	Qty	S/P/F	Description
1	4506-021	1		Panel, Fender - Inner
2	0423-577	15		Clip, U-Nut
3	0405-427	1		Boot, Steering
4	0623-362	4		Rivet, Reinstallable
5	0623-784	40		Screw, Self-Tapping
6	4506-596	2		Cap, Reinforcement
7	2416-848	2		Panel, Side
8	8468-625	16		Screw, Machine
9	0423-419	4		Screw, Machine
10	2416-846	2		Latch, Side Restraint
11	0423-540	4		Nut, Lock
12	2506-066	1		Bracket, Support - Right
12	2506-067	1		Bracket, Support - Left
13	0423-447	4		Grommet
14	0623-855	2		Screw, Shoulder
15	8050-217	2	/P	Washer
16	2516-182	1		Fender, Front - Right
16	2516-183	1		Fender, Front - Left
17	2411-804	1		Decal, Front Fender - Right
17	2411-805	1		Decal, Front Fender - Left
18	8048-366	2		Nut, Lock
19	2516-313	1		Bracket, Support
20	8476-616	6		Screw, Machine
21	8468-670	2		Screw, Machine
22	2416-081	1		Console - Front
23	2416-111	1		Net, Storage
24	2416-109	1		Insert, Cupholder
25	0417-019	1		Foam, Console
26	0417-018	1		Foam, Console
27	2416-085	1		Floor
28	0423-545	12	/P	Screw, Shoulder
29	4506-260	1		Bracket, Side Panel - Right
29	4506-261	1		Bracket, Side Panel - Left
30	0409-070	2		Plug, Switch-Hole
31	0409-071	1		Switch, Reverse Override
32	0409-069	1		Panel, Switch-Mount
33	1502-520	1		Gate, Shift (inc. 34)
34	1411-985	1		Decal, Shift Gate
35	2406-960	1		Boot, Parking Brake Lever
36	2406-951	1		Console, Center
37	2411-879	1		Decal, Warning - Console
38	2411-094	1		Decal, Brake Lever
39	1402-793	1		Slide, Shift Gate
40	1402-794	1		Slide, Shift
41	2416-018	1		Panel, Splash - Right
41	2416-019	1		Panel, Splash - Left
42	8424-602	2	/P	Nut
43	0423-466	4		Clip, U-Nut
44	2516-194	1		Fender, Rear - Lower - Right
44	2516-195	1		Fender, Rear - Lower - Left
45	2516-326	2		Bracket, Fender Support - Lower



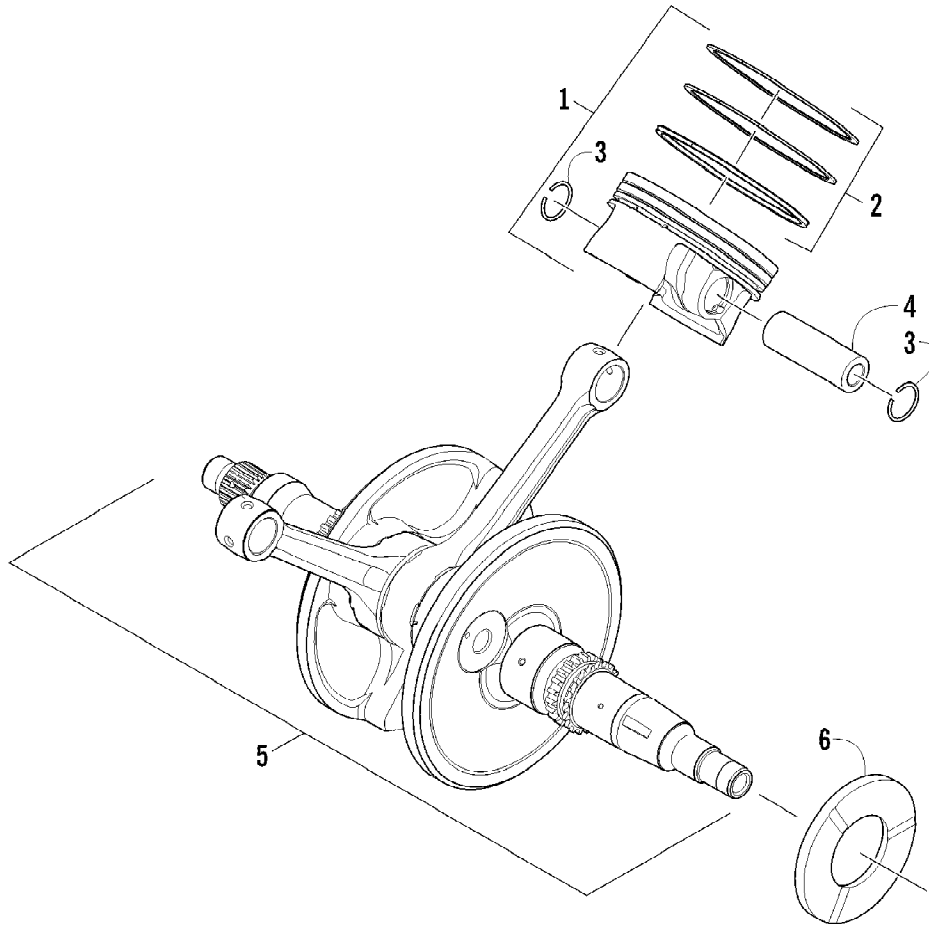
2012 PROWLER 1000 XTZ INTERNATIONAL ORANGE (U2012P4W1POSY) Page 16 of 85
COOLING ASSEMBLY

Ref #	Part Number	Qty	S/P/F	Description
1	0513-036	1		Radiator Assembly (inc. 2-13)
2	0413-241	1		Cooler, Oil
3	0413-216	1		Radiator
4	0413-255	1	/P	Cap, Radiator
5	1623-637	4		Clip, U-Nut
6	0413-195	1		Plug, Drain
7	1602-213	1	/P	O-Ring
8	0413-217	1		Bracket, Mounting - Fan
9	0413-123	1	/P	Fan, Cooling
10	8470-510	12		Screw, Machine
11	0610-011	AR	/P	Hose - 25 ft
12	0423-351	1		Clamp, Routing
13	0423-030	2		Grommet
14	0423-484	2		Screw, Shoulder
15	0623-038	2		Nut w/Washer
16	0423-028	2		Bushing, Stem
17	0423-632	4		Clamp, Hose
18	0410-183	1		Hose, Oil Cooler - In
19	0410-184	1		Hose, Oil Cooler - Out
20	0423-496	15		Clamp, Hose
21	0410-251	1		Hose, Coolant - Radiator/Coolant Pipe
22	0410-249	1		Pipe, Coolant
23	0623-784	1		Screw, Self-Tapping
24	0423-594	3		Clamp, Routing
25	0410-252	1		Hose, Coolant - Coolant Pipe/Water Pump
26	0410-116	1		Hose, Coolant - Crossover
27	0410-115	1		Hose, Coolant - Crossover
28	0410-191	1		Hose, Coolant - Cylinder/Thermostat
29	0410-190	1		Hose, Coolant - Cylinder/Thermostat
30	8470-520	4		Screw, Machine
31	0808-092	1		Cover, Thermostat
32	0830-173	1		O-Ring
33	0808-093	1		Thermostat
34	0808-124	1		Sensor, Engine Coolant Temperature
35	0808-189	1		Housing, Thermostat
36	0410-189	1		Hose, Coolant - Thermostat/Coolant Pipe
37	0510-597	1		Pipe, Coolant w/Bleed Valve
38	0423-984	1	S	Screw, Bleed
39	0423-921	1		O-Ring
40	0410-092	1		Hose, Coolant - Coolant Pipe/Radiator
41	0410-199	1		Bracket, Mounting - Overflow Bottle
42	0423-577	3		Clip, U-Nut
43	8476-616	3		Screw, Machine
44	0413-086	1		Bottle, Overflow
45	0413-087	1		Plug
46	0124-045	1	/P	Clamp, Hose
47	0623-751	AR		Cable Tie - 11.75 in.
48	0623-316	AR		Tie, Cable - 14 in.
49	1623-093	1		Clamp, Hose



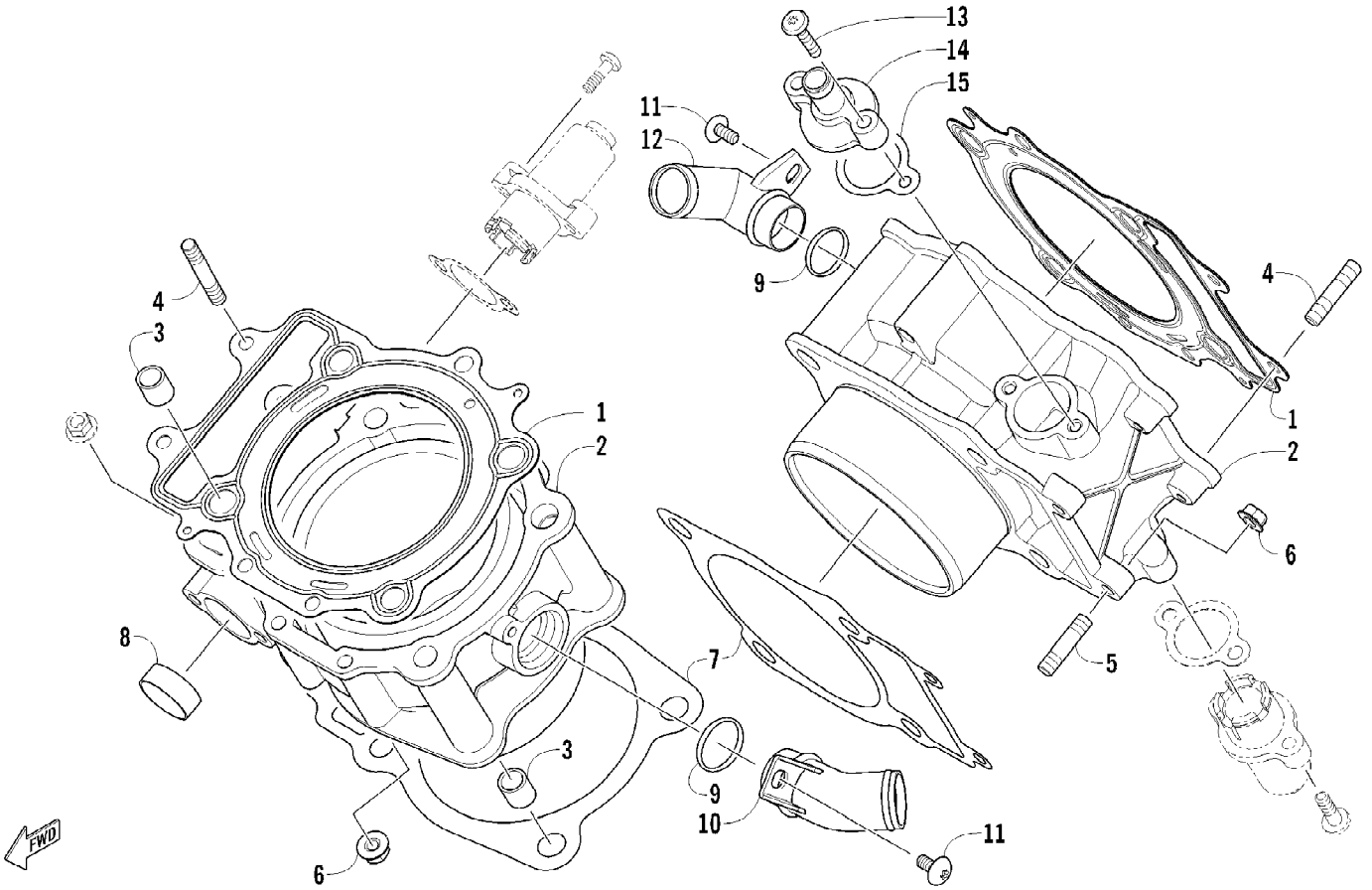
2012 PROWLER 1000 XTZ INTERNATIONAL ORANGE (U2012P4W1POSY) Page 18 of 85
CRANKCASE ASSEMBLY

Ref #	Part Number	Qty	S/P/F	Description
1	0801-172	1		Crankcase - Assembly (inc. 2-13)
2	0830-035	1		Seal, Driveshaft
3	0832-048	1	/P	Bearing
4	0832-042	1	/P	Bearing
5	0832-050	2	/P	Bearing
6	0832-049	1	/P	Bearing
7	0832-055	1		Bearing - Assembly (inc. 8)
8	0832-057	1		Bearing
9	0801-002	2		Plug, Engine Case
10	0822-052	1		Seal, Countershaft - Right
11	0829-003	2		Pin, Dowel
12	0829-002	2		Pin, Dowel
13	0812-008	1		Union, Oil Filter
14	0812-029	1	S	Filter, Oil
15	0830-172	1		O-Ring
16	0812-060	1		Fitting, Oil
17	8468-620	2	/P	Screw, Machine
18	0623-914	2		Screw, Self-Tapping
19	0812-079	1		Plate, Oil Sump
20	0812-052	1		Valve, Oil-Relief - Assembly
21	0830-162	1		O-Ring, Oil Filler Cover
22	0812-081	1		Cover, Oil Filler
23	8468-616	3		Screw, Machine
24	0801-179	1		Stick, Oil Level
25	0830-010	1		O-Ring
26	0812-078	1		Fitting, Oil - Threaded
27	0830-191	1		Gasket, Breather
28	0829-048	2	/P	Pin, Dowel
29	0832-084	1		Bearing
30	0831-086	1		Circlip
31	0801-193	1		Cover, Breather
32	8468-625	5		Screw, Machine
33	8468-630	2		Screw, Machine
34	8412-875	1		Screw, Cap
35	8468-660	8		Screw, Machine
36	8468-640	2		Screw, Machine
37	8412-830	3		Screw, Cap
38	8412-860	10		Screw, Cap
39	8412-850	1		Screw, Cap



2012 PROWLER 1000 XTZ INTERNATIONAL ORANGE (U2012P4W1POSY) Page 20 of 85
CRANKSHAFT AND PISTON ASSEMBLY

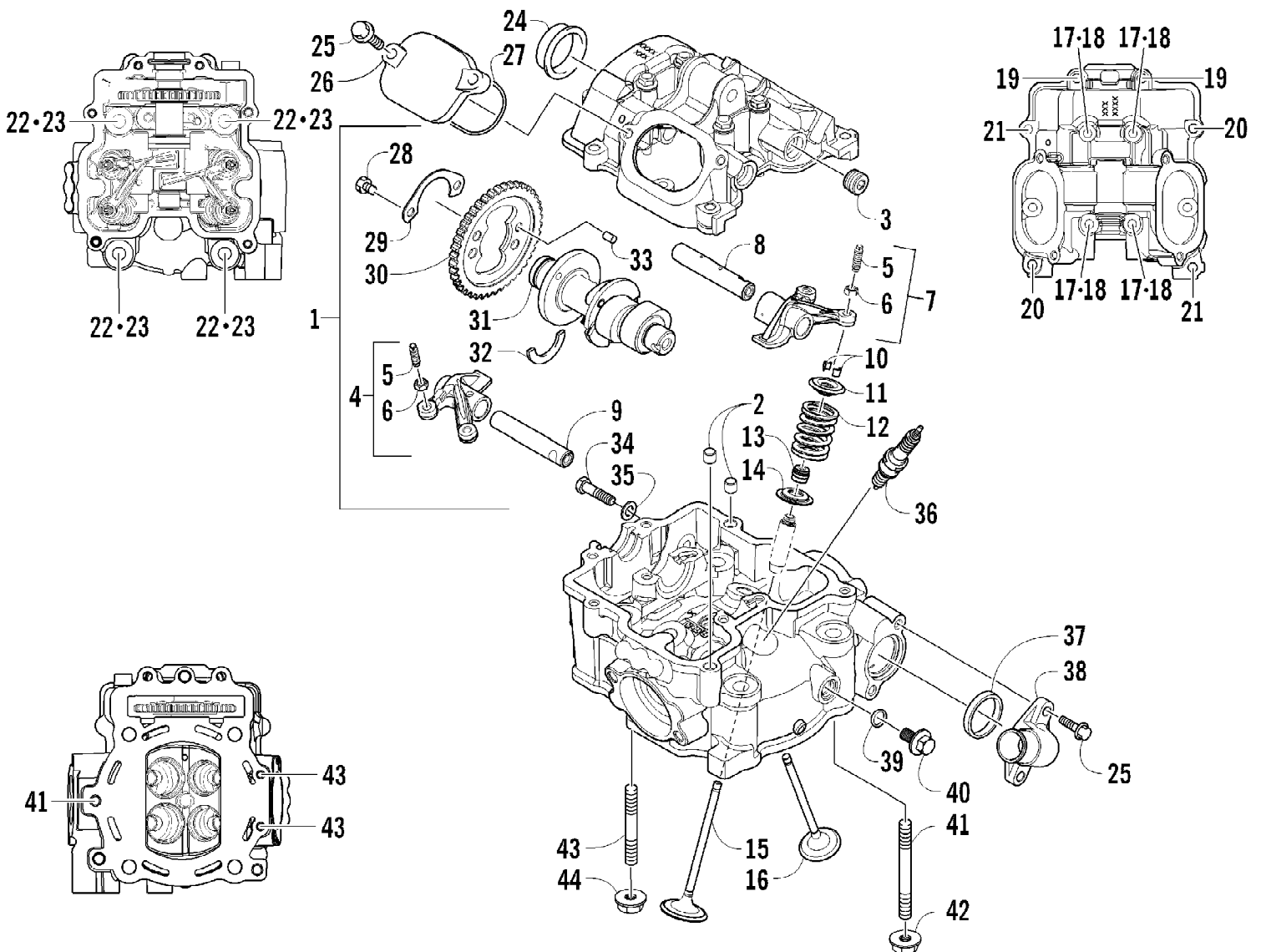
Ref #	Part Number	Qty	S/P/F	Description
1	0805-299	2	/P	Piston Set - Assembly (inc. 2-4)
2	0805-164	2		Ring, Piston - Set
3	0805-199	4		Circlip, Piston Pin
4	0805-198	2		Pin, Piston
5	0805-331	1	/P	Crankshaft - Assembly
6	0805-273	1		Washer, Thrust



2012 PROWLER 1000 XTZ INTERNATIONAL ORANGE (U2012P4W1POSY) Page 22 of 85
CYLINDER ASSEMBLY

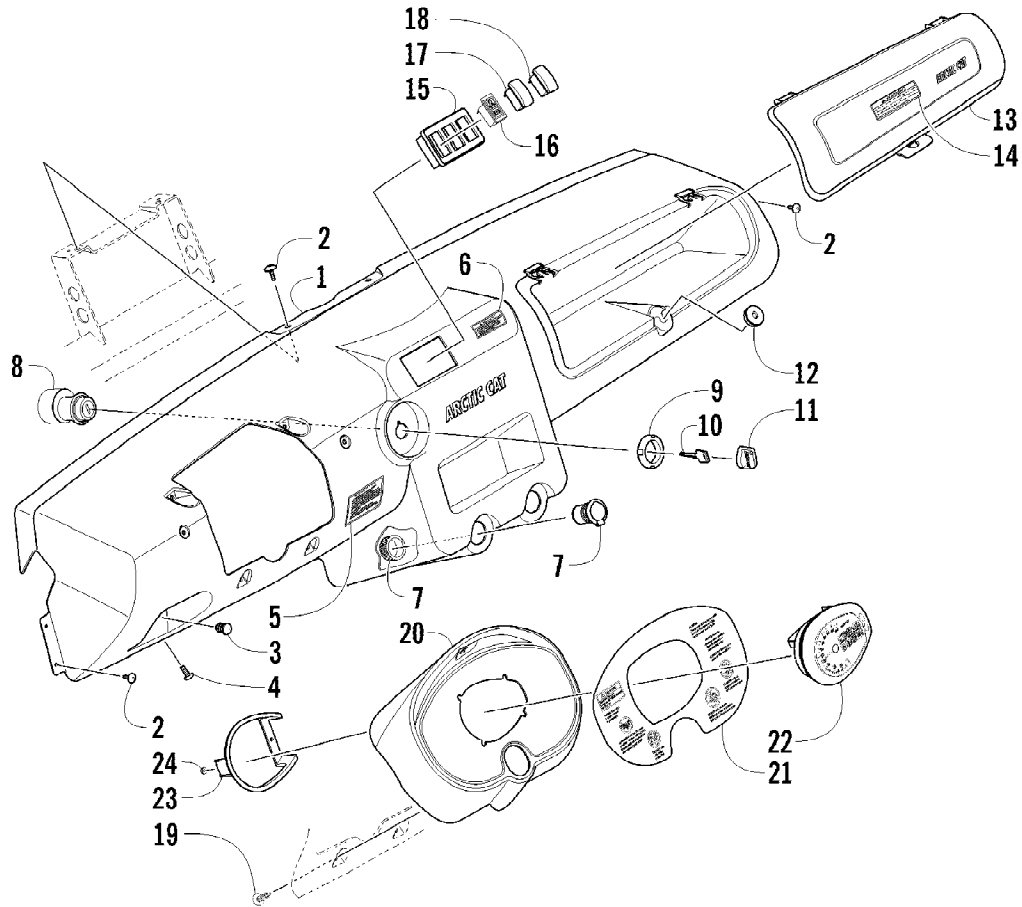
Ref #	Part Number	Qty	S/P/F	Description
1	0830-209	2	/P	Gasket, Head
2	0804-031	2		Cylinder
3	0829-002	8		Pin, Dowel
4	0827-002	4		Bolt, Stud
5	0827-018	4		Bolt, Stud
6	8424-604	8		Nut
7	0830-193	2		Gasket, Base
8	0804-037	1		Plug, Cylinder
9	0830-007	2		O-Ring
10	0804-046	1		Union, Coolant Hose
11	8468-612	2		Screw, Machine
12	0804-030	1		Union, Coolant Hose
13	8468-630	2		Screw, Machine
14	0801-174	1		Cover, Breather
15	0830-134	1		Gasket

2012 PROWLER 1000 XTZ INTERNATIONAL ORANGE (U2012P4W1POSY) Page 23 of 85
CYLINDER HEAD AND CAMSHAFT/VALVE ASSEMBLY



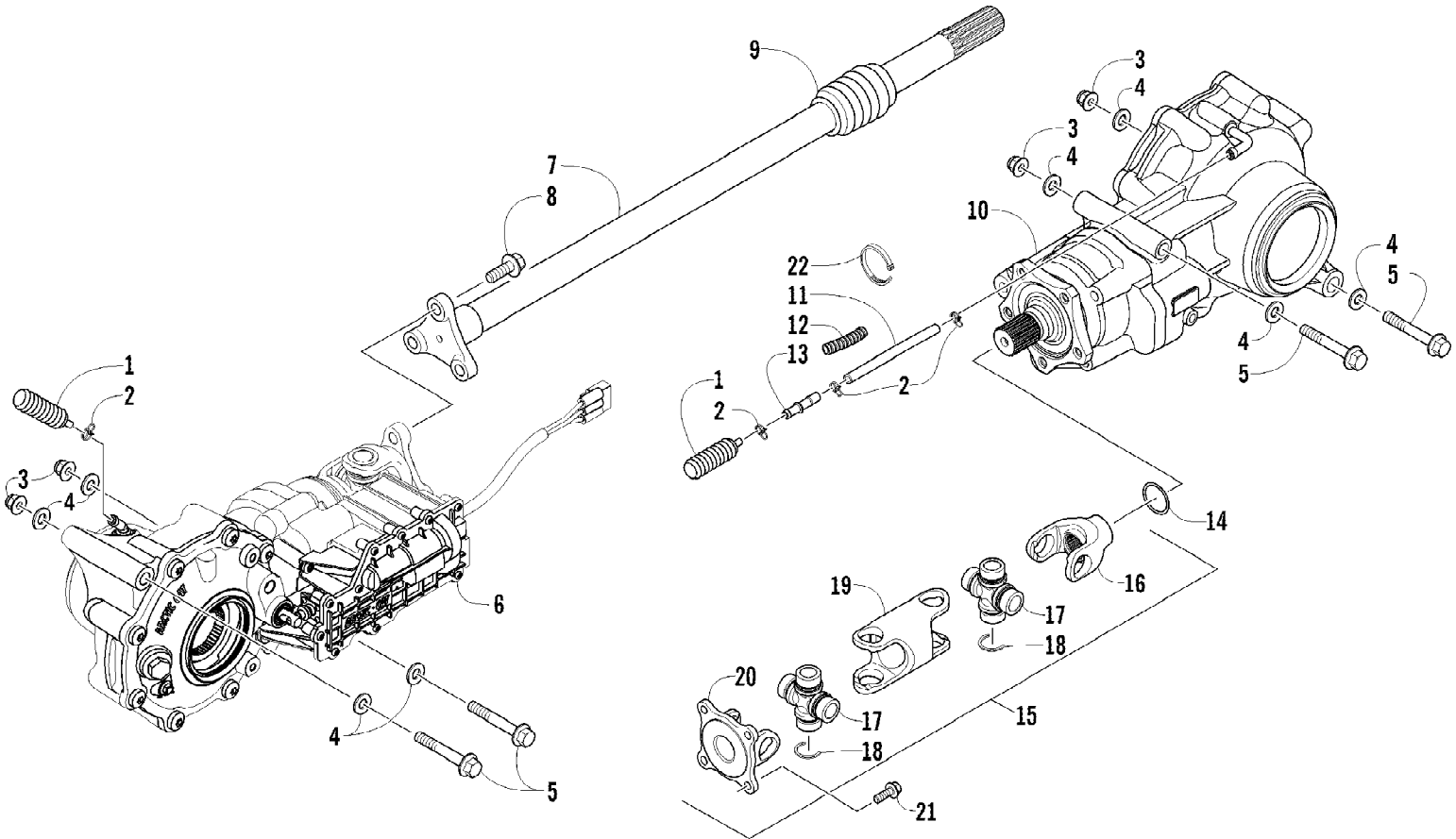
2012 PROWLER 1000 XTZ INTERNATIONAL ORANGE (U2012P4W1POSY) Page 24 of 85
CYLINDER HEAD AND CAMSHAFT/VALVE ASSEMBLY

Ref #	Part Number	Qty	S/P/F	Description
1	0808-175	2	S	Head, Cylinder - Assembly (inc. 2-17)
2	0829-048	4	/P	Pin, Dowel
3	0831-092	4		Plug, Shaft
4	0809-237	2	/P	Arm, Valve Rocker - Exhaust (inc. two No. 5-6)
5	0809-240	8	/P	Screw, Adjuster
6	0827-059	8		Nut
7	0809-234	2	/P	Arm, Valve Rocker - Intake (inc. two No. 5-6)
8	0809-241	2		Shaft, Rocker Arm - Intake
9	0809-242	2		Shaft, Rocker Arm - Exhaust
10	0809-233	16		Cotter, Valve
11	0809-232	8		Retainer, Spring
12	0809-231	8	/P	Spring, Valve
13	0830-186	8	/P	Seal, Oil
14	0809-230	8		Seat, Spring - Valve
15	0809-228	4	/P	Valve, Intake
16	0809-229	4	/P	Valve, Exhaust
17	0826-149	8		Screw, Cap
18	0830-155	8	/P	Gasket
19	0826-002	4		Screw, Cap
20	0826-005	4		Screw, Cap
21	0826-006	4		Screw, Cap
22	0808-090	8		Screw, Cap
23	0830-147	8	/P	Washer
24	0808-077	2		Plug, Cylinder Head
25	0826-007	12		Screw, Cap
26	0808-003	4		Cap, Inspection
27	0830-167	4	/P	O-Ring
28	0826-034	4		Screw, Cap
29	0828-004	2		Plate, Retainer
30	0809-212	2		Sprocket
31	0809-246	1	/P	Camshaft, Front Cylinder
31	0809-248	1	/P	Camshaft, Rear Cylinder
32	0809-003	2		C-Ring
33	0829-049	2		Pin, Dowel
34	8400-812	2		Screw, Cap
35	0830-025	2		Washer, Crush
36	0217-799	2	/P/F	Spark Plug
37	0830-120	2		Seal
38	0808-008	2		Cover, Thermostat
39	0830-213	2		O-Ring
40	0826-157	2		Screw, Cap
41	0827-062	2		Bolt, Stud
42	8424-804	2		Nut
43	0827-030	4		Bolt, Stud
44	8424-604	4		Nut



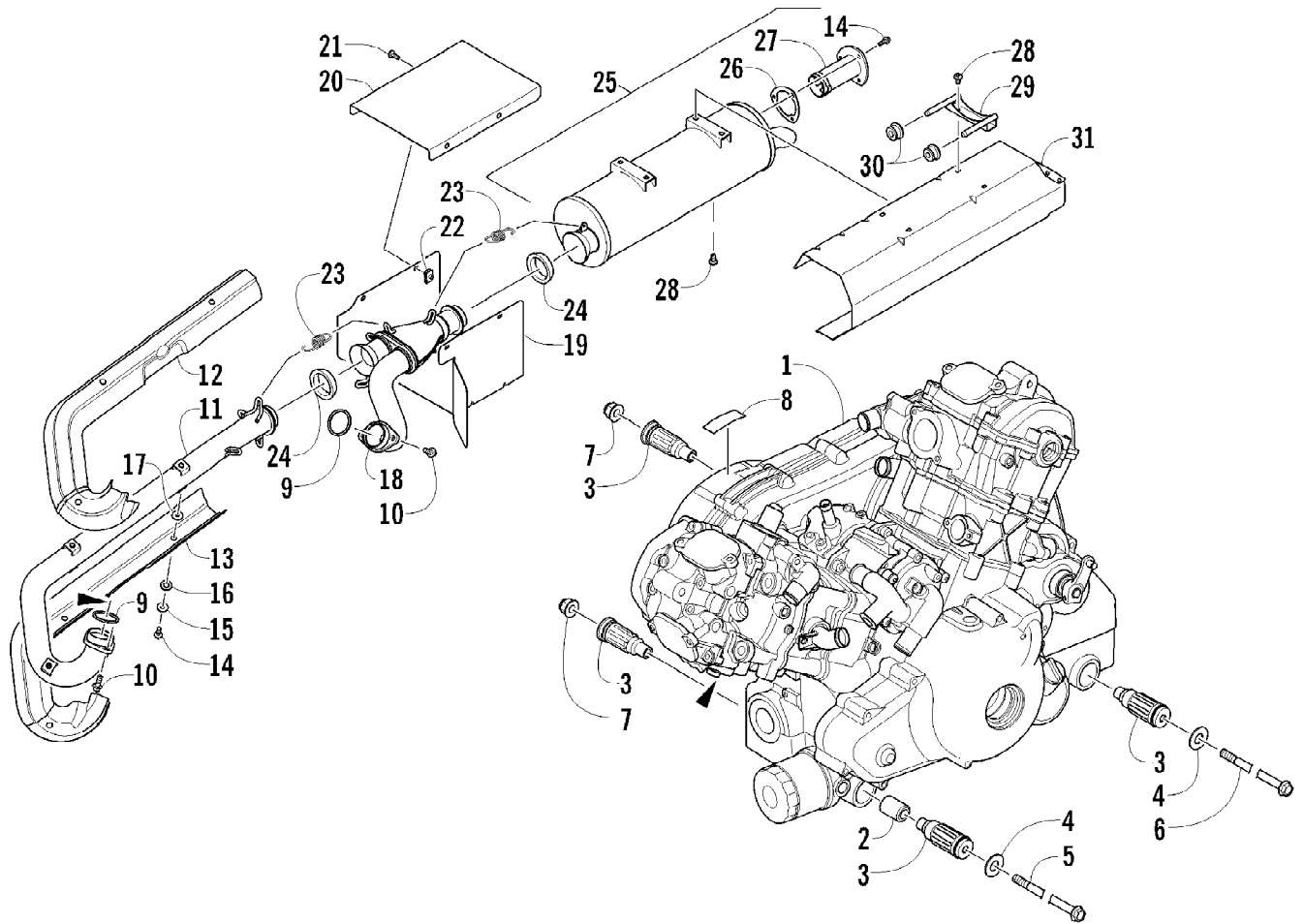
2012 PROWLER 1000 XTZ INTERNATIONAL ORANGE (U2012P4W1POSY) Page 26 of 85
DASH ASSEMBLY

Ref #	Part Number	Qty	S/P/F	Description
1	4506-357	1		Panel, Dash
2	0623-784	8		Screw, Self-Tapping
3	1623-697	1		Plug
4	0423-419	3		Screw, Machine
5	1411-904	1		Decal, Starting
6	1411-124	1		Decal, Warning - Differential Lock
7	0641-897	2	/P	Outlet, Accessory - 12V
8	0430-089	1	/P	Switch, Ignition (inc. 9-11)
9	0430-050	1		Nut, Retaining
10	0430-042	1		Key, Ignition - Series (Y Series - Left-Side Cut)
10	0430-043	1		Key, Ignition - Series (Z Series - Right-Side Cut)
11	0430-054	1		Cover, Key
12	0423-541	1		Grommet, Latch - Glove Box
13	4506-420	1	/P	Cover, Glove Box (inc. 14)
14	2411-512	1	/P	Decal, Warning - Passenger
15	0409-069	1		Panel, Switch-Mount
16	0420-111	1		Light, Indicator
17	0409-067	1		Switch, Light
18	0409-061	1		Switch, 2WD/4WD/Differential Lock
19	0423-342	6	/P	Screw, Self-Tapping
20	1406-727	1		Pod, Instrument
21	1411-125	1		Decal, Warning - Dash
22	0520-159	1		Gauge, Analog/LCD
23	0420-065	1	/P	Bracket, Retaining
24	0423-493	2		Nut w/Washer



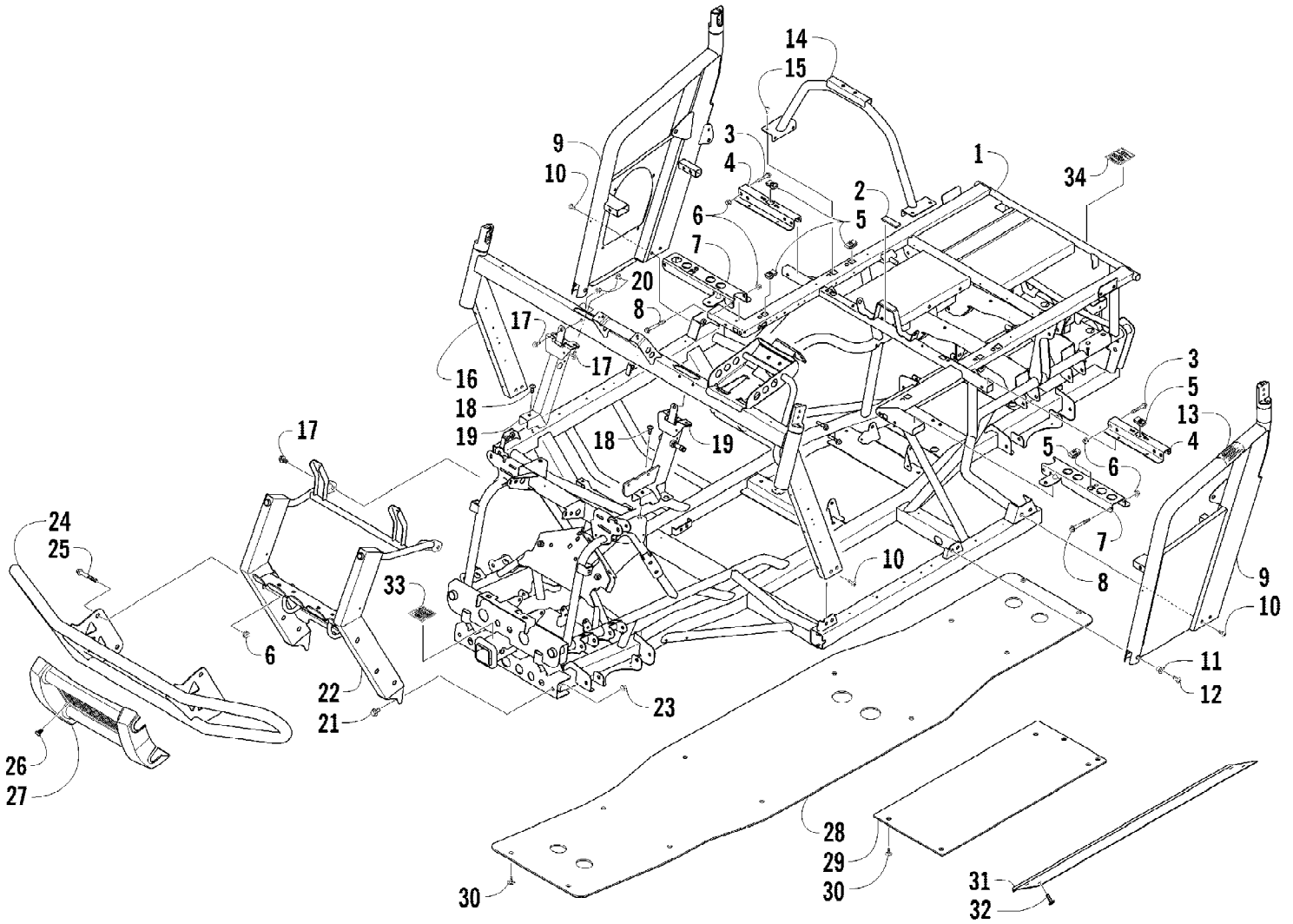
2012 PROWLER 1000 XTZ INTERNATIONAL ORANGE (U2012P4W1POSY) Page 28 of 85
DRIVE TRAIN ASSEMBLY

Ref #	Part Number	Qty	S/P/F	Description
1	1402-620	2	/P	Bladder, Gearcase
2	0423-315	4		Clamp, Hose
3	8428-002	4		Nut, Lock
4	0423-426	8		Washer
5	0423-404	4		Screw, Cap
6	1502-890	1		Gearcase, Front
7	1402-795	1		Driveshaft, Front
8	8409-025	3		Screw, Cap
9	0402-966	1		Boot, Shaft
10	1502-891	1		Gearcase, Rear
11	0410-070	AR	/P	Hose, Vent - 25 ft
12	0419-392	AR		Conduit, Flexible - 3 ft
13	0470-702	1	/P	Fitting, Vent
14	1402-203	1		O-Ring
15	1502-560	1		Driveshaft, Rear - Assembly (inc. 16-20)
16	0502-522	1		Yoke, Slip
17	0402-944	2	/P	Joint, Universal (inc. 18)
18	0423-395	8		Ring, Retaining
19	1502-561	1		Driveshaft, Rear
20	1402-689	1		Yoke, Flange
21	8408-820	4	/P	Screw, Cap
22	0123-788	AR	/P	Tie, Cable - 8 in.



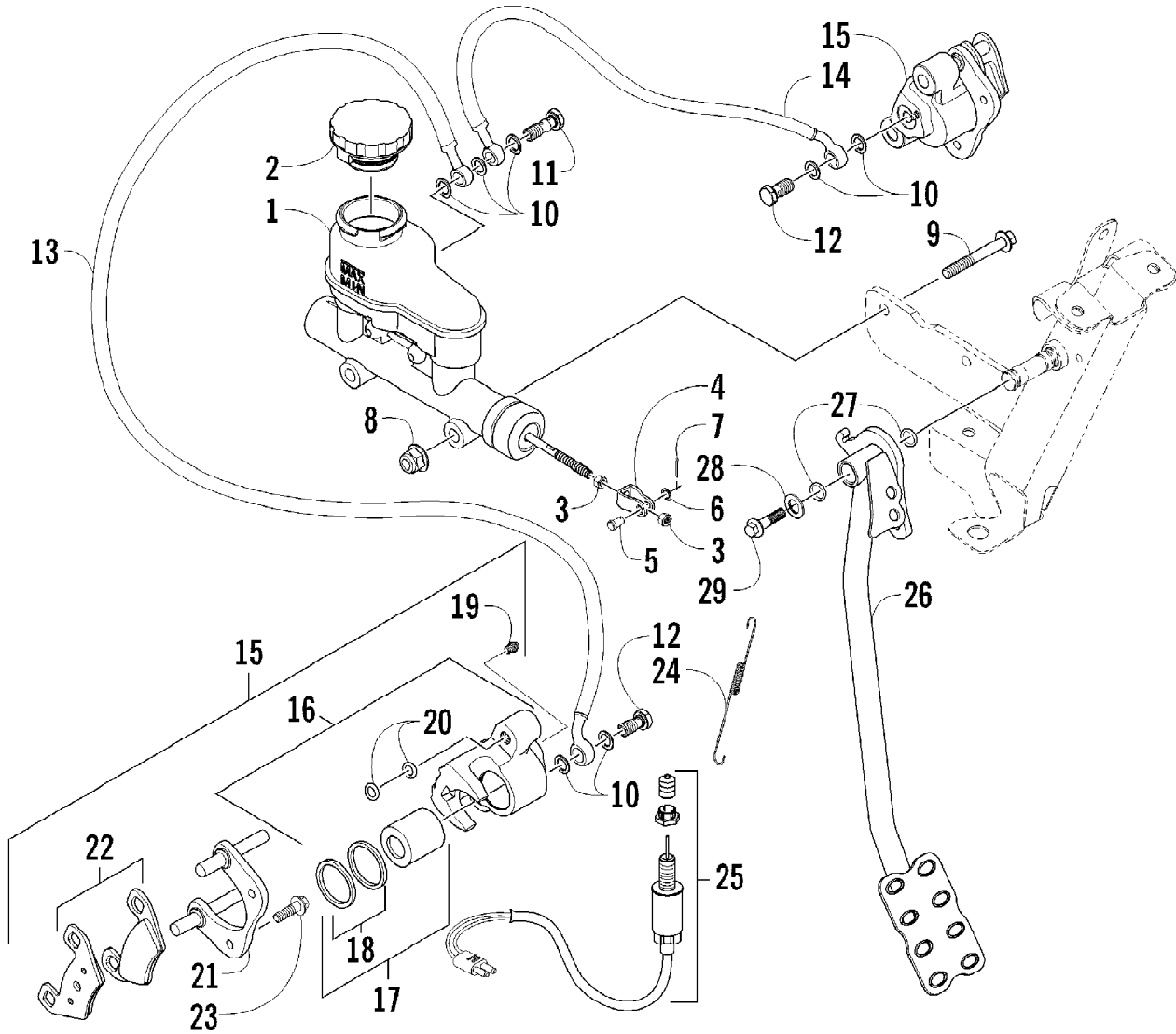
2012 PROWLER 1000 XTZ INTERNATIONAL ORANGE (U2012P4W1POSY) Page 30 of 85
ENGINE AND EXHAUST

Ref #	Part Number	Qty	S/P/F	Description
1	0800-095	1		Engine, A950GH2 (inc. 2-3)
2	0801-128	1		Spacer, Engine Mount
3	0801-091	4		Mount, Engine
4	0423-426	2		Washer
5	0423-734	1		Screw, Cap
6	0423-451	1		Screw, Cap
7	8428-002	2		Nut, Lock
8	0411-426	1		Decal, Warning - Clutch Cover
9	0412-338	2	/P	Gasket, Exhaust Pipe
10	8408-820	4	/P	Screw, Cap
11	0512-517	1	/P	Pipe, Exhaust - Front
12	0512-528	1		Shield, Exhaust Pipe - Upper
13	0512-529	1		Shield, Exhaust Pipe - Lower
14	8408-616	9		Screw, Cap
15	8050-222	6	/P	Washer
16	0423-909	6		Isolator
17	0423-908	6		Isolator
18	0512-519	1	/P	Pipe, Exhaust - Rear
19	0412-543	1		Shield, Exhaust Pipe - Rear
20	0412-561	1		Shield, Heat
21	8476-616	4		Screw, Machine
22	0423-577	4		Clip, U-Nut
23	0612-668	6	/P	Spring, Extension
24	0412-375	2	/P	Seal, Exhaust Pipe
25	0512-500	1		Muffler - Assembly (inc. 26-27 and three No. 14)
26	0412-313	1		Gasket, Spark Arrester
27	0512-219	1	/P	Arrester, Spark - Assembly
28	8476-612	6		Screw, Machine
29	0412-553	2		Bracket, Muffler Support
30	0412-544	4		Bushing
31	0412-551	1		Cover, Muffler



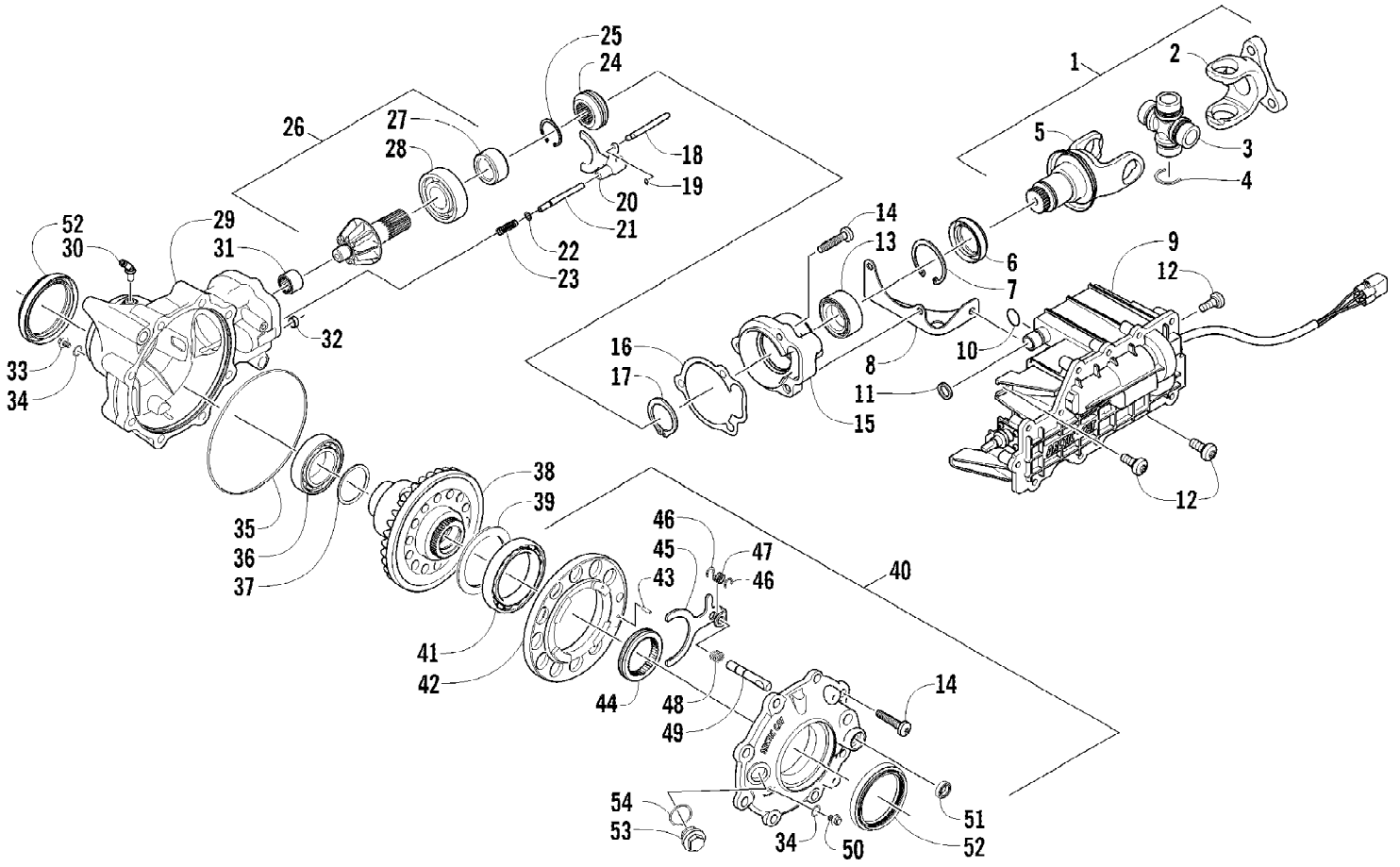
2012 PROWLER 1000 XTZ INTERNATIONAL ORANGE (U2012P4W1POSY) Page 32 of 85
FRAME AND RELATED PARTS

Ref #	Part Number	Qty	S/P/F	Description
1	4506-616	1		Frame, Main (inc. 2)
2	0406-879	1		Bumper, Seat
3	8408-850	6		Screw, Cap
4	1506-842	2		Bracket, Seat Support - Rear
5	0423-577	12		Clip, U-Nut
6	8427-802	14		Nut, Lock
7	2516-644	1		Bracket, Seat Support - Front - Right
7	2516-645	1		Bracket, Seat Support - Front - Left
8	8408-870	4		Screw, Cap
9	4506-506	1		Support, Overhead - Right
9	4506-507	1		Support, Overhead - Left
10	0423-817	8		Screw, Machine
11	1423-051	2		Spacer
12	0423-886	2		Screw, Machine
13	2411-522	1		Decal, Warning - ROPS
14	2506-638	1		Support, ROPS
15	8476-616	4		Screw, Machine
16	4506-019	1		Support, Steering
17	8408-820	8	/P	Screw, Cap
18	8476-820	2		Screw, Machine
19	0505-688	1		Bracket, Steering Support - Right
19	1502-930	1		Bracket, Steering Support - Left
20	8424-802	6		Nut
21	8409-020	2	/P	Screw, Cap
22	2516-556	1		Bracket, Mounting - Bumper
23	8427-002	2		Nut, Lock
24	2506-779	1		Bumper
25	8408-860	4		Screw, Cap
26	8477-616	4		Screw, Machine
27	2406-713	1		Fascia, Bumper - Front
28	2416-076	1		Plate, Skid - Center
29	1406-721	2		Panel, Belly - Side
30	0423-545	20	/P	Screw, Shoulder
31	2506-612	2		Plate, Skid - Side
32	0423-849	8		Screw, Self-Tapping
33	1411-122	1		Decal, Warning - Towing - Front
34	1411-123	1		Decal, Warning - Towing - Rear



2012 PROWLER 1000 XTZ INTERNATIONAL ORANGE (U2012P4W1POSY) Page 34 of 85
FRONT BRAKE ASSEMBLY

Ref #	Part Number	Qty	S/P/F	Description
1	0502-786	1		Cylinder, Master Brake - Assembly (inc. 2-4)
2	0405-225	1		Cap, Reservoir
3	0402-592	2		Nut
4	1402-520	1		Clevis
5	1402-377	1		Pin, Clevis
6	8050-217	1	/P	Washer
7	0117-868	1		Pin, Cotter
8	8424-802	2		Nut
9	8408-860	2		Screw, Cap
10	0423-178	7		Washer, Crush
11	0423-610	1		Bolt, Double Banjo-Fitting
12	0423-413	2		Bolt, Banjo-Fitting
13	1402-389	1		Hose, Brake - Left
14	1402-290	1		Hose, Brake - Right
15	1502-730	1	/P	Caliper, Brake - Front Right (inc. 16-22)
15	1502-731	1	/P	Caliper, Brake - Front Left (inc. 16-22)
16	1436-160	1	/P	Housing, Caliper - Assembly - Front Right (inc. 17-19)
16	1436-161	1	/P	Housing, Caliper - Assembly - Front Left (inc. 17-19)
17	0502-606	2		Piston/Seal Set (inc. 18)
18	0502-607	2		Seal Set
19	0502-609	2	/P	Valve, Bleed
20	0502-608	2		O-Ring, Guide - Set
21	0502-960	2		Bracket Assembly
22	1502-694	2	S	Pad, Brake - Set
23	8408-826	4		Screw, Cap
24	0502-785	1		Spring, Brake Switch
25	0409-089	1		Switch, Brake - Assembly
26	1502-692	1		Lever, Brake
27	1602-213	2	/P	O-Ring
28	0623-044	1		Washer
29	8408-822	1		Screw, Cap

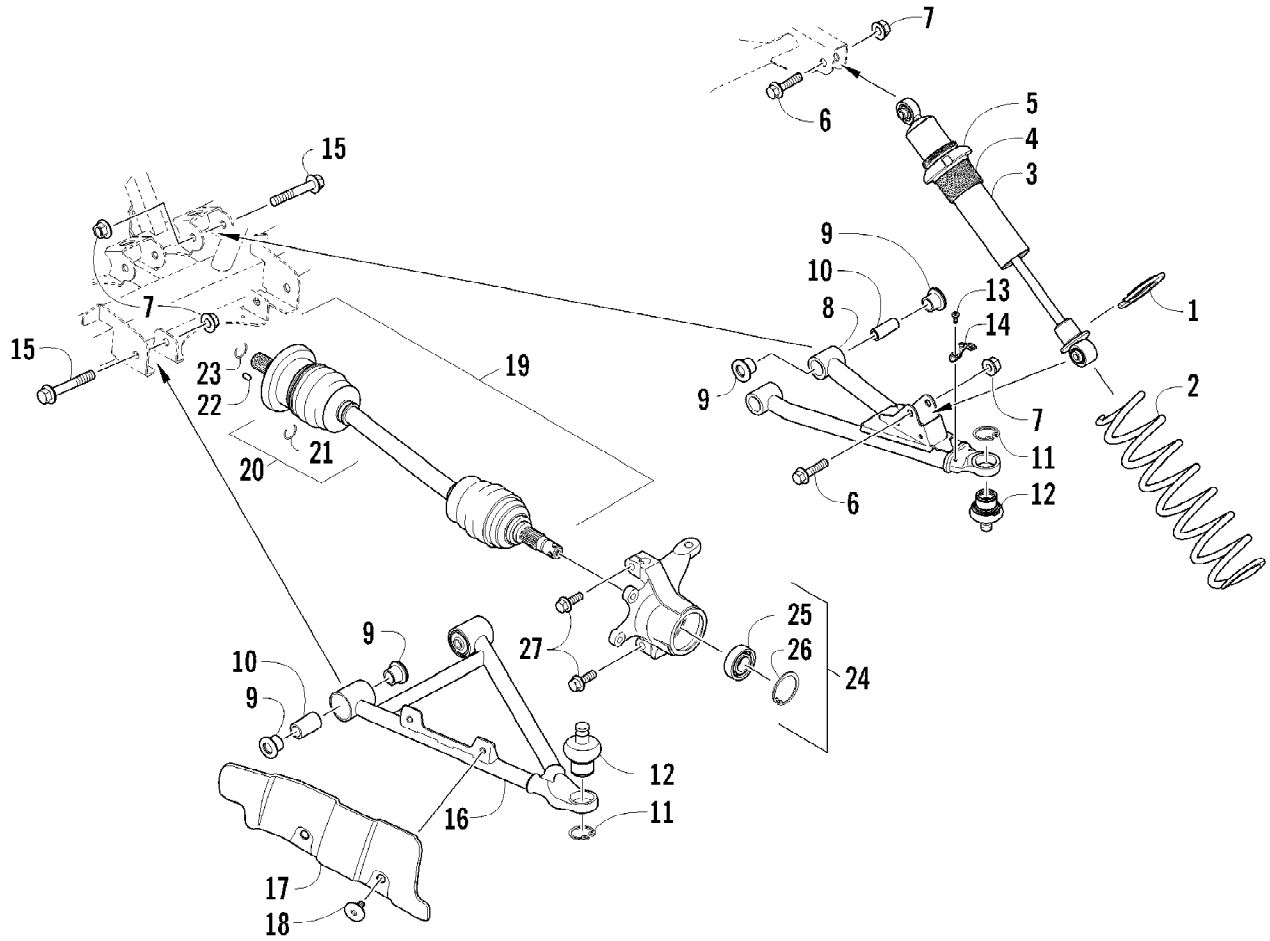


2012 PROWLER 1000 XTZ INTERNATIONAL ORANGE (U2012P4W1POSY) Page 36 of 85
FRONT DRIVE GEARCASE ASSEMBLY

Ref #	Part Number	Qty	S/P/F	Description
	1502-890	1		Complete Front Drive Gearcase Assembly
1	1502-559	1		Shaft, Coupler - Assembly (inc. 2-5)
2	0502-331	1		Coupler, Driveshaft
3	0402-944	1	/P	Joint, Universal (inc. 4)
4	0423-395	4		Ring, Retaining
5	0502-518	1		Yoke, Slip
6	1402-011	1		Seal
7	0423-423	1		Ring, Retaining
8	1502-237	1		Bracket, Actuator
9	1502-909	1	/P	Actuator (inc. 10)
10	1402-981	1		O-Ring
11	0423-892	1	/P	O-Ring
12	0423-396	3		Screw, Self-Tapping
13	1402-043	1		Bearing
14	0423-118	11		Screw, Self-Tapping
15	0502-528	1	/P	Housing, Pinion
16	0402-947	1		Gasket
17	0423-417	1		Ring, Retaining
18	0402-997	1		Shaft, Selector
19	0423-402	1		Ring, Retaining
20	0402-998	1		Fork, Selector
21	0402-417	1		Shaft, Shuttle
22	0423-147	1		O-Ring
23	0402-999	1		Spring, Return
24	0402-413	1		Coupler, Drive
25	1423-067	1		Ring, Retaining
26	1502-851	1		Gear, Pinion - Assembly - 11T (inc. 27-28)
27	1402-977	1		Collar, Retaining
28	0402-327	1		Bearing
29	1502-856	1		Housing, Gearcase
30	1402-980	1		Fitting, Elbow
31	0402-328	1		Bearing
32	0402-411	1		Pin, Dowel
33	1402-210	1	/P	Plug, Magnetic (inc. one No. 34)
34	0423-153	2		O-Ring
35	0423-149	1		O-Ring
36	0402-393	1		Bearing
37	0402-405	AR		Shim, 41 x 49 x 1.3 mm
37	0402-406	AR		Shim, 41 x 49 x 1.4 mm
37	0402-407	AR		Shim, 41 x 49 x 1.5 mm
37	0402-408	AR		Shim, 41 x 49 x 1.6 mm
37	0402-409	AR		Shim, 41 x 49 x 1.7 mm
38	1502-859	1		Gear, Ring - 34T
39	1402-074	AR		Shim, 61 x 69 x 1.3 mm
39	1402-075	AR		Shim, 61 x 69 x 1.4 mm
39	1402-076	AR		Shim, 61 x 69 x 1.5 mm
39	1402-077	AR		Shim, 61 x 69 x 1.6 mm
39	1402-078	AR		Shim, 61 x 69 x 1.7 mm
40	1502-895	1		Cover, Gearcase (inc. one No. 34, 41-51, and one No. 52)
41	1402-053	1		Bearing
42	0502-413	1		Flange, Bearing

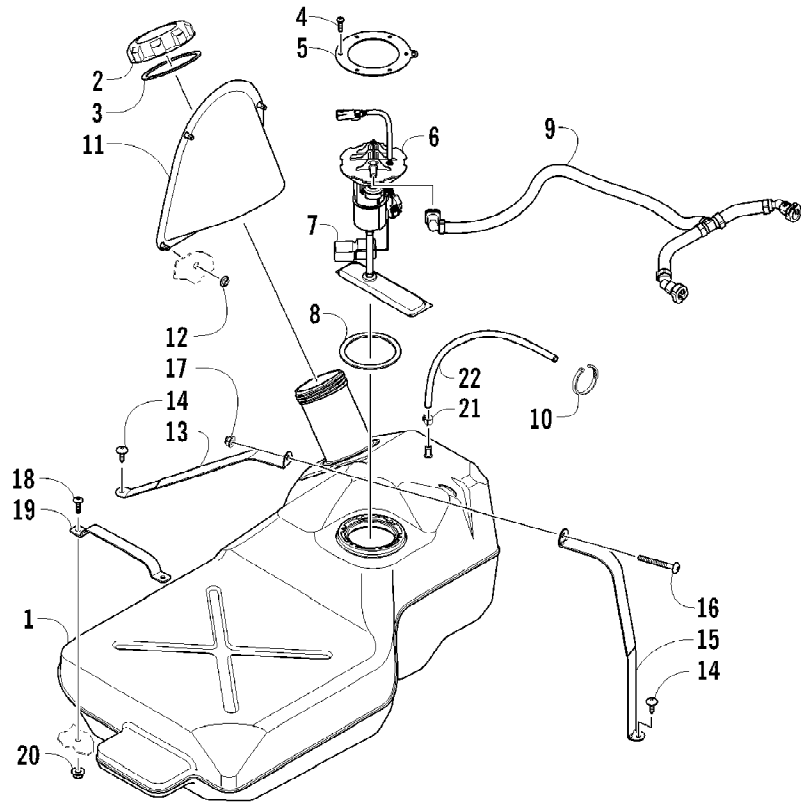
2012 PROWLER 1000 XTZ INTERNATIONAL ORANGE (U2012P4W1POSY) Page 37 of 85
FRONT DRIVE GEARCASE ASSEMBLY

Ref #	Part Number	Qty	S/P/F	Description
43	1402-079	1		Pin, Alignment
44	1402-042	1		Collar, Sliding
45	1402-054	1		Fork
46	1402-058	2		Ring, Retaining
47	1402-057	1		Spring
48	1402-063	1		Spring
49	1402-656	1		Shaft, Lock
50	1402-211	1		Plug, Oil Level (inc. one No. 34)
51	1402-056	1		Seal
52	1402-950	2	/P	Seal
53	0402-333	1	/P	Plug, Fill (inc. 54)
54	0423-154	1		O-Ring



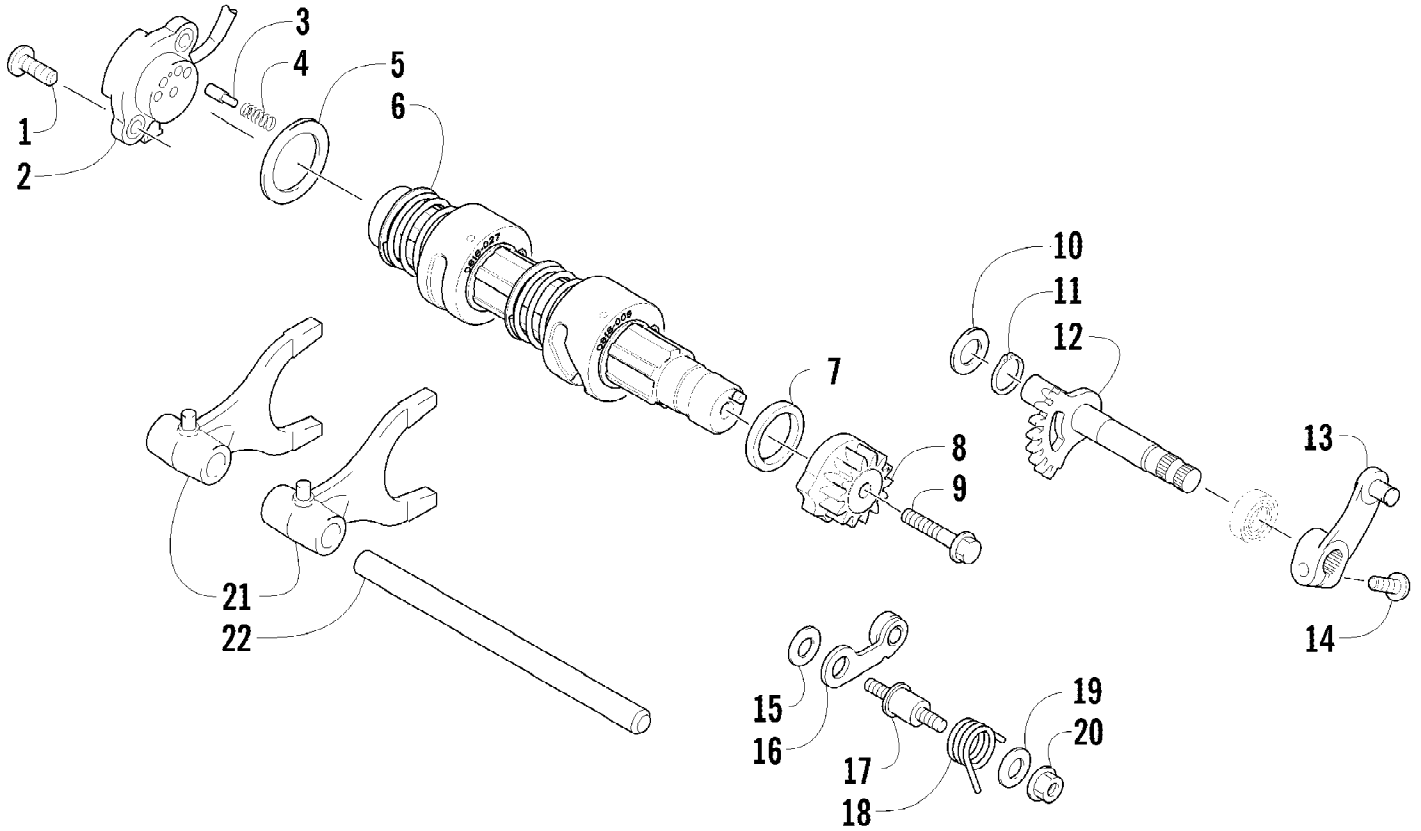
2012 PROWLER 1000 XTZ INTERNATIONAL ORANGE (U2012P4W1POSY) Page 39 of 85
FRONT SUSPENSION ASSEMBLY

Ref #	Part Number	Qty	S/P/F	Description
1	0423-920	2		Retainer, Spring
2	0503-437	2		Spring, Suspension
3	0403-215	2		Shock Absorber (inc. 4)
4	0423-917	2		Sleeve, Shock - Threaded
5	0423-919	2		Nut, Spring Retainer
6	8409-055	4		Screw, Cap
7	8428-002	12		Nut, Lock
8	0503-432	1		A-Arm, Upper Right (inc. 9-12)
8	0503-433	1		A-Arm, Upper Left (inc. 9-12)
9	0403-208	16	/P	Bushing
10	0403-214	8	/P	Axle
11	0423-009	4	/P	Ring, Retaining
12	0405-115	4	/P	Ball Joint
13	0423-946	4		Screw, Self-Tapping
14	1502-594	2		Clamp, Routing
15	8409-075	8		Screw, Cap
16	0503-376	1	/P	A-Arm, Lower Right (inc. 9-12)
16	0503-377	1	/P	A-Arm, Lower Left (inc. 9-12)
17	1406-034	1		Guard, Boot - Right
17	1406-035	1		Guard, Boot - Left
18	0423-545	4	/P	Screw, Shoulder
19	1502-803	1	S	Axle - Front - Right (inc. 20-23)
19	1502-802	1	S/P	Axle - Front - Locking - Left (inc. 20-23)
20	1436-419	2		Repair Kit, Boot (inc. 21)
21	1441-988	2		Clip, Retaining
22	1402-885	4		Pin, Detent
23	1402-889	2		Clip, Retaining
24	0505-580	1	/P	Knuckle - Assembly - Right (inc. 25-26)
24	0505-581	1	/P	Knuckle - Assembly - Left (inc. 25-26)
25	1402-809	2	/P	Bearing
26	0423-423	2		Ring, Retaining
27	0423-998	4		Screw, Shoulder



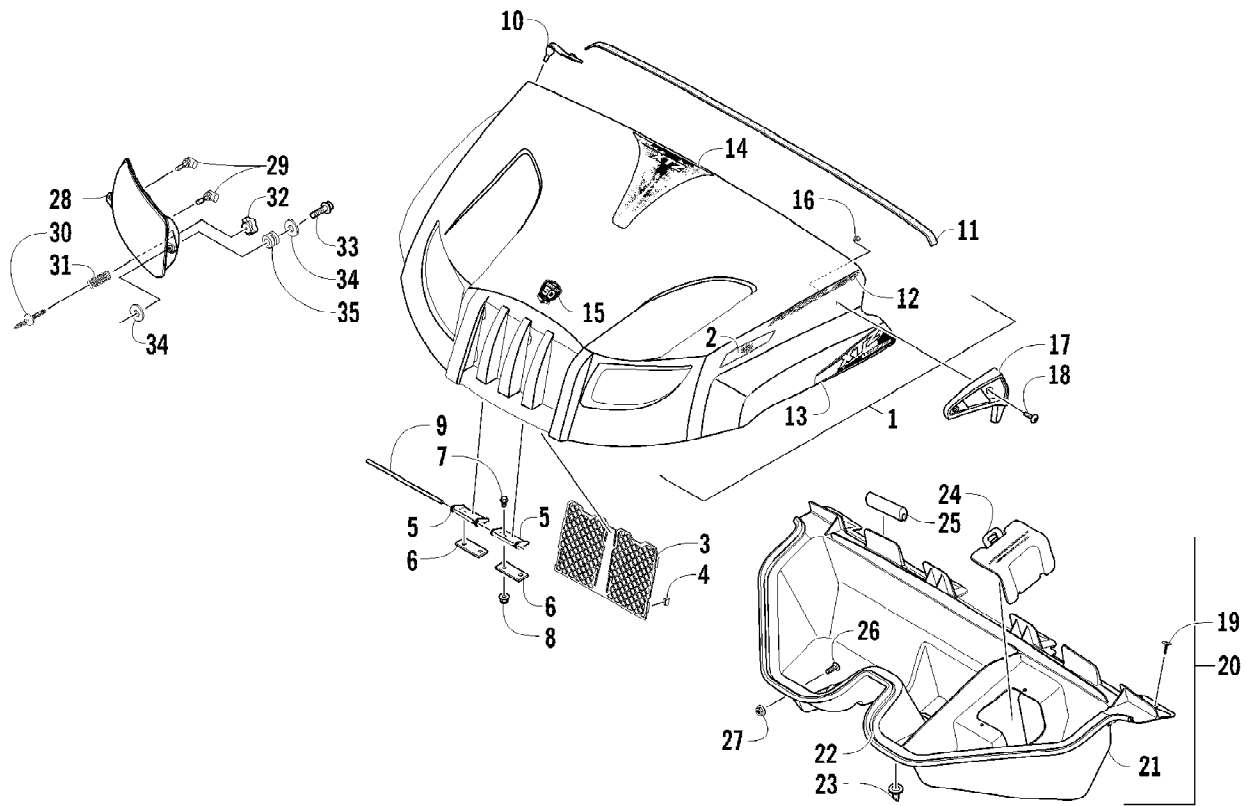
2012 PROWLER 1000 XTZ INTERNATIONAL ORANGE (U2012P4W1POSY) Page 41 of 85
GAS TANK ASSEMBLY

Ref #	Part Number	Qty	S/P/F	Description
1	0570-309	1		Tank, Gas - Assembly (inc. 2-5)
2	0470-541	1	/P	Cap, Gas Tank (inc. 3)
3	1670-228	1		Gasket, Gas Tank Cap
4	0423-898	6		Screw, Self-Tapping
5	2670-042	1		Plate, Retaining
6	0570-334	1	/P	Pump, Fuel - Assembly (inc. 7-8)
7	2670-235	1		Float
8	0470-838	1		Seal
9	0570-293	1		Hose, Gasline
10	0123-788	AR	/P	Tie, Cable - 8 in.
11	1406-886	1		Insert, Gas Tank Cap
12	0423-357	4		Nut, Stamped
13	0470-829	1		Bracket, Hold-Down - Right
14	0623-784	2		Screw, Self-Tapping
15	0470-830	1		Bracket, Hold-Down - Left
16	8476-650	1		Screw, Machine
17	8427-602	1		Nut, Lock
18	8476-620	2		Screw, Machine
19	0470-544	1		Bracket, Hold-Down - Front
20	0623-038	2		Nut w/Washer
21	0423-688	1		Clamp, Hose
22	0410-070	AR	/P	Hose, Gasline - 25 ft



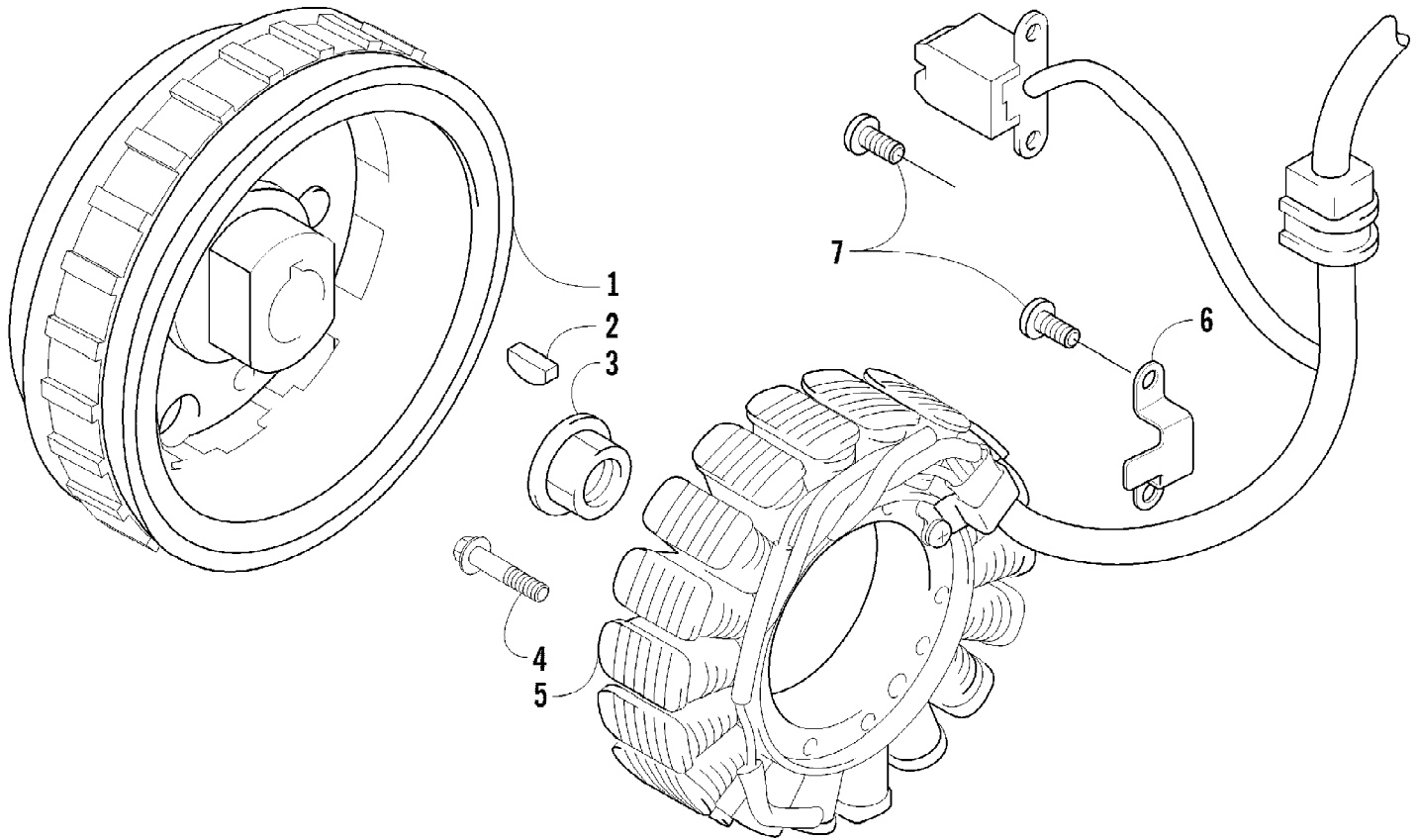
2012 PROWLER 1000 XTZ INTERNATIONAL ORANGE (U2012P4W1POSY) Page 43 of 85
GEAR SHIFTING ASSEMBLY

Ref #	Part Number	Qty	S/P/F	Description
1	8470-516	2		Screw, Machine
2	0409-091	1		Switch, Gear Position
3	0818-013	2		Contact
4	0818-017	2		Spring
5	0828-040	1		Washer
6	0818-046	1		Shaft, Gear Shift - Assembly
7	0828-131	1		Spacer
8	0818-055	1		Cam, Gear Shift
9	0826-006	1		Screw, Cap
10	0828-036	1		Washer
11	0831-010	1		Ring, Retaining
12	0818-095	1		Shaft, Sub-Gear Shift
13	0818-014	1		Arm, Shift
14	8468-620	1	/P	Screw, Machine
15	0828-038	1		Washer
16	0818-002	1		Stopper, Cam
17	0818-004	1		Support, Cam Stopper
18	0818-090	1		Spring
19	0828-035	1		Washer
20	8424-602	1	/P	Nut
21	0818-072	2	/P	Fork, Shift
22	0818-006	1		Shaft, Shift Fork



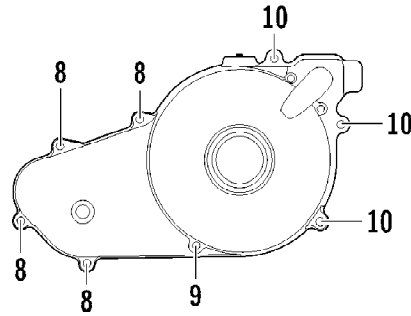
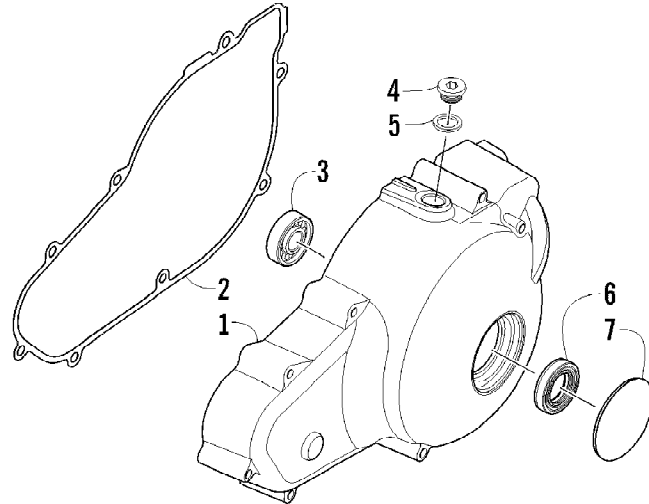
2012 PROWLER 1000 XTZ INTERNATIONAL ORANGE (U2012P4W1POSY) Page 45 of 85
HOOD AND HEADLIGHT ASSEMBLY

Ref #	Part Number	Qty	S/P/F	Description
1	4506-491	1		Hood - Assembly (inc. 2)
2	0411-818	1		Decal, Reflector - Right
2	0411-819	1		Decal, Reflector - Left
3	1406-733	1	/P	Screen, Grille
4	0123-987	8		Clip, U
5	2516-606	2		Bracket, Hood
6	2506-868	AR		Shim, Hood
7	8408-820	4	/P	Screw, Cap
8	8427-802	4		Nut, Lock
9	1406-915	1		Pin, Hood
10	2606-624	2		Strap, Hold-Down
11	0417-013	1		Trim, Hood/Dash
12	2411-755	2		Decal, Hood - "Prowler"
13	2411-802	1		Decal, Hood - "XTZ 1000" - Right
13	2411-803	1		Decal, Hood - "XTZ 1000" - Left
14	2411-809	1		Decal, Hood - Crest
15	9611-399	1		Decal, 50th Anniversary
16	0423-540	4		Nut, Lock
17	2416-512	1		Louver - Right
17	2416-513	1		Louver - Left
18	0423-356	4		Screw, Shoulder
19	0423-545	4	/P	Screw, Shoulder
20	4506-037	1	/P	Storage, Under-Hood - Assembly (inc. 21-24)
21	2416-520	1		Box, Storage
22	1406-946	1		Seal, Storage Box
23	0470-442	1	/P	Valve, Drain
24	1406-944	1		Cover, Access - Master Cylinder
25	0417-014	AR		Trim, Dash Support
26	8476-616	2		Screw, Machine
27	8424-602	2	/P	Nut
28	0509-044	1	/P	Headlight Assembly - Right (inc. 29)
28	0509-035	1		Headlight Assembly - Left (inc. 29)
29	0409-055	4		Bulb, Headlight
30	0423-514	2		Stud, Adjuster
31	0423-522	2		Spring, Adjuster
32	0423-513	2		Knob, Adjuster
33	0623-785	4		Screw, Self-Tapping
34	8050-217	8	/P	Washer
35	0423-447	4		Grommet



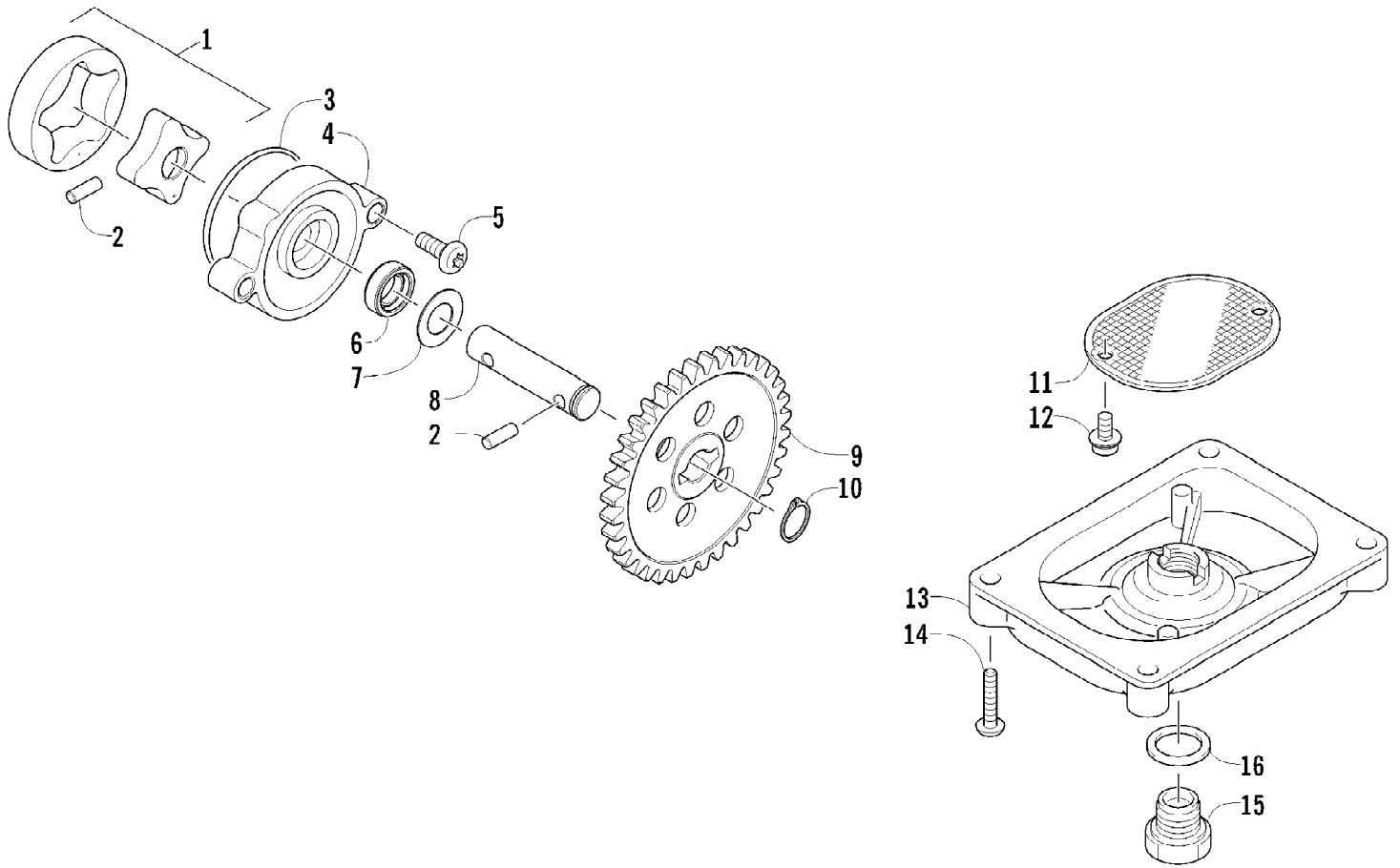
2012 PROWLER 1000 XTZ INTERNATIONAL ORANGE (U2012P4W1POSY) Page 47 of 85
MAGNETO ASSEMBLY

Ref #	Part Number	Qty	S/P/F	Description
1	0802-042	1		Rotor/Flywheel
2	0829-012	1		Key
3	0827-010	1		Nut
4	8409-632	3		Screw, Cap
5	0802-041	1		Stator - Assembly
6	0831-064	1		Clamp
7	8470-510	4		Screw, Machine



2012 PROWLER 1000 XTZ INTERNATIONAL ORANGE (U2012P4W1POSY) Page 49 of 85
MAGNETO SIDE ENGINE COVERS

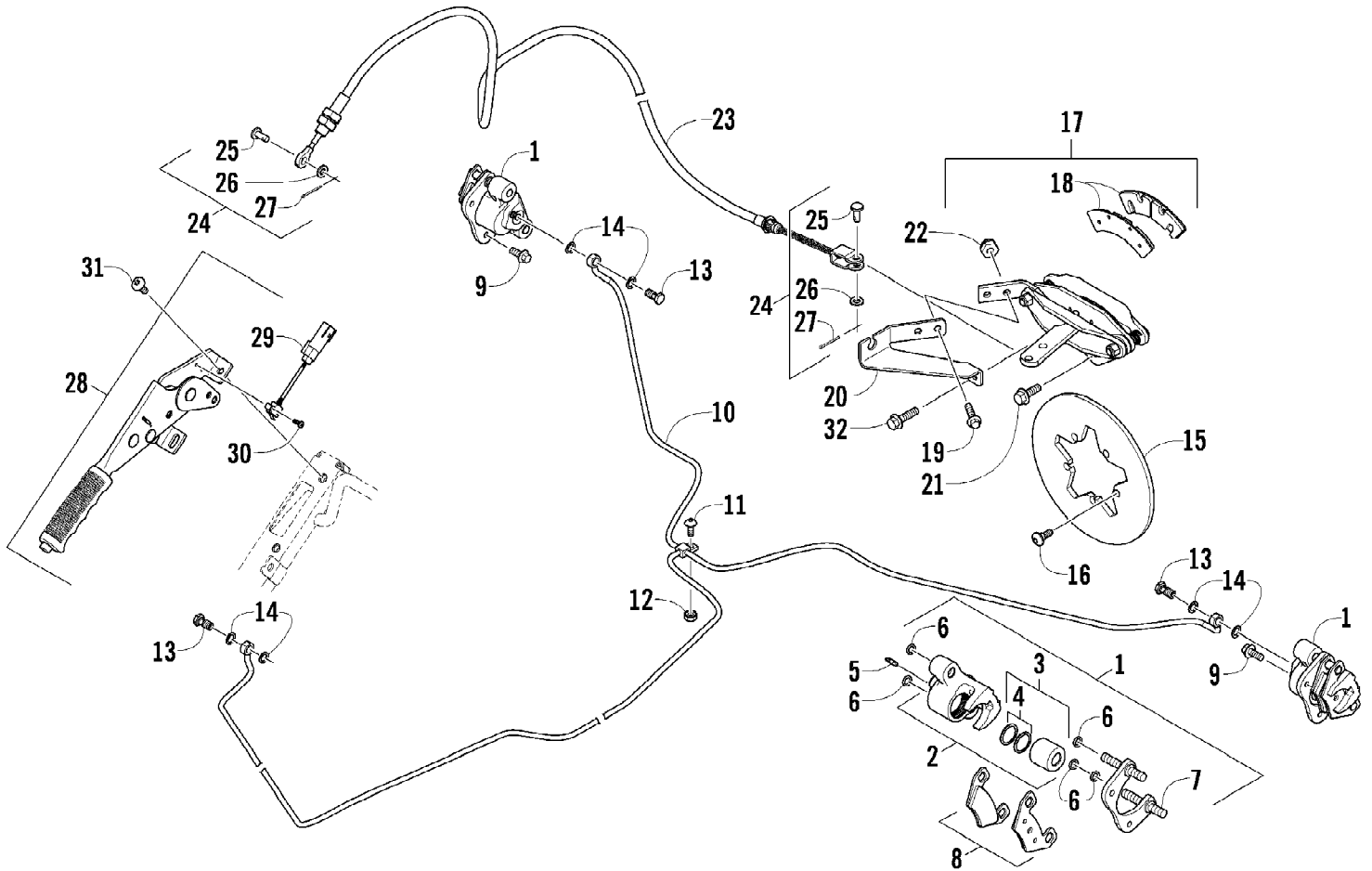
Ref #	Part Number	Qty	S/P/F	Description
1	0806-107	1		Cover, Magneto
2	0830-132	1		Gasket, Magneto Cover
3	0832-010	1		Bearing
4	0826-155	1		Plug, Check
5	0830-015	1		Washer, Crush
6	0830-176	1	/P	Seal, Cap
7	0806-066	1		Cap, Magneto Cover
8	8468-650	4		Screw, Machine
9	8468-695	1		Screw, Machine
10	8468-665	3		Screw, Machine



2012 PROWLER 1000 XTZ INTERNATIONAL ORANGE (U2012P4W1POSY) Page 51 of 85
OIL PUMP ASSEMBLY

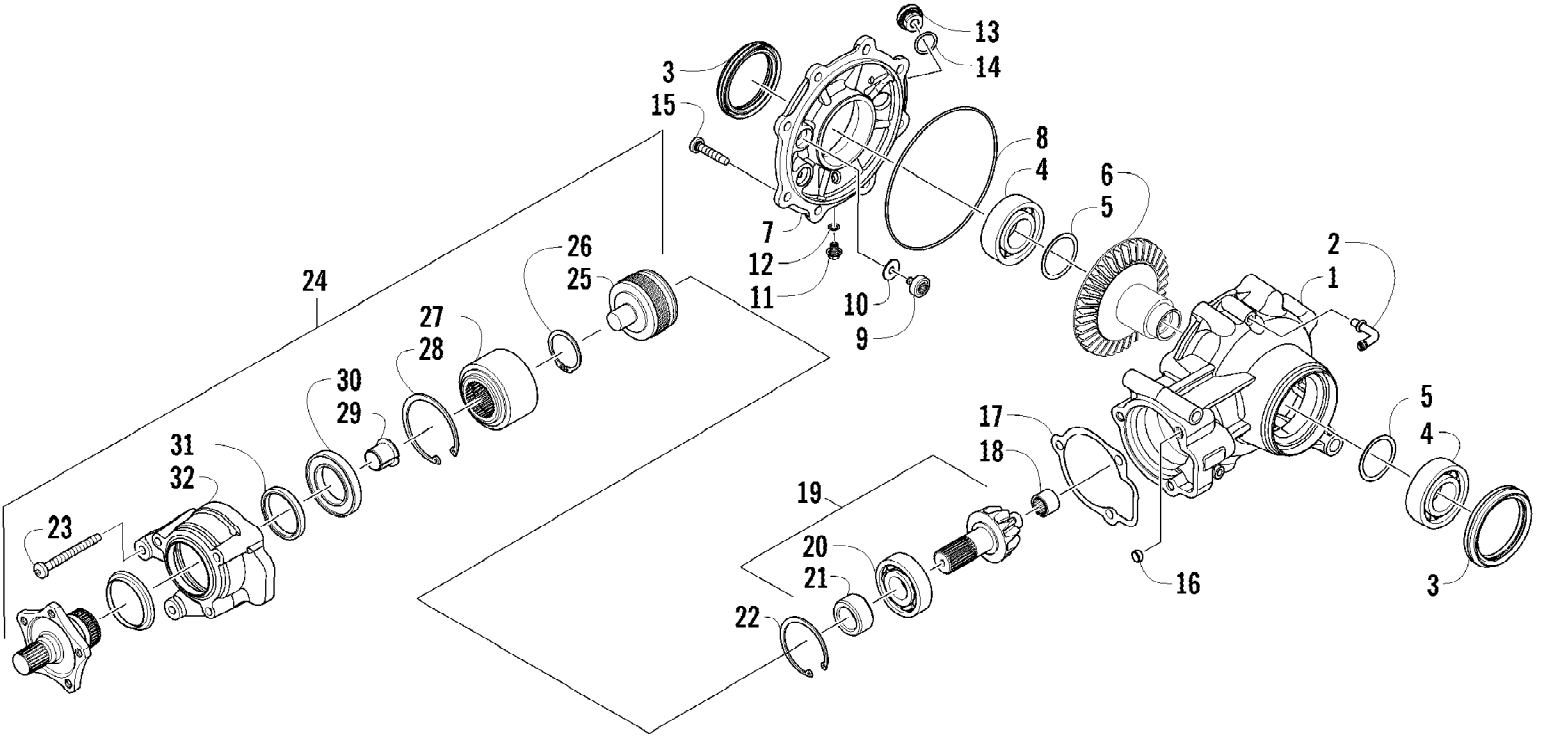
Ref #	Part Number	Qty	S/P/F	Description
1	0812-041	1		Gerotor - Set
2	0829-009	2		Pin, Dowel
3	0812-048	1		O-Ring
4	0812-040	1		Housing, Oil Pump
5	8468-625	2		Screw, Machine
6	0812-047	1		Seal, Oil Pump
7	0828-007	1	/P	Shim
8	0812-046	1		Shaft, Oil Pump
9	0812-045	1		Gear, Driven
10	0831-002	1		Ring, Retaining
11	0812-057	1	/P	Strainer, Oil
12	0826-040	2		Screw, Machine
13	0812-053	1		Cap, Oil Strainer
14	8468-625	4		Screw, Machine
15	0812-006	1		Plug, Drain
16	0830-017	1		Gasket, Drain Plug

2012 PROWLER 1000 XTZ INTERNATIONAL ORANGE (U2012P4W1POSY) Page 52 of 85
REAR AND PARKING BRAKE ASSEMBLY



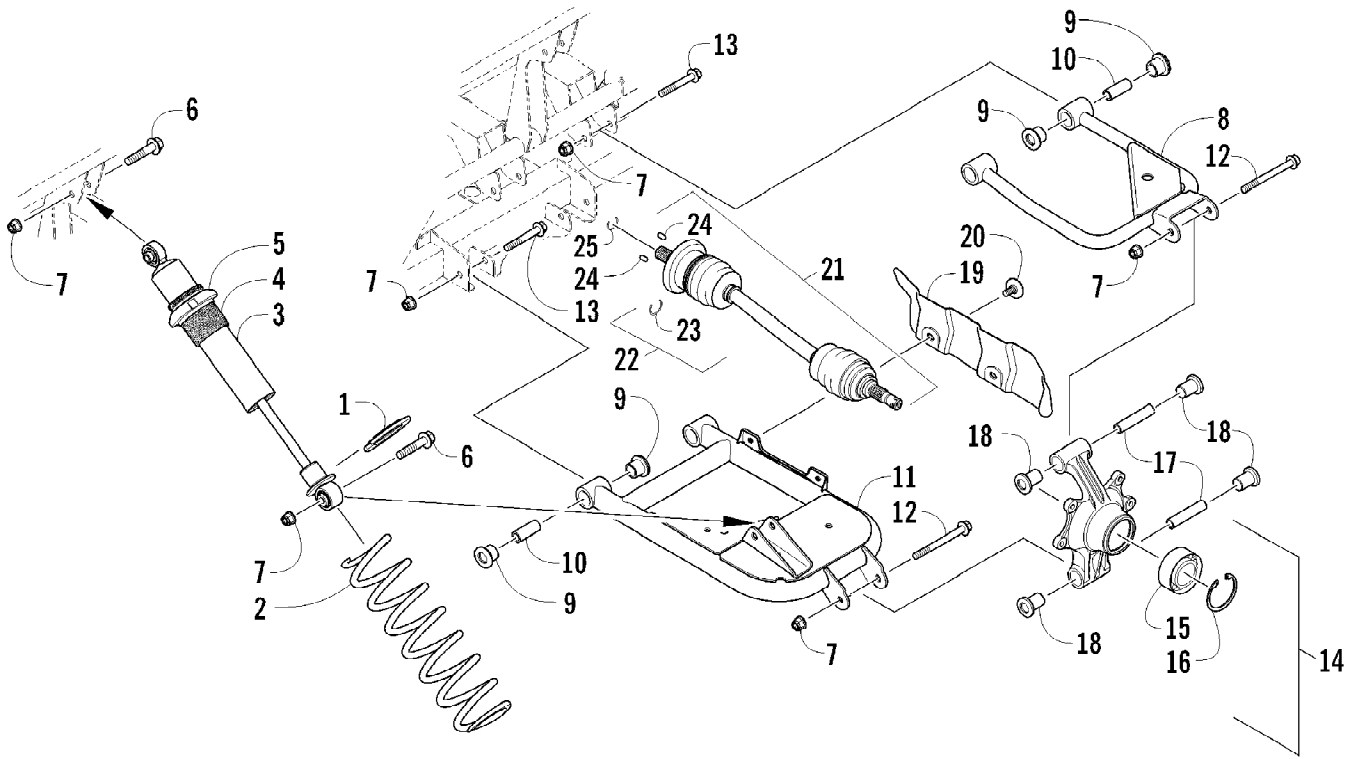
2012 PROWLER 1000 XTZ INTERNATIONAL ORANGE (U2012P4W1POSY) Page 53 of 85
REAR AND PARKING BRAKE ASSEMBLY

Ref #	Part Number	Qty	S/P/F	Description
1	1436-422	1	/P	Caliper, Brake - Right (inc. 2-8 and two No. 9)
1	1436-423	1	/P	Caliper, Brake - Left (inc. 2-8 and two No. 9)
2	1436-160	1	/P	Housing, Caliper - Assembly - Right (inc. 3-5)
2	1436-161	1	/P	Housing, Caliper - Assembly - Left (inc. 3-5)
3	0502-606	2		Piston/Seal Set (inc. 4)
4	0502-607	2		Seal Set
5	0502-609	2	/P	Valve, Bleed
6	0502-608	2		O-Ring, Guide - Set
7	0502-605	2		Bracket Assembly
8	1502-694	2	S	Pad, Brake - Set
9	8408-821	4	/P	Screw, Cap
10	1402-845	1		Hose, Brake
11	8476-616	1		Screw, Machine
12	0623-038	1		Nut w/Washer
13	0423-413	3		Bolt, Banjo-Fitting
14	0423-178	6		Washer, Crush
15	1402-914	1	/P	Disc, Brake
16	0423-557	5		Screw, Shoulder
17	1502-581	1		Caliper, Parking Brake (inc. 18)
18	1502-582	1		Pad, Brake - Set
19	8408-825	2		Screw, Cap
20	1502-579	1		Bracket, Mounting - Cable
21	8408-836	1		Screw, Cap
22	8432-802	2		Nut, Lock
23	0487-061	1		Cable, Parking Brake
24	0423-894	2		Pin, Retaining - Assembly (inc. 25-27)
25	0423-989	2		Pin
26	0423-990	2		Washer
27	0423-991	2		Pin, Cotter
28	1502-497	1		Lever, Parking Brake - Assembly (inc. 29-30)
29	0409-131	1		Switch, Limiter
30	0423-992	1		Screw, Machine
31	8468-820	2		Screw, Machine
32	8408-841	1		Screw, Cap



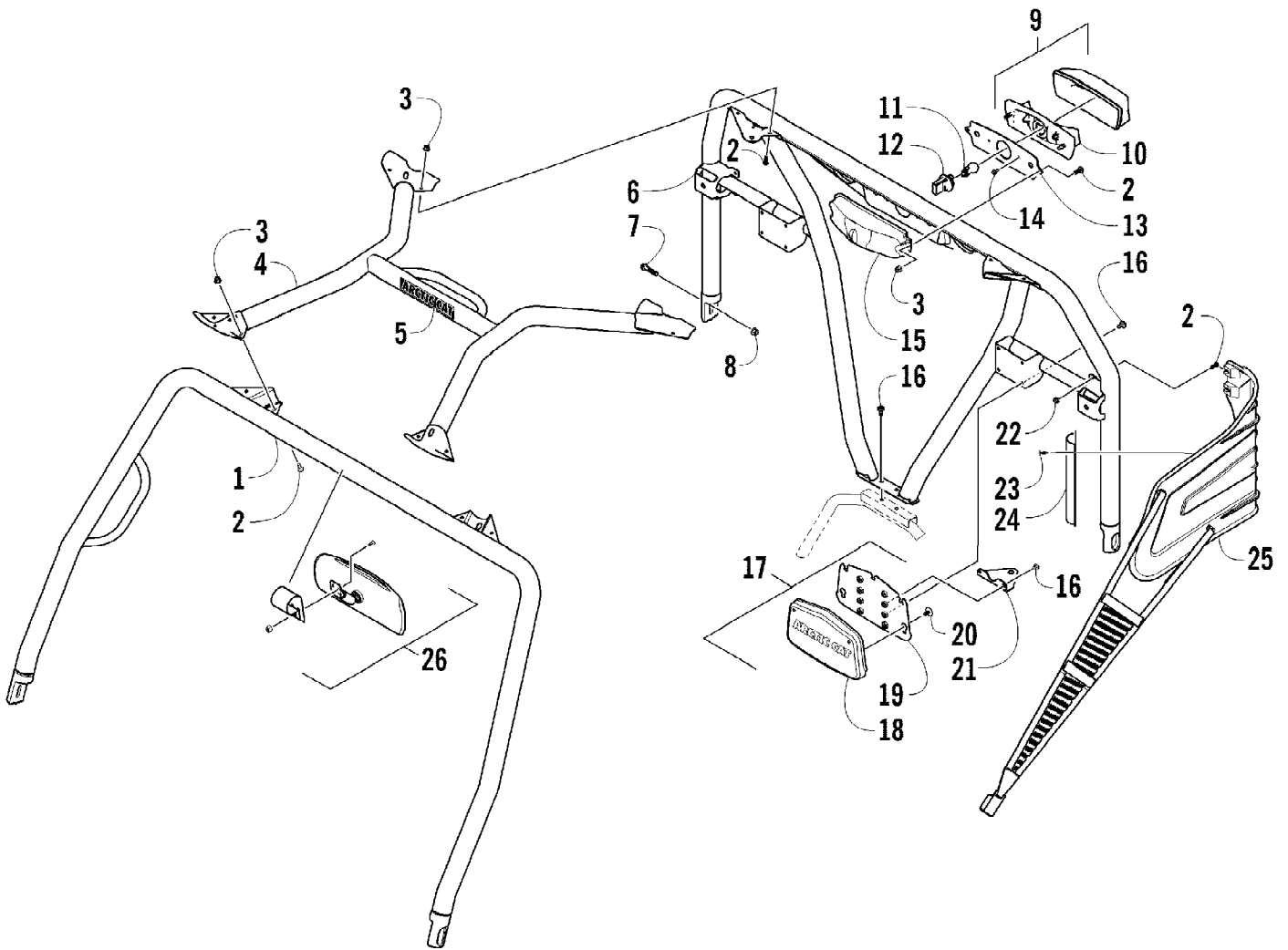
2012 PROWLER 1000 XTZ INTERNATIONAL ORANGE (U2012P4W1POSY) Page 55 of 85
REAR DRIVE GEARCASE ASSEMBLY

Ref #	Part Number	Qty	S/P/F	Description
	1502-891	1		Complete Rear Drive Gearcase Assembly
1	1502-900	1		Housing, Gearcase
2	1402-442	1		Fitting, Elbow
3	1402-950	2	/P	Seal
4	0402-393	2		Bearing
5	0402-405	AR		Shim, 41 x 49 x 1.3 mm
5	0402-406	AR		Shim, 41 x 49 x 1.4 mm
5	0402-407	AR		Shim, 41 x 49 x 1.5 mm
5	0402-408	AR		Shim, 41 x 49 x 1.6 mm
5	0402-409	AR		Shim, 41 x 49 x 1.7 mm
6	1402-033	1		Gear, Ring - 34T
7	1502-588	1		Cover, Gearcase
8	0423-149	1		O-Ring
9	0402-326	1		Button, Thrust
10	0402-429	AR		Shim, 6.3 x 18 x 1.3 mm
10	0402-430	AR		Shim, 6.3 x 18 x 1.4 mm
10	0402-431	AR		Shim, 6.3 x 18 x 1.5 mm
10	0402-432	AR		Shim, 6.3 x 18 x 1.6 mm
10	0402-433	AR		Shim, 6.3 x 18 x 1.7 mm
11	1402-210	1	/P	Plug, Magnetic (inc. 12)
12	0423-153	1		O-Ring
13	0402-333	1	/P	Plug, Fill (inc. 14)
14	0423-154	1		O-Ring
15	0423-118	8		Screw, Self-Tapping
16	0402-411	1		Pin, Dowel
17	0402-947	1		Gasket
18	0402-328	1		Bearing
19	1502-851	1		Gear, Pinion - Assembly - 11T (inc. 20-21)
20	0402-327	1		Bearing
21	1402-977	1		Collar, Retaining
22	1423-067	1		Ring, Retaining
23	0423-834	3		Screw, Self-Tapping
24	1502-563	1		Shaft, Input (inc. 25-32)
25	1502-564	1	/P	Cartridge, Clutch - Assembly
26	0423-799	1		Ring, Retaining - External
27	1402-682	1		Basket, Clutch
28	0423-798	1		Ring, Retaining - Internal
29	1402-678	1		Bearing, Flange
30	1402-677	1		Bearing
31	1402-687	1		Seal
32	1502-565	1		Housing, Input

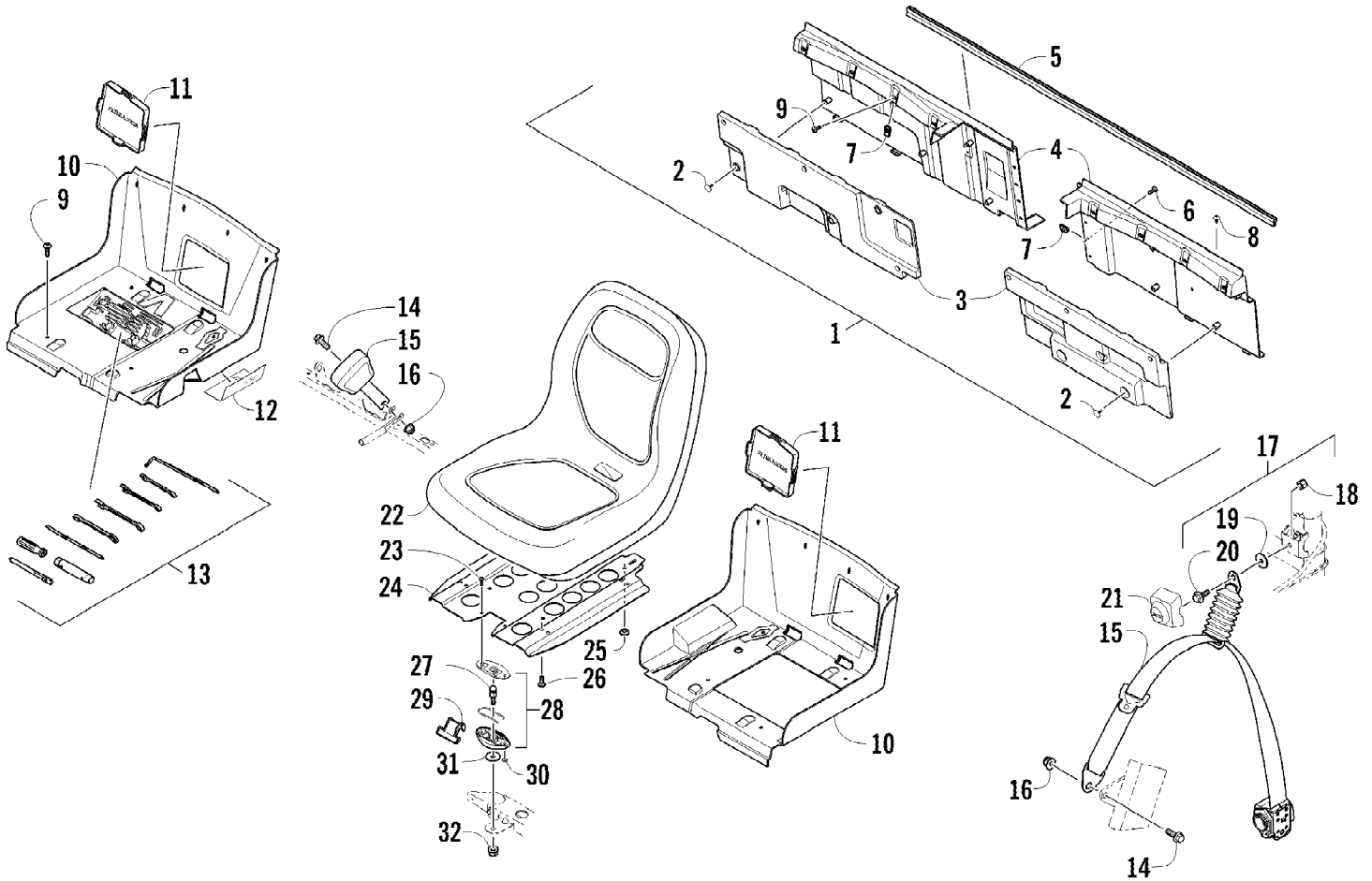


2012 PROWLER 1000 XTZ INTERNATIONAL ORANGE (U2012P4W1POSY) Page 57 of 85
REAR SUSPENSION ASSEMBLY

Ref #	Part Number	Qty	S/P/F	Description
1	0423-920	2		Retainer, Spring
2	0504-629	2		Spring, Suspension
3	0404-182	2		Shock Absorber (inc. 4)
4	0423-917	2		Sleeve, Shock - Threaded
5	0423-919	2		Nut, Spring Adjuster
6	8409-060	4		Screw, Cap
7	8428-002	16		Nut, Lock
8	0504-598	1		A-Arm, Rear - Upper Right (inc. 9-10)
8	0504-599	1		A-Arm, Rear - Upper Left (inc. 9-10)
9	0403-208	16	/P	Bushing
10	0403-214	8	/P	Axle
11	0504-592	1		A-Arm, Rear - Lower Right (inc. 9-10)
11	0504-593	1		A-Arm, Rear - Lower Left (inc. 9-10)
12	8409-000	4		Screw, Cap
13	8409-075	8		Screw, Cap
14	0504-613	2		Knuckle, Rear - Assembly (inc. 15-18)
15	1402-809	2	/P	Bearing
16	0423-423	2		Ring, Retaining
17	0403-213	4	/P	Axle
18	0403-206	8	/P	Bushing
19	1406-068	1		Guard, Boot - Right
19	1406-069	1		Guard, Boot - Left
20	0423-545	4	/P	Screw, Shoulder
21	1502-801	2	S	Axle, Drive (inc. 22-25)
22	1436-419	2		Repair Kit, Boot (inc. 23)
23	1441-988	2		Clip, Retaining
24	1402-884	4		Pin, Detent
25	1402-890	2		Clip, Retaining

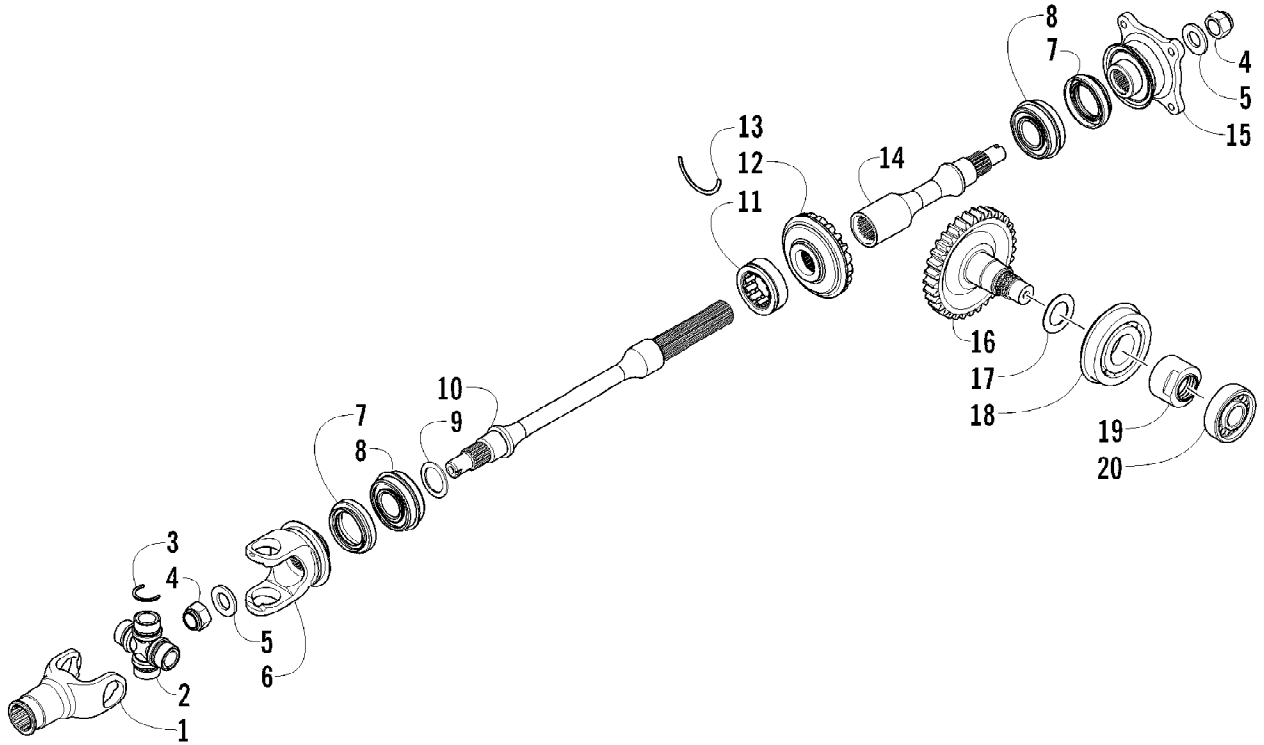


Ref #	Part Number	Qty	S/P/F	Description
1	2516-653	1		Tube, ROPS - Front
2	8468-616	14		Screw, Machine
3	8427-602	10		Nut, Lock
4	2516-658	1		Support, ROPS
5	0411-501	1		Decal, "Arctic Cat"
6	2516-656	1		Tube, ROPS - Rear
7	8410-835	8		Screw, Cap
8	8432-802	8		Nut, Lock
9	0509-022	1		Taillight Assembly (inc. 10-12)
10	0509-025	1		Housing, Taillight
11	0409-056	1		Bulb, Taillight
12	0409-057	1		Socket, Taillight
13	2406-069	1		Bracket, Taillight Mounting
14	0623-301	2	/P	Screw, Self-Tapping
15	2516-893	1		Cover, Taillight
16	0423-361	10		Screw, Machine
17	1506-795	2		Pad, Headrest - Assembly (inc. 18-20)
18	1406-884	2		Pad, Headrest
19	1506-722	2		Mount, Headrest
20	0623-544	10		Clip, Retaining
21	4506-296	1		Bracket, Mounting - Flag
22	8424-602	4	/P	Nut
23	0623-784	8		Screw, Self-Tapping
24	4506-149	2		Bracket, Mounting - Side Restraint
25	0517-146	1		Restraint, Side - Right
25	0517-147	1		Restraint, Side - Left
26	1436-414	1		Kit, Mirror



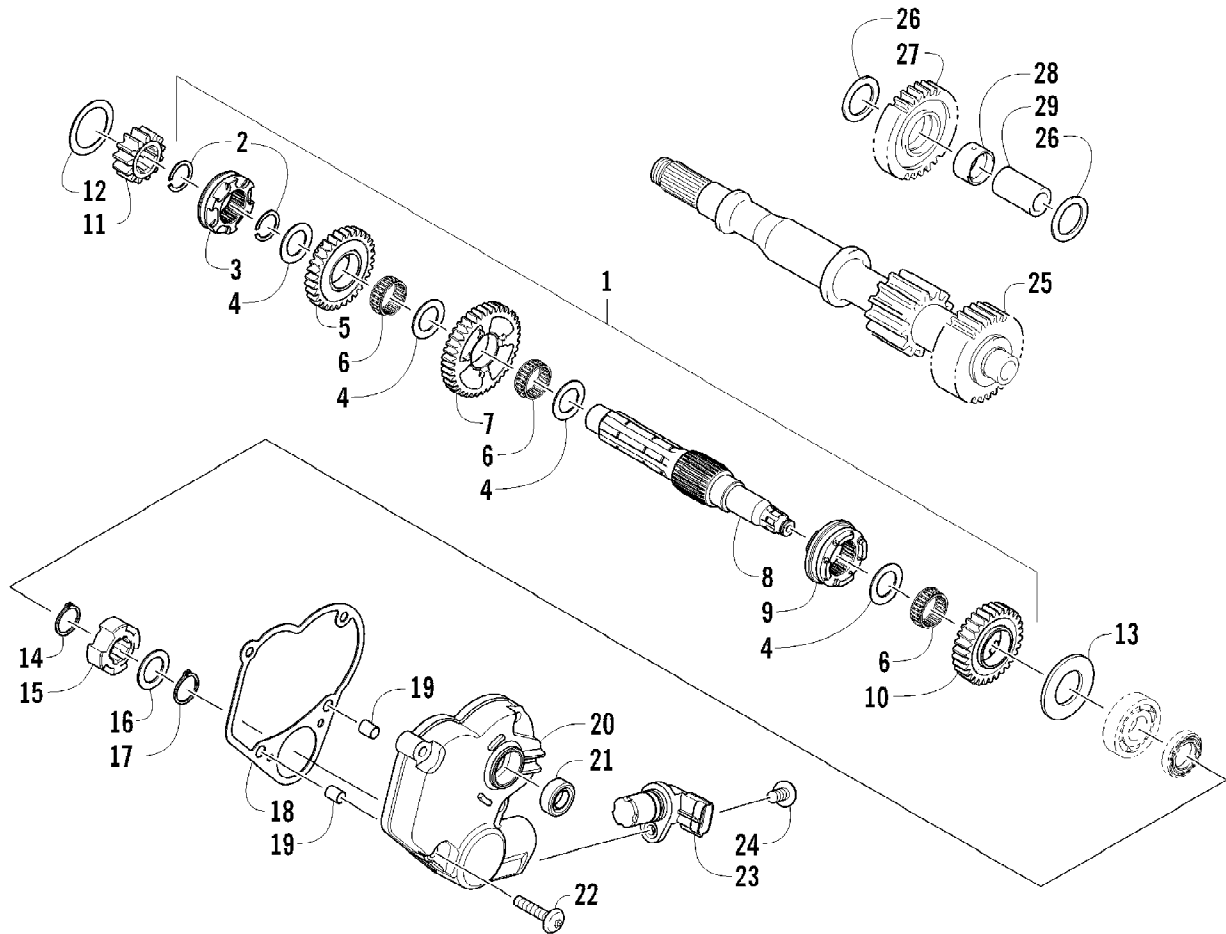
2012 PROWLER 1000 XTZ INTERNATIONAL ORANGE (U2012P4W1POSY) Page 61 of 85
SEAT ASSEMBLY

Ref #	Part Number	Qty	S/P/F	Description
1	2516-094	1		Panel, Seat - Assembly (inc. 2-6 and five No. 7)
2	0623-544	11		Clip, Retaining
3	2516-146	1		Panel, Seat - Front Right
3	2516-147	1		Panel, Seat - Front Left
4	2406-912	1		Panel, Seat - Rear Right
4	2406-913	1		Panel, Seat - Rear Left
5	2406-915	1		Seal, Seat Panel
6	8476-620	5		Screw, Machine
7	0423-577	13		Clip, U-Nut
8	0623-784	3		Screw, Self-Tapping
9	8477-620	16		Screw, Machine
10	2406-910	1		Base, Seat - Right
10	2406-911	1		Base, Seat - Left
11	2416-091	2		Cover, Access - Air Filter
12	0412-560	AR		Foil, Protective
13	0444-122	1	S/P	Tool Kit - Assembly
14	8408-020	6		Screw, Cap
15	2516-325	2		Belt, Seat
16	8427-002	6		Nut, Lock
17	0423-915	2		Screw, Shoulder - Assembly (inc. 18-20)
18	0	2	F	Nut, Lock
19	0	2	F	Washer
20	0	2	F	Screw, Shoulder
21	2416-638	2		Cover, Seat Belt
22	1506-925	2		Seat, Low-Back
23	8468-620	4	/P	Screw, Machine
24	2506-780	2	/P	Plate, Base - Seat
25	0406-877	8	/P	Bumper, Seat
26	8468-820	8		Screw, Machine
27	0423-559	2		Stud, Latch - Seat
28	2706-164	2	/P	Latch - Assembly (inc. 298)
29	2606-854	2	S	Lever, Release - Seat Latch
30	0623-038	4		Nut w/Washer
31	0423-073	2		Washer
32	8424-002	2		Nut



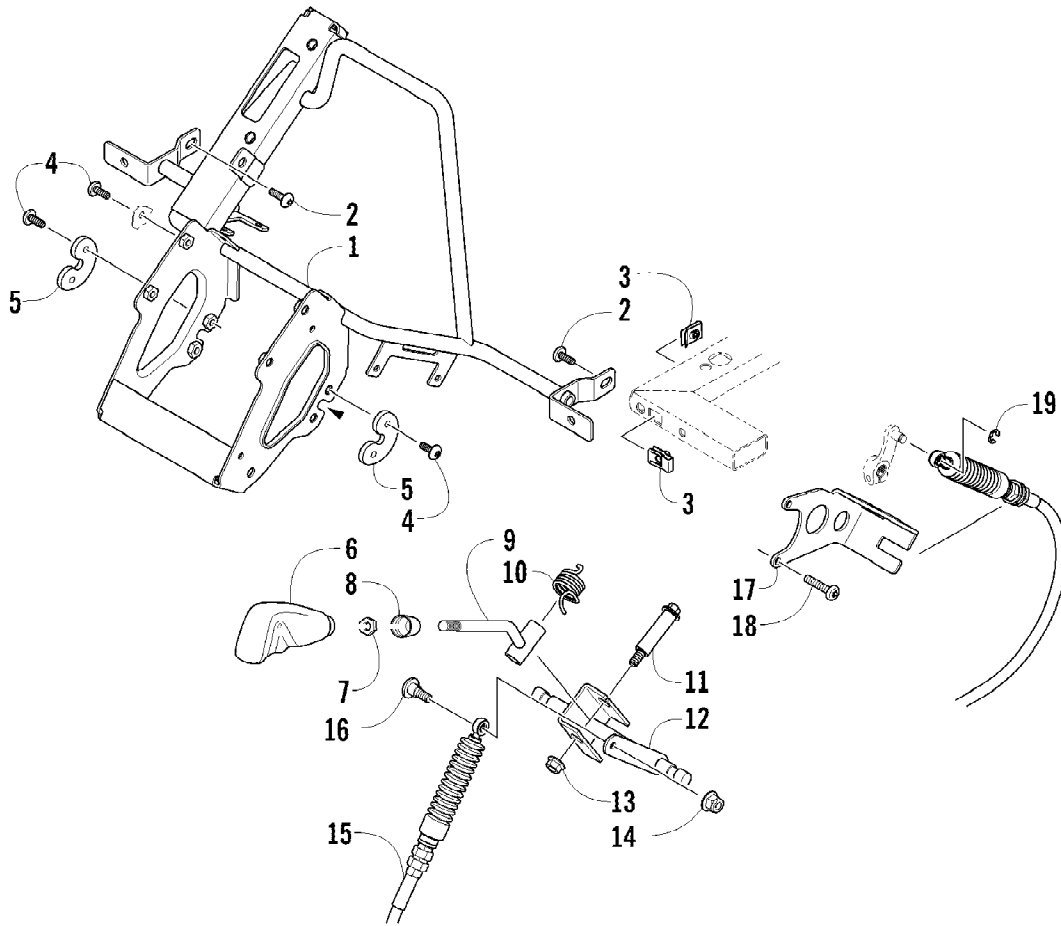
2012 PROWLER 1000 XTZ INTERNATIONAL ORANGE (U2012P4W1POSY) Page 63 of 85
SECONDARY DRIVE ASSEMBLY

Ref #	Part Number	Qty	S/P/F	Description
1	0502-829	1		Yoke, Drive Output
2	0402-944	1	/P	Joint, Universal - Set (inc. 3)
3	0423-395	4		Ring, Retaining
4	0827-013	2		Nut
5	0828-020	2		Washer
6	0502-828	1		Yoke, Propeller Shaft Joint
7	0830-043	2		Seal, Oil
8	0832-017	2		Bearing
9	0828-021	AR		Shim, 25 x 34 x 0.25 mm
9	0828-022	AR		Shim, 25 x 34 x 0.30 mm
9	0828-023	AR		Shim, 25 x 34 x 0.70 mm
9	0828-024	AR		Shim, 25 x 34 x 0.90 mm
9	0828-025	AR		Shim, 25 x 34 x 0.95 mm
9	0828-026	AR		Shim, 25 x 34 x 1.00 mm
9	0828-027	AR		Shim, 25 x 34 x 1.05 mm
9	0828-028	AR		Shim, 25 x 34 x 1.10 mm
9	0828-029	AR		Shim, 25 x 34 x 1.15 mm
10	0819-089	1	/P	Shaft, Secondary Driven - Front
11	0832-016	1		Bearing, Driven Gear
12	0822-106	1		Gear, Secondary Driven
13	0819-011	1		Ring, Driven Bearing
14	0819-053	1		Shaft, Secondary Driven - Rear
15	0819-005	1		Flange, Output Joint
16	0822-132	1		Gear, Secondary Drive
17	0828-119	AR		Shim, 30 x 48 x 0.25 mm
17	0828-120	AR		Shim, 30 x 48 x 0.30 mm
17	0828-121	AR		Shim, 30 x 48 x 0.35 mm
17	0828-122	AR		Shim, 30 x 48 x 0.90 mm
17	0828-123	AR		Shim, 30 x 48 x 0.95 mm
17	0828-124	AR		Shim, 30 x 48 x 1.00 mm
17	0828-125	AR		Shim, 30 x 48 x 1.05 mm
17	0828-126	AR		Shim, 30 x 48 x 1.10 mm
17	0828-127	AR		Shim, 30 x 48 x 1.15 mm
18	0832-083	1	/P	Bearing
19	0827-060	1		Nut
20	0832-050	1	/P	Bearing



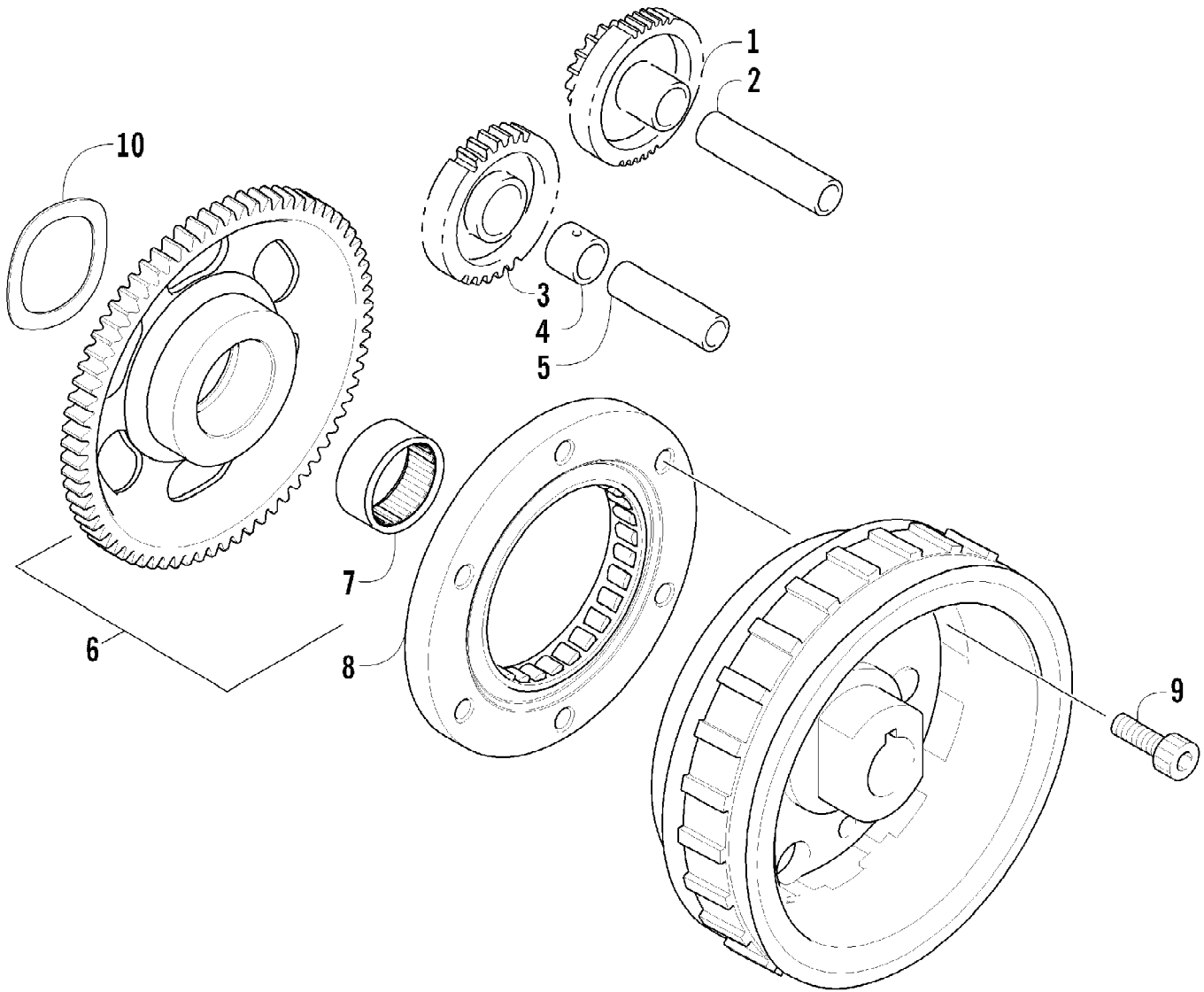
2012 PROWLER 1000 XTZ INTERNATIONAL ORANGE (U2012P4W1POSY) Page 65 of 85
SECONDARY TRANSMISSION ASSEMBLY

Ref #	Part Number	Qty	S/P/F	Description
1	0822-124	1		Countershaft Assembly (inc. 2-10)
2	0831-085	2		Ring, Retaining
3	0822-120	1		Gear Select, Reverse
4	0822-121	4		Shim
5	0822-119	1		Gear, Reverse Driven
6	0832-082	3		Bearing
7	0822-114	1		Gear, Driven - Low
8	0822-113	1		Countershaft
9	0822-116	1		Gear Select, Sliding
10	0822-115	1		Gear, Driven - High
11	0822-125	1		Gear, Drive
12	0828-019	1		Washer, Thrust
13	0828-011	1		Washer
14	0831-040	1		Ring, Retaining
15	0822-050	1		Trigger, Speedometer Sensor
16	0828-069	1		Washer, Thrust
17	0831-039	1		Ring, Retaining
18	0830-194	1		Gasket
19	0829-048	2	/P	Pin, Dowel
20	0806-105	1		Housing, Speedometer Sensor
21	0830-044	1		Seal
22	8468-630	4		Screw, Machine
23	0824-042	1	/P	Sensor, Speedometer
24	8468-620	1	/P	Screw, Machine
25	0822-001	1		Driveshaft
26	0828-016	2		Washer, Thrust
27	0822-011	1		Gear, Reverse Idle
28	0822-012	1		Bushing
29	0822-015	1		Shaft, Reverse Idle



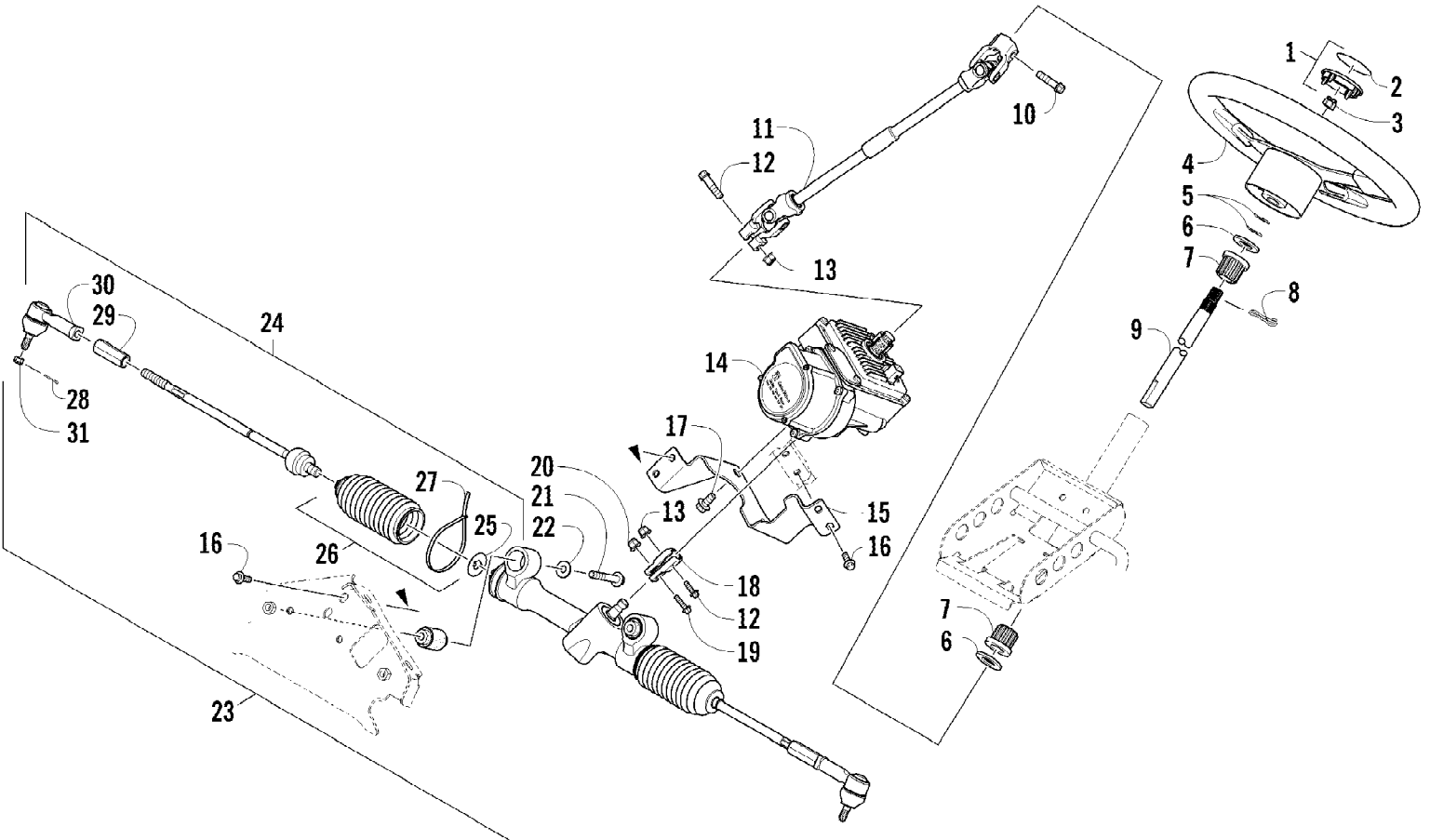
2012 PROWLER 1000 XTZ INTERNATIONAL ORANGE (U2012P4W1POSY) Page 67 of 85
SHIFTER ASSEMBLY

Ref #	Part Number	Qty	S/P/F	Description
1	1502-516	1		Mount, Shift
2	8476-620	4		Screw, Machine
3	0423-577	4		Clip, U-Nut
4	8477-616	8		Screw, Machine
5	1402-275	2		Retainer, Shift Linkage
6	1402-844	1		Knob, Shift
7	0423-885	1		Nut
8	1402-854	1		End Cap, Shift Knob
9	1502-510	1		Lever, Shift
10	1402-880	1		Spring
11	0423-505	1		Screw, Shoulder
12	1502-666	1		Axle, Shift
13	8424-802	1		Nut
14	8427-602	1		Nut, Lock
15	0487-063	1		Cable, Shift
16	0423-356	1		Screw, Shoulder
17	2516-609	1		Bracket, Shift Cable
18	8468-635	2		Screw, Machine
19	0124-057	1	/P	E-Ring



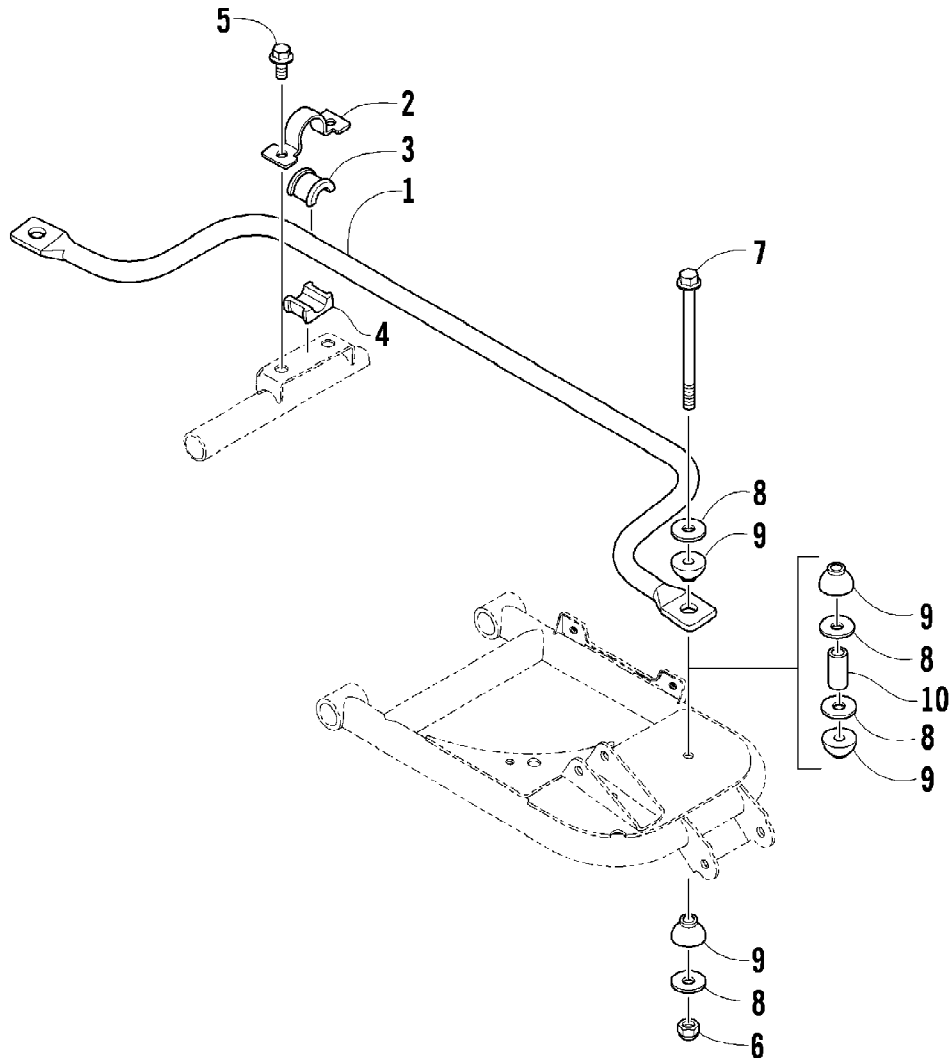
2012 PROWLER 1000 XTZ INTERNATIONAL ORANGE (U2012P4W1POSY) Page 69 of 85
STARTER CLUTCH ASSEMBLY

Ref #	Part Number	Qty	S/P/F	Description
1	0815-026	1		Gear, Starter Idler - No. 1
2	0829-031	1	/P	Shaft, Starter Gear
3	0815-002	1		Gear, Starter Idler - No. 2
4	0815-003	1		Spacer, Starter Idler Gear No. 2
5	0829-032	1	/P	Shaft, Starter Gear
6	0815-004	1		Gear, Starter Clutch (inc. 7)
7	0832-079	1	/P	Bearing
8	0802-035	1		Clutch, Starter
9	0826-069	6		Screw, Cap
10	0828-113	1		Washer, Wave



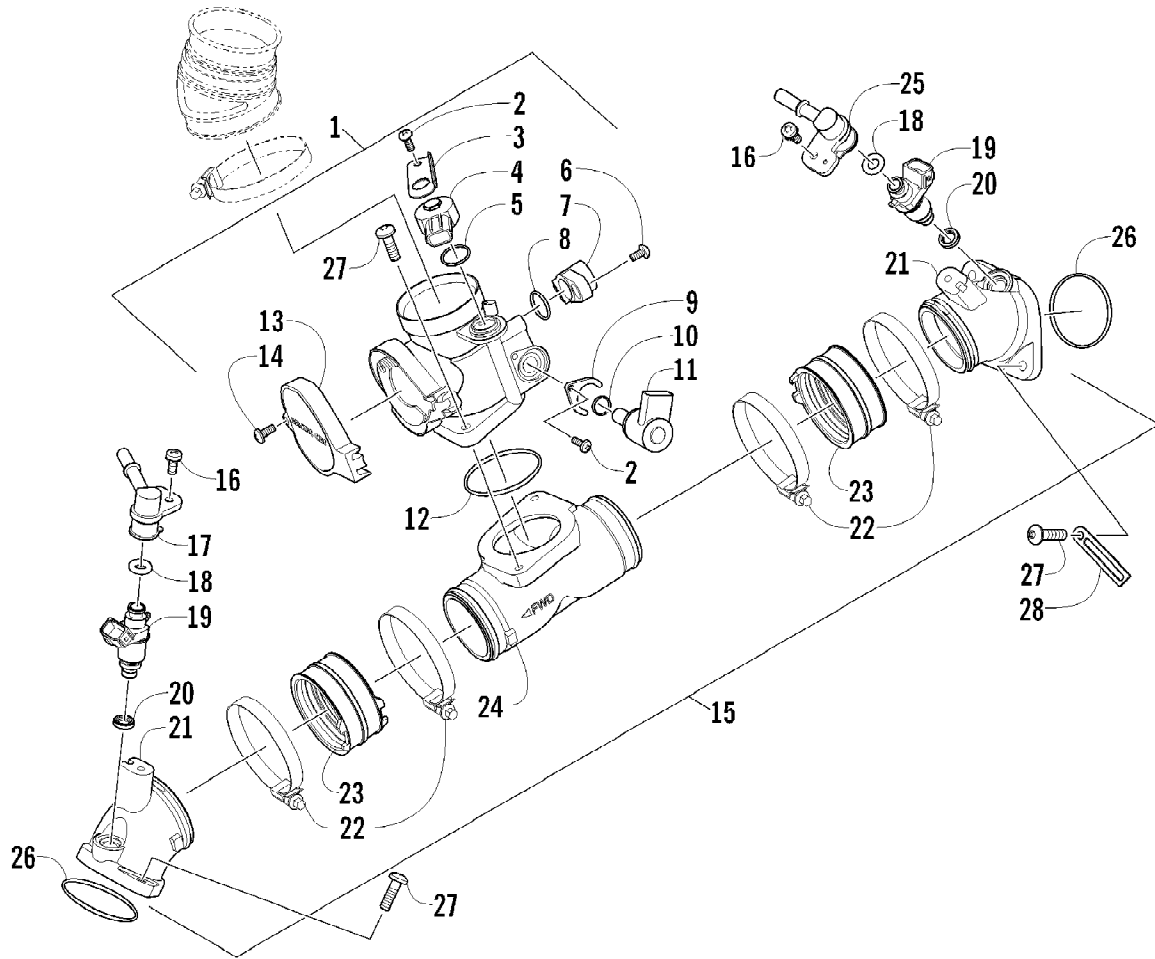
2012 PROWLER 1000 XTZ INTERNATIONAL ORANGE (U2012P4W1POSY) Page 71 of 85
STEERING ASSEMBLY

Ref #	Part Number	Qty	S/P/F	Description
1	0505-690	1		Cap, Steering Wheel (inc. 2)
2	1411-798	1		Decal, Steering Wheel
3	0423-884	1		Nut
4	0405-398	1		Wheel, Steering - Assembly
5	0828-071	2		Washer
6	0423-558	2		Washer
7	0405-155	2		Bushing
8	1423-045	1		Clip, Retaining
9	0405-321	1	/P	Shaft, Upper Steering
10	1423-047	1		Screw, Cap
11	0405-435	1		Shaft, Steering - Assembly
12	1423-076	2		Screw, Cap
13	8427-602	2		Nut, Lock
14	0505-769	1		Assembly, Electronic Power Steering
15	4506-152	1		Bracket, Mounting
16	8408-816	4		Screw, Cap
17	8409-020	4	/P	Screw, Cap
18	0405-440	1		Coupler, Steering
19	1423-053	1		Screw, Cap
20	8427-802	1		Nut, Lock
21	8408-070	2		Screw, Cap
22	0623-728	2		Washer
23	0505-689	1	/P	Housing, Rack and Pinion (inc. 24-30)
24	0505-719	2	/P	Tie Rod - Assembly (inc. 25-30)
25	0405-428	2		Plate, Retaining
26	0505-745	2		Kit, Tie Rod Boot (inc. 27-28)
27	0123-903	2		Tie, Cable - 11.5 in.
28	0623-175	2		Pin, Cotter
29	0505-744	2		Kit, Nut (inc. 28)
30	0505-743	2	/P	Kit, Tie Rod End (inc. 28)
31	0423-072	2		Nut



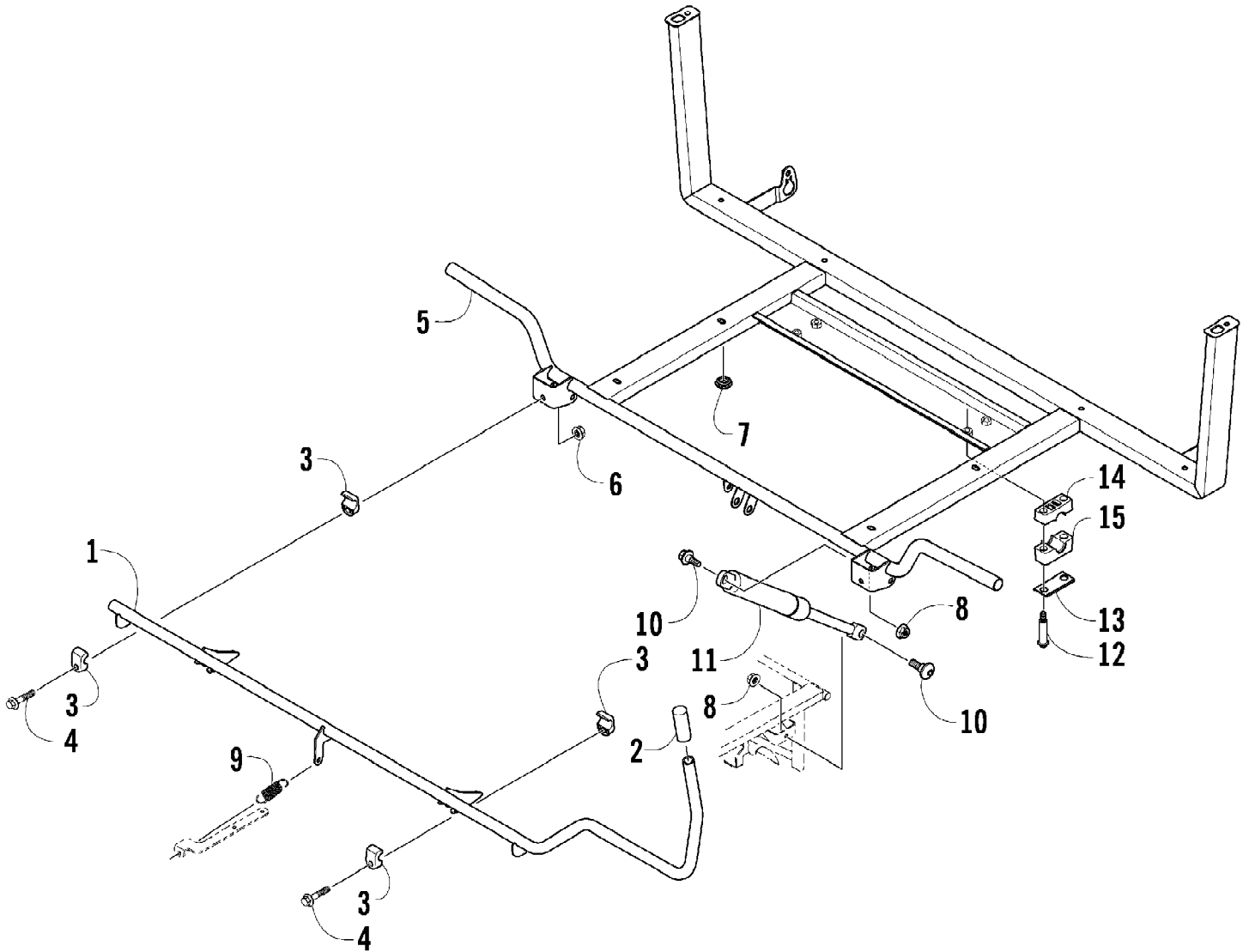
2012 PROWLER 1000 XTZ INTERNATIONAL ORANGE (U2012P4W1POSY) Page 73 of 85
SWAY BAR ASSEMBLY

Ref #	Part Number	Qty	S/P/F	Description
1	0404-110	1		Bar, Sway
2	0404-135	2		Clamp, Sway Bar Bushing
3	0404-094	2		Bushing, Sway Bar - Upper
4	0404-095	2		Bushing, Sway Bar - Lower
5	8409-016	4		Screw, Cap
6	8422-002	2		Nut, Lock
7	0423-335	2		Screw, Cap
8	0423-073	8		Washer
9	1402-434	8		Bushing
10	0423-620	2		Spacer



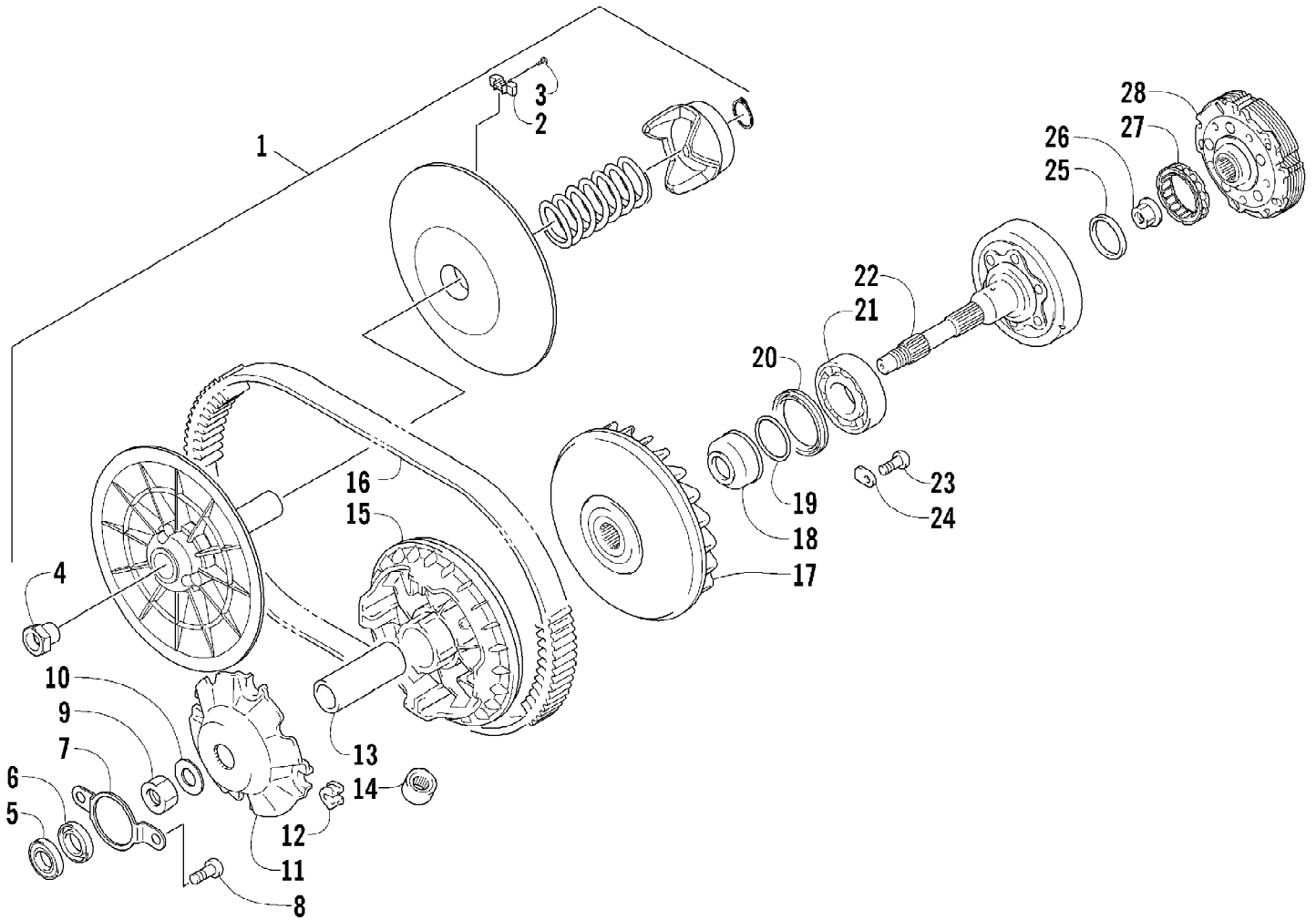
2012 PROWLER 1000 XTZ INTERNATIONAL ORANGE (U2012P4W1POSY) Page 75 of 85
THROTTLE BODY ASSEMBLY

Ref #	Part Number	Qty	S/P/F	Description
1	0470-686	1		Throttle - Assembly (inc. 2-14)
2	5507-117	2	/P	Screw, Machine
3	5507-227	1		Bracket, MAP Sensor
4	0430-073	1		Sensor, MAP
5	5507-232	1		O-Ring, MAP Sensor
6	5507-231	1		Screw, Machine
7	0430-072	1		Sensor, Throttle Position
8	5507-234	1		O-Ring, Throttle Position Sensor
9	5507-229	1		Plate, ISC Valve
10	5507-233	1		O-Ring, ISC Valve
11	0430-074	1		Valve, ISC
12	5507-235	1		O-Ring
13	5507-223	1		Cover
14	5507-037	1	/P	Screw, Machine
15	0570-319	1		Manifold, Intake - Assembly (inc. 16-25)
16	0423-371	2		Screw, Machine
17	0470-893	1		Rail, Fuel - Front Cylinder
18	0470-767	2		O-Ring, Fuel Injector
19	0470-688	2		Injector, Fuel
20	0470-768	2		Ring, Seal - Fuel Injector
21	0570-140	2		Manifold, Intake
22	0423-066	4		Clamp
23	0470-660	2		Boot, Intake - Manifold
24	0570-156	1		Plenum, Intake
25	0470-764	1		Rail, Fuel - Rear Cylinder
26	0830-090	2		O-Ring
27	0826-008	6		Screw, Machine
28	3002-964	1	/P	Clamp, Wire



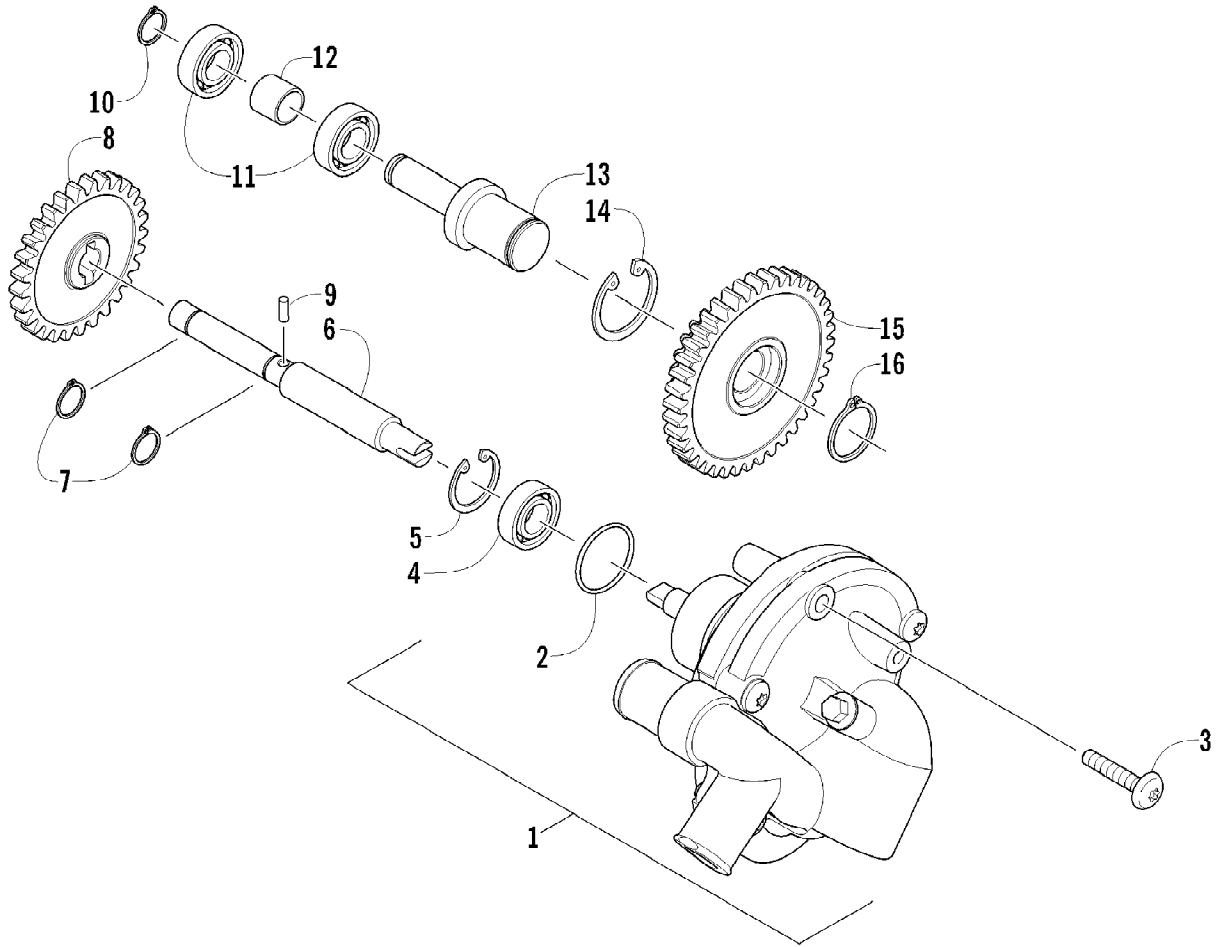
2012 PROWLER 1000 XTZ INTERNATIONAL ORANGE (U2012P4W1POSY) Page 77 of 85
TILT FRAME ASSEMBLY

Ref #	Part Number	Qty	S/P/F	Description
1	2506-919	1		Rod, Cargo Box Latch
2	1406-736	1		Grip, Latch Rod
3	1406-674	4		Bushing, Pivot
4	8408-840	2		Screw, Cap
5	2506-197	1	/P	Frame, Box
6	8427-802	2		Nut, Lock
7	0423-628	4		Grommet
8	8427-602	2		Nut, Lock
9	2416-086	1		Spring
10	0423-356	2		Screw, Shoulder
11	2506-194	1		Support, Lift
12	0423-505	4		Screw, Shoulder
13	0405-166	2		Cap, Housing
14	0405-138	2		Housing, Lower
15	0405-139	2		Housing, Upper



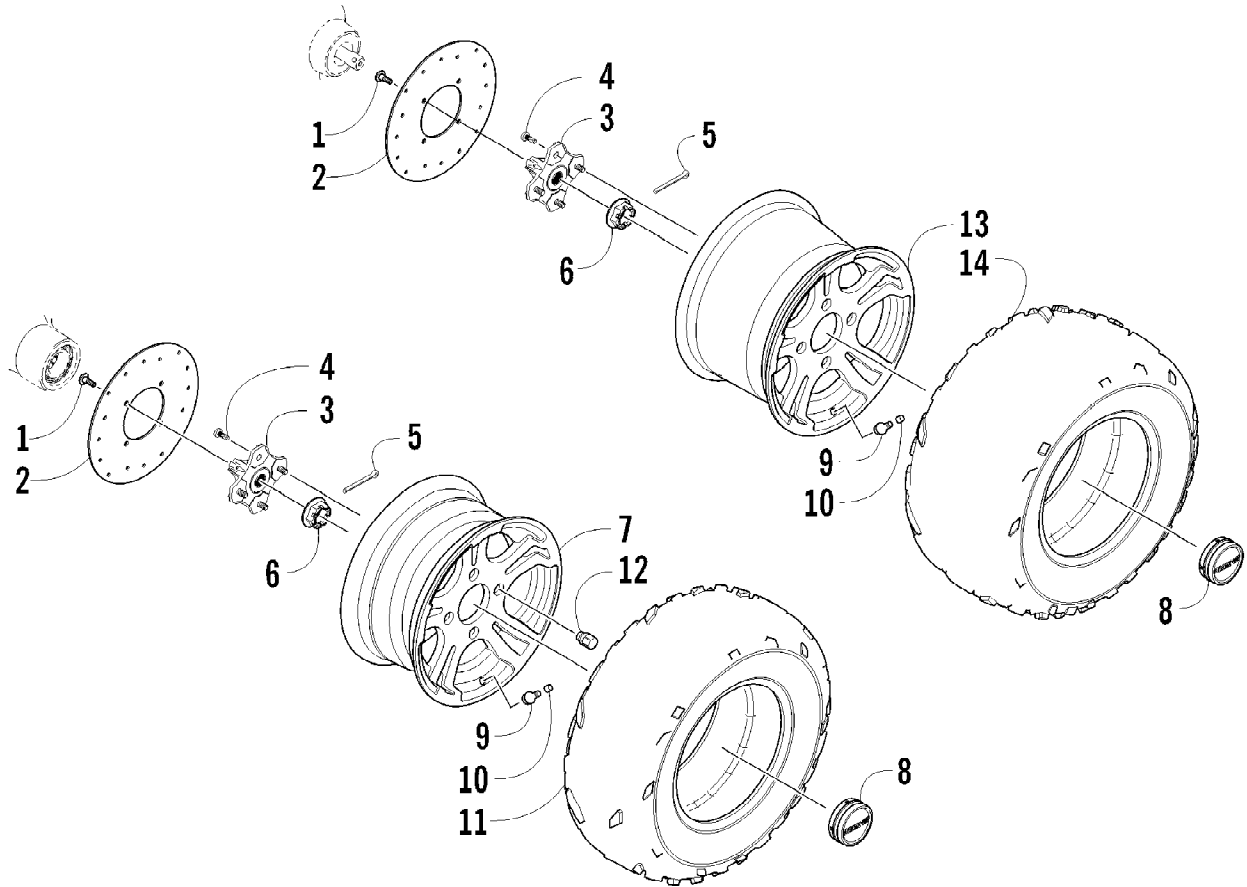
2012 PROWLER 1000 XTZ INTERNATIONAL ORANGE (U2012P4W1POSY) Page 79 of 85
TRANSMISSION ASSEMBLY

Ref #	Part Number	Qty	S/P/F	Description
1	0823-353	1	/P	Pulley, Driven - Assembly (inc. 2-4)
2	0823-176	3	/P	Shoe, Cam
3	0823-177	3		Screw, Machine
4	0823-178	1		Nut, Driven Pulley
5	0832-010	1		Bearing
6	0830-176	1	/P	Seal
7	0823-020	1		Retainer, Bearing
8	0826-031	2		Screw, Machine
9	0827-010	1		Nut
10	0828-106	1		Washer
11	0823-276	1		Plate, Movable Drive Face
12	0823-277	4		Damper, Movable Drive Face
13	0823-358	1		Spacer, Movable Drive Face
14	0823-170	8	/P	Roller, Movable Drive Face
15	0823-273	1		Face, Movable Drive
16	0823-231	1		Belt, Drive
17	0823-272	1		Face, Fixed Drive
18	0823-015	1		Spacer, Fixed Drive Face
19	0470-531	1		O-Ring
20	0830-188	1	/P	Seal, Clutch Housing - Right
21	0832-047	1	S	Bearing
22	0821-002	1	/P	Housing, Clutch
23	0826-029	2		Screw, Machine
24	0822-010	2	/P	Retainer, Bearing
25	0830-189	1	/P	Seal, Clutch Housing - Left
26	0827-011	1		Nut
27	0823-018	1		Clutch, One-Way
28	0823-310	1	/P	Clutch, Centrifugal - 6 Plate



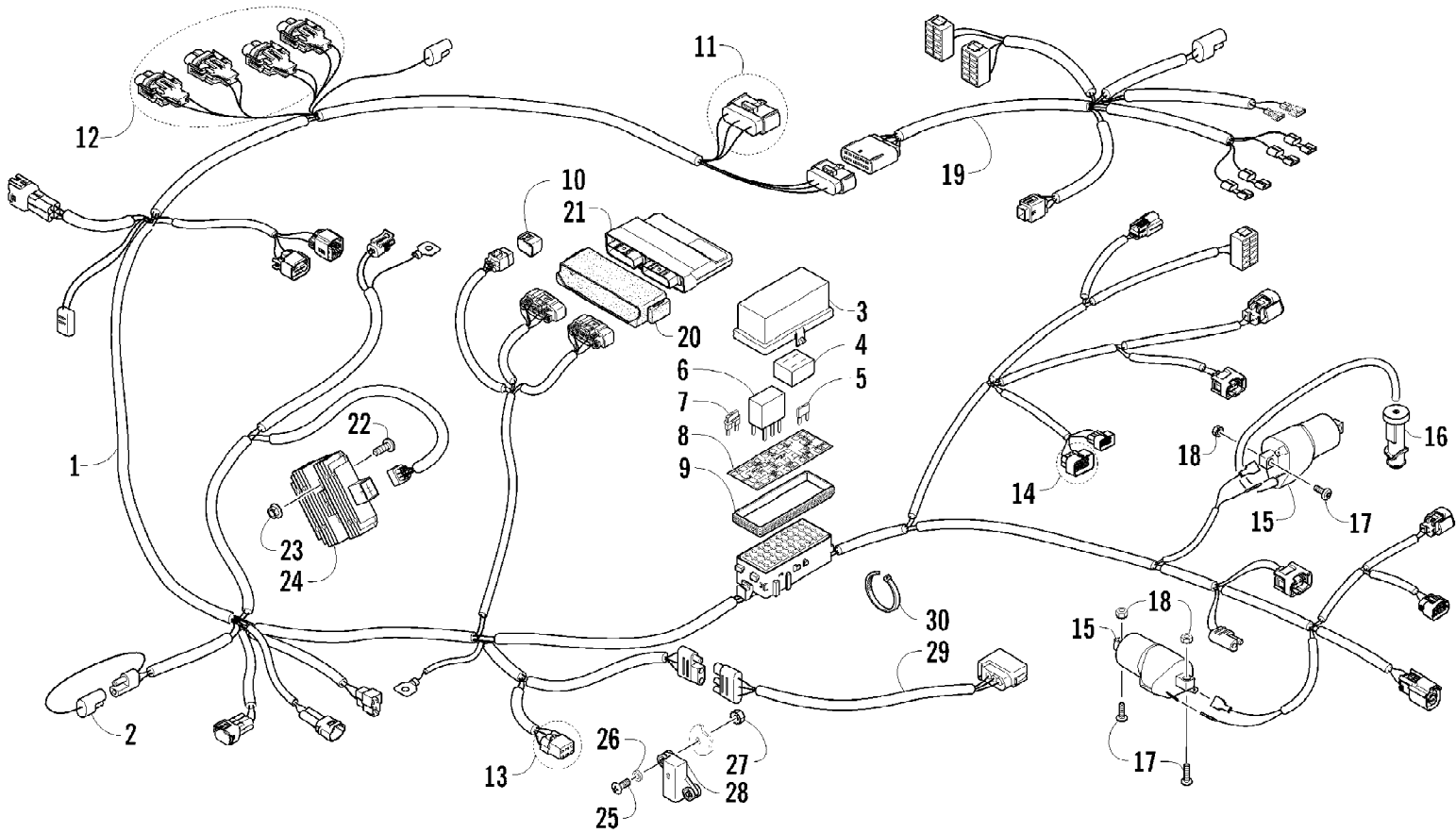
2012 PROWLER 1000 XTZ INTERNATIONAL ORANGE (U2012P4W1POSY) Page 81 of 85
WATER PUMP ASSEMBLY

Ref #	Part Number	Qty	S/P/F	Description
1	0813-056	1	/P	Pump, Water - Assembly (inc. 2)
2	0830-029	1		O-Ring
3	8468-650	2		Screw, Machine
4	0832-084	1		Bearing
5	0831-086	1		Circlip
6	0813-041	1		Shaft, Driven Gear
7	0831-010	2		Ring, Retaining
8	0813-043	1		Gear, Driven
9	0829-009	1		Pin, Dowel
10	0831-002	1		Ring, Retaining
11	0832-046	2	/P	Bearing
12	0813-028	1		Spacer, Idler - Water Pump
13	0813-026	1		Shaft, Water Pump Idler Gear
14	0831-004	1		Ring, Retaining
15	0813-027	1		Gear, Idler - Water Pump - Drive
16	0831-040	1		Ring, Retaining



2012 PROWLER 1000 XTZ INTERNATIONAL ORANGE (U2012P4W1POSY) Page 83 of 85
WHEEL AND TIRE ASSEMBLY

Ref #	Part Number	Qty	S/P/F	Description
1	0423-557	16		Screw, Shoulder
2	1436-418	2	/P	Disc, Brake - Front
2	1436-164	2	/P	Disc, Brake - Rear
3	1502-433	2	/P	Hub, Wheel - Front (inc. 4)
3	1502-437	2		Hub, Wheel - Rear (inc. 4)
4	0402-974	16	/P	Stud
5	0423-407	4		Pin, Cotter
6	0423-607	4		Nut, Castle
7	1402-732	2		Wheel - Front (inc. 8)
8	1402-736	4		Cap, Wheel
9	0402-064	4		Stem, Valve (inc. 10)
10	0402-140	4		Cap, Valve Stem
11	1402-937	2		Tire - Front
12	0423-618	16		Nut, Lug
13	1402-918	2	/P	Wheel - Rear (inc. 8)
14	1402-938	2		Tire - Rear



2012 PROWLER 1000 XTZ INTERNATIONAL ORANGE (U2012P4W1POSY) Page 85 of 85
WIRING HARNESS ASSEMBLY

Ref #	Part Number	Qty	S/P/F	Description
1	0486-391	1		Harness, Main (inc. 2-10)
2	0486-164	1		Tether, Accessory Connector
3	0430-085	1		Cover, Fuse Block
4	0430-037	1		Holder, Fuse
5	0430-032	5		Fuse - 10 Amp
5	0430-031	4		Fuse - 15 Amp
5	0430-030	3		Fuse - 30 Amp
6	0430-045	6	/P	Relay (4-Pin) - 20 Amp
7	0430-034	2		Diode
8	2411-213	1		Decal, Fuse Block
9	0430-086	1		Seal
10	0430-097	1		Cover, Diagnostics Connector
11	1436-415	1		Repair Kit, Connector - LCD Gauge
12	1436-290	AR		Repair Kit, Connector - Headlight
13	1436-416	1		Repair Kit, Connector - Tilt Sensor
14	1436-417	1		Repair Kit, Connector - Idle Speed Control
15	0824-043	2		Coil, Ignition - Assembly
16	0824-049	2	/P	Cap, Spark Plug
17	8476-620	3		Screw, Machine
18	0623-038	3		Nut w/Washer
19	0486-399	1		Harness, Console
20	0430-059	1		Cushion, ECU
21	0530-025	1		ECU
22	8476-625	2		Screw, Machine
23	8424-602	2	/P	Nut
24	0824-037	1	/P	Regulator, Voltage
25	8468-425	2		Screw, Machine
26	0123-802	2		Washer
27	0423-493	2		Nut w/Washer
28	0409-064	1		Sensor, Tilt
29	0486-403	1		Harness, Adapter - Taillight
30	0123-788	AR	/P	Tie, Cable - 8 in.
30	0123-903	AR		Tie, Cable - 11.5 in.
30	0623-144	AR		Tie, Cable - 17.5 in.