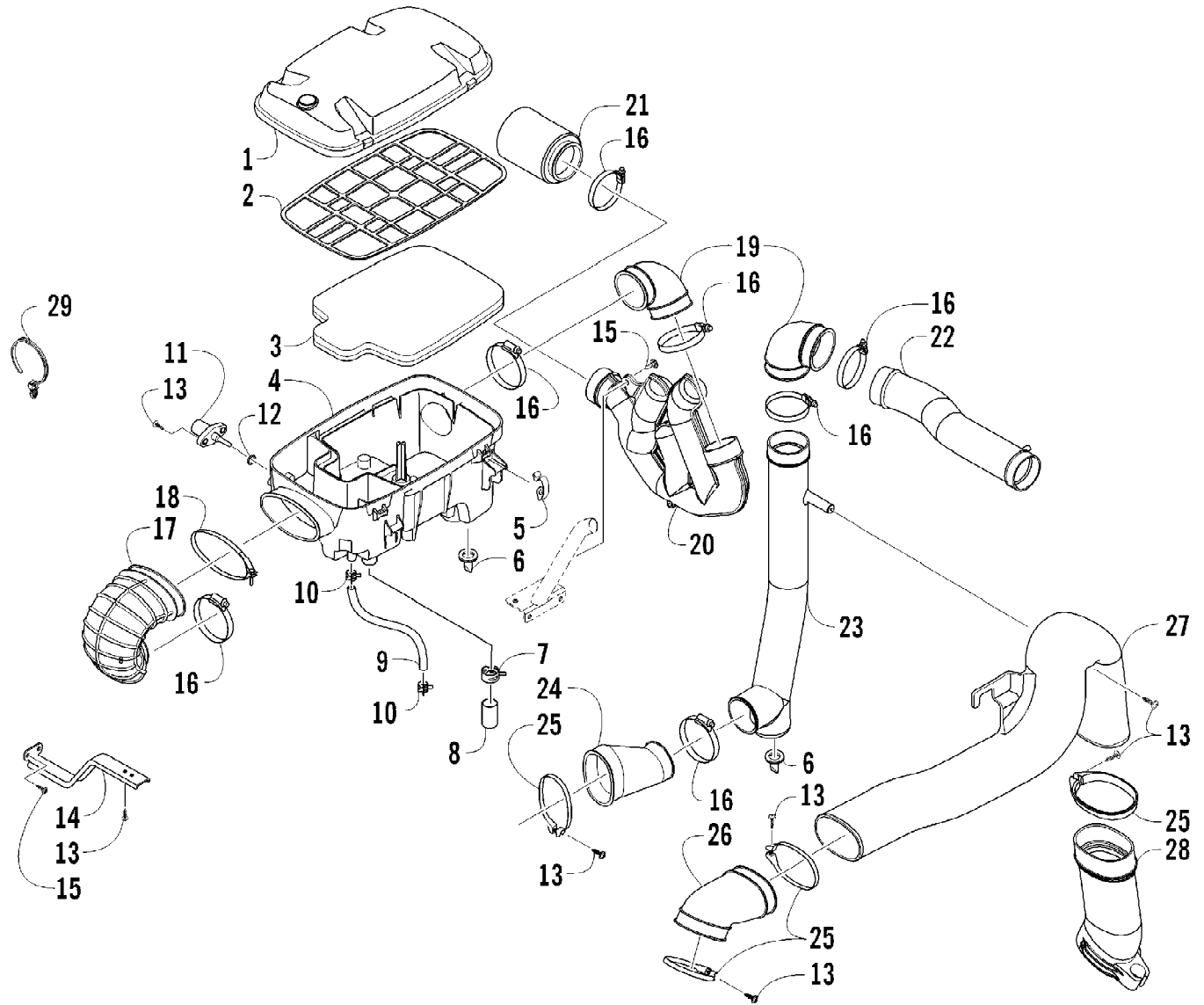


2010 PROWLER 550 XT 4X4 CAT GREEN (U2010P2O4EUSZ)
ACCELERATOR ASSEMBLY

Page 2 of 89

Ref #	Part Number	Qty	S/P/F	Description
1	1502-590	1		Pedal, Accelerator
2	0470-851	1		Spring
3	0402-872	1		Axle
4	1602-213	2	/P	O-Ring
5	8422-002	1		Nut, Lock
6	8471-616	2		Screw, Machine
7	0502-991	1		Bracket, Accelerator Pedal
8	8427-602	2		Nut, Lock
9	0487-066	1		Cable, Accelerator

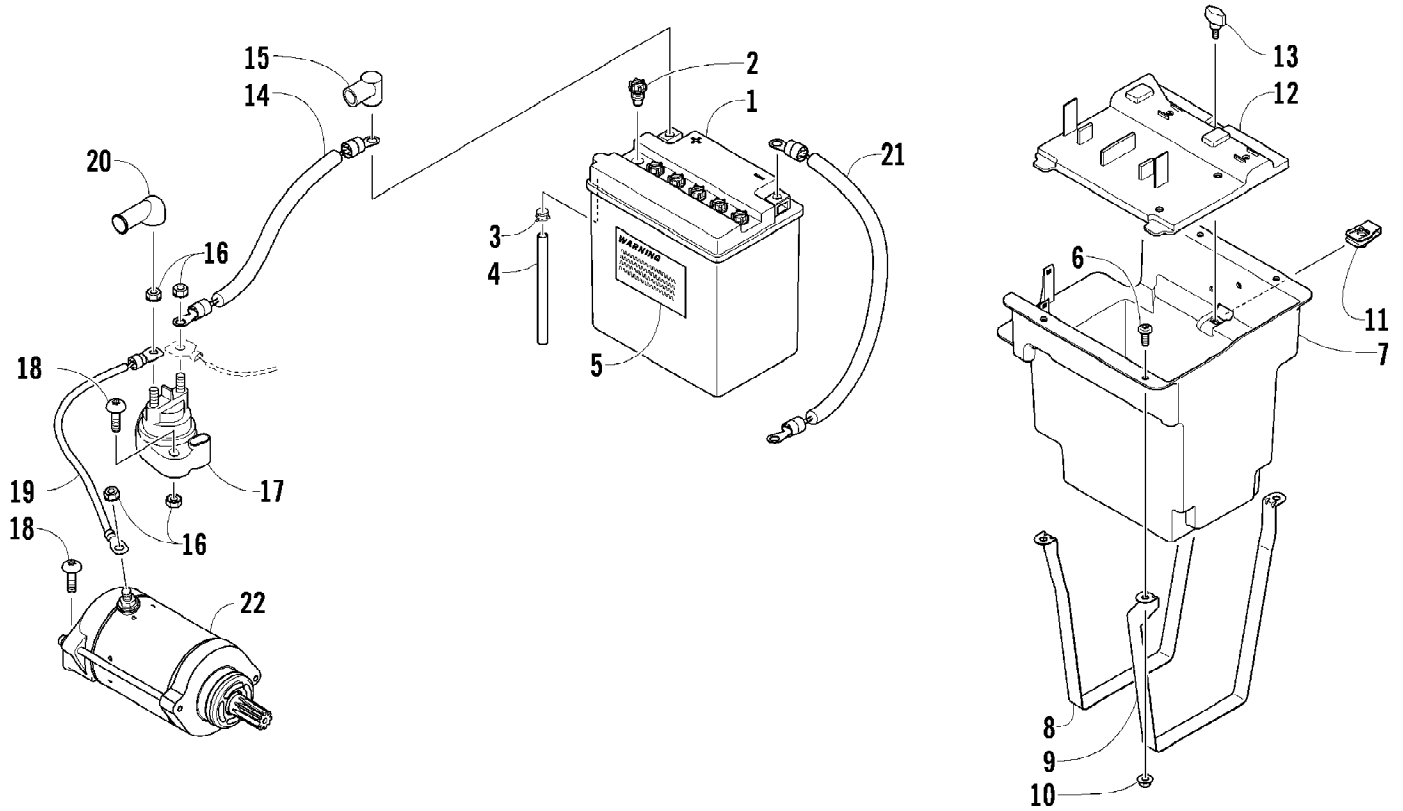


2010 PROWLER 550 XT 4X4 CAT GREEN (U2010P2O4EUSZ)
AIR INTAKE ASSEMBLY

Page 4 of 89

Ref #	Part Number	Qty	S/P/F	Description
1	0470-877	1	/P	Cover, Air Intake
2	0470-560	1		Screen, Air Filter
3	0470-558	1		Filter, Air
4	0470-728	1		Housing, Air Intake
5	0423-455	4		Clip, Spring
6	0470-442	AR	/P	Valve, Drain
7	1623-287	1		Clamp, Hose
8	0423-766	1		Cap, Drain
9	0410-172	1	/P	Hose, Vent - Crankcase
10	0423-045	2		Clamp, Hose
11	0430-055	1		Sensor, Air Temperature (inc. 12)
12	5507-224	1		O-Ring
13	0423-342	9	/P	Screw, Self-Tapping
14	2506-651	1		Bracket, Support
15	0623-784	3		Screw, Self-Tapping
16	0423-019	7		Clamp
17	0470-511	1		Boot, Intake
18	0423-554	1		Clamp
19	0413-098	2		Boot, Air-In
20	0513-028	1		Duct, Air-In
21	0470-834	1		Filter, Intake
22	0413-219	1		Duct, Intake
23	0413-218	1		Duct, Intake - Lower
24	0413-049	1		Boot, Duct
25	0423-550	4		Clamp
26	0413-109	1		Boot, Air-Out - Clutch
27	0413-220	1		Duct, Air-Out - Clutch
28	0413-226	1		Duct, Air-Out - Lower
29	0423-075	AR		Tie, Cable - Push-Mount

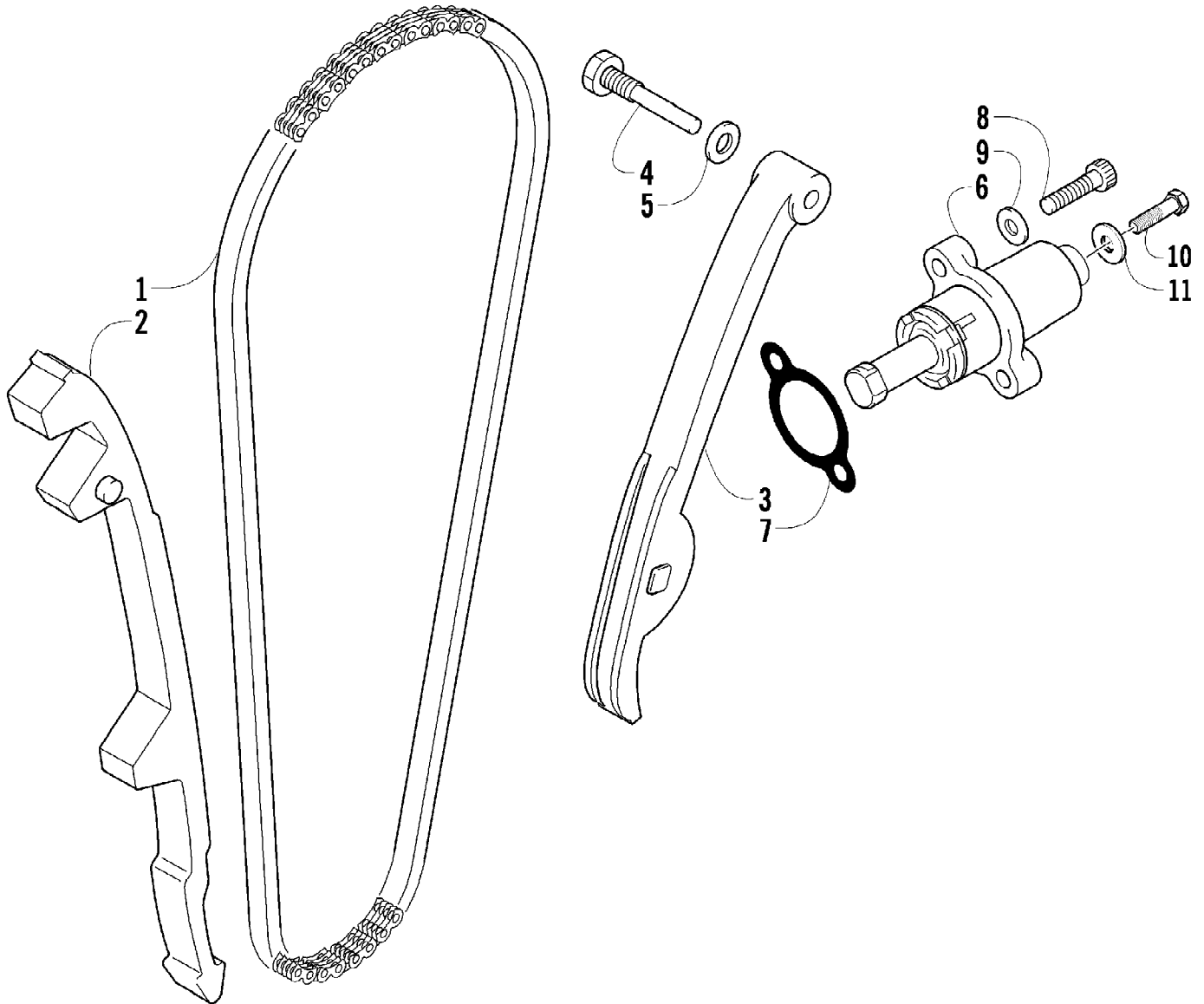
2010 PROWLER 550 XT 4X4 CAT GREEN (U2010P2O4EUSZ)
BATTERY AND STARTER MOTOR ASSEMBLY



2010 PROWLER 550 XT 4X4 CAT GREEN (U2010P2O4EUSZ)
BATTERY AND STARTER MOTOR ASSEMBLY

Page 6 of 89

Ref #	Part Number	Qty	S/P/F	Description
1	0445-081	1		Battery (inc. 2-5)
2	0645-588	6	/P	Cap, Battery
3	0645-152	1		Clamp, Hose
4	0645-262	1		Hose, Vent
5	0645-430	2		Decal, Warning
6	8476-616	4		Screw, Machine
7	2406-914	1		Box, Battery
8	0470-854	1		Hold-Down, Battery Box - Right
9	0470-855	1		Hold-Down, Battery Box - Left
10	8424-602	4	/P	Nut
11	0423-577	1		Clip, U-Nut
12	2406-947	1		Cover, Battery Box
13	1441-624	1		Screw, Thumb
14	0445-049	1		Cable, Battery/Solenoid
15	0645-019	2		Boot, Terminal
16	0623-038	5		Nut w/Washer
17	0445-058	1	/P	Solenoid
18	8476-625	4		Screw, Machine
19	0445-061	1		Cable, Solenoid/Starter
20	0645-327	1		Boot, Terminal - Solenoid
21	0445-050	1		Cable, Battery/Ground
22	0825-013	1	/P	Motor, Starter - Assembly

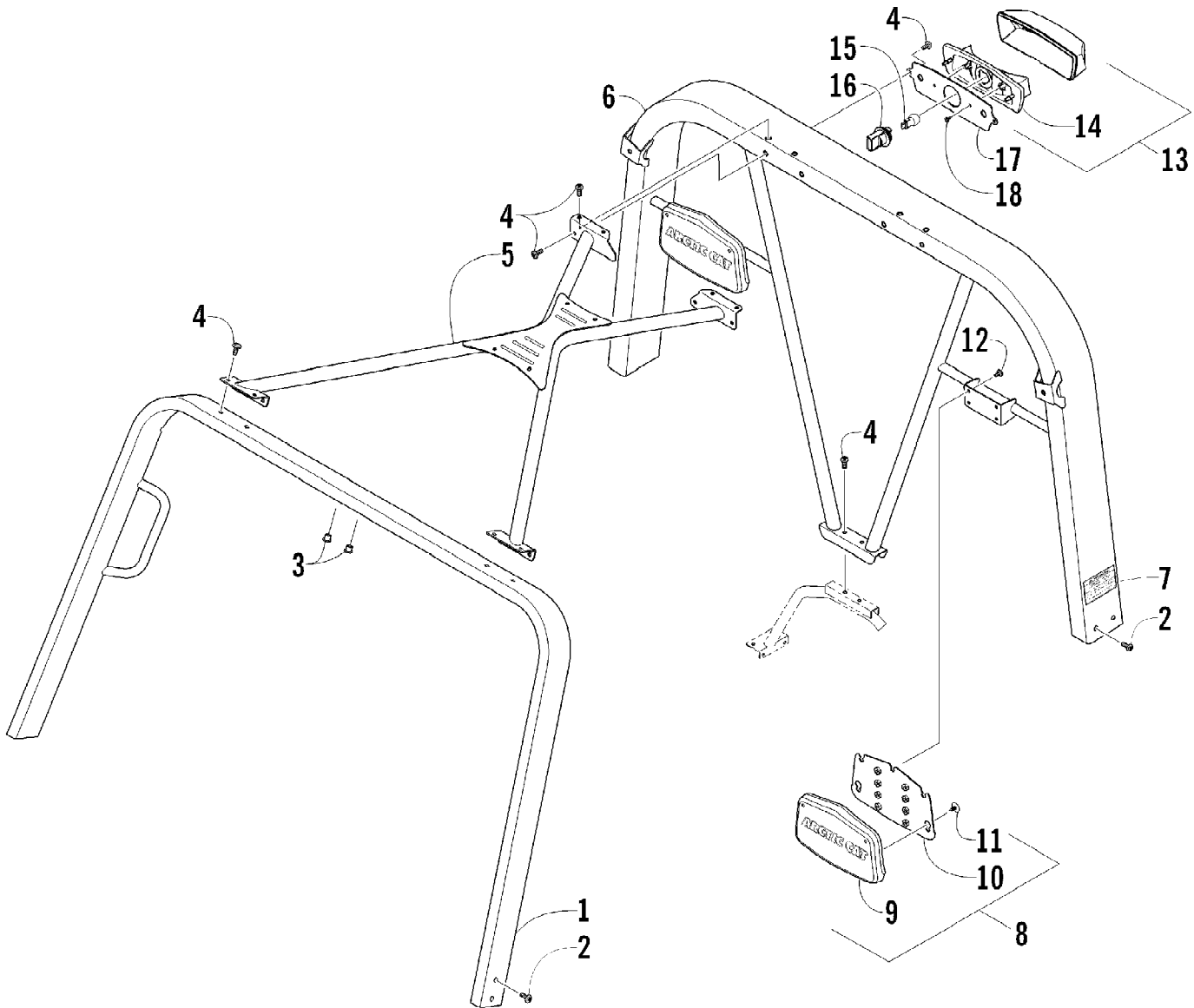


2010 PROWLER 550 XT 4X4 CAT GREEN (U2010P2O4EUSZ)
CAM CHAIN ASSEMBLY

Page 8 of 89

Ref #	Part Number	Qty	S/P/F	Description
1	0810-001	1		Chain, Cam
2	0810-002	1		Guide, Chain
3	0810-003	1		Tensioner, Chain
4	0826-036	1		Pivot, Tensioner
5	0830-025	1		Washer, Crush
6	0810-004	1		Adjuster, Tensioner - Assembly
7	0830-018	1		Gasket
8	8468-625	2		Screw, Machine
9	0830-107	2		Gasket
10	8400-610	1		Screw, Cap
11	0828-129	1		Washer

2010 PROWLER 550 XT 4X4 CAT GREEN (U2010P2O4EUSZ)
CANOPY AND TAILLIGHT ASSEMBLY

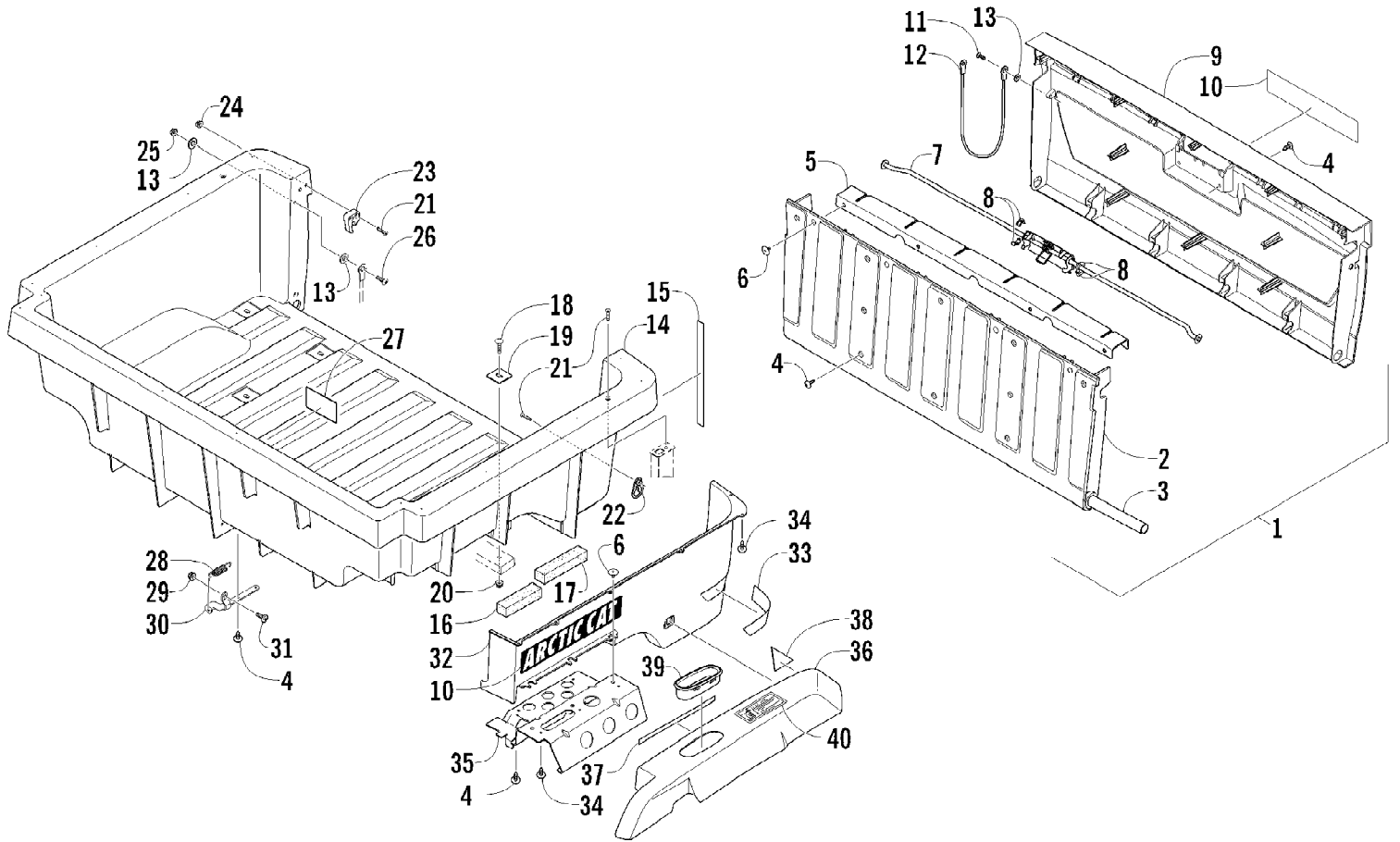


2010 PROWLER 550 XT 4X4 CAT GREEN (U2010P2O4EUSZ)
CANOPY AND TAILLIGHT ASSEMBLY

Page 10 of 89

Ref #	Part Number	Qty	S/P/F	Description
1	2516-163	1		Tube, Canopy - Front
2	0423-817	8		Screw, Machine
3	0423-905	2		Plug
4	0423-910	20		Screw, Machine
5	2516-304	1		Support, Canopy
6	2516-599	1		Tube, Canopy - Rear
7	1411-864	1		Decal, Warning - Canopy
8	1506-795	2		Pad, Headrest - Assembly (inc. 9-11)
9	1406-884	2		Pad, Headrest
10	1506-722	2		Mount, Headrest
11	0623-544	10		Clip, Retaining
12	0423-361	8		Screw, Machine
13	0509-022	1		Taillight Assembly (inc. 14-16)
14	0509-025	1		Housing, Taillight
15	0409-056	1		Bulb, Taillight
16	0409-057	1		Socket, Taillight
17	2406-069	1		Bracket, Taillight Mounting
18	0623-301	2	/P	Screw, Self-Tapping

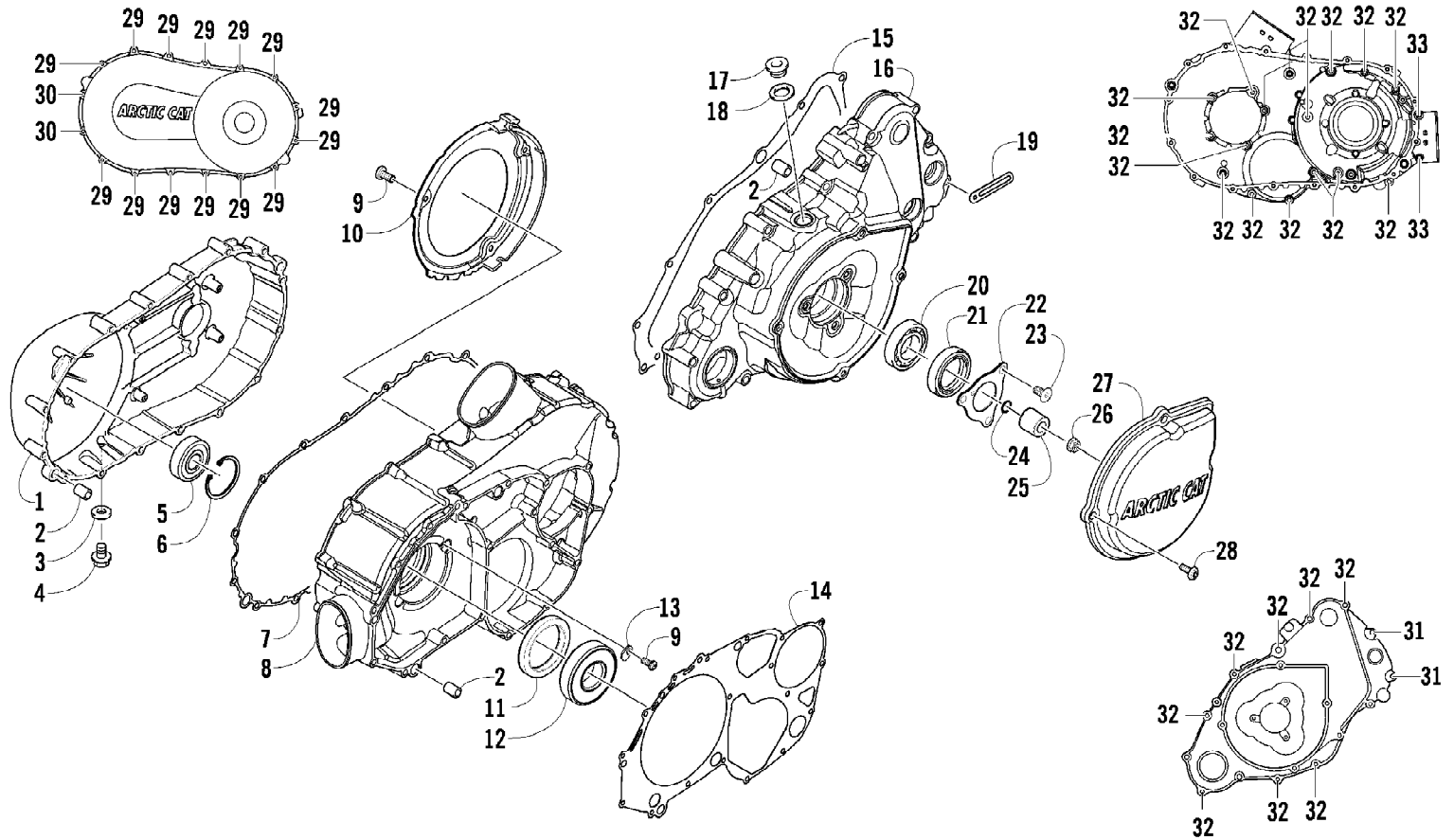
2010 PROWLER 550 XT 4X4 CAT GREEN (U2010P2O4EUSZ)
CARGO BOX AND TAILGATE ASSEMBLY



2010 PROWLER 550 XT 4X4 CAT GREEN (U2010P2O4EUSZ)
CARGO BOX AND TAILGATE ASSEMBLY

Ref #	Part Number	Qty	S/P/F	Description
1	2506-205	1	/P	Tailgate Assembly (inc. 2-9)
2	2406-365	1	/P	Panel, Tailgate - Inner
3	1406-927	1		Shaft, Pivot - Tailgate
4	0623-784	14		Screw, Self-Tapping
5	1506-704	1		Brace, Tailgate
6	0423-101	10		Screw, Shoulder
7	2506-056	1		Latch, Tailgate - Assembly
8	1406-706	4		Bushing
9	2406-369	1	/P	Panel, Tailgate - Outer
10	1411-539	3		Decal, Box - "Arctic Cat"
11	8476-625	2		Screw, Machine
12	0487-045	2		Cable, Tailgate
13	8050-217	6	/P	Washer
14	2406-916	1	/P	Box, Cargo
15	0417-006	2		Strip, Foam
16	0417-011	2		Foam, Cargo Box
17	0417-010	2		Foam, Cargo Box
18	0423-623	8		Bolt, Carriage
19	1506-933	8		Plate, Retainer
20	8424-802	8		Nut
21	8474-630	8		Screw, Machine
22	1506-539	1		Bracket, Tailgate
23	2506-664	1		Striker, Tailgate - Right
23	2506-665	1	/P	Striker, Tailgate - Left
24	8424-602	4	/P	Nut
25	0624-250	2		Nut, Lock
26	8476-620	2		Screw, Machine
27	1411-119	1		Decal, Warning - Cargo
28	2416-086	1		Spring
29	0423-540	1		Nut, Lock
30	2516-178	1	/P	Bracket, Cargo Box Latch
31	8476-616	1		Screw, Machine
32	1406-762	1	/P	Panel, Box - Right
32	1406-761	1	/P	Panel, Box - Left
33	1411-128	1		Decal, Reflector - Right
33	1411-129	1		Decal, Reflector - Left
34	0423-342	28	/P	Screw, Self-Tapping
35	1506-776	1		Bracket, Fender Support - Right
35	2506-927	1		Bracket, Fender Support - Left
36	2506-994	1		Fender, Rear - Assembly - Upper Right (inc. 37-38)
36	2506-995	1		Fender, Rear - Assembly - Upper Left (inc. 37-39)
37	0417-007	2		Strip, Foam
38	0417-008	2		Pad, Foam
39	2516-037	1		Ring, Trim
40	1411-120	2		Decal, Warning - Pinch Point

2010 PROWLER 550 XT 4X4 CAT GREEN (U2010P2O4EUSZ)
CLUTCH/V-BELT/MAGNETO COVER ASSEMBLY

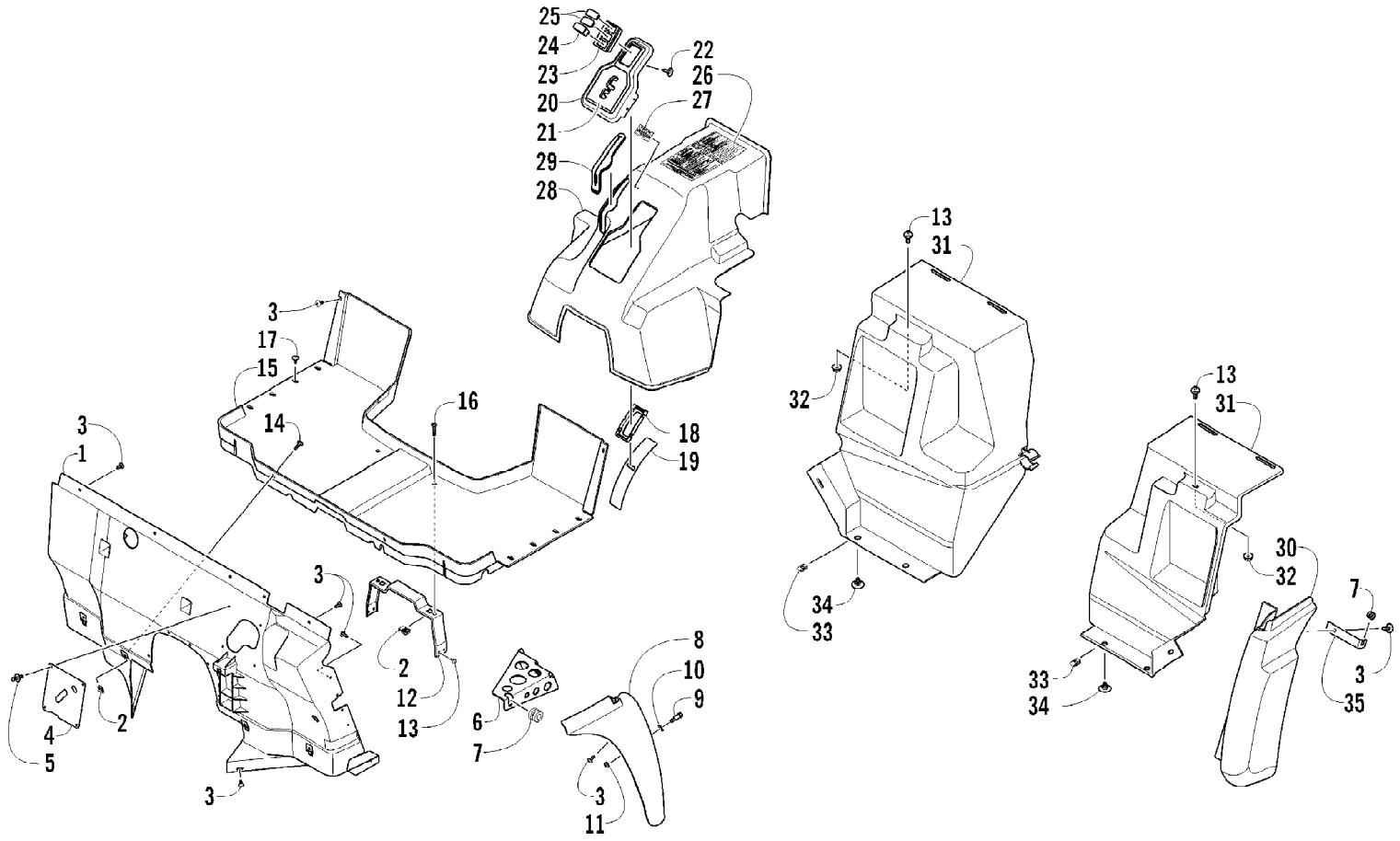


2010 PROWLER 550 XT 4X4 CAT GREEN (U2010P2O4EUSZ)
CLUTCH/V-BELT/MAGNETO COVER ASSEMBLY

Page 14 of 89

Ref #	Part Number	Qty	S/P/F	Description
1	0806-088	1	/P	Cover, V-Belt
2	0829-002	6		Pin, Dowel
3	0830-013	1		Washer, Crush
4	8408-812	1		Screw, Cap
5	0832-060	1		Bearing
6	0831-078	1		Ring, Retaining
7	0830-174	1	/P	Gasket, V-Belt Cover
8	0806-091	1		Cover, Clutch
9	0826-029	5		Screw, Machine
10	0806-048	1		Plate, Air Intake
11	0830-188	1	/P	Seal
12	0832-047	1	S	Bearing
13	0822-010	2	/P	Retainer, Bearing
14	0830-116	1	/P	Gasket, Clutch Cover
15	0830-128	1		Gasket, Magneto Cover
16	0806-082	1	/P	Cover, Magneto - Assembly
17	0826-155	1		Plug
18	0830-015	1		Washer, Crush
19	3002-964	1	/P	Clamp, Wire
20	0832-045	1	S	Bearing
21	0830-158	1		Seal
22	0805-008	1		Retainer, Seal
23	0826-031	3		Screw, Machine
24	0830-108	1		O-Ring
25	0820-061	1		Bushing
26	0827-008	1		Nut
27	0820-062	1		Cover, Magneto
28	8468-616	4		Screw, Machine
29	8468-645	14		Screw, Machine
30	8468-655	2		Screw, Machine
31	8468-625	2		Screw, Machine
32	8468-640	24		Screw, Machine
33	8468-675	2		Screw, Machine

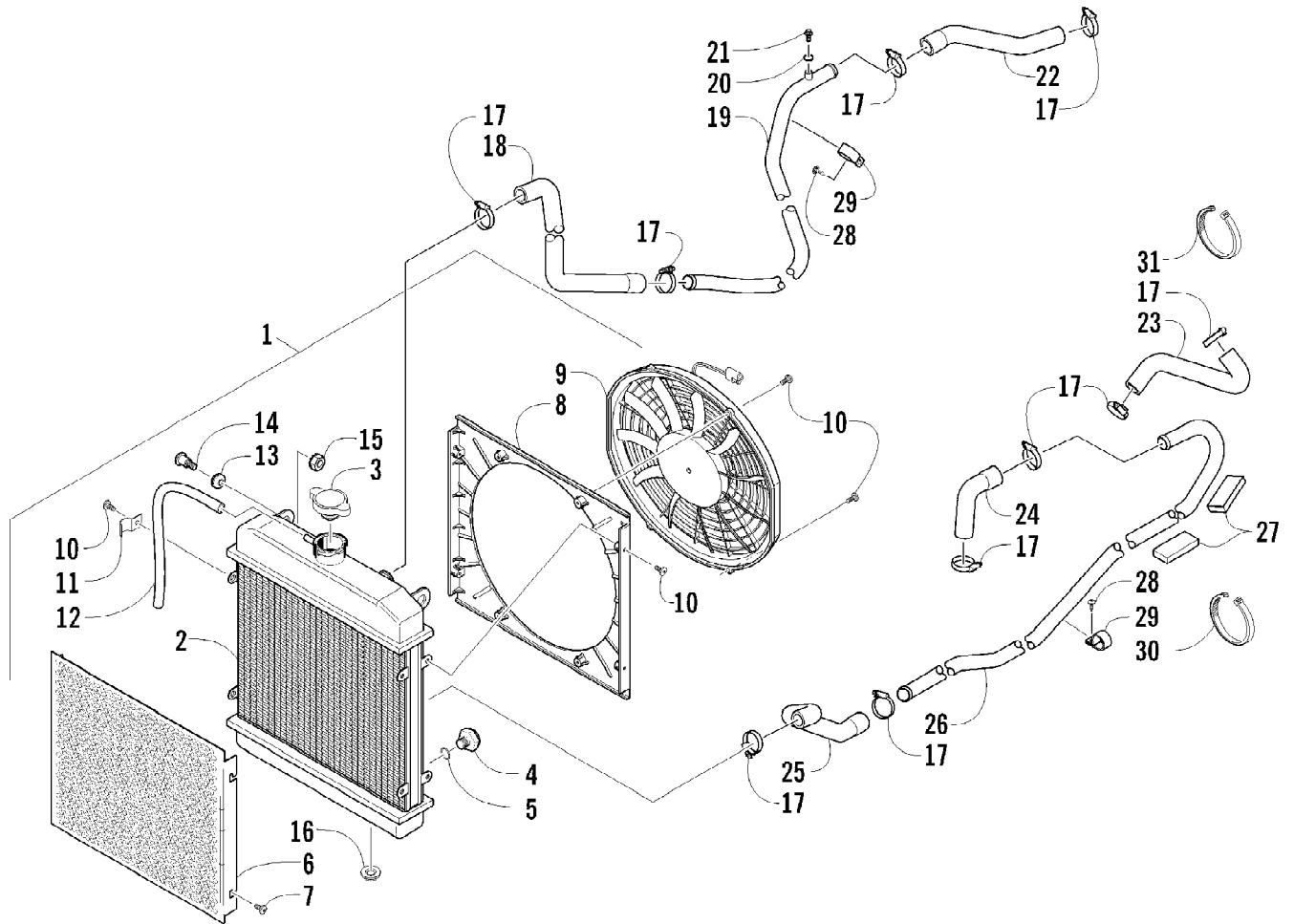
2010 PROWLER 550 XT 4X4 CAT GREEN (U2010P2O4EUSZ)
CONSOLE AND FLOOR PANEL ASSEMBLY



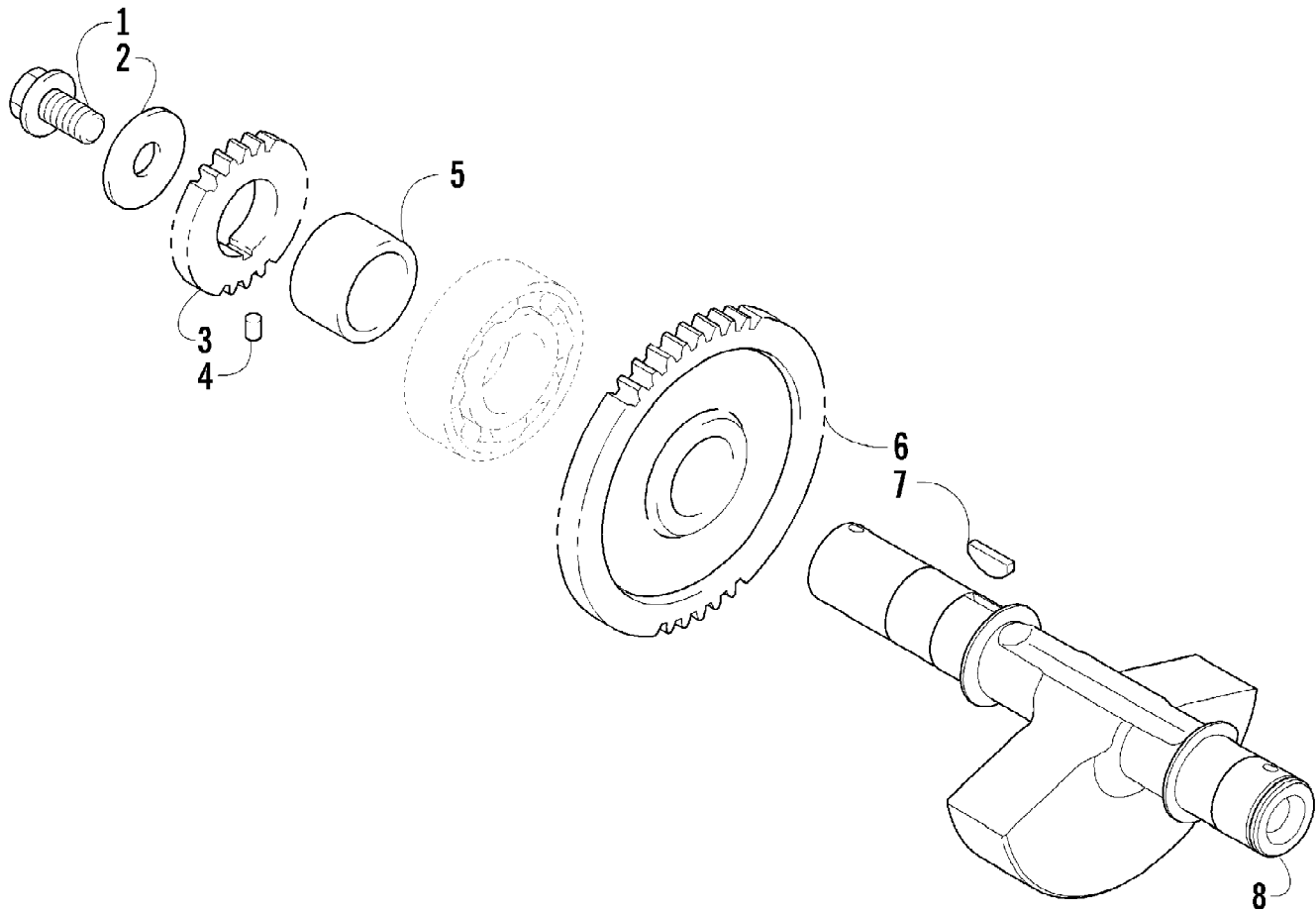
2010 PROWLER 550 XT 4X4 CAT GREEN (U2010P2O4EUSZ)
CONSOLE AND FLOOR PANEL ASSEMBLY

Page 16 of 89

Ref #	Part Number	Qty	S/P/F	Description
1	2416-169	1		Panel, Fender - Inner
2	0423-577	8		Clip, U-Nut
3	0623-784	24		Screw, Self-Tapping
4	2406-635	1		Panel, Splash - Inner Fender
5	0623-362	4		Rivet, Reinstallable
6	2506-066	1		Bracket, Support - Right
6	2506-067	1		Bracket, Support - Left
7	0423-447	4		Grommet
8	1406-798	1		Fender, Front - Right
8	1406-797	1		Fender, Front - Left
9	0623-855	2		Screw, Shoulder
10	8050-217	2	/P	Washer
11	8048-366	2		Nut, Lock
12	2516-313	1		Bracket, Support
13	8476-616	6		Screw, Machine
14	8468-625	4		Screw, Machine
15	2416-085	1		Floor
16	8468-670	2		Screw, Machine
17	0423-545	8	/P	Screw, Shoulder
18	1402-793	1		Slide, Shift Gate
19	1402-794	1		Slide, Shift
20	1502-520	1		Gate, Shift (inc. 21)
21	1411-985	1		Decal, Shift Gate
22	0423-342	3	/P	Screw, Self-Tapping
23	0409-069	1		Panel, Switch-Mount
24	0409-071	1		Switch, Reverse Override
25	0409-070	2		Plug, Switch-Hole
26	2411-095	1		Decal, Warning - Console
27	2411-094	1		Decal, Warning - Brake Lever
28	2406-952	1		Console, Center
29	2406-960	1		Boot, Parking Brake Lever
30	2406-872	1		Fender, Rear - Lower - Right
30	2406-873	1		Fender, Rear - Lower - Left
31	2416-270	1		Panel, Splash - Right
31	2416-271	1		Panel, Splash - Left
32	8424-602	2	/P	Nut
33	0423-577	4	F	Clip, U-Nut
33	0423-466	4	F	Clip, U-Nut
34	0423-101	4	F	Screw, Shoulder
34	0423-545	4	/P/F	Screw, Shoulder
35	2516-326	2		Bracket, Fender Support - Lower



Ref #	Part Number	Qty	S/P/F	Description
1	0413-199	1	S	Radiator - Assembly (inc. 2-13)
2	0413-205	1		Radiator
3	0413-002	1	S	Cap, Radiator
4	0413-195	1		Plug, Drain
5	1602-213	1	/P	O-Ring
6	0413-007	1		Screen, Radiator
7	8475-512	4		Screw, Machine
8	0413-203	1		Shroud, Fan
9	0413-123	1	/P	Fan, Cooling
10	0623-378	8		Screw, Self-Tapping
11	0423-351	1		Clamp, Wire
12	0610-016	AR	/P	Hose - 25 ft
12	0610-015	AR	/P	Hose - 100 ft
13	0423-030	2		Grommet
14	0423-484	2		Screw, Shoulder
15	0623-038	2		Nut w/Washer
16	0423-028	2		Bushing, Stem
17	0423-496	10		Clamp, Hose
18	0410-092	1		Hose, Coolant - Upper Radiator
19	0510-594	1		Pipe, Coolant - Upper
20	0423-921	1		O-Ring
21	0423-984	1	S	Screw, Bleed
22	0410-207	1		Hose, Coolant - Upper Engine
23	0410-095	1		Hose, Coolant - Rear
24	0410-093	1		Hose, Coolant - Lower Engine
25	0410-094	1		Hose, Coolant - Lower Radiator
26	0410-090	1		Pipe, Coolant - Lower
27	0406-288	2		Pad
28	0623-784	2		Screw, Self-Tapping
29	0423-594	2		Clamp, Routing
30	0123-903	AR		Cable Tie - 11.5 in.
31	0623-751	AR		Tie, Cable - Reusable

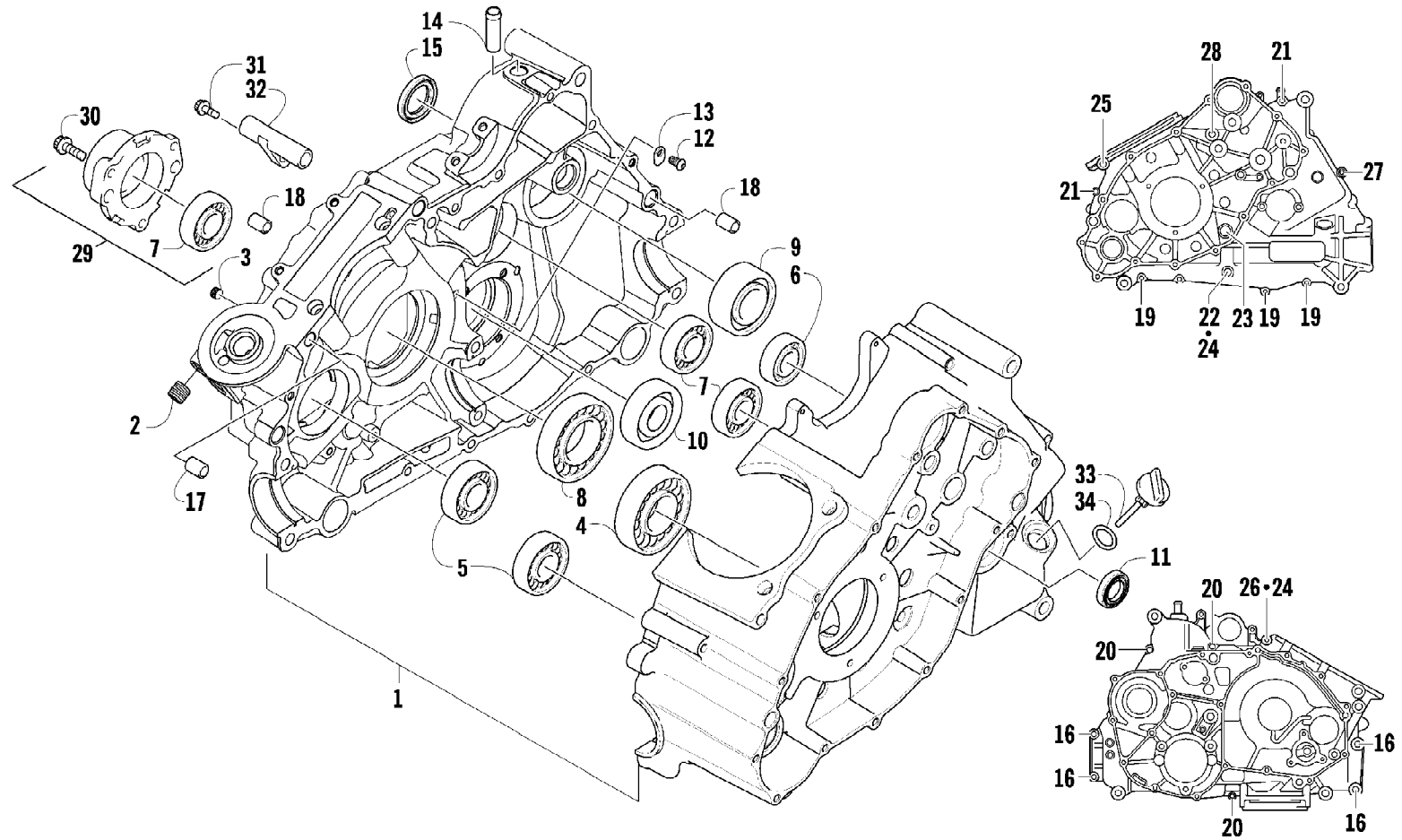


2010 PROWLER 550 XT 4X4 CAT GREEN (U2010P2O4EUSZ)
CRANK BALANCER ASSEMBLY

Page 20 of 89

Ref #	Part Number	Qty	S/P/F	Description
1	0826-033	1		Screw, Cap
2	0828-003	1		Washer
3	0811-003	1		Gear, Oil Pump Drive
4	0829-007	1		Pin, Dowel
5	0811-004	1		Spacer
6	0811-002	1		Gear, Driven
7	0829-006	1		Key
8	0811-017	1		Balancer, Crank

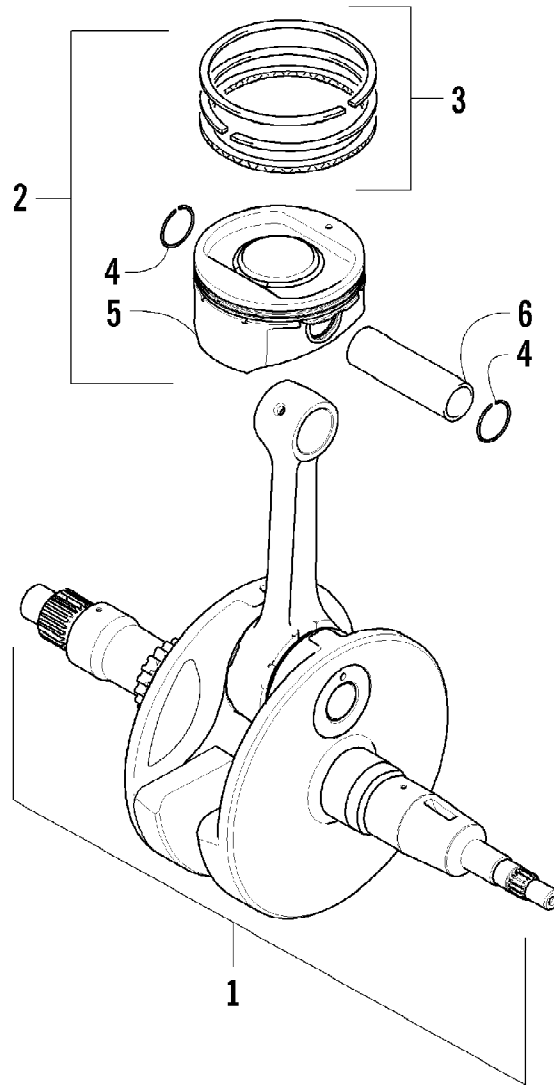
2010 PROWLER 550 XT 4X4 CAT GREEN (U2010P2O4EUSZ)
CRANKCASE ASSEMBLY



2010 PROWLER 550 XT 4X4 CAT GREEN (U2010P2O4EUSZ)
CRANKCASE ASSEMBLY

Page 22 of 89

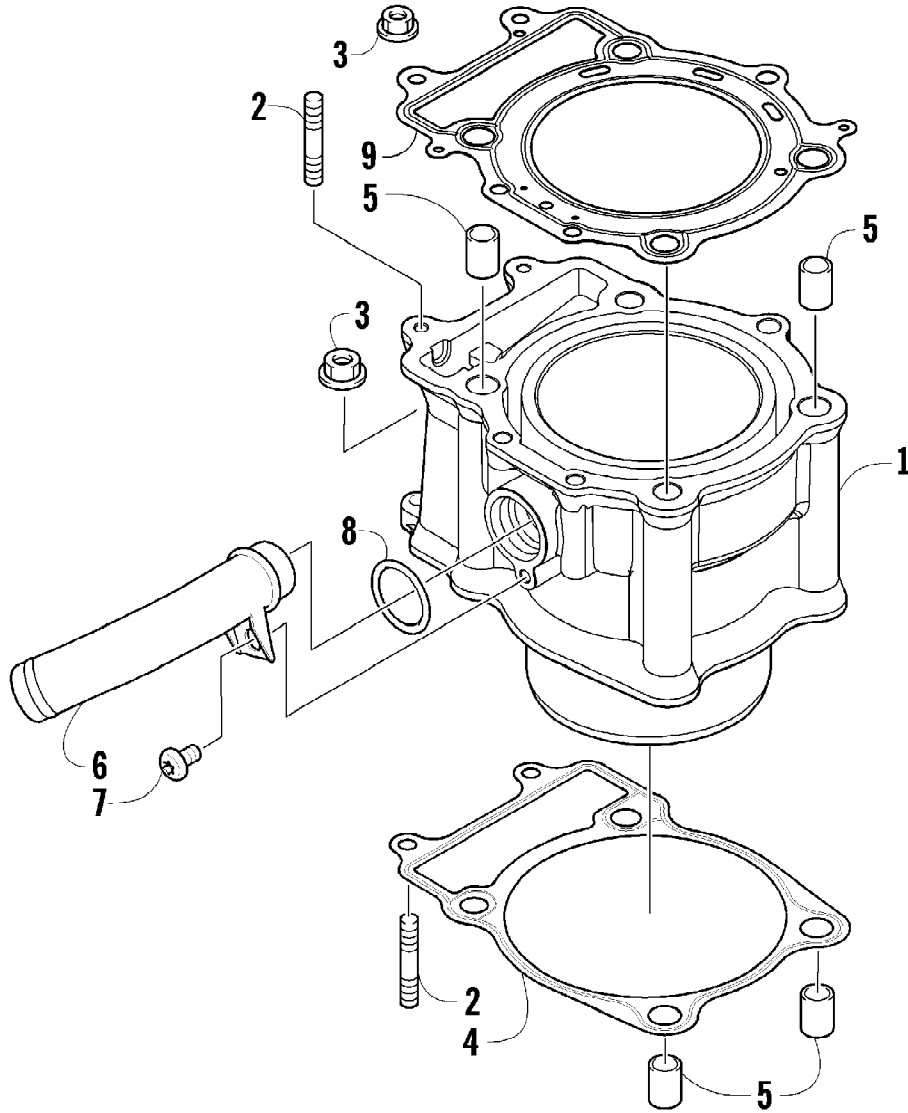
Ref #	Part Number	Qty	S/P/F	Description
1	0801-153	1	S	Crankcase Assembly (inc. 2-15)
2	0812-064	2		Plug
3	0801-002	1		Plug
4	0832-043	1	/P	Bearing
5	0832-044	2	/P	Bearing
6	0832-049	1	/P	Bearing
7	0832-050	3	/P	Bearing
8	0832-042	1	/P	Bearing
9	0832-048	1	/P	Bearing
10	0832-015	1	S/P	Bearing
11	0822-052	1		Seal, Countershaft
12	0826-100	4		Screw, Machine
13	0822-010	4	/P	Retainer, Bearing
14	0801-028	1		Pipe, Breather
15	0830-035	1		Seal, Driveshaft
16	8412-850	4		Screw, Cap
17	0829-003	1		Pin, Dowel
18	0829-002	5		Pin, Dowel
19	8468-645	3		Screw, Machine
20	8468-655	3		Screw, Machine
21	8468-675	2		Screw, Machine
22	8412-860	1		Screw, Cap
23	0826-017	1		Screw, Cap
24	0830-008	2		Gasket
25	0826-019	1		Screw, Cap
26	0826-018	1		Screw, Cap
27	8468-695	1		Screw, Machine
28	8468-680	1		Screw, Machine
29	0801-029	1		Housing, Secondary Shaft (inc. one No. 7)
30	0826-105	3		Screw, Cap
31	0826-038	1		Screw, Cap
32	0801-069	1		Pipe, Breather
33	0801-073	1		Stick, Oil Level (inc. 34)
34	0830-010	1		O-Ring



2010 PROWLER 550 XT 4X4 CAT GREEN (U2010P2O4EUSZ)
CRANKSHAFT AND PISTON ASSEMBLY

Page 24 of 89

Ref #	Part Number	Qty	S/P/F	Description
1	0805-073	1	S	Crankshaft Assembly
2	0805-064	1		Piston Set (inc. 3-6)
3	0805-065	1		Ring, Piston - Set
4	0831-001	2		Circlip, Piston Pin
5	0	1	F	Piston
6	0805-012	1		Pin, Piston

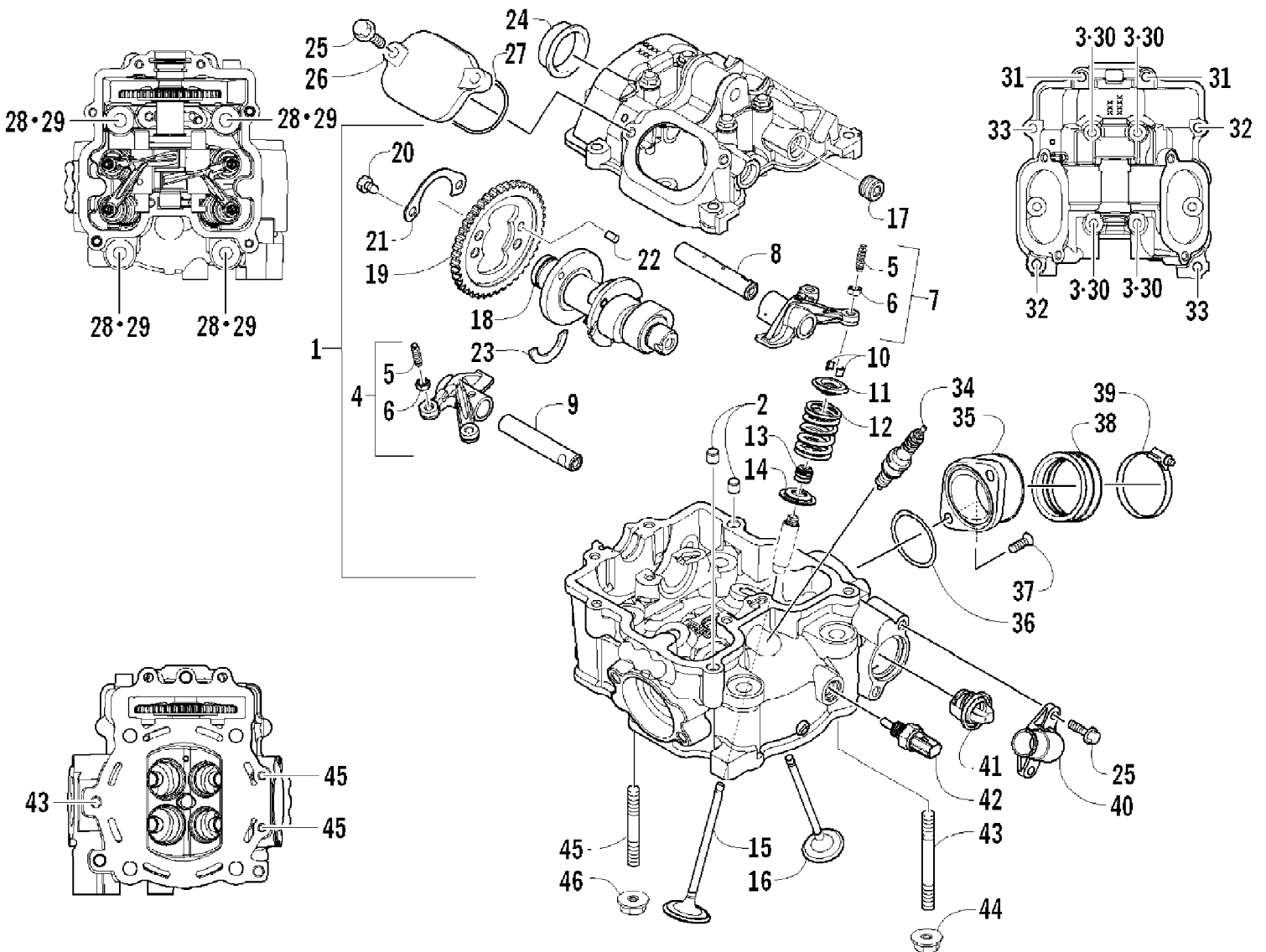


2010 PROWLER 550 XT 4X4 CAT GREEN (U2010P2O4EUSZ)
CYLINDER ASSEMBLY

Page 26 of 89

Ref #	Part Number	Qty	S/P/F	Description
1	0804-019	1	S	Cylinder
2	0827-002	4		Bolt, Stud
3	8424-604	4		Nut
4	0830-084	1		Gasket, Base
5	0829-002	4		Pin, Dowel
6	0804-047	1	/P	Union, Coolant Hose
7	8468-612	1		Screw, Machine
8	0830-007	1		O-Ring
9	0830-097	1		Gasket, Cylinder Head

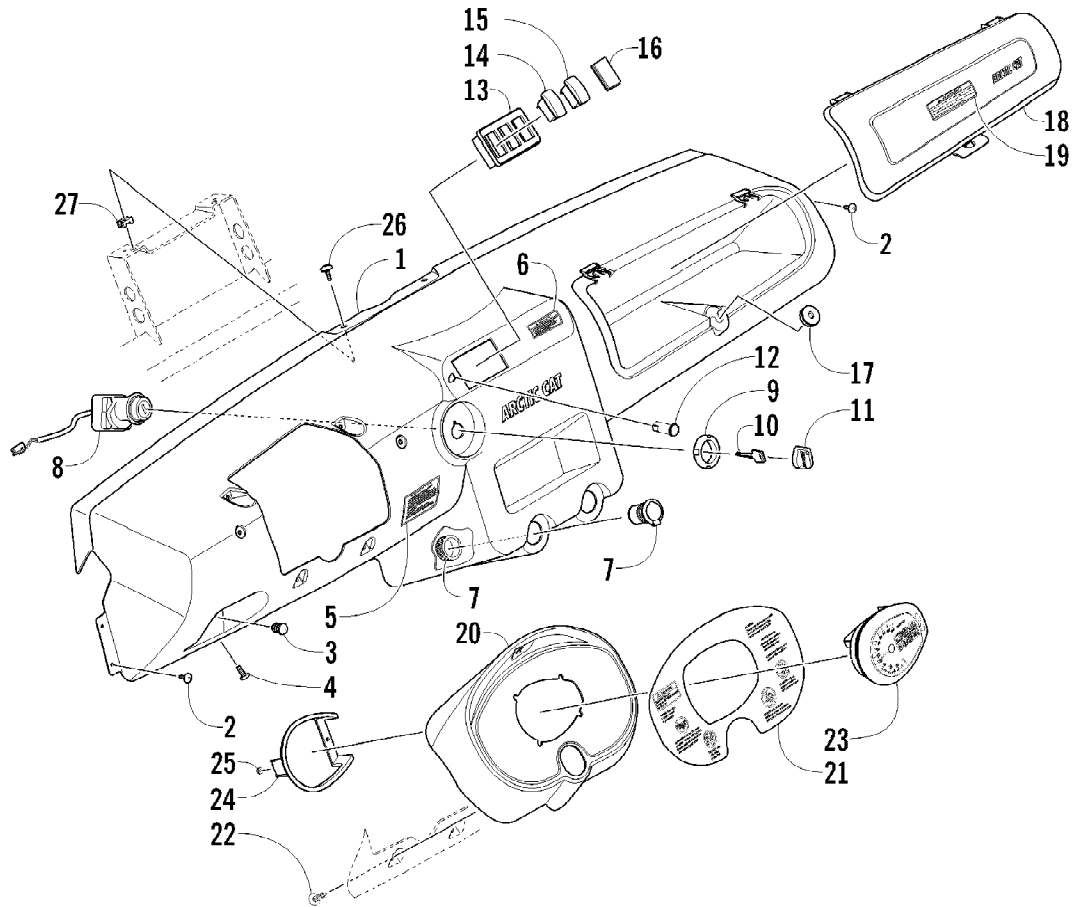
2010 PROWLER 550 XT 4X4 CAT GREEN (U2010P2O4EUSZ)
CYLINDER HEAD AND CAMSHAFT/VALVE ASSEMBLY



2010 PROWLER 550 XT 4X4 CAT GREEN (U2010P2O4EUSZ)
CYLINDER HEAD AND CAMSHAFT/VALVE ASSEMBLY

Page 28 of 89

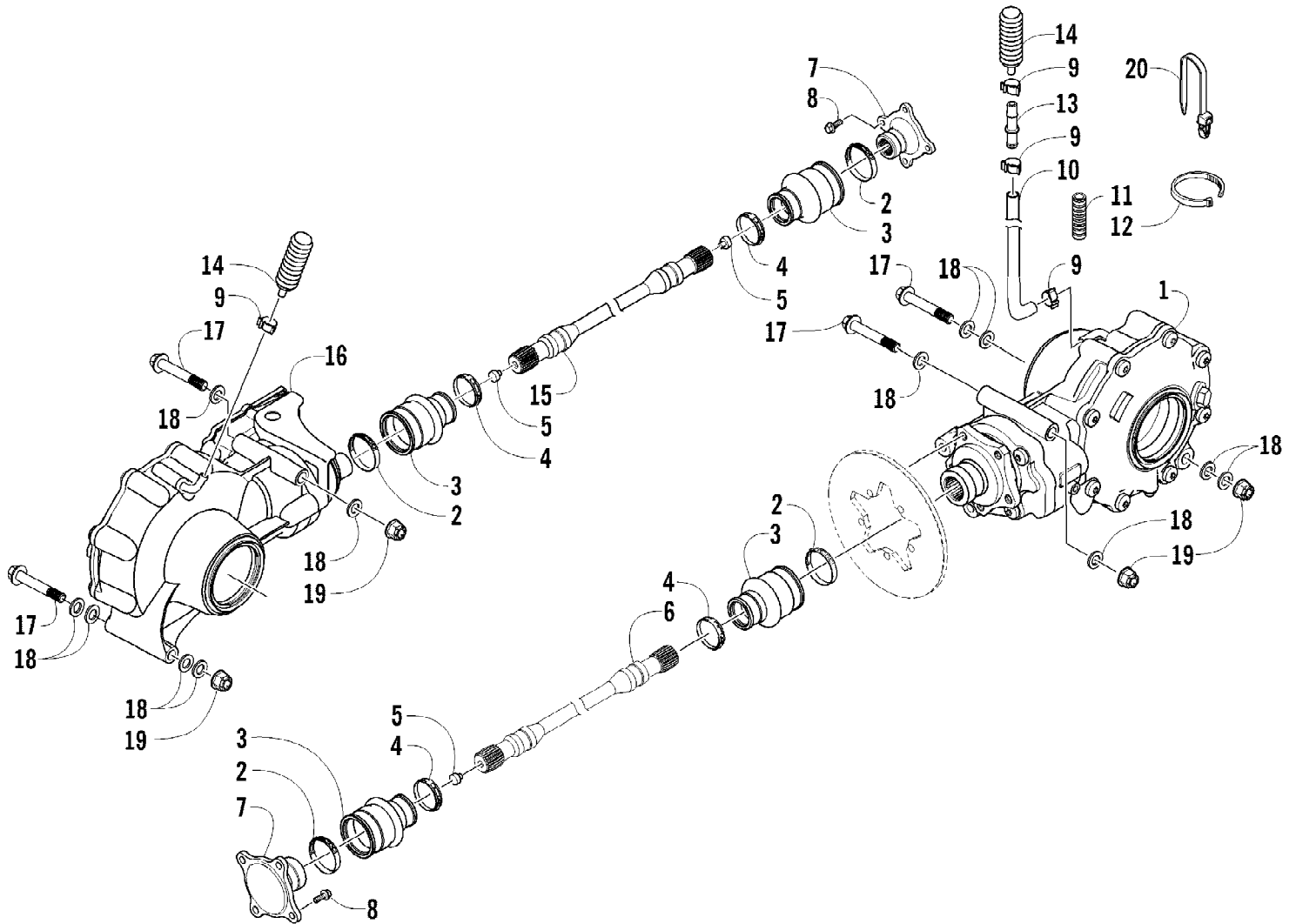
Ref #	Part Number	Qty	S/P/F	Description
1	0808-137	1		Head, Cylinder - Assembly (inc. 2-17)
2	0829-001	2	S	Pin, Dowel
3	0826-001	4		Screw, Cap
4	0809-205	1	S	Arm, Valve Rocker - Exhaust (inc. two No. 5-6)
5	0809-033	4	S	Screw, Adjuster
6	0827-007	4		Nut
7	0809-202	1	S	Arm, Valve Rocker - Intake (inc. two No. 5-6)
8	0809-007	1		Shaft, Rocker Arm - Intake
9	0809-008	1		Shaft, Rocker Arm - Exhaust
10	0809-014	8		Cotter, Valve
11	0809-013	4		Retainer, Spring
12	0809-138	4	S	Spring, Valve
13	0830-016	4	S	Seal, Oil
14	0809-006	4		Seat, Spring - Valve
15	0809-039	2	S	Valve, Intake
16	0809-040	2	S	Valve, Exhaust
17	0831-041	2		Plug, Shaft
18	0809-245	1	/P	Camshaft
19	0809-002	1		Sprocket
20	0826-034	2		Screw, Cap
21	0828-004	1		Plate, Retainer
22	0829-008	1		Pin, Dowel
23	0809-003	1		C-Ring
24	0808-077	1		Plug, Cylinder Head
25	0826-007	6		Screw, Cap
26	0808-003	2		Cap, Inspection
27	0830-167	2	/P	O-Ring
28	0808-037	4	/P	Screw, Cap
29	0830-147	4	/P	Washer
30	0830-107	4		Gasket
31	0826-002	2		Screw, Cap
32	0826-005	2		Screw, Cap
33	0826-006	2		Screw, Cap
34	0217-799	1	/P/F	Spark Plug
35	0470-668	1		Flange, Intake Manifold
36	0830-090	1		O-Ring
37	0826-008	2		Screw, Machine
38	0470-669	1	S	Boot
39	0423-066	1		Clamp
40	0808-008	1		Cover, Thermostat
41	0808-078	1		Thermostat
42	0808-124	1		Sensor, Engine Coolant Temperature
43	0827-031	1		Bolt, Stud
44	8424-804	1		Nut
45	0827-030	2		Bolt, Stud
46	8424-604	2		Nut



2010 PROWLER 550 XT 4X4 CAT GREEN (U2010P2O4EUSZ)
DASH ASSEMBLY

Page 30 of 89

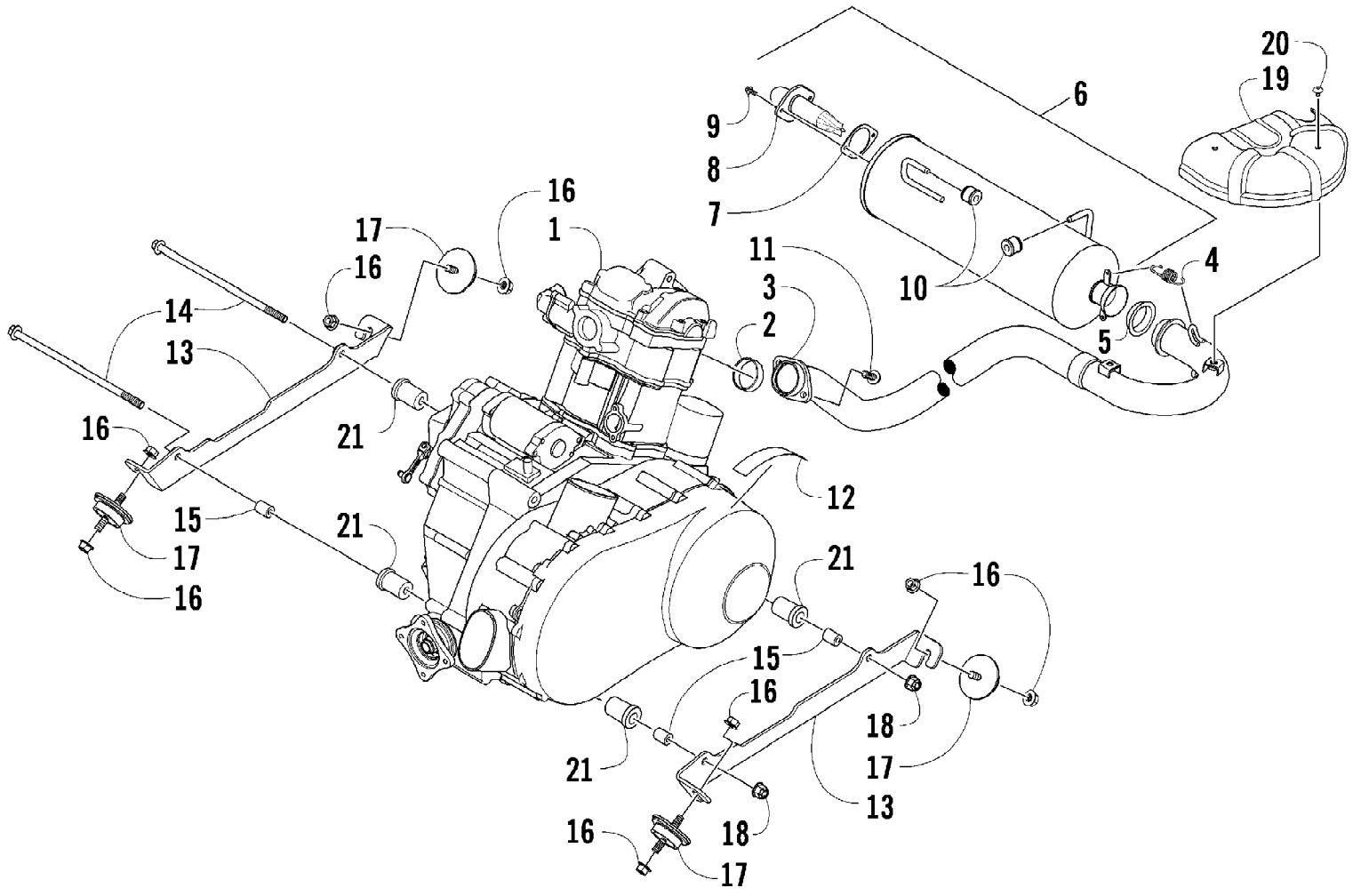
Ref #	Part Number	Qty	S/P/F	Description
1	2406-779	1		Panel, Dash
2	0623-784	AR		Screw, Self-Tapping
3	1623-697	1		Plug
4	0423-419	3		Screw, Machine
5	1411-904	1		Decal, Starting
6	1411-124	1		Decal, Warning - Differential Lock
7	0641-897	2	/P	Outlet, Accessory - 12V
8	0430-089	1	/P	Switch, Ignition (inc. 9-11)
9	0430-050	1		Nut, Flange - Ignition Switch
10	0430-042	1		Key, Ignition - Series (Y Series - Left-Side Cut)
10	0430-043	1		Key, Ignition - Series (Z Series - Right-Side Cut)
11	0430-054	1		Cover, Key
12	0420-076	1		Light, Indicator
13	0409-069	1		Panel, Switch-Mount
14	0409-067	1		Switch, Light
15	0409-061	1		Switch, 2WD/4WD/Differential Lock
16	0409-070	1		Plug, Switch Hole
17	0423-541	1		Grommet, Latch - Glove Box
18	2516-723	1	S	Cover, Glove Box (inc. 19)
19	2411-142	1	S	Decal, Warning - Passenger
20	1406-727	1		Pod, Instrument
21	1411-125	1		Decal, Warning - Dash
22	0423-342	6	/P	Screw, Self-Tapping
23	0520-077	1	F	Gauge, Analog/LCD
23	0520-072	1	F	Gauge, Analog/LCD
24	0420-065	1	/P	Bracket, Retaining
25	0423-493	2		Nut w/Washer
26	1623-031	AR		Screw, Self-Tapping
27	0623-228	AR		Spacer



2010 PROWLER 550 XT 4X4 CAT GREEN (U2010P2O4EUSZ)
DRIVE TRAIN ASSEMBLY

Page 32 of 89

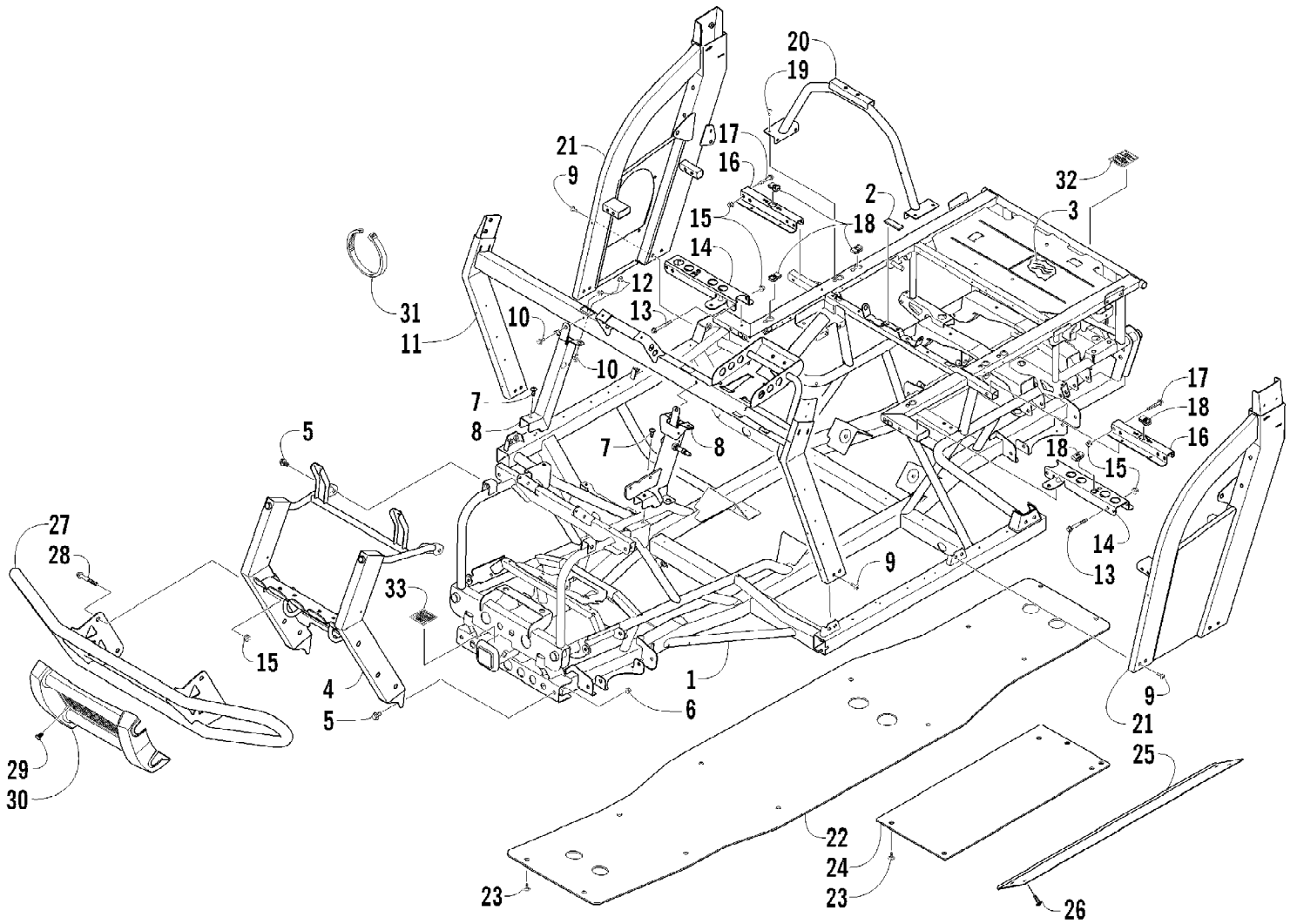
Ref #	Part Number	Qty	S/P/F	Description
1	1502-607	1		Gearcase, Rear
2	0423-393	4		Clamp
3	0402-985	4	/P	Boot, Coupler
4	0423-411	4		Clamp
5	0673-618	4	/P	Bumper, Driveshaft
6	1402-272	1		Shaft, Propeller - Rear
7	0402-950	2		Flange, Output
8	8408-820	8	/P	Screw, Cap
9	0423-670	4		Clamp, Hose
10	0410-070	AR	/P	Hose, Vent - 25 ft
11	0419-392	AR		Conduit - 3 ft
12	0123-788	AR	/P	Tie, Cable - 8 in.
13	0470-702	1	/P	Fitting, Vent
14	1402-620	2	/P	Bladder, Gearcase
15	1402-271	1		Shaft, Propeller - Front
16	1502-400	1		Gearcase, Front
17	0423-404	4		Screw, Cap
18	0423-426	12		Washer
19	8428-002	4		Nut, Lock
20	0423-075	AR		Tie, Cable - Push-Mount



2010 PROWLER 550 XT 4X4 CAT GREEN (U2010P2O4EUSZ)
ENGINE AND EXHAUST

Page 34 of 89

Ref #	Part Number	Qty	S/P/F	Description
1	0800-091	1		Engine, A550G
2	0412-338	1	/P	Gasket, Exhaust Pipe
3	0512-427	1		Pipe, Exhaust
4	0612-668	2	/P	Spring
5	0412-375	1	/P	Seal, Exhaust
6	0512-401	1		Muffler - Assembly (inc. 7-9)
7	0412-438	1		Gasket, Spark Arrester
8	0512-432	1		Spark Arrester Assembly
9	8408-616	2		Screw, Cap
10	0412-215	2	S	Bushing
11	8408-820	2	/P	Screw, Cap
12	0411-426	1		Decal, Warning - Clutch Cover
13	1506-998	1		Bracket, Engine - Right
13	1506-999	1		Bracket, Engine - Left
14	0423-537	2	S	Screw, Cap
15	1423-025	3	/P	Spacer, Engine Mount
16	8424-002	8		Nut
17	0408-014	4		Mount, Engine
18	8428-002	2		Nut, Lock
19	0412-462	1		Shield, Heat
20	8477-610	2		Screw, Machine
21	0801-180	4	/P	Bushing, Engine Mount

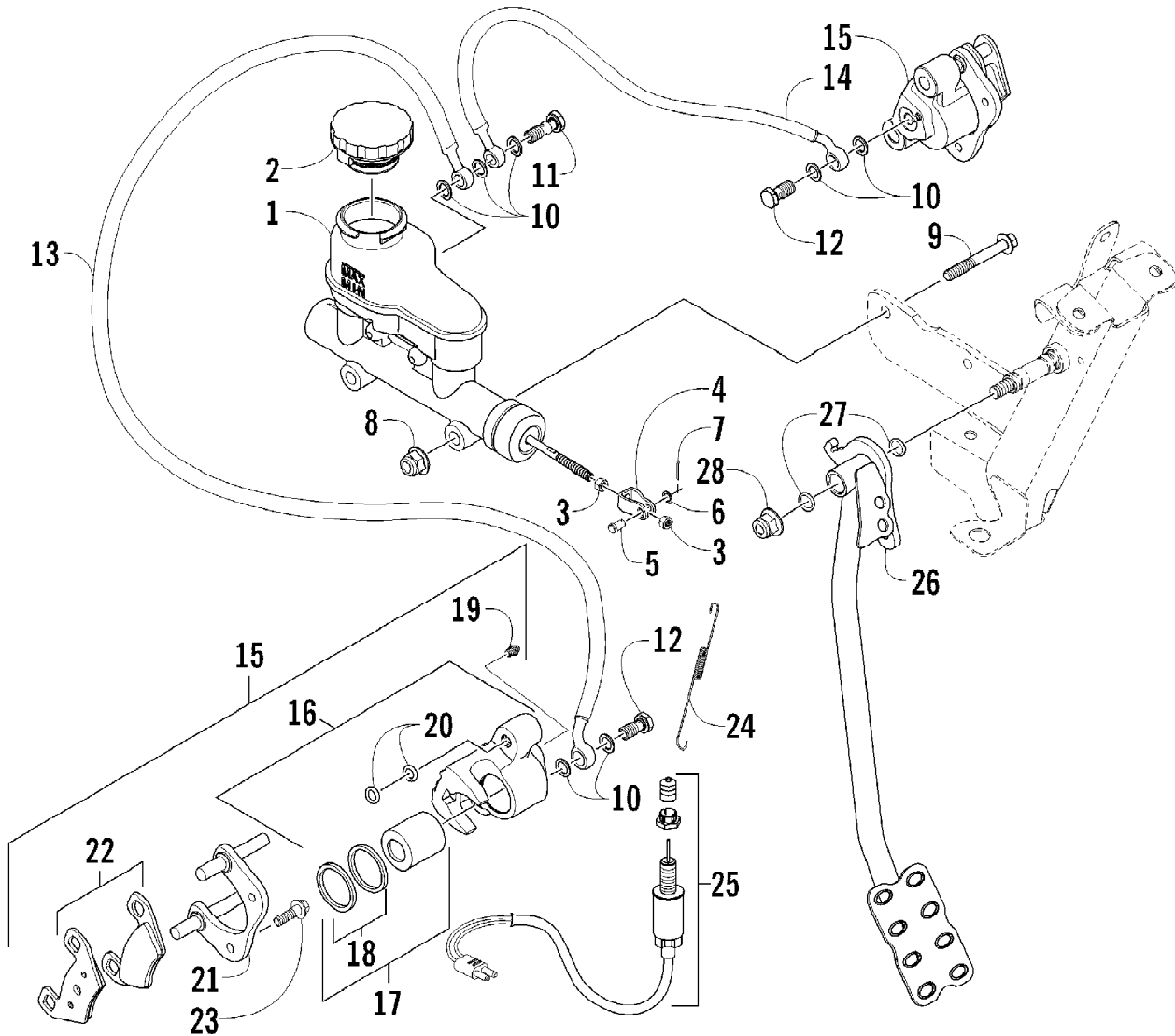


2010 PROWLER 550 XT 4X4 CAT GREEN (U2010P2O4EUSZ)
FRAME AND RELATED PARTS

Page 36 of 89

Ref #	Part Number	Qty	S/P/F	Description
1	2516-497	1	/P	Frame, Main (inc. 2-3)
2	0406-879	1		Bumper, Seat
3	0412-461	1		Foil, Protective
4	2516-558	1	/P	Bracket, Mounting - Bumper
5	8409-020	4	/P	Screw, Cap
6	8427-002	2		Nut, Lock
7	8476-820	2		Screw, Machine
8	1506-797	1		Bracket, Steering Support - Right
8	0502-853	1		Bracket, Steering Support - Left
9	0423-817	12		Screw, Machine
10	8408-820	6	/P	Screw, Cap
11	0505-623	1		Support, Steering
12	8424-802	6		Nut
13	8408-870	6		Screw, Cap
14	1506-844	1		Bracket, Seat Support - Front - Right
14	1506-845	1		Bracket, Seat Support - Front - Left
15	8427-802	16		Nut, Lock
16	1506-842	2		Bracket, Seat Support - Rear
17	8408-850	6		Screw, Cap
18	0423-577	12		Clip, U-Nut
19	8476-616	4		Screw, Machine
20	2506-638	1		Support, Canopy
21	2516-604	1		Support, Overhead - Right
21	2516-605	1		Support, Overhead - Left
22	1406-720	1		Plate, Skid - Center
23	0423-545	20	/P	Screw, Shoulder
24	1406-721	2		Panel, Belly - Side
25	2506-612	2		Plate, Skid - Side
26	0423-849	8		Screw, Self-Tapping
27	2506-779	1		Bumper
28	8408-860	4		Screw, Cap
29	8477-616	4		Screw, Machine
30	2406-713	1		Fascia, Bumper - Front
31	0123-788	AR	/P	Tie, Cable - 8 in.
32	1411-123	1		Decal, Warning - Towing - Rear
33	1411-122	1		Decal, Warning - Towing - Front

2010 PROWLER 550 XT 4X4 CAT GREEN (U2010P2O4EUSZ)
FRONT BRAKE ASSEMBLY

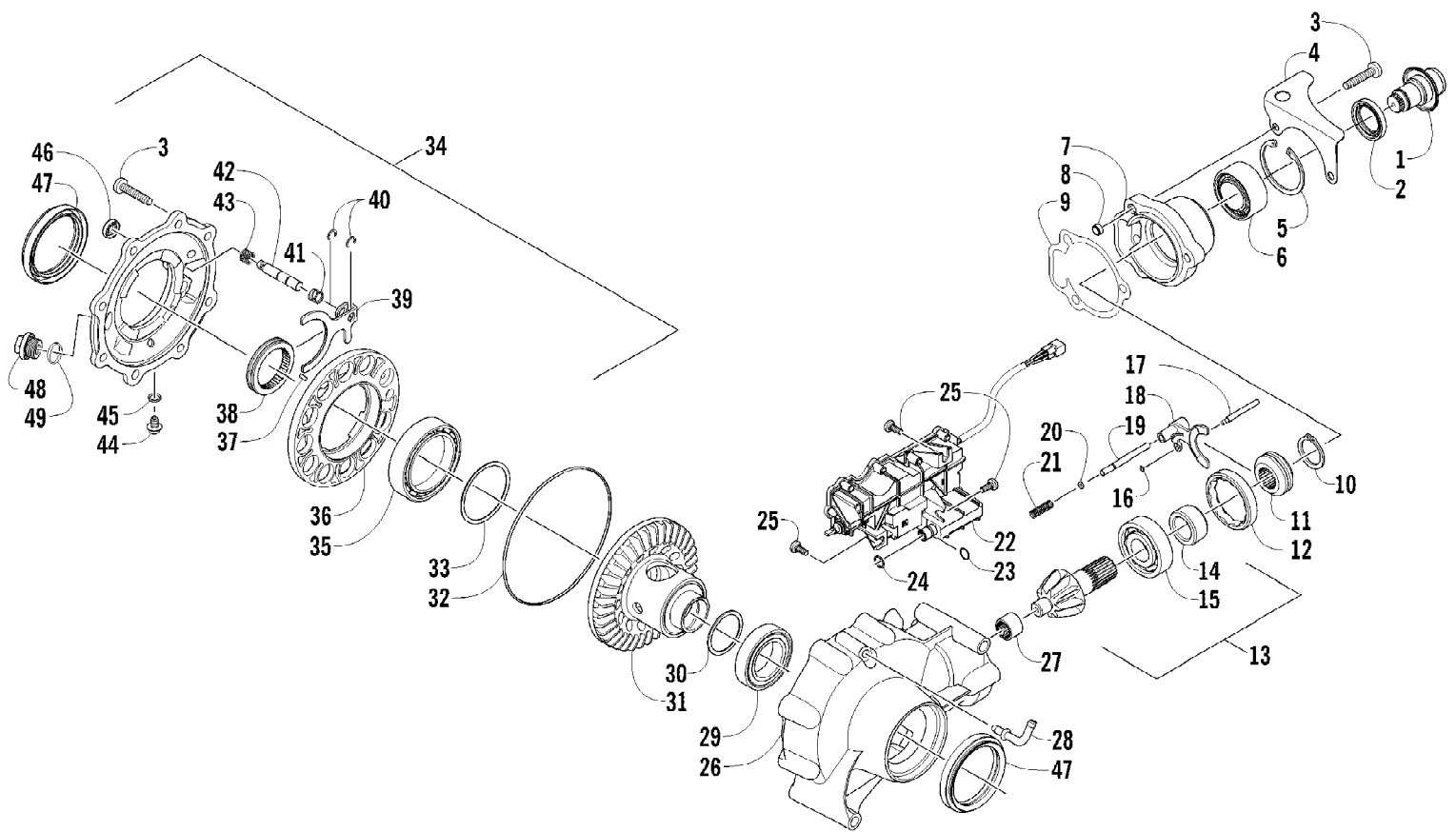


2010 PROWLER 550 XT 4X4 CAT GREEN (U2010P2O4EUSZ)
FRONT BRAKE ASSEMBLY

Page 38 of 89

Ref #	Part Number	Qty	S/P/F	Description
1	0502-786	1		Cylinder, Master Brake - Assembly (inc. 2-4)
2	0405-225	1		Cap, Reservoir
3	0402-592	2		Nut
4	1402-520	1		Clevis
5	1402-377	1		Pin, Clevis
6	8050-217	1	/P	Washer
7	0117-868	1		Pin, Cotter
8	8424-802	2		Nut
9	8408-860	2		Screw, Cap
10	0423-178	7		Washer, Crush
11	0423-610	1		Bolt, Double Banjo-Fitting
12	0423-413	2		Bolt, Banjo-Fitting
13	1402-389	1		Hose, Brake - Front
14	1402-290	1		Hose, Brake - Front Right
15	1502-730	1	/P	Caliper, Brake - Front Right (inc. 16-22)
15	1502-731	1	/P	Caliper, Brake - Front Left (inc. 16-22)
16	1436-160	1	/P	Housing, Caliper - Assembly - Front Right (inc. 17-19)
16	1436-161	1	/P	Housing, Caliper - Assembly - Front Left (inc. 17-19)
17	0502-606	2		Piston/Seal Set (inc. 18)
18	0502-607	2		Seal Set
19	0502-609	2	/P	Valve, Bleed
20	0502-608	2		O-Ring, Guide - Set
21	0502-960	2		Bracket Assembly
22	1502-694	2	S	Pad, Brake - Set
23	8408-826	4		Screw, Cap
24	0502-785	1		Spring, Brake Switch
25	0409-089	1		Switch, Brake - Assembly
26	1502-692	1		Lever, Brake
27	1602-213	2	/P	O-Ring
28	8427-002	1		Nut, Lock

2010 PROWLER 550 XT 4X4 CAT GREEN (U2010P2O4EUSZ)
FRONT DRIVE GEARCASE ASSEMBLY



2010 PROWLER 550 XT 4X4 CAT GREEN (U2010P2O4EUSZ)
FRONT DRIVE GEARCASE ASSEMBLY

Page 40 of 89

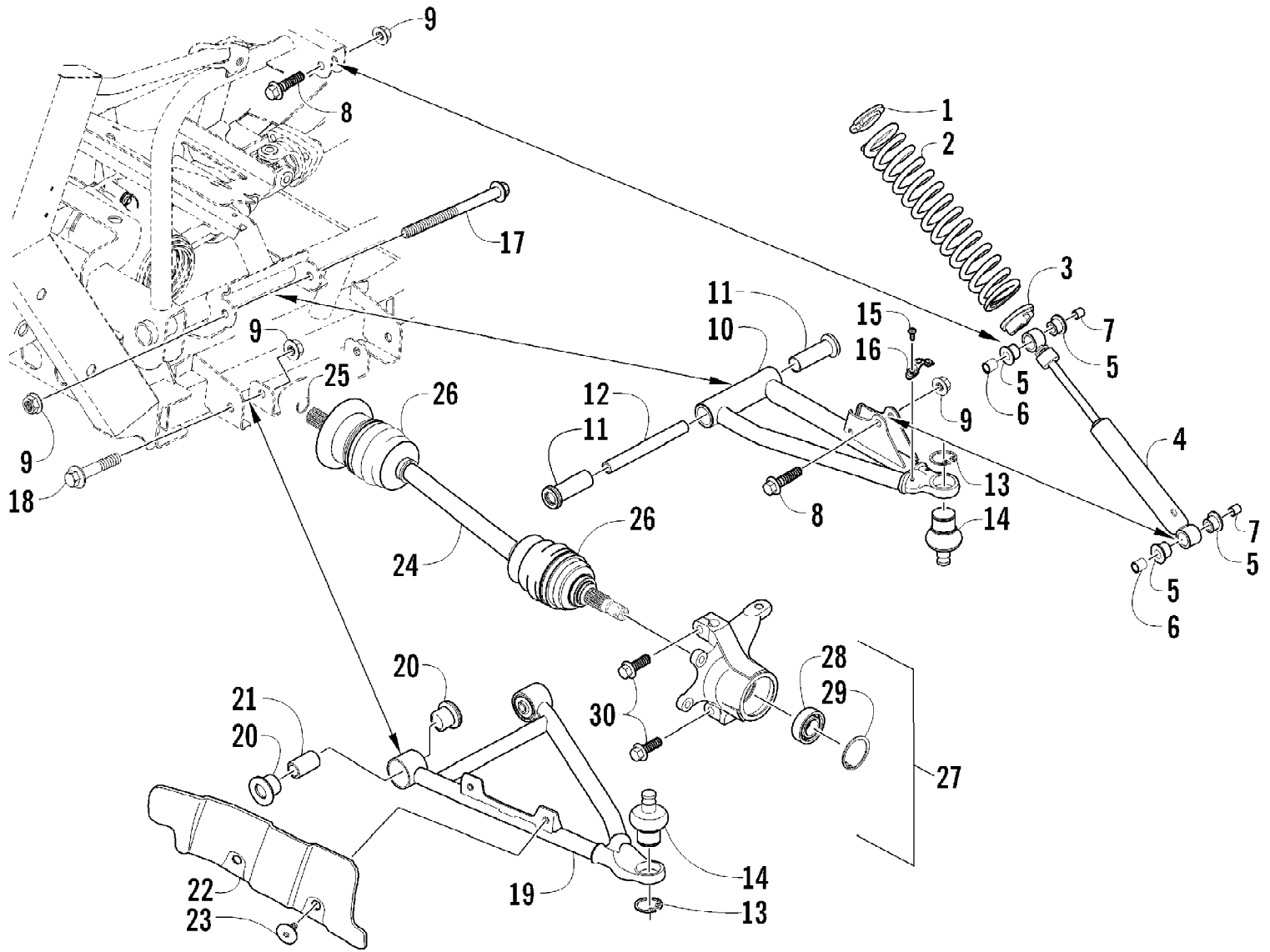
Ref #	Part Number	Qty	S/P/F	Description
	1502-400	1		Complete Front Drive Gearcase Assembly
1	1502-085	1	/P	Shaft, Input - Assembly
2	1402-011	1		Seal
3	0423-118	11		Screw, Self-Tapping
4	1502-237	1		Bracket, Actuator
5	0423-423	1		Ring, Retaining
6	1402-043	1		Bearing
7	0502-528	1	/P	Housing, Pinion
8	0402-411	1		Pin, Dowel
9	0402-947	1		Gasket
10	0423-417	1		Ring, Retaining
11	0402-413	1		Coupler, Drive
12	0402-357	1		Collar, Lock
13	0502-649	1		Gear, Pinion - Assembly - 9T (inc. 14-15)
14	0402-336	1		Collar, Retaining
15	0402-327	1		Bearing
16	0423-402	1		Ring, Retaining
17	0402-997	1		Shaft, Selector
18	0402-998	1		Fork, Selector
19	0402-417	1		Shaft, Shuttle
20	0423-147	1		O-Ring
21	0402-999	1		Spring, Return
22	0502-585	1	S	Actuator (inc. 23)
23	1402-981	1		O-Ring
24	0423-892	1	/P	O-Ring
25	0423-396	3		Screw, Self-Tapping
26	0502-548	1		Housing, Gearcase
27	0402-328	1		Bearing
28	1402-442	1		Fitting, Elbow
29	0402-393	1		Bearing
30	0402-405	AR		Shim, 41 x 49 x 1.3 mm
30	0402-406	AR		Shim, 41 x 49 x 1.4 mm
30	0402-407	AR		Shim, 41 x 49 x 1.5 mm
30	0402-408	AR		Shim, 41 x 49 x 1.6 mm
30	0402-409	AR		Shim, 41 x 49 x 1.7 mm
31	1502-556	1	/P	Gear, Ring - 36T
32	0423-149	1		O-Ring
33	1402-074	AR		Shim, 61 x 69 x 1.3 mm
33	1402-075	AR		Shim, 61 x 69 x 1.4 mm
33	1402-076	AR		Shim, 61 x 69 x 1.5 mm
33	1402-077	AR		Shim, 61 x 69 x 1.6 mm
33	1402-078	AR		Shim, 61 x 69 x 1.7 mm
34	1502-238	1		Cover, Gearcase (inc. 35-46 and one No. 47)
35	1402-053	1		Bearing
36	0502-413	1		Flange, Bearing
37	1402-079	1		Pin
38	1402-042	1		Collar, Sliding
39	1402-054	1		Fork
40	1402-058	2		Ring, Retaining
41	1402-057	1		Spring
42	1402-656	1		Shaft, Lock
43	1402-063	1		Spring
44	1402-210	1	/P	Pin, Drain (inc. 45)

2010 PROWLER 550 XT 4X4 CAT GREEN (U2010P2O4EUSZ)
FRONT DRIVE GEARCASE ASSEMBLY

Page 41 of 89

Ref #	Part Number	Qty	S/P/F	Description
45	0423-153	1		O-Ring
46	1402-056	1		Seal
47	1402-713	2	S	Seal
48	0402-333	1	/P	Plug, Drain (inc. 49)
49	0423-154	1		O-Ring

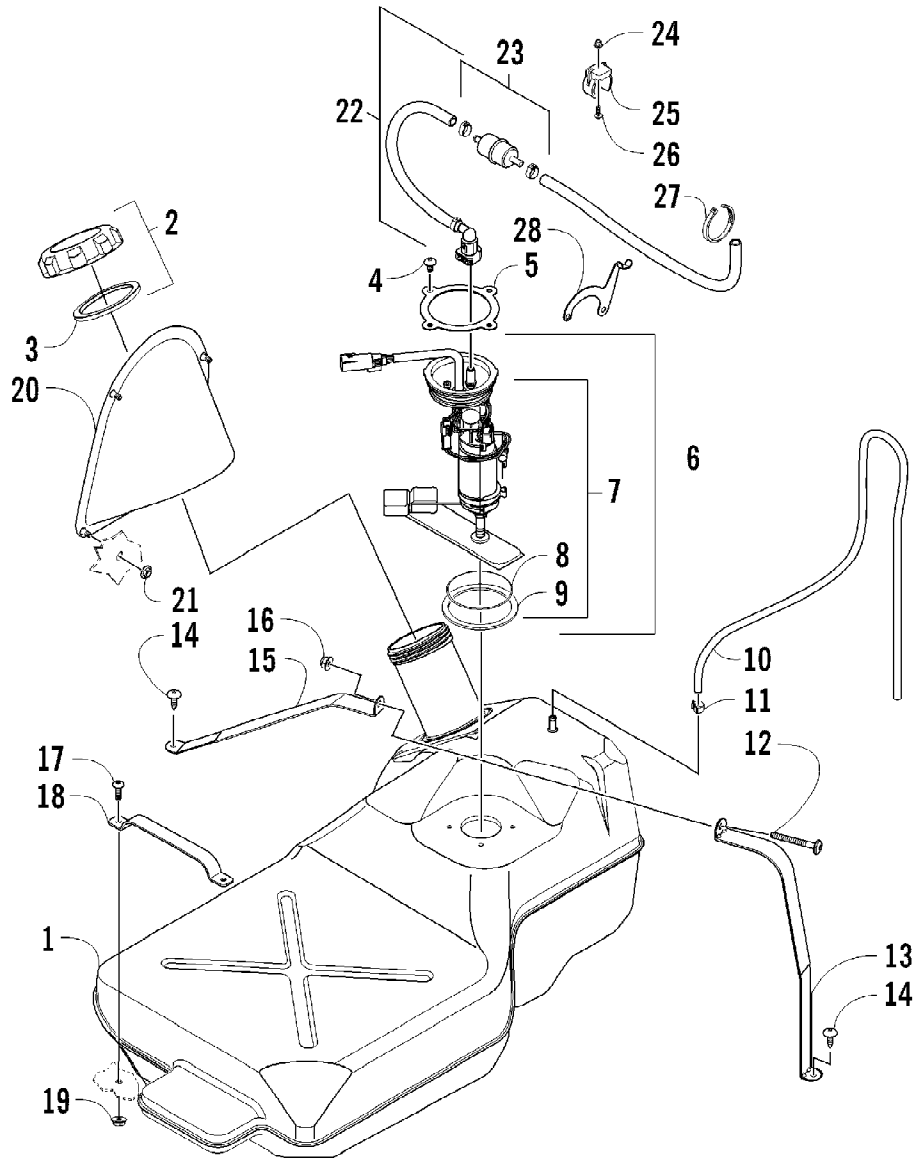
2010 PROWLER 550 XT 4X4 CAT GREEN (U2010P2O4EUSZ)
FRONT SUSPENSION ASSEMBLY



2010 PROWLER 550 XT 4X4 CAT GREEN (U2010P2O4EUSZ)
FRONT SUSPENSION ASSEMBLY

Page 43 of 89

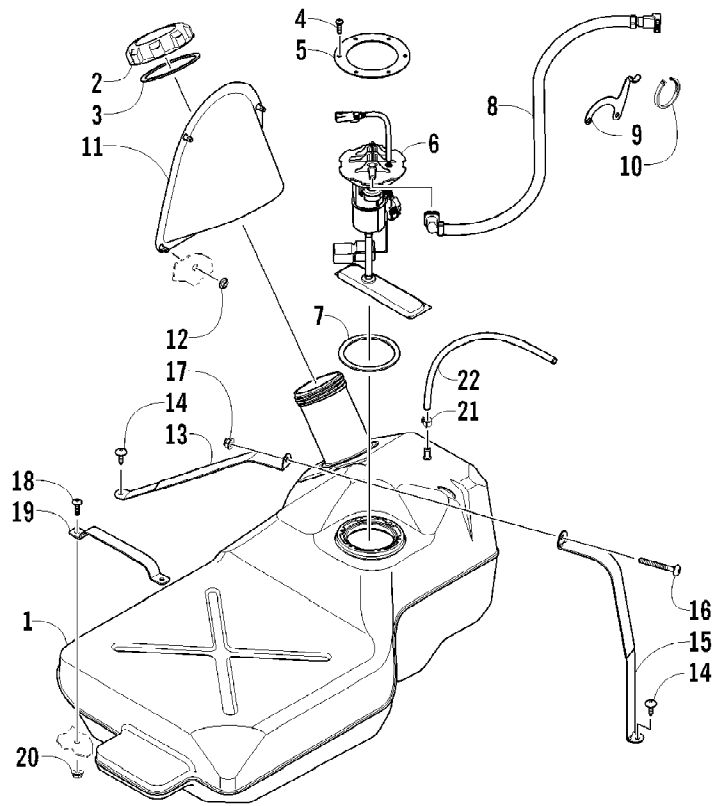
Ref #	Part Number	Qty	S/P/F	Description
1	1603-889	2	/P	Retainer, Spring
2	0503-402	2		Spring, Suspension
3	0403-102	2		Cam, Spring Adjuster
4	0403-147	2		Shock Absorber (inc. 5-6)
5	0603-955	8		Bushing
6	1603-209	4		Sleeve
7	0404-116	4		Sleeve
8	8409-040	4		Screw, Cap
9	8428-002	10		Nut, Lock
10	0503-420	1	/P	A-Arm, Upper Right (inc. 11-14)
10	0503-421	1	/P	A-Arm, Upper Left (inc. 11-14)
11	0403-207	4	/P	Bushing
12	0403-080	2		Axle
13	0423-009	4	/P	Ring, Retaining
14	0405-115	4	/P	Ball Joint
15	0423-946	4		Screw, Self-Tapping
16	1502-594	2		Clamp, Routing
17	0423-723	2		Screw, Cap
18	8409-075	4		Screw, Cap
19	0503-380	1	/P	A-Arm, Lower Right (inc. 13-14 and 20-21)
19	0503-381	1	/P	A-Arm, Lower Left (inc. 13-14 and 20-21)
20	0403-208	8	/P	Bushing
21	0403-214	4	/P	Axle
22	0441-756	1		Guard, Boot - Right
22	0441-757	1		Guard, Boot - Left
23	0423-545	4	/P	Screw, Shoulder
24	1502-348	1	/P	Axle - Front - Locking - Right (inc. 25-26)
24	1502-347	1	S	Axle - Front - Left (inc. 25-26)
25	0423-844	2	/P	Ring, Retaining
26	0436-276	2	S	Repair Kit, Boot - Front Axle
27	0505-580	1	/P	Knuckle - Assembly - Right (inc. 28-29)
27	0505-581	1	/P	Knuckle - Assembly - Left (inc. 28-29)
28	1402-809	2	/P	Bearing
29	0423-423	2		Ring, Retaining
30	8409-030	4		Screw, Cap



2010 PROWLER 550 XT 4X4 CAT GREEN (U2010P2O4EUSZ)
GAS TANK ASSEMBLY UP TO VIN: 302024

Page 45 of 89

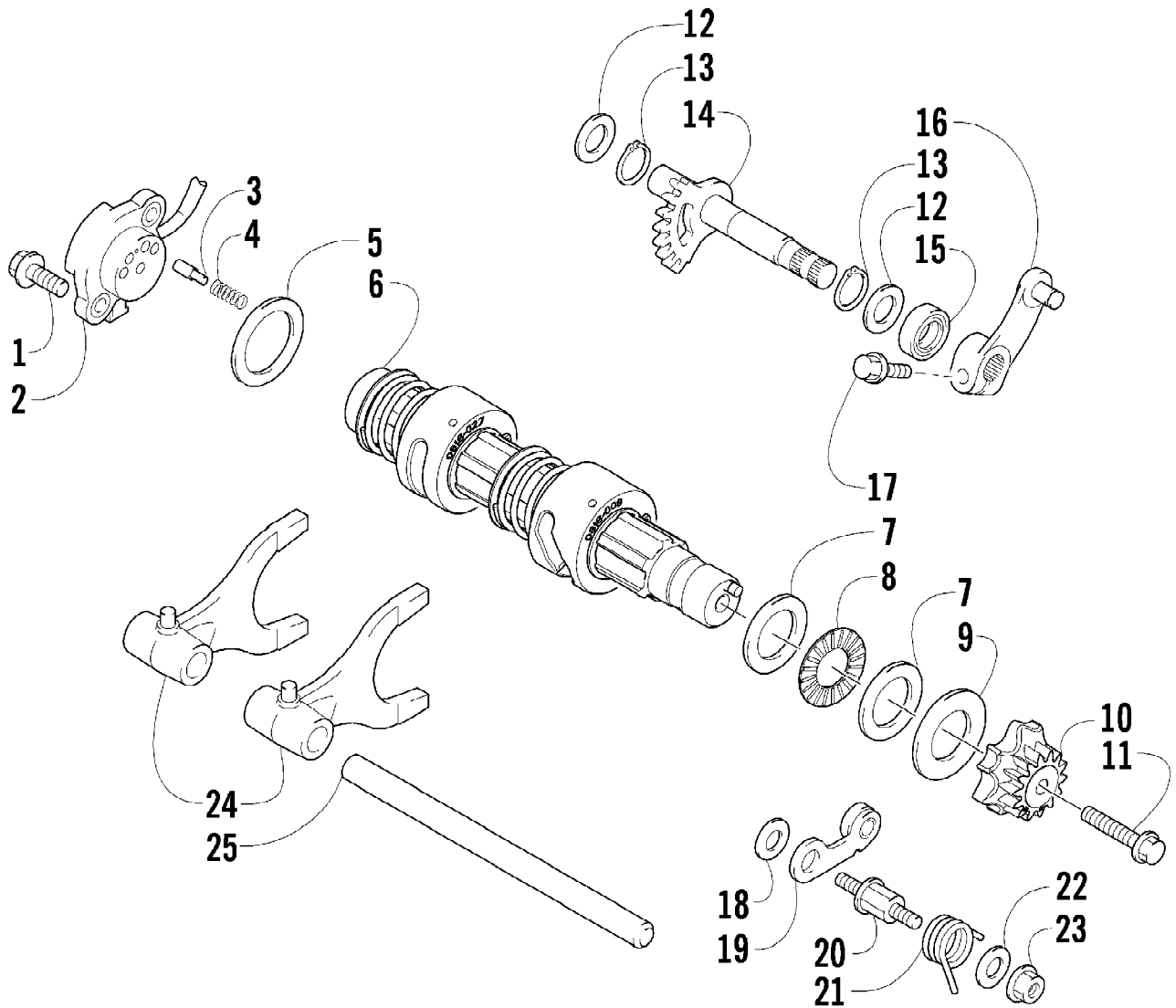
Ref #	Part Number	Qty	S/P/F	Description
1	0570-203	1		Tank, Gas - Assembly (inc. 2-5)
2	0470-541	1	/P	Cap, Gas Tank (inc. 3)
3	1670-228	1		Seal, Gas Tank Cap
4	8476-612	4		Screw, Machine
5	0470-606	1		Plate, Mounting - Fuel Level Sensor
6	0570-272	1	/P	Pump, Fuel - Assembly (inc. 7-9)
7	0570-256	1	/P	Sensor, Fuel Level - Kit (inc. 8-9)
8	0470-614	1		Seal, Fuel Pump
9	0470-613	1		Seal, Fuel Pump
10	0410-070	AR	/P	Hose, Gasline - 25 ft
11	0423-688	1		Clamp, Hose
12	8476-650	1		Screw, Machine
13	0470-830	1		Bracket, Hold-Down - Left
14	0623-784	2		Screw, Self-Tapping
15	0470-829	1		Bracket, Hold-Down - Right
16	8427-602	1		Nut, Lock
17	8476-620	2		Screw, Machine
18	0470-544	1		Bracket, Hold-Down - Front
19	0623-038	2		Nut w/Washer
20	1406-886	1		Insert, Gas Tank Cap
21	0423-357	4		Nut, Stamped
22	0570-245	1		Hose, Gasline - Assembly (inc. 23)
23	0570-246	1		Filter, Fuel - Kit
24	8427-502	1		Nut, Lock
25	1670-826	1		Bracket, Fuel Filter
26	8470-520	1		Screw, Machine
27	0123-788	AR	/P	Tie, Cable - 8 in.
28	0470-796	1		Bracket, Support - Gasline Hose



2010 PROWLER 550 XT 4X4 CAT GREEN (U2010P2O4EUSZ)
 GAS TANK ASSEMBLY VIN: 302025 AND UP

Page 47 of 89

Ref #	Part Number	Qty	S/P/F	Description
1	0570-309	1		Tank, Gas - Assembly (inc. 2-5)
2	0470-541	1	/P	Cap, Gas Tank (inc. 3)
3	1670-228	1		Gasket, Gas Tank Cap
4	0423-898	6		Screw, Self-Tapping
5	2670-042	1		Plate, Retaining
6	0570-334	1	/P	Pump, Fuel - Assembly (inc. 7)
7	0470-838	1		Seal
8	0470-745	1		Hose, Gasline
9	0470-796	1		Bracket, Support - Gasline Hose
10	0123-788	AR	/P	Tie, Cable - 8 in.
11	1406-886	1		Insert, Gas Tank Cap
12	0423-357	4		Nut, Stamped
13	0470-829	1		Bracket, Hold-Down - Right
14	0623-784	2		Screw, Self-Tapping
15	0470-830	1		Bracket, Hold-Down - Left
16	8476-650	1		Screw, Machine
17	8427-602	1		Nut, Lock
18	8476-620	2		Screw, Machine
19	0470-544	1		Bracket, Hold-Down - Front
20	0623-038	2		Nut w/Washer
21	0423-688	1		Clamp, Hose
22	0410-070	AR	/P	Hose, Gasline - 25 ft

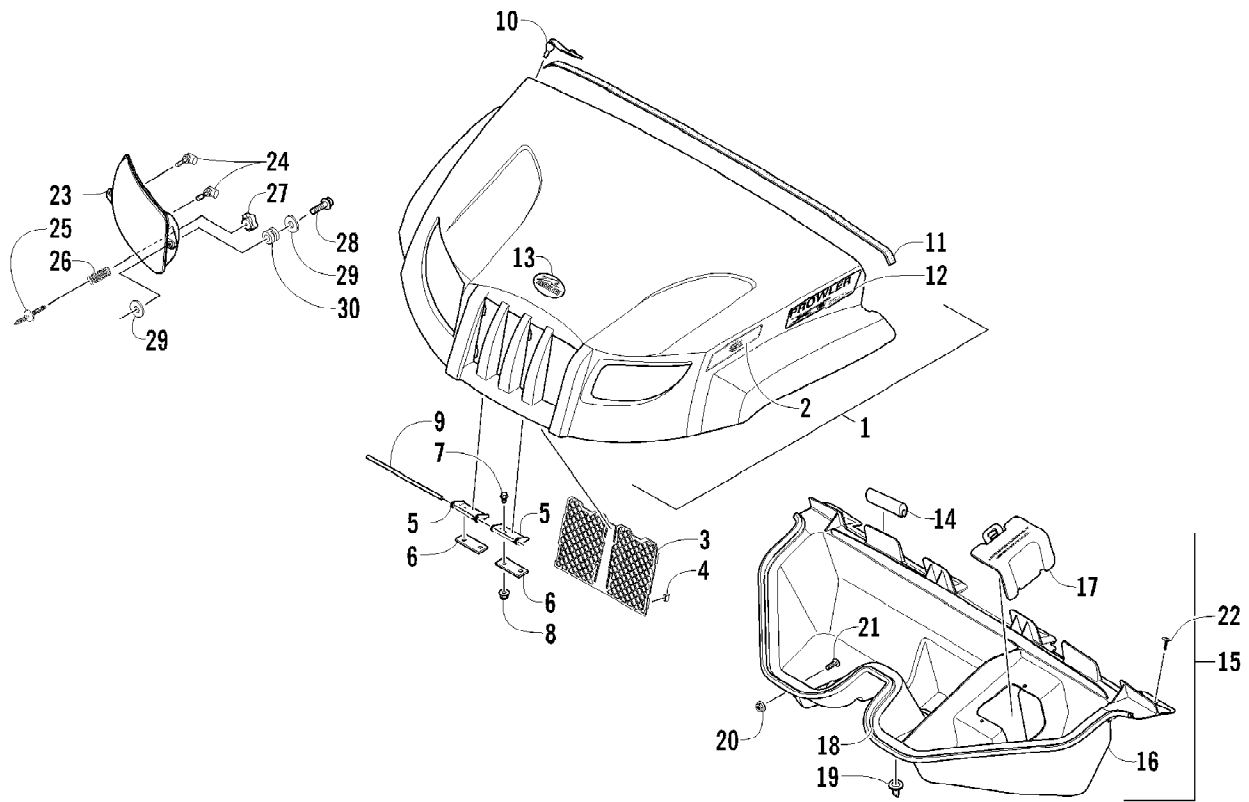


2010 PROWLER 550 XT 4X4 CAT GREEN (U2010P2O4EUSZ)
GEAR SHIFTING ASSEMBLY

Page 49 of 89

Ref #	Part Number	Qty	S/P/F	Description
1	8470-520	2		Screw, Machine
2	0409-090	1	/P	Switch, Gear Position
3	0818-013	2		Contact
4	0818-017	2		Spring
5	0828-040	1		Washer
6	0818-046	1		Shaft, Gear Shift - Assembly
7	0828-095	2		Washer
8	0832-052	1	/P	Bearing, Thrust
9	0828-037	1		Washer
10	0818-089	1	/P	Plate, Gear Shift Cam
11	0826-006	1		Screw, Cap
12	0828-036	2		Washer
13	0831-010	2		Ring, Retaining
14	0818-007	1	/P	Shaft, Sub-Gear Shift
15	0830-044	1		Seal, Sub-Gear Shift Shaft
16	0818-014	1		Arm, Select
17	8468-620	1	/P	Screw, Machine
18	0828-038	1		Washer
19	0818-002	1		Stopper, Cam
20	0818-004	1		Support, Cam Stopper
21	0818-090	1		Spring
22	0828-035	1		Washer
23	8424-602	1	/P	Nut
24	0818-072	2	/P	Fork, Shift
25	0818-006	1		Shaft, Shift Fork

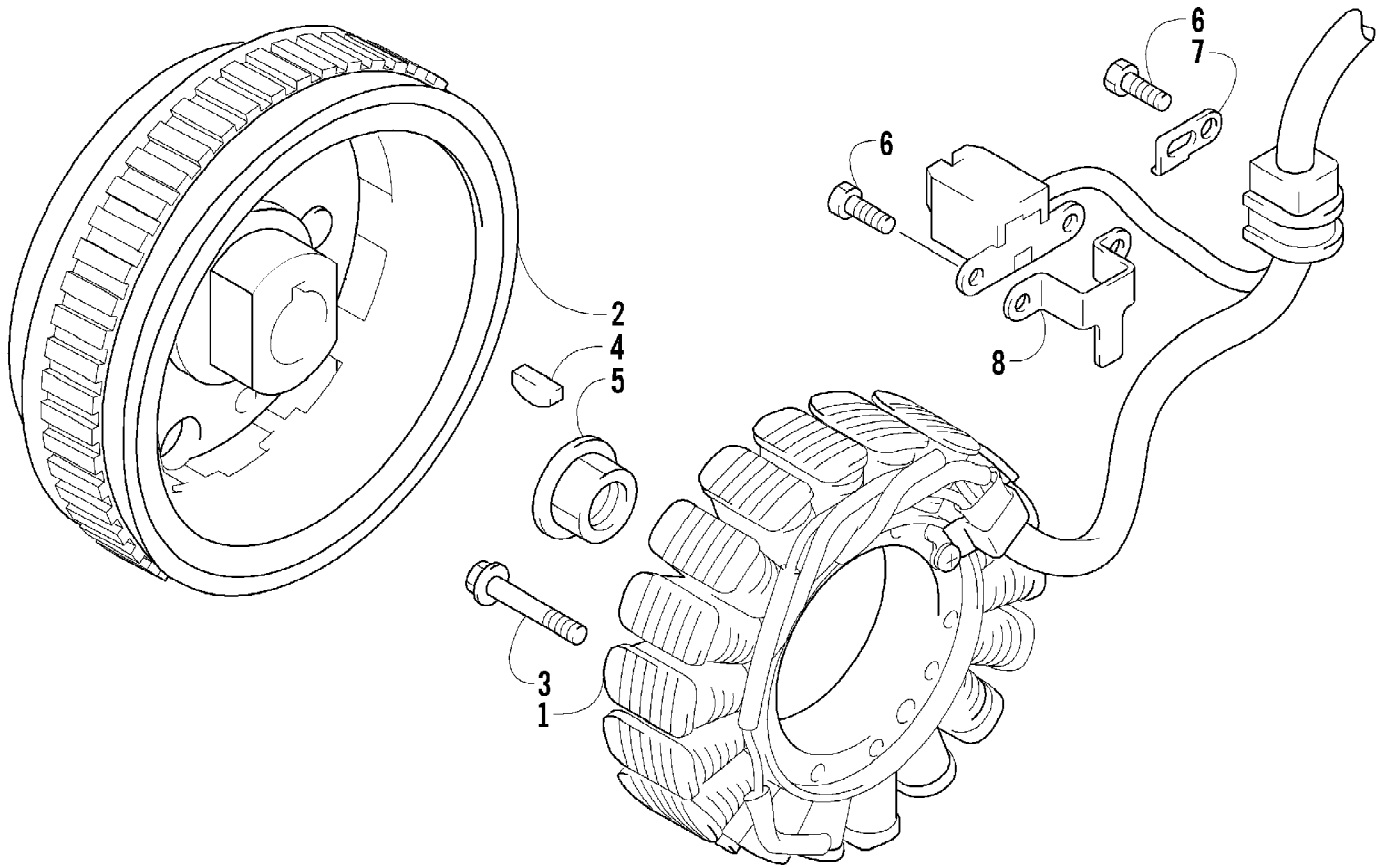
2010 PROWLER 550 XT 4X4 CAT GREEN (U2010P2O4EUSZ)
HOOD AND HEADLIGHT ASSEMBLY



2010 PROWLER 550 XT 4X4 CAT GREEN (U2010P2O4EUSZ)
HOOD AND HEADLIGHT ASSEMBLY

Page 51 of 89

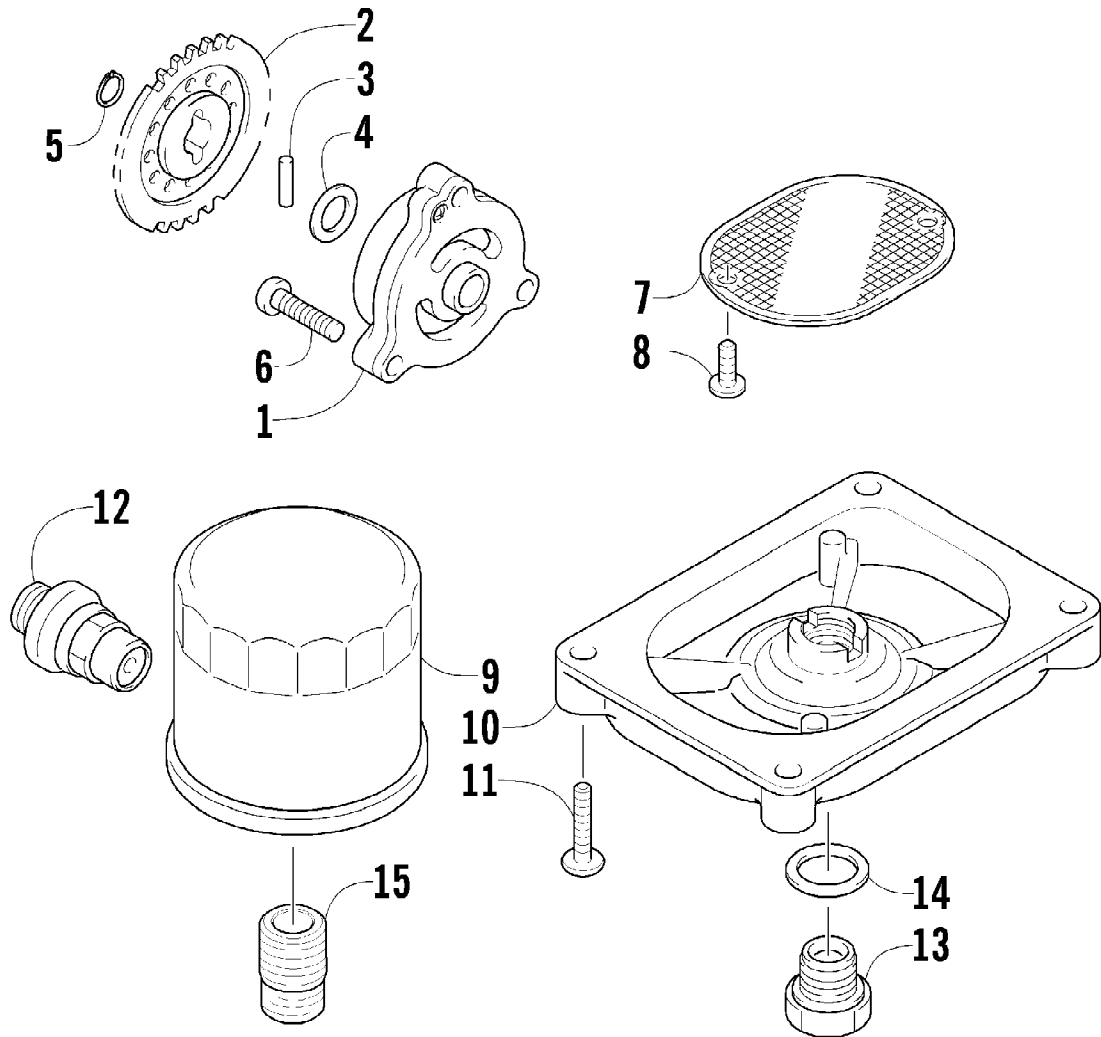
Ref #	Part Number	Qty	S/P/F	Description
1	2506-684	1	/P	Hood - Assembly (inc. 2)
2	0411-818	1		Decal, Reflector - Right
2	0411-819	1		Decal, Reflector - Left
3	1406-733	1	/P	Screen, Grille
4	0123-987	8		Clip, U
5	2516-606	2		Bracket, Hood
6	2506-868	AR		Shim, Hood
7	8408-820	4	/P	Screw, Cap
8	8427-802	4		Nut, Lock
9	1406-915	1		Pin, Hood
10	2606-624	2		Strap, Hold-Down
11	0417-013	1		Trim, Hood/Dash
12	2411-134	1		Decal, Hood - "Prowler XT" - Right
12	2411-135	1		Decal, Hood - "Prowler XT" - Left
13	1411-789	1		Decal, Hood
14	0417-014	AR		Trim, Dash Support
15	2516-224	1	S/P	Storage, Under-Hood - Assembly (inc. 16-19)
16	2416-041	1		Box, Storage
17	1406-944	1		Cover, Access - Master Cylinder
18	1406-946	1		Seal, Storage Box
19	0470-442	1	/P	Valve, Drain
20	8424-602	2	/P	Nut
21	8476-616	2		Screw, Machine
22	0423-545	4	/P	Screw, Shoulder
23	0509-044	1	/P	Headlight Assembly - Right (inc. 24)
23	0509-035	1		Headlight Assembly - Left (inc. 24)
24	0409-055	4		Bulb, Headlight
25	0423-514	2		Stud, Adjuster
26	0423-522	2		Spring, Adjuster
27	0423-513	2		Knob, Adjuster
28	0623-785	4		Screw, Self-Tapping
29	8050-217	8	/P	Washer
30	0423-447	4		Grommet



2010 PROWLER 550 XT 4X4 CAT GREEN (U2010P2O4EUSZ)
MAGNETO ASSEMBLY

Page 53 of 89

Ref #	Part Number	Qty	S/P/F	Description
1	0802-041	1		Stator - Assembly
2	0802-048	1		Rotor/Flywheel
3	0826-102	3		Screw, Machine
4	0829-012	1		Key
5	0827-014	1		Nut
6	8470-510	3		Screw, Machine
7	0802-015	1		Clamp - No. 1
8	0802-016	1		Clamp - No. 2

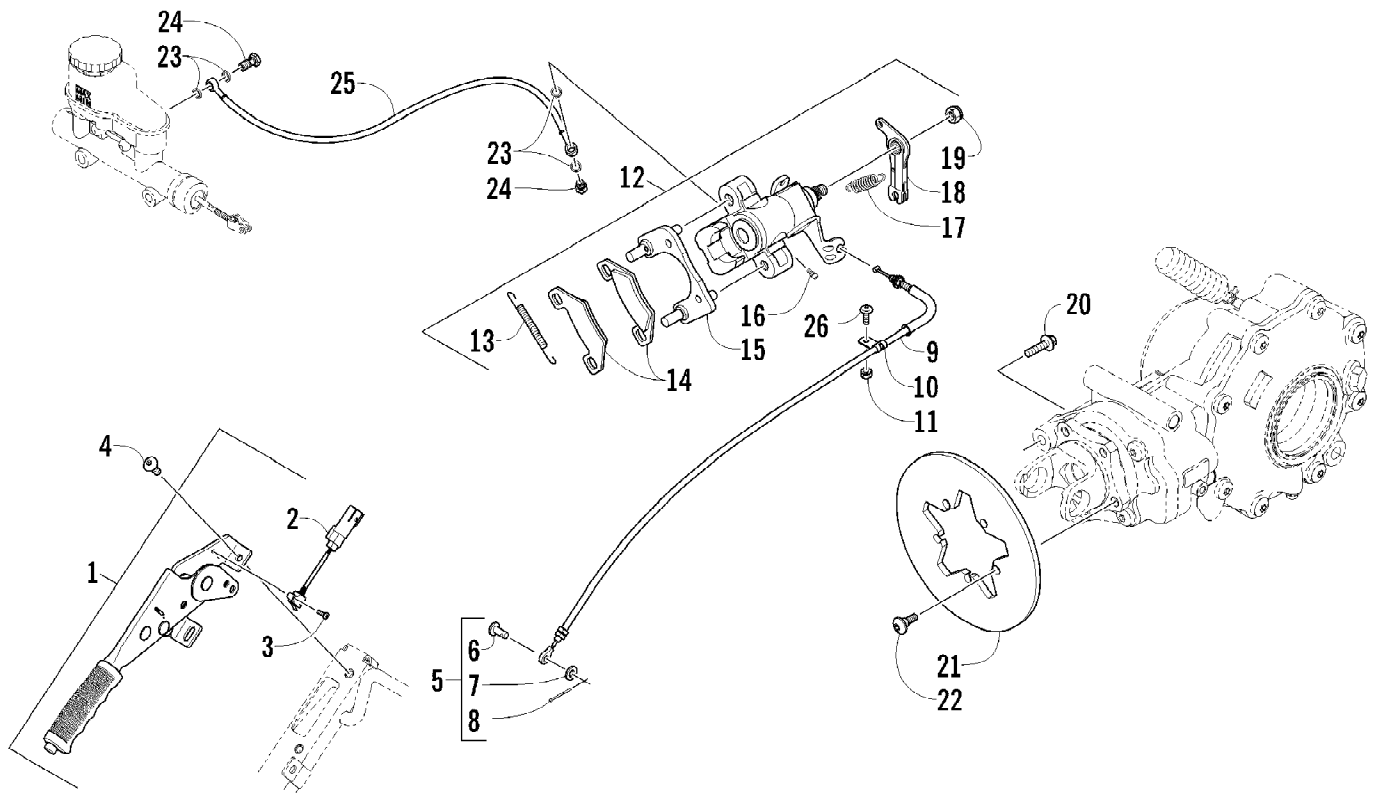


2010 PROWLER 550 XT 4X4 CAT GREEN (U2010P2O4EUSZ)
OIL FILTER/PUMP ASSEMBLY

Page 55 of 89

Ref #	Part Number	Qty	S/P/F	Description
1	0812-023	1		Pump, Oil
2	0812-083	1	/P	Gear, Driven
3	0829-009	1		Pin
4	0828-007	1	/P	Washer
5	0831-002	1		Ring, Retaining
6	0826-039	3		Screw, Machine
7	0812-057	1	/P	Strainer, Oil
8	0826-040	2		Screw, Machine
9	0812-029	1	S	Filter, Oil
10	0812-053	1		Cap, Oil Strainer
11	8468-625	4		Screw, Machine
12	0812-007	1		Valve, Oil-Relief - Assembly
13	0812-006	1		Plug, Drain
14	0830-017	1		Gasket, Drain Plug
15	0812-008	1		Union, Oil Filter

2010 PROWLER 550 XT 4X4 CAT GREEN (U2010P2O4EUSZ)
REAR AND PARKING BRAKE ASSEMBLY

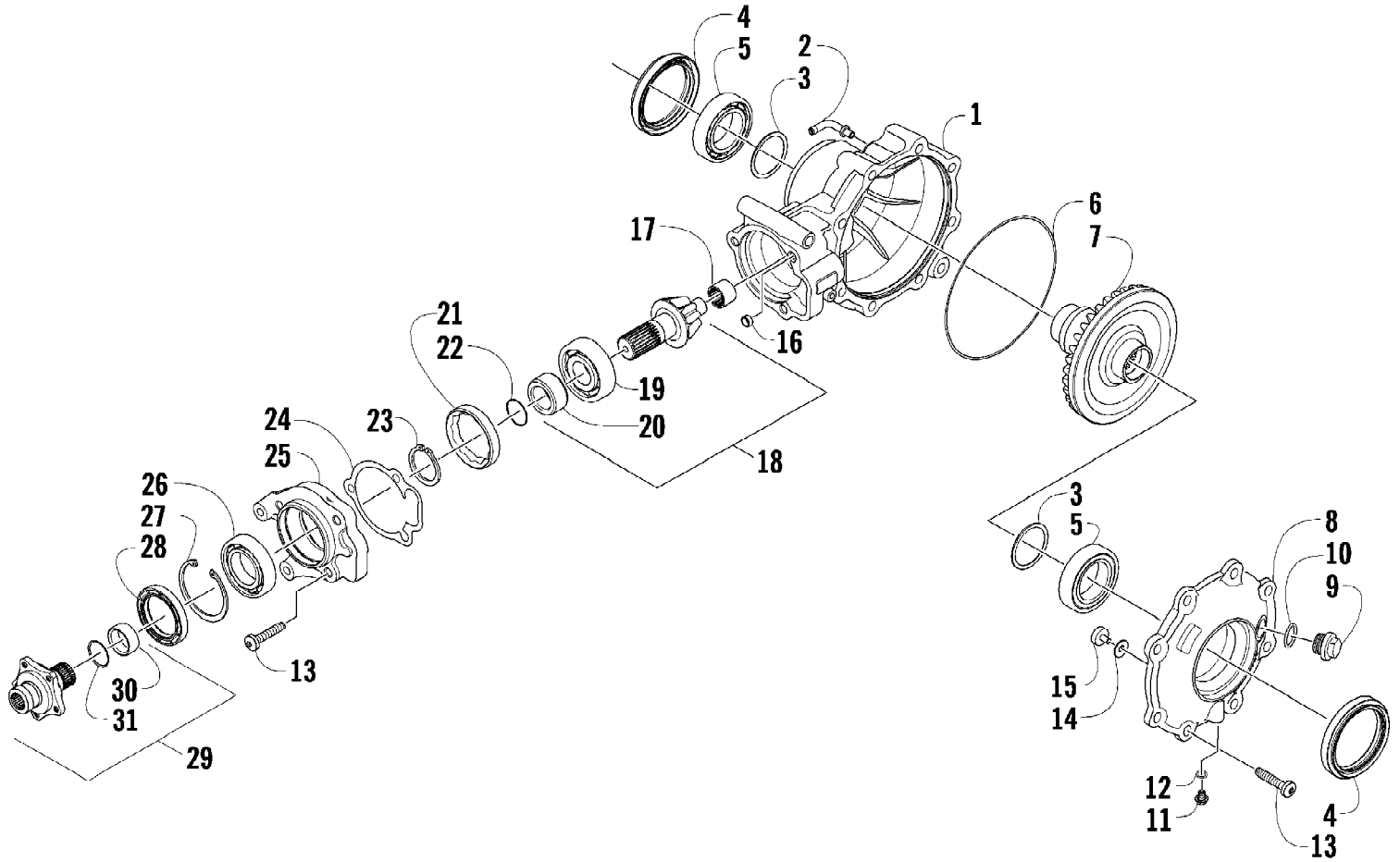


2010 PROWLER 550 XT 4X4 CAT GREEN (U2010P2O4EUSZ)
 REAR AND PARKING BRAKE ASSEMBLY

Page 57 of 89

Ref #	Part Number	Qty	S/P/F	Description
1	1502-497	1		Lever, Parking Brake - Assembly (inc. 2-3)
2	0409-131	1		Switch, Limiter
3	0423-992	1		Screw, Machine
4	8468-820	2		Screw, Machine
5	0423-894	1		Pin, Retaining - Assembly (inc. 6-8)
6	0423-989	1		Pin
7	0423-990	1		Washer
8	0423-991	1		Pin, Cotter
9	0487-068	1		Cable, Parking Brake (inc. 10)
10	0423-923	1		Clamp
11	0623-038	1		Nut w/Washer
12	1502-460	1		Brake - Assembly (inc. 13-19)
13	1502-161	1		Spring, Anti-Rattle
14	1436-165	1	S	Pad, Brake - Set
15	0502-605	1		Bracket Assembly
16	0502-609	1	/P	Valve, Bleed
17	0502-985	1		Spring
18	1502-160	1		Lever, Actuator
19	0502-988	1		Nut
20	8408-836	2		Screw, Cap
21	1402-710	1		Rotor
22	0423-557	5		Screw, Shoulder
23	0423-178	4		Washer, Crush
24	0423-413	2		Bolt, Banjo-Fitting
25	1402-388	1		Hose, Brake
26	8476-616	1		Screw, Machine

2010 PROWLER 550 XT 4X4 CAT GREEN (U2010P2O4EUSZ)
REAR DRIVE GEARCASE ASSEMBLY

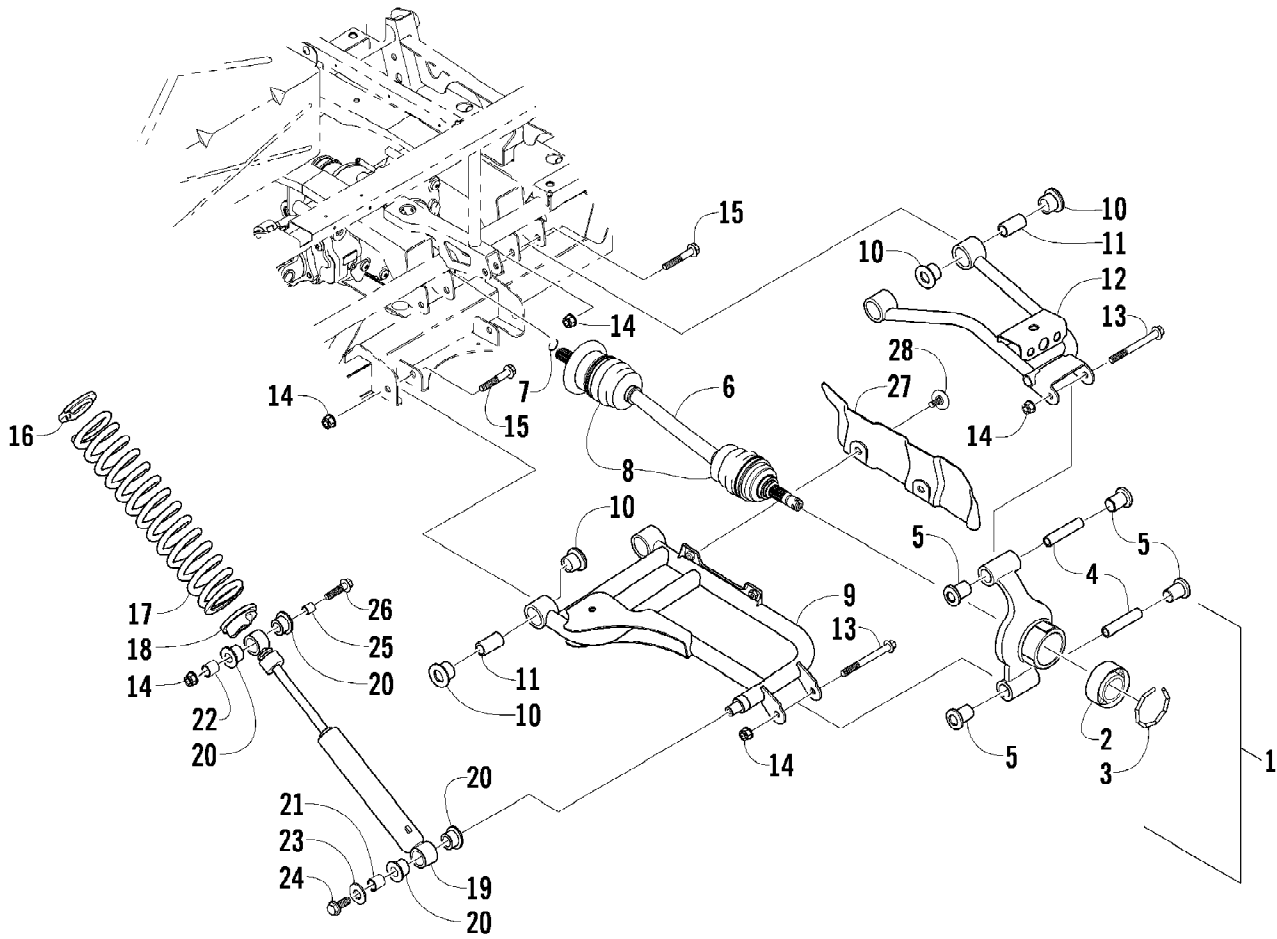


2010 PROWLER 550 XT 4X4 CAT GREEN (U2010P2O4EUSZ)
REAR DRIVE GEARCASE ASSEMBLY

Page 59 of 89

Ref #	Part Number	Qty	S/P/F	Description
	1502-607	1		Compelte Rear Drive Gearcase Assembly
1	0502-548	1		Housing, Gearcase
2	1402-442	1		Fitting, Elbow
3	0402-405	AR		Shim, 41 x 49 x 1.3 mm
3	0402-406	AR		Shim, 41 x 49 x 1.4 mm
3	0402-407	AR		Shim, 41 x 49 x 1.5 mm
3	0402-408	AR		Shim, 41 x 49 x 1.6 mm
3	0402-409	AR		Shim, 41 x 49 x 1.7 mm
4	1402-713	2	S	Seal
5	0402-393	2		Bearing
6	0423-149	1		O-Ring
7	1402-245	1		Gear, Rear - 36T
8	0502-741	1		Cover, Gearcase
9	0402-333	1	/P	Plug, Fill (inc. 10)
10	0423-154	1		O-Ring
11	1402-210	1	/P	Plug, Magnetic (inc. 12)
12	0423-153	1		O-Ring
13	0423-118	11		Screw, Self-Tapping
14	0402-429	AR		Shim, 6.3 x 18 x 1.3 mm
14	0402-430	AR		Shim, 6.3 x 18 x 1.4 mm
14	0402-431	AR		Shim, 6.3 x 18 x 1.5 mm
14	0402-432	AR		Shim, 6.3 x 18 x 1.6 mm
14	0402-433	AR		Shim, 6.3 x 18 x 1.7 mm
15	0402-326	1		Button, Thrust
16	0402-411	1		Pin, Dowel
17	0402-328	1		Bearing
18	0502-649	1		Gear, Pinion - Assembly - 9T (inc. 19-20)
19	0402-327	1		Bearing
20	0402-336	1		Collar, Retaining
21	0402-357	1		Collar, Lock
22	0423-633	1		O-Ring
23	0423-546	1		Ring, Retaining
24	0402-947	1		Gasket
25	0502-746	1		Housing, Pinion
26	0402-324	1		Bearing
27	0402-347	1		Ring, Retaining
28	1402-314	1		Seal
29	0502-766	1		Shaft, Input - Assembly (inc. 30-31)
30	1402-345	1		Sleeve, Seal
31	0423-547	1		O-Ring

2010 PROWLER 550 XT 4X4 CAT GREEN (U2010P2O4EUSZ)
REAR SUSPENSION ASSEMBLY

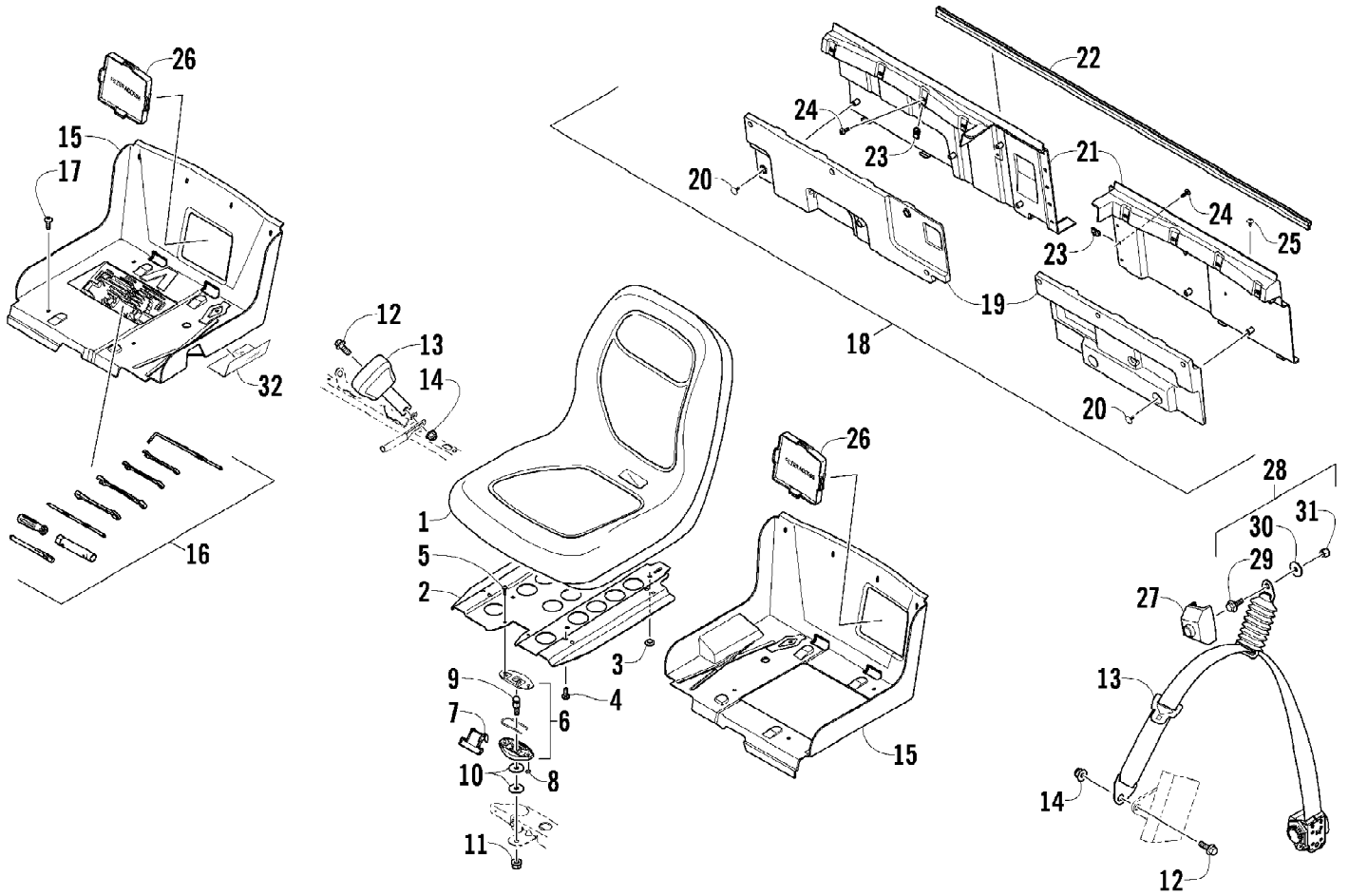


2010 PROWLER 550 XT 4X4 CAT GREEN (U2010P2O4EUSZ)
REAR SUSPENSION ASSEMBLY

Page 61 of 89

Ref #	Part Number	Qty	S/P/F	Description
1	0504-613	2		Knuckle, Rear - Assembly (inc. 2-5)
2	1402-809	2	/P	Bearing
3	0423-423	2		Ring, Retaining
4	0403-213	4	/P	Axle
5	0403-206	8	/P	Bushing
6	1502-346	2	S	Axle, Drive (inc. 7-8)
7	0423-845	2	/P	Clip, Retaining
8	0436-276	2	S	Repair Kit, Boot - Rear Axle
9	0504-556	1		A-Arm, Rear - Lower Right (inc. 10-11)
9	0504-557	1		A-Arm, Rear - Lower Left (inc. 10-11)
10	0403-208	16	/P	Bushing
11	0403-214	8	/P	Axle
12	0504-566	1		A-Arm, Rear - Upper Right (inc. 10-11)
12	0504-567	1		A-Arm, Rear - Upper Left (inc. 10-11)
13	8409-000	4		Screw, Cap
14	8428-002	14		Nut, Lock
15	8409-075	8		Screw, Cap
16	1603-889	2	/P	Retainer, Spring
17	0504-627	2		Spring, Suspension
18	0404-057	2		Cam, Spring Adjuster
19	0404-115	2		Shock Absorber (inc. 20-22)
20	0603-955	8		Bushing
21	1603-219	2	S	Sleeve
22	1603-209	2		Sleeve
23	0423-087	2		Washer
24	8408-820	2	/P	Screw, Cap
25	0404-116	2		Sleeve
26	8409-040	2		Screw, Cap
27	0441-758	1		Guard, Boot - Right
27	0441-759	1		Guard, Boot - Left
28	0423-545	4	/P	Screw, Shoulder

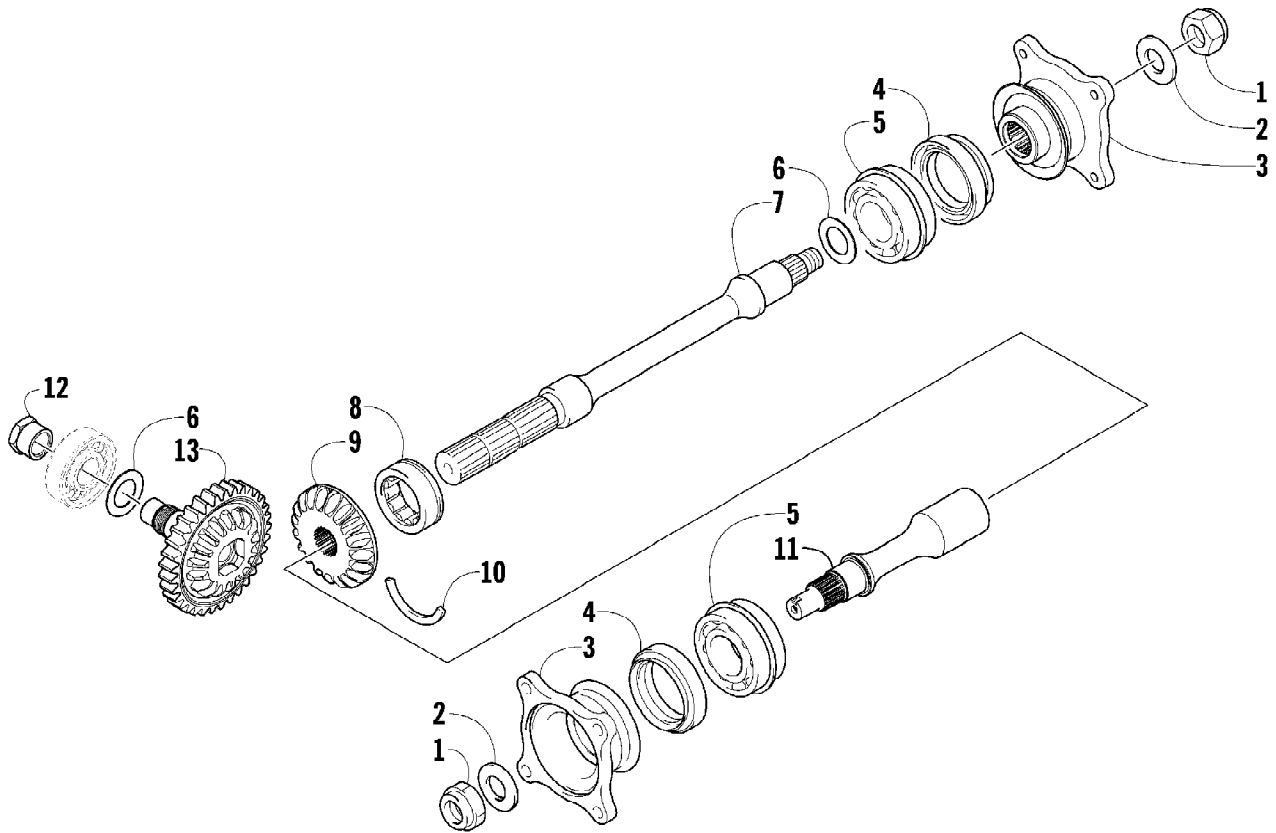
2010 PROWLER 550 XT 4X4 CAT GREEN (U2010P2O4EUSZ)
SEAT ASSEMBLY



2010 PROWLER 550 XT 4X4 CAT GREEN (U2010P2O4EUSZ)
SEAT ASSEMBLY

Page 63 of 89

Ref #	Part Number	Qty	S/P/F	Description
1	1506-925	2		Seat, Low-Back
2	2506-780	2	/P	Plate, Base - Seat
3	0406-877	8	/P	Bumper, Seat
4	8468-820	8		Screw, Machine
5	8468-620	4	/P	Screw, Machine
6	2706-164	2	/P	Latch - Assembly (inc. 7)
7	2606-854	2	S	Lever, Release - Seat Latch
8	0623-038	4		Nut w/Washer
9	0423-559	2		Stud, Latch - Seat
10	0423-073	4		Washer
11	8424-002	2		Nut
12	8408-020	6		Screw, Cap
13	2516-325	2		Belt, Seat
14	8427-002	6		Nut, Lock
15	2406-910	1		Base, Seat - Right
15	2406-911	1		Base, Seat - Left
16	0444-122	1	S/P	Tool Kit - Assembly
17	8477-620	8		Screw, Machine
18	2516-094	1		Panel, Seat - Assembly (inc. 19-23 and five No. 24)
19	2516-146	1		Panel, Seat - Front Right
19	2516-147	1		Panel, Seat - Front Left
20	0623-544	11		Clip, Retaining
21	2406-912	1		Panel, Seat - Rear Right
21	2406-913	1		Panel, Seat - Rear Left
22	2406-915	1		Seal, Seat Panel
23	0423-577	5		Clip, U-Nut
24	8476-620	13		Screw, Machine
25	0623-784	2		Screw, Self-Tapping
26	2416-091	2		Cover, Access - Air Filter
27	2416-148	1		Cover, Seat Belt - Right
27	2416-149	1		Cover, Seat Belt - Left
28	0423-915	2		Screw, Shoulder - Assembly (inc. 29-31)
29	0	2	F	Screw, Shoulder
30	0	2	F	Washer
31	0	2	F	Nut, Lock
32	0412-560	AR	F	Foil, Protective

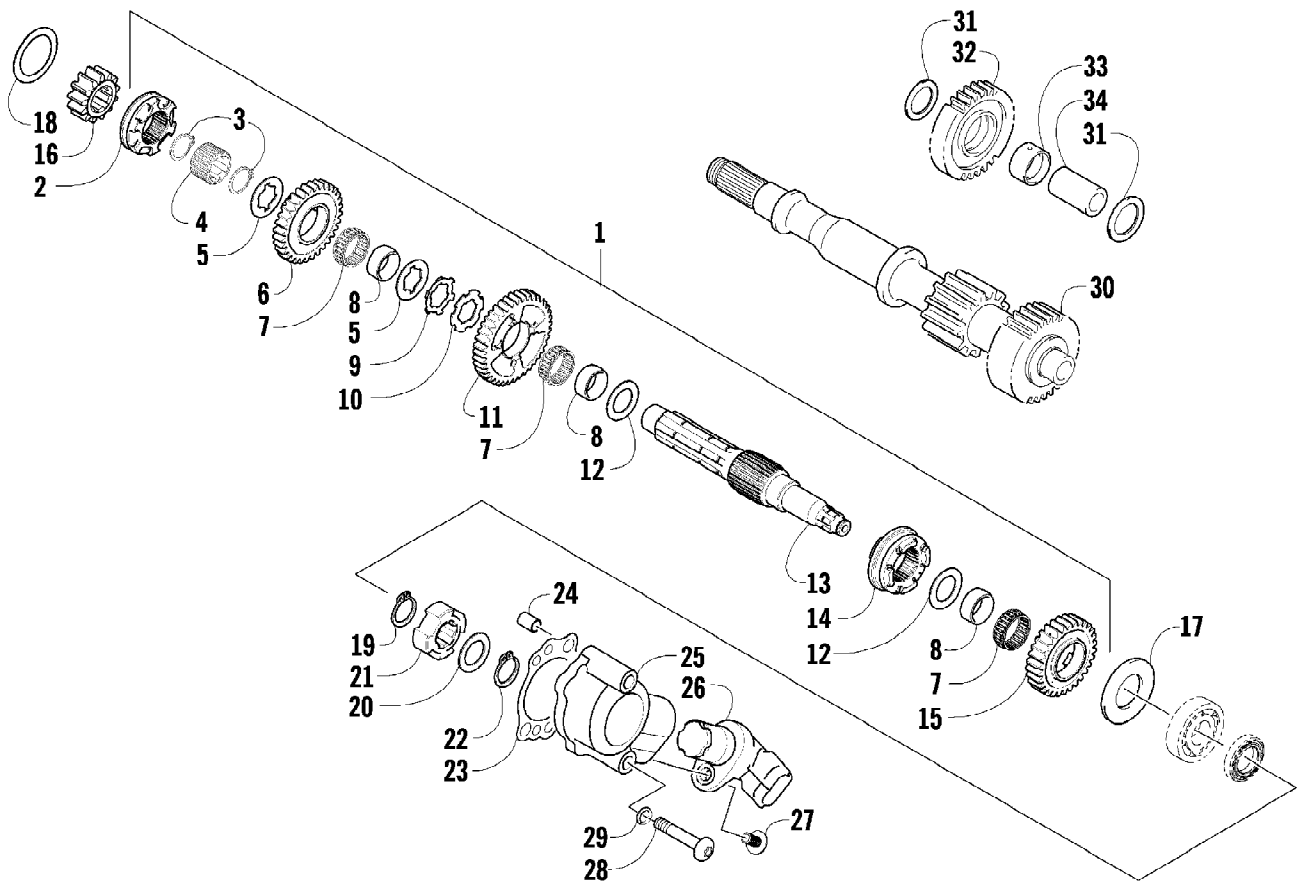


2010 PROWLER 550 XT 4X4 CAT GREEN (U2010P2O4EUSZ)
SECONDARY DRIVE ASSEMBLY

Page 65 of 89

Ref #	Part Number	Qty	S/P/F	Description
1	0827-013	2		Nut
2	0828-020	2		Washer
3	0819-005	2		Flange, Output Joint
4	0830-043	2		Seal, Oil
5	0832-017	2		Bearing
6	0828-021	AR		Shim, 25 x 34 x 0.25 mm
6	0828-022	AR		Shim, 25 x 34 x 0.30 mm
6	0828-023	AR		Shim, 25 x 34 x 0.70 mm
6	0828-024	AR		Shim, 25 x 34 x 0.90 mm
6	0828-025	AR		Shim, 25 x 34 x 0.95 mm
6	0828-026	AR		Shim, 25 x 34 x 1.00 mm
6	0828-027	AR		Shim, 25 x 34 x 1.05 mm
6	0828-028	AR		Shim, 25 x 34 x 1.10 mm
6	0828-029	AR		Shim, 25 x 34 x 1.15 mm
7	0819-089	1	/P	Shaft, Secondary Driven - Front
8	0832-016	1		Bearing
9	0822-106	1		Gear, Secondary Driven
10	0819-011	1		Ring, Driven Bearing
11	0819-053	1		Shaft, Secondary Driven - Rear
12	0827-052	1		Nut
13	0822-107	1		Gear, Secondary Drive

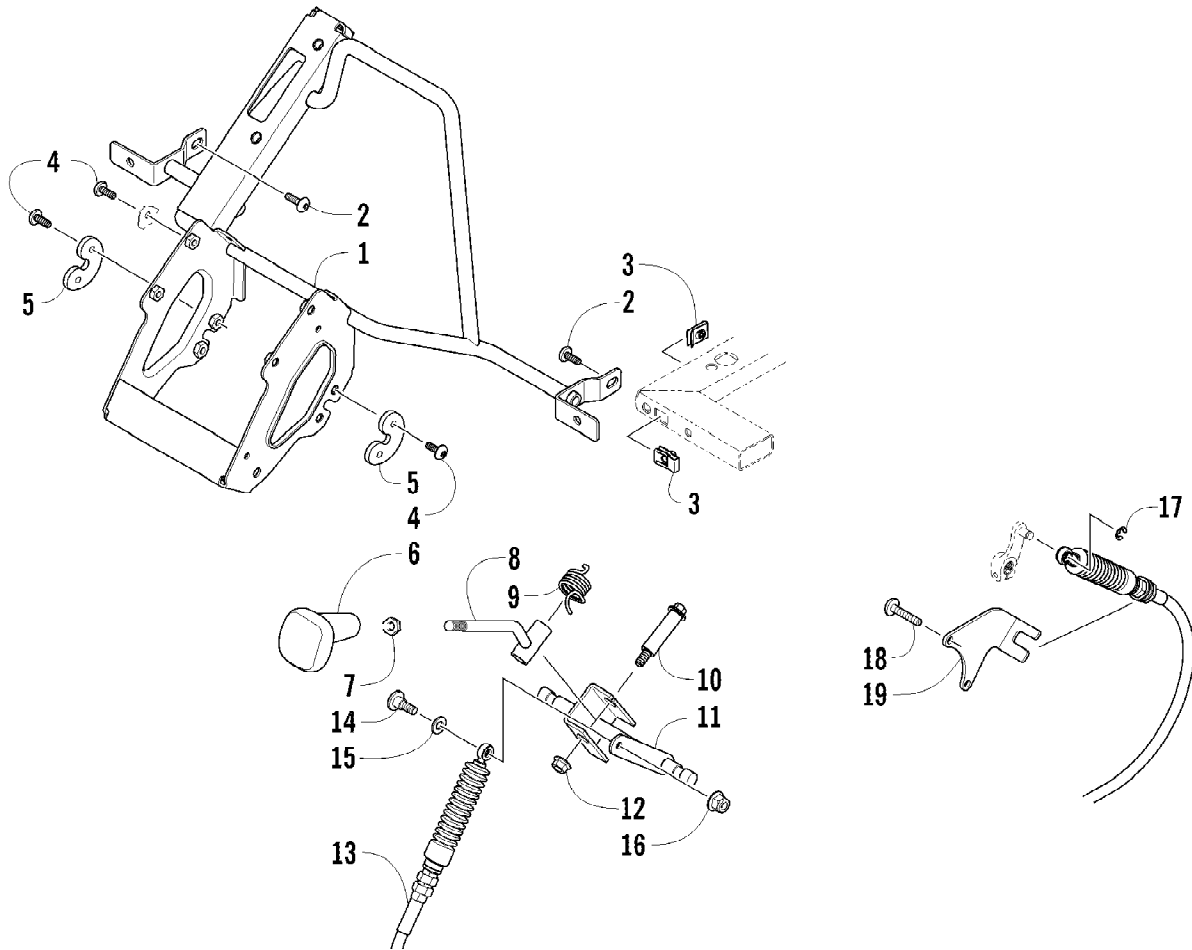
2010 PROWLER 550 XT 4X4 CAT GREEN (U2010P2O4EUSZ)
SECONDARY TRANSMISSION ASSEMBLY



2010 PROWLER 550 XT 4X4 CAT GREEN (U2010P2O4EUSZ)
SECONDARY TRANSMISSION ASSEMBLY

Page 67 of 89

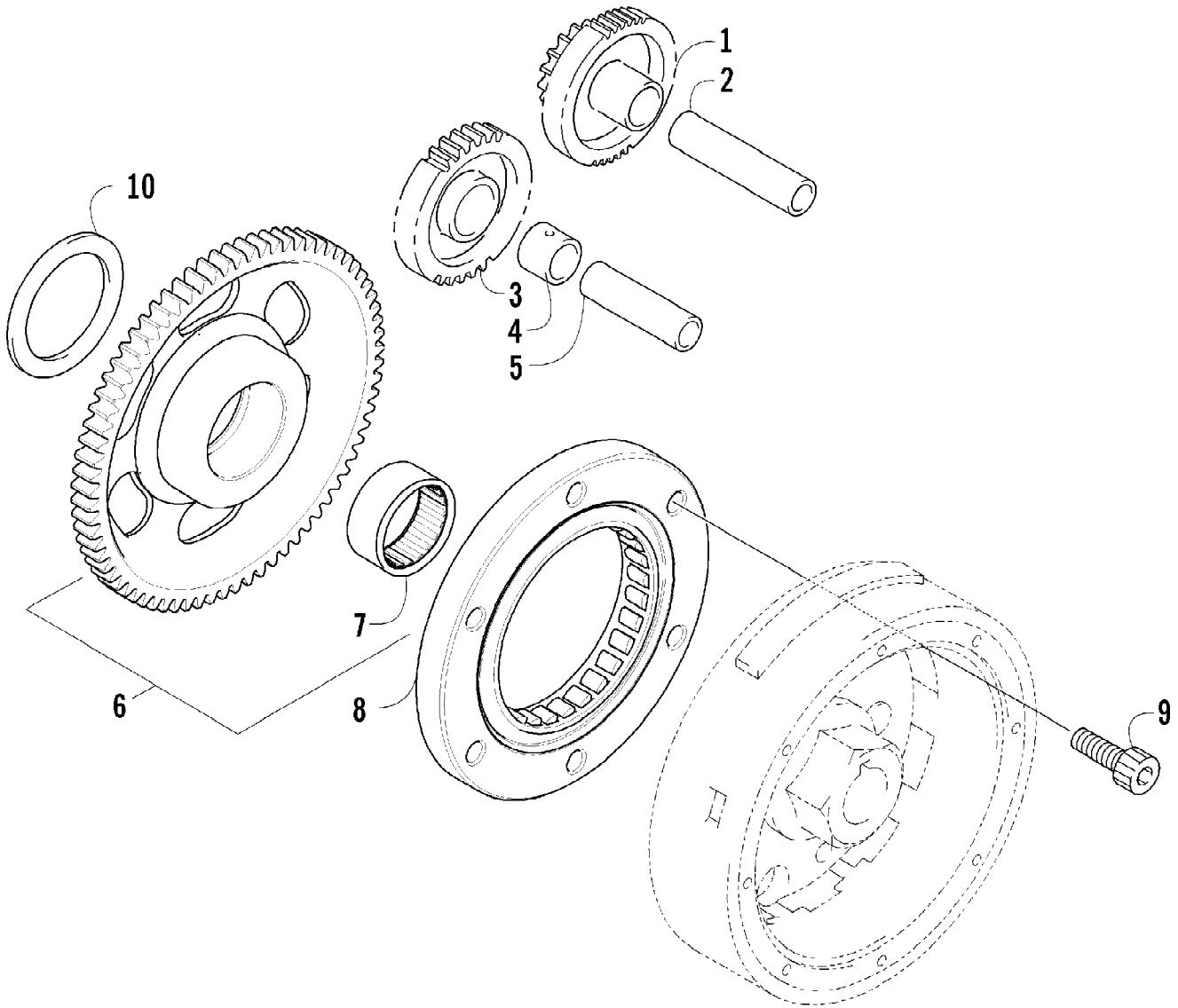
Ref #	Part Number	Qty	S/P/F	Description
1	0822-091	1	/P	Countershaft Assembly (inc. 2-15)
2	0822-014	1		Gear Select, Reverse
3	0831-011	2		Ring, Retaining
4	0822-045	1		Spacer, Reverse Driven Gear
5	0828-008	2		Washer
6	0822-013	1		Gear, Reverse Driven
7	0832-011	3		Bearing
8	0822-005	3		Bushing
9	0828-014	1		Washer, Lock
10	0828-015	1		Washer, Lock
11	0822-004	1		Gear, Driven - Low
12	0822-046	2		Washer
13	0822-003	1		Countershaft
14	0822-007	1		Gear Select, Sliding
15	0822-006	1		Gear, Driven - High
16	0822-089	1		Gear, Drive
17	0828-011	1		Washer
18	0828-019	1		Washer, Thrust
19	0831-040	1		Ring, Retaining
20	0828-069	1		Washer, Thrust
21	0822-050	1		Trigger, Speedometer Sensor
22	0831-039	1		Ring, Retaining
23	0830-129	1		Gasket
24	0829-023	2		Pin, Dowel
25	0822-049	1		Housing, Speedometer Sensor
26	0824-042	1	/P	Sensor, Speedometer
27	8468-620	1	/P	Screw, Machine
28	8468-645	2		Screw, Machine
29	0830-107	2		Gasket
30	0822-001	1		Driveshaft
31	0828-016	2		Washer, Thrust
32	0822-011	1		Gear, Reverse Idle
33	0822-012	1		Bushing
34	0822-015	1		Shaft, Reverse Idle



2010 PROWLER 550 XT 4X4 CAT GREEN (U2010P2O4EUSZ)
SHIFTER ASSEMBLY

Page 69 of 89

Ref #	Part Number	Qty	S/P/F	Description
1	1502-646	1		Mount, Shift
2	8476-620	4		Screw, Machine
3	0423-577	4		Clip, U-Nut
4	8477-616	8		Screw, Machine
5	1402-275	2		Retainer, Shift Linkage
6	1402-758	1		Knob, Shift
7	0423-885	1		Nut
8	1502-510	1		Lever, Shift
9	1402-872	1		Spring
10	0423-505	1		Screw, Shoulder
11	1502-512	1		Axle, Shift
12	8424-802	1		Nut
13	0487-059	1		Cable, Shift
14	0423-356	1		Screw, Shoulder
15	0623-094	1		Washer
16	8427-602	1		Nut, Lock
17	0124-057	1	/P	E-Ring
18	8468-645	2		Screw, Machine
19	2406-894	1	/P	Bracket, Shift Cable

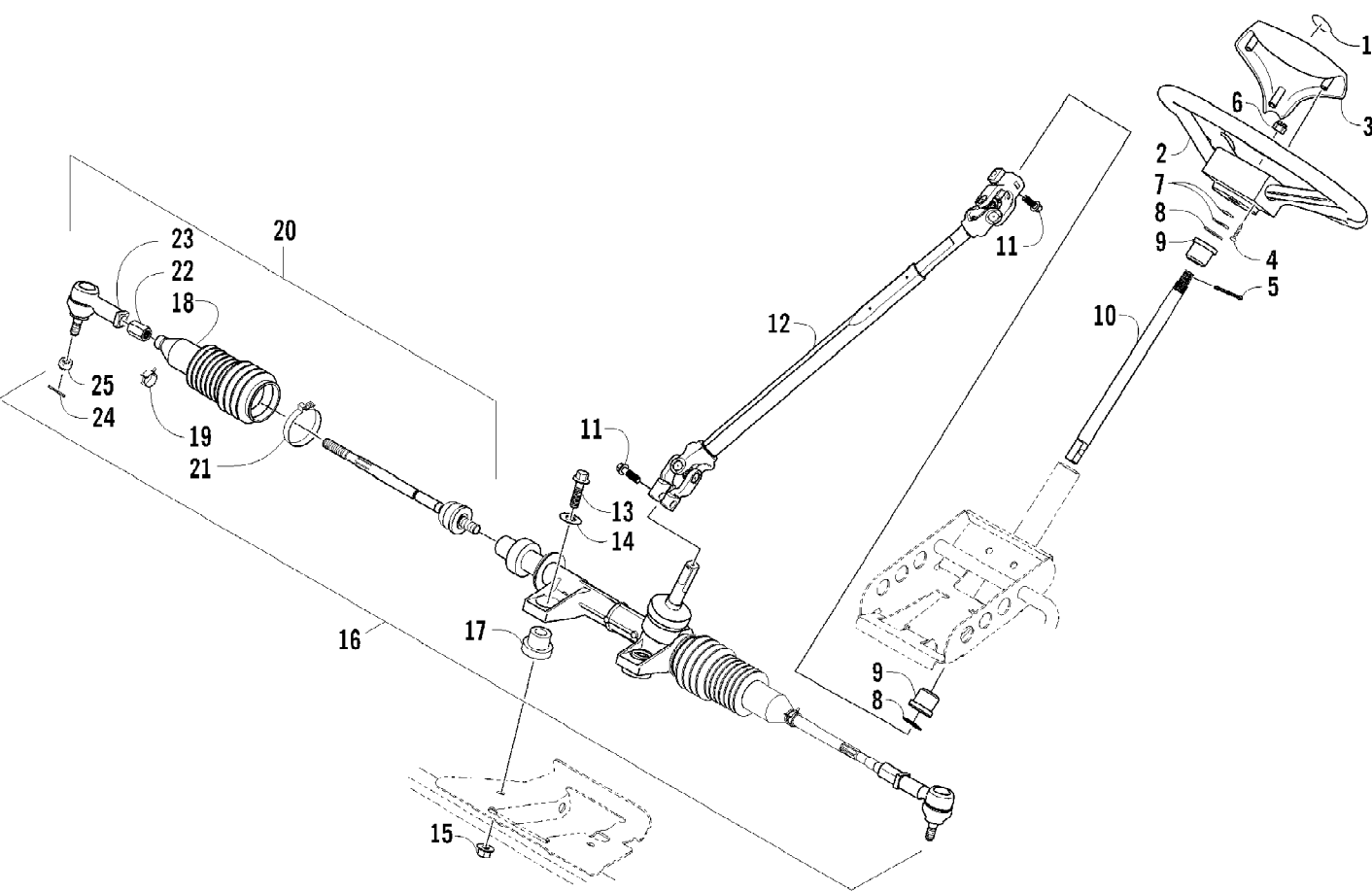


2010 PROWLER 550 XT 4X4 CAT GREEN (U2010P2O4EUSZ)
STARTER CLUTCH ASSEMBLY

Page 71 of 89

Ref #	Part Number	Qty	S/P/F	Description
1	0815-001	1		Gear, Starter Idler - No. 1
2	0829-031	1	/P	Shaft, Starter Gear
3	0815-002	1		Gear, Starter Idler - No. 2
4	0815-003	1		Spacer, Starter Idler Gear No. 2
5	0829-032	1	/P	Shaft, Starter Gear
6	0815-004	1		Gear, Starter Clutch (inc. 7)
7	0832-079	1	/P	Bearing
8	0802-035	1		Clutch, Starter
9	0826-069	6		Screw, Machine
10	0828-094	1		Washer

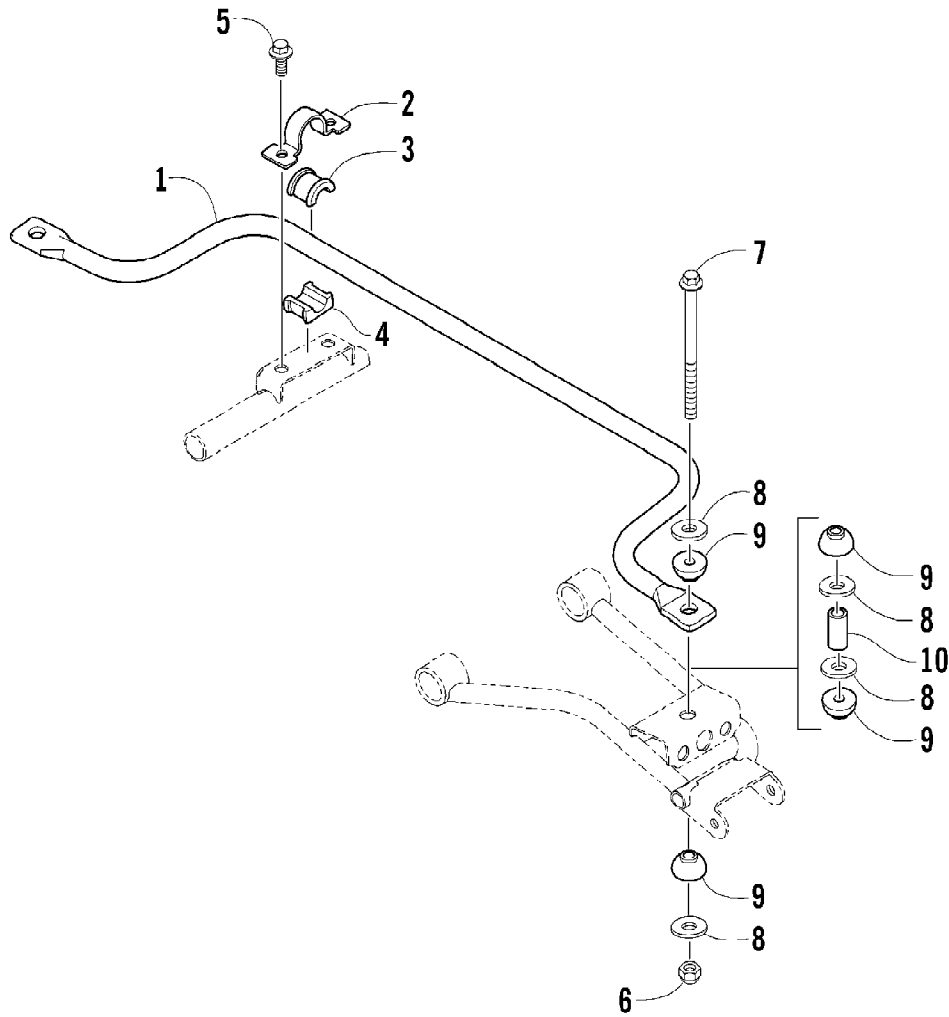
2010 PROWLER 550 XT 4X4 CAT GREEN (U2010P2O4EUSZ)
STEERING ASSEMBLY



2010 PROWLER 550 XT 4X4 CAT GREEN (U2010P2O4EUSZ)
STEERING ASSEMBLY

Page 73 of 89

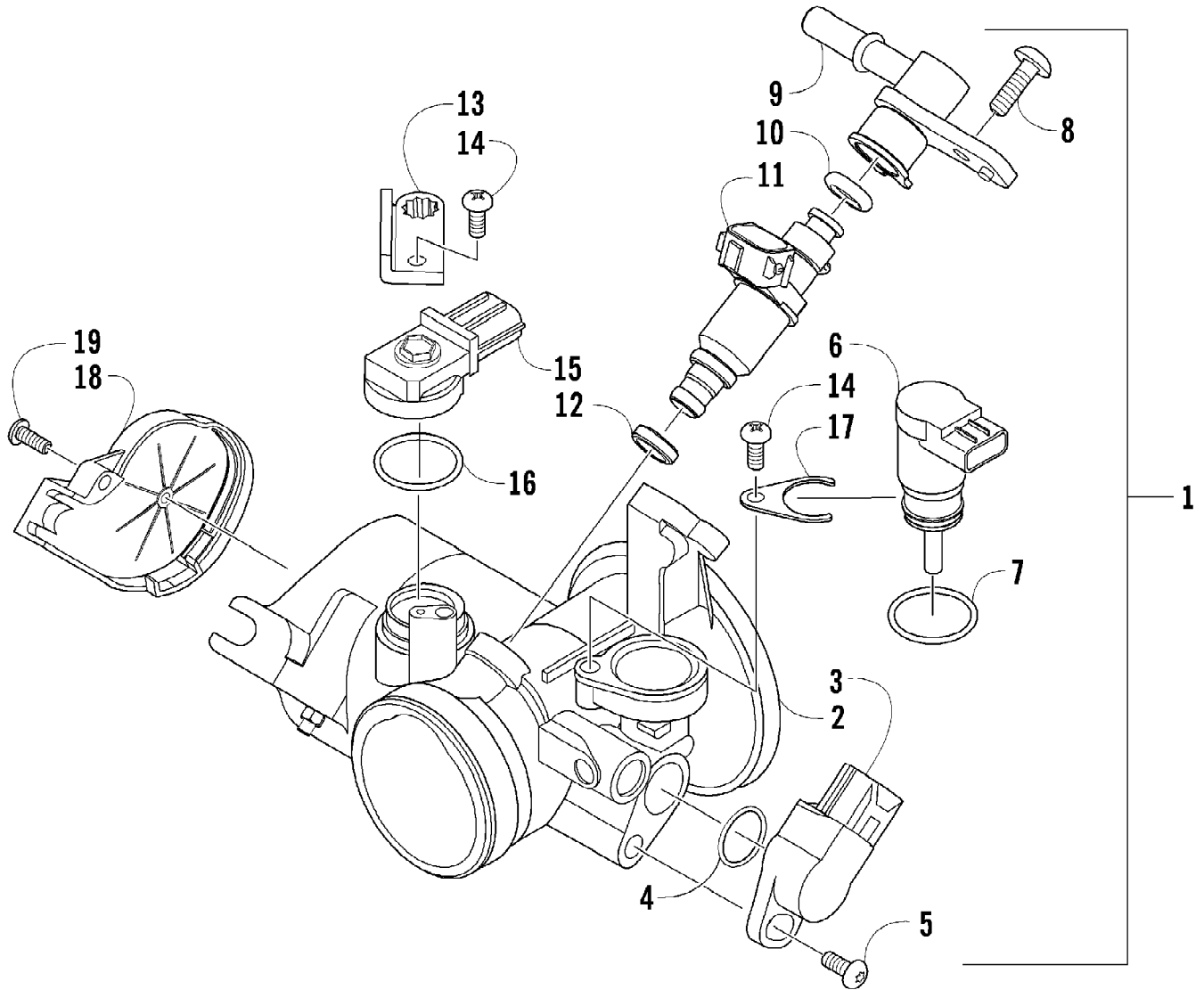
Ref #	Part Number	Qty	S/P/F	Description
1	1411-798	1		Decal, Aircat
2	0502-884	1		Wheel, Steering - Assembly (inc. 3)
3	0405-239	1		Cover, Steering Wheel
4	0423-613	3		Screw, Self-Tapping
5	1602-467	1		Clip, Hairpin
6	0423-884	1		Nut
7	0828-071	2		Washer
8	0423-558	2		Washer
9	0405-155	2		Bushing
10	0405-321	1	/P	Shaft, Upper Steering
11	0423-655	2		Screw, Cap
12	0405-156	1		Shaft, Lower Steering - Assembly
13	8409-050	2		Screw, Cap
14	0623-728	2		Washer
15	8424-002	2		Nut
16	0505-650	1	/P	Housing, Rack and Pinion (inc. 17-24)
17	0405-238	2		Bushing
18	0405-216	2		Boot
19	0405-236	2		Clamp
20	0505-638	2	/P	Tie Rod - Assembly (inc. 21-24)
21	0405-237	2		Clamp
22	0505-640	2	/P	Nut
23	0505-639	2	S	End, Tie Rod (inc. 24)
24	0623-175	2		Pin, Cotter
25	0423-072	2		Nut



2010 PROWLER 550 XT 4X4 CAT GREEN (U2010P2O4EUSZ)
SWAY BAR ASSEMBLY

Page 75 of 89

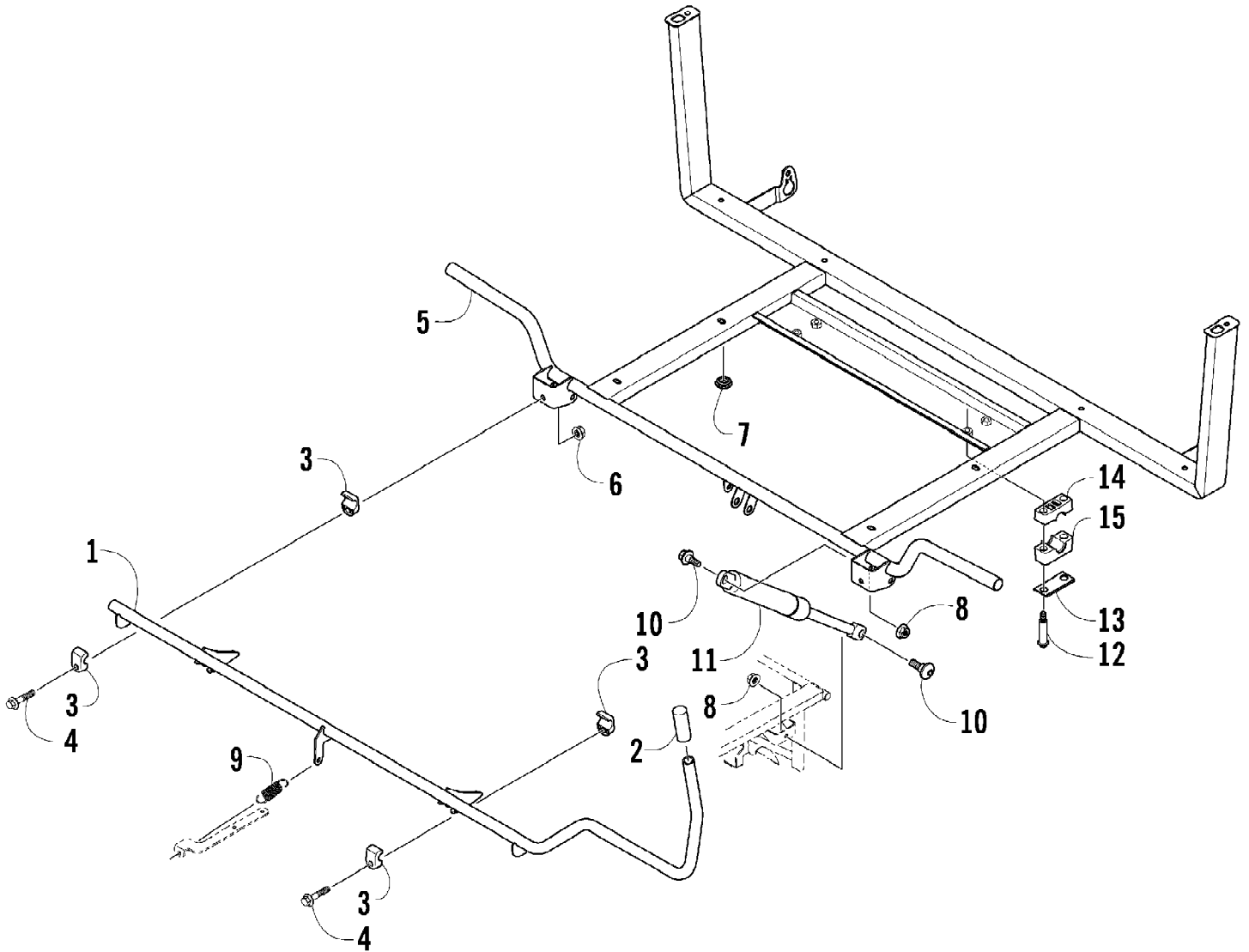
Ref #	Part Number	Qty	S/P/F	Description
1	0404-110	1		Bar, Sway - Assembly
2	0404-135	2		Clamp, Bushing
3	0404-094	2		Bushing, Upper
4	0404-095	2		Bushing, Lower
5	8409-016	4		Screw, Cap
6	8422-002	2		Nut, Lock
7	0423-335	2		Screw, Cap
8	0423-073	8		Washer
9	1402-434	8		Bushing
10	0423-620	2		Spacer



2010 PROWLER 550 XT 4X4 CAT GREEN (U2010P2O4EUSZ)
THROTTLE BODY ASSEMBLY

Page 77 of 89

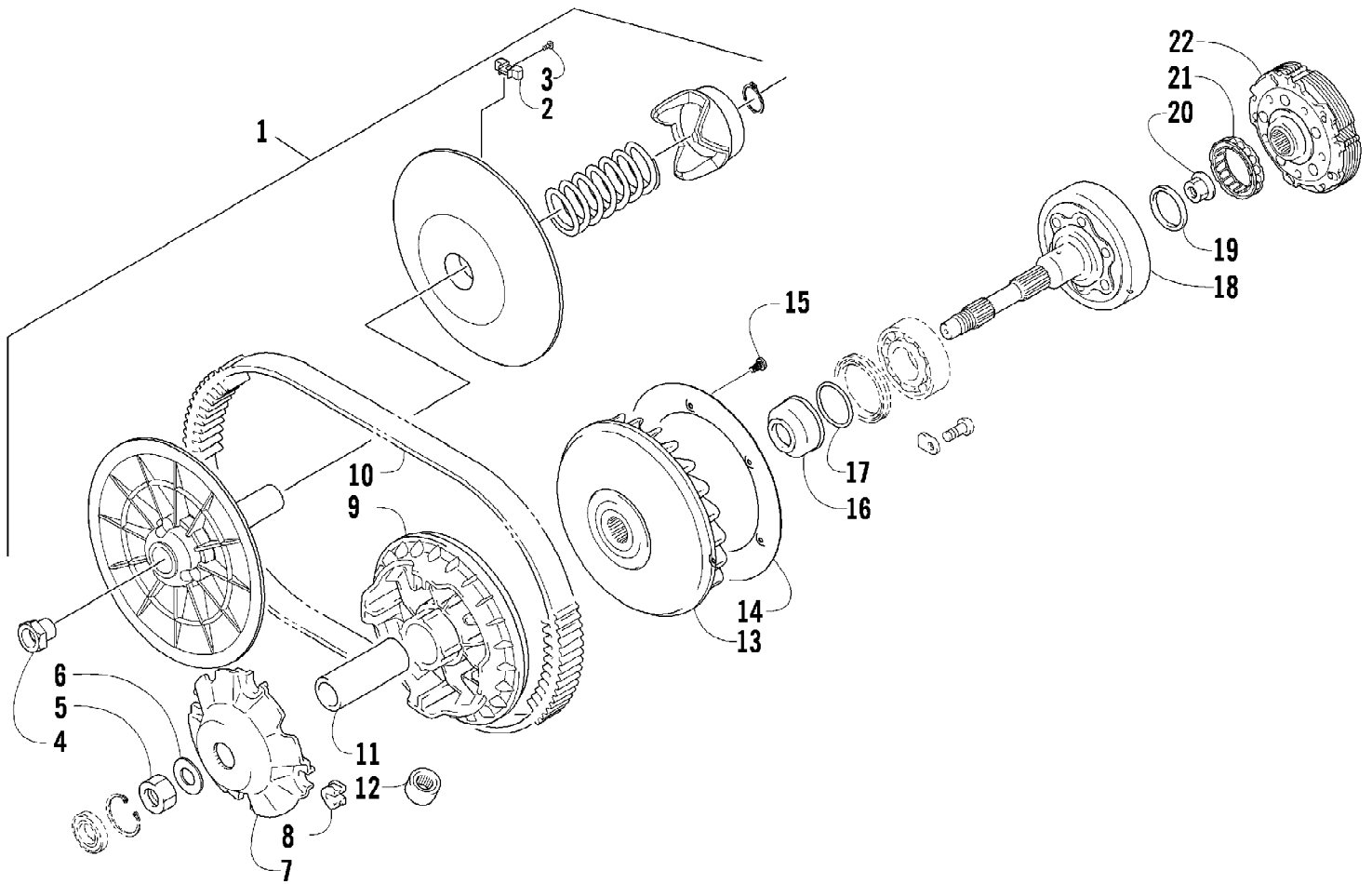
Ref #	Part Number	Qty	S/P/F	Description
1	0470-753	1		Throttle Body - Assembly (inc. 2-19)
2	0	1	F	Throttle Body
3	0430-072	1		Sensor, Throttle Position
4	5507-234	1		O-Ring, Throttle Position Sensor
5	5507-231	1		Screw, Machine
6	0430-074	1		Valve, ISC
7	5507-233	1		O-Ring, ISC Valve
8	5507-238	1		Screw, Machine
9	0470-687	1		Rail, Fuel
10	0470-767	1		O-Ring, Fuel Injector
11	0470-762	1		Injector, Fuel
12	0470-768	1		Seal, Fuel Injector
13	5507-227	1		Bracket, MAP Sensor
14	5507-117	2	/P	Screw, Machine
15	0430-073	1		Sensor, MAP
16	5507-232	1		O-Ring, MAP Sensor
17	5507-229	1		Plate, Retaining
18	5507-223	1		Cover
19	5507-037	1	/P	Screw, Machine



2010 PROWLER 550 XT 4X4 CAT GREEN (U2010P2O4EUSZ)
TILT FRAME ASSEMBLY

Page 79 of 89

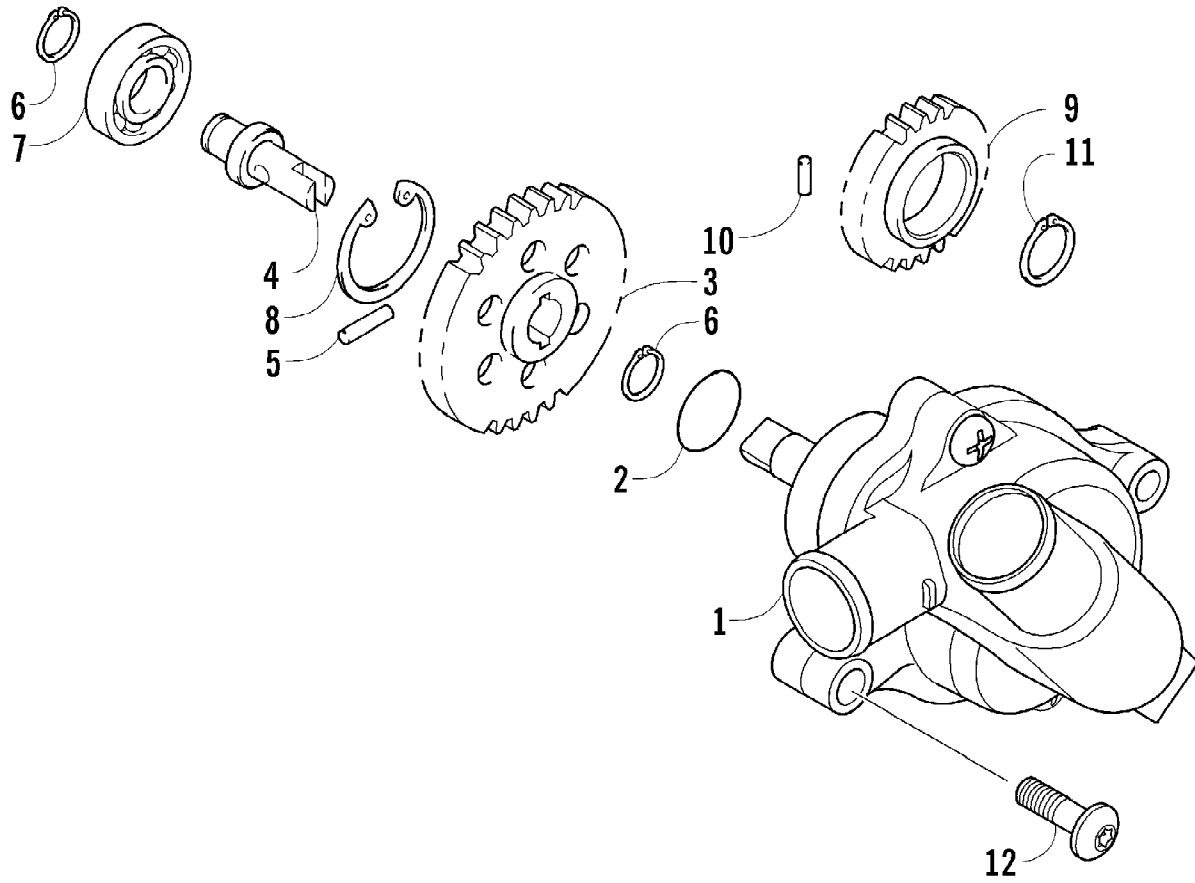
Ref #	Part Number	Qty	S/P/F	Description
1	2506-919	1		Rod, Cargo Box Latch
2	1406-736	1		Grip, Latch Rod
3	1406-674	4		Bushing, Pivot
4	8408-840	2		Screw, Cap
5	2506-197	1	/P	Frame, Box
6	8424-802	2		Nut
7	0423-628	4		Grommet
8	8427-602	2		Nut, Lock
9	2416-086	1		Spring
10	0423-356	2		Screw, Shoulder
11	2506-194	1		Support, Lift
12	0423-505	4		Screw, Shoulder
13	0405-166	2		Cap, Housing
14	0405-138	2		Housing, Lower
15	0405-139	2		Housing, Upper



2010 PROWLER 550 XT 4X4 CAT GREEN (U2010P2O4EUSZ)
TRANSMISSION ASSEMBLY

Page 81 of 89

Ref #	Part Number	Qty	S/P/F	Description
1	0823-254	1	S	Pulley, Driven - Assembly (inc. 2-4)
2	0823-176	3	/P	Shoe, Cam
3	0823-177	3		Screw, Machine
4	0823-178	1		Nut
5	0827-010	1		Nut
6	0828-106	1		Washer
7	0823-008	1		Plate, Movable Drive Face
8	0823-010	4		Damper, Movable Drive Face
9	0823-159	1		Face, Movable Drive
10	0823-013	1		Belt, Drive
11	0823-149	1		Spacer
12	0823-164	8		Roller
13	0823-156	1	/P	Face, Fixed Drive
14	0823-131	1		Shroud, Drive Face
15	0623-914	6		Screw, Self-Tapping
16	0823-015	1		Spacer, Fixed Drive Face
17	0470-531	1		O-Ring
18	0823-261	1	S/P	Housing, Clutch - Assembly
19	0830-189	1	/P	Seal
20	0827-011	1		Nut
21	0823-018	1		Clutch, One-Way
22	0823-098	1	S	Clutch, Centrifugal - 6 Plate

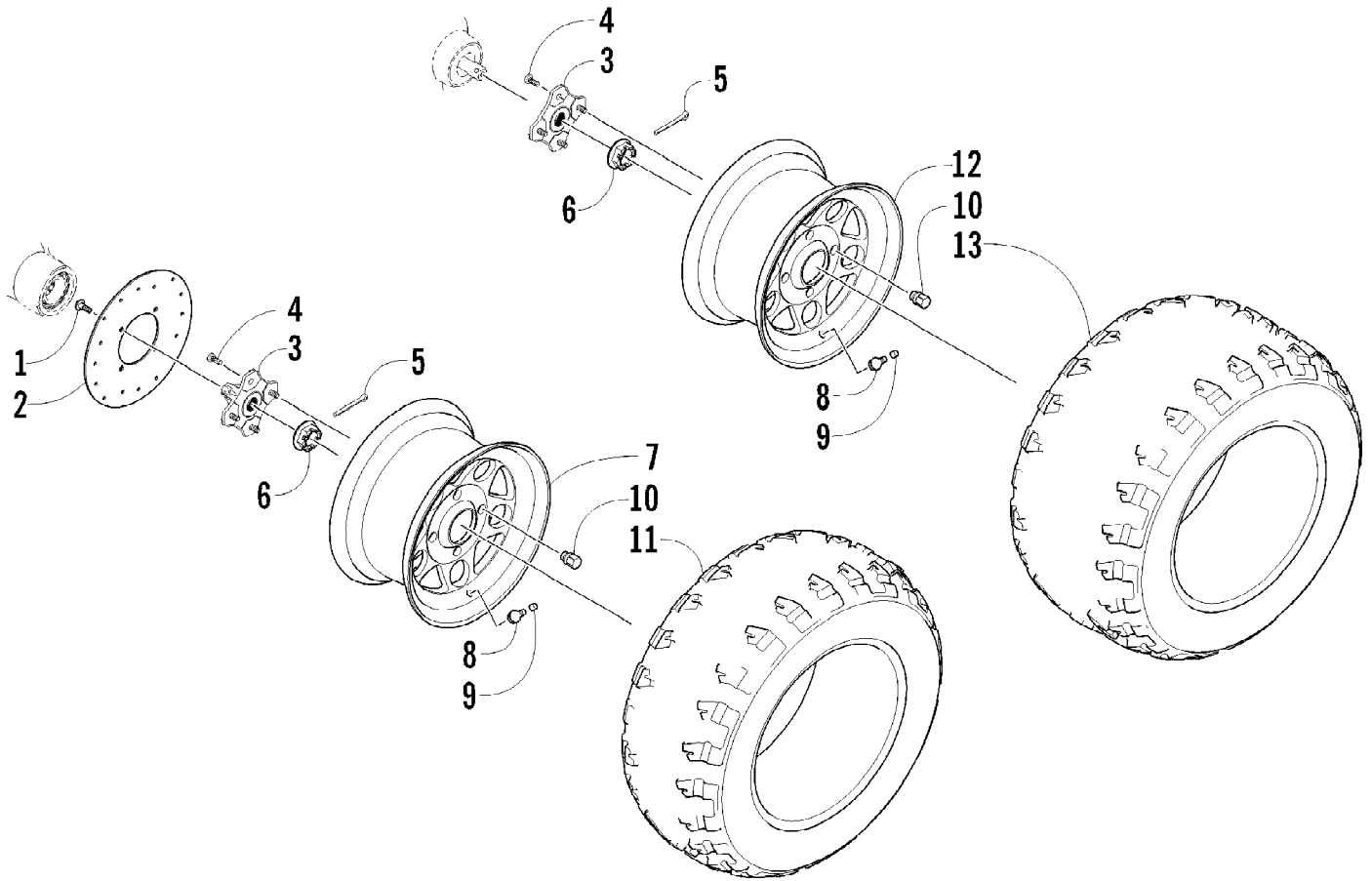


2010 PROWLER 550 XT 4X4 CAT GREEN (U2010P2O4EUSZ)
WATER PUMP ASSEMBLY

Page 83 of 89

Ref #	Part Number	Qty	S/P/F	Description
1	0813-001	1		Pump, Water - Assembly (inc. 2)
2	0830-029	1		O-Ring
3	0813-004	1		Gear, Driven
4	0813-005	1		Shaft, Driven Gear
5	0829-009	1		Pin
6	0831-002	2		Ring, Retaining
7	0832-046	1	/P	Bearing
8	0831-004	1		Ring, Retaining
9	0811-003	1		Gear, Water Pump Drive
10	0829-007	1		Pin
11	0831-005	1		Ring, Retaining
12	8468-665	2		Screw, Machine

2010 PROWLER 550 XT 4X4 CAT GREEN (U2010P2O4EUSZ)
WHEEL AND TIRE ASSEMBLY

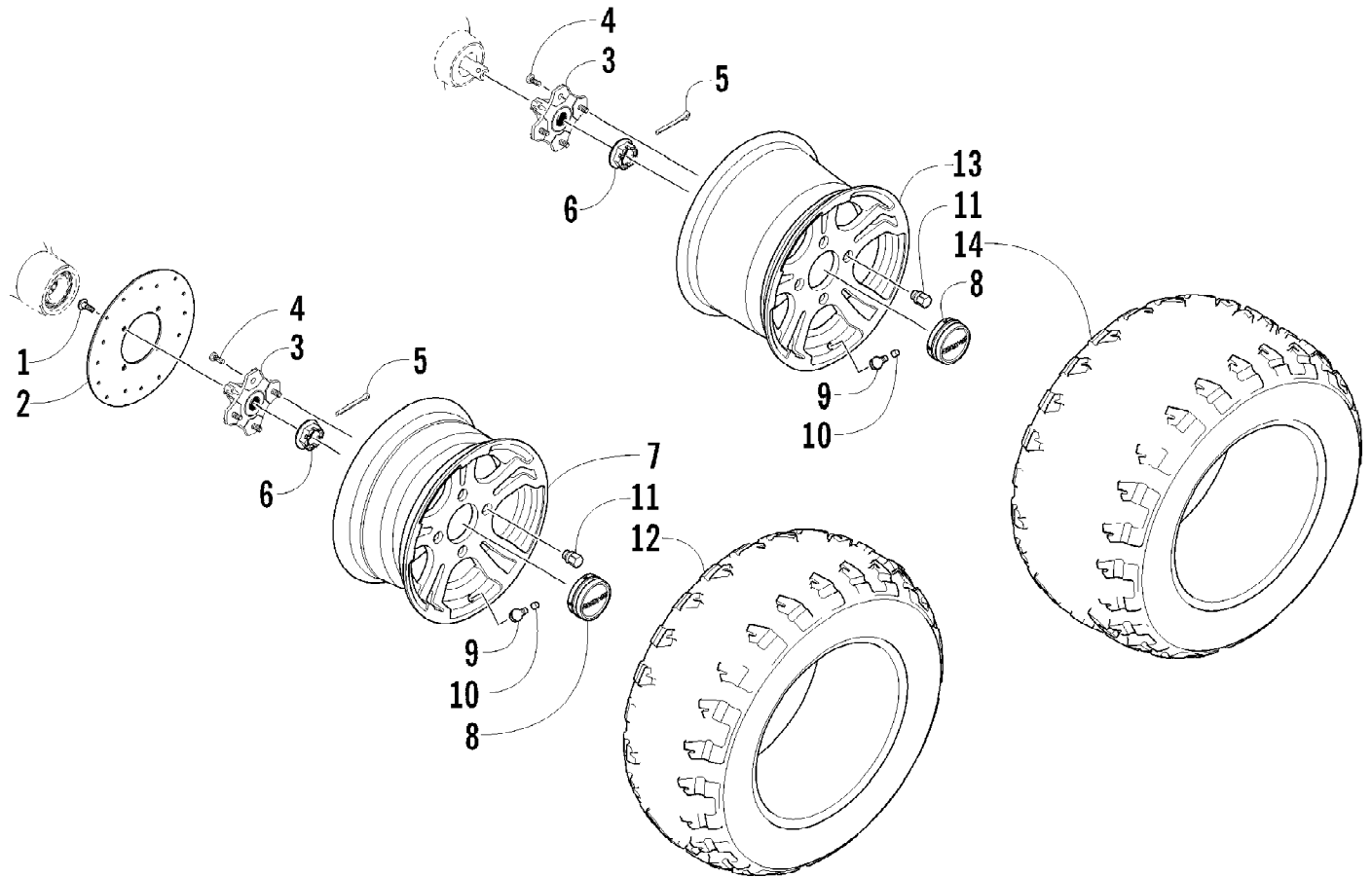


2010 PROWLER 550 XT 4X4 CAT GREEN (U2010P2O4EUSZ)
WHEEL AND TIRE ASSEMBLY

Page 85 of 89

Ref #	Part Number	Qty	S/P/F	Description
1	0423-557	8		Screw, Shoulder
2	1402-455	2	S	Disc, Brake
3	1502-433	2	/P	Hub, Wheel - Front (inc. 4)
3	1502-435	2	/P	Hub, Wheel - Rear (inc. 4)
4	0402-974	16	/P	Stud
5	0423-407	4		Pin, Cotter
6	0423-607	4		Nut, Castle
7	1402-449	2		Wheel - Front
7	1402-450	2	F	Wheel - Front
7	1402-456	2	F	Wheel - Front
7	1402-451	2	F	Wheel - Front
8	0402-064	4		Stem, Valve (inc. 9)
9	0402-140	4		Cap, Valve Stem
10	0423-618	16		Nut, Lug
11	1402-860	2		Tire - Front
12	1402-452	2		Wheel - Rear
12	1402-453	2	F	Wheel - Rear
12	1402-457	2	F	Wheel - Rear
12	1402-454	2	F	Wheel - Rear
13	1402-861	2		Tire - Rear

2010 PROWLER 550 XT 4X4 CAT GREEN (U2010P2O4EUSZ)
WHEEL AND TIRE ASSEMBLY (OPTIONAL)

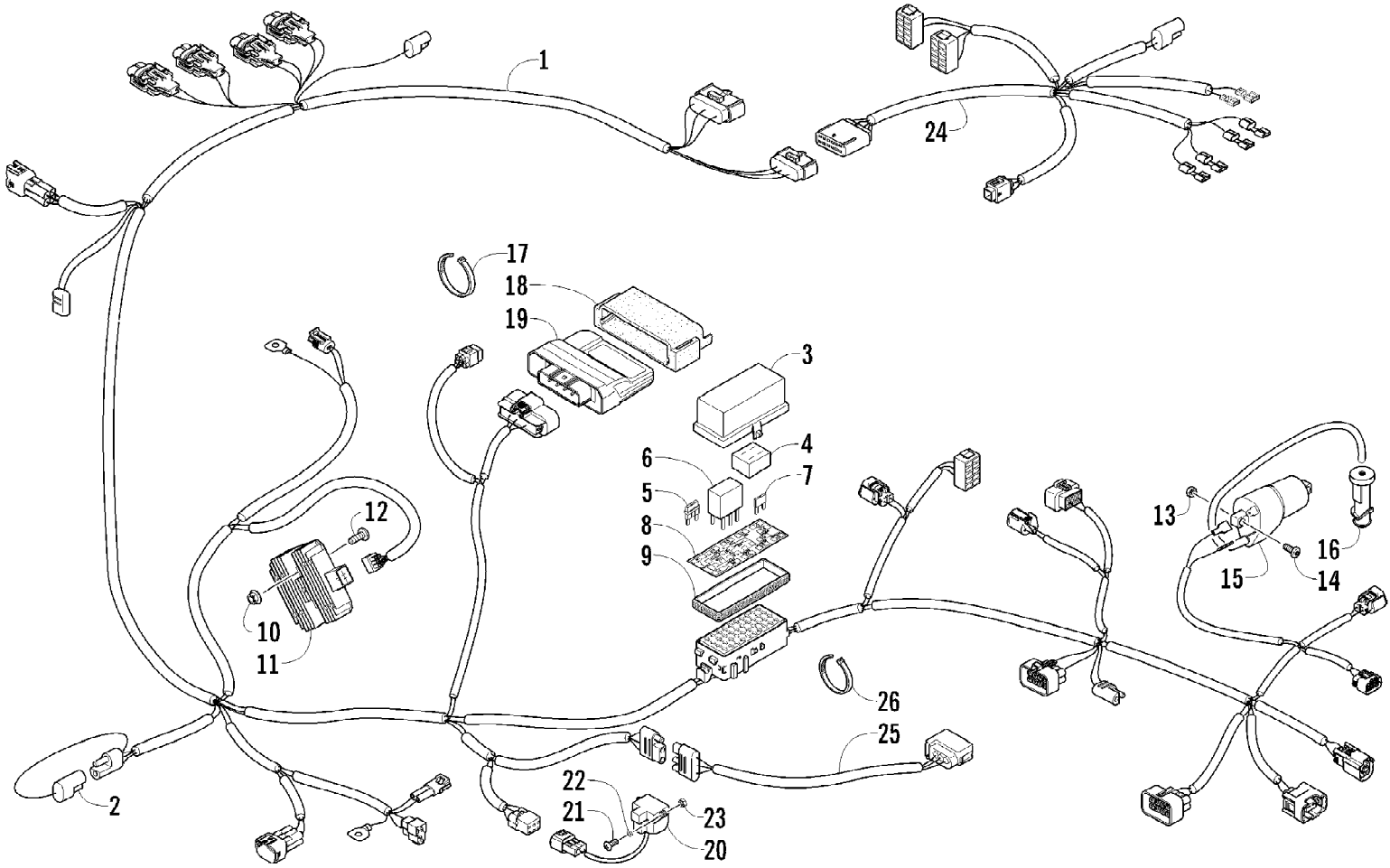


2010 PROWLER 550 XT 4X4 CAT GREEN (U2010P2O4EUSZ)
WHEEL AND TIRE ASSEMBLY (OPTIONAL)

Page 87 of 89

Ref #	Part Number	Qty	S/P/F	Description
1	0423-557	8		Screw, Shoulder
2	1402-455	2	S	Disc, Brake
3	1502-433	2	/P	Hub, Wheel - Front (inc. 4)
3	1502-435	2	/P	Hub, Wheel - Rear (inc. 4)
4	0402-974	16	/P	Stud
5	0423-407	4		Pin, Cotter
6	0423-607	4		Nut, Castle
7	1402-732	2		Wheel - Front (inc. 8)
8	1402-736	4		Cap, Wheel
9	0402-064	4		Stem, Valve (inc. 10)
10	0402-140	4		Cap, Valve Stem
11	0423-618	16		Nut, Lug
12	1402-860	2		Tire - Front
13	1402-733	2	S	Wheel - Rear (inc. 8)
14	1402-861	2		Tire - Rear

2010 PROWLER 550 XT 4X4 CAT GREEN (U2010P2O4EUSZ)
WIRING HARNESS ASSEMBLY



2010 PROWLER 550 XT 4X4 CAT GREEN (U2010P2O4EUSZ)
WIRING HARNESS ASSEMBLY

Page 89 of 89

Ref #	Part Number	Qty	S/P/F	Description
1	0486-296	1		Harness, Main (inc. 2-9)
2	0486-164	1		Tether, Accessory Connector
3	0430-085	1		Cover, Fuse Block
4	0430-037	1		Holder, Fuse
5	0430-034	1		Diode
6	0430-045	5	/P	Relay (4-Pin) - 20 Amp
7	0430-032	5		Fuse - 10 Amp
7	0430-031	4		Fuse - 15 Amp
7	0430-030	2		Fuse - 30 Amp
8	2411-080	1		Decal, Fuse Block
9	0430-086	1		Seal
10	8424-602	2	/P	Nut
11	0824-037	1	/P	Regulator, Voltage
12	8476-625	2		Screw, Machine
13	0623-038	2		Nut w/Washer
14	8476-620	2		Screw, Machine
15	0824-043	1		Coil, Ignition - Assembly
16	0824-049	1	/P	Cap, Spark Plug
17	0123-903	AR		Tie, Cable - 11.5 in.
18	0430-076	1		Cushion, ECU
19	0530-021	1		ECU
20	0409-064	1		Switch, Tilt Sensor
21	8468-425	2		Screw, Machine
22	0123-802	2		Washer
23	0423-493	2		Nut w/Washer
24	0486-290	1		Harness, Console
25	0486-176	1		Harness, Adapter - Taillight
26	0123-788	AR	/P	Tie, Cable - 8 in.