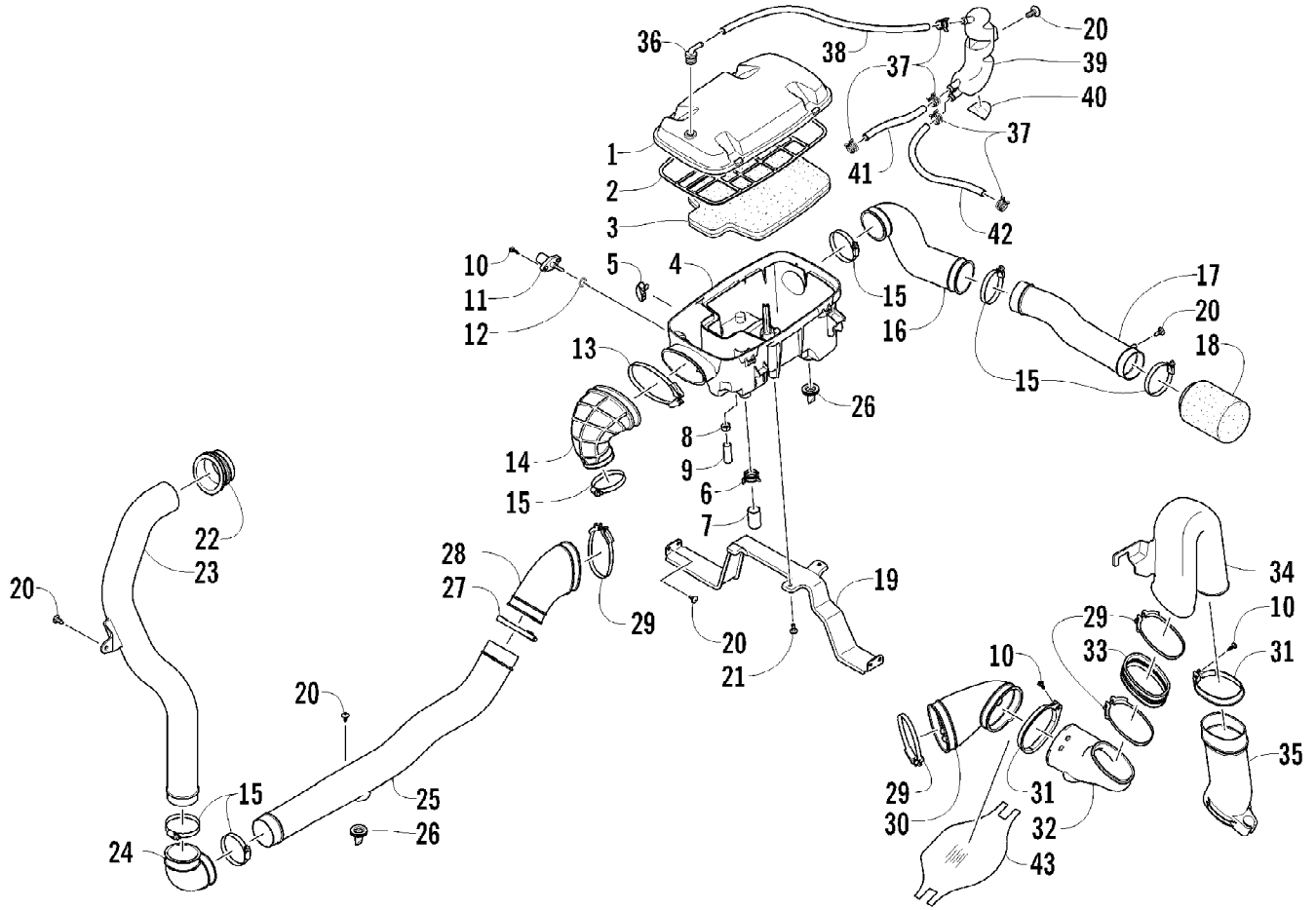


2010 PROWLER 1000 XTZ 4X4 METALLIC CAT GREEN (Engine Serial Number Page 1 of 8)
ACCELERATOR ASSEMBLY

Ref #	Part Number	Qty	S/P/F	Description
1	1502-590	1		Pedal, Accelerator
2	0470-851	1		Spring
3	0402-872	1		Axle
4	1602-213	2	/P	O-Ring
5	8422-002	1		Nut, Lock
6	8471-616	2		Screw, Machine
7	0502-991	1		Bracket, Accelerator Pedal
8	8427-602	2		Nut, Lock
9	0487-066	1		Cable, Accelerator

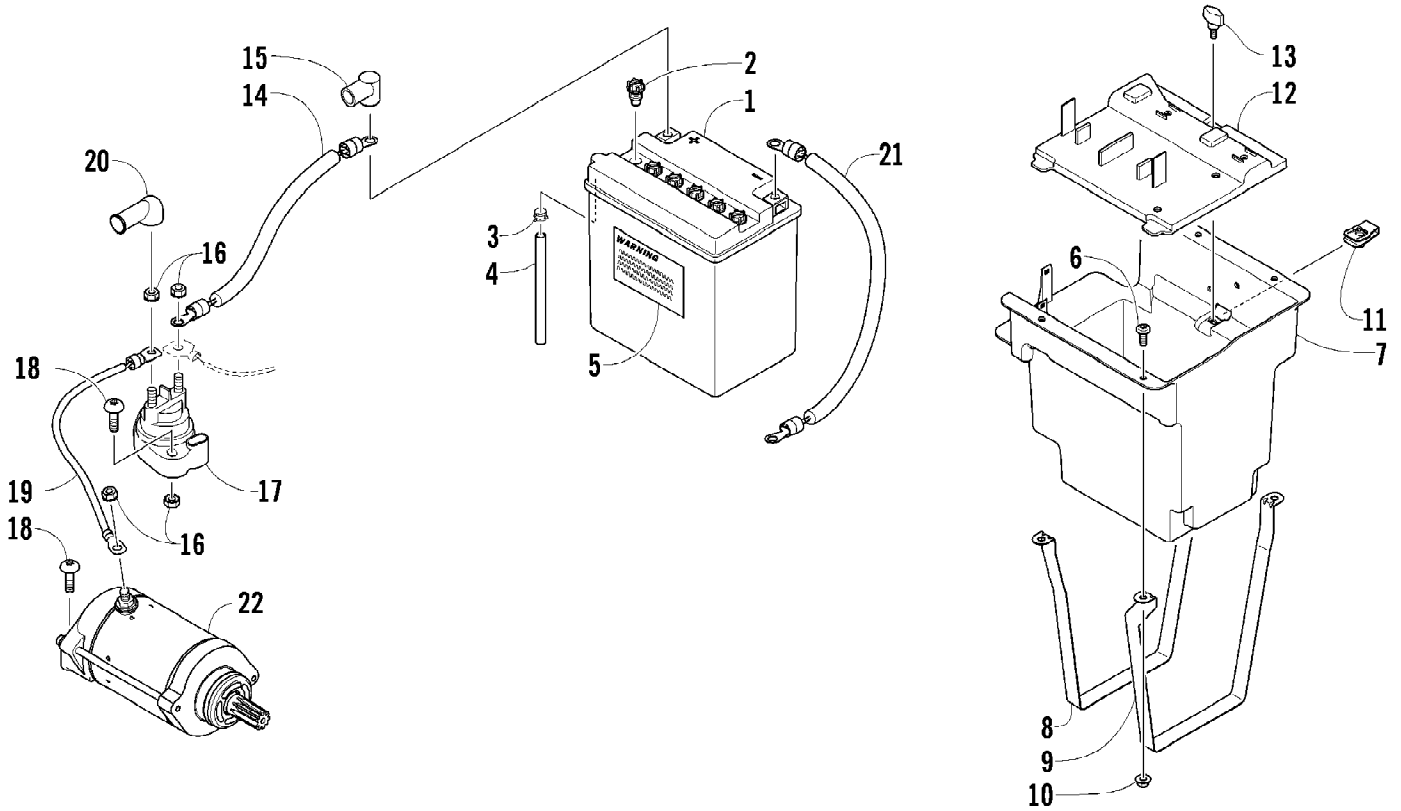
2010 PROWLER 1000 XTZ 4X4 METALLIC CAT GREEN (Engine Serial Number Page 3 of 8)
AIR INTAKE ASSEMBLY



2010 PROWLER 1000 XTZ 4X4 METALLIC CAT GREEN (Engine Serial Number Page 4 of 8)
 AIR INTAKE ASSEMBLY

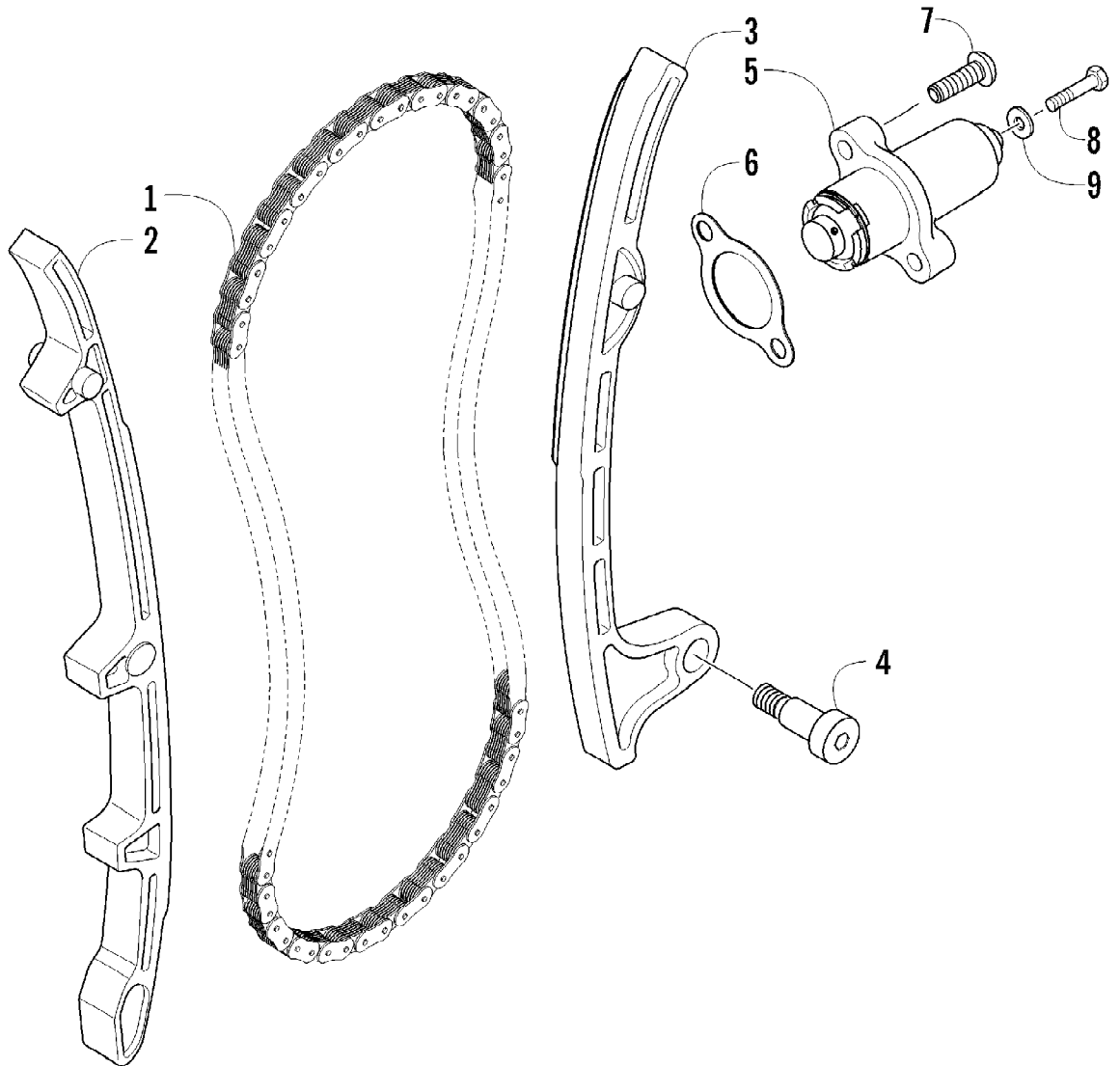
Ref #	Part Number	Qty	S/P/F	Description
1	0470-861	1		Cover, Air Intake
2	0470-560	1		Screen, Air Filter
3	0470-558	1		Filter, Air
4	0470-728	1		Housing, Air Intake
5	0423-455	4		Clip, Spring
6	1623-287	1		Clamp, Hose
7	0423-766	1		Cap, Drain
8	0610-563	1		Clamp, Hose
9	0470-863	1		Valve, Drain
10	0423-342	4	/P	Screw, Self-Tapping
11	0430-055	1		Sensor, Air Temperature (inc. 12)
12	5507-224	1		O-Ring
13	0423-554	1		Clamp
14	0413-225	1		Boot, Intake
15	0423-019	6		Clamp
16	0413-232	1		Duct, Intake
17	0413-219	1		Duct, Intake
18	0470-834	1		Filter, Intake
19	2516-166	1		Bracket, Support
20	0623-784	8		Screw, Self-Tapping
21	8476-616	2		Screw, Machine
22	2416-088	1		Boot, Air-In
23	0413-237	1		Duct, Air-In
24	0413-098	1		Boot, Air-In
25	0413-236	1		Duct, Air-In
26	0470-442	2	/P	Valve, Drain
27	0423-018	1		Clamp
28	0413-233	1		Boot, Air-In
29	0423-730	4		Clamp
30	0413-234	1		Boot, Air-Out
31	0423-550	2		Clamp
32	0413-247	1		Duct, Air-Out
33	0413-248	1		Boot, Air-Out
34	0413-235	1		Duct, Air-Out
35	0413-226	1		Duct, Air-Out
36	0470-881	1		Fitting, Elbow
37	1623-281	5		Clamp, Hose
38	0410-187	1		Hose, Vent
39	0470-857	1		Separator, Oil
40	1441-822	1		Foil, Protective
41	0410-221	1		Hose, Vent
42	0410-220	1		Hose, Vent
43	0412-576	1		Foil, Protective

2010 PROWLER 1000 XTZ 4X4 METALLIC CAT GREEN (Engine Serial Number Page 5 of 8)
BATTERY AND STARTER MOTOR ASSEMBLY



2010 PROWLER 1000 XTZ 4X4 METALLIC CAT GREEN (Engine Serial Number Page 6 of 8)
 BATTERY AND STARTER MOTOR ASSEMBLY

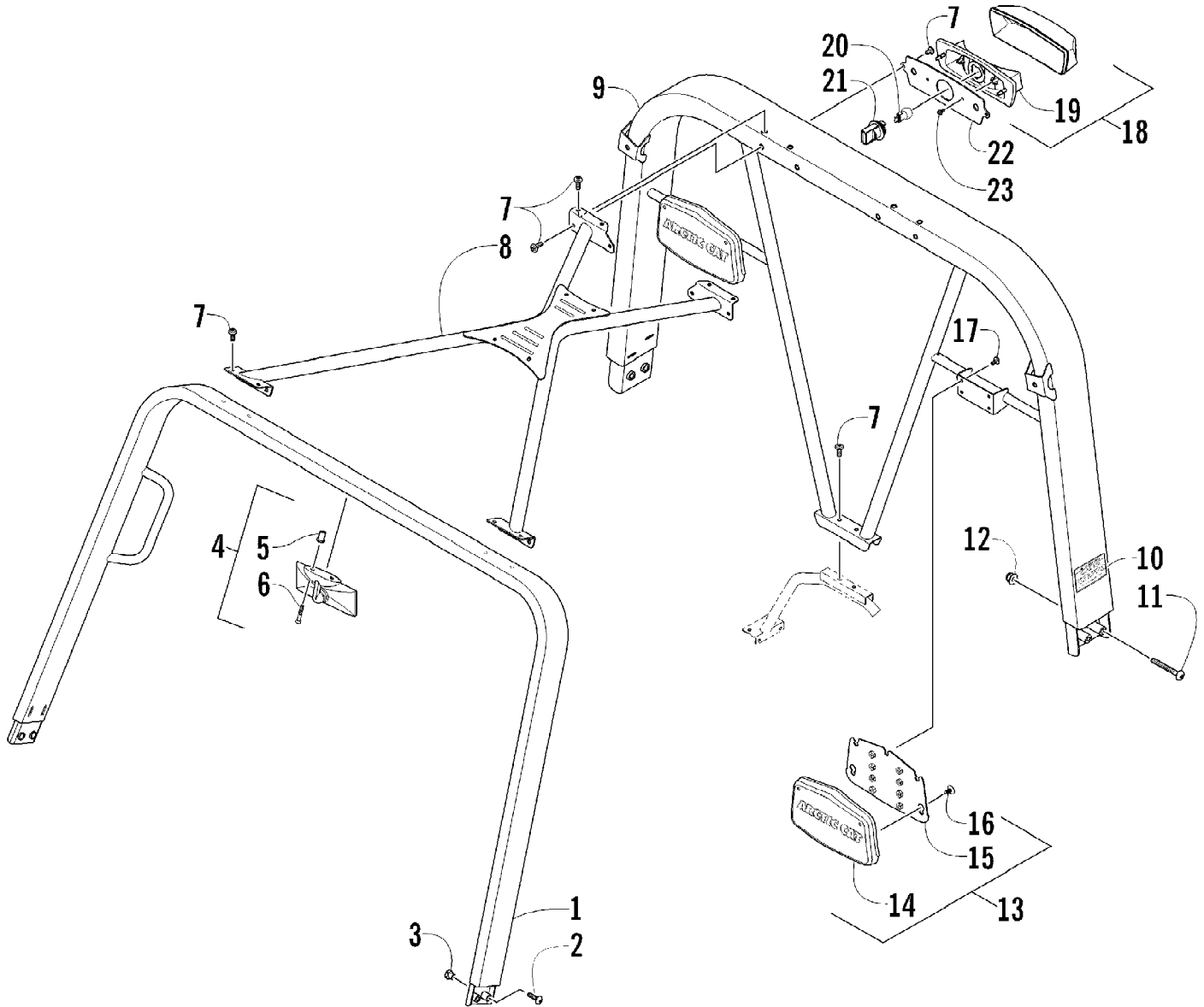
Ref #	Part Number	Qty	S/P/F	Description
1	0445-081	1		Battery (inc. 2-5)
2	0645-588	6	/P	Cap, Battery
3	0645-152	1		Clamp, Hose
4	0645-262	1		Hose, Vent
5	0645-430	2		Decal, Warning
6	8476-616	4		Screw, Machine
7	2406-914	1		Box, Battery
8	0470-854	1		Hold-Down, Battery Box - Right
9	0470-855	1		Hold-Down, Battery Box - Left
10	8424-602	4	/P	Nut
11	0423-577	1		Clip, U-Nut
12	2406-949	1		Cover, Battery Box
13	1441-624	1		Screw, Thumb
14	0445-078	1		Cable, Battery/Solenoid
15	0645-019	2		Boot, Terminal
16	0623-038	5		Nut w/Washer
17	0445-058	1	/P	Solenoid
18	8476-625	4		Screw, Machine
19	0445-080	1		Cable, Solenoid/Starter
20	0645-327	1		Boot, Terminal - Solenoid
21	0445-079	1		Cable, Battery/Ground
22	0825-015	1		Motor, Starter - Assembly



2010 PROWLER 1000 XTZ 4X4 METALLIC CAT GREEN (Engine Serial Number Page 8 of 8)
CAM CHAIN ASSEMBLY

Ref #	Part Number	Qty	S/P/F	Description
1	0810-001	2		Chain, Cam
2	0810-046	2		Guide, Chain
3	0810-049	2		Tensioner, Chain
4	0826-106	2		Pivot, Tensioner
5	0810-004	2		Adjuster, Tensioner - Assembly
6	0830-134	2		Gasket
7	8468-620	4	/P	Screw, Machine
8	8400-610	2		Screw, Cap
9	0828-129	2		Washer

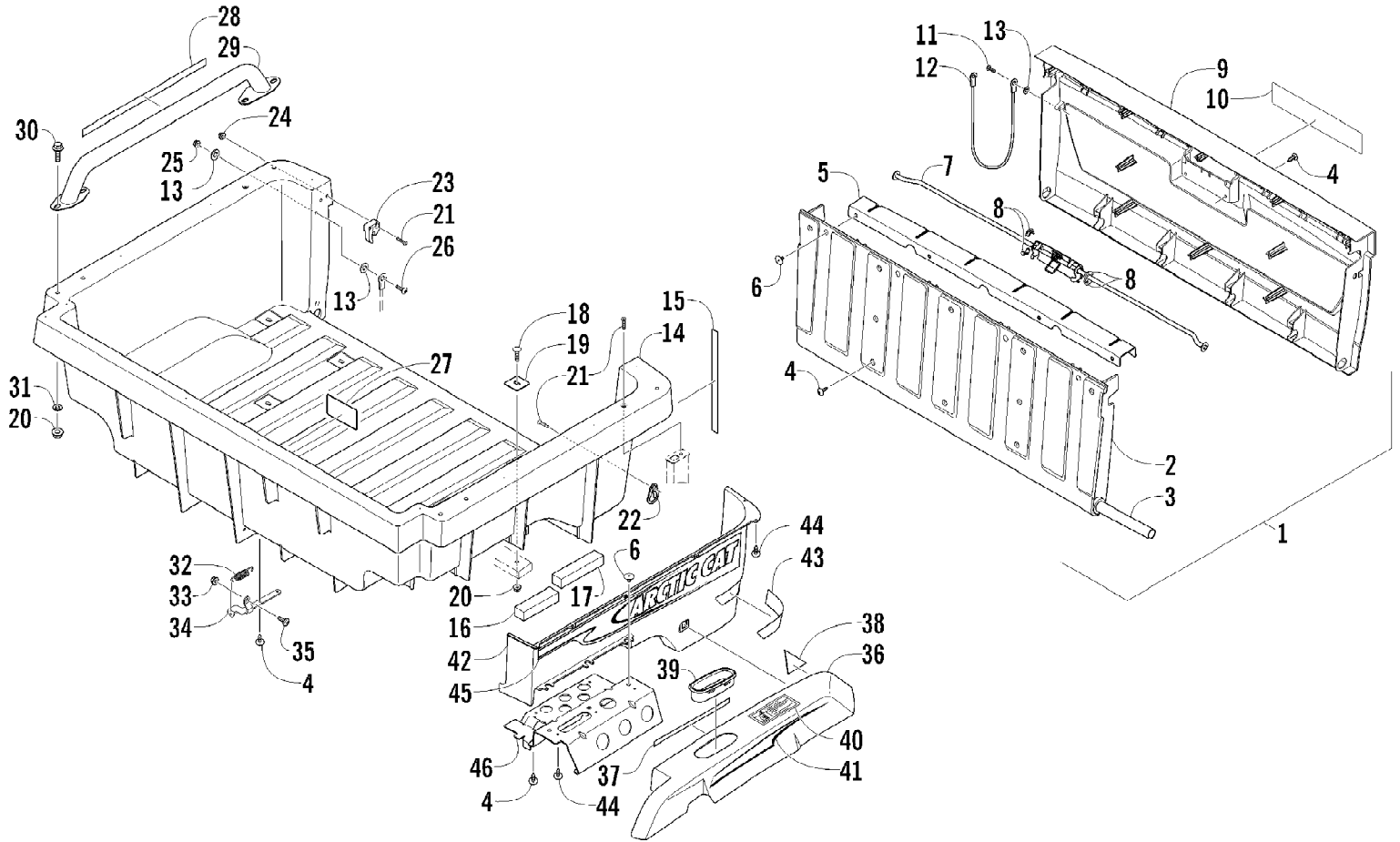
2010 PROWLER 1000 XTZ 4X4 METALLIC CAT GREEN (Engine Serial Number Page 9 of 18)
CANOPY AND TAILLIGHT ASSEMBLY



2010 PROWLER 1000 XTZ 4X4 METALLIC CAT GREEN (Engine Serial Number 095008086)
CANOPY AND TAILLIGHT ASSEMBLY

Ref #	Part Number	Qty	S/P/F	Description
1	2516-108	1		Tube, Canopy - Front
2	0423-886	4		Screw, Machine
3	0423-903	4		T-Nut
4	1436-314	1	/P	Mirror, Rear-View - Kit (inc. 5-6)
5	0423-896	2		Nut, Expansion
6	0423-904	2		Screw, Machine
7	0423-910	20		Screw, Machine
8	2516-304	1		Support, Canopy
9	2516-106	1		Tube, Canopy - Rear
10	1411-864	1		Decal, Warning - Canopy
11	0423-916	4		Screw, Machine
12	8427-805	4		Nut, Lock
13	1506-795	2		Pad, Headrest - Assembly (inc. 14-16)
14	1406-884	2		Pad, Headrest
15	1506-722	2		Mount, Headrest
16	0623-544	10		Clip, Retaining
17	0423-361	8		Screw, Machine
18	0509-022	1		Taillight Assembly (inc. 19-21)
19	0509-025	1		Housing, Taillight
20	0409-056	1		Bulb, Taillight
21	0409-057	1		Socket, Taillight
22	2406-069	1		Bracket, Taillight Mounting
23	0623-301	2	/P	Screw, Self-Tapping

2010 PROWLER 1000 XTZ 4X4 METALLIC CAT GREEN (Engine Serial Number Page 1 of 1)
CARGO BOX AND TAILGATE ASSEMBLY



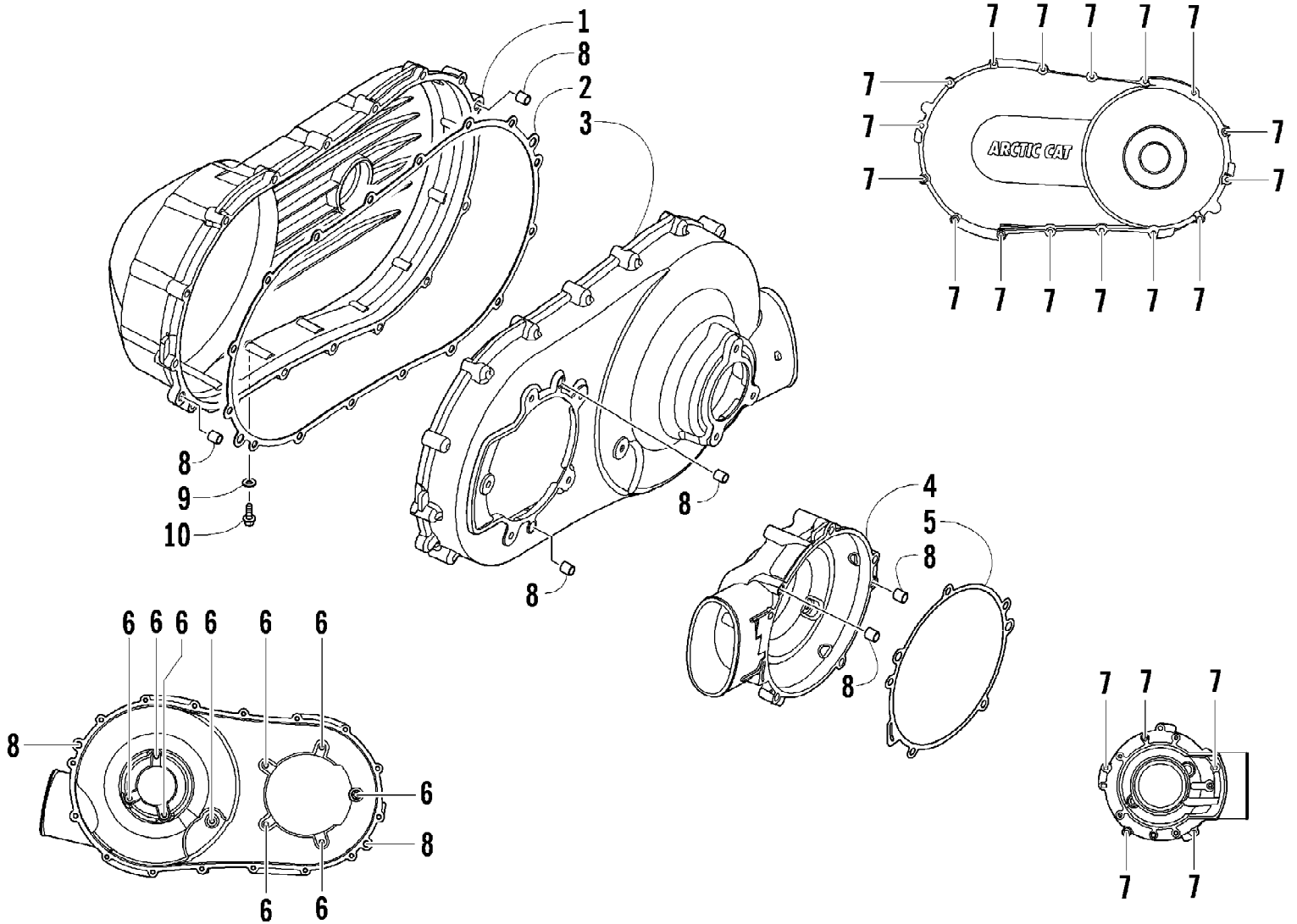
2010 PROWLER 1000 XTZ 4X4 METALLIC CAT GREEN (Engine Serial Number P05078086)
CARGO BOX AND TAILGATE ASSEMBLY

Ref #	Part Number	Qty	S/P/F	Description
1	2516-329	1		Tailgate Assembly (inc. 2-9)
2	2406-365	1	/P	Panel, Tailgate - Inner
3	1406-927	1		Shaft, Pivot - Tailgate
4	0623-784	20		Screw, Self-Tapping
5	1506-704	1		Brace, Tailgate
6	0423-101	10		Screw, Shoulder
7	2506-056	1		Latch, Tailgate - Assembly
8	1406-706	4		Bushing
9	2516-208	1		Panel, Tailgate - Outer
10	2411-005	1		Decal, Tailgate - "Arctic Cat"
11	8476-625	2		Screw, Machine
12	0487-045	2		Cable, Tailgate
13	8050-217	6	/P	Washer
14	2516-335	1		Box, Cargo
15	0417-006	2		Strip, Foam
16	0417-011	2		Foam, Cargo Box
17	0417-010	2		Foam, Cargo Box
18	0423-623	8		Bolt, Carriage
19	1506-933	8		Plate, Retainer
20	8424-802	14		Nut
21	8474-630	6		Screw, Machine
22	1506-539	1		Bracket, Tailgate
23	2506-664	1		Striker, Tailgate - Right
23	2506-665	1	/P	Striker, Tailgate - Left
24	8424-602	4	/P	Nut
25	0624-250	2		Nut, Lock
26	8476-620	2		Screw, Machine
27	1411-119	1		Decal, Warning - Cargo
28	2411-070	2		Decal, Rail
29	2516-330	1		Rail, Cargo Box - Right
29	2516-241	1		Rail, Cargo Box - Left
30	8410-832	8		Screw, Cap
31	0423-907	4		Washer
32	2416-086	1		Spring
33	0423-540	1		Nut, Lock
34	2516-178	1	/P	Bracket, Cargo Box Latch
35	8476-616	1		Screw, Machine
36	2516-188	1		Fender, Rear - Assembly - Upper Right (inc. 37-38)
36	2516-189	1		Fender, Rear - Assembly - Upper Left (inc. 37-39)
37	0417-007	2		Strip, Foam
38	0417-008	2		Pad, Foam
39	2516-037	1		Ring, Trim
40	1411-120	2		Decal, Warning - Pinch Point
41	2411-066	1		Decal, Rear Fender - Right
41	2411-067	1		Decal, Rear Fender - Left
42	2516-204	1		Panel, Box - Right
42	2516-205	1		Panel, Box - Left
43	1411-128	1		Decal, Reflector - Right
43	1411-129	1		Decal, Reflector - Left
44	0423-342	20	/P	Screw, Self-Tapping

2010 PROWLER 1000 XTZ 4X4 METALLIC CAT GREEN (Engine Serial Number 195038086)
CARGO BOX AND TAILGATE ASSEMBLY

Ref #	Part Number	Qty	S/P/F	Description
45	2411-064	1		Decal, Box - "Arctic Cat" - Right
45	2411-065	1		Decal, Box - "Arctic Cat" - Left
46	1506-776	1		Bracket, Fender Support - Right
46	2506-927	1		Bracket, Fender Support - Left

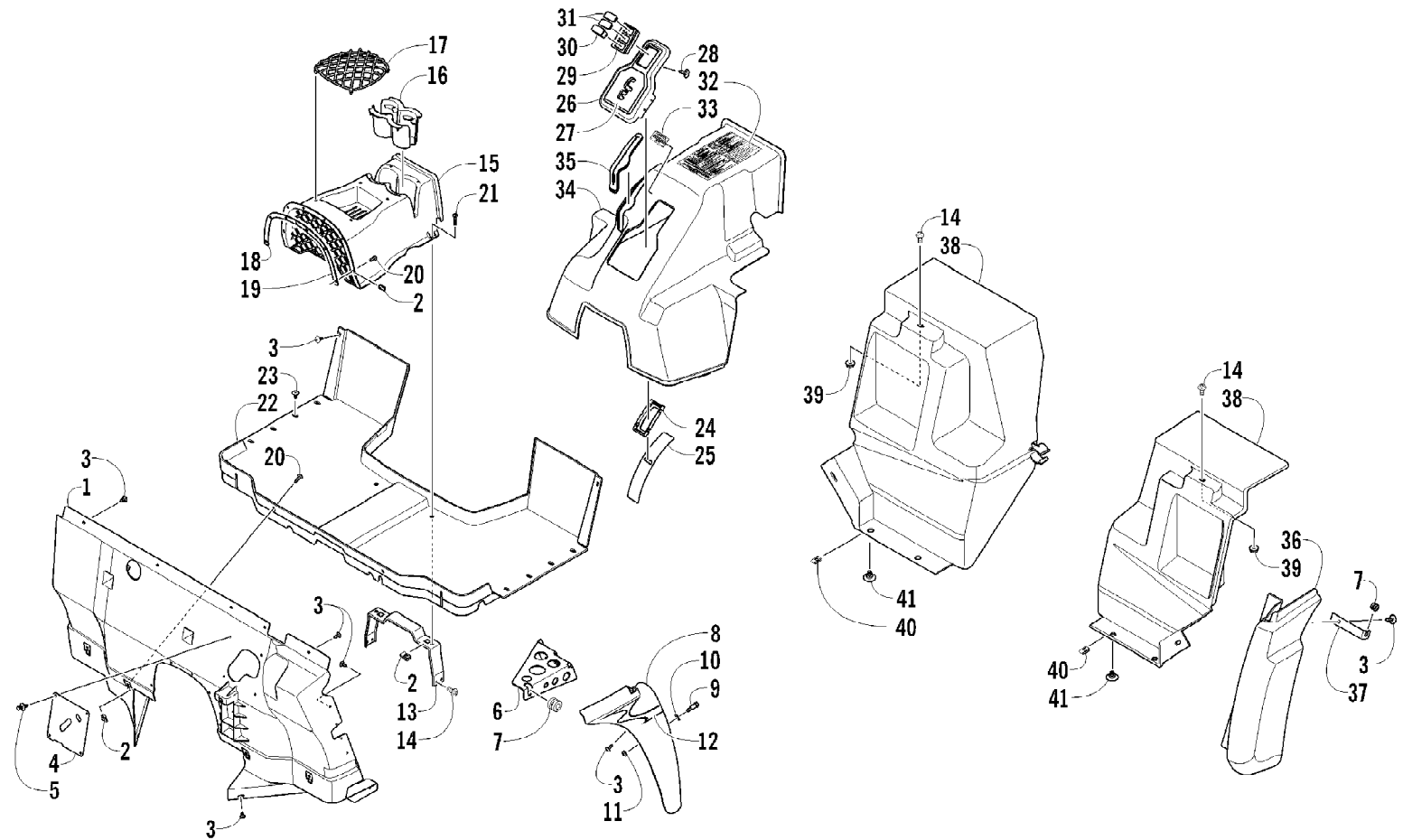
2010 PROWLER 1000 XTZ 4X4 METALLIC CAT GREEN (Engine Serial Number Range 10180181-10180186)
CLUTCH SIDE ENGINE COVERS



2010 PROWLER 1000 XTZ 4X4 METALLIC CAT GREEN (Engine Serial Number P095058086)
CLUTCH SIDE ENGINE COVERS

Ref #	Part Number	Qty	S/P/F	Description
1	0806-112	1	/P	Cover, Outside
2	0830-137	1		Gasket, Cover
3	0806-110	1		Cover, Inside
4	0806-109	1		Cover, Clutch
5	0830-133	1		Gasket, Clutch Cover
6	8468-616	9		Screw, Machine
7	8468-630	21		Screw, Machine
8	0829-001	6	S	Pin, Dowel
9	0830-013	1		Washer, Crush
10	8408-812	1		Screw, Cap

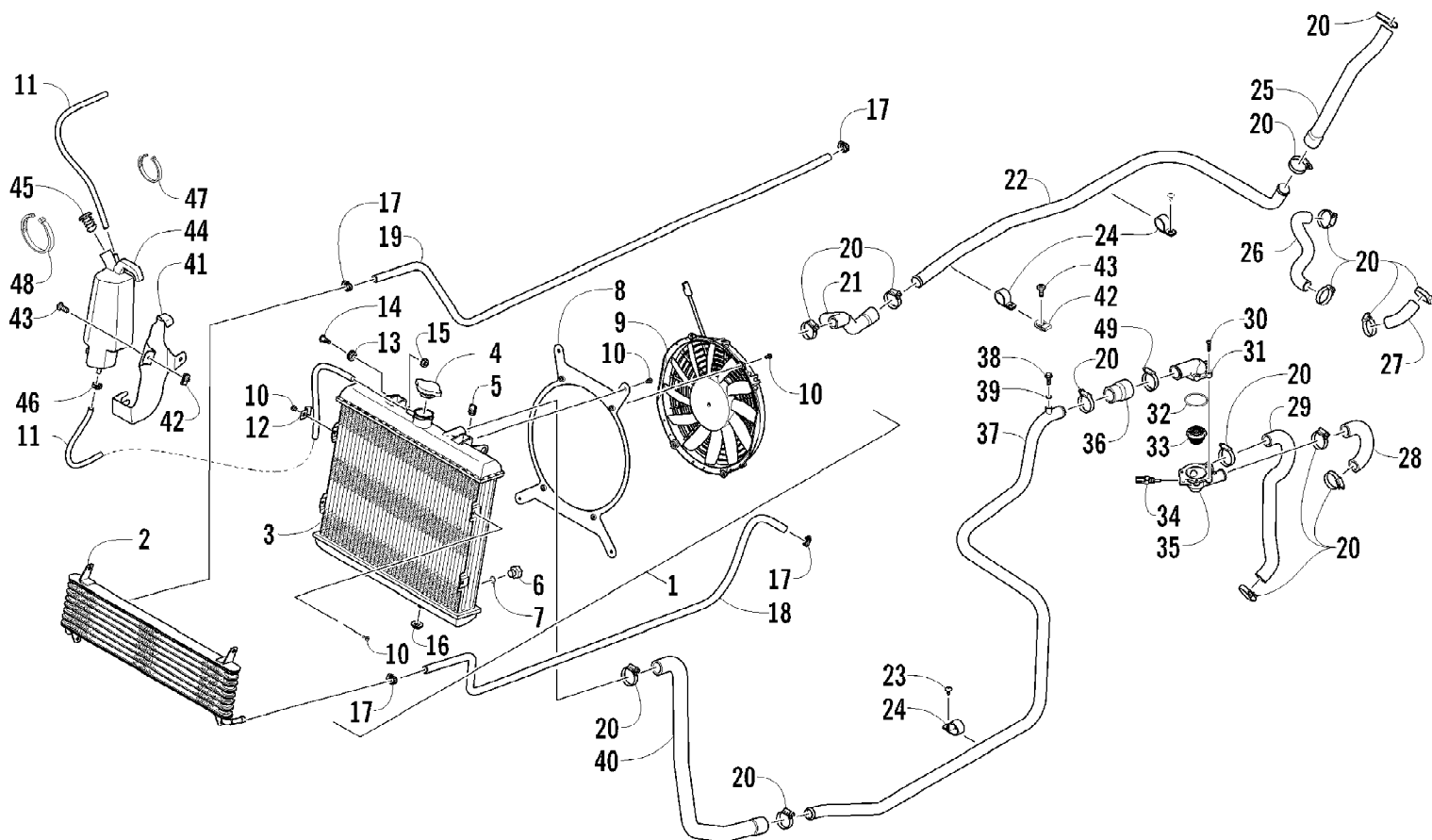
2010 PROWLER 1000 XTZ 4X4 METALLIC CAT GREEN (Engine Serial Number Page 16 of 18)
CONSOLE AND FLOOR PANEL ASSEMBLY



2010 PROWLER 1000 XTZ 4X4 METALLIC CAT GREEN (Engine Serial Number 95078086)
 Page 10 of 18
 CONSOLE AND FLOOR PANEL ASSEMBLY

Ref #	Part Number	Qty	S/P/F	Description
1	2516-456	1		Panel, Fender - Inner
2	0423-577	14		Clip, U-Nut
3	0623-784	24		Screw, Self-Tapping
4	2406-635	1		Panel, Splash - Inner Fender
5	0623-362	4		Rivet, Reinstallable
6	2506-066	1		Bracket, Support - Right
6	2506-067	1		Bracket, Support - Left
7	0423-447	4		Grommet
8	2516-184	1		Fender, Front - Right
8	2516-185	1		Fender, Front - Left
9	0623-855	2		Screw, Shoulder
10	8050-217	2	/P	Washer
11	8048-366	2		Nut, Lock
12	2411-062	1		Decal, Front Fender - Right
12	2411-063	1		Decal, Front Fender - Left
13	2516-313	1		Bracket, Support
14	8476-616	6		Screw, Machine
15	2416-081	1		Console - Front
16	2416-109	1		Insert, Cupholder
17	2416-111	1		Net, Storage
18	0417-019	1		Foam, Console
19	0417-018	1		Foam, Console
20	8468-625	12		Screw, Machine
21	8468-670	2		Screw, Machine
22	2416-085	1		Floor
23	0423-545	8	/P	Screw, Shoulder
24	1402-793	1		Slide, Shift Gate
25	1402-794	1		Slide, Shift
26	1502-520	1		Gate, Shift (inc. 27)
27	1411-985	1		Decal, Shift Gate
28	0423-342	3	/P	Screw, Self-Tapping
29	0409-069	1		Panel, Switch-Mount
30	0409-071	1		Switch, Reverse Override
31	0409-070	2		Plug, Switch-Hole
32	2411-095	1		Decal, Warning - Console
33	2411-094	1		Decal, Warning - Brake Lever
34	2406-951	1		Console, Center
35	2406-960	1		Boot, Parking Brake Lever
36	2516-196	1		Fender, Rear - Lower - Right
36	2516-197	1		Fender, Rear - Lower - Left
37	2516-326	2		Bracket, Fender Support - Lower
38	2416-018	1		Panel, Splash - Right
38	2416-019	1		Panel, Splash - Left
39	8424-602	2	/P	Nut
40	0423-577	4	F	Clip, U-Nut
40	0423-466	4	F	Clip, U-Nut
41	0423-101	4	F	Screw, Shoulder
41	0423-545	4	/P/F	Screw, Shoulder

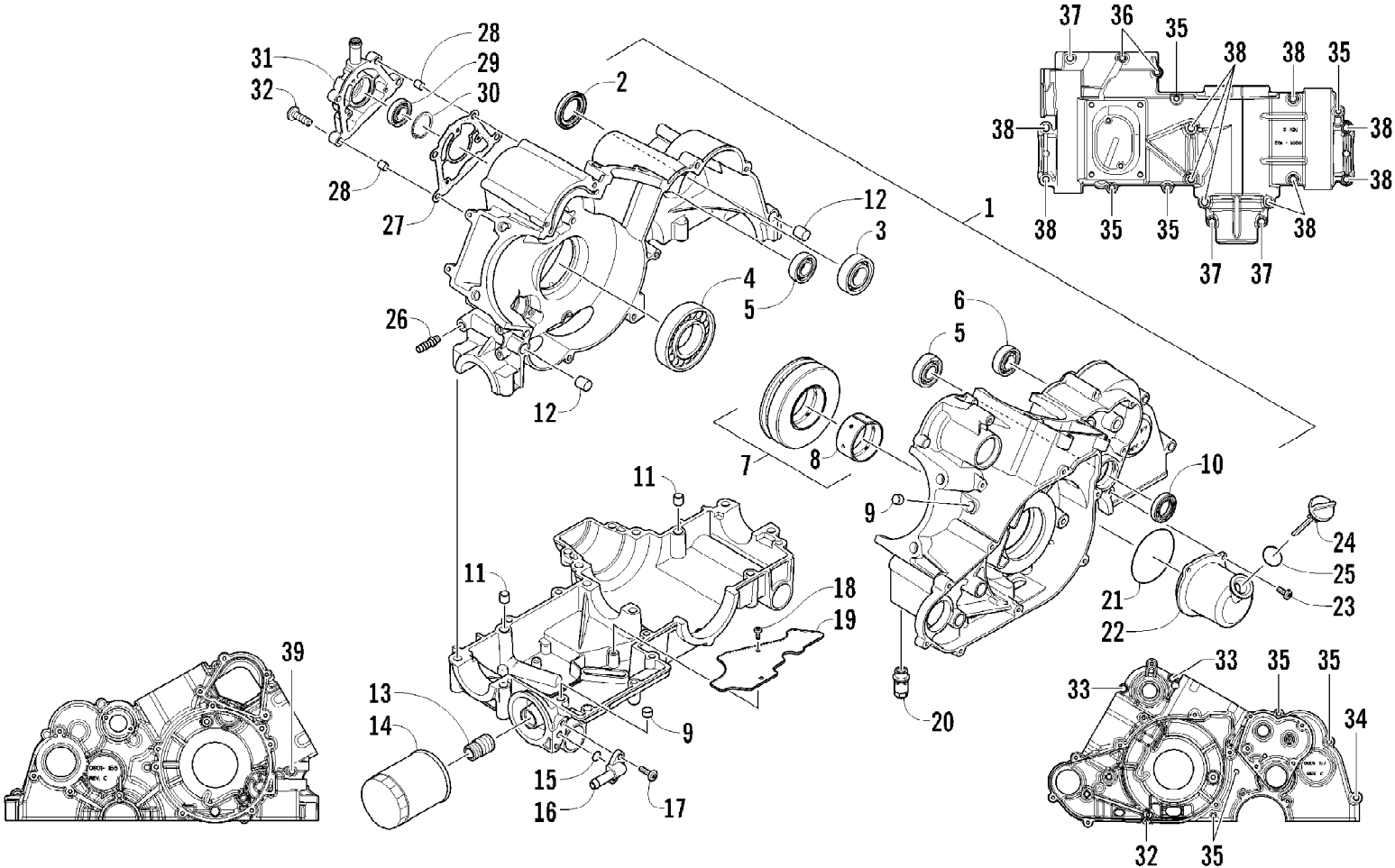
2010 PROWLER 1000 XTZ 4X4 METALLIC CAT GREEN (Engine Serial Number Page 08 of 08)
COOLING ASSEMBLY



2010 PROWLER 1000 XTZ 4X4 METALLIC CAT GREEN (Engine Serial Number 095098086)
COOLING ASSEMBLY

Ref #	Part Number	Qty	S/P/F	Description
1	0513-036	1		Radiator Assembly (inc. 2-13)
2	0413-241	1		Cooler, Oil
3	0413-216	1		Radiator
4	0413-255	1	/P	Cap, Radiator
5	1623-637	4		Clip, U-Nut
6	0413-195	1		Plug, Drain
7	1602-213	1	/P	O-Ring
8	0413-217	1		Bracket, Mounting - Fan
9	0413-123	1	/P	Fan, Cooling
10	8470-510	12		Screw, Machine
11	0610-011	AR	/P	Hose - 25 ft
12	0423-351	1		Clamp, Routing
13	0423-030	2		Grommet
14	0423-484	2		Screw, Shoulder
15	0623-038	2		Nut w/Washer
16	0423-028	2		Bushing, Stem
17	0423-632	4		Clamp, Hose
18	0410-183	1		Hose, Oil Cooler - In
19	0410-184	1		Hose, Oil Cooler - Out
20	0423-496	15		Clamp, Hose
21	0410-094	1		Hose, Coolant - Radiator/Coolant Pipe
22	0410-177	1		Pipe, Coolant
23	0623-784	1		Screw, Self-Tapping
24	0423-594	3		Clamp, Routing
25	0410-180	1		Hose, Coolant - Coolant Pipe/Water Pump
26	0410-116	1		Hose, Coolant - Crossover
27	0410-115	1		Hose, Coolant - Crossover
28	0410-191	1		Hose, Coolant - Cylinder/Thermostat
29	0410-190	1		Hose, Coolant - Cylinder/Thermostat
30	8470-520	4		Screw, Machine
31	0808-092	1		Cover, Thermostat
32	0830-173	1		O-Ring
33	0808-093	1		Thermostat
34	0808-124	1		Sensor, Engine Coolant Temperature
35	0808-189	1		Housing, Thermostat
36	0410-189	1		Hose, Coolant - Thermostat/Coolant Pipe
37	0410-178	1		Pipe, Coolant w/Bleed Valve
38	0423-984	1	S	Screw, Bleed
39	0423-921	1		O-Ring
40	0410-092	1		Hose, Coolant - Coolant Pipe/Radiator
41	0410-199	1		Bracket, Mounting - Overflow Bottle
42	0423-577	3		Clip, U-Nut
43	8476-616	3		Screw, Machine
44	0413-086	1		Bottle, Overflow
45	0413-087	1		Plug
46	0124-045	1	/P	Clamp, Hose
47	0623-751	AR		Cable Tie - 11.75 in.
48	0623-316	AR		Tie, Cable - 14 in.
49	1623-093	1		Clamp, Hose

2010 PROWLER 1000 XTZ 4X4 METALLIC CAT GREEN (Engine Serial Number Page 20 of 26)
CRANKCASE ASSEMBLY



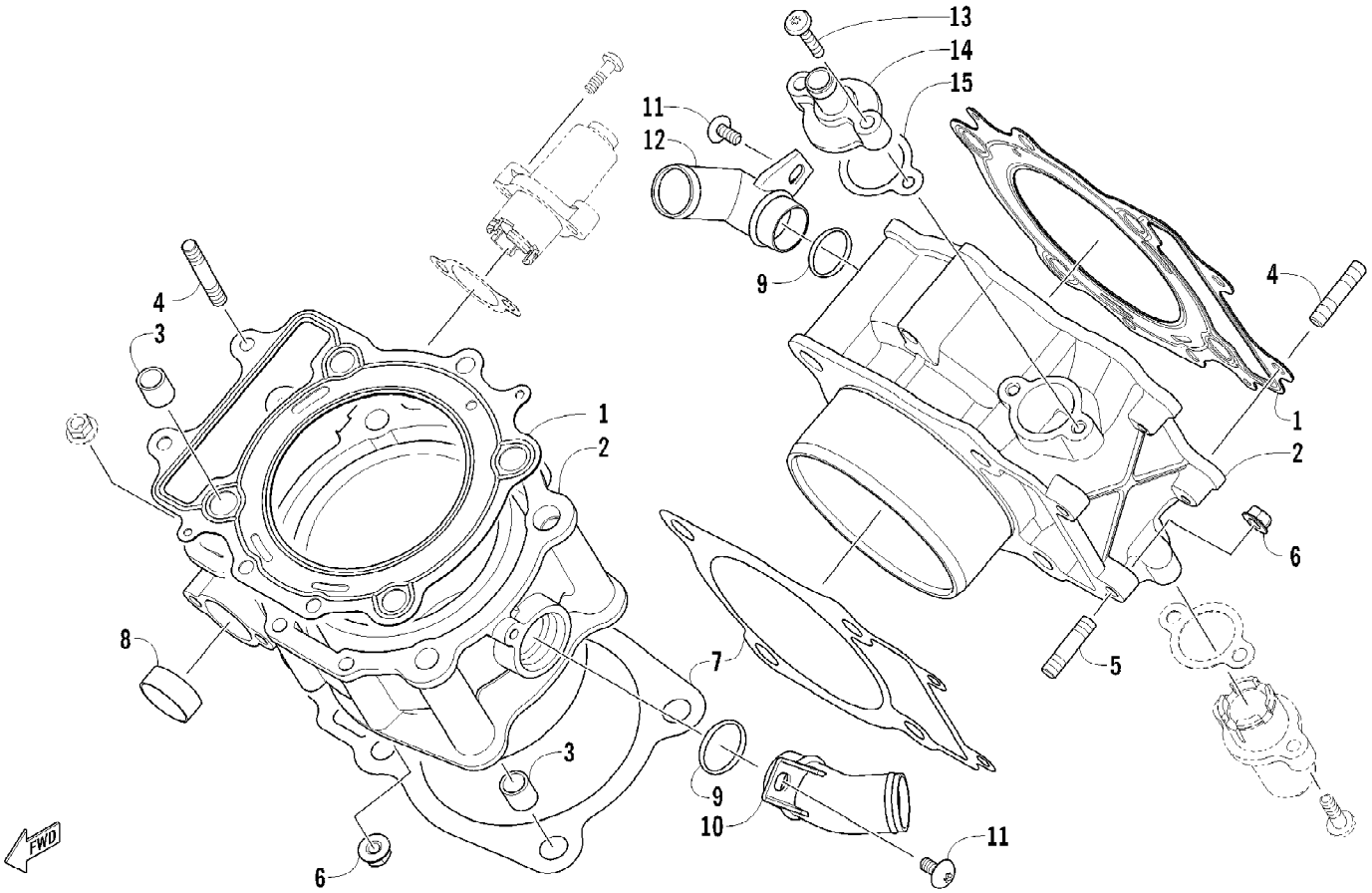
2010 PROWLER 1000 XTZ 4X4 METALLIC CAT GREEN (Engine Serial Number P095218086)
CRANKCASE ASSEMBLY

Ref #	Part Number	Qty	S/P/F	Description
1	0801-172	1		Crankcase - Assembly (inc. 2-13)
2	0830-035	1		Seal, Driveshaft
3	0832-048	1	/P	Bearing
4	0832-042	1	/P	Bearing
5	0832-050	2	/P	Bearing
6	0832-049	1	/P	Bearing
7	0832-055	1		Bearing - Assembly (inc. 8)
8	0832-057	1		Bearing
9	0801-002	2		Plug, Engine Case
10	0822-052	1		Seal, Countershaft - Right
11	0829-003	2		Pin, Dowel
12	0829-002	2		Pin, Dowel
13	0812-008	1		Union, Oil Filter
14	0812-029	1	S	Filter, Oil
15	0830-172	1		O-Ring
16	0812-060	1		Fitting, Oil
17	8468-620	2	/P	Screw, Machine
18	0623-914	2		Screw, Self-Tapping
19	0812-079	1		Plate, Oil Sump
20	0812-052	1		Valve, Oil-Relief - Assembly
21	0830-162	1		O-Ring, Oil Filler Cover
22	0812-081	1		Cover, Oil Filler
23	8468-616	3		Screw, Machine
24	0801-179	1		Stick, Oil Level
25	0830-010	1		O-Ring
26	0812-078	1		Fitting, Oil - Threaded
27	0830-191	1		Gasket, Breather
28	0829-001	2	S	Pin, Dowel
29	0832-084	1		Bearing
30	0831-086	1		Circlip
31	0801-193	1		Cover, Breather
32	8468-625	5		Screw, Machine
33	8468-630	2		Screw, Machine
34	8412-875	1		Screw, Cap
35	8468-660	8		Screw, Machine
36	8468-640	2		Screw, Machine
37	8412-830	3		Screw, Cap
38	8412-860	10		Screw, Cap
39	8412-850	1		Screw, Cap

2010 PROWLER 1000 XTZ 4X4 METALLIC CAT GREEN (Engine Serial Number P095238086)
 CRANKSHAFT AND PISTON ASSEMBLY

Ref #	Part Number	Qty	S/P/F	Description
1	0805-299	2	/P	Piston Set - Assembly (inc. 2-4)
2	0805-164	2		Ring, Piston - Set
3	0805-199	4		Circlip, Piston Pin
4	0805-198	2		Pin, Piston
5	0805-200	1	S	Crankshaft - Assembly
6	0805-273	1		Washer, Thrust

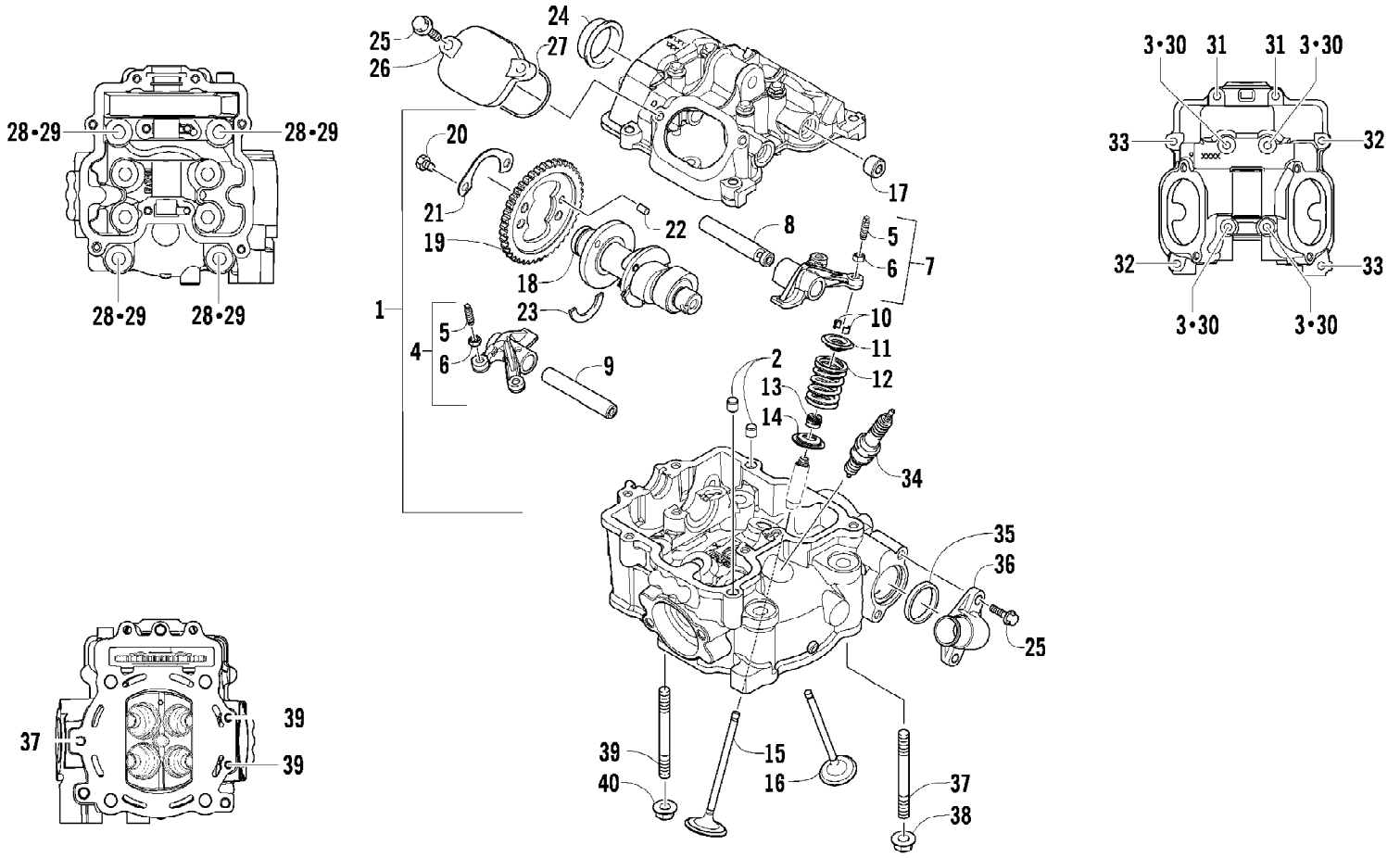
2010 PROWLER 1000 XTZ 4X4 METALLIC CAT GREEN (Engine Serial Number Page 24 of 36)
CYLINDER ASSEMBLY



2010 PROWLER 1000 XTZ 4X4 METALLIC CAT GREEN (Engine Serial Number P095258086)
CYLINDER ASSEMBLY Page 25 of 36

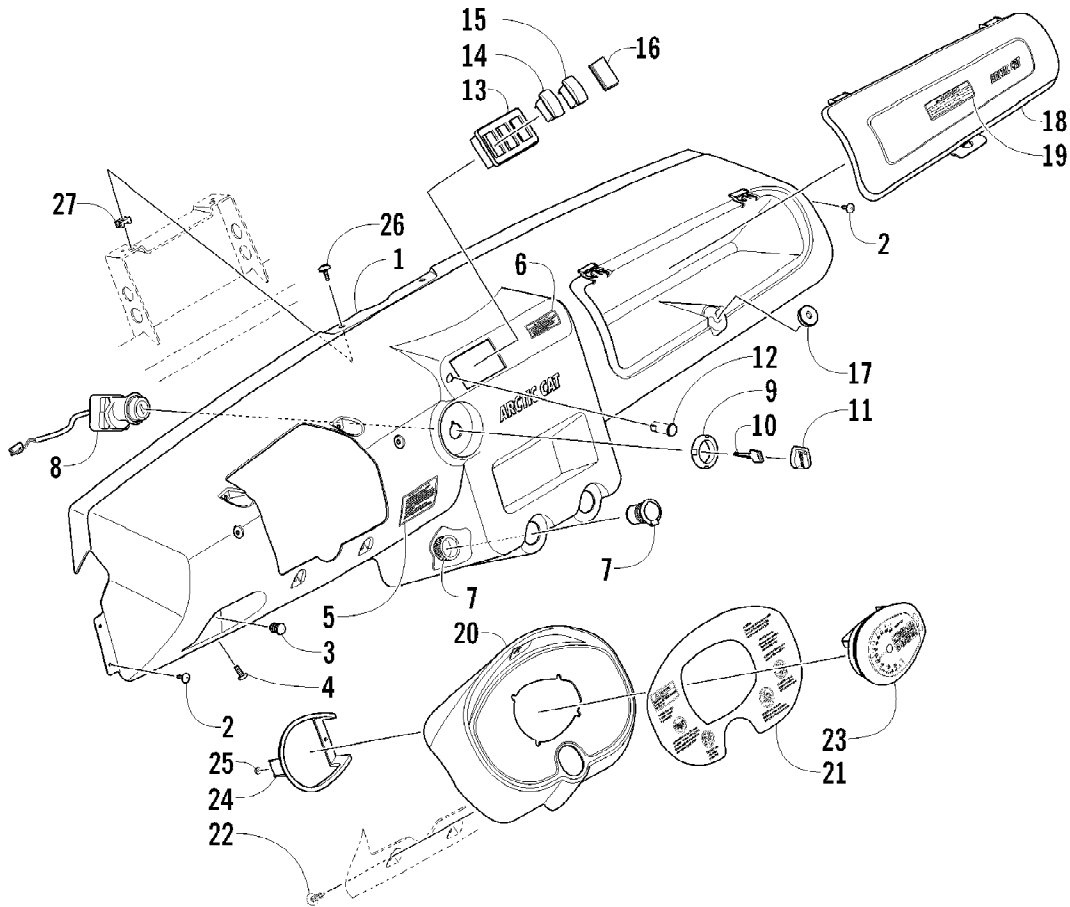
Ref #	Part Number	Qty	S/P/F	Description
1	0830-209	2	/P	Gasket, Head
2	0804-031	2		Cylinder
3	0829-002	8		Pin, Dowel
4	0827-002	4		Bolt, Stud
5	0827-018	4		Bolt, Stud
6	8424-604	8		Nut
7	0830-193	2		Gasket, Base
8	0804-037	1		Plug, Cylinder
9	0830-007	2		O-Ring
10	0804-046	1		Union, Coolant Hose
11	8468-612	2		Screw, Machine
12	0804-030	1		Union, Coolant Hose
13	8468-630	2		Screw, Machine
14	0801-174	1		Cover, Breather
15	0830-134	1		Gasket

2010 PROWLER 1000 XTZ 4X4 METALLIC CAT GREEN (Engine Serial Number P095268086)
CYLINDER HEAD AND CAMSHAFT/VALVE ASSEMBLY



2010 PROWLER 1000 XTZ 4X4 METALLIC CAT GREEN (Engine Serial Number P095278086)
CYLINDER HEAD AND CAMSHAFT/VALVE ASSEMBLY

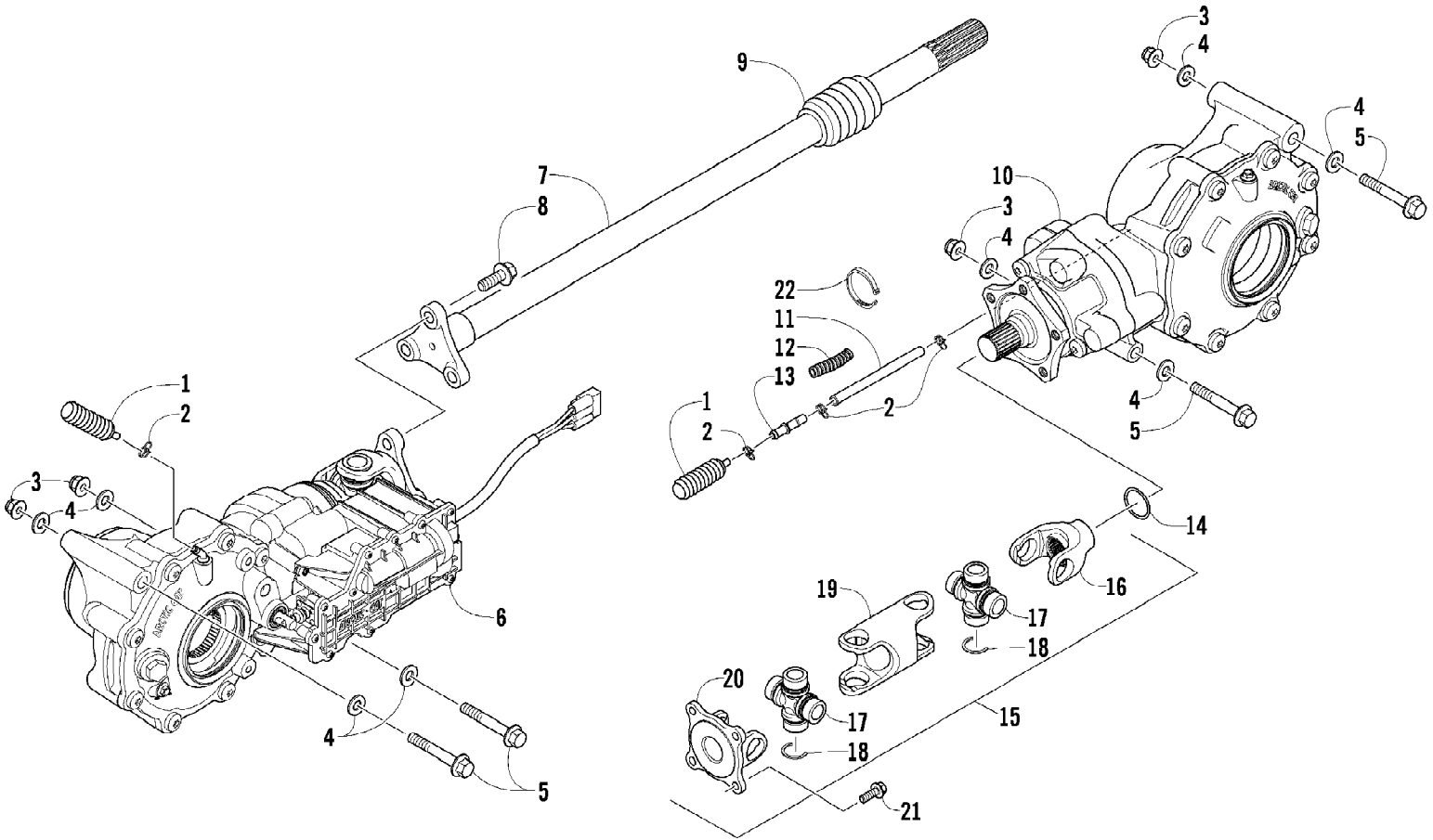
Ref #	Part Number	Qty	S/P/F	Description
1	0808-135	2	S	Head, Cylinder - Assembly (inc. 2-17)
2	0829-001	4	S	Pin, Dowel
3	0826-001	8		Screw, Cap
4	0809-202	2	S	Arm, Valve Rocker - Intake (inc. two No. 5-6)
5	0809-033	8	S	Screw, Adjuster
6	0827-007	8		Nut
7	0809-205	2	S	Arm, Valve Rocker - Exhaust (inc. two No. 5-6)
8	0809-008	2		Shaft, Rocker Arm - Exhaust
9	0809-007	2		Shaft, Rocker Arm - Intake
10	0809-014	16		Cotter, Valve
11	0809-013	8		Retainer, Spring
12	0809-138	8	S	Spring, Valve
13	0830-016	8	S	Seal, Oil
14	0809-006	8		Seat, Spring - Valve
15	0809-040	4	S	Valve, Exhaust
16	0809-039	4	S	Valve, Intake
17	0831-041	4		Plug, Shaft
18	0809-246	1	/P	Camshaft, Front Cylinder
18	0809-248	1	/P	Camshaft, Rear Cylinder
19	0809-002	2		Sprocket
20	0826-034	4		Screw, Cap
21	0828-004	2		Plate, Retainer
22	0829-008	2		Pin, Dowel
23	0809-003	2		C-Ring
24	0808-077	2		Plug, Cylinder Head
25	0826-007	12		Screw, Cap
26	0808-003	4		Cap, Inspection
27	0830-167	4	/P	O-Ring
28	0808-090	8		Screw, Cap
29	0830-147	8	/P	Washer
30	0830-107	8		Gasket
31	0826-002	4		Screw, Cap
32	0826-005	4		Screw, Cap
33	0826-006	4		Screw, Cap
34	0217-799	2	/P/F	Spark Plug
35	0830-120	2		Seal
36	0808-008	2		Cover, Thermostat
37	0827-062	2		Bolt, Stud
38	8424-804	2		Nut
39	0827-030	4		Bolt, Stud
40	8424-604	4		Nut



2010 PROWLER 1000 XTZ 4X4 METALLIC CAT GREEN (Engine Serial Number 052078086)
 DASH ASSEMBLY Page 29 of 38

Ref #	Part Number	Qty	S/P/F	Description
1	2406-779	1		Panel, Dash
2	0623-784	AR		Screw, Self-Tapping
3	1623-697	1		Plug
4	0423-419	3		Screw, Machine
5	1411-904	1		Decal, Starting
6	1411-124	1		Decal, Warning - Differential Lock
7	0641-897	2	/P	Outlet, Accessory - 12V
8	0430-089	1	/P	Switch, Ignition (inc. 9-11)
9	0430-050	1		Nut, Flange - Ignition Switch
10	0430-042	1		Key, Ignition - Series (Y Series - Left-Side Cut)
10	0430-043	1		Key, Ignition - Series (Z Series - Right-Side Cut)
11	0430-054	1		Cover, Key
12	0420-076	1		Light, Indicator
13	0409-069	1		Panel, Switch-Mount
14	0409-067	1		Switch, Light
15	0409-061	1		Switch, 2WD/4WD/Differential Lock
16	0409-070	1		Plug, Switch Hole
17	0423-541	1		Grommet, Latch - Glove Box
18	2516-723	1	S	Cover, Glove Box (inc. 19)
19	2411-142	1	S	Decal, Warning - Passenger
20	1406-727	1		Pod, Instrument
21	1411-125	1		Decal, Warning - Dash
22	0423-342	6	/P	Screw, Self-Tapping
23	0520-047	1	F	Gauge, Analog/LCD
23	0520-075	1	F	Gauge, Analog/LCD
24	0420-065	1	/P	Bracket, Retaining
25	0423-493	2		Nut w/Washer
26	1623-031	AR		Screw, Self-Tapping
27	0623-228	AR		Spacer

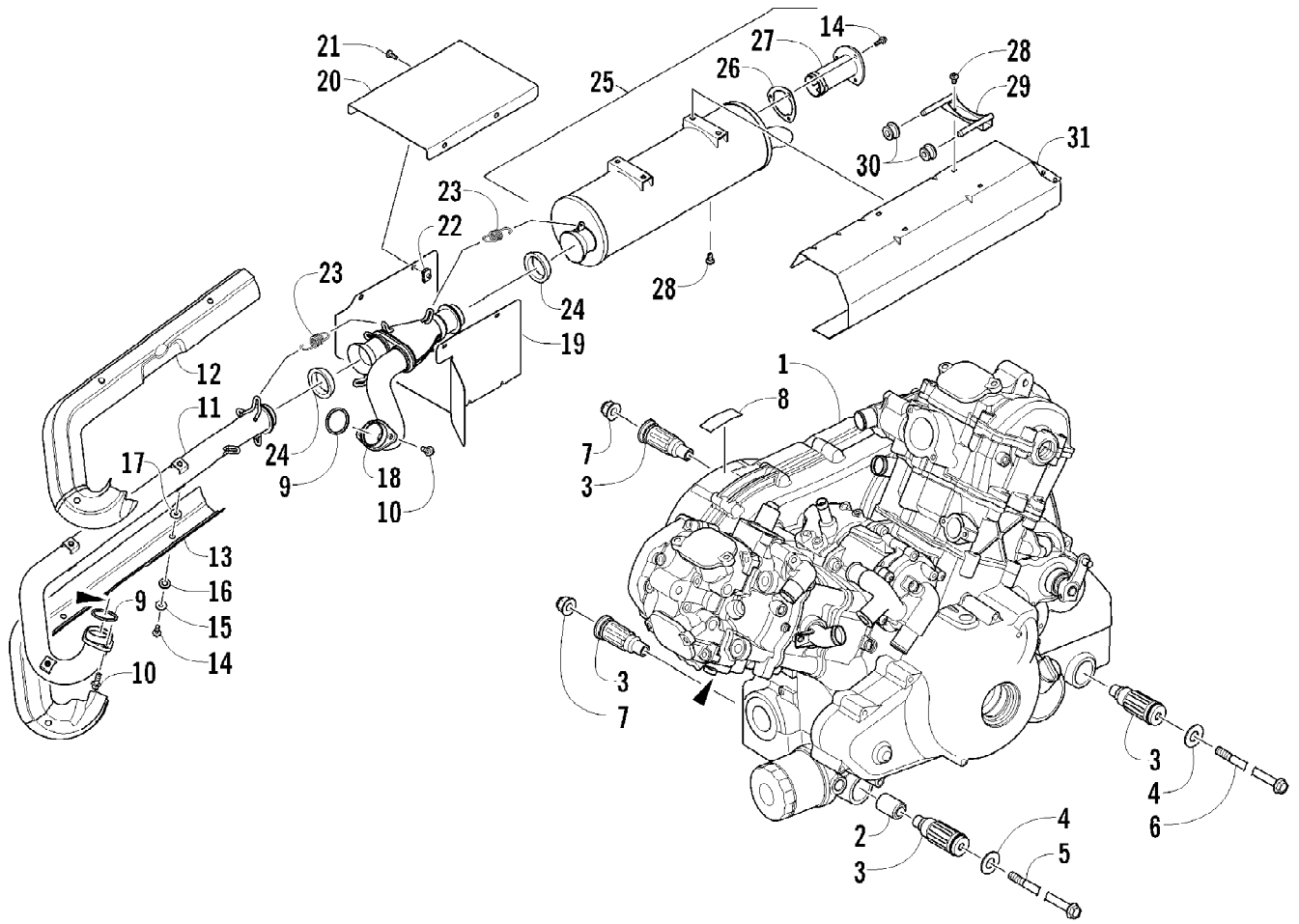
2010 PROWLER 1000 XTZ 4X4 METALLIC CAT GREEN (Engine Serial Number Page 50 of 81)
DRIVE TRAIN ASSEMBLY



2010 PROWLER 1000 XTZ 4X4 METALLIC CAT GREEN (Engine Serial Number P0950T8086)
 DRIVE TRAIN ASSEMBLY Page 5 of 8

Ref #	Part Number	Qty	S/P/F	Description
1	1402-620	2	/P	Bladder, Gearcase
2	0423-670	4		Clamp, Hose
3	8428-002	4		Nut, Lock
4	0423-426	8		Washer
5	0423-404	4		Screw, Cap
6	1502-558	1		Gearcase, Front
7	1402-795	1		Driveshaft, Front
8	8409-025	3		Screw, Cap
9	0402-966	1		Boot, Shaft
10	1502-404	1		Gearcase, Rear
11	0410-070	AR	/P	Hose, Vent - 25 ft
12	0419-392	AR		Conduit, Flexible - 3 ft
13	0470-702	1	/P	Fitting, Vent
14	1402-203	1		O-Ring
15	1502-560	1		Driveshaft, Rear - Assembly (inc. 16-20)
16	0502-522	1		Yoke, Slip
17	0402-944	2	/P	Joint, Universal (inc. 18)
18	0423-395	8		Ring, Retaining
19	1502-561	1		Driveshaft, Rear
20	1402-689	1		Yoke, Flange
21	8408-820	4	/P	Screw, Cap
22	0123-788	AR	/P	Tie, Cable - 8 in.

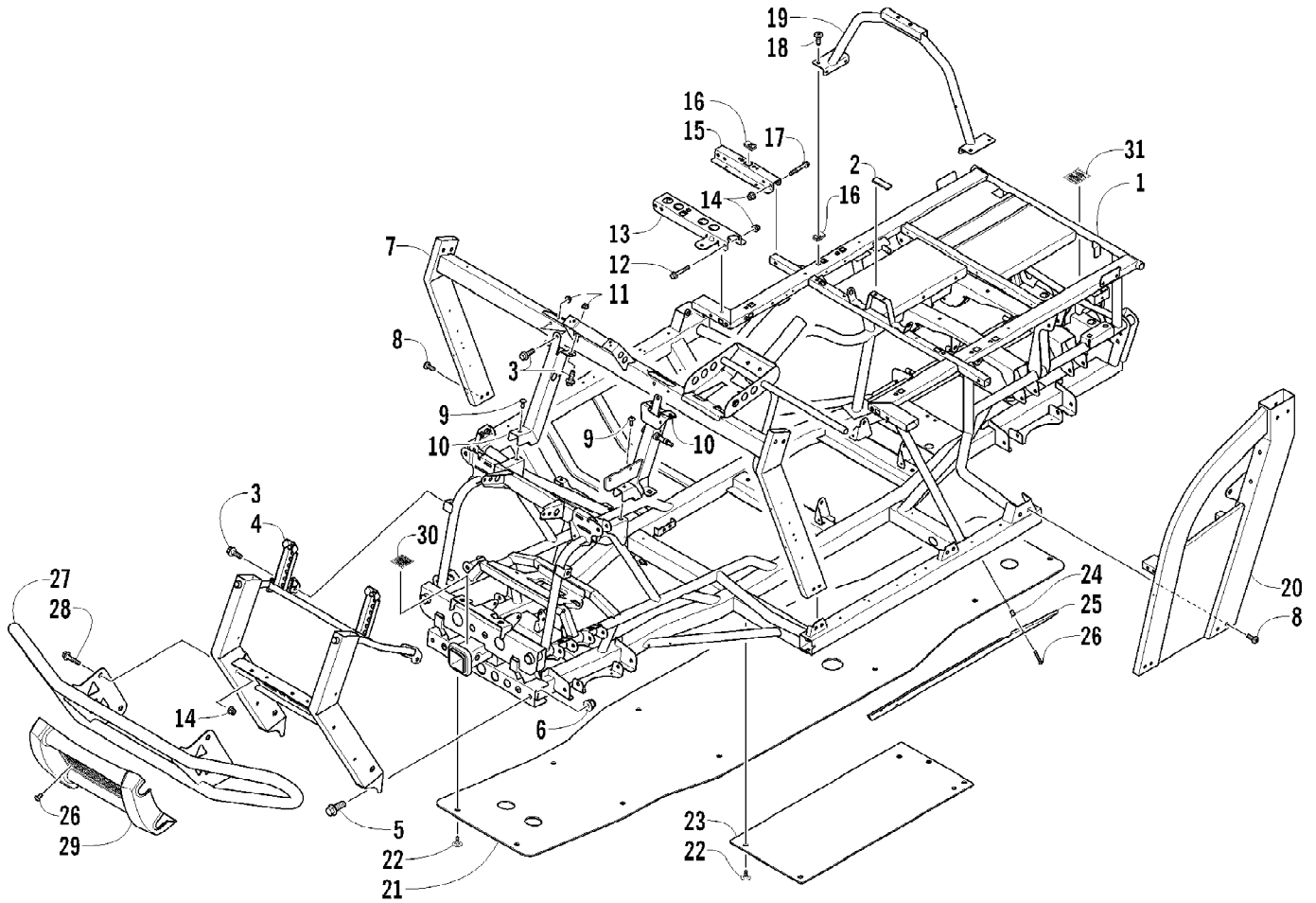
2010 PROWLER 1000 XTZ 4X4 METALLIC CAT GREEN (Engine Serial Number Page 1 of 18)
ENGINE AND EXHAUST



2010 PROWLER 1000 XTZ 4X4 METALLIC CAT GREEN (Engine Serial Number Page 18 of 28)
 ENGINE AND EXHAUST

Ref #	Part Number	Qty	S/P/F	Description
1	0800-095	1		Engine, A950GH2 (inc. 2-3)
2	0801-128	1		Spacer, Engine Mount
3	0801-091	4		Mount, Engine
4	0423-426	2		Washer
5	0423-734	1		Screw, Cap
6	0423-451	1		Screw, Cap
7	8428-002	2		Nut, Lock
8	0411-426	1		Decal, Warning - Clutch Cover
9	0412-338	2	/P	Gasket, Exhaust Pipe
10	8408-820	4	/P	Screw, Cap
11	0512-517	1	/P	Pipe, Exhaust - Front
12	0512-528	1		Shield, Exhaust Pipe - Upper
13	0512-529	1		Shield, Exhaust Pipe - Lower
14	8408-616	9		Screw, Cap
15	8050-222	6	/P	Washer
16	0423-909	6		Isolator
17	0423-908	6		Isolator
18	0512-519	1	/P	Pipe, Exhaust - Rear
19	0412-543	1		Shield, Exhaust Pipe - Rear
20	0412-561	1		Shield, Heat
21	8476-616	4		Screw, Machine
22	0423-577	4		Clip, U-Nut
23	0612-668	6	/P	Spring, Extension
24	0412-375	2	/P	Seal, Exhaust Pipe
25	0512-500	1		Muffler - Assembly (inc. 26-27 and three No. 14)
26	0412-313	1		Gasket, Spark Arrester
27	0512-219	1	/P	Arrester, Spark - Assembly
28	8476-612	6		Screw, Machine
29	0412-553	2		Bracket, Muffler Support
30	0412-544	4		Bushing
31	0412-551	1		Cover, Muffler

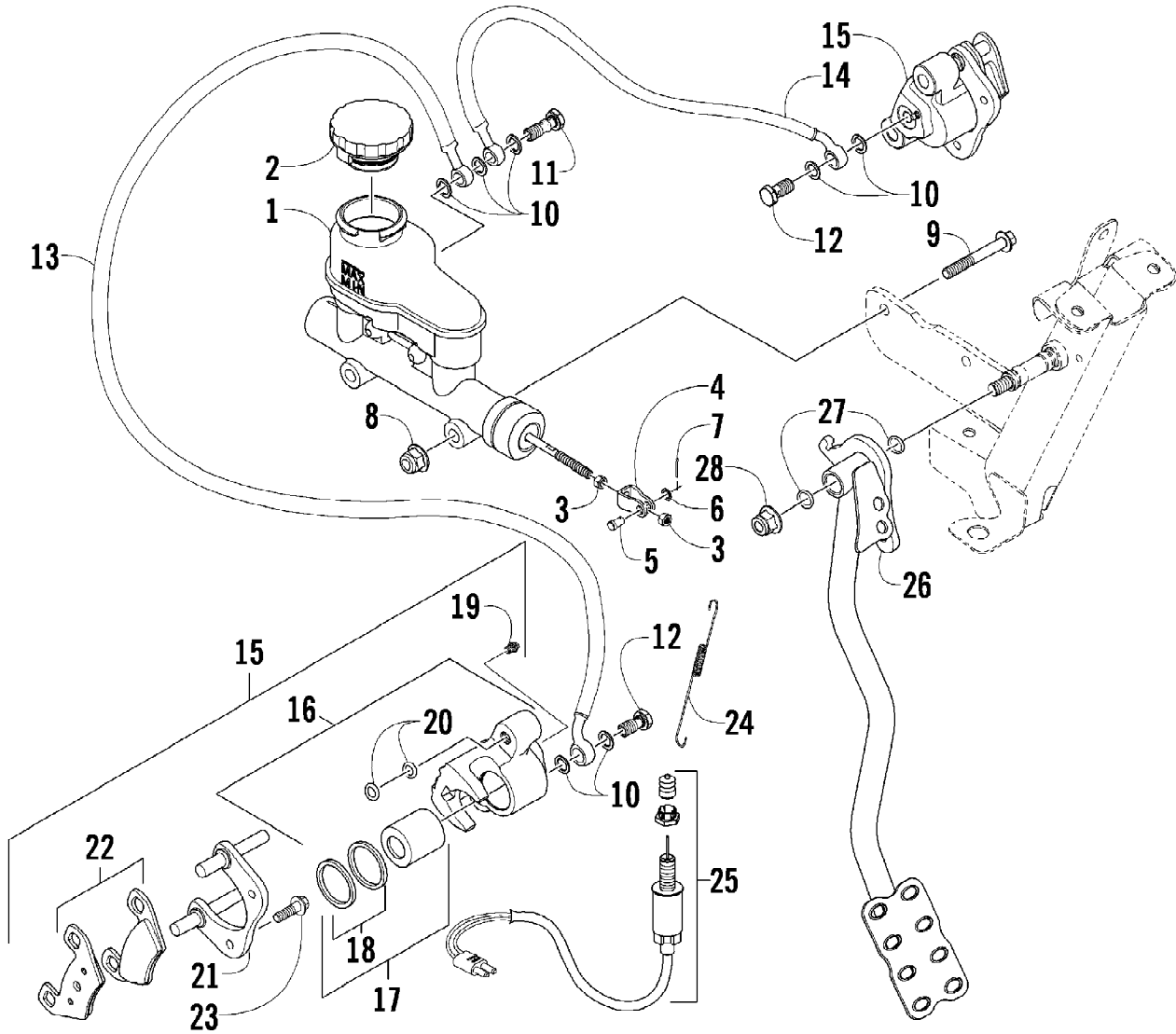
2010 PROWLER 1000 XTZ 4X4 METALLIC CAT GREEN (Engine Serial Number Page 54 of 86)
FRAME AND RELATED PARTS



2010 PROWLER 1000 XTZ 4X4 METALLIC CAT GREEN (Engine Serial Number P095058086)
FRAME AND RELATED PARTS

Ref #	Part Number	Qty	S/P/F	Description
1	2516-225	1		Frame, Main (inc. 2)
2	0406-879	1		Bumper, Seat
3	8408-820	8	/P	Screw, Cap
4	2516-556	1		Bracket, Mounting - Bumper
5	8409-020	2	/P	Screw, Cap
6	8427-002	2		Nut, Lock
7	0505-625	1		Support, Steering
8	0423-817	12		Screw, Machine
9	8476-820	2		Screw, Machine
10	1506-797	1		Bracket, Steering Support - Right
10	0502-853	1		Bracket, Steering Support - Left
11	8424-802	6		Nut
12	8408-870	6		Screw, Cap
13	1506-844	1		Bracket, Seat Support - Front - Right
13	1506-845	1		Bracket, Seat Support - Front - Left
14	8427-802	16		Nut, Lock
15	1506-842	2		Bracket, Seat Support - Rear
16	0423-577	12		Clip, U-Nut
17	8408-850	6		Screw, Cap
18	8476-616	4		Screw, Machine
19	2506-638	1		Support, Canopy
20	2516-102	1		Support, Overhead - Right
20	2516-103	1		Support, Overhead - Left
21	2416-076	1		Plate, Skid - Center
22	0423-545	20	/P	Screw, Shoulder
23	1406-721	2		Panel, Belly - Side
24	1441-442	8		Insert
25	2516-596	1		Plate, Skid - Right Side
25	2516-597	1		Plate, Skid - Left Side
26	8477-616	12		Screw, Machine
27	2506-779	1		Bumper
28	8408-860	4		Screw, Cap
29	2406-713	1		Fascia, Bumper - Front
30	1411-122	1		Decal, Warning - Towing - Front
31	1411-123	1		Decal, Warning - Towing - Rear

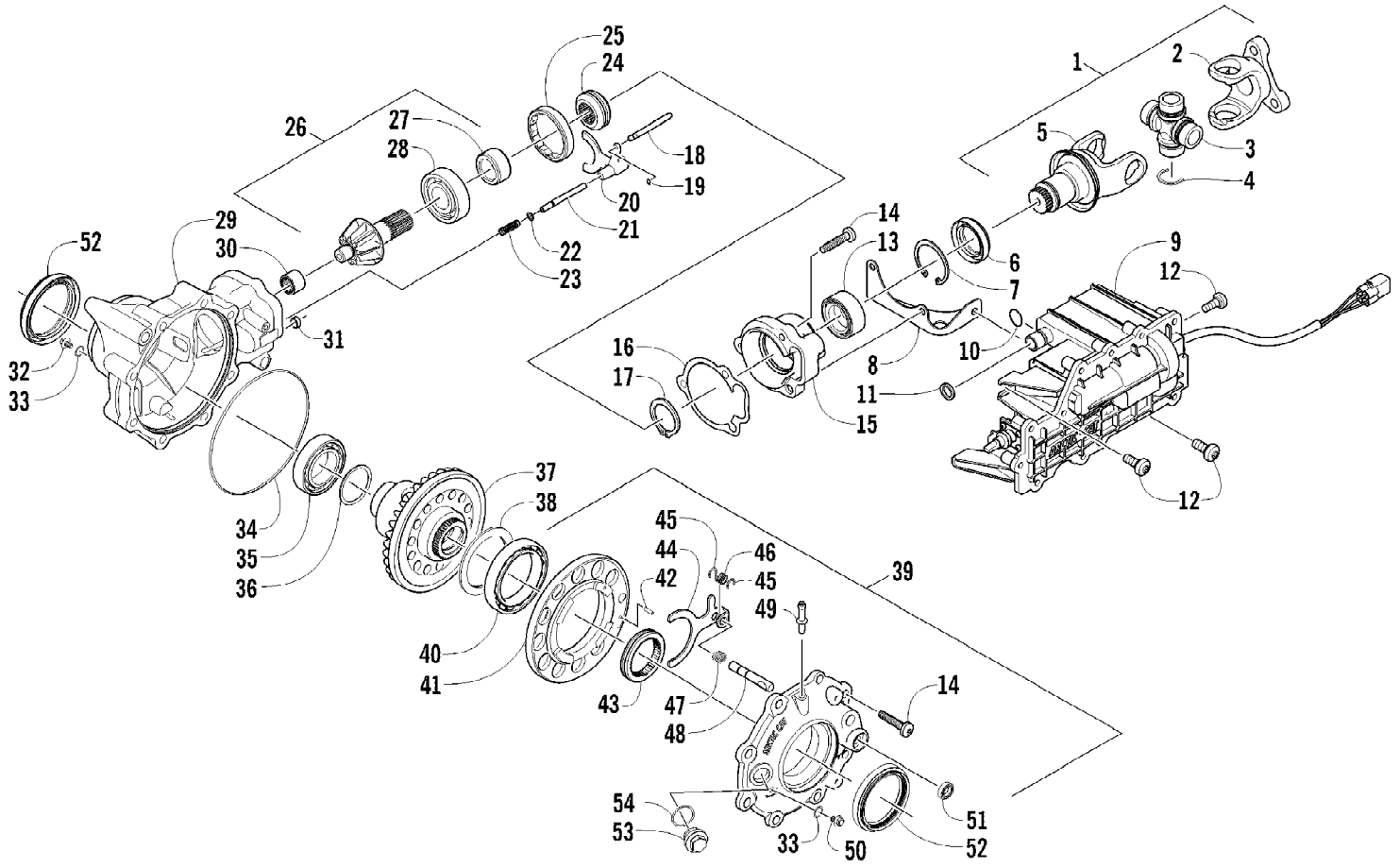
2010 PROWLER 1000 XTZ 4X4 METALLIC CAT GREEN (Engine Serial Number Page 56 of 86)
FRONT BRAKE ASSEMBLY



2010 PROWLER 1000 XTZ 4X4 METALLIC CAT GREEN (Engine Serial Number P095078086)
 FRONT BRAKE ASSEMBLY Page 5 of 8

Ref #	Part Number	Qty	S/P/F	Description
1	0502-786	1		Cylinder, Master Brake - Assembly (inc. 2-4)
2	0405-225	1		Cap, Reservoir
3	0402-592	2		Nut
4	1402-520	1		Clevis
5	1402-377	1		Pin, Clevis
6	8050-217	1	/P	Washer
7	0117-868	1		Pin, Cotter
8	8424-802	2		Nut
9	8408-860	2		Screw, Cap
10	0423-178	7		Washer, Crush
11	0423-610	1		Bolt, Banjo-Fitting - Double
12	0423-413	2		Bolt, Banjo-Fitting
13	1402-389	1		Hose, Brake - Front
14	1402-290	1		Hose, Brake - Front Right
15	1502-730	1	/P	Caliper, Brake - Front Right (inc. 16-22)
15	1502-731	1	/P	Caliper, Brake - Front Left (inc. 16-22)
16	1436-160	1	/P	Housing, Caliper - Assembly - Front Right (inc. 17-19)
16	1436-161	1	/P	Housing, Caliper - Assembly - Front Left (inc. 17-19)
17	0502-606	2		Piston/Seal Set (inc. 18)
18	0502-607	2		Seal Set
19	0502-609	2	/P	Valve, Bleed
20	0502-608	2		O-Ring, Guide - Set
21	0502-690	2		Bracket Assembly
22	1502-694	2	S	Pad, Brake - Set
23	8408-826	4		Screw, Cap
24	0502-785	1		Spring, Brake Switch
25	0409-089	1		Switch, Brake - Assembly
26	1502-692	1		Lever, Brake
27	1602-213	2	/P	O-Ring
28	8427-002	1		Nut, Lock

2010 PROWLER 1000 XTZ 4X4 METALLIC CAT GREEN (Engine Serial Number Page 5 of 8)
FRONT DRIVE GEARCASE ASSEMBLY



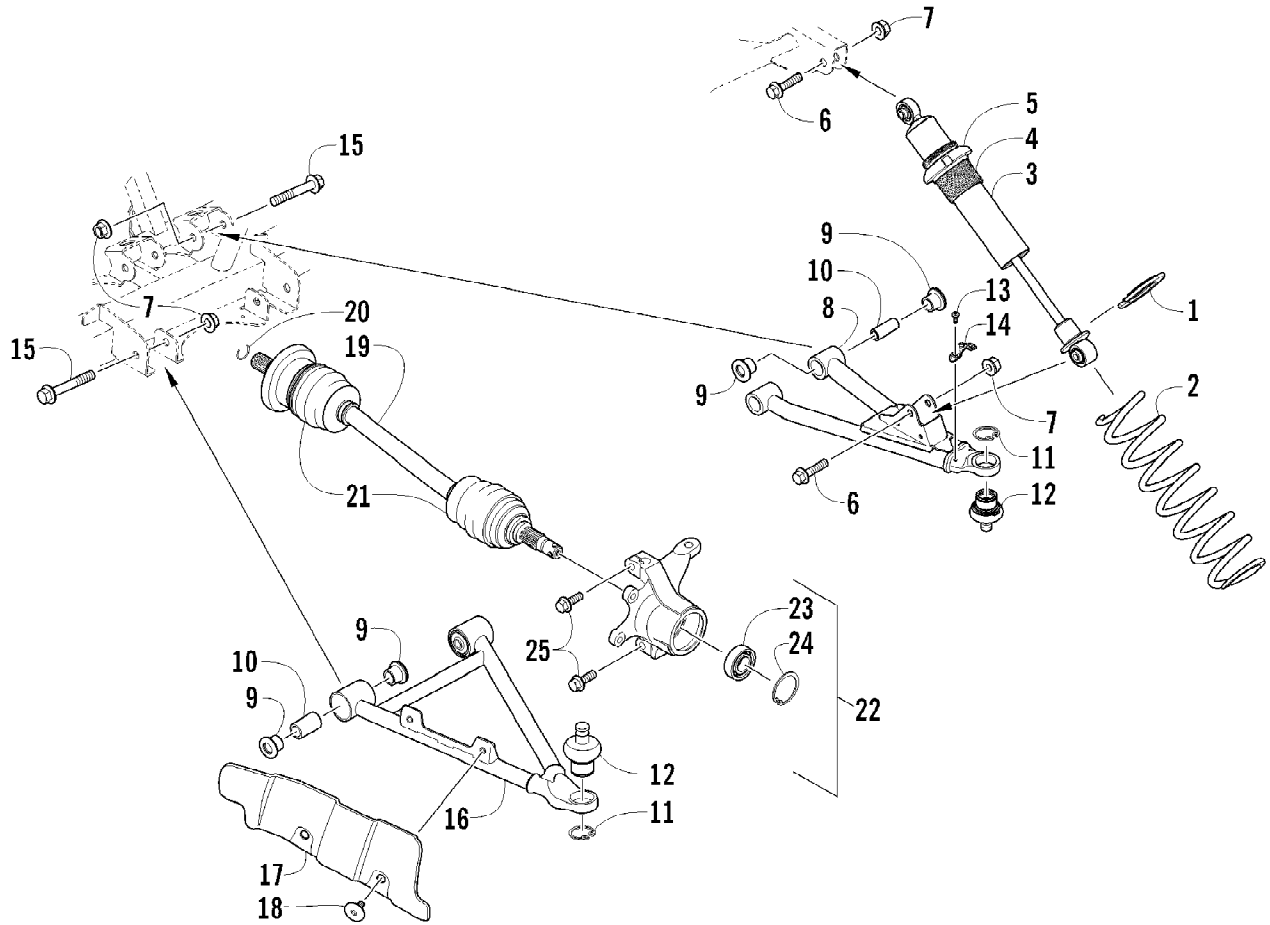
2010 PROWLER 1000 XTZ 4X4 METALLIC CAT GREEN (Engine Serial Number 05078008)
FRONT DRIVE GEARCASE ASSEMBLY

Ref #	Part Number	Qty	S/P/F	Description
	1502-558	1		Complete Front Drive Gearcase Assembly
1	1502-559	1		Shaft, Coupler - Assembly (inc. 2-5)
2	0502-331	1		Coupler, Driveshaft
3	0402-944	1	/P	Joint, Universal (inc. 4)
4	0423-395	4		Ring, Retaining
5	0502-518	1		Yoke, Slip
6	1402-011	1		Seal
7	0423-423	1		Ring, Retaining
8	1502-237	1		Bracket, Actuator
9	0502-585	1	S	Actuator (inc. 10)
10	1402-981	1		O-Ring
11	0423-892	1	/P	O-Ring
12	0423-396	3		Screw, Self-Tapping
13	1402-043	1		Bearing
14	0423-118	11		Screw, Self-Tapping
15	0502-528	1	/P	Housing, Pinion
16	0402-947	1		Gasket
17	0423-417	1		Ring, Retaining
18	0402-997	1		Shaft, Selector
19	0423-402	1		Ring, Retaining
20	0402-998	1		Fork, Selector
21	0402-417	1		Shaft, Shuttle
22	0423-147	1		O-Ring
23	0402-999	1		Spring, Return
24	0402-413	1		Coupler, Drive
25	0402-357	1		Collar, Lock
26	0502-784	1		Gear, Pinion - Assembly - 11T (inc. 27-28)
27	0402-336	1		Collar, Retaining
28	0402-327	1		Bearing
29	0502-514	1		Housing, Gearcase
30	0402-328	1		Bearing
31	0402-411	1		Pin, Dowel
32	1402-210	1	/P	Plug, Magnetic (inc. one No. 33)
33	0423-153	2		O-Ring
34	0423-149	1		O-Ring
35	0402-393	1		Bearing
36	0402-405	AR		Shim, 41 x 49 x 1.3 mm
36	0402-406	AR		Shim, 41 x 49 x 1.4 mm
36	0402-407	AR		Shim, 41 x 49 x 1.5 mm
36	0402-408	AR		Shim, 41 x 49 x 1.6 mm
36	0402-409	AR		Shim, 41 x 49 x 1.7 mm
37	1502-554	1	/P	Gear, Ring - 34T
38	1402-074	AR		Shim, 61 x 69 x 1.3 mm
38	1402-075	AR		Shim, 61 x 69 x 1.4 mm
38	1402-076	AR		Shim, 61 x 69 x 1.5 mm
38	1402-077	AR		Shim, 61 x 69 x 1.6 mm
38	1402-078	AR		Shim, 61 x 69 x 1.7 mm
39	1502-580	1		Cover, Gearcase (inc. one No. 33, 40-51, and one No. 52)
40	1402-053	1		Bearing
41	0502-413	1		Flange, Bearing
42	1402-079	1		Pin, Alignment

2010 PROWLER 1000 XTZ 4X4 METALLIC CAT GREEN (Engine Serial Number P0950T8086)
FRONT DRIVE GEARCASE ASSEMBLY Page 50 of 86

Ref #	Part Number	Qty	S/P/F	Description
43	1402-042	1		Collar, Sliding
44	1402-054	1		Fork
45	1402-058	2		Ring, Retaining
46	1402-057	1		Spring
47	1402-063	1		Spring
48	1402-656	1		Shaft, Lock
49	1402-103	1		Fitting
50	1402-211	1		Plug, Oil Level (inc. one No. 33)
51	1402-056	1		Seal
52	1402-713	2	S	Seal
53	0402-333	1	/P	Plug, Fill (inc. 54)
54	0423-154	1		O-Ring

2010 PROWLER 1000 XTZ 4X4 METALLIC CAT GREEN (Engine Serial Number Page 1 of 18)
FRONT SUSPENSION ASSEMBLY



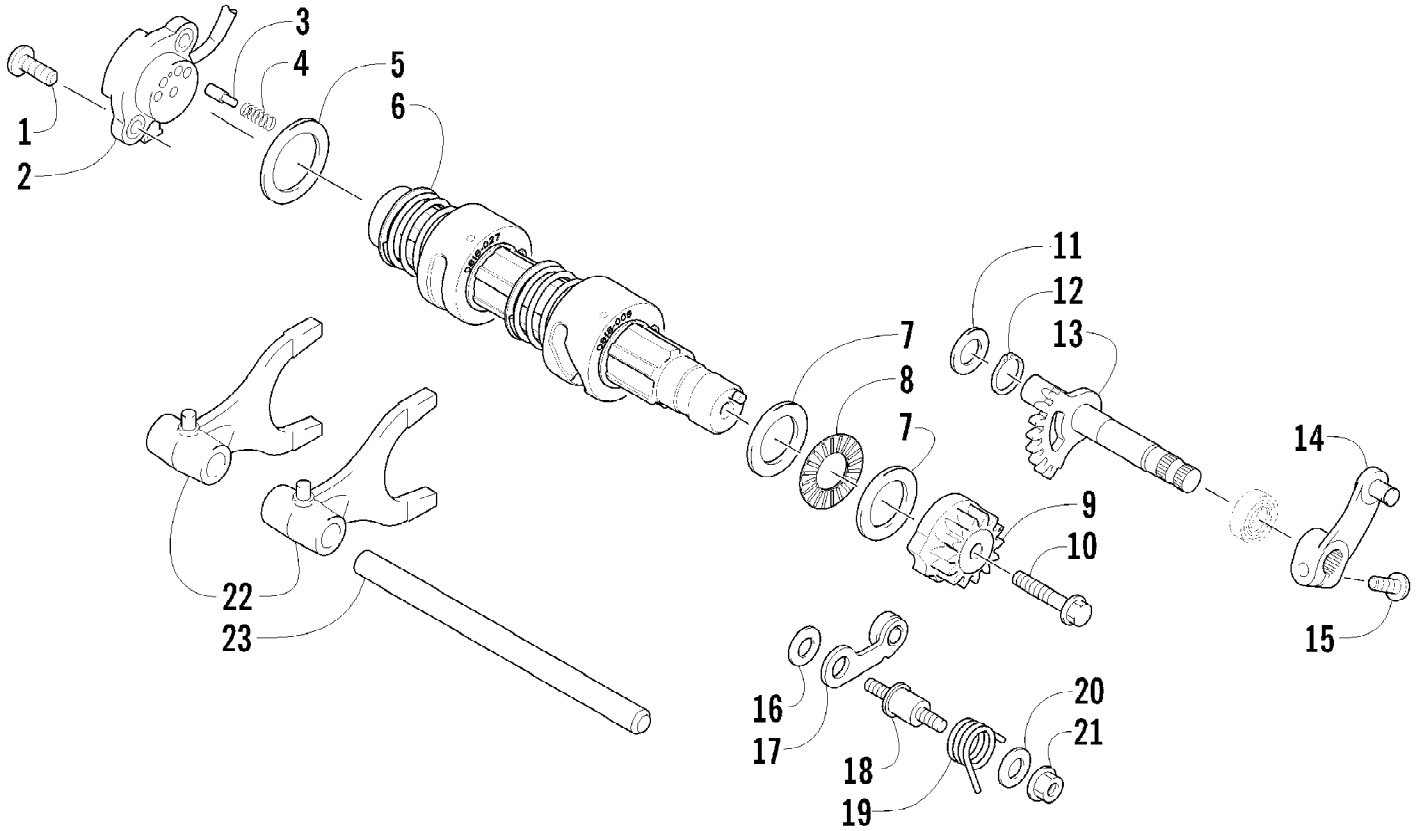
2010 PROWLER 1000 XTZ 4X4 METALLIC CAT GREEN (Engine Serial Number 050718086)
 FRONT SUSPENSION ASSEMBLY Page 5 of 8

Ref #	Part Number	Qty	S/P/F	Description
1	0423-920	2		Retainer, Spring
2	0503-398	2		Spring, Suspension
3	0403-215	2		Shock Absorber (inc. 4)
4	0423-917	2		Sleeve, Shock - Threaded
5	0423-919	2		Nut, Spring Retainer
6	8409-055	4		Screw, Cap
7	8428-002	12		Nut, Lock
8	0503-432	1		A-Arm, Upper Right (inc. 9-12)
8	0503-433	1		A-Arm, Upper Left (inc. 9-12)
9	0403-208	16	/P	Bushing
10	0403-214	8	/P	Axle
11	0423-009	4	/P	Ring, Retaining
12	0405-115	4	/P	Ball Joint
13	0423-946	4		Screw, Self-Tapping
14	1502-594	2		Clamp, Routing
15	8409-075	8		Screw, Cap
16	0503-376	1	/P	A-Arm, Lower Right (inc. 9-12)
16	0503-377	1	/P	A-Arm, Lower Left (inc. 9-12)
17	1406-034	1		Guard, Boot - Right
17	1406-035	1		Guard, Boot - Left
18	0423-545	4	/P	Screw, Shoulder
19	1502-347	1	S	Axle - Front - Right (inc. 20-21)
19	1502-348	1	/P	Axle - Front - Locking - Left (inc. 20-21)
20	0423-844	2	/P	Ring, Retaining
21	1436-207	2	/P	Repair Kit, Boot - Front Axle
22	0505-580	1	/P	Knuckle - Assembly - Right (inc. 23-24)
22	0505-581	1	/P	Knuckle - Assembly - Left (inc. 23-24)
23	1402-809	2	/P	Bearing
24	0423-423	2		Ring, Retaining
25	8409-030	4		Screw, Cap

2010 PROWLER 1000 XTZ 4X4 METALLIC CAT GREEN (Engine Serial Number P095048086)
 GAS TANK ASSEMBLY Page 04 of 08

Ref #	Part Number	Qty	S/P/F	Description
1	0570-309	1		Tank, Gas - Assembly (inc. 2-5)
2	0470-541	1	/P	Cap, Gas Tank (inc. 3)
3	1670-228	1		Gasket, Gas Tank Cap
4	0423-898	6		Screw, Self-Tapping
5	2670-042	1		Plate, Retaining
6	0570-334	1	/P	Pump, Fuel - Assembly (inc. 7)
7	0470-838	1		Seal
8	0570-293	1		Hose, Gasline
9	0123-788	AR	/P	Tie, Cable - 8 in.
10	1406-886	1		Insert, Gas Tank Cap
11	0423-357	4		Nut, Stamped
12	0470-829	1		Bracket, Hold-Down - Right
13	0623-784	2		Screw, Self-Tapping
14	0470-830	1		Bracket, Hold-Down - Left
15	8476-650	1		Screw, Machine
16	8427-602	1		Nut, Lock
17	8476-620	2		Screw, Machine
18	0470-544	1		Bracket, Hold-Down - Front
19	0623-038	2		Nut w/Washer
20	0423-688	1		Clamp, Hose
21	0410-070	AR	/P	Hose, Gasline - 25 ft

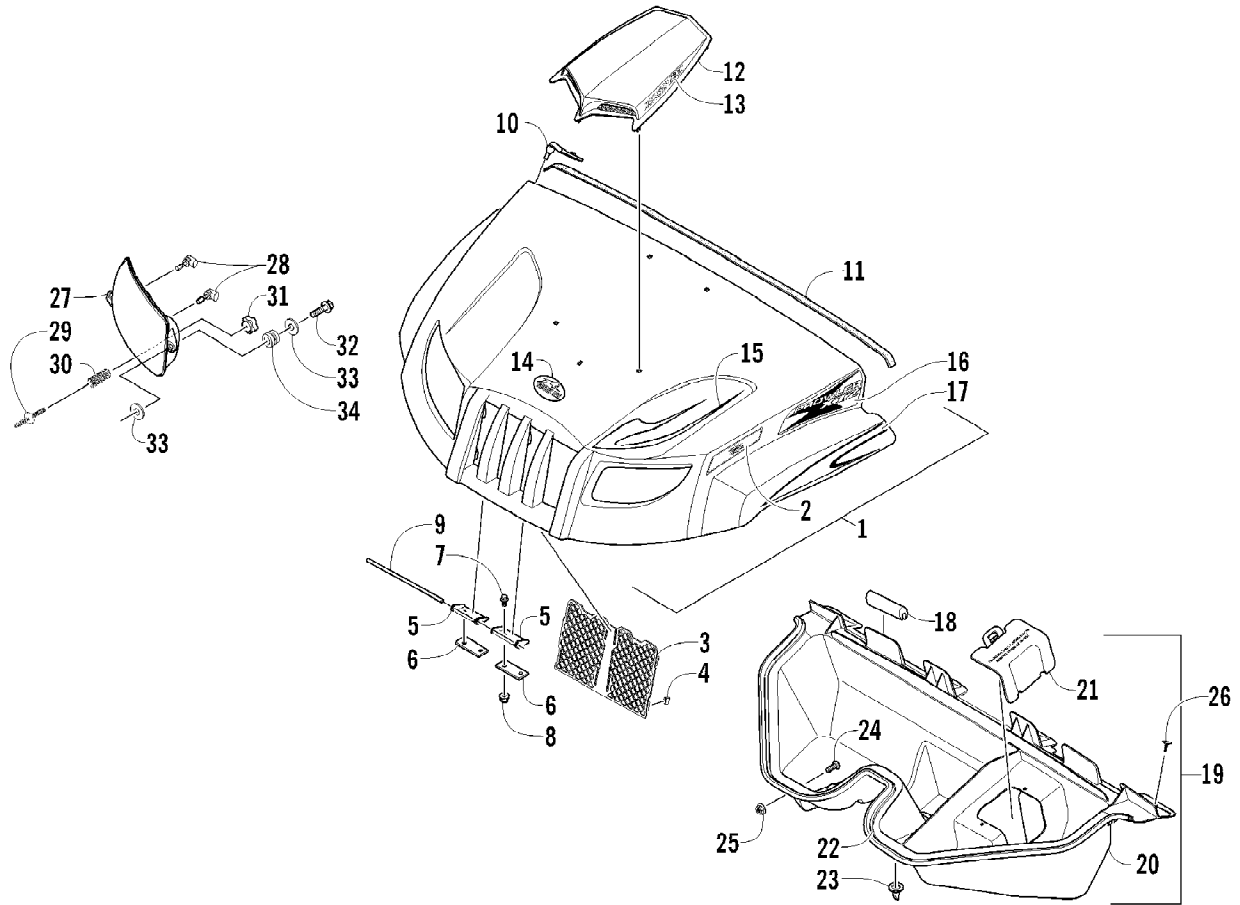
2010 PROWLER 1000 XTZ 4X4 METALLIC CAT GREEN (Engine Serial Number Page 5 of 8)
GEAR SHIFTING ASSEMBLY



2010 PROWLER 1000 XTZ 4X4 METALLIC CAT GREEN (Engine Serial Number P095078086)
 GEAR SHIFTING ASSEMBLY Page 06 of 08

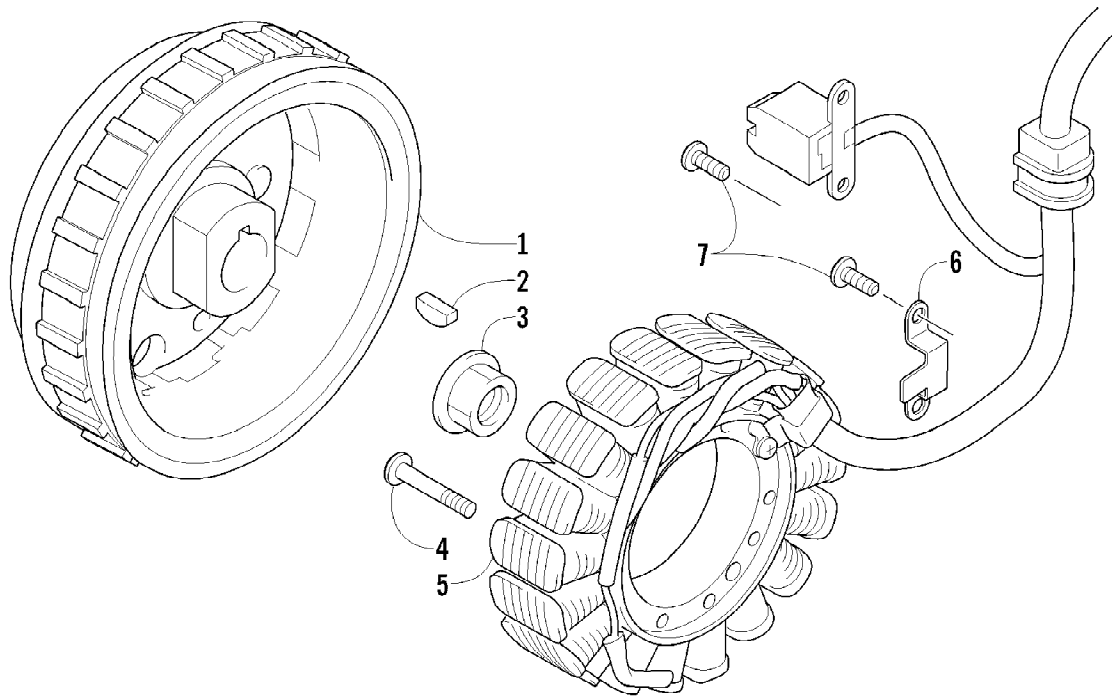
Ref #	Part Number	Qty	S/P/F	Description
1	8470-516	2		Screw, Machine
2	0409-091	1		Switch, Gear Position
3	0818-013	2		Contact
4	0818-017	2		Spring
5	0828-040	1		Washer
6	0818-046	1		Shaft, Gear Shift - Assembly
7	0828-095	2		Washer, Thrust
8	0832-052	1	/P	Bearing, Thrust
9	0818-055	1		Cam, Gear Shift
10	0826-006	1		Screw, Cap
11	0828-036	1		Washer
12	0831-010	1		Ring, Retaining
13	0818-095	1		Shaft, Sub-Gear Shift
14	0818-014	1		Arm, Shift
15	8468-620	1	/P	Screw, Machine
16	0828-038	1		Washer
17	0818-002	1		Stopper, Cam
18	0818-004	1		Support, Cam Stopper
19	0818-090	1		Spring
20	0828-035	1		Washer
21	8424-602	1	/P	Nut
22	0818-072	2	/P	Fork, Shift
23	0818-006	1		Shaft, Shift Fork

2010 PROWLER 1000 XTZ 4X4 METALLIC CAT GREEN (Engine Serial Number Page 17 of 18)
HOOD AND HEADLIGHT ASSEMBLY



2010 PROWLER 1000 XTZ 4X4 METALLIC CAT GREEN (Engine Serial Number P095078018)
HOOD AND HEADLIGHT ASSEMBLY

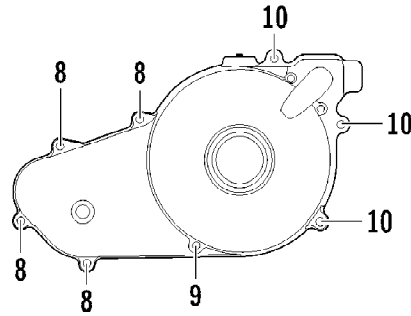
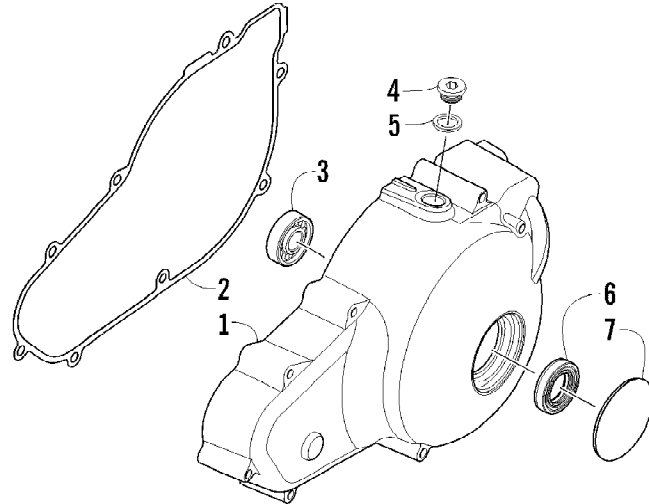
Ref #	Part Number	Qty	S/P/F	Description
1	2516-302	1		Hood - Assembly (inc. 2)
2	0411-818	1		Decal, Reflector - Right
2	0411-819	1		Decal, Reflector - Left
3	1406-733	1	/P	Screen, Grille
4	0123-987	8		Clip, U
5	2516-606	2		Bracket, Hood
6	2506-868	AR		Shim, Hood
7	8408-820	4	/P	Screw, Cap
8	8427-802	4		Nut, Lock
9	1406-915	1		Pin, Hood
10	2606-624	2		Strap, Hold-Down
11	0417-013	1		Trim, Hood/Dash
12	2516-276	1		Scoop, Hood
13	2411-001	2		Decal, Hood - "1000 EFI"
14	1411-789	1		Decal, Hood
15	2411-058	1		Decal, Hood - Right
15	2411-059	1		Decal, Hood - Left
16	2411-068	1		Decal, Hood - "Prowler XTZ" - Right
16	2411-069	1		Decal, Hood - "Prowler XTZ" - Left
17	2411-060	1		Decal, Hood - Right
17	2411-061	1		Decal, Hood - Left
18	0417-014	AR		Trim, Dash Support
19	2516-224	1	S/P	Storage, Under-Hood - Assembly (inc. 20-23)
20	2416-041	1		Box, Storage
21	1406-944	1		Cover, Access - Master Cylinder
22	1406-946	1		Seal, Storage Box
23	0470-442	1	/P	Valve, Drain
24	8476-616	2		Screw, Machine
25	8424-602	2	/P	Nut
26	0423-545	4	/P	Screw, Shoulder
27	0509-044	1	/P	Headlight Assembly - Right (inc. 28)
27	0509-035	1		Headlight Assembly - Left (inc. 28)
28	0409-055	4		Bulb, Headlight
29	0423-514	2		Stud, Adjuster
30	0423-522	2		Spring, Adjuster
31	0423-513	2		Knob, Adjuster
32	0623-785	4		Screw, Self-Tapping
33	8050-217	8	/P	Washer
34	0423-447	4		Grommet



2010 PROWLER 1000 XTZ 4X4 METALLIC CAT GREEN (Engine Serial Number P0950T8108)
MAGNETO ASSEMBLY

Ref #	Part Number	Qty	S/P/F	Description
1	0802-042	1		Rotor/Flywheel
2	0829-012	1		Key
3	0827-010	1		Nut
4	0826-102	3		Screw, Machine
5	0802-041	1		Stator - Assembly
6	0831-064	1		Clamp
7	8470-510	4		Screw, Machine

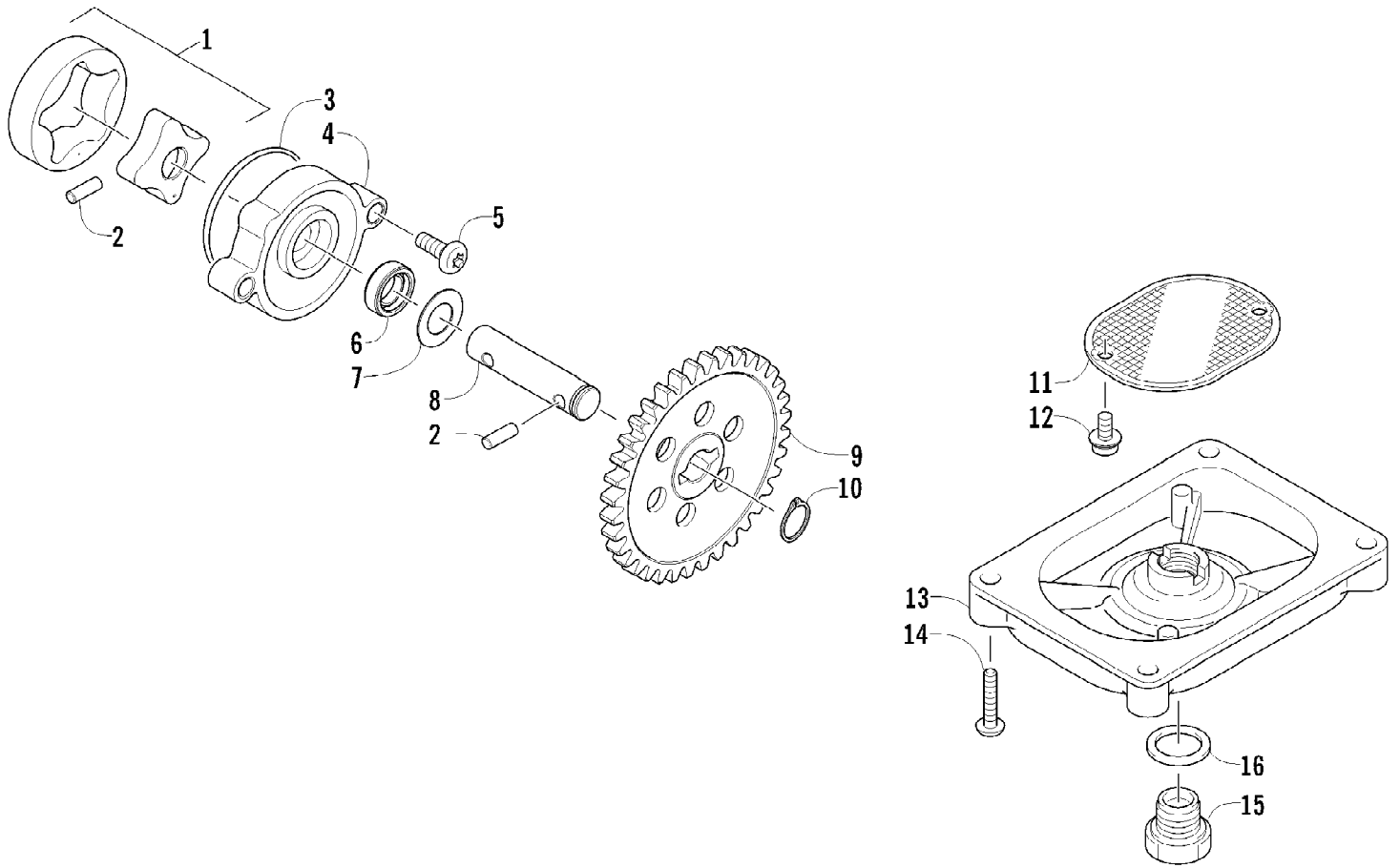
2010 PROWLER 1000 XTZ 4X4 METALLIC CAT GREEN (Engine Serial Number Page 1 of 1)
MAGNETO SIDE ENGINE COVERS



2010 PROWLER 1000 XTZ 4X4 METALLIC CAT GREEN (Engine Serial Number P09571808)
 MAGNETO SIDE ENGINE COVERS Page 5 of 8

Ref #	Part Number	Qty	S/P/F	Description
1	0806-107	1		Cover, Magneto
2	0830-132	1		Gasket, Magneto Cover
3	0832-010	1		Bearing
4	0826-155	1		Plug, Check
5	0830-015	1		Washer, Crush
6	0830-176	1	/P	Seal, Cap
7	0806-066	1		Cap, Magneto Cover
8	8468-650	4		Screw, Machine
9	8468-695	1		Screw, Machine
10	8468-665	3		Screw, Machine

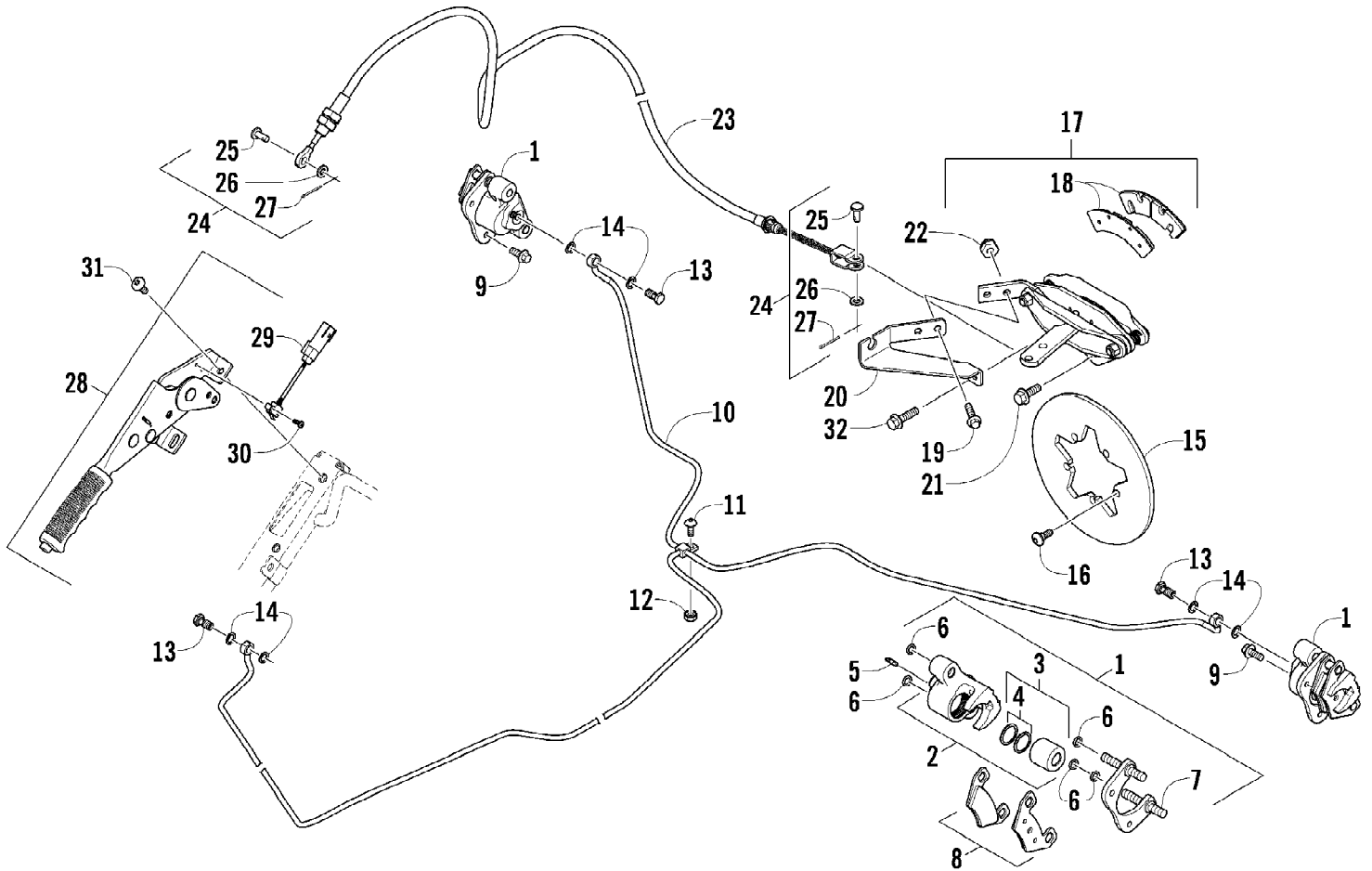
2010 PROWLER 1000 XTZ 4X4 METALLIC CAT GREEN (Engine Serial Number Page 13 of 18)
OIL PUMP ASSEMBLY



2010 PROWLER 1000 XTZ 4X4 METALLIC CAT GREEN (Engine Serial Number P09578108)
 OIL PUMP ASSEMBLY Page 5 of 8

Ref #	Part Number	Qty	S/P/F	Description
1	0812-041	1		Gerotor - Set
2	0829-009	2		Pin, Dowel
3	0812-048	1		O-Ring
4	0812-040	1		Housing, Oil Pump
5	8468-625	2		Screw, Machine
6	0812-047	1		Seal, Oil Pump
7	0828-007	1	/P	Shim
8	0812-046	1		Shaft, Oil Pump
9	0812-045	1		Gear, Driven
10	0831-002	1		Ring, Retaining
11	0812-057	1	/P	Strainer, Oil
12	0826-040	2		Screw, Machine
13	0812-053	1		Cap, Oil Strainer
14	8468-625	4		Screw, Machine
15	0812-006	1		Plug, Drain
16	0830-017	1		Gasket, Drain Plug

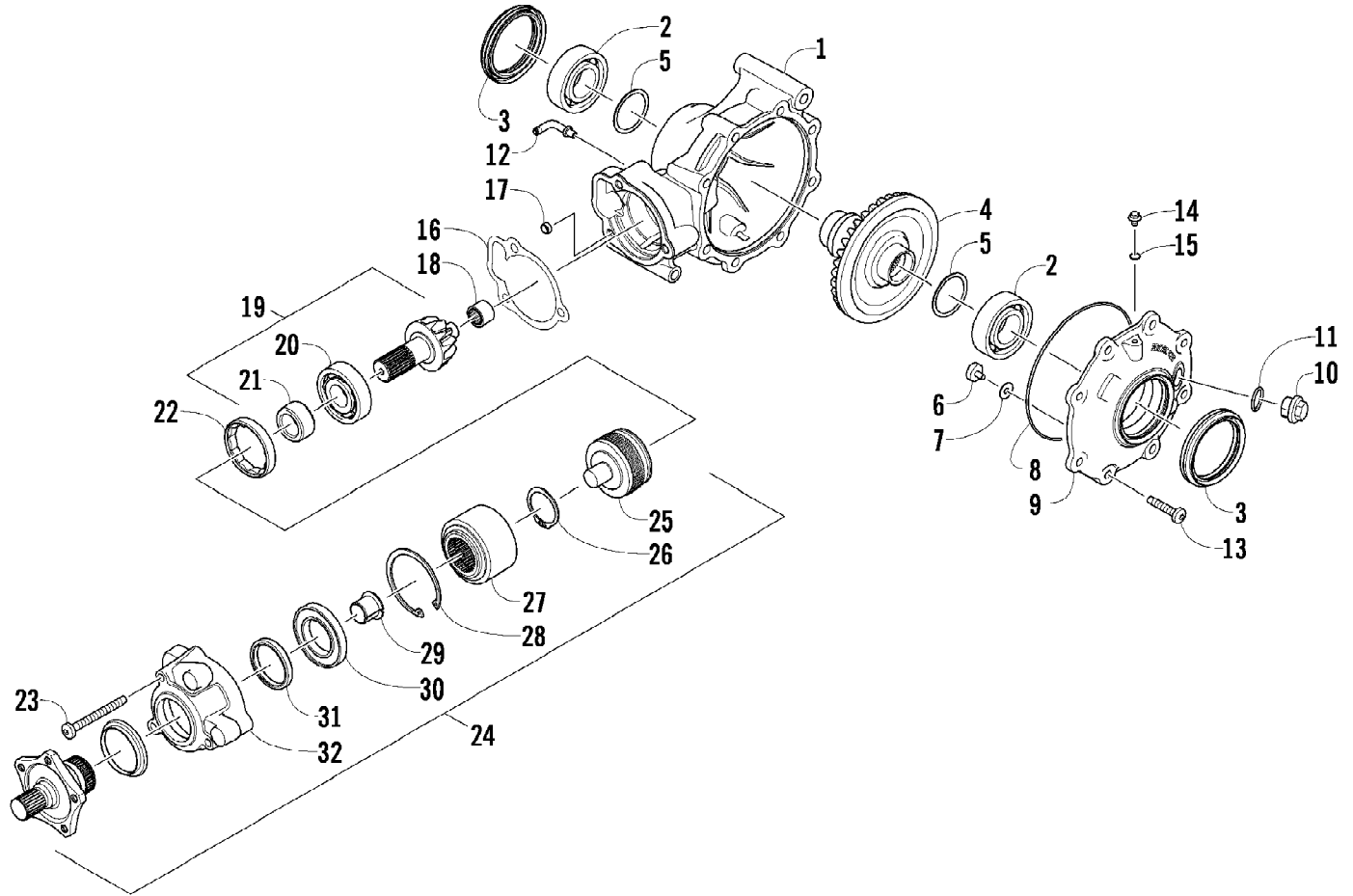
2010 PROWLER 1000 XTZ 4X4 METALLIC CAT GREEN (Engine Serial Number Page 55 of 86)
REAR AND PARKING BRAKE ASSEMBLY



2010 PROWLER 1000 XTZ 4X4 METALLIC CAT GREEN (Engine Serial Number P095078008)
REAR AND PARKING BRAKE ASSEMBLY

Ref #	Part Number	Qty	S/P/F	Description
1	1502-726	1	S	Caliper, Brake - Right (inc. 2-8)
1	1502-727	1	S	Caliper, Brake - Left (inc. 2-8)
2	1436-160	1	/P	Housing, Caliper - Assembly - Right (inc. 3-5)
2	1436-161	1	/P	Housing, Caliper - Assembly - Left (inc. 3-5)
3	0502-606	2		Piston/Seal Set (inc. 4)
4	0502-607	2		Seal Set
5	0502-609	2	/P	Valve, Bleed
6	0502-608	2		O-Ring, Guide - Set
7	0502-605	2		Bracket Assembly
8	1502-694	2	S	Pad, Brake - Set
9	8408-821	4	/P	Screw, Cap
10	1402-845	1		Hose, Brake
11	8476-620	1		Screw, Machine
12	0623-038	1		Nut w/Washer
13	0423-413	3		Bolt, Banjo-Fitting
14	0423-178	6		Washer, Crush
15	1402-914	1	/P	Disc, Brake
16	0423-557	5		Screw, Shoulder
17	1502-581	1		Caliper, Parking Brake (inc. 18)
18	1502-582	1		Pad, Brake - Set
19	8408-825	2		Screw, Cap
20	1502-579	1		Bracket, Mounting - Cable
21	8408-836	1		Screw, Cap
22	8432-802	2		Nut, Lock
23	0487-061	1		Cable, Parking Brake
24	0423-894	2		Pin, Retaining - Assembly (inc. 25-27)
25	0423-989	2		Pin
26	0423-990	2		Washer
27	0423-991	2		Pin, Cotter
28	1502-497	1		Lever, Parking Brake - Assembly (inc. 29-30)
29	0409-131	1		Switch, Limiter
30	0423-992	1		Screw, Machine
31	8468-820	2		Screw, Machine
32	8408-841	1		Screw, Cap

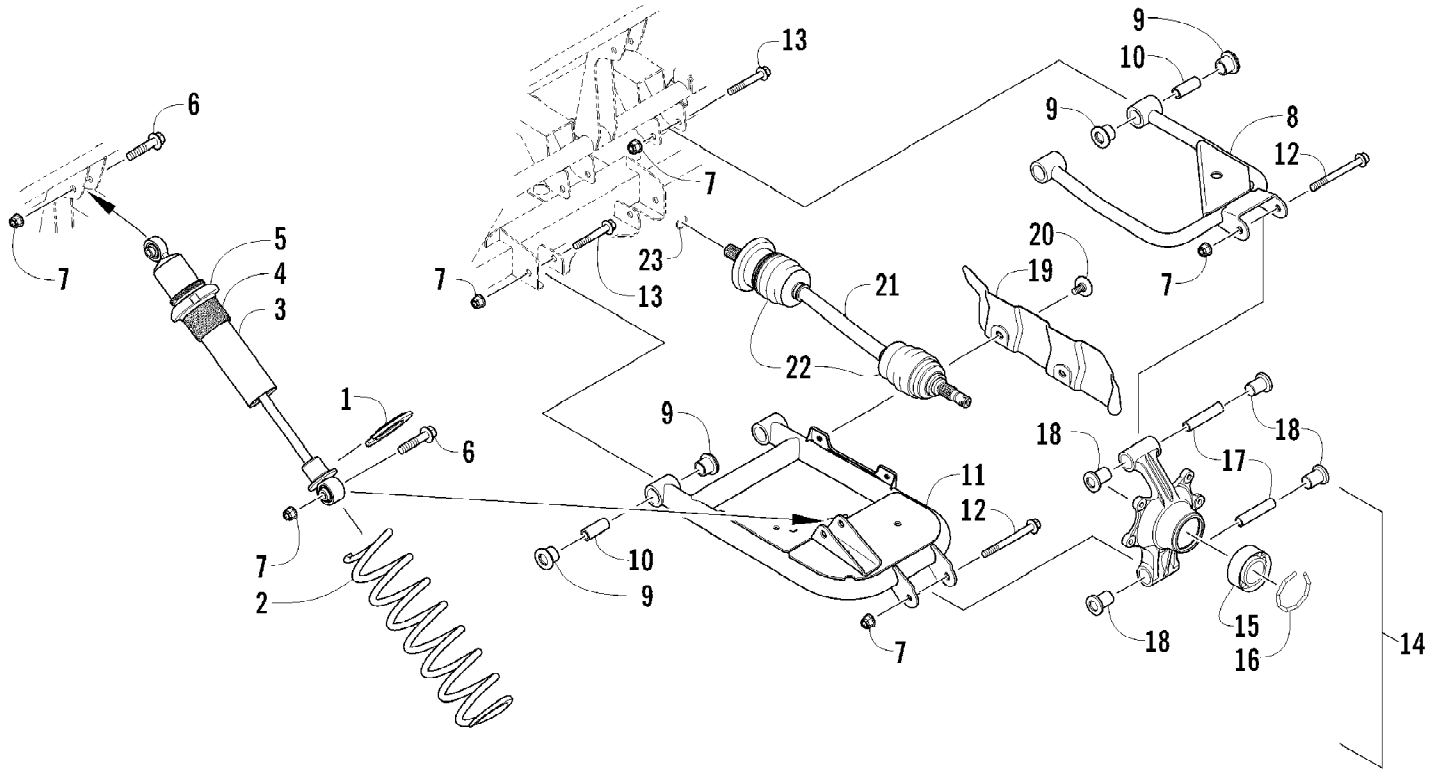
2010 PROWLER 1000 XTZ 4X4 METALLIC CAT GREEN (Engine Serial Number Page 57 of 86)
REAR DRIVE GEARCASE ASSEMBLY



2010 PROWLER 1000 XTZ 4X4 METALLIC CAT GREEN (Engine Serial Number Page 58 of 88)
REAR DRIVE GEARCASE ASSEMBLY

Ref #	Part Number	Qty	S/P/F	Description
	1502-404	1		Complete Rear Drive Gearcase Assembly
1	1502-587	1		Housing, Gearcase
2	0402-393	2		Bearing
3	1402-713	2	S	Seal
4	1402-033	1		Gear, Ring - 34T
5	0402-405	AR		Shim
5	0402-406	AR		Shim
5	0402-407	AR		Shim
5	0402-408	AR		Shim
5	0402-409	AR		Shim
6	0402-326	1		Button, Thrust
7	0402-429	AR		Shim
7	0402-430	AR		Shim
7	0402-431	AR		Shim
7	0402-432	AR		Shim
7	0402-433	AR		Shim
8	0423-149	1		O-Ring
9	1502-588	1		Cover, Gearcase
10	0402-333	1	/P	Plug, Fill (inc. 11)
11	0423-154	1		O-Ring
12	1402-442	1		Fitting
13	0423-118	8		Screw, Self-Tapping
14	1402-210	1	/P	Plug, Magnetic (inc. 15)
15	0423-153	1		O-Ring
16	0402-947	1		Gasket
17	0402-411	1		Pin, Dowel
18	0402-328	1		Bearing
19	0502-784	1		Gear, Pinion - Assembly - 11T (inc. 20-21)
20	0402-327	1		Bearing
21	0402-336	1		Collar, Retaining
22	0402-357	1		Collar, Lock
23	0423-834	3		Screw, Self-Tapping
24	1502-563	1		Shaft, Input (inc. 25-32)
25	1502-564	1	/P	Cartridge, Clutch - Assembly
26	0423-799	1		Ring, Retaining - External
27	1402-682	1		Basket, Clutch
28	0423-798	1		Ring, Retaining - Internal
29	1402-678	1		Bearing, Flange
30	1402-677	1		Bearing
31	1402-687	1		Seal
32	1502-565	1		Housing, Input

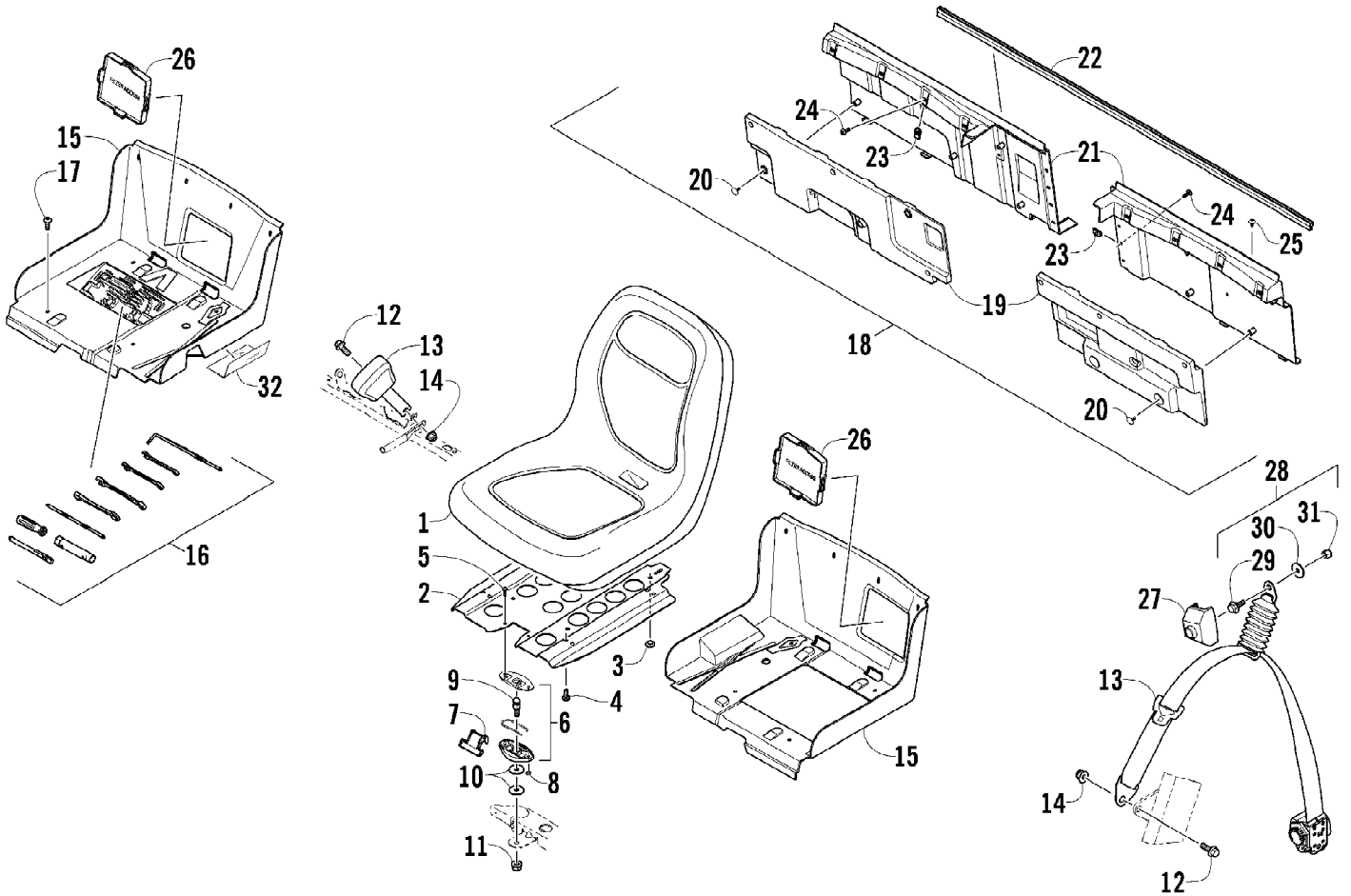
2010 PROWLER 1000 XTZ 4X4 METALLIC CAT GREEN (Engine Serial Number Page 59 of 86)
REAR SUSPENSION ASSEMBLY



2010 PROWLER 1000 XTZ 4X4 METALLIC CAT GREEN (Engine Serial Number Page 50 of 86)
REAR SUSPENSION ASSEMBLY

Ref #	Part Number	Qty	S/P/F	Description
1	0423-920	2		Retainer, Spring
2	0504-612	2		Spring, Suspension
3	0404-182	2		Shock Absorber (inc. 4)
4	0423-917	2		Sleeve, Shock - Threaded
5	0423-919	2		Nut, Spring Adjuster
6	8409-060	4		Screw, Cap
7	8428-002	16		Nut, Lock
8	0504-598	1		A-Arm, Rear - Upper Right (inc. 9-10)
8	0504-599	1		A-Arm, Rear - Upper Left (inc. 9-10)
9	0403-208	16	/P	Bushing
10	0403-214	8	/P	Axle
11	0504-592	1		A-Arm, Rear - Lower Right (inc. 9-10)
11	0504-593	1		A-Arm, Rear - Lower Left (inc. 9-10)
12	8409-000	4		Screw, Cap
13	8409-075	8		Screw, Cap
14	0504-613	2		Knuckle, Rear - Assembly (inc. 15-18)
15	1402-809	2	/P	Bearing
16	0423-423	2		Ring, Retaining
17	0403-213	4	/P	Axle
18	0403-206	8	/P	Bushing
19	1406-068	1		Guard, Boot - Right
19	1406-069	1		Guard, Boot - Left
20	0423-545	4	/P	Screw, Shoulder
21	1502-668	2	S	Axle, Drive (inc. 22-23)
22	1436-228	2	/P	Repair Kit, Boot - Rear Axle
23	1402-890	2		Clip, Retaining

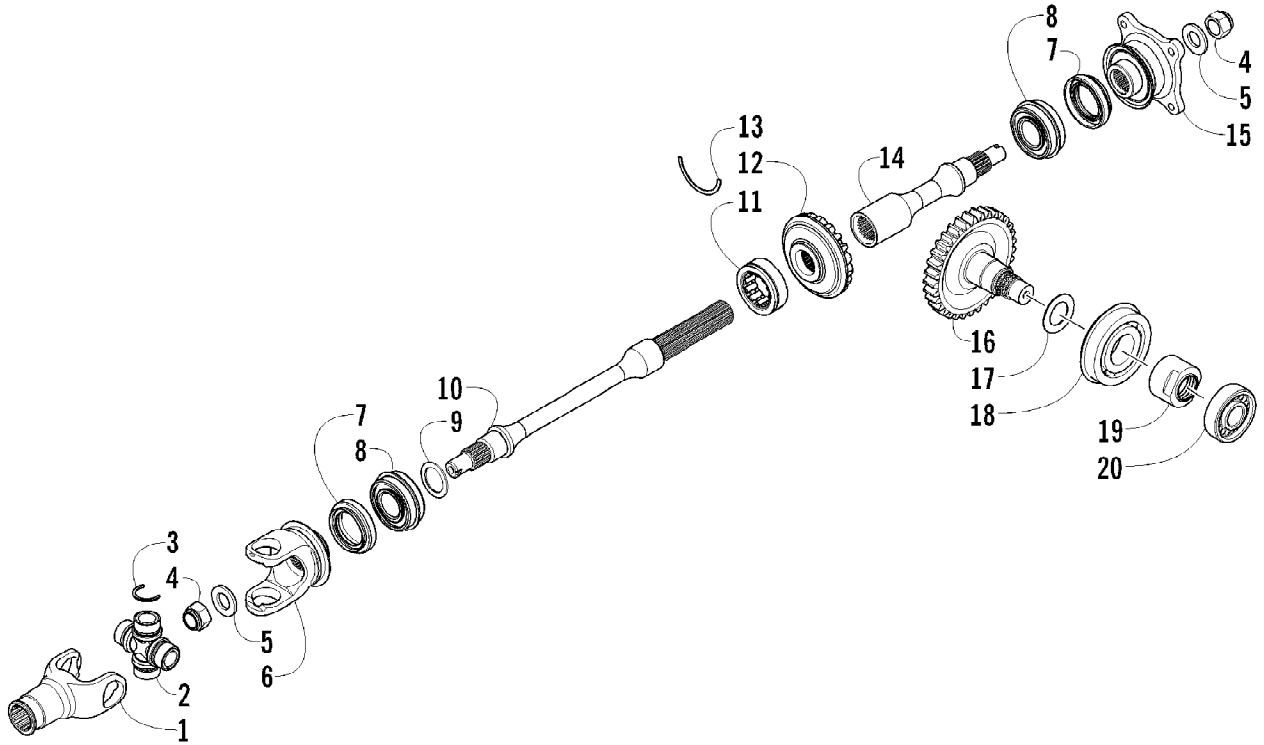
2010 PROWLER 1000 XTZ 4X4 METALLIC CAT GREEN (Engine Serial Number P0950T8086) Page 1 of 1
SEAT ASSEMBLY



2010 PROWLER 1000 XTZ 4X4 METALLIC CAT GREEN (Engine Serial Number Page 18 of 28)
SEAT ASSEMBLY

Ref #	Part Number	Qty	S/P/F	Description
1	1506-925	2		Seat, Low-Back
2	2506-780	2	/P	Plate, Base - Seat
3	0406-877	8	/P	Bumper, Seat
4	8468-820	8		Screw, Machine
5	8468-620	4	/P	Screw, Machine
6	2706-164	2	/P	Latch - Assembly (inc. 7)
7	2606-854	2	S	Lever, Release - Seat Latch
8	0623-038	4		Nut w/Washer
9	0423-559	2		Stud, Latch - Seat
10	0423-073	4		Washer
11	8424-002	2		Nut
12	8408-020	6		Screw, Cap
13	2516-325	2		Belt, Seat
14	8427-002	6		Nut, Lock
15	2406-910	1		Base, Seat - Right
15	2406-911	1		Base, Seat - Left
16	0444-122	1	S/P	Tool Kit - Assembly
17	8477-620	8		Screw, Machine
18	2516-094	1		Panel, Seat - Assembly (inc. 19-23 and five No. 24)
19	2516-146	1		Panel, Seat - Front Right
19	2516-147	1		Panel, Seat - Front Left
20	0623-544	11		Clip, Retaining
21	2406-912	1		Panel, Seat - Rear Right
21	2406-913	1		Panel, Seat - Rear Left
22	2406-915	1		Seal, Seat Panel
23	0423-577	5		Clip, U-Nut
24	8476-620	13		Screw, Machine
25	0623-784	2		Screw, Self-Tapping
26	2416-091	2		Cover, Access - Air Filter
27	2416-148	1		Cover, Seat Belt - Right
27	2416-149	1		Cover, Seat Belt - Left
28	0423-915	2		Screw, Shoulder - Assembly (inc. 29-31)
29	0	2	F	Screw, Shoulder
30	0	2	F	Washer
31	0	2	F	Nut, Lock
32	0412-560	1		Foil, Protective

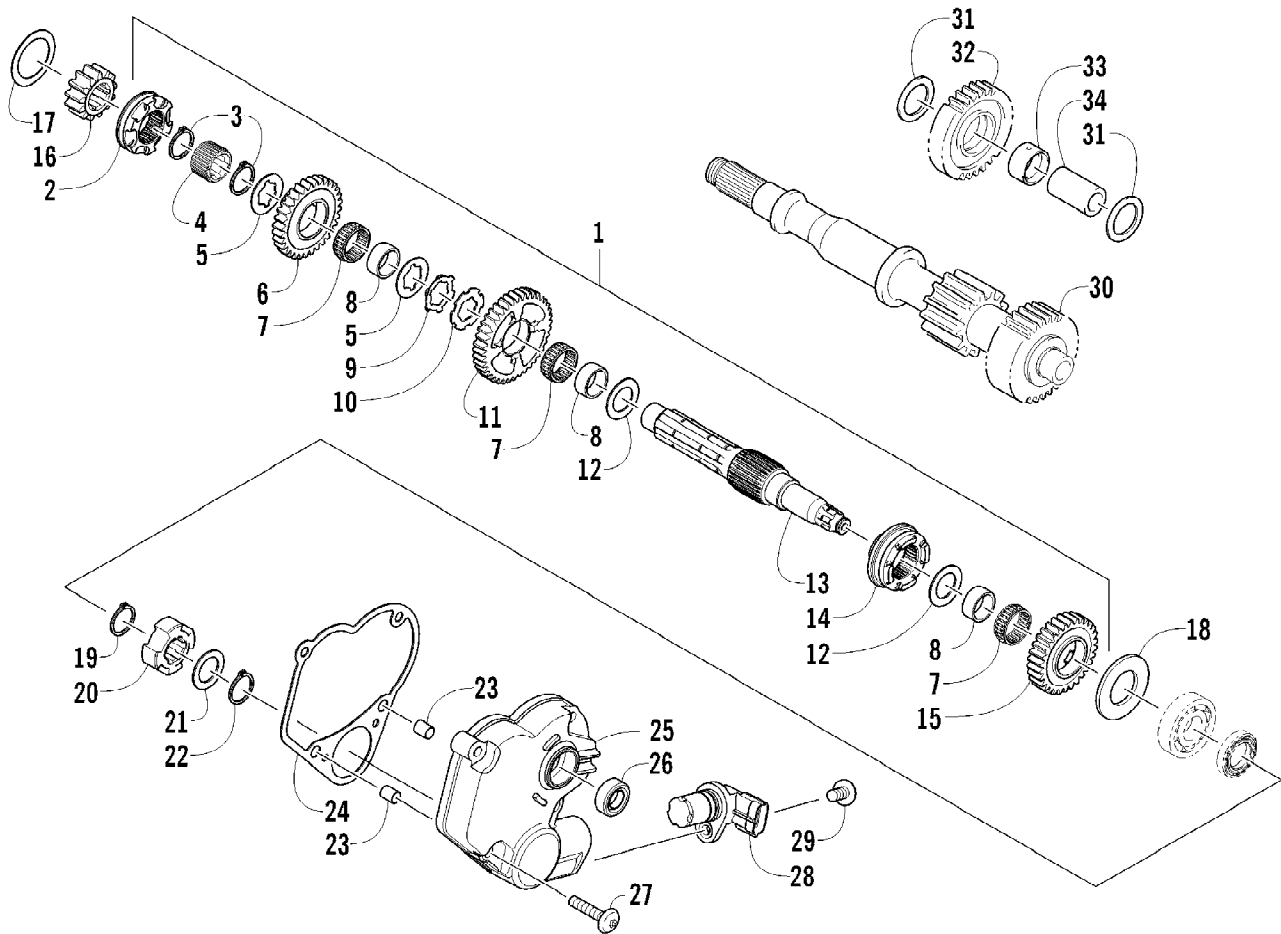
2010 PROWLER 1000 XTZ 4X4 METALLIC CAT GREEN (Engine Serial Number Page 3 of 8)
SECONDARY DRIVE ASSEMBLY



2010 PROWLER 1000 XTZ 4X4 METALLIC CAT GREEN (Engine Serial Number Page 4 of 8)
SECONDARY DRIVE ASSEMBLY

Ref #	Part Number	Qty	S/P/F	Description
1	0502-829	1		Yoke, Drive Output
2	0402-944	1	/P	Joint, Universal - Set (inc. 3)
3	0423-395	4		Ring, Retaining
4	0827-013	2		Nut
5	0828-020	2		Washer
6	0502-828	1		Yoke, Propeller Shaft Joint
7	0830-043	2		Seal, Oil
8	0832-017	2		Bearing
9	0828-021	AR		Shim, 25 x 34 x 0.25 mm
9	0828-022	AR		Shim, 25 x 34 x 0.30 mm
9	0828-023	AR		Shim, 25 x 34 x 0.70 mm
9	0828-024	AR		Shim, 25 x 34 x 0.90 mm
9	0828-025	AR		Shim, 25 x 34 x 0.95 mm
9	0828-026	AR		Shim, 25 x 34 x 1.00 mm
9	0828-027	AR		Shim, 25 x 34 x 1.05 mm
9	0828-028	AR		Shim, 25 x 34 x 1.10 mm
9	0828-029	AR		Shim, 25 x 34 x 1.15 mm
10	0819-089	1	/P	Shaft, Secondary Driven - Front
11	0832-016	1		Bearing, Driven Gear
12	0822-106	1		Gear, Secondary Driven
13	0819-011	1		Ring, Driven Bearing
14	0819-053	1		Shaft, Secondary Driven - Rear
15	0819-005	1		Flange, Output Joint
16	0822-108	1		Gear, Secondary Drive
17	0828-119	AR		Shim, 30 x 48 x 0.25 mm
17	0828-120	AR		Shim, 30 x 48 x 0.30 mm
17	0828-121	AR		Shim, 30 x 48 x 0.35 mm
17	0828-122	AR		Shim, 30 x 48 x 0.90 mm
17	0828-123	AR		Shim, 30 x 48 x 0.95 mm
17	0828-124	AR		Shim, 30 x 48 x 1.00 mm
17	0828-125	AR		Shim, 30 x 48 x 1.05 mm
17	0828-126	AR		Shim, 30 x 48 x 1.10 mm
17	0828-127	AR		Shim, 30 x 48 x 1.15 mm
18	0832-083	1	/P	Bearing
19	0827-060	1		Nut
20	0832-050	1	/P	Bearing

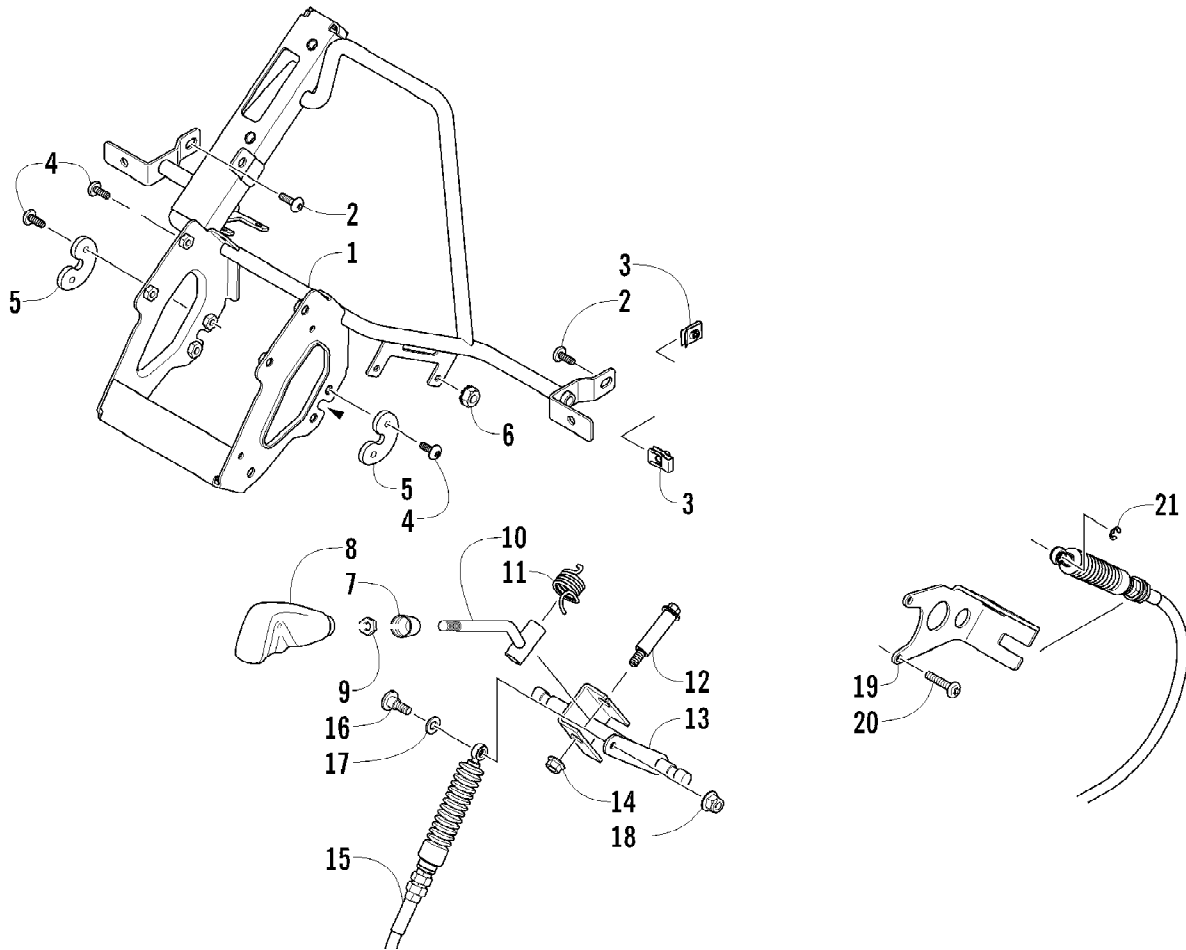
2010 PROWLER 1000 XTZ 4X4 METALLIC CAT GREEN (Engine Serial Number P09558086)
SECONDARY TRANSMISSION ASSEMBLY



2010 PROWLER 1000 XTZ 4X4 METALLIC CAT GREEN (Engine Serial Number Page 56 of 86)
 SECONDARY TRANSMISSION ASSEMBLY

Ref #	Part Number	Qty	S/P/F	Description
1	0822-091	1	/P	Countershaft Assembly (inc. 2-15)
2	0822-014	1		Gear Select, Reverse
3	0831-011	2		Ring, Retaining
4	0822-045	1		Spacer, Reverse Driven Gear
5	0828-008	2		Washer
6	0822-013	1		Gear, Reverse Driven
7	0832-011	3		Bearing
8	0822-005	3		Bushing
9	0828-014	1		Washer, Lock
10	0828-015	1		Washer, Lock
11	0822-004	1		Gear, Driven - Low
12	0822-046	2		Washer, Driven Gear
13	0822-003	1		Countershaft
14	0822-007	1		Gear Select, Sliding
15	0822-006	1		Gear, Driven - High
16	0822-089	1		Gear, Drive
17	0828-019	1		Washer, Thrust
18	0828-011	1		Washer
19	0831-040	1		Ring, Retaining
20	0822-050	1		Trigger, Speedometer Sensor
21	0828-069	1		Washer, Thrust
22	0831-039	1		Ring, Retaining
23	0829-001	2	S	Pin, Dowel
24	0830-194	1		Gasket
25	0806-105	1		Housing, Speedometer Sensor
26	0830-044	1		Seal
27	8468-630	2		Screw, Machine
28	0824-042	1	/P	Sensor, Speedometer
29	8468-620	1	/P	Screw, Machine
30	0822-001	1		Driveshaft
31	0828-016	2		Washer, Thrust
32	0822-011	1		Gear, Reverse Idle
33	0822-012	1		Bushing
34	0822-015	1		Shaft, Reverse Idle

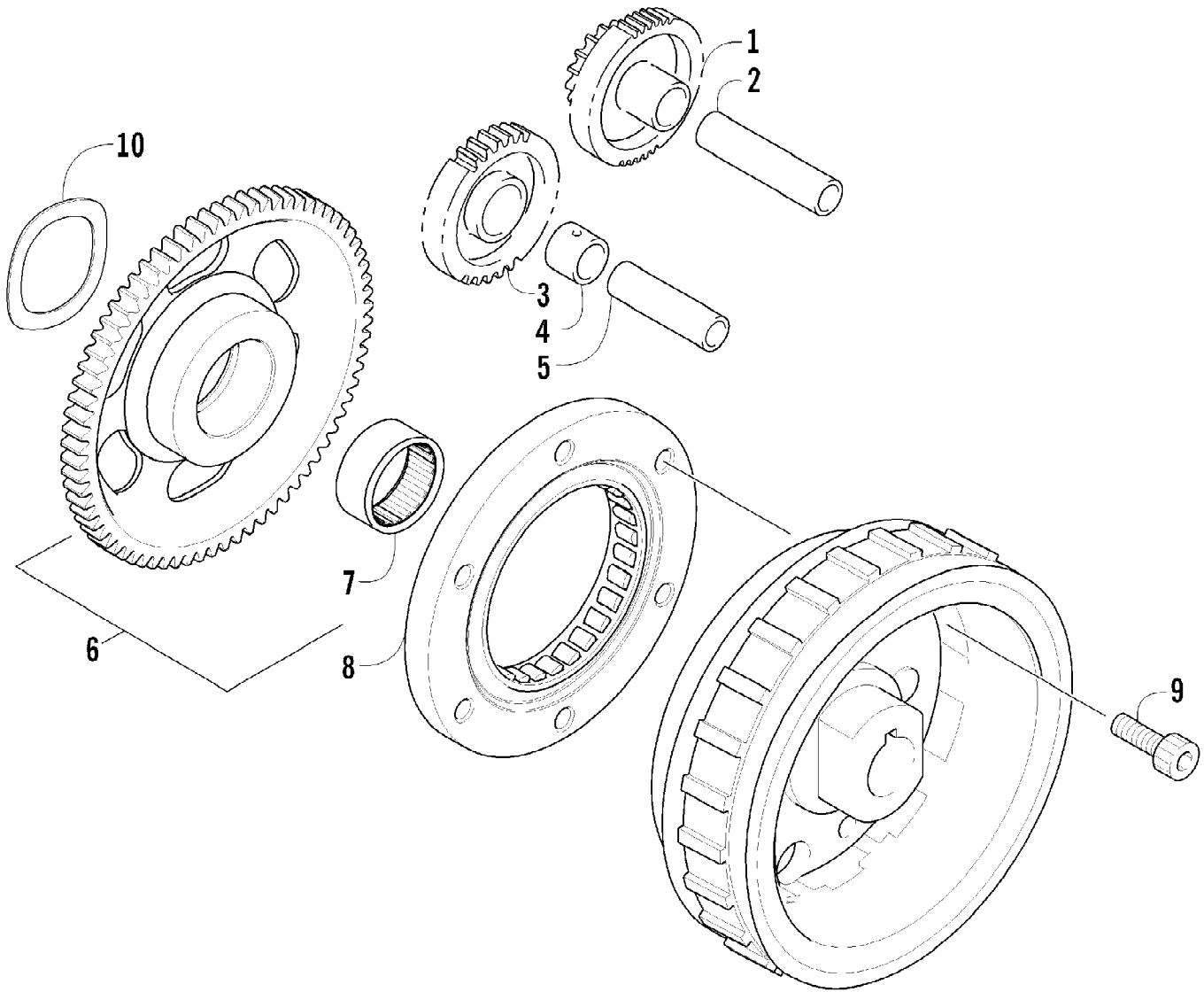
2010 PROWLER 1000 XTZ 4X4 METALLIC CAT GREEN (Engine Serial Number Page 5 of 8)
SHIFTER ASSEMBLY



2010 PROWLER 1000 XTZ 4X4 METALLIC CAT GREEN (Engine Serial Number P095088086)
 SHIFTER ASSEMBLY Page 5 of 8

Ref #	Part Number	Qty	S/P/F	Description
1	1502-516	1		Mount, Shift
2	8476-620	4		Screw, Machine
3	0423-577	4		Clip, U-Nut
4	8477-616	8		Screw, Machine
5	1402-275	2		Retainer, Shift Linkage
6	0623-038	2		Nut w/Washer
7	1402-854	1		End Cap, Shift Knob
8	1402-844	1		Knob, Shift
9	0423-885	1		Nut
10	1502-510	1		Lever, Shift
11	1402-880	1		Spring
12	0423-505	1		Screw, Shoulder
13	1502-666	1		Axle, Shift
14	8424-802	1		Nut
15	0487-063	1		Cable, Shift
16	0423-356	1		Screw, Shoulder
17	0623-094	1		Washer
18	8427-602	1		Nut, Lock
19	2516-609	1		Bracket, Shift Cable
20	8468-635	2		Screw, Machine
21	0124-057	1	/P	E-Ring

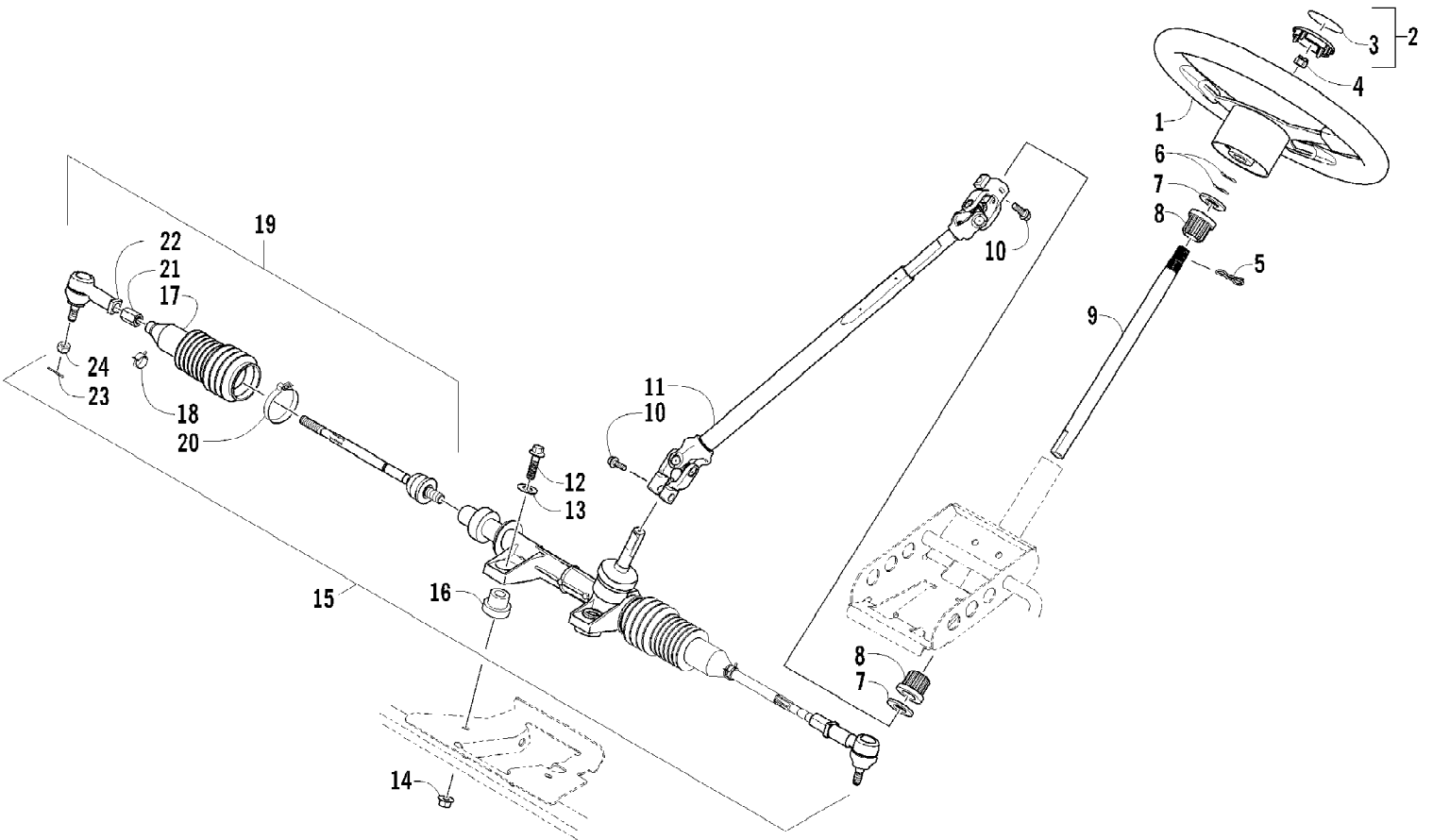
2010 PROWLER 1000 XTZ 4X4 METALLIC CAT GREEN (Engine Serial Number P-095078086)
STARTER CLUTCH ASSEMBLY



2010 PROWLER 1000 XTZ 4X4 METALLIC CAT GREEN (Engine Serial Number Page 50 of 88)
STARTER CLUTCH ASSEMBLY

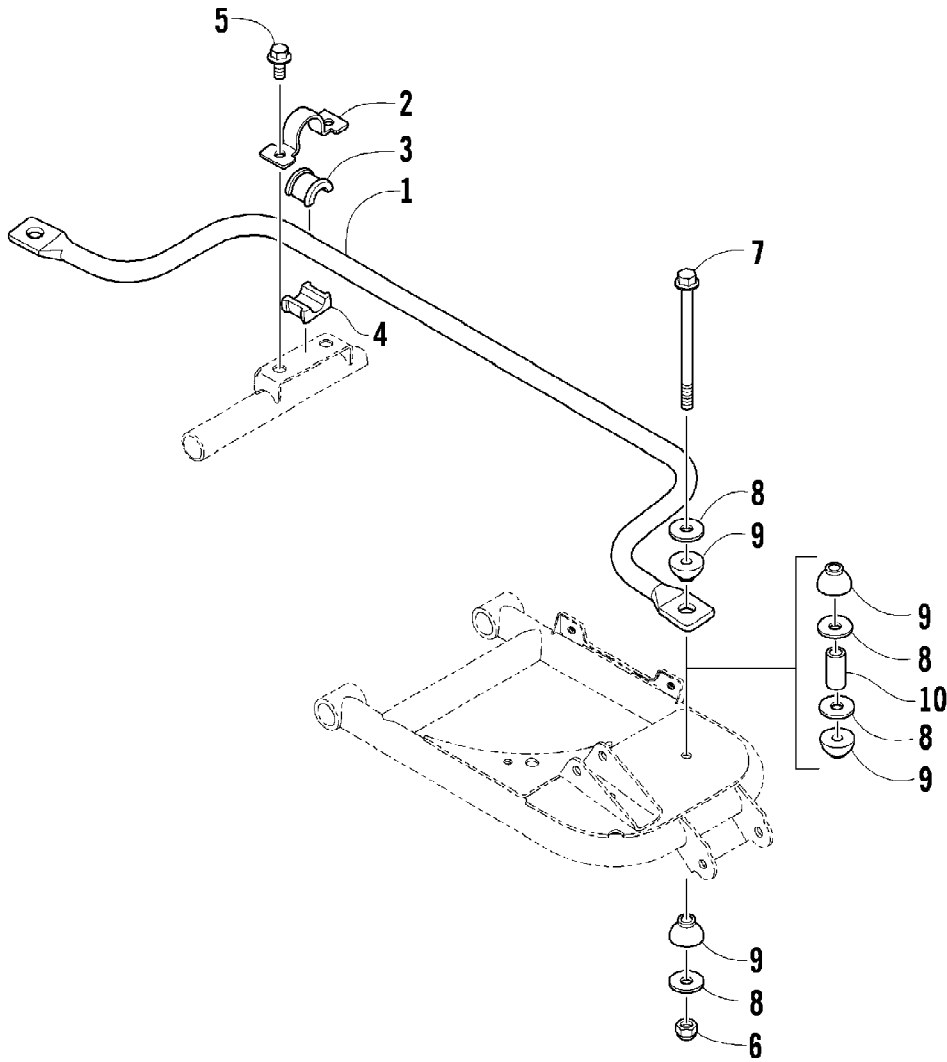
Ref #	Part Number	Qty	S/P/F	Description
1	0815-026	1		Gear, Starter Idler - No. 1
2	0829-031	1	/P	Shaft, Starter Gear
3	0815-002	1		Gear, Starter Idler - No. 2
4	0815-003	1		Spacer, Starter Idler Gear No. 2
5	0829-032	1	/P	Shaft, Starter Gear
6	0815-004	1		Gear, Starter Clutch (inc. 7)
7	0832-079	1	/P	Bearing
8	0802-035	1		Clutch, Starter
9	0826-069	6		Screw, Cap
10	0828-113	1		Washer, Wave

2010 PROWLER 1000 XTZ 4X4 METALLIC CAT GREEN (Engine Serial Number P095718086)
STEERING ASSEMBLY



2010 PROWLER 1000 XTZ 4X4 METALLIC CAT GREEN (Engine Serial Number P0950718086)
 STEERING ASSEMBLY Page 5 of 8

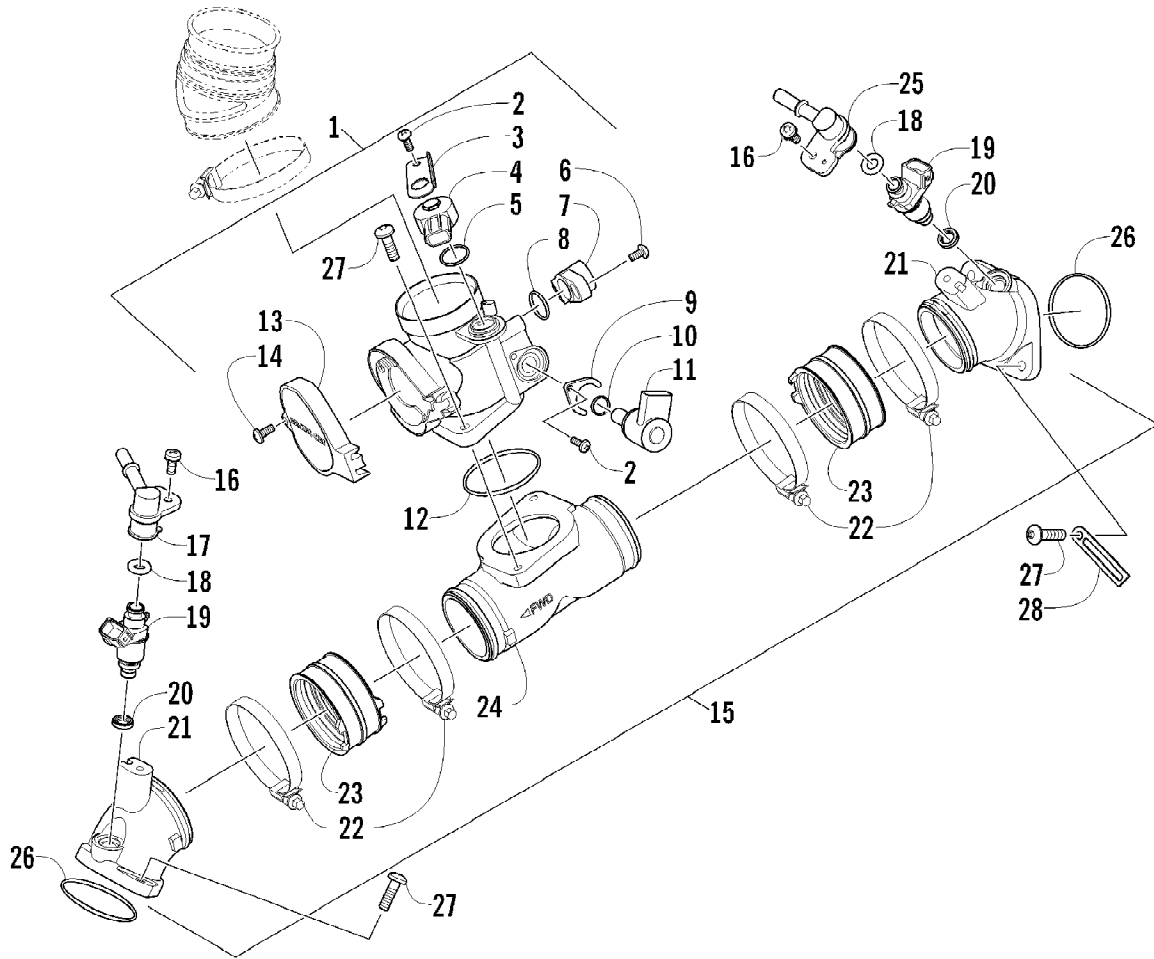
Ref #	Part Number	Qty	S/P/F	Description
1	0505-603	1	/P	Wheel, Steering - Assembly (inc. 2-3)
2	0505-574	1		Cap, Steering Wheel (inc. 3)
3	1411-953	1		Decal, Steering Wheel
4	0423-884	1		Nut
5	1602-467	1		Clip, Hairpin
6	0828-071	2		Washer
7	0423-558	2		Washer
8	0405-155	2		Bushing
9	0405-321	1	/P	Shaft, Upper Steering
10	0423-655	2		Screw, Cap
11	0405-156	1		Shaft, Lower Steering - Assembly
12	8409-050	2		Screw, Cap
13	0623-728	2		Washer
14	8424-002	2		Nut
15	0505-650	1	/P	Housing, Rack and Pinion (inc. 16-23)
16	0405-238	2		Bushing
17	0405-216	2		Boot
18	0405-236	2		Clamp
19	0505-638	2	/P	Tie Rod - Assembly (inc. 20-23)
20	0405-237	2		Clamp
21	0505-640	2	/P	Nut
22	0505-639	2	S	End, Tie Rod (inc. 23)
23	0623-175	2		Pin, Cotter
24	0423-072	2		Nut



2010 PROWLER 1000 XTZ 4X4 METALLIC CAT GREEN (Engine Serial Number P095748186)
SWAY BAR ASSEMBLY

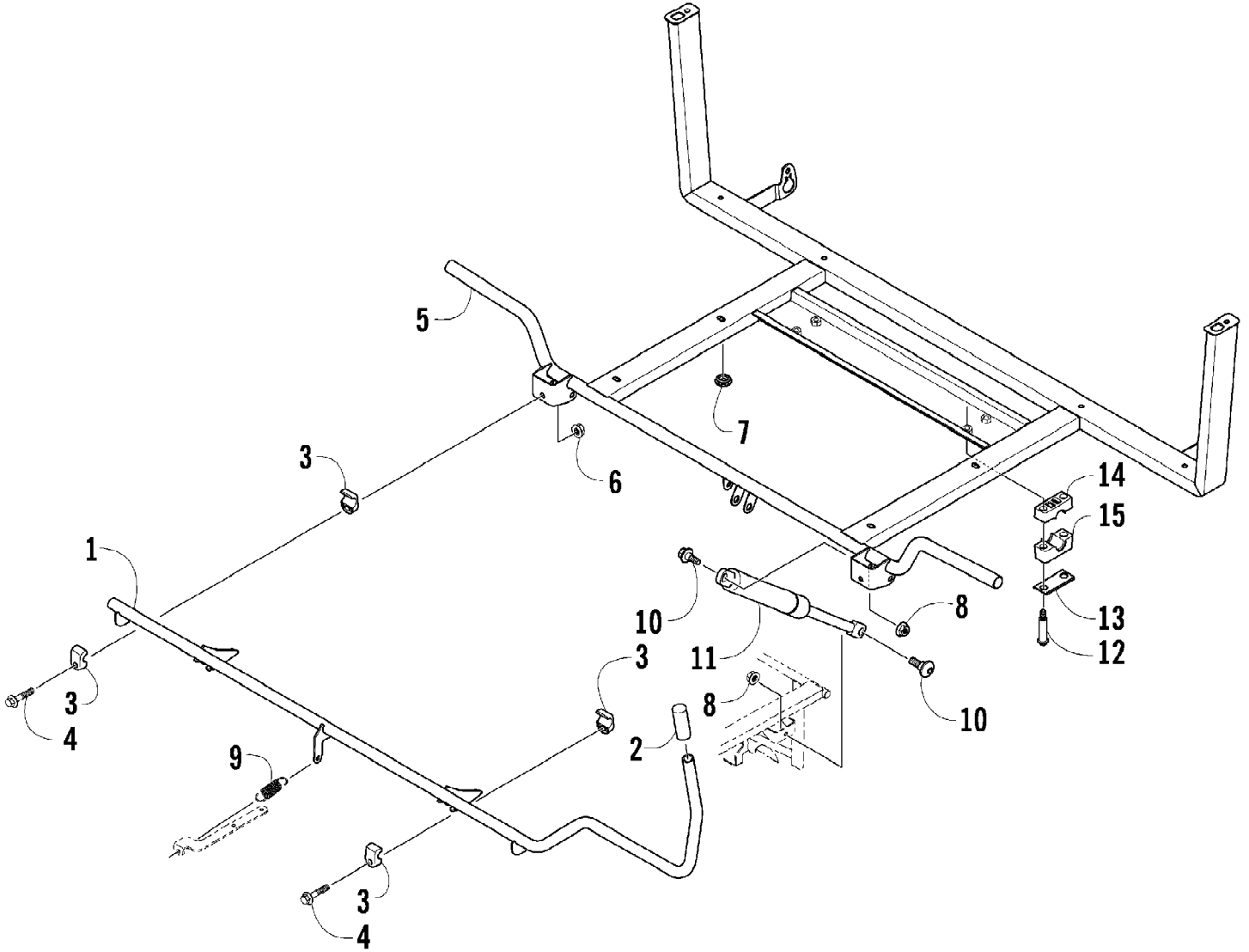
Ref #	Part Number	Qty	S/P/F	Description
1	0404-110	1		Bar, Sway
2	0404-135	2		Clamp, Sway Bar Bushing
3	0404-094	2		Bushing, Sway Bar - Upper
4	0404-095	2		Bushing, Sway Bar - Lower
5	8409-016	4		Screw, Cap
6	8422-002	2		Nut, Lock
7	0423-335	2		Screw, Cap
8	0423-073	8		Washer
9	1402-434	8		Bushing
10	0423-620	2		Spacer

2010 PROWLER 1000 XTZ 4X4 METALLIC CAT GREEN (Engine Serial Number Page 75 of 86)
THROTTLE BODY ASSEMBLY



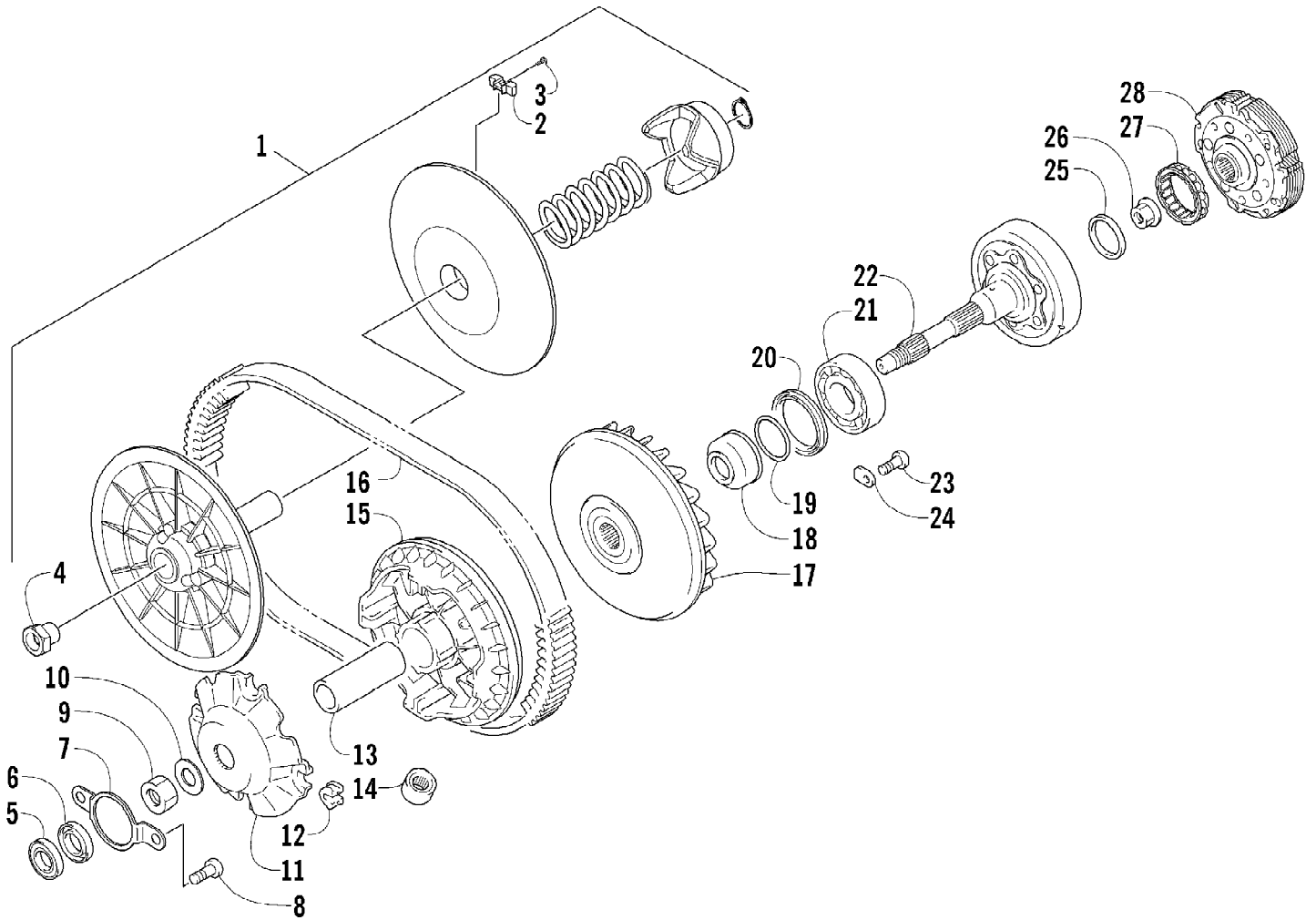
2010 PROWLER 1000 XTZ 4X4 METALLIC CAT GREEN (Engine Serial Number 057058086)
 THROTTLE BODY ASSEMBLY Page 5 of 8

Ref #	Part Number	Qty	S/P/F	Description
1	0470-686	1		Throttle - Assembly (inc. 2-14)
2	5507-117	2	/P	Screw, Machine
3	5507-227	1		Bracket, MAP Sensor
4	0430-073	1		Sensor, MAP
5	5507-232	1		O-Ring, MAP Sensor
6	5507-231	1		Screw, Machine
7	0430-072	1		Sensor, Throttle Position
8	5507-234	1		O-Ring, Throttle Position Sensor
9	5507-229	1		Plate, ISC Valve
10	5507-233	1		O-Ring, ISC Valve
11	0430-074	1		Valve, ISC
12	5507-235	1		O-Ring
13	5507-223	1		Cover
14	5507-037	1	/P	Screw, Machine
15	0570-319	1		Manifold, Intake - Assembly (inc. 16-25)
16	0423-371	2		Screw, Machine
17	0470-893	1		Rail, Fuel - Front Cylinder
18	0470-767	2		O-Ring, Fuel Injector
19	0470-688	2		Injector, Fuel
20	0470-768	2		Ring, Seal - Fuel Injector
21	0570-140	2		Manifold, Intake
22	0423-066	4		Clamp
23	0470-660	2		Boot, Intake - Manifold
24	0570-156	1		Plenum, Intake
25	0470-764	1		Rail, Fuel - Rear Cylinder
26	0830-090	2		O-Ring
27	0826-008	6		Screw, Machine
28	3002-964	1	/P	Clamp, Wire



2010 PROWLER 1000 XTZ 4X4 METALLIC CAT GREEN (Engine Serial Number P095788086)
 TILT FRAME ASSEMBLY

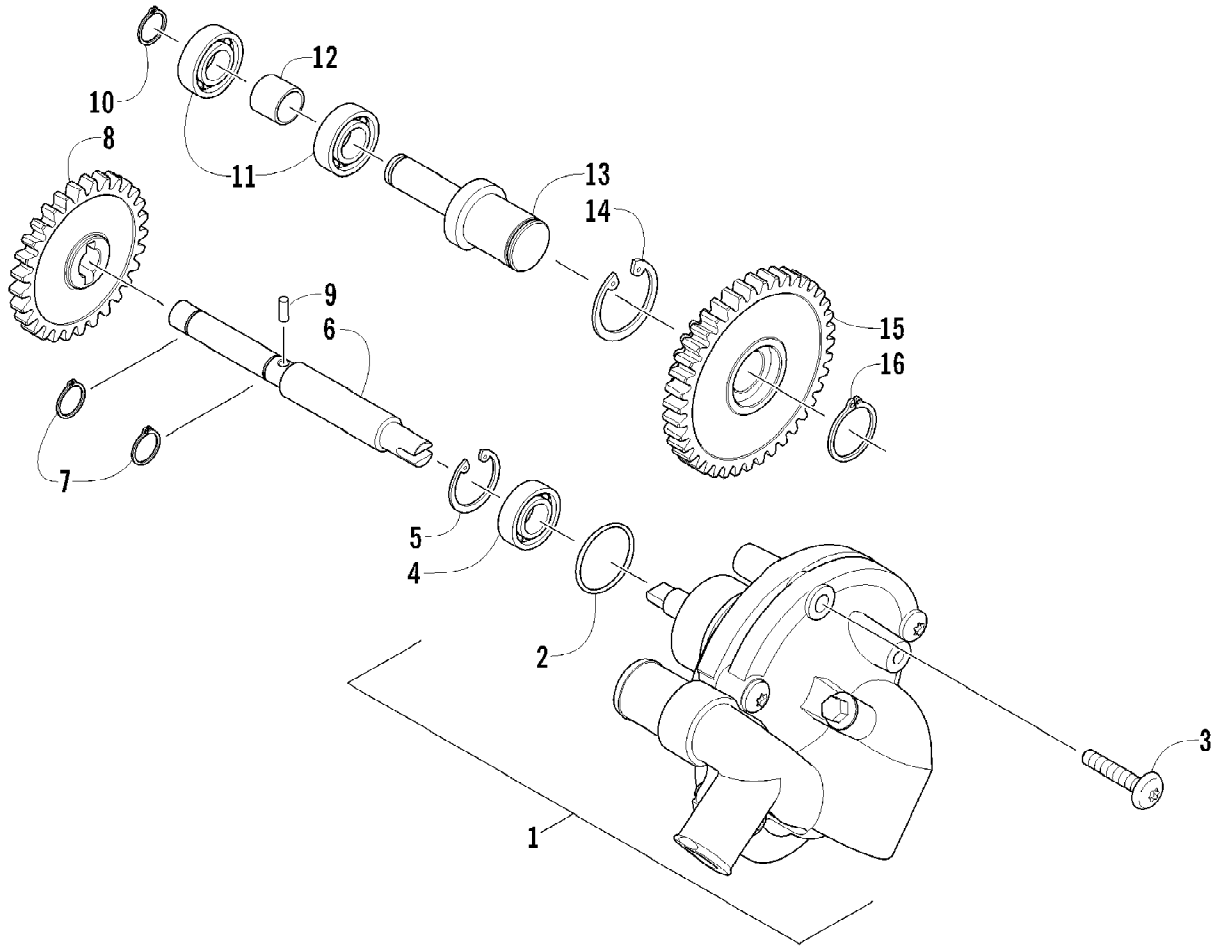
Ref #	Part Number	Qty	S/P/F	Description
1	2506-919	1		Rod, Cargo Box Latch
2	1406-736	1		Grip, Latch Rod
3	1406-674	4		Bushing, Pivot
4	8408-840	2		Screw, Cap
5	2516-334	1		Frame, Box
6	8427-802	2		Nut, Lock
7	0423-628	4		Grommet
8	8427-602	2		Nut, Lock
9	2416-086	1		Spring
10	0423-356	2		Screw, Shoulder
11	2506-194	1		Support, Lift
12	0423-505	4		Screw, Shoulder
13	0405-166	2		Cap, Housing
14	0405-138	2		Housing, Lower
15	0405-139	2		Housing, Upper



2010 PROWLER 1000 XTZ 4X4 METALLIC CAT GREEN (Engine Serial Number Page 50 of 86)
 TRANSMISSION ASSEMBLY

Ref #	Part Number	Qty	S/P/F	Description
1	0823-157	1	S/P	Pulley, Driven - Assembly (inc. 2-4)
2	0823-176	3	/P	Shoe, Cam
3	0823-177	3		Screw, Machine
4	0823-178	1		Nut, Driven Pulley
5	0832-010	1		Bearing
6	0830-176	1	/P	Seal
7	0823-020	1		Retainer, Bearing
8	0826-031	2		Screw, Machine
9	0827-010	1		Nut
10	0828-106	1		Washer
11	0823-008	1		Plate, Movable Drive Face
12	0823-010	4		Damper, Movable Drive Face
13	0823-265	1		Spacer, Movable Drive Face
14	0823-170	8	/P	Roller, Movable Drive Face
15	0823-159	1		Face, Movable Drive
16	0823-231	1		Belt, Drive
17	0823-156	1	/P	Face, Fixed Drive
18	0823-015	1		Spacer, Fixed Drive Face
19	0470-531	1		O-Ring
20	0830-188	1	/P	Seal, Clutch Housing - Right
21	0832-047	1	S	Bearing
22	0823-261	1	S/P	Housing, Clutch
23	0826-029	2		Screw, Machine
24	0822-010	2	/P	Retainer, Bearing
25	0830-189	1	/P	Seal, Clutch Housing - Left
26	0827-011	1		Nut
27	0823-018	1		Clutch, One-Way
28	0823-098	1	S	Clutch, Centrifugal - 6 Plate

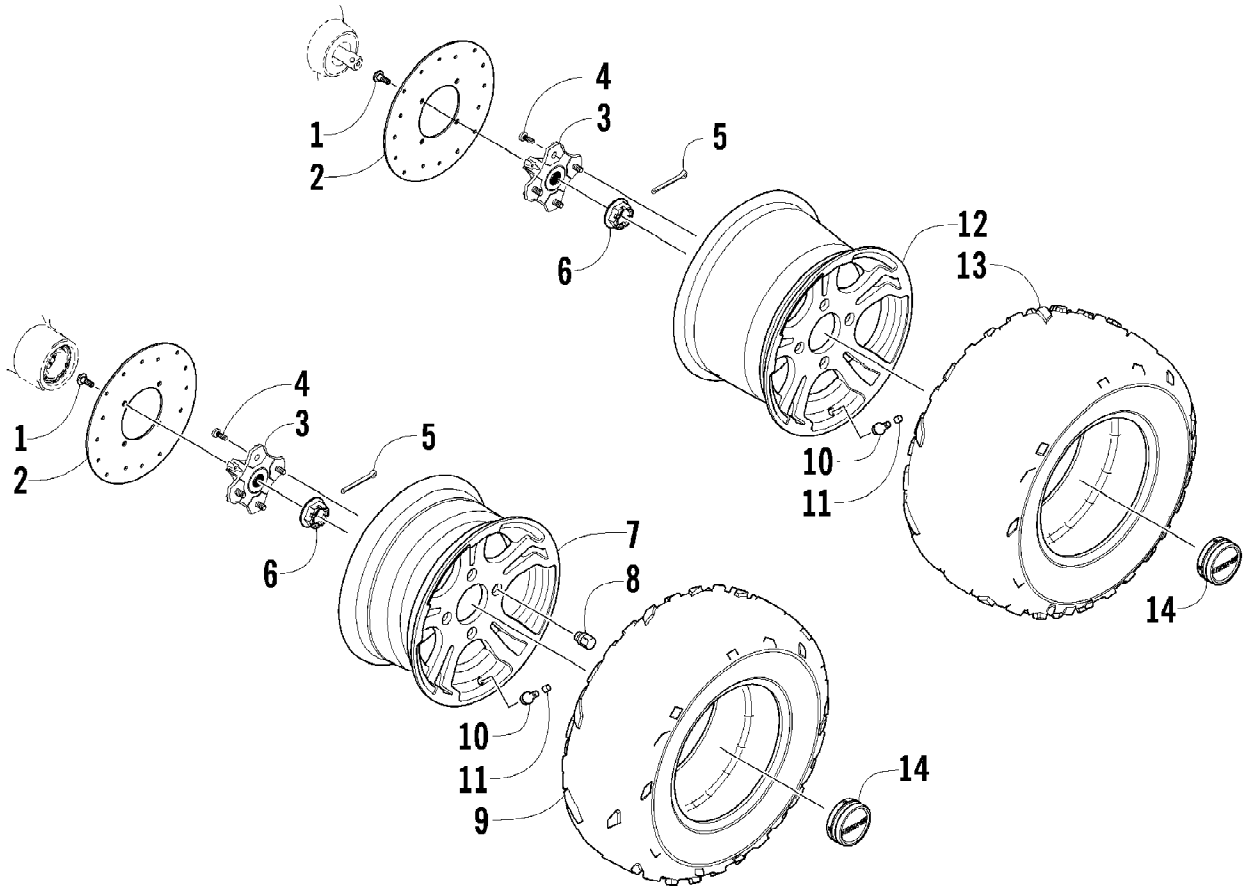
2010 PROWLER 1000 XTZ 4X4 METALLIC CAT GREEN (Engine Serial Number P0950T8086)
WATER PUMP ASSEMBLY Page 1 of 1



2010 PROWLER 1000 XTZ 4X4 METALLIC CAT GREEN (Engine Serial Number P095078086)
 WATER PUMP ASSEMBLY Page 5 of 8

Ref #	Part Number	Qty	S/P/F	Description
1	0813-056	1	/P	Pump, Water - Assembly (inc. 2)
2	0830-029	1		O-Ring
3	8468-650	2		Screw, Machine
4	0832-084	1		Bearing
5	0831-086	1		Circlip
6	0813-041	1		Shaft, Driven Gear
7	0831-010	2		Ring, Retaining
8	0813-043	1		Gear, Driven
9	0829-009	1		Pin, Dowel
10	0831-002	1		Ring, Retaining
11	0832-046	2	/P	Bearing
12	0813-028	1		Spacer, Idler - Water Pump
13	0813-026	1		Shaft, Water Pump Idler Gear
14	0831-004	1		Ring, Retaining
15	0813-027	1		Gear, Idler - Water Pump - Drive
16	0831-040	1		Ring, Retaining

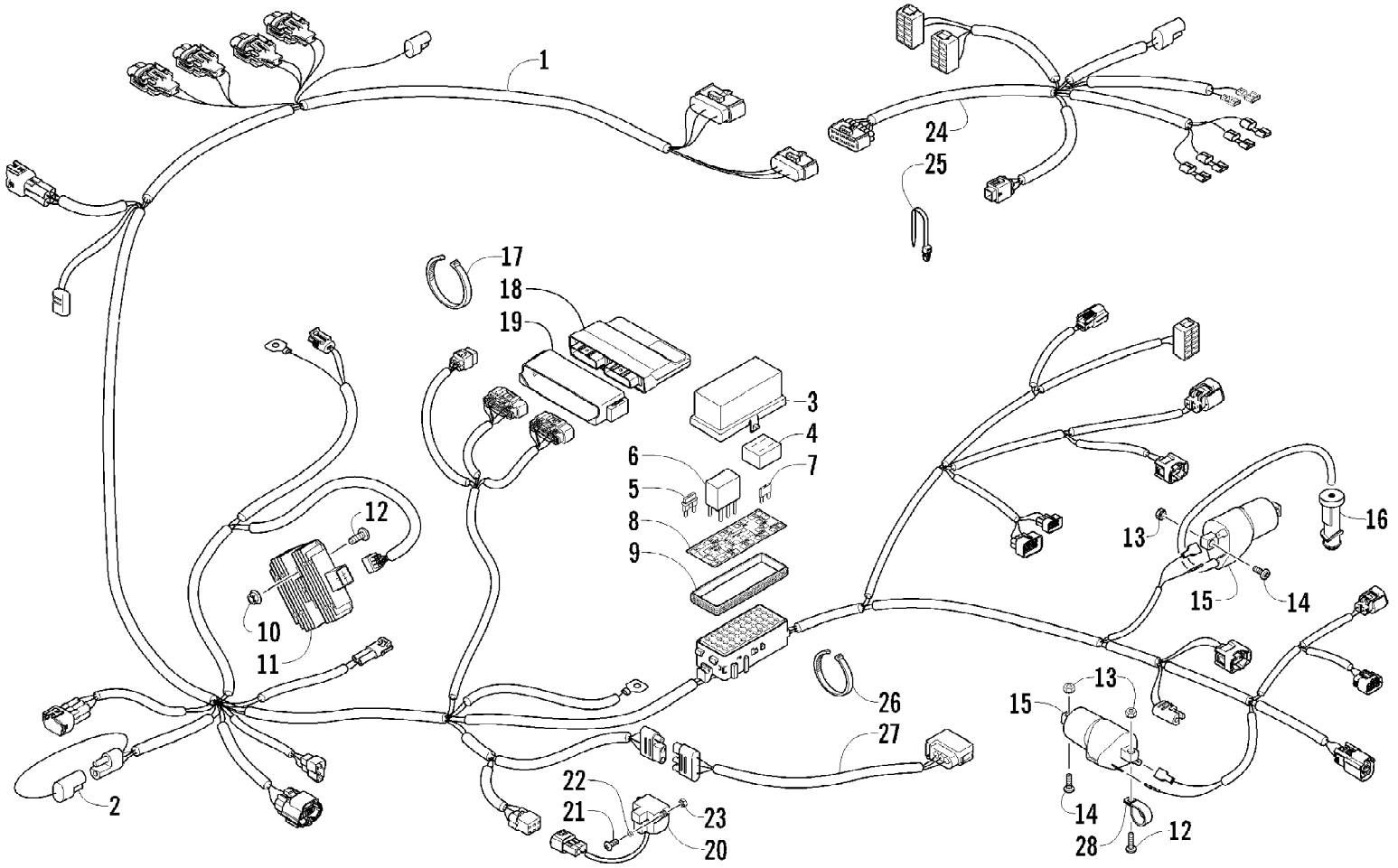
2010 PROWLER 1000 XTZ 4X4 METALLIC CAT GREEN (Engine Serial Number Page 3 of 8)
WHEEL AND TIRE ASSEMBLY



2010 PROWLER 1000 XTZ 4X4 METALLIC CAT GREEN (Engine Serial Number Page 5 of 8)
 WHEEL AND TIRE ASSEMBLY

Ref #	Part Number	Qty	S/P/F	Description
1	0423-557	16		Screw, Shoulder
2	1402-455	2	S	Disc, Brake - Front
2	1436-164	2	/P	Disc, Brake - Rear
3	1502-433	2	/P	Hub, Wheel - Front (inc. 4)
3	1502-437	2		Hub, Wheel - Rear (inc. 4)
4	0402-974	16	/P	Stud, Wheel Hub
5	0423-407	4		Pin, Cotter
6	0423-607	4		Nut, Castle
7	1402-732	2		Wheel - Front
8	0423-618	16		Nut, Lug
9	1402-790	2		Tire - Front
10	0402-064	4		Stem, Valve (inc. 11)
11	0402-140	4		Cap, Valve Stem
12	1402-733	2	S	Wheel - Rear
13	1402-791	2		Tire - Rear
14	1402-736	4		Cap, Wheel

2010 PROWLER 1000 XTZ 4X4 METALLIC CAT GREEN (Engine Serial Number Page 5 of 8)
WIRING HARNESS ASSEMBLY



2010 PROWLER 1000 XTZ 4X4 METALLIC CAT GREEN (Engine Serial Number Page 56 of 86)
 WIRING HARNESS ASSEMBLY

Ref #	Part Number	Qty	S/P/F	Description
1	0486-344	1		Harness, Main (inc. 2-9)
2	0486-164	1		Tether, Accessory Connector
3	0430-085	1		Cover, Fuse Block
4	0430-037	1		Holder, Fuse
5	0430-034	1		Diode
6	0430-045	5	/P	Relay (4-Pin) - 20 Amp
7	0430-032	5		Fuse - 10 Amp
7	0430-031	4		Fuse - 15 Amp
7	0430-030	2		Fuse - 30 Amp
8	2411-080	1		Decal, Fuse Block
9	0430-086	1		Seal
10	8424-602	2	/P	Nut
11	0824-037	1	/P	Regulator, Voltage
12	8476-625	3		Screw, Machine
13	0623-038	4		Nut w/Washer
14	8476-620	3		Screw, Machine
15	0824-043	2		Coil, Ignition - Assembly
16	0824-049	2	/P	Cap, Spark Plug
17	0123-903	AR		Tie, Cable - 11.5 in.
18	0530-025	1		ECU
19	0430-059	1		Cushion, ECU
20	0409-064	1		Switch, Tilt Sensor
21	8468-425	2		Screw, Machine
22	0123-802	2		Washer
23	0423-493	2		Nut w/Washer
24	0486-290	1		Harness, Console
25	0423-075	AR		Tie, Cable - Push-Mount
26	0123-788	AR	/P	Tie, Cable - 8 in.
27	0486-176	1		Harness, Adapter - Taillight
28	0123-269	AR		Clamp, Routing