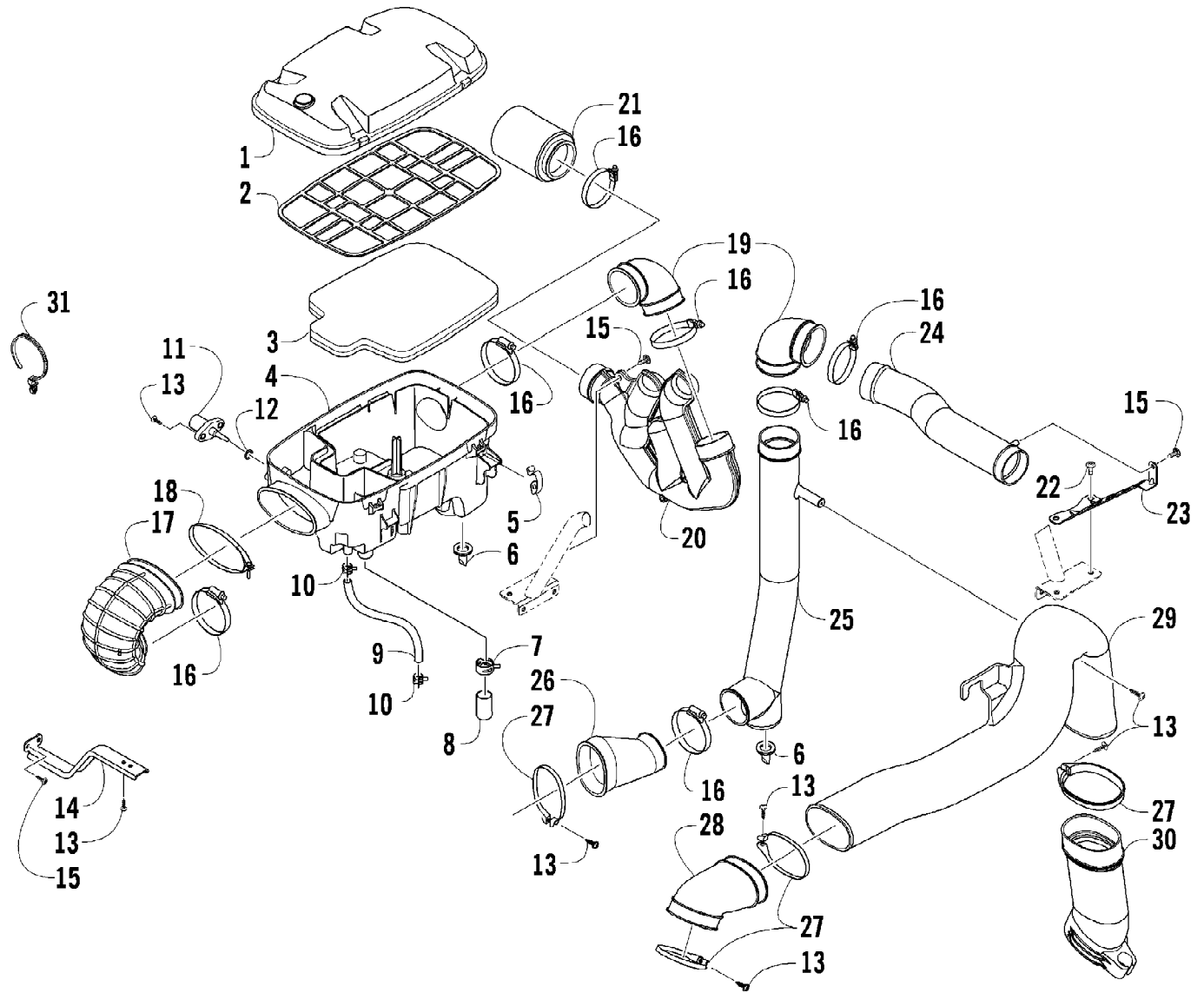


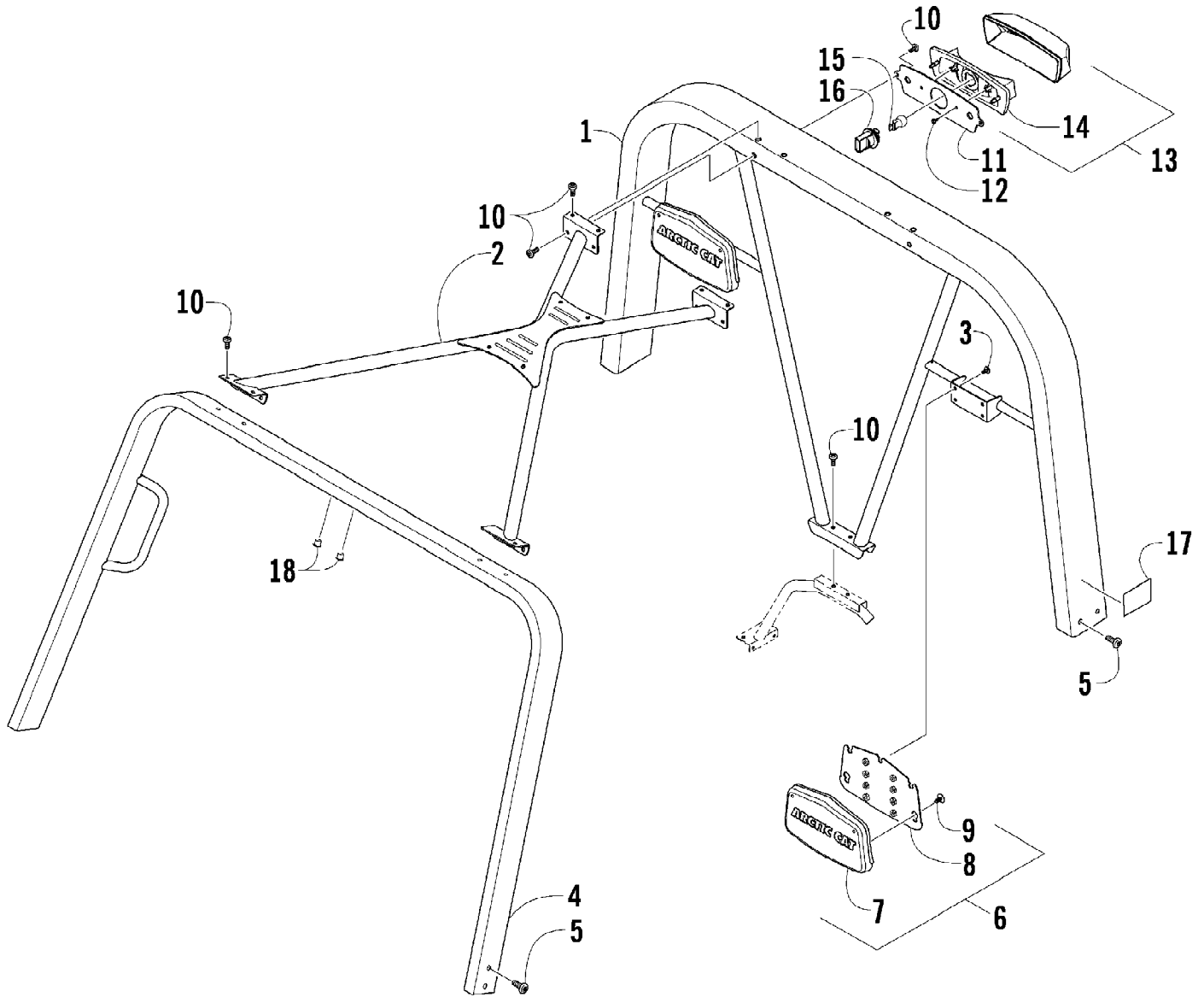
Ref #	Part Number	Qty	S/P/F	Description
1	1502-621	1		Pedal, Accelerator
2	0470-851	1		Spring
3	0402-872	1		Axle
4	1602-213	2	/P	O-Ring
5	8422-002	1		Nut, Lock
6	8476-625	2		Screw, Machine
7	0502-991	1		Bracket, Accelerator Pedal
8	8427-602	2		Nut, Lock
9	0487-066	1		Cable, Accelerator
10	8422-502	4		Nut, Lock
11	1502-322	1		Pad, Accelerator Pedal
12	8474-516	4		Screw, Machine



Ref #	Part Number	Qty	S/P/F	Description
1	0470-850	1	S	Cover, Air Intake
2	0470-560	1		Screen, Air Filter
3	0470-558	1		Filter, Air
4	0470-728	1		Housing, Air Intake
5	0423-455	4		Clip, Spring
6	0470-442	AR	/P	Valve, Drain
7	1623-287	1		Clamp, Hose
8	0423-766	1		Cap, Drain
9	0410-172	1	/P	Hose, Vent - Crankcase
10	0423-045	2		Clamp, Hose
11	0430-055	1		Sensor, Air Temperature (inc. 12)
12	5507-224	1		O-Ring
13	0423-342	9	/P	Screw, Self-Tapping
14	2506-651	1		Bracket, Support
15	0623-784	3		Screw, Self-Tapping
16	0423-019	7		Clamp, Hose
17	0470-511	1		Boot, Intake
18	0423-554	1		Clamp, Boot
19	0413-098	2		Boot, Air-In
20	0513-028	1		Duct, Air-In
21	0470-834	1		Filter, Intake
22	8476-616	2		Screw, Machine
23	2516-156	1		Bracket, Support
24	0413-219	1		Duct, Intake
25	0413-218	1		Duct, Intake - Lower
26	0413-049	1		Boot, Duct
27	0423-550	4		Clamp
28	0413-109	1		Boot, Air-Out - Clutch
29	0413-220	1		Duct, Air-Out - Clutch
30	0413-226	1		Duct, Air-Out - Lower
31	0423-075	2		Tie, Cable - Push-Mount



Ref #	Part Number	Qty	S/P/F	Description
1	0810-001	1		Chain, Cam
2	0810-002	1		Guide, Chain
3	0810-003	1		Tensioner, Chain
4	0826-036	1		Pivot, Tensioner
5	0830-025	1		Washer, Crush
6	0810-004	1		Adjuster, Tensioner - Assembly
7	0830-018	1		Gasket
8	8468-625	2		Screw, Machine
9	0830-107	2		Gasket
10	8400-610	1		Screw, Cap
11	0828-129	1		Washer

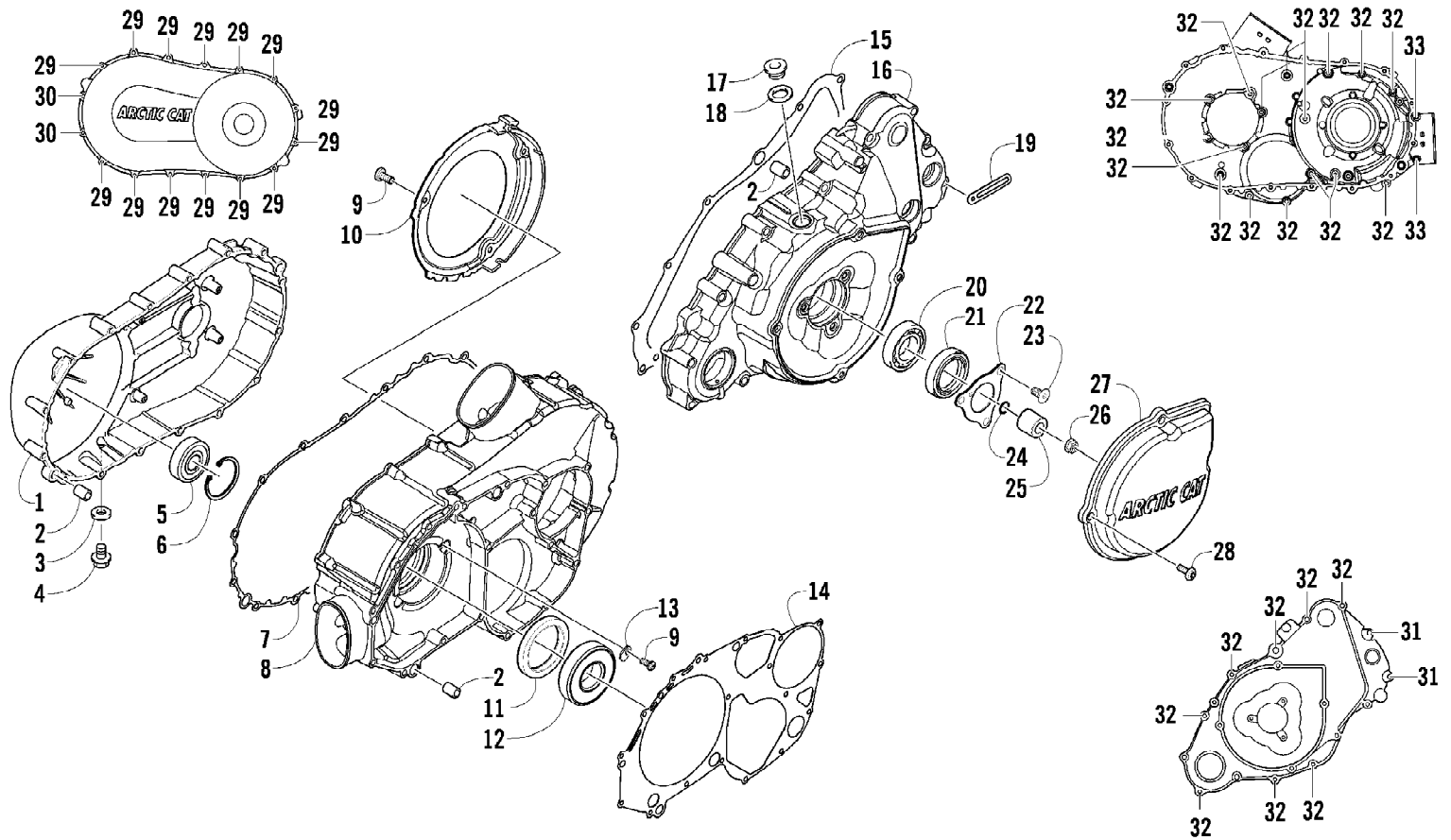


2009 PROWLER 550 4X4 FLATBED INTERNATIONAL (U2009P1O4BOSG)
CANOPY AND TAILLIGHT ASSEMBLY

Page 8 of 77

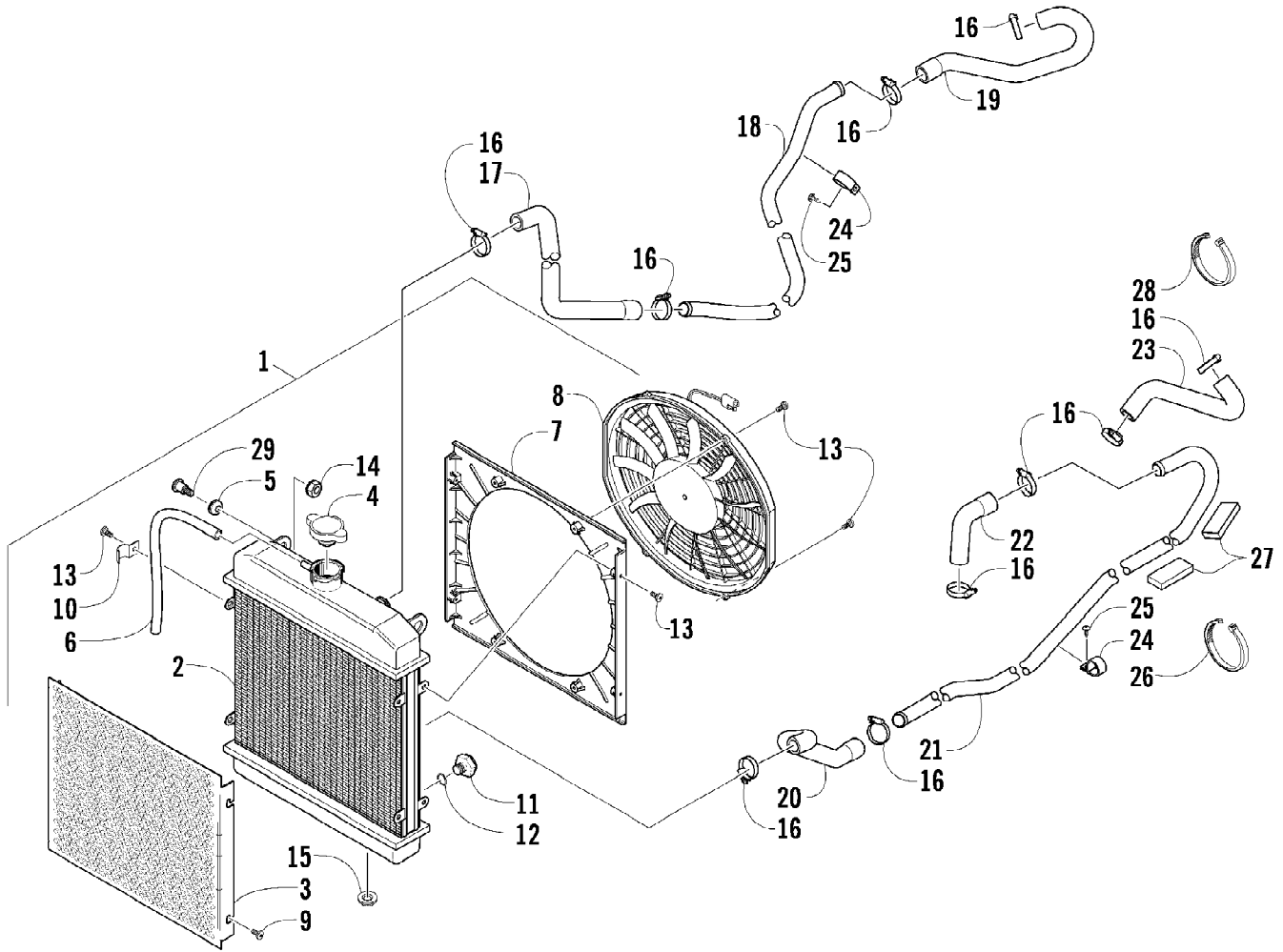
Ref #	Part Number	Qty	S/P/F	Description
1	1506-680	1		Tube, Canopy - Rear
2	1506-713	1		Support, Canopy
3	0423-361	8		Screw, Machine
4	2516-163	1		Tube, Canopy - Front
5	0423-817	8		Screw, Machine
6	1506-795	2		Pad, Headrest - Assembly (inc. 7-9)
7	1406-884	2		Pad, Headrest
8	1506-722	2		Mount, Headrest
9	0623-544	10		Clip, Retaining
10	0423-419	18		Screw, Machine
11	2406-069	1		Bracket, Taillight Mounting
12	0623-301	2	/P	Screw, Self-Tapping
13	0509-022	1		Taillight Assembly (inc. 14-16)
14	0509-025	1		Housing, Taillight
15	0409-056	1		Bulb, Taillight
16	0409-057	1		Socket, Taillight
17	1411-864	2		Decal, Warning - Canopy
18	0423-905	2		Plug

2009 PROWLER 550 4X4 FLATBED INTERNATIONAL (U2009P1O4BOSG)
CLUTCH/V-BELT/MAGNETO COVER ASSEMBLY

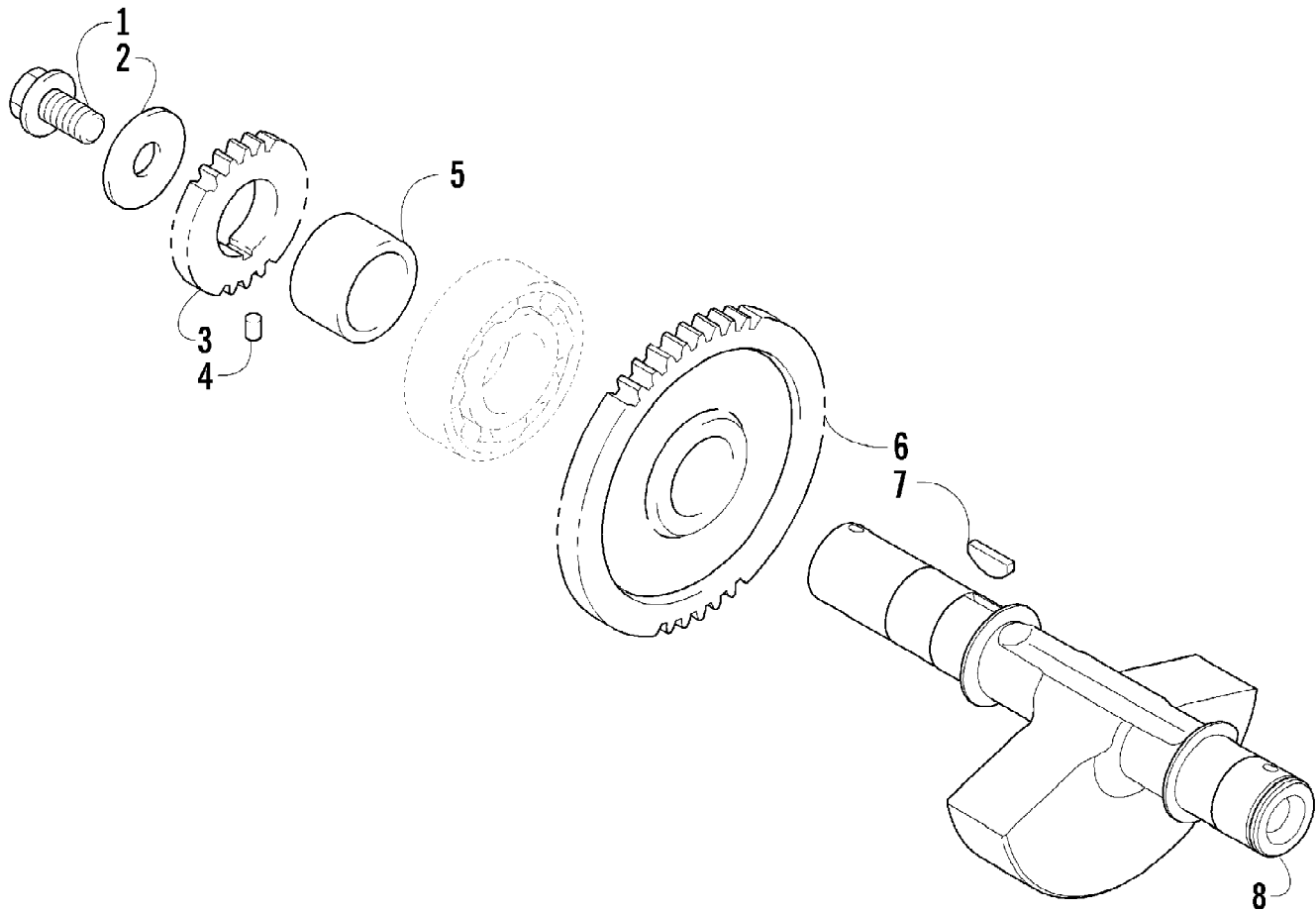


2009 PROWLER 550 4X4 FLATBED INTERNATIONAL (U2009P1O4BOSG) Page 10 of 77
CLUTCH/V-BELT/MAGNETO COVER ASSEMBLY

Ref #	Part Number	Qty	S/P/F	Description
1	0806-088	1	/P	Cover, V-Belt
2	0829-002	6		Pin, Dowel
3	0830-013	1		Washer, Crush
4	8408-812	1		Screw, Cap
5	0832-060	1		Bearing
6	0831-078	1		Ring, Retaining
7	0830-174	1	/P	Gasket, V-Belt Cover
8	0806-091	1		Cover, Clutch
9	0826-029	5		Screw, Machine
10	0806-048	1		Plate, Air Intake
11	0830-188	1	/P	Seal
12	0832-047	1	S	Bearing
13	0822-010	2	/P	Retainer, Bearing
14	0830-116	1	/P	Gasket, Clutch Cover
15	0830-128	1		Gasket, Magneto Cover
16	0806-082	1	/P	Cover, Magneto - Assembly
17	0806-022	1		Plug
18	0830-015	1		Washer, Crush
19	3002-964	1	/P	Clamp, Wire
20	0832-045	1	S	Bearing
21	0830-158	1		Seal
22	0805-008	1		Retainer, Seal
23	0826-031	3		Screw, Machine
24	0830-108	1		O-Ring
25	0820-061	1		Bushing
26	0827-008	1		Nut
27	0820-062	1		Cover, Magneto
28	8468-616	4		Screw, Machine
29	8468-645	14		Screw, Machine
30	8468-655	2		Screw, Machine
31	8468-625	2		Screw, Machine
32	8468-640	24		Screw, Machine
33	8468-675	2		Screw, Machine

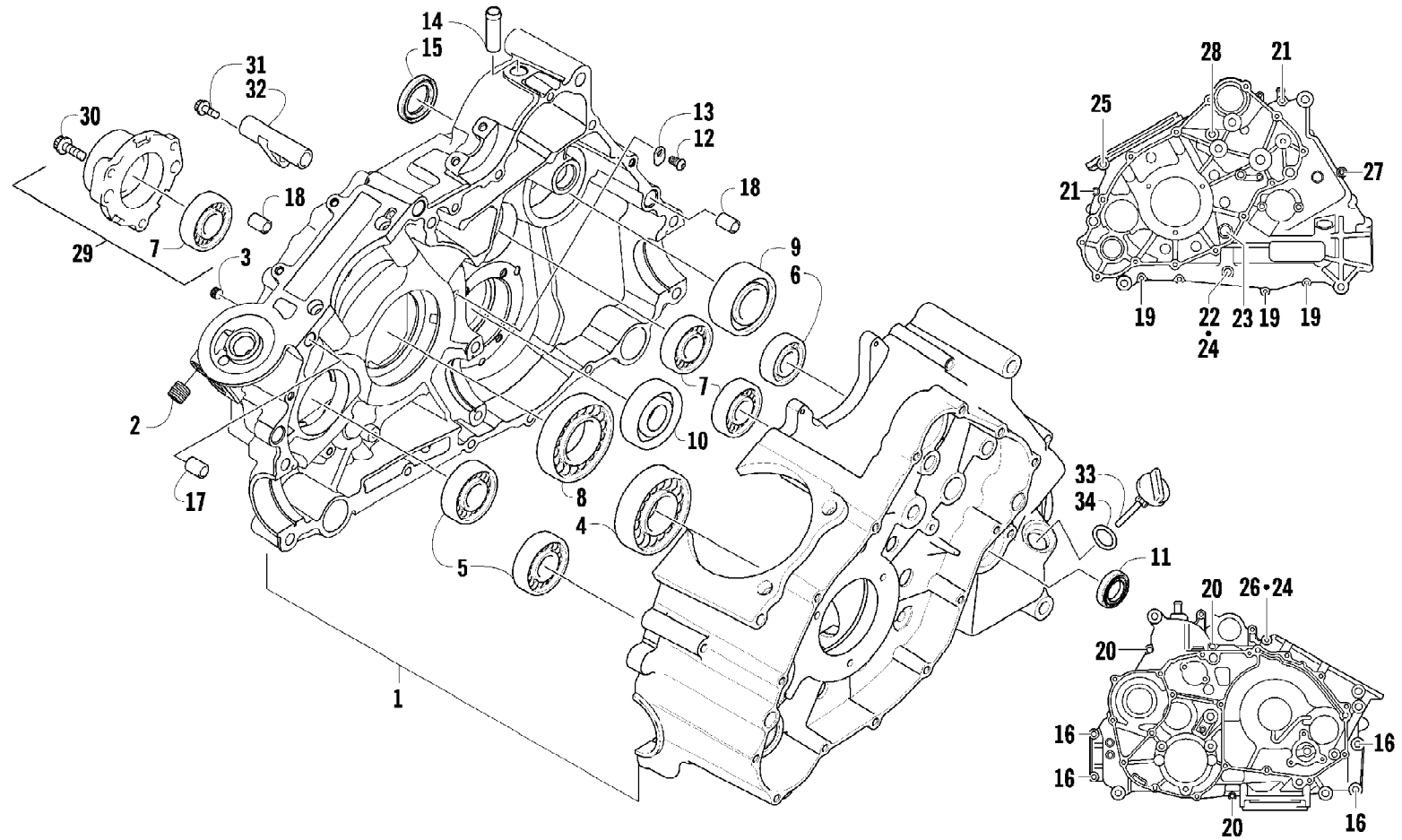


Ref #	Part Number	Qty	S/P/F	Description
1	0413-199	1	S	Radiator - Assembly (inc. 2-13)
2	0413-205	1		Radiator
3	0413-007	1		Screen, Radiator
4	0413-002	1	S	Cap, Radiator
5	0423-030	2		Grommet
6	0610-016	AR	/P	Hose - 25 ft
6	0610-015	AR	/P	Hose - 100 ft
7	0413-203	1		Shroud, Fan
8	0413-123	1	/P	Fan, Cooling
9	8475-512	4		Screw, Machine
10	0423-351	1		Clamp, Wire
11	0413-195	1		Plug, Drain
12	1602-213	1	/P	O-Ring
13	0623-378	8		Screw, Self-Tapping
14	0623-038	2		Nut w/Washer
15	0423-028	2		Bushing, Stem
16	0423-496	10		Clamp, Hose
17	0410-092	1		Hose, Coolant - Upper Radiator
18	0410-089	1		Pipe, Coolant - Upper
19	0410-091	1		Hose, Coolant - Upper Engine
20	0410-094	1		Hose, Coolant - Lower Radiator
21	0410-090	1		Pipe, Coolant - Lower
22	0410-093	1		Hose, Coolant - Lower Engine
23	0410-095	1		Hose, Coolant - Rear
24	0423-594	2		Clamp, Pipe - Coolant
25	0623-784	2		Screw, Self-Tapping
26	0123-903	AR		Cable Tie - 11.5 in.
27	0406-288	2		Pad
28	0623-751	AR		Tie, Cable - Reusable
29	0423-484	2		Screw, Shoulder

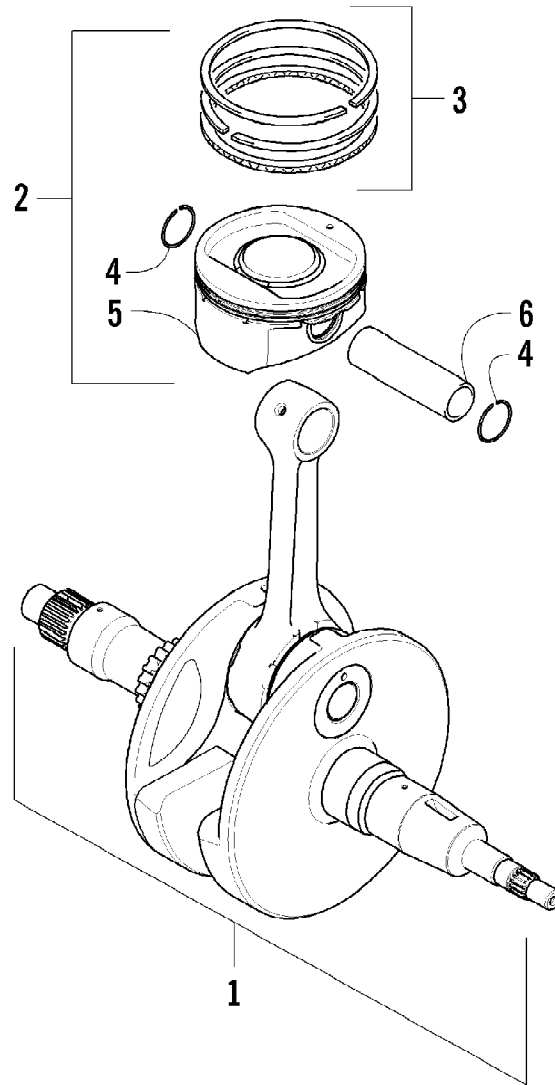


2009 PROWLER 550 4X4 FLATBED INTERNATIONAL (U2009P1O4BOSG) Page 14 of 77
CRANK BALANCER ASSEMBLY

Ref #	Part Number	Qty	S/P/F	Description
1	0826-033	1		Screw, Cap
2	0828-003	1		Washer
3	0811-003	1		Gear, Oil Pump Drive
4	0829-007	1		Pin, Dowel
5	0811-004	1		Spacer
6	0811-002	1		Gear, Driven
7	0829-006	1		Key
8	0811-017	1		Balancer, Crank

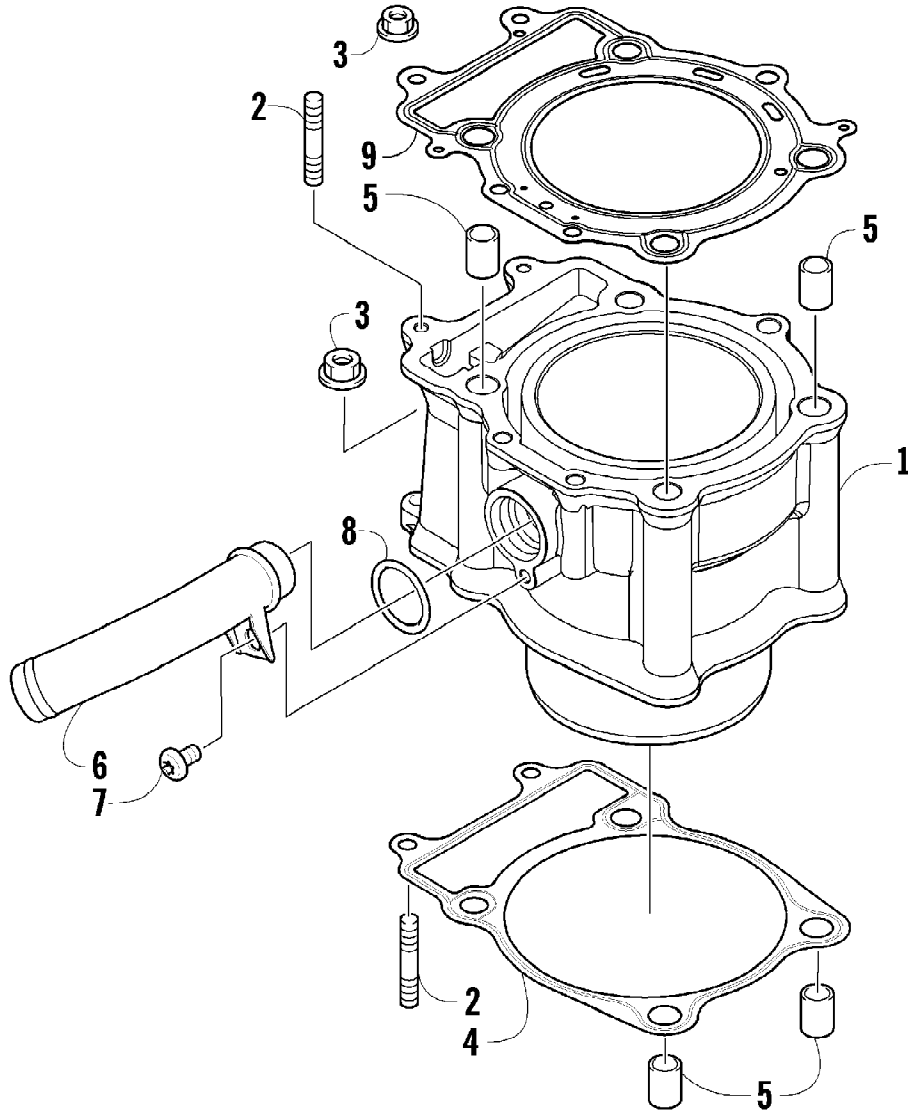


Ref #	Part Number	Qty	S/P/F	Description
1	0801-153	1	S	Crankcase Assembly (inc. 2-15)
2	0812-064	2		Plug
3	0801-002	1		Plug
4	0832-043	1	/P	Bearing
5	0832-044	2	/P	Bearing
6	0832-049	1	/P	Bearing
7	0832-050	3	/P	Bearing
8	0832-042	1	/P	Bearing
9	0832-048	1	/P	Bearing
10	0832-015	1	S/P	Bearing
11	0822-052	1		Seal, Countershaft
12	0826-100	4		Screw, Machine
13	0822-010	4	/P	Retainer, Bearing
14	0801-028	1		Pipe, Breather
15	0830-035	1		Seal, Driveshaft
16	8412-850	4		Screw, Cap
17	0829-003	1		Pin, Dowel
18	0829-002	5		Pin, Dowel
19	8468-645	3		Screw, Machine
20	8468-655	3		Screw, Machine
21	8468-675	2		Screw, Machine
22	8412-860	1		Screw, Cap
23	0826-017	1		Screw, Cap
24	0830-008	2		Gasket
25	0826-019	1		Screw, Cap
26	0826-018	1		Screw, Cap
27	8468-695	1		Screw, Machine
28	8468-680	1		Screw, Machine
29	0801-029	1		Housing, Secondary Shaft (inc. one No. 7)
30	0826-105	3		Screw, Cap
31	0826-038	1		Screw, Cap
32	0801-069	1		Pipe, Breather
33	0801-073	1		Stick, Oil Level (inc. 34)
34	0830-010	1		O-Ring



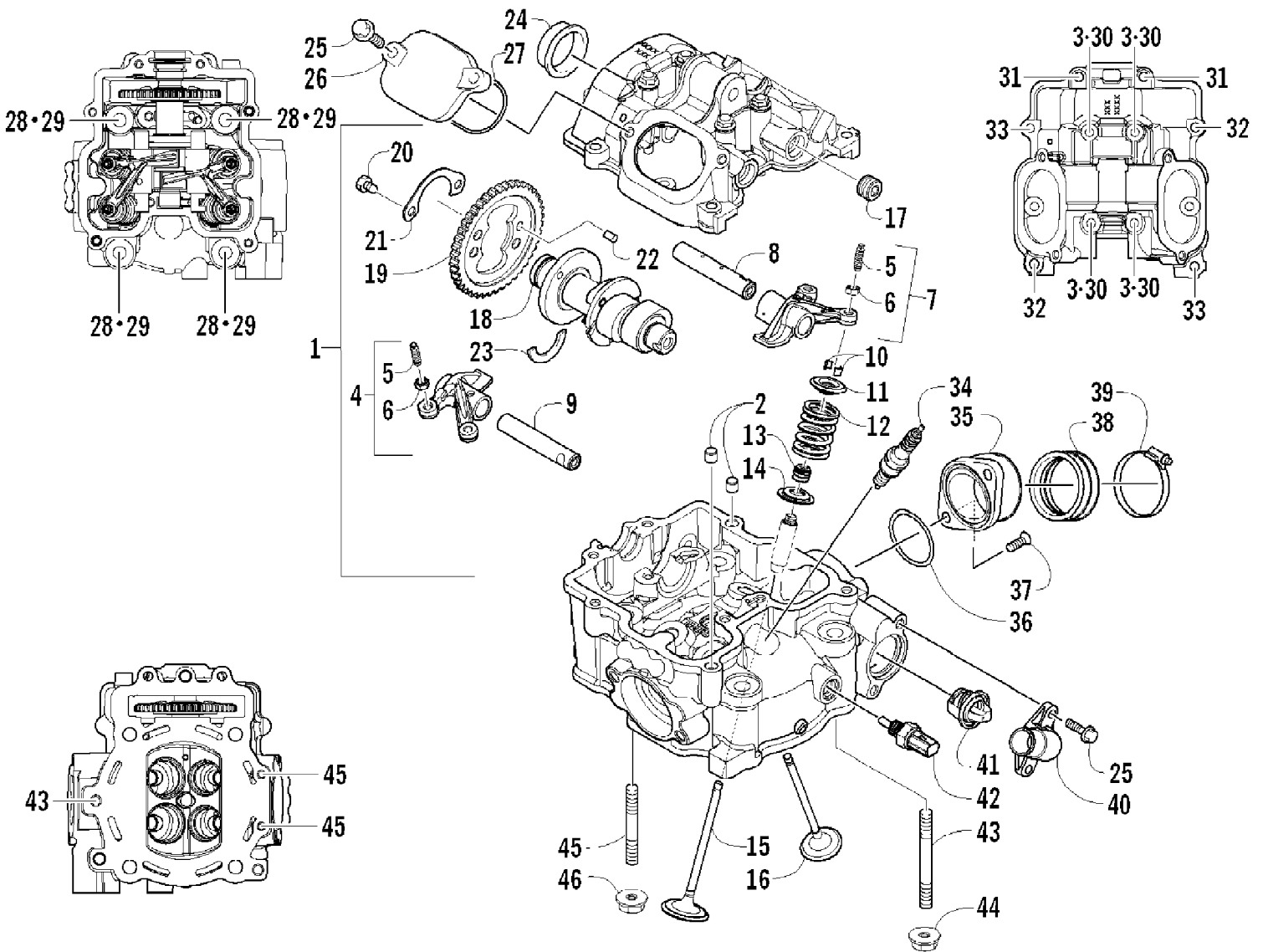
2009 PROWLER 550 4X4 FLATBED INTERNATIONAL (U2009P1O4BOSG) Page 18 of 77
CRANKSHAFT AND PISTON ASSEMBLY

Ref #	Part Number	Qty	S/P/F	Description
1	0805-073	1	S	Crankshaft Assembly
2	0805-064	1		Piston Set (inc. 3-6)
3	0805-065	1		Ring, Piston - Set
4	0831-001	2		Circlip, Piston Pin
5	0	1	F	Piston
6	0805-012	1		Pin, Piston



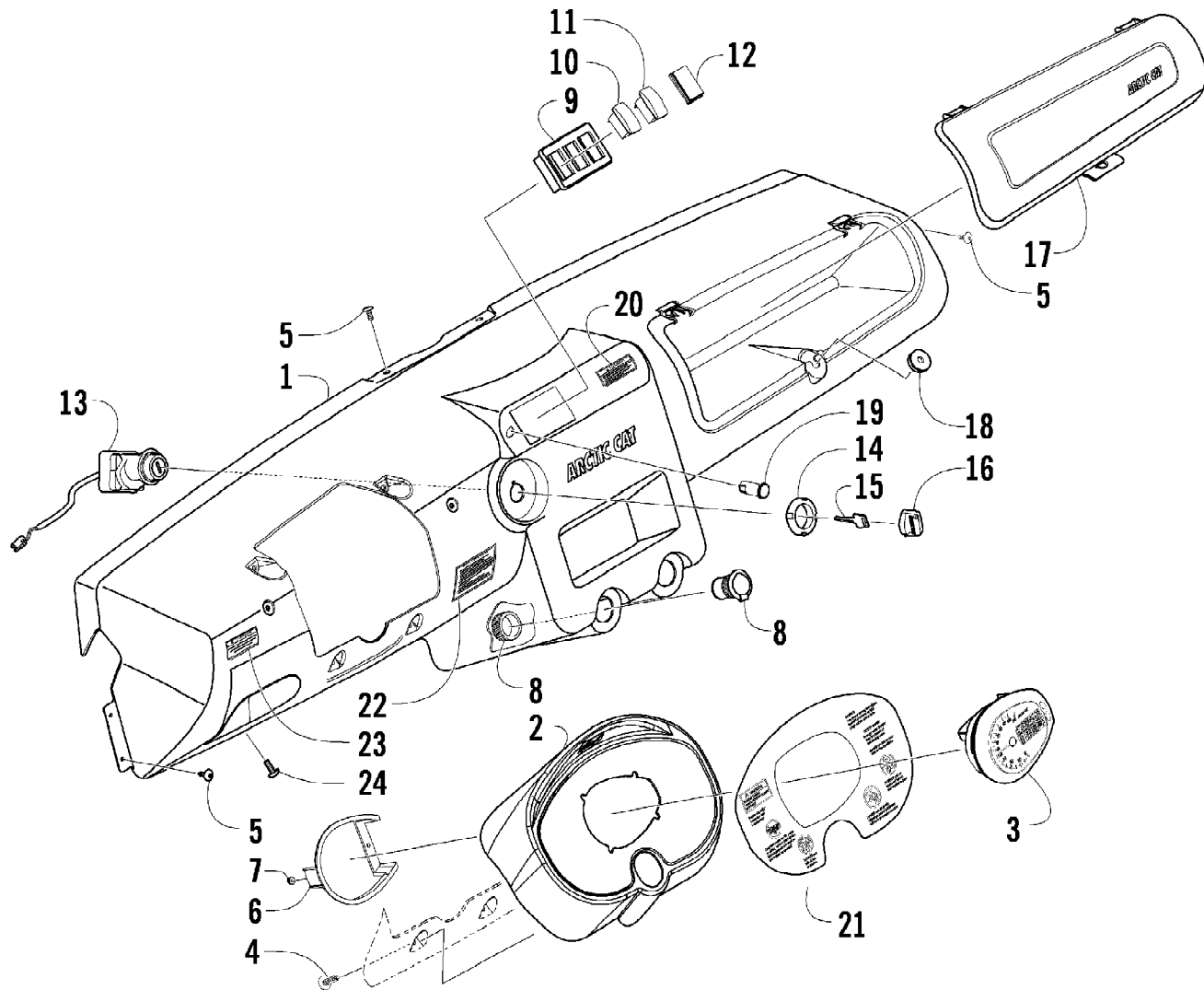
2009 PROWLER 550 4X4 FLATBED INTERNATIONAL (U2009P1O4BOSG) Page 20 of 77
CYLINDER ASSEMBLY

Ref #	Part Number	Qty	S/P/F	Description
1	0804-019	1	S	Cylinder
2	0827-002	4		Bolt, Stud
3	8424-604	4		Nut
4	0830-084	1		Gasket, Base
5	0829-002	4		Pin, Dowel
6	0804-047	1	/P	Union, Coolant Hose
7	8468-612	1		Screw, Machine
8	0830-007	1		O-Ring
9	0830-097	1		Gasket, Cylinder Head

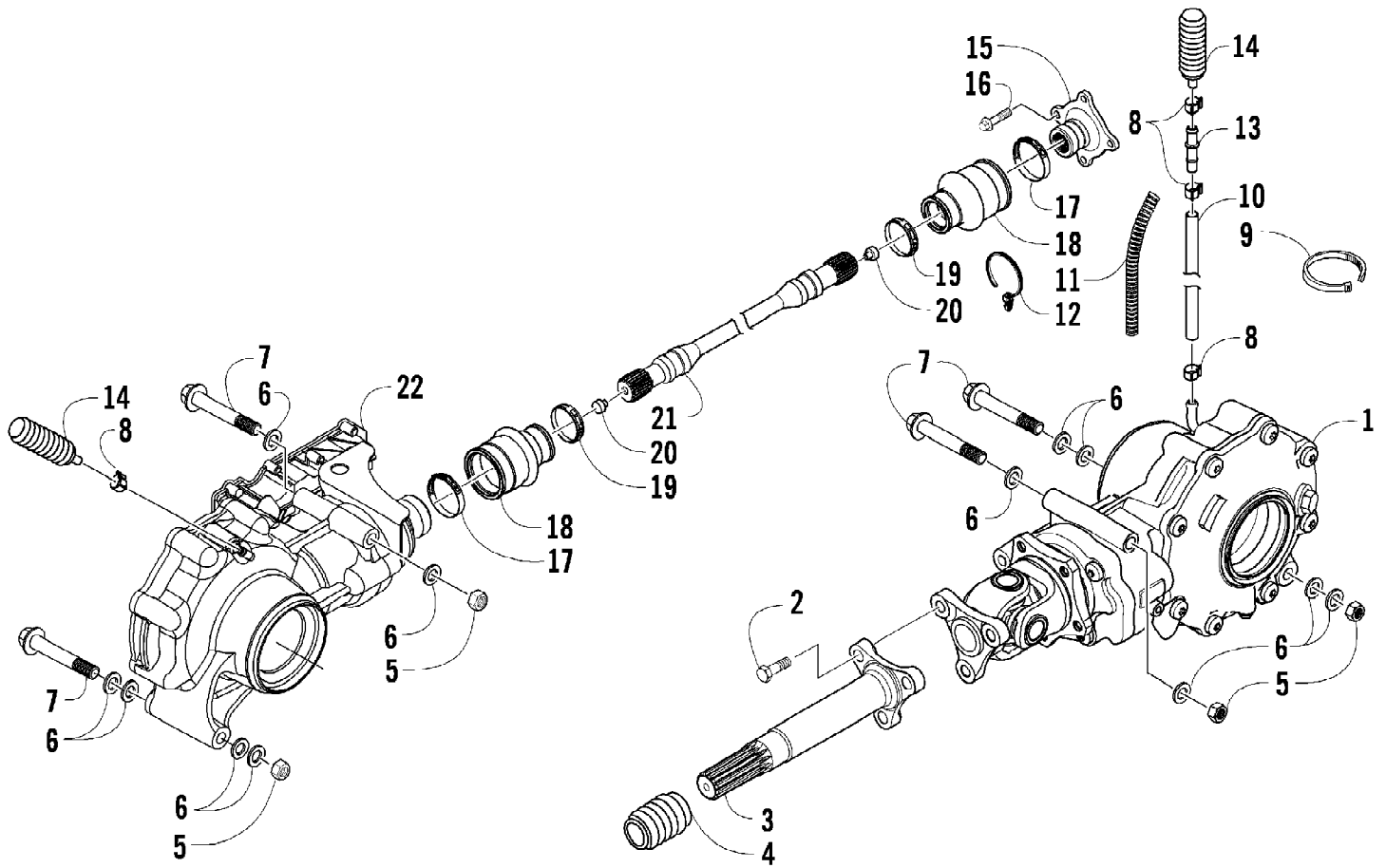


2009 PROWLER 550 4X4 FLATBED INTERNATIONAL (U2009P1O4BOSG) Page 22 of 77
CYLINDER HEAD AND CAMSHAFT/VALVE ASSEMBLY

Ref #	Part Number	Qty	S/P/F	Description
1	0808-137	1		Head, Cylinder - Assembly (inc. 2-17)
2	0829-001	2	S	Pin, Dowel
3	0826-001	4		Screw, Cap
4	0809-205	1	S	Arm, Valve Rocker - Exhaust (inc. two No. 5-6)
5	0809-033	4	S	Screw, Adjuster
6	0827-007	4		Nut
7	0809-202	1	S	Arm, Valve Rocker - Intake (inc. two No. 5-6)
8	0809-007	1		Shaft, Rocker Arm - Intake
9	0809-008	1		Shaft, Rocker Arm - Exhaust
10	0809-014	8		Cotter, Valve
11	0809-013	4		Retainer, Spring
12	0809-138	4	S	Spring, Valve
13	0830-016	4	S	Seal, Oil
14	0809-006	4		Seat, Spring - Valve
15	0809-039	2	S	Valve, Intake
16	0809-040	2	S	Valve, Exhaust
17	0831-066	2		Plug, Shaft
18	0809-245	1	/P	Camshaft
19	0809-002	1		Sprocket
20	0826-034	2		Screw, Cap
21	0828-004	1		Plate, Retainer
22	0829-049	1		Pin, Dowel
23	0809-003	1		C-Ring
24	0808-077	1		Plug, Cylinder Head
25	0826-007	6		Screw, Cap
26	0808-003	2		Cap, Inspection
27	0830-167	2	/P	O-Ring
28	0808-037	4	/P	Screw, Cap
29	0830-147	4	/P	Washer
30	0830-107	4		Gasket
31	0826-002	2		Screw, Cap
32	0826-005	2		Screw, Cap
33	0826-006	2		Screw, Cap
34	0217-799	1	/P/F	Spark Plug
35	0470-668	1		Flange, Intake Manifold
36	0830-090	1		O-Ring
37	0826-008	2		Screw, Machine
38	0470-669	1	S	Boot
39	0423-066	1		Clamp
40	0808-008	1		Cover, Thermostat
41	0808-078	1		Thermostat
42	0808-124	1		Sensor, Engine Coolant Temperature
43	0827-031	1		Bolt, Stud
44	8424-804	1		Nut
45	0827-030	2		Bolt, Stud
46	8424-604	2		Nut



Ref #	Part Number	Qty	S/P/F	Description
1	2406-779	1		Panel, Dash
2	1406-727	1		Pod, Instrument
3	0520-041	1		Gauge, Analog/LCD
4	0423-342	5	/P	Screw, Self-Tapping
5	0623-784	6		Screw, Self-Tapping
6	0420-065	1	/P	Bracket, Retaining
7	0423-493	2		Nut w/Washer
8	0641-897	2	/P	Outlet, Accessory - 12V
9	0409-069	1		Panel, Switch-Mount
10	0409-067	1		Switch, Light
11	0409-061	1		Switch, 2WD/4WD/Differential Lock
12	0409-070	1		Plug, Switch-Hole
13	0430-089	1	/P	Switch, Ignition (inc. 14-16)
14	0430-050	1		Nut, Flange - Ignition Switch
15	0430-042	1	F	Key, Ignition - Series
15	0430-043	1	F	Key, Ignition - Series
16	0430-054	1		Cover, Key
17	1406-789	1		Cover, Glove Box
18	0423-541	1		Grommet, Latch - Glove Box
19	0420-076	1		Light, Indicator
20	1411-124	1		Decal, Warning - Differential Lock
21	1411-125	1		Decal, Warning - Console
22	1411-904	1		Decal, Starting
23	1411-330	1		Decal, Brake Release
24	0423-419	3		Screw, Machine

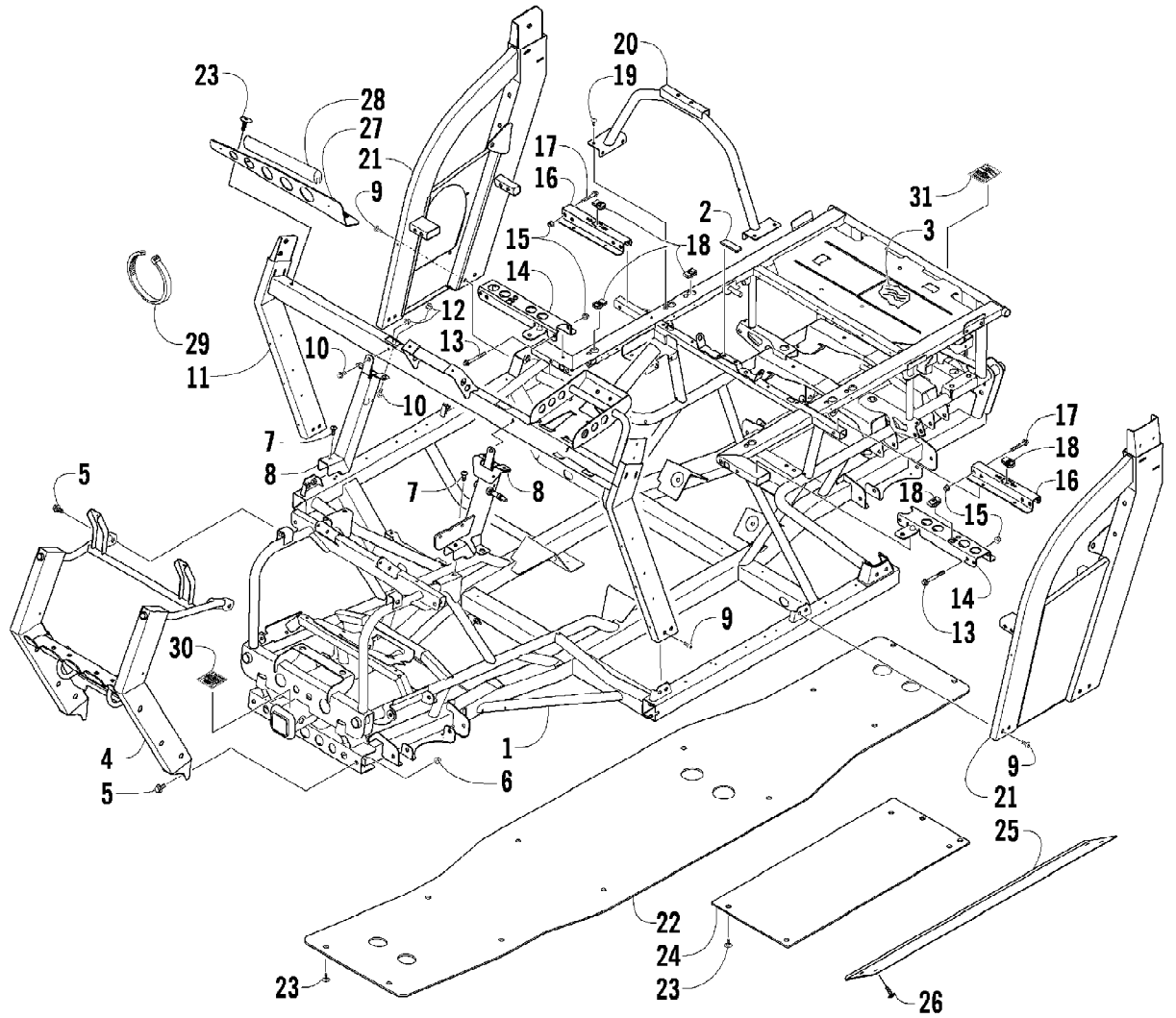


2009 PROWLER 550 4X4 FLATBED INTERNATIONAL (U2009P1O4BOSG) Page 26 of 77
 DRIVE TRAIN ASSEMBLY

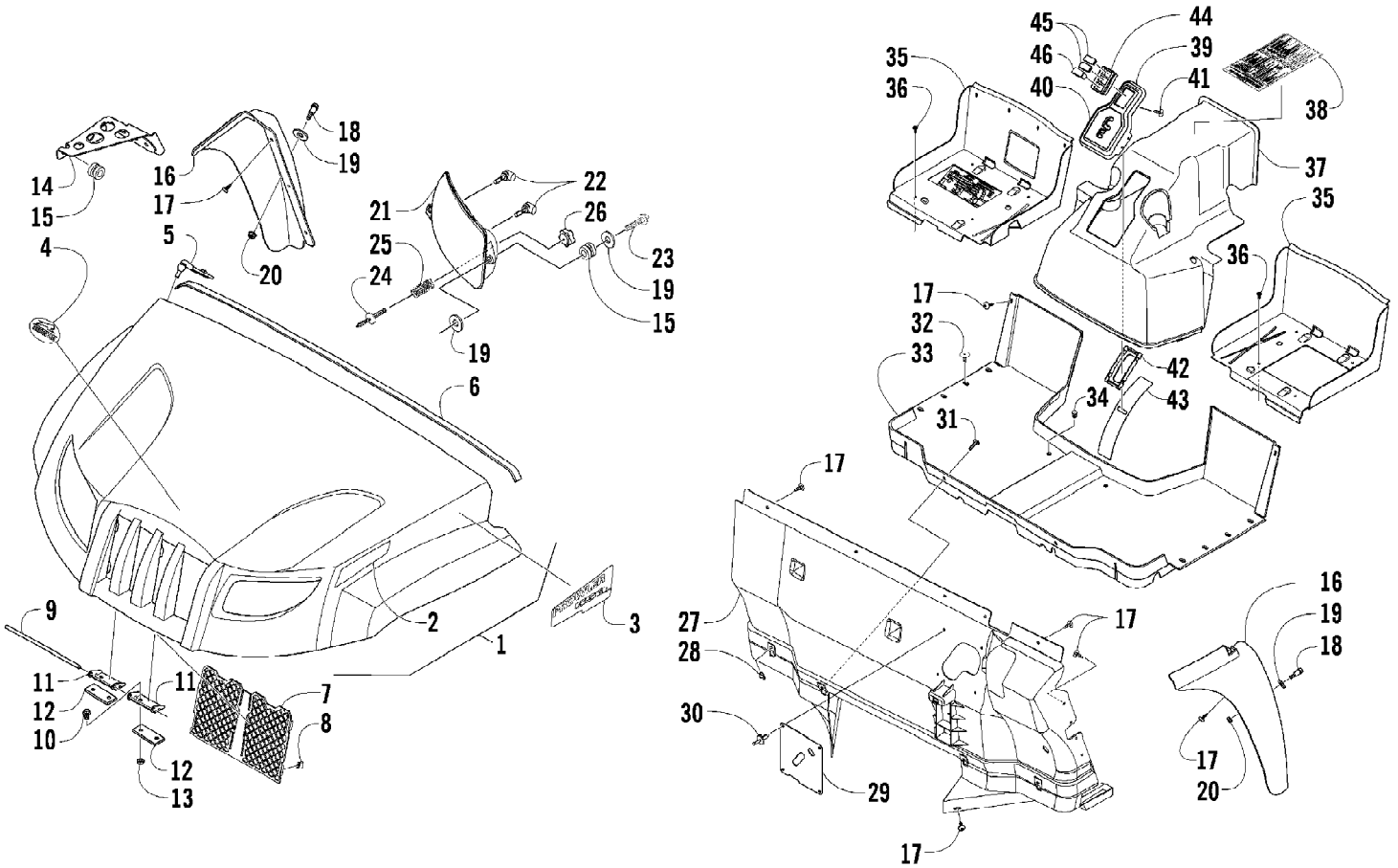
Ref #	Part Number	Qty	S/P/F	Description
1	1502-406	1	/P	Gearcase, Rear
2	8409-025	3		Screw, Cap
3	0502-857	1		Driveshaft - Rear
4	0402-966	1		Boot, Driveshaft
5	8428-002	4		Nut, Lock
6	0423-426	12		Washer
7	0423-404	4		Screw, Cap
8	0423-670	4		Clamp, Hose
9	0123-788	AR	/P	Tie, Cable - 8 in.
10	0410-167	1		Hose, Vent
11	0419-392	AR		Conduit - 3 ft
12	0423-075	1		Tie, Cable - Push-Mount
13	0470-702	1	/P	Fitting, Vent
14	1402-620	2	/P	Bladder, Gearcase
15	0402-950	1		Flange, Output
16	8408-820	4	/P	Screw, Cap
17	0423-393	2		Clamp, Boot
18	0402-985	2	/P	Boot, Coupler
19	0423-411	2		Clamp, Boot
20	0673-618	2	/P	Bumper, Driveshaft
21	1402-271	1		Shaft, Propeller
22	1502-400	1		Gearcase, Front

2009 PROWLER 550 4X4 FLATBED INTERNATIONAL (U2009P1O4BOSG) Page 28 of 77
ENGINE AND EXHAUST

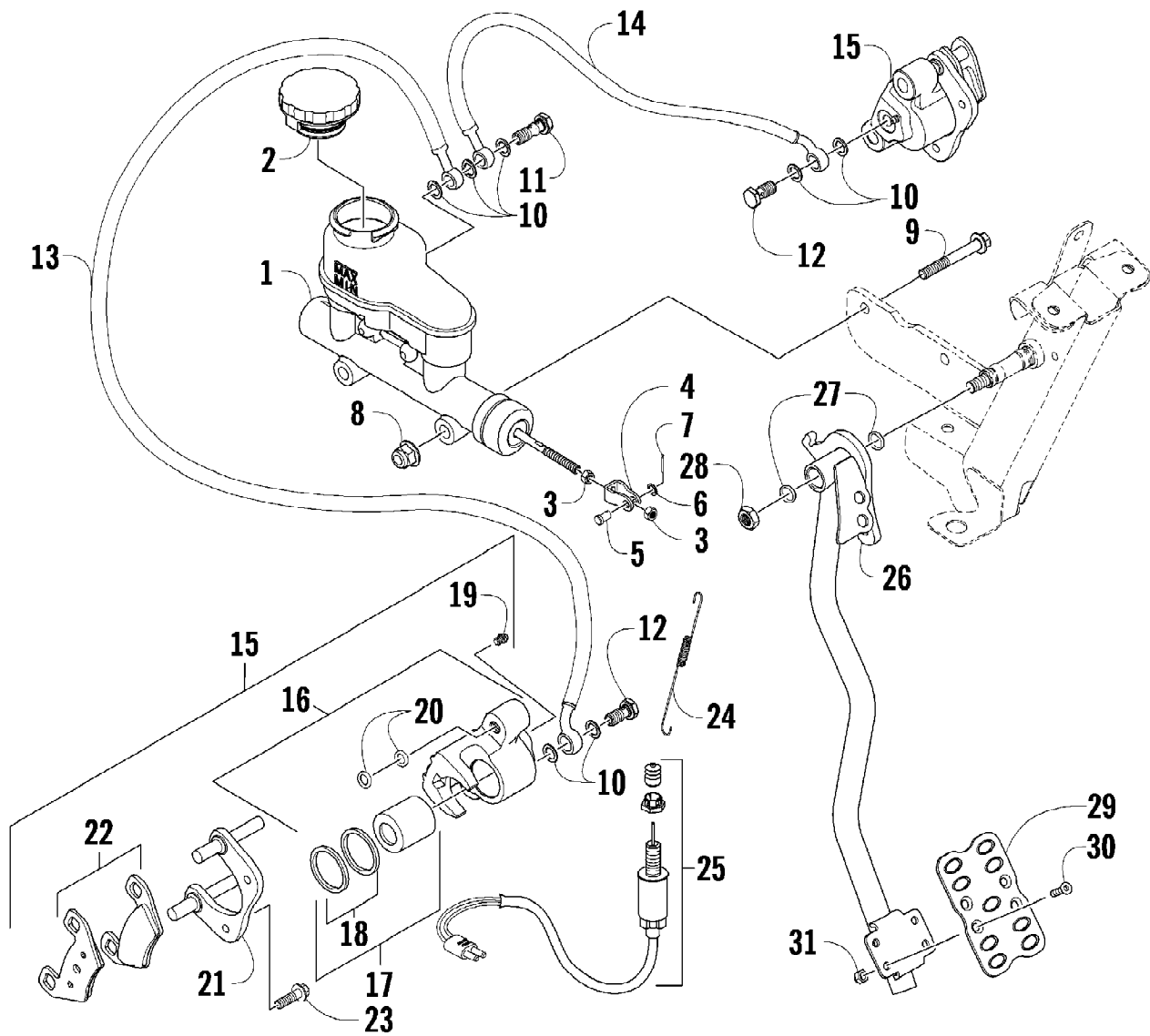
Ref #	Part Number	Qty	S/P/F	Description
1	0800-071	1	S	Engine, A550E
2	0412-338	1	/P	Gasket, Exhaust Pipe
3	0512-427	1		Pipe, Exhaust
4	0612-668	2	/P	Spring
5	0412-375	1	/P	Seal, Exhaust
6	0512-401	1		Muffler - Assembly (inc. 7-9)
7	0412-438	1		Gasket, Spark Arrester
8	0512-432	1		Spark Arrester Assembly
9	8408-616	2		Screw, Cap
10	0412-215	2	S	Bushing
11	8408-820	2	/P	Screw, Cap
12	0411-426	1		Decal, Warning - Clutch Cover
13	1506-998	1		Bracket, Engine - Right
13	1506-999	1		Bracket, Engine - Left
14	0423-537	2	S	Screw, Cap
15	0423-042	3	S	Spacer, Engine Mount
16	8424-002	8		Nut
17	0408-014	4		Mount, Engine
18	8428-002	2		Nut, Lock
19	0412-462	1		Shield, Heat
20	8477-610	2		Screw, Machine
21	0801-108	4	S	Bushing, Engine Mount



Ref #	Part Number	Qty	S/P/F	Description
1	2506-715	1	S	Frame, Main (inc. 2-3)
2	0406-879	1		Bumper, Seat
3	0412-461	1		Foil, Protective
4	2506-714	1	S	Bumper
5	8409-020	4	/P	Screw, Cap
6	8427-002	2		Nut, Lock
7	8476-820	2		Screw, Machine
8	1506-797	1		Bracket, Steering Support - Right
8	0502-853	1		Bracket, Steering Support - Left
9	0423-817	12		Screw, Machine
10	8408-820	6	/P	Screw, Cap
11	0505-513	1		Support, Steering
12	8424-802	6		Nut
13	8408-870	6		Screw, Cap
14	1506-844	1		Bracket, Seat Support - Front - Right
14	1506-845	1		Bracket, Seat Support - Front - Left
15	8427-802	12		Nut, Lock
16	1506-842	2		Bracket, Seat Support - Rear
17	8408-850	6		Screw, Cap
18	0423-577	12		Clip, U-Nut
19	8476-616	2		Screw, Machine
20	2506-638	1		Support, Canopy
21	2506-634	1		Support, Overhead - Right
21	2506-635	1		Support, Overhead - Left
22	1406-720	1		Plate, Skid - Center
23	0423-545	24	/P	Screw, Shoulder
24	1406-721	2		Panel, Belly - Side
25	2506-612	2		Plate, Skid - Side
26	0423-849	8		Screw, Self-Tapping
27	2516-110	1		Bracket, Hood Support - Right
27	2516-111	1		Bracket, Hood Support - Left
28	0417-014	AR		Trim, Dash Support
29	0123-788	AR	/P	Tie, Cable - 8 in.
30	1411-122	1		Decal, Warning - Towing - Front
31	1411-123	1		Decal, Warning - Towing - Rear

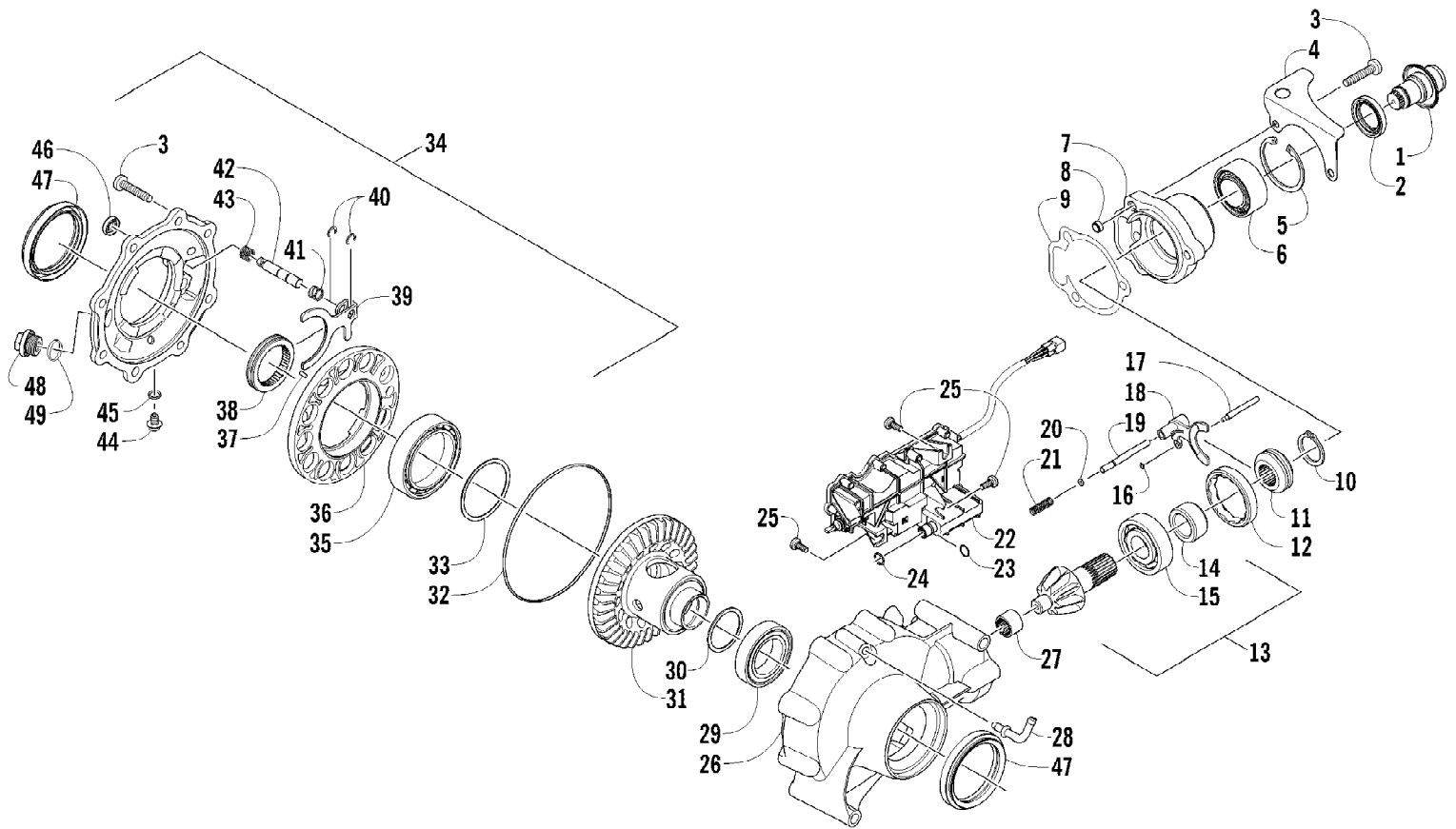


Ref #	Part Number	Qty	S/P/F	Description
1	2506-682	1		Hood - Assembly (inc. 2)
2	0411-818	1		Decal, Reflector - Right
2	0411-819	1		Decal, Reflector - Left
3	1411-882	1		Decal, "Prowler 550" - Right
3	1411-883	1		Decal, "Prowler 550" - Left
4	1411-789	1		Decal, Hood
5	2606-624	2		Strap, Hold-Down
6	0417-013	1		Trim, Hood/Dash
7	1406-733	1	/P	Screen, Grille
8	0123-987	8		Clip, U
9	1406-915	1		Pin, Hood
10	8409-030	4		Screw, Cap
11	1506-798	2		Bracket, Hood
12	2506-868	AR		Shim, Hood
13	0423-157	4		Nut, Lock
14	2506-066	1		Bracket, Support - Right
14	2506-067	1		Bracket, Support - Left
15	0423-447	6		Grommet
16	1406-730	1		Fender, Front - Right
16	1406-731	1		Fender, Front - Left
17	0623-784	24		Screw, Self-Tapping
18	0623-855	2		Screw, Shoulder
19	8050-217	10	/P	Washer
20	1623-066	2		Nut, Lock
21	0509-044	1	/P	Headlight Assembly - Right (inc. 22)
21	0509-035	1		Headlight Assembly - Left (inc. 22)
22	0409-055	4		Bulb, Headlight
23	0623-785	4		Screw, Self-Tapping
24	0423-514	2		Stud, Adjuster
25	0423-522	2		Spring, Adjuster
26	0423-513	2		Knob, Adjuster
27	2406-615	1		Panel, Fender - Inner
28	0423-577	6		Clip, U-Nut
29	2406-635	1		Panel, Splash - Inner Fender
30	0623-362	4		Rivet, Reinstallable
31	8468-620	4	/P	Screw, Machine
32	0423-545	8	/P	Screw, Shoulder
33	2516-403	1	/P	Floor (inc. 34)
34	1623-697	2		Plug
35	2406-910	1		Base, Seat - Right
35	1406-869	1		Base, Seat - Left
36	8476-620	8		Screw, Machine
37	1406-649	1		Console, Center
38	1411-126	1		Decal, Warning - Console
39	1502-488	1	/P	Gate, Shift (inc. 40)
40	1411-954	1		Decal, Shift Gate
41	0423-342	3	/P	Screw, Self-Tapping
42	1402-793	1		Slide, Shift Gate
43	1402-794	1		Slide, Shift
44	0409-069	1		Panel, Switch-Mount
45	0409-070	2		Plug, Switch-Hole
46	0409-071	1		Switch, Reverse Override



2009 PROWLER 550 4X4 FLATBED INTERNATIONAL (U2009P1O4BOSG) Page 34 of 77
FRONT BRAKE ASSEMBLY

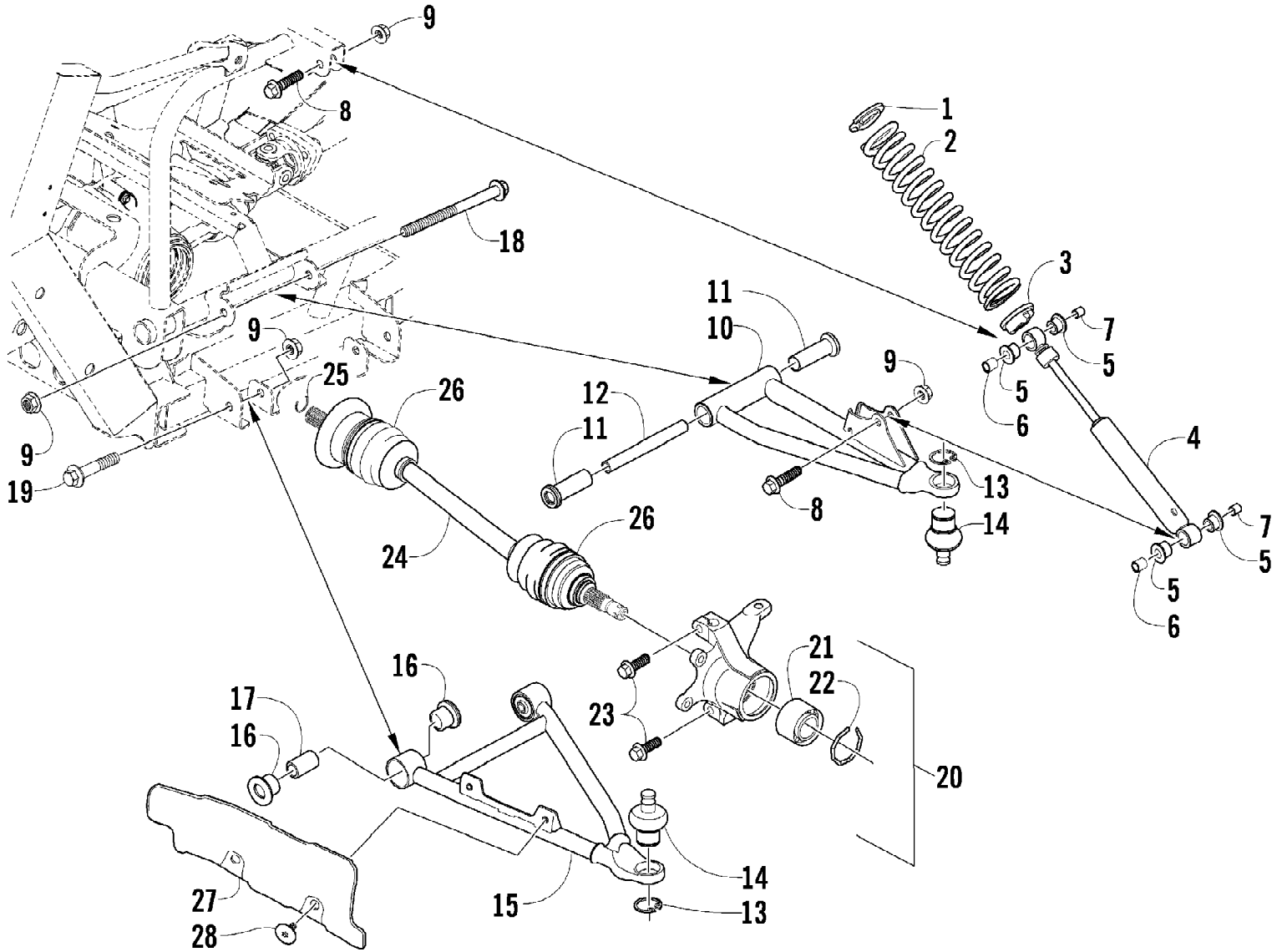
Ref #	Part Number	Qty	S/P/F	Description
1	0502-786	1		Cylinder, Master Brake - Assembly (inc. 2-4)
2	0405-225	1		Cap, Reservoir
3	0402-592	2		Nut
4	1402-520	1		Clevis
5	1402-377	1		Pin, Clevis
6	8050-217	1	/P	Washer
7	0117-868	1		Pin, Cotter
8	8424-802	2		Nut
9	8408-860	2		Screw, Cap
10	0423-178	7		Washer, Crush
11	0423-610	1		Bolt, Banjo-Fitting - Double
12	0423-413	2		Bolt, Banjo-Fitting
13	1402-389	1		Hose, Brake - Front
14	1402-290	1		Hose, Brake - Front Right
15	0502-948	1		Caliper, Brake - Front Right (inc. 16-22)
15	0502-949	1		Caliper, Brake - Front Left (inc. 16-22)
16	1436-160	1	/P	Housing, Caliper - Assembly - Front Right (inc. 17-19)
16	1436-161	1	/P	Housing, Caliper - Assembly - Front Left (inc. 17-19)
17	0502-606	2		Piston/Seal Set (inc. 18)
18	0502-607	2		Seal Set
19	0502-609	2	/P	Valve, Bleed
20	0502-608	2		O-Ring, Guide - Set
21	0502-960	2		Bracket Assembly
22	1436-165	2	S	Pad, Brake - Set
23	8408-826	4		Screw, Cap
24	0502-785	1		Spring, Brake Switch
25	0409-089	1		Switch, Brake - Assembly
26	1502-319	1		Lever, Brake
27	1602-213	2	/P	O-Ring
28	8427-002	1		Nut, Lock
29	1502-323	1		Pad, Brake Lever
30	8474-516	4		Screw, Machine
31	8422-502	4		Nut, Lock



2009 PROWLER 550 4X4 FLATBED INTERNATIONAL (U2009P1O4BOSG) Page 36 of 77
FRONT DRIVE GEARCASE ASSEMBLY

Ref #	Part Number	Qty	S/P/F	Description
	1502-400	1		Complete Front Drive Gearcase Assembly
1	1502-085	1	/P	Shaft, Input - Assembly
2	1402-011	1		Seal
3	0423-118	11		Screw, Self-Tapping
4	1502-237	1		Bracket, Actuator
5	0423-423	1		Ring, Retaining
6	1402-043	1		Bearing
7	0502-528	1	/P	Housing, Pinion
8	0402-411	1		Pin, Dowel
9	0402-947	1		Gasket
10	0423-417	1		Ring, Retaining
11	0402-413	1		Coupler, Drive
12	0402-357	1		Collar, Lock
13	0502-649	1		Gear, Pinion - Assembly - 9T (inc. 14-15)
14	0402-336	1		Collar, Retaining
15	0402-327	1		Bearing
16	0423-402	1		Ring, Retaining
17	0402-997	1		Shaft, Selector
18	0402-998	1		Fork, Selector
19	0402-417	1		Shaft, Shuttle
20	0423-147	1		O-Ring
21	0402-999	1		Spring, Return
22	0502-585	1	S	Actuator (inc. 23)
23	1402-981	1		O-Ring
24	0423-892	1	/P	O-Ring
25	0423-396	3		Screw, Self-Tapping
26	0502-548	1		Housing, Gearcase
27	0402-328	1		Bearing
28	1402-442	1		Fitting, Elbow
29	0402-393	1		Bearing
30	0402-405	AR		Shim, 41 x 49 x 1.3 mm
30	0402-406	AR		Shim, 41 x 49 x 1.4 mm
30	0402-407	AR		Shim, 41 x 49 x 1.5 mm
30	0402-408	AR		Shim, 41 x 49 x 1.6 mm
30	0402-409	AR		Shim, 41 x 49 x 1.7 mm
31	1502-556	1	/P	Gear, Ring - 36T
32	0423-149	1		O-Ring
33	1402-074	AR		Shim, 61 x 69 x 1.3 mm
33	1402-075	AR		Shim, 61 x 69 x 1.4 mm
33	1402-076	AR		Shim, 61 x 69 x 1.5 mm
33	1402-077	AR		Shim, 61 x 69 x 1.6 mm
33	1402-078	AR		Shim, 61 x 69 x 1.7 mm
34	1502-238	1		Cover, Gearcase (inc. 35-46 and one No. 47)
35	1402-053	1		Bearing
36	0502-413	1		Flange, Bearing
37	1402-079	1		Pin
38	1402-042	1		Collar, Sliding
39	1402-054	1		Fork
40	1402-058	2		Ring, Retaining
41	1402-057	1		Spring
42	1402-656	1		Shaft, Lock
43	1402-063	1		Spring
44	1402-210	1	/P	Pin, Drain (inc. 45)

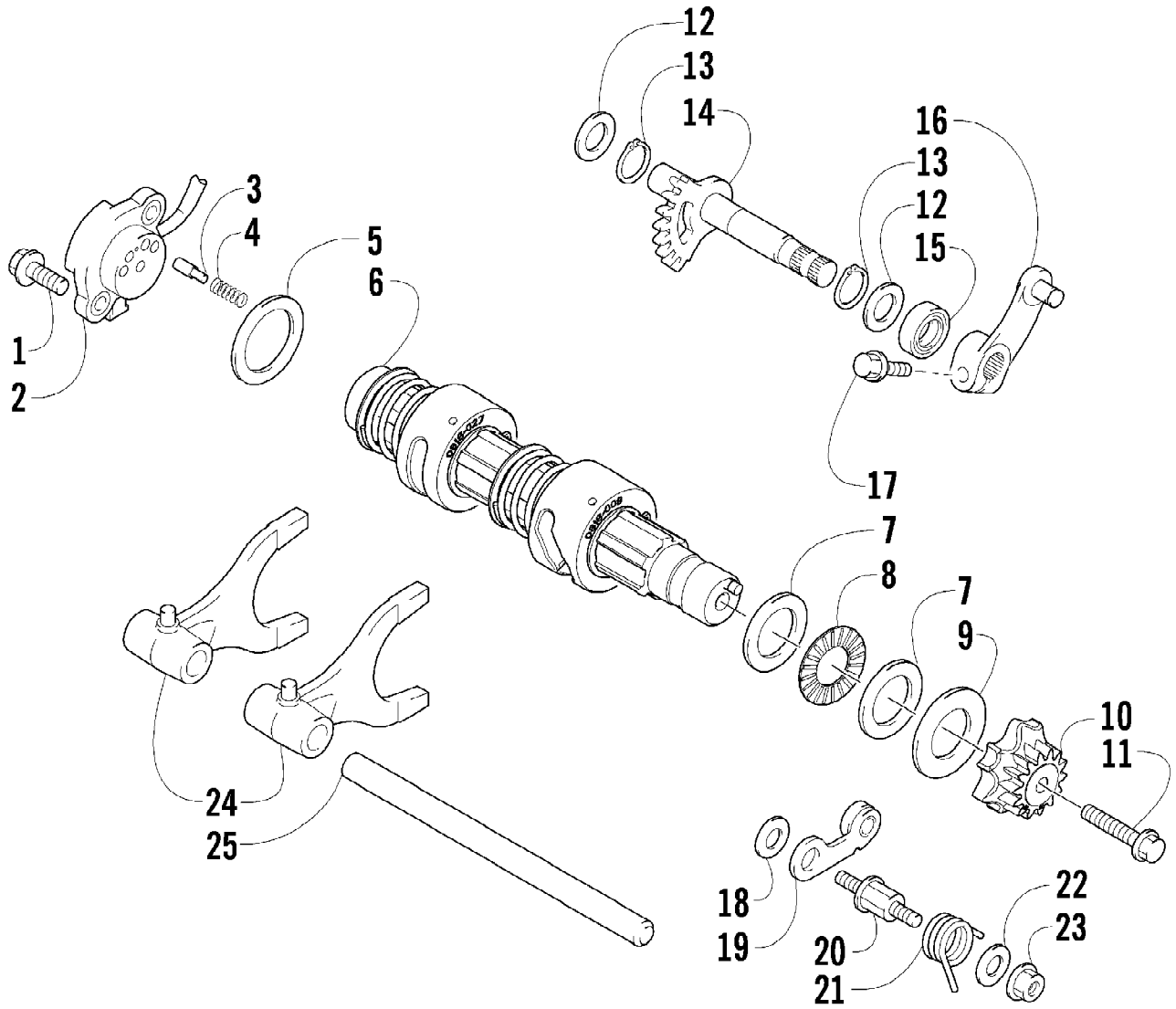
Ref #	Part Number	Qty	S/P/F	Description
45	0423-153	1		O-Ring
46	1402-056	1		Seal
47	1402-713	2	S	Seal
48	0402-333	1	/P	Plug, Drain (inc. 49)
49	0423-154	1		O-Ring



2009 PROWLER 550 4X4 FLATBED INTERNATIONAL (U2009P1O4BOSG) Page 39 of 77
FRONT SUSPENSION ASSEMBLY

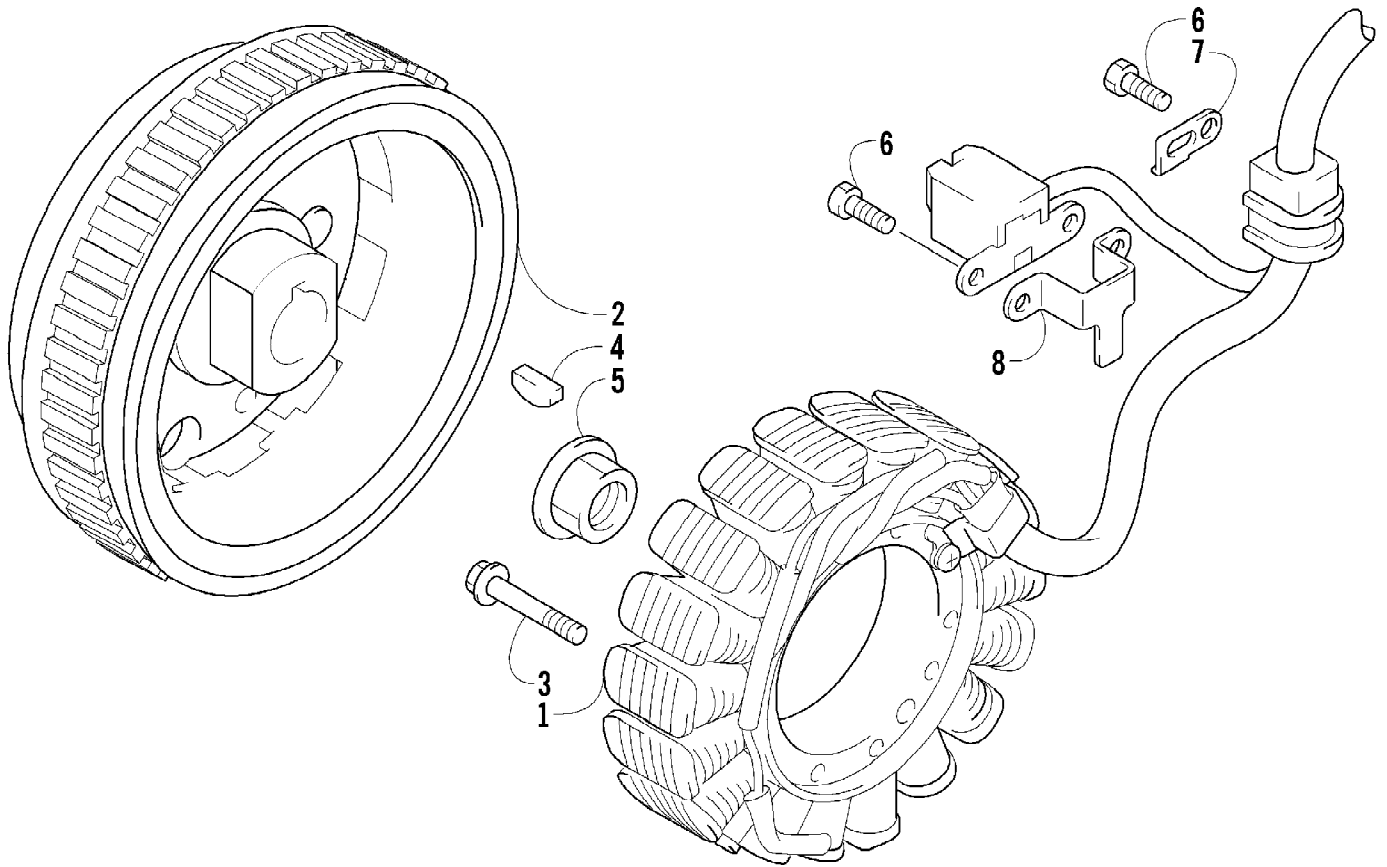
Ref #	Part Number	Qty	S/P/F	Description
1	1603-889	2	/P	Retainer, Spring
2	0403-211	2		Spring, Suspension
3	0403-102	2		Cam, Spring Adjuster
4	0403-147	2		Shock Absorber (inc. 5-6)
5	0603-955	8		Bushing
6	1603-209	4		Sleeve
7	0404-116	4		Sleeve
8	8409-040	4		Screw, Cap
9	0423-744	10		Nut, Lock
10	0503-196	1	S	A-Arm, Upper Right (inc. 11-14)
10	0503-197	1		A-Arm, Upper Left (inc. 11-14)
11	0403-081	4	S	Bushing
12	0403-080	2		Axle
13	0423-009	4	/P	Ring, Retaining
14	0405-115	4	/P	Ball Joint
15	0503-376	1	/P	A-Arm, Lower Right (inc. 13-14 and 16-17)
15	0503-377	1	/P	A-Arm, Lower Left (inc. 13-14 and 16-17)
16	0403-115	8	S	Bushing
17	0403-114	4	S	Axle
18	0423-723	2		Screw, Cap
19	8409-075	4		Screw, Cap
20	0505-580	1	/P	Knuckle - Assembly - Right (inc. 21-22)
20	0505-581	1	/P	Knuckle - Assembly - Left (inc. 21-22)
21	1402-809	2	/P	Bearing
22	0423-423	2		Ring, Retaining
23	8409-030	4		Screw, Cap
24	1502-348	1	/P	Axle - Front - Locking - Right (inc. 25-26)
24	1502-347	1	S	Axle - Front - Left (inc. 25-26)
25	0423-844	2	/P	Ring, Retaining
26	0436-276	2	S	Repair Kit, Boot - Front Axle
27	1406-034	1		Guard, Boot - Right
27	1406-035	1		Guard, Boot - Left
28	0423-545	4	/P	Screw, Shoulder

Ref #	Part Number	Qty	S/P/F	Description
1	0570-203	1		Tank, Gas - Assembly (inc. 2-4)
2	0470-541	1	/P	Cap, Gas Tank
3	8476-612	4		Screw, Machine
4	0470-606	1		Plate, Mounting - Fuel Level Sensor
5	0570-272	1	/P	Pump, Fuel - Assembly (inc. 6-8)
6	0570-256	1	/P	Sensor, Fuel Level - Kit (inc. 7-8)
7	0470-614	1		Seal, Fuel Pump
8	0470-613	1		Seal, Fuel Pump
9	0423-688	1		Clamp, Hose
10	0410-070	AR	/P	Hose, Gasline - 25 ft
11	0623-038	2		Nut w/Washer
12	8476-620	2		Screw, Machine
13	0470-544	1		Bracket, Gas Tank Mounting
14	0623-784	2		Screw, Self-Tapping
15	0470-829	1		Strap, Gas Tank
16	0470-830	1		Strap, Gas Tank
17	8476-650	1		Screw, Machine
18	8427-602	1		Nut, Lock
19	0423-357	4		Nut, Stamped
20	1406-886	1		Insert, Gas Tank Cap
21	0570-245	1		Hose, Gasline - Assembly (inc. 22-24)
22	0570-246	1		Filter, Fuel - Kit (inc. 23-24)
23	0	2	F	Clamp, Hose
24	0	1	F	Filter, Fuel
25	0470-796	1		Bracket, Filter Mounting
26	0123-788	AR	/P	Tie, Cable - 8 in.
27	8476-516	1		Screw, Machine
28	8427-502	1		Nut, Lock
29	1670-826	1		Bracket, Fuel Filter



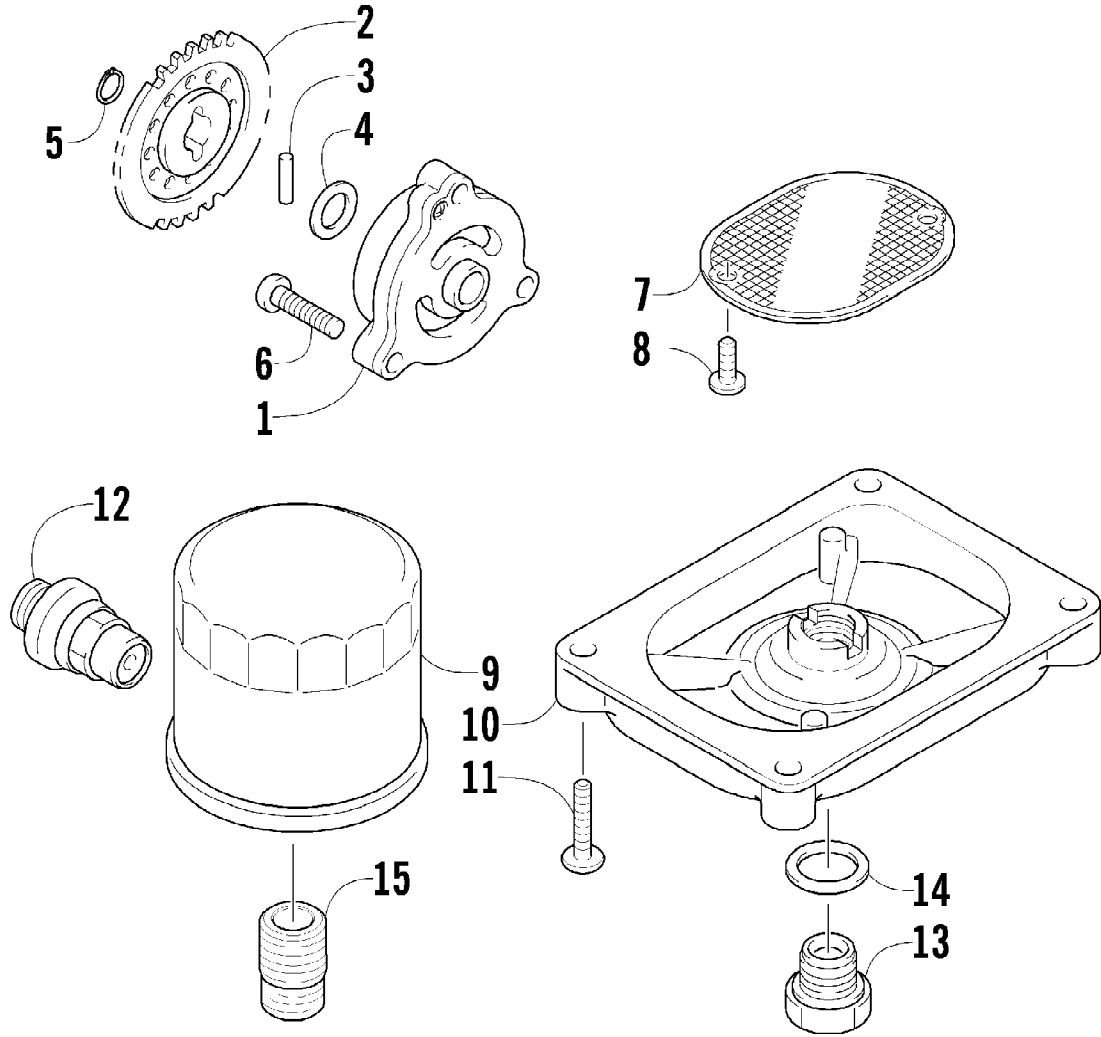
2009 PROWLER 550 4X4 FLATBED INTERNATIONAL (U2009P1O4BOSG) Page 43 of 77
 GEAR SHIFTING ASSEMBLY

Ref #	Part Number	Qty	S/P/F	Description
1	8470-520	2		Screw, Machine
2	0409-090	1	/P	Switch, Gear Shift Position
3	0818-013	2		Contact
4	0818-017	2		Spring
5	0828-040	1		Washer
6	0818-046	1		Shaft, Gear Shift - Assembly
7	0828-095	2		Washer
8	0832-052	1	/P	Bearing, Thrust
9	0828-037	1		Washer
10	0818-089	1	/P	Plate, Gear Shift Cam
11	0826-006	1		Screw, Cap
12	0828-036	2		Washer
13	0831-010	2		Ring, Retaining
14	0818-007	1	/P	Shaft, Sub-Gear Shift
15	0830-044	1		Seal, Sub-Gear Shift Shaft
16	0818-014	1		Arm, Select
17	8468-620	1	/P	Screw, Machine
18	0828-038	1		Washer
19	0818-002	1		Stopper, Cam
20	0818-004	1		Support, Cam Stopper
21	0818-090	1		Spring
22	0828-035	1		Washer
23	8424-602	1	/P	Nut
24	0818-072	2	/P	Fork, Shift
25	0818-006	1		Shaft, Shift Fork



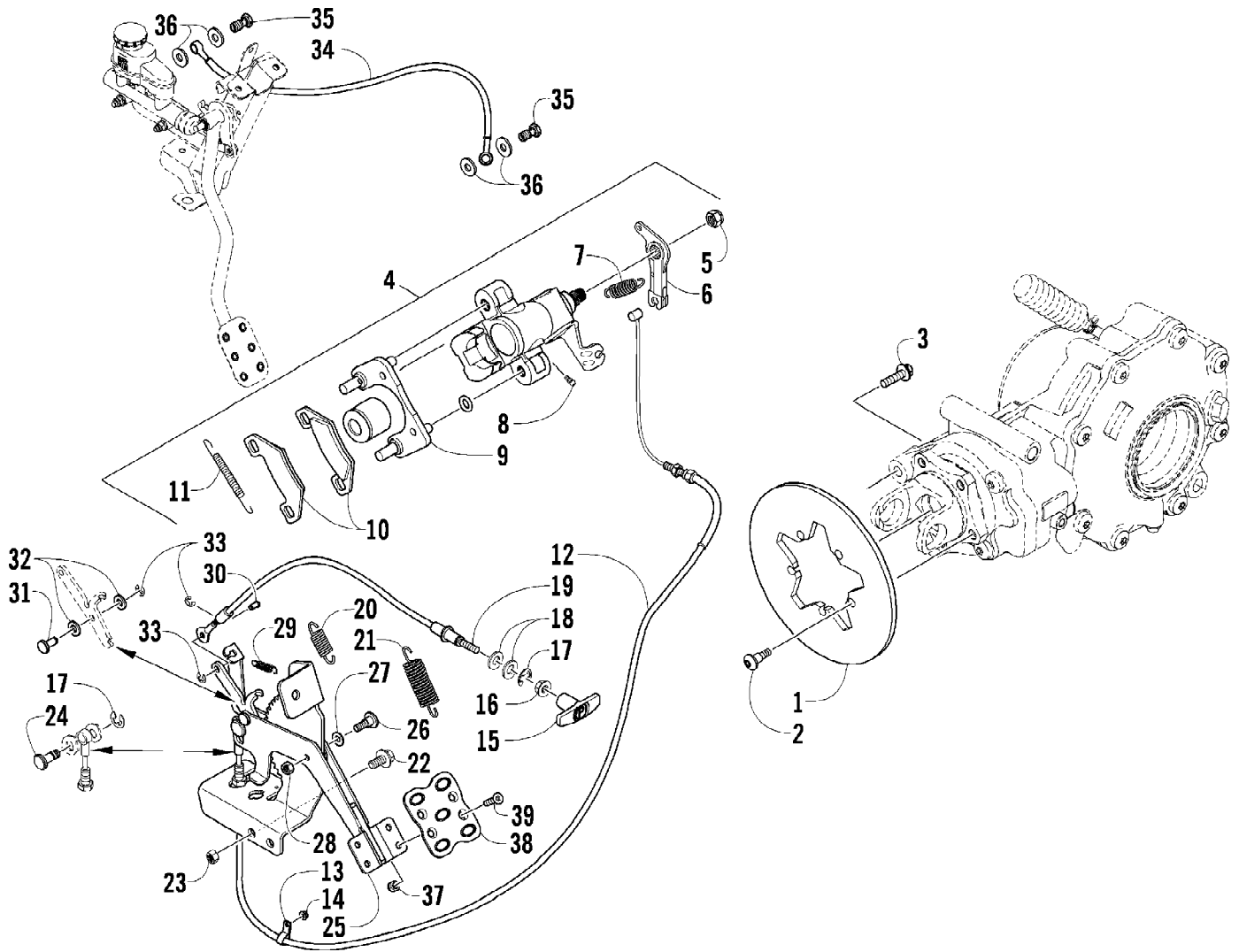
2009 PROWLER 550 4X4 FLATBED INTERNATIONAL (U2009P1O4BOSG) Page 45 of 77
MAGNETO ASSEMBLY

Ref #	Part Number	Qty	S/P/F	Description
1	0802-041	1		Stator - Assembly
2	0802-048	1		Rotor/Flywheel
3	0826-102	3		Screw, Machine
4	0829-012	1		Key
5	0827-014	1		Nut
6	8470-510	3		Screw, Machine
7	0802-015	1		Clamp - No. 1
8	0802-016	1		Clamp - No. 2

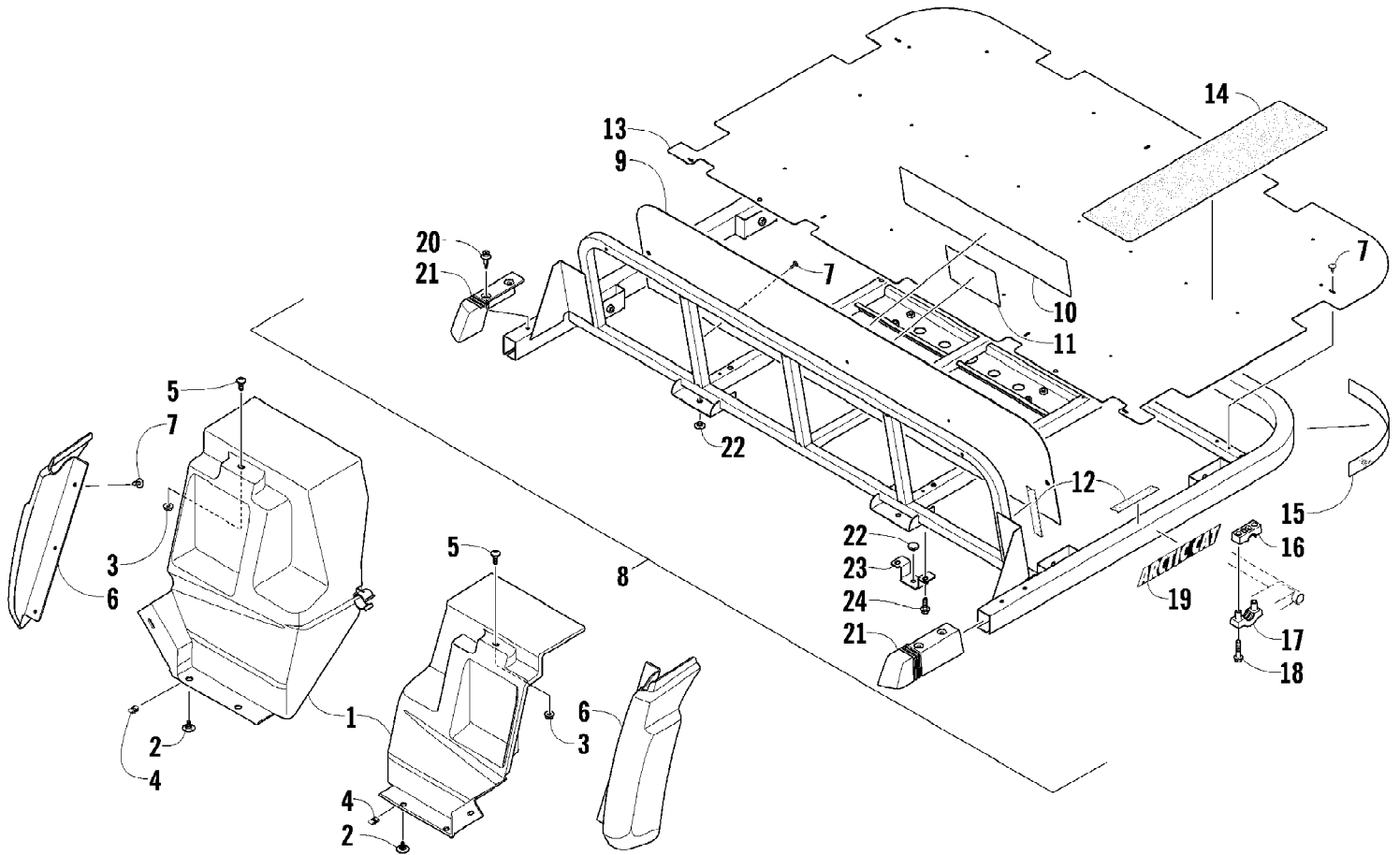


2009 PROWLER 550 4X4 FLATBED INTERNATIONAL (U2009P1O4BOSG) Page 47 of 77
OIL FILTER/PUMP ASSEMBLY

Ref #	Part Number	Qty	S/P/F	Description
1	0812-023	1		Pump, Oil
2	0812-002	1	S	Gear, Driven
3	0829-009	1		Pin
4	0828-007	1	/P	Washer
5	0831-002	1		Ring, Retaining
6	0826-039	3		Screw, Machine
7	0812-057	1	/P	Strainer, Oil
8	0826-040	2		Screw, Machine
9	0812-029	1	S	Filter, Oil
10	0812-053	1		Cap, Oil Strainer
11	8468-625	4		Screw, Machine
12	0812-007	1		Valve, Oil-Relief - Assembly
13	0812-006	1		Plug, Drain
14	0830-017	1		Gasket, Drain Plug
15	0812-008	1		Union, Oil Filter

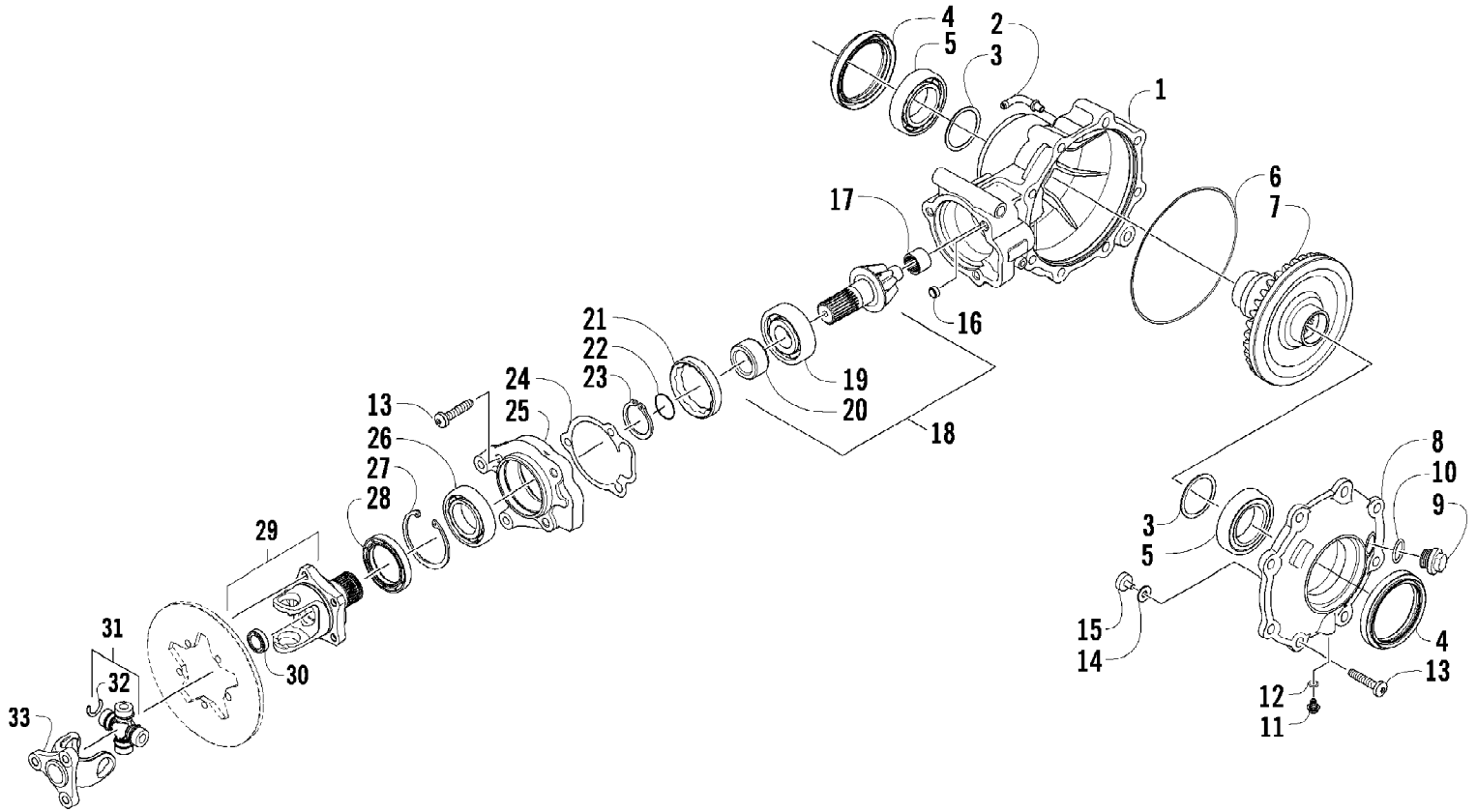


Ref #	Part Number	Qty	S/P/F	Description
1	1402-710	1		Rotor
2	0423-557	5		Screw, Shoulder
3	8408-836	2		Screw, Cap
4	1502-460	1		Brake - Assembly (inc. 5-11)
5	0502-988	1		Nut
6	1502-160	1		Lever, Actuator
7	0502-985	1		Spring
8	0502-609	1	/P	Valve, Bleed
9	0502-605	1		Bracket Assembly
10	1436-165	1	S	Pad, Brake - Set
11	1502-161	1		Spring, Anti-Rattle
12	0487-036	1		Cable, Parking Brake (inc. 13)
13	0423-923	1		Clamp
14	0423-540	1		Nut, Lock
15	1502-024	1	/P	Handle, Brake Release
16	8424-605	1		Nut
17	0423-668	2		E-Clip
18	0423-913	2		Washer
19	0487-064	1	/P	Cable, Brake Release
20	1502-360	1		Spring
21	1502-026	1		Spring
22	8408-816	3		Screw, Cap
23	8424-802	3		Nut
24	1502-361	1		Pin
25	1502-354	1		Brake, Parking - Assembly (inc. 26-32 and two No. 33)
26	0423-356	1		Screw, Shoulder
27	0423-087	2		Washer
28	0624-250	1		Nut, Lock
29	1502-027	2		Spring
30	1502-030	1		Pin
31	1502-028	1		Pin
32	8050-212	2	/P	Washer
33	0423-667	3		E-Clip
34	1402-388	1		Hose, Brake
35	0423-413	2		Bolt, Banjo-Fitting
36	0423-178	4		Washer, Crush
37	8422-502	4		Nut, Lock
38	1502-324	1		Pad, Parking Brake
39	8474-516	4		Screw, Machine



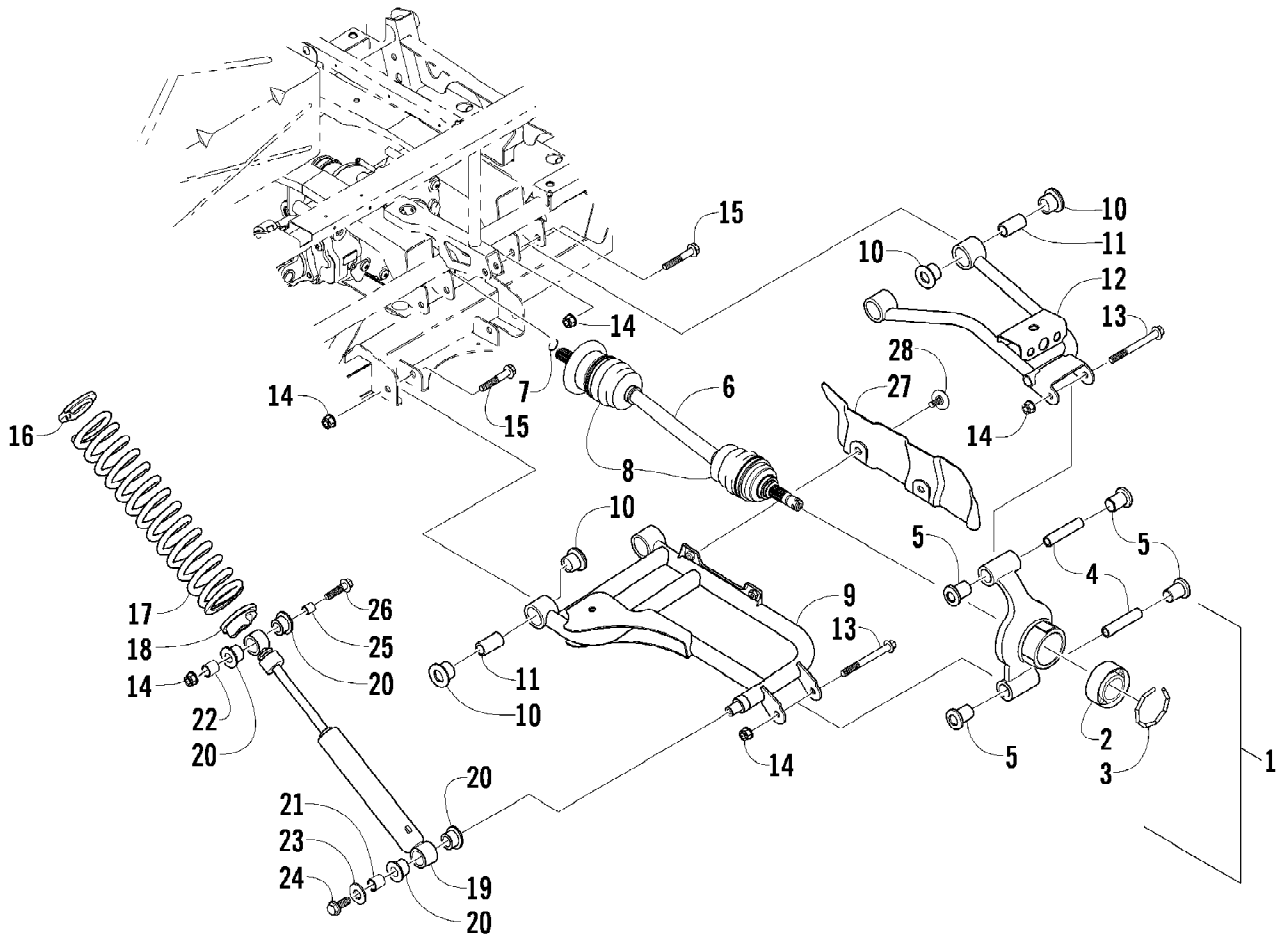
2009 PROWLER 550 4X4 FLATBED INTERNATIONAL (U2009P1O4BOSG) Page 51 of 77
REAR BODY PANEL AND FLATBED ASSEMBLY

Ref #	Part Number	Qty	S/P/F	Description
1	2406-616	1		Panel, Splash - Right
1	2406-617	1		Panel, Splash - Left
2	0423-101	4		Screw, Shoulder
3	8424-602	2	/P	Nut
4	0423-577	4		Clip, U-Nut
5	8476-616	2		Screw, Machine
6	2406-926	1		Fender, Rear - Lower - Right
6	2406-927	1		Fender, Rear - Lower - Left
7	0623-784	16		Screw, Self-Tapping
8	5991-520	1		Flatbed - Assembly (inc. 9-24 and ten No. 7)
9	1436-318	1		Kit, Upper Panel (inc. 10-12 and three No. 7)
10	1411-157	1		Decal, Panel - "Arctic Cat"
11	1411-119	1		Decal, Warning - Cargo
12	0518-067	AR	/P	Tape, Double-Sided - 20 ft
13	1436-319	1		Kit, Lower Panel (inc. 12, 14, and seven No. 7)
14	0417-015	4		Pad, Non-Slip
15	1411-941	2		Decal, Reflector - Red
16	0405-139	2		Bracket, Retaining - Upper
17	0405-309	2		Bracket, Retaining - Lower
18	8408-835	4		Screw, Cap
19	0411-386	2		Decal, Side - "Arctic Cat"
20	0423-535	4		Rivet, Reinstallable
21	2406-964	1		End Cap, Flatbed - Right
21	2406-965	1		End Cap, Flatbed - Left
22	0406-877	8	/P	Grommet
23	2506-909	2		Bracket, Mounting
24	8408-825	4		Screw, Cap

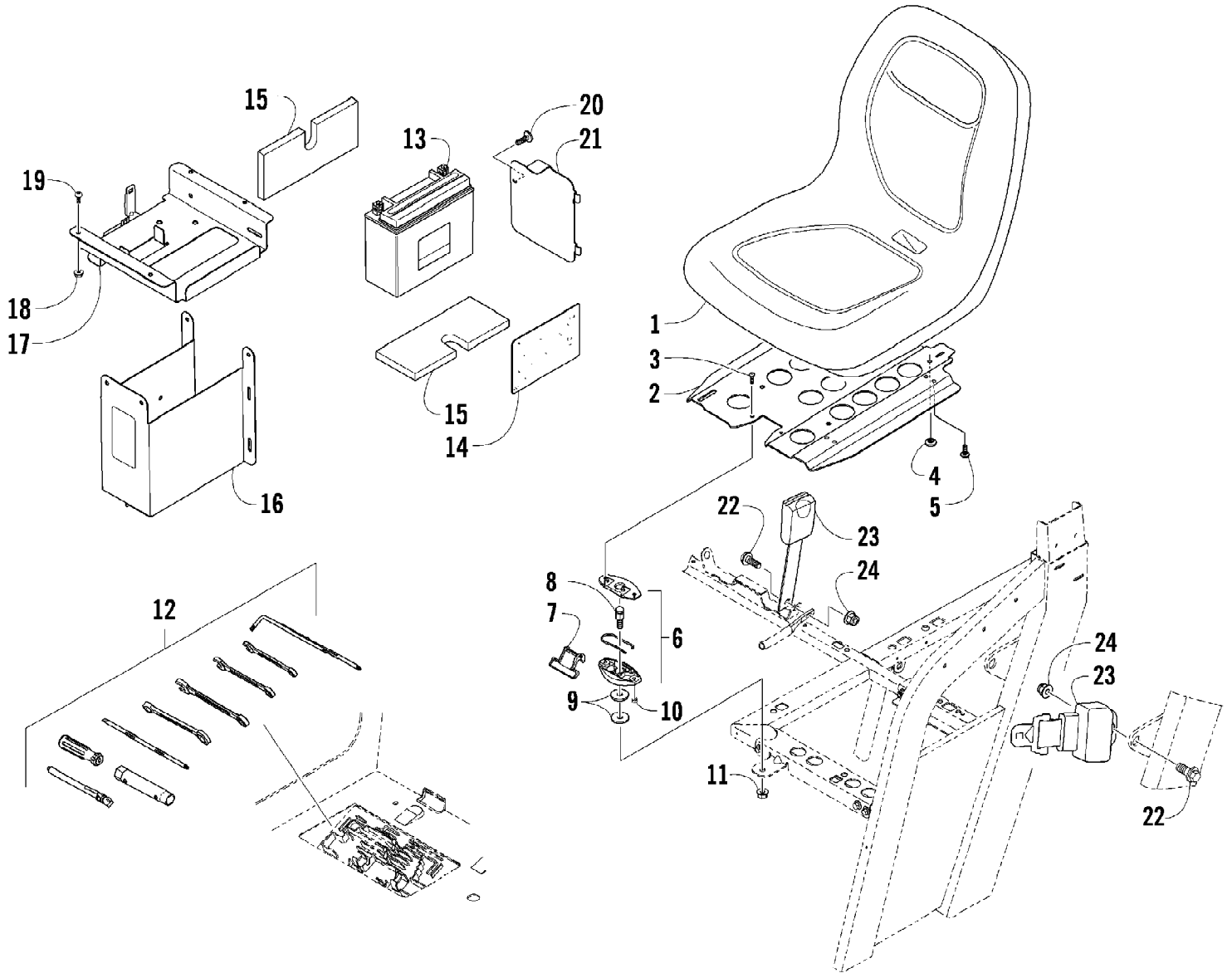


2009 PROWLER 550 4X4 FLATBED INTERNATIONAL (U2009P1O4BOSG) Page 53 of 77
REAR DRIVE GEARCASE ASSEMBLY

Ref #	Part Number	Qty	S/P/F	Description
	1502-406	1	/P	Complete Rear Drive Gearcase Assembly
1	0502-548	1		Housing, Gearcase
2	1402-442	1		Fitting, 90°
3	0402-405	AR		Shim
3	0402-406	AR		Shim
3	0402-407	AR		Shim
3	0402-408	AR		Shim
3	0402-409	AR		Shim
4	1402-713	2	S	Seal
5	0402-393	2		Bearing
6	0423-149	1		O-Ring
7	1402-245	1		Gear, Rear - 36T
8	0502-741	1		Cover, Gearcase
9	0402-333	1	/P	Plug, Fill (inc. 10)
10	0423-154	1		O-Ring
11	1402-210	1	/P	Plug, Magnetic (inc. 12)
12	0423-153	1		O-Ring
13	0423-118	11		Screw, Self-Tapping
14	0402-429	AR		Shim
14	0402-430	AR		Shim
14	0402-431	AR		Shim
14	0402-432	AR		Shim
14	0402-433	AR		Shim
15	0402-326	1		Button, Thrust
16	0402-411	1		Pin, Dowel
17	0402-328	1		Bearing
18	0502-649	1		Gear, Pinion - Assembly - 9T (inc. 19-20)
19	0402-327	1		Bearing
20	0402-336	1		Collar, Retaining
21	0402-357	1		Collar, Lock
22	0423-633	1		O-Ring
23	0423-546	1		Ring, Retaining
24	0402-947	1		Gasket
25	0502-746	1		Housing, Pinion
26	0402-324	1		Bearing
27	0402-347	1		Ring, Retaining
28	1402-314	1		Seal
29	1502-124	1		Shaft, Input - Assembly (inc. 30)
30	1402-322	1		Cover, End
31	0402-944	1	/P	Joint, Universal - Set (inc. 32)
32	0423-395	4		Retainer
33	0502-331	1		Yoke, Propeller Shaft

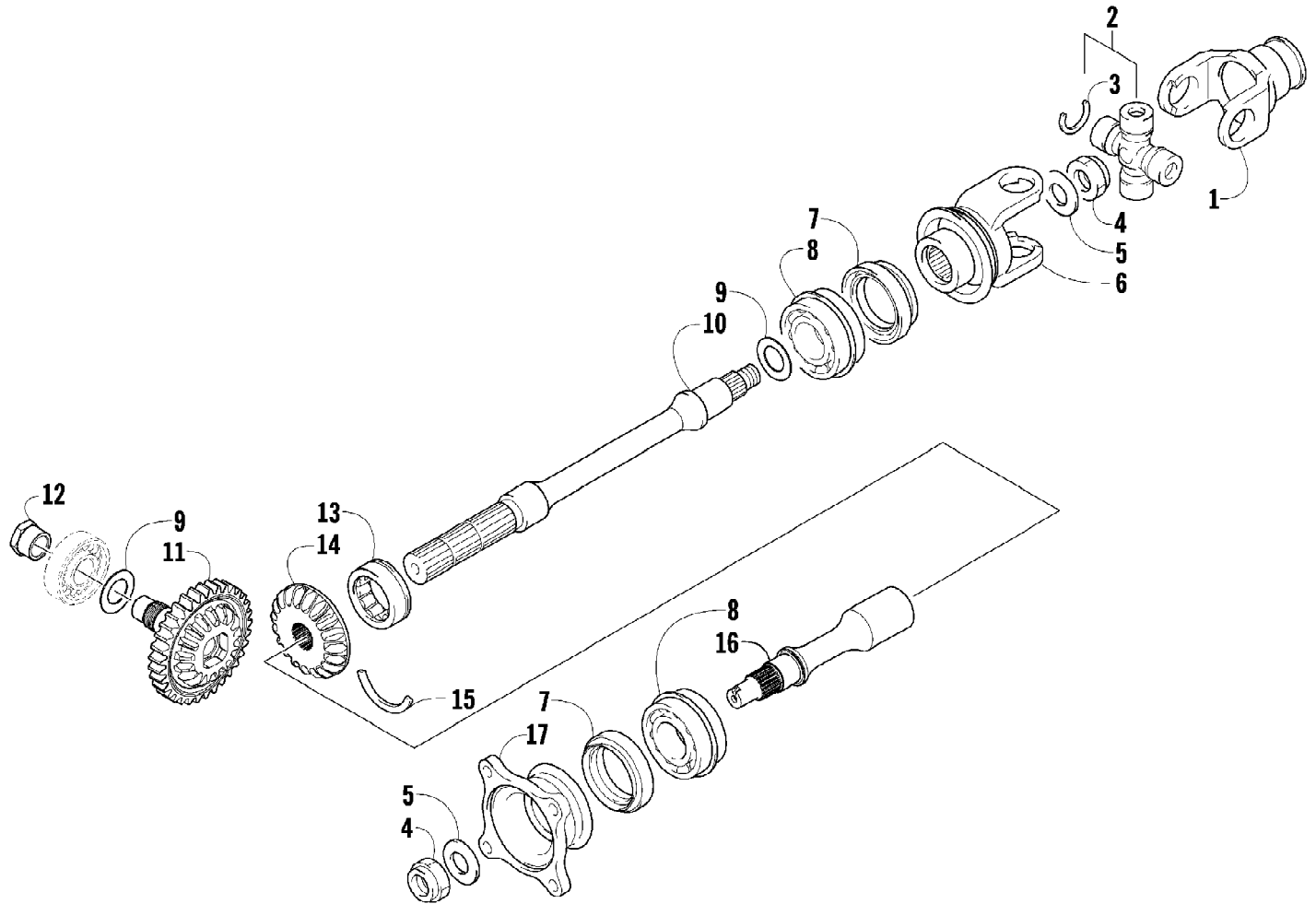


Ref #	Part Number	Qty	S/P/F	Description
1	0504-551	2	/P	Knuckle, Rear - Assembly (inc. 2-5)
2	1402-809	2	/P	Bearing
3	0423-423	2		Ring, Retaining
4	0403-038	4	S/P	Axle
5	0403-032	8	S	Bushing
6	1502-346	2	S	Axle, Drive (inc. 7-8)
7	0423-845	2	/P	Clip, Retaining
8	0436-276	2	S	Repair Kit, Boot - Rear Axle
9	0504-552	1		A-Arm, Rear - Lower Right (inc. 10-11)
9	0504-553	1	/P	A-Arm, Rear - Lower Left (inc. 10-11)
10	0403-115	16	S	Bushing
11	0403-114	8	S	Axle
12	0504-562	1	/P	A-Arm, Rear - Upper Right (inc. 10-11)
12	0504-563	1	/P	A-Arm, Rear - Upper Left (inc. 10-11)
13	8409-000	4		Screw, Cap
14	0423-744	14		Nut, Lock
15	8409-075	8		Screw, Cap
16	1603-889	2	/P	Retainer, Spring
17	0404-172	2		Spring, Suspension
18	0404-057	2		Cam, Spring Adjuster
19	0404-115	2		Shock Absorber (inc. 20-22)
20	0603-955	8		Bushing
21	1603-219	2	S	Sleeve
22	1603-209	2		Sleeve
23	0423-087	2		Washer
24	8408-820	2	/P	Screw, Cap
25	0404-116	2		Sleeve
26	8409-040	2		Screw, Cap
27	1406-068	1		Guard, Boot - Right
27	1406-069	1		Guard, Boot - Left
28	0423-545	4	/P	Screw, Shoulder



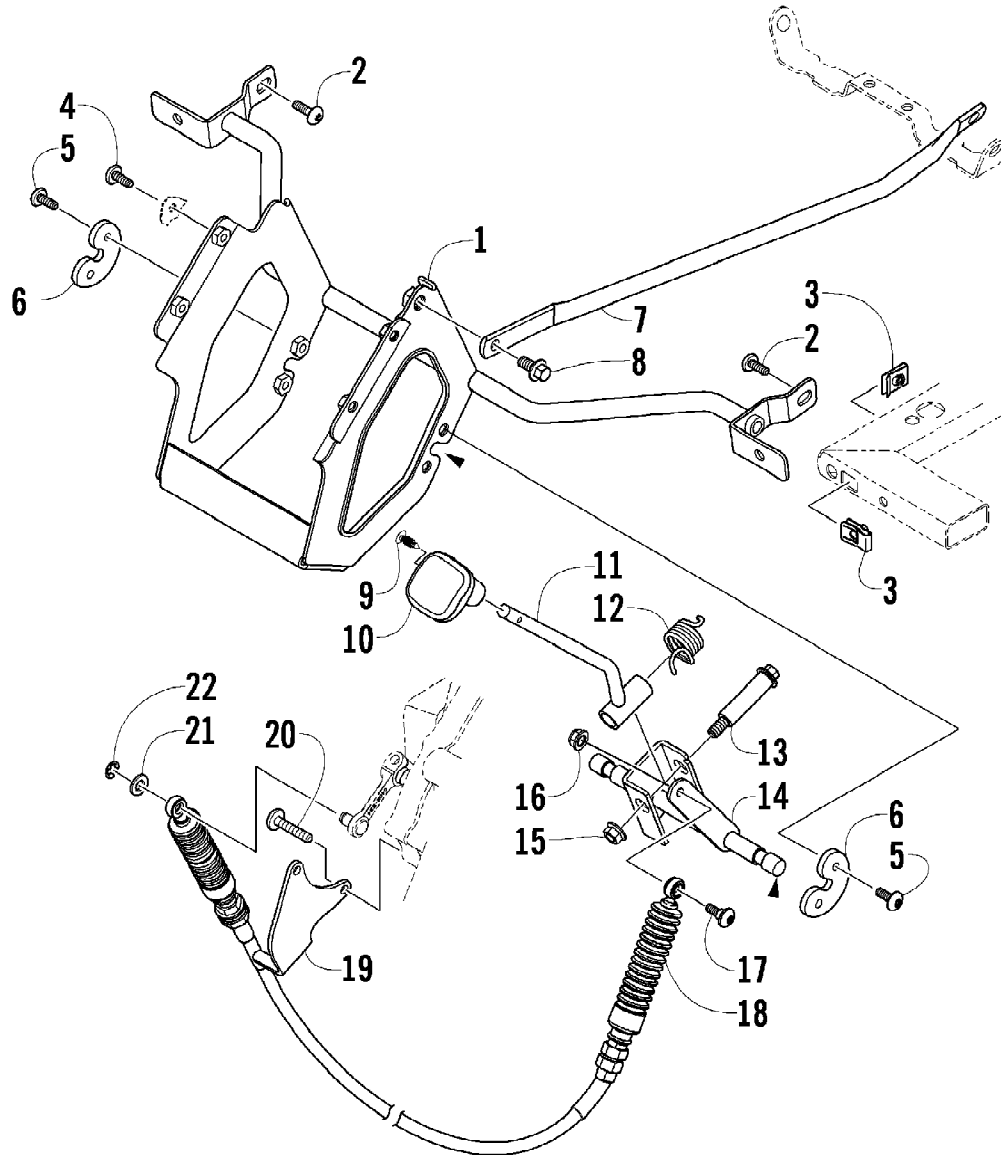
2009 PROWLER 550 4X4 FLATBED INTERNATIONAL (U2009P1O4BOSG) Page 57 of 77
SEAT, BATTERY, AND TOOL KIT ASSEMBLY

Ref #	Part Number	Qty	S/P/F	Description
1	1506-925	2		Seat, Low-Back
2	2506-780	2	/P	Plate, Base - Seat
3	8468-620	4	/P	Screw, Machine
4	0406-877	8	/P	Bumper, Seat
5	8468-820	8		Screw, Machine
6	2706-164	2	/P	Latch - Assembly (inc. 7)
7	2606-854	2	S	Lever, Release - Seat Latch
8	0423-559	2		Stud, Latch - Seat
9	0423-073	4		Washer
10	0623-038	4		Nut w/Washer
11	8424-002	2		Nut
12	0444-122	1	S/P	Tool Kit - Assembly
13	0745-230	1	/P	Battery, Sealed
14	0406-380	1		Pad, Battery
15	0406-227	2		Pad, Battery
16	1506-841	1		Box, Battery
17	2506-757	1		Panel, Electrical
18	8424-602	4	/P	Nut
19	8476-612	4		Screw, Machine
20	8476-616	1		Screw, Machine
21	1506-839	1		Cover, Battery Box
22	8408-025	4		Screw, Cap
23	2516-336	2	/P	Belt, Seat
24	8427-002	4		Nut, Lock



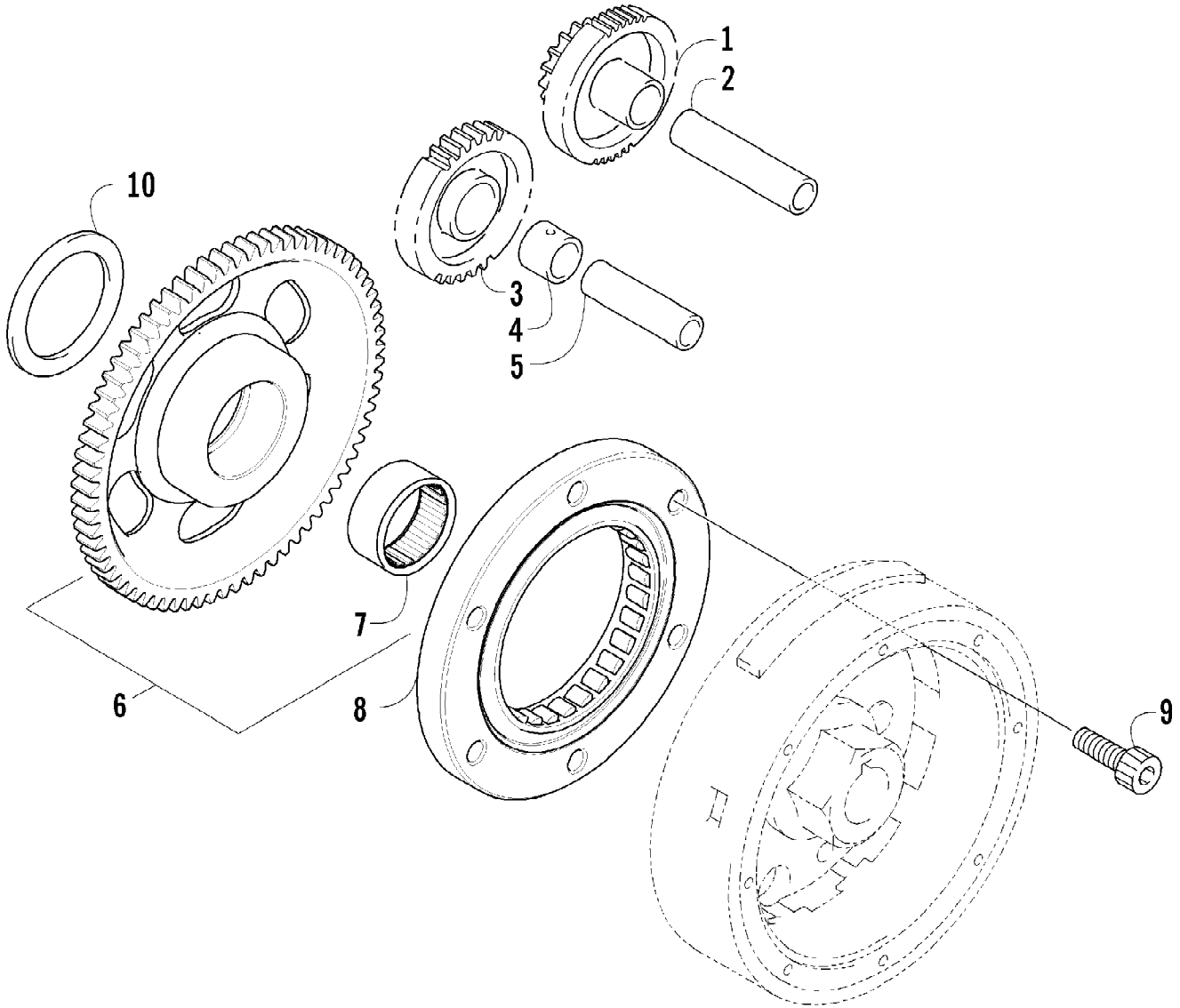
2009 PROWLER 550 4X4 FLATBED INTERNATIONAL (U2009P1O4BOSG) Page 59 of 77
SECONDARY DRIVE ASSEMBLY

Ref #	Part Number	Qty	S/P/F	Description
1	0502-828	1		Yoke, Propeller Shaft Joint
2	0402-944	1	/P	Joint, Universal - Set (inc. 3)
3	0423-395	4		Ring, Retaining
4	0827-013	2		Nut
5	0828-020	2		Washer
6	0502-829	1		Yoke, Drive Output
7	0830-043	2		Seal, Oil
8	0832-017	2		Bearing
9	0828-021	AR		Shim, 25 x 34 x 0.25 mm
9	0828-022	AR		Shim, 25 x 34 x 0.30 mm
9	0828-023	AR		Shim, 25 x 34 x 0.70 mm
9	0828-024	AR		Shim, 25 x 34 x 0.90 mm
9	0828-025	AR		Shim, 25 x 34 x 0.95 mm
9	0828-026	AR		Shim, 25 x 34 x 1.00 mm
9	0828-027	AR		Shim, 25 x 34 x 1.05 mm
9	0828-028	AR		Shim, 25 x 34 x 1.10 mm
9	0828-029	AR		Shim, 25 x 34 x 1.15 mm
10	0819-003	1	S	Shaft, Secondary Driven - Front
11	0822-107	1		Gear, Secondary Drive
12	0827-052	1		Nut
13	0832-016	1		Bearing
14	0822-106	1		Gear, Secondary Driven
15	0819-011	1		Ring, Driven Bearing
16	0819-053	1		Shaft, Secondary Driven - Rear
17	0819-005	1		Flange, Output Joint



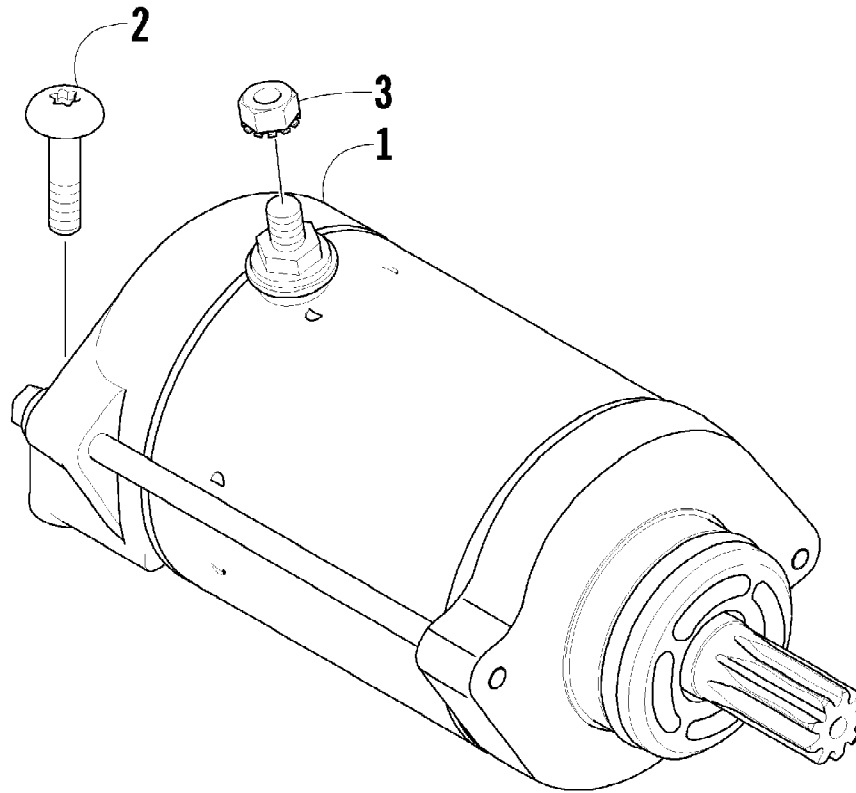
2009 PROWLER 550 4X4 FLATBED INTERNATIONAL (U2009P1O4BOSG) Page 61 of 77
SHIFTER ASSEMBLY

Ref #	Part Number	Qty	S/P/F	Description
1	1502-426	1		Mount, Shift
2	8476-620	4		Screw, Machine
3	0423-577	4		Clip, U-Nut
4	8477-616	4		Screw, Machine
5	8476-616	4		Screw, Machine
6	1402-275	2		Retainer, Shift Linkage
7	1502-264	1		Support, Shift Mount
8	8408-816	1		Screw, Cap
9	0623-269	1		Clip, Retainer
10	1402-752	1		Knob, Shift
11	1502-422	1		Lever, Shift
12	1402-668	1		Spring, Shift
13	0423-505	1		Screw, Shoulder
14	1502-424	1		Axle, Shift
15	8424-802	1		Nut
16	8424-602	1	/P	Nut
17	0423-355	1		Screw, Shoulder
18	0487-059	1		Cable, Shift
19	2406-894	1	/P	Bracket, Shift Cable
20	8468-645	2		Screw, Machine
21	0623-094	1		Washer
22	0124-057	1	/P	E-Ring

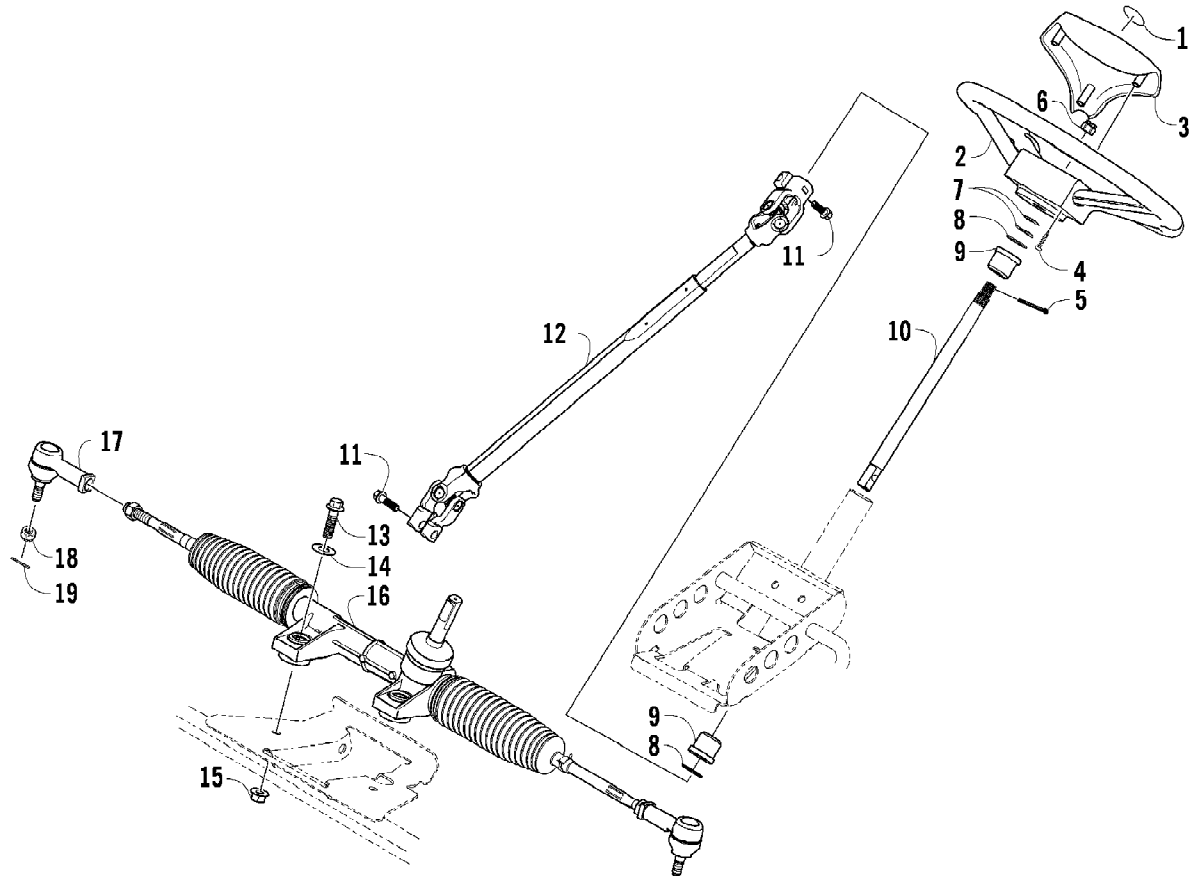


2009 PROWLER 550 4X4 FLATBED INTERNATIONAL (U2009P1O4BOSG) Page 63 of 77
STARTER CLUTCH ASSEMBLY

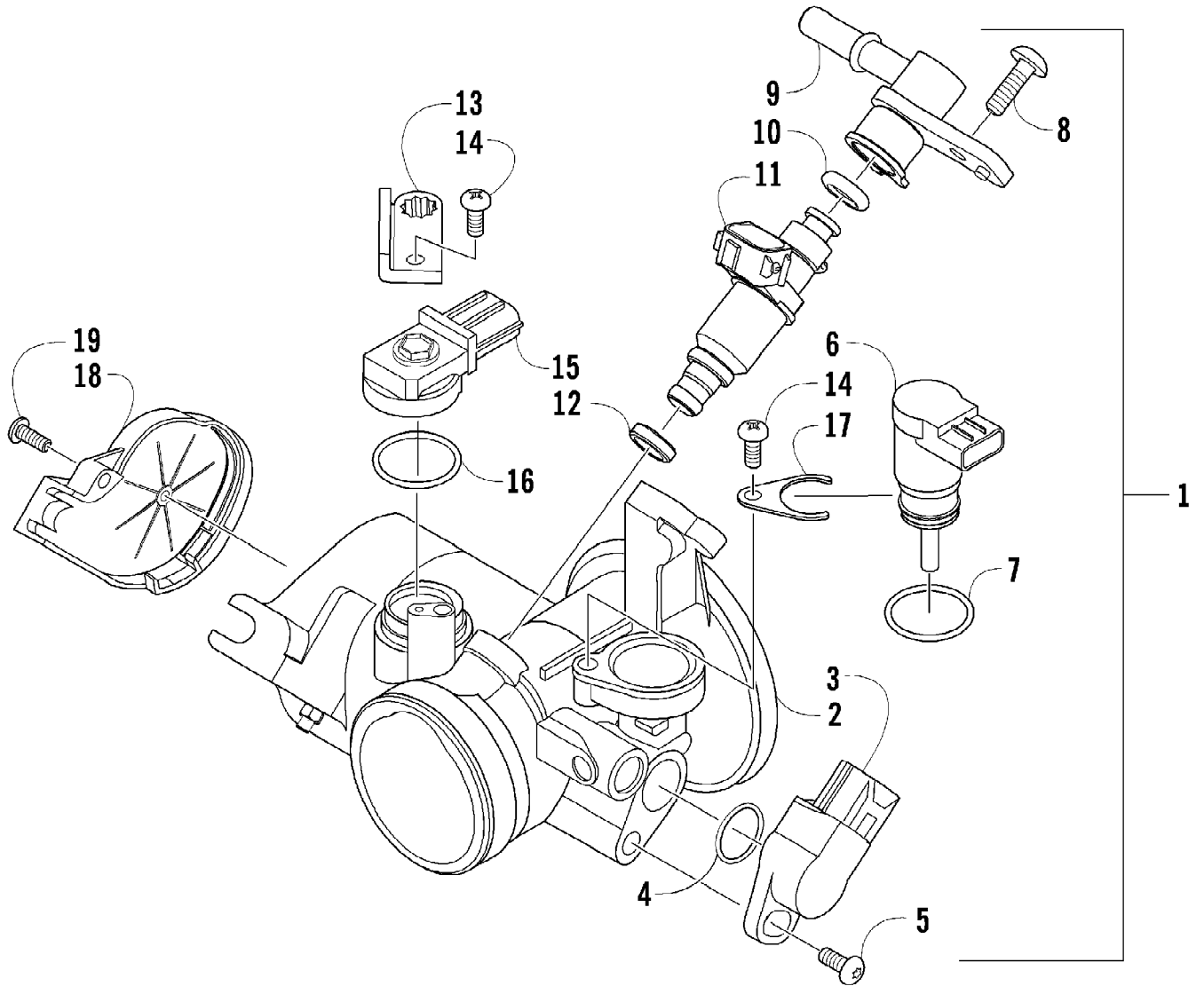
Ref #	Part Number	Qty	S/P/F	Description
1	0815-001	1		Gear, Starter Idler - No. 1
2	0829-031	1	/P	Shaft, Starter Gear
3	0815-002	1		Gear, Starter Idler - No. 2
4	0815-003	1		Spacer, Starter Idler Gear No. 2
5	0829-032	1	/P	Shaft, Starter Gear
6	0815-004	1		Gear, Starter Clutch (inc. 7)
7	0832-079	1	/P	Bearing
8	0802-035	1		Clutch, Starter
9	0826-069	6		Screw, Machine
10	0828-094	1		Washer



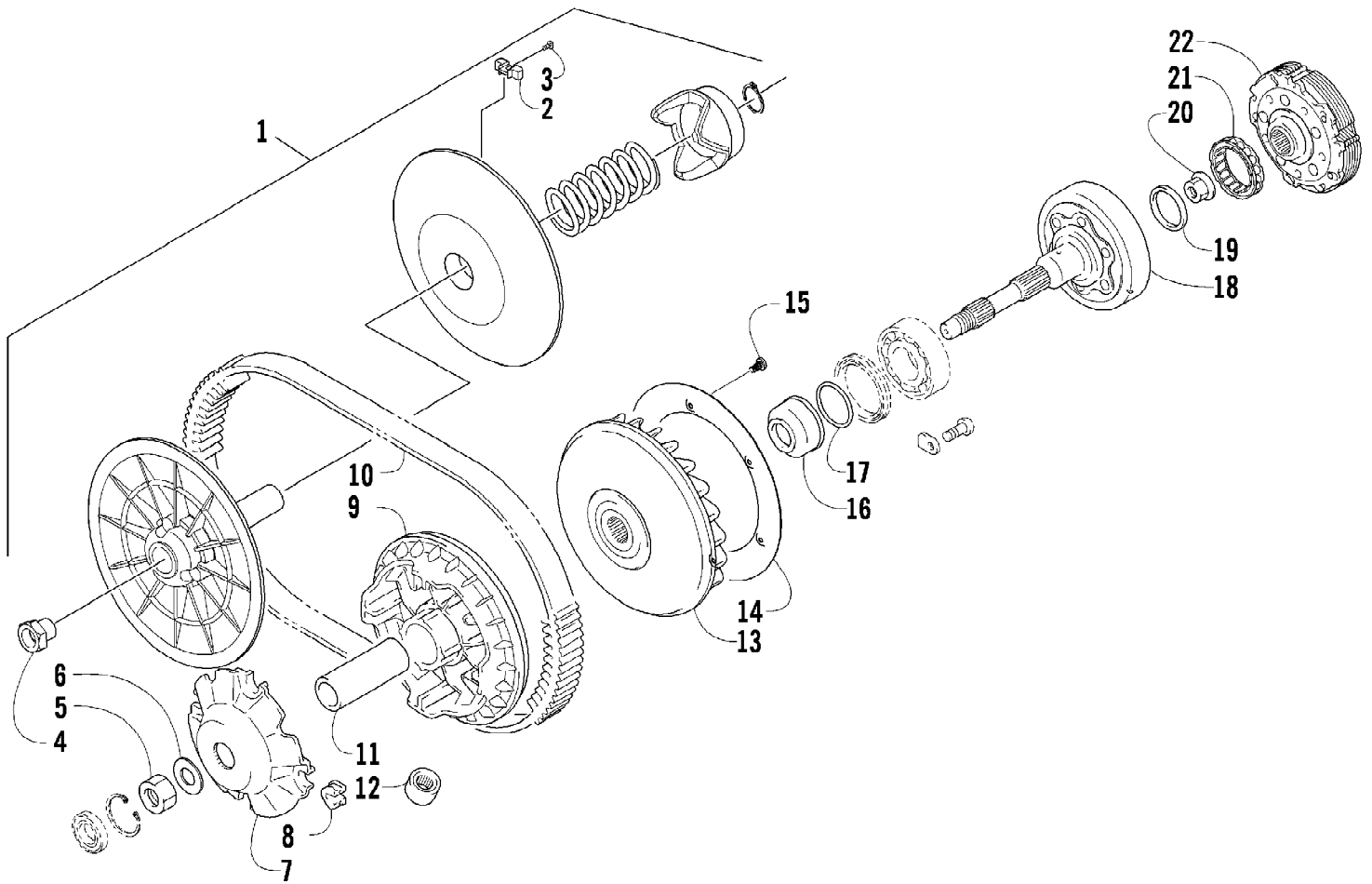
Ref #	Part Number	Qty	S/P/F	Description
1	0825-013	1	/P	Motor, Starter - Assembly
2	8476-625	2		Screw, Machine
3	0623-038	1		Nut w/Washer



Ref #	Part Number	Qty	S/P/F	Description
1	1411-798	1		Decal, Steering Wheel
2	0502-884	1		Wheel, Steering - Assembly (inc. 3)
3	0405-239	1		Cover, Steering Wheel
4	0423-613	3		Screw, Self-Tapping
5	0423-407	1		Pin, Cotter
6	0423-884	1		Nut
7	0828-071	2		Washer
8	0423-558	2		Washer
9	0405-155	2		Bushing
10	0405-321	1	/P	Shaft, Upper Steering
11	0423-655	2		Screw, Cap
12	0405-156	1		Shaft, Lower Steering - Assembly
13	8409-050	2		Screw, Cap
14	0623-728	2		Washer
15	8424-002	2		Nut
16	0405-344	1	S	Housing, Rack and Pinion
17	0405-340	2	S	End, Tie Rod
18	0423-072	2		Nut
19	0623-175	2		Pin, Cotter

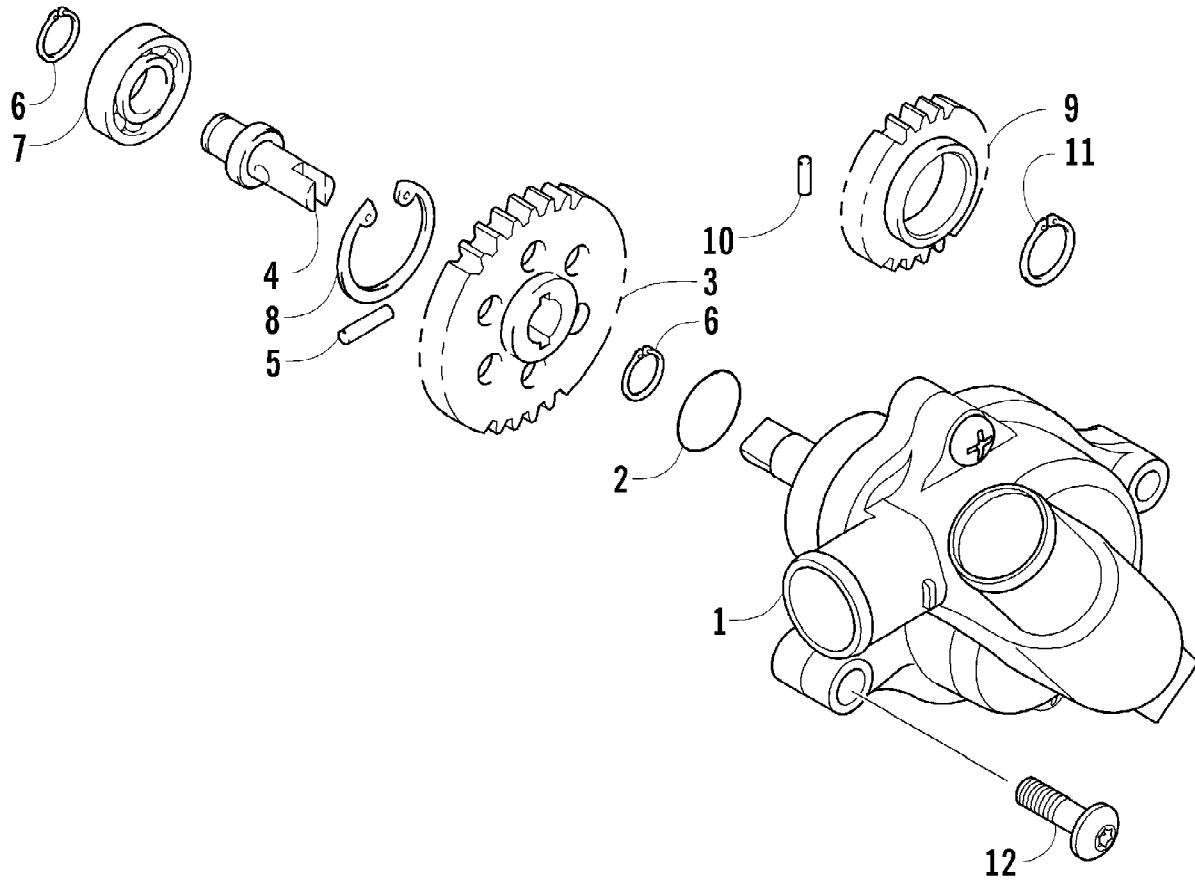


Ref #	Part Number	Qty	S/P/F	Description
1	0470-753	1		Throttle Body - Assembly (inc. 2-19)
2	0	1	F	Throttle Body
3	0430-072	1		Sensor, Throttle Position
4	5507-234	1		O-Ring, Throttle Position Sensor
5	5507-231	1		Screw, Machine
6	0430-074	1		Valve, ISC
7	5507-233	1		O-Ring, ISC Valve
8	5507-238	1		Screw, Machine
9	0470-687	1		Rail, Fuel
10	0470-767	1		O-Ring, Fuel Injector
11	0470-762	1		Injector, Fuel
12	0470-768	1		Seal, Fuel Injector
13	5507-227	1		Bracket, MAP Sensor
14	5507-117	2	/P	Screw, Machine
15	0430-073	1		Sensor, MAP
16	5507-232	1		O-Ring, MAP Sensor
17	5507-229	1		Plate, Retaining
18	5507-223	1		Cover
19	5507-037	1	/P	Screw, Machine



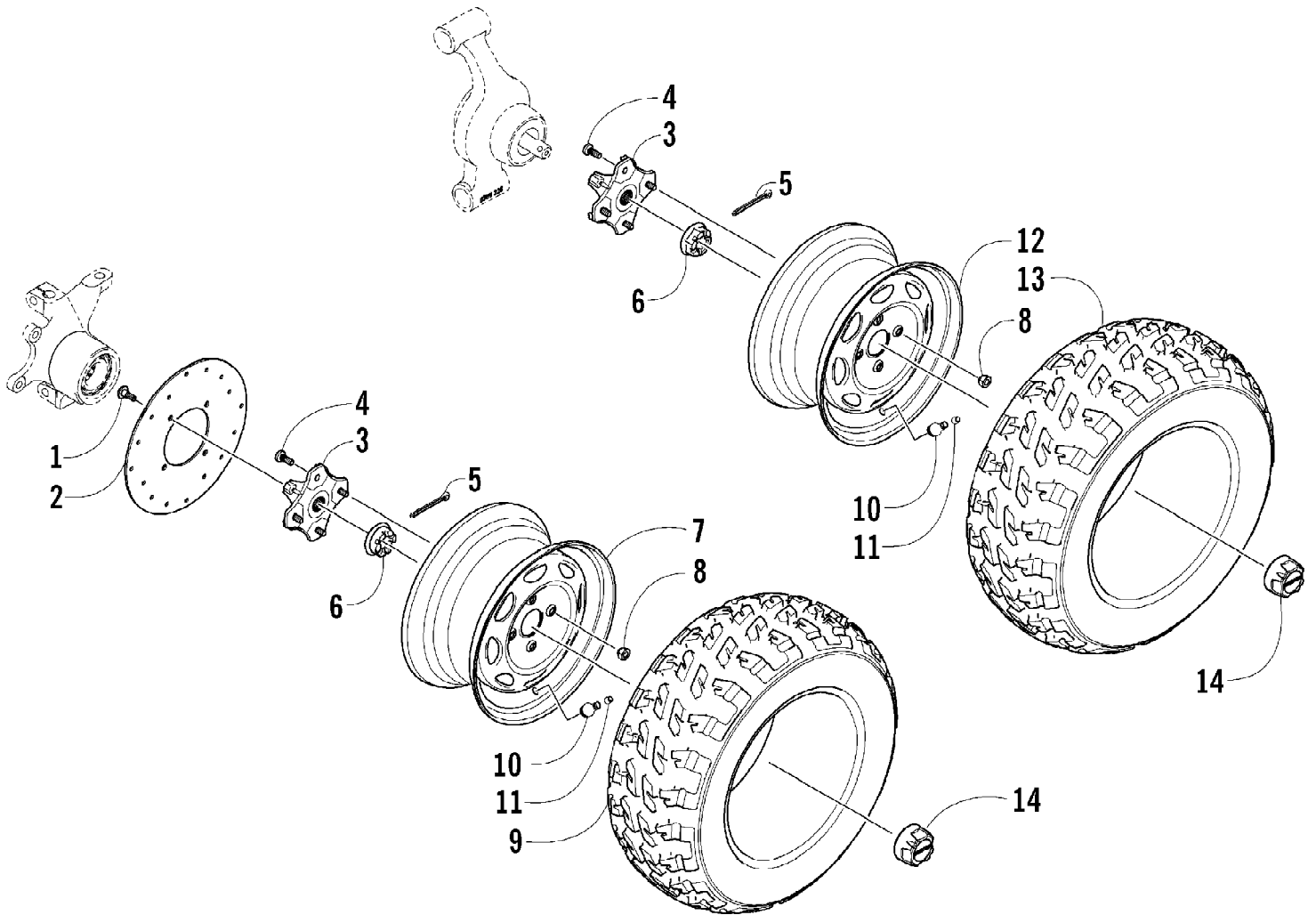
2009 PROWLER 550 4X4 FLATBED INTERNATIONAL (U2009P1O4BOSG) Page 71 of 77
TRANSMISSION ASSEMBLY

Ref #	Part Number	Qty	S/P/F	Description
1	0823-254	1	S	Pulley, Driven - Assembly (inc. 2-4)
2	0823-176	3	/P	Shoe, Cam
3	0823-177	3		Screw, Machine
4	0823-178	1		Nut
5	0827-010	1		Nut
6	0828-106	1		Washer
7	0823-008	1		Plate, Movable Drive Face
8	0823-010	4		Damper, Movable Drive Face
9	0823-159	1		Face, Movable Drive
10	0823-013	1		Belt, Drive
11	0823-149	1		Spacer
12	0823-164	8		Roller
13	0823-156	1	/P	Face, Fixed Drive
14	0823-131	1		Shroud, Drive Face
15	0623-914	6		Screw, Self-Tapping
16	0823-015	1		Spacer, Fixed Drive Face
17	0470-531	1		O-Ring
18	0823-096	1	S	Housing, Clutch - Assembly
19	0830-189	1	/P	Seal
20	0827-011	1		Nut
21	0823-018	1		Clutch, One-Way
22	0823-098	1	S	Clutch, Centrifugal - 6 Plate



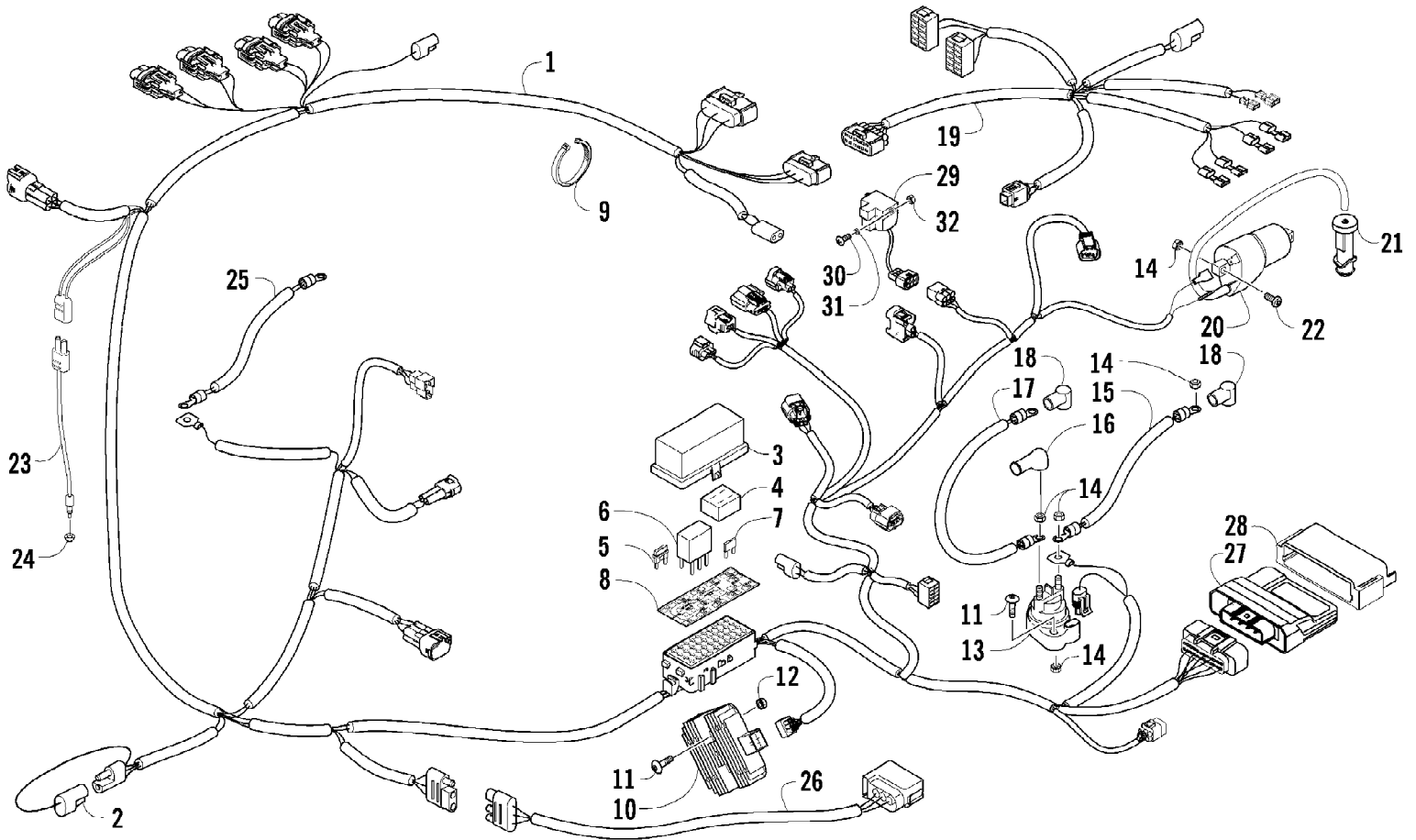
2009 PROWLER 550 4X4 FLATBED INTERNATIONAL (U2009P1O4BOSG) Page 73 of 77
WATER PUMP ASSEMBLY

Ref #	Part Number	Qty	S/P/F	Description
1	0813-001	1		Pump, Water - Assembly (inc. 2)
2	0830-029	1		O-Ring
3	0813-004	1		Gear, Driven
4	0813-005	1		Shaft, Driven Gear
5	0829-009	1		Pin, Driven Gear
6	0831-002	2		Ring, Retaining
7	0832-046	1	/P	Bearing, Shaft
8	0831-004	1		Ring, Retaining
9	0811-003	1		Gear, Water Pump Drive
10	0829-007	1		Pin, Alignment
11	0831-005	1		Ring, Retaining
12	8468-665	2		Screw, Machine



2009 PROWLER 550 4X4 FLATBED INTERNATIONAL (U2009P1O4BOSG) Page 75 of 77
WHEEL AND TIRE ASSEMBLY

Ref #	Part Number	Qty	S/P/F	Description
1	0423-557	8		Screw, Shoulder
2	1402-455	2	S	Disc, Brake
3	1502-433	2	/P	Hub, Wheel - Front (inc. 4)
3	1502-435	2	/P	Hub, Wheel - Rear (inc. 4)
4	0402-974	16	/P	Stud, Wheel Hub
5	0423-407	4		Pin, Cotter
6	0423-607	4		Nut, Castle
7	1402-511	2		Wheel - Front
8	0423-408	16	/P	Nut, Lug
9	1402-392	2		Tire - Front
10	0402-064	4		Stem, Valve (inc. 11)
11	0402-140	4		Cap, Valve Stem
12	1402-514	2		Wheel - Rear
13	1402-393	2		Tire - Rear
14	0403-181	4		Cap, Wheel



2009 PROWLER 550 4X4 FLATBED INTERNATIONAL (U2009P1O4BOSG) Page 77 of 77
WIRING HARNESS ASSEMBLY

Ref #	Part Number	Qty	S/P/F	Description
1	0486-289	1		Harness, Main (inc. 2-8)
2	0486-164	1		Tether, Accessory Connector
3	0530-008	1		Cover, Fuse Block
4	0430-037	1		Holder, Fuse
5	0430-034	1		Diode
6	0430-045	5	/P	Relay (4-Pin) - 20 Amp
7	0430-032	5		Fuse - 10 Amp
7	0430-031	3		Fuse - 15 Amp
7	0430-030	2		Fuse - 30 Amp
8	1411-526	1		Decal, Fuse Block
9	0123-903	AR		Cable Tie - 11.5 in.
10	0824-037	1	/P	Regulator, Voltage
11	8476-625	4		Screw, Machine
12	8424-602	2	/P	Nut
13	0445-058	1	/P	Solenoid
14	0623-038	8		Nut w/Washer
15	0445-061	1		Cable, Solenoid/Starter
16	0645-327	1		Boot, Terminal
17	0445-049	1		Cable, Battery/Solenoid
18	0645-019	2		Boot, Terminal
19	0486-290	1		Harness, Console
20	0824-043	1		Coil, Ignition - Assembly
21	0824-049	1	/P	Cap, Spark Plug
22	8476-620	2		Screw, Machine
23	0409-009	1		Switch, Brake - Assembly
24	0402-991	1		Retainer, Brake Switch
25	0445-050	1		Cable, Battery/Engine
26	0486-176	1		Harness Adapter, Taillight
27	0530-021	1		ECU
28	0430-076	1		Cushion, ECU
29	0409-064	1		Switch, Tilt Sensor
30	8468-425	2		Screw, Machine
31	0123-802	2		Washer
32	0423-493	2		Nut w/Washer