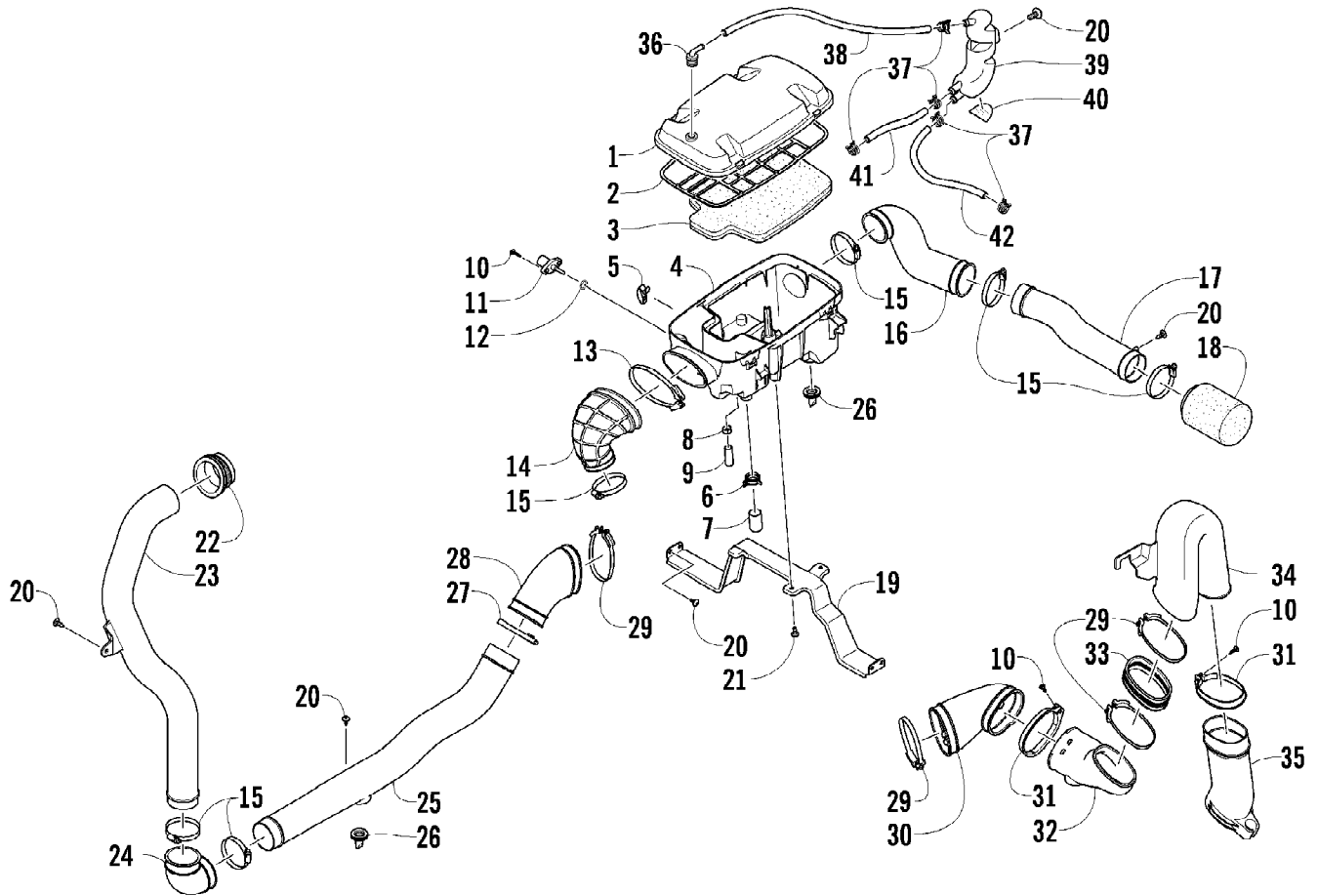


2009 PROWLER 1000 XTZ 4X4 SUNSET ORANGE (U2009P4W4EUSK)
ACCELERATOR ASSEMBLY

Page 2 of 86

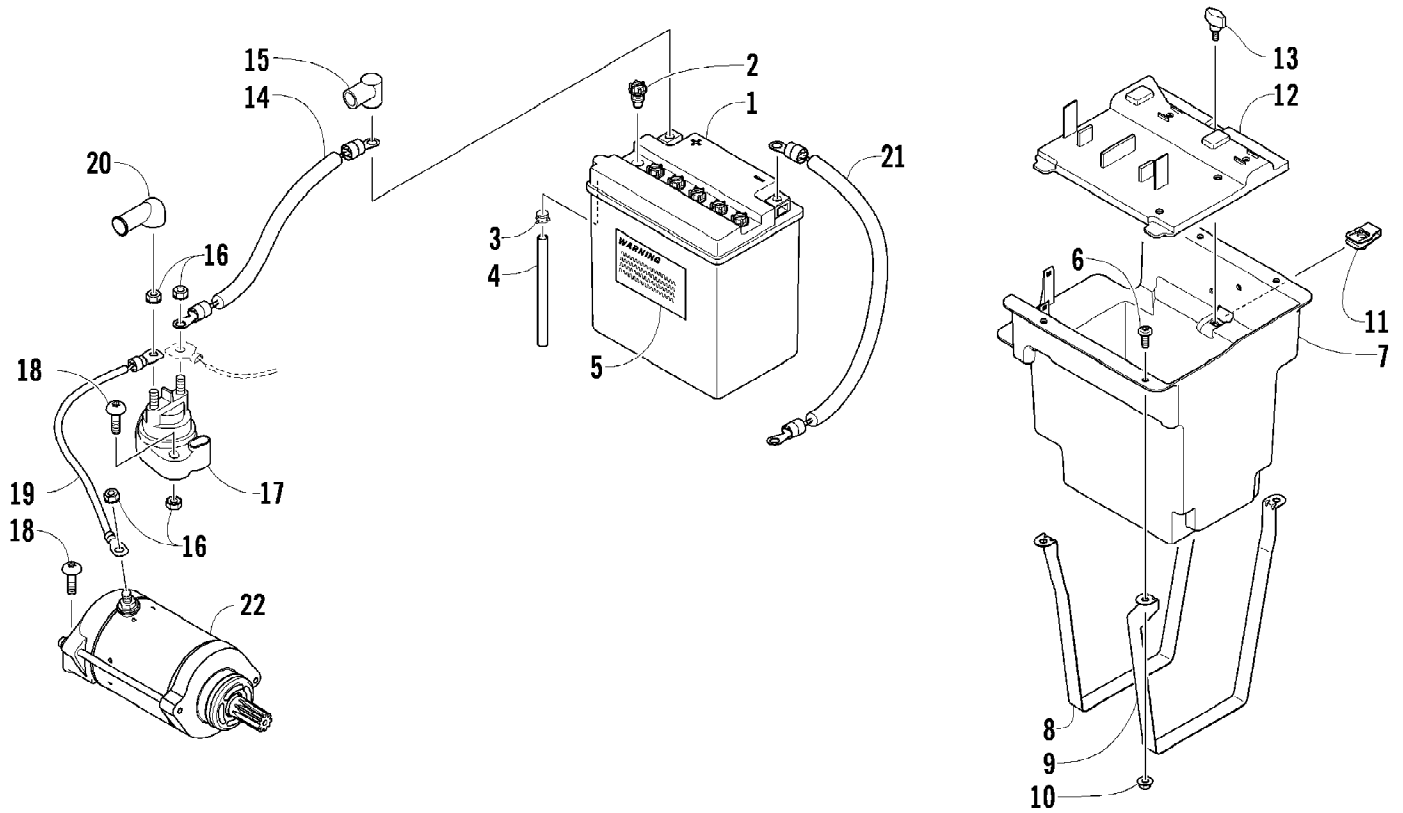
| Ref # | Part Number | Qty | S/P/F | Description |
|-------|-------------|-----|-------|----------------------------|
| 1 | 1502-590 | 1 | | Pedal, Accelerator |
| 2 | 0470-851 | 1 | | Spring |
| 3 | 0402-872 | 1 | | Axle |
| 4 | 1602-213 | 2 | /P | O-Ring |
| 5 | 8422-002 | 1 | | Nut, Lock |
| 6 | 8471-616 | 2 | | Screw, Machine |
| 7 | 0502-991 | 1 | | Bracket, Accelerator Pedal |
| 8 | 8427-602 | 2 | | Nut, Lock |
| 9 | 0487-066 | 1 | | Cable, Accelerator |



2009 PROWLER 1000 XTZ 4X4 SUNSET ORANGE (U2009P4W4EUSK)
AIR INTAKE ASSEMBLY

Page 4 of 86

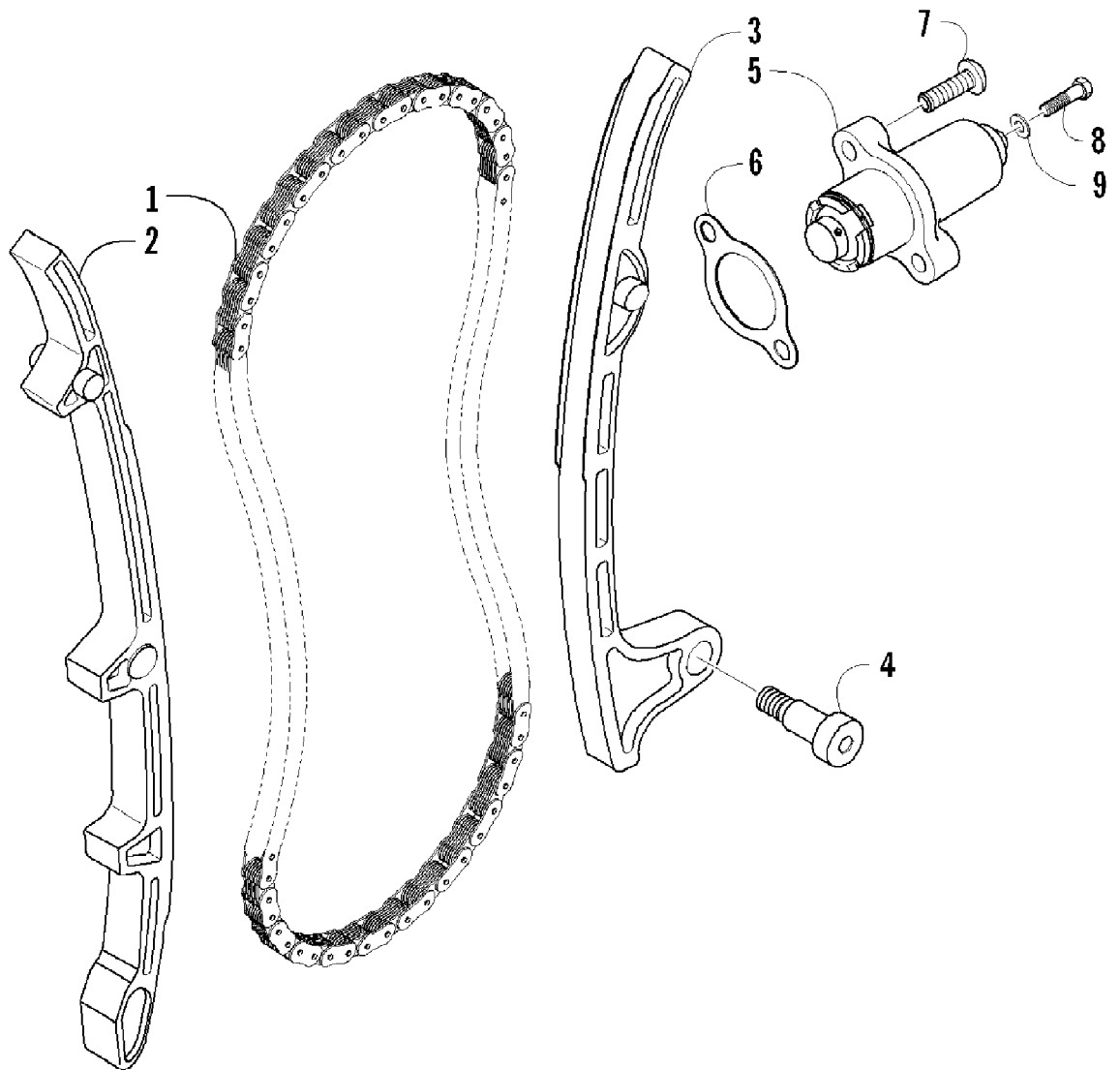
| Ref # | Part Number | Qty | S/P/F | Description |
|-------|-------------|-----|-------|-----------------------------------|
| 1 | 0470-861 | 1 | | Cover, Air Intake |
| 2 | 0470-560 | 1 | | Screen, Air Filter |
| 3 | 0470-558 | 1 | | Filter, Air |
| 4 | 0470-728 | 1 | | Housing, Air Intake |
| 5 | 0423-455 | 4 | | Clip, Spring |
| 6 | 1623-287 | 1 | | Clamp, Hose |
| 7 | 0423-766 | 1 | | Cap, Drain |
| 8 | 0610-563 | 1 | | Clamp, Hose |
| 9 | 0470-863 | 1 | | Valve, Drain |
| 10 | 0423-342 | 4 | /P | Screw, Self-Tapping |
| 11 | 0430-055 | 1 | | Sensor, Air Temperature (inc. 12) |
| 12 | 5507-224 | 1 | | O-Ring |
| 13 | 0423-554 | 1 | | Clamp |
| 14 | 0413-225 | 1 | | Boot, Intake |
| 15 | 0423-019 | 6 | | Clamp |
| 16 | 0413-232 | 1 | | Duct, Intake |
| 17 | 0413-219 | 1 | | Duct, Intake |
| 18 | 0470-834 | 1 | | Filter, Intake |
| 19 | 2516-166 | 1 | | Bracket, Support |
| 20 | 0623-784 | 8 | | Screw, Self-Tapping |
| 21 | 8476-616 | 2 | | Screw, Machine |
| 22 | 2416-088 | 1 | | Boot, Air-In |
| 23 | 0413-237 | 1 | | Duct, Air-In |
| 24 | 0413-098 | 1 | | Boot, Air-In |
| 25 | 0413-236 | 1 | | Duct, Air-In |
| 26 | 0470-442 | 2 | /P | Valve, Drain |
| 27 | 0423-018 | 1 | | Clamp |
| 28 | 0413-233 | 1 | | Boot, Air-In |
| 29 | 0423-730 | 4 | | Clamp |
| 30 | 0413-234 | 1 | | Boot, Air-Out |
| 31 | 0423-550 | 2 | | Clamp |
| 32 | 0413-247 | 1 | | Duct, Air-Out |
| 33 | 0413-248 | 1 | | Boot, Air-Out |
| 34 | 0413-235 | 1 | | Duct, Air-Out |
| 35 | 0413-226 | 1 | | Duct, Air-Out |
| 36 | 0470-881 | 1 | | Fitting, Elbow |
| 37 | 1623-281 | 5 | | Clamp, Hose |
| 38 | 0410-187 | 1 | | Hose, Vent |
| 39 | 0470-857 | 1 | | Separator, Oil |
| 40 | 1441-822 | 1 | | Foil, Protective |
| 41 | 0410-188 | 1 | | Hose, Vent |
| 42 | 0410-186 | 1 | | Hose, Vent |



2009 PROWLER 1000 XTZ 4X4 SUNSET ORANGE (U2009P4W4EUSK)
BATTERY AND STARTER MOTOR ASSEMBLY

Page 6 of 86

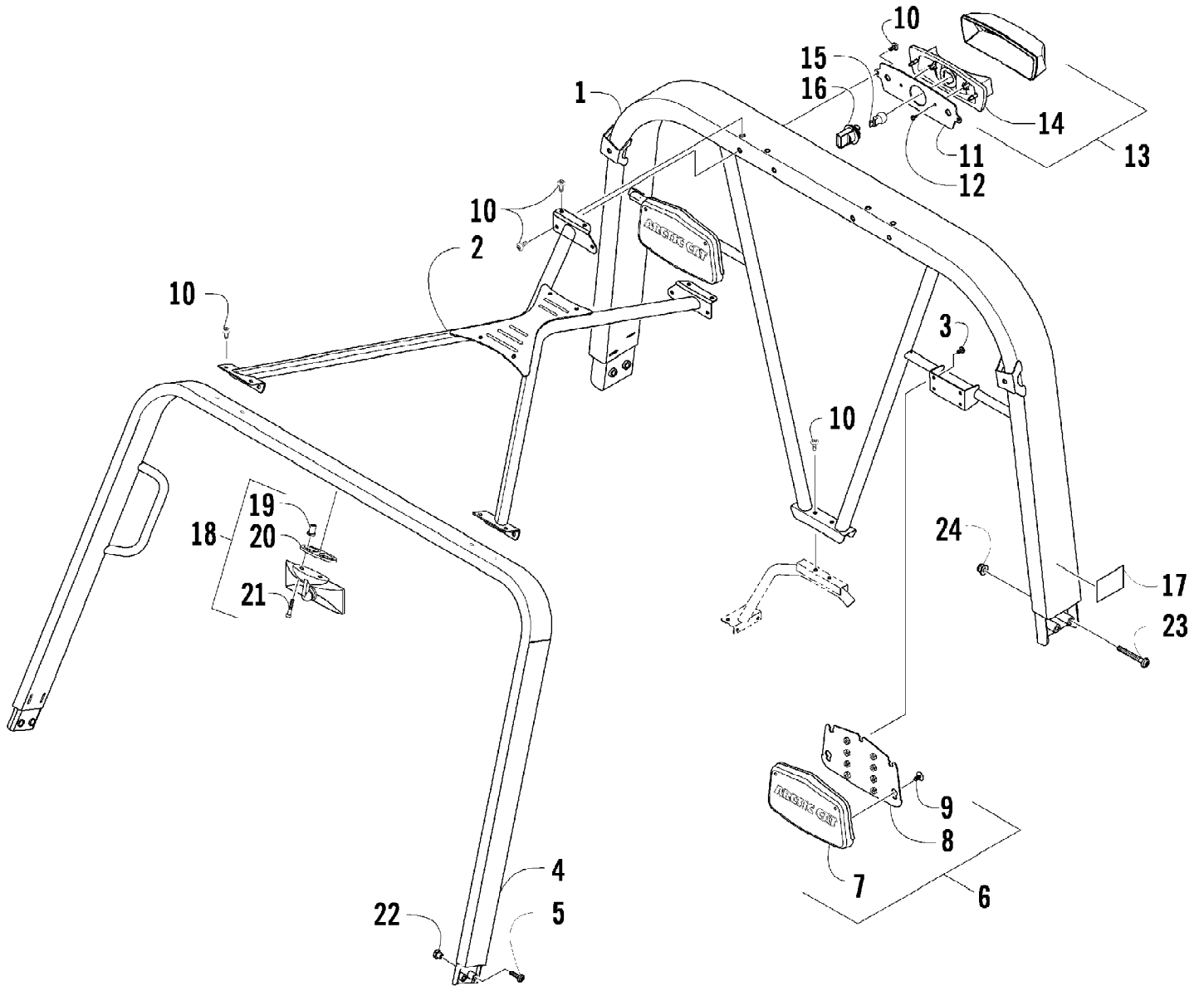
| Ref # | Part Number | Qty | S/P/F | Description |
|-------|-------------|-----|-------|--------------------------------|
| 1 | 0445-081 | 1 | | Battery (inc. 2-5) |
| 2 | 0645-588 | 6 | /P | Cap, Battery |
| 3 | 0645-152 | 1 | | Clamp, Hose |
| 4 | 0645-262 | 1 | | Hose, Vent |
| 5 | 0645-430 | 2 | | Decal, Warning |
| 6 | 8476-612 | 4 | | Screw, Machine |
| 7 | 2406-914 | 1 | | Box, Battery |
| 8 | 0470-854 | 1 | | Hold-Down, Battery Box - Right |
| 9 | 0470-855 | 1 | | Hold-Down, Battery Box - Left |
| 10 | 8424-602 | 4 | /P | Nut |
| 11 | 0423-577 | 1 | | Clip, U-Nut |
| 12 | 2406-949 | 1 | | Cover, Battery Box |
| 13 | 1441-624 | 1 | | Screw, Thumb |
| 14 | 0445-078 | 1 | | Cable, Battery/Solenoid |
| 15 | 0645-019 | 2 | | Boot, Terminal |
| 16 | 0623-038 | 5 | | Nut w/Washer |
| 17 | 0445-058 | 1 | /P | Solenoid |
| 18 | 8476-625 | 4 | | Screw, Machine |
| 19 | 0445-080 | 1 | | Cable, Solenoid/Starter |
| 20 | 0645-327 | 1 | | Boot, Terminal - Solenoid |
| 21 | 0445-079 | 1 | | Cable, Battery/Ground |
| 22 | 0825-015 | 1 | | Motor, Starter - Assembly |



2009 PROWLER 1000 XTZ 4X4 SUNSET ORANGE (U2009P4W4EUSK)
CAM CHAIN ASSEMBLY

Page 8 of 86

| Ref # | Part Number | Qty | S/P/F | Description |
|-------|-------------|-----|-------|--------------------------------|
| 1 | 0810-001 | 2 | | Chain, Cam |
| 2 | 0810-046 | 2 | | Guide, Chain |
| 3 | 0810-049 | 2 | | Tensioner, Chain |
| 4 | 0826-106 | 2 | | Pivot, Tensioner |
| 5 | 0810-004 | 2 | | Adjuster, Tensioner - Assembly |
| 6 | 0830-134 | 2 | | Gasket |
| 7 | 8468-620 | 4 | /P | Screw, Machine |
| 8 | 8400-610 | 2 | | Screw, Cap |
| 9 | 0828-129 | 2 | | Washer |

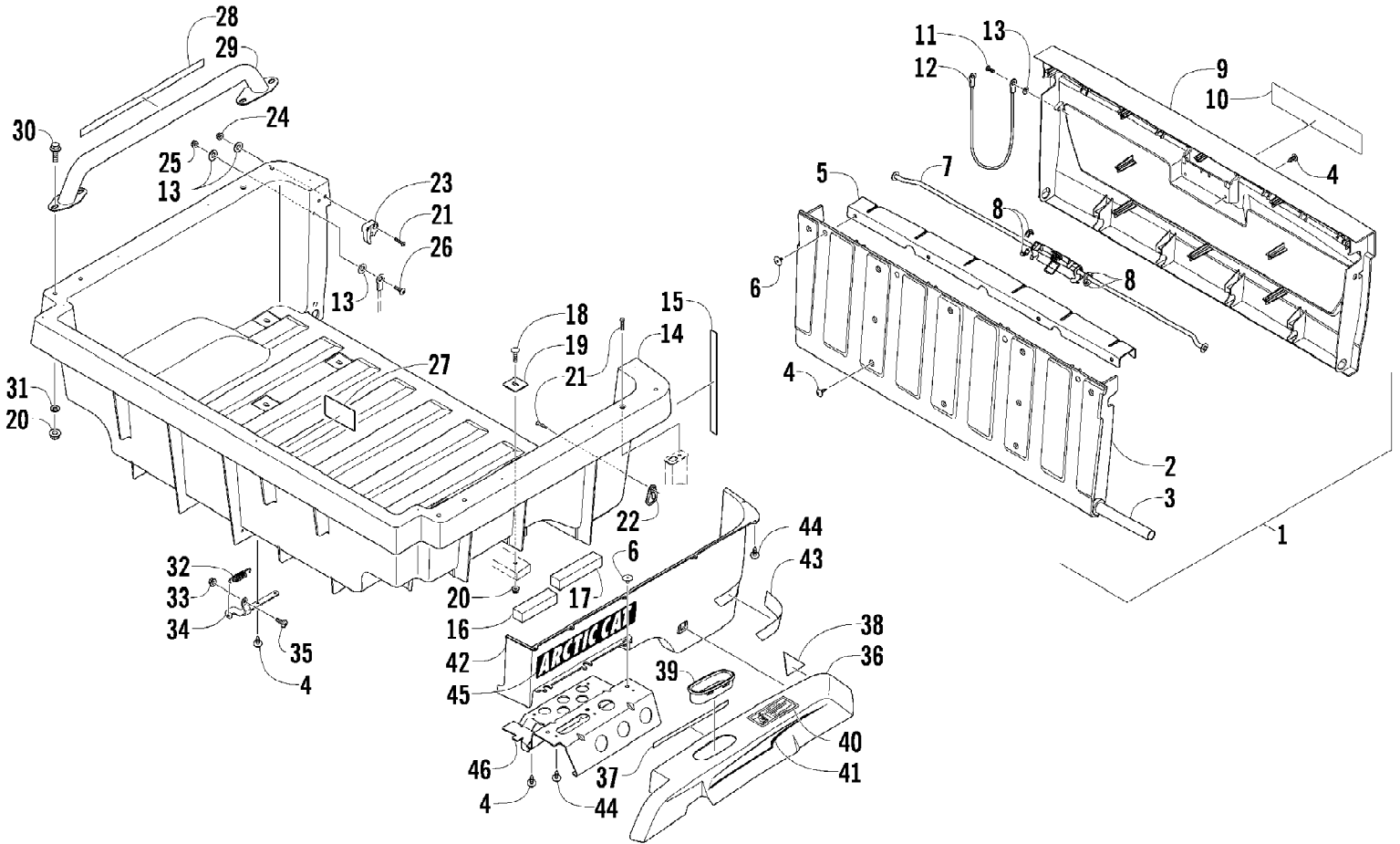


2009 PROWLER 1000 XTZ 4X4 SUNSET ORANGE (U2009P4W4EUSK)
CANOPY AND TAILLIGHT ASSEMBLY

Page 10 of 86

| Ref # | Part Number | Qty | S/P/F | Description |
|-------|-------------|-----|-------|--------------------------------------|
| 1 | 2516-106 | 1 | | Tube, Canopy - Rear |
| 2 | 2516-304 | 1 | | Support, Canopy |
| 3 | 0423-361 | 8 | | Screw, Machine |
| 4 | 2516-108 | 1 | | Tube, Canopy - Front |
| 5 | 0423-886 | 4 | | Screw, Machine |
| 6 | 1506-795 | 2 | | Pad, Headrest - Assembly (inc. 7-9) |
| 7 | 1406-884 | 2 | | Pad, Headrest |
| 8 | 1506-722 | 2 | | Mount, Headrest |
| 9 | 0623-544 | 10 | | Clip, Retaining |
| 10 | 0423-910 | 20 | | Screw, Machine |
| 11 | 2406-069 | 1 | | Bracket, Taillight Mounting |
| 12 | 0623-301 | 2 | /P | Screw, Self-Tapping |
| 13 | 0509-022 | 1 | | Taillight Assembly (inc. 14-16) |
| 14 | 0509-025 | 1 | | Housing, Taillight |
| 15 | 0409-056 | 1 | | Bulb, Taillight |
| 16 | 0409-057 | 1 | | Socket, Taillight |
| 17 | 1411-864 | 1 | | Decal, Warning - Canopy |
| 18 | 1436-062 | 1 | S | Mirror, Rear-View - Kit (inc. 19-21) |
| 19 | 0423-896 | 2 | | Nut, Expansion |
| 20 | 0423-897 | 1 | | Spacer |
| 21 | 0423-904 | 2 | | Screw, Machine |
| 22 | 0423-903 | 4 | | T-Nut |
| 23 | 0423-916 | 4 | | Screw, Machine |
| 24 | 8427-805 | 4 | | Nut, Lock |

2009 PROWLER 1000 XTZ 4X4 SUNSET ORANGE (U2009P4W4EUSK)
CARGO BOX AND TAILGATE ASSEMBLY



2009 PROWLER 1000 XTZ 4X4 SUNSET ORANGE (U2009P4W4EUSK)
CARGO BOX AND TAILGATE ASSEMBLY

Page 12 of 86

| Ref # | Part Number | Qty | S/P/F | Description |
|-------|-------------|-----|-------|--|
| 1 | 2516-328 | 1 | | Tailgate Assembly (inc. 2-9) |
| 2 | 2406-365 | 1 | /P | Panel, Tailgate - Inner |
| 3 | 1406-927 | 1 | | Shaft, Pivot - Tailgate |
| 4 | 0623-784 | 20 | | Screw, Self-Tapping |
| 5 | 1506-704 | 1 | | Brace, Tailgate |
| 6 | 0423-101 | 10 | | Screw, Shoulder |
| 7 | 2506-056 | 1 | | Latch, Tailgate - Assembly |
| 8 | 1406-706 | 4 | | Bushing |
| 9 | 2516-207 | 1 | | Panel, Tailgate - Outer |
| 10 | 2411-005 | 1 | | Decal, Tailgate - "Arctic Cat" |
| 11 | 8476-625 | 2 | | Screw, Machine |
| 12 | 0487-045 | 2 | | Cable, Tailgate |
| 13 | 8050-217 | 10 | /P | Washer |
| 14 | 2516-335 | 1 | | Box, Cargo |
| 15 | 0417-006 | 2 | | Strip, Foam |
| 16 | 0417-011 | 2 | | Foam, Cargo Box |
| 17 | 0417-010 | 2 | | Foam, Cargo Box |
| 18 | 0423-623 | 8 | | Bolt, Carriage |
| 19 | 1506-933 | 8 | | Plate, Retainer |
| 20 | 8424-802 | 14 | | Nut |
| 21 | 8474-630 | 6 | | Screw, Machine |
| 22 | 1506-539 | 1 | | Bracket, Tailgate |
| 23 | 2506-664 | 1 | | Striker, Tailgate - Right |
| 23 | 2506-665 | 1 | /P | Striker, Tailgate - Left |
| 24 | 8424-602 | 4 | /P | Nut |
| 25 | 0624-250 | 2 | | Nut, Lock |
| 26 | 8476-620 | 2 | | Screw, Machine |
| 27 | 1411-119 | 1 | | Decal, Warning - Cargo |
| 28 | 2411-004 | 2 | | Decal, Rail |
| 29 | 2516-330 | 1 | | Rail, Cargo Box - Right |
| 29 | 2516-241 | 1 | | Rail, Cargo Box - Left |
| 30 | 8410-830 | 8 | | Screw, Cap |
| 31 | 0423-907 | 4 | | Washer |
| 32 | 2416-086 | 1 | | Spring |
| 33 | 0423-540 | 1 | | Nut, Lock |
| 34 | 2516-178 | 1 | /P | Bracket, Cargo Box Latch |
| 35 | 8476-616 | 1 | | Screw, Machine |
| 36 | 2506-996 | 1 | | Fender, Rear - Assembly - Upper Right (inc. 37-38) |
| 36 | 2506-997 | 1 | | Fender, Rear - Assembly - Upper Left (inc. 37-39) |
| 37 | 0417-007 | 2 | | Strip, Foam |
| 38 | 0417-008 | 2 | | Pad, Foam |
| 39 | 2516-037 | 1 | | Ring, Trim |
| 40 | 1411-120 | 2 | | Decal, Warning - Pinch Point |
| 41 | 1411-998 | 1 | | Decal, Rear Fender - Right |
| 41 | 1411-999 | 1 | | Decal, Rear Fender - Left |
| 42 | 2516-202 | 1 | | Panel, Box - Right |
| 42 | 2516-203 | 1 | | Panel, Box - Left |
| 43 | 1411-128 | 1 | | Decal, Reflector - Right |
| 43 | 1411-129 | 1 | | Decal, Reflector - Left |
| 44 | 0423-342 | 20 | /P | Screw, Self-Tapping |

2009 PROWLER 1000 XTZ 4X4 SUNSET ORANGE (U2009P4W4EUSK)
CARGO BOX AND TAILGATE ASSEMBLY

Page 13 of 86

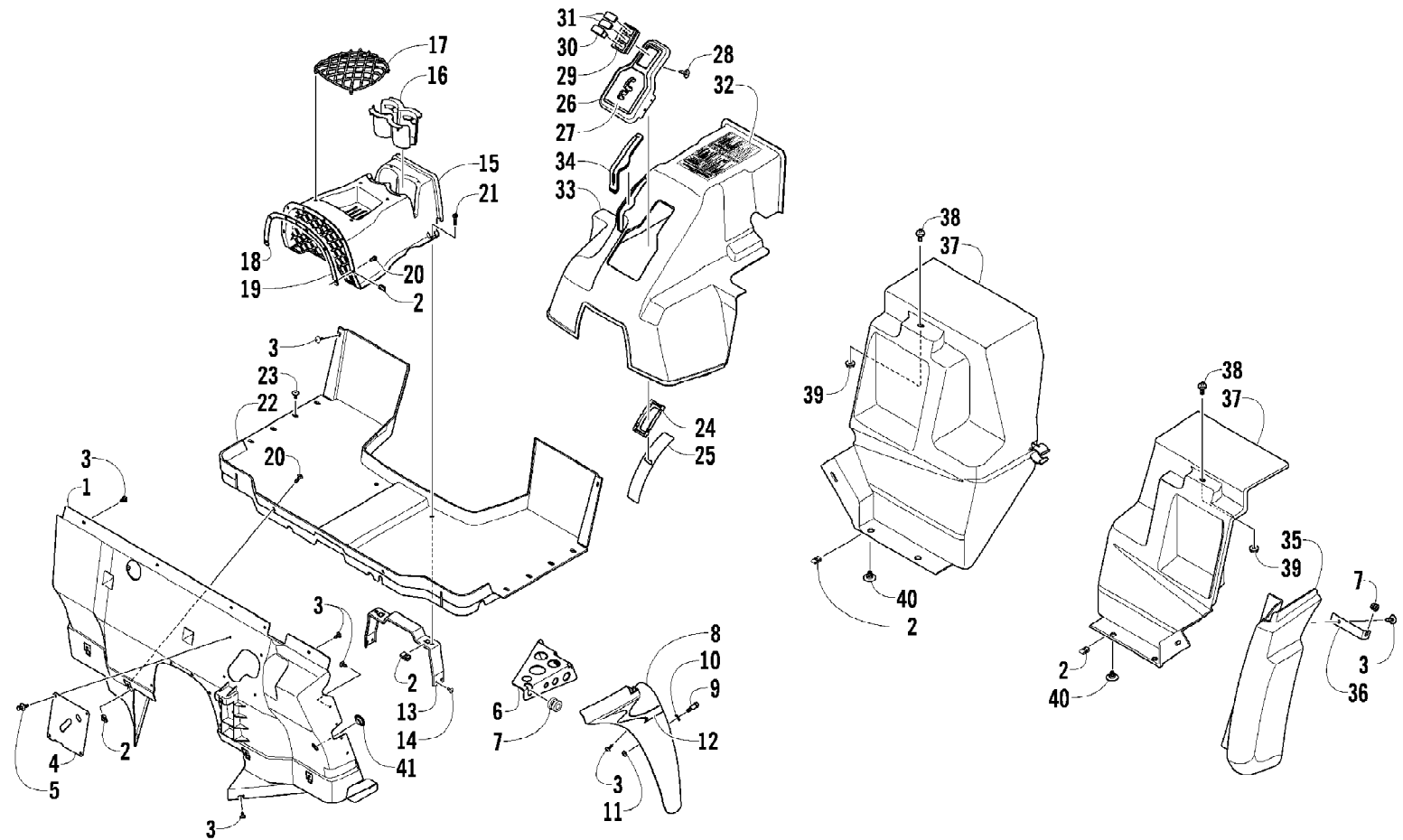
| Ref # | Part Number | Qty | S/P/F | Description |
|-------|-------------|-----|-------|-----------------------------------|
| 45 | 1411-996 | 1 | | Decal, Box - "Arctic Cat" - Right |
| 45 | 1411-997 | 1 | | Decal, Box - "Arctic Cat" - Left |
| 46 | 1506-776 | 1 | | Bracket, Fender Support - Right |
| 46 | 2506-927 | 1 | | Bracket, Fender Support - Left |

2009 PROWLER 1000 XTZ 4X4 SUNSET ORANGE (U2009P4W4EUSK)
CLUTCH SIDE ENGINE COVERS

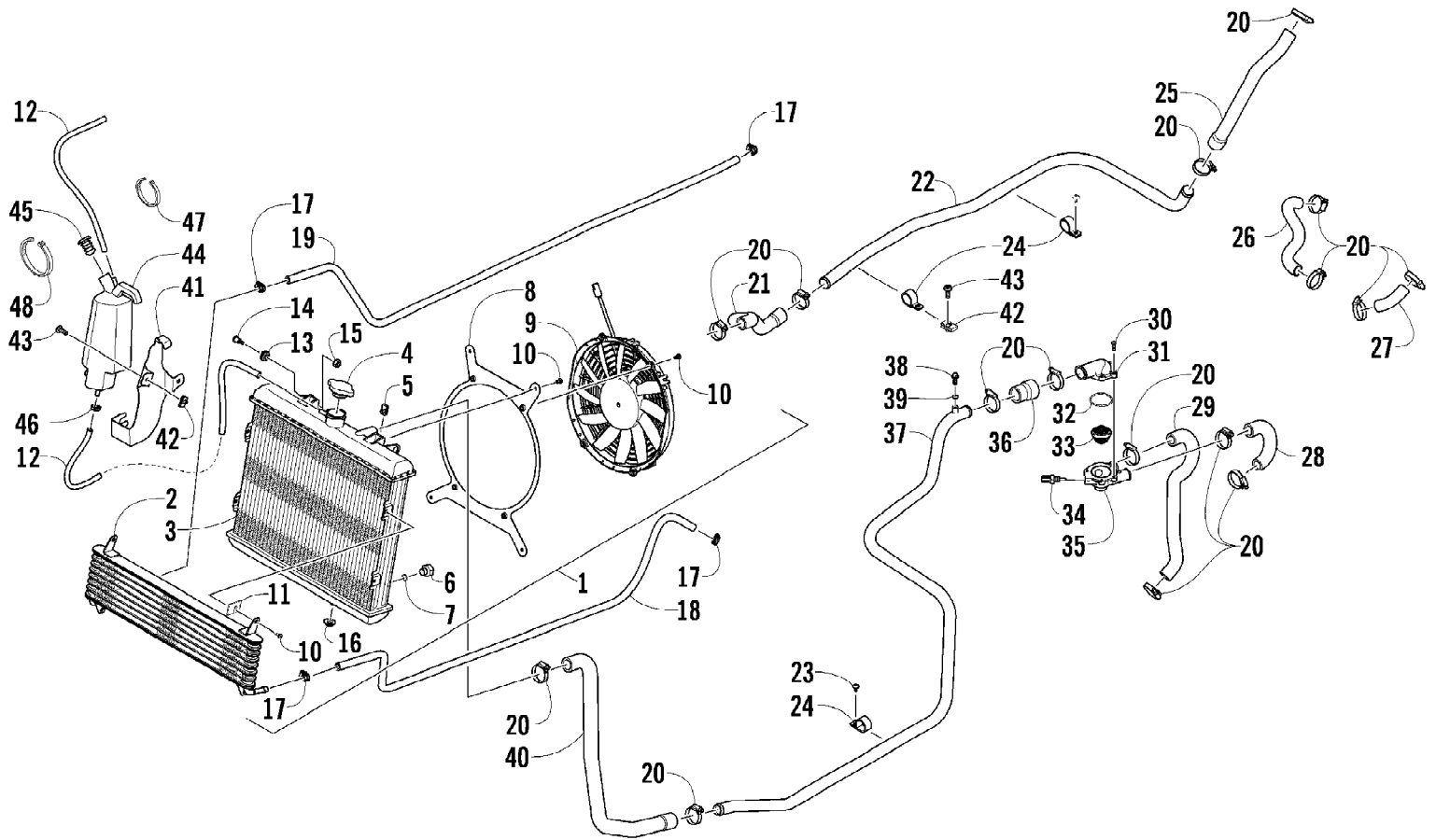
Page 15 of 86

| Ref # | Part Number | Qty | S/P/F | Description |
|-------|-------------|-----|-------|----------------------|
| 1 | 0806-068 | 1 | S | Cover, Outside |
| 2 | 0830-137 | 1 | | Gasket, Cover |
| 3 | 0806-067 | 1 | | Cover, Inside |
| 4 | 0806-064 | 1 | | Cover, Clutch |
| 5 | 0830-133 | 1 | | Gasket, Clutch Cover |
| 6 | 8468-616 | 9 | | Screw, Machine |
| 7 | 8468-630 | 21 | | Screw, Machine |
| 8 | 0829-001 | 6 | S | Pin, Dowel |
| 9 | 0830-013 | 1 | | Washer, Crush |
| 10 | 8408-812 | 1 | | Screw, Cap |

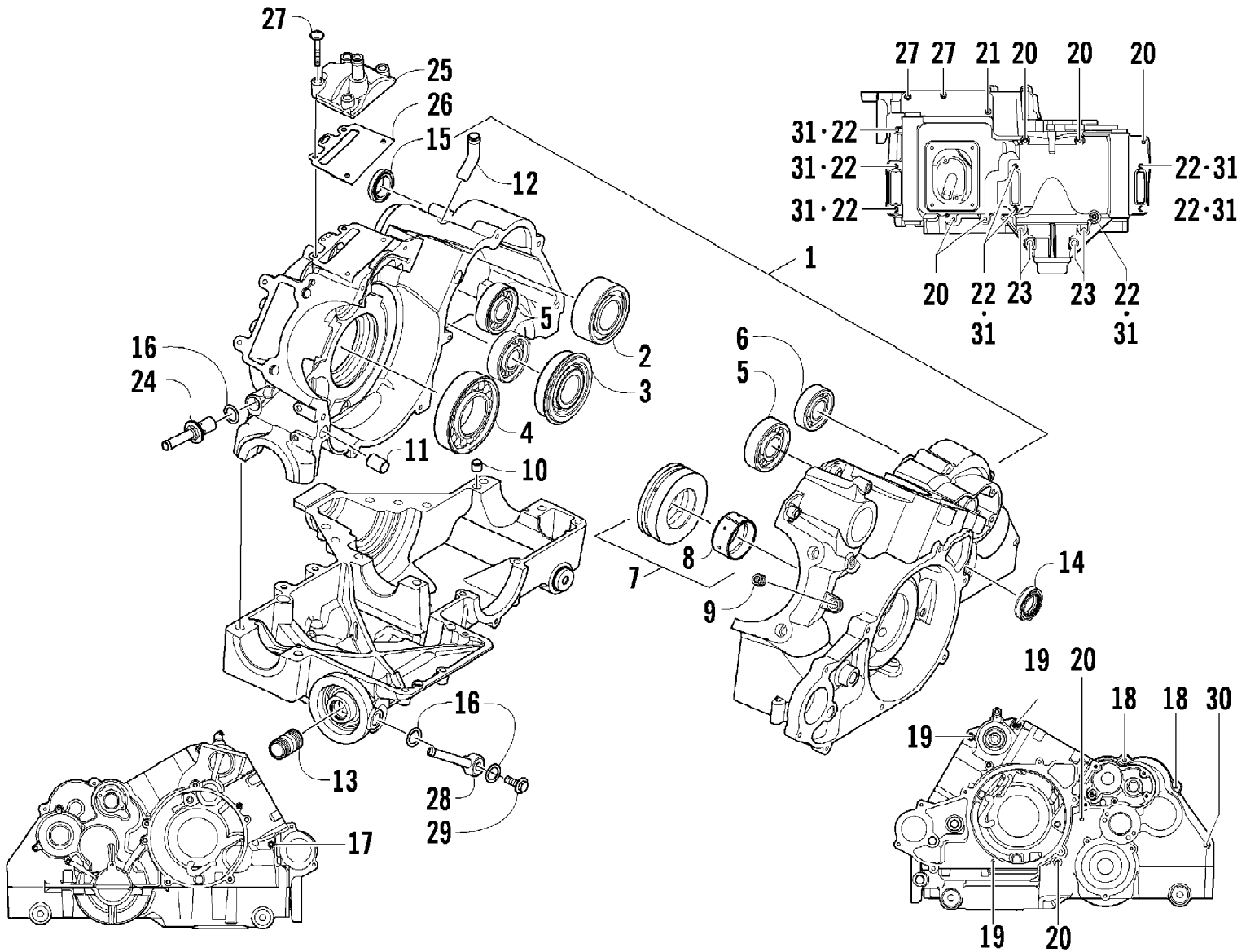
2009 PROWLER 1000 XTZ 4X4 SUNSET ORANGE (U2009P4W4EUSK)
CONSOLE AND FLOOR PANEL ASSEMBLY



| Ref # | Part Number | Qty | S/P/F | Description |
|-------|-------------|-----|-------|---------------------------------|
| 1 | 2516-456 | 1 | | Panel, Fender - Inner |
| 2 | 0423-577 | 18 | | Clip, U-Nut |
| 3 | 0623-784 | 24 | | Screw, Self-Tapping |
| 4 | 2406-635 | 1 | | Panel, Splash - Inner Fender |
| 5 | 0623-362 | 4 | | Rivet, Reinstallable |
| 6 | 2506-066 | 1 | | Bracket, Support - Right |
| 6 | 2506-067 | 1 | | Bracket, Support - Left |
| 7 | 0423-447 | 4 | | Grommet |
| 8 | 2506-586 | 1 | | Fender, Front - Right |
| 8 | 2506-587 | 1 | | Fender, Front - Left |
| 9 | 0623-855 | 2 | | Screw, Shoulder |
| 10 | 8050-217 | 2 | /P | Washer |
| 11 | 1623-066 | 2 | | Nut, Lock |
| 12 | 1411-994 | 1 | | Decal, Front Fender - Right |
| 12 | 1411-995 | 1 | | Decal, Front Fender - Left |
| 13 | 2516-313 | 1 | | Bracket, Support |
| 14 | 8476-616 | 4 | | Screw, Machine |
| 15 | 2416-081 | 1 | | Console - Front |
| 16 | 2416-109 | 1 | | Insert, Cupholder |
| 17 | 2416-111 | 1 | | Net, Storage |
| 18 | 0417-019 | 1 | | Foam, Console |
| 19 | 0417-018 | 1 | | Foam, Console |
| 20 | 8468-620 | 12 | /P | Screw, Machine |
| 21 | 8468-670 | 2 | | Screw, Machine |
| 22 | 2416-085 | 1 | | Floor |
| 23 | 0423-545 | 8 | /P | Screw, Shoulder |
| 24 | 1402-793 | 1 | | Slide, Shift Gate |
| 25 | 1402-794 | 1 | | Slide, Shift |
| 26 | 1502-520 | 1 | | Gate, Shift (inc. 27) |
| 27 | 1411-985 | 1 | | Decal, Shift Gate |
| 28 | 0423-342 | 3 | /P | Screw, Self-Tapping |
| 29 | 0409-069 | 1 | | Panel, Switch-Mount |
| 30 | 0409-071 | 1 | | Switch, Reverse Override |
| 31 | 0409-070 | 2 | | Plug, Switch-Hole |
| 32 | 1411-126 | 1 | | Decal, Warning - Console |
| 33 | 2406-951 | 1 | | Console, Center |
| 34 | 2406-960 | 1 | | Boot, Parking Brake Lever |
| 35 | 2516-008 | 1 | | Fender, Rear - Lower - Right |
| 35 | 2516-009 | 1 | | Fender, Rear - Lower - Left |
| 36 | 2516-326 | 2 | | Bracket, Fender Support - Lower |
| 37 | 2416-018 | 1 | | Panel, Splash - Right |
| 37 | 2416-019 | 1 | | Panel, Splash - Left |
| 38 | 8476-616 | 2 | | Screw, Machine |
| 39 | 8424-602 | 2 | /P | Nut |
| 40 | 0423-101 | 4 | | Screw, Shoulder |
| 41 | 2416-159 | AR | | Plug |



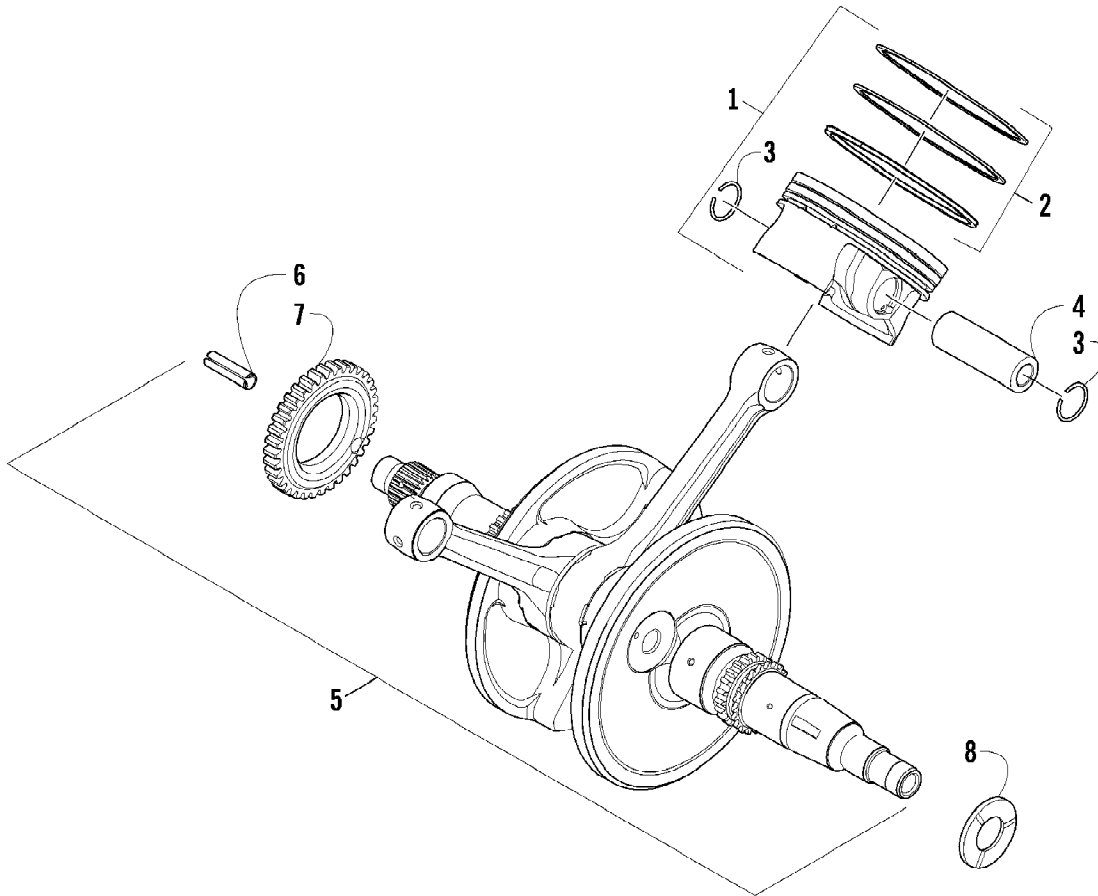
| Ref # | Part Number | Qty | S/P/F | Description |
|-------|-------------|-----|-------|---|
| 1 | 0513-029 | 1 | | Radiator Assembly (inc. 2-13) |
| 2 | 0413-241 | 1 | | Cooler, Oil |
| 3 | 0413-216 | 1 | | Radiator |
| 4 | 0413-002 | 1 | S | Cap, Radiator |
| 5 | 1623-637 | 4 | | Clip, U-Nut |
| 6 | 0413-195 | 1 | | Plug, Drain |
| 7 | 1602-213 | 1 | /P | O-Ring |
| 8 | 0413-217 | 1 | | Bracket, Mounting - Fan |
| 9 | 0413-123 | 1 | /P | Fan, Cooling |
| 10 | 8470-510 | 12 | | Screw, Machine |
| 11 | 0413-254 | 4 | | Spacer |
| 12 | 0610-011 | AR | /P | Hose - 25 ft |
| 13 | 0423-030 | 2 | | Grommet |
| 14 | 0423-484 | 2 | | Screw, Shoulder |
| 15 | 0623-038 | 2 | | Nut w/Washer |
| 16 | 0423-028 | 2 | | Bushing, Stem |
| 17 | 0423-632 | 4 | | Clamp, Hose |
| 18 | 0410-183 | 1 | | Hose, Oil Cooler - In |
| 19 | 0410-184 | 1 | | Hose, Oil Cooler - Out |
| 20 | 0423-496 | 16 | | Clamp, Hose |
| 21 | 0410-094 | 1 | | Hose, Coolant - Radiator/Coolant Pipe |
| 22 | 0410-177 | 1 | | Pipe, Coolant |
| 23 | 0623-784 | 1 | | Screw, Self-Tapping |
| 24 | 0423-594 | 3 | | Clamp, Routing |
| 25 | 0410-180 | 1 | | Hose, Coolant - Coolant Pipe/Water Pump |
| 26 | 0410-116 | 1 | | Hose, Coolant - Crossover |
| 27 | 0410-115 | 1 | | Hose, Coolant - Crossover |
| 28 | 0410-191 | 1 | | Hose, Coolant - Cylinder/Thermostat |
| 29 | 0410-190 | 1 | | Hose, Coolant - Cylinder/Thermostat |
| 30 | 8470-520 | 4 | | Screw, Machine |
| 31 | 0808-092 | 1 | | Cover, Thermostat |
| 32 | 0830-173 | 1 | | O-Ring |
| 33 | 0808-093 | 1 | | Thermostat |
| 34 | 0808-124 | 1 | | Sensor, Engine Coolant Temperature |
| 35 | 0808-091 | 1 | | Housing, Thermostat |
| 36 | 0410-189 | 1 | | Hose, Coolant - Thermostat/Coolant Pipe |
| 37 | 0410-178 | 1 | | Pipe, Coolant w/Bleed Valve |
| 38 | 0423-984 | 1 | S | Screw, Bleed |
| 39 | 0423-921 | 1 | | O-Ring |
| 40 | 0410-092 | 1 | | Hose, Coolant - Coolant Pipe/Radiator |
| 41 | 0410-199 | 1 | | Bracket, Mounting - Overflow Bottle |
| 42 | 0423-577 | 3 | | Clip, U-Nut |
| 43 | 8476-616 | 3 | | Screw, Machine |
| 44 | 0413-086 | 1 | | Bottle, Overflow |
| 45 | 0413-087 | 1 | | Plug |
| 46 | 0124-045 | 1 | /P | Clamp, Hose |
| 47 | 0123-788 | AR | /P | Tie, Cable - 8 in. |
| 48 | 0623-316 | AR | | Tie, Cable - 14 in. |



2009 PROWLER 1000 XTZ 4X4 SUNSET ORANGE (U2009P4W4EUSK)
CRANKCASE ASSEMBLY

Page 21 of 86

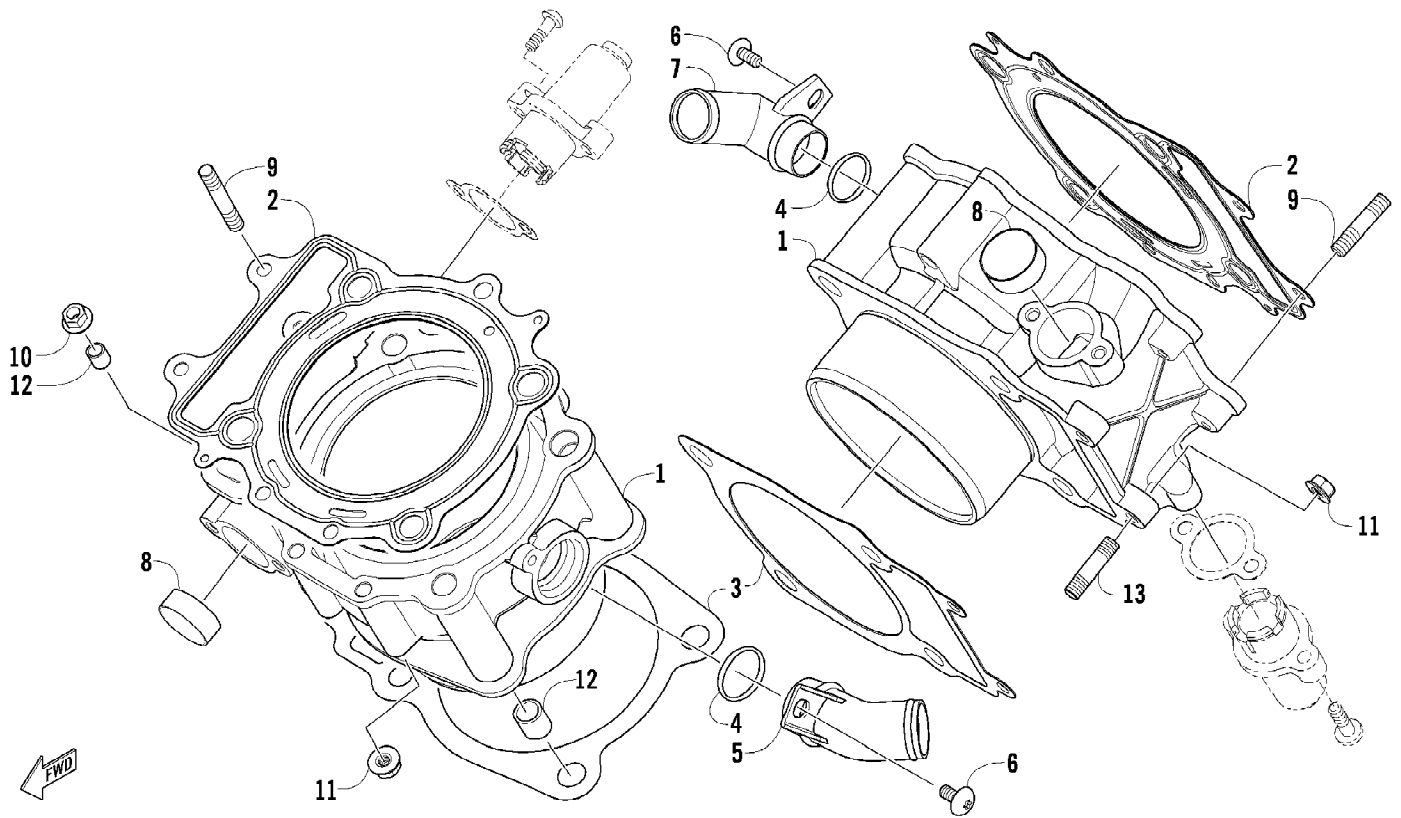
| Ref # | Part Number | Qty | S/P/F | Description |
|-------|-------------|-----|-------|----------------------------------|
| 1 | 0801-074 | 1 | | Crankcase - Assembly (inc. 2-15) |
| 2 | 0832-048 | 1 | /P | Bearing |
| 3 | 0832-058 | 1 | S | Bearing |
| 4 | 0832-042 | 1 | /P | Bearing |
| 5 | 0832-050 | 3 | /P | Bearing |
| 6 | 0832-049 | 1 | /P | Bearing |
| 7 | 0832-055 | 1 | | Bearing - Assembly (inc. 8) |
| 8 | 0832-057 | 1 | | Bearing |
| 9 | 0801-002 | 1 | | Plug, Engine Case |
| 10 | 0829-001 | 2 | S | Pin, Dowel |
| 11 | 0829-002 | 2 | | Pin, Dowel |
| 12 | 0801-118 | 1 | | Pipe, Breather |
| 13 | 0812-008 | 1 | | Union, Oil Filter |
| 14 | 0822-052 | 1 | | Seal, Countershaft - Right |
| 15 | 0830-035 | 1 | | Seal, Driveshaft |
| 16 | 0812-026 | 3 | | Gasket, Washer |
| 17 | 8468-685 | 1 | | Screw, Machine |
| 18 | 8468-650 | 2 | | Screw, Machine |
| 19 | 8468-625 | 3 | | Screw, Machine |
| 20 | 8468-665 | 7 | | Screw, Machine |
| 21 | 8468-640 | 1 | | Screw, Machine |
| 22 | 8412-870 | 8 | | Screw, Cap |
| 23 | 8412-830 | 4 | | Screw, Cap |
| 24 | 0812-051 | 1 | | Fitting, Oil - Threaded |
| 25 | 0801-088 | 1 | | Cover, Breather |
| 26 | 0830-160 | 1 | | Gasket, Breather |
| 27 | 8468-630 | 6 | | Screw, Machine |
| 28 | 0812-028 | 1 | | Fitting, Oil - 40° |
| 29 | 0812-025 | 1 | | Bolt, Oil |
| 30 | 8468-670 | 1 | | Screw, Machine |
| 31 | 0830-008 | 8 | | Washer |
| 32 | 0830-107 | 4 | | Gasket |



2009 PROWLER 1000 XTZ 4X4 SUNSET ORANGE (U2009P4W4EUSK)
CRANKSHAFT AND PISTON ASSEMBLY

Page 23 of 86

| Ref # | Part Number | Qty | S/P/F | Description |
|-------|-------------|-----|-------|----------------------------------|
| 1 | 0805-299 | 2 | /P | Piston Set - Assembly (inc. 2-4) |
| 2 | 0805-164 | 2 | | Ring, Piston - Set |
| 3 | 0805-199 | 4 | | Circlip, Piston Pin |
| 4 | 0805-198 | 2 | | Pin, Piston |
| 5 | 0805-200 | 1 | S | Crankshaft - Assembly (inc. 6-7) |
| 6 | 0805-204 | 1 | | Pin, Spring |
| 7 | 0805-201 | 1 | | Gear, Crankshaft |
| 8 | 0805-273 | 1 | | Washer, Thrust |

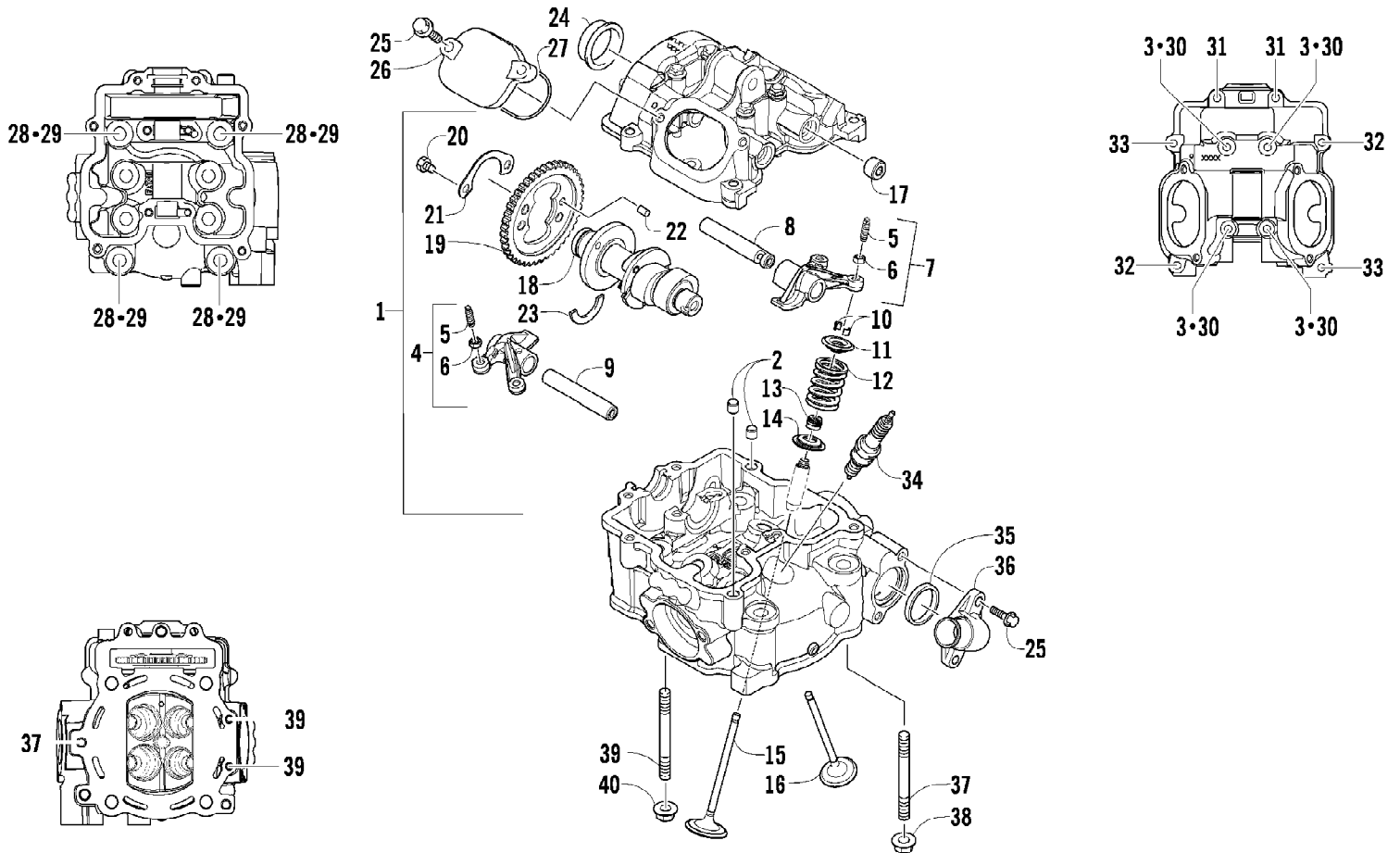


2009 PROWLER 1000 XTZ 4X4 SUNSET ORANGE (U2009P4W4EUSK)
CYLINDER ASSEMBLY

Page 25 of 86

| Ref # | Part Number | Qty | S/P/F | Description |
|-------|-------------|-----|-------|---------------------|
| 1 | 0804-031 | 2 | | Cylinder |
| 2 | 0830-126 | 2 | S | Gasket, Head |
| 3 | 0830-127 | 2 | | Gasket, Base |
| 4 | 0830-007 | 2 | | O-Ring |
| 5 | 0804-046 | 1 | | Union, Coolant Hose |
| 6 | 8468-612 | 2 | | Screw, Machine |
| 7 | 0804-030 | 1 | | Union, Coolant Hose |
| 8 | 0804-037 | 2 | | Plug, Cylinder |
| 9 | 0827-002 | 4 | | Bolt, Stud |
| 10 | 8424-804 | 2 | | Nut |
| 11 | 8424-604 | 8 | | Nut |
| 12 | 0829-002 | 8 | | Pin, Dowel |
| 13 | 0827-018 | 4 | | Bolt, Stud |

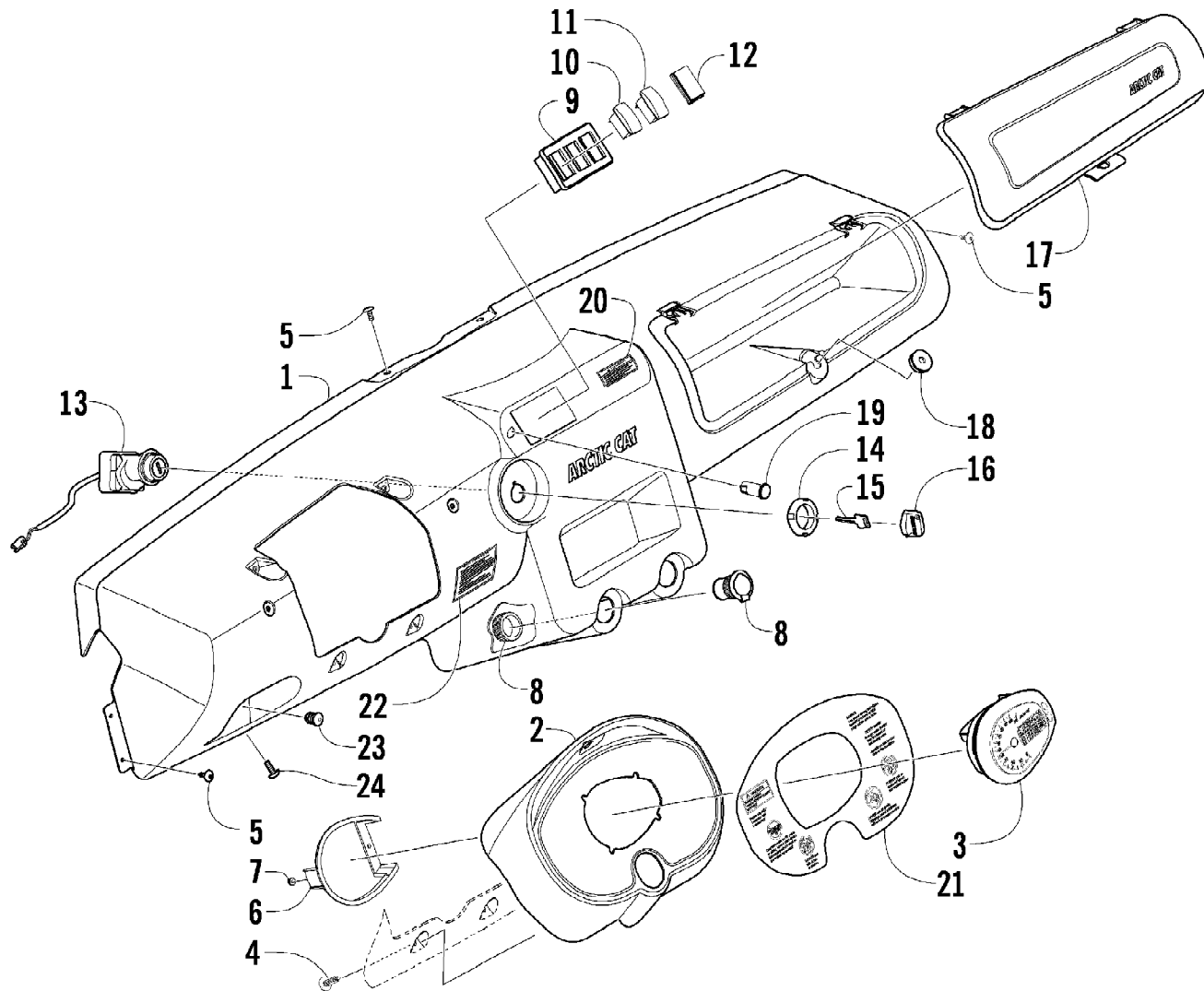
2009 PROWLER 1000 XTZ 4X4 SUNSET ORANGE (U2009P4W4EUSK)
CYLINDER HEAD AND CAMSHAFT/VALVE ASSEMBLY



2009 PROWLER 1000 XTZ 4X4 SUNSET ORANGE (U2009P4W4EUSK)
CYLINDER HEAD AND CAMSHAFT/VALVE ASSEMBLY

Page 27 of 86

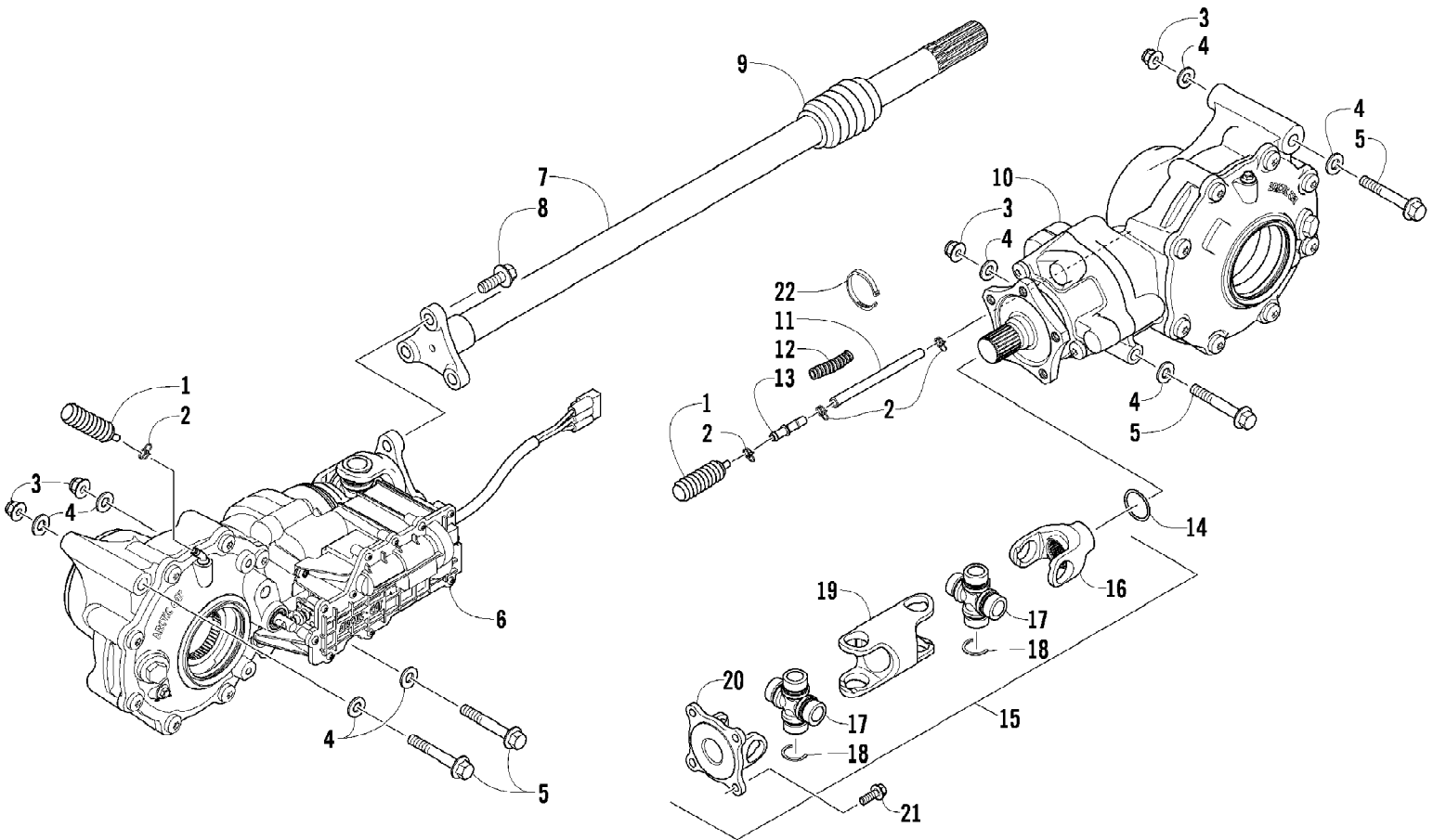
| Ref # | Part Number | Qty | S/P/F | Description |
|-------|-------------|-----|-------|--|
| 1 | 0808-135 | 2 | S | Head, Cylinder - Assembly (inc. 2-17) |
| 2 | 0829-001 | 4 | S | Pin, Dowel |
| 3 | 0826-001 | 8 | | Screw, Cap |
| 4 | 0809-202 | 2 | S | Arm, Valve Rocker - Intake (inc. two No. 5-6) |
| 5 | 0809-033 | 8 | S | Screw, Adjuster |
| 6 | 0827-007 | 8 | | Nut |
| 7 | 0809-205 | 2 | S | Arm, Valve Rocker - Exhaust (inc. two No. 5-6) |
| 8 | 0809-008 | 2 | | Shaft, Rocker Arm - Exhaust |
| 9 | 0809-007 | 2 | | Shaft, Rocker Arm - Intake |
| 10 | 0809-014 | 16 | | Cotter, Valve |
| 11 | 0809-013 | 8 | | Retainer, Spring |
| 12 | 0809-138 | 8 | S | Spring, Valve |
| 13 | 0830-016 | 8 | S | Seal, Oil |
| 14 | 0809-006 | 8 | | Seat, Spring - Valve |
| 15 | 0809-040 | 4 | S | Valve, Exhaust |
| 16 | 0809-039 | 4 | S | Valve, Intake |
| 17 | 0831-066 | 4 | | Plug, Shaft |
| 18 | 0809-246 | 1 | /P | Camshaft, Front Cylinder |
| 18 | 0809-248 | 1 | /P | Camshaft, Rear Cylinder |
| 19 | 0809-002 | 2 | | Sprocket |
| 20 | 0826-034 | 4 | | Screw, Cap |
| 21 | 0828-004 | 2 | | Plate, Retainer |
| 22 | 0829-008 | 2 | | Pin, Dowel |
| 23 | 0809-003 | 2 | | C-Ring |
| 24 | 0808-077 | 2 | | Plug, Cylinder Head |
| 25 | 0826-007 | 12 | | Screw, Cap |
| 26 | 0808-003 | 4 | | Cap, Inspection |
| 27 | 0830-167 | 4 | /P | O-Ring |
| 28 | 0808-090 | 8 | | Screw, Cap |
| 29 | 0830-147 | 8 | /P | Washer |
| 30 | 0830-107 | 8 | | Gasket |
| 31 | 0826-002 | 4 | | Screw, Cap |
| 32 | 0826-005 | 4 | | Screw, Cap |
| 33 | 0826-006 | 4 | | Screw, Cap |
| 34 | 0217-799 | 2 | /P/F | Spark Plug |
| 35 | 0830-120 | 2 | | Seal |
| 36 | 0808-008 | 2 | | Cover, Thermostat |
| 37 | 0827-031 | 2 | | Bolt, Stud |
| 38 | 8424-804 | 2 | | Nut |
| 39 | 0827-030 | 4 | | Bolt, Stud |
| 40 | 8424-604 | 4 | | Nut |



2009 PROWLER 1000 XTZ 4X4 SUNSET ORANGE (U2009P4W4EUSK)
DASH ASSEMBLY

Page 29 of 86

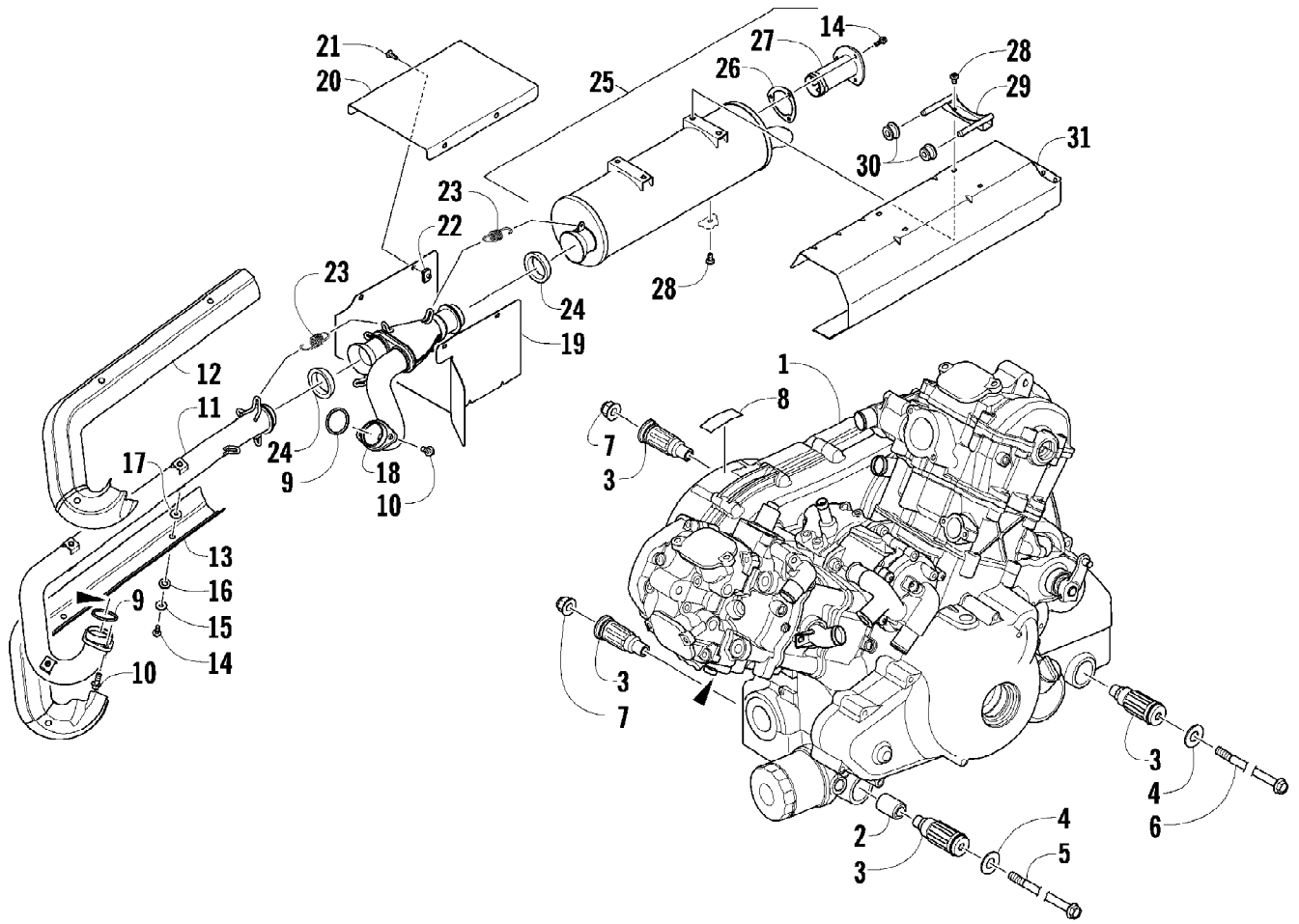
| Ref # | Part Number | Qty | S/P/F | Description |
|-------|-------------|-----|-------|------------------------------------|
| 1 | 2406-779 | 1 | | Panel, Dash |
| 2 | 1406-727 | 1 | | Pod, Instrument |
| 3 | 0520-047 | 1 | | Gauge, Analog/LCD |
| 4 | 0423-342 | 6 | /P | Screw, Self-Tapping |
| 5 | 0623-784 | 6 | | Screw, Self-Tapping |
| 6 | 0420-065 | 1 | /P | Bracket, Retaining |
| 7 | 0423-493 | 2 | | Nut w/Washer |
| 8 | 0641-897 | 2 | /P | Outlet, Accessory - 12V |
| 9 | 0409-069 | 1 | | Panel, Switch-Mount |
| 10 | 0409-067 | 1 | | Switch, Light |
| 11 | 0409-061 | 1 | | Switch, 2WD/4WD/Differential Lock |
| 12 | 0409-070 | 1 | | Plug, Switch Hole |
| 13 | 0430-089 | 1 | /P | Switch, Ignition (inc. 14-16) |
| 14 | 0430-050 | 1 | | Nut, Flange - Ignition Switch |
| 15 | 0430-042 | 1 | F | Key, Ignition - Series |
| 15 | 0430-043 | 1 | F | Key, Ignition - Series |
| 16 | 0430-054 | 1 | | Cover, Key |
| 17 | 1406-789 | 1 | | Cover, Glove Box |
| 18 | 0423-541 | 1 | | Grommet, Latch - Glove Box |
| 19 | 0420-076 | 1 | | Light, Indicator |
| 20 | 1411-124 | 1 | | Decal, Warning - Differential Lock |
| 21 | 1411-125 | 1 | | Decal, Warning - Dash |
| 22 | 1411-904 | 1 | | Decal, Starting |
| 23 | 1623-697 | 1 | | Plug |
| 24 | 0423-419 | 3 | | Screw, Machine |



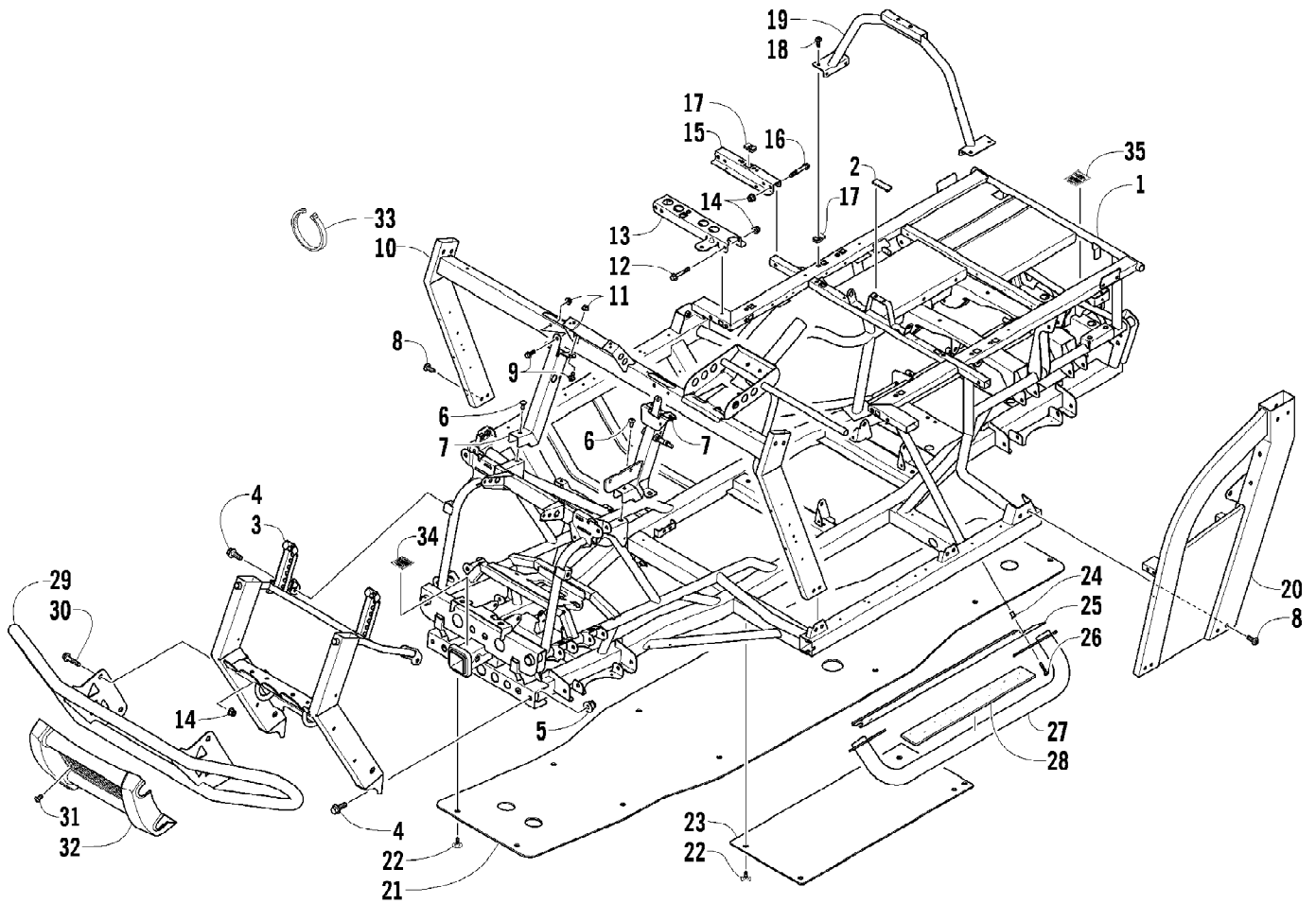
2009 PROWLER 1000 XTZ 4X4 SUNSET ORANGE (U2009P4W4EUSK)
DRIVE TRAIN ASSEMBLY

Page 31 of 86

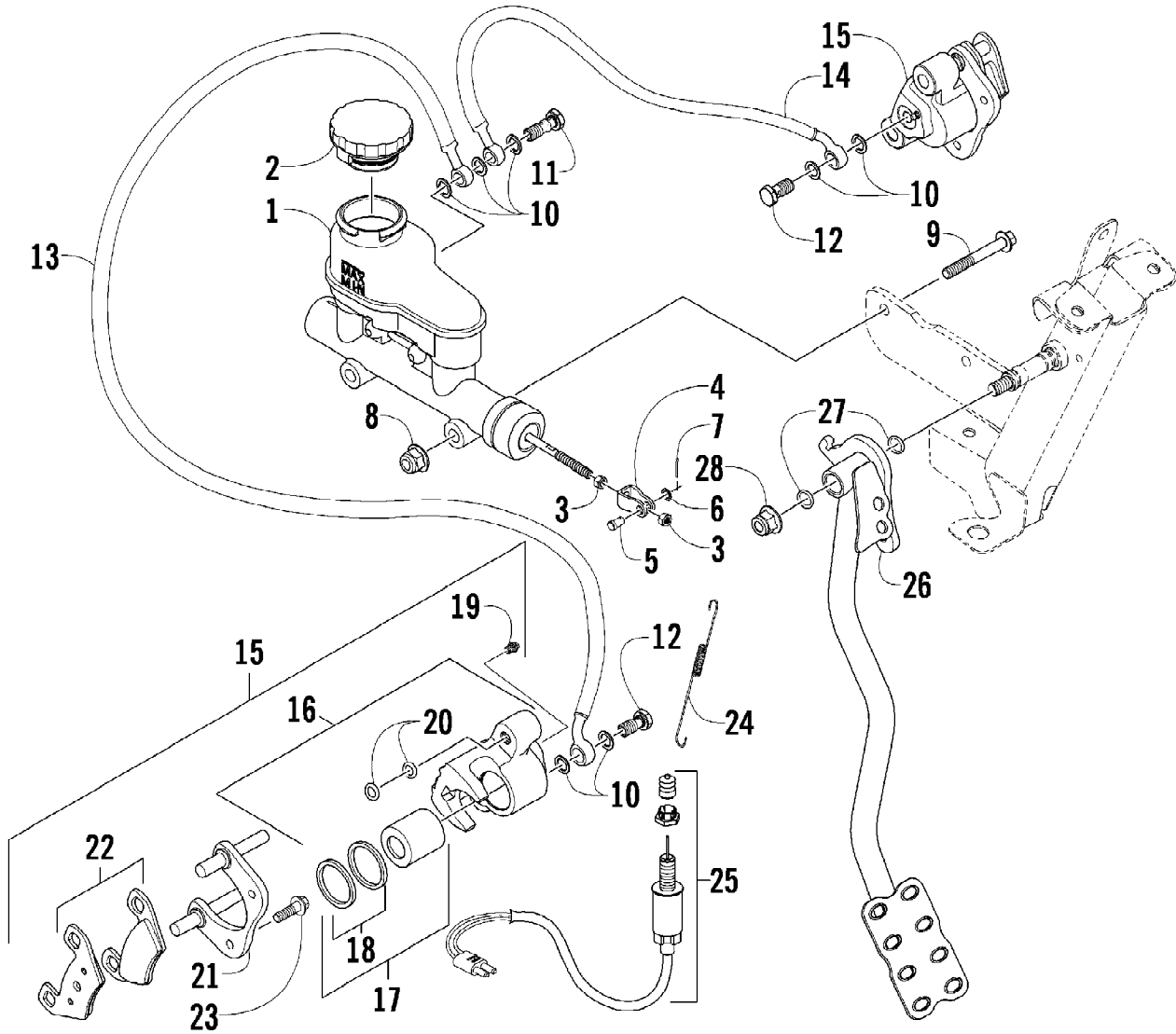
| Ref # | Part Number | Qty | S/P/F | Description |
|-------|-------------|-----|-------|--|
| 1 | 1402-620 | 2 | /P | Bladder, Gearcase |
| 2 | 0423-670 | 4 | | Clamp, Hose |
| 3 | 8428-002 | 4 | | Nut, Lock |
| 4 | 0423-426 | 8 | | Washer |
| 5 | 0423-404 | 4 | | Screw, Cap |
| 6 | 1502-558 | 1 | | Gearcase, Front |
| 7 | 1402-795 | 1 | | Driveshaft, Front |
| 8 | 8409-025 | 3 | | Screw, Cap |
| 9 | 0402-966 | 1 | | Boot, Shaft |
| 10 | 1502-404 | 1 | | Gearcase, Rear |
| 11 | 0410-070 | AR | /P | Hose, Vent - 25 ft |
| 12 | 0419-392 | AR | | Conduit, Flexible - 3 ft |
| 13 | 0470-702 | 1 | /P | Fitting, Vent |
| 14 | 1402-203 | 1 | | O-Ring |
| 15 | 1502-560 | 1 | | Driveshaft, Rear - Assembly (inc. 16-20) |
| 16 | 0502-522 | 1 | | Yoke, Slip |
| 17 | 0402-944 | 2 | /P | Joint, Universal (inc. 18) |
| 18 | 0423-395 | 8 | | Ring, Retaining |
| 19 | 1502-561 | 1 | | Driveshaft, Rear |
| 20 | 1402-689 | 1 | | Yoke, Flange |
| 21 | 8408-820 | 4 | /P | Screw, Cap |
| 22 | 0123-788 | AR | /P | Tie, Cable - 8 in. |



| Ref # | Part Number | Qty | S/P/F | Description |
|-------|-------------|-----|-------|--|
| 1 | 0800-067 | 1 | S | Engine, A950BH2 (inc. 2-3) |
| 2 | 0801-128 | 1 | | Spacer, Engine Mount |
| 3 | 0801-091 | 4 | | Mount, Engine |
| 4 | 0423-426 | 2 | | Washer |
| 5 | 0423-734 | 1 | | Screw, Cap |
| 6 | 0423-451 | 1 | | Screw, Cap |
| 7 | 8428-002 | 2 | | Nut, Lock |
| 8 | 0411-426 | 1 | | Decal, Warning - Clutch Cover |
| 9 | 0412-338 | 2 | /P | Gasket, Exhaust Pipe |
| 10 | 8408-820 | 4 | /P | Screw, Cap |
| 11 | 0512-517 | 1 | /P | Pipe, Exhaust - Front |
| 12 | 0512-512 | 1 | | Shield, Exhaust Pipe - Upper |
| 13 | 0512-513 | 1 | | Shield, Exhaust Pipe - Lower |
| 14 | 8408-616 | 9 | | Screw, Cap |
| 15 | 8050-222 | 6 | /P | Washer |
| 16 | 0423-909 | 6 | | Isolator |
| 17 | 0423-908 | 6 | | Isolator |
| 18 | 0512-519 | 1 | /P | Pipe, Exhaust - Rear |
| 19 | 0412-543 | 1 | | Shield, Exhaust Pipe - Rear |
| 20 | 0412-561 | 1 | | Shield, Heat |
| 21 | 8476-616 | 4 | | Screw, Machine |
| 22 | 0423-577 | 4 | | Clip, U-Nut |
| 23 | 0612-668 | 6 | /P | Spring, Extension |
| 24 | 0412-375 | 2 | /P | Seal, Exhaust Pipe |
| 25 | 0512-500 | 1 | | Muffler - Assembly (inc. 26-27 and three No. 14) |
| 26 | 0412-313 | 1 | | Gasket, Spark Arrester |
| 27 | 0512-219 | 1 | /P | Arrester, Spark - Assembly |
| 28 | 8476-612 | 6 | | Screw, Machine |
| 29 | 0412-553 | 2 | | Bracket, Muffler Support |
| 30 | 0412-544 | 4 | | Bushing |
| 31 | 0412-551 | 1 | | Cover, Muffler |



| Ref # | Part Number | Qty | S/P/F | Description |
|-------|-------------|-----|-------|---------------------------------------|
| 1 | 2516-225 | 1 | | Frame, Main (inc. 2) |
| 2 | 0406-879 | 1 | | Bumper, Seat |
| 3 | 2516-319 | 1 | | Bumper |
| 4 | 8409-020 | 4 | /P | Screw, Cap |
| 5 | 8427-002 | 2 | | Nut, Lock |
| 6 | 8476-820 | 2 | | Screw, Machine |
| 7 | 1506-797 | 1 | | Bracket, Steering Support - Right |
| 7 | 0502-853 | 1 | | Bracket, Steering Support - Left |
| 8 | 0423-817 | 12 | | Screw, Machine |
| 9 | 8408-820 | 6 | /P | Screw, Cap |
| 10 | 0505-567 | 1 | | Support, Steering |
| 11 | 8424-802 | 6 | | Nut |
| 12 | 8408-870 | 6 | | Screw, Cap |
| 13 | 1506-844 | 1 | | Bracket, Seat Support - Front - Right |
| 13 | 1506-845 | 1 | | Bracket, Seat Support - Front - Left |
| 14 | 8427-802 | 16 | | Nut, Lock |
| 15 | 1506-842 | 2 | | Bracket, Seat Support - Rear |
| 16 | 8408-850 | 6 | | Screw, Cap |
| 17 | 0423-577 | 12 | | Clip, U-Nut |
| 18 | 8476-616 | 4 | | Screw, Machine |
| 19 | 2506-638 | 1 | | Support, Canopy |
| 20 | 2516-102 | 1 | | Support, Overhead - Right |
| 20 | 2516-103 | 1 | | Support, Overhead - Left |
| 21 | 2416-076 | 1 | | Plate, Skid - Center |
| 22 | 0423-545 | 20 | /P | Screw, Shoulder |
| 23 | 1406-721 | 2 | | Panel, Belly - Side |
| 24 | 1441-442 | 8 | | Insert |
| 25 | 2516-048 | 1 | | Plate, Skid - Right Side |
| 25 | 2516-049 | 1 | | Plate, Skid - Left Side |
| 26 | 8477-635 | 8 | | Screw, Machine |
| 27 | 0541-563 | 2 | | Bar, Nerf |
| 28 | 1441-597 | 2 | | Pad, Non-Slip |
| 29 | 2506-779 | 1 | | Bumper |
| 30 | 8408-860 | 4 | | Screw, Cap |
| 31 | 8477-616 | 4 | | Screw, Machine |
| 32 | 2406-713 | 1 | | Fascia, Bumper - Front |
| 33 | 0123-788 | AR | /P | Tie, Cable - 8 in. |
| 34 | 1411-122 | 1 | | Decal, Warning - Towing - Front |
| 35 | 1411-123 | 1 | | Decal, Warning - Towing - Rear |

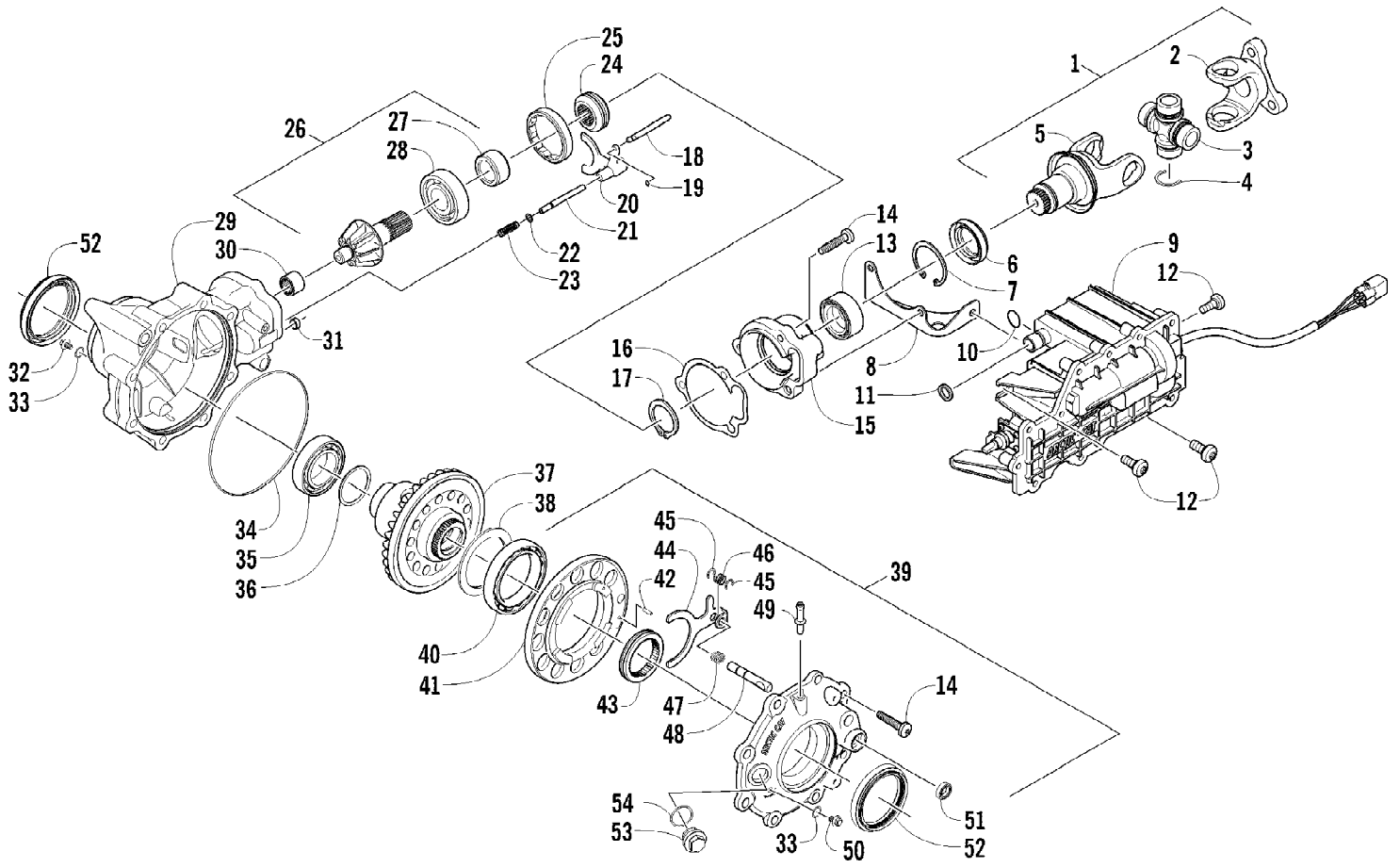


2009 PROWLER 1000 XTZ 4X4 SUNSET ORANGE (U2009P4W4EUSK)
FRONT BRAKE ASSEMBLY

Page 37 of 86

| Ref # | Part Number | Qty | S/P/F | Description |
|-------|-------------|-----|-------|--|
| 1 | 0502-786 | 1 | | Cylinder, Master Brake - Assembly (inc. 2-4) |
| 2 | 0405-225 | 1 | | Cap, Reservoir |
| 3 | 0402-592 | 2 | | Nut |
| 4 | 1402-520 | 1 | | Clevis |
| 5 | 1402-377 | 1 | | Pin, Clevis |
| 6 | 8050-217 | 1 | /P | Washer |
| 7 | 0117-868 | 1 | | Pin, Cotter |
| 8 | 8424-802 | 2 | | Nut |
| 9 | 8408-860 | 2 | | Screw, Cap |
| 10 | 0423-178 | 7 | | Washer, Crush |
| 11 | 0423-610 | 1 | | Bolt, Banjo-Fitting - Double |
| 12 | 0423-413 | 2 | | Bolt, Banjo-Fitting |
| 13 | 1402-389 | 1 | | Hose, Brake - Front |
| 14 | 1402-290 | 1 | | Hose, Brake - Front Right |
| 15 | 0502-958 | 1 | S | Caliper, Brake - Front Right (inc. 16-22) |
| 15 | 0502-959 | 1 | S | Caliper, Brake - Front Left (inc. 16-22) |
| 16 | 1436-160 | 1 | /P | Housing, Caliper - Assembly - Front Right (inc. 17-19) |
| 16 | 1436-161 | 1 | /P | Housing, Caliper - Assembly - Front Left (inc. 17-19) |
| 17 | 0502-606 | 2 | | Piston/Seal Set (inc. 18) |
| 18 | 0502-607 | 2 | | Seal Set |
| 19 | 0502-609 | 2 | /P | Valve, Bleed |
| 20 | 0502-608 | 2 | | O-Ring, Guide - Set |
| 21 | 0502-960 | 2 | | Bracket Assembly |
| 22 | 1436-165 | 2 | S | Pad, Brake - Set |
| 23 | 8408-826 | 4 | | Screw, Cap |
| 24 | 0502-785 | 1 | | Spring, Brake Switch |
| 25 | 0409-089 | 1 | | Switch, Brake - Assembly |
| 26 | 1502-481 | 1 | | Lever, Brake |
| 27 | 1602-213 | 2 | /P | O-Ring |
| 28 | 8427-002 | 1 | | Nut, Lock |

2009 PROWLER 1000 XTZ 4X4 SUNSET ORANGE (U2009P4W4EUSK)
FRONT DRIVE GEARCASE ASSEMBLY

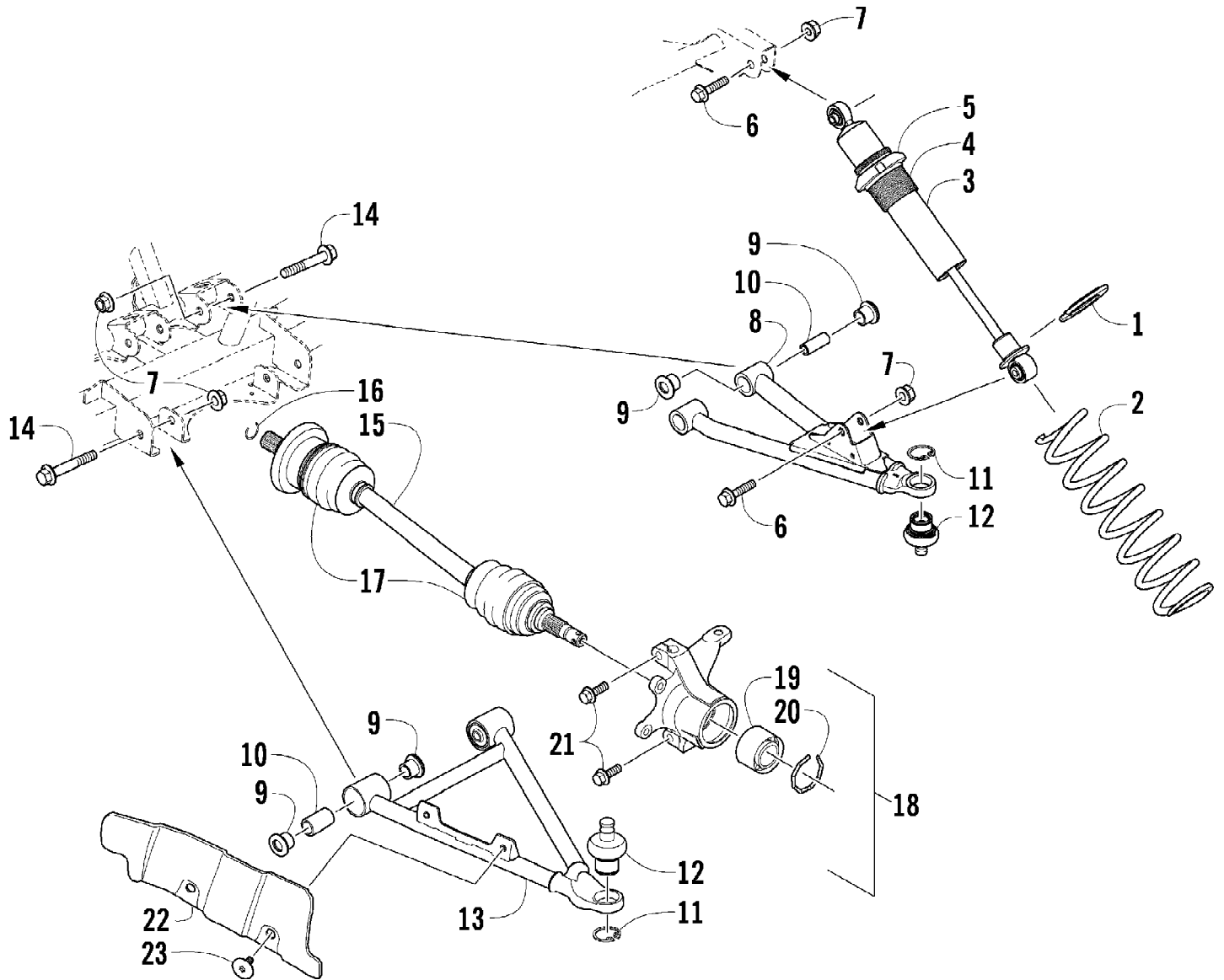


| Ref # | Part Number | Qty | S/P/F | Description |
|-------|-------------|-----|-------|--|
| | 1502-558 | 1 | | Complete Front Drive Gearcase Assembly |
| 1 | 1502-559 | 1 | | Shaft, Coupler - Assembly (inc. 2-5) |
| 2 | 0502-331 | 1 | | Coupler, Driveshaft |
| 3 | 0402-944 | 1 | /P | Joint, Universal (inc. 4) |
| 4 | 0423-395 | 4 | | Ring, Retaining |
| 5 | 0502-518 | 1 | | Yoke, Slip |
| 6 | 1402-011 | 1 | | Seal |
| 7 | 0423-423 | 1 | | Ring, Retaining |
| 8 | 1502-237 | 1 | | Bracket, Actuator |
| 9 | 0502-585 | 1 | S | Actuator (inc. 10) |
| 10 | 1402-981 | 1 | | O-Ring |
| 11 | 0423-892 | 1 | /P | O-Ring |
| 12 | 0423-396 | 3 | | Screw, Self-Tapping |
| 13 | 1402-043 | 1 | | Bearing |
| 14 | 0423-118 | 11 | | Screw, Self-Tapping |
| 15 | 0502-528 | 1 | /P | Housing, Pinion |
| 16 | 0402-947 | 1 | | Gasket |
| 17 | 0423-417 | 1 | | Ring, Retaining |
| 18 | 0402-997 | 1 | | Shaft, Selector |
| 19 | 0423-402 | 1 | | Ring, Retaining |
| 20 | 0402-998 | 1 | | Fork, Selector |
| 21 | 0402-417 | 1 | | Shaft, Shuttle |
| 22 | 0423-147 | 1 | | O-Ring |
| 23 | 0402-999 | 1 | | Spring, Return |
| 24 | 0402-413 | 1 | | Coupler, Drive |
| 25 | 0402-357 | 1 | | Collar, Lock |
| 26 | 0502-784 | 1 | | Gear, Pinion - Assembly - 11T (inc. 27-28) |
| 27 | 0402-336 | 1 | | Collar, Retaining |
| 28 | 0402-327 | 1 | | Bearing |
| 29 | 0502-514 | 1 | | Housing, Gearcase |
| 30 | 0402-328 | 1 | | Bearing |
| 31 | 0402-411 | 1 | | Pin, Dowel |
| 32 | 1402-210 | 1 | /P | Plug, Magnetic (inc. one No. 33) |
| 33 | 0423-153 | 2 | | O-Ring |
| 34 | 0423-149 | 1 | | O-Ring |
| 35 | 0402-393 | 1 | | Bearing |
| 36 | 0402-405 | AR | | Shim, 41 x 49 x 1.3 mm |
| 36 | 0402-406 | AR | | Shim, 41 x 49 x 1.4 mm |
| 36 | 0402-407 | AR | | Shim, 41 x 49 x 1.5 mm |
| 36 | 0402-408 | AR | | Shim, 41 x 49 x 1.6 mm |
| 36 | 0402-409 | AR | | Shim, 41 x 49 x 1.7 mm |
| 37 | 1502-554 | 1 | /P | Gear, Ring - 34T |
| 38 | 1402-074 | AR | | Shim, 61 x 69 x 1.3 mm |
| 38 | 1402-075 | AR | | Shim, 61 x 69 x 1.4 mm |
| 38 | 1402-076 | AR | | Shim, 61 x 69 x 1.5 mm |
| 38 | 1402-077 | AR | | Shim, 61 x 69 x 1.6 mm |
| 38 | 1402-078 | AR | | Shim, 61 x 69 x 1.7 mm |
| 39 | 1502-580 | 1 | | Cover, Gearcase (inc. one No. 33, 40-51, and one No. 52) |
| 40 | 1402-053 | 1 | | Bearing |
| 41 | 0502-413 | 1 | | Flange, Bearing |
| 42 | 1402-079 | 1 | | Pin, Alignment |

2009 PROWLER 1000 XTZ 4X4 SUNSET ORANGE (U2009P4W4EUSK)
FRONT DRIVE GEARCASE ASSEMBLY

Page 40 of 86

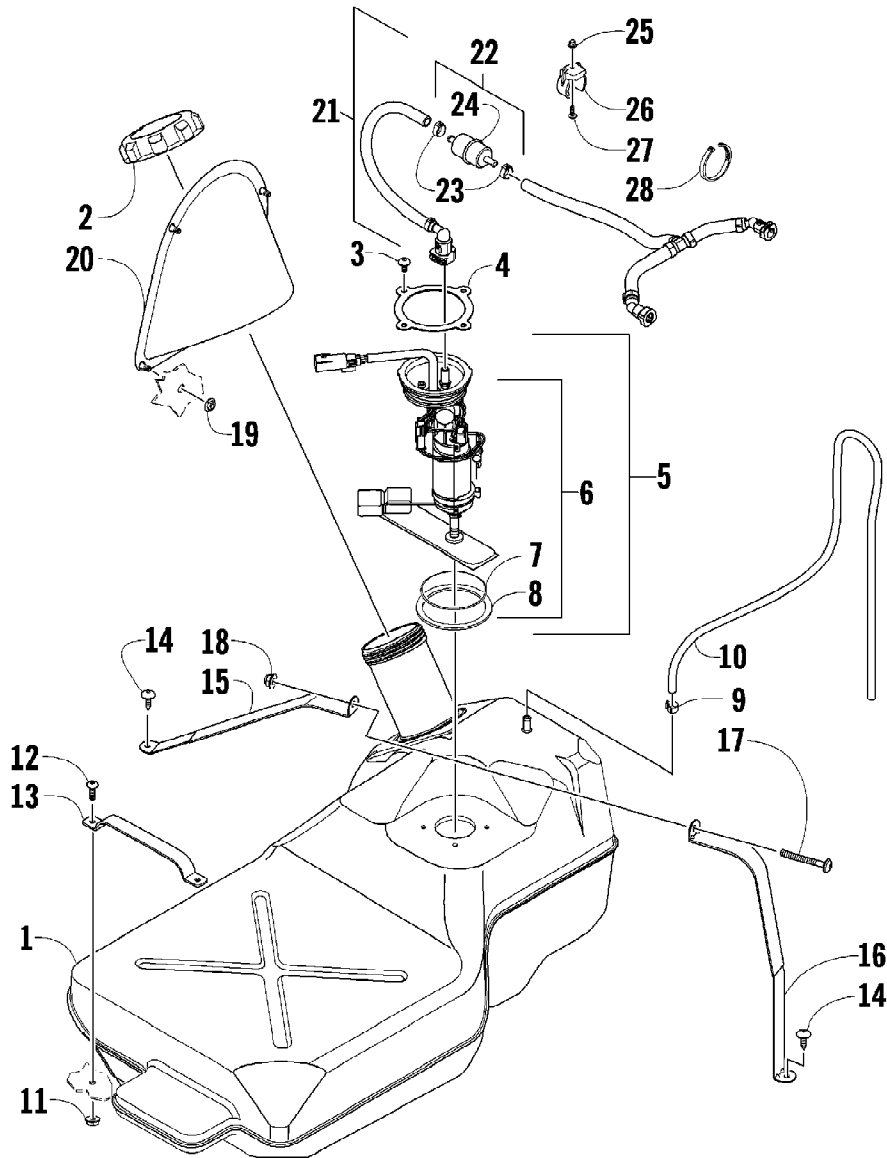
| Ref # | Part Number | Qty | S/P/F | Description |
|-------|-------------|-----|-------|-----------------------------------|
| 43 | 1402-042 | 1 | | Collar, Sliding |
| 44 | 1402-054 | 1 | | Fork |
| 45 | 1402-058 | 2 | | Ring, Retaining |
| 46 | 1402-057 | 1 | | Spring |
| 47 | 1402-063 | 1 | | Spring |
| 48 | 1402-656 | 1 | | Shaft, Lock |
| 49 | 1402-103 | 1 | | Fitting |
| 50 | 1402-211 | 1 | | Plug, Oil Level (inc. one No. 33) |
| 51 | 1402-056 | 1 | | Seal |
| 52 | 1402-713 | 2 | S | Seal |
| 53 | 0402-333 | 1 | /P | Plug, Fill (inc. 54) |
| 54 | 0423-154 | 1 | | O-Ring |



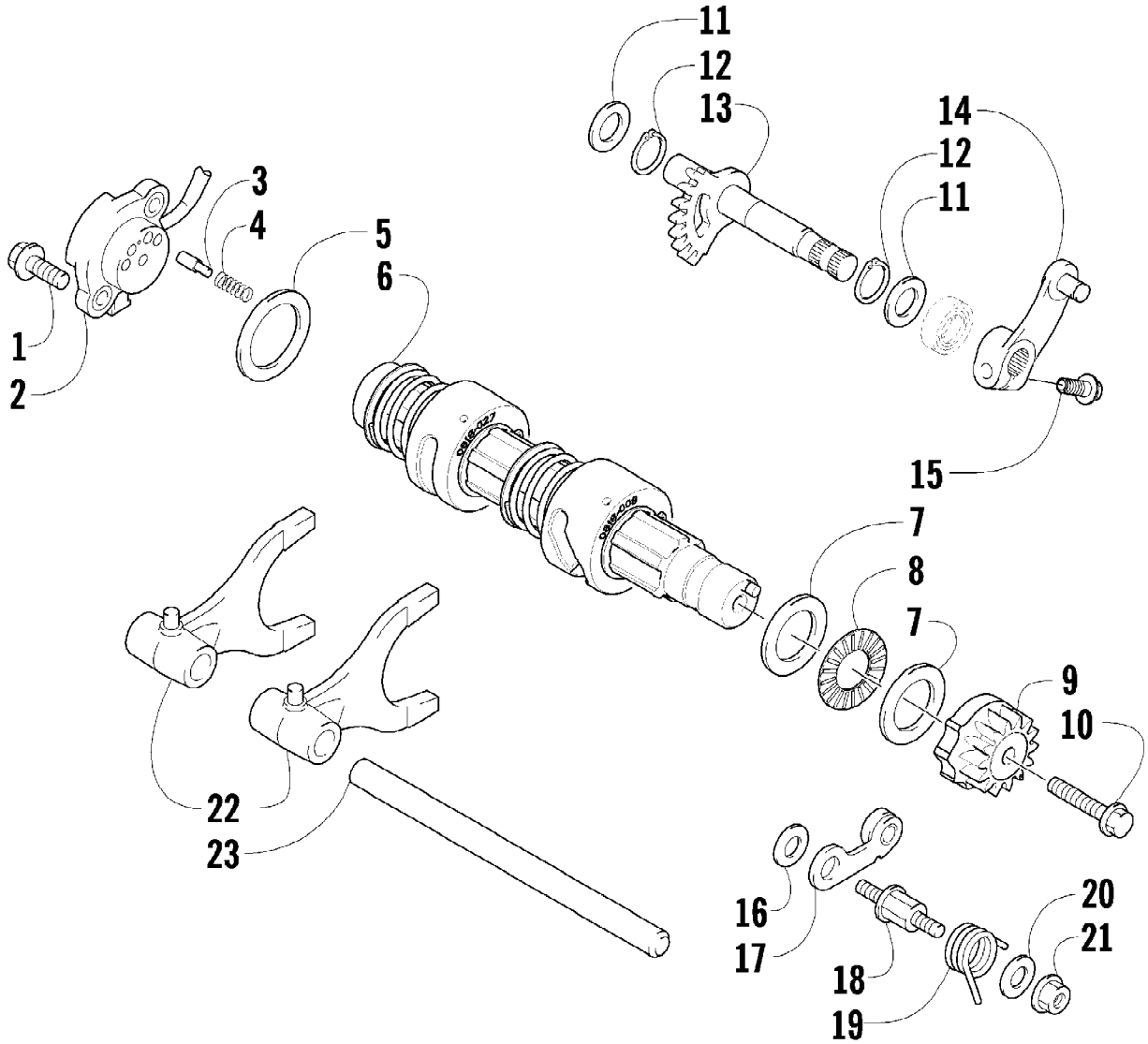
2009 PROWLER 1000 XTZ 4X4 SUNSET ORANGE (U2009P4W4EUSK)
FRONT SUSPENSION ASSEMBLY

Page 42 of 86

| Ref # | Part Number | Qty | S/P/F | Description |
|-------|-------------|-----|-------|--|
| 1 | 0423-920 | 2 | | Retainer, Spring |
| 2 | 0503-398 | 2 | | Spring, Suspension |
| 3 | 0403-215 | 2 | | Shock Absorber (inc. 4) |
| 4 | 0423-917 | 2 | | Sleeve, Shock - Threaded |
| 5 | 0423-919 | 2 | | Nut, Spring Retainer |
| 6 | 8409-055 | 4 | | Screw, Cap |
| 7 | 8428-002 | 12 | | Nut, Lock |
| 8 | 0503-396 | 1 | | A-Arm, Upper Right (inc. 9-12) |
| 8 | 0503-397 | 1 | | A-Arm, Upper Left (inc. 9-12) |
| 9 | 0403-115 | 16 | S | Bushing |
| 10 | 0403-114 | 8 | S | Axle |
| 11 | 0423-009 | 4 | /P | Ring, Retaining |
| 12 | 0405-115 | 4 | /P | Ball Joint |
| 13 | 0503-376 | 1 | /P | A-Arm, Lower Right (inc. 9-12) |
| 13 | 0503-377 | 1 | /P | A-Arm, Lower Left (inc. 9-12) |
| 14 | 8409-075 | 8 | | Screw, Cap |
| 15 | 1502-347 | 1 | S | Axle - Front - Right (inc. 16-17) |
| 15 | 1502-348 | 1 | /P | Axle - Front - Locking - Left (inc. 16-17) |
| 16 | 0423-844 | 2 | /P | Ring, Retaining |
| 17 | 0436-276 | 2 | S | Repair Kit, Boot - Front Axle |
| 18 | 0505-580 | 1 | /P | Knuckle - Assembly - Right (inc. 19-20) |
| 18 | 0505-581 | 1 | /P | Knuckle - Assembly - Left (inc. 19-20) |
| 19 | 1402-809 | 2 | /P | Bearing |
| 20 | 0423-423 | 2 | | Ring, Retaining |
| 21 | 8409-030 | 4 | | Screw, Cap |
| 22 | 1406-034 | 1 | | Guard, Boot - Right |
| 22 | 1406-035 | 1 | | Guard, Boot - Left |
| 23 | 0423-545 | 4 | /P | Screw, Shoulder |



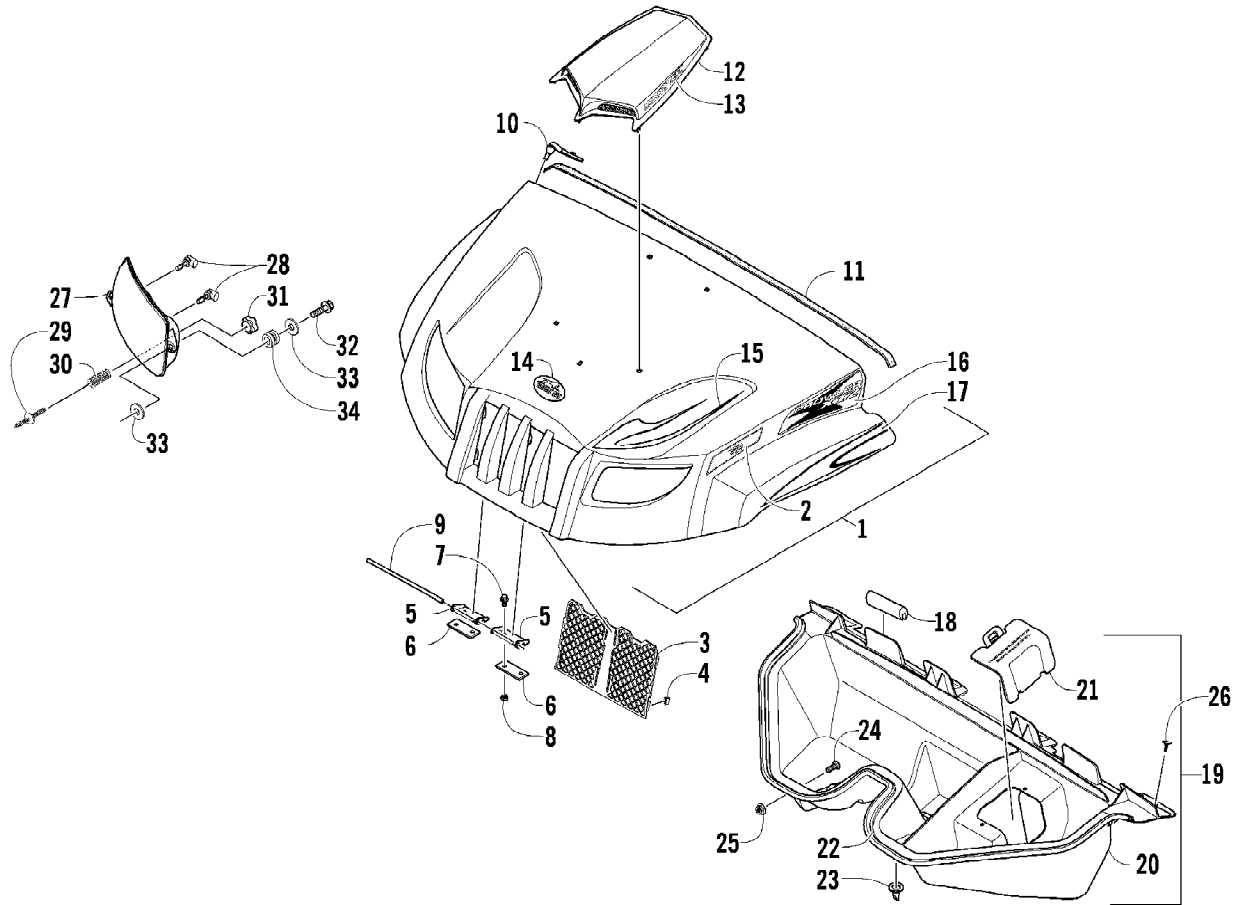
| Ref # | Part Number | Qty | S/P/F | Description |
|-------|-------------|-----|-------|---------------------------------------|
| 1 | 0570-203 | 1 | | Tank, Gas - Assembly (inc. 2-4) |
| 2 | 0470-541 | 1 | /P | Cap, Gas Tank |
| 3 | 8476-612 | 4 | | Screw, Machine |
| 4 | 0470-606 | 1 | | Plate, Mounting - Fuel Level Sensor |
| 5 | 0570-272 | 1 | /P | Pump, Fuel - Assembly (inc. 6-8) |
| 6 | 0570-256 | 1 | /P | Sensor, Fuel Level - Kit (inc. 7-8) |
| 7 | 0470-614 | 1 | | Seal, Fuel Pump |
| 8 | 0470-613 | 1 | | Seal, Fuel Pump |
| 9 | 0423-688 | 1 | | Clamp, Hose |
| 10 | 0410-070 | AR | /P | Hose, Gasline - 25 ft |
| 11 | 0623-038 | 2 | | Nut w/Washer |
| 12 | 8476-620 | 2 | | Screw, Machine |
| 13 | 0470-544 | 1 | | Bracket, Gas Tank Mounting |
| 14 | 0623-784 | 2 | | Screw, Self-Tapping |
| 15 | 0470-829 | 1 | | Strap, Gas Tank |
| 16 | 0470-830 | 1 | | Strap, Gas Tank |
| 17 | 8476-650 | 1 | | Screw, Machine |
| 18 | 8427-602 | 1 | | Nut, Lock |
| 19 | 0423-357 | 4 | | Nut, Stamped |
| 20 | 1406-886 | 1 | | Insert, Gas Tank Cap |
| 21 | 0570-298 | 1 | | Hose, Gasline - Assembly (inc. 22-24) |
| 22 | 0570-246 | 1 | | Filter, Fuel - Kit (inc. 23-24) |
| 23 | 0 | 2 | F | Clamp, Hose |
| 24 | 0 | 1 | F | Filter, Fuel |
| 25 | 8427-502 | 1 | | Nut, Lock |
| 26 | 1670-826 | 1 | | Bracket, Fuel Filter |
| 27 | 8476-516 | 1 | | Screw, Machine |
| 28 | 0123-788 | AR | /P | Tie, Cable - 8 in. |



2009 PROWLER 1000 XTZ 4X4 SUNSET ORANGE (U2009P4W4EUSK)
GEAR SHIFTING ASSEMBLY

Page 46 of 86

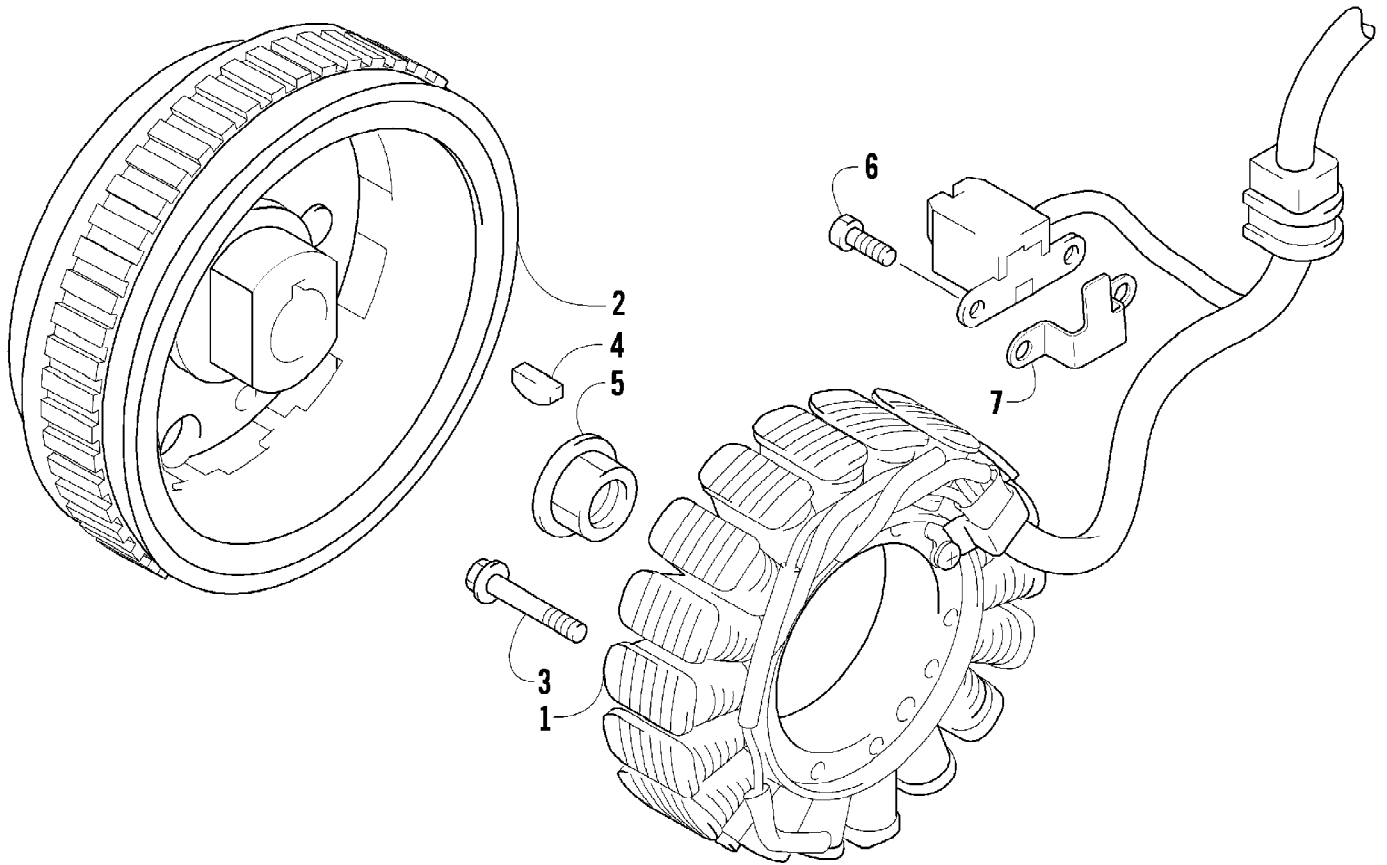
| Ref # | Part Number | Qty | S/P/F | Description |
|-------|-------------|-----|-------|------------------------------|
| 1 | 8470-520 | 2 | | Screw, Machine |
| 2 | 0409-091 | 1 | | Switch, Gear Shift Position |
| 3 | 0818-013 | 2 | | Contact |
| 4 | 0818-017 | 2 | | Spring |
| 5 | 0828-040 | 1 | | Washer |
| 6 | 0818-046 | 1 | | Shaft, Gear Shift - Assembly |
| 7 | 0828-095 | 2 | | Washer, Thrust |
| 8 | 0832-052 | 1 | /P | Bearing, Thrust |
| 9 | 0818-055 | 1 | | Cam, Gear Shift |
| 10 | 0826-006 | 1 | | Screw, Cap |
| 11 | 0828-036 | 2 | | Washer |
| 12 | 0831-010 | 2 | | Ring, Retaining |
| 13 | 0818-007 | 1 | /P | Shaft, Sub-Gear Shift |
| 14 | 0818-014 | 1 | | Arm, Shift |
| 15 | 8468-620 | 1 | /P | Screw, Machine |
| 16 | 0828-038 | 1 | | Washer |
| 17 | 0818-002 | 1 | | Stopper, Cam |
| 18 | 0818-004 | 1 | | Support, Cam Stopper |
| 19 | 0818-090 | 1 | | Spring |
| 20 | 0828-035 | 1 | | Washer |
| 21 | 8424-602 | 1 | /P | Nut |
| 22 | 0818-072 | 2 | /P | Fork, Shift |
| 23 | 0818-006 | 1 | | Shaft, Shift Fork |



2009 PROWLER 1000 XTZ 4X4 SUNSET ORANGE (U2009P4W4EUSK)
HOOD AND HEADLIGHT ASSEMBLY

Page 48 of 86

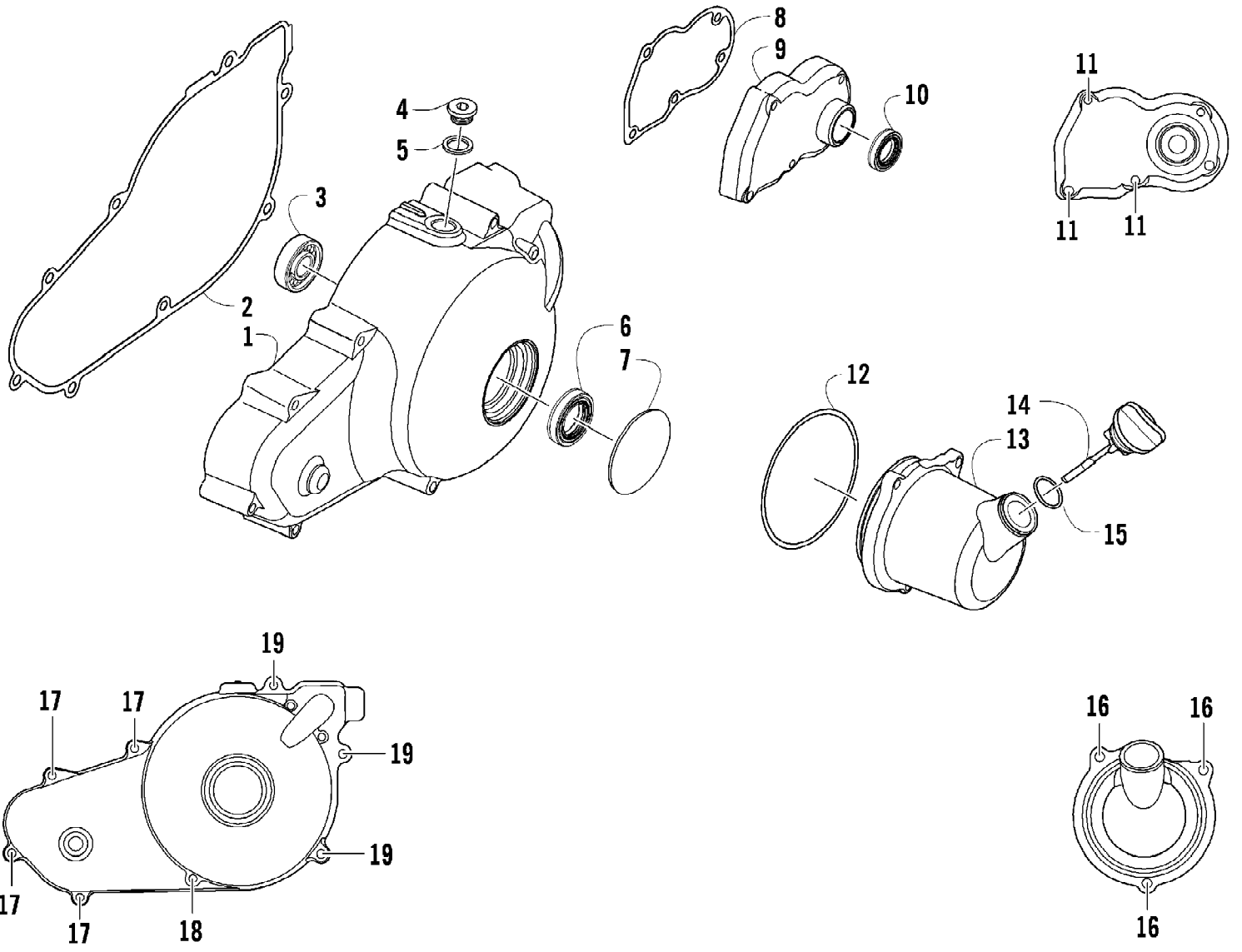
| Ref # | Part Number | Qty | S/P/F | Description |
|-------|-------------|-----|-------|---|
| 1 | 2516-297 | 1 | | Hood - Assembly (inc. 2) |
| 2 | 0411-818 | 1 | | Decal, Reflector - Right |
| 2 | 0411-819 | 1 | | Decal, Reflector - Left |
| 3 | 1406-733 | 1 | /P | Screen, Grille |
| 4 | 0123-987 | 8 | | Clip, U |
| 5 | 1506-798 | 2 | | Bracket, Hood |
| 6 | 2506-868 | AR | | Shim, Hood |
| 7 | 8409-030 | 4 | | Screw, Cap |
| 8 | 0423-157 | 4 | | Nut, Lock |
| 9 | 1406-915 | 1 | | Pin, Hood |
| 10 | 2606-624 | 2 | | Strap, Hold-Down |
| 11 | 0417-013 | 1 | | Trim, Hood/Dash |
| 12 | 2516-275 | 1 | | Scoop, Hood |
| 13 | 2411-001 | 2 | | Decal, Hood - "1000 EFI" |
| 14 | 1411-789 | 1 | | Decal, Hood |
| 15 | 1411-990 | 1 | | Decal, Hood - Right |
| 15 | 1411-991 | 1 | | Decal, Hood - Left |
| 16 | 2411-006 | 1 | | Decal, Hood - "Prowler XTZ" - Right |
| 16 | 2411-007 | 1 | | Decal, Hood - "Prowler XTZ" - Left |
| 17 | 1411-992 | 1 | | Decal, Hood - Right |
| 17 | 1411-993 | 1 | | Decal, Hood - Left |
| 18 | 0417-014 | AR | | Trim, Dash Support |
| 19 | 2516-224 | 1 | S/P | Storage, Under-Hood - Assembly (inc. 20-23) |
| 20 | 2416-041 | 1 | | Box, Storage |
| 21 | 1406-944 | 1 | | Cover, Access - Master Cylinder |
| 22 | 1406-946 | 1 | | Seal, Storage Box |
| 23 | 0470-442 | 1 | /P | Valve, Drain |
| 24 | 8476-616 | 2 | | Screw, Machine |
| 25 | 8424-602 | 2 | /P | Nut |
| 26 | 0423-545 | 4 | /P | Screw, Shoulder |
| 27 | 0509-044 | 1 | /P | Headlight Assembly - Right (inc. 28) |
| 27 | 0509-035 | 1 | | Headlight Assembly - Left (inc. 28) |
| 28 | 0409-055 | 4 | | Bulb, Headlight |
| 29 | 0423-514 | 2 | | Stud, Adjuster |
| 30 | 0423-522 | 2 | | Spring, Adjuster |
| 31 | 0423-513 | 2 | | Knob, Adjuster |
| 32 | 0623-785 | 4 | | Screw, Self-Tapping |
| 33 | 8050-217 | 8 | /P | Washer |
| 34 | 0423-447 | 4 | | Grommet |



2009 PROWLER 1000 XTZ 4X4 SUNSET ORANGE (U2009P4W4EUSK)
MAGNETO ASSEMBLY

Page 50 of 86

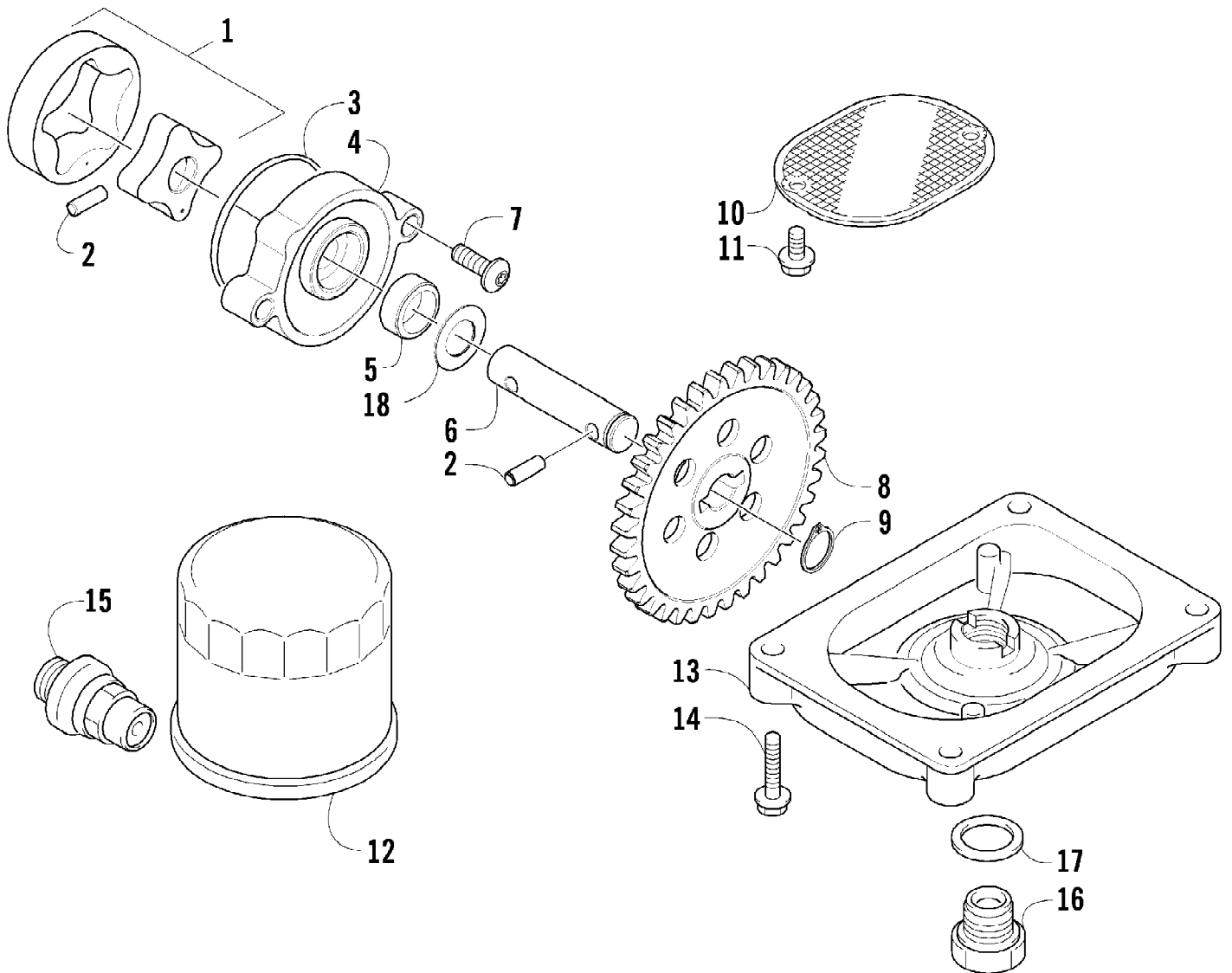
| Ref # | Part Number | Qty | S/P/F | Description |
|-------|-------------|-----|-------|-------------------|
| 1 | 0802-041 | 1 | | Stator - Assembly |
| 2 | 0802-042 | 1 | | Rotor/Flywheel |
| 3 | 0826-102 | 3 | | Screw, Machine |
| 4 | 0829-012 | 1 | | Key |
| 5 | 0827-010 | 1 | | Nut |
| 6 | 8470-510 | 4 | | Screw, Machine |
| 7 | 0831-064 | 1 | | Clamp |



2009 PROWLER 1000 XTZ 4X4 SUNSET ORANGE (U2009P4W4EUSK)
MAGNETO SIDE ENGINE COVERS

Page 52 of 86

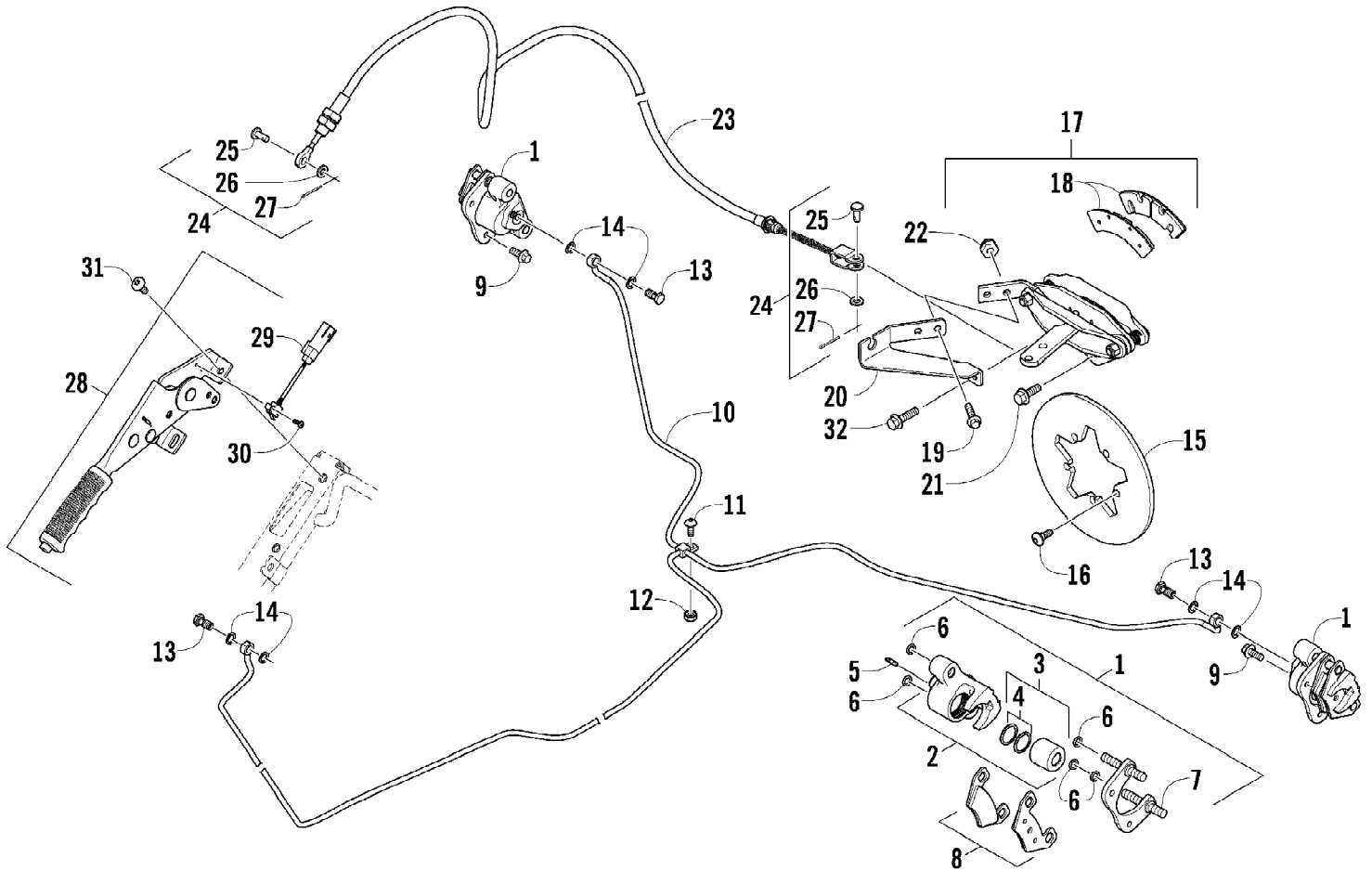
| Ref # | Part Number | Qty | S/P/F | Description |
|-------|-------------|-----|-------|----------------------------|
| 1 | 0806-062 | 1 | | Cover, Magneto |
| 2 | 0830-132 | 1 | | Gasket, Magneto Cover |
| 3 | 0832-010 | 1 | | Bearing |
| 4 | 0806-022 | 1 | | Plug, Check |
| 5 | 0830-015 | 1 | | Washer, Crush |
| 6 | 0830-176 | 1 | /P | Seal, Cap |
| 7 | 0806-066 | 1 | | Cap, Magneto Cover |
| 8 | 0830-161 | 1 | | Gasket, Gear Shift Cover |
| 9 | 0818-070 | 1 | | Cover, Gear Shift |
| 10 | 0830-044 | 1 | | Seal, Gear Shift Cover |
| 11 | 8468-630 | 3 | | Screw, Machine |
| 12 | 0830-162 | 1 | | O-Ring, Oil Filler Cover |
| 13 | 0801-081 | 1 | | Cover, Oil Filler |
| 14 | 0801-073 | 1 | | Stick, Oil Level (inc. 15) |
| 15 | 0830-010 | 1 | | O-Ring |
| 16 | 8468-620 | 3 | /P | Screw, Machine |
| 17 | 8468-650 | 4 | | Screw, Machine |
| 18 | 8468-695 | 1 | | Screw, Machine |
| 19 | 8468-665 | 3 | | Screw, Machine |



2009 PROWLER 1000 XTZ 4X4 SUNSET ORANGE (U2009P4W4EUSK)
OIL FILTER/PUMP ASSEMBLY

Page 54 of 86

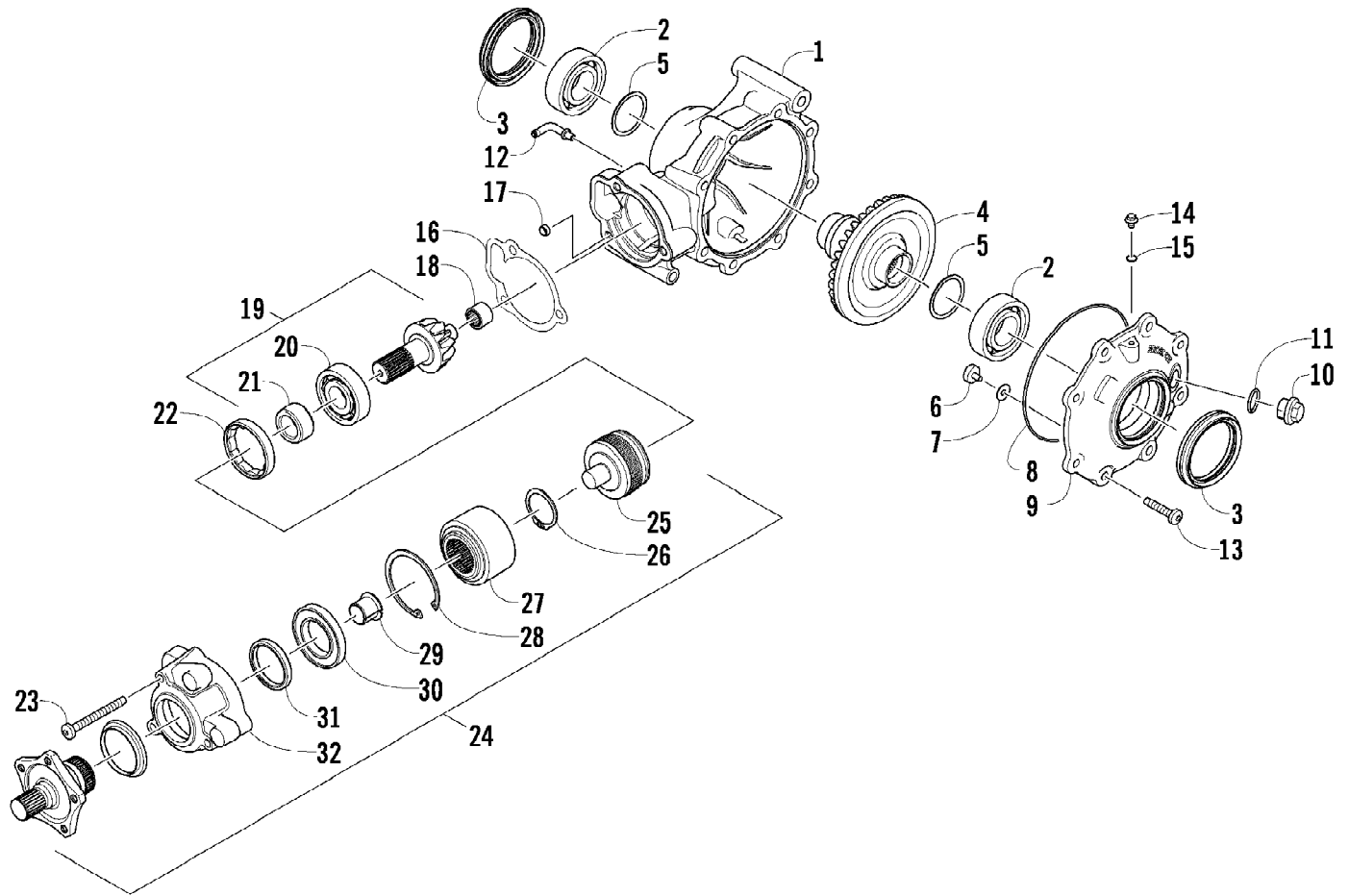
| Ref # | Part Number | Qty | S/P/F | Description |
|-------|-------------|-----|-------|------------------------------|
| 1 | 0812-041 | 1 | | Gerotor - Set |
| 2 | 0829-009 | 2 | | Pin, Dowel |
| 3 | 0812-048 | 1 | | O-Ring |
| 4 | 0812-040 | 1 | | Housing, Oil Pump |
| 5 | 0812-047 | 1 | | Seal, Oil Pump |
| 6 | 0812-046 | 1 | | Shaft, Oil Pump |
| 7 | 8468-620 | 2 | /P | Screw, Machine |
| 8 | 0812-045 | 1 | | Gear, Driven |
| 9 | 0831-002 | 1 | | Ring, Retaining |
| 10 | 0812-057 | 1 | /P | Strainer, Oil |
| 11 | 0826-040 | 2 | | Screw, Machine |
| 12 | 0812-029 | 1 | S | Filter, Oil |
| 13 | 0812-053 | 1 | | Cap, Oil Strainer |
| 14 | 8468-625 | 4 | | Screw, Machine |
| 15 | 0812-052 | 1 | | Valve, Oil-Relief - Assembly |
| 16 | 0812-006 | 1 | | Plug, Drain |
| 17 | 0830-017 | 1 | | Gasket, Drain Plug |
| 18 | 0828-007 | 1 | /P | Shim |



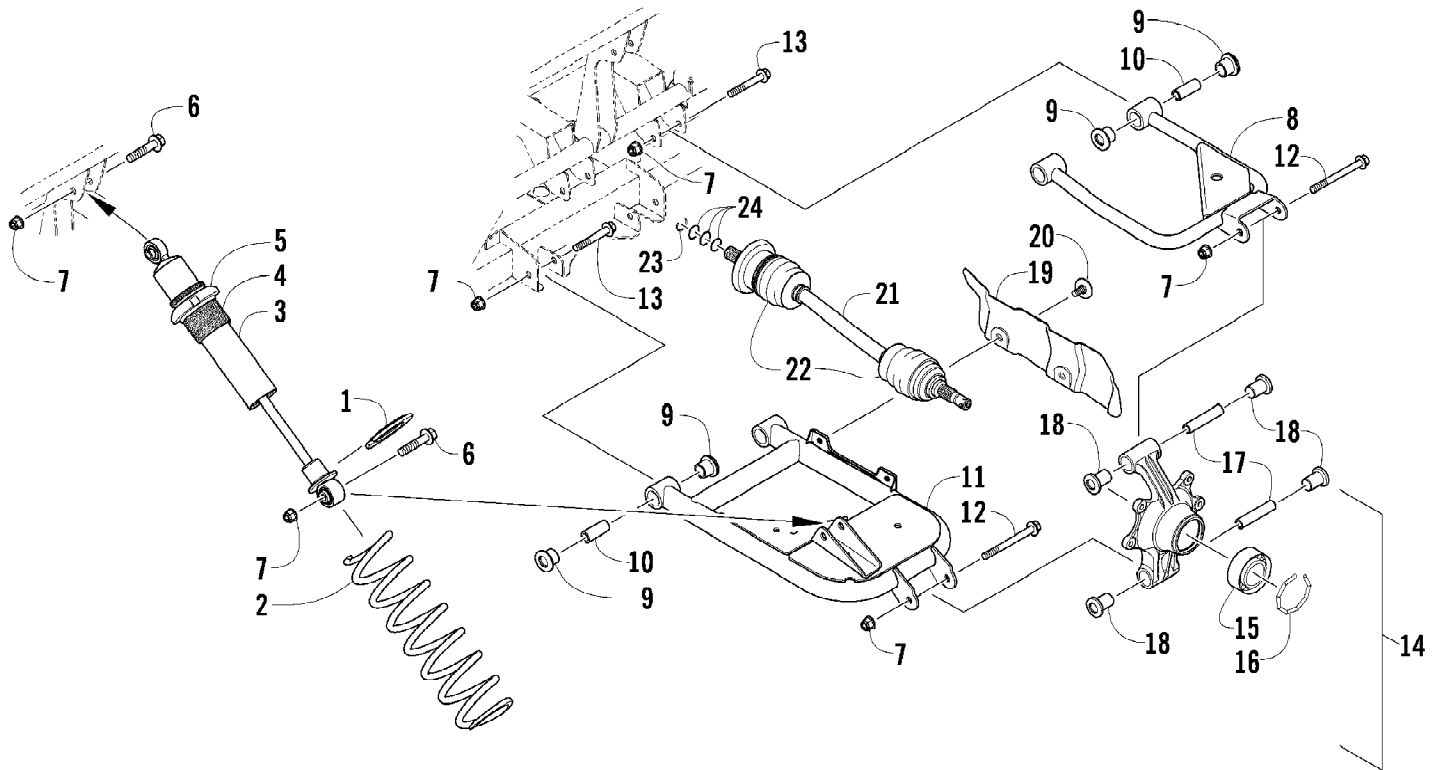
2009 PROWLER 1000 XTZ 4X4 SUNSET ORANGE (U2009P4W4EUSK)
REAR AND PARKING BRAKE ASSEMBLY

Page 56 of 86

| Ref # | Part Number | Qty | S/P/F | Description |
|-------|-------------|-----|-------|--|
| 1 | 1436-162 | 1 | S/P | Caliper, Brake - Right (inc. 2-8) |
| 1 | 1436-163 | 1 | | Caliper, Brake - Left (inc. 2-8) |
| 2 | 1436-160 | 1 | /P | Housing, Caliper - Assembly - Right (inc. 3-5) |
| 2 | 1436-161 | 1 | /P | Housing, Caliper - Assembly - Left (inc. 3-5) |
| 3 | 0502-606 | 2 | | Piston/Seal Set (inc. 4) |
| 4 | 0502-607 | 2 | | Seal Set |
| 5 | 0502-609 | 2 | /P | Valve, Bleed |
| 6 | 0502-608 | 2 | | O-Ring, Guide - Set |
| 7 | 0502-605 | 2 | | Bracket Assembly |
| 8 | 1436-165 | 2 | S | Pad, Brake - Set |
| 9 | 8408-821 | 4 | /P | Screw, Cap |
| 10 | 1402-845 | 1 | | Hose, Brake |
| 11 | 8476-620 | 1 | | Screw, Machine |
| 12 | 0623-038 | 1 | | Nut w/Washer |
| 13 | 0423-413 | 3 | | Bolt, Banjo-Fitting |
| 14 | 0423-178 | 6 | | Washer, Crush |
| 15 | 1402-849 | 1 | S | Rotor |
| 16 | 0423-557 | 5 | | Screw, Shoulder |
| 17 | 1502-581 | 1 | | Caliper, Parking Brake (inc. 18) |
| 18 | 1502-582 | 1 | | Pad, Brake - Set |
| 19 | 8408-825 | 2 | | Screw, Cap |
| 20 | 1502-579 | 1 | | Bracket, Mounting - Cable |
| 21 | 8408-836 | 1 | | Screw, Cap |
| 22 | 8432-802 | 2 | | Nut, Lock |
| 23 | 0487-061 | 1 | | Cable, Parking Brake |
| 24 | 0423-894 | 2 | | Pin, Retaining - Assembly (inc. 25-27) |
| 25 | 0423-989 | 2 | | Pin |
| 26 | 0423-990 | 2 | | Washer |
| 27 | 0423-991 | 2 | | Pin, Cotter |
| 28 | 1502-497 | 1 | | Lever, Parking Brake - Assembly (inc. 29-30) |
| 29 | 0409-131 | 1 | | Switch, Limiter |
| 30 | 0423-992 | 1 | | Screw, Machine |
| 31 | 8468-820 | 2 | | Screw, Machine |
| 32 | 8408-841 | 1 | | Screw, Cap |



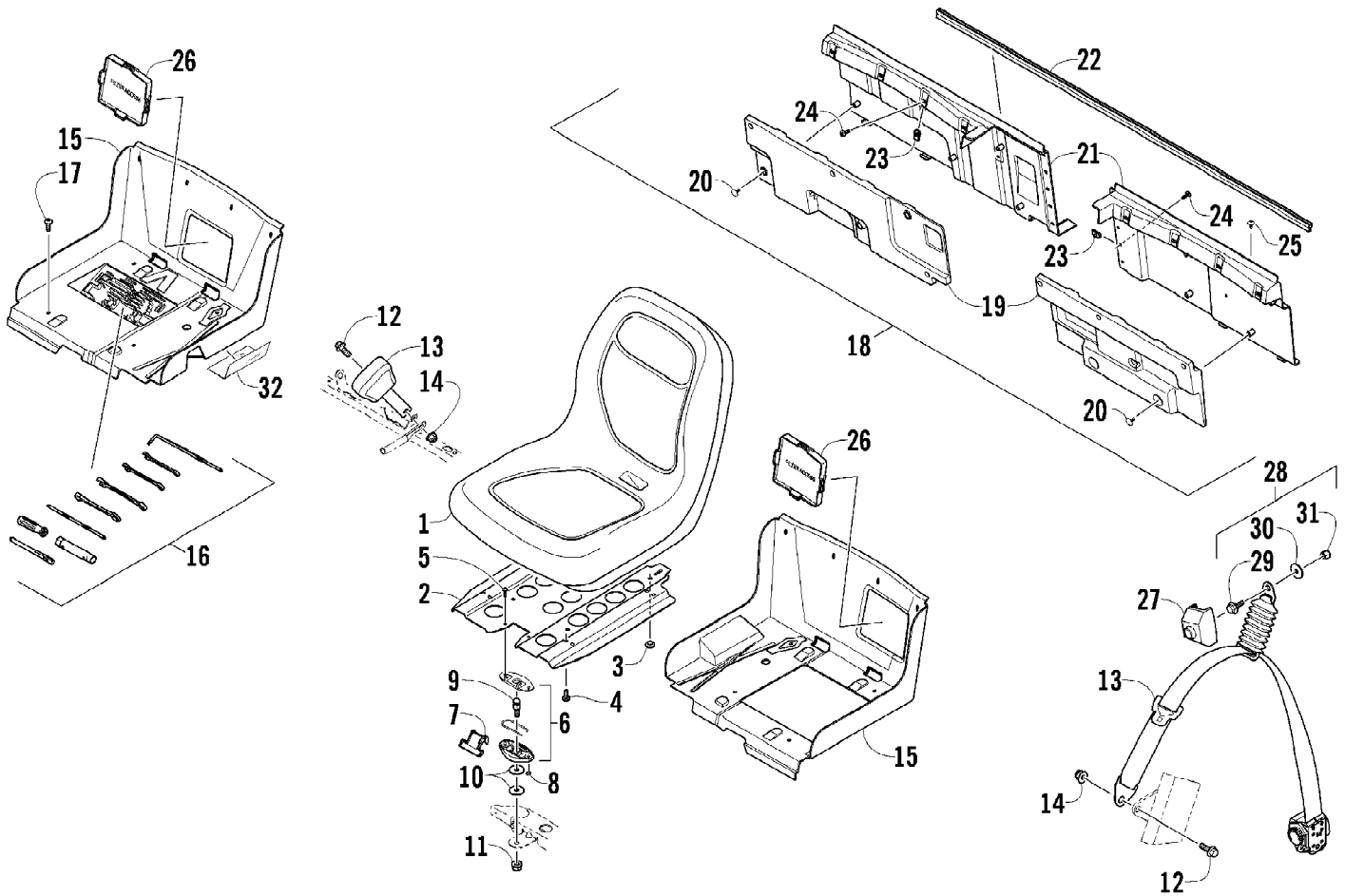
| Ref # | Part Number | Qty | S/P/F | Description |
|-------|-------------|-----|-------|--|
| | 1502-404 | 1 | | Complete Rear Drive Gearcase Assembly |
| 1 | 1502-587 | 1 | | Housing, Gearcase |
| 2 | 0402-393 | 2 | | Bearing |
| 3 | 1402-713 | 2 | S | Seal |
| 4 | 1402-033 | 1 | | Gear, Ring - 34T |
| 5 | 0402-405 | AR | | Shim |
| 5 | 0402-406 | AR | | Shim |
| 5 | 0402-407 | AR | | Shim |
| 5 | 0402-408 | AR | | Shim |
| 5 | 0402-409 | AR | | Shim |
| 6 | 0402-326 | 1 | | Button, Thrust |
| 7 | 0402-429 | AR | | Shim |
| 7 | 0402-430 | AR | | Shim |
| 7 | 0402-431 | AR | | Shim |
| 7 | 0402-432 | AR | | Shim |
| 7 | 0402-433 | AR | | Shim |
| 8 | 0423-149 | 1 | | O-Ring |
| 9 | 1502-588 | 1 | | Cover, Gearcase |
| 10 | 0402-333 | 1 | /P | Plug, Fill (inc. 11) |
| 11 | 0423-154 | 1 | | O-Ring |
| 12 | 1402-442 | 1 | | Fitting |
| 13 | 0423-118 | 8 | | Screw, Self-Tapping |
| 14 | 1402-210 | 1 | /P | Plug, Magnetic (inc. 15) |
| 15 | 0423-153 | 1 | | O-Ring |
| 16 | 0402-947 | 1 | | Gasket |
| 17 | 0402-411 | 1 | | Pin, Dowel |
| 18 | 0402-328 | 1 | | Bearing |
| 19 | 0502-784 | 1 | | Gear, Pinion - Assembly - 11T (inc. 20-21) |
| 20 | 0402-327 | 1 | | Bearing |
| 21 | 0402-336 | 1 | | Collar, Retaining |
| 22 | 0402-357 | 1 | | Collar, Lock |
| 23 | 0423-834 | 3 | | Screw, Self-Tapping |
| 24 | 1502-563 | 1 | | Shaft, Input (inc. 25-32) |
| 25 | 1502-564 | 1 | /P | Cartridge, Clutch - Assembly |
| 26 | 0423-799 | 1 | | Ring, Retaining - External |
| 27 | 1402-682 | 1 | | Basket, Clutch |
| 28 | 0423-798 | 1 | | Ring, Retaining - Internal |
| 29 | 1402-678 | 1 | | Bearing, Flange |
| 30 | 1402-677 | 1 | | Bearing |
| 31 | 1402-687 | 1 | | Seal |
| 32 | 1502-565 | 1 | | Housing, Input |



2009 PROWLER 1000 XTZ 4X4 SUNSET ORANGE (U2009P4W4EUSK)
REAR SUSPENSION ASSEMBLY

Page 60 of 86

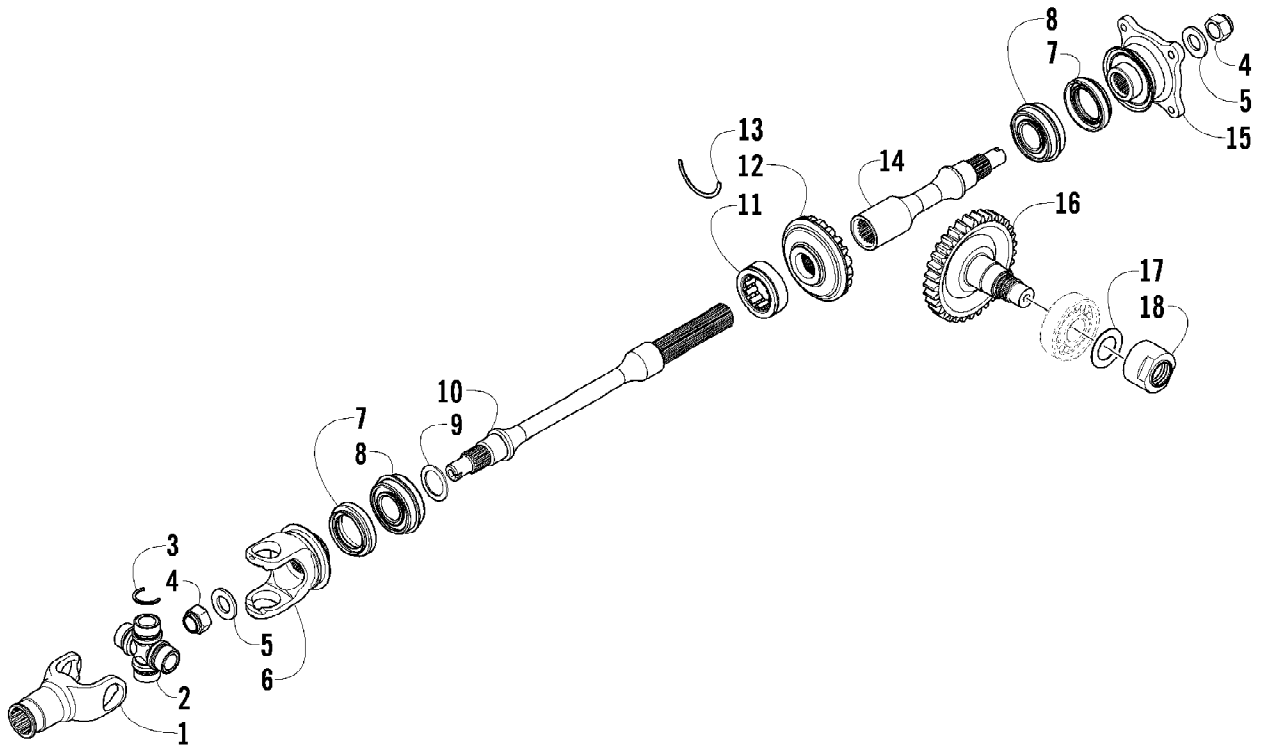
| Ref # | Part Number | Qty | S/P/F | Description |
|-------|-------------|-----|-------|---------------------------------------|
| 1 | 0423-920 | 2 | | Retainer, Spring |
| 2 | 0504-612 | 2 | | Spring, Suspension |
| 3 | 0404-182 | 2 | | Shock Absorber (inc. 4) |
| 4 | 0423-917 | 2 | | Sleeve, Shock - Threaded |
| 5 | 0423-919 | 2 | | Nut, Spring Adjuster |
| 6 | 8409-060 | 4 | | Screw, Cap |
| 7 | 8428-002 | 16 | | Nut, Lock |
| 8 | 0504-598 | 1 | | A-Arm, Rear - Upper Right (inc. 9-10) |
| 8 | 0504-599 | 1 | | A-Arm, Rear - Upper Left (inc. 9-10) |
| 9 | 0403-115 | 16 | S | Bushing |
| 10 | 0403-114 | 8 | S | Axle |
| 11 | 0504-592 | 1 | | A-Arm, Rear - Lower Right (inc. 9-10) |
| 11 | 0504-593 | 1 | | A-Arm, Rear - Lower Left (inc. 9-10) |
| 12 | 8409-000 | 4 | | Screw, Cap |
| 13 | 8409-075 | 8 | | Screw, Cap |
| 14 | 0504-613 | 2 | | Knuckle, Rear - Assembly (inc. 15-18) |
| 15 | 1402-809 | 2 | /P | Bearing |
| 16 | 0423-423 | 2 | | Ring, Retaining |
| 17 | 0403-038 | 4 | S/P | Axle |
| 18 | 0403-032 | 8 | S | Bushing |
| 19 | 1406-068 | 1 | | Guard, Boot - Right |
| 19 | 1406-069 | 1 | | Guard, Boot - Left |
| 20 | 0423-545 | 4 | /P | Screw, Shoulder |
| 21 | 1502-562 | 2 | S | Axle, Drive (inc. 22-23) |
| 22 | 0436-276 | 2 | S | Repair Kit, Boot - Rear Axle |
| 23 | 0423-845 | 2 | /P | Clip, Retaining |
| 24 | 0423-983 | AR | | O-Ring |



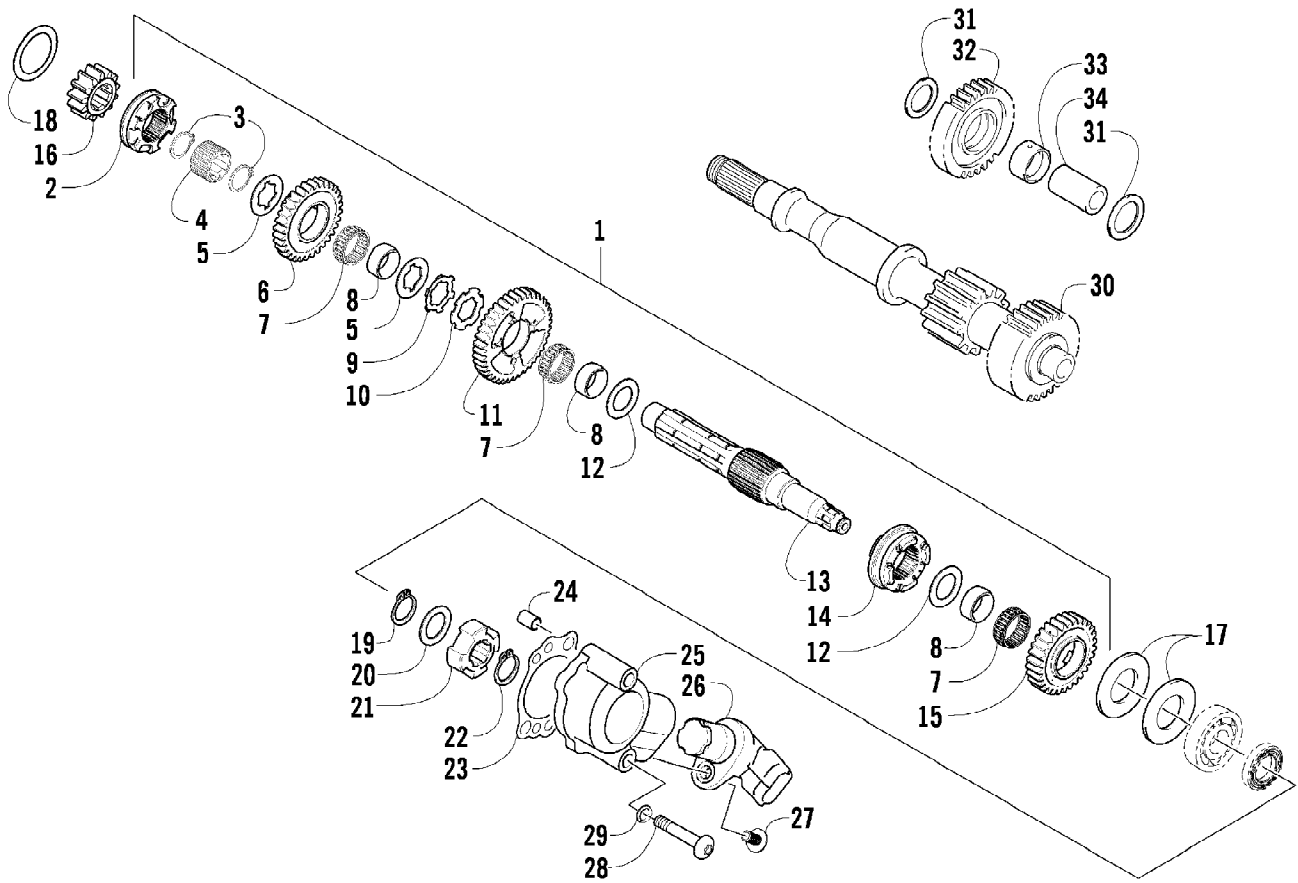
2009 PROWLER 1000 XTZ 4X4 SUNSET ORANGE (U2009P4W4EUSK)
SEAT ASSEMBLY

Page 62 of 86

| Ref # | Part Number | Qty | S/P/F | Description |
|-------|-------------|-----|-------|---|
| 1 | 1506-925 | 2 | | Seat, Low-Back |
| 2 | 2506-780 | 2 | /P | Plate, Base - Seat |
| 3 | 0406-877 | 8 | /P | Bumper, Seat |
| 4 | 8468-820 | 8 | | Screw, Machine |
| 5 | 8468-620 | 4 | /P | Screw, Machine |
| 6 | 2706-164 | 2 | /P | Latch - Assembly (inc. 7) |
| 7 | 2606-854 | 2 | S | Lever, Release - Seat Latch |
| 8 | 0623-038 | 4 | | Nut w/Washer |
| 9 | 0423-559 | 2 | | Stud, Latch - Seat |
| 10 | 0423-073 | 4 | | Washer |
| 11 | 8424-002 | 2 | | Nut |
| 12 | 8408-020 | 6 | | Screw, Cap |
| 13 | 2516-325 | 2 | | Belt, Seat |
| 14 | 8427-002 | 6 | | Nut, Lock |
| 15 | 2406-910 | 1 | | Base, Seat - Right |
| 15 | 2406-911 | 1 | | Base, Seat - Left |
| 16 | 0444-122 | 1 | S/P | Tool Kit - Assembly |
| 17 | 8477-620 | 8 | | Screw, Machine |
| 18 | 2516-094 | 1 | | Panel, Seat - Assembly (inc. 19-23 and five No. 24) |
| 19 | 2516-146 | 1 | | Panel, Seat - Front Right |
| 19 | 2516-147 | 1 | | Panel, Seat - Front Left |
| 20 | 0623-544 | 11 | | Clip, Retaining |
| 21 | 2406-912 | 1 | | Panel, Seat - Rear Right |
| 21 | 2406-913 | 1 | | Panel, Seat - Rear Left |
| 22 | 2406-915 | 1 | | Seal, Seat Panel |
| 23 | 0423-577 | 5 | | Clip, U-Nut |
| 24 | 8476-620 | 13 | | Screw, Machine |
| 25 | 0623-784 | 2 | | Screw, Self-Tapping |
| 26 | 2416-091 | 2 | | Cover, Access - Air Filter |
| 27 | 2416-148 | 1 | | Cover, Seat Belt - Right |
| 27 | 2416-149 | 1 | | Cover, Seat Belt - Left |
| 28 | 0423-915 | 2 | | Screw, Shoulder - Assembly (inc. 29-31) |
| 29 | 0 | 2 | F | Screw, Shoulder |
| 30 | 0 | 2 | F | Washer |
| 31 | 0 | 2 | F | Nut, Lock |
| 32 | 0412-560 | 1 | | Foil, Protective |



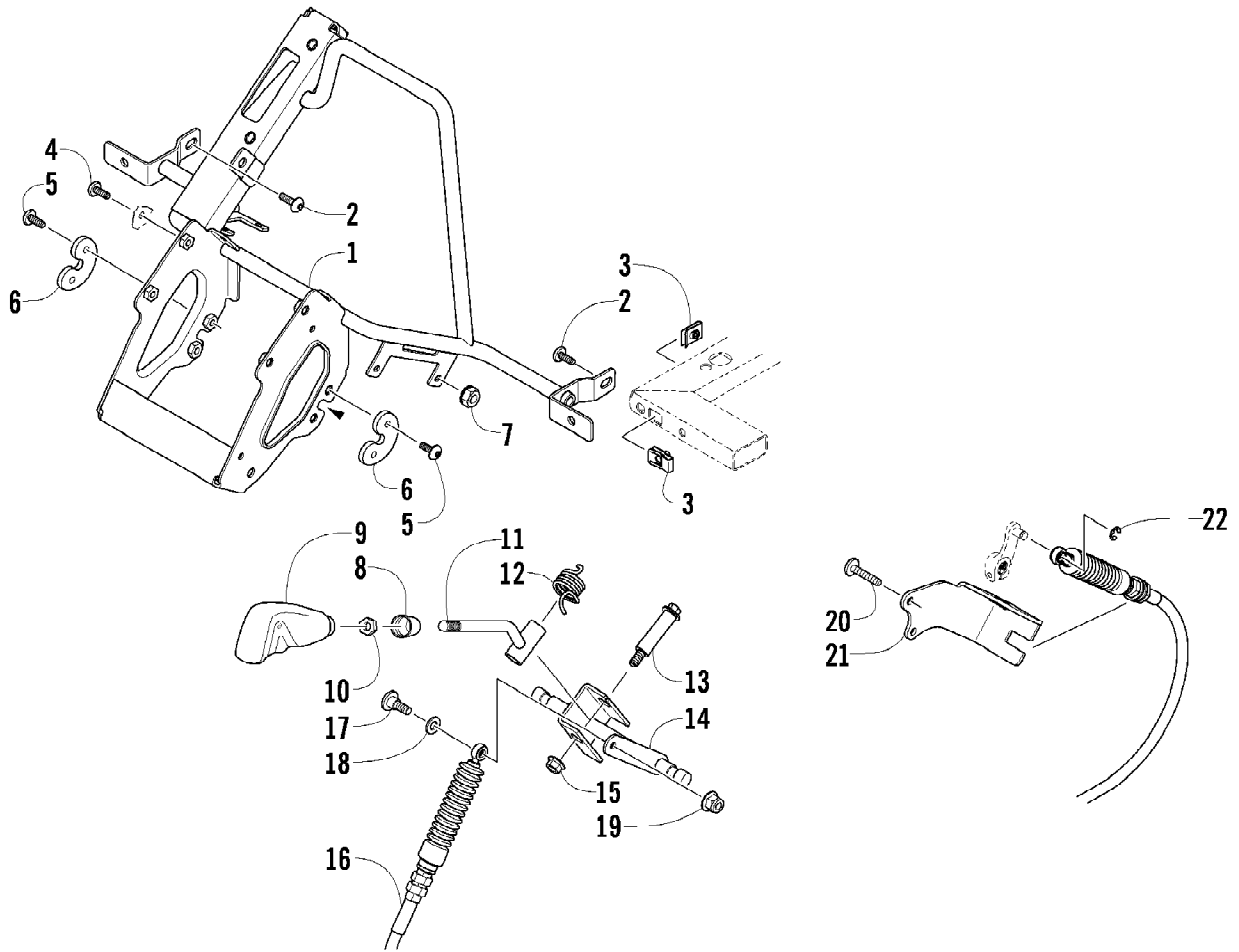
| Ref # | Part Number | Qty | S/P/F | Description |
|-------|-------------|-----|-------|---------------------------------|
| 1 | 0502-829 | 1 | | Yoke, Drive Output |
| 2 | 0402-944 | 1 | /P | Joint, Universal - Set (inc. 3) |
| 3 | 0423-395 | 4 | | Ring, Retaining |
| 4 | 0827-013 | 2 | | Nut |
| 5 | 0828-020 | 2 | | Washer |
| 6 | 1502-325 | 1 | | Yoke, Propeller Shaft Joint |
| 7 | 0830-043 | 2 | | Seal, Oil |
| 8 | 0832-017 | 2 | | Bearing |
| 9 | 0828-021 | AR | | Shim, 25 x 34 x 0.25 mm |
| 9 | 0828-022 | AR | | Shim, 25 x 34 x 0.30 mm |
| 9 | 0828-023 | AR | | Shim, 25 x 34 x 0.70 mm |
| 9 | 0828-024 | AR | | Shim, 25 x 34 x 0.90 mm |
| 9 | 0828-025 | AR | | Shim, 25 x 34 x 0.95 mm |
| 9 | 0828-026 | AR | | Shim, 25 x 34 x 1.00 mm |
| 9 | 0828-027 | AR | | Shim, 25 x 34 x 1.05 mm |
| 9 | 0828-028 | AR | | Shim, 25 x 34 x 1.10 mm |
| 9 | 0828-029 | AR | | Shim, 25 x 34 x 1.15 mm |
| 10 | 0819-003 | 1 | S | Shaft, Secondary Driven - Front |
| 11 | 0832-016 | 1 | | Bearing, Driven Gear |
| 12 | 0822-106 | 1 | | Gear, Secondary Driven |
| 13 | 0819-011 | 1 | | Ring, Driven Bearing |
| 14 | 0819-053 | 1 | | Shaft, Secondary Driven - Rear |
| 15 | 0819-005 | 1 | | Flange, Output Joint |
| 16 | 0822-108 | 1 | | Gear, Secondary Drive |
| 17 | 0828-119 | AR | | Shim, 30 x 48 x 0.25 mm |
| 17 | 0828-120 | AR | | Shim, 30 x 48 x 0.30 mm |
| 17 | 0828-121 | AR | | Shim, 30 x 48 x 0.35 mm |
| 17 | 0828-122 | AR | | Shim, 30 x 48 x 0.90 mm |
| 17 | 0828-123 | AR | | Shim, 30 x 48 x 0.95 mm |
| 17 | 0828-124 | AR | | Shim, 30 x 48 x 1.00 mm |
| 17 | 0828-125 | AR | | Shim, 30 x 48 x 1.05 mm |
| 17 | 0828-126 | AR | | Shim, 30 x 48 x 1.10 mm |
| 17 | 0828-127 | AR | | Shim, 30 x 48 x 1.15 mm |
| 18 | 0827-060 | 1 | | Nut |



2009 PROWLER 1000 XTZ 4X4 SUNSET ORANGE (U2009P4W4EUSK)
SECONDARY TRANSMISSION ASSEMBLY

Page 66 of 86

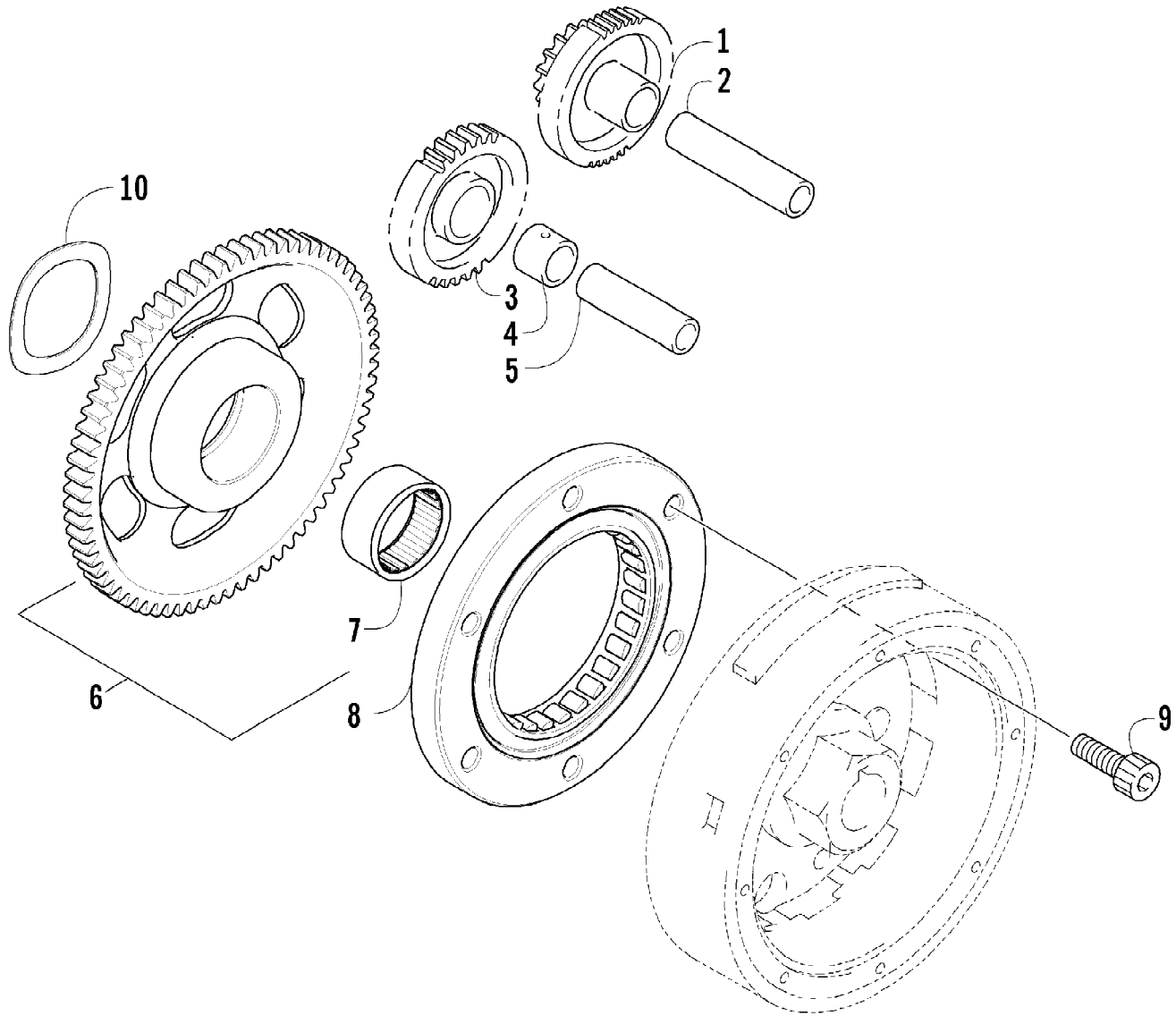
| Ref # | Part Number | Qty | S/P/F | Description |
|-------|-------------|-----|-------|-----------------------------------|
| 1 | 1502-149 | 1 | S | Countershaft Assembly (inc. 2-15) |
| 2 | 0822-014 | 1 | | Gear Select, Reverse |
| 3 | 0831-011 | 2 | | Ring, Retaining |
| 4 | 0822-045 | 1 | | Spacer, Reverse Driven Gear |
| 5 | 0828-008 | 2 | | Washer |
| 6 | 0822-013 | 1 | | Gear, Reverse Driven |
| 7 | 0832-011 | 3 | | Bearing |
| 8 | 0822-005 | 3 | | Bushing |
| 9 | 0828-014 | 1 | | Washer, Lock |
| 10 | 0828-015 | 1 | | Washer, Lock |
| 11 | 0822-004 | 1 | | Gear, Driven - Low |
| 12 | 0822-046 | 2 | | Washer, Driven Gear |
| 13 | 0822-003 | 1 | | Countershaft |
| 14 | 0822-007 | 1 | | Gear Select, Sliding |
| 15 | 0822-006 | 1 | | Gear, Driven - High |
| 16 | 0822-089 | 1 | | Gear, Drive |
| 17 | 0828-011 | 2 | | Washer |
| 18 | 0828-019 | 1 | | Washer, Thrust |
| 19 | 0831-040 | 1 | | Ring, Retaining |
| 20 | 0828-069 | 1 | | Washer, Thrust |
| 21 | 0822-050 | 1 | | Trigger, Speedometer Sensor |
| 22 | 0831-039 | 1 | | Ring, Retaining |
| 23 | 0830-129 | 1 | | Gasket |
| 24 | 0829-023 | 2 | | Pin, Dowel |
| 25 | 0822-049 | 1 | | Housing, Speedometer Sensor |
| 26 | 0824-042 | 1 | /P | Sensor, Speedometer |
| 27 | 8468-620 | 1 | /P | Screw, Machine |
| 28 | 8468-645 | 2 | | Screw, Machine |
| 29 | 0830-107 | 2 | | Seal |
| 30 | 0822-001 | 1 | | Driveshaft |
| 31 | 0828-016 | 2 | | Washer, Thrust |
| 32 | 0822-011 | 1 | | Gear, Reverse Idle |
| 33 | 0822-012 | 1 | | Bushing |
| 34 | 0822-015 | 1 | | Shaft, Reverse Idle |



2009 PROWLER 1000 XTZ 4X4 SUNSET ORANGE (U2009P4W4EUSK)
SHIFTER ASSEMBLY

Page 68 of 86

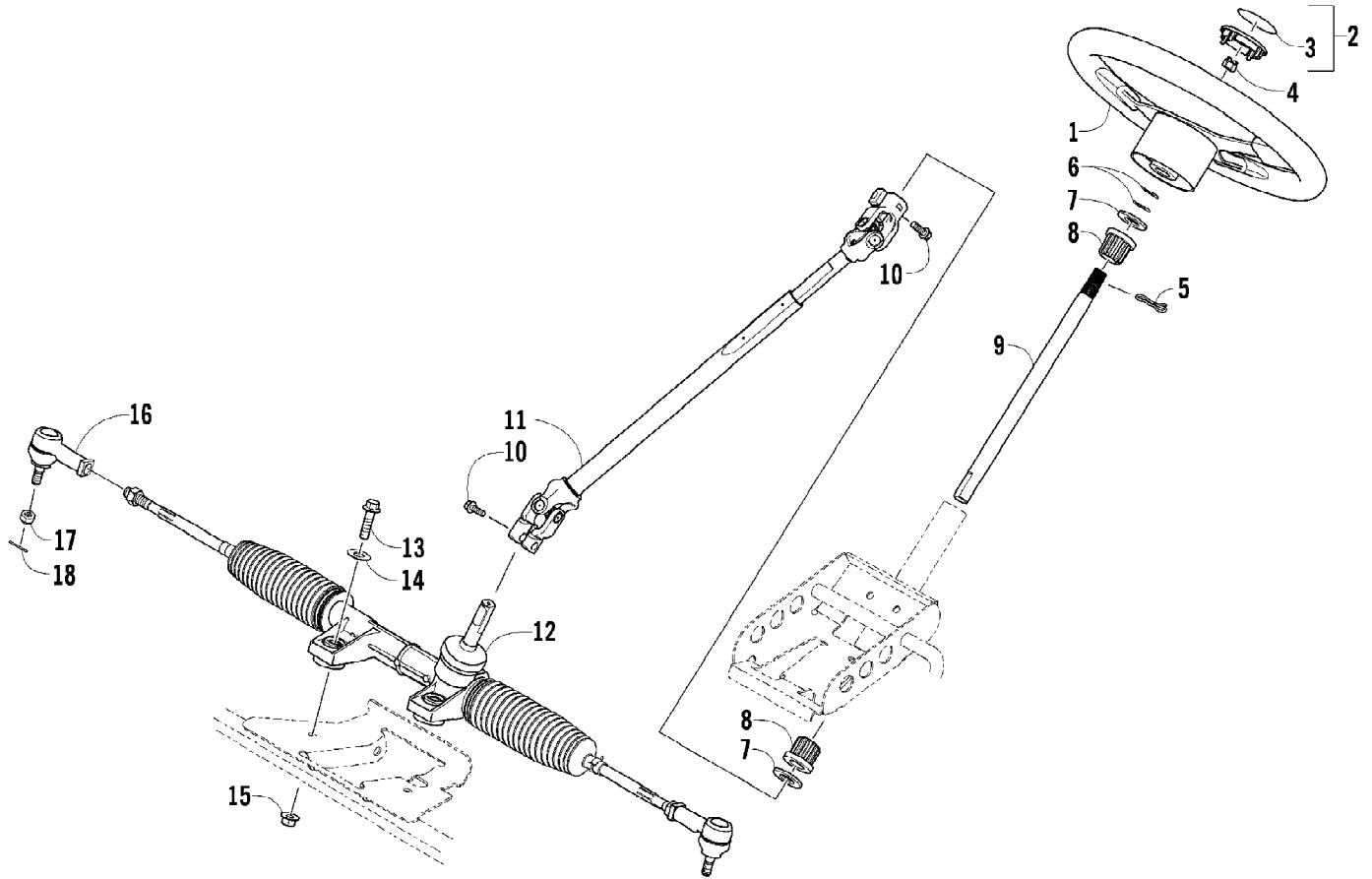
| Ref # | Part Number | Qty | S/P/F | Description |
|-------|-------------|-----|-------|-------------------------|
| 1 | 1502-516 | 1 | | Mount, Shift |
| 2 | 8476-620 | 4 | | Screw, Machine |
| 3 | 0423-577 | 4 | | Clip, U-Nut |
| 4 | 8477-616 | 4 | | Screw, Machine |
| 5 | 8476-616 | 4 | | Screw, Machine |
| 6 | 1402-275 | 2 | | Retainer, Shift Linkage |
| 7 | 0623-038 | 2 | | Nut w/Washer |
| 8 | 1402-854 | 1 | | End Cap, Shift Knob |
| 9 | 1402-844 | 1 | | Knob, Shift |
| 10 | 0423-885 | 1 | | Nut |
| 11 | 1502-510 | 1 | | Lever, Shift |
| 12 | 1402-668 | 1 | | Spring, Shift |
| 13 | 0423-505 | 1 | | Screw, Shoulder |
| 14 | 1502-512 | 1 | | Axle, Shift |
| 15 | 8424-802 | 1 | | Nut |
| 16 | 0487-063 | 1 | | Cable, Shift |
| 17 | 0423-356 | 1 | | Screw, Shoulder |
| 18 | 0623-094 | 1 | | Washer |
| 19 | 8427-602 | 1 | | Nut, Lock |
| 20 | 8468-640 | 2 | | Screw, Machine |
| 21 | 2516-449 | 1 | /P | Bracket, Shift Cable |
| 22 | 0124-057 | 1 | /P | E-Ring |



2009 PROWLER 1000 XTZ 4X4 SUNSET ORANGE (U2009P4W4EUSK)
STARTER CLUTCH ASSEMBLY

Page 70 of 86

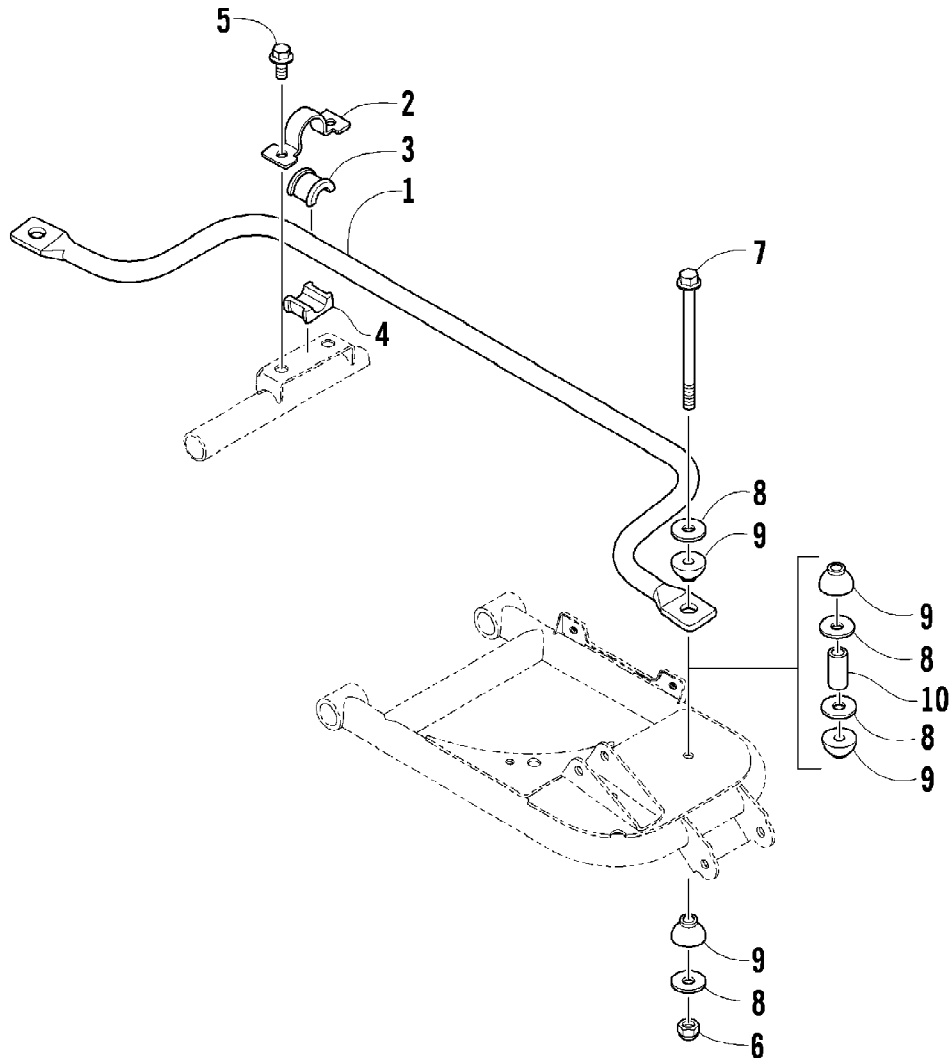
| Ref # | Part Number | Qty | S/P/F | Description |
|-------|-------------|-----|-------|----------------------------------|
| 1 | 0815-026 | 1 | | Gear, Starter Idler - No. 1 |
| 2 | 0829-031 | 1 | /P | Shaft, Starter Gear |
| 3 | 0815-002 | 1 | | Gear, Starter Idler - No. 2 |
| 4 | 0815-003 | 1 | | Spacer, Starter Idler Gear No. 2 |
| 5 | 0829-032 | 1 | /P | Shaft, Starter Gear |
| 6 | 0815-004 | 1 | | Gear, Starter Clutch (inc. 7) |
| 7 | 0832-079 | 1 | /P | Bearing |
| 8 | 0802-035 | 1 | | Clutch, Starter |
| 9 | 0826-069 | 6 | | Screw, Machine |
| 10 | 0828-113 | 1 | | Washer, Wave |



2009 PROWLER 1000 XTZ 4X4 SUNSET ORANGE (U2009P4W4EUSK)
STEERING ASSEMBLY

Page 72 of 86

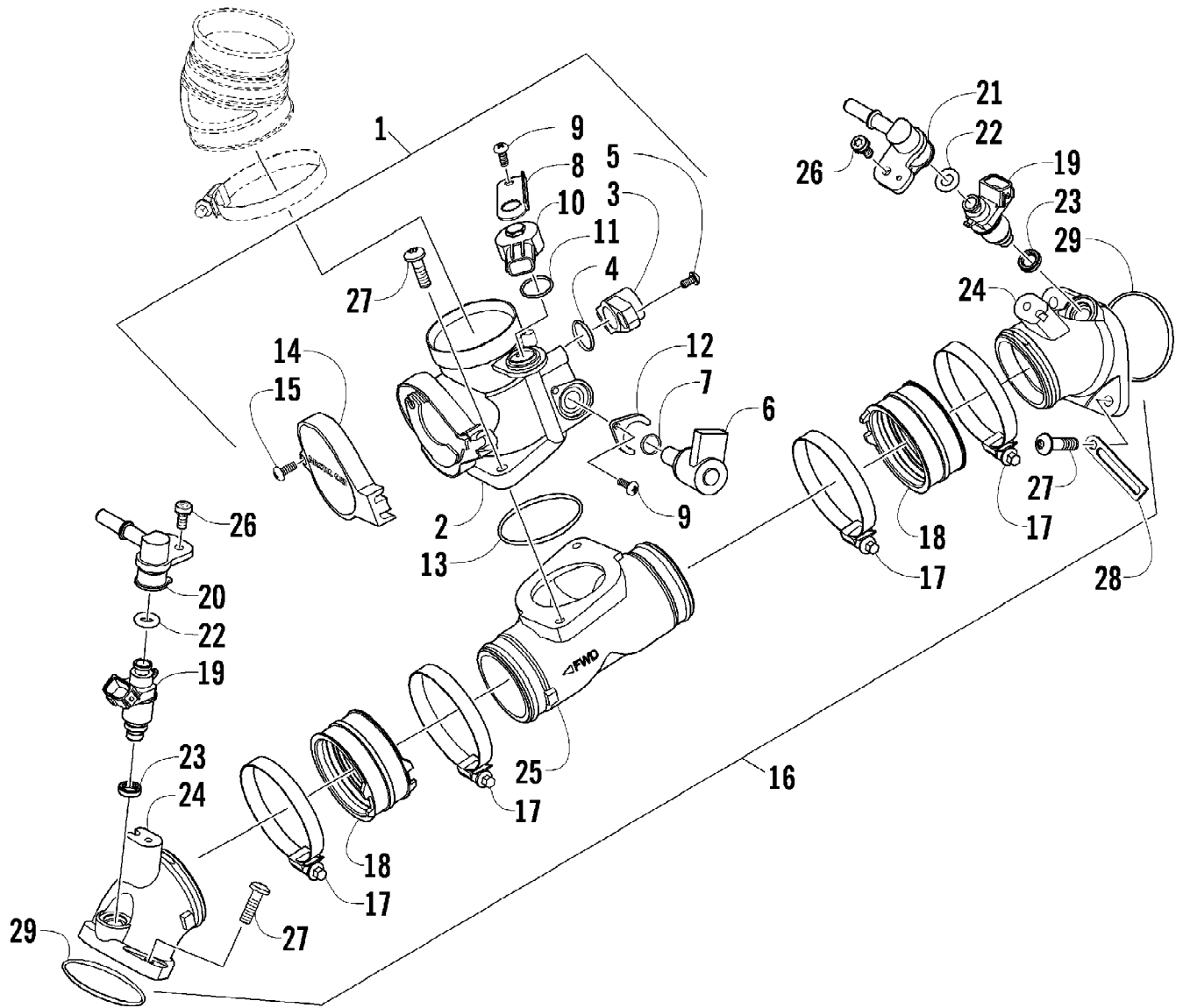
| Ref # | Part Number | Qty | S/P/F | Description |
|-------|-------------|-----|-------|---------------------------------------|
| 1 | 0505-603 | 1 | /P | Wheel, Steering - Assembly (inc. 2-3) |
| 2 | 0505-574 | 1 | | Cap, Steering Wheel (inc. 3) |
| 3 | 1411-953 | 1 | | Decal, Steering Wheel |
| 4 | 0423-884 | 1 | | Nut |
| 5 | 1602-467 | 1 | | Clip, Hairpin |
| 6 | 0828-071 | 2 | | Washer |
| 7 | 0423-558 | 2 | | Washer |
| 8 | 0405-155 | 2 | | Bushing |
| 9 | 0405-321 | 1 | /P | Shaft, Upper Steering |
| 10 | 0423-655 | 2 | | Screw, Cap |
| 11 | 0405-156 | 1 | | Shaft, Lower Steering - Assembly |
| 12 | 0405-344 | 1 | S | Housing, Rack and Pinion |
| 13 | 8409-050 | 2 | | Screw, Cap |
| 14 | 0623-728 | 2 | | Washer |
| 15 | 8424-002 | 2 | | Nut |
| 16 | 0405-340 | 2 | S | End, Tie Rod |
| 17 | 0423-072 | 2 | | Nut |
| 18 | 0623-175 | 2 | | Pin, Cotter |



2009 PROWLER 1000 XTZ 4X4 SUNSET ORANGE (U2009P4W4EUSK)
SWAY BAR ASSEMBLY

Page 74 of 86

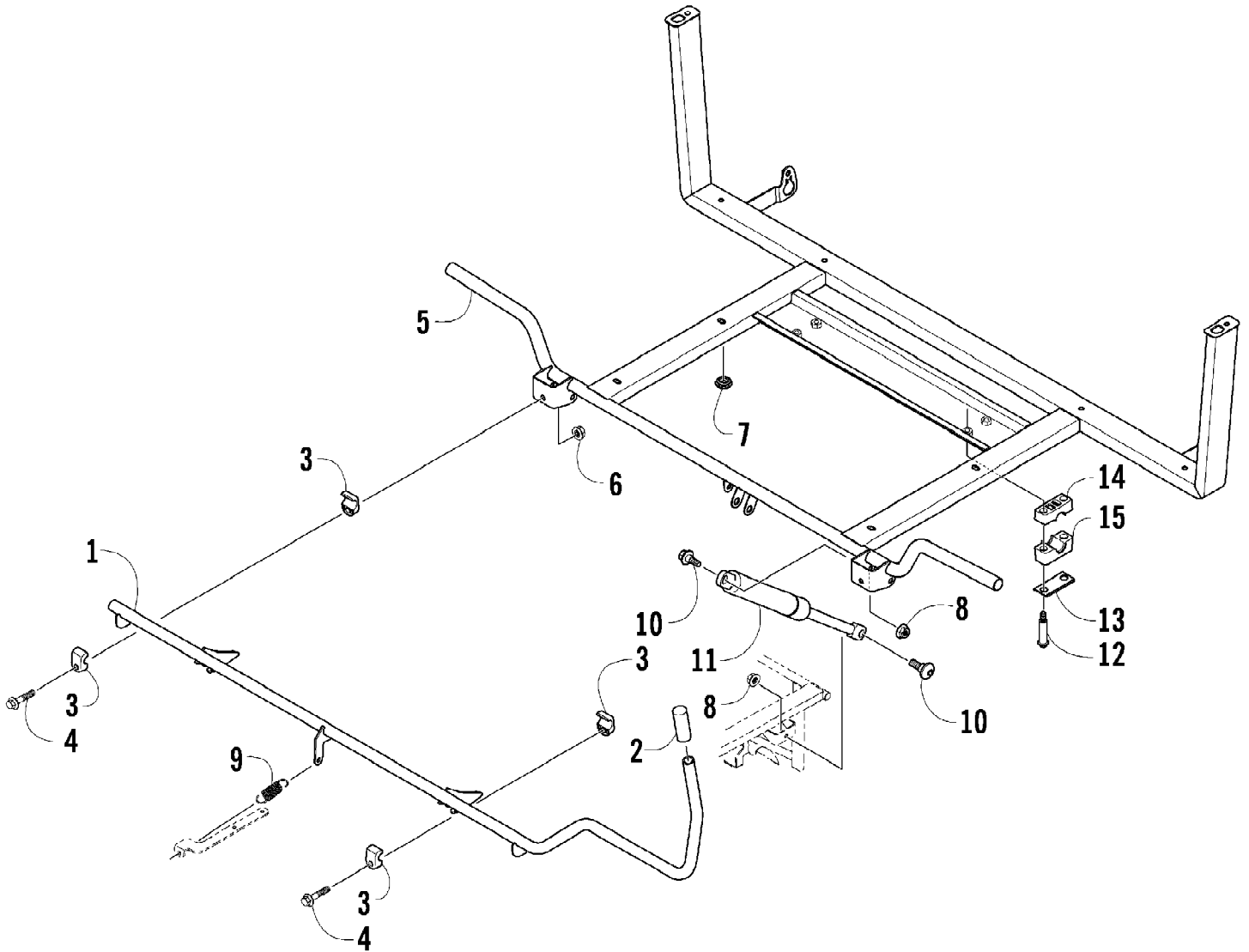
| Ref # | Part Number | Qty | S/P/F | Description |
|-------|-------------|-----|-------|---------------------------|
| 1 | 0404-110 | 1 | | Bar, Sway |
| 2 | 0404-135 | 2 | | Clamp, Sway Bar Bushing |
| 3 | 0404-094 | 2 | | Bushing, Sway Bar - Upper |
| 4 | 0404-095 | 2 | | Bushing, Sway Bar - Lower |
| 5 | 8409-016 | 4 | | Screw, Cap |
| 6 | 8422-002 | 2 | | Nut, Lock |
| 7 | 0423-335 | 2 | | Screw, Cap |
| 8 | 0423-073 | 8 | | Washer |
| 9 | 1402-434 | 8 | | Bushing |
| 10 | 0423-620 | 2 | | Spacer |



2009 PROWLER 1000 XTZ 4X4 SUNSET ORANGE (U2009P4W4EUSK)
THROTTLE BODY ASSEMBLY

Page 76 of 86

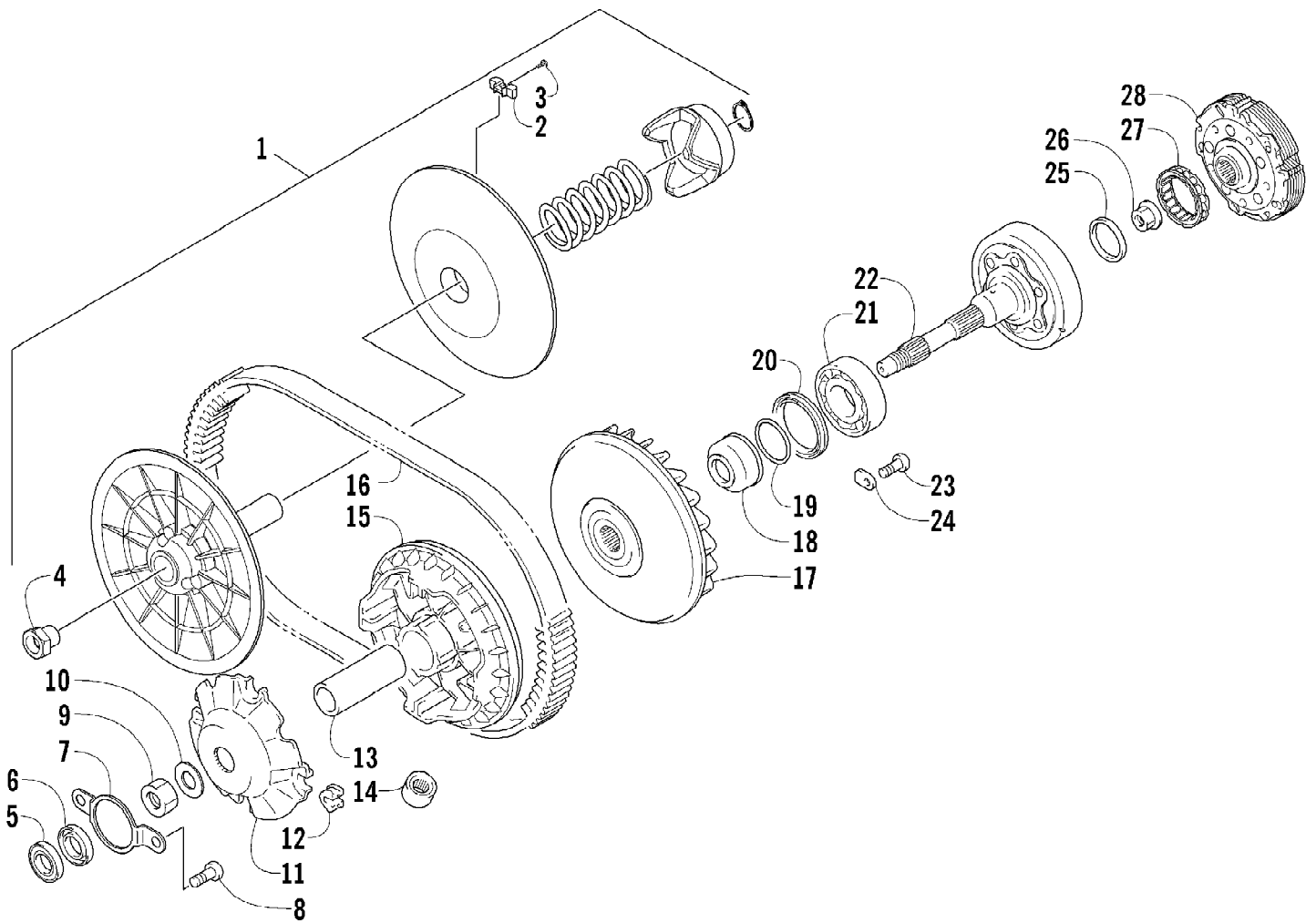
| Ref # | Part Number | Qty | S/P/F | Description |
|-------|-------------|-----|-------|--|
| 1 | 0470-686 | 1 | | Throttle - Assembly (inc. 2-15) |
| 2 | 0 | 1 | F | Throttle Body |
| 3 | 0430-072 | 1 | | Sensor, Throttle Position |
| 4 | 5507-234 | 1 | | O-Ring, Throttle Position Sensor |
| 5 | 5507-231 | 1 | | Screw, Machine |
| 6 | 0430-074 | 1 | | Valve, ISC |
| 7 | 5507-233 | 1 | | O-Ring, ISC Valve |
| 8 | 5507-227 | 1 | | Bracket, MAP Sensor |
| 9 | 5507-117 | 2 | /P | Screw, Machine |
| 10 | 0430-073 | 1 | | Sensor, MAP |
| 11 | 5507-232 | 1 | | O-Ring, MAP Sensor |
| 12 | 5507-229 | 1 | | Plate, ISC Valve |
| 13 | 5507-235 | 1 | | O-Ring |
| 14 | 5507-223 | 1 | | Cover |
| 15 | 5507-037 | 1 | /P | Screw, Machine |
| 16 | 0570-230 | 1 | | Manifold, Intake - Assembly (inc. 17-26) |
| 17 | 0423-066 | 4 | | Clamp |
| 18 | 0470-660 | 2 | | Boot, Intake - Manifold |
| 19 | 0470-688 | 2 | | Injector, Fuel |
| 20 | 0470-763 | 1 | | Rail, Fuel - Front Cylinder |
| 21 | 0470-764 | 1 | | Rail, Fuel - Rear Cylinder |
| 22 | 0470-767 | 2 | | O-Ring, Fuel Injector |
| 23 | 0470-768 | 2 | | Ring, Seal - Fuel Injector |
| 24 | 0570-140 | 2 | | Manifold, Intake |
| 25 | 0570-156 | 1 | | Plenum, Intake |
| 26 | 0423-371 | 2 | | Screw, Machine |
| 27 | 0826-008 | 6 | | Screw, Machine |
| 28 | 3002-964 | 1 | /P | Clamp, Wire |
| 29 | 0830-090 | 2 | | O-Ring |



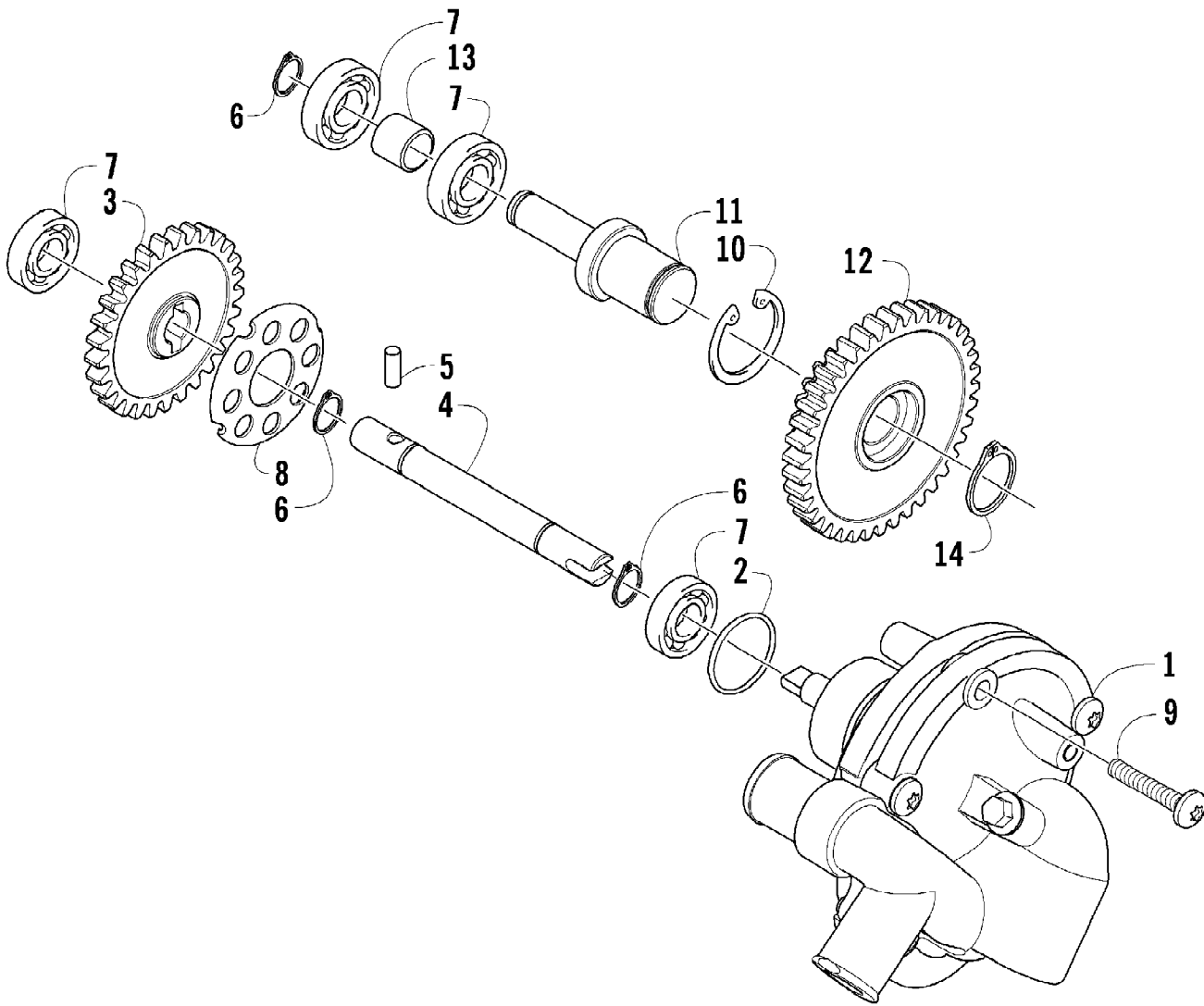
2009 PROWLER 1000 XTZ 4X4 SUNSET ORANGE (U2009P4W4EUSK)
TILT FRAME ASSEMBLY

Page 78 of 86

| Ref # | Part Number | Qty | S/P/F | Description |
|-------|-------------|-----|-------|----------------------|
| 1 | 2506-919 | 1 | | Rod, Cargo Box Latch |
| 2 | 1406-736 | 1 | | Grip, Latch Rod |
| 3 | 1406-674 | 4 | | Bushing, Pivot |
| 4 | 8408-840 | 2 | | Screw, Cap |
| 5 | 2516-334 | 1 | | Frame, Box |
| 6 | 8427-802 | 2 | | Nut, Lock |
| 7 | 0423-628 | 4 | | Grommet |
| 8 | 8427-602 | 2 | | Nut, Lock |
| 9 | 2416-086 | 1 | | Spring |
| 10 | 0423-356 | 2 | | Screw, Shoulder |
| 11 | 2506-194 | 1 | | Support, Lift |
| 12 | 0423-505 | 4 | | Screw, Shoulder |
| 13 | 0405-166 | 2 | | Cap, Housing |
| 14 | 0405-138 | 2 | | Housing, Lower |
| 15 | 0405-139 | 2 | | Housing, Upper |



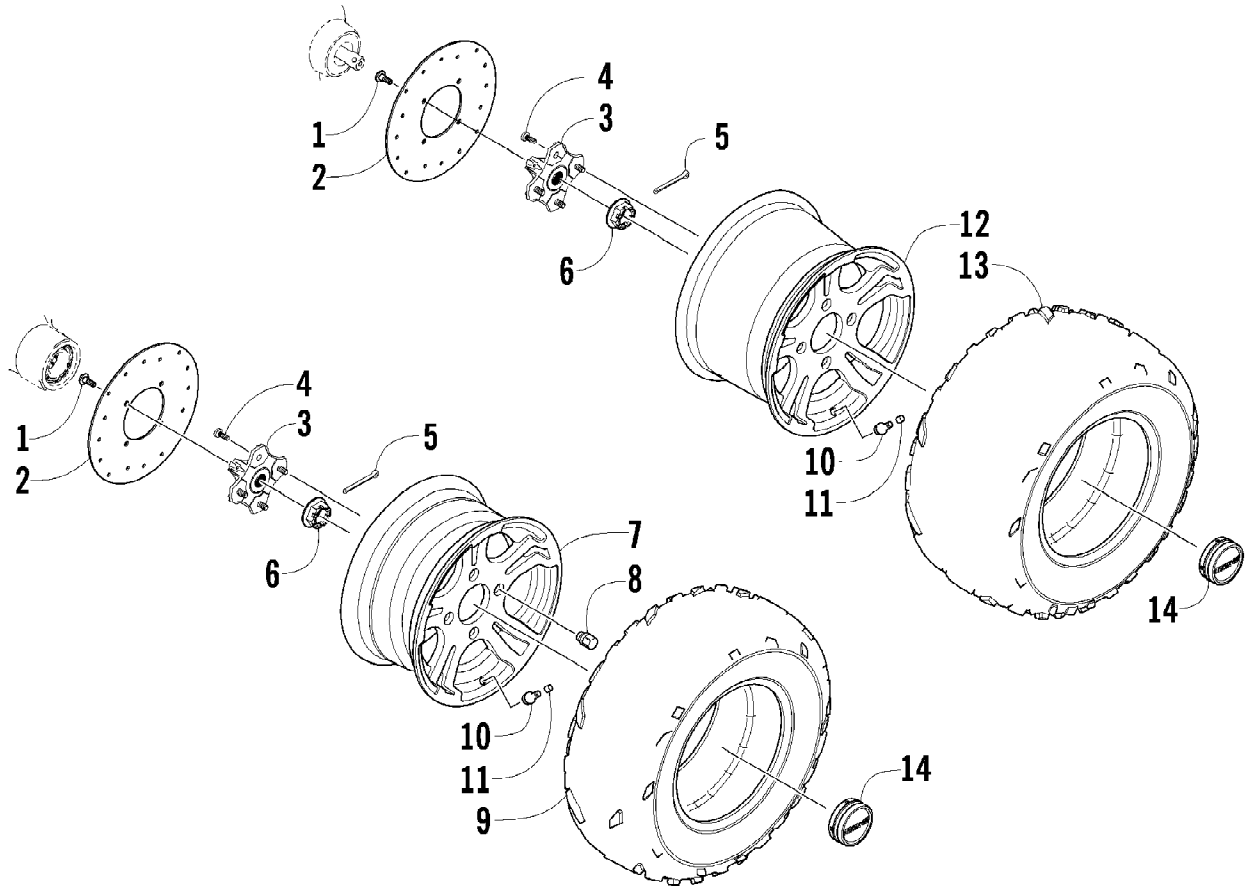
| Ref # | Part Number | Qty | S/P/F | Description |
|-------|-------------|-----|-------|--------------------------------------|
| 1 | 0823-157 | 1 | S/P | Pulley, Driven - Assembly (inc. 2-4) |
| 2 | 0823-176 | 3 | /P | Shoe, Cam |
| 3 | 0823-177 | 3 | | Screw, Machine |
| 4 | 0823-178 | 1 | | Nut, Driven Pulley |
| 5 | 0832-010 | 1 | | Bearing |
| 6 | 0830-176 | 1 | /P | Seal |
| 7 | 0823-020 | 1 | | Retainer, Bearing |
| 8 | 0826-031 | 2 | | Screw, Machine |
| 9 | 0827-010 | 1 | | Nut |
| 10 | 0828-106 | 1 | | Washer |
| 11 | 0823-008 | 1 | | Plate, Movable Drive Face |
| 12 | 0823-010 | 4 | | Damper, Movable Drive Face |
| 13 | 0823-265 | 1 | | Spacer, Movable Drive Face |
| 14 | 0823-170 | 8 | /P | Roller, Movable Drive Face |
| 15 | 0823-159 | 1 | | Face, Movable Drive |
| 16 | 0823-231 | 1 | | Belt, Drive |
| 17 | 0823-156 | 1 | /P | Face, Fixed Drive |
| 18 | 0823-015 | 1 | | Spacer, Fixed Drive Face |
| 19 | 0470-531 | 1 | | O-Ring |
| 20 | 0830-188 | 1 | /P | Seal, Clutch Housing - Right |
| 21 | 0832-047 | 1 | S | Bearing |
| 22 | 0823-096 | 1 | S | Housing, Clutch |
| 23 | 0826-029 | 2 | | Screw, Machine |
| 24 | 0822-010 | 2 | /P | Retainer, Bearing |
| 25 | 0830-189 | 1 | /P | Seal, Clutch Housing - Left |
| 26 | 0827-011 | 1 | | Nut |
| 27 | 0823-018 | 1 | | Clutch, One-Way |
| 28 | 0823-098 | 1 | S | Clutch, Centrifugal - 6 Plate |



2009 PROWLER 1000 XTZ 4X4 SUNSET ORANGE (U2009P4W4EUSK)
WATER PUMP ASSEMBLY

Page 82 of 86

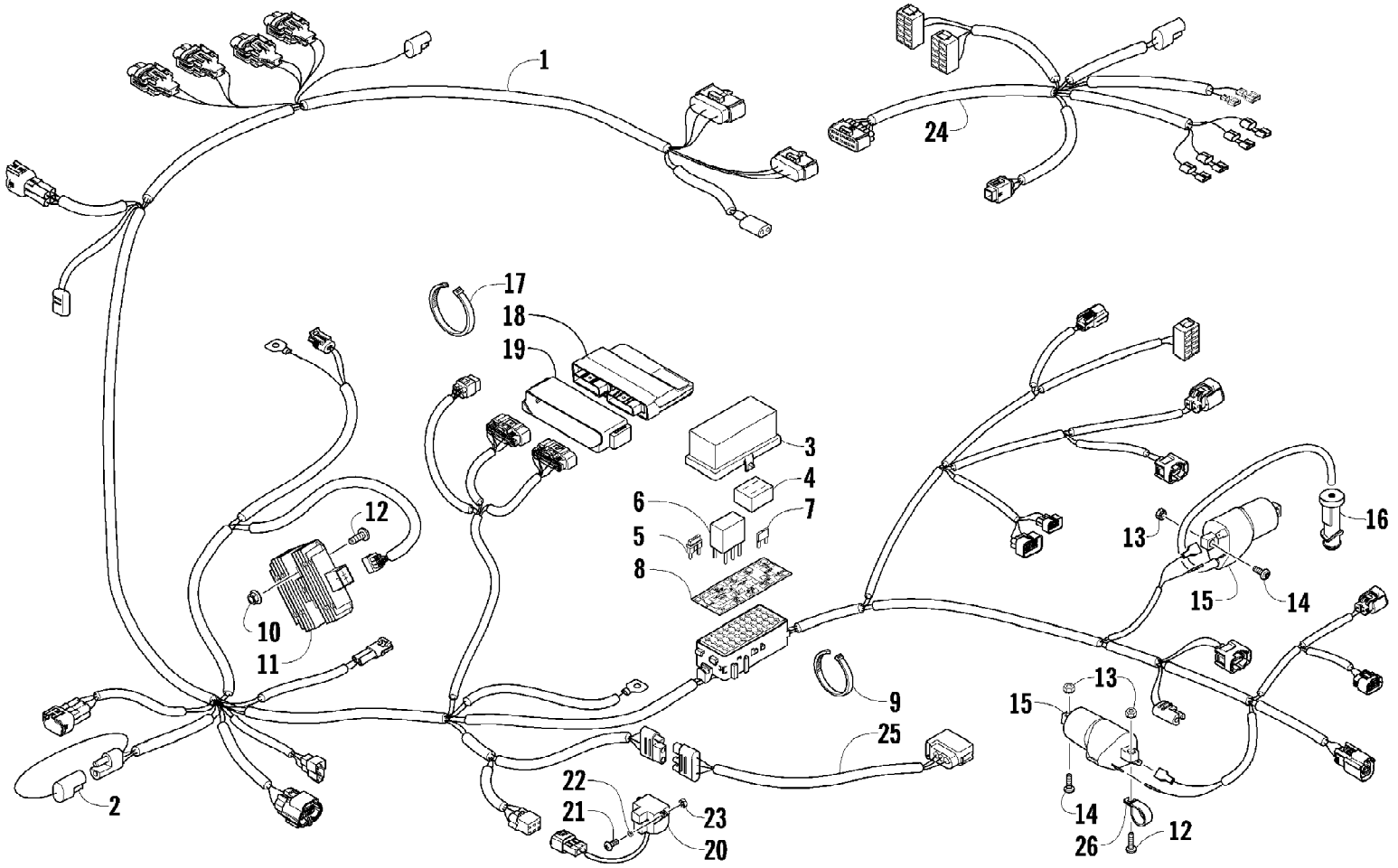
| Ref # | Part Number | Qty | S/P/F | Description |
|-------|-------------|-----|-------|----------------------------------|
| 1 | 0813-036 | 1 | S | Pump, Water - Assembly (inc. 2) |
| 2 | 0830-029 | 1 | | O-Ring |
| 3 | 0813-029 | 1 | | Gear, Driven |
| 4 | 0813-030 | 1 | | Shaft, Driven Gear |
| 5 | 0829-009 | 1 | | Pin, Dowel |
| 6 | 0831-002 | 3 | | Ring, Retaining |
| 7 | 0832-046 | 4 | /P | Bearing |
| 8 | 0801-089 | 1 | | Disc, Breather |
| 9 | 8468-650 | 2 | | Screw, Machine |
| 10 | 0831-004 | 1 | | Ring, Retaining |
| 11 | 0813-026 | 1 | | Shaft, Water Pump Idler Gear |
| 12 | 0813-027 | 1 | | Gear, Idler - Water Pump - Drive |
| 13 | 0813-028 | 1 | | Spacer, Idler - Water Pump |
| 14 | 0831-040 | 1 | | Ring, Retaining |



2009 PROWLER 1000 XTZ 4X4 SUNSET ORANGE (U2009P4W4EUSK)
WHEEL AND TIRE ASSEMBLY

Page 84 of 86

| Ref # | Part Number | Qty | S/P/F | Description |
|-------|-------------|-----|-------|-----------------------------|
| 1 | 0423-557 | 16 | | Screw, Shoulder |
| 2 | 1402-455 | 2 | S | Disc, Brake - Front |
| 2 | 1436-164 | 2 | /P | Disc, Brake - Rear |
| 3 | 1502-433 | 2 | /P | Hub, Wheel - Front (inc. 4) |
| 3 | 1502-437 | 2 | | Hub, Wheel - Rear (inc. 4) |
| 4 | 0402-974 | 16 | /P | Stud, Wheel Hub |
| 5 | 0423-407 | 4 | | Pin, Cotter |
| 6 | 0423-607 | 4 | | Nut, Castle |
| 7 | 1402-732 | 2 | | Wheel - Front |
| 8 | 0423-618 | 16 | | Nut, Lug |
| 9 | 1402-790 | 2 | | Tire - Front |
| 10 | 0402-064 | 4 | | Stem, Valve (inc. 11) |
| 11 | 0402-140 | 4 | | Cap, Valve Stem |
| 12 | 1402-733 | 2 | S | Wheel - Rear |
| 13 | 1402-791 | 2 | | Tire - Rear |
| 14 | 1402-736 | 4 | | Cap, Wheel |



2009 PROWLER 1000 XTZ 4X4 SUNSET ORANGE (U2009P4W4EUSK)
WIRING HARNESS ASSEMBLY

Page 86 of 86

| Ref # | Part Number | Qty | S/P/F | Description |
|-------|-------------|-----|-------|------------------------------|
| 1 | 0486-273 | 1 | | Harness, Main (inc. 2-8) |
| 2 | 0486-164 | 1 | | Tether, Accessory Connector |
| 3 | 0530-008 | 1 | | Cover, Fuse Block |
| 4 | 0430-037 | 1 | | Holder, Fuse |
| 5 | 0430-034 | 1 | | Diode |
| 6 | 0430-045 | 5 | /P | Relay (4-Pin) - 20 Amp |
| 7 | 0430-032 | 5 | | Fuse - 10 Amp |
| 7 | 0430-031 | 3 | | Fuse - 15 Amp |
| 7 | 0430-030 | 2 | | Fuse - 30 Amp |
| 8 | 1411-526 | 1 | | Decal, Fuse Block |
| 9 | 0123-788 | AR | /P | Tie, Cable - 8 in. |
| 10 | 8424-602 | 2 | /P | Nut |
| 11 | 0824-037 | 1 | /P | Regulator, Voltage |
| 12 | 8476-625 | 3 | | Screw, Machine |
| 13 | 0623-038 | 4 | | Nut w/Washer |
| 14 | 8476-620 | 3 | | Screw, Machine |
| 15 | 0824-043 | 2 | | Coil, Ignition - Assembly |
| 16 | 0824-049 | 2 | /P | Cap, Spark Plug |
| 17 | 0123-903 | AR | | Tie, Cable - 11.5 in. |
| 18 | 0530-025 | 1 | | ECU |
| 19 | 0430-059 | 1 | | Cushion, ECU |
| 20 | 0409-064 | 1 | | Switch, Tilt Sensor |
| 21 | 8468-425 | 2 | | Screw, Machine |
| 22 | 0123-802 | 2 | | Washer |
| 23 | 0423-493 | 2 | | Nut w/Washer |
| 24 | 0486-290 | 1 | | Harness, Console |
| 25 | 0486-176 | 1 | | Harness, Adapter - Taillight |
| 26 | 0123-269 | 1 | | Clamp, Routing |