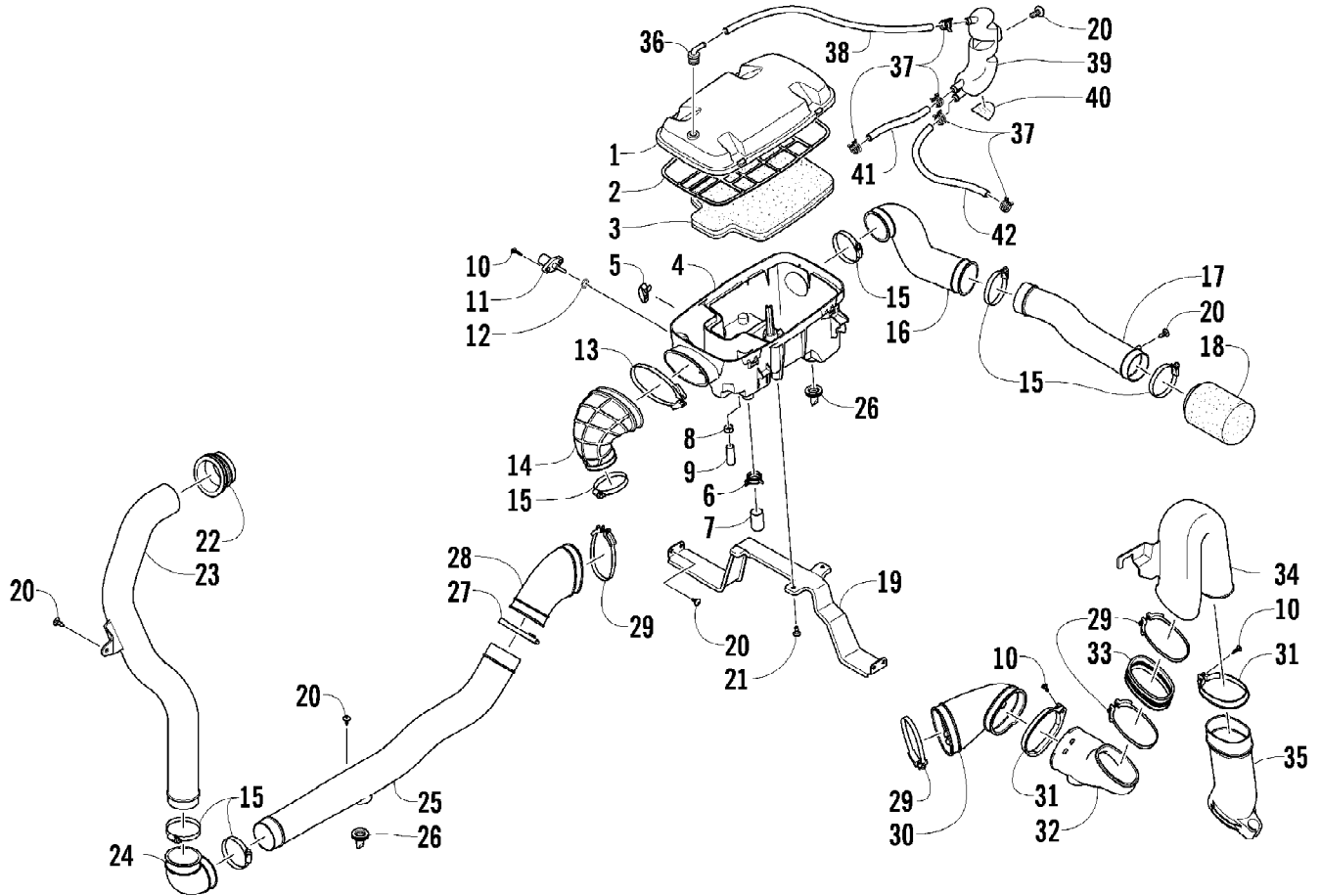


2009 PROWLER 1000 XTZ 4X4 SUNSET ORANGE INTERNATIONAL (U2009P44) Page 2 of 6
ACCELERATOR ASSEMBLY

| Ref # | Part Number | Qty | S/P/F | Description |
|-------|-------------|-----|-------|----------------------------|
| 1 | 1502-590 | 1 | | Pedal, Accelerator |
| 2 | 0470-851 | 1 | | Spring |
| 3 | 0402-872 | 1 | | Axle |
| 4 | 1602-213 | 2 | /P | O-Ring |
| 5 | 8422-002 | 1 | | Nut, Lock |
| 6 | 8471-616 | 2 | | Screw, Machine |
| 7 | 0502-991 | 1 | | Bracket, Accelerator Pedal |
| 8 | 8427-602 | 2 | | Nut, Lock |
| 9 | 0487-066 | 1 | | Cable, Accelerator |

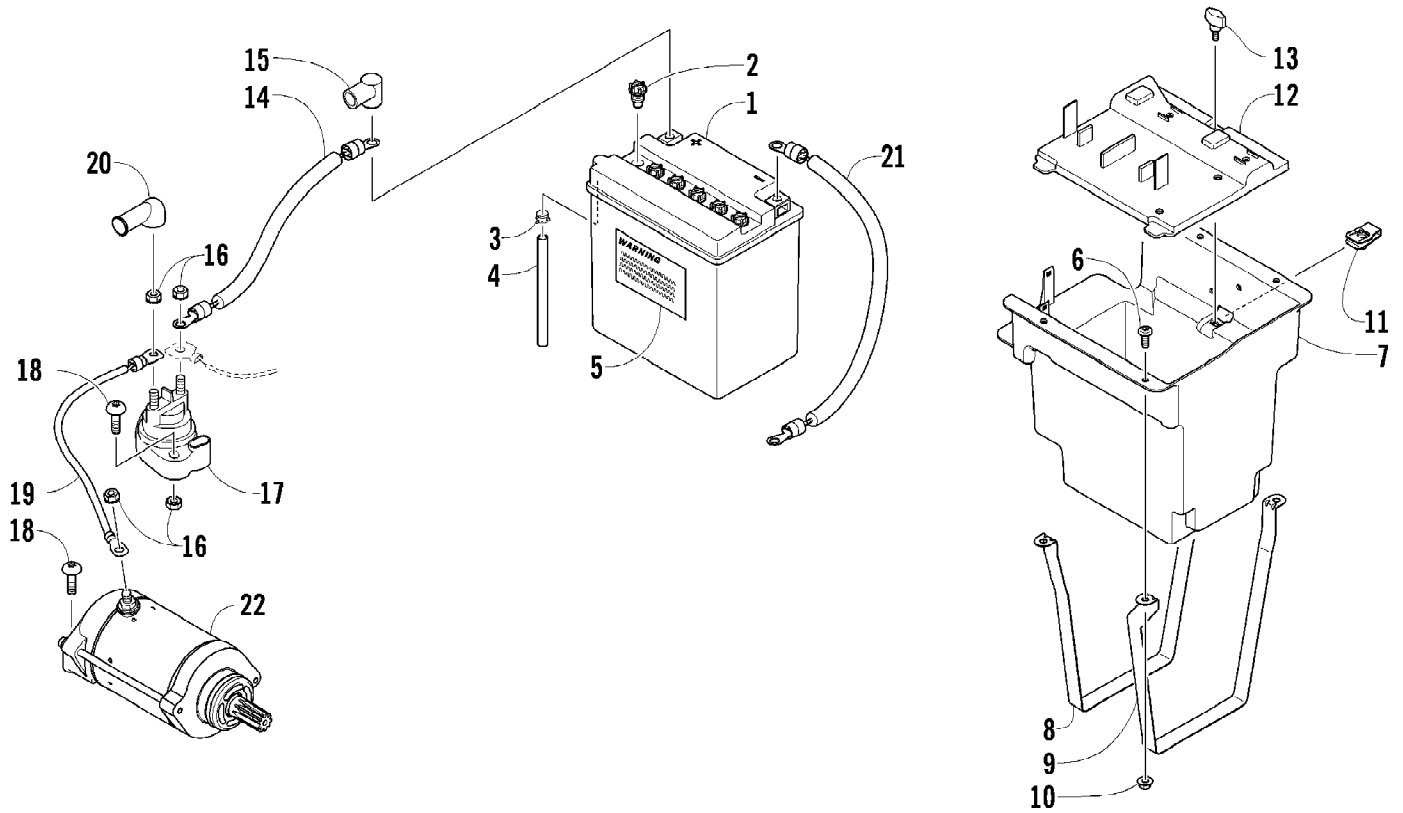
2009 PROWLER 1000 XTZ 4X4 SUNSET ORANGE INTERNATIONAL (U2009P414E0618)
AIR INTAKE ASSEMBLY



2009 PROWLER 1000 XTZ 4X4 SUNSET ORANGE INTERNATIONAL (U2009P44E0618)
 AIR INTAKE ASSEMBLY

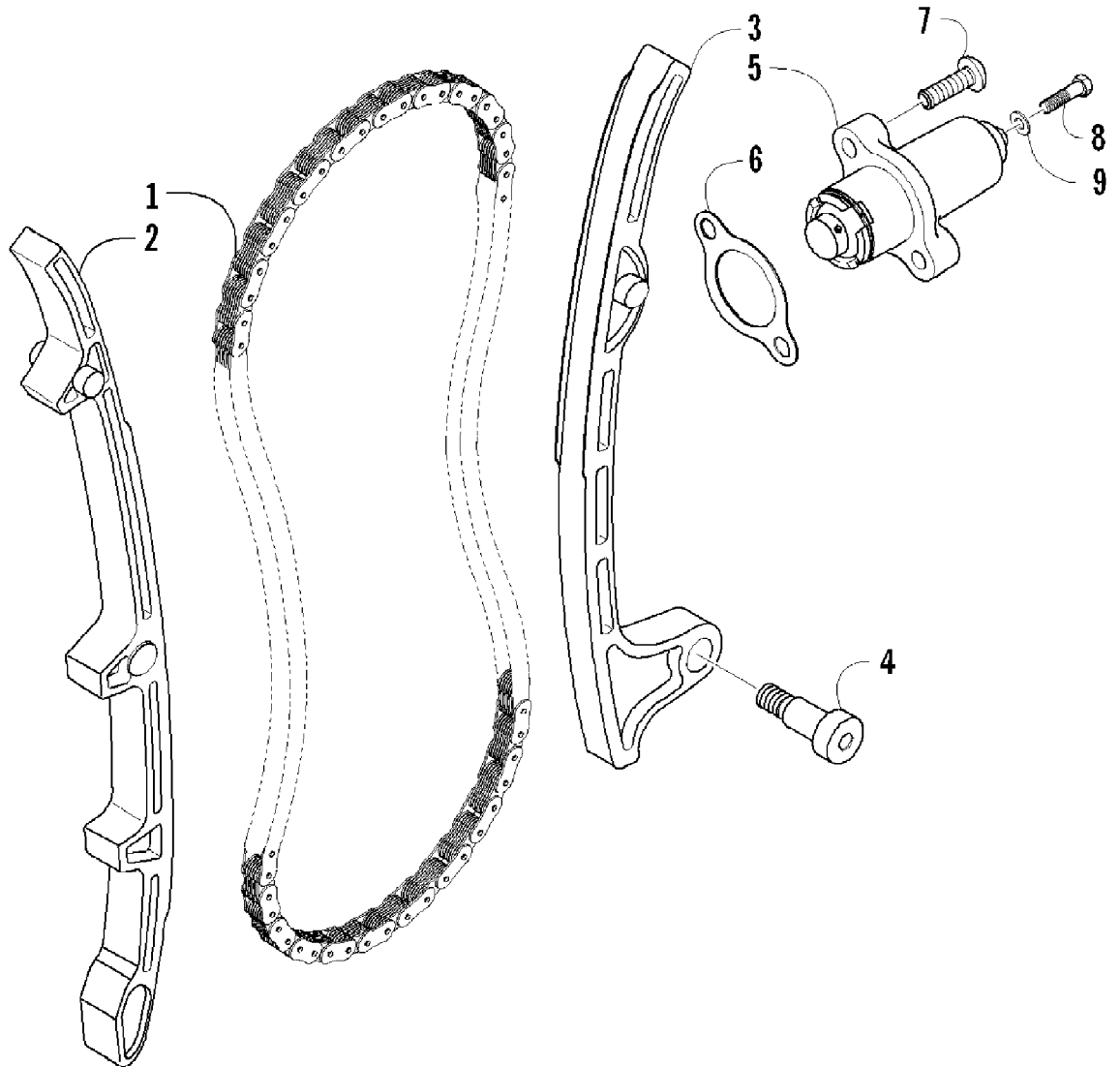
| Ref # | Part Number | Qty | S/P/F | Description |
|-------|-------------|-----|-------|-----------------------------------|
| 1 | 0470-861 | 1 | | Cover, Air Intake |
| 2 | 0470-560 | 1 | | Screen, Air Filter |
| 3 | 0470-558 | 1 | | Filter, Air |
| 4 | 0470-728 | 1 | | Housing, Air Intake |
| 5 | 0423-455 | 4 | | Clip, Spring |
| 6 | 1623-287 | 1 | | Clamp, Hose |
| 7 | 0423-766 | 1 | | Cap, Drain |
| 8 | 0610-563 | 1 | | Clamp, Hose |
| 9 | 0470-863 | 1 | | Valve, Drain |
| 10 | 0423-342 | 4 | /P | Screw, Self-Tapping |
| 11 | 0430-055 | 1 | | Sensor, Air Temperature (inc. 12) |
| 12 | 5507-224 | 1 | | O-Ring |
| 13 | 0423-554 | 1 | | Clamp |
| 14 | 0413-225 | 1 | | Boot, Intake |
| 15 | 0423-019 | 6 | | Clamp |
| 16 | 0413-232 | 1 | | Duct, Intake |
| 17 | 0413-219 | 1 | | Duct, Intake |
| 18 | 0470-834 | 1 | | Filter, Intake |
| 19 | 2516-166 | 1 | | Bracket, Support |
| 20 | 0623-784 | 8 | | Screw, Self-Tapping |
| 21 | 8476-616 | 2 | | Screw, Machine |
| 22 | 2416-088 | 1 | | Boot, Air-In |
| 23 | 0413-237 | 1 | | Duct, Air-In |
| 24 | 0413-098 | 1 | | Boot, Air-In |
| 25 | 0413-236 | 1 | | Duct, Air-In |
| 26 | 0470-442 | 2 | /P | Valve, Drain |
| 27 | 0423-018 | 1 | | Clamp |
| 28 | 0413-233 | 1 | | Boot, Air-In |
| 29 | 0423-730 | 4 | | Clamp |
| 30 | 0413-234 | 1 | | Boot, Air-Out |
| 31 | 0423-550 | 2 | | Clamp |
| 32 | 0413-247 | 1 | | Duct, Air-Out |
| 33 | 0413-248 | 1 | | Boot, Air-Out |
| 34 | 0413-235 | 1 | | Duct, Air-Out |
| 35 | 0413-226 | 1 | | Duct, Air-Out |
| 36 | 0470-881 | 1 | | Fitting, Elbow |
| 37 | 1623-281 | 5 | | Clamp, Hose |
| 38 | 0410-187 | 1 | | Hose, Vent |
| 39 | 0470-857 | 1 | | Separator, Oil |
| 40 | 1441-822 | 1 | | Foil, Protective |
| 41 | 0410-188 | 1 | | Hose, Vent |
| 42 | 0410-186 | 1 | | Hose, Vent |

2009 PROWLER 1000 XTZ 4X4 SUNSET ORANGE INTERNATIONAL (U2009P44E06186)
BATTERY AND STARTER MOTOR ASSEMBLY



2009 PROWLER 1000 XTZ 4X4 SUNSET ORANGE INTERNATIONAL (U2009P446) Page 6 of 16
BATTERY AND STARTER MOTOR ASSEMBLY

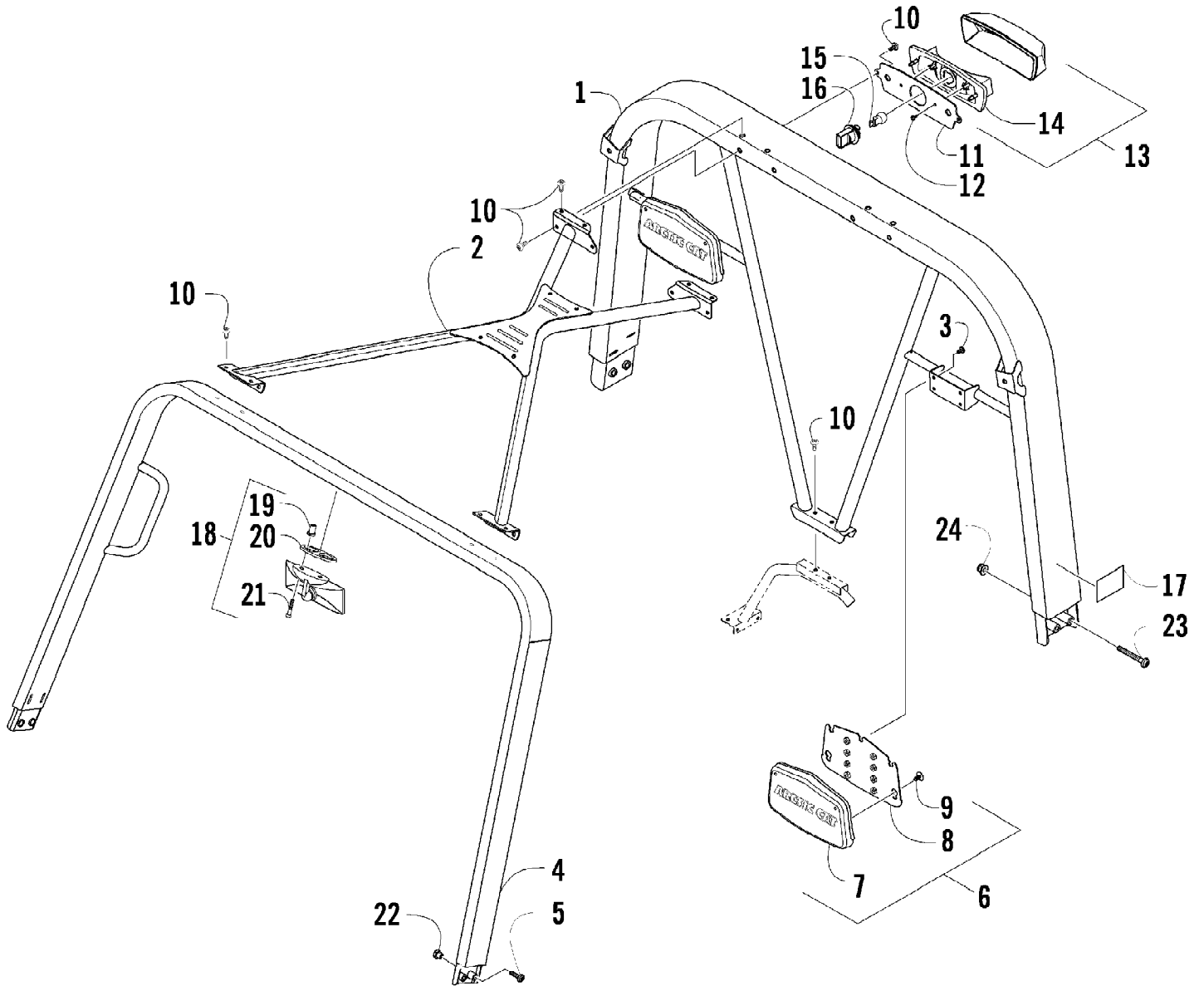
| Ref # | Part Number | Qty | S/P/F | Description |
|-------|-------------|-----|-------|--------------------------------|
| 1 | 0445-081 | 1 | | Battery (inc. 2-5) |
| 2 | 0645-588 | 6 | /P | Cap, Battery |
| 3 | 0645-152 | 1 | | Clamp, Hose |
| 4 | 0645-262 | 1 | | Hose, Vent |
| 5 | 0645-430 | 2 | | Decal, Warning |
| 6 | 8476-612 | 4 | | Screw, Machine |
| 7 | 2406-914 | 1 | | Box, Battery |
| 8 | 0470-854 | 1 | | Hold-Down, Battery Box - Right |
| 9 | 0470-855 | 1 | | Hold-Down, Battery Box - Left |
| 10 | 8424-602 | 4 | /P | Nut |
| 11 | 0423-577 | 1 | | Clip, U-Nut |
| 12 | 2406-949 | 1 | | Cover, Battery Box |
| 13 | 1441-624 | 1 | | Screw, Thumb |
| 14 | 0445-078 | 1 | | Cable, Battery/Solenoid |
| 15 | 0645-019 | 2 | | Boot, Terminal |
| 16 | 0623-038 | 5 | | Nut w/Washer |
| 17 | 0445-058 | 1 | /P | Solenoid |
| 18 | 8476-625 | 4 | | Screw, Machine |
| 19 | 0445-080 | 1 | | Cable, Solenoid/Starter |
| 20 | 0645-327 | 1 | | Boot, Terminal - Solenoid |
| 21 | 0445-079 | 1 | | Cable, Battery/Ground |
| 22 | 0825-015 | 1 | | Motor, Starter - Assembly |



2009 PROWLER 1000 XTZ 4X4 SUNSET ORANGE INTERNATIONAL (U2009P44E0618)
 CAM CHAIN ASSEMBLY

| Ref # | Part Number | Qty | S/P/F | Description |
|-------|-------------|-----|-------|--------------------------------|
| 1 | 0810-001 | 2 | | Chain, Cam |
| 2 | 0810-046 | 2 | | Guide, Chain |
| 3 | 0810-049 | 2 | | Tensioner, Chain |
| 4 | 0826-106 | 2 | | Pivot, Tensioner |
| 5 | 0810-004 | 2 | | Adjuster, Tensioner - Assembly |
| 6 | 0830-134 | 2 | | Gasket |
| 7 | 8468-620 | 4 | /P | Screw, Machine |
| 8 | 8400-610 | 2 | | Screw, Cap |
| 9 | 0828-129 | 2 | | Washer |

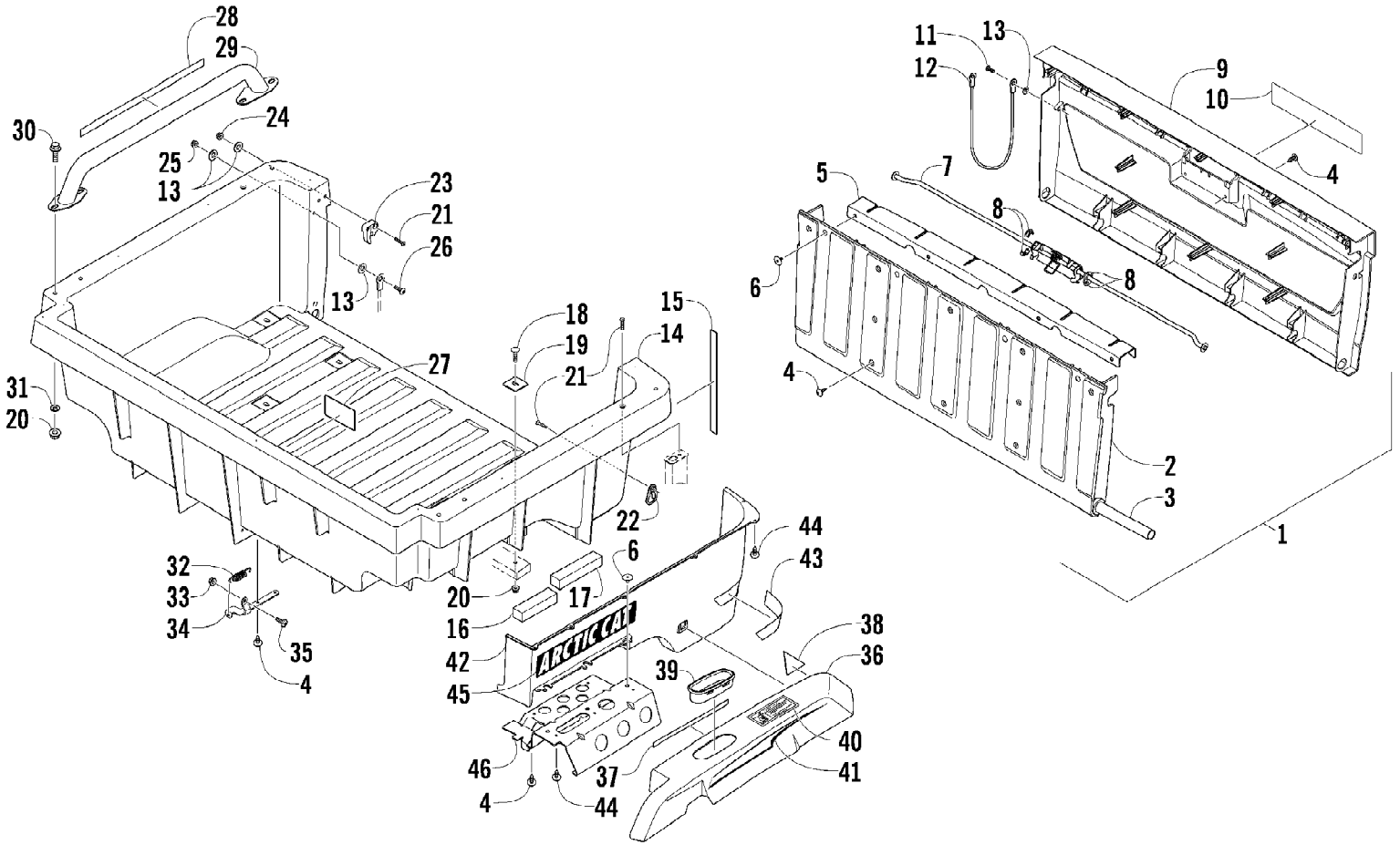
2009 PROWLER 1000 XTZ 4X4 SUNSET ORANGE INTERNATIONAL (U2009P44E0618)
CANOPY AND TAILLIGHT ASSEMBLY



2009 PROWLER 1000 XTZ 4X4 SUNSET ORANGE INTERNATIONAL (U2009P406106186)
CANOPY AND TAILLIGHT ASSEMBLY

| Ref # | Part Number | Qty | S/P/F | Description |
|-------|-------------|-----|-------|--------------------------------------|
| 1 | 2516-106 | 1 | | Tube, Canopy - Rear |
| 2 | 2516-304 | 1 | | Support, Canopy |
| 3 | 0423-361 | 8 | | Screw, Machine |
| 4 | 2516-108 | 1 | | Tube, Canopy - Front |
| 5 | 0423-886 | 4 | | Screw, Machine |
| 6 | 1506-795 | 2 | | Pad, Headrest - Assembly (inc. 7-9) |
| 7 | 1406-884 | 2 | | Pad, Headrest |
| 8 | 1506-722 | 2 | | Mount, Headrest |
| 9 | 0623-544 | 10 | | Clip, Retaining |
| 10 | 0423-910 | 20 | | Screw, Machine |
| 11 | 2406-069 | 1 | | Bracket, Taillight Mounting |
| 12 | 0623-301 | 2 | /P | Screw, Self-Tapping |
| 13 | 0509-022 | 1 | | Taillight Assembly (inc. 14-16) |
| 14 | 0509-025 | 1 | | Housing, Taillight |
| 15 | 0409-056 | 1 | | Bulb, Taillight |
| 16 | 0409-057 | 1 | | Socket, Taillight |
| 17 | 1411-864 | 1 | | Decal, Warning - Canopy |
| 18 | 1436-062 | 1 | S | Mirror, Rear-View - Kit (inc. 19-21) |
| 19 | 0423-896 | 2 | | Nut, Expansion |
| 20 | 0423-897 | 1 | | Spacer |
| 21 | 0423-904 | 2 | | Screw, Machine |
| 22 | 0423-903 | 4 | | T-Nut |
| 23 | 0423-916 | 4 | | Screw, Machine |
| 24 | 8427-805 | 4 | | Nut, Lock |

2009 PROWLER 1000 XTZ 4X4 SUNSET ORANGE INTERNATIONAL (U2009P406106186)
CARGO BOX AND TAILGATE ASSEMBLY



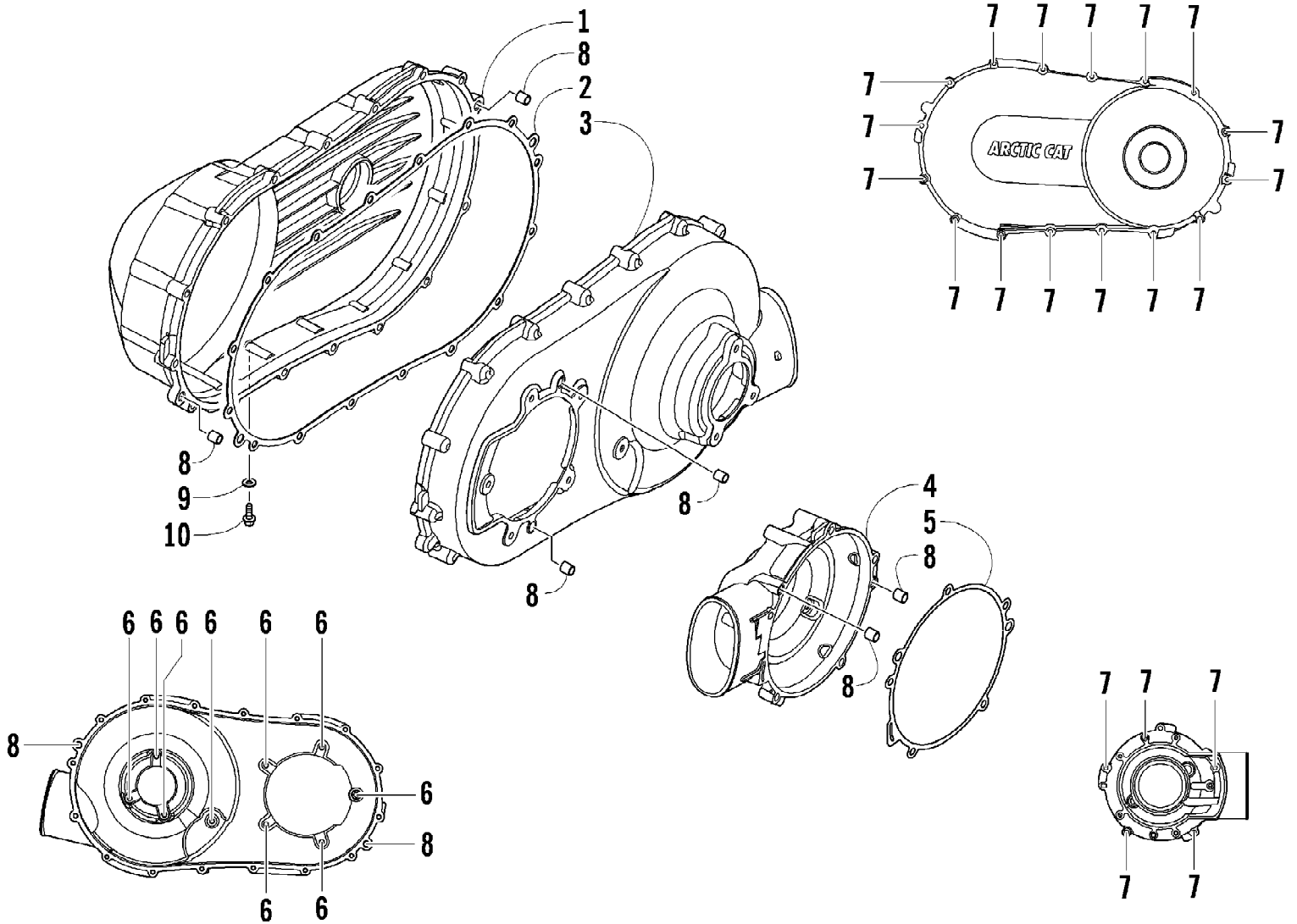
2009 PROWLER 1000 XTZ 4X4 SUNSET ORANGE INTERNATIONAL (U2009P404EDS196)
CARGO BOX AND TAILGATE ASSEMBLY

| Ref # | Part Number | Qty | S/P/F | Description |
|-------|-------------|-----|-------|--|
| 1 | 2516-328 | 1 | | Tailgate Assembly (inc. 2-9) |
| 2 | 2406-365 | 1 | /P | Panel, Tailgate - Inner |
| 3 | 1406-927 | 1 | | Shaft, Pivot - Tailgate |
| 4 | 0623-784 | 20 | | Screw, Self-Tapping |
| 5 | 1506-704 | 1 | | Brace, Tailgate |
| 6 | 0423-101 | 10 | | Screw, Shoulder |
| 7 | 2506-056 | 1 | | Latch, Tailgate - Assembly |
| 8 | 1406-706 | 4 | | Bushing |
| 9 | 2516-207 | 1 | | Panel, Tailgate - Outer |
| 10 | 2411-005 | 1 | | Decal, Tailgate - "Arctic Cat" |
| 11 | 8476-625 | 2 | | Screw, Machine |
| 12 | 0487-045 | 2 | | Cable, Tailgate |
| 13 | 8050-217 | 10 | /P | Washer |
| 14 | 2516-335 | 1 | | Box, Cargo |
| 15 | 0417-006 | 2 | | Strip, Foam |
| 16 | 0417-011 | 2 | | Foam, Cargo Box |
| 17 | 0417-010 | 2 | | Foam, Cargo Box |
| 18 | 0423-623 | 8 | | Bolt, Carriage |
| 19 | 1506-933 | 8 | | Plate, Retainer |
| 20 | 8424-802 | 14 | | Nut |
| 21 | 8474-630 | 6 | | Screw, Machine |
| 22 | 1506-539 | 1 | | Bracket, Tailgate |
| 23 | 2506-664 | 1 | | Striker, Tailgate - Right |
| 23 | 2506-665 | 1 | /P | Striker, Tailgate - Left |
| 24 | 8424-602 | 4 | /P | Nut |
| 25 | 0624-250 | 2 | | Nut, Lock |
| 26 | 8476-620 | 2 | | Screw, Machine |
| 27 | 1411-119 | 1 | | Decal, Warning - Cargo |
| 28 | 2411-004 | 2 | | Decal, Rail |
| 29 | 2516-330 | 1 | | Rail, Cargo Box - Right |
| 29 | 2516-241 | 1 | | Rail, Cargo Box - Left |
| 30 | 8410-830 | 8 | | Screw, Cap |
| 31 | 0423-907 | 4 | | Washer |
| 32 | 2416-086 | 1 | | Spring |
| 33 | 0423-540 | 1 | | Nut, Lock |
| 34 | 2516-178 | 1 | /P | Bracket, Cargo Box Latch |
| 35 | 8476-616 | 1 | | Screw, Machine |
| 36 | 2506-996 | 1 | | Fender, Rear - Assembly - Upper Right (inc. 37-38) |
| 36 | 2506-997 | 1 | | Fender, Rear - Assembly - Upper Left (inc. 37-39) |
| 37 | 0417-007 | 2 | | Strip, Foam |
| 38 | 0417-008 | 2 | | Pad, Foam |
| 39 | 2516-037 | 1 | | Ring, Trim |
| 40 | 1411-120 | 2 | | Decal, Warning - Pinch Point |
| 41 | 1411-998 | 1 | | Decal, Rear Fender - Right |
| 41 | 1411-999 | 1 | | Decal, Rear Fender - Left |
| 42 | 2516-202 | 1 | | Panel, Box - Right |
| 42 | 2516-203 | 1 | | Panel, Box - Left |
| 43 | 1411-128 | 1 | | Decal, Reflector - Right |
| 43 | 1411-129 | 1 | | Decal, Reflector - Left |
| 44 | 0423-342 | 20 | /P | Screw, Self-Tapping |

2009 PROWLER 1000 XTZ 4X4 SUNSET ORANGE INTERNATIONAL (U2009P404E0618)
CARGO BOX AND TAILGATE ASSEMBLY

| Ref # | Part Number | Qty | S/P/F | Description |
|-------|-------------|-----|-------|-----------------------------------|
| 45 | 1411-996 | 1 | | Decal, Box - "Arctic Cat" - Right |
| 45 | 1411-997 | 1 | | Decal, Box - "Arctic Cat" - Left |
| 46 | 1506-776 | 1 | | Bracket, Fender Support - Right |
| 46 | 2506-927 | 1 | | Bracket, Fender Support - Left |

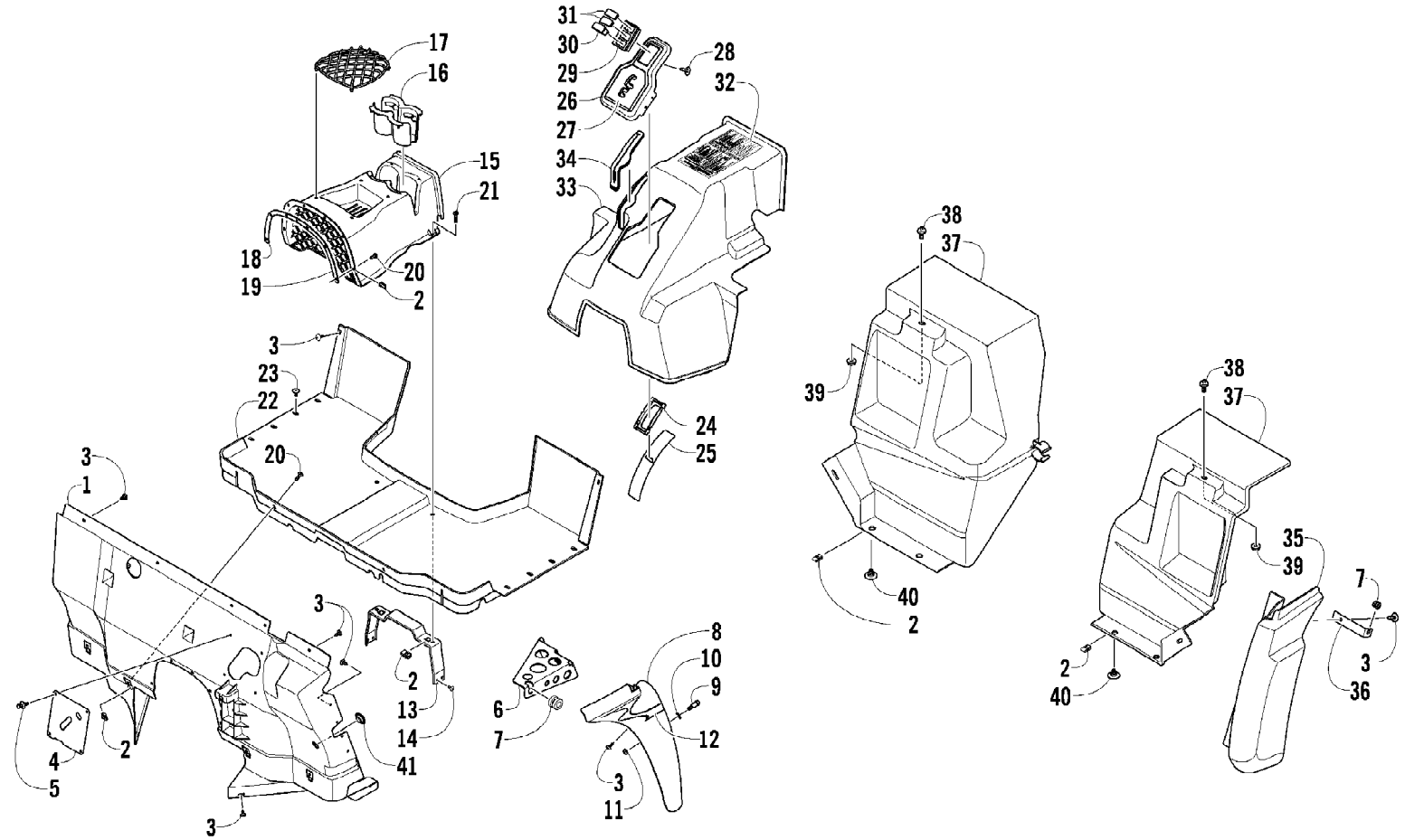
2009 PROWLER 1000 XTZ 4X4 SUNSET ORANGE INTERNATIONAL (U2009P406106186)
CLUTCH SIDE ENGINE COVERS



2009 PROWLER 1000 XTZ 4X4 SUNSET ORANGE INTERNATIONAL (U2009P40415618)
CLUTCH SIDE ENGINE COVERS

| Ref # | Part Number | Qty | S/P/F | Description |
|-------|-------------|-----|-------|----------------------|
| 1 | 0806-068 | 1 | S | Cover, Outside |
| 2 | 0830-137 | 1 | | Gasket, Cover |
| 3 | 0806-067 | 1 | | Cover, Inside |
| 4 | 0806-064 | 1 | | Cover, Clutch |
| 5 | 0830-133 | 1 | | Gasket, Clutch Cover |
| 6 | 8468-616 | 9 | | Screw, Machine |
| 7 | 8468-630 | 21 | | Screw, Machine |
| 8 | 0829-001 | 6 | S | Pin, Dowel |
| 9 | 0830-013 | 1 | | Washer, Crush |
| 10 | 8408-812 | 1 | | Screw, Cap |

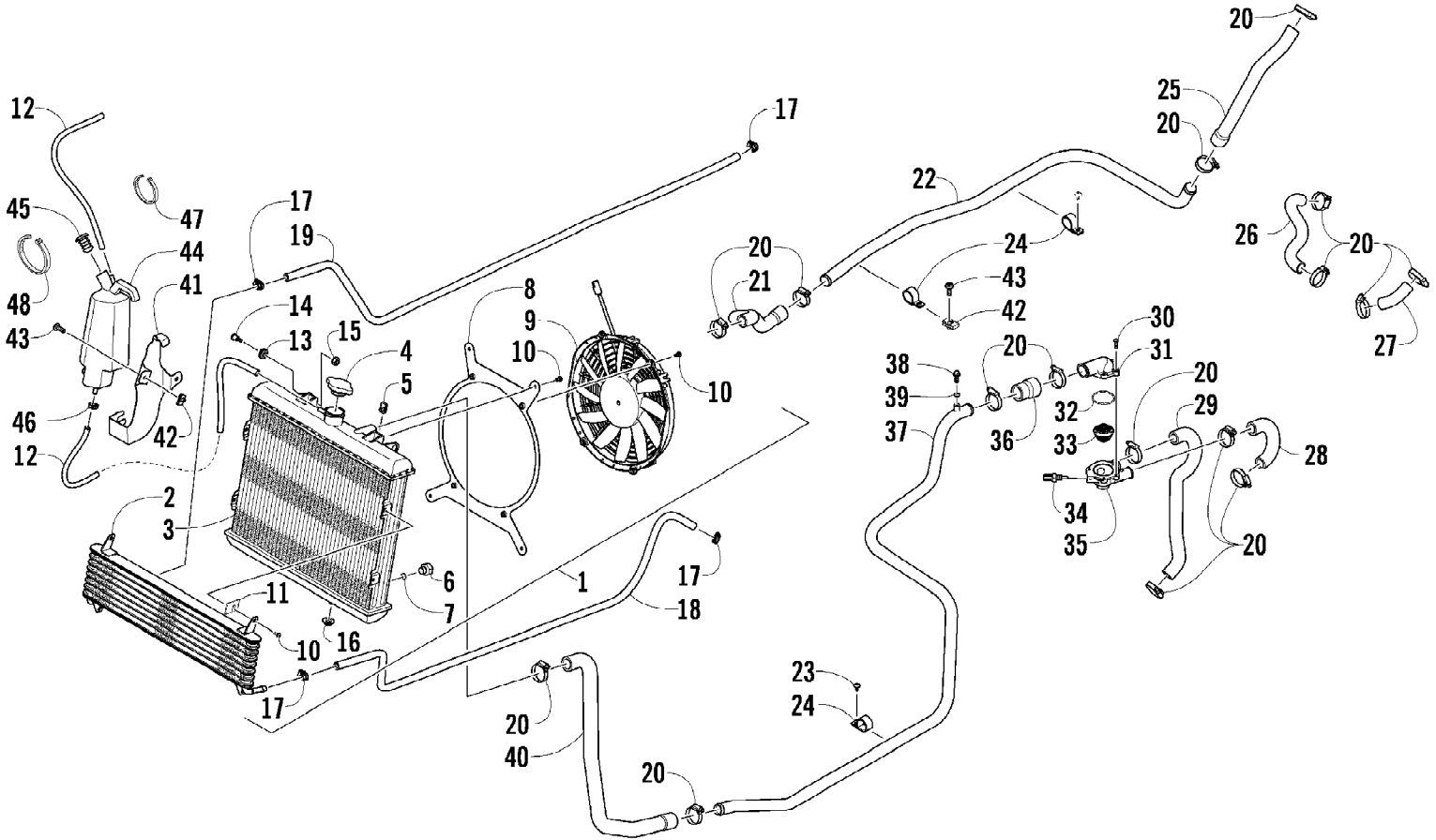
2009 PROWLER 1000 XTZ 4X4 SUNSET ORANGE INTERNATIONAL (U2009P4041606186)
CONSOLE AND FLOOR PANEL ASSEMBLY



2009 PROWLER 1000 XTZ 4X4 SUNSET ORANGE INTERNATIONAL (U2009P404E06196)
CONSOLE AND FLOOR PANEL ASSEMBLY

| Ref # | Part Number | Qty | S/P/F | Description |
|-------|-------------|-----|-------|---------------------------------|
| 1 | 2516-456 | 1 | | Panel, Fender - Inner |
| 2 | 0423-577 | 18 | | Clip, U-Nut |
| 3 | 0623-784 | 24 | | Screw, Self-Tapping |
| 4 | 2406-635 | 1 | | Panel, Splash - Inner Fender |
| 5 | 0623-362 | 4 | | Rivet, Reinstallable |
| 6 | 2506-066 | 1 | | Bracket, Support - Right |
| 6 | 2506-067 | 1 | | Bracket, Support - Left |
| 7 | 0423-447 | 4 | | Grommet |
| 8 | 2506-586 | 1 | | Fender, Front - Right |
| 8 | 2506-587 | 1 | | Fender, Front - Left |
| 9 | 0623-855 | 2 | | Screw, Shoulder |
| 10 | 8050-217 | 2 | /P | Washer |
| 11 | 1623-066 | 2 | | Nut, Lock |
| 12 | 1411-994 | 1 | | Decal, Front Fender - Right |
| 12 | 1411-995 | 1 | | Decal, Front Fender - Left |
| 13 | 2516-313 | 1 | | Bracket, Support |
| 14 | 8476-616 | 4 | | Screw, Machine |
| 15 | 2416-081 | 1 | | Console - Front |
| 16 | 2416-109 | 1 | | Insert, Cupholder |
| 17 | 2416-111 | 1 | | Net, Storage |
| 18 | 0417-019 | 1 | | Foam, Console |
| 19 | 0417-018 | 1 | | Foam, Console |
| 20 | 8468-620 | 12 | /P | Screw, Machine |
| 21 | 8468-670 | 2 | | Screw, Machine |
| 22 | 2416-085 | 1 | | Floor |
| 23 | 0423-545 | 8 | /P | Screw, Shoulder |
| 24 | 1402-793 | 1 | | Slide, Shift Gate |
| 25 | 1402-794 | 1 | | Slide, Shift |
| 26 | 1502-520 | 1 | | Gate, Shift (inc. 27) |
| 27 | 1411-985 | 1 | | Decal, Shift Gate |
| 28 | 0423-342 | 3 | /P | Screw, Self-Tapping |
| 29 | 0409-069 | 1 | | Panel, Switch-Mount |
| 30 | 0409-071 | 1 | | Switch, Reverse Override |
| 31 | 0409-070 | 2 | | Plug, Switch-Hole |
| 32 | 1411-126 | 1 | | Decal, Warning - Console |
| 33 | 2406-951 | 1 | | Console, Center |
| 34 | 2406-960 | 1 | | Boot, Parking Brake Lever |
| 35 | 2516-008 | 1 | | Fender, Rear - Lower - Right |
| 35 | 2516-009 | 1 | | Fender, Rear - Lower - Left |
| 36 | 2516-326 | 2 | | Bracket, Fender Support - Lower |
| 37 | 2416-018 | 1 | | Panel, Splash - Right |
| 37 | 2416-019 | 1 | | Panel, Splash - Left |
| 38 | 8476-616 | 2 | | Screw, Machine |
| 39 | 8424-602 | 2 | /P | Nut |
| 40 | 0423-101 | 4 | | Screw, Shoulder |
| 41 | 2416-159 | AR | | Plug |

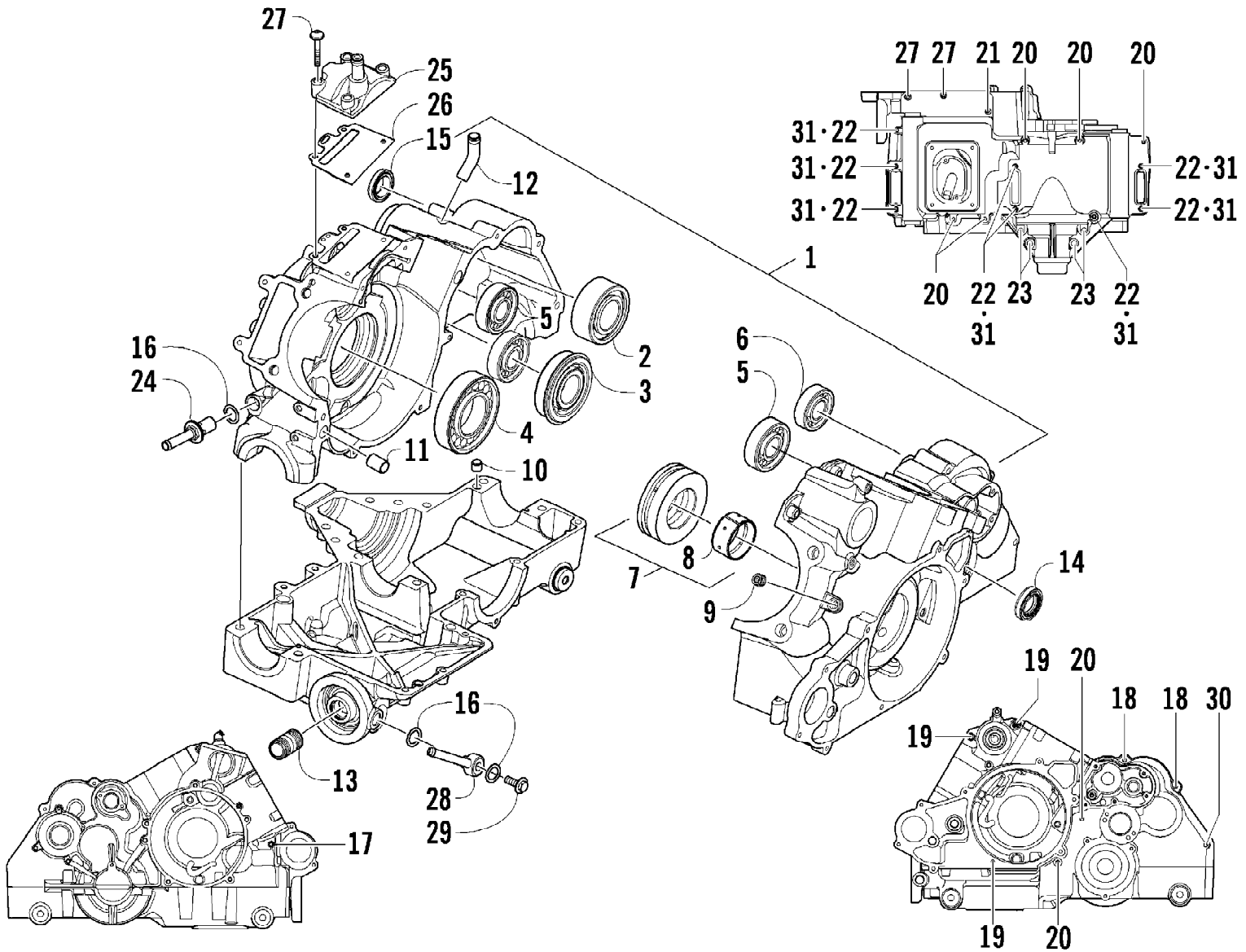
2009 PROWLER 1000 XTZ 4X4 SUNSET ORANGE INTERNATIONAL (U2009P4061061) Page 1 of 1
COOLING ASSEMBLY



2009 PROWLER 1000 XTZ 4X4 SUNSET ORANGE INTERNATIONAL (U2009P404E0618)
COOLING ASSEMBLY

| Ref # | Part Number | Qty | S/P/F | Description |
|-------|-------------|-----|-------|---|
| 1 | 0513-029 | 1 | | Radiator Assembly (inc. 2-13) |
| 2 | 0413-241 | 1 | | Cooler, Oil |
| 3 | 0413-216 | 1 | | Radiator |
| 4 | 0413-002 | 1 | S | Cap, Radiator |
| 5 | 1623-637 | 4 | | Clip, U-Nut |
| 6 | 0413-195 | 1 | | Plug, Drain |
| 7 | 1602-213 | 1 | /P | O-Ring |
| 8 | 0413-217 | 1 | | Bracket, Mounting - Fan |
| 9 | 0413-123 | 1 | /P | Fan, Cooling |
| 10 | 8470-510 | 12 | | Screw, Machine |
| 11 | 0413-254 | 4 | | Spacer |
| 12 | 0610-011 | AR | /P | Hose - 25 ft |
| 13 | 0423-030 | 2 | | Grommet |
| 14 | 0423-484 | 2 | | Screw, Shoulder |
| 15 | 0623-038 | 2 | | Nut w/Washer |
| 16 | 0423-028 | 2 | | Bushing, Stem |
| 17 | 0423-632 | 4 | | Clamp, Hose |
| 18 | 0410-183 | 1 | | Hose, Oil Cooler - In |
| 19 | 0410-184 | 1 | | Hose, Oil Cooler - Out |
| 20 | 0423-496 | 16 | | Clamp, Hose |
| 21 | 0410-094 | 1 | | Hose, Coolant - Radiator/Coolant Pipe |
| 22 | 0410-177 | 1 | | Pipe, Coolant |
| 23 | 0623-784 | 1 | | Screw, Self-Tapping |
| 24 | 0423-594 | 3 | | Clamp, Routing |
| 25 | 0410-180 | 1 | | Hose, Coolant - Coolant Pipe/Water Pump |
| 26 | 0410-116 | 1 | | Hose, Coolant - Crossover |
| 27 | 0410-115 | 1 | | Hose, Coolant - Crossover |
| 28 | 0410-191 | 1 | | Hose, Coolant - Cylinder/Thermostat |
| 29 | 0410-190 | 1 | | Hose, Coolant - Cylinder/Thermostat |
| 30 | 8470-520 | 4 | | Screw, Machine |
| 31 | 0808-092 | 1 | | Cover, Thermostat |
| 32 | 0830-173 | 1 | | O-Ring |
| 33 | 0808-093 | 1 | | Thermostat |
| 34 | 0808-124 | 1 | | Sensor, Engine Coolant Temperature |
| 35 | 0808-091 | 1 | | Housing, Thermostat |
| 36 | 0410-189 | 1 | | Hose, Coolant - Thermostat/Coolant Pipe |
| 37 | 0410-178 | 1 | | Pipe, Coolant w/Bleed Valve |
| 38 | 0423-984 | 1 | S | Screw, Bleed |
| 39 | 0423-921 | 1 | | O-Ring |
| 40 | 0410-092 | 1 | | Hose, Coolant - Coolant Pipe/Radiator |
| 41 | 0410-199 | 1 | | Bracket, Mounting - Overflow Bottle |
| 42 | 0423-577 | 3 | | Clip, U-Nut |
| 43 | 8476-616 | 3 | | Screw, Machine |
| 44 | 0413-086 | 1 | | Bottle, Overflow |
| 45 | 0413-087 | 1 | | Plug |
| 46 | 0124-045 | 1 | /P | Clamp, Hose |
| 47 | 0123-788 | AR | /P | Tie, Cable - 8 in. |
| 48 | 0623-316 | AR | | Tie, Cable - 14 in. |

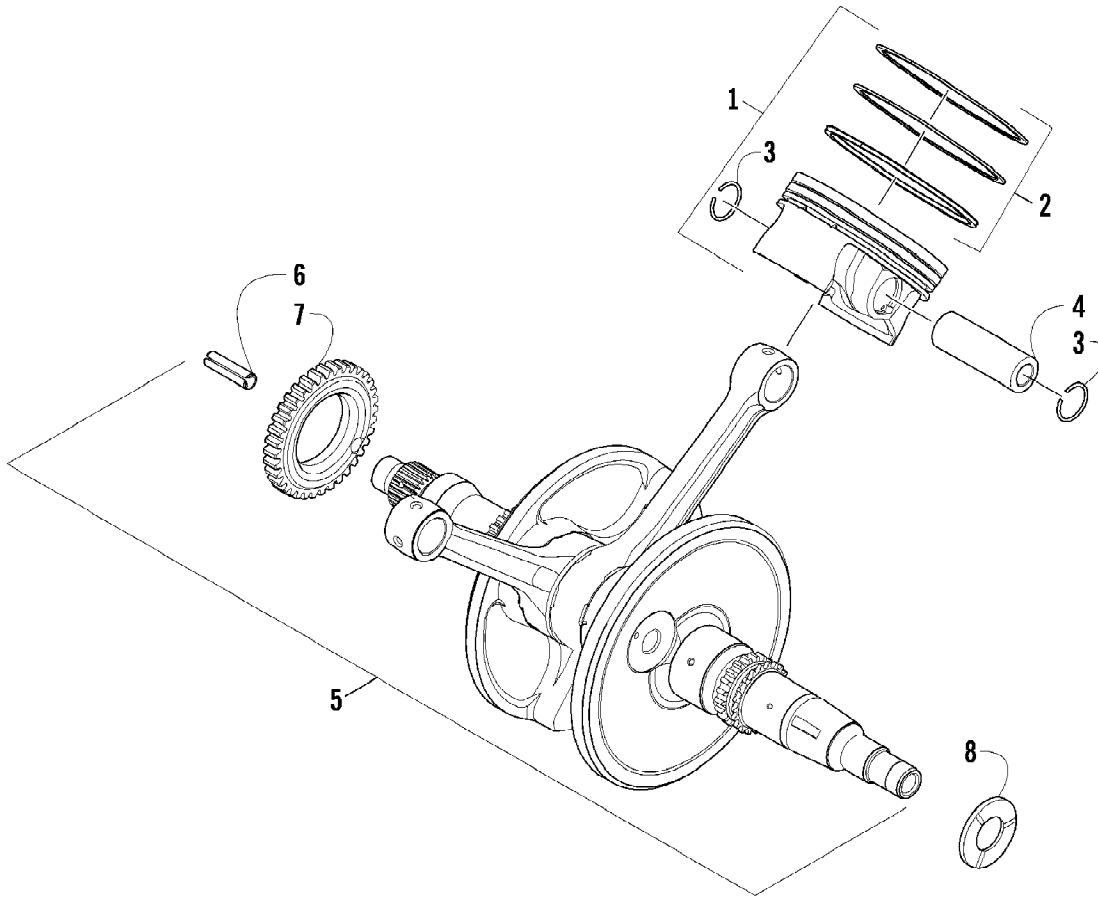
2009 PROWLER 1000 XTZ 4X4 SUNSET ORANGE INTERNATIONAL (U2009P4206136)
CRANKCASE ASSEMBLY



2009 PROWLER 1000 XTZ 4X4 SUNSET ORANGE INTERNATIONAL (U2009P406186)
CRANKCASE ASSEMBLY

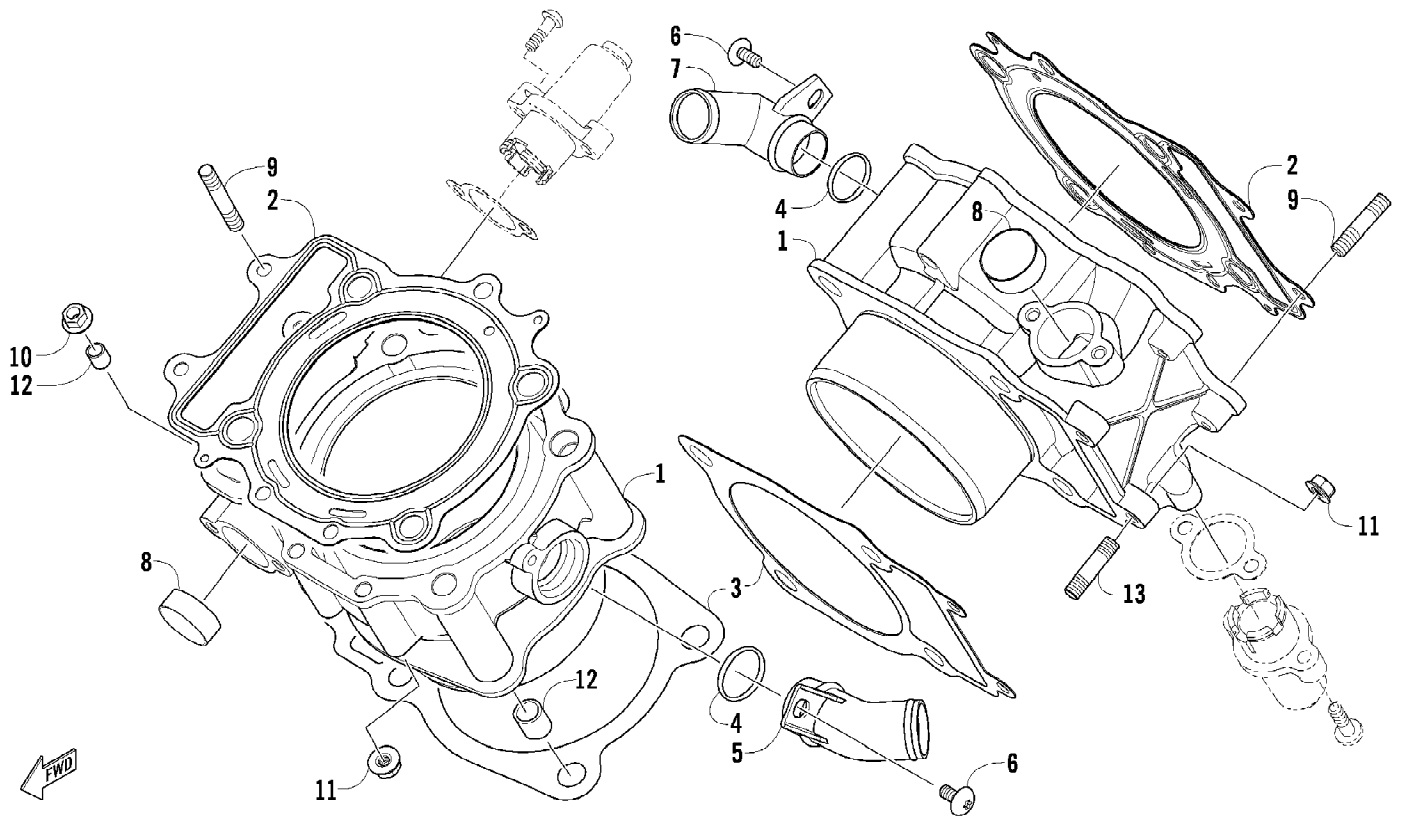
| Ref # | Part Number | Qty | S/P/F | Description |
|-------|-------------|-----|-------|----------------------------------|
| 1 | 0801-074 | 1 | | Crankcase - Assembly (inc. 2-15) |
| 2 | 0832-048 | 1 | /P | Bearing |
| 3 | 0832-058 | 1 | S | Bearing |
| 4 | 0832-042 | 1 | /P | Bearing |
| 5 | 0832-050 | 3 | /P | Bearing |
| 6 | 0832-049 | 1 | /P | Bearing |
| 7 | 0832-055 | 1 | | Bearing - Assembly (inc. 8) |
| 8 | 0832-057 | 1 | | Bearing |
| 9 | 0801-002 | 1 | | Plug, Engine Case |
| 10 | 0829-001 | 2 | S | Pin, Dowel |
| 11 | 0829-002 | 2 | | Pin, Dowel |
| 12 | 0801-118 | 1 | | Pipe, Breather |
| 13 | 0812-008 | 1 | | Union, Oil Filter |
| 14 | 0822-052 | 1 | | Seal, Countershaft - Right |
| 15 | 0830-035 | 1 | | Seal, Driveshaft |
| 16 | 0812-026 | 3 | | Gasket, Washer |
| 17 | 8468-685 | 1 | | Screw, Machine |
| 18 | 8468-650 | 2 | | Screw, Machine |
| 19 | 8468-625 | 3 | | Screw, Machine |
| 20 | 8468-665 | 7 | | Screw, Machine |
| 21 | 8468-640 | 1 | | Screw, Machine |
| 22 | 8412-870 | 8 | | Screw, Cap |
| 23 | 8412-830 | 4 | | Screw, Cap |
| 24 | 0812-051 | 1 | | Fitting, Oil - Threaded |
| 25 | 0801-088 | 1 | | Cover, Breather |
| 26 | 0830-160 | 1 | | Gasket, Breather |
| 27 | 8468-630 | 6 | | Screw, Machine |
| 28 | 0812-028 | 1 | | Fitting, Oil - 40° |
| 29 | 0812-025 | 1 | | Bolt, Oil |
| 30 | 8468-670 | 1 | | Screw, Machine |
| 31 | 0830-008 | 8 | | Washer |
| 32 | 0830-107 | 4 | | Gasket |

2009 PROWLER 1000 XTZ 4X4 SUNSET ORANGE INTERNATIONAL (U2009P404206186)
CRANKSHAFT AND PISTON ASSEMBLY



2009 PROWLER 1000 XTZ 4X4 SUNSET ORANGE INTERNATIONAL (U2009P40420618)
CRANKSHAFT AND PISTON ASSEMBLY

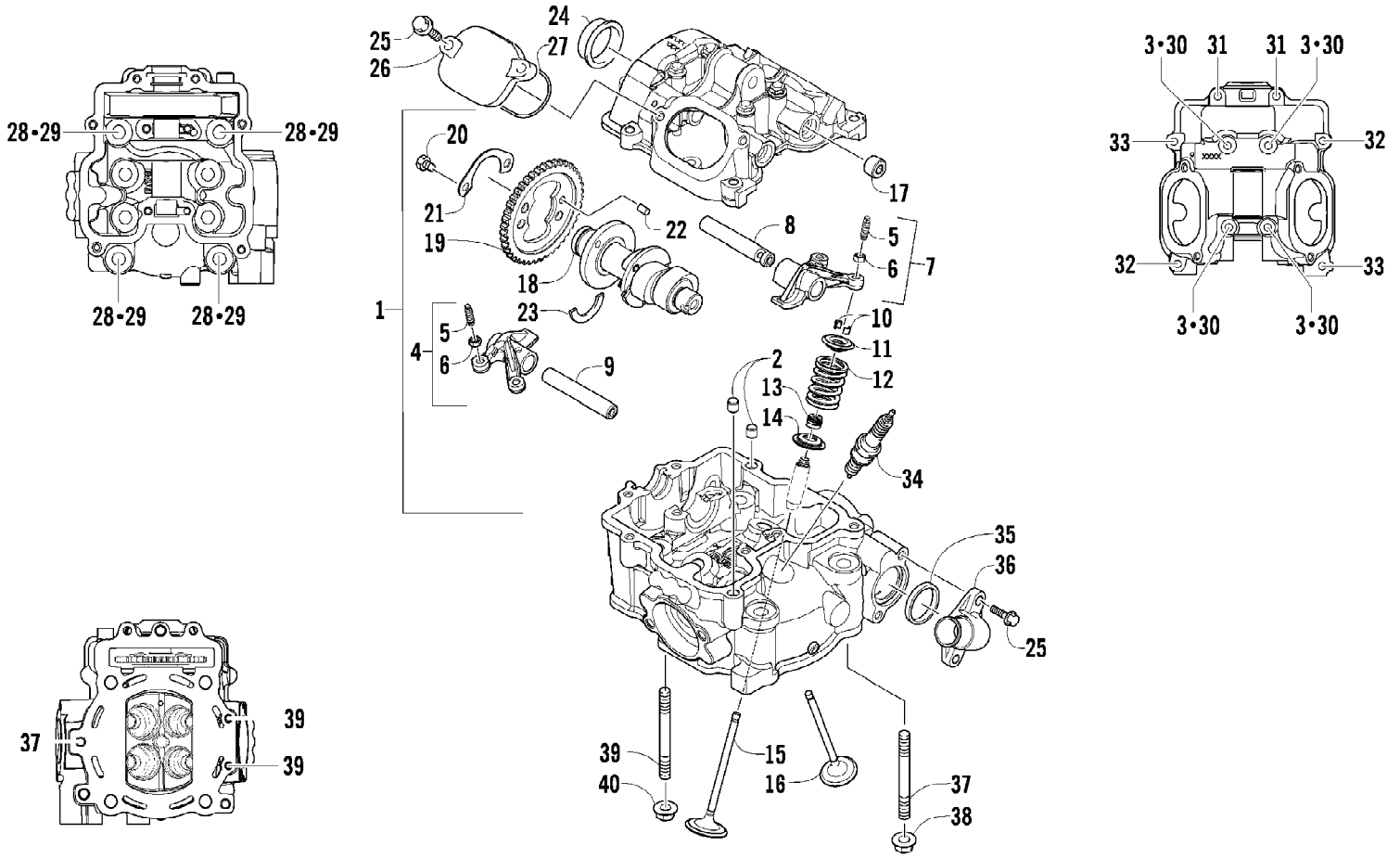
| Ref # | Part Number | Qty | S/P/F | Description |
|-------|-------------|-----|-------|----------------------------------|
| 1 | 0805-299 | 2 | /P | Piston Set - Assembly (inc. 2-4) |
| 2 | 0805-164 | 2 | | Ring, Piston - Set |
| 3 | 0805-199 | 4 | | Circlip, Piston Pin |
| 4 | 0805-198 | 2 | | Pin, Piston |
| 5 | 0805-200 | 1 | S | Crankshaft - Assembly (inc. 6-7) |
| 6 | 0805-204 | 1 | | Pin, Spring |
| 7 | 0805-201 | 1 | | Gear, Crankshaft |
| 8 | 0805-273 | 1 | | Washer, Thrust |



2009 PROWLER 1000 XTZ 4X4 SUNSET ORANGE INTERNATIONAL (U2009P40425618)
CYLINDER ASSEMBLY

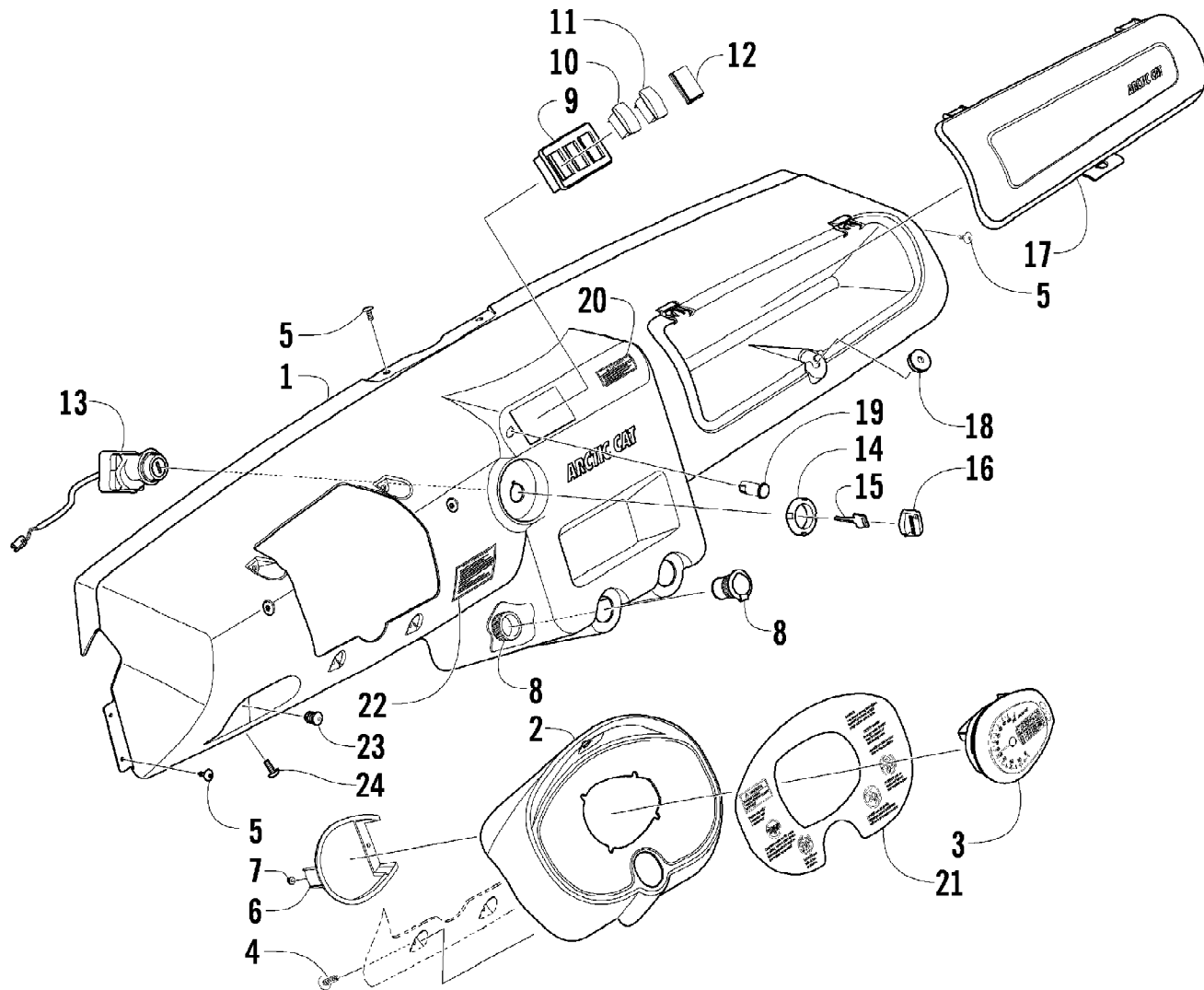
| Ref # | Part Number | Qty | S/P/F | Description |
|-------|-------------|-----|-------|---------------------|
| 1 | 0804-031 | 2 | | Cylinder |
| 2 | 0830-126 | 2 | S | Gasket, Head |
| 3 | 0830-127 | 2 | | Gasket, Base |
| 4 | 0830-007 | 2 | | O-Ring |
| 5 | 0804-046 | 1 | | Union, Coolant Hose |
| 6 | 8468-612 | 2 | | Screw, Machine |
| 7 | 0804-030 | 1 | | Union, Coolant Hose |
| 8 | 0804-037 | 2 | | Plug, Cylinder |
| 9 | 0827-002 | 4 | | Bolt, Stud |
| 10 | 8424-804 | 2 | | Nut |
| 11 | 8424-604 | 8 | | Nut |
| 12 | 0829-002 | 8 | | Pin, Dowel |
| 13 | 0827-018 | 4 | | Bolt, Stud |

2009 PROWLER 1000 XTZ 4X4 SUNSET ORANGE INTERNATIONAL (U2009P406196)
CYLINDER HEAD AND CAMSHAFT/VALVE ASSEMBLY



2009 PROWLER 1000 XTZ 4X4 SUNSET ORANGE INTERNATIONAL (U2009P404206186)
CYLINDER HEAD AND CAMSHAFT/VALVE ASSEMBLY

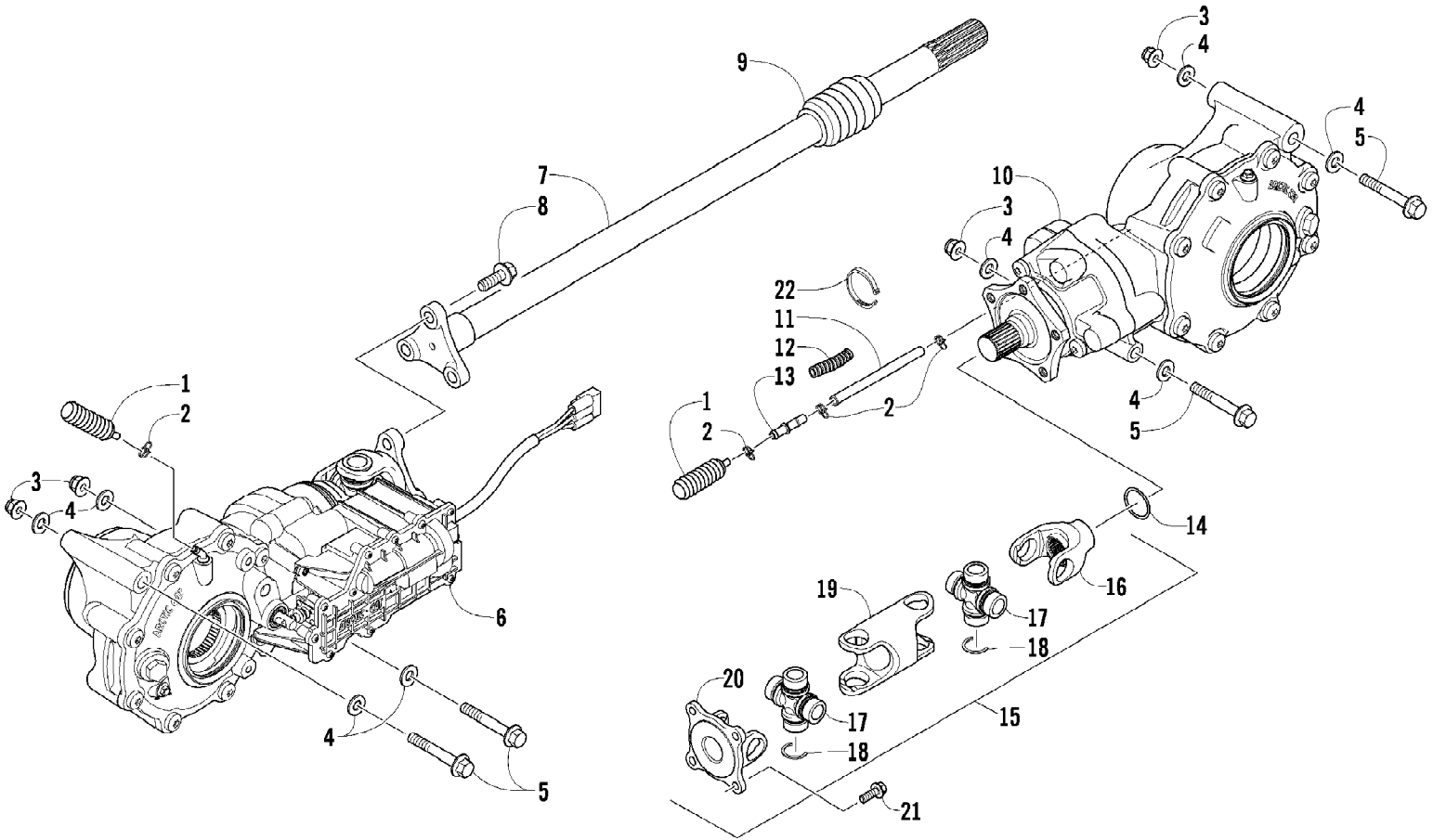
| Ref # | Part Number | Qty | S/P/F | Description |
|-------|-------------|-----|-------|--|
| 1 | 0808-135 | 2 | S | Head, Cylinder - Assembly (inc. 2-17) |
| 2 | 0829-001 | 4 | S | Pin, Dowel |
| 3 | 0826-001 | 8 | | Screw, Cap |
| 4 | 0809-202 | 2 | S | Arm, Valve Rocker - Intake (inc. two No. 5-6) |
| 5 | 0809-033 | 8 | S | Screw, Adjuster |
| 6 | 0827-007 | 8 | | Nut |
| 7 | 0809-205 | 2 | S | Arm, Valve Rocker - Exhaust (inc. two No. 5-6) |
| 8 | 0809-008 | 2 | | Shaft, Rocker Arm - Exhaust |
| 9 | 0809-007 | 2 | | Shaft, Rocker Arm - Intake |
| 10 | 0809-014 | 16 | | Cotter, Valve |
| 11 | 0809-013 | 8 | | Retainer, Spring |
| 12 | 0809-138 | 8 | S | Spring, Valve |
| 13 | 0830-016 | 8 | S | Seal, Oil |
| 14 | 0809-006 | 8 | | Seat, Spring - Valve |
| 15 | 0809-040 | 4 | S | Valve, Exhaust |
| 16 | 0809-039 | 4 | S | Valve, Intake |
| 17 | 0831-066 | 4 | | Plug, Shaft |
| 18 | 0809-246 | 1 | /P | Camshaft, Front Cylinder |
| 18 | 0809-248 | 1 | /P | Camshaft, Rear Cylinder |
| 19 | 0809-002 | 2 | | Sprocket |
| 20 | 0826-034 | 4 | | Screw, Cap |
| 21 | 0828-004 | 2 | | Plate, Retainer |
| 22 | 0829-008 | 2 | | Pin, Dowel |
| 23 | 0809-003 | 2 | | C-Ring |
| 24 | 0808-077 | 2 | | Plug, Cylinder Head |
| 25 | 0826-007 | 12 | | Screw, Cap |
| 26 | 0808-003 | 4 | | Cap, Inspection |
| 27 | 0830-167 | 4 | /P | O-Ring |
| 28 | 0808-090 | 8 | | Screw, Cap |
| 29 | 0830-147 | 8 | /P | Washer |
| 30 | 0830-107 | 8 | | Gasket |
| 31 | 0826-002 | 4 | | Screw, Cap |
| 32 | 0826-005 | 4 | | Screw, Cap |
| 33 | 0826-006 | 4 | | Screw, Cap |
| 34 | 0217-799 | 2 | /P/F | Spark Plug |
| 35 | 0830-120 | 2 | | Seal |
| 36 | 0808-008 | 2 | | Cover, Thermostat |
| 37 | 0827-031 | 2 | | Bolt, Stud |
| 38 | 8424-804 | 2 | | Nut |
| 39 | 0827-030 | 4 | | Bolt, Stud |
| 40 | 8424-604 | 4 | | Nut |



2009 PROWLER 1000 XTZ 4X4 SUNSET ORANGE INTERNATIONAL (U2009P406106)
 DASH ASSEMBLY Page 2 of 6

| Ref # | Part Number | Qty | S/P/F | Description |
|-------|-------------|-----|-------|------------------------------------|
| 1 | 2406-779 | 1 | | Panel, Dash |
| 2 | 1406-727 | 1 | | Pod, Instrument |
| 3 | 0520-047 | 1 | | Gauge, Analog/LCD |
| 4 | 0423-342 | 6 | /P | Screw, Self-Tapping |
| 5 | 0623-784 | 6 | | Screw, Self-Tapping |
| 6 | 0420-065 | 1 | /P | Bracket, Retaining |
| 7 | 0423-493 | 2 | | Nut w/Washer |
| 8 | 0641-897 | 2 | /P | Outlet, Accessory - 12V |
| 9 | 0409-069 | 1 | | Panel, Switch-Mount |
| 10 | 0409-067 | 1 | | Switch, Light |
| 11 | 0409-061 | 1 | | Switch, 2WD/4WD/Differential Lock |
| 12 | 0409-070 | 1 | | Plug, Switch Hole |
| 13 | 0430-089 | 1 | /P | Switch, Ignition (inc. 14-16) |
| 14 | 0430-050 | 1 | | Nut, Flange - Ignition Switch |
| 15 | 0430-042 | 1 | F | Key, Ignition - Series |
| 15 | 0430-043 | 1 | F | Key, Ignition - Series |
| 16 | 0430-054 | 1 | | Cover, Key |
| 17 | 1406-789 | 1 | | Cover, Glove Box |
| 18 | 0423-541 | 1 | | Grommet, Latch - Glove Box |
| 19 | 0420-076 | 1 | | Light, Indicator |
| 20 | 1411-124 | 1 | | Decal, Warning - Differential Lock |
| 21 | 1411-125 | 1 | | Decal, Warning - Dash |
| 22 | 1411-904 | 1 | | Decal, Starting |
| 23 | 1623-697 | 1 | | Plug |
| 24 | 0423-419 | 3 | | Screw, Machine |

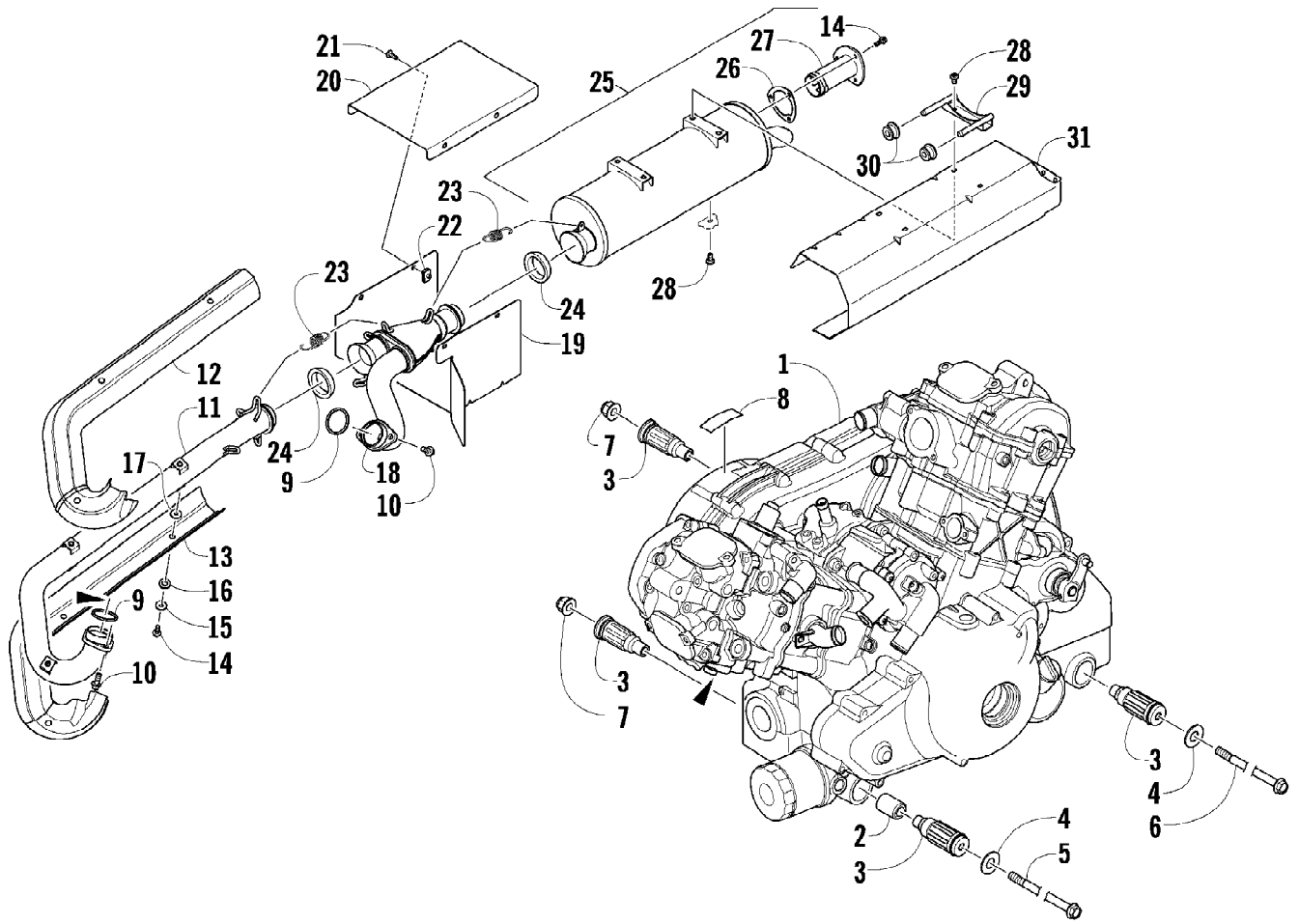
2009 PROWLER 1000 XTZ 4X4 SUNSET ORANGE INTERNATIONAL (U2009P406186)
DRIVE TRAIN ASSEMBLY



2009 PROWLER 1000 XTZ 4X4 SUNSET ORANGE INTERNATIONAL (U2009P406186)
DRIVE TRAIN ASSEMBLY

| Ref # | Part Number | Qty | S/P/F | Description |
|-------|-------------|-----|-------|--|
| 1 | 1402-620 | 2 | /P | Bladder, Gearcase |
| 2 | 0423-670 | 4 | | Clamp, Hose |
| 3 | 8428-002 | 4 | | Nut, Lock |
| 4 | 0423-426 | 8 | | Washer |
| 5 | 0423-404 | 4 | | Screw, Cap |
| 6 | 1502-558 | 1 | | Gearcase, Front |
| 7 | 1402-795 | 1 | | Driveshaft, Front |
| 8 | 8409-025 | 3 | | Screw, Cap |
| 9 | 0402-966 | 1 | | Boot, Shaft |
| 10 | 1502-404 | 1 | | Gearcase, Rear |
| 11 | 0410-070 | AR | /P | Hose, Vent - 25 ft |
| 12 | 0419-392 | AR | | Conduit, Flexible - 3 ft |
| 13 | 0470-702 | 1 | /P | Fitting, Vent |
| 14 | 1402-203 | 1 | | O-Ring |
| 15 | 1502-560 | 1 | | Driveshaft, Rear - Assembly (inc. 16-20) |
| 16 | 0502-522 | 1 | | Yoke, Slip |
| 17 | 0402-944 | 2 | /P | Joint, Universal (inc. 18) |
| 18 | 0423-395 | 8 | | Ring, Retaining |
| 19 | 1502-561 | 1 | | Driveshaft, Rear |
| 20 | 1402-689 | 1 | | Yoke, Flange |
| 21 | 8408-820 | 4 | /P | Screw, Cap |
| 22 | 0123-788 | AR | /P | Tie, Cable - 8 in. |

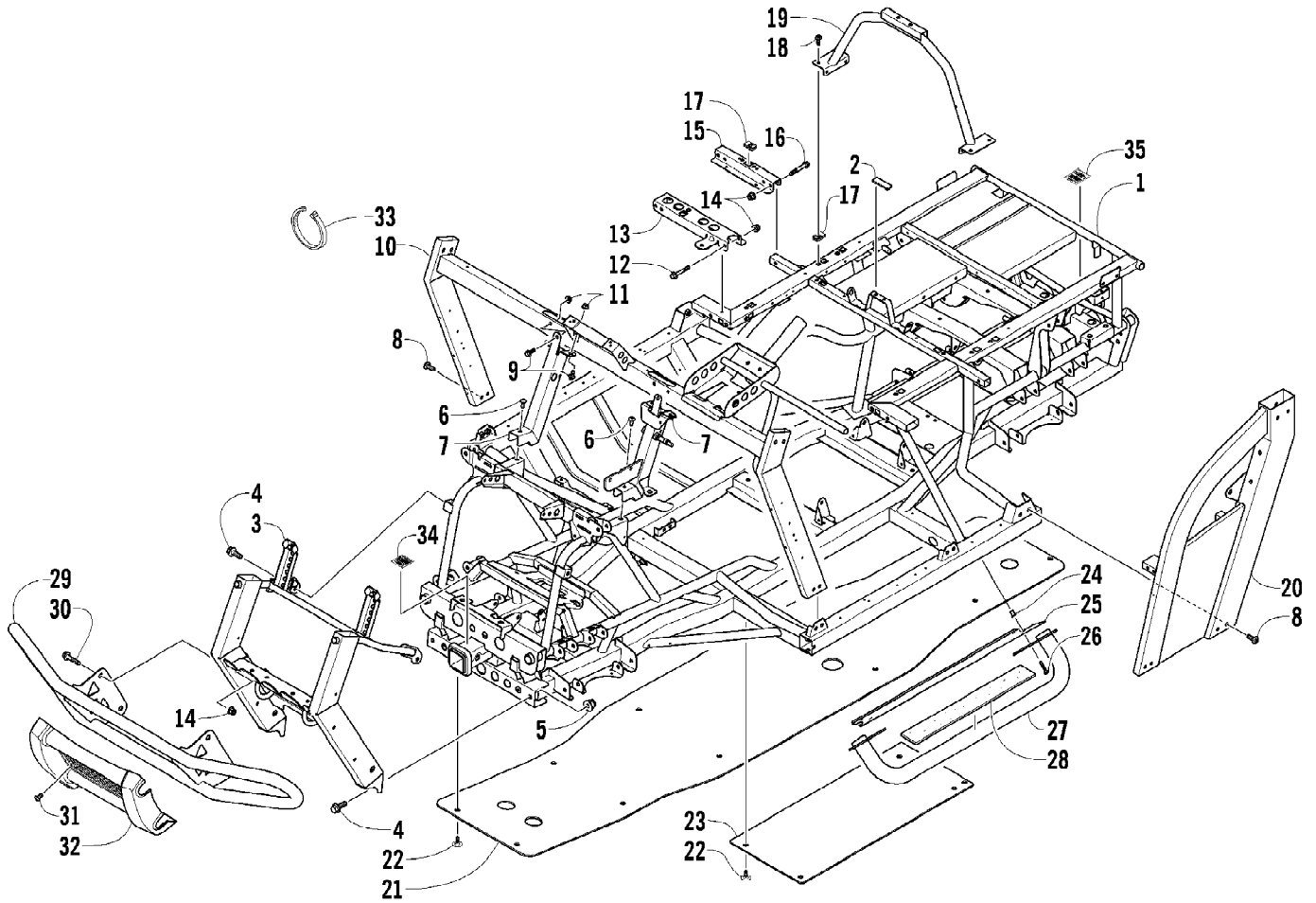
2009 PROWLER 1000 XTZ 4X4 SUNSET ORANGE INTERNATIONAL (U2009P404B0618)
ENGINE AND EXHAUST



2009 PROWLER 1000 XTZ 4X4 SUNSET ORANGE INTERNATIONAL (U2009P404B06186)
ENGINE AND EXHAUST

| Ref # | Part Number | Qty | S/P/F | Description |
|-------|-------------|-----|-------|--|
| 1 | 0800-067 | 1 | S | Engine, A950BH2 (inc. 2-3) |
| 2 | 0801-128 | 1 | | Spacer, Engine Mount |
| 3 | 0801-091 | 4 | | Mount, Engine |
| 4 | 0423-426 | 2 | | Washer |
| 5 | 0423-734 | 1 | | Screw, Cap |
| 6 | 0423-451 | 1 | | Screw, Cap |
| 7 | 8428-002 | 2 | | Nut, Lock |
| 8 | 0411-426 | 1 | | Decal, Warning - Clutch Cover |
| 9 | 0412-338 | 2 | /P | Gasket, Exhaust Pipe |
| 10 | 8408-820 | 4 | /P | Screw, Cap |
| 11 | 0512-517 | 1 | /P | Pipe, Exhaust - Front |
| 12 | 0512-512 | 1 | | Shield, Exhaust Pipe - Upper |
| 13 | 0512-513 | 1 | | Shield, Exhaust Pipe - Lower |
| 14 | 8408-616 | 9 | | Screw, Cap |
| 15 | 8050-222 | 6 | /P | Washer |
| 16 | 0423-909 | 6 | | Isolator |
| 17 | 0423-908 | 6 | | Isolator |
| 18 | 0512-519 | 1 | /P | Pipe, Exhaust - Rear |
| 19 | 0412-543 | 1 | | Shield, Exhaust Pipe - Rear |
| 20 | 0412-561 | 1 | | Shield, Heat |
| 21 | 8476-616 | 4 | | Screw, Machine |
| 22 | 0423-577 | 4 | | Clip, U-Nut |
| 23 | 0612-668 | 6 | /P | Spring, Extension |
| 24 | 0412-375 | 2 | /P | Seal, Exhaust Pipe |
| 25 | 0512-500 | 1 | | Muffler - Assembly (inc. 26-27 and three No. 14) |
| 26 | 0412-313 | 1 | | Gasket, Spark Arrester |
| 27 | 0512-219 | 1 | /P | Arrester, Spark - Assembly |
| 28 | 8476-612 | 6 | | Screw, Machine |
| 29 | 0412-553 | 2 | | Bracket, Muffler Support |
| 30 | 0412-544 | 4 | | Bushing |
| 31 | 0412-551 | 1 | | Cover, Muffler |

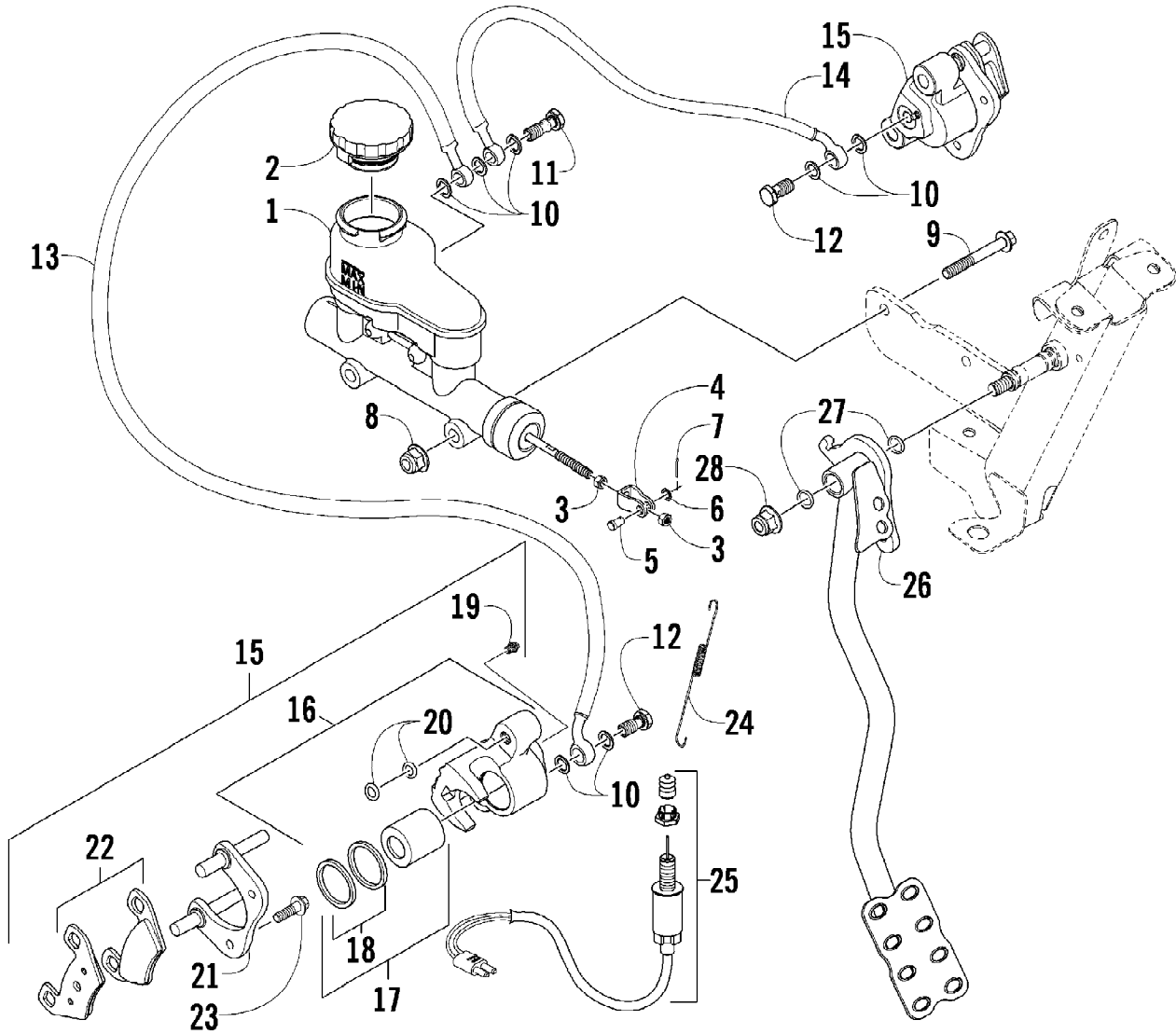
2009 PROWLER 1000 XTZ 4X4 SUNSET ORANGE INTERNATIONAL (U2009P40618)
FRAME AND RELATED PARTS



2009 PROWLER 1000 XTZ 4X4 SUNSET ORANGE INTERNATIONAL (U2009P404B506196)
FRAME AND RELATED PARTS

| Ref # | Part Number | Qty | S/P/F | Description |
|-------|-------------|-----|-------|---------------------------------------|
| 1 | 2516-225 | 1 | | Frame, Main (inc. 2) |
| 2 | 0406-879 | 1 | | Bumper, Seat |
| 3 | 2516-319 | 1 | | Bumper |
| 4 | 8409-020 | 4 | /P | Screw, Cap |
| 5 | 8427-002 | 2 | | Nut, Lock |
| 6 | 8476-820 | 2 | | Screw, Machine |
| 7 | 1506-797 | 1 | | Bracket, Steering Support - Right |
| 7 | 0502-853 | 1 | | Bracket, Steering Support - Left |
| 8 | 0423-817 | 12 | | Screw, Machine |
| 9 | 8408-820 | 6 | /P | Screw, Cap |
| 10 | 0505-567 | 1 | | Support, Steering |
| 11 | 8424-802 | 6 | | Nut |
| 12 | 8408-870 | 6 | | Screw, Cap |
| 13 | 1506-844 | 1 | | Bracket, Seat Support - Front - Right |
| 13 | 1506-845 | 1 | | Bracket, Seat Support - Front - Left |
| 14 | 8427-802 | 16 | | Nut, Lock |
| 15 | 1506-842 | 2 | | Bracket, Seat Support - Rear |
| 16 | 8408-850 | 6 | | Screw, Cap |
| 17 | 0423-577 | 12 | | Clip, U-Nut |
| 18 | 8476-616 | 4 | | Screw, Machine |
| 19 | 2506-638 | 1 | | Support, Canopy |
| 20 | 2516-102 | 1 | | Support, Overhead - Right |
| 20 | 2516-103 | 1 | | Support, Overhead - Left |
| 21 | 2416-076 | 1 | | Plate, Skid - Center |
| 22 | 0423-545 | 20 | /P | Screw, Shoulder |
| 23 | 1406-721 | 2 | | Panel, Belly - Side |
| 24 | 1441-442 | 8 | | Insert |
| 25 | 2516-048 | 1 | | Plate, Skid - Right Side |
| 25 | 2516-049 | 1 | | Plate, Skid - Left Side |
| 26 | 8477-635 | 8 | | Screw, Machine |
| 27 | 0541-563 | 2 | | Bar, Nerf |
| 28 | 1441-597 | 2 | | Pad, Non-Slip |
| 29 | 2506-779 | 1 | | Bumper |
| 30 | 8408-860 | 4 | | Screw, Cap |
| 31 | 8477-616 | 4 | | Screw, Machine |
| 32 | 2406-713 | 1 | | Fascia, Bumper - Front |
| 33 | 0123-788 | AR | /P | Tie, Cable - 8 in. |
| 34 | 1411-122 | 1 | | Decal, Warning - Towing - Front |
| 35 | 1411-123 | 1 | | Decal, Warning - Towing - Rear |

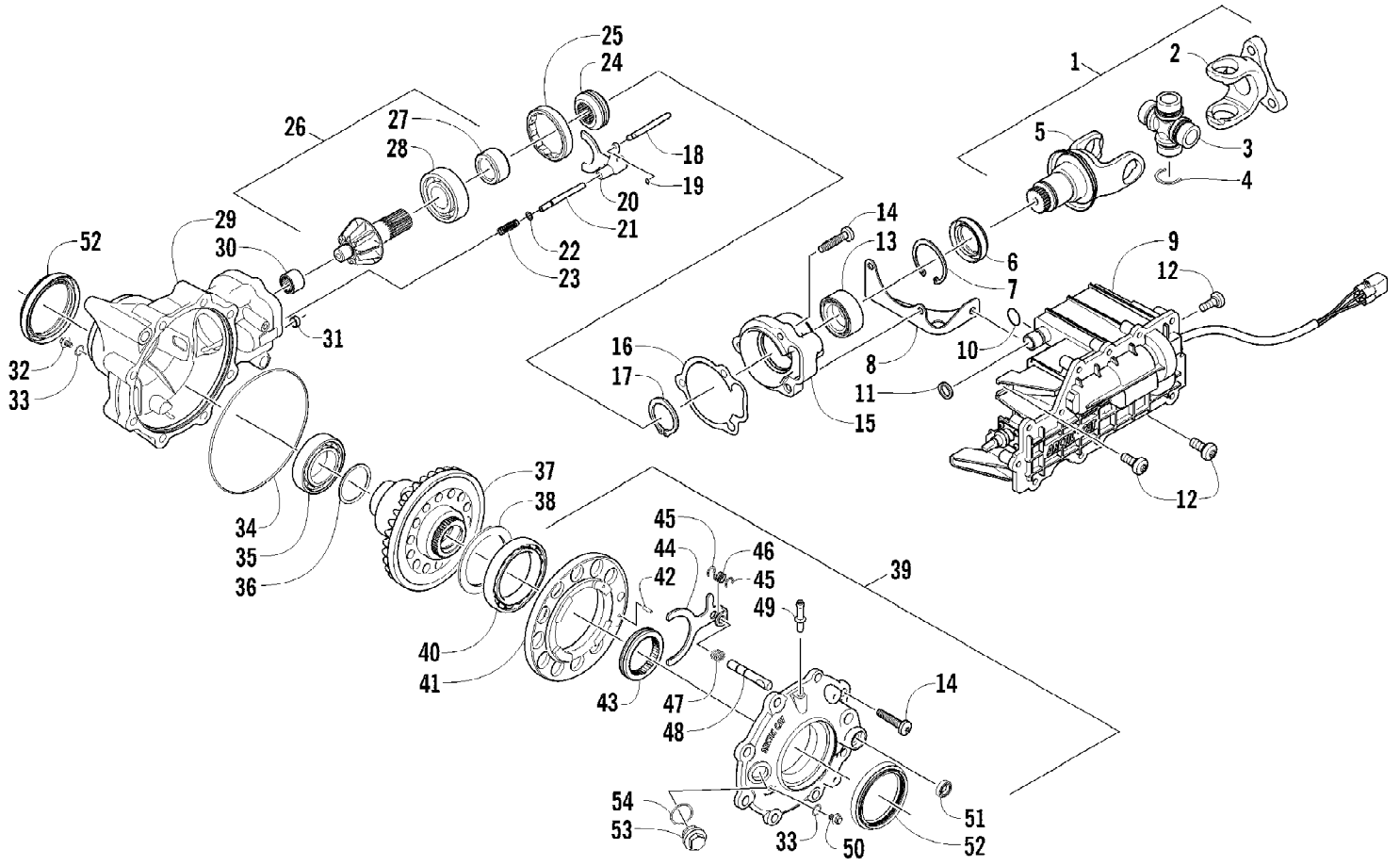
2009 PROWLER 1000 XTZ 4X4 SUNSET ORANGE INTERNATIONAL (U2009P404B06136)
FRONT BRAKE ASSEMBLY



2009 PROWLER 1000 XTZ 4X4 SUNSET ORANGE INTERNATIONAL (U2009P404B0618)
FRONT BRAKE ASSEMBLY

| Ref # | Part Number | Qty | S/P/F | Description |
|-------|-------------|-----|-------|--|
| 1 | 0502-786 | 1 | | Cylinder, Master Brake - Assembly (inc. 2-4) |
| 2 | 0405-225 | 1 | | Cap, Reservoir |
| 3 | 0402-592 | 2 | | Nut |
| 4 | 1402-520 | 1 | | Clevis |
| 5 | 1402-377 | 1 | | Pin, Clevis |
| 6 | 8050-217 | 1 | /P | Washer |
| 7 | 0117-868 | 1 | | Pin, Cotter |
| 8 | 8424-802 | 2 | | Nut |
| 9 | 8408-860 | 2 | | Screw, Cap |
| 10 | 0423-178 | 7 | | Washer, Crush |
| 11 | 0423-610 | 1 | | Bolt, Banjo-Fitting - Double |
| 12 | 0423-413 | 2 | | Bolt, Banjo-Fitting |
| 13 | 1402-389 | 1 | | Hose, Brake - Front |
| 14 | 1402-290 | 1 | | Hose, Brake - Front Right |
| 15 | 0502-958 | 1 | S | Caliper, Brake - Front Right (inc. 16-22) |
| 15 | 0502-959 | 1 | S | Caliper, Brake - Front Left (inc. 16-22) |
| 16 | 1436-160 | 1 | /P | Housing, Caliper - Assembly - Front Right (inc. 17-19) |
| 16 | 1436-161 | 1 | /P | Housing, Caliper - Assembly - Front Left (inc. 17-19) |
| 17 | 0502-606 | 2 | | Piston/Seal Set (inc. 18) |
| 18 | 0502-607 | 2 | | Seal Set |
| 19 | 0502-609 | 2 | /P | Valve, Bleed |
| 20 | 0502-608 | 2 | | O-Ring, Guide - Set |
| 21 | 0502-960 | 2 | | Bracket Assembly |
| 22 | 1436-165 | 2 | S | Pad, Brake - Set |
| 23 | 8408-826 | 4 | | Screw, Cap |
| 24 | 0502-785 | 1 | | Spring, Brake Switch |
| 25 | 0409-089 | 1 | | Switch, Brake - Assembly |
| 26 | 1502-481 | 1 | | Lever, Brake |
| 27 | 1602-213 | 2 | /P | O-Ring |
| 28 | 8427-002 | 1 | | Nut, Lock |

2009 PROWLER 1000 XTZ 4X4 SUNSET ORANGE INTERNATIONAL (U2009P404B0618)
FRONT DRIVE GEARCASE ASSEMBLY



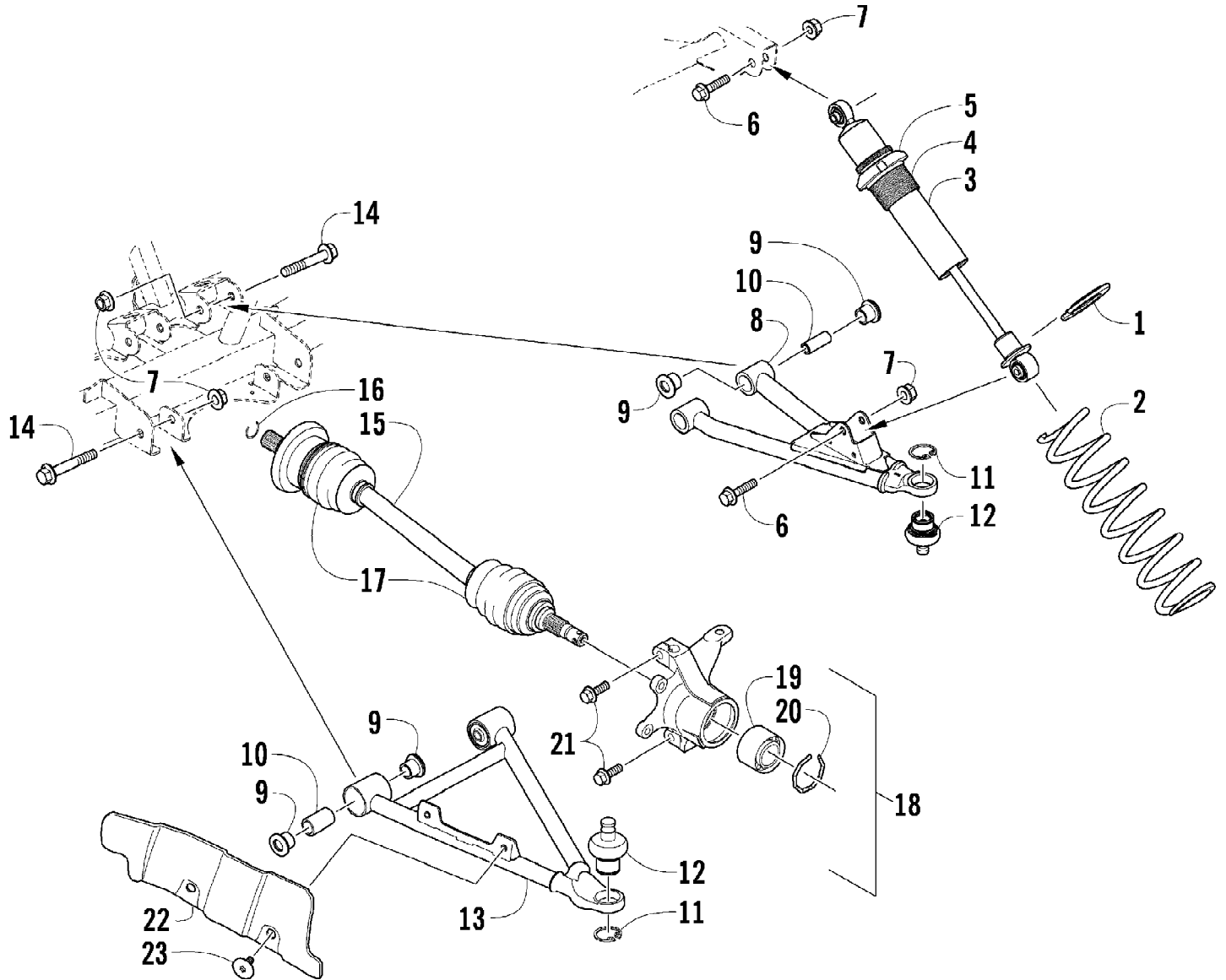
2009 PROWLER 1000 XTZ 4X4 SUNSET ORANGE INTERNATIONAL (U2009P406106106)
FRONT DRIVE GEARCASE ASSEMBLY

| Ref # | Part Number | Qty | S/P/F | Description |
|-------|-------------|-----|-------|--|
| | 1502-558 | 1 | | Complete Front Drive Gearcase Assembly |
| 1 | 1502-559 | 1 | | Shaft, Coupler - Assembly (inc. 2-5) |
| 2 | 0502-331 | 1 | | Coupler, Driveshaft |
| 3 | 0402-944 | 1 | /P | Joint, Universal (inc. 4) |
| 4 | 0423-395 | 4 | | Ring, Retaining |
| 5 | 0502-518 | 1 | | Yoke, Slip |
| 6 | 1402-011 | 1 | | Seal |
| 7 | 0423-423 | 1 | | Ring, Retaining |
| 8 | 1502-237 | 1 | | Bracket, Actuator |
| 9 | 0502-585 | 1 | S | Actuator (inc. 10) |
| 10 | 1402-981 | 1 | | O-Ring |
| 11 | 0423-892 | 1 | /P | O-Ring |
| 12 | 0423-396 | 3 | | Screw, Self-Tapping |
| 13 | 1402-043 | 1 | | Bearing |
| 14 | 0423-118 | 11 | | Screw, Self-Tapping |
| 15 | 0502-528 | 1 | /P | Housing, Pinion |
| 16 | 0402-947 | 1 | | Gasket |
| 17 | 0423-417 | 1 | | Ring, Retaining |
| 18 | 0402-997 | 1 | | Shaft, Selector |
| 19 | 0423-402 | 1 | | Ring, Retaining |
| 20 | 0402-998 | 1 | | Fork, Selector |
| 21 | 0402-417 | 1 | | Shaft, Shuttle |
| 22 | 0423-147 | 1 | | O-Ring |
| 23 | 0402-999 | 1 | | Spring, Return |
| 24 | 0402-413 | 1 | | Coupler, Drive |
| 25 | 0402-357 | 1 | | Collar, Lock |
| 26 | 0502-784 | 1 | | Gear, Pinion - Assembly - 11T (inc. 27-28) |
| 27 | 0402-336 | 1 | | Collar, Retaining |
| 28 | 0402-327 | 1 | | Bearing |
| 29 | 0502-514 | 1 | | Housing, Gearcase |
| 30 | 0402-328 | 1 | | Bearing |
| 31 | 0402-411 | 1 | | Pin, Dowel |
| 32 | 1402-210 | 1 | /P | Plug, Magnetic (inc. one No. 33) |
| 33 | 0423-153 | 2 | | O-Ring |
| 34 | 0423-149 | 1 | | O-Ring |
| 35 | 0402-393 | 1 | | Bearing |
| 36 | 0402-405 | AR | | Shim, 41 x 49 x 1.3 mm |
| 36 | 0402-406 | AR | | Shim, 41 x 49 x 1.4 mm |
| 36 | 0402-407 | AR | | Shim, 41 x 49 x 1.5 mm |
| 36 | 0402-408 | AR | | Shim, 41 x 49 x 1.6 mm |
| 36 | 0402-409 | AR | | Shim, 41 x 49 x 1.7 mm |
| 37 | 1502-554 | 1 | /P | Gear, Ring - 34T |
| 38 | 1402-074 | AR | | Shim, 61 x 69 x 1.3 mm |
| 38 | 1402-075 | AR | | Shim, 61 x 69 x 1.4 mm |
| 38 | 1402-076 | AR | | Shim, 61 x 69 x 1.5 mm |
| 38 | 1402-077 | AR | | Shim, 61 x 69 x 1.6 mm |
| 38 | 1402-078 | AR | | Shim, 61 x 69 x 1.7 mm |
| 39 | 1502-580 | 1 | | Cover, Gearcase (inc. one No. 33, 40-51, and one No. 52) |
| 40 | 1402-053 | 1 | | Bearing |
| 41 | 0502-413 | 1 | | Flange, Bearing |
| 42 | 1402-079 | 1 | | Pin, Alignment |

2009 PROWLER 1000 XTZ 4X4 SUNSET ORANGE INTERNATIONAL (U2009P40610618)
FRONT DRIVE GEARCASE ASSEMBLY

| Ref # | Part Number | Qty | S/P/F | Description |
|-------|-------------|-----|-------|-----------------------------------|
| 43 | 1402-042 | 1 | | Collar, Sliding |
| 44 | 1402-054 | 1 | | Fork |
| 45 | 1402-058 | 2 | | Ring, Retaining |
| 46 | 1402-057 | 1 | | Spring |
| 47 | 1402-063 | 1 | | Spring |
| 48 | 1402-656 | 1 | | Shaft, Lock |
| 49 | 1402-103 | 1 | | Fitting |
| 50 | 1402-211 | 1 | | Plug, Oil Level (inc. one No. 33) |
| 51 | 1402-056 | 1 | | Seal |
| 52 | 1402-713 | 2 | S | Seal |
| 53 | 0402-333 | 1 | /P | Plug, Fill (inc. 54) |
| 54 | 0423-154 | 1 | | O-Ring |

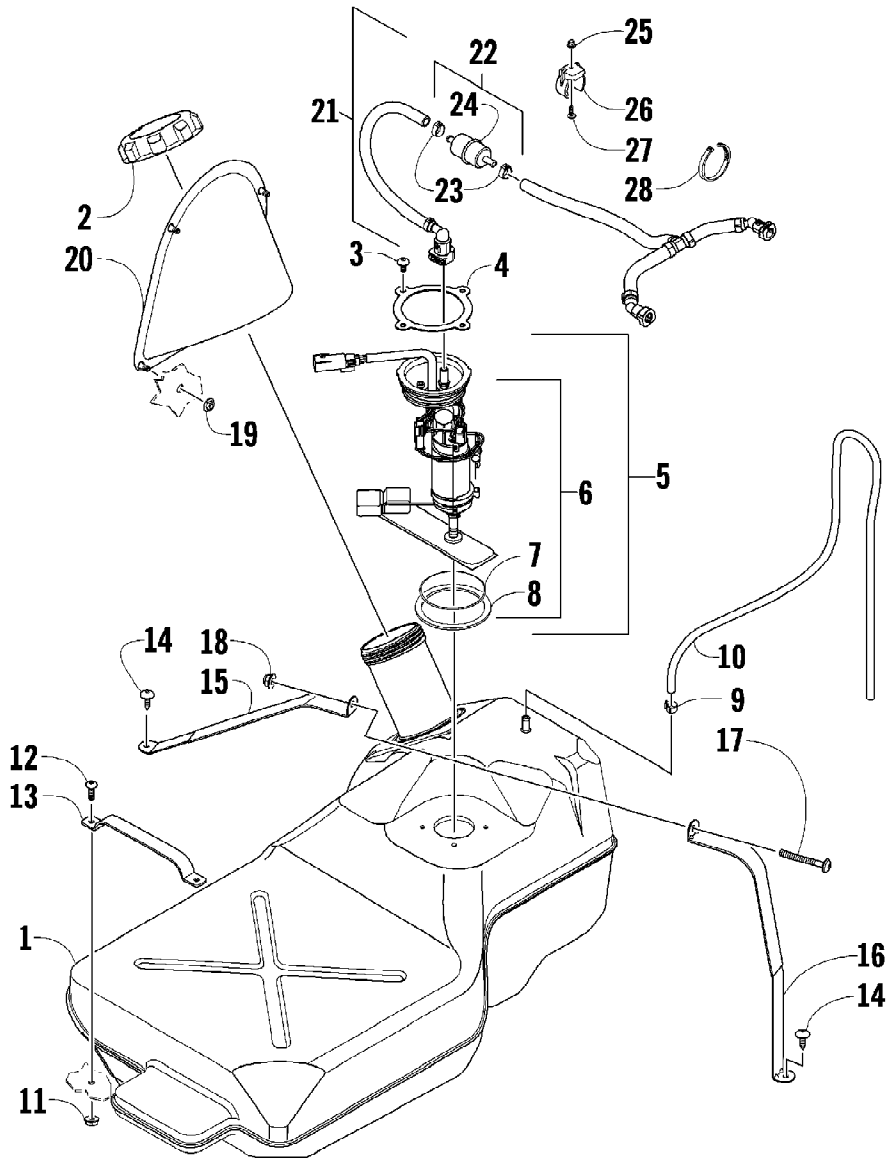
2009 PROWLER 1000 XTZ 4X4 SUNSET ORANGE INTERNATIONAL (U2009P410618)
FRONT SUSPENSION ASSEMBLY



2009 PROWLER 1000 XTZ 4X4 SUNSET ORANGE INTERNATIONAL (U2009P40412618)
FRONT SUSPENSION ASSEMBLY

| Ref # | Part Number | Qty | S/P/F | Description |
|-------|-------------|-----|-------|--|
| 1 | 0423-920 | 2 | | Retainer, Spring |
| 2 | 0503-398 | 2 | | Spring, Suspension |
| 3 | 0403-215 | 2 | | Shock Absorber (inc. 4) |
| 4 | 0423-917 | 2 | | Sleeve, Shock - Threaded |
| 5 | 0423-919 | 2 | | Nut, Spring Retainer |
| 6 | 8409-055 | 4 | | Screw, Cap |
| 7 | 8428-002 | 12 | | Nut, Lock |
| 8 | 0503-396 | 1 | | A-Arm, Upper Right (inc. 9-12) |
| 8 | 0503-397 | 1 | | A-Arm, Upper Left (inc. 9-12) |
| 9 | 0403-115 | 16 | S | Bushing |
| 10 | 0403-114 | 8 | S | Axle |
| 11 | 0423-009 | 4 | /P | Ring, Retaining |
| 12 | 0405-115 | 4 | /P | Ball Joint |
| 13 | 0503-376 | 1 | /P | A-Arm, Lower Right (inc. 9-12) |
| 13 | 0503-377 | 1 | /P | A-Arm, Lower Left (inc. 9-12) |
| 14 | 8409-075 | 8 | | Screw, Cap |
| 15 | 1502-347 | 1 | S | Axle - Front - Right (inc. 16-17) |
| 15 | 1502-348 | 1 | /P | Axle - Front - Locking - Left (inc. 16-17) |
| 16 | 0423-844 | 2 | /P | Ring, Retaining |
| 17 | 0436-276 | 2 | S | Repair Kit, Boot - Front Axle |
| 18 | 0505-580 | 1 | /P | Knuckle - Assembly - Right (inc. 19-20) |
| 18 | 0505-581 | 1 | /P | Knuckle - Assembly - Left (inc. 19-20) |
| 19 | 1402-809 | 2 | /P | Bearing |
| 20 | 0423-423 | 2 | | Ring, Retaining |
| 21 | 8409-030 | 4 | | Screw, Cap |
| 22 | 1406-034 | 1 | | Guard, Boot - Right |
| 22 | 1406-035 | 1 | | Guard, Boot - Left |
| 23 | 0423-545 | 4 | /P | Screw, Shoulder |

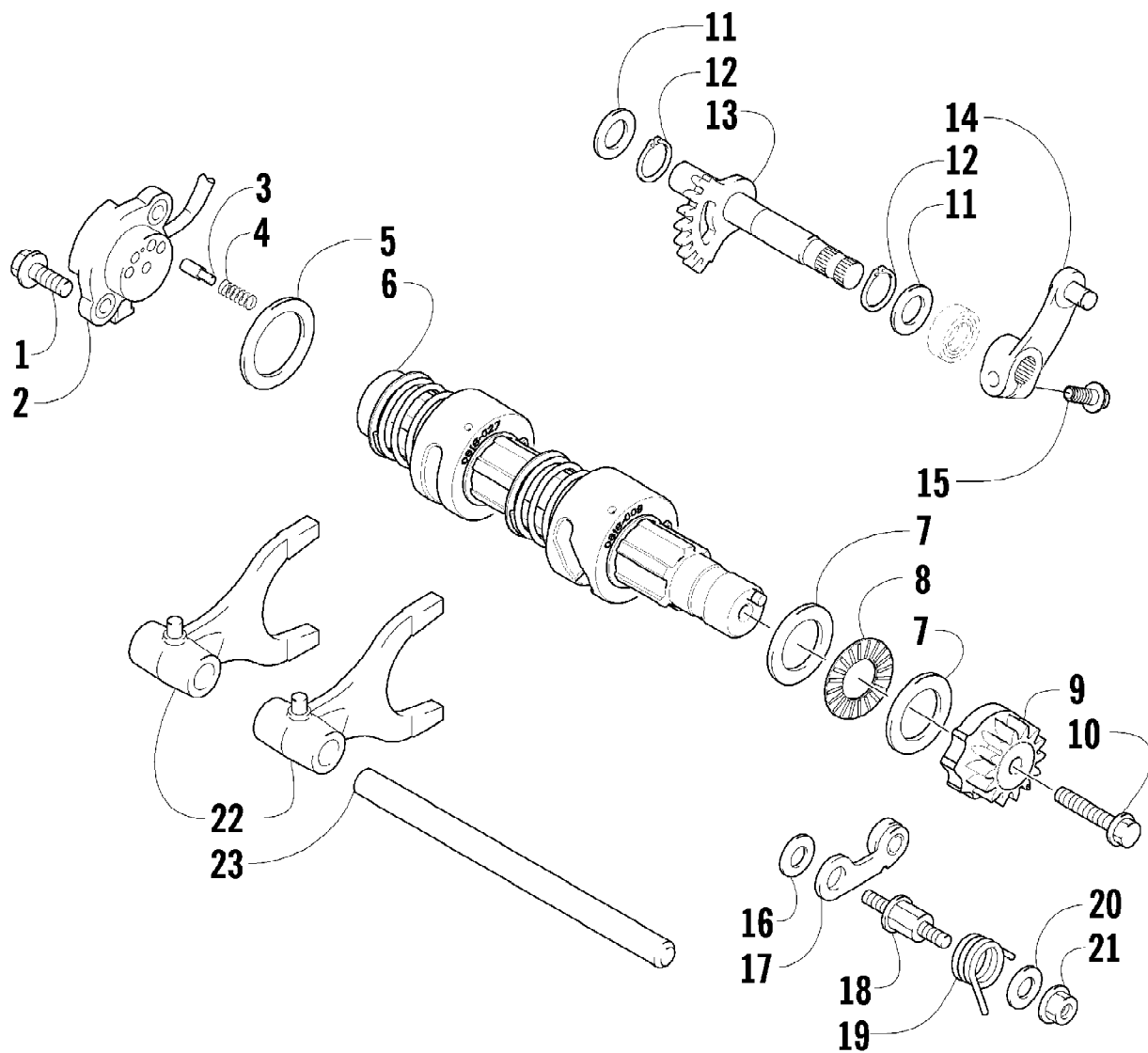
2009 PROWLER 1000 XTZ 4X4 SUNSET ORANGE INTERNATIONAL (U2009P40410618)
GAS TANK ASSEMBLY



2009 PROWLER 1000 XTZ 4X4 SUNSET ORANGE INTERNATIONAL (U2009P40410518)
GAS TANK ASSEMBLY

| Ref # | Part Number | Qty | S/P/F | Description |
|-------|-------------|-----|-------|---------------------------------------|
| 1 | 0570-203 | 1 | | Tank, Gas - Assembly (inc. 2-4) |
| 2 | 0470-541 | 1 | /P | Cap, Gas Tank |
| 3 | 8476-612 | 4 | | Screw, Machine |
| 4 | 0470-606 | 1 | | Plate, Mounting - Fuel Level Sensor |
| 5 | 0570-272 | 1 | /P | Pump, Fuel - Assembly (inc. 6-8) |
| 6 | 0570-256 | 1 | /P | Sensor, Fuel Level - Kit (inc. 7-8) |
| 7 | 0470-614 | 1 | | Seal, Fuel Pump |
| 8 | 0470-613 | 1 | | Seal, Fuel Pump |
| 9 | 0423-688 | 1 | | Clamp, Hose |
| 10 | 0410-070 | AR | /P | Hose, Gasline - 25 ft |
| 11 | 0623-038 | 2 | | Nut w/Washer |
| 12 | 8476-620 | 2 | | Screw, Machine |
| 13 | 0470-544 | 1 | | Bracket, Gas Tank Mounting |
| 14 | 0623-784 | 2 | | Screw, Self-Tapping |
| 15 | 0470-829 | 1 | | Strap, Gas Tank |
| 16 | 0470-830 | 1 | | Strap, Gas Tank |
| 17 | 8476-650 | 1 | | Screw, Machine |
| 18 | 8427-602 | 1 | | Nut, Lock |
| 19 | 0423-357 | 4 | | Nut, Stamped |
| 20 | 1406-886 | 1 | | Insert, Gas Tank Cap |
| 21 | 0570-298 | 1 | | Hose, Gasline - Assembly (inc. 22-24) |
| 22 | 0570-246 | 1 | | Filter, Fuel - Kit (inc. 23-24) |
| 23 | 0 | 2 | F | Clamp, Hose |
| 24 | 0 | 1 | F | Filter, Fuel |
| 25 | 8427-502 | 1 | | Nut, Lock |
| 26 | 1670-826 | 1 | | Bracket, Fuel Filter |
| 27 | 8476-516 | 1 | | Screw, Machine |
| 28 | 0123-788 | AR | /P | Tie, Cable - 8 in. |

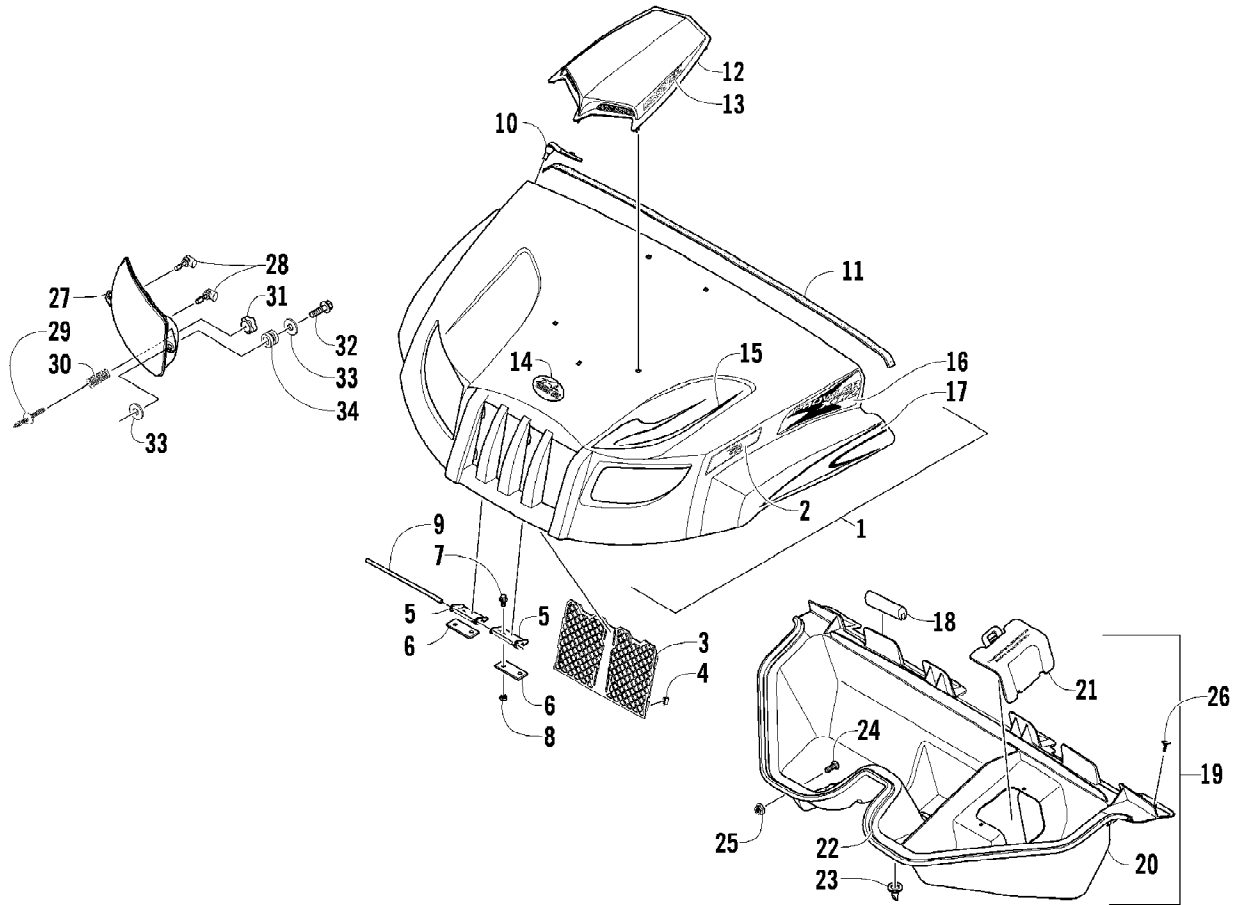
2009 PROWLER 1000 XTZ 4X4 SUNSET ORANGE INTERNATIONAL (U2009P4041518)
GEAR SHIFTING ASSEMBLY



2009 PROWLER 1000 XTZ 4X4 SUNSET ORANGE INTERNATIONAL (U2009P404160186)
GEAR SHIFTING ASSEMBLY

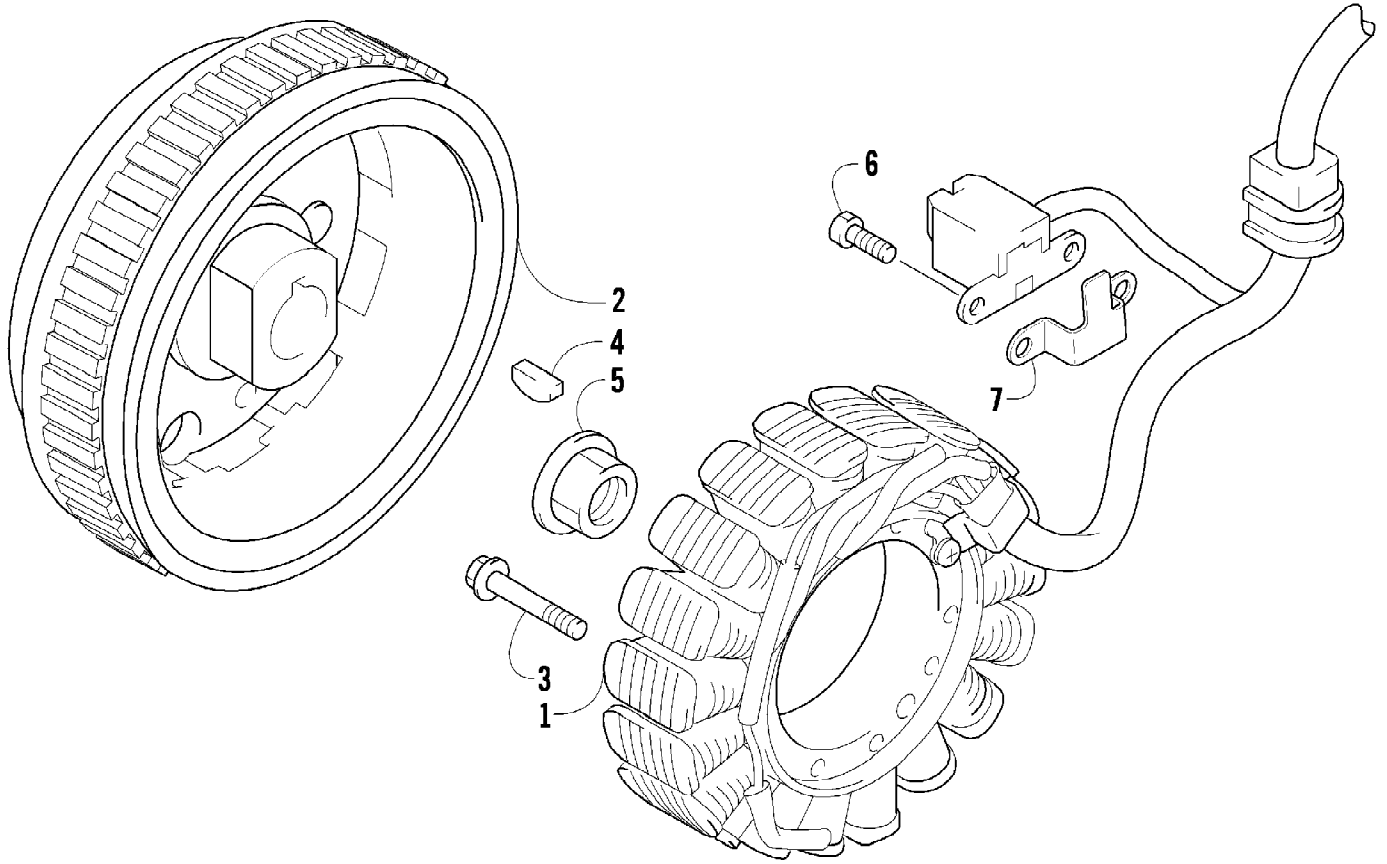
| Ref # | Part Number | Qty | S/P/F | Description |
|-------|-------------|-----|-------|------------------------------|
| 1 | 8470-520 | 2 | | Screw, Machine |
| 2 | 0409-091 | 1 | | Switch, Gear Shift Position |
| 3 | 0818-013 | 2 | | Contact |
| 4 | 0818-017 | 2 | | Spring |
| 5 | 0828-040 | 1 | | Washer |
| 6 | 0818-046 | 1 | | Shaft, Gear Shift - Assembly |
| 7 | 0828-095 | 2 | | Washer, Thrust |
| 8 | 0832-052 | 1 | /P | Bearing, Thrust |
| 9 | 0818-055 | 1 | | Cam, Gear Shift |
| 10 | 0826-006 | 1 | | Screw, Cap |
| 11 | 0828-036 | 2 | | Washer |
| 12 | 0831-010 | 2 | | Ring, Retaining |
| 13 | 0818-007 | 1 | /P | Shaft, Sub-Gear Shift |
| 14 | 0818-014 | 1 | | Arm, Shift |
| 15 | 8468-620 | 1 | /P | Screw, Machine |
| 16 | 0828-038 | 1 | | Washer |
| 17 | 0818-002 | 1 | | Stopper, Cam |
| 18 | 0818-004 | 1 | | Support, Cam Stopper |
| 19 | 0818-090 | 1 | | Spring |
| 20 | 0828-035 | 1 | | Washer |
| 21 | 8424-602 | 1 | /P | Nut |
| 22 | 0818-072 | 2 | /P | Fork, Shift |
| 23 | 0818-006 | 1 | | Shaft, Shift Fork |

2009 PROWLER 1000 XTZ 4X4 SUNSET ORANGE INTERNATIONAL (U2009P40410618)
HOOD AND HEADLIGHT ASSEMBLY



2009 PROWLER 1000 XTZ 4X4 SUNSET ORANGE INTERNATIONAL (U2009P404E06186)
HOOD AND HEADLIGHT ASSEMBLY

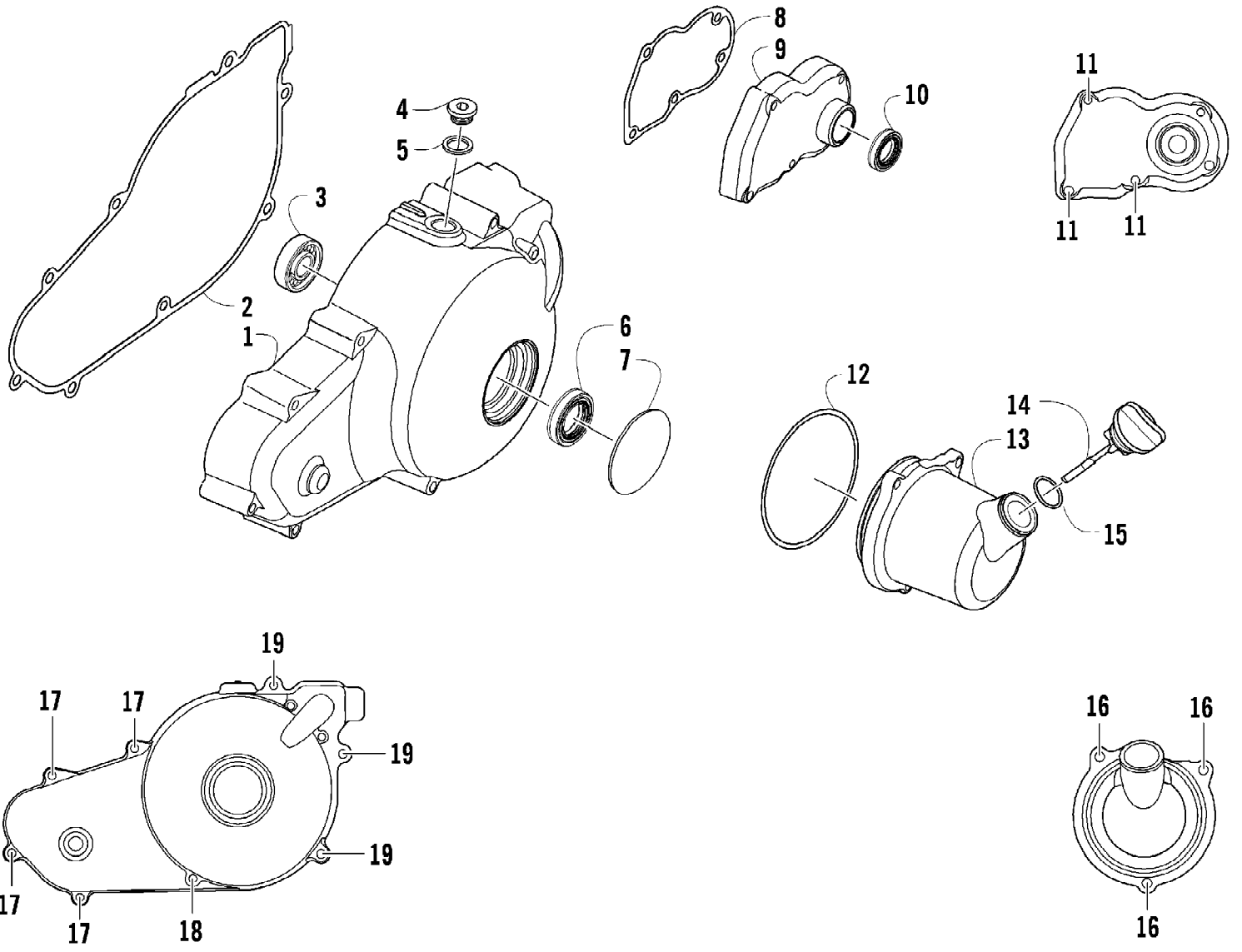
| Ref # | Part Number | Qty | S/P/F | Description |
|-------|-------------|-----|-------|---|
| 1 | 2516-297 | 1 | | Hood - Assembly (inc. 2) |
| 2 | 0411-818 | 1 | | Decal, Reflector - Right |
| 2 | 0411-819 | 1 | | Decal, Reflector - Left |
| 3 | 1406-733 | 1 | /P | Screen, Grille |
| 4 | 0123-987 | 8 | | Clip, U |
| 5 | 1506-798 | 2 | | Bracket, Hood |
| 6 | 2506-868 | AR | | Shim, Hood |
| 7 | 8409-030 | 4 | | Screw, Cap |
| 8 | 0423-157 | 4 | | Nut, Lock |
| 9 | 1406-915 | 1 | | Pin, Hood |
| 10 | 2606-624 | 2 | | Strap, Hold-Down |
| 11 | 0417-013 | 1 | | Trim, Hood/Dash |
| 12 | 2516-275 | 1 | | Scoop, Hood |
| 13 | 2411-001 | 2 | | Decal, Hood - "1000 EFI" |
| 14 | 1411-789 | 1 | | Decal, Hood |
| 15 | 1411-990 | 1 | | Decal, Hood - Right |
| 15 | 1411-991 | 1 | | Decal, Hood - Left |
| 16 | 2411-006 | 1 | | Decal, Hood - "Prowler XTZ" - Right |
| 16 | 2411-007 | 1 | | Decal, Hood - "Prowler XTZ" - Left |
| 17 | 1411-992 | 1 | | Decal, Hood - Right |
| 17 | 1411-993 | 1 | | Decal, Hood - Left |
| 18 | 0417-014 | AR | | Trim, Dash Support |
| 19 | 2516-224 | 1 | S/P | Storage, Under-Hood - Assembly (inc. 20-23) |
| 20 | 2416-041 | 1 | | Box, Storage |
| 21 | 1406-944 | 1 | | Cover, Access - Master Cylinder |
| 22 | 1406-946 | 1 | | Seal, Storage Box |
| 23 | 0470-442 | 1 | /P | Valve, Drain |
| 24 | 8476-616 | 2 | | Screw, Machine |
| 25 | 8424-602 | 2 | /P | Nut |
| 26 | 0423-545 | 4 | /P | Screw, Shoulder |
| 27 | 0509-044 | 1 | /P | Headlight Assembly - Right (inc. 28) |
| 27 | 0509-035 | 1 | | Headlight Assembly - Left (inc. 28) |
| 28 | 0409-055 | 4 | | Bulb, Headlight |
| 29 | 0423-514 | 2 | | Stud, Adjuster |
| 30 | 0423-522 | 2 | | Spring, Adjuster |
| 31 | 0423-513 | 2 | | Knob, Adjuster |
| 32 | 0623-785 | 4 | | Screw, Self-Tapping |
| 33 | 8050-217 | 8 | /P | Washer |
| 34 | 0423-447 | 4 | | Grommet |



2009 PROWLER 1000 XTZ 4X4 SUNSET ORANGE INTERNATIONAL (U2009P404506186)
MAGNETO ASSEMBLY

| Ref # | Part Number | Qty | S/P/F | Description |
|-------|-------------|-----|-------|-------------------|
| 1 | 0802-041 | 1 | | Stator - Assembly |
| 2 | 0802-042 | 1 | | Rotor/Flywheel |
| 3 | 0826-102 | 3 | | Screw, Machine |
| 4 | 0829-012 | 1 | | Key |
| 5 | 0827-010 | 1 | | Nut |
| 6 | 8470-510 | 4 | | Screw, Machine |
| 7 | 0831-064 | 1 | | Clamp |

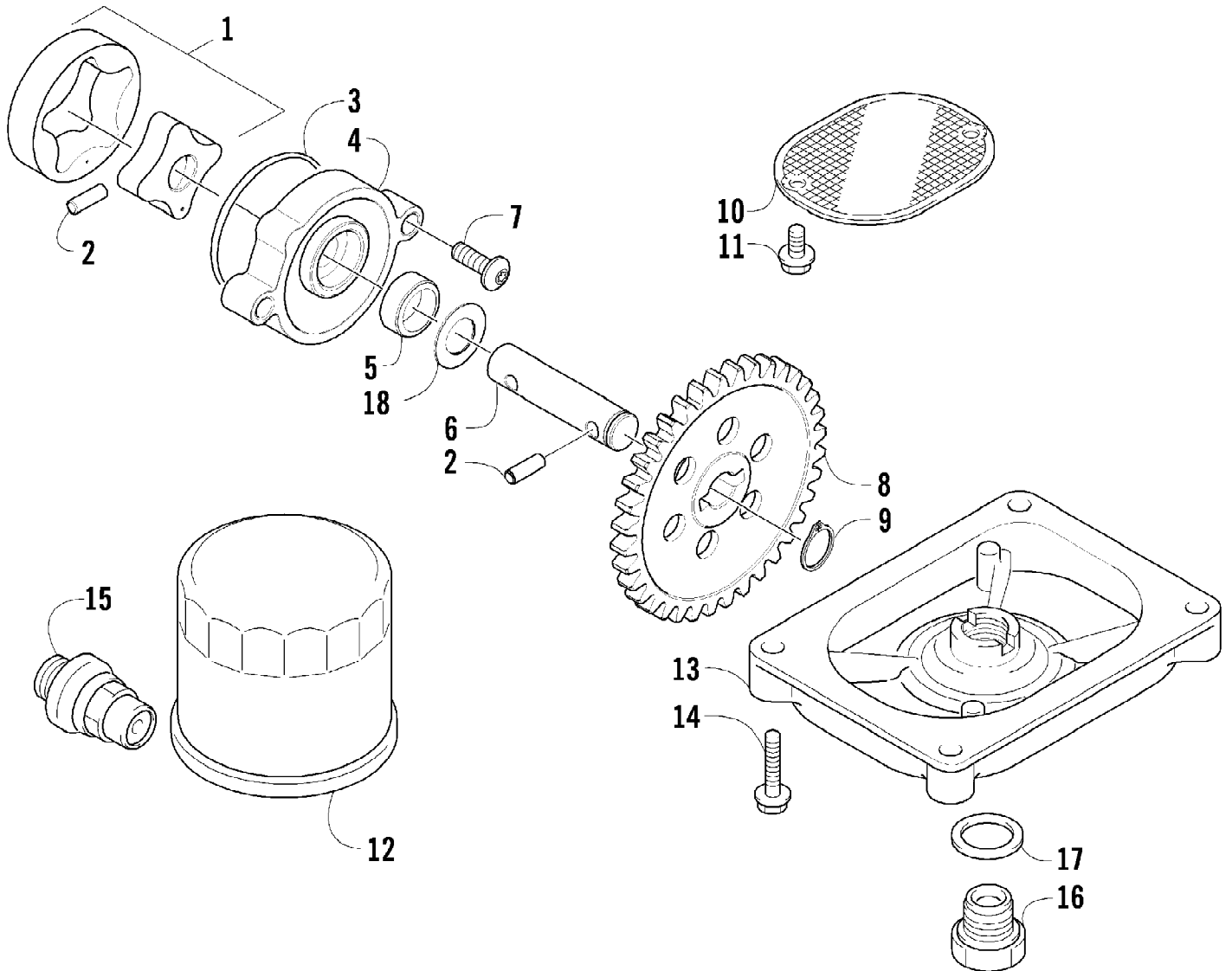
2009 PROWLER 1000 XTZ 4X4 SUNSET ORANGE INTERNATIONAL (U2009P450618)
MAGNETO SIDE ENGINE COVERS



2009 PROWLER 1000 XTZ 4X4 SUNSET ORANGE INTERNATIONAL (U2009P404506186)
MAGNETO SIDE ENGINE COVERS

| Ref # | Part Number | Qty | S/P/F | Description |
|-------|-------------|-----|-------|----------------------------|
| 1 | 0806-062 | 1 | | Cover, Magneto |
| 2 | 0830-132 | 1 | | Gasket, Magneto Cover |
| 3 | 0832-010 | 1 | | Bearing |
| 4 | 0806-022 | 1 | | Plug, Check |
| 5 | 0830-015 | 1 | | Washer, Crush |
| 6 | 0830-176 | 1 | /P | Seal, Cap |
| 7 | 0806-066 | 1 | | Cap, Magneto Cover |
| 8 | 0830-161 | 1 | | Gasket, Gear Shift Cover |
| 9 | 0818-070 | 1 | | Cover, Gear Shift |
| 10 | 0830-044 | 1 | | Seal, Gear Shift Cover |
| 11 | 8468-630 | 3 | | Screw, Machine |
| 12 | 0830-162 | 1 | | O-Ring, Oil Filler Cover |
| 13 | 0801-081 | 1 | | Cover, Oil Filler |
| 14 | 0801-073 | 1 | | Stick, Oil Level (inc. 15) |
| 15 | 0830-010 | 1 | | O-Ring |
| 16 | 8468-620 | 3 | /P | Screw, Machine |
| 17 | 8468-650 | 4 | | Screw, Machine |
| 18 | 8468-695 | 1 | | Screw, Machine |
| 19 | 8468-665 | 3 | | Screw, Machine |

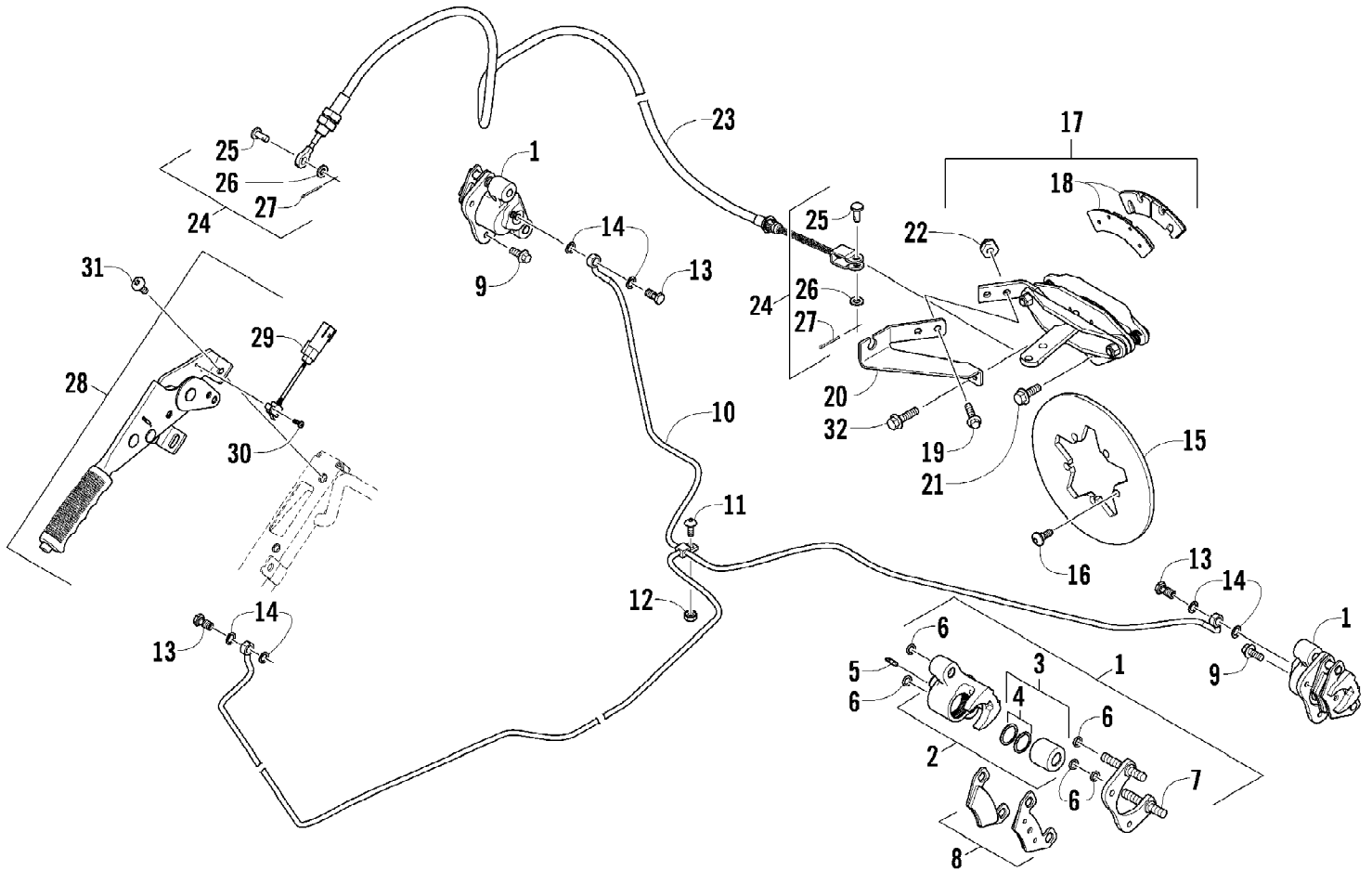
2009 PROWLER 1000 XTZ 4X4 SUNSET ORANGE INTERNATIONAL (U2009P404506186)
OIL FILTER/PUMP ASSEMBLY



2009 PROWLER 1000 XTZ 4X4 SUNSET ORANGE INTERNATIONAL (U2009P40618)
 OIL FILTER/PUMP ASSEMBLY Page 5 of 16

| Ref # | Part Number | Qty | S/P/F | Description |
|-------|-------------|-----|-------|------------------------------|
| 1 | 0812-041 | 1 | | Gerotor - Set |
| 2 | 0829-009 | 2 | | Pin, Dowel |
| 3 | 0812-048 | 1 | | O-Ring |
| 4 | 0812-040 | 1 | | Housing, Oil Pump |
| 5 | 0812-047 | 1 | | Seal, Oil Pump |
| 6 | 0812-046 | 1 | | Shaft, Oil Pump |
| 7 | 8468-620 | 2 | /P | Screw, Machine |
| 8 | 0812-045 | 1 | | Gear, Driven |
| 9 | 0831-002 | 1 | | Ring, Retaining |
| 10 | 0812-057 | 1 | /P | Strainer, Oil |
| 11 | 0826-040 | 2 | | Screw, Machine |
| 12 | 0812-029 | 1 | S | Filter, Oil |
| 13 | 0812-053 | 1 | | Cap, Oil Strainer |
| 14 | 8468-625 | 4 | | Screw, Machine |
| 15 | 0812-052 | 1 | | Valve, Oil-Relief - Assembly |
| 16 | 0812-006 | 1 | | Plug, Drain |
| 17 | 0830-017 | 1 | | Gasket, Drain Plug |
| 18 | 0828-007 | 1 | /P | Shim |

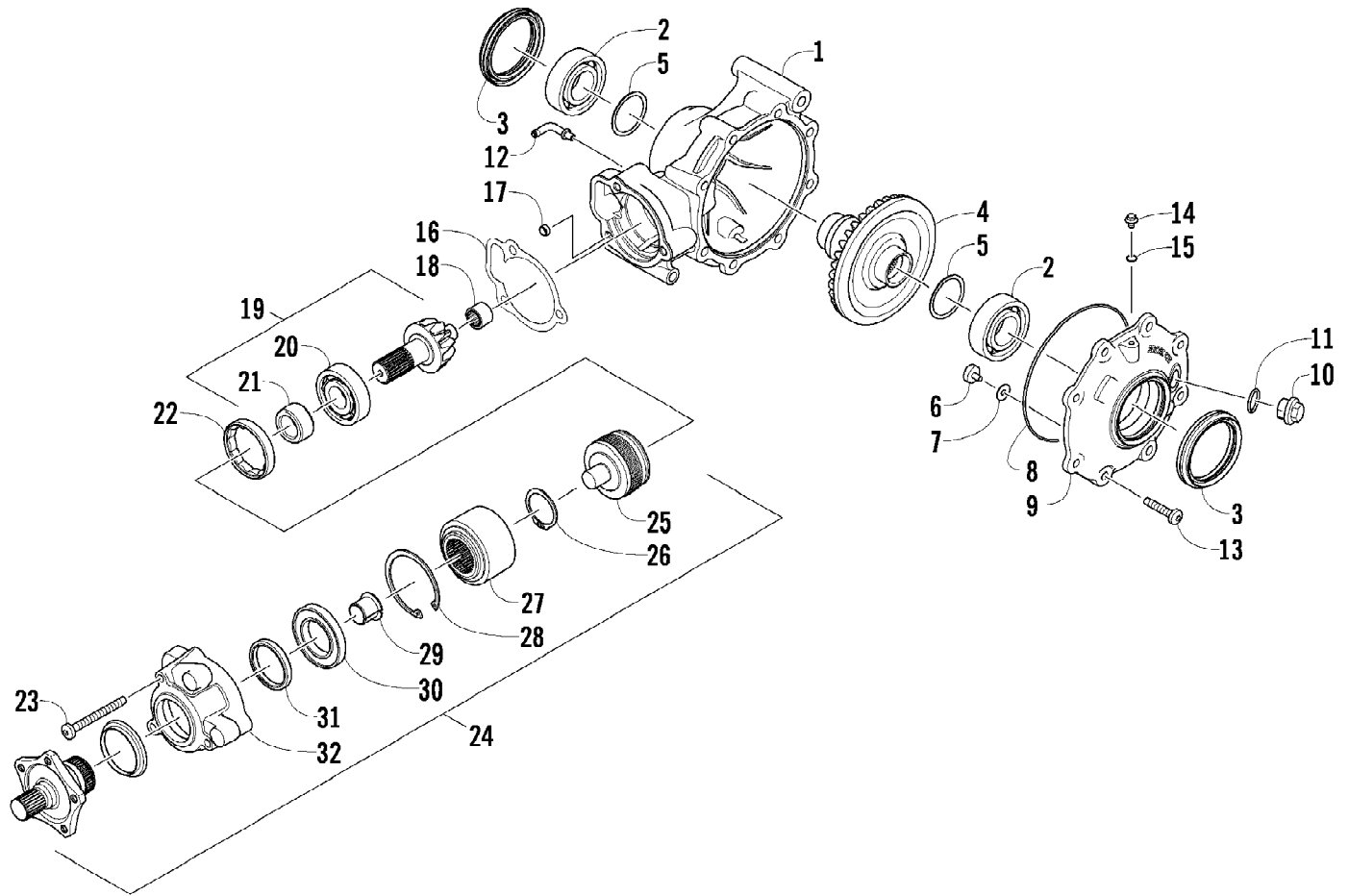
2009 PROWLER 1000 XTZ 4X4 SUNSET ORANGE INTERNATIONAL (U2009P404506136)
REAR AND PARKING BRAKE ASSEMBLY



2009 PROWLER 1000 XTZ 4X4 SUNSET ORANGE INTERNATIONAL (U2009P404506186)
REAR AND PARKING BRAKE ASSEMBLY

| Ref # | Part Number | Qty | S/P/F | Description |
|-------|-------------|-----|-------|--|
| 1 | 1436-162 | 1 | S/P | Caliper, Brake - Right (inc. 2-8) |
| 1 | 1436-163 | 1 | | Caliper, Brake - Left (inc. 2-8) |
| 2 | 1436-160 | 1 | /P | Housing, Caliper - Assembly - Right (inc. 3-5) |
| 2 | 1436-161 | 1 | /P | Housing, Caliper - Assembly - Left (inc. 3-5) |
| 3 | 0502-606 | 2 | | Piston/Seal Set (inc. 4) |
| 4 | 0502-607 | 2 | | Seal Set |
| 5 | 0502-609 | 2 | /P | Valve, Bleed |
| 6 | 0502-608 | 2 | | O-Ring, Guide - Set |
| 7 | 0502-605 | 2 | | Bracket Assembly |
| 8 | 1436-165 | 2 | S | Pad, Brake - Set |
| 9 | 8408-821 | 4 | /P | Screw, Cap |
| 10 | 1402-845 | 1 | | Hose, Brake |
| 11 | 8476-620 | 1 | | Screw, Machine |
| 12 | 0623-038 | 1 | | Nut w/Washer |
| 13 | 0423-413 | 3 | | Bolt, Banjo-Fitting |
| 14 | 0423-178 | 6 | | Washer, Crush |
| 15 | 1402-849 | 1 | S | Rotor |
| 16 | 0423-557 | 5 | | Screw, Shoulder |
| 17 | 1502-581 | 1 | | Caliper, Parking Brake (inc. 18) |
| 18 | 1502-582 | 1 | | Pad, Brake - Set |
| 19 | 8408-825 | 2 | | Screw, Cap |
| 20 | 1502-579 | 1 | | Bracket, Mounting - Cable |
| 21 | 8408-836 | 1 | | Screw, Cap |
| 22 | 8432-802 | 2 | | Nut, Lock |
| 23 | 0487-061 | 1 | | Cable, Parking Brake |
| 24 | 0423-894 | 2 | | Pin, Retaining - Assembly (inc. 25-27) |
| 25 | 0423-989 | 2 | | Pin |
| 26 | 0423-990 | 2 | | Washer |
| 27 | 0423-991 | 2 | | Pin, Cotter |
| 28 | 1502-497 | 1 | | Lever, Parking Brake - Assembly (inc. 29-30) |
| 29 | 0409-131 | 1 | | Switch, Limiter |
| 30 | 0423-992 | 1 | | Screw, Machine |
| 31 | 8468-820 | 2 | | Screw, Machine |
| 32 | 8408-841 | 1 | | Screw, Cap |

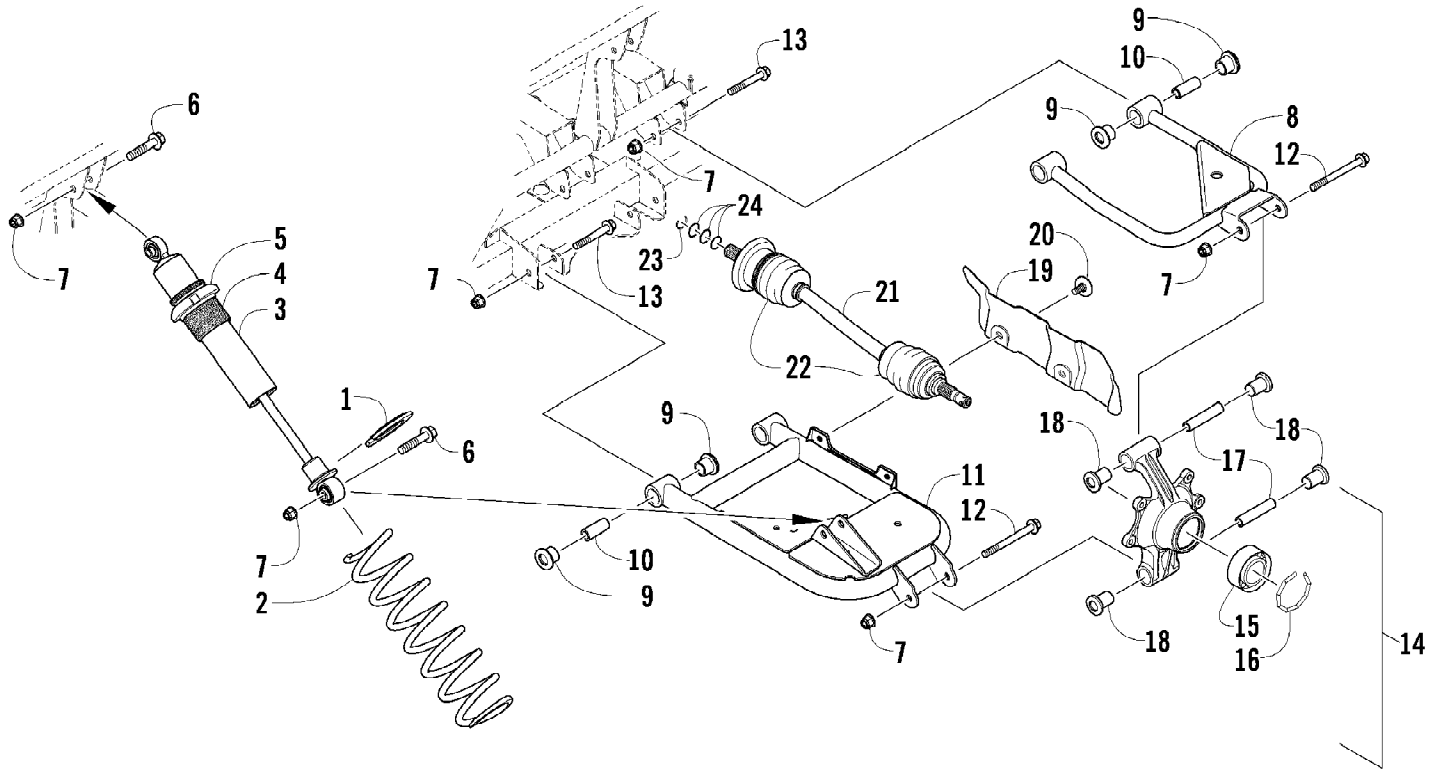
2009 PROWLER 1000 XTZ 4X4 SUNSET ORANGE INTERNATIONAL (U2009P404506186)
REAR DRIVE GEARCASE ASSEMBLY



2009 PROWLER 1000 XTZ 4X4 SUNSET ORANGE INTERNATIONAL (U2009P404506186)
REAR DRIVE GEARCASE ASSEMBLY

| Ref # | Part Number | Qty | S/P/F | Description |
|-------|-------------|-----|-------|--|
| | 1502-404 | 1 | | Complete Rear Drive Gearcase Assembly |
| 1 | 1502-587 | 1 | | Housing, Gearcase |
| 2 | 0402-393 | 2 | | Bearing |
| 3 | 1402-713 | 2 | S | Seal |
| 4 | 1402-033 | 1 | | Gear, Ring - 34T |
| 5 | 0402-405 | AR | | Shim |
| 5 | 0402-406 | AR | | Shim |
| 5 | 0402-407 | AR | | Shim |
| 5 | 0402-408 | AR | | Shim |
| 5 | 0402-409 | AR | | Shim |
| 6 | 0402-326 | 1 | | Button, Thrust |
| 7 | 0402-429 | AR | | Shim |
| 7 | 0402-430 | AR | | Shim |
| 7 | 0402-431 | AR | | Shim |
| 7 | 0402-432 | AR | | Shim |
| 7 | 0402-433 | AR | | Shim |
| 8 | 0423-149 | 1 | | O-Ring |
| 9 | 1502-588 | 1 | | Cover, Gearcase |
| 10 | 0402-333 | 1 | /P | Plug, Fill (inc. 11) |
| 11 | 0423-154 | 1 | | O-Ring |
| 12 | 1402-442 | 1 | | Fitting |
| 13 | 0423-118 | 8 | | Screw, Self-Tapping |
| 14 | 1402-210 | 1 | /P | Plug, Magnetic (inc. 15) |
| 15 | 0423-153 | 1 | | O-Ring |
| 16 | 0402-947 | 1 | | Gasket |
| 17 | 0402-411 | 1 | | Pin, Dowel |
| 18 | 0402-328 | 1 | | Bearing |
| 19 | 0502-784 | 1 | | Gear, Pinion - Assembly - 11T (inc. 20-21) |
| 20 | 0402-327 | 1 | | Bearing |
| 21 | 0402-336 | 1 | | Collar, Retaining |
| 22 | 0402-357 | 1 | | Collar, Lock |
| 23 | 0423-834 | 3 | | Screw, Self-Tapping |
| 24 | 1502-563 | 1 | | Shaft, Input (inc. 25-32) |
| 25 | 1502-564 | 1 | /P | Cartridge, Clutch - Assembly |
| 26 | 0423-799 | 1 | | Ring, Retaining - External |
| 27 | 1402-682 | 1 | | Basket, Clutch |
| 28 | 0423-798 | 1 | | Ring, Retaining - Internal |
| 29 | 1402-678 | 1 | | Bearing, Flange |
| 30 | 1402-677 | 1 | | Bearing |
| 31 | 1402-687 | 1 | | Seal |
| 32 | 1502-565 | 1 | | Housing, Input |

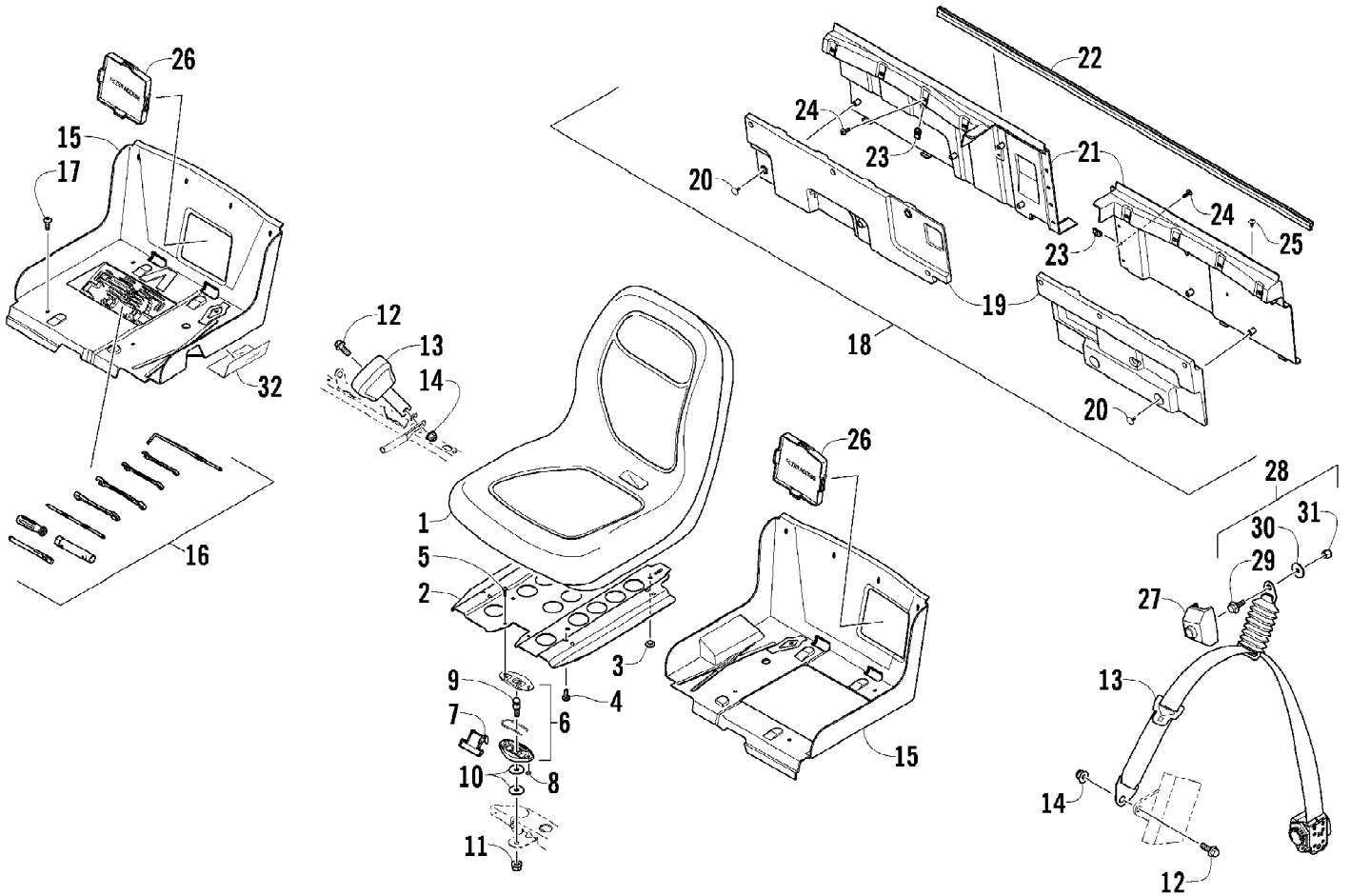
2009 PROWLER 1000 XTZ 4X4 SUNSET ORANGE INTERNATIONAL (U2009P406106106)
REAR SUSPENSION ASSEMBLY



2009 PROWLER 1000 XTZ 4X4 SUNSET ORANGE INTERNATIONAL (U2009P404506186)
REAR SUSPENSION ASSEMBLY

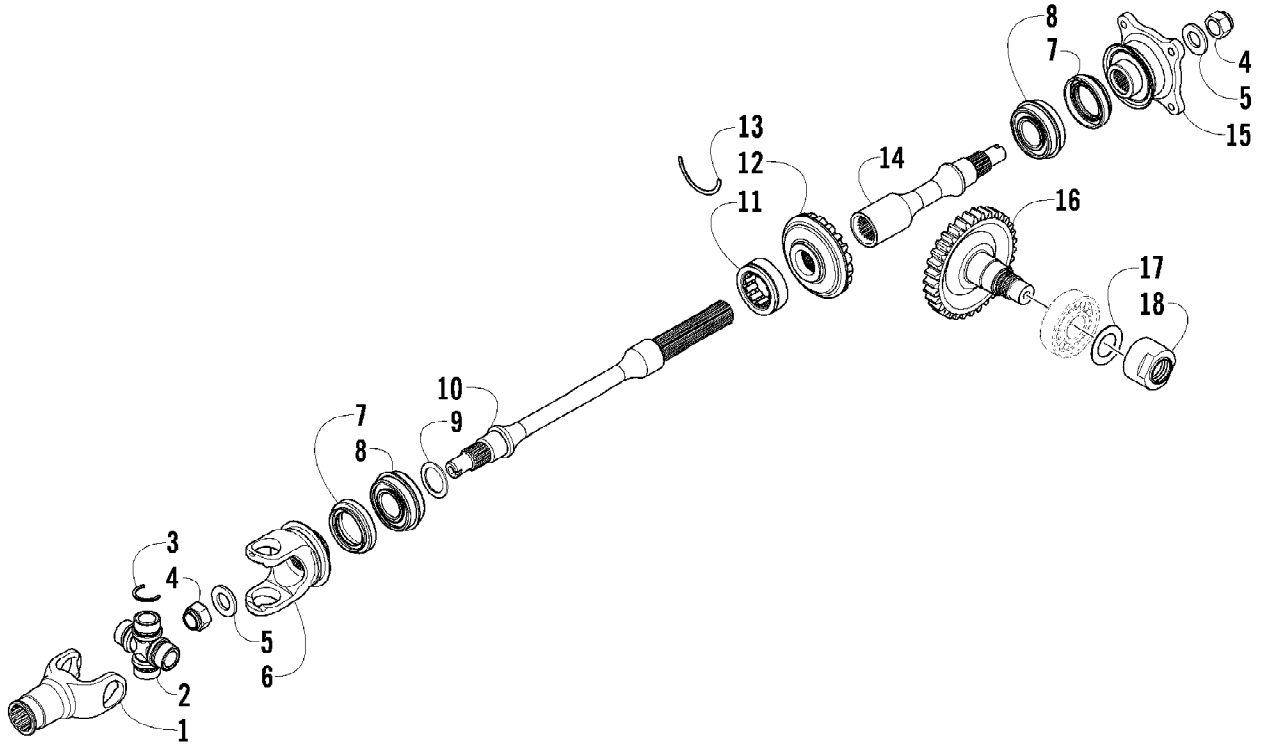
| Ref # | Part Number | Qty | S/P/F | Description |
|-------|-------------|-----|-------|---------------------------------------|
| 1 | 0423-920 | 2 | | Retainer, Spring |
| 2 | 0504-612 | 2 | | Spring, Suspension |
| 3 | 0404-182 | 2 | | Shock Absorber (inc. 4) |
| 4 | 0423-917 | 2 | | Sleeve, Shock - Threaded |
| 5 | 0423-919 | 2 | | Nut, Spring Adjuster |
| 6 | 8409-060 | 4 | | Screw, Cap |
| 7 | 8428-002 | 16 | | Nut, Lock |
| 8 | 0504-598 | 1 | | A-Arm, Rear - Upper Right (inc. 9-10) |
| 8 | 0504-599 | 1 | | A-Arm, Rear - Upper Left (inc. 9-10) |
| 9 | 0403-115 | 16 | S | Bushing |
| 10 | 0403-114 | 8 | S | Axle |
| 11 | 0504-592 | 1 | | A-Arm, Rear - Lower Right (inc. 9-10) |
| 11 | 0504-593 | 1 | | A-Arm, Rear - Lower Left (inc. 9-10) |
| 12 | 8409-000 | 4 | | Screw, Cap |
| 13 | 8409-075 | 8 | | Screw, Cap |
| 14 | 0504-613 | 2 | | Knuckle, Rear - Assembly (inc. 15-18) |
| 15 | 1402-809 | 2 | /P | Bearing |
| 16 | 0423-423 | 2 | | Ring, Retaining |
| 17 | 0403-038 | 4 | S/P | Axle |
| 18 | 0403-032 | 8 | S | Bushing |
| 19 | 1406-068 | 1 | | Guard, Boot - Right |
| 19 | 1406-069 | 1 | | Guard, Boot - Left |
| 20 | 0423-545 | 4 | /P | Screw, Shoulder |
| 21 | 1502-562 | 2 | S | Axle, Drive (inc. 22-23) |
| 22 | 0436-276 | 2 | S | Repair Kit, Boot - Rear Axle |
| 23 | 0423-845 | 2 | /P | Clip, Retaining |
| 24 | 0423-983 | AR | | O-Ring |

2009 PROWLER 1000 XTZ 4X4 SUNSET ORANGE INTERNATIONAL (U2009P406136) Page 4 of 6
SEAT ASSEMBLY



2009 PROWLER 1000 XTZ 4X4 SUNSET ORANGE INTERNATIONAL (U2009P404E06186)
SEAT ASSEMBLY

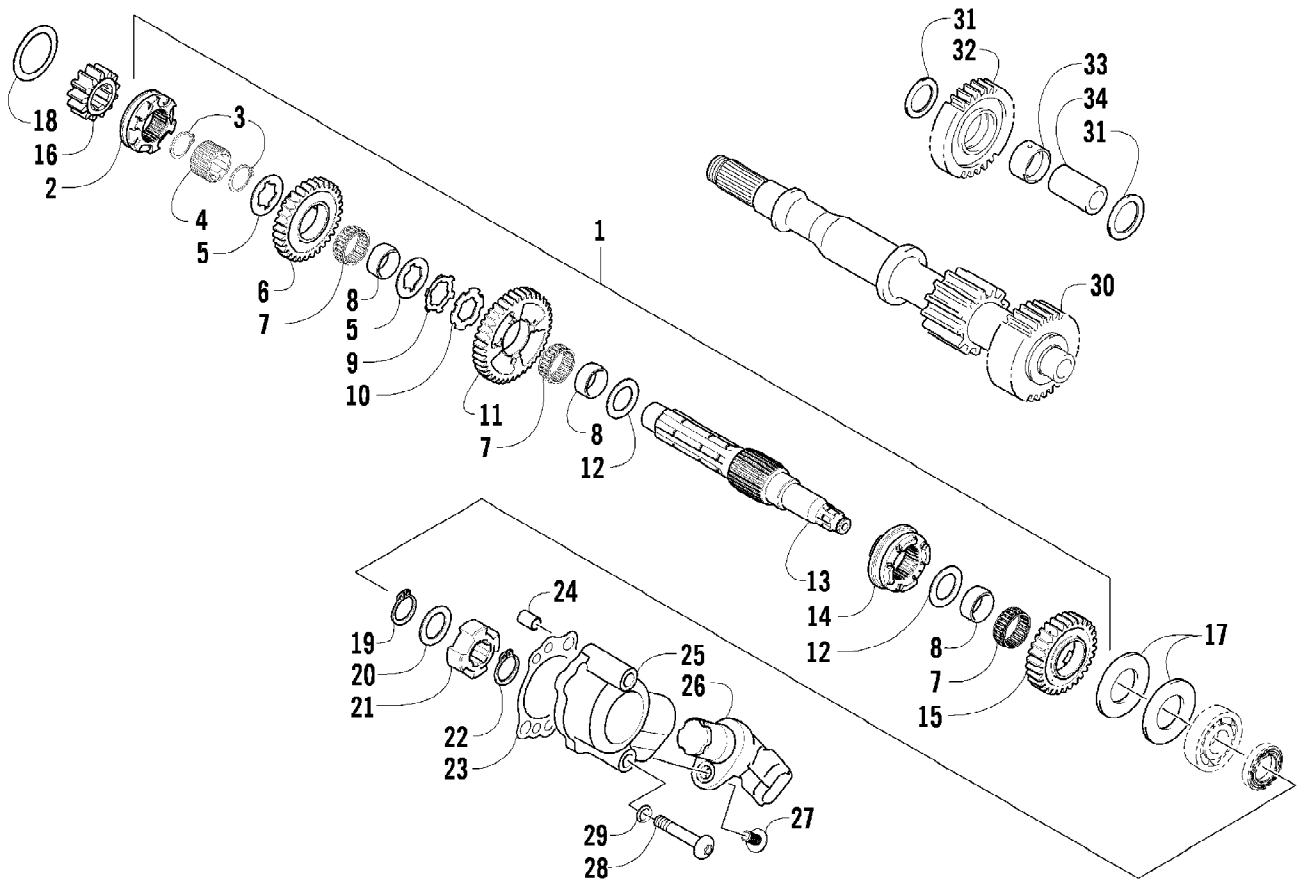
| Ref # | Part Number | Qty | S/P/F | Description |
|-------|-------------|-----|-------|---|
| 1 | 1506-925 | 2 | | Seat, Low-Back |
| 2 | 2506-780 | 2 | /P | Plate, Base - Seat |
| 3 | 0406-877 | 8 | /P | Bumper, Seat |
| 4 | 8468-820 | 8 | | Screw, Machine |
| 5 | 8468-620 | 4 | /P | Screw, Machine |
| 6 | 2706-164 | 2 | /P | Latch - Assembly (inc. 7) |
| 7 | 2606-854 | 2 | S | Lever, Release - Seat Latch |
| 8 | 0623-038 | 4 | | Nut w/Washer |
| 9 | 0423-559 | 2 | | Stud, Latch - Seat |
| 10 | 0423-073 | 4 | | Washer |
| 11 | 8424-002 | 2 | | Nut |
| 12 | 8408-020 | 6 | | Screw, Cap |
| 13 | 2516-325 | 2 | | Belt, Seat |
| 14 | 8427-002 | 6 | | Nut, Lock |
| 15 | 2406-910 | 1 | | Base, Seat - Right |
| 15 | 2406-911 | 1 | | Base, Seat - Left |
| 16 | 0444-122 | 1 | S/P | Tool Kit - Assembly |
| 17 | 8477-620 | 8 | | Screw, Machine |
| 18 | 2516-094 | 1 | | Panel, Seat - Assembly (inc. 19-23 and five No. 24) |
| 19 | 2516-146 | 1 | | Panel, Seat - Front Right |
| 19 | 2516-147 | 1 | | Panel, Seat - Front Left |
| 20 | 0623-544 | 11 | | Clip, Retaining |
| 21 | 2406-912 | 1 | | Panel, Seat - Rear Right |
| 21 | 2406-913 | 1 | | Panel, Seat - Rear Left |
| 22 | 2406-915 | 1 | | Seal, Seat Panel |
| 23 | 0423-577 | 5 | | Clip, U-Nut |
| 24 | 8476-620 | 13 | | Screw, Machine |
| 25 | 0623-784 | 2 | | Screw, Self-Tapping |
| 26 | 2416-091 | 2 | | Cover, Access - Air Filter |
| 27 | 2416-148 | 1 | | Cover, Seat Belt - Right |
| 27 | 2416-149 | 1 | | Cover, Seat Belt - Left |
| 28 | 0423-915 | 2 | | Screw, Shoulder - Assembly (inc. 29-31) |
| 29 | 0 | 2 | F | Screw, Shoulder |
| 30 | 0 | 2 | F | Washer |
| 31 | 0 | 2 | F | Nut, Lock |
| 32 | 0412-560 | 1 | | Foil, Protective |



2009 PROWLER 1000 XTZ 4X4 SUNSET ORANGE INTERNATIONAL (U2009P4045018)
SECONDARY DRIVE ASSEMBLY

| Ref # | Part Number | Qty | S/P/F | Description |
|-------|-------------|-----|-------|---------------------------------|
| 1 | 0502-829 | 1 | | Yoke, Drive Output |
| 2 | 0402-944 | 1 | /P | Joint, Universal - Set (inc. 3) |
| 3 | 0423-395 | 4 | | Ring, Retaining |
| 4 | 0827-013 | 2 | | Nut |
| 5 | 0828-020 | 2 | | Washer |
| 6 | 1502-325 | 1 | | Yoke, Propeller Shaft Joint |
| 7 | 0830-043 | 2 | | Seal, Oil |
| 8 | 0832-017 | 2 | | Bearing |
| 9 | 0828-021 | AR | | Shim, 25 x 34 x 0.25 mm |
| 9 | 0828-022 | AR | | Shim, 25 x 34 x 0.30 mm |
| 9 | 0828-023 | AR | | Shim, 25 x 34 x 0.70 mm |
| 9 | 0828-024 | AR | | Shim, 25 x 34 x 0.90 mm |
| 9 | 0828-025 | AR | | Shim, 25 x 34 x 0.95 mm |
| 9 | 0828-026 | AR | | Shim, 25 x 34 x 1.00 mm |
| 9 | 0828-027 | AR | | Shim, 25 x 34 x 1.05 mm |
| 9 | 0828-028 | AR | | Shim, 25 x 34 x 1.10 mm |
| 9 | 0828-029 | AR | | Shim, 25 x 34 x 1.15 mm |
| 10 | 0819-003 | 1 | S | Shaft, Secondary Driven - Front |
| 11 | 0832-016 | 1 | | Bearing, Driven Gear |
| 12 | 0822-106 | 1 | | Gear, Secondary Driven |
| 13 | 0819-011 | 1 | | Ring, Driven Bearing |
| 14 | 0819-053 | 1 | | Shaft, Secondary Driven - Rear |
| 15 | 0819-005 | 1 | | Flange, Output Joint |
| 16 | 0822-108 | 1 | | Gear, Secondary Drive |
| 17 | 0828-119 | AR | | Shim, 30 x 48 x 0.25 mm |
| 17 | 0828-120 | AR | | Shim, 30 x 48 x 0.30 mm |
| 17 | 0828-121 | AR | | Shim, 30 x 48 x 0.35 mm |
| 17 | 0828-122 | AR | | Shim, 30 x 48 x 0.90 mm |
| 17 | 0828-123 | AR | | Shim, 30 x 48 x 0.95 mm |
| 17 | 0828-124 | AR | | Shim, 30 x 48 x 1.00 mm |
| 17 | 0828-125 | AR | | Shim, 30 x 48 x 1.05 mm |
| 17 | 0828-126 | AR | | Shim, 30 x 48 x 1.10 mm |
| 17 | 0828-127 | AR | | Shim, 30 x 48 x 1.15 mm |
| 18 | 0827-060 | 1 | | Nut |

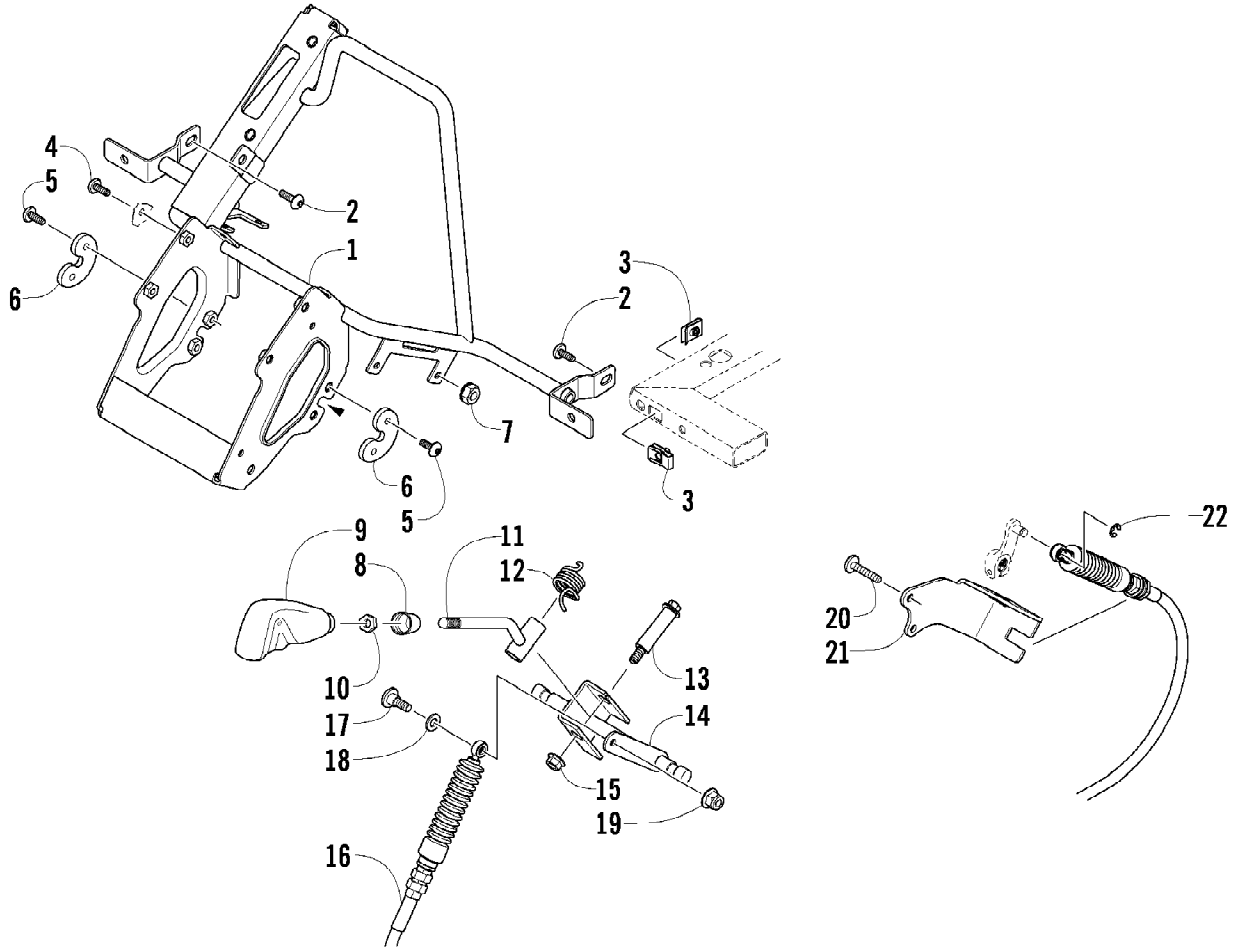
2009 PROWLER 1000 XTZ 4X4 SUNSET ORANGE INTERNATIONAL (U2009P404556136)
SECONDARY TRANSMISSION ASSEMBLY



2009 PROWLER 1000 XTZ 4X4 SUNSET ORANGE INTERNATIONAL (U2009P40456196)
SECONDARY TRANSMISSION ASSEMBLY

| Ref # | Part Number | Qty | S/P/F | Description |
|-------|-------------|-----|-------|-----------------------------------|
| 1 | 1502-149 | 1 | S | Countershaft Assembly (inc. 2-15) |
| 2 | 0822-014 | 1 | | Gear Select, Reverse |
| 3 | 0831-011 | 2 | | Ring, Retaining |
| 4 | 0822-045 | 1 | | Spacer, Reverse Driven Gear |
| 5 | 0828-008 | 2 | | Washer |
| 6 | 0822-013 | 1 | | Gear, Reverse Driven |
| 7 | 0832-011 | 3 | | Bearing |
| 8 | 0822-005 | 3 | | Bushing |
| 9 | 0828-014 | 1 | | Washer, Lock |
| 10 | 0828-015 | 1 | | Washer, Lock |
| 11 | 0822-004 | 1 | | Gear, Driven - Low |
| 12 | 0822-046 | 2 | | Washer, Driven Gear |
| 13 | 0822-003 | 1 | | Countershaft |
| 14 | 0822-007 | 1 | | Gear Select, Sliding |
| 15 | 0822-006 | 1 | | Gear, Driven - High |
| 16 | 0822-089 | 1 | | Gear, Drive |
| 17 | 0828-011 | 2 | | Washer |
| 18 | 0828-019 | 1 | | Washer, Thrust |
| 19 | 0831-040 | 1 | | Ring, Retaining |
| 20 | 0828-069 | 1 | | Washer, Thrust |
| 21 | 0822-050 | 1 | | Trigger, Speedometer Sensor |
| 22 | 0831-039 | 1 | | Ring, Retaining |
| 23 | 0830-129 | 1 | | Gasket |
| 24 | 0829-023 | 2 | | Pin, Dowel |
| 25 | 0822-049 | 1 | | Housing, Speedometer Sensor |
| 26 | 0824-042 | 1 | /P | Sensor, Speedometer |
| 27 | 8468-620 | 1 | /P | Screw, Machine |
| 28 | 8468-645 | 2 | | Screw, Machine |
| 29 | 0830-107 | 2 | | Seal |
| 30 | 0822-001 | 1 | | Driveshaft |
| 31 | 0828-016 | 2 | | Washer, Thrust |
| 32 | 0822-011 | 1 | | Gear, Reverse Idle |
| 33 | 0822-012 | 1 | | Bushing |
| 34 | 0822-015 | 1 | | Shaft, Reverse Idle |

2009 PROWLER 1000 XTZ 4X4 SUNSET ORANGE INTERNATIONAL (U2009P4450618)
SHIFTER ASSEMBLY

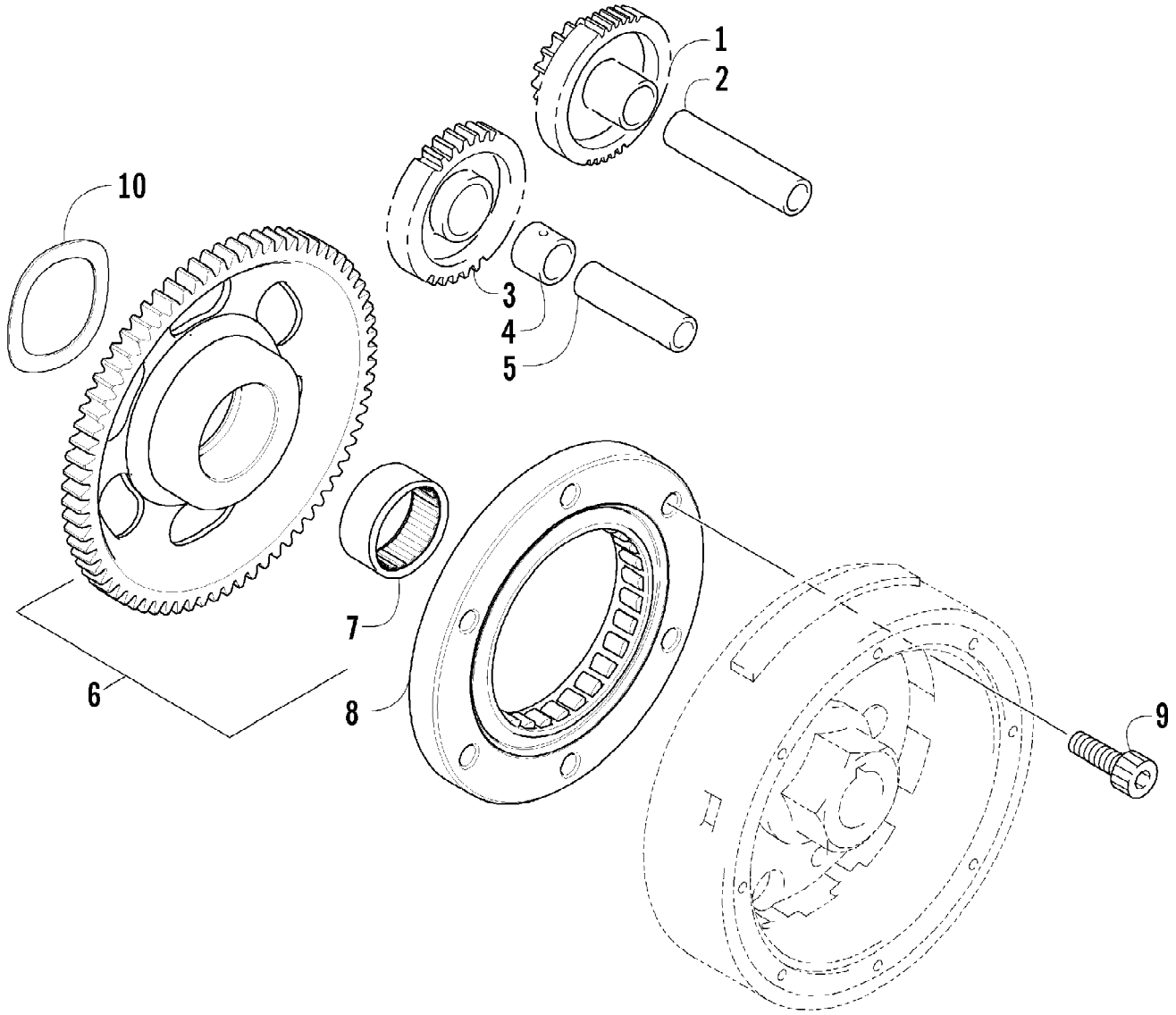


2009 PROWLER 1000 XTZ 4X4 SUNSET ORANGE INTERNATIONAL (U2009P404E06106)
 SHIFTER ASSEMBLY

Page 15 of 16

| Ref # | Part Number | Qty | S/P/F | Description |
|-------|-------------|-----|-------|-------------------------|
| 1 | 1502-516 | 1 | | Mount, Shift |
| 2 | 8476-620 | 4 | | Screw, Machine |
| 3 | 0423-577 | 4 | | Clip, U-Nut |
| 4 | 8477-616 | 4 | | Screw, Machine |
| 5 | 8476-616 | 4 | | Screw, Machine |
| 6 | 1402-275 | 2 | | Retainer, Shift Linkage |
| 7 | 0623-038 | 2 | | Nut w/Washer |
| 8 | 1402-854 | 1 | | End Cap, Shift Knob |
| 9 | 1402-844 | 1 | | Knob, Shift |
| 10 | 0423-885 | 1 | | Nut |
| 11 | 1502-510 | 1 | | Lever, Shift |
| 12 | 1402-668 | 1 | | Spring, Shift |
| 13 | 0423-505 | 1 | | Screw, Shoulder |
| 14 | 1502-512 | 1 | | Axle, Shift |
| 15 | 8424-802 | 1 | | Nut |
| 16 | 0487-063 | 1 | | Cable, Shift |
| 17 | 0423-356 | 1 | | Screw, Shoulder |
| 18 | 0623-094 | 1 | | Washer |
| 19 | 8427-602 | 1 | | Nut, Lock |
| 20 | 8468-640 | 2 | | Screw, Machine |
| 21 | 2516-449 | 1 | /P | Bracket, Shift Cable |
| 22 | 0124-057 | 1 | /P | E-Ring |

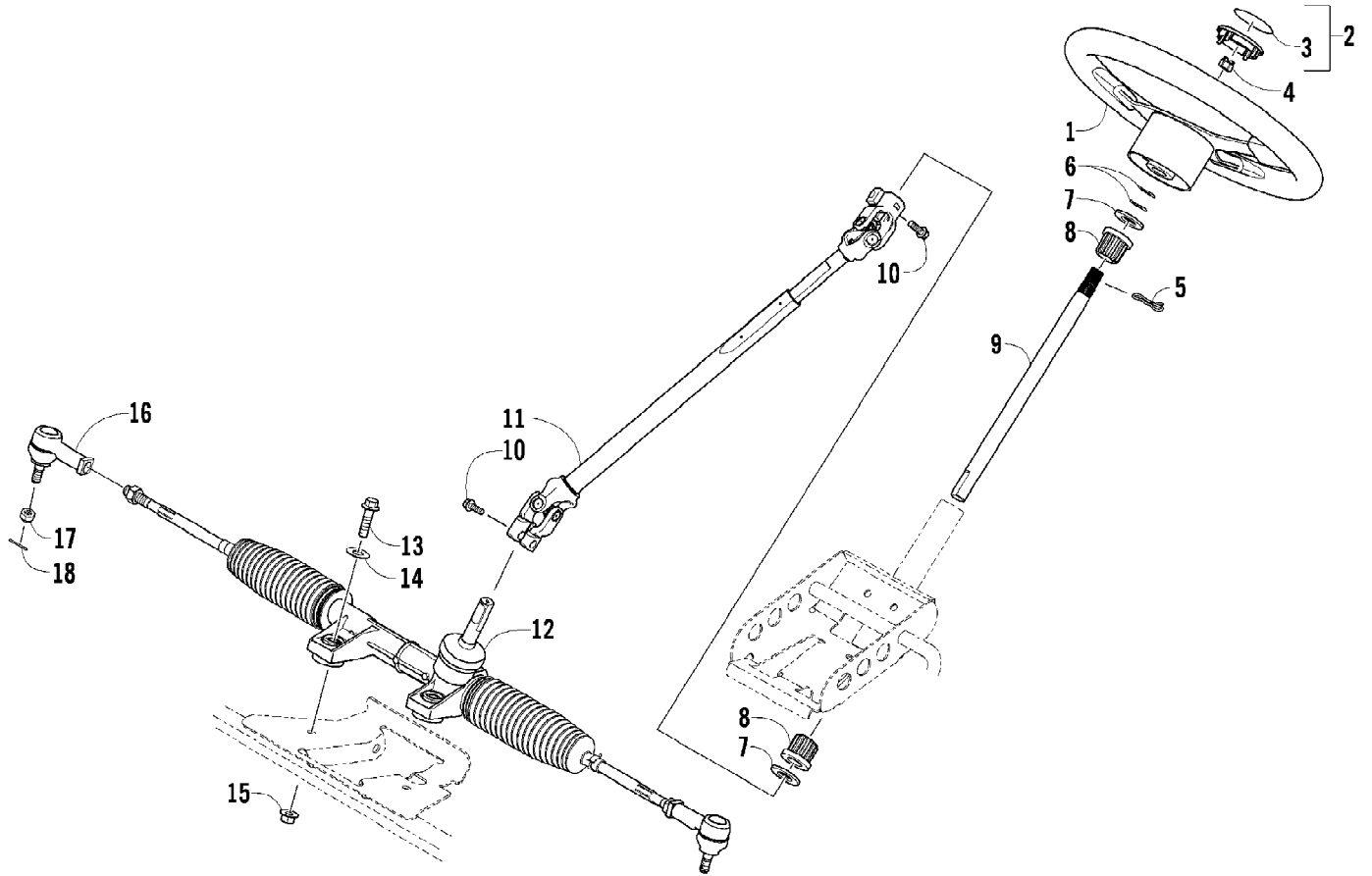
2009 PROWLER 1000 XTZ 4X4 SUNSET ORANGE INTERNATIONAL (U2009P404506186)
STARTER CLUTCH ASSEMBLY



2009 PROWLER 1000 XTZ 4X4 SUNSET ORANGE INTERNATIONAL (U2009P404E0618)
STARTER CLUTCH ASSEMBLY

| Ref # | Part Number | Qty | S/P/F | Description |
|-------|-------------|-----|-------|----------------------------------|
| 1 | 0815-026 | 1 | | Gear, Starter Idler - No. 1 |
| 2 | 0829-031 | 1 | /P | Shaft, Starter Gear |
| 3 | 0815-002 | 1 | | Gear, Starter Idler - No. 2 |
| 4 | 0815-003 | 1 | | Spacer, Starter Idler Gear No. 2 |
| 5 | 0829-032 | 1 | /P | Shaft, Starter Gear |
| 6 | 0815-004 | 1 | | Gear, Starter Clutch (inc. 7) |
| 7 | 0832-079 | 1 | /P | Bearing |
| 8 | 0802-035 | 1 | | Clutch, Starter |
| 9 | 0826-069 | 6 | | Screw, Machine |
| 10 | 0828-113 | 1 | | Washer, Wave |

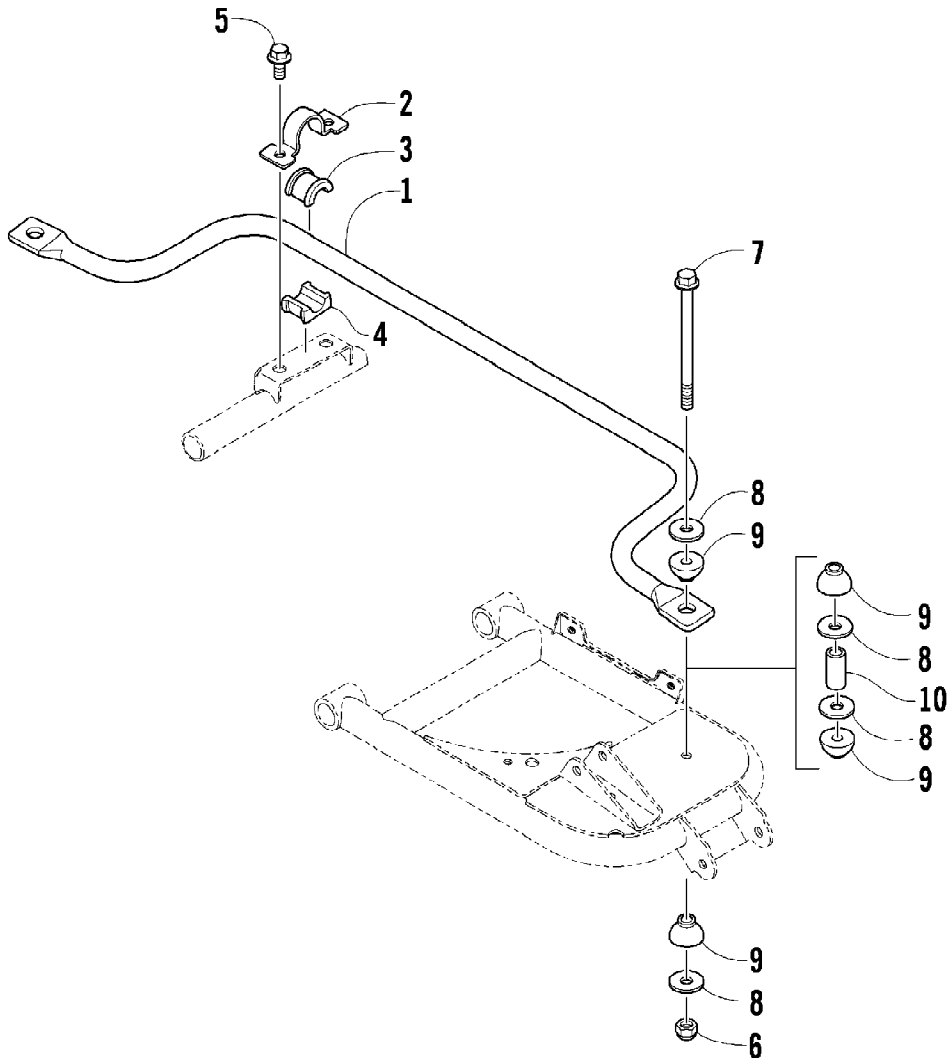
2009 PROWLER 1000 XTZ 4X4 SUNSET ORANGE INTERNATIONAL (U2009P404E0618)
STEERING ASSEMBLY



2009 PROWLER 1000 XTZ 4X4 SUNSET ORANGE INTERNATIONAL (U2009P404E20618)
 STEERING ASSEMBLY

| Ref # | Part Number | Qty | S/P/F | Description |
|-------|-------------|-----|-------|---------------------------------------|
| 1 | 0505-603 | 1 | /P | Wheel, Steering - Assembly (inc. 2-3) |
| 2 | 0505-574 | 1 | | Cap, Steering Wheel (inc. 3) |
| 3 | 1411-953 | 1 | | Decal, Steering Wheel |
| 4 | 0423-884 | 1 | | Nut |
| 5 | 1602-467 | 1 | | Clip, Hairpin |
| 6 | 0828-071 | 2 | | Washer |
| 7 | 0423-558 | 2 | | Washer |
| 8 | 0405-155 | 2 | | Bushing |
| 9 | 0405-321 | 1 | /P | Shaft, Upper Steering |
| 10 | 0423-655 | 2 | | Screw, Cap |
| 11 | 0405-156 | 1 | | Shaft, Lower Steering - Assembly |
| 12 | 0405-344 | 1 | S | Housing, Rack and Pinion |
| 13 | 8409-050 | 2 | | Screw, Cap |
| 14 | 0623-728 | 2 | | Washer |
| 15 | 8424-002 | 2 | | Nut |
| 16 | 0405-340 | 2 | S | End, Tie Rod |
| 17 | 0423-072 | 2 | | Nut |
| 18 | 0623-175 | 2 | | Pin, Cotter |

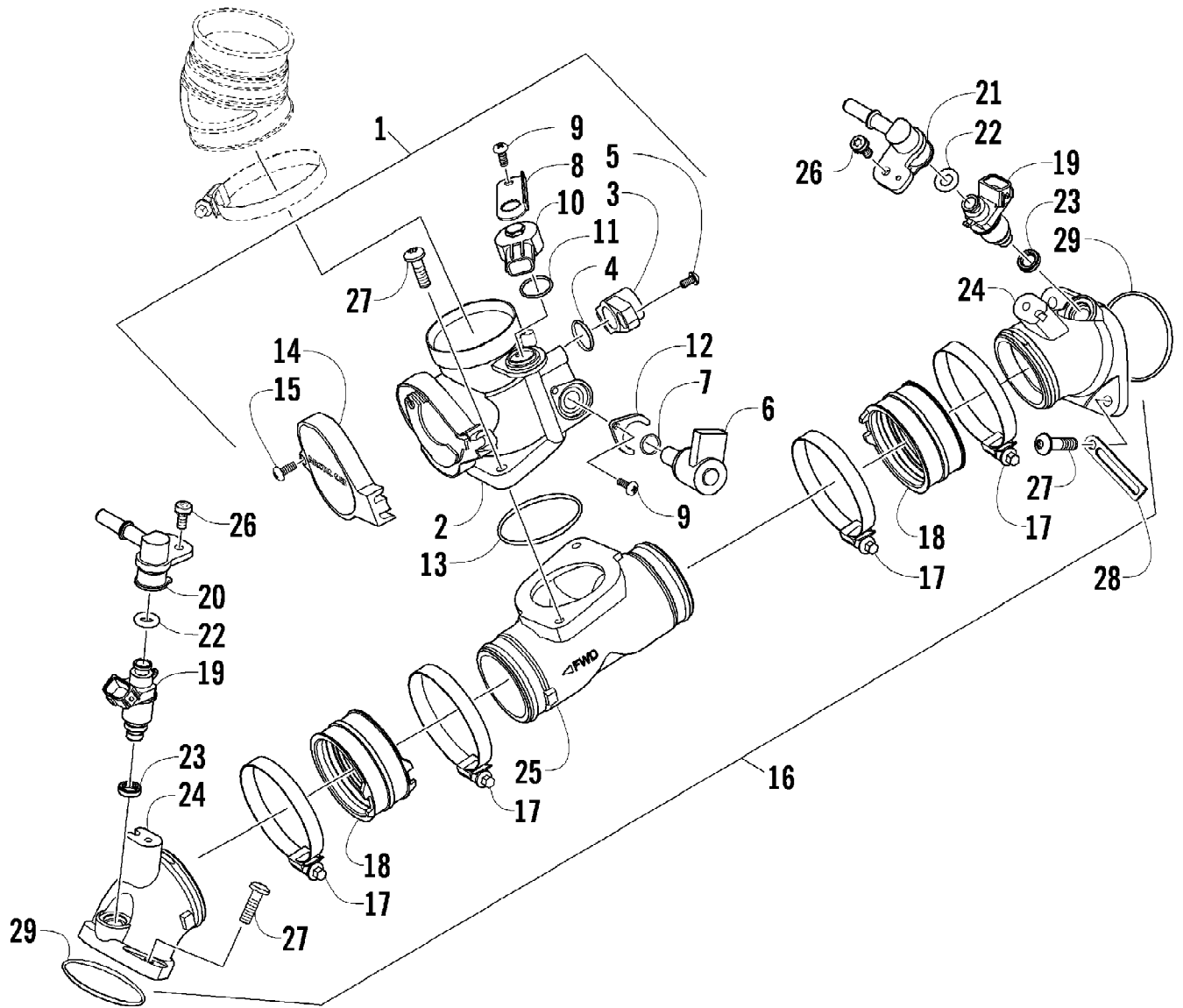
2009 PROWLER 1000 XTZ 4X4 SUNSET ORANGE INTERNATIONAL (U2009P404E0618)
SWAY BAR ASSEMBLY



2009 PROWLER 1000 XTZ 4X4 SUNSET ORANGE INTERNATIONAL (U2009P40618)
SWAY BAR ASSEMBLY

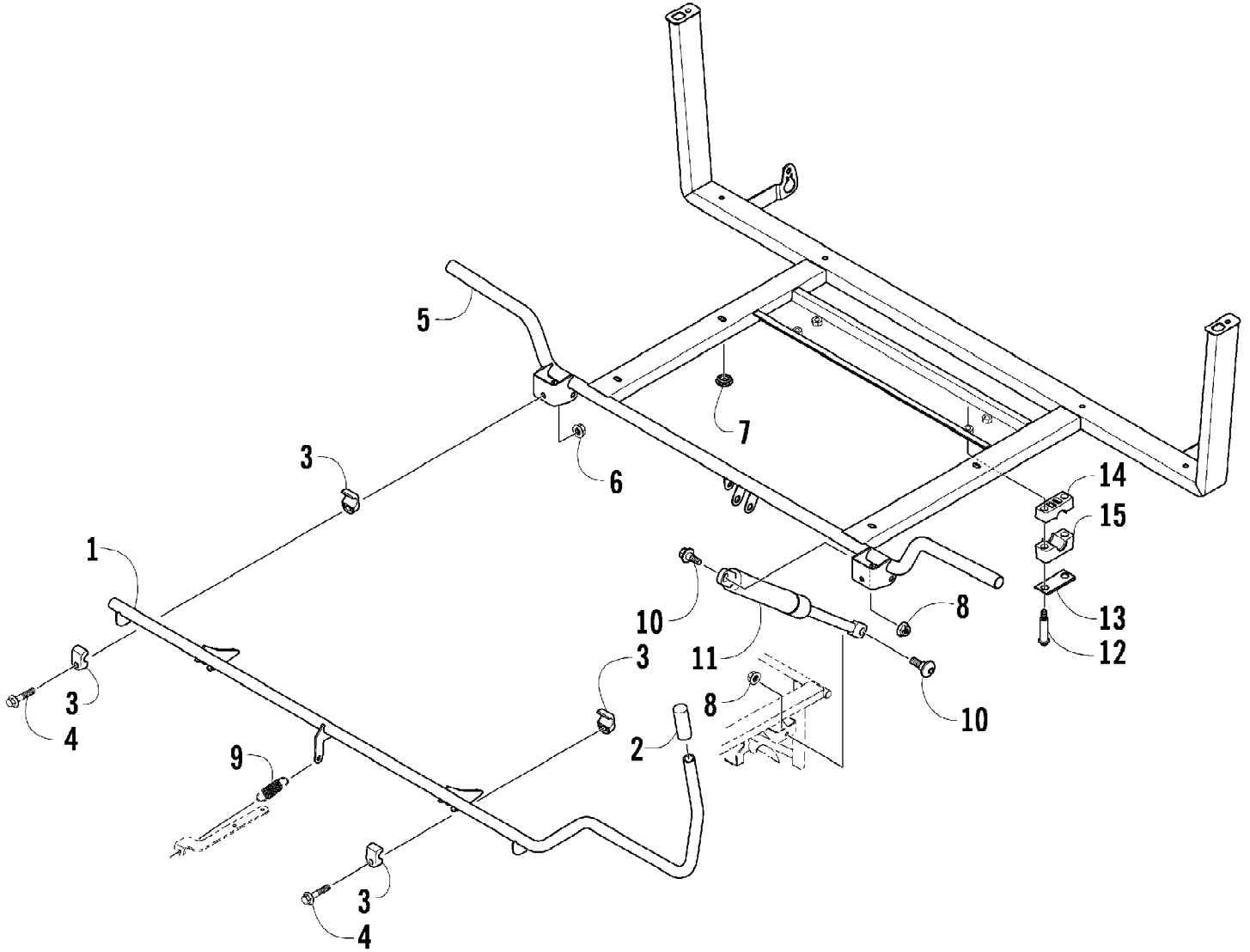
| Ref # | Part Number | Qty | S/P/F | Description |
|-------|-------------|-----|-------|---------------------------|
| 1 | 0404-110 | 1 | | Bar, Sway |
| 2 | 0404-135 | 2 | | Clamp, Sway Bar Bushing |
| 3 | 0404-094 | 2 | | Bushing, Sway Bar - Upper |
| 4 | 0404-095 | 2 | | Bushing, Sway Bar - Lower |
| 5 | 8409-016 | 4 | | Screw, Cap |
| 6 | 8422-002 | 2 | | Nut, Lock |
| 7 | 0423-335 | 2 | | Screw, Cap |
| 8 | 0423-073 | 8 | | Washer |
| 9 | 1402-434 | 8 | | Bushing |
| 10 | 0423-620 | 2 | | Spacer |

2009 PROWLER 1000 XTZ 4X4 SUNSET ORANGE INTERNATIONAL (U2009P404Z05136)
THROTTLE BODY ASSEMBLY



2009 PROWLER 1000 XTZ 4X4 SUNSET ORANGE INTERNATIONAL (U2009P404Z06186)
THROTTLE BODY ASSEMBLY

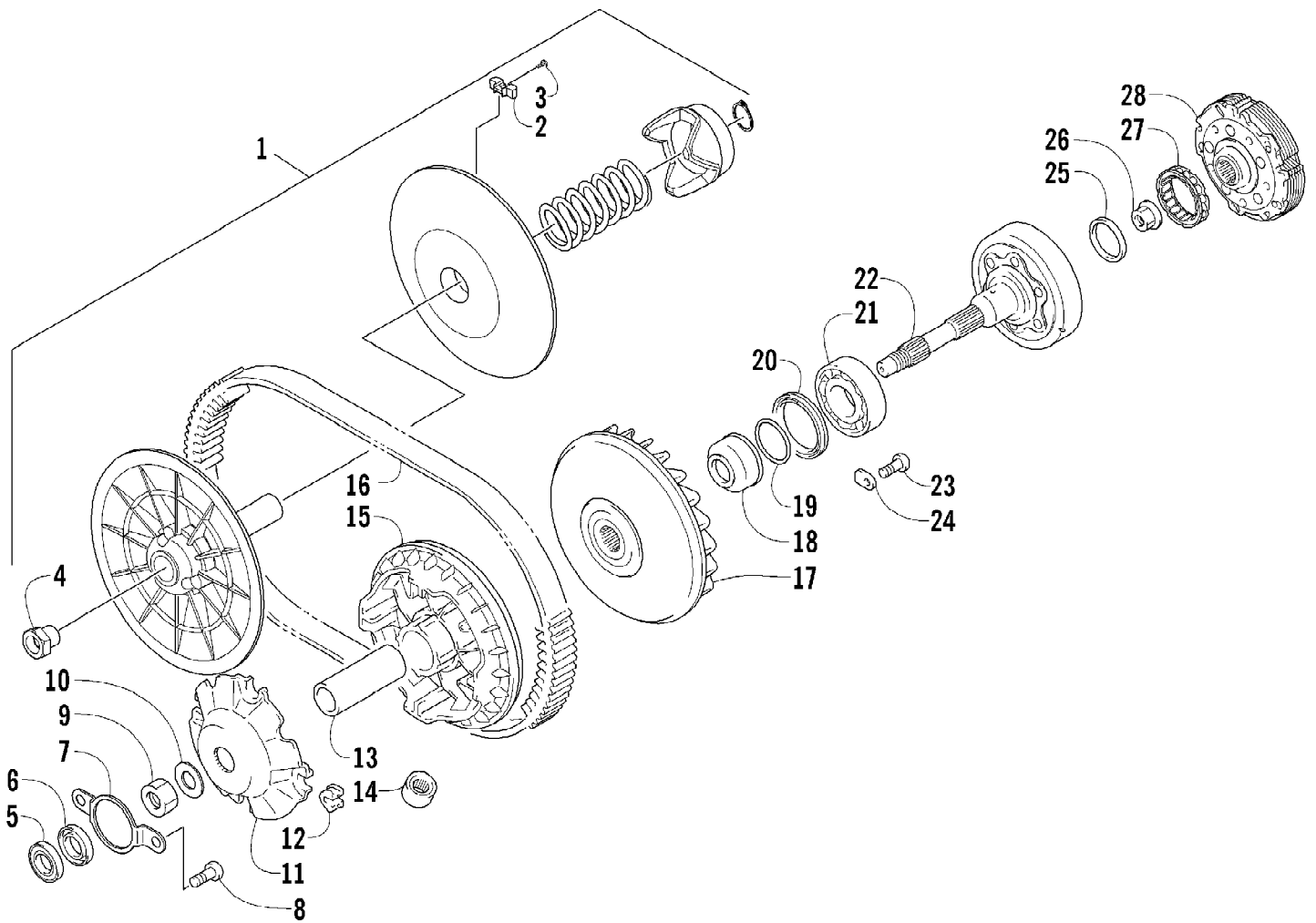
| Ref # | Part Number | Qty | S/P/F | Description |
|-------|-------------|-----|-------|--|
| 1 | 0470-686 | 1 | | Throttle - Assembly (inc. 2-15) |
| 2 | 0 | 1 | F | Throttle Body |
| 3 | 0430-072 | 1 | | Sensor, Throttle Position |
| 4 | 5507-234 | 1 | | O-Ring, Throttle Position Sensor |
| 5 | 5507-231 | 1 | | Screw, Machine |
| 6 | 0430-074 | 1 | | Valve, ISC |
| 7 | 5507-233 | 1 | | O-Ring, ISC Valve |
| 8 | 5507-227 | 1 | | Bracket, MAP Sensor |
| 9 | 5507-117 | 2 | /P | Screw, Machine |
| 10 | 0430-073 | 1 | | Sensor, MAP |
| 11 | 5507-232 | 1 | | O-Ring, MAP Sensor |
| 12 | 5507-229 | 1 | | Plate, ISC Valve |
| 13 | 5507-235 | 1 | | O-Ring |
| 14 | 5507-223 | 1 | | Cover |
| 15 | 5507-037 | 1 | /P | Screw, Machine |
| 16 | 0570-230 | 1 | | Manifold, Intake - Assembly (inc. 17-26) |
| 17 | 0423-066 | 4 | | Clamp |
| 18 | 0470-660 | 2 | | Boot, Intake - Manifold |
| 19 | 0470-688 | 2 | | Injector, Fuel |
| 20 | 0470-763 | 1 | | Rail, Fuel - Front Cylinder |
| 21 | 0470-764 | 1 | | Rail, Fuel - Rear Cylinder |
| 22 | 0470-767 | 2 | | O-Ring, Fuel Injector |
| 23 | 0470-768 | 2 | | Ring, Seal - Fuel Injector |
| 24 | 0570-140 | 2 | | Manifold, Intake |
| 25 | 0570-156 | 1 | | Plenum, Intake |
| 26 | 0423-371 | 2 | | Screw, Machine |
| 27 | 0826-008 | 6 | | Screw, Machine |
| 28 | 3002-964 | 1 | /P | Clamp, Wire |
| 29 | 0830-090 | 2 | | O-Ring |



2009 PROWLER 1000 XTZ 4X4 SUNSET ORANGE INTERNATIONAL (U2009P404E06196)
TILT FRAME ASSEMBLY

| Ref # | Part Number | Qty | S/P/F | Description |
|-------|-------------|-----|-------|----------------------|
| 1 | 2506-919 | 1 | | Rod, Cargo Box Latch |
| 2 | 1406-736 | 1 | | Grip, Latch Rod |
| 3 | 1406-674 | 4 | | Bushing, Pivot |
| 4 | 8408-840 | 2 | | Screw, Cap |
| 5 | 2516-334 | 1 | | Frame, Box |
| 6 | 8427-802 | 2 | | Nut, Lock |
| 7 | 0423-628 | 4 | | Grommet |
| 8 | 8427-602 | 2 | | Nut, Lock |
| 9 | 2416-086 | 1 | | Spring |
| 10 | 0423-356 | 2 | | Screw, Shoulder |
| 11 | 2506-194 | 1 | | Support, Lift |
| 12 | 0423-505 | 4 | | Screw, Shoulder |
| 13 | 0405-166 | 2 | | Cap, Housing |
| 14 | 0405-138 | 2 | | Housing, Lower |
| 15 | 0405-139 | 2 | | Housing, Upper |

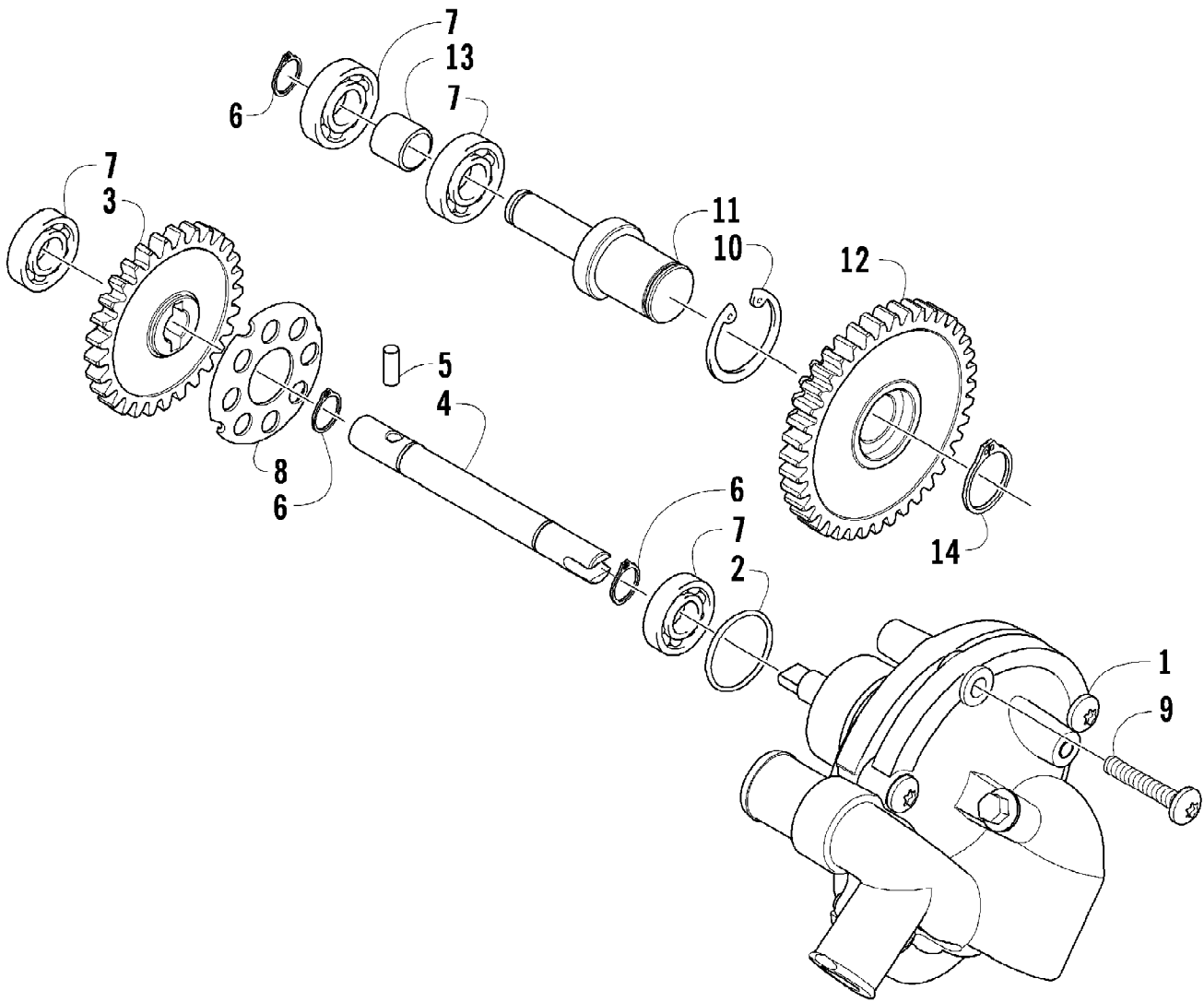
2009 PROWLER 1000 XTZ 4X4 SUNSET ORANGE INTERNATIONAL (U2009P404Z0618)
TRANSMISSION ASSEMBLY



2009 PROWLER 1000 XTZ 4X4 SUNSET ORANGE INTERNATIONAL (U2009P406186)
TRANSMISSION ASSEMBLY

| Ref # | Part Number | Qty | S/P/F | Description |
|-------|-------------|-----|-------|--------------------------------------|
| 1 | 0823-157 | 1 | S/P | Pulley, Driven - Assembly (inc. 2-4) |
| 2 | 0823-176 | 3 | /P | Shoe, Cam |
| 3 | 0823-177 | 3 | | Screw, Machine |
| 4 | 0823-178 | 1 | | Nut, Driven Pulley |
| 5 | 0832-010 | 1 | | Bearing |
| 6 | 0830-176 | 1 | /P | Seal |
| 7 | 0823-020 | 1 | | Retainer, Bearing |
| 8 | 0826-031 | 2 | | Screw, Machine |
| 9 | 0827-010 | 1 | | Nut |
| 10 | 0828-106 | 1 | | Washer |
| 11 | 0823-008 | 1 | | Plate, Movable Drive Face |
| 12 | 0823-010 | 4 | | Damper, Movable Drive Face |
| 13 | 0823-265 | 1 | | Spacer, Movable Drive Face |
| 14 | 0823-170 | 8 | /P | Roller, Movable Drive Face |
| 15 | 0823-159 | 1 | | Face, Movable Drive |
| 16 | 0823-231 | 1 | | Belt, Drive |
| 17 | 0823-156 | 1 | /P | Face, Fixed Drive |
| 18 | 0823-015 | 1 | | Spacer, Fixed Drive Face |
| 19 | 0470-531 | 1 | | O-Ring |
| 20 | 0830-188 | 1 | /P | Seal, Clutch Housing - Right |
| 21 | 0832-047 | 1 | S | Bearing |
| 22 | 0823-096 | 1 | S | Housing, Clutch |
| 23 | 0826-029 | 2 | | Screw, Machine |
| 24 | 0822-010 | 2 | /P | Retainer, Bearing |
| 25 | 0830-189 | 1 | /P | Seal, Clutch Housing - Left |
| 26 | 0827-011 | 1 | | Nut |
| 27 | 0823-018 | 1 | | Clutch, One-Way |
| 28 | 0823-098 | 1 | S | Clutch, Centrifugal - 6 Plate |

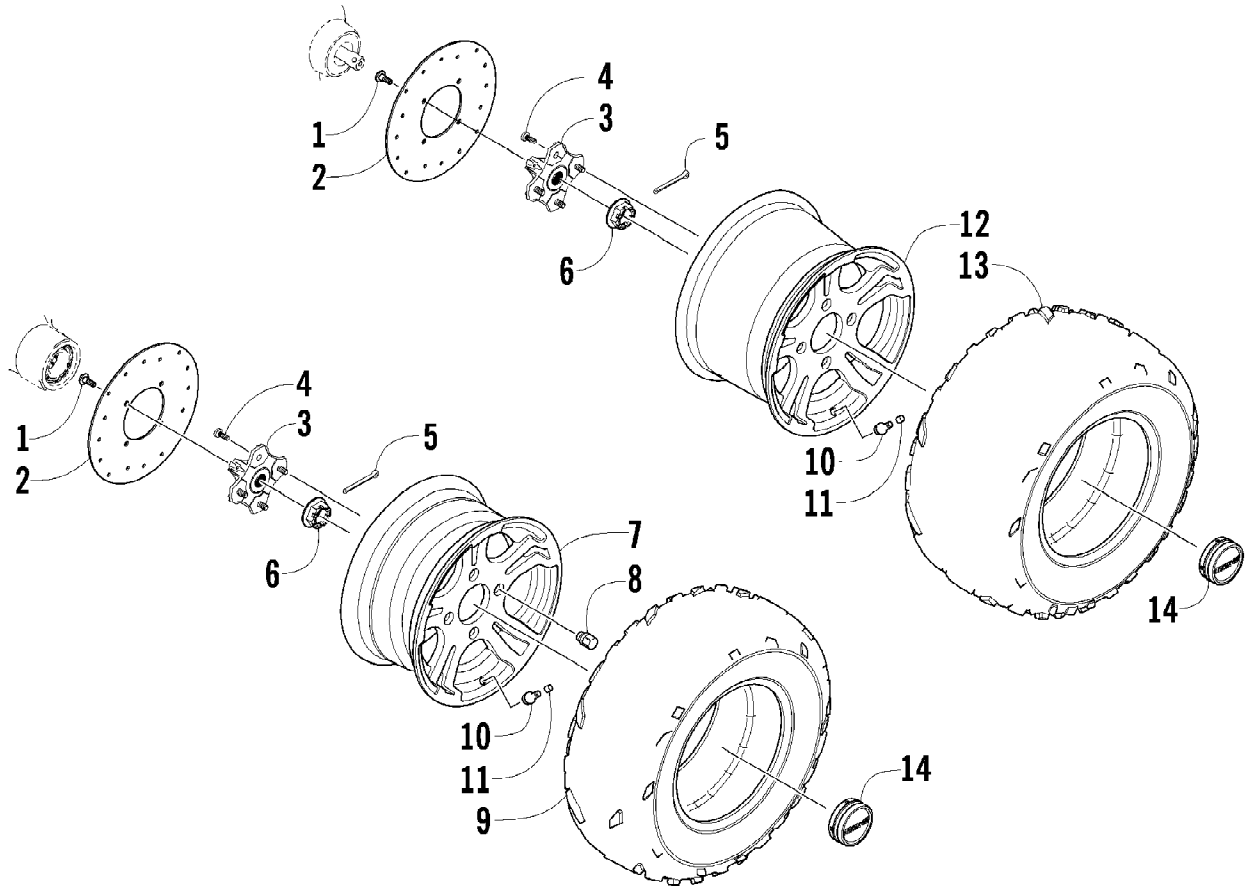
2009 PROWLER 1000 XTZ 4X4 SUNSET ORANGE INTERNATIONAL (U2009P404806186)
WATER PUMP ASSEMBLY



2009 PROWLER 1000 XTZ 4X4 SUNSET ORANGE INTERNATIONAL (U2009P404806186)
 WATER PUMP ASSEMBLY

| Ref # | Part Number | Qty | S/P/F | Description |
|-------|-------------|-----|-------|----------------------------------|
| 1 | 0813-036 | 1 | S | Pump, Water - Assembly (inc. 2) |
| 2 | 0830-029 | 1 | | O-Ring |
| 3 | 0813-029 | 1 | | Gear, Driven |
| 4 | 0813-030 | 1 | | Shaft, Driven Gear |
| 5 | 0829-009 | 1 | | Pin, Dowel |
| 6 | 0831-002 | 3 | | Ring, Retaining |
| 7 | 0832-046 | 4 | /P | Bearing |
| 8 | 0801-089 | 1 | | Disc, Breather |
| 9 | 8468-650 | 2 | | Screw, Machine |
| 10 | 0831-004 | 1 | | Ring, Retaining |
| 11 | 0813-026 | 1 | | Shaft, Water Pump Idler Gear |
| 12 | 0813-027 | 1 | | Gear, Idler - Water Pump - Drive |
| 13 | 0813-028 | 1 | | Spacer, Idler - Water Pump |
| 14 | 0831-040 | 1 | | Ring, Retaining |

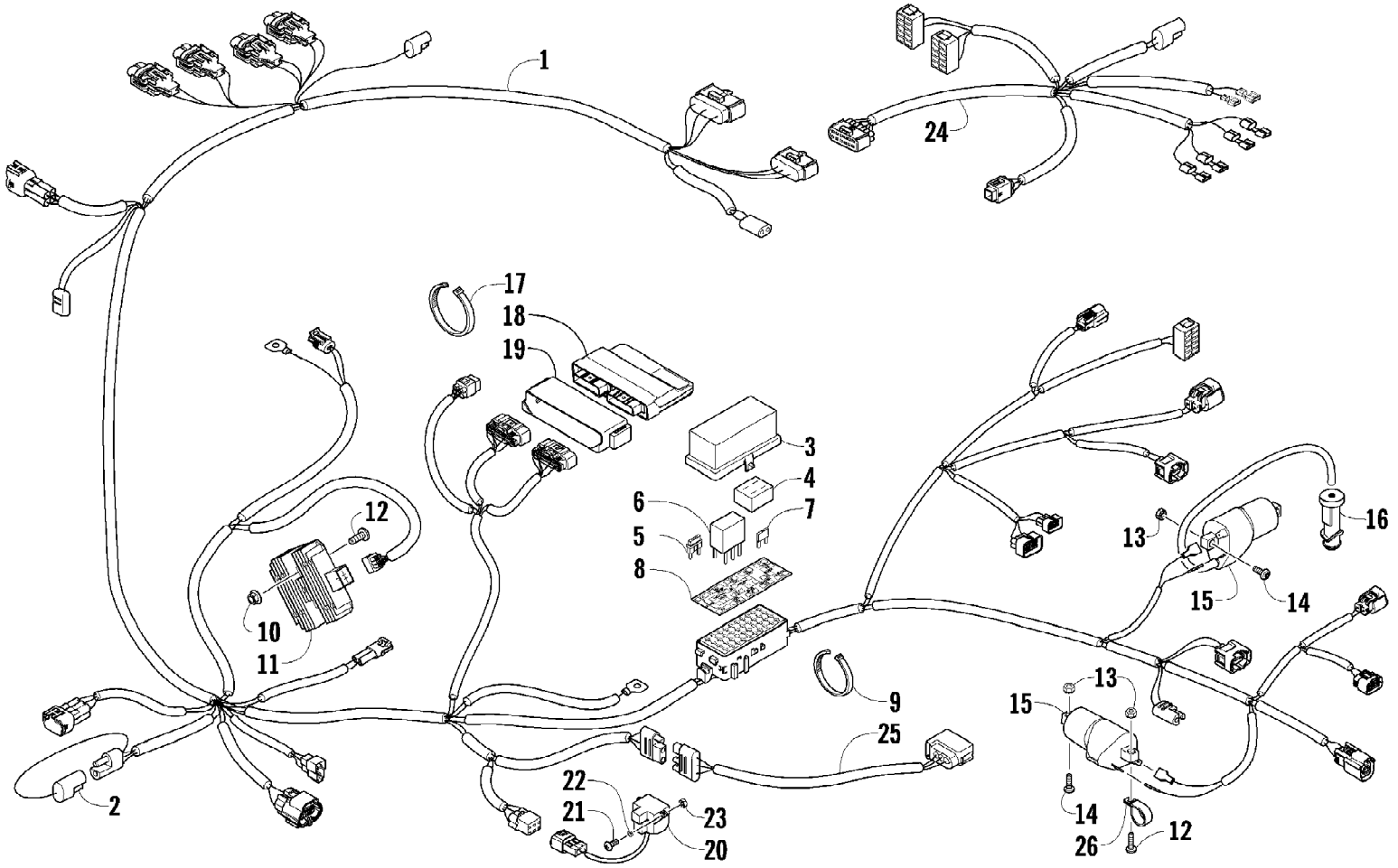
2009 PROWLER 1000 XTZ 4X4 SUNSET ORANGE INTERNATIONAL (U2009P406186) Page 18 of 19
WHEEL AND TIRE ASSEMBLY



2009 PROWLER 1000 XTZ 4X4 SUNSET ORANGE INTERNATIONAL (U2009P40618)
 WHEEL AND TIRE ASSEMBLY Page 10 of 16

| Ref # | Part Number | Qty | S/P/F | Description |
|-------|-------------|-----|-------|-----------------------------|
| 1 | 0423-557 | 16 | | Screw, Shoulder |
| 2 | 1402-455 | 2 | S | Disc, Brake - Front |
| 2 | 1436-164 | 2 | /P | Disc, Brake - Rear |
| 3 | 1502-433 | 2 | /P | Hub, Wheel - Front (inc. 4) |
| 3 | 1502-437 | 2 | | Hub, Wheel - Rear (inc. 4) |
| 4 | 0402-974 | 16 | /P | Stud, Wheel Hub |
| 5 | 0423-407 | 4 | | Pin, Cotter |
| 6 | 0423-607 | 4 | | Nut, Castle |
| 7 | 1402-732 | 2 | | Wheel - Front |
| 8 | 0423-618 | 16 | | Nut, Lug |
| 9 | 1402-790 | 2 | | Tire - Front |
| 10 | 0402-064 | 4 | | Stem, Valve (inc. 11) |
| 11 | 0402-140 | 4 | | Cap, Valve Stem |
| 12 | 1402-733 | 2 | S | Wheel - Rear |
| 13 | 1402-791 | 2 | | Tire - Rear |
| 14 | 1402-736 | 4 | | Cap, Wheel |

2009 PROWLER 1000 XTZ 4X4 SUNSET ORANGE INTERNATIONAL (U2009P404856186)
WIRING HARNESS ASSEMBLY



2009 PROWLER 1000 XTZ 4X4 SUNSET ORANGE INTERNATIONAL (U2009P404B06186)
WIRING HARNESS ASSEMBLY

| Ref # | Part Number | Qty | S/P/F | Description |
|-------|-------------|-----|-------|------------------------------|
| 1 | 0486-273 | 1 | | Harness, Main (inc. 2-8) |
| 2 | 0486-164 | 1 | | Tether, Accessory Connector |
| 3 | 0530-008 | 1 | | Cover, Fuse Block |
| 4 | 0430-037 | 1 | | Holder, Fuse |
| 5 | 0430-034 | 1 | | Diode |
| 6 | 0430-045 | 5 | /P | Relay (4-Pin) - 20 Amp |
| 7 | 0430-032 | 5 | | Fuse - 10 Amp |
| 7 | 0430-031 | 3 | | Fuse - 15 Amp |
| 7 | 0430-030 | 2 | | Fuse - 30 Amp |
| 8 | 1411-526 | 1 | | Decal, Fuse Block |
| 9 | 0123-788 | AR | /P | Tie, Cable - 8 in. |
| 10 | 8424-602 | 2 | /P | Nut |
| 11 | 0824-037 | 1 | /P | Regulator, Voltage |
| 12 | 8476-625 | 3 | | Screw, Machine |
| 13 | 0623-038 | 4 | | Nut w/Washer |
| 14 | 8476-620 | 3 | | Screw, Machine |
| 15 | 0824-043 | 2 | | Coil, Ignition - Assembly |
| 16 | 0824-049 | 2 | /P | Cap, Spark Plug |
| 17 | 0123-903 | AR | | Tie, Cable - 11.5 in. |
| 18 | 0530-025 | 1 | | ECU |
| 19 | 0430-059 | 1 | | Cushion, ECU |
| 20 | 0409-064 | 1 | | Switch, Tilt Sensor |
| 21 | 8468-425 | 2 | | Screw, Machine |
| 22 | 0123-802 | 2 | | Washer |
| 23 | 0423-493 | 2 | | Nut w/Washer |
| 24 | 0486-290 | 1 | | Harness, Console |
| 25 | 0486-176 | 1 | | Harness, Adapter - Taillight |
| 26 | 0123-269 | 1 | | Clamp, Routing |