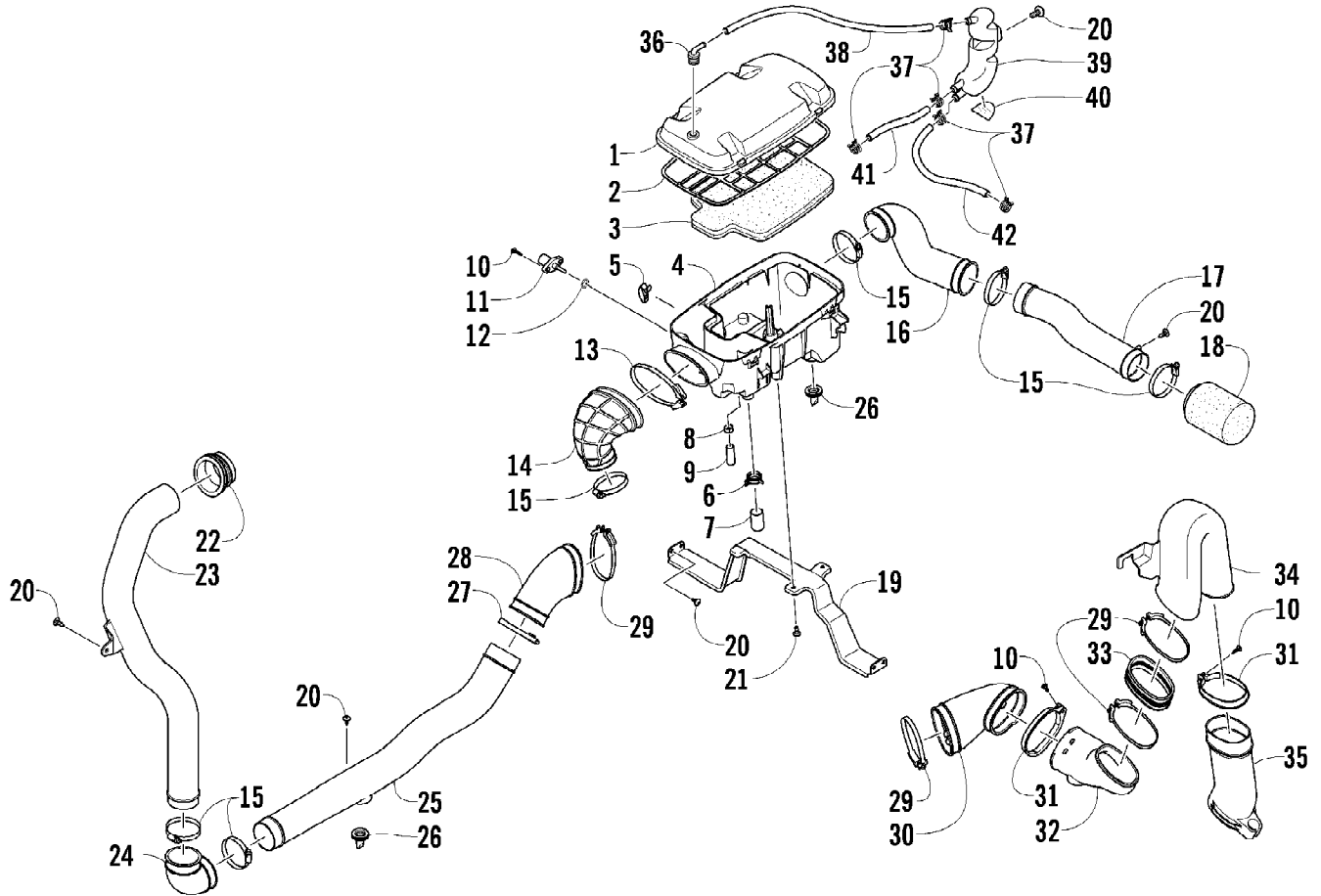


2009 PROWLER 1000 XTZ 4X4 BAJA METALLIC CAT GREEN (U2009P4W4EU) Page 2 of 86
 ACCELERATOR ASSEMBLY

Ref #	Part Number	Qty	S/P/F	Description
1	1502-590	1		Pedal, Accelerator
2	0470-851	1		Spring
3	0402-872	1		Axle
4	1602-213	2	/P	O-Ring
5	8422-002	1		Nut, Lock
6	8471-616	2		Screw, Machine
7	0502-991	1		Bracket, Accelerator Pedal
8	8427-602	2		Nut, Lock
9	0487-066	1		Cable, Accelerator

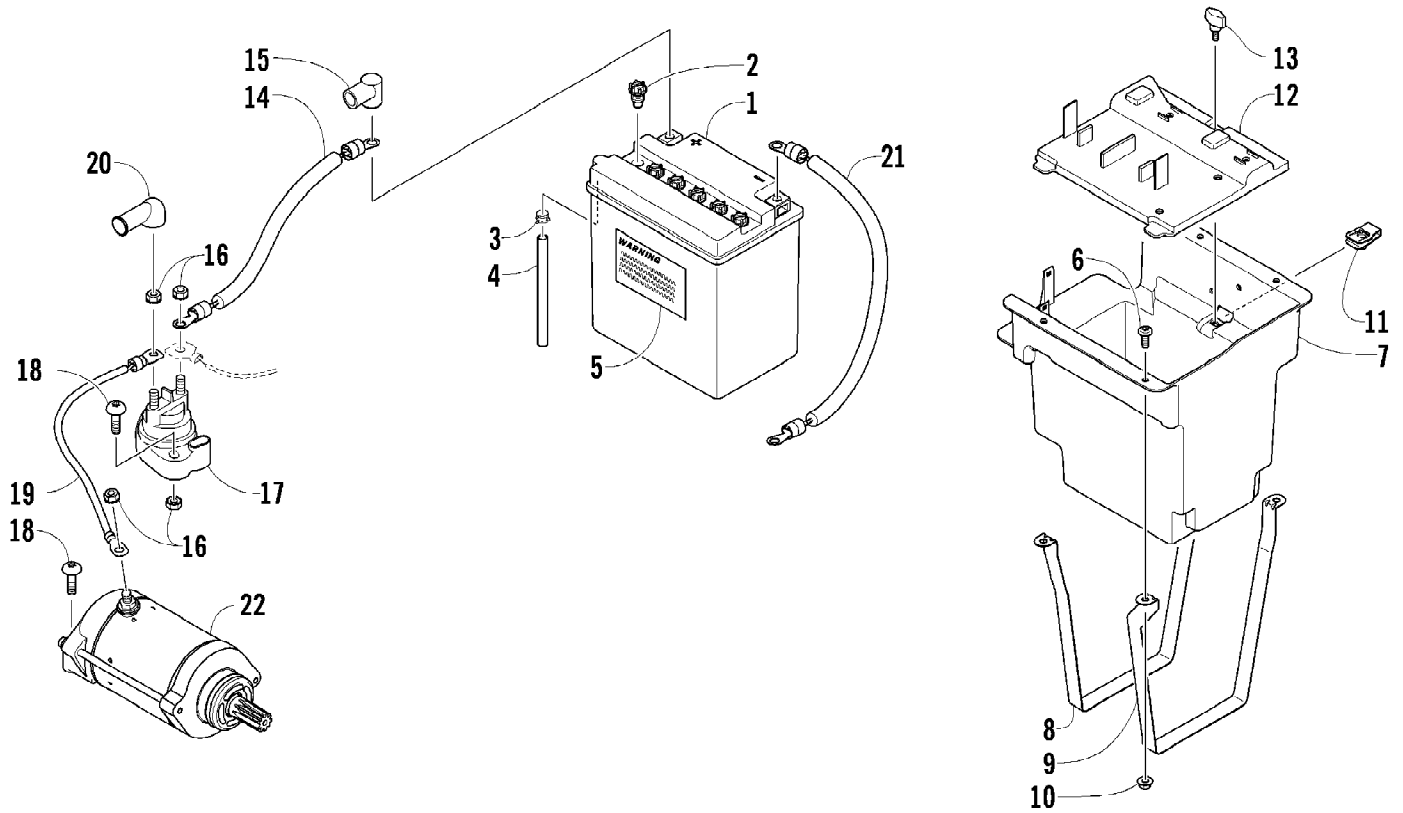
2009 PROWLER 1000 XTZ 4X4 BAJA METALLIC CAT GREEN (U2009P4W4EU) Page 3 of 86
AIR INTAKE ASSEMBLY



2009 PROWLER 1000 XTZ 4X4 BAJA METALLIC CAT GREEN (U2009P4W4EU) Page 4 of 86
 AIR INTAKE ASSEMBLY

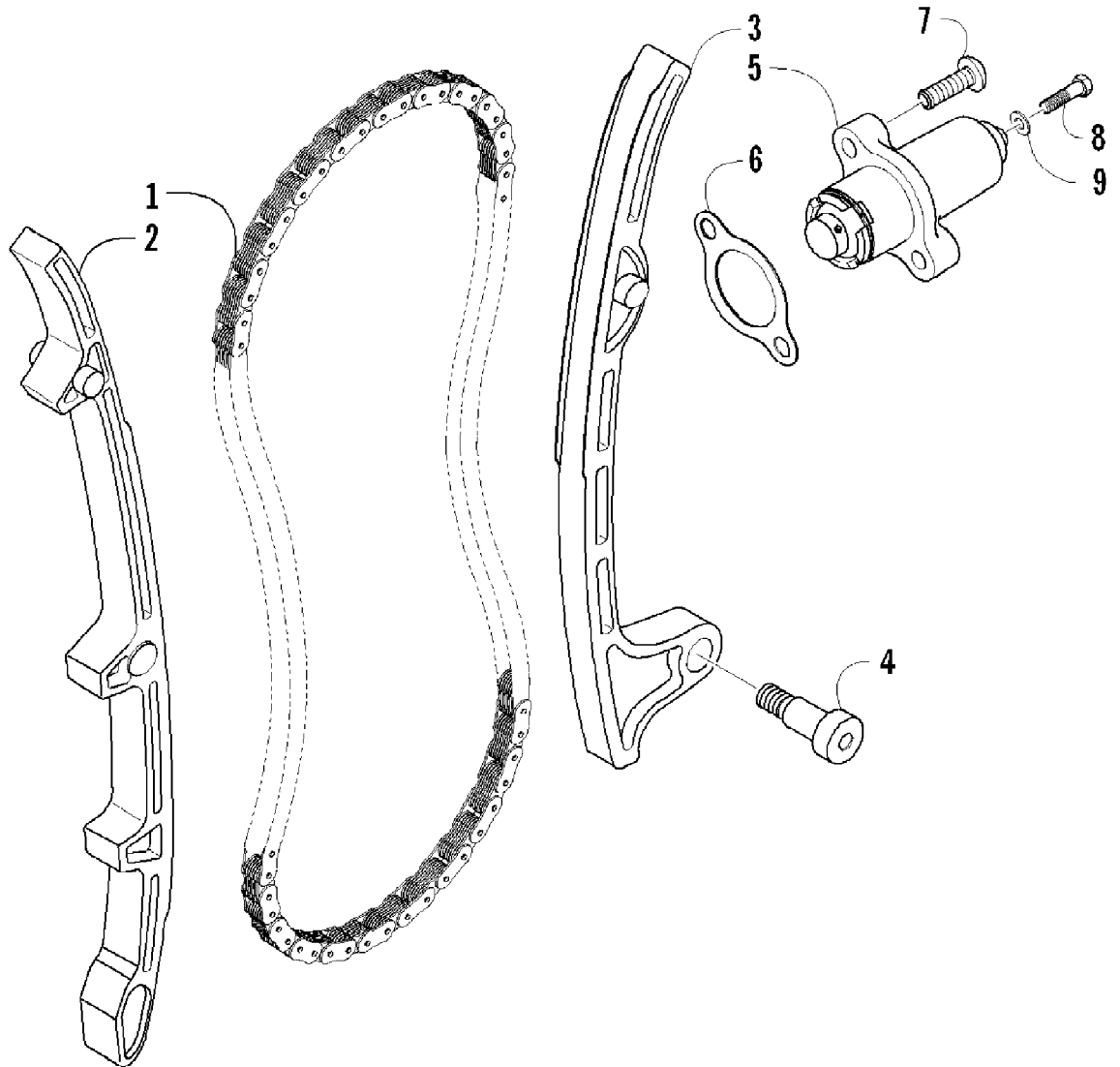
Ref #	Part Number	Qty	S/P/F	Description
1	0470-861	1		Cover, Air Intake
2	0470-560	1		Screen, Air Filter
3	0470-558	1		Filter, Air
4	0470-728	1		Housing, Air Intake
5	0423-455	4		Clip, Spring
6	1623-287	1		Clamp, Hose
7	0423-766	1		Cap, Drain
8	0610-563	1		Clamp, Hose
9	0470-863	1		Valve, Drain
10	0423-342	4	/P	Screw, Self-Tapping
11	0430-055	1		Sensor, Air Temperature (inc. 12)
12	5507-224	1		O-Ring
13	0423-554	1		Clamp
14	0413-225	1		Boot, Intake
15	0423-019	6		Clamp
16	0413-232	1		Duct, Intake
17	0413-219	1		Duct, Intake
18	0470-834	1		Filter, Intake
19	2516-166	1		Bracket, Support
20	0623-784	8		Screw, Self-Tapping
21	8476-616	2		Screw, Machine
22	2416-088	1		Boot, Air-In
23	0413-237	1		Duct, Air-In
24	0413-098	1		Boot, Air-In
25	0413-236	1		Duct, Air-In
26	0470-442	2	/P	Valve, Drain
27	0423-018	1		Clamp
28	0413-233	1		Boot, Air-In
29	0423-730	4		Clamp
30	0413-234	1		Boot, Air-Out
31	0423-550	2		Clamp
32	0413-247	1		Duct, Air-Out
33	0413-248	1		Boot, Air-Out
34	0413-235	1		Duct, Air-Out
35	0413-226	1		Duct, Air-Out
36	0470-881	1		Fitting, Elbow
37	1623-281	5		Clamp, Hose
38	0410-187	1		Hose, Vent
39	0470-857	1		Separator, Oil
40	1441-822	1		Foil, Protective
41	0410-188	1		Hose, Vent
42	0410-186	1		Hose, Vent

2009 PROWLER 1000 XTZ 4X4 BAJA METALLIC CAT GREEN (U2009P4W4EU) Page 5 of 86
BATTERY AND STARTER MOTOR ASSEMBLY



2009 PROWLER 1000 XTZ 4X4 BAJA METALLIC CAT GREEN (U2009P4W4EU) Page 6 of 86
BATTERY AND STARTER MOTOR ASSEMBLY

Ref #	Part Number	Qty	S/P/F	Description
1	0445-081	1		Battery (inc. 2-5)
2	0645-588	6	/P	Cap, Battery
3	0645-152	1		Clamp, Hose
4	0645-262	1		Hose, Vent
5	0645-430	2		Decal, Warning
6	8476-612	4		Screw, Machine
7	2406-914	1		Box, Battery
8	0470-854	1		Hold-Down, Battery Box - Right
9	0470-855	1		Hold-Down, Battery Box - Left
10	8424-602	4	/P	Nut
11	0423-577	1		Clip, U-Nut
12	2406-949	1		Cover, Battery Box
13	1441-624	1		Screw, Thumb
14	0445-078	1		Cable, Battery/Solenoid
15	0645-019	2		Boot, Terminal
16	0623-038	5		Nut w/Washer
17	0445-058	1	/P	Solenoid
18	8476-625	4		Screw, Machine
19	0445-080	1		Cable, Solenoid/Starter
20	0645-327	1		Boot, Terminal - Solenoid
21	0445-079	1		Cable, Battery/Ground
22	0825-015	1		Motor, Starter - Assembly



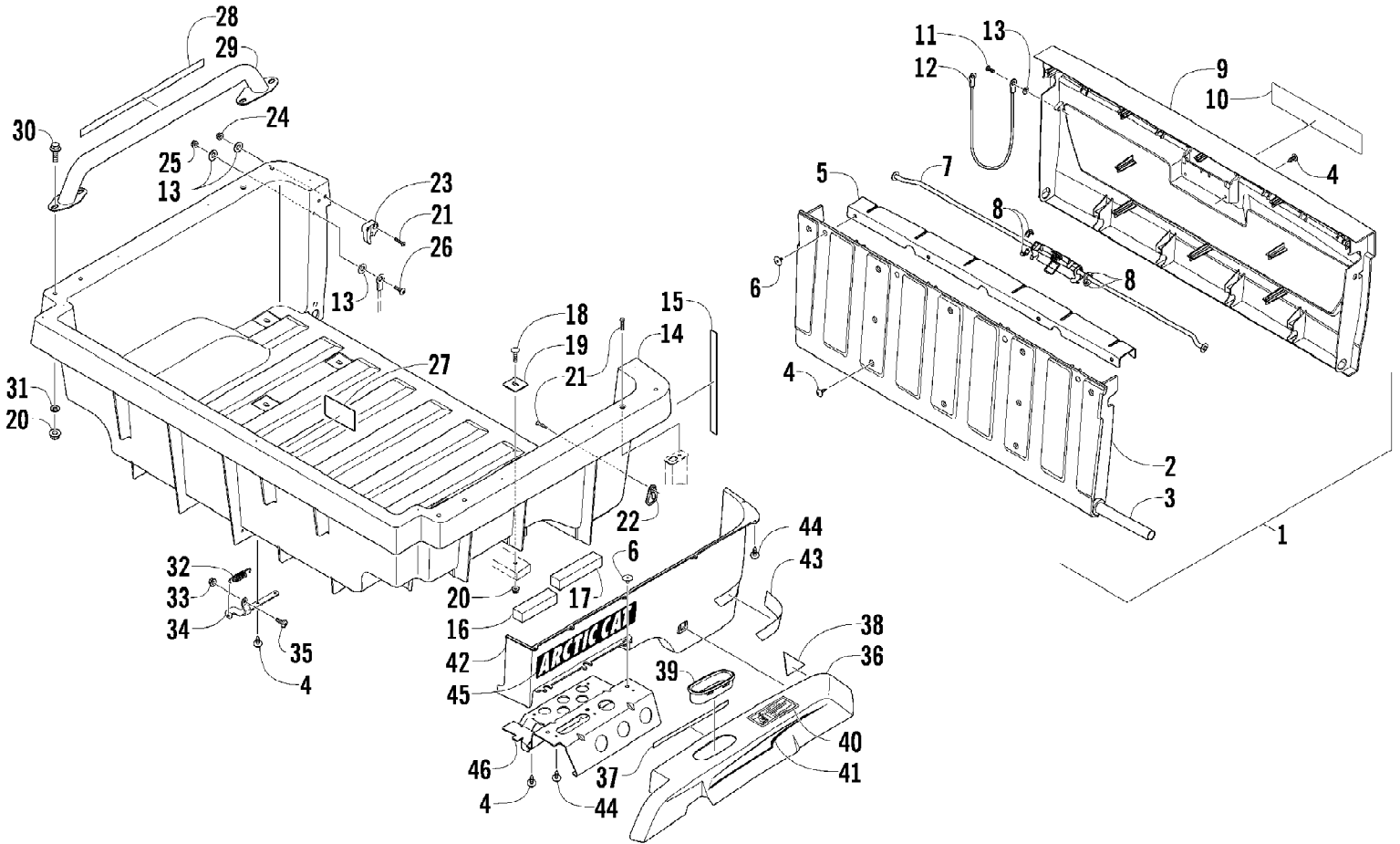
2009 PROWLER 1000 XTZ 4X4 BAJA METALLIC CAT GREEN (U2009P4W4EU) Page 8 of 86
CAM CHAIN ASSEMBLY

Ref #	Part Number	Qty	S/P/F	Description
1	0810-001	2		Chain, Cam
2	0810-046	2		Guide, Chain
3	0810-049	2		Tensioner, Chain
4	0826-106	2		Pivot, Tensioner
5	0810-004	2		Adjuster, Tensioner - Assembly
6	0830-134	2		Gasket
7	8468-620	4	/P	Screw, Machine
8	8400-610	2		Screw, Cap
9	0828-129	2		Washer

2009 PROWLER 1000 XTZ 4X4 BAJA METALLIC CAT GREEN (U2009P4W4E) Page 10 of 86
CANOPY AND TAILLIGHT ASSEMBLY

Ref #	Part Number	Qty	S/P/F	Description
1	2516-106	1		Tube, Canopy - Rear
2	2516-304	1		Support, Canopy
3	0423-361	8		Screw, Machine
4	2516-108	1		Tube, Canopy - Front
5	0423-886	4		Screw, Machine
6	1506-795	2		Pad, Headrest - Assembly (inc. 7-9)
7	1406-884	2		Pad, Headrest
8	1506-722	2		Mount, Headrest
9	0623-544	10		Clip, Retaining
10	0423-910	20		Screw, Machine
11	2406-069	1		Bracket, Taillight Mounting
12	0623-301	2	/P	Screw, Self-Tapping
13	0509-022	1		Taillight Assembly (inc. 14-16)
14	0509-025	1		Housing, Taillight
15	0409-056	1		Bulb, Taillight
16	0409-057	1		Socket, Taillight
17	1411-864	1		Decal, Warning - Canopy
18	1436-062	1	S	Mirror, Rear-View - Kit (inc. 19-21)
19	0423-896	2		Nut, Expansion
20	0423-897	1		Spacer
21	0423-904	2		Screw, Machine
22	0423-903	4		T-Nut
23	0423-916	4		Screw, Machine
24	8427-805	4		Nut, Lock
25	2411-100	2		Decal, Canopy

2009 PROWLER 1000 XTZ 4X4 BAJA METALLIC CAT GREEN (U2009P4W4E) (Page) 11 of 86
CARGO BOX AND TAILGATE ASSEMBLY

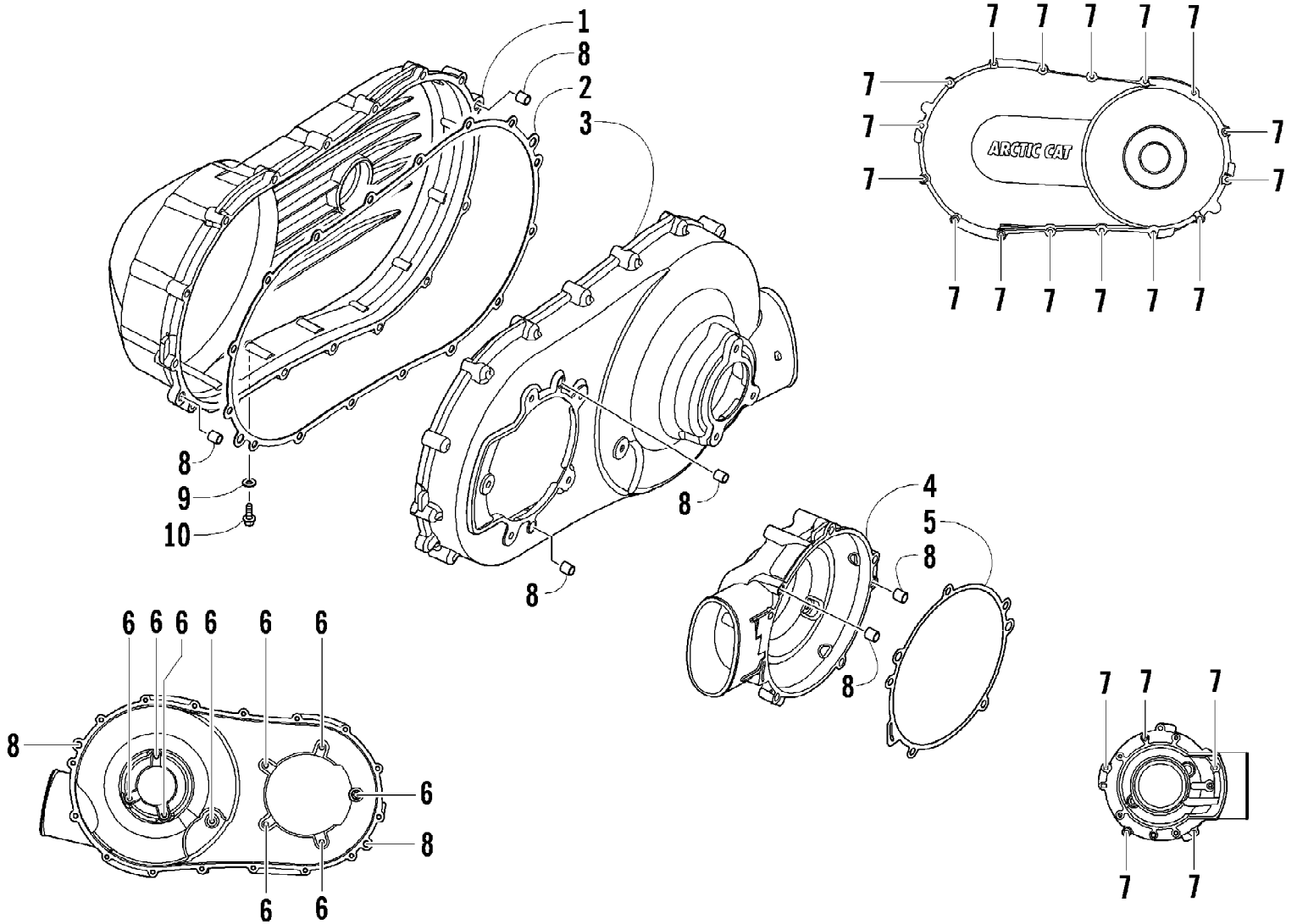


2009 PROWLER 1000 XTZ 4X4 BAJA METALLIC CAT GREEN (U2009P4W4EBSA) 12 of 86
CARGO BOX AND TAILGATE ASSEMBLY

Ref #	Part Number	Qty	S/P/F	Description
1	2516-329	1		Tailgate Assembly (inc. 2-9)
2	2406-365	1	/P	Panel, Tailgate - Inner
3	1406-927	1		Shaft, Pivot - Tailgate
4	0623-784	20		Screw, Self-Tapping
5	1506-704	1		Brace, Tailgate
6	0423-101	10		Screw, Shoulder
7	2506-056	1		Latch, Tailgate - Assembly
8	1406-706	4		Bushing
9	2516-208	1		Panel, Tailgate - Outer
10	2411-005	1		Decal, Tailgate - "Arctic Cat"
11	8476-625	2		Screw, Machine
12	0487-045	2		Cable, Tailgate
13	8050-217	10	/P	Washer
14	2516-335	1		Box, Cargo
15	0417-006	2		Strip, Foam
16	0417-011	2		Foam, Cargo Box
17	0417-010	2		Foam, Cargo Box
18	0423-623	8		Bolt, Carriage
19	1506-933	8		Plate, Retainer
20	8424-802	14		Nut
21	8474-630	6		Screw, Machine
22	1506-539	1		Bracket, Tailgate
23	2506-664	1		Striker, Tailgate - Right
23	2506-665	1	/P	Striker, Tailgate - Left
24	8424-602	4	/P	Nut
25	0624-250	2		Nut, Lock
26	8476-620	2		Screw, Machine
27	1411-119	1		Decal, Warning - Cargo
28	2411-070	2		Decal, Rail
29	2516-330	1		Rail, Cargo Box - Right
29	2516-241	1		Rail, Cargo Box - Left
30	8410-830	8		Screw, Cap
31	0423-907	4		Washer
32	2416-086	1		Spring
33	0423-540	1		Nut, Lock
34	2516-178	1	/P	Bracket, Cargo Box Latch
35	8476-616	1		Screw, Machine
36	2516-188	1		Fender, Rear - Assembly - Upper Right (inc. 37-38)
36	2516-189	1		Fender, Rear - Assembly - Upper Left (inc. 37-39)
37	0417-007	2		Strip, Foam
38	0417-008	2		Pad, Foam
39	2516-037	1		Ring, Trim
40	1411-120	2		Decal, Warning - Pinch Point
41	2411-066	1		Decal, Rear Fender - Right
41	2411-067	1		Decal, Rear Fender - Left
42	2516-204	1		Panel, Box - Right
42	2516-205	1		Panel, Box - Left
43	1411-128	1		Decal, Reflector - Right
43	1411-129	1		Decal, Reflector - Left
44	0423-342	20	/P	Screw, Self-Tapping

2009 PROWLER 1000 XTZ 4X4 BAJA METALLIC CAT GREEN (U2009P4W4E000) 13 of 86
CARGO BOX AND TAILGATE ASSEMBLY

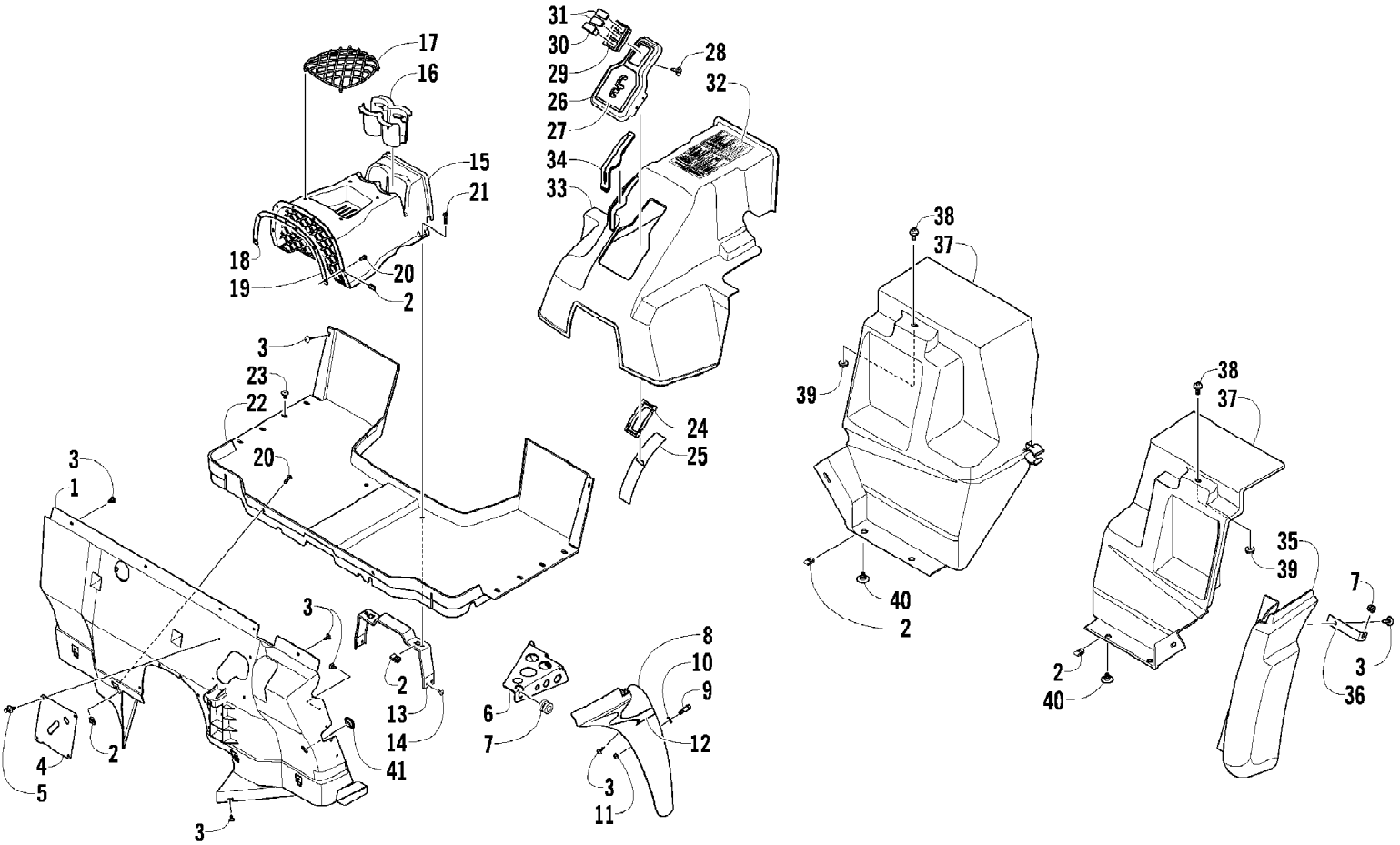
Ref #	Part Number	Qty	S/P/F	Description
45	2411-064	1		Decal, Box - "Arctic Cat" - Right
45	2411-065	1		Decal, Box - "Arctic Cat" - Left
46	1506-776	1		Bracket, Fender Support - Right
46	2506-927	1		Bracket, Fender Support - Left



2009 PROWLER 1000 XTZ 4X4 BAJA METALLIC CAT GREEN (U2009P4W4EB) 15 of 86
CLUTCH SIDE ENGINE COVERS

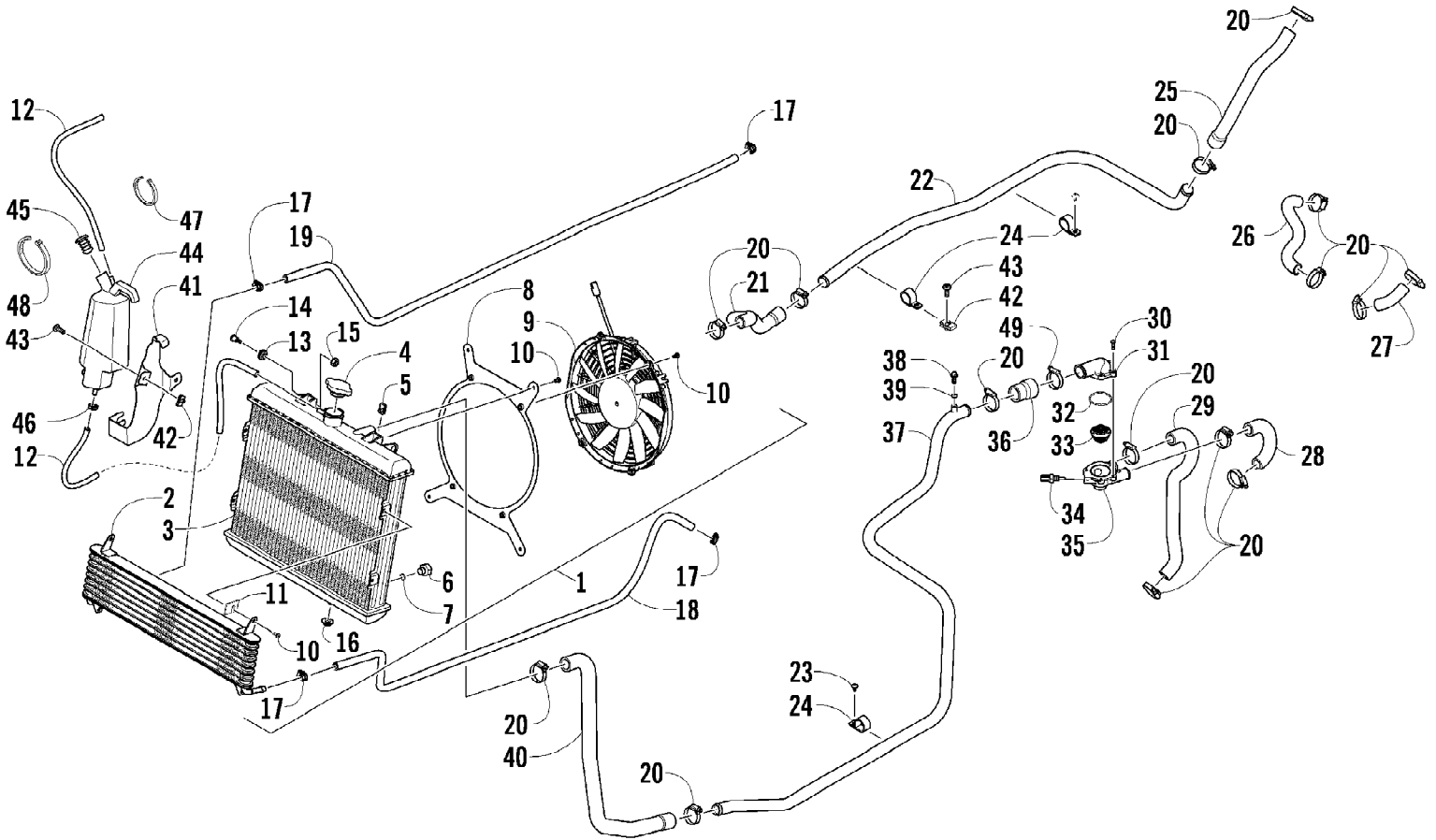
Ref #	Part Number	Qty	S/P/F	Description
1	0806-068	1	S	Cover, Outside
2	0830-137	1		Gasket, Cover
3	0806-067	1		Cover, Inside
4	0806-064	1		Cover, Clutch
5	0830-133	1		Gasket, Clutch Cover
6	8468-616	9		Screw, Machine
7	8468-630	21		Screw, Machine
8	0829-001	6	S	Pin, Dowel
9	0830-013	1		Washer, Crush
10	8408-812	1		Screw, Cap

2009 PROWLER 1000 XTZ 4X4 BAJA METALLIC CAT GREEN (U2009P4W4E) 16 of 86
CONSOLE AND FLOOR PANEL ASSEMBLY



2009 PROWLER 1000 XTZ 4X4 BAJA METALLIC CAT GREEN (U2009P4W4EB) Page 17 of 86
CONSOLE AND FLOOR PANEL ASSEMBLY

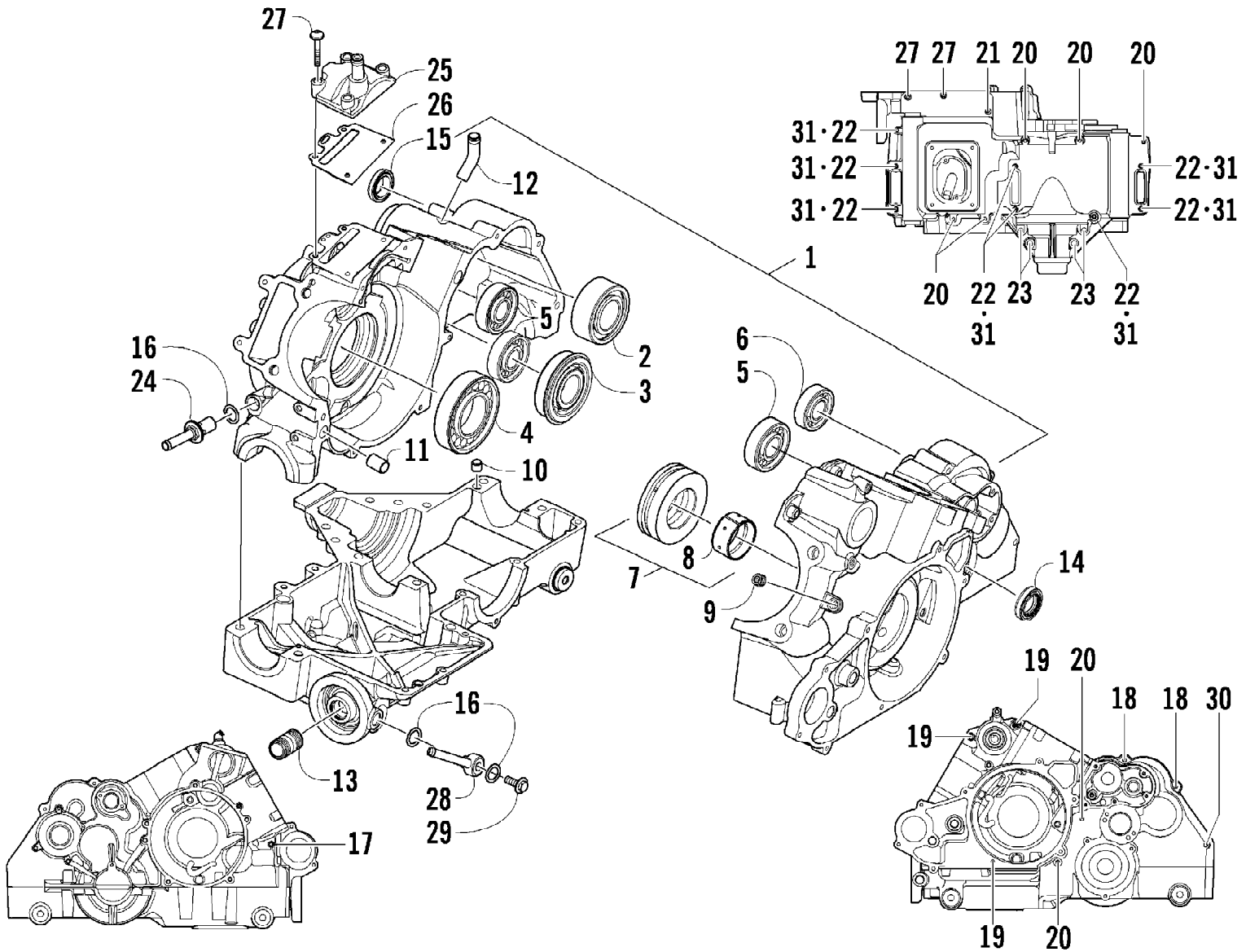
Ref #	Part Number	Qty	S/P/F	Description
1	2516-456	1		Panel, Fender - Inner
2	0423-577	18		Clip, U-Nut
3	0623-784	24		Screw, Self-Tapping
4	2406-635	1		Panel, Splash - Inner Fender
5	0623-362	4		Rivet, Reinstallable
6	2506-066	1		Bracket, Support - Right
6	2506-067	1		Bracket, Support - Left
7	0423-447	4		Grommet
8	2516-184	1		Fender, Front - Right
8	2516-185	1		Fender, Front - Left
9	0623-855	2		Screw, Shoulder
10	8050-217	2	/P	Washer
11	1623-066	2		Nut, Lock
12	2411-062	1		Decal, Front Fender - Right
12	2411-063	1		Decal, Front Fender - Left
13	2516-313	1		Bracket, Support
14	8476-616	4		Screw, Machine
15	2416-081	1		Console - Front
16	2416-109	1		Insert, Cupholder
17	2416-111	1		Net, Storage
18	0417-019	1		Foam, Console
19	0417-018	1		Foam, Console
20	8468-620	12	/P	Screw, Machine
21	8468-670	2		Screw, Machine
22	2416-085	1		Floor
23	0423-545	8	/P	Screw, Shoulder
24	1402-793	1		Slide, Shift Gate
25	1402-794	1		Slide, Shift
26	1502-520	1		Gate, Shift (inc. 27)
27	1411-985	1		Decal, Shift Gate
28	0423-342	3	/P	Screw, Self-Tapping
29	0409-069	1		Panel, Switch-Mount
30	0409-071	1		Switch, Reverse Override
31	0409-070	2		Plug, Switch-Hole
32	1411-126	1		Decal, Warning - Console
33	2406-951	1		Console, Center
34	2406-960	1		Boot, Parking Brake Lever
35	2516-196	1		Fender, Rear - Lower - Right
35	2516-197	1		Fender, Rear - Lower - Left
36	2516-326	2		Bracket, Fender Support - Lower
37	2416-018	1		Panel, Splash - Right
37	2416-019	1		Panel, Splash - Left
38	8476-616	2		Screw, Machine
39	8424-602	2	/P	Nut
40	0423-101	4		Screw, Shoulder
41	2416-159	AR		Plug



2009 PROWLER 1000 XTZ 4X4 BAJA METALLIC CAT GREEN (U2009P4W4EB) Page 19 of 86
COOLING ASSEMBLY

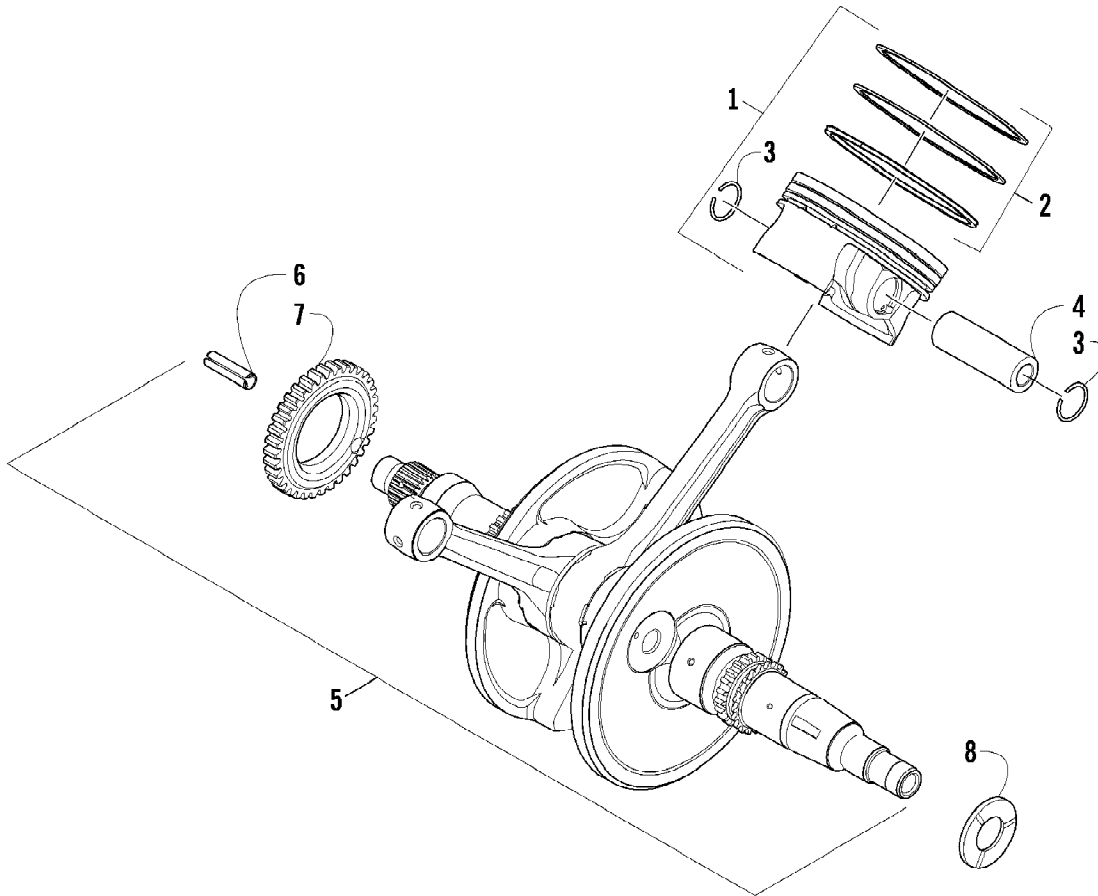
Ref #	Part Number	Qty	S/P/F	Description
1	0513-029	1		Radiator Assembly (inc. 2-13)
2	0413-241	1		Cooler, Oil
3	0413-216	1		Radiator
4	0413-002	1	S	Cap, Radiator
5	1623-637	4		Clip, U-Nut
6	0413-195	1		Plug, Drain
7	1602-213	1	/P	O-Ring
8	0413-217	1		Bracket, Mounting - Fan
9	0413-123	1	/P	Fan, Cooling
10	8470-510	12		Screw, Machine
11	0413-254	4		Spacer
12	0610-011	AR	/P	Hose - 25 ft
13	0423-030	2		Grommet
14	0423-484	2		Screw, Shoulder
15	0623-038	2		Nut w/Washer
16	0423-028	2		Bushing, Stem
17	0423-632	4		Clamp, Hose
18	0410-183	1		Hose, Oil Cooler - In
19	0410-184	1		Hose, Oil Cooler - Out
20	0423-496	15		Clamp, Hose
21	0410-094	1		Hose, Coolant - Radiator/Coolant Pipe
22	0410-177	1		Pipe, Coolant
23	0623-784	1		Screw, Self-Tapping
24	0423-594	3		Clamp, Routing
25	0410-180	1		Hose, Coolant - Coolant Pipe/Water Pump
26	0410-116	1		Hose, Coolant - Crossover
27	0410-115	1		Hose, Coolant - Crossover
28	0410-191	1		Hose, Coolant - Cylinder/Thermostat
29	0410-190	1		Hose, Coolant - Cylinder/Thermostat
30	8470-520	4		Screw, Machine
31	0808-092	1		Cover, Thermostat
32	0830-173	1		O-Ring
33	0808-093	1		Thermostat
34	0808-124	1		Sensor, Engine Coolant Temperature
35	0808-091	1		Housing, Thermostat
36	0410-189	1		Hose, Coolant - Thermostat/Coolant Pipe
37	0410-178	1		Pipe, Coolant w/Bleed Valve
38	0423-984	1	S	Screw, Bleed
39	0423-921	1		O-Ring
40	0410-092	1		Hose, Coolant - Coolant Pipe/Radiator
41	0410-199	1		Bracket, Mounting - Overflow Bottle
42	0423-577	3		Clip, U-Nut
43	8476-616	3		Screw, Machine
44	0413-086	1		Bottle, Overflow
45	0413-087	1		Plug
46	0124-045	1	/P	Clamp, Hose
47	0623-751	AR		Cable Tie - 11.75 in.
48	0623-316	AR		Tie, Cable - 14 in.
49	1623-093	1		Clamp, Hose

2009 PROWLER 1000 XTZ 4X4 BAJA METALLIC CAT GREEN (U2009P4W4EBA) 20 of 86
CRANKCASE ASSEMBLY



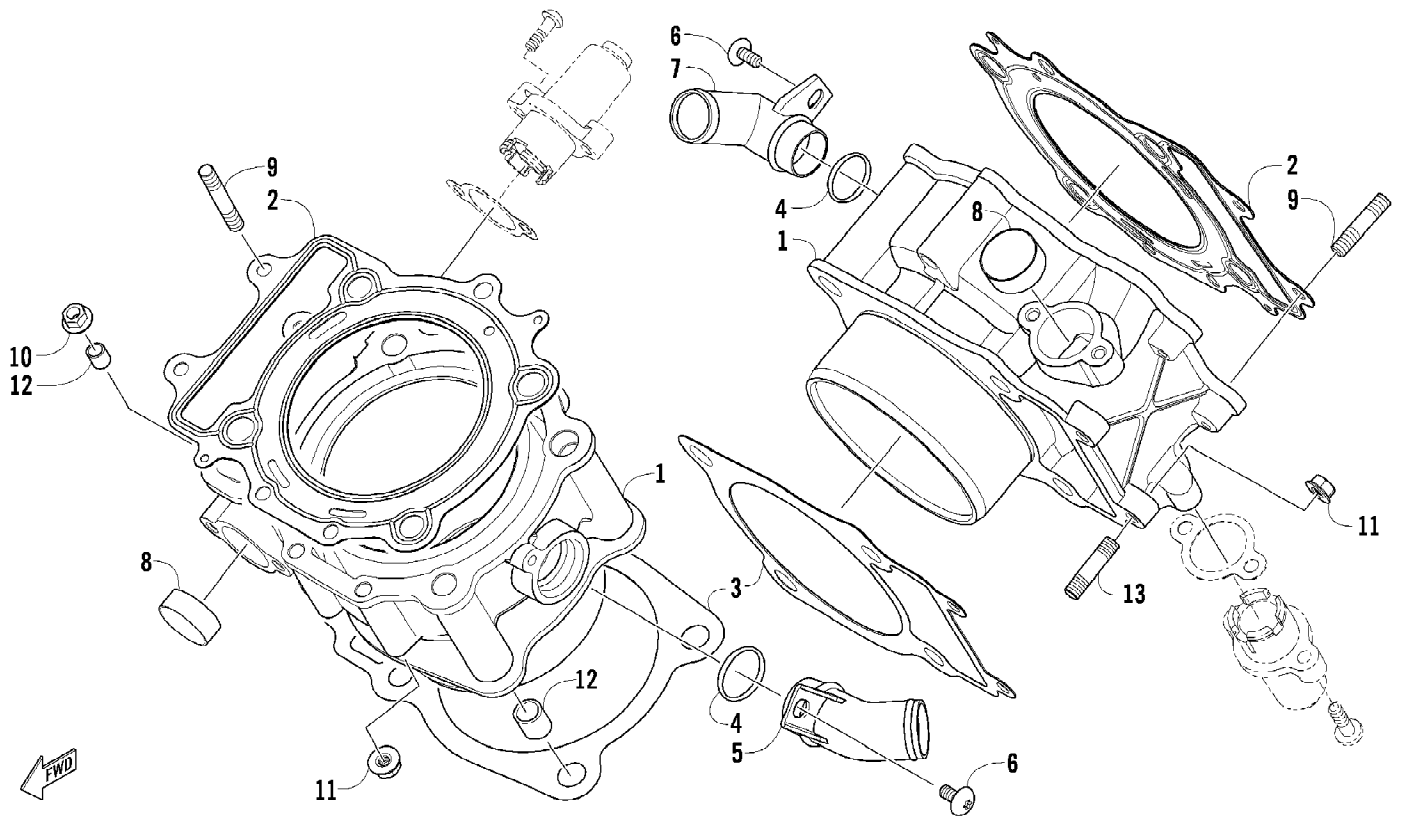
2009 PROWLER 1000 XTZ 4X4 BAJA METALLIC CAT GREEN (U2009P4W4EBS) 21 of 86
CRANKCASE ASSEMBLY

Ref #	Part Number	Qty	S/P/F	Description
1	0801-074	1		Crankcase - Assembly (inc. 2-15)
2	0832-048	1	/P	Bearing
3	0832-058	1	S	Bearing
4	0832-042	1	/P	Bearing
5	0832-050	3	/P	Bearing
6	0832-049	1	/P	Bearing
7	0832-055	1		Bearing - Assembly (inc. 8)
8	0832-057	1		Bearing
9	0801-002	1		Plug, Engine Case
10	0829-001	2	S	Pin, Dowel
11	0829-002	2		Pin, Dowel
12	0801-118	1		Pipe, Breather
13	0812-008	1		Union, Oil Filter
14	0822-052	1		Seal, Countershaft - Right
15	0830-035	1		Seal, Driveshaft
16	0812-026	3		Gasket, Washer
17	8468-685	1		Screw, Machine
18	8468-650	2		Screw, Machine
19	8468-625	3		Screw, Machine
20	8468-665	7		Screw, Machine
21	8468-640	1		Screw, Machine
22	8412-870	8		Screw, Cap
23	8412-830	4		Screw, Cap
24	0812-051	1		Fitting, Oil - Threaded
25	0801-088	1		Cover, Breather
26	0830-160	1		Gasket, Breather
27	8468-630	6		Screw, Machine
28	0812-028	1		Fitting, Oil - 40°
29	0812-025	1		Bolt, Oil
30	8468-670	1		Screw, Machine
31	0830-008	8		Washer
32	0830-107	4		Gasket



2009 PROWLER 1000 XTZ 4X4 BAJA METALLIC CAT GREEN (U2009P4W4E054) 23 of 86
CRANKSHAFT AND PISTON ASSEMBLY

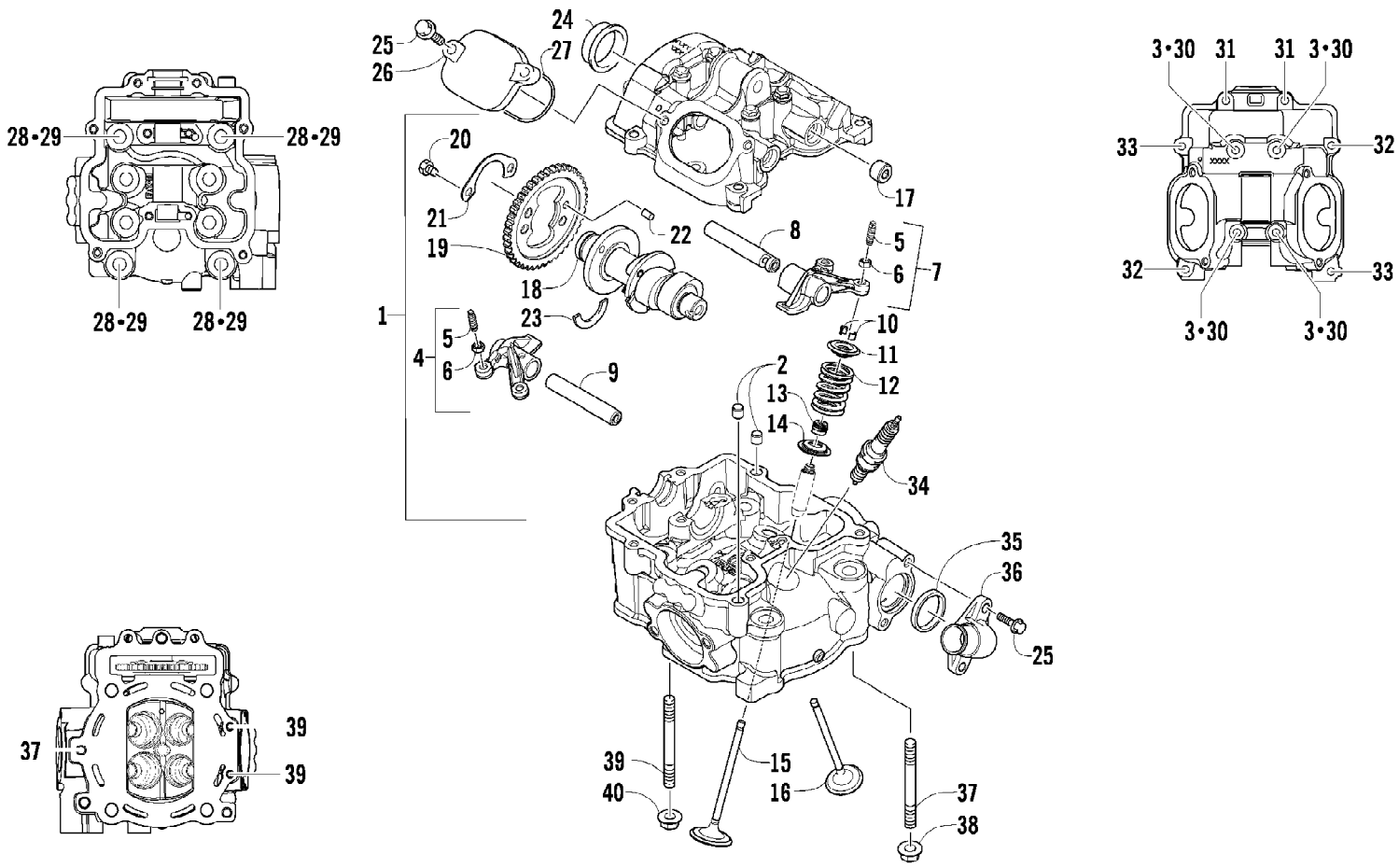
Ref #	Part Number	Qty	S/P/F	Description
1	0805-299	2	/P	Piston Set - Assembly (inc. 2-4)
2	0805-164	2		Ring, Piston - Set
3	0805-199	4		Circlip, Piston Pin
4	0805-198	2		Pin, Piston
5	0805-200	1	S	Crankshaft - Assembly (inc. 6-7)
6	0805-204	1		Pin, Spring
7	0805-201	1		Gear, Crankshaft
8	0805-273	1		Washer, Thrust



2009 PROWLER 1000 XTZ 4X4 BAJA METALLIC CAT GREEN (U2009P4W4E000) 25 of 86
CYLINDER ASSEMBLY

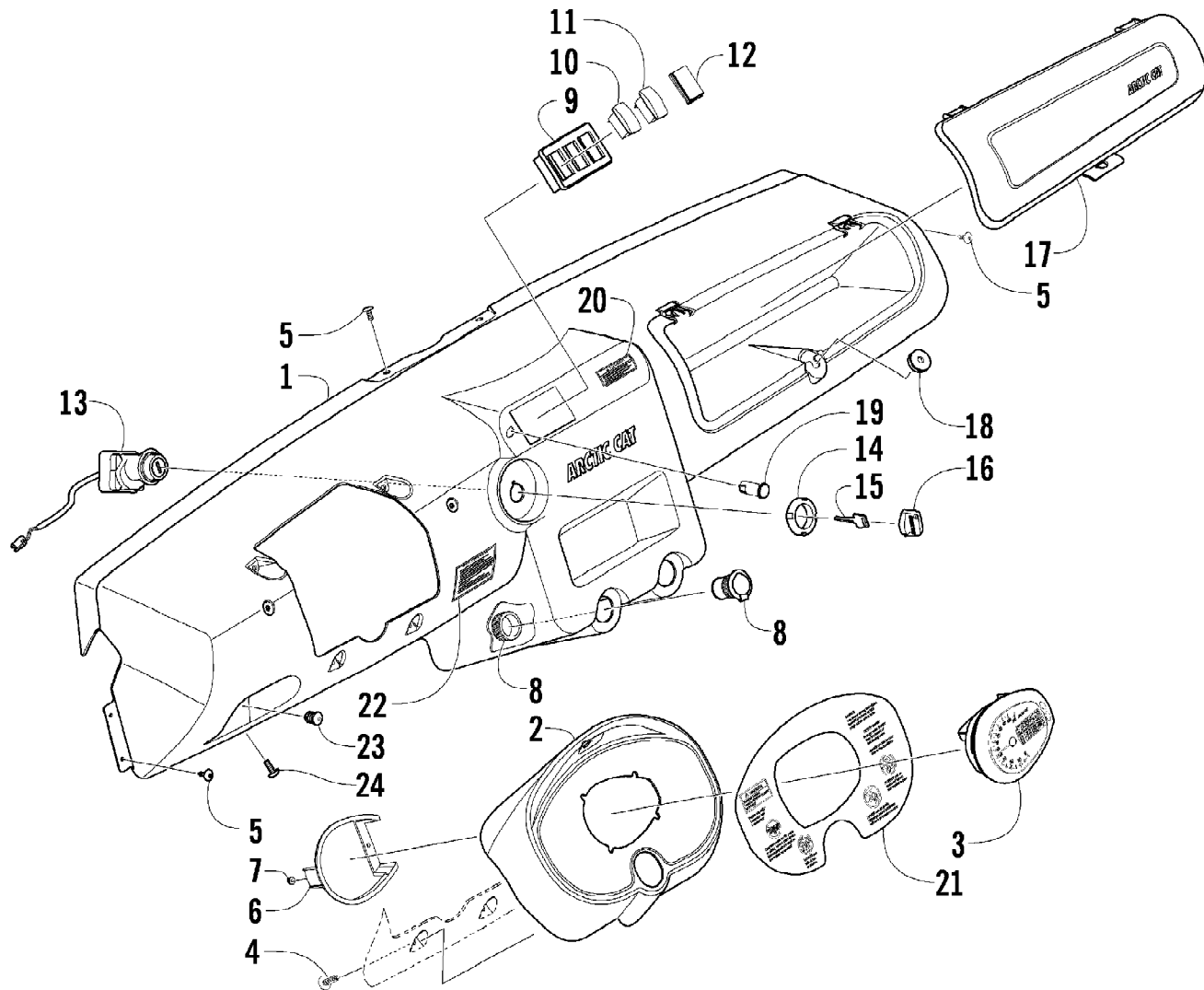
Ref #	Part Number	Qty	S/P/F	Description
1	0804-031	2		Cylinder
2	0830-126	2	S	Gasket, Head
3	0830-127	2		Gasket, Base
4	0830-007	2		O-Ring
5	0804-046	1		Union, Coolant Hose
6	8468-612	2		Screw, Machine
7	0804-030	1		Union, Coolant Hose
8	0804-037	2		Plug, Cylinder
9	0827-002	4		Bolt, Stud
10	8424-804	2		Nut
11	8424-604	8		Nut
12	0829-002	8		Pin, Dowel
13	0827-018	4		Bolt, Stud

2009 PROWLER 1000 XTZ 4X4 BAJA METALLIC CAT GREEN (U2009P4W4E) 26 of 86
CYLINDER HEAD AND CAMSHAFT/VALVE ASSEMBLY



2009 PROWLER 1000 XTZ 4X4 BAJA METALLIC CAT GREEN (U2009P4W4E) Page 27 of 86
CYLINDER HEAD AND CAMSHAFT/VALVE ASSEMBLY

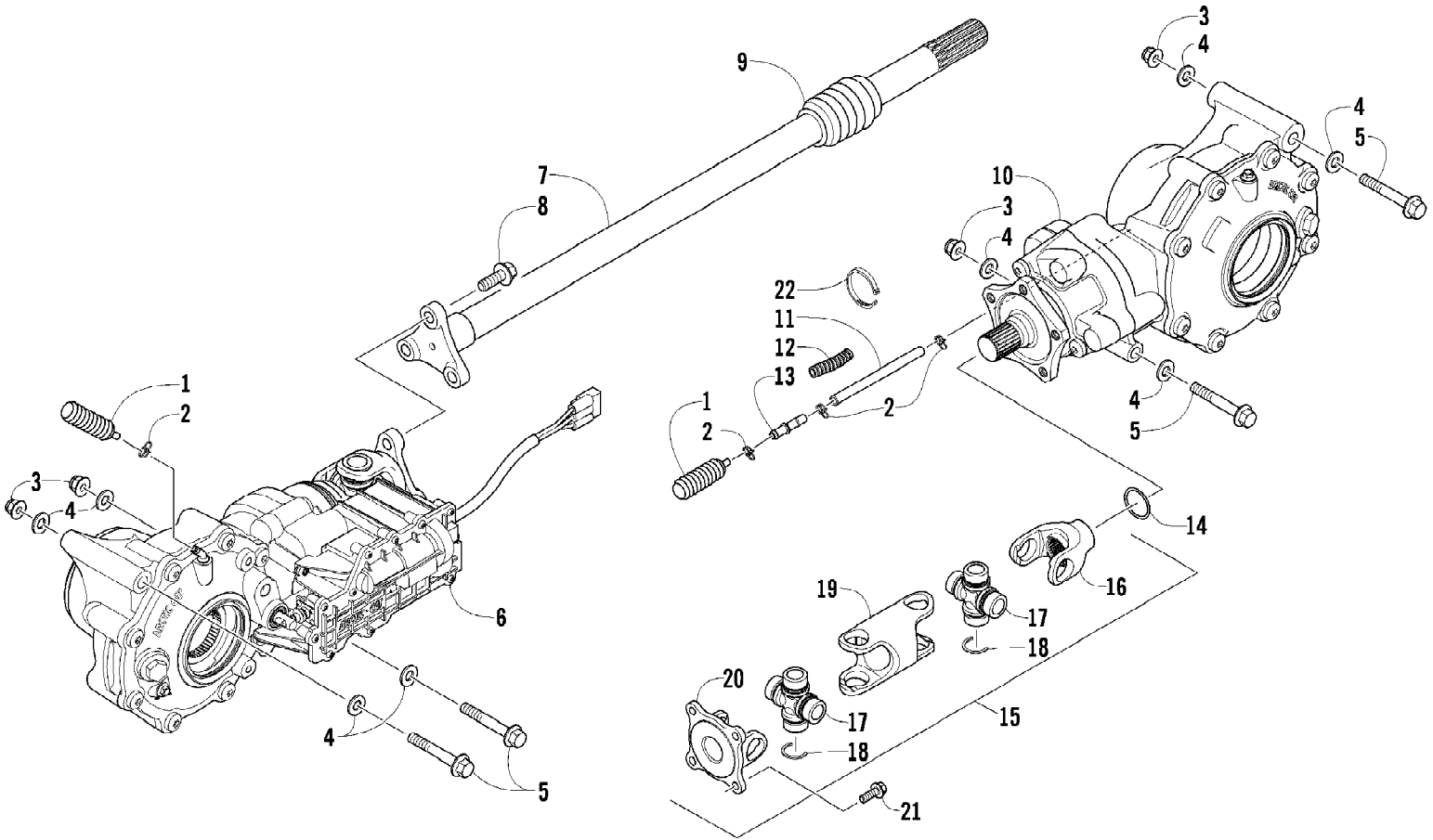
Ref #	Part Number	Qty	S/P/F	Description
1	0808-135	2	S	Head, Cylinder - Assembly (inc. 2-17)
2	0829-001	4	S	Pin, Dowel
3	0826-001	8		Screw, Cap
4	0809-202	2	S	Arm, Valve Rocker - Intake (inc. two No. 5-6)
5	0809-033	8	S	Screw, Adjuster
6	0827-007	8		Nut
7	0809-205	2	S	Arm, Valve Rocker - Exhaust (inc. two No. 5-6)
8	0809-008	2		Shaft, Rocker Arm - Exhaust
9	0809-007	2		Shaft, Rocker Arm - Intake
10	0809-014	16		Cotter, Valve
11	0809-013	8		Retainer, Spring
12	0809-138	8	S	Spring, Valve
13	0830-016	8	S	Seal, Oil
14	0809-006	8		Seat, Spring - Valve
15	0809-040	4	S	Valve, Exhaust
16	0809-039	4	S	Valve, Intake
17	0831-066	4		Plug, Shaft
18	0809-246	1	/P	Camshaft, Front Cylinder
18	0809-248	1	/P	Camshaft, Rear Cylinder
19	0809-002	2		Sprocket
20	0826-034	4		Screw, Cap
21	0828-004	2		Plate, Retainer
22	0829-008	2		Pin, Dowel
23	0809-003	2		C-Ring
24	0808-077	2		Plug, Cylinder Head
25	0826-007	12		Screw, Cap
26	0808-003	4		Cap, Inspection
27	0830-167	4	/P	O-Ring
28	0808-090	8		Screw, Cap
29	0830-147	8	/P	Washer
30	0830-107	8		Gasket
31	0826-002	4		Screw, Cap
32	0826-005	4		Screw, Cap
33	0826-006	4		Screw, Cap
34	0217-799	2	/P/F	Spark Plug
35	0830-120	2		Seal
36	0808-008	2		Cover, Thermostat
37	0827-031	2		Bolt, Stud
38	8424-804	2		Nut
39	0827-030	4		Bolt, Stud
40	8424-604	4		Nut



2009 PROWLER 1000 XTZ 4X4 BAJA METALLIC CAT GREEN (U2009P4W4EBSA) 29 of 86
 DASH ASSEMBLY

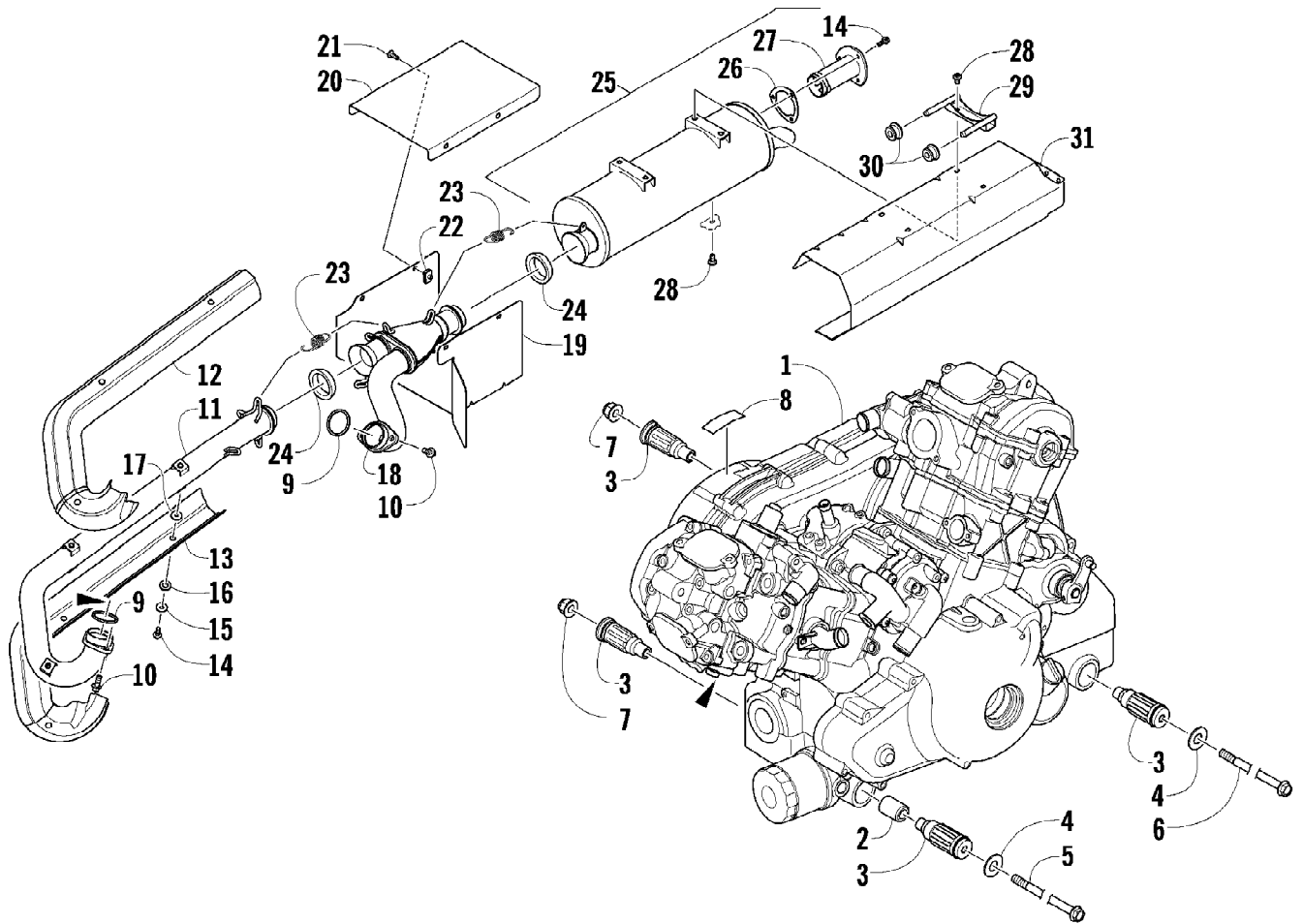
Ref #	Part Number	Qty	S/P/F	Description
1	2406-779	1		Panel, Dash
2	1406-727	1		Pod, Instrument
3	0520-047	1		Gauge, Analog/LCD
4	0423-342	6	/P	Screw, Self-Tapping
5	0623-784	6		Screw, Self-Tapping
6	0420-065	1	/P	Bracket, Retaining
7	0423-493	2		Nut w/Washer
8	0641-897	2	/P	Outlet, Accessory - 12V
9	0409-069	1		Panel, Switch-Mount
10	0409-067	1		Switch, Light
11	0409-061	1		Switch, 2WD/4WD/Differential Lock
12	0409-070	1		Plug, Switch Hole
13	0430-089	1	/P	Switch, Ignition (inc. 14-16)
14	0430-050	1		Nut, Flange - Ignition Switch
15	0430-042	1	F	Key, Ignition - Series
15	0430-043	1	F	Key, Ignition - Series
16	0430-054	1		Cover, Key
17	1406-789	1		Cover, Glove Box
18	0423-541	1		Grommet, Latch - Glove Box
19	0420-076	1		Light, Indicator
20	1411-124	1		Decal, Warning - Differential Lock
21	1411-125	1		Decal, Warning - Dash
22	1411-904	1		Decal, Starting
23	1623-697	1		Plug
24	0423-419	3		Screw, Machine

2009 PROWLER 1000 XTZ 4X4 BAJA METALLIC CAT GREEN (U2009P4W4E) 30 of 86
DRIVE TRAIN ASSEMBLY



2009 PROWLER 1000 XTZ 4X4 BAJA METALLIC CAT GREEN (U2009P4W4E) 31 of 86
 DRIVE TRAIN ASSEMBLY

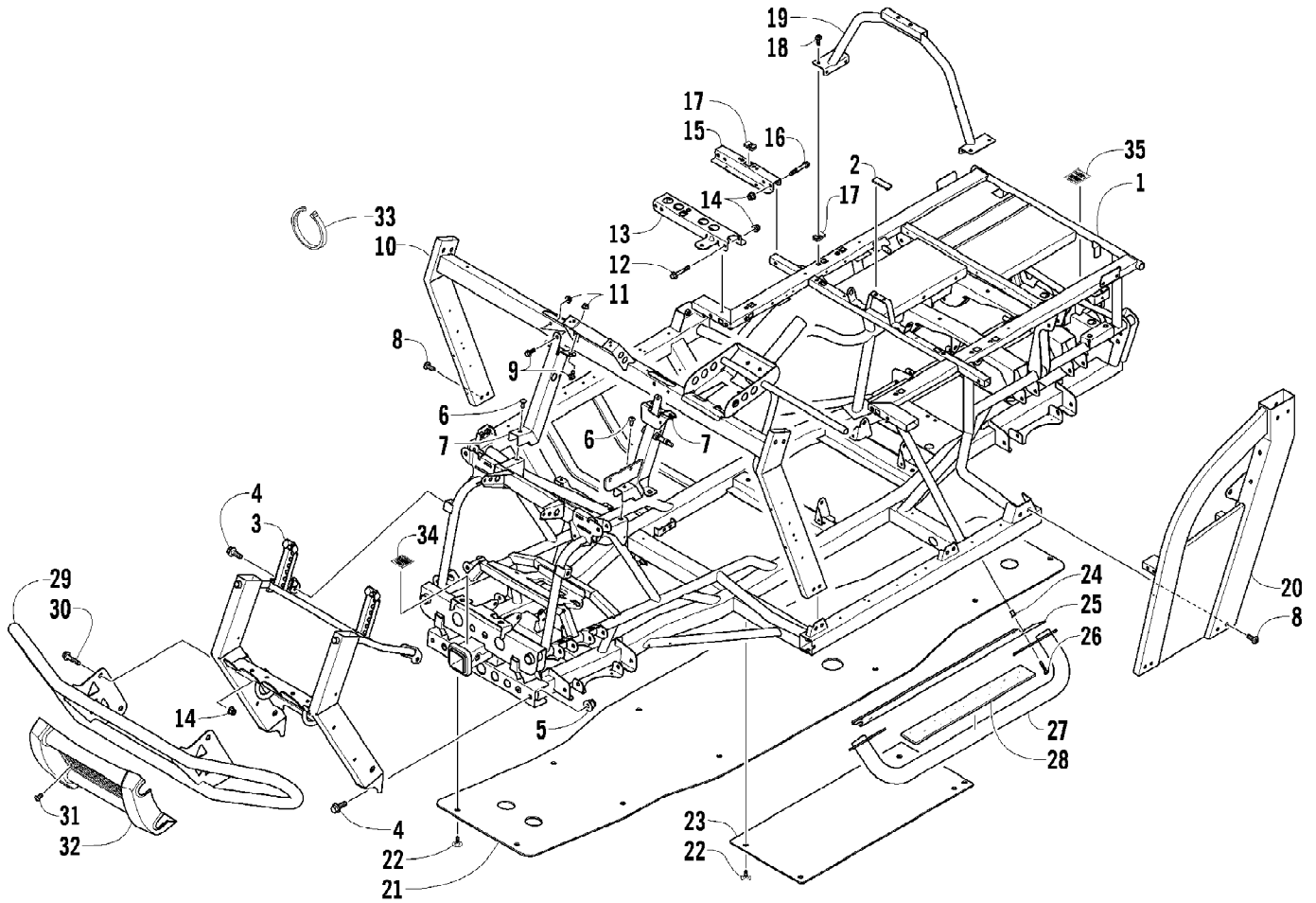
Ref #	Part Number	Qty	S/P/F	Description
1	1402-620	2	/P	Bladder, Gearcase
2	0423-670	4		Clamp, Hose
3	8428-002	4		Nut, Lock
4	0423-426	8		Washer
5	0423-404	4		Screw, Cap
6	1502-558	1		Gearcase, Front
7	1402-795	1		Driveshaft, Front
8	8409-025	3		Screw, Cap
9	0402-966	1		Boot, Shaft
10	1502-404	1		Gearcase, Rear
11	0410-070	AR	/P	Hose, Vent - 25 ft
12	0419-392	AR		Conduit, Flexible - 3 ft
13	0470-702	1	/P	Fitting, Vent
14	1402-203	1		O-Ring
15	1502-560	1		Driveshaft, Rear - Assembly (inc. 16-20)
16	0502-522	1		Yoke, Slip
17	0402-944	2	/P	Joint, Universal (inc. 18)
18	0423-395	8		Ring, Retaining
19	1502-561	1		Driveshaft, Rear
20	1402-689	1		Yoke, Flange
21	8408-820	4	/P	Screw, Cap
22	0123-788	AR	/P	Tie, Cable - 8 in.



2009 PROWLER 1000 XTZ 4X4 BAJA METALLIC CAT GREEN (U2009P4W4E) Page 33 of 86
ENGINE AND EXHAUST

Ref #	Part Number	Qty	S/P/F	Description
1	0800-067	1	S	Engine, A950BH2 (inc. 2-3)
2	0801-128	1		Spacer, Engine Mount
3	0801-091	4		Mount, Engine
4	0423-426	2		Washer
5	0423-734	1		Screw, Cap
6	0423-451	1		Screw, Cap
7	8428-002	2		Nut, Lock
8	0411-426	1		Decal, Warning - Clutch Cover
9	0412-338	2	/P	Gasket, Exhaust Pipe
10	8408-820	4	/P	Screw, Cap
11	0512-517	1	/P	Pipe, Exhaust - Front
12	0512-512	1		Shield, Exhaust Pipe - Upper
13	0512-513	1		Shield, Exhaust Pipe - Lower
14	8408-616	9		Screw, Cap
15	8050-222	6	/P	Washer
16	0423-909	6		Isolator
17	0423-908	6		Isolator
18	0512-519	1	/P	Pipe, Exhaust - Rear
19	0412-543	1		Shield, Exhaust Pipe - Rear
20	0412-561	1		Shield, Heat
21	8476-616	4		Screw, Machine
22	0423-577	4		Clip, U-Nut
23	0612-668	6	/P	Spring, Extension
24	0412-375	2	/P	Seal, Exhaust Pipe
25	0512-500	1		Muffler - Assembly (inc. 26-27 and three No. 14)
26	0412-313	1		Gasket, Spark Arrester
27	0512-219	1	/P	Arrester, Spark - Assembly
28	8476-612	6		Screw, Machine
29	0412-553	2		Bracket, Muffler Support
30	0412-544	4		Bushing
31	0412-551	1		Cover, Muffler

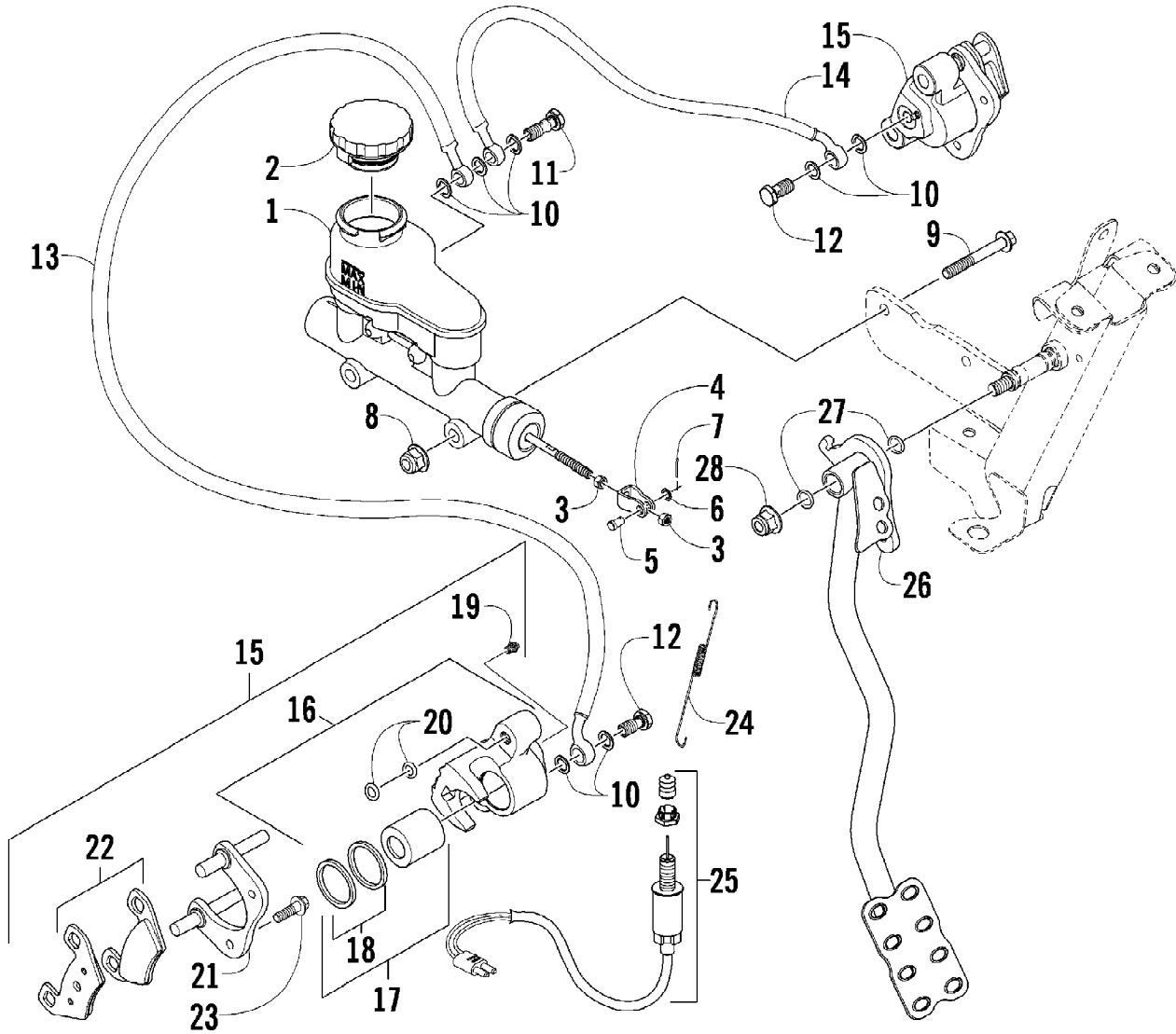
2009 PROWLER 1000 XTZ 4X4 BAJA METALLIC CAT GREEN (U2009P4W4EBA) 34 of 86
FRAME AND RELATED PARTS



2009 PROWLER 1000 XTZ 4X4 BAJA METALLIC CAT GREEN (U2009P4W4EBA) Page 35 of 86
FRAME AND RELATED PARTS

Ref #	Part Number	Qty	S/P/F	Description
1	2516-225	1		Frame, Main (inc. 2)
2	0406-879	1		Bumper, Seat
3	2516-319	1		Bumper
4	8409-020	4	/P	Screw, Cap
5	8427-002	2		Nut, Lock
6	8476-820	2		Screw, Machine
7	1506-797	1		Bracket, Steering Support - Right
7	0502-853	1		Bracket, Steering Support - Left
8	0423-817	12		Screw, Machine
9	8408-820	6	/P	Screw, Cap
10	0505-567	1		Support, Steering
11	8424-802	6		Nut
12	8408-870	6		Screw, Cap
13	1506-844	1		Bracket, Seat Support - Front - Right
13	1506-845	1		Bracket, Seat Support - Front - Left
14	8427-802	16		Nut, Lock
15	1506-842	2		Bracket, Seat Support - Rear
16	8408-850	6		Screw, Cap
17	0423-577	12		Clip, U-Nut
18	8476-616	4		Screw, Machine
19	2506-638	1		Support, Canopy
20	2516-102	1		Support, Overhead - Right
20	2516-103	1		Support, Overhead - Left
21	2416-076	1		Plate, Skid - Center
22	0423-545	20	/P	Screw, Shoulder
23	1406-721	2		Panel, Belly - Side
24	1441-442	8		Insert
25	2516-048	1		Plate, Skid - Right Side
25	2516-049	1		Plate, Skid - Left Side
26	8477-635	8		Screw, Machine
27	0541-563	2		Bar, Nerf
28	1441-597	2		Pad, Non-Slip
29	2506-779	1		Bumper
30	8408-860	4		Screw, Cap
31	8477-616	4		Screw, Machine
32	2406-713	1		Fascia, Bumper - Front
33	0123-788	AR	/P	Tie, Cable - 8 in.
34	1411-122	1		Decal, Warning - Towing - Front
35	1411-123	1		Decal, Warning - Towing - Rear

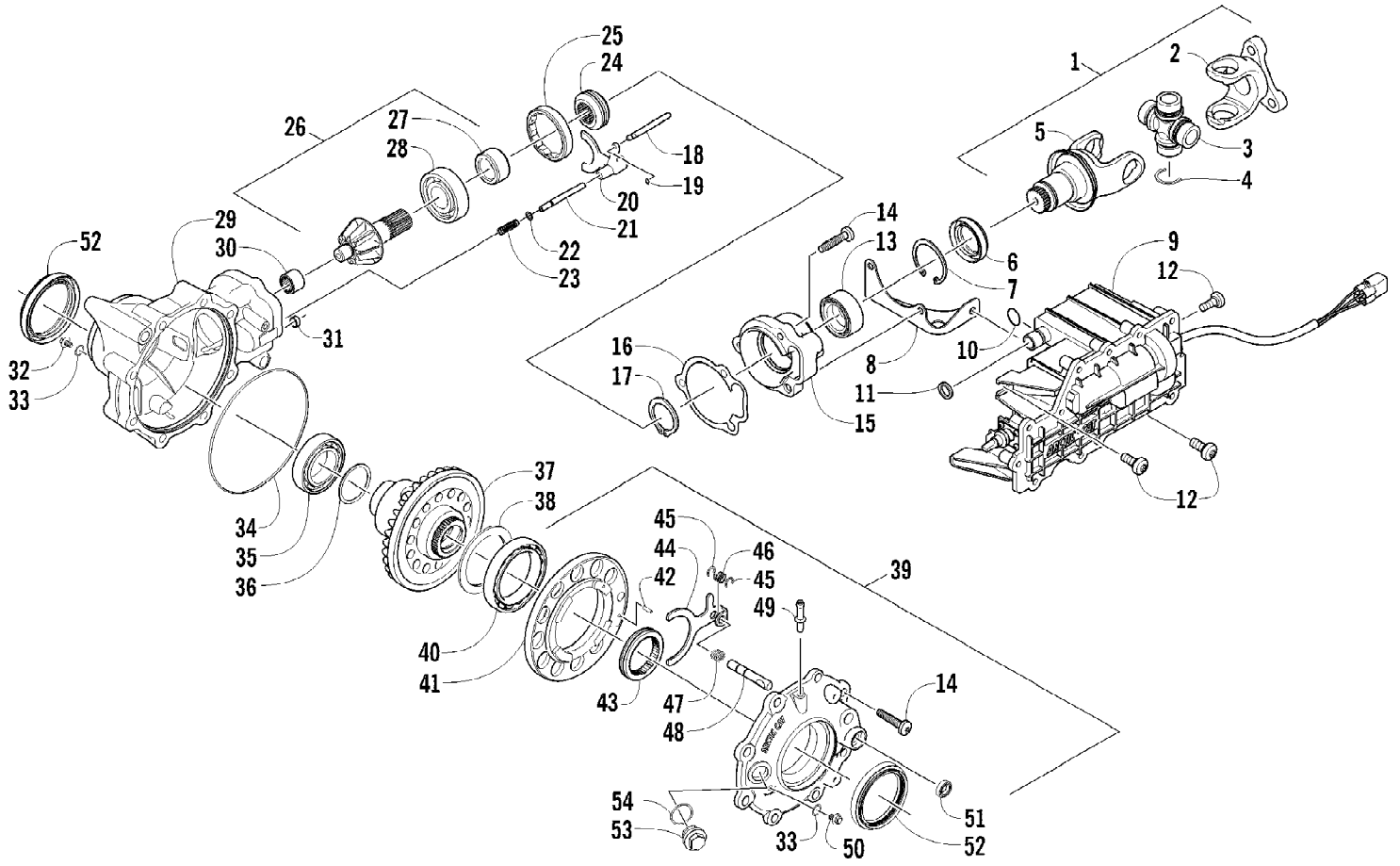
2009 PROWLER 1000 XTZ 4X4 BAJA METALLIC CAT GREEN (U2009P4W4EB) 36 of 86
FRONT BRAKE ASSEMBLY



2009 PROWLER 1000 XTZ 4X4 BAJA METALLIC CAT GREEN (U2009P4W4E) Page 37 of 86
FRONT BRAKE ASSEMBLY

Ref #	Part Number	Qty	S/P/F	Description
1	0502-786	1		Cylinder, Master Brake - Assembly (inc. 2-4)
2	0405-225	1		Cap, Reservoir
3	0402-592	2		Nut
4	1402-520	1		Clevis
5	1402-377	1		Pin, Clevis
6	8050-217	1	/P	Washer
7	0117-868	1		Pin, Cotter
8	8424-802	2		Nut
9	8408-860	2		Screw, Cap
10	0423-178	7		Washer, Crush
11	0423-610	1		Bolt, Banjo-Fitting - Double
12	0423-413	2		Bolt, Banjo-Fitting
13	1402-389	1		Hose, Brake - Front
14	1402-290	1		Hose, Brake - Front Right
15	0502-958	1	S	Caliper, Brake - Front Right (inc. 16-22)
15	0502-959	1	S	Caliper, Brake - Front Left (inc. 16-22)
16	1436-160	1	/P	Housing, Caliper - Assembly - Front Right (inc. 17-19)
16	1436-161	1	/P	Housing, Caliper - Assembly - Front Left (inc. 17-19)
17	0502-606	2		Piston/Seal Set (inc. 18)
18	0502-607	2		Seal Set
19	0502-609	2	/P	Valve, Bleed
20	0502-608	2		O-Ring, Guide - Set
21	0502-960	2		Bracket Assembly
22	1436-165	2	S	Pad, Brake - Set
23	8408-826	4		Screw, Cap
24	0502-785	1		Spring, Brake Switch
25	0409-089	1		Switch, Brake - Assembly
26	1502-481	1		Lever, Brake
27	1602-213	2	/P	O-Ring
28	8427-002	1		Nut, Lock

2009 PROWLER 1000 XTZ 4X4 BAJA METALLIC CAT GREEN (U2009P4W4E) 38 of 86
FRONT DRIVE GEARCASE ASSEMBLY

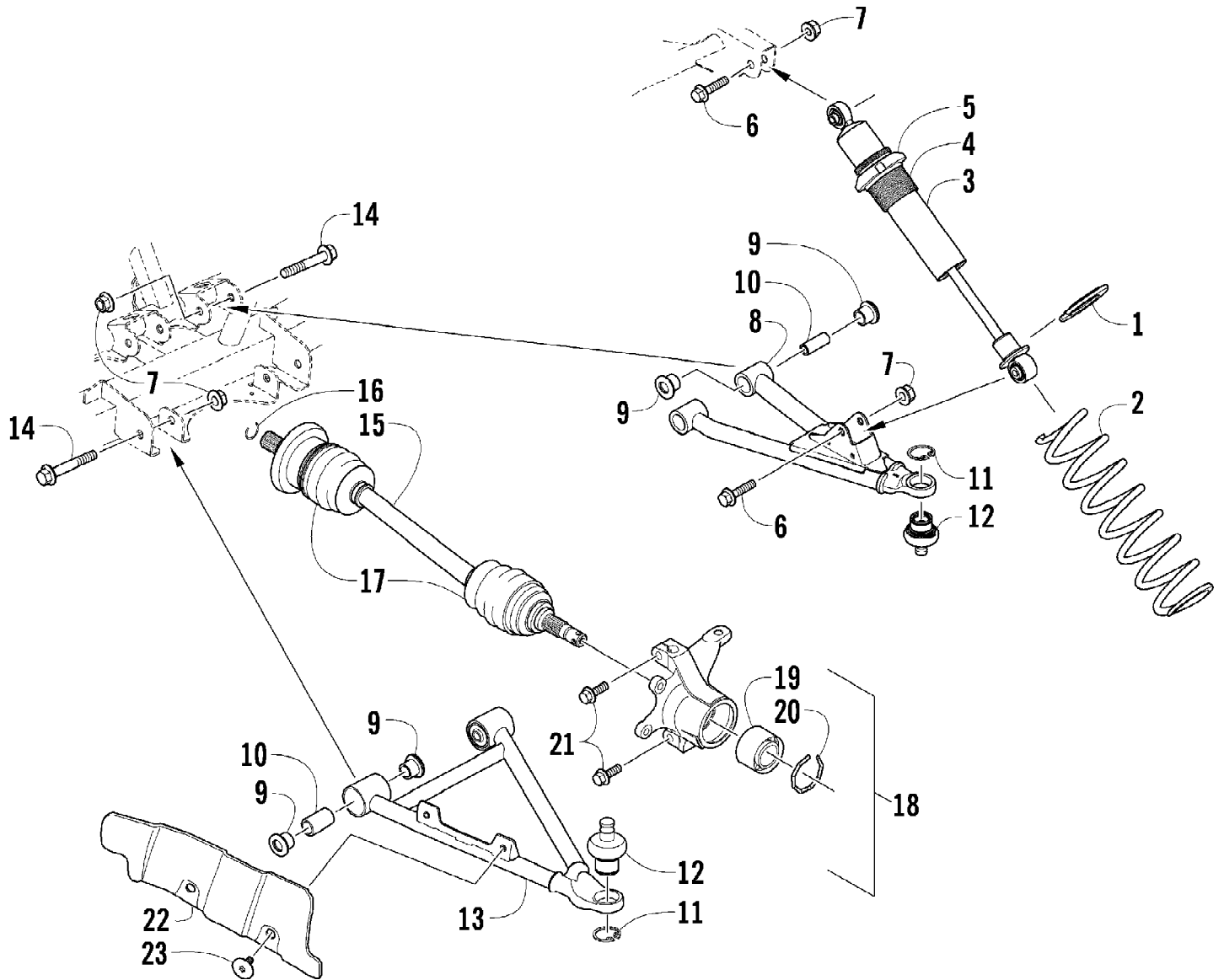


2009 PROWLER 1000 XTZ 4X4 BAJA METALLIC CAT GREEN (U2009P4W4EBA) Page 39 of 86
FRONT DRIVE GEARCASE ASSEMBLY

Ref #	Part Number	Qty	S/P/F	Description
	1502-558	1		Complete Front Drive Gearcase Assembly
1	1502-559	1		Shaft, Coupler - Assembly (inc. 2-5)
2	0502-331	1		Coupler, Driveshaft
3	0402-944	1	/P	Joint, Universal (inc. 4)
4	0423-395	4		Ring, Retaining
5	0502-518	1		Yoke, Slip
6	1402-011	1		Seal
7	0423-423	1		Ring, Retaining
8	1502-237	1		Bracket, Actuator
9	0502-585	1	S	Actuator (inc. 10)
10	1402-981	1		O-Ring
11	0423-892	1	/P	O-Ring
12	0423-396	3		Screw, Self-Tapping
13	1402-043	1		Bearing
14	0423-118	11		Screw, Self-Tapping
15	0502-528	1	/P	Housing, Pinion
16	0402-947	1		Gasket
17	0423-417	1		Ring, Retaining
18	0402-997	1		Shaft, Selector
19	0423-402	1		Ring, Retaining
20	0402-998	1		Fork, Selector
21	0402-417	1		Shaft, Shuttle
22	0423-147	1		O-Ring
23	0402-999	1		Spring, Return
24	0402-413	1		Coupler, Drive
25	0402-357	1		Collar, Lock
26	0502-784	1		Gear, Pinion - Assembly - 11T (inc. 27-28)
27	0402-336	1		Collar, Retaining
28	0402-327	1		Bearing
29	0502-514	1		Housing, Gearcase
30	0402-328	1		Bearing
31	0402-411	1		Pin, Dowel
32	1402-210	1	/P	Plug, Magnetic (inc. one No. 33)
33	0423-153	2		O-Ring
34	0423-149	1		O-Ring
35	0402-393	1		Bearing
36	0402-405	AR		Shim, 41 x 49 x 1.3 mm
36	0402-406	AR		Shim, 41 x 49 x 1.4 mm
36	0402-407	AR		Shim, 41 x 49 x 1.5 mm
36	0402-408	AR		Shim, 41 x 49 x 1.6 mm
36	0402-409	AR		Shim, 41 x 49 x 1.7 mm
37	1502-554	1	/P	Gear, Ring - 34T
38	1402-074	AR		Shim, 61 x 69 x 1.3 mm
38	1402-075	AR		Shim, 61 x 69 x 1.4 mm
38	1402-076	AR		Shim, 61 x 69 x 1.5 mm
38	1402-077	AR		Shim, 61 x 69 x 1.6 mm
38	1402-078	AR		Shim, 61 x 69 x 1.7 mm
39	1502-580	1		Cover, Gearcase (inc. one No. 33, 40-51, and one No. 52)
40	1402-053	1		Bearing
41	0502-413	1		Flange, Bearing
42	1402-079	1		Pin, Alignment

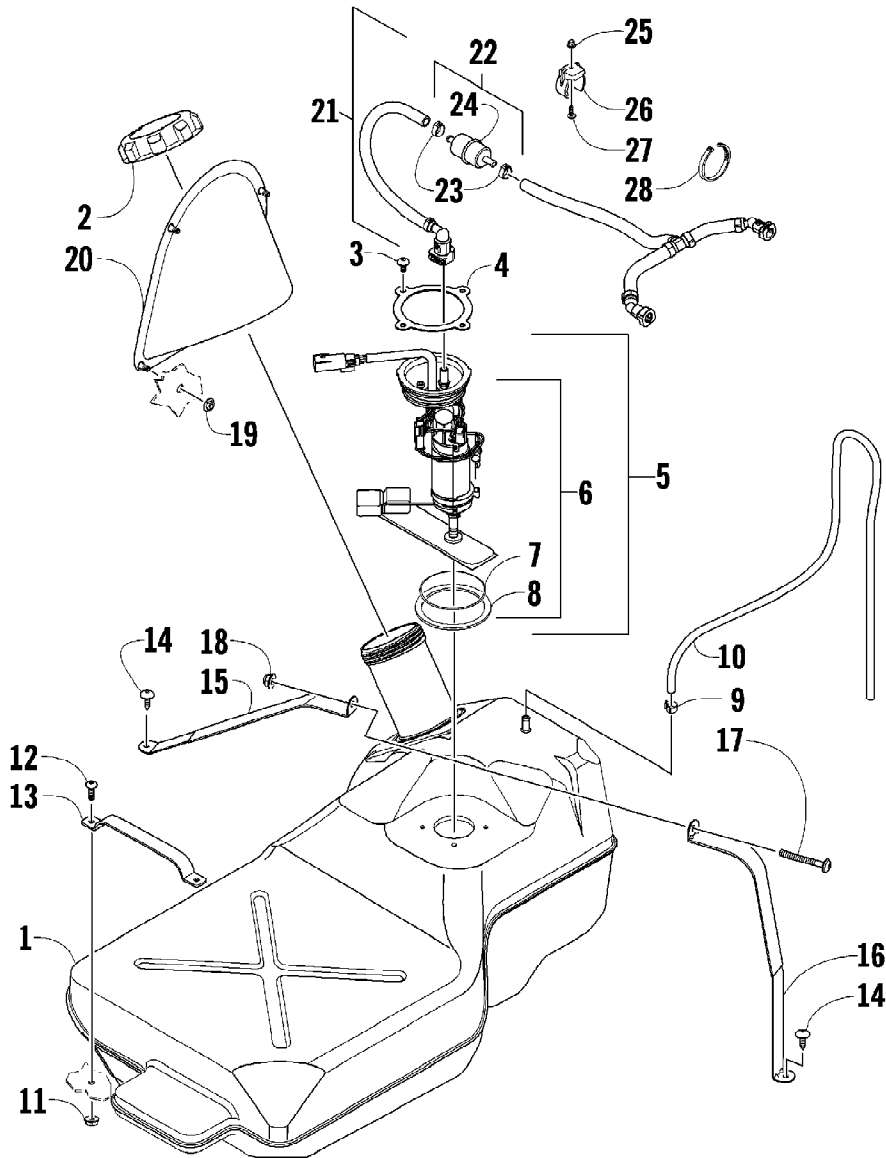
2009 PROWLER 1000 XTZ 4X4 BAJA METALLIC CAT GREEN (U2009P4W4EBSA) 40 of 86
FRONT DRIVE GEARCASE ASSEMBLY

Ref #	Part Number	Qty	S/P/F	Description
43	1402-042	1		Collar, Sliding
44	1402-054	1		Fork
45	1402-058	2		Ring, Retaining
46	1402-057	1		Spring
47	1402-063	1		Spring
48	1402-656	1		Shaft, Lock
49	1402-103	1		Fitting
50	1402-211	1		Plug, Oil Level (inc. one No. 33)
51	1402-056	1		Seal
52	1402-713	2	S	Seal
53	0402-333	1	/P	Plug, Fill (inc. 54)
54	0423-154	1		O-Ring



2009 PROWLER 1000 XTZ 4X4 BAJA METALLIC CAT GREEN (U2009P4W4E) Page 42 of 86
FRONT SUSPENSION ASSEMBLY

Ref #	Part Number	Qty	S/P/F	Description
1	0423-920	2		Retainer, Spring
2	0503-398	2		Spring, Suspension
3	0403-215	2		Shock Absorber (inc. 4)
4	0423-917	2		Sleeve, Shock - Threaded
5	0423-919	2		Nut, Spring Retainer
6	8409-055	4		Screw, Cap
7	8428-002	12		Nut, Lock
8	0503-396	1		A-Arm, Upper Right (inc. 9-12)
8	0503-397	1		A-Arm, Upper Left (inc. 9-12)
9	0403-115	16	S	Bushing
10	0403-114	8	S	Axle
11	0423-009	4	/P	Ring, Retaining
12	0405-115	4	/P	Ball Joint
13	0503-376	1	/P	A-Arm, Lower Right (inc. 9-12)
13	0503-377	1	/P	A-Arm, Lower Left (inc. 9-12)
14	8409-075	8		Screw, Cap
15	1502-347	1	S	Axle - Front - Right (inc. 16-17)
15	1502-348	1	/P	Axle - Front - Locking - Left (inc. 16-17)
16	0423-844	2	/P	Ring, Retaining
17	0436-276	2	S	Repair Kit, Boot - Front Axle
18	0505-580	1	/P	Knuckle - Assembly - Right (inc. 19-20)
18	0505-581	1	/P	Knuckle - Assembly - Left (inc. 19-20)
19	1402-809	2	/P	Bearing
20	0423-423	2		Ring, Retaining
21	8409-030	4		Screw, Cap
22	1406-034	1		Guard, Boot - Right
22	1406-035	1		Guard, Boot - Left
23	0423-545	4	/P	Screw, Shoulder



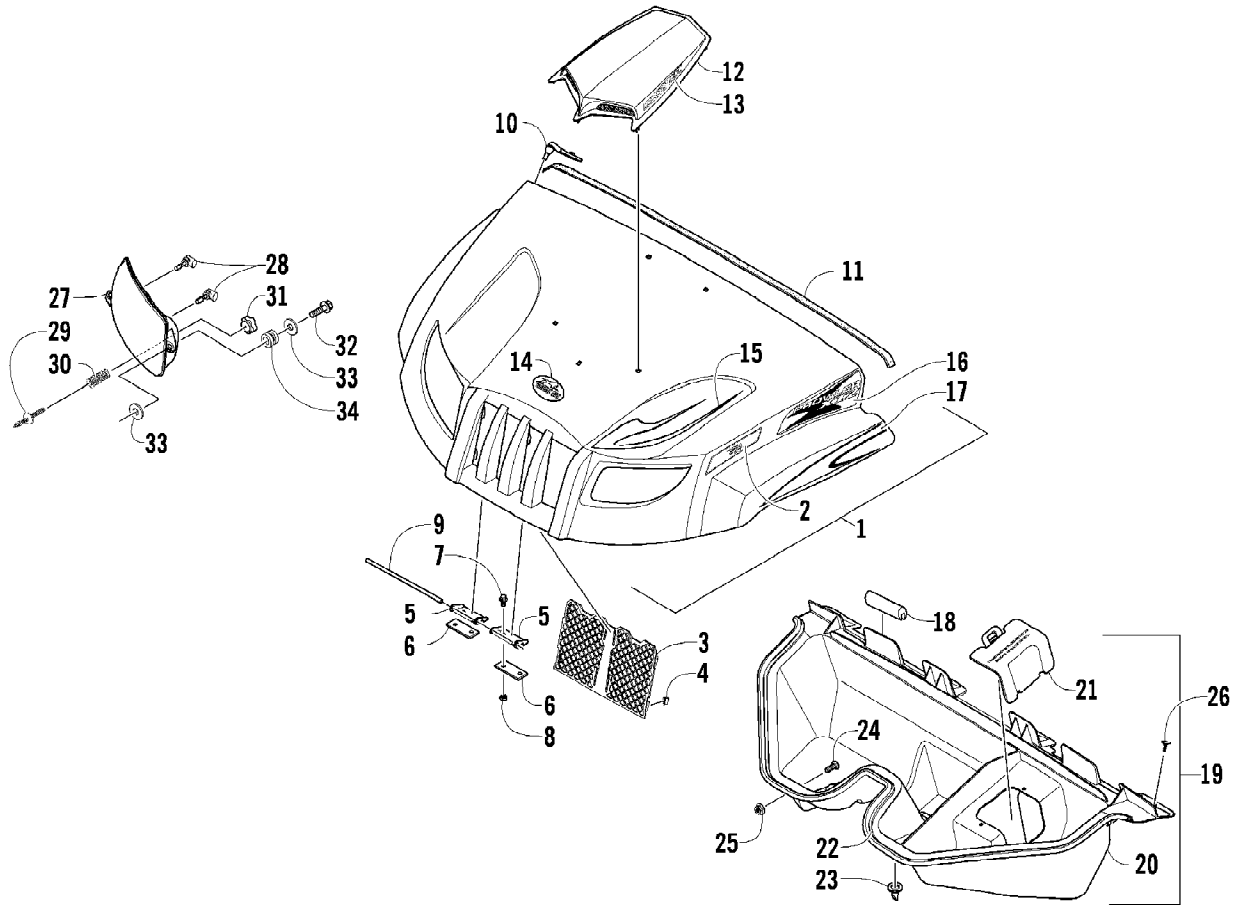
2009 PROWLER 1000 XTZ 4X4 BAJA METALLIC CAT GREEN (U2009P4W4E) Page 44 of 86
GAS TANK ASSEMBLY

Ref #	Part Number	Qty	S/P/F	Description
1	0570-203	1		Tank, Gas - Assembly (inc. 2-4)
2	0470-541	1	/P	Cap, Gas Tank
3	8476-612	4		Screw, Machine
4	0470-606	1		Plate, Mounting - Fuel Level Sensor
5	0570-272	1	/P	Pump, Fuel - Assembly (inc. 6-8)
6	0570-256	1	/P	Sensor, Fuel Level - Kit (inc. 7-8)
7	0470-614	1		Seal, Fuel Pump
8	0470-613	1		Seal, Fuel Pump
9	0423-688	1		Clamp, Hose
10	0410-070	AR	/P	Hose, Gasline - 25 ft
11	0623-038	2		Nut w/Washer
12	8476-620	2		Screw, Machine
13	0470-544	1		Bracket, Gas Tank Mounting
14	0623-784	2		Screw, Self-Tapping
15	0470-829	1		Strap, Gas Tank
16	0470-830	1		Strap, Gas Tank
17	8476-650	1		Screw, Machine
18	8427-602	1		Nut, Lock
19	0423-357	4		Nut, Stamped
20	1406-886	1		Insert, Gas Tank Cap
21	0570-298	1		Hose, Gasline - Assembly (inc. 22-24)
22	0570-246	1		Filter, Fuel - Kit (inc. 23-24)
23	0	2	F	Clamp, Hose
24	0	1	F	Filter, Fuel
25	8427-502	1		Nut, Lock
26	1670-826	1		Bracket, Fuel Filter
27	8476-516	1		Screw, Machine
28	0123-788	AR	/P	Tie, Cable - 8 in.

2009 PROWLER 1000 XTZ 4X4 BAJA METALLIC CAT GREEN (U2009P4W4E) Page 46 of 86
 GEAR SHIFTING ASSEMBLY

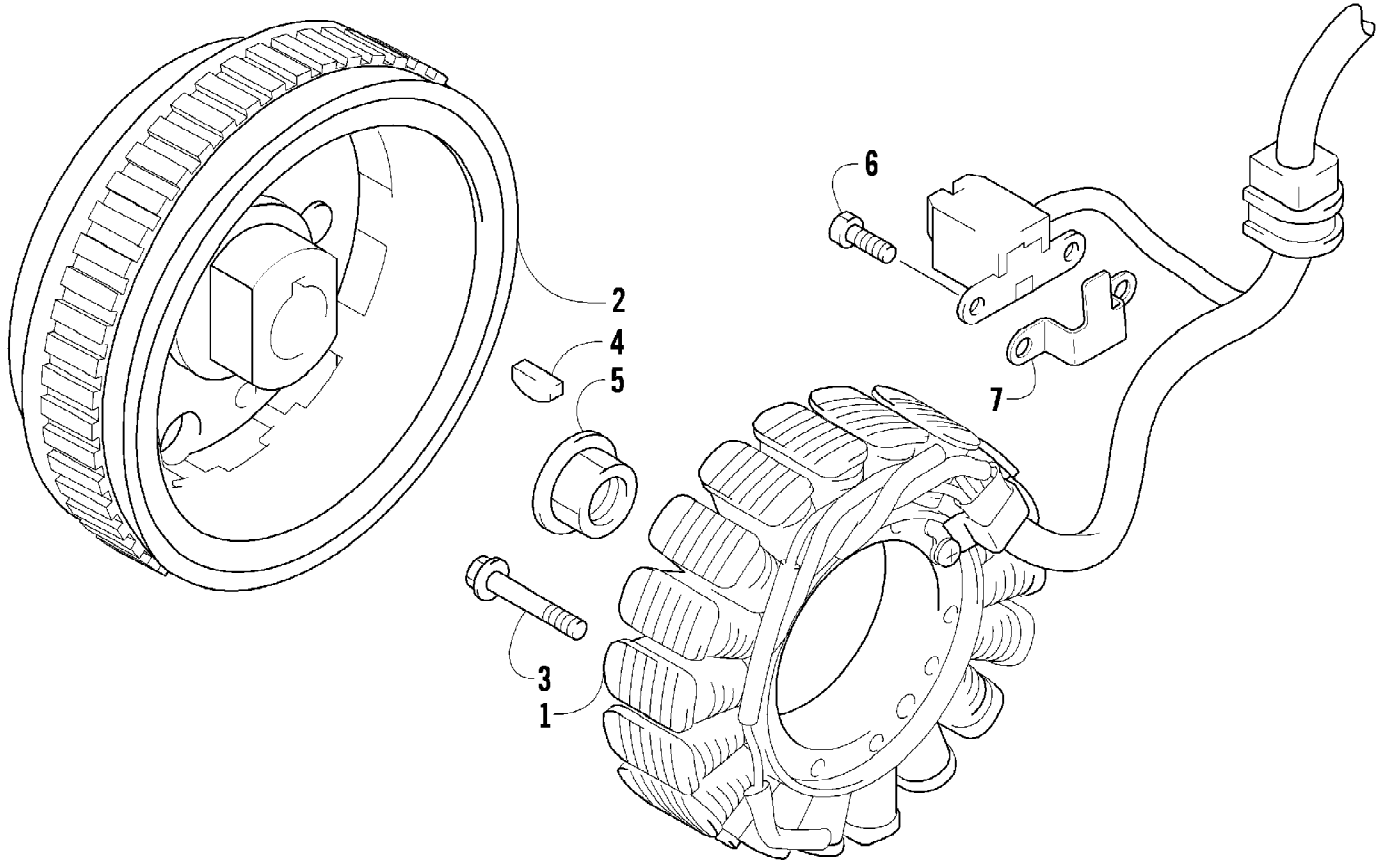
Ref #	Part Number	Qty	S/P/F	Description
1	8470-520	2		Screw, Machine
2	0409-091	1		Switch, Gear Shift Position
3	0818-013	2		Contact
4	0818-017	2		Spring
5	0828-040	1		Washer
6	0818-046	1		Shaft, Gear Shift - Assembly
7	0828-095	2		Washer, Thrust
8	0832-052	1	/P	Bearing, Thrust
9	0818-055	1		Cam, Gear Shift
10	0826-006	1		Screw, Cap
11	0828-036	2		Washer
12	0831-010	2		Ring, Retaining
13	0818-007	1	/P	Shaft, Sub-Gear Shift
14	0818-014	1		Arm, Shift
15	8468-620	1	/P	Screw, Machine
16	0828-038	1		Washer
17	0818-002	1		Stopper, Cam
18	0818-004	1		Support, Cam Stopper
19	0818-090	1		Spring
20	0828-035	1		Washer
21	8424-602	1	/P	Nut
22	0818-072	2	/P	Fork, Shift
23	0818-006	1		Shaft, Shift Fork

2009 PROWLER 1000 XTZ 4X4 BAJA METALLIC CAT GREEN (U2009P4W4EB) Page 47 of 86
HOOD AND HEADLIGHT ASSEMBLY



2009 PROWLER 1000 XTZ 4X4 BAJA METALLIC CAT GREEN (U2009P4W4EBA) 48 of 86
HOOD AND HEADLIGHT ASSEMBLY

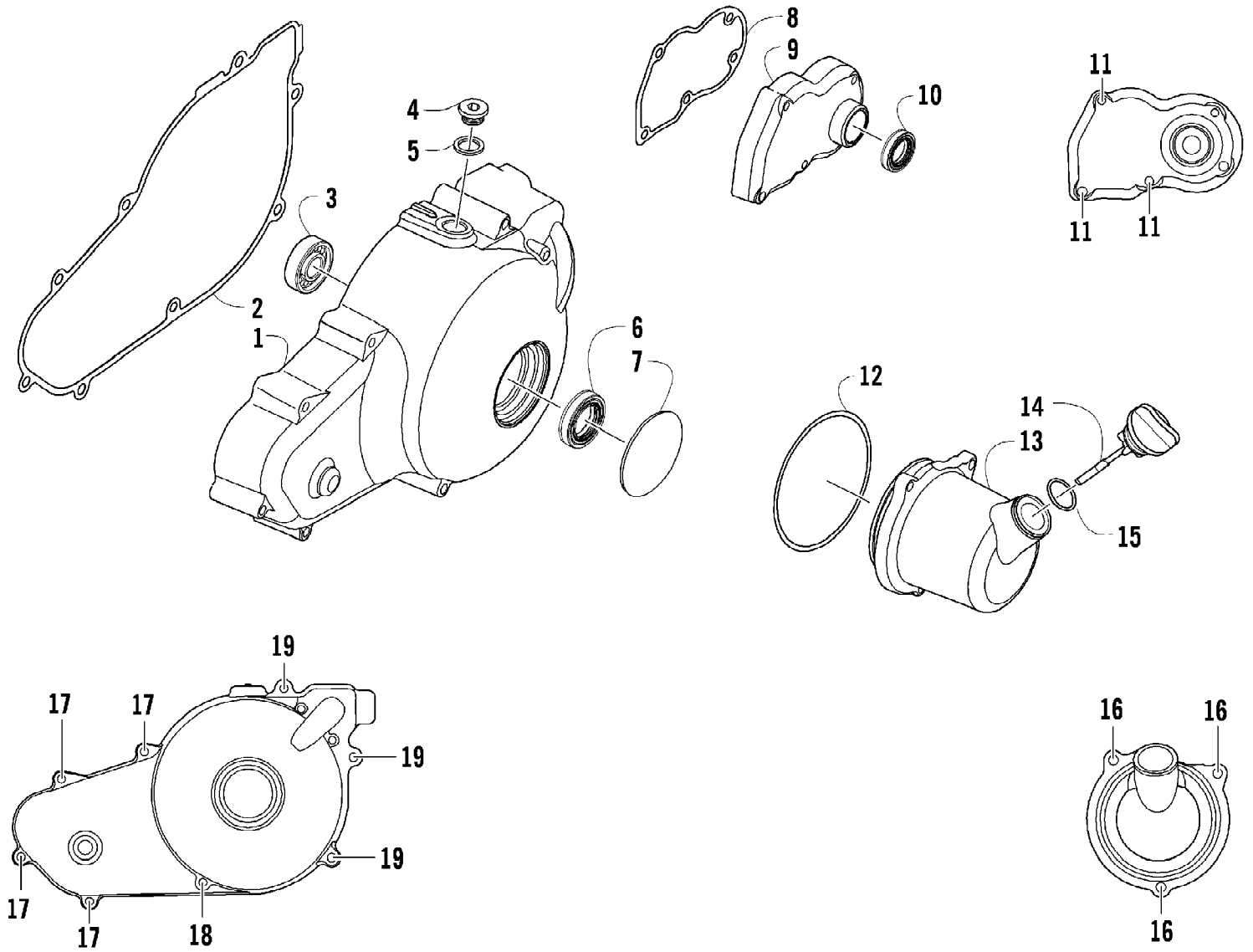
Ref #	Part Number	Qty	S/P/F	Description
1	2516-302	1		Hood - Assembly (inc. 2)
2	0411-818	1		Decal, Reflector - Right
2	0411-819	1		Decal, Reflector - Left
3	1406-733	1	/P	Screen, Grille
4	0123-987	8		Clip, U
5	1506-798	2		Bracket, Hood
6	2506-868	AR		Shim, Hood
7	8409-030	4		Screw, Cap
8	0423-157	4		Nut, Lock
9	1406-915	1		Pin, Hood
10	2606-624	2		Strap, Hold-Down
11	0417-013	1		Trim, Hood/Dash
12	2516-276	1		Scoop, Hood
13	2411-001	2		Decal, Hood - "1000 EFI"
14	1411-789	1		Decal, Hood
15	2411-058	1		Decal, Hood - Right
15	2411-059	1		Decal, Hood - Left
16	2411-068	1		Decal, Hood - "Prowler XTZ" - Right
16	2411-069	1		Decal, Hood - "Prowler XTZ" - Left
17	2411-060	1		Decal, Hood - Right
17	2411-061	1		Decal, Hood - Left
18	0417-014	AR		Trim, Dash Support
19	2516-224	1	S/P	Storage, Under-Hood - Assembly (inc. 20-23)
20	2416-041	1		Box, Storage
21	1406-944	1		Cover, Access - Master Cylinder
22	1406-946	1		Seal, Storage Box
23	0470-442	1	/P	Valve, Drain
24	8476-616	2		Screw, Machine
25	8424-602	2	/P	Nut
26	0423-545	4	/P	Screw, Shoulder
27	0509-044	1	/P	Headlight Assembly - Right (inc. 28)
27	0509-035	1		Headlight Assembly - Left (inc. 28)
28	0409-055	4		Bulb, Headlight
29	0423-514	2		Stud, Adjuster
30	0423-522	2		Spring, Adjuster
31	0423-513	2		Knob, Adjuster
32	0623-785	4		Screw, Self-Tapping
33	8050-217	8	/P	Washer
34	0423-447	4		Grommet



2009 PROWLER 1000 XTZ 4X4 BAJA METALLIC CAT GREEN (U2009P4W4EBS) 50 of 86
 MAGNETO ASSEMBLY

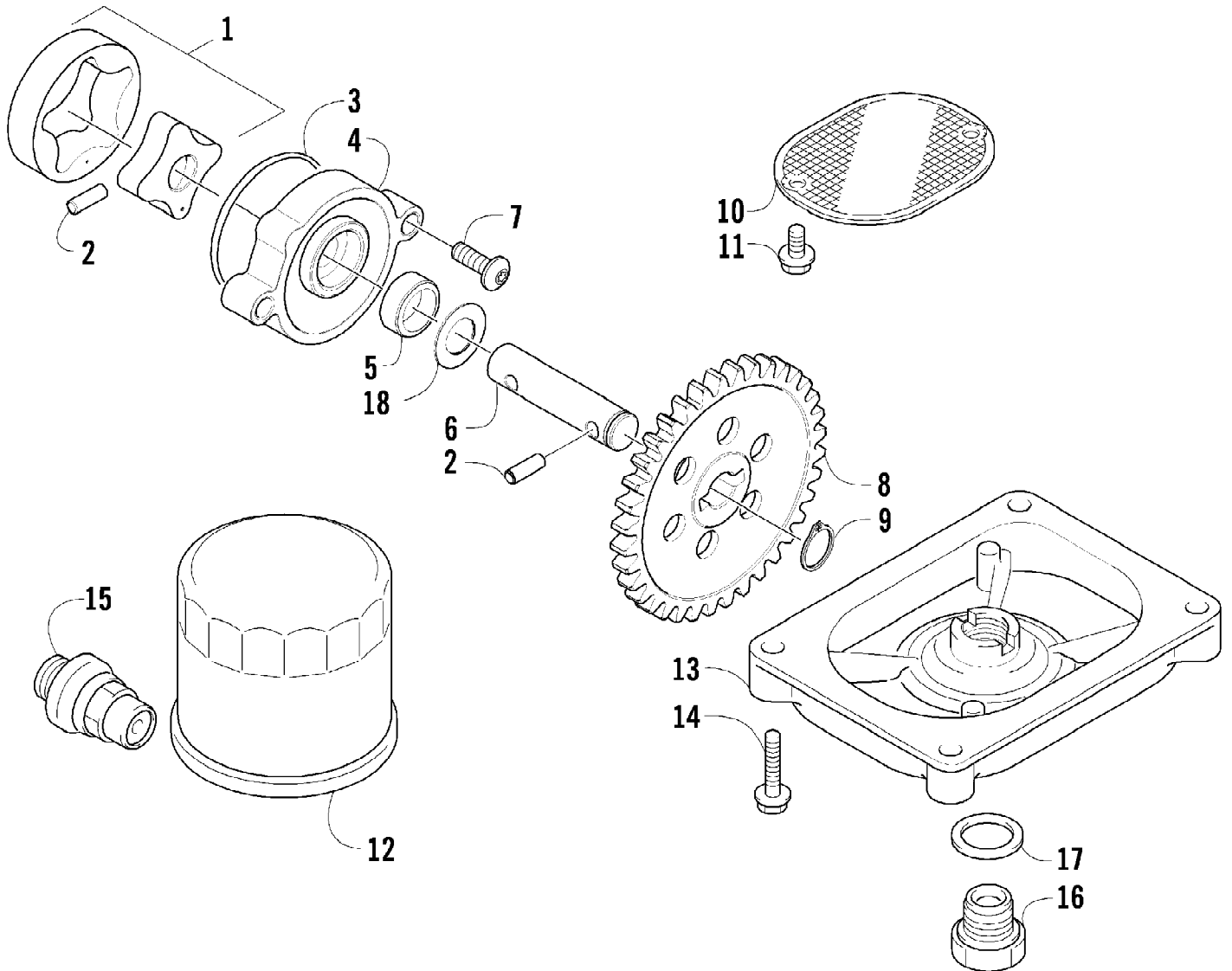
Ref #	Part Number	Qty	S/P/F	Description
1	0802-041	1		Stator - Assembly
2	0802-042	1		Rotor/Flywheel
3	0826-102	3		Screw, Machine
4	0829-012	1		Key
5	0827-010	1		Nut
6	8470-510	4		Screw, Machine
7	0831-064	1		Clamp

2009 PROWLER 1000 XTZ 4X4 BAJA METALLIC CAT GREEN (U2009P4W4EB) 51 of 86
MAGNETO SIDE ENGINE COVERS



2009 PROWLER 1000 XTZ 4X4 BAJA METALLIC CAT GREEN (U2009P4W4E) Page 52 of 86
 MAGNETO SIDE ENGINE COVERS

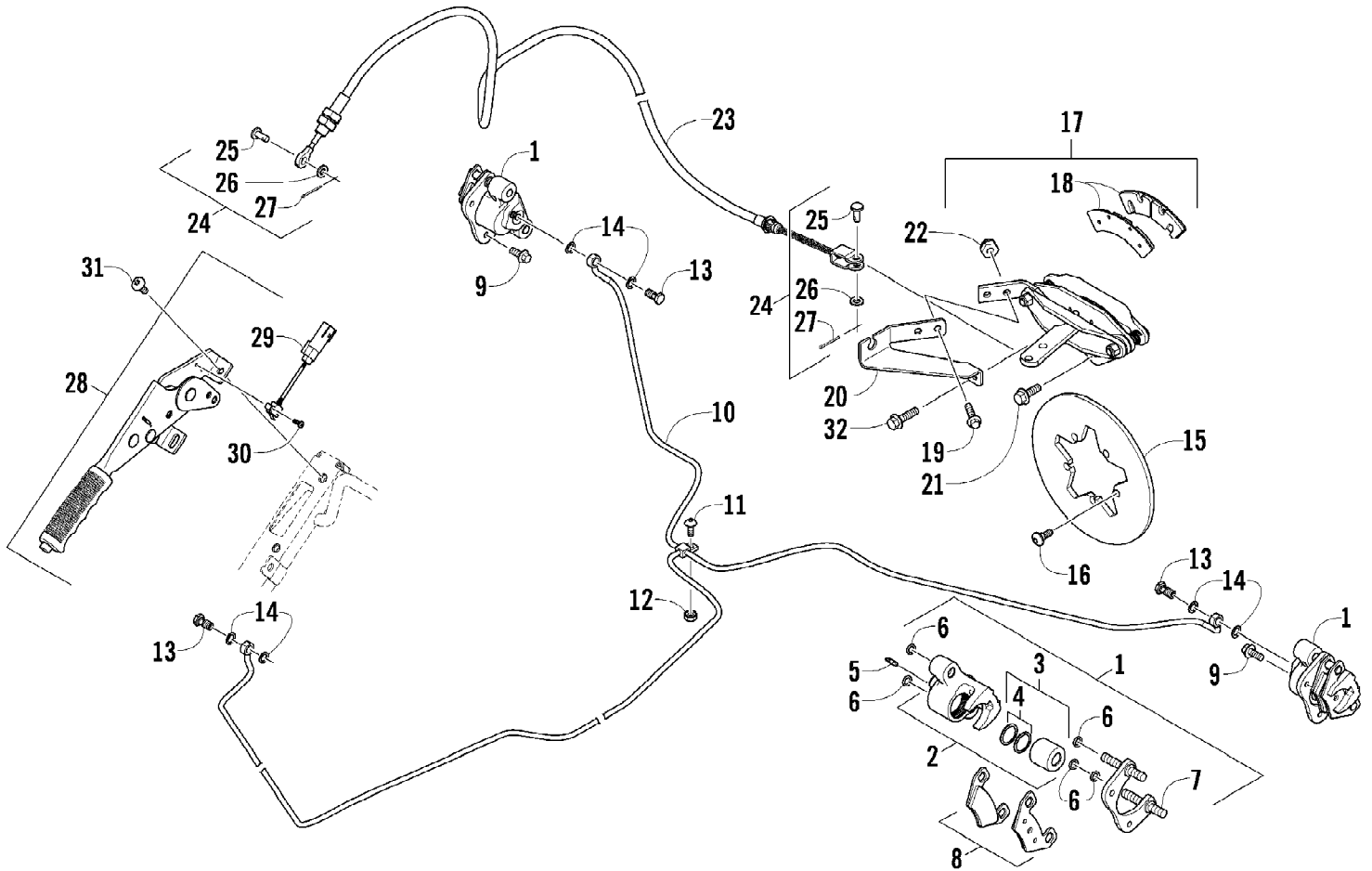
Ref #	Part Number	Qty	S/P/F	Description
1	0806-062	1		Cover, Magneto
2	0830-132	1		Gasket, Magneto Cover
3	0832-010	1		Bearing
4	0806-022	1		Plug, Check
5	0830-015	1		Washer, Crush
6	0830-176	1	/P	Seal, Cap
7	0806-066	1		Cap, Magneto Cover
8	0830-161	1		Gasket, Gear Shift Cover
9	0818-070	1		Cover, Gear Shift
10	0830-044	1		Seal, Gear Shift Cover
11	8468-630	3		Screw, Machine
12	0830-162	1		O-Ring, Oil Filler Cover
13	0801-081	1		Cover, Oil Filler
14	0801-073	1		Stick, Oil Level (inc. 15)
15	0830-010	1		O-Ring
16	8468-620	3	/P	Screw, Machine
17	8468-650	4		Screw, Machine
18	8468-695	1		Screw, Machine
19	8468-665	3		Screw, Machine



2009 PROWLER 1000 XTZ 4X4 BAJA METALLIC CAT GREEN (U2009P4W4E) 54 of 86
 OIL FILTER/PUMP ASSEMBLY

Ref #	Part Number	Qty	S/P/F	Description
1	0812-041	1		Gerotor - Set
2	0829-009	2		Pin, Dowel
3	0812-048	1		O-Ring
4	0812-040	1		Housing, Oil Pump
5	0812-047	1		Seal, Oil Pump
6	0812-046	1		Shaft, Oil Pump
7	8468-620	2	/P	Screw, Machine
8	0812-045	1		Gear, Driven
9	0831-002	1		Ring, Retaining
10	0812-057	1	/P	Strainer, Oil
11	0826-040	2		Screw, Machine
12	0812-029	1	S	Filter, Oil
13	0812-053	1		Cap, Oil Strainer
14	8468-625	4		Screw, Machine
15	0812-052	1		Valve, Oil-Relief - Assembly
16	0812-006	1		Plug, Drain
17	0830-017	1		Gasket, Drain Plug
18	0828-007	1	/P	Shim

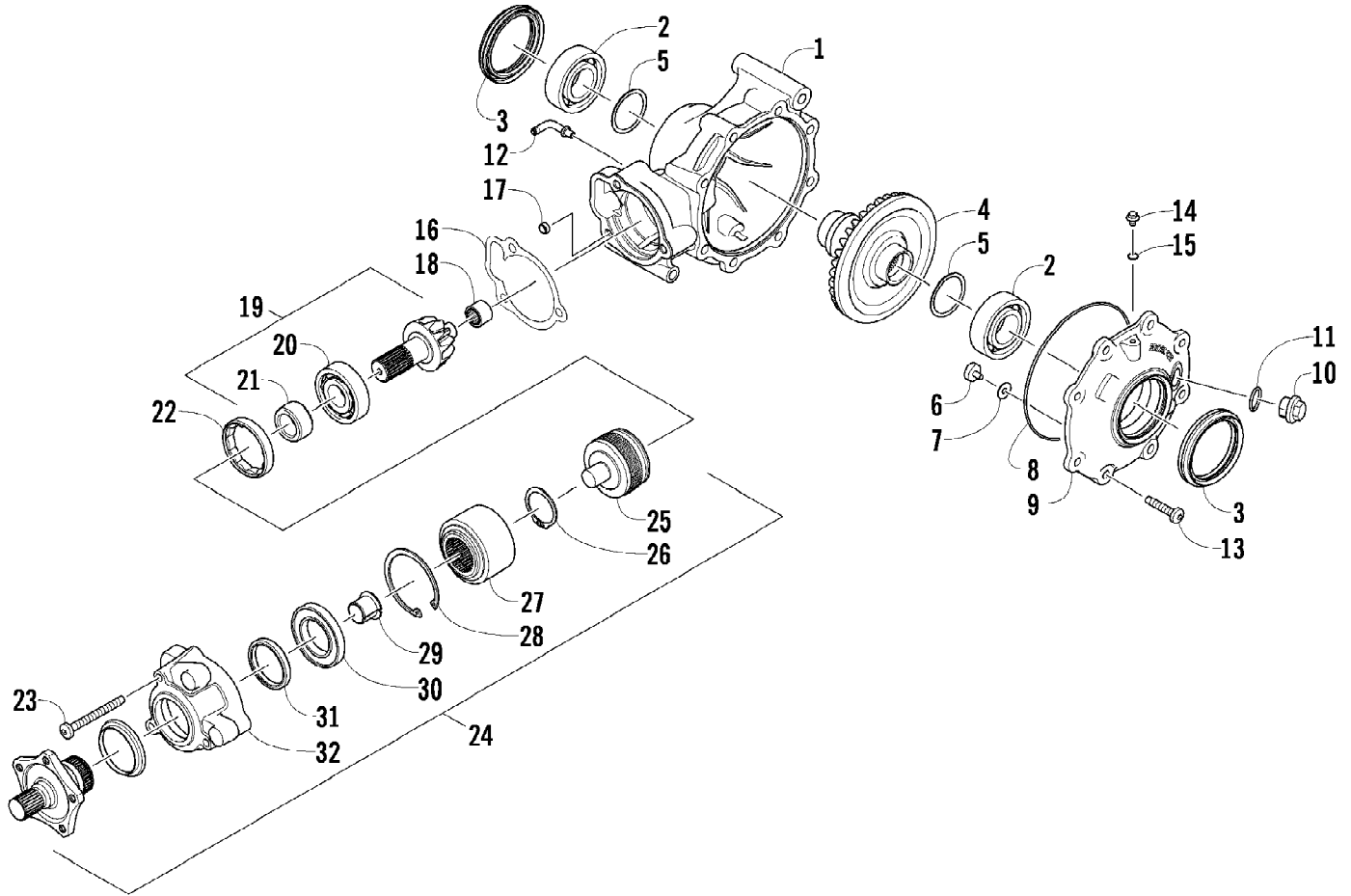
2009 PROWLER 1000 XTZ 4X4 BAJA METALLIC CAT GREEN (U2009P4W4EB) 55 of 86
REAR AND PARKING BRAKE ASSEMBLY



2009 PROWLER 1000 XTZ 4X4 BAJA METALLIC CAT GREEN (U2009P4W4E) 56 of 86
REAR AND PARKING BRAKE ASSEMBLY

Ref #	Part Number	Qty	S/P/F	Description
1	0502-958	1	S	Caliper, Brake - Right (inc. 2-8)
1	0502-959	1	S	Caliper, Brake - Left (inc. 2-8)
2	1436-160	1	/P	Housing, Caliper - Assembly - Right (inc. 3-5)
2	1436-161	1	/P	Housing, Caliper - Assembly - Left (inc. 3-5)
3	0502-606	2		Piston/Seal Set (inc. 4)
4	0502-607	2		Seal Set
5	0502-609	2	/P	Valve, Bleed
6	0502-608	2		O-Ring, Guide - Set
7	0502-960	2		Bracket Assembly
8	1436-165	2	S	Pad, Brake - Set
9	8408-821	4	/P	Screw, Cap
10	1402-845	1		Hose, Brake
11	8476-620	1		Screw, Machine
12	0623-038	1		Nut w/Washer
13	0423-413	3		Bolt, Banjo-Fitting
14	0423-178	6		Washer, Crush
15	1402-849	1	S	Rotor
16	0423-557	5		Screw, Shoulder
17	1502-581	1		Caliper, Parking Brake (inc. 18)
18	1502-582	1		Pad, Brake - Set
19	8408-825	2		Screw, Cap
20	1502-579	1		Bracket, Mounting - Cable
21	8408-836	1		Screw, Cap
22	8432-802	2		Nut, Lock
23	0487-061	1		Cable, Parking Brake
24	0423-894	2		Pin, Retaining - Assembly (inc. 25-27)
25	0423-989	2		Pin
26	0423-990	2		Washer
27	0423-991	2		Pin, Cotter
28	1502-497	1		Lever, Parking Brake - Assembly (inc. 29-30)
29	0409-131	1		Switch, Limiter
30	0423-992	1		Screw, Machine
31	8468-820	2		Screw, Machine
32	8408-841	1		Screw, Cap

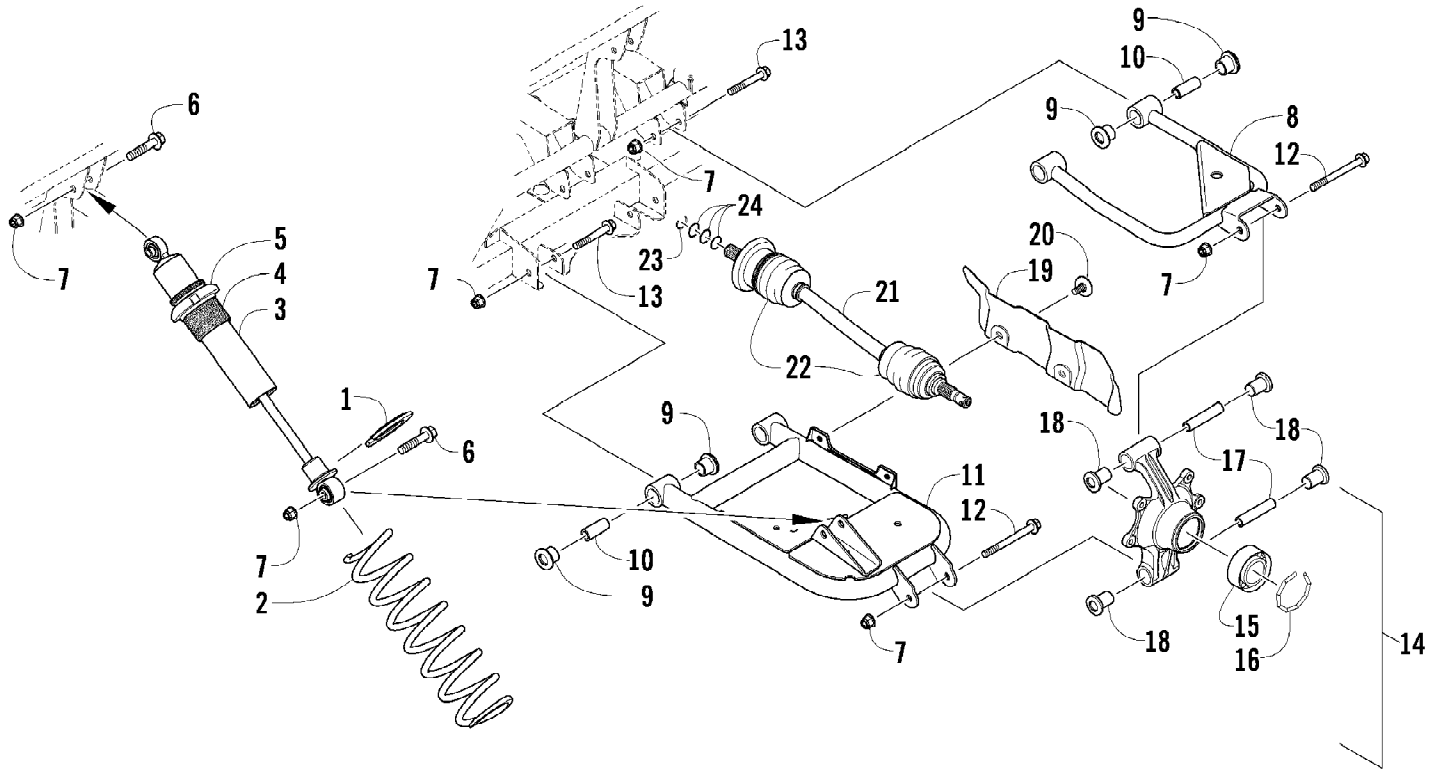
2009 PROWLER 1000 XTZ 4X4 BAJA METALLIC CAT GREEN (U2009P4W4E) 57 of 86
REAR DRIVE GEARCASE ASSEMBLY



2009 PROWLER 1000 XTZ 4X4 BAJA METALLIC CAT GREEN (U2009P4W4E) 58 of 86
REAR DRIVE GEARCASE ASSEMBLY

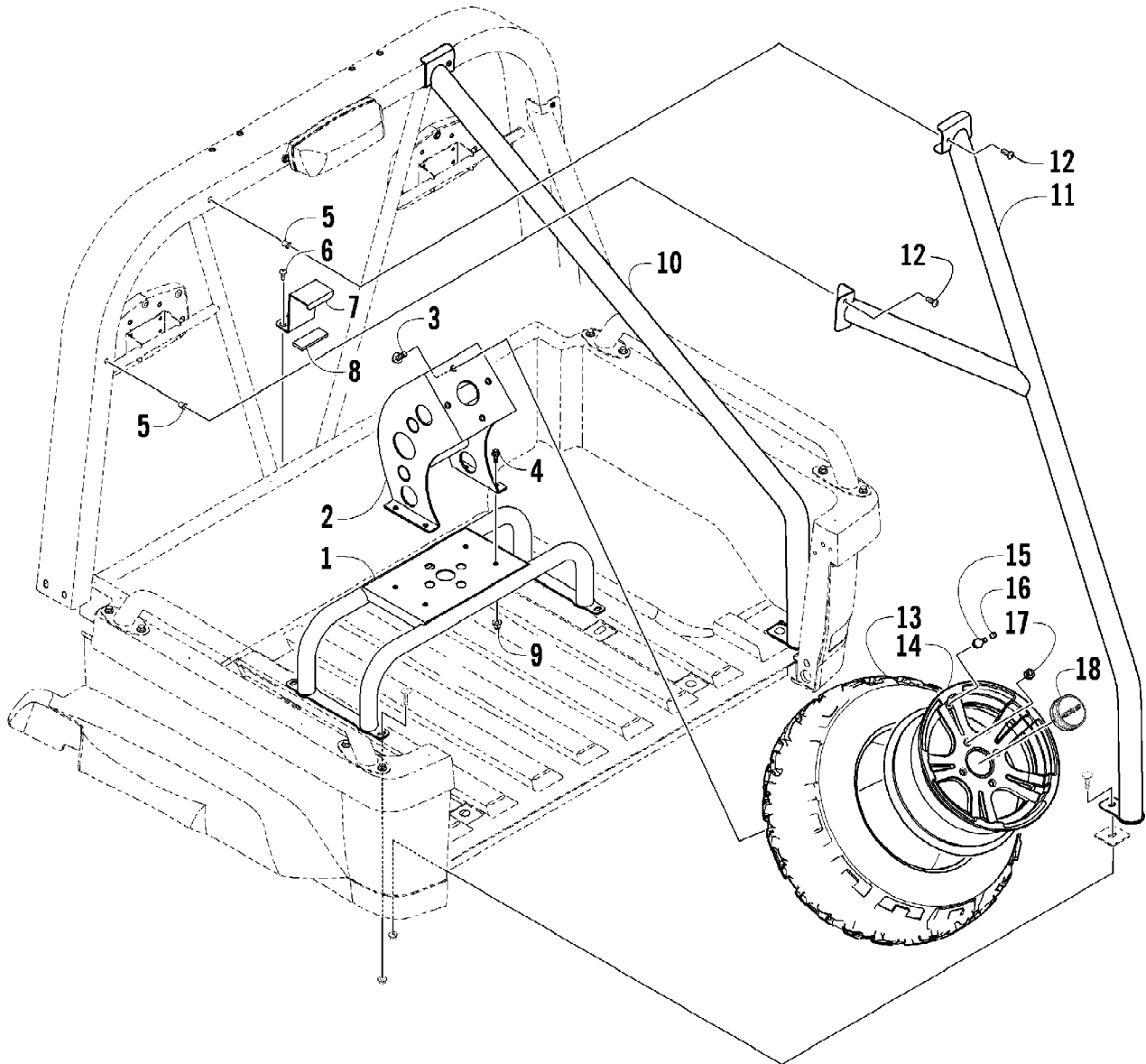
Ref #	Part Number	Qty	S/P/F	Description
	1502-404	1		Complete Rear Drive Gearcase Assembly
1	1502-587	1		Housing, Gearcase
2	0402-393	2		Bearing
3	1402-713	2	S	Seal
4	1402-033	1		Gear, Ring - 34T
5	0402-405	AR		Shim
5	0402-406	AR		Shim
5	0402-407	AR		Shim
5	0402-408	AR		Shim
5	0402-409	AR		Shim
6	0402-326	1		Button, Thrust
7	0402-429	AR		Shim
7	0402-430	AR		Shim
7	0402-431	AR		Shim
7	0402-432	AR		Shim
7	0402-433	AR		Shim
8	0423-149	1		O-Ring
9	1502-588	1		Cover, Gearcase
10	0402-333	1	/P	Plug, Fill (inc. 11)
11	0423-154	1		O-Ring
12	1402-442	1		Fitting
13	0423-118	8		Screw, Self-Tapping
14	1402-210	1	/P	Plug, Magnetic (inc. 15)
15	0423-153	1		O-Ring
16	0402-947	1		Gasket
17	0402-411	1		Pin, Dowel
18	0402-328	1		Bearing
19	0502-784	1		Gear, Pinion - Assembly - 11T (inc. 20-21)
20	0402-327	1		Bearing
21	0402-336	1		Collar, Retaining
22	0402-357	1		Collar, Lock
23	0423-834	3		Screw, Self-Tapping
24	1502-563	1		Shaft, Input (inc. 25-32)
25	1502-564	1	/P	Cartridge, Clutch - Assembly
26	0423-799	1		Ring, Retaining - External
27	1402-682	1		Basket, Clutch
28	0423-798	1		Ring, Retaining - Internal
29	1402-678	1		Bearing, Flange
30	1402-677	1		Bearing
31	1402-687	1		Seal
32	1502-565	1		Housing, Input

2009 PROWLER 1000 XTZ 4X4 BAJA METALLIC CAT GREEN (U2009P4W4EBA) 59 of 86
REAR SUSPENSION ASSEMBLY



2009 PROWLER 1000 XTZ 4X4 BAJA METALLIC CAT GREEN (U2009P4W4EBA) 60 of 86
REAR SUSPENSION ASSEMBLY

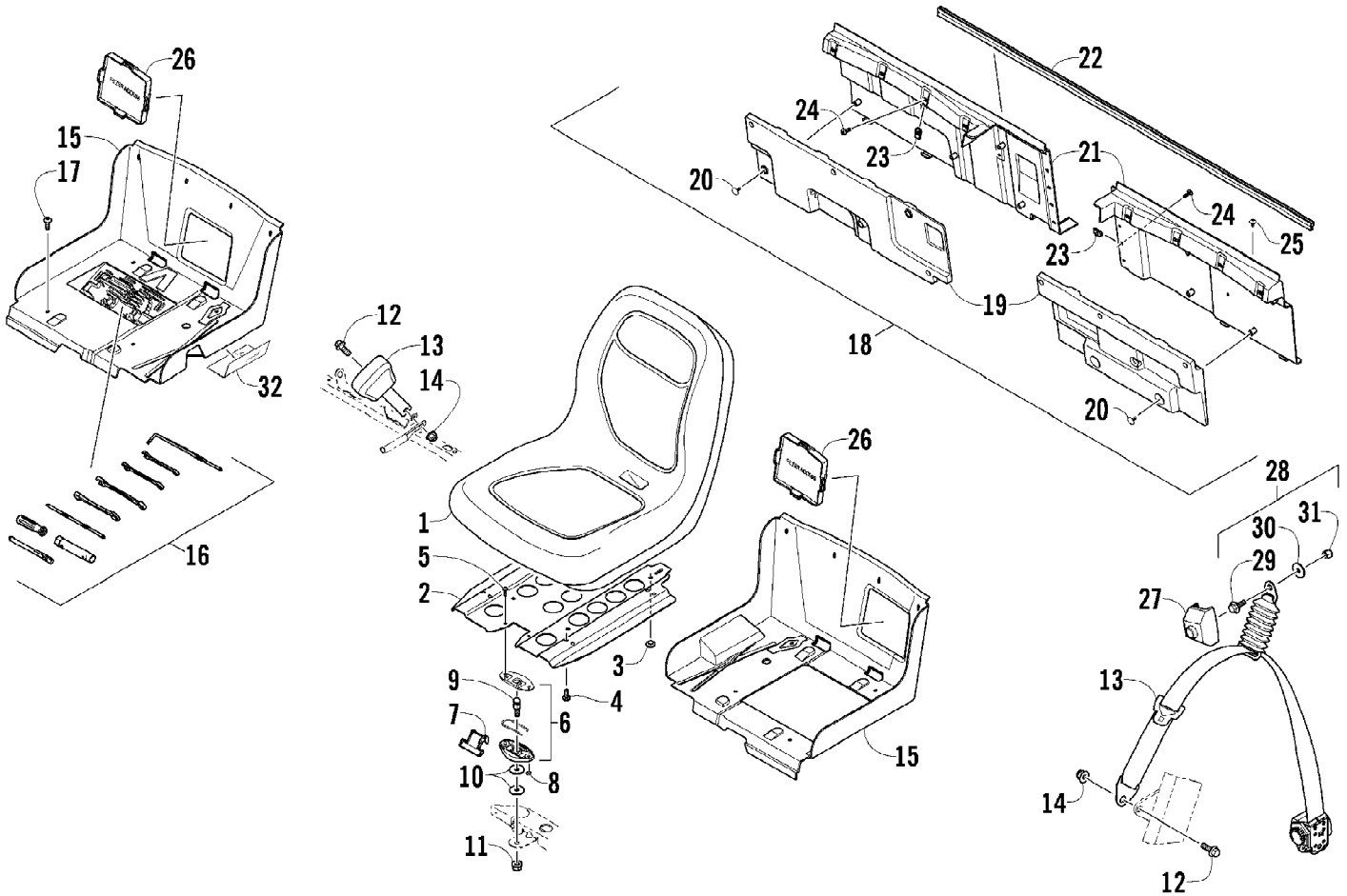
Ref #	Part Number	Qty	S/P/F	Description
1	0423-920	2		Retainer, Spring
2	0504-612	2		Spring, Suspension
3	0404-182	2		Shock Absorber (inc. 4)
4	0423-917	2		Sleeve, Shock - Threaded
5	0423-919	2		Nut, Spring Adjuster
6	8409-060	4		Screw, Cap
7	8428-002	16		Nut, Lock
8	0504-598	1		A-Arm, Rear - Upper Right (inc. 9-10)
8	0504-599	1		A-Arm, Rear - Upper Left (inc. 9-10)
9	0403-115	16	S	Bushing
10	0403-114	8	S	Axle
11	0504-592	1		A-Arm, Rear - Lower Right (inc. 9-10)
11	0504-593	1		A-Arm, Rear - Lower Left (inc. 9-10)
12	8409-000	4		Screw, Cap
13	8409-075	8		Screw, Cap
14	0504-613	2		Knuckle, Rear - Assembly (inc. 15-18)
15	1402-809	2	/P	Bearing
16	0423-423	2		Ring, Retaining
17	0403-038	4	S/P	Axle
18	0403-032	8	S	Bushing
19	1406-068	1		Guard, Boot - Right
19	1406-069	1		Guard, Boot - Left
20	0423-545	4	/P	Screw, Shoulder
21	1502-562	2	S	Axle, Drive (inc. 22-23)
22	0436-276	2	S	Repair Kit, Boot - Rear Axle
23	0423-845	2	/P	Clip, Retaining
24	0423-983	AR		O-Ring



2009 PROWLER 1000 XTZ 4X4 BAJA METALLIC CAT GREEN (U2009P4W4E) Page 62 of 86
 ROLL SUPPORT AND SPARE TIRE ASSEMBLY

Ref #	Part Number	Qty	S/P/F	Description
1	0541-627	1		Bracket, Support - Spare Tire Mount
2	0541-625	1		Bracket, Mounting - Spare Tire
3	8409-030	4		Screw, Cap
4	8408-820	4	/P	Screw, Cap
5	1441-442	4		Insert
6	0423-419	2		Screw, Machine
7	0541-649	1		Bracket, Retaining - Cargo Box
8	0406-288	1		Pad, Foam
9	8427-802	4		Nut, Lock
10	0541-634	1		Support, Roll - Right
11	0541-635	1		Support, Roll - Left
12	8471-616	4		Screw, Machine
13	1402-790	1		Tire
14	1402-732	1		Wheel - Front
15	0402-064	1		Stem, Valve (inc. 16)
16	0402-140	1		Cap, Valve Stem
17	0423-618	4		Nut, Lug
18	1402-736	1		Cap, Wheel

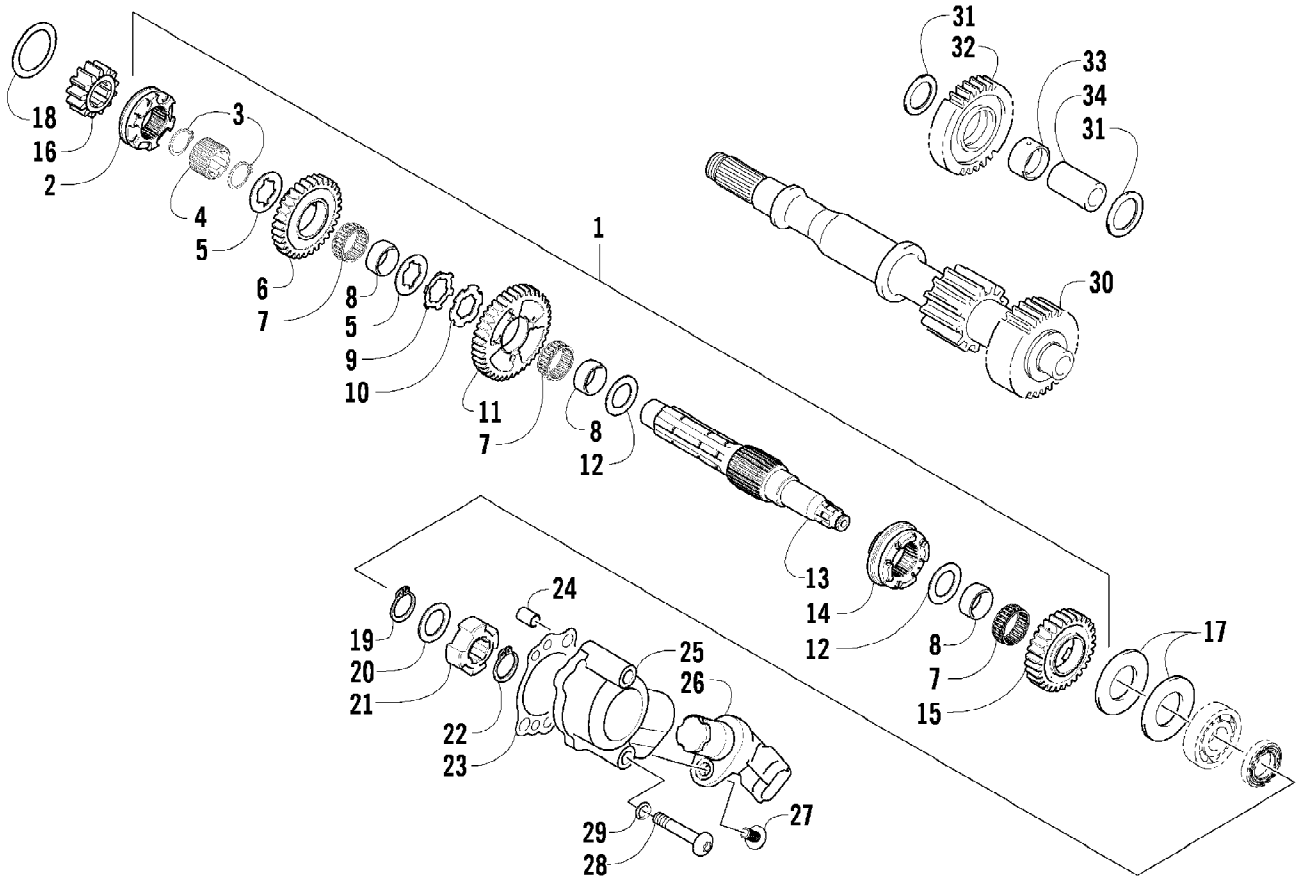
2009 PROWLER 1000 XTZ 4X4 BAJA METALLIC CAT GREEN (U2009P4W4E) 63 of 86
SEAT ASSEMBLY



2009 PROWLER 1000 XTZ 4X4 BAJA METALLIC CAT GREEN (U2009P4W4E) Page 64 of 86
SEAT ASSEMBLY

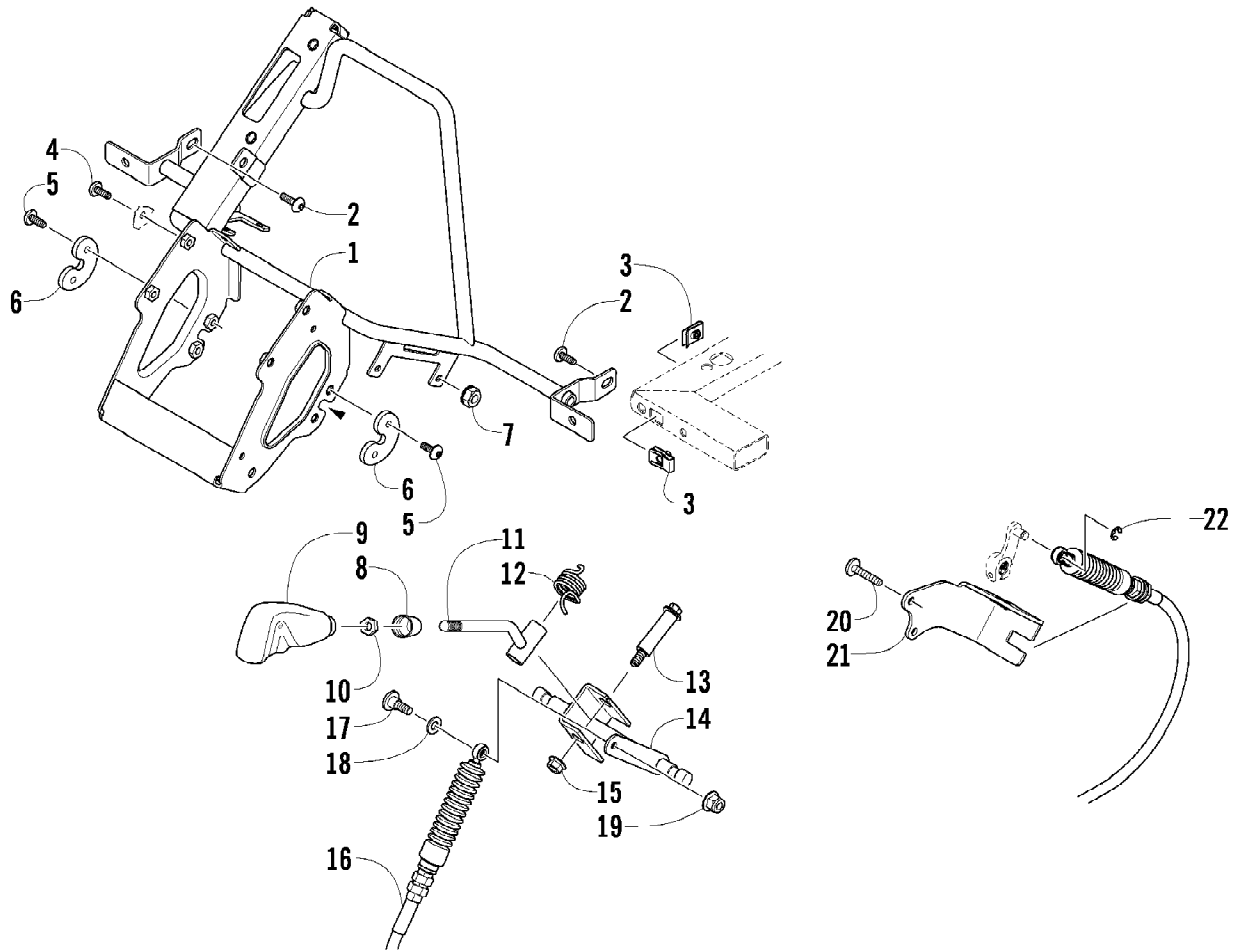
Ref #	Part Number	Qty	S/P/F	Description
1	1506-925	2		Seat, Low-Back
2	2506-780	2	/P	Plate, Base - Seat
3	0406-877	8	/P	Bumper, Seat
4	8468-820	8		Screw, Machine
5	8468-620	4	/P	Screw, Machine
6	2706-164	2	/P	Latch - Assembly (inc. 7)
7	2606-854	2	S	Lever, Release - Seat Latch
8	0623-038	4		Nut w/Washer
9	0423-559	2		Stud, Latch - Seat
10	0423-073	4		Washer
11	8424-002	2		Nut
12	8408-020	6		Screw, Cap
13	2516-325	2		Belt, Seat
14	8427-002	6		Nut, Lock
15	2406-910	1		Base, Seat - Right
15	2406-911	1		Base, Seat - Left
16	0444-122	1	S/P	Tool Kit - Assembly
17	8477-620	8		Screw, Machine
18	2516-094	1		Panel, Seat - Assembly (inc. 19-23 and five No. 24)
19	2516-146	1		Panel, Seat - Front Right
19	2516-147	1		Panel, Seat - Front Left
20	0623-544	11		Clip, Retaining
21	2406-912	1		Panel, Seat - Rear Right
21	2406-913	1		Panel, Seat - Rear Left
22	2406-915	1		Seal, Seat Panel
23	0423-577	5		Clip, U-Nut
24	8476-620	13		Screw, Machine
25	0623-784	2		Screw, Self-Tapping
26	2416-091	2		Cover, Access - Air Filter
27	2416-148	1		Cover, Seat Belt - Right
27	2416-149	1		Cover, Seat Belt - Left
28	0423-915	2		Screw, Shoulder - Assembly (inc. 29-31)
29	0	2	F	Screw, Shoulder
30	0	2	F	Washer
31	0	2	F	Nut, Lock
32	0412-560	1		Foil, Protective

2009 PROWLER 1000 XTZ 4X4 BAJA METALLIC CAT GREEN (U2009P4W4E) (U2009P4W4E) Page 65 of 86
SECONDARY TRANSMISSION ASSEMBLY



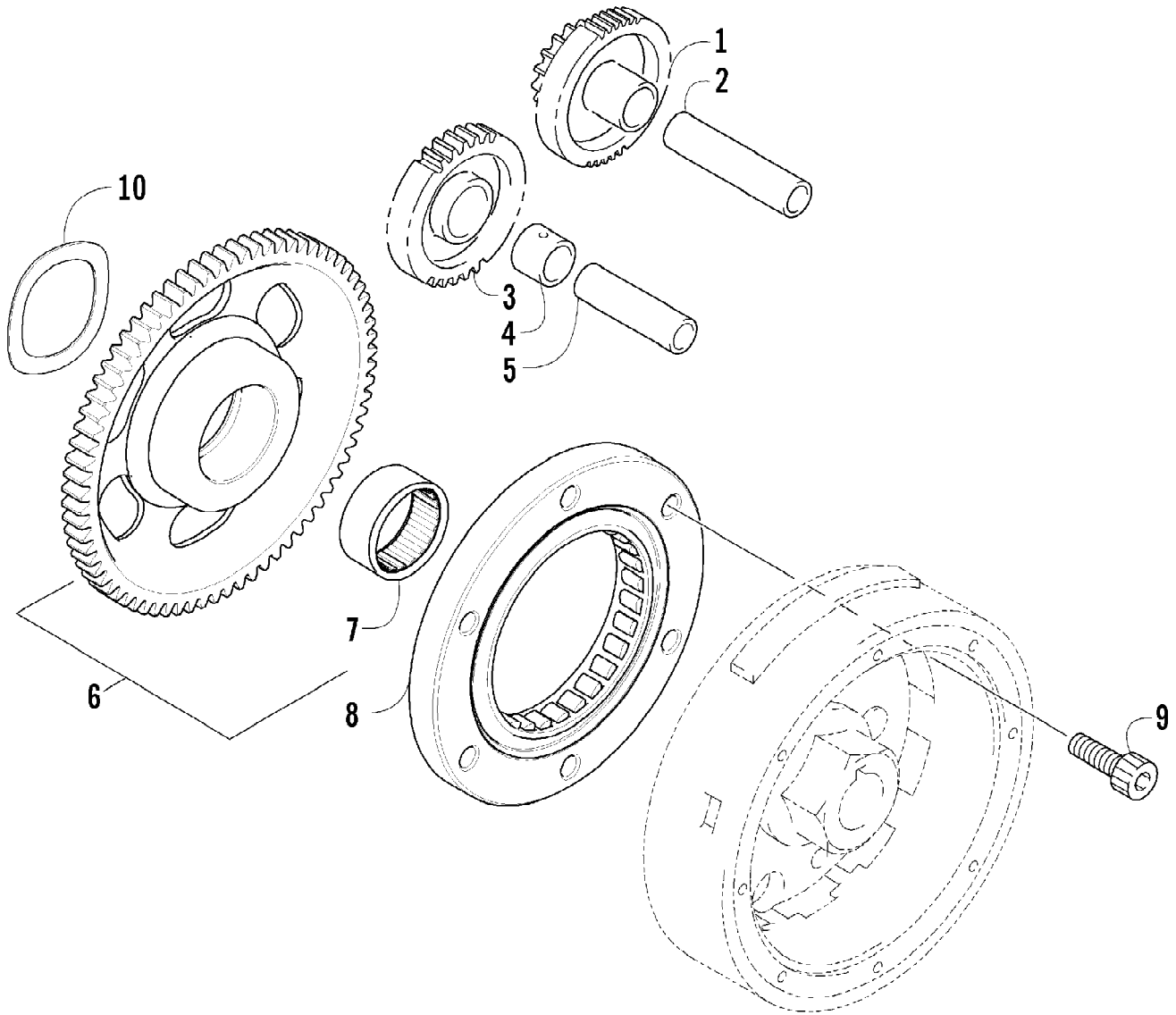
2009 PROWLER 1000 XTZ 4X4 BAJA METALLIC CAT GREEN (U2009P4W4E) Page 66 of 86
SECONDARY TRANSMISSION ASSEMBLY

Ref #	Part Number	Qty	S/P/F	Description
1	0822-091	1	/P	Countershaft Assembly (inc. 2-15)
2	0822-014	1		Gear Select, Reverse
3	0831-011	2		Ring, Retaining
4	0822-045	1		Spacer, Reverse Driven Gear
5	0828-008	2		Washer
6	0822-013	1		Gear, Reverse Driven
7	0832-011	3		Bearing
8	0822-005	3		Bushing
9	0828-014	1		Washer, Lock
10	0828-015	1		Washer, Lock
11	0822-004	1		Gear, Driven - Low
12	0822-046	2		Washer, Driven Gear
13	0822-003	1		Countershaft
14	0822-007	1		Gear Select, Sliding
15	0822-006	1		Gear, Driven - High
16	0822-089	1		Gear, Drive
17	0828-011	2		Washer
18	0828-019	1		Washer, Thrust
19	0831-040	1		Ring, Retaining
20	0828-069	1		Washer, Thrust
21	0822-050	1		Trigger, Speedometer Sensor
22	0831-039	1		Ring, Retaining
23	0830-129	1		Gasket
24	0829-023	2		Pin, Dowel
25	0822-049	1		Housing, Speedometer Sensor
26	0824-042	1	/P	Sensor, Speedometer
27	8468-620	1	/P	Screw, Machine
28	8468-645	2		Screw, Machine
29	0830-107	2		Gasket
30	0822-001	1		Driveshaft
31	0828-016	2		Washer, Thrust
32	0822-011	1		Gear, Reverse Idle
33	0822-012	1		Bushing
34	0822-015	1		Shaft, Reverse Idle



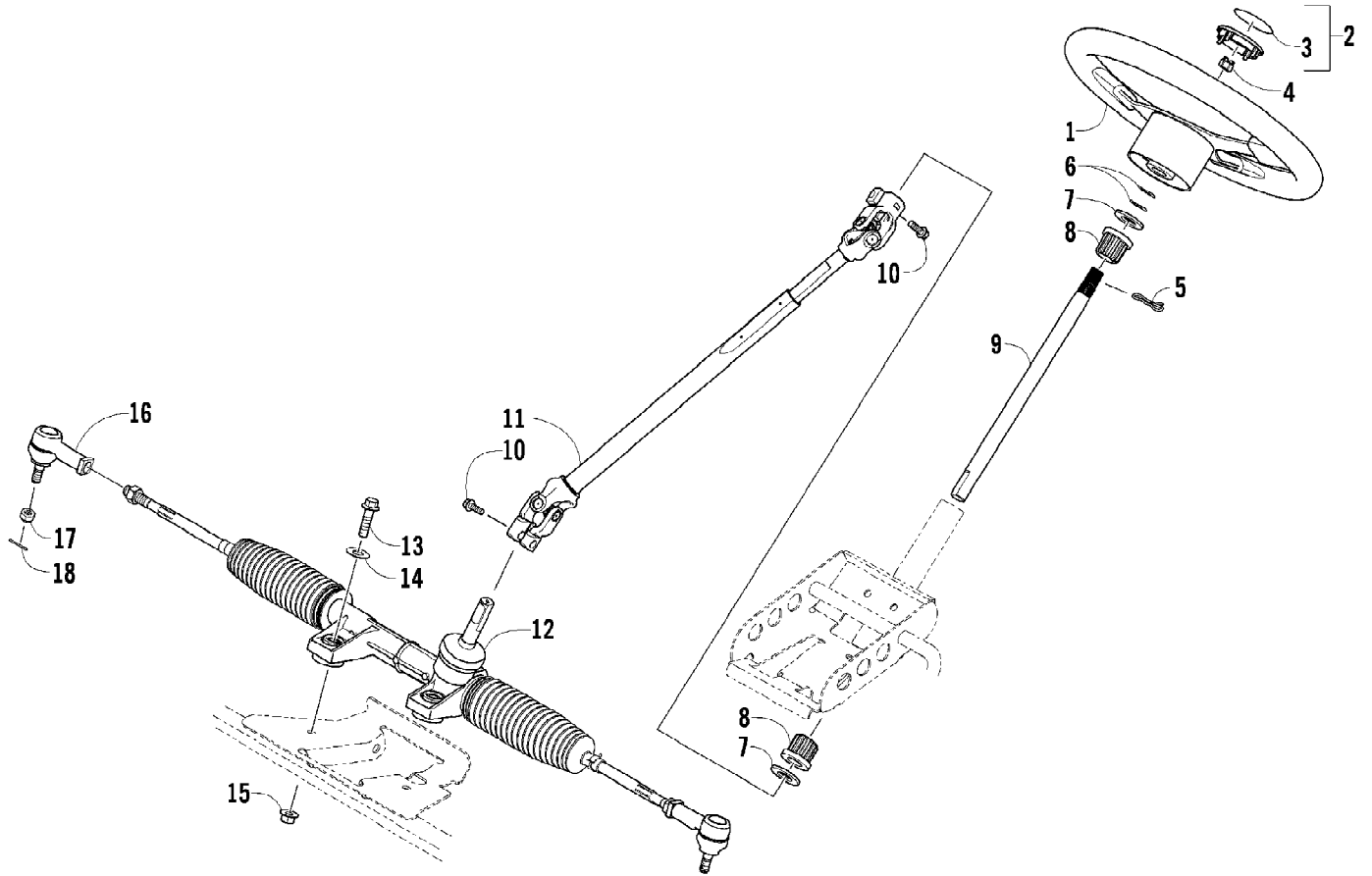
2009 PROWLER 1000 XTZ 4X4 BAJA METALLIC CAT GREEN (U2009P4W4E) Page 68 of 86
 SHIFTER ASSEMBLY

Ref #	Part Number	Qty	S/P/F	Description
1	1502-516	1		Mount, Shift
2	8476-620	4		Screw, Machine
3	0423-577	4		Clip, U-Nut
4	8477-616	4		Screw, Machine
5	8476-616	4		Screw, Machine
6	1402-275	2		Retainer, Shift Linkage
7	0623-038	2		Nut w/Washer
8	1402-854	1		End Cap, Shift Knob
9	1402-844	1		Knob, Shift
10	0423-885	1		Nut
11	1502-510	1		Lever, Shift
12	1402-668	1		Spring, Shift
13	0423-505	1		Screw, Shoulder
14	1502-512	1		Axle, Shift
15	8424-802	1		Nut
16	0487-063	1		Cable, Shift
17	0423-356	1		Screw, Shoulder
18	0623-094	1		Washer
19	8427-602	1		Nut, Lock
20	8468-640	2		Screw, Machine
21	2516-449	1	/P	Bracket, Shift Cable
22	0124-057	1	/P	E-Ring



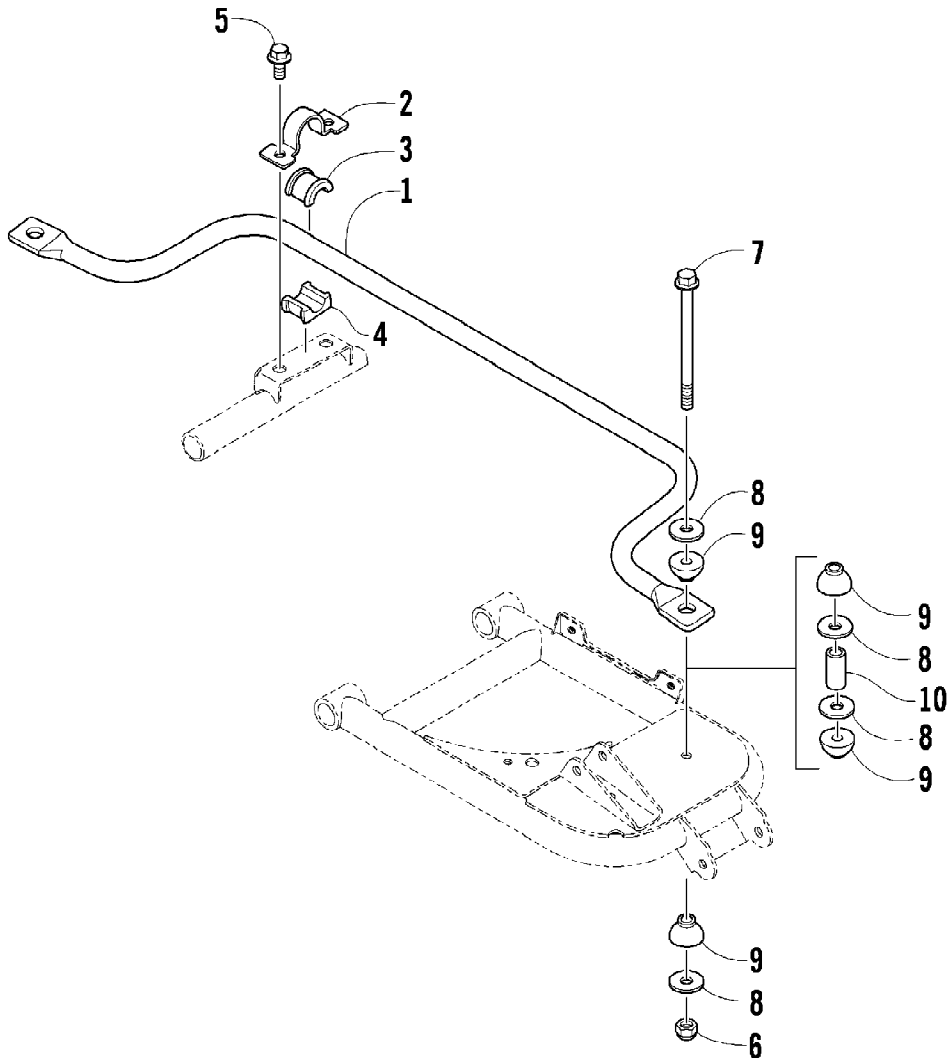
2009 PROWLER 1000 XTZ 4X4 BAJA METALLIC CAT GREEN (U2009P4W4EBA) Page 70 of 86
STARTER CLUTCH ASSEMBLY

Ref #	Part Number	Qty	S/P/F	Description
1	0815-026	1		Gear, Starter Idler - No. 1
2	0829-031	1	/P	Shaft, Starter Gear
3	0815-002	1		Gear, Starter Idler - No. 2
4	0815-003	1		Spacer, Starter Idler Gear No. 2
5	0829-032	1	/P	Shaft, Starter Gear
6	0815-004	1		Gear, Starter Clutch (inc. 7)
7	0832-079	1	/P	Bearing
8	0802-035	1		Clutch, Starter
9	0826-069	6		Screw, Machine
10	0828-113	1		Washer, Wave



2009 PROWLER 1000 XTZ 4X4 BAJA METALLIC CAT GREEN (U2009P4W4EB) Page 72 of 86
 STEERING ASSEMBLY

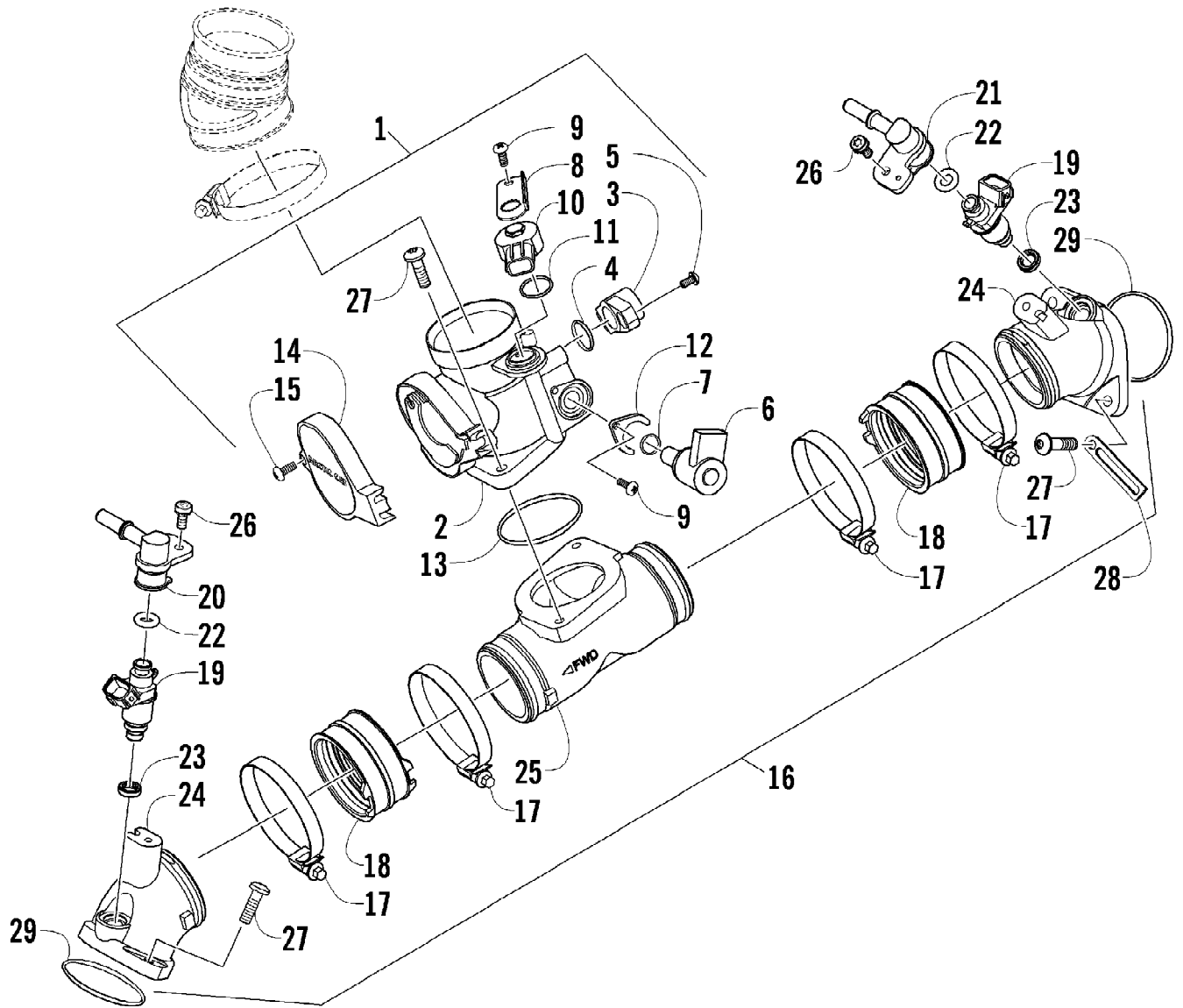
Ref #	Part Number	Qty	S/P/F	Description
1	0505-603	1	/P	Wheel, Steering - Assembly (inc. 2-3)
2	0505-574	1		Cap, Steering Wheel (inc. 3)
3	1411-953	1		Decal, Steering Wheel
4	0423-884	1		Nut
5	1602-467	1		Clip, Hairpin
6	0828-071	2		Washer
7	0423-558	2		Washer
8	0405-155	2		Bushing
9	0405-321	1	/P	Shaft, Upper Steering
10	0423-655	2		Screw, Cap
11	0405-156	1		Shaft, Lower Steering - Assembly
12	0405-344	1	S	Housing, Rack and Pinion
13	8409-050	2		Screw, Cap
14	0623-728	2		Washer
15	8424-002	2		Nut
16	0405-340	2	S	End, Tie Rod
17	0423-072	2		Nut
18	0623-175	2		Pin, Cotter



2009 PROWLER 1000 XTZ 4X4 BAJA METALLIC CAT GREEN (U2009P4W4EB) 74 of 86
SWAY BAR ASSEMBLY

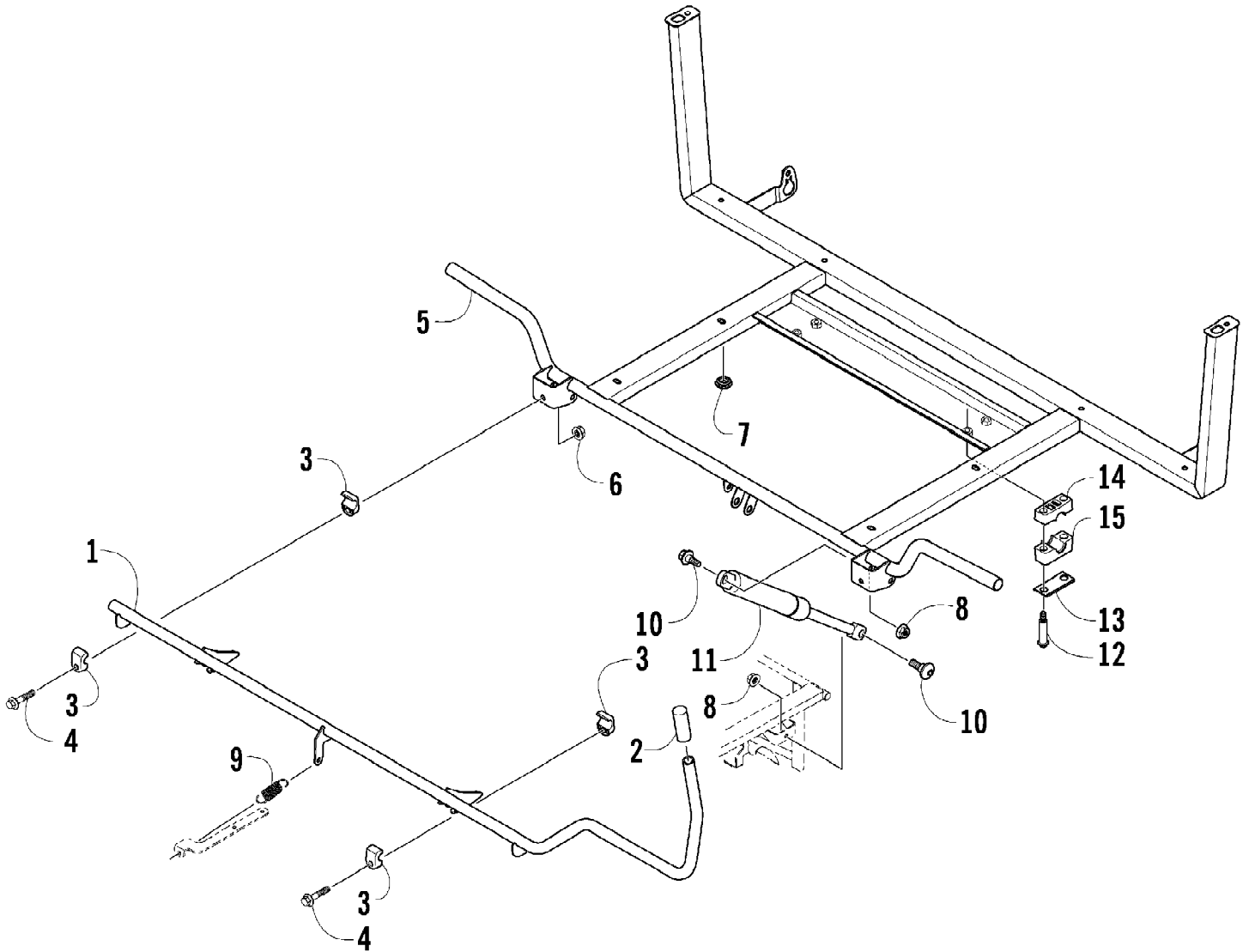
Ref #	Part Number	Qty	S/P/F	Description
1	0404-110	1		Bar, Sway
2	0404-135	2		Clamp, Sway Bar Bushing
3	0404-094	2		Bushing, Sway Bar - Upper
4	0404-095	2		Bushing, Sway Bar - Lower
5	8409-016	4		Screw, Cap
6	8422-002	2		Nut, Lock
7	0423-335	2		Screw, Cap
8	0423-073	8		Washer
9	1402-434	8		Bushing
10	0423-620	2		Spacer

2009 PROWLER 1000 XTZ 4X4 BAJA METALLIC CAT GREEN (U2009P4W4E) 75 of 86
THROTTLE BODY ASSEMBLY



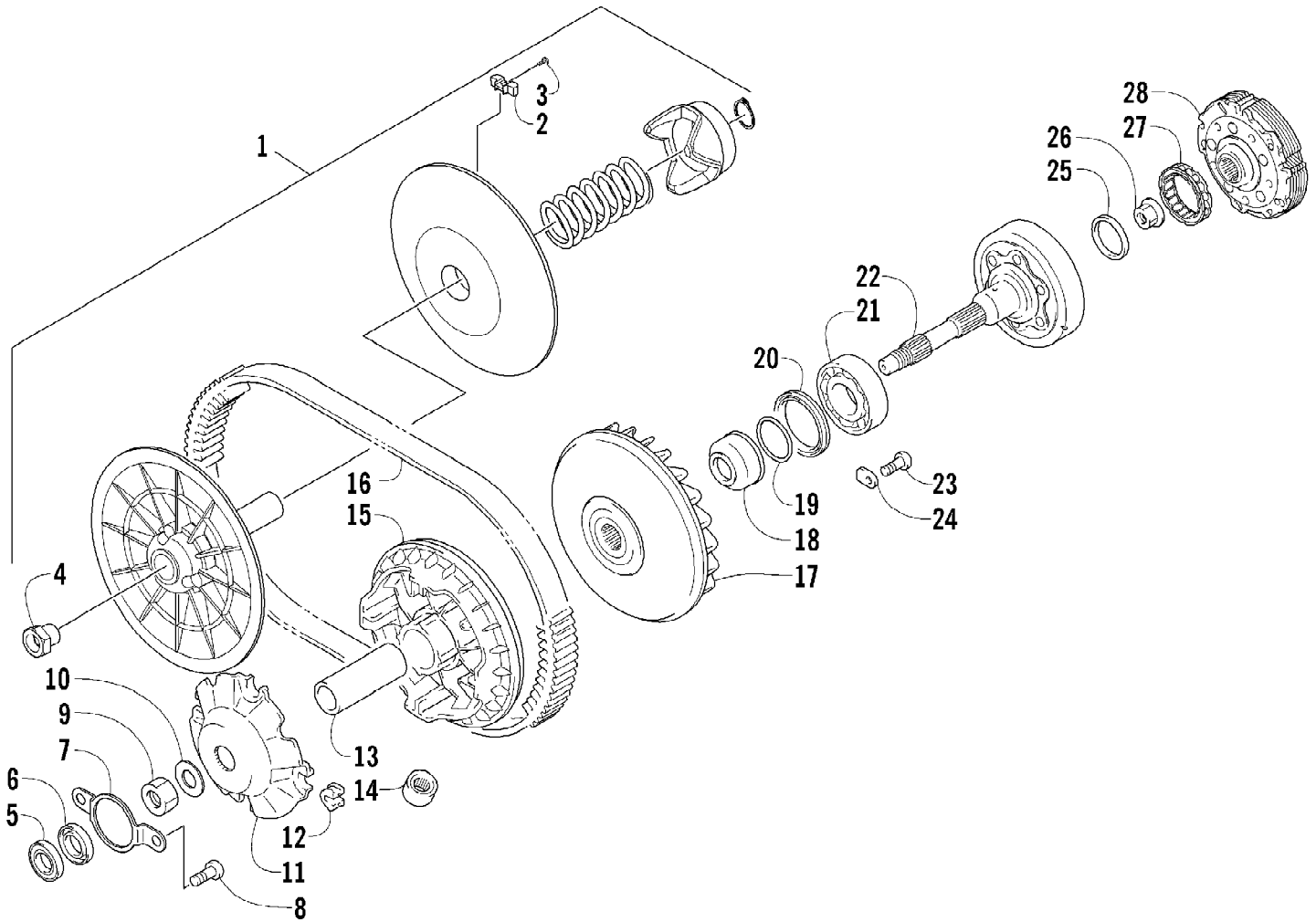
2009 PROWLER 1000 XTZ 4X4 BAJA METALLIC CAT GREEN (U2009P4W4E) Page 76 of 86
 THROTTLE BODY ASSEMBLY

Ref #	Part Number	Qty	S/P/F	Description
1	0470-686	1		Throttle - Assembly (inc. 2-15)
2	0	1	F	Throttle Body
3	0430-072	1		Sensor, Throttle Position
4	5507-234	1		O-Ring, Throttle Position Sensor
5	5507-231	1		Screw, Machine
6	0430-074	1		Valve, ISC
7	5507-233	1		O-Ring, ISC Valve
8	5507-227	1		Bracket, MAP Sensor
9	5507-117	2	/P	Screw, Machine
10	0430-073	1		Sensor, MAP
11	5507-232	1		O-Ring, MAP Sensor
12	5507-229	1		Plate, ISC Valve
13	5507-235	1		O-Ring
14	5507-223	1		Cover
15	5507-037	1	/P	Screw, Machine
16	0570-230	1		Manifold, Intake - Assembly (inc. 17-26)
17	0423-066	4		Clamp
18	0470-660	2		Boot, Intake - Manifold
19	0470-688	2		Injector, Fuel
20	0470-763	1		Rail, Fuel - Front Cylinder
21	0470-764	1		Rail, Fuel - Rear Cylinder
22	0470-767	2		O-Ring, Fuel Injector
23	0470-768	2		Ring, Seal - Fuel Injector
24	0570-140	2		Manifold, Intake
25	0570-156	1		Plenum, Intake
26	0423-371	2		Screw, Machine
27	0826-008	6		Screw, Machine
28	3002-964	1	/P	Clamp, Wire
29	0830-090	2		O-Ring



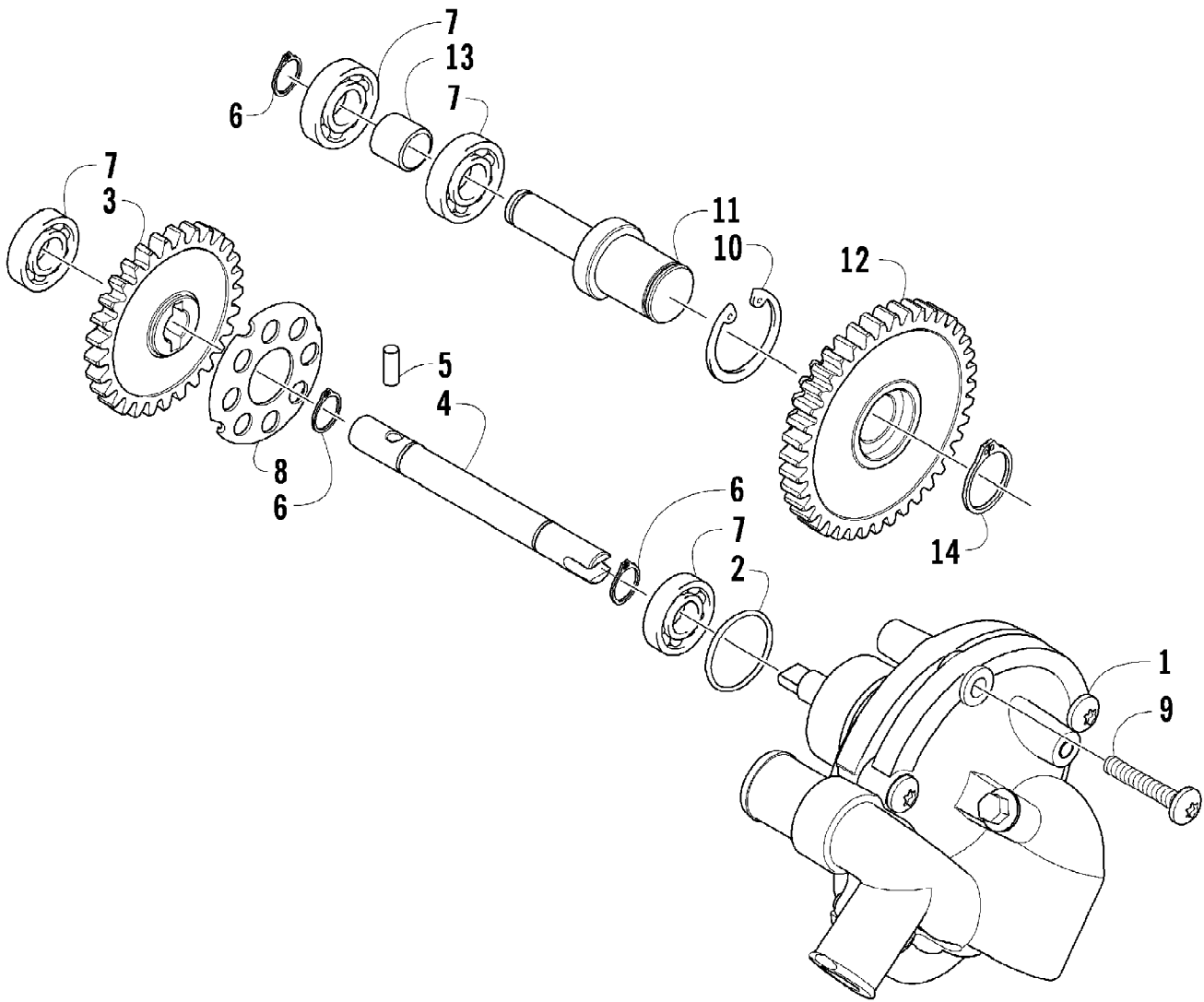
2009 PROWLER 1000 XTZ 4X4 BAJA METALLIC CAT GREEN (U2009P4W4EBA) Page 78 of 86
TILT FRAME ASSEMBLY

Ref #	Part Number	Qty	S/P/F	Description
1	2506-919	1		Rod, Cargo Box Latch
2	1406-736	1		Grip, Latch Rod
3	1406-674	4		Bushing, Pivot
4	8408-840	2		Screw, Cap
5	2516-334	1		Frame, Box
6	8427-802	2		Nut, Lock
7	0423-628	4		Grommet
8	8427-602	2		Nut, Lock
9	2416-086	1		Spring
10	0423-356	2		Screw, Shoulder
11	2506-194	1		Support, Lift
12	0423-505	4		Screw, Shoulder
13	0405-166	2		Cap, Housing
14	0405-138	2		Housing, Lower
15	0405-139	2		Housing, Upper



2009 PROWLER 1000 XTZ 4X4 BAJA METALLIC CAT GREEN (U2009P4W4E) Page 80 of 86
 TRANSMISSION ASSEMBLY

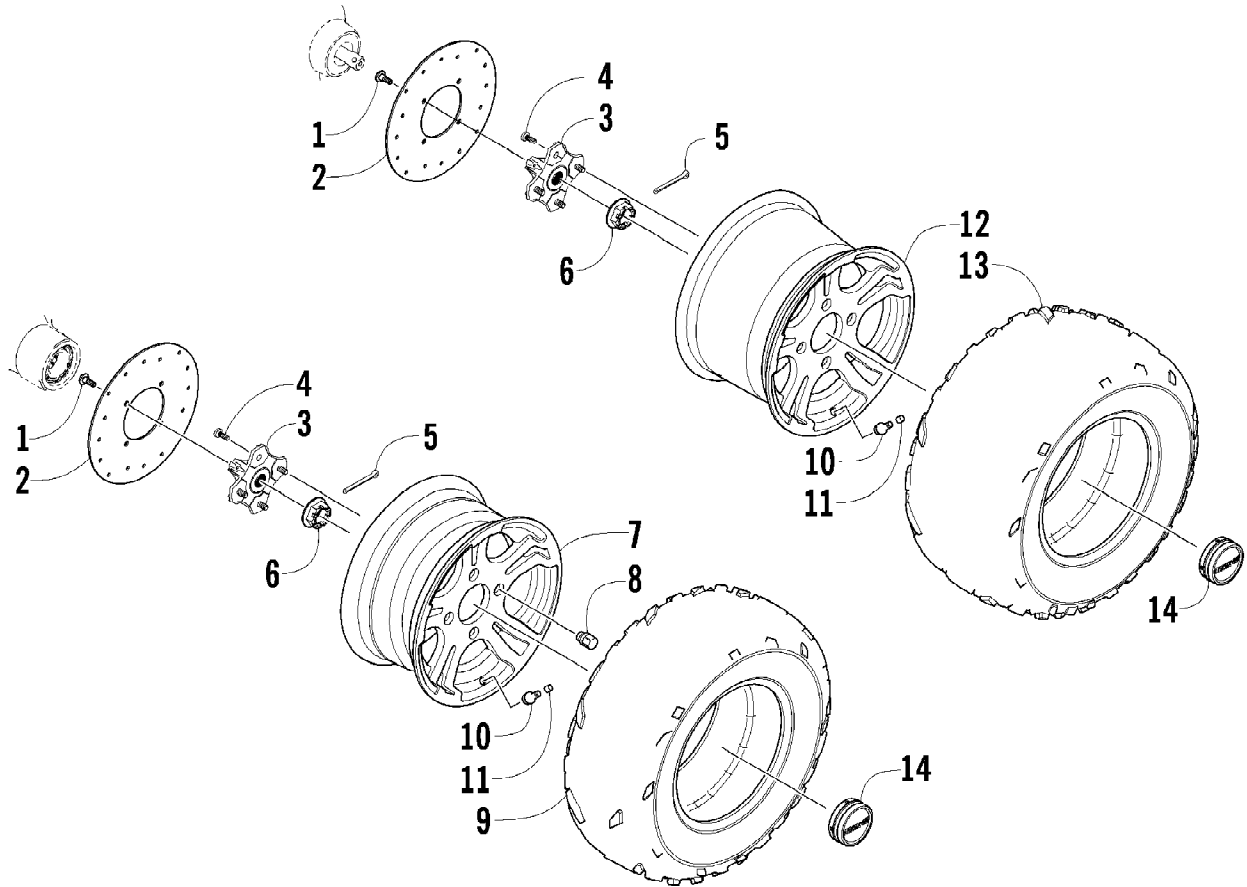
Ref #	Part Number	Qty	S/P/F	Description
1	0823-157	1	S/P	Pulley, Driven - Assembly (inc. 2-4)
2	0823-176	3	/P	Shoe, Cam
3	0823-177	3		Screw, Machine
4	0823-178	1		Nut, Driven Pulley
5	0832-010	1		Bearing
6	0830-176	1	/P	Seal
7	0823-020	1		Retainer, Bearing
8	0826-031	2		Screw, Machine
9	0827-010	1		Nut
10	0828-106	1		Washer
11	0823-008	1		Plate, Movable Drive Face
12	0823-010	4		Damper, Movable Drive Face
13	0823-265	1		Spacer, Movable Drive Face
14	0823-170	8	/P	Roller, Movable Drive Face
15	0823-159	1		Face, Movable Drive
16	0823-231	1		Belt, Drive
17	0823-156	1	/P	Face, Fixed Drive
18	0823-015	1		Spacer, Fixed Drive Face
19	0470-531	1		O-Ring
20	0830-188	1	/P	Seal, Clutch Housing - Right
21	0832-047	1	S	Bearing
22	0823-096	1	S	Housing, Clutch
23	0826-029	2		Screw, Machine
24	0822-010	2	/P	Retainer, Bearing
25	0830-189	1	/P	Seal, Clutch Housing - Left
26	0827-011	1		Nut
27	0823-018	1		Clutch, One-Way
28	0823-098	1	S	Clutch, Centrifugal - 6 Plate



2009 PROWLER 1000 XTZ 4X4 BAJA METALLIC CAT GREEN (U2009P4W4E) 82 of 86
 WATER PUMP ASSEMBLY

Ref #	Part Number	Qty	S/P/F	Description
1	0813-036	1	S	Pump, Water - Assembly (inc. 2)
2	0830-029	1		O-Ring
3	0813-029	1		Gear, Driven
4	0813-030	1		Shaft, Driven Gear
5	0829-009	1		Pin, Dowel
6	0831-002	3		Ring, Retaining
7	0832-046	4	/P	Bearing
8	0801-089	1		Disc, Breather
9	8468-650	2		Screw, Machine
10	0831-004	1		Ring, Retaining
11	0813-026	1		Shaft, Water Pump Idler Gear
12	0813-027	1		Gear, Idler - Water Pump - Drive
13	0813-028	1		Spacer, Idler - Water Pump
14	0831-040	1		Ring, Retaining

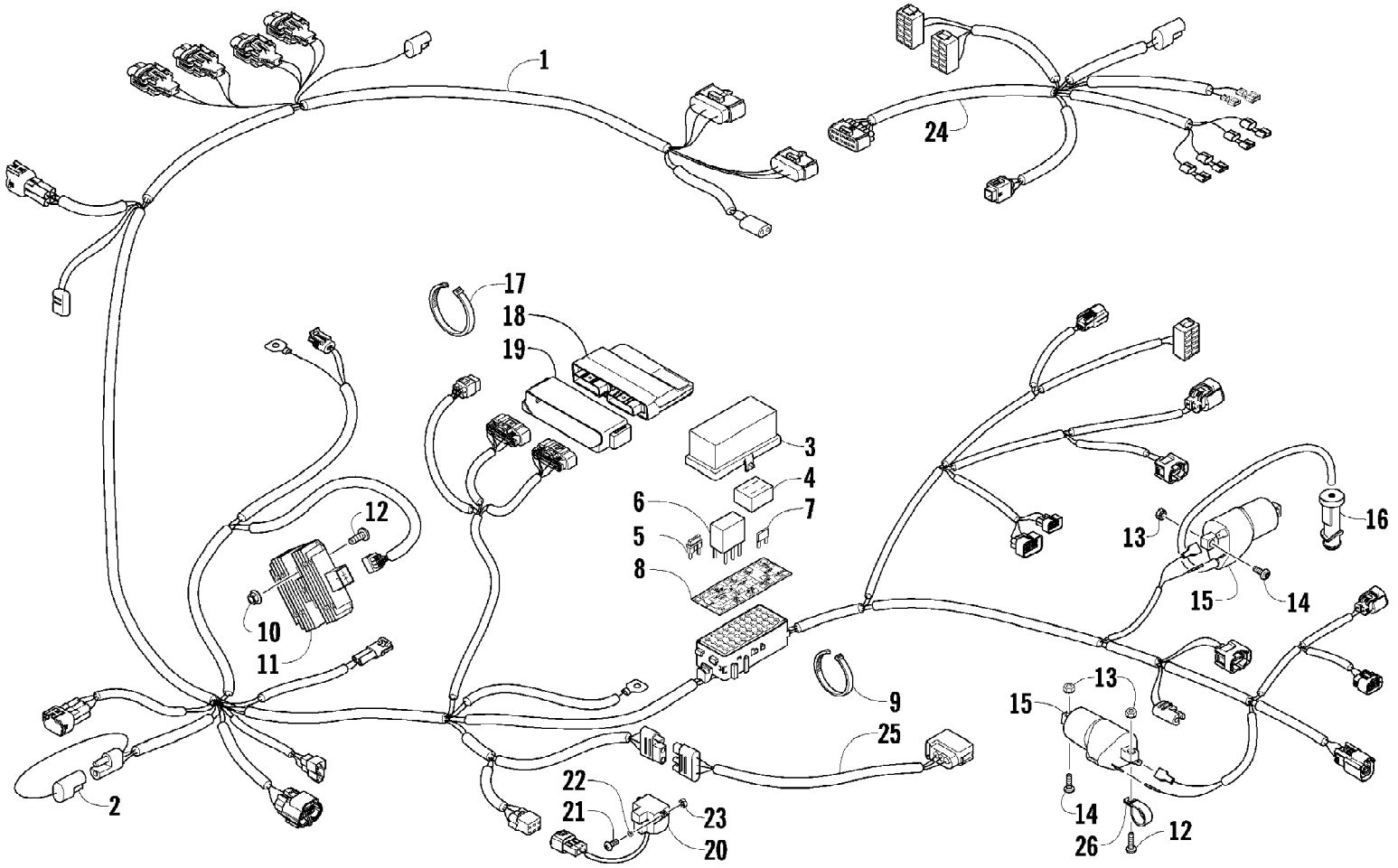
2009 PROWLER 1000 XTZ 4X4 BAJA METALLIC CAT GREEN (U2009P4W4EBA) 83 of 86
WHEEL AND TIRE ASSEMBLY



2009 PROWLER 1000 XTZ 4X4 BAJA METALLIC CAT GREEN (U2009P4W4E) 84 of 86
 WHEEL AND TIRE ASSEMBLY

Ref #	Part Number	Qty	S/P/F	Description
1	0423-557	16		Screw, Shoulder
2	1402-455	2	S	Disc, Brake - Front
2	1436-164	2	/P	Disc, Brake - Rear
3	1502-433	2	/P	Hub, Wheel - Front (inc. 4)
3	1502-437	2		Hub, Wheel - Rear (inc. 4)
4	0402-974	16	/P	Stud, Wheel Hub
5	0423-407	4		Pin, Cotter
6	0423-607	4		Nut, Castle
7	1402-732	2		Wheel - Front
8	0423-618	16		Nut, Lug
9	1402-790	2		Tire - Front
10	0402-064	4		Stem, Valve (inc. 11)
11	0402-140	4		Cap, Valve Stem
12	1402-733	2	S	Wheel - Rear
13	1402-791	2		Tire - Rear
14	1402-736	4		Cap, Wheel

2009 PROWLER 1000 XTZ 4X4 BAJA METALLIC CAT GREEN (U2009P4W4E) 85 of 86
WIRING HARNESS ASSEMBLY



2009 PROWLER 1000 XTZ 4X4 BAJA METALLIC CAT GREEN (U2009P4W4E) Page 86 of 86
WIRING HARNESS ASSEMBLY

Ref #	Part Number	Qty	S/P/F	Description
1	0486-273	1		Harness, Main (inc. 2-8)
2	0486-164	1		Tether, Accessory Connector
3	0530-008	1		Cover, Fuse Block
4	0430-037	1		Holder, Fuse
5	0430-034	1		Diode
6	0430-045	5	/P	Relay (4-Pin) - 20 Amp
7	0430-032	5		Fuse - 10 Amp
7	0430-031	3		Fuse - 15 Amp
7	0430-030	2		Fuse - 30 Amp
8	1411-526	1		Decal, Fuse Block
9	0123-788	AR	/P	Tie, Cable - 8 in.
10	8424-602	2	/P	Nut
11	0824-037	1	/P	Regulator, Voltage
12	8476-625	3		Screw, Machine
13	0623-038	6		Nut w/Washer
14	8476-620	3		Screw, Machine
15	0824-043	2		Coil, Ignition - Assembly
16	0824-049	2	/P	Cap, Spark Plug
17	0123-903	AR		Tie, Cable - 11.5 in.
18	0530-025	1		ECU
19	0430-059	1		Cushion, ECU
20	0409-064	1		Switch, Tilt Sensor
21	8468-425	2		Screw, Machine
22	0123-802	2		Washer
23	0423-493	2		Nut w/Washer
24	0486-290	1		Harness, Console
25	0486-176	1		Harness, Adapter - Taillight
26	0123-269	1		Clamp, Routing