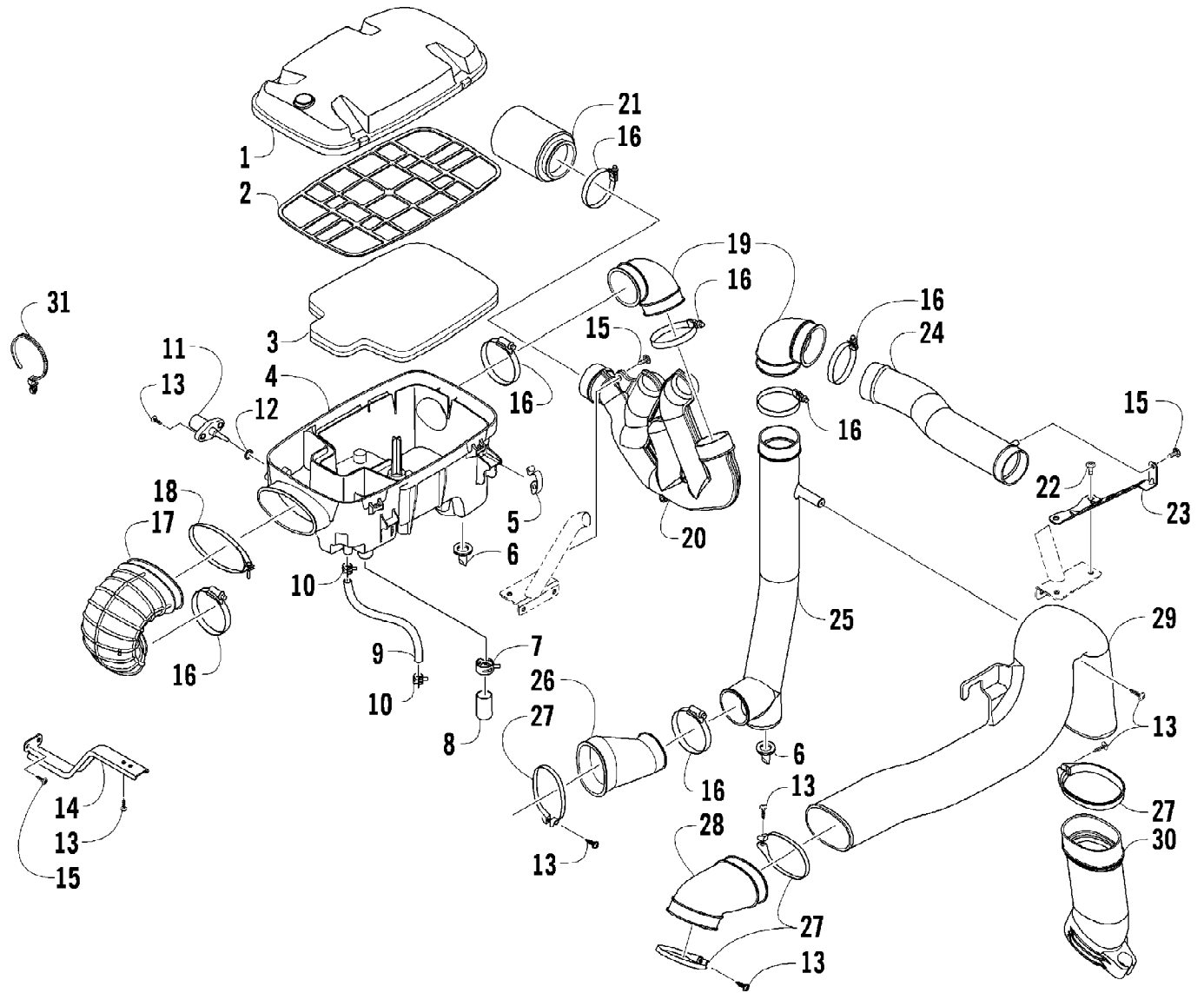


2009 PROWLER 550 4X4 FLATBED GREEN (U2009P1O4BUSG)
ACCELERATOR ASSEMBLY

Page 2 of 77

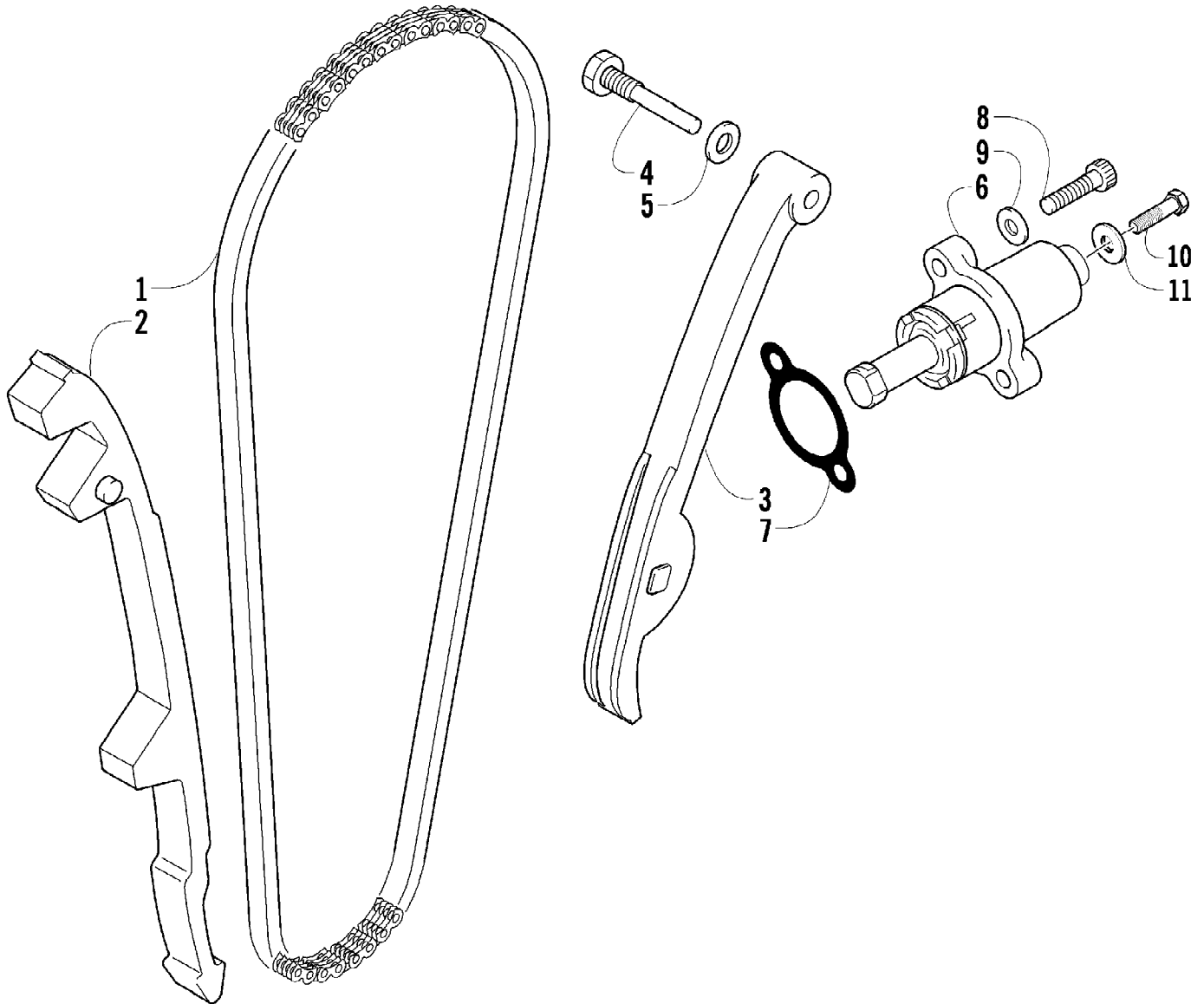
Ref #	Part Number	Qty	S/P/F	Description
1	1502-621	1		Pedal, Accelerator
2	0470-851	1		Spring
3	0402-872	1		Axle
4	1602-213	2	/P	O-Ring
5	8422-002	1		Nut, Lock
6	8476-625	2		Screw, Machine
7	0502-991	1		Bracket, Accelerator Pedal
8	8427-602	2		Nut, Lock
9	0487-066	1		Cable, Accelerator
10	8422-502	4		Nut, Lock
11	1502-322	1		Pad, Accelerator Pedal
12	8474-516	4		Screw, Machine



2009 PROWLER 550 4X4 FLATBED GREEN (U2009P1O4BUSG)
AIR INTAKE ASSEMBLY

Page 4 of 77

Ref #	Part Number	Qty	S/P/F	Description
1	0470-850	1	S	Cover, Air Intake
2	0470-560	1		Screen, Air Filter
3	0470-558	1		Filter, Air
4	0470-728	1		Housing, Air Intake
5	0423-455	4		Clip, Spring
6	0470-442	AR	/P	Valve, Drain
7	1623-287	1		Clamp, Hose
8	0423-766	1		Cap, Drain
9	0410-172	1	/P	Hose, Vent - Crankcase
10	0423-045	2		Clamp, Hose
11	0430-055	1		Sensor, Air Temperature (inc. 12)
12	5507-224	1		O-Ring
13	0423-342	9	/P	Screw, Self-Tapping
14	2506-651	1		Bracket, Support
15	0623-784	3		Screw, Self-Tapping
16	0423-019	7		Clamp, Hose
17	0470-511	1		Boot, Intake
18	0423-554	1		Clamp, Boot
19	0413-098	2		Boot, Air-In
20	0513-028	1		Duct, Air-In
21	0470-834	1		Filter, Intake
22	8476-616	2		Screw, Machine
23	2516-156	1		Bracket, Support
24	0413-219	1		Duct, Intake
25	0413-218	1		Duct, Intake - Lower
26	0413-049	1		Boot, Duct
27	0423-550	4		Clamp
28	0413-109	1		Boot, Air-Out - Clutch
29	0413-220	1		Duct, Air-Out - Clutch
30	0413-226	1		Duct, Air-Out - Lower
31	0423-075	2		Tie, Cable - Push-Mount



2009 PROWLER 550 4X4 FLATBED GREEN (U2009P1O4BUSG)
CAM CHAIN ASSEMBLY

Page 6 of 77

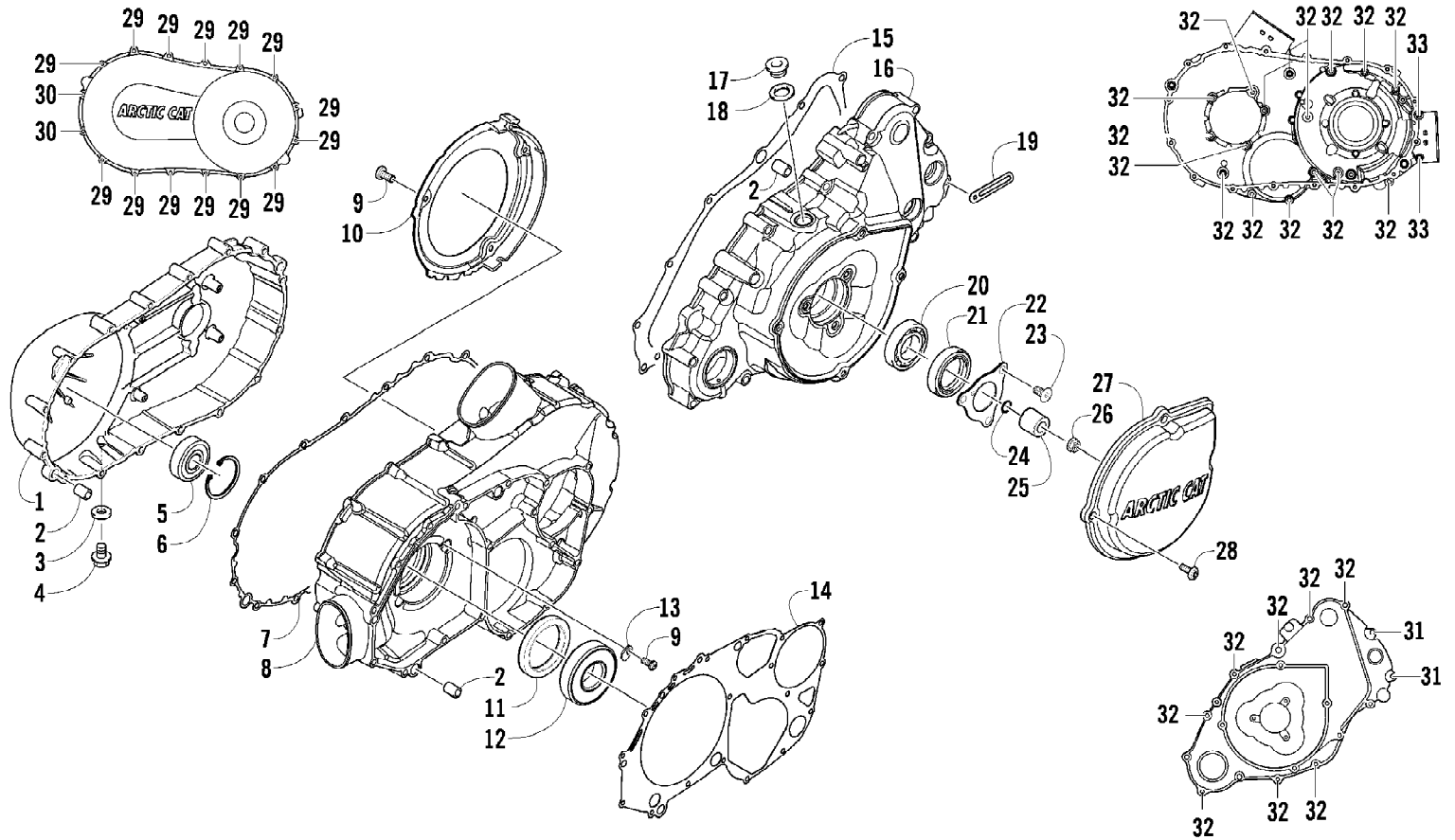
Ref #	Part Number	Qty	S/P/F	Description
1	0810-001	1		Chain, Cam
2	0810-002	1		Guide, Chain
3	0810-003	1		Tensioner, Chain
4	0826-036	1		Pivot, Tensioner
5	0830-025	1		Washer, Crush
6	0810-004	1		Adjuster, Tensioner - Assembly
7	0830-018	1		Gasket
8	8468-625	2		Screw, Machine
9	0830-107	2		Gasket
10	8400-610	1		Screw, Cap
11	0828-129	1		Washer

2009 PROWLER 550 4X4 FLATBED GREEN (U2009P1O4BUSG)
CANOPY AND TAILLIGHT ASSEMBLY

Page 8 of 77

Ref #	Part Number	Qty	S/P/F	Description
1	1506-680	1		Tube, Canopy - Rear
2	1506-713	1		Support, Canopy
3	0423-361	8		Screw, Machine
4	2516-163	1		Tube, Canopy - Front
5	0423-817	8		Screw, Machine
6	1506-795	2		Pad, Headrest - Assembly (inc. 7-9)
7	1406-884	2		Pad, Headrest
8	1506-722	2		Mount, Headrest
9	0623-544	10		Clip, Retaining
10	0423-419	18		Screw, Machine
11	2406-069	1		Bracket, Taillight Mounting
12	0623-301	2	/P	Screw, Self-Tapping
13	0509-022	1		Taillight Assembly (inc. 14-16)
14	0509-025	1		Housing, Taillight
15	0409-056	1		Bulb, Taillight
16	0409-057	1		Socket, Taillight
17	1411-864	2		Decal, Warning - Canopy
18	0423-905	2		Plug

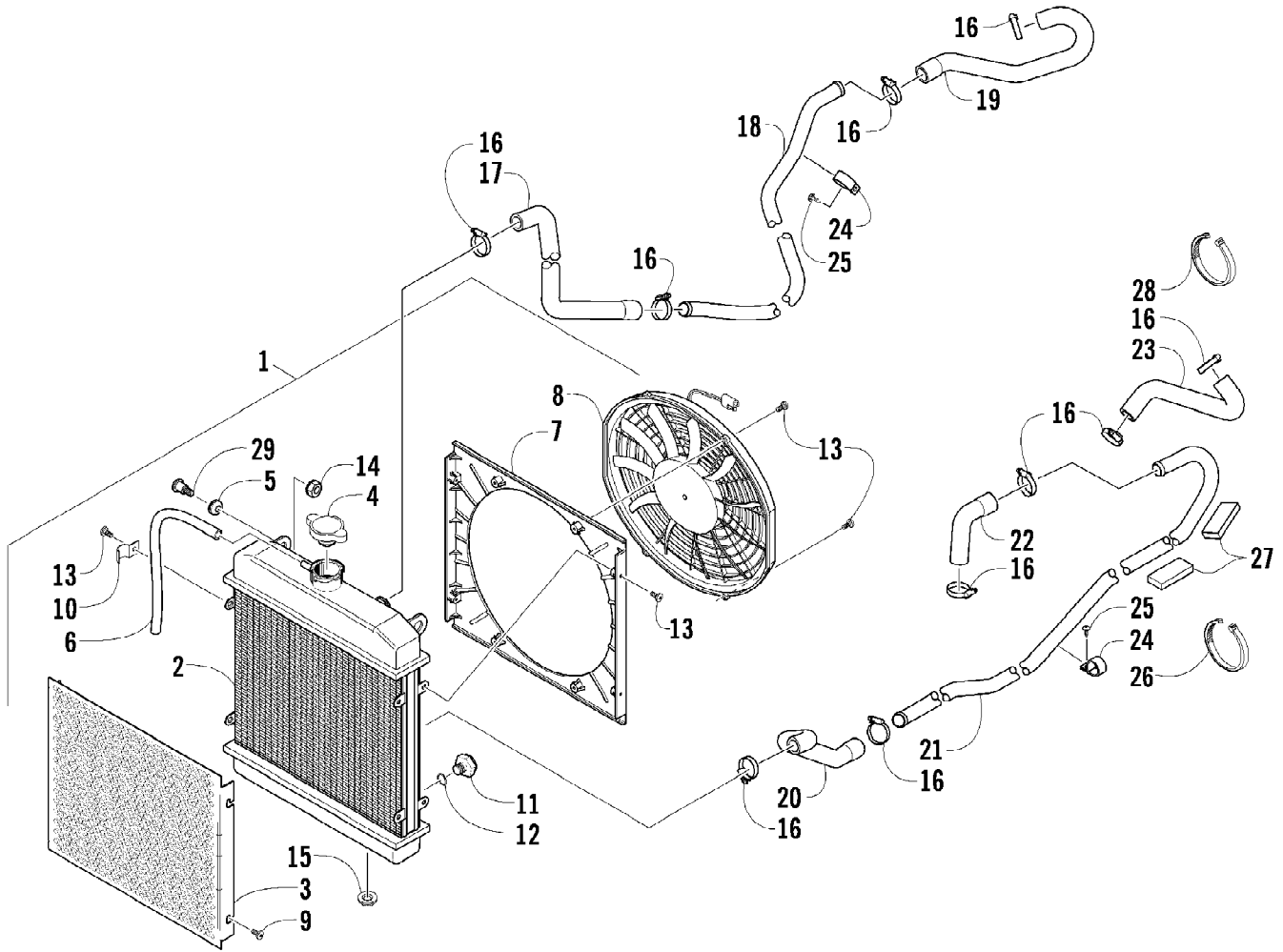
2009 PROWLER 550 4X4 FLATBED GREEN (U2009P1O4BUSG)
CLUTCH/V-BELT/MAGNETO COVER ASSEMBLY



2009 PROWLER 550 4X4 FLATBED GREEN (U2009P1O4BUSG)
CLUTCH/V-BELT/MAGNETO COVER ASSEMBLY

Page 10 of 77

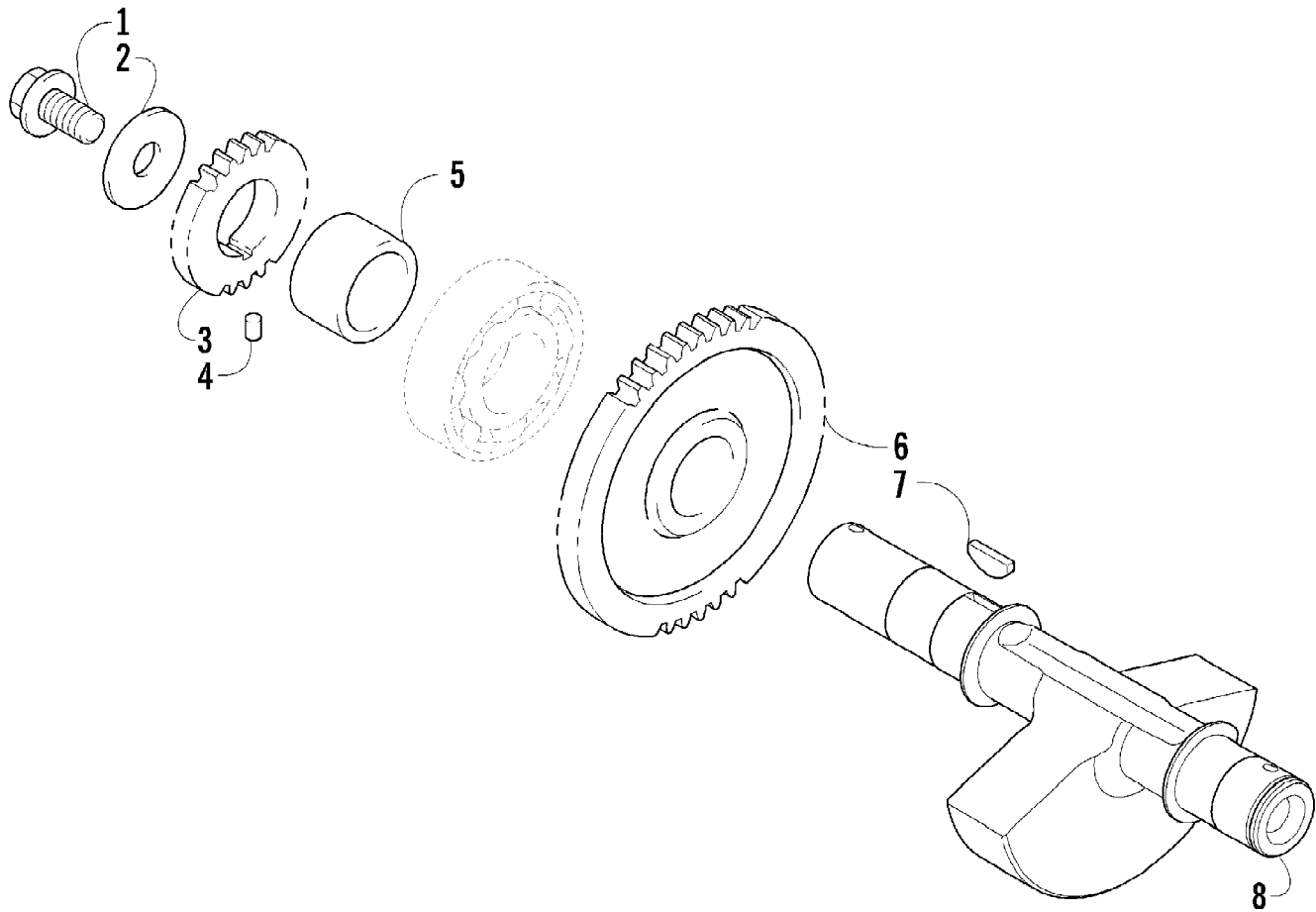
Ref #	Part Number	Qty	S/P/F	Description
1	0806-088	1	/P	Cover, V-Belt
2	0829-002	6		Pin, Dowel
3	0830-013	1		Washer, Crush
4	8408-812	1		Screw, Cap
5	0832-060	1		Bearing
6	0831-078	1		Ring, Retaining
7	0830-174	1	/P	Gasket, V-Belt Cover
8	0806-091	1		Cover, Clutch
9	0826-029	5		Screw, Machine
10	0806-048	1		Plate, Air Intake
11	0830-188	1	/P	Seal
12	0832-047	1	S	Bearing
13	0822-010	2	/P	Retainer, Bearing
14	0830-116	1	/P	Gasket, Clutch Cover
15	0830-128	1		Gasket, Magneto Cover
16	0806-082	1	/P	Cover, Magneto - Assembly
17	0806-022	1		Plug
18	0830-015	1		Washer, Crush
19	3002-964	1	/P	Clamp, Wire
20	0832-045	1	S	Bearing
21	0830-158	1		Seal
22	0805-008	1		Retainer, Seal
23	0826-031	3		Screw, Machine
24	0830-108	1		O-Ring
25	0820-061	1		Bushing
26	0827-008	1		Nut
27	0820-062	1		Cover, Magneto
28	8468-616	4		Screw, Machine
29	8468-645	14		Screw, Machine
30	8468-655	2		Screw, Machine
31	8468-625	2		Screw, Machine
32	8468-640	24		Screw, Machine
33	8468-675	2		Screw, Machine



2009 PROWLER 550 4X4 FLATBED GREEN (U2009P1O4BUSG)
COOLING ASSEMBLY

Page 12 of 77

Ref #	Part Number	Qty	S/P/F	Description
1	0413-199	1	S	Radiator - Assembly (inc. 2-13)
2	0413-205	1		Radiator
3	0413-007	1		Screen, Radiator
4	0413-002	1	S	Cap, Radiator
5	0423-030	2		Grommet
6	0610-016	AR	/P	Hose - 25 ft
6	0610-015	AR	/P	Hose - 100 ft
7	0413-203	1		Shroud, Fan
8	0413-123	1	/P	Fan, Cooling
9	8475-512	4		Screw, Machine
10	0423-351	1		Clamp, Wire
11	0413-195	1		Plug, Drain
12	1602-213	1	/P	O-Ring
13	0623-378	8		Screw, Self-Tapping
14	0623-038	2		Nut w/Washer
15	0423-028	2		Bushing, Stem
16	0423-496	10		Clamp, Hose
17	0410-092	1		Hose, Coolant - Upper Radiator
18	0410-089	1		Pipe, Coolant - Upper
19	0410-091	1		Hose, Coolant - Upper Engine
20	0410-094	1		Hose, Coolant - Lower Radiator
21	0410-090	1		Pipe, Coolant - Lower
22	0410-093	1		Hose, Coolant - Lower Engine
23	0410-095	1		Hose, Coolant - Rear
24	0423-594	2		Clamp, Pipe - Coolant
25	0623-784	2		Screw, Self-Tapping
26	0123-903	AR		Cable Tie - 11.5 in.
27	0406-288	2		Pad
28	0623-751	AR		Tie, Cable - Reusable
29	0423-484	2		Screw, Shoulder

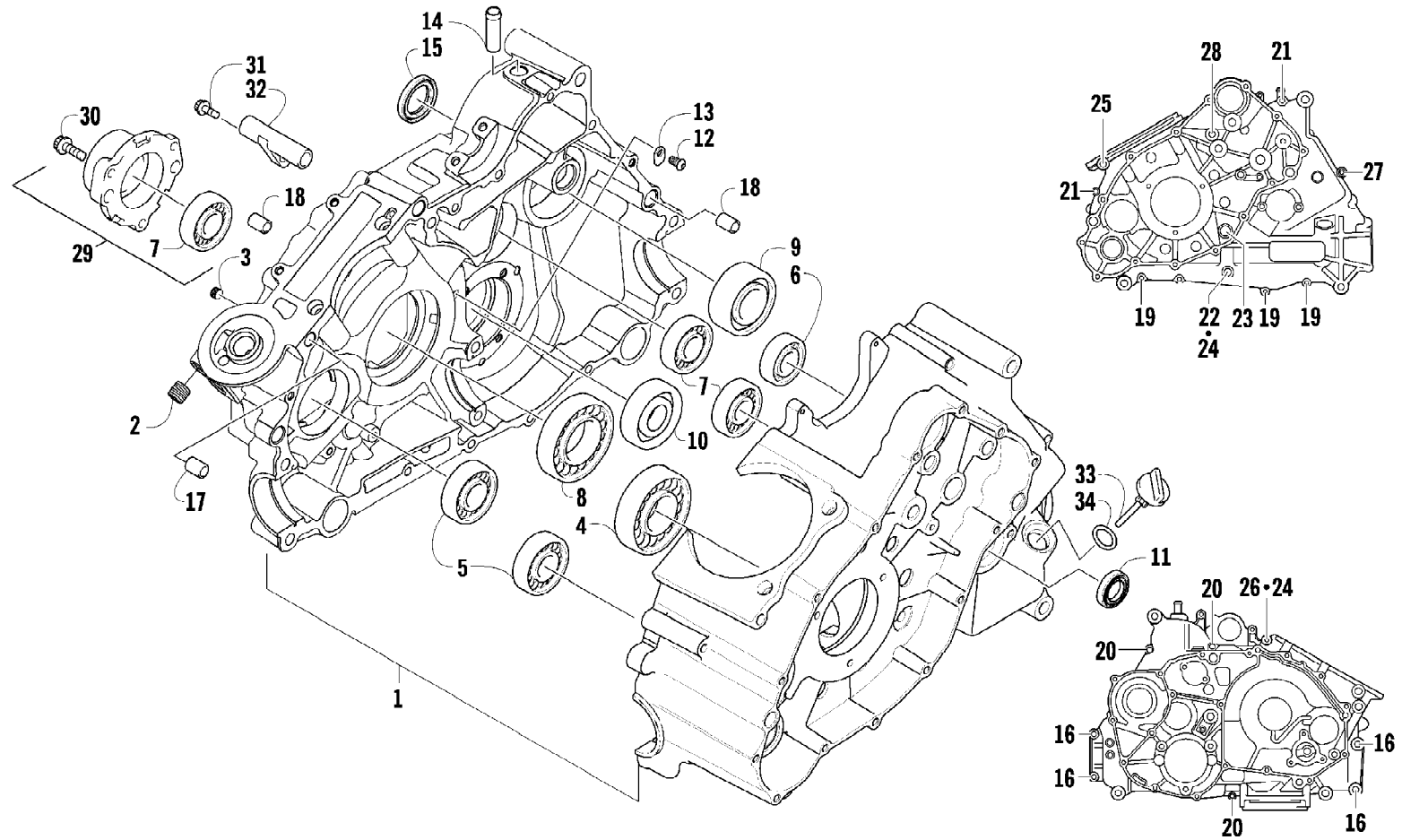


2009 PROWLER 550 4X4 FLATBED GREEN (U2009P1O4BUSG)
CRANK BALANCER ASSEMBLY

Page 14 of 77

Ref #	Part Number	Qty	S/P/F	Description
1	0826-033	1		Screw, Cap
2	0828-003	1		Washer
3	0811-003	1		Gear, Oil Pump Drive
4	0829-007	1		Pin, Dowel
5	0811-004	1		Spacer
6	0811-002	1		Gear, Driven
7	0829-006	1		Key
8	0811-017	1		Balancer, Crank

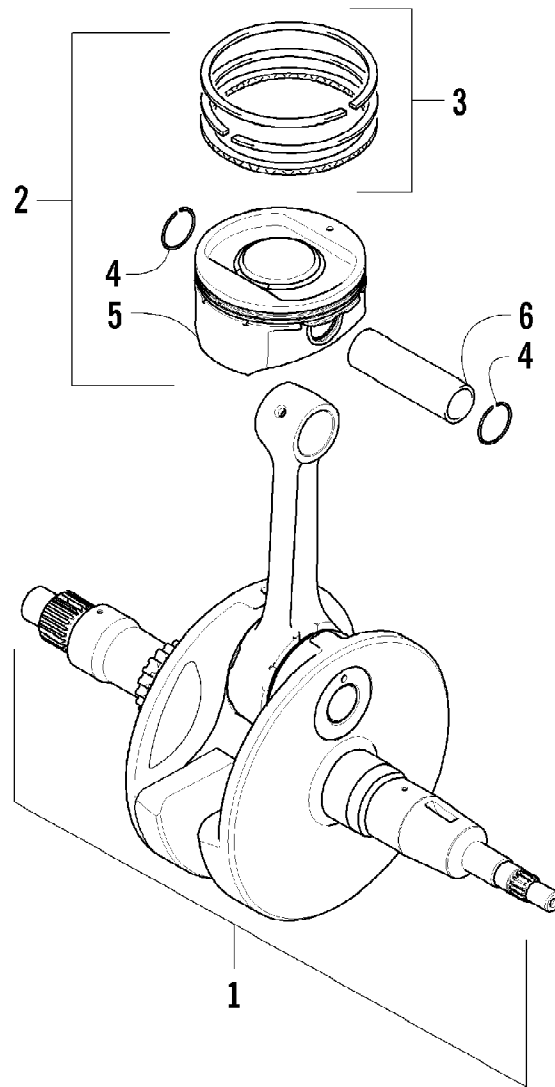
2009 PROWLER 550 4X4 FLATBED GREEN (U2009P1O4BUSG)
CRANKCASE ASSEMBLY



2009 PROWLER 550 4X4 FLATBED GREEN (U2009P1O4BUSG)
CRANKCASE ASSEMBLY

Page 16 of 77

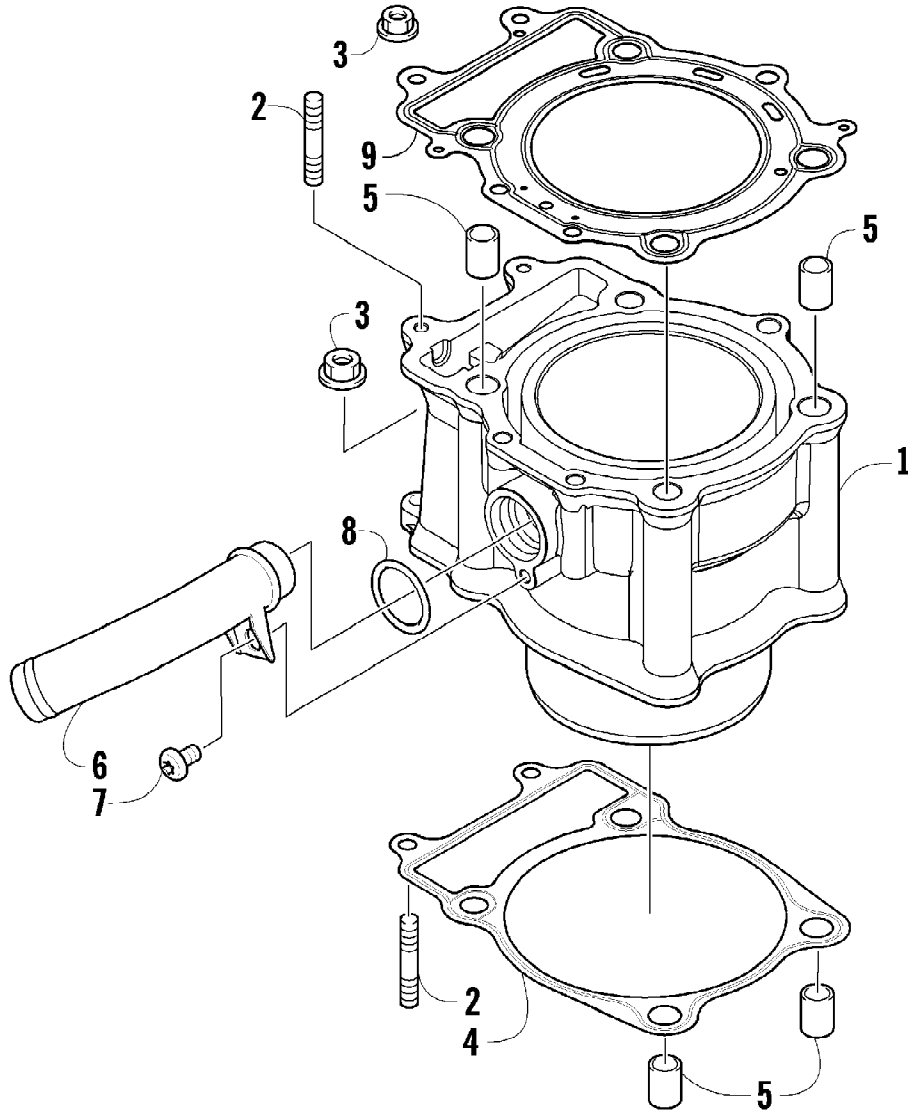
Ref #	Part Number	Qty	S/P/F	Description
1	0801-153	1	S	Crankcase Assembly (inc. 2-15)
2	0812-064	2		Plug
3	0801-002	1		Plug
4	0832-043	1	/P	Bearing
5	0832-044	2	/P	Bearing
6	0832-049	1	/P	Bearing
7	0832-050	3	/P	Bearing
8	0832-042	1	/P	Bearing
9	0832-048	1	/P	Bearing
10	0832-015	1	S/P	Bearing
11	0822-052	1		Seal, Countershaft
12	0826-100	4		Screw, Machine
13	0822-010	4	/P	Retainer, Bearing
14	0801-028	1		Pipe, Breather
15	0830-035	1		Seal, Driveshaft
16	8412-850	4		Screw, Cap
17	0829-003	1		Pin, Dowel
18	0829-002	5		Pin, Dowel
19	8468-645	3		Screw, Machine
20	8468-655	3		Screw, Machine
21	8468-675	2		Screw, Machine
22	8412-860	1		Screw, Cap
23	0826-017	1		Screw, Cap
24	0830-008	2		Gasket
25	0826-019	1		Screw, Cap
26	0826-018	1		Screw, Cap
27	8468-695	1		Screw, Machine
28	8468-680	1		Screw, Machine
29	0801-029	1		Housing, Secondary Shaft (inc. one No. 7)
30	0826-105	3		Screw, Cap
31	0826-038	1		Screw, Cap
32	0801-069	1		Pipe, Breather
33	0801-073	1		Stick, Oil Level (inc. 34)
34	0830-010	1		O-Ring



2009 PROWLER 550 4X4 FLATBED GREEN (U2009P1O4BUSG)
CRANKSHAFT AND PISTON ASSEMBLY

Page 18 of 77

Ref #	Part Number	Qty	S/P/F	Description
1	0805-073	1	S	Crankshaft Assembly
2	0805-064	1		Piston Set (inc. 3-6)
3	0805-065	1		Ring, Piston - Set
4	0831-001	2		Circlip, Piston Pin
5	0	1	F	Piston
6	0805-012	1		Pin, Piston

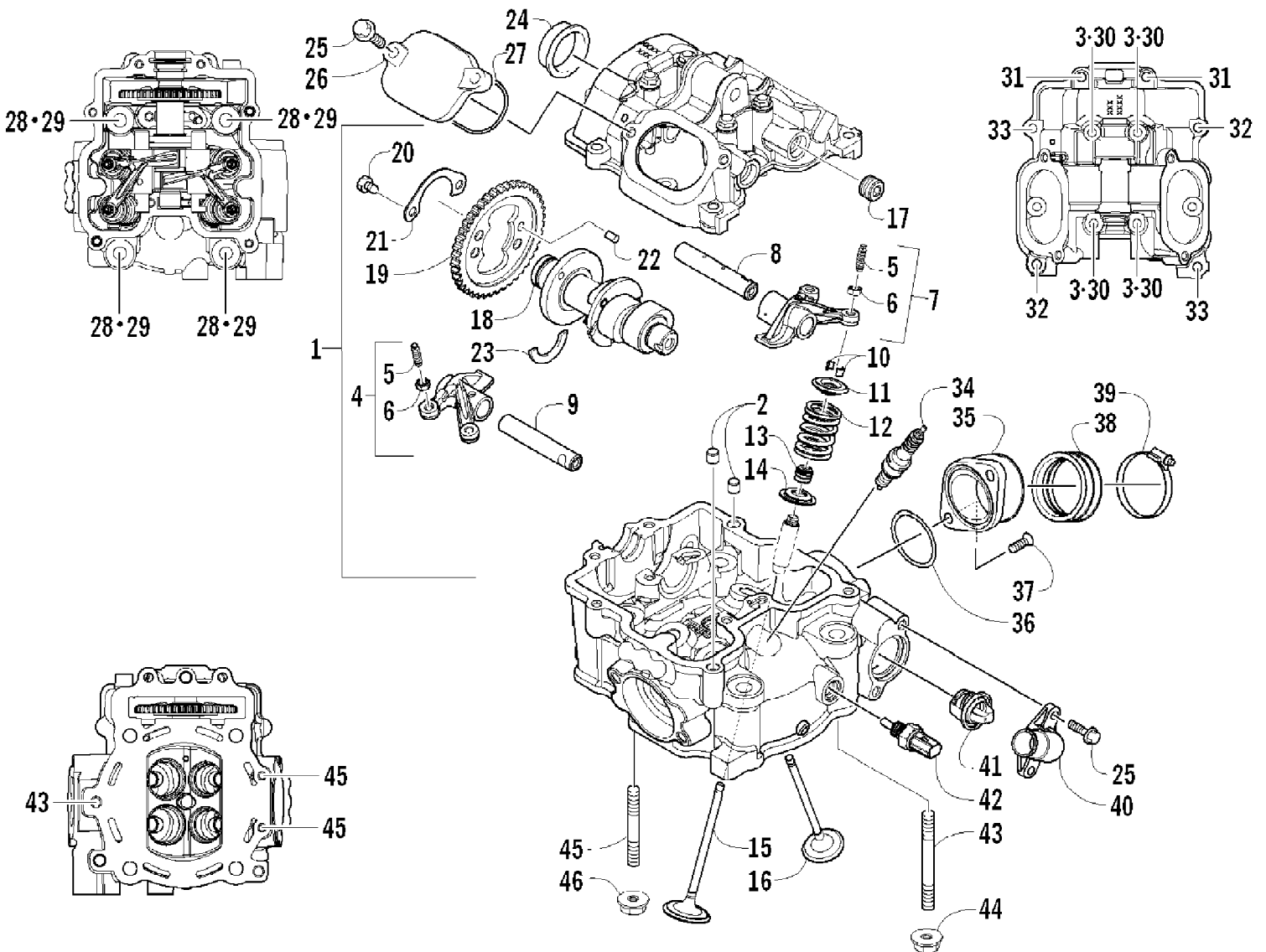


2009 PROWLER 550 4X4 FLATBED GREEN (U2009P1O4BUSG)
CYLINDER ASSEMBLY

Page 20 of 77

Ref #	Part Number	Qty	S/P/F	Description
1	0804-019	1	S	Cylinder
2	0827-002	4		Bolt, Stud
3	8424-604	4		Nut
4	0830-084	1		Gasket, Base
5	0829-002	4		Pin, Dowel
6	0804-047	1	/P	Union, Coolant Hose
7	8468-612	1		Screw, Machine
8	0830-007	1		O-Ring
9	0830-097	1		Gasket, Cylinder Head

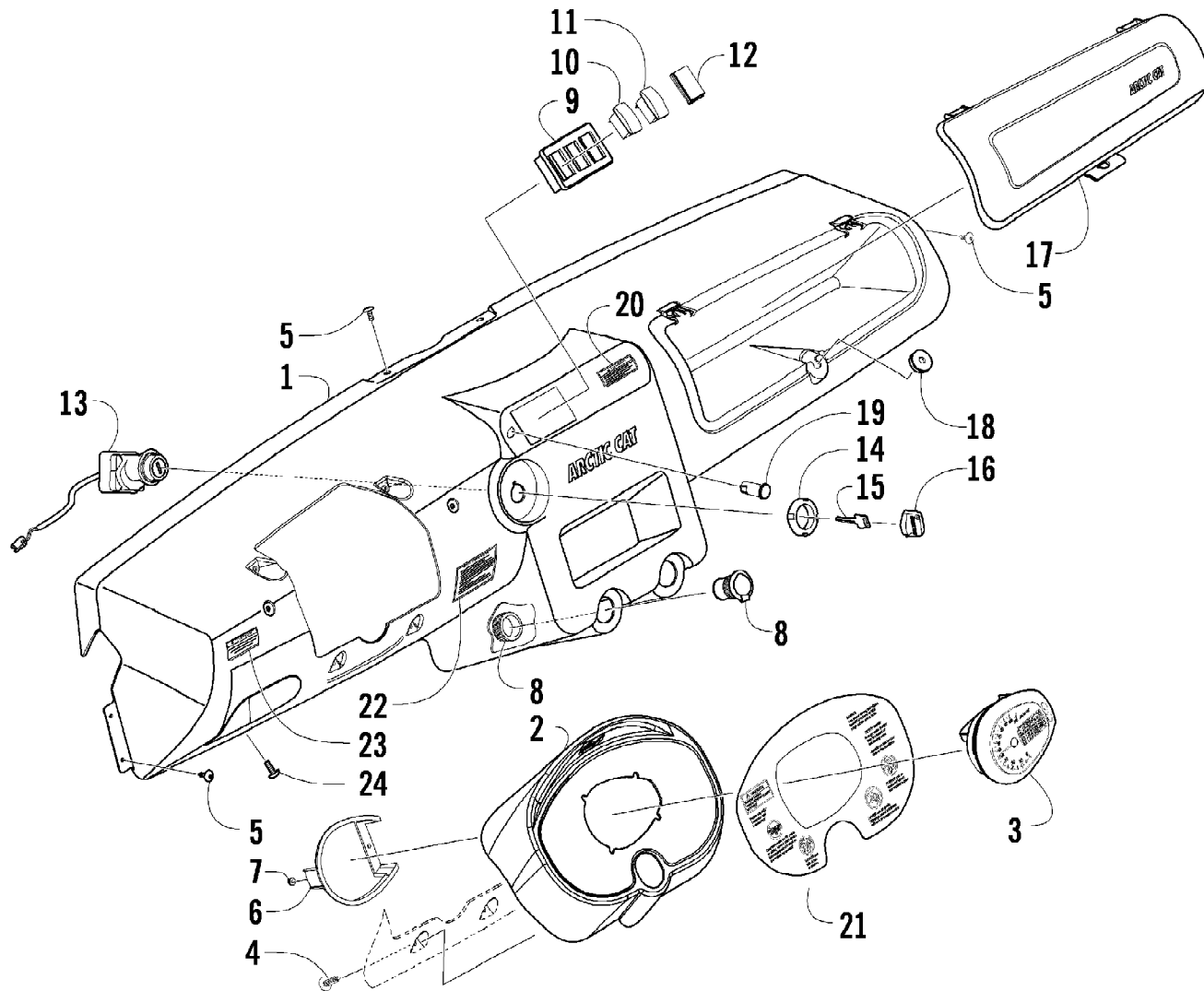
2009 PROWLER 550 4X4 FLATBED GREEN (U2009P1O4BUSG)
CYLINDER HEAD AND CAMSHAFT/VALVE ASSEMBLY



2009 PROWLER 550 4X4 FLATBED GREEN (U2009P1O4BUSG)
CYLINDER HEAD AND CAMSHAFT/VALVE ASSEMBLY

Page 22 of 77

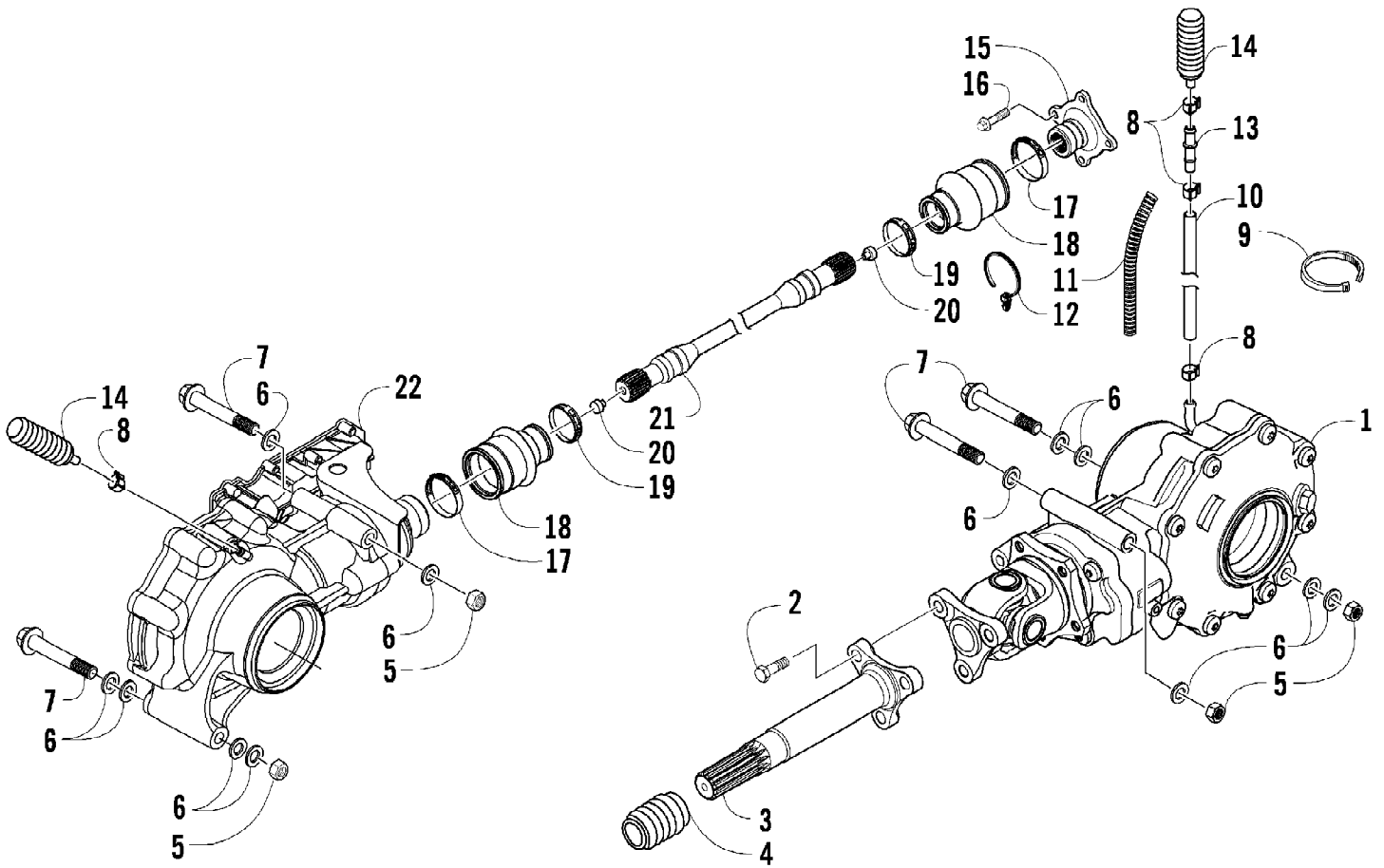
Ref #	Part Number	Qty	S/P/F	Description
1	0808-137	1		Head, Cylinder - Assembly (inc. 2-17)
2	0829-001	2	S	Pin, Dowel
3	0826-001	4		Screw, Cap
4	0809-205	1	S	Arm, Valve Rocker - Exhaust (inc. two No. 5-6)
5	0809-033	4	S	Screw, Adjuster
6	0827-007	4		Nut
7	0809-202	1	S	Arm, Valve Rocker - Intake (inc. two No. 5-6)
8	0809-007	1		Shaft, Rocker Arm - Intake
9	0809-008	1		Shaft, Rocker Arm - Exhaust
10	0809-014	8		Cotter, Valve
11	0809-013	4		Retainer, Spring
12	0809-138	4	S	Spring, Valve
13	0830-016	4	S	Seal, Oil
14	0809-006	4		Seat, Spring - Valve
15	0809-039	2	S	Valve, Intake
16	0809-040	2	S	Valve, Exhaust
17	0831-066	2		Plug, Shaft
18	0809-245	1	/P	Camshaft
19	0809-002	1		Sprocket
20	0826-034	2		Screw, Cap
21	0828-004	1		Plate, Retainer
22	0829-049	1		Pin, Dowel
23	0809-003	1		C-Ring
24	0808-077	1		Plug, Cylinder Head
25	0826-007	6		Screw, Cap
26	0808-003	2		Cap, Inspection
27	0830-167	2	/P	O-Ring
28	0808-037	4	/P	Screw, Cap
29	0830-147	4	/P	Washer
30	0830-107	4		Gasket
31	0826-002	2		Screw, Cap
32	0826-005	2		Screw, Cap
33	0826-006	2		Screw, Cap
34	0217-799	1	/P/F	Spark Plug
35	0470-668	1		Flange, Intake Manifold
36	0830-090	1		O-Ring
37	0826-008	2		Screw, Machine
38	0470-669	1	S	Boot
39	0423-066	1		Clamp
40	0808-008	1		Cover, Thermostat
41	0808-078	1		Thermostat
42	0808-124	1		Sensor, Engine Coolant Temperature
43	0827-031	1		Bolt, Stud
44	8424-804	1		Nut
45	0827-030	2		Bolt, Stud
46	8424-604	2		Nut



2009 PROWLER 550 4X4 FLATBED GREEN (U2009P1O4BUSG)
DASH ASSEMBLY

Page 24 of 77

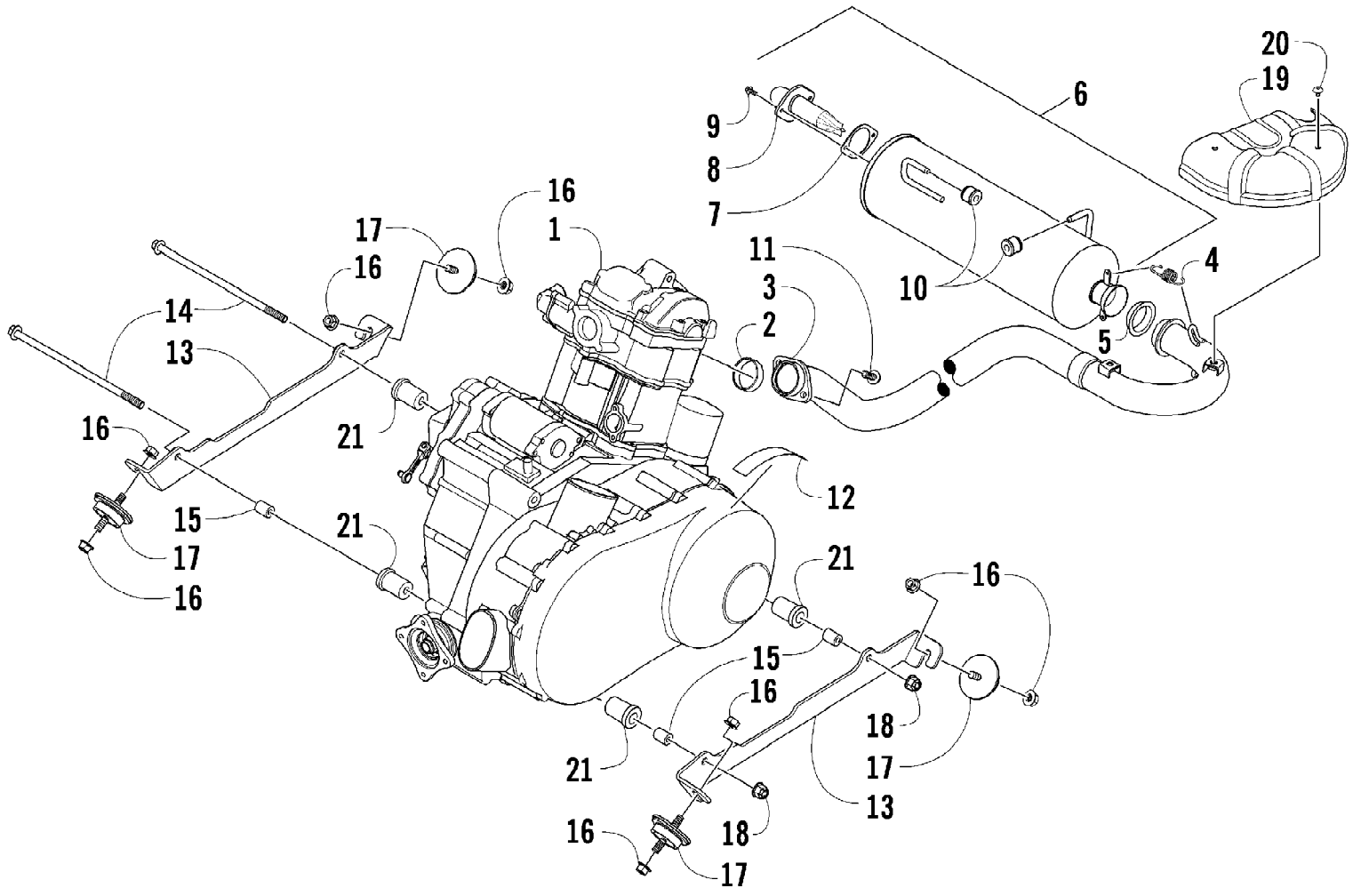
Ref #	Part Number	Qty	S/P/F	Description
1	2406-779	1		Panel, Dash
2	1406-727	1		Pod, Instrument
3	0520-041	1		Gauge, Analog/LCD
4	0423-342	5	/P	Screw, Self-Tapping
5	0623-784	6		Screw, Self-Tapping
6	0420-065	1	/P	Bracket, Retaining
7	0423-493	2		Nut w/Washer
8	0641-897	2	/P	Outlet, Accessory - 12V
9	0409-069	1		Panel, Switch-Mount
10	0409-067	1		Switch, Light
11	0409-061	1		Switch, 2WD/4WD/Differential Lock
12	0409-070	1		Plug, Switch-Hole
13	0430-089	1	/P	Switch, Ignition (inc. 14-16)
14	0430-050	1		Nut, Flange - Ignition Switch
15	0430-042	1	F	Key, Ignition - Series
15	0430-043	1	F	Key, Ignition - Series
16	0430-054	1		Cover, Key
17	1406-789	1		Cover, Glove Box
18	0423-541	1		Grommet, Latch - Glove Box
19	0420-076	1		Light, Indicator
20	1411-124	1		Decal, Warning - Differential Lock
21	1411-125	1		Decal, Warning - Console
22	1411-904	1		Decal, Starting
23	1411-330	1		Decal, Brake Release
24	0423-419	3		Screw, Machine



2009 PROWLER 550 4X4 FLATBED GREEN (U2009P1O4BUSG)
DRIVE TRAIN ASSEMBLY

Page 26 of 77

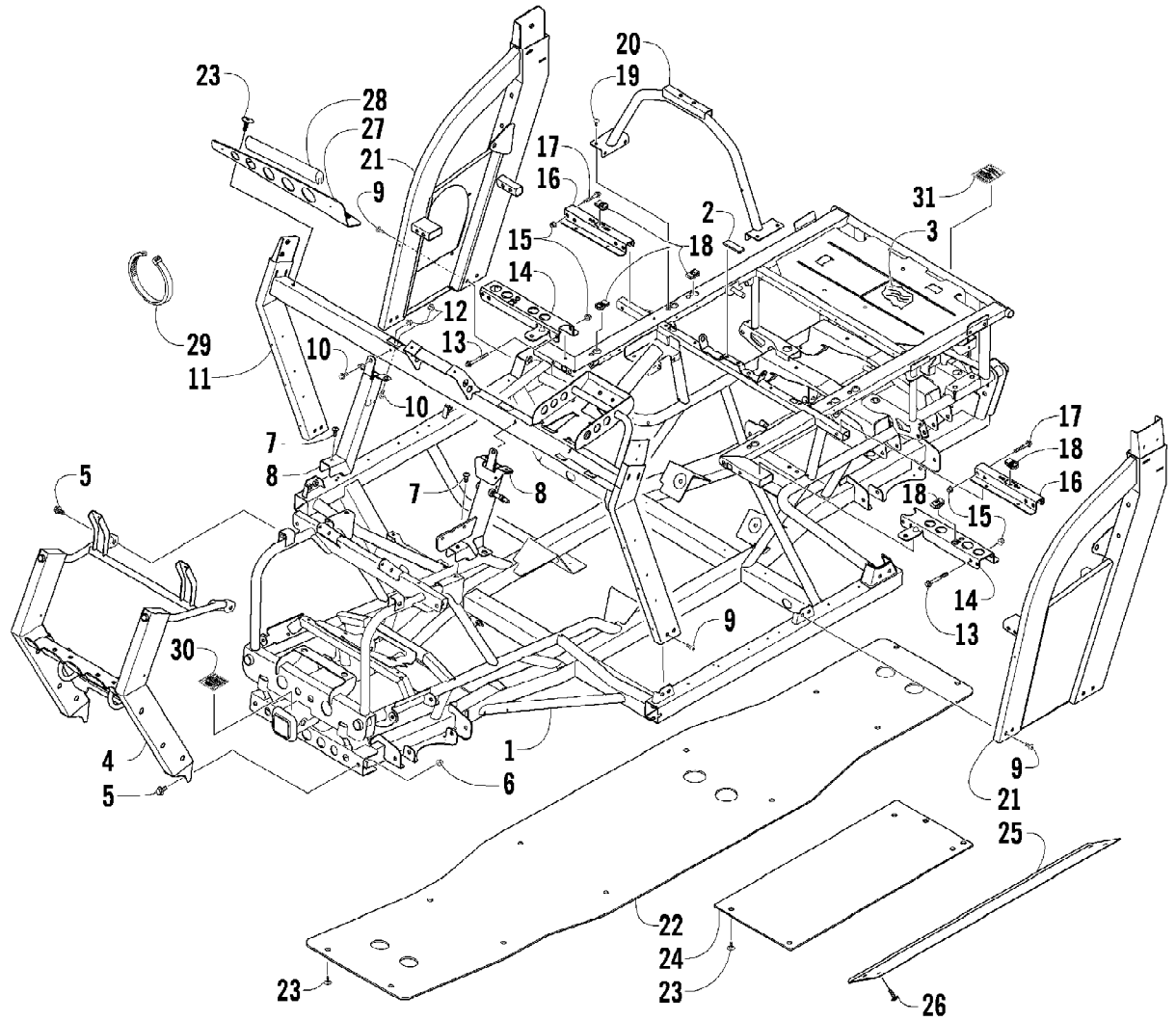
Ref #	Part Number	Qty	S/P/F	Description
1	1502-406	1	/P	Gearcase, Rear
2	8409-025	3		Screw, Cap
3	0502-857	1		Driveshaft - Rear
4	0402-966	1		Boot, Driveshaft
5	8428-002	4		Nut, Lock
6	0423-426	12		Washer
7	0423-404	4		Screw, Cap
8	0423-670	4		Clamp, Hose
9	0123-788	AR	/P	Tie, Cable - 8 in.
10	0410-167	1		Hose, Vent
11	0419-392	AR		Conduit - 3 ft
12	0423-075	1		Tie, Cable - Push-Mount
13	0470-702	1	/P	Fitting, Vent
14	1402-620	2	/P	Bladder, Gearcase
15	0402-950	1		Flange, Output
16	8408-820	4	/P	Screw, Cap
17	0423-393	2		Clamp, Boot
18	0402-985	2	/P	Boot, Coupler
19	0423-411	2		Clamp, Boot
20	0673-618	2	/P	Bumper, Driveshaft
21	1402-271	1		Shaft, Propeller
22	1502-400	1		Gearcase, Front



2009 PROWLER 550 4X4 FLATBED GREEN (U2009P1O4BUSG)
ENGINE AND EXHAUST

Page 28 of 77

Ref #	Part Number	Qty	S/P/F	Description
1	0800-071	1	S	Engine, A550E
2	0412-338	1	/P	Gasket, Exhaust Pipe
3	0512-427	1		Pipe, Exhaust
4	0612-668	2	/P	Spring
5	0412-375	1	/P	Seal, Exhaust
6	0512-401	1		Muffler - Assembly (inc. 7-9)
7	0412-438	1		Gasket, Spark Arrester
8	0512-432	1		Spark Arrester Assembly
9	8408-616	2		Screw, Cap
10	0412-215	2	S	Bushing
11	8408-820	2	/P	Screw, Cap
12	0411-426	1		Decal, Warning - Clutch Cover
13	1506-998	1		Bracket, Engine - Right
13	1506-999	1		Bracket, Engine - Left
14	0423-537	2	S	Screw, Cap
15	0423-042	3	S	Spacer, Engine Mount
16	8424-002	8		Nut
17	0408-014	4		Mount, Engine
18	8428-002	2		Nut, Lock
19	0412-462	1		Shield, Heat
20	8477-610	2		Screw, Machine
21	0801-108	4	S	Bushing, Engine Mount

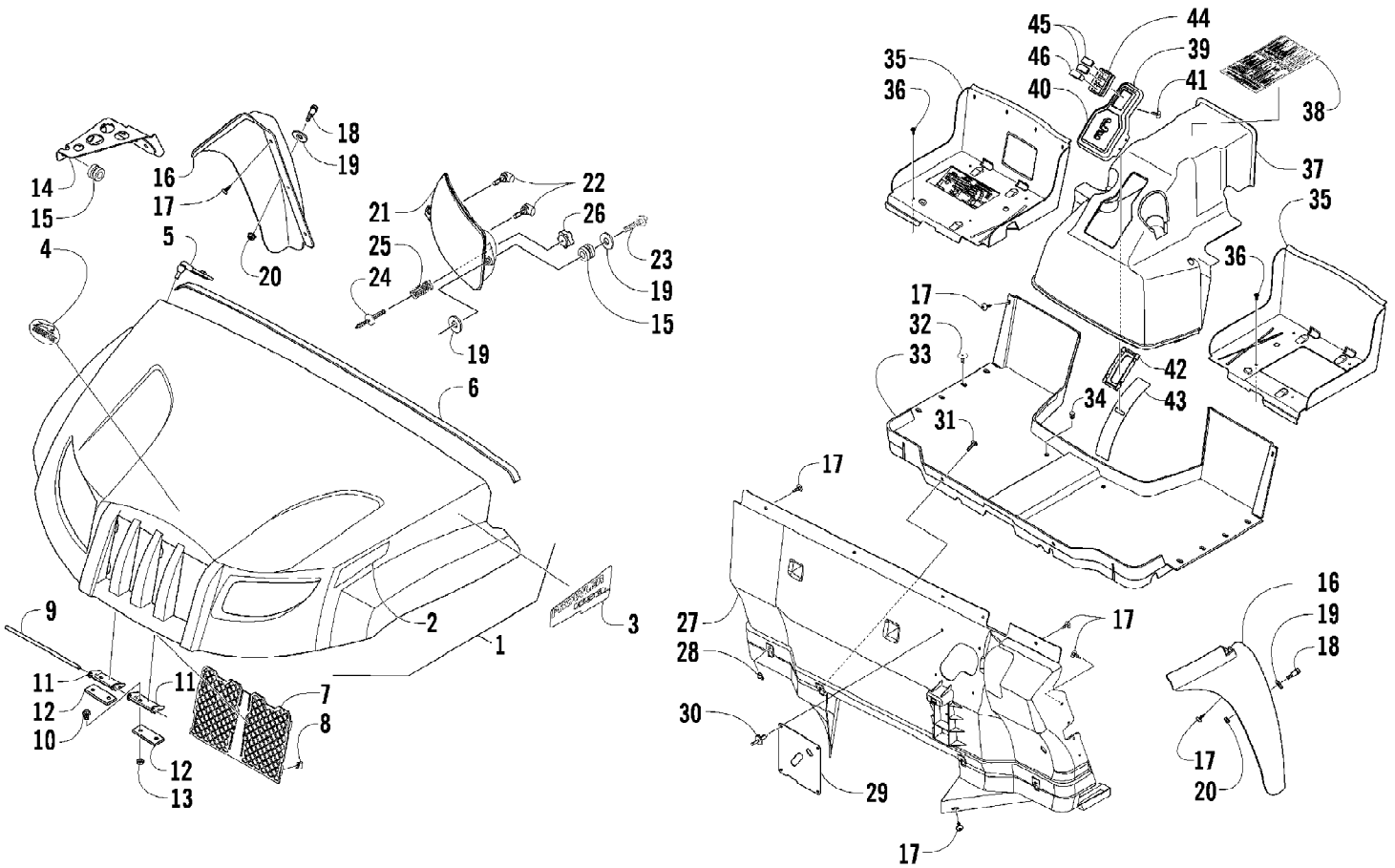


2009 PROWLER 550 4X4 FLATBED GREEN (U2009P1O4BUSG)
FRAME AND RELATED PARTS

Page 30 of 77

Ref #	Part Number	Qty	S/P/F	Description
1	2506-715	1	S	Frame, Main (inc. 2-3)
2	0406-879	1		Bumper, Seat
3	0412-461	1		Foil, Protective
4	2506-714	1	S	Bumper
5	8409-020	4	/P	Screw, Cap
6	8427-002	2		Nut, Lock
7	8476-820	2		Screw, Machine
8	1506-797	1		Bracket, Steering Support - Right
8	0502-853	1		Bracket, Steering Support - Left
9	0423-817	12		Screw, Machine
10	8408-820	6	/P	Screw, Cap
11	0505-513	1		Support, Steering
12	8424-802	6		Nut
13	8408-870	6		Screw, Cap
14	1506-844	1		Bracket, Seat Support - Front - Right
14	1506-845	1		Bracket, Seat Support - Front - Left
15	8427-802	12		Nut, Lock
16	1506-842	2		Bracket, Seat Support - Rear
17	8408-850	6		Screw, Cap
18	0423-577	12		Clip, U-Nut
19	8476-616	2		Screw, Machine
20	2506-638	1		Support, Canopy
21	2506-634	1		Support, Overhead - Right
21	2506-635	1		Support, Overhead - Left
22	1406-720	1		Plate, Skid - Center
23	0423-545	24	/P	Screw, Shoulder
24	1406-721	2		Panel, Belly - Side
25	2506-612	2		Plate, Skid - Side
26	0423-849	8		Screw, Self-Tapping
27	2516-110	1		Bracket, Hood Support - Right
27	2516-111	1		Bracket, Hood Support - Left
28	0417-014	AR		Trim, Dash Support
29	0123-788	AR	/P	Tie, Cable - 8 in.
30	1411-122	1		Decal, Warning - Towing - Front
31	1411-123	1		Decal, Warning - Towing - Rear

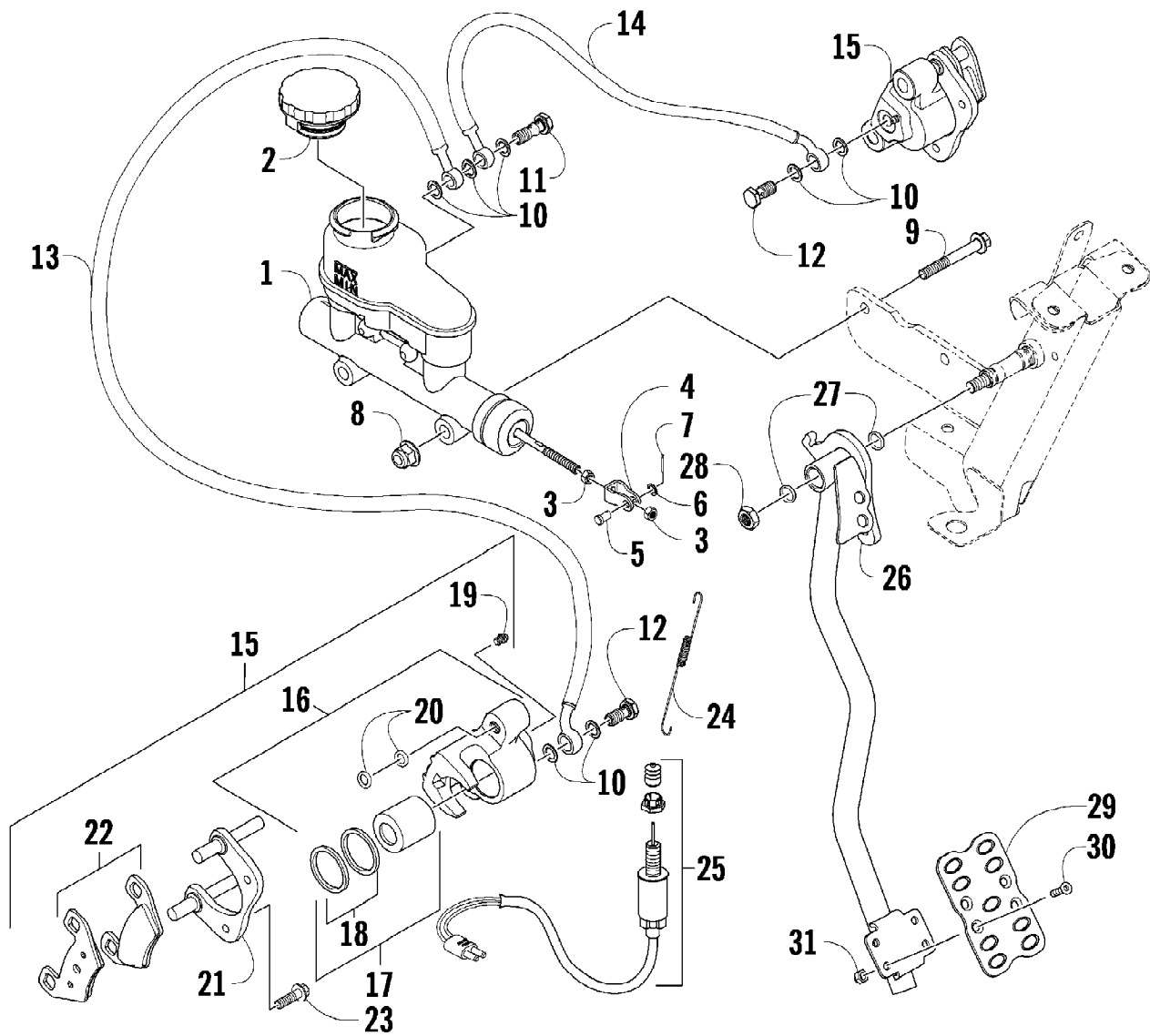
2009 PROWLER 550 4X4 FLATBED GREEN (U2009P1O4BUSG)
FRONT BODY PANEL ASSEMBLY



2009 PROWLER 550 4X4 FLATBED GREEN (U2009P1O4BUSG)
FRONT BODY PANEL ASSEMBLY

Page 32 of 77

Ref #	Part Number	Qty	S/P/F	Description
1	2506-682	1		Hood - Assembly (inc. 2)
2	0411-818	1		Decal, Reflector - Right
2	0411-819	1		Decal, Reflector - Left
3	1411-882	1		Decal, "Prowler 550" - Right
3	1411-883	1		Decal, "Prowler 550" - Left
4	1411-789	1		Decal, Hood
5	2606-624	2		Strap, Hold-Down
6	0417-013	1		Trim, Hood/Dash
7	1406-733	1	/P	Screen, Grille
8	0123-987	8		Clip, U
9	1406-915	1		Pin, Hood
10	8409-030	4		Screw, Cap
11	1506-798	2		Bracket, Hood
12	2506-868	AR		Shim, Hood
13	0423-157	4		Nut, Lock
14	2506-066	1		Bracket, Support - Right
14	2506-067	1		Bracket, Support - Left
15	0423-447	6		Grommet
16	1406-730	1		Fender, Front - Right
16	1406-731	1		Fender, Front - Left
17	0623-784	24		Screw, Self-Tapping
18	0623-855	2		Screw, Shoulder
19	8050-217	10	/P	Washer
20	1623-066	2		Nut, Lock
21	0509-044	1	/P	Headlight Assembly - Right (inc. 22)
21	0509-035	1		Headlight Assembly - Left (inc. 22)
22	0409-055	4		Bulb, Headlight
23	0623-785	4		Screw, Self-Tapping
24	0423-514	2		Stud, Adjuster
25	0423-522	2		Spring, Adjuster
26	0423-513	2		Knob, Adjuster
27	2406-615	1		Panel, Fender - Inner
28	0423-577	6		Clip, U-Nut
29	2406-635	1		Panel, Splash - Inner Fender
30	0623-362	4		Rivet, Reinstallable
31	8468-620	4	/P	Screw, Machine
32	0423-545	8	/P	Screw, Shoulder
33	2516-403	1	/P	Floor (inc. 34)
34	1623-697	2		Plug
35	2406-910	1		Base, Seat - Right
35	1406-869	1		Base, Seat - Left
36	8476-620	8		Screw, Machine
37	1406-649	1		Console, Center
38	1411-126	1		Decal, Warning - Console
39	1502-488	1	/P	Gate, Shift (inc. 40)
40	1411-954	1		Decal, Shift Gate
41	0423-342	3	/P	Screw, Self-Tapping
42	1402-793	1		Slide, Shift Gate
43	1402-794	1		Slide, Shift
44	0409-069	1		Panel, Switch-Mount
45	0409-070	2		Plug, Switch-Hole
46	0409-071	1		Switch, Reverse Override

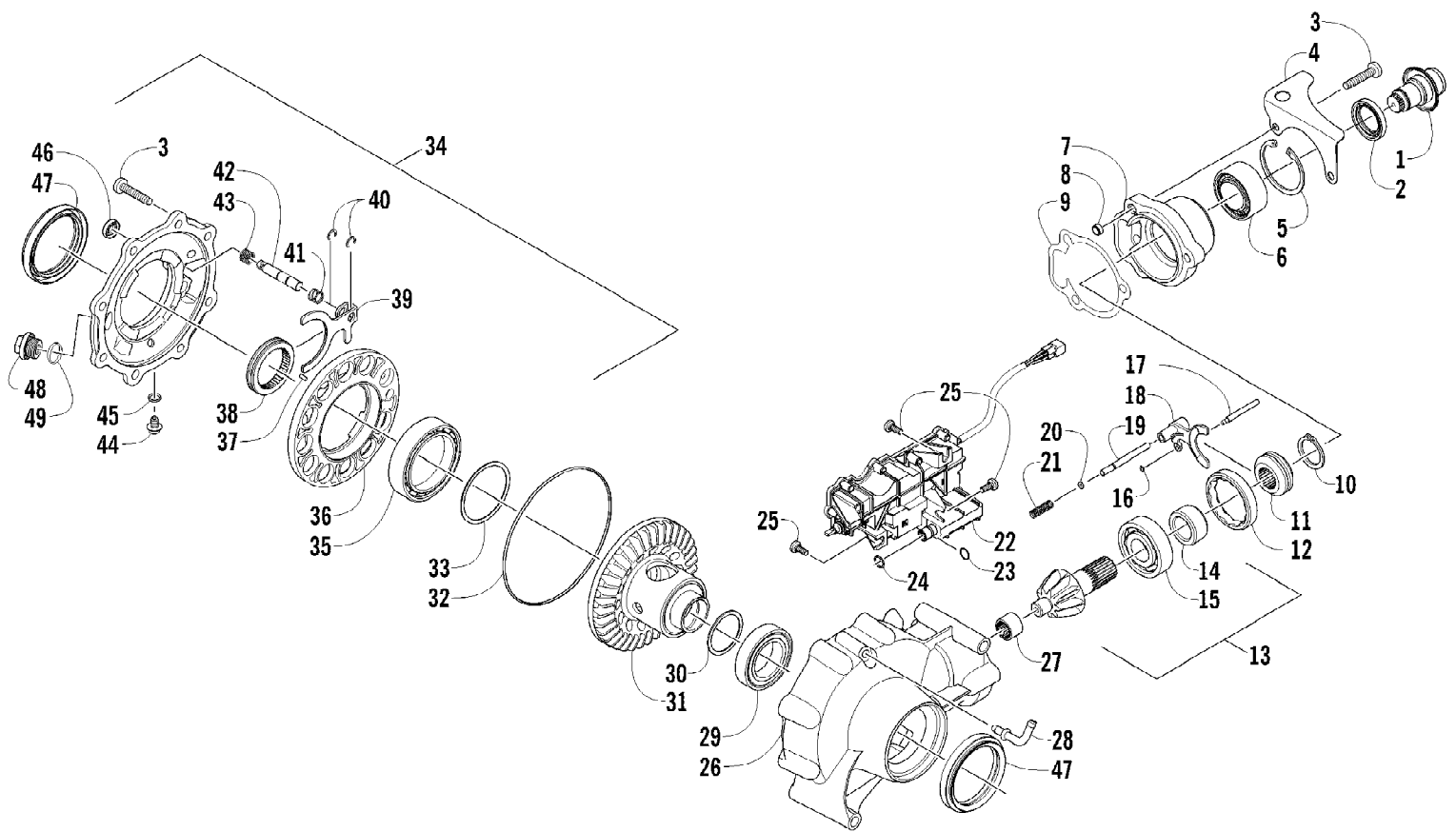


2009 PROWLER 550 4X4 FLATBED GREEN (U2009P1O4BUSG)
FRONT BRAKE ASSEMBLY

Page 34 of 77

Ref #	Part Number	Qty	S/P/F	Description
1	0502-786	1		Cylinder, Master Brake - Assembly (inc. 2-4)
2	0405-225	1		Cap, Reservoir
3	0402-592	2		Nut
4	1402-520	1		Clevis
5	1402-377	1		Pin, Clevis
6	8050-217	1	/P	Washer
7	0117-868	1		Pin, Cotter
8	8424-802	2		Nut
9	8408-860	2		Screw, Cap
10	0423-178	7		Washer, Crush
11	0423-610	1		Bolt, Banjo-Fitting - Double
12	0423-413	2		Bolt, Banjo-Fitting
13	1402-389	1		Hose, Brake - Front
14	1402-290	1		Hose, Brake - Front Right
15	0502-948	1		Caliper, Brake - Front Right (inc. 16-22)
15	0502-949	1		Caliper, Brake - Front Left (inc. 16-22)
16	1436-160	1	/P	Housing, Caliper - Assembly - Front Right (inc. 17-19)
16	1436-161	1	/P	Housing, Caliper - Assembly - Front Left (inc. 17-19)
17	0502-606	2		Piston/Seal Set (inc. 18)
18	0502-607	2		Seal Set
19	0502-609	2	/P	Valve, Bleed
20	0502-608	2		O-Ring, Guide - Set
21	0502-960	2		Bracket Assembly
22	1436-165	2	S	Pad, Brake - Set
23	8408-826	4		Screw, Cap
24	0502-785	1		Spring, Brake Switch
25	0409-089	1		Switch, Brake - Assembly
26	1502-319	1		Lever, Brake
27	1602-213	2	/P	O-Ring
28	8427-002	1		Nut, Lock
29	1502-323	1		Pad, Brake Lever
30	8474-516	4		Screw, Machine
31	8422-502	4		Nut, Lock

2009 PROWLER 550 4X4 FLATBED GREEN (U2009P1O4BUSG)
FRONT DRIVE GEARCASE ASSEMBLY



2009 PROWLER 550 4X4 FLATBED GREEN (U2009P1O4BUSG)
FRONT DRIVE GEARCASE ASSEMBLY

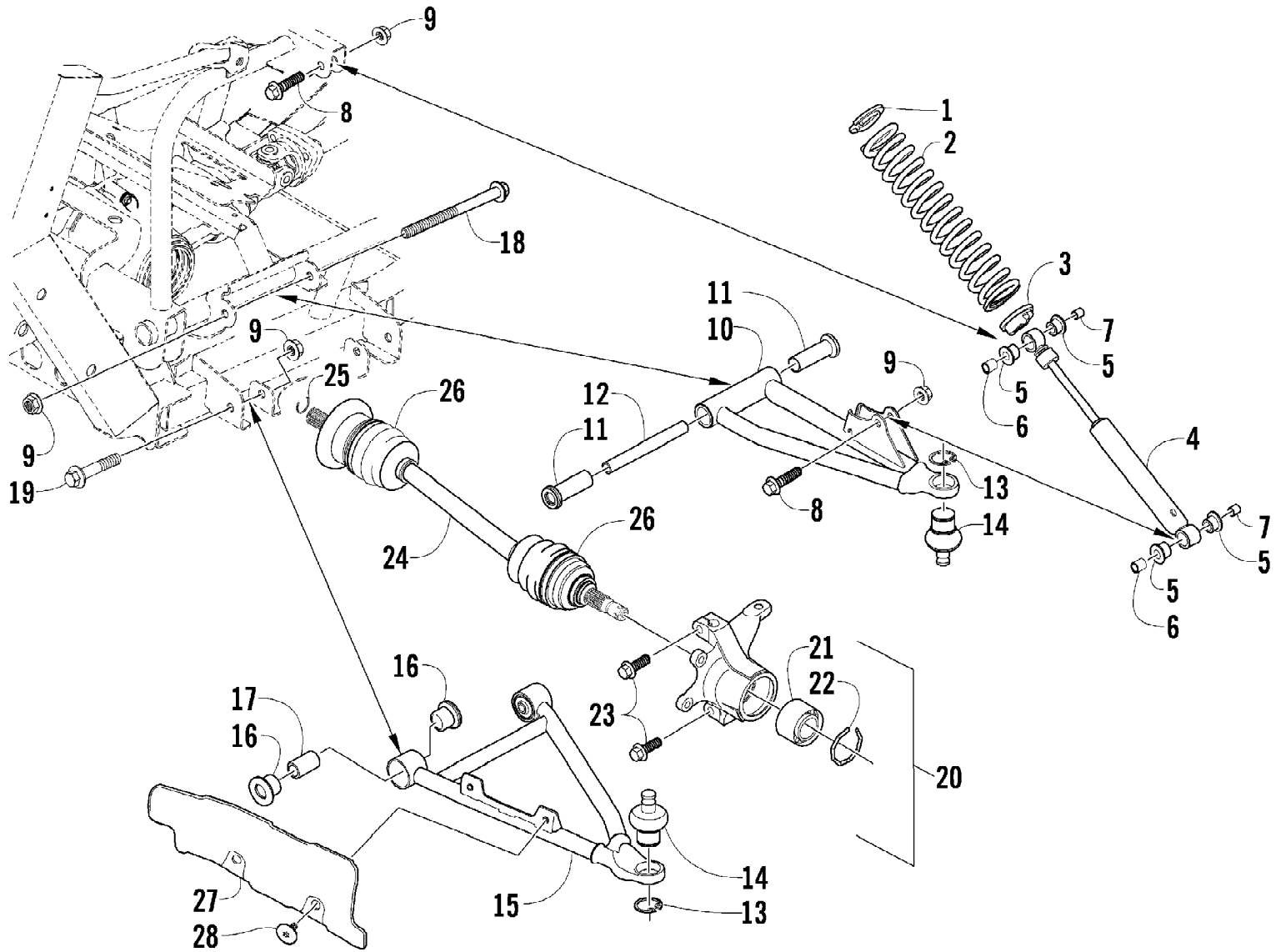
Page 36 of 77

Ref #	Part Number	Qty	S/P/F	Description
	1502-400	1		Complete Front Drive Gearcase Assembly
1	1502-085	1	/P	Shaft, Input - Assembly
2	1402-011	1		Seal
3	0423-118	11		Screw, Self-Tapping
4	1502-237	1		Bracket, Actuator
5	0423-423	1		Ring, Retaining
6	1402-043	1		Bearing
7	0502-528	1	/P	Housing, Pinion
8	0402-411	1		Pin, Dowel
9	0402-947	1		Gasket
10	0423-417	1		Ring, Retaining
11	0402-413	1		Coupler, Drive
12	0402-357	1		Collar, Lock
13	0502-649	1		Gear, Pinion - Assembly - 9T (inc. 14-15)
14	0402-336	1		Collar, Retaining
15	0402-327	1		Bearing
16	0423-402	1		Ring, Retaining
17	0402-997	1		Shaft, Selector
18	0402-998	1		Fork, Selector
19	0402-417	1		Shaft, Shuttle
20	0423-147	1		O-Ring
21	0402-999	1		Spring, Return
22	0502-585	1	S	Actuator (inc. 23)
23	1402-981	1		O-Ring
24	0423-892	1	/P	O-Ring
25	0423-396	3		Screw, Self-Tapping
26	0502-548	1		Housing, Gearcase
27	0402-328	1		Bearing
28	1402-442	1		Fitting, Elbow
29	0402-393	1		Bearing
30	0402-405	AR		Shim, 41 x 49 x 1.3 mm
30	0402-406	AR		Shim, 41 x 49 x 1.4 mm
30	0402-407	AR		Shim, 41 x 49 x 1.5 mm
30	0402-408	AR		Shim, 41 x 49 x 1.6 mm
30	0402-409	AR		Shim, 41 x 49 x 1.7 mm
31	1502-556	1	/P	Gear, Ring - 36T
32	0423-149	1		O-Ring
33	1402-074	AR		Shim, 61 x 69 x 1.3 mm
33	1402-075	AR		Shim, 61 x 69 x 1.4 mm
33	1402-076	AR		Shim, 61 x 69 x 1.5 mm
33	1402-077	AR		Shim, 61 x 69 x 1.6 mm
33	1402-078	AR		Shim, 61 x 69 x 1.7 mm
34	1502-238	1		Cover, Gearcase (inc. 35-46 and one No. 47)
35	1402-053	1		Bearing
36	0502-413	1		Flange, Bearing
37	1402-079	1		Pin
38	1402-042	1		Collar, Sliding
39	1402-054	1		Fork
40	1402-058	2		Ring, Retaining
41	1402-057	1		Spring
42	1402-656	1		Shaft, Lock
43	1402-063	1		Spring
44	1402-210	1	/P	Pin, Drain (inc. 45)

2009 PROWLER 550 4X4 FLATBED GREEN (U2009P1O4BUSG)
FRONT DRIVE GEARCASE ASSEMBLY

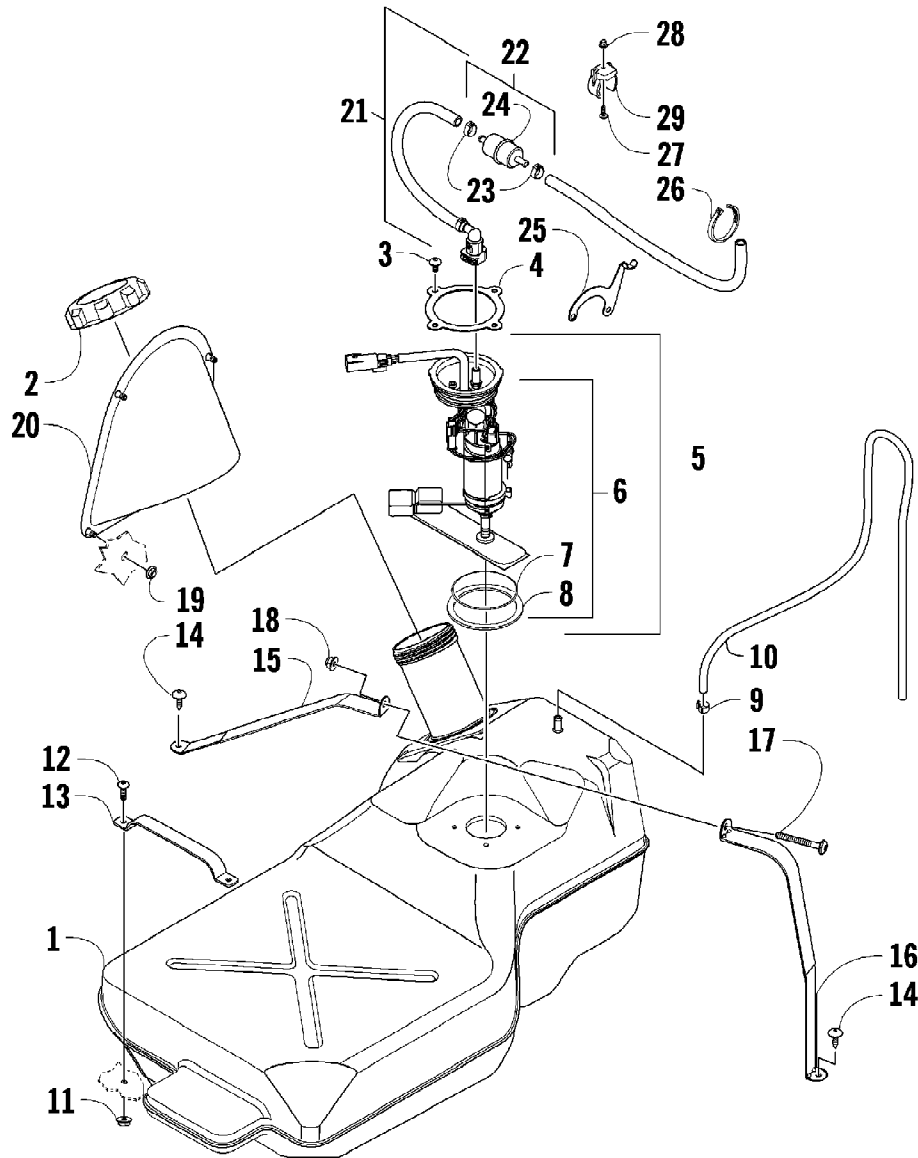
Page 37 of 77

Ref #	Part Number	Qty	S/P/F	Description
45	0423-153	1		O-Ring
46	1402-056	1		Seal
47	1402-713	2	S	Seal
48	0402-333	1	/P	Plug, Drain (inc. 49)
49	0423-154	1		O-Ring



2009 PROWLER 550 4X4 FLATBED GREEN (U2009P1O4BUSG)
FRONT SUSPENSION ASSEMBLY

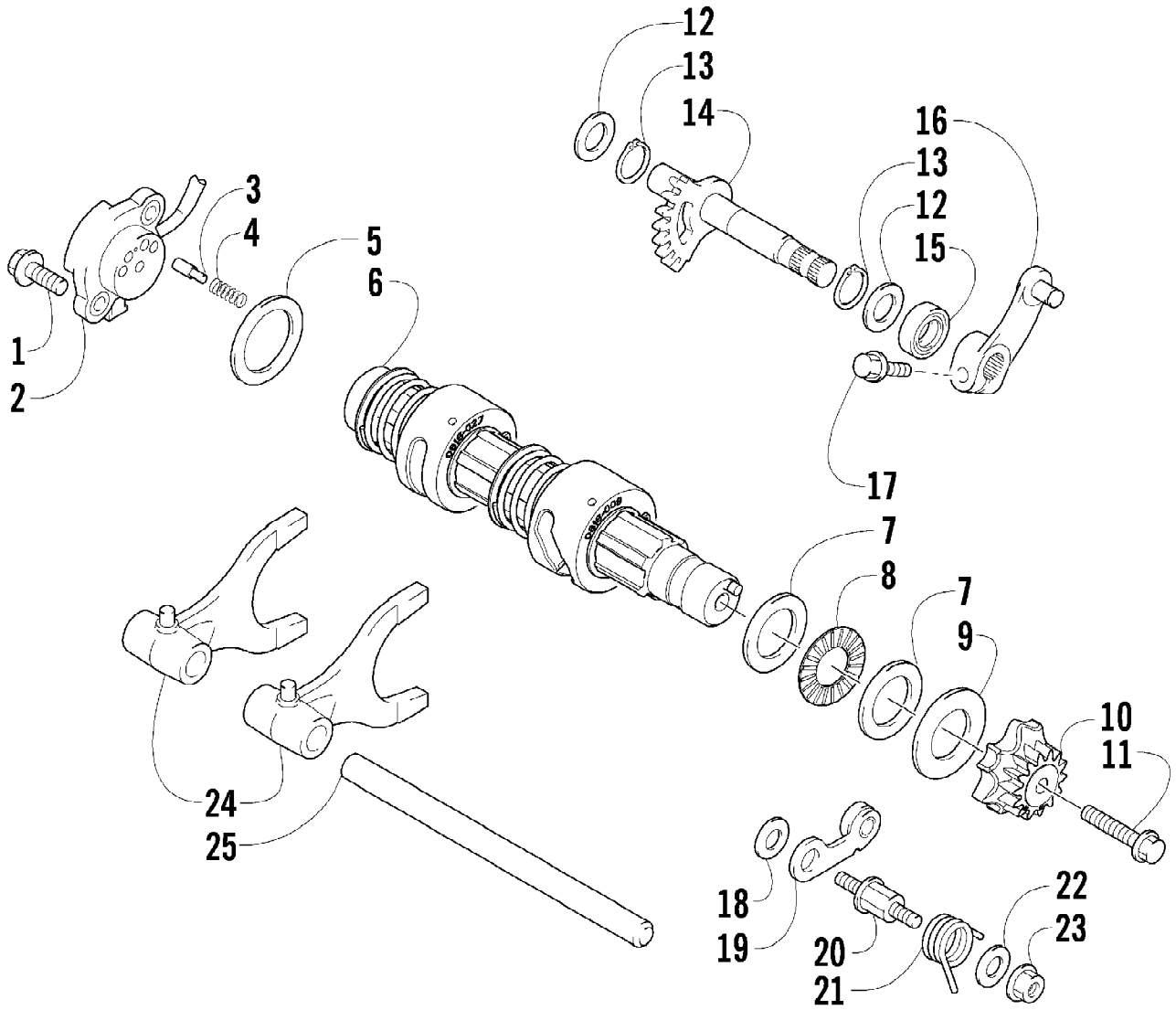
Ref #	Part Number	Qty	S/P/F	Description
1	1603-889	2	/P	Retainer, Spring
2	0403-211	2		Spring, Suspension
3	0403-102	2		Cam, Spring Adjuster
4	0403-147	2		Shock Absorber (inc. 5-6)
5	0603-955	8		Bushing
6	1603-209	4		Sleeve
7	0404-116	4		Sleeve
8	8409-040	4		Screw, Cap
9	0423-744	10		Nut, Lock
10	0503-196	1	S	A-Arm, Upper Right (inc. 11-14)
10	0503-197	1		A-Arm, Upper Left (inc. 11-14)
11	0403-081	4	S	Bushing
12	0403-080	2		Axle
13	0423-009	4	/P	Ring, Retaining
14	0405-115	4	/P	Ball Joint
15	0503-376	1	/P	A-Arm, Lower Right (inc. 13-14 and 16-17)
15	0503-377	1	/P	A-Arm, Lower Left (inc. 13-14 and 16-17)
16	0403-115	8	S	Bushing
17	0403-114	4	S	Axle
18	0423-723	2		Screw, Cap
19	8409-075	4		Screw, Cap
20	0505-580	1	/P	Knuckle - Assembly - Right (inc. 21-22)
20	0505-581	1	/P	Knuckle - Assembly - Left (inc. 21-22)
21	1402-809	2	/P	Bearing
22	0423-423	2		Ring, Retaining
23	8409-030	4		Screw, Cap
24	1502-348	1	/P	Axle - Front - Locking - Right (inc. 25-26)
24	1502-347	1	S	Axle - Front - Left (inc. 25-26)
25	0423-844	2	/P	Ring, Retaining
26	0436-276	2	S	Repair Kit, Boot - Front Axle
27	1406-034	1		Guard, Boot - Right
27	1406-035	1		Guard, Boot - Left
28	0423-545	4	/P	Screw, Shoulder



2009 PROWLER 550 4X4 FLATBED GREEN (U2009P1O4BUSG)
GAS TANK ASSEMBLY

Page 41 of 77

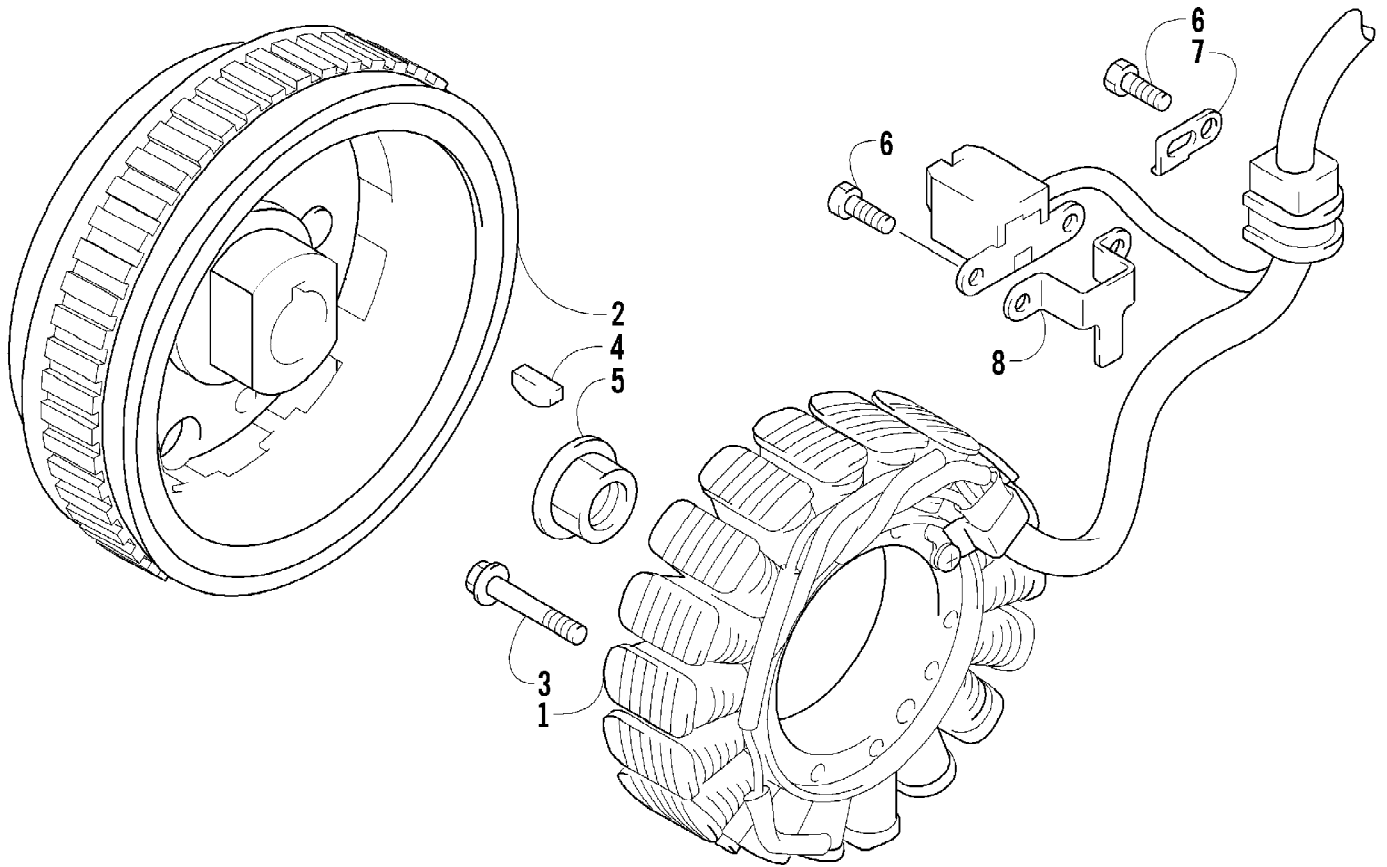
Ref #	Part Number	Qty	S/P/F	Description
1	0570-203	1		Tank, Gas - Assembly (inc. 2-4)
2	0470-541	1	/P	Cap, Gas Tank
3	8476-612	4		Screw, Machine
4	0470-606	1		Plate, Mounting - Fuel Level Sensor
5	0570-272	1	/P	Pump, Fuel - Assembly (inc. 6-8)
6	0570-256	1	/P	Sensor, Fuel Level - Kit (inc. 7-8)
7	0470-614	1		Seal, Fuel Pump
8	0470-613	1		Seal, Fuel Pump
9	0423-688	1		Clamp, Hose
10	0410-070	AR	/P	Hose, Gasline - 25 ft
11	0623-038	2		Nut w/Washer
12	8476-620	2		Screw, Machine
13	0470-544	1		Bracket, Gas Tank Mounting
14	0623-784	2		Screw, Self-Tapping
15	0470-829	1		Strap, Gas Tank
16	0470-830	1		Strap, Gas Tank
17	8476-650	1		Screw, Machine
18	8427-602	1		Nut, Lock
19	0423-357	4		Nut, Stamped
20	1406-886	1		Insert, Gas Tank Cap
21	0570-245	1		Hose, Gasline - Assembly (inc. 22-24)
22	0570-246	1		Filter, Fuel - Kit (inc. 23-24)
23	0	2	F	Clamp, Hose
24	0	1	F	Filter, Fuel
25	0470-796	1		Bracket, Filter Mounting
26	0123-788	AR	/P	Tie, Cable - 8 in.
27	8476-516	1		Screw, Machine
28	8427-502	1		Nut, Lock
29	1670-826	1		Bracket, Fuel Filter



2009 PROWLER 550 4X4 FLATBED GREEN (U2009P1O4BUSG)
GEAR SHIFTING ASSEMBLY

Page 43 of 77

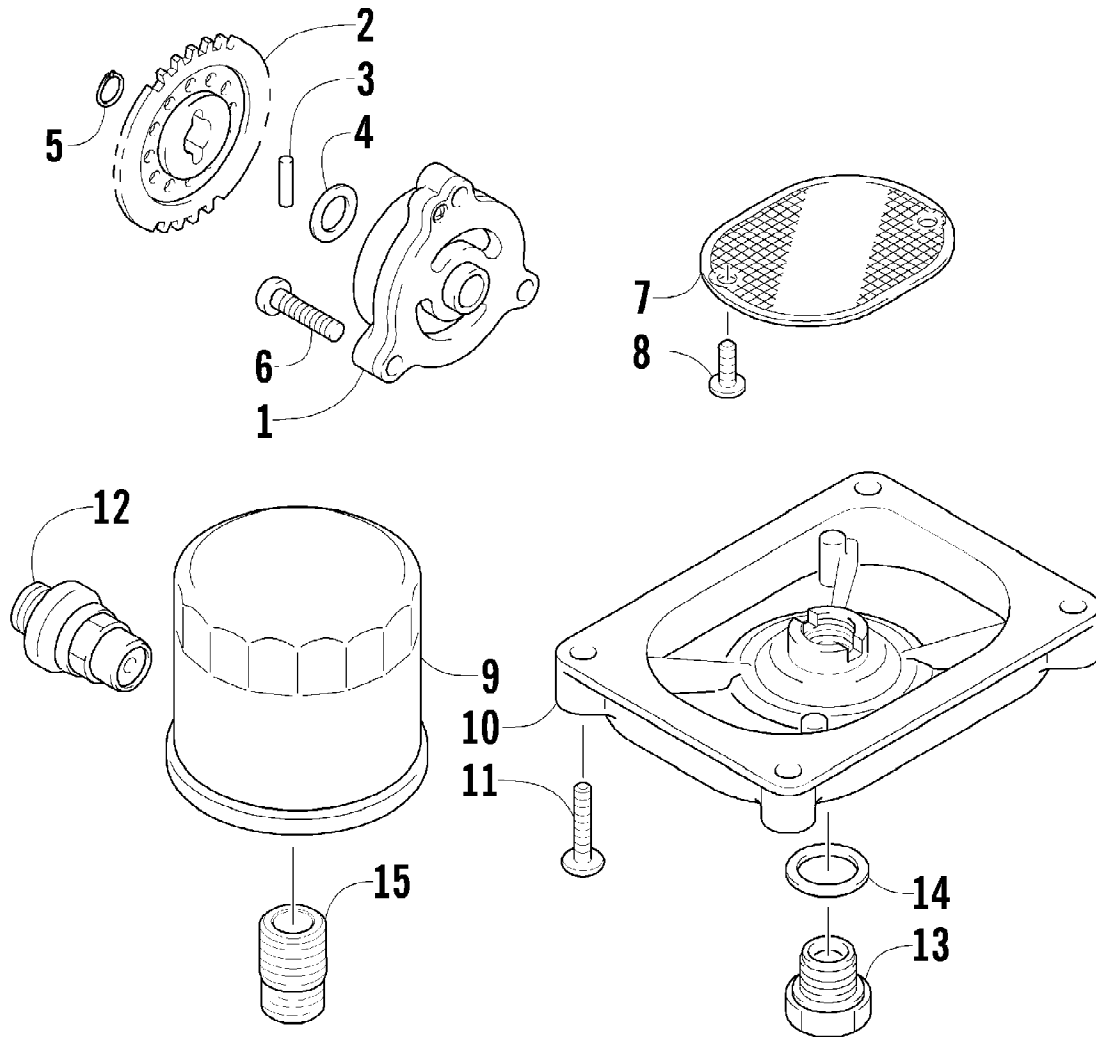
Ref #	Part Number	Qty	S/P/F	Description
1	8470-520	2		Screw, Machine
2	0409-090	1	/P	Switch, Gear Shift Position
3	0818-013	2		Contact
4	0818-017	2		Spring
5	0828-040	1		Washer
6	0818-046	1		Shaft, Gear Shift - Assembly
7	0828-095	2		Washer
8	0832-052	1	/P	Bearing, Thrust
9	0828-037	1		Washer
10	0818-089	1	/P	Plate, Gear Shift Cam
11	0826-006	1		Screw, Cap
12	0828-036	2		Washer
13	0831-010	2		Ring, Retaining
14	0818-007	1	/P	Shaft, Sub-Gear Shift
15	0830-044	1		Seal, Sub-Gear Shift Shaft
16	0818-014	1		Arm, Select
17	8468-620	1	/P	Screw, Machine
18	0828-038	1		Washer
19	0818-002	1		Stopper, Cam
20	0818-004	1		Support, Cam Stopper
21	0818-090	1		Spring
22	0828-035	1		Washer
23	8424-602	1	/P	Nut
24	0818-072	2	/P	Fork, Shift
25	0818-006	1		Shaft, Shift Fork



2009 PROWLER 550 4X4 FLATBED GREEN (U2009P1O4BUSG)
MAGNETO ASSEMBLY

Page 45 of 77

Ref #	Part Number	Qty	S/P/F	Description
1	0802-041	1		Stator - Assembly
2	0802-048	1		Rotor/Flywheel
3	0826-102	3		Screw, Machine
4	0829-012	1		Key
5	0827-014	1		Nut
6	8470-510	3		Screw, Machine
7	0802-015	1		Clamp - No. 1
8	0802-016	1		Clamp - No. 2

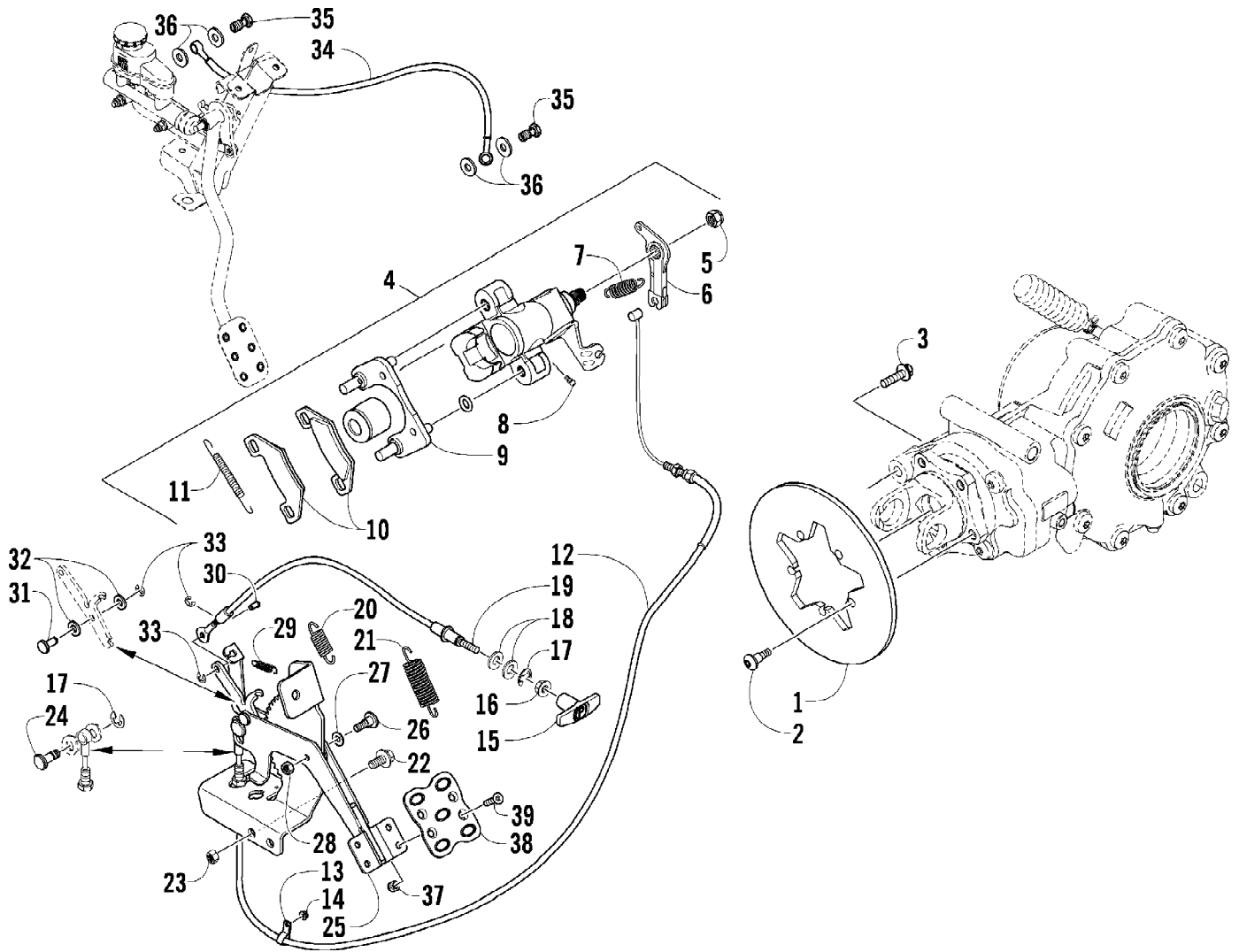


2009 PROWLER 550 4X4 FLATBED GREEN (U2009P1O4BUSG)
OIL FILTER/PUMP ASSEMBLY

Page 47 of 77

Ref #	Part Number	Qty	S/P/F	Description
1	0812-023	1		Pump, Oil
2	0812-002	1	S	Gear, Driven
3	0829-009	1		Pin
4	0828-007	1	/P	Washer
5	0831-002	1		Ring, Retaining
6	0826-039	3		Screw, Machine
7	0812-057	1	/P	Strainer, Oil
8	0826-040	2		Screw, Machine
9	0812-029	1	S	Filter, Oil
10	0812-053	1		Cap, Oil Strainer
11	8468-625	4		Screw, Machine
12	0812-007	1		Valve, Oil-Relief - Assembly
13	0812-006	1		Plug, Drain
14	0830-017	1		Gasket, Drain Plug
15	0812-008	1		Union, Oil Filter

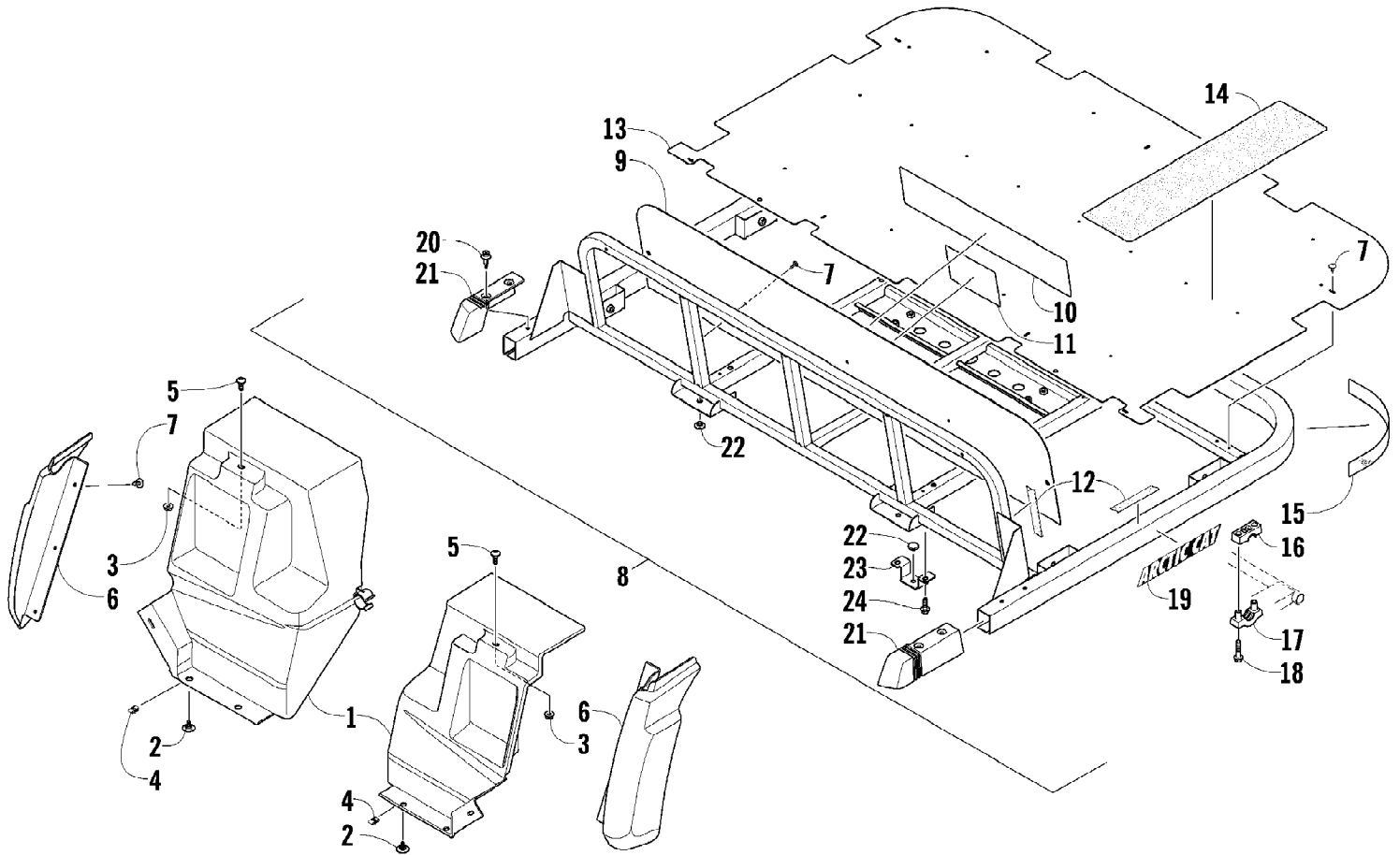
2009 PROWLER 550 4X4 FLATBED GREEN (U2009P1O4BUSG)
REAR AND PARKING BRAKE ASSEMBLY



2009 PROWLER 550 4X4 FLATBED GREEN (U2009P1O4BUSG)
REAR AND PARKING BRAKE ASSEMBLY

Page 49 of 77

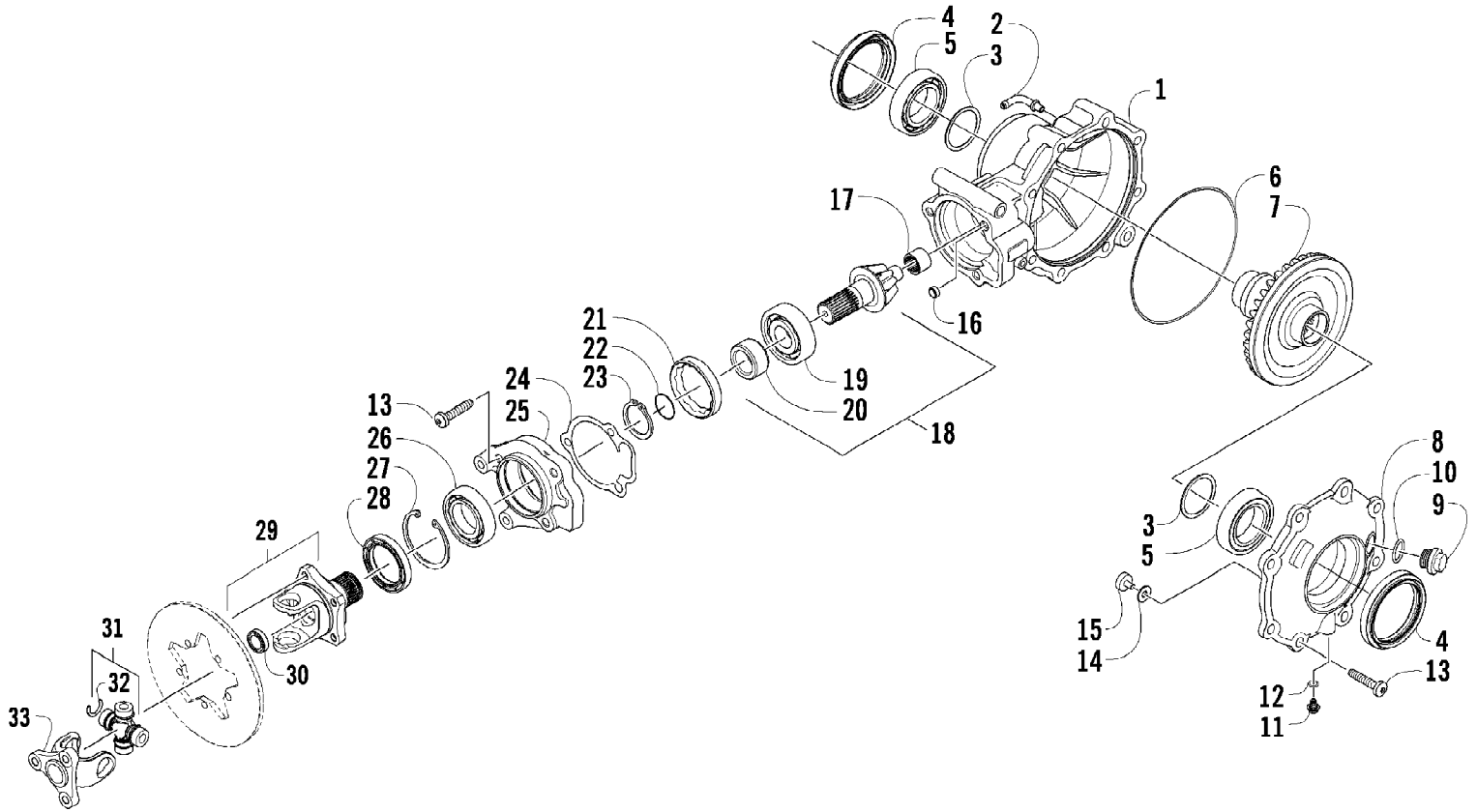
Ref #	Part Number	Qty	S/P/F	Description
1	1402-710	1		Rotor
2	0423-557	5		Screw, Shoulder
3	8408-836	2		Screw, Cap
4	1502-460	1		Brake - Assembly (inc. 5-11)
5	0502-988	1		Nut
6	1502-160	1		Lever, Actuator
7	0502-985	1		Spring
8	0502-609	1	/P	Valve, Bleed
9	0502-605	1		Bracket Assembly
10	1436-165	1	S	Pad, Brake - Set
11	1502-161	1		Spring, Anti-Rattle
12	0487-036	1		Cable, Parking Brake (inc. 13)
13	0423-923	1		Clamp
14	0423-540	1		Nut, Lock
15	1502-024	1	/P	Handle, Brake Release
16	8424-605	1		Nut
17	0423-668	2		E-Clip
18	0423-913	2		Washer
19	0487-064	1	/P	Cable, Brake Release
20	1502-360	1		Spring
21	1502-026	1		Spring
22	8408-816	3		Screw, Cap
23	8424-802	3		Nut
24	1502-361	1		Pin
25	1502-354	1		Brake, Parking - Assembly (inc. 26-32 and two No. 33)
26	0423-356	1		Screw, Shoulder
27	0423-087	2		Washer
28	0624-250	1		Nut, Lock
29	1502-027	2		Spring
30	1502-030	1		Pin
31	1502-028	1		Pin
32	8050-212	2	/P	Washer
33	0423-667	3		E-Clip
34	1402-388	1		Hose, Brake
35	0423-413	2		Bolt, Banjo-Fitting
36	0423-178	4		Washer, Crush
37	8422-502	4		Nut, Lock
38	1502-324	1		Pad, Parking Brake
39	8474-516	4		Screw, Machine



2009 PROWLER 550 4X4 FLATBED GREEN (U2009P1O4BUSG)
 REAR BODY PANEL AND FLATBED ASSEMBLY

Page 51 of 77

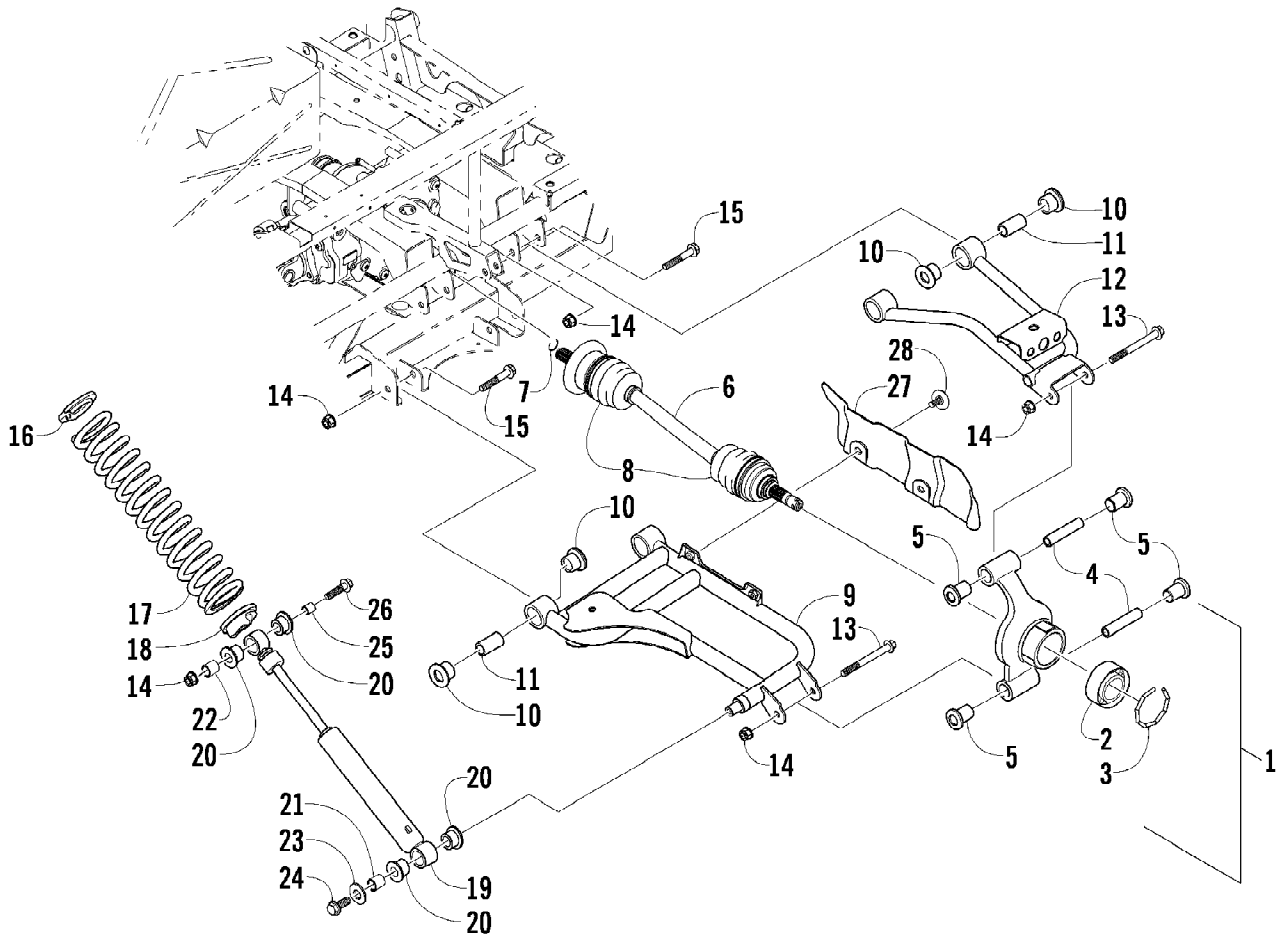
Ref #	Part Number	Qty	S/P/F	Description
1	2406-616	1		Panel, Splash - Right
1	2406-617	1		Panel, Splash - Left
2	0423-101	4		Screw, Shoulder
3	8424-602	2	/P	Nut
4	0423-577	4		Clip, U-Nut
5	8476-616	2		Screw, Machine
6	2406-926	1		Fender, Rear - Lower - Right
6	2406-927	1		Fender, Rear - Lower - Left
7	0623-784	16		Screw, Self-Tapping
8	5991-520	1		Flatbed - Assembly (inc. 9-24 and ten No. 7)
9	1436-318	1		Kit, Upper Panel (inc. 10-12 and three No. 7)
10	1411-157	1		Decal, Panel - "Arctic Cat"
11	1411-119	1		Decal, Warning - Cargo
12	0518-067	AR	/P	Tape, Double-Sided - 20 ft
13	1436-319	1		Kit, Lower Panel (inc. 12, 14, and seven No. 7)
14	0417-015	4		Pad, Non-Slip
15	1411-941	2		Decal, Reflector - Red
16	0405-139	2		Bracket, Retaining - Upper
17	0405-309	2		Bracket, Retaining - Lower
18	8408-835	4		Screw, Cap
19	0411-386	2		Decal, Side - "Arctic Cat"
20	0423-535	4		Rivet, Reinstallable
21	2406-964	1		End Cap, Flatbed - Right
21	2406-965	1		End Cap, Flatbed - Left
22	0406-877	8	/P	Grommet
23	2506-909	2		Bracket, Mounting
24	8408-825	4		Screw, Cap



2009 PROWLER 550 4X4 FLATBED GREEN (U2009P1O4BUSG)
REAR DRIVE GEARCASE ASSEMBLY

Ref #	Part Number	Qty	S/P/F	Description
	1502-406	1	/P	Complete Rear Drive Gearcase Assembly
1	0502-548	1		Housing, Gearcase
2	1402-442	1		Fitting, 90°
3	0402-405	AR		Shim
3	0402-406	AR		Shim
3	0402-407	AR		Shim
3	0402-408	AR		Shim
3	0402-409	AR		Shim
4	1402-713	2	S	Seal
5	0402-393	2		Bearing
6	0423-149	1		O-Ring
7	1402-245	1		Gear, Rear - 36T
8	0502-741	1		Cover, Gearcase
9	0402-333	1	/P	Plug, Fill (inc. 10)
10	0423-154	1		O-Ring
11	1402-210	1	/P	Plug, Magnetic (inc. 12)
12	0423-153	1		O-Ring
13	0423-118	11		Screw, Self-Tapping
14	0402-429	AR		Shim
14	0402-430	AR		Shim
14	0402-431	AR		Shim
14	0402-432	AR		Shim
14	0402-433	AR		Shim
15	0402-326	1		Button, Thrust
16	0402-411	1		Pin, Dowel
17	0402-328	1		Bearing
18	0502-649	1		Gear, Pinion - Assembly - 9T (inc. 19-20)
19	0402-327	1		Bearing
20	0402-336	1		Collar, Retaining
21	0402-357	1		Collar, Lock
22	0423-633	1		O-Ring
23	0423-546	1		Ring, Retaining
24	0402-947	1		Gasket
25	0502-746	1		Housing, Pinion
26	0402-324	1		Bearing
27	0402-347	1		Ring, Retaining
28	1402-314	1		Seal
29	1502-124	1		Shaft, Input - Assembly (inc. 30)
30	1402-322	1		Cover, End
31	0402-944	1	/P	Joint, Universal - Set (inc. 32)
32	0423-395	4		Retainer
33	0502-331	1		Yoke, Propeller Shaft

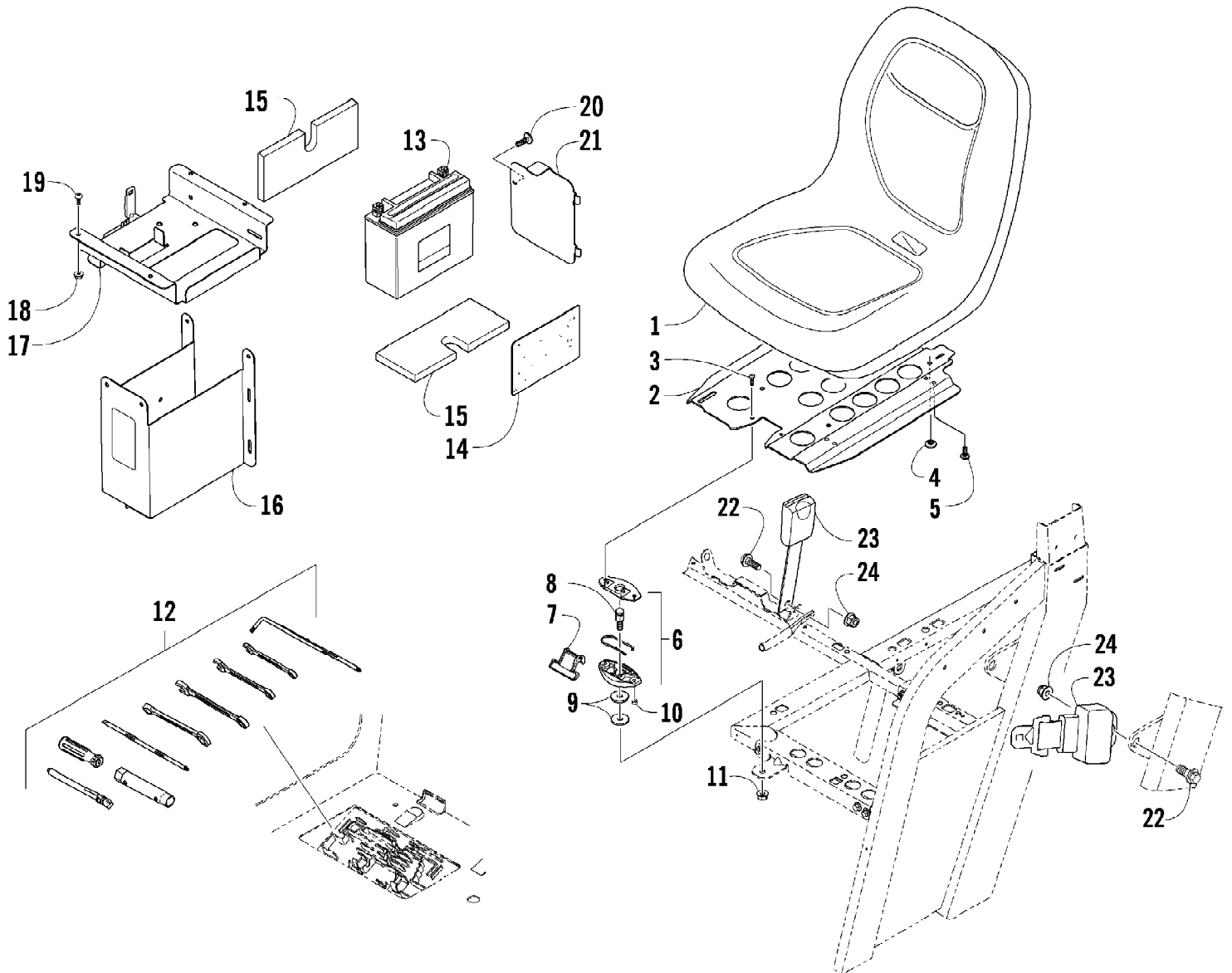
2009 PROWLER 550 4X4 FLATBED GREEN (U2009P1O4BUSG)
REAR SUSPENSION ASSEMBLY



2009 PROWLER 550 4X4 FLATBED GREEN (U2009P1O4BUSG)
 REAR SUSPENSION ASSEMBLY

Page 55 of 77

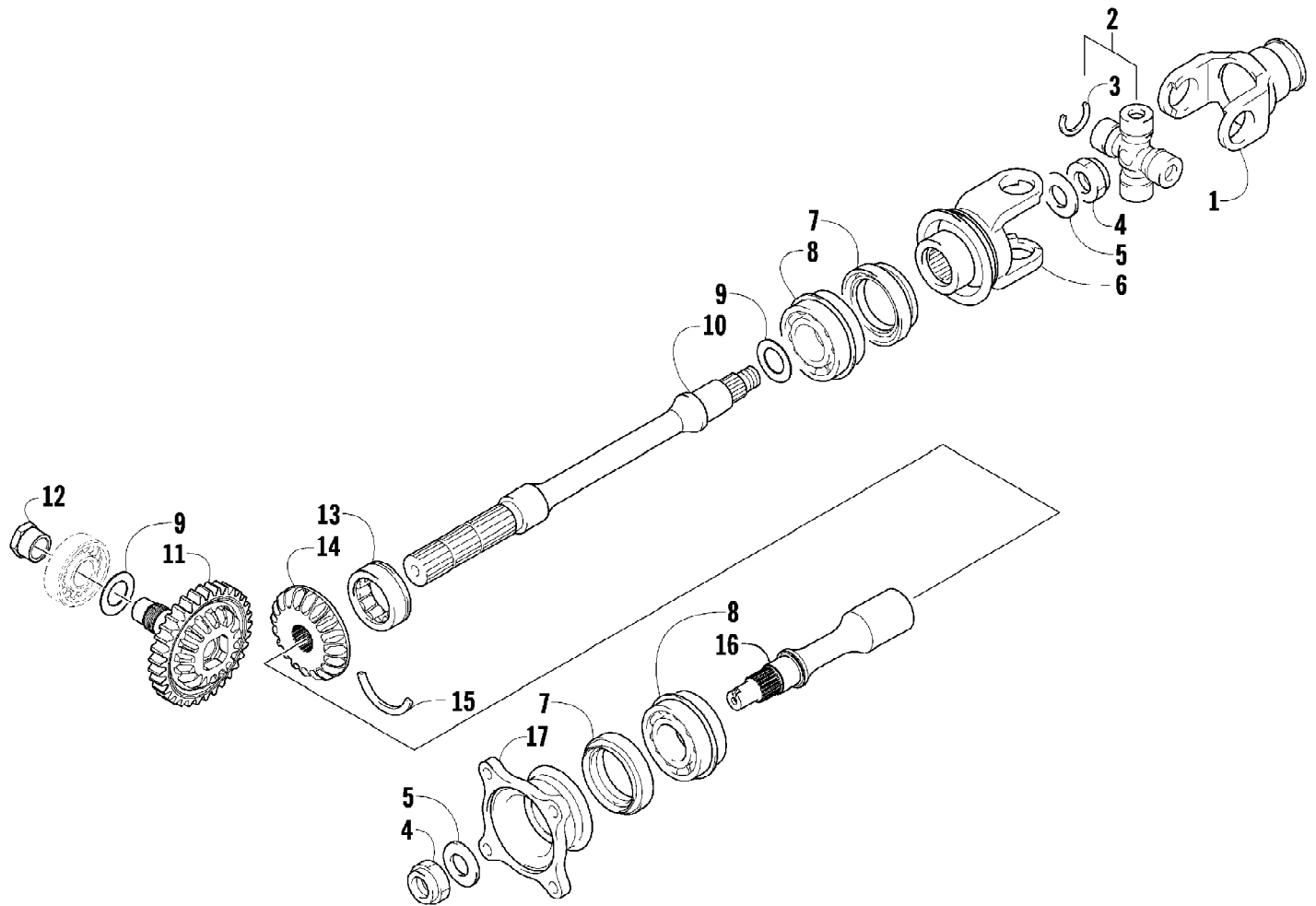
Ref #	Part Number	Qty	S/P/F	Description
1	0504-551	2	/P	Knuckle, Rear - Assembly (inc. 2-5)
2	1402-809	2	/P	Bearing
3	0423-423	2		Ring, Retaining
4	0403-038	4	S/P	Axle
5	0403-032	8	S	Bushing
6	1502-346	2	S	Axle, Drive (inc. 7-8)
7	0423-845	2	/P	Clip, Retaining
8	0436-276	2	S	Repair Kit, Boot - Rear Axle
9	0504-552	1		A-Arm, Rear - Lower Right (inc. 10-11)
9	0504-553	1	/P	A-Arm, Rear - Lower Left (inc. 10-11)
10	0403-115	16	S	Bushing
11	0403-114	8	S	Axle
12	0504-562	1	/P	A-Arm, Rear - Upper Right (inc. 10-11)
12	0504-563	1	/P	A-Arm, Rear - Upper Left (inc. 10-11)
13	8409-000	4		Screw, Cap
14	0423-744	14		Nut, Lock
15	8409-075	8		Screw, Cap
16	1603-889	2	/P	Retainer, Spring
17	0404-172	2		Spring, Suspension
18	0404-057	2		Cam, Spring Adjuster
19	0404-115	2		Shock Absorber (inc. 20-22)
20	0603-955	8		Bushing
21	1603-219	2	S	Sleeve
22	1603-209	2		Sleeve
23	0423-087	2		Washer
24	8408-820	2	/P	Screw, Cap
25	0404-116	2		Sleeve
26	8409-040	2		Screw, Cap
27	1406-068	1		Guard, Boot - Right
27	1406-069	1		Guard, Boot - Left
28	0423-545	4	/P	Screw, Shoulder



2009 PROWLER 550 4X4 FLATBED GREEN (U2009P1O4BUSG)
SEAT, BATTERY, AND TOOL KIT ASSEMBLY

Page 57 of 77

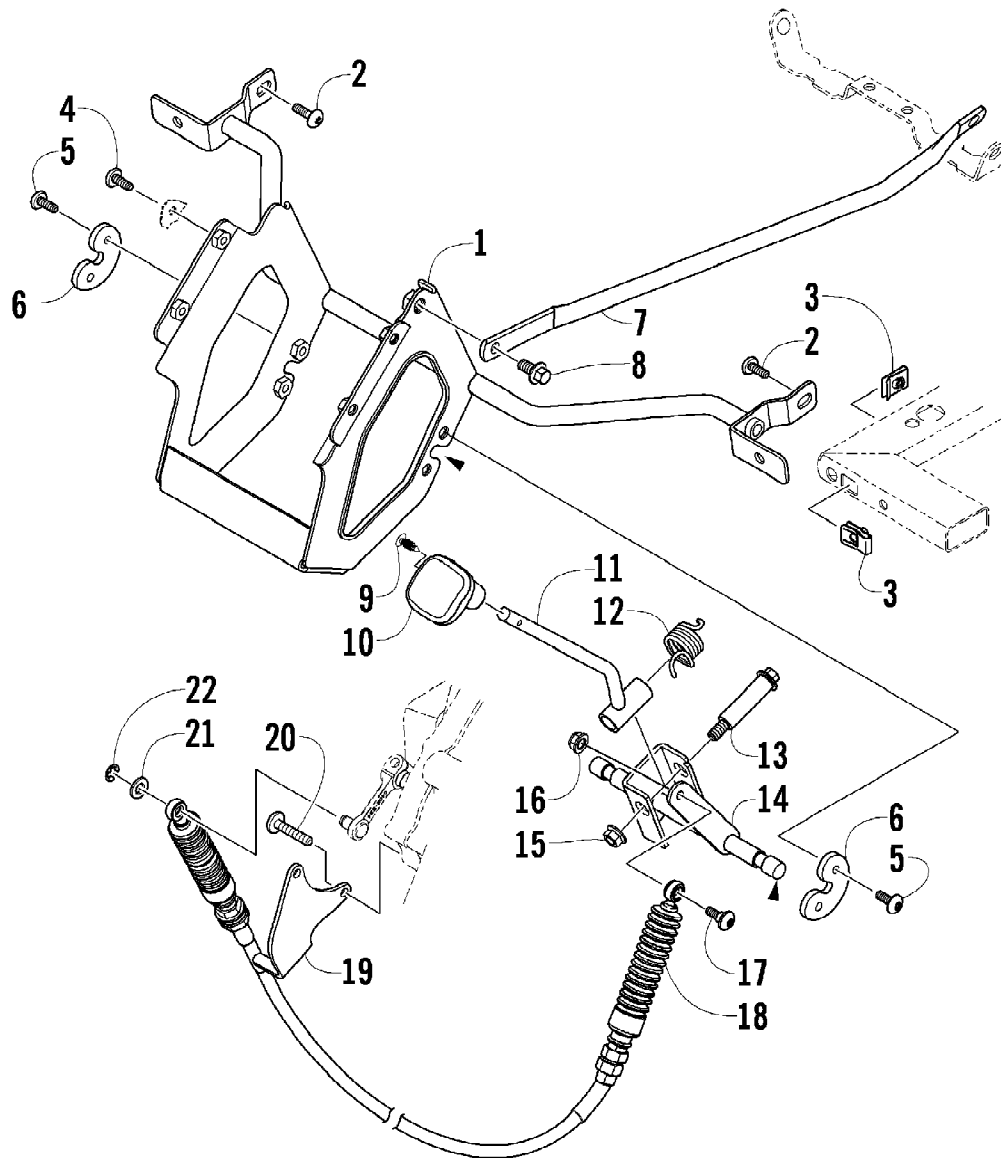
Ref #	Part Number	Qty	S/P/F	Description
1	1506-925	2		Seat, Low-Back
2	2506-780	2	/P	Plate, Base - Seat
3	8468-620	4	/P	Screw, Machine
4	0406-877	8	/P	Bumper, Seat
5	8468-820	8		Screw, Machine
6	2706-164	2	/P	Latch - Assembly (inc. 7)
7	2606-854	2	S	Lever, Release - Seat Latch
8	0423-559	2		Stud, Latch - Seat
9	0423-073	4		Washer
10	0623-038	4		Nut w/Washer
11	8424-002	2		Nut
12	0444-122	1	S/P	Tool Kit - Assembly
13	0745-230	1	/P	Battery, Sealed
14	0406-380	1		Pad, Battery
15	0406-227	2		Pad, Battery
16	1506-841	1		Box, Battery
17	2506-757	1		Panel, Electrical
18	8424-602	4	/P	Nut
19	8476-612	4		Screw, Machine
20	8476-616	1		Screw, Machine
21	1506-839	1		Cover, Battery Box
22	8408-025	4		Screw, Cap
23	2516-336	2	/P	Belt, Seat
24	8427-002	4		Nut, Lock



2009 PROWLER 550 4X4 FLATBED GREEN (U2009P1O4BUSG)
SECONDARY DRIVE ASSEMBLY

Page 59 of 77

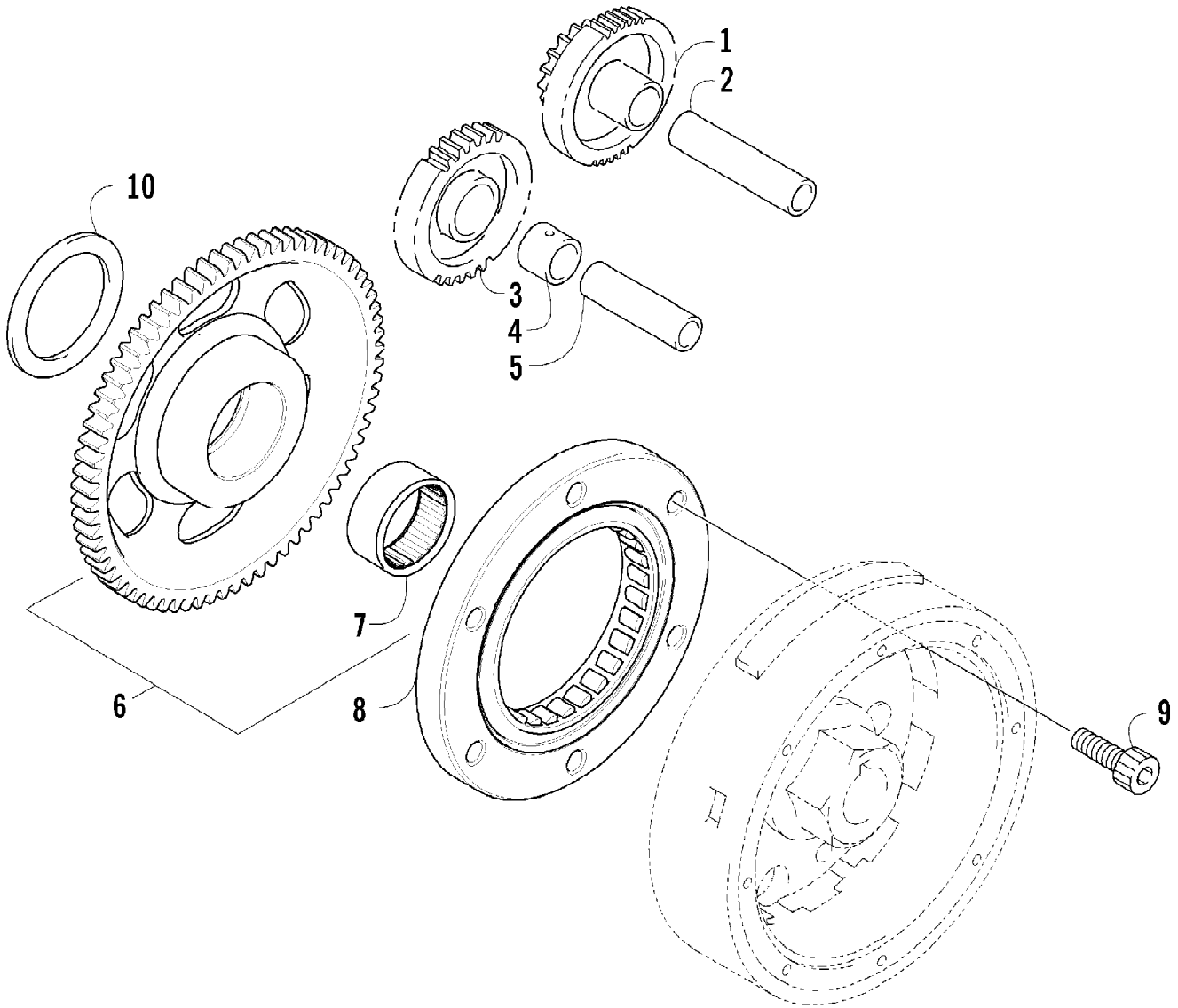
Ref #	Part Number	Qty	S/P/F	Description
1	0502-828	1		Yoke, Propeller Shaft Joint
2	0402-944	1	/P	Joint, Universal - Set (inc. 3)
3	0423-395	4		Ring, Retaining
4	0827-013	2		Nut
5	0828-020	2		Washer
6	0502-829	1		Yoke, Drive Output
7	0830-043	2		Seal, Oil
8	0832-017	2		Bearing
9	0828-021	AR		Shim, 25 x 34 x 0.25 mm
9	0828-022	AR		Shim, 25 x 34 x 0.30 mm
9	0828-023	AR		Shim, 25 x 34 x 0.70 mm
9	0828-024	AR		Shim, 25 x 34 x 0.90 mm
9	0828-025	AR		Shim, 25 x 34 x 0.95 mm
9	0828-026	AR		Shim, 25 x 34 x 1.00 mm
9	0828-027	AR		Shim, 25 x 34 x 1.05 mm
9	0828-028	AR		Shim, 25 x 34 x 1.10 mm
9	0828-029	AR		Shim, 25 x 34 x 1.15 mm
10	0819-003	1	S	Shaft, Secondary Driven - Front
11	0822-107	1		Gear, Secondary Drive
12	0827-052	1		Nut
13	0832-016	1		Bearing
14	0822-106	1		Gear, Secondary Driven
15	0819-011	1		Ring, Driven Bearing
16	0819-053	1		Shaft, Secondary Driven - Rear
17	0819-005	1		Flange, Output Joint



2009 PROWLER 550 4X4 FLATBED GREEN (U2009P1O4BUSG)
SHIFTER ASSEMBLY

Page 61 of 77

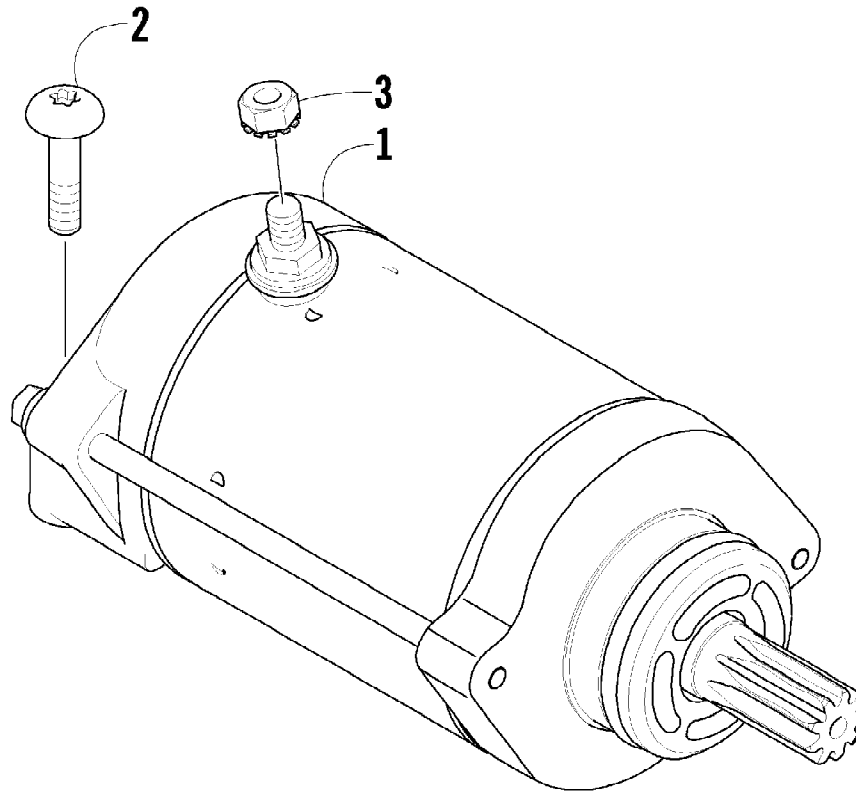
Ref #	Part Number	Qty	S/P/F	Description
1	1502-426	1		Mount, Shift
2	8476-620	4		Screw, Machine
3	0423-577	4		Clip, U-Nut
4	8477-616	4		Screw, Machine
5	8476-616	4		Screw, Machine
6	1402-275	2		Retainer, Shift Linkage
7	1502-264	1		Support, Shift Mount
8	8408-816	1		Screw, Cap
9	0623-269	1		Clip, Retainer
10	1402-752	1		Knob, Shift
11	1502-422	1		Lever, Shift
12	1402-668	1		Spring, Shift
13	0423-505	1		Screw, Shoulder
14	1502-424	1		Axle, Shift
15	8424-802	1		Nut
16	8424-602	1	/P	Nut
17	0423-355	1		Screw, Shoulder
18	0487-059	1		Cable, Shift
19	2406-894	1	/P	Bracket, Shift Cable
20	8468-645	2		Screw, Machine
21	0623-094	1		Washer
22	0124-057	1	/P	E-Ring



2009 PROWLER 550 4X4 FLATBED GREEN (U2009P1O4BUSG)
STARTER CLUTCH ASSEMBLY

Page 63 of 77

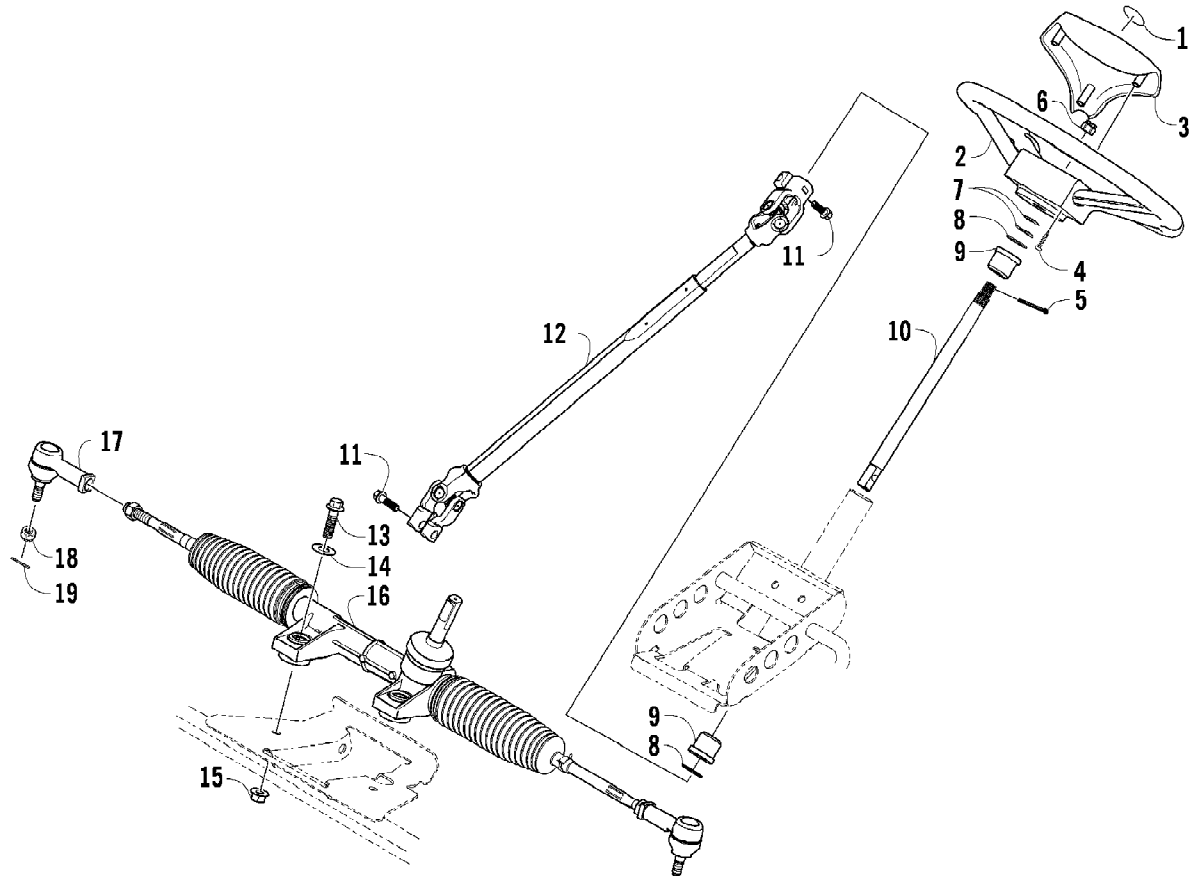
Ref #	Part Number	Qty	S/P/F	Description
1	0815-001	1		Gear, Starter Idler - No. 1
2	0829-031	1	/P	Shaft, Starter Gear
3	0815-002	1		Gear, Starter Idler - No. 2
4	0815-003	1		Spacer, Starter Idler Gear No. 2
5	0829-032	1	/P	Shaft, Starter Gear
6	0815-004	1		Gear, Starter Clutch (inc. 7)
7	0832-079	1	/P	Bearing
8	0802-035	1		Clutch, Starter
9	0826-069	6		Screw, Machine
10	0828-094	1		Washer



2009 PROWLER 550 4X4 FLATBED GREEN (U2009P1O4BUSG)
STARTER MOTOR ASSEMBLY

Page 65 of 77

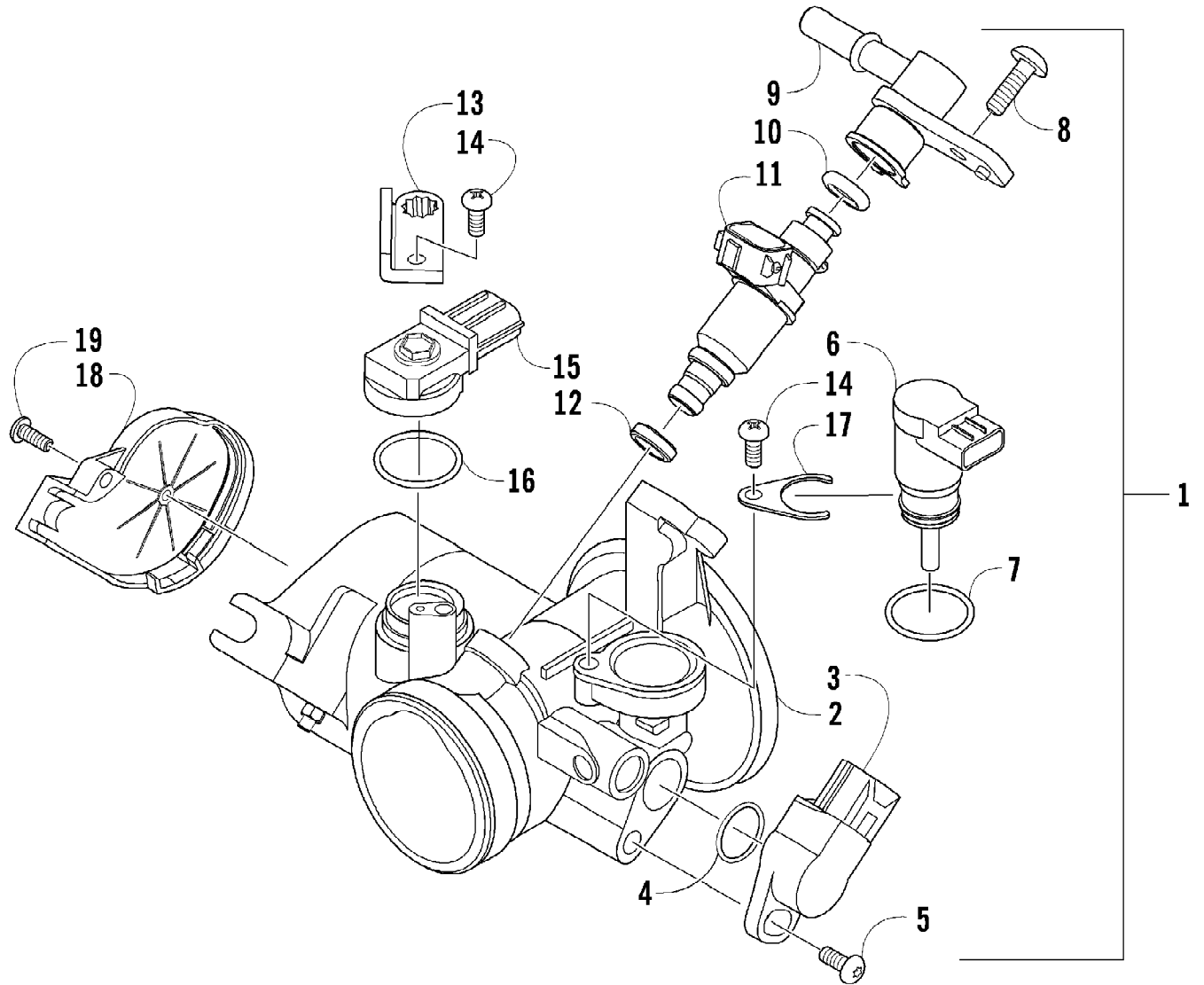
Ref #	Part Number	Qty	S/P/F	Description
1	0825-013	1	/P	Motor, Starter - Assembly
2	8476-625	2		Screw, Machine
3	0623-038	1		Nut w/Washer



2009 PROWLER 550 4X4 FLATBED GREEN (U2009P1O4BUSG)
STEERING ASSEMBLY

Page 67 of 77

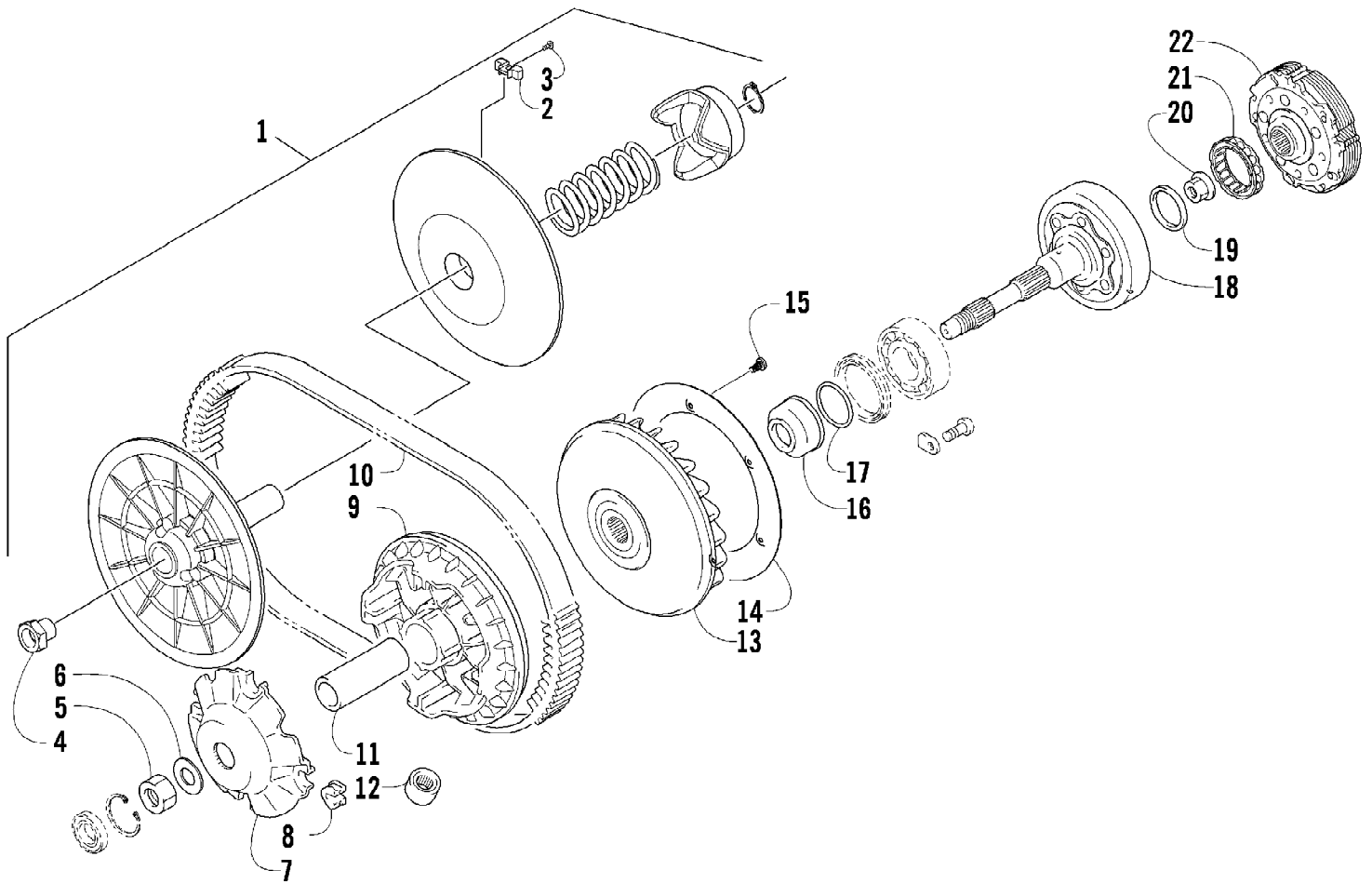
Ref #	Part Number	Qty	S/P/F	Description
1	1411-798	1		Decal, Steering Wheel
2	0502-884	1		Wheel, Steering - Assembly (inc. 3)
3	0405-239	1		Cover, Steering Wheel
4	0423-613	3		Screw, Self-Tapping
5	0423-407	1		Pin, Cotter
6	0423-884	1		Nut
7	0828-071	2		Washer
8	0423-558	2		Washer
9	0405-155	2		Bushing
10	0405-321	1	/P	Shaft, Upper Steering
11	0423-655	2		Screw, Cap
12	0405-156	1		Shaft, Lower Steering - Assembly
13	8409-050	2		Screw, Cap
14	0623-728	2		Washer
15	8424-002	2		Nut
16	0405-344	1	S	Housing, Rack and Pinion
17	0405-340	2	S	End, Tie Rod
18	0423-072	2		Nut
19	0623-175	2		Pin, Cotter



2009 PROWLER 550 4X4 FLATBED GREEN (U2009P1O4BUSG)
THROTTLE BODY ASSEMBLY

Page 69 of 77

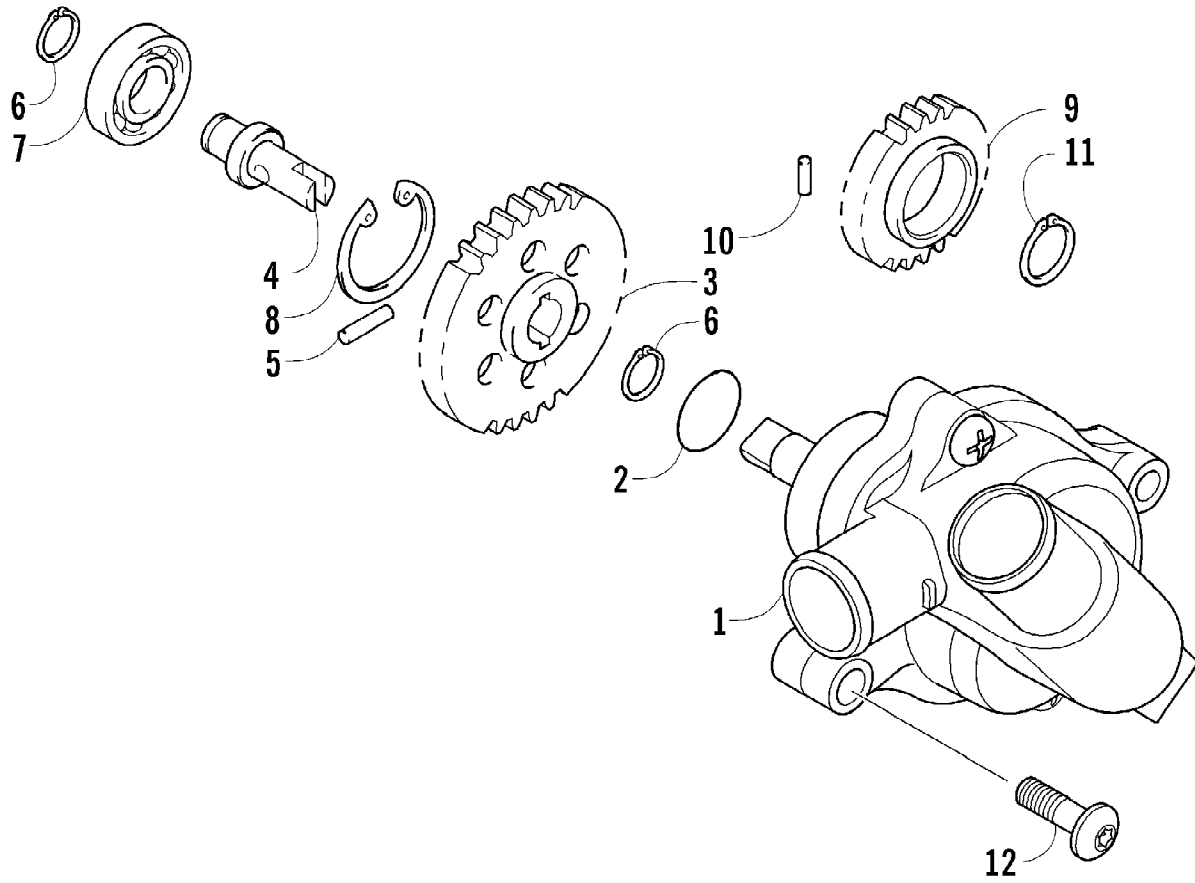
Ref #	Part Number	Qty	S/P/F	Description
1	0470-753	1		Throttle Body - Assembly (inc. 2-19)
2	0	1	F	Throttle Body
3	0430-072	1		Sensor, Throttle Position
4	5507-234	1		O-Ring, Throttle Position Sensor
5	5507-231	1		Screw, Machine
6	0430-074	1		Valve, ISC
7	5507-233	1		O-Ring, ISC Valve
8	5507-238	1		Screw, Machine
9	0470-687	1		Rail, Fuel
10	0470-767	1		O-Ring, Fuel Injector
11	0470-762	1		Injector, Fuel
12	0470-768	1		Seal, Fuel Injector
13	5507-227	1		Bracket, MAP Sensor
14	5507-117	2	/P	Screw, Machine
15	0430-073	1		Sensor, MAP
16	5507-232	1		O-Ring, MAP Sensor
17	5507-229	1		Plate, Retaining
18	5507-223	1		Cover
19	5507-037	1	/P	Screw, Machine



2009 PROWLER 550 4X4 FLATBED GREEN (U2009P1O4BUSG)
TRANSMISSION ASSEMBLY

Page 71 of 77

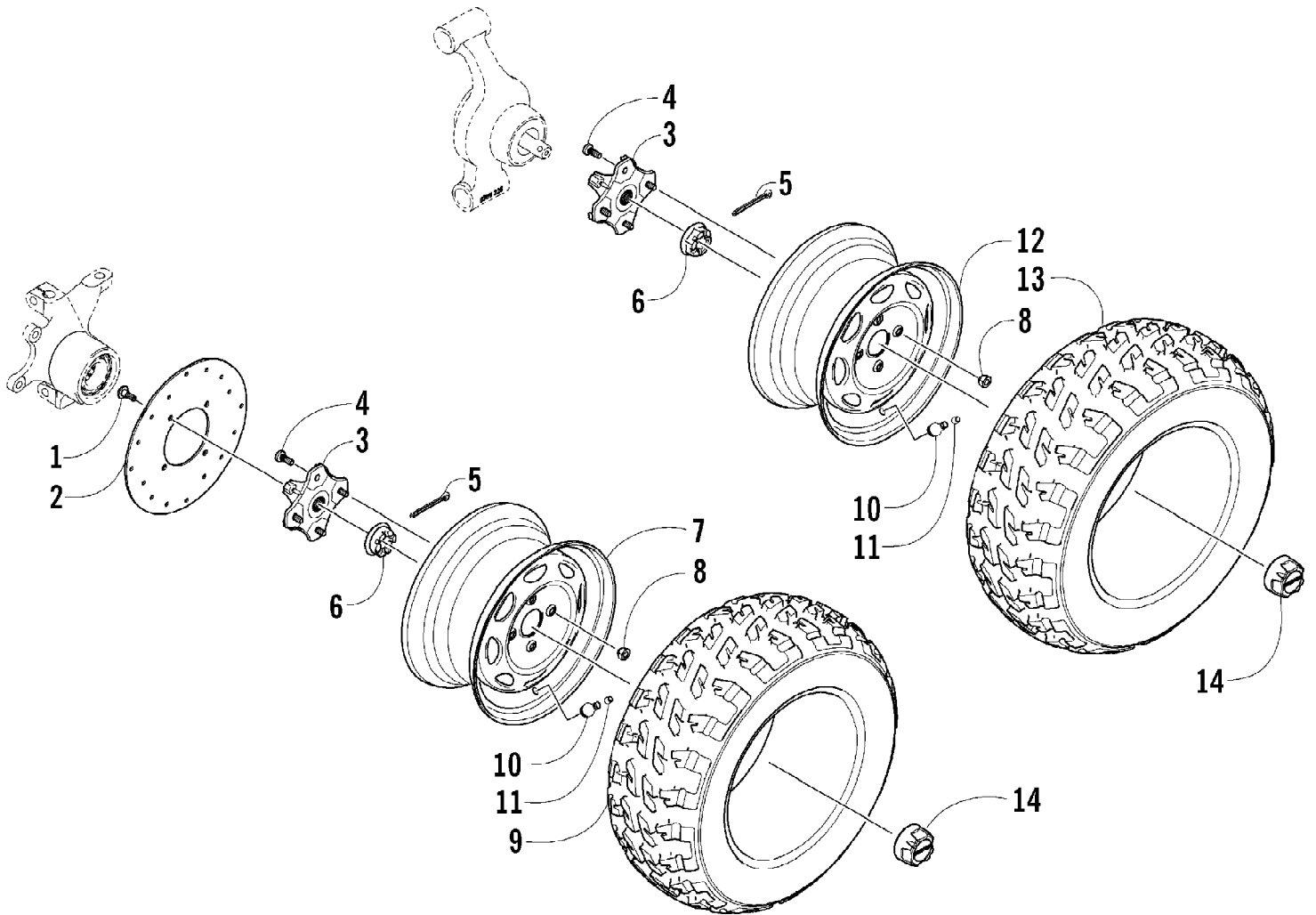
Ref #	Part Number	Qty	S/P/F	Description
1	0823-254	1	S	Pulley, Driven - Assembly (inc. 2-4)
2	0823-176	3	/P	Shoe, Cam
3	0823-177	3		Screw, Machine
4	0823-178	1		Nut
5	0827-010	1		Nut
6	0828-106	1		Washer
7	0823-008	1		Plate, Movable Drive Face
8	0823-010	4		Damper, Movable Drive Face
9	0823-159	1		Face, Movable Drive
10	0823-013	1		Belt, Drive
11	0823-149	1		Spacer
12	0823-164	8		Roller
13	0823-156	1	/P	Face, Fixed Drive
14	0823-131	1		Shroud, Drive Face
15	0623-914	6		Screw, Self-Tapping
16	0823-015	1		Spacer, Fixed Drive Face
17	0470-531	1		O-Ring
18	0823-096	1	S	Housing, Clutch - Assembly
19	0830-189	1	/P	Seal
20	0827-011	1		Nut
21	0823-018	1		Clutch, One-Way
22	0823-098	1	S	Clutch, Centrifugal - 6 Plate



2009 PROWLER 550 4X4 FLATBED GREEN (U2009P1O4BUSG)
WATER PUMP ASSEMBLY

Page 73 of 77

Ref #	Part Number	Qty	S/P/F	Description
1	0813-001	1		Pump, Water - Assembly (inc. 2)
2	0830-029	1		O-Ring
3	0813-004	1		Gear, Driven
4	0813-005	1		Shaft, Driven Gear
5	0829-009	1		Pin, Driven Gear
6	0831-002	2		Ring, Retaining
7	0832-046	1	/P	Bearing, Shaft
8	0831-004	1		Ring, Retaining
9	0811-003	1		Gear, Water Pump Drive
10	0829-007	1		Pin, Alignment
11	0831-005	1		Ring, Retaining
12	8468-665	2		Screw, Machine

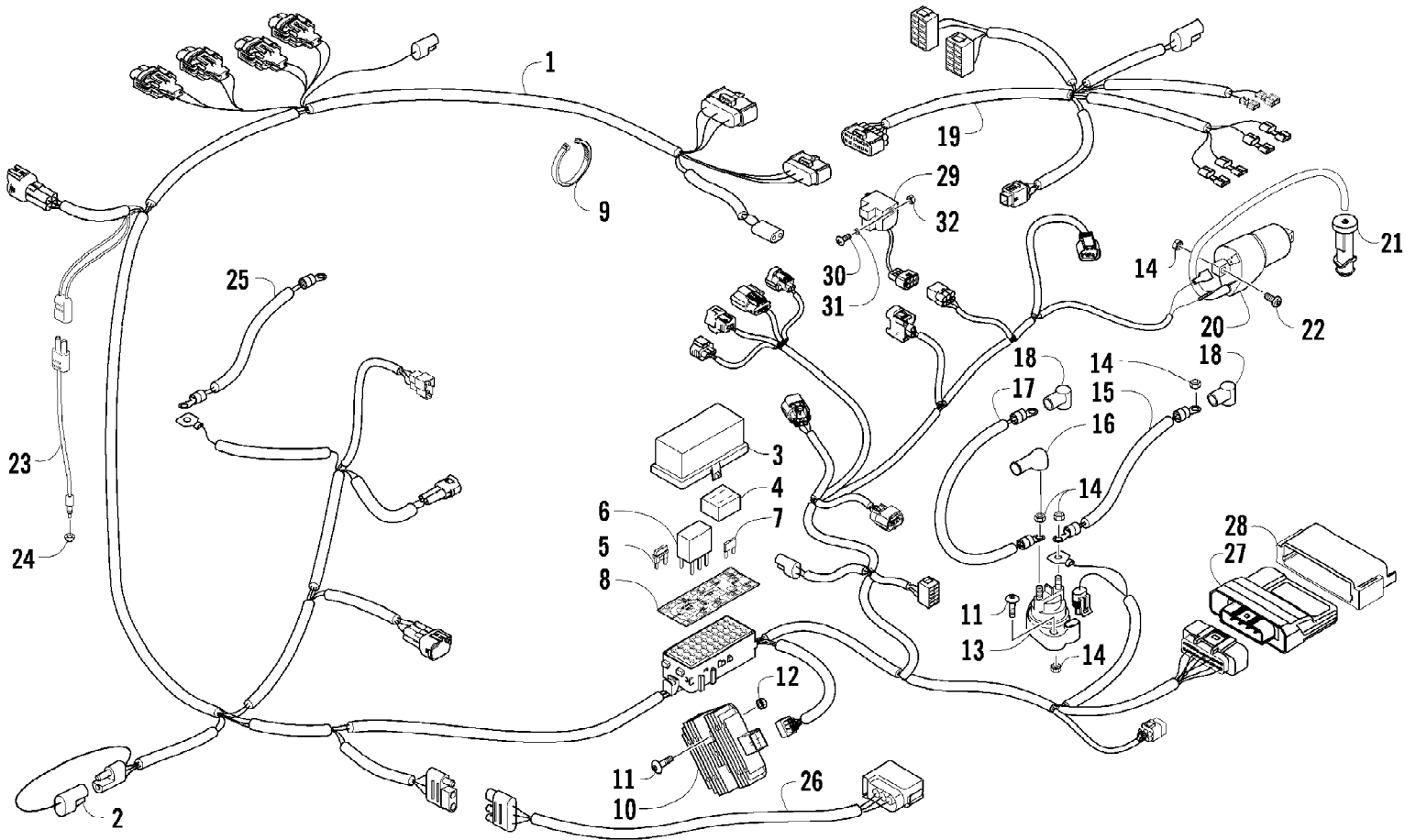


2009 PROWLER 550 4X4 FLATBED GREEN (U2009P1O4BUSG)
WHEEL AND TIRE ASSEMBLY

Page 75 of 77

Ref #	Part Number	Qty	S/P/F	Description
1	0423-557	8		Screw, Shoulder
2	1402-455	2	S	Disc, Brake
3	1502-433	2	/P	Hub, Wheel - Front (inc. 4)
3	1502-435	2	/P	Hub, Wheel - Rear (inc. 4)
4	0402-974	16	/P	Stud, Wheel Hub
5	0423-407	4		Pin, Cotter
6	0423-607	4		Nut, Castle
7	1402-511	2		Wheel - Front
8	0423-408	16	/P	Nut, Lug
9	1402-392	2		Tire - Front
10	0402-064	4		Stem, Valve (inc. 11)
11	0402-140	4		Cap, Valve Stem
12	1402-514	2		Wheel - Rear
13	1402-393	2		Tire - Rear
14	0403-181	4		Cap, Wheel

2009 PROWLER 550 4X4 FLATBED GREEN (U2009P1O4BUSG)
WIRING HARNESS ASSEMBLY



2009 PROWLER 550 4X4 FLATBED GREEN (U2009P1O4BUSG)
WIRING HARNESS ASSEMBLY

Page 77 of 77

Ref #	Part Number	Qty	S/P/F	Description
1	0486-289	1		Harness, Main (inc. 2-8)
2	0486-164	1		Tether, Accessory Connector
3	0530-008	1		Cover, Fuse Block
4	0430-037	1		Holder, Fuse
5	0430-034	1		Diode
6	0430-045	5	/P	Relay (4-Pin) - 20 Amp
7	0430-032	5		Fuse - 10 Amp
7	0430-031	3		Fuse - 15 Amp
7	0430-030	2		Fuse - 30 Amp
8	1411-526	1		Decal, Fuse Block
9	0123-903	AR		Cable Tie - 11.5 in.
10	0824-037	1	/P	Regulator, Voltage
11	8476-625	4		Screw, Machine
12	8424-602	2	/P	Nut
13	0445-058	1	/P	Solenoid
14	0623-038	8		Nut w/Washer
15	0445-061	1		Cable, Solenoid/Starter
16	0645-327	1		Boot, Terminal
17	0445-049	1		Cable, Battery/Solenoid
18	0645-019	2		Boot, Terminal
19	0486-290	1		Harness, Console
20	0824-043	1		Coil, Ignition - Assembly
21	0824-049	1	/P	Cap, Spark Plug
22	8476-620	2		Screw, Machine
23	0409-009	1		Switch, Brake - Assembly
24	0402-991	1		Retainer, Brake Switch
25	0445-050	1		Cable, Battery/Engine
26	0486-176	1		Harness Adapter, Taillight
27	0530-021	1		ECU
28	0430-076	1		Cushion, ECU
29	0409-064	1		Switch, Tilt Sensor
30	8468-425	2		Screw, Machine
31	0123-802	2		Washer
32	0423-493	2		Nut w/Washer