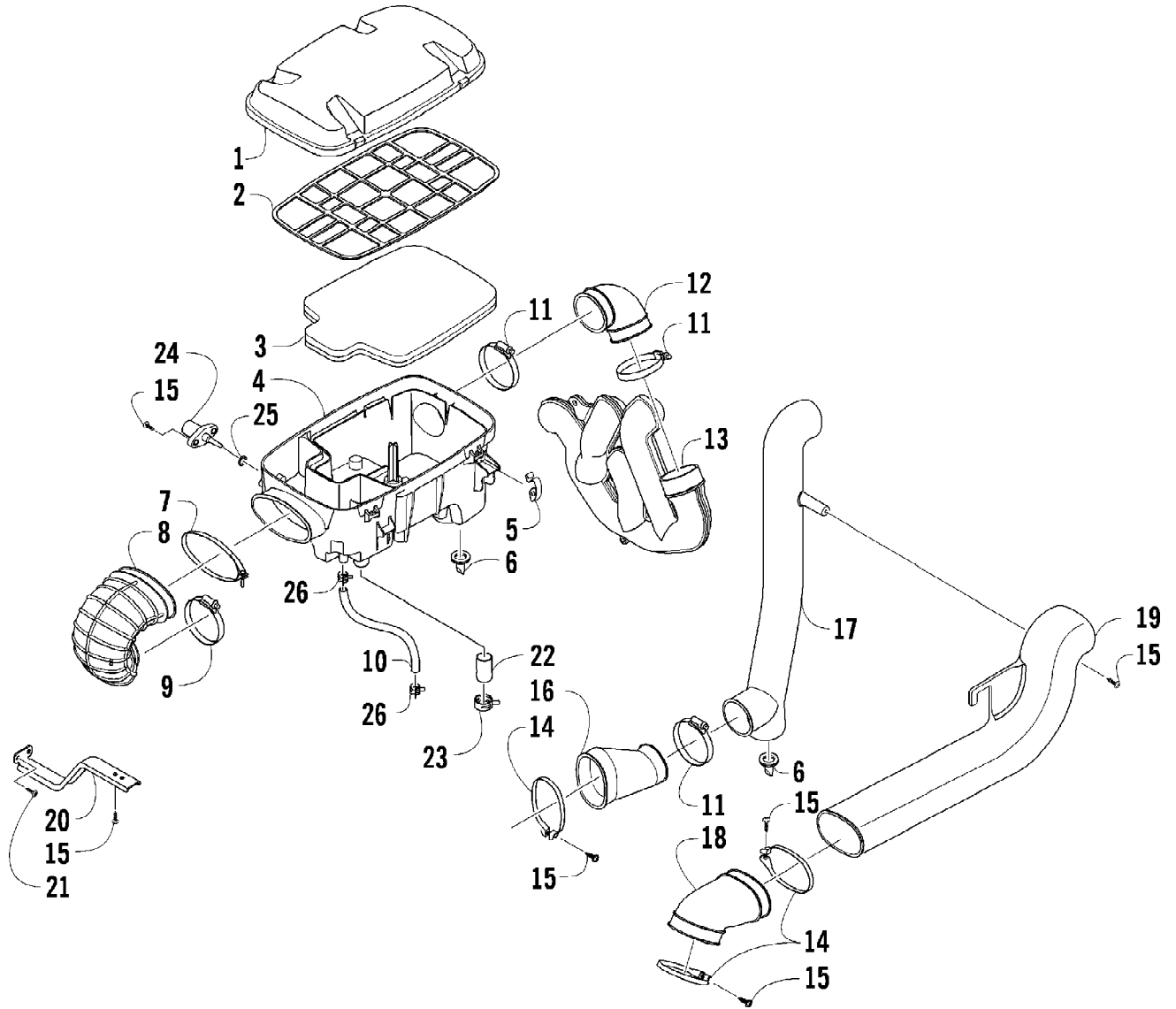
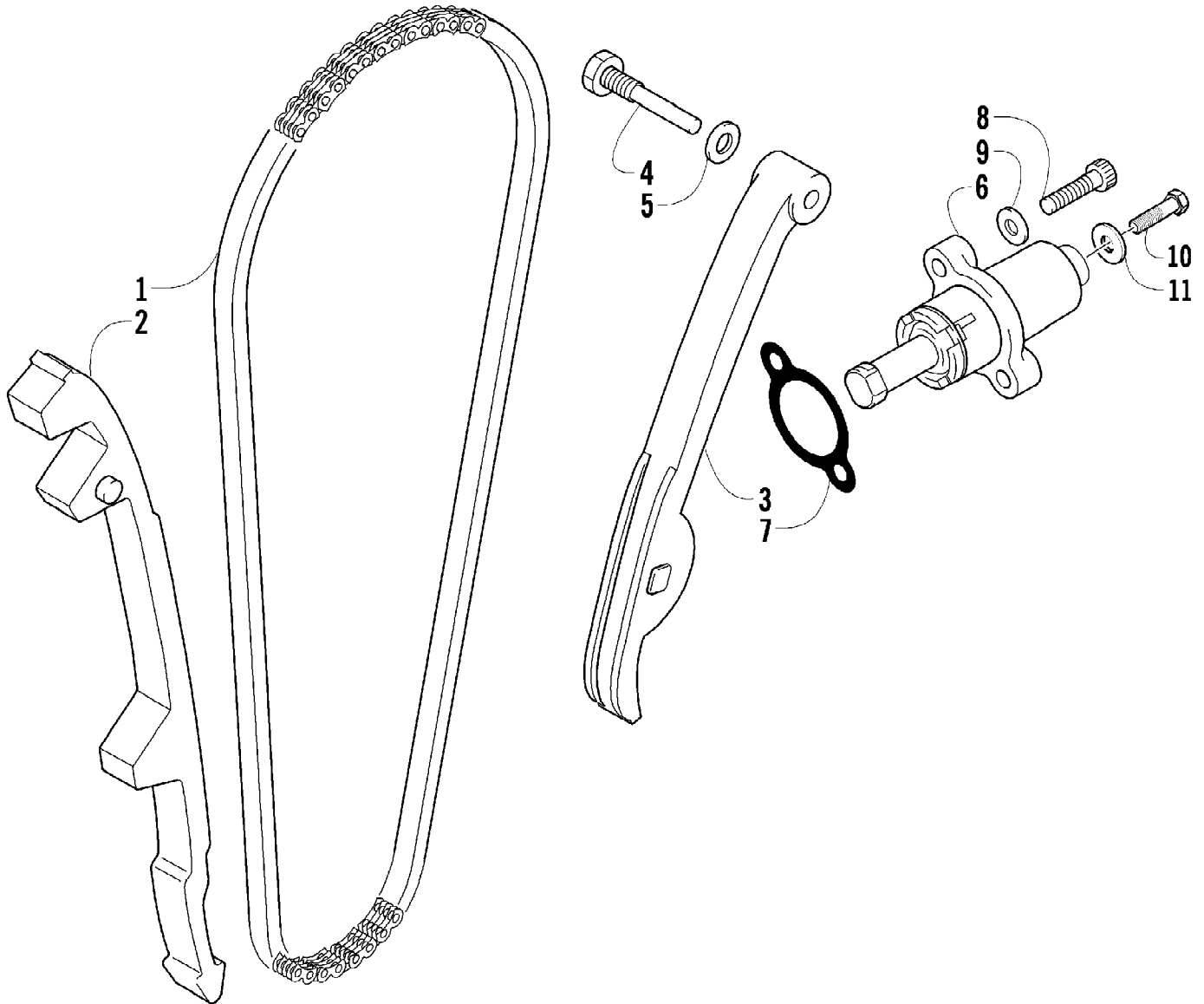


2008 PROWLER XTX 700 H1 AUTOMATIC 4X4 SILVER (U2008P2T4EUSL) Page 2 of 91
ACCELERATOR ASSEMBLY

Ref #	Part Number	Qty	S/P/F	Description
1	1502-321	1		Pedal, Accelerator
2	0405-233	1		Spring
3	0402-872	1		Axle
4	1602-213	2	/P	O-Ring
5	8422-002	1		Nut
6	8471-616	2		Screw, Machine
7	0502-991	1		Bracket, Accelerator Pedal
8	0623-038	2		Nut, Hex w/Washer
9	0502-990	1		Bracket, Cable - Accelerator
10	0487-047	1	S	Cable, Accelerator
11	2506-476	1		Support, Pedal
12	8408-816	1		Screw
13	1502-322	1		Pad, Accelerator
14	8474-516	4		Screw, Machine
15	8422-502	4		Nut

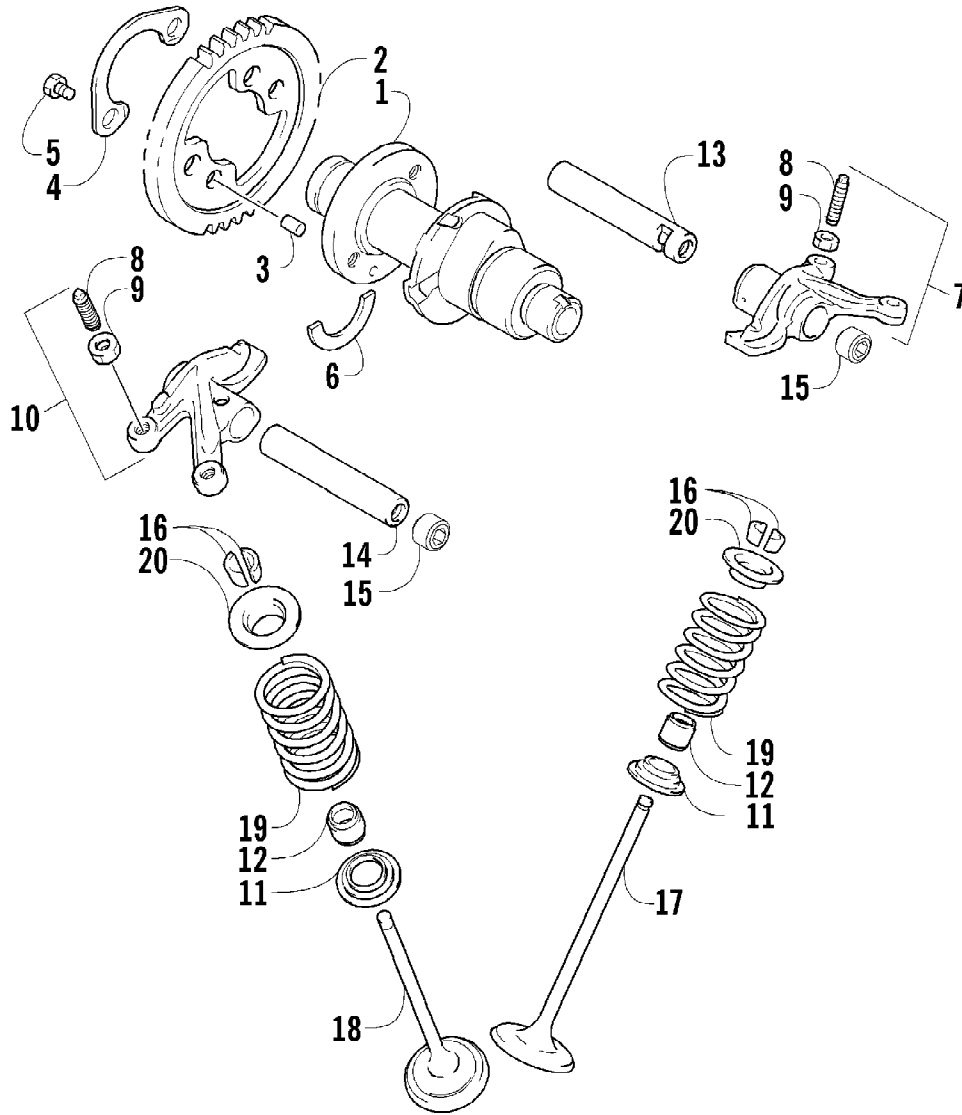


Ref #	Part Number	Qty	S/P/F	Description
1	0470-755	1	S	Cover, Air Intake
2	0470-560	1		Screen, Air Filter
3	0470-558	1		Filter, Air
4	0470-728	1		Housing, Air Intake
5	0423-455	4		Clip, Spring
6	0470-442	1	/P	Valve, Drain
7	0423-554	1		Clamp, Boot
8	0470-511	1		Boot, Carburetor
9	0423-018	1		Clamp, Hose
10	0410-079	1	S	Hose, Vent - Crankcase
11	0423-380	3	/P	Clamp, Boot
12	0413-098	1		Boot, Air-In
13	0513-024	1		Duct, Air-In
14	0423-550	3		Clamp
15	0423-342	8	/P	Screw, Self-Tapping
16	0413-049	1		Boot, Duct
17	0413-188	1		Duct
18	0413-109	1		Boot, Air-Out - Clutch
19	0413-189	1		Duct, Air-Out - Clutch
20	2506-651	1		Bracket, Support
21	0623-784	2		Screw, Self-Tapping
22	0423-766	1		Cap, Drain
23	1623-287	1		Clamp, Hose
24	0430-055	1		Sensor, Air Temperature (inc. 25)
25	5507-224	1		O-Ring
26	1623-281	2		Clamp



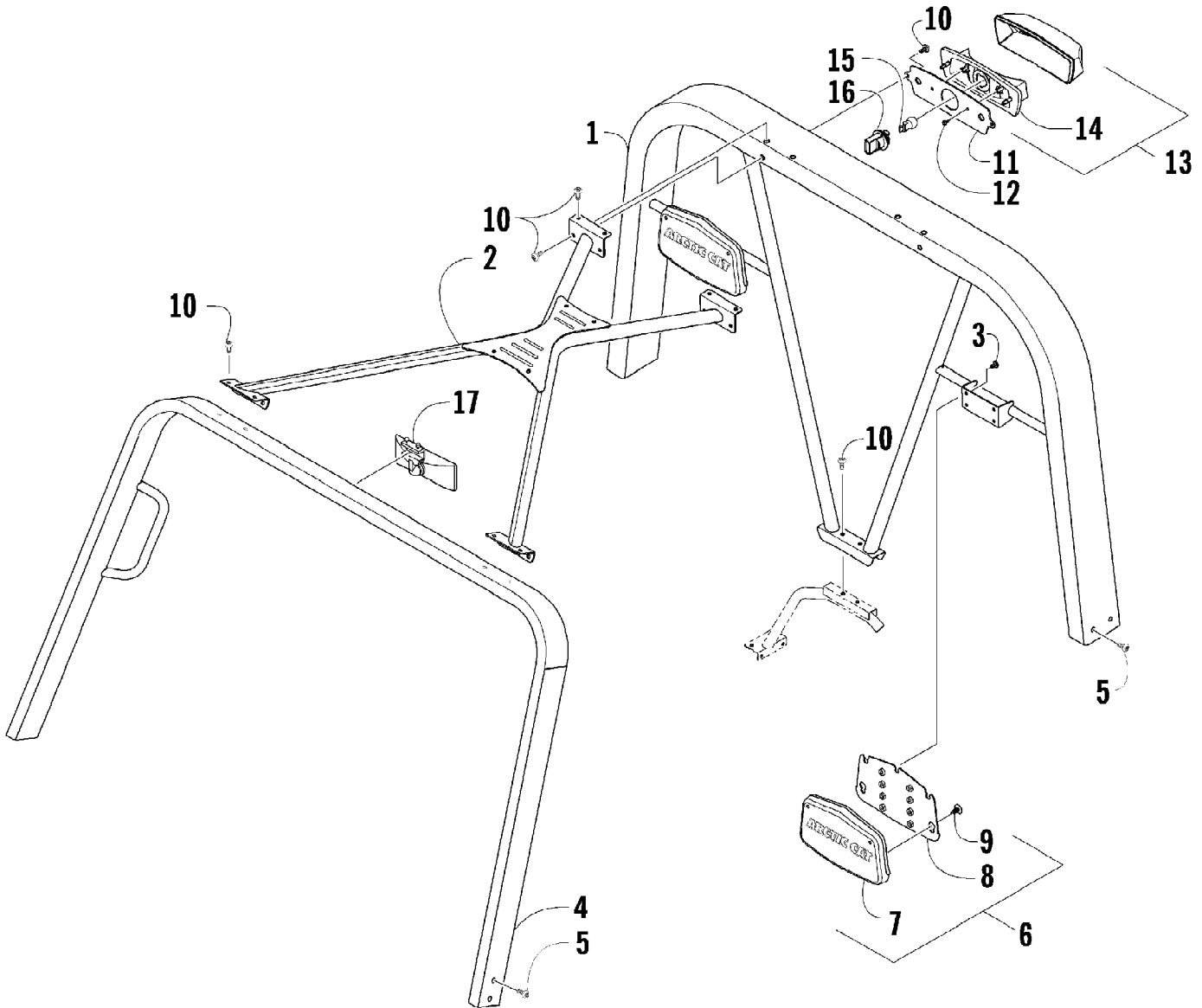
2008 PROWLER XTX 700 H1 AUTOMATIC 4X4 SILVER (U2008P2T4EUSL) Page 6 of 91
CAM CHAIN ASSEMBLY

Ref #	Part Number	Qty	S/P/F	Description
1	0810-001	1		Chain, Cam
2	0810-002	1		Guide, Chain
3	0810-003	1		Tensioner, Chain
4	0826-036	1		Bolt
5	0830-025	1		Washer
6	0810-004	1		Adjuster, Tensioner - Assembly
7	0830-018	1		Gasket
8	8468-625	2		Screw, Machine
9	0830-107	2		Gasket
10	8400-610	1		Screw, Cap
11	0828-110	1		Washer



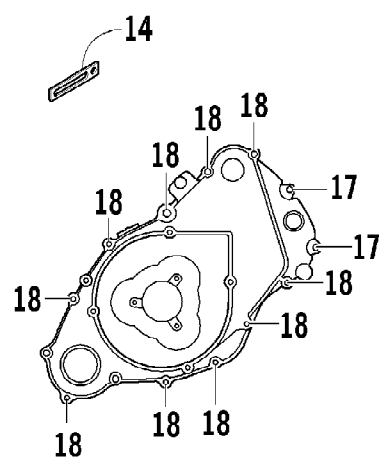
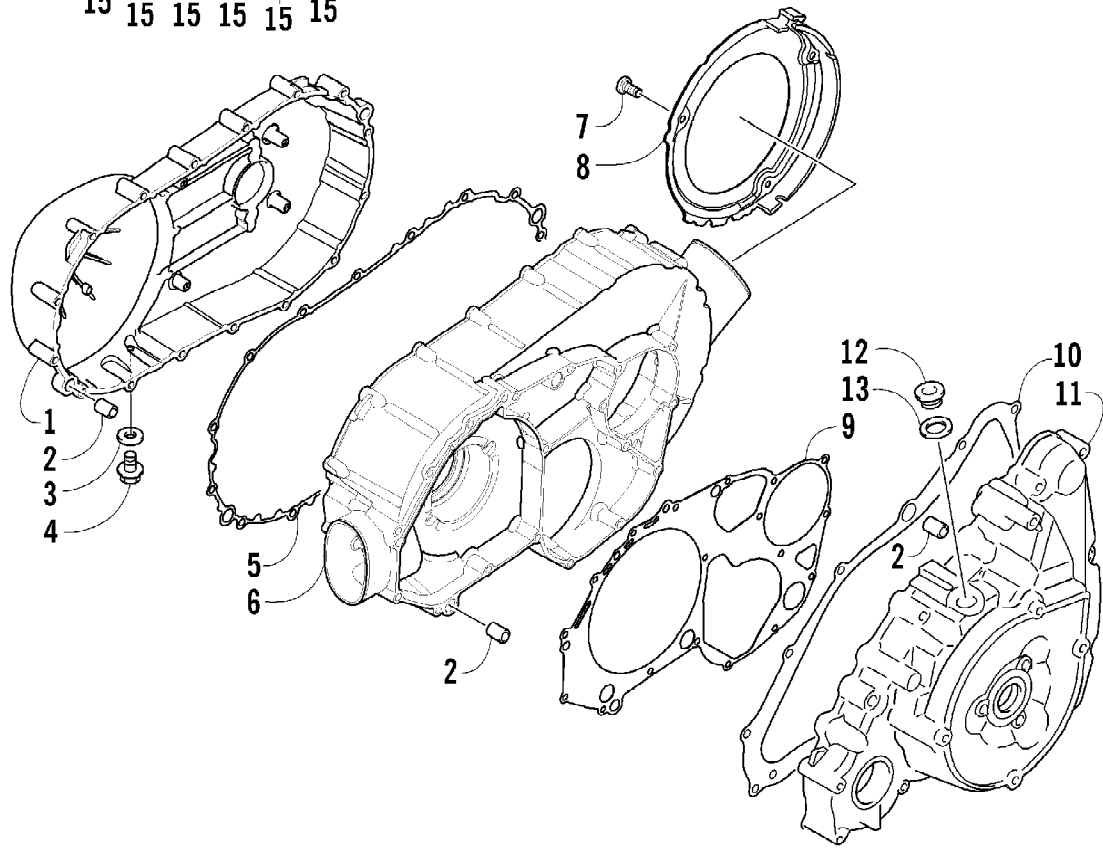
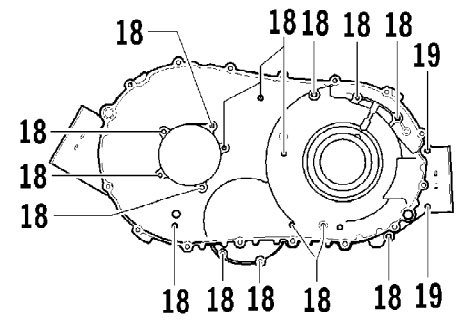
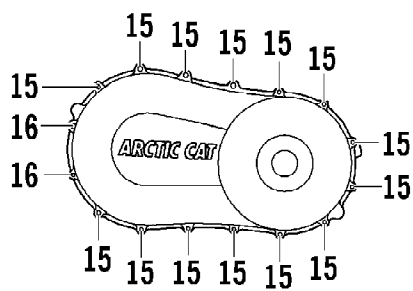
2008 PROWLER XTX 700 H1 AUTOMATIC 4X4 SILVER (U2008P2T4EUSL) Page 8 of 91
 CAMSHAFT/VALVE ASSEMBLY

Ref #	Part Number	Qty	S/P/F	Description
1	0809-200	1	S	Camshaft
2	0809-002	1		Sprocket
3	0829-008	1		Pin
4	0828-004	1		Washer
5	0826-034	2		Bolt
6	0809-003	1		C-Ring
7	0809-202	1	S/F	Arm, Valve Rocker - Intake (inc. two No. 8-9)
8	0809-033	4	S/F	Screw
9	0827-007	4	F	Nut
10	0809-205	1	S/F	Arm, Valve Rocker - Exhaust (inc. two No. 8-9)
11	0809-006	4	F	Seat, Spring - Valve
12	0830-016	4	S/F	Seal, Oil
13	0809-007	1	F	Shaft, Rocker Arm - Intake
14	0809-008	1	F	Shaft, Rocker Arm - Exhaust
15	0831-066	2	F	Plug, Shaft
16	0809-014	8	F	Keeper, Valve
17	0809-039	2	S/F	Valve, Intake
18	0809-040	2	S/F	Valve, Exhaust
19	0809-138	4	S/F	Spring, Valve
20	0809-013	4	F	Retainer, Spring



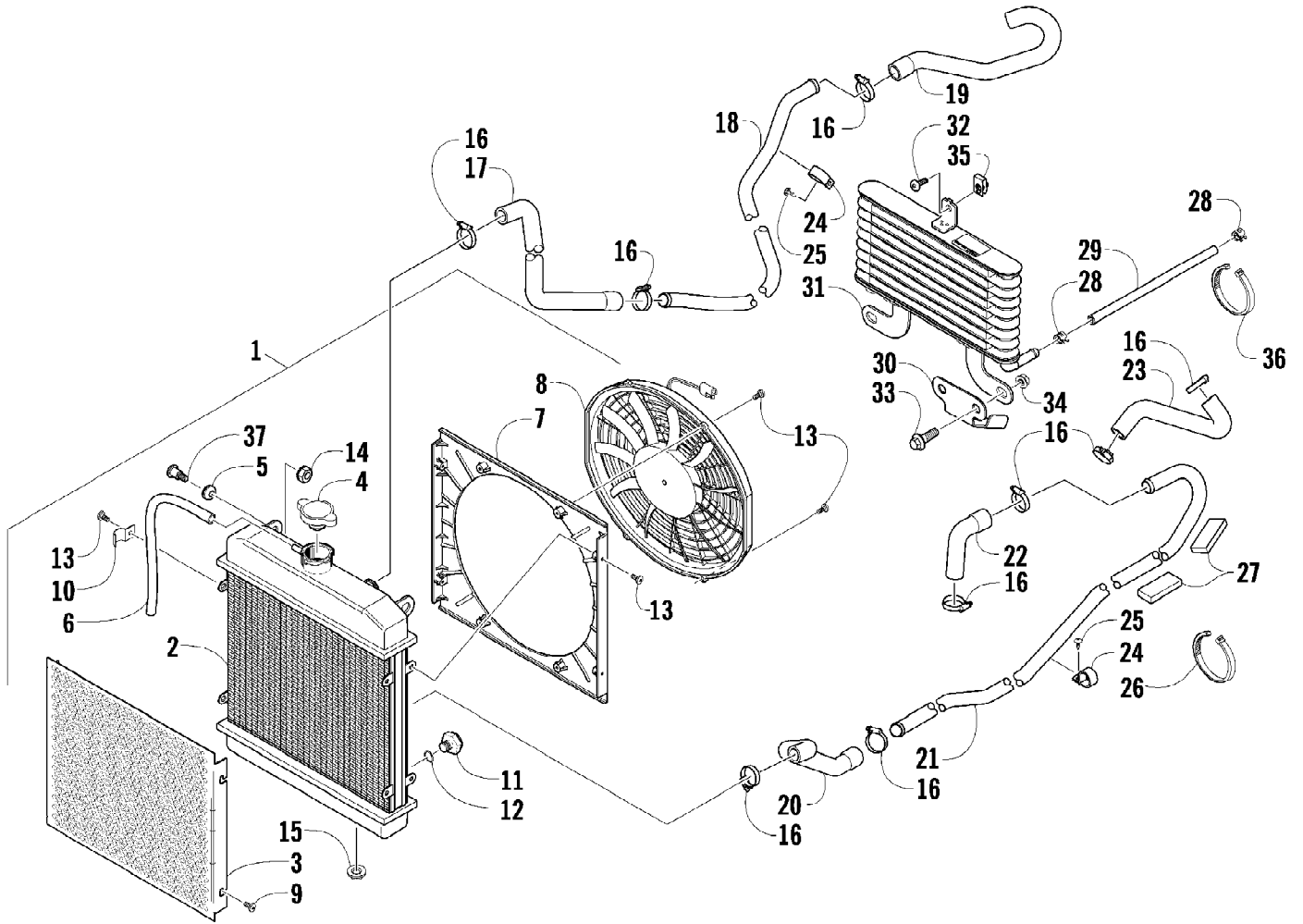
2008 PROWLER XTX 700 H1 AUTOMATIC 4X4 SILVER (U2008P2T4EUSL) Page 10 of 91
CANOPY AND TAILLIGHT ASSEMBLY

Ref #	Part Number	Qty	S/P/F	Description
1	1506-680	1		Tube, Canopy - Rear
2	1506-713	1		Support, Canopy
3	0423-361	8		Screw, Machine
4	1506-665	1		Tube, Canopy - Front
5	0423-817	8		Screw, Machine
6	1506-795	2		Pad, Headrest - Assembly (inc. 7-9)
7	1406-884	2		Pad, Headrest
8	1506-722	2		Mount, Headrest
9	0623-544	10		Plug
10	0423-419	18		Screw, Machine
11	2406-069	1		Bracket, Taillight Mounting
12	0623-301	2	/P	Screw, Self-Tapping
13	0509-022	1		Taillight Assembly (inc. 14-16)
14	0509-025	1		Housing, Taillight
15	0409-056	1		Bulb, Taillight
16	0409-057	1		Socket, Taillight
17	1436-062	1	S	Mirror, Rear-View - Kit

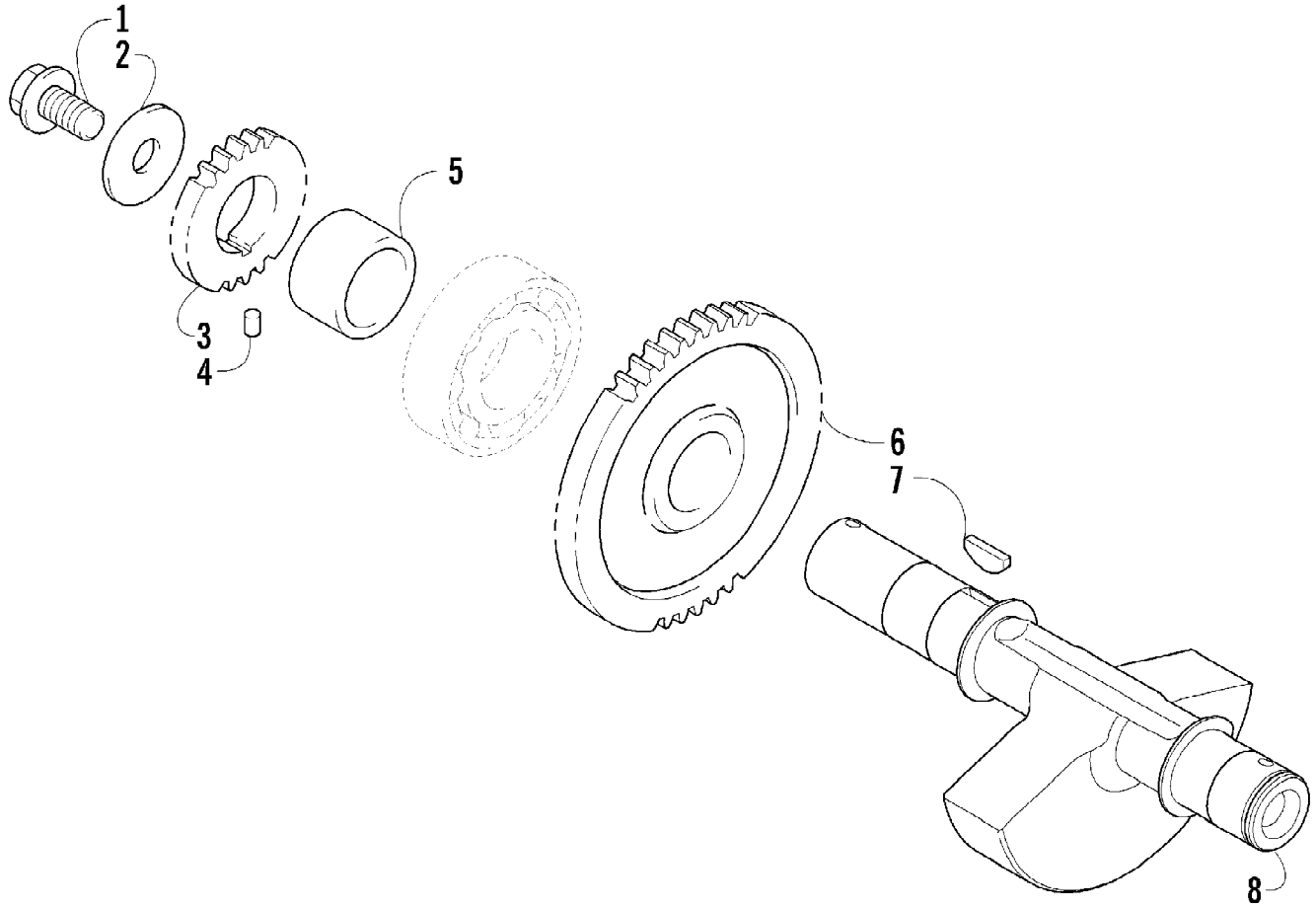


2008 PROWLER XTX 700 H1 AUTOMATIC 4X4 SILVER (U2008P2T4EUSL) Page 12 of 91
CLUTCH/V-BELT/MAGNETO COVER ASSEMBLY

Ref #	Part Number	Qty	S/P/F	Description
1	0806-088	1	/P	Cover, V-Belt
2	0829-002	4		Pin, Dowel
3	0830-013	1		Washer, Crush
4	8408-812	1		Screw, Cap
5	0830-174	1	/P	Gasket, V-Belt Cover
6	0806-091	1		Cover, Clutch
7	0826-029	3		Screw, Machine
8	0806-048	1		Plate, Air Intake
9	0830-116	1	/P	Gasket, Clutch Cover
10	0830-128	1		Gasket, Magneto Cover
11	0806-082	1	/P	Cover, Magneto - Assembly
12	0806-022	1		Plug
13	0830-015	1		Washer, Crush
14	3002-964	1	/P	Clamp, Wire
15	8468-645	14		Screw, Machine
16	8468-655	2		Screw, Machine
17	8468-625	2		Screw, Machine
18	8468-640	26		Screw, Machine
19	8468-675	2		Screw, Machine

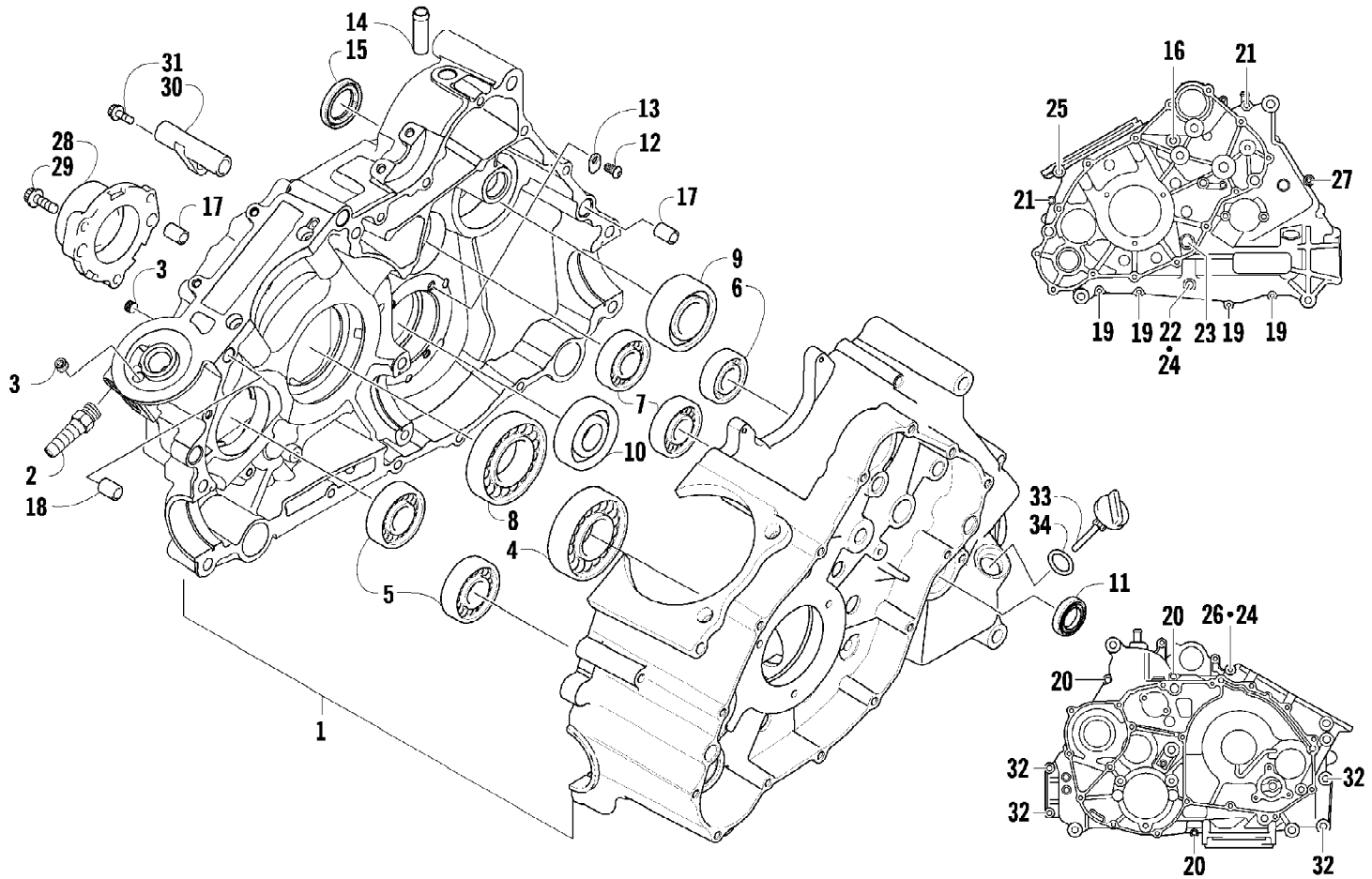


Ref #	Part Number	Qty	S/P/F	Description
1	0413-199	1	S	Radiator - Assembly (inc. 2-13)
2	0413-205	1		Radiator
3	0413-007	1		Screen, Radiator
4	0413-002	1	S	Cap, Radiator
5	0423-030	2		Grommet
6	0610-016	AR	/P	Hose - 25 ft
7	0413-203	1		Shroud, Fan
8	0413-123	1	/P	Fan, Cooling
9	8475-512	4		Screw, Machine
10	0423-351	1		Clamp, Wire
11	0413-195	1		Plug, Drain
12	0423-390	1	S	O-Ring
13	0623-378	8		Screw, Self-Tapping
14	0623-038	2		Nut w/Washer
15	0423-028	2		Bushing, Stem
16	0423-496	10		Clamp, Hose
17	0410-092	1		Hose, Coolant - Upper Radiator
18	0410-089	1		Pipe, Coolant - Upper
19	0410-091	1		Hose, Coolant - Upper Engine
20	0410-094	1		Hose, Coolant - Lower Radiator
21	0410-090	1		Pipe, Coolant - Lower
22	0410-093	1		Hose, Coolant - Lower Engine
23	0410-095	1		Hose, Coolant - Rear
24	0423-594	2		Clamp, Pipe - Coolant
25	0623-784	2		Screw, Self-Tapping
26	0123-903	AR		Cable Tie - 11.5 in.
27	0406-288	2		Pad
28	0623-028	4	/P	Clamp
29	0410-165	1		Hose, Oil - Lower
29	0410-166	1		Hose, Oil - Upper
30	0513-023	2		Bracket, Mounting-Oil Cooler - Upper
31	0413-163	1	S	Cooler, Oil
32	8476-620	1		Screw, Machine
33	8409-025	2		Screw, Cap
34	8424-002	2		Nut, Hex
35	0423-577	1		Clip, U-Nut
36	0623-751	AR		Cable Tie, Reusable
37	0423-484	2		Screw, Shoulder



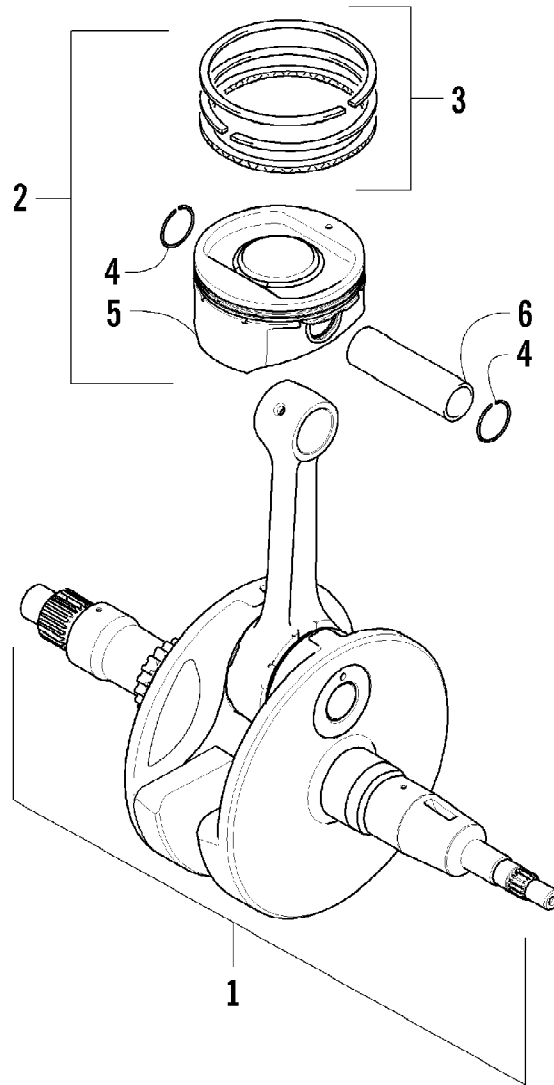
2008 PROWLER XTX 700 H1 AUTOMATIC 4X4 SILVER (U2008P2T4EUSL) Page 16 of 91
CRANK BALANCER ASSEMBLY

Ref #	Part Number	Qty	S/P/F	Description
1	0826-033	1		Screw, Cap
2	0828-003	1		Washer
3	0811-003	1		Gear, Oil Pump Drive
4	0829-007	1		Dowel, Solid
5	0811-004	1		Spacer
6	0811-002	1		Gear, Driven
7	0829-006	1		Key - Crank Balancer Shaft
8	0811-017	1		Balancer, Crank



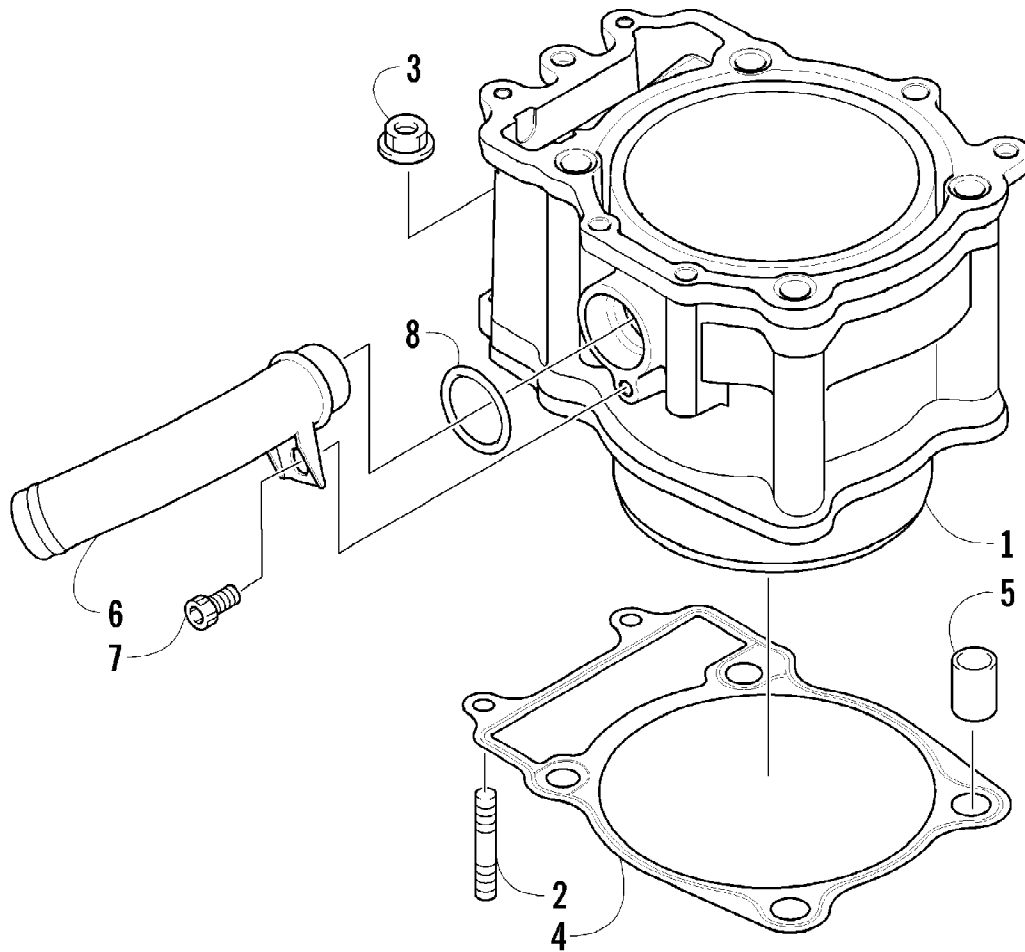
2008 PROWLER XTX 700 H1 AUTOMATIC 4X4 SILVER (U2008P2T4EUSL) Page 18 of 91
CRANKCASE ASSEMBLY

Ref #	Part Number	Qty	S/P/F	Description
1	0801-127	1	S	Crankcase Assembly (inc. 2-15)
2	0812-061	2		Fitting, Hose
3	0801-002	2		Plug
4	0832-043	1	/P	Bearing, Ball
5	0832-044	2	/P	Bearing
6	0832-049	1	/P	Bearing
7	0832-050	2	/P	Bearing
8	0832-042	1	/P	Bearing, Ball
9	0832-048	1	/P	Bearing, Ball - Driveshaft
10	0832-051	1	S	Bearing
11	0822-052	1		Seal, Countershaft
12	0826-100	4		Screw, Cap
13	0822-010	4	/P	Retainer, Bearing
14	0801-028	1		Pipe, Breather
15	0830-035	1		Seal, Driveshaft
16	8468-680	1		Screw, Machine
17	0829-002	5		Pin, Dowel
18	0829-003	1		Pin, Dowel
19	8468-645	4		Screw, Machine
20	8468-655	3		Screw, Machine
21	8468-675	2		Screw, Machine
22	8412-860	1		Screw, Cap
23	0826-017	1		Screw, Cap
24	0830-008	2		Gasket
25	0826-019	1		Screw, Cap
26	0826-018	1		Screw, Cap
27	8468-695	1		Screw, Machine
28	0801-006	1		Housing, Secondary Shaft Bearing
29	0826-105	3		Bolt
30	0801-069	1		Pipe, Breather
31	0826-038	1		Bolt, Breather Pipe
32	8412-850	4		Screw, Cap
33	0801-073	1		Stick, Oil Level
34	0830-010	1		O-Ring, Oil Level Stick



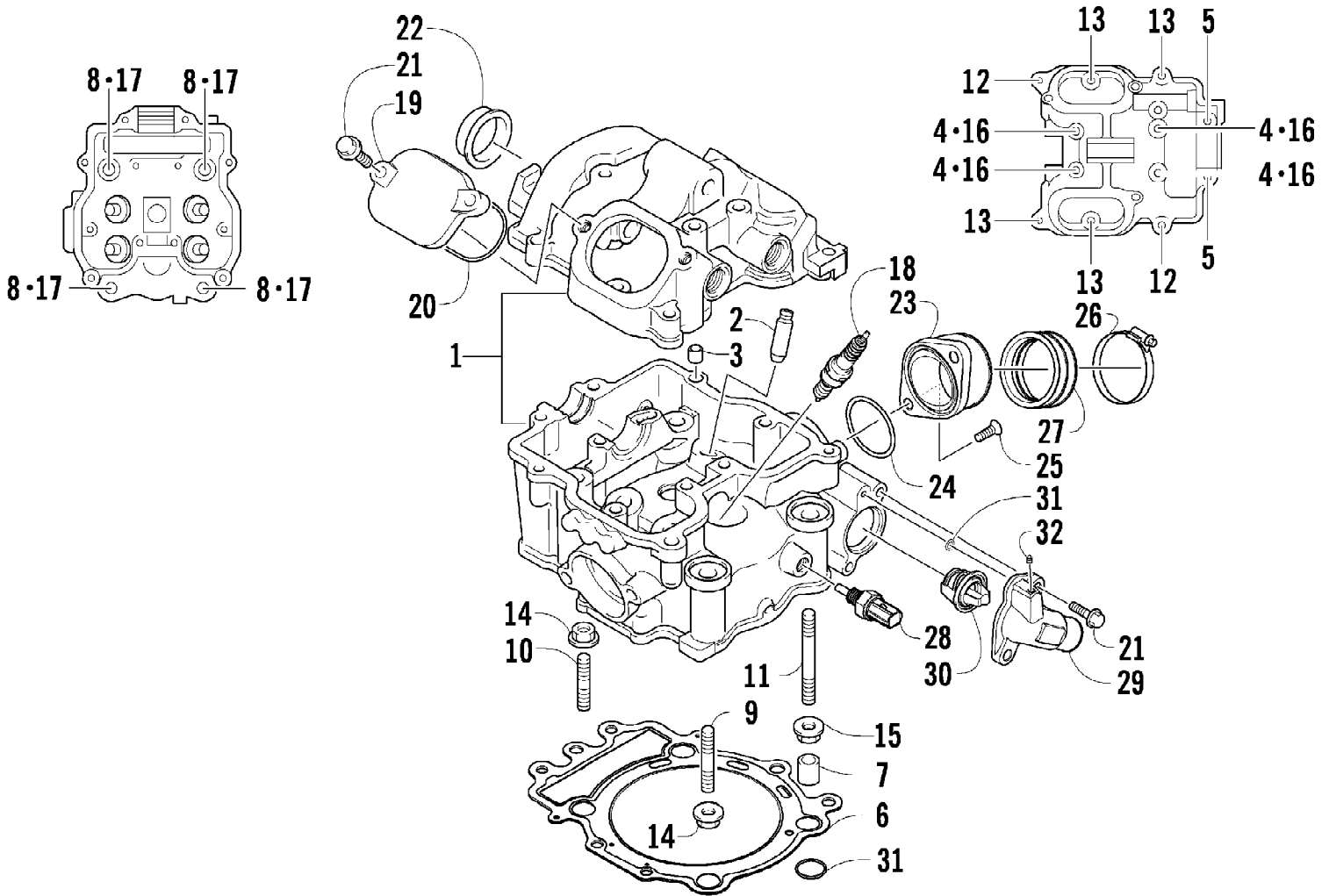
2008 PROWLER XTX 700 H1 AUTOMATIC 4X4 SILVER (U2008P2T4EUSL) Page 20 of 91
CRANKSHAFT AND PISTON ASSEMBLY

Ref #	Part Number	Qty	S/P/F	Description
1	0805-032	1	S	Crankshaft Assembly
2	0805-158	1	S	Piston Set (inc. 3-6)
3	0805-132	1		Ring, Piston - Set
4	0831-001	2		Circlip, Piston Pin
5	0805-131	1		Piston
6	0805-210	1		Pin, Piston



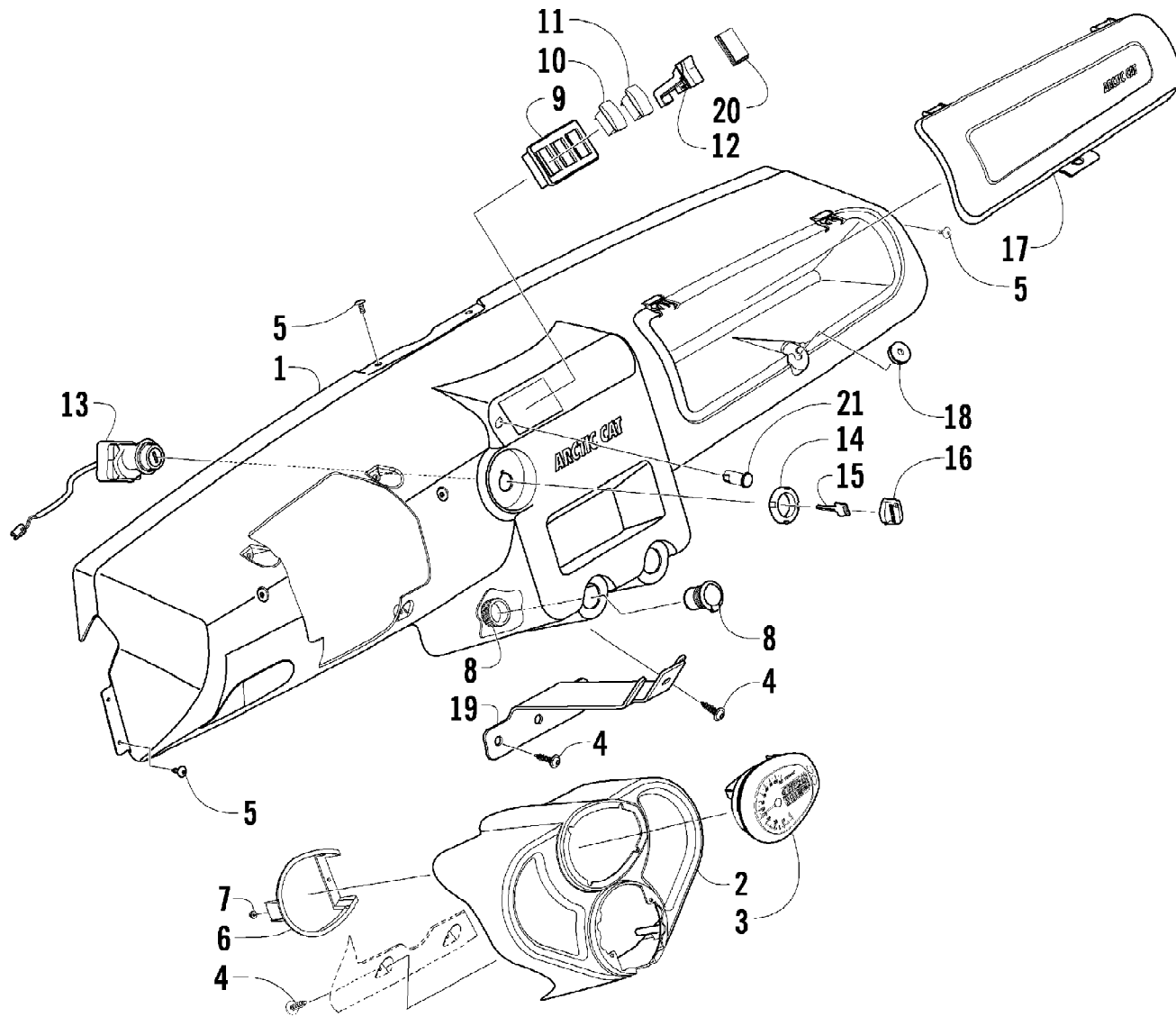
2008 PROWLER XTX 700 H1 AUTOMATIC 4X4 SILVER (U2008P2T4EUSL) Page 22 of 91
CYLINDER ASSEMBLY

Ref #	Part Number	Qty	S/P/F	Description
1	0804-024	1	S	Cylinder
2	0827-002	2		Bolt, Stud
3	8424-604	2		Nut
4	0830-111	1		Gasket, Base
5	0829-002	2		Pin, Dowel
6	0804-002	1	S	Union, Coolant Hose
7	8468-612	1		Screw, Machine
8	0830-007	1		O-Ring



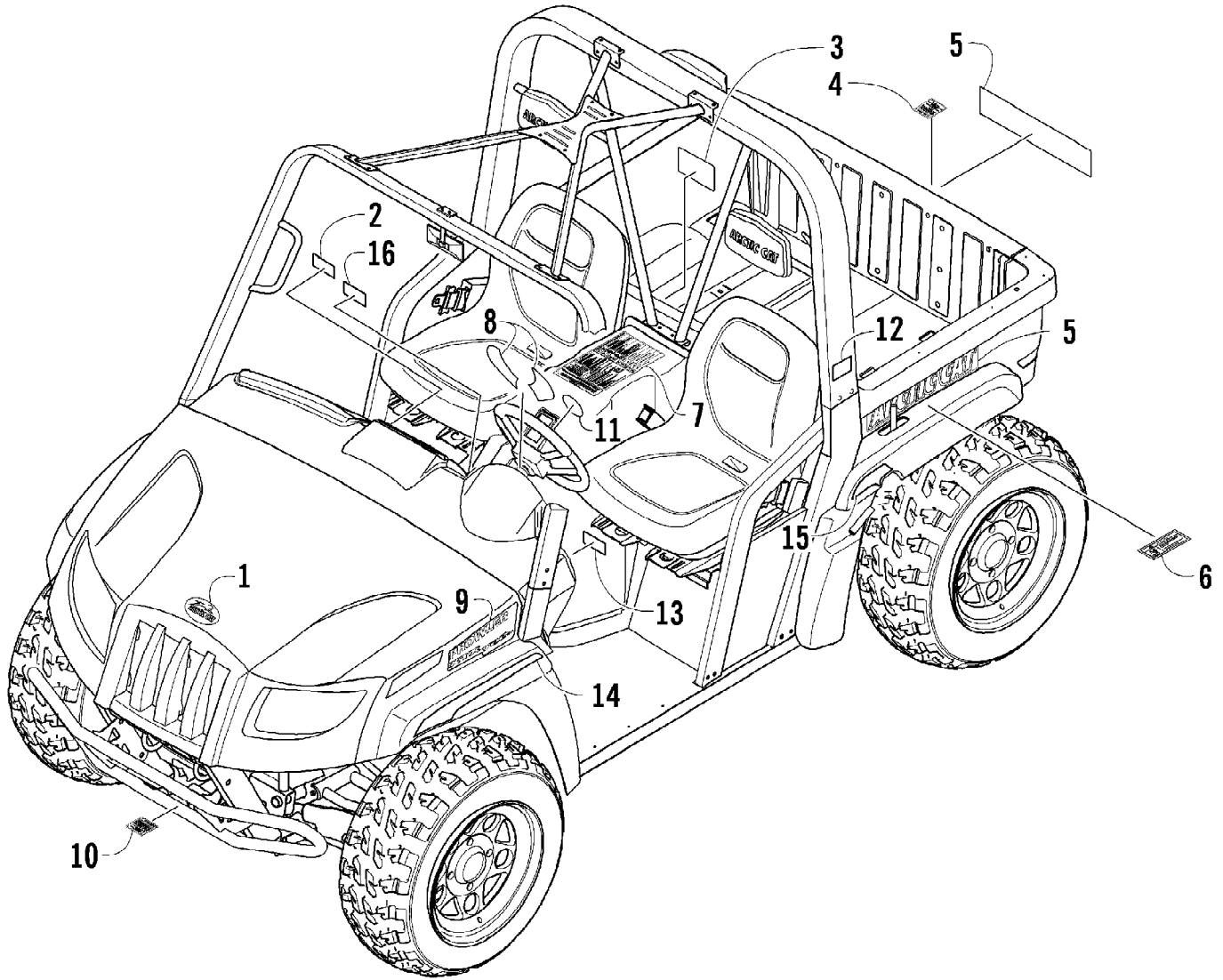
2008 PROWLER XTX 700 H1 AUTOMATIC 4X4 SILVER (U2008P2T4EUSL) Page 24 of 91
CYLINDER HEAD ASSEMBLY

Ref #	Part Number	Qty	S/P/F	Description
1	0808-082	1	F	Head, Cylinder - Assembly (inc. 2-4)
2	0808-002	4		Guide, Valve
3	0829-001	2	S	Dowel, Sleeve
4	0826-001	4		Screw, Cap
5	0826-002	2		Screw, Cap
6	0830-112	1		Gasket, Cylinder Head
7	0829-002	2		Pin, Dowel
8	0808-037	4	/P	Screw, Cap
9	0827-054	2		Bolt, Stud
10	0827-002	2		Bolt, Stud
11	0827-031	1		Bolt, Stud
12	0826-005	2		Screw, Cap
13	0826-006	4		Screw, Cap
14	8424-604	4		Nut
15	8424-804	1		Nut
16	0830-107	4		Gasket - Seal, Fastener
17	0830-147	4	/P	Washer, Crush
18	0217-799	1	/P	Spark Plug (RG6YC)
19	0808-003	2		Cap, Inspection
20	0830-167	2	/P	O-Ring
21	0826-007	6		Screw, Cap
22	0808-077	1		Plug, Cylinder Head
23	0470-668	1		Flange, Intake Manifold
24	0830-090	1		O-Ring
25	0826-008	2		Screw, Machine
26	0423-066	1		Clamp, Intercooler
27	0470-669	1	S	Boot
28	0808-124	1		Switch, Engine Coolant Temperature - Assembly
29	0808-165	1		Cover, Thermostat
30	0808-078	1		Thermostat
31	0830-168	1	/P	O-Ring
32	0830-169	1		Plug

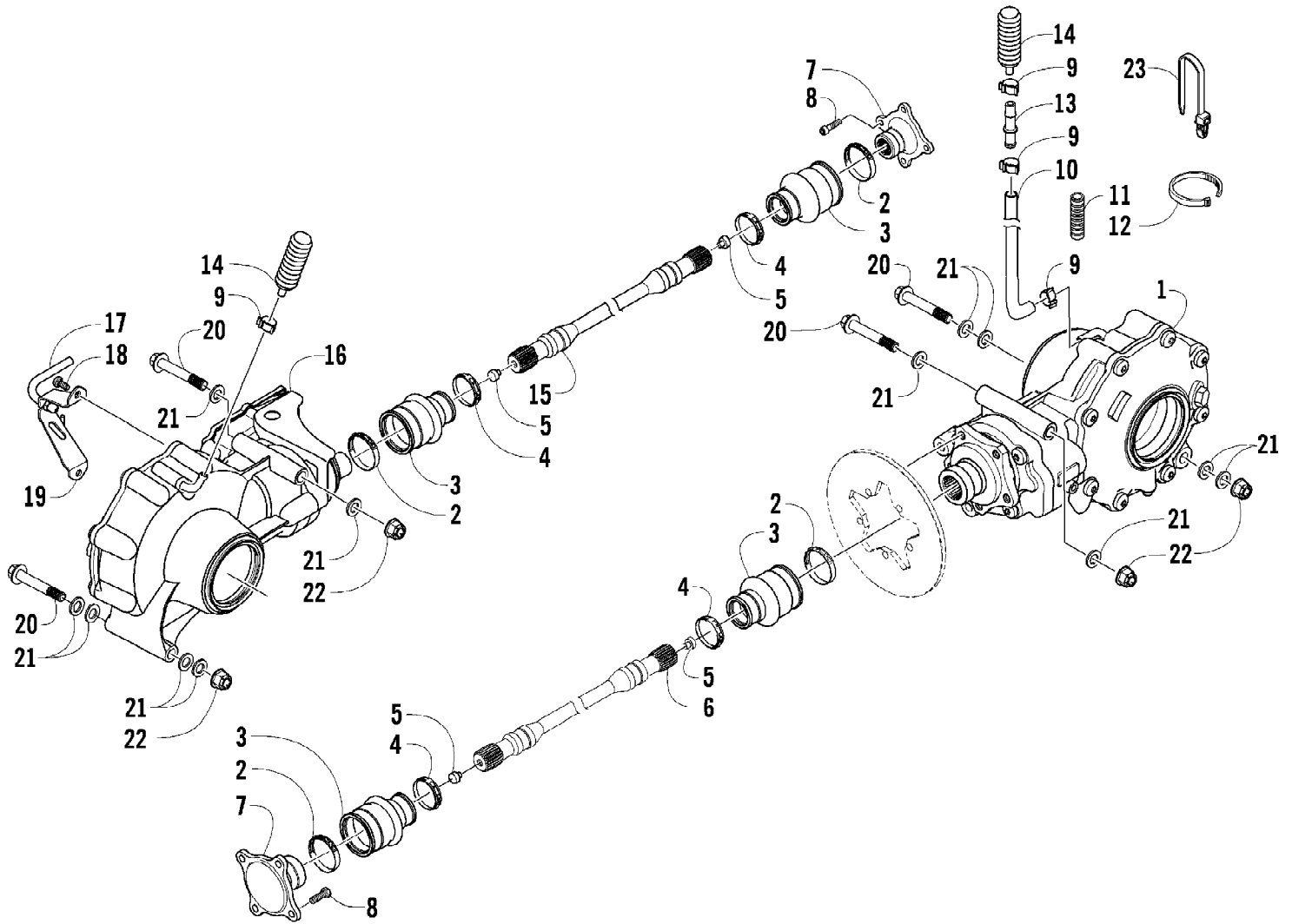


2008 PROWLER XTX 700 H1 AUTOMATIC 4X4 SILVER (U2008P2T4EUSL) Page 26 of 91
DASH ASSEMBLY

Ref #	Part Number	Qty	S/P/F	Description
1	2506-433	1	S	Panel, Dash
2	2406-539	1		Pod, Instrument
3	0520-030	1		Gauge, Analog/Digital LCD
4	0423-342	9	/P	Screw, Self-Tapping
5	0623-784	6		Screw, Self-Tapping
6	0420-065	1	/P	Clamp, Plastic - LCD Gauge
7	0423-493	2		Nut, Hex
8	0641-897	2	/P	Outlet, Accessory - 12V
9	0409-069	1		Panel, Switch-Mount
10	0409-067	1		Switch, Light
11	0409-074	1		Switch, 2WD/4WD
12	0502-905	1		Lever, Differential Lock - Assembly
13	0430-040	1	S	Switch, Ignition (inc. 14-16)
14	0430-050	1		Nut, Flange - Ignition Switch
15	0430-042	1		Key, Ignition - Series (Y)
15	0430-043	1		Key, Ignition - Series (Z)
16	0430-054	1		Cover, Key
17	1406-789	1		Cover, Glove Box
18	0423-541	1		Grommet, Latch - Glove Box
19	2506-192	1		Bracket, Support - Lower Dash
20	0409-070	2		Plug, Switch Hole
21	0420-076	1		Light, Indicator

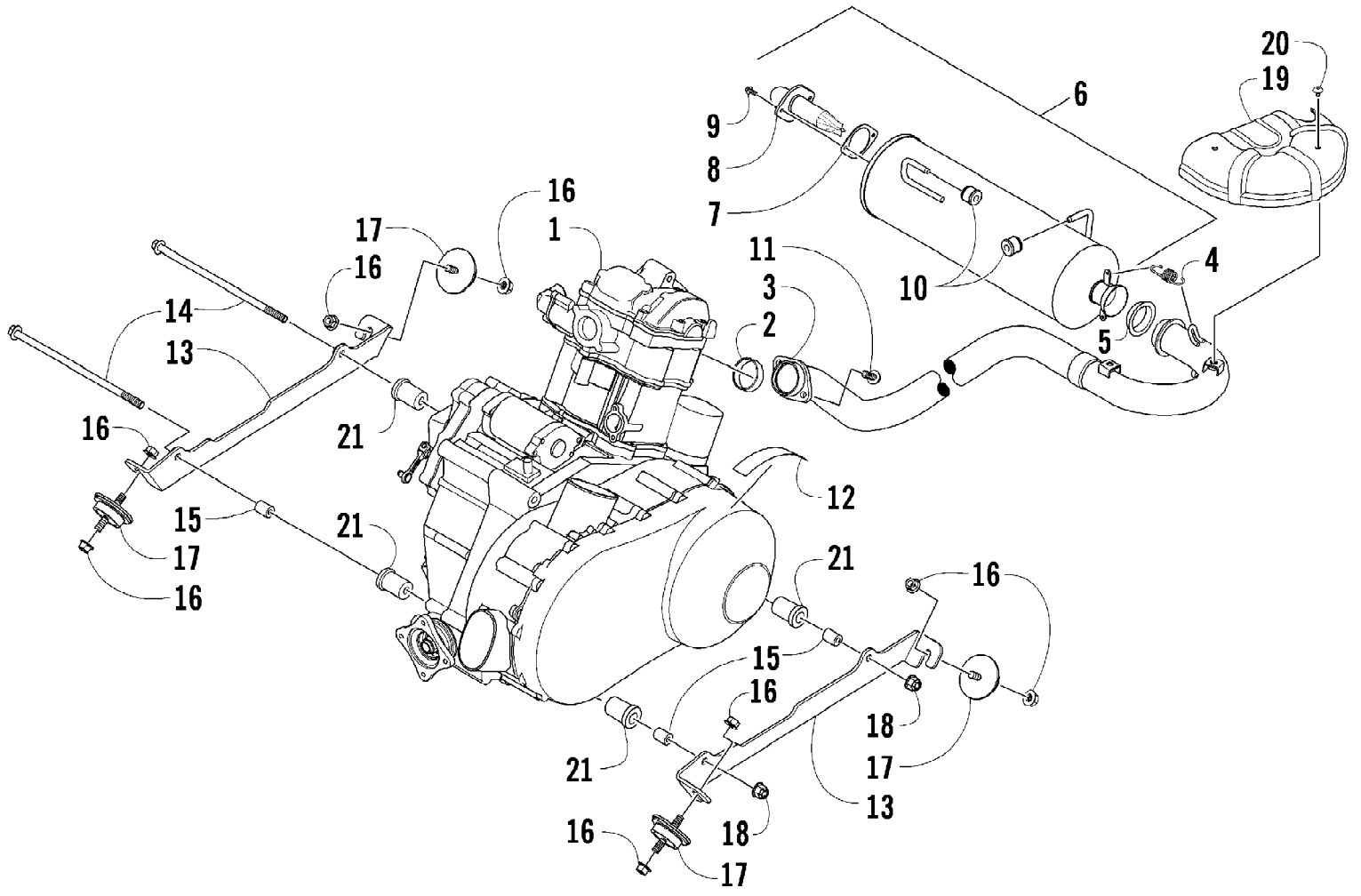


Ref #	Part Number	Qty	S/P/F	Description
1	1411-789	1		Decal, Hood
2	1411-124	1		Decal, Warning - Differential Lock
3	1411-827	1		Decal, Warning - Cargo
4	1411-123	1		Decal, Warning - Towing - Rear
5	1411-539	3		Decal, Box - "Arctic Cat"
6	1411-120	2		Decal, Warning - Pinch Point
7	1411-903	1		Decal, Warning - Console
8	1411-642	1		Decal, Warning - Dash - Right
8	1411-643	1		Decal, Warning - Dash - Left
9	1411-794	1		Decal, XTX 700 EFI - Right
9	1411-795	1		Decal, XTX 700 EFI - Left
10	1411-122	1		Decal, Warning - Towing - Front
11	1411-798	1		Decal, Steering Wheel
12	1411-295	1		Decal, Warning - Canopy
13	1411-330	1		Decal, Brake Release
14	1411-908	1		Decal, Fender, Front - Right
14	1411-909	1		Decal, Fender, Front - Left
15	1411-910	1		Decal, Fender, Rear - Right
15	1411-911	1		Decal, Fender, Rear - Left
16	1411-904	1		Decal, Starting



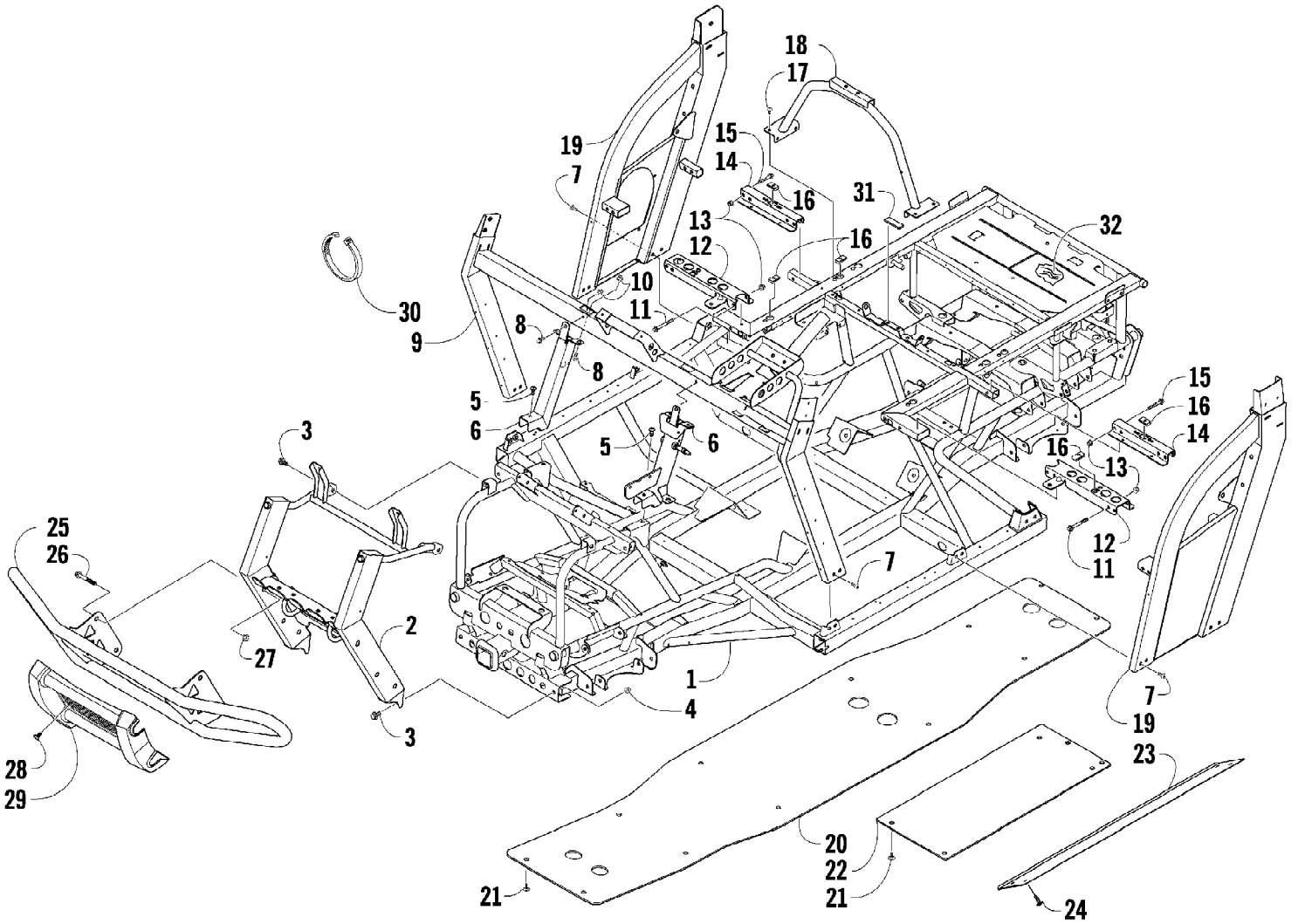
2008 PROWLER XTX 700 H1 AUTOMATIC 4X4 SILVER (U2008P2T4EUSL) Page 30 of 91
DRIVE TRAIN ASSEMBLY

Ref #	Part Number	Qty	S/P/F	Description
1	0502-777	1		Gearcase, Rear
2	0423-393	4		Clamp, Boot
3	0402-985	4	/P	Boot, Coupler
4	0423-411	4		Clamp, Boot
5	0673-618	4	/P	Bumper, Driveshaft
6	1402-272	1		Shaft, Propeller - Rear
7	0402-950	2		Flange, Output
8	8408-820	8	/P	Screw, Cap
9	0423-670	4		Clamp, Hose
10	0410-070	AR	/P	Hose, Vent - 25 ft
11	0419-392	1		Conduit - 3 ft
12	0123-788	AR	/P	Tie, Cable
13	0470-702	1	/P	Fitting, Vent
14	1402-620	2	/P	Bladder, Gearcase
15	1402-271	1		Shaft, Propeller - Front
16	1502-298	1		Gearcase, Front
17	0487-037	1		Cable
18	0423-396	2		Screw, Self-Tapping
19	0502-942	1		Plate, Cable
20	0423-404	4		Screw, Cap
21	0423-426	12		Washer
22	8428-002	4		Nut, Lock
23	0423-075	1		Tie, Cable - Push-Mount



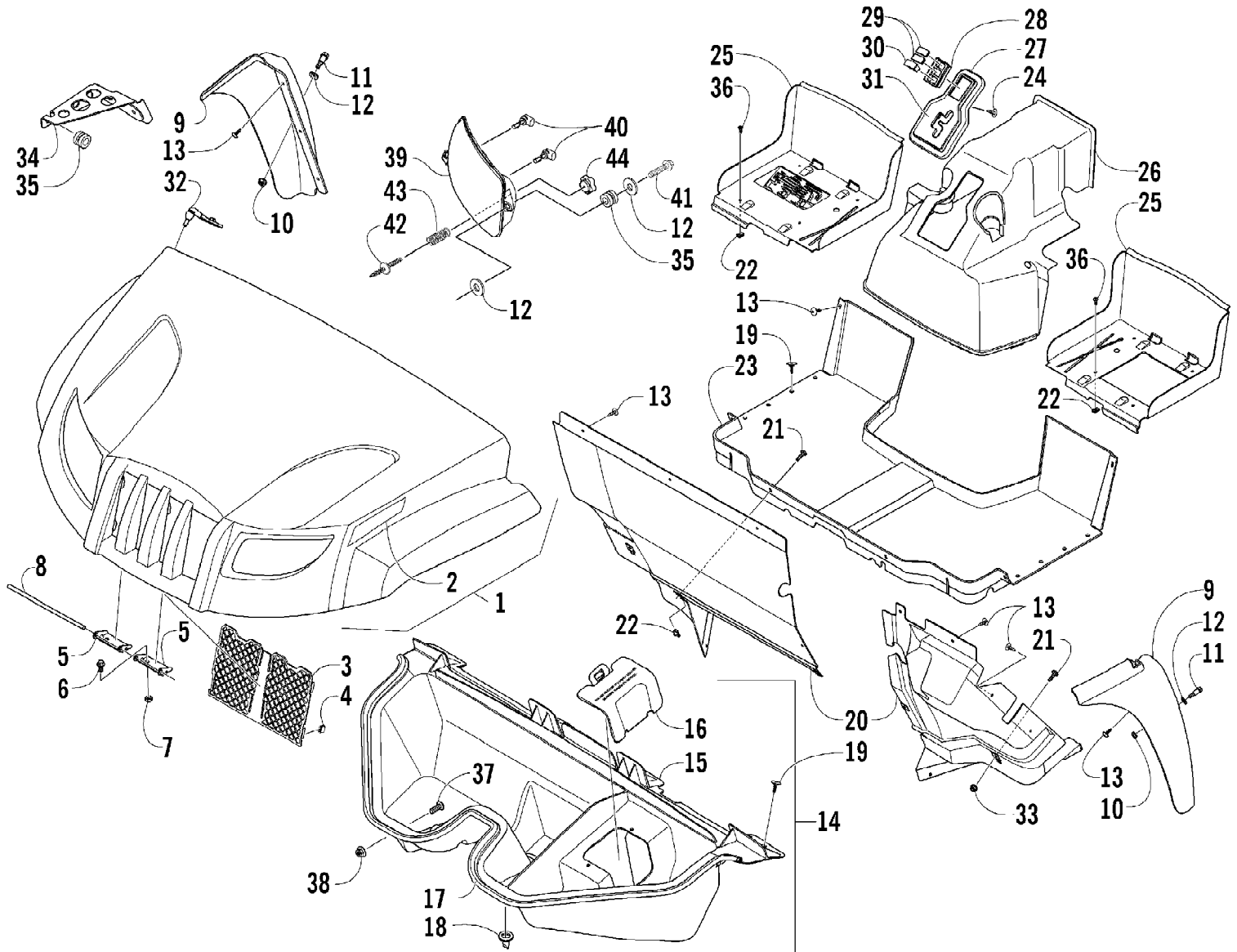
2008 PROWLER XTX 700 H1 AUTOMATIC 4X4 SILVER (U2008P2T4EUSL) Page 32 of 91
ENGINE AND EXHAUST

Ref #	Part Number	Qty	S/P/F	Description
1	0800-037	1	S	Engine
2	0412-338	1	/P	Gasket, Exhaust Pipe
3	0512-427	1		Pipe, Exhaust
4	0612-668	2	/P	Spring
5	0412-375	1	/P	Seal, Exhaust
6	0512-401	1		Muffler - Assembly (inc. 7-9)
7	0412-438	1		Gasket, Spark Arrester
8	0512-432	1		Spark Arrester Assembly
9	8408-616	2		Screw, Cap
10	0412-215	2	S	Bushing, Exhaust Pipe
11	8408-820	2	/P	Screw, Cap
12	0411-426	1		Decal, Warning - Clutch Cover
13	1506-998	1		Bracket, Engine - Right
13	1506-999	1		Bracket, Engine - Left
14	0423-537	2	S	Bolt
15	0423-042	3	S	Spacer, Engine Mount
16	8424-002	8		Nut
17	0408-014	4		Mount, Engine
18	8428-002	2		Nut
19	0412-462	1		Shield, Heat
20	8477-610	2		Screw, Machine
21	0801-108	4	S	Bushing, Engine Mount



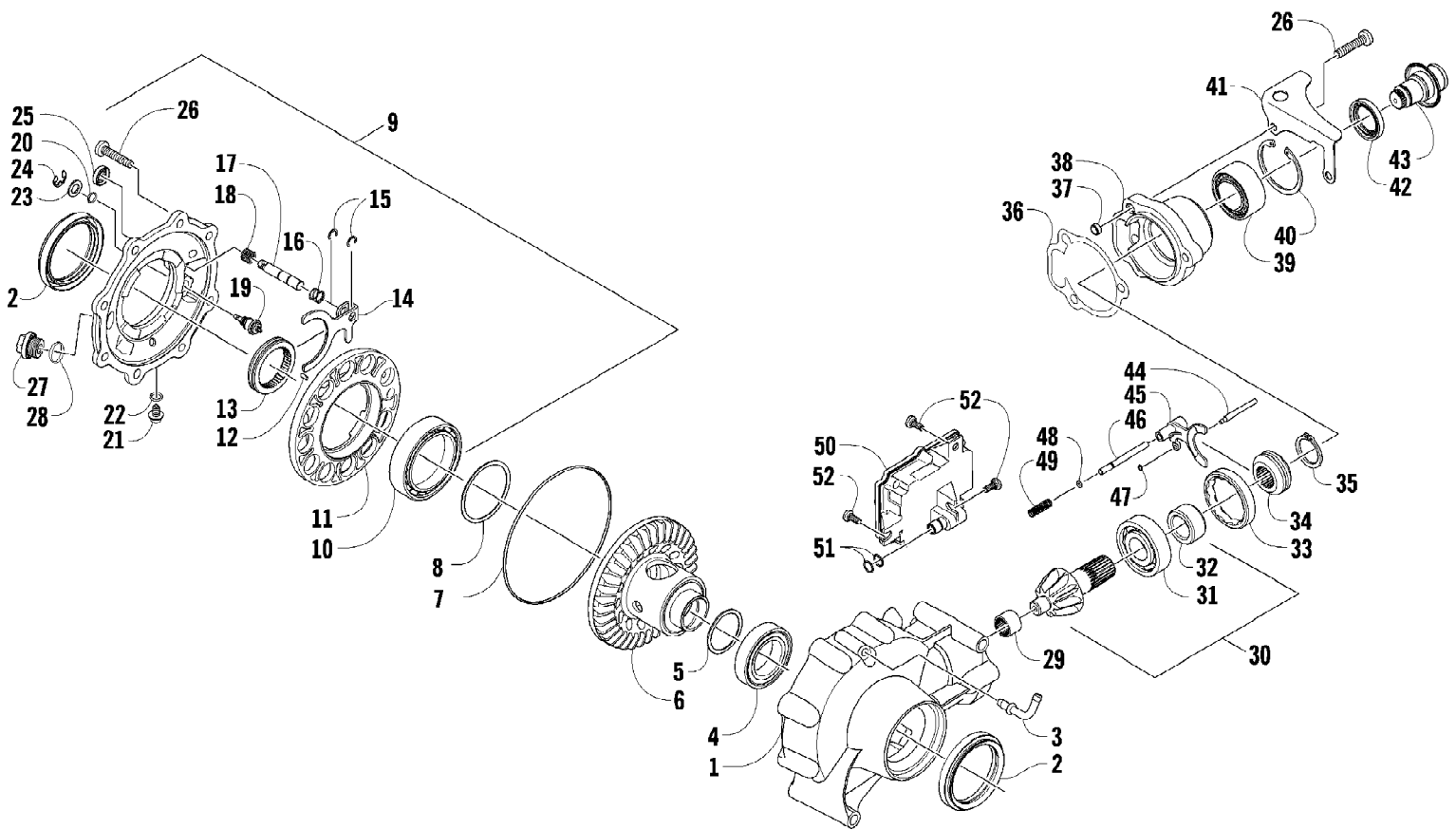
2008 PROWLER XTX 700 H1 AUTOMATIC 4X4 SILVER (U2008P2T4EUSL) Page 34 of 91
FRAME AND RELATED PARTS

Ref #	Part Number	Qty	S/P/F	Description
1	2506-663	1	S	Frame, Main
2	2506-714	1	S	Bumper
3	8409-020	4	/P	Screw, Cap
4	8427-002	2		Nut, Flange Lock
5	8476-820	2		Screw, Machine
6	1506-797	1		Bracket, Steering Support - Right
6	0502-853	1		Bracket, Steering Support - Left
7	0423-642	12		Screw, Machine
8	8408-820	6	/P	Screw, Machine
9	2506-436	1		Support, Steering
10	8424-802	6		Nut, Flange Lock
11	8408-870	6		Screw, Cap
12	1506-844	1		Bracket, Seat Support - Front - Right
12	1506-845	1		Bracket, Seat Support - Front - Left
13	8427-802	16		Nut, Flange Lock
14	1506-842	2		Bracket, Seat Support - Rear
15	8408-850	6		Screw, Cap
16	0423-577	12		Clip, U
17	8476-616	4		Screw, Machine
18	2506-638	1		Support, Canopy
19	2506-634	1		Support, Overhead - Right
19	2506-635	1		Support, Overhead - Left
20	1406-720	1		Panel, Belly
21	0423-545	20	/P	Screw, Body
22	1406-721	2		Panel, Belly - Side
23	2506-612	2		Plate, Skid
24	0423-849	8		Screw, Self-Tapping
25	2506-779	1		Bumper, Push
26	8408-860	4		Screw, Cap
27	8427-802	4		Nut, Lock
28	8477-616	4		Screw, Machine
29	2406-713	1		Fascia, Bumper - Front
30	0123-788	AR	/P	Cable Tie
31	0406-879	1		Bumper, Seat
32	0412-461	1		Shield, Heat



2008 PROWLER XTX 700 H1 AUTOMATIC 4X4 SILVER (U2008P2T4EUSL) Page 36 of 91
FRONT BODY PANEL ASSEMBLY

Ref #	Part Number	Qty	S/P/F	Description
1	2506-833	1		Hood - Assembly (inc. 2)
2	0411-818	1		Decal, Reflector - Front - Right
2	0411-819	1		Decal, Reflector - Front - Left
3	1406-733	1	/P	Screen, Grille
4	0123-987	8		Clip, U
5	1506-798	2		Bracket, Hood
6	8409-030	4		Screw, Cap
7	0423-157	4		Nut, Top-Lock
8	1406-915	1		Pin, Hood
9	2506-834	1		Fender, Front - Right
9	2506-835	1		Fender, Front - Left
10	1623-066	2		Nut, Lock
11	0623-855	2		Screw, Shoulder
12	8050-217	10	/P	Washer
13	0623-784	22		Screw, Self-Tapping
14	1506-715	1	S	Storage, Under-Hood - Assembly (inc. 15-18)
15	1406-945	1		Box, Storage
16	1406-944	1		Cover, Access - Master Cylinder
17	1406-946	1		Seal, Storage Box
18	0470-442	1	/P	Valve, Drain
19	0423-545	12	/P	Screw, Body
20	1406-632	1		Panel, Fender - Inner - Left
20	1406-633	1	S	Panel, Fender - Inner - Right
21	8468-620	6	/P	Screw, Machine
22	0423-577	13		Clip, U
23	1406-634	1	S	Floor
24	0423-342	3	/P	Screw, Self-Tapping
25	1406-854	1		Base, Seat - Right
25	1406-869	1		Base, Seat - Left
26	1406-649	1		Console, Center
27	1406-825	1		Gate, Shift
28	0409-069	1		Panel, Switch-Mount
29	0409-070	2		Plug, Switch-Hole
30	0409-071	1		Switch, Reverse Override
31	1411-195	1		Decal, Shift-Gate
32	2606-624	2		Strap, Hold-Down
33	0423-540	1		Nut
34	2506-066	1		Bracket, Support - Right
34	2506-067	1		Bracket, Support - Left
35	0423-447	6		Grommet
36	8476-620	8		Screw, Machine
37	8476-616	2		Screw, Machine
38	8424-602	2	/P	Nut, Flange
39	0509-034	1	S	Headlight Assembly - Right (inc. 40)
39	0509-035	1		Headlight Assembly - Left (inc. 40)
40	0409-055	4		Bulb, Headlight
41	0623-785	4		Screw, Self-Tapping
42	0423-514	2		Stud, Adjuster - Headlight
43	0423-522	2		Spring, Adjuster
44	0423-513	2		Knob, Adjuster

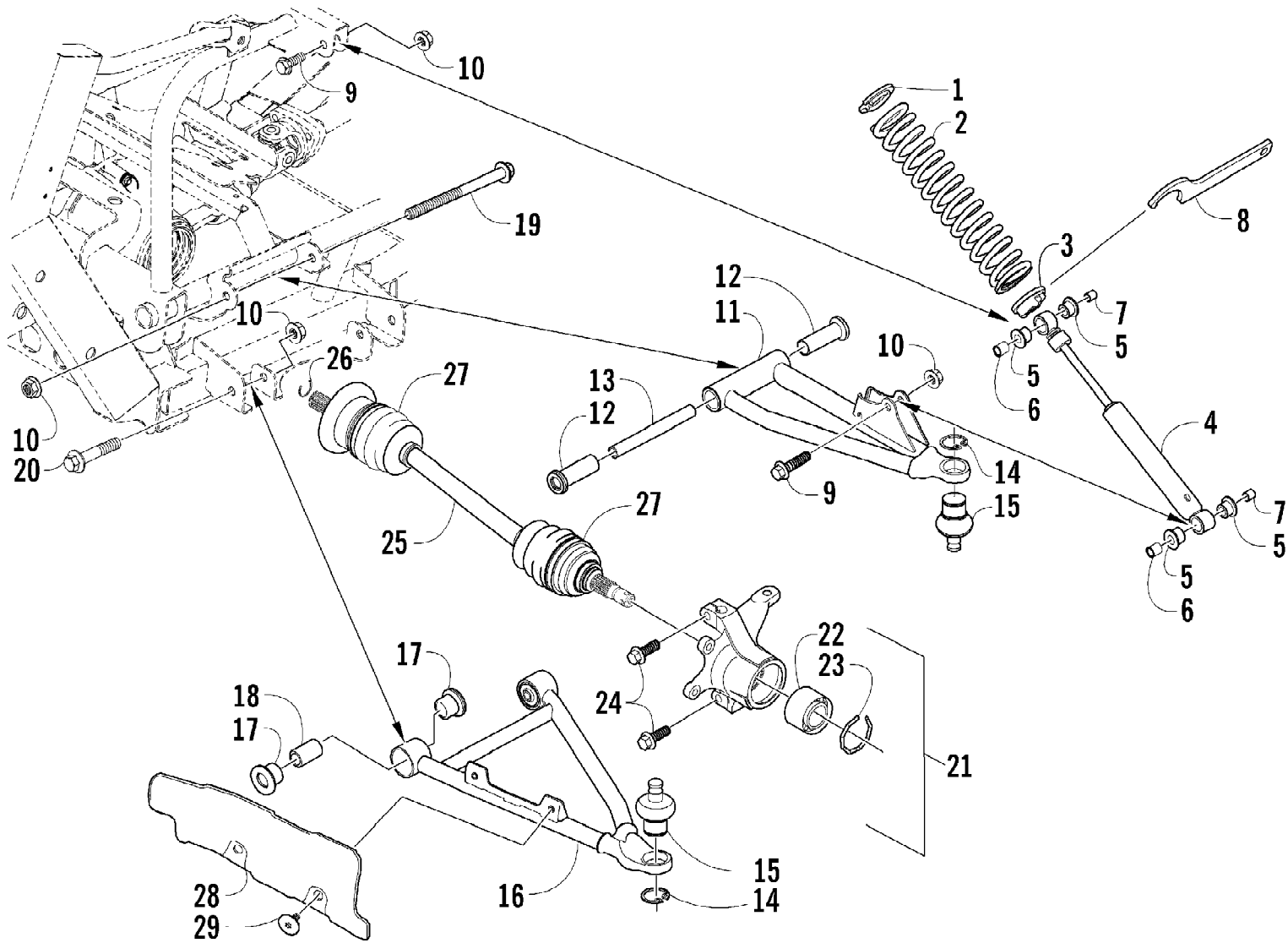


2008 PROWLER XTX 700 H1 AUTOMATIC 4X4 SILVER (U2008P2T4EUSL) Page 38 of 91
FRONT DRIVE GEARCASE ASSEMBLY

Ref #	Part Number	Qty	S/P/F	Description
	1502-298	1		Complete Front Drive Gearcase Assembly
1	0502-548	1		Housing, Gearcase
2	1402-441	2	S	Seal
3	1402-442	1		Fitting, 90°
4	0402-393	1		Bearing
5	0402-405	AR		Shim - 1.3
5	0402-406	AR		Shim - 1.4
5	0402-407	AR		Shim - 1.5
5	0402-408	AR		Shim - 1.6
5	0402-409	AR		Shim - 1.7
6	1502-234	1	S	Gear, Front - Assembly - 36T
7	0423-149	1		O-Ring
8	1402-074	AR		Shim
8	1402-075	AR		Shim
8	1402-076	AR		Shim
8	1402-077	AR		Shim
8	1402-078	AR		Shim
9	0502-736	1		Cover, Gearcase (inc. one No. 2 and 10-25)
10	1402-053	1		Bearing
11	0502-413	1		Flange, Bearing
12	1402-079	1		Pin
13	1402-042	1		Collar, Sliding
14	1402-054	1		Fork
15	1402-058	2		Ring, Retaining
16	1402-057	1		Spring
17	1402-055	1		Shaft, Lock
18	1402-063	1		Spring
19	0402-419	1		Switch, Indicator
20	0423-133	1		O-Ring
21	1402-210	1	/P	Plug, Drain (inc. 22)
22	0423-153	1		O-Ring
23	0423-132	1		Washer
24	0423-424	1		Ring, Retaining
25	1402-056	1		Seal
26	0423-118	11		Screw, Self-Tapping
27	0402-333	1	/P	Plug, Oil Level (inc. 28)
28	0423-154	1		O-Ring
29	0402-328	1		Bearing, Needle
30	0502-783	1		Gear, Pinion - Assembly - 10T (inc. 31-32)
31	0402-327	1		Bearing
32	0402-336	1		Collar, Retaining
33	0402-357	1		Collar, Lock
34	0402-413	1		Coupler, Drive
35	0423-417	1		Ring, Retaining
36	0402-947	1		Gasket
37	0402-411	1		Pin, Dowel
38	0502-528	1	/P	Housing, Pinion
39	1402-043	1		Bearing
40	0423-423	1		Ring, Retaining
41	0502-347	1		Bracket, Actuator
42	1402-011	1		Seal
43	1502-085	1	/P	Shaft, Input - Assembly
44	0402-997	1		Shaft, Selector

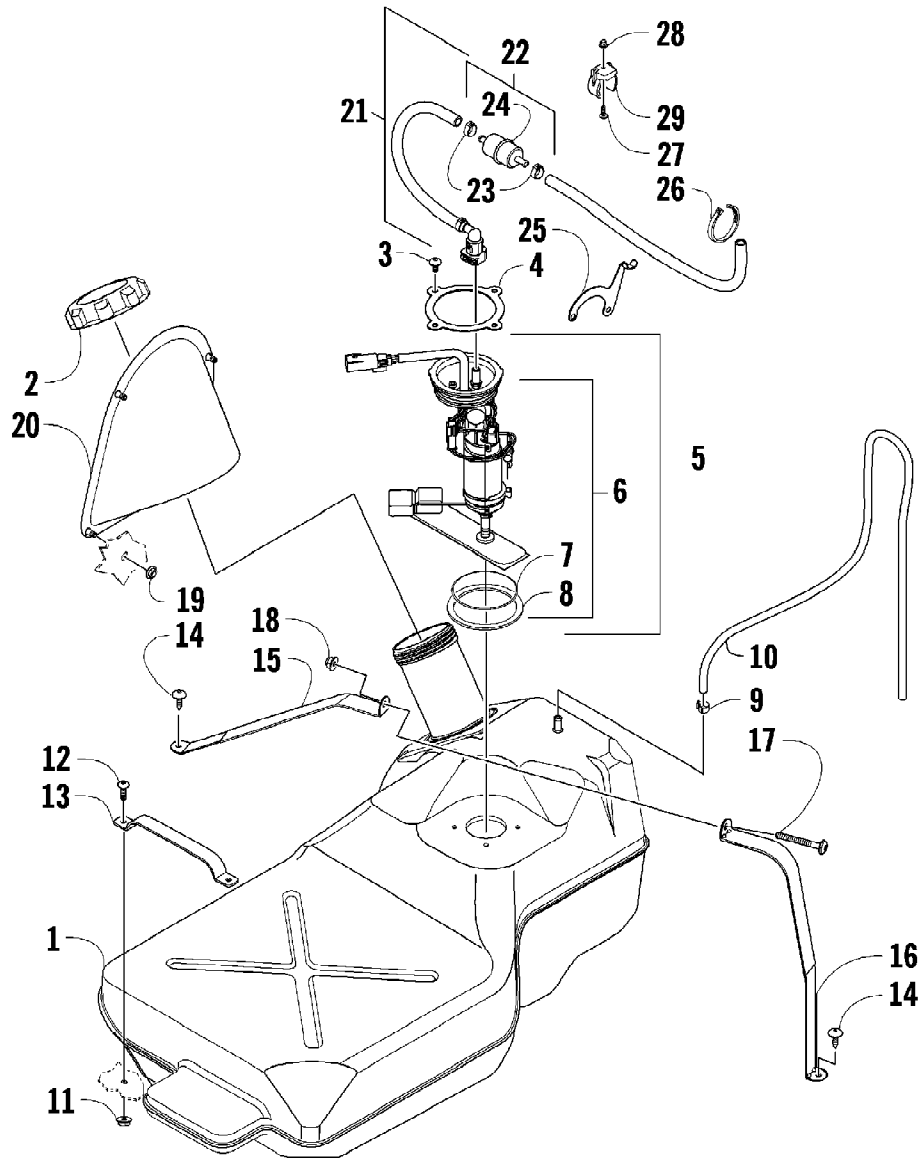
2008 PROWLER XTX 700 H1 AUTOMATIC 4X4 SILVER (U2008P2T4EUSL) Page 39 of 91
FRONT DRIVE GEARCASE ASSEMBLY

Ref #	Part Number	Qty	S/P/F	Description
45	0402-998	1		Fork, Selector
46	0402-417	1		Shaft, Shuttle
47	0423-402	1		Ring, Retaining
48	0423-147	1		O-Ring
49	0402-999	1		Spring, Return
50	0502-579	1		Actuator (inc. one No. 51)
51	0423-498	2	S	O-Ring
52	0423-396	3		Screw, Self-Tapping



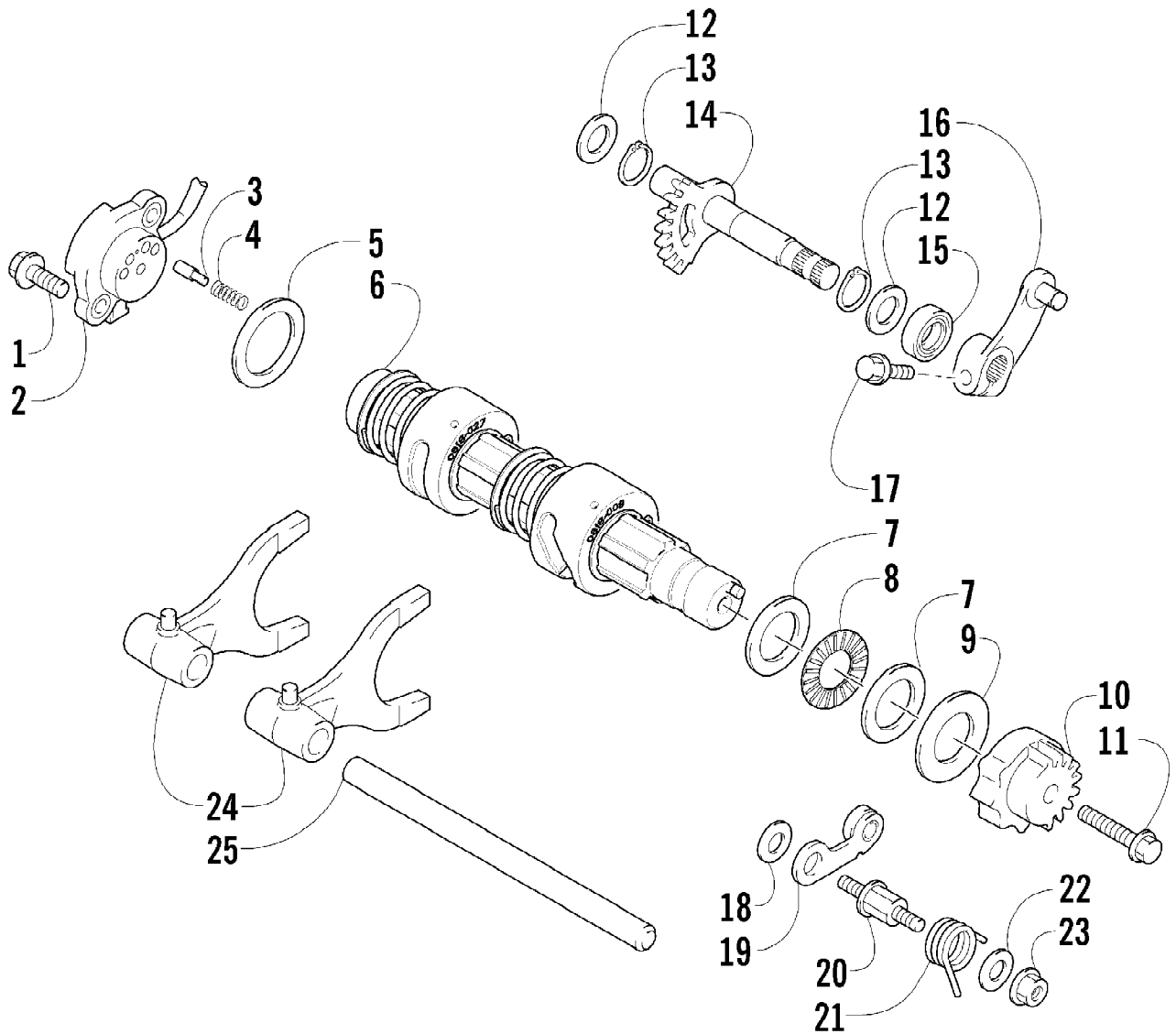
2008 PROWLER XTX 700 H1 AUTOMATIC 4X4 SILVER (U2008P2T4EUSL) Page 41 of 91
FRONT SUSPENSION ASSEMBLY

Ref #	Part Number	Qty	S/P/F	Description
1	1603-889	2	/P	Retainer, Spring
2	0403-161	2		Spring, Shock Absorber
3	0403-102	2		Cam, Spring Adjuster
4	0403-147	2		Shock Absorber - Front (inc. 5-6)
5	0603-955	8		Bushing
6	1603-209	4		Sleeve
7	0404-116	4		Sleeve, Shock
8	0441-587	1		Wrench, Spanner
9	8409-040	4		Screw, Cap
10	8428-002	10		Nut, Lock
11	0503-196	1	S	A-Arm, Upper Right (inc. 12-15)
11	0503-197	1		A-Arm, Upper Left (inc. 12-15)
12	0403-081	4	S	Bushing
13	0403-080	2		Collar
14	0423-009	4	/P	Clip, Ball Joint
15	0405-115	4	/P	Ball Joint
16	0503-334	1	S	A-Arm, Lower Right (inc. 14-15 and 17-18)
16	0503-335	1	S	A-Arm, Lower Left (inc. 14-15 and 17-18)
17	0403-115	8	S	Bushing
18	0403-114	4	S	Collar
19	0423-723	2		Screw, Cap
20	8409-075	4		Screw, Cap
21	0505-480	1	S	Knuckle - Assembly - Right (inc. 22-23)
21	0505-481	1	S	Knuckle - Assembly - Left (inc. 22-23)
22	1402-027	2	S/P	Bearing, Wheel Hub
23	0423-423	2		Ring, Retaining
24	8409-030	4		Screw, Cap
25	0502-733	1	S	Axle - Front - Left (inc. 26-27)
25	0502-734	1	S	Axle - Front - Right (inc. 26-27)
26	1441-109	2	S	Clip, Retaining
27	0436-276	2	S	Repair Kit, Boot - Front Axle
28	1441-084	1		Guard, Boot - Right
28	1441-085	1		Guard, Boot - Left
29	0423-545	4	/P	Screw, Body



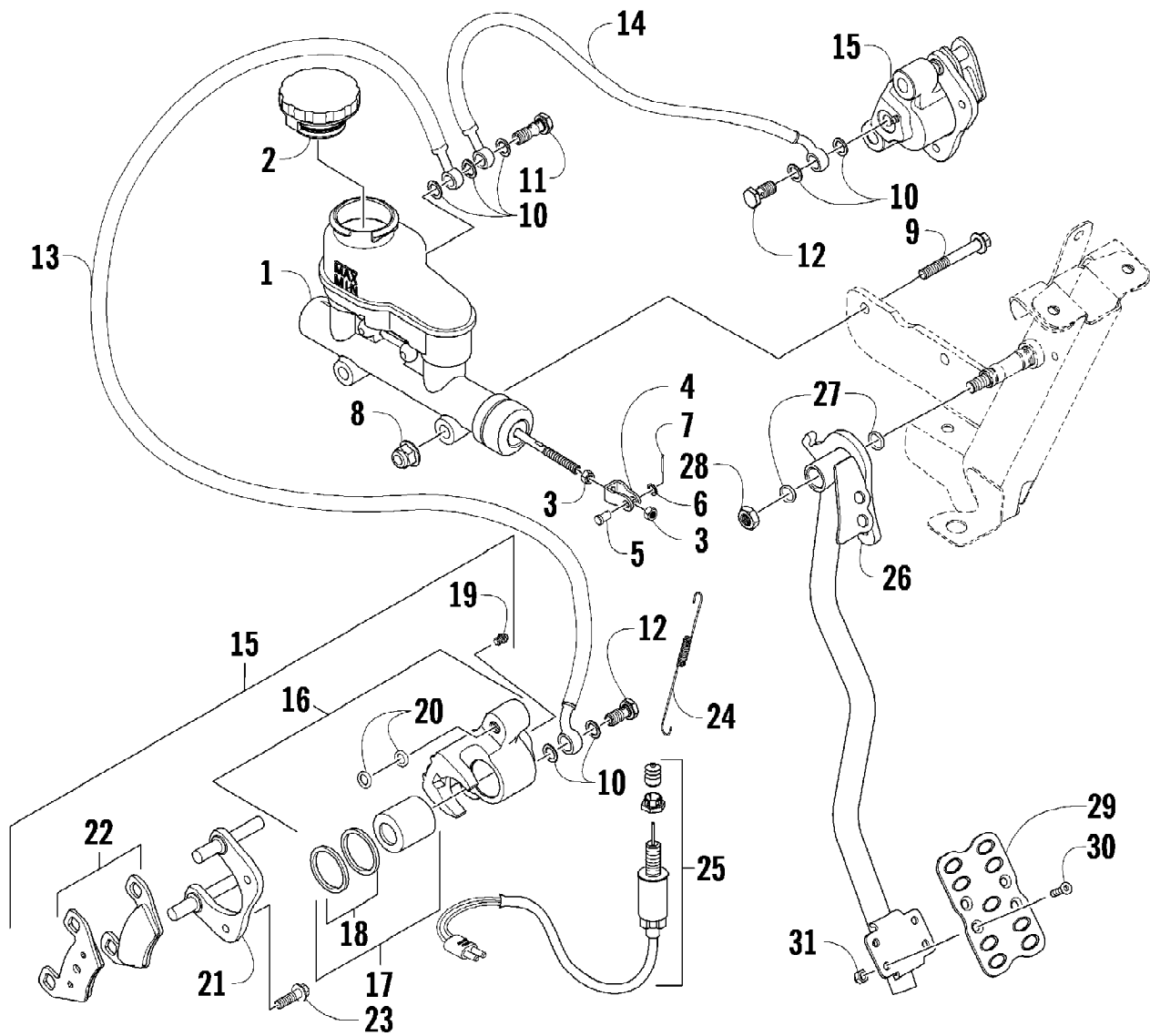
2008 PROWLER XTX 700 H1 AUTOMATIC 4X4 SILVER (U2008P2T4EUSL) Page 43 of 91
GAS TANK ASSEMBLY

Ref #	Part Number	Qty	S/P/F	Description
1	0570-203	1		Tank, Gas - Assembly (inc. 2-4)
2	0470-541	1	/P	Cap, Gas Tank
3	8476-612	4		Screw, Machine
4	0470-606	1		Plate, Mounting - Fuel Level Sensor
5	0570-204	1	S	Pump, Fuel - Assembly (inc. 6-8)
6	0570-256	1	/P	Sensor, Fuel Level - Kit (inc. 7-8)
7	0470-614	1		Seal, Fuel Pump
8	0470-613	1		Seal, Fuel Pump
9	0423-688	1		Clamp, Hose
10	0410-070	1	/P	Hose, Gasline - 25 ft
11	0623-038	2		Nut, Lock
12	8476-620	2		Screw, Machine
13	0470-544	1		Bracket, Gas Tank Mounting
14	0623-784	2		Screw, Self-Tapping
15	0470-829	1		Strap, Gas Tank
16	0470-830	1		Strap, Gas Tank
17	8476-650	1		Screw, Machine
18	8427-602	1		Nut, Hex
19	0423-357	4		Nut, Stamped
20	1406-886	1		Insert, Gas Tank Cap
21	0570-245	1		Hose, Gasline - Assembly (inc. 22-24)
22	0570-246	1		Filter, Fuel - Kit (inc. 23-24)
23	0	2	F	Clamp
24	0	1	F	Filter, Fuel
25	0470-796	1		Bracket, Filter Mounting
26	0123-788	1	/P	Tie, Cable
27	8476-516	1		Screw, Machine
28	8427-502	1		Nut, Lock
29	1670-826	1		Bracket, Fuel Filter



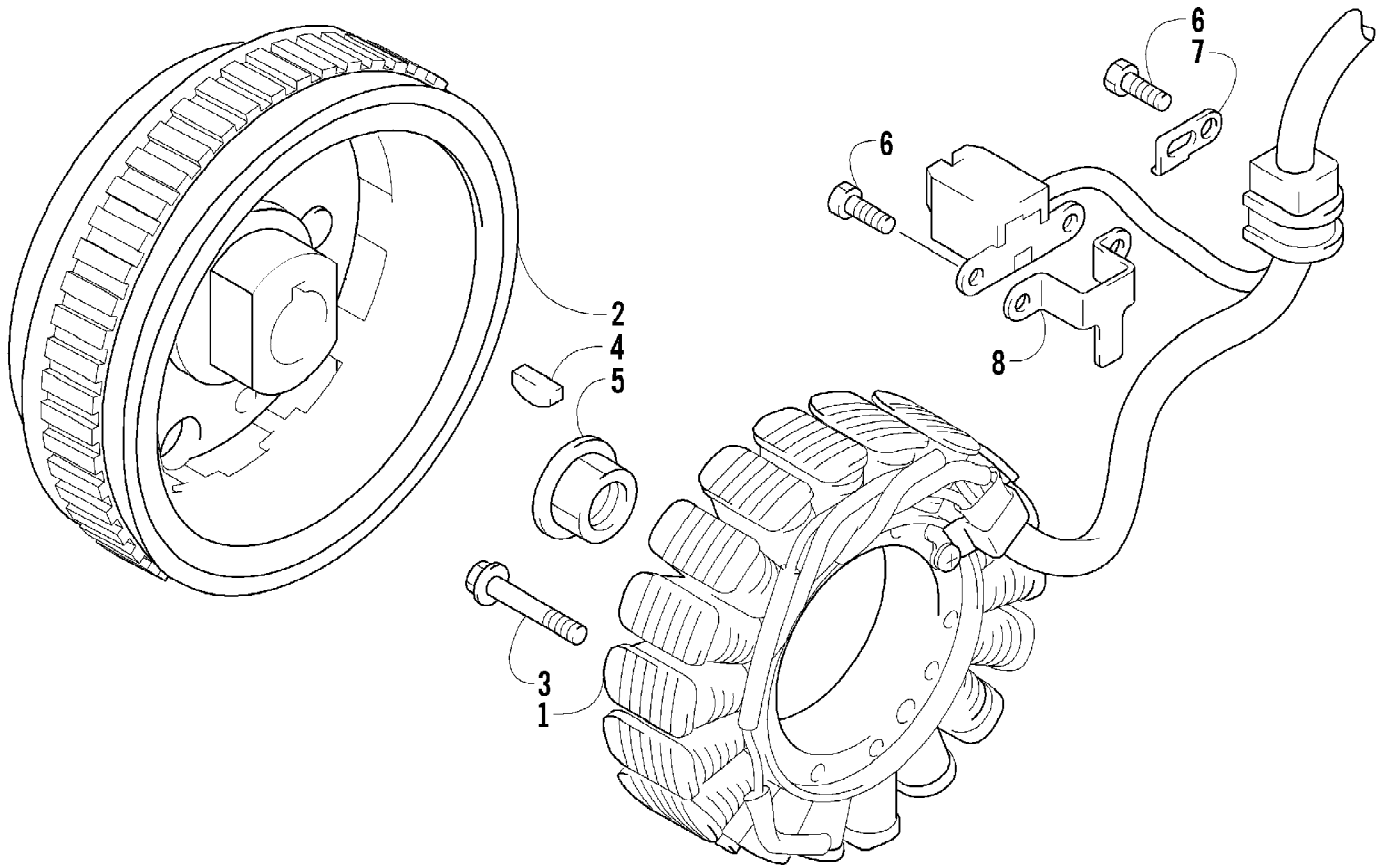
2008 PROWLER XTX 700 H1 AUTOMATIC 4X4 SILVER (U2008P2T4EUSL) Page 45 of 91
GEAR SHIFTING ASSEMBLY

Ref #	Part Number	Qty	S/P/F	Description
1	8470-520	2		Screw, Machine
2	0818-049	1	S	Base, Gear Shift Position
3	0818-013	2		Contact
4	0818-017	2		Spring
5	0828-040	1		Washer, Shift Shaft
6	0818-046	1		Shaft, Gear Shift - Assembly
7	0828-067	2		Washer, Shift Shaft
8	0832-034	1	S	Bearing
9	0828-037	1		Washer, Gear Shift Cam Plate
10	0818-005	1	S	Plate, Gear Shift Cam
11	0826-006	1		Bolt, Gear Shift Cam Plate
12	0828-036	2		Washer, Sub-Gear Shift Shaft
13	0831-010	2		Circlip, Sub-Gear Shift Shaft
14	0818-007	1	/P	Shaft, Sub-Gear Shift
15	0830-044	1		Seal, Sub-Gear Shift Shaft
16	0818-014	1		Arm, Shift
17	8468-620	1	/P	Screw, Machine
18	0828-038	1		Washer, Cam Stopper
19	0818-002	1		Stopper, Cam
20	0818-004	1		Support, Cam Stopper
21	0818-028	1		Spring, Cam Stopper
22	0828-035	1		Washer, Cam Stopper Spring
23	8424-602	1	/P	Nut, Cam Stopper Spring
24	0818-072	2	/P	Fork, Shift
25	0818-006	1		Shaft, Shift Fork



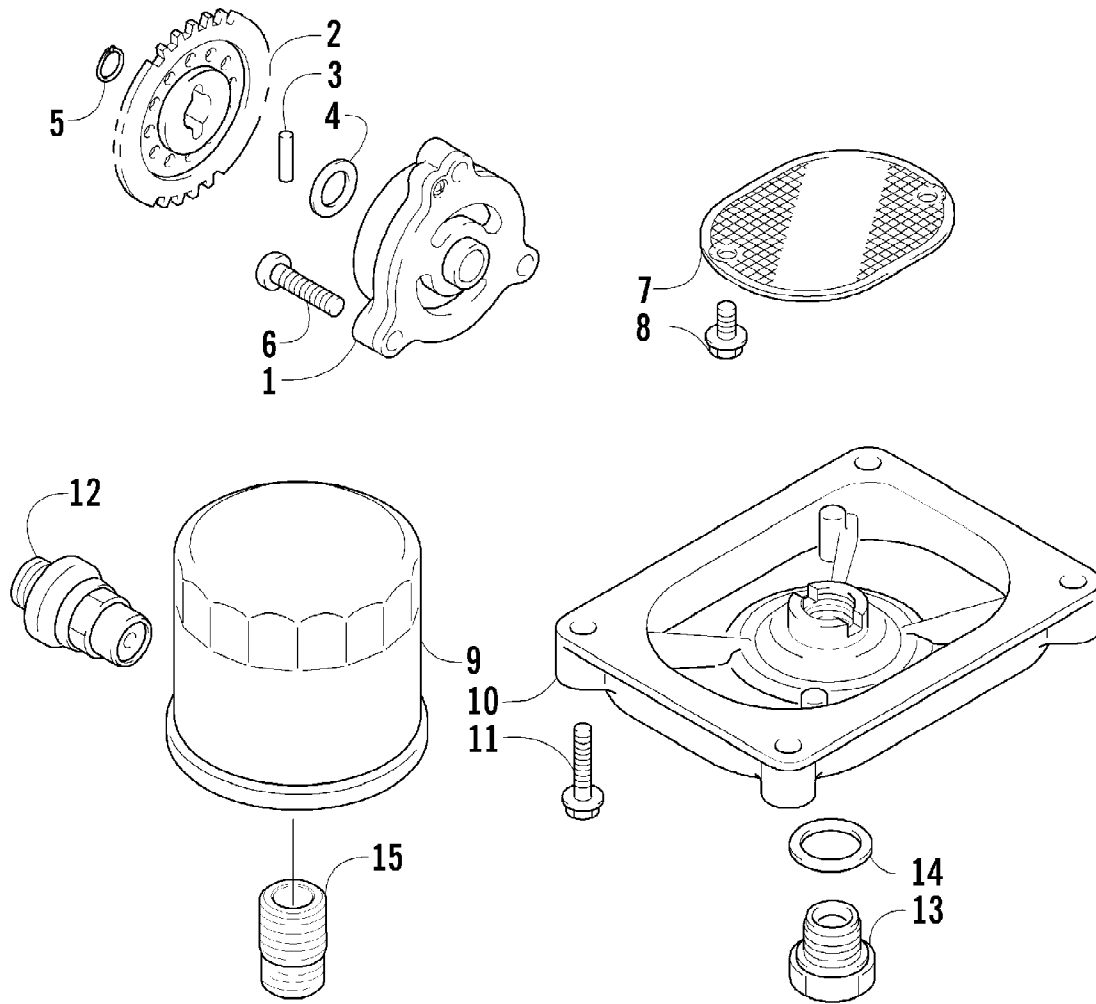
2008 PROWLER XTX 700 H1 AUTOMATIC 4X4 SILVER (U2008P2T4EUSL) Page 47 of 91
HYDRAULIC BRAKE ASSEMBLY

Ref #	Part Number	Qty	S/P/F	Description
1	0502-786	1		Cylinder, Master Brake - Assembly (inc. 2-4)
2	0405-225	1		Cap, Brake Fluid Reservoir
3	0402-592	2		Nut, Clevis
4	1402-520	1		Clevis
5	1402-377	1		Pin, Clevis
6	8050-217	1	/P	Washer
7	0117-868	1		Pin, Cotter
8	8424-802	2		Nut
9	8408-860	2		Screw, Cap
10	0423-178	7		Washer, Crush
11	0423-610	1		Bolt, Double Banjo-Fitting
12	0423-413	2		Bolt, Banjo-Fitting
13	1402-389	1		Hose, Brake - Front
14	1402-290	1		Hose, Brake - Front Right
15	0502-958	1	S	Caliper, Brake - Front Right (inc. 16-22)
15	0502-959	1	S	Caliper, Brake - Front Left (inc. 16-22)
16	1436-160	1	/P	Housing, Caliper - Assembly - Front Right (inc. 17-19)
16	1436-161	1	/P	Housing, Caliper - Assembly - Front Left (inc. 17-19)
17	0502-606	2		Piston/Seal Set (inc. 18)
18	0502-607	2		Seal Set
19	0502-609	2	/P	Valve, Bleed
20	0502-608	2		O-Ring, Guide - Set
21	0502-960	2		Bracket Assembly
22	1436-165	2	S	Pad, Brake - Set
23	8408-826	4		Screw, Cap
24	0502-785	1		Spring, Brake Switch
25	0409-089	1		Switch, Brake - Assembly
26	1502-319	1		Lever, Brake
27	1602-213	2	/P	O-Ring
28	8427-002	1		Nut
29	1502-323	1		Pad, Brake
30	8474-516	4		Screw, Machine
31	8422-502	4		Nut



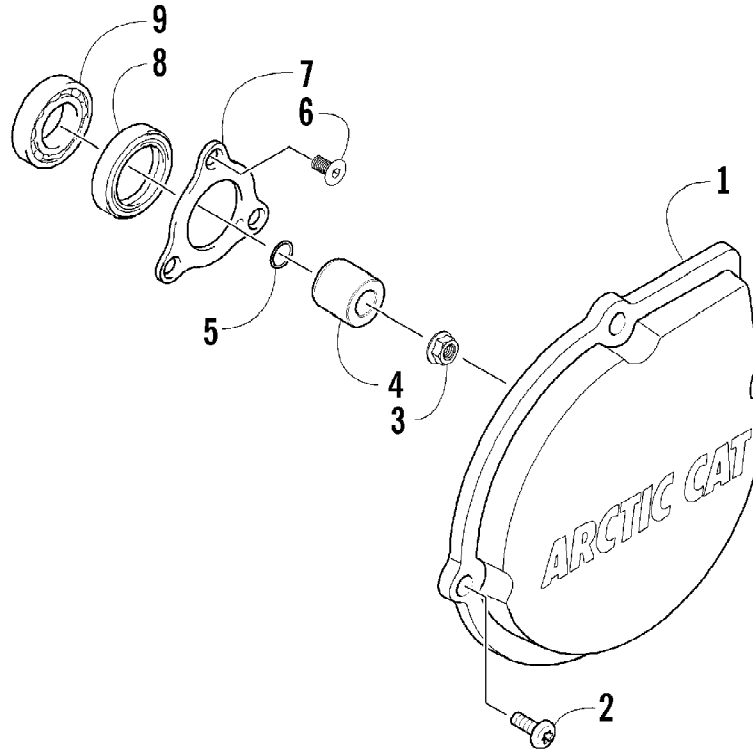
2008 PROWLER XTX 700 H1 AUTOMATIC 4X4 SILVER (U2008P2T4EUSL) Page 49 of 91
MAGNETO ASSEMBLY

Ref #	Part Number	Qty	S/P/F	Description
1	0802-041	1		Stator - Assembly
2	0802-048	1		Rotor/Flywheel
3	0826-102	3		Screw, Machine
4	0829-012	1		Key
5	0827-014	1		Nut
6	8470-510	3		Screw, Machine
7	0802-015	1		Clamp - No. 1
8	0802-016	1		Clamp - No. 2



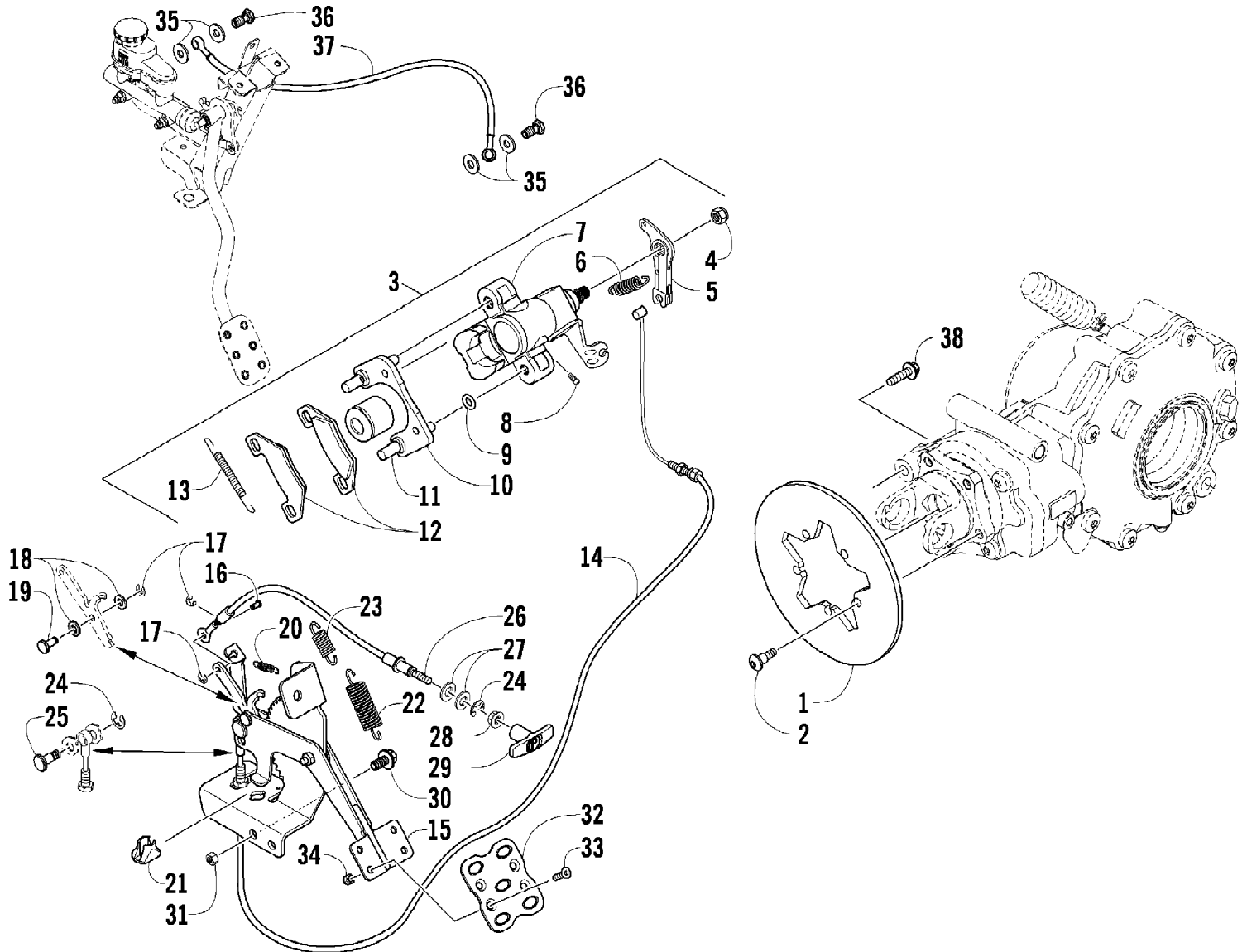
2008 PROWLER XTX 700 H1 AUTOMATIC 4X4 SILVER (U2008P2T4EUSL) Page 51 of 91
OIL FILTER/PUMP ASSEMBLY

Ref #	Part Number	Qty	S/P/F	Description
1	0812-023	1		Pump, Oil
2	0812-002	1	S	Gear, Driven
3	0829-009	1		Pin
4	0828-007	1	/P	Washer
5	0831-002	1		Circlip
6	0826-039	3		Screw, Cap
7	0812-057	1	/P	Strainer, Oil
8	0826-040	2		Screw, Machine
9	0812-029	1	S	Filter, Oil
10	0812-053	1		Cap, Oil Strainer
11	8468-625	4		Screw, Machine
12	0812-007	1		Valve, Oil-Relief - Assembly
13	0812-006	1		Plug, Drain
14	0830-017	1		Gasket, Drain Plug
15	0812-008	1		Union, Oil Filter



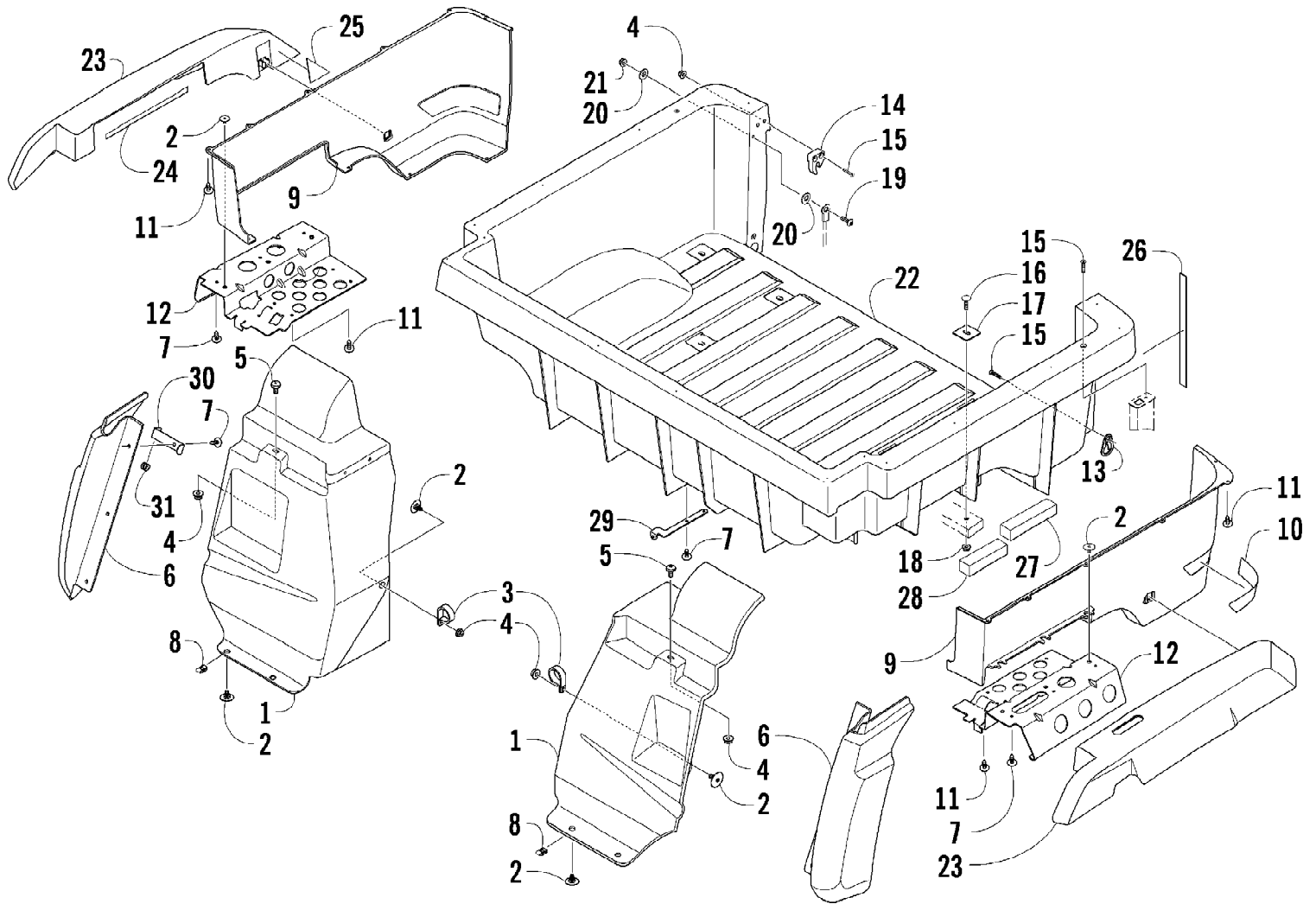
2008 PROWLER XTX 700 H1 AUTOMATIC 4X4 SILVER (U2008P2T4EUSL) Page 53 of 91
OUTER MAGNETO COVER ASSEMBLY

Ref #	Part Number	Qty	S/P/F	Description
1	0820-062	1		Cover, Magneto - Outer
2	0826-008	4		Screw, Machine
3	0827-008	1		Nut
4	0820-061	1		Bushing
5	0830-108	1		O-Ring
6	0826-031	3		Screw
7	0805-008	1		Retainer, Oil Seal
8	0830-158	1		Seal, Oil
9	0832-045	1	S	Bearing



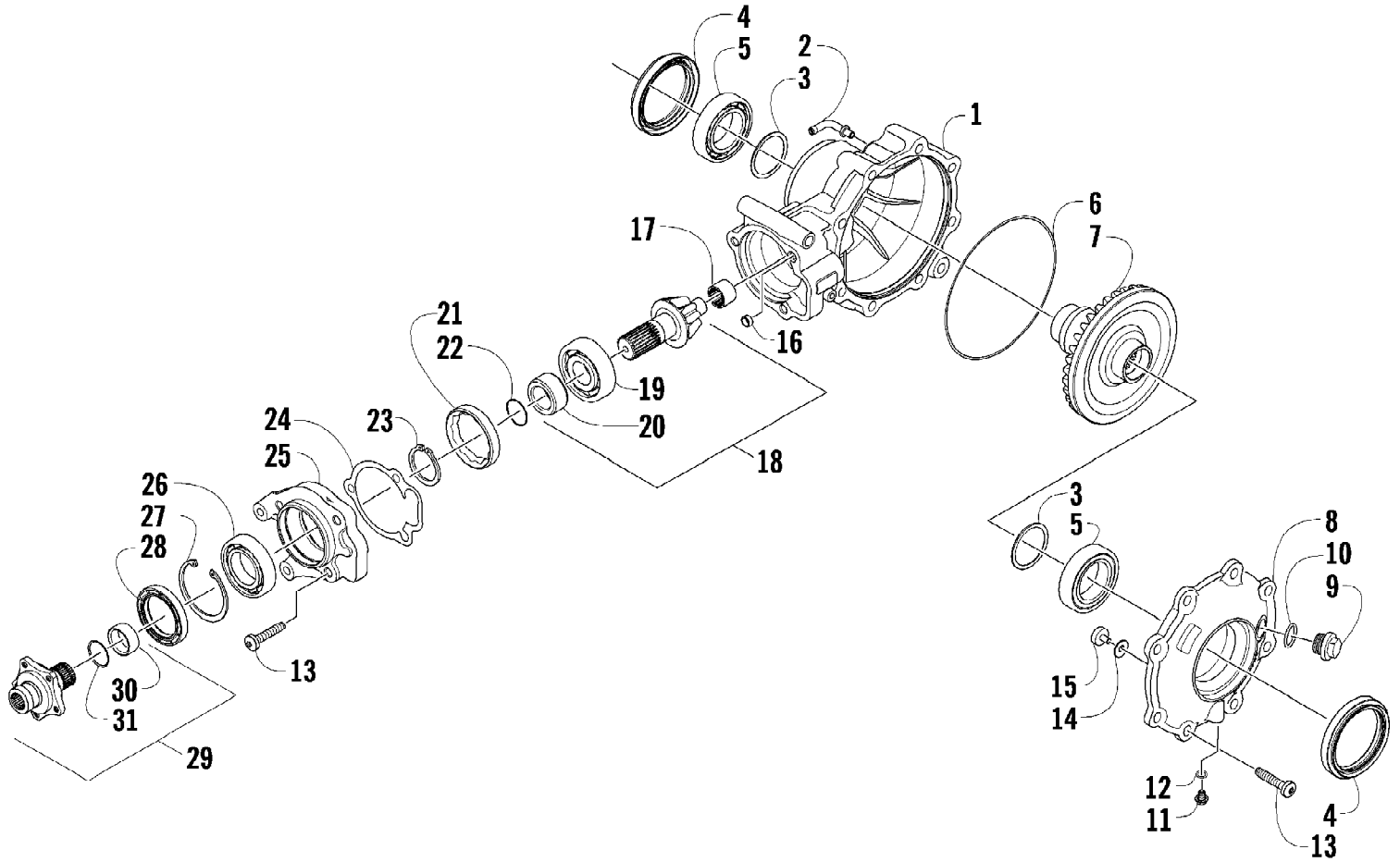
2008 PROWLER XTX 700 H1 AUTOMATIC 4X4 SILVER (U2008P2T4EUSL) Page 55 of 91
REAR AND PARKING BRAKE ASSEMBLY

Ref #	Part Number	Qty	S/P/F	Description
1	1402-324	1		Rotor
2	0423-557	5		Screw, Shoulder
3	1502-143	1	/P	Brake - Assembly (inc. 4-13)
4	0502-988	1		Nut
5	1502-160	1		Lever, Actuator
6	0502-985	1		Spring
7	0	1	F	Housing, Caliper
8	0502-609	1	/P	Valve, Bleed
9	0	2	F	O-Ring, Brake Caliper
10	0502-605	1		Bracket Assembly
11	0	2	F	Piston
12	1436-165	2	S	Pad, Brake
13	1502-161	1		Spring, Anti-Rattle
14	0487-036	1		Cable, Parking Brake
15	1502-354	1		Brake, Parking - Assembly (inc. 16-20)
16	1502-030	1		Pin
17	0423-667	3		E-Clip
18	8050-212	2	/P	Washer
19	1502-028	1		Pin
20	1502-027	2		Spring
21	0402-991	1		Retainer, Brake Switch
22	1502-026	1		Spring
23	1502-360	1		Spring
24	0423-668	2		E-Clip
25	1502-361	1		Pin
26	0487-058	1	S	Cable, Brake Release
27	0623-044	2		Washer
28	8424-602	1	/P	Nut
29	1502-024	1	/P	Handle, Parking Brake
30	8408-816	3		Screw, Cap
31	8424-802	3		Nut, Hex
32	1502-324	1		Pad, Brake
33	8474-516	4		Screw, Machine
34	8422-502	4		Nut
35	0423-178	4		Washer, Crush
36	0423-413	2		Bolt, Banjo-Fitting
37	1402-388	1		Hose, Brake
38	8408-836	2		Screw, Cap



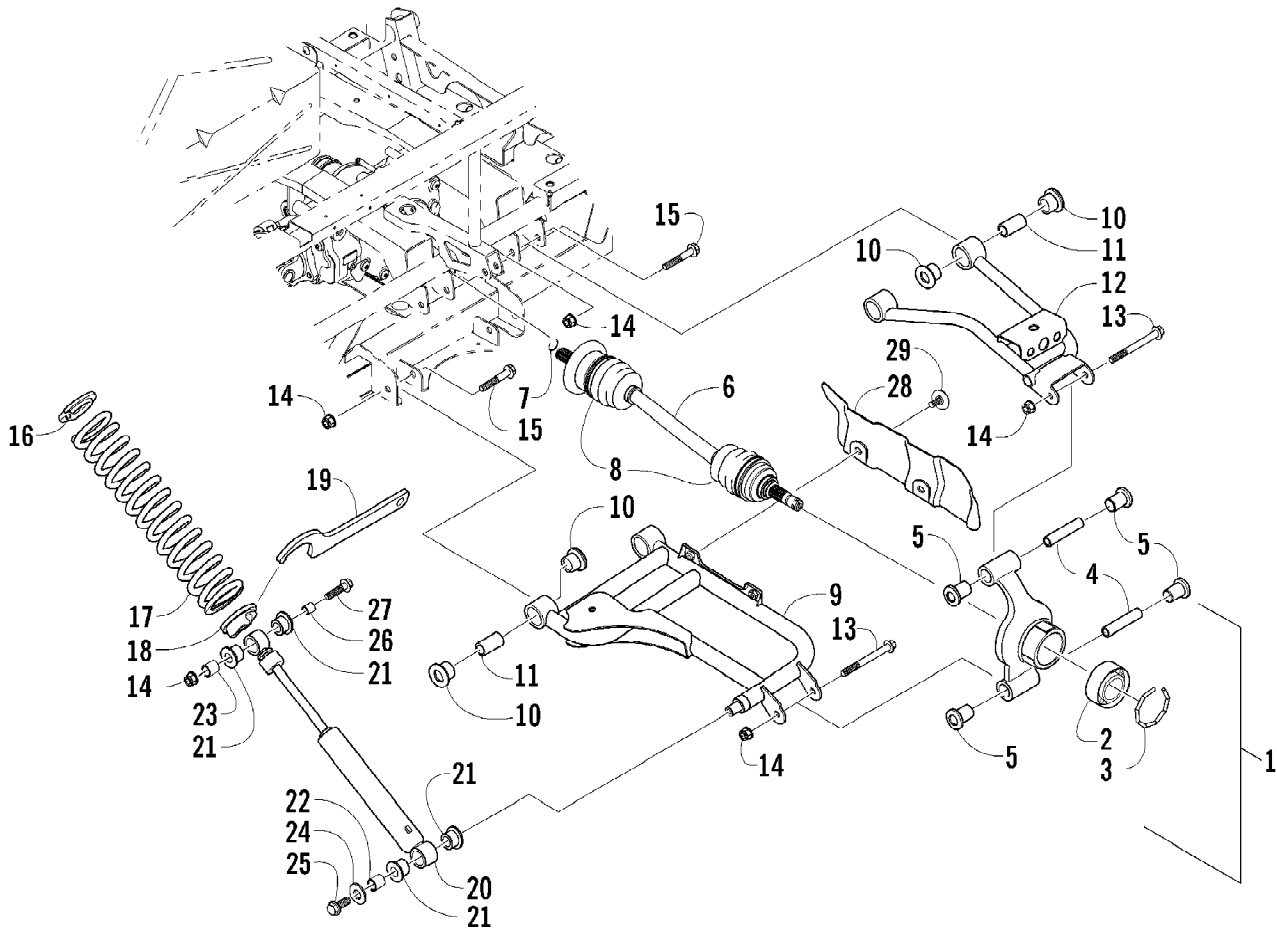
2008 PROWLER XTX 700 H1 AUTOMATIC 4X4 SILVER (U2008P2T4EUSL) Page 57 of 91
REAR BODY PANEL AND CARGO BOX ASSEMBLY

Ref #	Part Number	Qty	S/P/F	Description
1	2406-070	1		Panel, Splash - Rear - Right
1	2406-071	1		Panel, Splash - Rear - Left
2	0423-101	12		Screw, Body
3	0423-403	2		Clamp, Tube
4	8424-602	8	/P	Nut, Hex
5	8476-616	2		Screw, Machine
6	2506-838	1		Fender, Rear - Lower - Right
6	2506-839	1		Fender, Rear - Lower - Left
7	0623-784	16		Screw, Self-Tapping
8	0423-577	4		Clip, U
9	1406-762	1	/P	Panel, Box - Right (inc. 10)
9	1406-761	1	/P	Panel, Box - Left (inc. 10)
10	1411-128	1		Decal, Reflector - Rear - Right
10	1411-129	1		Decal, Reflector - Rear - Left
11	0423-342	28	/P	Screw, Self-Tapping
12	1506-776	1		Bracket, Fender Support - Right
12	2506-927	1		Bracket, Fender Support - Left
13	1506-539	1		Bracket, Tailgate
14	2506-664	1		Striker, Tailgate - Right
14	2506-665	1	/P	Striker, Tailgate - Left
15	8474-630	8		Screw, Machine
16	0423-623	8		Bolt, Carriage
17	1506-933	8		Plate, Retainer
18	8424-802	8		Nut, Hex
19	8476-620	2		Screw, Machine
20	8050-217	4	/P	Washer
21	0624-250	2		Nut, Lock
22	2406-417	1	S	Box, Rear Cargo
23	2506-836	1		Fender, Rear - Assembly - Upper - Right (inc. 24-25)
23	2506-979	1		Fender, Rear - Assembly - Upper - Left (inc. 24-25)
24	0417-007	2		Strip, Foam
25	0417-008	2		Pad, Foam
26	0417-006	2		Strip, Foam
27	0417-010	2		Foam, Cargo Box
28	0417-011	2		Foam, Cargo Box
29	2506-958	1	S	Bracket, Cargo Box Latch Spring
30	2506-959	2		Bracket, Lower Fender Support
31	0423-447	2		Grommet



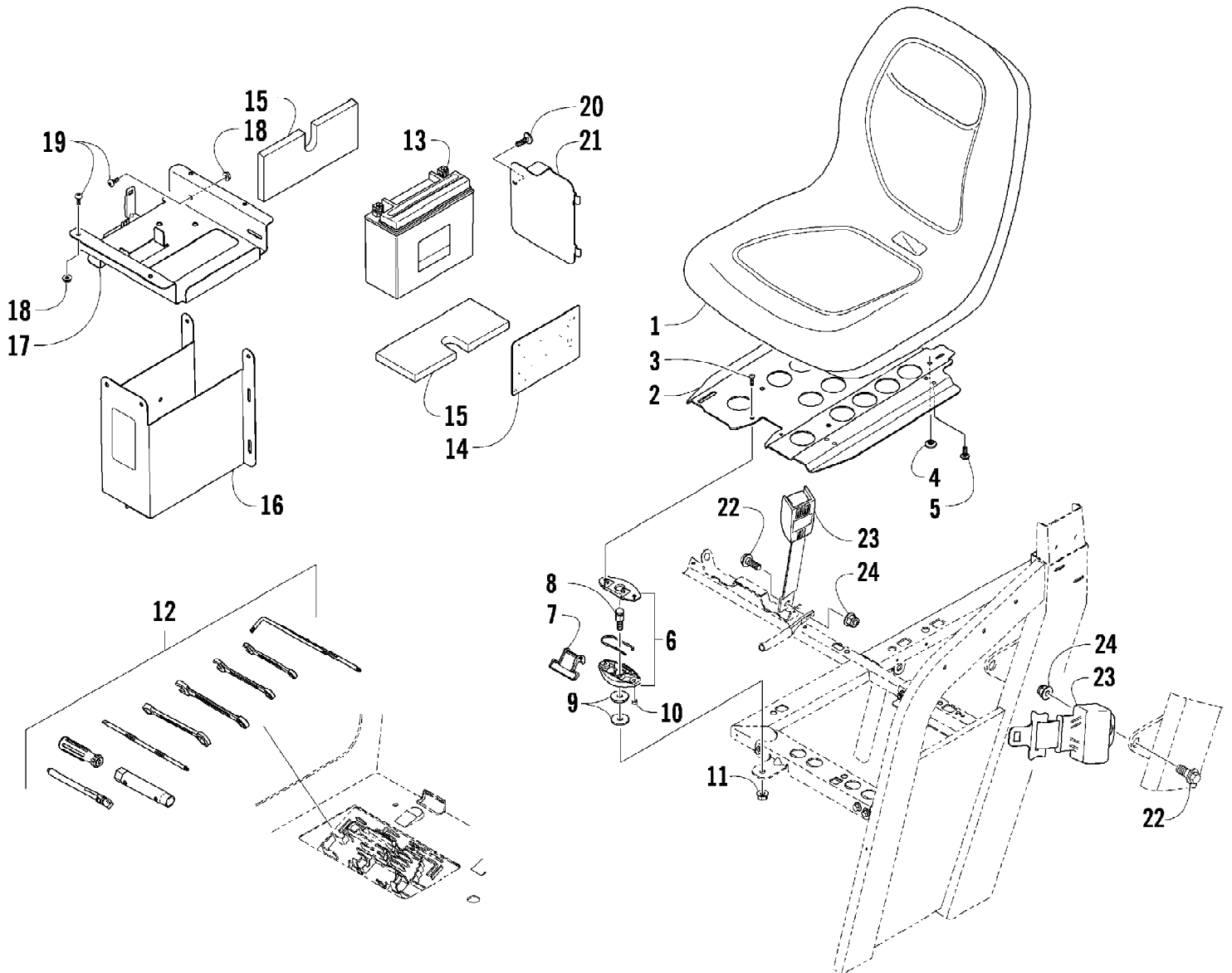
2008 PROWLER XTX 700 H1 AUTOMATIC 4X4 SILVER (U2008P2T4EUSL) Page 59 of 91
REAR DRIVE GEARCASE ASSEMBLY

Ref #	Part Number	Qty	S/P/F	Description
	0502-777	1		Complete Rear Drive Gearcase Assembly
1	0502-548	1		Housing, Gearcase
2	1402-442	1		Fitting, 90°
3	0402-405	AR		Shim - 1.3
3	0402-406	AR		Shim - 1.4
3	0402-407	AR		Shim - 1.5
3	0402-408	AR		Shim - 1.6
3	0402-409	AR		Shim - 1.7
4	1402-441	2	S	Seal
5	0402-393	2		Bearing
6	0423-149	1		O-Ring
7	0502-825	1		Gear, Rear - 36T
8	0502-741	1		Cover, Gearcase
9	0402-333	1	/P	Plug, Fill (inc. 10)
10	0423-154	1		O-Ring
11	0402-450	1	S	Plug, Magnetic (inc. 12)
12	0423-153	1		O-Ring
13	0423-118	11		Screw, Self-Tapping
14	0402-429	AR		Shim
14	0402-430	AR		Shim
14	0402-431	AR		Shim
14	0402-432	AR		Shim
14	0402-433	AR		Shim
15	0402-326	1		Button, Thrust
16	0402-411	1		Pin, Dowel
17	0402-328	1		Bearing
18	0502-783	1		Gear, Pinion - Assembly - 10T (inc. 19-20)
19	0402-327	1		Bearing
20	0402-336	1		Collar, Retaining
21	0402-357	1		Collar, Lock
22	0423-633	1		O-Ring
23	0423-546	1		Ring, Retaining
24	0402-947	1		Gasket
25	0502-746	1		Housing, Pinion
26	0402-324	1		Bearing
27	0402-347	1		Ring, Retaining
28	1402-314	1		Seal
29	0502-766	1		Shaft, Input - Assembly (inc. 30-31)
30	1402-345	1		Sleeve, Seal
31	0423-547	1		O-Ring



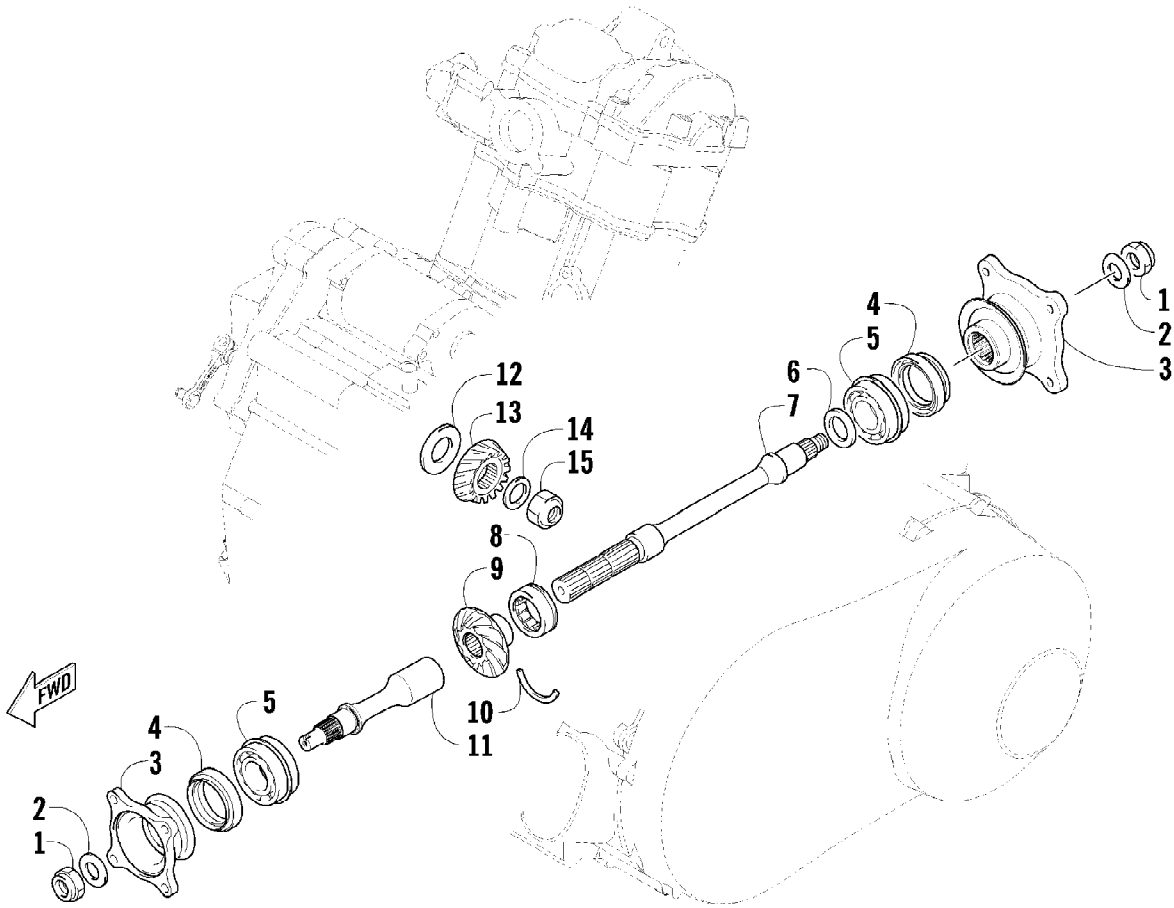
2008 PROWLER XTX 700 H1 AUTOMATIC 4X4 SILVER (U2008P2T4EUSL) Page 61 of 91
REAR SUSPENSION ASSEMBLY

Ref #	Part Number	Qty	S/P/F	Description
1	0504-389	2	S	Knuckle, Rear - Assembly (inc. 2-5)
2	1402-027	2	S/P	Bearing, Wheel Hub
3	0423-423	2		Ring, Retaining
4	0403-038	4	S/P	Collar, Suspension Bushing
5	0403-032	8	S	Bushing, Suspension
6	0502-733	2	S	Axle, Drive (inc. 7-8)
7	1441-109	2	S	Clip, Retaining
8	0436-276	2	S	Repair Kit, Boot - Rear Axle
9	0504-464	1		A-Arm, Rear - Lower Right (inc. 10-11)
9	0504-465	1	S	A-Arm, Rear - Lower Left (inc. 10-11)
10	0403-115	16	S	Bushing
11	0403-114	8	S	Collar
12	0504-358	1	S	A-Arm, Rear - Upper Right (inc. 10-11)
12	0504-359	1	S	A-Arm, Rear - Upper Left (inc. 10-11)
13	8409-000	4		Screw, Cap
14	8428-002	14		Nut, Lock
15	8409-075	8		Screw, Cap
16	1603-889	2	/P	Retainer, Spring
17	0404-117	2		Spring, Suspension
18	0404-057	2		Cam, Spring Adjuster
19	0441-587	1		Wrench, Spanner
20	0404-115	2		Shock Absorber - Rear (inc. 21-23)
21	0603-955	8		Bushing
22	1603-219	2	S	Sleeve, Shock
23	1603-209	2		Sleeve
24	0423-087	2		Washer
25	8408-820	2	/P	Screw, Cap
26	0404-116	2		Sleeve, Shock Absorber
27	8409-040	2		Screw, Cap
28	1441-086	1		Guard, Boot - Right
28	1441-087	1		Guard, Boot - Left
29	0423-545	4	/P	Screw, Body



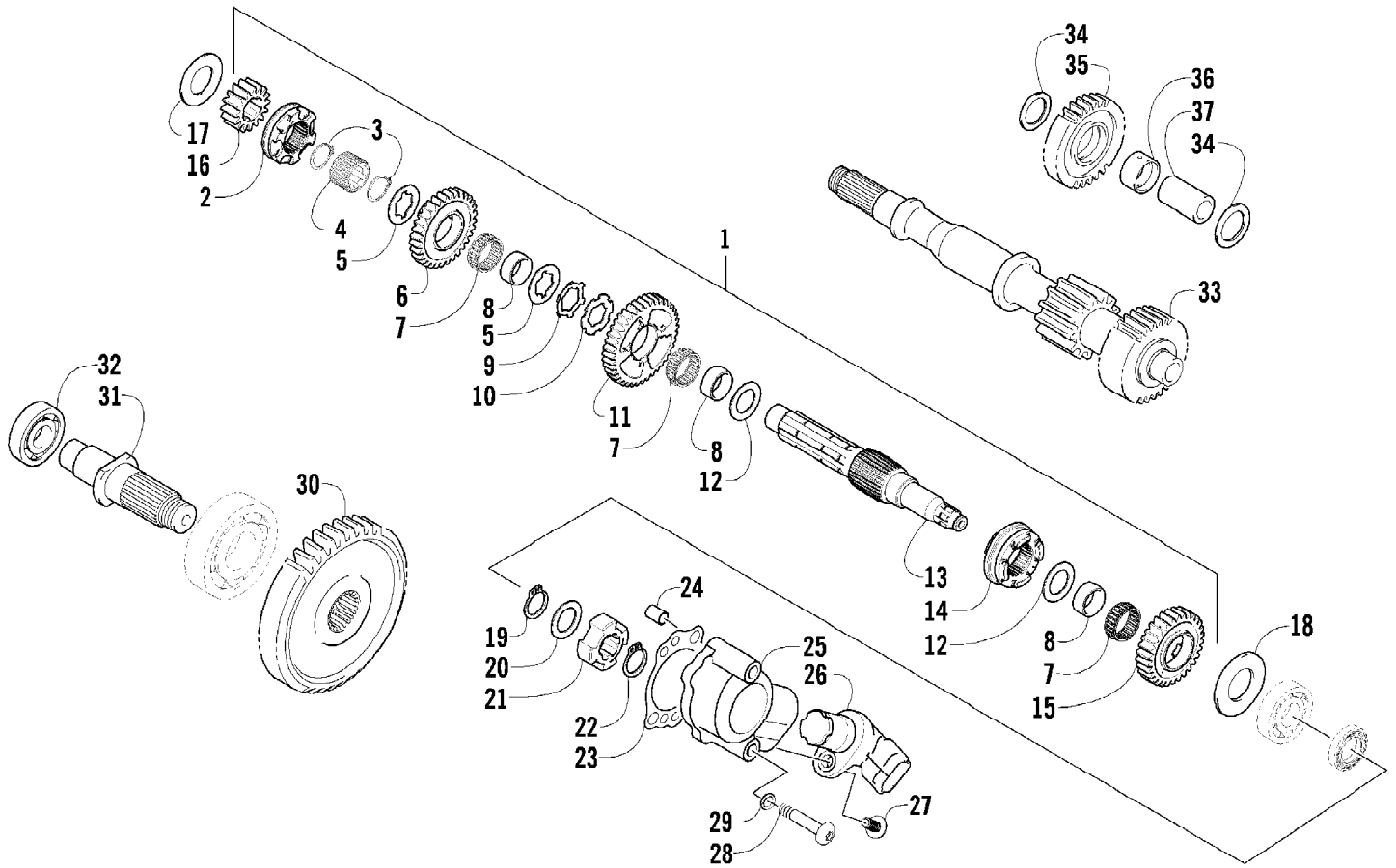
2008 PROWLER XTX 700 H1 AUTOMATIC 4X4 SILVER (U2008P2T4EUSL) Page 63 of 91
SEAT, BATTERY, AND TOOL KIT ASSEMBLY

Ref #	Part Number	Qty	S/P/F	Description
1	1506-925	2		Seat, Low-Back
2	2506-780	2	/P	Plate, Base - Seat
3	8468-620	4	/P	Screw, Machine
4	0406-877	8	/P	Bumper, Seat
5	8468-820	8		Screw, Machine
6	2706-164	2	/P	Latch - Assembly (inc. 7)
7	*	2		Lever, Release - Seat Latch
8	0423-559	2		Stud, Latch - Seat
9	0423-073	4		Washer
10	0623-038	4		Nut, Hex
11	0423-120	2		Nut
12	1506-852	1	S	Base, Seat/Tool Kit - Assembly
13	0745-230	1	/P	Battery, Sealed
14	0406-380	1		Pad, Battery
15	0406-227	2		Pad, Battery
16	1506-841	1		Box, Battery
17	2506-757	1		Panel, Electrical
18	8424-602	8	/P	Nut, Flange
19	8476-612	9		Screw, Machine
20	8476-616	1		Screw, Machine
21	1506-839	1		Cover, Battery Box
22	8408-025	4		Screw, Cap
23	2506-748	2	S	Belt, Seat
24	8427-002	4		Nut



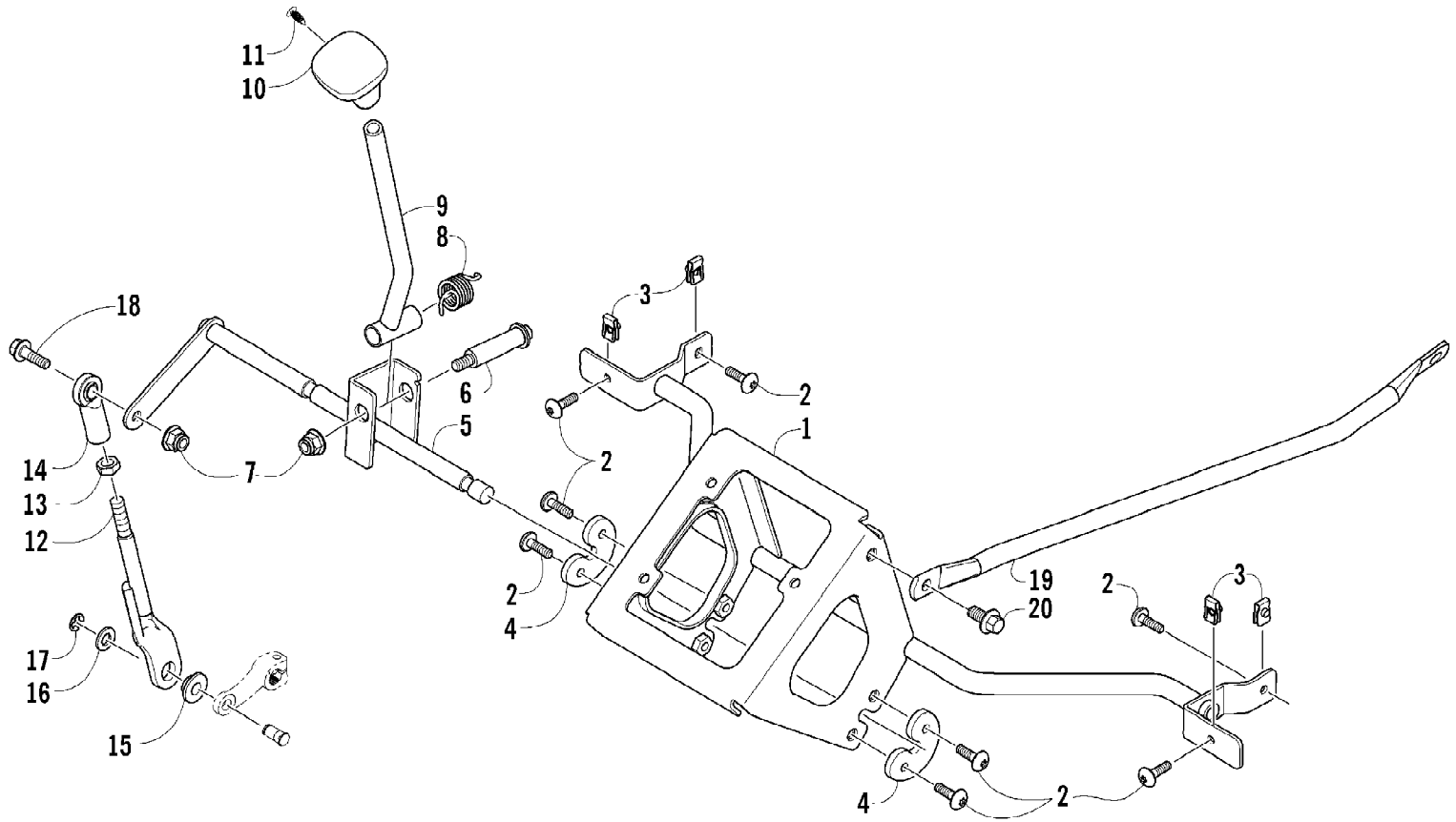
2008 PROWLER XTX 700 H1 AUTOMATIC 4X4 SILVER (U2008P2T4EUSL) Page 65 of 91
SECONDARY DRIVE ASSEMBLY

Ref #	Part Number	Qty	S/P/F	Description
1	0827-013	2		Nut, Rear Output Joint
2	0828-020	2		Washer, Rear Output Flange
3	0819-005	2		Flange, Output Joint
4	0830-043	2		Seal, Oil - Driven Shaft
5	0832-017	2		Bearing, Driven Shaft
6	0828-021	AR		Shim, 25 x 34 x 0.25 mm
6	0828-022	AR		Shim, 25 x 34 x 0.30 mm
6	0828-023	AR		Shim, 25 x 34 x 0.70 mm
6	0828-024	AR		Shim, 25 x 34 x 0.90 mm
6	0828-025	AR		Shim, 25 x 34 x 0.95 mm
6	0828-026	AR		Shim, 25 x 34 x 1.00 mm
6	0828-027	AR		Shim, 25 x 34 x 1.05 mm
6	0828-028	AR		Shim, 25 x 34 x 1.10 mm
6	0828-029	AR		Shim, 25 x 34 x 1.15 mm
7	0819-003	1	S	Shaft, Secondary Driven
8	0832-016	1		Bearing, Driven Gear
9	0819-002	1		Gear, Secondary Driven
10	0819-011	1		Ring, Driven Bearing
11	0819-053	1		Shaft, Secondary Driven
12	0828-030	AR		Shim, 24 x 48 x 0.25 mm
12	0828-031	AR		Shim, 24 x 48 x 0.30 mm
12	0828-032	AR		Shim, 24 x 48 x 0.35 mm
12	0828-033	AR		Shim, 24 x 48 x 0.90 mm
12	0828-018	AR		Shim, 24 x 48 x 0.95 mm
12	0828-062	AR		Shim, 24 x 48 x 1.00 mm
12	0828-063	AR		Shim, 24 x 48 x 1.05 mm
12	0828-064	AR		Shim, 24 x 48 x 1.10 mm
12	0828-065	AR		Shim, 24 x 48 x 1.15 mm
13	0819-001	1		Gear, Secondary Drive
14	0828-019	1		Washer
15	0827-012	1		Nut



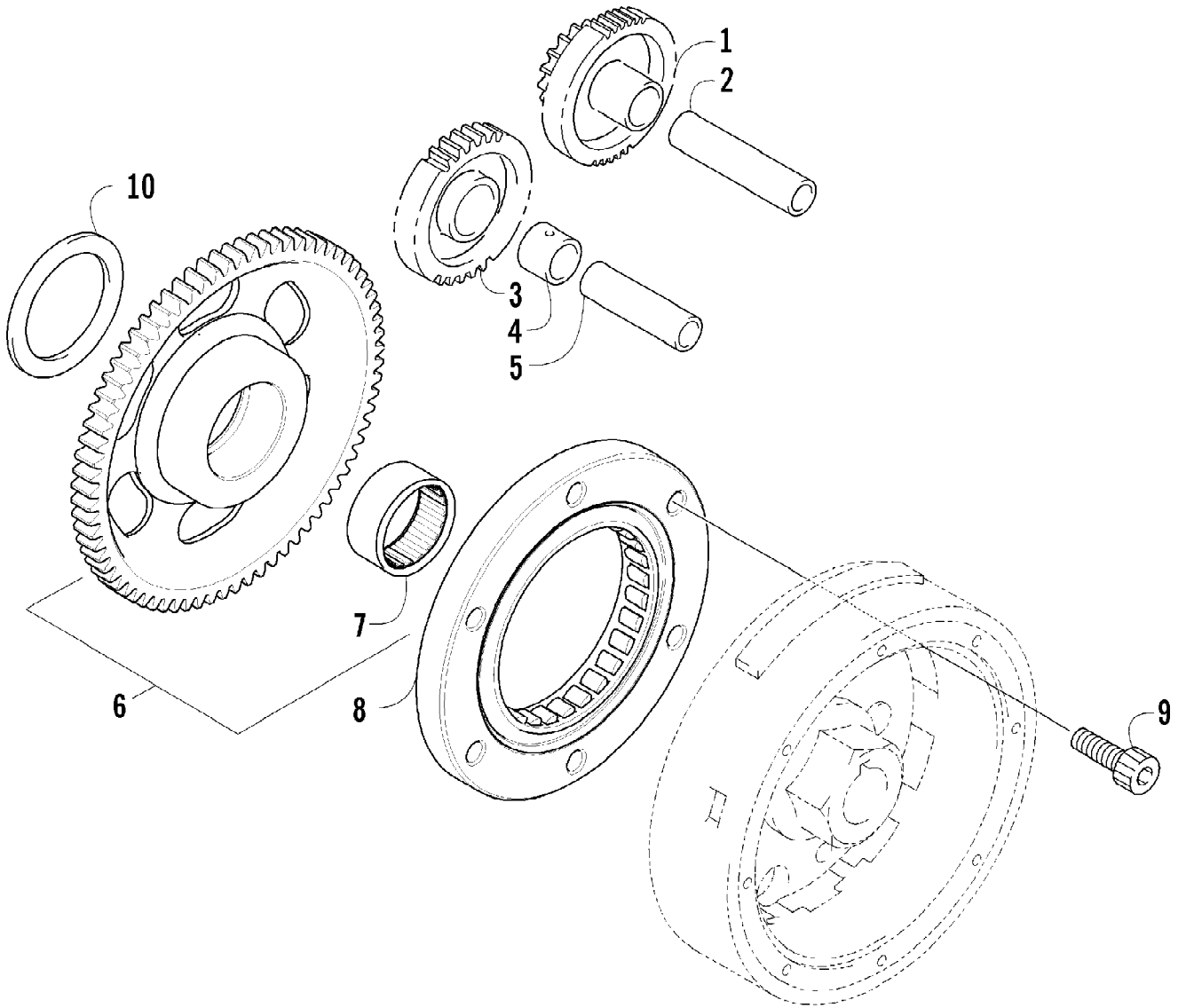
2008 PROWLER XTX 700 H1 AUTOMATIC 4X4 SILVER (U2008P2T4EUSL) Page 67 of 91
SECONDARY TRANSMISSION ASSEMBLY

Ref #	Part Number	Qty	S/P/F	Description
1	0822-048	1		Countershaft Assembly (inc. 2-16)
2	0822-014	1		Dog, Reverse Driven Gear
3	0831-011	2		Circlip
4	0822-045	1		Spacer, Reverse Driven Gear
5	0828-008	2		Washer
6	0822-013	1		Gear, Reverse Driven
7	0832-011	3		Bearing
8	0822-005	3		Bushing
9	0828-014	1		Washer, Lock
10	0828-015	1		Washer, Lock
11	0822-004	1		Gear, Driven - Low
12	0822-046	2		Washer, Driven Gear
13	0822-003	1		Countershaft
14	0822-007	1		Dog, Sliding
15	0822-006	1		Gear, Driven - High
16	0822-008	1		Gear, Drive
17	0828-010	1		Washer, Drive Gear
18	0828-011	1		Washer, Drive Gear
19	0831-039	1		Ring, Retaining
20	0828-069	1		Washer, Thrust
21	0822-050	1		Trigger, Speedometer Sensor
22	0831-040	1		Ring, Retaining
23	0830-129	1		Gasket
24	0829-023	2		Pin, Dowel
25	0822-049	1		Housing, Speedometer Sensor
26	0824-042	1	/P	Sensor, Speedometer
27	8468-620	1	/P	Screw, Machine
28	8468-645	2		Screw, Machine
29	0830-107	2		Seal, Fastener
30	0822-009	1		Gear, Driven
31	0822-067	1	/P	Shaft, Output
32	0832-014	1	S	Bearing
33	0822-001	1		Driveshaft
34	0828-016	2		Washer, Reverse Idle Gear
35	0822-011	1		Gear, Reverse Idle
36	0822-012	1		Bushing, Reverse Idle Gear
37	0822-015	1		Shaft, Reverse Idle



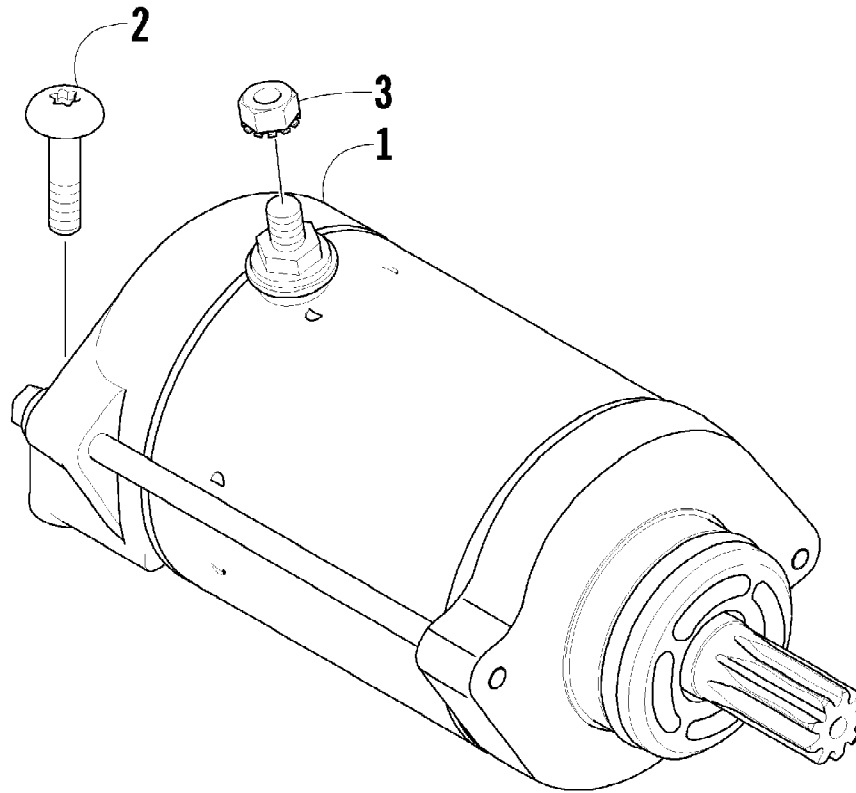
2008 PROWLER XTX 700 H1 AUTOMATIC 4X4 SILVER (U2008P2T4EUSL) Page 69 of 91
SHIFTER ASSEMBLY

Ref #	Part Number	Qty	S/P/F	Description
1	1506-525	1		Mount, Shift
2	8476-616	8		Screw, Machine
3	0423-577	4		Clip, U
4	1402-275	2		Retainer, Shift Linkage
5	1506-811	1		Axle, Shift
6	0423-505	1		Screw, Shoulder
7	8424-802	2		Nut, Flange
8	1402-668	1		Spring, Shift
9	1502-283	1		Lever, Shift
10	1402-566	1		Knob, Shift
11	0623-269	1		Clip, Retainer
12	0541-527	1		Linkage, Shift
13	0123-144	1		Nut, Jam
14	0423-686	1		Rod End
15	0423-091	1		Bushing, Shift
16	0623-094	1		Washer
17	0124-057	1	/P	E-Ring
18	8408-825	1		Screw, Cap
19	1502-264	1		Support, Shift Mount
20	8408-816	1		Screw, Cap

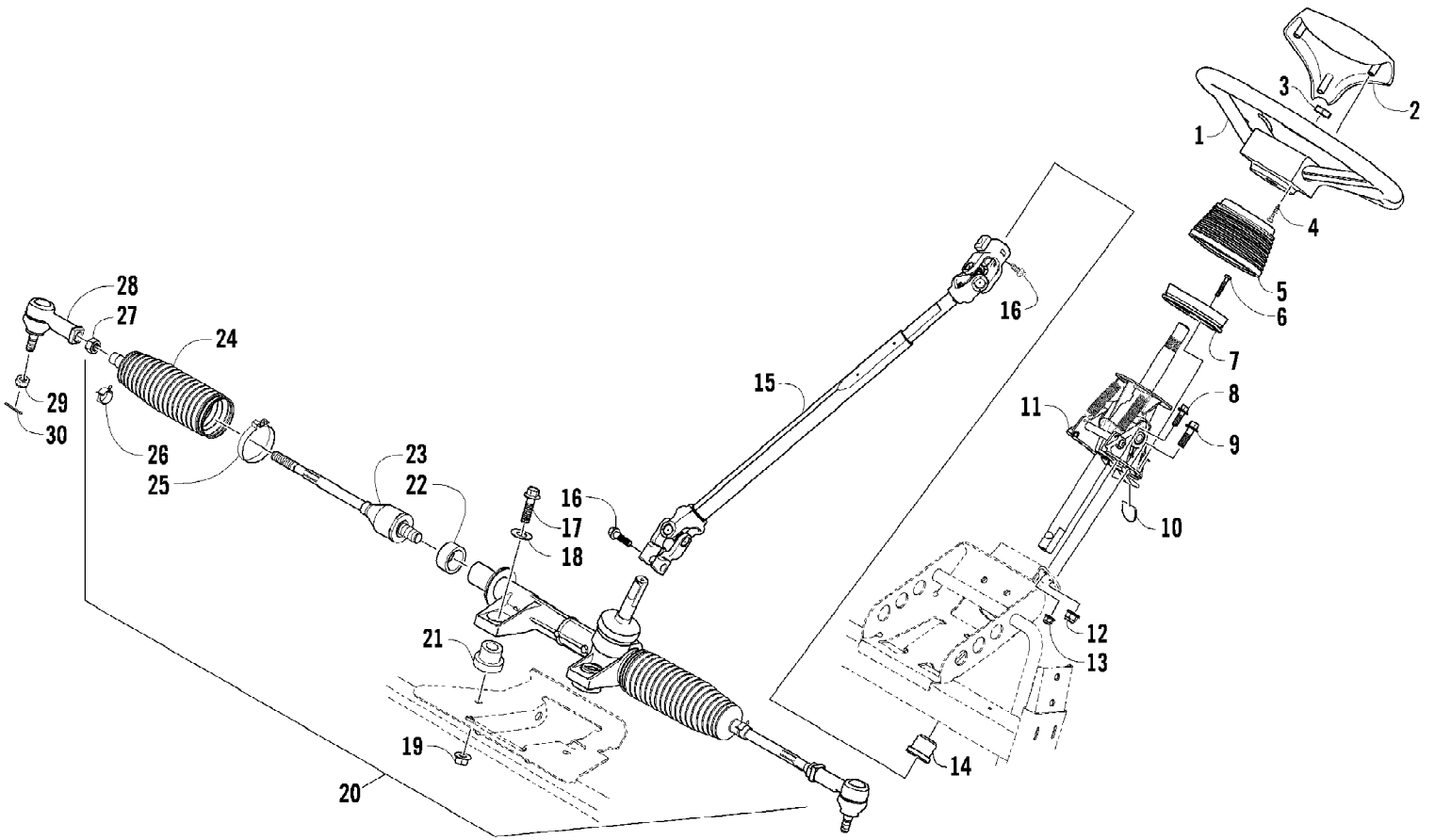


2008 PROWLER XTX 700 H1 AUTOMATIC 4X4 SILVER (U2008P2T4EUSL) Page 71 of 91
STARTER CLUTCH ASSEMBLY

Ref #	Part Number	Qty	S/P/F	Description
1	0815-001	1		Gear, Starter Idler - No. 1
2	0829-031	1	/P	Shaft, Starter Gear
3	0815-002	1		Gear, Starter Idler - No. 2
4	0815-003	1		Spacer, Starter Idler Gear No. 2
5	0829-032	1	/P	Shaft, Starter Gear
6	0815-004	1		Gear Starter Clutch (inc. 7)
7	0832-004	1	S	Bearing
8	0802-035	1		Clutch, Starter
9	0826-069	6		Screw, Machine
10	0828-094	1		Washer

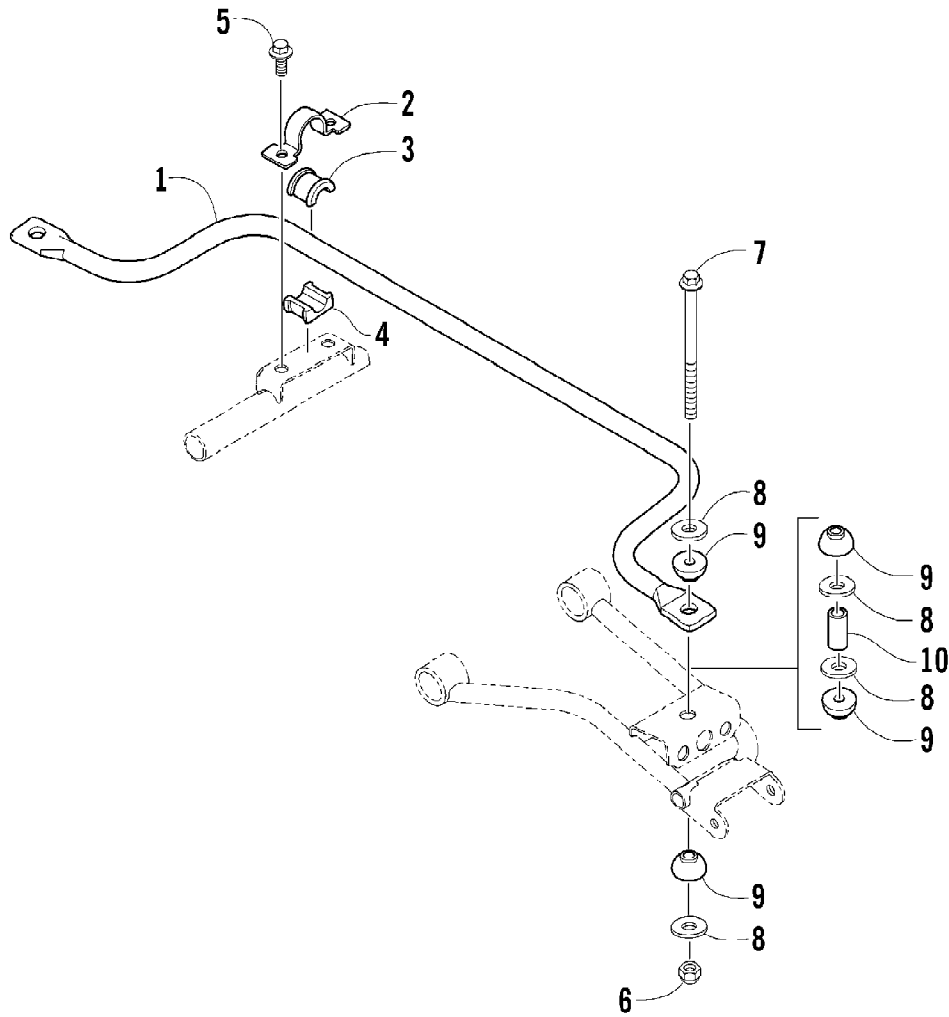


Ref #	Part Number	Qty	S/P/F	Description
1	0825-013	1	/P	Motor, Starter - Assembly
2	8476-625	2		Screw, Machine
3	0623-038	1		Nut w/Washer



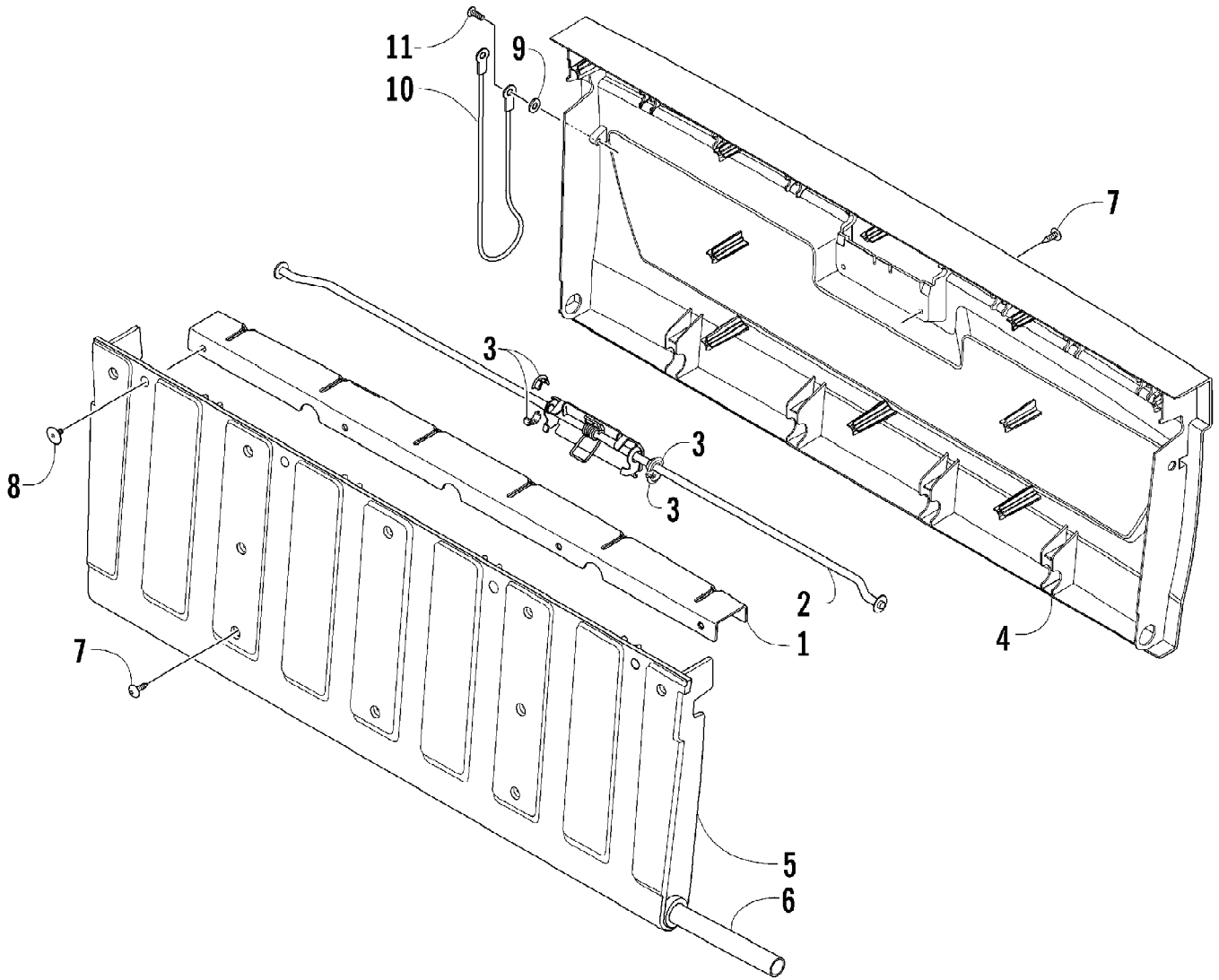
2008 PROWLER XTX 700 H1 AUTOMATIC 4X4 SILVER (U2008P2T4EUSL) Page 75 of 91
STEERING POST ASSEMBLY

Ref #	Part Number	Qty	S/P/F	Description
1	0502-884	1		Wheel, Steering - Assembly (inc. 2)
2	0405-239	1		Cover, Steering Wheel
3	1670-477	1		Nut, Hex
4	0423-613	3		Screw, Self-Tapping
5	0405-270	1		Boot
6	0423-743	2		Screw, Self-Tapping
7	0405-258	1		Support
8	8476-620	2		Screw, Cap
9	8408-825	2		Screw, Cap
10	2406-590	1		Cap, Tilt Lever
11	0505-492	1	S	Mechanism, Tilt
12	8427-802	2		Nut, Hex
13	8427-602	2		Nut, Hex
14	0405-155	1		Bushing, Steering
15	0405-156	1		Shaft, Lower Steering - Assembly
16	0423-655	2		Bolt
17	8409-050	2		Screw, Cap
18	0623-728	2		Washer
19	8424-002	2		Nut, Flange
20	0405-246	1	S	Housing, Rack and Pinion (inc. 21-27)
21	0405-238	2		Bushing
22	0405-206	2		Spacer, Rack
23	0405-245	2	S	Tie Rod
24	0405-216	2		Boot, Rack
25	0405-237	2		Clamp, Boot
26	0405-236	2		Clamp, Tie Rod End
27	0423-622	2		Nut, Hex
28	0405-205	2	S	End, Tie Rod
29	0423-072	2		Nut
30	0623-175	2		Pin, Cotter



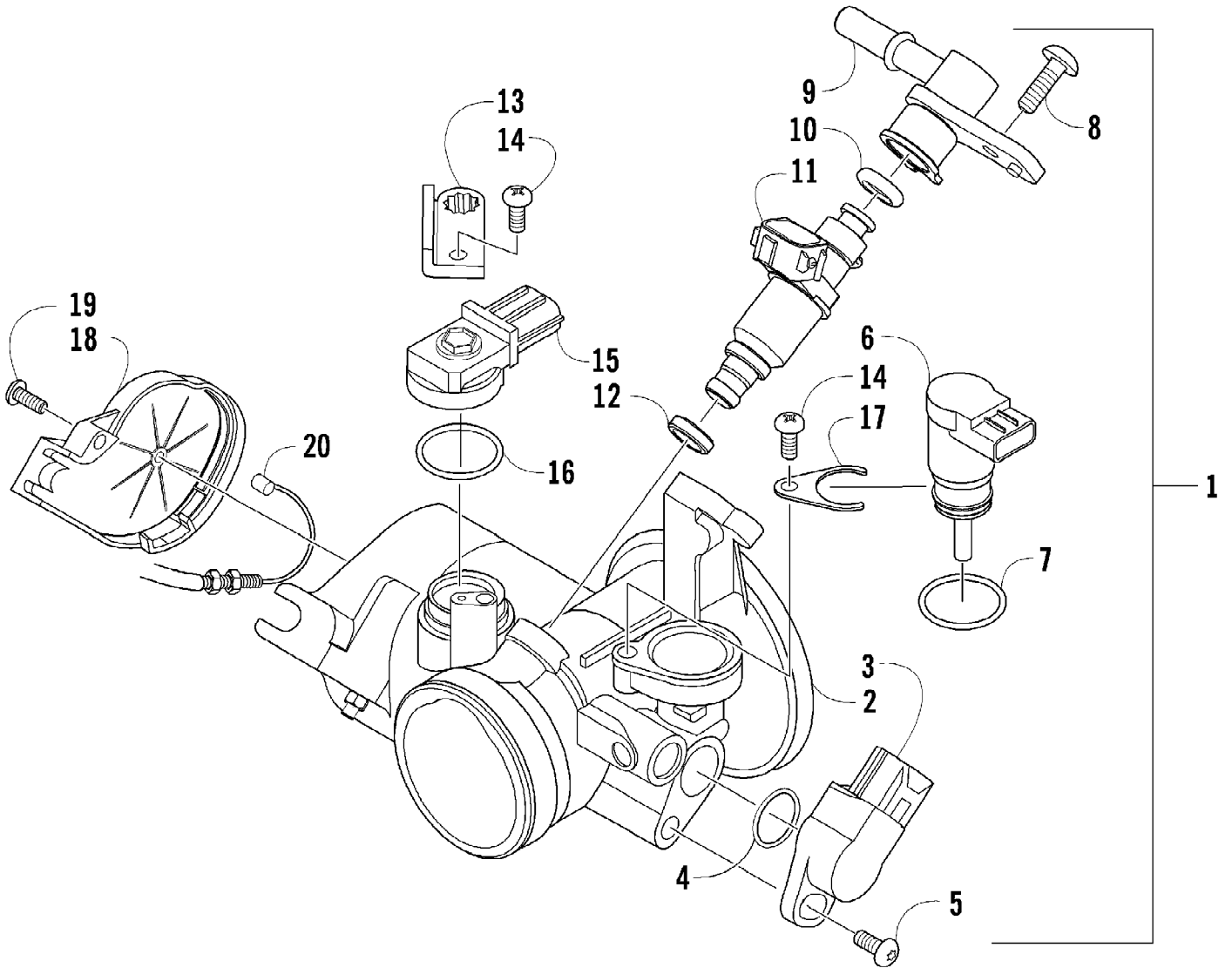
2008 PROWLER XTX 700 H1 AUTOMATIC 4X4 SILVER (U2008P2T4EUSL) Page 77 of 91
SWAY BAR ASSEMBLY

Ref #	Part Number	Qty	S/P/F	Description
1	0404-110	1		Bar, Sway - Assembly
2	0404-135	2		Clamp, Sway Bar Bushing
3	0404-094	2		Bushing, Sway Bar - Upper
4	0404-095	2		Bushing, Sway Bar - Lower
5	8409-016	4		Screw, Cap
6	8422-002	2		Nut
7	0423-335	2		Screw, Cap
8	0423-073	8		Washer
9	1402-434	8		Bushing, Sway Bar
10	0423-620	2		Spacer, Sway Bar



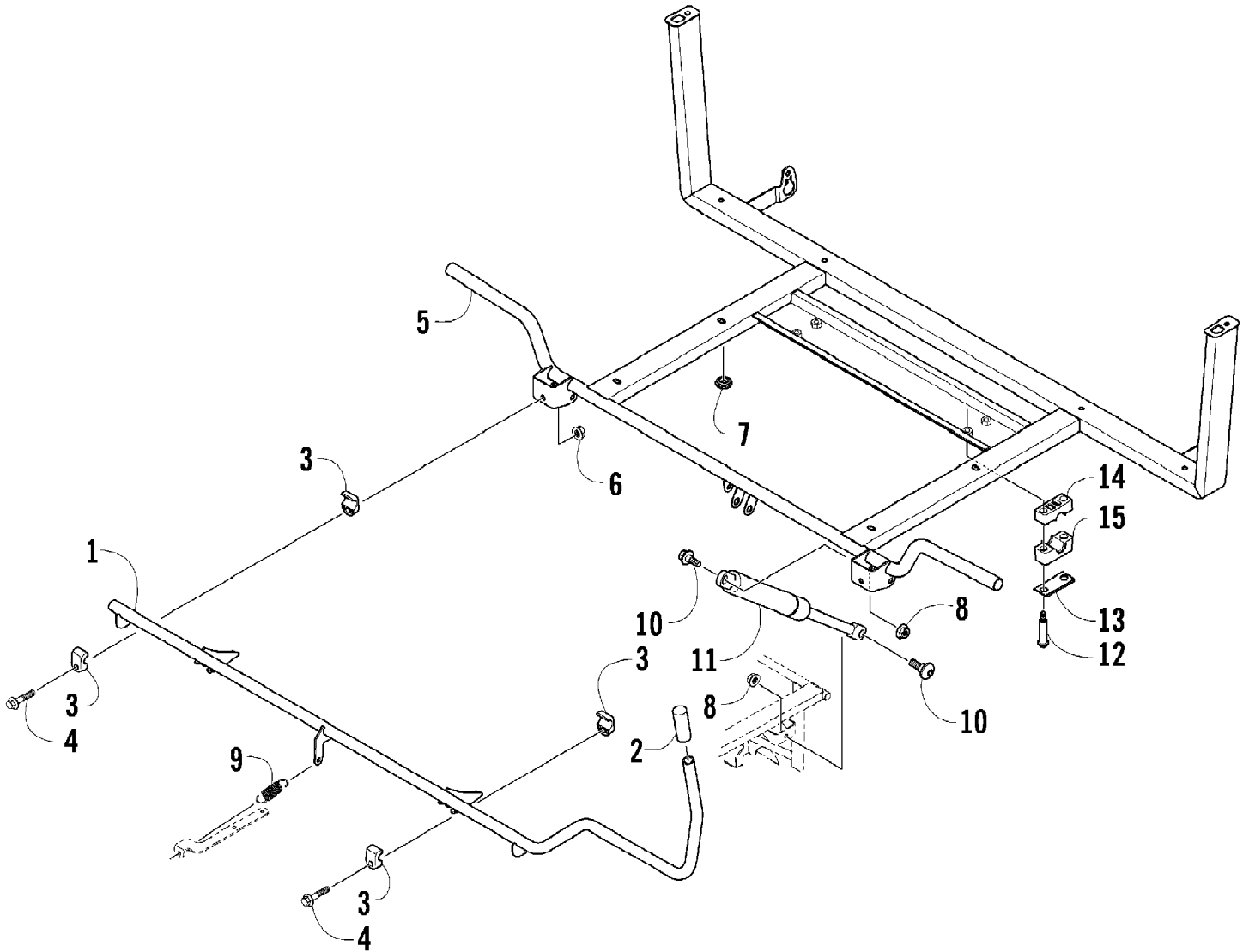
2008 PROWLER XTX 700 H1 AUTOMATIC 4X4 SILVER (U2008P2T4EUSL) Page 79 of 91
TAILGATE ASSEMBLY

Ref #	Part Number	Qty	S/P/F	Description
	2506-205	1	/P	Complete Tailgate Assembly
1	1506-704	1		Brace, Tailgate
2	2506-056	1		Latch, Tailgate - Assembly
3	1406-706	4		Bushing
4	2406-369	1	/P	Panel, Tailgate - Outer
5	2406-365	1	/P	Panel, Tailgate - Inner
6	1406-927	1		Shaft, Pivot - Tailgate
7	0623-784	12		Screw, Self-Tapping
8	0423-101	4		Screw, Body
9	8050-217	2	/P	Washer
10	0487-045	2		Cable, Tailgate
11	8476-625	2		Screw



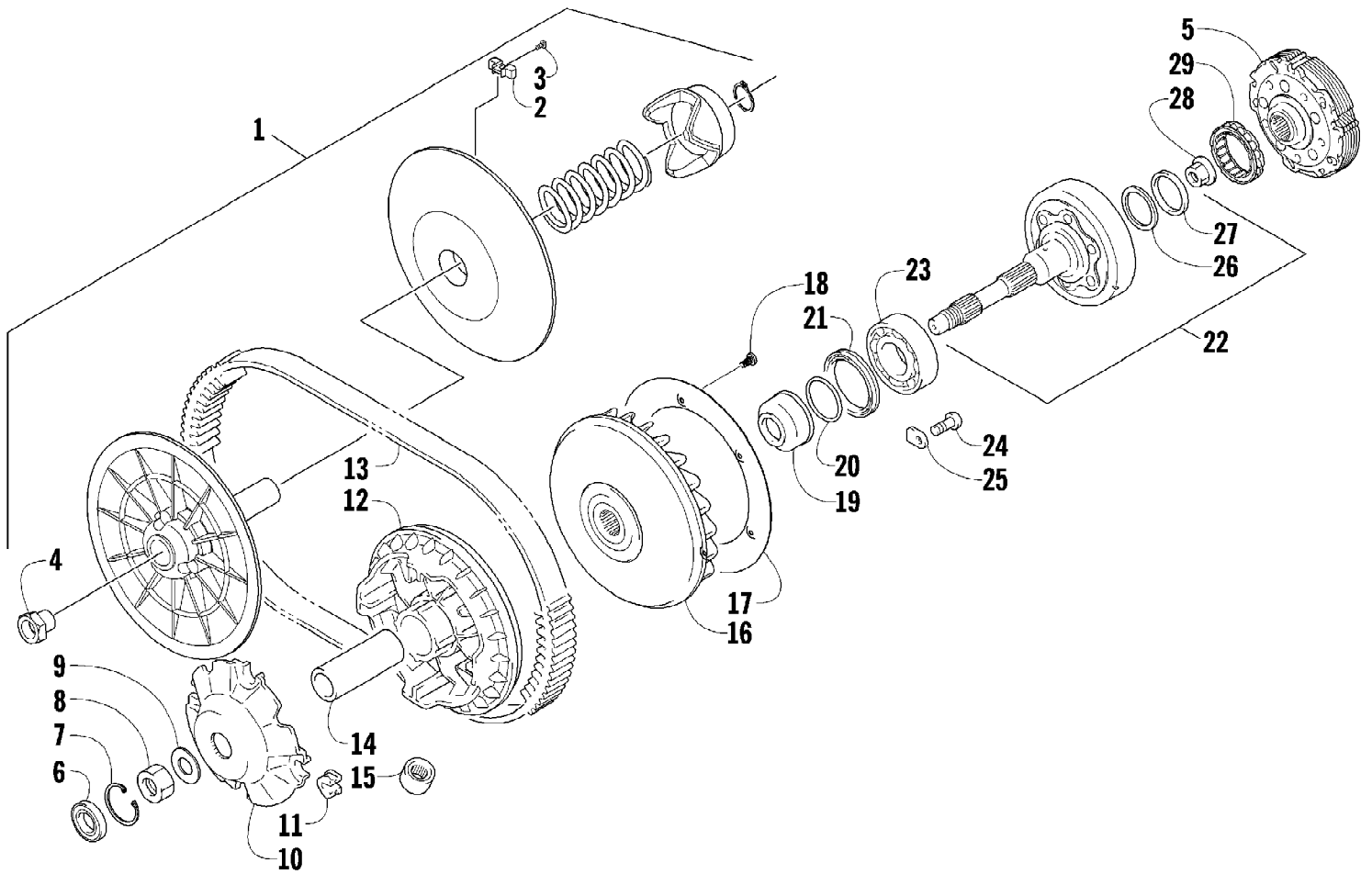
2008 PROWLER XTX 700 H1 AUTOMATIC 4X4 SILVER (U2008P2T4EUSL) Page 81 of 91
THROTTLE BODY ASSEMBLY

Ref #	Part Number	Qty	S/P/F	Description
1	0470-753	1		Throttle - Assembly (inc. 2-19)
2	0	1	F	Throttle Body
3	0430-072	1		Sensor, Throttle Position
4	5507-234	1		O-Ring, Throttle Position Sensor
5	5507-231	1		Screw, Throttle Position Sensor
6	0430-074	1		Valve, ISC
7	5507-233	1		O-Ring, ISC Valve
8	5507-238	1		Screw
9	0470-687	1		Rail, Fuel
10	0470-767	1		O-Ring, Fuel Injector
11	0470-762	1		Injector, Fuel
12	0470-768	1		Seal, Fuel Injector
13	5507-227	1		Bracket, MAP Sensor
14	5507-117	2	/P	Screw
15	0430-073	1		Sensor, MAP
16	5507-232	1		O-Ring, MAP Sensor
17	5507-229	1		Plate, ISC Valve
18	5507-223	1		Cover
19	5507-037	1	/P	Screw
20	0487-057	1		Cable, Throttle

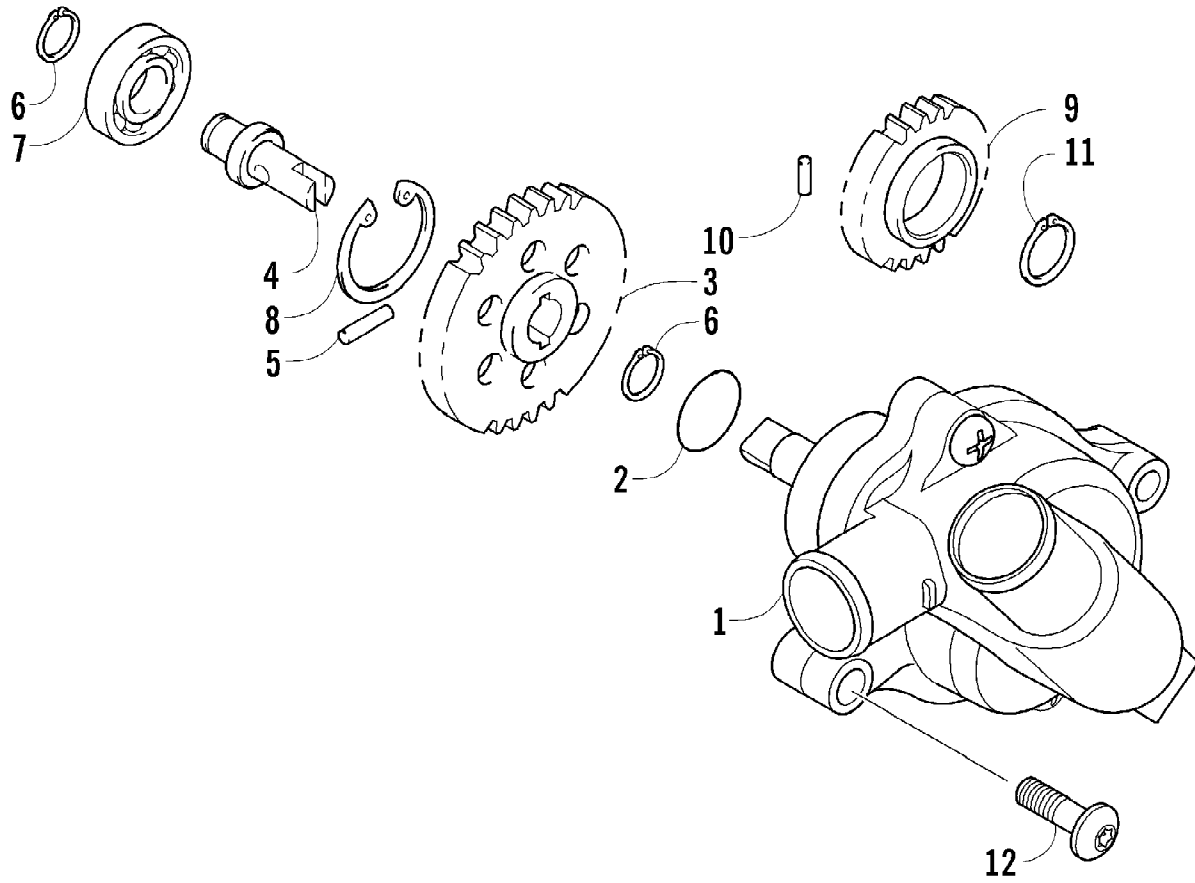


2008 PROWLER XTX 700 H1 AUTOMATIC 4X4 SILVER (U2008P2T4EUSL) Page 83 of 91
TILT FRAME ASSEMBLY

Ref #	Part Number	Qty	S/P/F	Description
1	2506-919	1		Rod, Cargo Box Latch
2	1406-736	1		Grip, Latch Rod
3	1406-674	4		Bushing, Pivot
4	8408-840	2		Screw, Cap
5	2506-197	1	/P	Frame, Box
6	8424-802	2		Nut, Flange
7	0423-628	4		Grommet
8	8424-602	2	/P	Nut, Flange
9	1612-178	1		Spring
10	0423-356	2		Screw, Shoulder
11	2506-194	1		Support, Lift
12	0423-505	4		Screw, Shoulder
13	0405-166	2		Cap, Housing
14	0405-138	2		Housing, Lower
15	0405-139	2		Housing, Upper

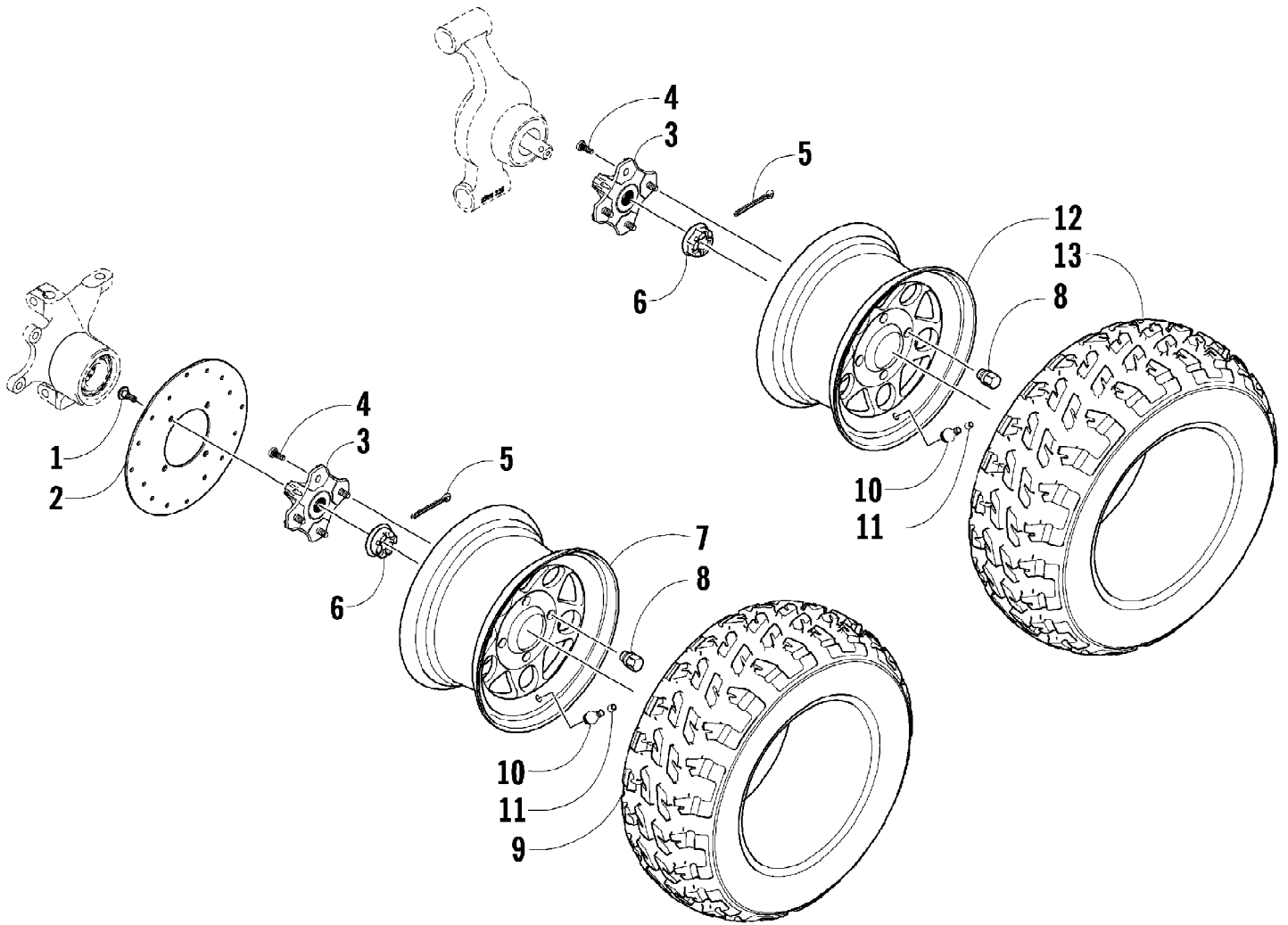


Ref #	Part Number	Qty	S/P/F	Description
1	0823-254	1	S	Pulley, Driven - Assembly (inc. 2-4)
2	0823-176	3	/P	Shoe, Cam
3	0823-177	3		Screw, Cam
4	0823-178	1		Nut, Driven Pulley
5	0823-098	1	S	Clutch, Centrifugal - 6 Plate
6	0832-060	1		Bearing
7	0831-078	1		Ring, Retaining
8	0827-010	1		Nut
9	0828-106	1		Washer
10	0823-008	1		Plate, Movable Drive Face
11	0823-010	4		Damper, Movable Drive Face
12	0823-159	1		Face, Movable Drive
13	0823-013	1		V-Belt
14	0823-149	1		Spacer, Movable Drive Face
15	0823-167	8	/P	Roller, Movable Drive Face
16	0823-156	1	/P	Face, Fixed Drive
17	0823-131	1		Shroud, Drive Face
18	0623-914	6		Screw, Self-Tapping
19	0823-015	1		Spacer, Fixed Drive Face
20	0470-531	1		O-Ring
21	0830-034	1	S	Seal, Clutch Housing - Right
22	0823-270	1	S	Housing, Clutch - Assembly (inc. 26-27)
23	0832-047	1	S	Bearing
24	0826-029	2		Screw, Bearing Retainer
25	0822-010	2	/P	Retainer, Bearing
26	0828-075	1		Shim
27	0823-017	1	S	Seal, Clutch Housing - Left
28	0827-011	1		Nut
29	0823-018	1		Clutch, One-Way



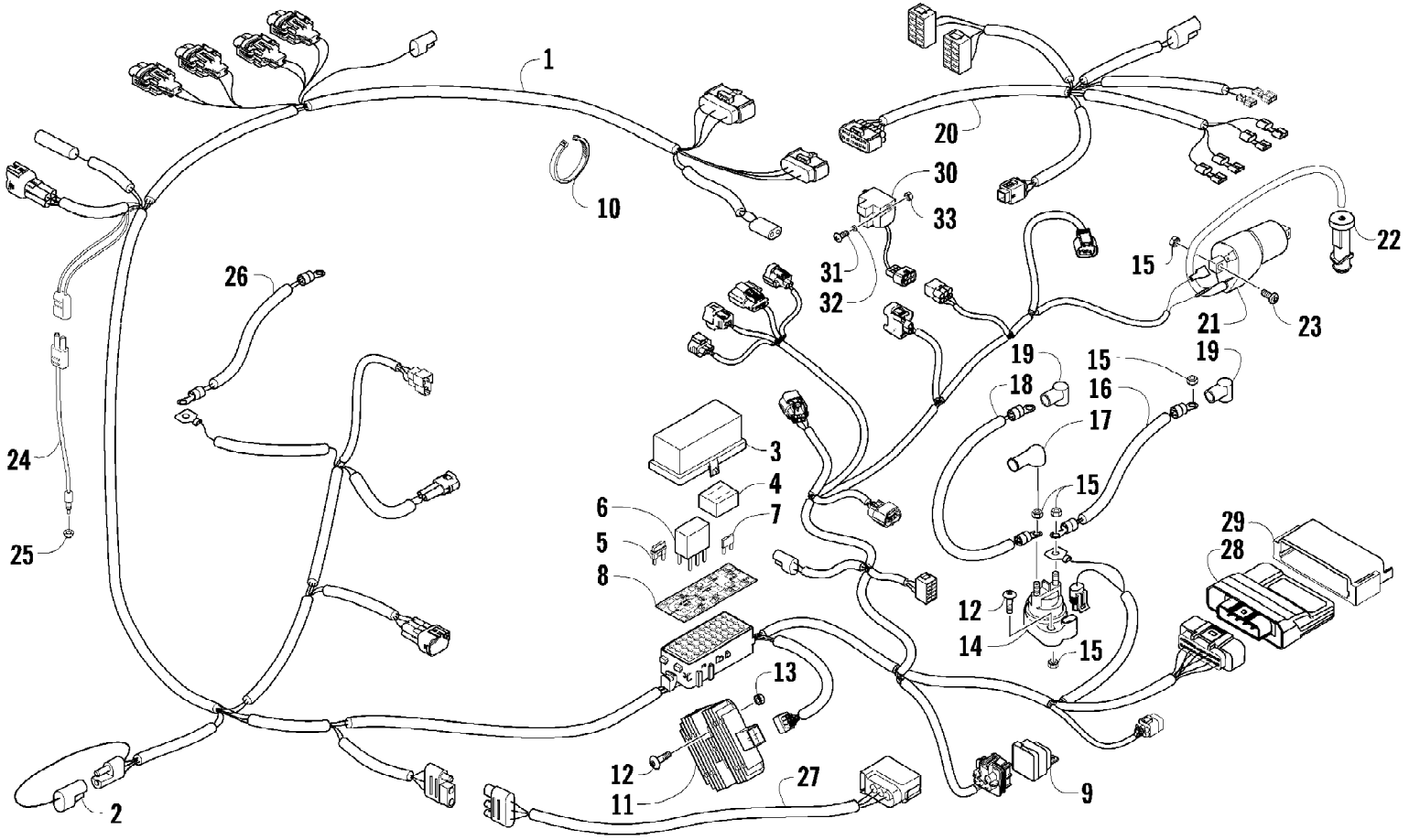
2008 PROWLER XTX 700 H1 AUTOMATIC 4X4 SILVER (U2008P2T4EUSL) Page 87 of 91
WATER PUMP ASSEMBLY

Ref #	Part Number	Qty	S/P/F	Description
1	0813-001	1		Pump, Water - Assembly (inc. 2)
2	0830-029	1		O-Ring
3	0813-004	1		Gear, Driven
4	0813-005	1		Shaft, Driven Gear
5	0829-009	1		Pin, Driven Gear
6	0831-002	2		Circlip, Driven Gear
7	0832-008	1	S	Bearing, Shaft
8	0831-004	1		Circlip, Shaft Bearing
9	0811-003	1		Gear, Water Pump Drive
10	0829-007	1		Pin, Drive Gear
11	0831-005	1		Circlip, Drive Gear
12	8468-665	2		Screw, Machine



2008 PROWLER XTX 700 H1 AUTOMATIC 4X4 SILVER (U2008P2T4EUSL) Page 89 of 91
WHEEL AND TIRE ASSEMBLY

Ref #	Part Number	Qty	S/P/F	Description
1	0423-557	8		Screw, Machine
2	1402-455	2	S	Disc, Brake
3	0502-980	2	S	Hub, Wheel - Front (inc. 4)
3	0503-322	2	S	Hub, Wheel - Rear (inc. 4)
4	0402-974	16	/P	Stud, Wheel Hub
5	0423-407	4		Pin, Cotter
6	0423-607	4		Nut, Castle
7	1402-449	2		Wheel - Front
8	0423-618	16		Nut, Mounting - Wheel
9	1402-392	2		Tire - Front
10	0402-064	4		Stem, Valve (inc. 11)
11	0402-140	4		Cap, Valve Stem
12	1402-452	2		Wheel - Rear
13	1402-393	2		Tire - Rear



2008 PROWLER XTX 700 H1 AUTOMATIC 4X4 SILVER (U2008P2T4EUSL) Page 91 of 91
WIRING HARNESS ASSEMBLY

Ref #	Part Number	Qty	S/P/F	Description
1	0486-274	1		Harness, Main (inc. 2-9)
2	0486-164	1		Tether, Accessory Connector
3	0530-008	1		Cover, Fuse Block
4	0430-037	1		Holder, Fuse
5	0430-034	2		Diode
6	0430-045	5	/P	Relay (4-Pin) - 20 Amp
7	0430-032	5		Fuse - 10 Amp
7	0430-031	3		Fuse - 15 Amp
7	0430-030	2		Fuse - 30 Amp
8	1411-526	1		Decal, Fuse Block
9	0430-052	1		Relay (5-Pin) - 30 Amp
10	0123-788	AR	/P	Cable Tie - 7.5 in.
11	0824-037	1	/P	Regulator, Voltage
12	8476-625	4		Screw, Machine
13	8424-602	2	/P	Nut, Hex
14	0445-058	1	/P	Solenoid
15	0623-038	8		Nut w/Washer
16	0445-061	1		Cable, Solenoid/Starter
17	0645-327	1		Boot, Terminal
18	0445-049	1		Cable, Battery/Solenoid
19	0645-019	2		Boot, Terminal
20	0486-275	1		Harness, Console
21	0824-043	1		Coil, Ignition - Assembly
22	0824-049	1	/P	Cap, Spark Plug
23	8476-620	2		Screw, Machine
24	0409-009	1		Switch, Brake - Assembly
25	0402-991	1		Retainer, Brake Switch
26	0445-050	1		Cable, Battery/Engine
27	0486-176	1		Harness Adapter, Taillight
28	0530-013	1		ECU
29	0430-076	1		Cushion, ECU
30	0409-064	1		Switch, Tilt Sensor
31	8468-425	2		Screw, Machine
32	0123-802	2		Washer
33	0423-493	2		Nut w/Washer