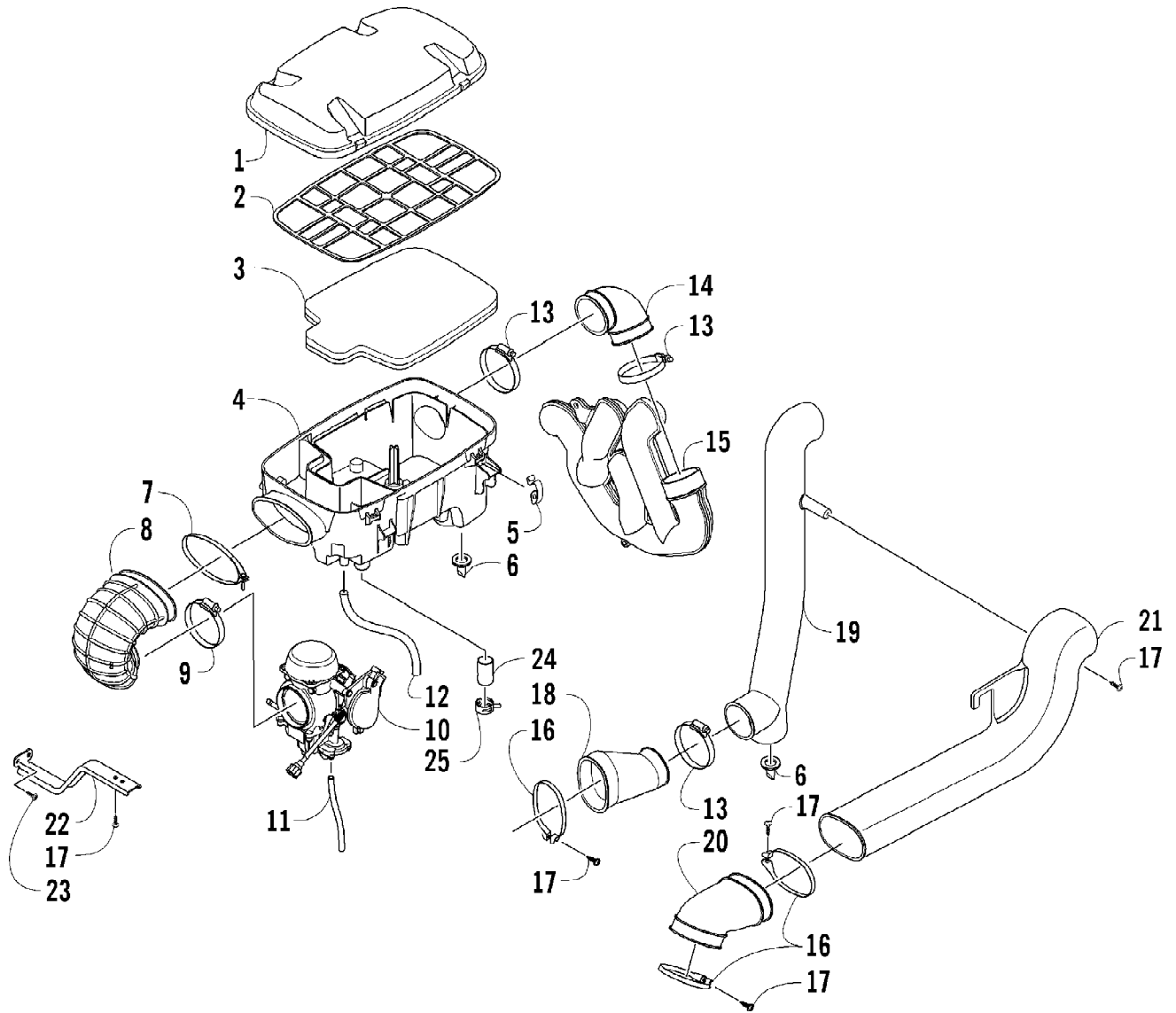


2008 PROWLER XT 650 H1 AUTOMATIC 4X4 RED (U2008P2S4BUSR)  
ACCELERATOR ASSEMBLY

Page 2 of 91

| Ref # | Part Number | Qty | S/P/F | Description                  |
|-------|-------------|-----|-------|------------------------------|
| 1     | 0502-974    | 1   |       | Pedal, Accelerator           |
| 2     | 0405-233    | 1   |       | Spring                       |
| 3     | 0402-872    | 1   |       | Axle                         |
| 4     | 1602-213    | 2   | /P    | O-Ring                       |
| 5     | 8422-002    | 1   |       | Nut                          |
| 6     | 8468-620    | 2   | /P    | Screw, Machine               |
| 7     | 0502-991    | 1   |       | Bracket, Accelerator Pedal   |
| 8     | 0623-038    | 2   |       | Nut, Hex w/Washer            |
| 9     | 0502-990    | 1   |       | Bracket, Cable - Accelerator |
| 10    | 0487-048    | 1   |       | Cable, Accelerator           |
| 11    | 2506-476    | 1   |       | Support, Pedal               |
| 12    | 8408-816    | 1   |       | Screw                        |



2008 PROWLER XT 650 H1 AUTOMATIC 4X4 RED (U2008P2S4BUSR)  
AIR INTAKE ASSEMBLY

Page 4 of 91

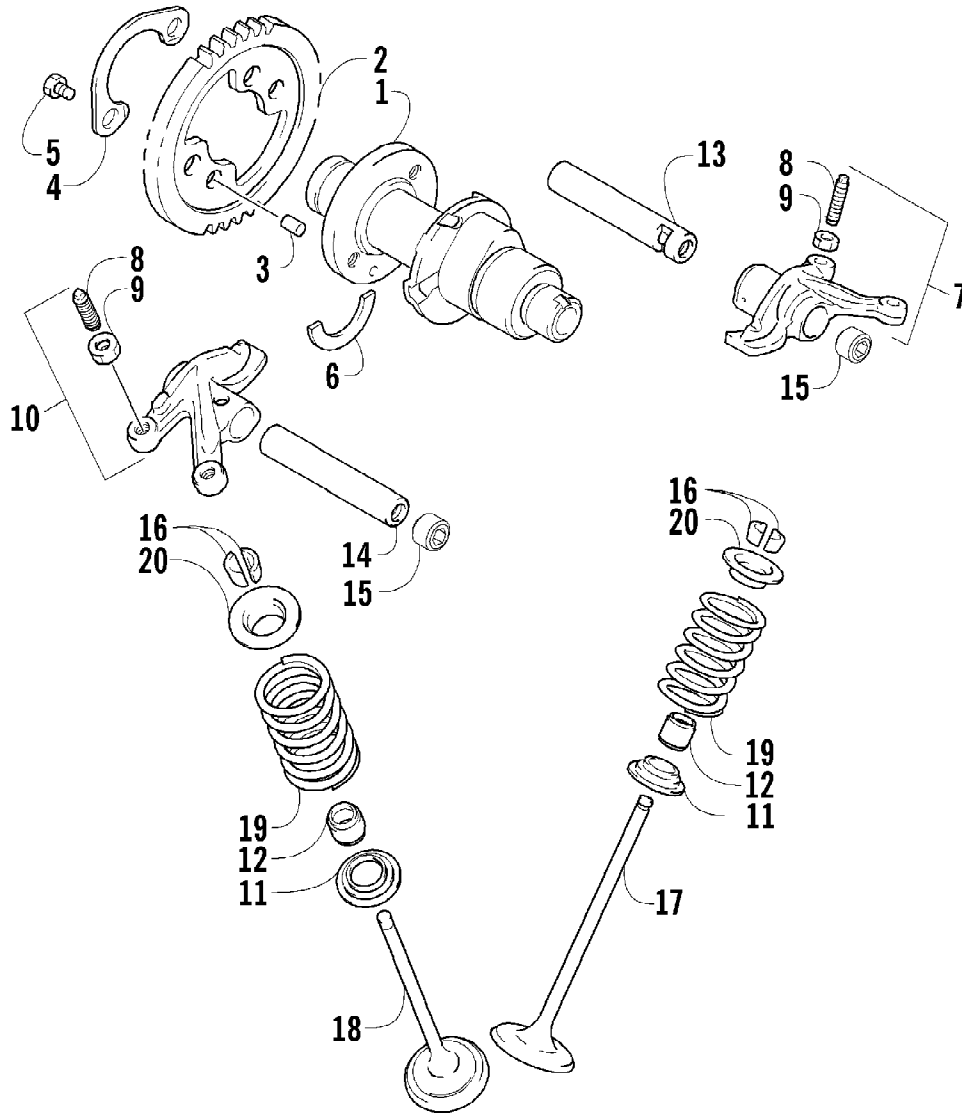
| Ref # | Part Number | Qty | S/P/F | Description            |
|-------|-------------|-----|-------|------------------------|
| 1     | 0470-755    | 1   | S     | Cover, Air Intake      |
| 2     | 0470-560    | 1   |       | Screen, Air Filter     |
| 3     | 0470-558    | 1   |       | Filter, Air            |
| 4     | 0470-675    | 1   |       | Housing, Air Intake    |
| 5     | 0423-455    | 4   |       | Clip, Spring           |
| 6     | 0470-442    | 2   | /P    | Valve, Drain           |
| 7     | 0423-554    | 1   |       | Clamp, Boot            |
| 8     | 0470-525    | 1   |       | Boot, Carburetor       |
| 9     | 0423-019    | 1   |       | Clamp, Hose            |
| 10    | 0470-742    | 1   |       | Carburetor, CVK36-AE   |
| 11    | 0510-593    | 1   |       | Hose, Carburetor Drain |
| 12    | 0410-079    | 1   | S     | Hose, Vent - Crankcase |
| 13    | 0423-380    | 3   | /P    | Clamp, Boot            |
| 14    | 0413-098    | 1   |       | Boot, Air-In           |
| 15    | 0513-024    | 1   |       | Duct, Air-In           |
| 16    | 0423-550    | 3   |       | Clamp                  |
| 17    | 0423-342    | 6   | /P    | Screw, Self-Tapping    |
| 18    | 0413-049    | 1   |       | Boot, Duct             |
| 19    | 0413-188    | 1   |       | Duct                   |
| 20    | 0413-109    | 1   |       | Boot, Air-Out - Clutch |
| 21    | 0413-189    | 1   |       | Duct, Air-Out - Clutch |
| 22    | 2506-651    | 1   |       | Bracket, Support       |
| 23    | 0623-784    | 2   |       | Screw, Self-Tapping    |
| 24    | 0423-766    | 1   |       | Cap, Drain - Housing   |
| 25    | 1623-287    | 1   |       | Clamp, Hose            |



2008 PROWLER XT 650 H1 AUTOMATIC 4X4 RED (U2008P2S4BUSR)  
CAM CHAIN ASSEMBLY

Page 6 of 91

| Ref # | Part Number | Qty | S/P/F | Description                    |
|-------|-------------|-----|-------|--------------------------------|
| 1     | 0810-001    | 1   |       | Chain, Cam                     |
| 2     | 0810-002    | 1   |       | Guide, Chain                   |
| 3     | 0810-003    | 1   |       | Tensioner, Chain               |
| 4     | 0826-036    | 1   |       | Bolt                           |
| 5     | 0830-025    | 1   |       | Washer                         |
| 6     | 0810-004    | 1   |       | Adjuster, Tensioner - Assembly |
| 7     | 0830-018    | 1   |       | Gasket                         |
| 8     | 8468-625    | 2   |       | Screw, Machine                 |
| 9     | 0830-107    | 2   |       | Gasket                         |
| 10    | 8400-610    | 1   |       | Screw, Cap                     |
| 11    | 0828-110    | 1   |       | Washer                         |

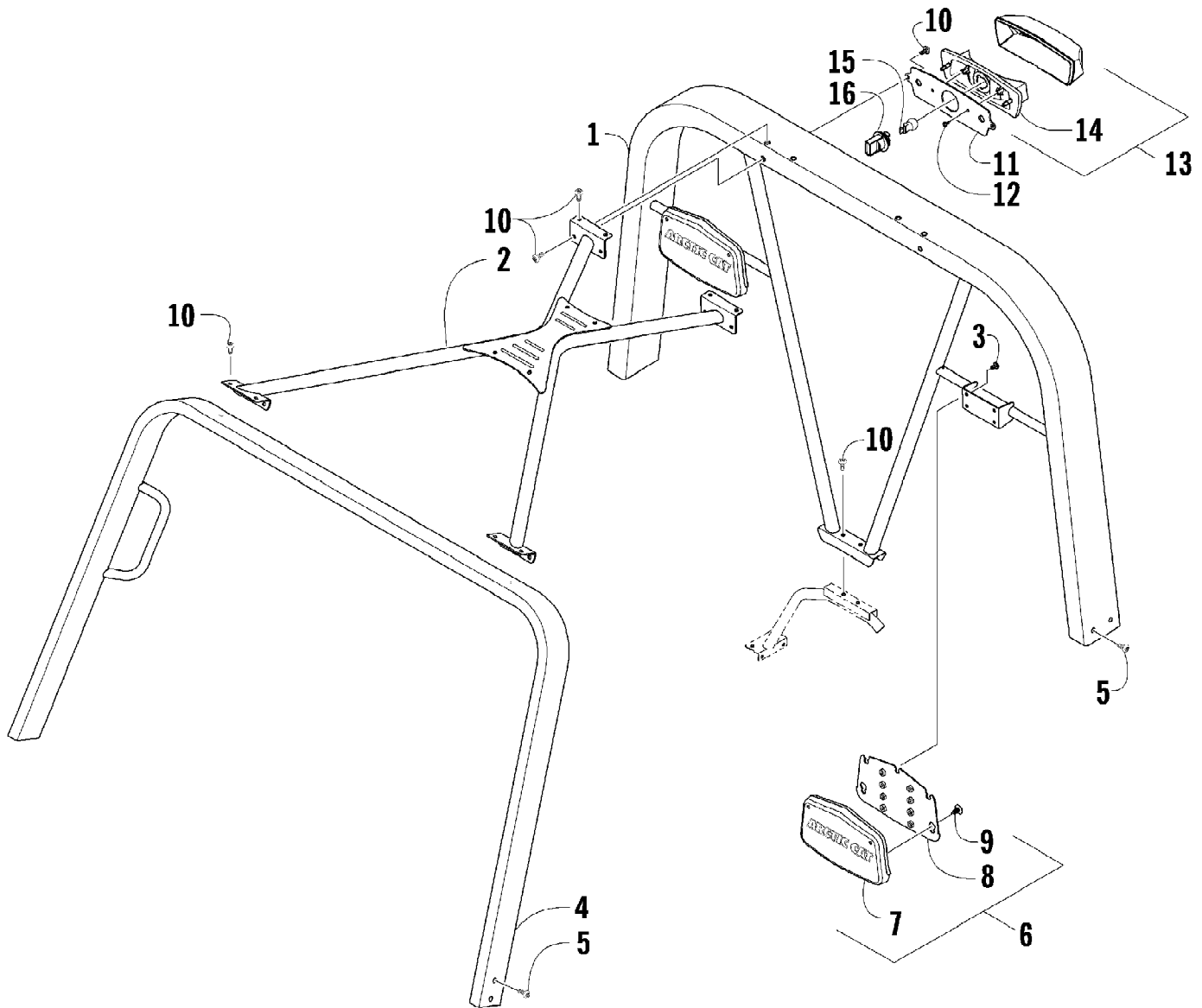


2008 PROWLER XT 650 H1 AUTOMATIC 4X4 RED (U2008P2S4BUSR)  
CAMSHAFT/VALVE ASSEMBLY

Page 8 of 91

| Ref # | Part Number | Qty | S/P/F | Description                                    |
|-------|-------------|-----|-------|--|
| 1     | 0809-200    | 1   | S     | Camshaft                                       |
| 2     | 0809-002    | 1   |       | Sprocket                                       |
| 3     | 0829-008    | 1   |       | Pin  |
| 4     | 0828-004    | 1   |       | Washer   |
| 5     | 0826-034    | 2   |       | Bolt   |
| 6     | 0809-003    | 1   |       | C-Ring   |
| 7     | 0809-202    | 1   | S     | Arm, Valve Rocker - Intake (inc. two No. 8-9)  |
| 8     | 0809-033    | 4   | S     | Screw  |
| 9     | 0827-007    | 4   |       | Nut  |
| 10    | 0809-205    | 1   | S     | Arm, Valve Rocker - Exhaust (inc. two No. 8-9) |
| 11    | 0809-006    | 4   |       | Seat, Spring - Valve                           |
| 12    | 0830-016    | 4   | S     | Seal, Oil                                      |
| 13    | 0809-007    | 1   |       | Shaft, Rocker Arm - Intake                     |
| 14    | 0809-008    | 1   |       | Shaft, Rocker Arm - Exhaust                    |
| 15    | 0831-066    | 2   |       | Plug, Shaft                                    |
| 16    | 0809-014    | 8   |       | Keeper, Valve                                  |
| 17    | 0809-039    | 2   | S     | Valve, Intake                                  |
| 18    | 0809-040    | 2   | S     | Valve, Exhaust                                 |
| 19    | 0809-138    | 4   | S     | Spring, Valve                                  |
| 20    | 0809-013    | 4   |       | Retainer, Spring                               |

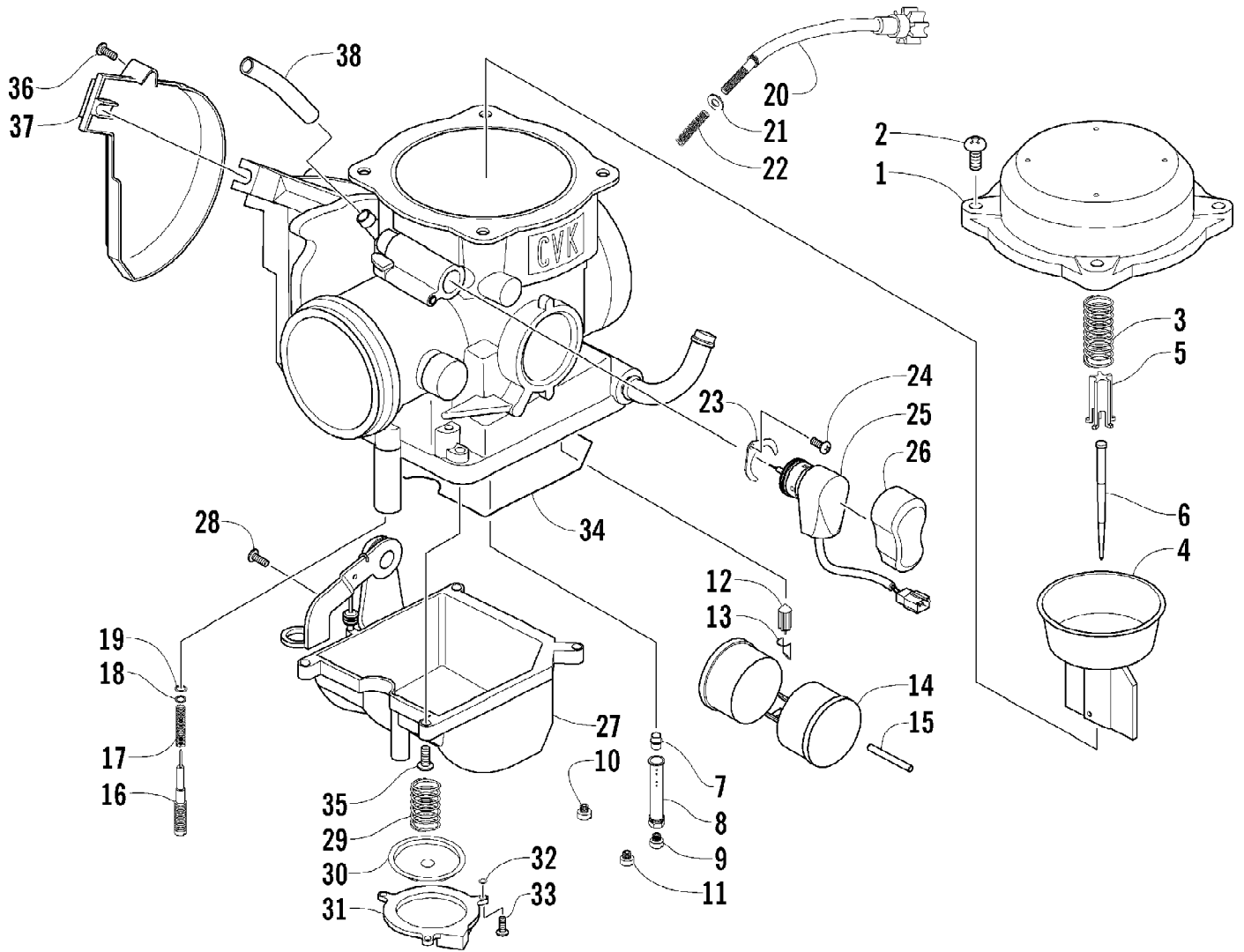




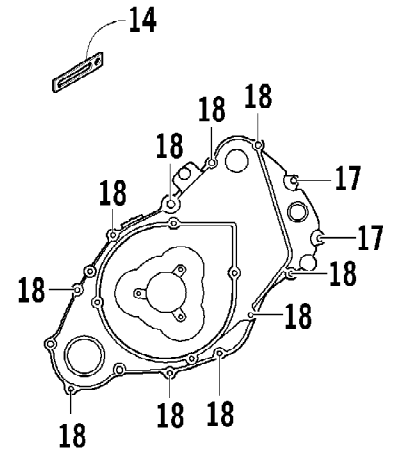
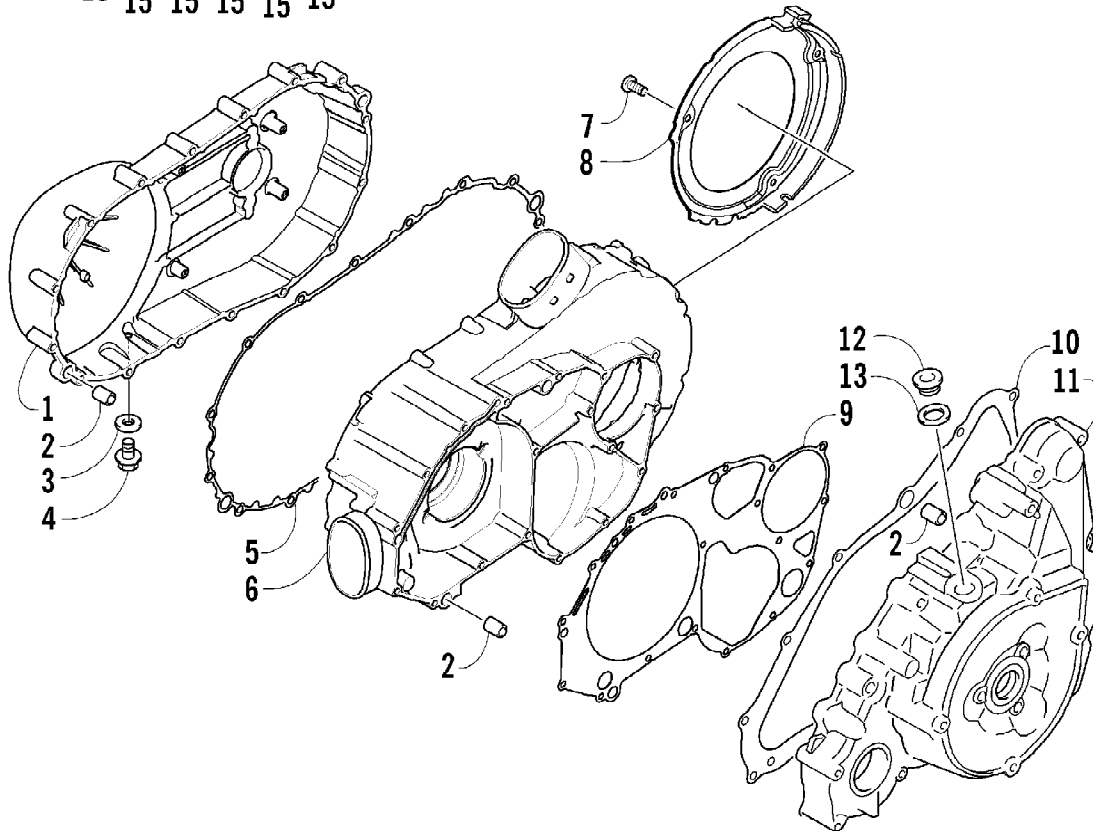
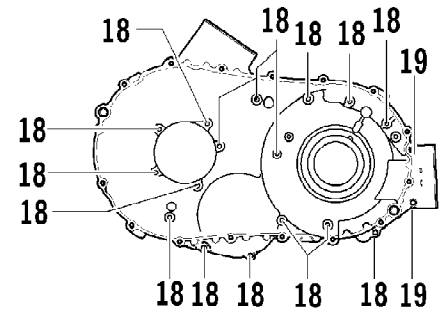
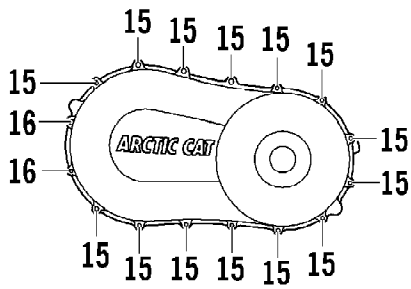
2008 PROWLER XT 650 H1 AUTOMATIC 4X4 RED (U2008P2S4BUSR)  
CANOPY AND TAILLIGHT ASSEMBLY

Page 10 of 91

| Ref # | Part Number | Qty | S/P/F | Description                         |
|-------|-------------|-----|-------|-------------------------------------|
| 1     | 1506-680    | 1   |       | Tube, Canopy - Rear                 |
| 2     | 1506-713    | 1   |       | Support, Canopy                     |
| 3     | 0423-361    | 8   |       | Screw, Machine                      |
| 4     | 1506-665    | 1   |       | Tube, Canopy - Front                |
| 5     | 0423-817    | 8   |       | Screw, Machine                      |
| 6     | 1506-795    | 2   |       | Pad, Headrest - Assembly (inc. 7-9) |
| 7     | 1406-884    | 2   |       | Pad, Headrest                       |
| 8     | 1506-722    | 2   |       | Mount, Headrest                     |
| 9     | 0623-544    | 10  |       | Plug                                |
| 10    | 0423-419    | 18  |       | Screw, Machine                      |
| 11    | 2406-069    | 1   |       | Bracket, Taillight Mounting         |
| 12    | 0623-301    | 2   | /P    | Screw, Self-Tapping                 |
| 13    | 0509-022    | 1   |       | Taillight Assembly (inc. 14-16)     |
| 14    | 0509-025    | 1   |       | Housing, Taillight                  |
| 15    | 0409-056    | 1   |       | Bulb, Taillight                     |
| 16    | 0409-057    | 1   |       | Socket, Taillight                   |



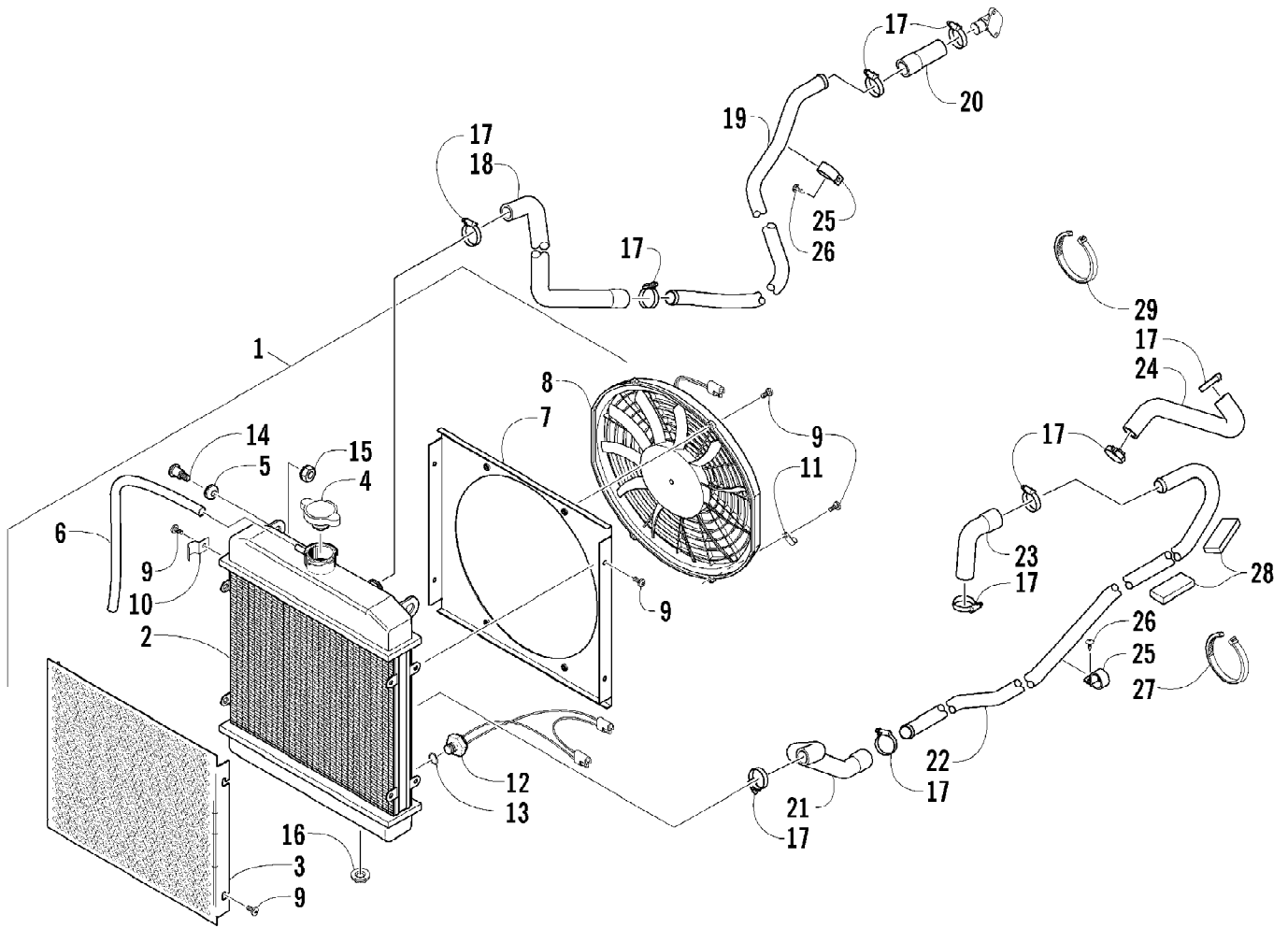
| Ref # | Part Number | Qty | S/P/F | Description                             |
|-------|-------------|-----|-------|---|
|       | 0470-742    | 1   |       | Complete Carburetor Assembly (CVK36-AE) |
| 1     | 5507-001    | 1   |       | Cover, Top                              |
| 2     | 5507-002    | 4   | /P    | Screw, Top Cover                        |
| 3     | 5507-066    | 1   | /P    | Spring                                  |
| 4     | 5507-099    | 1   |       | Piston, Vacuum                          |
| 5     | 5507-005    | 1   |       | Seat, Spring                            |
| 6     | 5507-201    | 1   |       | Jet Needle                              |
| 7     | 5507-007    | 1   |       | Needle Jet                              |
| 8     | 5507-047    | 1   | /P    | Holder, Needle Jet                      |
| 9     | 5507-076    | 1   | /P    | Main Jet - 138                          |
| 9     | 5507-075    | 1   | F     | Main Jet - 132                          |
| 9     | 5507-074    | 1   | F     | Main Jet - 130                          |
| 9     | 5507-057    | 1   | /P/F  | Main Jet - 135                          |
| 9     | 5507-073    | 1   | F     | Main Jet - 140                          |
| 9     | 5507-043    | 1   | F     | Main Jet - 142                          |
| 10    | 5507-070    | 1   | /P    | Slow Jet                                |
| 11    | 5507-112    | 1   |       | Starter Jet - 85                        |
| 12    | 5507-183    | 1   |       | Valve, Float - Set (inc. 13)            |
| 13    | 0           | 1   | F     | Clip                                    |
| 14    | 5507-039    | 1   |       | Float Set (inc. 15)                     |
| 15    | 0           | 1   | F     | Pin, Float                              |
| 16    | 5507-213    | 1   |       | Screw, Pilot - Set (inc. 17-19)         |
| 17    | 0           | 1   | F     | Spring                                  |
| 18    | 0           | 1   | F     | Washer                                  |
| 19    | 0           | 1   | F     | O-Ring                                  |
| 20    | 5507-027    | 1   |       | Screw, Idle Adjust                      |
| 21    | 5507-028    | 1   |       | Washer                                  |
| 22    | 5507-029    | 1   |       | Spring                                  |
| 23    | 5507-115    | 1   |       | Plate                                   |
| 24    | 5507-117    | 1   | /P    | Screw                                   |
| 25    | 5507-204    | 1   |       | Choke, Electric                         |
| 26    | 5507-114    | 1   |       | Cover, Electric Choke                   |
| 27    | 5507-214    | 1   |       | Chamber, Float - Assembly (inc. 28-34)  |
| 28    | 5507-050    | 1   | /P    | Screw, Drain                            |
| 29    | 5507-211    | 1   |       | Spring                                  |
| 30    | 5507-197    | 1   |       | Diaphragm Assembly - Pump Housing       |
| 31    | 5507-198    | 1   |       | Housing, Pump                           |
| 32    | 5507-034    | 1   |       | U-Ring                                  |
| 33    | 5507-035    | 3   |       | Screw                                   |
| 34    | 5507-067    | 1   | /P    | O-Ring, Float Chamber                   |
| 35    | 5507-017    | 4   | /P    | Screw                                   |
| 36    | 5507-037    | 1   | /P    | Screw                                   |
| 37    | 5507-036    | 1   |       | Cover                                   |
| 38    | 0410-056    | 1   |       | Hose, Vent                              |



2008 PROWLER XT 650 H1 AUTOMATIC 4X4 RED (U2008P2S4BUSR)  
CLUTCH/V-BELT/MAGNETO COVER ASSEMBLY

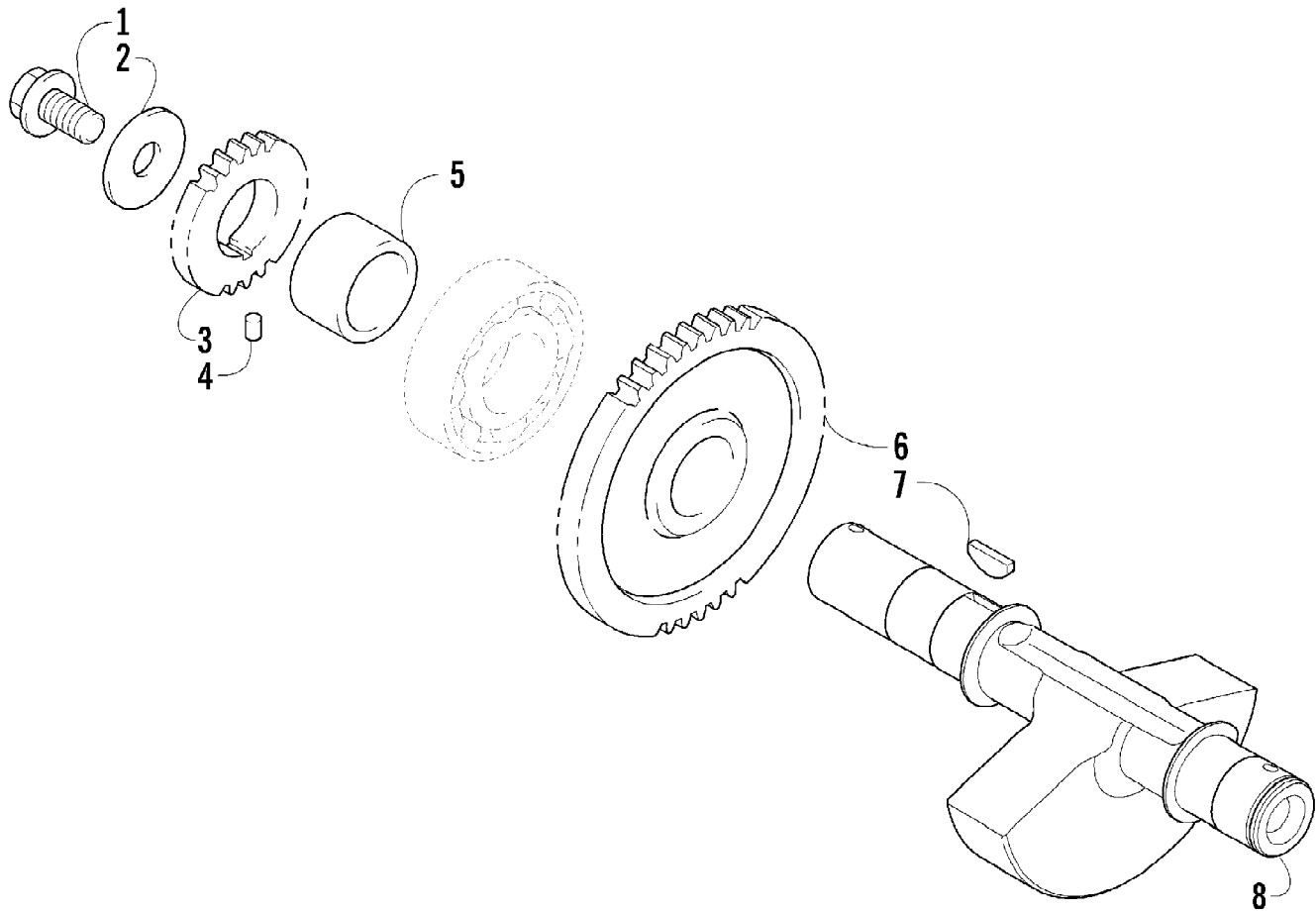
Page 14 of 91

| Ref # | Part Number | Qty | S/P/F | Description               |
|-------|-------------|-----|-------|---------------------------|
| 1     | 0806-088    | 1   | /P    | Cover, V-Belt             |
| 2     | 0829-002    | 4   |       | Pin, Dowel                |
| 3     | 0830-013    | 1   |       | Washer, Crush             |
| 4     | 8408-812    | 1   |       | Screw, Cap                |
| 5     | 0830-174    | 1   | /P    | Gasket, V-Belt Cover      |
| 6     | 0806-091    | 1   |       | Cover, Clutch             |
| 7     | 0826-029    | 3   |       | Screw, Machine            |
| 8     | 0806-048    | 1   |       | Seal, Air Intake          |
| 9     | 0830-116    | 1   | /P    | Gasket, Clutch Cover      |
| 10    | 0830-128    | 1   |       | Gasket, Magneto Cover     |
| 11    | 0806-094    | 1   |       | Cover, Magneto - Assembly |
| 12    | 0806-022    | 1   |       | Plug                      |
| 13    | 0830-015    | 1   |       | Washer, Crush             |
| 14    | 3002-964    | 1   | /P    | Clamp, Wire               |
| 15    | 8468-645    | 14  |       | Screw, Machine            |
| 16    | 8468-655    | 2   |       | Screw, Machine            |
| 17    | 8468-625    | 2   |       | Screw, Machine            |
| 18    | 8468-640    | 26  |       | Screw, Machine            |
| 19    | 8468-675    | 2   |       | Screw, Machine            |



| Ref # | Part Number | Qty | S/P/F | Description                     |
|-------|-------------|-----|-------|---------------------------------|
| 1     | 0413-172    | 1   | S     | Radiator - Assembly (inc. 2-13) |
| 2     | 0413-184    | 1   | /P    | Radiator                        |
| 3     | 0413-007    | 1   |       | Screen, Radiator                |
| 4     | 0413-002    | 1   | S     | Cap, Radiator                   |
| 5     | 0423-030    | 2   |       | Grommet                         |
| 6     | 0610-016    | AR  | /P    | Hose - 25 ft                    |
| 7     | 0413-046    | 1   |       | Shroud, Fan                     |
| 8     | 0413-123    | 1   | /P    | Fan, Cooling                    |
| 9     | 8475-512    | 12  |       | Screw, Machine                  |
| 10    | 0423-351    | 1   |       | Clamp, Wire                     |
| 11    | 0123-397    | 1   |       | Clamp, Cable                    |
| 12    | 0413-168    | 1   |       | Sensor, Temperature - Coolant   |
| 13    | 0423-390    | 1   | S     | O-Ring                          |
| 14    | 0423-484    | 2   |       | Screw, Shoulder                 |
| 15    | 0623-038    | 2   |       | Nut w/Washer                    |
| 16    | 0423-028    | 2   |       | Bushing, Stem                   |
| 17    | 0423-496    | 10  |       | Clamp, Hose                     |
| 18    | 0410-092    | 1   |       | Hose, Coolant - Upper Radiator  |
| 19    | 0410-089    | 1   |       | Pipe, Coolant - Upper           |
| 20    | 0410-091    | 1   |       | Hose, Coolant - Upper Engine    |
| 21    | 0410-094    | 1   |       | Hose, Coolant - Lower Radiator  |
| 22    | 0410-090    | 1   |       | Pipe, Coolant - Lower           |
| 23    | 0410-093    | 1   |       | Hose, Coolant - Lower Engine    |
| 24    | 0410-095    | 1   |       | Hose, Coolant - Rear            |
| 25    | 0423-594    | 2   |       | Clamp, Pipe - Coolant           |
| 26    | 0623-784    | 2   |       | Screw, Self-Tapping             |
| 27    | 0123-903    | AR  |       | Cable Tie - 11.5 in.            |
| 28    | 0406-288    | 2   |       | Pad                             |
| 29    | 0623-751    | AR  |       | Cable Tie, Reusable             |



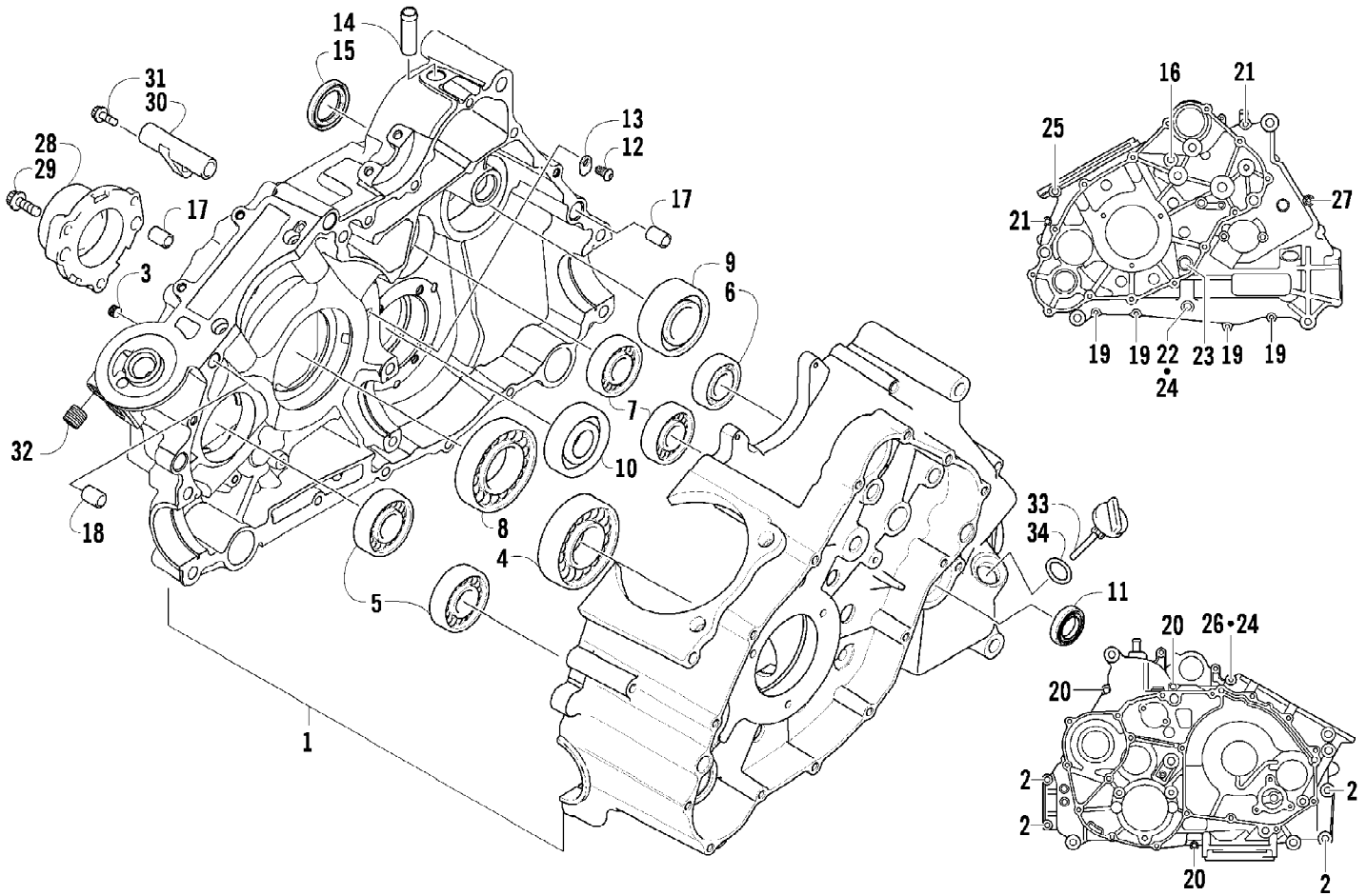


2008 PROWLER XT 650 H1 AUTOMATIC 4X4 RED (U2008P2S4BUSR)  
CRANK BALANCER ASSEMBLY

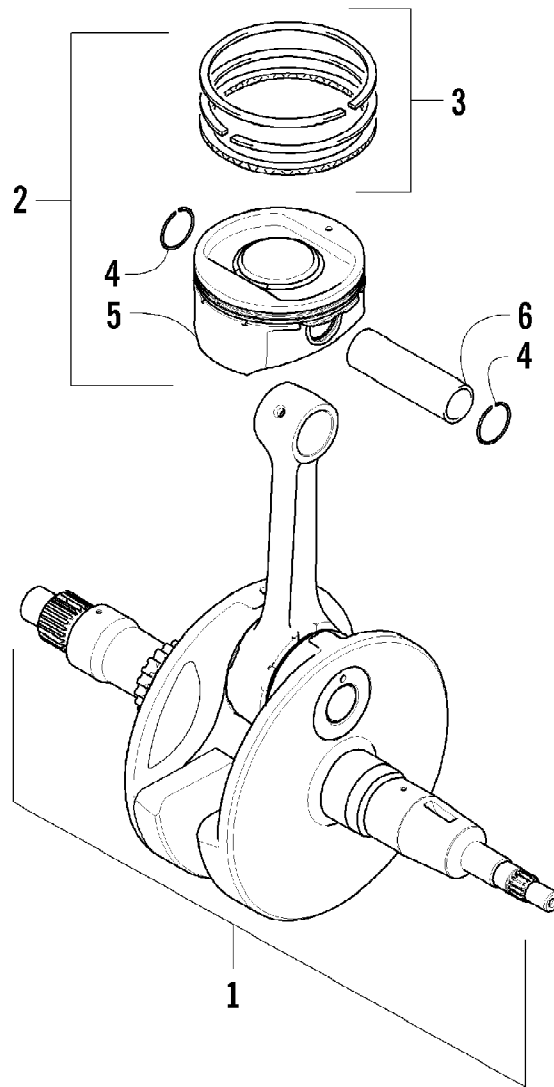
Page 18 of 91

| Ref # | Part Number | Qty | S/P/F | Description                |
|-------|-------------|-----|-------|----------------------------|
| 1     | 0826-033    | 1   |       | Screw, Cap                 |
| 2     | 0828-003    | 1   |       | Washer                     |
| 3     | 0811-003    | 1   |       | Gear, Oil Pump Drive       |
| 4     | 0829-007    | 1   |       | Dowel, Solid               |
| 5     | 0811-004    | 1   |       | Spacer                     |
| 6     | 0811-002    | 1   |       | Gear, Driven               |
| 7     | 0829-006    | 1   |       | Key - Crank Balancer Shaft |
| 8     | 0811-017    | 1   |       | Balancer, Crank            |

2008 PROWLER XT 650 H1 AUTOMATIC 4X4 RED (U2008P2S4BUSR)  
CRANKCASE ASSEMBLY



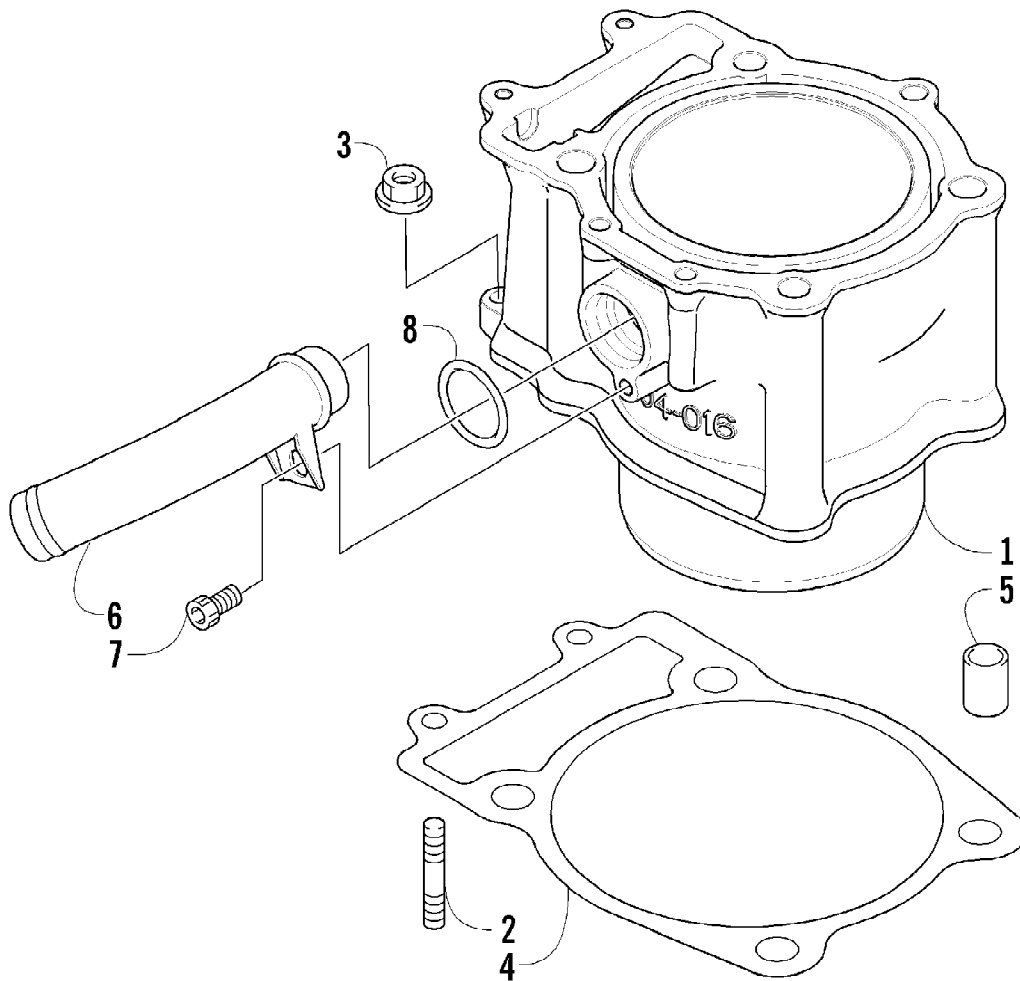
| Ref # | Part Number | Qty | S/P/F | Description                                   |
|-------|-------------|-----|-------|---|
| 1     | 0801-096    | 1   | S     | Crankcase Assembly (inc. four No. 2 and 3-15) |
| 2     | 8412-850    | 4   |       | Screw, Cap                                    |
| 3     | 0801-002    | 1   |       | Plug  |
| 4     | 0832-043    | 1   | /P    | Bearing                                       |
| 5     | 0832-044    | 2   | /P    | Bearing                                       |
| 6     | 0832-049    | 1   | /P    | Bearing                                       |
| 7     | 0832-050    | 2   | /P    | Bearing                                       |
| 8     | 0832-042    | 1   | /P    | Bearing                                       |
| 9     | 0832-048    | 1   | /P    | Bearing, Driveshaft                           |
| 10    | 0832-015    | 1   | S/P   | Bearing                                       |
| 11    | 0822-052    | 1   |       | Seal, Countershaft                            |
| 12    | 0826-100    | 4   |       | Screw, Cap                                    |
| 13    | 0822-010    | 4   | /P    | Retainer, Bearing                             |
| 14    | 0801-028    | 1   |       | Pipe, Breather                                |
| 15    | 0830-035    | 1   |       | Seal, Driveshaft                              |
| 16    | 8468-680    | 1   |       | Screw, Machine                                |
| 17    | 0829-002    | 5   |       | Pin, Dowel                                    |
| 18    | 0829-003    | 1   |       | Pin, Dowel                                    |
| 19    | 8468-645    | 4   |       | Screw, Machine                                |
| 20    | 8468-655    | 3   |       | Screw, Machine                                |
| 21    | 8468-675    | 2   |       | Screw, Machine                                |
| 22    | 8412-860    | 1   |       | Screw, Cap                                    |
| 23    | 0826-017    | 1   |       | Screw, Cap                                    |
| 24    | 0830-008    | 2   |       | Gasket  |
| 25    | 0826-019    | 1   |       | Screw, Cap                                    |
| 26    | 0826-018    | 1   |       | Screw, Cap                                    |
| 27    | 8468-695    | 1   |       | Screw, Machine                                |
| 28    | 0801-006    | 1   |       | Housing, Secondary Shaft Bearing              |
| 29    | 0826-105    | 3   |       | Bolt  |
| 30    | 0801-069    | 1   |       | Pipe, Breather                                |
| 31    | 0826-038    | 1   |       | Bolt, Breather Pipe                           |
| 32    | 0812-064    | 2   |       | Plug  |
| 33    | 0801-073    | 1   |       | Stick, Oil Level                              |
| 34    | 0830-010    | 1   |       | O-Ring, Oil Level Stick                       |



2008 PROWLER XT 650 H1 AUTOMATIC 4X4 RED (U2008P2S4BUSR)  
CRANKSHAFT ASSEMBLY

Page 22 of 91

| Ref # | Part Number | Qty | S/P/F | Description           |
|-------|-------------|-----|-------|-----------------------|
| 1     | 0805-032    | 1   | S     | Crankshaft Assembly   |
| 2     | 0805-035    | 1   | /P    | Piston Set (inc. 3-6) |
| 3     | 0805-011    | 1   |       | Ring, Piston - Set    |
| 4     | 0831-001    | 2   |       | Circlip, Piston Pin   |
| 5     | 0805-010    | 1   | S     | Piston                |
| 6     | 0805-012    | 1   |       | Pin, Piston           |

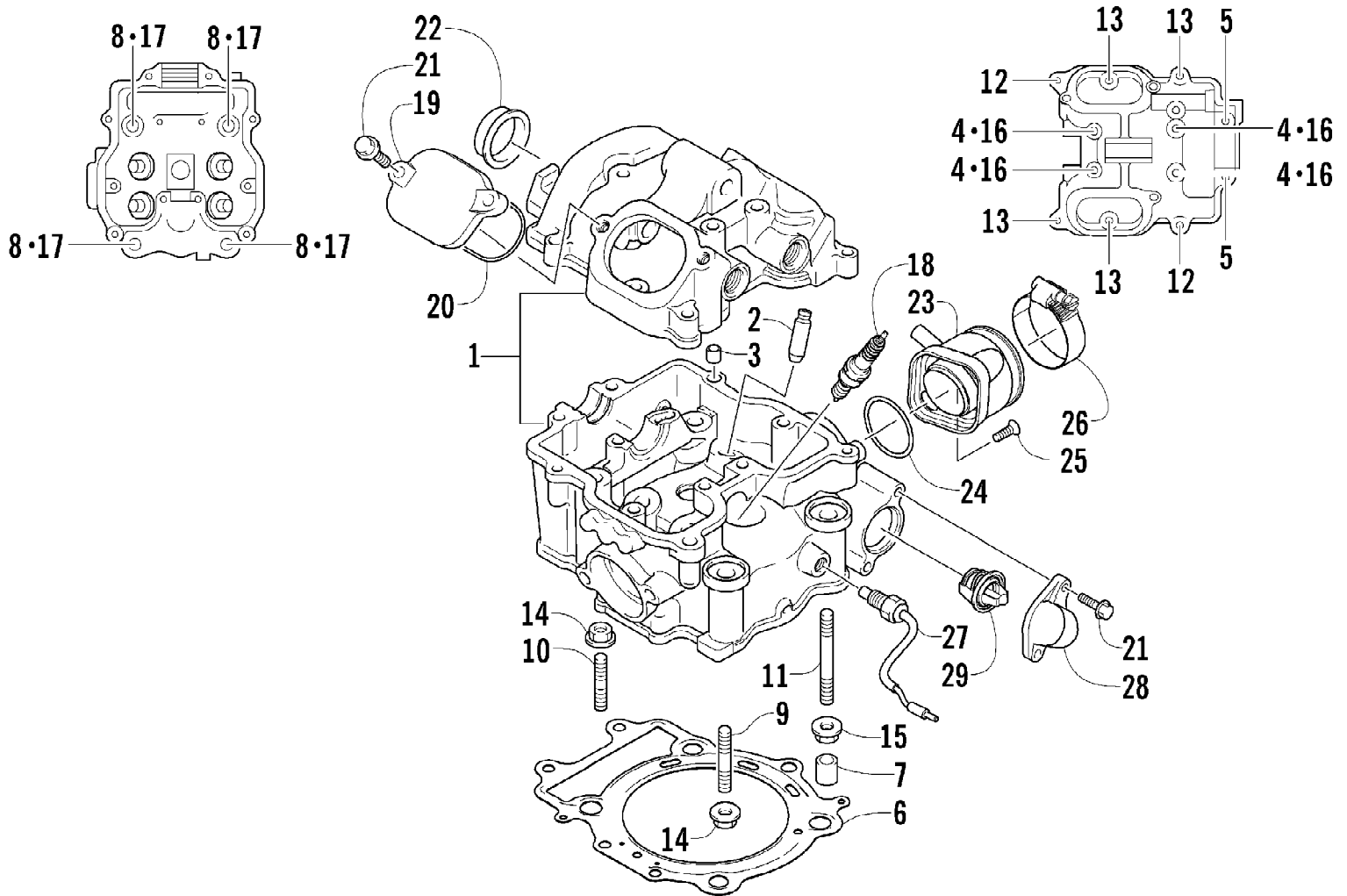


2008 PROWLER XT 650 H1 AUTOMATIC 4X4 RED (U2008P2S4BUSR)  
CYLINDER ASSEMBLY

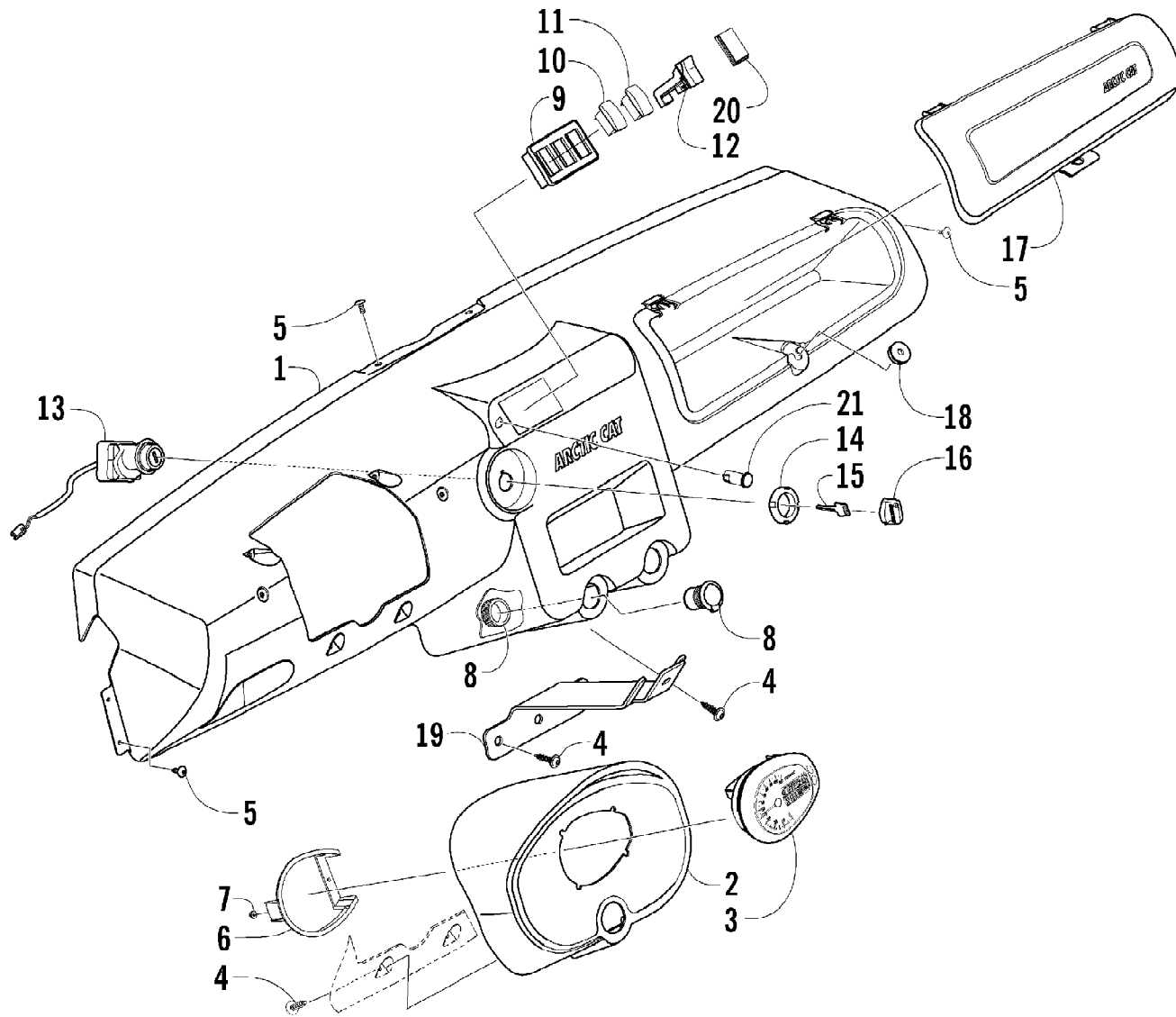
Page 24 of 91

| Ref # | Part Number | Qty | S/P/F | Description       |
|-------|-------------|-----|-------|-------------------|
| 1     | 0804-016    | 1   |       | Cylinder          |
| 2     | 0827-002    | 2   |       | Bolt, Stud        |
| 3     | 8424-604    | 2   |       | Nut               |
| 4     | 0830-084    | 1   |       | Gasket, Base      |
| 5     | 0829-002    | 2   |       | Pin, Dowel        |
| 6     | 0804-002    | 1   | S     | Union, Water Hose |
| 7     | 8468-612    | 1   |       | Screw, Machine    |
| 8     | 0830-007    | 1   |       | O-Ring            |

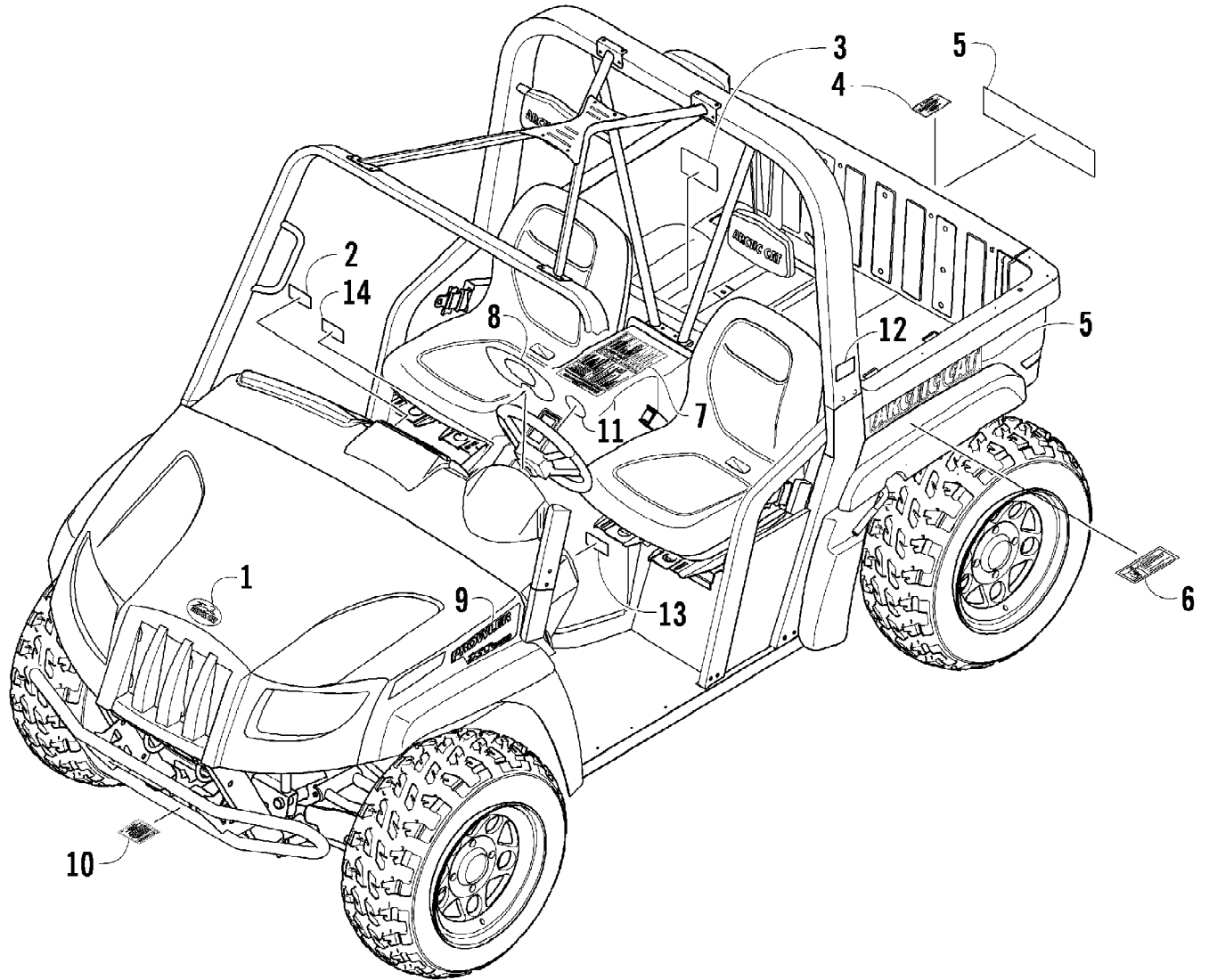




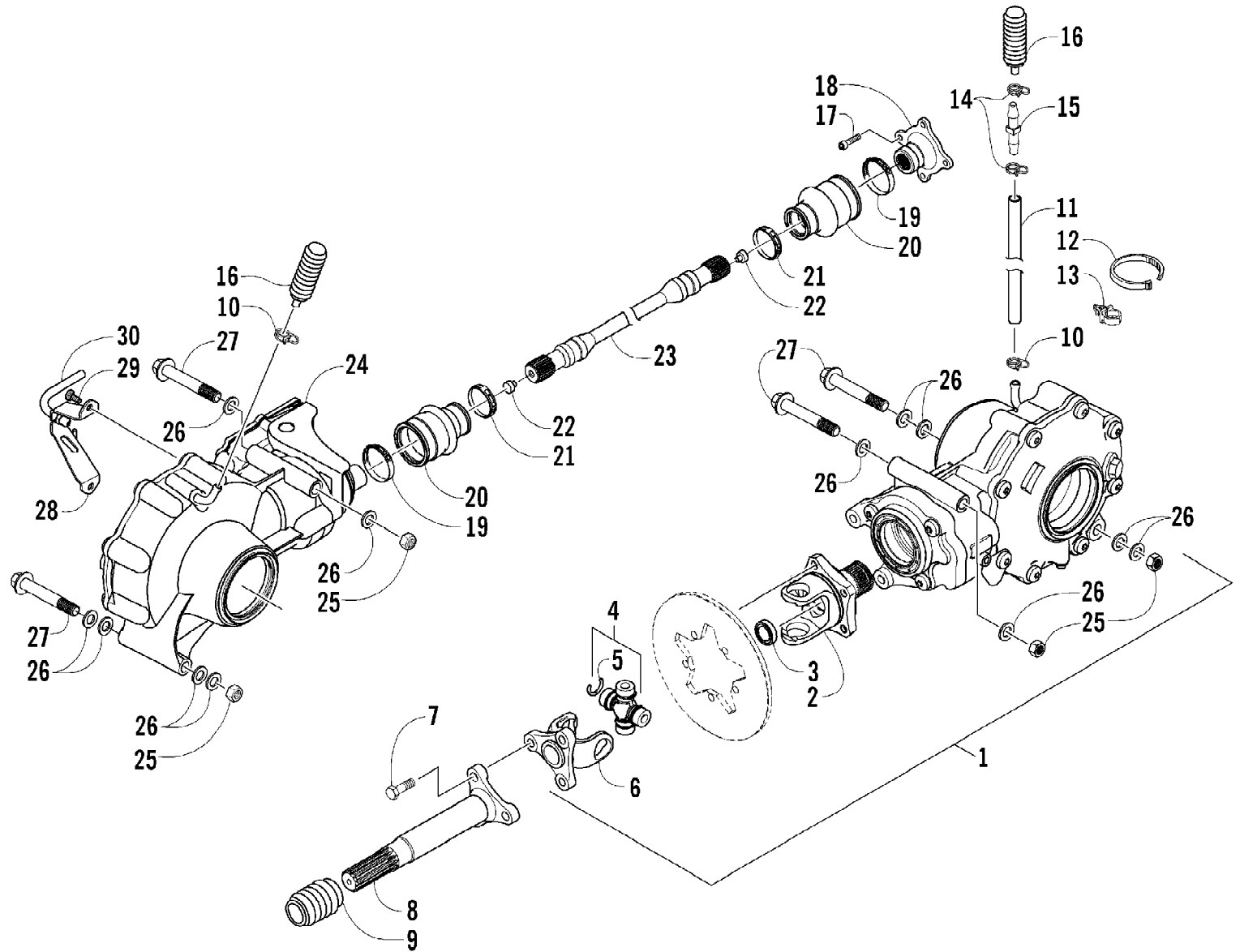
| Ref # | Part Number | Qty | S/P/F | Description                          |
|-------|-------------|-----|-------|--------------------------------------|
| 1     | 0808-047    | 1   | F     | Head, Cylinder - Assembly (inc. 2-4) |
| 2     | 0           | 4   | F     | Guide, Valve                         |
| 3     | 0829-001    | 2   | S     | Dowel, Sleeve                        |
| 4     | 0826-001    | 4   |       | Screw, Cap                           |
| 5     | 0826-002    | 2   |       | Screw, Cap                           |
| 6     | 0830-085    | 1   | /P    | Gasket, Cylinder Head                |
| 7     | 0829-002    | 2   |       | Pin, Dowel                           |
| 8     | 0808-037    | 4   | /P    | Screw, Cap                           |
| 9     | 0827-030    | 2   |       | Bolt, Stud                           |
| 10    | 0827-002    | 2   |       | Bolt, Stud                           |
| 11    | 0827-031    | 1   |       | Bolt, Stud                           |
| 12    | 0826-005    | 2   |       | Screw, Cap                           |
| 13    | 0826-006    | 4   |       | Screw, Cap                           |
| 14    | 8424-604    | 4   |       | Nut                                  |
| 15    | 8424-804    | 1   |       | Nut                                  |
| 16    | 0830-107    | 4   |       | Gasket - Seal, Fastener              |
| 17    | 0830-147    | 4   | /P    | Washer, Crush                        |
| 18    | 0217-727    | 1   | S     | Spark Plug (RG6YC)                   |
| 19    | 0808-003    | 2   |       | Cap, Inspection                      |
| 20    | 0830-167    | 2   | /P    | O-Ring                               |
| 21    | 0826-007    | 6   |       | Screw, Cap                           |
| 22    | 0808-077    | 1   |       | Plug, Cylinder Head                  |
| 23    | 0570-115    | 1   |       | Pipe, Intake - Assembly              |
| 24    | 0830-090    | 1   |       | O-Ring                               |
| 25    | 0826-008    | 2   |       | Screw, Machine                       |
| 26    | 0423-317    | 1   | /P    | Clamp, Intake Pipe                   |
| 27    | 0808-127    | 1   |       | Switch, Water Temperature - Assembly |
| 28    | 0808-008    | 1   |       | Cover, Thermostat                    |
| 29    | 0808-078    | 1   |       | Thermostat                           |



| Ref # | Part Number | Qty | S/P/F | Description                         |
|-------|-------------|-----|-------|-------------------------------------|
| 1     | 2406-505    | 1   | S     | Panel, Dash                         |
| 2     | 1406-727    | 1   |       | Pod, Instrument                     |
| 3     | 0520-029    | 1   |       | Gauge, A/D LCD                      |
| 4     | 0423-342    | 10  | /P    | Screw, Self-Tapping                 |
| 5     | 0623-784    | 6   |       | Screw, Self-Tapping                 |
| 6     | 0420-065    | 1   | /P    | Clamp, Plastic - LCD Gauge          |
| 7     | 0423-493    | 2   |       | Nut, Hex                            |
| 8     | 0641-897    | 2   | /P    | Outlet, Accessory - 12V             |
| 9     | 0409-069    | 1   |       | Panel, Switch-Mount                 |
| 10    | 0409-067    | 1   |       | Switch - Lights                     |
| 11    | 0409-074    | 1   |       | Switch, 2WD/4WD                     |
| 12    | 0502-905    | 1   |       | Lever, Differential Lock - Assembly |
| 13    | 0430-040    | 1   | S     | Switch, Ignition (inc. 14-16)       |
| 14    | 0430-050    | 1   |       | Nut, Flange - Key Switch            |
| 15    | 0430-042    | 1   |       | Key, Ignition Series (Y)            |
| 15    | 0430-043    | 1   |       | Key, Ignition Series (Z)            |
| 16    | 0430-054    | 1   |       | Cover, Key                          |
| 17    | 1406-789    | 1   |       | Cover, Glove Box                    |
| 18    | 0423-541    | 1   |       | Grommet, Latch - Glove Box          |
| 19    | 2506-192    | 1   |       | Bracket, Support - Lower Dash       |
| 20    | 0409-070    | 1   |       | Plug, Switch Hole                   |
| 21    | 0420-076    | 1   |       | Light, Indicator - Parking Brake    |

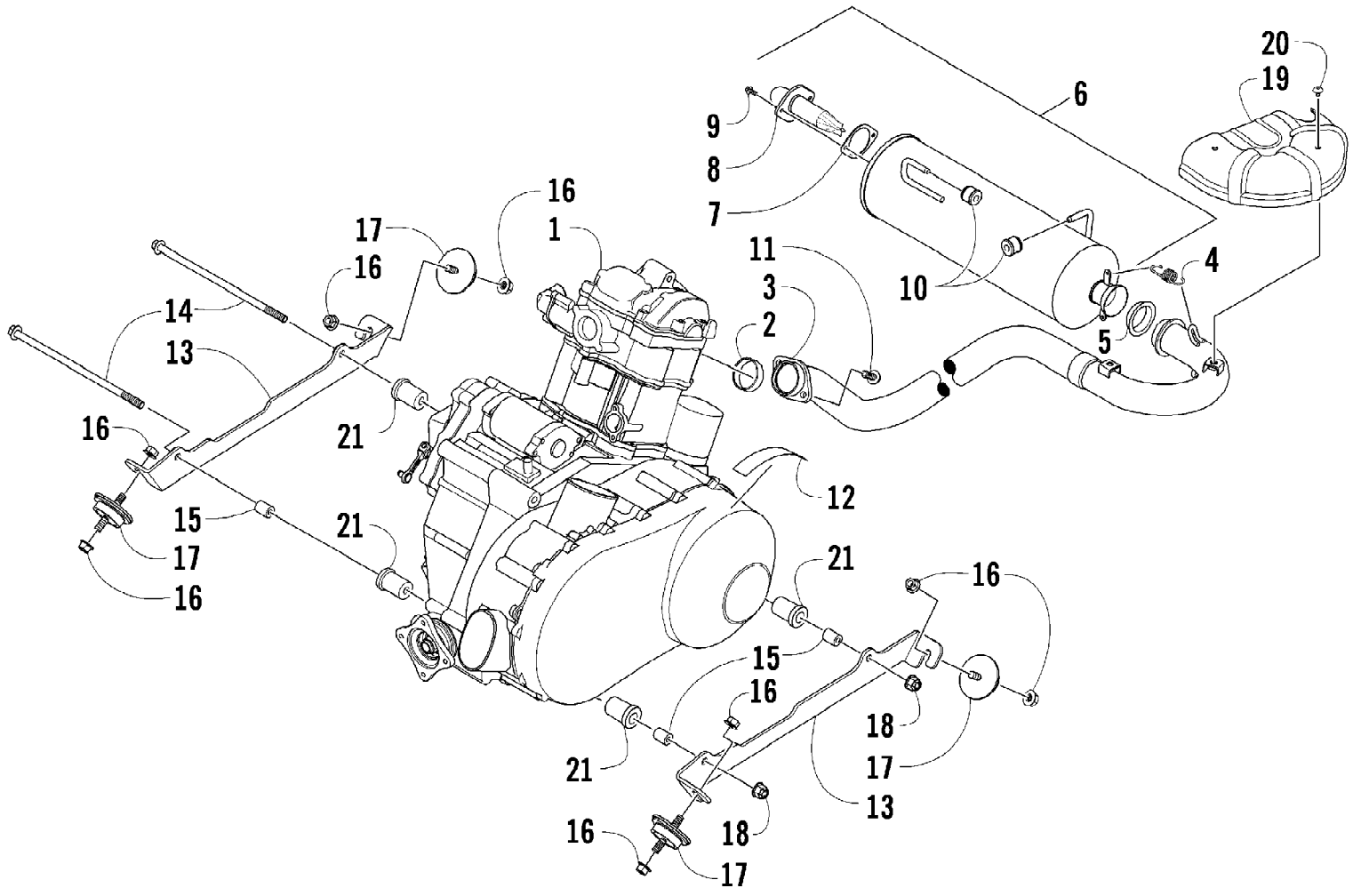


| Ref # | Part Number | Qty | S/P/F | Description                        |
|-------|-------------|-----|-------|------------------------------------|
| 1     | 1411-789    | 1   |       | Decal, Hood                        |
| 2     | 1411-124    | 1   |       | Decal, Warning - Differential Lock |
| 3     | 1411-119    | 1   |       | Decal, Warning - Cargo             |
| 4     | 1411-123    | 1   |       | Decal, Warning - Towing - Rear     |
| 5     | 1411-539    | 3   |       | Decal, Box - "Arctic Cat"          |
| 6     | 1411-120    | 2   |       | Decal, Warning - Pinch Point       |
| 7     | 1411-126    | 1   |       | Decal, Warning - Console           |
| 8     | 1411-125    | 1   |       | Decal, Warning - Dash              |
| 9     | 1411-792    | 1   |       | Decal - Right                      |
| 9     | 1411-793    | 1   |       | Decal - Left                       |
| 10    | 1411-122    | 1   |       | Decal, Warning - Towing - Front    |
| 11    | 1411-798    | 1   |       | Decal, Steering Wheel              |
| 12    | 1411-295    | 1   |       | Decal, Warning - Canopy            |
| 13    | 1411-330    | 1   |       | Decal, Brake Release               |
| 14    | 1411-904    | 1   |       | Decal, Starting                    |

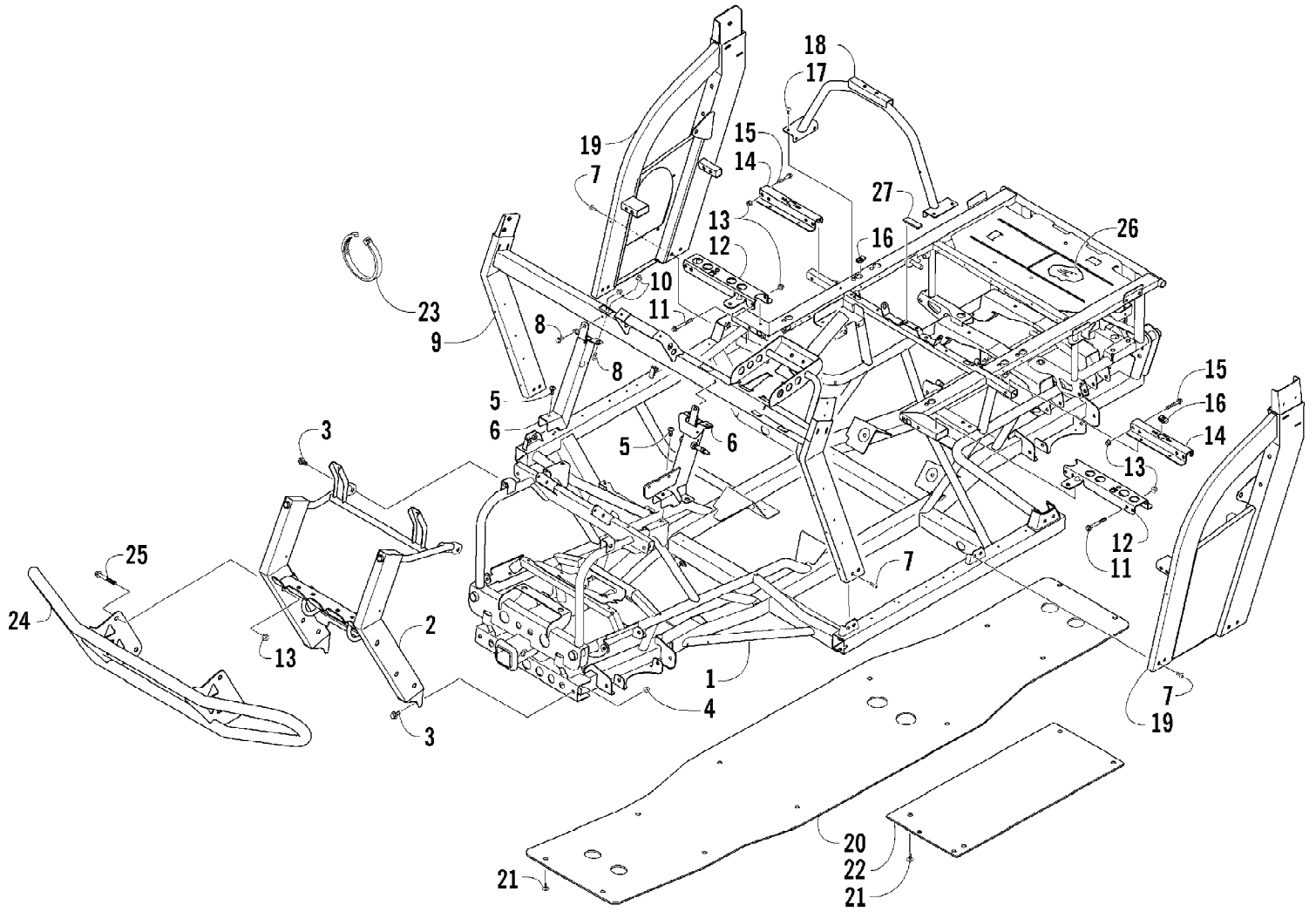


| Ref # | Part Number | Qty | S/P/F | Description                      |
|-------|-------------|-----|-------|----------------------------------|
| 1     | 1502-128    | 1   | S     | Gearcase, Rear (inc. 2-6)        |
| 2     | 1502-124    | 1   |       | Shaft, Input - Assembly (inc. 3) |
| 3     | 1402-322    | 1   |       | Cover, End                       |
| 4     | 0402-944    | 1   | /P    | Joint, Universal - Set (inc. 5)  |
| 5     | 0423-395    | 4   |       | Retainer                         |
| 6     | 0502-331    | 1   |       | Yoke, Propeller Shaft            |
| 7     | 8409-025    | 3   |       | Screw, Cap                       |
| 8     | 0502-857    | 1   |       | Driveshaft - Rear                |
| 9     | 0402-966    | 1   |       | Boot, Driveshaft                 |
| 10    | 0423-315    | 2   |       | Clamp, Hose                      |
| 11    | 0410-070    | AR  | /P    | Hose, Vent - 25 ft               |
| 12    | 0123-788    | AR  | /P    | Tie, Cable                       |
| 13    | 0623-101    | 1   |       | Clip, Routing - Snap-In          |
| 14    | 0423-155    | 2   |       | Clamp, Hose                      |
| 15    | 0470-462    | 1   |       | Fitting, Vent                    |
| 16    | 0402-147    | 2   | S     | Bladder, Gearcase                |
| 17    | 8408-820    | 4   | /P    | Screw, Cap                       |
| 18    | 0402-950    | 1   |       | Flange, Output                   |
| 19    | 0423-393    | 2   |       | Clamp, Boot                      |
| 20    | 0402-985    | 2   | /P    | Boot, Coupler                    |
| 21    | 0423-411    | 2   |       | Clamp, Boot                      |
| 22    | 0673-618    | 2   | /P    | Bumper, Driveshaft               |
| 23    | 1402-271    | 1   |       | Shaft, Propeller                 |
| 24    | 1502-240    | 1   | S     | Gearcase, Front                  |
| 25    | 8428-002    | 4   |       | Nut, Lock                        |
| 26    | 0423-426    | 12  |       | Washer                           |
| 27    | 0423-404    | 4   |       | Screw, Cap                       |
| 28    | 0502-942    | 1   |       | Plate, Cable                     |
| 29    | 0423-396    | 2   |       | Screw, Self-Tapping              |
| 30    | 0487-037    | 1   |       | Cable                            |

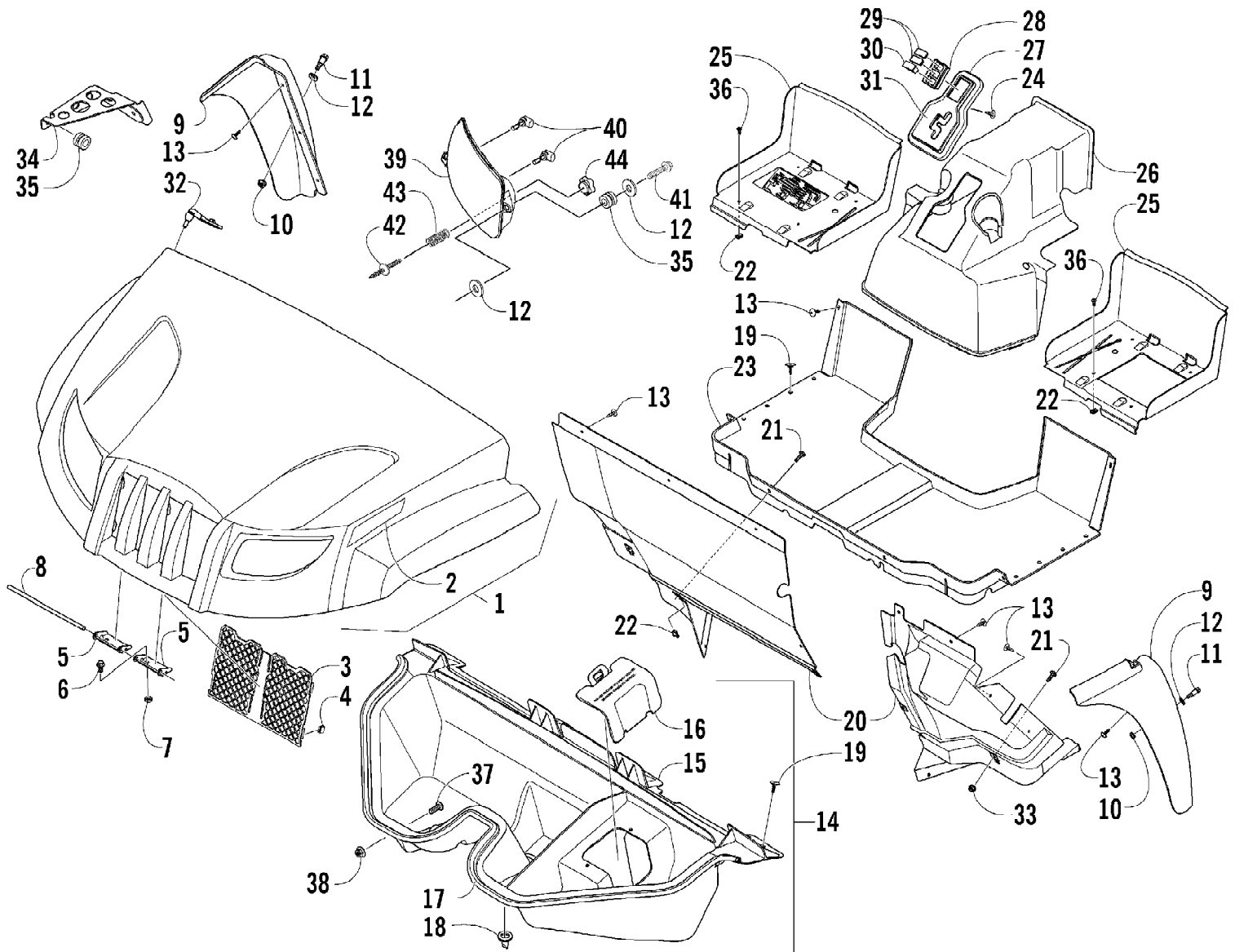




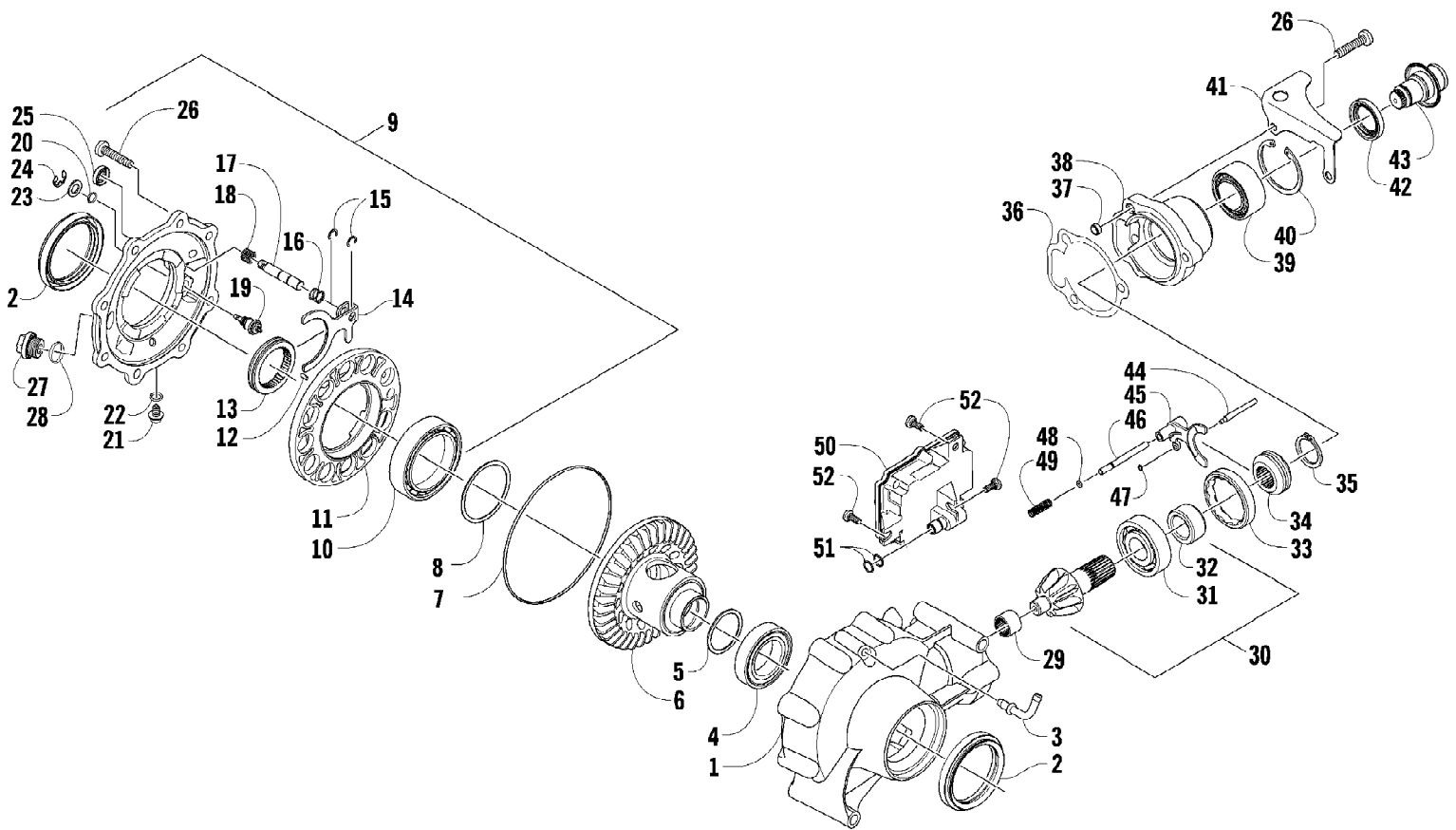
| Ref # | Part Number | Qty | S/P/F | Description                   |
|-------|-------------|-----|-------|-------------------------------|
| 1     | 0800-033    | 1   | S/P   | Engine                        |
| 2     | 0412-338    | 1   | /P    | Gasket, Exhaust Pipe          |
| 3     | 0512-427    | 1   |       | Pipe, Exhaust                 |
| 4     | 0612-668    | 2   | /P    | Spring                        |
| 5     | 0412-375    | 1   | /P    | Seal, Exhaust                 |
| 6     | 0512-401    | 1   |       | Muffler - Assembly (inc. 7-9) |
| 7     | 0412-438    | 1   |       | Gasket, Spark Arrester        |
| 8     | 0512-432    | 1   |       | Spark Arrester Assembly       |
| 9     | 8408-616    | 2   |       | Screw, Cap                    |
| 10    | 0412-215    | 2   | S     | Bushing, Exhaust Pipe         |
| 11    | 8408-820    | 2   | /P    | Screw, Cap                    |
| 12    | 0411-426    | 1   |       | Decal, Warning - Clutch Cover |
| 13    | 1506-998    | 1   |       | Bracket, Engine - Right       |
| 13    | 1506-999    | 1   |       | Bracket, Engine - Left        |
| 14    | 0423-537    | 2   | S     | Bolt                          |
| 15    | 0423-042    | 3   | S     | Spacer, Engine Mount          |
| 16    | 8424-002    | 8   |       | Nut                           |
| 17    | 0408-014    | 4   |       | Mount, Engine                 |
| 18    | 8428-002    | 2   |       | Nut                           |
| 19    | 0412-462    | 1   |       | Shield, Heat                  |
| 20    | 8477-610    | 2   |       | Screw, Machine                |
| 21    | 0801-108    | 2   | S     | Bushing, Engine Mount         |



| Ref # | Part Number | Qty | S/P/F | Description                           |
|-------|-------------|-----|-------|---------------------------------------|
| 1     | 2506-663    | 1   | S     | Frame, Main                           |
| 2     | 2506-714    | 1   | S     | Bumper                                |
| 3     | 8409-020    | 4   | /P    | Screw, Cap                            |
| 4     | 8427-002    | 2   |       | Nut, Flange Lock                      |
| 5     | 8476-820    | 2   |       | Screw, Machine                        |
| 6     | 1506-797    | 1   |       | Bracket, Steering Support - Right     |
| 6     | 0502-853    | 1   |       | Bracket, Steering Support - Left      |
| 7     | 0423-642    | 12  |       | Screw, Machine                        |
| 8     | 8408-820    | 6   | /P    | Screw, Machine                        |
| 9     | 0505-513    | 1   |       | Support, Steering                     |
| 10    | 8424-802    | 6   |       | Nut, Flange Lock                      |
| 11    | 8408-870    | 6   |       | Screw, Cap                            |
| 12    | 1506-844    | 1   |       | Bracket, Seat - Support - Front Right |
| 12    | 1506-845    | 1   |       | Bracket, Seat - Support - Front Left  |
| 13    | 8427-802    | 16  |       | Nut, Flange Lock                      |
| 14    | 1506-842    | 2   |       | Bracket, Seat - Support - Rear        |
| 15    | 8408-850    | 6   |       | Screw, Cap                            |
| 16    | 0423-577    | 12  |       | Clip, U                               |
| 17    | 8476-616    | 4   |       | Screw, Machine                        |
| 18    | 2506-638    | 1   |       | Support, Canopy                       |
| 19    | 2506-634    | 1   |       | Support, Overhead - Right             |
| 19    | 2506-635    | 1   |       | Support, Overhead - Left              |
| 20    | 1406-720    | 1   |       | Panel, Belly                          |
| 21    | 0423-545    | 20  | /P    | Screw, Body                           |
| 22    | 1406-721    | 2   |       | Panel, Belly - Side                   |
| 23    | 0123-788    | AR  | /P    | Cable Tie                             |
| 24    | 2506-783    | 1   |       | Bumper                                |
| 25    | 8408-860    | 4   |       | Screw, Cap                            |
| 26    | 0412-461    | 1   |       | Shield, Heat                          |
| 27    | 0406-879    | 1   |       | Bumper, Seat                          |



| Ref # | Part Number | Qty | S/P/F | Description                                 |
|-------|-------------|-----|-------|---|
| 1     | 2506-683    | 1   | /P    | Hood - Assembly (inc. 2)                    |
| 2     | 0411-818    | 1   |       | Decal, Reflector - Front - Right            |
| 2     | 0411-819    | 1   |       | Decal, Reflector - Front - Left             |
| 3     | 1406-733    | 1   | /P    | Screen, Grille                              |
| 4     | 0123-987    | 8   |       | Clip, U                                     |
| 5     | 1506-798    | 2   |       | Bracket, Hood                               |
| 6     | 8408-020    | 4   |       | Screw, Cap                                  |
| 7     | 0423-157    | 4   |       | Nut, Top-Lock                               |
| 8     | 1406-915    | 1   |       | Pin, Hood                                   |
| 9     | 1406-792    | 1   |       | Fender, Front - Right                       |
| 9     | 1406-791    | 1   |       | Fender, Front - Left                        |
| 10    | 1623-066    | 2   |       | Nut, Lock                                   |
| 11    | 0623-855    | 2   |       | Screw, Shoulder                             |
| 12    | 8050-217    | 10  | /P    | Washer                                      |
| 13    | 0623-784    | 22  |       | Screw, Self-Tapping                         |
| 14    | 1506-715    | 1   | S     | Storage, Under-Hood - Assembly (inc. 15-18) |
| 15    | 1406-945    | 1   |       | Box, Storage                                |
| 16    | 1406-944    | 1   |       | Cover, Access - Master Cylinder             |
| 17    | 1406-946    | 1   |       | Seal, Storage Box                           |
| 18    | 0470-442    | 1   | /P    | Valve, Drain                                |
| 19    | 0423-545    | 12  | /P    | Screw, Body                                 |
| 20    | 1406-632    | 1   |       | Panel, Fender - Inner - Left                |
| 20    | 1406-633    | 1   | S     | Panel, Fender - Inner - Right               |
| 21    | 8468-620    | 6   | /P    | Screw, Machine                              |
| 22    | 0423-577    | 13  |       | Clip, U                                     |
| 23    | 1406-634    | 1   | S     | Floor                                       |
| 24    | 0423-342    | 3   | /P    | Screw, Self-Tapping                         |
| 25    | 1406-854    | 1   |       | Base, Seat - Right                          |
| 25    | 1406-869    | 1   |       | Base, Seat - Left                           |
| 26    | 1406-649    | 1   |       | Console, Center                             |
| 27    | 1406-825    | 1   |       | Gate, Shift                                 |
| 28    | 0409-069    | 1   |       | Panel, Switch-Mount                         |
| 29    | 0409-070    | 2   |       | Plug, Switch-Hole                           |
| 30    | 0409-071    | 1   |       | Switch, Reverse Override                    |
| 31    | 1411-195    | 1   |       | Decal, Shift-Gate                           |
| 32    | 2606-624    | 2   |       | Strap, Hold-Down                            |
| 33    | 0423-540    | 1   |       | Nut   |
| 34    | 2506-066    | 1   |       | Bracket, Support - Right                    |
| 34    | 2506-067    | 1   |       | Bracket, Support - Left                     |
| 35    | 0423-447    | 6   |       | Grommet                                     |
| 36    | 8476-620    | 8   |       | Screw, Machine                              |
| 37    | 8476-616    | 2   |       | Screw, Machine                              |
| 38    | 8424-602    | 2   | /P    | Nut, Flange                                 |
| 39    | 0509-034    | 1   | S     | Headlight Assembly - Right (inc. 40)        |
| 39    | 0509-035    | 1   |       | Headlight Assembly - Left (inc. 40)         |
| 40    | 0409-055    | 4   |       | Bulb, Headlight                             |
| 41    | 0623-785    | 4   |       | Screw, Self-Tapping                         |
| 42    | 0423-514    | 2   |       | Stud, Adjuster - Headlight                  |
| 43    | 0423-522    | 2   |       | Spring, Adjuster                            |
| 44    | 0423-513    | 2   |       | Knob, Adjuster                              |



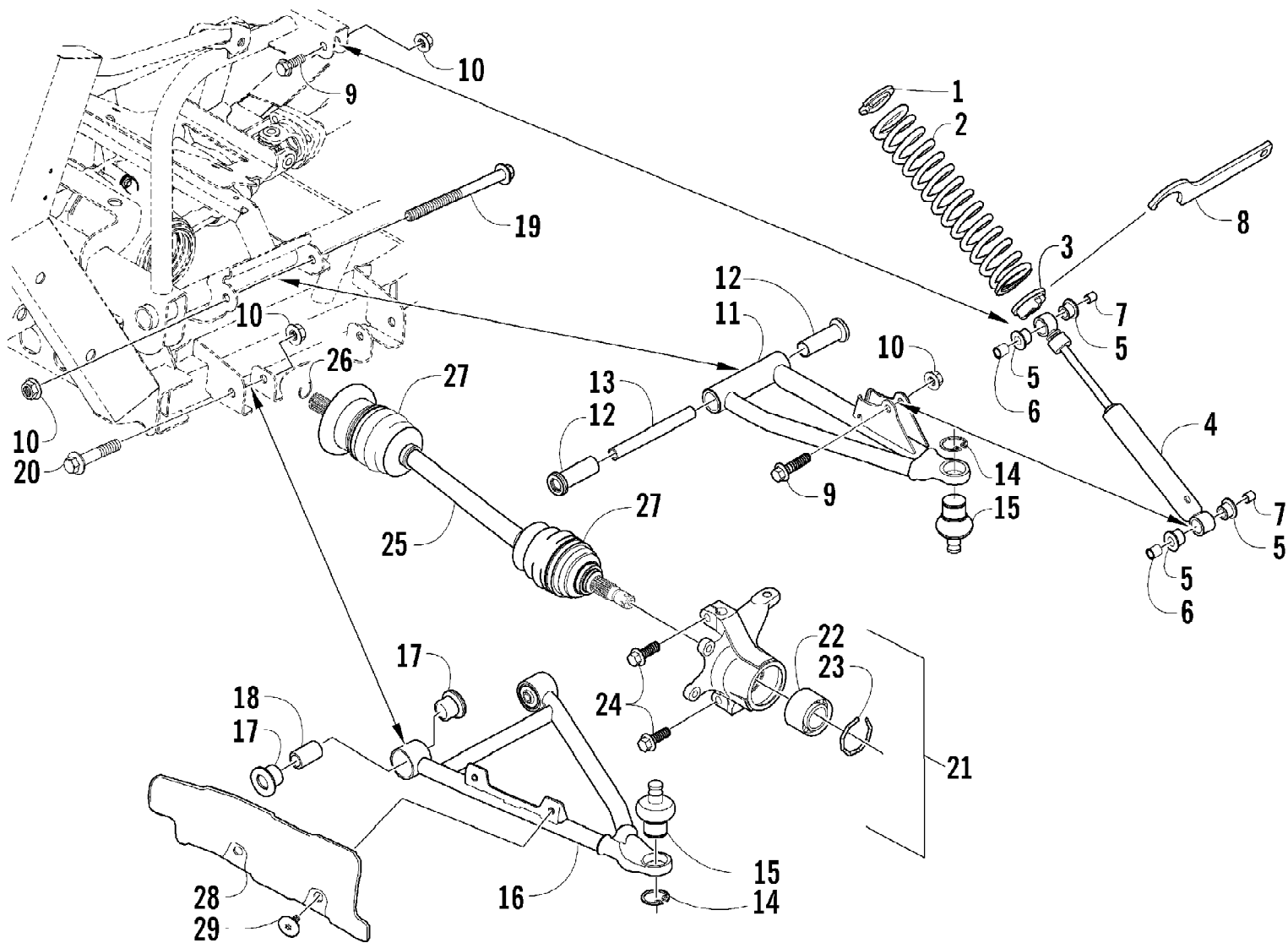
| Ref # | Part Number | Qty | S/P/F | Description                                |
|-------|-------------|-----|-------|--|
|       | 1502-240    | 1   | S     | Complete Front Drive Gearcase Assembly     |
| 1     | 0502-548    | 1   |       | Housing, Gearcase                          |
| 2     | 1402-441    | 2   | S     | Seal                                       |
| 3     | 1402-442    | 1   |       | Fitting                                    |
| 4     | 0402-393    | 1   |       | Bearing                                    |
| 5     | 0402-405    | AR  |       | Shim - 1.3                                 |
| 5     | 0402-406    | AR  |       | Shim - 1.4                                 |
| 5     | 0402-407    | AR  |       | Shim - 1.5                                 |
| 5     | 0402-408    | AR  |       | Shim - 1.6                                 |
| 5     | 0402-409    | AR  |       | Shim - 1.7                                 |
| 6     | 1502-235    | 1   | S     | Gear, Front - Assembly - 36T               |
| 7     | 0423-149    | 1   |       | O-Ring                                     |
| 8     | 1402-074    | AR  |       | Shim                                       |
| 8     | 1402-075    | AR  |       | Shim                                       |
| 8     | 1402-076    | AR  |       | Shim                                       |
| 8     | 1402-077    | AR  |       | Shim                                       |
| 8     | 1402-078    | AR  |       | Shim                                       |
| 9     | 0502-736    | 1   |       | Cover, Gearcase (inc. one No. 2 and 10-25) |
| 10    | 1402-053    | 1   |       | Bearing                                    |
| 11    | 0502-413    | 1   |       | Flange, Bearing                            |
| 12    | 1402-079    | 1   |       | Pin  |
| 13    | 1402-042    | 1   |       | Collar, Sliding                            |
| 14    | 1402-054    | 1   |       | Fork                                       |
| 15    | 1402-058    | 2   |       | Ring, Retaining                            |
| 16    | 1402-057    | 1   |       | Spring                                     |
| 17    | 1402-055    | 1   |       | Shaft, Lock                                |
| 18    | 1402-063    | 1   |       | Spring                                     |
| 19    | 0402-419    | 1   |       | Switch, Indicator                          |
| 20    | 0423-133    | 1   |       | O-Ring                                     |
| 21    | 1402-210    | 1   | /P    | Plug, Drain (inc. 22)                      |
| 22    | 0423-153    | 1   |       | O-Ring                                     |
| 23    | 0423-132    | 1   |       | Washer                                     |
| 24    | 0423-424    | 1   |       | Ring, Retaining                            |
| 25    | 1402-056    | 1   |       | Seal                                       |
| 26    | 0423-118    | 11  |       | Screw, Self-Tapping                        |
| 27    | 0402-333    | 1   | /P    | Plug, Oil Level (inc. 28)                  |
| 28    | 0423-154    | 1   |       | O-Ring                                     |
| 29    | 0402-328    | 1   |       | Bearing, Needle                            |
| 30    | 0502-649    | 1   |       | Gear, Pinion - Assembly - 9T (inc. 31-32)  |
| 31    | 0402-327    | 1   |       | Bearing                                    |
| 32    | 0402-336    | 1   |       | Collar, Retaining                          |
| 33    | 0402-357    | 1   |       | Collar, Lock                               |
| 34    | 0402-413    | 1   |       | Coupler, Drive                             |
| 35    | 0423-417    | 1   |       | Ring, Retaining                            |
| 36    | 0402-947    | 1   |       | Gasket                                     |
| 37    | 0402-411    | 1   |       | Pin, Dowel                                 |
| 38    | 0502-952    | 1   | S     | Housing, Pinion                            |
| 39    | 1402-043    | 1   |       | Bearing                                    |
| 40    | 0423-423    | 1   |       | Ring, Retaining                            |
| 41    | 0502-347    | 1   |       | Bracket, Actuator                          |
| 42    | 1402-011    | 1   |       | Seal                                       |
| 43    | 1502-085    | 1   | /P    | Shaft, Input - Assembly                    |
| 44    | 0402-997    | 1   |       | Shaft, Selector                            |



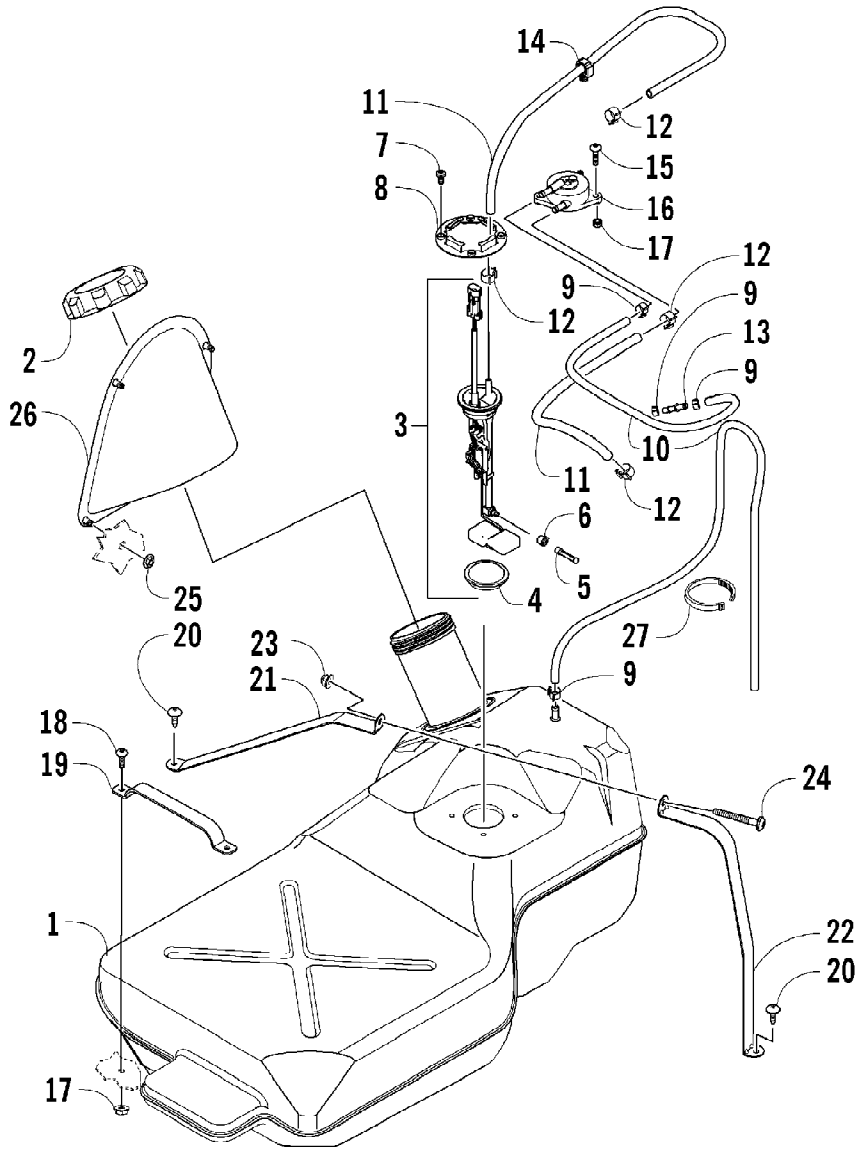
2008 PROWLER XT 650 H1 AUTOMATIC 4X4 RED (U2008P2S4BUSR)  
FRONT DRIVE GEARCASE ASSEMBLY

Page 41 of 91

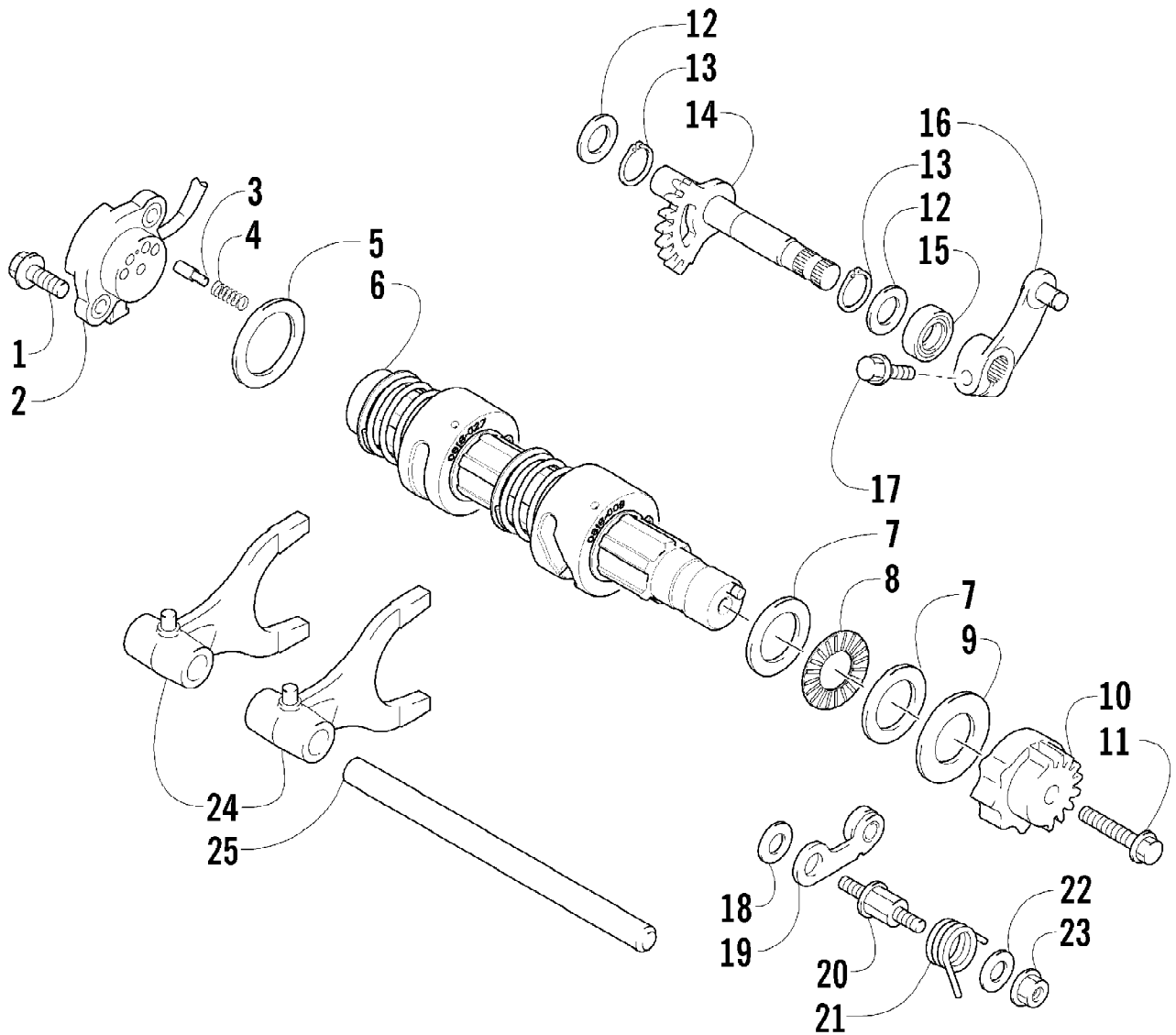
| Ref # | Part Number | Qty | S/P/F | Description                |
|-------|-------------|-----|-------|----------------------------|
| 45    | 0402-998    | 1   |       | Fork, Selector             |
| 46    | 0402-417    | 1   |       | Shaft, Shuttle             |
| 47    | 0423-402    | 1   |       | Ring, Retaining            |
| 48    | 0423-147    | 1   |       | O-Ring                     |
| 49    | 0402-999    | 1   |       | Spring, Return             |
| 50    | 0502-579    | 1   |       | Actuator (inc. one No. 51) |
| 51    | 0423-498    | 2   | S     | O-Ring                     |
| 52    | 0423-396    | 3   |       | Screw, Self-Tapping        |



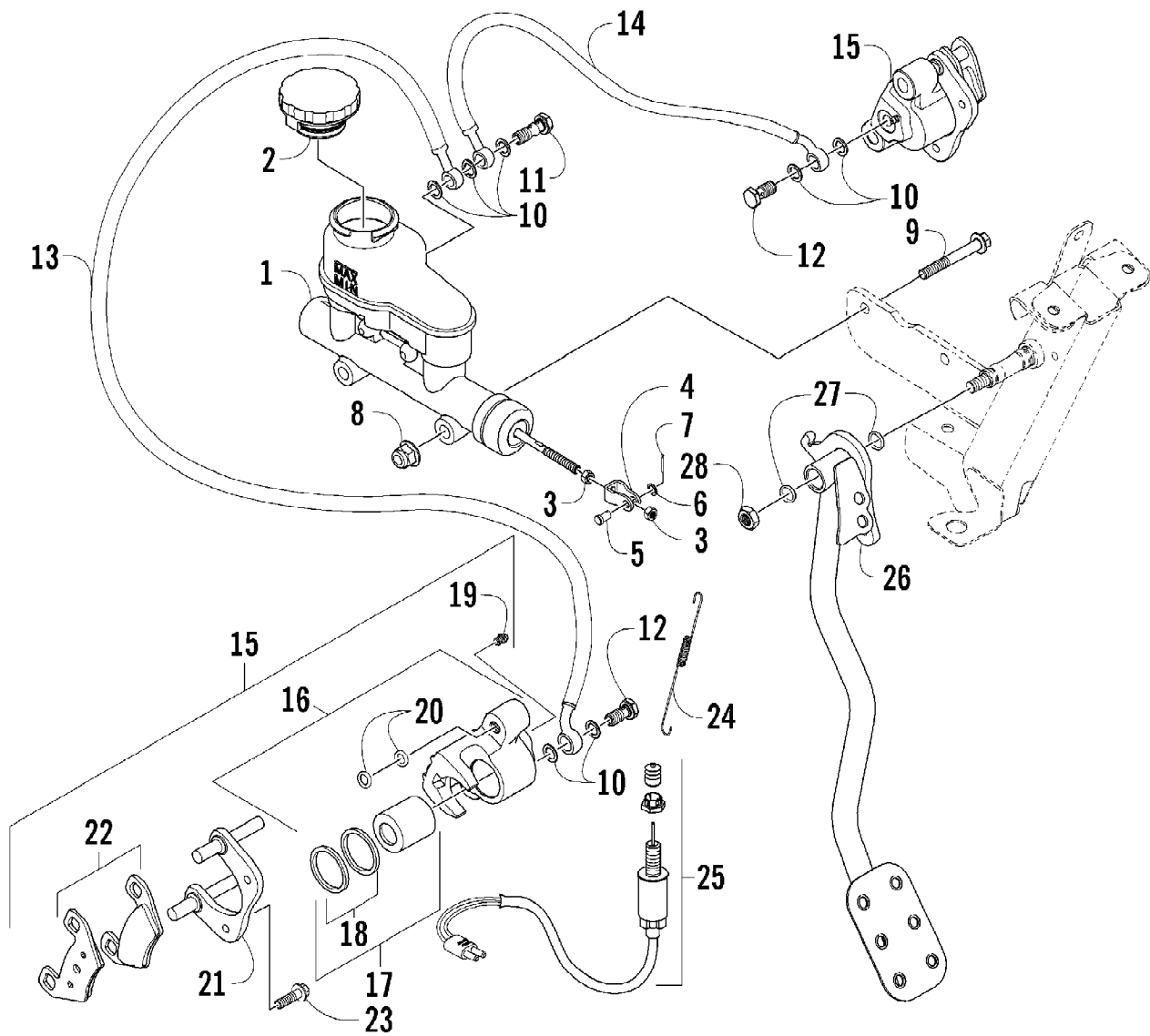
| Ref # | Part Number | Qty | S/P/F | Description                               |
|-------|-------------|-----|-------|---|
| 1     | 1603-889    | 2   | /P    | Retainer, Spring                          |
| 2     | 0403-161    | 2   |       | Spring, Shock Absorber                    |
| 3     | 0403-102    | 2   |       | Cam, Spring Adjuster                      |
| 4     | 0403-147    | 2   |       | Shock Absorber - Front (inc. 5-6)         |
| 5     | 0603-955    | 8   |       | Bushing                                   |
| 6     | 1603-209    | 4   |       | Sleeve                                    |
| 7     | 0404-116    | 4   |       | Sleeve, Shock                             |
| 8     | 0441-587    | 1   |       | Wrench, Spanner                           |
| 9     | 8409-040    | 4   |       | Screw, Cap                                |
| 10    | 8428-002    | 10  |       | Nut, Lock                                 |
| 11    | 0503-196    | 1   | S     | A-Arm, Upper Right (inc. 12-15)           |
| 11    | 0503-197    | 1   |       | A-Arm, Upper Left (inc. 12-15)            |
| 12    | 0403-081    | 4   | S     | Bushing                                   |
| 13    | 0403-080    | 2   |       | Collar                                    |
| 14    | 0423-009    | 4   | /P    | Clip, Ball Joint                          |
| 15    | 0405-115    | 4   | /P    | Ball Joint                                |
| 16    | 0503-334    | 1   | S     | A-Arm, Lower Right (inc. 14-15 and 17-18) |
| 16    | 0503-335    | 1   | S     | A-Arm, Lower Left (inc. 14-15 and 17-18)  |
| 17    | 0403-115    | 8   | S     | Bushing                                   |
| 18    | 0403-114    | 4   | S     | Collar                                    |
| 19    | 0423-723    | 2   |       | Screw, Cap                                |
| 20    | 8409-075    | 4   |       | Screw, Cap                                |
| 21    | 0505-480    | 1   | S     | Knuckle - Assembly - Right (inc. 22-23)   |
| 21    | 0505-481    | 1   | S     | Knuckle - Assembly - Left (inc. 22-23)    |
| 22    | 1402-027    | 2   | S/P   | Bearing, Wheel Hub                        |
| 23    | 0423-423    | 2   |       | Ring, Retaining                           |
| 24    | 8409-030    | 4   |       | Screw, Cap                                |
| 25    | 0502-733    | 1   | S     | Axle - Front - Left (inc. 26-27)          |
| 25    | 0502-734    | 1   | S     | Axle - Front - Right (inc. 26-27)         |
| 26    | 1441-109    | 2   | S     | Clip, Retaining                           |
| 27    | 0436-276    | 2   | S     | Repair Kit, Boot - Front Axle             |
| 28    | 0441-752    | 1   |       | Guard, Boot - Right                       |
| 28    | 0441-753    | 1   |       | Guard, Boot - Left                        |
| 29    | 0423-545    | 4   | /P    | Screw, Body                               |



| Ref # | Part Number | Qty | S/P/F | Description                         |
|-------|-------------|-----|-------|-------------------------------------|
| 1     | 0570-188    | 1   | /P    | Tank, Gas - Assembly (inc. 2-8)     |
| 2     | 0470-541    | 1   | /P    | Cap, Gas Tank                       |
| 3     | 0570-100    | 1   | S     | Sensor, Fuel Level (inc. 4-6)       |
| 4     | 0470-521    | 1   |       | Seal, Fuel Level Sensor             |
| 5     | 0470-475    | 1   |       | Filter, Fuel                        |
| 6     | 0423-603    | 1   |       | Clamp, Hose                         |
| 7     | 1623-158    | 4   |       | Screw, Plastite                     |
| 8     | 0470-639    | 1   | /P    | Plate, Mounting - Fuel Level Sensor |
| 9     | 0423-688    | 4   |       | Clamp, Hose                         |
| 10    | 0410-070    | AR  | /P    | Hose, Fuel - 25 ft                  |
| 11    | 0410-143    | AR  |       | Hose, Fuel - 25 ft                  |
| 12    | 0423-689    | 4   |       | Clamp, Hose                         |
| 13    | 0470-702    | 1   | /P    | Fitting, Straight                   |
| 14    | 0623-454    | 2   |       | Clip, Routing - Snap-In             |
| 15    | 8476-620    | 2   |       | Screw, Machine                      |
| 16    | 0470-758    | 1   | /P    | Pump, Fuel                          |
| 17    | 0623-038    | 4   |       | Nut, Lock                           |
| 18    | 8476-625    | 2   |       | Screw, Machine                      |
| 19    | 0470-544    | 1   |       | Bracket, Gas Tank Mounting          |
| 20    | 0623-784    | 2   |       | Screw, Self-Tapping                 |
| 21    | 0570-127    | 1   |       | Strap, Gas Tank                     |
| 22    | 0570-128    | 1   |       | Strap, Gas Tank                     |
| 23    | 8427-602    | 1   |       | Nut, Hex                            |
| 24    | 8476-650    | 1   |       | Screw, Machine                      |
| 25    | 0423-357    | 4   |       | Nut, Stamped                        |
| 26    | 1406-886    | 1   |       | Inset, Gas Tank Cap                 |
| 27    | 0123-811    | AR  |       | Cable Tie - 4 in.                   |

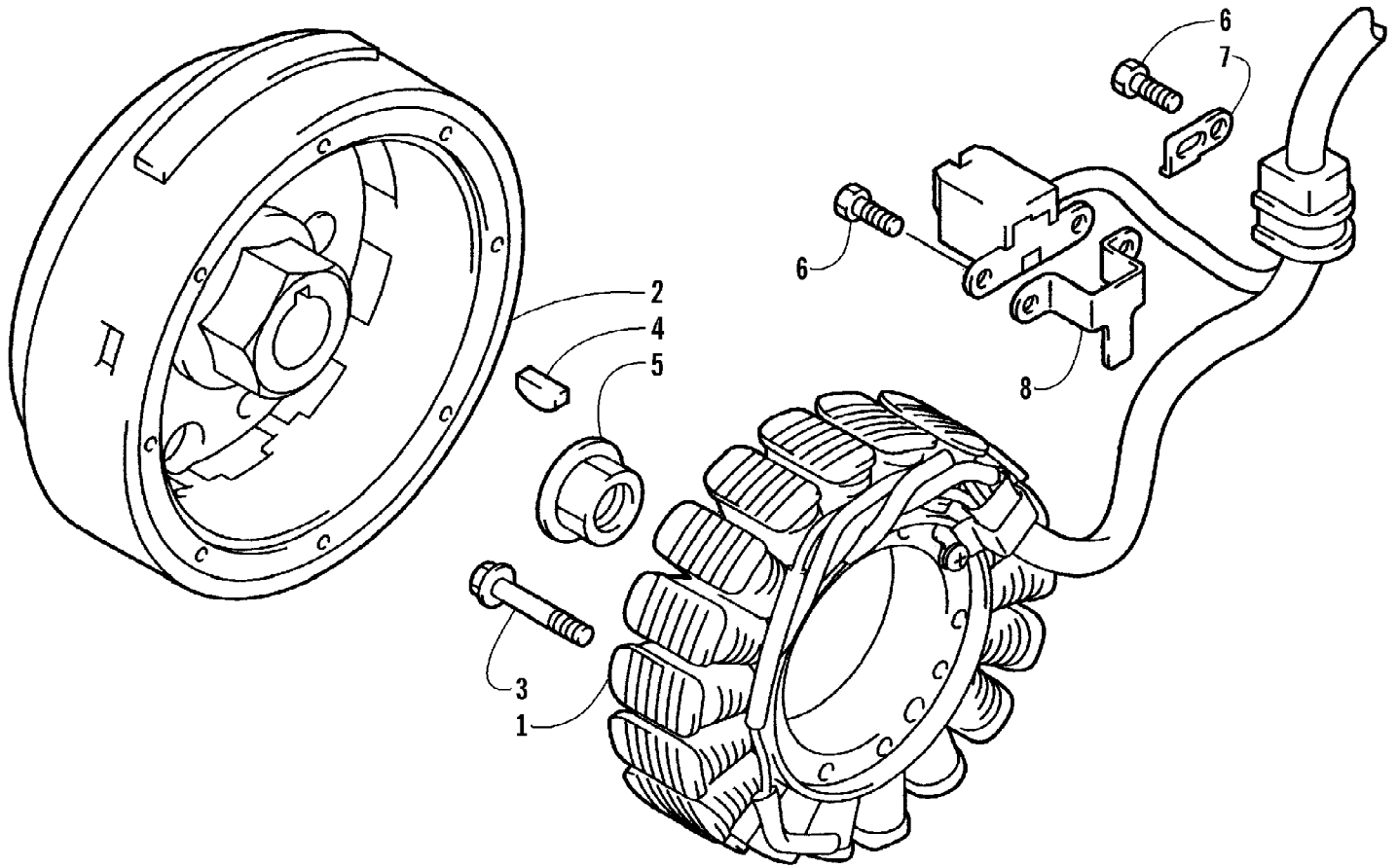


| Ref # | Part Number | Qty | S/P/F | Description                   |
|-------|-------------|-----|-------|-------------------------------|
| 1     | 8470-520    | 2   |       | Screw, Machine                |
| 2     | 0818-049    | 1   | S     | Base, Gear Shift Position     |
| 3     | 0818-013    | 2   |       | Contact                       |
| 4     | 0818-017    | 2   |       | Spring                        |
| 5     | 0828-040    | 1   |       | Washer, Shift Shaft           |
| 6     | 0818-046    | 1   |       | Shaft, Gear Shift - Assembly  |
| 7     | 0828-067    | 2   |       | Washer, Shift Shaft           |
| 8     | 0832-034    | 1   | S     | Bearing                       |
| 9     | 0828-037    | 1   |       | Washer, Gear Shift Cam Plate  |
| 10    | 0818-005    | 1   | S     | Plate, Gear Shift Cam         |
| 11    | 0826-006    | 1   |       | Bolt, Gear Shift Cam Plate    |
| 12    | 0828-036    | 2   |       | Washer, Sub-Gear Shift Shaft  |
| 13    | 0831-010    | 2   |       | Circlip, Sub-Gear Shift Shaft |
| 14    | 0818-007    | 1   | /P    | Shaft, Sub-Gear Shift         |
| 15    | 0830-044    | 1   |       | Seal, Sub-Gear Shift Shaft    |
| 16    | 0818-014    | 1   |       | Arm, Shift                    |
| 17    | 8468-620    | 1   | /P    | Screw, Machine                |
| 18    | 0828-038    | 1   |       | Washer, Cam Stopper           |
| 19    | 0818-002    | 1   |       | Stopper, Cam                  |
| 20    | 0818-004    | 1   |       | Support, Cam Stopper          |
| 21    | 0818-028    | 1   |       | Spring, Cam Stopper           |
| 22    | 0828-035    | 1   |       | Washer, Cam Stopper Spring    |
| 23    | 8424-602    | 1   | /P    | Nut, Cam Stopper Spring       |
| 24    | 0818-072    | 2   | /P    | Fork, Shift                   |
| 25    | 0818-006    | 1   |       | Shaft, Shift Fork             |





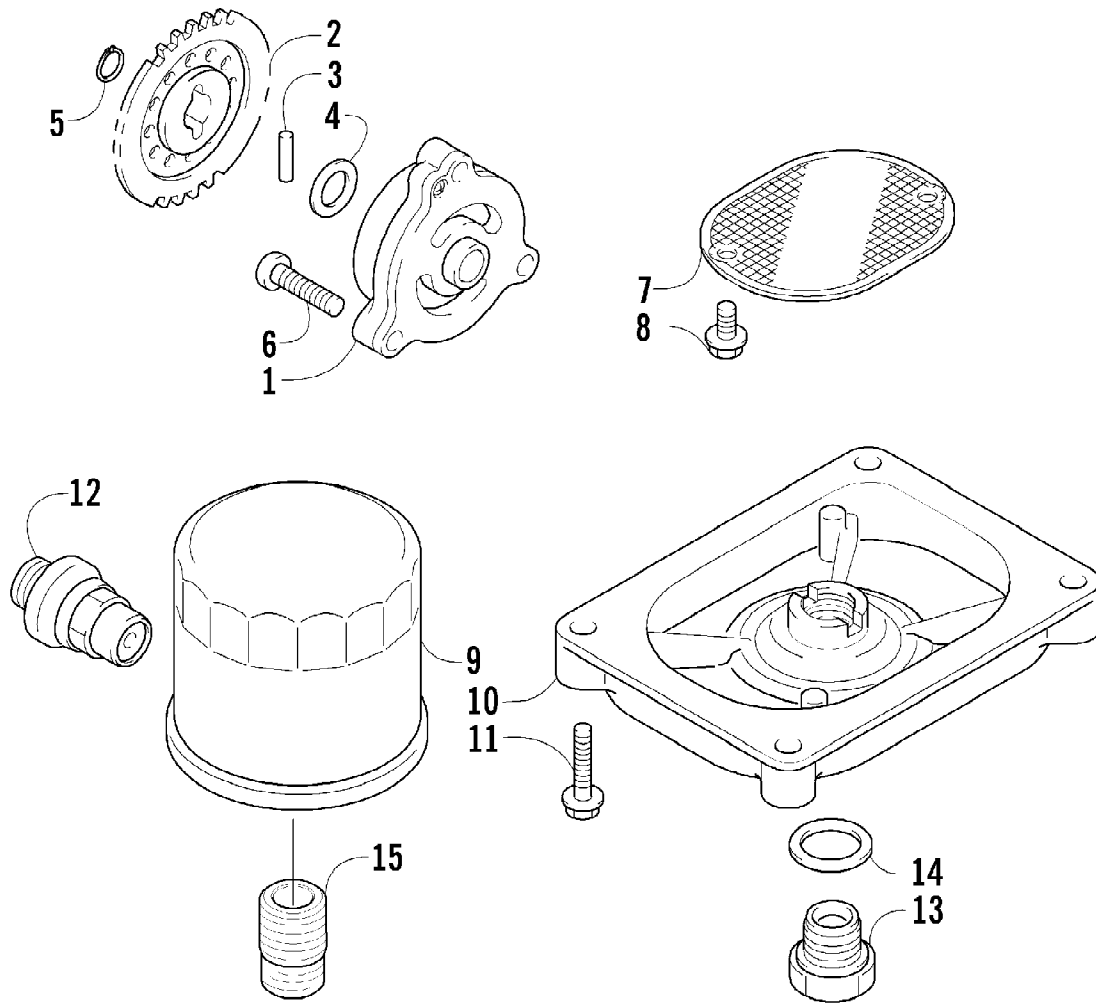
| Ref # | Part Number | Qty | S/P/F | Description  |
|-------|-------------|-----|-------|--|
| 1     | 0502-786    | 1   |       | Cylinder, Master Brake - Assembly (inc. 2-4)           |
| 2     | 0405-225    | 1   |       | Cap, Brake Fluid Reservoir                             |
| 3     | 0402-592    | 2   |       | Nut, Clevis  |
| 4     | 1402-520    | 1   |       | Clevis   |
| 5     | 1402-377    | 1   |       | Pin, Clevis  |
| 6     | 8050-217    | 1   | /P    | Washer   |
| 7     | 0402-584    | 1   |       | Pin, Cotter  |
| 8     | 8424-802    | 2   |       | Nut  |
| 9     | 8408-860    | 2   |       | Screw, Cap   |
| 10    | 0423-178    | 7   |       | Washer, Crush  |
| 11    | 0423-610    | 1   |       | Bolt, Banjo-Fitting - Double                           |
| 12    | 0423-413    | 2   |       | Bolt, Banjo-Fitting                                    |
| 13    | 1402-389    | 1   |       | Hose, Brake - Front                                    |
| 14    | 1402-290    | 1   |       | Hose, Brake - Front Right                              |
| 15    | 0502-958    | 1   | S     | Caliper, Brake - Front Right (inc. 16-22)              |
| 15    | 0502-959    | 1   | S     | Caliper, Brake - Front Left (inc. 16-22)               |
| 16    | 0502-603    | 1   | S     | Housing, Caliper - Assembly - Front Right (inc. 17-19) |
| 16    | 0502-611    | 1   | S     | Housing, Caliper - Assembly - Front Left (inc. 17-19)  |
| 17    | 0502-606    | 2   |       | Piston/Seal Set (inc. 18)                              |
| 18    | 0502-607    | 2   |       | Seal Set   |
| 19    | 0502-609    | 2   | /P    | Valve, Bleed   |
| 20    | 0502-608    | 2   |       | O-Ring, Guide - Set                                    |
| 21    | 0502-960    | 2   |       | Bracket Assembly                                       |
| 22    | 0502-875    | 2   | S     | Pad, Brake - Set                                       |
| 23    | 8408-825    | 4   |       | Screw, Cap   |
| 24    | 0502-785    | 1   |       | Spring, Brake Switch                                   |
| 25    | 0409-072    | 1   |       | Switch, Brake - Assembly                               |
| 26    | 1502-042    | 1   | /P    | Lever, Brake   |
| 27    | 1602-213    | 2   | /P    | O-Ring   |
| 28    | 8428-002    | 1   |       | Nut  |



2008 PROWLER XT 650 H1 AUTOMATIC 4X4 RED (U2008P2S4BUSR)  
MAGNETO ASSEMBLY

Page 51 of 91

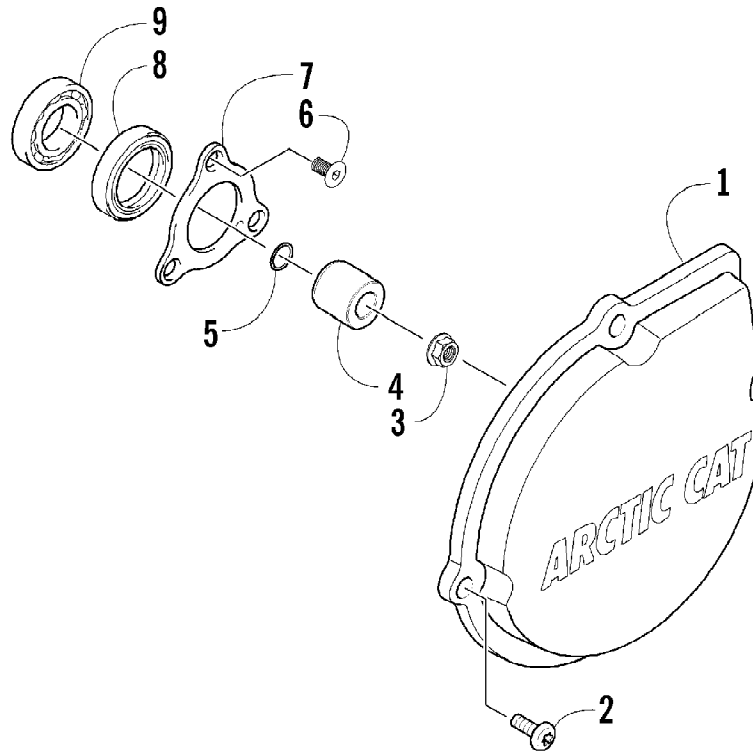
| Ref # | Part Number | Qty | S/P/F | Description       |
|-------|-------------|-----|-------|-------------------|
| 1     | 0802-037    | 1   |       | Stator - Assembly |
| 2     | 0802-036    | 1   |       | Rotor/Flywheel    |
| 3     | 0826-102    | 3   |       | Screw, Machine    |
| 4     | 0829-012    | 1   |       | Key               |
| 5     | 0827-014    | 1   |       | Nut               |
| 6     | 8470-510    | 3   |       | Screw, Machine    |
| 7     | 0802-015    | 1   |       | Clamp - No. 1     |
| 8     | 0802-016    | 1   |       | Clamp - No. 2     |



2008 PROWLER XT 650 H1 AUTOMATIC 4X4 RED (U2008P2S4BUSR)  
OIL FILTER/PUMP ASSEMBLY

Page 53 of 91

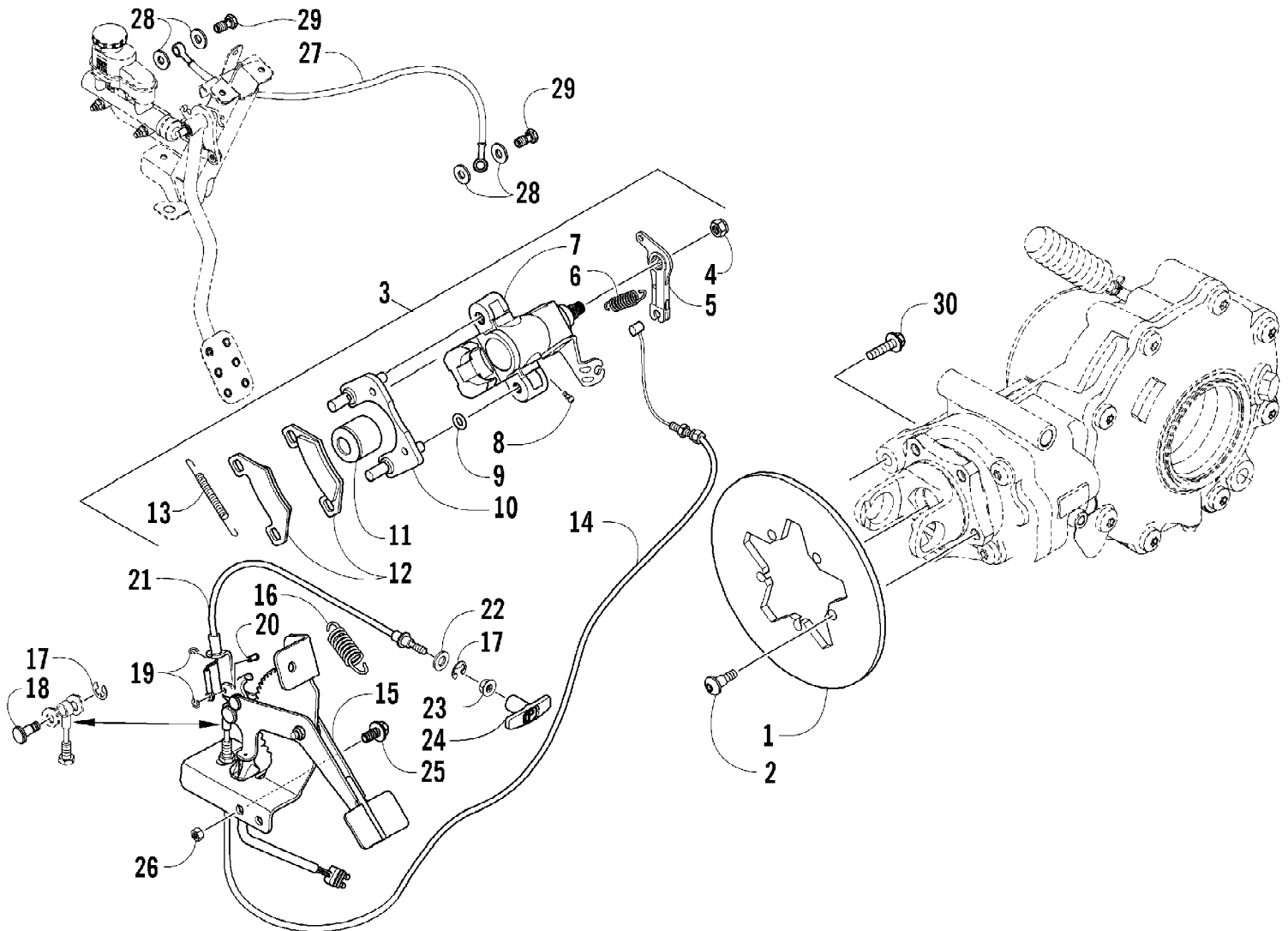
| Ref # | Part Number | Qty | S/P/F | Description                  |
|-------|-------------|-----|-------|------------------------------|
| 1     | 0812-023    | 1   |       | Pump, Oil                    |
| 2     | 0812-002    | 1   | S     | Gear, Driven                 |
| 3     | 0829-009    | 1   |       | Pin                          |
| 4     | 0828-007    | 1   | /P    | Washer                       |
| 5     | 0831-002    | 1   |       | Circlip                      |
| 6     | 0826-039    | 3   |       | Screw, Cap                   |
| 7     | 0812-057    | 1   | /P    | Strainer, Oil                |
| 8     | 0826-040    | 2   |       | Screw, Machine               |
| 9     | 0812-029    | 1   | S     | Filter, Oil                  |
| 10    | 0812-053    | 1   |       | Cap, Oil Strainer            |
| 11    | 8468-625    | 4   |       | Screw, Machine               |
| 12    | 0812-007    | 1   |       | Valve, Oil-Relief - Assembly |
| 13    | 0812-006    | 1   |       | Plug, Drain                  |
| 14    | 0830-017    | 1   |       | Gasket, Drain Plug           |
| 15    | 0812-008    | 1   |       | Union, Oil Filter            |



2008 PROWLER XT 650 H1 AUTOMATIC 4X4 RED (U2008P2S4BUSR)  
OUTER MAGNETO COVER ASSEMBLY

Page 55 of 91

| Ref # | Part Number | Qty | S/P/F | Description            |
|-------|-------------|-----|-------|------------------------|
| 1     | 0820-062    | 1   |       | Cover, Magneto - Outer |
| 2     | 0826-008    | 4   |       | Screw, Machine         |
| 3     | 0827-008    | 1   |       | Nut                    |
| 4     | 0820-061    | 1   |       | Bushing                |
| 5     | 0830-108    | 1   |       | O-Ring                 |
| 6     | 0826-031    | 3   |       | Screw                  |
| 7     | 0805-008    | 1   |       | Retainer, Oil Seal     |
| 8     | 0830-158    | 1   |       | Seal, Oil              |
| 9     | 0832-045    | 1   | S     | Bearing                |

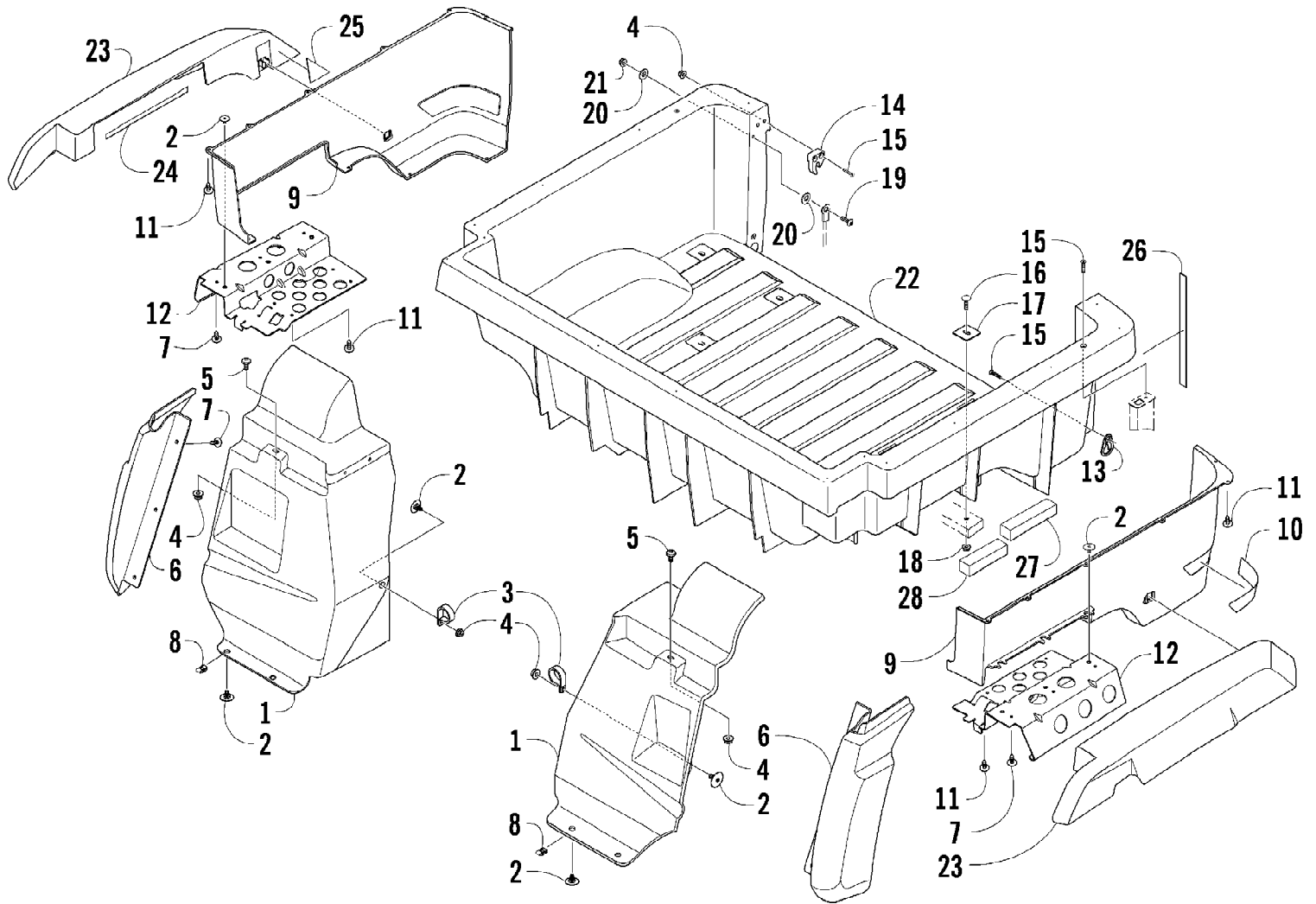




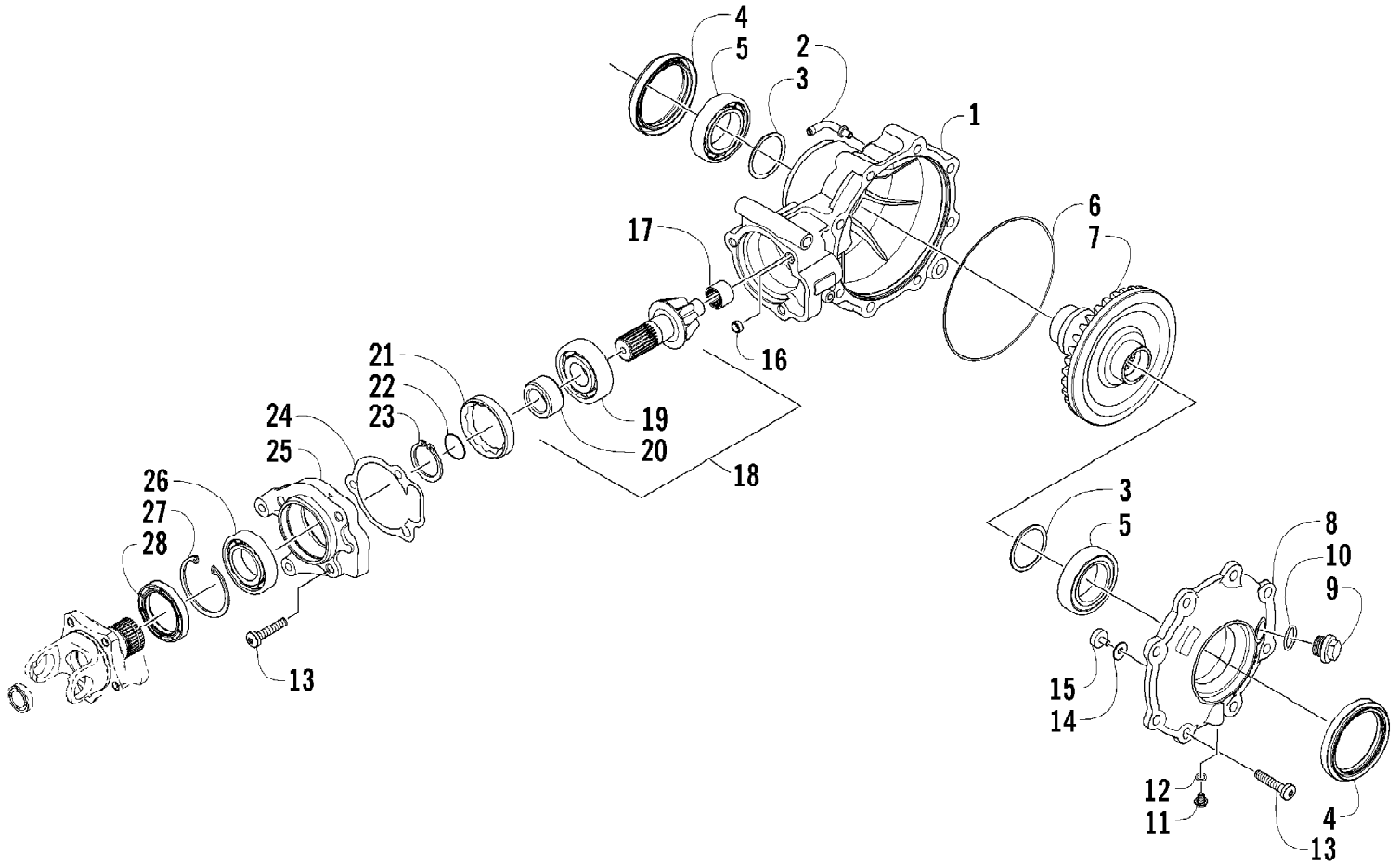
2008 PROWLER XT 650 H1 AUTOMATIC 4X4 RED (U2008P2S4BUSR)  
REAR AND PARKING BRAKE ASSEMBLY

Page 57 of 91

| Ref # | Part Number | Qty | S/P/F | Description                                |
|-------|-------------|-----|-------|--|
| 1     | 1402-324    | 1   |       | Rotor                                      |
| 2     | 0423-557    | 5   |       | Screw, Shoulder                            |
| 3     | 1502-143    | 1   | /P    | Brake - Assembly (inc. 4-13)               |
| 4     | 0502-988    | 1   |       | Nut  |
| 5     | 1502-160    | 1   |       | Lever, Actuator                            |
| 6     | 0502-985    | 1   |       | Spring                                     |
| 7     | 0           | 1   | F     | Housing, Caliper                           |
| 8     | 0502-609    | 1   | /P    | Valve, Bleed                               |
| 9     | 0           | 2   | F     | O-Ring, Brake Caliper                      |
| 10    | 0502-605    | 1   |       | Bracket Assembly                           |
| 11    | 0           | 2   | F     | Piston                                     |
| 12    | 0502-875    | 2   | S     | Pad, Brake                                 |
| 13    | 1502-161    | 1   |       | Spring, Anti-Rattle                        |
| 14    | 0487-036    | 1   |       | Cable, Parking Brake                       |
| 15    | 1502-309    | 1   | /P    | Brake, Parking - Assembly (inc. 18 and 20) |
| 16    | 1502-026    | 1   |       | Spring                                     |
| 17    | 0423-668    | 2   |       | E-Clip                                     |
| 18    | 1502-029    | 1   | F     | Pin  |
| 19    | 0423-667    | 2   |       | E-Clip                                     |
| 20    | 1502-030    | 1   | F     | Pin  |
| 21    | 0487-043    | 1   | S     | Cable, Brake Release                       |
| 22    | 0623-044    | 1   |       | Washer                                     |
| 23    | 8424-602    | 1   | /P    | Nut  |
| 24    | 1502-024    | 1   | /P    | Handle, Parking Brake                      |
| 25    | 8408-816    | 3   |       | Screw, Cap                                 |
| 26    | 8424-802    | 3   |       | Nut, Hex                                   |
| 27    | 1402-388    | 1   |       | Hose, Brake                                |
| 28    | 0423-178    | 4   |       | Washer, Crush                              |
| 29    | 0423-413    | 2   |       | Bolt, Banjo-Fitting                        |
| 30    | 8408-835    | 2   |       | Screw, Cap                                 |



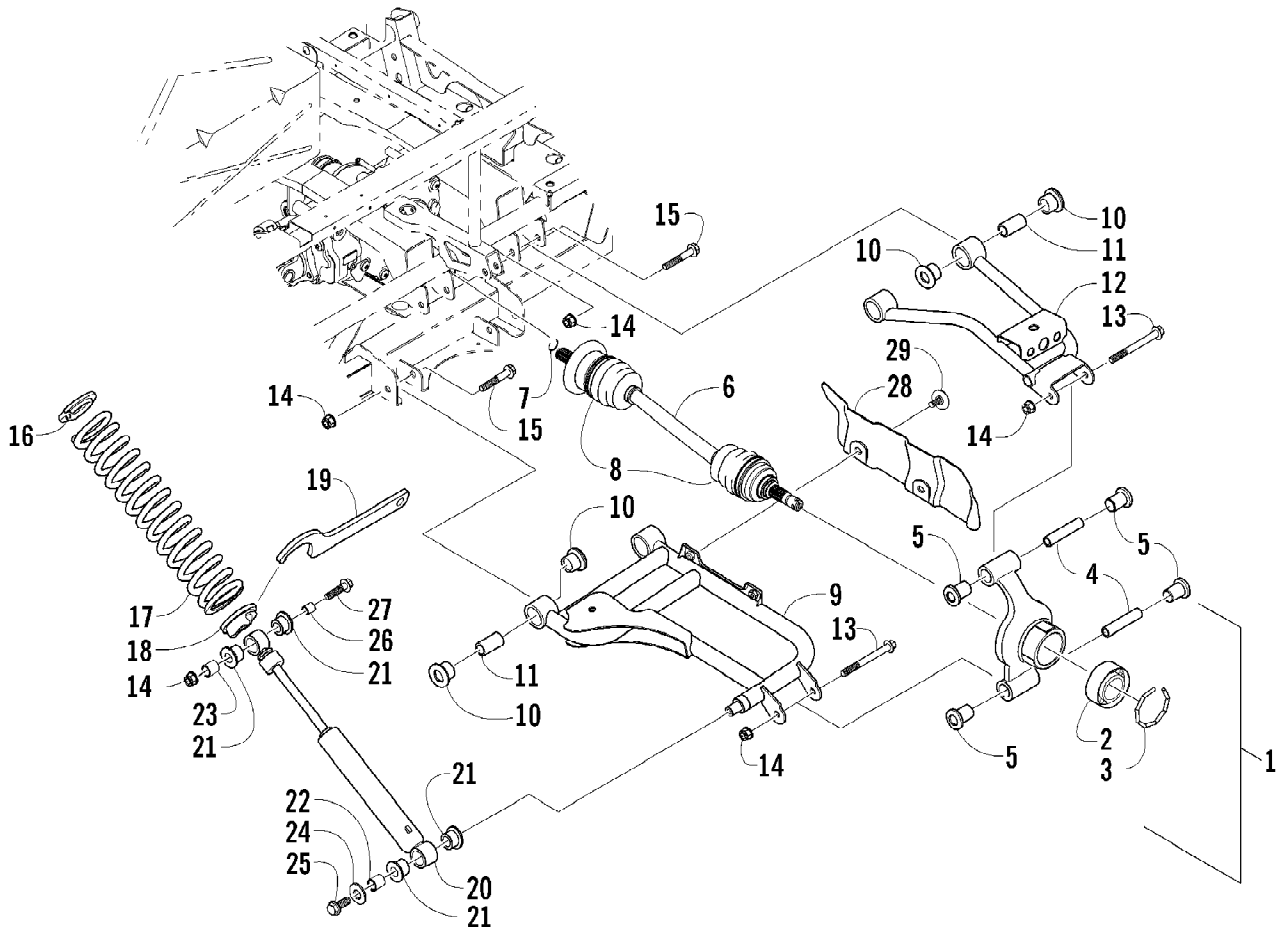
| Ref # | Part Number | Qty | S/P/F | Description  |
|-------|-------------|-----|-------|--|
| 1     | 2406-070    | 1   |       | Panel, Splash - Rear - Right                         |
| 1     | 2406-071    | 1   |       | Panel, Splash - Rear - Left                          |
| 2     | 0423-101    | 12  |       | Screw, Body  |
| 3     | 0423-403    | 2   |       | Clamp, Tube  |
| 4     | 8424-602    | 8   | /P    | Nut, Hex   |
| 5     | 8476-616    | 2   |       | Screw, Machine                                       |
| 6     | 1406-796    | 1   |       | Fender, Rear - Lower - Right                         |
| 6     | 1406-795    | 1   |       | Fender, Rear - Lower - Left                          |
| 7     | 0623-784    | 18  |       | Screw, Self-Tapping                                  |
| 8     | 0423-577    | 4   |       | Clip, U  |
| 9     | 1406-762    | 1   | /P    | Panel, Box - Right (inc. 10)                         |
| 9     | 1406-761    | 1   | /P    | Panel, Box - Left (inc. 10)                          |
| 10    | 1411-128    | 1   |       | Decal, Reflector - Rear - Right                      |
| 10    | 1411-129    | 1   |       | Decal, Reflector - Rear - Left                       |
| 11    | 0423-342    | 28  | /P    | Screw, Self-Tapping                                  |
| 12    | 1506-776    | 1   |       | Bracket, Fender Support - Right                      |
| 12    | 1506-777    | 1   |       | Bracket, Fender Support - Left                       |
| 13    | 1506-539    | 1   |       | Bracket, Tailgate                                    |
| 14    | 2506-664    | 1   |       | Striker, Tailgate - Right                            |
| 14    | 2506-665    | 1   | /P    | Striker, Tailgate - Left                             |
| 15    | 8474-630    | 8   |       | Screw, Machine                                       |
| 16    | 0423-623    | 8   |       | Bolt, Carriage                                       |
| 17    | 1506-933    | 8   |       | Plate, Retainer                                      |
| 18    | 8424-802    | 8   |       | Nut, Hex   |
| 19    | 8476-620    | 2   |       | Screw, Machine                                       |
| 20    | 8050-217    | 4   | /P    | Washer   |
| 21    | 0624-250    | 2   |       | Nut, Lock  |
| 22    | 2406-417    | 1   | S     | Box, Rear Cargo                                      |
| 23    | 2506-678    | 1   | /P    | Fender, Rear - Assembly - Upper - Right (inc. 24-25) |
| 23    | 2506-679    | 1   | /P    | Fender, Rear - Assembly - Upper - Left (inc. 24-25)  |
| 24    | 0417-007    | 2   |       | Strip, Foam  |
| 25    | 0417-008    | 2   |       | Pad, Foam  |
| 26    | 0417-006    | 2   |       | Strip, Foam  |
| 27    | 0417-010    | 2   |       | Foam, Cargo Box                                      |
| 28    | 0417-011    | 2   |       | Foam, Cargo Box                                      |



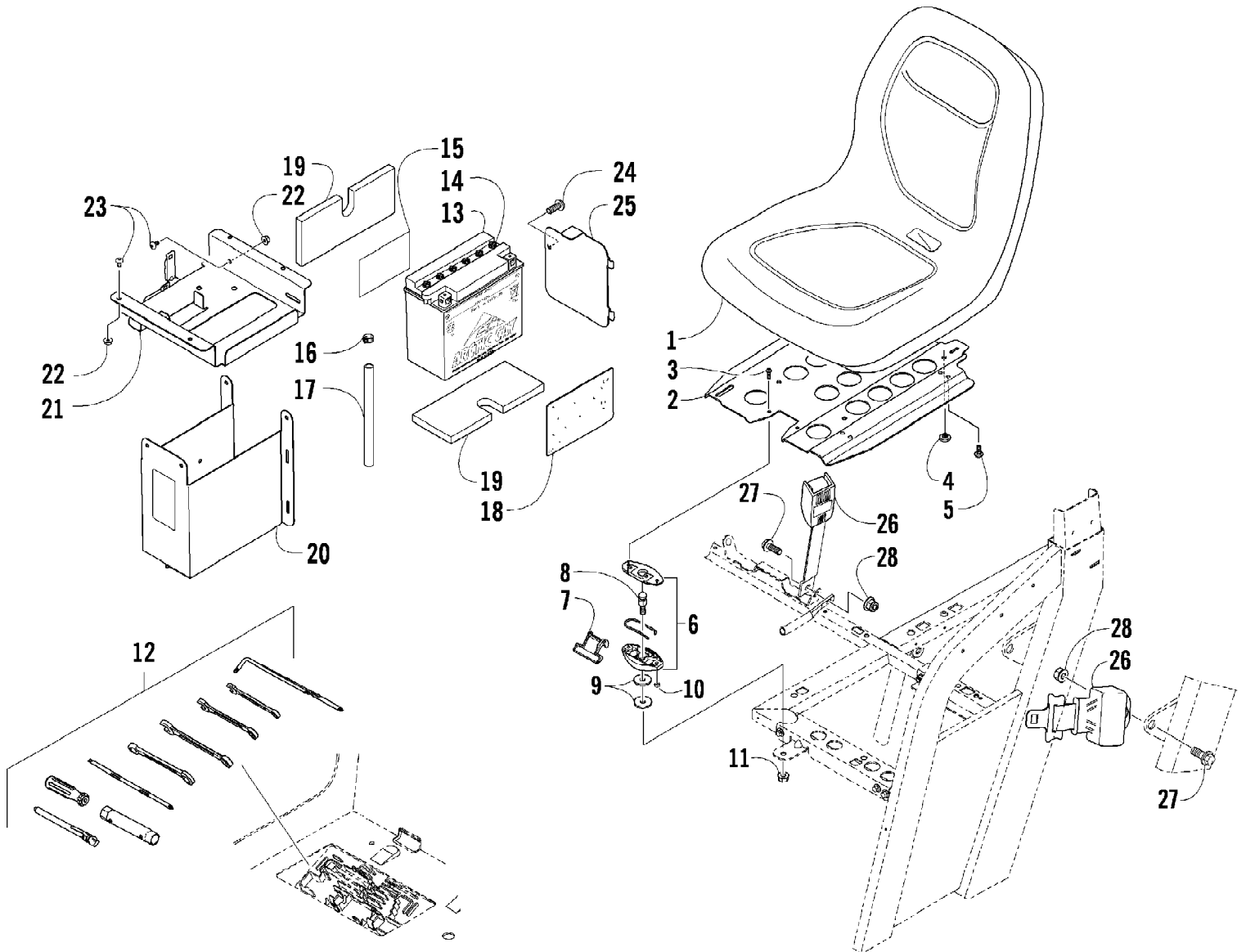
2008 PROWLER XT 650 H1 AUTOMATIC 4X4 RED (U2008P2S4BUSR)  
REAR DRIVE GEARCASE ASSEMBLY

Page 61 of 91

| Ref # | Part Number | Qty | S/P/F | Description                               |
|-------|-------------|-----|-------|---|
|       | 1502-128    | 1   | S     | Complete Rear Drive Gearcase Assembly     |
| 1     | 0502-548    | 1   |       | Housing, Gearcase                         |
| 2     | 1402-442    | 1   |       | Fitting, 90°                              |
| 3     | 0402-405    | AR  |       | Shim                                      |
| 3     | 0402-406    | AR  |       | Shim                                      |
| 3     | 0402-407    | AR  |       | Shim                                      |
| 3     | 0402-408    | AR  |       | Shim                                      |
| 3     | 0402-409    | AR  |       | Shim                                      |
| 4     | 1402-441    | 2   | S     | Seal                                      |
| 5     | 0402-393    | 2   |       | Bearing                                   |
| 6     | 0423-149    | 1   |       | O-Ring                                    |
| 7     | 1402-245    | 1   |       | Gear, Rear - 36T                          |
| 8     | 0502-741    | 1   |       | Cover, Gearcase                           |
| 9     | 0402-333    | 1   | /P    | Plug, Fill (inc. 10)                      |
| 10    | 0423-154    | 1   |       | O-Ring                                    |
| 11    | 0402-450    | 1   | S     | Plug, Magnetic (inc. 12)                  |
| 12    | 0423-153    | 1   |       | O-Ring                                    |
| 13    | 0423-118    | 11  |       | Screw, Self-Tapping                       |
| 14    | 0402-429    | AR  |       | Shim                                      |
| 14    | 0402-430    | AR  |       | Shim                                      |
| 14    | 0402-431    | AR  |       | Shim                                      |
| 14    | 0402-432    | AR  |       | Shim                                      |
| 14    | 0402-433    | AR  |       | Shim                                      |
| 15    | 0402-326    | 1   |       | Button, Thrust                            |
| 16    | 0402-411    | 1   |       | Pin, Dowel                                |
| 17    | 0402-328    | 1   |       | Bearing                                   |
| 18    | 0502-649    | 1   |       | Gear, Pinion - Assembly - 9T (inc. 19-20) |
| 19    | 0402-327    | 1   |       | Bearing                                   |
| 20    | 0402-336    | 1   |       | Collar, Retaining                         |
| 21    | 0402-357    | 1   |       | Collar, Lock                              |
| 22    | 0423-633    | 1   |       | O-Ring                                    |
| 23    | 0423-546    | 1   |       | Ring, Retaining                           |
| 24    | 0402-947    | 1   |       | Gasket                                    |
| 25    | 0502-746    | 1   |       | Housing, Pinion                           |
| 26    | 0402-324    | 1   |       | Bearing                                   |
| 27    | 0402-347    | 1   |       | Ring, Retaining                           |
| 28    | 1402-314    | 1   |       | Seal                                      |

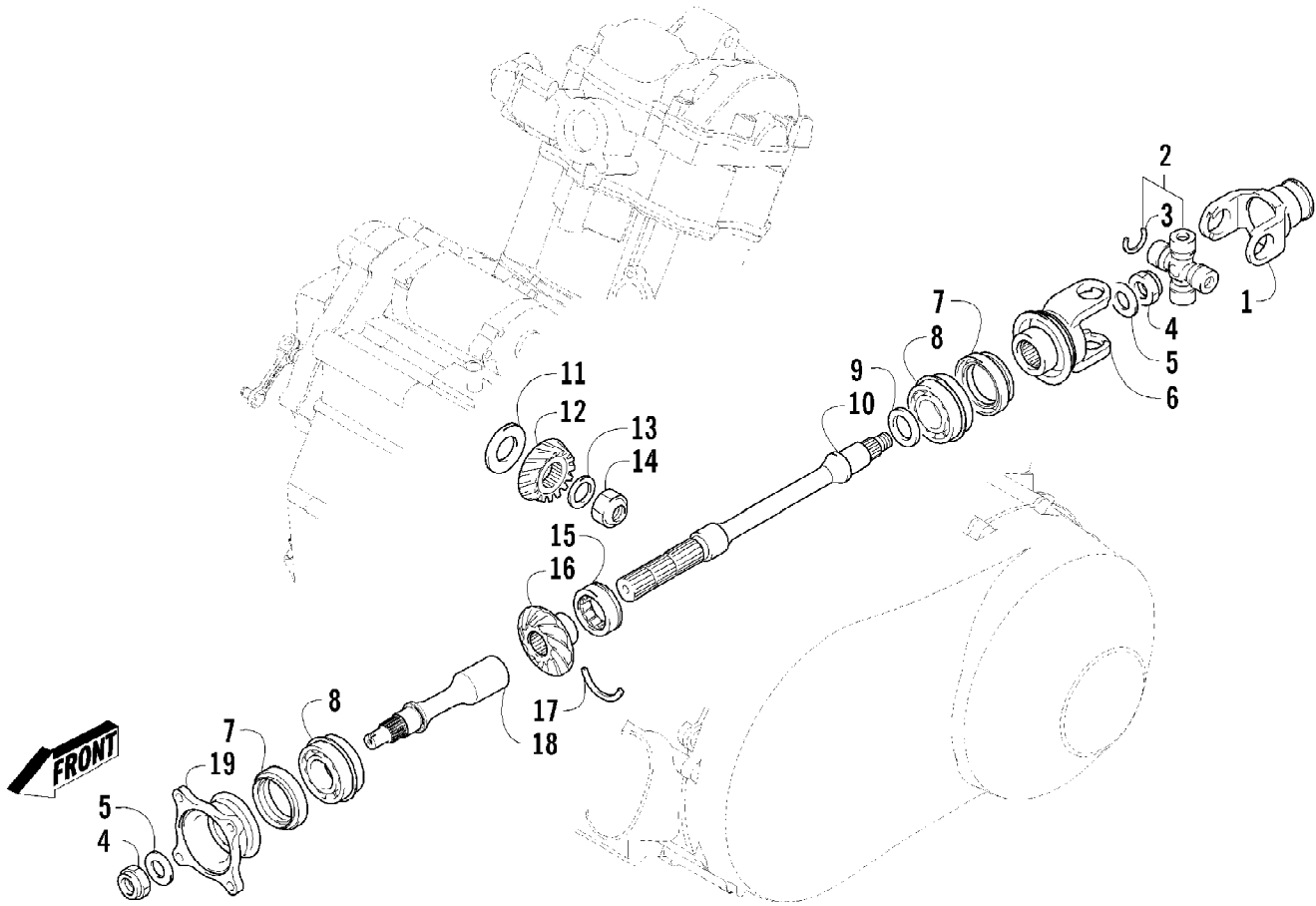


| Ref # | Part Number | Qty | S/P/F | Description                            |
|-------|-------------|-----|-------|--|
| 1     | 0504-389    | 2   | S     | Knuckle, Rear - Assembly (inc. 2-5)    |
| 2     | 1402-027    | 2   | S/P   | Bearing, Wheel Hub                     |
| 3     | 0423-423    | 2   |       | Ring, Retaining                        |
| 4     | 0403-038    | 4   | S/P   | Collar, Suspension Bushing             |
| 5     | 0403-032    | 8   | S     | Bushing, Suspension                    |
| 6     | 0502-740    | 2   | S     | Axle, Drive (inc. 7-8)                 |
| 7     | 0441-893    | 2   | S     | Clip, Retaining                        |
| 8     | 0436-276    | 2   | S     | Repair Kit, Boot - Rear Axle           |
| 9     | 0504-464    | 1   |       | A-Arm, Rear - Lower Right (inc. 10-11) |
| 9     | 0504-465    | 1   | S     | A-Arm, Rear - Lower Left (inc. 10-11)  |
| 10    | 0403-115    | 16  | S     | Bushing                                |
| 11    | 0403-114    | 8   | S     | Collar                                 |
| 12    | 0504-358    | 1   | S     | A-Arm, Rear - Upper Right (inc. 10-11) |
| 12    | 0504-359    | 1   | S     | A-Arm, Rear - Upper Left (inc. 10-11)  |
| 13    | 8409-000    | 4   |       | Screw, Cap                             |
| 14    | 8428-002    | 14  |       | Nut, Lock                              |
| 15    | 8409-075    | 8   |       | Screw, Cap                             |
| 16    | 1603-889    | 2   | /P    | Retainer, Spring                       |
| 17    | 0404-117    | 2   |       | Spring, Suspension                     |
| 18    | 0404-057    | 2   |       | Cam, Spring Adjuster                   |
| 19    | 0441-587    | 1   |       | Wrench, Spanner                        |
| 20    | 0404-115    | 2   |       | Shock Absorber - Rear (inc. 21-23)     |
| 21    | 0603-955    | 8   |       | Bushing                                |
| 22    | 1603-219    | 2   | S     | Sleeve, Shock                          |
| 23    | 1603-209    | 2   |       | Sleeve                                 |
| 24    | 0423-087    | 2   |       | Washer                                 |
| 25    | 8408-820    | 2   | /P    | Screw, Cap                             |
| 26    | 0404-116    | 2   |       | Sleeve, Shock Absorber                 |
| 27    | 8409-040    | 2   |       | Screw, Cap                             |
| 28    | 0441-754    | 1   |       | Guard, Boot - Right                    |
| 28    | 0441-755    | 1   |       | Guard, Boot - Left                     |
| 29    | 0423-545    | 4   | /P    | Screw, Body                            |

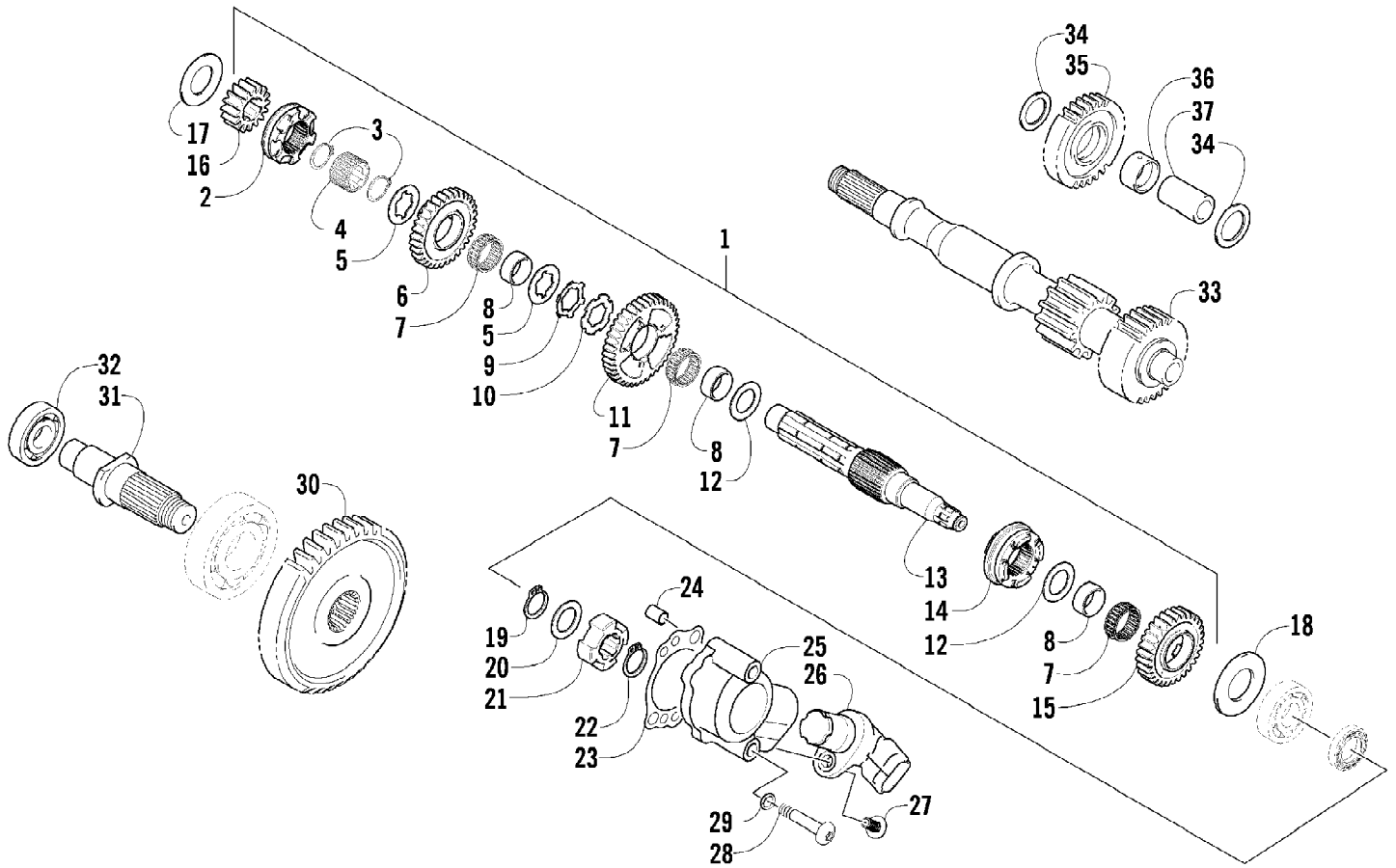




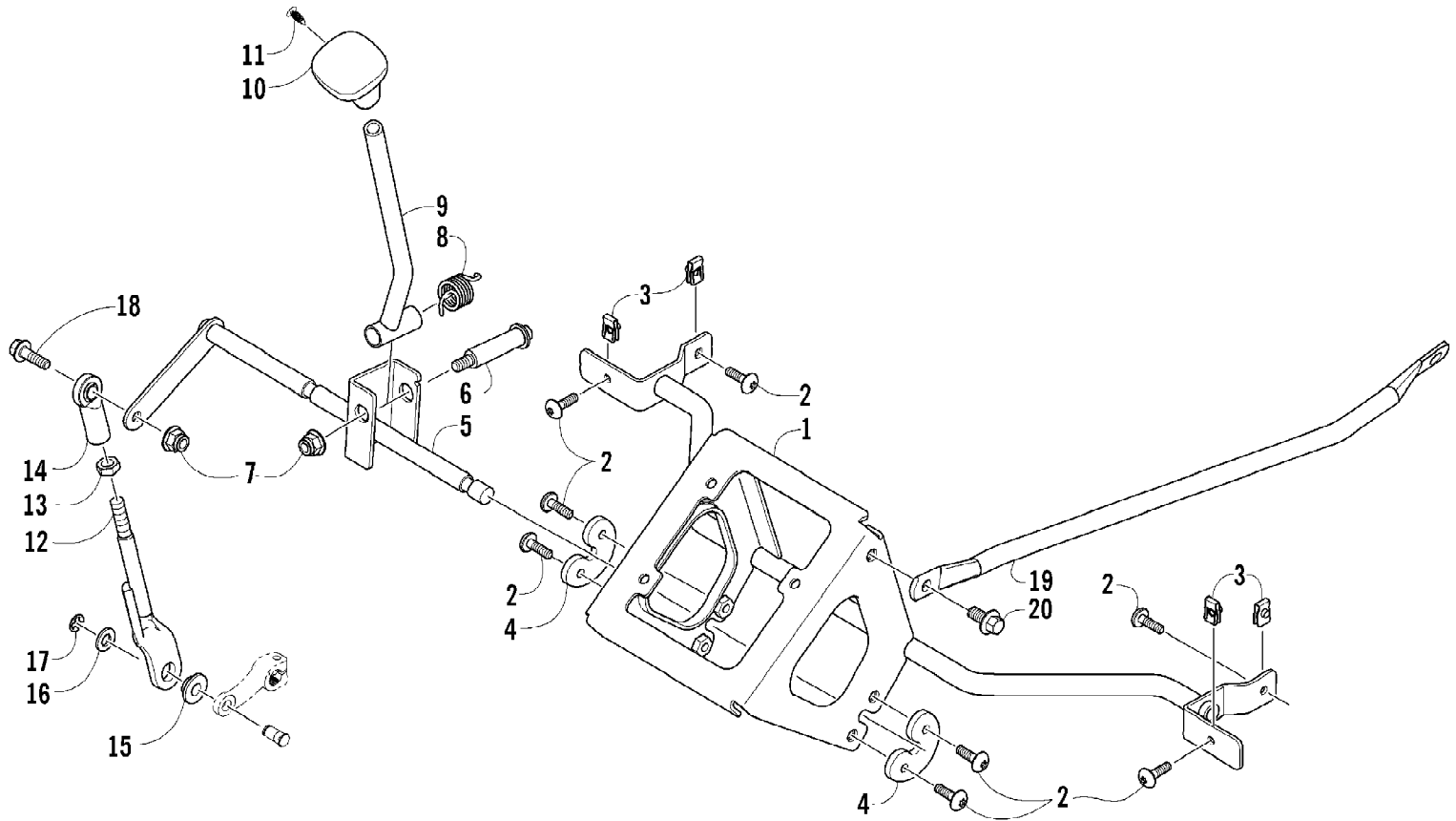
| Ref # | Part Number | Qty | S/P/F | Description                     |
|-------|-------------|-----|-------|---------------------------------|
| 1     | 1506-925    | 2   |       | Seat, Low-Back                  |
| 2     | 2506-780    | 2   | /P    | Plate, Base - Seat              |
| 3     | 8468-620    | 4   | /P    | Screw, Machine                  |
| 4     | 0406-877    | 8   | /P    | Bumper, Seat                    |
| 5     | 8468-820    | 8   |       | Screw, Machine                  |
| 6     | 2706-164    | 2   | /P    | Latch - Assembly (inc. 7)       |
| 7     | 0           | 2   |       | Lever, Release - Seat Latch     |
| 8     | 0423-559    | 2   |       | Stud, Latch - Seat              |
| 9     | 0423-073    | 4   |       | Washer                          |
| 10    | 0623-038    | 4   |       | Nut, Hex                        |
| 11    | 0423-120    | 2   |       | Nut                             |
| 12    | 1506-852    | 1   | S     | Base, Seat/Tools - Assembly     |
| 13    | 0745-059    | 1   | /P    | Battery - Assembly (inc. 14-17) |
| 14    | 0645-246    | 6   | S     | Cap, Battery                    |
| 15    | 0645-151    | 1   |       | Label, Warning - Battery        |
| 16    | 0645-152    | 1   |       | Clamp, Hose                     |
| 17    | 0645-263    | 1   | /P    | Hose, Battery Vent              |
| 18    | 0406-380    | 1   |       | Pad, Battery                    |
| 19    | 0406-227    | 2   |       | Pad, Battery                    |
| 20    | 1506-841    | 1   |       | Box, Battery                    |
| 21    | 1506-840    | 1   |       | Panel, Electrical               |
| 22    | 8424-602    | 8   | /P    | Nut, Flange                     |
| 23    | 8476-612    | 8   |       | Screw, Machine                  |
| 24    | 8476-616    | 1   |       | Screw, Machine                  |
| 25    | 1506-839    | 1   |       | Cover, Battery Box              |
| 26    | 2506-748    | 2   | S     | Belt, Seat                      |
| 27    | 8408-025    | 4   |       | Screw, Cap                      |
| 28    | 8427-002    | 4   |       | Nut                             |



| Ref # | Part Number | Qty | S/P/F | Description                     |
|-------|-------------|-----|-------|---------------------------------|
| 1     | 0502-829    | 1   |       | Yoke, Propeller Shaft Joint     |
| 2     | 0402-944    | 1   | /P    | Joint, Universal - Set (inc. 3) |
| 3     | 0423-395    | 4   |       | Retainer, Universal Joint       |
| 4     | 0827-013    | 2   |       | Nut, Rear Output Joint          |
| 5     | 0828-020    | 2   |       | Washer, Rear Output Flange      |
| 6     | 0502-828    | 1   |       | Yoke, Drive Output              |
| 7     | 0830-043    | 2   |       | Seal, Oil - Driven Shaft        |
| 8     | 0832-017    | 2   |       | Bearing, Driven Shaft           |
| 9     | 0828-021    | AR  |       | Shim, 25 x 34 x 0.25 mm         |
| 9     | 0828-022    | AR  |       | Shim, 25 x 34 x 0.30 mm         |
| 9     | 0828-023    | AR  |       | Shim, 25 x 34 x 0.70 mm         |
| 9     | 0828-024    | AR  |       | Shim, 25 x 34 x 0.90 mm         |
| 9     | 0828-025    | AR  |       | Shim, 25 x 34 x 0.95 mm         |
| 9     | 0828-026    | AR  |       | Shim, 25 x 34 x 1.00 mm         |
| 9     | 0828-027    | AR  |       | Shim, 25 x 34 x 1.05 mm         |
| 9     | 0828-028    | AR  |       | Shim, 25 x 34 x 1.10 mm         |
| 9     | 0828-029    | AR  |       | Shim, 25 x 34 x 1.15 mm         |
| 10    | 0819-003    | 1   | S     | Shaft, Secondary Driven         |
| 11    | 0828-030    | AR  |       | Shim, 24 x 48 x 0.25 mm         |
| 11    | 0828-031    | AR  |       | Shim, 24 x 48 x 0.30 mm         |
| 11    | 0828-032    | AR  |       | Shim, 24 x 48 x 0.35 mm         |
| 11    | 0828-033    | AR  |       | Shim, 24 x 48 x 0.90 mm         |
| 11    | 0828-018    | AR  |       | Shim, 24 x 48 x 0.95 mm         |
| 11    | 0828-062    | AR  |       | Shim, 24 x 48 x 1.00 mm         |
| 11    | 0828-063    | AR  |       | Shim, 24 x 48 x 1.05 mm         |
| 11    | 0828-064    | AR  |       | Shim, 24 x 48 x 1.10 mm         |
| 11    | 0828-065    | AR  |       | Shim, 24 x 48 x 1.15 mm         |
| 12    | 0819-001    | 1   |       | Gear, Secondary Drive           |
| 13    | 0828-019    | 1   |       | Washer                          |
| 14    | 0827-012    | 1   |       | Nut                             |
| 15    | 0832-016    | 1   |       | Bearing, Driven Gear            |
| 16    | 0819-002    | 1   |       | Gear, Secondary Driven          |
| 17    | 0819-011    | 1   |       | Ring, Driven Bearing            |
| 18    | 0819-053    | 1   |       | Shaft, Secondary Driven         |
| 19    | 0819-005    | 1   |       | Flange, Output Joint            |



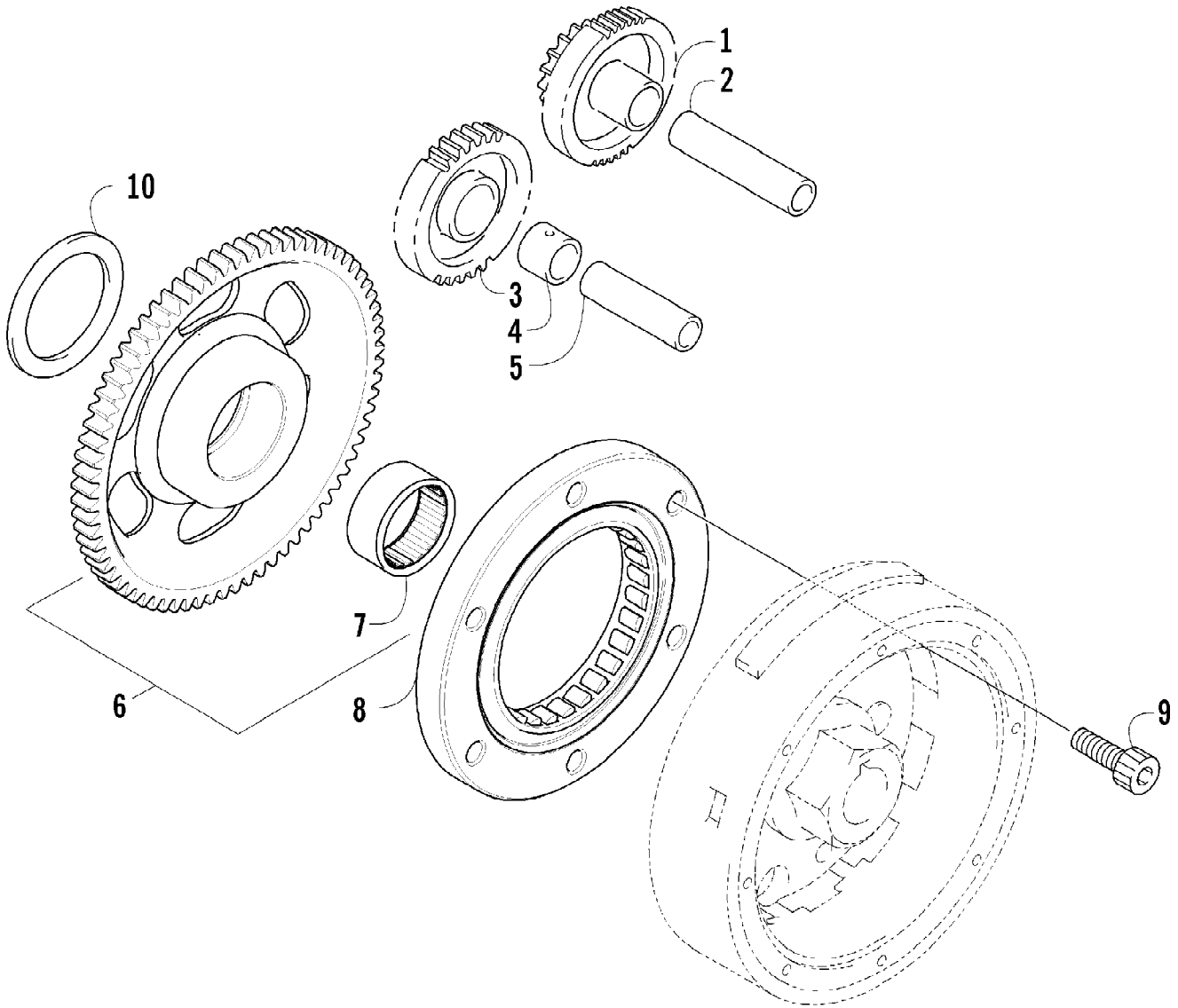
| Ref # | Part Number | Qty | S/P/F | Description                       |
|-------|-------------|-----|-------|-----------------------------------|
| 1     | 0822-048    | 1   |       | Countershaft Assembly (inc. 2-16) |
| 2     | 0822-014    | 1   |       | Dog, Reverse Driven Gear          |
| 3     | 0831-011    | 2   |       | Circlip                           |
| 4     | 0822-045    | 1   |       | Spacer, Reverse Driven Gear       |
| 5     | 0828-008    | 2   |       | Washer                            |
| 6     | 0822-013    | 1   |       | Gear, Reverse Driven              |
| 7     | 0832-011    | 3   |       | Bearing                           |
| 8     | 0822-005    | 3   |       | Bushing                           |
| 9     | 0828-014    | 1   |       | Washer, Lock                      |
| 10    | 0828-015    | 1   |       | Washer, Lock                      |
| 11    | 0822-004    | 1   |       | Gear, Driven - Low                |
| 12    | 0822-046    | 2   |       | Washer, Driven Gear               |
| 13    | 0822-003    | 1   |       | Countershaft                      |
| 14    | 0822-007    | 1   |       | Dog, Sliding                      |
| 15    | 0822-006    | 1   |       | Gear, Driven - High               |
| 16    | 0822-008    | 1   |       | Gear, Drive                       |
| 17    | 0828-010    | 1   |       | Washer, Drive Gear                |
| 18    | 0828-011    | 1   |       | Washer, Drive Gear                |
| 19    | 0831-039    | 1   |       | Ring, Retaining                   |
| 20    | 0828-069    | 1   |       | Washer, Thrust                    |
| 21    | 0822-050    | 1   |       | Trigger, Speedometer Sensor       |
| 22    | 0831-040    | 1   |       | Ring, Retaining                   |
| 23    | 0830-129    | 1   |       | Gasket                            |
| 24    | 0829-023    | 2   |       | Pin, Dowel                        |
| 25    | 0822-049    | 1   |       | Housing, Speedometer Sensor       |
| 26    | 0824-042    | 1   | /P    | Sensor, Speedometer               |
| 27    | 8468-620    | 1   | /P    | Screw, Machine                    |
| 28    | 8468-645    | 2   |       | Screw, Machine                    |
| 29    | 0830-107    | 2   |       | Seal, Fastener                    |
| 30    | 0822-009    | 1   |       | Gear, Driven                      |
| 31    | 0822-067    | 1   | /P    | Shaft, Output                     |
| 32    | 0832-014    | 1   | S     | Bearing                           |
| 33    | 0822-001    | 1   |       | Driveshaft                        |
| 34    | 0828-016    | 2   |       | Washer, Reverse Idle Gear         |
| 35    | 0822-011    | 1   |       | Gear, Reverse Idle                |
| 36    | 0822-012    | 1   |       | Bushing, Reverse Idle Gear        |
| 37    | 0822-015    | 1   |       | Shaft, Reverse Idle               |



2008 PROWLER XT 650 H1 AUTOMATIC 4X4 RED (U2008P2S4BUSR)  
SHIFTER ASSEMBLY

Page 71 of 91

| Ref # | Part Number | Qty | S/P/F | Description             |
|-------|-------------|-----|-------|-------------------------|
| 1     | 1506-525    | 1   |       | Mount, Shift            |
| 2     | 8476-616    | 8   |       | Screw, Machine          |
| 3     | 0423-577    | 4   |       | Clip, U                 |
| 4     | 1402-275    | 2   |       | Retainer, Shift Linkage |
| 5     | 1506-811    | 1   |       | Axle, Shift             |
| 6     | 0423-505    | 1   |       | Screw, Shoulder         |
| 7     | 8424-802    | 2   |       | Nut, Flange             |
| 8     | 1402-668    | 1   |       | Spring, Shift           |
| 9     | 1502-283    | 1   |       | Lever, Shift            |
| 10    | 1402-566    | 1   |       | Knob, Shift             |
| 11    | 0623-269    | 1   |       | Clip, Retainer          |
| 12    | 0541-527    | 1   |       | Linkage, Shift          |
| 13    | 0123-144    | 1   |       | Nut, Jam                |
| 14    | 0423-686    | 1   |       | Rod End                 |
| 15    | 0423-091    | 1   |       | Bushing, Shift          |
| 16    | 0623-094    | 1   |       | Washer                  |
| 17    | 0124-057    | 1   | /P    | E-Ring                  |
| 18    | 8408-825    | 1   |       | Screw, Cap              |
| 19    | 1502-264    | 1   |       | Support, Shift Mount    |
| 20    | 8408-816    | 1   |       | Screw, Cap              |

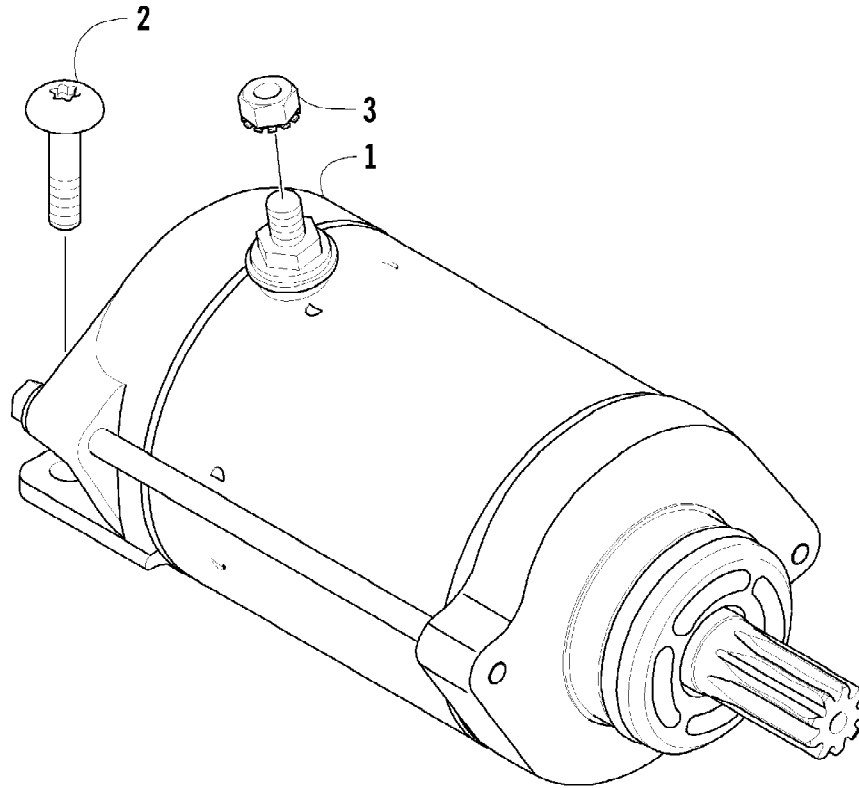




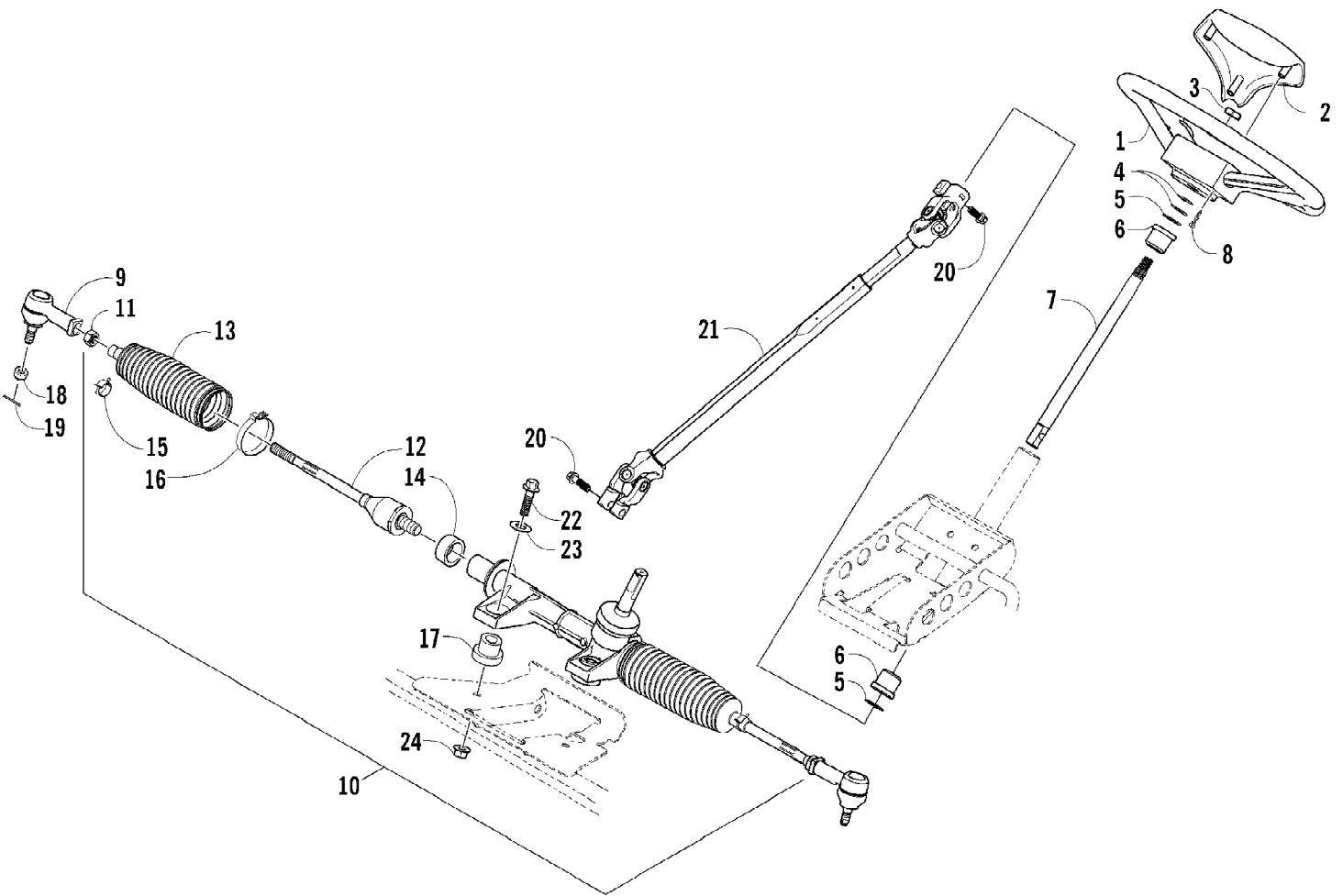
2008 PROWLER XT 650 H1 AUTOMATIC 4X4 RED (U2008P2S4BUSR)  
STARTER CLUTCH ASSEMBLY

Page 73 of 91

| Ref # | Part Number | Qty | S/P/F | Description                      |
|-------|-------------|-----|-------|----------------------------------|
| 1     | 0815-001    | 1   |       | Gear, Starter Idler - No. 1      |
| 2     | 0829-031    | 1   | /P    | Shaft, Starter Gear              |
| 3     | 0815-002    | 1   |       | Gear, Starter Idler - No. 2      |
| 4     | 0815-003    | 1   |       | Spacer, Starter Idler Gear No. 2 |
| 5     | 0829-032    | 1   | /P    | Shaft, Starter Gear              |
| 6     | 0815-004    | 1   |       | Gear Starter Clutch (inc. 7)     |
| 7     | 0832-004    | 1   | S     | Bearing                          |
| 8     | 0802-035    | 1   |       | Clutch, Starter                  |
| 9     | 0826-069    | 6   |       | Screw, Machine                   |
| 10    | 0828-094    | 1   |       | Washer                           |



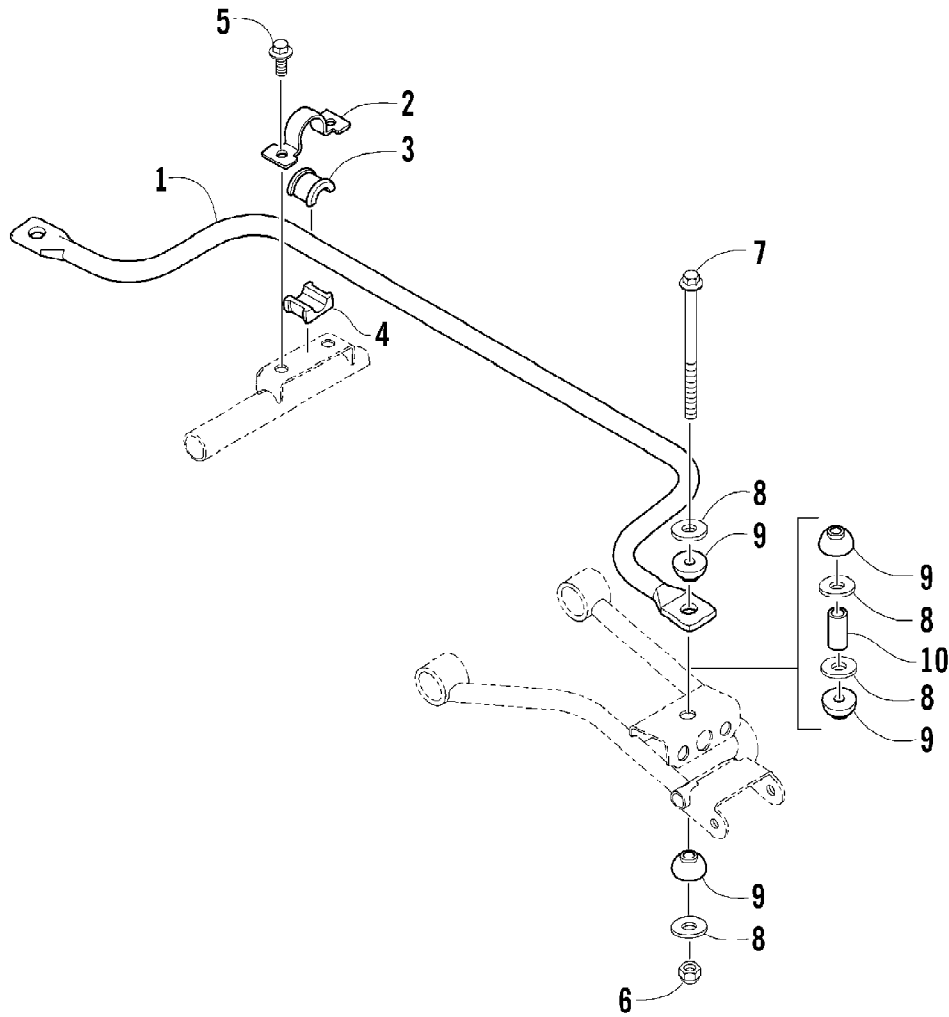
| Ref # | Part Number | Qty | S/P/F | Description               |
|-------|-------------|-----|-------|---------------------------|
| 1     | 0825-011    | 1   | S     | Motor, Starter - Assembly |
| 2     | 8476-625    | 2   |       | Screw, Machine            |
| 3     | 0623-038    | 1   |       | Nut w/Washer              |



2008 PROWLER XT 650 H1 AUTOMATIC 4X4 RED (U2008P2S4BUSR)  
STEERING POST ASSEMBLY

Page 77 of 91

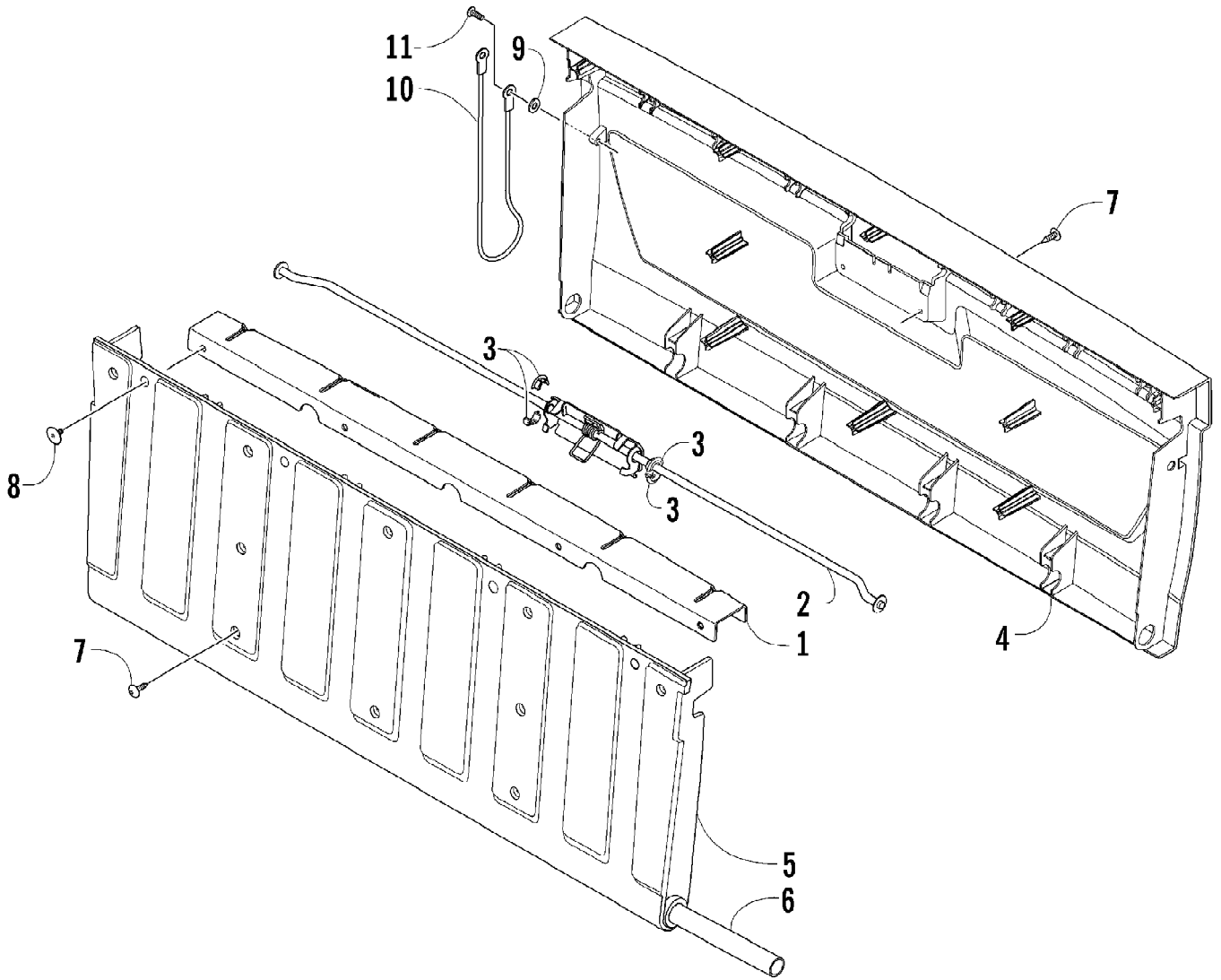
| Ref # | Part Number | Qty | S/P/F | Description                           |
|-------|-------------|-----|-------|---------------------------------------|
| 1     | 0502-884    | 1   |       | Wheel, Steering - Assembly (inc. 2)   |
| 2     | 0405-239    | 1   |       | Cover, Steering Wheel                 |
| 3     | 1670-477    | 1   |       | Nut, Hex                              |
| 4     | 0828-071    | 2   |       | Washer                                |
| 5     | 0423-558    | 2   |       | Washer                                |
| 6     | 0405-155    | 2   |       | Bushing, Steering                     |
| 7     | 0405-160    | 1   | S     | Shaft, Steering Wheel                 |
| 8     | 0423-613    | 3   |       | Screw, Self-Tapping                   |
| 9     | 0405-205    | 2   | S     | End, Tie Rod                          |
| 10    | 0405-246    | 1   | S     | Housing, Rack and Pinion (inc. 11-17) |
| 11    | 0423-622    | 2   |       | Nut, Hex                              |
| 12    | 0405-245    | 2   | S     | Tie Rod                               |
| 13    | 0405-216    | 2   |       | Boot, Rack                            |
| 14    | 0405-206    | 2   |       | Spacer, Rack                          |
| 15    | 0405-236    | 2   |       | Clamp, Tie Rod End                    |
| 16    | 0405-237    | 2   |       | Clamp, Boot                           |
| 17    | 0405-238    | 2   |       | Bushing                               |
| 18    | 0423-072    | 2   |       | Nut                                   |
| 19    | 0623-175    | 2   |       | Pin, Cotter                           |
| 20    | 0423-655    | 2   |       | Bolt                                  |
| 21    | 0405-156    | 1   |       | Shaft, Lower Steering - Assembly      |
| 22    | 8409-050    | 2   |       | Screw, Cap                            |
| 23    | 0623-728    | 2   |       | Washer                                |
| 24    | 8424-002    | 2   |       | Nut, Flange                           |



2008 PROWLER XT 650 H1 AUTOMATIC 4X4 RED (U2008P2S4BUSR)  
SWAY BAR ASSEMBLY

Page 79 of 91

| Ref # | Part Number | Qty | S/P/F | Description               |
|-------|-------------|-----|-------|---------------------------|
| 1     | 0404-110    | 1   |       | Bar, Sway - Assembly      |
| 2     | 0404-135    | 2   |       | Clamp, Sway Bar Bushing   |
| 3     | 0404-094    | 2   |       | Bushing, Sway Bar - Upper |
| 4     | 0404-095    | 2   |       | Bushing, Sway Bar - Lower |
| 5     | 8409-016    | 4   |       | Screw, Cap                |
| 6     | 8422-002    | 2   |       | Nut                       |
| 7     | 0423-335    | 2   |       | Screw, Cap                |
| 8     | 0423-073    | 8   |       | Washer                    |
| 9     | 1402-434    | 8   |       | Bushing, Sway Bar         |
| 10    | 0423-620    | 2   |       | Spacer, Sway Bar          |

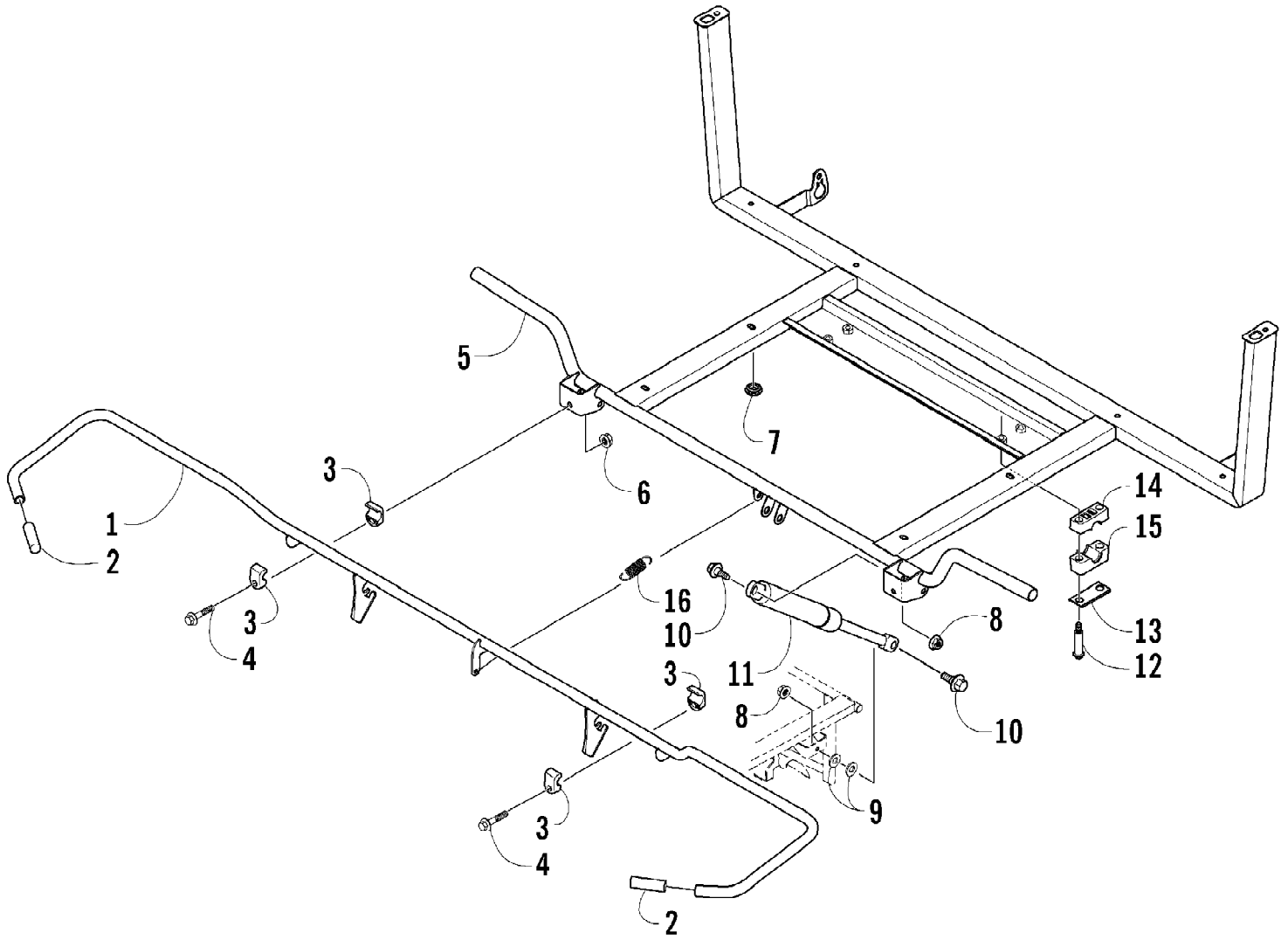




2008 PROWLER XT 650 H1 AUTOMATIC 4X4 RED (U2008P2S4BUSR)  
TAILGATE ASSEMBLY

Page 81 of 91

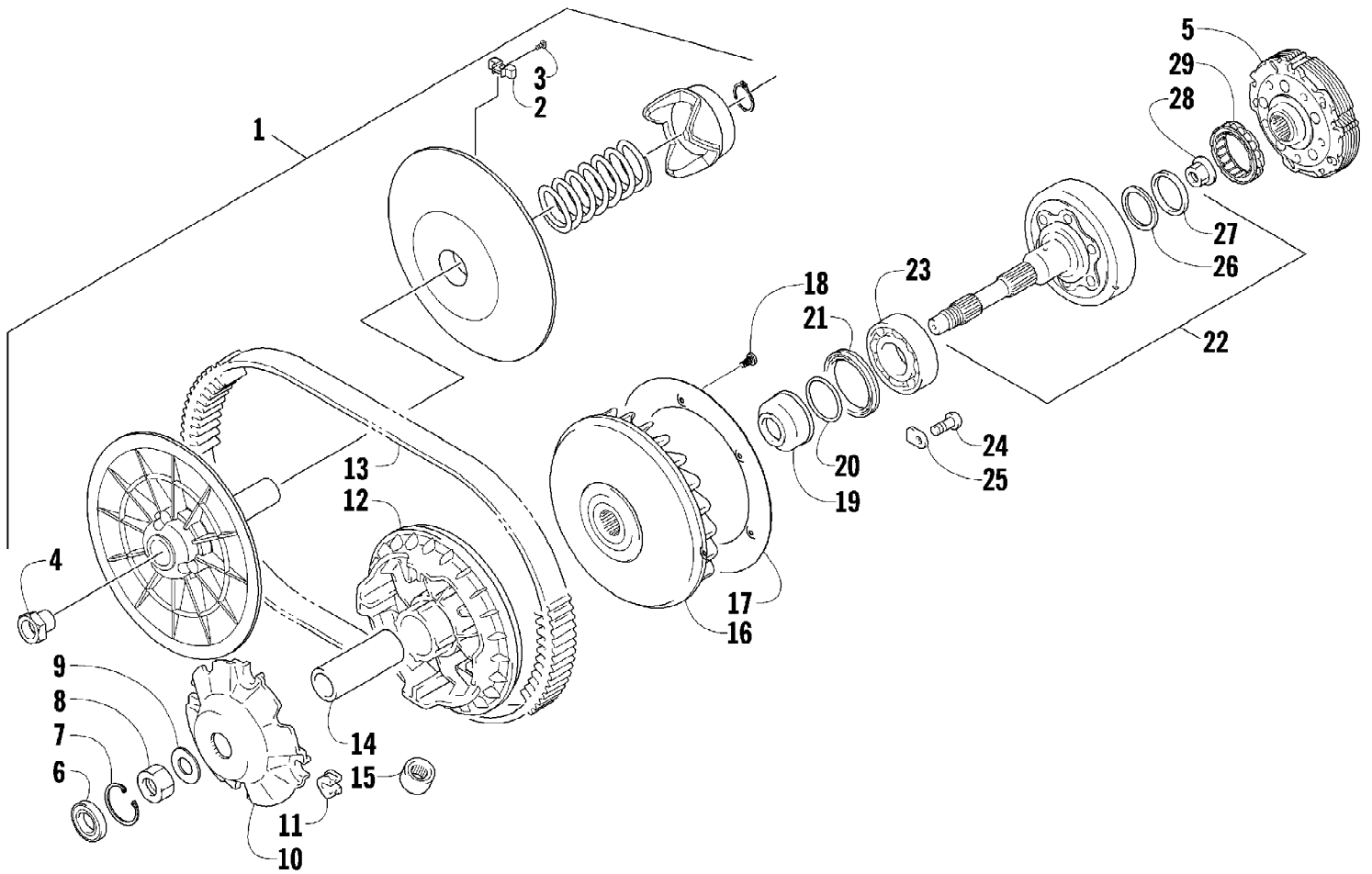
| Ref # | Part Number | Qty | S/P/F | Description                |
|-------|-------------|-----|-------|----------------------------|
|       | 2506-205    | 1   | /P    | Complete Tailgate Assembly |
| 1     | 1506-704    | 1   |       | Brace, Tailgate            |
| 2     | 2506-056    | 1   |       | Latch, Tailgate - Assembly |
| 3     | 1406-706    | 4   |       | Bushing                    |
| 4     | 2406-369    | 1   | /P    | Panel, Tailgate - Outer    |
| 5     | 2406-365    | 1   | /P    | Panel, Tailgate - Inner    |
| 6     | 1406-927    | 1   |       | Shaft, Pivot - Tailgate    |
| 7     | 0623-784    | 12  |       | Screw, Self-Tapping        |
| 8     | 0423-101    | 4   |       | Screw, Body                |
| 9     | 8050-217    | 2   | /P    | Washer                     |
| 10    | 0487-045    | 2   |       | Cable, Tailgate            |
| 11    | 8476-625    | 2   |       | Screw                      |



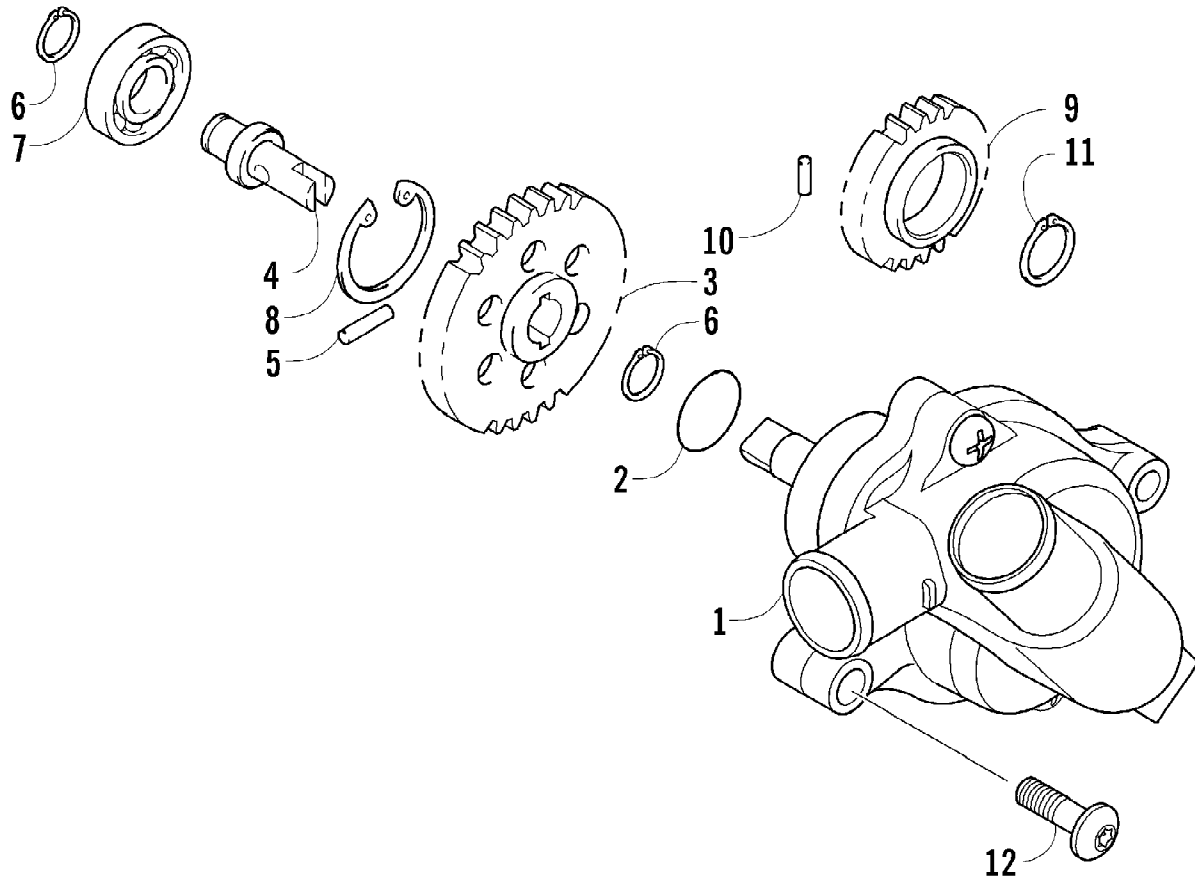
2008 PROWLER XT 650 H1 AUTOMATIC 4X4 RED (U2008P2S4BUSR)  
TILT FRAME ASSEMBLY

Page 83 of 91

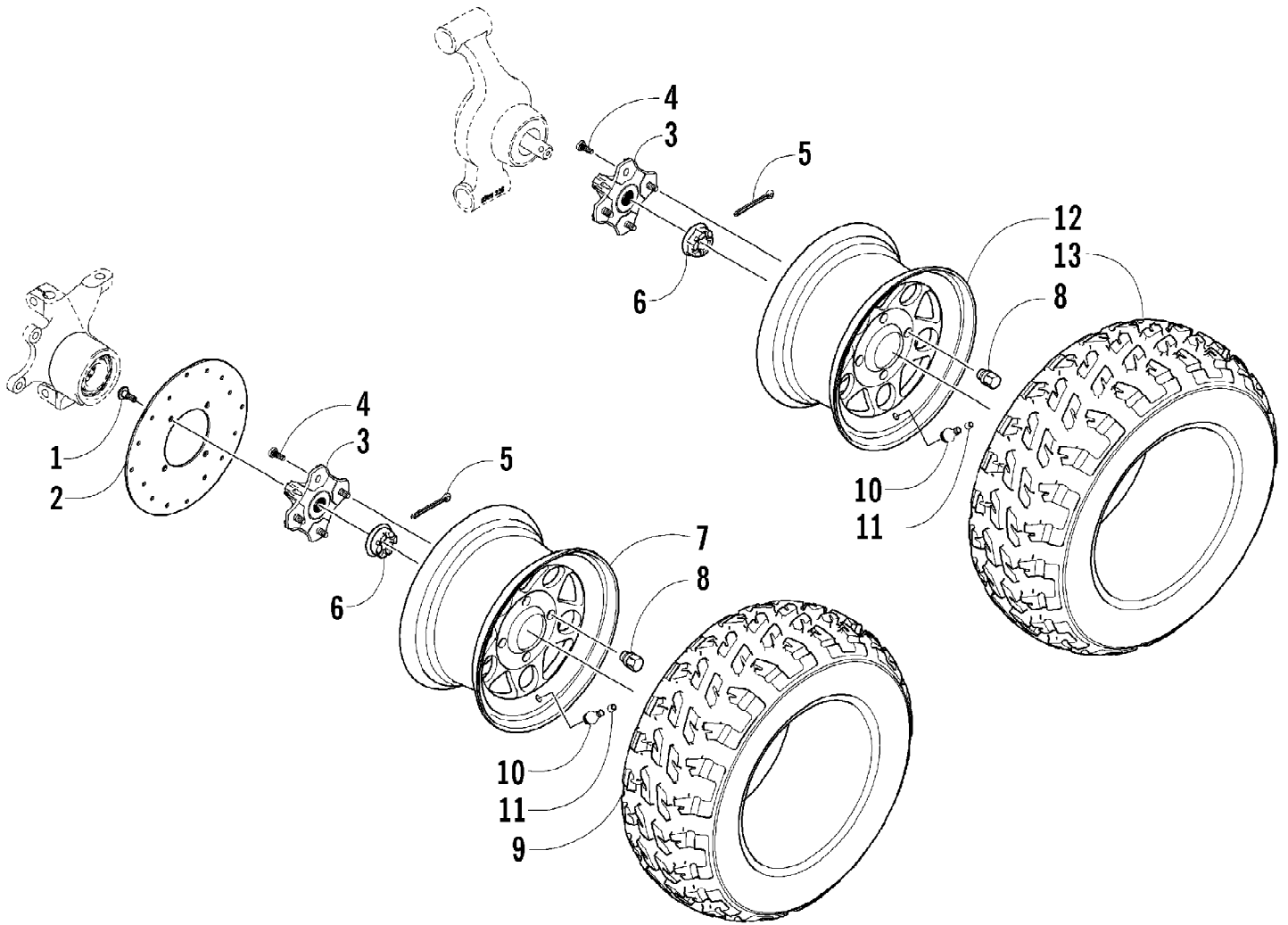
| Ref # | Part Number | Qty | S/P/F | Description     |
|-------|-------------|-----|-------|-----------------|
| 1     | 1506-669    | 1   |       | Latch, Tilt Box |
| 2     | 1406-736    | 2   |       | Grip, Latch Rod |
| 3     | 1406-674    | 4   |       | Bushing, Pivot  |
| 4     | 8408-840    | 2   |       | Screw, Cap      |
| 5     | 2506-197    | 1   | /P    | Frame, Box      |
| 6     | 8424-802    | 2   |       | Nut, Flange     |
| 7     | 0423-628    | 4   |       | Grommet         |
| 8     | 8424-602    | 2   | /P    | Nut, Flange     |
| 9     | 8050-217    | 2   | /P    | Washer          |
| 10    | 0423-355    | 2   |       | Screw, Shoulder |
| 11    | 2506-194    | 1   |       | Support, Lift   |
| 12    | 0423-505    | 4   |       | Screw, Shoulder |
| 13    | 0405-166    | 2   |       | Cap, Housing    |
| 14    | 0405-138    | 2   |       | Housing, Lower  |
| 15    | 0405-139    | 2   |       | Housing, Upper  |
| 16    | 1612-178    | 1   |       | Spring          |



| Ref # | Part Number | Qty | S/P/F | Description                             |
|-------|-------------|-----|-------|---|
| 1     | 0823-254    | 1   | S     | Pulley, Driven - Assembly (inc. 2-4)    |
| 2     | 0823-176    | 3   | /P    | Shoe, Cam                               |
| 3     | 0823-177    | 3   |       | Screw, Cam                              |
| 4     | 0823-178    | 1   |       | Nut, Driven Pulley                      |
| 5     | 0823-098    | 1   | S     | Clutch, Centrifugal - 6 Plate           |
| 6     | 0832-060    | 1   |       | Bearing                                 |
| 7     | 0831-078    | 1   |       | Ring, Retaining                         |
| 8     | 0827-010    | 1   |       | Nut                                     |
| 9     | 0828-106    | 1   |       | Washer                                  |
| 10    | 0823-008    | 1   |       | Plate, Movable Drive Face               |
| 11    | 0823-010    | 4   |       | Damper, Movable Drive Face              |
| 12    | 0823-159    | 1   |       | Face, Movable Drive                     |
| 13    | 0823-013    | 1   |       | V-Belt                                  |
| 14    | 0823-149    | 1   |       | Spacer, Movable Drive Face              |
| 15    | 0823-167    | 8   | /P    | Roller, Movable Drive Face              |
| 16    | 0823-156    | 1   | /P    | Face, Fixed Drive                       |
| 17    | 0823-131    | 1   |       | Shroud, Drive Face                      |
| 18    | 0623-914    | 6   |       | Screw, Self-Tapping                     |
| 19    | 0823-015    | 1   |       | Spacer, Fixed Drive Face                |
| 20    | 0470-531    | 1   |       | O-Ring                                  |
| 21    | 0830-034    | 1   | S     | Seal, Clutch Housing - Right            |
| 22    | 0823-270    | 1   | S     | Housing, Clutch - Assembly (inc. 26-27) |
| 23    | 0832-047    | 1   | S     | Bearing                                 |
| 24    | 0826-029    | 2   |       | Screw, Bearing Retainer                 |
| 25    | 0822-010    | 2   | /P    | Retainer, Bearing                       |
| 26    | 0828-075    | 1   |       | Shim                                    |
| 27    | 0823-017    | 1   | S     | Seal, Clutch Housing - Left             |
| 28    | 0827-011    | 1   |       | Nut                                     |
| 29    | 0823-018    | 1   |       | Clutch, One-Way                         |



| Ref # | Part Number | Qty | S/P/F | Description                     |
|-------|-------------|-----|-------|---------------------------------|
| 1     | 0813-001    | 1   |       | Pump, Water - Assembly (inc. 2) |
| 2     | 0830-029    | 1   |       | O-Ring                          |
| 3     | 0813-004    | 1   |       | Gear, Driven                    |
| 4     | 0813-005    | 1   |       | Shaft, Driven Gear              |
| 5     | 0829-009    | 1   |       | Pin, Driven Gear                |
| 6     | 0831-002    | 2   |       | Circlip, Driven Gear            |
| 7     | 0832-008    | 1   | S     | Bearing, Shaft                  |
| 8     | 0831-004    | 1   |       | Circlip, Shaft Bearing          |
| 9     | 0811-003    | 1   |       | Gear, Water Pump Drive          |
| 10    | 0829-007    | 1   |       | Pin, Drive Gear                 |
| 11    | 0831-005    | 1   |       | Circlip, Drive Gear             |
| 12    | 8468-665    | 2   |       | Screw, Machine                  |

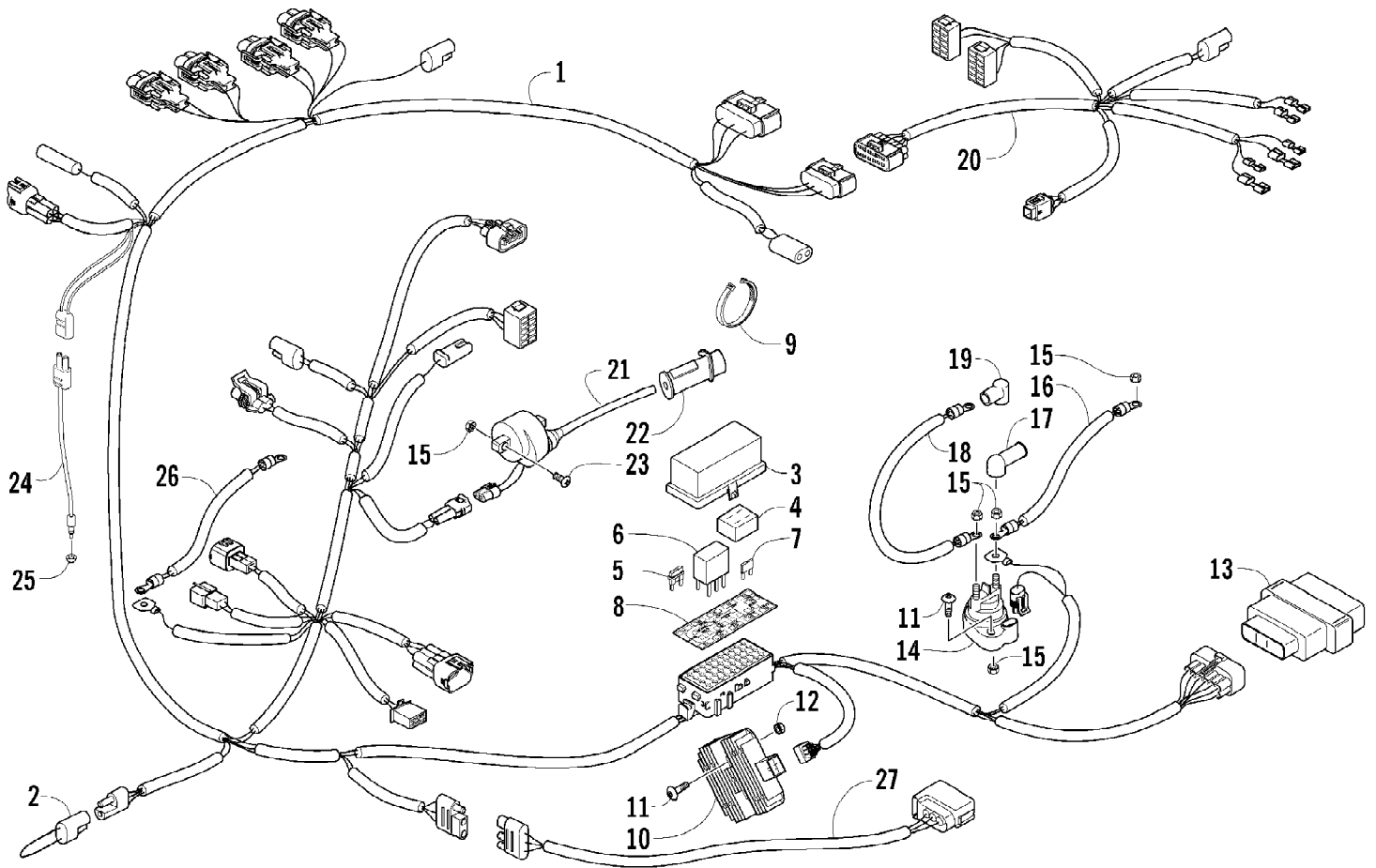




2008 PROWLER XT 650 H1 AUTOMATIC 4X4 RED (U2008P2S4BUSR)  
WHEEL AND TIRE ASSEMBLY

Page 89 of 91

| Ref # | Part Number | Qty | S/P/F | Description                 |
|-------|-------------|-----|-------|-----------------------------|
| 1     | 0423-557    | 8   |       | Screw, Machine              |
| 2     | 1402-455    | 2   | S     | Disc, Brake                 |
| 3     | 0502-980    | 2   | S     | Hub, Wheel - Front (inc. 4) |
| 3     | 0503-322    | 2   | S     | Hub, Wheel - Rear (inc. 4)  |
| 4     | 0402-974    | 16  | /P    | Stud, Wheel Hub             |
| 5     | 0423-407    | 4   |       | Pin, Cotter                 |
| 6     | 0423-607    | 4   |       | Nut, Castle                 |
| 7     | 1402-449    | 2   |       | Wheel - Front               |
| 8     | 0423-618    | 16  |       | Nut, Mounting - Wheel       |
| 9     | 1402-392    | 2   |       | Tire - Front                |
| 10    | 0402-064    | 4   |       | Stem, Valve (inc. 11)       |
| 11    | 0402-140    | 4   |       | Cap, Valve Stem             |
| 12    | 1402-452    | 2   |       | Wheel - Rear                |
| 13    | 1402-393    | 2   |       | Tire - Rear                 |



| Ref # | Part Number | Qty | S/P/F | Description                               |
|-------|-------------|-----|-------|---|
| 1     | 0486-252    | 1   |       | Harness, Main (inc. 2-8)                  |
| 2     | 0486-164    | 1   |       | Tether, Accessory Connector               |
| 3     | 0530-008    | 1   |       | Cover, Fuse Block                         |
| 4     | 0430-037    | 1   |       | Holder, Fuse                              |
| 5     | 0430-034    | 1   |       | Diode                                     |
| 6     | 0430-033    | 1   |       | Relay (5-Pin) - 20 Amp                    |
| 6     | 0430-045    | 3   | /P    | Relay (4-Pin) - 20 Amp                    |
| 7     | 0430-032    | 4   |       | Fuse - 10 Amp                             |
| 7     | 0430-031    | 5   |       | Fuse - 15 Amp                             |
| 7     | 0430-030    | 2   |       | Fuse - 30 Amp                             |
| 8     | 1411-576    | 1   |       | Decal, Fuse Block                         |
| 9     | 0123-788    | AR  | /P    | Cable Tie - 7.5 in.                       |
| 10    | 0824-037    | 1   | /P    | Regulator, Voltage                        |
| 11    | 8476-625    | 4   |       | Screw, Machine                            |
| 12    | 8424-602    | 2   | /P    | Nut, Hex                                  |
| 13    | 0824-048    | 1   | /P    | CDI Unit                                  |
| 14    | 0445-058    | 1   | /P    | Solenoid                                  |
| 15    | 0623-038    | 8   |       | Nut w/Washer                              |
| 16    | 0445-061    | 1   |       | Cable, Solenoid/Starter                   |
| 17    | 0645-327    | 1   |       | Boot, Terminal                            |
| 18    | 0445-049    | 1   |       | Cable, Battery/Solenoid (inc. one No. 19) |
| 19    | 0645-019    | 2   |       | Boot, Terminal                            |
| 20    | 0486-224    | 1   |       | Harness, Console                          |
| 21    | 0824-036    | 1   |       | Coil, Ignition - Assembly                 |
| 22    | 0824-021    | 1   | S     | Cap, Spark Plug                           |
| 23    | 8476-620    | 2   |       | Screw, Machine                            |
| 24    | 0409-009    | 1   |       | Switch, Brake - Assembly                  |
| 25    | 0402-991    | 1   |       | Retainer, Brake Switch                    |
| 26    | 0445-050    | 1   |       | Cable, Battery/Engine                     |
| 27    | 0486-176    | 1   |       | Harness Adapter, Taillight                |