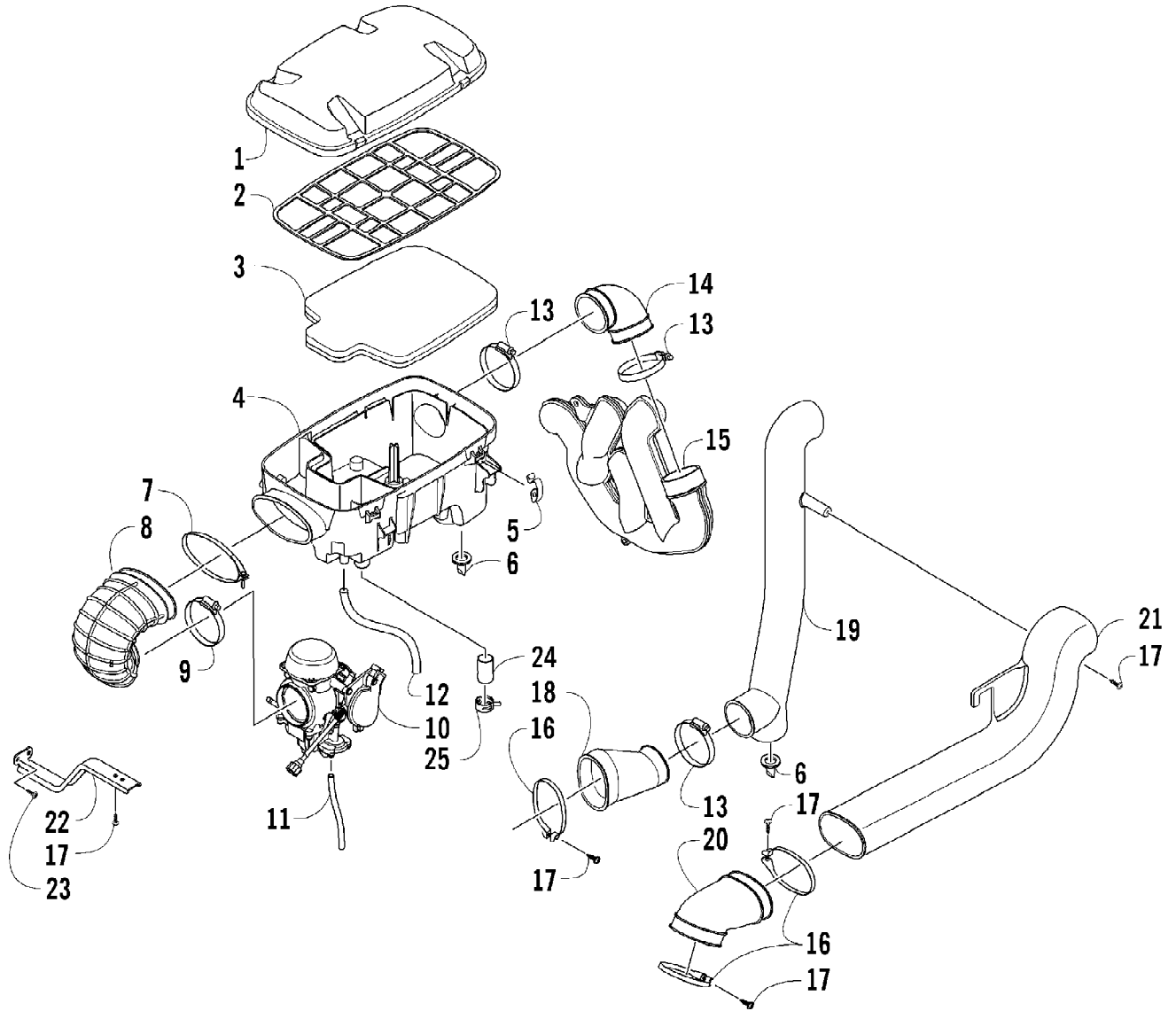


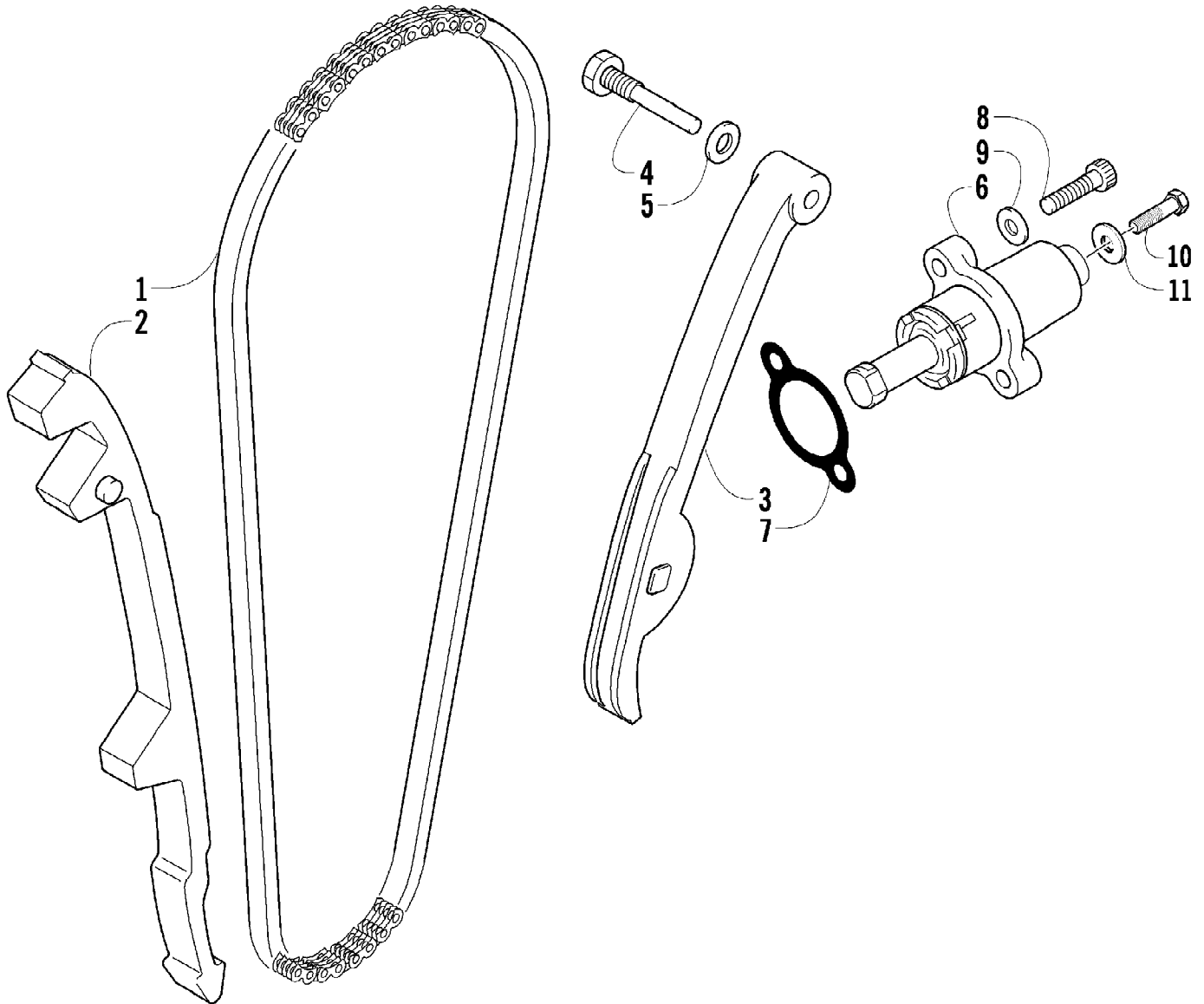
2008 PROWLER XT 650 H1 AUTOMATIC 4X4 CAT GREEN (U2008P2S4BUSZ)Page 2 of 91
ACCELERATOR ASSEMBLY

Ref #	Part Number	Qty	S/P/F	Description
1	0502-974	1		Pedal, Accelerator
2	0405-233	1		Spring
3	0402-872	1		Axle
4	1602-213	2	/P	O-Ring
5	8422-002	1		Nut
6	8468-620	2	/P	Screw, Machine
7	0502-991	1		Bracket, Accelerator Pedal
8	0623-038	2		Nut, Hex w/Washer
9	0502-990	1		Bracket, Cable - Accelerator
10	0487-048	1		Cable, Accelerator
11	2506-476	1		Support, Pedal
12	8408-816	1		Screw



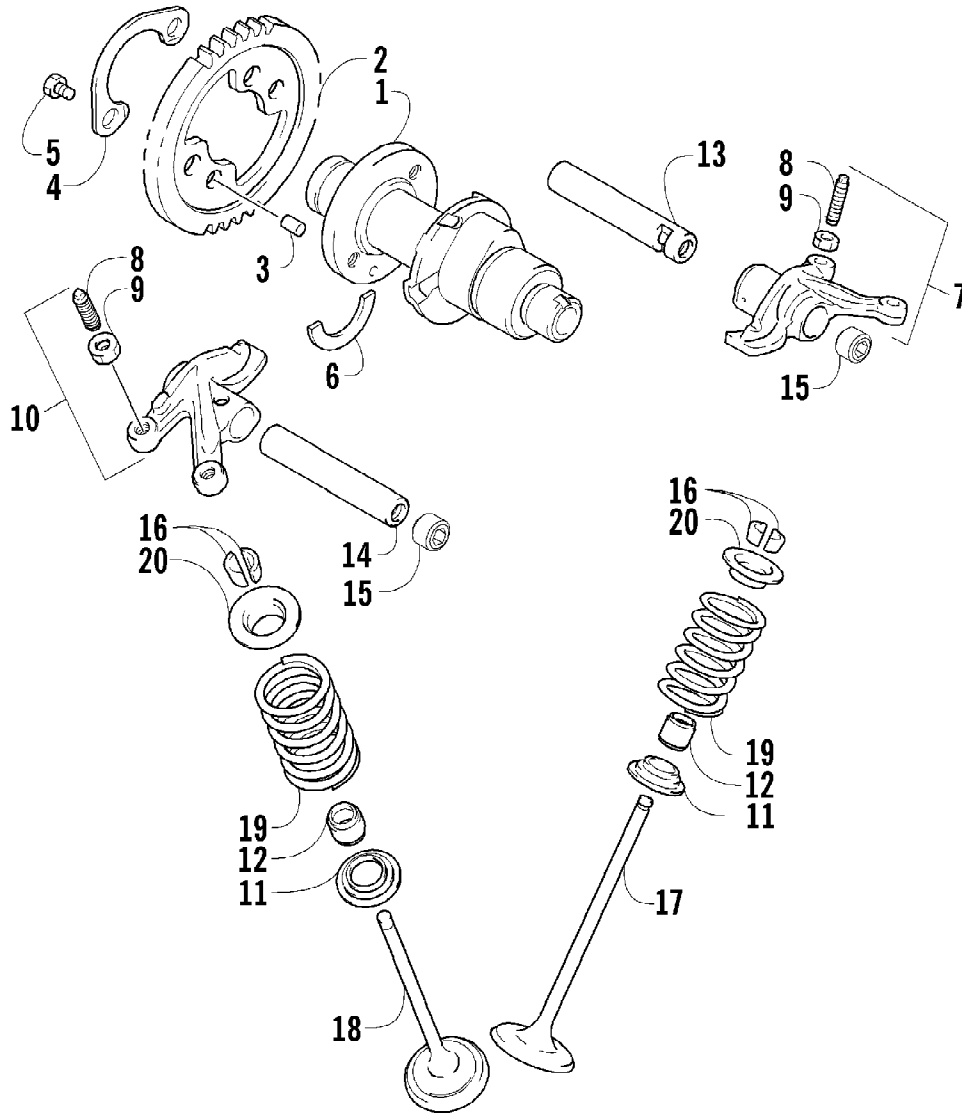
2008 PROWLER XT 650 H1 AUTOMATIC 4X4 CAT GREEN (U2008P2S4BUSZ)Page 4 of 91
AIR INTAKE ASSEMBLY

Ref #	Part Number	Qty	S/P/F	Description
1	0470-755	1	S	Cover, Air Intake
2	0470-560	1		Screen, Air Filter
3	0470-558	1		Filter, Air
4	0470-675	1		Housing, Air Intake
5	0423-455	4		Clip, Spring
6	0470-442	2	/P	Valve, Drain
7	0423-554	1		Clamp, Boot
8	0470-525	1		Boot, Carburetor
9	0423-019	1		Clamp, Hose
10	0470-742	1		Carburetor, CVK36-AE
11	0510-593	1		Hose, Carburetor Drain
12	0410-079	1	S	Hose, Vent - Crankcase
13	0423-380	3	/P	Clamp, Boot
14	0413-098	1		Boot, Air-In
15	0513-024	1		Duct, Air-In
16	0423-550	3		Clamp
17	0423-342	6	/P	Screw, Self-Tapping
18	0413-049	1		Boot, Duct
19	0413-188	1		Duct
20	0413-109	1		Boot, Air-Out - Clutch
21	0413-189	1		Duct, Air-Out - Clutch
22	2506-651	1		Bracket, Support
23	0623-784	2		Screw, Self-Tapping
24	0423-766	1		Cap, Drain - Housing
25	1623-287	1		Clamp, Hose



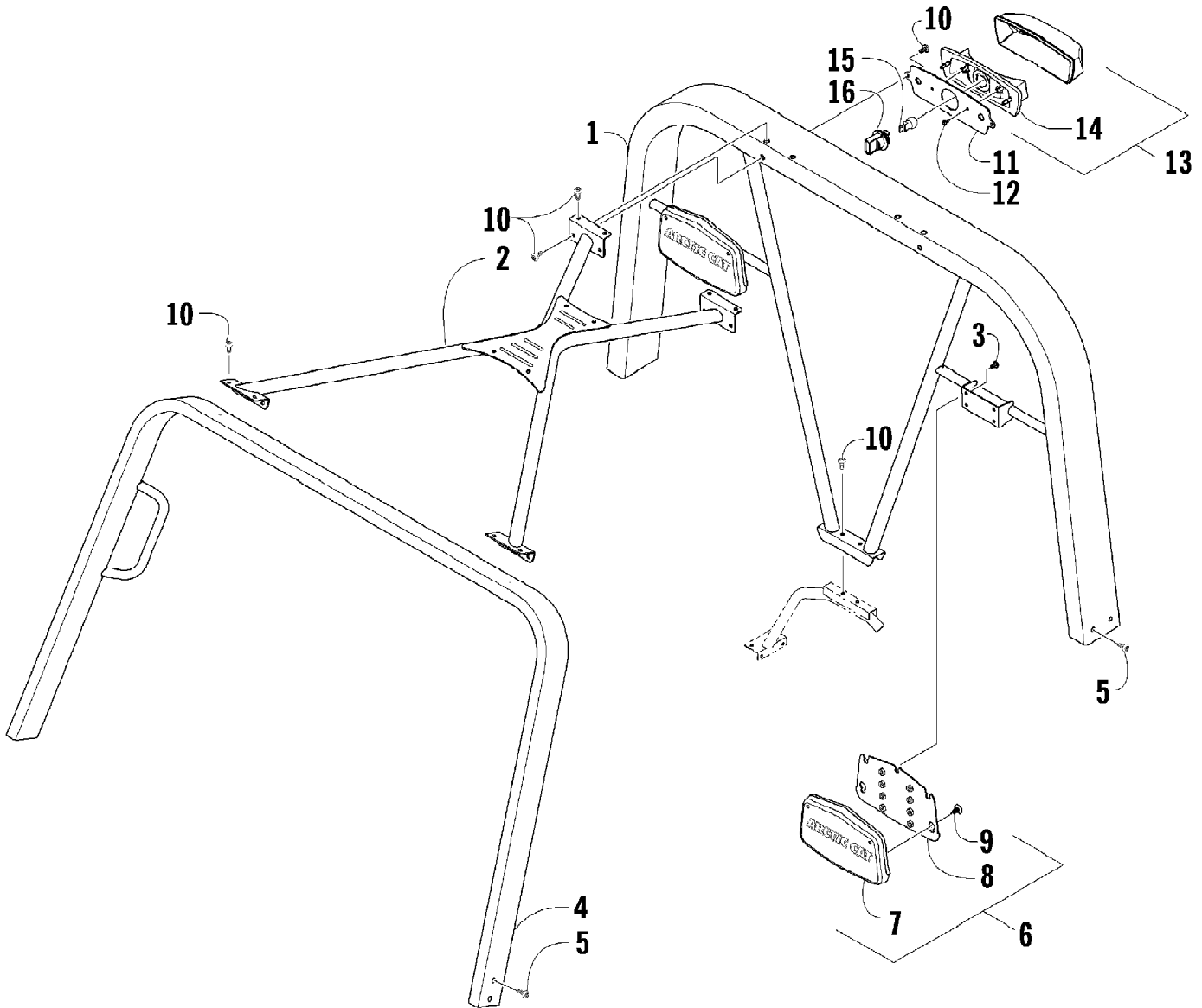
2008 PROWLER XT 650 H1 AUTOMATIC 4X4 CAT GREEN (U2008P2S4BUSZ)Page 6 of 91
CAM CHAIN ASSEMBLY

Ref #	Part Number	Qty	S/P/F	Description
1	0810-001	1		Chain, Cam
2	0810-002	1		Guide, Chain
3	0810-003	1		Tensioner, Chain
4	0826-036	1		Bolt
5	0830-025	1		Washer
6	0810-004	1		Adjuster, Tensioner - Assembly
7	0830-018	1		Gasket
8	8468-625	2		Screw, Machine
9	0830-107	2		Gasket
10	8400-610	1		Screw, Cap
11	0828-110	1		Washer



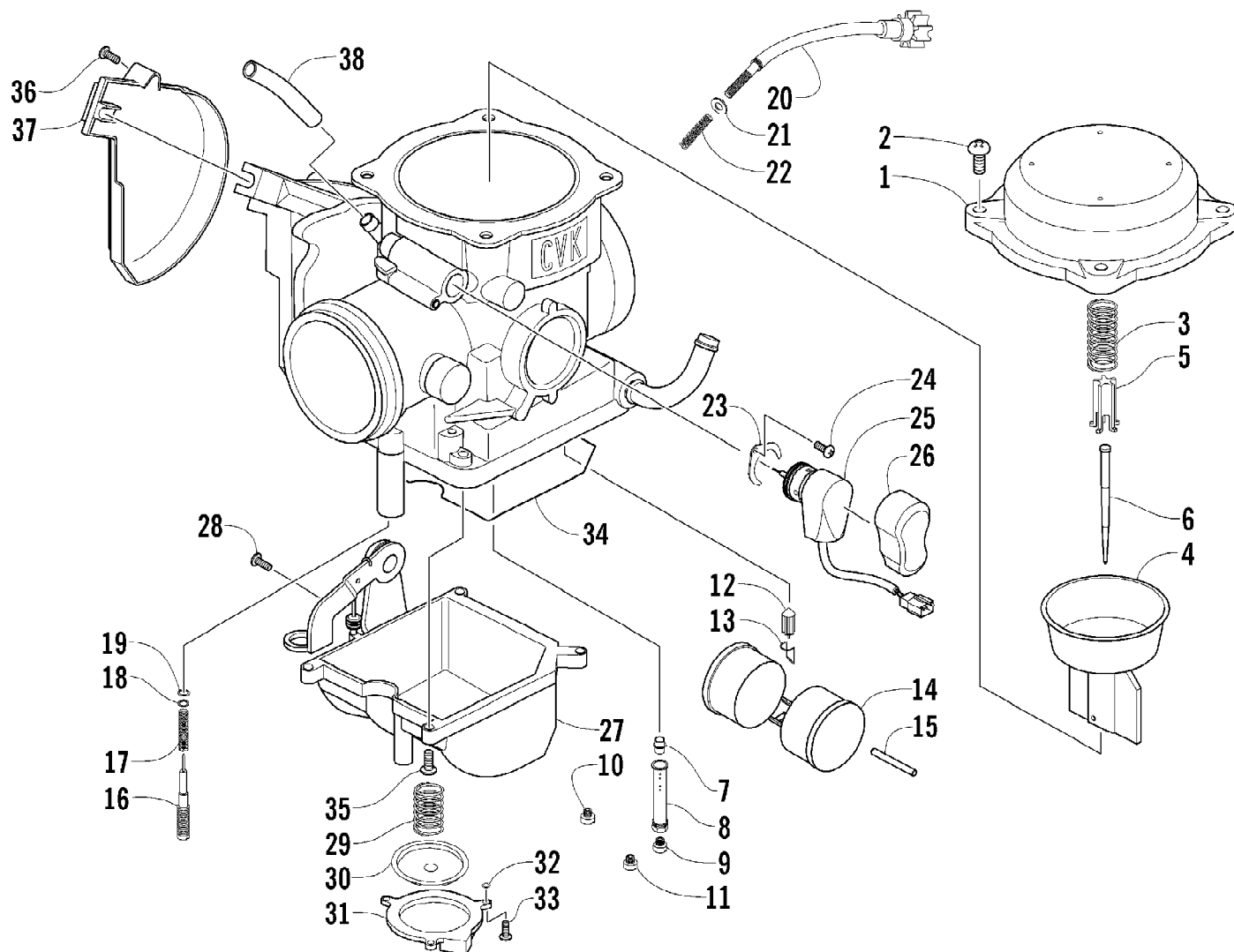
2008 PROWLER XT 650 H1 AUTOMATIC 4X4 CAT GREEN (U2008P2S4BUSZ)Page 8 of 91
CAMSHAFT/VALVE ASSEMBLY

Ref #	Part Number	Qty	S/P/F	Description
1	0809-200	1	S	Camshaft
2	0809-002	1		Sprocket
3	0829-008	1		Pin
4	0828-004	1		Washer
5	0826-034	2		Bolt
6	0809-003	1		C-Ring
7	0809-202	1	S	Arm, Valve Rocker - Intake (inc. two No. 8-9)
8	0809-033	4	S	Screw
9	0827-007	4		Nut
10	0809-205	1	S	Arm, Valve Rocker - Exhaust (inc. two No. 8-9)
11	0809-006	4		Seat, Spring - Valve
12	0830-016	4	S	Seal, Oil
13	0809-007	1		Shaft, Rocker Arm - Intake
14	0809-008	1		Shaft, Rocker Arm - Exhaust
15	0831-066	2		Plug, Shaft
16	0809-014	8		Keeper, Valve
17	0809-039	2	S	Valve, Intake
18	0809-040	2	S	Valve, Exhaust
19	0809-138	4	S	Spring, Valve
20	0809-013	4		Retainer, Spring



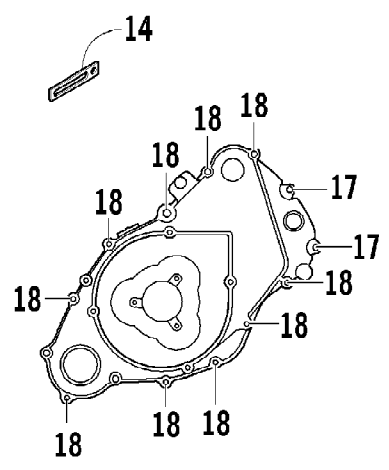
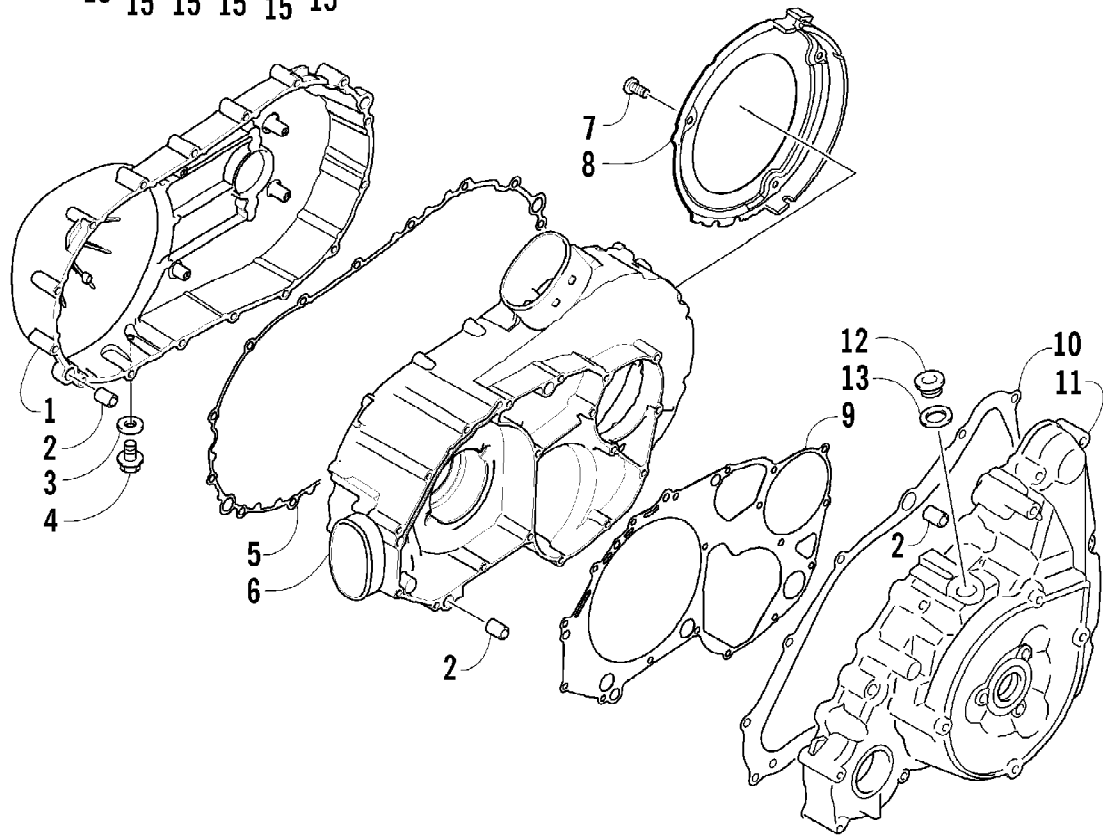
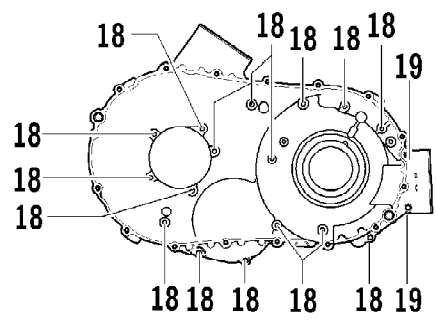
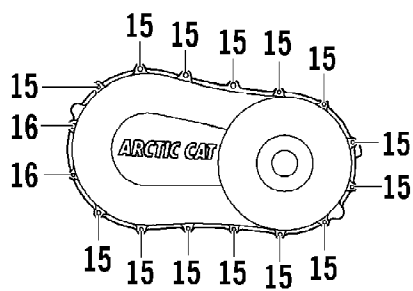
2008 PROWLER XT 650 H1 AUTOMATIC 4X4 CAT GREEN (U2008P2S4BUSZ) Page 10 of 91
CANOPY AND TAILLIGHT ASSEMBLY

Ref #	Part Number	Qty	S/P/F	Description
1	1506-680	1		Tube, Canopy - Rear
2	1506-713	1		Support, Canopy
3	0423-361	8		Screw, Machine
4	1506-665	1		Tube, Canopy - Front
5	0423-817	8		Screw, Machine
6	1506-795	2		Pad, Headrest - Assembly (inc. 7-9)
7	1406-884	2		Pad, Headrest
8	1506-722	2		Mount, Headrest
9	0623-544	10		Plug
10	0423-419	18		Screw, Machine
11	2406-069	1		Bracket, Taillight Mounting
12	0623-301	2	/P	Screw, Self-Tapping
13	0509-022	1		Taillight Assembly (inc. 14-16)
14	0509-025	1		Housing, Taillight
15	0409-056	1		Bulb, Taillight
16	0409-057	1		Socket, Taillight



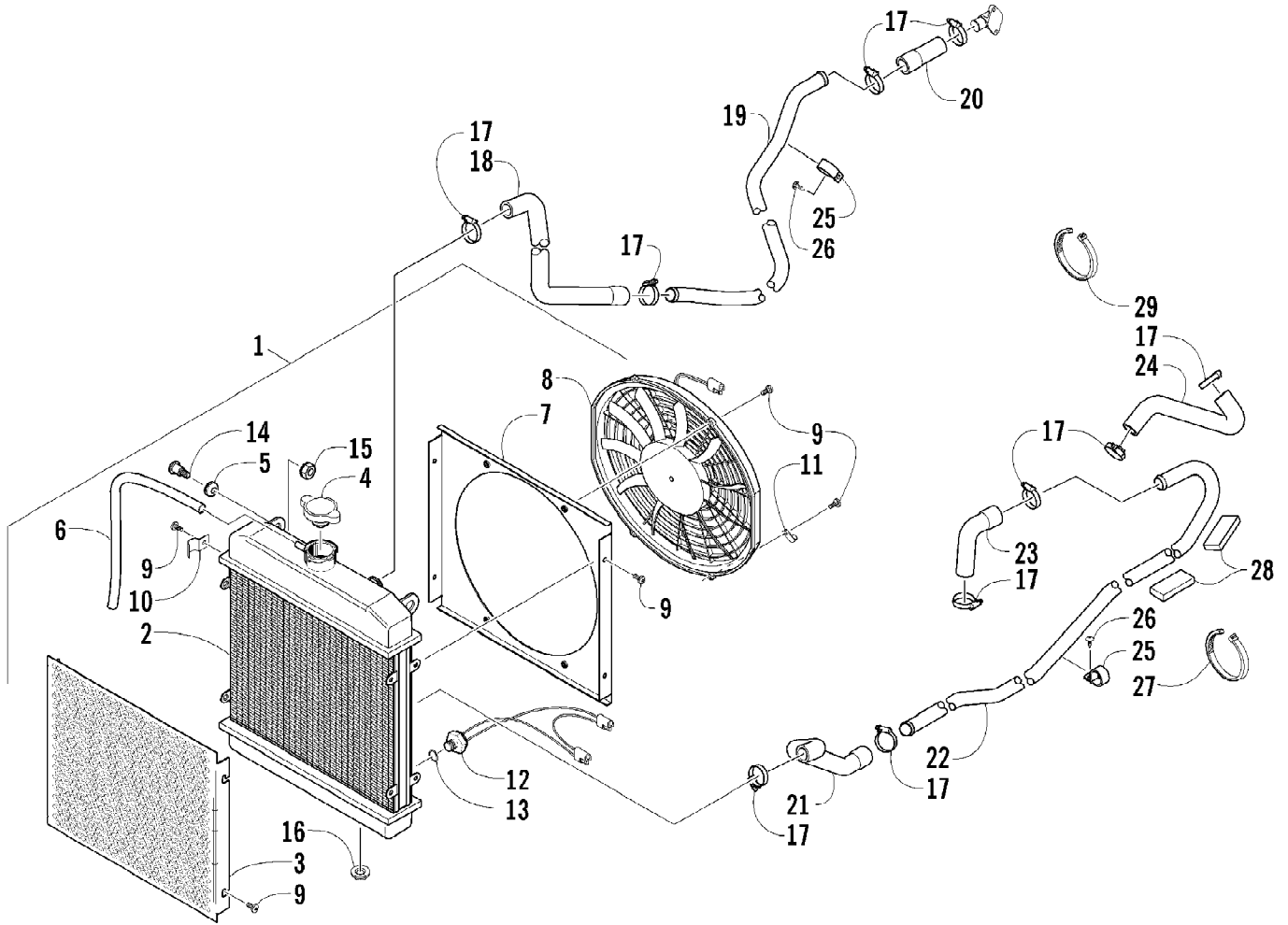
2008 PROWLER XT 650 H1 AUTOMATIC 4X4 CAT GREEN (U2008P2S4BUSZ) Page 12 of 91
 CARBURETOR

Ref #	Part Number	Qty	S/P/F	Description
	0470-742	1		Complete Carburetor Assembly (CVK36-AE)
1	5507-001	1		Cover, Top
2	5507-002	4	/P	Screw, Top Cover
3	5507-066	1	/P	Spring
4	5507-099	1		Piston, Vacuum
5	5507-005	1		Seat, Spring
6	5507-201	1		Jet Needle
7	5507-007	1		Needle Jet
8	5507-047	1	/P	Holder, Needle Jet
9	5507-076	1	/P	Main Jet - 138
9	5507-075	1	F	Main Jet - 132
9	5507-074	1	F	Main Jet - 130
9	5507-057	1	/P/F	Main Jet - 135
9	5507-073	1	F	Main Jet - 140
9	5507-043	1	F	Main Jet - 142
10	5507-070	1	/P	Slow Jet
11	5507-112	1		Starter Jet - 85
12	5507-183	1		Valve, Float - Set (inc. 13)
13	0	1	F	Clip
14	5507-039	1		Float Set (inc. 15)
15	0	1	F	Pin, Float
16	5507-213	1		Screw, Pilot - Set (inc. 17-19)
17	0	1	F	Spring
18	0	1	F	Washer
19	0	1	F	O-Ring
20	5507-027	1		Screw, Idle Adjust
21	5507-028	1		Washer
22	5507-029	1		Spring
23	5507-115	1		Plate
24	5507-117	1	/P	Screw
25	5507-204	1		Choke, Electric
26	5507-114	1		Cover, Electric Choke
27	5507-214	1		Chamber, Float - Assembly (inc. 28-34)
28	5507-050	1	/P	Screw, Drain
29	5507-211	1		Spring
30	5507-197	1		Diaphragm Assembly - Pump Housing
31	5507-198	1		Housing, Pump
32	5507-034	1		U-Ring
33	5507-035	3		Screw
34	5507-067	1	/P	O-Ring, Float Chamber
35	5507-017	4	/P	Screw
36	5507-037	1	/P	Screw
37	5507-036	1		Cover
38	0410-056	1		Hose, Vent



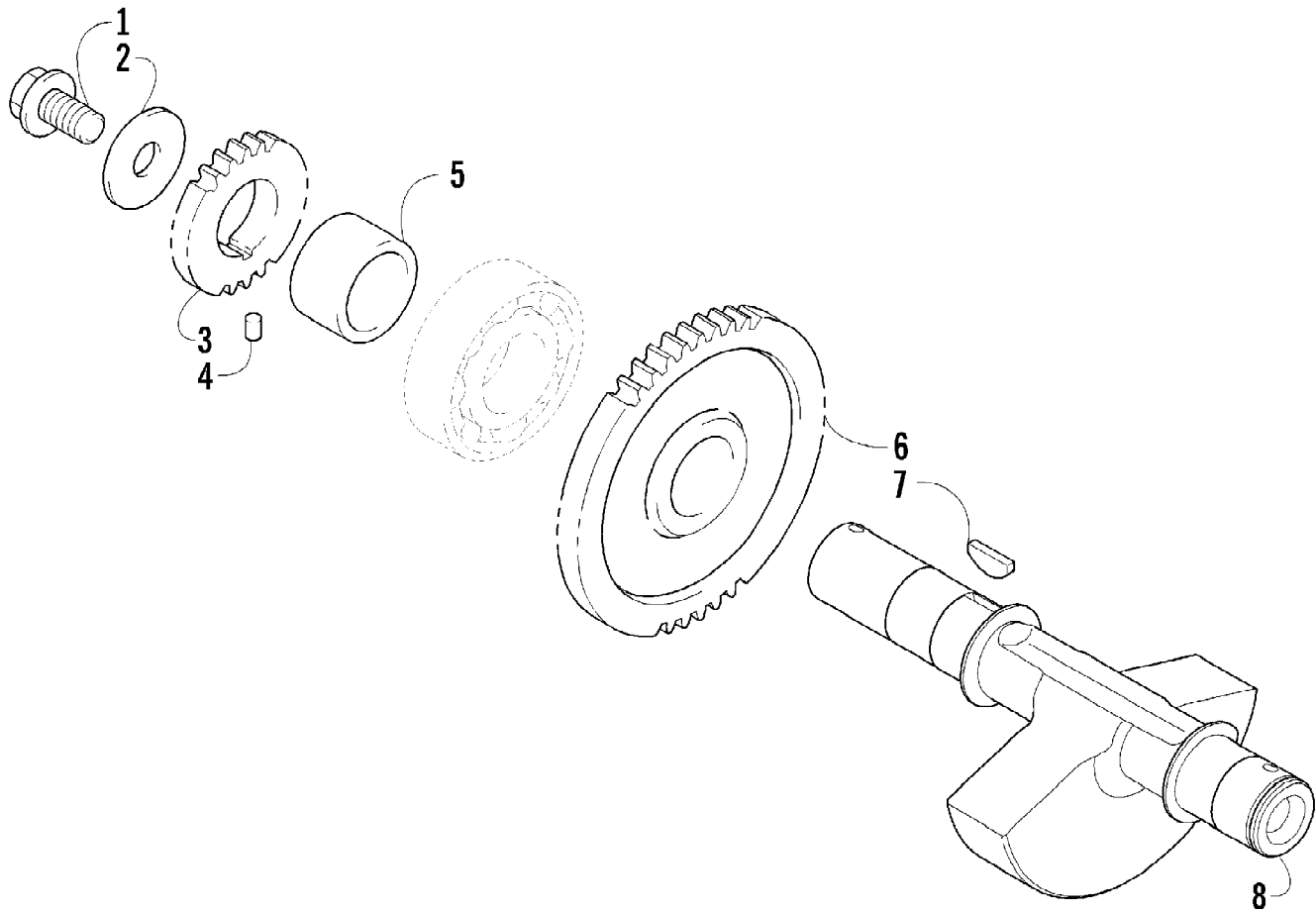
2008 PROWLER XT 650 H1 AUTOMATIC 4X4 CAT GREEN (U2008P2S4BUSZ) Page 14 of 91
 CLUTCH/V-BELT/MAGNETO COVER ASSEMBLY

Ref #	Part Number	Qty	S/P/F	Description
1	0806-088	1	/P	Cover, V-Belt
2	0829-002	4		Pin, Dowel
3	0830-013	1		Washer, Crush
4	8408-812	1		Screw, Cap
5	0830-174	1	/P	Gasket, V-Belt Cover
6	0806-091	1		Cover, Clutch
7	0826-029	3		Screw, Machine
8	0806-048	1		Seal, Air Intake
9	0830-116	1	/P	Gasket, Clutch Cover
10	0830-128	1		Gasket, Magneto Cover
11	0806-094	1		Cover, Magneto - Assembly
12	0806-022	1		Plug
13	0830-015	1		Washer, Crush
14	3002-964	1	/P	Clamp, Wire
15	8468-645	14		Screw, Machine
16	8468-655	2		Screw, Machine
17	8468-625	2		Screw, Machine
18	8468-640	26		Screw, Machine
19	8468-675	2		Screw, Machine



2008 PROWLER XT 650 H1 AUTOMATIC 4X4 CAT GREEN (U2008P2S4BUSZ) Page 16 of 91
 COOLING ASSEMBLY

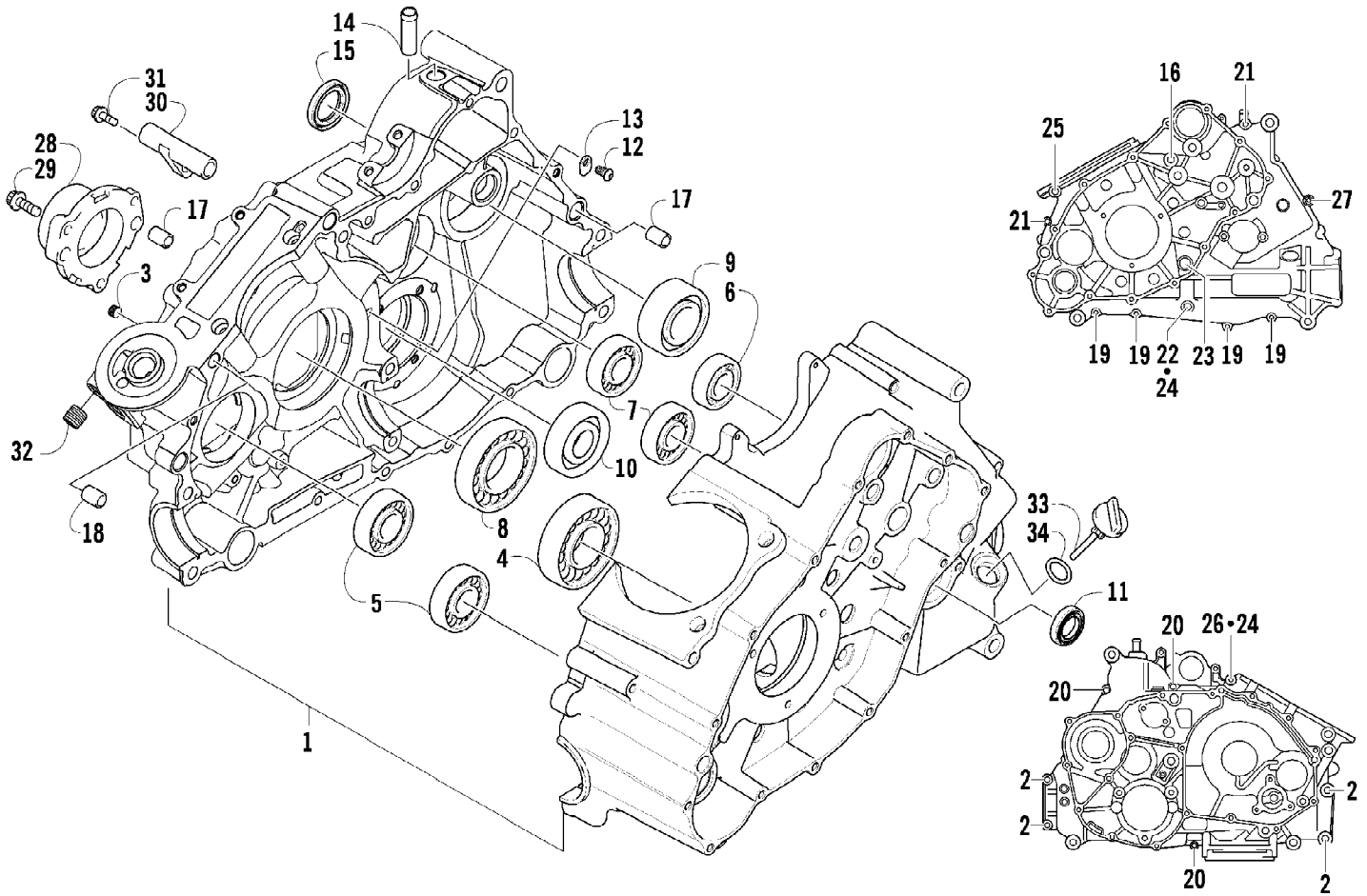
Ref #	Part Number	Qty	S/P/F	Description
1	0413-172	1	S	Radiator - Assembly (inc. 2-13)
2	0413-184	1	/P	Radiator
3	0413-007	1		Screen, Radiator
4	0413-002	1	S	Cap, Radiator
5	0423-030	2		Grommet
6	0610-016	AR	/P	Hose - 25 ft
7	0413-046	1		Shroud, Fan
8	0413-123	1	/P	Fan, Cooling
9	8475-512	12		Screw, Machine
10	0423-351	1		Clamp, Wire
11	0123-397	1		Clamp, Cable
12	0413-168	1		Sensor, Temperature - Coolant
13	0423-390	1	S	O-Ring
14	0423-484	2		Screw, Shoulder
15	0623-038	2		Nut w/Washer
16	0423-028	2		Bushing, Stem
17	0423-496	10		Clamp, Hose
18	0410-092	1		Hose, Coolant - Upper Radiator
19	0410-089	1		Pipe, Coolant - Upper
20	0410-091	1		Hose, Coolant - Upper Engine
21	0410-094	1		Hose, Coolant - Lower Radiator
22	0410-090	1		Pipe, Coolant - Lower
23	0410-093	1		Hose, Coolant - Lower Engine
24	0410-095	1		Hose, Coolant - Rear
25	0423-594	2		Clamp, Pipe - Coolant
26	0623-784	2		Screw, Self-Tapping
27	0123-903	AR		Cable Tie - 11.5 in.
28	0406-288	2		Pad
29	0623-751	AR		Cable Tie, Reusable



2008 PROWLER XT 650 H1 AUTOMATIC 4X4 CAT GREEN (U2008P2S4BUSZ) Page 18 of 91
CRANK BALANCER ASSEMBLY

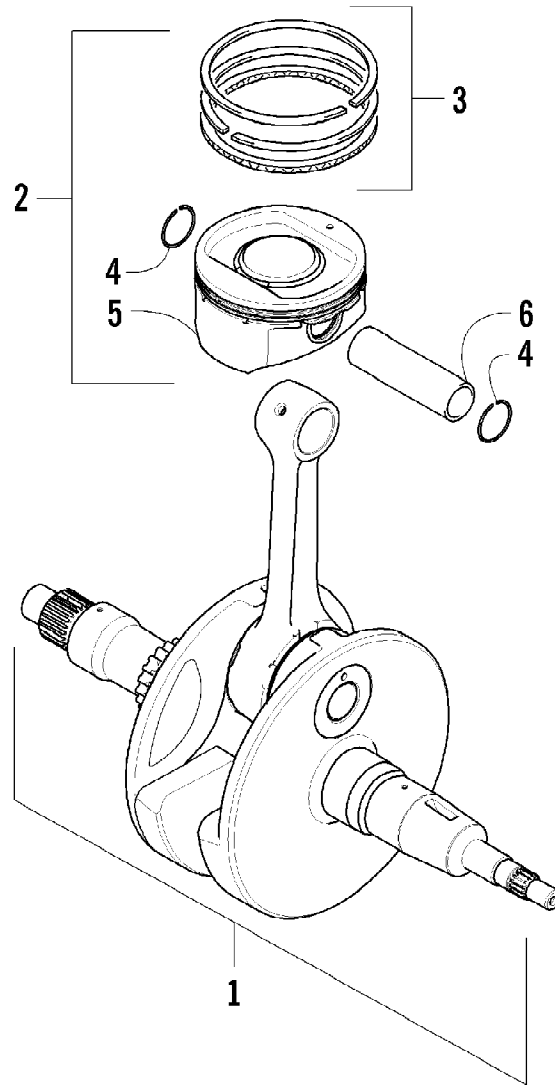
Ref #	Part Number	Qty	S/P/F	Description
1	0826-033	1		Screw, Cap
2	0828-003	1		Washer
3	0811-003	1		Gear, Oil Pump Drive
4	0829-007	1		Dowel, Solid
5	0811-004	1		Spacer
6	0811-002	1		Gear, Driven
7	0829-006	1		Key - Crank Balancer Shaft
8	0811-017	1		Balancer, Crank

2008 PROWLER XT 650 H1 AUTOMATIC 4X4 CAT GREEN (U2008P2S4BUSZ) Page 19 of 91
CRANKCASE ASSEMBLY



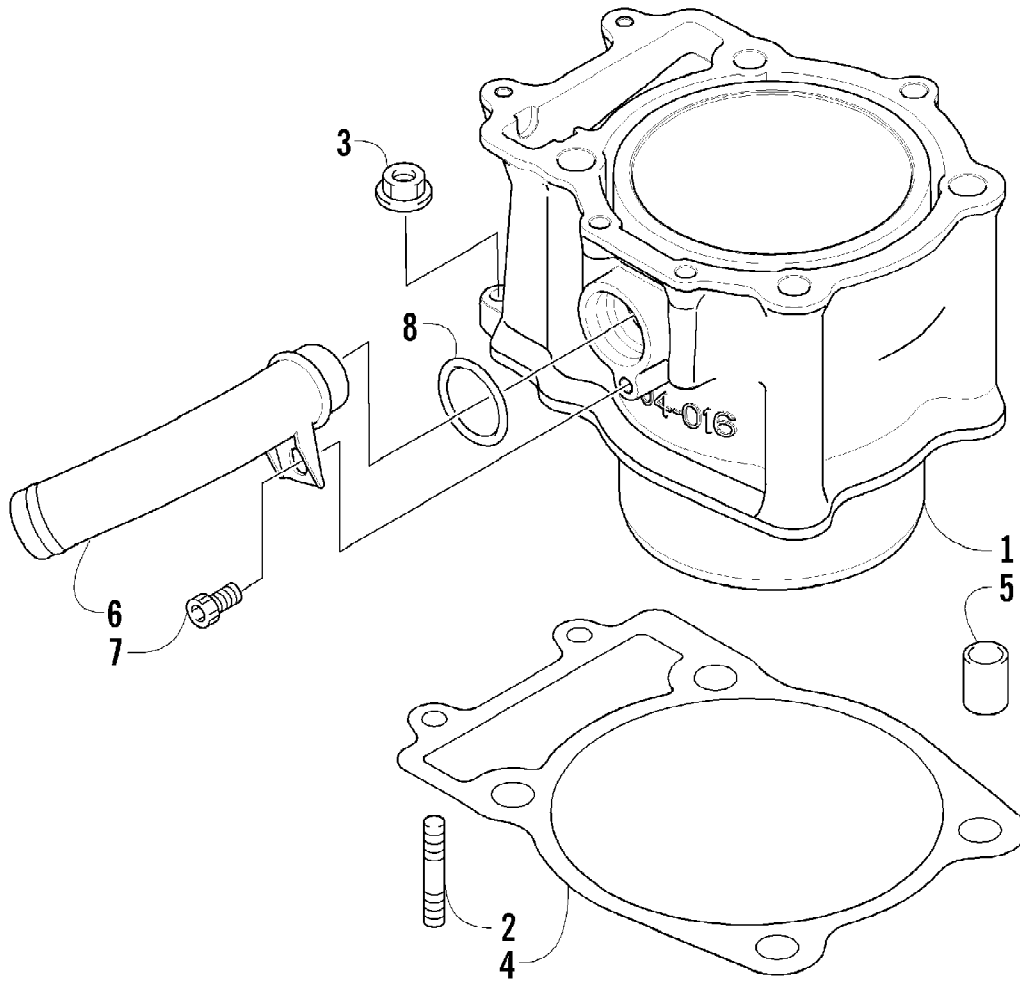
2008 PROWLER XT 650 H1 AUTOMATIC 4X4 CAT GREEN (U2008P2S4BUSZ) Page 20 of 91
CRANKCASE ASSEMBLY

Ref #	Part Number	Qty	S/P/F	Description
1	0801-096	1	S	Crankcase Assembly (inc. four No. 2 and 3-15)
2	8412-850	4		Screw, Cap
3	0801-002	1		Plug
4	0832-043	1	/P	Bearing
5	0832-044	2	/P	Bearing
6	0832-049	1	/P	Bearing
7	0832-050	2	/P	Bearing
8	0832-042	1	/P	Bearing
9	0832-048	1	/P	Bearing, Driveshaft
10	0832-015	1	S/P	Bearing
11	0822-052	1		Seal, Countershaft
12	0826-100	4		Screw, Cap
13	0822-010	4	/P	Retainer, Bearing
14	0801-028	1		Pipe, Breather
15	0830-035	1		Seal, Driveshaft
16	8468-680	1		Screw, Machine
17	0829-002	5		Pin, Dowel
18	0829-003	1		Pin, Dowel
19	8468-645	4		Screw, Machine
20	8468-655	3		Screw, Machine
21	8468-675	2		Screw, Machine
22	8412-860	1		Screw, Cap
23	0826-017	1		Screw, Cap
24	0830-008	2		Gasket
25	0826-019	1		Screw, Cap
26	0826-018	1		Screw, Cap
27	8468-695	1		Screw, Machine
28	0801-006	1		Housing, Secondary Shaft Bearing
29	0826-105	3		Bolt
30	0801-069	1		Pipe, Breather
31	0826-038	1		Bolt, Breather Pipe
32	0812-064	2		Plug
33	0801-073	1		Stick, Oil Level
34	0830-010	1		O-Ring, Oil Level Stick



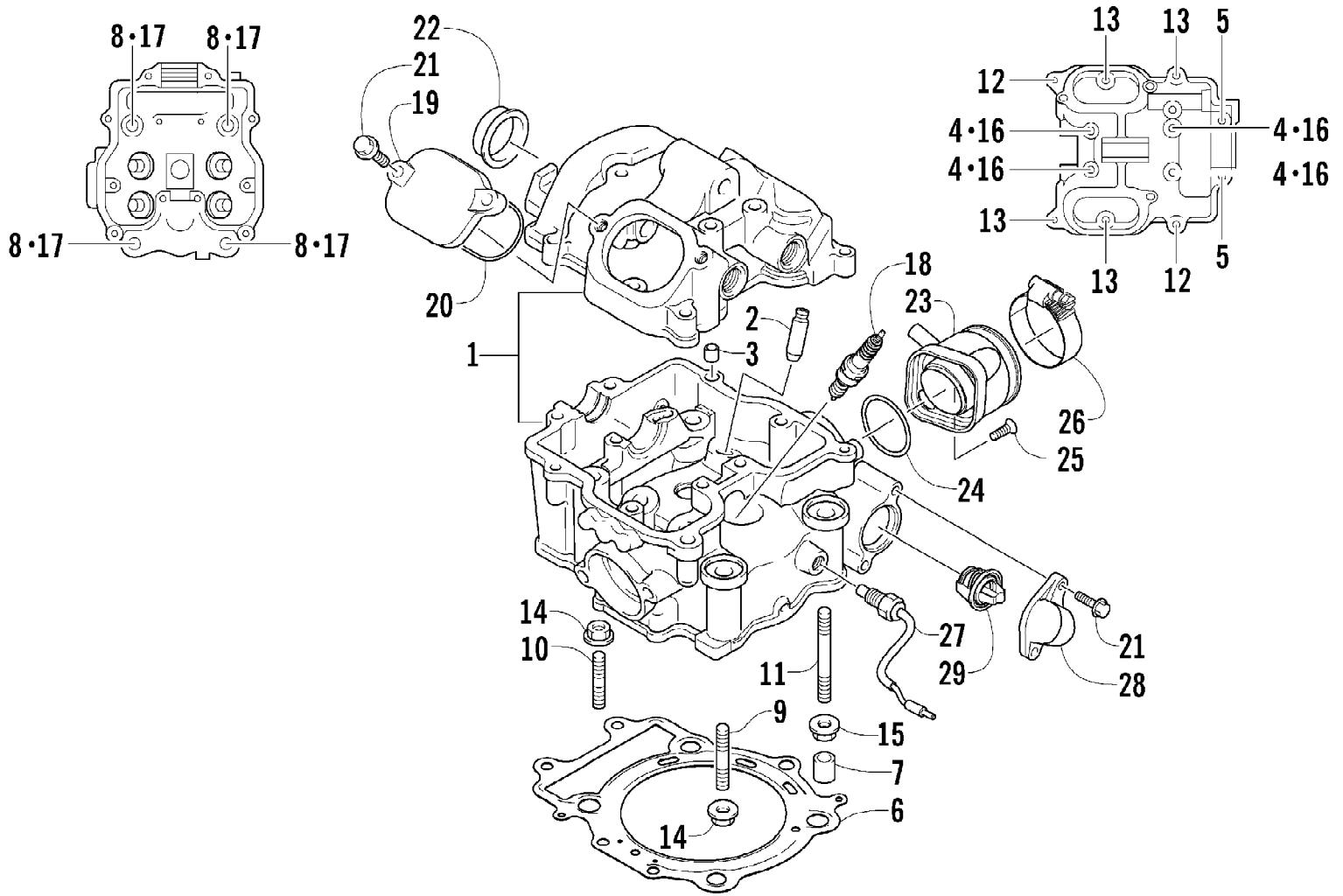
2008 PROWLER XT 650 H1 AUTOMATIC 4X4 CAT GREEN (U2008P2S4BUSZ) Page 22 of 91
CRANKSHAFT ASSEMBLY

Ref #	Part Number	Qty	S/P/F	Description
1	0805-032	1	S	Crankshaft Assembly
2	0805-035	1	/P	Piston Set (inc. 3-6)
3	0805-011	1		Ring, Piston - Set
4	0831-001	2		Circlip, Piston Pin
5	0805-010	1	S	Piston
6	0805-012	1		Pin, Piston



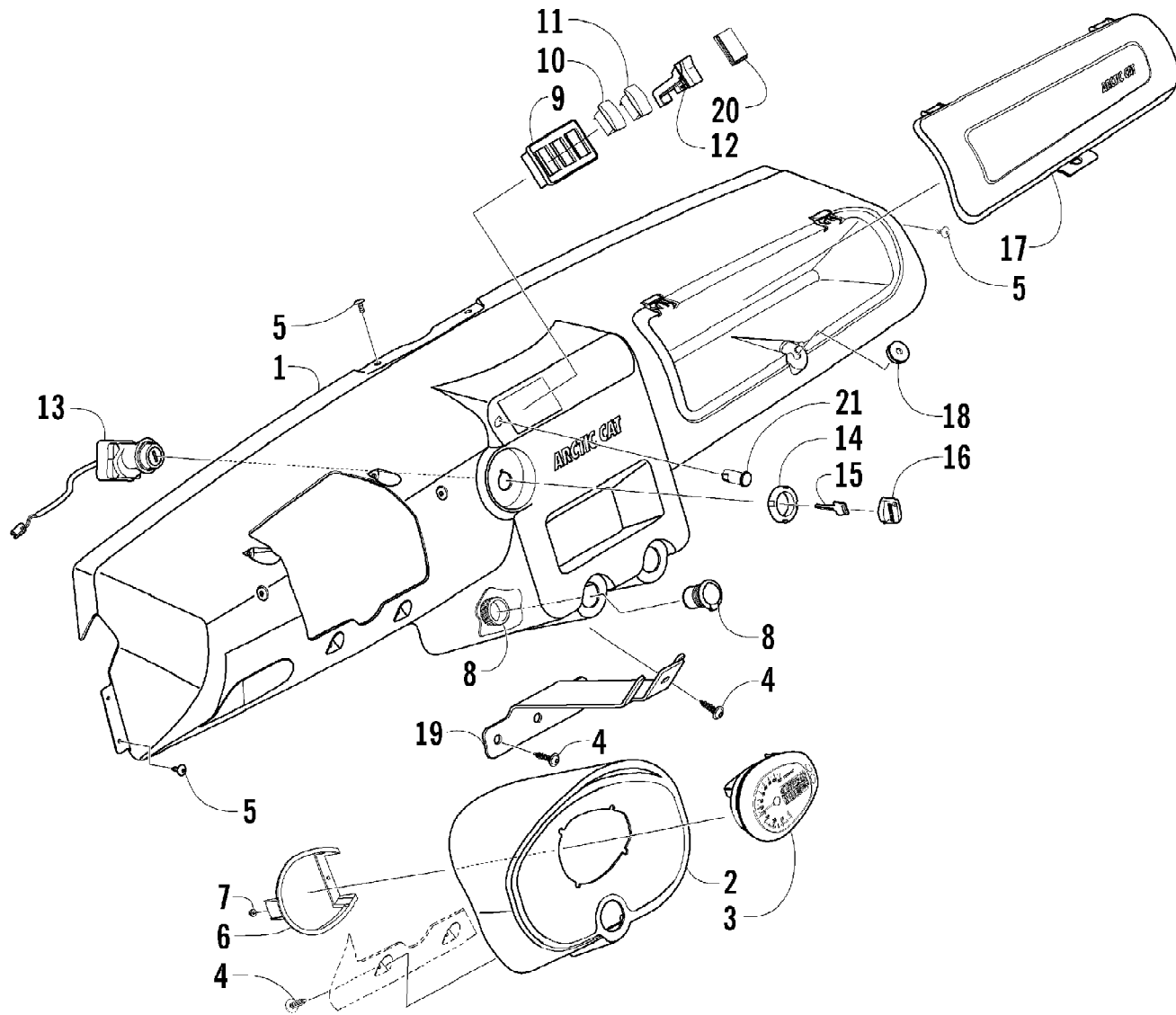
2008 PROWLER XT 650 H1 AUTOMATIC 4X4 CAT GREEN (U2008P2S4BUSZ) Page 24 of 91
CYLINDER ASSEMBLY

Ref #	Part Number	Qty	S/P/F	Description
1	0804-016	1		Cylinder
2	0827-002	2		Bolt, Stud
3	8424-604	2		Nut
4	0830-084	1		Gasket, Base
5	0829-002	2		Pin, Dowel
6	0804-002	1	S	Union, Water Hose
7	8468-612	1		Screw, Machine
8	0830-007	1		O-Ring



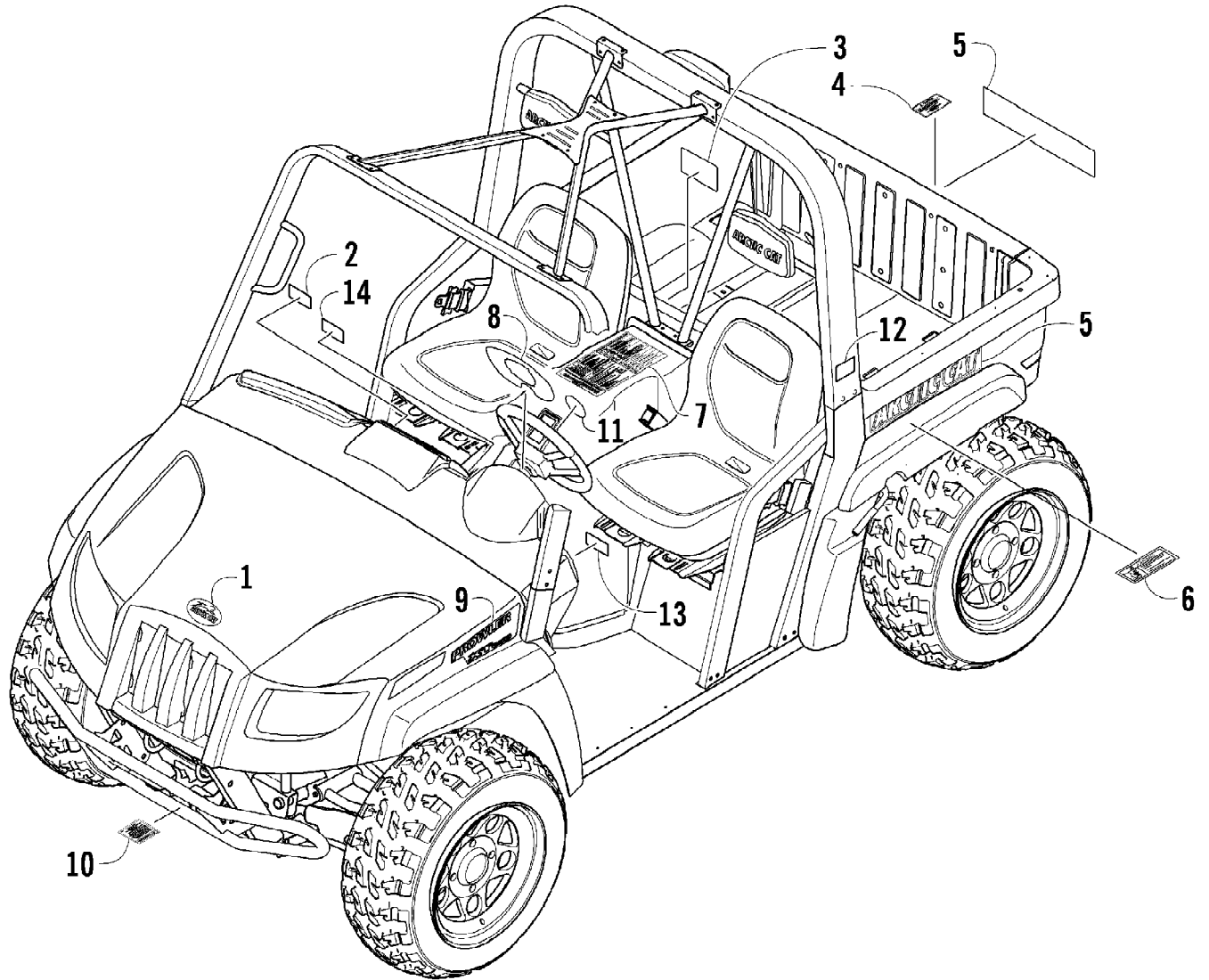
2008 PROWLER XT 650 H1 AUTOMATIC 4X4 CAT GREEN (U2008P2S4BUSZ) Page 26 of 91
CYLINDER HEAD ASSEMBLY

Ref #	Part Number	Qty	S/P/F	Description
1	0808-047	1	F	Head, Cylinder - Assembly (inc. 2-4)
2	0	4	F	Guide, Valve
3	0829-001	2	S	Dowel, Sleeve
4	0826-001	4		Screw, Cap
5	0826-002	2		Screw, Cap
6	0830-085	1	/P	Gasket, Cylinder Head
7	0829-002	2		Pin, Dowel
8	0808-037	4	/P	Screw, Cap
9	0827-030	2		Bolt, Stud
10	0827-002	2		Bolt, Stud
11	0827-031	1		Bolt, Stud
12	0826-005	2		Screw, Cap
13	0826-006	4		Screw, Cap
14	8424-604	4		Nut
15	8424-804	1		Nut
16	0830-107	4		Gasket - Seal, Fastener
17	0830-147	4	/P	Washer, Crush
18	0217-727	1	S	Spark Plug (RG6YC)
19	0808-003	2		Cap, Inspection
20	0830-167	2	/P	O-Ring
21	0826-007	6		Screw, Cap
22	0808-077	1		Plug, Cylinder Head
23	0570-115	1		Pipe, Intake - Assembly
24	0830-090	1		O-Ring
25	0826-008	2		Screw, Machine
26	0423-317	1	/P	Clamp, Intake Pipe
27	0808-127	1		Switch, Water Temperature - Assembly
28	0808-008	1		Cover, Thermostat
29	0808-078	1		Thermostat



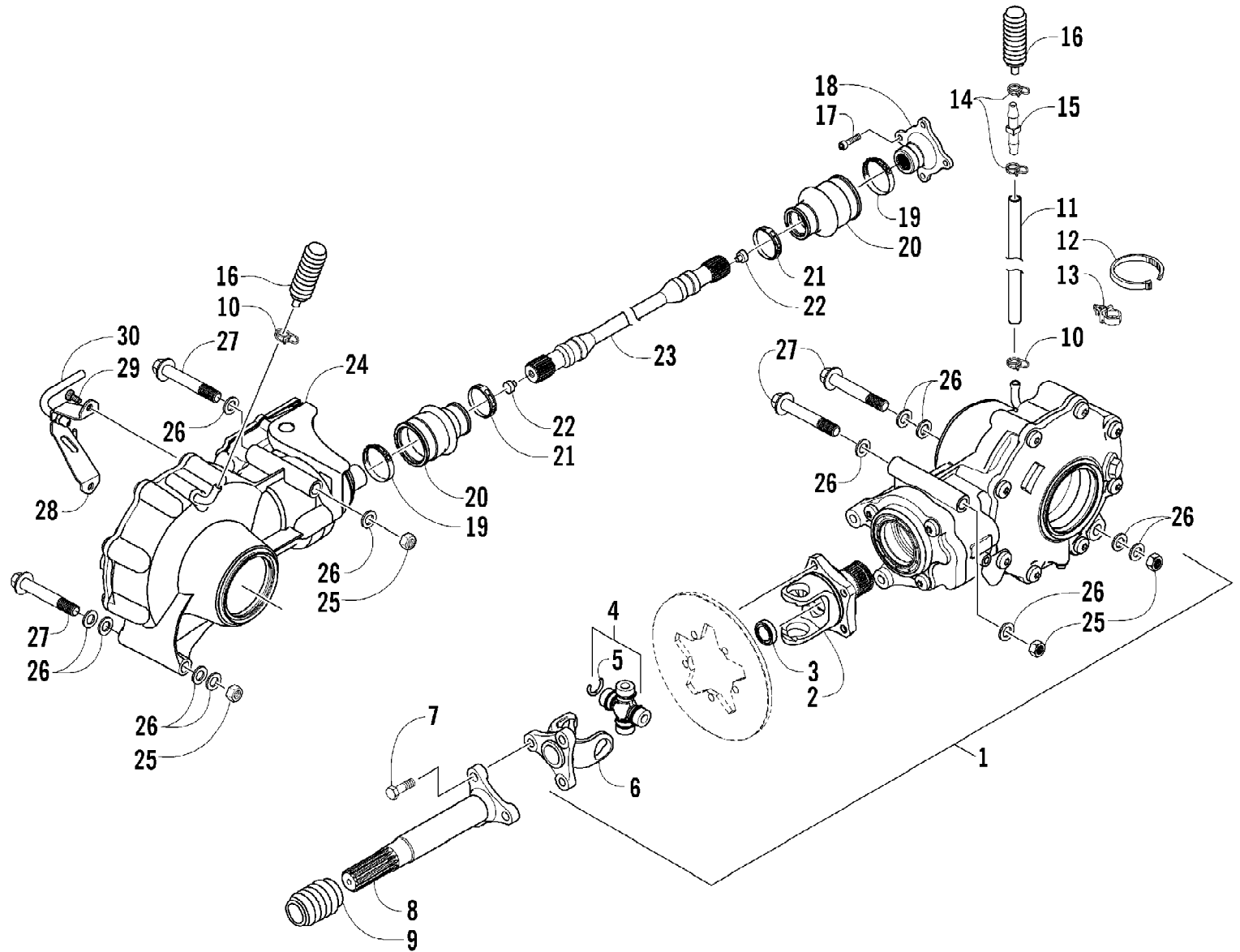
2008 PROWLER XT 650 H1 AUTOMATIC 4X4 CAT GREEN (U2008P2S4BUSZ) Page 28 of 91
DASH ASSEMBLY

Ref #	Part Number	Qty	S/P/F	Description
1	2406-505	1	S	Panel, Dash
2	1406-727	1		Pod, Instrument
3	0520-029	1		Gauge, A/D LCD
4	0423-342	10	/P	Screw, Self-Tapping
5	0623-784	6		Screw, Self-Tapping
6	0420-065	1	/P	Clamp, Plastic - LCD Gauge
7	0423-493	2		Nut, Hex
8	0641-897	2	/P	Outlet, Accessory - 12V
9	0409-069	1		Panel, Switch-Mount
10	0409-067	1		Switch - Lights
11	0409-074	1		Switch, 2WD/4WD
12	0502-905	1		Lever, Differential Lock - Assembly
13	0430-040	1	S	Switch, Ignition (inc. 14-16)
14	0430-050	1		Nut, Flange - Key Switch
15	0430-042	1		Key, Ignition Series (Y)
15	0430-043	1		Key, Ignition Series (Z)
16	0430-054	1		Cover, Key
17	1406-789	1		Cover, Glove Box
18	0423-541	1		Grommet, Latch - Glove Box
19	2506-192	1		Bracket, Support - Lower Dash
20	0409-070	1		Plug, Switch Hole
21	0420-076	1		Light, Indicator - Parking Brake



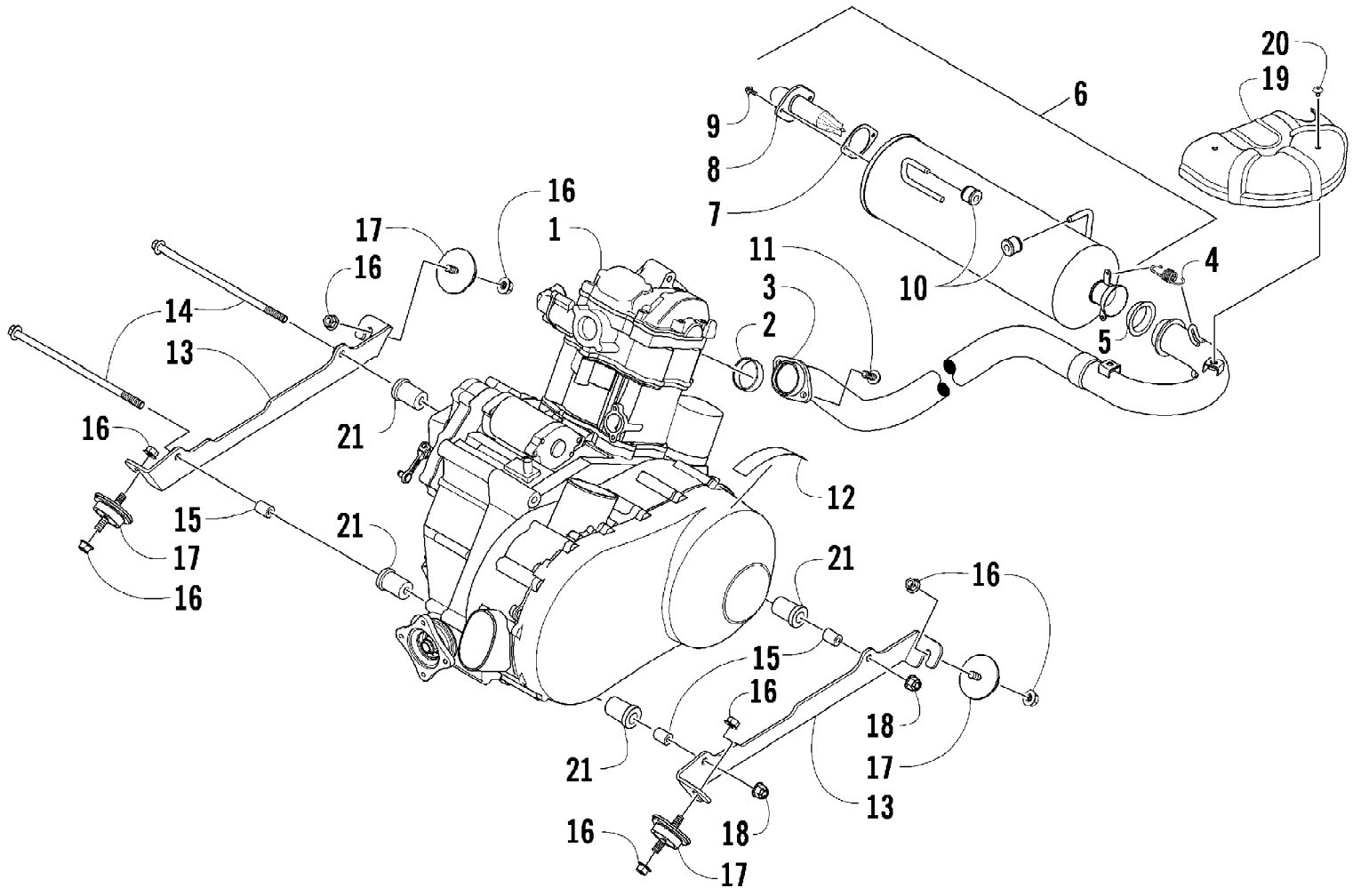
2008 PROWLER XT 650 H1 AUTOMATIC 4X4 CAT GREEN (U2008P2S4BUSZ) Page 30 of 91
DECALS

Ref #	Part Number	Qty	S/P/F	Description
1	1411-789	1		Decal, Hood
2	1411-124	1		Decal, Warning - Differential Lock
3	1411-119	1		Decal, Warning - Cargo
4	1411-123	1		Decal, Warning - Towing - Rear
5	1411-539	3		Decal, Box - "Arctic Cat"
6	1411-120	2		Decal, Warning - Pinch Point
7	1411-126	1		Decal, Warning - Console
8	1411-125	1		Decal, Warning - Dash
9	1411-792	1		Decal - Right
9	1411-793	1		Decal - Left
10	1411-122	1		Decal, Warning - Towing - Front
11	1411-798	1		Decal, Steering Wheel
12	1411-295	1		Decal, Warning - Canopy
13	1411-330	1		Decal, Brake Release
14	1411-904	1		Decal, Starting



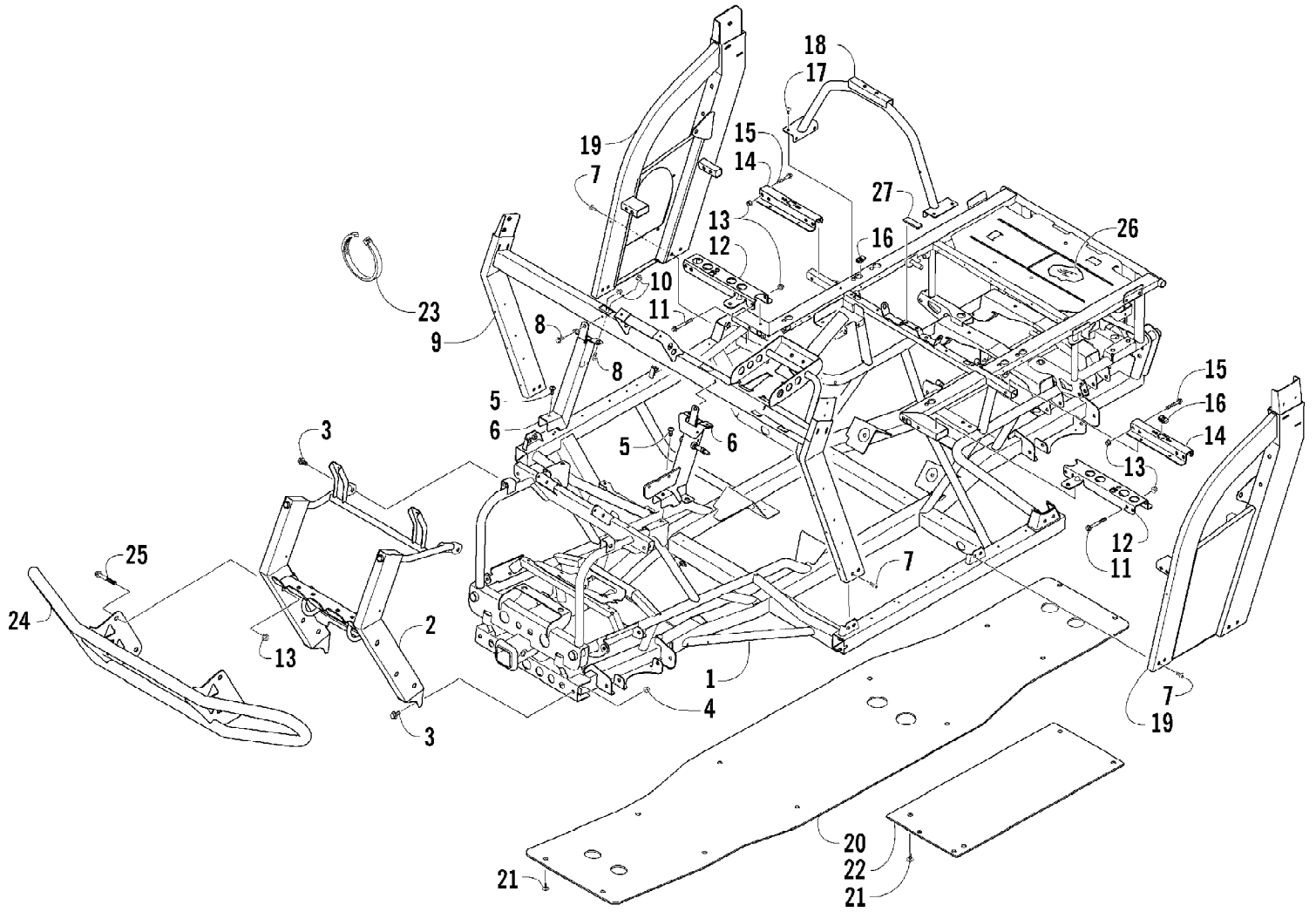
2008 PROWLER XT 650 H1 AUTOMATIC 4X4 CAT GREEN (U2008P2S4BUSZ) Page 32 of 91
 DRIVE TRAIN ASSEMBLY

Ref #	Part Number	Qty	S/P/F	Description
1	1502-128	1	S	Gearcase, Rear (inc. 2-6)
2	1502-124	1		Shaft, Input - Assembly (inc. 3)
3	1402-322	1		Cover, End
4	0402-944	1	/P	Joint, Universal - Set (inc. 5)
5	0423-395	4		Retainer
6	0502-331	1		Yoke, Propeller Shaft
7	8409-025	3		Screw, Cap
8	0502-857	1		Driveshaft - Rear
9	0402-966	1		Boot, Driveshaft
10	0423-315	2		Clamp, Hose
11	0410-070	AR	/P	Hose, Vent - 25 ft
12	0123-788	AR	/P	Tie, Cable
13	0623-101	1		Clip, Routing - Snap-In
14	0423-155	2		Clamp, Hose
15	0470-462	1		Fitting, Vent
16	0402-147	2	S	Bladder, Gearcase
17	8408-820	4	/P	Screw, Cap
18	0402-950	1		Flange, Output
19	0423-393	2		Clamp, Boot
20	0402-985	2	/P	Boot, Coupler
21	0423-411	2		Clamp, Boot
22	0673-618	2	/P	Bumper, Driveshaft
23	1402-271	1		Shaft, Propeller
24	1502-240	1	S	Gearcase, Front
25	8428-002	4		Nut, Lock
26	0423-426	12		Washer
27	0423-404	4		Screw, Cap
28	0502-942	1		Plate, Cable
29	0423-396	2		Screw, Self-Tapping
30	0487-037	1		Cable



2008 PROWLER XT 650 H1 AUTOMATIC 4X4 CAT GREEN (U2008P2S4BUSZ) Page 34 of 91
 ENGINE AND EXHAUST

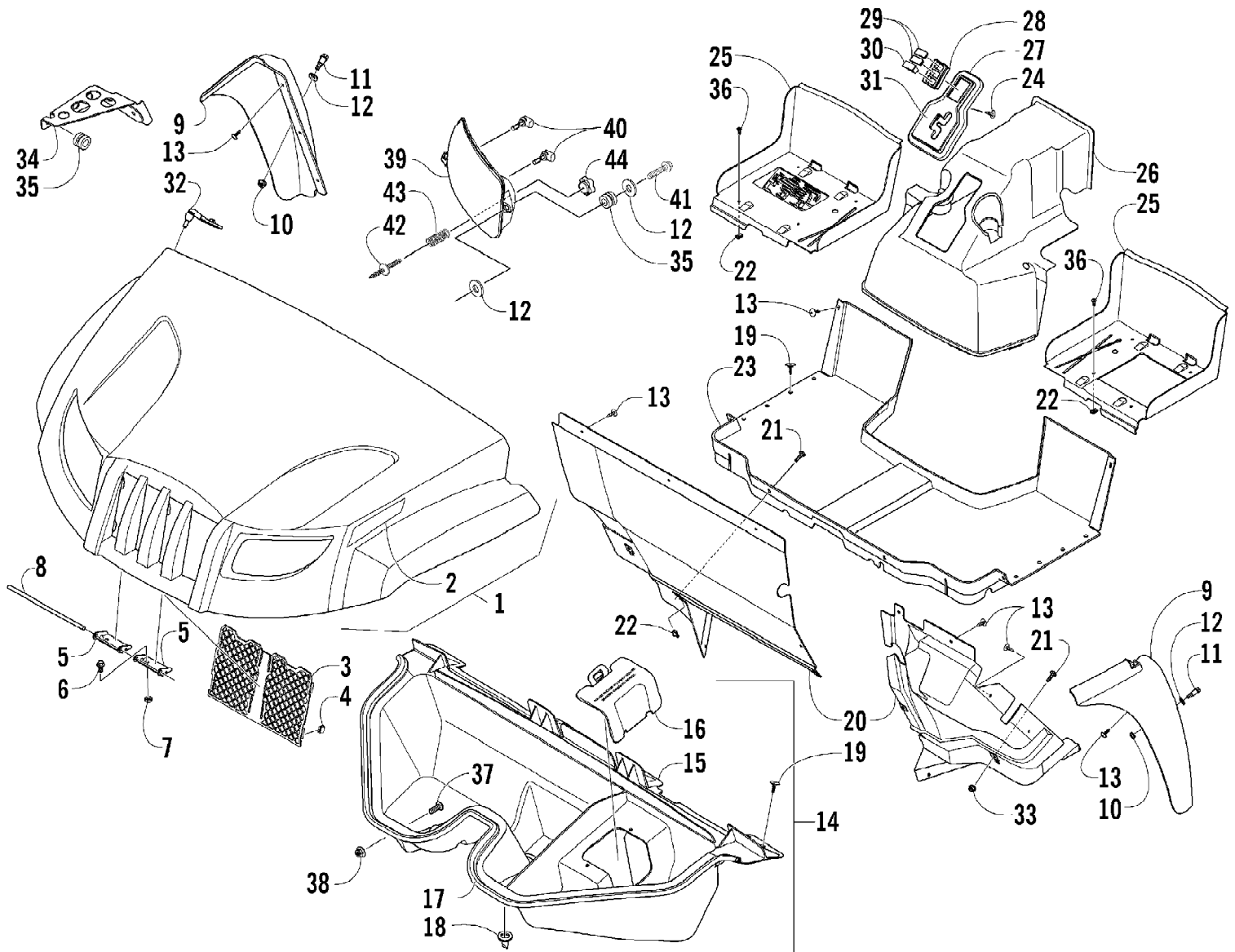
Ref #	Part Number	Qty	S/P/F	Description
1	0800-033	1	S/P	Engine
2	0412-338	1	/P	Gasket, Exhaust Pipe
3	0512-427	1		Pipe, Exhaust
4	0612-668	2	/P	Spring
5	0412-375	1	/P	Seal, Exhaust
6	0512-401	1		Muffler - Assembly (inc. 7-9)
7	0412-438	1		Gasket, Spark Arrester
8	0512-432	1		Spark Arrester Assembly
9	8408-616	2		Screw, Cap
10	0412-215	2	S	Bushing, Exhaust Pipe
11	8408-820	2	/P	Screw, Cap
12	0411-426	1		Decal, Warning - Clutch Cover
13	1506-998	1		Bracket, Engine - Right
13	1506-999	1		Bracket, Engine - Left
14	0423-537	2	S	Bolt
15	0423-042	3	S	Spacer, Engine Mount
16	8424-002	8		Nut
17	0408-014	4		Mount, Engine
18	8428-002	2		Nut
19	0412-462	1		Shield, Heat
20	8477-610	2		Screw, Machine
21	0801-108	2	S	Bushing, Engine Mount



2008 PROWLER XT 650 H1 AUTOMATIC 4X4 CAT GREEN (U2008P2S4BUSZ) Page 36 of 91
FRAME AND RELATED PARTS

Ref #	Part Number	Qty	S/P/F	Description
1	2506-663	1	S	Frame, Main
2	2506-714	1	S	Bumper
3	8409-020	4	/P	Screw, Cap
4	8427-002	2		Nut, Flange Lock
5	8476-820	2		Screw, Machine
6	1506-797	1		Bracket, Steering Support - Right
6	0502-853	1		Bracket, Steering Support - Left
7	0423-642	12		Screw, Machine
8	8408-820	6	/P	Screw, Machine
9	0505-513	1		Support, Steering
10	8424-802	6		Nut, Flange Lock
11	8408-870	6		Screw, Cap
12	1506-844	1		Bracket, Seat - Support - Front Right
12	1506-845	1		Bracket, Seat - Support - Front Left
13	8427-802	16		Nut, Flange Lock
14	1506-842	2		Bracket, Seat - Support - Rear
15	8408-850	6		Screw, Cap
16	0423-577	12		Clip, U
17	8476-616	4		Screw, Machine
18	2506-638	1		Support, Canopy
19	2506-634	1		Support, Overhead - Right
19	2506-635	1		Support, Overhead - Left
20	1406-720	1		Panel, Belly
21	0423-545	20	/P	Screw, Body
22	1406-721	2		Panel, Belly - Side
23	0123-788	AR	/P	Cable Tie
24	2506-783	1		Bumper
25	8408-860	4		Screw, Cap
26	0412-461	1		Shield, Heat
27	0406-879	1		Bumper, Seat

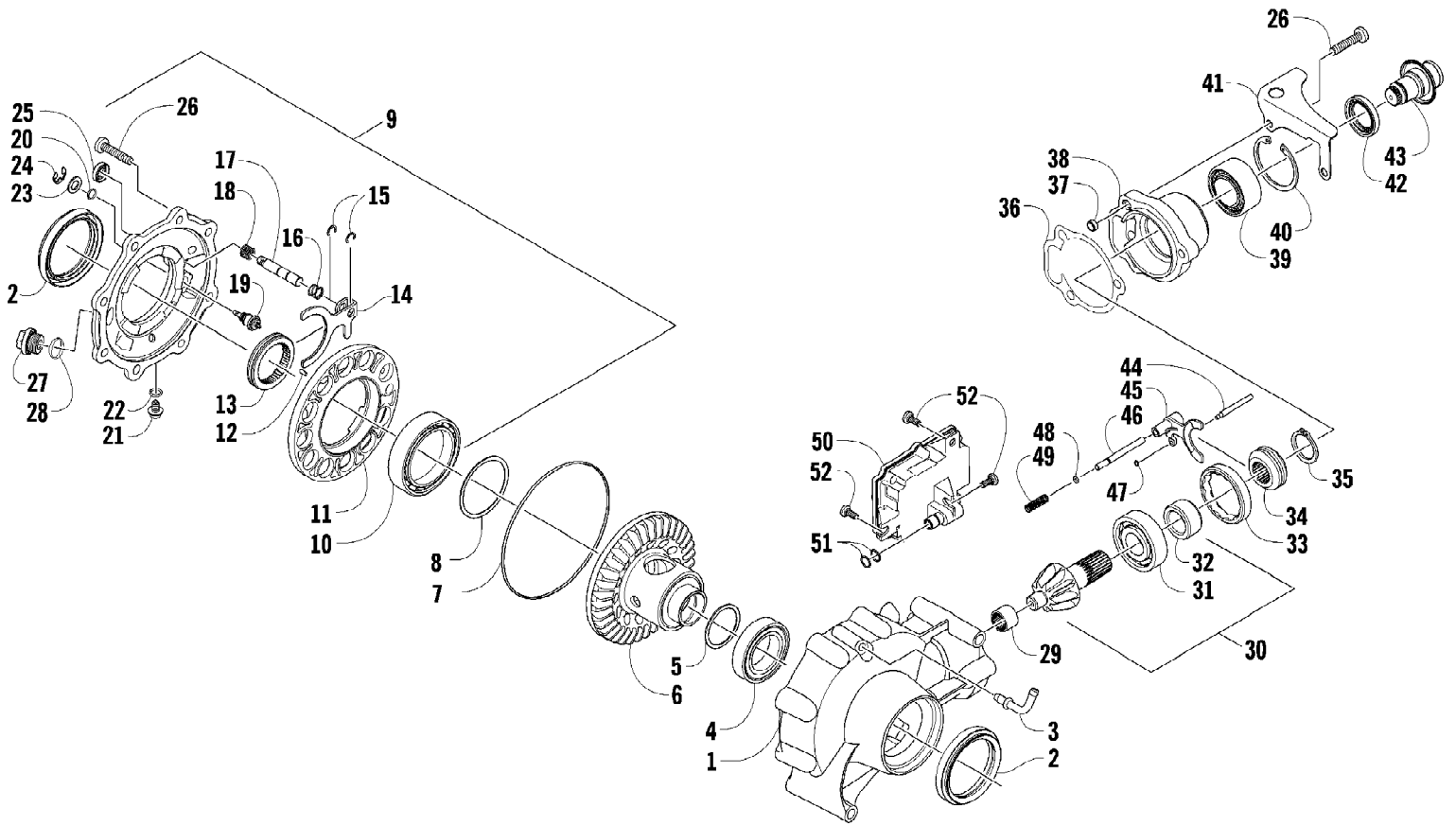
2008 PROWLER XT 650 H1 AUTOMATIC 4X4 CAT GREEN (U2008P2S4BUSZ) Page 37 of 91
FRONT BODY PANEL ASSEMBLY



2008 PROWLER XT 650 H1 AUTOMATIC 4X4 CAT GREEN (U2008P2S4BUSZ) Page 38 of 91
FRONT BODY PANEL ASSEMBLY

Ref #	Part Number	Qty	S/P/F	Description
1	2506-684	1	/P	Hood - Assembly (inc. 2)
2	0411-818	1		Decal, Reflector - Front - Right
2	0411-819	1		Decal, Reflector - Front - Left
3	1406-733	1	/P	Screen, Grille
4	0123-987	8		Clip, U
5	1506-798	2		Bracket, Hood
6	8408-020	4		Screw, Cap
7	0423-157	4		Nut, Top-Lock
8	1406-915	1		Pin, Hood
9	1406-798	1		Fender, Front - Right
9	1406-797	1		Fender, Front - Left
10	1623-066	2		Nut, Lock
11	0623-855	2		Screw, Shoulder
12	8050-217	10	/P	Washer
13	0623-784	22		Screw, Self-Tapping
14	1506-715	1	S	Storage, Under-Hood - Assembly (inc. 15-18)
15	1406-945	1		Box, Storage
16	1406-944	1		Cover, Access - Master Cylinder
17	1406-946	1		Seal, Storage Box
18	0470-442	1	/P	Valve, Drain
19	0423-545	12	/P	Screw, Body
20	1406-632	1		Panel, Fender - Inner - Left
20	1406-633	1	S	Panel, Fender - Inner - Right
21	8468-620	6	/P	Screw, Machine
22	0423-577	13		Clip, U
23	1406-634	1	S	Floor
24	0423-342	3	/P	Screw, Self-Tapping
25	1406-854	1		Base, Seat - Right
25	1406-869	1		Base, Seat - Left
26	1406-649	1		Console, Center
27	1406-825	1		Gate, Shift
28	0409-069	1		Panel, Switch-Mount
29	0409-070	2		Plug, Switch-Hole
30	0409-071	1		Switch, Reverse Override
31	1411-195	1		Decal, Shift-Gate
32	2606-624	2		Strap, Hold-Down
33	0423-540	1		Nut
34	2506-066	1		Bracket, Support - Right
34	2506-067	1		Bracket, Support - Left
35	0423-447	6		Grommet
36	8476-620	8		Screw, Machine
37	8476-616	2		Screw, Machine
38	8424-602	2	/P	Nut, Flange
39	0509-034	1	S	Headlight Assembly - Right (inc. 40)
39	0509-035	1		Headlight Assembly - Left (inc. 40)
40	0409-055	4		Bulb, Headlight
41	0623-785	4		Screw, Self-Tapping
42	0423-514	2		Stud, Adjuster - Headlight
43	0423-522	2		Spring, Adjuster
44	0423-513	2		Knob, Adjuster

2008 PROWLER XT 650 H1 AUTOMATIC 4X4 CAT GREEN (U2008P2S4BUSZ) Page 39 of 91
FRONT DRIVE GEARCASE ASSEMBLY

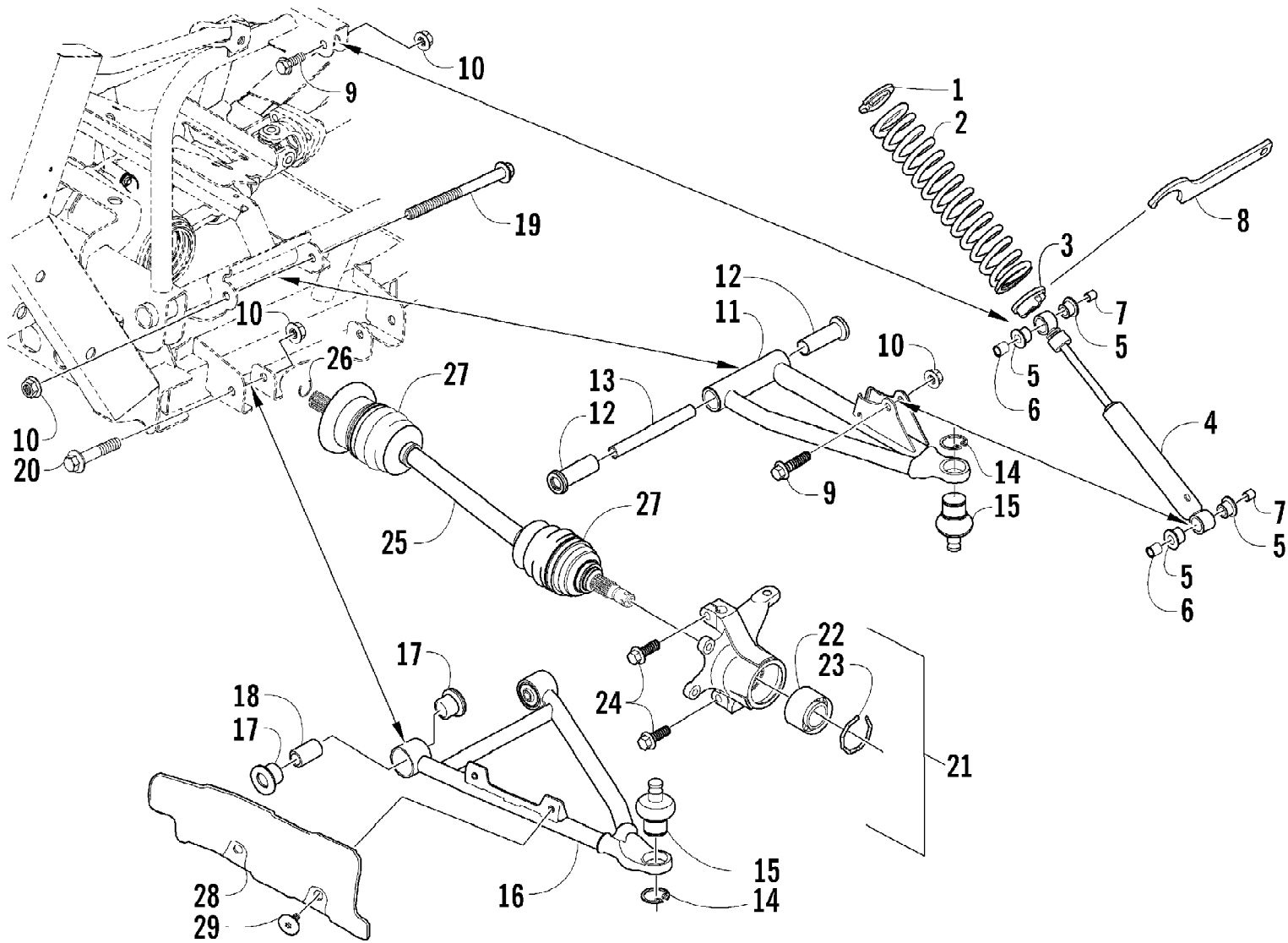


2008 PROWLER XT 650 H1 AUTOMATIC 4X4 CAT GREEN (U2008P2S4BUSZ) Page 40 of 91
FRONT DRIVE GEARCASE ASSEMBLY

Ref #	Part Number	Qty	S/P/F	Description
	1502-240	1	S	Complete Front Drive Gearcase Assembly
1	0502-548	1		Housing, Gearcase
2	1402-441	2	S	Seal
3	1402-442	1		Fitting
4	0402-393	1		Bearing
5	0402-405	AR		Shim - 1.3
5	0402-406	AR		Shim - 1.4
5	0402-407	AR		Shim - 1.5
5	0402-408	AR		Shim - 1.6
5	0402-409	AR		Shim - 1.7
6	1502-235	1	S	Gear, Front - Assembly - 36T
7	0423-149	1		O-Ring
8	1402-074	AR		Shim
8	1402-075	AR		Shim
8	1402-076	AR		Shim
8	1402-077	AR		Shim
8	1402-078	AR		Shim
9	0502-736	1		Cover, Gearcase (inc. one No. 2 and 10-25)
10	1402-053	1		Bearing
11	0502-413	1		Flange, Bearing
12	1402-079	1		Pin
13	1402-042	1		Collar, Sliding
14	1402-054	1		Fork
15	1402-058	2		Ring, Retaining
16	1402-057	1		Spring
17	1402-055	1		Shaft, Lock
18	1402-063	1		Spring
19	0402-419	1		Switch, Indicator
20	0423-133	1		O-Ring
21	1402-210	1	/P	Plug, Drain (inc. 22)
22	0423-153	1		O-Ring
23	0423-132	1		Washer
24	0423-424	1		Ring, Retaining
25	1402-056	1		Seal
26	0423-118	11		Screw, Self-Tapping
27	0402-333	1	/P	Plug, Oil Level (inc. 28)
28	0423-154	1		O-Ring
29	0402-328	1		Bearing, Needle
30	0502-649	1		Gear, Pinion - Assembly - 9T (inc. 31-32)
31	0402-327	1		Bearing
32	0402-336	1		Collar, Retaining
33	0402-357	1		Collar, Lock
34	0402-413	1		Coupler, Drive
35	0423-417	1		Ring, Retaining
36	0402-947	1		Gasket
37	0402-411	1		Pin, Dowel
38	0502-952	1	S	Housing, Pinion
39	1402-043	1		Bearing
40	0423-423	1		Ring, Retaining
41	0502-347	1		Bracket, Actuator
42	1402-011	1		Seal
43	1502-085	1	/P	Shaft, Input - Assembly
44	0402-997	1		Shaft, Selector

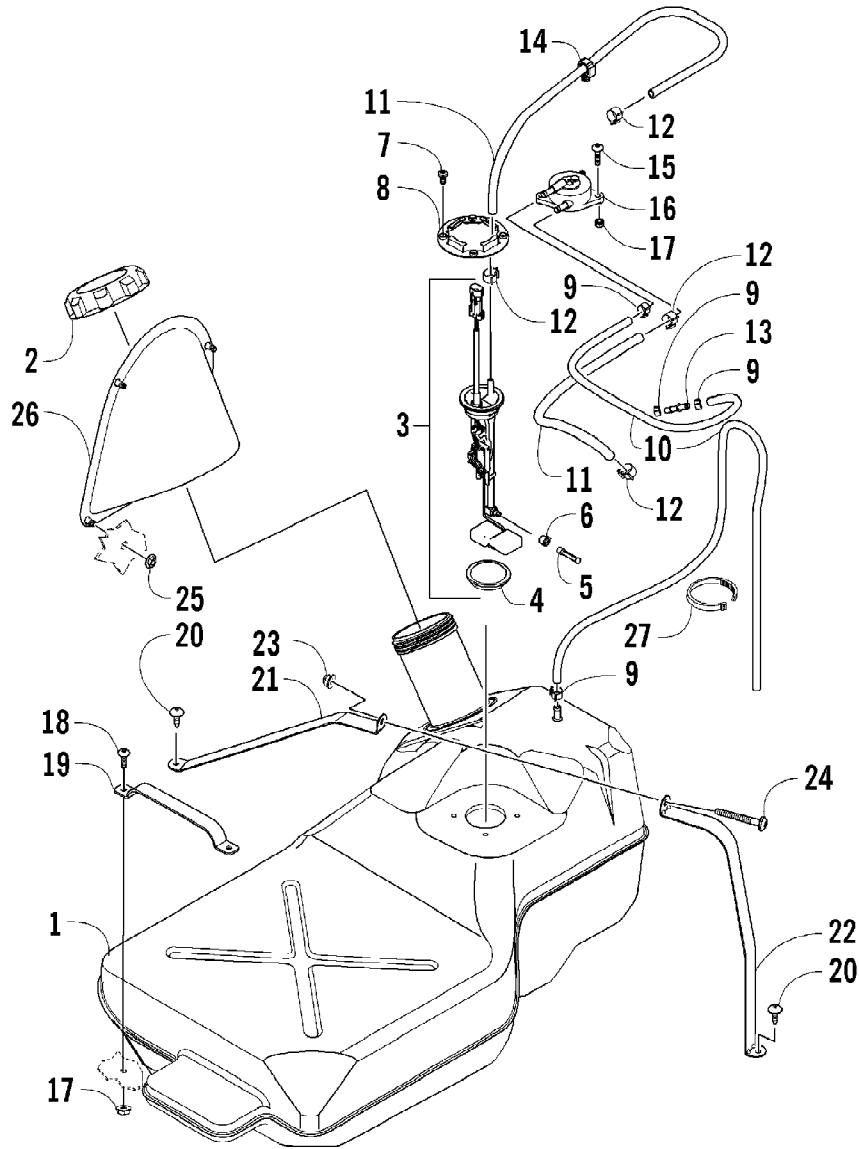
2008 PROWLER XT 650 H1 AUTOMATIC 4X4 CAT GREEN (U2008P2S4BUSZ) Page 41 of 91
FRONT DRIVE GEARCASE ASSEMBLY

Ref #	Part Number	Qty	S/P/F	Description
45	0402-998	1		Fork, Selector
46	0402-417	1		Shaft, Shuttle
47	0423-402	1		Ring, Retaining
48	0423-147	1		O-Ring
49	0402-999	1		Spring, Return
50	0502-579	1		Actuator (inc. one No. 51)
51	0423-498	2	S	O-Ring
52	0423-396	3		Screw, Self-Tapping



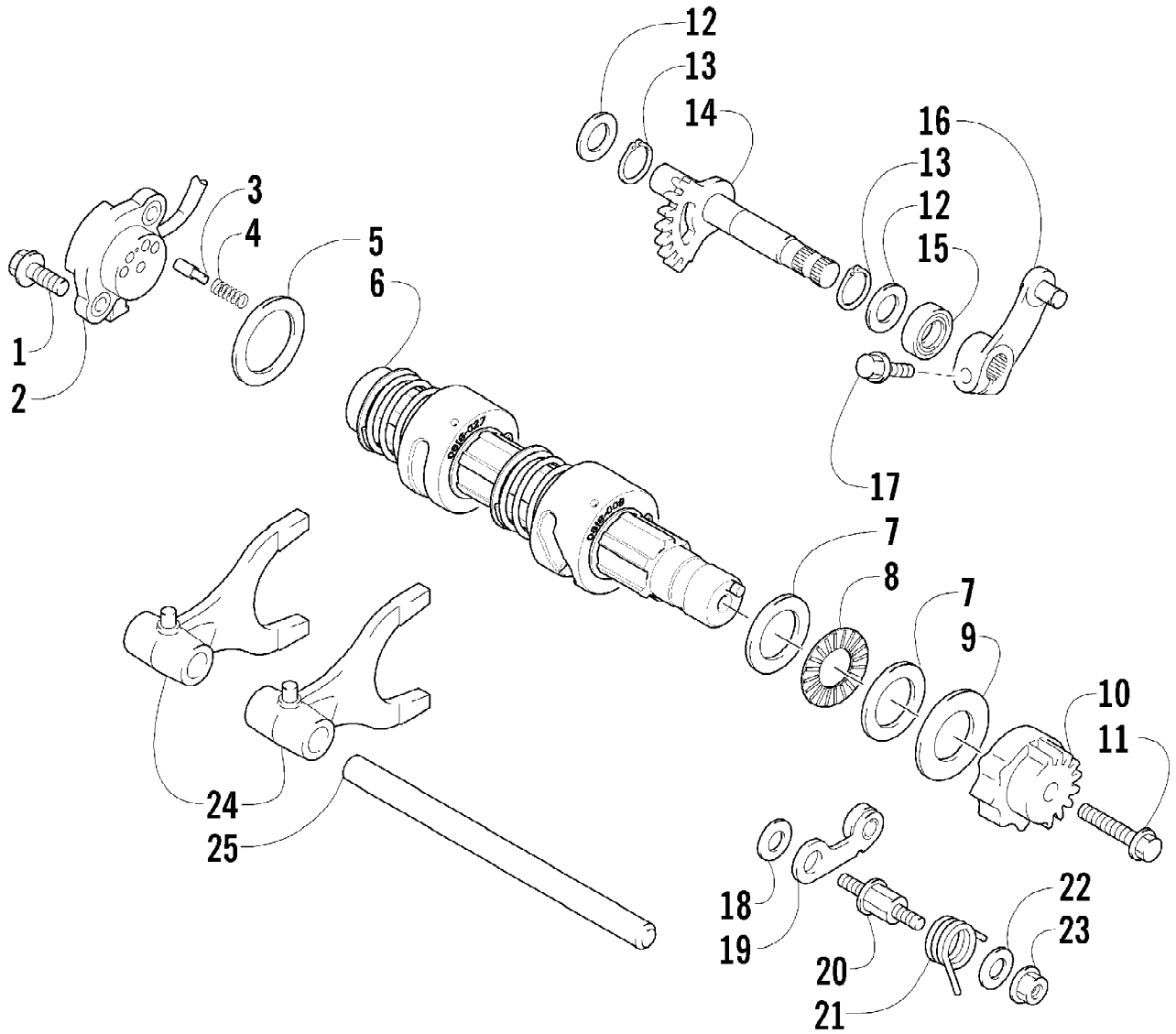
2008 PROWLER XT 650 H1 AUTOMATIC 4X4 CAT GREEN (U2008P2S4BUSZ) Page 43 of 91
FRONT SUSPENSION ASSEMBLY

Ref #	Part Number	Qty	S/P/F	Description
1	1603-889	2	/P	Retainer, Spring
2	0403-161	2		Spring, Shock Absorber
3	0403-102	2		Cam, Spring Adjuster
4	0403-147	2		Shock Absorber - Front (inc. 5-6)
5	0603-955	8		Bushing
6	1603-209	4		Sleeve
7	0404-116	4		Sleeve, Shock
8	0441-587	1		Wrench, Spanner
9	8409-040	4		Screw, Cap
10	8428-002	10		Nut, Lock
11	0503-196	1	S	A-Arm, Upper Right (inc. 12-15)
11	0503-197	1		A-Arm, Upper Left (inc. 12-15)
12	0403-081	4	S	Bushing
13	0403-080	2		Collar
14	0423-009	4	/P	Clip, Ball Joint
15	0405-115	4	/P	Ball Joint
16	0503-334	1	S	A-Arm, Lower Right (inc. 14-15 and 17-18)
16	0503-335	1	S	A-Arm, Lower Left (inc. 14-15 and 17-18)
17	0403-115	8	S	Bushing
18	0403-114	4	S	Collar
19	0423-723	2		Screw, Cap
20	8409-075	4		Screw, Cap
21	0505-480	1	S	Knuckle - Assembly - Right (inc. 22-23)
21	0505-481	1	S	Knuckle - Assembly - Left (inc. 22-23)
22	1402-027	2	S/P	Bearing, Wheel Hub
23	0423-423	2		Ring, Retaining
24	8409-030	4		Screw, Cap
25	0502-733	1	S	Axle - Front - Left (inc. 26-27)
25	0502-734	1	S	Axle - Front - Right (inc. 26-27)
26	1441-109	2	S	Clip, Retaining
27	0436-276	2	S	Repair Kit, Boot - Front Axle
28	0441-756	1		Guard, Boot - Right
28	0441-757	1		Guard, Boot - Left
29	0423-545	4	/P	Screw, Body



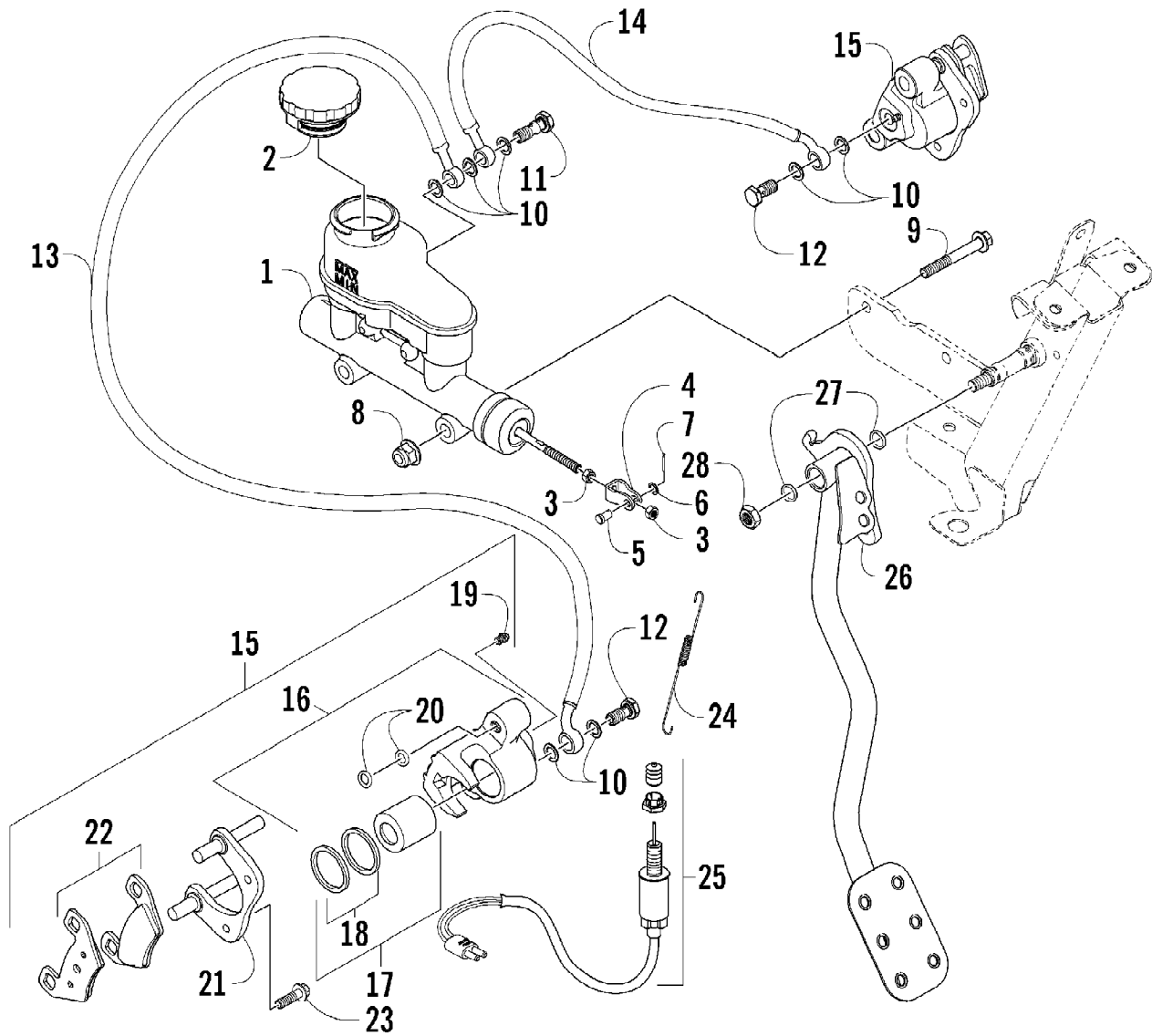
2008 PROWLER XT 650 H1 AUTOMATIC 4X4 CAT GREEN (U2008P2S4BUSZ) Page 45 of 91
 GAS TANK ASSEMBLY

Ref #	Part Number	Qty	S/P/F	Description
1	0570-188	1	/P	Tank, Gas - Assembly (inc. 2-8)
2	0470-541	1	/P	Cap, Gas Tank
3	0570-100	1	S	Sensor, Fuel Level (inc. 4-6)
4	0470-521	1		Seal, Fuel Level Sensor
5	0470-475	1		Filter, Fuel
6	0423-603	1		Clamp, Hose
7	1623-158	4		Screw, Plastite
8	0470-639	1	/P	Plate, Mounting - Fuel Level Sensor
9	0423-688	4		Clamp, Hose
10	0410-070	AR	/P	Hose, Fuel - 25 ft
11	0410-143	AR		Hose, Fuel - 25 ft
12	0423-689	4		Clamp, Hose
13	0470-702	1	/P	Fitting, Straight
14	0623-454	2		Clip, Routing - Snap-In
15	8476-620	2		Screw, Machine
16	0470-758	1	/P	Pump, Fuel
17	0623-038	4		Nut, Lock
18	8476-625	2		Screw, Machine
19	0470-544	1		Bracket, Gas Tank Mounting
20	0623-784	2		Screw, Self-Tapping
21	0570-127	1		Strap, Gas Tank
22	0570-128	1		Strap, Gas Tank
23	8427-602	1		Nut, Hex
24	8476-650	1		Screw, Machine
25	0423-357	4		Nut, Stamped
26	1406-886	1		Inset, Gas Tank Cap
27	0123-811	AR		Cable Tie - 4 in.



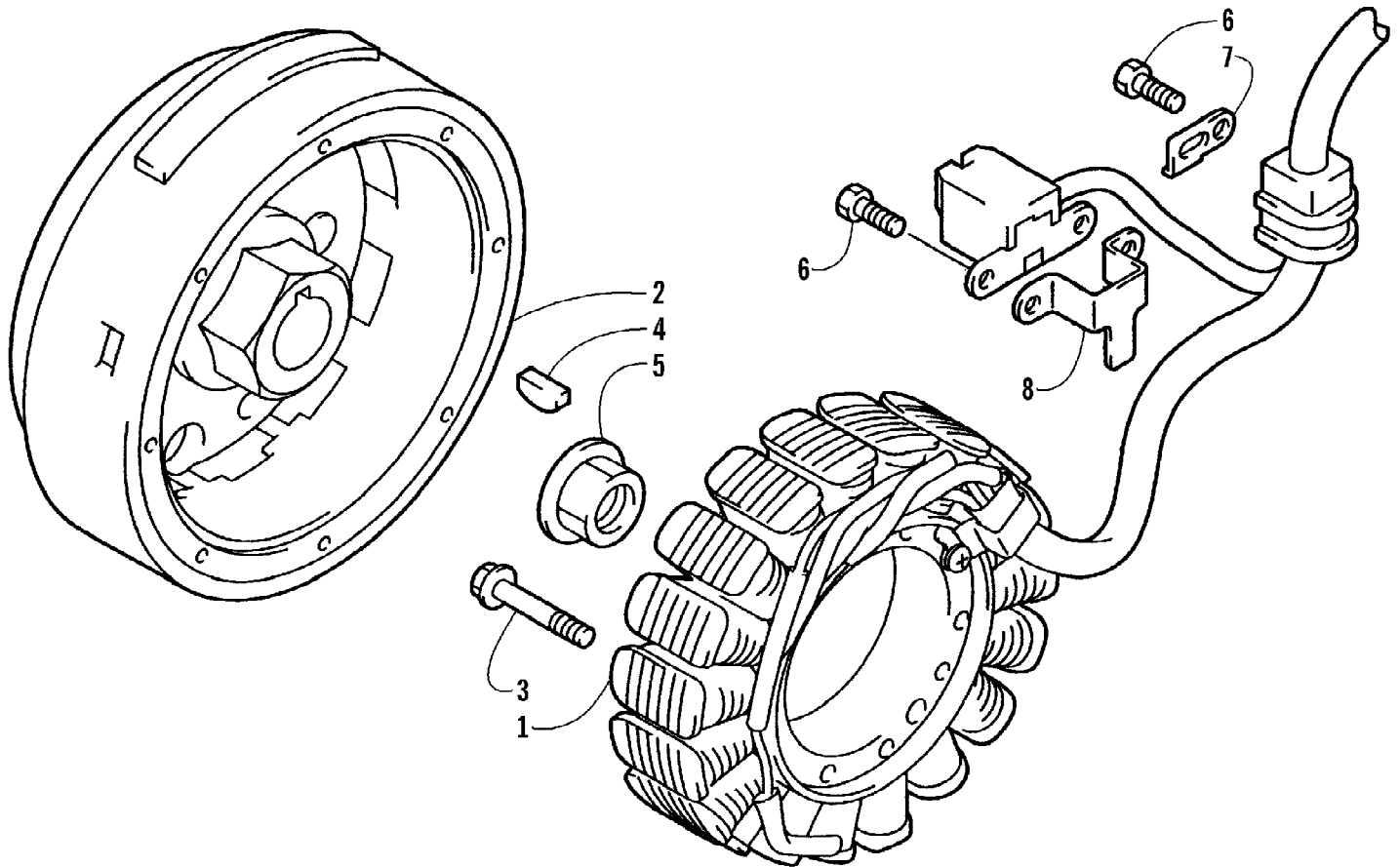
2008 PROWLER XT 650 H1 AUTOMATIC 4X4 CAT GREEN (U2008P2S4BUSZ) Page 47 of 91
GEAR SHIFTING ASSEMBLY

Ref #	Part Number	Qty	S/P/F	Description
1	8470-520	2		Screw, Machine
2	0818-049	1	S	Base, Gear Shift Position
3	0818-013	2		Contact
4	0818-017	2		Spring
5	0828-040	1		Washer, Shift Shaft
6	0818-046	1		Shaft, Gear Shift - Assembly
7	0828-067	2		Washer, Shift Shaft
8	0832-034	1	S	Bearing
9	0828-037	1		Washer, Gear Shift Cam Plate
10	0818-005	1	S	Plate, Gear Shift Cam
11	0826-006	1		Bolt, Gear Shift Cam Plate
12	0828-036	2		Washer, Sub-Gear Shift Shaft
13	0831-010	2		Circlip, Sub-Gear Shift Shaft
14	0818-007	1	/P	Shaft, Sub-Gear Shift
15	0830-044	1		Seal, Sub-Gear Shift Shaft
16	0818-014	1		Arm, Shift
17	8468-620	1	/P	Screw, Machine
18	0828-038	1		Washer, Cam Stopper
19	0818-002	1		Stopper, Cam
20	0818-004	1		Support, Cam Stopper
21	0818-028	1		Spring, Cam Stopper
22	0828-035	1		Washer, Cam Stopper Spring
23	8424-602	1	/P	Nut, Cam Stopper Spring
24	0818-072	2	/P	Fork, Shift
25	0818-006	1		Shaft, Shift Fork



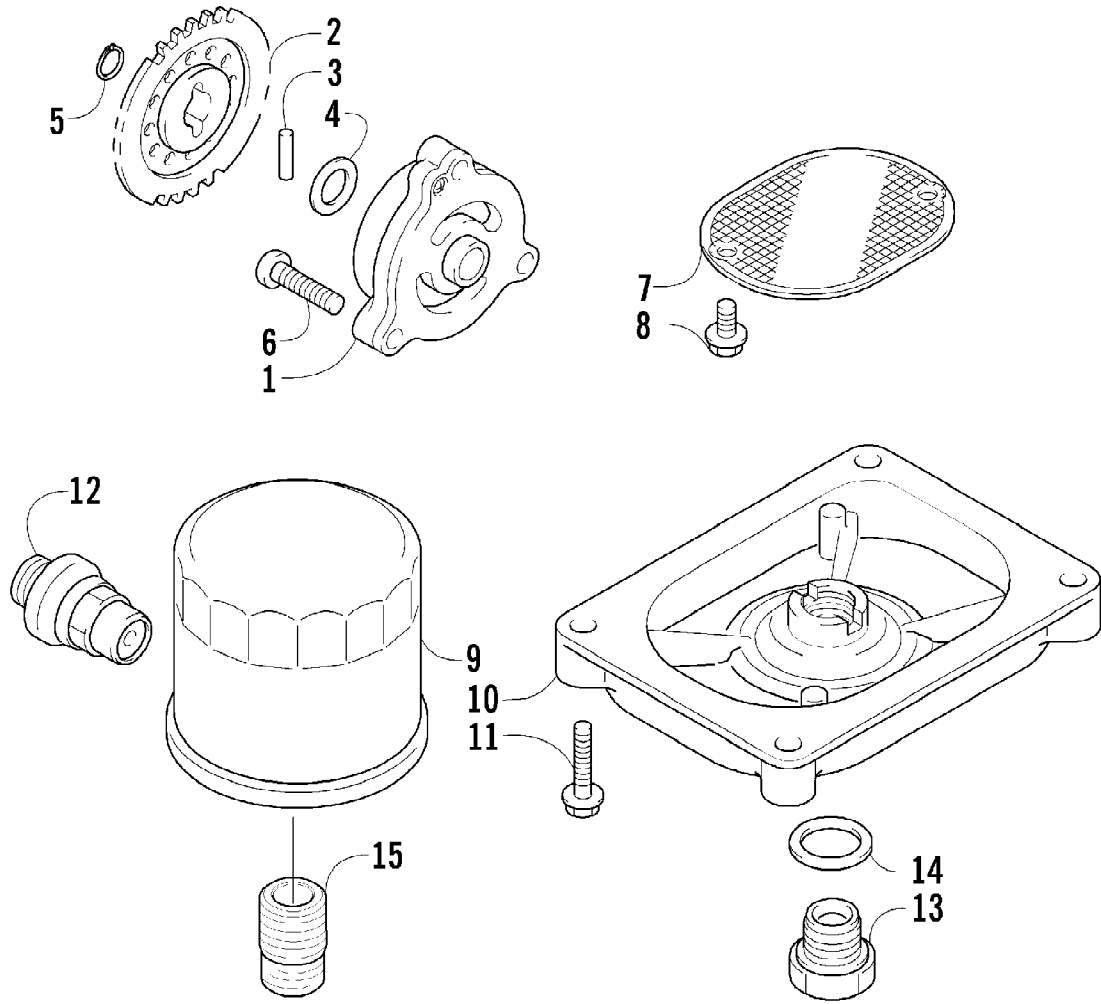
2008 PROWLER XT 650 H1 AUTOMATIC 4X4 CAT GREEN (U2008P2S4BUSZ) Page 49 of 91
HYDRAULIC BRAKE ASSEMBLY

Ref #	Part Number	Qty	S/P/F	Description
1	0502-786	1		Cylinder, Master Brake - Assembly (inc. 2-4)
2	0405-225	1		Cap, Brake Fluid Reservoir
3	0402-592	2		Nut, Clevis
4	1402-520	1		Clevis
5	1402-377	1		Pin, Clevis
6	8050-217	1	/P	Washer
7	0402-584	1		Pin, Cotter
8	8424-802	2		Nut
9	8408-860	2		Screw, Cap
10	0423-178	7		Washer, Crush
11	0423-610	1		Bolt, Banjo-Fitting - Double
12	0423-413	2		Bolt, Banjo-Fitting
13	1402-389	1		Hose, Brake - Front
14	1402-290	1		Hose, Brake - Front Right
15	0502-958	1	S	Caliper, Brake - Front Right (inc. 16-22)
15	0502-959	1	S	Caliper, Brake - Front Left (inc. 16-22)
16	0502-603	1	S	Housing, Caliper - Assembly - Front Right (inc. 17-19)
16	0502-611	1	S	Housing, Caliper - Assembly - Front Left (inc. 17-19)
17	0502-606	2		Piston/Seal Set (inc. 18)
18	0502-607	2		Seal Set
19	0502-609	2	/P	Valve, Bleed
20	0502-608	2		O-Ring, Guide - Set
21	0502-960	2		Bracket Assembly
22	0502-875	2	S	Pad, Brake - Set
23	8408-825	4		Screw, Cap
24	0502-785	1		Spring, Brake Switch
25	0409-072	1		Switch, Brake - Assembly
26	1502-042	1	/P	Lever, Brake
27	1602-213	2	/P	O-Ring
28	8428-002	1		Nut



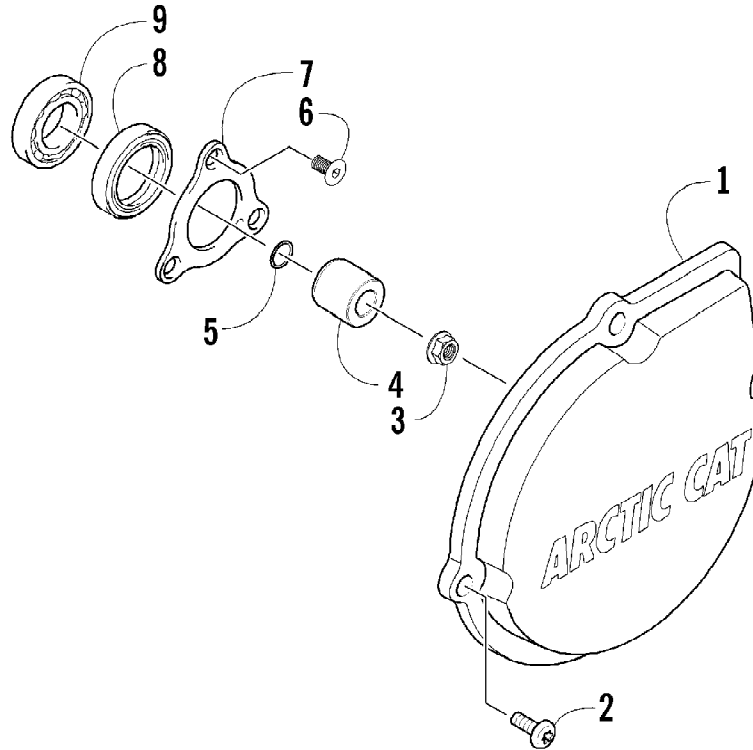
2008 PROWLER XT 650 H1 AUTOMATIC 4X4 CAT GREEN (U2008P2S4BUSZ) Page 51 of 91
MAGNETO ASSEMBLY

Ref #	Part Number	Qty	S/P/F	Description
1	0802-037	1		Stator - Assembly
2	0802-036	1		Rotor/Flywheel
3	0826-102	3		Screw, Machine
4	0829-012	1		Key
5	0827-014	1		Nut
6	8470-510	3		Screw, Machine
7	0802-015	1		Clamp - No. 1
8	0802-016	1		Clamp - No. 2



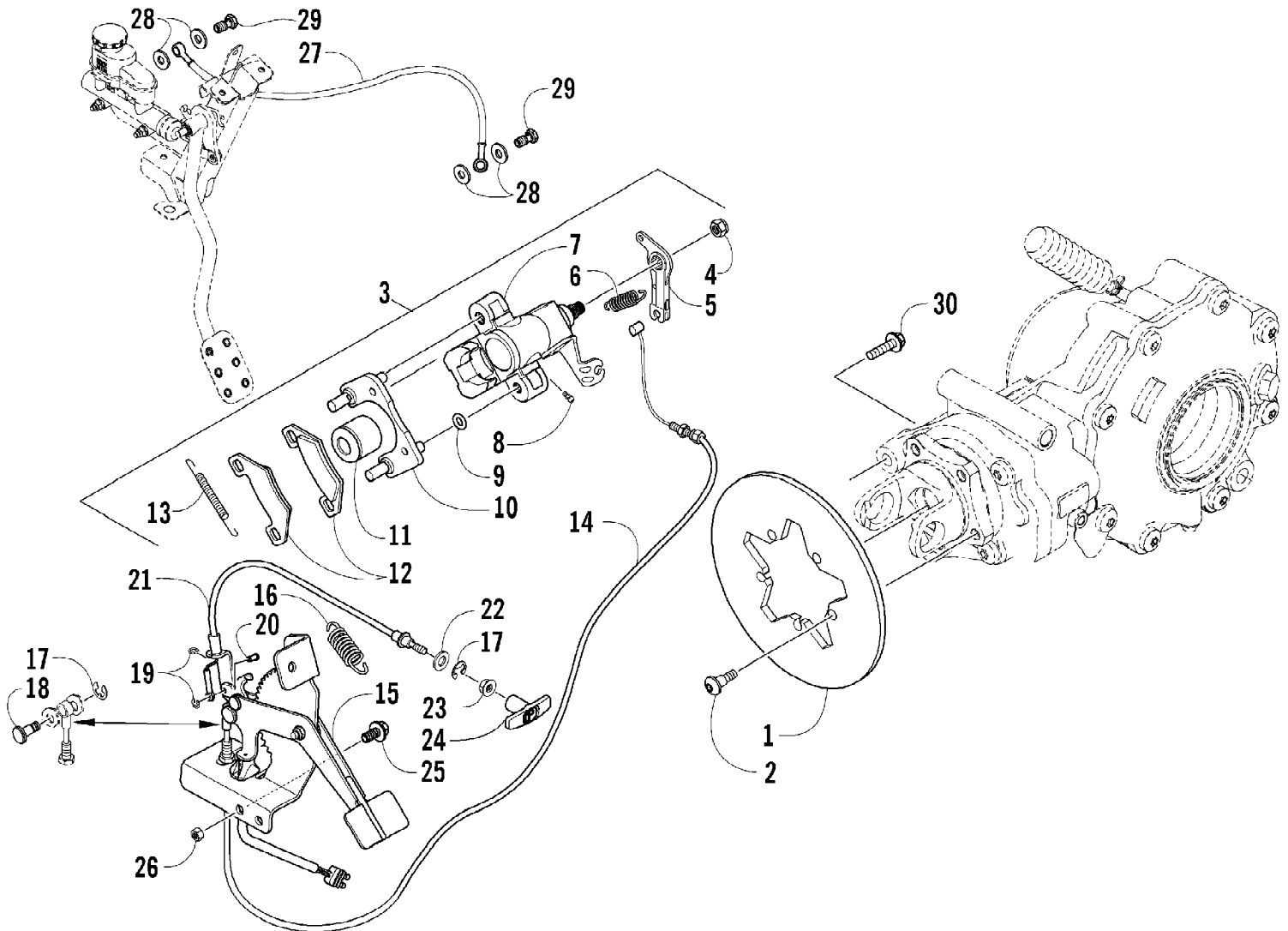
2008 PROWLER XT 650 H1 AUTOMATIC 4X4 CAT GREEN (U2008P2S4BUSZ) Page 53 of 91
 OIL FILTER/PUMP ASSEMBLY

Ref #	Part Number	Qty	S/P/F	Description
1	0812-023	1		Pump, Oil
2	0812-002	1	S	Gear, Driven
3	0829-009	1		Pin
4	0828-007	1	/P	Washer
5	0831-002	1		Circlip
6	0826-039	3		Screw, Cap
7	0812-057	1	/P	Strainer, Oil
8	0826-040	2		Screw, Machine
9	0812-029	1	S	Filter, Oil
10	0812-053	1		Cap, Oil Strainer
11	8468-625	4		Screw, Machine
12	0812-007	1		Valve, Oil-Relief - Assembly
13	0812-006	1		Plug, Drain
14	0830-017	1		Gasket, Drain Plug
15	0812-008	1		Union, Oil Filter



2008 PROWLER XT 650 H1 AUTOMATIC 4X4 CAT GREEN (U2008P2S4BUSZ) Page 55 of 91
OUTER MAGNETO COVER ASSEMBLY

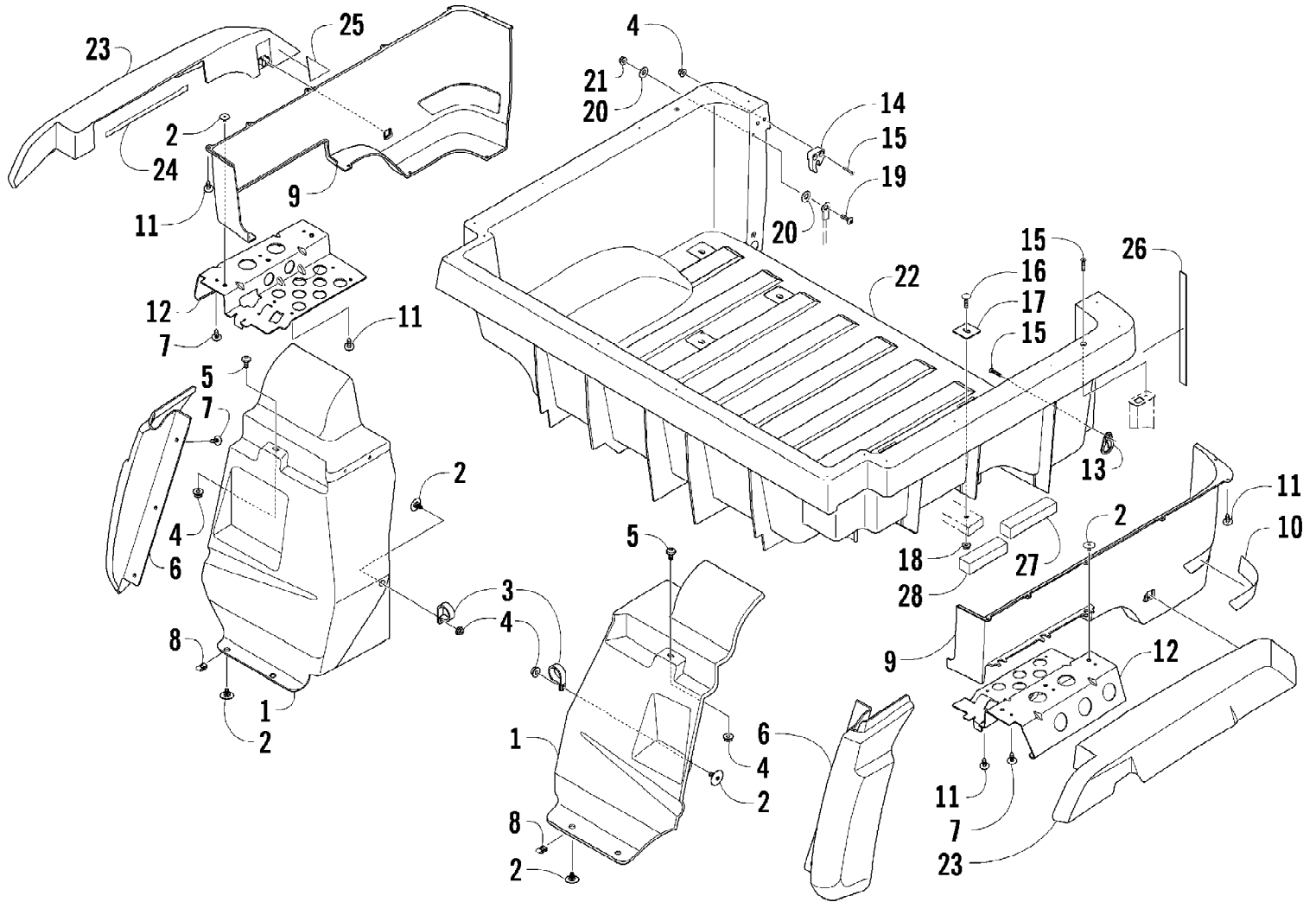
Ref #	Part Number	Qty	S/P/F	Description
1	0820-062	1		Cover, Magneto - Outer
2	0826-008	4		Screw, Machine
3	0827-008	1		Nut
4	0820-061	1		Bushing
5	0830-108	1		O-Ring
6	0826-031	3		Screw
7	0805-008	1		Retainer, Oil Seal
8	0830-158	1		Seal, Oil
9	0832-045	1	S	Bearing



2008 PROWLER XT 650 H1 AUTOMATIC 4X4 CAT GREEN (U2008P2S4BUSZ) Page 57 of 91
REAR AND PARKING BRAKE ASSEMBLY

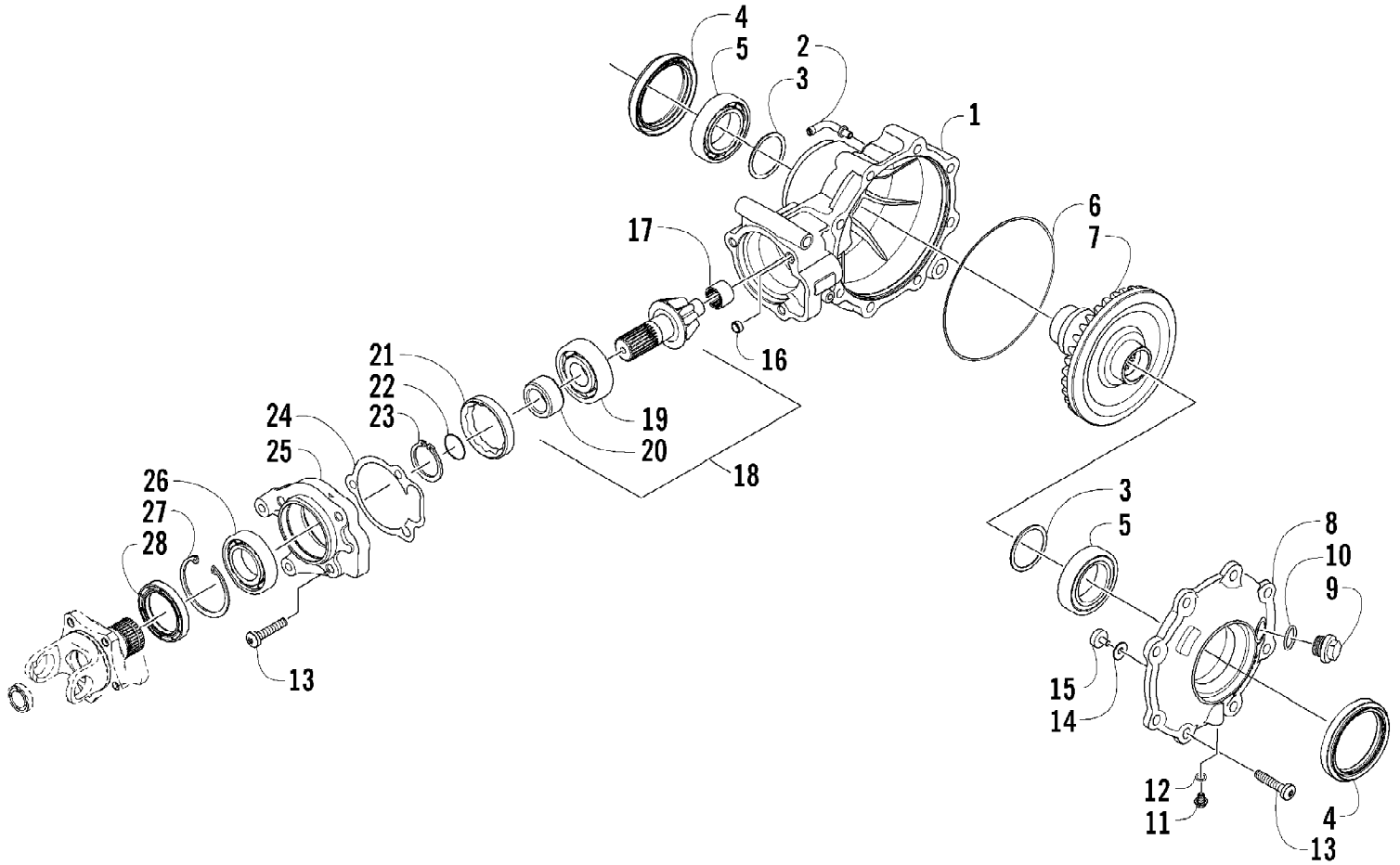
Ref #	Part Number	Qty	S/P/F	Description
1	1402-324	1		Rotor
2	0423-557	5		Screw, Shoulder
3	1502-143	1	/P	Brake - Assembly (inc. 4-13)
4	0502-988	1		Nut
5	1502-160	1		Lever, Actuator
6	0502-985	1		Spring
7	0	1	F	Housing, Caliper
8	0502-609	1	/P	Valve, Bleed
9	0	2	F	O-Ring, Brake Caliper
10	0502-605	1		Bracket Assembly
11	0	2	F	Piston
12	0502-875	2	S	Pad, Brake
13	1502-161	1		Spring, Anti-Rattle
14	0487-036	1		Cable, Parking Brake
15	1502-309	1	/P	Brake, Parking - Assembly (inc. 18 and 20)
16	1502-026	1		Spring
17	0423-668	2		E-Clip
18	1502-029	1	F	Pin
19	0423-667	2		E-Clip
20	1502-030	1	F	Pin
21	0487-043	1	S	Cable, Brake Release
22	0623-044	1		Washer
23	8424-602	1	/P	Nut
24	1502-024	1	/P	Handle, Parking Brake
25	8408-816	3		Screw, Cap
26	8424-802	3		Nut, Hex
27	1402-388	1		Hose, Brake
28	0423-178	4		Washer, Crush
29	0423-413	2		Bolt, Banjo-Fitting
30	8408-835	2		Screw, Cap

2008 PROWLER XT 650 H1 AUTOMATIC 4X4 CAT GREEN (U2008P2S4BUSZ) Page 58 of 91
REAR BODY PANEL AND CARGO BOX ASSEMBLY



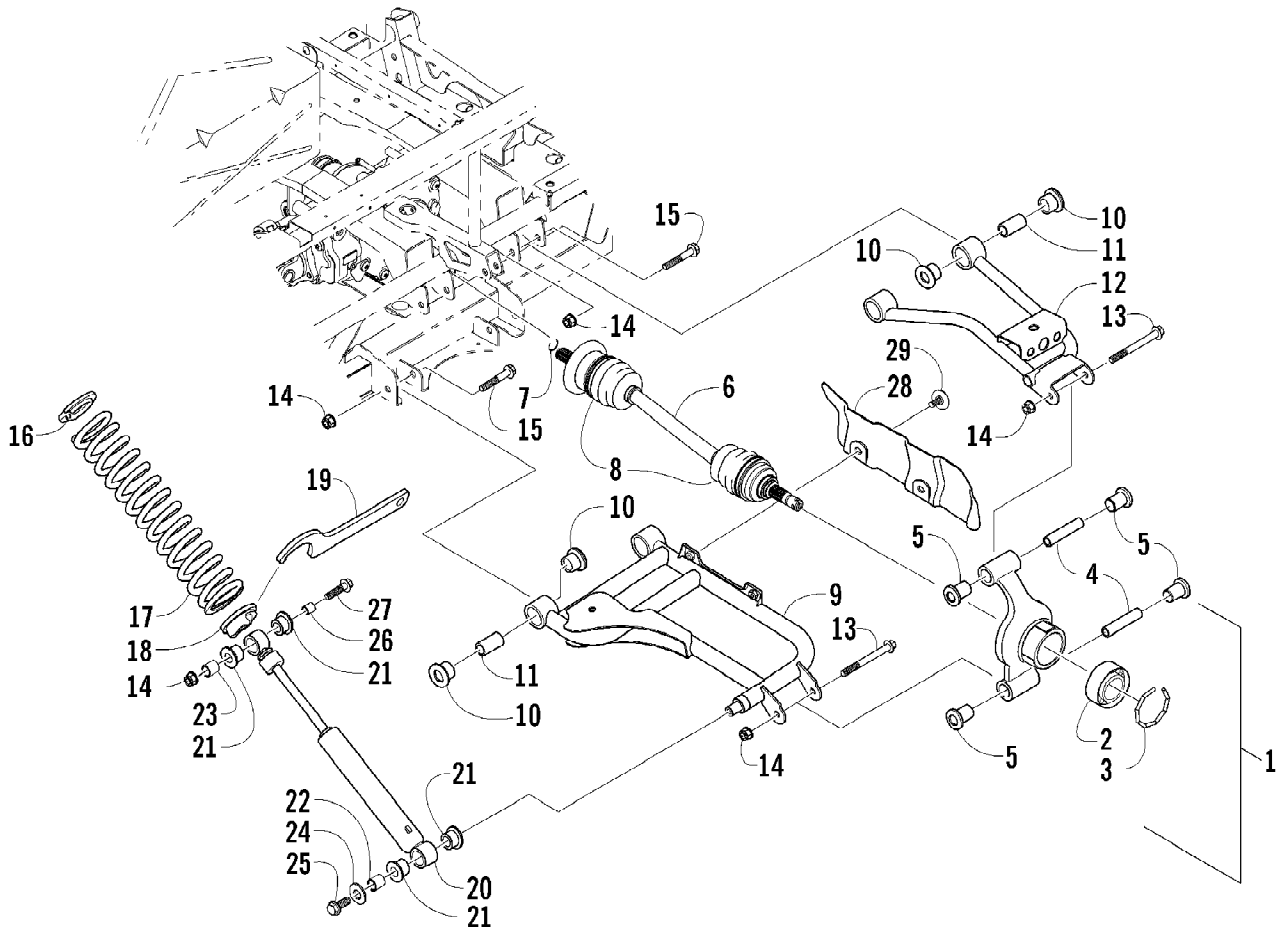
2008 PROWLER XT 650 H1 AUTOMATIC 4X4 CAT GREEN (U2008P2S4BUSZ) Page 59 of 91
REAR BODY PANEL AND CARGO BOX ASSEMBLY

Ref #	Part Number	Qty	S/P/F	Description
1	2406-070	1		Panel, Splash - Rear - Right
1	2406-071	1		Panel, Splash - Rear - Left
2	0423-101	12		Screw, Body
3	0423-403	2		Clamp, Tube
4	8424-602	8	/P	Nut, Hex
5	8476-616	2		Screw, Machine
6	1406-802	1		Fender, Rear - Lower - Right
6	1406-801	1		Fender, Rear - Lower - Left
7	0623-784	18		Screw, Self-Tapping
8	0423-577	4		Clip, U
9	1406-762	1	/P	Panel, Box - Right (inc. 10)
9	1406-761	1	/P	Panel, Box - Left (inc. 10)
10	1411-128	1		Decal, Reflector - Rear - Right
10	1411-129	1		Decal, Reflector - Rear - Left
11	0423-342	28	/P	Screw, Self-Tapping
12	1506-776	1		Bracket, Fender Support - Right
12	1506-777	1		Bracket, Fender Support - Left
13	1506-539	1		Bracket, Tailgate
14	2506-664	1		Striker, Tailgate - Right
14	2506-665	1	/P	Striker, Tailgate - Left
15	8474-630	8		Screw, Machine
16	0423-623	8		Bolt, Carriage
17	1506-933	8		Plate, Retainer
18	8424-802	8		Nut, Hex
19	8476-620	2		Screw, Machine
20	8050-217	4	/P	Washer
21	0624-250	2		Nut, Lock
22	2406-417	1	S	Box, Rear Cargo
23	2506-680	1	/P	Fender, Rear - Assembly - Upper - Right (inc. 24-25)
23	2506-681	1	/P	Fender, Rear - Assembly - Upper - Left (inc. 24-25)
24	0417-007	2		Strip, Foam
25	0417-008	2		Pad, Foam
26	0417-006	2		Strip, Foam
27	0417-010	2		Foam, Cargo Box
28	0417-011	2		Foam, Cargo Box



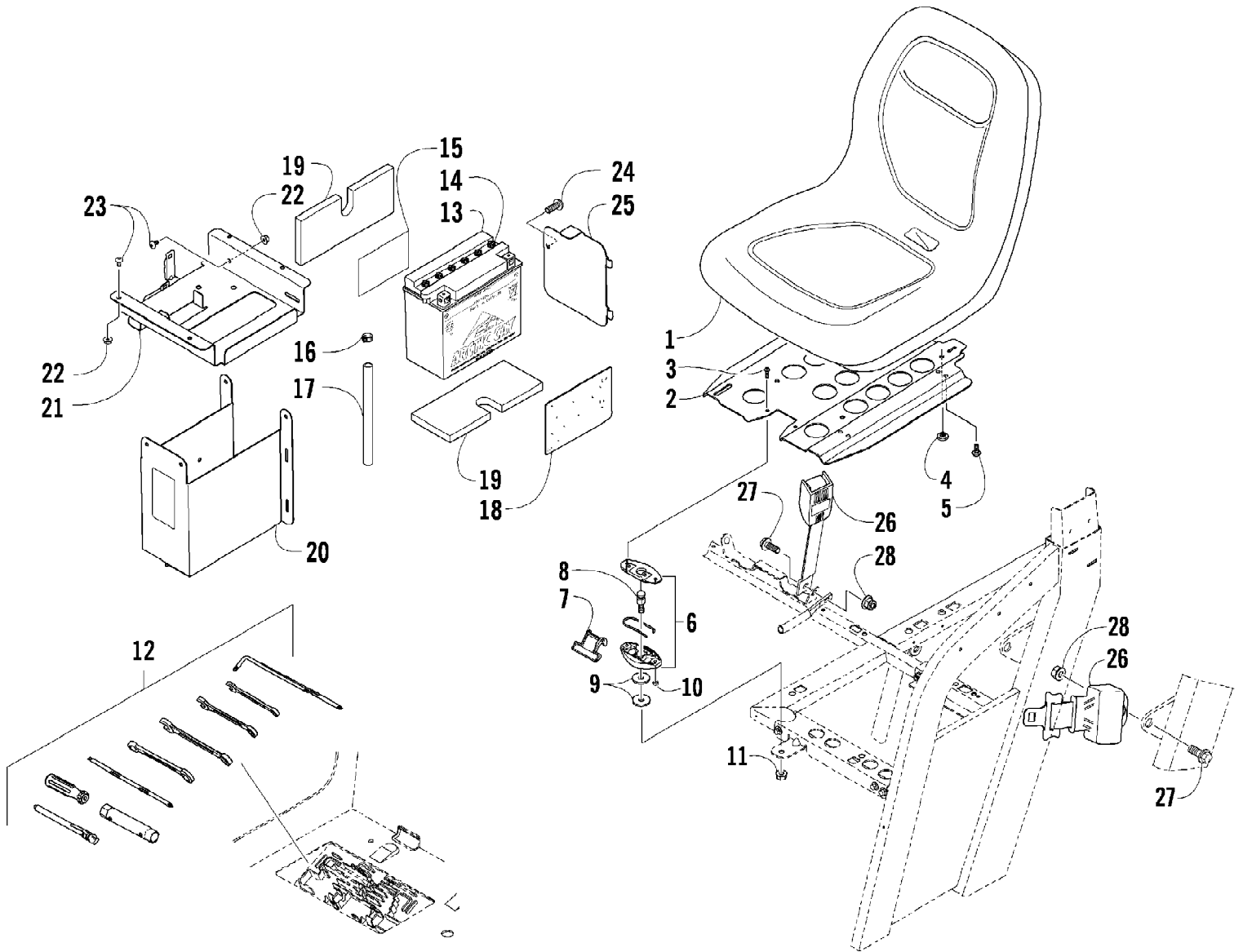
2008 PROWLER XT 650 H1 AUTOMATIC 4X4 CAT GREEN (U2008P2S4BUSZ) Page 61 of 91
REAR DRIVE GEARCASE ASSEMBLY

Ref #	Part Number	Qty	S/P/F	Description
	1502-128	1	S	Complete Rear Drive Gearcase Assembly
1	0502-548	1		Housing, Gearcase
2	1402-442	1		Fitting, 90°
3	0402-405	AR		Shim
3	0402-406	AR		Shim
3	0402-407	AR		Shim
3	0402-408	AR		Shim
3	0402-409	AR		Shim
4	1402-441	2	S	Seal
5	0402-393	2		Bearing
6	0423-149	1		O-Ring
7	1402-245	1		Gear, Rear - 36T
8	0502-741	1		Cover, Gearcase
9	0402-333	1	/P	Plug, Fill (inc. 10)
10	0423-154	1		O-Ring
11	0402-450	1	S	Plug, Magnetic (inc. 12)
12	0423-153	1		O-Ring
13	0423-118	11		Screw, Self-Tapping
14	0402-429	AR		Shim
14	0402-430	AR		Shim
14	0402-431	AR		Shim
14	0402-432	AR		Shim
14	0402-433	AR		Shim
15	0402-326	1		Button, Thrust
16	0402-411	1		Pin, Dowel
17	0402-328	1		Bearing
18	0502-649	1		Gear, Pinion - Assembly - 9T (inc. 19-20)
19	0402-327	1		Bearing
20	0402-336	1		Collar, Retaining
21	0402-357	1		Collar, Lock
22	0423-633	1		O-Ring
23	0423-546	1		Ring, Retaining
24	0402-947	1		Gasket
25	0502-746	1		Housing, Pinion
26	0402-324	1		Bearing
27	0402-347	1		Ring, Retaining
28	1402-314	1		Seal



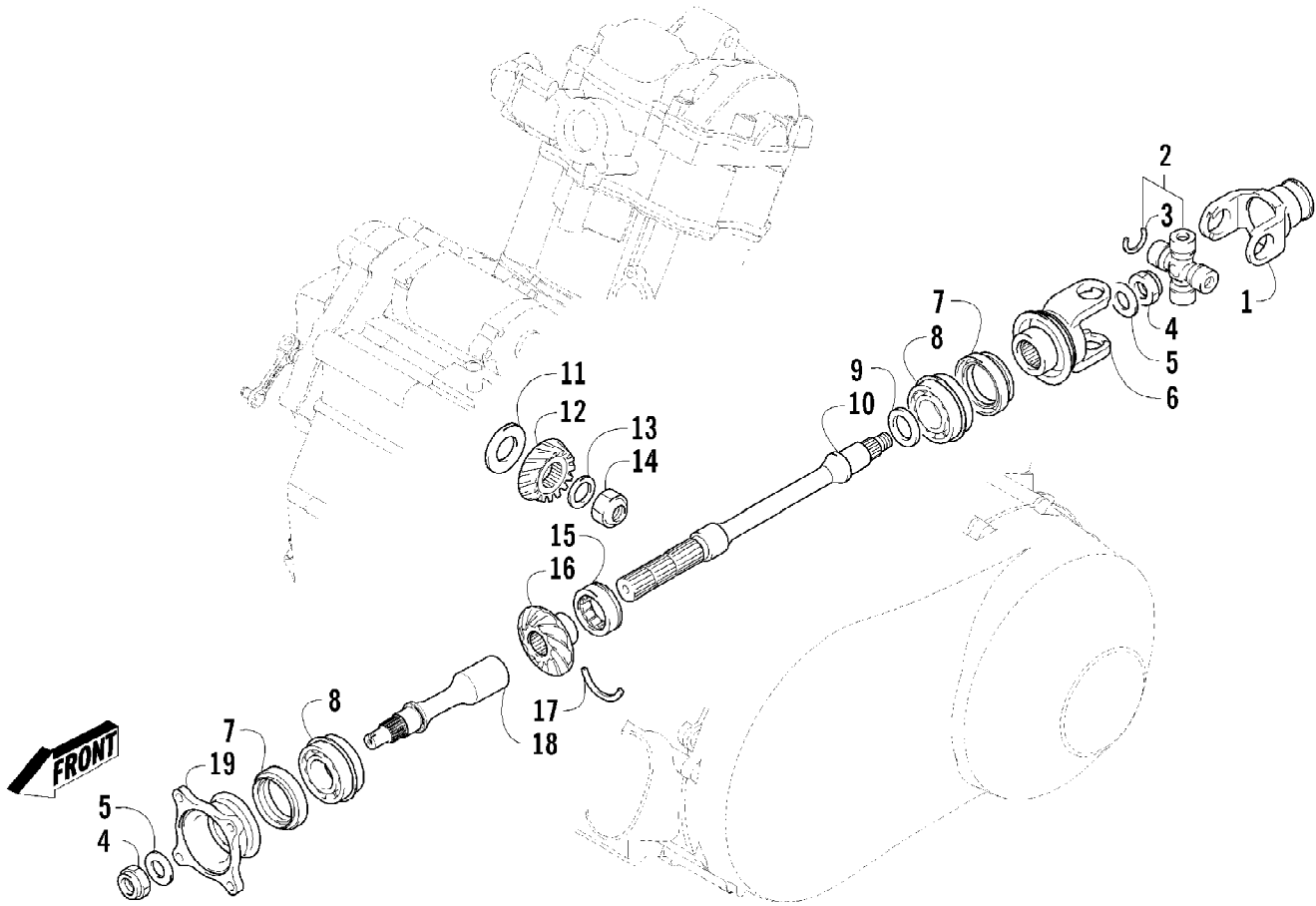
2008 PROWLER XT 650 H1 AUTOMATIC 4X4 CAT GREEN (U2008P2S4BUSZ) Page 63 of 91
 REAR SUSPENSION ASSEMBLY

Ref #	Part Number	Qty	S/P/F	Description
1	0504-389	2	S	Knuckle, Rear - Assembly (inc. 2-5)
2	1402-027	2	S/P	Bearing, Wheel Hub
3	0423-423	2		Ring, Retaining
4	0403-038	4	S/P	Collar, Suspension Bushing
5	0403-032	8	S	Bushing, Suspension
6	0502-740	2	S	Axle, Drive (inc. 7-8)
7	0441-893	2	S	Clip, Retaining
8	0436-276	2	S	Repair Kit, Boot - Rear Axle
9	0504-464	1		A-Arm, Rear - Lower Right (inc. 10-11)
9	0504-465	1	S	A-Arm, Rear - Lower Left (inc. 10-11)
10	0403-115	16	S	Bushing
11	0403-114	8	S	Collar
12	0504-358	1	S	A-Arm, Rear - Upper Right (inc. 10-11)
12	0504-359	1	S	A-Arm, Rear - Upper Left (inc. 10-11)
13	8409-000	4		Screw, Cap
14	8428-002	14		Nut, Lock
15	8409-075	8		Screw, Cap
16	1603-889	2	/P	Retainer, Spring
17	0404-117	2		Spring, Suspension
18	0404-057	2		Cam, Spring Adjuster
19	0441-587	1		Wrench, Spanner
20	0404-115	2		Shock Absorber - Rear (inc. 21-23)
21	0603-955	8		Bushing
22	1603-219	2	S	Sleeve, Shock
23	1603-209	2		Sleeve
24	0423-087	2		Washer
25	8408-820	2	/P	Screw, Cap
26	0404-116	2		Sleeve, Shock Absorber
27	8409-040	2		Screw, Cap
28	0441-758	1		Guard, Boot - Right
28	0441-759	1		Guard, Boot - Left
29	0423-545	4	/P	Screw, Body



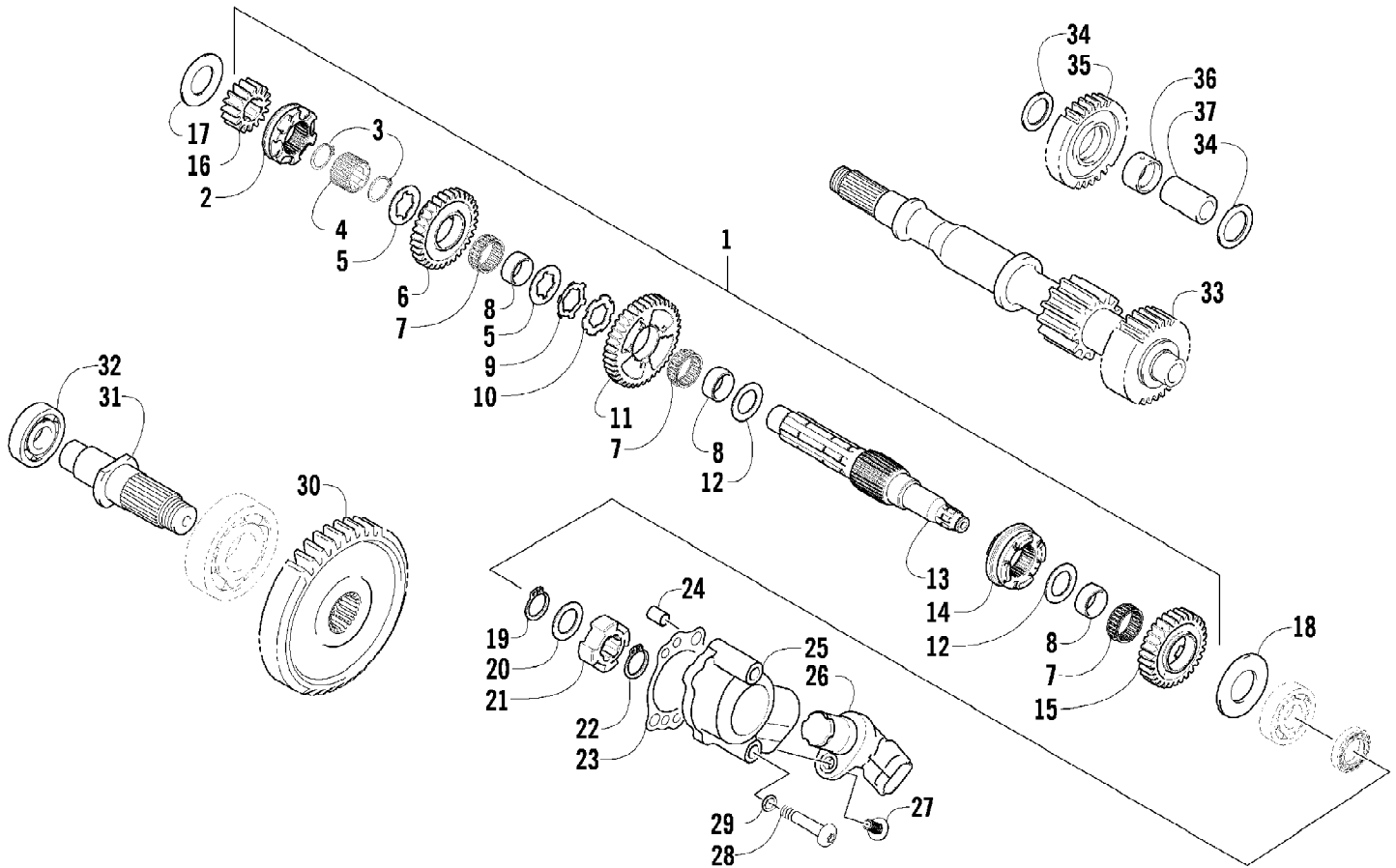
2008 PROWLER XT 650 H1 AUTOMATIC 4X4 CAT GREEN (U2008P2S4BUSZ) Page 65 of 91
SEAT, BATTERY, AND TOOL KIT ASSEMBLY

Ref #	Part Number	Qty	S/P/F	Description
1	1506-925	2		Seat, Low-Back
2	2506-780	2	/P	Plate, Base - Seat
3	8468-620	4	/P	Screw, Machine
4	0406-877	8	/P	Bumper, Seat
5	8468-820	8		Screw, Machine
6	2706-164	2	/P	Latch - Assembly (inc. 7)
7	0	2		Lever, Release - Seat Latch
8	0423-559	2		Stud, Latch - Seat
9	0423-073	4		Washer
10	0623-038	4		Nut, Hex
11	0423-120	2		Nut
12	1506-852	1	S	Base, Seat/Tools - Assembly
13	0745-059	1	/P	Battery - Assembly (inc. 14-17)
14	0645-246	6	S	Cap, Battery
15	0645-151	1		Label, Warning - Battery
16	0645-152	1		Clamp, Hose
17	0645-263	1	/P	Hose, Battery Vent
18	0406-380	1		Pad, Battery
19	0406-227	2		Pad, Battery
20	1506-841	1		Box, Battery
21	1506-840	1		Panel, Electrical
22	8424-602	8	/P	Nut, Flange
23	8476-612	8		Screw, Machine
24	8476-616	1		Screw, Machine
25	1506-839	1		Cover, Battery Box
26	2506-748	2	S	Belt, Seat
27	8408-025	4		Screw, Cap
28	8427-002	4		Nut



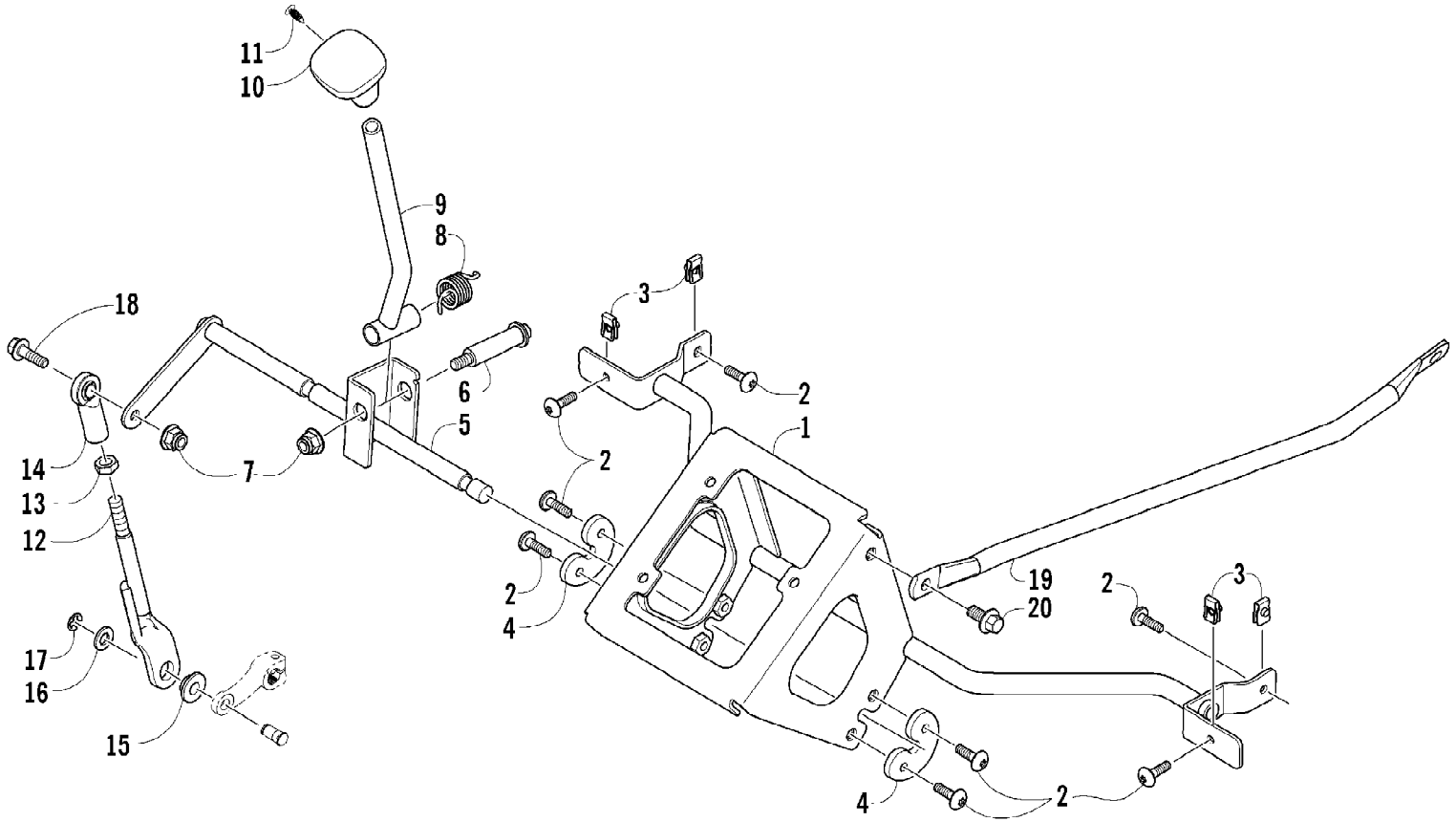
2008 PROWLER XT 650 H1 AUTOMATIC 4X4 CAT GREEN (U2008P2S4BUSZ) Page 67 of 91
SECONDARY DRIVE ASSEMBLY

Ref #	Part Number	Qty	S/P/F	Description
1	0502-829	1		Yoke, Propeller Shaft Joint
2	0402-944	1	/P	Joint, Universal - Set (inc. 3)
3	0423-395	4		Retainer, Universal Joint
4	0827-013	2		Nut, Rear Output Joint
5	0828-020	2		Washer, Rear Output Flange
6	0502-828	1		Yoke, Drive Output
7	0830-043	2		Seal, Oil - Driven Shaft
8	0832-017	2		Bearing, Driven Shaft
9	0828-021	AR		Shim, 25 x 34 x 0.25 mm
9	0828-022	AR		Shim, 25 x 34 x 0.30 mm
9	0828-023	AR		Shim, 25 x 34 x 0.70 mm
9	0828-024	AR		Shim, 25 x 34 x 0.90 mm
9	0828-025	AR		Shim, 25 x 34 x 0.95 mm
9	0828-026	AR		Shim, 25 x 34 x 1.00 mm
9	0828-027	AR		Shim, 25 x 34 x 1.05 mm
9	0828-028	AR		Shim, 25 x 34 x 1.10 mm
9	0828-029	AR		Shim, 25 x 34 x 1.15 mm
10	0819-003	1	S	Shaft, Secondary Driven
11	0828-030	AR		Shim, 24 x 48 x 0.25 mm
11	0828-031	AR		Shim, 24 x 48 x 0.30 mm
11	0828-032	AR		Shim, 24 x 48 x 0.35 mm
11	0828-033	AR		Shim, 24 x 48 x 0.90 mm
11	0828-018	AR		Shim, 24 x 48 x 0.95 mm
11	0828-062	AR		Shim, 24 x 48 x 1.00 mm
11	0828-063	AR		Shim, 24 x 48 x 1.05 mm
11	0828-064	AR		Shim, 24 x 48 x 1.10 mm
11	0828-065	AR		Shim, 24 x 48 x 1.15 mm
12	0819-001	1		Gear, Secondary Drive
13	0828-019	1		Washer
14	0827-012	1		Nut
15	0832-016	1		Bearing, Driven Gear
16	0819-002	1		Gear, Secondary Driven
17	0819-011	1		Ring, Driven Bearing
18	0819-053	1		Shaft, Secondary Driven
19	0819-005	1		Flange, Output Joint



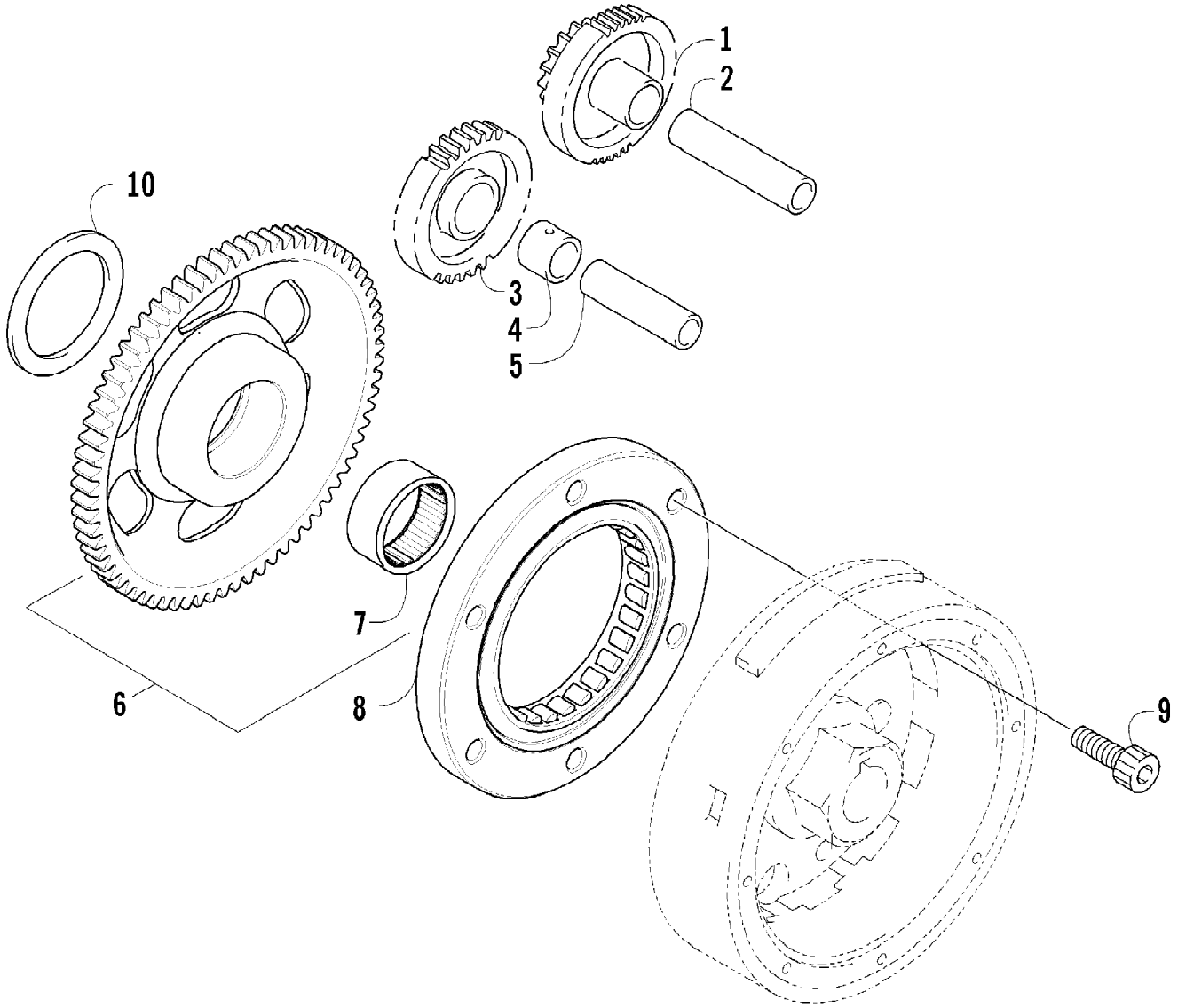
2008 PROWLER XT 650 H1 AUTOMATIC 4X4 CAT GREEN (U2008P2S4BUSZ) Page 69 of 91
SECONDARY TRANSMISSION ASSEMBLY

Ref #	Part Number	Qty	S/P/F	Description
1	0822-048	1		Countershaft Assembly (inc. 2-16)
2	0822-014	1		Dog, Reverse Driven Gear
3	0831-011	2		Circlip
4	0822-045	1		Spacer, Reverse Driven Gear
5	0828-008	2		Washer
6	0822-013	1		Gear, Reverse Driven
7	0832-011	3		Bearing
8	0822-005	3		Bushing
9	0828-014	1		Washer, Lock
10	0828-015	1		Washer, Lock
11	0822-004	1		Gear, Driven - Low
12	0822-046	2		Washer, Driven Gear
13	0822-003	1		Countershaft
14	0822-007	1		Dog, Sliding
15	0822-006	1		Gear, Driven - High
16	0822-008	1		Gear, Drive
17	0828-010	1		Washer, Drive Gear
18	0828-011	1		Washer, Drive Gear
19	0831-039	1		Ring, Retaining
20	0828-069	1		Washer, Thrust
21	0822-050	1		Trigger, Speedometer Sensor
22	0831-040	1		Ring, Retaining
23	0830-129	1		Gasket
24	0829-023	2		Pin, Dowel
25	0822-049	1		Housing, Speedometer Sensor
26	0824-042	1	/P	Sensor, Speedometer
27	8468-620	1	/P	Screw, Machine
28	8468-645	2		Screw, Machine
29	0830-107	2		Seal, Fastener
30	0822-009	1		Gear, Driven
31	0822-067	1	/P	Shaft, Output
32	0832-014	1	S	Bearing
33	0822-001	1		Driveshaft
34	0828-016	2		Washer, Reverse Idle Gear
35	0822-011	1		Gear, Reverse Idle
36	0822-012	1		Bushing, Reverse Idle Gear
37	0822-015	1		Shaft, Reverse Idle



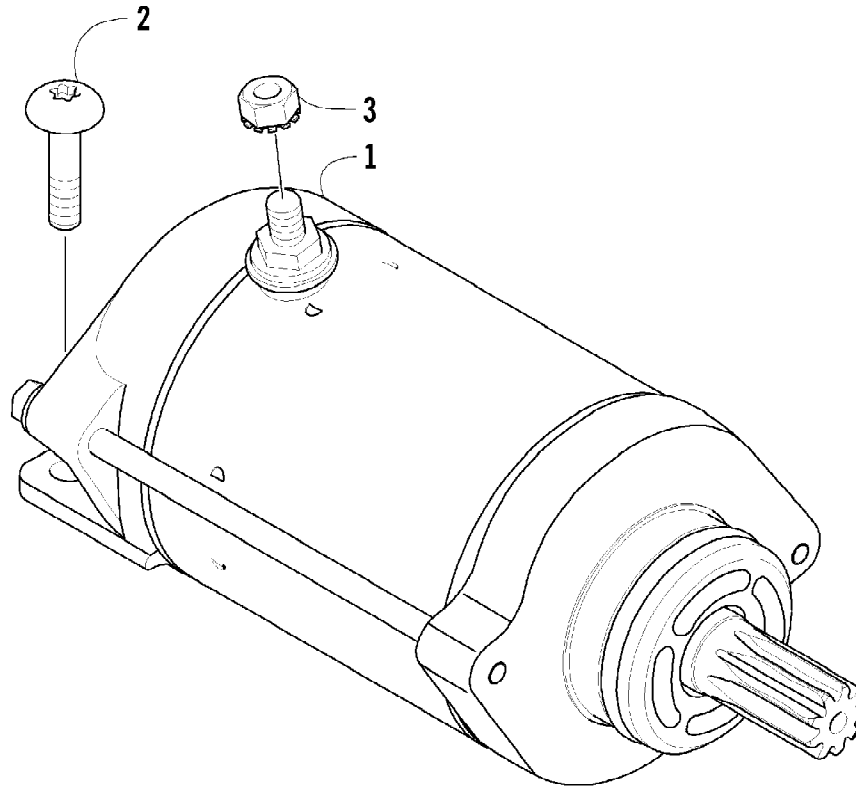
2008 PROWLER XT 650 H1 AUTOMATIC 4X4 CAT GREEN (U2008P2S4BUSZ) Page 71 of 91
 SHIFTER ASSEMBLY

Ref #	Part Number	Qty	S/P/F	Description
1	1506-525	1		Mount, Shift
2	8476-616	8		Screw, Machine
3	0423-577	4		Clip, U
4	1402-275	2		Retainer, Shift Linkage
5	1506-811	1		Axle, Shift
6	0423-505	1		Screw, Shoulder
7	8424-802	2		Nut, Flange
8	1402-668	1		Spring, Shift
9	1502-283	1		Lever, Shift
10	1402-566	1		Knob, Shift
11	0623-269	1		Clip, Retainer
12	0541-527	1		Linkage, Shift
13	0123-144	1		Nut, Jam
14	0423-686	1		Rod End
15	0423-091	1		Bushing, Shift
16	0623-094	1		Washer
17	0124-057	1	/P	E-Ring
18	8408-825	1		Screw, Cap
19	1502-264	1		Support, Shift Mount
20	8408-816	1		Screw, Cap



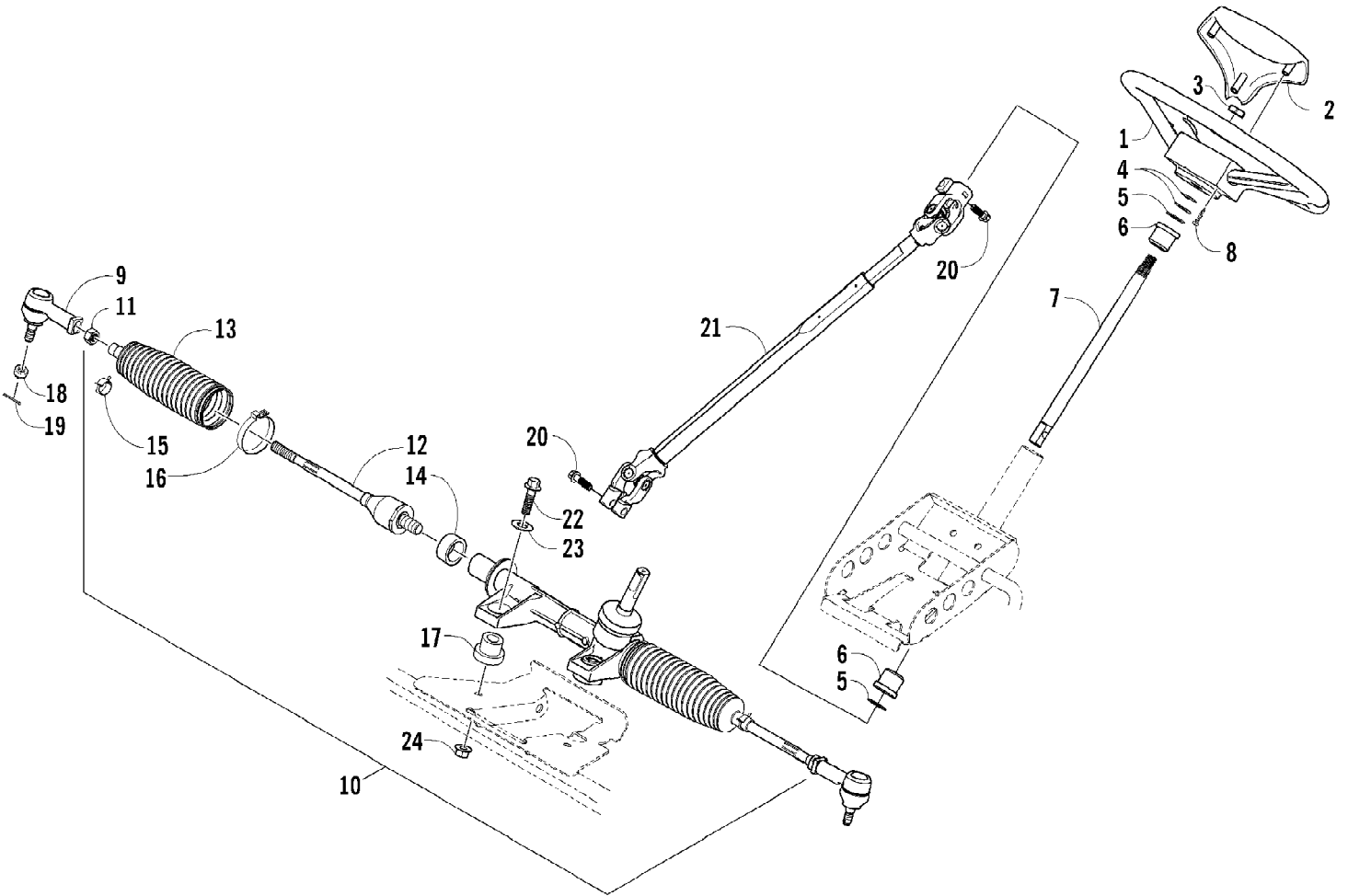
2008 PROWLER XT 650 H1 AUTOMATIC 4X4 CAT GREEN (U2008P2S4BUSZ) Page 73 of 91
STARTER CLUTCH ASSEMBLY

Ref #	Part Number	Qty	S/P/F	Description
1	0815-001	1		Gear, Starter Idler - No. 1
2	0829-031	1	/P	Shaft, Starter Gear
3	0815-002	1		Gear, Starter Idler - No. 2
4	0815-003	1		Spacer, Starter Idler Gear No. 2
5	0829-032	1	/P	Shaft, Starter Gear
6	0815-004	1		Gear Starter Clutch (inc. 7)
7	0832-004	1	S	Bearing
8	0802-035	1		Clutch, Starter
9	0826-069	6		Screw, Machine
10	0828-094	1		Washer



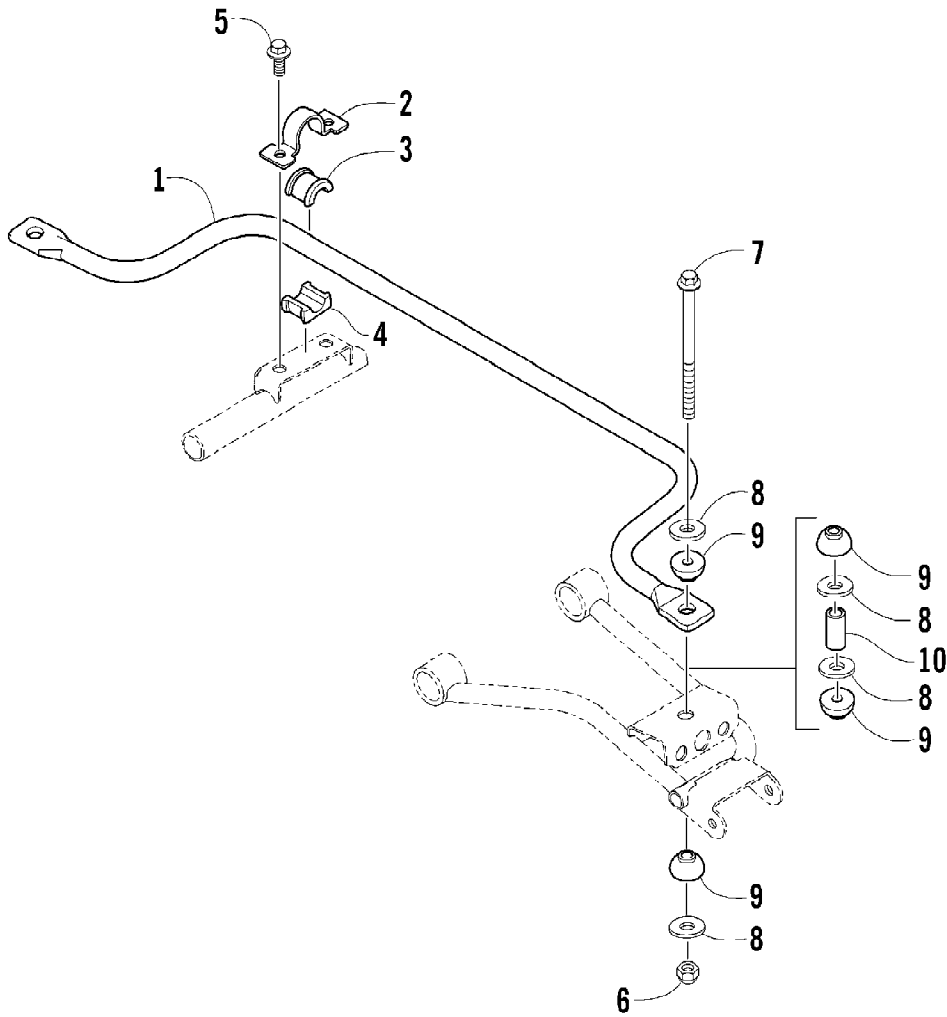
2008 PROWLER XT 650 H1 AUTOMATIC 4X4 CAT GREEN (U2008P2S4BUSZ) Page 75 of 91
STARTER MOTOR ASSEMBLY

Ref #	Part Number	Qty	S/P/F	Description
1	0825-011	1	S	Motor, Starter - Assembly
2	8476-625	2		Screw, Machine
3	0623-038	1		Nut w/Washer



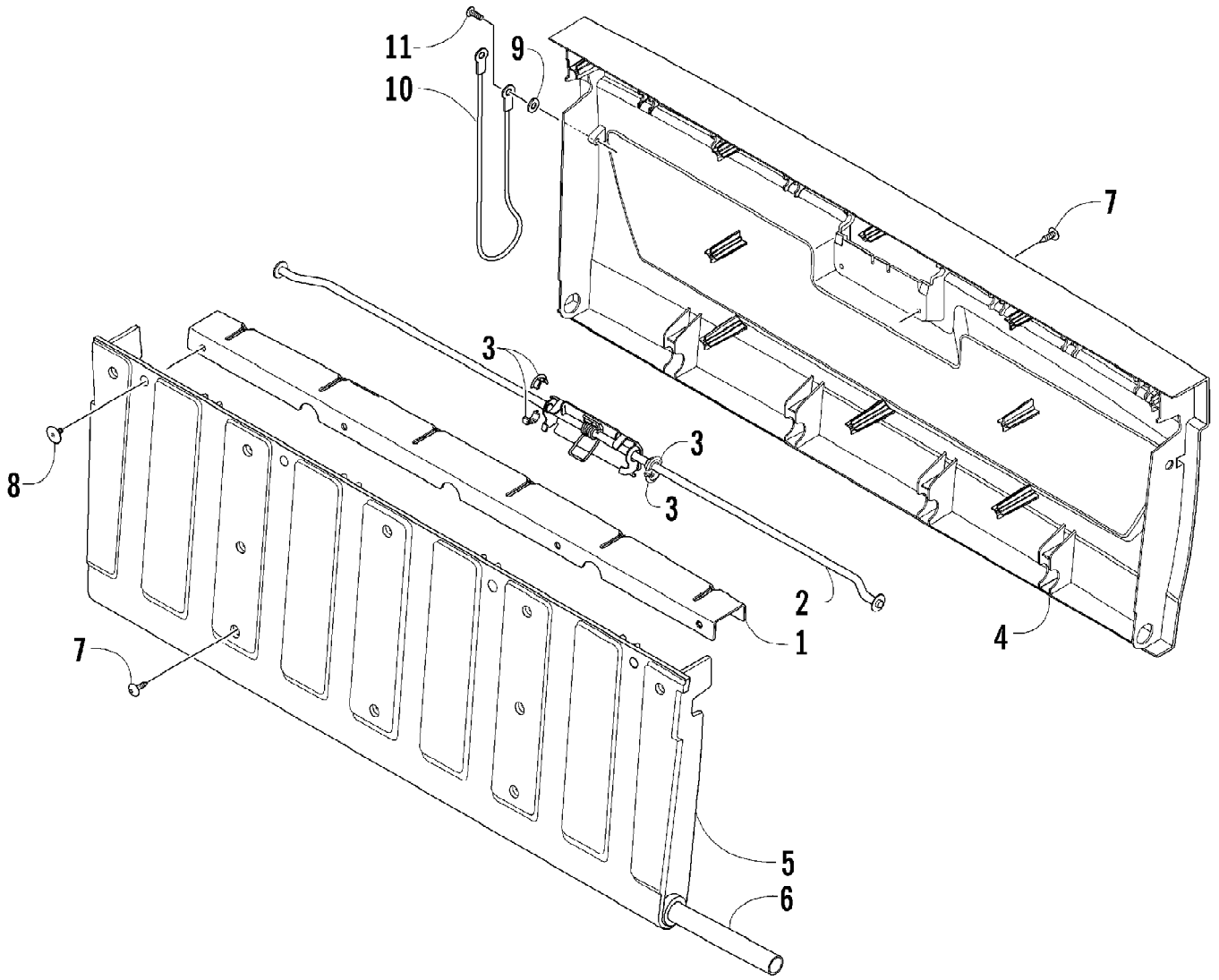
2008 PROWLER XT 650 H1 AUTOMATIC 4X4 CAT GREEN (U2008P2S4BUSZ) Page 77 of 91
 STEERING POST ASSEMBLY

Ref #	Part Number	Qty	S/P/F	Description
1	0502-884	1		Wheel, Steering - Assembly (inc. 2)
2	0405-239	1		Cover, Steering Wheel
3	1670-477	1		Nut, Hex
4	0828-071	2		Washer
5	0423-558	2		Washer
6	0405-155	2		Bushing, Steering
7	0405-160	1	S	Shaft, Steering Wheel
8	0423-613	3		Screw, Self-Tapping
9	0405-205	2	S	End, Tie Rod
10	0405-246	1	S	Housing, Rack and Pinion (inc. 11-17)
11	0423-622	2		Nut, Hex
12	0405-245	2	S	Tie Rod
13	0405-216	2		Boot, Rack
14	0405-206	2		Spacer, Rack
15	0405-236	2		Clamp, Tie Rod End
16	0405-237	2		Clamp, Boot
17	0405-238	2		Bushing
18	0423-072	2		Nut
19	0623-175	2		Pin, Cotter
20	0423-655	2		Bolt
21	0405-156	1		Shaft, Lower Steering - Assembly
22	8409-050	2		Screw, Cap
23	0623-728	2		Washer
24	8424-002	2		Nut, Flange



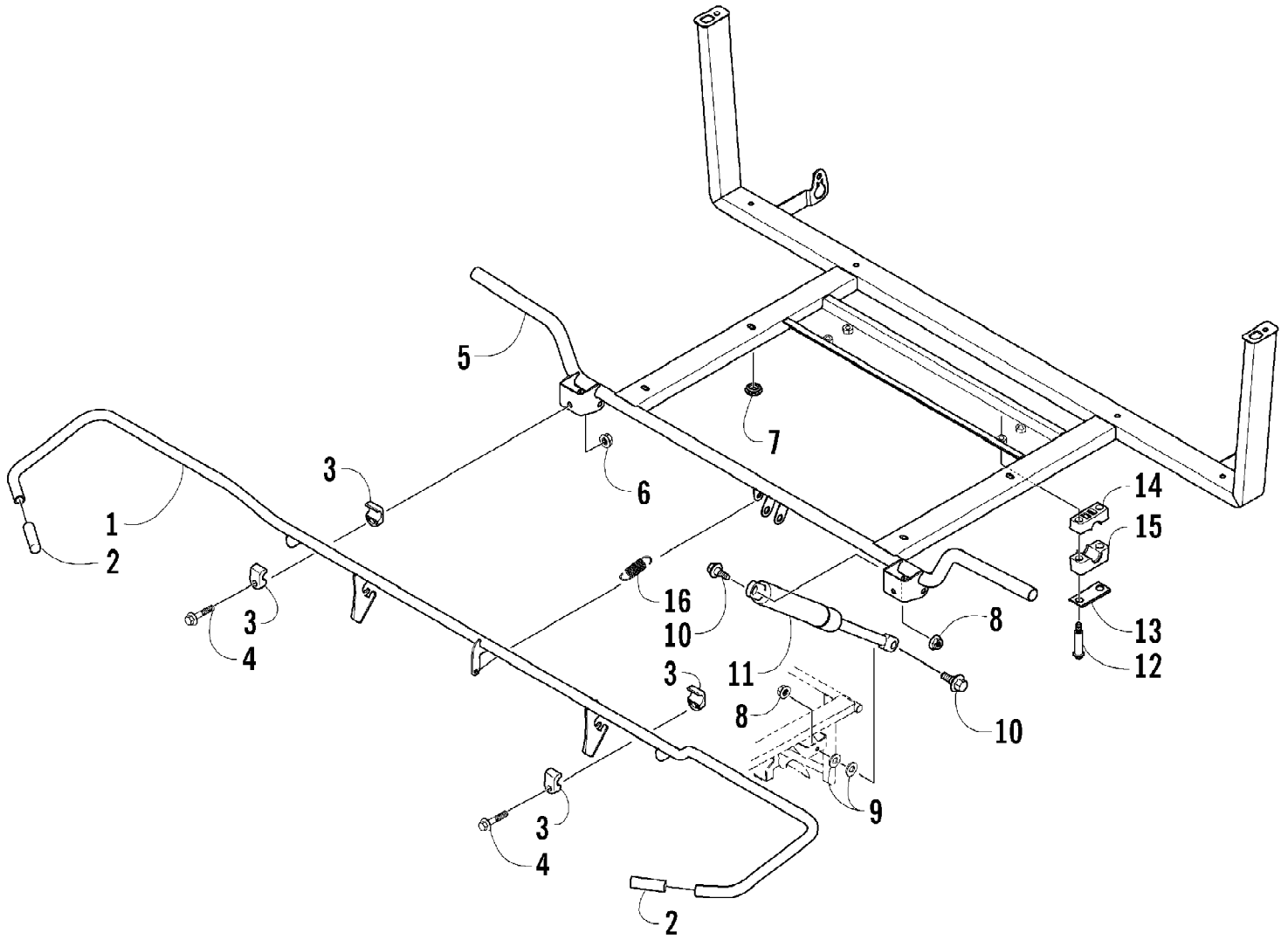
2008 PROWLER XT 650 H1 AUTOMATIC 4X4 CAT GREEN (U2008P2S4BUSZ) Page 79 of 91
SWAY BAR ASSEMBLY

Ref #	Part Number	Qty	S/P/F	Description
1	0404-110	1		Bar, Sway - Assembly
2	0404-135	2		Clamp, Sway Bar Bushing
3	0404-094	2		Bushing, Sway Bar - Upper
4	0404-095	2		Bushing, Sway Bar - Lower
5	8409-016	4		Screw, Cap
6	8422-002	2		Nut
7	0423-335	2		Screw, Cap
8	0423-073	8		Washer
9	1402-434	8		Bushing, Sway Bar
10	0423-620	2		Spacer, Sway Bar



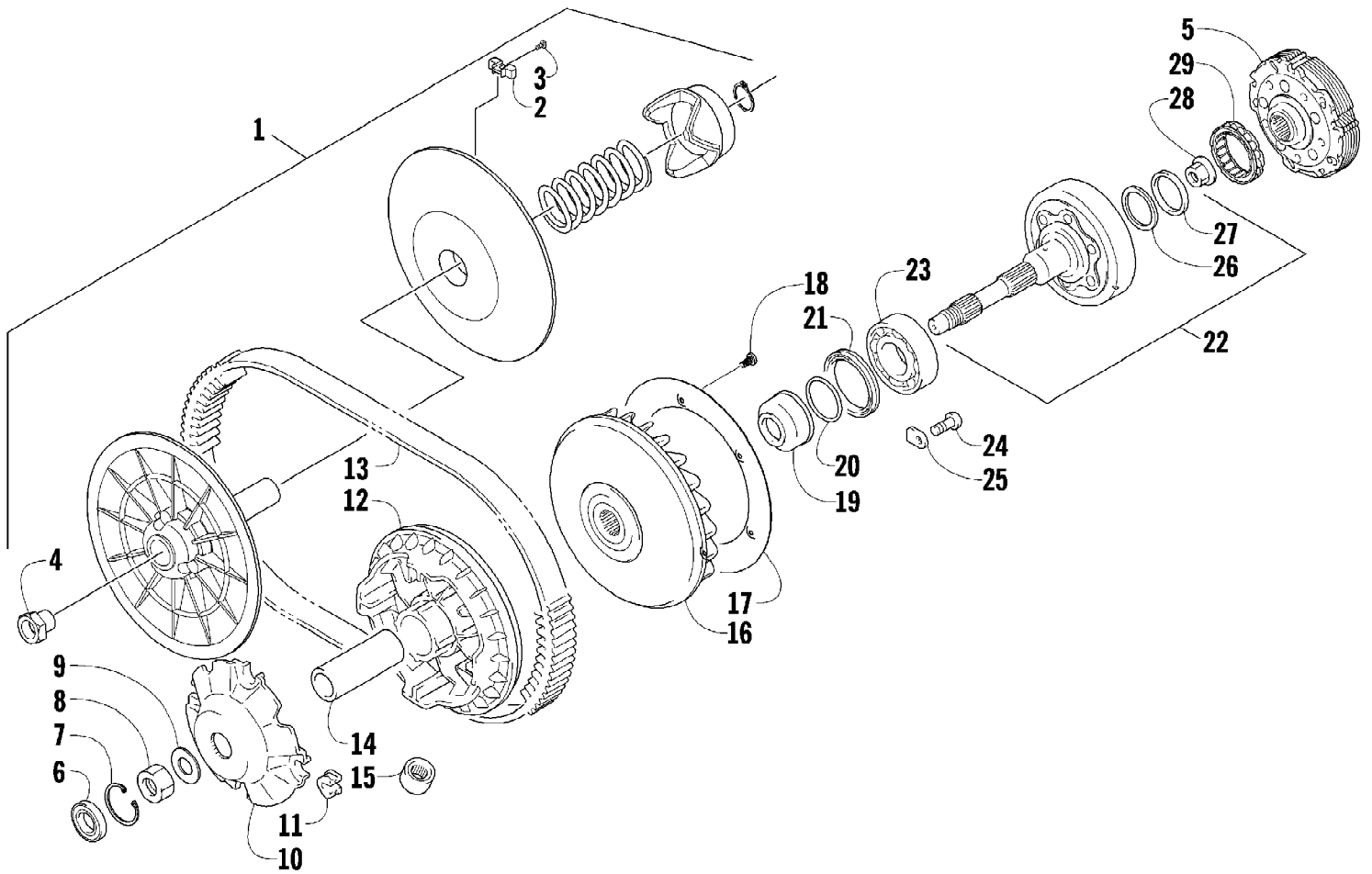
2008 PROWLER XT 650 H1 AUTOMATIC 4X4 CAT GREEN (U2008P2S4BUSZ) Page 81 of 91
TAILGATE ASSEMBLY

Ref #	Part Number	Qty	S/P/F	Description
	2506-205	1	/P	Complete Tailgate Assembly
1	1506-704	1		Brace, Tailgate
2	2506-056	1		Latch, Tailgate - Assembly
3	1406-706	4		Bushing
4	2406-369	1	/P	Panel, Tailgate - Outer
5	2406-365	1	/P	Panel, Tailgate - Inner
6	1406-927	1		Shaft, Pivot - Tailgate
7	0623-784	12		Screw, Self-Tapping
8	0423-101	4		Screw, Body
9	8050-217	2	/P	Washer
10	0487-045	2		Cable, Tailgate
11	8476-625	2		Screw



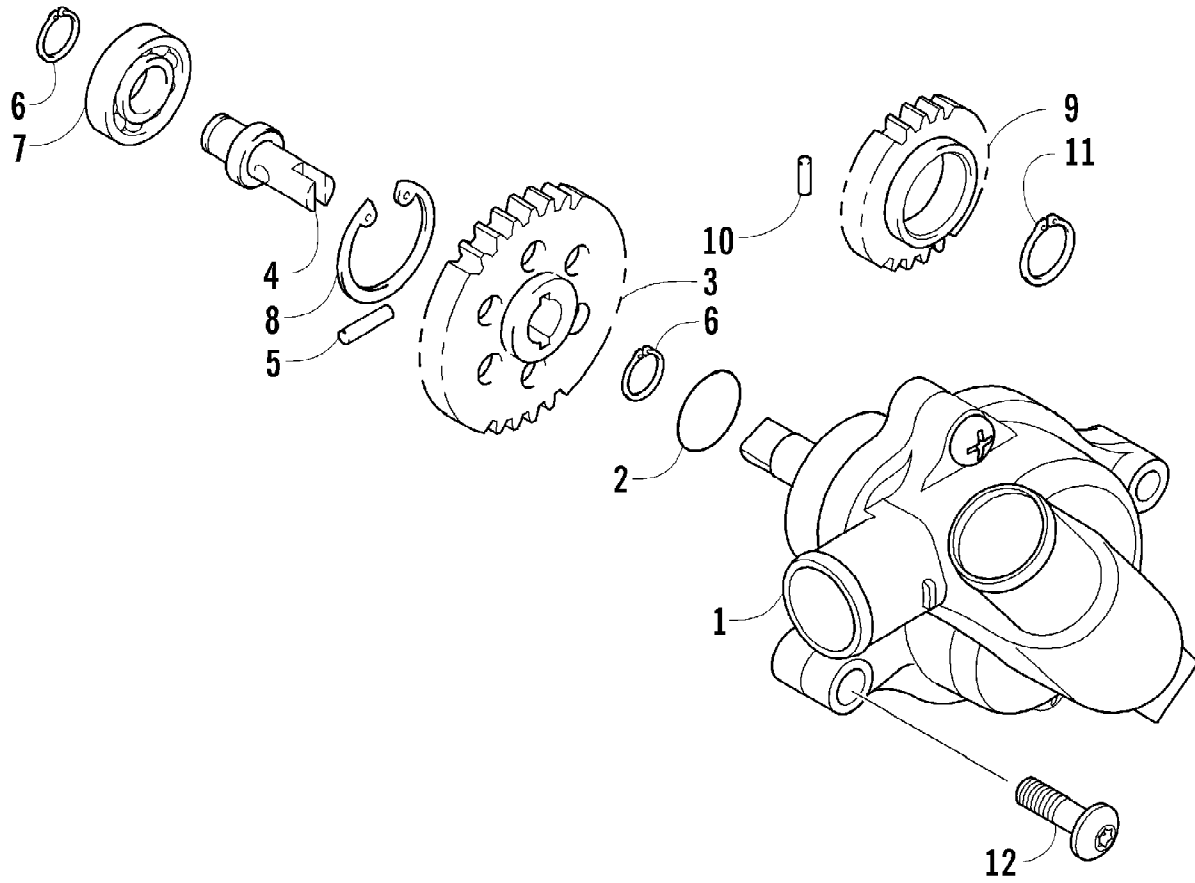
2008 PROWLER XT 650 H1 AUTOMATIC 4X4 CAT GREEN (U2008P2S4BUSZ) Page 83 of 91
TILT FRAME ASSEMBLY

Ref #	Part Number	Qty	S/P/F	Description
1	1506-669	1		Latch, Tilt Box
2	1406-736	2		Grip, Latch Rod
3	1406-674	4		Bushing, Pivot
4	8408-840	2		Screw, Cap
5	2506-197	1	/P	Frame, Box
6	8424-802	2		Nut, Flange
7	0423-628	4		Grommet
8	8424-602	2	/P	Nut, Flange
9	8050-217	2	/P	Washer
10	0423-355	2		Screw, Shoulder
11	2506-194	1		Support, Lift
12	0423-505	4		Screw, Shoulder
13	0405-166	2		Cap, Housing
14	0405-138	2		Housing, Lower
15	0405-139	2		Housing, Upper
16	1612-178	1		Spring



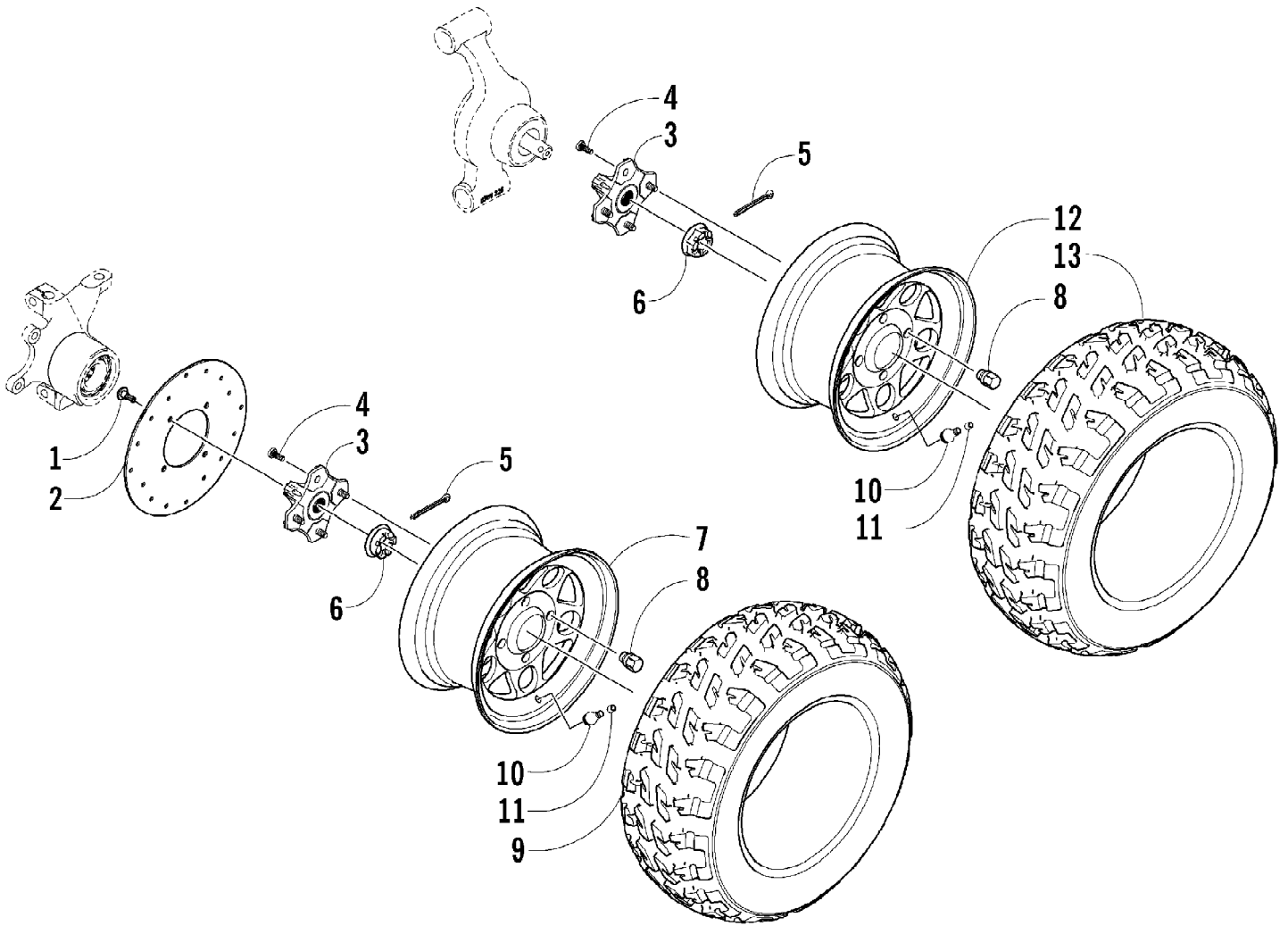
2008 PROWLER XT 650 H1 AUTOMATIC 4X4 CAT GREEN (U2008P2S4BUSZ) Page 85 of 91
TRANSMISSION ASSEMBLY

Ref #	Part Number	Qty	S/P/F	Description
1	0823-254	1	S	Pulley, Driven - Assembly (inc. 2-4)
2	0823-176	3	/P	Shoe, Cam
3	0823-177	3		Screw, Cam
4	0823-178	1		Nut, Driven Pulley
5	0823-098	1	S	Clutch, Centrifugal - 6 Plate
6	0832-060	1		Bearing
7	0831-078	1		Ring, Retaining
8	0827-010	1		Nut
9	0828-106	1		Washer
10	0823-008	1		Plate, Movable Drive Face
11	0823-010	4		Damper, Movable Drive Face
12	0823-159	1		Face, Movable Drive
13	0823-013	1		V-Belt
14	0823-149	1		Spacer, Movable Drive Face
15	0823-167	8	/P	Roller, Movable Drive Face
16	0823-156	1	/P	Face, Fixed Drive
17	0823-131	1		Shroud, Drive Face
18	0623-914	6		Screw, Self-Tapping
19	0823-015	1		Spacer, Fixed Drive Face
20	0470-531	1		O-Ring
21	0830-034	1	S	Seal, Clutch Housing - Right
22	0823-270	1	S	Housing, Clutch - Assembly (inc. 26-27)
23	0832-047	1	S	Bearing
24	0826-029	2		Screw, Bearing Retainer
25	0822-010	2	/P	Retainer, Bearing
26	0828-075	1		Shim
27	0823-017	1	S	Seal, Clutch Housing - Left
28	0827-011	1		Nut
29	0823-018	1		Clutch, One-Way



2008 PROWLER XT 650 H1 AUTOMATIC 4X4 CAT GREEN (U2008P2S4BUSZ) Page 87 of 91
WATER PUMP ASSEMBLY

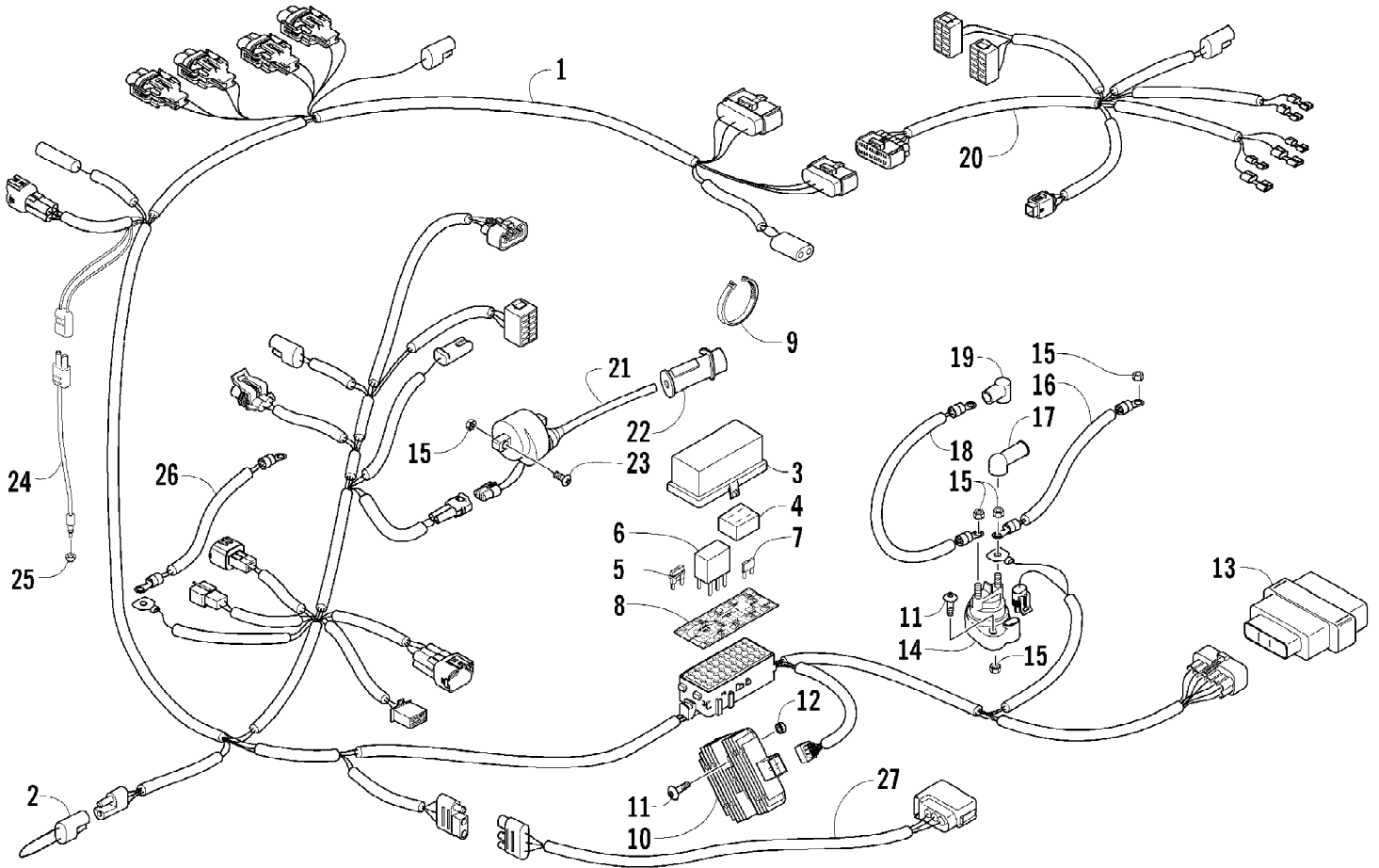
Ref #	Part Number	Qty	S/P/F	Description
1	0813-001	1		Pump, Water - Assembly (inc. 2)
2	0830-029	1		O-Ring
3	0813-004	1		Gear, Driven
4	0813-005	1		Shaft, Driven Gear
5	0829-009	1		Pin, Driven Gear
6	0831-002	2		Circlip, Driven Gear
7	0832-008	1	S	Bearing, Shaft
8	0831-004	1		Circlip, Shaft Bearing
9	0811-003	1		Gear, Water Pump Drive
10	0829-007	1		Pin, Drive Gear
11	0831-005	1		Circlip, Drive Gear
12	8468-665	2		Screw, Machine



2008 PROWLER XT 650 H1 AUTOMATIC 4X4 CAT GREEN (U2008P2S4BUSZ) Page 89 of 91
WHEEL AND TIRE ASSEMBLY

Ref #	Part Number	Qty	S/P/F	Description
1	0423-557	8		Screw, Machine
2	1402-455	2	S	Disc, Brake
3	0502-980	2	S	Hub, Wheel - Front (inc. 4)
3	0503-322	2	S	Hub, Wheel - Rear (inc. 4)
4	0402-974	16	/P	Stud, Wheel Hub
5	0423-407	4		Pin, Cotter
6	0423-607	4		Nut, Castle
7	1402-449	2		Wheel - Front
8	0423-618	16		Nut, Mounting - Wheel
9	1402-392	2		Tire - Front
10	0402-064	4		Stem, Valve (inc. 11)
11	0402-140	4		Cap, Valve Stem
12	1402-452	2		Wheel - Rear
13	1402-393	2		Tire - Rear

2008 PROWLER XT 650 H1 AUTOMATIC 4X4 CAT GREEN (U2008P2S4BUSZ) Page 90 of 91
WIRING HARNESS ASSEMBLY



2008 PROWLER XT 650 H1 AUTOMATIC 4X4 CAT GREEN (U2008P2S4BUSZ) Page 91 of 91
WIRING HARNESS ASSEMBLY

Ref #	Part Number	Qty	S/P/F	Description
1	0486-252	1		Harness, Main (inc. 2-8)
2	0486-164	1		Tether, Accessory Connector
3	0530-008	1		Cover, Fuse Block
4	0430-037	1		Holder, Fuse
5	0430-034	1		Diode
6	0430-033	1		Relay (5-Pin) - 20 Amp
6	0430-045	3	/P	Relay (4-Pin) - 20 Amp
7	0430-032	4		Fuse - 10 Amp
7	0430-031	5		Fuse - 15 Amp
7	0430-030	2		Fuse - 30 Amp
8	1411-576	1		Decal, Fuse Block
9	0123-788	AR	/P	Cable Tie - 7.5 in.
10	0824-037	1	/P	Regulator, Voltage
11	8476-625	4		Screw, Machine
12	8424-602	2	/P	Nut, Hex
13	0824-048	1	/P	CDI Unit
14	0445-058	1	/P	Solenoid
15	0623-038	8		Nut w/Washer
16	0445-061	1		Cable, Solenoid/Starter
17	0645-327	1		Boot, Terminal
18	0445-049	1		Cable, Battery/Solenoid (inc. one No. 19)
19	0645-019	2		Boot, Terminal
20	0486-224	1		Harness, Console
21	0824-036	1		Coil, Ignition - Assembly
22	0824-021	1	S	Cap, Spark Plug
23	8476-620	2		Screw, Machine
24	0409-009	1		Switch, Brake - Assembly
25	0402-991	1		Retainer, Brake Switch
26	0445-050	1		Cable, Battery/Engine
27	0486-176	1		Harness Adapter, Taillight