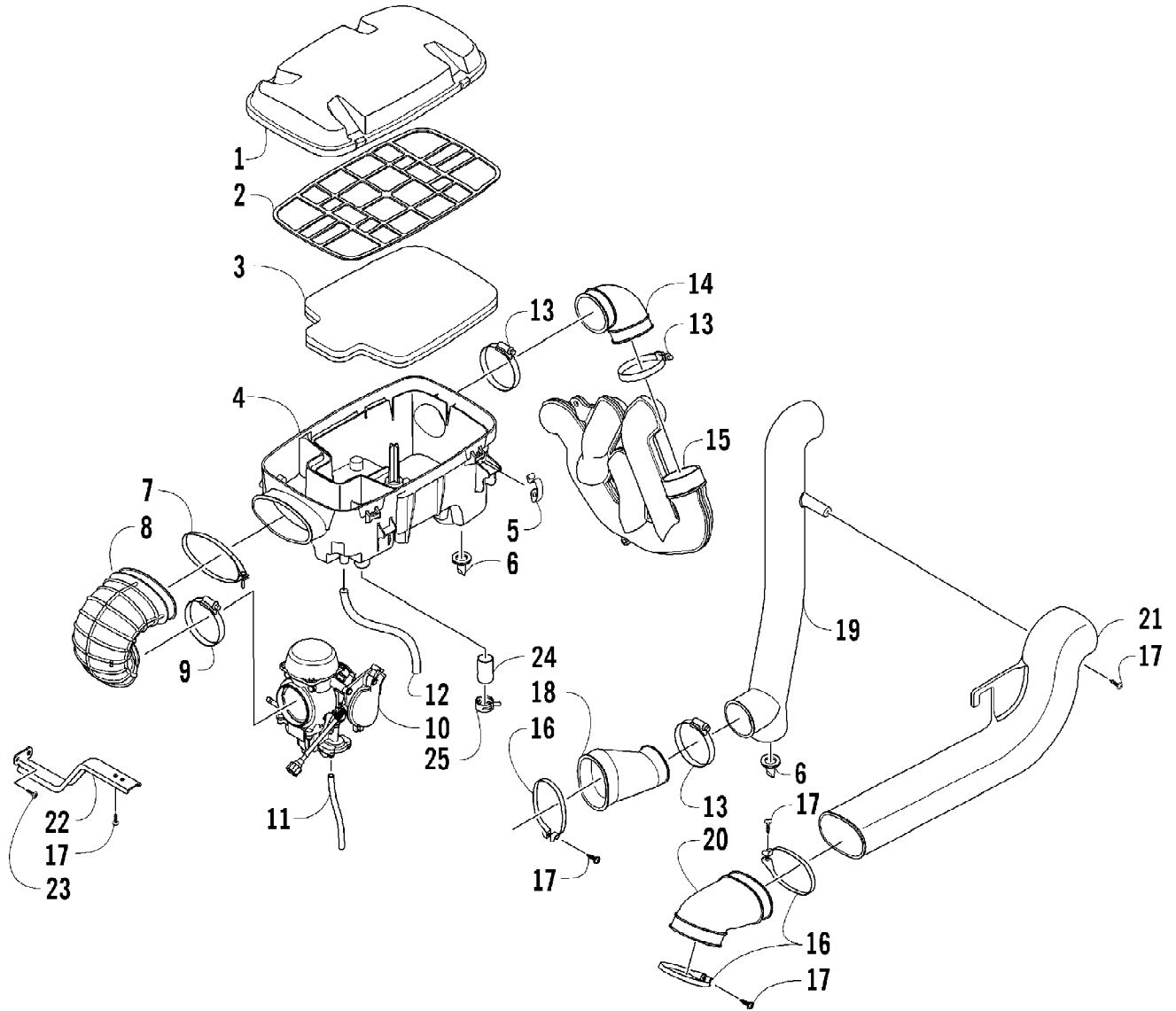


2008 PROWLER 650 H1 AUTOMATIC 4X4 GREEN (U2008P1S4BUSG)
ACCELERATOR ASSEMBLY

Page 2 of 89

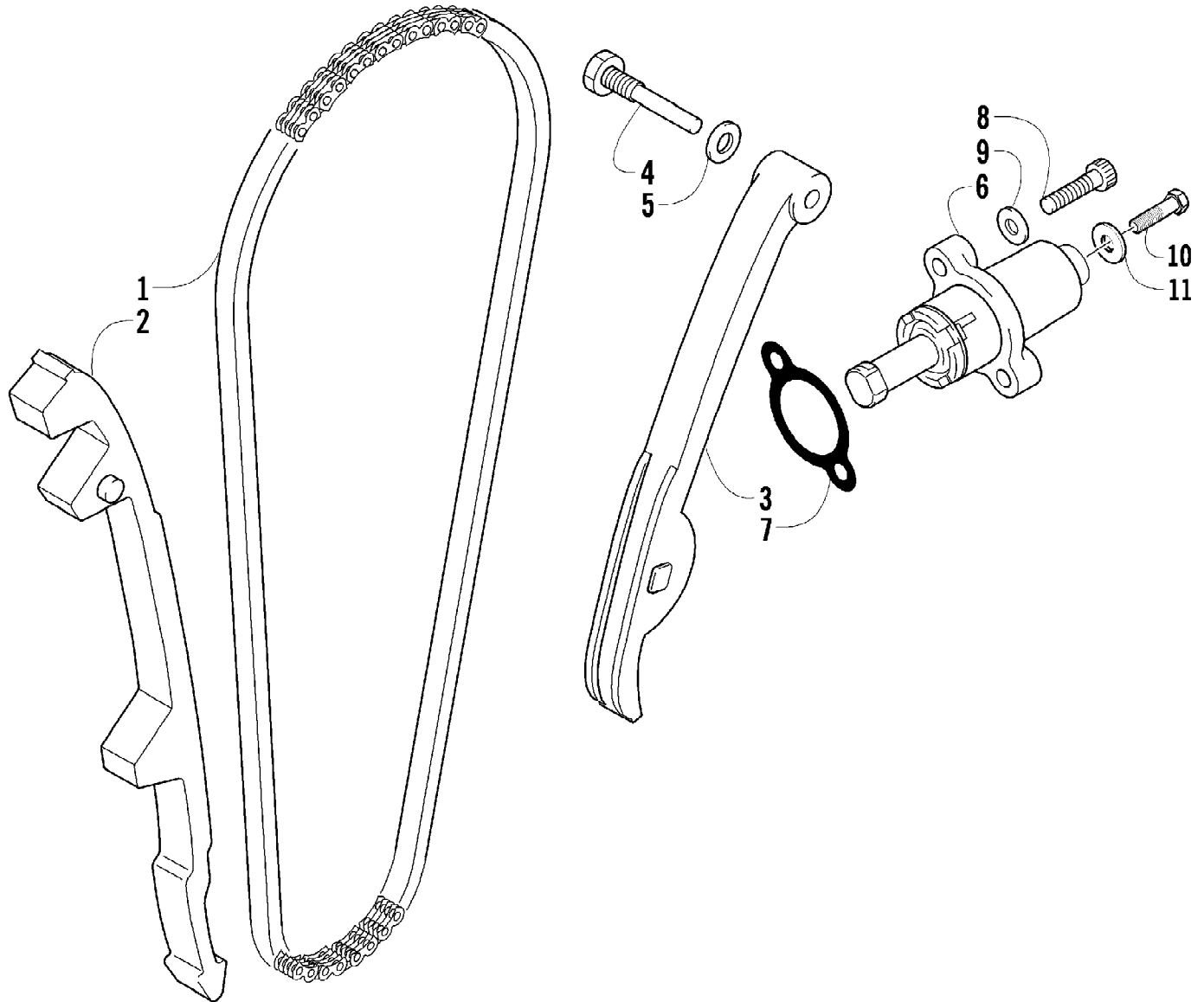
Ref #	Part Number	Qty	S/P/F	Description
1	0502-974	1		Pedal, Accelerator
2	0405-233	1		Spring
3	0402-872	1		Axle
4	1602-213	2	/P	O-Ring
5	8422-002	1		Nut
6	8468-620	2	/P	Screw, Machine
7	0502-991	1		Bracket, Accelerator Pedal
8	0623-038	2		Nut, Hex w/Washer
9	0502-990	1		Bracket, Cable - Accelerator
10	0487-048	1		Cable, Accelerator
11	2506-476	1		Support, Pedal
12	8408-816	1		Screw



2008 PROWLER 650 H1 AUTOMATIC 4X4 GREEN (U2008P1S4BUSG)
AIR INTAKE ASSEMBLY

Page 4 of 89

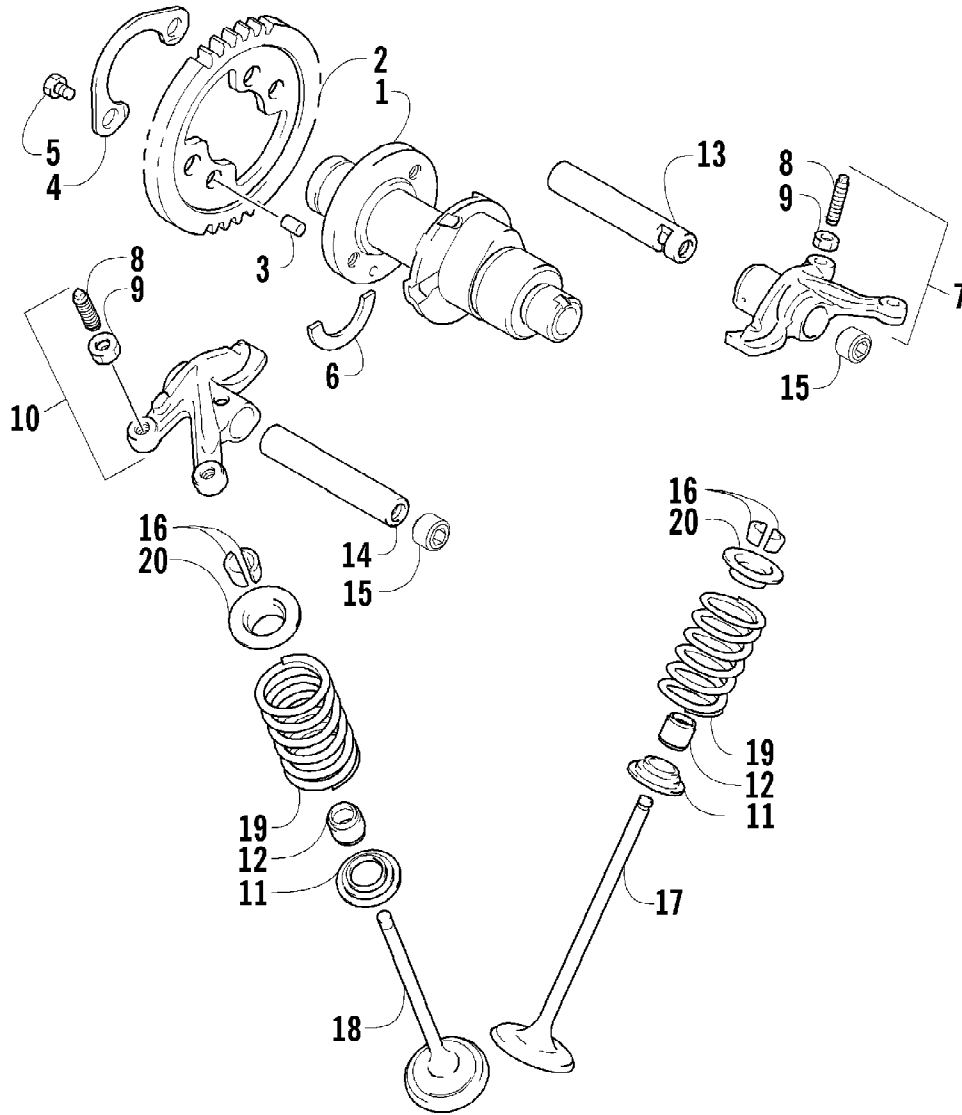
Ref #	Part Number	Qty	S/P/F	Description
1	0470-755	1	S	Cover, Air Intake
2	0470-560	1		Screen, Air Filter
3	0470-558	1		Filter, Air
4	0470-675	1		Housing, Air Intake
5	0423-455	4		Clip, Spring
6	0470-442	2	/P	Valve, Drain
7	0423-554	1		Clamp, Boot
8	0470-525	1		Boot, Carburetor
9	0423-019	1		Clamp, Hose
10	0470-742	1		Carburetor, CVK36-AE
11	0510-593	1		Hose, Carburetor Drain
12	0410-079	1	S	Hose, Vent - Crankcase
13	0423-380	3	/P	Clamp, Boot
14	0413-098	1		Boot, Air-In
15	0513-024	1		Duct, Air-In
16	0423-550	3		Clamp
17	0423-342	6	/P	Screw, Self-Tapping
18	0413-049	1		Boot, Duct
19	0413-188	1		Duct
20	0413-109	1		Boot, Air-Out - Clutch
21	0413-189	1		Duct, Air-Out - Clutch
22	2506-651	1		Bracket, Support
23	0623-784	2		Screw, Self-Tapping
24	0423-766	1		Cap, Drain - Housing
25	1623-287	1		Clamp, Hose



2008 PROWLER 650 H1 AUTOMATIC 4X4 GREEN (U2008P1S4BUSG)
CAM CHAIN ASSEMBLY

Page 6 of 89

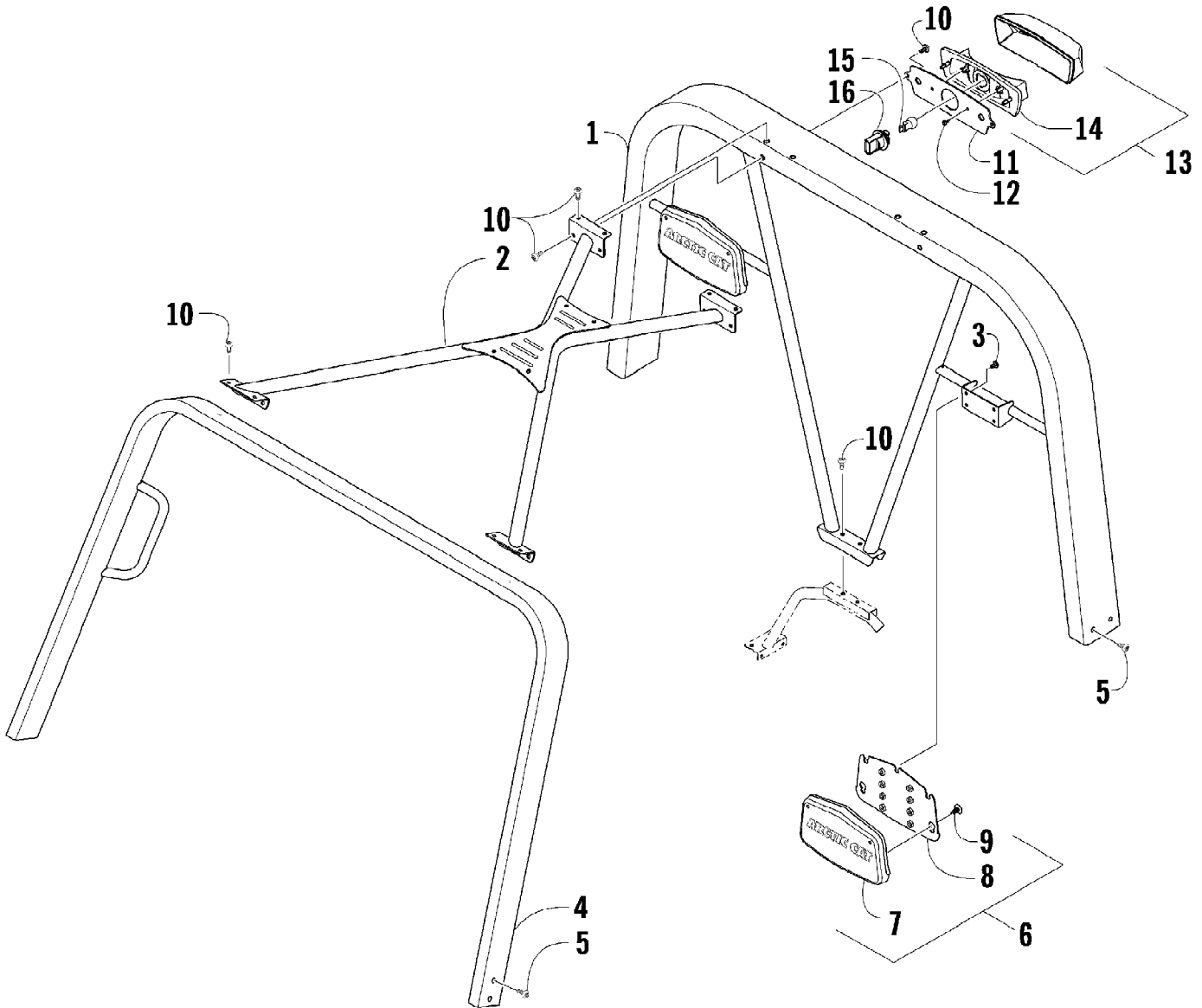
Ref #	Part Number	Qty	S/P/F	Description
1	0810-001	1		Chain, Cam
2	0810-002	1		Guide, Chain
3	0810-003	1		Tensioner, Chain
4	0826-036	1		Bolt
5	0830-025	1		Washer
6	0810-004	1		Adjuster, Tensioner - Assembly
7	0830-018	1		Gasket
8	8468-625	2		Screw, Machine
9	0830-107	2		Gasket
10	8400-610	1		Screw, Cap
11	0828-110	1		Washer



2008 PROWLER 650 H1 AUTOMATIC 4X4 GREEN (U2008P1S4BUSG)
CAMSHAFT/VALVE ASSEMBLY

Page 8 of 89

Ref #	Part Number	Qty	S/P/F	Description
1	0809-200	1	S	Camshaft
2	0809-002	1		Sprocket
3	0829-008	1		Pin
4	0828-004	1		Washer
5	0826-034	2		Bolt
6	0809-003	1		C-Ring
7	0809-202	1	S	Arm, Valve Rocker - Intake (inc. two No. 8-9)
8	0809-033	4	S	Screw
9	0827-007	4		Nut
10	0809-205	1	S	Arm, Valve Rocker - Exhaust (inc. two No. 8-9)
11	0809-006	4		Seat, Spring - Valve
12	0830-016	4	S	Seal, Oil
13	0809-007	1		Shaft, Rocker Arm - Intake
14	0809-008	1		Shaft, Rocker Arm - Exhaust
15	0831-066	2		Plug, Shaft
16	0809-014	8		Keeper, Valve
17	0809-039	2	S	Valve, Intake
18	0809-040	2	S	Valve, Exhaust
19	0809-138	4	S	Spring, Valve
20	0809-013	4		Retainer, Spring

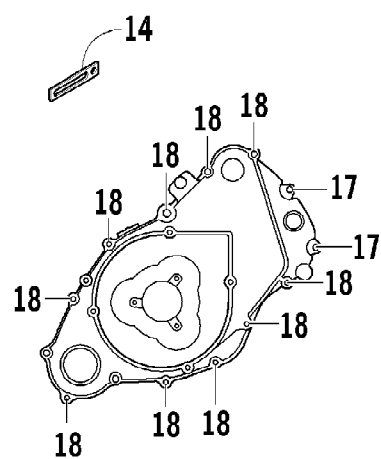
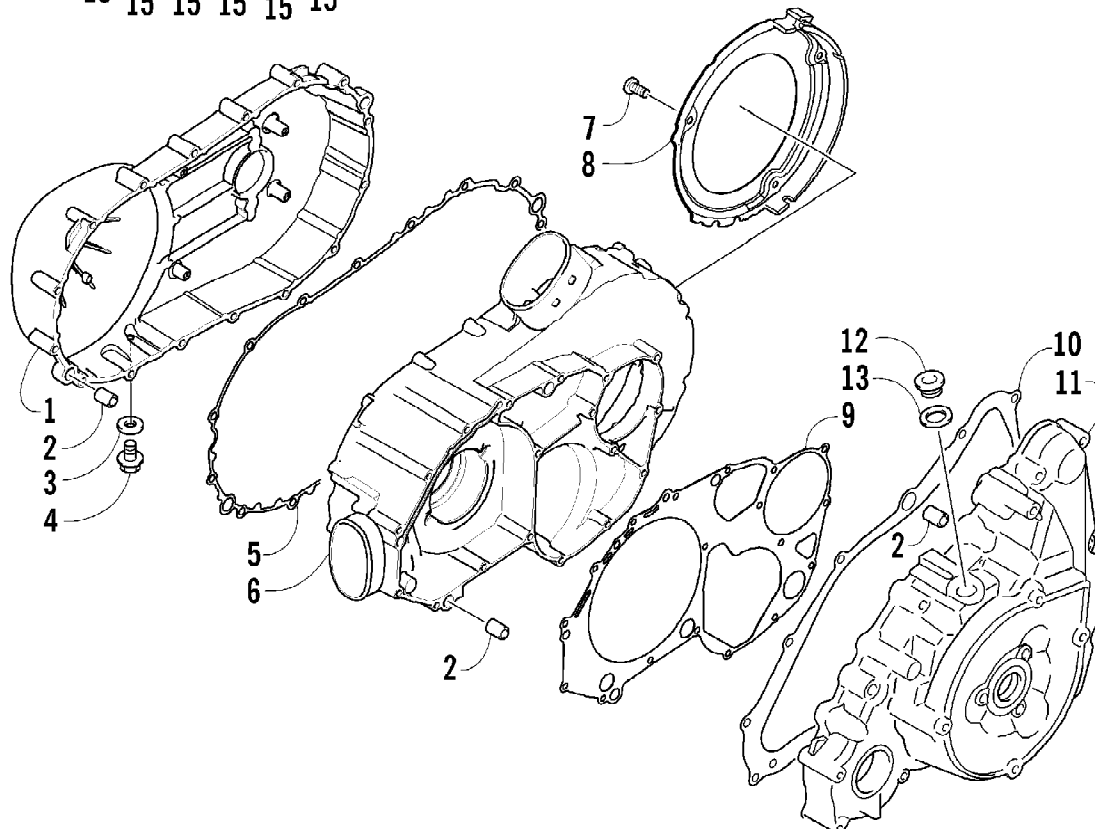
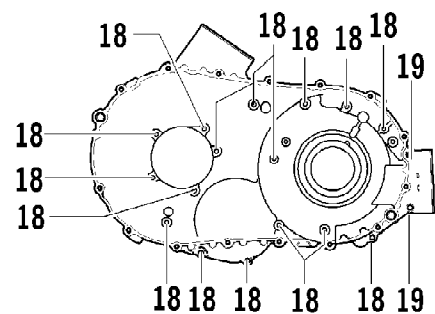
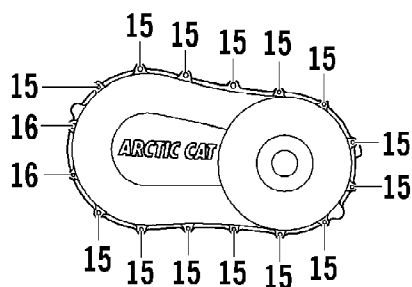


2008 PROWLER 650 H1 AUTOMATIC 4X4 GREEN (U2008P1S4BUSG)
CANOPY AND TAILLIGHT ASSEMBLY

Page 10 of 89

Ref #	Part Number	Qty	S/P/F	Description
1	1506-680	1		Tube, Canopy - Rear
2	1506-713	1		Support, Canopy
3	0423-361	8		Screw, Machine
4	1506-665	1		Tube, Canopy - Front
5	0423-817	8		Screw, Machine
6	1506-795	2		Pad, Headrest - Assembly (inc. 7-9)
7	1406-884	2		Pad, Headrest
8	1506-722	2		Mount, Headrest
9	0623-544	10		Plug
10	0423-419	18		Screw, Machine
11	0423-577	2		Clip, U-Nut
12	2406-069	1		Bracket, Taillight Mounting
13	0623-301	2	/P	Screw, Self-Tapping
14	0509-022	1		Taillight Assembly (inc. 15-17)
15	0509-025	1		Housing, Taillight
16	0409-056	1		Bulb, Taillight
17	0409-057	1		Socket, Taillight

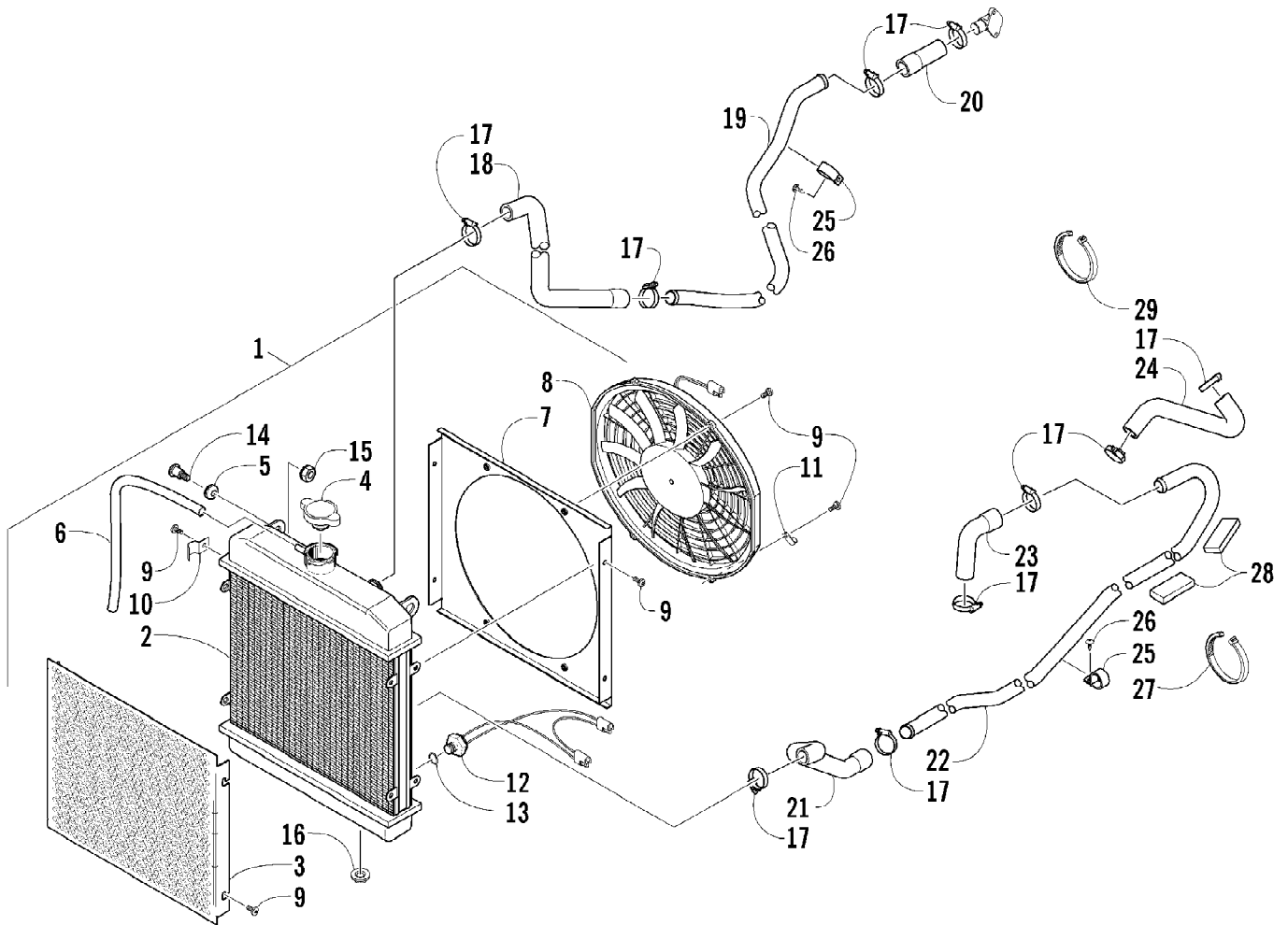
Ref #	Part Number	Qty	S/P/F	Description
	0470-742	1		Complete Carburetor Assembly (CVK36-AE)
1	5507-001	1		Cover, Top
2	5507-002	4	/P	Screw, Top Cover
3	5507-066	1	/P	Spring
4	5507-099	1		Piston, Vacuum
5	5507-005	1		Seat, Spring
6	5507-201	1		Jet Needle
7	5507-007	1		Needle Jet
8	5507-047	1	/P	Holder, Needle Jet
9	5507-076	1	/P	Main Jet - 138
9	5507-075	1	F	Main Jet - 132
9	5507-074	1	F	Main Jet - 130
9	5507-057	1	/P/F	Main Jet - 135
9	5507-073	1	F	Main Jet - 140
9	5507-043	1	F	Main Jet - 142
10	5507-070	1	/P	Slow Jet
11	5507-112	1		Starter Jet - 85
12	5507-183	1		Valve, Float - Set (inc. 13)
13	0	1	F	Clip
14	5507-039	1		Float Set (inc. 15)
15	0	1	F	Pin, Float
16	5507-213	1		Screw, Pilot - Set (inc. 17-19)
17	0	1	F	Spring
18	0	1	F	Washer
19	0	1	F	O-Ring
20	5507-027	1		Screw, Idle Adjust
21	5507-028	1		Washer
22	5507-029	1		Spring
23	5507-115	1		Plate
24	5507-117	1	/P	Screw
25	5507-204	1		Choke, Electric
26	5507-114	1		Cover, Electric Choke
27	5507-214	1		Chamber, Float - Assembly (inc. 28-34)
28	5507-050	1	/P	Screw, Drain
29	5507-211	1		Spring
30	5507-197	1		Diaphragm Assembly - Pump Housing
31	5507-198	1		Housing, Pump
32	5507-034	1		U-Ring
33	5507-035	3		Screw
34	5507-067	1	/P	O-Ring, Float Chamber
35	5507-017	4	/P	Screw
36	5507-037	1	/P	Screw
37	5507-036	1		Cover
38	0410-056	1		Hose, Vent



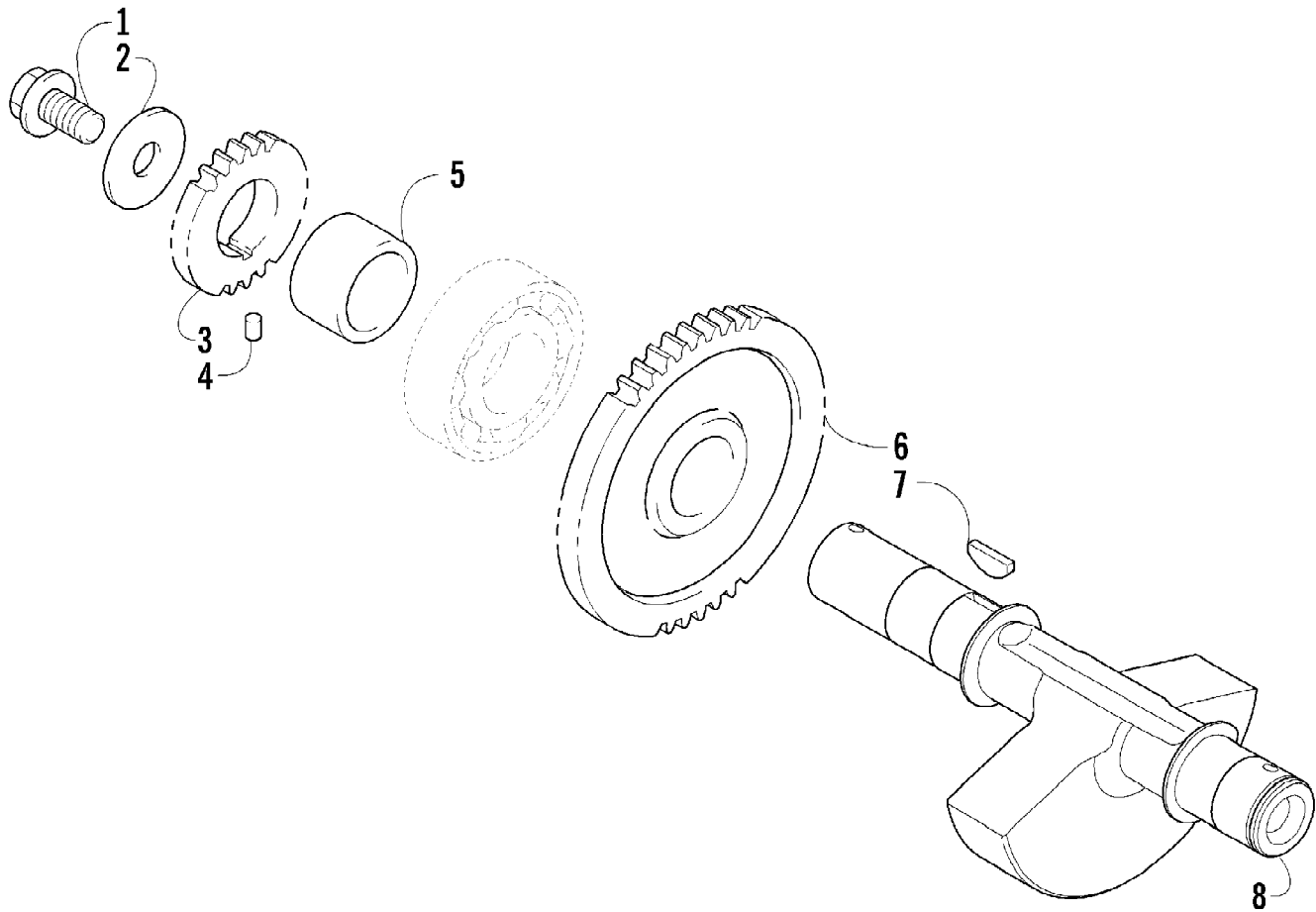
2008 PROWLER 650 H1 AUTOMATIC 4X4 GREEN (U2008P1S4BUSG)
CLUTCH/V-BELT/MAGNETO COVER ASSEMBLY

Page 14 of 89

Ref #	Part Number	Qty	S/P/F	Description
1	0806-088	1	/P	Cover, V-Belt
2	0829-002	4		Pin, Dowel
3	0830-013	1		Washer, Crush
4	8408-812	1		Screw, Cap
5	0830-174	1	/P	Gasket, V-Belt Cover
6	0806-091	1		Cover, Clutch
7	0826-029	3		Screw, Machine
8	0806-048	1		Seal, Air Intake
9	0830-116	1	/P	Gasket, Clutch Cover
10	0830-128	1		Gasket, Magneto Cover
11	0806-094	1		Cover, Magneto - Assembly
12	0806-022	1		Plug
13	0830-015	1		Washer, Crush
14	3002-964	1	/P	Clamp, Wire
15	8468-645	14		Screw, Machine
16	8468-655	2		Screw, Machine
17	8468-625	2		Screw, Machine
18	8468-640	26		Screw, Machine
19	8468-675	2		Screw, Machine



Ref #	Part Number	Qty	S/P/F	Description
1	0413-172	1	S	Radiator - Assembly (inc. 2-13)
2	0413-184	1	/P	Radiator
3	0413-007	1		Screen, Radiator
4	0413-002	1	S	Cap, Radiator
5	0423-030	2		Grommet
6	0610-016	AR	/P	Hose - 25 ft
7	0413-046	1		Shroud, Fan
8	0413-123	1	/P	Fan, Cooling
9	8475-512	12		Screw, Machine
10	0423-351	1		Clamp, Wire
11	0123-397	1		Clamp, Cable
12	0413-168	1		Sensor, Temperature - Coolant
13	0423-390	1	S	O-Ring
14	0423-484	2		Screw, Shoulder
15	0623-038	2		Nut w/Washer
16	0423-028	2		Bushing, Stem
17	0423-496	10		Clamp, Hose
18	0410-092	1		Hose, Coolant - Upper Radiator
19	0410-089	1		Pipe, Coolant - Upper
20	0410-091	1		Hose, Coolant - Upper Engine
21	0410-094	1		Hose, Coolant - Lower Radiator
22	0410-090	1		Pipe, Coolant - Lower
23	0410-093	1		Hose, Coolant - Lower Engine
24	0410-095	1		Hose, Coolant - Rear
25	0423-594	2		Clamp, Pipe - Coolant
26	0623-784	2		Screw, Self-Tapping
27	0123-903	AR		Cable Tie - 11.5 in.
28	0406-288	2		Pad
29	0623-751	AR		Cable Tie, Reusable

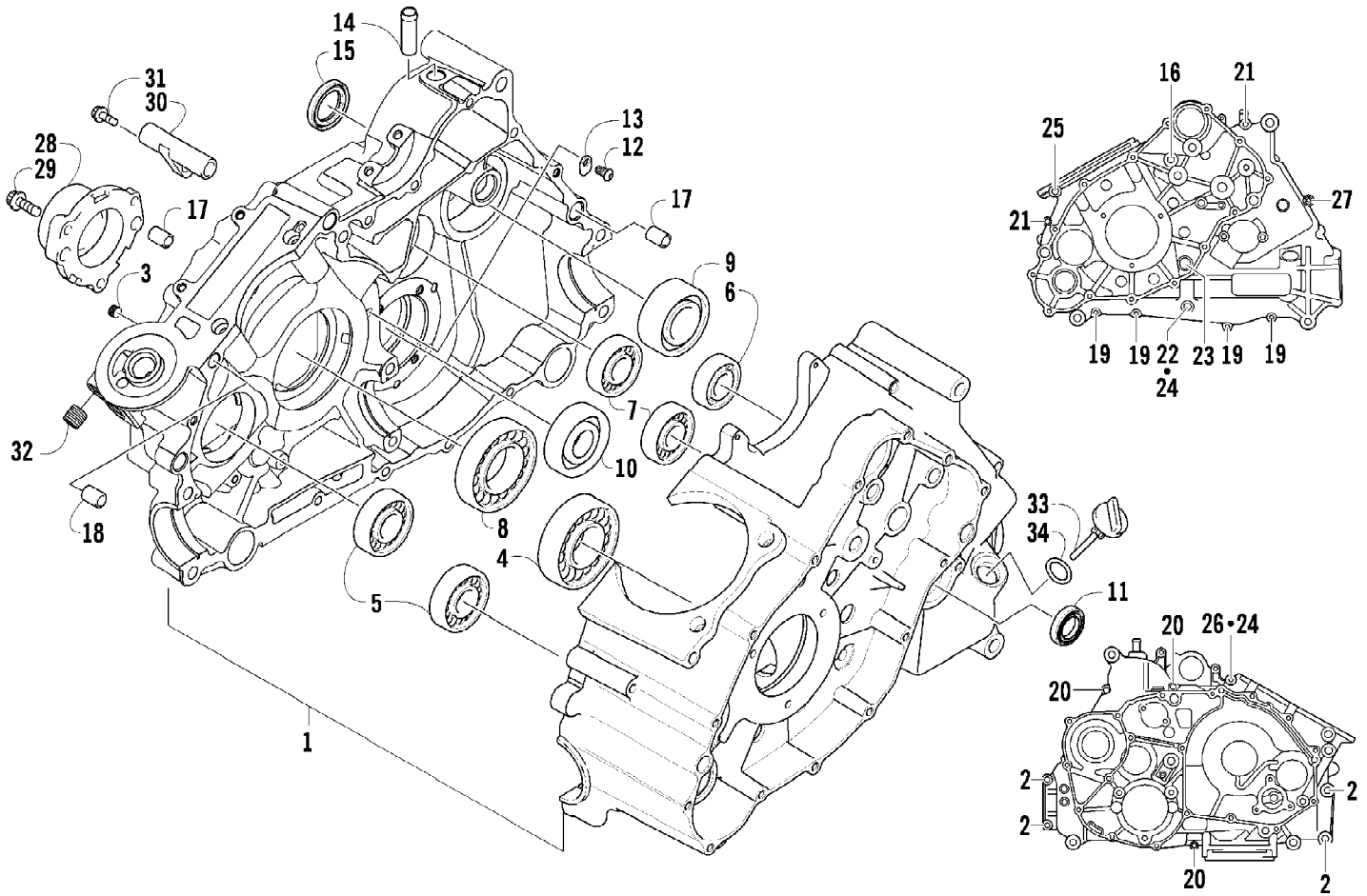


2008 PROWLER 650 H1 AUTOMATIC 4X4 GREEN (U2008P1S4BUSG)
CRANK BALANCER ASSEMBLY

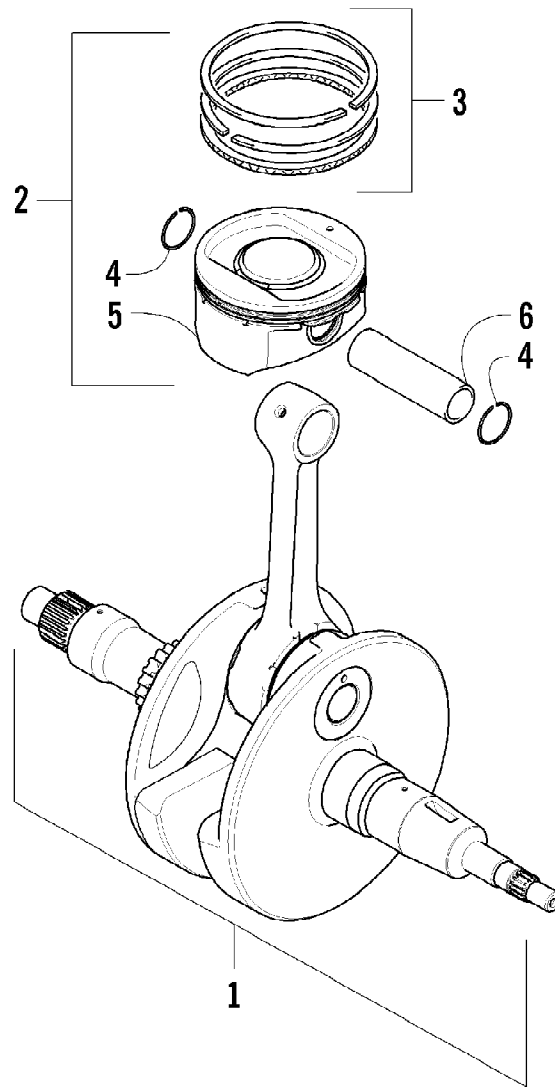
Page 18 of 89

Ref #	Part Number	Qty	S/P/F	Description
1	0826-033	1		Screw, Cap
2	0828-003	1		Washer
3	0811-003	1		Gear, Oil Pump Drive
4	0829-007	1		Dowel, Solid
5	0811-004	1		Spacer
6	0811-002	1		Gear, Driven
7	0829-006	1		Key - Crank Balancer Shaft
8	0811-017	1		Balancer, Crank

2008 PROWLER 650 H1 AUTOMATIC 4X4 GREEN (U2008P1S4BUSG)
CRANKCASE ASSEMBLY



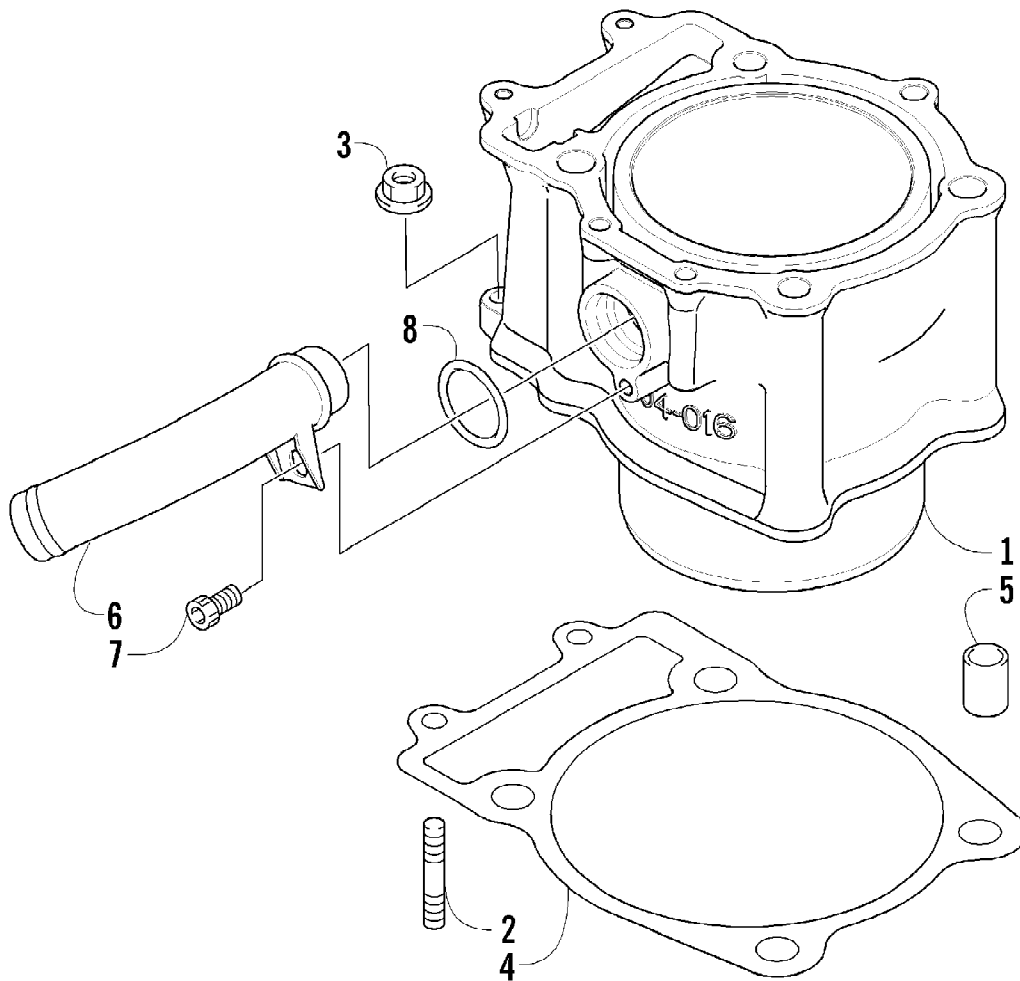
Ref #	Part Number	Qty	S/P/F	Description
1	0801-096	1	S	Crankcase Assembly (inc. four No. 2 and 3-15)
2	8412-850	4		Screw, Cap
3	0801-002	1		Plug
4	0832-043	1	/P	Bearing
5	0832-044	2	/P	Bearing
6	0832-049	1	/P	Bearing
7	0832-050	2	/P	Bearing
8	0832-042	1	/P	Bearing
9	0832-048	1	/P	Bearing, Driveshaft
10	0832-015	1	S/P	Bearing
11	0822-052	1		Seal, Countershaft
12	0826-100	4		Screw, Cap
13	0822-010	4	/P	Retainer, Bearing
14	0801-028	1		Pipe, Breather
15	0830-035	1		Seal, Driveshaft
16	8468-680	1		Screw, Machine
17	0829-002	5		Pin, Dowel
18	0829-003	1		Pin, Dowel
19	8468-645	4		Screw, Machine
20	8468-655	3		Screw, Machine
21	8468-675	2		Screw, Machine
22	8412-860	1		Screw, Cap
23	0826-017	1		Screw, Cap
24	0830-008	2		Gasket
25	0826-019	1		Screw, Cap
26	0826-018	1		Screw, Cap
27	8468-695	1		Screw, Machine
28	0801-006	1		Housing, Secondary Shaft Bearing
29	0826-105	3		Bolt
30	0801-069	1		Pipe, Breather
31	0826-038	1		Bolt, Breather Pipe
32	0812-064	2		Plug
33	0801-073	1		Stick, Oil Level
34	0830-010	1		O-Ring, Oil Level Stick



2008 PROWLER 650 H1 AUTOMATIC 4X4 GREEN (U2008P1S4BUSG)
CRANKSHAFT ASSEMBLY

Page 22 of 89

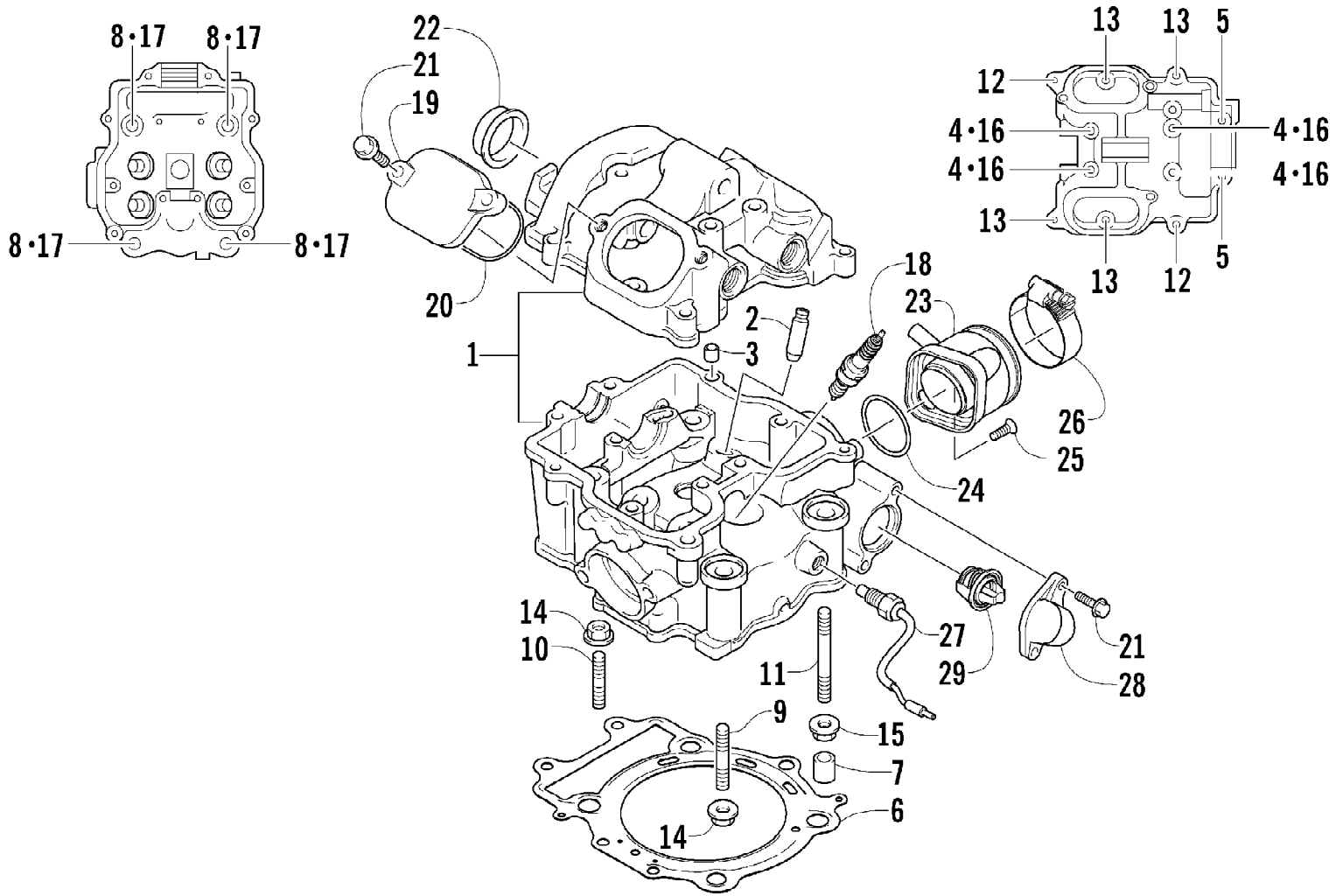
Ref #	Part Number	Qty	S/P/F	Description
1	0805-032	1	S	Crankshaft Assembly
2	0805-035	1	/P	Piston Set (inc. 3-6)
3	0805-011	1		Ring, Piston - Set
4	0831-001	2		Circlip, Piston Pin
5	0805-010	1	S	Piston
6	0805-012	1		Pin, Piston



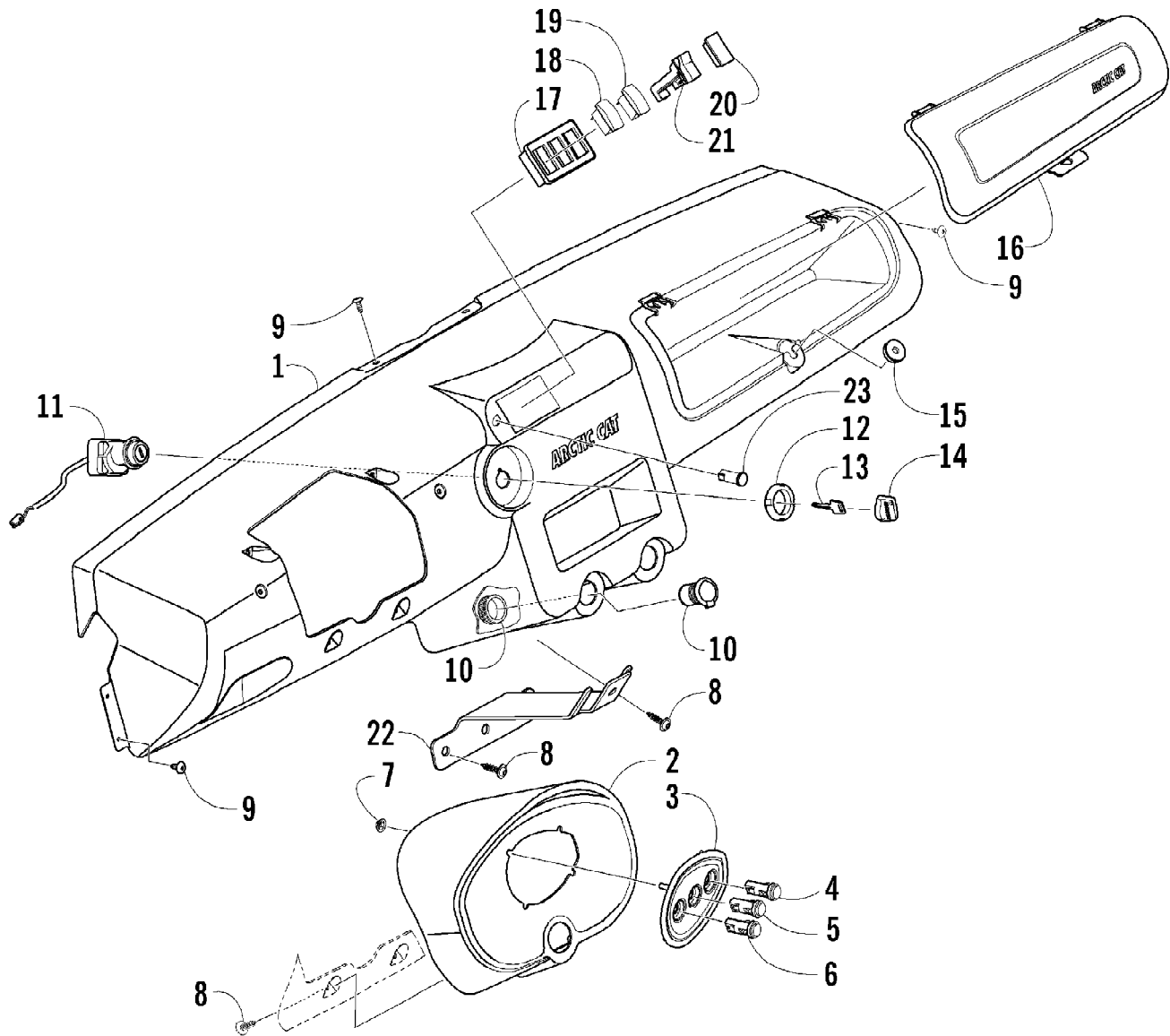
2008 PROWLER 650 H1 AUTOMATIC 4X4 GREEN (U2008P1S4BUSG)
CYLINDER ASSEMBLY

Page 24 of 89

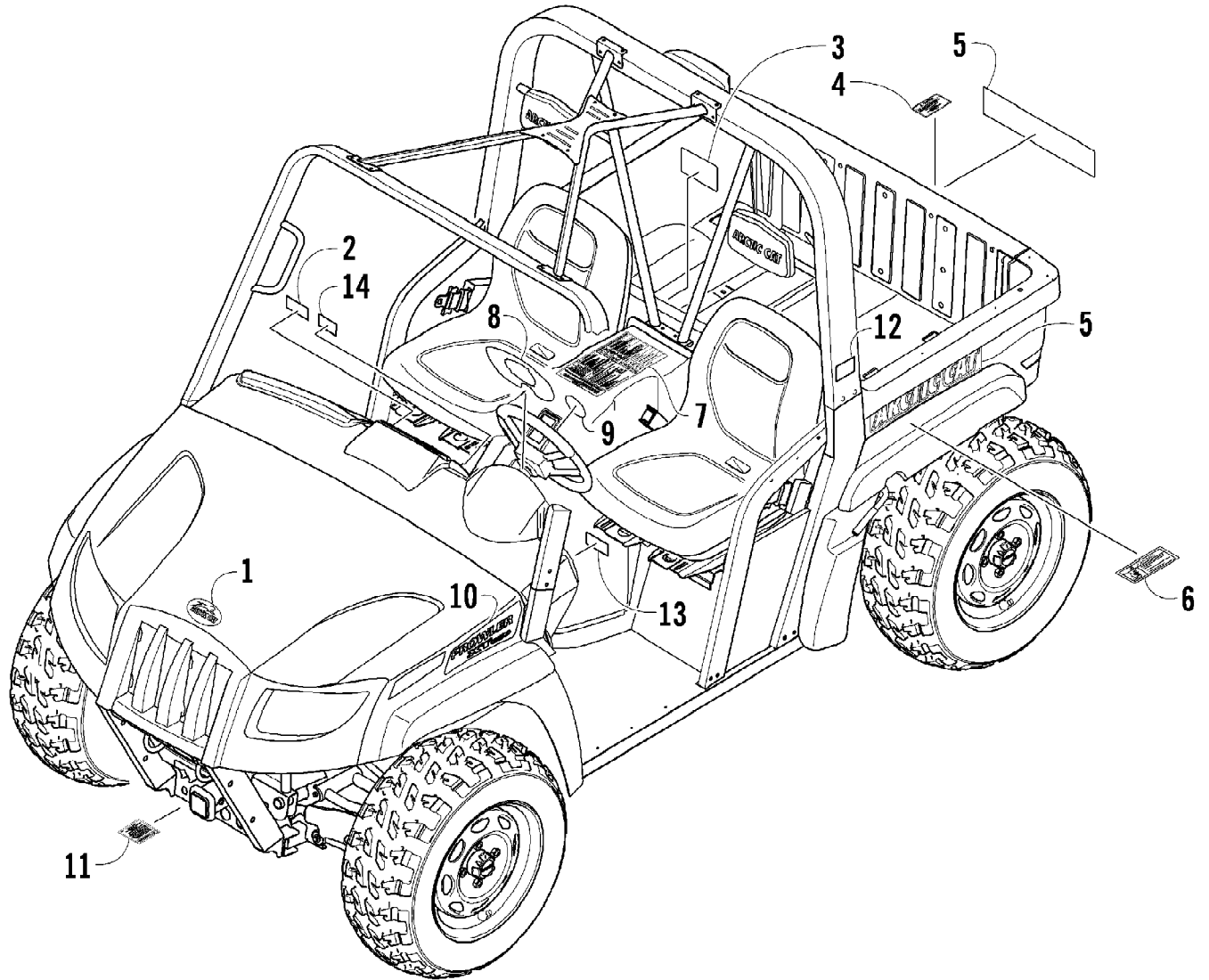
Ref #	Part Number	Qty	S/P/F	Description
1	0804-016	1		Cylinder
2	0827-002	2		Bolt, Stud
3	8424-604	2		Nut
4	0830-084	1		Gasket, Base
5	0829-002	2		Pin, Dowel
6	0804-002	1	S	Union, Water Hose
7	8468-612	1		Screw, Machine
8	0830-007	1		O-Ring



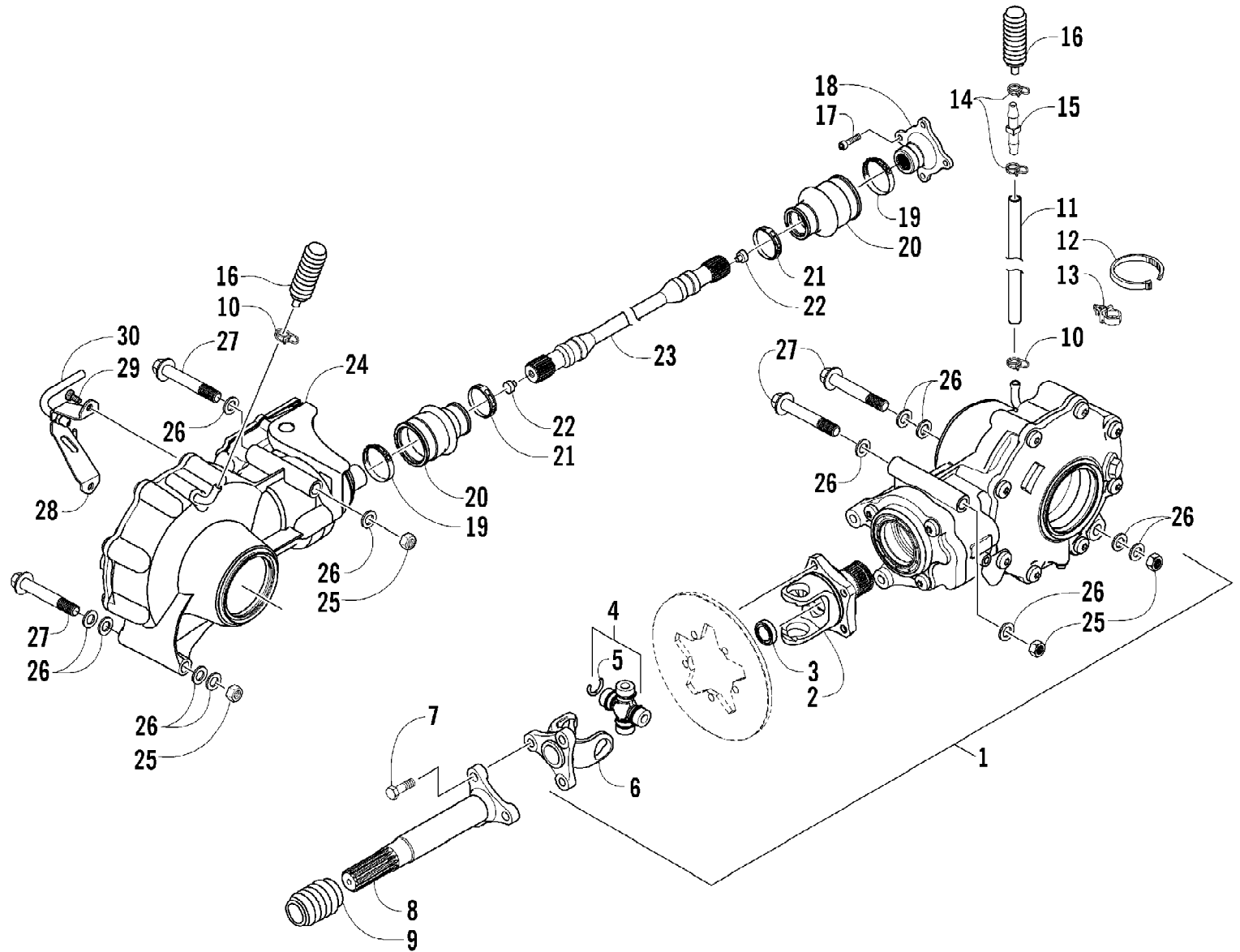
Ref #	Part Number	Qty	S/P/F	Description
1	0808-047	1	F	Head, Cylinder - Assembly (inc. 2-4)
2	0	4	F	Guide, Valve
3	0829-001	2	S	Dowel, Sleeve
4	0826-001	4		Screw, Cap
5	0826-002	2		Screw, Cap
6	0830-085	1	/P	Gasket, Cylinder Head
7	0829-002	2		Pin, Dowel
8	0808-037	4	/P	Screw, Cap
9	0827-030	2		Bolt, Stud
10	0827-002	2		Bolt, Stud
11	0827-031	1		Bolt, Stud
12	0826-005	2		Screw, Cap
13	0826-006	4		Screw, Cap
14	8424-604	4		Nut
15	8424-804	1		Nut
16	0830-107	4		Gasket - Seal, Fastener
17	0830-147	4	/P	Washer, Crush
18	0217-727	1	S	Spark Plug (RG6YC)
19	0808-003	2		Cap, Inspection
20	0830-167	2	/P	O-Ring
21	0826-007	6		Screw, Cap
22	0808-077	1		Plug, Cylinder Head
23	0570-115	1		Pipe, Intake - Assembly
24	0830-090	1		O-Ring
25	0826-008	2		Screw, Machine
26	0423-317	1	/P	Clamp, Intake Pipe
27	0808-127	1		Switch, Water Temperature - Assembly
28	0808-008	1		Cover, Thermostat
29	0808-078	1		Thermostat



Ref #	Part Number	Qty	S/P/F	Description
1	2406-505	1	S	Panel, Dash
2	1406-727	1		Pod, Instrument
3	0405-214	1		Bezel, Lights - Instrument Pod
4	0420-068	1		Light, Indicator - Temperature
5	0420-066	1		Light, Indicator - "N"
6	0420-067	1		Light, Indicator - "R"
7	0423-357	4		Nut, Stamped
8	0423-342	10	/P	Screw, Self-Tapping
9	0623-784	6		Screw, Self-Tapping
10	0641-897	2	/P	Outlet, Accessory - 12V
11	0430-040	1	S	Switch, Ignition (inc. 12-14)
12	0430-050	1		Nut, Flange - Key Switch
13	0430-042	1		Key, Ignition Series (Y)
13	0430-043	1		Key, Ignition Series (Z)
14	0430-054	1		Cover, Key
15	0423-541	1		Grommet, Latch - Glove Box
16	1406-789	1		Cover, Glove Box
17	0409-069	2		Panel, Switch-Mount
18	0409-067	1		Switch - Lights
19	0409-074	1		Switch, 2WD/4WD
20	0409-070	2		Plug, Switch Hole
21	0502-905	1		Lever, Differential Lock - Assembly
22	2506-192	1		Bracket, Support - Lower Dash
23	0420-076	1		Light, Indicator



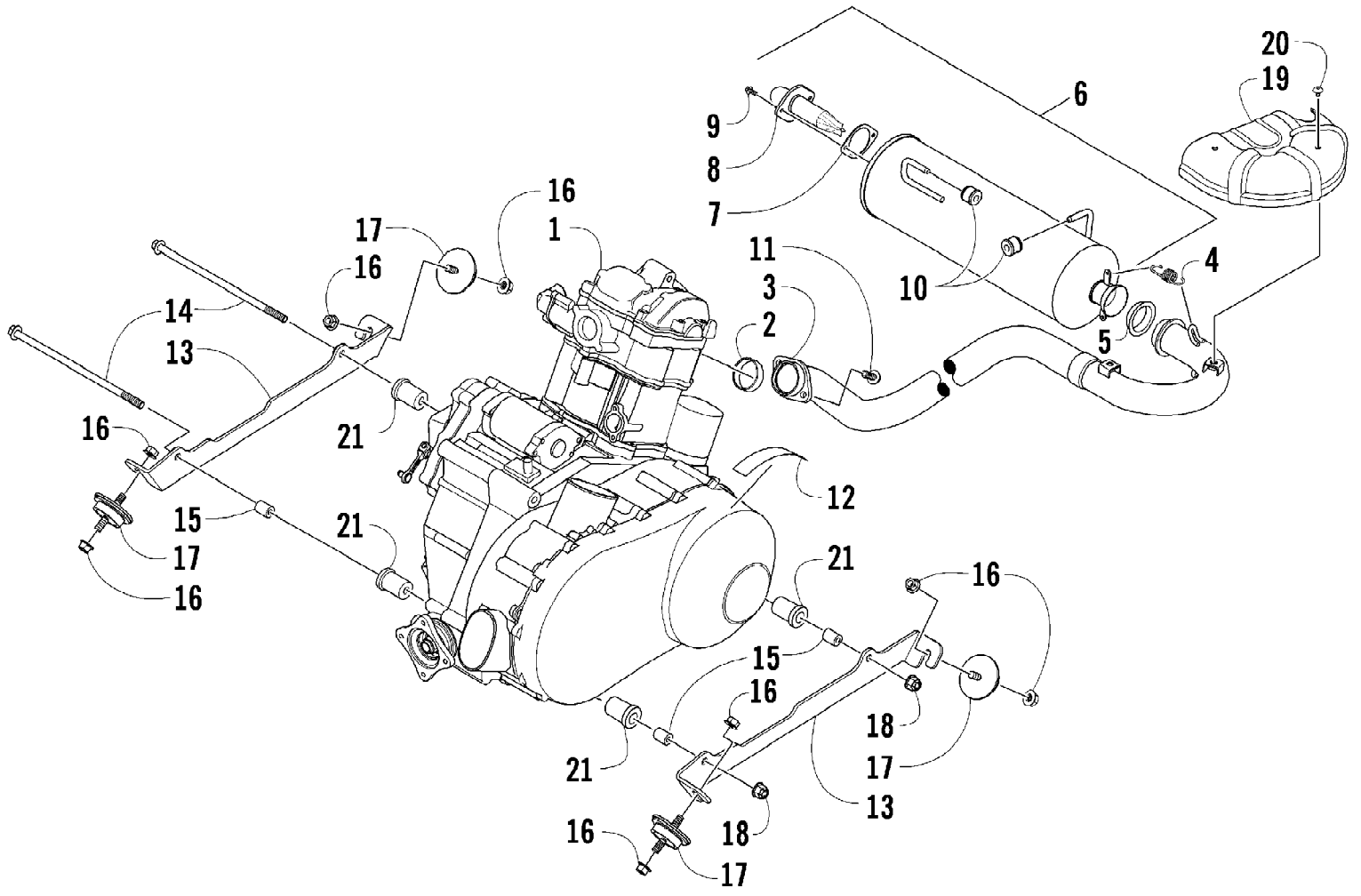
Ref #	Part Number	Qty	S/P/F	Description
1	1411-789	1		Decal, Hood
2	1411-124	1		Decal, Warning - Differential Lock
3	1411-119	1		Decal, Warning - Cargo
4	1411-123	1		Decal, Warning - Towing - Rear
5	1411-539	3		Decal, Box - "Arctic Cat"
6	1411-120	2		Decal, Warning - Pinch Point
7	1411-126	1		Decal, Warning - Console
8	1411-125	1		Decal, Warning - Dash
9	1411-798	1		Decal, Steering Wheel
10	1411-790	1		Decal - Right
10	1411-791	1		Decal - Left
11	1411-122	1		Decal, Warning - Towing - Front
12	1411-295	1		Decal, Warning - Canopy
13	1411-330	1		Decal, Brake Release
14	1411-904	1		Decal, Starting



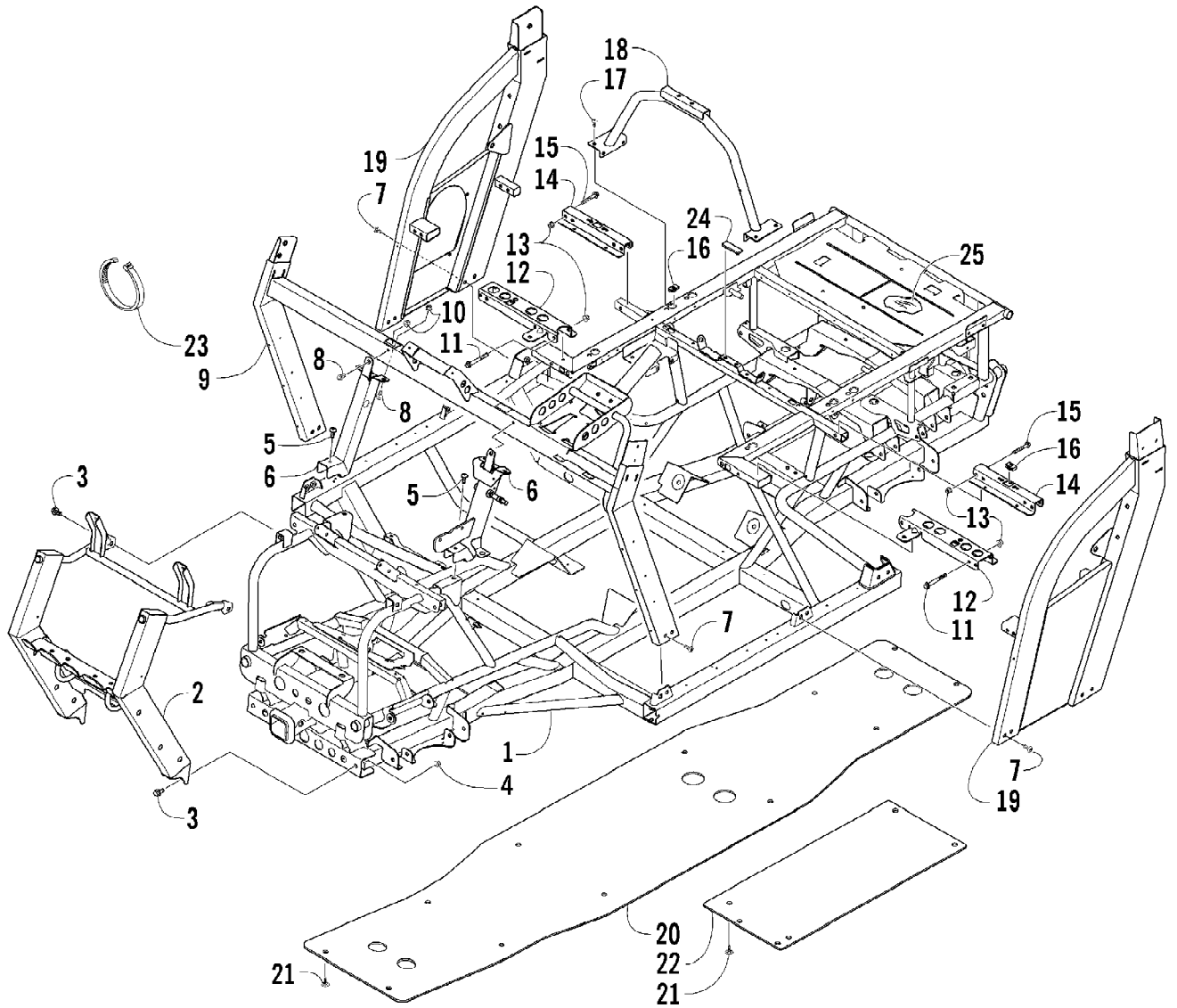
2008 PROWLER 650 H1 AUTOMATIC 4X4 GREEN (U2008P1S4BUSG)
DRIVE TRAIN ASSEMBLY

Page 32 of 89

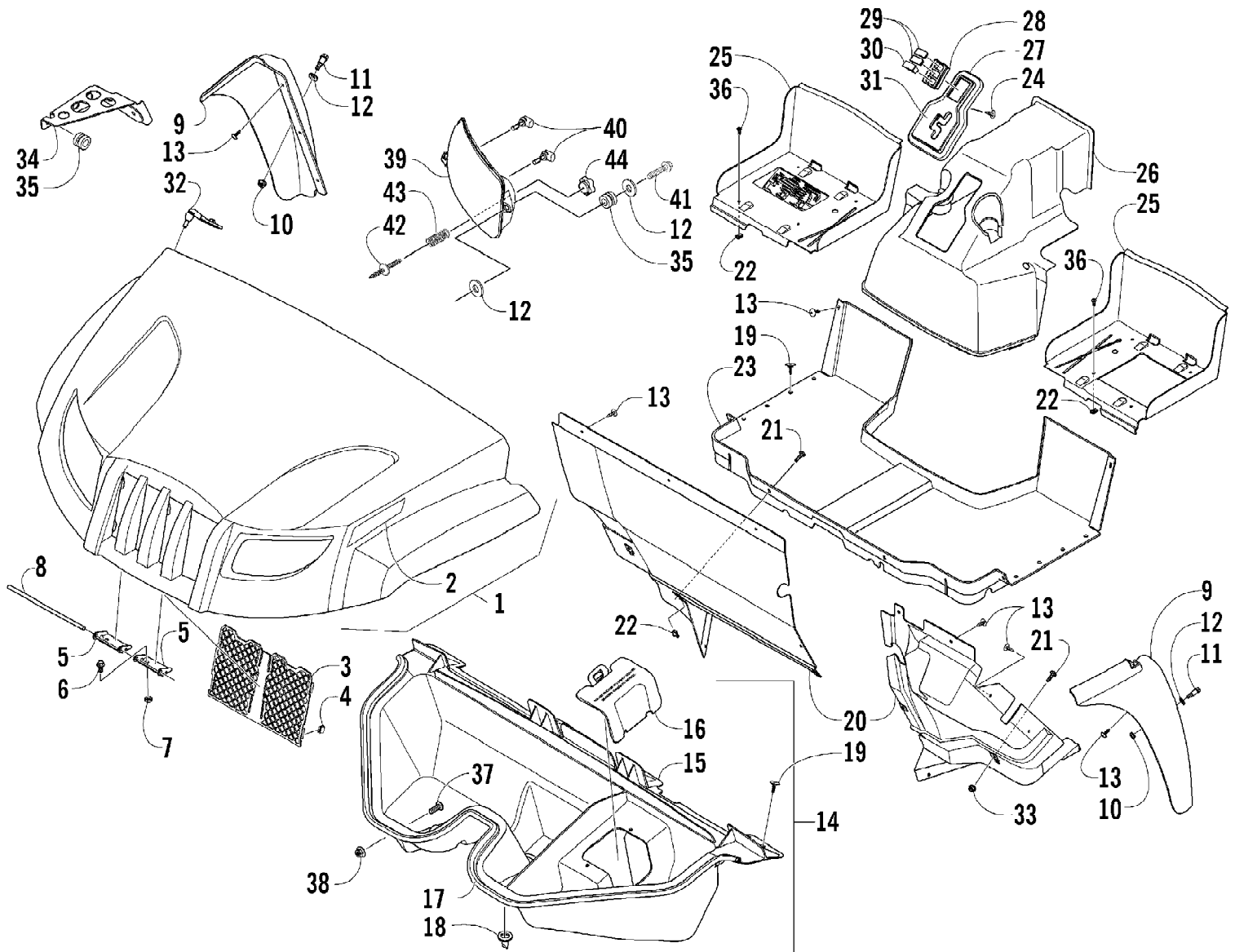
Ref #	Part Number	Qty	S/P/F	Description
1	1502-128	1	S	Gearcase, Rear (inc. 2-6)
2	1502-124	1		Shaft, Input - Assembly (inc. 3)
3	1402-322	1		Cover, End
4	0402-944	1	/P	Joint, Universal - Set (inc. 5)
5	0423-395	4		Retainer
6	0502-331	1		Yoke, Propeller Shaft
7	8409-025	3		Screw, Cap
8	0502-857	1		Driveshaft - Rear
9	0402-966	1		Boot, Driveshaft
10	0423-315	2		Clamp, Hose
11	0410-070	AR	/P	Hose, Vent - 25 ft
12	0123-788	AR	/P	Tie, Cable
13	0623-101	1		Clip, Routing - Snap-In
14	0423-155	2		Clamp, Hose
15	0470-462	1		Fitting, Vent
16	0402-147	2	S	Bladder, Gearcase
17	8408-820	4	/P	Screw, Cap
18	0402-950	1		Flange, Output
19	0423-393	2		Clamp, Boot
20	0402-985	2	/P	Boot, Coupler
21	0423-411	2		Clamp, Boot
22	0673-618	2	/P	Bumper, Driveshaft
23	1402-271	1		Shaft, Propeller
24	1502-240	1	S	Gearcase, Front
25	8428-002	4		Nut, Lock
26	0423-426	12		Washer
27	0423-404	4		Screw, Cap
28	0502-942	1		Plate, Cable
29	0423-396	2		Screw, Self-Tapping
30	0487-037	1		Cable



Ref #	Part Number	Qty	S/P/F	Description
1	0800-049	1		Engine
2	0412-338	1	/P	Gasket, Exhaust Pipe
3	0512-427	1		Pipe, Exhaust
4	0612-668	2	/P	Spring
5	0412-375	1	/P	Seal, Exhaust
6	0512-401	1		Muffler - Assembly (inc. 7-9)
7	0412-438	1		Gasket, Spark Arrester
8	0512-432	1		Spark Arrester Assembly
9	8408-616	2		Screw, Cap
10	0412-215	2	S	Bushing, Exhaust Pipe
11	8408-820	2	/P	Screw, Cap
12	0411-426	1		Decal, Warning - Clutch Cover
13	1506-998	1		Bracket, Engine - Right
13	1506-999	1		Bracket, Engine - Left
14	0423-537	2	S	Bolt
15	0423-042	3	S	Spacer, Engine Mount
16	8424-002	8		Nut
17	0408-014	4		Mount, Engine
18	8428-002	2		Nut
19	0412-462	1		Shield, Heat
20	8477-610	2		Screw, Machine
21	0801-108	4	S	Bushing, Engine Mount

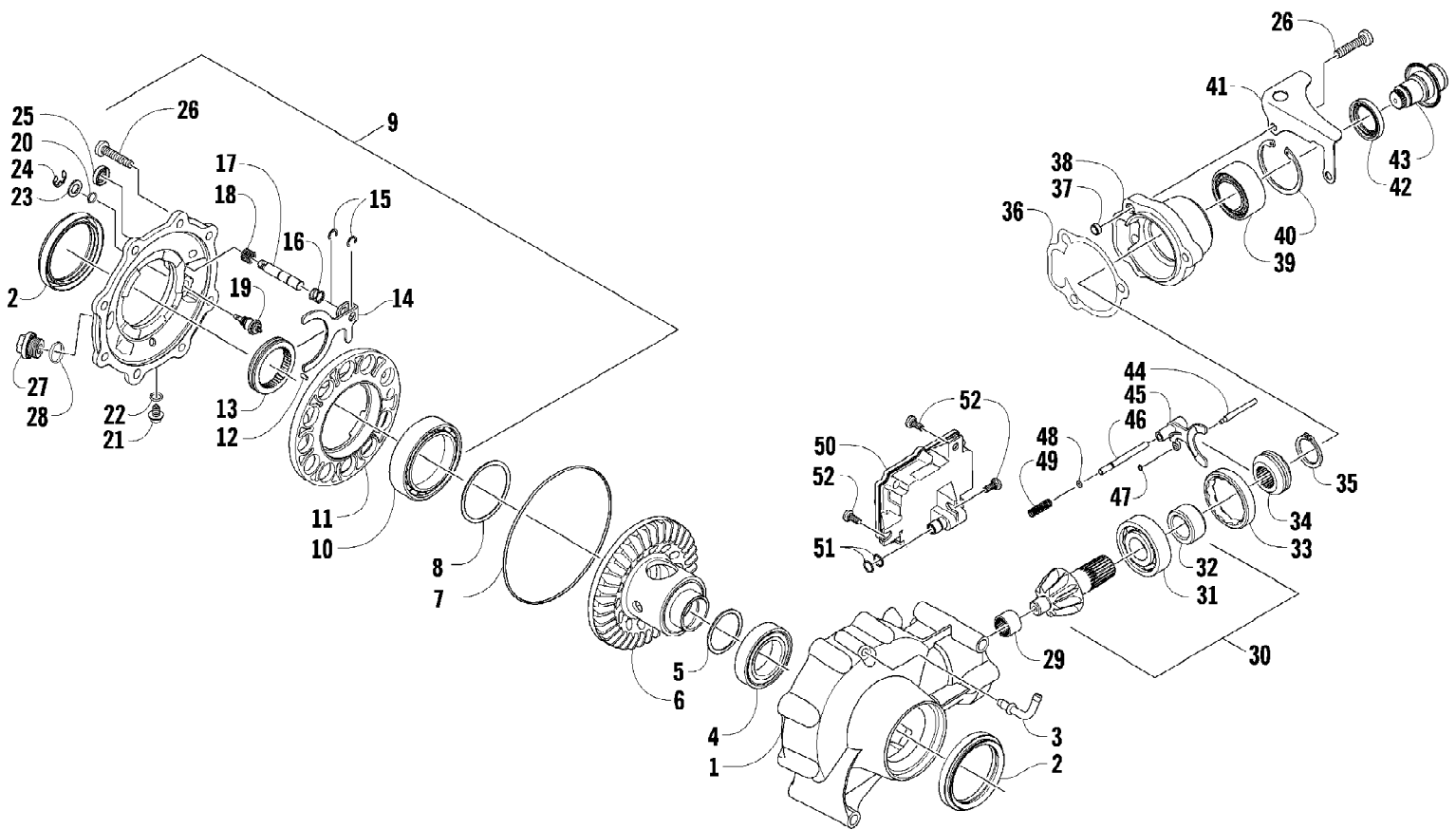


Ref #	Part Number	Qty	S/P/F	Description
1	2506-663	1	S	Frame, Main
2	1506-453	1		Bumper
3	8409-020	4	/P	Screw, Cap
4	8427-002	2		Nut, Flange Lock
5	8476-820	2		Screw, Machine
6	1506-797	1		Bracket, Steering Support - Right
6	0502-853	1		Bracket, Steering Support - Left
7	0423-642	12		Screw, Machine
8	8408-820	6	/P	Screw, Machine
9	0505-513	1		Support, Steering
10	8424-802	6		Nut, Flange Lock
11	8408-870	6		Screw, Cap
12	1506-844	1		Bracket, Seat - Support - Front Right
12	1506-845	1		Bracket, Seat - Support - Front Left
13	8427-802	12		Nut, Flange Lock
14	1506-842	2		Bracket, Seat - Support - Rear
15	8408-850	6		Screw, Cap
16	0423-577	12		Clip, U
17	8476-616	4		Screw, Machine
18	2506-638	1		Support, Canopy
19	2506-634	1		Support, Overhead - Right
19	2506-635	1		Support, Overhead - Left
20	1406-720	1		Panel, Belly
21	0423-545	20	/P	Screw, Body
22	1406-721	2		Panel, Belly - Side
23	0123-788	AR	/P	Cable Tie
24	0406-879	1		Bumper, Seat
25	0412-461	1		Shield, Heat



Ref #	Part Number	Qty	S/P/F	Description
1	2506-682	1		Hood - Assembly (inc. 2)
2	0411-818	1		Decal, Reflector - Front - Right
2	0411-819	1		Decal, Reflector - Front - Left
3	1406-733	1	/P	Screen, Grille
4	0123-987	8		Clip, U
5	1506-798	2		Bracket, Hood
6	8408-020	4		Screw, Cap
7	0423-157	4		Nut, Top-Lock
8	1406-915	1		Pin, Hood
9	1406-730	1		Fender, Front - Right
9	1406-731	1		Fender, Front - Left
10	1623-066	2		Nut, Lock
11	0623-855	2		Screw, Shoulder
12	8050-217	10	/P	Washer
13	0623-784	22		Screw, Self-Tapping
14	1506-715	1	S	Storage, Under-Hood - Assembly (inc. 15-18)
15	1406-945	1		Box, Storage
16	1406-944	1		Cover, Access - Master Cylinder
17	1406-946	1		Seal, Storage Box
18	0470-442	1	/P	Valve, Drain
19	0423-545	12	/P	Screw, Body
20	1406-632	1		Panel, Fender - Inner - Left
20	1406-633	1	S	Panel, Fender - Inner - Right
21	8468-620	6	/P	Screw, Machine
22	0423-577	13		Clip, U
23	1406-634	1	S	Floor
24	0423-342	3	/P	Screw, Self-Tapping
25	1406-854	1		Base, Seat - Right
25	1406-869	1		Base, Seat - Left
26	1406-649	1		Console, Center
27	1406-825	1		Gate, Shift
28	0409-069	1		Panel, Switch-Mount
29	0409-070	2		Plug, Switch-Hole
30	0409-071	1		Switch, Reverse Override
31	1411-195	1		Decal, Shift-Gate
32	2606-624	2		Strap, Hold-Down
33	0423-540	1		Nut
34	2506-066	1		Bracket, Support - Right
34	2506-067	1		Bracket, Support - Left
35	0423-447	6		Grommet
36	8476-620	8		Screw, Machine
37	8476-616	2		Screw, Machine
38	8424-602	2	/P	Nut, Flange
39	0509-034	1	S	Headlight Assembly - Right (inc. 40)
39	0509-035	1		Headlight Assembly - Left (inc. 40)
40	0409-055	4		Bulb, Headlight
41	0623-785	4		Screw, Self-Tapping
42	0423-514	2		Stud, Adjuster - Headlight
43	0423-522	2		Spring, Adjuster
44	0423-513	2		Knob, Adjuster

2008 PROWLER 650 H1 AUTOMATIC 4X4 GREEN (U2008P1S4BUSG)
FRONT DRIVE GEARCASE ASSEMBLY

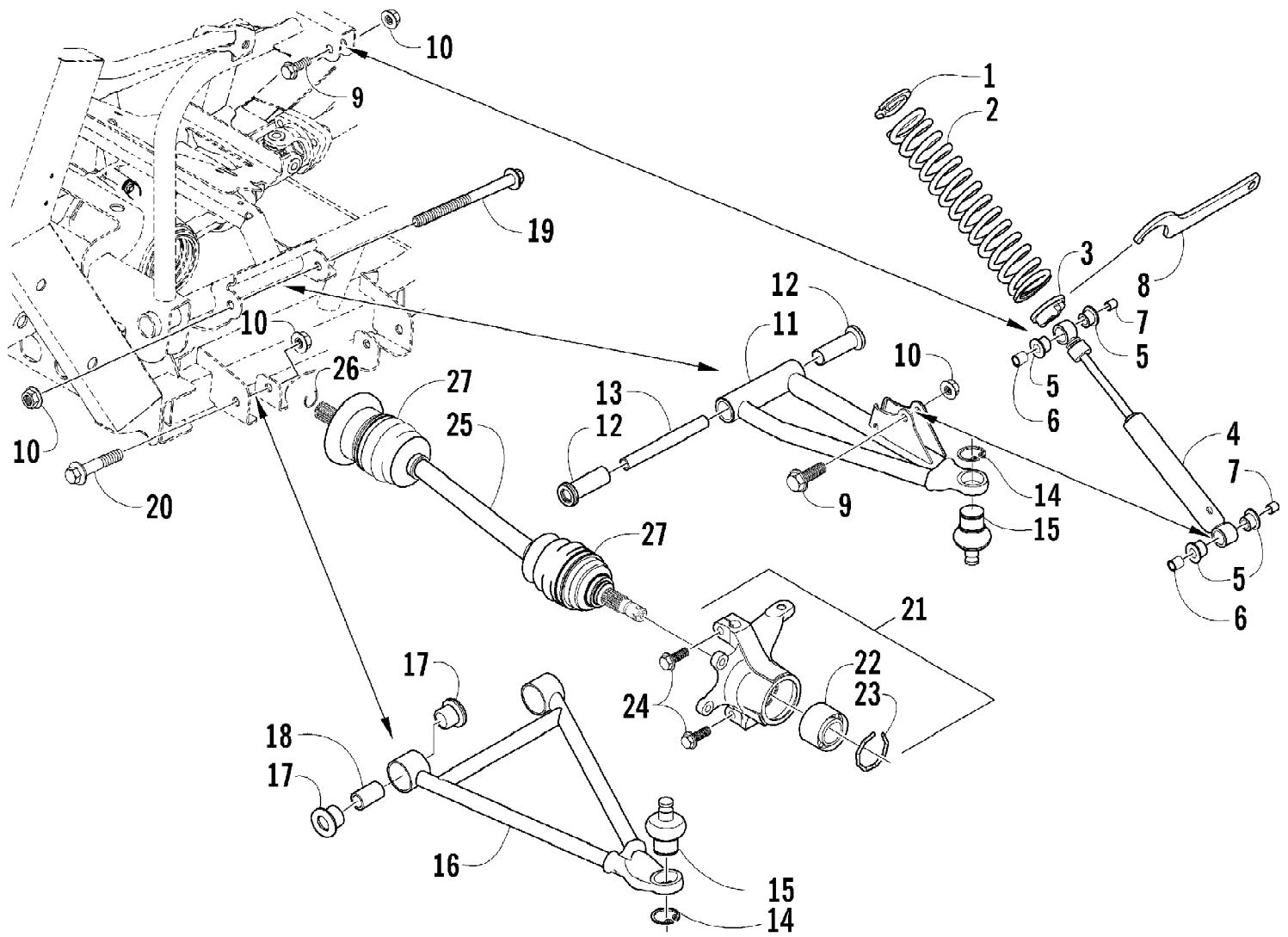


Ref #	Part Number	Qty	S/P/F	Description
	1502-240	1	S	Complete Front Drive Gearcase Assembly
1	0502-548	1		Housing, Gearcase
2	1402-441	2	S	Seal
3	1402-442	1		Fitting
4	0402-393	1		Bearing
5	0402-405	AR		Shim - 1.3
5	0402-406	AR		Shim - 1.4
5	0402-407	AR		Shim - 1.5
5	0402-408	AR		Shim - 1.6
5	0402-409	AR		Shim - 1.7
6	1502-235	1	S	Gear, Front - Assembly - 36T
7	0423-149	1		O-Ring
8	1402-074	AR		Shim
8	1402-075	AR		Shim
8	1402-076	AR		Shim
8	1402-077	AR		Shim
8	1402-078	AR		Shim
9	0502-736	1		Cover, Gearcase (inc. one No. 2 and 10-25)
10	1402-053	1		Bearing
11	0502-413	1		Flange, Bearing
12	1402-079	1		Pin
13	1402-042	1		Collar, Sliding
14	1402-054	1		Fork
15	1402-058	2		Ring, Retaining
16	1402-057	1		Spring
17	1402-055	1		Shaft, Lock
18	1402-063	1		Spring
19	0402-419	1		Switch, Indicator
20	0423-133	1		O-Ring
21	1402-210	1	/P	Plug, Drain (inc. 22)
22	0423-153	1		O-Ring
23	0423-132	1		Washer
24	0423-424	1		Ring, Retaining
25	1402-056	1		Seal
26	0423-118	11		Screw, Self-Tapping
27	0402-333	1	/P	Plug, Oil Level (inc. 28)
28	0423-154	1		O-Ring
29	0402-328	1		Bearing, Needle
30	0502-649	1		Gear, Pinion - Assembly - 9T (inc. 31-32)
31	0402-327	1		Bearing
32	0402-336	1		Collar, Retaining
33	0402-357	1		Collar, Lock
34	0402-413	1		Coupler, Drive
35	0423-417	1		Ring, Retaining
36	0402-947	1		Gasket
37	0402-411	1		Pin, Dowel
38	0502-952	1	S	Housing, Pinion
39	1402-043	1		Bearing
40	0423-423	1		Ring, Retaining
41	0502-347	1		Bracket, Actuator
42	1402-011	1		Seal
43	1502-085	1	/P	Shaft, Input - Assembly
44	0402-997	1		Shaft, Selector

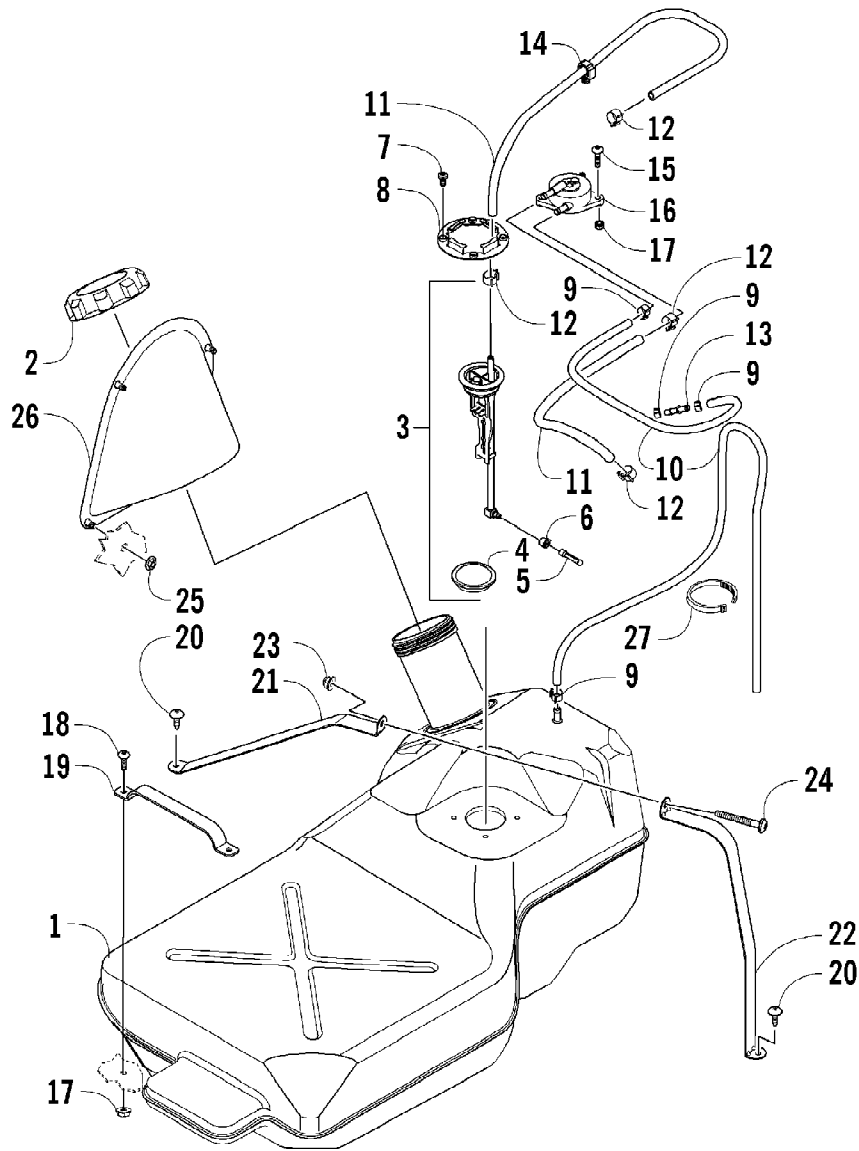
2008 PROWLER 650 H1 AUTOMATIC 4X4 GREEN (U2008P1S4BUSG)
FRONT DRIVE GEARCASE ASSEMBLY

Page 41 of 89

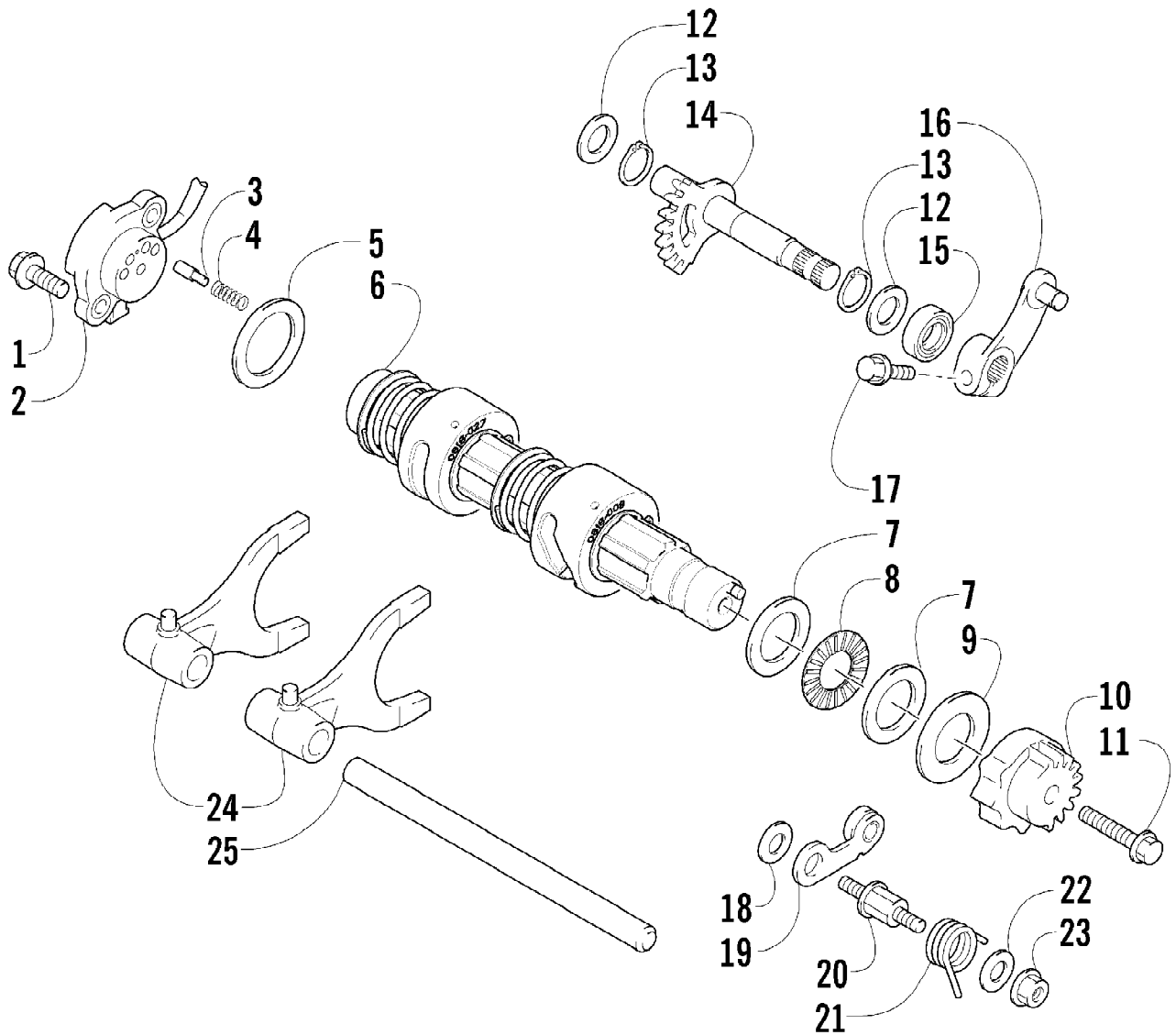
Ref #	Part Number	Qty	S/P/F	Description
45	0402-998	1		Fork, Selector
46	0402-417	1		Shaft, Shuttle
47	0423-402	1		Ring, Retaining
48	0423-147	1		O-Ring
49	0402-999	1		Spring, Return
50	0502-579	1		Actuator (inc. one No. 51)
51	0423-498	2	S	O-Ring
52	0423-396	3		Screw, Self-Tapping



Ref #	Part Number	Qty	S/P/F	Description
1	1603-889	2	/P	Retainer, Spring
2	0403-161	2		Spring, Shock Absorber
3	0403-102	2		Cam, Spring Adjuster
4	0403-147	2		Shock Absorber - Front (inc. 5-6)
5	0603-955	8		Bushing
6	1603-209	4		Sleeve
7	0404-116	4		Sleeve, Shock
8	0441-587	1		Wrench, Spanner
9	8409-040	4		Screw, Cap
10	8428-002	10		Nut, Lock
11	0503-196	1	S	A-Arm, Upper Right (inc. 12-15)
11	0503-197	1		A-Arm, Upper Left (inc. 12-15)
12	0403-081	4	S	Bushing
13	0403-080	2		Collar
14	0423-009	4	/P	Clip, Ball Joint
15	0405-115	4	/P	Ball Joint
16	0503-252	1		A-Arm, Lower Right (inc. 14-15 and 17-18)
16	0503-253	1		A-Arm, Lower Left (inc. 14-15 and 17-18)
17	0403-115	8	S	Bushing
18	0403-114	4	S	Collar
19	0423-723	2		Screw, Cap
20	8409-075	4		Screw, Cap
21	0505-480	1	S	Knuckle - Assembly - Right (inc. 22-23)
21	0505-481	1	S	Knuckle - Assembly - Left (inc. 22-23)
22	1402-027	2	S/P	Bearing, Wheel Hub
23	0423-423	2		Ring, Retaining
24	8409-030	4		Screw, Cap
25	0502-733	1	S	Axle - Front - Left (inc. 26-27)
25	0502-734	1	S	Axle - Front - Right (inc. 26-27)
26	1441-109	2	S	Clip, Retaining
27	0436-276	2	S	Repair Kit, Boot - Front Axle



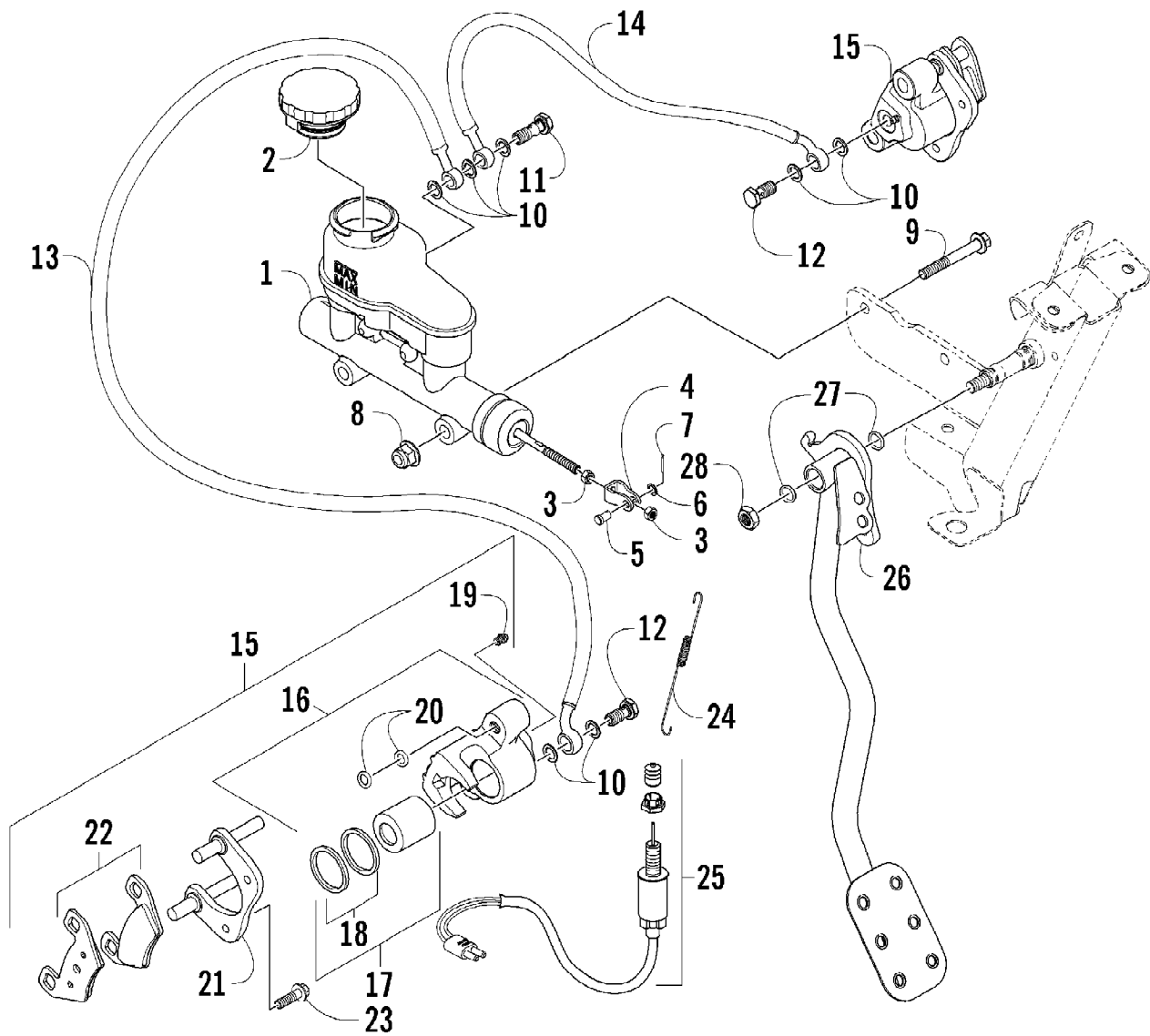
Ref #	Part Number	Qty	S/P/F	Description
1	0570-189	1		Tank, Gas - Assembly (inc. 2-8)
2	0470-575	1		Cap, Gas Tank w/Gauge
3	0570-118	1		Fuel Filter - Assembly (inc. 4-6)
4	0470-521	1		Seal, Fuel Level Sensor
5	0470-475	1		Filter, Fuel
6	0423-603	1		Clamp, Hose
7	1623-158	4		Screw, Plastite
8	0470-639	1	/P	Plate, Mounting - Fuel Level Sensor
9	0423-688	4		Clamp, Hose
10	0410-070	AR	/P	Hose, Fuel - 25 ft
11	0410-143	AR		Hose, Fuel - 25 ft
12	0423-689	4		Clamp, Hose
13	0470-702	1	/P	Fitting, Straight
14	0623-454	1		Clip, Routing - Snap-In
15	8476-620	2		Screw, Machine
16	0470-758	1	/P	Pump, Fuel
17	0623-038	4		Nut, Lock
18	8476-625	2		Screw, Machine
19	0470-544	1		Bracket, Gas Tank Mounting
20	0623-784	2		Screw, Self-Tapping
21	0570-127	1		Strap, Gas Tank
22	0570-128	1		Strap, Gas Tank
23	8427-602	1		Nut, Hex
24	8476-650	1		Screw, Machine
25	0423-357	4		Nut, Stamped
26	1406-886	1		Inset, Gas Tank Cap
27	0123-811	AR		Cable Tie - 4 in.



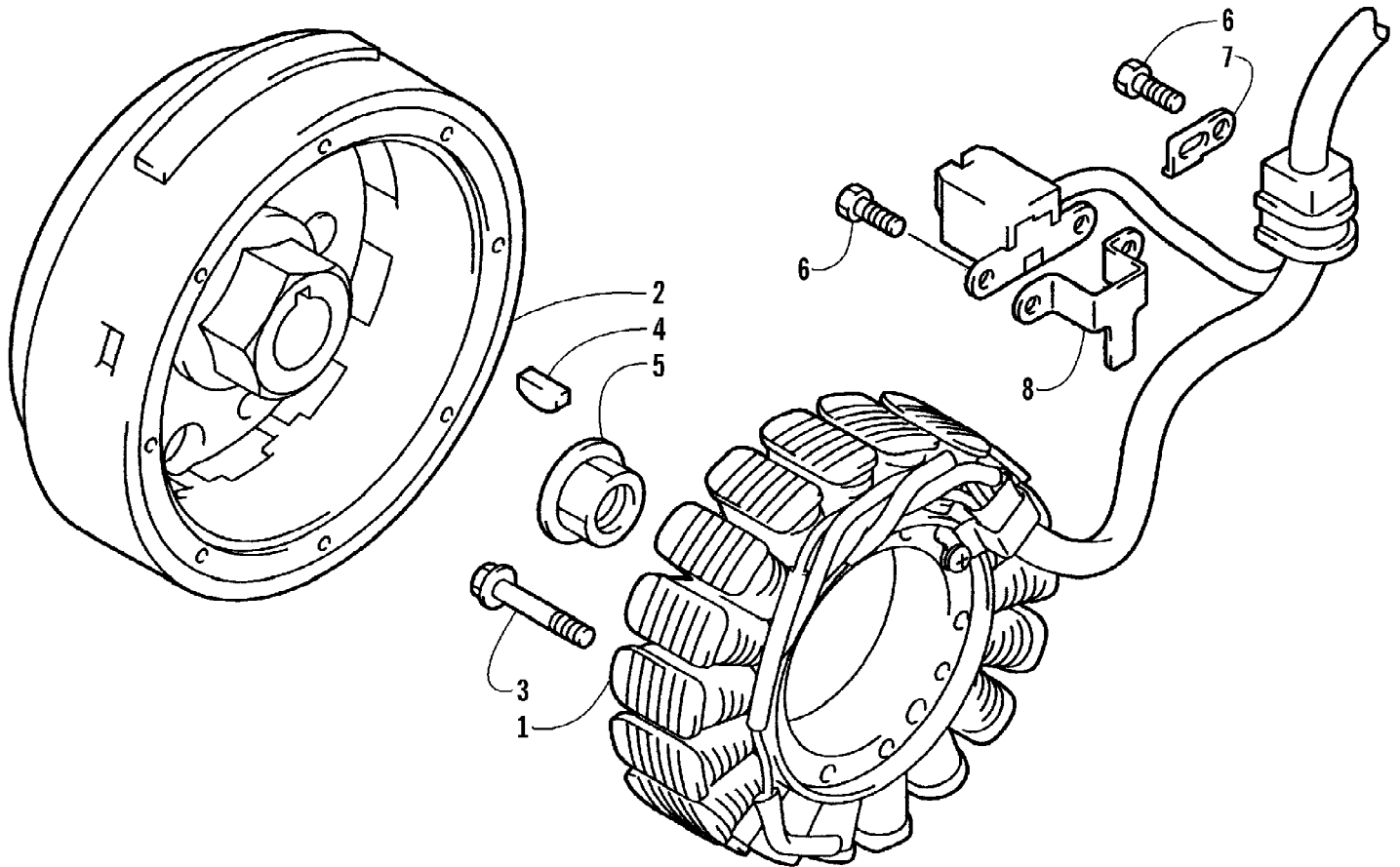
2008 PROWLER 650 H1 AUTOMATIC 4X4 GREEN (U2008P1S4BUSG)
GEAR SHIFTING ASSEMBLY

Page 47 of 89

Ref #	Part Number	Qty	S/P/F	Description
1	8470-520	2		Screw, Machine
2	0818-049	1	S	Base, Gear Shift Position
3	0818-013	2		Contact
4	0818-017	2		Spring
5	0828-040	1		Washer, Shift Shaft
6	0818-046	1		Shaft, Gear Shift - Assembly
7	0828-067	2		Washer, Shift Shaft
8	0832-034	1	S	Bearing
9	0828-037	1		Washer, Gear Shift Cam Plate
10	0818-005	1	S	Plate, Gear Shift Cam
11	0826-006	1		Bolt, Gear Shift Cam Plate
12	0828-036	2		Washer, Sub-Gear Shift Shaft
13	0831-010	2		Circlip, Sub-Gear Shift Shaft
14	0818-007	1	/P	Shaft, Sub-Gear Shift
15	0830-044	1		Seal, Sub-Gear Shift Shaft
16	0818-014	1		Arm, Shift
17	8468-620	1	/P	Screw, Machine
18	0828-038	1		Washer, Cam Stopper
19	0818-002	1		Stopper, Cam
20	0818-004	1		Support, Cam Stopper
21	0818-028	1		Spring, Cam Stopper
22	0828-035	1		Washer, Cam Stopper Spring
23	8424-602	1	/P	Nut, Cam Stopper Spring
24	0818-072	2	/P	Fork, Shift
25	0818-006	1		Shaft, Shift Fork



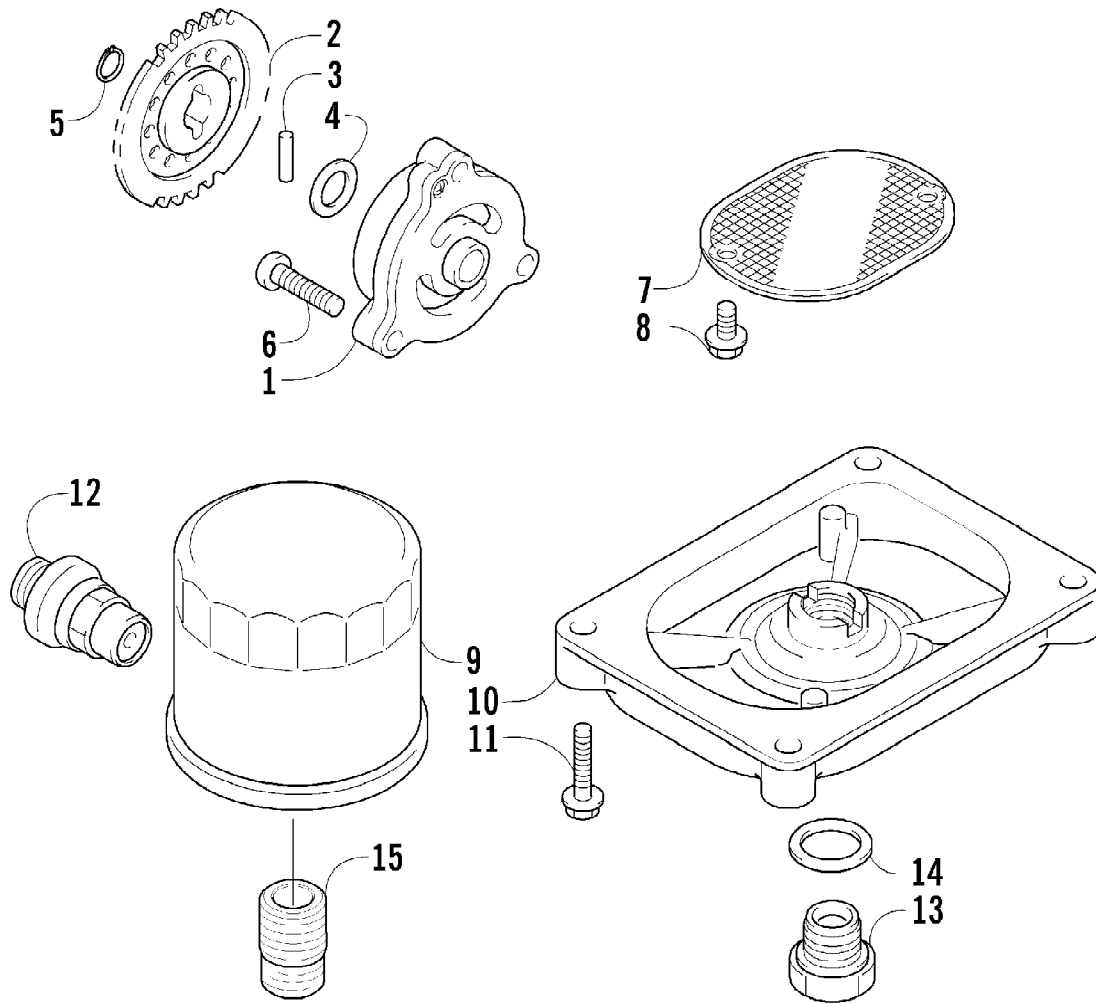
Ref #	Part Number	Qty	S/P/F	Description
1	0502-786	1		Cylinder, Master Brake - Assembly (inc. 2-4)
2	0405-225	1		Cap, Brake Fluid Reservoir
3	0402-592	2		Nut, Clevis
4	1402-520	1		Clevis
5	1402-377	1		Pin, Clevis
6	8050-217	1	/P	Washer
7	0402-584	1		Pin, Cotter
8	8424-802	2		Nut
9	8408-860	2		Screw, Cap
10	0423-178	7		Washer, Crush
11	0423-610	1		Bolt, Banjo-Fitting - Double
12	0423-413	2		Bolt, Banjo-Fitting
13	1402-389	1		Hose, Brake - Front
14	1402-290	1		Hose, Brake - Front Right
15	0502-958	1	S	Caliper, Brake - Front Right (inc. 16-22)
15	0502-959	1	S	Caliper, Brake - Front Left (inc. 16-22)
16	0502-603	1	S	Housing, Caliper - Assembly - Front Right (inc. 17-19)
16	0502-611	1	S	Housing, Caliper - Assembly - Front Left (inc. 17-19)
17	0502-606	2		Piston/Seal Set (inc. 18)
18	0502-607	2		Seal Set
19	0502-609	2	/P	Valve, Bleed
20	0502-608	2		O-Ring, Guide - Set
21	0502-960	2		Bracket Assembly
22	0502-875	2	S	Pad, Brake - Set
23	8408-825	4		Screw, Cap
24	0502-785	1		Spring, Brake Switch
25	0409-072	1		Switch, Brake - Assembly
26	1502-042	1	/P	Lever, Brake
27	1602-213	2	/P	O-Ring
28	8428-002	1		Nut



2008 PROWLER 650 H1 AUTOMATIC 4X4 GREEN (U2008P1S4BUSG)
MAGNETO ASSEMBLY

Page 51 of 89

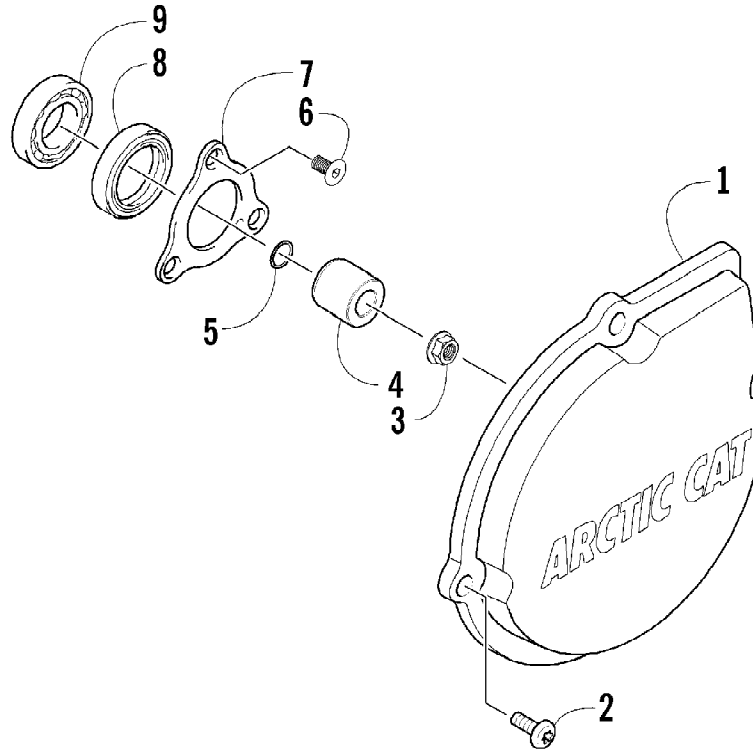
Ref #	Part Number	Qty	S/P/F	Description
1	0802-037	1		Stator - Assembly
2	0802-036	1		Rotor/Flywheel
3	0826-102	3		Screw, Machine
4	0829-012	1		Key
5	0827-014	1		Nut
6	8470-510	3		Screw, Machine
7	0802-015	1		Clamp - No. 1
8	0802-016	1		Clamp - No. 2



2008 PROWLER 650 H1 AUTOMATIC 4X4 GREEN (U2008P1S4BUSG)
OIL FILTER/PUMP ASSEMBLY

Page 53 of 89

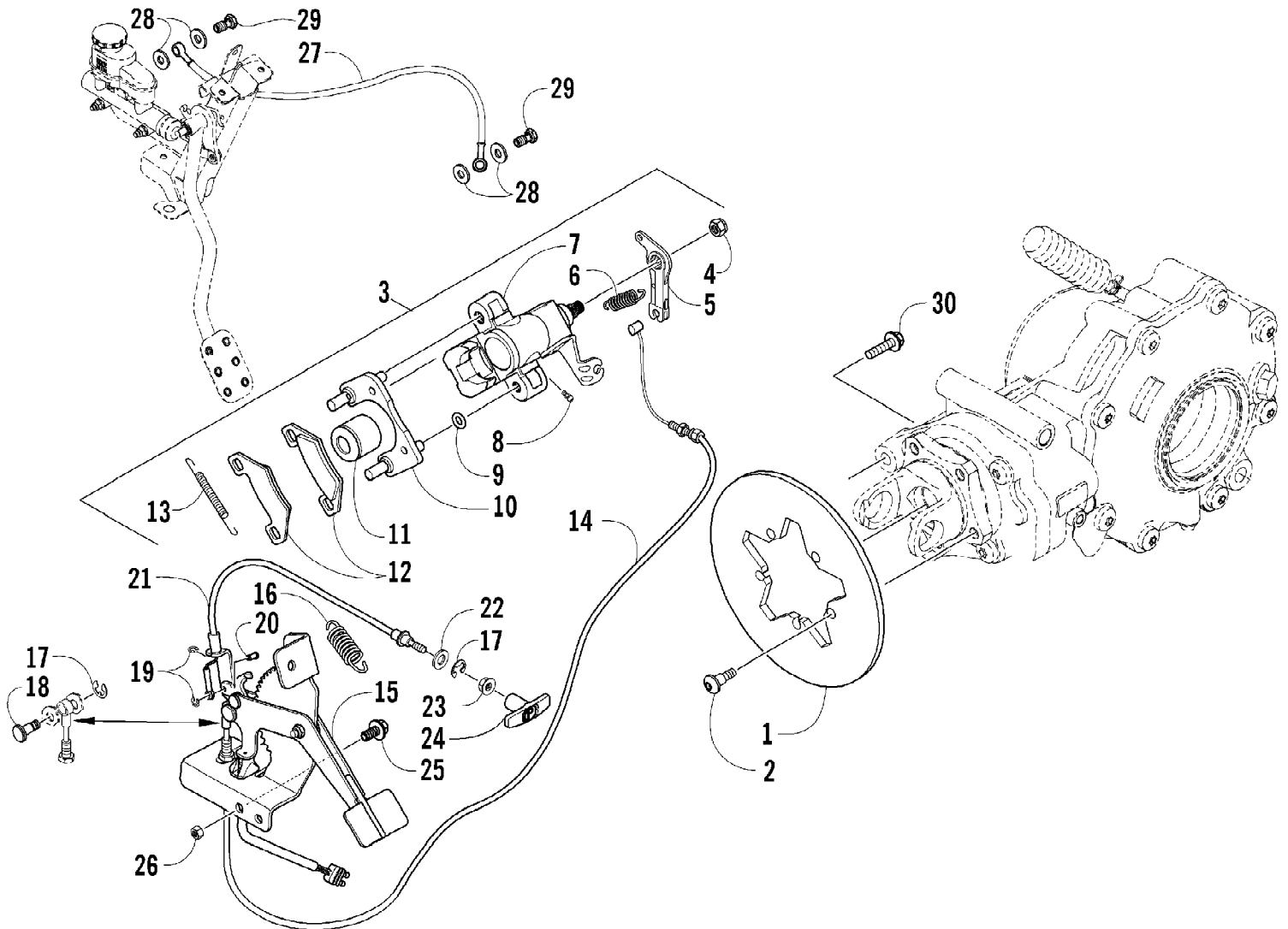
Ref #	Part Number	Qty	S/P/F	Description
1	0812-023	1		Pump, Oil
2	0812-002	1	S	Gear, Driven
3	0829-009	1		Pin
4	0828-007	1	/P	Washer
5	0831-002	1		Circlip
6	0826-039	3		Screw, Cap
7	0812-057	1	/P	Strainer, Oil
8	0826-040	2		Screw, Machine
9	0812-029	1	S	Filter, Oil
10	0812-053	1		Cap, Oil Strainer
11	8468-625	4		Screw, Machine
12	0812-007	1		Valve, Oil-Relief - Assembly
13	0812-006	1		Plug, Drain
14	0830-017	1		Gasket, Drain Plug
15	0812-008	1		Union, Oil Filter



2008 PROWLER 650 H1 AUTOMATIC 4X4 GREEN (U2008P1S4BUSG)
OUTER MAGNETO COVER ASSEMBLY

Page 55 of 89

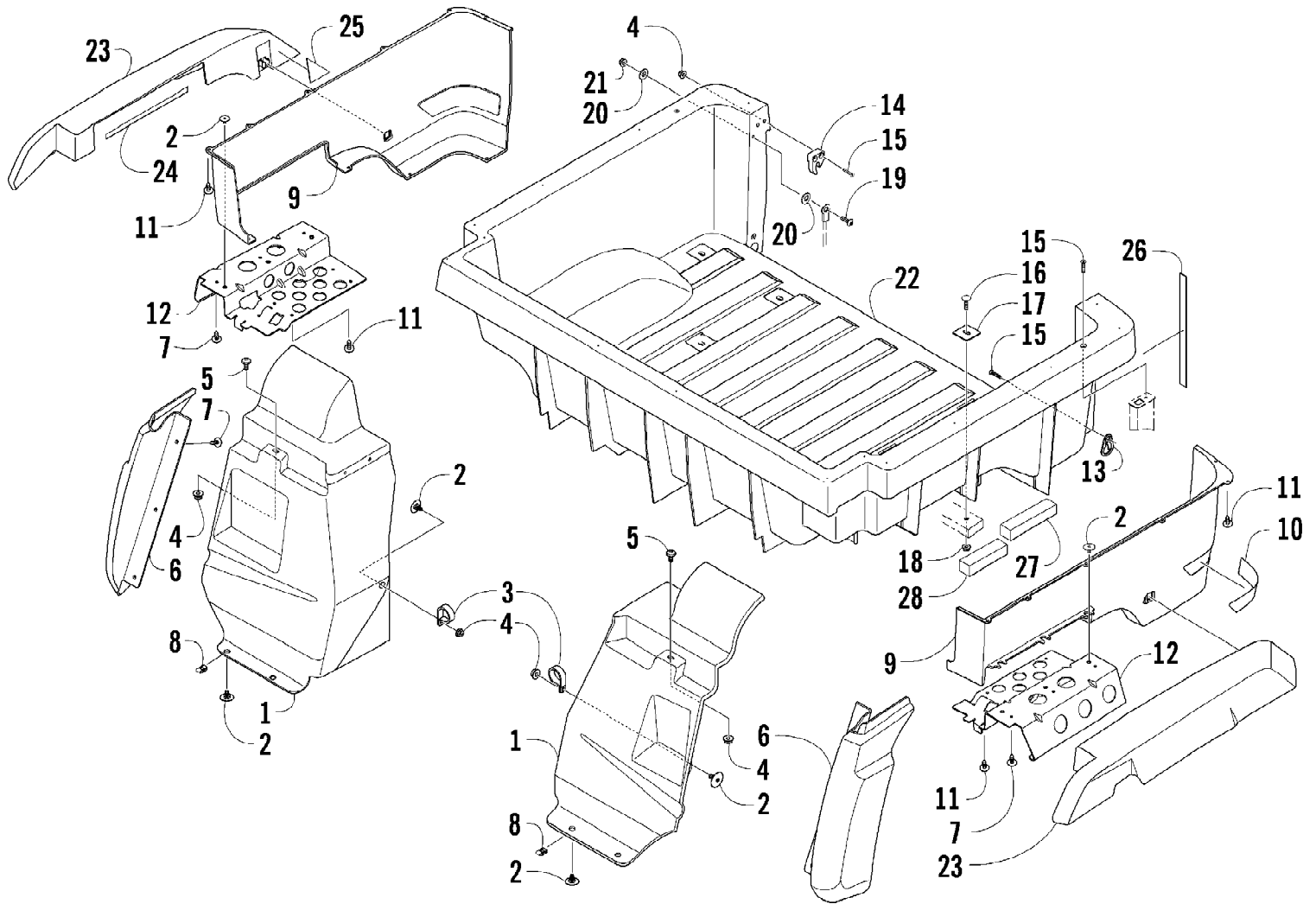
Ref #	Part Number	Qty	S/P/F	Description
1	0820-062	1		Cover, Magneto - Outer
2	0826-008	4		Screw, Machine
3	0827-008	1		Nut
4	0820-061	1		Bushing
5	0830-108	1		O-Ring
6	0826-031	3		Screw
7	0805-008	1		Retainer, Oil Seal
8	0830-158	1		Seal, Oil
9	0832-045	1	S	Bearing



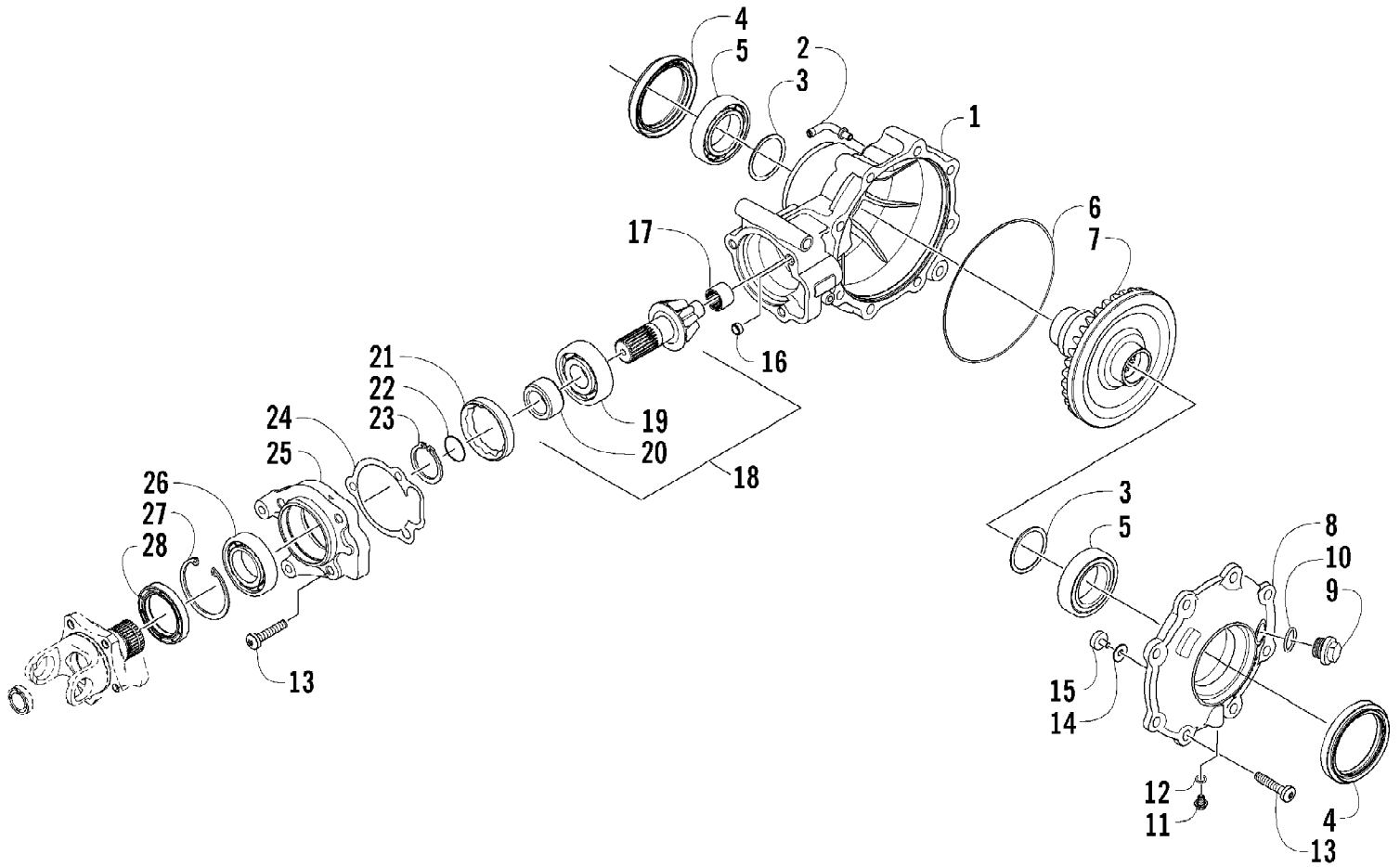
2008 PROWLER 650 H1 AUTOMATIC 4X4 GREEN (U2008P1S4BUSG)
REAR AND PARKING BRAKE ASSEMBLY

Page 57 of 89

Ref #	Part Number	Qty	S/P/F	Description
1	1402-324	1		Rotor
2	0423-557	5		Screw, Shoulder
3	1502-143	1	/P	Brake - Assembly (inc. 4-13)
4	0502-988	1		Nut
5	1502-160	1		Lever, Actuator
6	0502-985	1		Spring
7	0	1	F	Housing, Caliper
8	0502-609	1	/P	Valve, Bleed
9	0	2	F	O-Ring, Brake Caliper
10	0502-605	1		Bracket Assembly
11	0	2	F	Piston
12	0502-875	2	S	Pad, Brake
13	1502-161	1		Spring, Anti-Rattle
14	0487-036	1		Cable, Parking Brake
15	1502-309	1	/P	Brake, Parking - Assembly (inc. 18 and 20)
16	1502-026	1		Spring
17	0423-668	2		E-Clip
18	1502-029	1	F	Pin
19	0423-667	2		E-Clip
20	1502-030	1	F	Pin
21	0487-043	1	S	Cable, Brake Release
22	0623-044	1		Washer
23	8424-602	1	/P	Nut
24	1502-024	1	/P	Handle, Parking Brake
25	8408-816	3		Screw, Cap
26	8424-802	3		Nut, Hex
27	1402-388	1		Hose, Brake
28	0423-178	4		Washer, Crush
29	0423-413	2		Bolt, Banjo-Fitting
30	8408-835	2		Screw, Cap



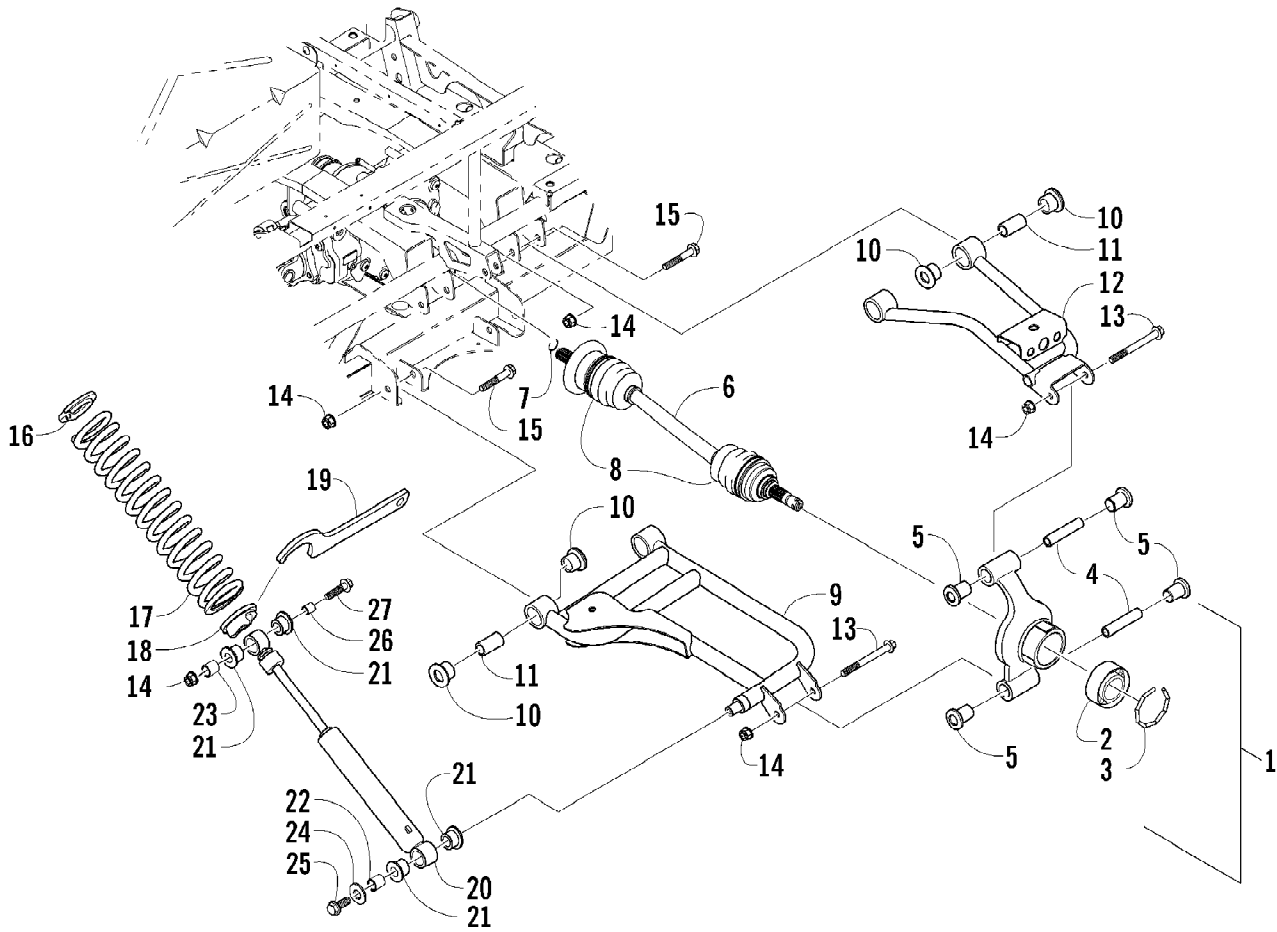
Ref #	Part Number	Qty	S/P/F	Description
1	2406-070	1		Panel, Splash - Rear - Right
1	2406-071	1		Panel, Splash - Rear - Left
2	0423-101	12		Screw, Body
3	0423-403	2		Clamp, Tube
4	8424-602	8	/P	Nut, Hex
5	8476-616	2		Screw, Machine
6	1406-810	1		Fender, Rear - Lower - Right
6	1406-809	1		Fender, Rear - Lower - Left
7	0623-784	18		Screw, Self-Tapping
8	0423-577	4		Clip, U
9	1406-762	1	/P	Panel, Box - Right (inc. 10)
9	1406-761	1	/P	Panel, Box - Left (inc. 10)
10	1411-128	1		Decal, Reflector - Rear - Right
10	1411-129	1		Decal, Reflector - Rear - Left
11	0423-342	28	/P	Screw, Self-Tapping
12	1506-776	1		Bracket, Fender Support - Right
12	1506-777	1		Bracket, Fender Support - Left
13	1506-539	1		Bracket, Tailgate
14	2506-664	1		Striker, Tailgate - Right
14	2506-665	1	/P	Striker, Tailgate - Left
15	8474-630	8		Screw, Machine
16	0423-623	8		Bolt, Carriage
17	1506-933	8		Plate, Retainer
18	8424-802	8		Nut, Hex
19	8476-620	2		Screw, Machine
20	8050-217	4	/P	Washer
21	0624-250	2		Nut, Lock
22	2406-417	1	S	Box, Rear Cargo
23	2506-660	1	/P	Fender, Rear - Assembly - Upper - Right (inc. 24-25)
23	2506-661	1	/P	Fender, Rear - Assembly - Upper - Left (inc. 24-25)
24	0417-007	2		Strip, Foam
25	0417-008	2		Pad, Foam
26	0417-006	2		Strip, Foam
27	0417-010	2		Foam, Cargo Box
28	0417-011	2		Foam, Cargo Box



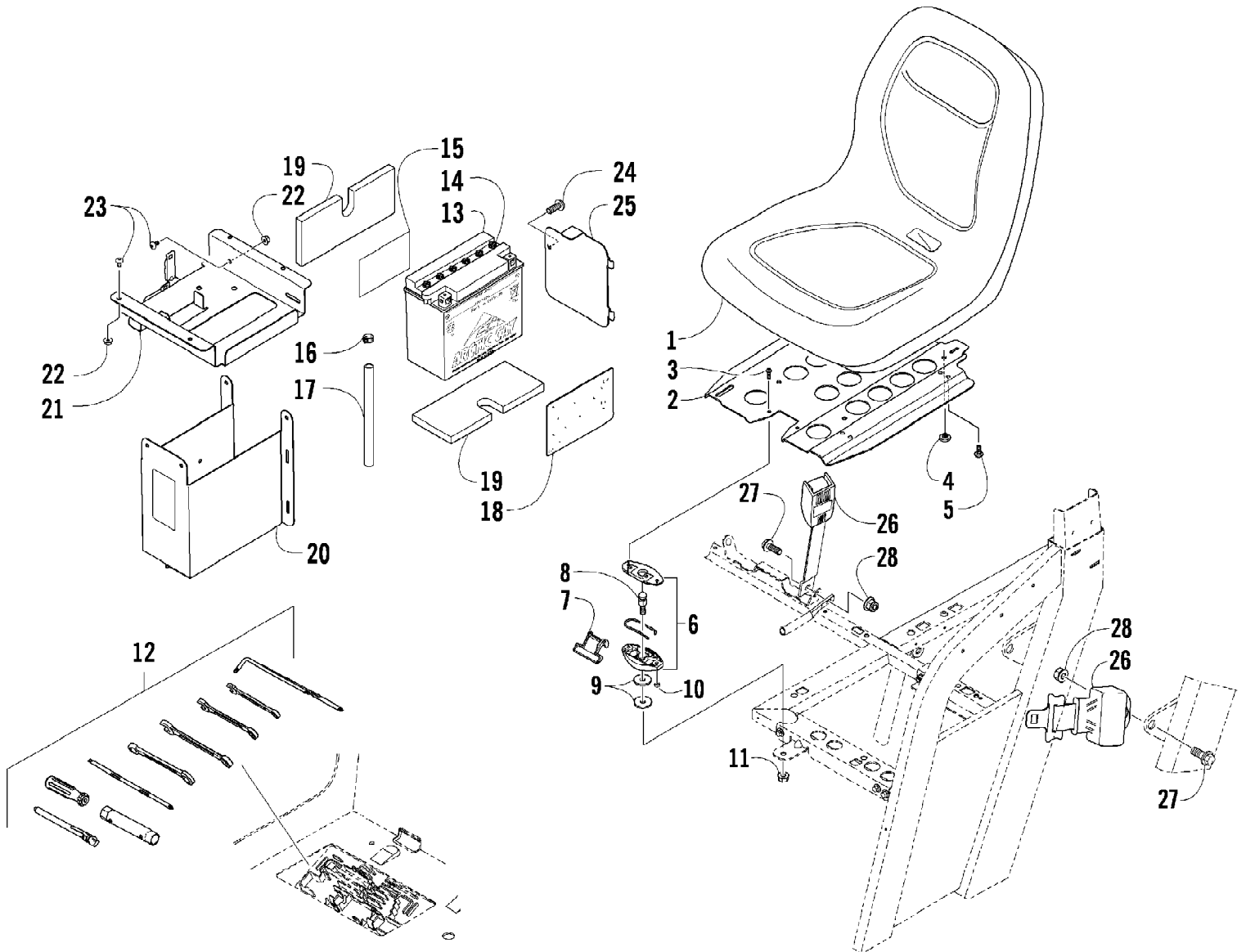
2008 PROWLER 650 H1 AUTOMATIC 4X4 GREEN (U2008P1S4BUSG)
REAR DRIVE GEARCASE ASSEMBLY

Page 61 of 89

Ref #	Part Number	Qty	S/P/F	Description
	1502-128	1	S	Complete Rear Drive Gearcase Assembly
1	0502-548	1		Housing, Gearcase
2	1402-442	1		Fitting, 90°
3	0402-405	AR		Shim
3	0402-406	AR		Shim
3	0402-407	AR		Shim
3	0402-408	AR		Shim
3	0402-409	AR		Shim
4	1402-441	2	S	Seal
5	0402-393	2		Bearing
6	0423-149	1		O-Ring
7	1402-245	1		Gear, Rear - 36T
8	0502-741	1		Cover, Gearcase
9	0402-333	1	/P	Plug, Fill (inc. 10)
10	0423-154	1		O-Ring
11	0402-450	1	S	Plug, Magnetic (inc. 12)
12	0423-153	1		O-Ring
13	0423-118	11		Screw, Self-Tapping
14	0402-429	AR		Shim
14	0402-430	AR		Shim
14	0402-431	AR		Shim
14	0402-432	AR		Shim
14	0402-433	AR		Shim
15	0402-326	1		Button, Thrust
16	0402-411	1		Pin, Dowel
17	0402-328	1		Bearing
18	0502-649	1		Gear, Pinion - Assembly - 9T (inc. 19-20)
19	0402-327	1		Bearing
20	0402-336	1		Collar, Retaining
21	0402-357	1		Collar, Lock
22	0423-633	1		O-Ring
23	0423-546	1		Ring, Retaining
24	0402-947	1		Gasket
25	0502-746	1		Housing, Pinion
26	0402-324	1		Bearing
27	0402-347	1		Ring, Retaining
28	1402-314	1		Seal



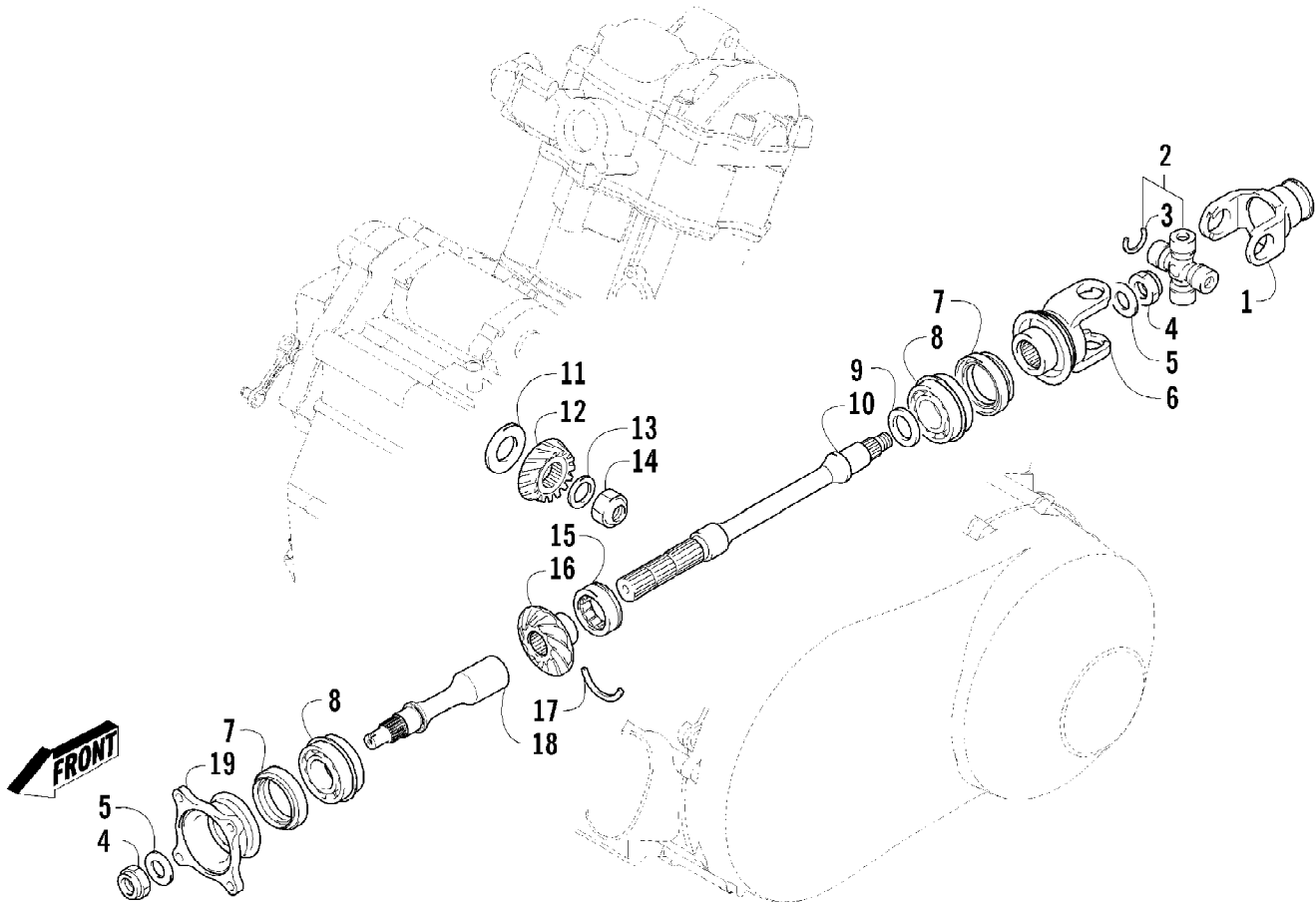
Ref #	Part Number	Qty	S/P/F	Description
1	0504-389	2	S	Knuckle, Rear - Assembly (inc. 2-5)
2	1402-027	2	S/P	Bearing, Wheel Hub
3	0423-423	2		Ring, Retaining
4	0403-038	4	S/P	Collar, Suspension Bushing
5	0403-032	8	S	Bushing, Suspension
6	0502-740	2	S	Axle, Drive (inc. 7-8)
7	0441-893	2	S	Clip, Retaining
8	0436-276	2	S	Repair Kit, Boot - Rear Axle
9	0504-480	1		A-Arm, Rear - Lower Right (inc. 10-11)
9	0504-481	1		A-Arm, Rear - Lower Left (inc. 10-11)
10	0403-115	16	S	Bushing
11	0403-114	8	S	Collar
12	0504-358	1	S	A-Arm, Rear - Upper Right (inc. 10-11)
12	0504-359	1	S	A-Arm, Rear - Upper Left (inc. 10-11)
13	8409-000	4		Screw, Cap
14	8428-002	14		Nut, Lock
15	8409-075	8		Screw, Cap
16	1603-889	2	/P	Retainer, Spring
17	0404-117	2		Spring, Suspension
18	0404-057	2		Cam, Spring Adjuster
19	0441-587	1		Wrench, Spanner
20	0404-115	2		Shock Absorber - Rear (inc. 21-23)
21	0603-955	8		Bushing
22	1603-219	2	S	Sleeve, Shock
23	1603-209	2		Sleeve
24	0423-087	2		Washer
25	8408-820	2	/P	Screw, Cap
26	0404-116	2		Sleeve, Shock Absorber
27	8409-040	2		Screw, Cap



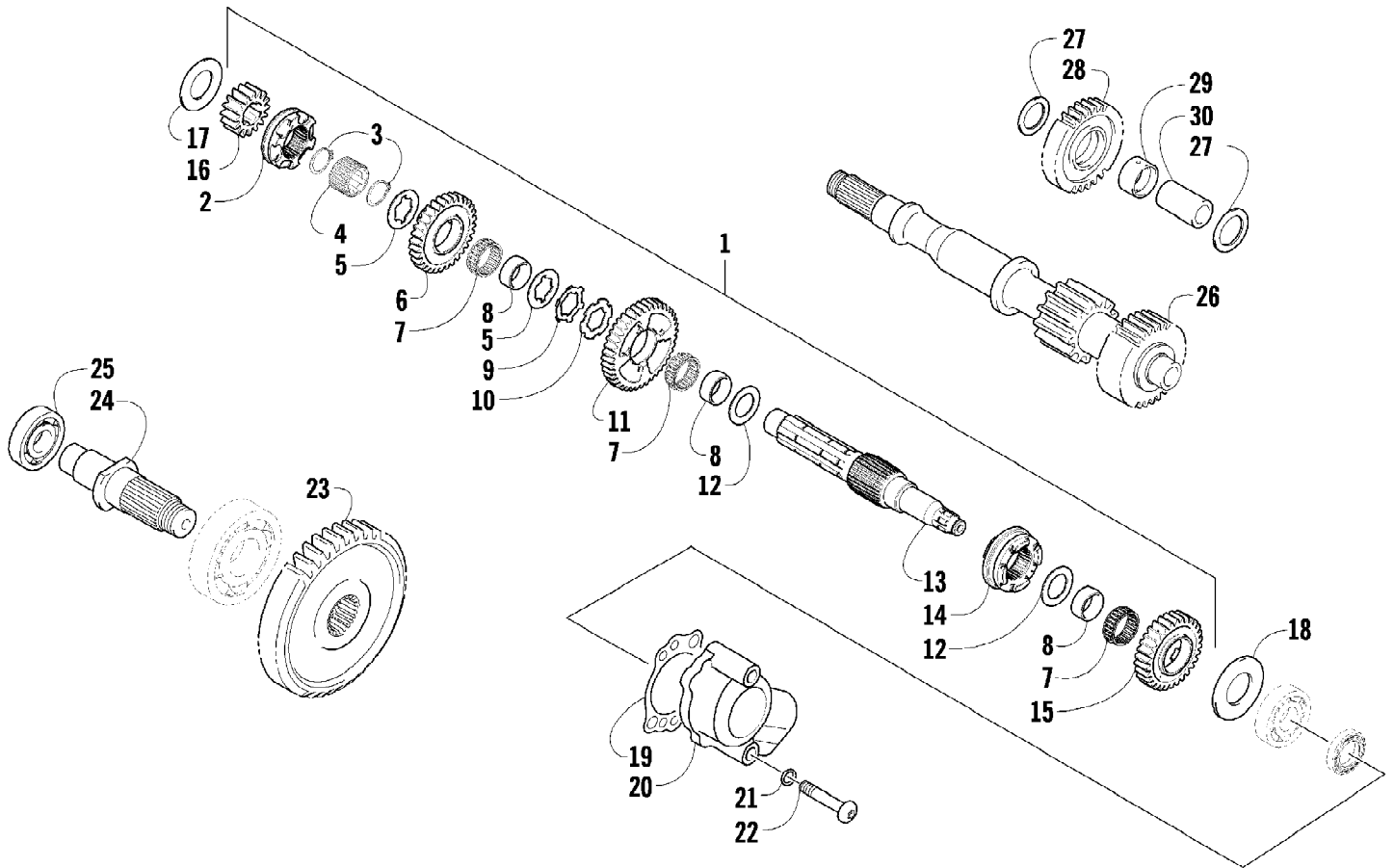
2008 PROWLER 650 H1 AUTOMATIC 4X4 GREEN (U2008P1S4BUSG)
SEAT, BATTERY, AND TOOL KIT ASSEMBLY

Page 65 of 89

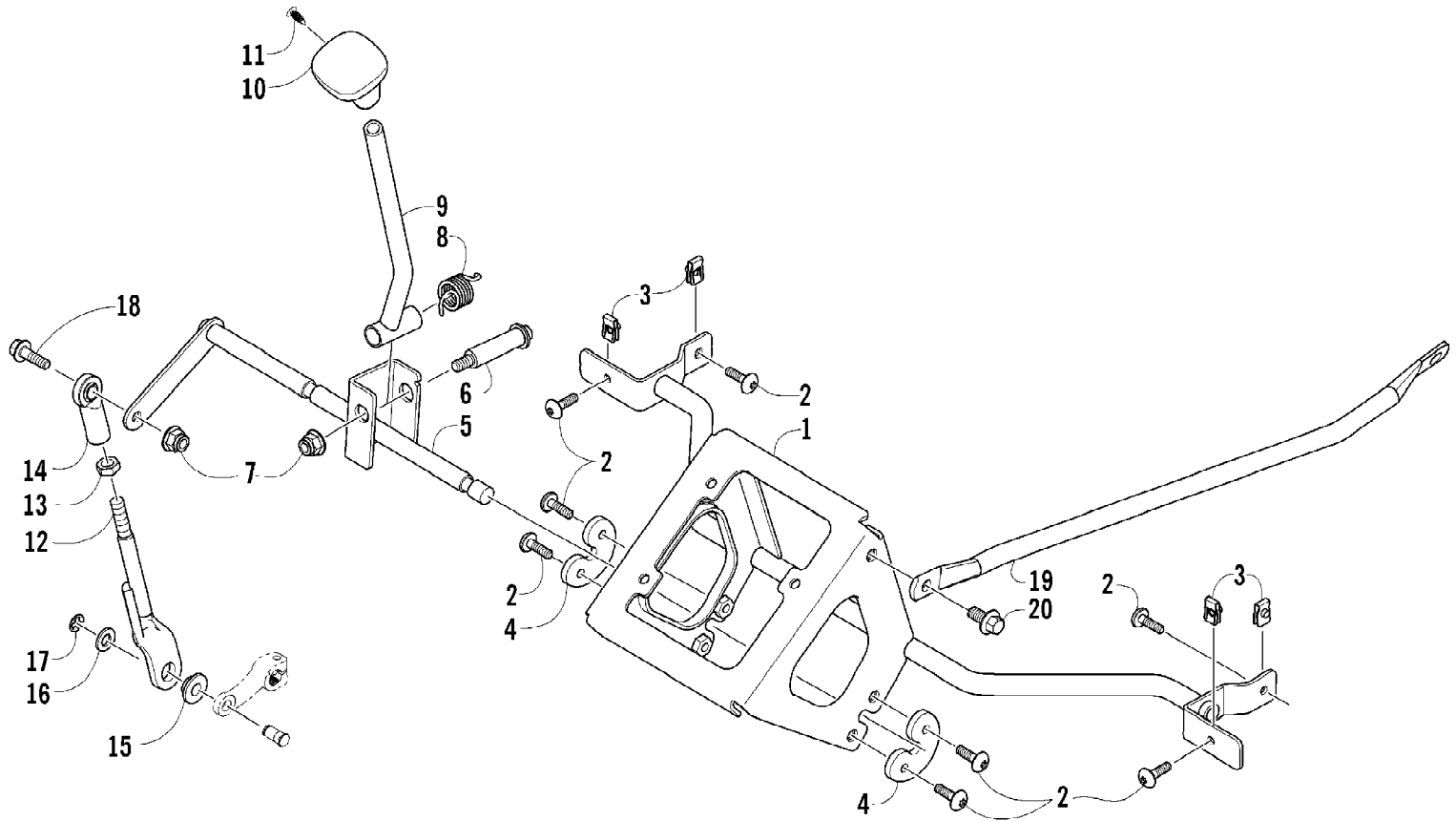
Ref #	Part Number	Qty	S/P/F	Description
1	1506-925	2		Seat, Low-Back
2	2506-780	2	/P	Plate, Base - Seat
3	8468-620	4	/P	Screw, Machine
4	0406-877	8	/P	Bumper, Seat
5	8468-820	8		Screw, Machine
6	2706-164	2	/P	Latch - Assembly (inc. 7)
7	0	2		Lever, Release - Seat Latch
8	0423-559	2		Stud, Latch - Seat
9	0423-073	4		Washer
10	0623-038	4		Nut, Hex
11	0423-120	2		Nut
12	1506-852	1	S	Base, Seat/Tools - Assembly
13	0745-059	1	/P	Battery - Assembly (inc. 14-17)
14	0645-246	6	S	Cap, Battery
15	0645-151	1		Label, Warning - Battery
16	0645-152	1		Clamp, Hose
17	0645-263	1	/P	Hose, Battery Vent
18	0406-380	1		Pad, Battery
19	0406-227	2		Pad, Battery
20	1506-841	1		Box, Battery
21	1506-840	1		Panel, Electrical
22	8424-602	8	/P	Nut, Flange
23	8476-612	8		Screw, Machine
24	8476-616	1		Screw, Machine
25	1506-839	1		Cover, Battery Box
26	2506-748	2	S	Belt, Seat
27	8408-025	4		Screw, Cap
28	8427-002	4		Nut



Ref #	Part Number	Qty	S/P/F	Description
1	0502-829	1		Yoke, Propeller Shaft Joint
2	0402-944	1	/P	Joint, Universal - Set (inc. 3)
3	0423-395	4		Retainer, Universal Joint
4	0827-013	2		Nut, Rear Output Joint
5	0828-020	2		Washer, Rear Output Flange
6	0502-828	1		Yoke, Drive Output
7	0830-043	2		Seal, Oil - Driven Shaft
8	0832-017	2		Bearing, Driven Shaft
9	0828-021	AR		Shim, 25 x 34 x 0.25 mm
9	0828-022	AR		Shim, 25 x 34 x 0.30 mm
9	0828-023	AR		Shim, 25 x 34 x 0.70 mm
9	0828-024	AR		Shim, 25 x 34 x 0.90 mm
9	0828-025	AR		Shim, 25 x 34 x 0.95 mm
9	0828-026	AR		Shim, 25 x 34 x 1.00 mm
9	0828-027	AR		Shim, 25 x 34 x 1.05 mm
9	0828-028	AR		Shim, 25 x 34 x 1.10 mm
9	0828-029	AR		Shim, 25 x 34 x 1.15 mm
10	0819-003	1	S	Shaft, Secondary Driven
11	0828-030	AR		Shim, 24 x 48 x 0.25 mm
11	0828-031	AR		Shim, 24 x 48 x 0.30 mm
11	0828-032	AR		Shim, 24 x 48 x 0.35 mm
11	0828-033	AR		Shim, 24 x 48 x 0.90 mm
11	0828-018	AR		Shim, 24 x 48 x 0.95 mm
11	0828-062	AR		Shim, 24 x 48 x 1.00 mm
11	0828-063	AR		Shim, 24 x 48 x 1.05 mm
11	0828-064	AR		Shim, 24 x 48 x 1.10 mm
11	0828-065	AR		Shim, 24 x 48 x 1.15 mm
12	0819-001	1		Gear, Secondary Drive
13	0828-019	1		Washer
14	0827-012	1		Nut
15	0832-016	1		Bearing, Driven Gear
16	0819-002	1		Gear, Secondary Driven
17	0819-011	1		Ring, Driven Bearing
18	0819-053	1		Shaft, Secondary Driven
19	0819-005	1		Flange, Output Joint



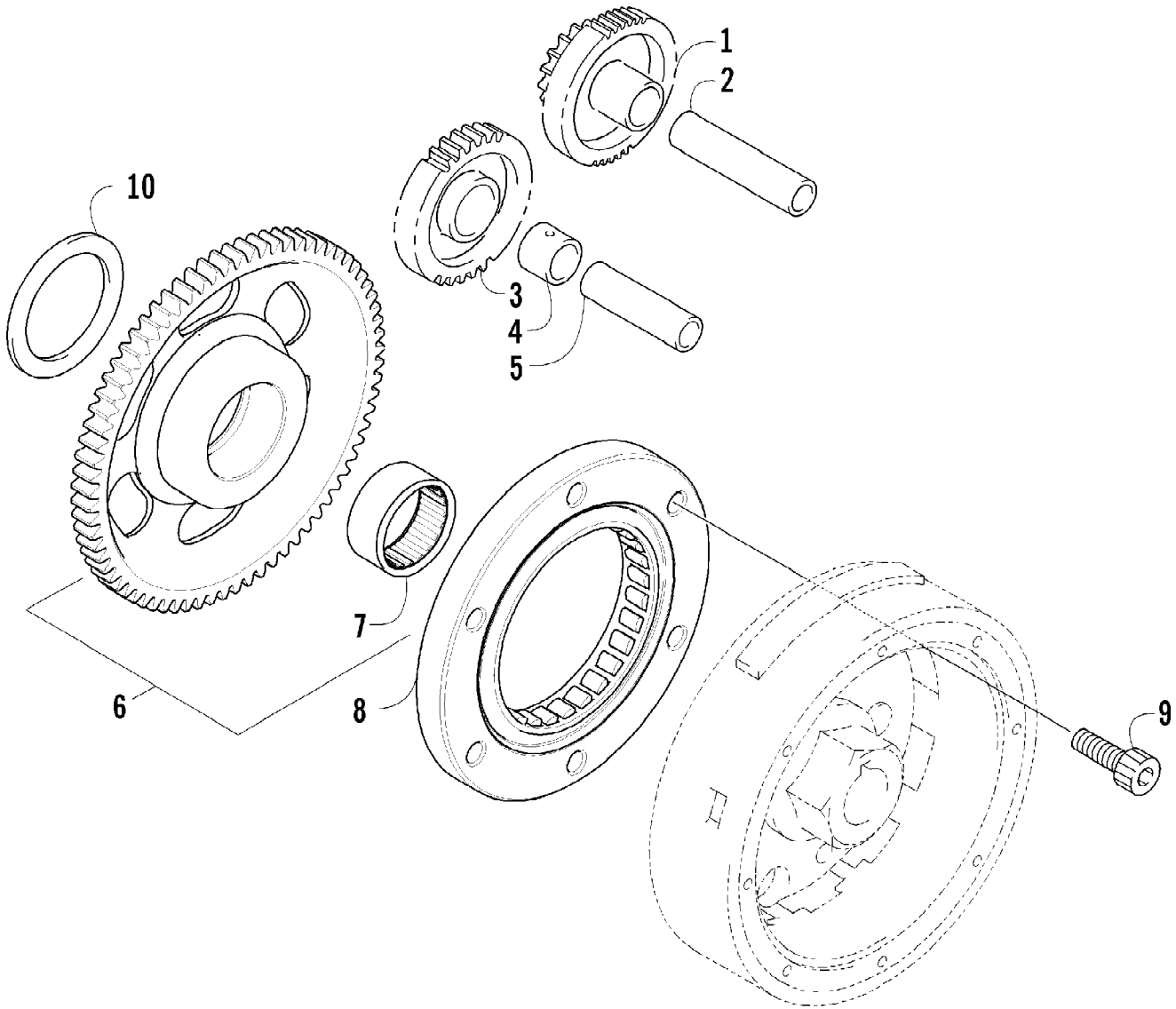
Ref #	Part Number	Qty	S/P/F	Description
1	0822-048	1		Countershaft Assembly (inc. 2-16)
2	0822-014	1		Dog, Reverse Driven Gear
3	0831-011	2		Circlip
4	0822-045	1		Spacer, Reverse Driven Gear
5	0828-008	2		Washer
6	0822-013	1		Gear, Reverse Driven
7	0832-011	3		Bearing
8	0822-005	3		Bushing
9	0828-014	1		Washer, Lock
10	0828-015	1		Washer, Lock
11	0822-004	1		Gear, Driven - Low
12	0822-046	2		Washer, Driven Gear
13	0822-003	1		Countershaft
14	0822-007	1		Dog, Sliding
15	0822-006	1		Gear, Driven - High
16	0822-008	1		Gear, Drive
17	0828-010	1		Washer, Drive Gear
18	0828-011	1		Washer, Drive Gear
19	0830-129	1		Gasket
20	0822-093	1		Housing w/o Speedometer Sensor
21	0830-107	2		Seal, Fastener
22	8468-645	2		Screw, Machine
23	0822-009	1		Gear, Driven
24	0822-067	1	/P	Shaft, Output
25	0832-014	1	S	Bearing
26	0822-001	1		Driveshaft
27	0828-016	2		Washer, Reverse Idle Gear
28	0822-011	1		Gear, Reverse Idle
29	0822-012	1		Bushing, Reverse Idle Gear
30	0822-015	1		Shaft, Reverse Idle



2008 PROWLER 650 H1 AUTOMATIC 4X4 GREEN (U2008P1S4BUSG)
SHIFTER ASSEMBLY

Page 71 of 89

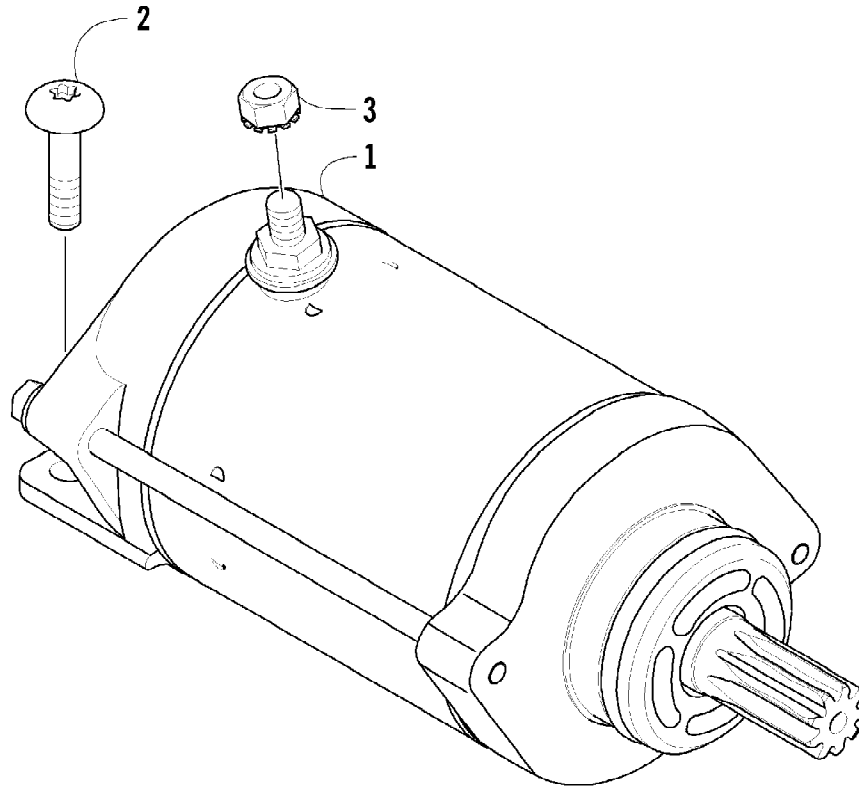
Ref #	Part Number	Qty	S/P/F	Description
1	1506-525	1		Mount, Shift
2	8476-616	8		Screw, Machine
3	0423-577	4		Clip, U
4	1402-275	2		Retainer, Shift Linkage
5	1506-811	1		Axle, Shift
6	0423-505	1		Screw, Shoulder
7	8424-802	2		Nut, Flange
8	1402-668	1		Spring, Shift
9	1502-283	1		Lever, Shift
10	1402-566	1		Knob, Shift
11	0623-269	1		Clip, Retainer
12	0541-527	1		Linkage, Shift
13	0123-144	1		Nut, Jam
14	0423-686	1		Rod End
15	0423-091	1		Bushing, Shift
16	0623-094	1		Washer
17	0124-057	1	/P	E-Ring
18	8408-825	1		Screw, Cap
19	1502-264	1		Support, Shift Mount
20	8408-816	1		Screw, Cap



2008 PROWLER 650 H1 AUTOMATIC 4X4 GREEN (U2008P1S4BUSG)
STARTER CLUTCH ASSEMBLY

Page 73 of 89

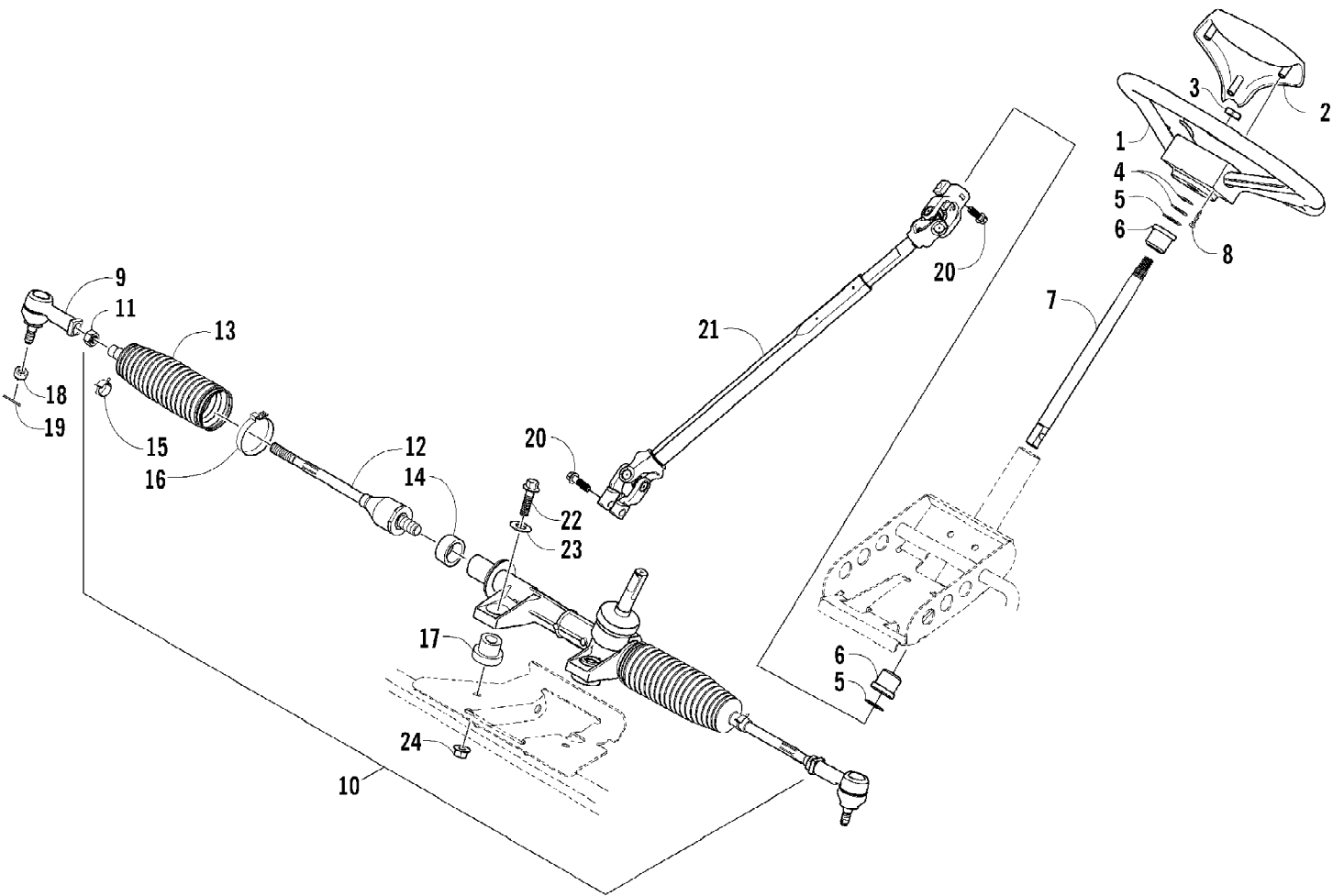
Ref #	Part Number	Qty	S/P/F	Description
1	0815-001	1		Gear, Starter Idler - No. 1
2	0829-031	1	/P	Shaft, Starter Gear
3	0815-002	1		Gear, Starter Idler - No. 2
4	0815-003	1		Spacer, Starter Idler Gear No. 2
5	0829-032	1	/P	Shaft, Starter Gear
6	0815-004	1		Gear Starter Clutch (inc. 7)
7	0832-004	1	S	Bearing
8	0802-035	1		Clutch, Starter
9	0826-069	6		Screw, Machine
10	0828-094	1		Washer



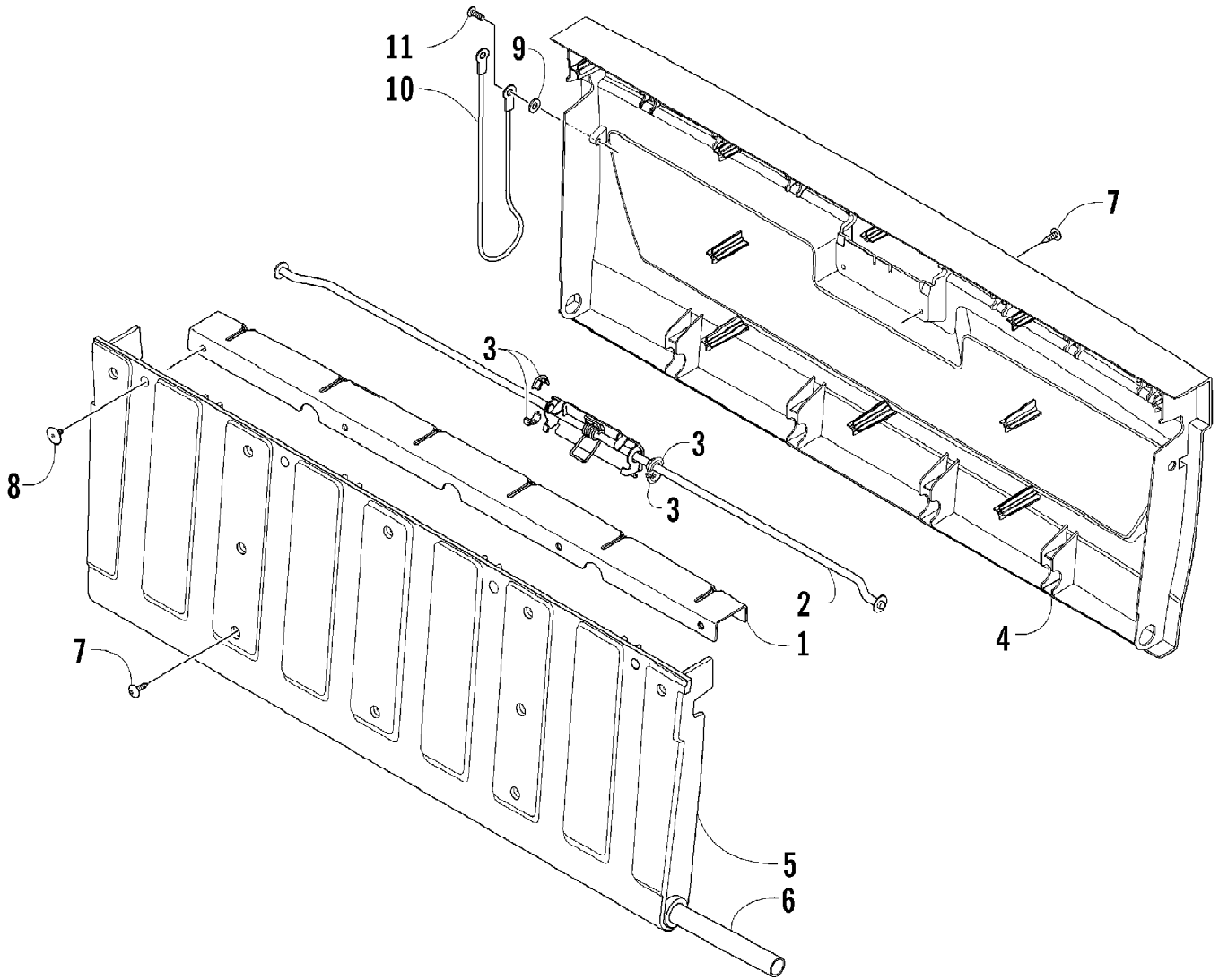
2008 PROWLER 650 H1 AUTOMATIC 4X4 GREEN (U2008P1S4BUSG)
STARTER MOTOR ASSEMBLY

Page 75 of 89

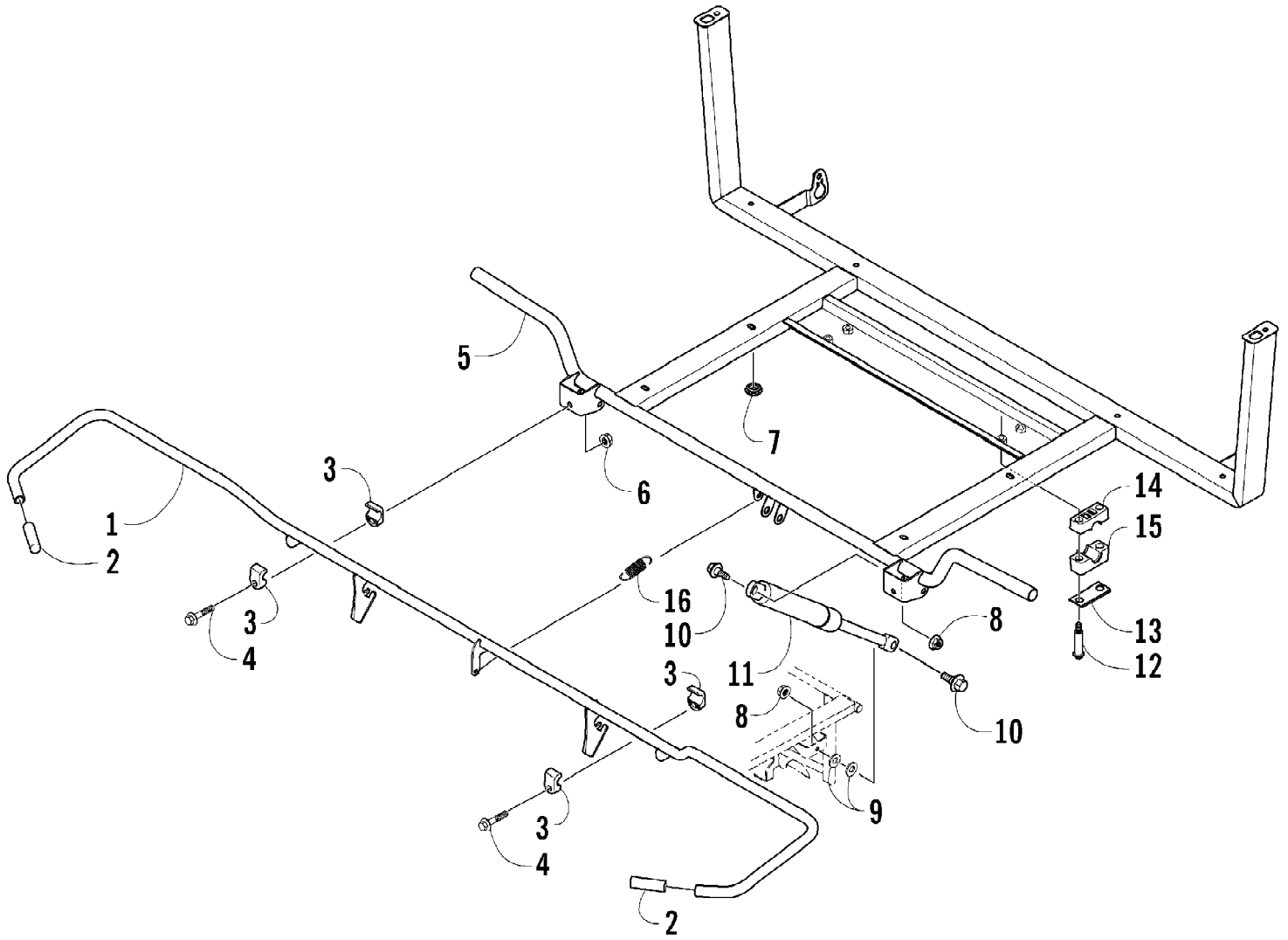
Ref #	Part Number	Qty	S/P/F	Description
1	0825-011	1	S	Motor, Starter - Assembly
2	8476-625	2		Screw, Machine
3	0623-038	1		Nut w/Washer



Ref #	Part Number	Qty	S/P/F	Description
1	0502-884	1		Wheel, Steering - Assembly (inc. 2)
2	0405-239	1		Cover, Steering Wheel
3	1670-477	1		Nut, Hex
4	0828-071	2		Washer
5	0423-558	2		Washer
6	0405-155	2		Bushing, Steering
7	0405-160	1	S	Shaft, Steering Wheel
8	0423-613	3		Screw, Self-Tapping
9	0405-205	2	S	End, Tie Rod
10	0405-246	1	S	Housing, Rack and Pinion (inc. 11-17)
11	0423-622	2		Nut, Hex
12	0405-245	2	S	Tie Rod
13	0405-216	2		Boot, Rack
14	0405-206	2		Spacer, Rack
15	0405-236	2		Clamp, Tie Rod End
16	0405-237	2		Clamp, Boot
17	0405-238	2		Bushing
18	0423-072	2		Nut
19	0623-175	2		Pin, Cotter
20	0423-655	2		Bolt
21	0405-156	1		Shaft, Lower Steering - Assembly
22	8409-050	2		Screw, Cap
23	0623-728	2		Washer
24	8424-002	2		Nut, Flange



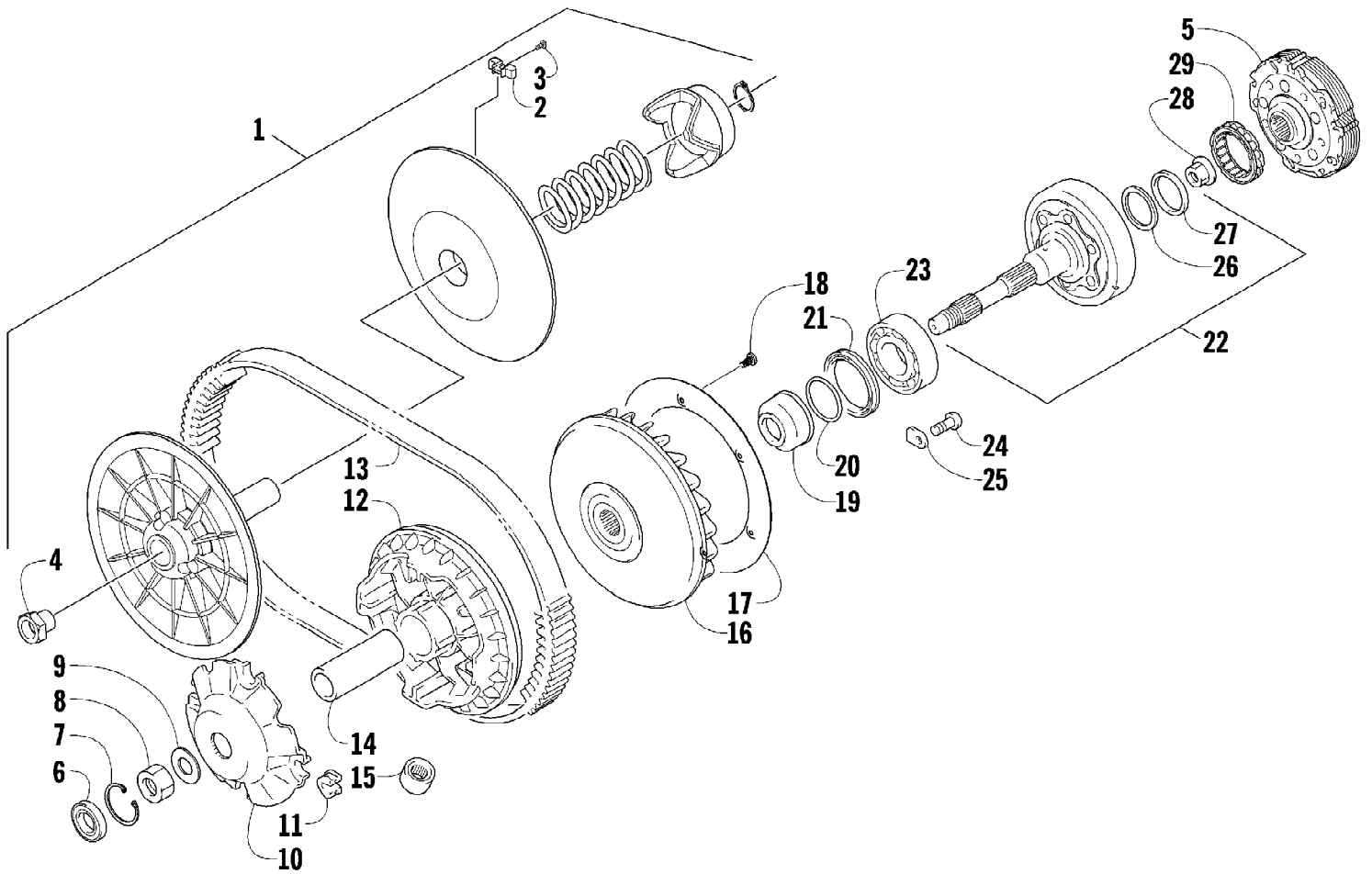
Ref #	Part Number	Qty	S/P/F	Description
	2506-205	1	/P	Complete Tailgate Assembly
1	1506-704	1		Brace, Tailgate
2	2506-056	1		Latch, Tailgate - Assembly
3	1406-706	4		Bushing
4	2406-369	1	/P	Panel, Tailgate - Outer
5	2406-365	1	/P	Panel, Tailgate - Inner
6	1406-927	1		Shaft, Pivot - Tailgate
7	0623-784	12		Screw, Self-Tapping
8	0423-101	4		Screw, Body
9	8050-217	2	/P	Washer
10	0487-045	2		Cable, Tailgate
11	8476-625	2		Screw



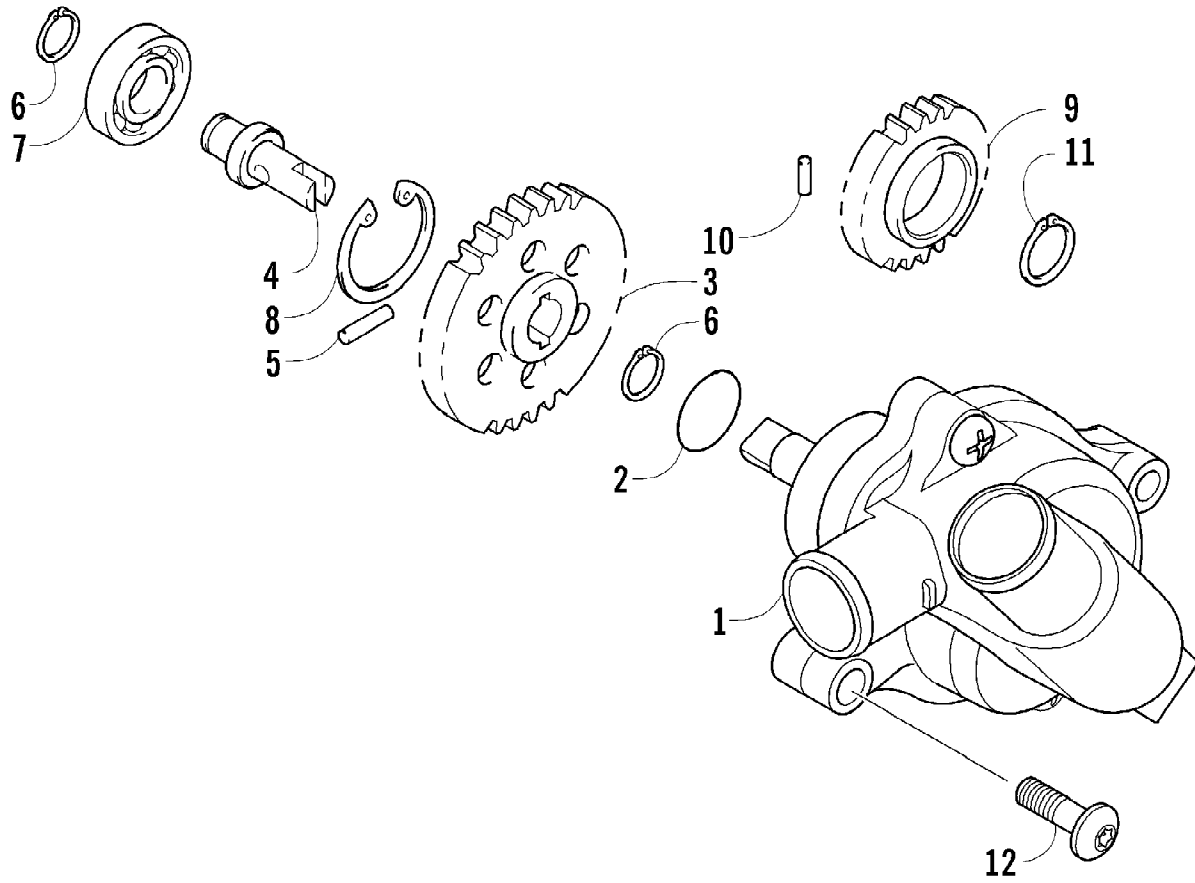
2008 PROWLER 650 H1 AUTOMATIC 4X4 GREEN (U2008P1S4BUSG)
TILT FRAME ASSEMBLY

Page 81 of 89

Ref #	Part Number	Qty	S/P/F	Description
1	1506-669	1		Latch, Tilt Box
2	1406-736	2		Grip, Latch Rod
3	1406-674	4		Bushing, Pivot
4	8408-840	2		Screw, Cap
5	2506-197	1	/P	Frame, Box
6	8424-802	2		Nut, Flange
7	0423-628	4		Grommet
8	8424-602	2	/P	Nut, Flange
9	8050-217	2	/P	Washer
10	0423-355	2		Screw, Shoulder
11	2506-194	1		Support, Lift
12	0423-505	4		Screw, Shoulder
13	0405-166	2		Cap, Housing
14	0405-138	2		Housing, Lower
15	0405-139	2		Housing, Upper
16	1612-178	1		Spring



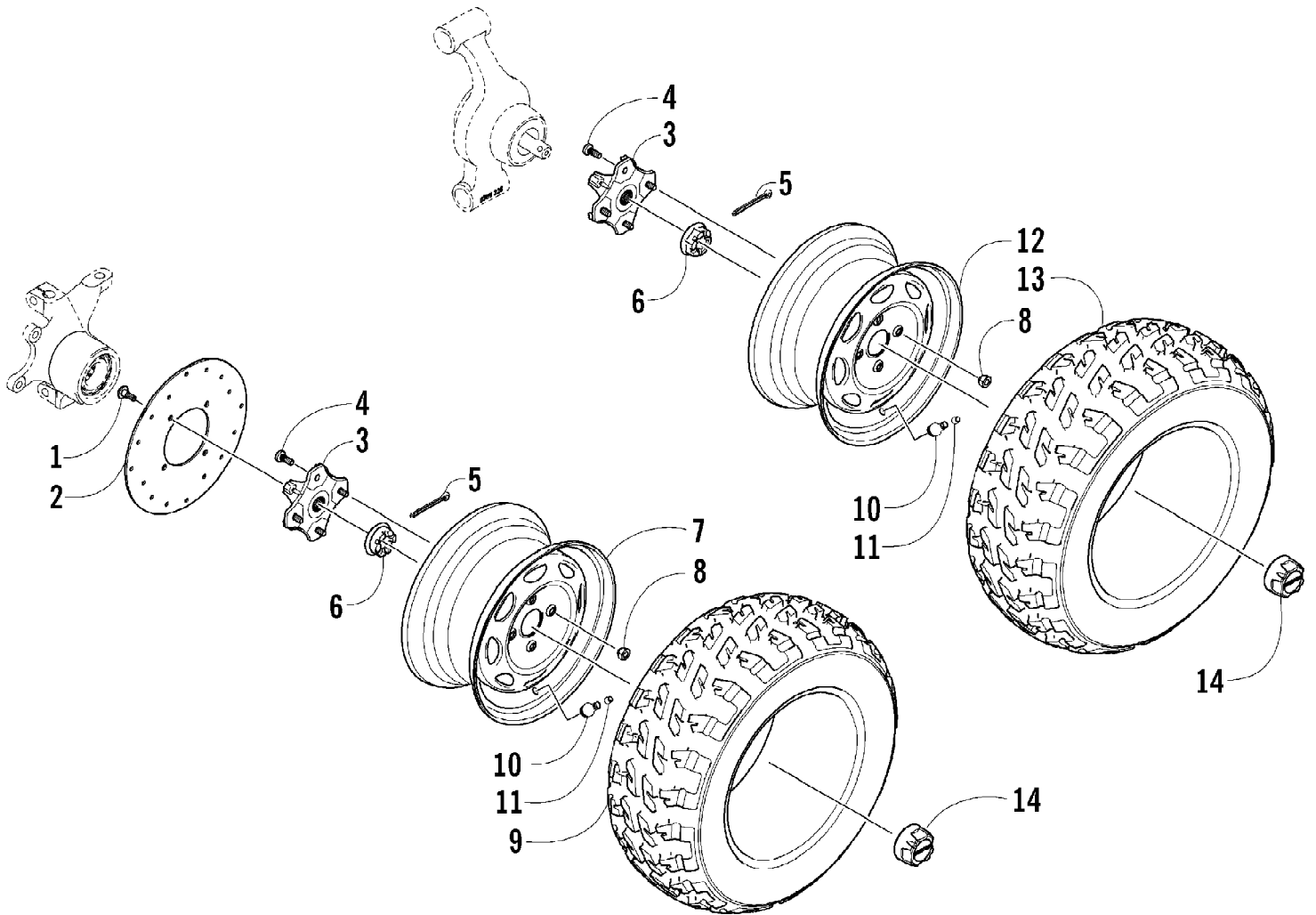
Ref #	Part Number	Qty	S/P/F	Description
1	0823-254	1	S	Pulley, Driven - Assembly (inc. 2-4)
2	0823-176	3	/P	Shoe, Cam
3	0823-177	3		Screw, Cam
4	0823-178	1		Nut, Driven Pulley
5	0823-098	1	S	Clutch, Centrifugal - 6 Plate
6	0832-060	1		Bearing
7	0831-078	1		Ring, Retaining
8	0827-010	1		Nut
9	0828-106	1		Washer
10	0823-008	1		Plate, Movable Drive Face
11	0823-010	4		Damper, Movable Drive Face
12	0823-159	1		Face, Movable Drive
13	0823-013	1		V-Belt
14	0823-149	1		Spacer, Movable Drive Face
15	0823-167	8	/P	Roller, Movable Drive Face
16	0823-156	1	/P	Face, Fixed Drive
17	0823-131	1		Shroud, Drive Face
18	0623-914	6		Screw, Self-Tapping
19	0823-015	1		Spacer, Fixed Drive Face
20	0470-531	1		O-Ring
21	0830-034	1	S	Seal, Clutch Housing - Right
22	0823-270	1	S	Housing, Clutch - Assembly (inc. 26-27)
23	0832-047	1	S	Bearing
24	0826-029	2		Screw, Bearing Retainer
25	0822-010	2	/P	Retainer, Bearing
26	0828-075	1		Shim
27	0823-017	1	S	Seal, Clutch Housing - Left
28	0827-011	1		Nut
29	0823-018	1		Clutch, One-Way



2008 PROWLER 650 H1 AUTOMATIC 4X4 GREEN (U2008P1S4BUSG)
WATER PUMP ASSEMBLY

Page 85 of 89

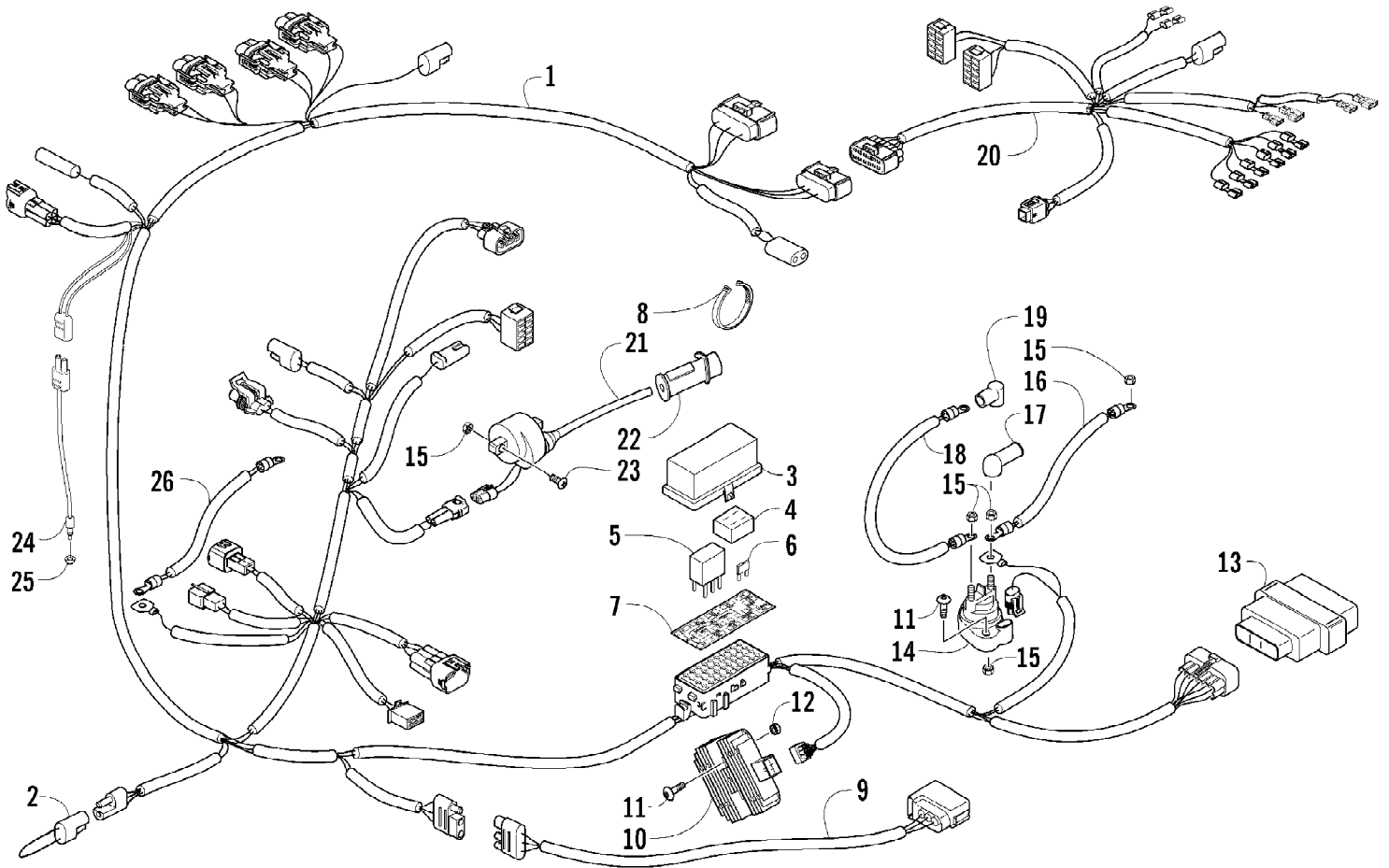
Ref #	Part Number	Qty	S/P/F	Description
1	0813-001	1		Pump, Water - Assembly (inc. 2)
2	0830-029	1		O-Ring
3	0813-004	1		Gear, Driven
4	0813-005	1		Shaft, Driven Gear
5	0829-009	1		Pin, Driven Gear
6	0831-002	2		Circlip, Driven Gear
7	0832-008	1	S	Bearing, Shaft
8	0831-004	1		Circlip, Shaft Bearing
9	0811-003	1		Gear, Water Pump Drive
10	0829-007	1		Pin, Drive Gear
11	0831-005	1		Circlip, Drive Gear
12	8468-665	2		Screw, Machine



2008 PROWLER 650 H1 AUTOMATIC 4X4 GREEN (U2008P1S4BUSG)
WHEEL AND TIRE ASSEMBLY

Page 87 of 89

Ref #	Part Number	Qty	S/P/F	Description
1	0423-557	8		Screw, Machine
2	1402-455	2	S	Disc, Brake
3	0502-980	2	S	Hub, Wheel - Front (inc. 4)
3	1502-435	2	/P	Hub, Wheel - Rear (inc. 4)
4	0402-974	16	/P	Stud, Wheel Hub
5	0423-407	4		Pin, Cotter
6	0423-607	4		Nut, Castle
7	1402-511	2		Wheel - Front
8	0423-408	16	/P	Nut, Mounting - Wheel
9	1402-392	2		Tire - Front
10	0402-064	4		Stem, Valve (inc. 11)
11	0402-140	4		Cap, Valve Stem
12	1402-514	2		Wheel - Rear
13	1402-393	2		Tire - Rear
14	0403-181	4		Cap, Wheel



Ref #	Part Number	Qty	S/P/F	Description
1	0486-254	1		Harness, Main (inc. 2-7)
2	0486-164	1		Tether, Accessory Connector
3	0530-008	1		Cover, Fuse Block
4	0430-037	1		Holder, Fuse
5	0430-033	1		Relay (5-Pin) - 20 Amp
5	0430-045	3	/P	Relay (4-Pin) - 20 Amp
6	0430-032	4		Fuse - 10 Amp
6	0430-031	5		Fuse - 15 Amp
6	0430-030	2		Fuse - 30 Amp
7	1411-576	1		Decal, Fuse Block
8	0123-788	AR	/P	Cable Tie - 7.5 in.
9	0486-176	1		Harness Adapter, Taillight
10	0824-037	1	/P	Regulator, Voltage
11	8476-625	4		Screw, Machine
12	8424-602	2	/P	Nut, Hex
13	0824-048	1	/P	CDI Unit
14	0445-058	1	/P	Solenoid
15	0623-038	8		Nut w/Washer
16	0445-061	1		Cable, Solenoid/Starter
17	0645-327	1		Boot, Terminal
18	0445-049	1		Cable, Battery/Solenoid (inc. one No. 19)
19	0645-019	2		Boot, Terminal
20	0486-255	1		Harness, Console
21	0824-036	1		Coil, Ignition - Assembly
22	0824-049	1	/P	Cap, Spark Plug
23	8476-620	2		Screw, Machine
24	0409-009	1		Switch, Brake - Assembly
25	0402-991	1		Retainer, Brake Switch
26	0445-050	1		Cable, Battery/Engine