

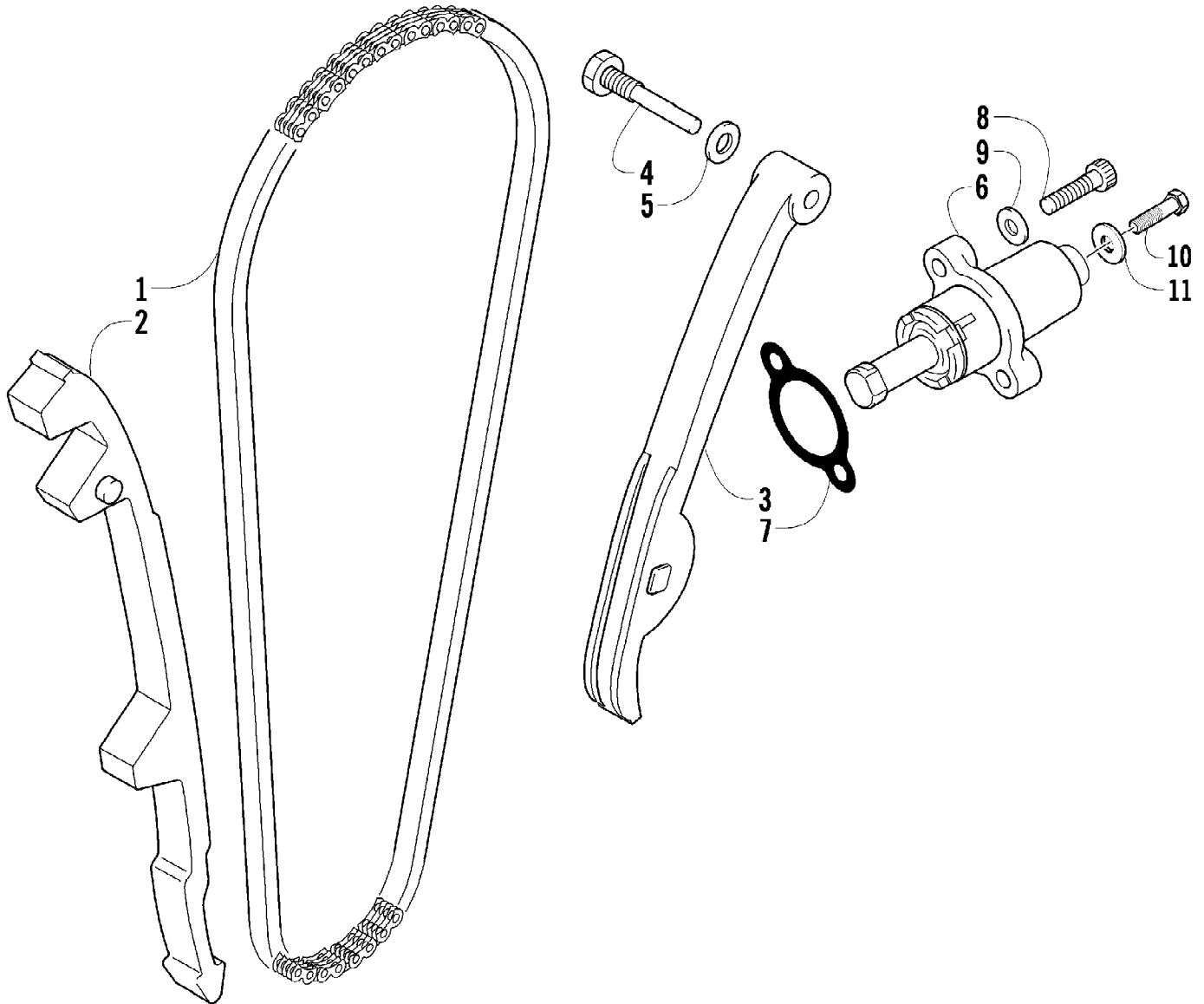
2012 TRV 550 CRUISER INTERNATIONAL METALLIC GREEN (A2012TCO1PO) Page 2 of 89  
 AIR INTAKE ASSEMBLY

| Ref # | Part Number | Qty | S/P/F | Description                       |
|-------|-------------|-----|-------|-----------------------------------|
| 1     | 0470-877    | 1   | /P    | Cover, Intake                     |
| 2     | 0470-560    | 1   |       | Screen, Air Filter                |
| 3     | 0470-558    | 1   |       | Filter, Air                       |
| 4     | 0470-728    | 1   |       | Housing, Intake                   |
| 5     | 0423-455    | 4   |       | Clip, Spring                      |
| 6     | 0470-749    | 1   |       | Duct, Engine Intake               |
| 7     | 0423-763    | 1   |       | Grommet                           |
| 8     | 0570-215    | 1   |       | Resonator                         |
| 9     | 0470-729    | 1   |       | Boot                              |
| 10    | 0423-342    | 4   | /P    | Screw, Self-Tapping               |
| 11    | 0423-019    | 2   |       | Clamp                             |
| 12    | 0470-442    | 1   | /P    | Valve, Drain                      |
| 13    | 0410-172    | 1   | /P    | Hose, Vent                        |
| 14    | 1623-281    | 2   |       | Clamp, Hose                       |
| 15    | 0423-766    | 1   |       | Cap, Drain                        |
| 16    | 1623-287    | 1   |       | Clamp                             |
| 17    | 0423-554    | 1   |       | Clamp                             |
| 18    | 0470-511    | 1   |       | Boot                              |
| 19    | 0430-055    | 1   |       | Sensor, Air Temperature (inc. 20) |
| 20    | 5507-224    | 1   |       | O-Ring                            |
| 21    | 2406-604    | 1   |       | Panel, Shield                     |
| 22    | 0623-362    | 2   |       | Rivet, Reinstallable              |



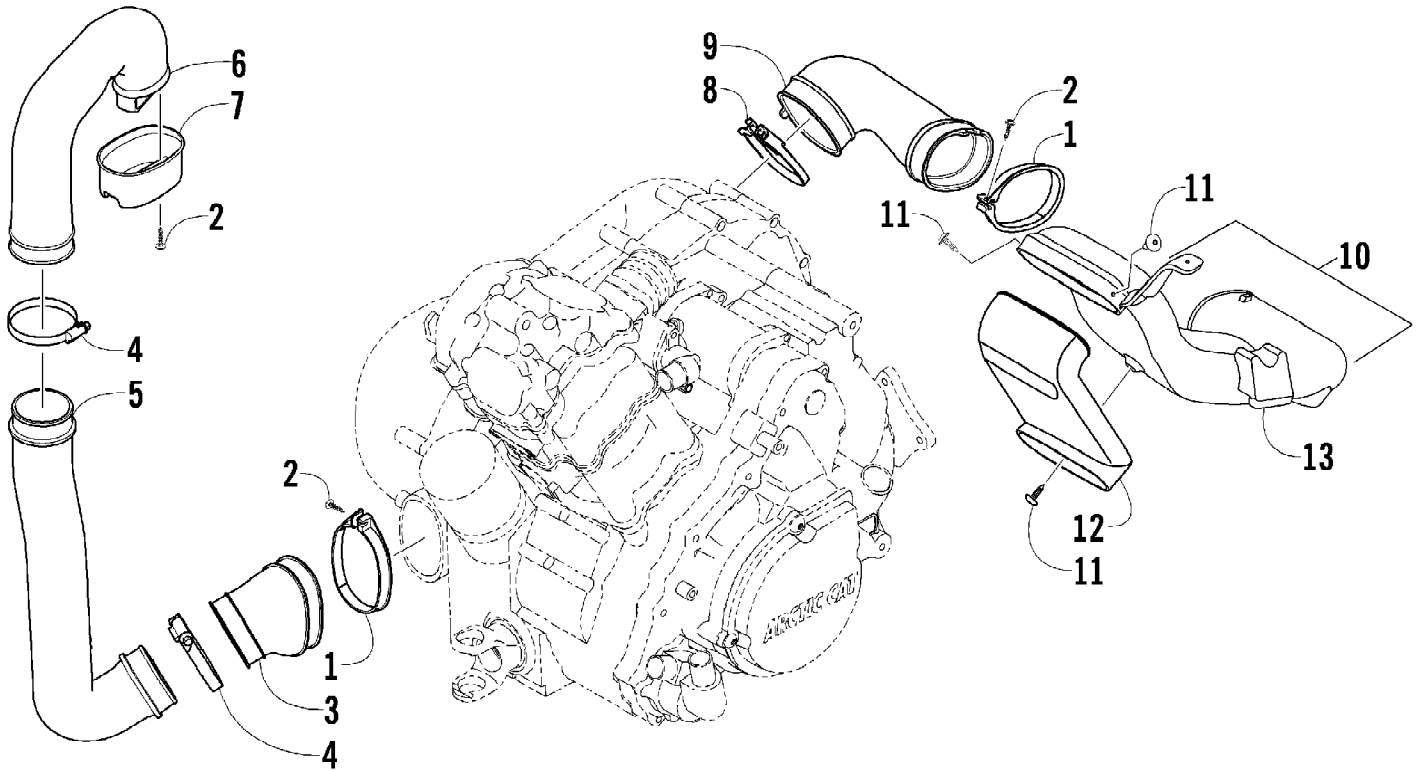
2012 TRV 550 CRUISER INTERNATIONAL METALLIC GREEN (A2012TCO1PO) Page 4 of 89  
BATTERY AND STARTER ASSEMBLY

| Ref # | Part Number | Qty | S/P/F | Description                                 |
|-------|-------------|-----|-------|---------------------------------------------|
| 1     | 5991-655    | 1   | /P    | Battery Cover/Tool Tray Assembly (inc. 2-4) |
| 2     | 2406-815    | 1   | /P    | Cover, Battery                              |
| 3     | 0444-122    | 1   | S/P   | Kit, Tool                                   |
| 4     | 0417-016    | 1   |       | Pad, Battery                                |
| 5     | 8476-620    | 2   |       | Screw, Machine                              |
| 6     | 0645-480    | 1   |       | Battery Assembly (inc. 7-8)                 |
| 7     | 0445-082    | 1   |       | Kit, Hardware                               |
| 8     | 0645-430    | 1   |       | Decal, Warning                              |
| 9     | 0417-017    | 1   |       | Foam, Battery                               |
| 10    | 0445-070    | 1   |       | Cable, Battery/Ground                       |
| 11    | 0445-062    | 1   |       | Cable, Battery/Solenoid                     |
| 12    | 0645-327    | 1   |       | Boot, Terminal                              |
| 13    | 0623-038    | 5   |       | Nut w/Washer                                |
| 14    | 0445-064    | 1   |       | Cable, Solenoid/Starter (inc. 15)           |
| 15    | 0645-019    | 1   |       | Boot, Terminal                              |
| 16    | 0445-058    | 1   | /P    | Solenoid                                    |
| 17    | 8476-625    | 4   |       | Screw, Machine                              |
| 18    | 0825-013    | 1   | /P    | Motor, Starter - Assembly                   |



2012 TRV 550 CRUISER INTERNATIONAL METALLIC GREEN (A2012TCO1PO) Page 6 of 89  
CAM CHAIN ASSEMBLY

| Ref # | Part Number | Qty | S/P/F | Description                    |
|-------|-------------|-----|-------|--------------------------------|
| 1     | 0810-001    | 1   |       | Chain, Cam                     |
| 2     | 0810-002    | 1   |       | Guide, Chain                   |
| 3     | 0810-003    | 1   |       | Tensioner, Chain               |
| 4     | 0826-036    | 1   |       | Pivot, Tensioner               |
| 5     | 0830-025    | 1   |       | Washer, Crush                  |
| 6     | 0810-004    | 1   |       | Adjuster, Tensioner - Assembly |
| 7     | 0830-018    | 1   |       | Gasket                         |
| 8     | 8468-625    | 2   |       | Screw, Machine                 |
| 9     | 0830-107    | 2   |       | Gasket                         |
| 10    | 8400-610    | 1   |       | Screw, Cap                     |
| 11    | 0828-129    | 1   |       | Washer                         |

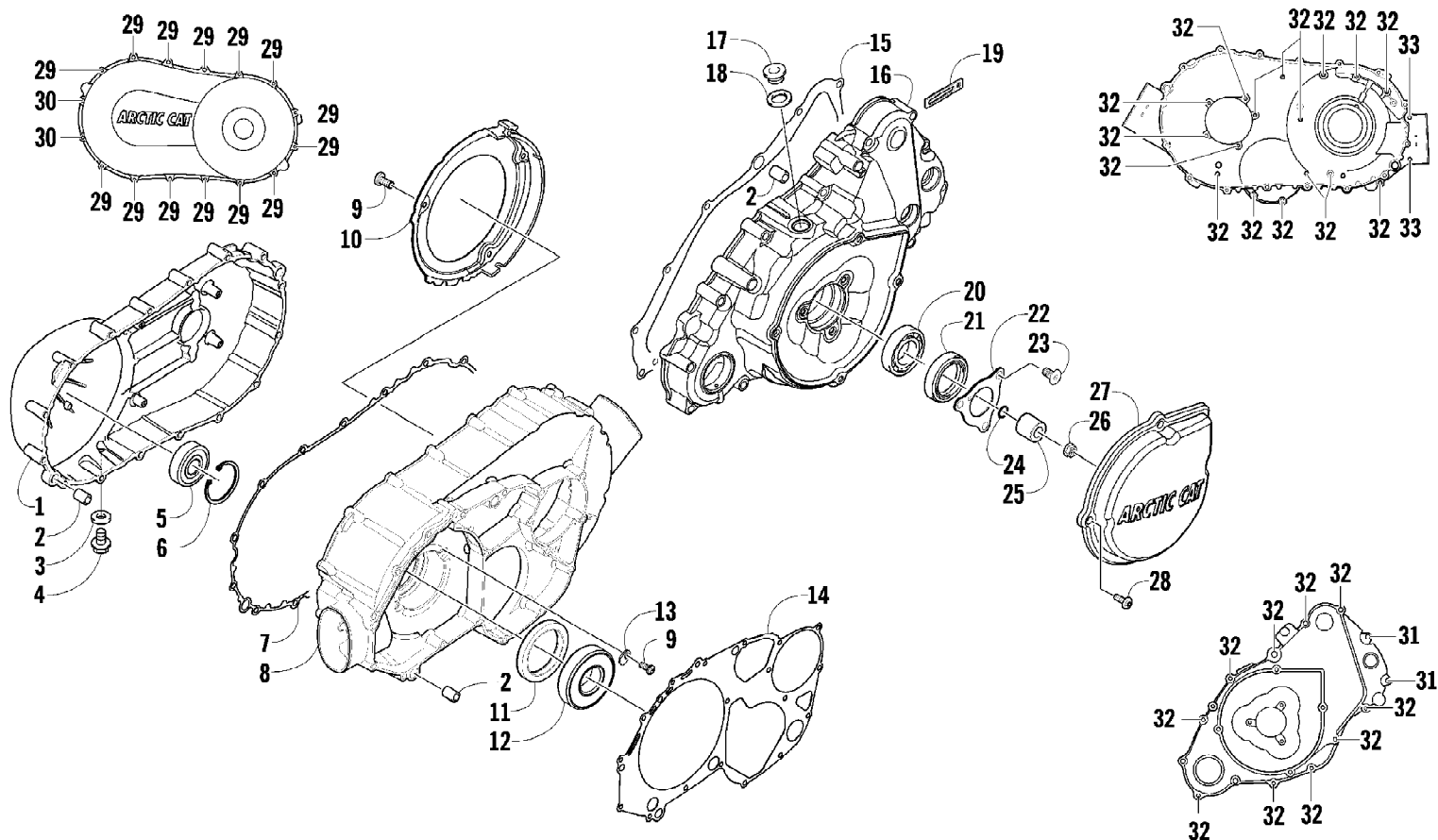


2012 TRV 550 CRUISER INTERNATIONAL METALLIC GREEN (A2012TCO1PO) Page 8 of 89  
CASE/BELT COOLING ASSEMBLY

| Ref # | Part Number | Qty | S/P/F | Description                                        |
|-------|-------------|-----|-------|----------------------------------------------------|
| 1     | 0423-550    | 2   |       | Clamp, Plastic                                     |
| 2     | 0423-342    | 4   | /P    | Screw, Self-Tapping                                |
| 3     | 0413-252    | 1   |       | Boot, Duct - Air Intake - Front                    |
| 4     | 0423-019    | 2   |       | Clamp                                              |
| 5     | 0413-250    | 1   |       | Duct, Air Intake - Front - Lower                   |
| 6     | 0470-750    | 1   |       | Duct, Air Intake - Front - Upper                   |
| 7     | 0470-729    | 1   |       | Cup, Air Intake                                    |
| 8     | 0423-730    | 1   |       | Clamp                                              |
| 9     | 0413-206    | 1   | /P    | Boot, Duct - Air Out - Rear                        |
| 10    | 0470-824    | 1   | /P    | Duct, Air Out - Rear (inc. three No. 11 and 12-13) |
| 11    | 0623-784    | 4   |       | Screw, Self-Tapping                                |
| 12    | 0470-778    | 1   |       | Duct                                               |
| 13    | 0470-825    | 1   |       | Duct                                               |

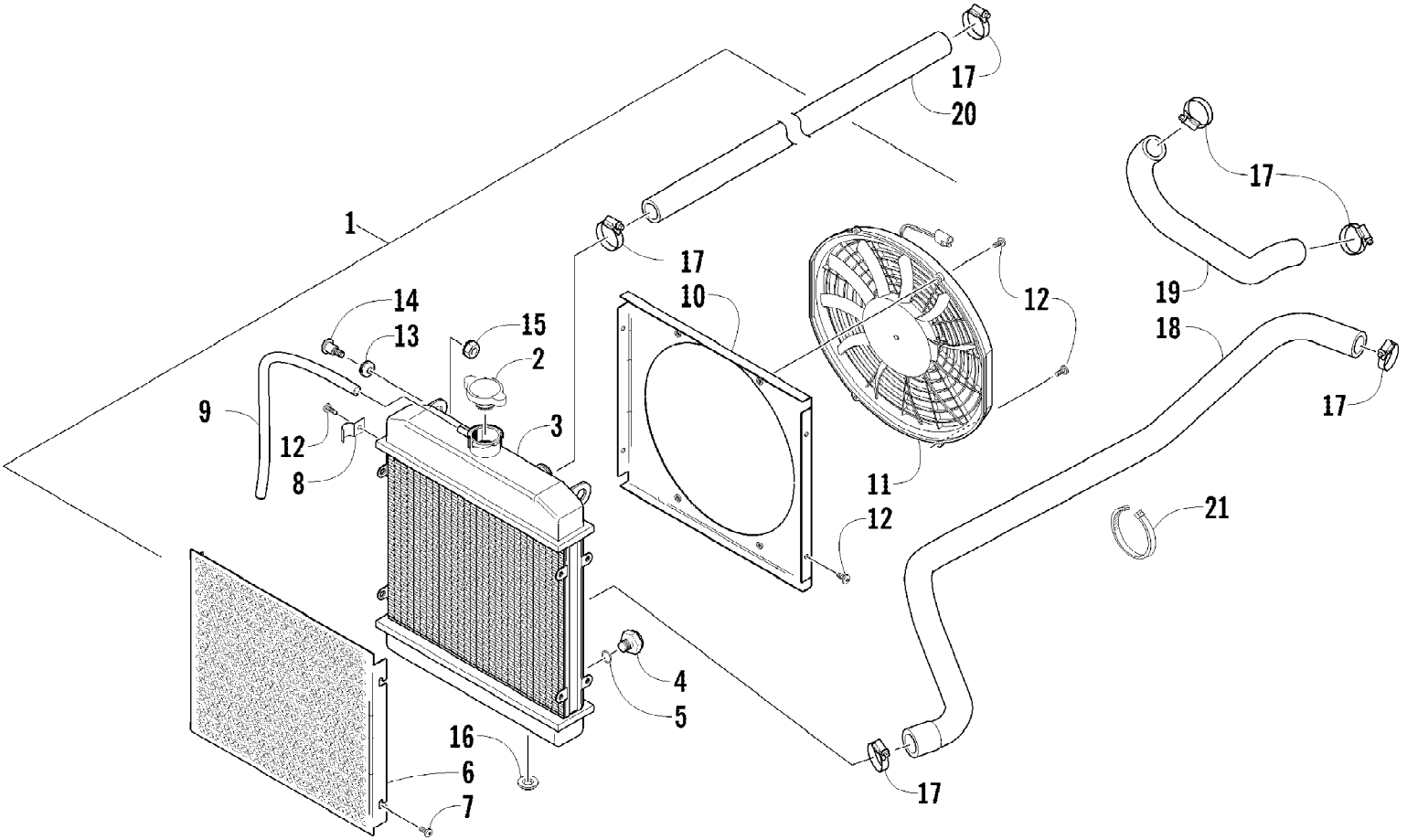


2012 TRV 550 CRUISER INTERNATIONAL METALLIC GREEN (A2012TCO1PO) Page 9 of 89  
CLUTCH/V-BELT/MAGNETO COVER ASSEMBLY



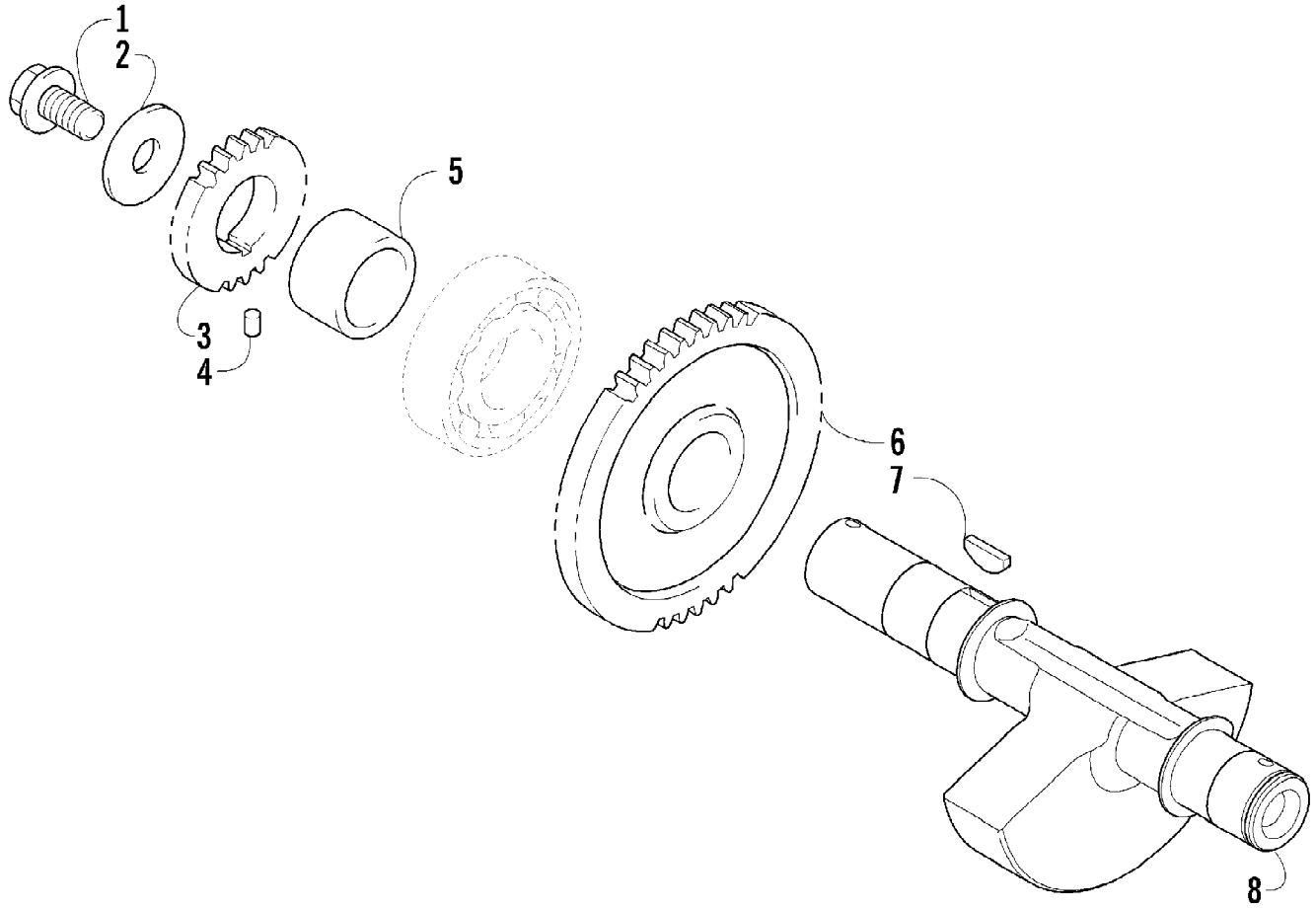
2012 TRV 550 CRUISER INTERNATIONAL METALLIC GREEN (A2012TCO1P) Page 10 of 89  
 CLUTCH/V-BELT/MAGNETO COVER ASSEMBLY

| Ref # | Part Number | Qty | S/P/F | Description               |
|-------|-------------|-----|-------|---------------------------|
| 1     | 0806-089    | 1   |       | Cover, V-Belt             |
| 2     | 0829-002    | 6   |       | Pin, Dowel                |
| 3     | 0830-013    | 1   |       | Washer, Crush             |
| 4     | 8408-812    | 1   |       | Screw, Cap                |
| 5     | 0832-060    | 1   |       | Bearing                   |
| 6     | 0831-078    | 1   |       | Ring, Retaining           |
| 7     | 0830-174    | 1   | /P    | Gasket, V-Belt Cover      |
| 8     | 0806-086    | 1   |       | Cover, Clutch             |
| 9     | 0826-029    | 5   |       | Screw, Machine            |
| 10    | 0806-048    | 1   |       | Plate, Air Intake         |
| 11    | 0830-188    | 1   | /P    | Seal                      |
| 12    | 0832-009    | 1   | /P    | Bearing                   |
| 13    | 0822-010    | 2   | /P    | Retainer, Bearing         |
| 14    | 0830-116    | 1   | /P    | Gasket, Clutch Cover      |
| 15    | 0830-128    | 1   |       | Gasket, Magneto Cover     |
| 16    | 0806-082    | 1   | /P    | Cover, Magneto - Assembly |
| 17    | 0826-155    | 1   |       | Plug                      |
| 18    | 0830-015    | 1   |       | Washer, Crush             |
| 19    | 3002-964    | 1   | /P    | Clamp, Wire               |
| 20    | 1602-981    | 1   | /P    | Bearing                   |
| 21    | 0830-158    | 1   |       | Seal                      |
| 22    | 0805-008    | 1   |       | Retainer, Seal            |
| 23    | 0826-031    | 3   |       | Screw, Machine            |
| 24    | 0830-108    | 1   |       | O-Ring                    |
| 25    | 0820-061    | 1   |       | Bushing                   |
| 26    | 0827-008    | 1   |       | Nut                       |
| 27    | 0820-062    | 1   |       | Cover, Magneto            |
| 28    | 8468-616    | 4   |       | Screw, Machine            |
| 29    | 8468-645    | 14  |       | Screw, Machine            |
| 30    | 8468-655    | 2   |       | Screw, Machine            |
| 31    | 8468-625    | 2   |       | Screw, Machine            |
| 32    | 8468-640    | 26  |       | Screw, Machine            |
| 33    | 8468-675    | 2   |       | Screw, Machine            |



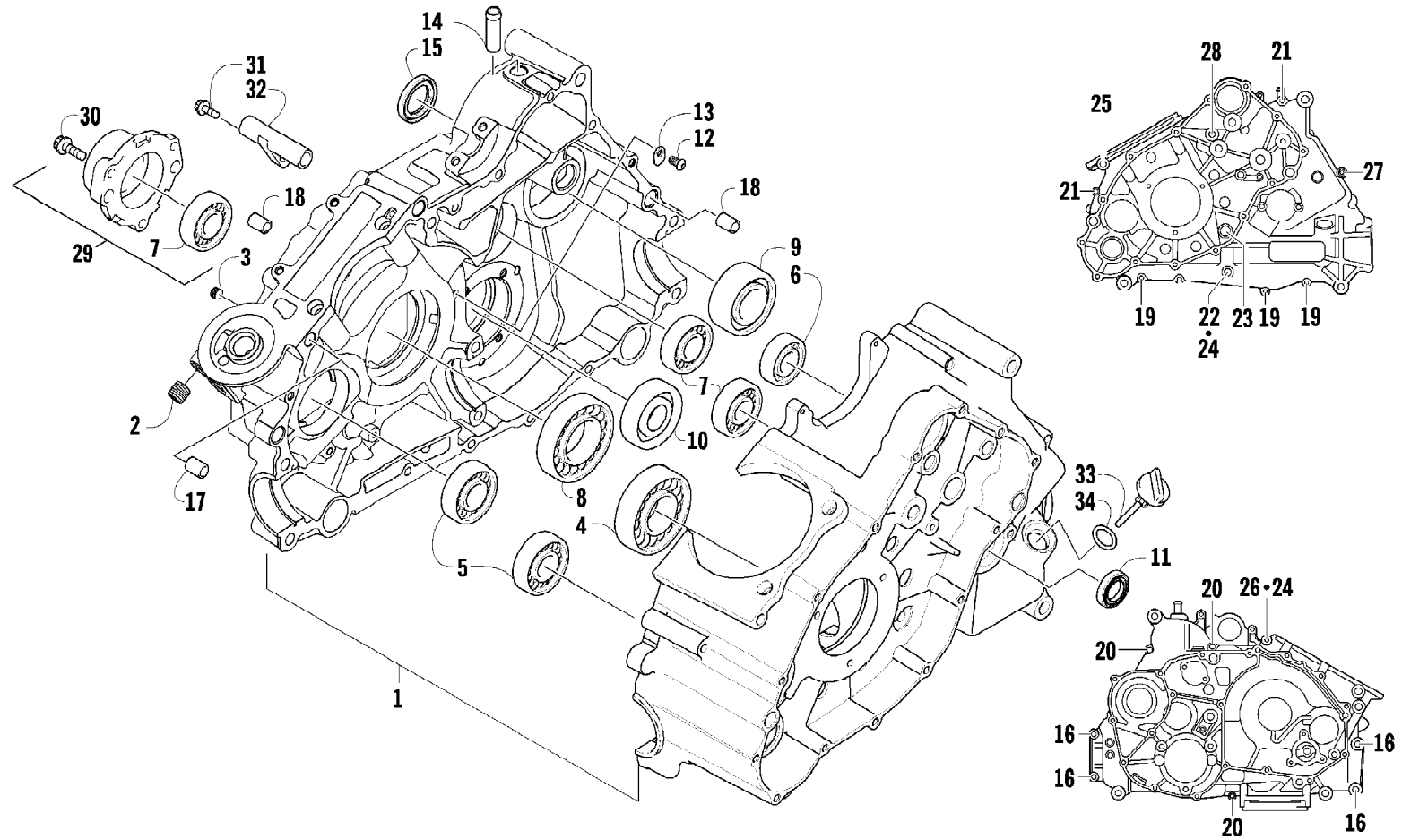
2012 TRV 550 CRUISER INTERNATIONAL METALLIC GREEN (A2012TCO1P) Page 12 of 89  
 COOLING ASSEMBLY

| Ref # | Part Number | Qty | S/P/F | Description                   |
|-------|-------------|-----|-------|-------------------------------|
| 1     | 0413-256    | 1   | /P    | Radiator Assembly (inc. 2-13) |
| 2     | 0413-255    | 1   | /P    | Cap                           |
| 3     | 0413-205    | 1   |       | Radiator                      |
| 4     | 0413-195    | 1   |       | Plug, Drain                   |
| 5     | 1602-213    | 1   | /P    | O-Ring                        |
| 6     | 0413-007    | 1   |       | Screen                        |
| 7     | 8475-512    | 4   |       | Screw, Machine                |
| 8     | 0423-351    | 1   |       | Clamp, Wire                   |
| 9     | 0610-016    | AR  | /P    | Hose - 25 ft                  |
| 9     | 0610-015    | AR  | /P    | Hose - 100 ft                 |
| 10    | 0413-203    | 1   |       | Shroud, Fan                   |
| 11    | 0413-123    | 1   | /P    | Fan, Cooling                  |
| 12    | 0623-378    | 8   |       | Screw, Self-Tapping           |
| 13    | 0423-030    | 2   |       | Grommet                       |
| 14    | 0423-484    | 2   |       | Screw, Shoulder               |
| 15    | 0623-038    | 2   |       | Nut w/Washer                  |
| 16    | 0423-028    | 2   |       | Bushing, Stem                 |
| 17    | 0423-496    | 6   |       | Clamp, Hose                   |
| 18    | 0410-229    | 1   |       | Hose, Coolant - Lower         |
| 19    | 0410-022    | 1   |       | Hose, Coolant - Crossover     |
| 20    | 0410-002    | 1   |       | Hose, Coolant - Upper         |
| 21    | 0123-903    | AR  |       | Tie, Cable - 11.5 in.         |



2012 TRV 550 CRUISER INTERNATIONAL METALLIC GREEN (A2012TCO1P) Page 14 of 89  
CRANK BALANCER ASSEMBLY

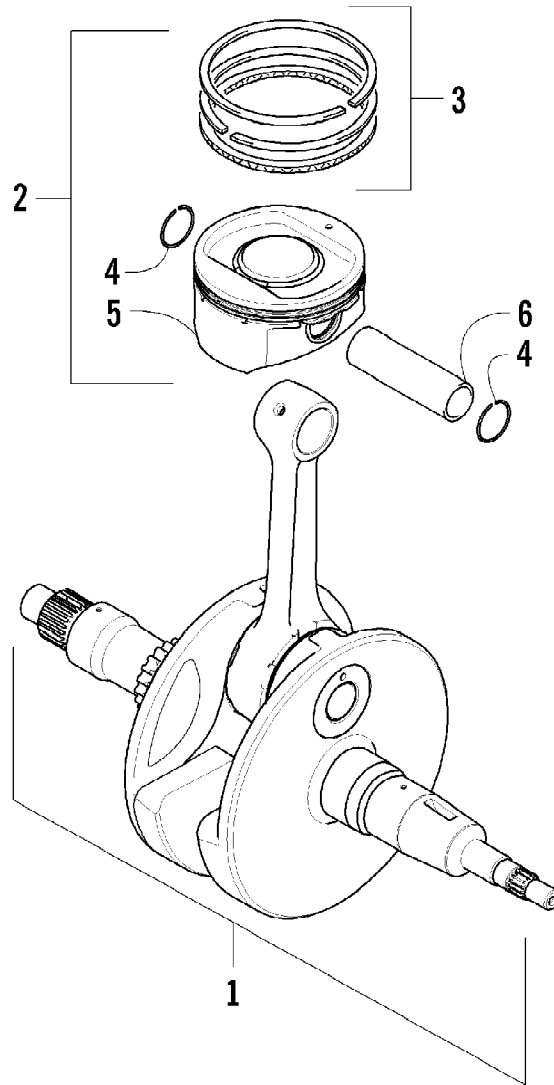
| Ref # | Part Number | Qty | S/P/F | Description          |
|-------|-------------|-----|-------|----------------------|
| 1     | 0826-033    | 1   |       | Screw, Cap           |
| 2     | 0828-003    | 1   |       | Washer               |
| 3     | 0811-003    | 1   |       | Gear, Oil Pump Drive |
| 4     | 0829-007    | 1   |       | Pin, Dowel           |
| 5     | 0811-004    | 1   |       | Spacer               |
| 6     | 0811-034    | 1   |       | Gear, Driven         |
| 7     | 0829-006    | 1   |       | Key                  |
| 8     | 0805-304    | 1   |       | Balancer, Crank      |



2012 TRV 550 CRUISER INTERNATIONAL METALLIC GREEN (A2012TCO1P) Page 16 of 89  
 CRANKCASE ASSEMBLY

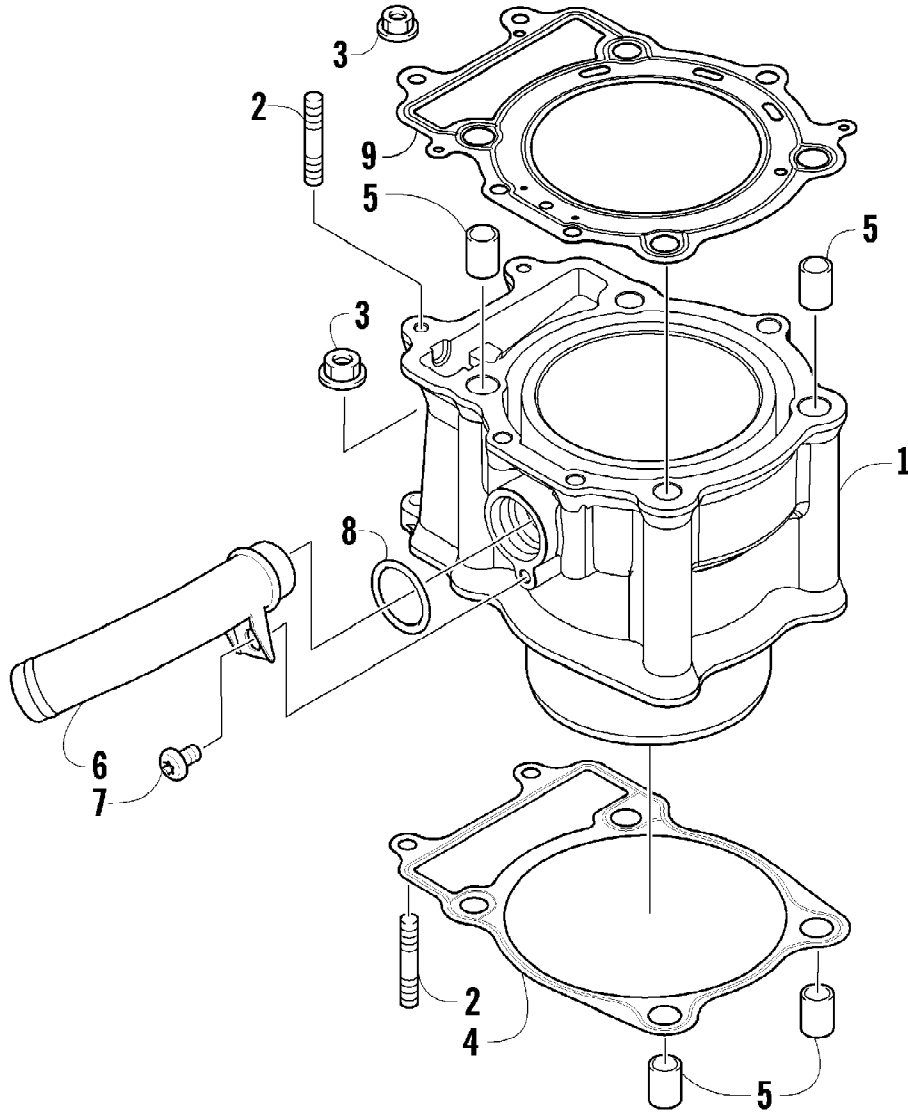
| Ref # | Part Number | Qty | S/P/F | Description                               |
|-------|-------------|-----|-------|-------------------------------------------|
| 1     | 0801-151    | 1   |       | Crankcase Assembly (inc. 2-15)            |
| 2     | 0812-064    | 2   |       | Plug                                      |
| 3     | 0801-002    | 1   |       | Plug                                      |
| 4     | 0832-043    | 1   | /P    | Bearing                                   |
| 5     | 0832-044    | 2   | /P    | Bearing                                   |
| 6     | 0832-049    | 1   | /P    | Bearing                                   |
| 7     | 0832-050    | 3   | /P    | Bearing                                   |
| 8     | 0832-042    | 1   | /P    | Bearing                                   |
| 9     | 0832-048    | 1   | /P    | Bearing                                   |
| 10    | 0832-077    | 1   | /P    | Bearing                                   |
| 11    | 0822-052    | 1   |       | Seal, Countershaft                        |
| 12    | 0826-100    | 4   |       | Screw, Machine                            |
| 13    | 0822-010    | 4   | /P    | Retainer, Bearing                         |
| 14    | 0801-028    | 1   |       | Pipe, Breather                            |
| 15    | 0830-035    | 1   |       | Seal, Driveshaft                          |
| 16    | 8412-850    | 4   |       | Screw, Cap                                |
| 17    | 0829-003    | 1   |       | Pin, Dowel                                |
| 18    | 0829-002    | 5   |       | Pin, Dowel                                |
| 19    | 8468-645    | 3   |       | Screw, Machine                            |
| 20    | 8468-655    | 3   |       | Screw, Machine                            |
| 21    | 8468-675    | 2   |       | Screw, Machine                            |
| 22    | 8412-860    | 1   |       | Screw, Cap                                |
| 23    | 0826-017    | 1   |       | Screw, Cap                                |
| 24    | 0830-008    | 2   |       | Gasket                                    |
| 25    | 0826-019    | 1   |       | Screw, Cap                                |
| 26    | 0826-018    | 1   |       | Screw, Cap                                |
| 27    | 8468-695    | 1   |       | Screw, Machine                            |
| 28    | 8468-680    | 1   |       | Screw, Machine                            |
| 29    | 0801-029    | 1   |       | Housing, Secondary Shaft (inc. one No. 7) |
| 30    | 0826-105    | 3   |       | Screw, Cap                                |
| 31    | 0826-038    | 1   |       | Screw, Cap                                |
| 32    | 0801-069    | 1   |       | Pipe, Breather                            |
| 33    | 0801-179    | 1   |       | Stick, Oil Level                          |
| 34    | 0830-010    | 1   |       | O-Ring                                    |





2012 TRV 550 CRUISER INTERNATIONAL METALLIC GREEN (A2012TCO1P000) Page 18 of 89  
CRANKSHAFT AND PISTON ASSEMBLY

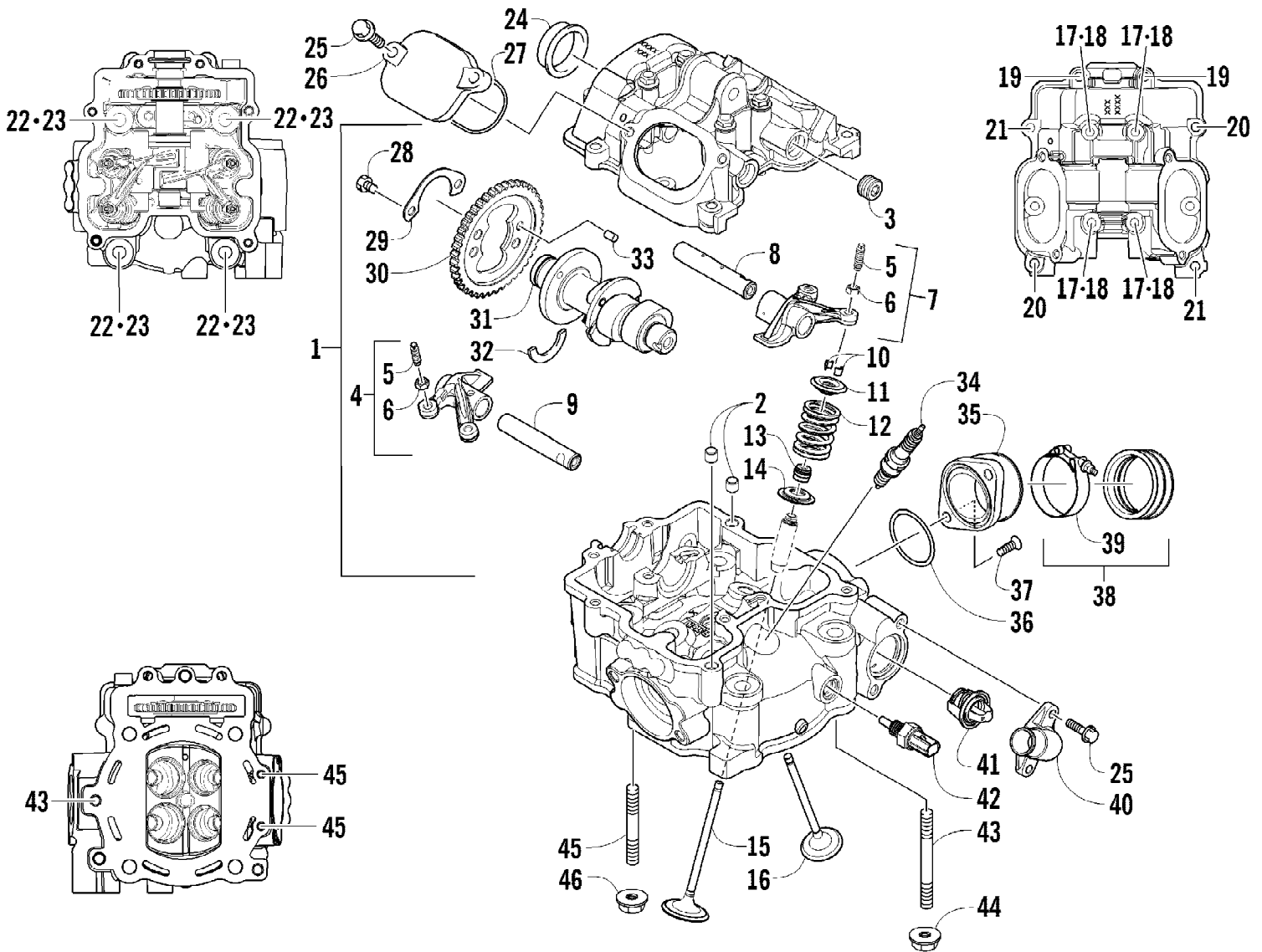
| Ref # | Part Number | Qty | S/P/F | Description           |
|-------|-------------|-----|-------|-----------------------|
| 1     | 0805-325    | 1   |       | Crankshaft Assembly   |
| 2     | 0805-064    | 1   |       | Piston Set (inc. 3-6) |
| 3     | 0805-065    | 1   |       | Ring, Piston - Set    |
| 4     | 0831-001    | 2   |       | Circlip, Piston Pin   |
| 5     | 0           | 1   | F     | Piston                |
| 6     | 0805-012    | 1   |       | Pin, Piston           |



2012 TRV 550 CRUISER INTERNATIONAL METALLIC GREEN (A2012TCO1P) Page 20 of 89  
CYLINDER ASSEMBLY

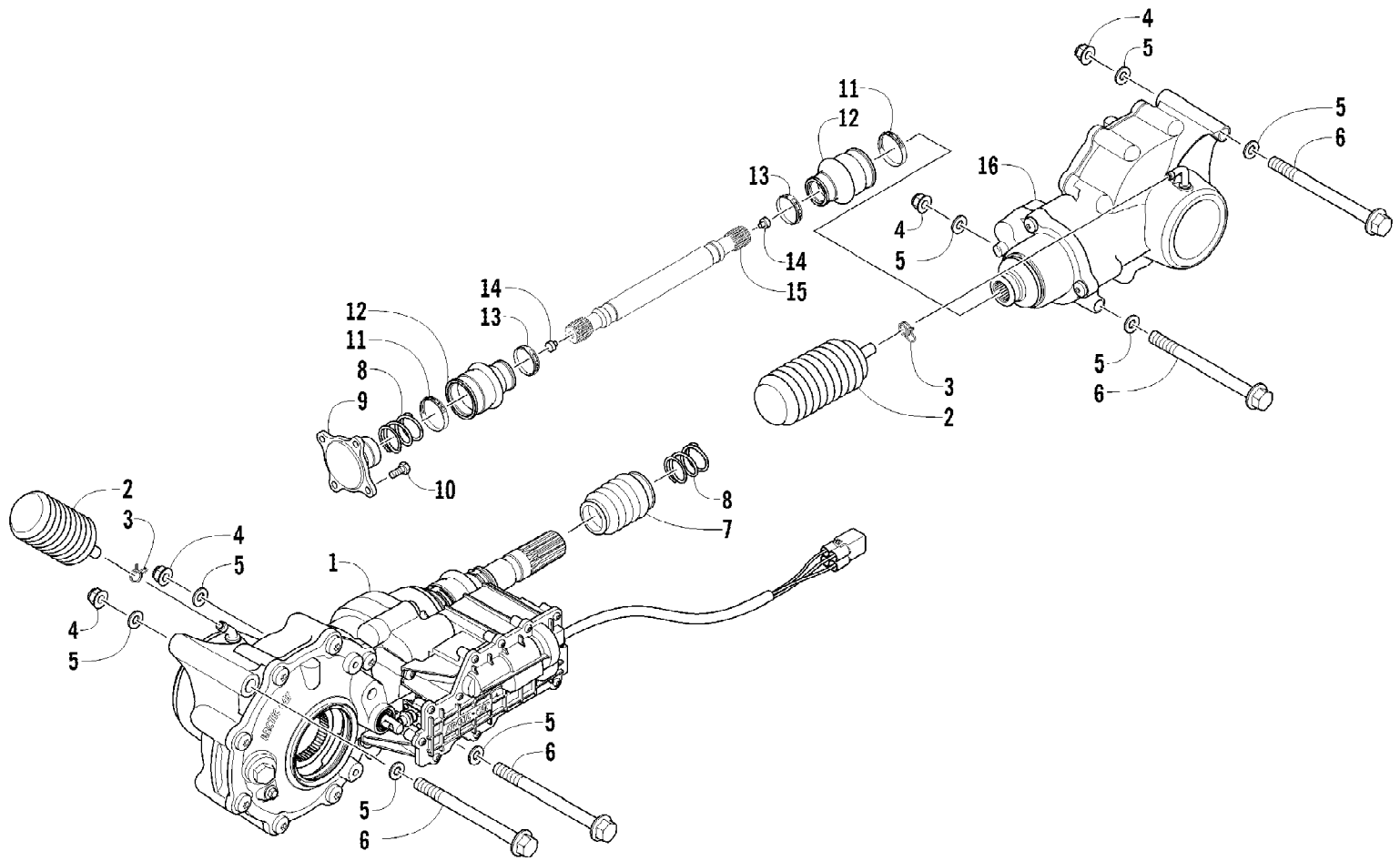
| Ref # | Part Number | Qty | S/P/F | Description           |
|-------|-------------|-----|-------|-----------------------|
| 1     | 0804-051    | 1   | /P    | Cylinder              |
| 2     | 0827-002    | 4   |       | Bolt, Stud            |
| 3     | 8424-604    | 4   |       | Nut                   |
| 4     | 0830-084    | 1   |       | Gasket, Base          |
| 5     | 0829-002    | 4   |       | Pin, Dowel            |
| 6     | 0804-047    | 1   | /P    | Union, Coolant Hose   |
| 7     | 8468-612    | 1   |       | Screw, Machine        |
| 8     | 0830-007    | 1   |       | O-Ring                |
| 9     | 0830-097    | 1   |       | Gasket, Cylinder Head |

2012 TRV 550 CRUISER INTERNATIONAL METALLIC GREEN (A2012TCO1P) Page 21 of 89  
CYLINDER HEAD AND CAMSHAFT/VALVE ASSEMBLY



2012 TRV 550 CRUISER INTERNATIONAL METALLIC GREEN (A2012TCO1P) Page 22 of 89  
CYLINDER HEAD AND CAMSHAFT/VALVE ASSEMBLY

| Ref # | Part Number | Qty | S/P/F | Description                                    |
|-------|-------------|-----|-------|------------------------------------------------|
| 1     | 0808-175    | 1   | S     | Head, Cylinder - Assembly (inc. 2-17)          |
| 2     | 0829-048    | 2   | /P    | Pin, Dowel                                     |
| 3     | 0831-092    | 2   |       | Plug, Shaft                                    |
| 4     | 0809-237    | 1   | /P    | Arm, Valve Rocker - Exhaust (inc. two No. 5-6) |
| 5     | 0809-240    | 4   | /P    | Screw, Adjuster                                |
| 6     | 0827-059    | 4   |       | Nut                                            |
| 7     | 0809-234    | 1   | /P    | Arm, Valve Rocker - Intake (inc. two No. 5-6)  |
| 8     | 0809-241    | 1   |       | Shaft, Rocker Arm - Intake                     |
| 9     | 0809-242    | 1   |       | Shaft, Rocker Arm - Exhaust                    |
| 10    | 0809-233    | 8   |       | Cotter, Valve                                  |
| 11    | 0809-232    | 4   |       | Retainer, Spring                               |
| 12    | 0809-231    | 4   | /P    | Spring, Valve                                  |
| 13    | 0830-186    | 4   | /P    | Seal, Oil                                      |
| 14    | 0809-230    | 4   |       | Seat, Spring - Valve                           |
| 15    | 0809-228    | 2   | /P    | Valve, Intake                                  |
| 16    | 0809-229    | 2   | /P    | Valve, Exhaust                                 |
| 17    | 0826-149    | 4   |       | Screw, Cap                                     |
| 18    | 0830-155    | 4   | /P    | Gasket                                         |
| 19    | 0826-002    | 2   |       | Screw, Cap                                     |
| 20    | 0826-005    | 2   |       | Screw, Cap                                     |
| 21    | 0826-006    | 2   |       | Screw, Cap                                     |
| 22    | 0808-037    | 4   | /P    | Screw, Cap                                     |
| 23    | 0830-147    | 4   | /P    | Washer                                         |
| 24    | 0808-077    | 1   |       | Plug, Cylinder Head                            |
| 25    | 0826-007    | 6   |       | Screw, Cap                                     |
| 26    | 0808-003    | 2   |       | Cap, Inspection                                |
| 27    | 0830-167    | 2   | /P    | O-Ring                                         |
| 28    | 0826-034    | 2   |       | Screw, Cap                                     |
| 29    | 0828-004    | 1   |       | Plate, Retainer                                |
| 30    | 0809-212    | 1   |       | Sprocket                                       |
| 31    | 0809-245    | 1   | /P    | Camshaft                                       |
| 32    | 0809-003    | 1   |       | C-Ring                                         |
| 33    | 0829-049    | 1   |       | Pin, Dowel                                     |
| 34    | 0217-799    | 1   | /P/F  | Spark Plug                                     |
| 35    | 0470-668    | 1   |       | Flange, Intake Manifold                        |
| 36    | 0830-090    | 1   |       | O-Ring                                         |
| 37    | 0826-008    | 2   |       | Screw, Machine                                 |
| 38    | 0437-069    | 1   | /P    | Boot (inc. 39)                                 |
| 39    | 1423-041    | 1   |       | Clamp                                          |
| 40    | 0808-008    | 1   |       | Cover, Thermostat                              |
| 41    | 0808-078    | 1   |       | Thermostat                                     |
| 42    | 0808-124    | 1   |       | Sensor, Engine Coolant Temperature             |
| 43    | 0827-031    | 1   |       | Bolt, Stud                                     |
| 44    | 8424-804    | 1   |       | Nut                                            |
| 45    | 0827-030    | 2   |       | Bolt, Stud                                     |
| 46    | 8424-604    | 2   |       | Nut                                            |



2012 TRV 550 CRUISER INTERNATIONAL METALLIC GREEN (A2012TCO1P) Page 24 of 89  
 DRIVE TRAIN ASSEMBLY

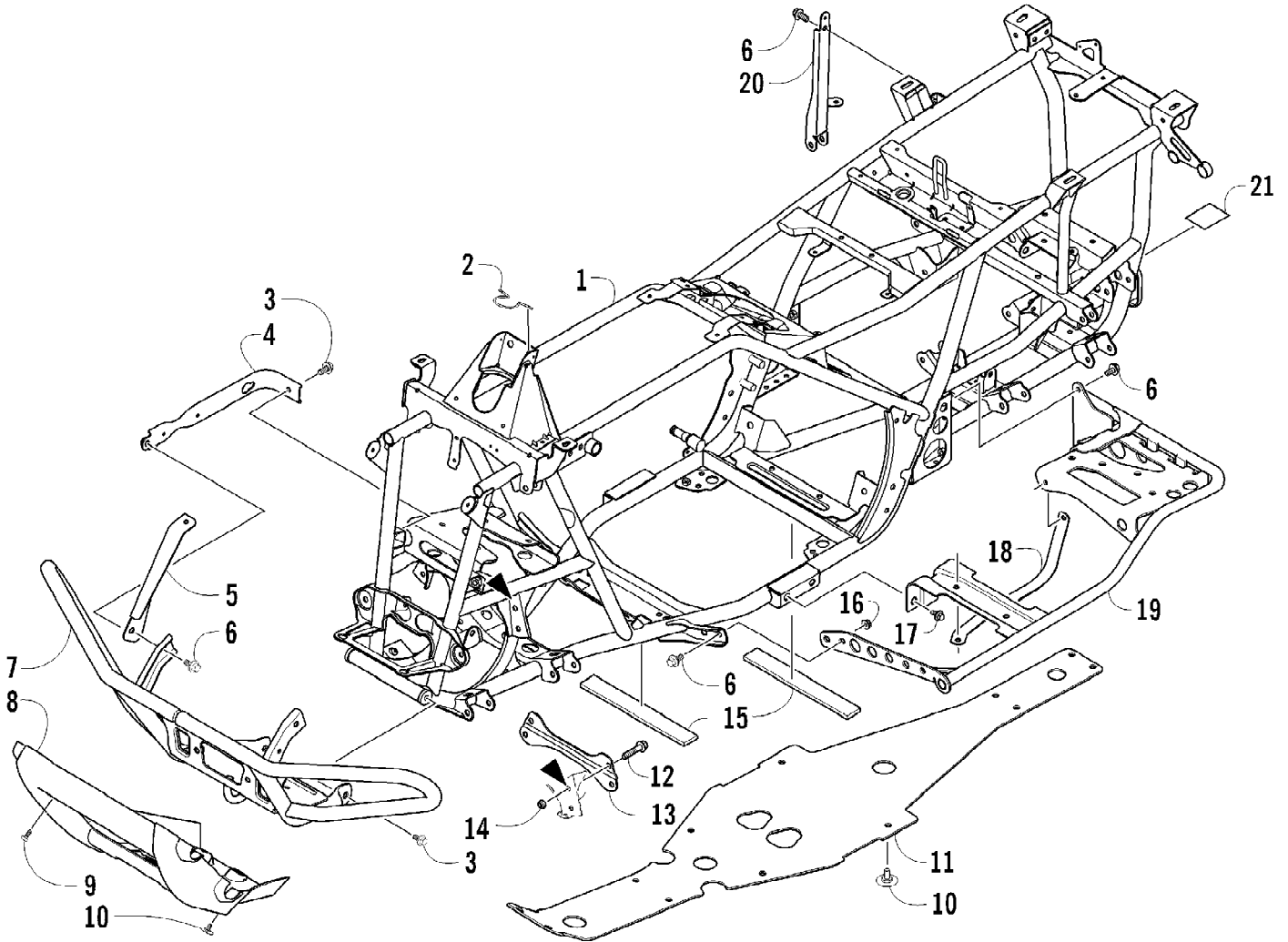
| Ref # | Part Number | Qty | S/P/F | Description             |
|-------|-------------|-----|-------|-------------------------|
| 1     | 1502-878    | 1   |       | Gearcase, Front         |
| 2     | 1402-620    | 2   | /P    | Bladder, Gearcase       |
| 3     | 0423-315    | 2   |       | Clamp, Hose             |
| 4     | 8428-002    | 4   |       | Nut, Lock               |
| 5     | 0423-426    | 8   |       | Washer                  |
| 6     | 0423-404    | 4   |       | Screw, Cap              |
| 7     | 0402-966    | 1   |       | Boot, Shaft             |
| 8     | 1402-026    | 2   |       | Spring                  |
| 9     | 0402-950    | 1   |       | Flange, Output          |
| 10    | 8408-820    | 4   | /P    | Screw, Cap              |
| 11    | 0423-393    | 2   |       | Clamp                   |
| 12    | 0402-985    | 2   | /P    | Boot                    |
| 13    | 0423-411    | 2   |       | Clamp                   |
| 14    | 0673-618    | 2   | /P    | Bumper, Propeller Shaft |
| 15    | 1402-092    | 1   |       | Shaft, Propeller        |
| 16    | 1502-879    | 1   |       | Gearcase, Rear          |





2012 TRV 550 CRUISER INTERNATIONAL METALLIC GREEN (A2012TCO1P) Page 26 of 89  
 ENGINE AND EXHAUST

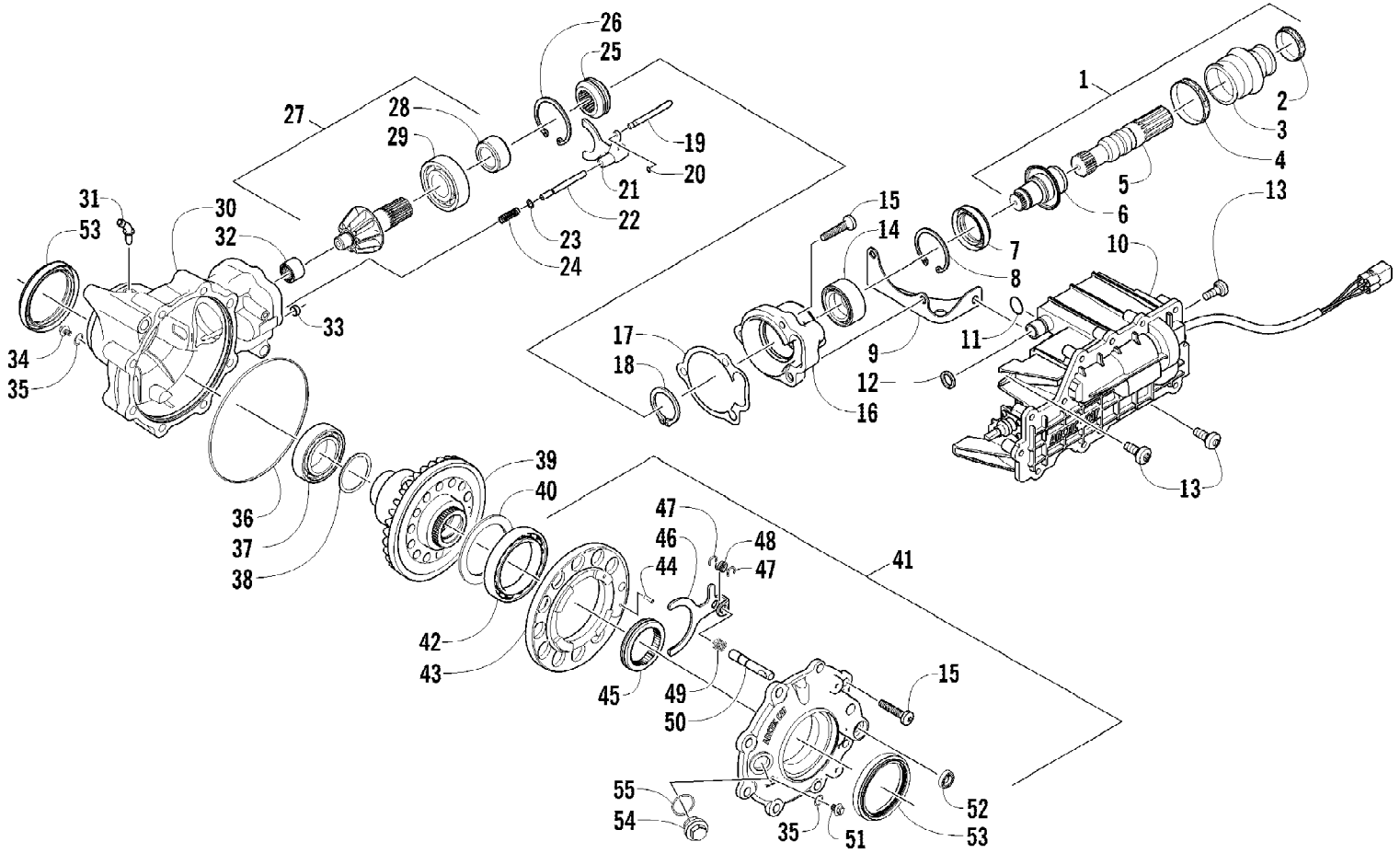
| Ref # | Part Number | Qty | S/P/F | Description                           |
|-------|-------------|-----|-------|---------------------------------------|
| 1     | 0800-073    | 1   |       | Engine, A550F                         |
| 2     | 0801-180    | 4   | /P    | Mount, Rubber - Engine                |
| 3     | 1506-740    | 1   |       | Bracket, Engine - Right               |
| 3     | 1506-741    | 1   |       | Bracket, Engine - Left                |
| 4     | 0423-405    | 2   |       | Screw, Cap                            |
| 5     | 1423-025    | 1   | /P    | Spacer                                |
| 6     | 8428-002    | 2   |       | Nut, Lock                             |
| 7     | 2406-065    | 4   |       | Mount, Engine                         |
| 8     | 8408-820    | 10  | /P    | Screw, Cap                            |
| 9     | 8408-012    | 4   |       | Screw, Cap                            |
| 10    | 8432-802    | 8   |       | Nut, Lock                             |
| 11    | 0512-363    | 1   |       | Pipe, Exhaust - Assembly (inc. 12-17) |
| 12    | 0412-355    | 1   |       | Shield, Exhaust Pipe - Lower - Rear   |
| 13    | 0412-354    | 1   |       | Shield, Exhaust Pipe - Upper - Rear   |
| 14    | 0412-349    | 1   |       | Shield, Exhaust Pipe - Inner - Front  |
| 15    | 0412-348    | 1   |       | Shield, Exhaust Pipe - Outer - Front  |
| 16    | 0512-362    | 1   |       | Pipe, Exhaust                         |
| 17    | 0423-317    | 4   | /P    | Clamp                                 |
| 18    | 0412-338    | 1   | /P    | Gasket, Exhaust Pipe                  |
| 19    | 0412-375    | 1   | /P    | Seal, Exhaust                         |
| 20    | 0612-668    | 2   | /P    | Spring, Extension                     |
| 21    | 0412-577    | 3   | /P    | Bushing                               |
| 22    | 1506-732    | 1   |       | Channel, Muffler Support              |
| 23    | 0512-355    | 1   | /P    | Muffler - Assembly (inc. 24-26)       |
| 24    | 8408-616    | 3   |       | Screw, Cap                            |
| 25    | 0512-219    | 1   | /P    | Arrester, Spark - Assembly            |
| 26    | 0412-313    | 1   |       | Gasket, Spark Arrester                |
| 27    | 0412-373    | 1   | /P    | Cover, Muffler                        |
| 28    | 8477-610    | 3   |       | Screw, Machine                        |
| 29    | 0411-426    | 1   |       | Decal, Warning - Clutch Cover         |



2012 TRV 550 CRUISER INTERNATIONAL METALLIC GREEN (A2012TCO1P) Page 28 of 89  
FRAME AND RELATED PARTS

| Ref # | Part Number | Qty | S/P/F | Description                        |
|-------|-------------|-----|-------|------------------------------------|
| 1     | 4506-553    | 1   |       | Frame, Main                        |
| 2     | 2416-401    | 1   |       | Clip, Routing                      |
| 3     | 8409-020    | 4   | /P    | Screw, Cap                         |
| 4     | 1506-596    | 2   | /P    | Channel, Bumper Mounting           |
| 5     | 1506-562    | 1   |       | Bracket, Mounting - Bumper - Right |
| 5     | 1506-563    | 1   |       | Bracket, Mounting - Bumper - Left  |
| 6     | 8408-816    | 11  |       | Screw, Cap                         |
| 7     | 1506-855    | 1   | /P    | Bumper                             |
| 8     | 1406-360    | 1   |       | Fascia, Bumper - Front             |
| 9     | 0423-419    | 2   |       | Screw, Machine                     |
| 10    | 0423-101    | 12  |       | Screw, Shoulder                    |
| 11    | 2406-091    | 1   |       | Panel, Belly                       |
| 12    | 8409-025    | 2   |       | Screw, Cap                         |
| 13    | 2516-852    | 1   | /P    | Brace, A-Arm                       |
| 14    | 0423-744    | 2   |       | Nut, Lock                          |
| 15    | 0406-289    | 2   |       | Pad, Frame                         |
| 16    | 8424-802    | 4   |       | Nut                                |
| 17    | 8409-016    | 4   |       | Screw, Cap                         |
| 18    | 2406-216    | 1   |       | Strap, Footrest - Right            |
| 18    | 2406-217    | 1   |       | Strap, Footrest - Left             |
| 19    | 1506-848    | 1   |       | Footrest - Right                   |
| 19    | 1506-849    | 1   |       | Footrest - Left                    |
| 20    | 2506-447    | 1   |       | Bracket, Support                   |
| 21    | 1411-077    | 1   |       | Decal, Warning - Towing            |

2012 TRV 550 CRUISER INTERNATIONAL METALLIC GREEN (A2012TCO1P) Page 29 of 89  
FRONT DRIVE GEARCASE ASSEMBLY

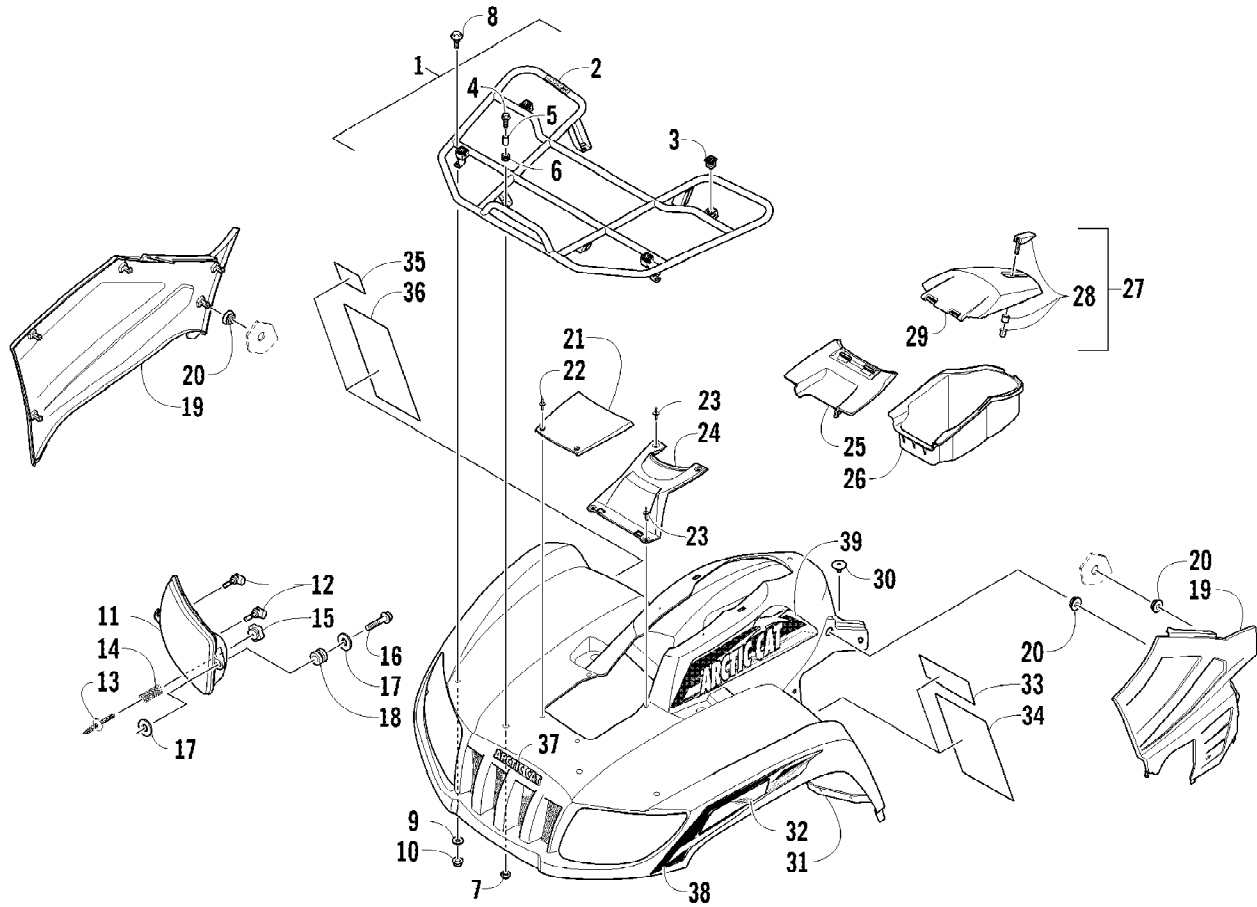


2012 TRV 550 CRUISER INTERNATIONAL METALLIC GREEN (A2012TCO1P) Page 30 of 89  
FRONT DRIVE GEARCASE ASSEMBLY

| Ref # | Part Number | Qty | S/P/F | Description                                              |
|-------|-------------|-----|-------|----------------------------------------------------------|
|       | 1502-878    | 1   |       | Complete Front Drive Gearcase Assembly                   |
| 1     | 1502-083    | 1   |       | Shaft, Propeller - Assembly (inc. 2-6)                   |
| 2     | 0423-411    | 1   |       | Clamp                                                    |
| 3     | 0402-985    | 1   | /P    | Boot, Propeller Shaft                                    |
| 4     | 0423-393    | 1   |       | Clamp                                                    |
| 5     | 1402-045    | 1   |       | Shaft, Output                                            |
| 6     | 1502-085    | 1   | /P    | Shaft, Input                                             |
| 7     | 1402-011    | 1   |       | Seal                                                     |
| 8     | 0423-423    | 1   |       | Ring, Retaining                                          |
| 9     | 1502-237    | 1   |       | Bracket, Actuator                                        |
| 10    | 1502-909    | 1   | /P    | Actuator (inc. 11)                                       |
| 11    | 1402-981    | 1   |       | O-Ring                                                   |
| 12    | 0423-892    | 1   | /P    | O-Ring                                                   |
| 13    | 0423-396    | 3   |       | Screw, Self-Tapping                                      |
| 14    | 1402-043    | 1   |       | Bearing                                                  |
| 15    | 0423-118    | 11  |       | Screw, Self-Tapping                                      |
| 16    | 0502-528    | 1   | /P    | Housing, Pinion                                          |
| 17    | 0402-947    | 1   |       | Gasket, Flange                                           |
| 18    | 0423-417    | 1   |       | Ring, Retaining                                          |
| 19    | 0402-997    | 1   |       | Shaft, Selector                                          |
| 20    | 0423-402    | 1   |       | Ring, Retaining                                          |
| 21    | 0402-998    | 1   |       | Fork, Selector                                           |
| 22    | 0402-417    | 1   |       | Shaft, Shuttle                                           |
| 23    | 0423-147    | 1   |       | O-Ring                                                   |
| 24    | 0402-999    | 1   |       | Spring, Return                                           |
| 25    | 0402-413    | 1   |       | Coupler, Drive                                           |
| 26    | 1423-067    | 1   |       | Ring, Retaining                                          |
| 27    | 1502-863    | 1   |       | Gear, Pinion - Assembly - 10T (inc. 28-29)               |
| 28    | 1402-977    | 1   |       | Collar, Retaining                                        |
| 29    | 0402-327    | 1   |       | Bearing                                                  |
| 30    | 1502-856    | 1   |       | Housing, Gearcase                                        |
| 31    | 1402-980    | 1   |       | Fitting, Elbow                                           |
| 32    | 0402-328    | 1   |       | Bearing                                                  |
| 33    | 0402-411    | 1   |       | Pin, Dowel                                               |
| 34    | 1402-210    | 1   | /P    | Plug, Magnetic (inc. one No. 35)                         |
| 35    | 0423-153    | 2   |       | O-Ring                                                   |
| 36    | 0423-149    | 1   |       | O-Ring                                                   |
| 37    | 0402-393    | 1   |       | Bearing                                                  |
| 38    | 0402-405    | AR  |       | Shim, 41 x 49 x 1.3 mm                                   |
| 38    | 0402-406    | AR  |       | Shim, 41 x 49 x 1.4 mm                                   |
| 38    | 0402-407    | AR  |       | Shim, 41 x 49 x 1.5 mm                                   |
| 38    | 0402-408    | AR  |       | Shim, 41 x 49 x 1.6 mm                                   |
| 38    | 0402-409    | AR  |       | Shim, 41 x 49 x 1.7 mm                                   |
| 39    | 1502-860    | 1   |       | Gear, Ring - 36T                                         |
| 40    | 1402-074    | AR  |       | Shim, 61 x 69 x 1.3 mm                                   |
| 40    | 1402-075    | AR  |       | Shim, 61 x 69 x 1.4 mm                                   |
| 40    | 1402-076    | AR  |       | Shim, 61 x 69 x 1.5 mm                                   |
| 40    | 1402-077    | AR  |       | Shim, 61 x 69 x 1.6 mm                                   |
| 40    | 1402-078    | AR  |       | Shim, 61 x 69 x 1.7 mm                                   |
| 41    | 1502-895    | 1   |       | Cover, Gearcase (inc. one No. 35, 42-52, and one No. 53) |
| 42    | 1402-053    | 1   |       | Bearing                                                  |

2012 TRV 550 CRUISER INTERNATIONAL METALLIC GREEN (A2012TCO1P) Page 31 of 89  
FRONT DRIVE GEARCASE ASSEMBLY

| Ref # | Part Number | Qty | S/P/F | Description                       |
|-------|-------------|-----|-------|-----------------------------------|
| 43    | 0502-413    | 1   |       | Flange, Bearing                   |
| 44    | 1402-079    | 1   |       | Pin, Parallel                     |
| 45    | 1402-042    | 1   |       | Collar, Sliding                   |
| 46    | 1402-054    | 1   |       | Fork                              |
| 47    | 1402-058    | 2   |       | Ring, Retaining                   |
| 48    | 1402-057    | 1   |       | Spring                            |
| 49    | 1402-063    | 1   |       | Spring                            |
| 50    | 1402-656    | 1   |       | Shaft, Lock                       |
| 51    | 1402-211    | 1   |       | Plug, Oil Level (inc. one No. 35) |
| 52    | 1402-056    | 1   |       | Seal                              |
| 53    | 1402-950    | 2   | /P    | Seal                              |
| 54    | 0402-333    | 1   | /P    | Plug, Fill (inc. 55)              |
| 55    | 0423-154    | 1   |       | O-Ring                            |

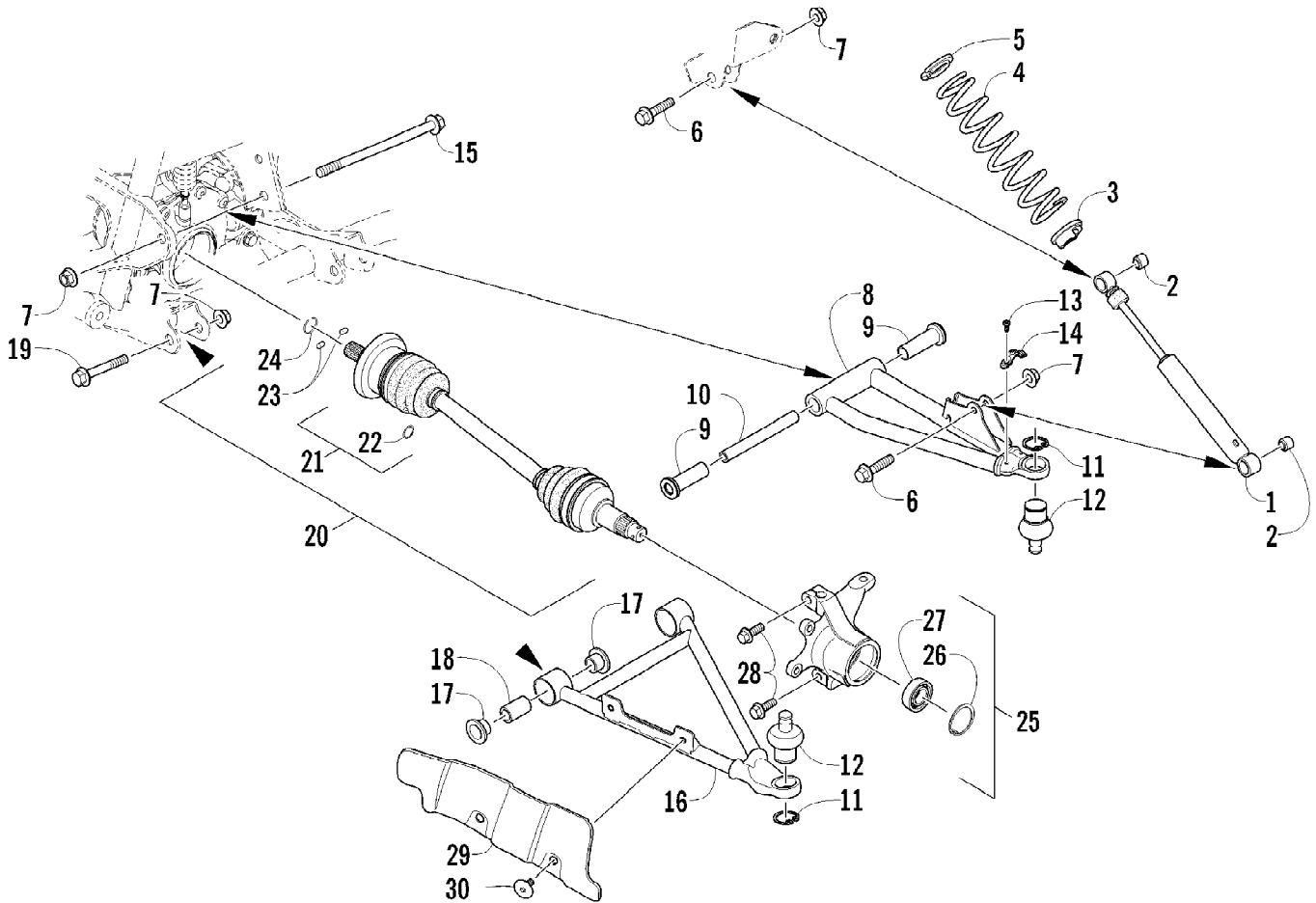




2012 TRV 550 CRUISER INTERNATIONAL METALLIC GREEN (A2012TCO1P) Page 33 of 89  
 FRONT RACK, BODY PANEL, AND HEADLIGHT ASSEMBLIES

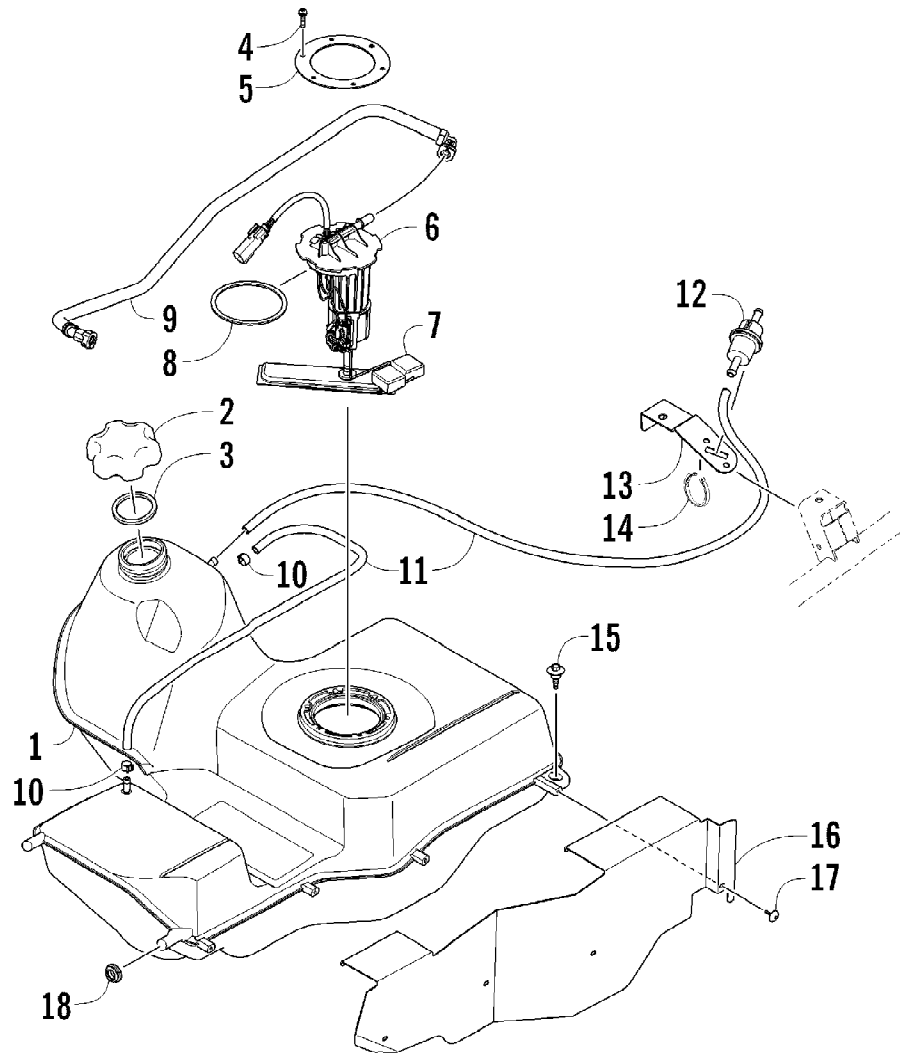
| Ref # | Part Number | Qty | S/P/F | Description                           |
|-------|-------------|-----|-------|---------------------------------------|
| 1     | 2506-106    | 1   |       | Rack, Front - Assembly (inc. 2-3)     |
| 2     | 0411-576    | 1   |       | Decal, Warning - Load                 |
| 3     | 0441-592    | 4   | /P    | Bushing                               |
| 4     | 8410-830    | 4   |       | Screw, Cap                            |
| 5     | 0423-669    | 4   |       | Spacer                                |
| 6     | 0423-465    | 4   |       | Grommet                               |
| 7     | 8432-802    | 4   |       | Nut, Lock                             |
| 8     | 0423-654    | 2   |       | Screw, Shoulder                       |
| 9     | 8050-222    | 2   | /P    | Washer                                |
| 10    | 0423-540    | 2   |       | Nut, Lock                             |
| 11    | 0509-044    | 1   | /P    | Headlight Assembly - Right (inc. 12)  |
| 11    | 0509-035    | 1   |       | Headlight Assembly - Left (inc. 12)   |
| 12    | 0409-055    | 4   |       | Bulb, Headlight                       |
| 13    | 0423-514    | 2   |       | Stud, Adjuster - Headlight            |
| 14    | 0423-522    | 2   |       | Spring, Adjuster                      |
| 15    | 0423-513    | 2   |       | Knob, Adjuster                        |
| 16    | 0623-785    | 4   |       | Screw, Self-Tapping                   |
| 17    | 8050-217    | 8   | /P    | Washer                                |
| 18    | 0423-447    | 4   |       | Grommet                               |
| 19    | 2406-324    | 1   |       | Panel, Side - Lower - Right           |
| 19    | 2406-421    | 1   |       | Panel, Side - Lower - Left            |
| 20    | 0423-678    | 8   |       | Grommet                               |
| 21    | 1406-358    | 1   |       | Cover, Access                         |
| 22    | 0423-535    | 2   |       | Rivet, Reinstallable                  |
| 23    | 0623-362    | 4   |       | Rivet, Reinstallable                  |
| 24    | 1406-484    | 1   |       | Cover, Steering Post                  |
| 25    | 0470-513    | 1   |       | Cover, Storage Box                    |
| 26    | 1406-573    | 1   |       | Box, Storage                          |
| 27    | 2506-234    | 1   |       | Lid, Storage Box w/Latch (inc. 28-29) |
| 28    | 1406-599    | 1   |       | Latch, Storage Box                    |
| 29    | 0470-514    | 1   |       | Lid, Storage Box                      |
| 30    | 0423-101    | 2   |       | Screw, Shoulder                       |
| 31    | 4506-270    | 1   | /P    | Panel, Fender - Assembly (inc. 32-36) |
| 32    | 0411-818    | 1   |       | Decal, Reflector - Right              |
| 32    | 0411-819    | 1   |       | Decal, Reflector - Left               |
| 33    | 1411-574    | 1   |       | Decal, Warning - Off-Road Only        |
| 34    | 2411-259    | 1   | /P    | Decal, Warning - General/Age          |
| 35    | 0411-894    | 1   |       | Decal, Warning - Turn/Hill            |
| 36    | 1411-250    | 1   |       | Decal, Warning - Reverse/Pre-Ride     |
| 37    | 1411-725    | 1   |       | Decal, "Arctic Cat"                   |
| 38    | 2411-694    | 1   |       | Decal, Side - Front Right             |
| 38    | 2411-695    | 1   |       | Decal, Side - Front Left              |
| 39    | 2411-696    | 1   |       | Decal, Side - Upper Right             |
| 39    | 2411-697    | 1   |       | Decal, Side - Upper Left              |

2012 TRV 550 CRUISER INTERNATIONAL METALLIC GREEN (A2012TCO1P) Page 34 of 89  
FRONT SUSPENSION ASSEMBLY



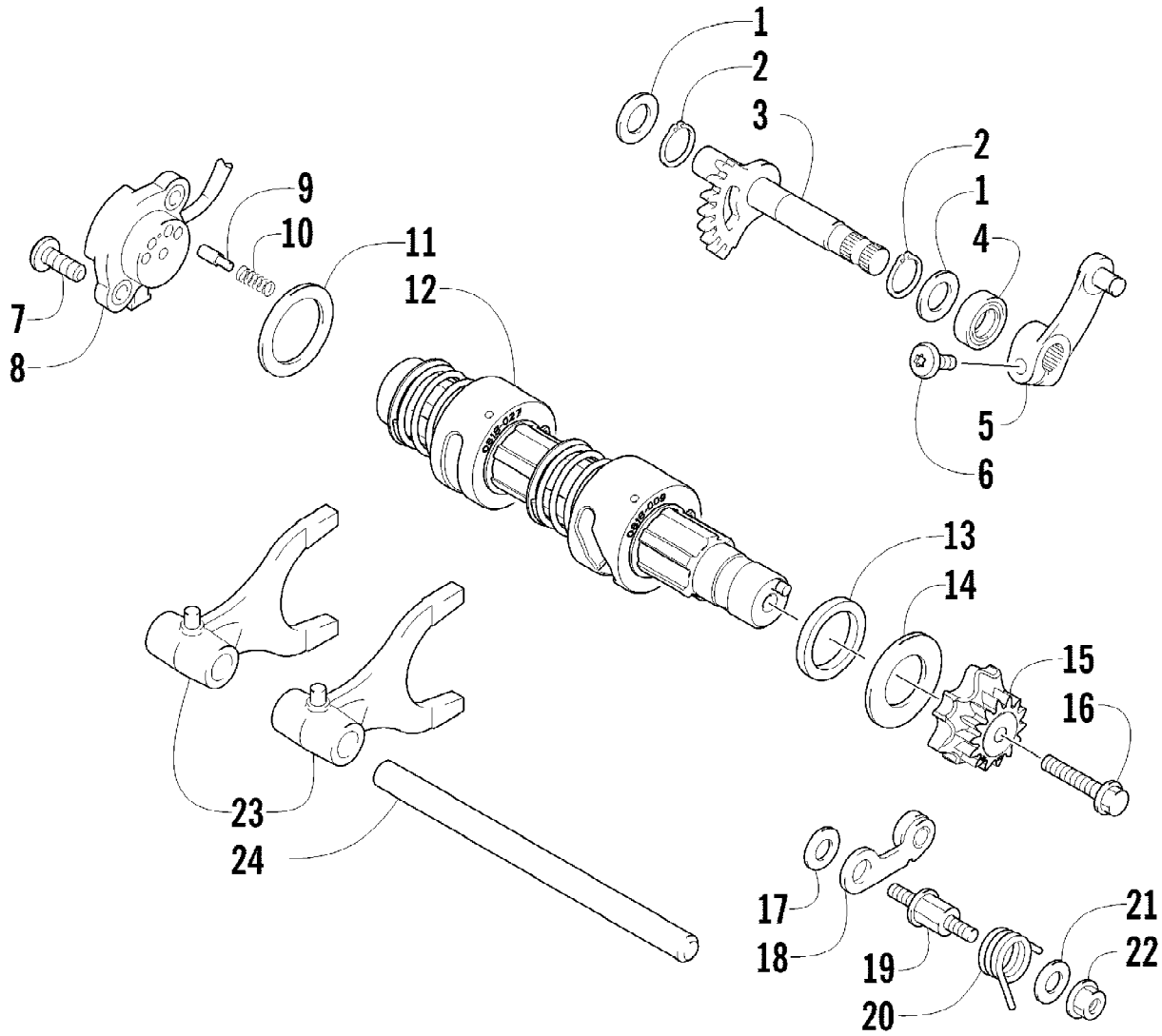
2012 TRV 550 CRUISER INTERNATIONAL METALLIC GREEN (A2012TCO1P) Page 35 of 89  
FRONT SUSPENSION ASSEMBLY

| Ref # | Part Number | Qty | S/P/F | Description                                       |
|-------|-------------|-----|-------|---------------------------------------------------|
| 1     | 0403-209    | 2   |       | Shock Absorber (inc. 2)                           |
| 2     | 0403-182    | 4   |       | Bushing                                           |
| 3     | 0403-102    | 2   |       | Cam, Spring Adjuster                              |
| 4     | 0503-468    | 2   |       | Spring, Suspension                                |
| 5     | 1603-889    | 2   | /P    | Retainer, Spring                                  |
| 6     | 8409-040    | 4   |       | Screw, Cap                                        |
| 7     | 0423-744    | 10  |       | Nut, Lock                                         |
| 8     | 0503-416    | 1   | /P    | A-Arm, Upper Right (inc. 9-12)                    |
| 8     | 0503-417    | 1   | /P    | A-Arm, Upper Left (inc. 9-12)                     |
| 9     | 0403-207    | 4   | /P    | Bushing                                           |
| 10    | 0403-080    | 2   |       | Axle                                              |
| 11    | 0423-009    | 4   | /P    | Ring, Retaining                                   |
| 12    | 0405-115    | 4   | /P    | Ball Joint                                        |
| 13    | 0423-946    | 4   |       | Screw, Self-Tapping                               |
| 14    | 1502-594    | 2   |       | Clamp, Routing                                    |
| 15    | 0423-334    | 2   |       | Screw, Cap                                        |
| 16    | 0503-376    | 1   | /P    | A-Arm, Lower Right (inc. 17-18 and two No. 11-12) |
| 16    | 0503-377    | 1   | /P    | A-Arm, Lower Left (inc. 17-18 and two No. 11-12)  |
| 17    | 0403-208    | 8   | /P    | Bushing                                           |
| 18    | 0403-214    | 4   | /P    | Axle                                              |
| 19    | 8409-075    | 4   |       | Screw, Cap                                        |
| 20    | 1502-800    | 1   | S/P   | Axle, Drive - Right (inc. 21-24)                  |
| 20    | 1502-799    | 1   | S/P   | Axle, Drive - Locking - Left (inc. 21-24)         |
| 21    | 1436-419    | 2   |       | Repair Kit, Boot (inc. 22)                        |
| 22    | 1441-988    | 2   |       | Clip, Retaining                                   |
| 23    | 1402-885    | 4   |       | Pin, Detent                                       |
| 24    | 1402-889    | 2   |       | Clip, Retaining                                   |
| 25    | 0505-576    | 1   | /P    | Knuckle - Assembly - Right (inc. 26-27)           |
| 25    | 0505-577    | 1   | /P    | Knuckle - Assembly - Left (inc. 26-27)            |
| 26    | 0423-423    | 2   |       | Ring, Retaining                                   |
| 27    | 1402-809    | 2   | /P    | Bearing                                           |
| 28    | 0423-998    | 4   |       | Screw, Shoulder                                   |
| 29    | 1406-034    | 1   |       | Guard, Boot - Right                               |
| 29    | 1406-035    | 1   |       | Guard, Boot - Left                                |
| 30    | 0423-545    | 4   | /P    | Screw, Shoulder                                   |



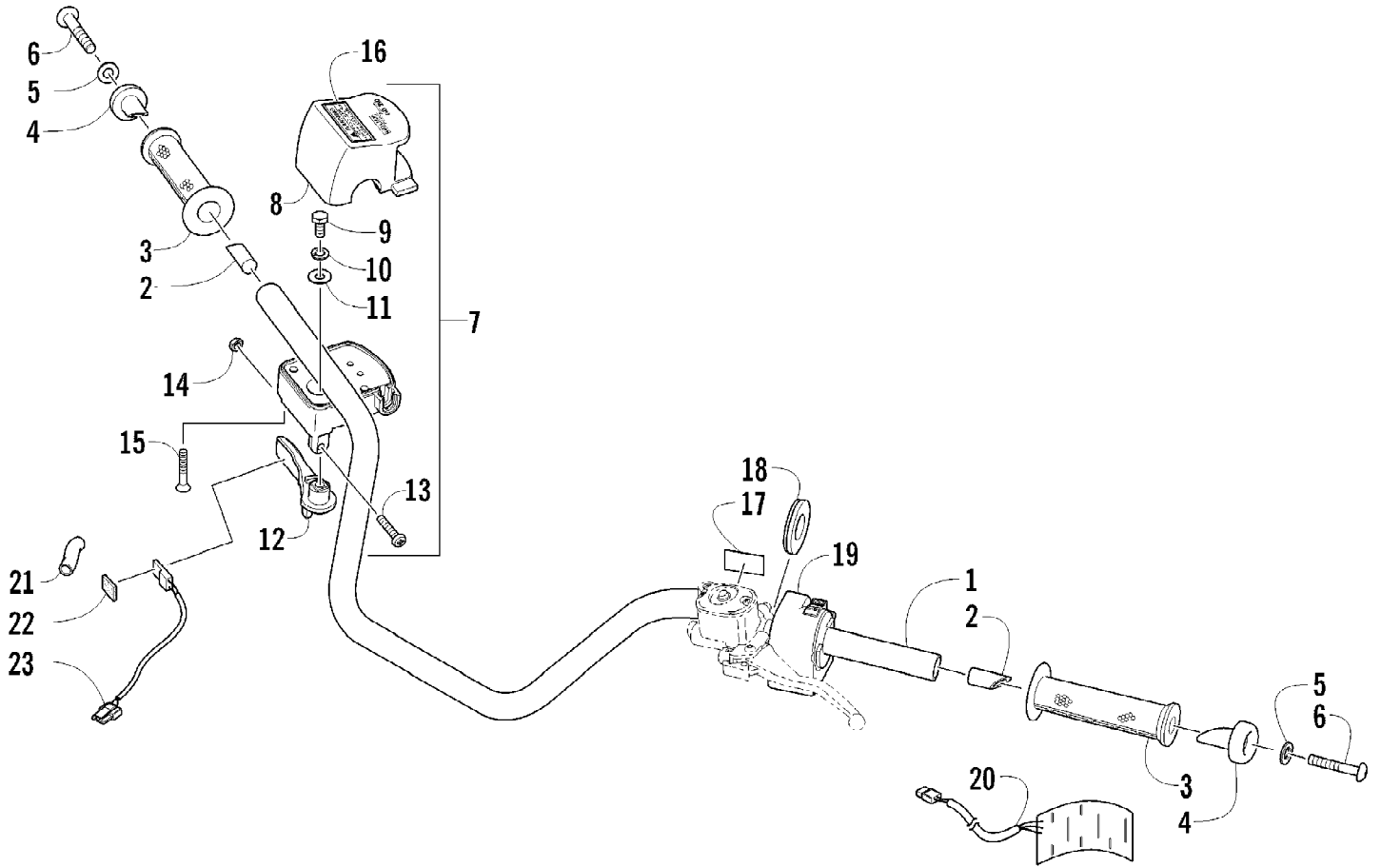
2012 TRV 550 CRUISER INTERNATIONAL METALLIC GREEN (A2012TCO1P) Page 37 of 89  
 GAS TANK ASSEMBLY

| Ref # | Part Number | Qty | S/P/F | Description                      |
|-------|-------------|-----|-------|----------------------------------|
| 1     | 0570-308    | 1   |       | Tank, Gas - Assembly (inc. 2-5)  |
| 2     | 0470-438    | 1   | /P    | Cap, Gas Tank (inc. 3)           |
| 3     | 0109-733    | 1   | /P    | Gasket, Gas Tank Cap             |
| 4     | 0423-898    | 6   |       | Screw, Self-Tapping              |
| 5     | 2670-042    | 1   |       | Plate, Retaining                 |
| 6     | 0570-323    | 1   | /P    | Pump, Fuel - Assembly (inc. 7-8) |
| 7     | 2670-235    | 1   |       | Float                            |
| 8     | 0470-838    | 1   |       | Seal                             |
| 9     | 0570-305    | 1   |       | Hose, Fuel - Assembly            |
| 10    | 0423-688    | 2   |       | Clamp, Hose                      |
| 11    | 0410-070    | AR  | /P    | Hose, Gasline - 25 ft            |
| 12    | 0510-335    | 1   | /P    | Filter, In-Line                  |
| 13    | 0470-794    | 1   |       | Bracket, Mounting - Filter       |
| 14    | 0123-788    | AR  | /P    | Tie, Cable - 8 in.               |
| 15    | 0423-732    | 2   |       | Screw, Shoulder                  |
| 16    | 0470-822    | 1   |       | Shield, Heat                     |
| 17    | 0623-797    | 4   |       | Screw, Self-Tapping              |
| 18    | 0423-460    | 2   |       | Grommet                          |



2012 TRV 550 CRUISER INTERNATIONAL METALLIC GREEN (A2012TCO1P) Page 39 of 89  
 GEAR SHIFTING ASSEMBLY

| Ref # | Part Number | Qty | S/P/F | Description                  |
|-------|-------------|-----|-------|------------------------------|
| 1     | 0828-036    | 2   |       | Washer                       |
| 2     | 0831-010    | 2   |       | Ring, Retaining              |
| 3     | 0818-007    | 1   | /P    | Shaft, Sub-Gear Shift        |
| 4     | 0830-044    | 1   |       | Seal, Sub-Gear Shift Shaft   |
| 5     | 0818-014    | 1   |       | Arm, Select                  |
| 6     | 8468-620    | 1   | /P    | Screw, Machine               |
| 7     | 8470-520    | 2   |       | Screw, Machine               |
| 8     | 0409-090    | 1   | /P    | Switch, Gear Position        |
| 9     | 0818-013    | 2   |       | Contact                      |
| 10    | 0818-017    | 2   |       | Spring                       |
| 11    | 0828-040    | 1   |       | Washer                       |
| 12    | 0818-046    | 1   |       | Shaft, Gear Shift - Assembly |
| 13    | 0828-131    | 1   |       | Spacer                       |
| 14    | 0828-037    | 1   |       | Washer                       |
| 15    | 0818-089    | 1   | /P    | Plate, Gear Shift Cam        |
| 16    | 0826-006    | 1   |       | Screw, Cap                   |
| 17    | 0828-038    | 1   |       | Washer                       |
| 18    | 0818-002    | 1   |       | Stopper, Cam                 |
| 19    | 0818-004    | 1   |       | Support, Cam Stopper         |
| 20    | 0818-090    | 1   |       | Spring                       |
| 21    | 0828-035    | 1   |       | Washer                       |
| 22    | 8424-602    | 1   | /P    | Nut                          |
| 23    | 0818-072    | 2   | /P    | Fork, Shift                  |
| 24    | 0818-006    | 1   |       | Shaft, Shift Fork            |

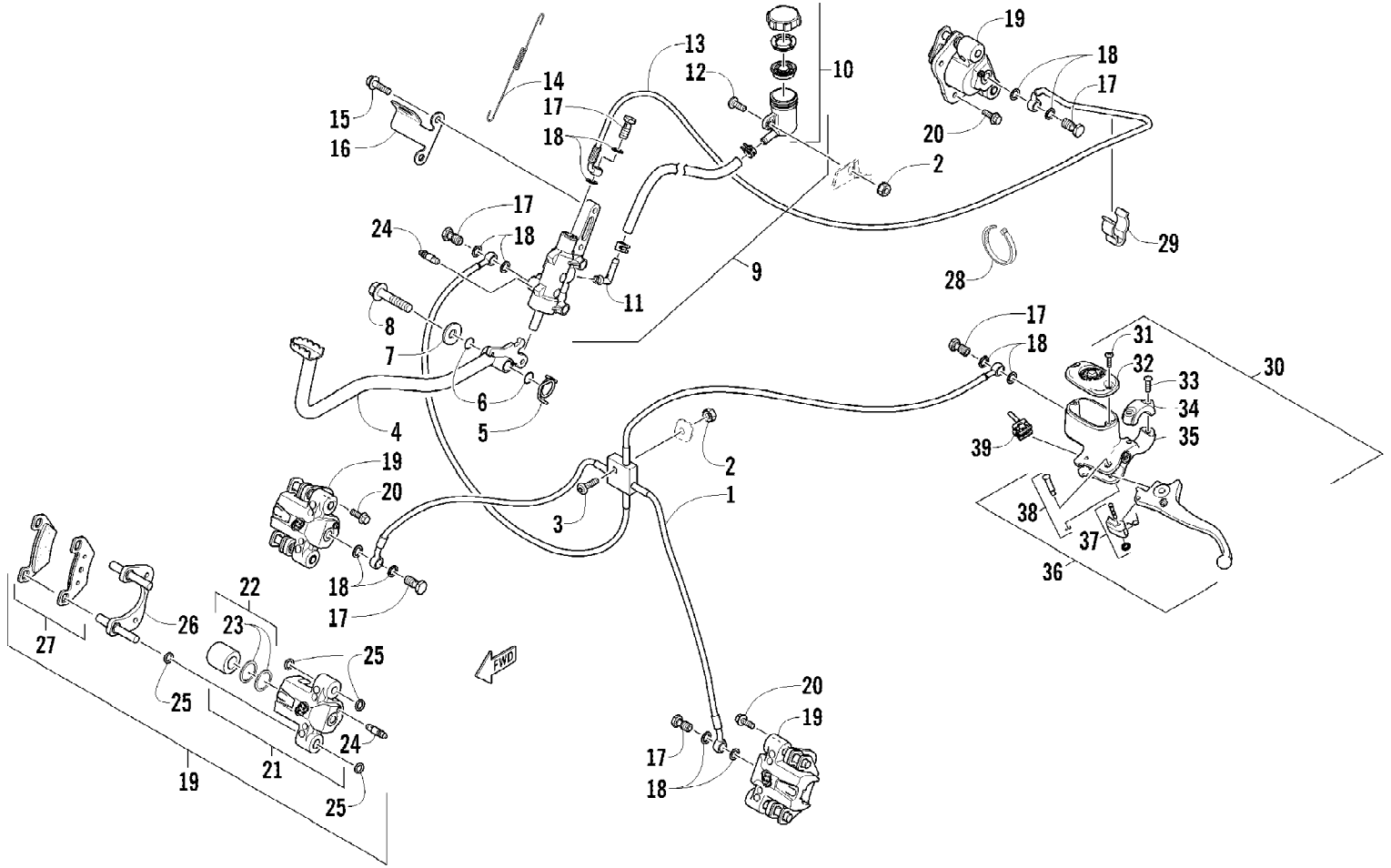




2012 TRV 550 CRUISER INTERNATIONAL METALLIC GREEN (A2012TCO1P) Page 41 of 89  
 HANDLEBAR ASSEMBLY

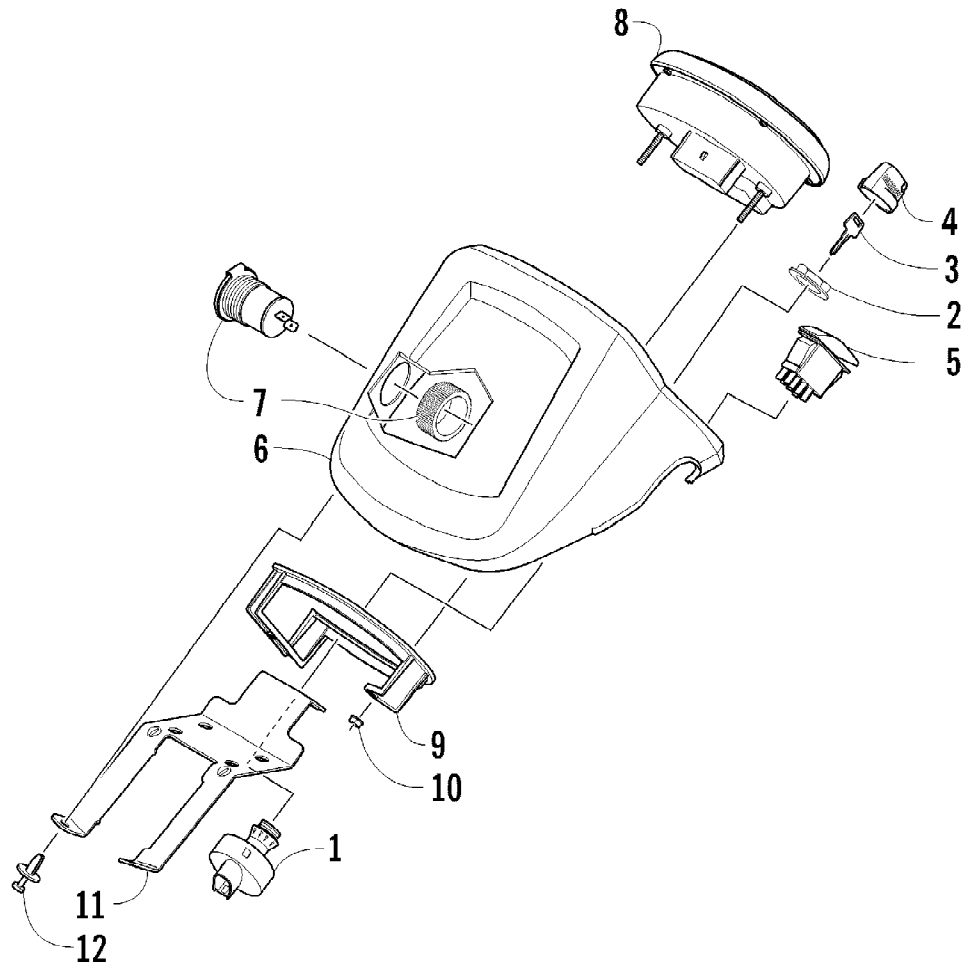
| Ref # | Part Number | Qty | S/P/F | Description                           |
|-------|-------------|-----|-------|---------------------------------------|
| 1     | 0505-418    | 1   | /P    | Handlebar                             |
| 2     | 0405-218    | 2   |       | Plug, Handlebar                       |
| 3     | 0405-147    | 2   |       | Grip, Handlebar                       |
| 4     | 0405-149    | 2   |       | End Cap, Handlebar                    |
| 5     | 8050-247    | 2   | /P    | Washer                                |
| 6     | 8477-845    | 2   |       | Screw, Machine                        |
| 7     | 0509-054    | 1   |       | Case, Throttle - Assembly (inc. 8-15) |
| 8     | 0409-141    | 1   |       | Cover, Throttle Case w/Switch         |
| 9     | 3007-392    | 1   | /P    | Screw, Cap                            |
| 10    | 3004-447    | 1   | /P    | Washer, Lock                          |
| 11    | 3003-030    | 1   | /P    | Washer                                |
| 12    | 0409-133    | 1   |       | Lever, Throttle                       |
| 13    | 3423-014    | 1   |       | Screw, Machine                        |
| 14    | 3423-327    | 1   |       | Nut                                   |
| 15    | 3423-199    | 2   |       | Screw, Machine                        |
| 16    | 0411-966    | 1   |       | Decal, Warning - Differential Lock    |
| 17    | 1411-865    | 1   |       | Decal, Warning - Brake Lever Lock     |
| 18    | 3409-019    | 1   |       | Cover, Switch Housing                 |
| 19    | 0509-014    | 1   |       | Switch, Control - Assembly            |
| 20    | 0609-800    | 2   |       | Element, Handwarmer                   |
| 21    | 0441-498    | 1   |       | Tube, Shrink                          |
| 22    | 0617-248    | 1   | /P    | Pad, Insulator                        |
| 23    | 0409-134    | 1   | /P    | Element, Thumbwarmer                  |

2012 TRV 550 CRUISER INTERNATIONAL METALLIC GREEN (A2012TCO1P) Page 42 of 89  
HYDRAULIC BRAKE ASSEMBLY



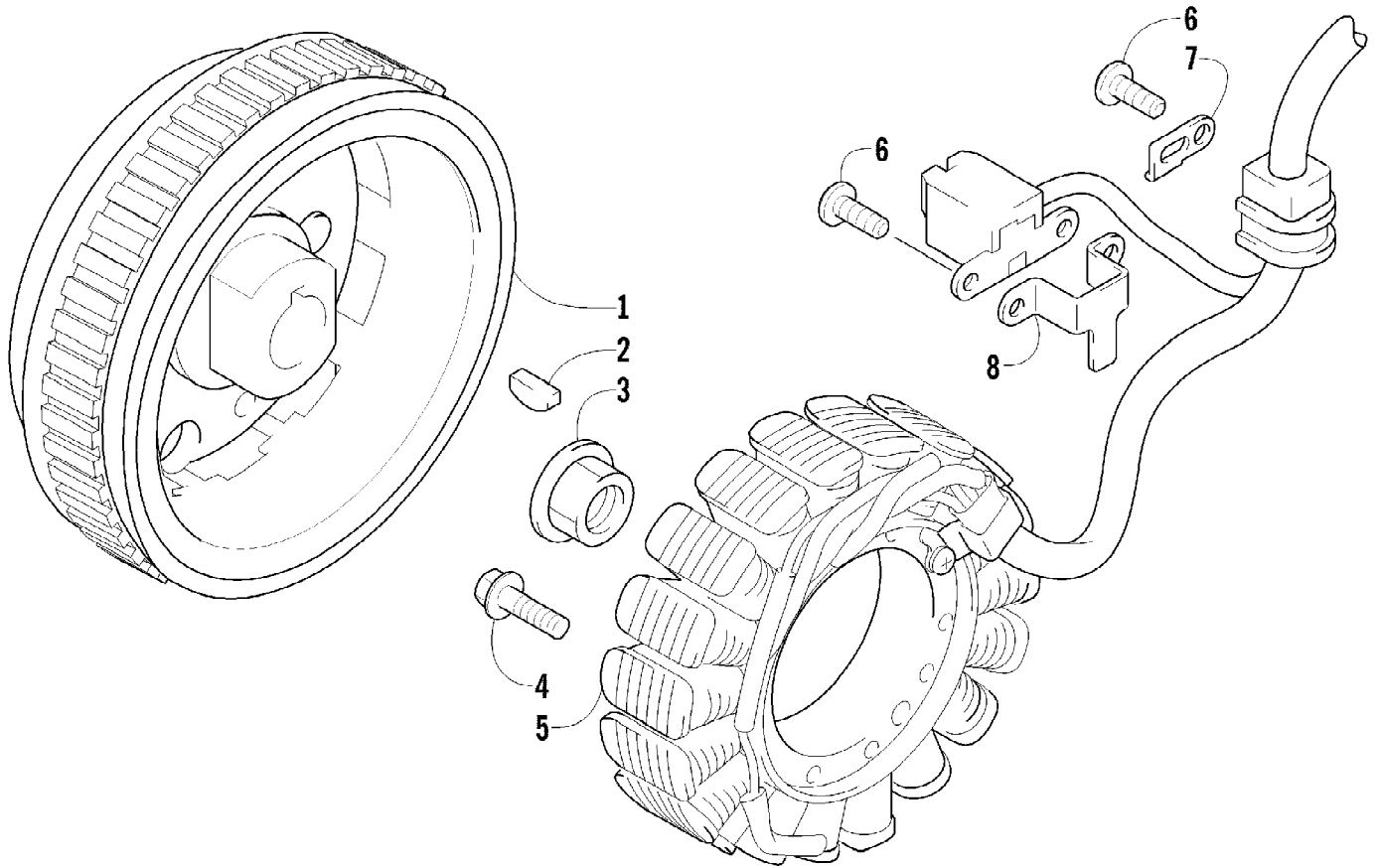
2012 TRV 550 CRUISER INTERNATIONAL METALLIC GREEN (A2012TCO1P) Page 43 of 89  
 HYDRAULIC BRAKE ASSEMBLY

| Ref # | Part Number | Qty | S/P/F | Description                                                           |
|-------|-------------|-----|-------|-----------------------------------------------------------------------|
| 1     | 1502-015    | 1   |       | Hose, Brakeline - Assembly                                            |
| 2     | 0623-038    | 2   |       | Nut w/Washer                                                          |
| 3     | 8476-625    | 1   |       | Screw, Machine                                                        |
| 4     | 1502-063    | 1   |       | Lever, Brake                                                          |
| 5     | 0502-807    | 1   |       | Spring, Brake Lever                                                   |
| 6     | 1602-213    | 2   | /P    | O-Ring                                                                |
| 7     | 8050-252    | 1   |       | Washer                                                                |
| 8     | 8408-816    | 1   |       | Screw, Cap                                                            |
| 9     | 1502-577    | 1   |       | Brake Assembly (inc. 10)                                              |
| 10    | 1502-578    | 1   |       | Reservoir, Brake w/Clamp                                              |
| 11    | 1502-296    | 1   | /P    | Adapter, Hose                                                         |
| 12    | 8476-616    | 1   |       | Screw, Machine                                                        |
| 13    | 1502-591    | 1   |       | Hose, Brakeline                                                       |
| 14    | 0502-785    | 1   |       | Spring, Brake Switch                                                  |
| 15    | 8408-625    | 2   |       | Screw, Cap                                                            |
| 16    | 0502-840    | 1   |       | Bracket, Switch                                                       |
| 17    | 0423-413    | 6   |       | Bolt, Banjo-Fitting                                                   |
| 18    | 0423-178    | 12  |       | Washer, Crush                                                         |
| 19    | 1436-422    | 1   | /P    | Caliper, Brake - Right Front (inc. two No. 20 and 21-27)              |
| 19    | 1436-423    | 1   | /P    | Caliper, Brake - Left Front (inc. two No. 20 and 21-27)               |
| 19    | 1436-423    | 1   | /P    | Caliper, Brake - Rear (inc. two No. 20 and 21-27)                     |
| 20    | 8408-821    | 6   | /P    | Screw, Cap                                                            |
| 21    | 1436-160    | 1   | /P    | Housing, Caliper - Assembly - Right Front (inc. two No. 20 and 22-24) |
| 21    | 1436-161    | 1   | /P    | Housing, Caliper - Assembly - Left Front (inc. two No. 20 and 22-24)  |
| 21    | 1436-161    | 1   | /P    | Housing, Caliper - Assembly - Rear (inc. two No. 20 and 22-24)        |
| 22    | 0502-606    | 3   |       | Piston/Seal Set (inc. 23)                                             |
| 23    | 0502-607    | 3   |       | Seal Set                                                              |
| 24    | 0502-609    | 4   | /P    | Valve, Bleed                                                          |
| 25    | 0502-608    | 3   |       | O-Ring, Guide - Set                                                   |
| 26    | 0502-605    | 3   |       | Bracket Assembly                                                      |
| 27    | 1502-694    | 3   | S     | Pad, Brake - Set                                                      |
| 28    | 0123-788    | AR  | /P    | Tie, Cable - 8 in.                                                    |
| 29    | 1502-115    | 2   |       | Clip, Brakeline Hose                                                  |
| 30    | 1502-902    | 1   | /P    | Brake Assembly (inc. 31-39)                                           |
| 31    | 0502-566    | 1   |       | Screw, Machine - Kit                                                  |
| 32    | 0502-868    | 1   | /P    | Cover, Reservoir                                                      |
| 33    | 0502-568    | 1   |       | Screw, Machine - Kit                                                  |
| 34    | 0502-869    | 1   |       | Clamp, Master Cylinder                                                |
| 35    | 0502-704    | 1   |       | Master Cylinder Assembly                                              |
| 36    | 1502-904    | 1   |       | Lever Assembly - Kit (inc. 37-38)                                     |
| 37    | 1502-905    | 1   |       | Lock, Brake Lever - Kit                                               |
| 38    | 0502-580    | 1   |       | Lever Pin - Kit                                                       |
| 39    | 0502-564    | 1   | /P    | Switch, Brake                                                         |



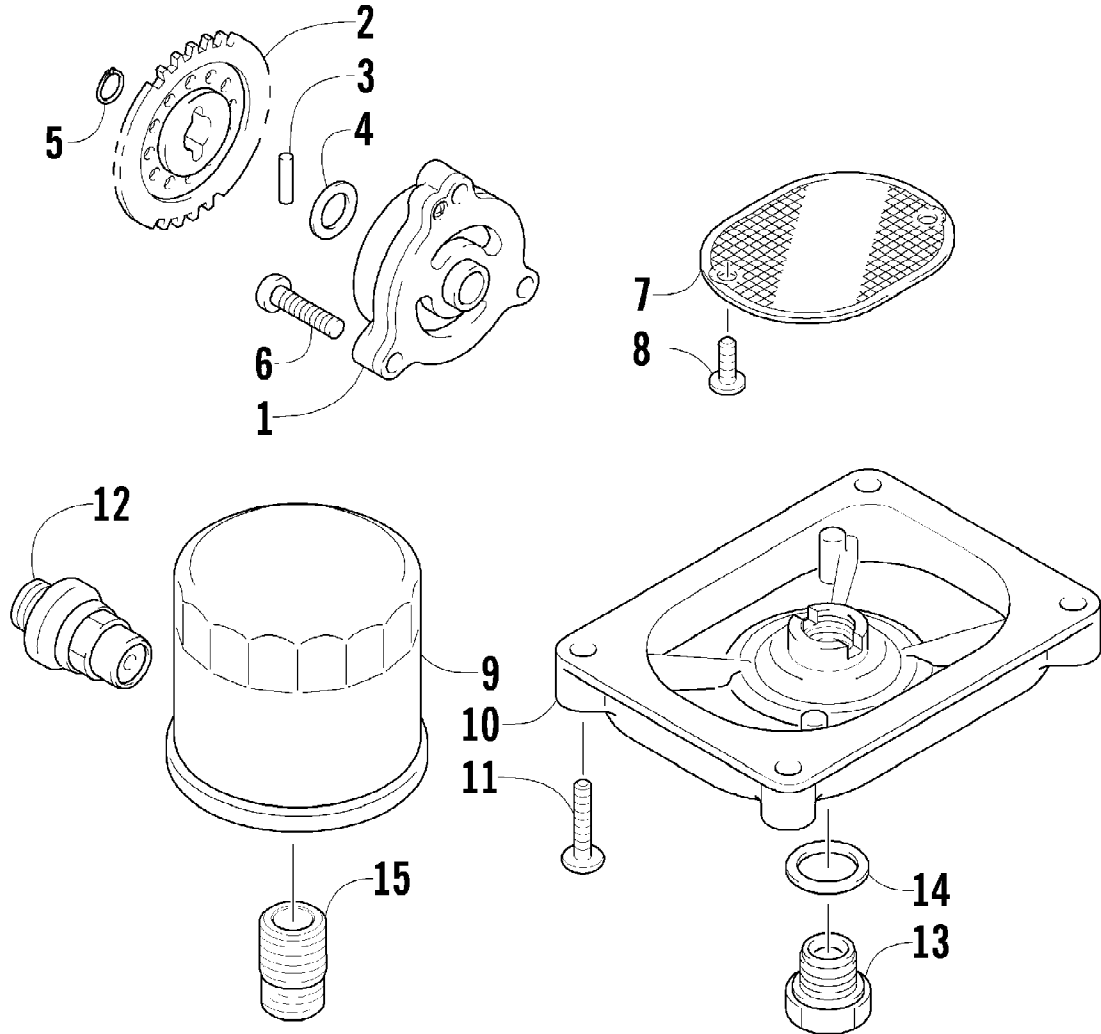
2012 TRV 550 CRUISER INTERNATIONAL METALLIC GREEN (A2012TCO1P) Page 45 of 89  
 INSTRUMENT POD ASSEMBLY

| Ref # | Part Number | Qty | S/P/F | Description                            |
|-------|-------------|-----|-------|----------------------------------------|
| 1     | 0430-090    | 1   | /P    | Switch, Ignition - Assembly (inc. 2-4) |
| 2     | 0430-050    | 1   |       | Nut, Retaining                         |
| 3     | 0430-042    | 1   | F     | Key, Ignition                          |
| 3     | 0430-043    | 1   | F     | Key, Ignition                          |
| 4     | 0430-054    | 1   |       | Cover, Key                             |
| 5     | 0409-121    | 1   |       | Switch, Handwarmer                     |
| 6     | 0505-586    | 1   |       | Pod, Instrument                        |
| 7     | 0641-897    | 1   | /P    | Outlet, Accessory - 12V                |
| 8     | 0520-106    | 1   |       | Gauge, LCD                             |
| 9     | 0420-065    | 1   | /P    | Bracket, Retaining                     |
| 10    | 0423-493    | 2   |       | Nut w/Washer                           |
| 11    | 2506-470    | 1   |       | Bracket, Mounting - Instrument Pod     |
| 12    | 0423-535    | 2   |       | Rivet, Reinstallable                   |



2012 TRV 550 CRUISER INTERNATIONAL METALLIC GREEN (A2012TCO1P) Page 47 of 89  
MAGNETO ASSEMBLY

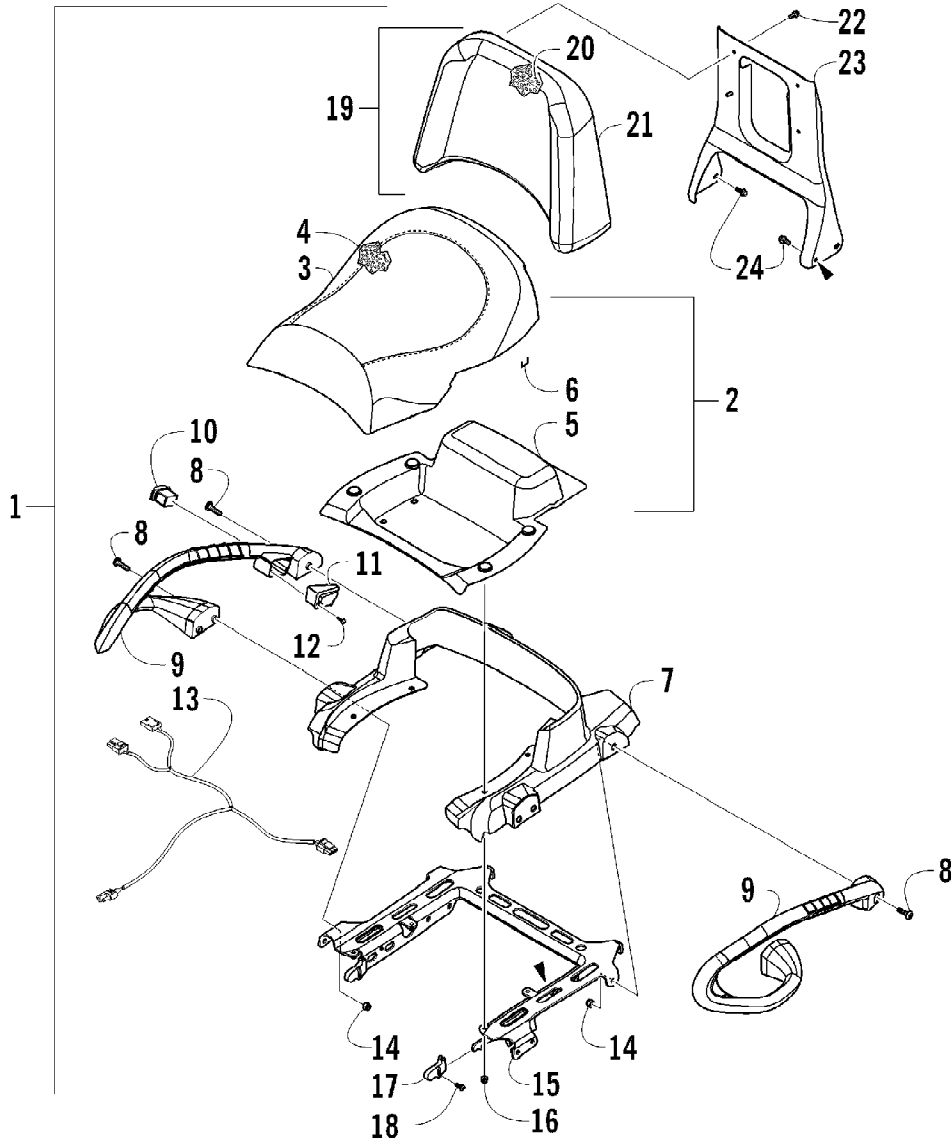
| Ref # | Part Number | Qty | S/P/F | Description       |
|-------|-------------|-----|-------|-------------------|
| 1     | 0802-048    | 1   |       | Rotor/Flywheel    |
| 2     | 0829-012    | 1   |       | Key               |
| 3     | 0827-014    | 1   |       | Nut               |
| 4     | 8409-632    | 3   |       | Screw, Cap        |
| 5     | 0802-041    | 1   |       | Stator - Assembly |
| 6     | 8470-510    | 3   |       | Screw, Machine    |
| 7     | 0802-015    | 1   |       | Clamp - No. 1     |
| 8     | 0802-016    | 1   |       | Clamp - No. 2     |





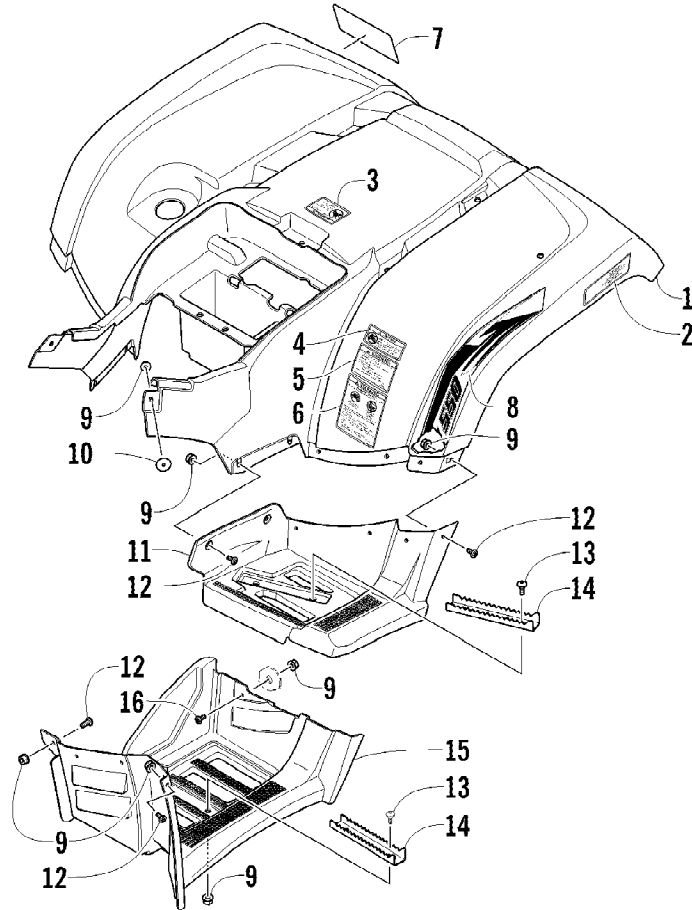
2012 TRV 550 CRUISER INTERNATIONAL METALLIC GREEN (A2012TCO1P) Page 49 of 89  
 OIL FILTER/PUMP ASSEMBLY

| Ref # | Part Number | Qty | S/P/F | Description                  |
|-------|-------------|-----|-------|------------------------------|
| 1     | 0812-023    | 1   |       | Pump, Oil                    |
| 2     | 0812-083    | 1   | /P    | Gear, Driven                 |
| 3     | 0829-009    | 1   |       | Pin                          |
| 4     | 0828-007    | 1   | /P    | Washer                       |
| 5     | 0831-002    | 1   |       | Ring, Retaining              |
| 6     | 0826-039    | 3   |       | Screw, Machine               |
| 7     | 0812-057    | 1   | /P    | Strainer, Oil                |
| 8     | 0826-040    | 2   |       | Screw, Machine               |
| 9     | 0812-029    | 1   | S     | Filter, Oil                  |
| 10    | 0812-053    | 1   |       | Cap, Oil Strainer            |
| 11    | 8468-625    | 4   |       | Screw, Machine               |
| 12    | 0812-007    | 1   |       | Valve, Oil-Relief - Assembly |
| 13    | 0812-006    | 1   |       | Plug, Drain                  |
| 14    | 0830-017    | 1   |       | Gasket, Drain Plug           |
| 15    | 0812-008    | 1   |       | Union, Oil Filter            |



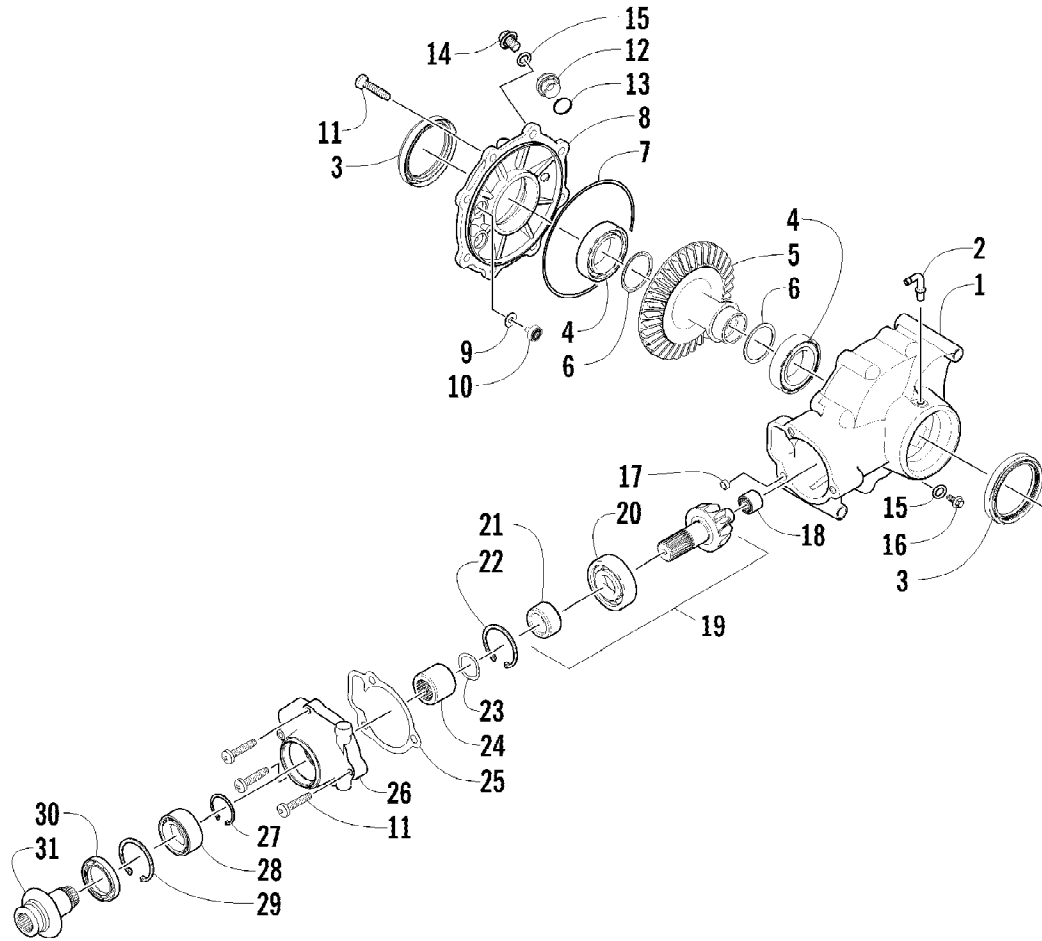
2012 TRV 550 CRUISER INTERNATIONAL METALLIC GREEN (A2012TCO1P) Page 51 of 89  
 PASSENGER SEAT AND BACKREST ASSEMBLY

| Ref # | Part Number | Qty | S/P/F | Description                               |
|-------|-------------|-----|-------|-------------------------------------------|
| 1     | 4506-338    | 1   |       | Seat, Passenger - Assembly (inc. 2-18)    |
| 2     | 2506-064    | 1   |       | Seat, Passenger - Sub-Assembly (inc. 3-6) |
| 3     | 1506-815    | 1   |       | Cover, Seat - Passenger                   |
| 4     | 1506-816    | 1   |       | Foam, Seat - Passenger                    |
| 5     | 2406-110    | 1   |       | Base, Seat - Inner                        |
| 6     | 0624-263    | AR  |       | Staple                                    |
| 7     | 2406-044    | 1   |       | Base, Seat - Passenger                    |
| 8     | 8468-830    | 6   |       | Screw, Machine                            |
| 9     | 2406-744    | 1   |       | Handhold, Passenger - Right               |
| 9     | 2406-745    | 1   |       | Handhold, Passenger - Left                |
| 10    | 0409-126    | 1   |       | Switch, Handwarmer                        |
| 11    | 2416-042    | 1   |       | Cover, Switch                             |
| 12    | 0423-342    | 2   | /P    | Screw, Self-Tapping                       |
| 13    | 0486-318    | 1   |       | Harness, Adapter - Handwarmer             |
| 14    | 8432-802    | 6   |       | Nut, Lock                                 |
| 15    | 2516-040    | 1   |       | Bracket, Seat Support - Assembly          |
| 16    | 8427-602    | 4   |       | Nut, Lock                                 |
| 17    | 2406-895    | 2   |       | End Cap, Seat Support                     |
| 18    | 0423-538    | 2   |       | Screw, Self-Tapping                       |
| 19    | 2506-806    | 1   |       | Backrest Assembly (inc. 20-21)            |
| 20    | 2406-765    | 1   |       | Foam, Backrest                            |
| 21    | 2406-768    | 1   |       | Cover, Backrest                           |
| 22    | 0423-889    | 4   |       | Screw, Cap                                |
| 23    | 2506-955    | 1   |       | Bracket, Backrest Support                 |
| 24    | 8408-816    | 4   |       | Screw, Cap                                |



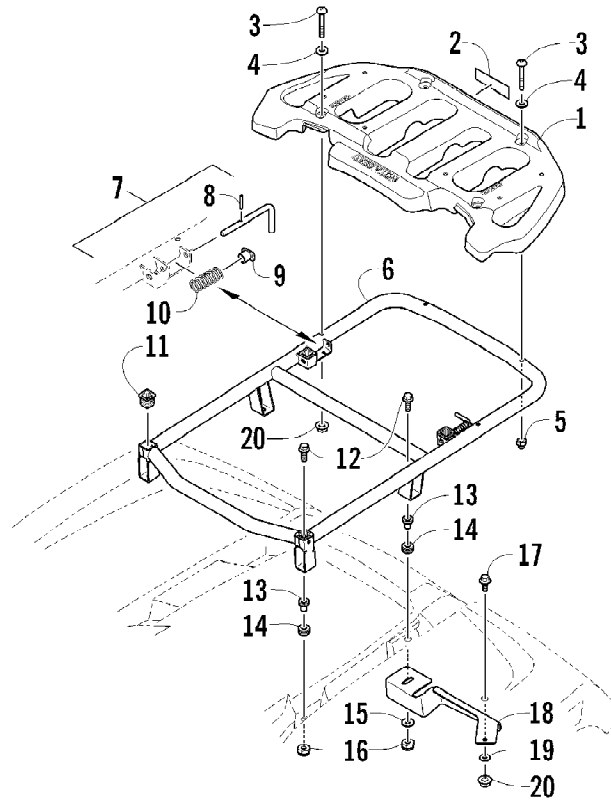
2012 TRV 550 CRUISER INTERNATIONAL METALLIC GREEN (A2012TCO1P) Page 53 of 89  
REAR BODY PANEL AND FOOTWELL ASSEMBLIES

| Ref # | Part Number | Qty | S/P/F | Description                        |
|-------|-------------|-----|-------|------------------------------------|
| 1     | 4506-315    | 1   | /P    | Fender, Rear - Assembly (inc. 2-6) |
| 2     | 1411-592    | 1   | /P    | Decal, Reflector - Right           |
| 2     | 1411-593    | 1   | /P    | Decal, Reflector - Left            |
| 3     | 1411-251    | 1   |       | Decal, Warning - Passenger Seat    |
| 4     | 1411-269    | 1   |       | Decal, Warning - Passenger         |
| 5     | 2411-138    | 1   | /P    | Decal, Warning - Tire Pressure     |
| 6     | 2411-257    | 1   |       | Decal, Warning - Passenger Safety  |
| 7     | 1411-725    | 1   |       | Decal, "Arctic Cat"                |
| 8     | 2411-734    | 1   |       | Decal, Side - Lower Right          |
| 8     | 2411-735    | 1   |       | Decal, Side - Lower Left           |
| 9     | 0423-540    | 34  |       | Nut, Lock                          |
| 10    | 0423-101    | 2   |       | Screw, Shoulder                    |
| 11    | 2406-042    | 1   |       | Footwell, Rear - Right             |
| 11    | 2406-043    | 1   |       | Footwell, Rear - Left              |
| 12    | 0423-419    | 22  |       | Screw, Machine                     |
| 13    | 0423-355    | 8   |       | Screw, Shoulder                    |
| 14    | 1506-125    | 4   | /P    | Footpeg                            |
| 15    | 1506-813    | 1   |       | Footwell - Right                   |
| 15    | 2406-471    | 1   | /P    | Footwell - Left                    |
| 16    | 8477-620    | 2   |       | Screw, Machine                     |



2012 TRV 550 CRUISER INTERNATIONAL METALLIC GREEN (A2012TCO1P) Page 55 of 89  
REAR DRIVE GEARCASE ASSEMBLY

| Ref # | Part Number | Qty | S/P/F | Description                                |
|-------|-------------|-----|-------|--------------------------------------------|
|       | 1502-879    | 1   |       | Complete Rear Drive Gearcase Assembly      |
| 1     | 1502-896    | 1   |       | Housing, Gearcase                          |
| 2     | 1402-442    | 1   |       | Fitting, Elbow                             |
| 3     | 1402-950    | 2   | /P    | Seal                                       |
| 4     | 0402-393    | 2   |       | Bearing                                    |
| 5     | 1402-032    | 1   |       | Gear, Ring - 36T                           |
| 6     | 0402-405    | AR  |       | Shim, 41 x 49 x 1.3 mm                     |
| 6     | 0402-406    | AR  |       | Shim, 41 x 49 x 1.4 mm                     |
| 6     | 0402-407    | AR  |       | Shim, 41 x 49 x 1.5 mm                     |
| 6     | 0402-408    | AR  |       | Shim, 41 x 49 x 1.6 mm                     |
| 6     | 0402-409    | AR  |       | Shim, 41 x 49 x 1.7 mm                     |
| 7     | 0423-149    | 1   |       | O-Ring                                     |
| 8     | 1502-897    | 1   |       | Cover, Gearcase                            |
| 9     | 0402-429    | AR  |       | Shim, 6.3 x 18 x 1.3 mm                    |
| 9     | 0402-430    | AR  |       | Shim, 6.3 x 18 x 1.4 mm                    |
| 9     | 0402-431    | AR  |       | Shim, 6.3 x 18 x 1.5 mm                    |
| 9     | 0402-432    | AR  |       | Shim, 6.3 x 18 x 1.6 mm                    |
| 9     | 0402-433    | AR  |       | Shim, 6.3 x 18 x 1.7 mm                    |
| 10    | 0402-326    | 1   |       | Button, Thrust                             |
| 11    | 0423-118    | 11  |       | Screw, Self-Tapping                        |
| 12    | 0402-333    | 1   | /P    | Plug, Magnetic (inc. 13)                   |
| 13    | 0423-154    | 1   |       | O-Ring                                     |
| 14    | 1402-211    | 1   |       | Plug, Oil Level (inc. one No. 15)          |
| 15    | 0423-153    | 2   |       | O-Ring                                     |
| 16    | 1402-210    | 1   | /P    | Plug, Fill (inc. one No. 15)               |
| 17    | 0402-411    | 1   |       | Pin, Dowel                                 |
| 18    | 0402-328    | 1   |       | Bearing                                    |
| 19    | 1502-863    | 1   |       | Gear, Pinion - Assembly - 10T (inc. 20-21) |
| 20    | 0402-327    | 1   |       | Bearing                                    |
| 21    | 1402-977    | 1   |       | Collar, Retaining                          |
| 22    | 1423-067    | 1   |       | Ring, Retaining                            |
| 23    | 0402-982    | 1   |       | Washer, Wave                               |
| 24    | 0402-981    | 1   |       | Collar, Shaft                              |
| 25    | 0402-947    | 1   |       | Gasket, Flange                             |
| 26    | 0502-529    | 1   |       | Housing, Pinion                            |
| 27    | 0423-417    | 1   |       | Ring, Retaining                            |
| 28    | 1402-043    | 1   |       | Bearing                                    |
| 29    | 0423-423    | 1   |       | Ring, Retaining                            |
| 30    | 1402-011    | 1   |       | Seal                                       |
| 31    | 1502-085    | 1   | /P    | Shaft, Input                               |

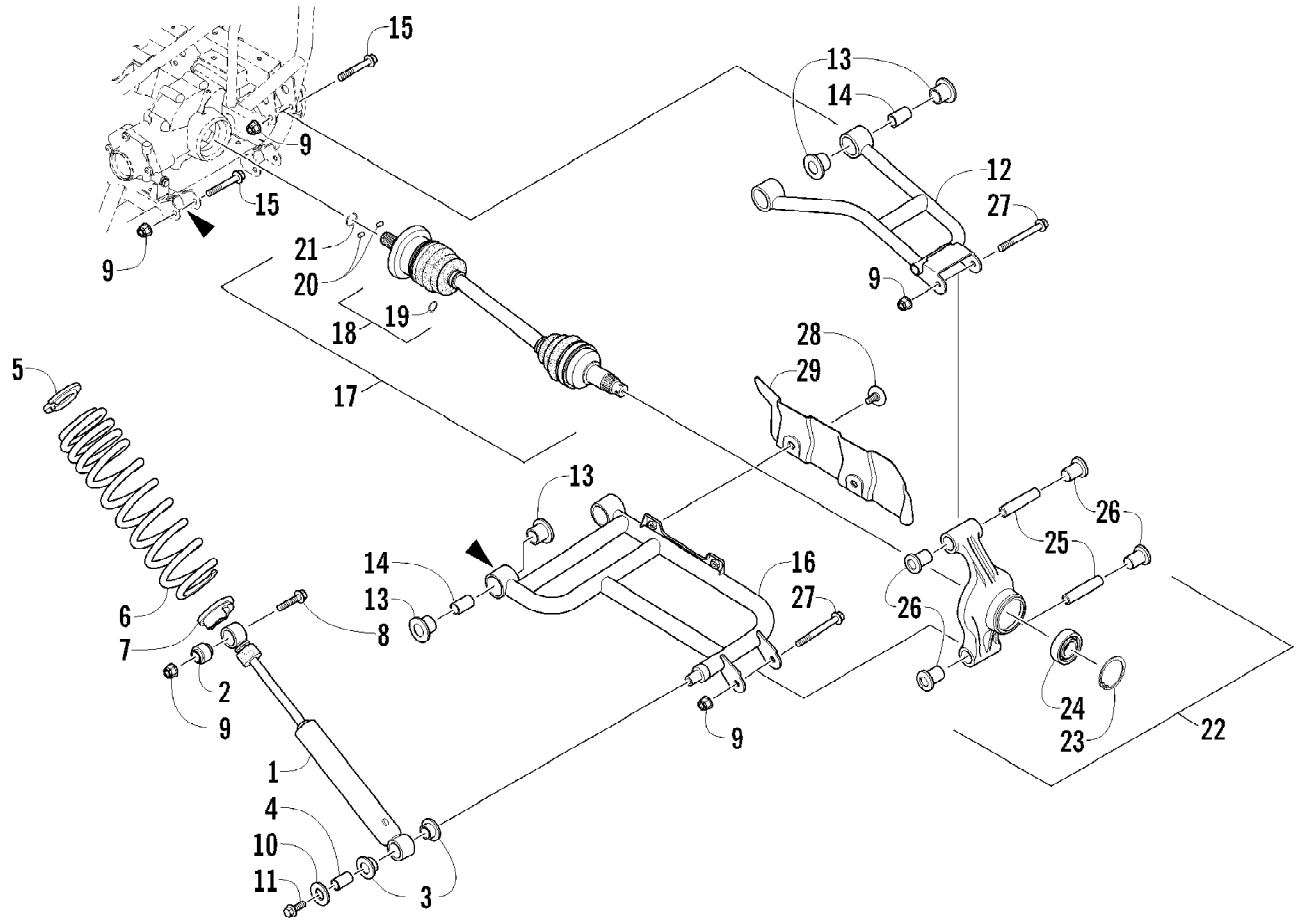




2012 TRV 550 CRUISER INTERNATIONAL METALLIC GREEN (A2012TCO1P) Page 57 of 89  
 REAR RACK ASSEMBLY

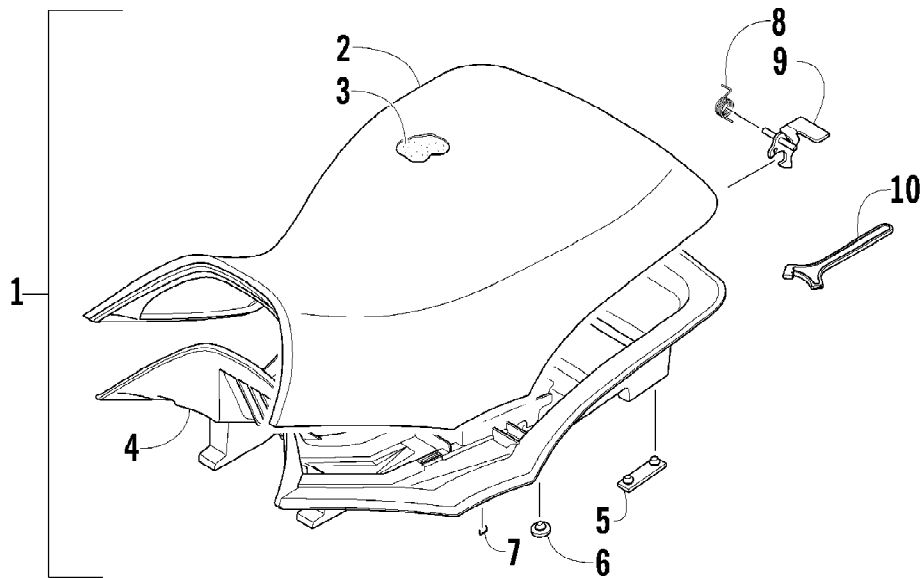
| Ref # | Part Number | Qty | S/P/F | Description                      |
|-------|-------------|-----|-------|----------------------------------|
| 1     | 2516-339    | 1   | /P    | Rack, Rear (inc. 2)              |
| 2     | 1411-201    | 1   |       | Decal, Warning - Load            |
| 3     | 8410-640    | 4   |       | Screw, Cap                       |
| 4     | 8050-223    | 4   |       | Washer                           |
| 5     | 0423-891    | 2   |       | Nut, Cap                         |
| 6     | 2516-169    | 1   |       | Base, MRP - Assembly (inc. 7-11) |
| 7     | 0541-504    | 2   |       | Pin - Assembly (inc. 8-10)       |
| 8     | 0423-635    | 2   |       | Pin, Roll                        |
| 9     | 0423-677    | 2   |       | Bushing, Flanged                 |
| 10    | 0423-636    | 2   |       | Spring                           |
| 11    | 0441-592    | 4   | /P    | Bushing                          |
| 12    | 8410-835    | 4   |       | Screw, Cap                       |
| 13    | 0423-669    | 4   |       | Spacer                           |
| 14    | 0423-465    | 4   |       | Grommet                          |
| 15    | 0423-087    | 2   |       | Washer                           |
| 16    | 8432-802    | 4   |       | Nut, Lock                        |
| 17    | 0423-654    | 2   |       | Screw, Shoulder                  |
| 18    | 2506-092    | 1   |       | Bracket, Rear Fender - Right     |
| 18    | 2506-093    | 1   |       | Bracket, Rear Fender - Left      |
| 19    | 8050-222    | 2   | /P    | Washer                           |
| 20    | 0423-540    | 4   |       | Nut, Lock                        |

2012 TRV 550 CRUISER INTERNATIONAL METALLIC GREEN (A2012TCO1P) Page 58 of 89  
REAR SUSPENSION ASSEMBLY



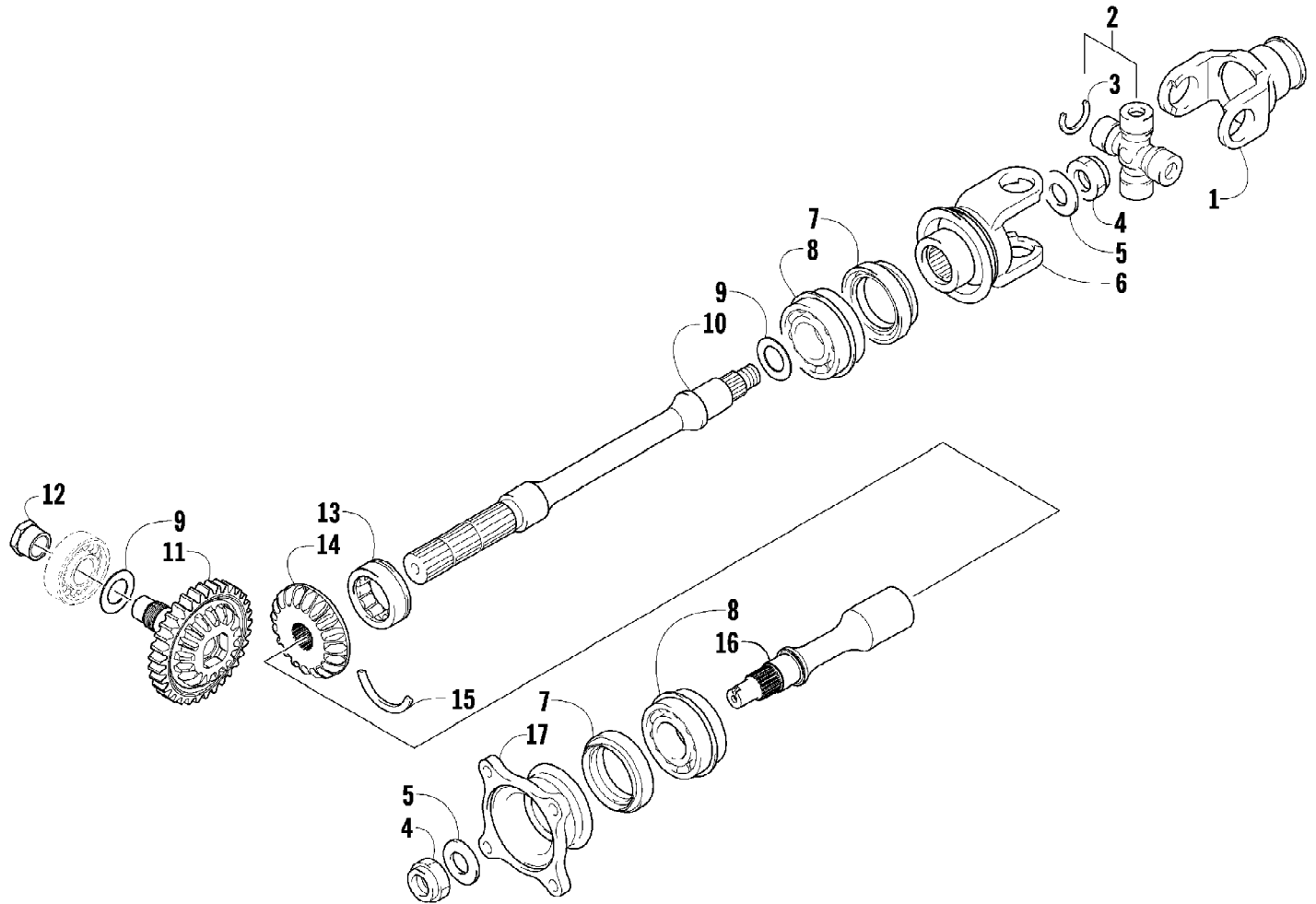
2012 TRV 550 CRUISER INTERNATIONAL METALLIC GREEN (A2012TCO1P) Page 59 of 89  
 REAR SUSPENSION ASSEMBLY

| Ref # | Part Number | Qty | S/P/F | Description                            |
|-------|-------------|-----|-------|----------------------------------------|
| 1     | 0404-158    | 2   |       | Shock Absorber (inc. 2-4)              |
| 2     | 0403-182    | 2   |       | Bushing                                |
| 3     | 0603-955    | 4   |       | Bushing                                |
| 4     | 1603-219    | 2   | S     | Sleeve                                 |
| 5     | 1603-889    | 2   | /P    | Retainer, Spring                       |
| 6     | 0504-638    | 2   |       | Spring, Suspension                     |
| 7     | 0404-057    | 2   |       | Cam, Spring Adjuster                   |
| 8     | 8409-050    | 2   |       | Screw, Cap                             |
| 9     | 0423-744    | 14  |       | Nut, Lock                              |
| 10    | 0423-087    | 2   |       | Washer                                 |
| 11    | 8408-820    | 2   | /P    | Screw, Cap                             |
| 12    | 0504-582    | 1   |       | A-Arm, Rear - Upper Right (inc. 13-14) |
| 12    | 0504-583    | 1   | /P    | A-Arm, Rear - Upper Left (inc. 13-14)  |
| 13    | 0403-208    | 16  | /P    | Bushing                                |
| 14    | 0403-214    | 8   | /P    | Axle                                   |
| 15    | 8409-075    | 8   |       | Screw, Cap                             |
| 16    | 0504-572    | 1   |       | A-Arm, Rear - Lower Right (inc. 13-14) |
| 16    | 0504-573    | 1   |       | A-Arm, Rear - Lower Left (inc. 13-14)  |
| 17    | 1502-798    | 2   | S     | Axle, Drive (inc. 18-21)               |
| 18    | 1436-419    | 2   |       | Repair Kit, Boot (inc. 19)             |
| 19    | 1441-988    | 2   |       | Clip, Retaining                        |
| 20    | 1402-884    | 4   |       | Pin, Detent                            |
| 21    | 1402-890    | 2   |       | Clip, Retaining                        |
| 22    | 0504-548    | 1   | /P    | Knuckle, Right - Assembly (inc. 23-26) |
| 22    | 0504-549    | 1   | /P    | Knuckle, Left - Assembly (inc. 23-26)  |
| 23    | 0423-423    | 2   |       | Ring, Retaining                        |
| 24    | 1402-809    | 2   | /P    | Bearing                                |
| 25    | 0403-213    | 4   | /P    | Axle                                   |
| 26    | 0403-206    | 8   | /P    | Bushing                                |
| 27    | 8409-000    | 4   |       | Screw, Cap                             |
| 28    | 0423-545    | 4   | /P    | Screw, Shoulder                        |
| 29    | 1406-068    | 1   |       | Guard, Boot - Rear - Right             |
| 29    | 1406-069    | 1   |       | Guard, Boot - Rear - Left              |



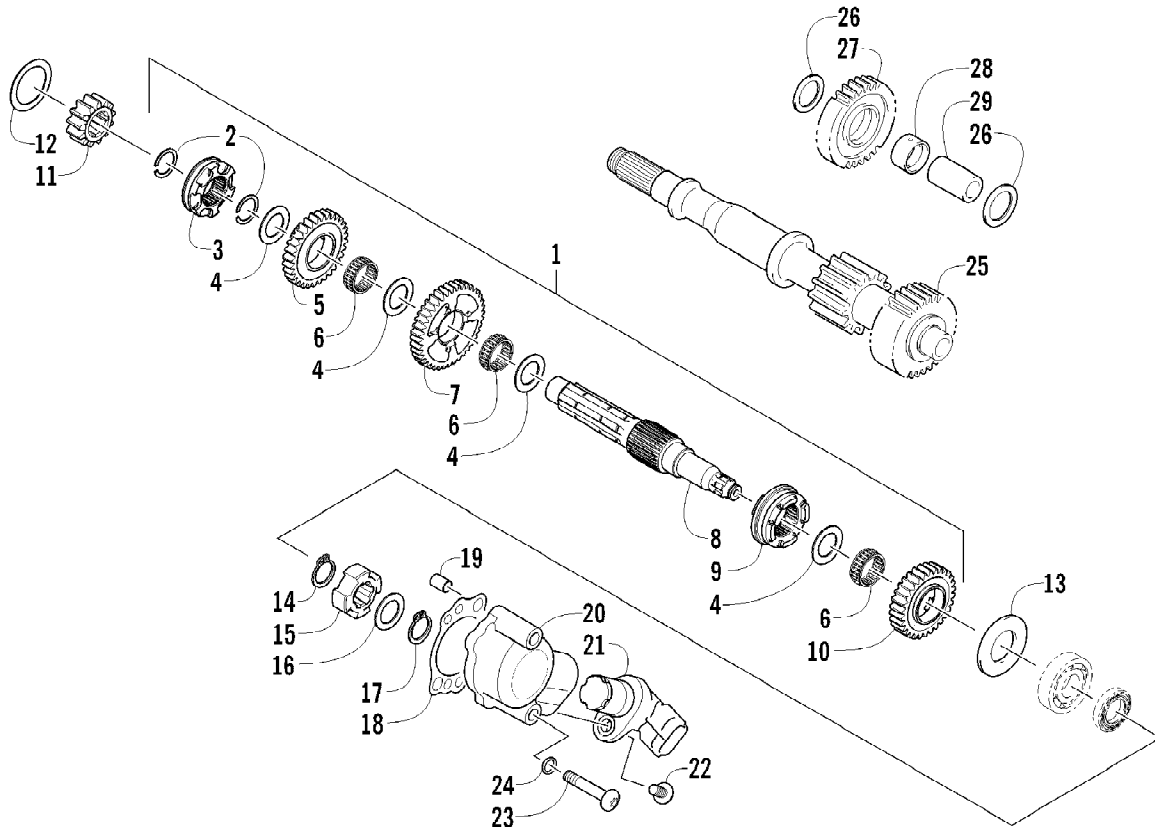
2012 TRV 550 CRUISER INTERNATIONAL METALLIC GREEN (A2012TCO1P) Page 61 of 89  
SEAT ASSEMBLY

| Ref # | Part Number | Qty | S/P/F | Description                      |
|-------|-------------|-----|-------|----------------------------------|
| 1     | 4506-557    | 1   | /P    | Seat Assembly (inc. 2-9)         |
| 2     | 1506-209    | 1   |       | Cover, Seat                      |
| 3     | 0517-119    | 1   |       | Foam, Seat                       |
| 4     | 2416-826    | 1   | /P    | Base, Seat - Assembly (inc. 5-6) |
| 5     | 0406-879    | 2   |       | Bumper, Seat - Rear              |
| 6     | 0406-877    | 4   | /P    | Bumper, Seat - Front             |
| 7     | 0624-263    | AR  |       | Staple                           |
| 8     | 1406-592    | 1   | /P    | Spring, Seat Latch               |
| 9     | 1506-156    | 1   |       | Latch, Seat                      |
| 10    | 0441-587    | 1   |       | Wrench, Spanner                  |



2012 TRV 550 CRUISER INTERNATIONAL METALLIC GREEN (A2012TCO1P) Page 63 of 89  
 SECONDARY DRIVE ASSEMBLY

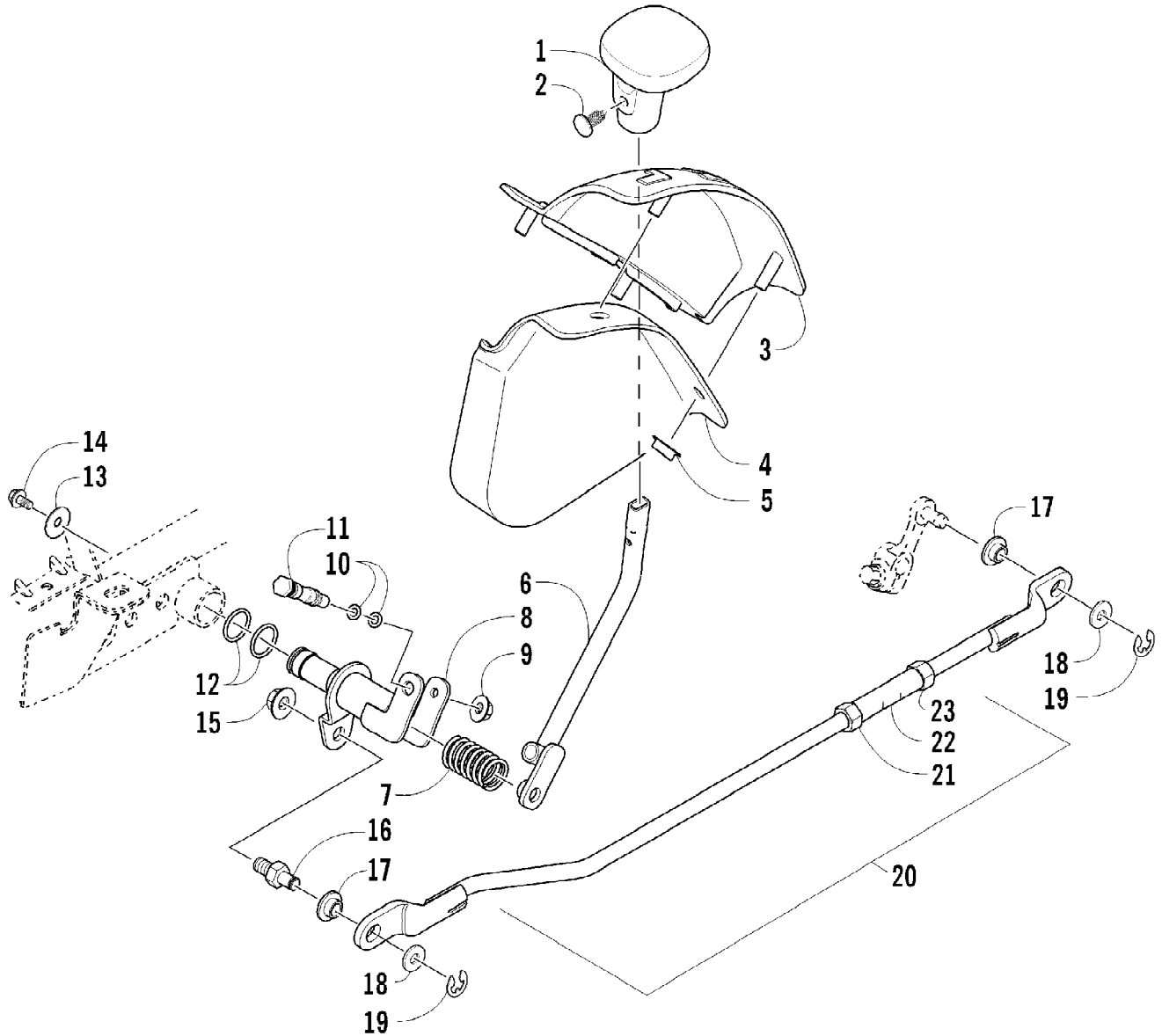
| Ref # | Part Number | Qty | S/P/F | Description                     |
|-------|-------------|-----|-------|---------------------------------|
| 1     | 0819-063    | 1   |       | Yoke, Propeller Shaft Joint     |
| 2     | 1402-164    | 1   | /P    | Joint, Universal - Set (inc. 3) |
| 3     | 0423-450    | 4   |       | Ring, Retaining                 |
| 4     | 0827-013    | 2   |       | Nut                             |
| 5     | 0828-020    | 2   |       | Washer                          |
| 6     | 0819-061    | 1   |       | Yoke, Drive Output - Front      |
| 7     | 0830-043    | 2   |       | Seal, Oil                       |
| 8     | 0832-017    | 2   |       | Bearing                         |
| 9     | 0828-021    | AR  |       | Shim, 25 x 34 x 0.25 mm         |
| 9     | 0828-022    | AR  |       | Shim, 25 x 34 x 0.30 mm         |
| 9     | 0828-023    | AR  |       | Shim, 25 x 34 x 0.70 mm         |
| 9     | 0828-024    | AR  |       | Shim, 25 x 34 x 0.90 mm         |
| 9     | 0828-025    | AR  |       | Shim, 25 x 34 x 0.95 mm         |
| 9     | 0828-026    | AR  |       | Shim, 25 x 34 x 1.00 mm         |
| 9     | 0828-027    | AR  |       | Shim, 25 x 34 x 1.05 mm         |
| 9     | 0828-028    | AR  |       | Shim, 25 x 34 x 1.10 mm         |
| 9     | 0828-029    | AR  |       | Shim, 25 x 34 x 1.15 mm         |
| 10    | 0819-089    | 1   | /P    | Shaft, Secondary Driven - Front |
| 11    | 0822-131    | 1   |       | Gear, Secondary Drive           |
| 12    | 0827-052    | 1   |       | Nut                             |
| 13    | 0832-016    | 1   |       | Bearing                         |
| 14    | 0822-106    | 1   |       | Gear, Secondary Driven          |
| 15    | 0819-011    | 1   |       | Ring, Driven Bearing            |
| 16    | 0819-053    | 1   |       | Shaft, Secondary Driven - Rear  |
| 17    | 0819-005    | 1   |       | Flange, Output Joint - Rear     |





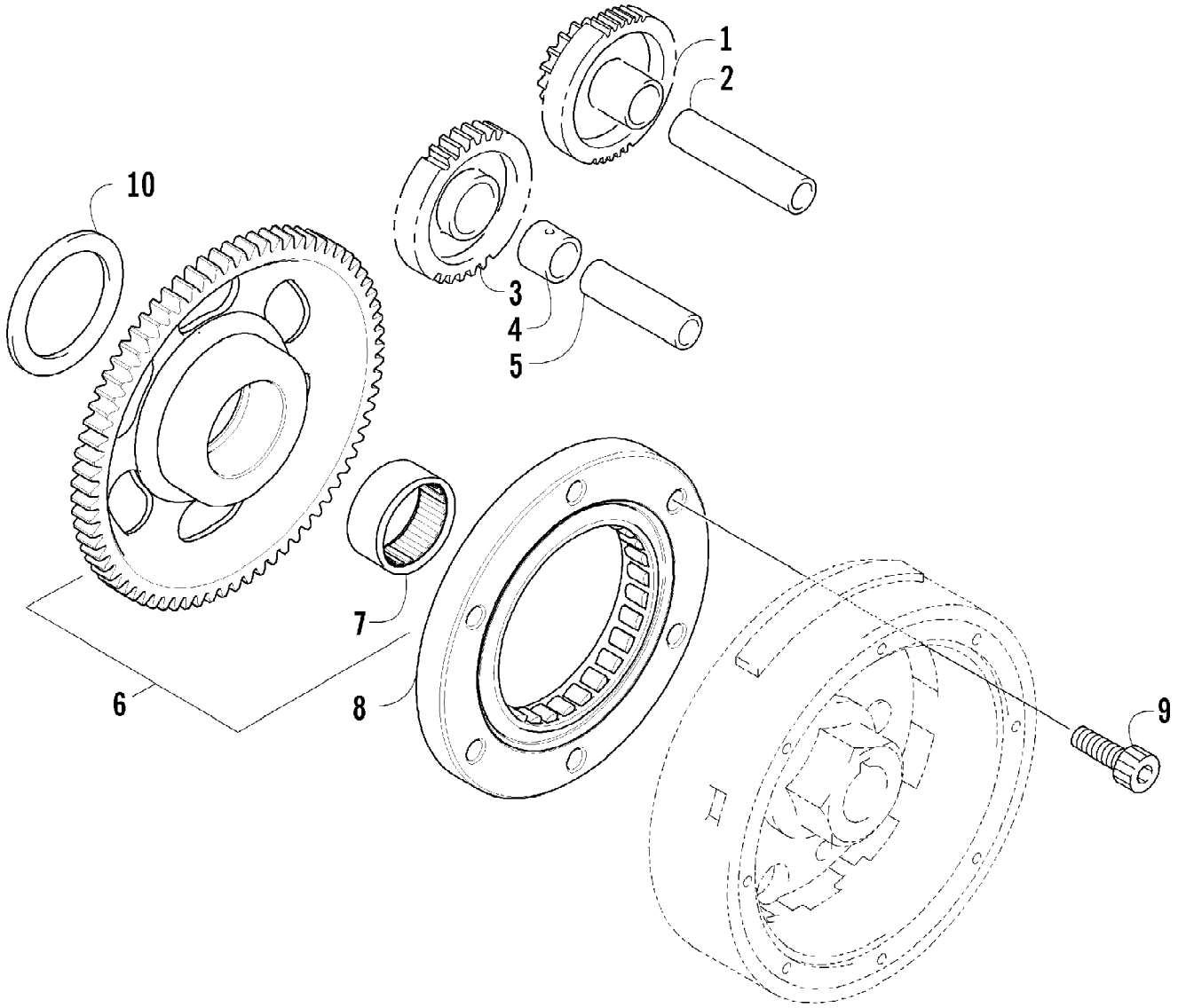
2012 TRV 550 CRUISER INTERNATIONAL METALLIC GREEN (A2012TCO1P) Page 65 of 89  
 SECONDARY TRANSMISSION ASSEMBLY

| Ref # | Part Number | Qty | S/P/F | Description                       |
|-------|-------------|-----|-------|-----------------------------------|
| 1     | 0822-124    | 1   |       | Countershaft Assembly (inc. 2-10) |
| 2     | 0831-085    | 2   |       | Ring, Retaining                   |
| 3     | 0822-120    | 1   |       | Gear Select, Reverse              |
| 4     | 0822-121    | 4   |       | Shim                              |
| 5     | 0822-119    | 1   |       | Gear, Reverse Driven              |
| 6     | 0832-082    | 3   |       | Bearing                           |
| 7     | 0822-114    | 1   |       | Gear, Driven - Low                |
| 8     | 0822-113    | 1   |       | Countershaft                      |
| 9     | 0822-116    | 1   |       | Gear Select, Sliding              |
| 10    | 0822-115    | 1   |       | Gear, Driven - High               |
| 11    | 0822-125    | 1   |       | Gear, Drive                       |
| 12    | 0828-019    | 1   |       | Washer, Thrust                    |
| 13    | 0828-011    | 1   |       | Washer                            |
| 14    | 0831-040    | 1   |       | Ring, Retaining                   |
| 15    | 0822-050    | 1   |       | Trigger, Speedometer Sensor       |
| 16    | 0828-069    | 1   |       | Washer, Thrust                    |
| 17    | 0831-039    | 1   |       | Ring, Retaining                   |
| 18    | 0830-129    | 1   |       | Gasket                            |
| 19    | 0829-023    | 2   |       | Pin, Dowel                        |
| 20    | 0822-049    | 1   |       | Housing, Speedometer Sensor       |
| 21    | 0824-042    | 1   | /P    | Sensor, Speedometer               |
| 22    | 8468-620    | 1   | /P    | Screw, Machine                    |
| 23    | 8468-645    | 2   |       | Screw, Machine                    |
| 24    | 0830-107    | 2   |       | Gasket                            |
| 25    | 0822-001    | 1   |       | Driveshaft                        |
| 26    | 0828-016    | 2   |       | Washer, Thrust                    |
| 27    | 0822-011    | 1   |       | Gear, Reverse Idle                |
| 28    | 0822-012    | 1   |       | Bushing                           |
| 29    | 0822-015    | 1   |       | Shaft, Reverse Idle               |



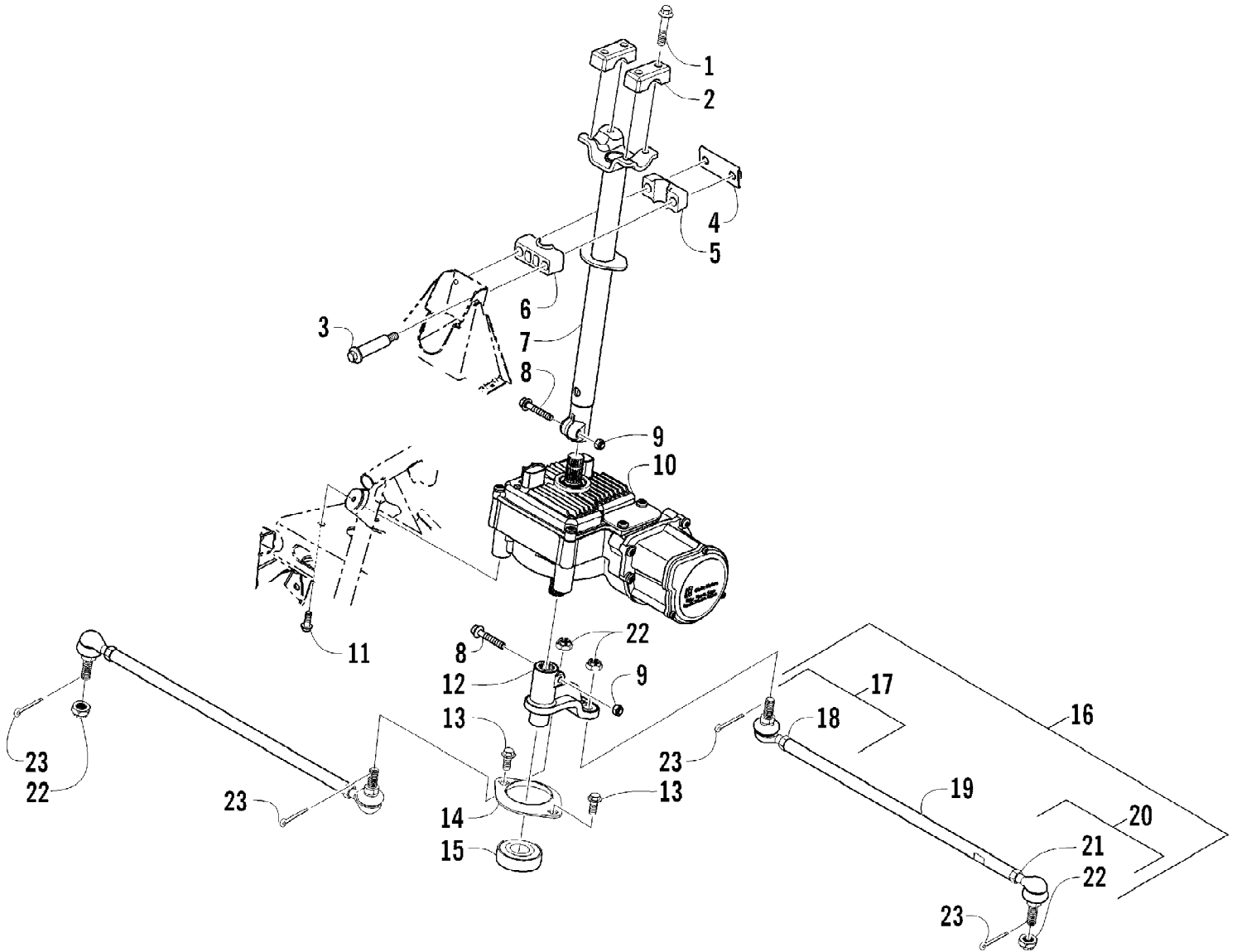
2012 TRV 550 CRUISER INTERNATIONAL METALLIC GREEN (A2012TCO1P) Page 67 of 89  
 SHIFT LEVER ASSEMBLY

| Ref # | Part Number | Qty | S/P/F | Description                            |
|-------|-------------|-----|-------|----------------------------------------|
| 1     | 0402-843    | 1   | /P    | Knob, Shift                            |
| 2     | 0423-345    | 1   |       | Clip, Retaining                        |
| 3     | 1402-576    | 1   |       | Plate, Shift                           |
| 4     | 2406-345    | 1   |       | Shield, Shift Plate                    |
| 5     | 0423-357    | 4   |       | Nut, Stamped                           |
| 6     | 0502-659    | 1   |       | Lever, Shift                           |
| 7     | 0402-678    | 1   | /P    | Spring, Shift Lever                    |
| 8     | 1502-332    | 1   |       | Actuator, Shift                        |
| 9     | 8424-602    | 1   | /P    | Nut                                    |
| 10    | 0423-182    | 2   | /P    | O-Ring                                 |
| 11    | 0402-675    | 1   |       | Axle, Pivot                            |
| 12    | 0423-299    | 2   | /P    | O-Ring                                 |
| 13    | 0423-087    | 1   |       | Washer                                 |
| 14    | 8408-812    | 1   |       | Screw, Cap                             |
| 15    | 8424-802    | 1   |       | Nut                                    |
| 16    | 1402-621    | 1   |       | Pin, Mounting                          |
| 17    | 0423-091    | 2   |       | Bushing                                |
| 18    | 0623-094    | 2   |       | Washer                                 |
| 19    | 0423-169    | 2   | /P    | E-Ring                                 |
| 20    | 1502-200    | 1   |       | Linkage, Shift - Assembly (inc. 21-23) |
| 21    | 0123-917    | 1   | /P    | Nut, Hex - Left-Hand Thread            |
| 22    | 1402-619    | 1   |       | Coupler                                |
| 23    | 0623-294    | 1   |       | Nut, Hex - Right-Hand Thread           |



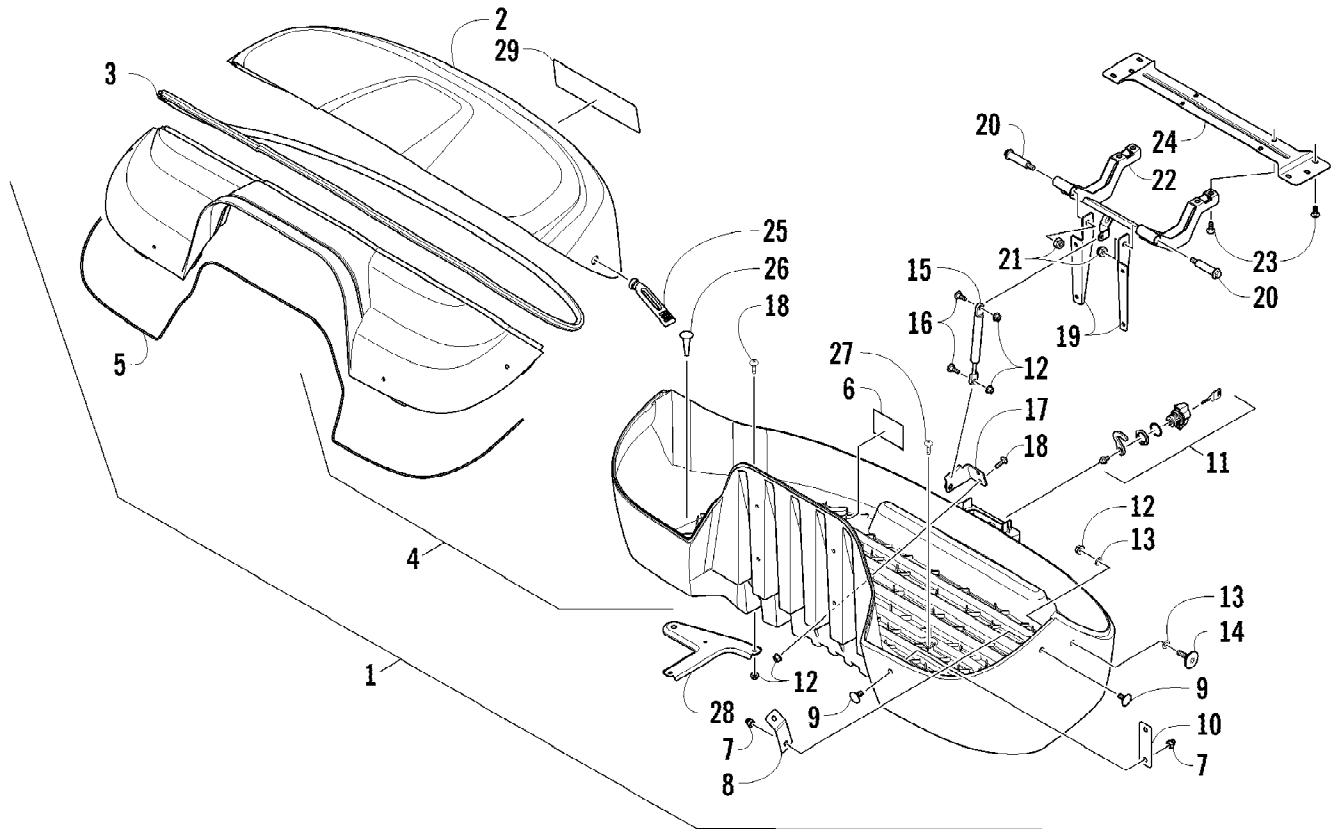
2012 TRV 550 CRUISER INTERNATIONAL METALLIC GREEN (A2012TCO1P) Page 69 of 89  
STARTER CLUTCH ASSEMBLY

| Ref # | Part Number | Qty | S/P/F | Description                      |
|-------|-------------|-----|-------|----------------------------------|
| 1     | 0815-001    | 1   |       | Gear, Starter Idler - No. 1      |
| 2     | 0829-031    | 1   | /P    | Shaft, Starter Gear              |
| 3     | 0815-002    | 1   |       | Gear, Starter Idler - No. 2      |
| 4     | 0815-003    | 1   |       | Spacer, Starter Idler Gear No. 2 |
| 5     | 0829-032    | 1   | /P    | Shaft, Starter Gear              |
| 6     | 0815-004    | 1   |       | Gear, Starter Clutch (inc. 7)    |
| 7     | 0832-079    | 1   | /P    | Bearing                          |
| 8     | 0802-035    | 1   |       | Clutch, Starter                  |
| 9     | 0826-069    | 6   |       | Screw, Machine                   |
| 10    | 0828-094    | 1   |       | Washer                           |



2012 TRV 550 CRUISER INTERNATIONAL METALLIC GREEN (A2012TCO1P) Page 71 of 89  
 STEERING ASSEMBLY

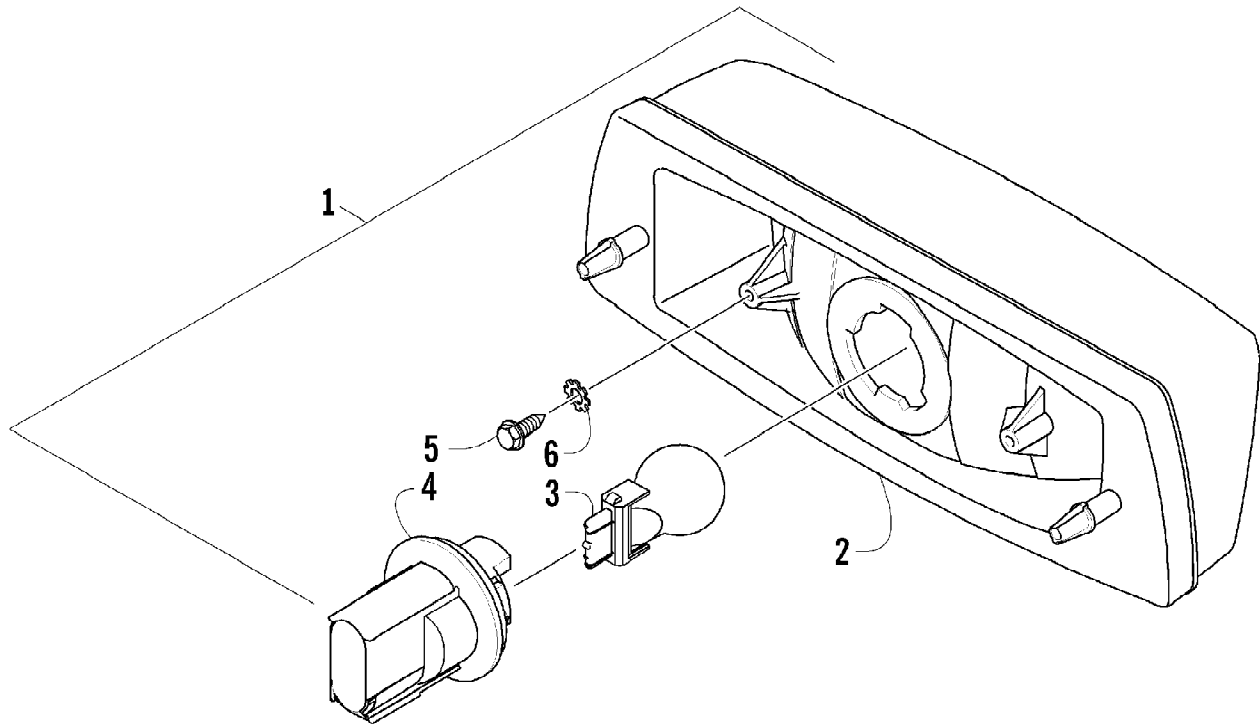
| Ref # | Part Number | Qty | S/P/F | Description                                      |
|-------|-------------|-----|-------|--------------------------------------------------|
| 1     | 8408-835    | 4   |       | Screw, Cap                                       |
| 2     | 0405-035    | 2   |       | Cap, Steering Adjuster                           |
| 3     | 0423-505    | 2   |       | Screw, Shoulder                                  |
| 4     | 0505-484    | 1   |       | Cap, Housing                                     |
| 5     | 0405-260    | 1   |       | Housing, Upper                                   |
| 6     | 0405-259    | 1   |       | Housing, Lower                                   |
| 7     | 0505-642    | 1   |       | Post, Steering                                   |
| 8     | 8020-045    | 2   |       | Screw, Cap                                       |
| 9     | 8040-366    | 2   | /P    | Nut, Lock                                        |
| 10    | 0505-766    | 1   |       | Assembly, Electronic Power Steering              |
| 11    | 8409-020    | 4   | /P    | Screw, Cap                                       |
| 12    | 0505-664    | 1   |       | Arm, Steering                                    |
| 13    | 8408-816    | 2   |       | Screw, Cap                                       |
| 14    | 0602-233    | 1   |       | Flange, Bearing                                  |
| 15    | 0405-052    | 1   |       | Bearing w/Inverted Oil Seal                      |
| 16    | 0505-499    | 2   | /P    | Tie Rod - Assembly (inc. 17-21)                  |
| 17    | 0505-511    | 2   | /P    | End, Tie Rod - Left-Hand Thread - Kit (inc. 18)  |
| 18    | 0423-013    | 2   |       | Nut - Left-Hand Thread                           |
| 19    | 0405-281    | 2   | /P    | Tie Rod                                          |
| 20    | 0505-510    | 2   | /P    | End, Tie Rod - Right-Hand Thread - Kit (inc. 21) |
| 21    | 8420-002    | 2   | /P    | Nut - Right-Hand Thread                          |
| 22    | 0423-157    | 4   |       | Nut, Lock                                        |
| 23    | 0623-175    | 4   |       | Pin, Cotter                                      |





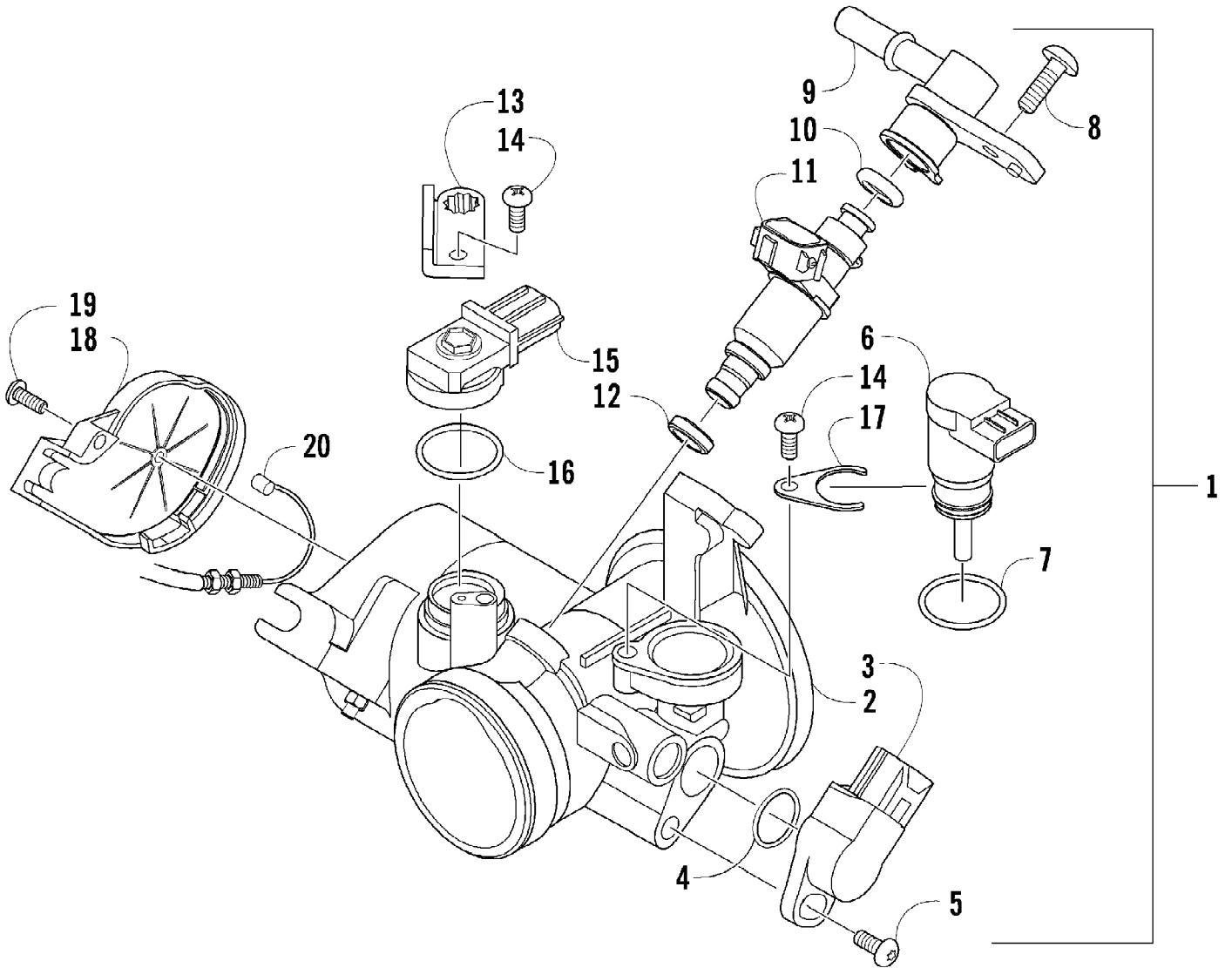
2012 TRV 550 CRUISER INTERNATIONAL METALLIC GREEN (A2012TCO1P) Page 73 of 89  
 STORAGE BOX ASSEMBLY

| Ref # | Part Number | Qty | S/P/F | Description                               |
|-------|-------------|-----|-------|-------------------------------------------|
| 1     | 4506-516    | 1   | /P    | Complete Storage Box Assembly (inc. 2-25) |
| 2     | 4506-430    | 1   |       | Lid, Storage Box                          |
| 3     | 2406-787    | 1   |       | Seal, Storage Box Lid                     |
| 4     | 4506-449    | 1   |       | Box, Storage - Assembly (inc. 5-10)       |
| 5     | 2406-793    | 1   |       | Seal, Storage Box Top                     |
| 6     | 1411-877    | 1   |       | Decal, Warning - Storage Box              |
| 7     | 0423-901    | 8   |       | Nut, Cap                                  |
| 8     | 2516-117    | 2   |       | Plate, Retaining                          |
| 9     | 0423-895    | 8   |       | Bolt, Carriage                            |
| 10    | 2516-116    | 2   |       | Plate, Retaining                          |
| 11    | 2416-209    | 1   | /P    | Latch, Storage Box Lid                    |
| 12    | 0423-540    | 8   |       | Nut, Lock                                 |
| 13    | 8050-223    | 4   |       | Washer                                    |
| 14    | 1423-060    | 2   |       | Screw, Shoulder                           |
| 15    | 2416-198    | 1   |       | Support, Lid                              |
| 16    | 0423-355    | 2   |       | Screw, Shoulder                           |
| 17    | 2516-511    | 1   |       | Bracket, Mounting - Lid Support           |
| 18    | 8477-620    | 5   |       | Screw, Machine                            |
| 19    | 2416-194    | 1   |       | Bracket, Support - Hinge - Right          |
| 19    | 2416-195    | 1   |       | Bracket, Support - Hinge - Left           |
| 20    | 0423-505    | 2   |       | Screw, Shoulder                           |
| 21    | 8432-802    | 2   |       | Nut, Lock                                 |
| 22    | 2516-514    | 1   |       | Hinge, Lid                                |
| 23    | 8477-616    | 10  |       | Screw, Machine                            |
| 24    | 2516-555    | 1   |       | Brace, Lid - Storage Box                  |
| 25    | 1606-930    | 2   |       | Strap, Hold-Down                          |
| 26    | 2406-843    | 4   |       | Plug                                      |
| 27    | 0423-889    | 6   |       | Screw, Cap                                |
| 28    | 2506-926    | 1   |       | Bracket, Mounting - Safety Flag           |
| 29    | 1411-725    | 1   |       | Decal, "Arctic Cat"                       |



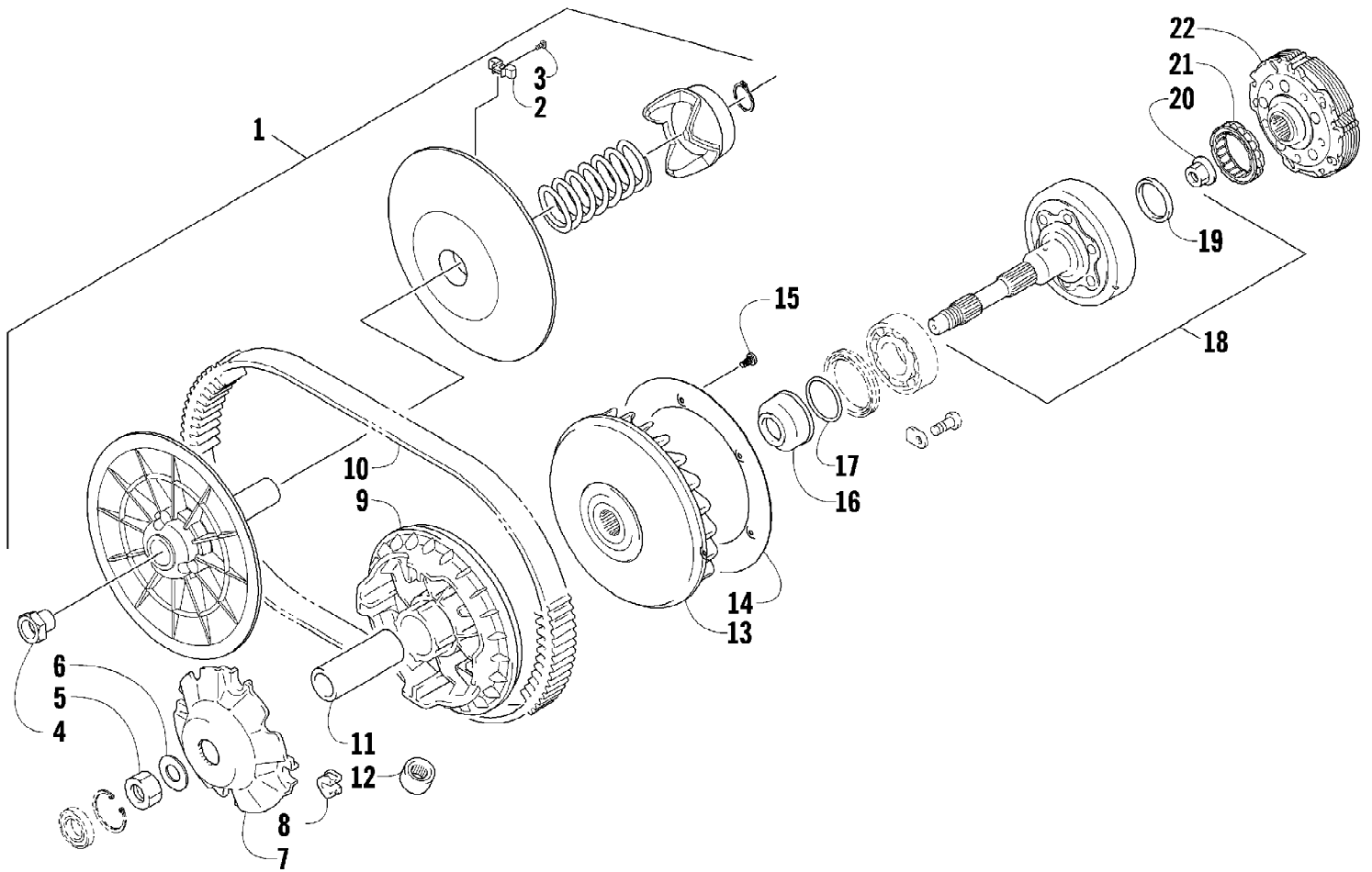
2012 TRV 550 CRUISER INTERNATIONAL METALLIC GREEN (A2012TCO1P) Page 75 of 89  
TAILLIGHT ASSEMBLY

| Ref # | Part Number | Qty | S/P/F | Description                   |
|-------|-------------|-----|-------|-------------------------------|
| 1     | 0509-022    | 1   |       | Taillight Assembly (inc. 2-4) |
| 2     | 0509-025    | 1   |       | Housing, Taillight            |
| 3     | 0409-056    | 1   |       | Bulb, Taillight               |
| 4     | 0409-057    | 1   |       | Socket, Taillight             |
| 5     | 0623-301    | 2   | /P    | Screw, Self-Tapping           |
| 6     | 8053-212    | 2   | /P    | Washer, External Tooth Lock   |



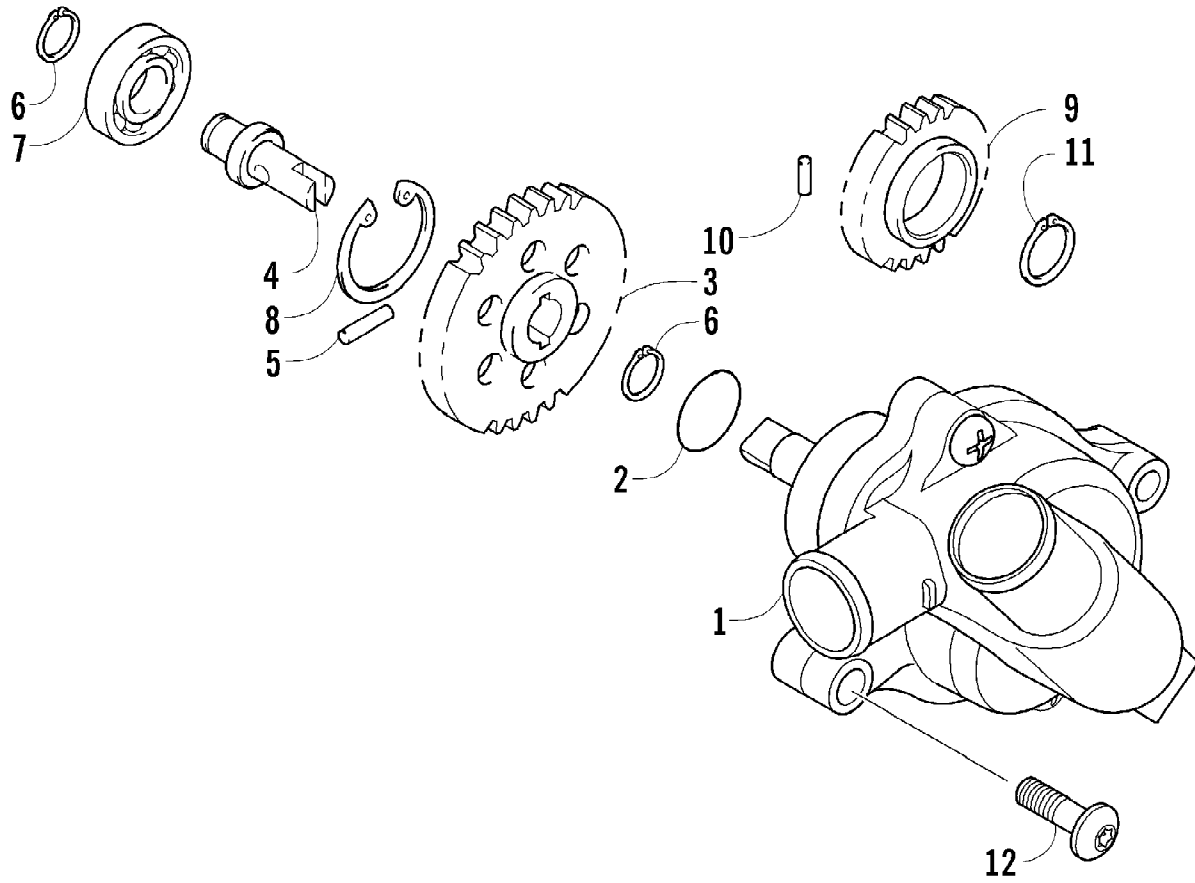
2012 TRV 550 CRUISER INTERNATIONAL METALLIC GREEN (A2012TCO1P) Page 77 of 89  
 THROTTLE BODY ASSEMBLY

| Ref # | Part Number | Qty | S/P/F | Description                     |
|-------|-------------|-----|-------|---------------------------------|
| 1     | 0470-753    | 1   |       | Throttle - Assembly (inc. 2-19) |
| 2     | 0           | 1   | F     | Throttle Body                   |
| 3     | 0430-072    | 1   |       | Sensor, Throttle Position       |
| 4     | 5507-234    | 1   |       | O-Ring                          |
| 5     | 5507-231    | 1   |       | Screw, Machine                  |
| 6     | 0430-074    | 1   |       | Valve, ISC                      |
| 7     | 5507-233    | 1   |       | O-Ring                          |
| 8     | 5507-238    | 1   |       | Screw, Machine                  |
| 9     | 0470-687    | 1   |       | Rail, Fuel                      |
| 10    | 0470-767    | 1   |       | O-Ring                          |
| 11    | 0470-762    | 1   |       | Injector, Fuel                  |
| 12    | 0470-768    | 1   |       | Seal                            |
| 13    | 5507-227    | 1   |       | Bracket, MAP Sensor             |
| 14    | 5507-117    | 2   | /P    | Screw, Machine                  |
| 15    | 0430-073    | 1   |       | Sensor, MAP                     |
| 16    | 5507-232    | 1   |       | O-Ring                          |
| 17    | 5507-229    | 1   |       | Plate, ISC Valve                |
| 18    | 5507-223    | 1   |       | Cover                           |
| 19    | 5507-037    | 1   | /P    | Screw, Machine                  |
| 20    | 0487-057    | 1   |       | Cable, Throttle                 |



2012 TRV 550 CRUISER INTERNATIONAL METALLIC GREEN (A2012TCO1P) Page 79 of 89  
 TRANSMISSION ASSEMBLY

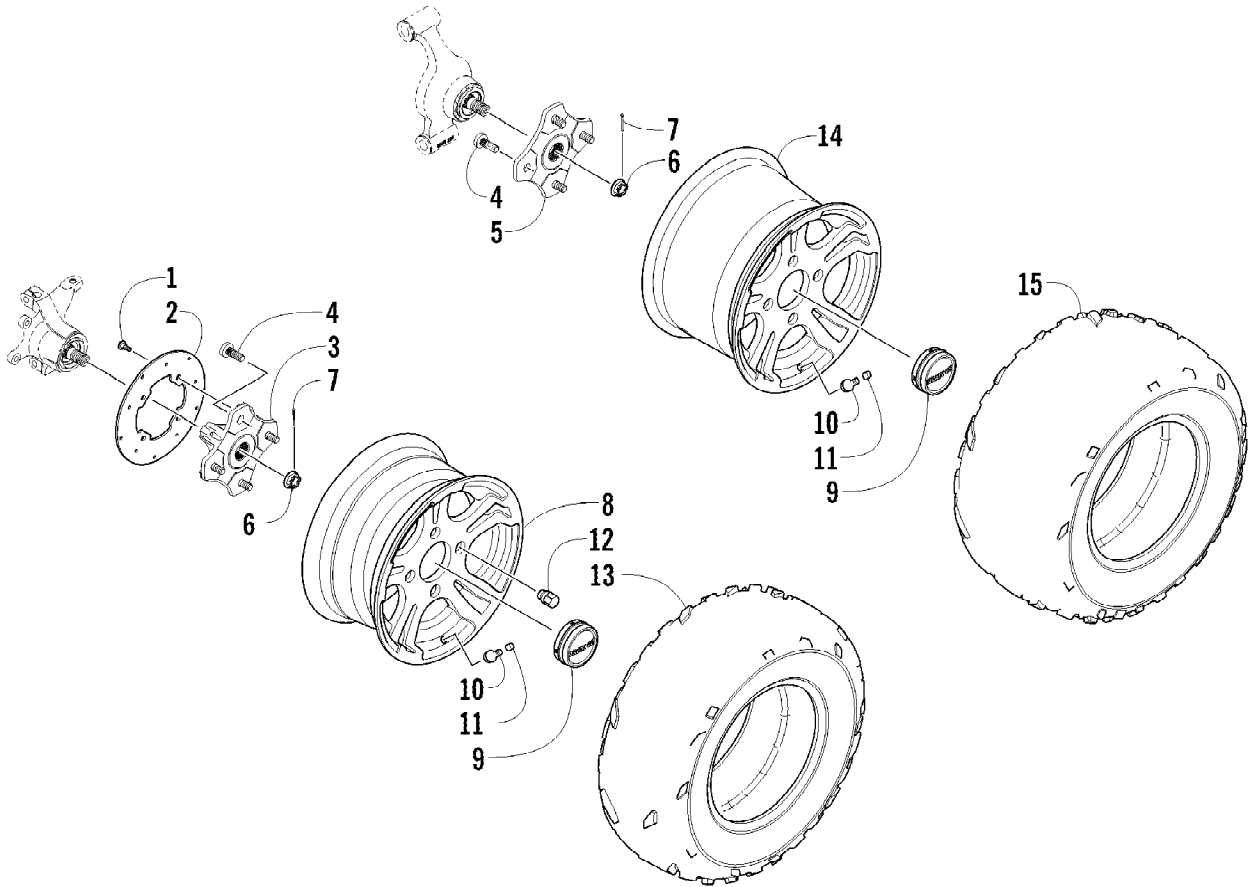
| Ref # | Part Number | Qty | S/P/F | Description                          |
|-------|-------------|-----|-------|--------------------------------------|
| 1     | 0823-353    | 1   | /P    | Pulley, Driven - Assembly (inc. 2-4) |
| 2     | 0823-176    | 3   | /P    | Shoe, Cam                            |
| 3     | 0823-177    | 3   |       | Screw, Machine                       |
| 4     | 0823-178    | 1   |       | Nut                                  |
| 5     | 0827-010    | 1   |       | Nut                                  |
| 6     | 0828-106    | 1   |       | Washer                               |
| 7     | 0823-276    | 1   |       | Plate, Movable Drive Face            |
| 8     | 0823-277    | 4   |       | Damper, Movable Drive Face           |
| 9     | 0823-273    | 1   |       | Face, Movable Drive                  |
| 10    | 0823-013    | 1   |       | Belt, Drive                          |
| 11    | 0823-271    | 1   |       | Spacer                               |
| 12    | 0823-167    | 8   | /P    | Roller                               |
| 13    | 0823-272    | 1   |       | Face, Fixed Drive                    |
| 14    | 0823-131    | 1   |       | Shroud, Drive Face                   |
| 15    | 0623-914    | 6   |       | Screw, Self-Tapping                  |
| 16    | 0823-015    | 1   |       | Spacer, Fixed Drive Face             |
| 17    | 0470-531    | 1   |       | O-Ring                               |
| 18    | 0821-002    | 1   | /P    | Housing, Clutch - Assembly           |
| 19    | 0830-189    | 1   | /P    | Seal                                 |
| 20    | 0827-011    | 1   |       | Nut                                  |
| 21    | 0823-018    | 1   |       | Clutch, One-Way                      |
| 22    | 0823-310    | 1   | /P    | Clutch, Centrifugal - 6 Plate        |





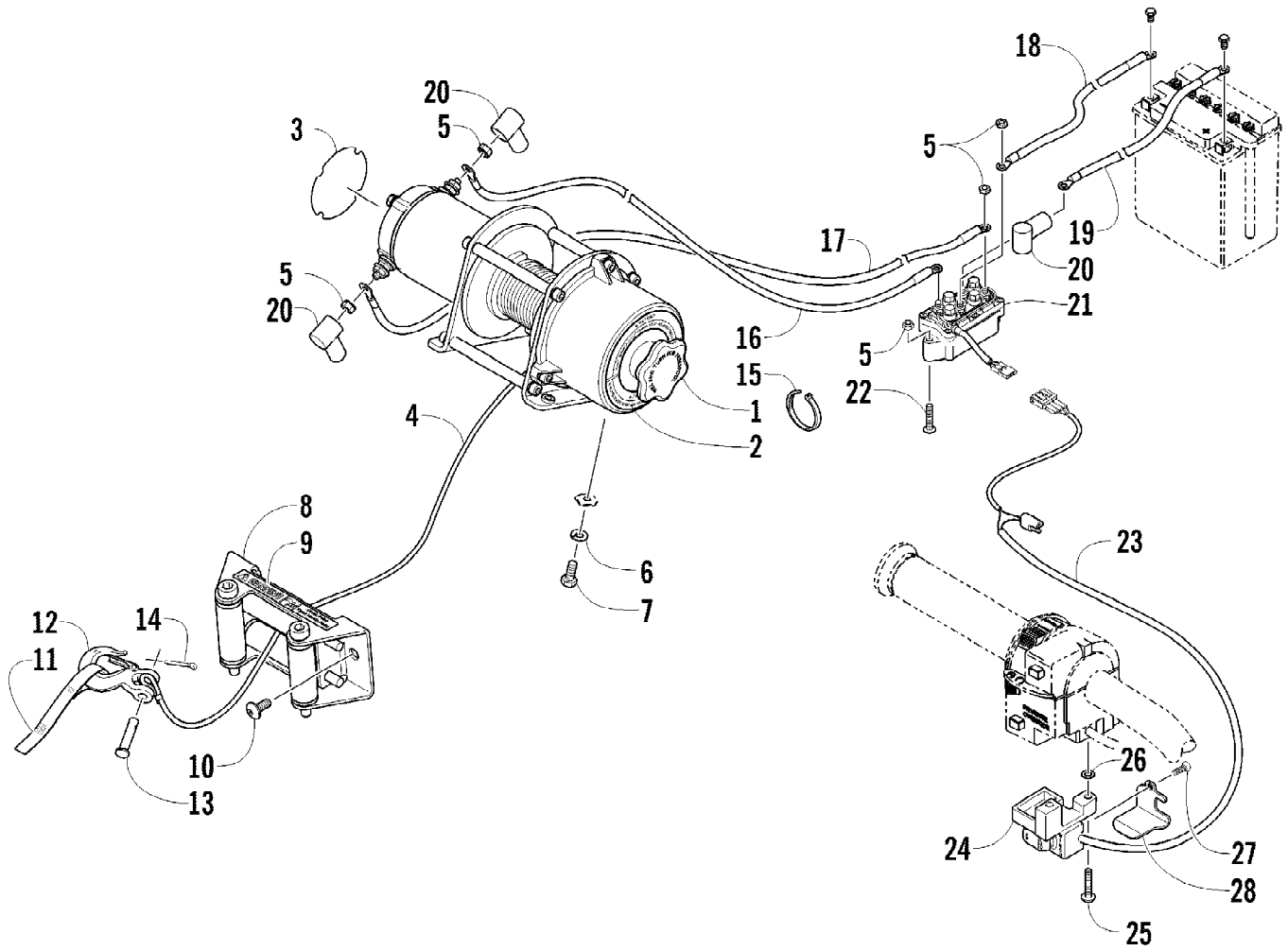
2012 TRV 550 CRUISER INTERNATIONAL METALLIC GREEN (A2012TCO1P) Page 81 of 89  
WATER PUMP ASSEMBLY

| Ref # | Part Number | Qty | S/P/F | Description                     |
|-------|-------------|-----|-------|---------------------------------|
| 1     | 0813-001    | 1   |       | Pump, Water - Assembly (inc. 2) |
| 2     | 0830-029    | 1   |       | O-Ring                          |
| 3     | 0813-004    | 1   |       | Gear, Driven                    |
| 4     | 0813-005    | 1   |       | Shaft, Driven Gear              |
| 5     | 0829-009    | 1   |       | Pin                             |
| 6     | 0831-002    | 2   |       | Ring, Retaining                 |
| 7     | 0832-046    | 1   | /P    | Bearing                         |
| 8     | 0831-004    | 1   |       | Ring, Retaining                 |
| 9     | 0811-003    | 1   |       | Gear, Water Pump Drive          |
| 10    | 0829-007    | 1   |       | Pin                             |
| 11    | 0831-005    | 1   |       | Ring, Retaining                 |
| 12    | 8468-665    | 2   |       | Screw, Machine                  |



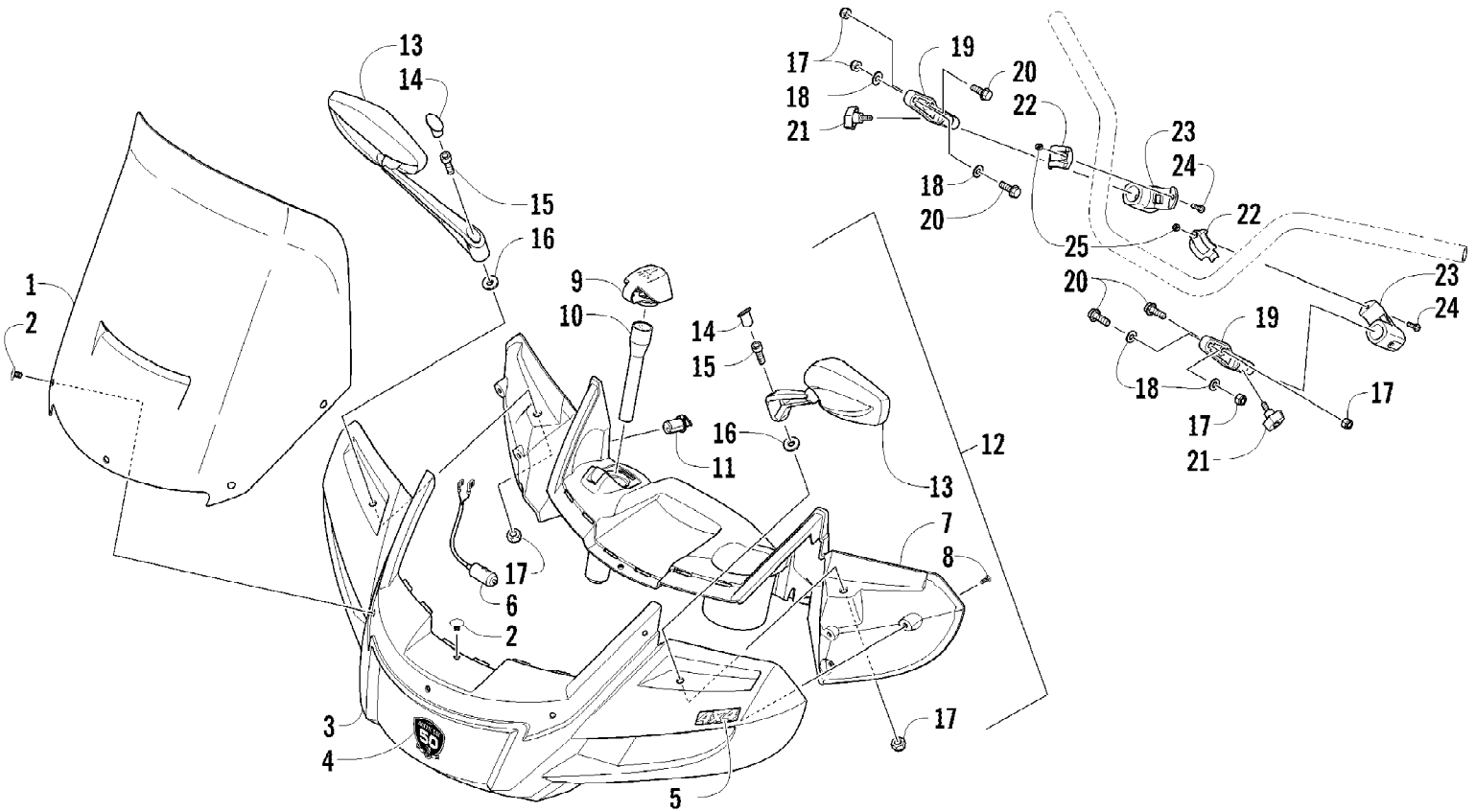
2012 TRV 550 CRUISER INTERNATIONAL METALLIC GREEN (A2012TCO1P) Page 83 of 89  
 WHEEL AND TIRE ASSEMBLY

| Ref # | Part Number | Qty | S/P/F | Description                        |
|-------|-------------|-----|-------|------------------------------------|
| 1     | 0423-557    | 12  |       | Screw, Shoulder                    |
| 2     | 2402-002    | 3   |       | Disc, Brake                        |
| 3     | 1502-462    | 2   | /P    | Hub, Wheel - Front (inc. 4)        |
| 4     | 0402-974    | 16  | /P    | Stud                               |
| 5     | 1502-462    | 1   | /P    | Hub, Wheel - Rear - Right (inc. 4) |
| 5     | 1502-464    | 1   |       | Hub, Wheel - Rear - Left (inc. 4)  |
| 6     | 0423-607    | 4   |       | Nut, Castle                        |
| 7     | 0423-407    | 4   |       | Pin, Cotter                        |
| 8     | 1402-730    | 2   |       | Wheel - Front (inc. 9)             |
| 9     | 1402-736    | 4   |       | Cap, Wheel                         |
| 10    | 0402-064    | 4   |       | Stem, Valve (inc. 11)              |
| 11    | 0402-140    | 4   |       | Cap, Valve Stem                    |
| 12    | 0423-618    | 16  |       | Nut, Lug                           |
| 13    | 1402-894    | 2   |       | Tire - Front                       |
| 14    | 1402-731    | 2   |       | Wheel - Rear (inc. 9)              |
| 15    | 1402-895    | 2   |       | Tire - Rear                        |



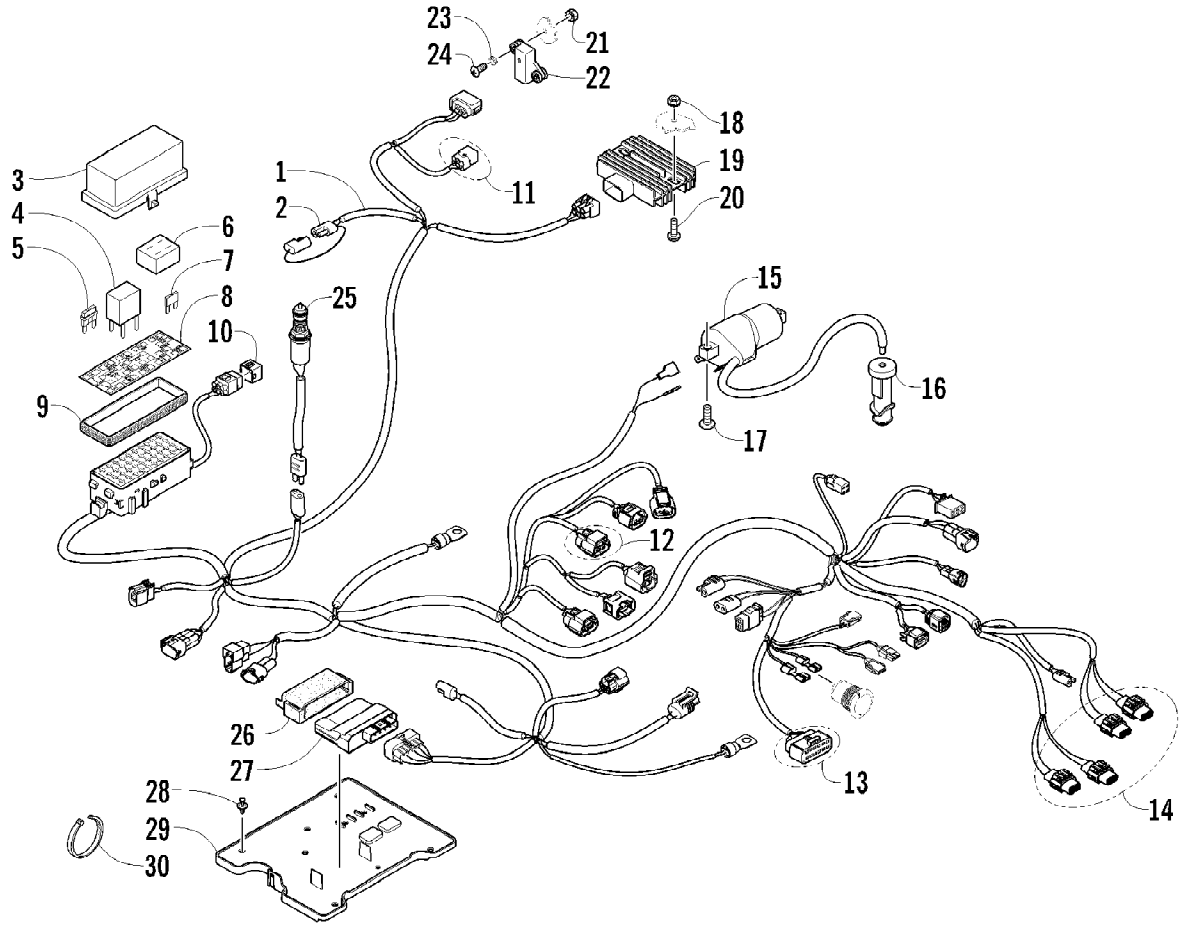
2012 TRV 550 CRUISER INTERNATIONAL METALLIC GREEN (A2012TCO1P) Page 85 of 89  
WINCH ASSEMBLY

| Ref # | Part Number | Qty | S/P/F | Description                     |
|-------|-------------|-----|-------|---------------------------------|
| 1     | 2441-250    | 1   |       | Winch (inc. 2-4 and two No. 5)  |
| 2     | 2411-141    | 1   |       | Decal, Warning - Tension        |
| 3     | 2411-140    | 1   |       | Decal, Warning - Operation      |
| 4     | 1441-831    | 1   |       | Cable, Winch                    |
| 5     | 0623-038    | 8   |       | Nut w/Washer                    |
| 6     | 8051-246    | 4   |       | Washer, Lock                    |
| 7     | 8408-820    | 4   | /P    | Screw, Cap                      |
| 8     | 0441-403    | 1   | /P    | Roller, Winch (inc. 9)          |
| 9     | 0411-474    | 1   |       | Decal, Warning - Pinch Point    |
| 10    | 8468-820    | 2   |       | Screw, Machine                  |
| 11    | 1441-781    | 1   |       | Strap                           |
| 12    | 1441-833    | 1   |       | Hook, Winch                     |
| 13    | 1441-834    | 1   |       | Pin                             |
| 14    | 0623-175    | 1   |       | Pin, Cotter                     |
| 15    | 0123-903    | AR  |       | Tie, Cable - 11.5 in.           |
| 16    | 0445-068    | 1   |       | Cable, Winch/Solenoid - Yellow  |
| 17    | 0445-069    | 1   |       | Cable, Winch/Solenoid - Blue    |
| 18    | 1441-112    | 1   |       | Cable, Solenoid/Battery - Black |
| 19    | 0445-087    | 1   |       | Cable, Solenoid/Battery - Red   |
| 20    | 0645-019    | 3   |       | Boot, Terminal                  |
| 21    | 0409-066    | 1   | /P    | Solenoid                        |
| 22    | 8476-625    | 2   |       | Screw, Machine                  |
| 23    | 0409-087    | 1   |       | Switch, Control                 |
| 24    | 0409-034    | 1   |       | Retainer, Control Switch        |
| 25    | 8464-560    | 2   |       | Screw, Machine                  |
| 26    | 0423-593    | 1   |       | Washer                          |
| 27    | 0423-382    | 1   |       | Screw, Self-Tapping             |
| 28    | 0409-106    | 1   |       | Cover, Switch                   |



2012 TRV 550 CRUISER INTERNATIONAL METALLIC GREEN (A2012TCO1P) Page 87 of 89  
 WINDSHIELD ASSEMBLY

| Ref # | Part Number | Qty | S/P/F | Description                             |
|-------|-------------|-----|-------|-----------------------------------------|
| 1     | 0405-384    | 1   |       | Windshield                              |
| 2     | 0423-767    | 6   | S     | Clip, Retaining                         |
| 3     | 0505-619    | 1   |       | Base, Windshield                        |
| 4     | 9611-603    | 1   |       | Decal, 50th Anniversary                 |
| 5     | 1411-989    | 1   |       | Decal, Base - "4x4"                     |
| 6     | 0486-319    | 1   |       | Adapter, Harness - Outlet Accessory     |
| 7     | 0405-332    | 1   |       | Console - Black                         |
| 8     | 0423-950    | 6   |       | Screw, Self-Tapping                     |
| 9     | 0405-353    | 1   |       | Cover, Flashlight                       |
| 10    | 1441-839    | 1   |       | Flashlight                              |
| 11    | 0641-897    | 1   | /P    | Outlet, Accessory - 12V                 |
| 12    | 1436-326    | 1   | /P    | Kit, Mirror (inc. 13-16 and two No. 17) |
| 13    | 0405-322    | 1   | S     | Mirror - Right                          |
| 13    | 0405-323    | 1   | S     | Mirror - Left                           |
| 14    | 0423-952    | 2   |       | Plug                                    |
| 15    | 8440-835    | 2   |       | Screw, Cap                              |
| 16    | 0423-951    | 2   |       | Washer, Rubber                          |
| 17    | 8427-805    | 6   |       | Nut, Lock                               |
| 18    | 0423-948    | 4   |       | Washer                                  |
| 19    | 0405-352    | 2   | S     | Pin, Mounting - Tapered                 |
| 20    | 0423-949    | 4   |       | Screw, Cap                              |
| 21    | 1441-902    | 2   |       | Knob, Adjuster                          |
| 22    | 0405-351    | 2   | S     | Cap, Handlebar Clamp                    |
| 23    | 0405-350    | 2   | S     | Clamp, Handlebar                        |
| 24    | 8471-520    | 2   |       | Screw, Machine                          |
| 25    | 8431-503    | 2   |       | Nut, Lock                               |





2012 TRV 550 CRUISER INTERNATIONAL METALLIC GREEN (A2012TCO1P) Page 89 of 89  
WIRING HARNESS ASSEMBLY

| Ref # | Part Number | Qty | S/P/F | Description                                |
|-------|-------------|-----|-------|--------------------------------------------|
| 1     | 0486-379    | 1   |       | Harness, Main (inc. 2-10)                  |
| 2     | 0486-164    | 2   |       | Tether, Accessory Connector                |
| 3     | 0430-085    | 1   |       | Cover, Fuse Block                          |
| 4     | 0430-045    | 6   | /P    | Relay (4-Pin) - 20 Amp                     |
| 5     | 0430-034    | 2   |       | Diode                                      |
| 6     | 0430-037    | 1   |       | Holder, Fuse                               |
| 7     | 0430-032    | 6   |       | Fuse - 10 Amp                              |
| 7     | 0430-031    | 4   |       | Fuse - 15 Amp                              |
| 7     | 0430-030    | 3   |       | Fuse - 30 Amp                              |
| 8     | 2411-214    | 1   |       | Decal, Fuse Block                          |
| 9     | 0430-086    | 1   |       | Seal                                       |
| 10    | 0430-097    | 1   |       | Cover, Diagnostics Connector               |
| 11    | 1436-416    | 1   |       | Repair Kit, Connector - Tilt Sensor        |
| 12    | 1436-417    | 1   |       | Repair Kit, Connector - Idle Speed Control |
| 13    | 1436-415    | 1   |       | Repair Kit, Connector - LCD Gauge          |
| 14    | 1436-289    | AR  |       | Repair Kit, Connector - Headlight          |
| 15    | 0824-043    | 1   |       | Coil, Ignition                             |
| 16    | 0824-049    | 1   | /P    | Cap, Spark Plug                            |
| 17    | 8476-620    | 2   |       | Screw, Machine                             |
| 18    | 0623-038    | 2   |       | Nut w/Washer                               |
| 19    | 0824-037    | 1   | /P    | Regulator, Voltage                         |
| 20    | 8476-625    | 2   |       | Screw, Machine                             |
| 21    | 0423-493    | 2   |       | Nut w/Washer                               |
| 22    | 0409-064    | 1   |       | Sensor, Tilt                               |
| 23    | 0123-802    | 2   |       | Washer                                     |
| 24    | 8468-425    | 2   |       | Screw, Machine                             |
| 25    | 0409-089    | 1   |       | Switch, Brake - Assembly                   |
| 26    | 0430-076    | 1   |       | Cushion, ECU                               |
| 27    | 0530-070    | 1   |       | ECU                                        |
| 28    | 0623-362    | 3   |       | Rivet, Reinstallable                       |
| 29    | 2406-643    | 1   |       | Tray, Electrical                           |
| 30    | 0123-788    | AR  | /P    | Tie, Cable - 8 in.                         |
| 30    | 0123-903    | AR  |       | Tie, Cable - 11.5 in.                      |