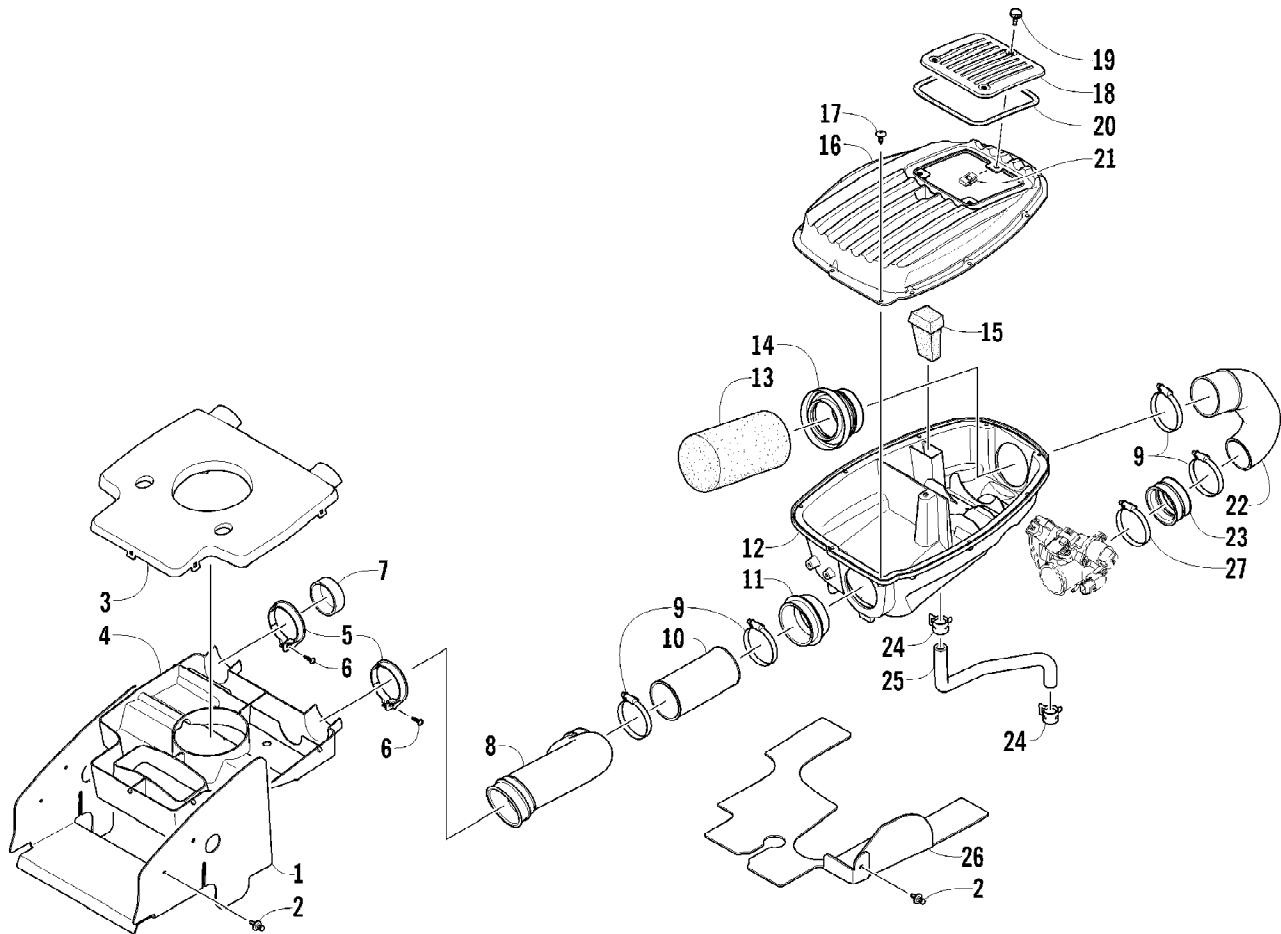


2012 TRV 450 GT ORANGE (A2012TGK2PUSU)
AIR INTAKE ASSEMBLY

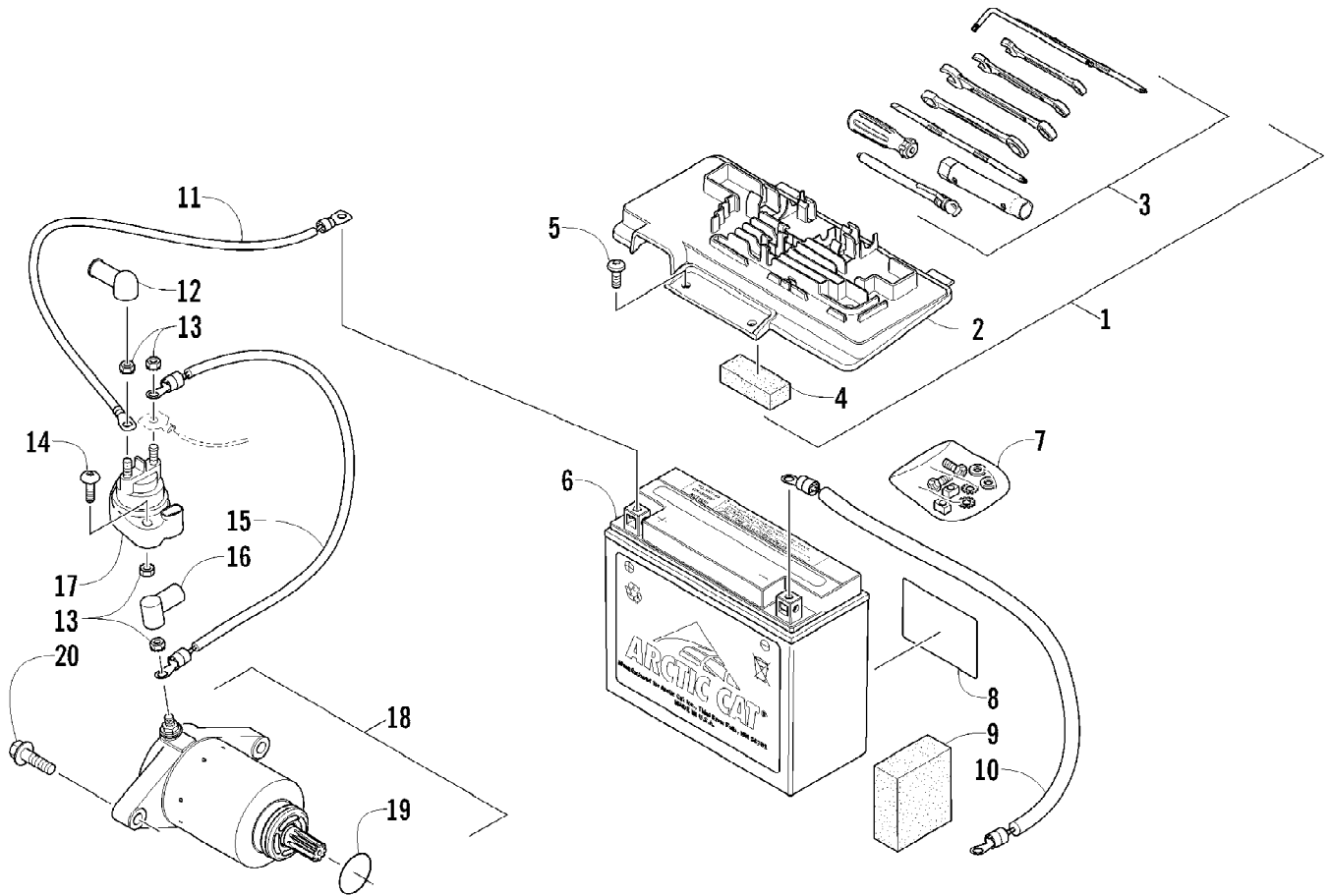


2012 TRV 450 GT ORANGE (A2012TGK2PUSU)
AIR INTAKE ASSEMBLY

Page 2 of 79

Ref #	Part Number	Qty	S/P/F	Description
1	2406-013	1		Shroud, Splash
2	0623-362	4		Rivet, Reinstallable
3	0413-091	1		Diverter, Air - Top
4	0413-093	1		Diverter, Air - Bottom
5	0423-551	2		Clamp
6	0423-342	2	/P	Screw, Self-Tapping
7	0413-096	1		Cap, Air Intake - Diverter
8	0470-529	1		Duct, Air Intake - Engine
9	0423-019	4		Clamp
10	0470-875	1		Duct, Intake - Diverter/Housing
11	0470-869	1		Boot, Intake - Diverter/Housing
12	0470-872	1		Housing, Intake
13	0470-890	1		Filter, Air
14	0470-888	1		Boot, Adapter
15	0470-891	1		Filter, Vent
16	0470-873	1		Cover, Intake
17	0623-784	11		Screw, Self-Tapping
18	0470-874	1		Cover, Access
19	0423-996	3		Screw, Thumb
20	0470-892	1		Seal
21	1623-637	3		Clip, U-Nut
22	0470-876	1		Duct, Intake - Housing/Throttle Body
23	0470-871	1		Boot, Intake - Housing/Throttle Body
24	1623-281	2		Clamp, Hose
25	0410-173	1	/P	Hose, Vent
26	2416-388	1		Panel, Shield
27	0423-832	1		Clamp

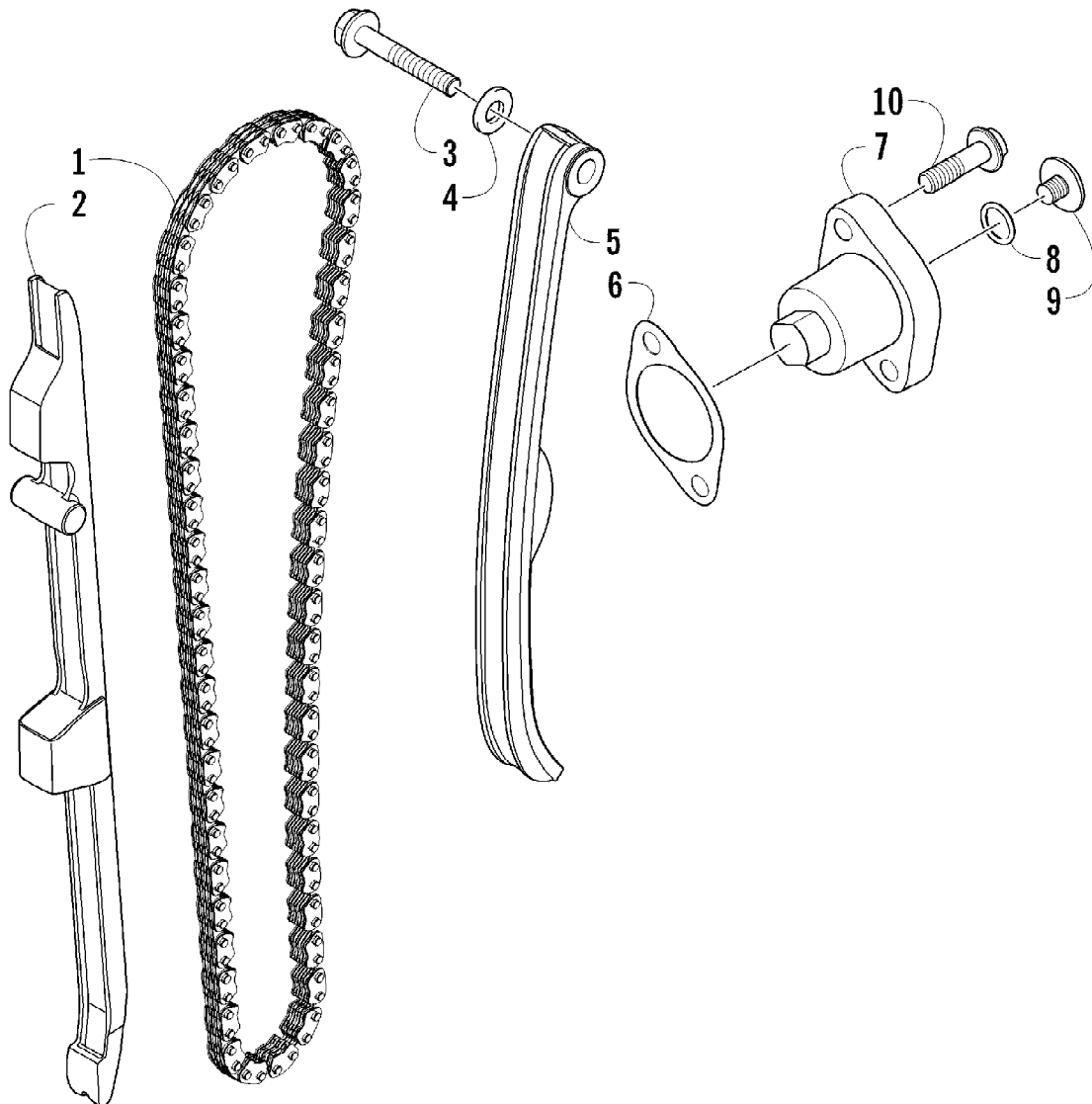
2012 TRV 450 GT ORANGE (A2012TGK2PUSU)
BATTERY AND STARTER ASSEMBLY



2012 TRV 450 GT ORANGE (A2012TGK2PUSU)
BATTERY AND STARTER ASSEMBLY

Page 4 of 79

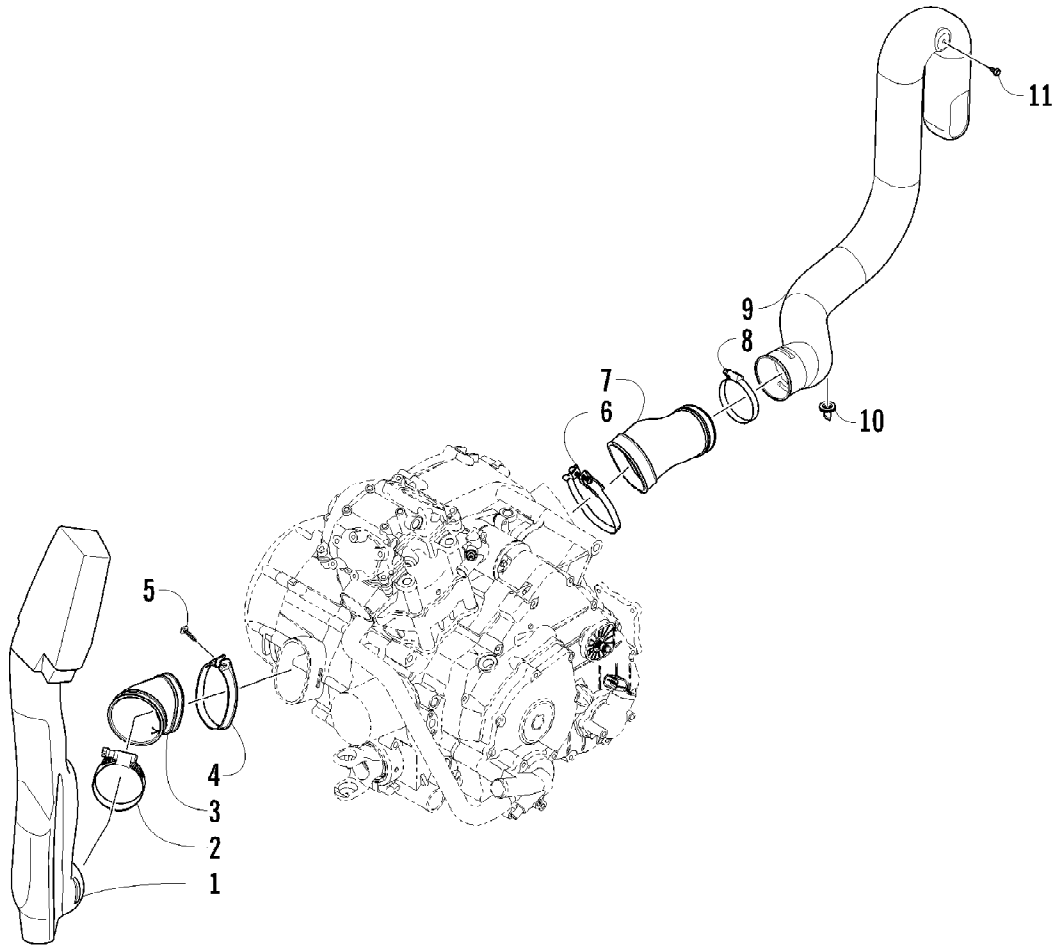
Ref #	Part Number	Qty	S/P/F	Description
1	5991-655	1	/P	Battery Cover/Tool Tray Assembly (inc. 2-4)
2	2406-815	1	/P	Cover, Battery
3	0444-122	1	S/P	Kit, Tool
4	0417-016	1		Pad, Battery
5	8476-620	2		Screw, Machine
6	0645-480	1		Battery Assembly (inc. 7-8)
7	0445-082	1		Kit, Hardware
8	0645-430	1		Decal, Warning
9	0417-017	1		Foam, Battery
10	0445-070	1		Cable, Battery/Ground
11	0445-062	1		Cable, Battery/Solenoid
12	0645-327	1		Boot, Terminal
13	0623-038	5		Nut w/Washer
14	8476-625	2		Screw, Machine
15	0445-064	1		Cable, Solenoid/Starter (inc. 16)
16	0645-019	1		Boot, Terminal
17	0445-058	1	/P	Solenoid
18	3305-954	1		Motor, Starter - Assembly (inc. 19)
19	3304-104	1		O-Ring
20	3305-946	2		Screw, Cap



2012 TRV 450 GT ORANGE (A2012TGK2PUSU)
CAM CHAIN ASSEMBLY

Page 6 of 79

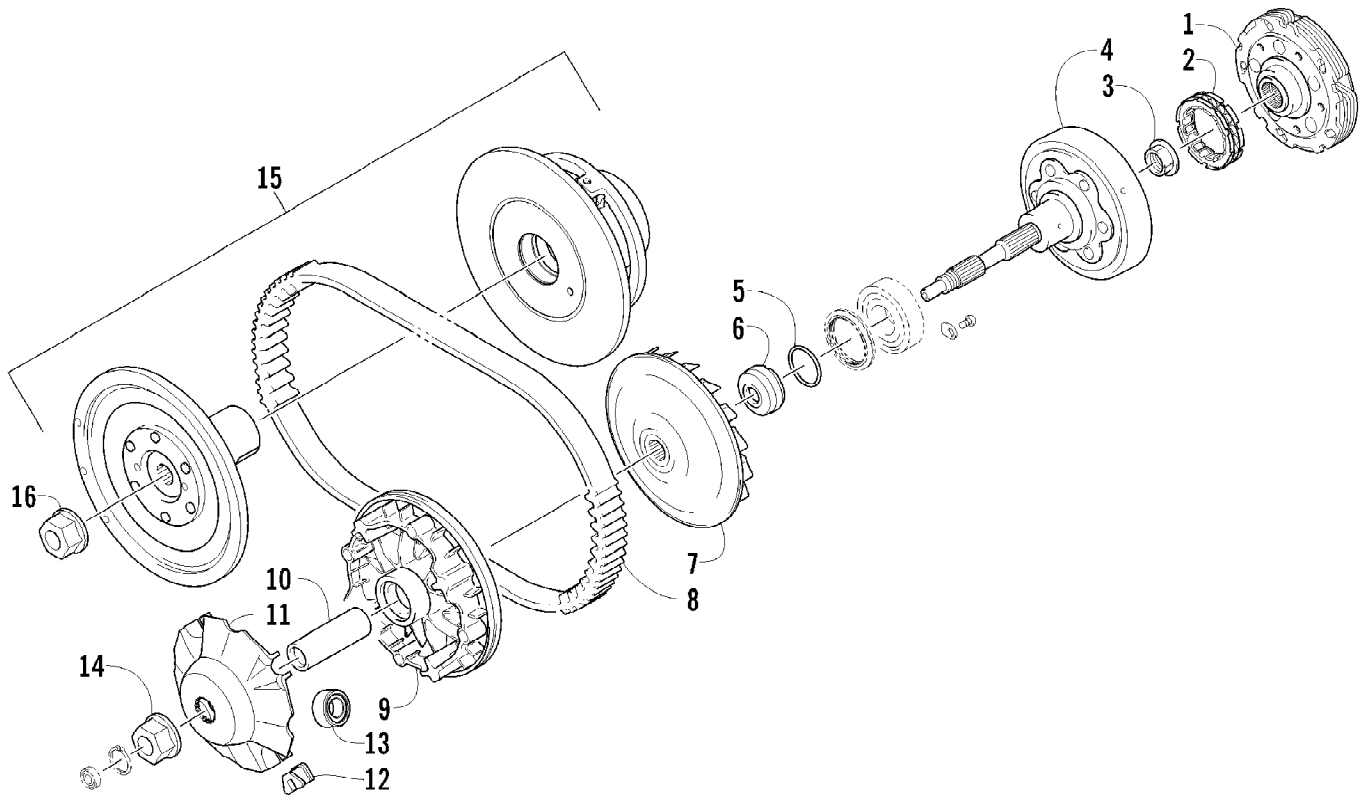
Ref #	Part Number	Qty	S/P/F	Description
1	0810-005	1		Chain, Cam
2	0810-068	1		Guide, Chain
3	0826-133	1		Pivot, Tensioner
4	0830-150	1		Washer
5	0810-007	1		Tensioner, Chain
6	3303-035	1		Gasket
7	3303-677	1		Adjuster, Tensioner - Assembly
8	3304-100	1	/P	O-Ring
9	3304-006	1		Screw, Adjuster
10	3303-360	2		Screw, Cap



2012 TRV 450 GT ORANGE (A2012TGK2PUSU)
CASE/BELT COOLING ASSEMBLY

Page 8 of 79

Ref #	Part Number	Qty	S/P/F	Description
1	0413-126	1		Duct, Air Intake - Front - Lower
2	0423-057	1		Clamp
3	0413-160	1	/P	Boot, Duct - Air Intake - Front
4	0423-550	1		Clamp
5	0423-342	1	/P	Screw, Self-Tapping
6	0423-730	1		Clamp
7	0413-231	1		Boot, Duct - Air Out - Rear
8	0423-019	1		Clamp
9	0413-106	1		Duct, Air Out - Rear
10	0470-442	1	/P	Valve, Drain
11	0623-301	1	/P	Screw, Self-Tapping

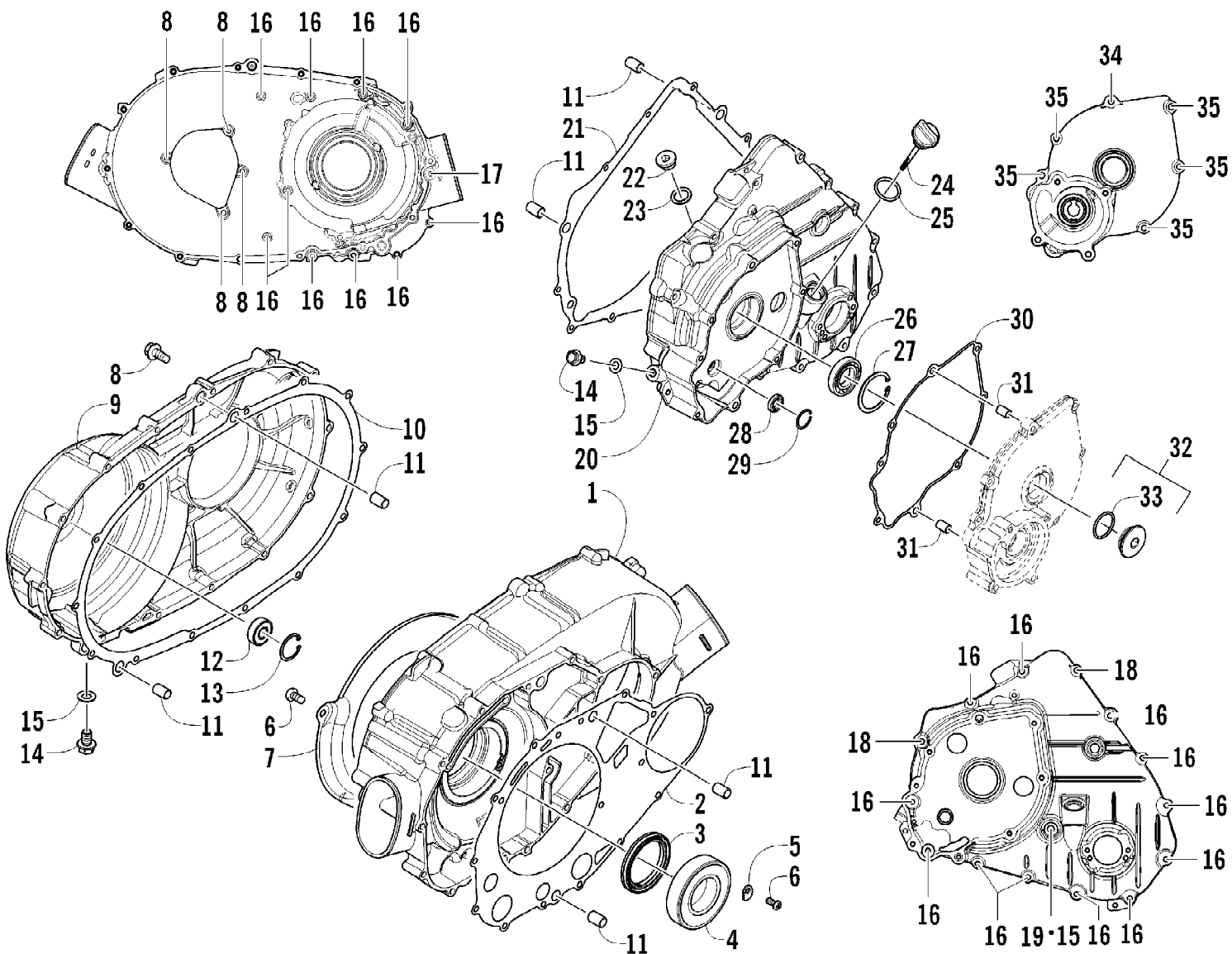


2012 TRV 450 GT ORANGE (A2012TGK2PUSU)
CLUTCH AND DRIVE BELT ASSEMBLY

Page 10 of 79

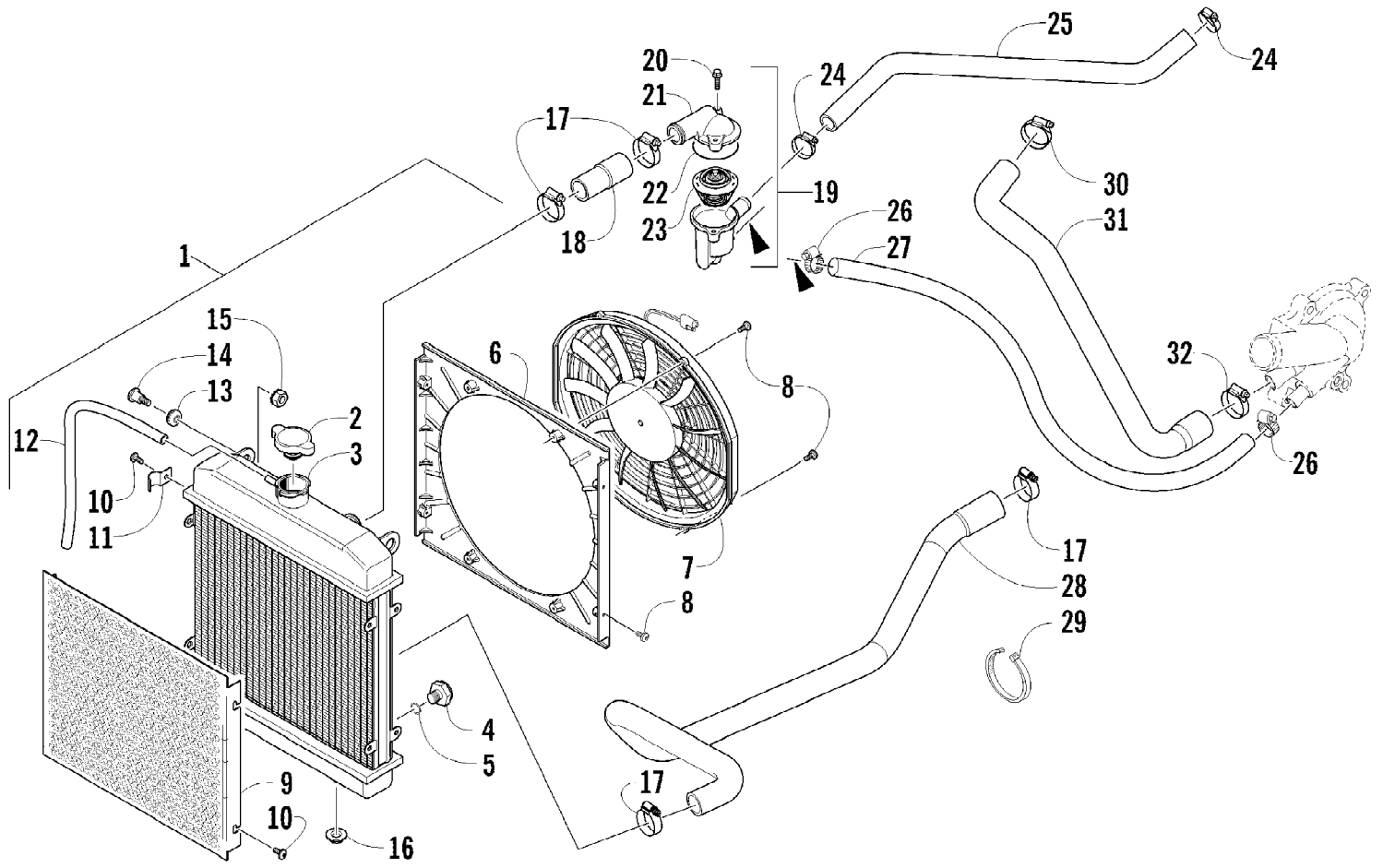
Ref #	Part Number	Qty	S/P/F	Description
1	0823-328	1		Shoe, Clutch - Assembly
2	0823-198	1		Clutch, One-Way
3	0827-050	1		Nut
4	0823-338	1		Housing, Clutch
5	0470-531	1		O-Ring
6	0823-058	1		Spacer
7	0823-313	1		Face, Fixed Drive
8	0823-228	1		Belt, Drive
9	0823-324	1		Face, Movable Drive
10	0823-206	1		Spacer, Movable Drive Face
11	0823-213	1		Plate, Movable Drive Face
12	0823-214	4		Damper, Movable Drive Face
13	0823-351	8		Roller, Movable Drive Face
14	3323-165	1	/P	Nut
15	0823-350	1		Clutch, Driven - Assembly
16	0827-058	1		Nut

2012 TRV 450 GT ORANGE (A2012TGK2PUSU)
CLUTCH/DRIVE BELT/MAGNETO COVER ASSEMBLY



2012 TRV 450 GT ORANGE (A2012TGK2PUSU)
CLUTCH/DRIVE BELT/MAGNETO COVER ASSEMBLY

Ref #	Part Number	Qty	S/P/F	Description
1	0806-026	1		Cover, Clutch
2	0830-055	1		Gasket
3	0830-157	1		Seal
4	0832-071	1		Bearing
5	0822-104	2		Retainer, Bearing
6	0826-144	5		Screw, Machine
7	0806-103	1		Plate, Air Intake
8	3303-386	18	/P	Screw, Cap
9	0806-027	1		Cover, Drive Belt
10	0830-056	1		Gasket
11	0829-046	6		Pin, Dowel
12	0832-023	1		Bearing
13	3303-347	1		Circlip
14	3303-365	2		Plug, Drain
15	3303-591	3		Gasket, Drain Plug
16	3304-903	22		Screw, Cap
17	0826-066	1		Screw, Cap
18	3304-191	2	/P	Screw, Cap
19	0826-068	1		Screw, Cap
20	0806-122	1		Cover, Magneto
21	0830-057	1		Gasket
22	0806-099	1		Plug
23	0830-141	1		Washer, Crush
24	0806-029	1		Stick, Oil Level (inc. 25)
25	3304-102	1	/P	O-Ring, Oil Level Stick
26	0832-053	1		Bearing
27	3305-943	1		Ring, Retaining
28	3305-944	1		Bearing
29	3305-942	1		Ring, Retaining
30	0830-206	1		Gasket
31	3301-716	2		Pin, Dowel
32	0812-087	1		Cap, Inspection (inc. 33)
33	0835-016	1		O-Ring
34	0826-136	1		Screw, Cap
35	3303-383	5	/P	Screw, Cap

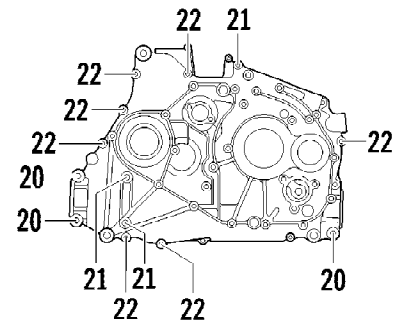
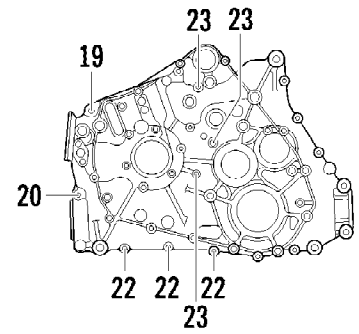
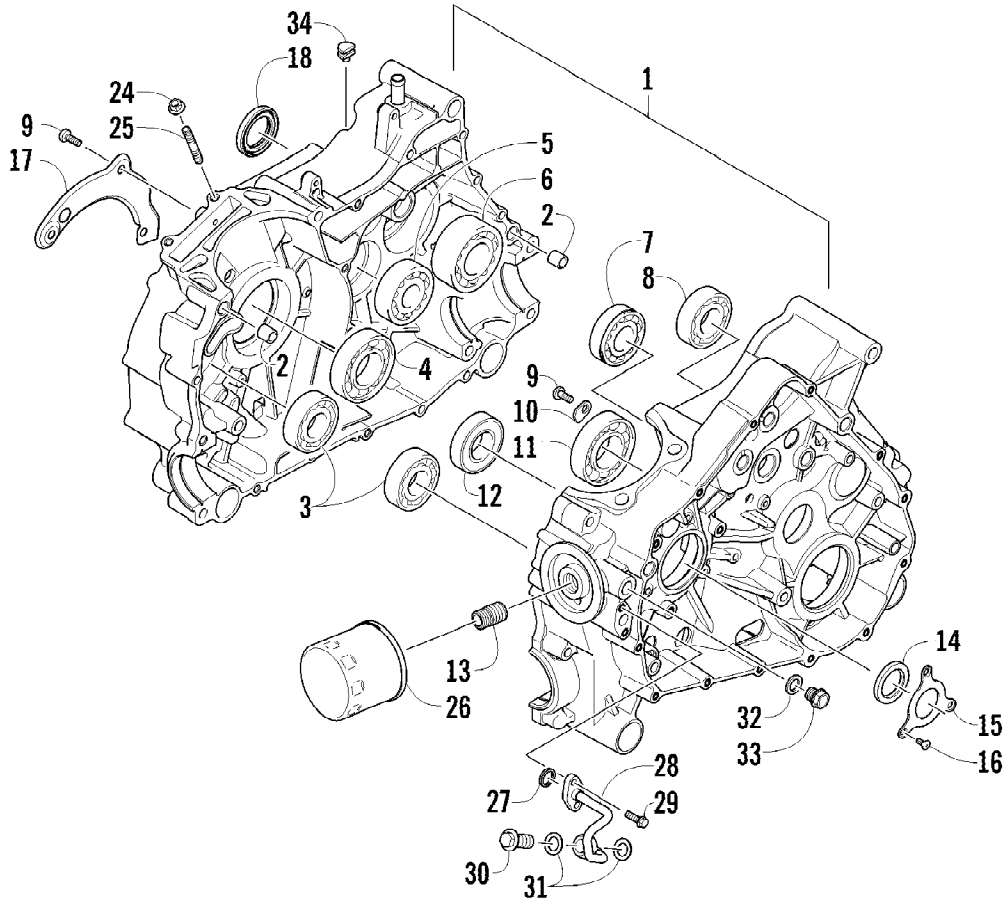


2012 TRV 450 GT ORANGE (A2012TGK2PUSU)
COOLING ASSEMBLY

Page 14 of 79

Ref #	Part Number	Qty	S/P/F	Description
1	0413-256	1	/P	Radiator Assembly (inc. 2-13)
2	0413-255	1	/P	Cap
3	0413-205	1		Radiator
4	0413-195	1		Plug, Drain
5	1602-213	1	/P	O-Ring
6	0413-203	1		Shroud, Fan
7	0413-123	1	/P	Fan, Cooling
8	0623-378	8		Screw, Self-Tapping
9	0413-007	1		Screen
10	8475-512	4		Screw, Machine
11	0423-351	1		Clamp, Wire
12	0610-016	AR	/P	Hose - 25 ft
12	0610-015	AR	/P	Hose - 100 ft
13	0423-030	2		Grommet
14	0423-484	2		Screw, Shoulder
15	0623-038	2		Nut w/Washer
16	0423-028	2		Bushing, Stem
17	0423-496	4		Clamp, Hose
18	0410-205	1		Hose, Coolant - Radiator/Thermostat
19	0808-192	1		Housing, Thermostat - Assembly (inc. 20-23)
20	3303-384	2	/P	Screw, Cap
21	0808-202	1		Cover, Housing - Thermostat
22	0830-205	1		O-Ring
23	0813-050	1		Thermostat
24	0423-490	2		Clamp, Hose
25	0410-203	1		Hose, Coolant - Thermostat/Cylinder
26	0423-632	2		Clamp, Hose
27	0410-202	1		Hose, Coolant - Thermostat/Water Pump
28	0410-242	1		Hose, Coolant - Radiator/Water Pump
29	0123-788	AR	/P	Tie, Cable - 8 in.
29	0123-903	AR		Tie, Cable - 11.5 in.
30	1423-008	1		Clamp, Hose
31	0410-216	1		Hose, Coolant - Water Pump/Cylinder
32	3305-941	1		Clamp, Hose

2012 TRV 450 GT ORANGE (A2012TGK2PUSU)
CRANKCASE ASSEMBLY

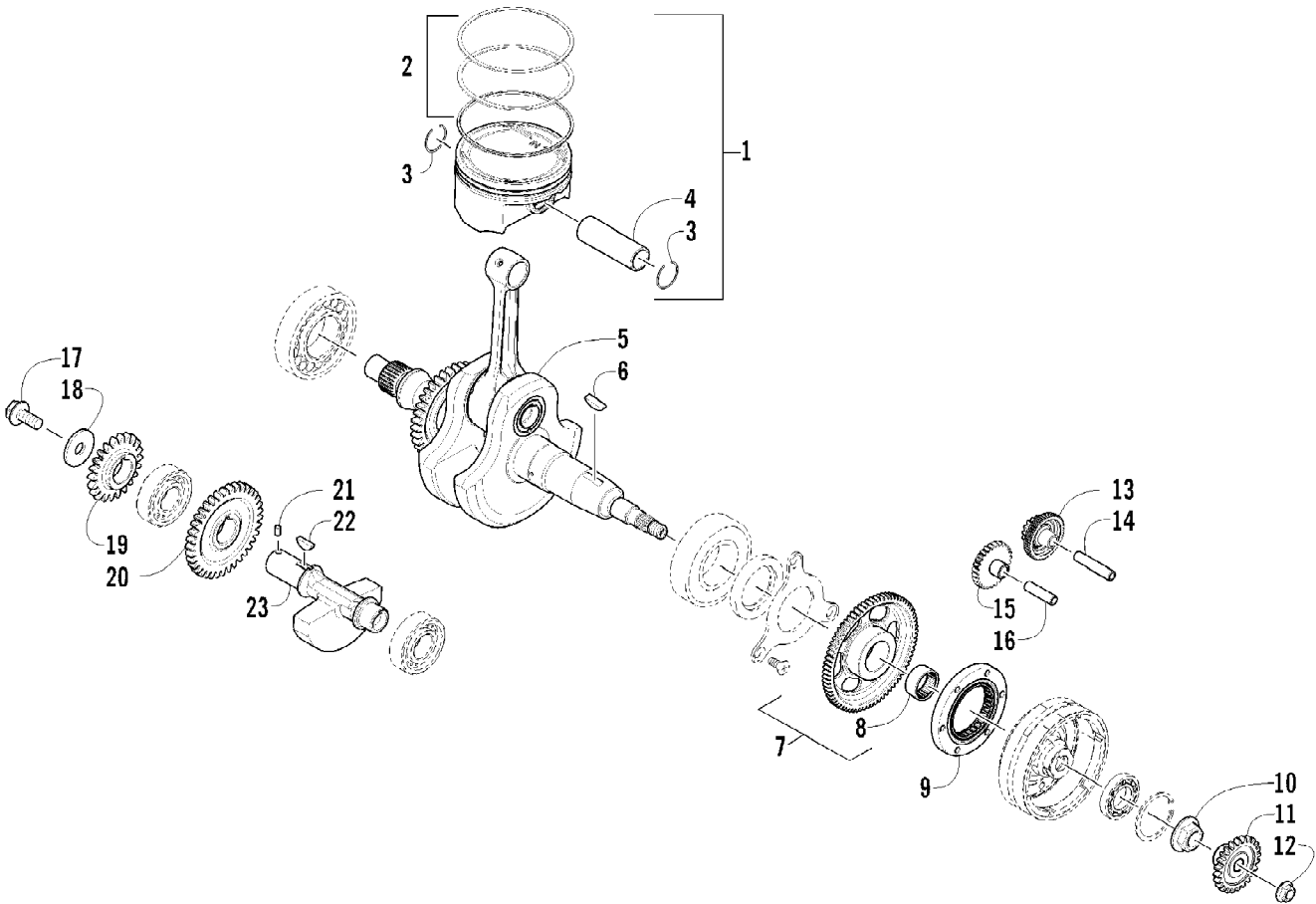


2012 TRV 450 GT ORANGE (A2012TGK2PUSU)
CRANKCASE ASSEMBLY

Page 16 of 79

Ref #	Part Number	Qty	S/P/F	Description
1	0801-191	1		Crankcase - Assembly (inc. 2-21)
2	0829-050	2		Pin, Dowel
3	3313-745	2		Bearing
4	0832-087	1		Bearing
5	3304-198	1		Bearing
6	0832-074	1		Bearing
7	3304-195	1		Bearing
8	3304-699	1	/P	Bearing
9	0826-144	6		Screw, Machine
10	0822-104	2		Retainer, Bearing
11	0832-019	1		Bearing
12	0832-020	1		Bearing
13	0812-066	1		Union, Oil Filter
14	0830-058	1		Seal
15	0805-018	1		Retainer
16	0826-145	3		Screw, Machine
17	0801-018	1		Plate, Oil Guide - Right
18	0830-066	1		Seal
19	3303-372	1		Screw, Cap
20	0826-126	4		Screw, Cap
21	0826-064	3		Screw, Cap
22	3303-387	10		Screw, Cap
23	0826-065	3		Screw, Cap
24	3304-654	2	/P	Nut, Lock
25	3313-721	2		Bolt, Stud
26	0812-029	1	S	Filter, Oil
27	0830-172	1		O-Ring
28	0812-086	1		Oilline
29	3303-617	2	/P	Screw, Cap
30	0812-084	1		Bolt, Banjo-Fitting
31	0812-085	2		Washer
32	0830-143	1	/P	Gasket
33	0835-004	1		Plug, Oil Pressure
34	3313-744	1		Grommet

CRANKSHAFT, BALANCER, STARTER GEAR, AND PISTON ASSEMBLIES

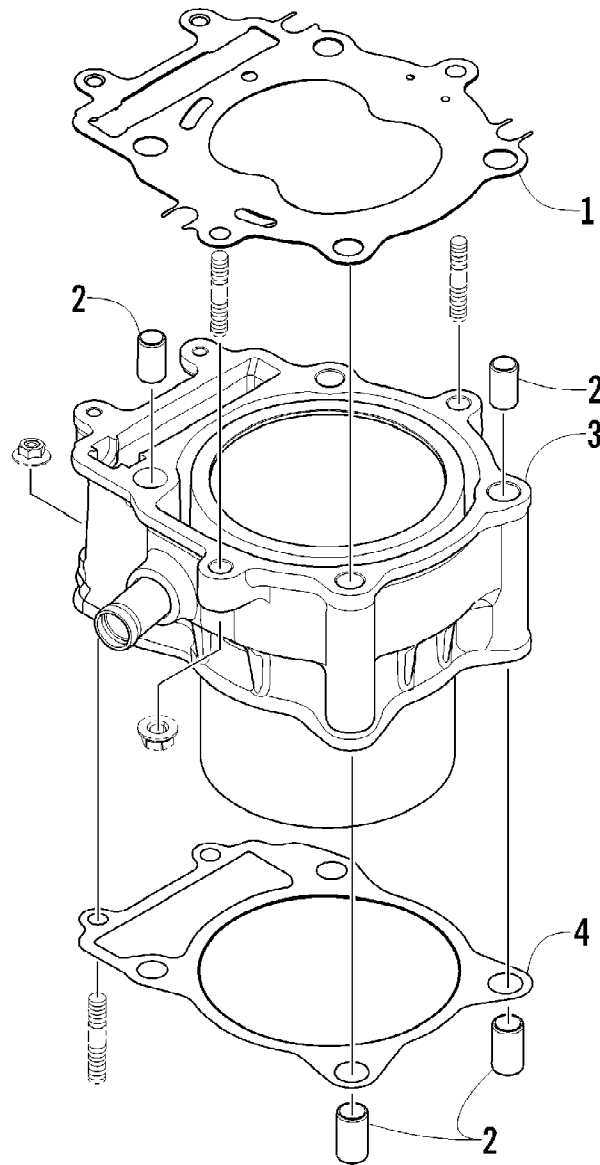


2012 TRV 450 GT ORANGE (A2012TGK2PUSU)

Page 18 of 79

CRANKSHAFT, BALANCER, STARTER GEAR, AND PISTON ASSEMBLIES

Ref #	Part Number	Qty	S/P/F	Description
1	0805-333	1	/P	Piston Set (inc. 2-4)
2	0805-320	1		Ring, Piston - Set
3	0831-060	2		Circlip
4	0805-023	1		Pin, Piston
5	0805-013	1		Crankshaft Assembly
6	0829-039	1		Key
7	0815-023	1		Gear, Starter Clutch (inc. 8)
8	0832-069	1		Bearing
9	0802-044	1	/P	Clutch, One-Way
10	0827-046	1		Nut
11	0811-036	1		Gear, Drive
12	3303-333	1	/P	Nut
13	0815-031	1		Gear, Starter Idler - No. 1
14	0815-007	1		Pin, Starter Idler Gear No. 1
15	0815-022	1		Gear, Starter Idler - No. 2
16	0815-015	1		Pin, Starter Idler Gear No. 2
17	0826-118	1		Screw, Cap
18	0828-091	1		Washer
19	0811-009	1		Gear, Oil Pump Drive
20	0811-006	1		Gear, Driven
21	3304-144	1		Pin, Alignment
22	0829-037	1		Key
23	0811-035	1		Balancer, Crank

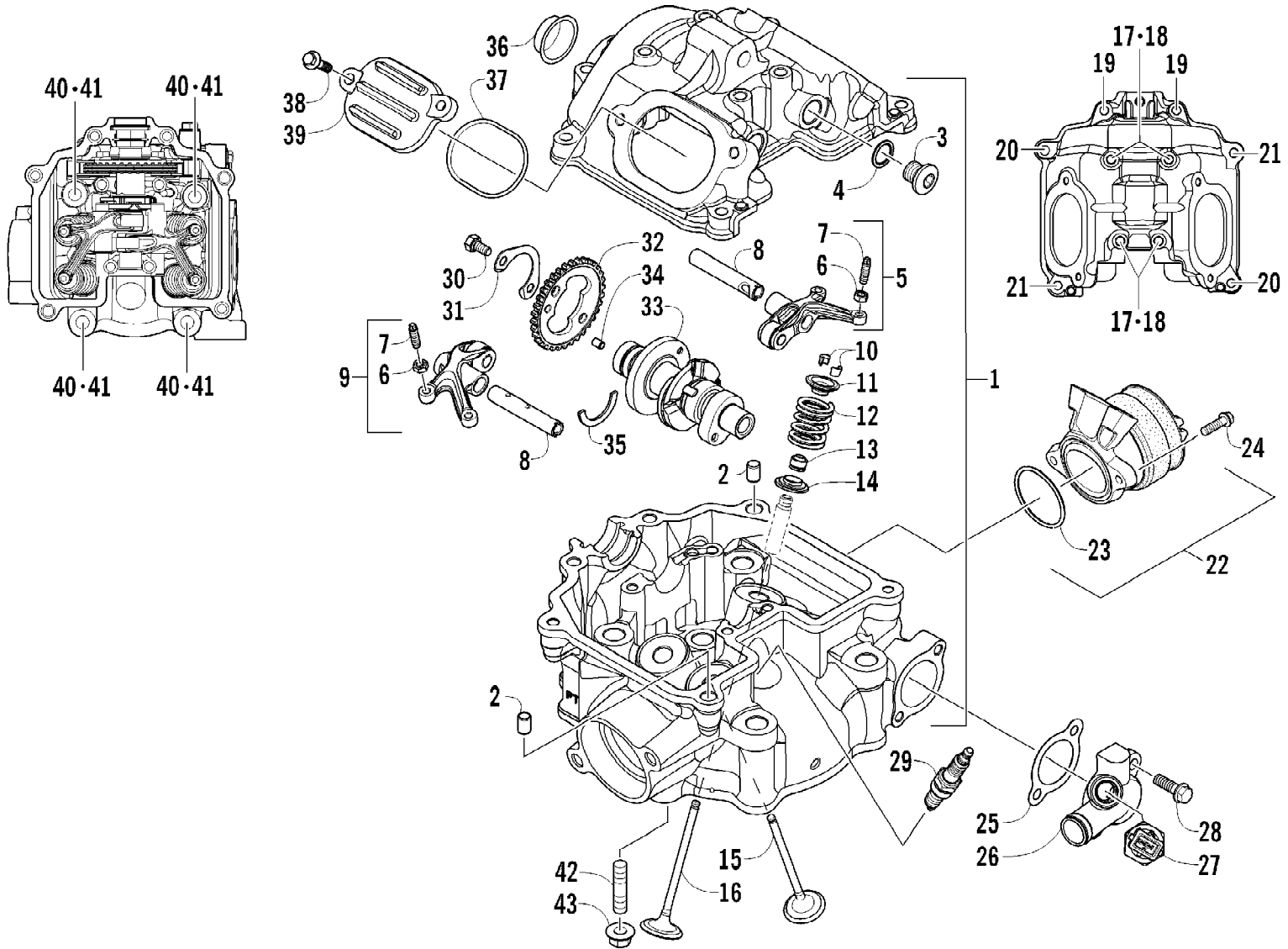


2012 TRV 450 GT ORANGE (A2012TGK2PUSU)
CYLINDER ASSEMBLY

Page 20 of 79

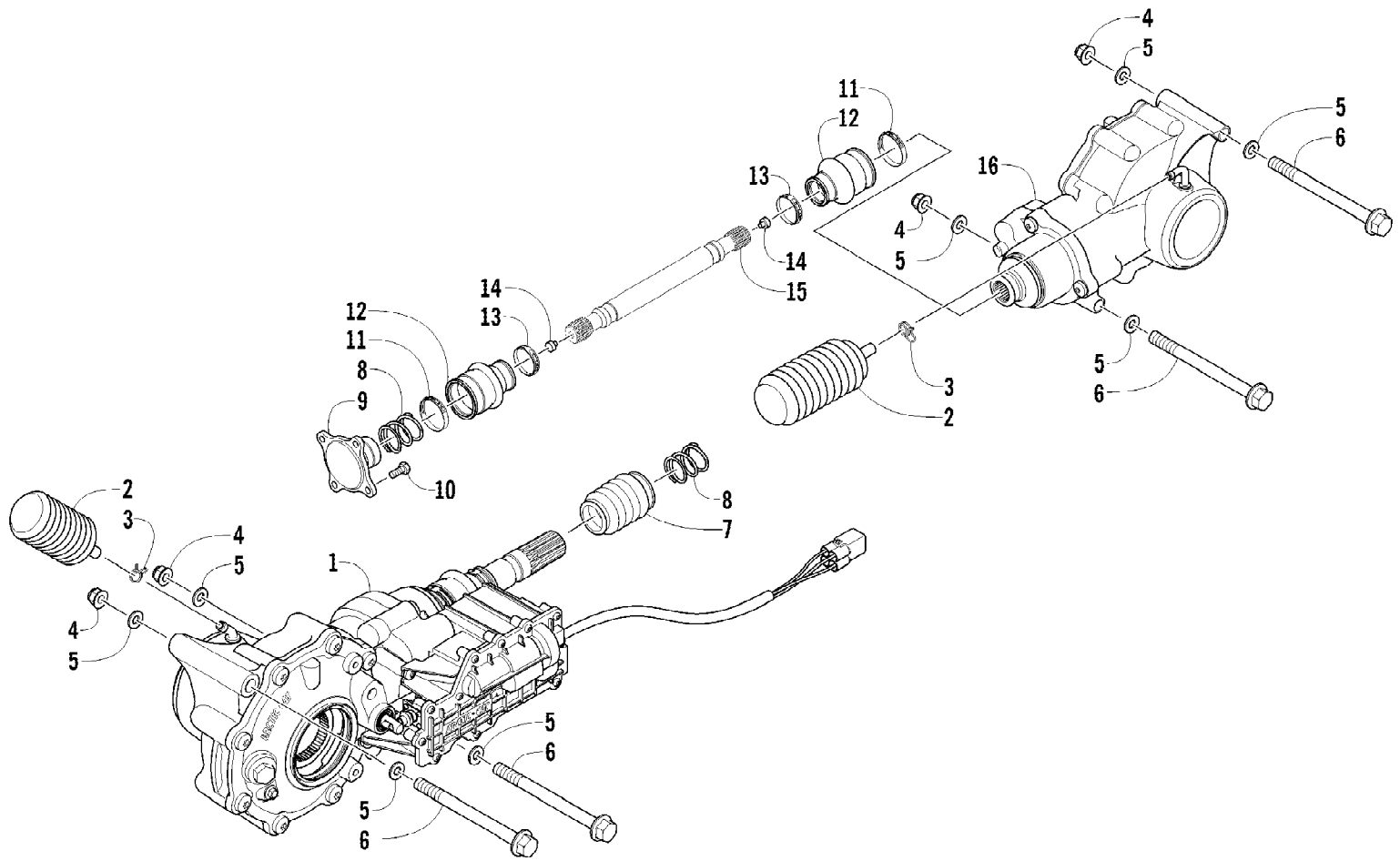
Ref #	Part Number	Qty	S/P/F	Description
1	0830-203	1		Gasket, Cylinder Head
2	0829-046	4		Pin, Dowel
3	0804-056	1		Cylinder
4	0830-204	1		Gasket, Cylinder

2012 TRV 450 GT ORANGE (A2012TGK2PUSU)
CYLINDER HEAD AND CAMSHAFT/VALVE ASSEMBLY



2012 TRV 450 GT ORANGE (A2012TGK2PUSU)
CYLINDER HEAD AND CAMSHAFT/VALVE ASSEMBLY

Ref #	Part Number	Qty	S/P/F	Description
1	0808-205	1		Head, Cylinder (inc. 2-17)
2	3303-341	2		Pin, Dowel
3	0831-053	2		Plug, Shaft
4	0830-143	2	/P	Gasket
5	0809-254	1		Arm, Valve Rocker - Intake (inc. 6-7)
6	3304-026	4	/P	Nut
7	3304-007	4	/P	Screw, Adjuster
8	0809-256	2		Shaft, Rocker Arm
9	0809-252	1		Arm, Valve Rocker - Exhaust (inc. 6-7)
10	3303-044	8		Cotter, Valve
11	0809-142	4		Retainer, Spring
12	0809-257	4		Spring, Valve
13	0809-190	4		Seal, Oil
14	0809-141	4		Seat, Spring
15	0809-266	2		Valve, Exhaust
16	0809-263	2		Valve, Intake
17	3304-904	4		Screw, Cap
18	0830-155	4	/P	Gasket
19	3304-918	2		Screw, Cap
20	0826-136	2		Screw, Cap
21	3303-384	2	/P	Screw, Cap
22	0570-304	1		Manifold, Intake (inc. 23)
23	0830-202	1		O-Ring
24	3304-189	2	/P	Screw, Cap
25	0830-200	1		Gasket
26	0806-121	1		Fitting, Coolant - Assembly
27	0808-196	1		Sensor, Engine Coolant Temperature
28	3303-617	2	/P	Screw, Cap
29	0217-708	1	F	Spark Plug
30	0826-154	2		Screw, Cap
31	0828-086	1		Plate, Retainer
32	0809-259	1		Sprocket
33	3306-247	1		Camshaft (inc. 34)
34	0829-036	1		Pin, Alignment
35	0809-165	1		C-Ring
36	0808-112	1		Plug, Head
37	0830-139	2		O-Ring
38	3303-383	4	/P	Screw, Cap
39	0808-111	2		Cap, Inspection
40	0826-062	4		Screw, Cap
41	0828-044	4		Washer
42	0827-064	2		Bolt, Stud
43	3303-332	2		Nut

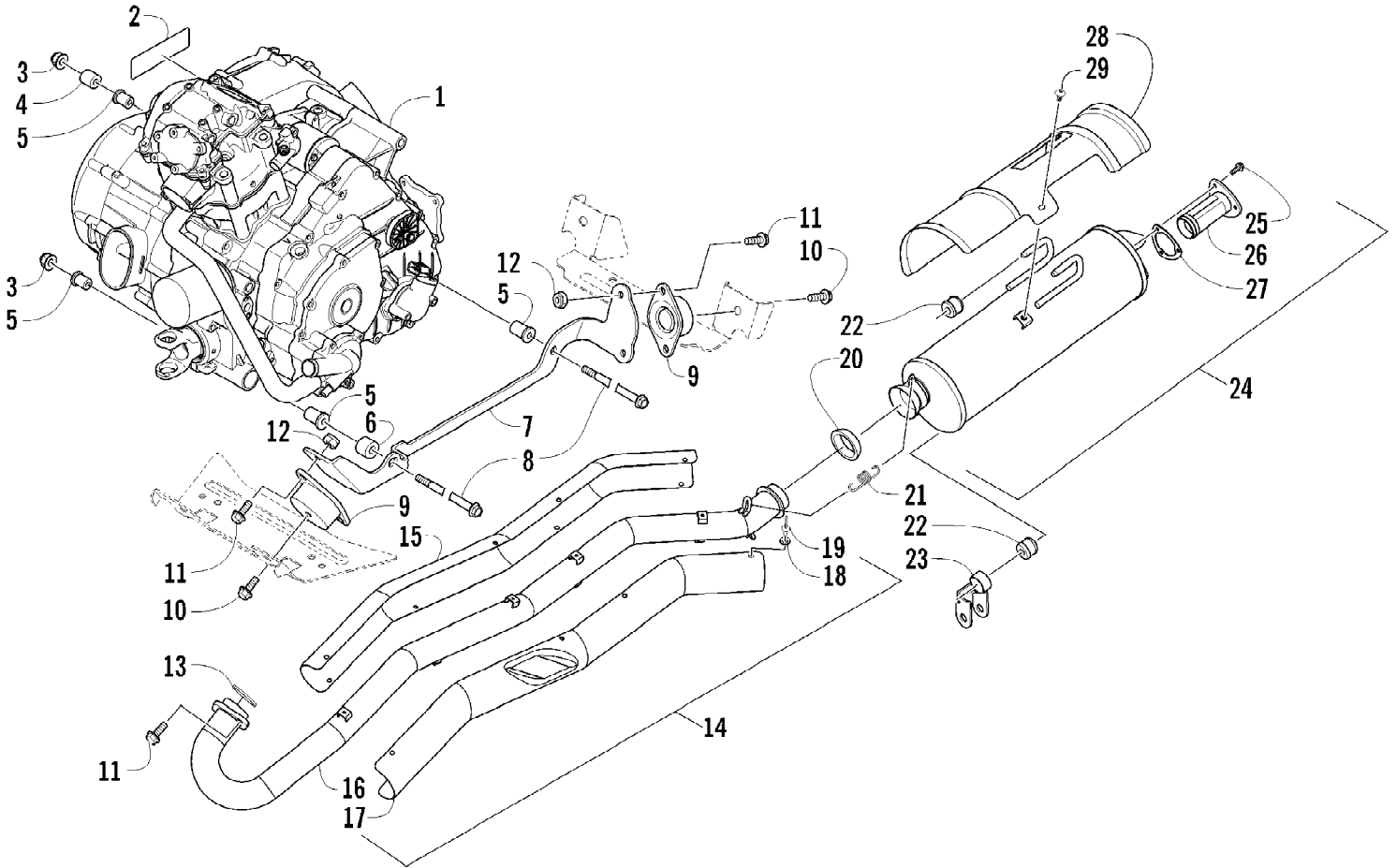


2012 TRV 450 GT ORANGE (A2012TGK2PUSU)
DRIVE TRAIN ASSEMBLY

Page 24 of 79

Ref #	Part Number	Qty	S/P/F	Description
1	1502-875	1		Gearcase, Front
2	1402-620	2	/P	Bladder, Gearcase
3	0423-315	2		Clamp, Hose
4	8428-002	4		Nut, Lock
5	0423-426	8		Washer
6	0423-404	4		Screw, Cap
7	0402-966	1		Boot, Shaft
8	1402-026	2		Spring
9	0402-950	1		Flange, Output
10	8408-820	4	/P	Screw, Cap
11	0423-393	2		Clamp
12	0402-985	2	/P	Boot
13	0423-411	2		Clamp
14	0673-618	2	/P	Bumper, Propeller Shaft
15	1402-092	1		Shaft, Propeller
16	1502-876	1		Gearcase, Rear

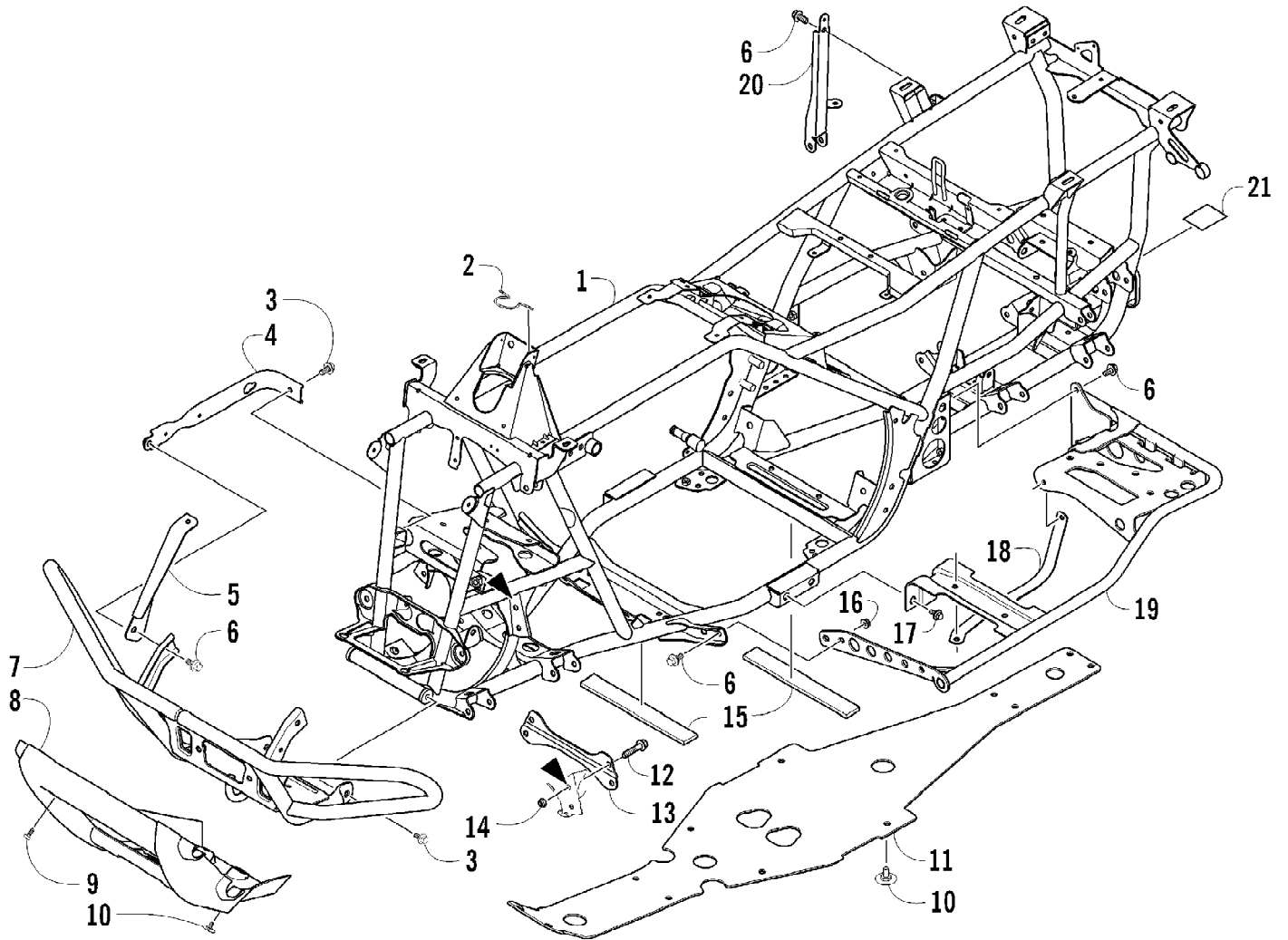
2012 TRV 450 GT ORANGE (A2012TGK2PUSU)
ENGINE AND EXHAUST



2012 TRV 450 GT ORANGE (A2012TGK2PUSU)
ENGINE AND EXHAUST

Page 26 of 79

Ref #	Part Number	Qty	S/P/F	Description
1	3313-847	1		Engine
2	0411-426	1		Decal, Warning - Clutch Cover
3	8428-002	2		Nut, Lock
4	0408-020	1		Spacer
5	0801-180	4	/P	Mount, Rubber - Engine
6	1423-025	1	/P	Spacer
7	1506-740	1		Bracket, Engine - Right
7	1506-741	1		Bracket, Engine - Left
8	0423-405	2		Screw, Cap
9	2406-065	4		Mount, Engine
10	8408-012	4		Screw, Cap
11	8408-820	10	/P	Screw, Cap
12	8432-802	8		Nut, Lock
13	3313-743	1		Gasket, Exhaust
14	0512-549	1		Pipe, Exhaust - Assembly (inc. 15-19)
15	0512-553	1		Shield, Exhaust Pipe - Inner
16	0512-550	1		Pipe, Exhaust
17	0512-548	1		Shield, Exhaust Pipe - Outer
18	8050-217	8	/P	Washer
19	8061-486	8	/P	Rivet
20	0412-375	1	/P	Seal, Exhaust
21	0612-668	2	/P	Spring, Extension
22	0412-577	3	/P	Bushing
23	1506-732	1		Channel, Muffler Support
24	0512-355	1	/P	Muffler - Assembly (inc. 25-27)
25	8408-616	3		Screw, Cap
26	0512-219	1	/P	Arrester, Spark - Assembly
27	0412-313	1		Gasket, Spark Arrester
28	0412-373	1	/P	Cover, Muffler
29	8477-610	3		Screw, Machine

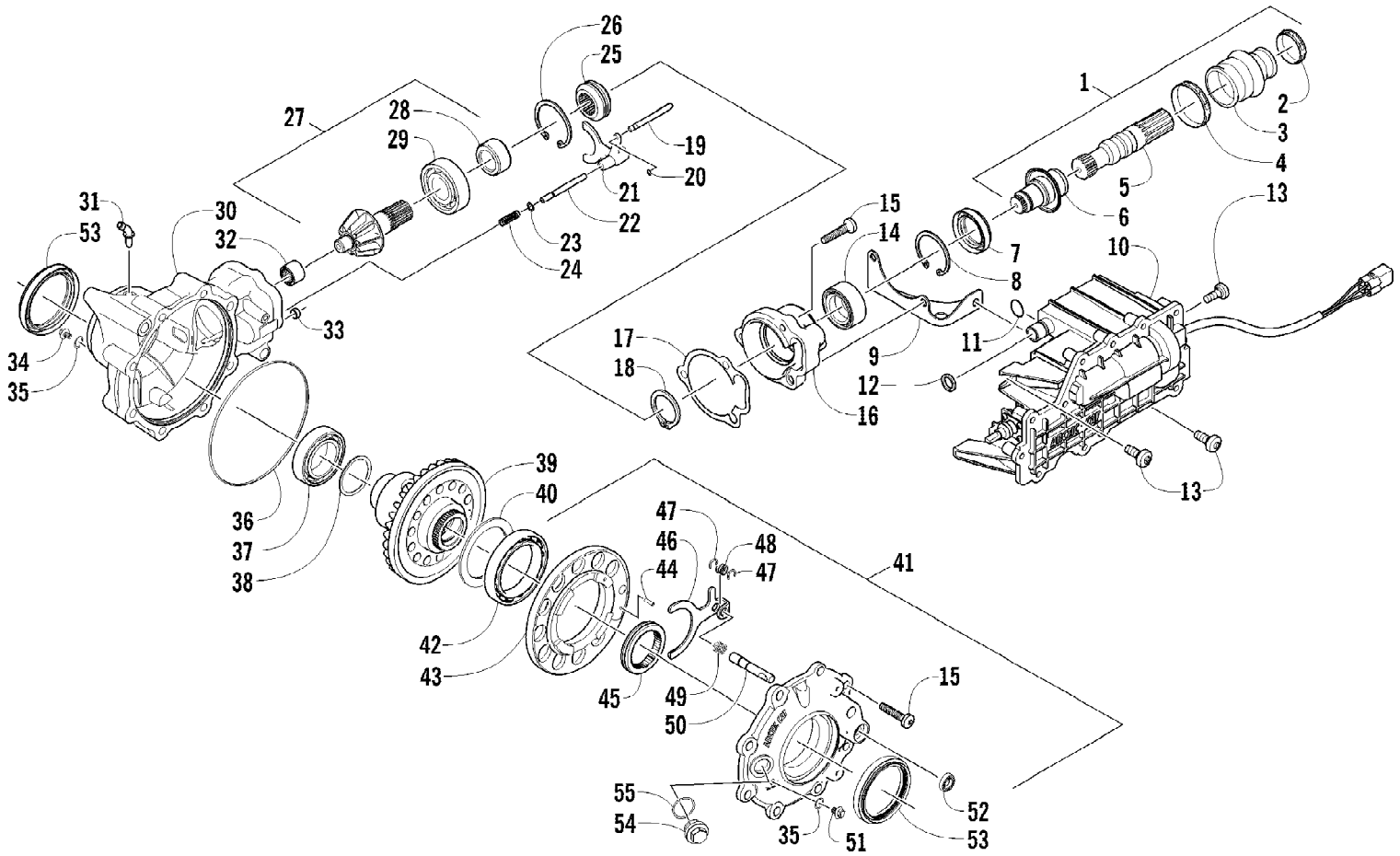


2012 TRV 450 GT ORANGE (A2012TGK2PUSU)
 FRAME AND RELATED PARTS

Page 28 of 79

Ref #	Part Number	Qty	S/P/F	Description
1	4506-553	1		Frame, Main
2	2416-401	1		Clip, Routing
3	8409-020	4	/P	Screw, Cap
4	1506-596	2	/P	Channel, Bumper Mounting
5	1506-562	1		Bracket, Mounting - Bumper - Right
5	1506-563	1		Bracket, Mounting - Bumper - Left
6	8408-816	11		Screw, Cap
7	1506-855	1	/P	Bumper
8	1406-360	1		Fascia, Bumper - Front
9	0423-419	2		Screw, Machine
10	0423-101	12		Screw, Shoulder
11	2406-091	1		Panel, Belly
12	8409-025	2		Screw, Cap
13	2516-852	1	/P	Brace, A-Arm
14	0423-744	2		Nut, Lock
15	0406-289	2		Pad, Frame
16	8424-802	4		Nut
17	8409-016	4		Screw, Cap
18	2406-216	1		Strap, Footrest - Right
18	2406-217	1		Strap, Footrest - Left
19	1506-848	1		Footrest - Right
19	1506-849	1		Footrest - Left
20	2506-447	1		Bracket, Support
21	1411-077	1		Decal, Warning - Towing

2012 TRV 450 GT ORANGE (A2012TGK2PUSU)
FRONT DRIVE GEARCASE ASSEMBLY



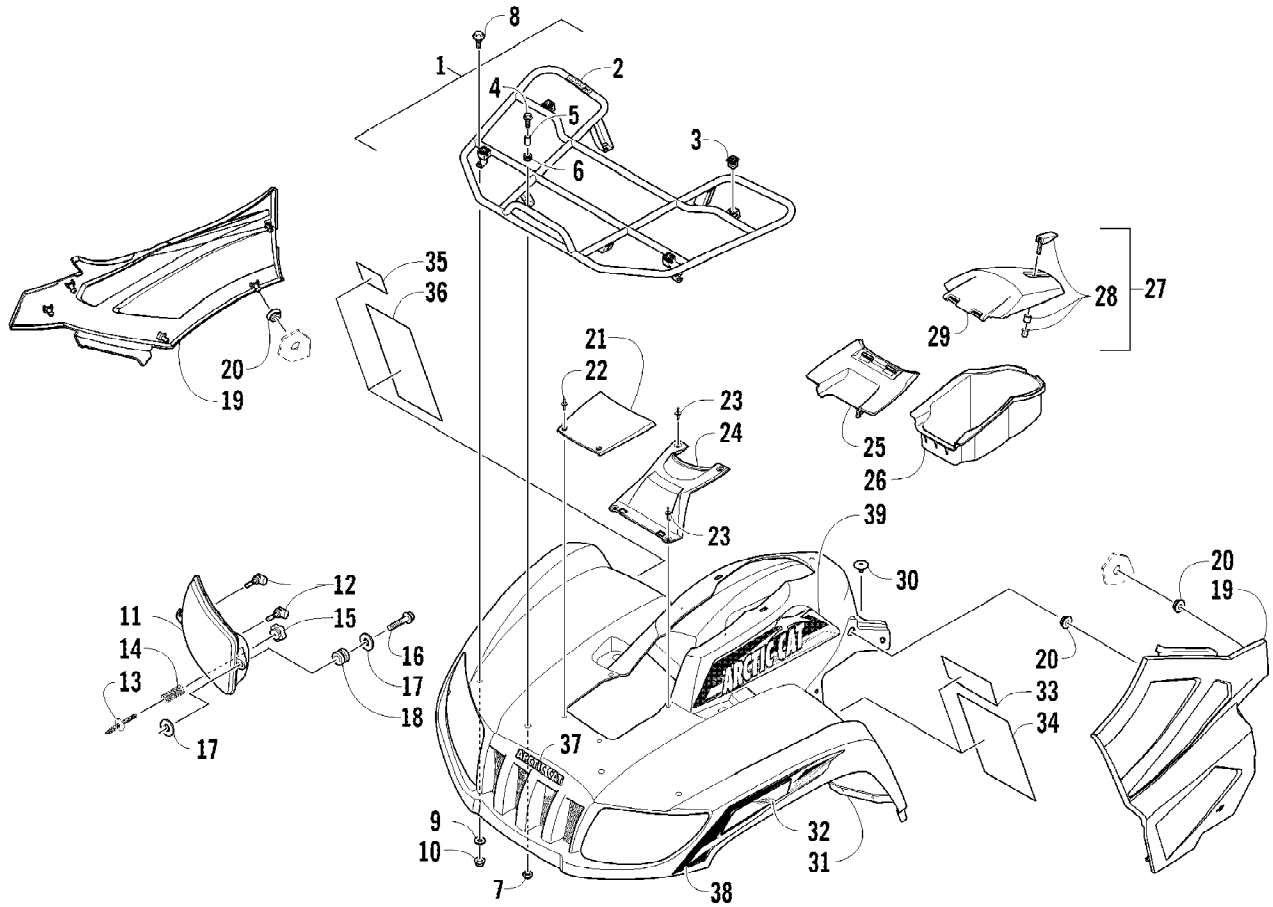
Ref #	Part Number	Qty	S/P/F	Description
	1502-875	1		Complete Front Drive Gearcase Assembly
1	1502-084	1		Shaft, Propeller - Assembly (inc. 2-6)
2	0423-411	1		Clamp
3	0402-985	1	/P	Boot, Propeller Shaft
4	0423-393	1		Clamp
5	1402-046	1		Shaft, Output
6	1502-085	1	/P	Shaft, Input
7	1402-011	1		Seal
8	0423-423	1		Ring, Retaining
9	1502-237	1		Bracket, Actuator
10	1502-909	1	/P	Actuator (inc. 11)
11	1402-981	1		O-Ring
12	0423-892	1	/P	O-Ring
13	0423-396	3		Screw, Self-Tapping
14	1402-043	1		Bearing
15	0423-118	11		Screw, Self-Tapping
16	0502-528	1	/P	Housing, Pinion
17	0402-947	1		Gasket, Flange
18	0423-417	1		Ring, Retaining
19	0402-997	1		Shaft, Selector
20	0423-402	1		Ring, Retaining
21	0402-998	1		Fork, Selector
22	0402-417	1		Shaft, Shuttle
23	0423-147	1		O-Ring
24	0402-999	1		Spring, Return
25	0402-413	1		Coupler, Drive
26	1423-067	1		Ring, Retaining
27	1502-851	1		Gear, Pinion - Assembly - 11T (inc. 28-29)
28	1402-977	1		Collar, Retaining
29	0402-327	1		Bearing
30	1502-856	1		Housing, Gearcase
31	1402-980	1		Fitting, Elbow
32	0402-328	1		Bearing
33	0402-411	1		Pin, Dowel
34	1402-210	1	/P	Plug, Magnetic (inc. one No. 35)
35	0423-153	2		O-Ring
36	0423-149	1		O-Ring
37	0402-393	1		Bearing
38	0402-405	AR		Shim, 41 x 49 x 1.3 mm
38	0402-406	AR		Shim, 41 x 49 x 1.4 mm
38	0402-407	AR		Shim, 41 x 49 x 1.5 mm
38	0402-408	AR		Shim, 41 x 49 x 1.6 mm
38	0402-409	AR		Shim, 41 x 49 x 1.7 mm
39	1502-859	1		Gear, Ring - 34T
40	1402-074	AR		Shim, 61 x 69 x 1.3 mm
40	1402-075	AR		Shim, 61 x 69 x 1.4 mm
40	1402-076	AR		Shim, 61 x 69 x 1.5 mm
40	1402-077	AR		Shim, 61 x 69 x 1.6 mm
40	1402-078	AR		Shim, 61 x 69 x 1.7 mm
41	1502-895	1		Cover, Gearcase (inc. one No. 35, 42-52, and one No. 53)
42	1402-053	1		Bearing

2012 TRV 450 GT ORANGE (A2012TGK2PUSU)
FRONT DRIVE GEARCASE ASSEMBLY

Page 31 of 79

Ref #	Part Number	Qty	S/P/F	Description
43	0502-413	1		Flange, Bearing
44	1402-079	1		Pin, Parallel
45	1402-042	1		Collar, Sliding
46	1402-054	1		Fork
47	1402-058	2		Ring, Retaining
48	1402-057	1		Spring
49	1402-063	1		Spring
50	1402-656	1		Shaft, Lock
51	1402-211	1		Plug, Oil Level (inc. one No. 35)
52	1402-056	1		Seal
53	1402-950	2	/P	Seal
54	0402-333	1	/P	Plug, Fill (inc. 55)
55	0423-154	1		O-Ring

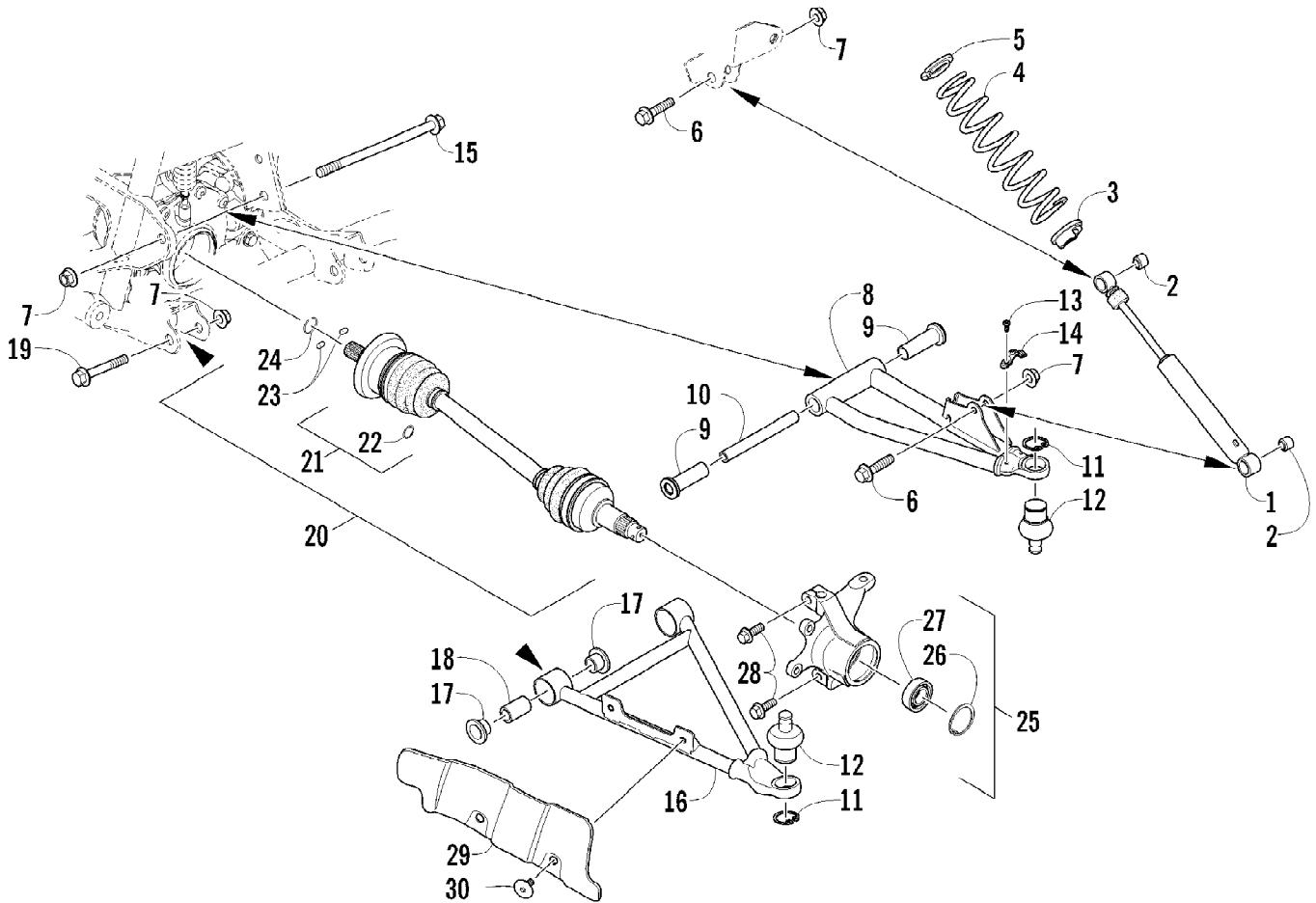
2012 TRV 450 GT ORANGE (A2012TGK2PUSU)
FRONT RACK, BODY PANEL, AND HEADLIGHT ASSEMBLIES



2012 TRV 450 GT ORANGE (A2012TGK2PUSU)
FRONT RACK, BODY PANEL, AND HEADLIGHT ASSEMBLIES

Ref #	Part Number	Qty	S/P/F	Description
1	2506-106	1		Rack, Front - Assembly (inc. 2-3)
2	0411-576	1		Decal, Warning - Load
3	0441-592	4	/P	Bushing
4	8410-830	4		Screw, Cap
5	0423-669	4		Spacer
6	0423-465	4		Grommet
7	8432-802	4		Nut, Lock
8	0423-654	2		Screw, Shoulder
9	8050-222	2	/P	Washer
10	0423-540	2		Nut, Lock
11	0509-044	1	/P	Headlight Assembly - Right (inc. 12)
11	0509-035	1		Headlight Assembly - Left (inc. 12)
12	0409-055	4		Bulb, Headlight
13	0423-514	2		Stud, Adjuster - Headlight
14	0423-522	2		Spring, Adjuster
15	0423-513	2		Knob, Adjuster
16	0623-785	4		Screw, Self-Tapping
17	8050-217	8	/P	Washer
18	0423-447	4		Grommet
19	2416-624	1		Panel, Side - Lower - Right
19	2416-625	1		Panel, Side - Lower - Left
20	0423-678	8		Grommet
21	1406-358	1		Cover, Access
22	0423-535	2		Rivet, Reinstallable
23	0623-362	4		Rivet, Reinstallable
24	1406-484	1		Cover, Steering Post
25	0470-513	1		Cover, Storage Box
26	1406-573	1		Box, Storage
27	2506-234	1		Lid, Storage Box w/Latch (inc. 28-29)
28	1406-599	1		Latch, Storage Box
29	0470-514	1		Lid, Storage Box
30	0423-101	2		Screw, Shoulder
31	4506-248	1	/P	Panel, Fender - Assembly (inc. 32-36)
32	0411-818	1		Decal, Reflector - Right
32	0411-819	1		Decal, Reflector - Left
33	1411-574	1		Decal, Warning - Off-Road Only
34	2411-259	1	/P	Decal, Warning - General/Age
35	0411-894	1		Decal, Warning - Turn/Hill
36	1411-250	1		Decal, Warning - Reverse/Pre-Ride
37	1411-725	1		Decal, "Arctic Cat"
38	2411-722	1		Decal, Side - Front Right
38	2411-723	1		Decal, Side - Front Left
39	2411-724	1		Decal, Side - Upper Right
39	2411-725	1		Decal, Side - Upper Left

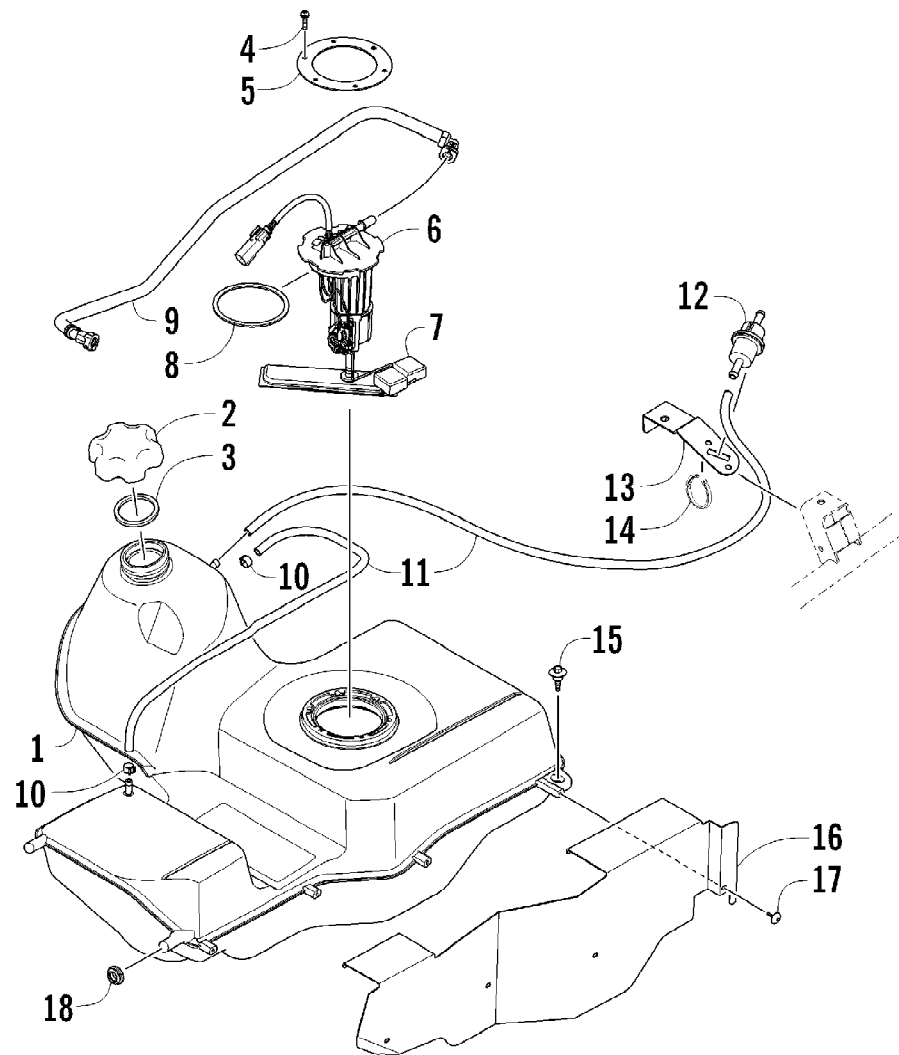
2012 TRV 450 GT ORANGE (A2012TGK2PUSU)
FRONT SUSPENSION ASSEMBLY



2012 TRV 450 GT ORANGE (A2012TGK2PUSU)
FRONT SUSPENSION ASSEMBLY

Page 35 of 79

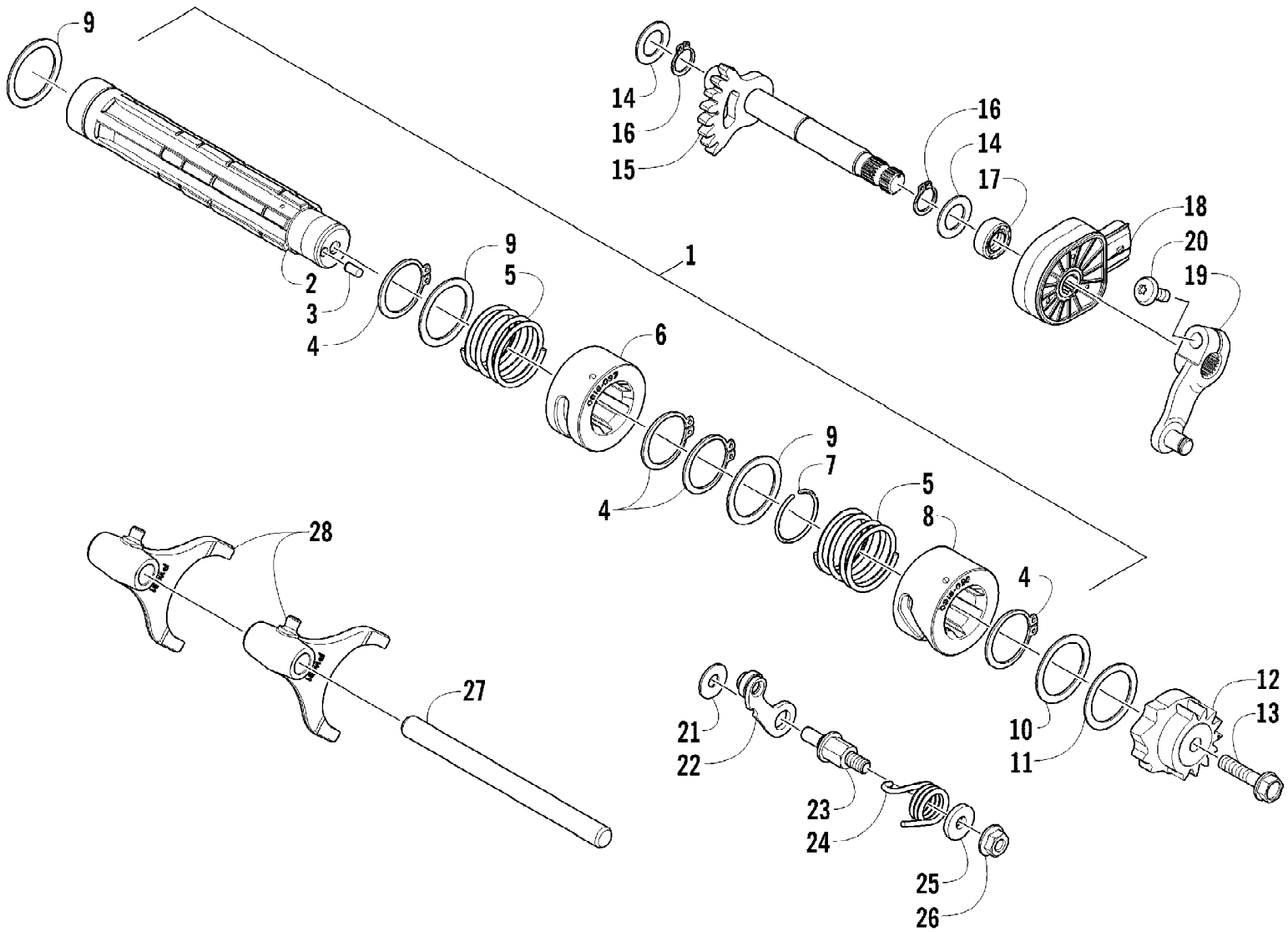
Ref #	Part Number	Qty	S/P/F	Description
1	0403-209	2		Shock Absorber (inc. 2)
2	0403-182	4		Bushing
3	0403-102	2		Cam, Spring Adjuster
4	0503-468	2		Spring, Suspension
5	1603-889	2	/P	Retainer, Spring
6	8409-040	4		Screw, Cap
7	0423-744	10		Nut, Lock
8	0503-416	1	/P	A-Arm, Upper Right (inc. 9-12)
8	0503-417	1	/P	A-Arm, Upper Left (inc. 9-12)
9	0403-207	4	/P	Bushing
10	0403-080	2		Axle
11	0423-009	4	/P	Ring, Retaining
12	0405-115	4	/P	Ball Joint
13	0423-946	4		Screw, Self-Tapping
14	1502-594	2		Clamp, Routing
15	0423-334	2		Screw, Cap
16	0503-376	1	/P	A-Arm, Lower Right (inc. 17-18 and two No. 11-12)
16	0503-377	1	/P	A-Arm, Lower Left (inc. 17-18 and two No. 11-12)
17	0403-208	8	/P	Bushing
18	0403-214	4	/P	Axle
19	8409-075	4		Screw, Cap
20	1502-800	1	S/P	Axle, Drive - Right (inc. 21-24)
20	1502-799	1	S/P	Axle, Drive - Locking - Left (inc. 21-24)
21	1436-419	2		Repair Kit, Boot (inc. 22)
22	1441-988	2		Clip, Retaining
23	1402-885	4		Pin, Detent
24	1402-889	2		Clip, Retaining
25	0505-576	1	/P	Knuckle - Assembly - Right (inc. 26-27)
25	0505-577	1	/P	Knuckle - Assembly - Left (inc. 26-27)
26	0423-423	2		Ring, Retaining
27	1402-809	2	/P	Bearing
28	0423-998	4		Screw, Shoulder
29	1406-034	1		Guard, Boot - Right
29	1406-035	1		Guard, Boot - Left
30	0423-545	4	/P	Screw, Shoulder



2012 TRV 450 GT ORANGE (A2012TGK2PUSU)
GAS TANK ASSEMBLY

Page 37 of 79

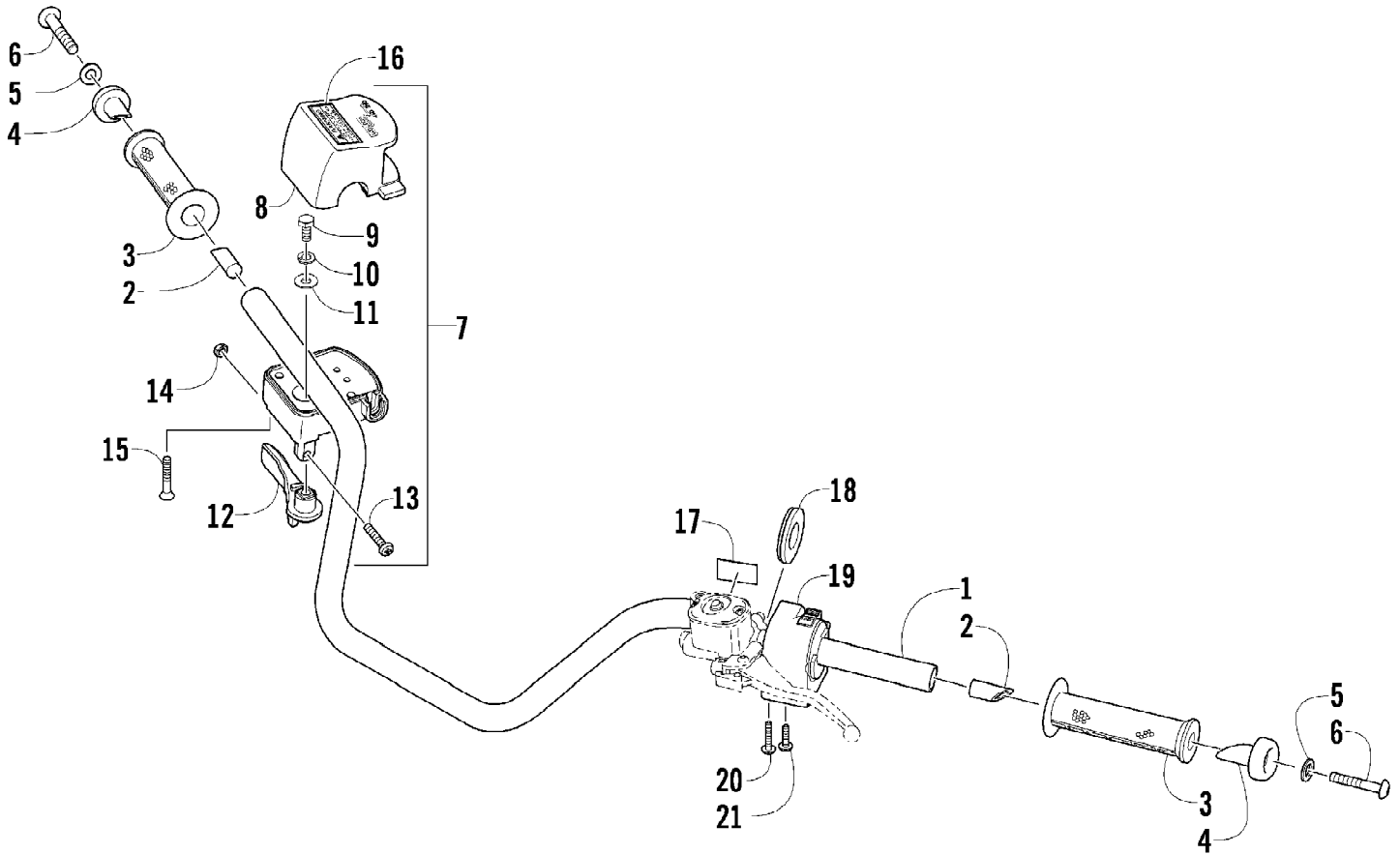
Ref #	Part Number	Qty	S/P/F	Description
1	0570-308	1		Tank, Gas - Assembly (inc. 2-5)
2	0470-438	1	/P	Cap, Gas Tank (inc. 3)
3	0109-733	1	/P	Gasket, Gas Tank Cap
4	0423-898	6		Screw, Self-Tapping
5	2670-042	1		Plate, Retaining
6	0570-323	1	/P	Pump, Fuel - Assembly (inc. 7-8)
7	2670-235	1		Float
8	0470-838	1		Seal
9	0570-335	1		Hose, Fuel - Assembly
10	0423-688	2		Clamp, Hose
11	0410-070	AR	/P	Hose, Gasline - 25 ft
12	0510-335	1	/P	Filter, In-Line
13	0470-794	1		Bracket, Mounting - Filter
14	0123-788	AR	/P	Tie, Cable - 8 in.
15	0423-732	2		Screw, Shoulder
16	0470-822	1		Shield, Heat
17	0623-797	4		Screw, Self-Tapping
18	0423-460	2		Grommet



2012 TRV 450 GT ORANGE (A2012TGK2PUSU)
GEAR SHIFTING ASSEMBLY

Page 39 of 79

Ref #	Part Number	Qty	S/P/F	Description
1	0818-126	1	/P	Shaft, Gear Shift - Assembly (inc. 2-8 and two No. 9)
2	0818-125	1	/P	Shaft, Gear Shift
3	3304-439	1		Pin, Dowel
4	3304-147	4	/P	Circlip
5	0818-060	2		Spring
6	0818-117	1		Cam, Reverse
7	0831-016	1		C-Ring
8	0818-116	1		Cam, Gear Shift
9	0828-079	3		Washer
10	0828-081	1		Washer, Thrust
11	0828-080	1		Washer, Thrust
12	0818-061	1		Plate, Gear Shift Cam
13	3304-569	1		Screw, Cap
14	0828-084	2		Washer
15	0818-113	1		Shaft, Sub-Gear Shift (inc. 16)
16	3301-875	2		Circlip
17	0830-179	1		Seal
18	0409-125	1		Switch, Gear Position
19	0818-014	1		Arm, Select
20	8468-620	1	/P	Screw, Machine
21	0828-083	1		Washer
22	0818-084	1		Stopper, Cam
23	0818-062	1		Support, Cam Stopper
24	0818-109	1		Spring
25	0828-082	1		Washer
26	3304-654	1	/P	Nut, Lock
27	0818-021	1		Shaft, Shift Fork
28	0818-088	2		Fork, Shift

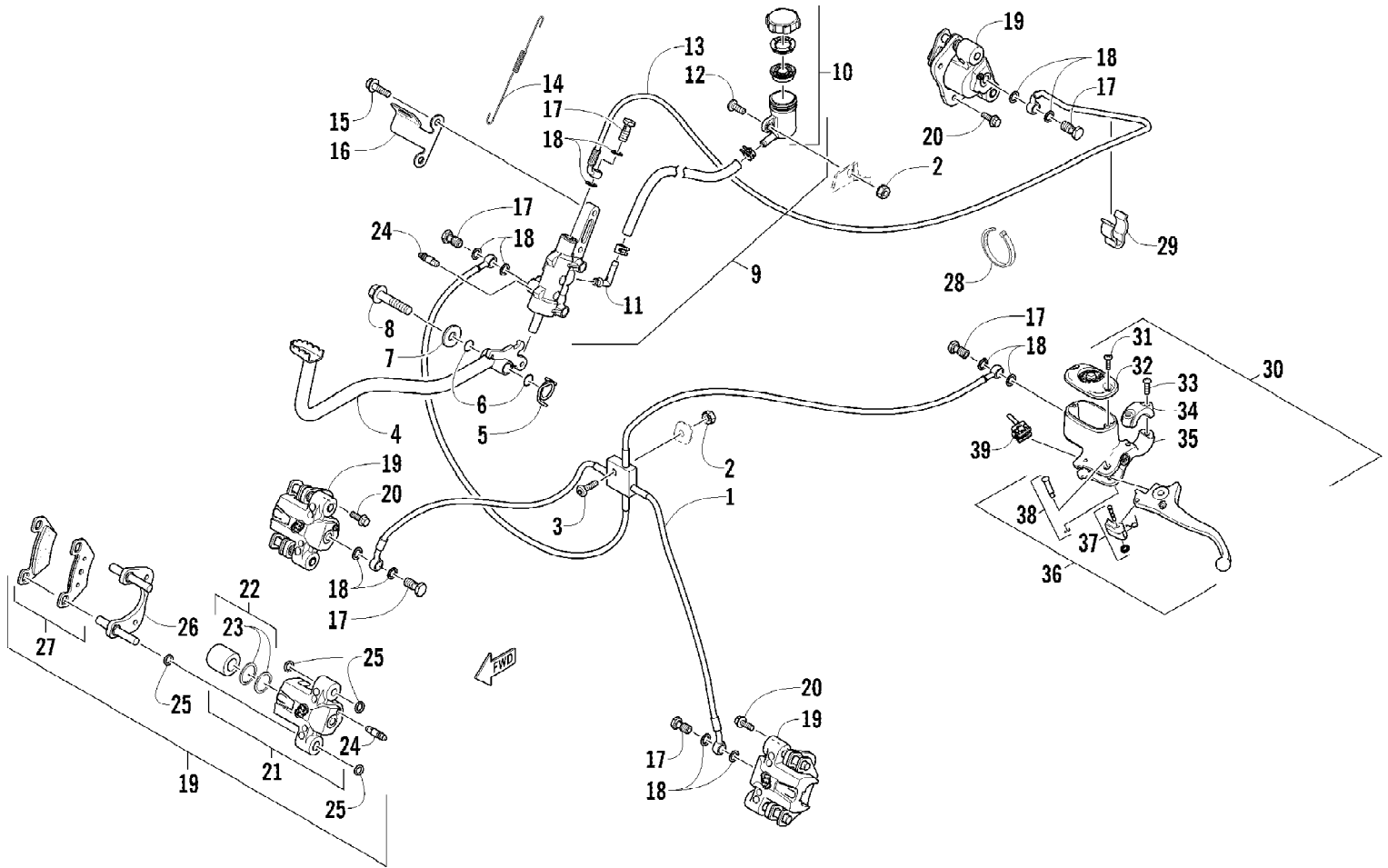


2012 TRV 450 GT ORANGE (A2012TGK2PUSU)
HANDLEBAR ASSEMBLY

Page 41 of 79

Ref #	Part Number	Qty	S/P/F	Description
1	0505-418	1	/P	Handlebar
2	0405-218	2		Plug, Handlebar
3	0405-147	2		Grip, Handlebar
4	0405-149	2		End Cap, Handlebar
5	8050-247	2	/P	Washer
6	8477-845	2		Screw, Machine
7	0509-054	1		Case, Throttle - Assembly (inc. 8-15)
8	0409-141	1		Cover, Throttle Case w/Switch
9	3007-392	1	/P	Screw, Cap
10	3004-447	1	/P	Washer, Lock
11	3003-030	1	/P	Washer
12	0409-133	1		Lever, Throttle
13	3423-014	1		Screw, Machine
14	3423-327	1		Nut
15	3423-199	2		Screw, Machine
16	0411-966	1		Decal, Warning - Differential Lock
17	1411-865	1		Decal, Warning - Brake Lever Lock
18	3409-019	1		Cover, Switch Housing
19	0509-014	1		Switch, Control - Assembly (inc. 20-21)
20	0409-028	1		Screw, Machine
21	0409-027	1		Screw, Machine

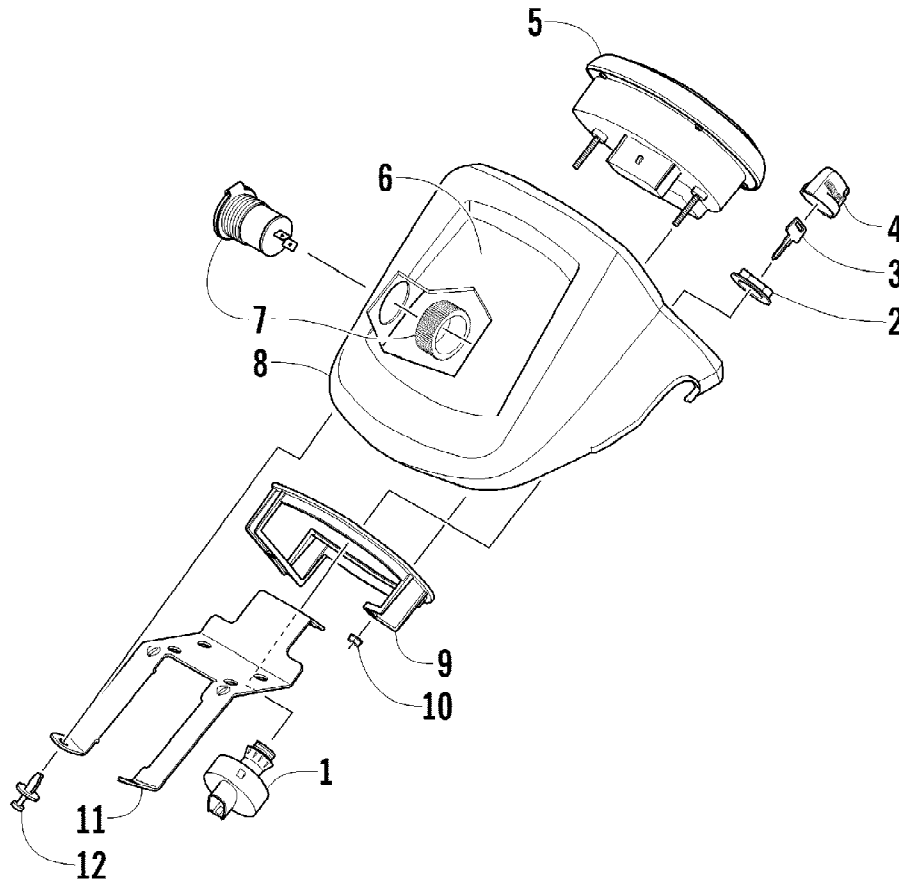
2012 TRV 450 GT ORANGE (A2012TGK2PUSU)
HYDRAULIC BRAKE ASSEMBLY



2012 TRV 450 GT ORANGE (A2012TGK2PUSU)
HYDRAULIC BRAKE ASSEMBLY

Page 43 of 79

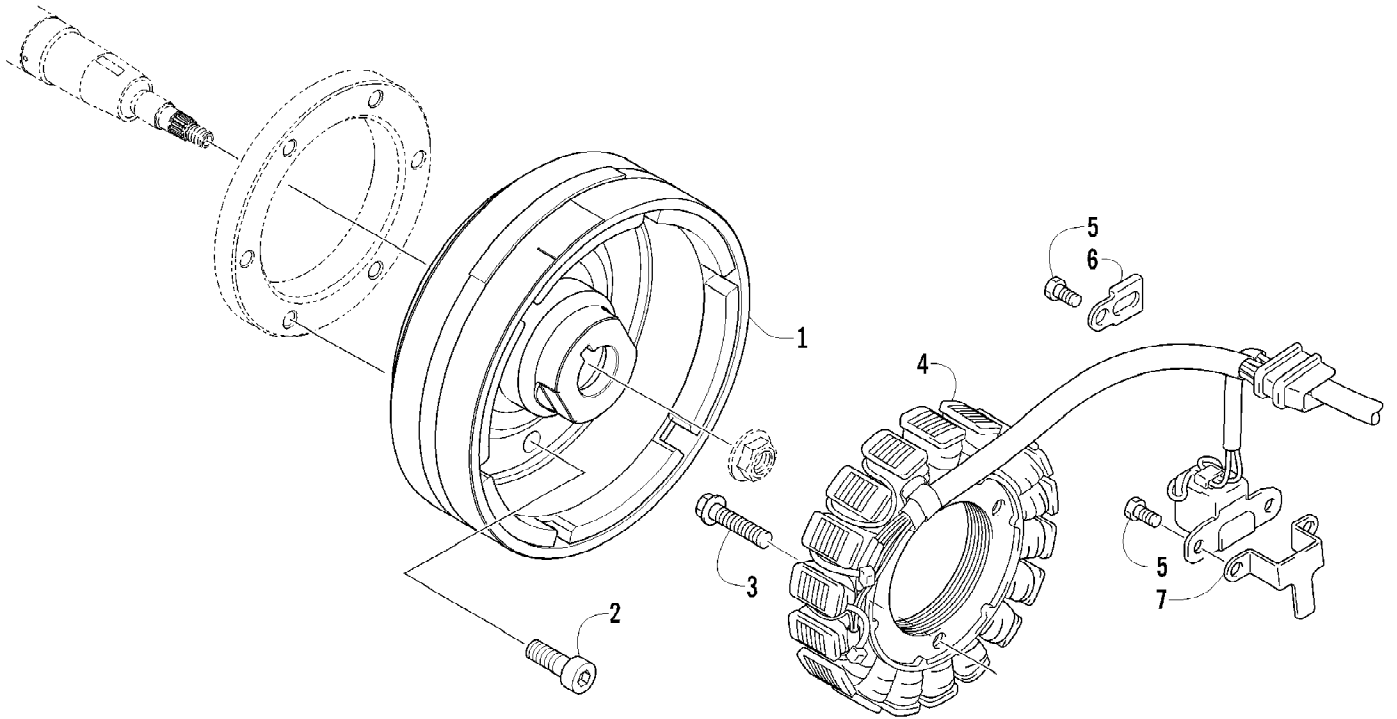
Ref #	Part Number	Qty	S/P/F	Description
1	1502-015	1		Hose, Brakeline - Assembly
2	0623-038	2		Nut w/Washer
3	8476-625	1		Screw, Machine
4	1502-063	1		Lever, Brake
5	0502-807	1		Spring, Brake Lever
6	1602-213	2	/P	O-Ring
7	8050-252	1		Washer
8	8408-816	1		Screw, Cap
9	1502-577	1		Brake Assembly (inc. 10)
10	1502-578	1		Reservoir, Brake w/Clamp
11	1502-296	1	/P	Adapter, Hose
12	8476-616	1		Screw, Machine
13	1502-591	1		Hose, Brakeline
14	0502-785	1		Spring, Brake Switch
15	8408-625	2		Screw, Cap
16	0502-840	1		Bracket, Switch
17	0423-413	6		Bolt, Banjo-Fitting
18	0423-178	12		Washer, Crush
19	1436-422	1	/P	Caliper, Brake - Right Front (inc. two No. 20 and 21-27)
19	1436-423	1	/P	Caliper, Brake - Left Front (inc. two No. 20 and 21-27)
19	1436-423	1	/P	Caliper, Brake - Rear (inc. two No. 20 and 21-27)
20	8408-821	6	/P	Screw, Cap
21	1436-160	1	/P	Housing, Caliper - Assembly - Right Front (inc. two No. 20 and 22-24)
21	1436-161	1	/P	Housing, Caliper - Assembly - Left Front (inc. two No. 20 and 22-24)
21	1436-161	1	/P	Housing, Caliper - Assembly - Rear (inc. two No. 20 and 22-24)
22	0502-606	3		Piston/Seal Set (inc. 23)
23	0502-607	3		Seal Set
24	0502-609	4	/P	Valve, Bleed
25	0502-608	3		O-Ring, Guide - Set
26	0502-605	3		Bracket Assembly
27	1502-694	3	S	Pad, Brake - Set
28	0123-788	AR	/P	Tie, Cable - 8 in.
29	1502-115	2		Clip, Brakeline Hose
30	1502-902	1	/P	Brake Assembly (inc. 31-39)
31	0502-566	1		Screw, Machine - Kit
32	0502-868	1	/P	Cover, Reservoir
33	0502-568	1		Screw, Machine - Kit
34	0502-869	1		Clamp, Master Cylinder
35	0502-704	1		Master Cylinder Assembly
36	1502-904	1		Lever Assembly - Kit (inc. 37-38)
37	1502-905	1		Lock, Brake Lever - Kit
38	0502-580	1		Lever Pin - Kit
39	0502-564	1	/P	Switch, Brake



2012 TRV 450 GT ORANGE (A2012TGK2PUSU)
INSTRUMENT POD ASSEMBLY

Page 45 of 79

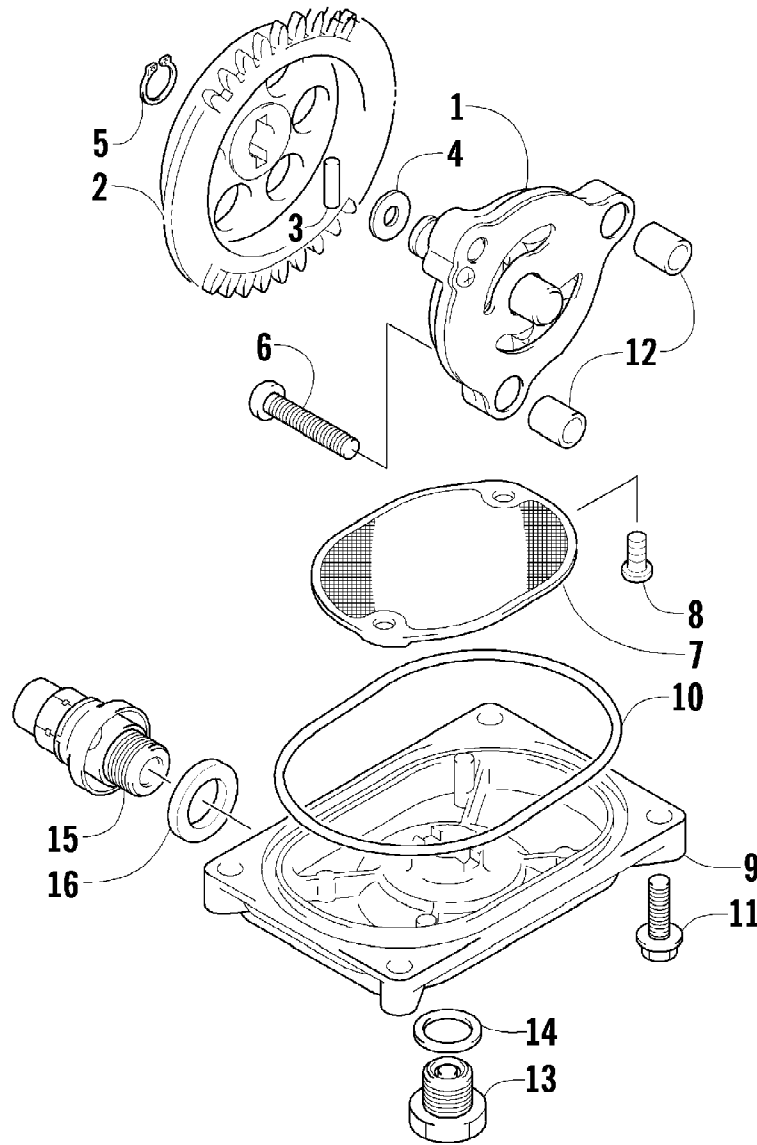
Ref #	Part Number	Qty	S/P/F	Description
1	0430-090	1	/P	Switch, Ignition - Assembly (inc. 2-4)
2	0430-050	1		Nut, Retaining
3	0430-042	1		Key, Ignition (Y Series - Left-Side Cut)
3	0430-043	1		Key, Ignition (Z Series - Right-Side Cut)
4	0430-054	1		Cover, Key
5	0520-143	1		Gauge, LCD
6	9611-399	1		Decal, 50th Anniversary
7	0641-897	1	/P	Outlet, Accessory - 12V
8	0405-276	1		Instrument Pod
9	0420-065	1	/P	Bracket, Retaining
10	0423-493	2		Nut w/Washer
11	2506-470	1		Bracket, Mounting - Instrument Pod
12	0423-535	2		Rivet, Reinstallable



2012 TRV 450 GT ORANGE (A2012TGK2PUSU)
MAGNETO ASSEMBLY

Page 47 of 79

Ref #	Part Number	Qty	S/P/F	Description
1	0802-057	1		Rotor/Flywheel
2	0826-120	6		Screw, Cap
3	3305-945	3		Screw, Cap
4	3323-200	1		Stator Assembly
5	3303-308	3		Screw, Cap
6	0802-003	1		Clamp, Routing
7	0802-004	1		Clamp, Routing

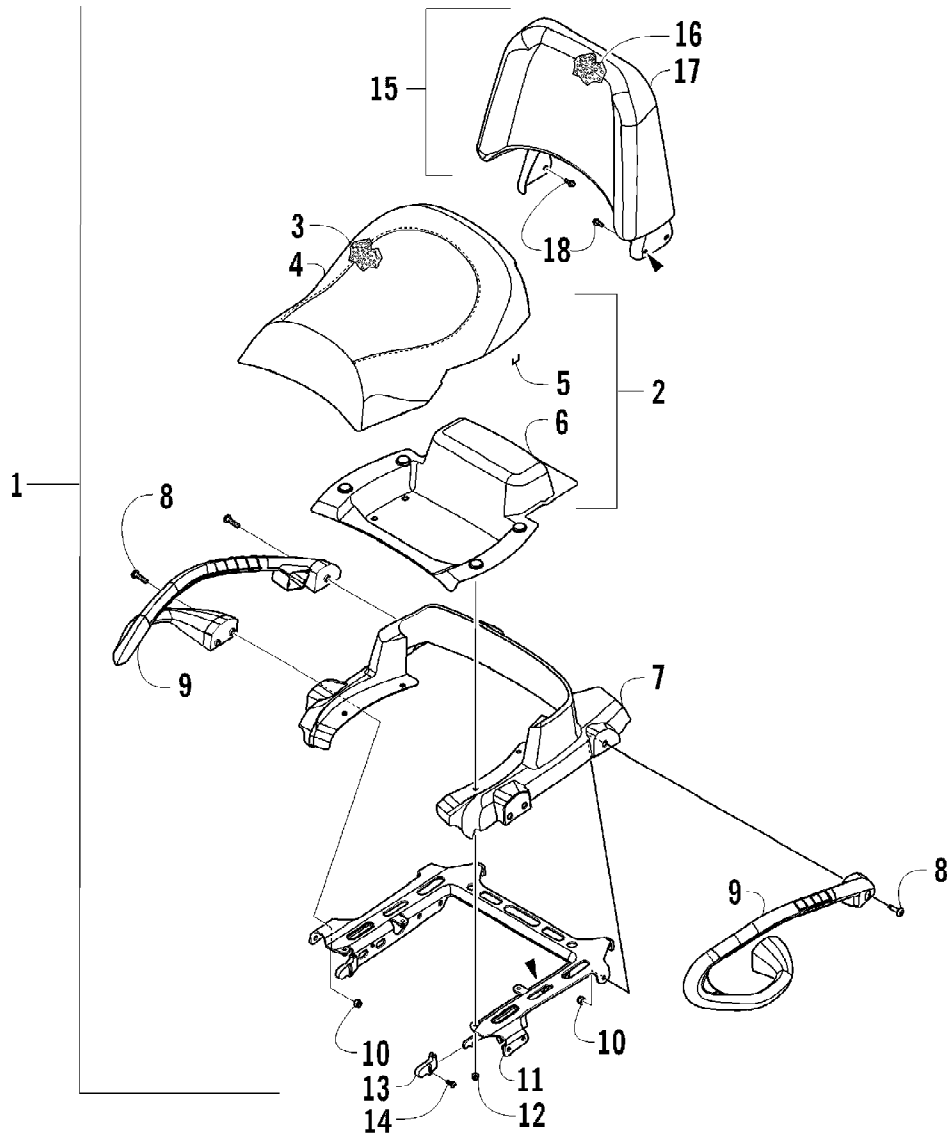


2012 TRV 450 GT ORANGE (A2012TGK2PUSU)
OIL PUMP AND STRAINER ASSEMBLY

Page 49 of 79

Ref #	Part Number	Qty	S/P/F	Description
1	0812-069	1		Pump, Oil
2	0812-010	1		Gear, Driven
3	0812-036	1		Pin, Dowel
4	0828-007	1	/P	Washer
5	3004-146	1		Ring, Retaining
6	0826-131	3		Screw, Machine
7	0812-049	1		Strainer, Oil
8	3313-722	2		Screw, Cap
9	0812-038	1		Cap, Oil Strainer
10	0830-159	1		O-Ring
11	3303-384	4	/P	Screw, Cap
12	0829-033	2		Pin, Dowel
13	0812-065	1		Plug, Drain
14	0830-143	1	/P	Gasket
15	0812-067	1		Valve, Oil-Relief - Assembly (inc. 16)
16	0830-181	1		O-Ring

2012 TRV 450 GT ORANGE (A2012TGK2PUSU)
PASSENGER SEAT AND BACKREST ASSEMBLY

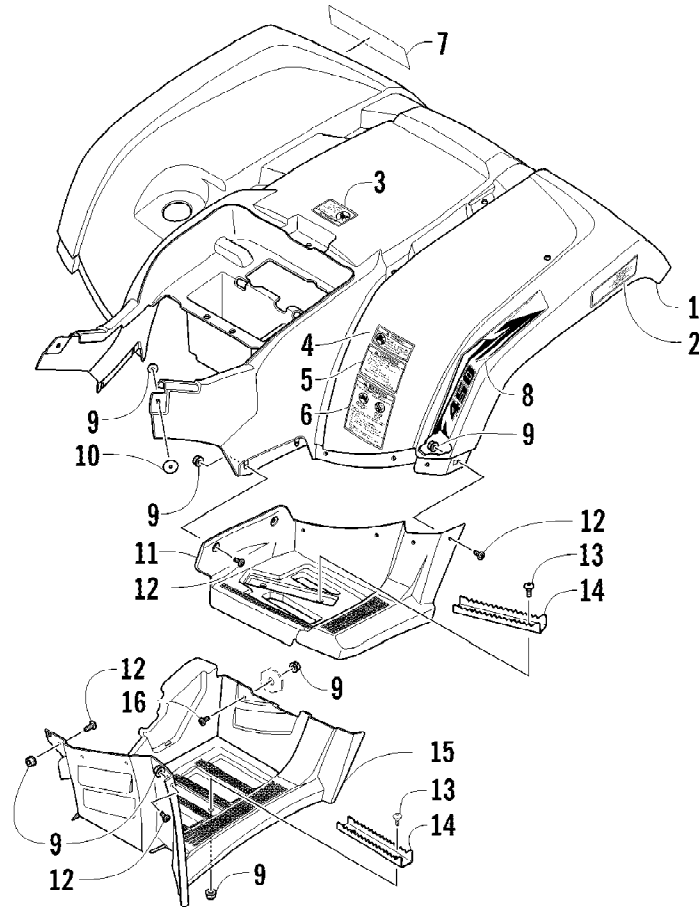


2012 TRV 450 GT ORANGE (A2012TGK2PUSU)
PASSENGER SEAT AND BACKREST ASSEMBLY

Page 51 of 79

Ref #	Part Number	Qty	S/P/F	Description
1	2516-896	1		Seat, Passenger - Assembly (inc. 2-14)
2	2506-064	1		Seat, Passenger - Sub-Assembly (inc. 3-6)
3	1506-816	1		Foam, Seat - Passenger
4	1506-815	1		Cover, Seat - Passenger
5	0624-263	AR		Staple
6	2406-110	1		Base, Seat - Inner
7	2406-044	1		Base, Seat - Passenger
8	8468-830	6		Screw, Machine
9	2406-834	1		Handhold, Passenger - Right
9	2406-835	1		Handhold, Passenger - Left
10	8432-802	6		Nut, Lock
11	2516-040	1		Bracket, Seat Support - Assembly
12	8427-602	4		Nut, Lock
13	2406-895	2		End Cap, Seat Support
14	0423-538	2		Screw, Self-Tapping
15	2516-020	1		Backrest Assembly (inc. 16-17)
16	2516-018	1		Foam, Backrest
17	2516-141	1		Cover, Backrest
18	8408-816	4		Screw, Cap

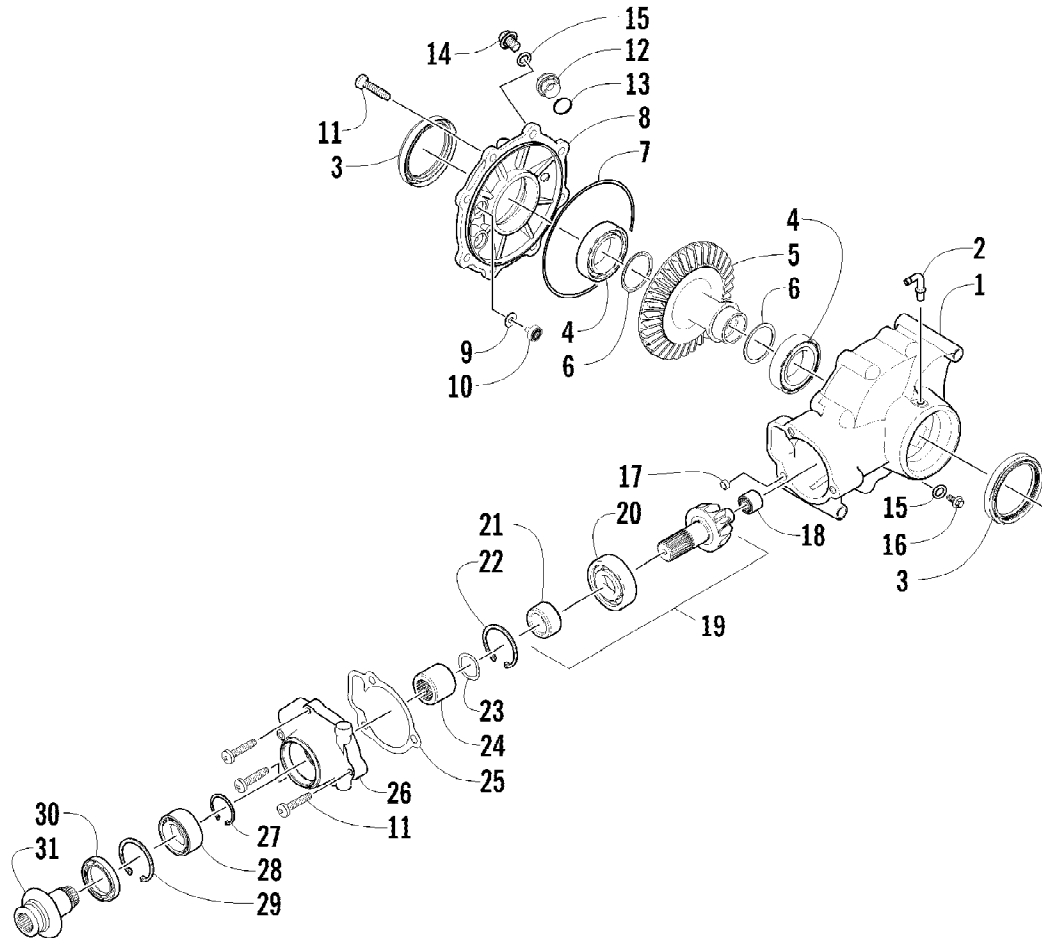
2012 TRV 450 GT ORANGE (A2012TGK2PUSU)
REAR BODY PANEL AND FOOTWELL ASSEMBLIES



2012 TRV 450 GT ORANGE (A2012TGK2PUSU)
REAR BODY PANEL AND FOOTWELL ASSEMBLIES

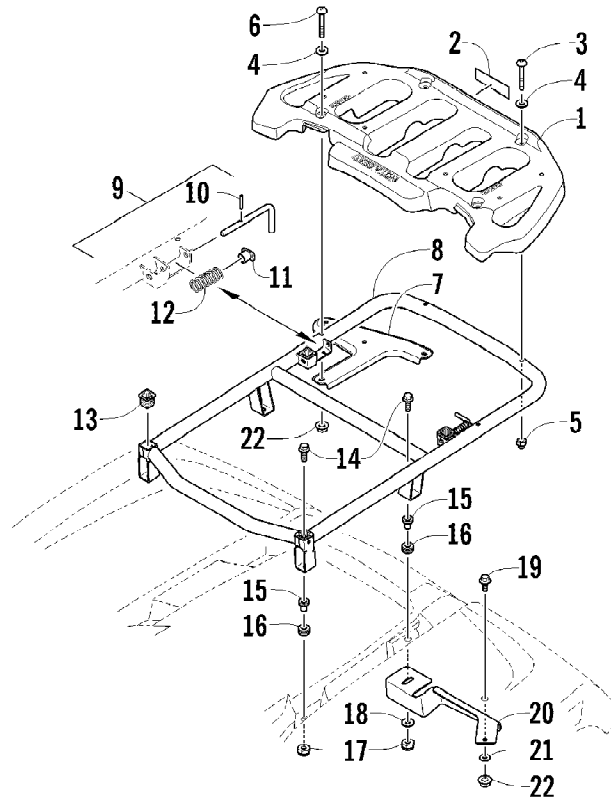
Ref #	Part Number	Qty	S/P/F	Description
1	4506-313	1	/P	Fender, Rear - Assembly (inc. 2-6)
2	1411-592	1	/P	Decal, Reflector - Right
2	1411-593	1	/P	Decal, Reflector - Left
3	1411-251	1		Decal, Warning - Passenger Seat
4	1411-269	1		Decal, Warning - Passenger
5	2411-138	1	/P	Decal, Warning - Tire Pressure
6	2411-257	1		Decal, Warning - Passenger Safety
7	1411-725	1		Decal, "Arctic Cat"
8	2411-726	1		Decal, Side - Lower Right
8	2411-727	1		Decal, Side - Lower Left
9	0423-540	34		Nut, Lock
10	0423-101	2		Screw, Shoulder
11	2406-042	1		Footwell, Rear - Right
11	2406-043	1		Footwell, Rear - Left
12	0423-419	22		Screw, Machine
13	0423-355	8		Screw, Shoulder
14	1506-125	4	/P	Footpeg
15	4506-156	1		Footwell - Right
15	4506-157	1		Footwell - Left
16	8477-620	2		Screw, Machine

2012 TRV 450 GT ORANGE (A2012TGK2PUSU)
REAR DRIVE GEARCASE ASSEMBLY



2012 TRV 450 GT ORANGE (A2012TGK2PUSU)
REAR DRIVE GEARCASE ASSEMBLY

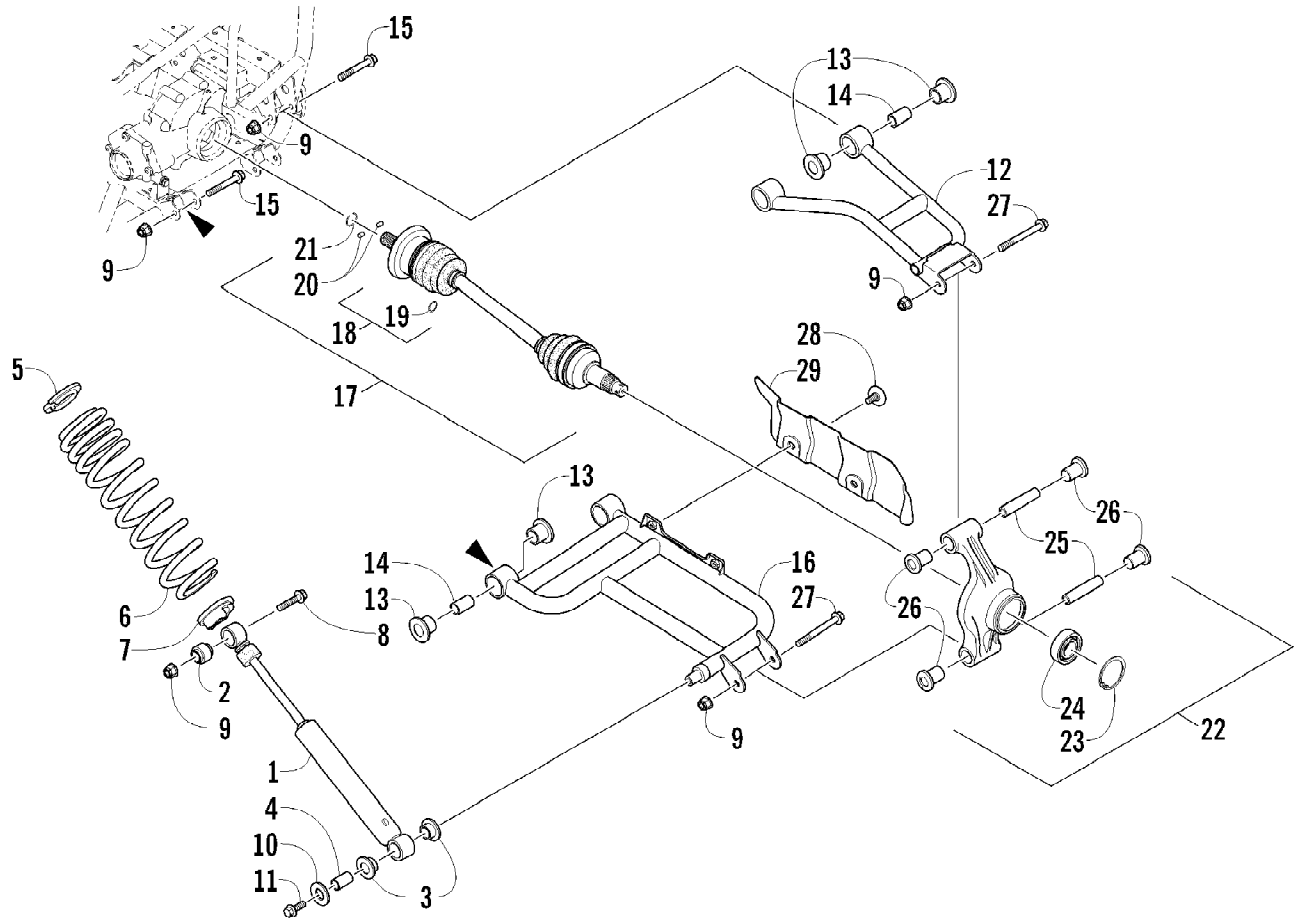
Ref #	Part Number	Qty	S/P/F	Description
	1502-876	1		Complete Rear Drive Gearcase Assembly
1	1502-896	1		Housing, Gearcase
2	1402-442	1		Fitting, Elbow
3	1402-950	2	/P	Seal
4	0402-393	2		Bearing
5	1402-033	1		Gear, Ring - 34T
6	0402-405	AR		Shim, 41 x 49 x 1.3 mm
6	0402-406	AR		Shim, 41 x 49 x 1.4 mm
6	0402-407	AR		Shim, 41 x 49 x 1.5 mm
6	0402-408	AR		Shim, 41 x 49 x 1.6 mm
6	0402-409	AR		Shim, 41 x 49 x 1.7 mm
7	0423-149	1		O-Ring
8	1502-897	1		Cover, Gearcase
9	0402-429	AR		Shim, 6.3 x 18 x 1.3 mm
9	0402-430	AR		Shim, 6.3 x 18 x 1.4 mm
9	0402-431	AR		Shim, 6.3 x 18 x 1.5 mm
9	0402-432	AR		Shim, 6.3 x 18 x 1.6 mm
9	0402-433	AR		Shim, 6.3 x 18 x 1.7 mm
10	0402-326	1		Button, Thrust
11	0423-118	11		Screw, Self-Tapping
12	0402-333	1	/P	Plug, Magnetic (inc. 13)
13	0423-154	1		O-Ring
14	1402-211	1		Plug, Oil Level (inc. one No. 15)
15	0423-153	2		O-Ring
16	1402-210	1	/P	Plug, Fill (inc. one No. 15)
17	0402-411	1		Pin, Dowel
18	0402-328	1		Bearing
19	1502-851	1		Gear, Pinion - Assembly - 11T (inc. 20-21)
20	0402-327	1		Bearing
21	1402-977	1		Collar, Retaining
22	1423-067	1		Ring, Retaining
23	0402-982	1		Washer, Wave
24	0402-981	1		Collar, Shaft
25	0402-947	1		Gasket, Flange
26	0502-529	1		Housing, Pinion
27	0423-417	1		Ring, Retaining
28	1402-043	1		Bearing
29	0423-423	1		Ring, Retaining
30	1402-011	1		Seal
31	1502-085	1	/P	Shaft, Input



2012 TRV 450 GT ORANGE (A2012TGK2PUSU)
 REAR RACK ASSEMBLY

Page 57 of 79

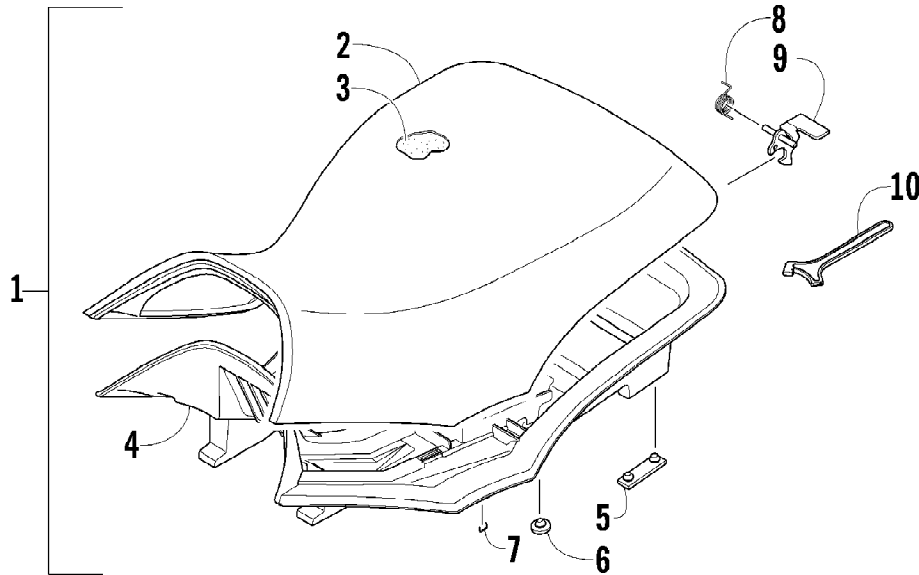
Ref #	Part Number	Qty	S/P/F	Description
1	2516-339	1	/P	Rack, Rear (inc. 2)
2	1411-201	1		Decal, Warning - Load
3	8410-640	3		Screw, Cap
4	8050-223	4		Washer
5	0423-891	2		Nut, Cap
6	8410-645	2		Screw, Cap
7	2506-926	1		Bracket, Mounting - Safety Flag
8	2516-169	1		Base, MRP - Assembly (inc. 9-13)
9	0541-504	2		Pin - Assembly (inc. 10-12)
10	0423-635	2		Pin, Roll
11	0423-677	2		Bushing, Flanged
12	0423-636	2		Spring
13	0441-592	4	/P	Bushing
14	8410-835	4		Screw, Cap
15	0423-669	4		Spacer
16	0423-465	4		Grommet
17	8432-802	4		Nut, Lock
18	0423-087	2		Washer
19	0423-654	2		Screw, Shoulder
20	2506-092	1		Bracket, Rear Fender - Right
20	2506-093	1		Bracket, Rear Fender - Left
21	8050-222	2	/P	Washer
22	0423-540	4		Nut, Lock



2012 TRV 450 GT ORANGE (A2012TGK2PUSU)
REAR SUSPENSION ASSEMBLY

Page 59 of 79

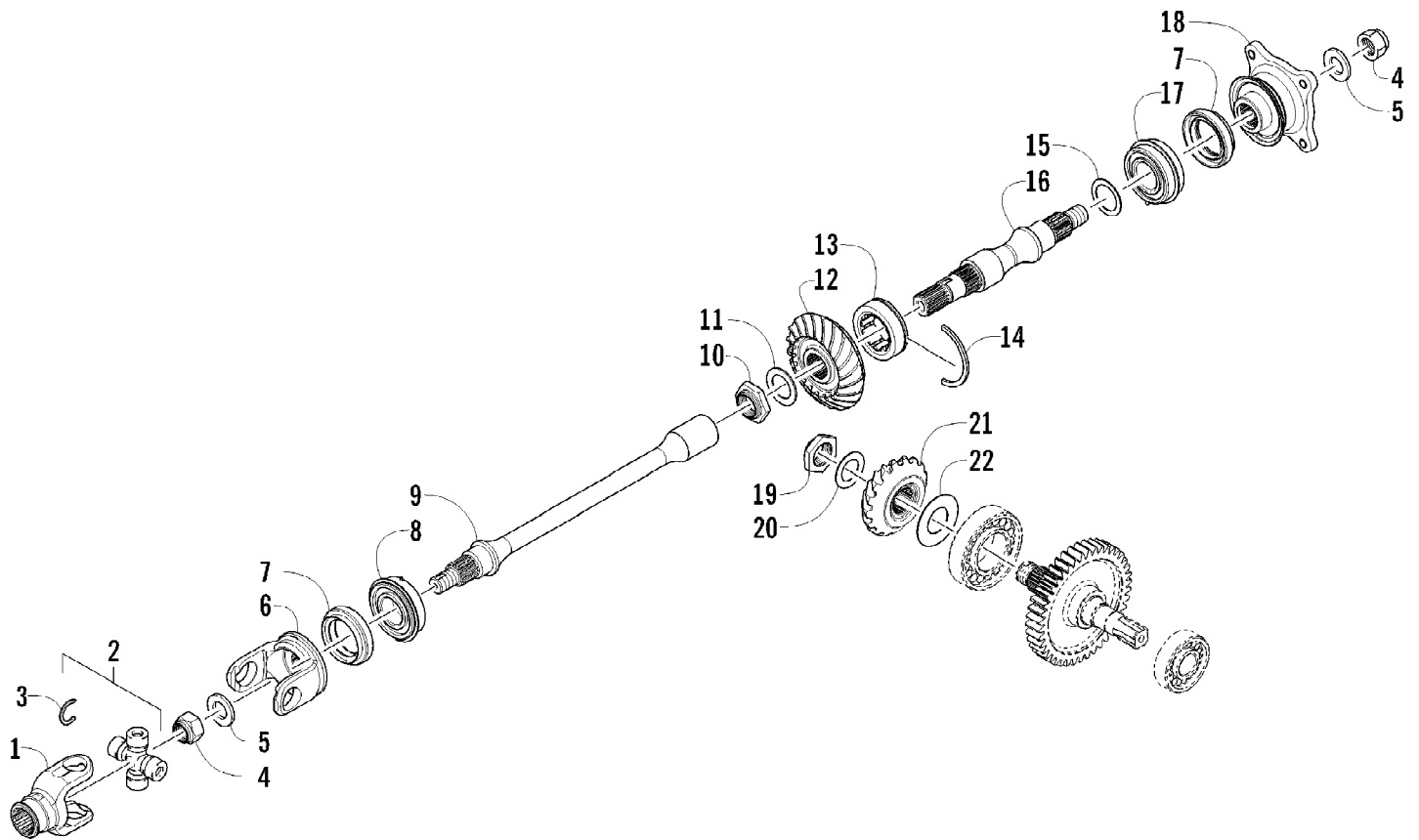
Ref #	Part Number	Qty	S/P/F	Description
1	0404-158	2		Shock Absorber (inc. 2-4)
2	0403-182	2		Bushing
3	0603-955	4		Bushing
4	1603-219	2	S	Sleeve
5	1603-889	2	/P	Retainer, Spring
6	0504-638	2		Spring, Suspension
7	0404-057	2		Cam, Spring Adjuster
8	8409-050	2		Screw, Cap
9	0423-744	14		Nut, Lock
10	0423-087	2		Washer
11	8408-820	2	/P	Screw, Cap
12	0504-582	1		A-Arm, Rear - Upper Right (inc. 13-14)
12	0504-583	1	/P	A-Arm, Rear - Upper Left (inc. 13-14)
13	0403-208	16	/P	Bushing
14	0403-214	8	/P	Axle
15	8409-075	8		Screw, Cap
16	0504-572	1		A-Arm, Rear - Lower Right (inc. 13-14)
16	0504-573	1		A-Arm, Rear - Lower Left (inc. 13-14)
17	1502-798	2	S	Axle, Drive (inc. 18-21)
18	1436-419	2		Repair Kit, Boot (inc. 19)
19	1441-988	2		Clip, Retaining
20	1402-884	4		Pin, Detent
21	1402-890	2		Clip, Retaining
22	0504-548	1	/P	Knuckle, Right - Assembly (inc. 23-26)
22	0504-549	1	/P	Knuckle, Left - Assembly (inc. 23-26)
23	0423-423	2		Ring, Retaining
24	1402-809	2	/P	Bearing
25	0403-213	4	/P	Axle
26	0403-206	8	/P	Bushing
27	8409-000	4		Screw, Cap
28	0423-545	4	/P	Screw, Shoulder
29	1406-068	1		Guard, Boot - Rear - Right
29	1406-069	1		Guard, Boot - Rear - Left



2012 TRV 450 GT ORANGE (A2012TGK2PUSU)
SEAT ASSEMBLY

Page 61 of 79

Ref #	Part Number	Qty	S/P/F	Description
1	4506-557	1	/P	Seat Assembly (inc. 2-9)
2	1506-209	1		Cover, Seat
3	0517-119	1		Foam, Seat
4	2416-826	1	/P	Base, Seat - Assembly (inc. 5-6)
5	0406-879	2		Bumper, Seat - Rear
6	0406-877	4	/P	Bumper, Seat - Front
7	0624-263	AR		Staple
8	1406-592	1	/P	Spring, Seat Latch
9	1506-156	1		Latch, Seat
10	0441-587	1		Wrench, Spanner

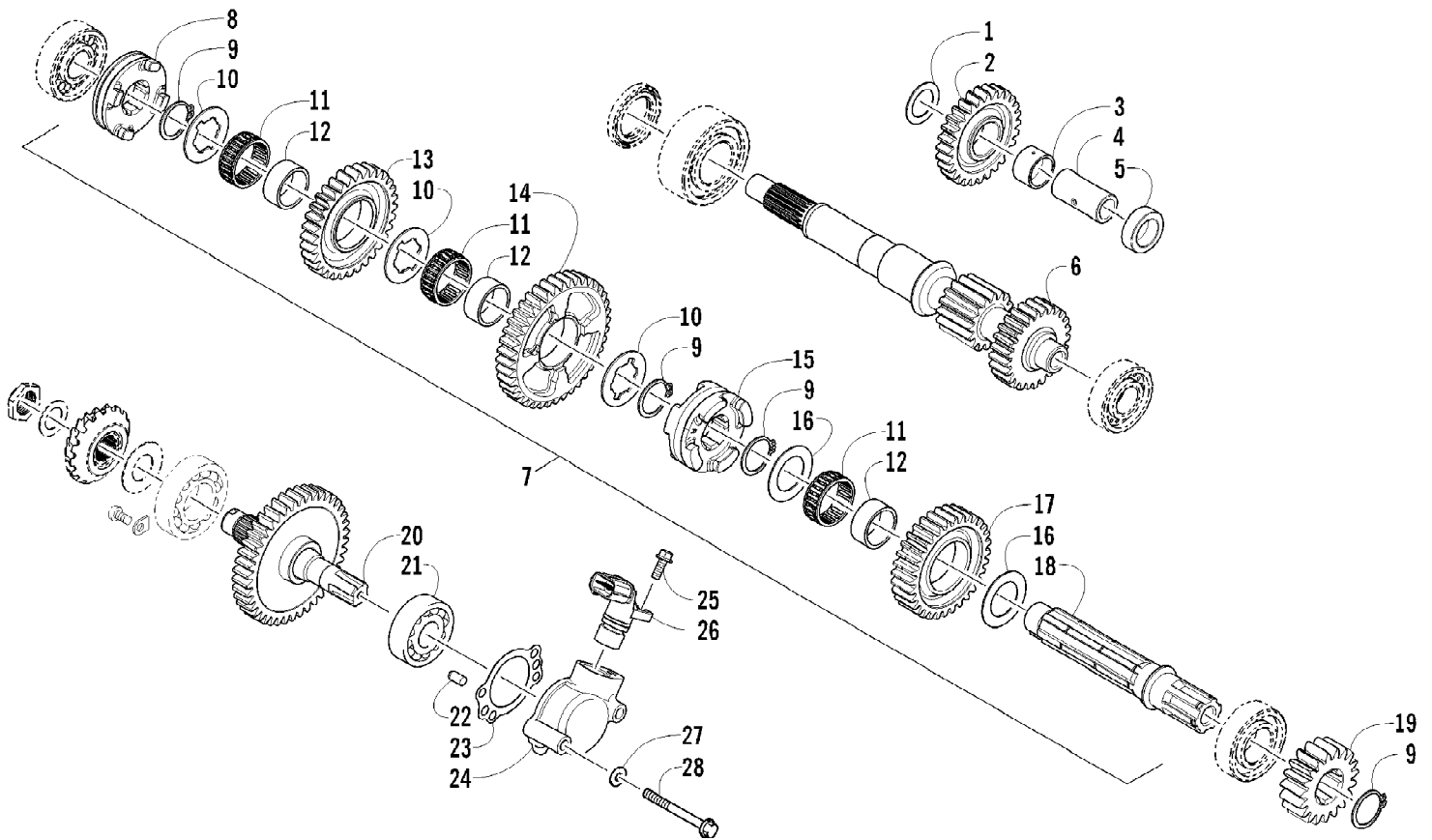


2012 TRV 450 GT ORANGE (A2012TGK2PUSU)
SECONDARY DRIVE ASSEMBLY

Page 63 of 79

Ref #	Part Number	Qty	S/P/F	Description
1	0819-063	1		Yoke, Propeller Shaft Joint
2	1402-164	1	/P	Joint, Universal - Set (inc. 3)
3	0423-450	4		Clip, Retaining
4	3306-428	2	/P	Nut
5	3306-226	2		Washer
6	0819-071	1		Yoke, Drive Output
7	0830-144	2		Seal, Oil
8	0832-026	1		Bearing
9	0819-020	1		Shaft, Secondary Driven
10	0827-022	1		Nut
11	0828-090	1		Washer
12	0819-019	1		Gear, Secondary Driven
13	0832-040	1		Bearing
14	0819-070	1		C-Ring
15	3305-955	AR		Shim, 25 x 34 x 0.60 mm
15	3305-956	AR		Shim, 25 x 34 x 0.65 mm
15	3305-957	AR		Shim, 25 x 34 x 0.70 mm
15	3305-958	AR		Shim, 25 x 34 x 0.75 mm
15	3305-959	AR		Shim, 25 x 34 x 0.80 mm
15	3305-960	AR		Shim, 25 x 34 x 0.85 mm
15	3305-961	AR		Shim, 25 x 34 x 0.90 mm
15	3305-962	AR		Shim, 25 x 34 x 0.95 mm
15	3305-963	AR		Shim, 25 x 34 x 1.00 mm
15	3305-964	AR		Shim, 25 x 34 x 1.05 mm
15	3305-965	AR		Shim, 25 x 34 x 1.10 mm
15	0828-088	AR		Shim, 25 x 34 x 1.15 mm
15	3305-966	AR		Shim, 25 x 34 x 1.20 mm
15	3305-967	AR		Shim, 25 x 34 x 1.25 mm
16	0819-021	1		Shaft, Secondary Driven
17	0832-041	1		Bearing
18	0819-022	1		Flange, Output Joint
19	0827-047	1		Nut
20	3304-042	1		Washer, Thrust
21	0819-018	1		Gear, Secondary Drive
22	3306-009	AR		Shim, 30 x 48 x 0.60 mm
22	3306-010	AR		Shim, 30 x 48 x 0.65 mm
22	3306-011	AR		Shim, 30 x 48 x 0.70 mm
22	3306-012	AR		Shim, 30 x 48 x 0.75 mm
22	3306-013	AR		Shim, 30 x 48 x 0.80 mm
22	3306-014	AR		Shim, 30 x 48 x 0.85 mm
22	3306-015	AR		Shim, 30 x 48 x 0.90 mm
22	3306-016	AR		Shim, 30 x 48 x 0.95 mm
22	3306-017	AR		Shim, 30 x 48 x 1.00 mm
22	3306-018	AR		Shim, 30 x 48 x 1.05 mm
22	3306-019	AR		Shim, 30 x 48 x 1.10 mm
22	3306-020	AR		Shim, 30 x 48 x 1.15 mm
22	3306-021	AR		Shim, 30 x 48 x 1.20 mm
22	3306-022	AR		Shim, 30 x 48 x 1.25 mm

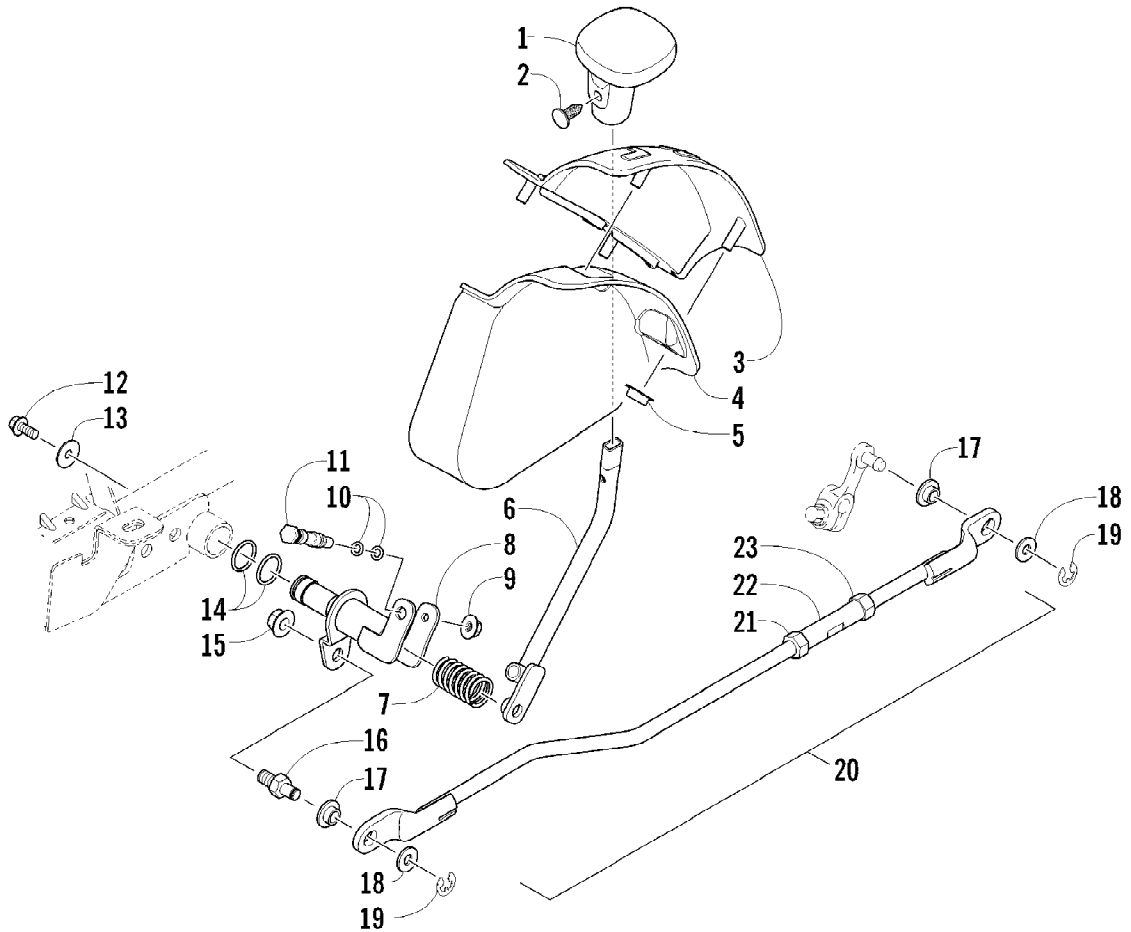
2012 TRV 450 GT ORANGE (A2012TGK2PUSU)
SECONDARY TRANSMISSION ASSEMBLY



2012 TRV 450 GT ORANGE (A2012TGK2PUSU)
SECONDARY TRANSMISSION ASSEMBLY

Page 65 of 79

Ref #	Part Number	Qty	S/P/F	Description
1	0828-081	1		Washer
2	0822-061	1		Gear, Reverse Idle
3	0822-065	1		Bushing
4	0822-064	1		Shaft, Reverse Idle
5	0822-029	1		Spacer
6	0822-128	1		Driveshaft
7	0822-129	1		Countershaft Assembly (inc. 8-18)
8	0822-033	1		Gear Select, Reverse
9	3304-147	4	/P	Circlip
10	3304-045	3		Washer
11	0832-038	3		Bearing
12	0822-062	3		Bushing
13	0822-032	1		Gear, Reverse Driven
14	0822-063	1		Gear, Driven - Low
15	0822-027	1		Gear Select, Sliding
16	3304-044	2		Washer, Thrust
17	0818-119	1		Gear, Driven - High
18	0822-025	1		Countershaft
19	0822-028	1		Gear, Drive
20	0822-023	1		Shaft, Output
21	3304-198	1		Bearing
22	3303-395	2		Pin, Dowel
23	0830-156	1		Gasket, Housing
24	0822-105	1		Housing, Speedometer Sensor
25	3303-382	1	/P	Screw, Cap
26	3313-172	1		Sensor, Speedometer
27	0830-155	2	/P	Gasket
28	3303-387	2		Screw, Cap



2012 TRV 450 GT ORANGE (A2012TGK2PUSU)
SHIFT LEVER ASSEMBLY

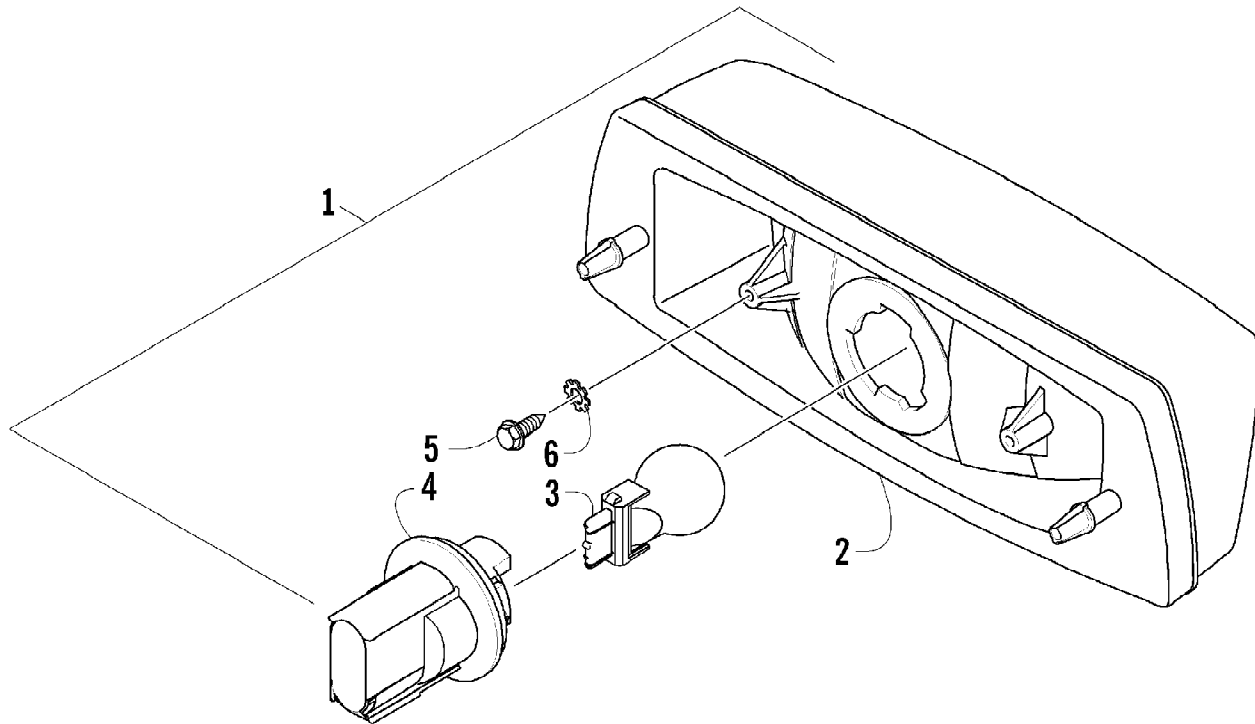
Page 67 of 79

Ref #	Part Number	Qty	S/P/F	Description
1	0402-843	1	/P	Knob, Shift
2	0423-345	1		Clip, Retaining
3	1402-576	1		Plate, Shift
4	2406-345	1		Shield, Shift Plate
5	0423-357	4		Nut, Stamped
6	0502-659	1		Lever, Shift
7	0402-678	1	/P	Spring, Shift Lever
8	1502-332	1		Actuator, Shift
9	8424-602	1	/P	Nut
10	0423-182	2	/P	O-Ring
11	0402-675	1		Axle, Pivot
12	8408-812	1		Screw, Cap
13	0423-087	1		Washer
14	0423-299	2	/P	O-Ring
15	8424-802	1		Nut
16	1402-621	1		Pin, Mounting
17	0423-091	2		Bushing
18	0623-094	2		Washer
19	0423-169	2	/P	E-Ring
20	1502-652	1		Linkage, Shift - Assembly (inc. 21-23)
21	0123-917	1	/P	Nut, Hex - Left-Hand Thread
22	1402-619	1		Coupler
23	0623-294	1		Nut, Hex - Right-Hand Thread

2012 TRV 450 GT ORANGE (A2012TGK2PUSU)
STEERING ASSEMBLY

Page 69 of 79

Ref #	Part Number	Qty	S/P/F	Description
1	8408-835	4		Screw, Cap
2	0405-035	2		Cap, Steering Adjuster
3	0423-505	2		Screw, Shoulder
4	0505-484	1		Cap, Housing
5	0405-260	1		Housing, Upper
6	0405-259	1		Housing, Lower
7	0505-642	1		Post, Steering
8	8020-045	2		Screw, Cap
9	8040-366	2	/P	Nut, Lock
10	0505-720	1		Assembly, Electronic Power Steering
11	8409-020	4	/P	Screw, Cap
12	0505-664	1		Arm, Steering
13	8408-816	2		Screw, Cap
14	0602-233	1		Flange, Bearing
15	0405-052	1		Bearing w/Inverted Oil Seal
16	0505-499	2	/P	Tie Rod - Assembly (inc. 17-21)
17	0505-511	2	/P	End, Tie Rod - Left-Hand Thread - Kit (inc. 18)
18	0423-013	2		Nut - Left-Hand Thread
19	0405-281	2	/P	Tie Rod
20	0505-510	2	/P	End, Tie Rod - Right-Hand Thread - Kit (inc. 21)
21	8420-002	2	/P	Nut - Right-Hand Thread
22	0423-157	4		Nut, Lock
23	0623-175	4		Pin, Cotter

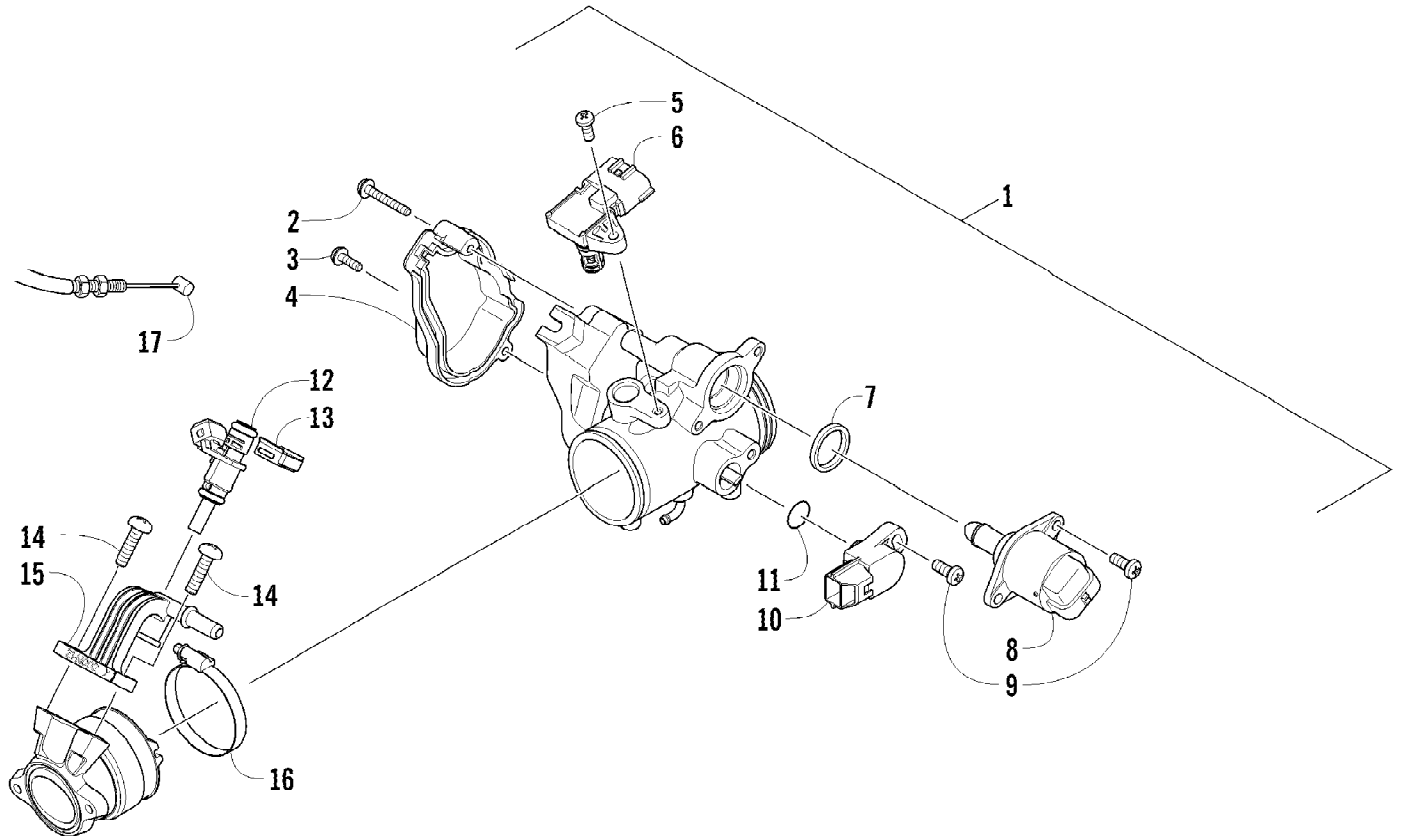


2012 TRV 450 GT ORANGE (A2012TGK2PUSU)
TAILLIGHT ASSEMBLY

Page 71 of 79

Ref #	Part Number	Qty	S/P/F	Description
1	0509-022	1		Taillight Assembly (inc. 2-4)
2	0509-025	1		Housing, Taillight
3	0409-056	1		Bulb, Taillight
4	0409-057	1		Socket, Taillight
5	0623-301	2	/P	Screw, Self-Tapping
6	8053-212	2	/P	Washer, External Tooth Lock

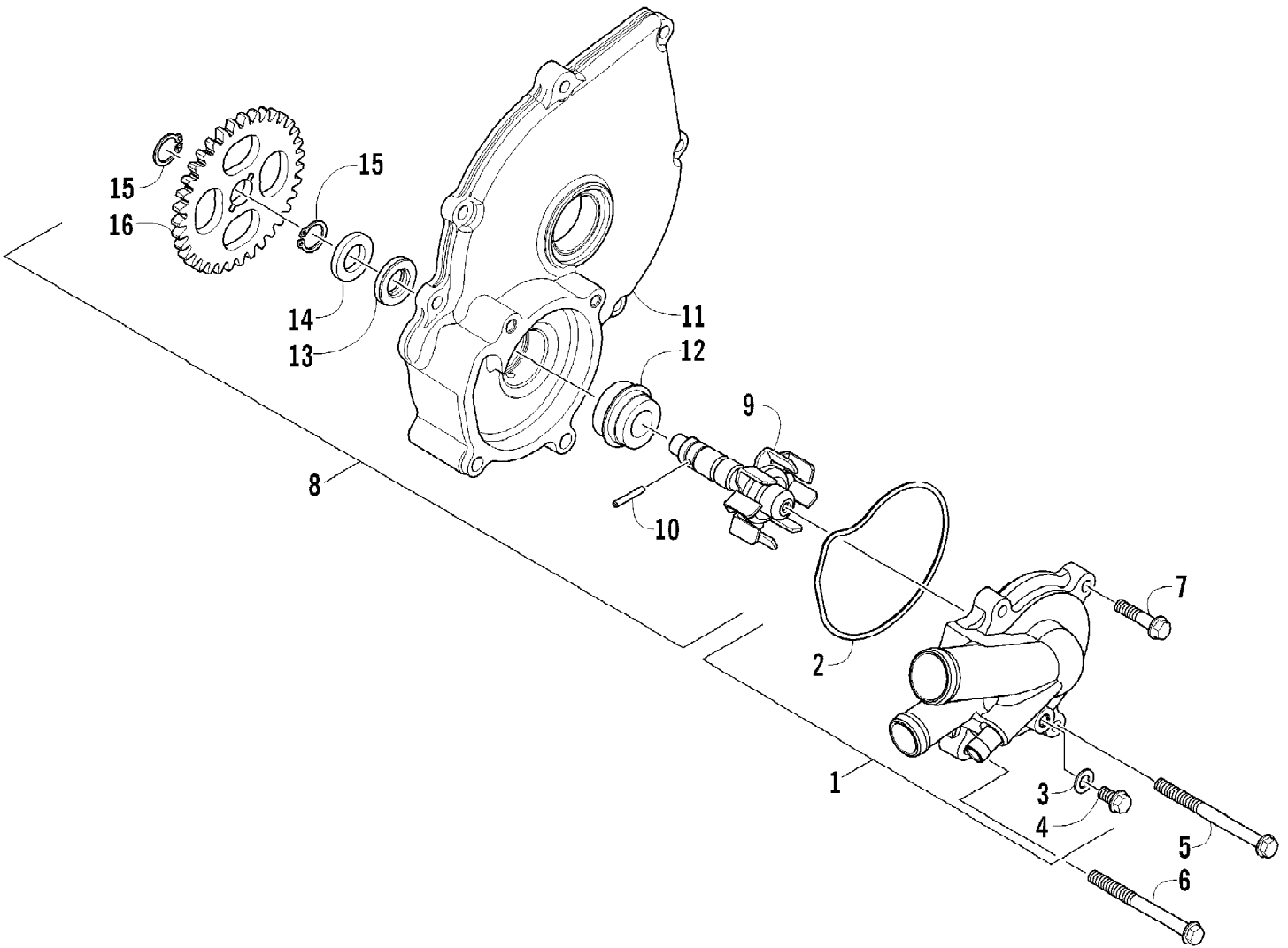
2012 TRV 450 GT ORANGE (A2012TGK2PUSU)
THROTTLE BODY ASSEMBLY



2012 TRV 450 GT ORANGE (A2012TGK2PUSU)
THROTTLE BODY ASSEMBLY

Page 73 of 79

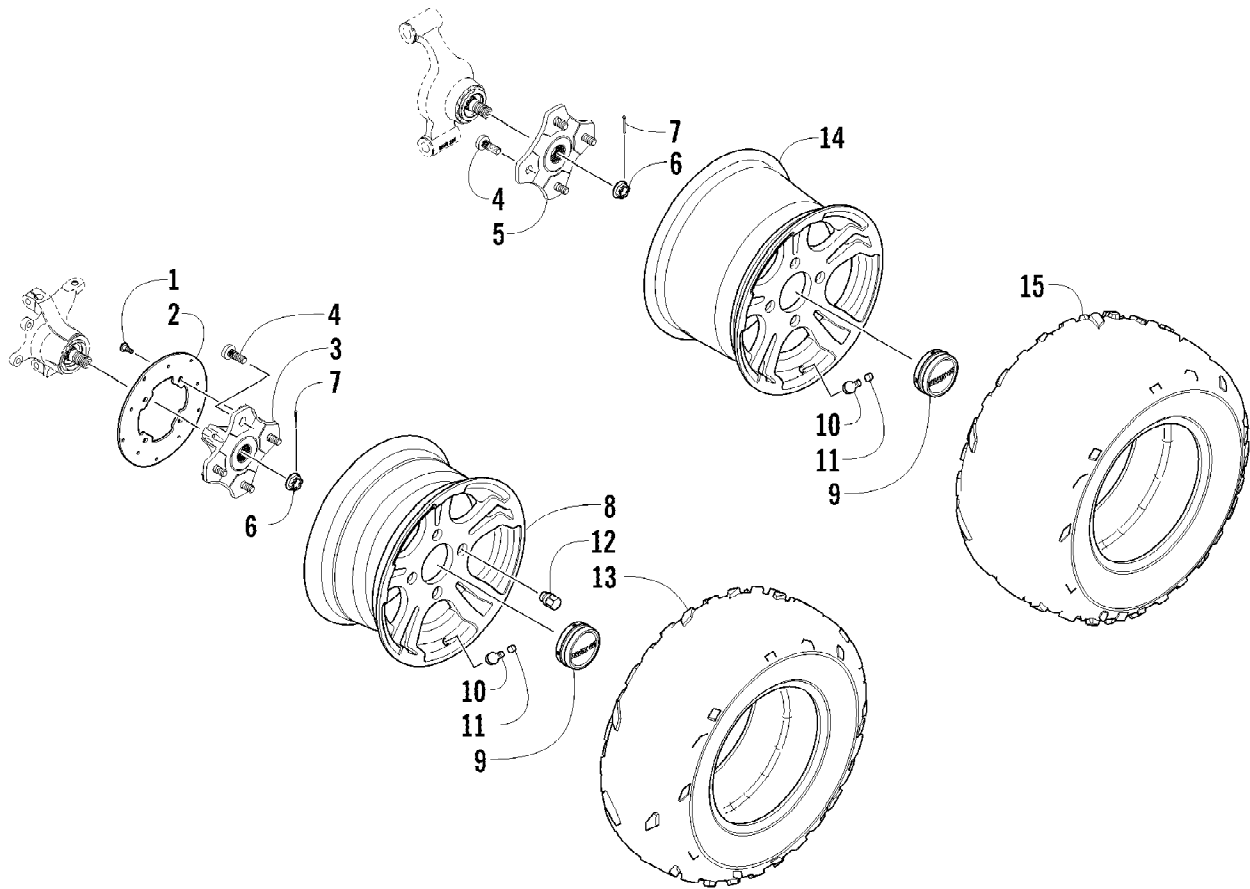
Ref #	Part Number	Qty	S/P/F	Description
1	0570-328	1		Throttle Body - Assembly (inc. 2-11)
2	3306-267	1		Screw, Machine
3	3306-266	1		Screw, Machine
4	0824-060	1		Cover
5	0835-007	1		Screw, Machine
6	0824-052	1		Sensor, MAP
7	0832-088	1		Seal
8	0824-054	1		Valve, By-Pass - Idle Air
9	3305-953	3		Screw, Machine
10	0824-053	1		Sensor, Throttle Position (inc. 11)
11	3306-150	1		O-Ring
12	0470-884	1		Injector, Fuel
13	0470-889	1		Clip, Retaining
14	8468-620	2	/P	Screw, Machine
15	0470-885	1		Rail, Fuel
16	0423-019	1		Clamp
17	0487-076	1		Cable, Throttle



2012 TRV 450 GT ORANGE (A2012TGK2PUSU)
WATER PUMP ASSEMBLY

Page 75 of 79

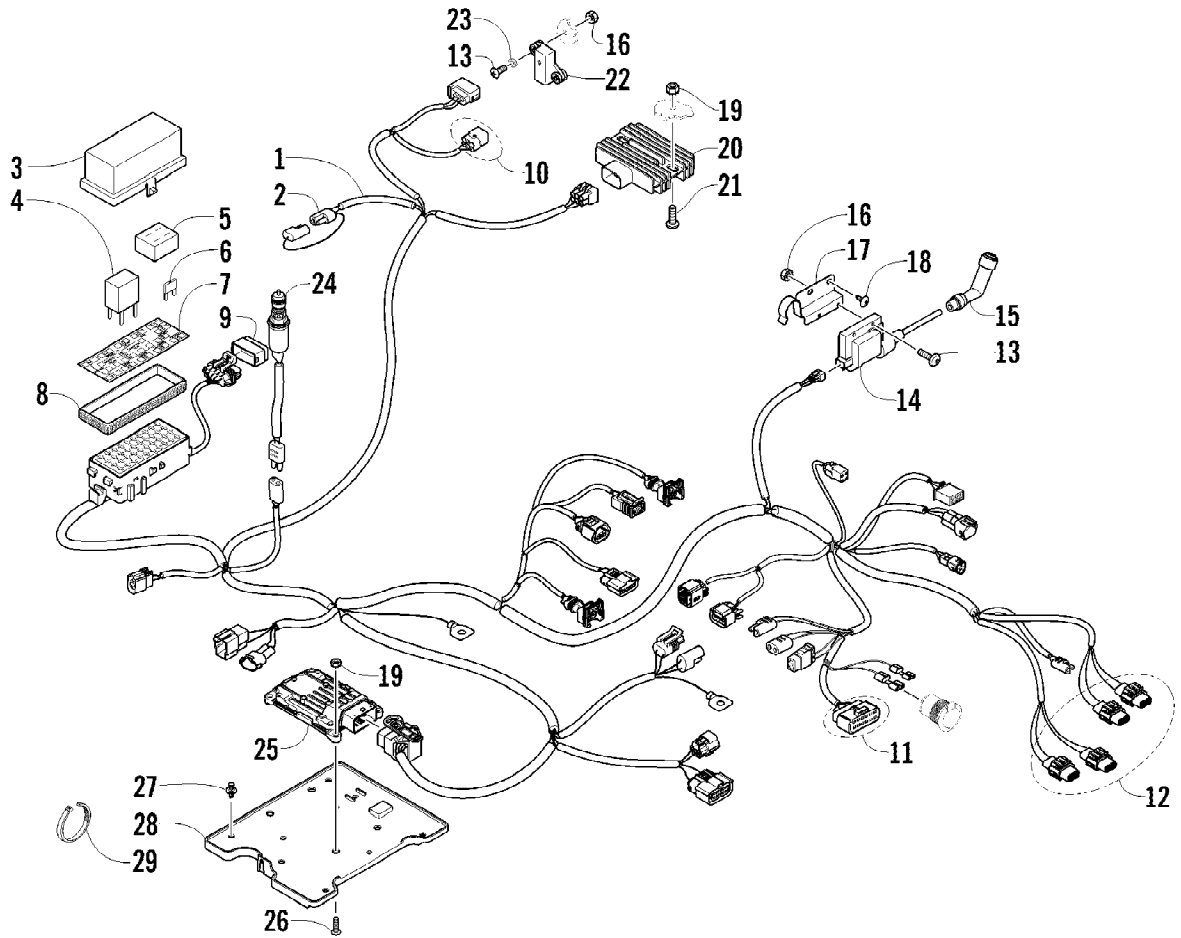
Ref #	Part Number	Qty	S/P/F	Description
1	0813-054	1	/P	Cover, Water Pump - Assembly (inc. 2-4)
2	0830-208	1		O-Ring
3	3304-049	1		Washer
4	3304-186	1		Screw, Cap
5	0826-065	1		Screw, Cap
6	0826-151	1		Screw, Cap
7	3303-384	2	/P	Screw, Cap
8	0813-051	1		Housing, Water Pump - Assembly (inc. 9-16)
9	0813-057	1		Shaft, Impeller - Assembly
10	0829-057	1		Pin, Alignment
11	0806-123	1		Housing, Water Pump
12	3305-940	1		Seal, Mechanical
13	0830-207	1		Seal, Oil
14	0828-130	1		Washer, Thrust
15	0831-089	2		Circlip
16	0811-037	1		Gear, Driven



2012 TRV 450 GT ORANGE (A2012TGK2PUSU)
WHEEL AND TIRE ASSEMBLY

Page 77 of 79

Ref #	Part Number	Qty	S/P/F	Description
1	0423-557	12		Screw, Shoulder
2	2402-002	3		Disc, Brake
3	1502-462	2	/P	Hub, Wheel - Front (inc. 4)
4	0402-974	16	/P	Stud
5	1502-462	1	/P	Hub, Wheel - Rear - Right (inc. 4)
5	1502-464	1		Hub, Wheel - Rear - Left (inc. 4)
6	0423-607	4		Nut, Castle
7	0423-407	4		Pin, Cotter
8	1402-730	2		Wheel - Front (inc. 9)
9	1402-736	4		Cap, Wheel
10	0402-064	4		Stem, Valve (inc. 11)
11	0402-140	4		Cap, Valve Stem
12	0423-618	16		Nut, Lug
13	1402-894	2		Tire - Front
14	1402-731	2		Wheel - Rear (inc. 9)
15	1402-895	2		Tire - Rear



2012 TRV 450 GT ORANGE (A2012TGK2PUSU)
WIRING HARNESS ASSEMBLY

Page 79 of 79

Ref #	Part Number	Qty	S/P/F	Description
1	0486-421	1		Harness, Main (inc. 2-9)
2	0486-164	1		Tether, Accessory Connector
3	0430-085	1		Cover, Fuse Block
4	0430-045	3	/P	Relay (4-Pin) - 20 Amp
4	0430-033	1		Relay (5-Pin) - 30 Amp
5	0430-037	1		Holder, Fuse
6	0430-032	7		Fuse - 10 Amp
6	0430-031	4		Fuse - 15 Amp
6	0430-030	3		Fuse - 30 Amp
7	2411-464	1		Decal, Fuse Block
8	0430-086	1		Seal
9	0430-101	1		Cover, Diagnostics Connector
10	1436-416	1		Repair Kit, Connector - Tilt Sensor
11	1436-415	1		Repair Kit, Connector - LCD Gauge
12	1436-289	AR		Repair Kit, Connector - Headlight
13	8468-425	4		Screw, Machine
14	0824-070	1		Coil, Ignition (inc. 15)
15	0824-056	1		Cap, Spark Plug
16	0423-493	4		Nut w/Washer
17	2516-566	1		Bracket, Mounting - Coil
18	0623-309	2		Screw, Self-Tapping
19	0623-038	6		Nut w/Washer
20	0824-037	1	/P	Regulator, Voltage
21	8476-625	2		Screw, Machine
22	0409-064	1		Sensor, Tilt
23	0123-802	2		Washer
24	0409-089	1		Switch, Brake - Assembly
25	0530-068	1		ECU
26	8476-620	4		Screw, Machine
27	0623-362	4		Rivet, Reinstallable
28	2416-181	1		Tray, Electrical
29	0123-788	AR	/P	Tie, Cable - 8 in.
29	0123-903	AR		Tie, Cable - 11.5 in.