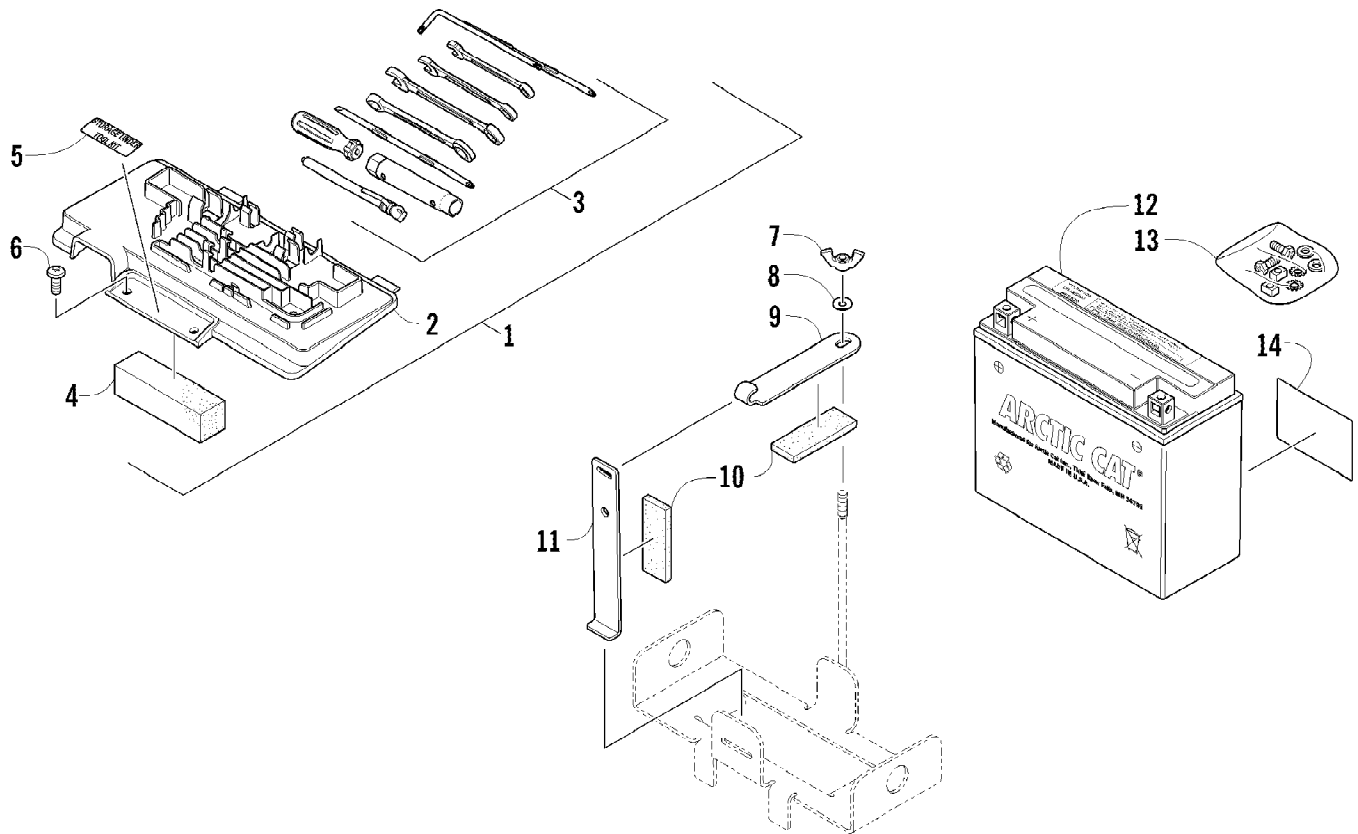
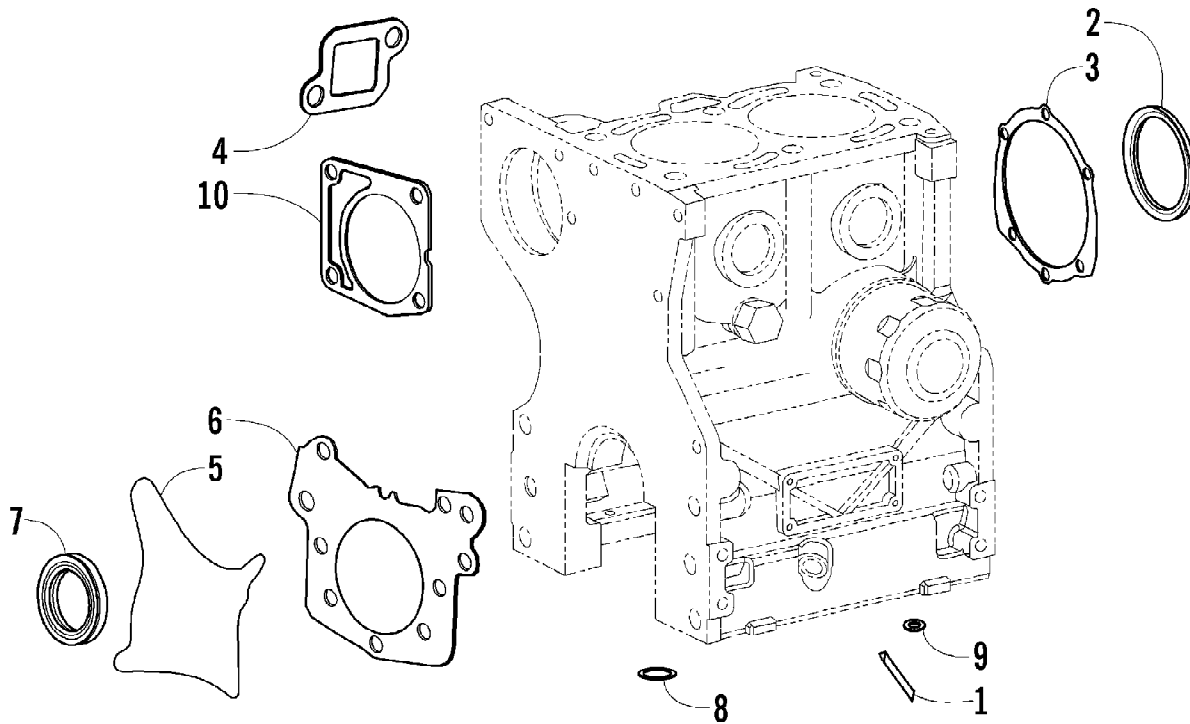


Ref #	Part Number	Qty	S/P/F	Description
1	0413-091	1		Diverter, Air - Top
2	0413-093	1		Diverter, Air - Bottom
3	2406-509	1		Shroud, Splash
4	0623-362	2		Rivet, Reinstallable
5	0423-832	2		Clamp
6	0470-618	1		Duct, Air Intake
7	0423-066	2		Clamp
8	0470-621	1		Duct, Engine Intake
9	0470-617	1		Filter, Air - Assembly (inc. 10-13)
10	0470-627	1		Cap, Air Filter
11	0470-619	1		Filter, Air
12	0470-620	1		Element, Air Filter
13	0470-628	1		Bracket, Mounting - Air Filter
14	8476-620	2		Screw, Machine
15	8050-222	2	/P	Washer
16	2506-082	1		Bracket, Mounting - Air Filter
17	8476-616	4		Screw, Machine



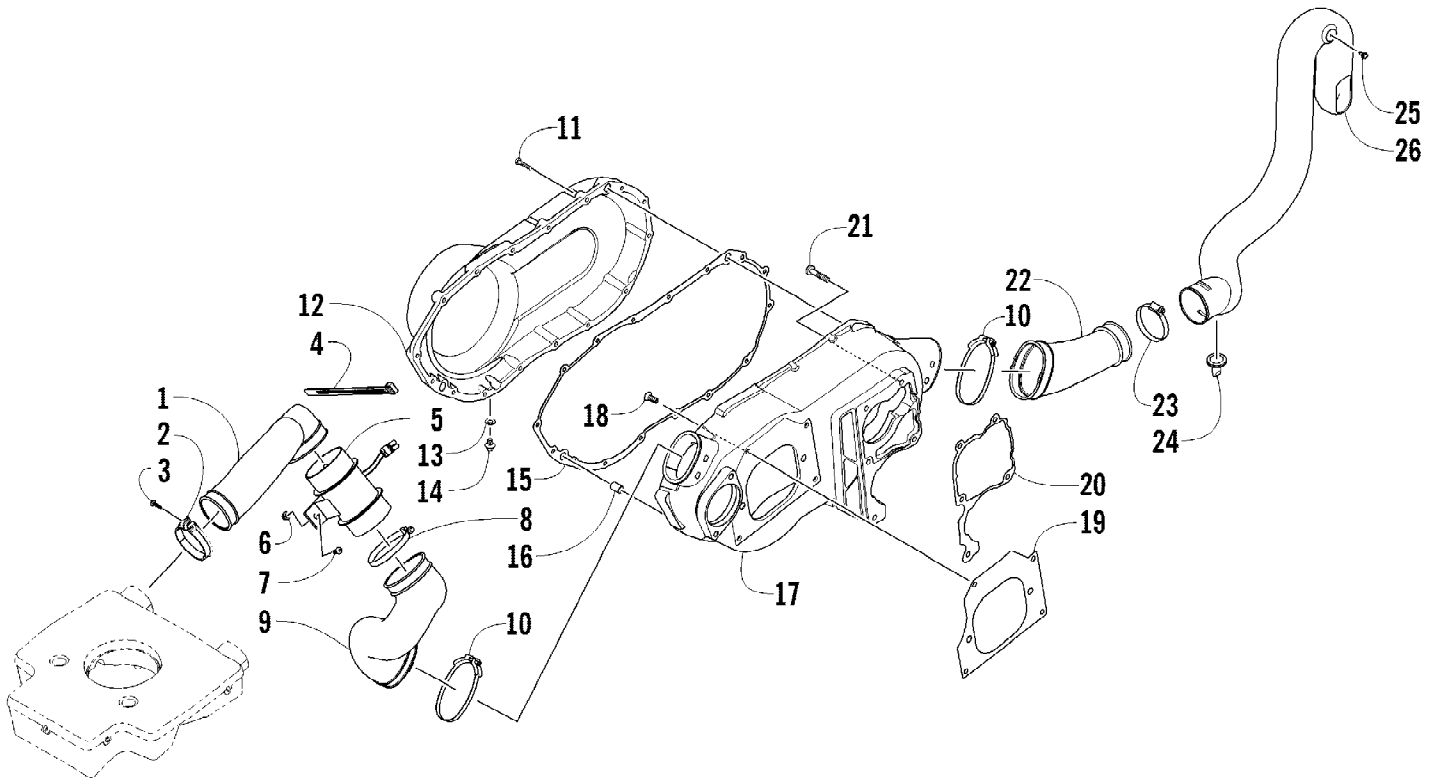
Ref #	Part Number	Qty	S/P/F	Description
1	5991-655	1	/P	Battery Cover/Tool Tray Assembly (inc. 2-4)
2	2406-815	1	/P	Cover, Battery
3	0444-122	1	S/P	Kit, Tool
4	0417-016	1		Pad, Battery
5	1411-508	1		Decal, Storage
6	8476-620	2		Screw, Machine
7	0623-325	1		Nut, Wing
8	8050-217	1	/P	Washer
9	0645-243	1		Strap, Battery - Top
10	0406-288	2		Pad, Foam
11	0645-311	1		Strap, Battery - Side
12	0645-432	1	S	Battery Assembly (inc. 13-14)
13	0445-082	1		Kit, Hardware
14	0645-430	1		Decal, Warning



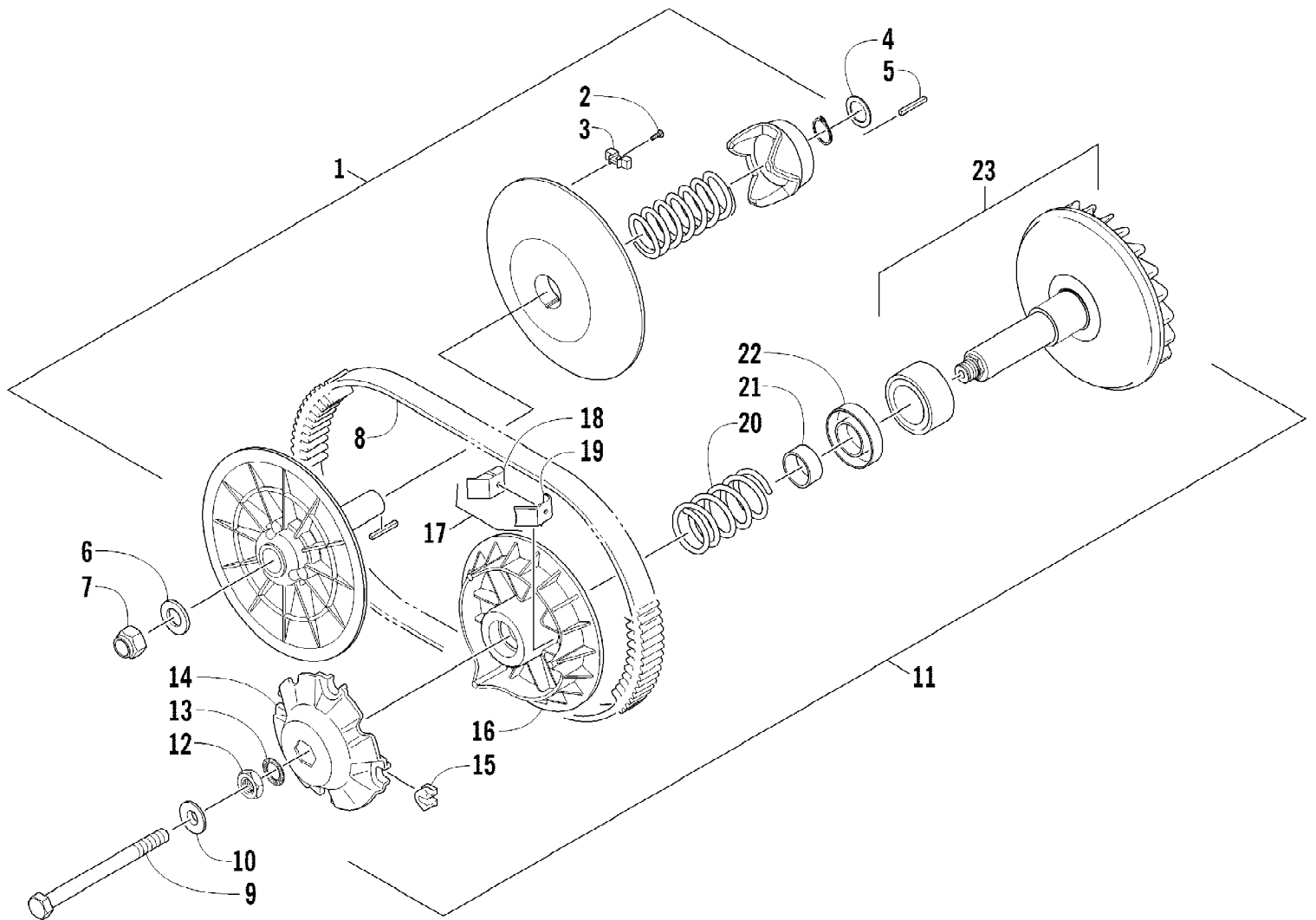
2012 ATV 700 DIESEL INTERNATIONAL GREEN (A2012TBT4DOSG)
BOTTOM END GASKET SET ASSEMBLY

Page 6 of 92

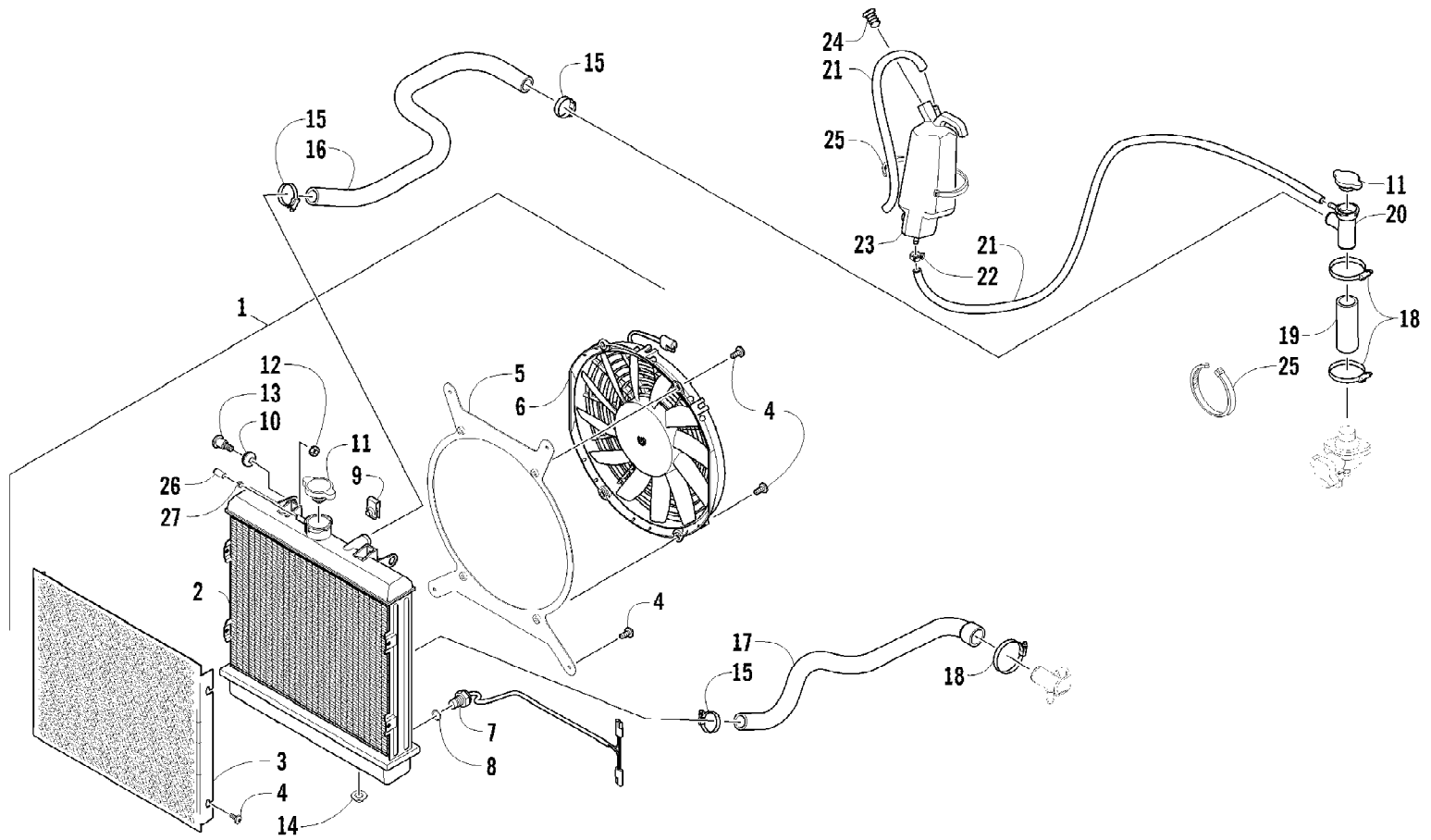
Ref #	Part Number	Qty	S/P/F	Description
	3206-392	1		Bottom End Gasket Set
1	3206-054	4		Gasket, Crankcase
2	3206-091	1		Ring, Engine Flange
3	3206-089	1	S	Gasket, Engine Flange
4	3206-264	1		Gasket, Thermostat
5	3206-172	1		O-Ring, Oil Pump
6	3206-391	1		Gasket, Oil Pump
7	3206-161	1		Ring, Seal - Oil Pump
8	3206-176	1		Seal, Oil - Oil Pan
9	3206-177	1		Seal, Oil - Oil Pan
10	3206-386	1		Gasket, Water Pump



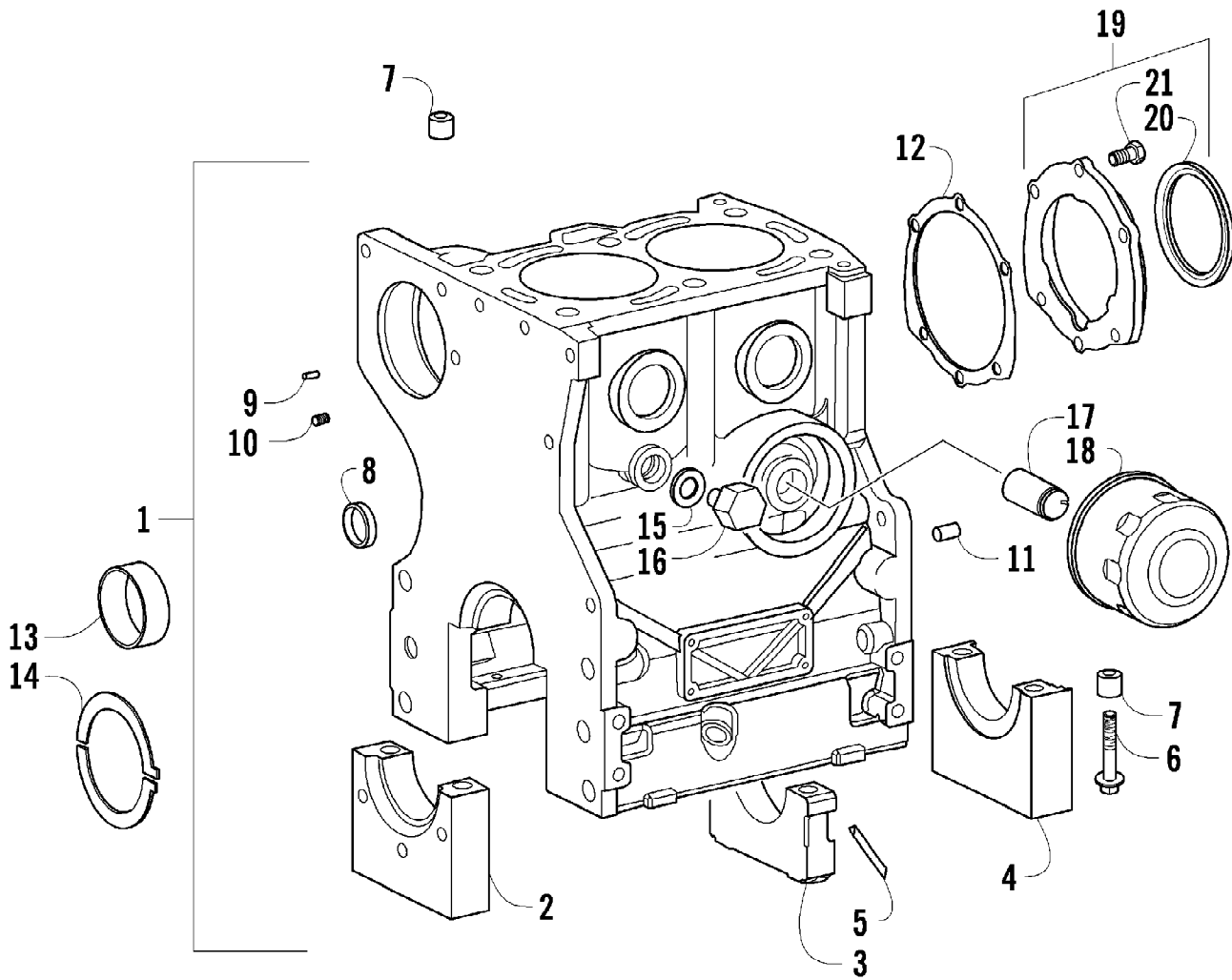
Ref #	Part Number	Qty	S/P/F	Description
1	0413-132	1		Duct, Belt Cooling - Front
2	0423-551	1		Clamp
3	0423-342	1	/P	Screw, Self-Tapping
4	0623-316	AR		Tie, Cable - 14 in.
5	0413-141	1		Fan, Belt Cooling
6	8424-502	2		Nut
7	8475-512	2		Screw, Machine
8	0423-057	1		Clamp
9	0413-133	1		Boot, Belt Cooling - Inlet
10	0423-730	2		Clamp
11	8468-630	16		Screw, Machine
12	1502-157	1		Cover, Clutch
13	0830-013	1		Washer, Crush
14	8408-812	1		Screw, Cap
15	1402-528	1		Gasket, V-Belt Cover
16	0829-002	2		Pin, Dowel
17	1402-527	1		Cover, Clutch
18	8473-820	4		Screw, Machine
19	1402-524	1		Gasket, Clutch Cover
20	1402-526	1		Gasket, Gearcase
21	0423-118	5		Screw, Self-Tapping
22	0413-134	1		Boot, Belt Cooling - Outlet
23	0423-019	1		Clamp
24	0470-442	1	/P	Valve, Drain
25	0623-301	1	/P	Screw, Self-Tapping
26	0413-106	1		Duct, Belt Cooling - Rear



Ref #	Part Number	Qty	S/P/F	Description
1	0823-357	1	/P	Pulley, Driven - Assembly (inc. 2-3)
2	0823-177	3		Screw, Machine
3	0823-176	3	/P	Shoe, Cam
4	0623-954	4		Washer, Thrust
5	0423-718	1		Key
6	0828-020	1		Washer
7	0827-013	1		Nut, Driven Pulley
8	1402-564	1		Belt, Drive
9	0423-673	1		Screw, Cap
10	0423-733	1		Washer
11	1502-072	1		Pulley, Drive - Assembly (inc. 12-23)
12	0423-747	1		Nut
13	0423-746	1		Washer, Lock
14	1502-207	1		Plate, Movable Drive Face (inc. 15)
15	1402-628	3		Damper, Movable Drive Face
16	1402-625	1		Face, Drive - Movable
17	1502-205	6	/P	Block, Weight - Assembly (inc. 18-19)
18	1402-627	6	S	Weight
19	1402-626	6	S	Block, Weight
20	0423-745	1		Spring
21	1402-624	1		Spacer
22	1402-623	1		Seat, Spring
23	1502-206	1		Face, Drive - Fixed

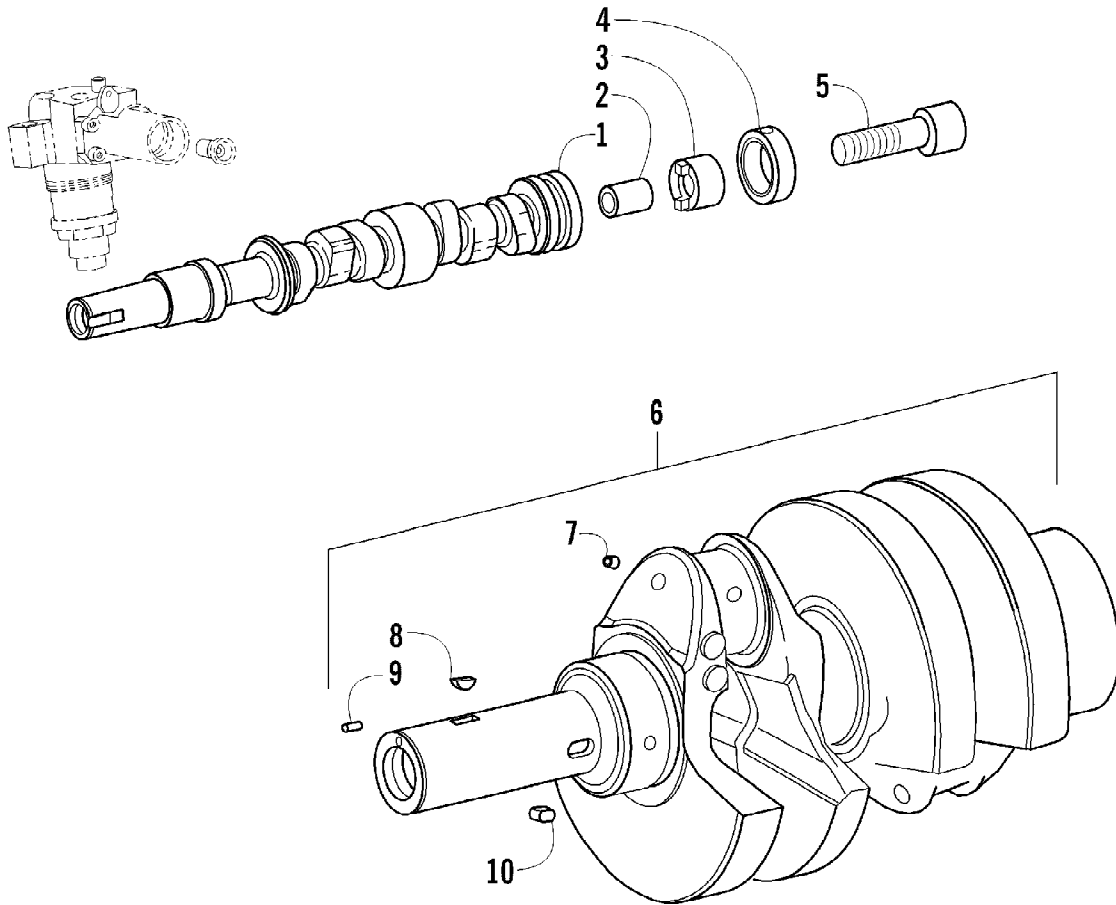


Ref #	Part Number	Qty	S/P/F	Description
1	0413-276	1		Radiator Assembly (inc. 2-10 and one No. 11)
2	0413-216	1		Radiator
3	0413-214	1		Screen, Radiator
4	8470-510	12		Screw, Machine
5	0413-217	1		Bracket, Mounting - Fan
6	0413-123	1	/P	Fan, Cooling
7	0413-168	1		Sensor, Engine Coolant Temperature
8	1602-213	1	/P	O-Ring
9	1623-637	4		Clip, U-Nut
10	0423-030	2		Grommet
11	0413-255	2	/P	Cap, Radiator
12	0623-038	2		Nut w/Washer
13	0423-484	2		Screw, Shoulder
14	0423-028	2		Bushing, Stem
15	0423-496	3		Clamp, Hose
16	0410-106	1		Hose, Coolant
17	0410-107	1		Hose, Coolant
18	1623-093	3		Clamp
19	0410-121	1		Hose, Coolant
20	0413-193	1	/P	Tank, Coolant Fill
21	0610-011	AR	/P	Hose - 25 ft
22	0124-045	1	/P	Clamp, Hose
23	0413-086	1		Tank, Coolant Overflow
24	0413-087	1		Stopper, Coolant Tank
25	0123-788	AR	/P	Tie, Cable - 8 in.
25	0623-316	AR		Tie, Cable - 14 in.
26	0670-323	1		Plug
27	1623-234	1		Clamp

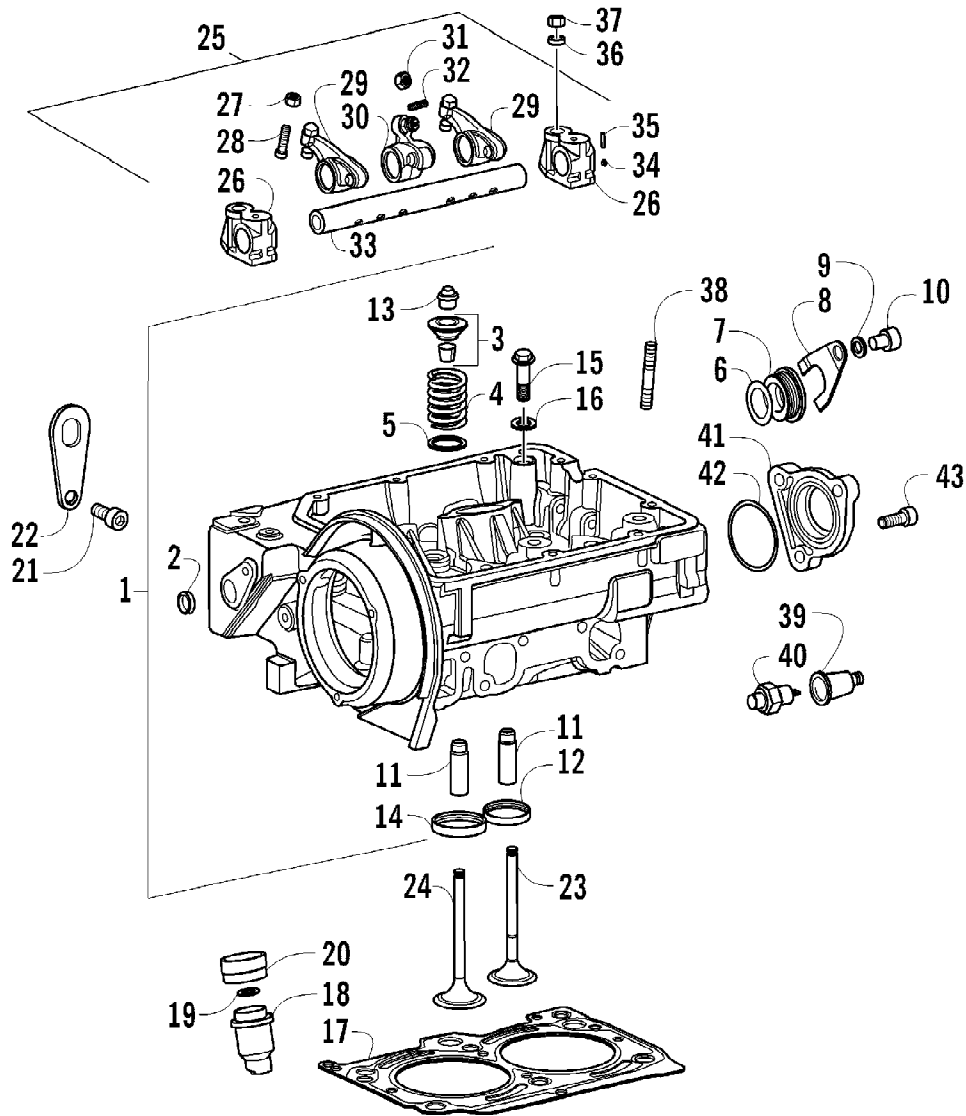


2012 ATV 700 DIESEL INTERNATIONAL GREEN (A2012TBT4DOSG)
CRANKCASE, CRANKSHAFT SUPPORT, AND OIL FILTER ASSEMBLIES

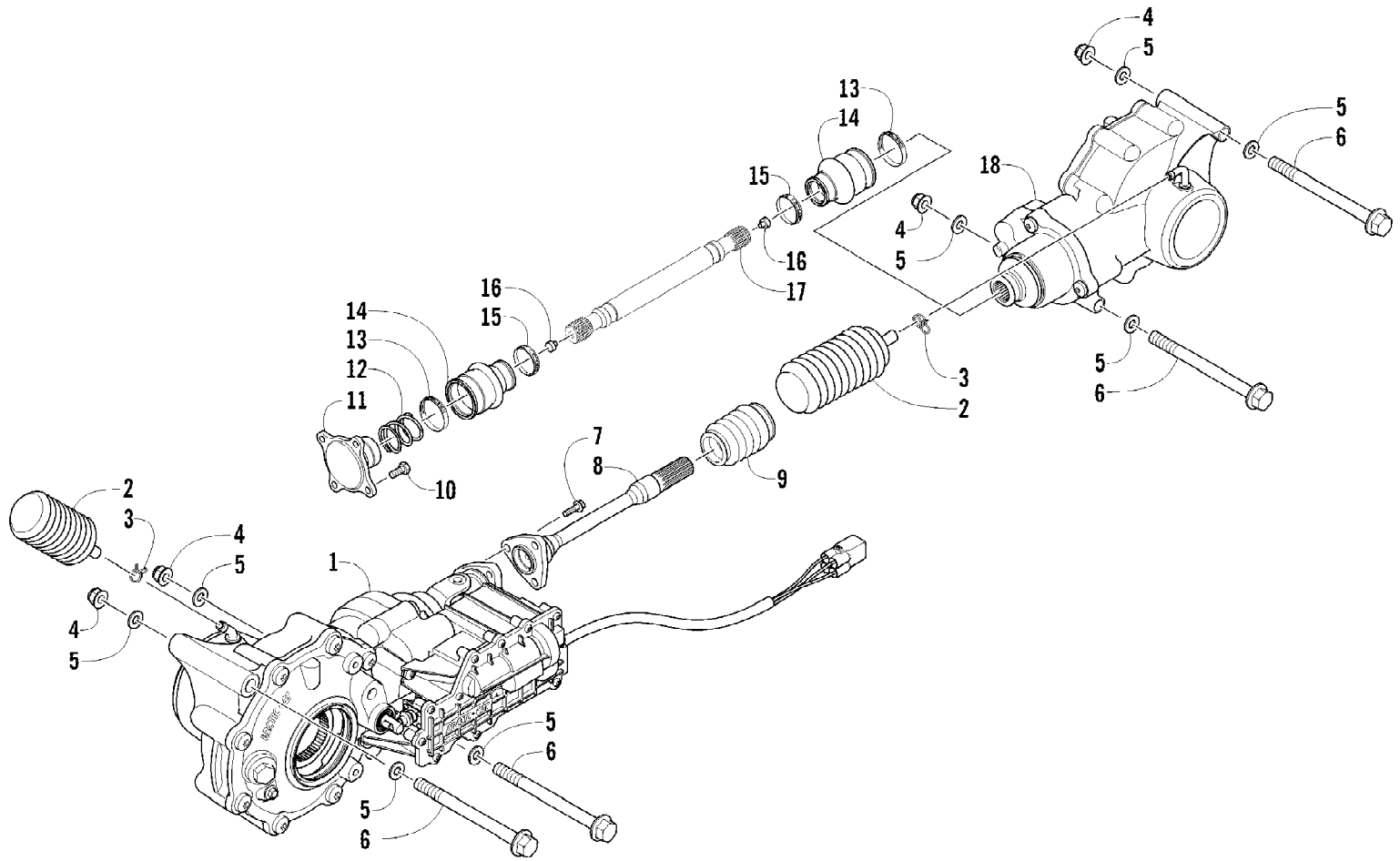
Ref #	Part Number	Qty	S/P/F	Description
1	3206-046	1		Crankcase (inc. 2-6, two No. 7, and 8-10)
2	0	1	F	Housing - Front
3	0	1	F	Housing - Center
4	0	1	F	Housing - Rear
5	3206-054	4		Gasket
6	3206-049	6		Screw, Cap
7	3206-045	4		Sleeve
8	3206-058	1		Pin, Tapered
9	3206-047	1		Plug
10	3206-048	2		Plug
11	3206-053	2		Pin, Lock
12	3206-089	1	S	Gasket
13	3206-055	3		Bearing
13	3206-056	3		Bearing (-0.25 mm)
13	3206-057	3		Bearing (-0.50 mm)
14	3206-050	2		Washer
14	3206-051	2		Washer (+0.10 mm)
14	3206-052	2		Washer (+0.20 mm)
15	3206-206	1		Gasket
16	3206-207	1		Plug
17	3206-193	1		Connector, Oil Filter
18	3206-194	1		Cartridge, Oil Filter
19	3206-090	1		Flange, Engine (inc. 20-21)
20	3206-091	1		Ring
21	3206-088	6		Screw, Cap



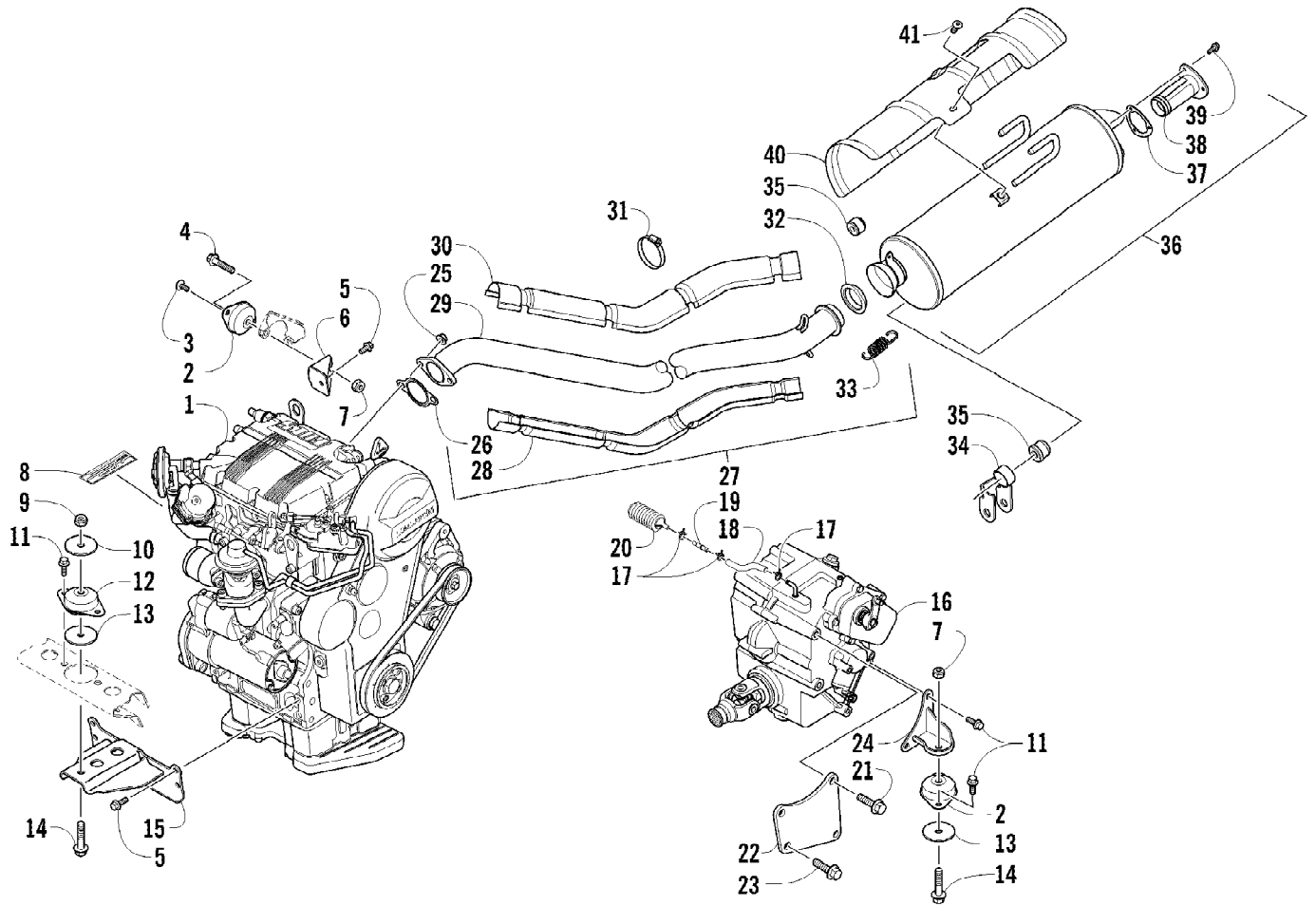
Ref #	Part Number	Qty	S/P/F	Description
1	3206-129	1		Camshaft
2	3206-130	1		Sleeve
3	3206-131	1		Cam
4	3206-128	1		Sleeve
5	3206-132	1		Screw, Cap
6	3206-019	1		Crankshaft Assembly (inc. 7-10)
7	3206-020	2		Plug
8	3206-018	1		Key
9	3206-022	1		Pin
10	3206-021	1		Key



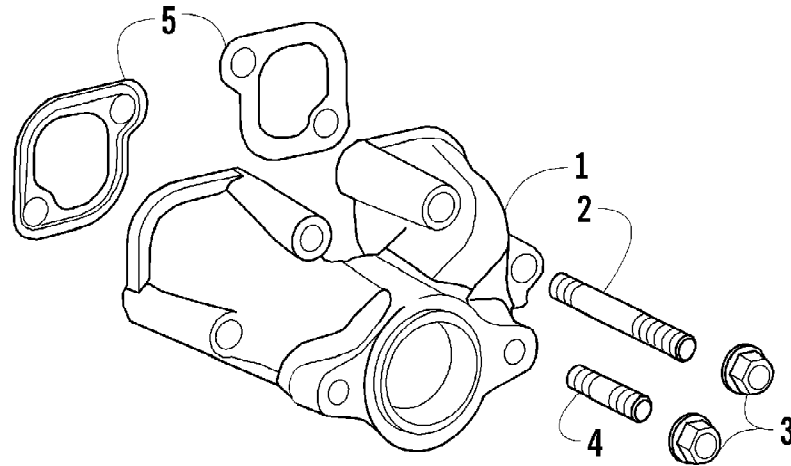
Ref #	Part Number	Qty	S/P/F	Description
1	3206-063	1		Cylinder Head (inc. 2-14)
2	3206-065	1		Plug
3	3206-148	4		Retainer
4	3206-147	4		Spring, Valve
5	3206-149	4		Washer
6	3206-076	1		O-Ring
7	3206-275	1		Plug
8	3206-074	1		Retainer
9	3206-075	1		Washer
10	3206-077	1		Screw, Cap
11	3206-061	4		Guide, Valve
11	3206-062	4		Guide, Valve (+0.50 mm)
12	3206-073	2		Seat, Exhaust Valve
13	3206-152	4		Retainer, Valve
14	3206-072	2		Seat, Intake Valve
15	3206-382	6		Screw, Cap
16	3206-064	6		Washer
17	3206-069	1		Gasket, Head - 1.56-1.64 (1 small hole)
17	3206-070	1		Gasket, Head - 1.66-1.74 (2 small holes)
17	3206-071	1		Gasket, Head - 1.76-1.84 (3 small holes)
18	3206-068	2		Chamber, Precombustion
19	3206-079	2		Spacer
20	3206-067	2		Nut, Locking
21	3206-078	2		Screw, Cap
22	3206-060	2		Brace, Lifting
23	3206-150	2		Valve, Exhaust
24	3206-151	2		Valve, Intake
25	3206-135	1		Arm, Rocker - Assembly (inc. 26-35)
26	3206-141	2		Support
27	3206-137	4		Nut
28	3206-136	4		Screw, Adjuster
29	3206-134	4		Arm, Rocker - Intake/Exhaust
30	3206-140	2		Arm, Rocker - Injection Pump
31	3206-139	2		Nut
32	3206-138	2		Screw, Adjuster
33	3206-144	1		Shaft, Rocker Arm
34	3206-146	2		Plug
35	3206-145	1		Pin, Lock
36	3206-064	3		Washer
37	3206-142	3		Nut
38	3206-143	3		Bolt, Stud
39	3206-388	1		Fitting, Adapter
40	3206-304	1		Switch, Oil
41	3206-314	1		Cover
42	3206-313	1		O-Ring
43	3206-082	3		Screw, Cap



Ref #	Part Number	Qty	S/P/F	Description
1	1502-881	1		Gearcase, Front
2	1402-620	2	/P	Bladder, Gearcase
3	0423-315	2		Clamp, Hose
4	8428-002	4		Nut, Lock
5	0423-426	8		Washer
6	0423-404	4		Screw, Cap
7	8409-025	3		Screw, Cap
8	0502-976	1		Shaft, Propeller
9	0402-966	1		Boot, Shaft
10	8408-820	4	/P	Screw, Cap
11	0402-950	1		Flange, Output
12	1402-026	1		Spring
13	0423-393	2		Clamp
14	0402-985	2	/P	Boot
15	0423-411	2		Clamp
16	0673-618	2	/P	Bumper, Propeller Shaft
17	1402-507	1		Shaft, Propeller
18	1502-879	1		Gearcase, Rear



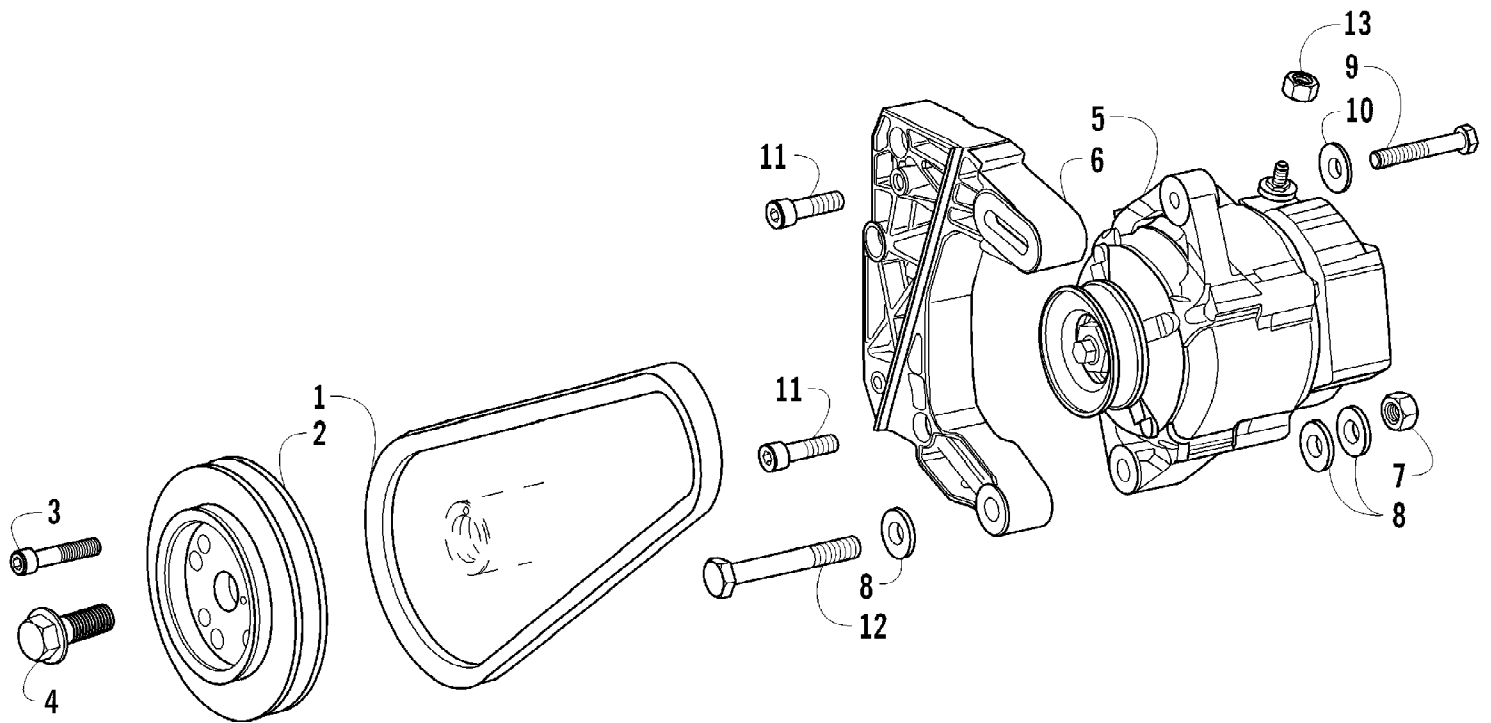
Ref #	Part Number	Qty	S/P/F	Description
1	0463-044	1		Engine
2	2406-323	3		Mount, Engine
3	8468-820	2		Screw, Machine
4	0423-736	1		Screw, Cap
5	8408-816	5		Screw, Cap
6	2506-186	1		Mounting, Bracket - Engine
7	8422-002	3		Nut, Lock
8	0411-426	1		Decal, Warning - Clutch Cover
9	0423-737	1		Nut, Lock
10	0423-073	1		Washer
11	8408-820	10	/P	Screw, Cap
12	2406-322	1		Mount, Engine
13	2506-061	3		Washer
14	8408-055	3		Screw, Cap
15	2506-189	1		Bracket, Mounting - Engine - Front
16	1502-853	1		Transmission - Assembly
17	0423-315	3		Clamp, Hose
18	0410-070	AR	/P	Hose, Vent - 25 ft
19	0470-702	1	/P	Fitting, Vent
20	1402-620	1	/P	Bladder, Vent
21	8409-030	2		Screw, Cap
22	0408-015	1		Plate, Mounting - Engine/Transmission
23	0423-685	2		Screw, Cap
24	2506-190	1		Bracket, Mounting - Engine - Right
24	2506-191	1		Bracket, Mounting - Engine - Left
25	3206-293	2	/P	Nut
26	3206-296	1	/P	Gasket, Exhaust Manifold
27	0512-322	1		Pipe, Exhaust - Assembly (inc. 28-31)
28	0412-386	1		Shield, Exhaust Pipe - Lower
29	0512-321	1		Pipe, Exhaust
30	0412-385	1		Shield, Exhaust Pipe - Upper
31	0423-317	4	/P	Clamp
32	0412-375	1	/P	Seal, Exhaust
33	0612-668	2	/P	Spring
34	1506-732	1		Channel, Muffler Support
35	0412-577	3	/P	Bushing
36	0512-306	1	/P	Muffler - Assembly (inc. 37-39)
37	0412-313	1		Gasket, Spark Arrester
38	0512-219	1	/P	Arrester, Spark
39	8408-616	3		Screw, Cap
40	0412-373	1	/P	Cover, Muffler
41	8477-610	3		Screw, Machine



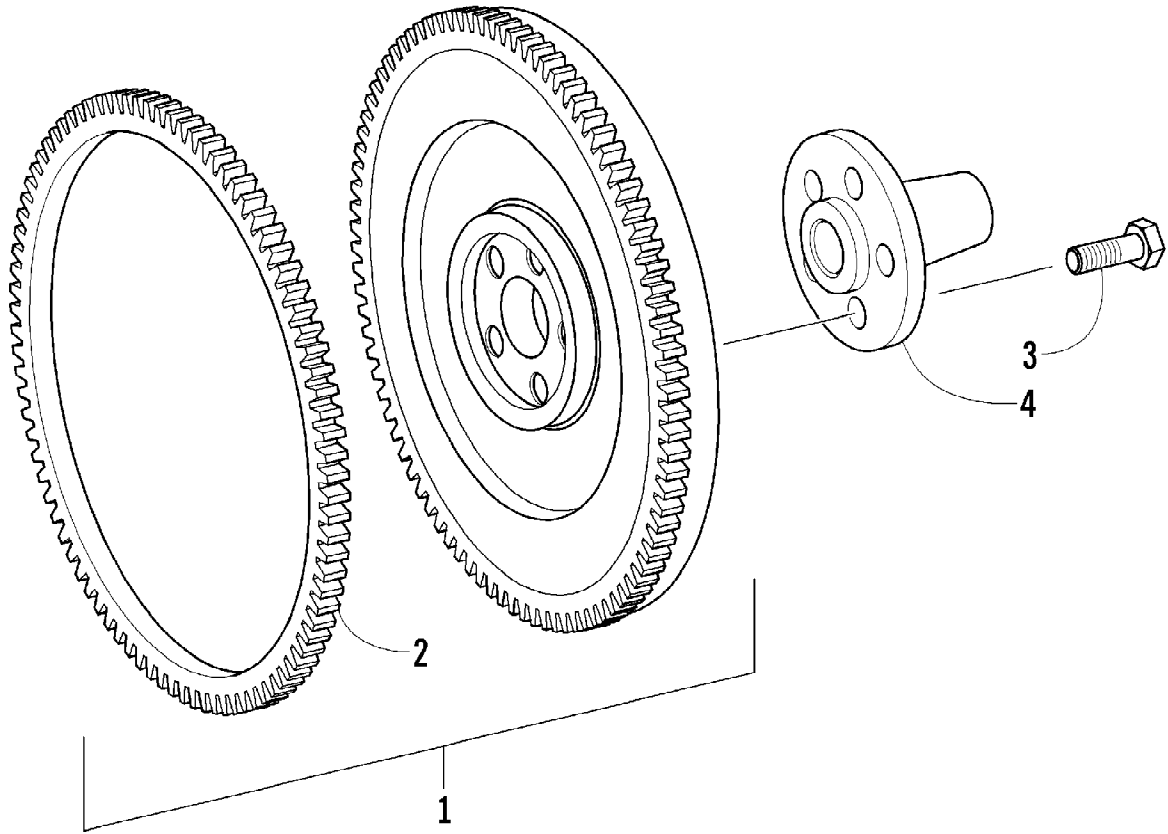
2012 ATV 700 DIESEL INTERNATIONAL GREEN (A2012TBT4DOSG)
EXHAUST MANIFOLD ASSEMBLY

Page 24 of 92

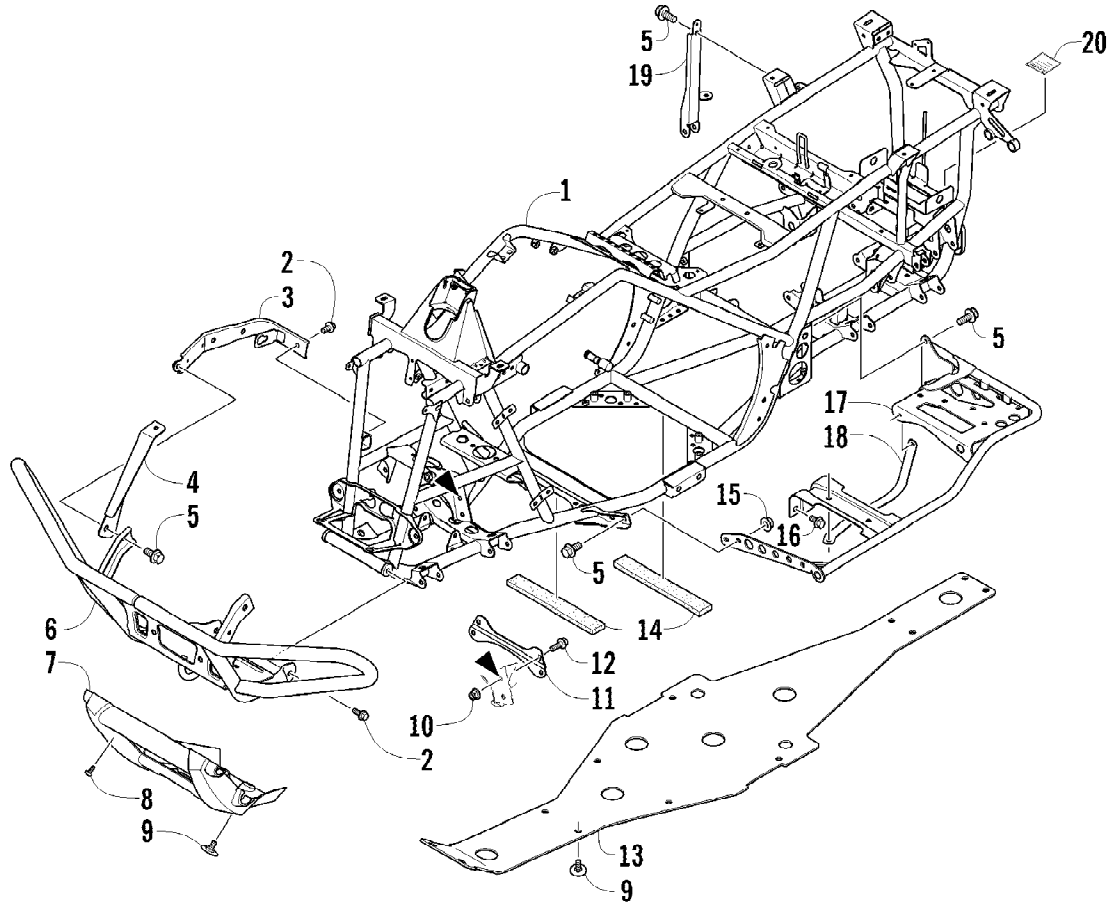
Ref #	Part Number	Qty	S/P/F	Description
1	3206-294	1		Manifold, Exhaust
2	3206-292	4		Bolt, Stud
3	3206-293	6	/P	Nut
4	3206-297	2		Bolt, Stud
5	3206-291	2		Gasket, Exhaust Manifold



Ref #	Part Number	Qty	S/P/F	Description
1	3206-042	1		Belt
2	3206-044	1		Pulley
3	3206-043	4		Screw, Cap
4	3206-041	1		Screw, Cap
5	3206-303	1		Alternator
6	3206-300	1		Support, Alternator
7	3206-142	1		Nut
8	3206-298	2		Washer
9	3206-301	1		Screw, Cap
10	3206-302	1		Washer
11	3206-266	3		Screw, Cap
12	3206-299	1		Screw, Cap
13	3206-137	1		Nut

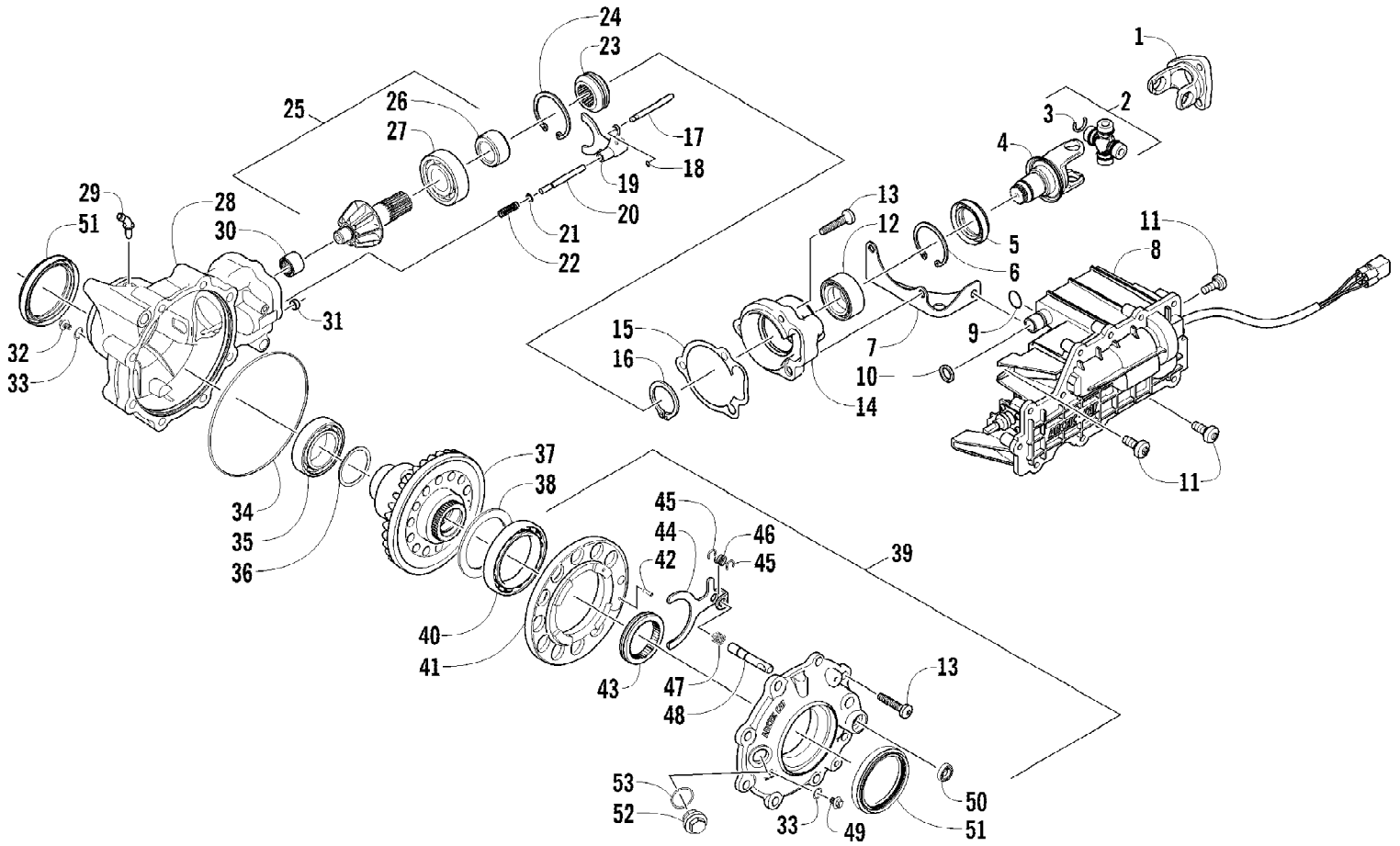


Ref #	Part Number	Qty	S/P/F	Description
1	3206-040	1		Flywheel (inc. 2)
2	3206-037	1		Gear, Crown
3	8409-040	5		Screw, Cap
4	1402-560	1		Axle, Stub



Ref #	Part Number	Qty	S/P/F	Description
1	4506-554	1		Frame, Main
2	8409-020	4	/P	Screw, Cap
3	2506-813	1		Channel, Bumper Mounting - Right
3	2506-285	1		Channel, Bumper Mounting - Left
4	1506-562	1		Bracket, Mounting - Bumper - Right
4	1506-563	1		Bracket, Mounting - Bumper - Left
5	8408-816	11		Screw, Cap
6	1506-855	1	/P	Bumper
7	1406-360	1		Fascia, Bumper - Front
8	0423-419	2		Screw, Machine
9	0423-101	12		Screw, Shoulder
10	0423-744	2		Nut, Lock
11	2516-852	1	/P	Brace, A-Arm
12	8409-025	2		Screw, Cap
13	2406-253	1		Panel, Belly
14	0406-289	2		Pad, Frame
15	8424-802	4		Nut
16	8409-016	3		Screw, Cap
17	1506-848	1		Footrest - Right
17	1506-849	1		Footrest - Left
18	2406-216	1		Strap, Footrest - Right
18	2406-217	1		Strap, Footrest - Left
19	2506-447	1		Bracket, Support
20	1411-077	1		Decal, Warning - Towing

2012 ATV 700 DIESEL INTERNATIONAL GREEN (A2012TBT4DOSG)
FRONT DRIVE GEARCASE ASSEMBLY

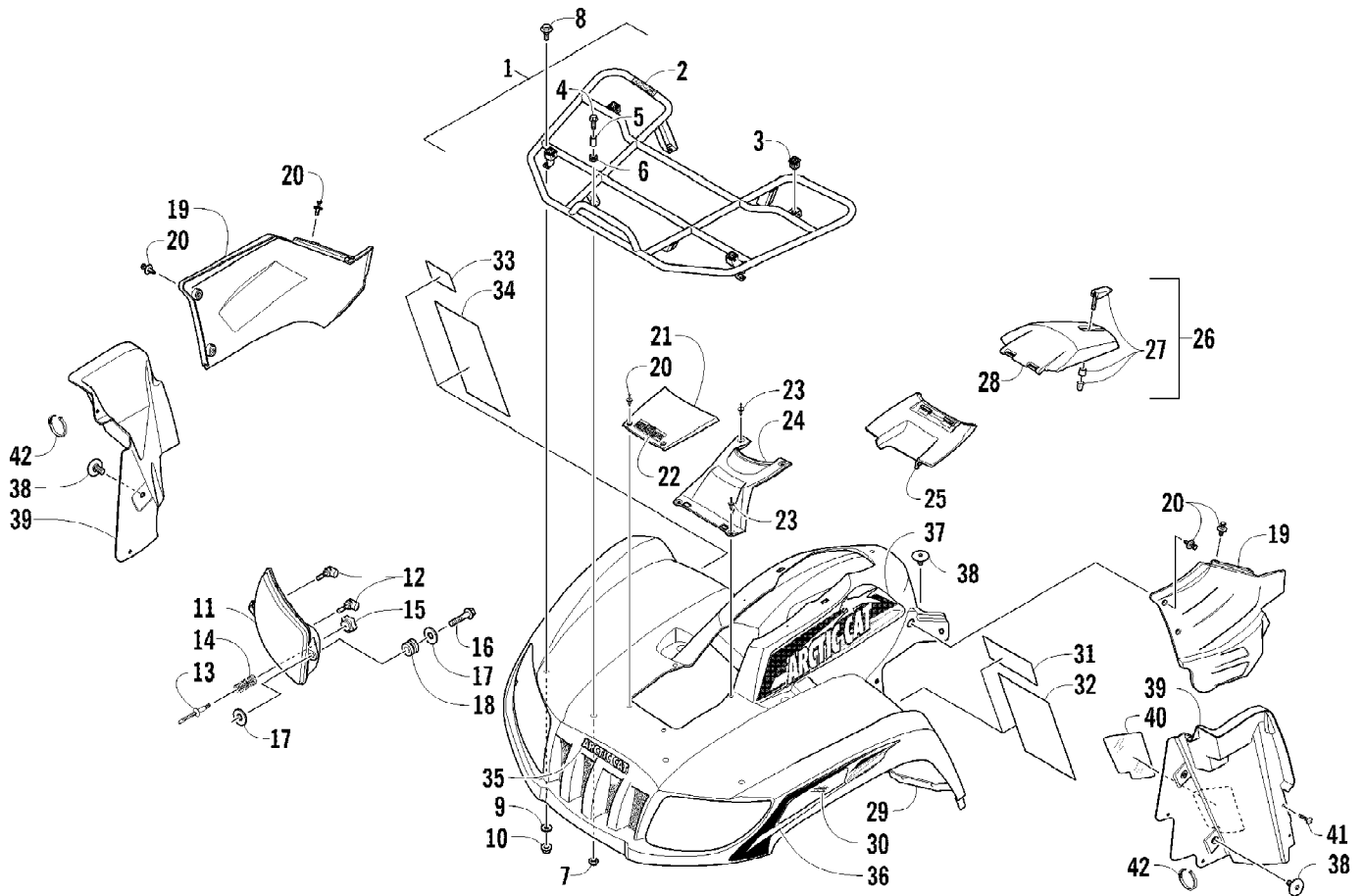


Ref #	Part Number	Qty	S/P/F	Description
	1502-881	1		Complete Front Drive Gearcase Assembly
1	1402-369	1		Yoke, Flange
2	1402-164	1	/P	Joint, Universal - Set (inc. 3)
3	0423-450	4		Retainer
4	0502-517	1		Yoke, Front End - Assembly
5	1402-011	1		Seal
6	0423-423	1		Ring, Retaining
7	1502-237	1		Bracket, Actuator
8	1502-909	1	/P	Actuator (inc. 9)
9	1402-981	1		O-Ring
10	0423-892	1	/P	O-Ring
11	0423-396	3		Screw, Self-Tapping
12	1402-043	1		Bearing
13	0423-118	11		Screw, Self-Tapping
14	0502-528	1	/P	Housing, Pinion
15	0402-947	1		Gasket, Flange
16	0423-417	1		Ring, Retaining
17	0402-997	1		Shaft, Selector
18	0423-402	1		Ring, Retaining
19	0402-998	1		Fork, Selector
20	0402-417	1		Shaft, Shuttle
21	0423-147	1		O-Ring
22	0402-999	1		Spring, Return
23	0402-413	1		Coupler, Drive
24	1423-067	1		Ring, Retaining
25	1502-863	1		Gear, Pinion - Assembly - 10T (inc. 26-27)
26	1402-977	1		Collar, Retaining
27	0402-327	1		Bearing
28	1502-856	1		Housing, Gearcase
29	1402-980	1		Fitting, Elbow
30	0402-328	1		Bearing
31	0402-411	1		Pin, Dowel
32	1402-210	1	/P	Plug, Magnetic (inc. one No. 33)
33	0423-153	2		O-Ring
34	0423-149	1		O-Ring
35	0402-393	1		Bearing
36	0402-405	AR		Shim, 41 x 49 x 1.3 mm
36	0402-406	AR		Shim, 41 x 49 x 1.4 mm
36	0402-407	AR		Shim, 41 x 49 x 1.5 mm
36	0402-408	AR		Shim, 41 x 49 x 1.6 mm
36	0402-409	AR		Shim, 41 x 49 x 1.7 mm
37	1502-860	1		Gear, Ring - 36T
38	1402-074	AR		Shim, 61 x 69 x 1.3 mm
38	1402-075	AR		Shim, 61 x 69 x 1.4 mm
38	1402-076	AR		Shim, 61 x 69 x 1.5 mm
38	1402-077	AR		Shim, 61 x 69 x 1.6 mm
38	1402-078	AR		Shim, 61 x 69 x 1.7 mm
39	1502-895	1		Cover, Gearcase (inc. one No. 33, 40-50, and one No. 51)
40	1402-053	1		Bearing
41	0502-413	1		Flange, Bearing
42	1402-079	1		Pin, Parallel

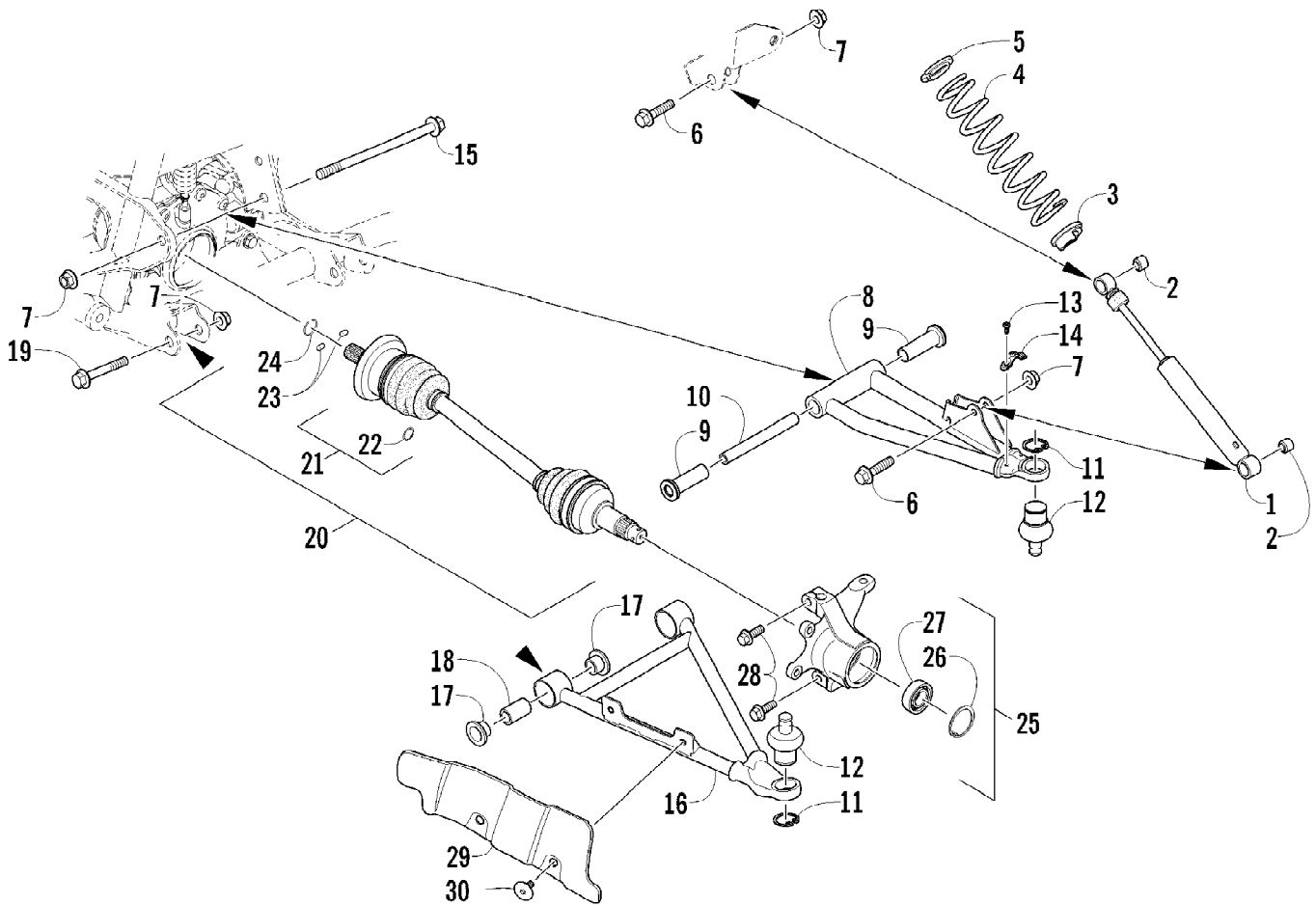
2012 ATV 700 DIESEL INTERNATIONAL GREEN (A2012TBT4DOSG)
FRONT DRIVE GEARCASE ASSEMBLY

Page 33 of 92

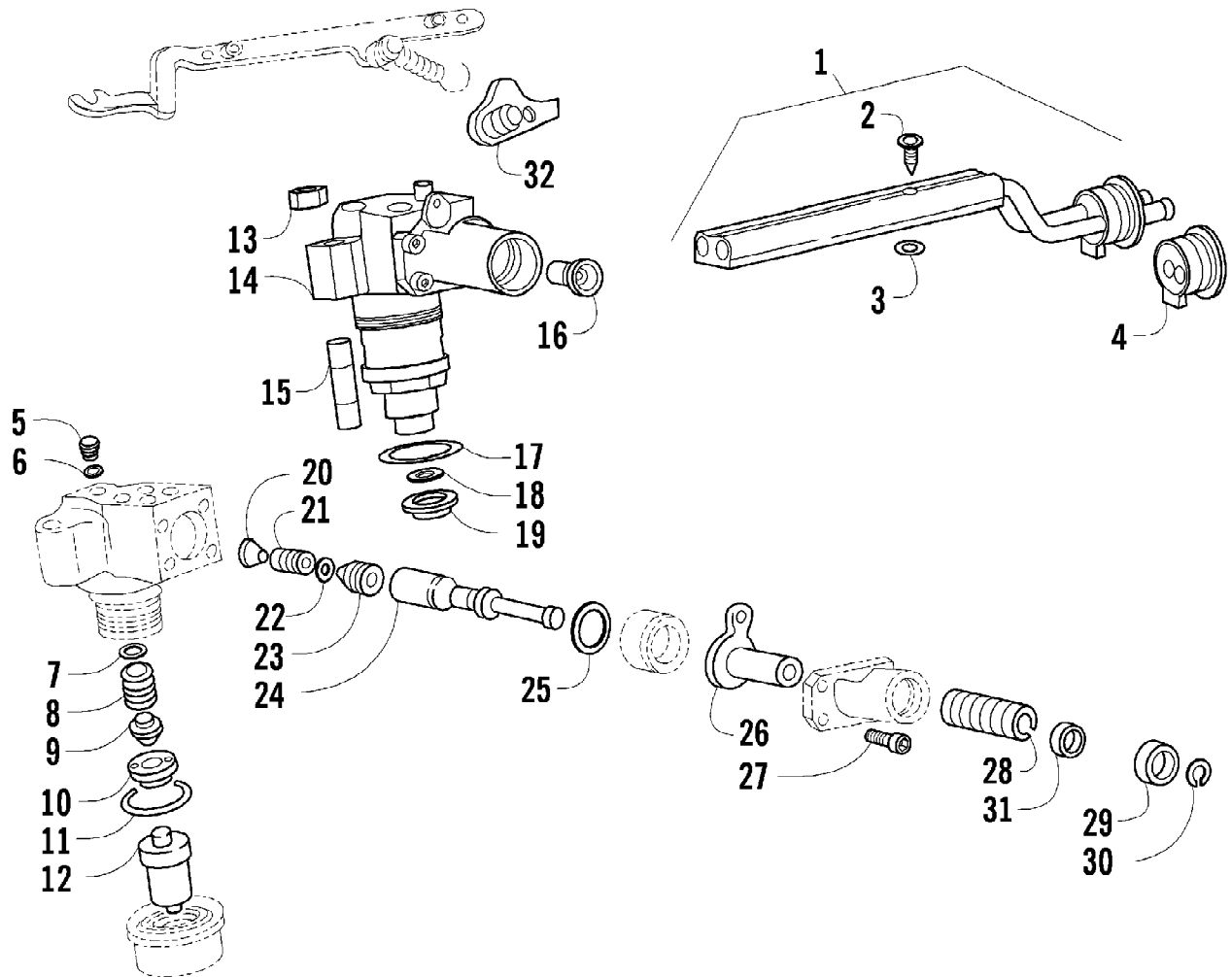
Ref #	Part Number	Qty	S/P/F	Description
43	1402-042	1		Collar, Sliding
44	1402-054	1		Fork
45	1402-058	2		Ring, Retaining
46	1402-057	1		Spring
47	1402-063	1		Spring
48	1402-656	1		Shaft, Lock
49	1402-211	1		Plug, Oil Level (inc. one No. 33)
50	1402-056	1		Seal
51	1402-950	2	/P	Seal
52	0402-333	1	/P	Plug, Fill (inc. 53)
53	0423-154	1		O-Ring



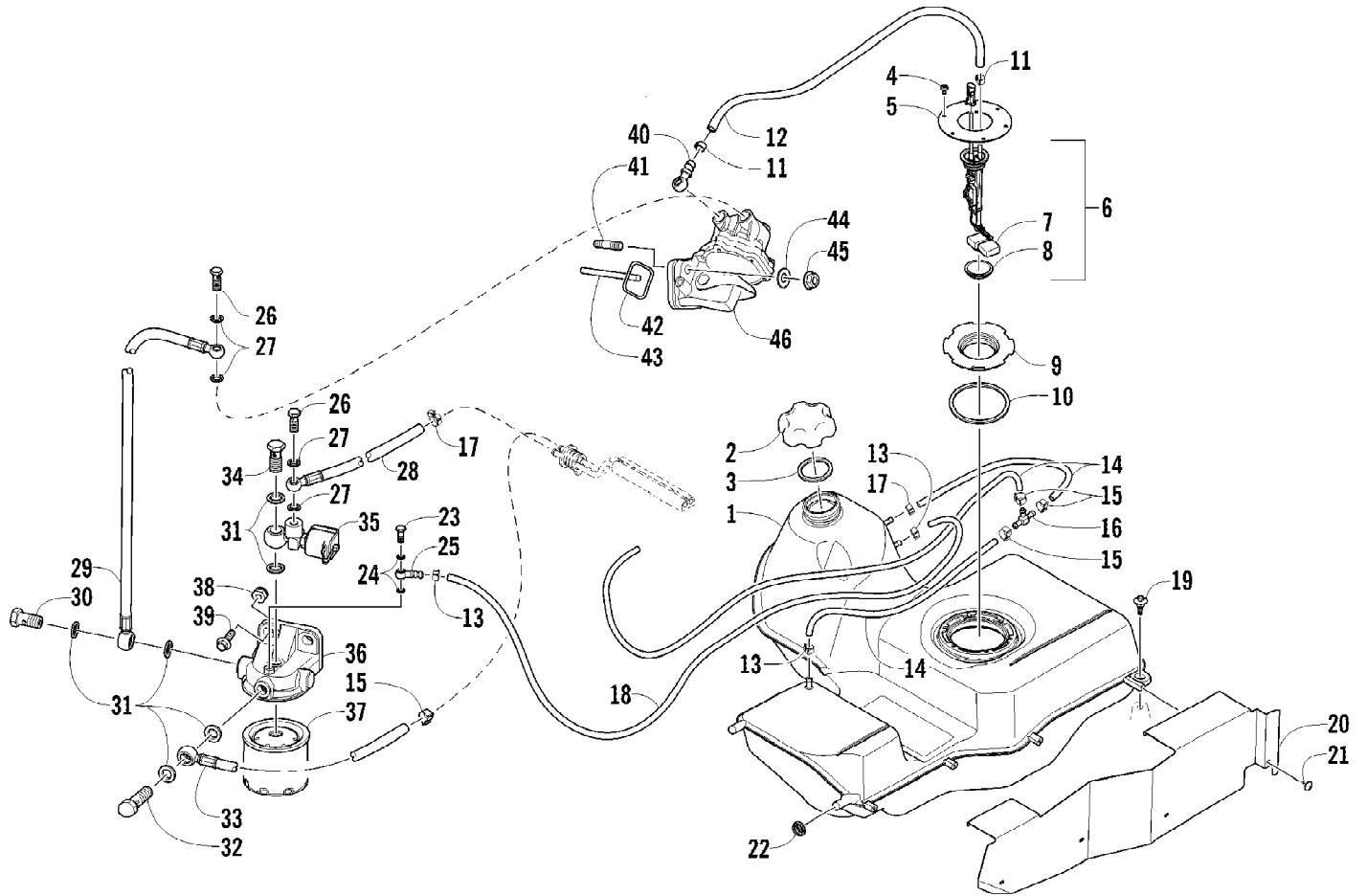
Ref #	Part Number	Qty	S/P/F	Description
1	2506-106	1		Rack, Front - Assembly (inc. 2-3)
2	0411-576	1		Decal, Warning - Load
3	0441-592	4	/P	Bushing
4	8410-830	4		Screw, Cap
5	0423-669	4		Spacer
6	0423-465	4		Grommet
7	8432-802	4		Nut, Lock
8	0423-654	2		Screw, Shoulder
9	8050-222	2	/P	Washer
10	0423-540	2		Nut, Lock
11	0509-044	1	/P	Headlight Assembly - Right (inc. 12)
11	0509-035	1		Headlight Assembly - Left (inc. 12)
12	0409-055	4		Bulb, Headlight
13	0423-514	2		Stud, Adjuster - Headlight
14	0423-522	2		Spring, Adjuster
15	0423-513	2		Knob, Adjuster
16	0623-785	4		Screw, Self-Tapping
17	8050-217	8	/P	Washer
18	0423-447	4		Grommet
19	2406-404	1		Panel, Side - Lower - Right
19	2406-405	1		Panel, Side - Lower - Left
20	0423-535	10		Rivet, Reinstallable
21	1406-358	1		Cover, Access
22	2411-520	1		Decal, Caution - Coolant
23	0623-362	4		Rivet, Reinstallable
24	1406-484	1		Cover, Steering Post
25	0470-513	1		Cover, Filter Access
26	2506-234	1		Lid, Access w/Latch (inc. 27-28)
27	1406-599	1		Latch, Access Lid
28	0470-514	1		Lid, Access
29	0518-074	1	/P	Panel, Fender - Assembly - Front (inc. 30-34)
30	0411-818	1		Decal, Reflector - Right
30	0411-819	1		Decal, Reflector - Left
31	1411-574	1		Decal, Warning - Off-Road Only
32	2411-259	1	/P	Decal, Warning - General/Age
33	0411-894	1		Decal, Warning - Turn/Hill
34	1411-490	1		Decal, Warning - Reverse/Pre-Ride
35	1411-725	1		Decal, "Arctic Cat"
36	2411-706	1		Decal, Side - Front Right
36	2411-707	1		Decal, Side - Front Left
37	2411-708	1		Decal, Side - Upper Right
37	2411-709	1		Decal, Side - Upper Left
38	0423-101	5		Screw, Shoulder
39	2506-434	1		Panel, Splash - Right
39	2506-383	1	/P	Panel, Splash - Left (inc. 40)
40	0412-404	1		Foil, Protective
41	0423-719	2		Screw, Self-Tapping
42	0123-788	AR	/P	Tie, Cable - 8 in.



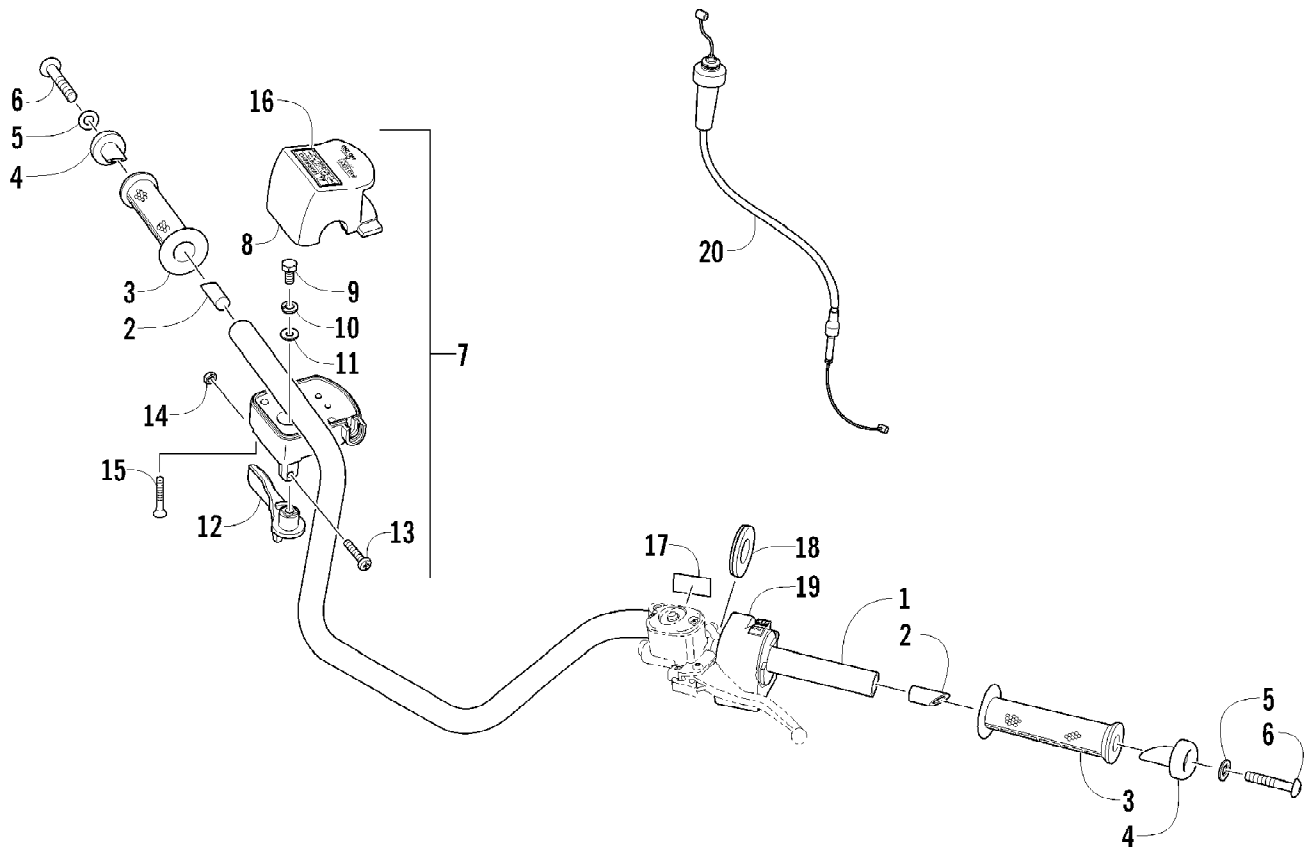
Ref #	Part Number	Qty	S/P/F	Description
1	0403-176	2		Shock Absorber (inc. 2)
2	0403-182	4		Bushing
3	0403-102	2		Cam, Spring Adjuster
4	0403-173	2		Spring, Suspension
5	1603-889	2	/P	Retainer, Spring
6	8409-040	4		Screw, Cap
7	0423-744	10		Nut, Lock
8	0503-416	1	/P	A-Arm, Upper Right (inc. 9-12)
8	0503-417	1	/P	A-Arm, Upper Left (inc. 9-12)
9	0403-207	4	/P	Bushing
10	0403-080	2		Axle
11	0423-009	4	/P	Ring, Retaining
12	0405-115	4	/P	Ball Joint
13	0423-946	4		Screw, Self-Tapping
14	1502-594	2		Clamp, Routing
15	0423-334	2		Screw, Cap
16	0503-376	1	/P	A-Arm, Lower Right (inc. 17-18 and two No. 11-12)
16	0503-377	1	/P	A-Arm, Lower Left (inc. 17-18 and two No. 11-12)
17	0403-208	8	/P	Bushing
18	0403-214	4	/P	Axle
19	8409-075	4		Screw, Cap
20	1502-800	1	S/P	Axle, Drive - Right (inc. 21-24)
20	1502-799	1	S/P	Axle, Drive - Locking - Left (inc. 21-24)
21	1436-419	2		Repair Kit, Boot (inc. 22)
22	1441-988	2		Clip, Retaining
23	1402-885	4		Pin, Detent
24	1402-889	2		Clip, Retaining
25	0505-576	1	/P	Knuckle - Assembly - Right (inc. 26-27)
25	0505-577	1	/P	Knuckle - Assembly - Left (inc. 26-27)
26	0423-423	2		Ring, Retaining
27	1402-809	2	/P	Bearing
28	0423-998	4		Screw, Shoulder
29	1406-034	1		Guard, Boot - Right
29	1406-035	1		Guard, Boot - Left
30	0423-545	4	/P	Screw, Shoulder



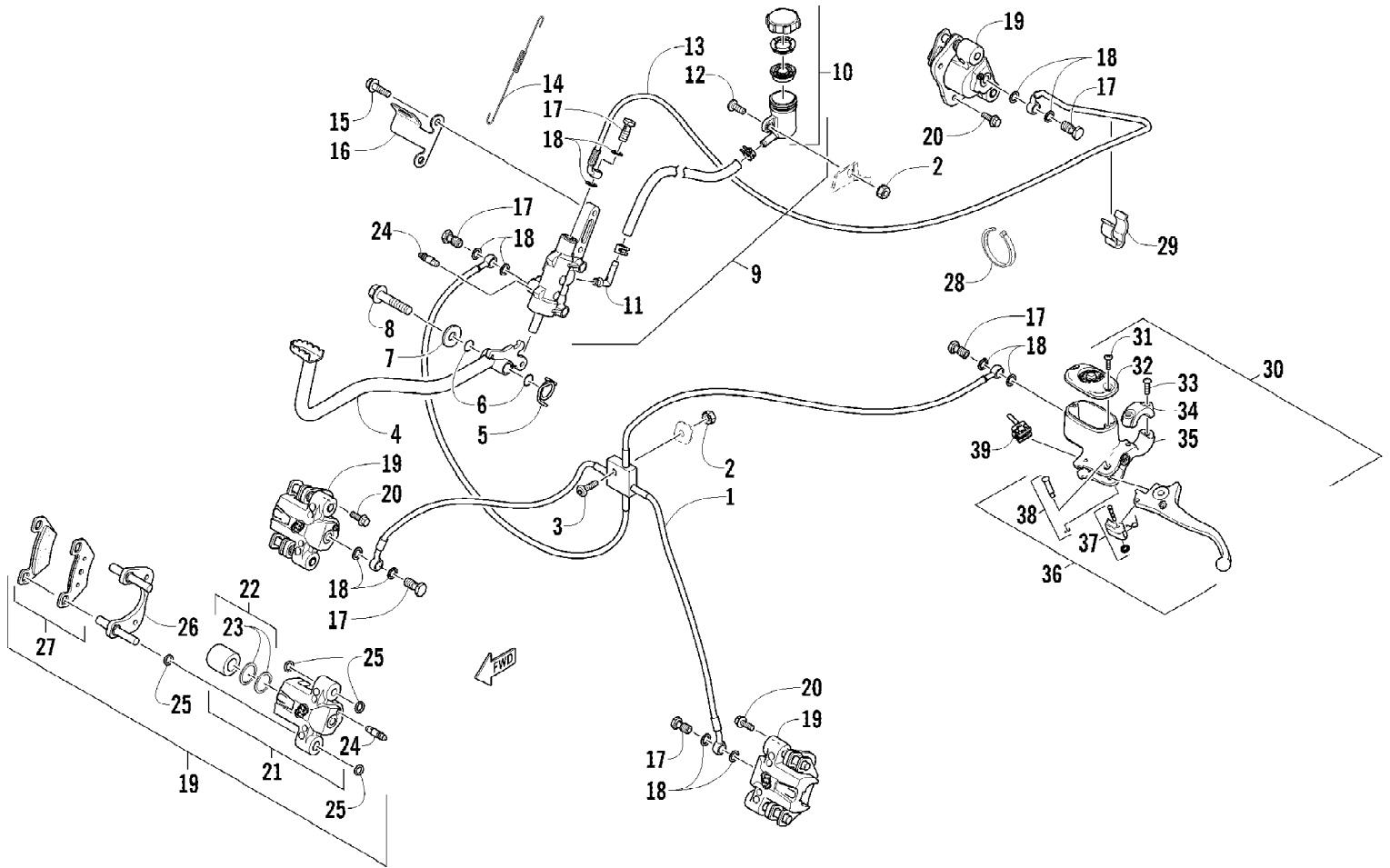
Ref #	Part Number	Qty	S/P/F	Description
1	3206-092	1		Pipe, Delivery (inc. 2-4)
2	3206-093	4		Screw, Cap
3	3206-095	4		Seal, Ring
4	3206-094	1		Seal, Delivery Pipe
5	3206-098	2		Valve, Bleed
6	3206-126	2		Gasket
7	3206-103	2		Spacer - 2.00
7	3206-104	2		Spacer - 1.90
7	3206-105	2		Spacer - 1.80
7	3206-106	2		Spacer - 1.70
7	3206-107	2		Spacer - 1.60
7	3206-108	2		Spacer - 1.50
7	3206-109	2		Spacer - 1.40
7	3206-110	2		Spacer - 1.30
7	3206-111	2		Spacer - 1.20
7	3206-112	2		Spacer - 1.10
7	3206-113	2		Spacer - 1.00
8	0	1	F	Spring, Pressure
9	3206-114	2		Drive Rod
10	3206-115	2		Spacer
11	3206-125	2		O-Ring
12	3206-123	2		Nozzle
13	3206-096	4		Nut
14	3206-102	2		Pump, Injection - Nozzle
15	3206-097	4		Bolt, Stud
16	3206-133	2		Tappet
17	3206-122	2		O-Ring
18	3206-124	2		Gasket, Copper
19	3206-059	2		Arrester, Spark
20	3206-116	2		Filler
21	3206-099	2		Spring, Delivery Valve
22	3206-117	2		Gasket, Valve
23	3206-100	2		Valve, Delivery
24	0	2	F	Plunger, Injection
25	3206-118	2		O-Ring
26	3206-119	2		Sleeve
27	3206-120	8		Screw, Cap
28	3206-101	2		Spring, Tappet
29	0	1	F	Push Rod
30	3206-121	2		Circlip
31	3206-375	2		Retainer, Lower
32	3206-127	1		Plate, Locking



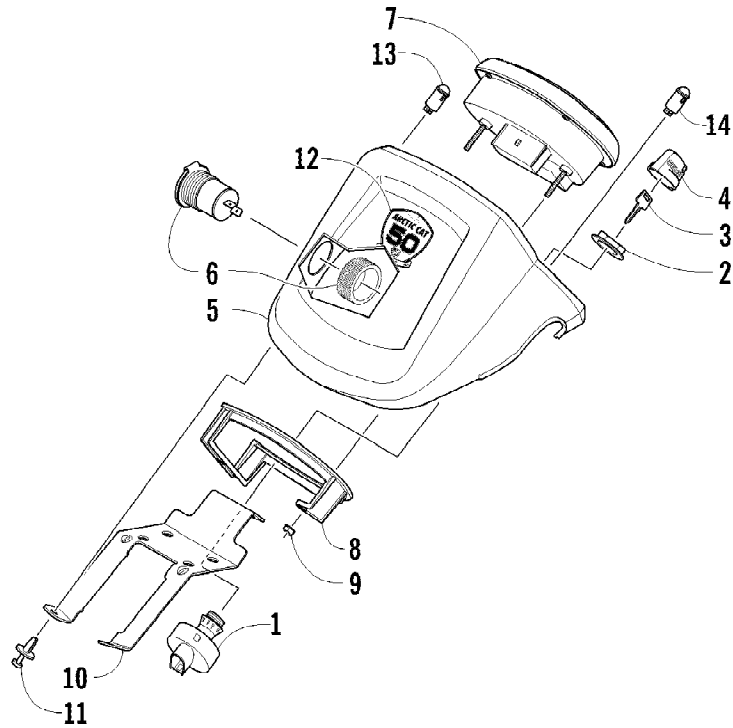
Ref #	Part Number	Qty	S/P/F	Description
1	0570-292	1		Tank, Fuel - Assembly (inc. 2-10)
2	0470-653	1		Cap, Fuel Tank (inc. 3)
3	0109-733	1	/P	Gasket, Fuel Tank Cap
4	0423-898	6		Screw, Self-Tapping
5	0470-848	1		Plate, Retaining
6	0570-228	1	/P	Sensor, Fuel Level (inc. 7-8)
7	2670-235	1		Float
8	0470-521	1		Seal, Fuel Level Sensor
9	0470-847	1		Adapter, Fuel Level Sensor
10	0470-838	1		Seal
11	0423-689	2		Clamp, Hose
12	0410-143	AR		Hose, Fuel - 25 ft
13	0423-688	3		Clamp, Hose
14	0410-070	AR	/P	Hose, Fuel - 25 ft
15	0423-670	4		Clamp, Hose
16	0109-332	1		T-Fitting
17	0423-835	2		Clamp, Hose
18	0410-142	AR		Hose, Fuel - 25 ft
19	0423-732	2		Screw, Shoulder
20	0470-715	1		Shield, Heat
21	0623-797	4		Screw, Self-Tapping
22	0423-460	2		Grommet
23	3206-006	1		Bolt, Banjo-Fitting
24	3206-007	2		Gasket
25	3206-008	1		Fitting
26	3206-009	2		Bolt, Banjo-Fitting
27	3206-010	4		Washer, Crush
28	3206-014	1		Hose, Fuel
29	3206-015	1		Hose, Fuel
30	3206-011	1		Bolt, Banjo-Fitting
31	3206-004	6		Washer, Crush
32	3206-005	1		Bolt, Banjo-Fitting w/Valve
33	3206-013	1		Hose, Fuel
34	3206-003	1		Bolt, Banjo-Fitting
35	3206-002	1		Electro-Valve
36	3206-001	1		Fuel Filter - Assembly
37	3206-012	1		Fuel Filter
38	8432-802	2		Nut, Lock
39	8408-825	2		Screw, Cap
40	3206-258	1		Fitting
41	3206-254	2		Bolt, Stud
42	3206-256	1		O-Ring
43	3206-257	1		Rod, Push
44	3206-234	2		Washer
45	3206-245	2		Nut
46	3206-255	1		Pump, Fuel



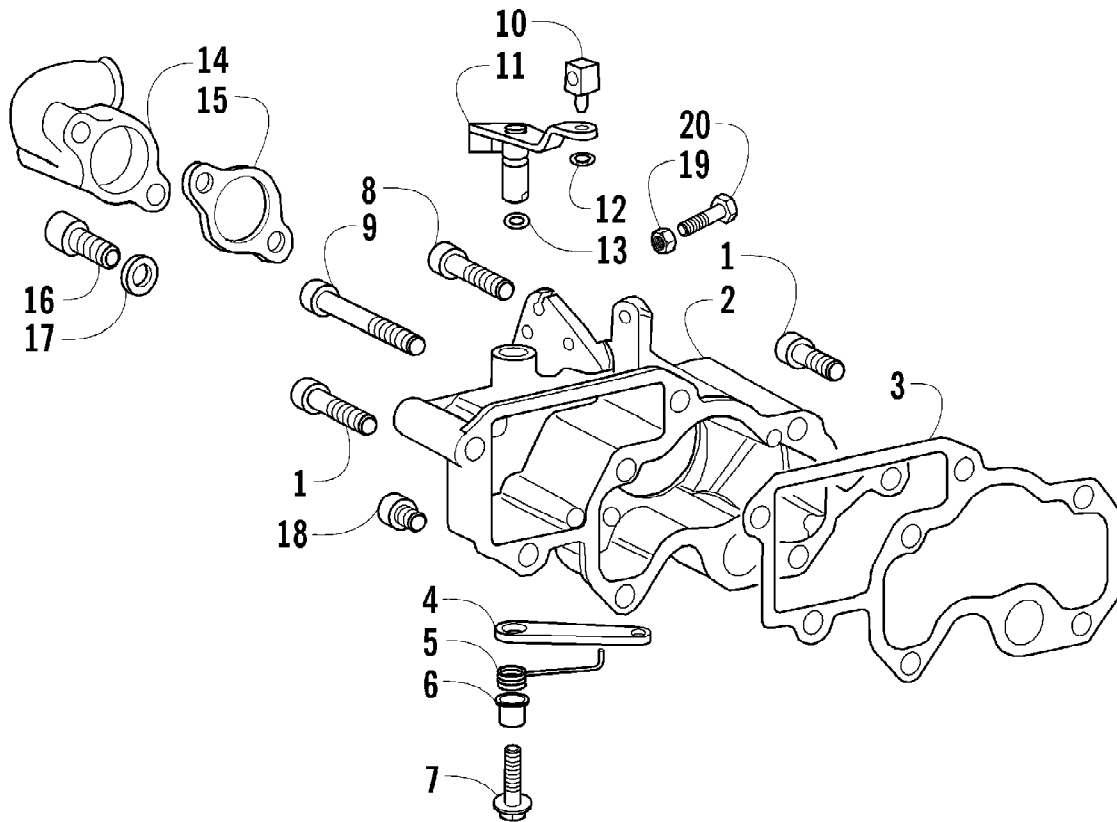
Ref #	Part Number	Qty	S/P/F	Description
1	0505-418	1	/P	Handlebar
2	0405-218	2		Plug, Handlebar
3	0405-147	2		Grip, Handlebar
4	0405-149	2		End Cap, Handlebar
5	8050-247	2	/P	Washer
6	8477-845	2		Screw, Machine
7	0509-054	1		Case, Throttle - Assembly (inc. 8-15)
8	0409-141	1		Cover, Throttle Case w/Switch
9	3007-392	1	/P	Screw, Cap
10	3004-447	1	/P	Washer, Lock
11	3003-030	1	/P	Washer
12	0409-133	1		Lever, Throttle
13	3423-014	1		Screw, Machine
14	3423-327	1		Nut
15	3423-199	2		Screw, Machine
16	0411-966	1		Decal, Warning - Differential Lock
17	1411-865	1		Decal, Warning - Brake Lever Lock
18	3409-019	1		Cover, Switch Housing
19	0409-083	1		Switch, Control - Assembly
20	0487-044	1		Cable, Throttle



Ref #	Part Number	Qty	S/P/F	Description
1	1502-015	1		Hose, Brakeline - Assembly
2	0623-038	2		Nut w/Washer
3	8476-625	1		Screw, Machine
4	1502-063	1		Lever, Brake
5	0502-807	1		Spring, Brake Lever
6	1602-213	2	/P	O-Ring
7	8050-252	1		Washer
8	8408-816	1		Screw, Cap
9	1502-293	1		Brake Assembly (inc. 10)
10	1502-155	1		Reservoir, Brake w/Clamp
11	1502-296	1	/P	Adapter, Hose
12	8476-616	1		Screw, Machine
13	1502-140	1		Hose, Brakeline
14	0502-785	1		Spring, Brake Switch
15	8408-625	2		Screw, Cap
16	0502-840	1		Bracket, Switch
17	0423-413	6		Bolt, Banjo-Fitting
18	0423-178	12		Washer, Crush
19	1436-422	1	/P	Caliper, Brake - Right Front (inc. two No. 20 and 21-27)
19	1436-423	1	/P	Caliper, Brake - Left Front (inc. two No. 20 and 21-27)
19	1436-423	1	/P	Caliper, Brake - Rear (inc. two No. 20 and 21-27)
20	8408-821	6	/P	Screw, Cap
21	1436-160	1	/P	Housing, Caliper - Assembly - Right Front (inc. two No. 20 and 22-24)
21	1436-161	1	/P	Housing, Caliper - Assembly - Left Front (inc. two No. 20 and 22-24)
21	1436-161	1	/P	Housing, Caliper - Assembly - Rear (inc. two No. 20 and 22-24)
22	0502-606	3		Piston/Seal Set (inc. 23)
23	0502-607	3		Seal Set
24	0502-609	4	/P	Valve, Bleed
25	0502-608	3		O-Ring, Guide - Set
26	0502-605	3		Bracket Assembly
27	1502-694	3	S	Pad, Brake - Set
28	0123-788	AR	/P	Tie, Cable - 8 in.
29	1502-115	2		Clip, Brakeline Hose
30	1502-902	1	/P	Brake Assembly (inc. 31-39)
31	0502-566	1		Screw, Machine - Kit
32	0502-868	1	/P	Cover, Reservoir
33	0502-568	1		Screw, Machine - Kit
34	0502-869	1		Clamp, Master Cylinder
35	0502-704	1		Master Cylinder Assembly
36	1502-904	1		Lever Assembly - Kit (inc. 37-38)
37	1502-905	1		Lock, Brake Lever - Kit
38	0502-580	1		Lever Pin - Kit
39	0502-564	1	/P	Switch, Brake



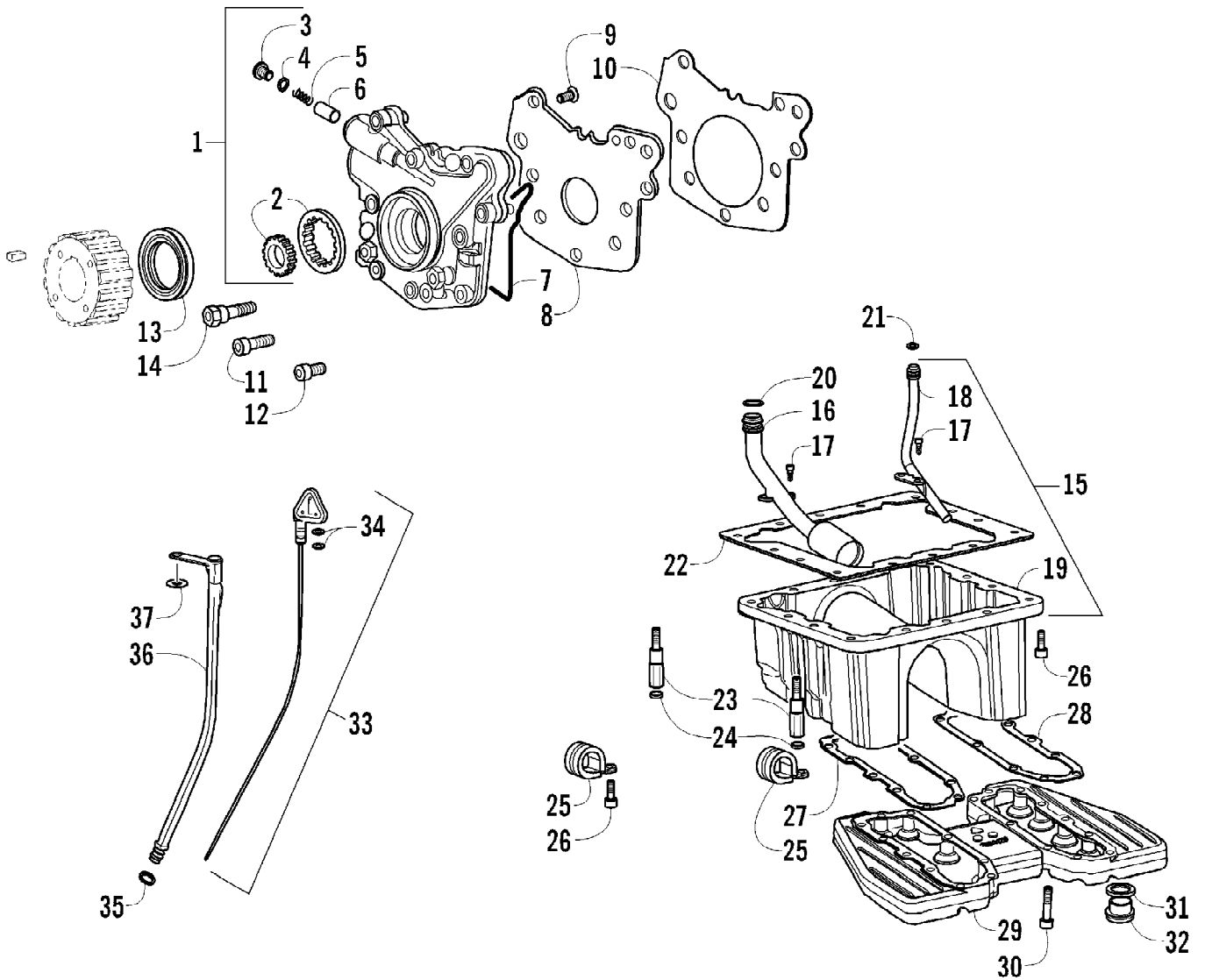
Ref #	Part Number	Qty	S/P/F	Description
1	0430-090	1	/P	Switch, Ignition - Assembly (inc. 2-4)
2	0430-050	1		Nut, Retaining
3	0430-042	1		Key, Ignition (Y Series - Left-Side Cut)
3	0430-043	1		Key, Ignition (Z Series - Right-Side Cut)
4	0430-054	1		Cover, Key
5	0505-501	1		Instrument Pod
6	0641-897	1	/P	Outlet, Accessory - 12V
7	0520-150	1		Gauge, LCD
8	0420-065	1	/P	Bracket, Retaining
9	0423-493	2		Nut w/Washer
10	2506-470	1		Bracket, Mounting - Instrument Pod
11	0423-535	2		Rivet, Reinstallable
12	9611-603	1		Decal, 50th Anniversary
13	0420-075	1		Light, Indicator - Battery
14	0420-074	1		Light, Indicator - Glow Plug



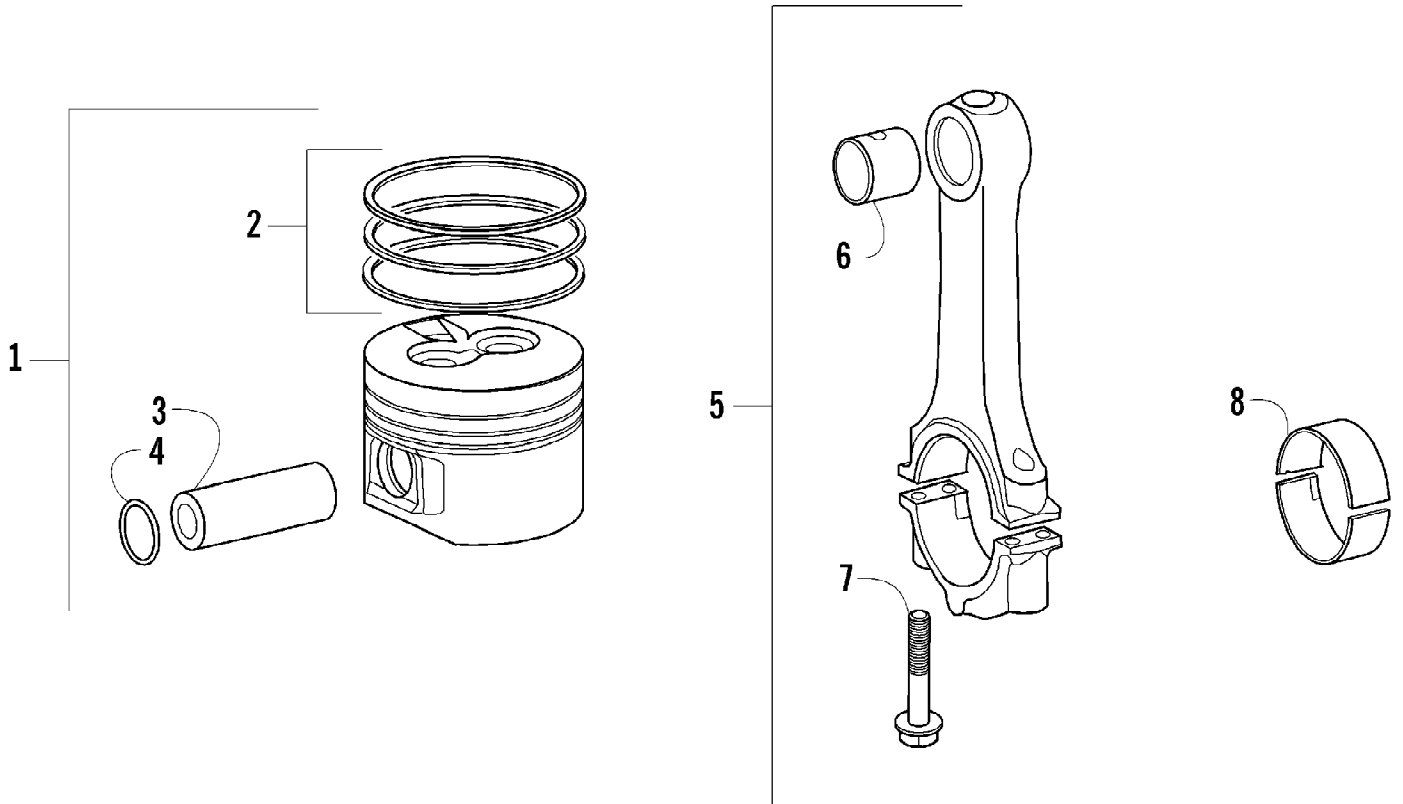
2012 ATV 700 DIESEL INTERNATIONAL GREEN (A2012TBT4DOSG)
INTAKE MANIFOLD AND THROTTLE CONTROL ASSEMBLY

Page 49 of 92

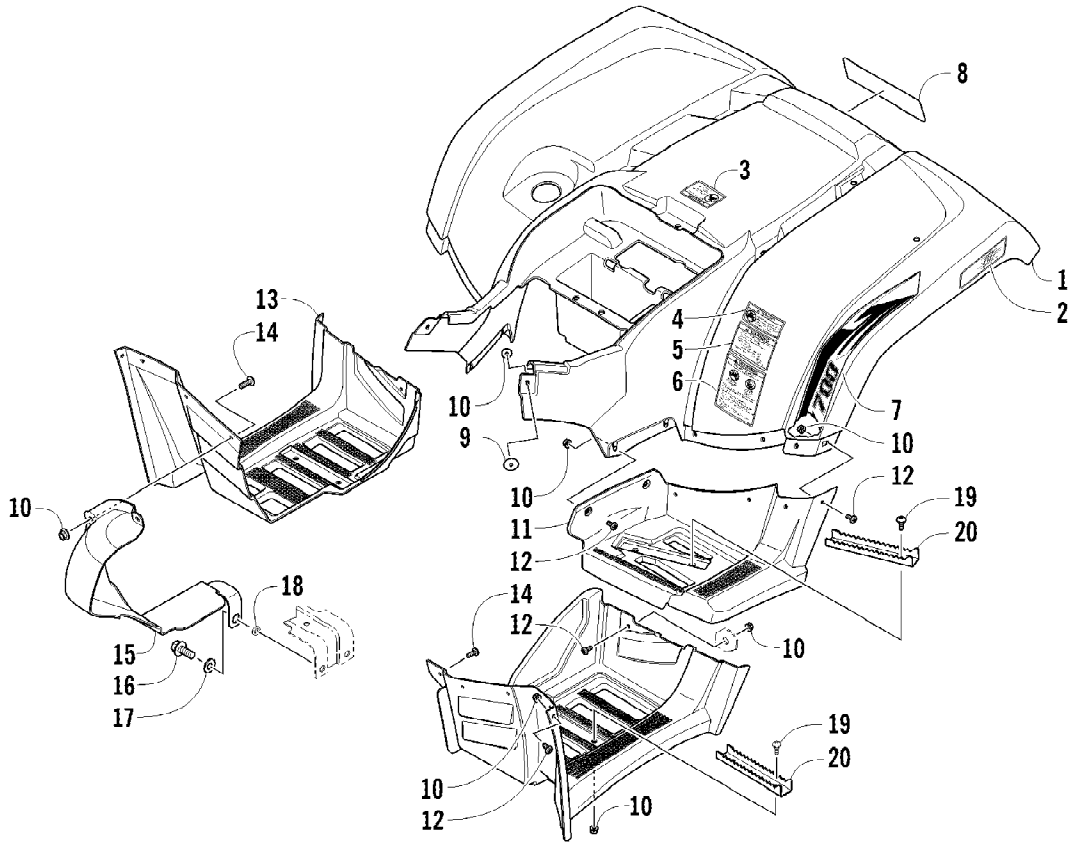
Ref #	Part Number	Qty	S/P/F	Description
1	3206-276	3		Screw, Cap
2	3206-387	1		Manifold, Intake
3	3206-277	1		Gasket, Intake Manifold
4	3206-286	1		Lever, Internal
5	3206-283	1		Spring, Recovery
6	3206-284	1		Sleeve
7	3206-285	1		Screw, Cap
8	3206-280	1		Screw, Cap
9	3206-279	1		Screw, Cap
10	3206-288	1		Pin
11	3206-287	1		Lever, External
12	3206-242	1		Circlip
13	3206-281	1		O-Ring
14	3206-290	1		Flange, Intake
15	3206-289	1		Gasket
16	3206-169	2		Screw, Cap
17	3206-234	2		Washer
18	3206-266	4		Screw, Cap
19	3206-137	1		Nut
20	3206-282	1		Screw, Cap



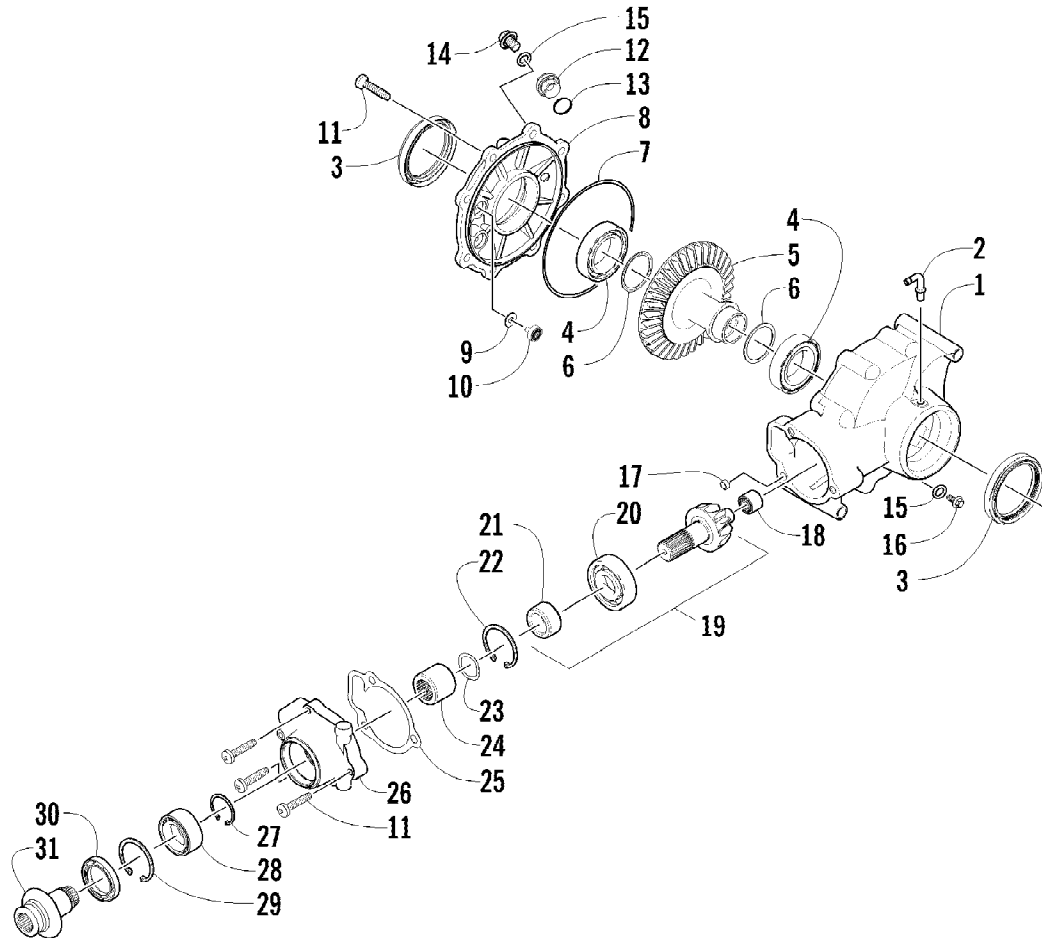
Ref #	Part Number	Qty	S/P/F	Description
1	3206-171	1		Pump, Oil (inc. 2-10)
2	3206-167	1		Rotors, Oil Pump
3	3206-163	1		Plug
4	3206-162	1		Gasket
5	3206-164	1		Spring, Pressure Valve
6	3206-165	1		Rod, Drive
7	3206-172	1		O-Ring
8	0	1	F	Plate
9	3206-166	3		Screw, Machine
10	3206-391	1		Gasket
11	3206-168	1		Screw, Cap
12	3206-169	6		Screw, Cap
13	3206-161	1		Seal
14	3206-174	2		Screw, Shoulder
15	3206-179	1	/P	Pan, Oil - Assembly (inc. 16-19)
16	0	1	F	Pipe, Oil - Intake
17	3206-183	4		Screw, Cap
18	0	1	F	Pipe, Oil - Return
19	0	1	F	Pan, Oil
20	3206-176	1		Seal, Oil
21	3206-177	1		Seal, Oil
22	3206-175	1		Gasket
23	3206-178	2		Stud, Hollow
24	3206-383	2		Washer
25	3206-190	2		Clamp, Routing
26	3206-088	20		Screw, Cap
27	3206-186	1		Gasket
28	3206-187	1		Gasket
29	3206-188	1		Cover, Oil Pan
30	3206-189	20		Screw, Cap
31	3206-181	1		Gasket
32	3206-182	1		Plug
33	3206-197	1		Stick, Oil Level (inc. 34)
34	3206-198	2		Seal
35	3206-195	1		O-Ring
36	3206-196	1		Guard, Oil Level Stick
37	3206-190	1		Washer



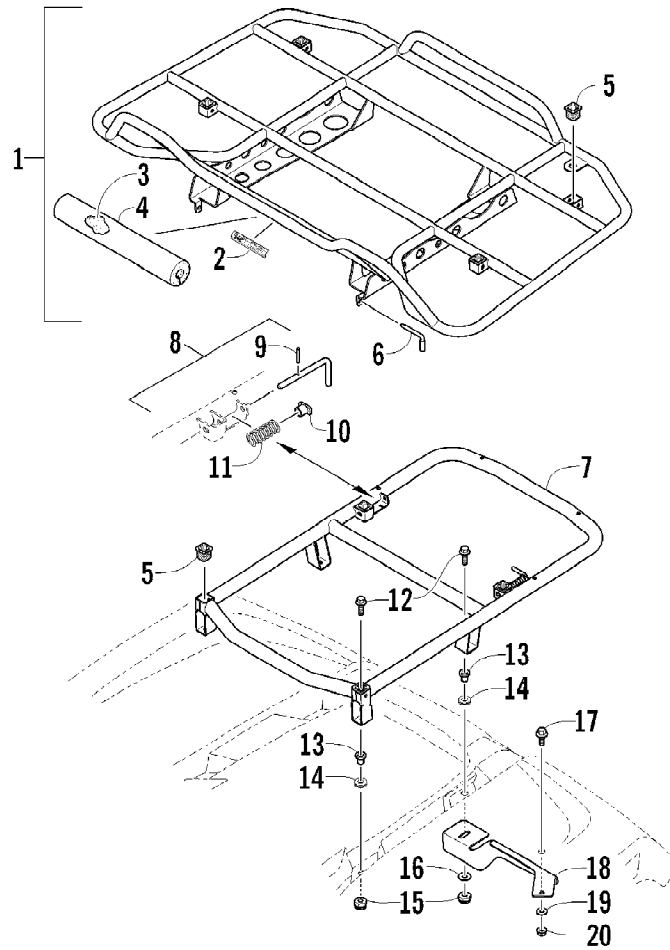
Ref #	Part Number	Qty	S/P/F	Description
1	3206-026	2		Piston - Set (inc. 2-4)
1	3206-027	2		Piston - Set (+0.50 mm)
1	3206-028	2		Piston - Set (+1.00 mm)
2	3206-023	2		Ring - Set
2	3206-024	2		Ring - Set (+0.50 mm)
2	3206-025	2		Ring - Set (+1.00 mm)
3	3206-030	2		Piston Pin
4	3206-031	4		Circlip
5	3206-035	2		Connecting Rod (inc. 6-7)
6	3206-029	2		Bushing
7	3206-036	8		Screw, Cap
8	3206-032	2		Bushing
8	3206-033	2		Bushing (-0.25 mm)
8	3206-034	2		Bushing (-0.50 mm)



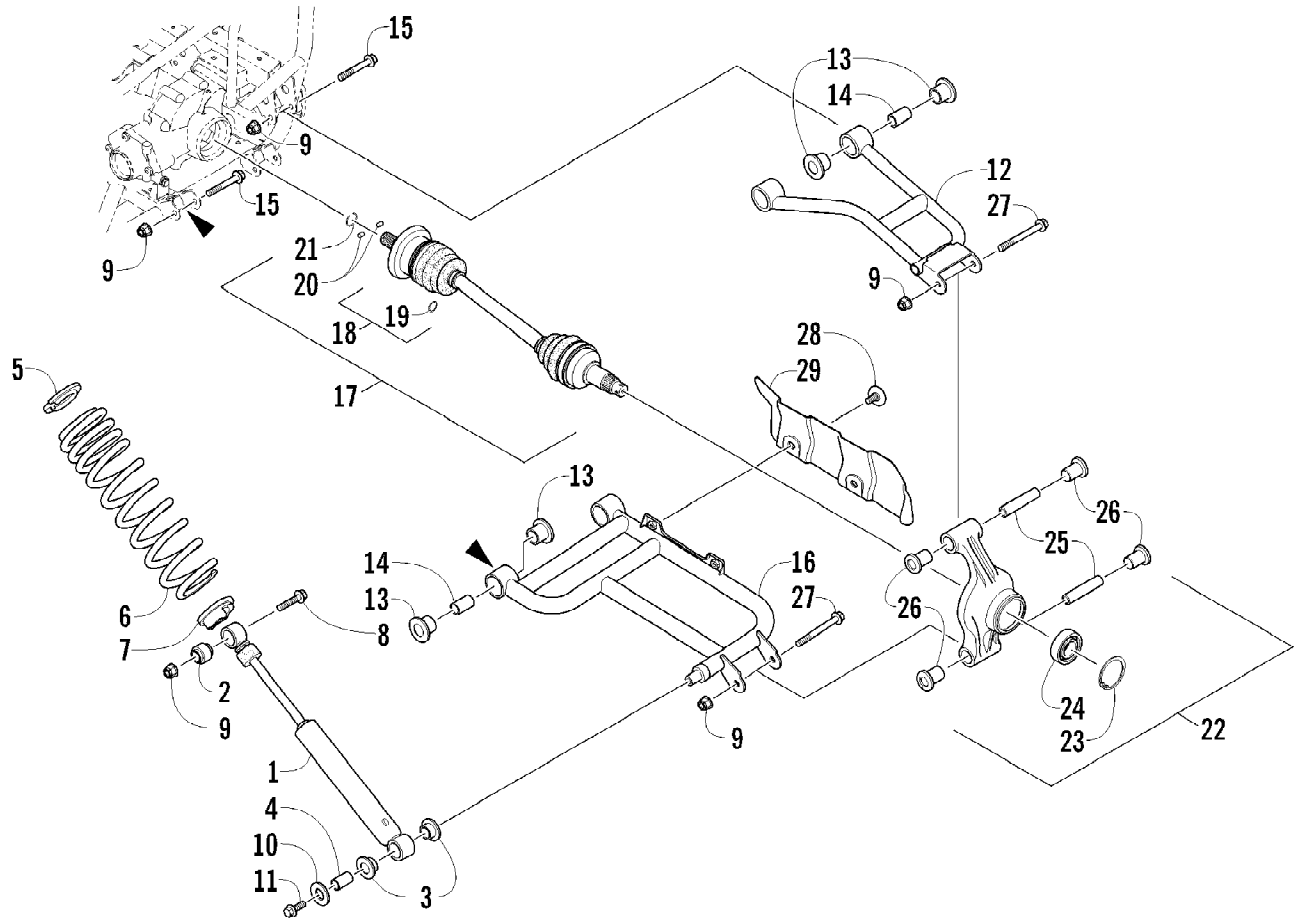
Ref #	Part Number	Qty	S/P/F	Description
1	0518-066	1	S	Fender, Rear - Assembly (inc. 2-6)
2	1411-592	1	/P	Decal, Reflector - Right
2	1411-593	1	/P	Decal, Reflector - Left
3	1411-251	1		Decal, Warning - Passenger Seat
4	1411-269	1		Decal, Warning - Passenger
5	2411-138	1	/P	Decal, Warning - Tire Pressure
6	1411-956	1		Decal, Warning - Passenger Safety
7	2411-710	1		Decal, Side - Lower Right
7	2411-711	1		Decal, Side - Lower Left
8	1411-725	1		Decal, "Arctic Cat"
9	0423-101	2		Screw, Shoulder
10	0423-540	37		Nut, Lock
11	2406-042	1		Footwell, Rear - Right
11	2406-043	1		Footwell, Rear - Left
12	0423-419	24		Screw, Machine
13	2506-193	1		Footwell - Right
13	2406-471	1	/P	Footwell - Left
14	8477-620	3		Screw, Machine
15	2406-531	1		Panel, Splash
16	8409-020	1	/P	Screw, Cap
17	8050-282	1	/P	Washer
18	0405-261	1		Spacer
19	0423-355	8		Screw, Shoulder
20	1506-125	4	/P	Footpeg



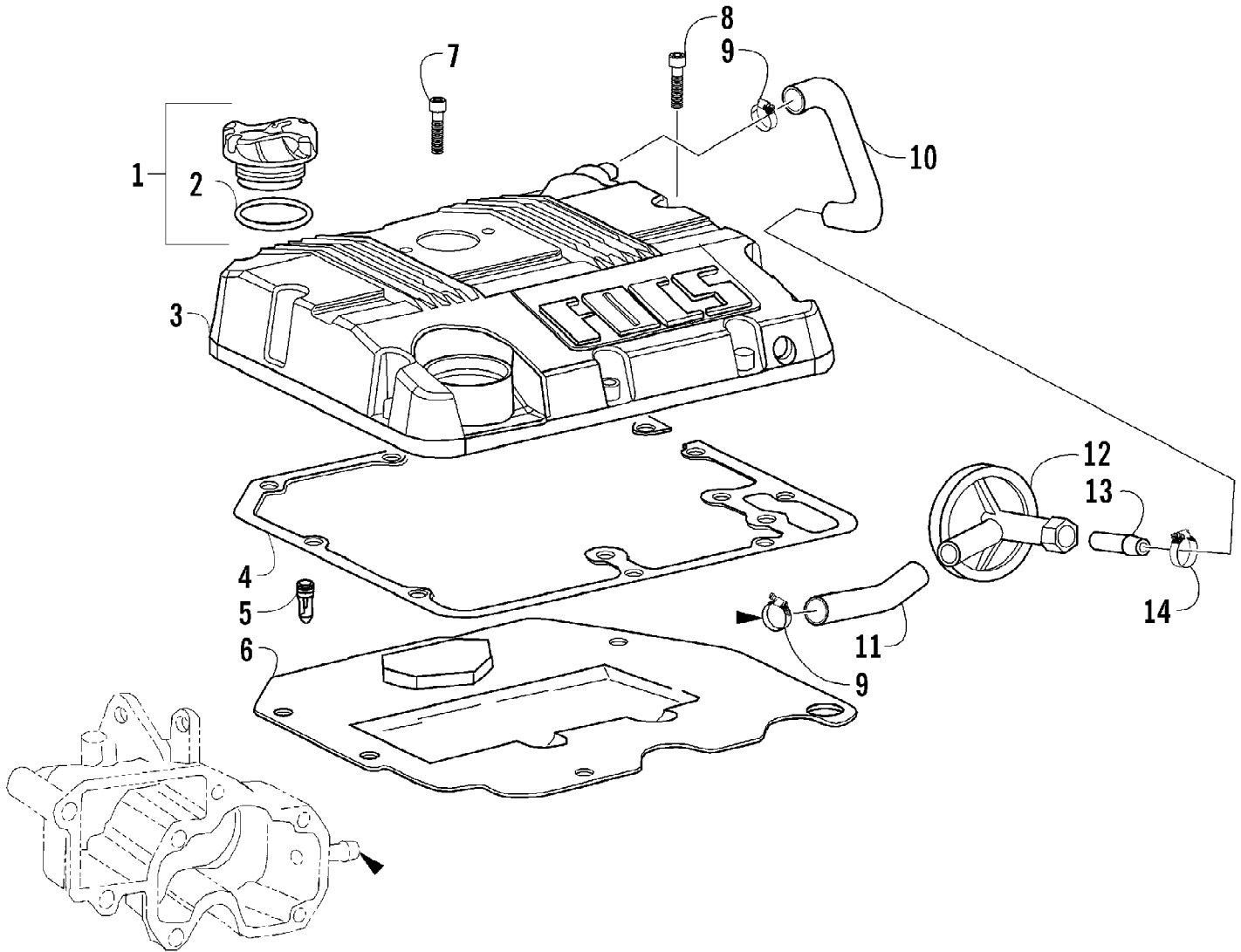
Ref #	Part Number	Qty	S/P/F	Description
	1502-879	1		Complete Rear Drive Gearcase Assembly
1	1502-896	1		Housing, Gearcase
2	1402-442	1		Fitting, Elbow
3	1402-950	2	/P	Seal
4	0402-393	2		Bearing
5	1402-032	1		Gear, Ring - 36T
6	0402-405	AR		Shim, 41 x 49 x 1.3 mm
6	0402-406	AR		Shim, 41 x 49 x 1.4 mm
6	0402-407	AR		Shim, 41 x 49 x 1.5 mm
6	0402-408	AR		Shim, 41 x 49 x 1.6 mm
6	0402-409	AR		Shim, 41 x 49 x 1.7 mm
7	0423-149	1		O-Ring
8	1502-897	1		Cover, Gearcase
9	0402-429	AR		Shim, 6.3 x 18 x 1.3 mm
9	0402-430	AR		Shim, 6.3 x 18 x 1.4 mm
9	0402-431	AR		Shim, 6.3 x 18 x 1.5 mm
9	0402-432	AR		Shim, 6.3 x 18 x 1.6 mm
9	0402-433	AR		Shim, 6.3 x 18 x 1.7 mm
10	0402-326	1		Button, Thrust
11	0423-118	11		Screw, Self-Tapping
12	0402-333	1	/P	Plug, Magnetic (inc. 13)
13	0423-154	1		O-Ring
14	1402-211	1		Plug, Oil Level (inc. one No. 15)
15	0423-153	2		O-Ring
16	1402-210	1	/P	Plug, Fill (inc. one No. 15)
17	0402-411	1		Pin, Dowel
18	0402-328	1		Bearing
19	1502-863	1		Gear, Pinion - Assembly - 10T (inc. 20-21)
20	0402-327	1		Bearing
21	1402-977	1		Collar, Retaining
22	1423-067	1		Ring, Retaining
23	0402-982	1		Washer, Wave
24	0402-981	1		Collar, Shaft
25	0402-947	1		Gasket, Flange
26	0502-529	1		Housing, Pinion
27	0423-417	1		Ring, Retaining
28	1402-043	1		Bearing
29	0423-423	1		Ring, Retaining
30	1402-011	1		Seal
31	1502-085	1	/P	Shaft, Input



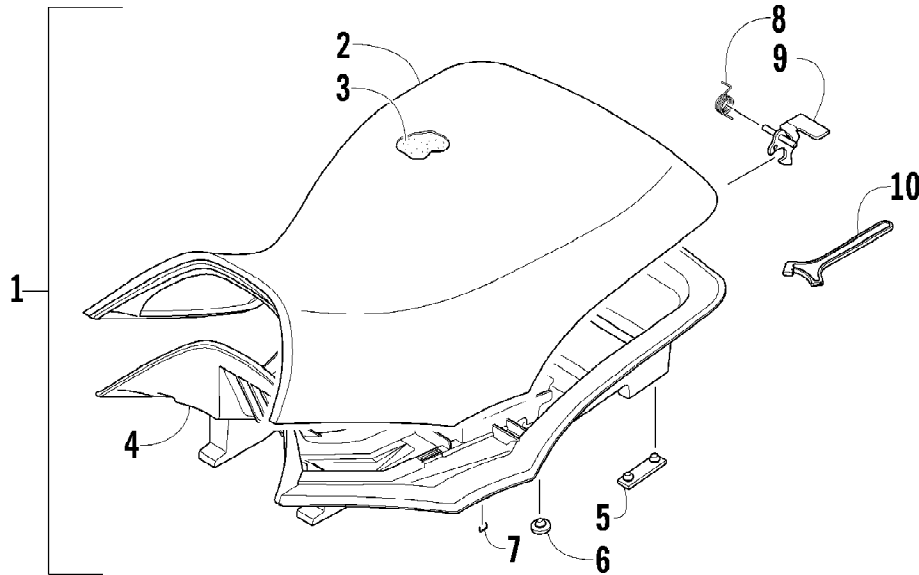
Ref #	Part Number	Qty	S/P/F	Description
1	2516-483	1		Rack, Rear - Assembly (inc. 2-4 and four No. 5)
2	0411-648	1		Decal, Warning - Load
3	2416-244	1		Pad, Foam
4	2416-245	1		Cover
5	0441-592	8	/P	Bushing
6	0541-447	2	/P	Pin
7	2506-221	1	/P	Base, MRP - Assembly (inc. 8-11 and four No. 5)
8	0541-504	2		Pin - Assembly (inc. 9-11)
9	0423-635	2		Pin, Roll
10	0423-677	2		Bushing, Flanged
11	0423-636	2		Spring
12	8410-835	4		Screw, Cap
13	0423-669	4		Spacer
14	0423-465	4		Grommet
15	8432-802	4		Nut, Lock
16	0423-087	2		Washer
17	0423-654	2		Screw, Shoulder
18	2506-092	1		Bracket, Rear Fender - Right
18	2506-093	1		Bracket, Rear Fender - Left
19	8050-222	2	/P	Washer
20	0423-540	2		Nut, Lock



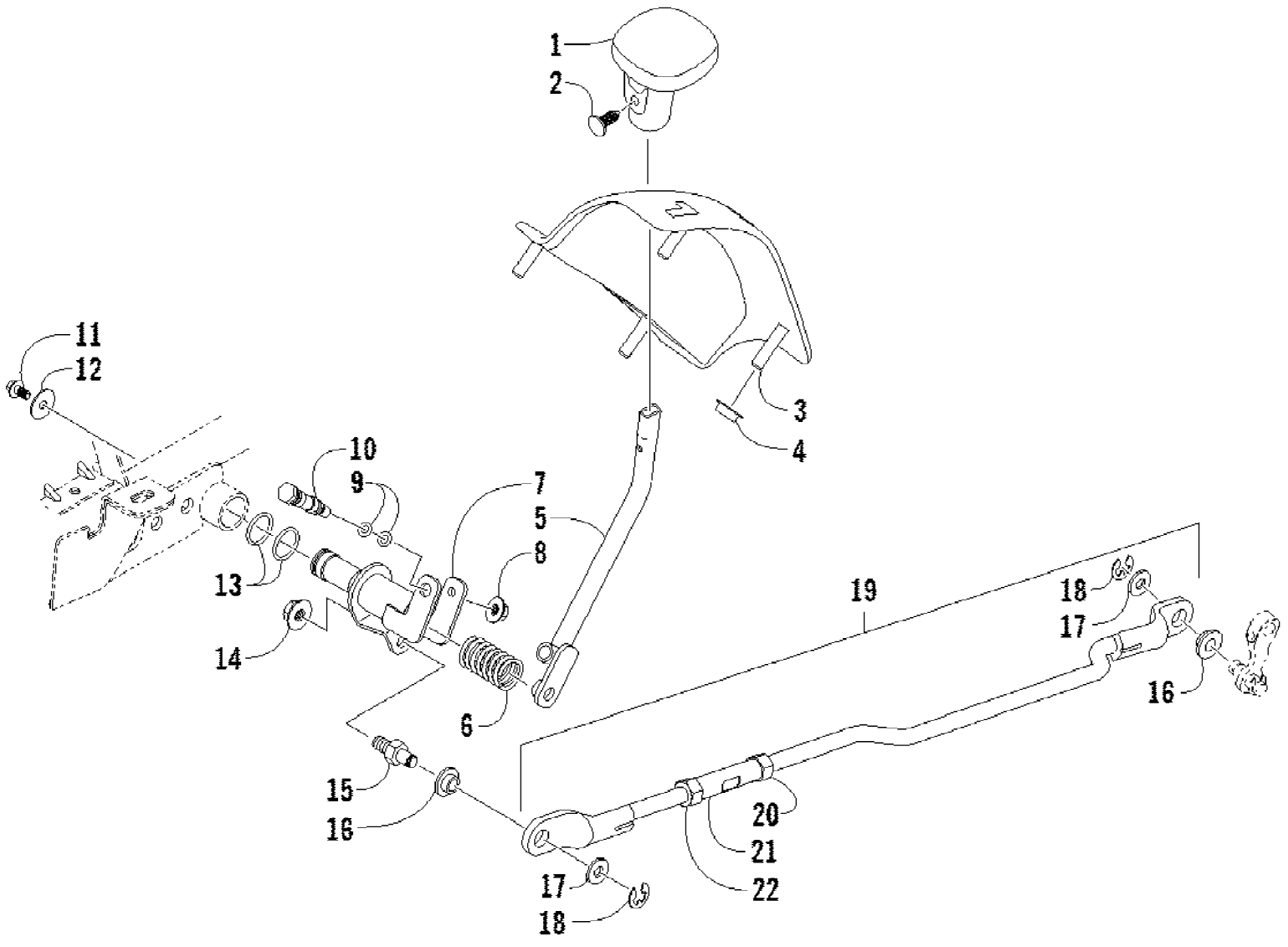
Ref #	Part Number	Qty	S/P/F	Description
1	0404-147	2		Shock Absorber (inc. 2-4)
2	0403-182	2		Bushing
3	0603-955	4		Bushing
4	1603-219	2	S	Sleeve
5	1603-889	2	/P	Retainer, Spring
6	0403-173	2		Spring, Suspension
7	0404-057	2		Cam, Spring Adjuster
8	8409-050	2		Screw, Cap
9	0423-744	14		Nut, Lock
10	0423-087	2		Washer
11	8408-820	2	/P	Screw, Cap
12	0504-582	1		A-Arm, Rear - Upper Right (inc. 13-14)
12	0504-583	1	/P	A-Arm, Rear - Upper Left (inc. 13-14)
13	0403-208	16	/P	Bushing
14	0403-214	8	/P	Axle
15	8409-075	8		Screw, Cap
16	0504-572	1		A-Arm, Rear - Lower Right (inc. 13-14)
16	0504-573	1		A-Arm, Rear - Lower Left (inc. 13-14)
17	1502-798	2	S	Axle, Drive (inc. 18-21)
18	1436-419	2		Repair Kit, Boot (inc. 19)
19	1441-988	2		Clip, Retaining
20	1402-884	4		Pin, Detent
21	1402-890	2		Clip, Retaining
22	0504-548	1	/P	Knuckle, Right - Assembly (inc. 23-26)
22	0504-549	1	/P	Knuckle, Left - Assembly (inc. 23-26)
23	0423-423	2		Ring, Retaining
24	1402-809	2	/P	Bearing
25	0403-213	4	/P	Axle
26	0403-206	8	/P	Bushing
27	8409-000	4		Screw, Cap
28	0423-545	4	/P	Screw, Shoulder
29	1406-068	1		Guard, Boot - Rear - Right
29	1406-069	1		Guard, Boot - Rear - Left



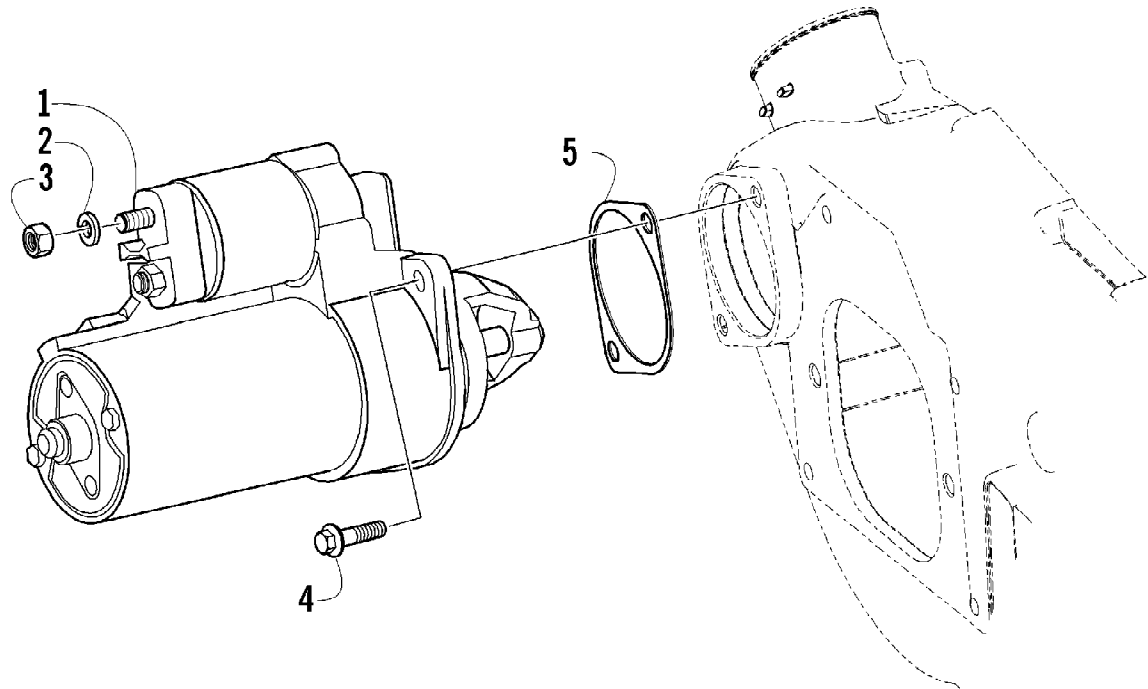
Ref #	Part Number	Qty	S/P/F	Description
1	3206-081	1		Cap, Oil Filler (inc. 2)
2	3206-087	1		O-Ring
3	3206-080	1		Cover, Rocker Arm
4	3206-086	1		Gasket
5	3206-084	1		Connection
6	3206-085	1		Separator
7	3206-083	2		Screw, Cap
8	3206-082	8		Screw, Cap
9	3206-200	3		Clamp
10	3206-205	1		Hose, Connection
11	3206-202	1		Hose, Drain
12	3206-201	1		Valve, Suction
13	3206-203	1		Tube, Valve
14	3206-204	1		Clamp



Ref #	Part Number	Qty	S/P/F	Description
1	4506-557	1	/P	Seat Assembly (inc. 2-9)
2	1506-209	1		Cover, Seat
3	0517-119	1		Foam, Seat
4	2416-826	1	/P	Base, Seat - Assembly (inc. 5-6)
5	0406-879	2		Bumper, Seat - Rear
6	0406-877	4	/P	Bumper, Seat - Front
7	0624-263	AR		Staple
8	1406-592	1	/P	Spring, Seat Latch
9	1506-156	1		Latch, Seat
10	0441-587	1		Wrench, Spanner



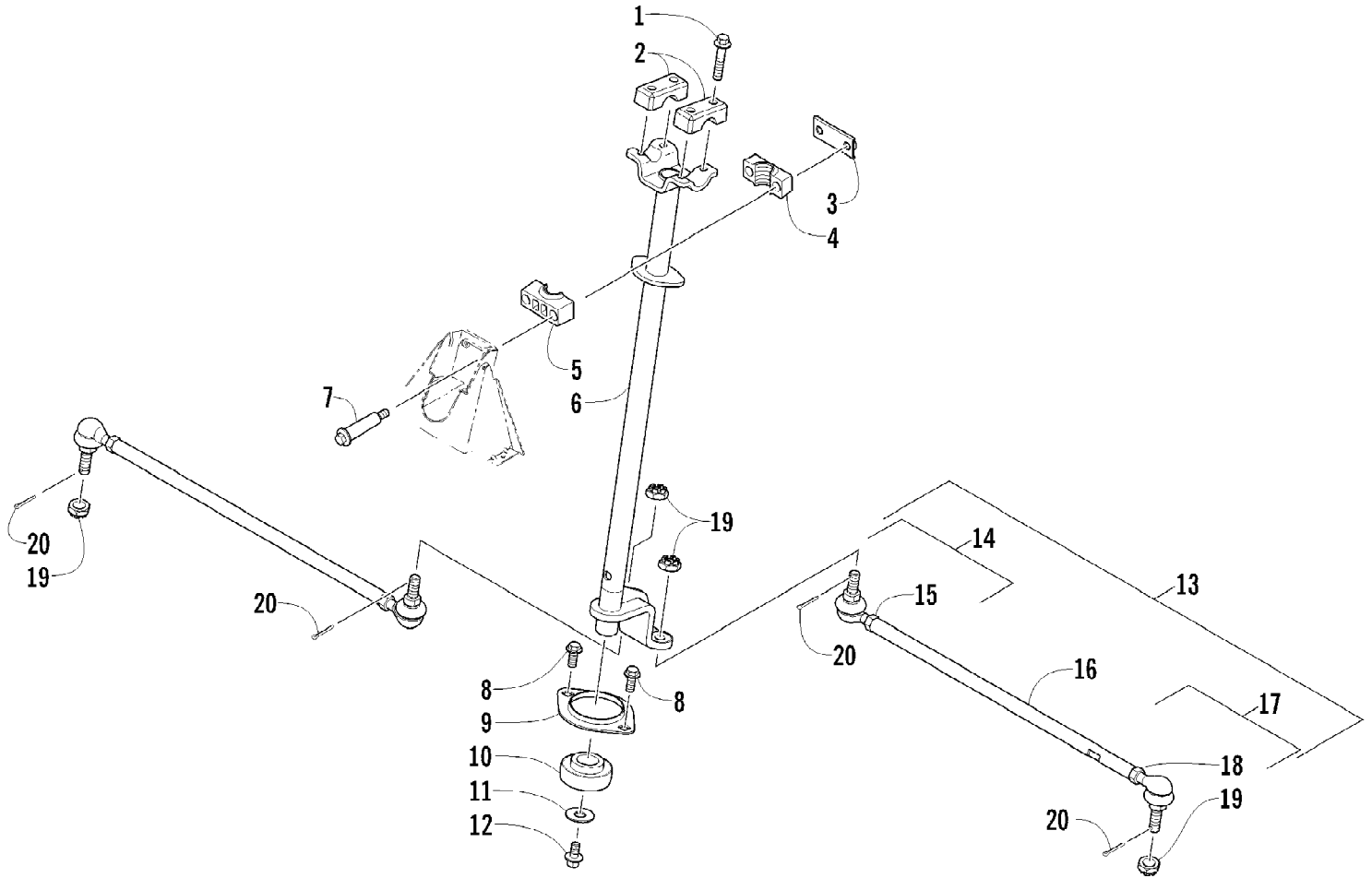
Ref #	Part Number	Qty	S/P/F	Description
1	0402-843	1	/P	Knob, Shift
2	0423-345	1		Clip, Retaining
3	1402-576	1		Plate, Shift
4	0423-357	4		Nut, Stamped
5	0502-659	1		Lever, Shift
6	0402-678	1	/P	Spring, Shift Lever
7	1502-012	1		Actuator, Shift
8	8424-602	1	/P	Nut
9	0423-182	2	/P	O-Ring
10	0402-675	1		Axle, Pivot
11	8408-812	1		Screw, Cap
12	0423-087	1		Washer
13	0423-299	2	/P	O-Ring
14	8424-802	1		Nut
15	1402-621	1		Pin, Mounting
16	0423-091	2		Bushing
17	0623-094	2		Washer
18	0423-169	2	/P	E-Ring
19	1502-226	1		Linkage, Shift - Assembly (inc. 20-22)
20	0123-917	1	/P	Nut, Hex - Left-Hand Thread
21	1402-619	1		Coupler
22	0623-294	1		Nut, Hex - Right-Hand Thread



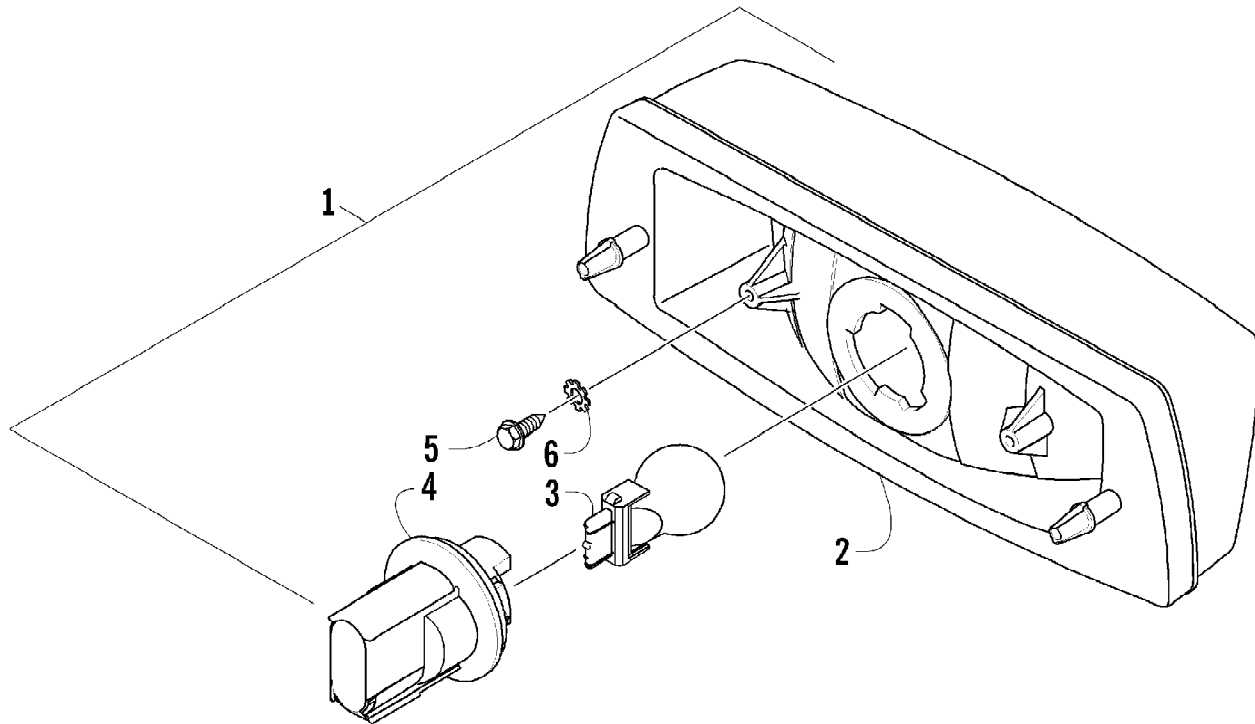
2012 ATV 700 DIESEL INTERNATIONAL GREEN (A2012TBT4DOSG)
STARTER MOTOR ASSEMBLY

Page 69 of 92

Ref #	Part Number	Qty	S/P/F	Description
1	3206-319	1		Motor, Starter
2	3206-322	1		Washer, Lock
3	3206-321	1		Nut
4	8409-030	2		Screw, Cap
5	1402-525	1		Gasket, Starter



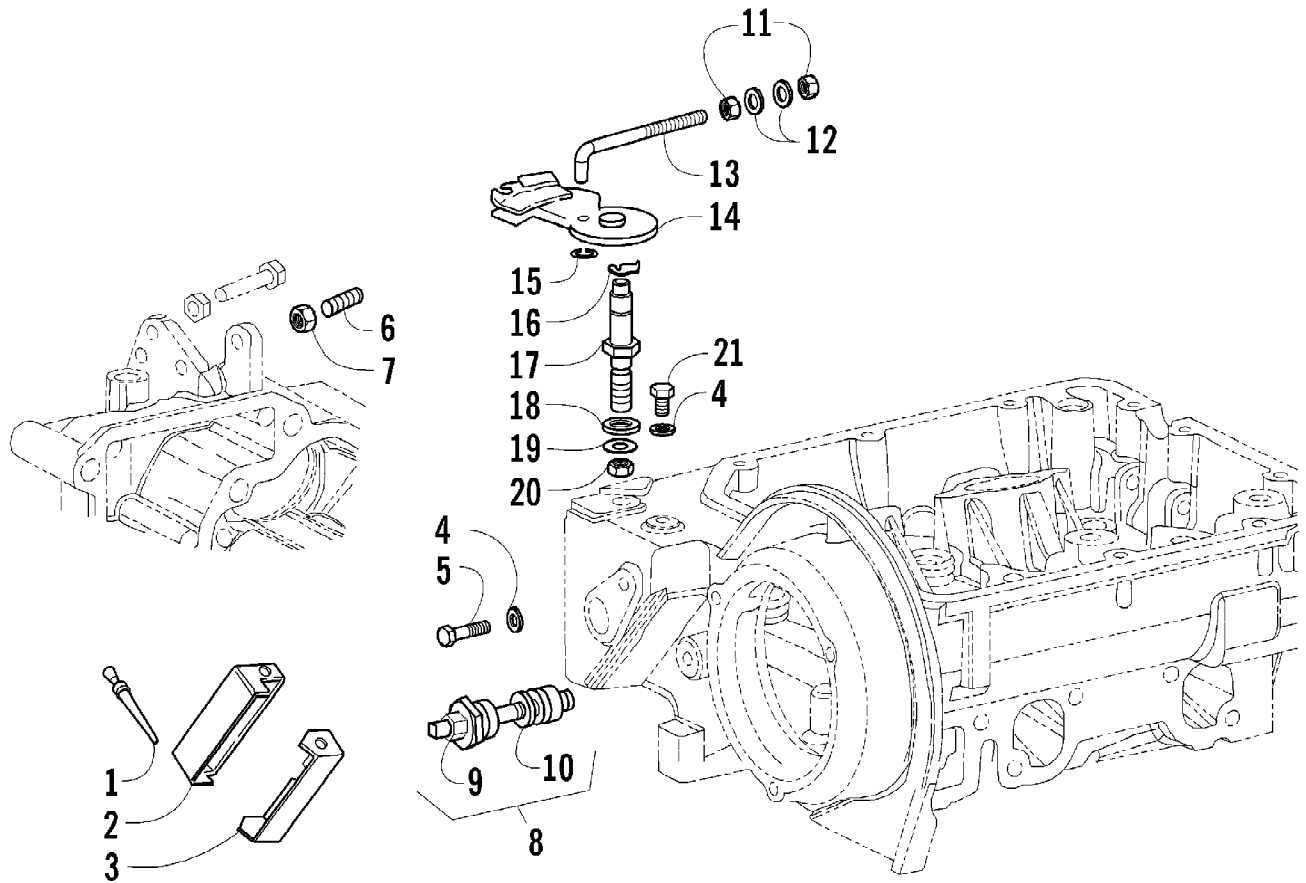
Ref #	Part Number	Qty	S/P/F	Description
1	8408-835	4		Screw, Cap
2	0405-035	2		Cap, Steering Adjuster
3	0505-484	1		Cap, Housing
4	0405-260	1		Housing, Upper
5	0405-259	1		Housing, Lower
6	0505-493	1		Post, Steering
7	0423-505	2		Screw, Shoulder
8	8408-816	2		Screw, Cap
9	0602-233	1		Flange, Bearing
10	0405-052	1		Bearing w/Inverted Oil Seal
11	0423-073	1		Washer
12	8409-020	1	/P	Screw, Cap
13	0505-499	2	/P	Tie Rod - Assembly (inc. 14-18)
14	0505-511	2	/P	End, Tie Rod - Left-Hand Thread - Kit (inc. 15)
15	0423-013	2		Nut - Left-Hand Thread
16	0405-281	2	/P	Tie Rod
17	0505-510	2	/P	End, Tie Rod - Right-Hand Thread - Kit (inc. 18)
18	8420-002	2	/P	Nut - Right-Hand Thread
19	0423-157	4		Nut, Lock
20	0623-175	4		Pin, Cotter



2012 ATV 700 DIESEL INTERNATIONAL GREEN (A2012TBT4DOSG)
TAILLIGHT ASSEMBLY

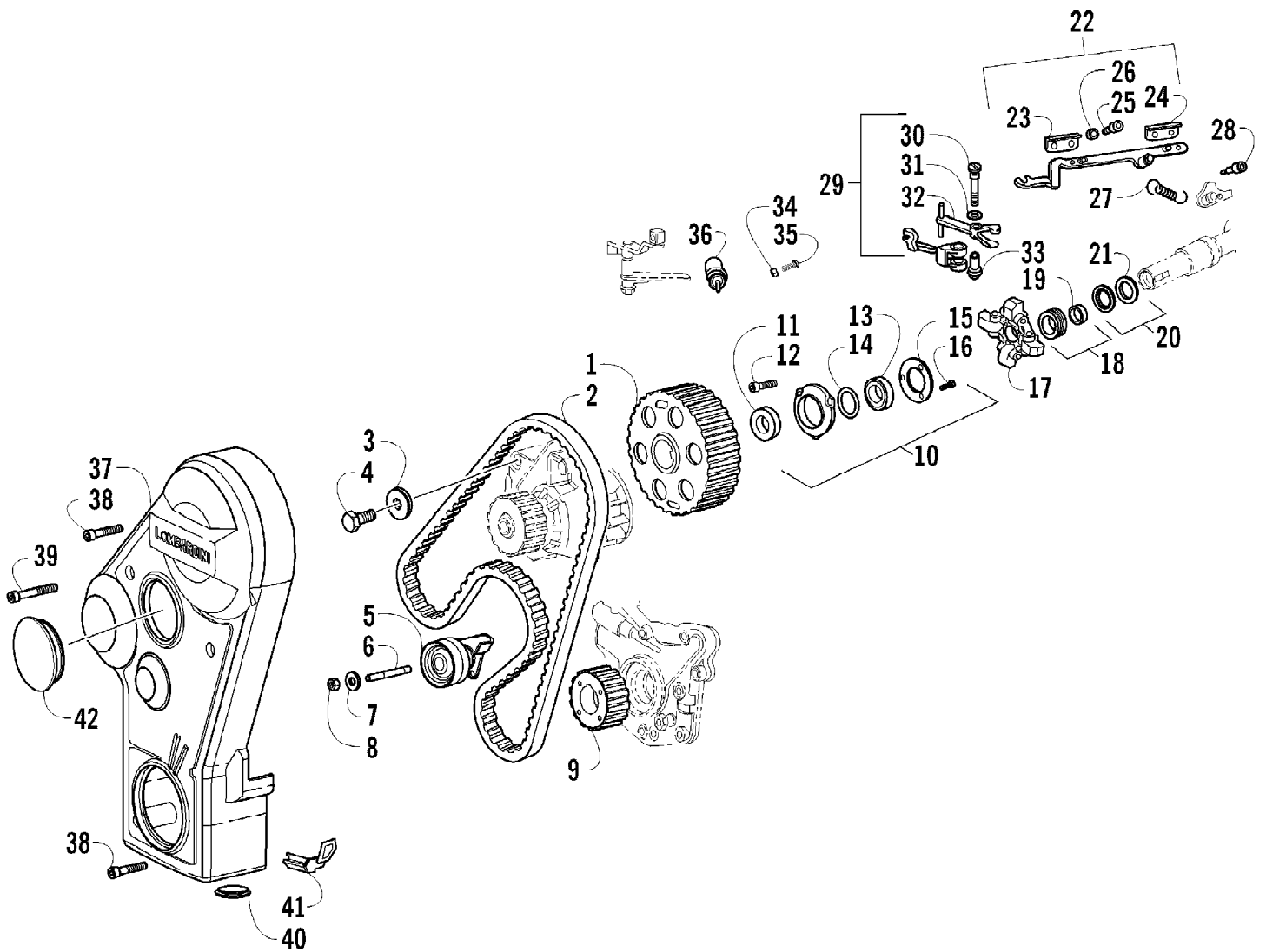
Page 73 of 92

Ref #	Part Number	Qty	S/P/F	Description
1	0509-022	1		Taillight Assembly (inc. 2-4)
2	0509-025	1		Housing, Taillight
3	0409-056	1		Bulb, Taillight
4	0409-057	1		Socket, Taillight
5	0623-301	2	/P	Screw, Self-Tapping
6	8053-212	2	/P	Washer, External Tooth Lock

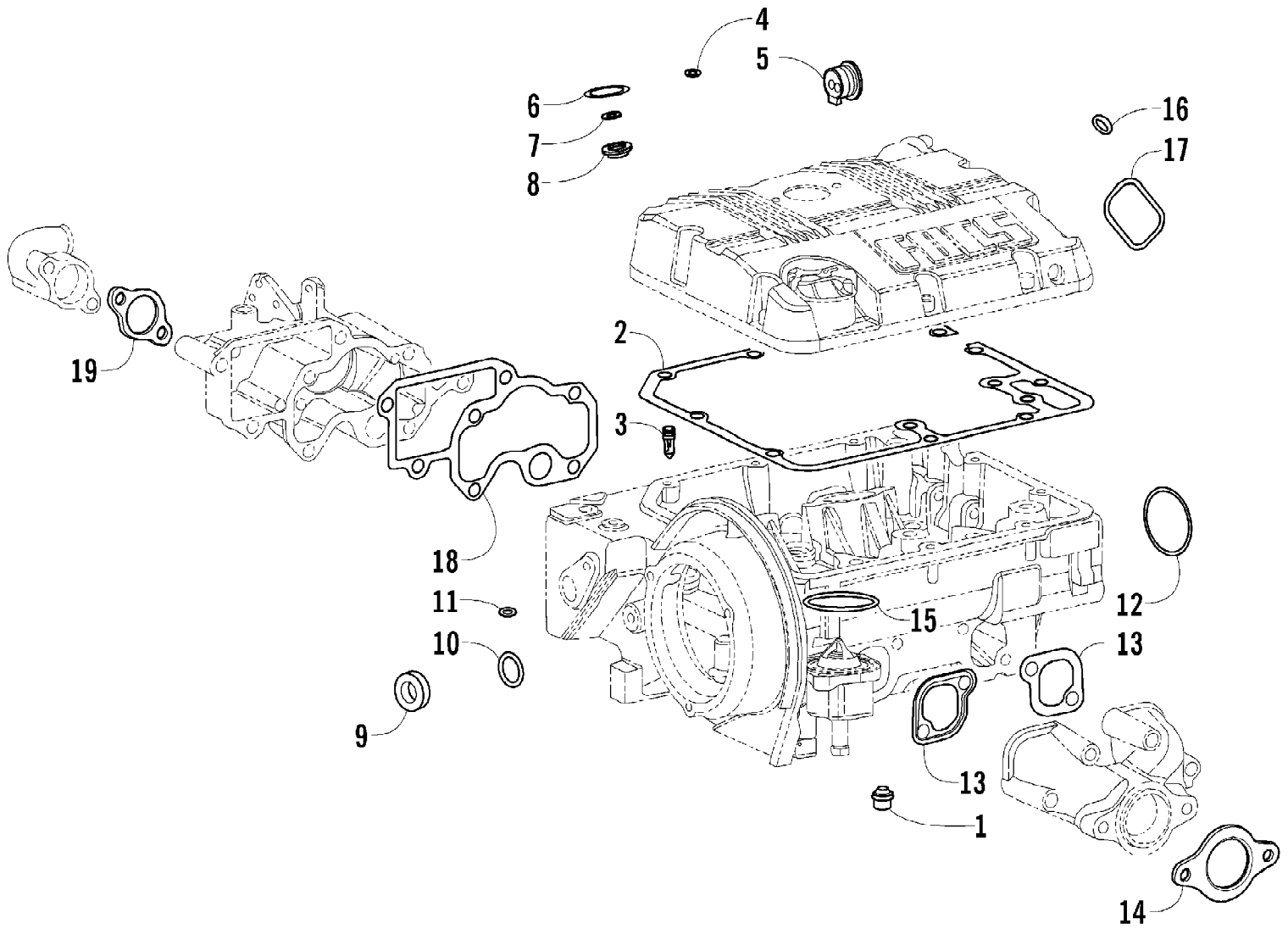


2012 ATV 700 DIESEL INTERNATIONAL GREEN (A2012TBT4DOSG)
THROTTLE CONTROL AND LOCKED TORQUE DEVICE ASSEMBLIES

Ref #	Part Number	Qty	S/P/F	Description
1	3206-247	3		Nail
2	3206-251	1		Plate, Safety
3	3206-250	1		Plate, Safety
4	3206-007	2		Seal
5	3206-252	1		Screw, Cap
6	3206-249	1		Bolt, Stud
7	3206-248	1		Nut
8	3206-236	1		Device, Locked Torque (inc. 9-10)
9	3206-233	1		Nut
10	3206-235	1		Gasket
11	3206-237	2		Nut
12	3206-238	2		Washer
13	3206-239	1		Rod, Tie
14	3206-241	1		Lever, Throttle Control
15	3206-242	1		Circlip
16	3206-243	1		Circlip
17	3206-244	1		Pin
18	3206-253	1		Washer
19	3206-246	1		Seal, Oil
20	3206-245	1		Nut
21	3206-240	2		Screw, Cap

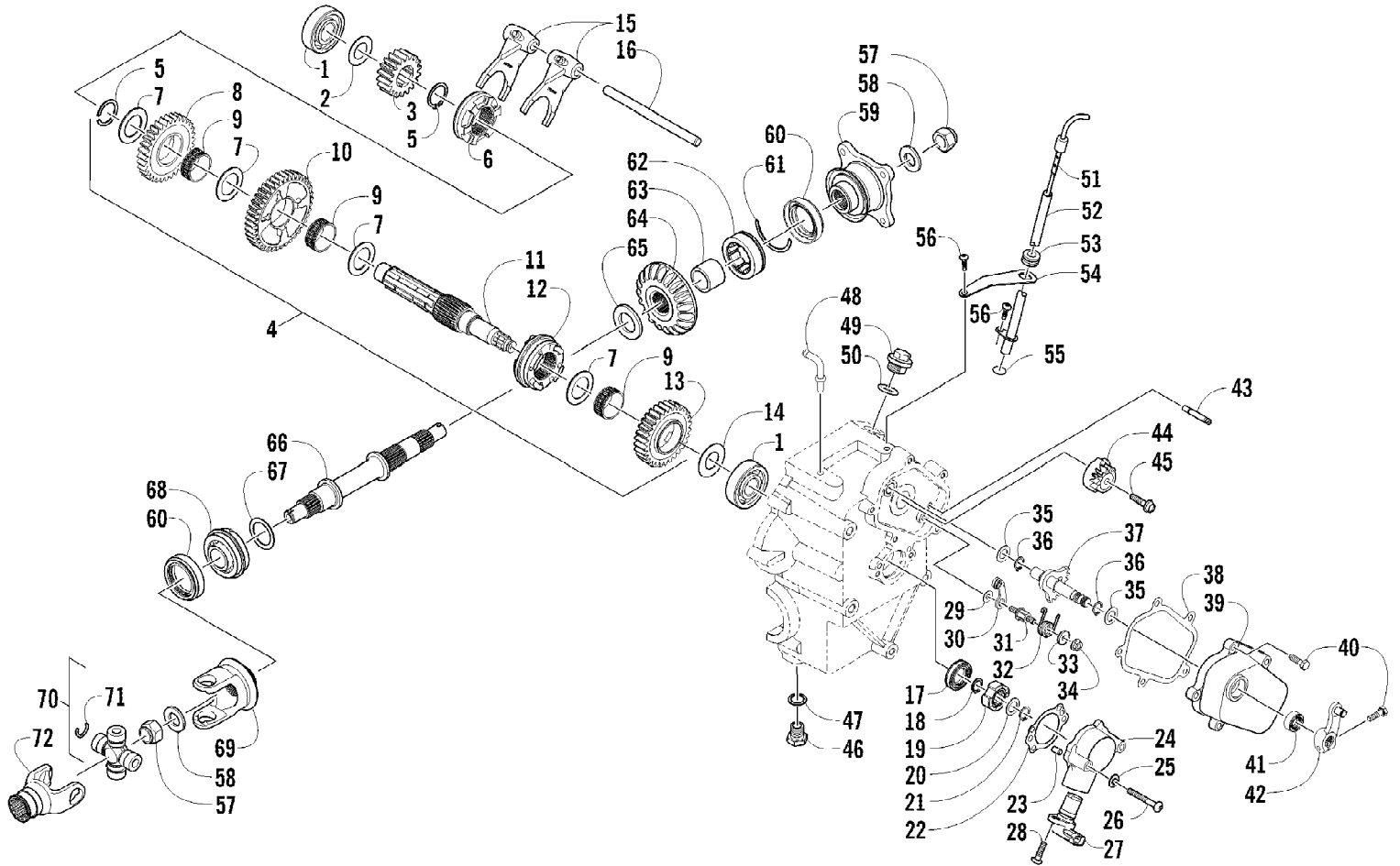


Ref #	Part Number	Qty	S/P/F	Description
1	3206-153	1		Pulley, Cam Driven
2	3206-154	1		Belt, Timing
3	3206-156	1		Washer
4	3206-155	1		Screw, Cap
5	3206-159	1		Pulley
6	3206-158	1		Bolt, Stud
7	3206-157	1		Washer
8	3206-142	1		Nut
9	3206-160	1		Pulley, Cam Drive
10	3206-209	1		Camshaft Support (inc. 11-16)
11	3206-208	1		Ring, Seal
12	3206-088	3		Screw, Cap
13	3206-211	1		Bearing
14	3206-210	1		Seal, Oil
15	3206-212	1		Plate
16	3206-166	3		Screw, Cap
17	3206-213	1		Flyweight - Assembly
18	3206-214	1		Sleeve, Control (inc. 19)
19	3206-216	1		Sleeve
20	3206-217	1		Roller, Thrust (inc. 21)
21	3206-215	1		Washer, Thrust
22	3206-218	1	S	Rail, Injection Pump (inc. 23-26)
23	3206-220	1		Plate
24	3206-219	1		Plate
25	3206-221	2		Screw, Cap
26	3206-223	2		Washer
27	3206-222	1		Spring, Fuel
28	3206-225	2		Screw, Cap
29	3206-228	1		Lever, Governor - Assembly (inc. 30-33)
30	3206-224	1		Pin, Lever
31	3206-226	1		Seal
32	3206-229	1		Sleeve
33	3206-227	1		Journal
34	3206-232	1		Nut
35	3206-231	1		Screw, Machine
36	3206-230	1		Device, Min-Max
37	3206-380	1	/P	Guard, Belt
38	3206-043	3		Screw, Cap
39	3206-189	1		Screw, Cap
40	3206-316	1		Plug
41	3206-317	1		Gasket
42	3206-318	1		Cap



Ref #	Part Number	Qty	S/P/F	Description
	3206-328	1		Top End Gasket Set
1	3206-152	4		Retainer, Valve - Cylinder Head
2	3206-086	1		Gasket, Rocker Arm Cover
3	3206-084	1		Connection, Rocker Arm Cover
4	3206-095	4		Seal, Ring - Delivery Pipe
5	3206-094	1		Seal, Delivery Pipe
6	3206-122	2		O-Ring, Injection Nozzle
7	3206-124	2		Gasket, Copper - Injection Nozzle
8	3206-059	2		Arrester, Spark - Injection Nozzle
9	3206-208	1		Ring, Seal - Governor Cover
10	3206-210	1		Seal, Oil - Governor Cover
11	3206-226	1		Seal, Governor Lever
12	3206-313	1		O-Ring, Cylinder Head Flange
13	3206-291	2		Gasket, Exhaust Manifold
14	3206-296	1	/P	Gasket, Exhaust
15	3206-260	1		O-Ring, Thermostat
16	3206-010	4		Washer, Crush
17	3206-256	1		O-Ring, Fuel Pump
18	3206-277	1		Gasket, Intake Manifold
19	3206-289	1		Gasket, Intake Flange

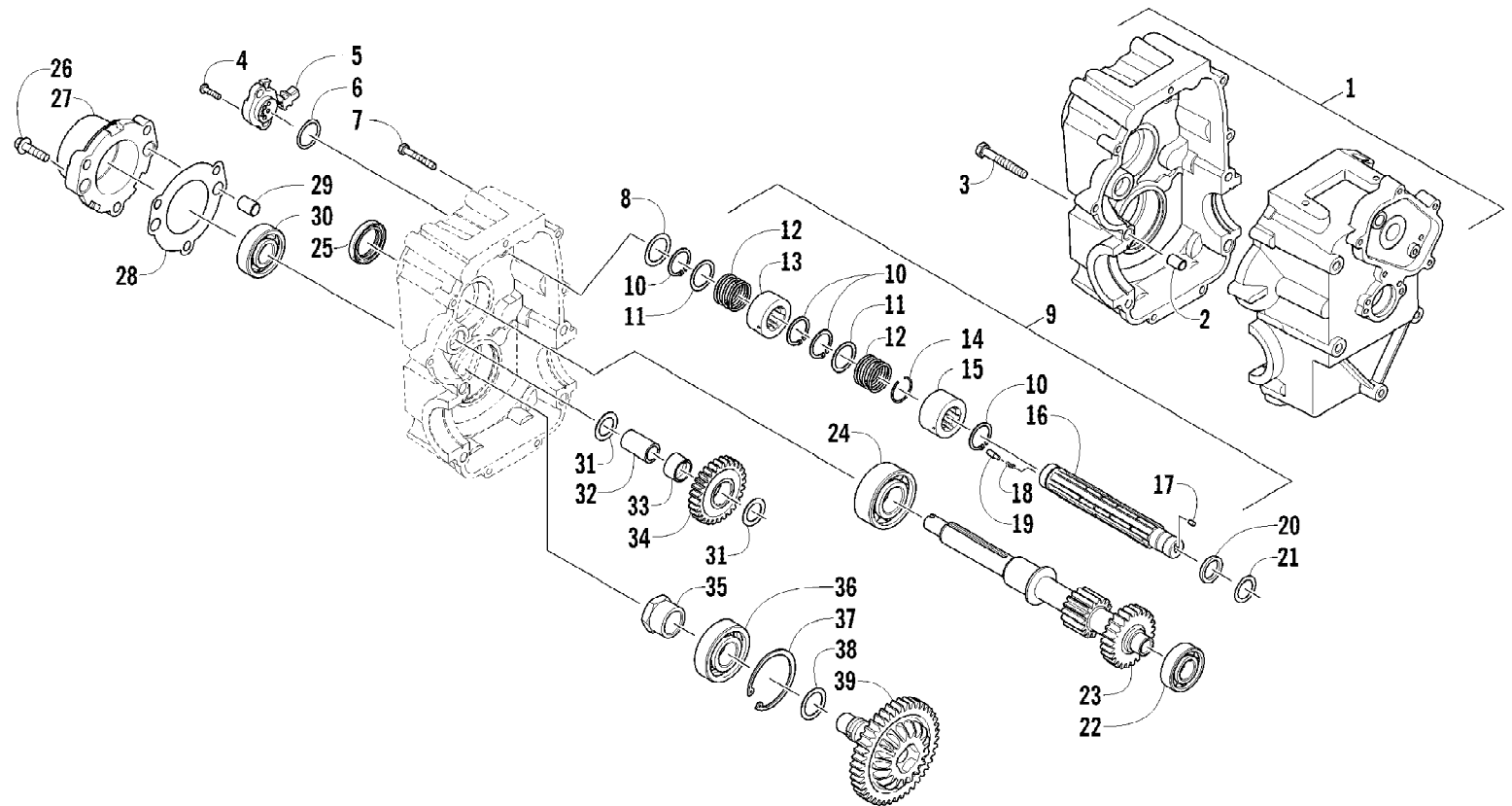
2012 ATV 700 DIESEL INTERNATIONAL GREEN (A2012TBT4DOSG)
TRANSMISSION LEFT-SIDE ASSEMBLY



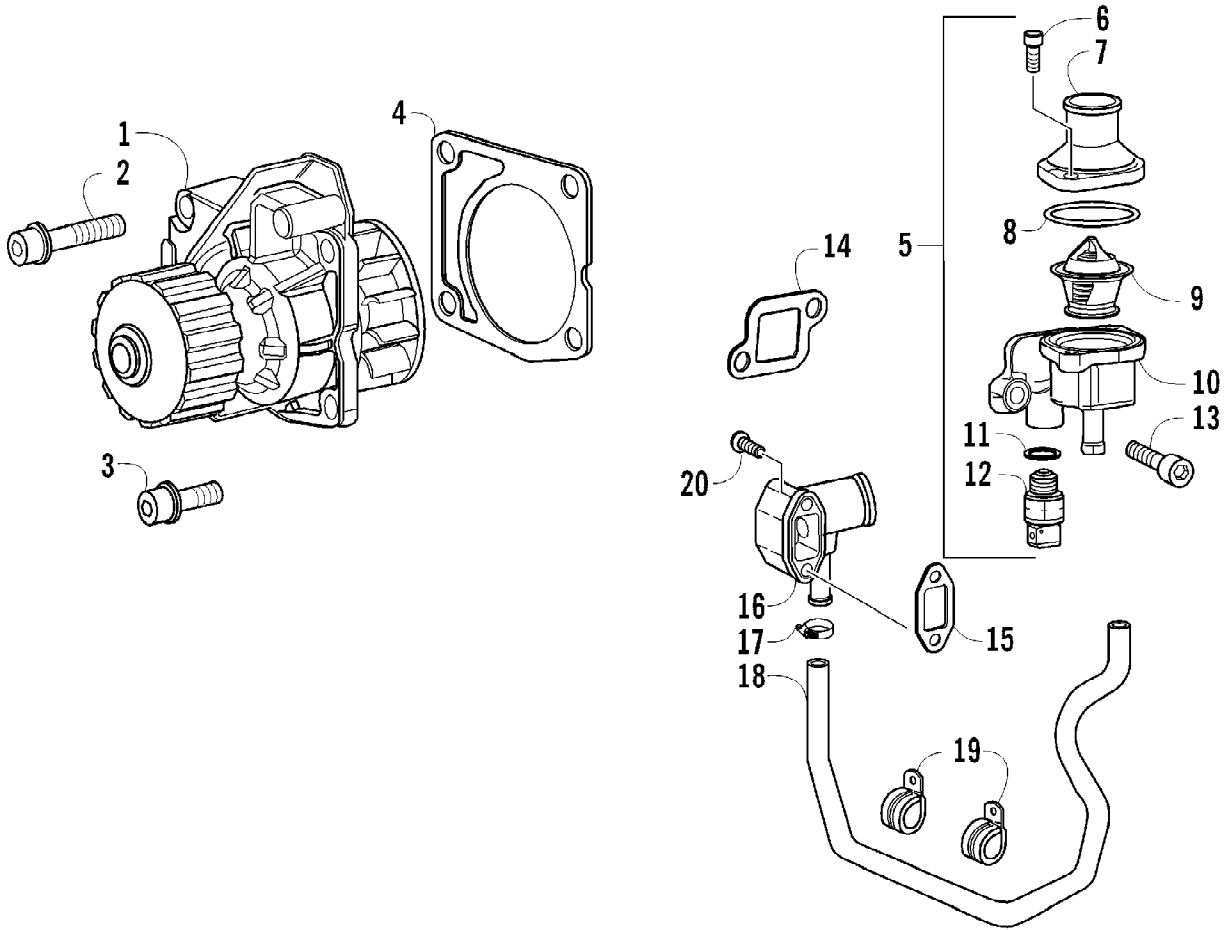
Ref #	Part Number	Qty	S/P/F	Description
1	0832-050	2	/P	Bearing
2	0828-010	1		Washer, Thrust
3	0822-140	1		Gear, Drive (18T)
4	0822-124	1		Countershaft Assembly (inc. 5-13)
5	0831-085	2		Ring, Retaining
6	0822-120	1		Gear Select, Reverse
7	0822-121	4		Shim
8	0822-119	1		Gear, Reverse Driven
9	0832-082	3		Bearing
10	0822-114	1		Gear, Driven - Low
11	0822-113	1		Countershaft
12	0822-116	1		Gear Select, Sliding
13	0822-115	1		Gear, Driven - High
14	0828-011	1		Washer
15	0818-072	2	/P	Fork, Shift
16	0818-006	1		Shaft, Shift Fork
17	0822-052	1		Seal, Countershaft - Right
18	0831-040	1		Ring, Retaining
19	0822-050	1		Trigger, Speedometer Sensor
20	0828-069	1		Washer, Thrust
21	0831-039	1		Ring, Retaining
22	0830-129	1		Gasket
23	0829-023	2		Pin, Dowel
24	0822-049	1		Housing, Speedometer Sensor
25	0830-107	2		Gasket
26	8468-645	2		Screw, Machine
27	0824-042	1	/P	Sensor, Speedometer
28	8468-620	1	/P	Screw, Machine
29	0828-038	1		Washer
30	0818-002	1		Stopper, Cam
31	0818-004	1		Support, Cam Stopper
32	0818-090	1		Spring
33	0828-035	1		Washer
34	8424-602	1	/P	Nut
35	0828-036	2		Washer
36	0831-010	2		Ring, Retaining
37	0818-007	1	/P	Sub-Shaft - Gear Shift
38	1402-557	1		Gasket, Cover - Selector
39	1502-009	1		Cover, Selector
40	8405-620	6		Screw, Cap
41	0830-044	1		Seal
42	0818-014	1		Arm, Selector
43	1402-556	1		Stop, Spring - Selector
44	0818-005	1	S	Plate, Gear Shift Cam
45	0826-006	1		Screw, Cap
46	0812-006	1		Plug, Drain - Magnetic
47	0830-017	1		Gasket, Compression
48	1402-102	1		Fitting, Elbow
49	0402-333	1	/P	Plug, Fill (inc. 50)
50	0423-154	1		O-Ring
51	0470-689	1		Level Stick, Lubricant
52	2506-388	1		Tube, Level Stick
53	0423-465	1		

Ref #	Part Number	Qty	S/P/F	Description
54	2506-445	1		Bracket, Level Stick Tube
55	0423-715	1		O-Ring
56	0423-396	2		Screw, Self-Tapping
57	0827-013	2		Nut
58	0828-020	2		Washer
59	0819-005	1		Flange, Output Joint - Assembly
60	0830-043	2		Seal, Oil
61	0819-011	1		Ring, Driven Bearing
62	0832-016	1		Bearing
63	1402-555	1		Sleeve
64	1402-867	1		Gear, Secondary Driven
65	1402-864	1		Spacer
66	1402-554	1		Shaft, Output - Secondary
67	0828-021	AR		Shim, 25 x 34 x 0.25 mm
67	0828-022	AR		Shim, 25 x 34 x 0.30 mm
67	0828-023	AR		Shim, 25 x 34 x 0.70 mm
67	0828-024	AR		Shim, 25 x 34 x 0.90 mm
67	0828-025	AR		Shim, 25 x 34 x 0.95 mm
67	0828-026	AR		Shim, 25 x 34 x 1.00 mm
67	0828-027	AR		Shim, 25 x 34 x 1.05 mm
67	0828-028	AR		Shim, 25 x 34 x 1.10 mm
67	0828-029	AR		Shim, 25 x 34 x 1.15 mm
68	0832-017	1		Bearing, Driven Shaft
69	0819-061	1		Yoke, Drive Output - Front Assembly
70	1402-164	1	/P	Joint, Universal - Set (inc. 71)
71	0423-450	4		Ring, Retaining
72	0819-063	1		Yoke, Propeller Shaft

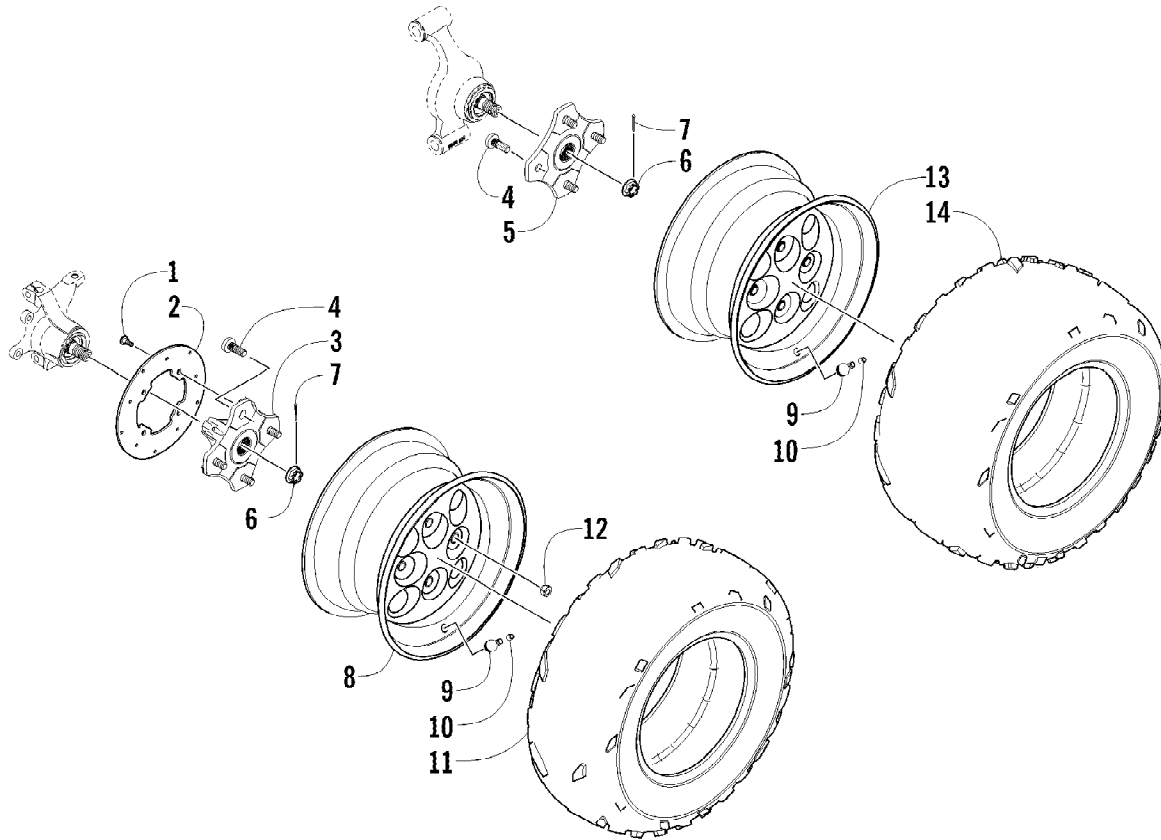
2012 ATV 700 DIESEL INTERNATIONAL GREEN (A2012TBT4DOSG)
TRANSMISSION RIGHT-SIDE ASSEMBLY



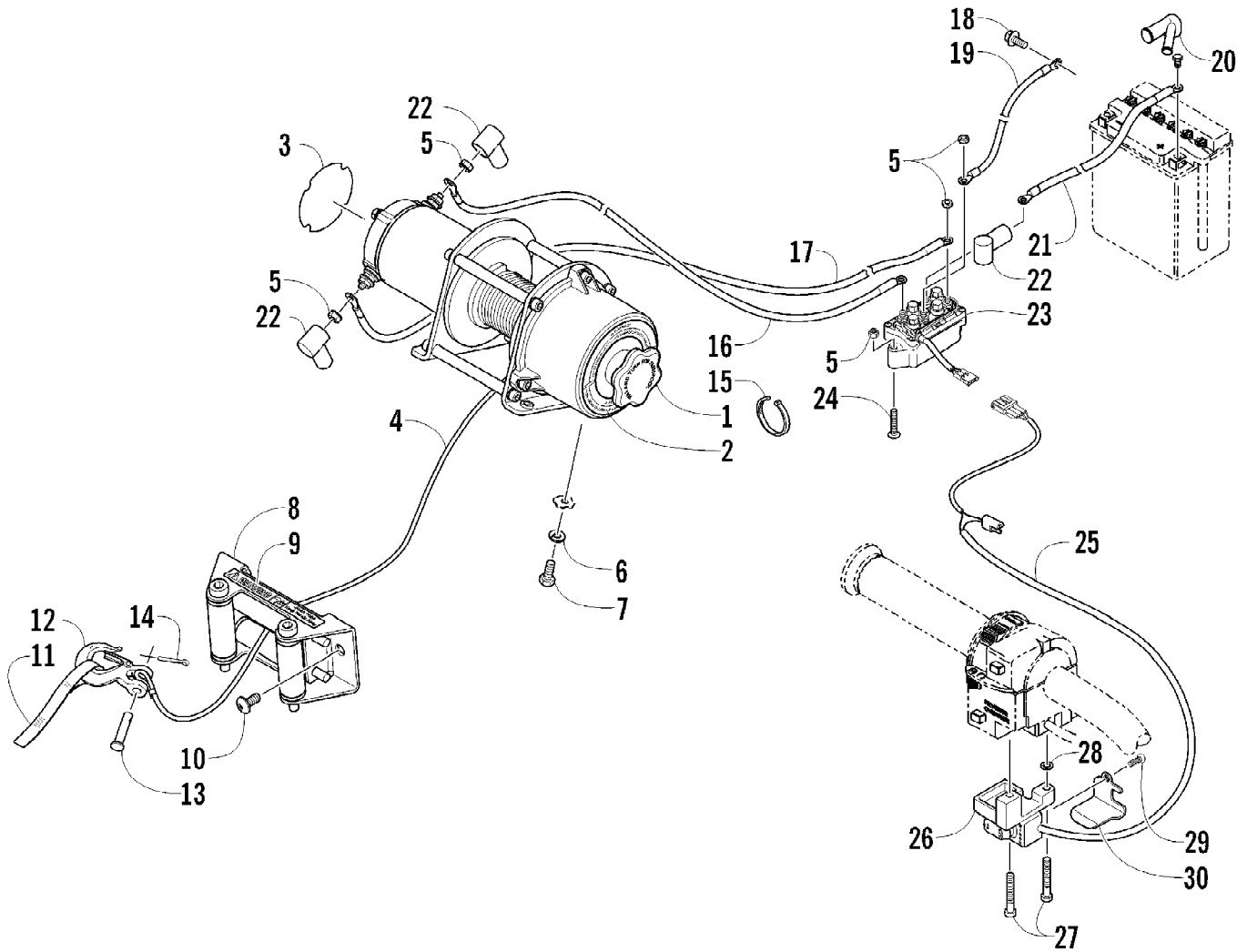
Ref #	Part Number	Qty	S/P/F	Description
1	1502-364	1	/P	Housing, Transmission - Set (inc. 2-3)
2	0829-003	2		Pin, Dowel
3	8405-855	4		Screw, Cap
4	8470-520	2		Screw, Machine
5	0409-090	1	/P	Switch, Gear Position
6	0423-714	1		O-Ring
7	8405-640	7		Screw, Cap
8	0828-040	1		Washer
9	0818-046	1		Shaft, Gear Shift - Assembly (inc. 10-17)
10	0831-011	4		Ring, Retaining
11	0828-039	2		Washer
12	0818-012	2		Spring, Cam - Gear Shift
13	0818-027	1		Cam, Reverse - Gear Shift
14	0818-011	1		C-Ring
15	0818-009	1		Cam, Forward - Gear Shift
16	0818-010	1		Shaft, Gear Shift
17	0829-011	1		Pin, Dowel
18	0818-017	2		Spring, Gear Shift Contact
19	0818-013	2		Contact, Gear Shift
20	0828-131	1		Spacer
21	0828-037	1		Washer
22	0832-049	1	/P	Bearing
23	1402-553	1		Shaft, Input
24	0832-048	1	/P	Bearing
25	0830-035	1		Seal, Driveshaft
26	8408-830	3		Screw, Cap
27	0801-190	1		Housing, Secondary Output Shaft Bearing
28	1402-605	1		Gasket
29	0829-002	2		Pin, Dowel
30	0832-050	1	/P	Bearing
31	0828-016	2		Washer, Thrust
32	1402-737	1		Shaft, Reverse Idle
33	0822-012	1		Bushing
34	0822-011	1		Gear, Reverse Idle
35	0827-052	1		Nut
36	0832-077	1	/P	Bearing, Output - Secondary Shaft
37	0402-347	1		Ring, Retaining
38	0828-021	AR		Shim, 25 x 34 x 0.25 mm
38	0828-022	AR		Shim, 25 x 34 x 0.30 mm
38	0828-023	AR		Shim, 25 x 34 x 0.70 mm
38	0828-024	AR		Shim, 25 x 34 x 0.90 mm
38	0828-025	AR		Shim, 25 x 34 x 0.95 mm
38	0828-026	AR		Shim, 25 x 34 x 1.00 mm
38	0828-027	AR		Shim, 25 x 34 x 1.05 mm
38	0828-028	AR		Shim, 25 x 34 x 1.10 mm
38	0828-029	AR		Shim, 25 x 34 x 1.15 mm
39	1402-857	1		Gear, Secondary Drive



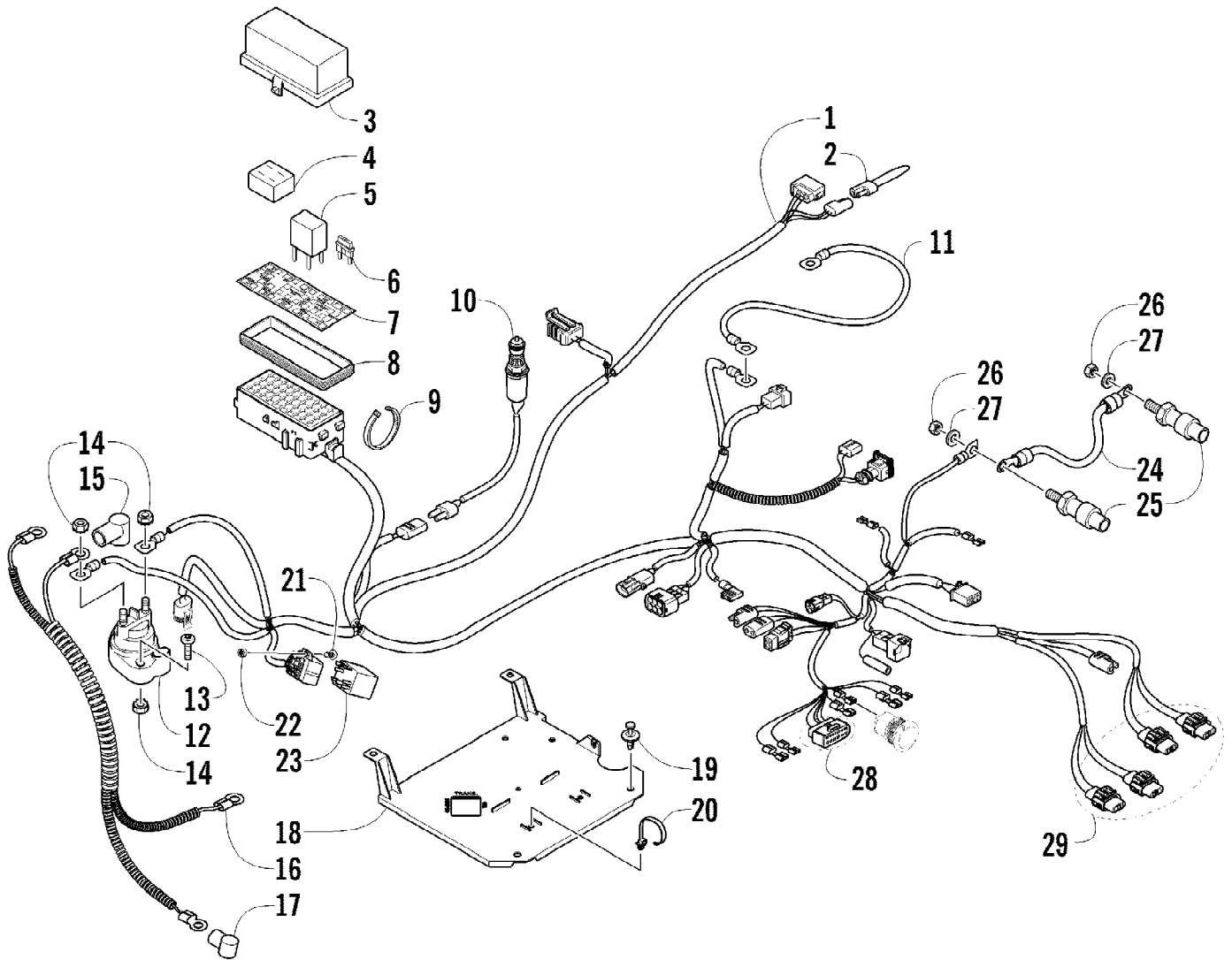
Ref #	Part Number	Qty	S/P/F	Description
1	3206-271	1		Pump, Water - Assembly
2	3206-273	2		Screw, Cap
3	3206-274	2		Screw, Cap
4	3206-386	1		Gasket
5	3206-262	1		Thermostat - Assembly (inc. 6-12)
6	3206-169	2		Screw, Cap
7	3206-259	1		Cover, Thermostat
8	3206-260	1		O-Ring
9	3206-261	1		Thermostat
10	3206-263	1		Body, Thermostat - Assembly
11	3206-206	1		Gasket
12	3206-265	1		Sensor, Engine Coolant Temperature
13	3206-266	2		Screw, Cap
14	3206-264	1		Gasket
15	3206-385	1		Gasket
16	3206-269	1		Flange
17	3206-200	2		Clamp, Hose
18	0410-111	1		Hose
19	3206-190	2		Clamp, Routing
20	3206-267	2		Screw



Ref #	Part Number	Qty	S/P/F	Description
1	0423-557	12		Screw, Shoulder
2	2402-002	3		Disc, Brake
3	1502-462	2	/P	Hub, Wheel - Front (inc. 4)
4	0402-974	16	/P	Stud
5	1502-462	1	/P	Hub, Wheel - Rear - Right (inc. 4)
5	1502-464	1		Hub, Wheel - Rear - Left (inc. 4)
6	0423-607	4		Nut, Castle
7	0423-407	4		Pin, Cotter
8	1402-776	2		Wheel - Front
9	0402-064	4		Stem, Valve (inc. 10)
10	0402-140	4		Cap, Valve Stem
11	1402-894	2		Tire - Front
12	0423-408	16	/P	Nut, Lug
13	1402-777	2		Wheel - Rear
14	1402-895	2		Tire - Rear



Ref #	Part Number	Qty	S/P/F	Description
1	2441-250	1		Winch (inc. 2-4 and two No. 5)
2	2411-141	1		Decal, Warning - Tension
3	2411-140	1		Decal, Warning - Operation
4	1441-831	1		Cable, Winch
5	0623-038	8		Nut w/Washer
6	8051-246	4		Washer, Lock
7	8408-820	4	/P	Screw, Cap
8	0441-403	1	/P	Roller, Winch (inc. 9)
9	0411-474	1		Decal, Warning - Pinch Point
10	8468-820	2		Screw, Machine
11	1441-781	1		Strap
12	1441-833	1		Hook, Winch
13	1441-834	1		Pin
14	0623-175	1		Pin, Cotter
15	0123-903	AR		Tie, Cable - 11.5 in.
16	0445-068	1		Cable, Winch/Solenoid - Yellow
17	0445-069	1		Cable, Winch/Solenoid - Blue
18	8408-812	1		Screw, Cap
19	0445-076	1		Cable, Ground - Black
20	0445-067	1		Boot, Terminal
21	0445-077	1		Cable, Solenoid/Battery - Red
22	0645-019	3		Boot, Terminal
23	0409-066	1	/P	Solenoid
24	8476-625	2		Screw, Machine
25	0409-087	1		Switch, Control
26	0409-033	1		Retainer, Control Switch
27	8464-560	2		Screw, Machine
28	0423-593	1		Washer
29	0423-382	1		Screw, Self-Tapping
30	0409-106	1		Cover, Switch



Ref #	Part Number	Qty	S/P/F	Description
1	0486-347	1		Harness, Main (inc. 2-8)
2	0486-164	1		Tether, Accessory Connector
3	0430-085	1		Cover, Fuse Block
4	0430-037	1		Holder, Fuse
5	0430-045	3	/P	Relay (4-Pin) - 20 Amp
6	0430-032	4		Fuse - 10 Amp
6	0430-031	4		Fuse - 15 Amp
6	0430-030	2		Fuse - 30 Amp
7	2411-096	1		Decal, Fuse Block
8	0430-086	1		Seal
9	0123-788	AR	/P	Tie, Cable - 8 in.
9	0123-903	AR		Tie, Cable - 11.5 in.
10	0409-089	1		Switch, Brake - Assembly
11	0445-060	1		Cable, Battery/Ground
12	0445-058	1	/P	Solenoid
13	8476-625	2		Screw, Machine
14	0623-038	5		Nut w/Washer
15	0645-327	3		Boot, Terminal
16	0445-059	1		Cable, Battery - Assembly
17	0645-019	1		Boot, Terminal
18	2406-388	1		Tray, Electrical
19	0623-362	4		Rivet, Reinstallable
20	0423-075	AR		Tie, Cable - Push-Mount
21	0423-371	1		Screw, Machine
22	8424-502	1		Nut
23	3206-311	1		Relay, Glow Plug
24	3206-307	1		Cable, Glow Plug
25	3206-306	2		Glow Plug
26	3206-308	2		Nut
27	3206-309	2		Washer
28	1436-415	1		Repair Kit, Connector - LCD Gauge
29	1436-290	AR		Repair Kit, Connector - Headlight