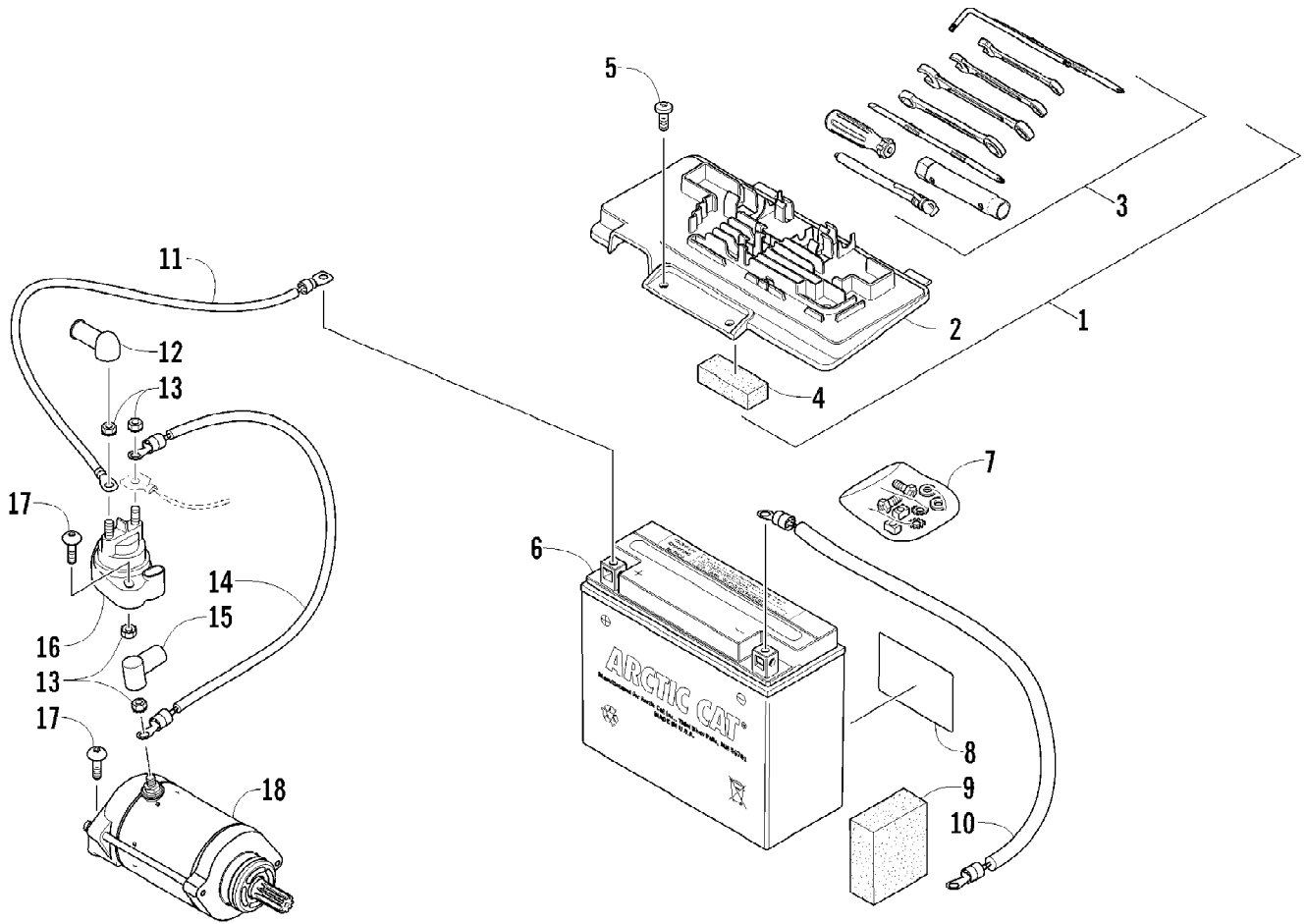
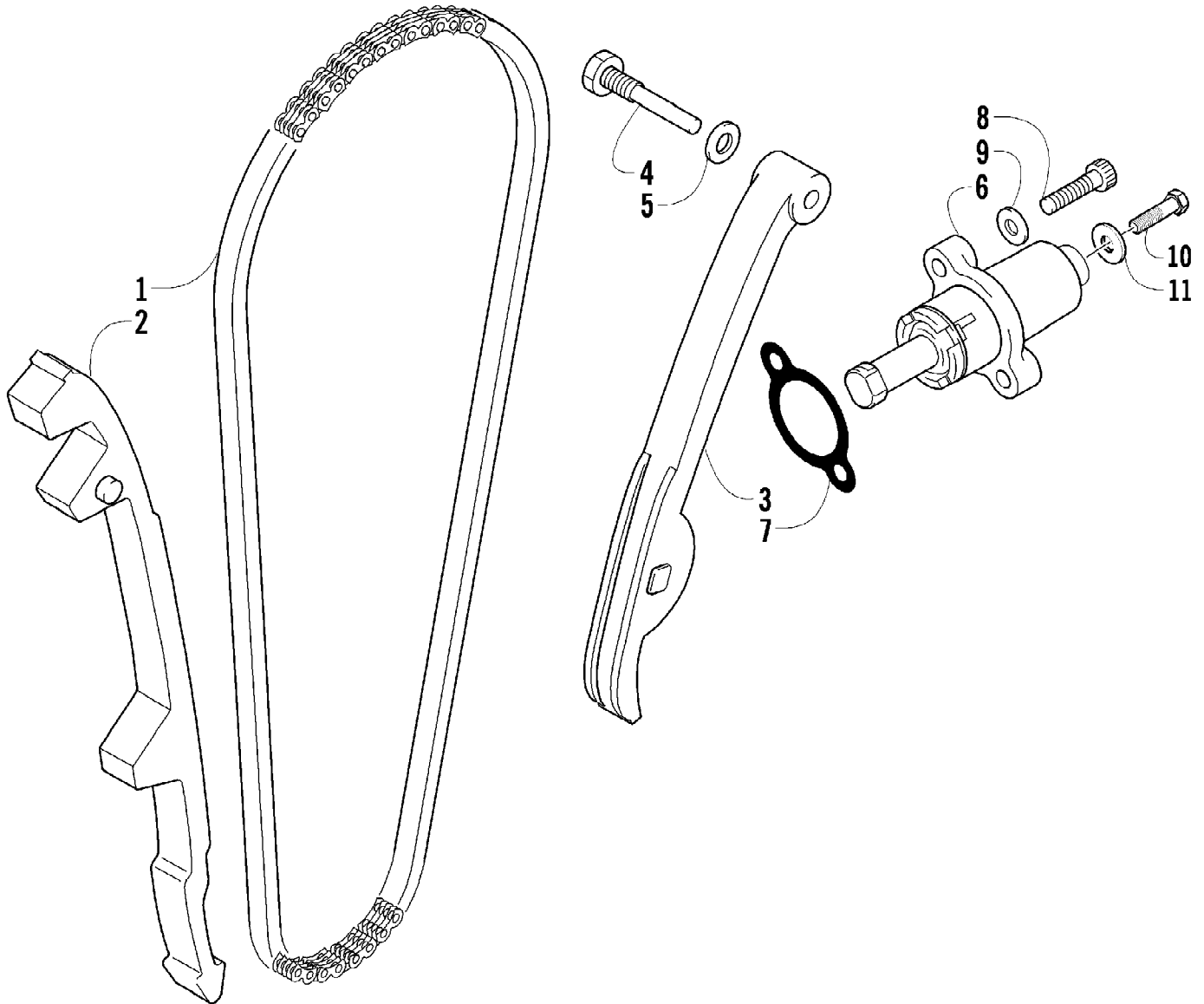


Ref #	Part Number	Qty	S/P/F	Description
1	0413-091	1		Diverter, Air - Top
2	0413-093	1		Diverter, Air - Bottom
3	2406-013	1		Shroud, Splash
4	0623-362	4		Rivet, Reinstallable
5	0423-551	3		Clamp
6	0423-342	5	/P	Screw, Self-Tapping
7	0413-096	1		Cap, Air Intake - Diverter
8	0470-529	1		Duct, Air Intake - Engine
9	0470-877	1	/P	Cover, Intake
10	0470-560	1		Screen, Air Filter
11	0470-558	1		Filter, Air
12	0470-728	1		Housing, Intake
13	0423-455	4		Clip, Spring
14	1623-281	2		Clamp, Hose
15	0410-172	1	/P	Hose, Vent
16	0470-442	1	/P	Valve, Drain
17	1623-287	1		Clamp
18	0423-766	1		Cap, Drain
19	0430-055	1		Sensor, Air Temperature (inc. 20)
20	5507-224	1		O-Ring
21	0423-554	1		Clamp
22	0470-511	1		Boot
23	0423-019	1		Clamp
24	2416-150	1		Panel, Shield



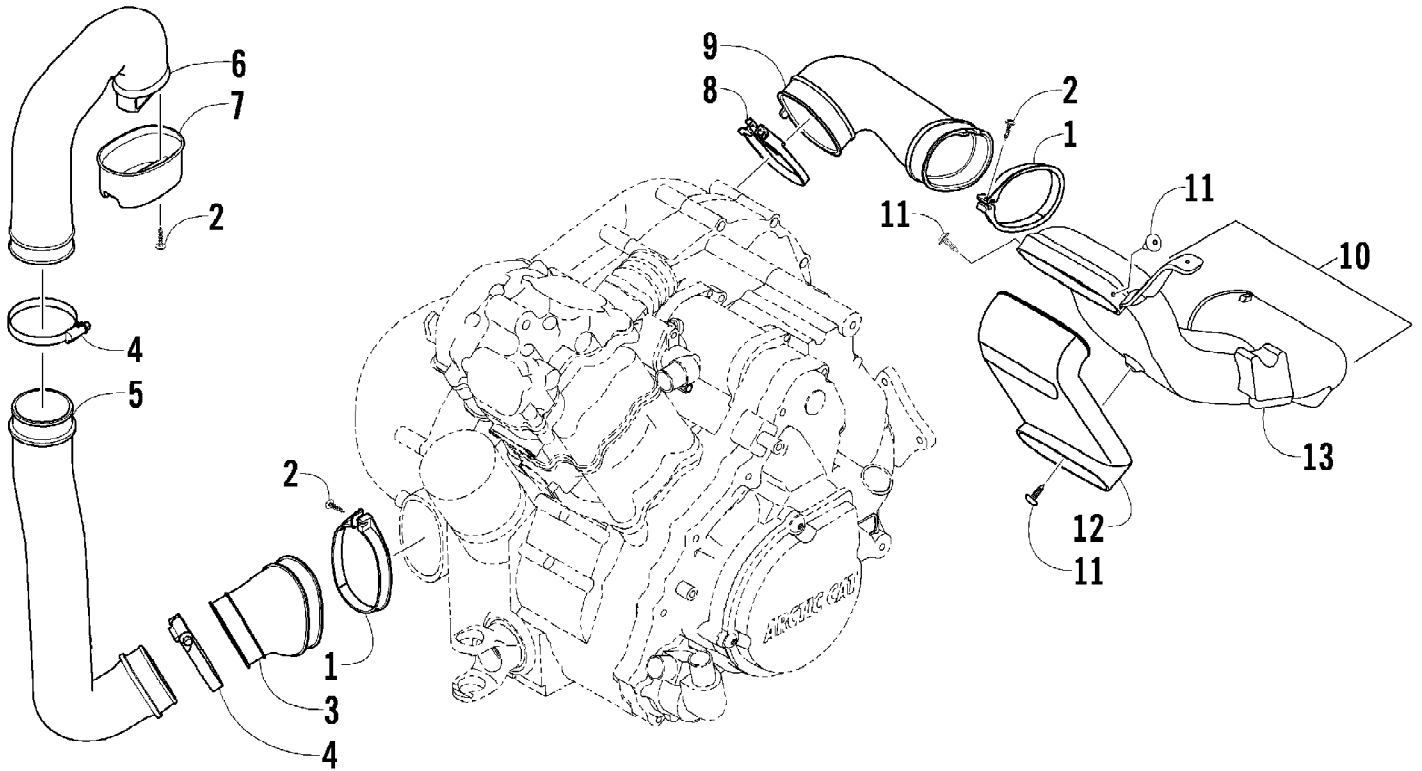
2012 ATV 550 LTD INTERNATIONAL METALLIC GREEN (A2012BLO1POSA) Page 4 of 81
BATTERY AND STARTER ASSEMBLY

Ref #	Part Number	Qty	S/P/F	Description
1	5991-655	1	/P	Battery Cover/Tool Tray Assembly (inc. 2-4)
2	2406-815	1	/P	Cover, Battery
3	0444-122	1	S/P	Kit, Tool
4	0417-016	1		Pad, Battery
5	8476-620	2		Screw, Machine
6	0645-480	1		Battery Assembly (inc. 7-8)
7	0445-082	1		Kit, Hardware
8	0645-430	1		Decal, Warning
9	0417-012	1		Foam, Battery
10	0445-070	1		Cable, Battery/Ground
11	0445-062	1		Cable, Battery/Solenoid
12	0645-327	1		Boot, Terminal
13	0623-038	5		Nut w/Washer
14	0445-064	1		Cable, Solenoid/Starter (inc. 15)
15	0645-019	1		Boot, Terminal
16	0445-058	1	/P	Solenoid
17	8476-625	4		Screw, Machine
18	0825-013	1	/P	Motor, Starter - Assembly



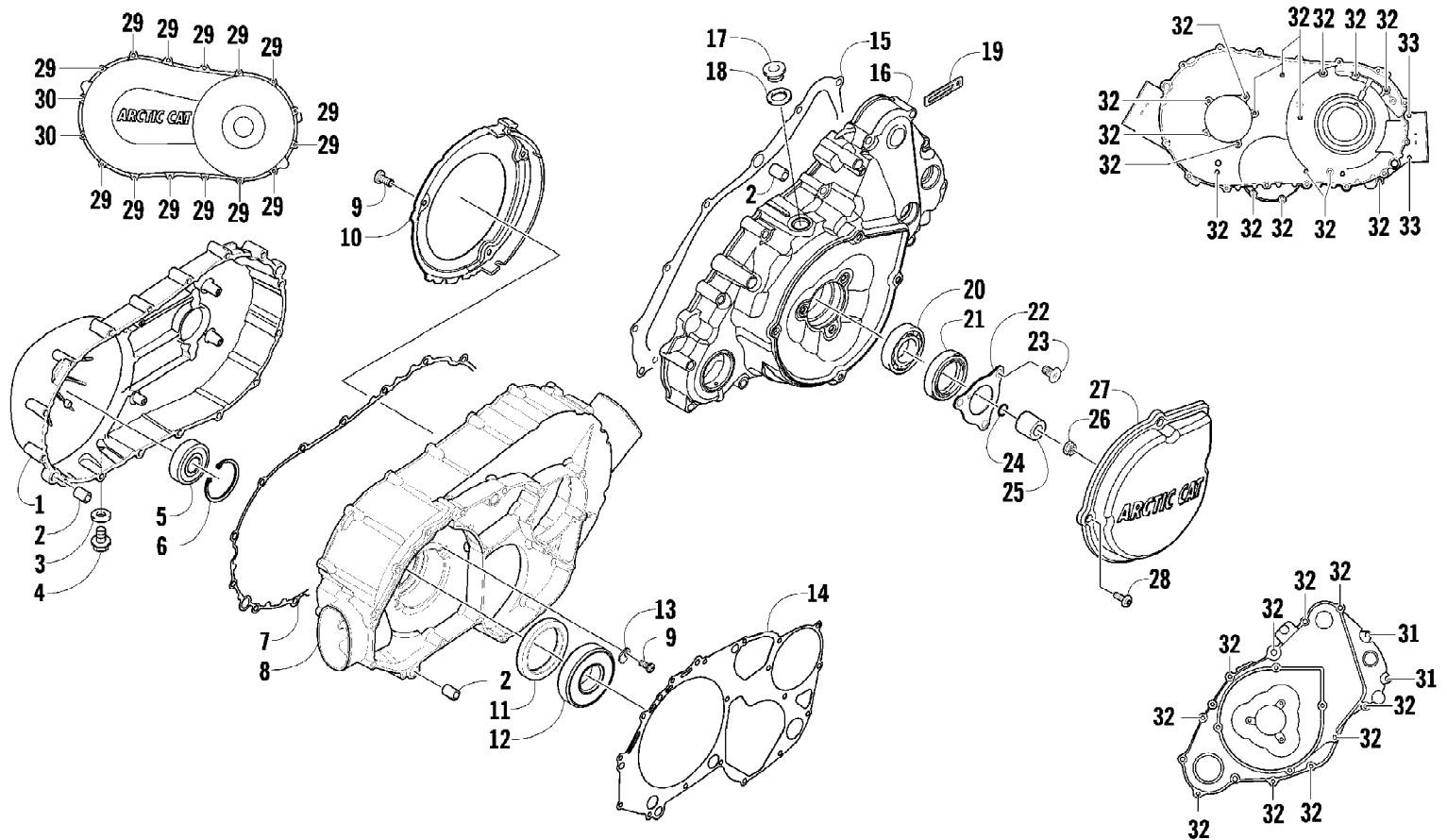
2012 ATV 550 LTD INTERNATIONAL METALLIC GREEN (A2012BLO1POSA) Page 6 of 81
CAM CHAIN ASSEMBLY

Ref #	Part Number	Qty	S/P/F	Description
1	0810-001	1		Chain, Cam
2	0810-002	1		Guide, Chain
3	0810-003	1		Tensioner, Chain
4	0826-036	1		Pivot, Tensioner
5	0830-025	1		Washer, Crush
6	0810-004	1		Adjuster, Tensioner - Assembly
7	0830-018	1		Gasket
8	8468-625	2		Screw, Machine
9	0830-107	2		Gasket
10	8400-610	1		Screw, Cap
11	0828-129	1		Washer



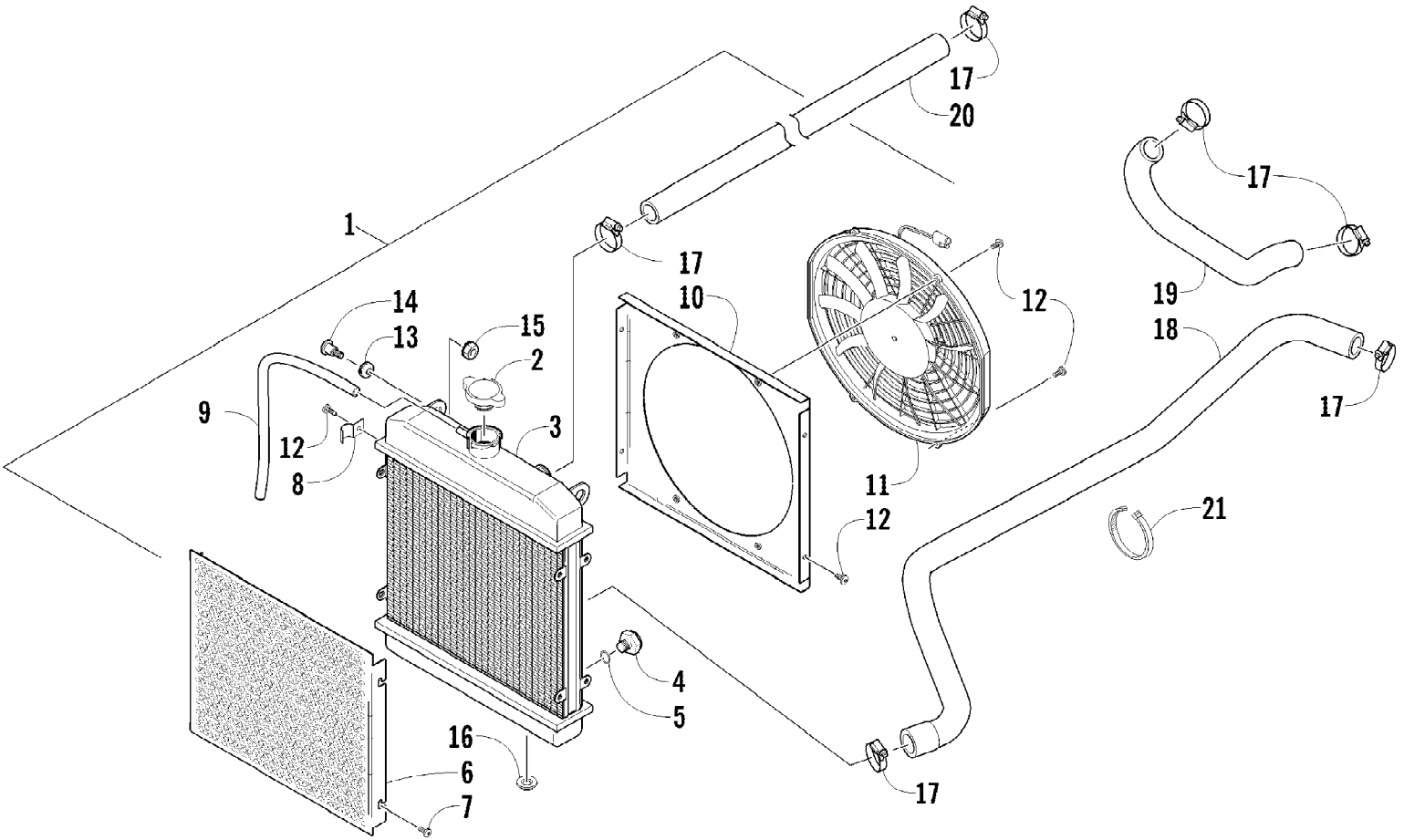
2012 ATV 550 LTD INTERNATIONAL METALLIC GREEN (A2012BLO1POSA) Page 8 of 81
CASE/BELT COOLING ASSEMBLY

Ref #	Part Number	Qty	S/P/F	Description
1	0423-550	2		Clamp, Plastic
2	0423-342	4	/P	Screw, Self-Tapping
3	0413-252	1		Boot, Duct - Air Intake - Front
4	0423-019	2		Clamp
5	0413-250	1		Duct, Air Intake - Front - Lower
6	0470-750	1		Duct, Air Intake - Front - Upper
7	0470-729	1		Cup, Air Intake
8	0423-730	1		Clamp
9	0413-206	1	/P	Boot, Duct - Air Out - Rear
10	0470-824	1	/P	Duct, Air Out - Rear (inc. three No. 11 and 12-13)
11	0623-784	4		Screw, Self-Tapping
12	0470-778	1		Duct
13	0470-825	1		Duct



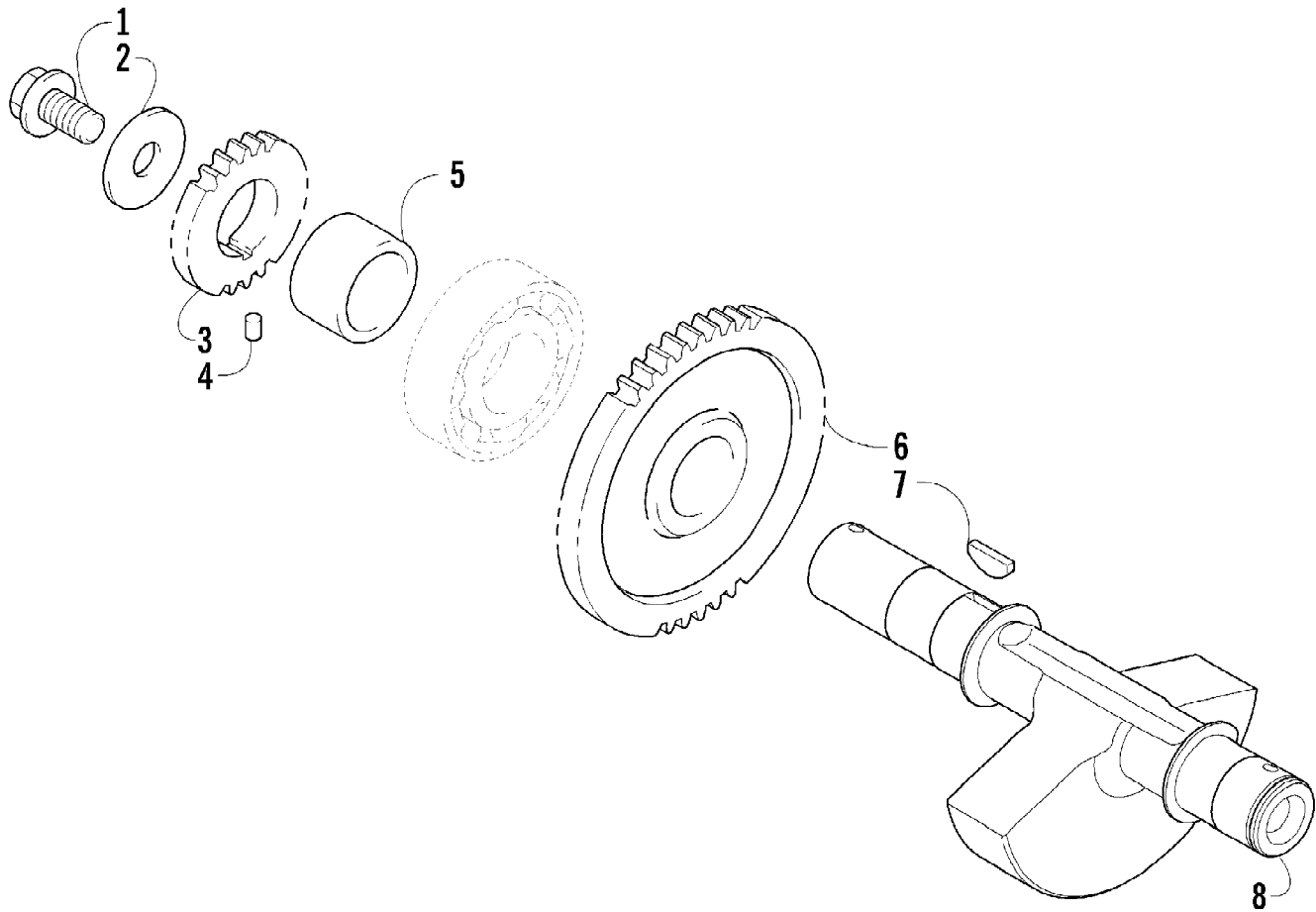
2012 ATV 550 LTD INTERNATIONAL METALLIC GREEN (A2012BLO1POSA) Page 10 of 81
CLUTCH/V-BELT/MAGNETO COVER ASSEMBLY

Ref #	Part Number	Qty	S/P/F	Description
1	0806-089	1		Cover, V-Belt
2	0829-002	6		Pin, Dowel
3	0830-013	1		Washer, Crush
4	8408-812	1		Screw, Cap
5	0832-060	1		Bearing
6	0831-078	1		Ring, Retaining
7	0830-174	1	/P	Gasket, V-Belt Cover
8	0806-086	1		Cover, Clutch
9	0826-029	5		Screw, Machine
10	0806-048	1		Plate, Air Intake
11	0830-188	1	/P	Seal
12	0832-009	1	/P	Bearing
13	0822-010	2	/P	Retainer, Bearing
14	0830-116	1	/P	Gasket, Clutch Cover
15	0830-128	1		Gasket, Magneto Cover
16	0806-082	1	/P	Cover, Magneto - Assembly
17	0826-155	1		Plug
18	0830-015	1		Washer, Crush
19	3002-964	1	/P	Clamp, Wire
20	1602-981	1	/P	Bearing
21	0830-158	1		Seal
22	0805-008	1		Retainer, Seal
23	0826-031	3		Screw, Machine
24	0830-108	1		O-Ring
25	0820-061	1		Bushing
26	0827-008	1		Nut
27	0820-062	1		Cover, Magneto
28	8468-616	4		Screw, Machine
29	8468-645	14		Screw, Machine
30	8468-655	2		Screw, Machine
31	8468-625	2		Screw, Machine
32	8468-640	26		Screw, Machine
33	8468-675	2		Screw, Machine



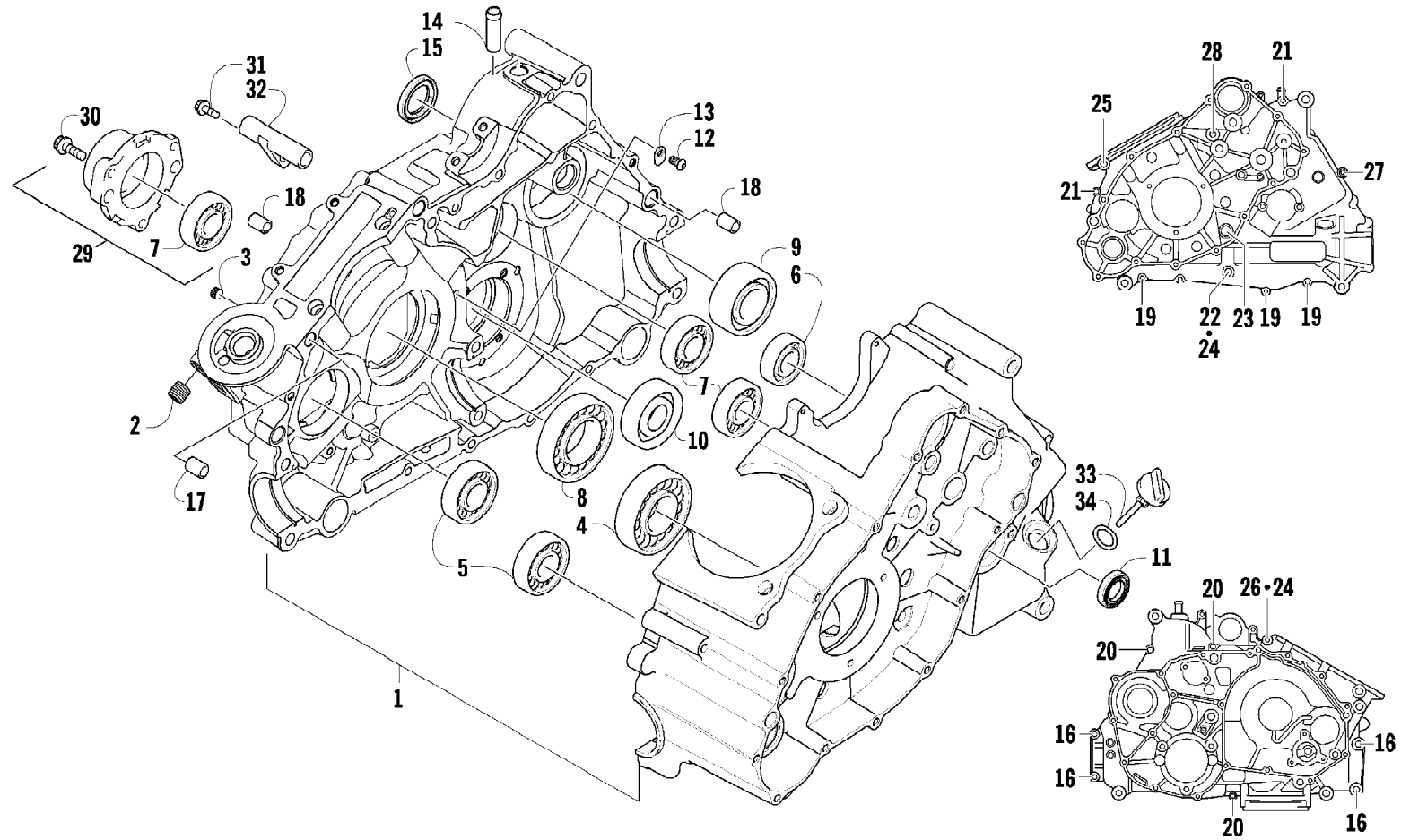
2012 ATV 550 LTD INTERNATIONAL METALLIC GREEN (A2012BLO1POSA) Page 12 of 81
COOLING ASSEMBLY

Ref #	Part Number	Qty	S/P/F	Description
1	0413-256	1	/P	Radiator Assembly (inc. 2-13)
2	0413-255	1	/P	Cap
3	0413-205	1		Radiator
4	0413-195	1		Plug, Drain
5	1602-213	1	/P	O-Ring
6	0413-007	1		Screen
7	8475-512	4		Screw, Machine
8	0423-351	1		Clamp, Wire
9	0610-016	AR	/P	Hose - 25 ft
9	0610-015	AR	/P	Hose - 100 ft
10	0413-203	1		Shroud, Fan
11	0413-123	1	/P	Fan, Cooling
12	0623-378	8		Screw, Self-Tapping
13	0423-030	2		Grommet
14	0423-484	2		Screw, Shoulder
15	0623-038	2		Nut w/Washer
16	0423-028	2		Bushing, Stem
17	0423-496	6		Clamp, Hose
18	0410-229	1		Hose, Coolant - Lower
19	0410-022	1		Hose, Coolant - Crossover
20	0410-002	1		Hose, Coolant - Upper
21	0123-903	AR		Tie, Cable - 11.5 in.



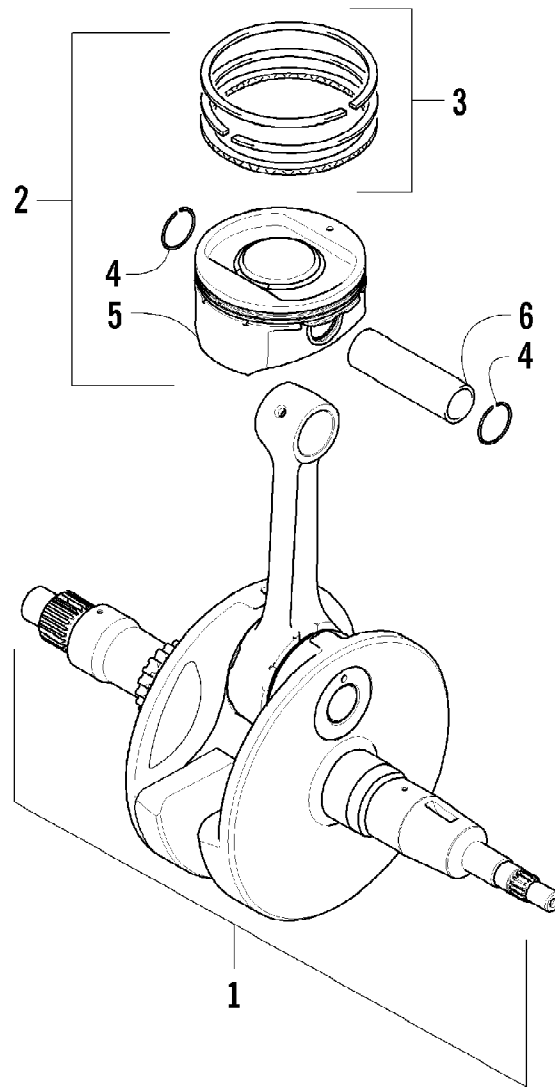
2012 ATV 550 LTD INTERNATIONAL METALLIC GREEN (A2012BLO1POSA) Page 14 of 81
CRANK BALANCER ASSEMBLY

Ref #	Part Number	Qty	S/P/F	Description
1	0826-033	1		Screw, Cap
2	0828-003	1		Washer
3	0811-003	1		Gear, Oil Pump Drive
4	0829-007	1		Pin, Dowel
5	0811-004	1		Spacer
6	0811-034	1		Gear, Driven
7	0829-006	1		Key
8	0805-304	1		Balancer, Crank

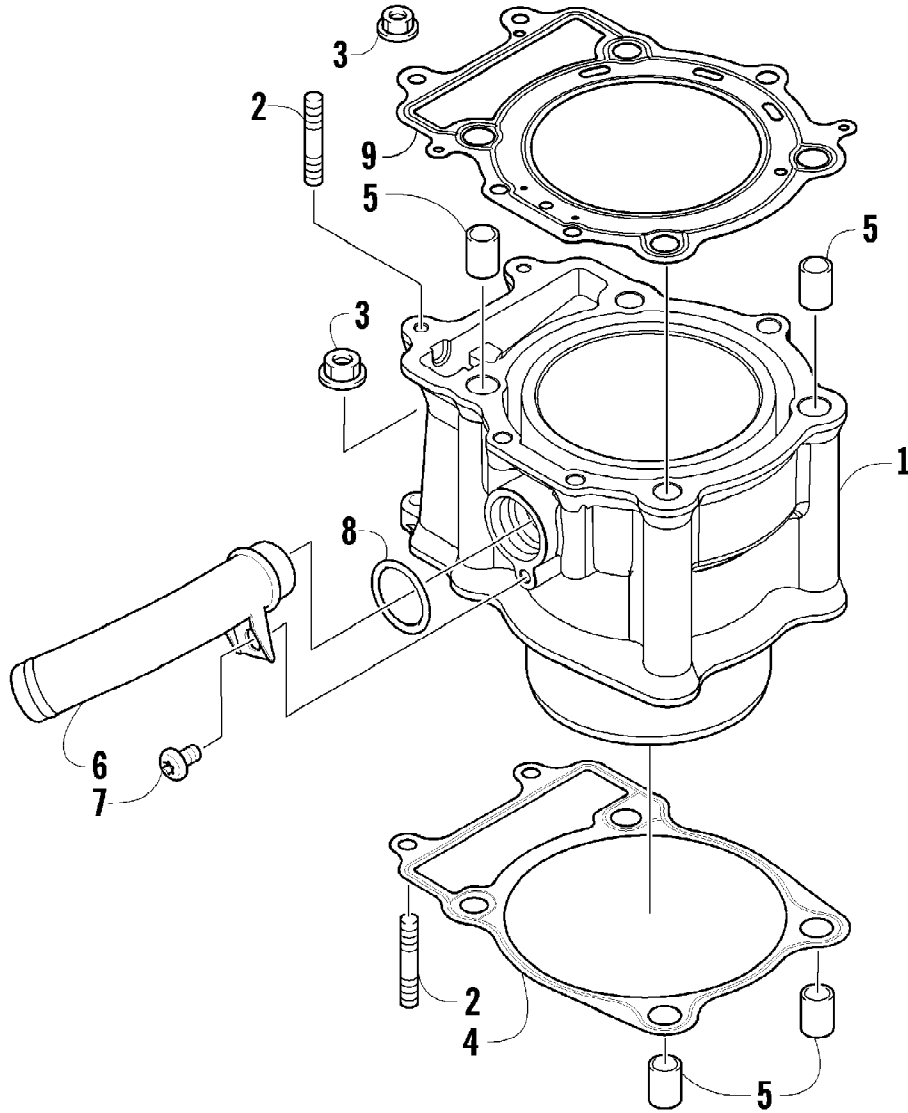


2012 ATV 550 LTD INTERNATIONAL METALLIC GREEN (A2012BLO1POSA) Page 16 of 81
CRANKCASE ASSEMBLY

Ref #	Part Number	Qty	S/P/F	Description
1	0801-151	1		Crankcase Assembly (inc. 2-15)
2	0812-064	2		Plug
3	0801-002	1		Plug
4	0832-043	1	/P	Bearing
5	0832-044	2	/P	Bearing
6	0832-049	1	/P	Bearing
7	0832-050	3	/P	Bearing
8	0832-042	1	/P	Bearing
9	0832-048	1	/P	Bearing
10	0832-077	1	/P	Bearing
11	0822-052	1		Seal, Countershaft
12	0826-100	4		Screw, Machine
13	0822-010	4	/P	Retainer, Bearing
14	0801-028	1		Pipe, Breather
15	0830-035	1		Seal, Driveshaft
16	8412-850	4		Screw, Cap
17	0829-003	1		Pin, Dowel
18	0829-002	5		Pin, Dowel
19	8468-645	3		Screw, Machine
20	8468-655	3		Screw, Machine
21	8468-675	2		Screw, Machine
22	8412-860	1		Screw, Cap
23	0826-017	1		Screw, Cap
24	0830-008	2		Gasket
25	0826-019	1		Screw, Cap
26	0826-018	1		Screw, Cap
27	8468-695	1		Screw, Machine
28	8468-680	1		Screw, Machine
29	0801-029	1		Housing, Secondary Shaft (inc. one No. 7)
30	0826-105	3		Screw, Cap
31	0826-038	1		Screw, Cap
32	0801-069	1		Pipe, Breather
33	0801-179	1		Stick, Oil Level
34	0830-010	1		O-Ring

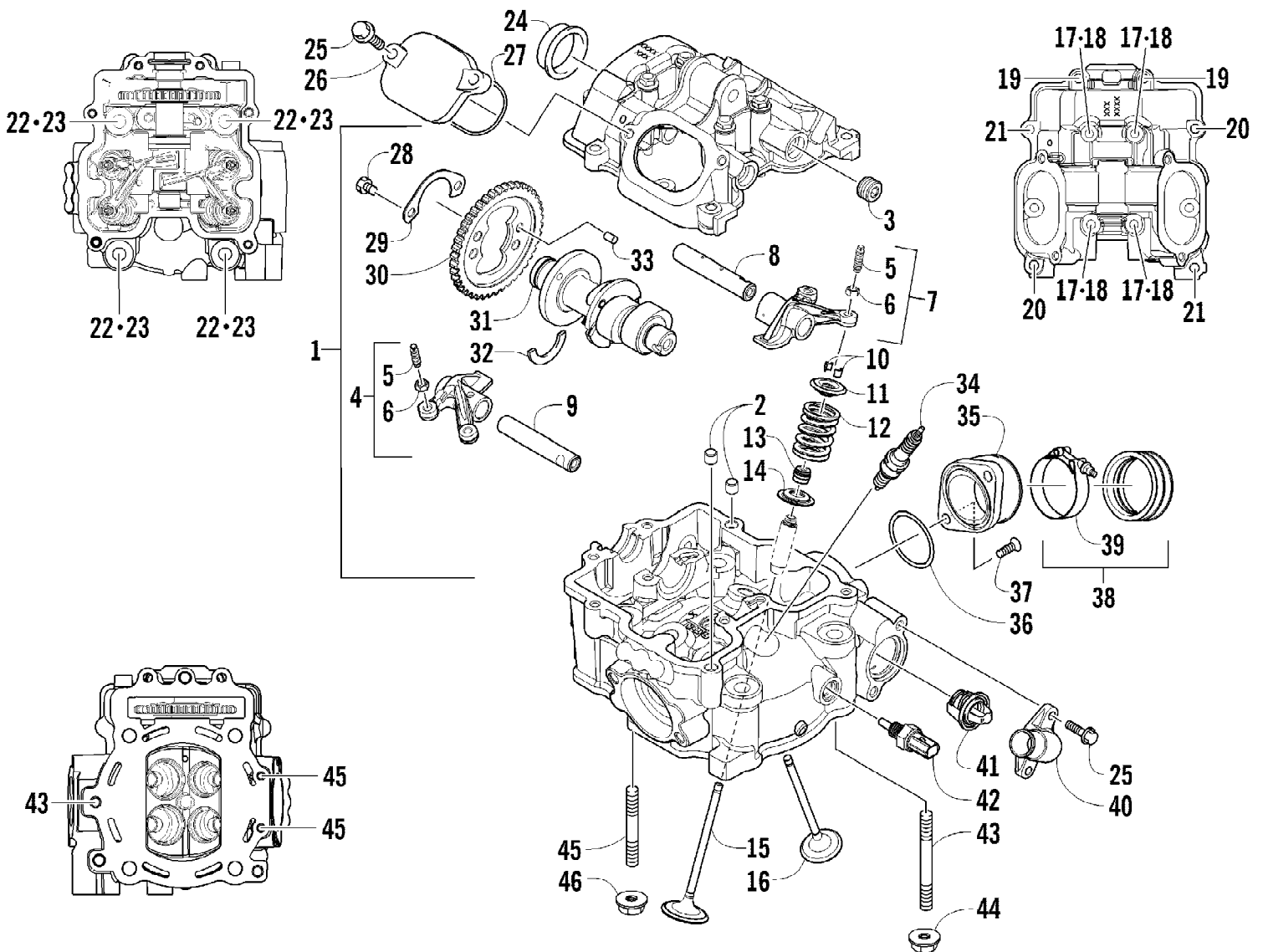


Ref #	Part Number	Qty	S/P/F	Description
1	0805-325	1		Crankshaft Assembly
2	0805-064	1		Piston Set (inc. 3-6)
3	0805-065	1		Ring, Piston - Set
4	0831-001	2		Circlip, Piston Pin
5	0	1	F	Piston
6	0805-012	1		Pin, Piston



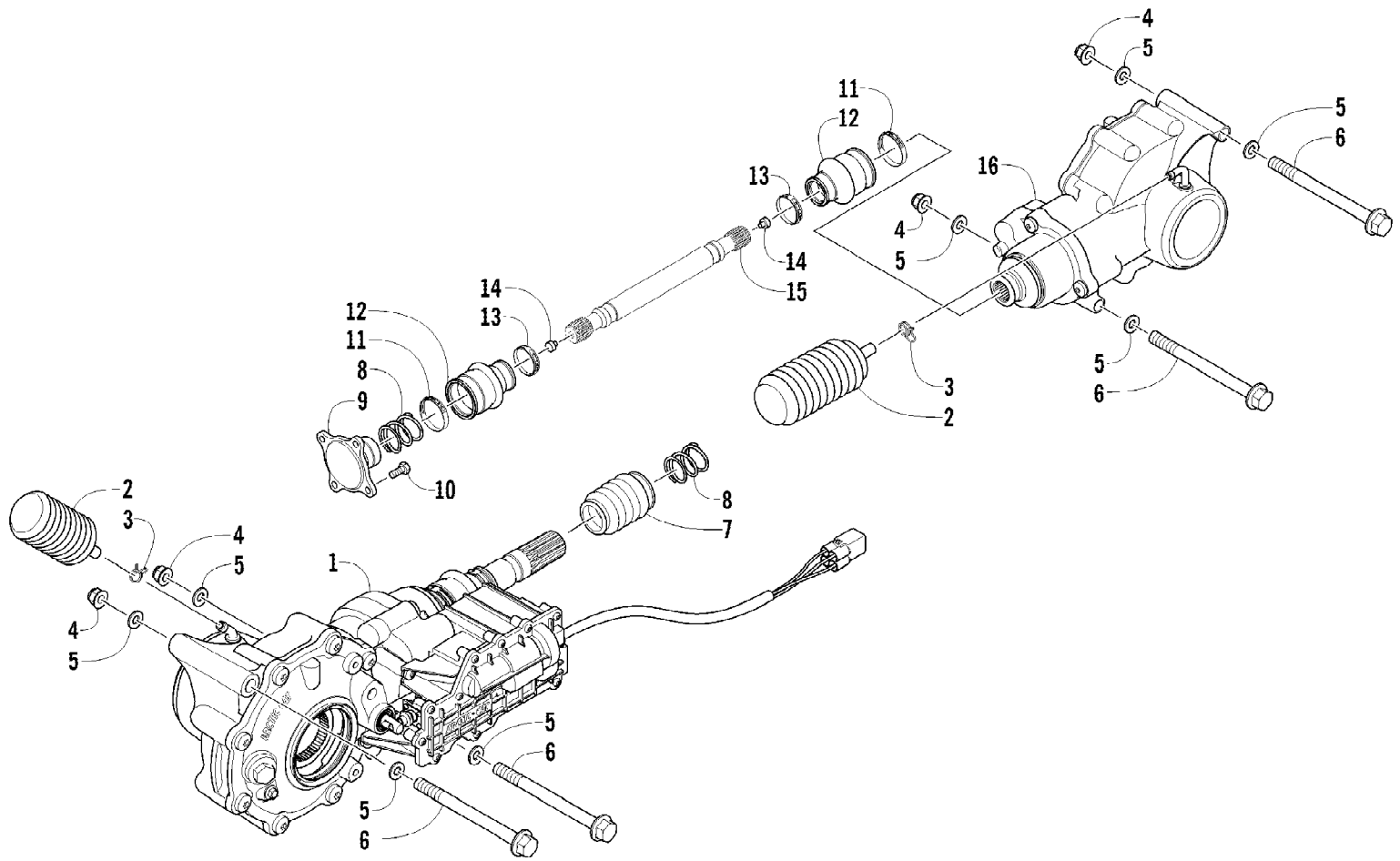
2012 ATV 550 LTD INTERNATIONAL METALLIC GREEN (A2012BLO1POSA) Page 20 of 81
CYLINDER ASSEMBLY

Ref #	Part Number	Qty	S/P/F	Description
1	0804-051	1	/P	Cylinder
2	0827-002	4		Bolt, Stud
3	8424-604	4		Nut
4	0830-084	1		Gasket, Base
5	0829-002	4		Pin, Dowel
6	0804-047	1	/P	Union, Coolant Hose
7	8468-612	1		Screw, Machine
8	0830-007	1		O-Ring
9	0830-097	1		Gasket, Cylinder Head



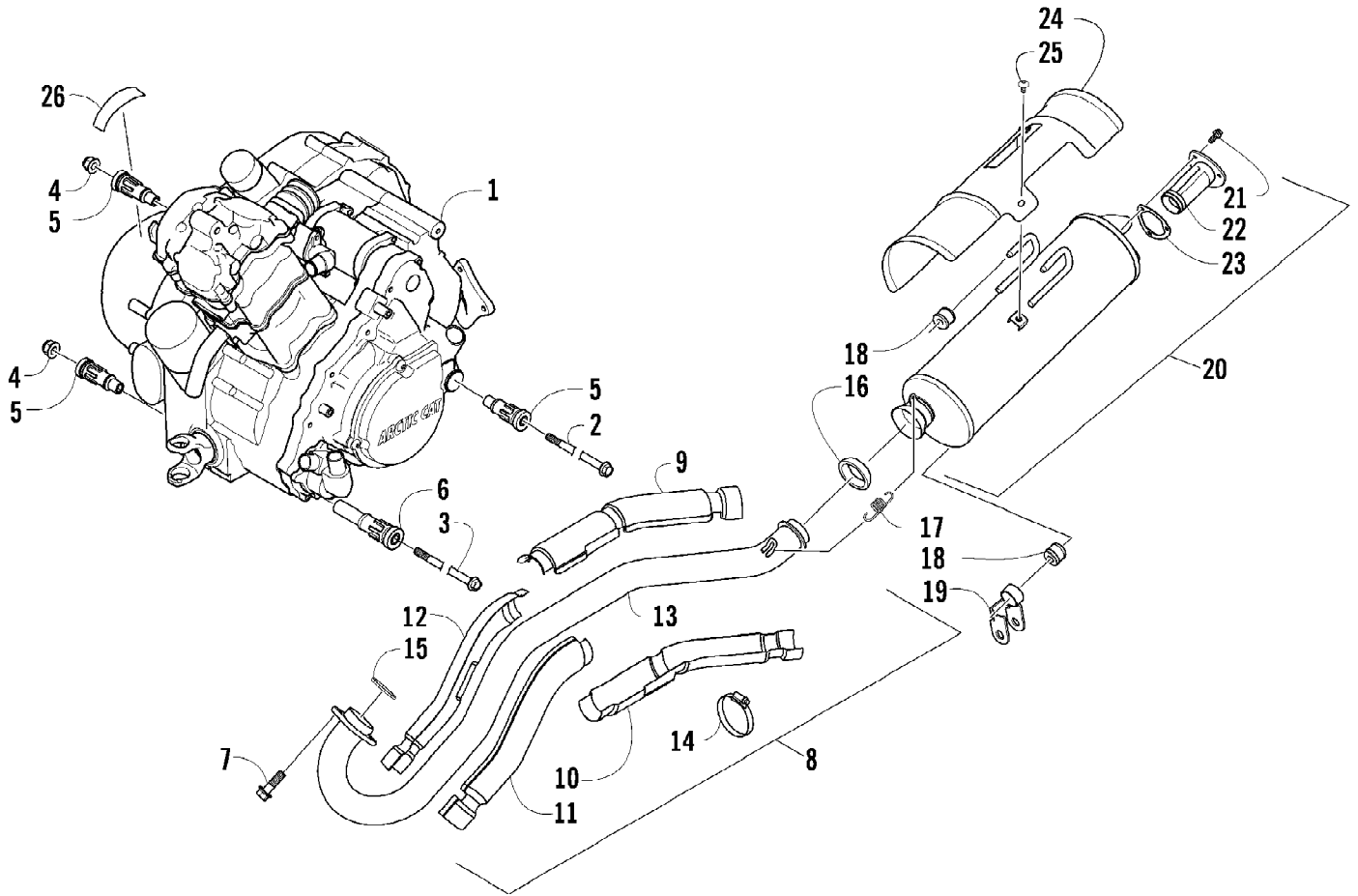
2012 ATV 550 LTD INTERNATIONAL METALLIC GREEN (A2012BLO1POSA) Page 22 of 81
CYLINDER HEAD AND CAMSHAFT/VALVE ASSEMBLY

Ref #	Part Number	Qty	S/P/F	Description
1	0808-175	1	S	Head, Cylinder - Assembly (inc. 2-17)
2	0829-048	2	/P	Pin, Dowel
3	0831-092	2		Plug, Shaft
4	0809-237	1	/P	Arm, Valve Rocker - Exhaust (inc. two No. 5-6)
5	0809-240	4	/P	Screw, Adjuster
6	0827-059	4		Nut
7	0809-234	1	/P	Arm, Valve Rocker - Intake (inc. two No. 5-6)
8	0809-241	1		Shaft, Rocker Arm - Intake
9	0809-242	1		Shaft, Rocker Arm - Exhaust
10	0809-233	8		Cotter, Valve
11	0809-232	4		Retainer, Spring
12	0809-231	4	/P	Spring, Valve
13	0830-186	4	/P	Seal, Oil
14	0809-230	4		Seat, Spring - Valve
15	0809-228	2	/P	Valve, Intake
16	0809-229	2	/P	Valve, Exhaust
17	0826-149	4		Screw, Cap
18	0830-155	4	/P	Gasket
19	0826-002	2		Screw, Cap
20	0826-005	2		Screw, Cap
21	0826-006	2		Screw, Cap
22	0808-037	4	/P	Screw, Cap
23	0830-147	4	/P	Washer
24	0808-077	1		Plug, Cylinder Head
25	0826-007	6		Screw, Cap
26	0808-003	2		Cap, Inspection
27	0830-167	2	/P	O-Ring
28	0826-034	2		Screw, Cap
29	0828-004	1		Plate, Retainer
30	0809-212	1		Sprocket
31	0809-245	1	/P	Camshaft
32	0809-003	1		C-Ring
33	0829-049	1		Pin, Dowel
34	0217-799	1	/P/F	Spark Plug
35	0470-668	1		Flange, Intake Manifold
36	0830-090	1		O-Ring
37	0826-008	2		Screw, Machine
38	0437-069	1	/P	Boot (inc. 39)
39	1423-041	1		Clamp
40	0808-008	1		Cover, Thermostat
41	0808-078	1		Thermostat
42	0808-124	1		Sensor, Engine Coolant Temperature
43	0827-031	1		Bolt, Stud
44	8424-804	1		Nut
45	0827-030	2		Bolt, Stud
46	8424-604	2		Nut



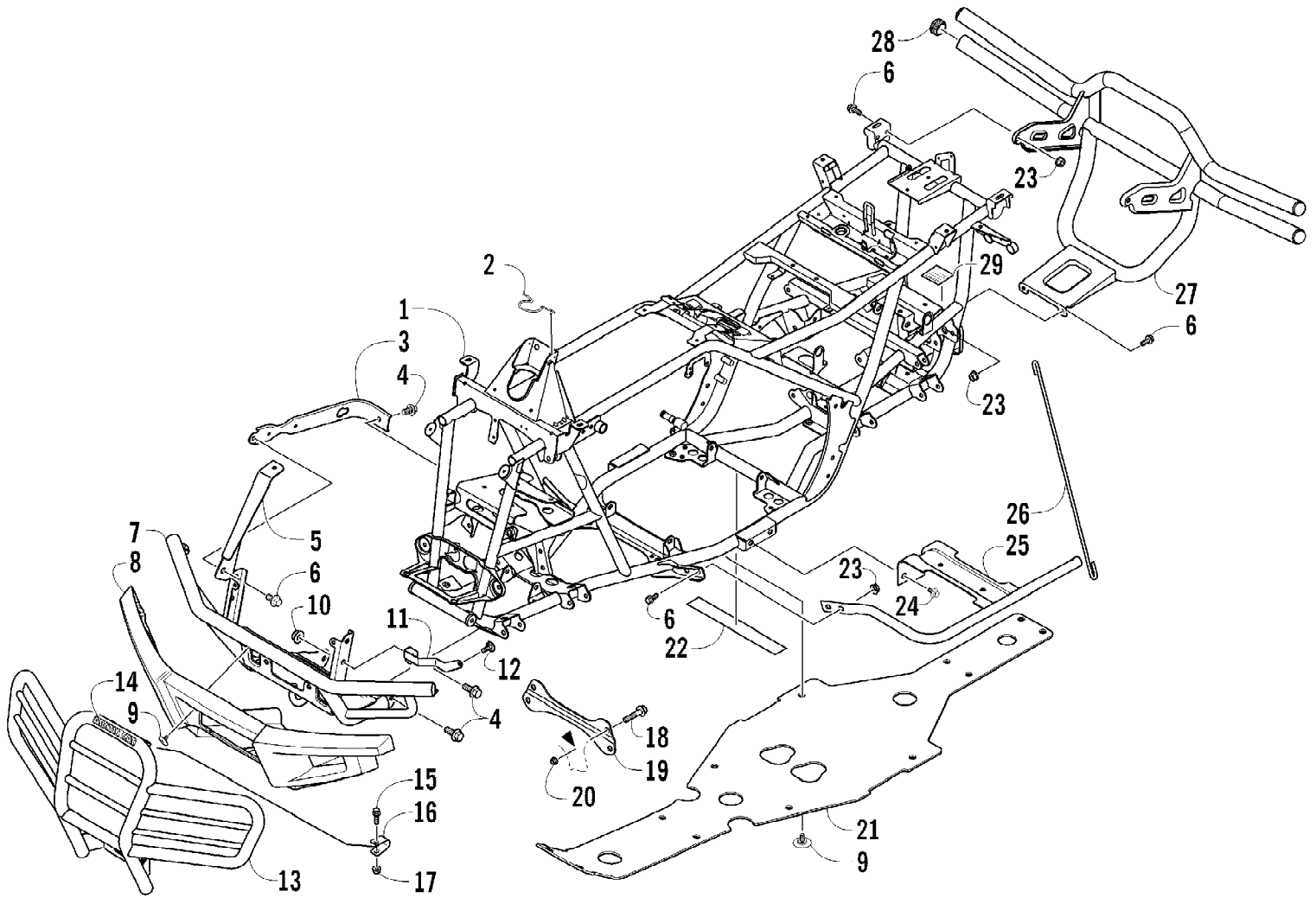
2012 ATV 550 LTD INTERNATIONAL METALLIC GREEN (A2012BLO1POSA) Page 24 of 81
DRIVE TRAIN ASSEMBLY

Ref #	Part Number	Qty	S/P/F	Description
1	1502-878	1		Gearcase, Front
2	1402-620	2	/P	Bladder, Gearcase
3	0423-315	2		Clamp, Hose
4	8428-002	4		Nut, Lock
5	0423-426	8		Washer
6	0423-404	4		Screw, Cap
7	0402-966	1		Boot, Shaft
8	1402-026	2		Spring
9	0402-950	1		Flange, Output
10	8408-820	4	/P	Screw, Cap
11	0423-393	2		Clamp
12	0402-985	2	/P	Boot
13	0423-411	2		Clamp
14	0673-618	2	/P	Bumper, Propeller Shaft
15	1402-233	1		Shaft, Propeller
16	1502-879	1		Gearcase, Rear



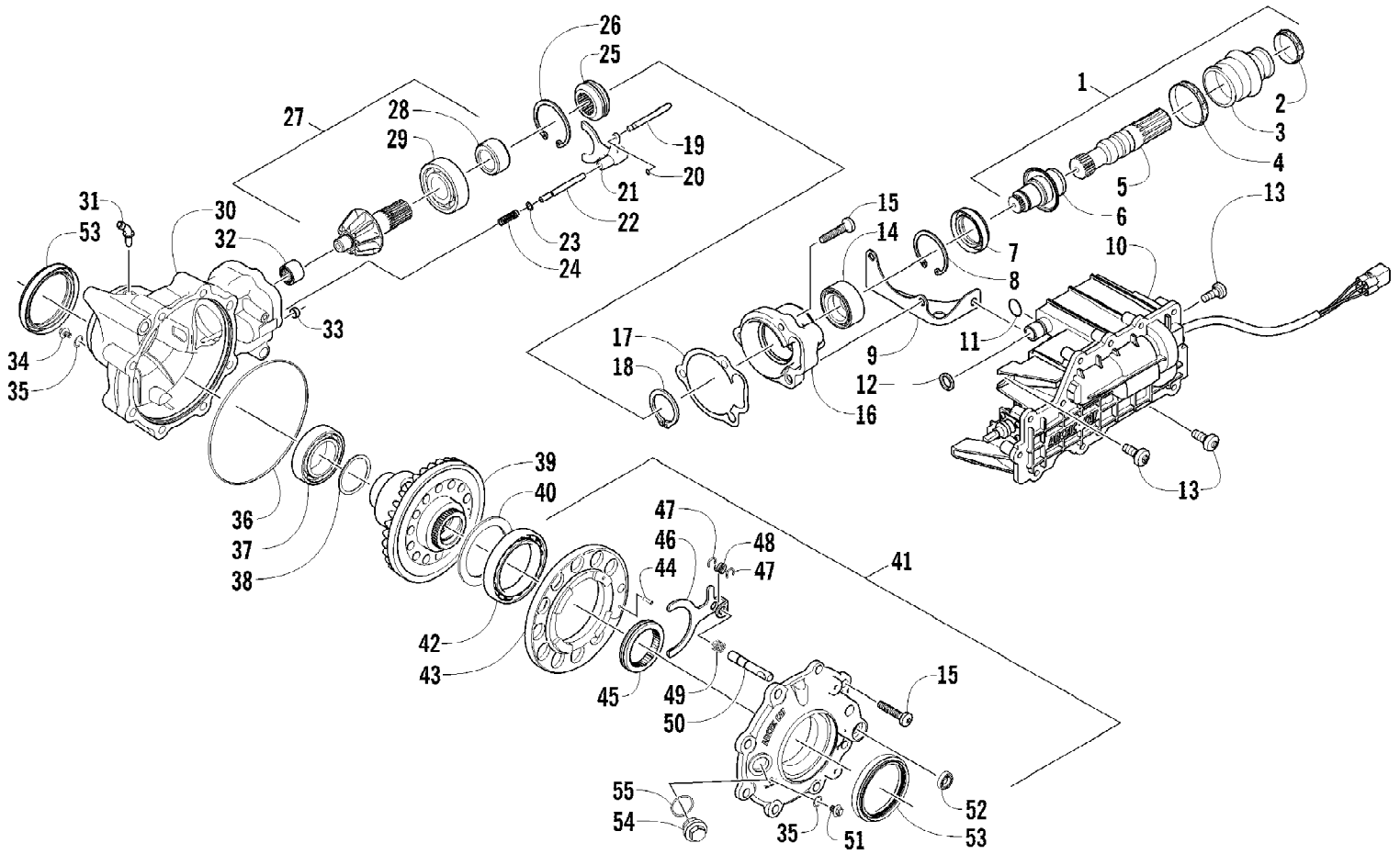
2012 ATV 550 LTD INTERNATIONAL METALLIC GREEN (A2012BLO1POSA) Page 26 of 81
ENGINE AND EXHAUST

Ref #	Part Number	Qty	S/P/F	Description
1	0800-093	1		Engine, A550F
2	0423-451	1		Screw, Cap
3	0423-405	1		Screw, Cap
4	8428-002	2		Nut, Lock
5	0801-129	3		Mount, Rubber - Engine
6	0801-122	1		Mount, Rubber - Engine
7	8408-820	2	/P	Screw, Cap
8	0512-345	1	/P	Pipe, Exhaust - Assembly (inc. 9-14)
9	0412-350	1		Shield, Exhaust Pipe - Outer - Rear
10	0412-339	1		Shield, Exhaust Pipe - Inner - Rear
11	0412-349	1		Shield, Exhaust Pipe - Inner - Front
12	0412-348	1		Shield, Exhaust Pipe - Outer - Front
13	0512-344	1		Pipe, Exhaust
14	0423-317	4	/P	Clamp
15	0412-338	1	/P	Gasket, Exhaust
16	0412-375	1	/P	Seal, Exhaust
17	0612-668	2	/P	Spring, Extension
18	0412-577	3	/P	Bushing
19	1506-732	1		Channel, Muffler Support
20	0512-355	1	/P	Muffler - Assembly (inc. 21-23)
21	8408-616	3		Screw, Cap
22	0512-219	1	/P	Arrester, Spark - Assembly
23	0412-313	1		Gasket, Spark Arrester
24	0412-373	1	/P	Cover, Muffler
25	8477-610	3		Screw, Machine
26	0411-426	1		Decal, Warning - Clutch Cover



2012 ATV 550 LTD INTERNATIONAL METALLIC GREEN (A2012BLO1POSA) Page 28 of 81
FRAME AND RELATED PARTS

Ref #	Part Number	Qty	S/P/F	Description
1	4506-551	1		Frame, Main
2	2416-401	1		Clip, Routing
3	1506-596	2	/P	Channel, Bumper Mounting
4	8409-020	6	/P	Screw, Cap
5	1506-686	1		Bracket, Mounting - Bumper - Right
5	1506-687	1		Bracket, Mounting - Bumper - Left
6	8408-816	10		Screw, Cap
7	1506-684	1		Bumper, Front
8	1406-868	1		Fascia, Bumper - Front
9	0423-101	16		Screw, Shoulder
10	8424-002	2		Nut
11	2516-594	1		Bracket, Support - Right
11	2516-595	1		Bracket, Support - Left
12	0623-797	2		Screw, Self-Tapping
13	1436-032	1	/P	Bumper, Push - Front (inc. 14-17)
14	0411-501	1		Decal, Bumper - "Arctic Cat"
15	8410-835	2		Screw, Cap
16	2506-641	2		Bracket, Support
17	8424-805	2		Nut
18	8409-025	2		Screw, Cap
19	2516-852	1	/P	Brace, A-Arm
20	0423-744	2		Nut, Lock
21	1406-030	1		Panel, Belly
22	0406-289	2		Pad, Frame
23	8424-802	8		Nut
24	8409-016	4		Screw, Cap
25	1506-659	1		Footrest - Right
25	1506-660	1		Footrest - Left
26	2506-426	2	/P	Rod, Support
27	1506-802	1		Bumper, Push - Rear (inc. 28)
28	2406-045	4		Plug, Hole
29	1411-077	1		Decal, Warning - Towing

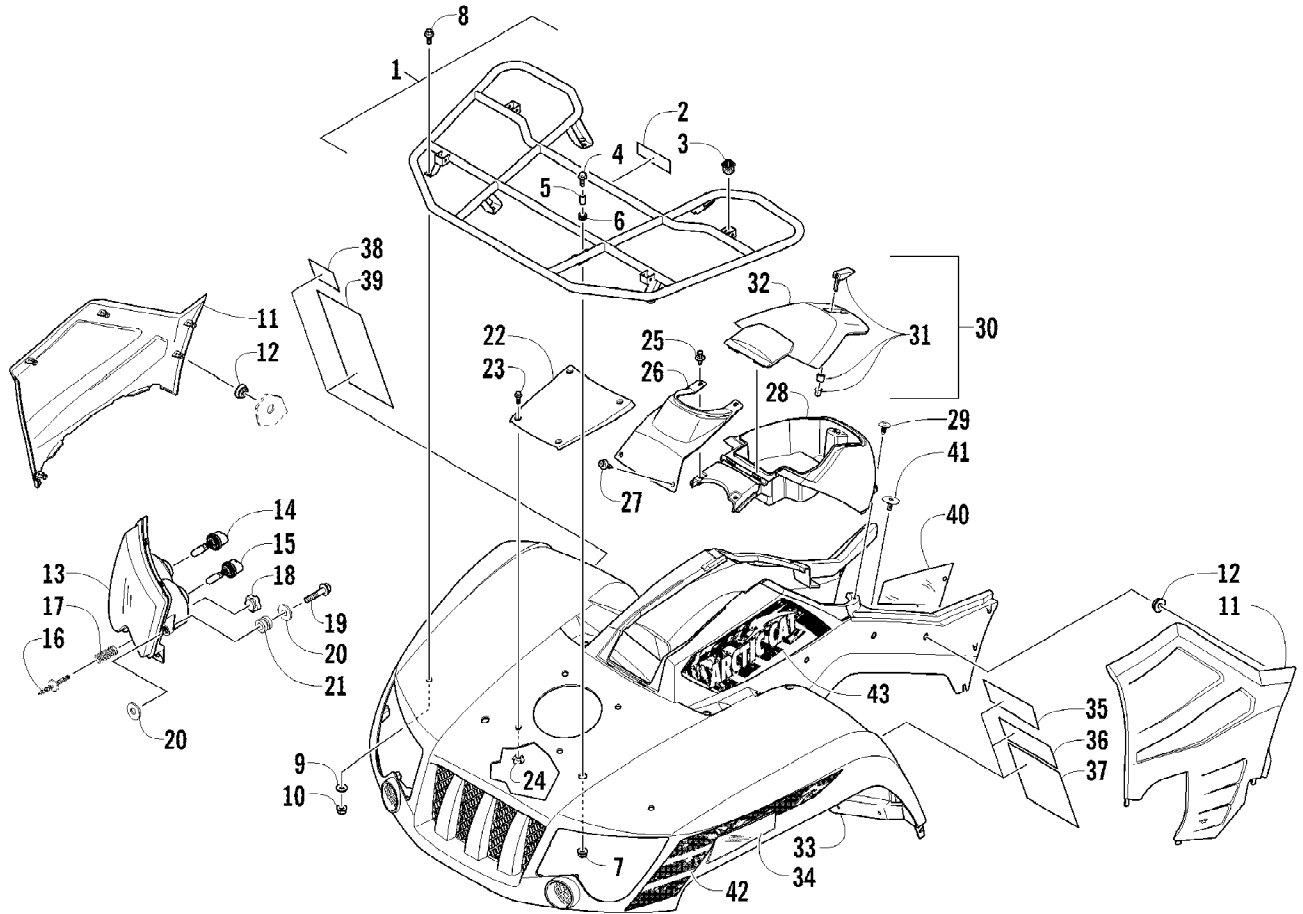


2012 ATV 550 LTD INTERNATIONAL METALLIC GREEN (A2012BLO1POSA) Page 30 of 81
FRONT DRIVE GEARCASE ASSEMBLY

Ref #	Part Number	Qty	S/P/F	Description
	1502-878	1		Complete Front Drive Gearcase Assembly
1	1502-083	1		Shaft, Propeller - Assembly (inc. 2-6)
2	0423-411	1		Clamp
3	0402-985	1	/P	Boot, Propeller Shaft
4	0423-393	1		Clamp
5	1402-045	1		Shaft, Output
6	1502-085	1	/P	Shaft, Input
7	1402-011	1		Seal
8	0423-423	1		Ring, Retaining
9	1502-237	1		Bracket, Actuator
10	1502-909	1	/P	Actuator (inc. 11)
11	1402-981	1		O-Ring
12	0423-892	1	/P	O-Ring
13	0423-396	3		Screw, Self-Tapping
14	1402-043	1		Bearing
15	0423-118	11		Screw, Self-Tapping
16	0502-528	1	/P	Housing, Pinion
17	0402-947	1		Gasket, Flange
18	0423-417	1		Ring, Retaining
19	0402-997	1		Shaft, Selector
20	0423-402	1		Ring, Retaining
21	0402-998	1		Fork, Selector
22	0402-417	1		Shaft, Shuttle
23	0423-147	1		O-Ring
24	0402-999	1		Spring, Return
25	0402-413	1		Coupler, Drive
26	1423-067	1		Ring, Retaining
27	1502-863	1		Gear, Pinion - Assembly - 10T (inc. 28-29)
28	1402-977	1		Collar, Retaining
29	0402-327	1		Bearing
30	1502-856	1		Housing, Gearcase
31	1402-980	1		Fitting, Elbow
32	0402-328	1		Bearing
33	0402-411	1		Pin, Dowel
34	1402-210	1	/P	Plug, Magnetic (inc. one No. 35)
35	0423-153	2		O-Ring
36	0423-149	1		O-Ring
37	0402-393	1		Bearing
38	0402-405	AR		Shim, 41 x 49 x 1.3 mm
38	0402-406	AR		Shim, 41 x 49 x 1.4 mm
38	0402-407	AR		Shim, 41 x 49 x 1.5 mm
38	0402-408	AR		Shim, 41 x 49 x 1.6 mm
38	0402-409	AR		Shim, 41 x 49 x 1.7 mm
39	1502-860	1		Gear, Ring - 36T
40	1402-074	AR		Shim, 61 x 69 x 1.3 mm
40	1402-075	AR		Shim, 61 x 69 x 1.4 mm
40	1402-076	AR		Shim, 61 x 69 x 1.5 mm
40	1402-077	AR		Shim, 61 x 69 x 1.6 mm
40	1402-078	AR		Shim, 61 x 69 x 1.7 mm
41	1502-895	1		Cover, Gearcase (inc. one No. 35, 42-52, and one No. 53)
42	1402-053	1		Bearing

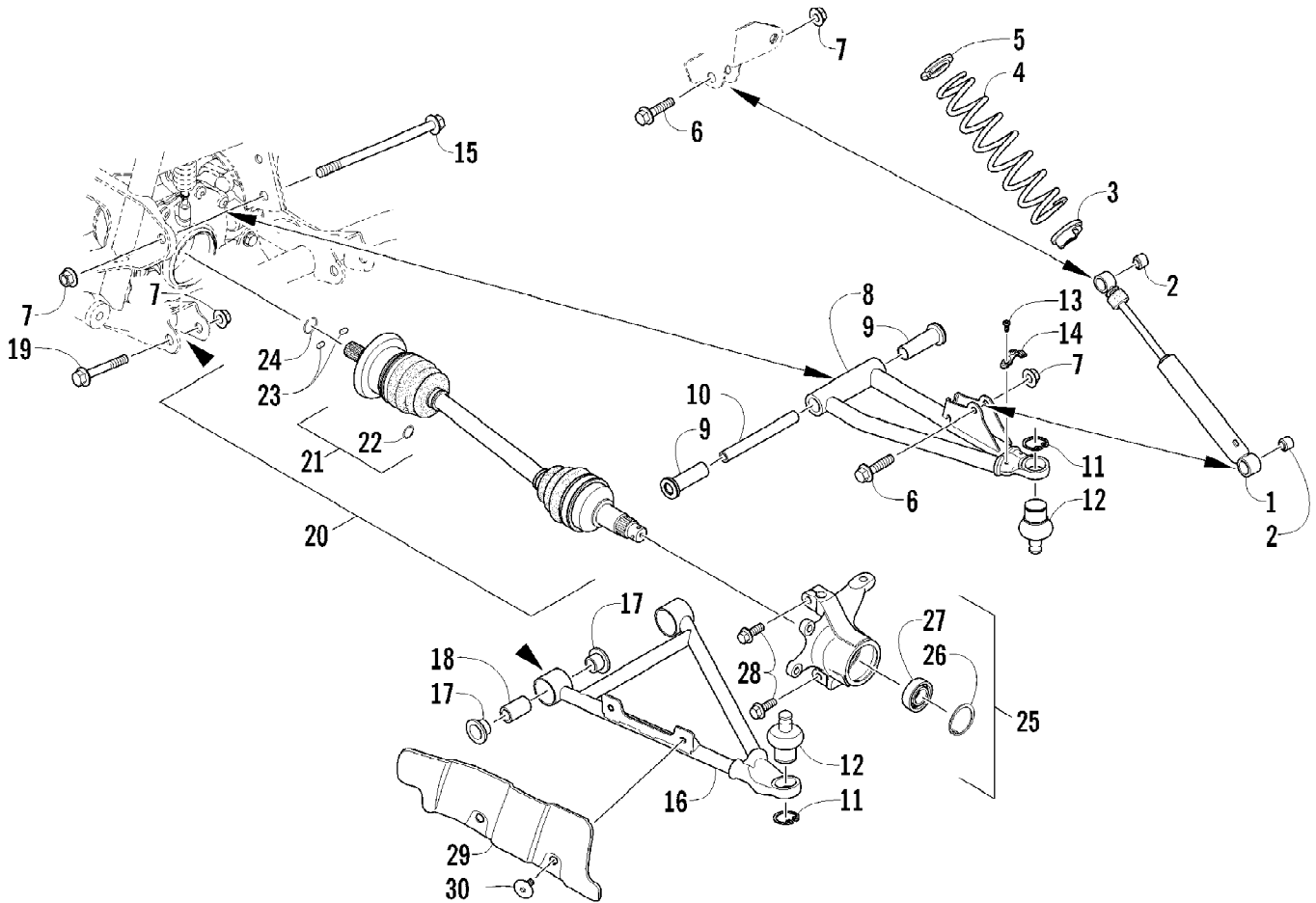
2012 ATV 550 LTD INTERNATIONAL METALLIC GREEN (A2012BLO1POSA) Page 31 of 81
FRONT DRIVE GEARCASE ASSEMBLY

Ref #	Part Number	Qty	S/P/F	Description
43	0502-413	1		Flange, Bearing
44	1402-079	1		Pin, Parallel
45	1402-042	1		Collar, Sliding
46	1402-054	1		Fork
47	1402-058	2		Ring, Retaining
48	1402-057	1		Spring
49	1402-063	1		Spring
50	1402-656	1		Shaft, Lock
51	1402-211	1		Plug, Oil Level (inc. one No. 35)
52	1402-056	1		Seal
53	1402-950	2	/P	Seal
54	0402-333	1	/P	Plug, Fill (inc. 55)
55	0423-154	1		O-Ring



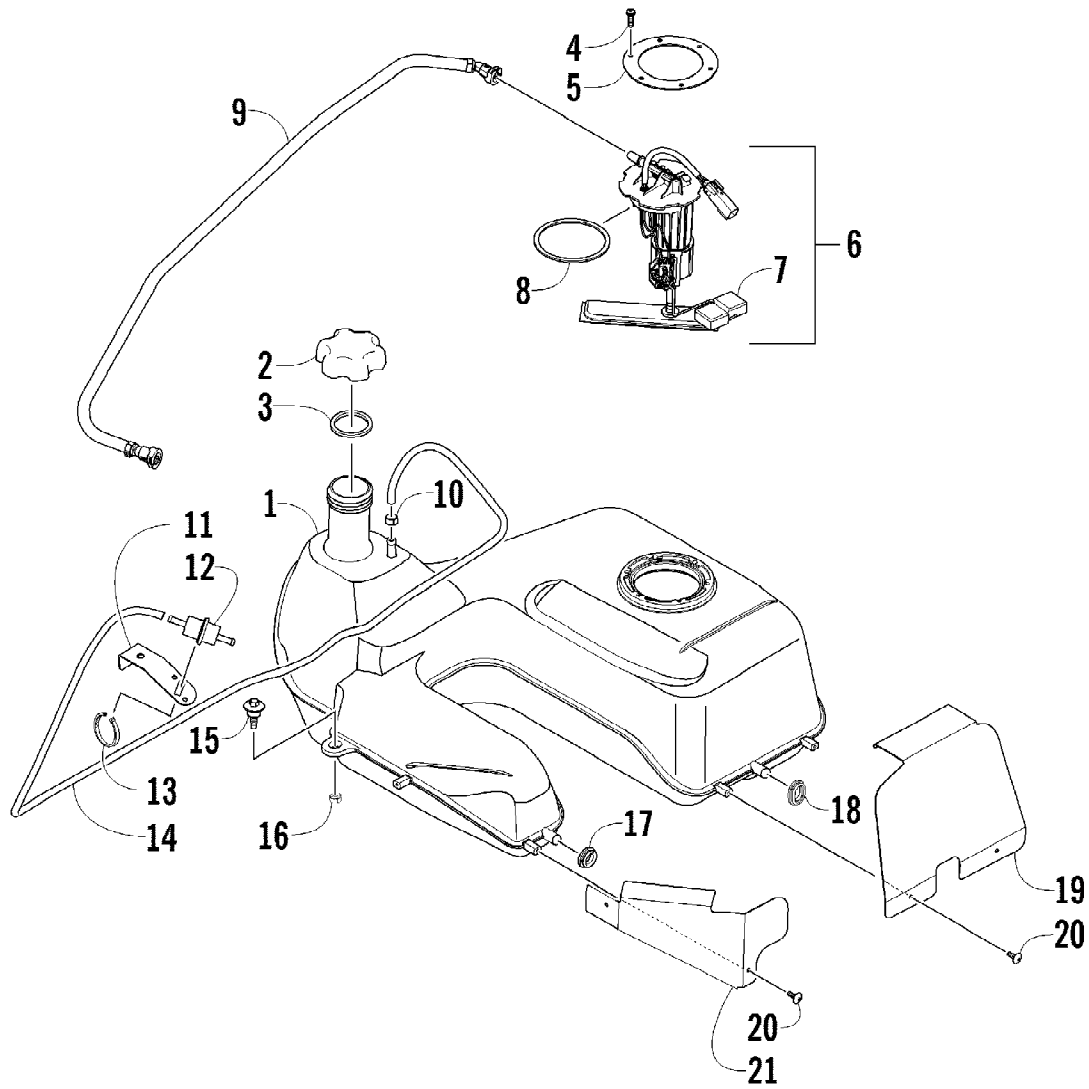
2012 ATV 550 LTD INTERNATIONAL METALLIC GREEN (A2012BLO1POSA) Page 33 of 81
FRONT RACK, BODY PANEL, AND HEADLIGHT ASSEMBLIES

Ref #	Part Number	Qty	S/P/F	Description
1	2506-646	1		Rack, Front - Assembly (inc. 2-3)
2	0411-576	1		Decal, Warning - Load
3	0441-592	4	/P	Bushing
4	8410-830	4		Screw, Cap
5	0423-669	4		Spacer
6	0423-465	4		Grommet
7	8432-802	4		Nut, Lock
8	0423-654	2		Screw, Shoulder
9	8050-222	2	/P	Washer
10	0423-540	2		Nut, Lock
11	2406-380	1		Panel, Side - Lower - Right
11	2406-381	1		Panel, Side - Lower - Left
12	0423-678	8		Grommet
13	0609-852	1	/P	Headlight Assembly - Right (inc. 14-15)
13	0609-853	1	/P	Headlight Assembly - Left (inc. 14-15)
14	0409-073	2		Bulb, Headlight
15	0409-045	2		Bulb, Headlight
16	0423-514	2		Stud, Adjuster - Headlight
17	0423-522	2		Spring, Adjuster
18	0423-513	2		Knob, Adjuster
19	0623-785	4		Screw, Self-Tapping
20	8050-217	8	/P	Washer
21	0423-447	4		Grommet
22	2516-578	1		Cover, Access
23	8410-616	4		Screw, Cap
24	0423-997	4		T-Nut
25	0623-362	2		Rivet, Reinstallable
26	2516-698	1		Cover, Steering Post
27	0423-535	2		Rivet, Reinstallable
28	2516-721	1		Box, Storage
29	0623-544	2		Clip, Retaining
30	2506-235	1		Lid, Storage Box w/Latch (inc. 31-32)
31	1406-599	1		Latch, Storage Box
32	1406-862	1		Lid, Storage Box
33	2516-577	1		Panel, Fender - Assembly (inc. 34-40)
34	1411-078	1		Decal, Reflector - Right
34	1411-079	1		Decal, Reflector - Left
35	1411-574	1		Decal, Warning - Off-Road Only
36	1411-804	1	/P	Decal, Warning - Age
37	1411-932	1	/P	Decal, Warning - General
38	0411-835	1		Decal, Warning - Turn/Hill
39	1411-250	1		Decal, Warning - Reverse/Pre-Ride
40	0412-394	1	/P	Foil, Protective
41	0423-101	2		Screw, Shoulder
42	2411-644	1		Decal, Side - Front Right
42	2411-645	1		Decal, Side - Front Left
43	2411-646	1		Decal, Side - Upper Right
43	2411-647	1		Decal, Side - Upper Left



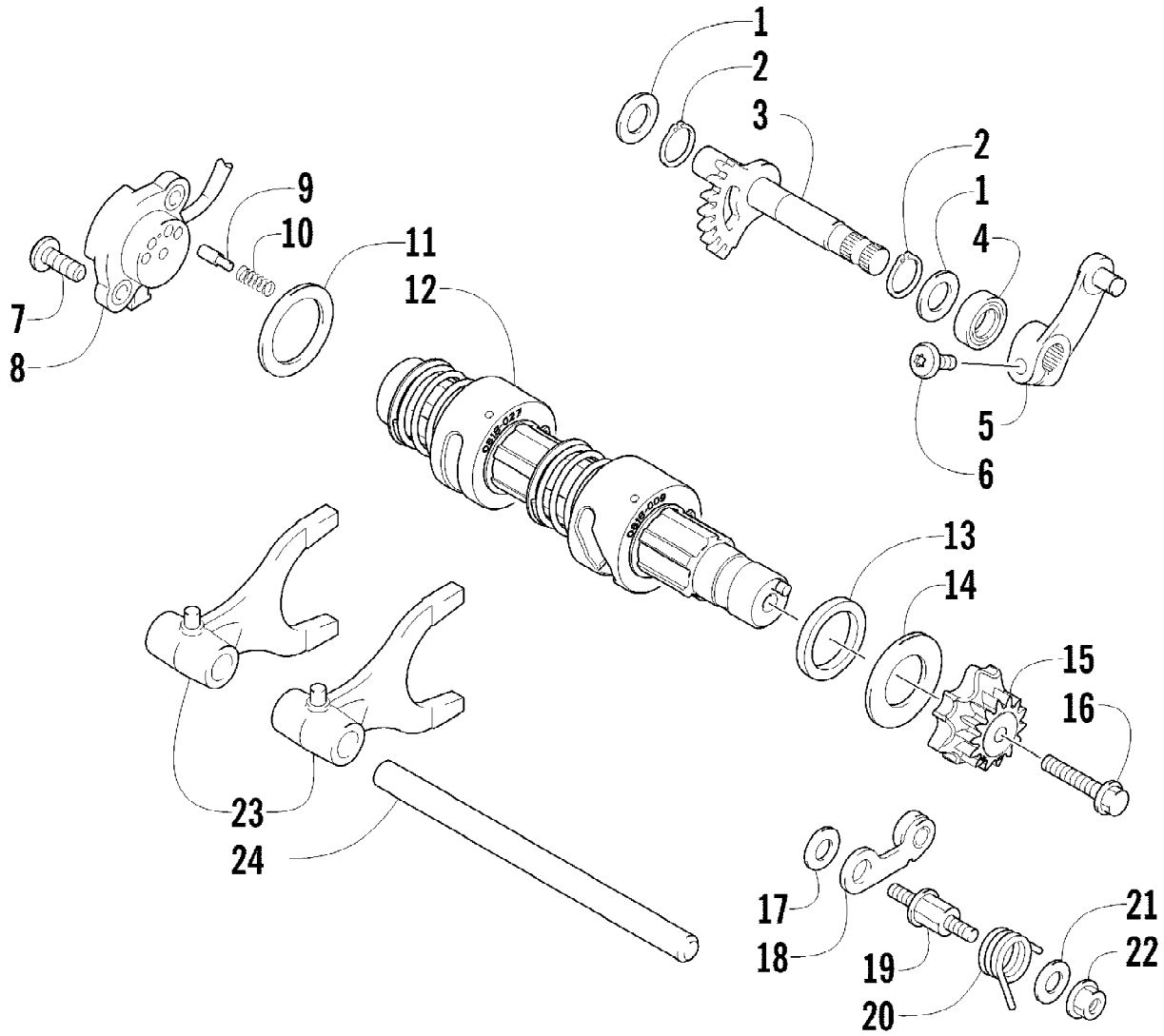
2012 ATV 550 LTD INTERNATIONAL METALLIC GREEN (A2012BLO1POSA) Page 35 of 81
FRONT SUSPENSION ASSEMBLY

Ref #	Part Number	Qty	S/P/F	Description
1	0403-209	2		Shock Absorber (inc. 2)
2	0403-182	4		Bushing
3	0403-102	2		Cam, Spring Adjuster
4	0503-468	2		Spring, Suspension
5	1603-889	2	/P	Retainer, Spring
6	8409-040	4		Screw, Cap
7	0423-744	10		Nut, Lock
8	0503-416	1	/P	A-Arm, Upper Right (inc. 9-12)
8	0503-417	1	/P	A-Arm, Upper Left (inc. 9-12)
9	0403-207	4	/P	Bushing
10	0403-080	2		Axle
11	0423-009	4	/P	Ring, Retaining
12	0405-115	4	/P	Ball Joint
13	0423-946	4		Screw, Self-Tapping
14	1502-594	2		Clamp, Routing
15	0423-334	2		Screw, Cap
16	0503-376	1	/P	A-Arm, Lower Right (inc. 17-18 and two No. 11-12)
16	0503-377	1	/P	A-Arm, Lower Left (inc. 17-18 and two No. 11-12)
17	0403-208	8	/P	Bushing
18	0403-214	4	/P	Axle
19	8409-075	4		Screw, Cap
20	1502-800	1	S/P	Axle, Drive - Right (inc. 21-24)
20	1502-799	1	S/P	Axle, Drive - Locking - Left (inc. 21-24)
21	1436-419	2		Repair Kit, Boot (inc. 22)
22	1441-988	2		Clip, Retaining
23	1402-885	4		Pin, Detent
24	1402-889	2		Clip, Retaining
25	0505-576	1	/P	Knuckle - Assembly - Right (inc. 26-27)
25	0505-577	1	/P	Knuckle - Assembly - Left (inc. 26-27)
26	0423-423	2		Ring, Retaining
27	1402-809	2	/P	Bearing
28	0423-998	4		Screw, Shoulder
29	1406-034	1		Guard, Boot - Right
29	1406-035	1		Guard, Boot - Left
30	0423-545	4	/P	Screw, Shoulder



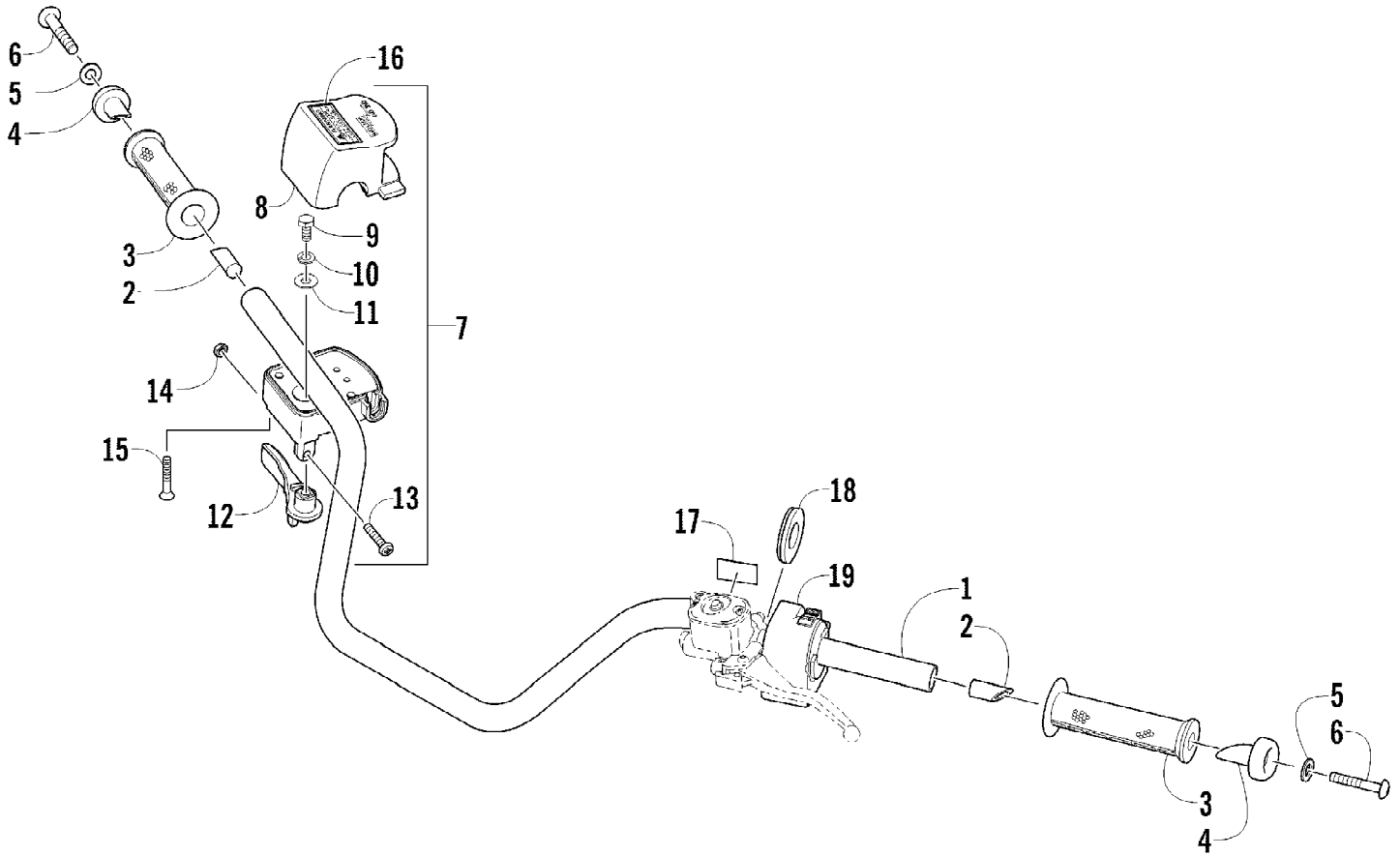
2012 ATV 550 LTD INTERNATIONAL METALLIC GREEN (A2012BLO1POSA) Page 37 of 81
GAS TANK ASSEMBLY

Ref #	Part Number	Qty	S/P/F	Description
1	0570-307	1		Tank, Gas - Assembly (inc. 2-5)
2	0470-438	1	/P	Cap, Gas Tank (inc. 3)
3	0109-733	1	/P	Gasket, Gas Tank Cap
4	0423-898	6		Screw, Self-Tapping
5	2670-042	1		Plate, Retaining
6	0570-322	1	/P	Pump, Fuel - Assembly (inc. 7-8)
7	2670-235	1		Float
8	0470-838	1		Seal
9	0570-317	1		Hose, Gasline - Assembly
10	0423-688	AR		Clamp, Hose
11	0470-827	1		Bracket, Filter Mounting
12	0510-335	1	/P	Filter, In-Line
13	0123-788	AR	/P	Tie, Cable - 8 in.
14	0410-070	AR	/P	Hose, Gasline - 25 ft
15	0423-732	2		Screw, Shoulder
16	0623-038	1		Nut w/Washer
17	0423-460	1		Grommet
18	0423-806	1		Grommet
19	0470-710	1		Shield, Heat - Gas Tank - Rear
20	0623-797	4		Screw, Self-Tapping
21	0470-709	1		Shield, Heat - Gas Tank - Front



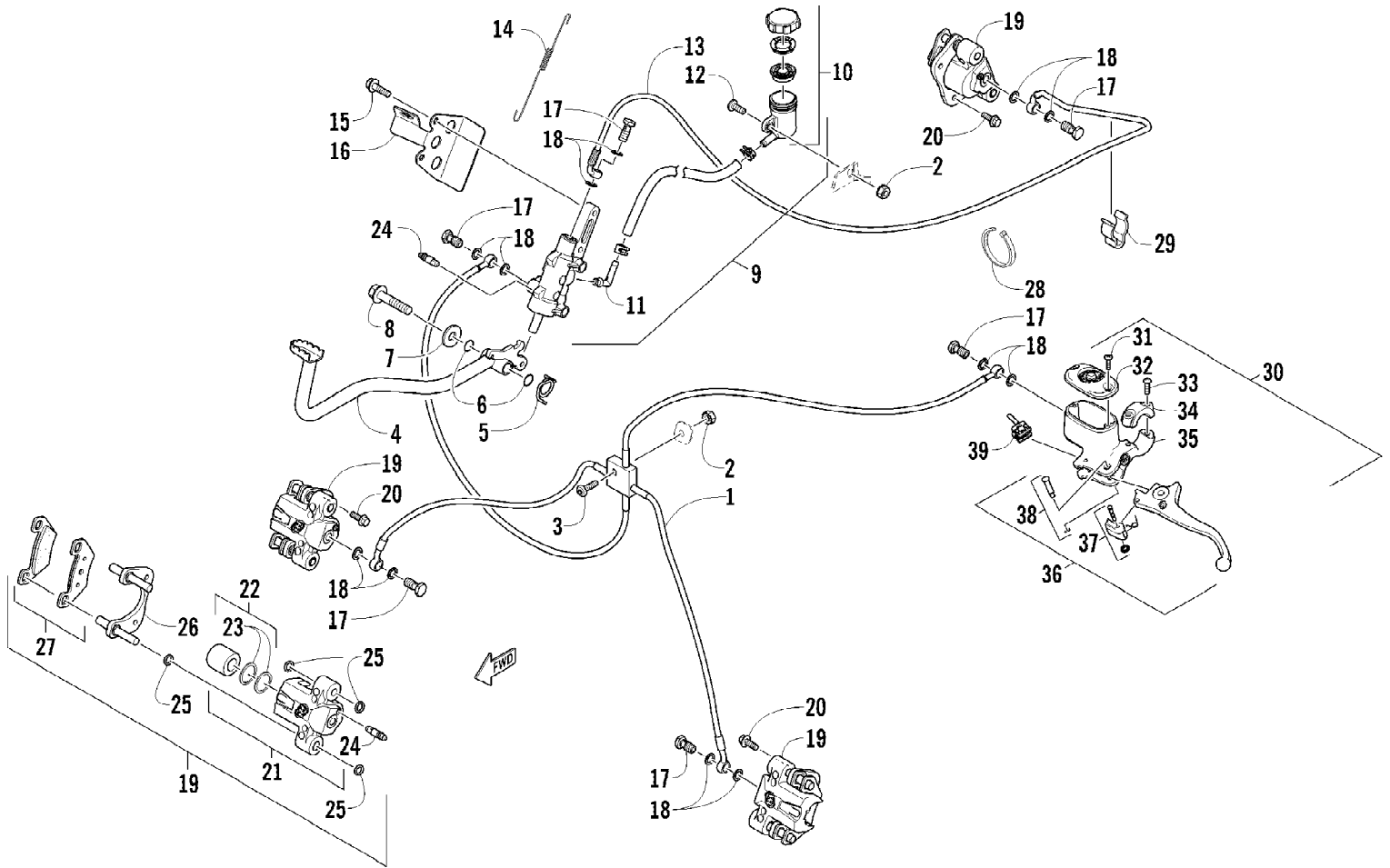
2012 ATV 550 LTD INTERNATIONAL METALLIC GREEN (A2012BLO1POSA) Page 39 of 81
GEAR SHIFTING ASSEMBLY

Ref #	Part Number	Qty	S/P/F	Description
1	0828-036	2		Washer
2	0831-010	2		Ring, Retaining
3	0818-007	1	/P	Shaft, Sub-Gear Shift
4	0830-044	1		Seal, Sub-Gear Shift Shaft
5	0818-014	1		Arm, Select
6	8468-620	1	/P	Screw, Machine
7	8470-520	2		Screw, Machine
8	0409-090	1	/P	Switch, Gear Position
9	0818-013	2		Contact
10	0818-017	2		Spring
11	0828-040	1		Washer
12	0818-046	1		Shaft, Gear Shift - Assembly
13	0828-131	1		Spacer
14	0828-037	1		Washer
15	0818-089	1	/P	Plate, Gear Shift Cam
16	0826-006	1		Screw, Cap
17	0828-038	1		Washer
18	0818-002	1		Stopper, Cam
19	0818-004	1		Support, Cam Stopper
20	0818-090	1		Spring
21	0828-035	1		Washer
22	8424-602	1	/P	Nut
23	0818-072	2	/P	Fork, Shift
24	0818-006	1		Shaft, Shift Fork

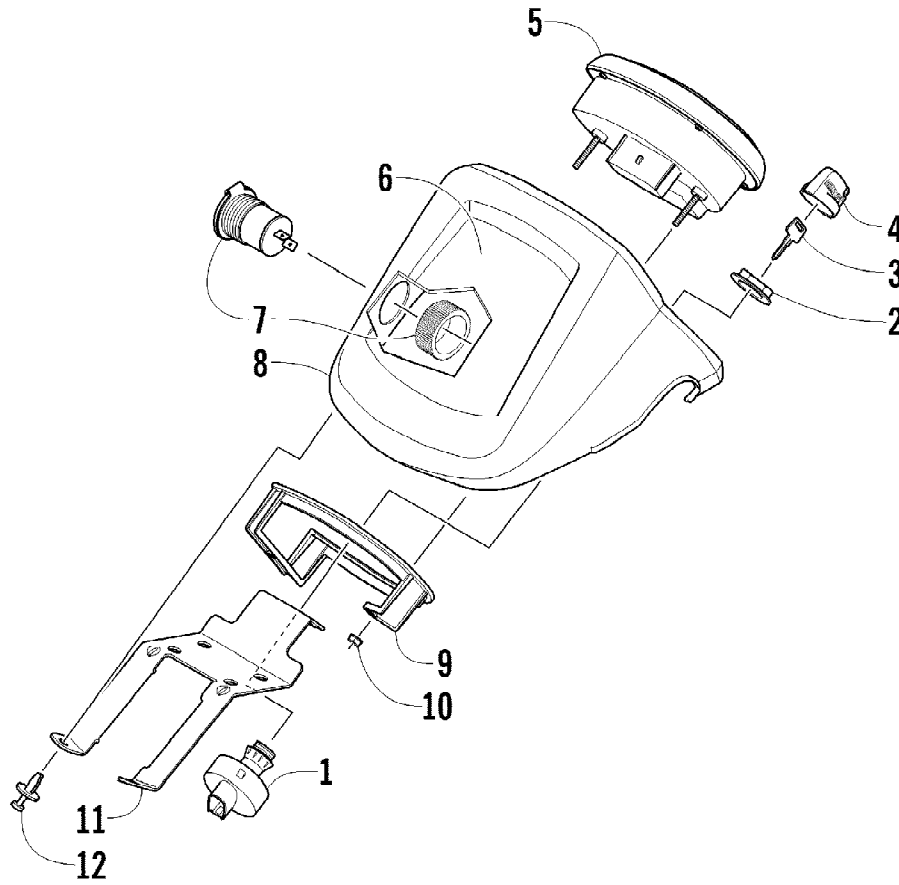


2012 ATV 550 LTD INTERNATIONAL METALLIC GREEN (A2012BLO1POSA) Page 41 of 81
HANDLEBAR ASSEMBLY

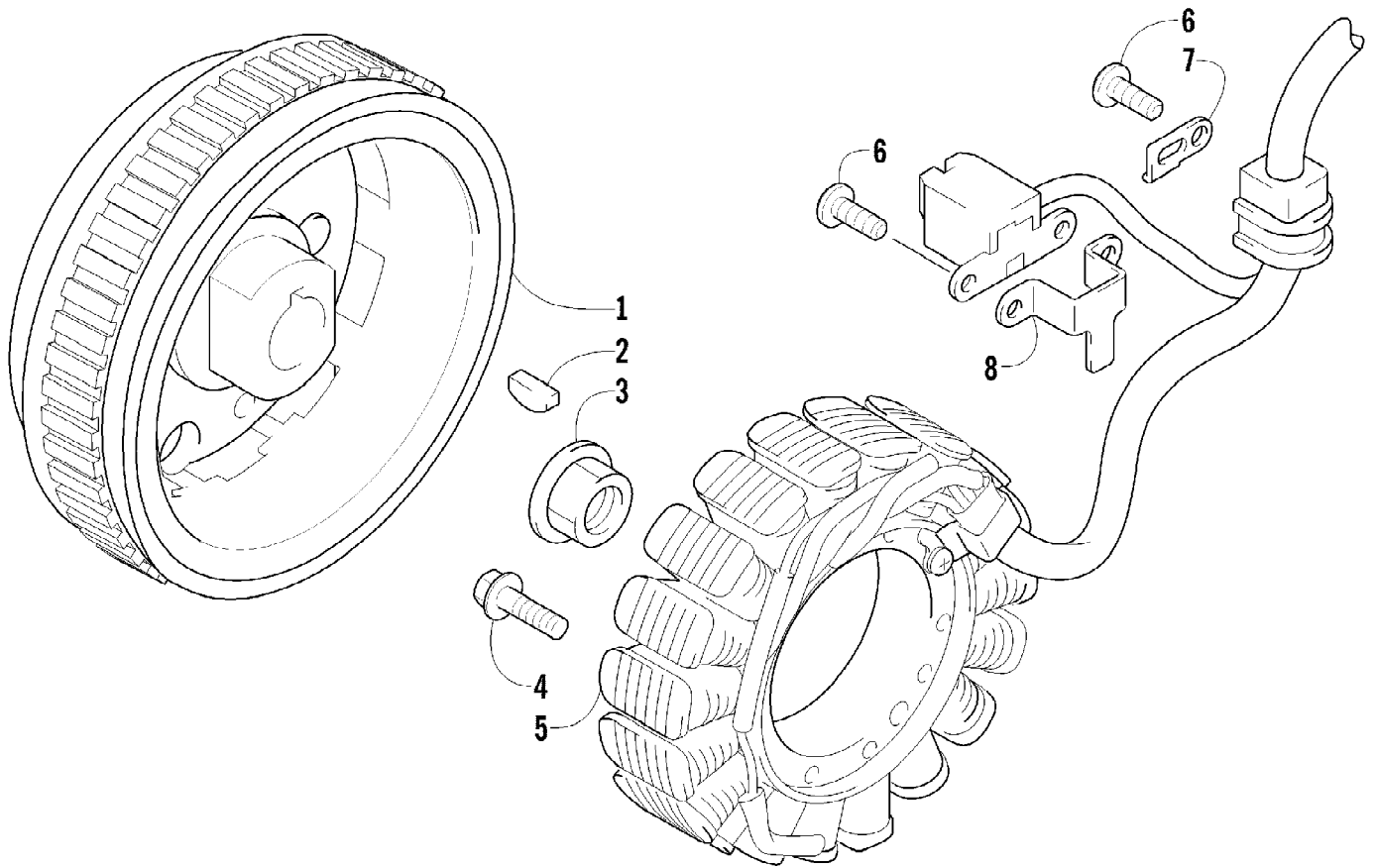
Ref #	Part Number	Qty	S/P/F	Description
1	0505-418	1	/P	Handlebar
2	0405-218	2		Plug, Handlebar
3	0405-147	2		Grip, Handlebar
4	0405-149	2		End Cap, Handlebar
5	8050-247	2	/P	Washer
6	8477-845	2		Screw, Machine
7	0509-054	1		Case, Throttle - Assembly (inc. 8-15)
8	0409-141	1		Cover, Throttle Case w/Switch
9	3007-392	1	/P	Screw, Cap
10	3004-447	1	/P	Washer, Lock
11	3003-030	1	/P	Washer
12	0409-133	1		Lever, Throttle
13	3423-014	1		Screw, Machine
14	3423-327	1		Nut
15	3423-199	2		Screw, Machine
16	0411-966	1		Decal, Warning - Differential Lock
17	1411-865	1		Decal, Warning - Brake Lever Lock
18	3409-019	1		Cover, Switch Housing
19	0509-014	1		Switch, Control - Assembly



Ref #	Part Number	Qty	S/P/F	Description
1	1502-015	1		Hose, Brakeline - Assembly
2	0623-038	2		Nut w/Washer
3	8476-625	1		Screw, Machine
4	1502-063	1		Lever, Brake
5	0502-807	1		Spring, Brake Lever
6	1602-213	2	/P	O-Ring
7	8050-252	1		Washer
8	8408-816	1		Screw, Cap
9	1502-293	1		Brake Assembly (inc. 10)
10	1502-155	1		Reservoir, Brake w/Clamp
11	1502-296	1	/P	Adapter, Hose
12	8476-616	1		Screw, Machine
13	1502-593	1		Hose, Brakeline
14	0502-785	1		Spring, Brake Switch
15	8408-625	2		Screw, Cap
16	1502-179	1		Bracket, Switch
17	0423-413	6		Bolt, Banjo-Fitting
18	0423-178	12		Washer, Crush
19	1436-422	1	/P	Caliper, Brake - Right Front (inc. two No. 20 and 21-27)
19	1436-423	1	/P	Caliper, Brake - Left Front (inc. two No. 20 and 21-27)
19	1436-423	1	/P	Caliper, Brake - Rear (inc. two No. 20 and 21-27)
20	8408-821	6	/P	Screw, Cap
21	1436-160	1	/P	Housing, Caliper - Assembly - Right Front (inc. two No. 20 and 22-24)
21	1436-161	1	/P	Housing, Caliper - Assembly - Left Front (inc. two No. 20 and 22-24)
21	1436-161	1	/P	Housing, Caliper - Assembly - Rear (inc. two No. 20 and 22-24)
22	0502-606	3		Piston/Seal Set (inc. 23)
23	0502-607	3		Seal Set
24	0502-609	4	/P	Valve, Bleed
25	0502-608	3		O-Ring, Guide - Set
26	0502-605	3		Bracket Assembly
27	1502-694	3	S	Pad, Brake - Set
28	0123-788	AR	/P	Tie, Cable - 8 in.
29	1502-115	2		Clip, Brakeline Hose
30	1502-902	1	/P	Brake Assembly (inc. 31-39)
31	0502-566	1		Screw, Machine - Kit
32	0502-868	1	/P	Cover, Reservoir
33	0502-568	1		Screw, Machine - Kit
34	0502-869	1		Clamp, Master Cylinder
35	0502-704	1		Master Cylinder Assembly
36	1502-904	1		Lever Assembly - Kit (inc. 37-38)
37	1502-905	1		Lock, Brake Lever - Kit
38	0502-580	1		Lever Pin - Kit
39	0502-564	1	/P	Switch, Brake

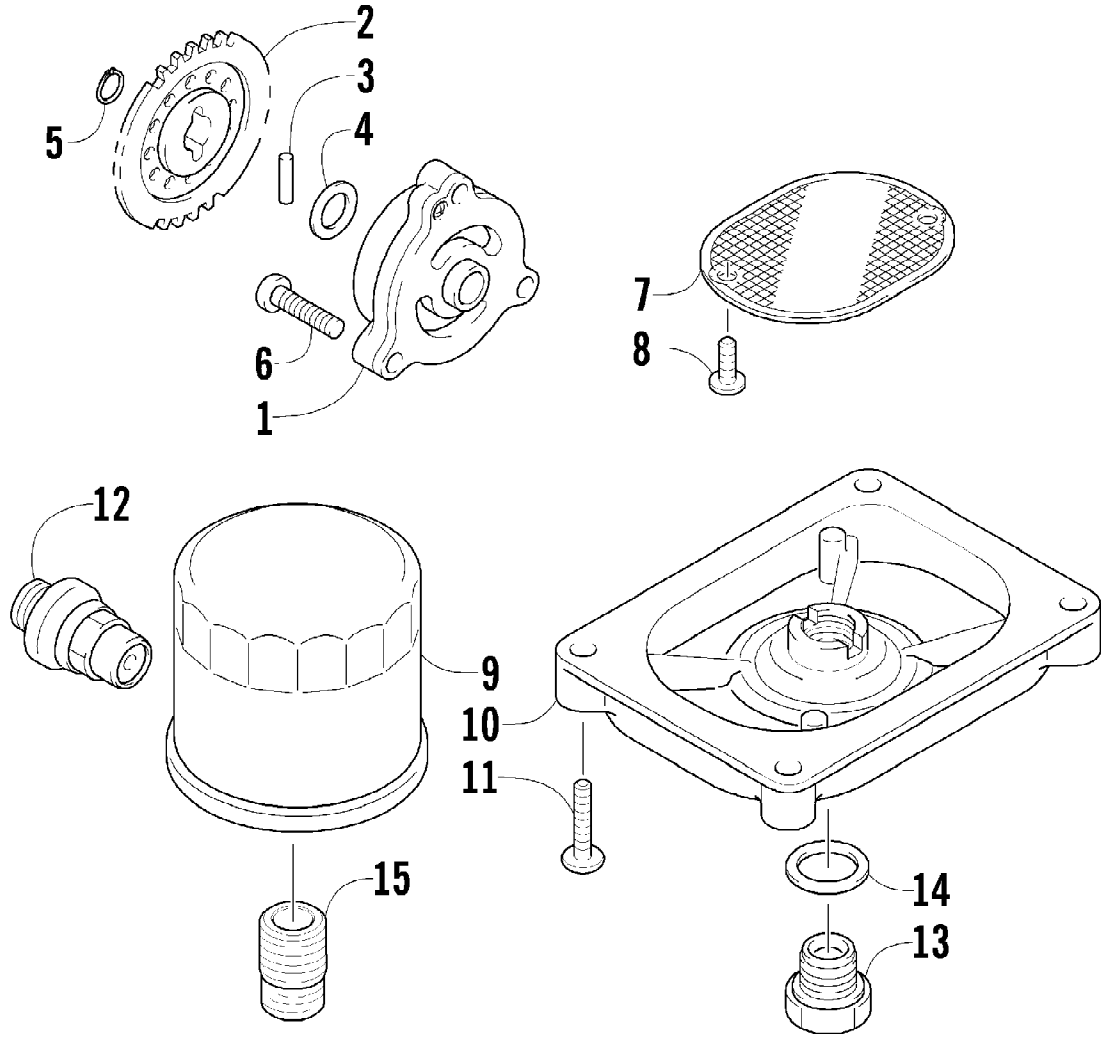


Ref #	Part Number	Qty	S/P/F	Description
1	0430-090	1	/P	Switch, Ignition - Assembly (inc. 2-4)
2	0430-050	1		Nut, Retaining
3	0430-042	1		Key, Ignition (Y Series - Left-Side Cut)
3	0430-043	1		Key, Ignition (Z Series - Right-Side Cut)
4	0430-054	1		Cover, Key
5	0520-103	1		Gauge, LCD
6	9611-603	1		Decal, 50th Anniversary
7	0641-897	1	/P	Outlet, Accessory - 12V
8	0505-590	1		Instrument Pod
9	0420-065	1	/P	Bracket, Retaining
10	0423-493	2		Nut w/Washer
11	2506-470	1		Bracket, Mounting - Instrument Pod
12	0423-535	2		Rivet, Reinstallable



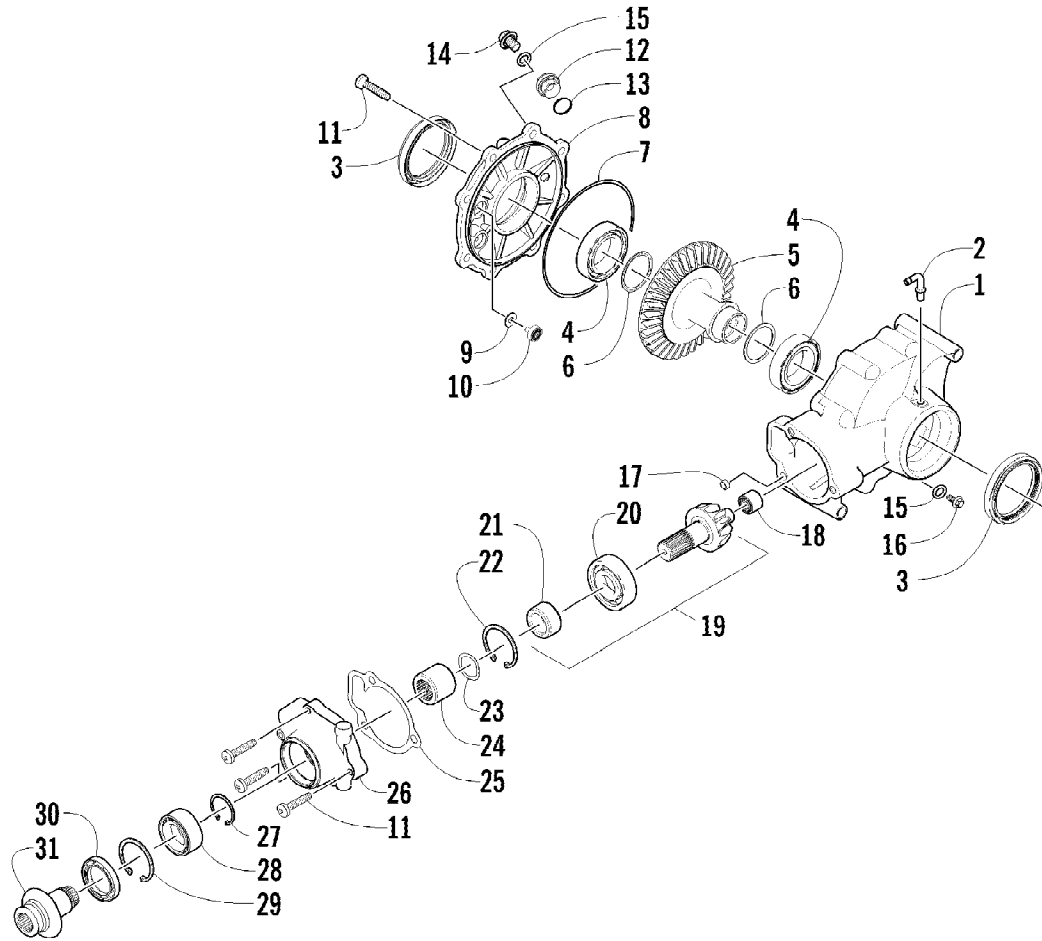
2012 ATV 550 LTD INTERNATIONAL METALLIC GREEN (A2012BLO1POSA) Page 47 of 81
MAGNETO ASSEMBLY

Ref #	Part Number	Qty	S/P/F	Description
1	0802-048	1		Rotor/Flywheel
2	0829-012	1		Key
3	0827-014	1		Nut
4	8409-632	3		Screw, Cap
5	0802-041	1		Stator - Assembly
6	8470-510	3		Screw, Machine
7	0802-015	1		Clamp - No. 1
8	0802-016	1		Clamp - No. 2



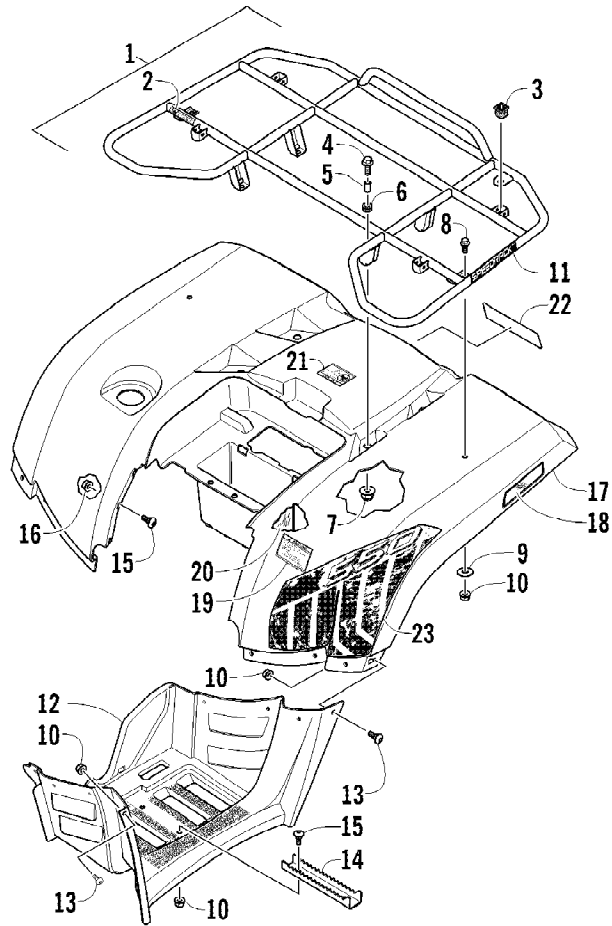
2012 ATV 550 LTD INTERNATIONAL METALLIC GREEN (A2012BLO1POSA) Page 49 of 81
OIL FILTER/PUMP ASSEMBLY

Ref #	Part Number	Qty	S/P/F	Description
1	0812-023	1		Pump, Oil
2	0812-083	1	/P	Gear, Driven
3	0829-009	1		Pin
4	0828-007	1	/P	Washer
5	0831-002	1		Ring, Retaining
6	0826-039	3		Screw, Machine
7	0812-057	1	/P	Strainer, Oil
8	0826-040	2		Screw, Machine
9	0812-029	1	S	Filter, Oil
10	0812-053	1		Cap, Oil Strainer
11	8468-625	4		Screw, Machine
12	0812-007	1		Valve, Oil-Relief - Assembly
13	0812-006	1		Plug, Drain
14	0830-017	1		Gasket, Drain Plug
15	0812-008	1		Union, Oil Filter



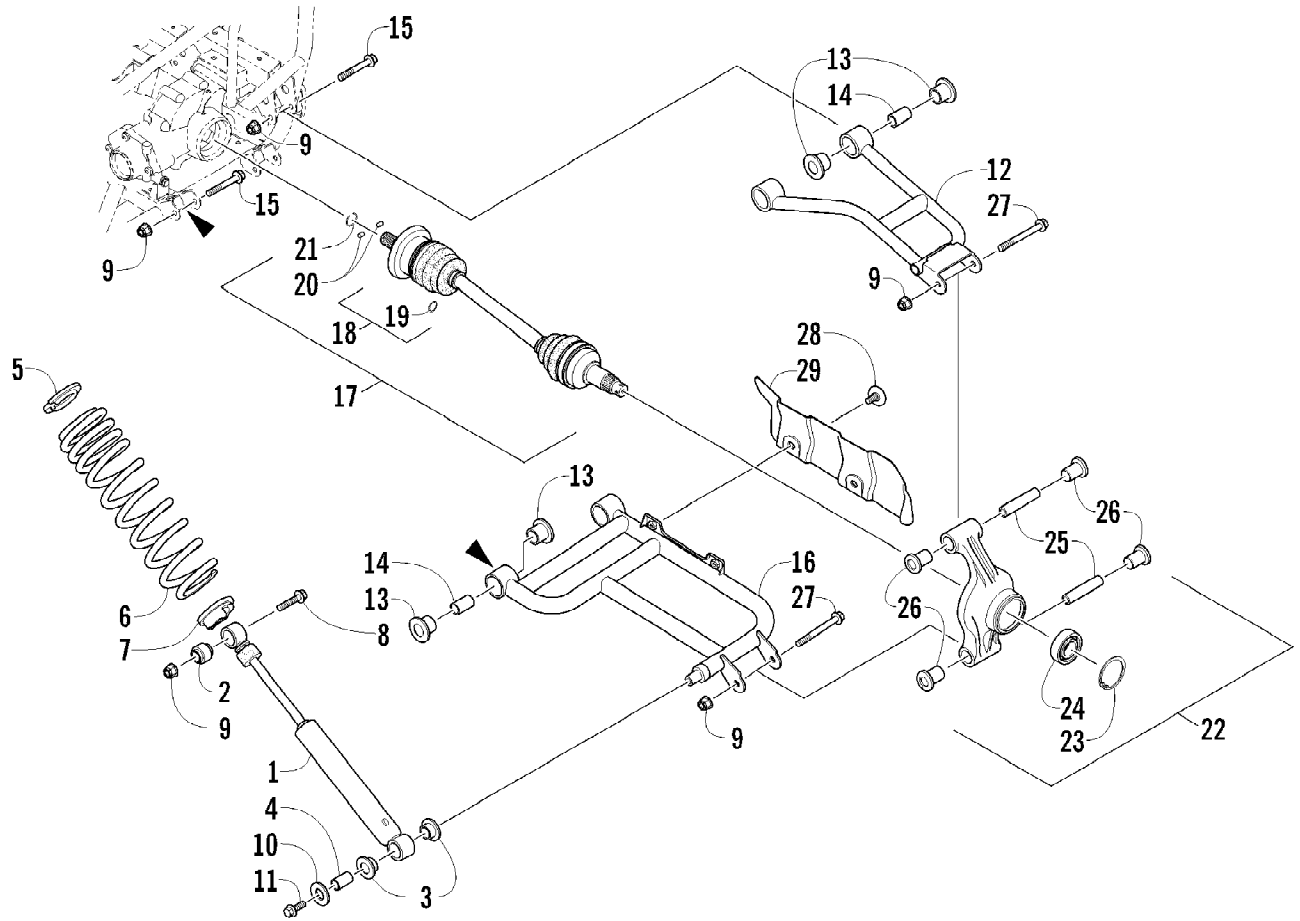
2012 ATV 550 LTD INTERNATIONAL METALLIC GREEN (A2012BLO1POSA) Page 51 of 81
REAR DRIVE GEARCASE ASSEMBLY

Ref #	Part Number	Qty	S/P/F	Description
	1502-879	1		Complete Rear Drive Gearcase Assembly
1	1502-896	1		Housing, Gearcase
2	1402-442	1		Fitting, Elbow
3	1402-950	2	/P	Seal
4	0402-393	2		Bearing
5	1402-032	1		Gear, Ring - 36T
6	0402-405	AR		Shim, 41 x 49 x 1.3 mm
6	0402-406	AR		Shim, 41 x 49 x 1.4 mm
6	0402-407	AR		Shim, 41 x 49 x 1.5 mm
6	0402-408	AR		Shim, 41 x 49 x 1.6 mm
6	0402-409	AR		Shim, 41 x 49 x 1.7 mm
7	0423-149	1		O-Ring
8	1502-897	1		Cover, Gearcase
9	0402-429	AR		Shim, 6.3 x 18 x 1.3 mm
9	0402-430	AR		Shim, 6.3 x 18 x 1.4 mm
9	0402-431	AR		Shim, 6.3 x 18 x 1.5 mm
9	0402-432	AR		Shim, 6.3 x 18 x 1.6 mm
9	0402-433	AR		Shim, 6.3 x 18 x 1.7 mm
10	0402-326	1		Button, Thrust
11	0423-118	11		Screw, Self-Tapping
12	0402-333	1	/P	Plug, Magnetic (inc. 13)
13	0423-154	1		O-Ring
14	1402-211	1		Plug, Oil Level (inc. one No. 15)
15	0423-153	2		O-Ring
16	1402-210	1	/P	Plug, Fill (inc. one No. 15)
17	0402-411	1		Pin, Dowel
18	0402-328	1		Bearing
19	1502-863	1		Gear, Pinion - Assembly - 10T (inc. 20-21)
20	0402-327	1		Bearing
21	1402-977	1		Collar, Retaining
22	1423-067	1		Ring, Retaining
23	0402-982	1		Washer, Wave
24	0402-981	1		Collar, Shaft
25	0402-947	1		Gasket, Flange
26	0502-529	1		Housing, Pinion
27	0423-417	1		Ring, Retaining
28	1402-043	1		Bearing
29	0423-423	1		Ring, Retaining
30	1402-011	1		Seal
31	1502-085	1	/P	Shaft, Input



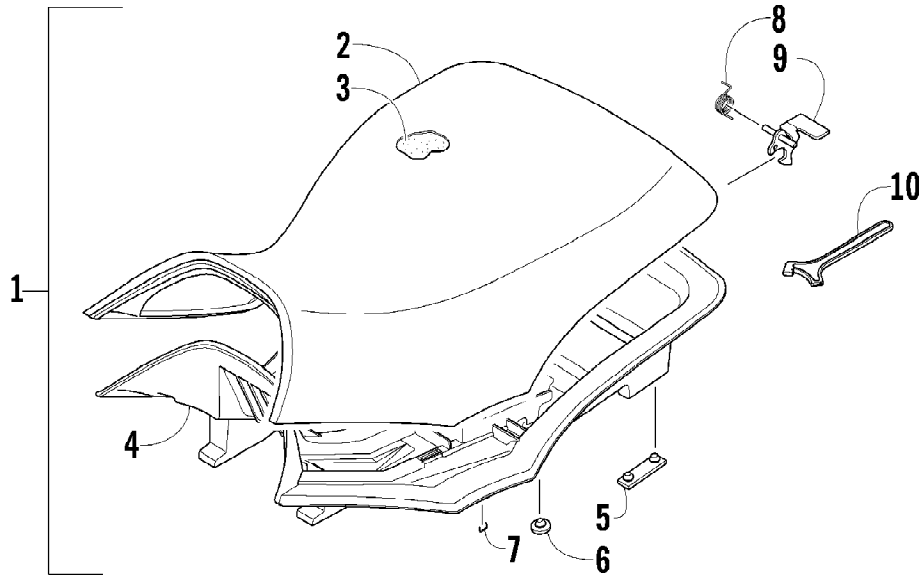
2012 ATV 550 LTD INTERNATIONAL METALLIC GREEN (A2012BLO1POSA) Page 53 of 81
REAR RACK, BODY PANEL, AND FOOTWELL ASSEMBLIES

Ref #	Part Number	Qty	S/P/F	Description
1	2506-124	1		Rack, Rear - Assembly (inc. 2-3)
2	0411-648	1		Decal, Warning - Load
3	0441-592	4	/P	Bushing
4	8410-830	4		Screw, Cap
5	0423-669	4		Spacer
6	0423-465	4		Grommet
7	8432-802	4		Nut, Lock
8	0423-654	2		Screw, Shoulder
9	8050-222	2	/P	Washer
10	0423-540	24		Nut, Lock
11	0411-965	2		Decal, "Speedrack"
12	2406-280	1		Footwell - Right
12	2406-281	1		Footwell - Left
13	0423-419	18		Screw, Machine
14	1506-125	2	/P	Footpeg
15	0423-355	10		Screw, Shoulder
16	8424-602	6	/P	Nut
17	2516-688	1		Panel, Fender - Assembly (inc. 18-21)
18	1411-598	1		Decal, Reflector - Right
18	1411-599	1		Decal, Reflector - Left
19	2411-143	1	/P	Decal, Warning - Tire Pressure
20	0412-351	1		Foil, Protective
21	1411-809	1	/P	Decal, Passenger
22	1411-725	1		Decal, "Arctic Cat"
23	2411-670	1		Decal, Side - Lower Right
23	2411-671	1		Decal, Side - Lower Left



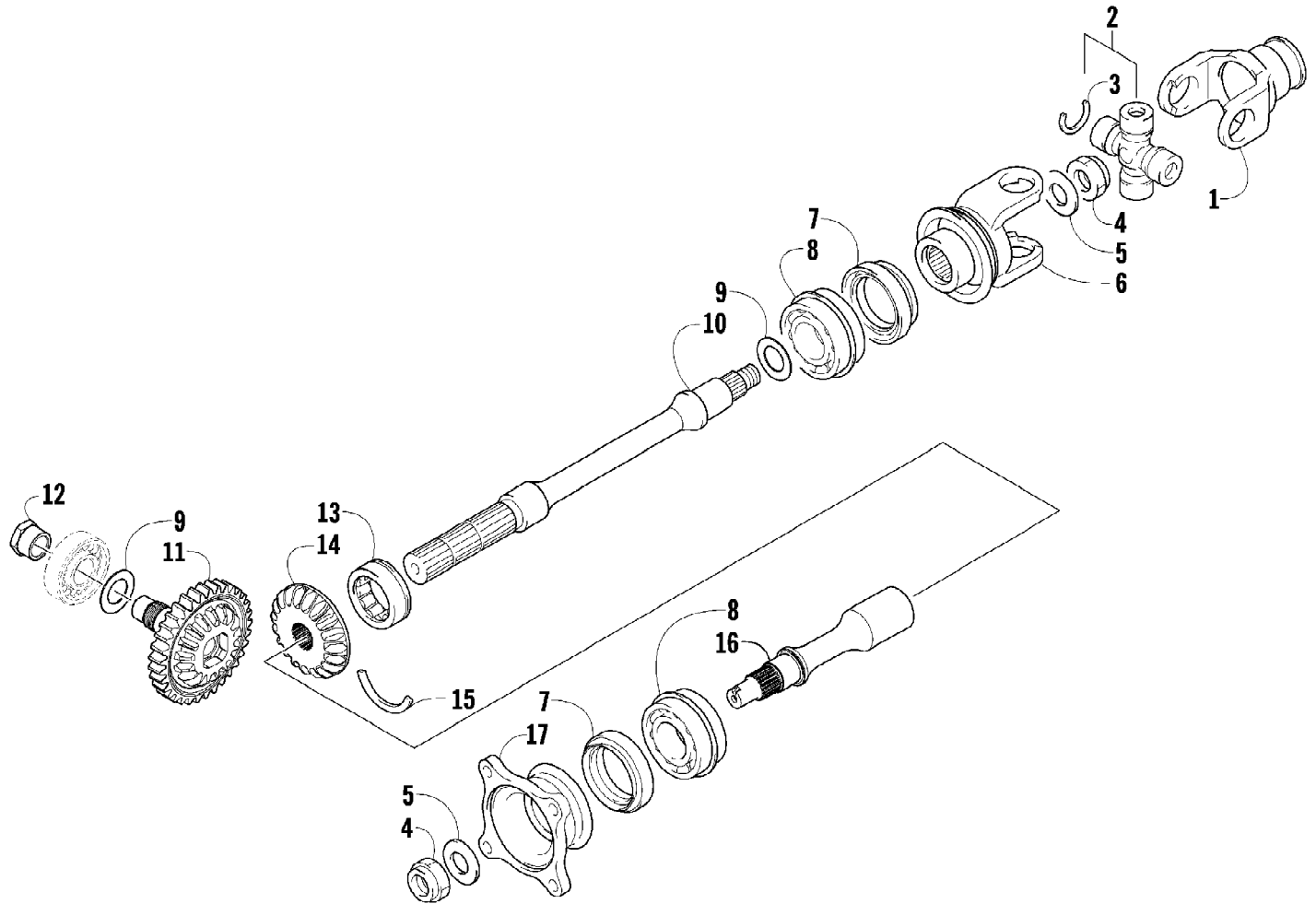
2012 ATV 550 LTD INTERNATIONAL METALLIC GREEN (A2012BLO1POSA) Page 55 of 81
REAR SUSPENSION ASSEMBLY

Ref #	Part Number	Qty	S/P/F	Description
1	0404-158	2		Shock Absorber (inc. 2-4)
2	0403-182	2		Bushing
3	0603-955	4		Bushing
4	1603-219	2	S	Sleeve
5	1603-889	2	/P	Retainer, Spring
6	0504-659	2		Spring, Suspension
7	0404-057	2		Cam, Spring Adjuster
8	8409-040	1		Screw, Cap - Right
8	8409-050	1		Screw, Cap - Left
9	0423-744	14		Nut, Lock
10	0423-087	2		Washer
11	8408-820	2	/P	Screw, Cap
12	0504-582	1		A-Arm, Rear - Upper Right (inc. 13-14)
12	0504-583	1	/P	A-Arm, Rear - Upper Left (inc. 13-14)
13	0403-208	16	/P	Bushing
14	0403-214	8	/P	Axle
15	8409-075	8		Screw, Cap
16	0504-572	1		A-Arm, Rear - Lower Right (inc. 13-14)
16	0504-573	1		A-Arm, Rear - Lower Left (inc. 13-14)
17	1502-798	2	S	Axle, Drive (inc. 18-21)
18	1436-419	2		Repair Kit, Boot (inc. 19)
19	1441-988	2		Clip, Retaining
20	1402-884	4		Pin, Detent
21	1402-890	2		Clip, Retaining
22	0504-548	1	/P	Knuckle, Right - Assembly (inc. 23-26)
22	0504-549	1	/P	Knuckle, Left - Assembly (inc. 23-26)
23	0423-423	2		Ring, Retaining
24	1402-809	2	/P	Bearing
25	0403-213	4	/P	Axle
26	0403-206	8	/P	Bushing
27	8409-000	4		Screw, Cap
28	0423-545	4	/P	Screw, Shoulder
29	1406-068	1		Guard, Boot - Rear - Right
29	1406-069	1		Guard, Boot - Rear - Left



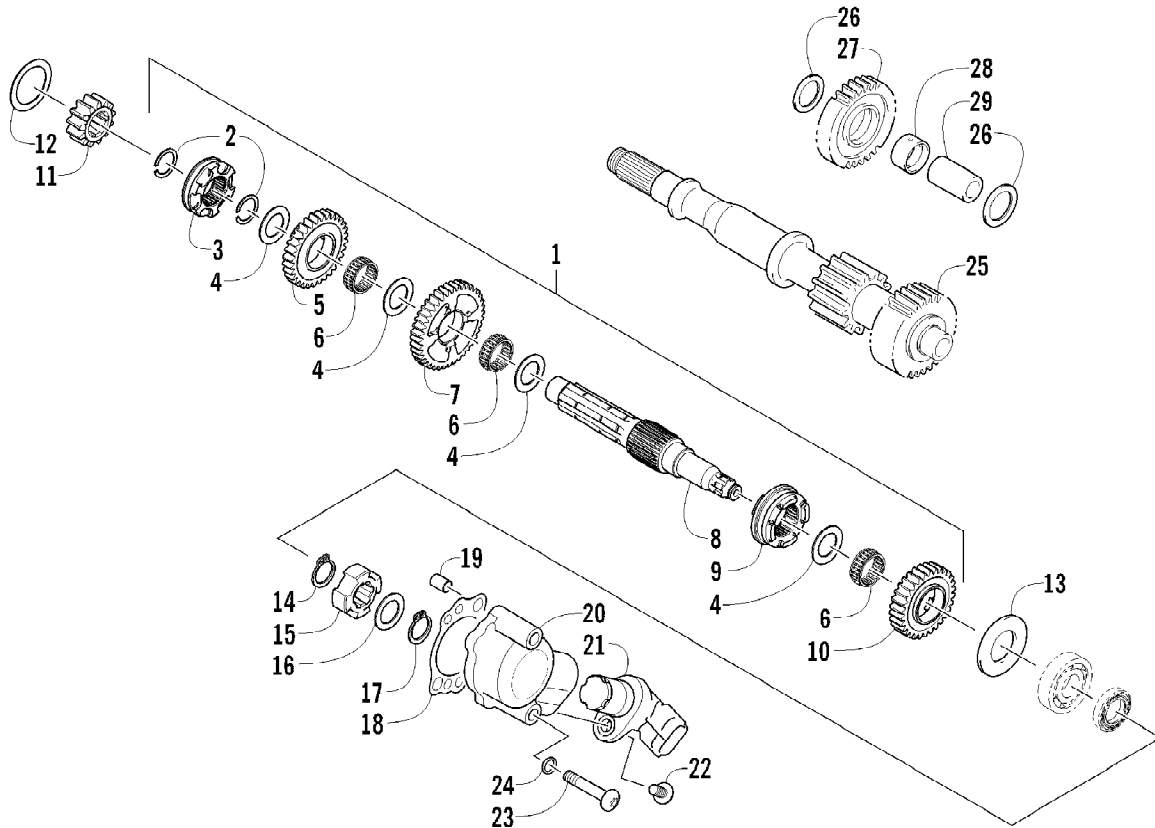
2012 ATV 550 LTD INTERNATIONAL METALLIC GREEN (A2012BLO1POSA) Page 57 of 81
SEAT ASSEMBLY

Ref #	Part Number	Qty	S/P/F	Description
1	4506-557	1	/P	Seat Assembly (inc. 2-9)
2	1506-209	1		Cover, Seat
3	0517-119	1		Foam, Seat
4	2416-826	1	/P	Base, Seat - Assembly (inc. 5-6)
5	0406-879	2		Bumper, Seat - Rear
6	0406-877	4	/P	Bumper, Seat - Front
7	0624-263	AR		Staple
8	1406-592	1	/P	Spring, Seat Latch
9	1506-156	1		Latch, Seat
10	0441-587	1		Wrench, Spanner



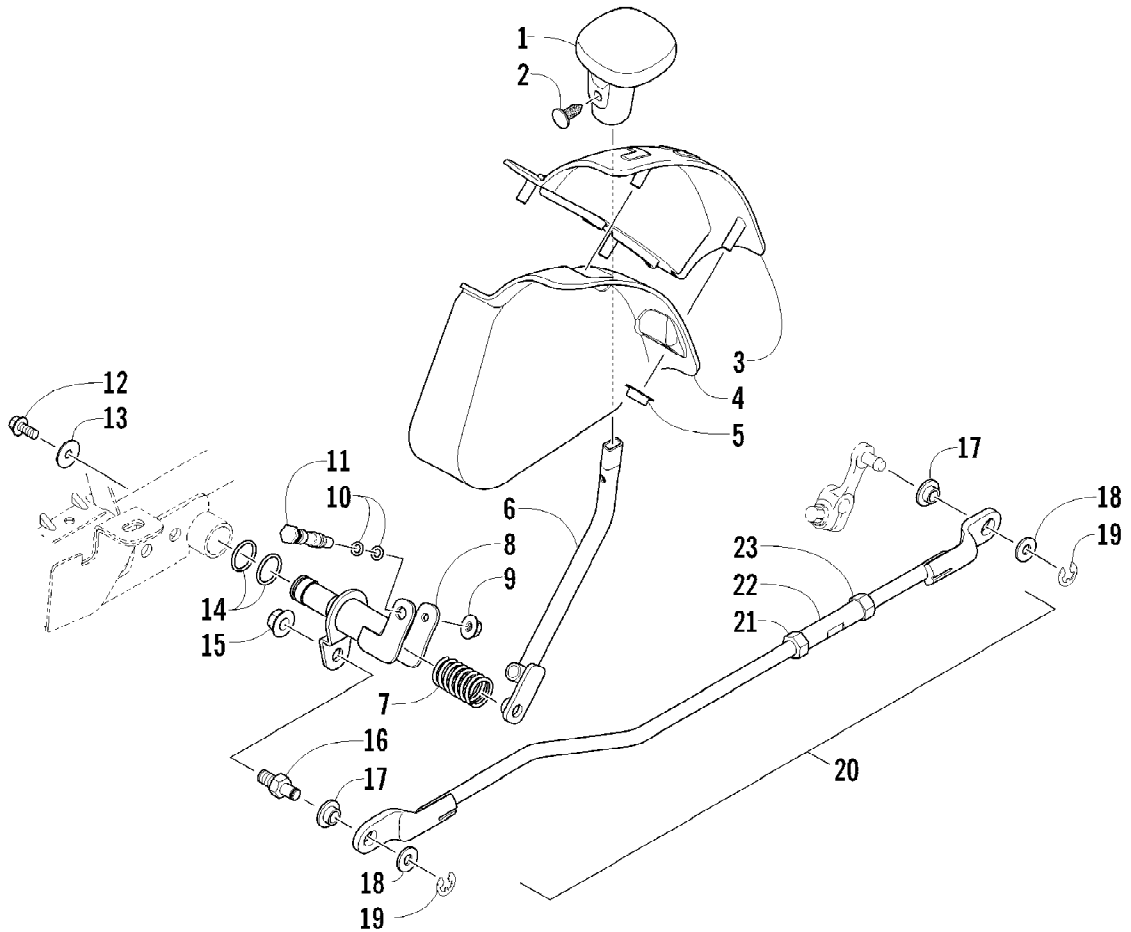
2012 ATV 550 LTD INTERNATIONAL METALLIC GREEN (A2012BLO1POSA) Page 59 of 81
SECONDARY DRIVE ASSEMBLY

Ref #	Part Number	Qty	S/P/F	Description
1	0819-063	1		Yoke, Propeller Shaft Joint
2	1402-164	1	/P	Joint, Universal - Set (inc. 3)
3	0423-450	4		Ring, Retaining
4	0827-013	2		Nut
5	0828-020	2		Washer
6	0819-061	1		Yoke, Drive Output - Front
7	0830-043	2		Seal, Oil
8	0832-017	2		Bearing
9	0828-021	AR		Shim, 25 x 34 x 0.25 mm
9	0828-022	AR		Shim, 25 x 34 x 0.30 mm
9	0828-023	AR		Shim, 25 x 34 x 0.70 mm
9	0828-024	AR		Shim, 25 x 34 x 0.90 mm
9	0828-025	AR		Shim, 25 x 34 x 0.95 mm
9	0828-026	AR		Shim, 25 x 34 x 1.00 mm
9	0828-027	AR		Shim, 25 x 34 x 1.05 mm
9	0828-028	AR		Shim, 25 x 34 x 1.10 mm
9	0828-029	AR		Shim, 25 x 34 x 1.15 mm
10	0819-089	1	/P	Shaft, Secondary Driven - Front
11	0822-131	1		Gear, Secondary Drive
12	0827-052	1		Nut
13	0832-016	1		Bearing
14	0822-106	1		Gear, Secondary Driven
15	0819-011	1		Ring, Driven Bearing
16	0819-053	1		Shaft, Secondary Driven - Rear
17	0819-005	1		Flange, Output Joint - Rear



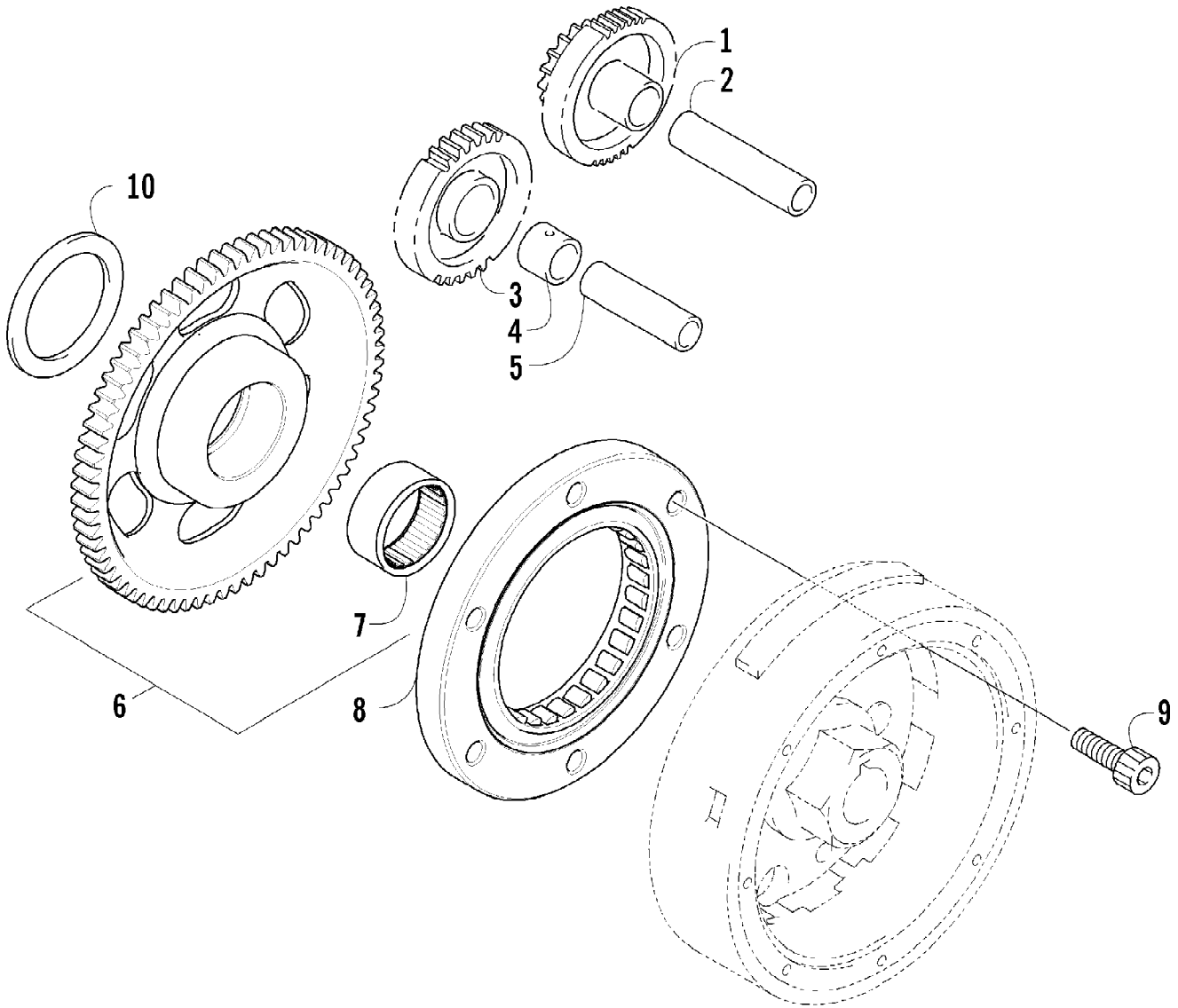
2012 ATV 550 LTD INTERNATIONAL METALLIC GREEN (A2012BLO1POSA) Page 61 of 81
SECONDARY TRANSMISSION ASSEMBLY

Ref #	Part Number	Qty	S/P/F	Description
1	0822-124	1		Countershaft Assembly (inc. 2-10)
2	0831-085	2		Ring, Retaining
3	0822-120	1		Gear Select, Reverse
4	0822-121	4		Shim
5	0822-119	1		Gear, Reverse Driven
6	0832-082	3		Bearing
7	0822-114	1		Gear, Driven - Low
8	0822-113	1		Countershaft
9	0822-116	1		Gear Select, Sliding
10	0822-115	1		Gear, Driven - High
11	0822-125	1		Gear, Drive
12	0828-019	1		Washer, Thrust
13	0828-011	1		Washer
14	0831-040	1		Ring, Retaining
15	0822-050	1		Trigger, Speedometer Sensor
16	0828-069	1		Washer, Thrust
17	0831-039	1		Ring, Retaining
18	0830-129	1		Gasket
19	0829-023	2		Pin, Dowel
20	0822-049	1		Housing, Speedometer Sensor
21	0430-091	1		Sensor, Speedometer
22	8468-620	1	/P	Screw, Machine
23	8468-645	2		Screw, Machine
24	0830-107	2		Gasket
25	0822-001	1		Driveshaft
26	0828-016	2		Washer, Thrust
27	0822-011	1		Gear, Reverse Idle
28	0822-012	1		Bushing
29	0822-015	1		Shaft, Reverse Idle



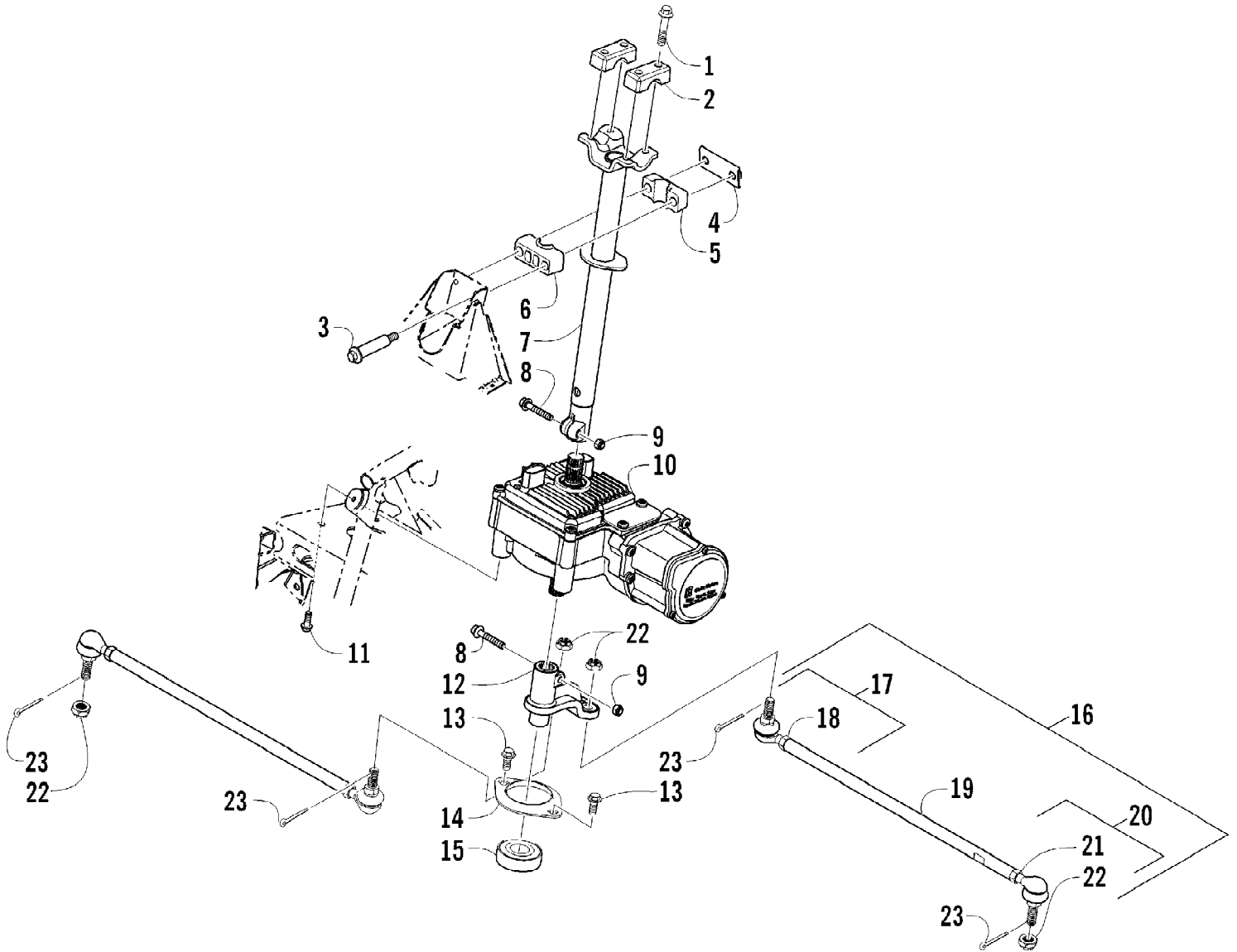
2012 ATV 550 LTD INTERNATIONAL METALLIC GREEN (A2012BLO1POSA) Page 63 of 81
SHIFT LEVER ASSEMBLY

Ref #	Part Number	Qty	S/P/F	Description
1	0402-843	1	/P	Knob, Shift
2	0423-345	1		Clip, Retaining
3	1402-562	1	/P	Plate, Shift
4	2406-348	1		Shield, Shift Plate
5	0423-357	4		Nut, Stamped
6	0502-659	1		Lever, Shift
7	0402-678	1	/P	Spring, Shift Lever
8	1502-332	1		Actuator, Shift
9	8424-602	1	/P	Nut
10	0423-182	2	/P	O-Ring
11	0402-675	1		Axle, Pivot
12	8408-812	1		Screw, Cap
13	0423-087	1		Washer
14	0423-299	2	/P	O-Ring
15	8424-802	1		Nut
16	1402-621	1		Pin, Mounting
17	0423-091	2		Bushing
18	0623-094	2		Washer
19	0423-169	2	/P	E-Ring
20	1502-622	1		Linkage, Shift - Assembly (inc. 21-23)
21	0123-917	1	/P	Nut, Hex - Left-Hand Thread
22	1402-619	1		Coupler
23	0623-294	1		Nut, Hex - Right-Hand Thread



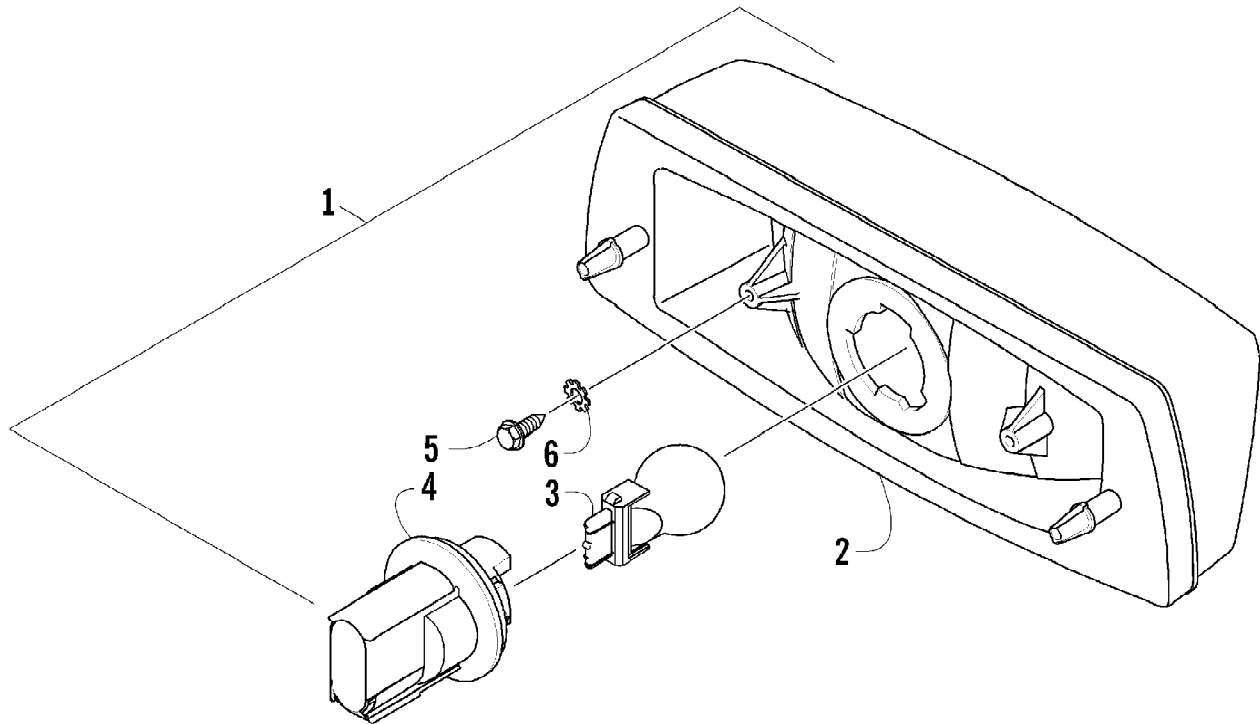
2012 ATV 550 LTD INTERNATIONAL METALLIC GREEN (A2012BLO1POSA) Page 65 of 81
STARTER CLUTCH ASSEMBLY

Ref #	Part Number	Qty	S/P/F	Description
1	0815-001	1		Gear, Starter Idler - No. 1
2	0829-031	1	/P	Shaft, Starter Gear
3	0815-002	1		Gear, Starter Idler - No. 2
4	0815-003	1		Spacer, Starter Idler Gear No. 2
5	0829-032	1	/P	Shaft, Starter Gear
6	0815-004	1		Gear, Starter Clutch (inc. 7)
7	0832-079	1	/P	Bearing
8	0802-035	1		Clutch, Starter
9	0826-069	6		Screw, Machine
10	0828-094	1		Washer



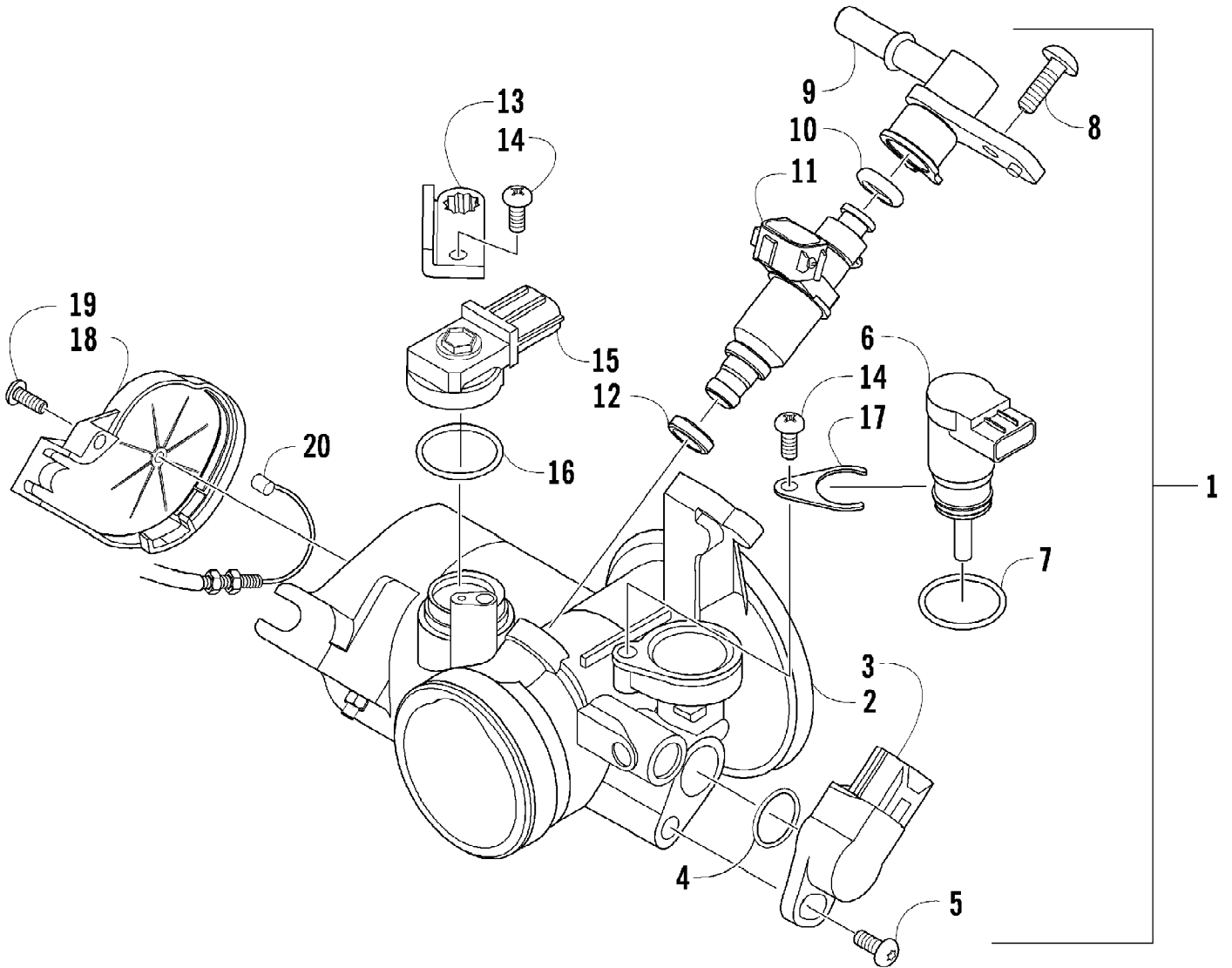
2012 ATV 550 LTD INTERNATIONAL METALLIC GREEN (A2012BLO1POSA) Page 67 of 81
STEERING ASSEMBLY

Ref #	Part Number	Qty	S/P/F	Description
1	8408-835	4		Screw, Cap
2	0405-035	2		Cap, Steering Adjuster
3	0423-505	2		Screw, Shoulder
4	0505-484	1		Cap, Housing
5	0405-260	1		Housing, Upper
6	0405-259	1		Housing, Lower
7	0505-642	1		Post, Steering
8	8020-045	2		Screw, Cap
9	8040-366	2	/P	Nut, Lock
10	0505-766	1		Assembly, Electronic Power Steering
11	8409-020	4	/P	Screw, Cap
12	0505-664	1		Arm, Steering
13	8408-816	2		Screw, Cap
14	0602-233	1		Flange, Bearing
15	0405-052	1		Bearing w/Inverted Oil Seal
16	0505-499	2	/P	Tie Rod - Assembly (inc. 17-21)
17	0505-511	2	/P	End, Tie Rod - Left-Hand Thread - Kit (inc. 18)
18	0423-013	2		Nut - Left-Hand Thread
19	0405-281	2	/P	Tie Rod
20	0505-510	2	/P	End, Tie Rod - Right-Hand Thread - Kit (inc. 21)
21	8420-002	2	/P	Nut - Right-Hand Thread
22	0423-157	4		Nut, Lock
23	0623-175	4		Pin, Cotter



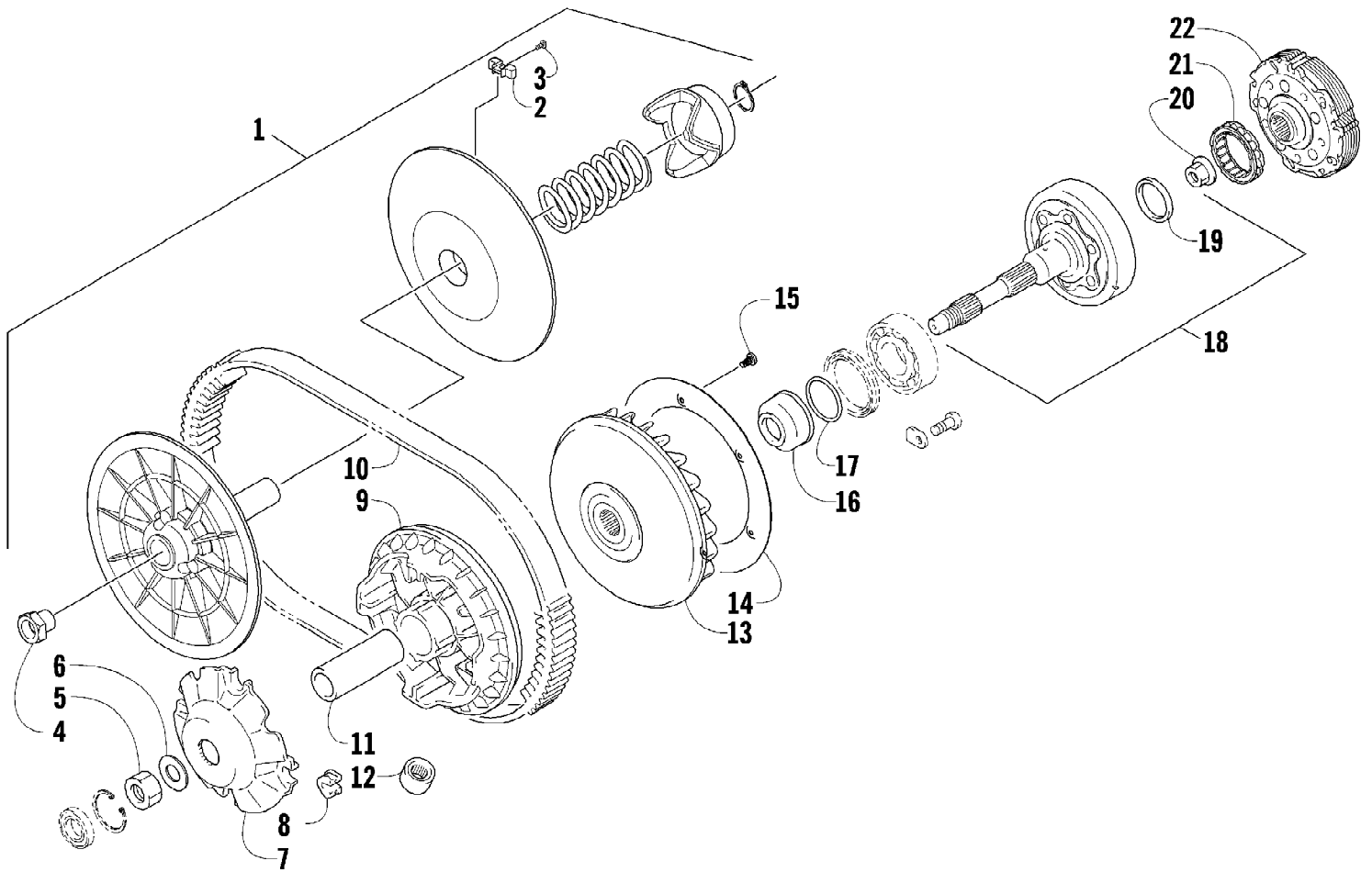
2012 ATV 550 LTD INTERNATIONAL METALLIC GREEN (A2012BLO1POSA) Page 69 of 81
TAILLIGHT ASSEMBLY

Ref #	Part Number	Qty	S/P/F	Description
1	0509-022	1		Taillight Assembly (inc. 2-4)
2	0509-025	1		Housing, Taillight
3	0409-056	1		Bulb, Taillight
4	0409-057	1		Socket, Taillight
5	0623-301	2	/P	Screw, Self-Tapping
6	8053-212	2	/P	Washer, External Tooth Lock



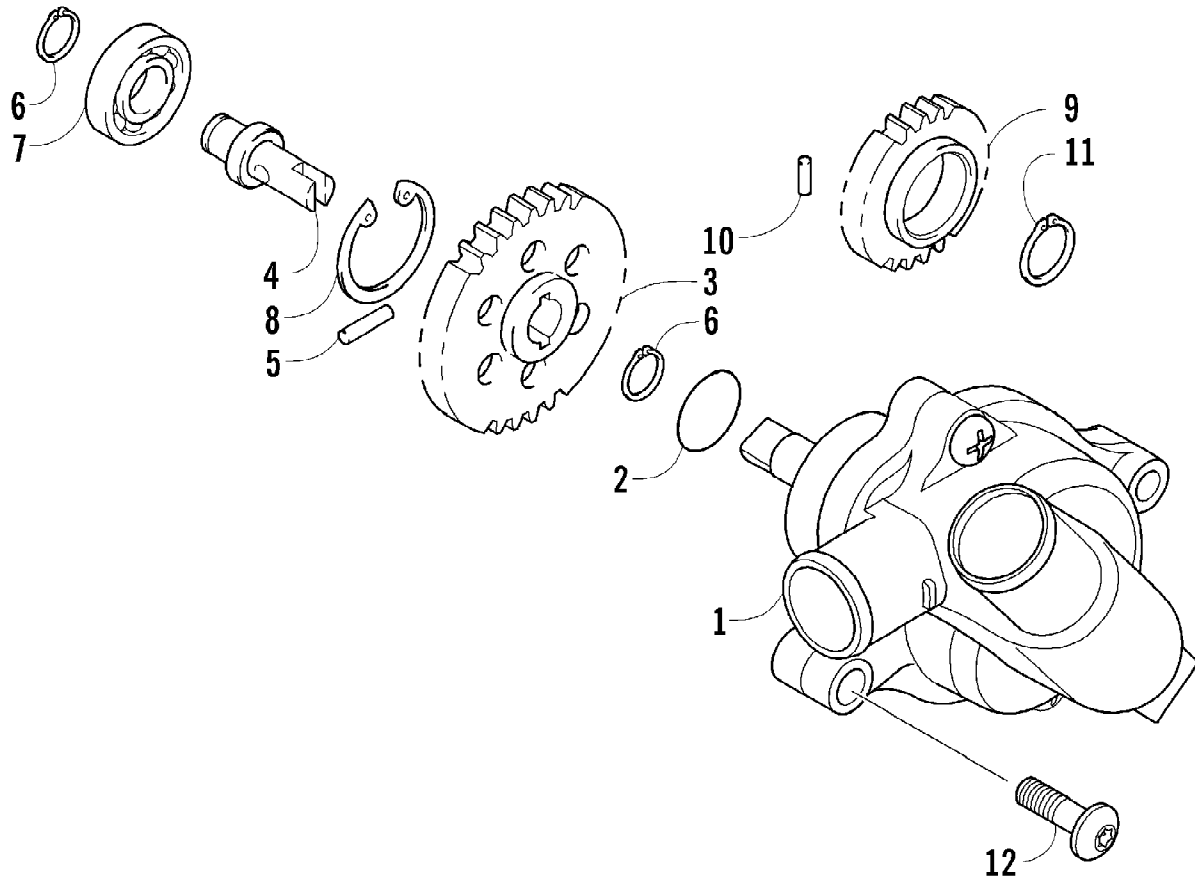
2012 ATV 550 LTD INTERNATIONAL METALLIC GREEN (A2012BLO1POSA) Page 71 of 81
THROTTLE BODY ASSEMBLY

Ref #	Part Number	Qty	S/P/F	Description
1	0470-753	1		Throttle - Assembly (inc. 2-19)
2	0	1	F	Throttle Body
3	0430-072	1		Sensor, Throttle Position
4	5507-234	1		O-Ring
5	5507-231	1		Screw, Machine
6	0430-074	1		Valve, ISC
7	5507-233	1		O-Ring
8	5507-238	1		Screw, Machine
9	0470-687	1		Rail, Fuel
10	0470-767	1		O-Ring
11	0470-762	1		Injector, Fuel
12	0470-768	1		Seal
13	5507-227	1		Bracket, MAP Sensor
14	5507-117	2	/P	Screw, Machine
15	0430-073	1		Sensor, MAP
16	5507-232	1		O-Ring
17	5507-229	1		Plate, ISC Valve
18	5507-223	1		Cover
19	5507-037	1	/P	Screw, Machine
20	0487-057	1		Cable, Throttle



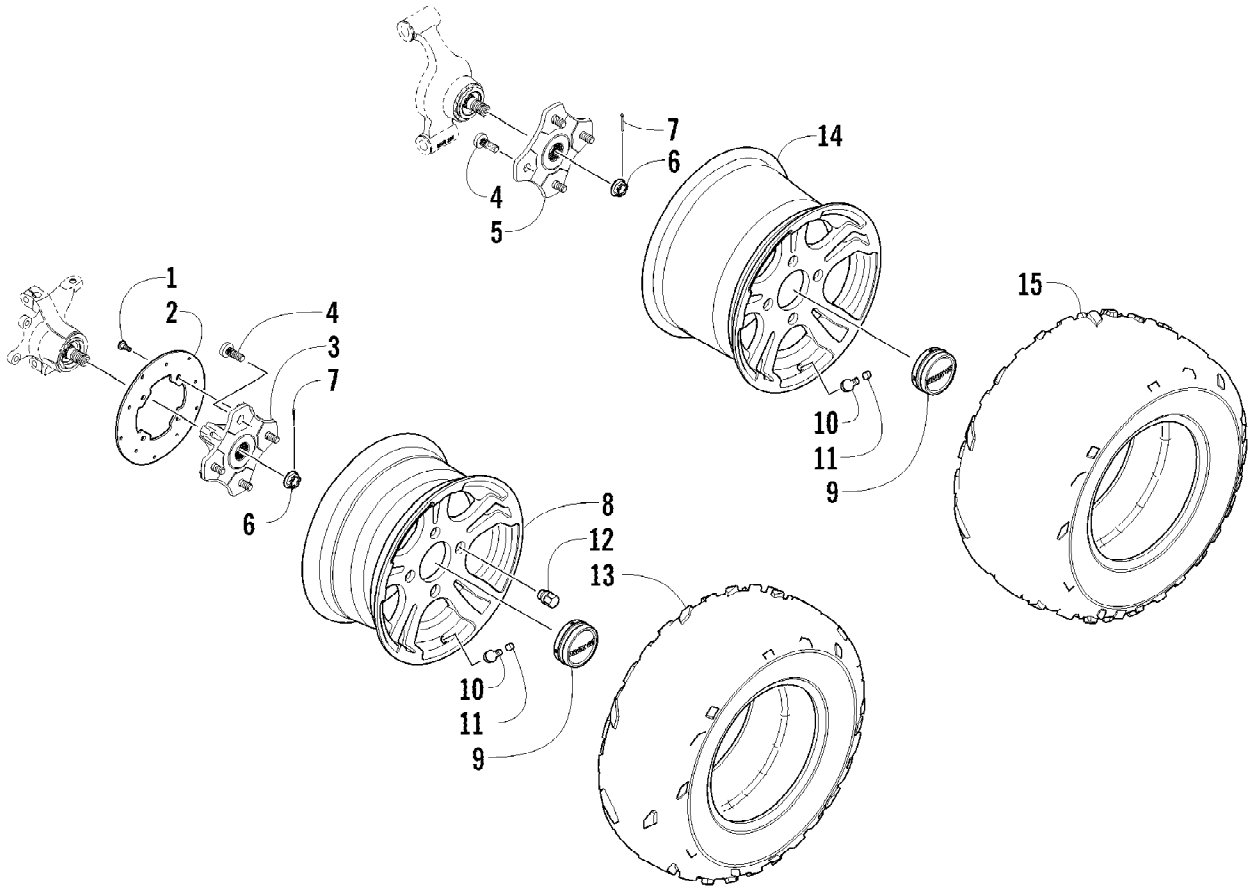
2012 ATV 550 LTD INTERNATIONAL METALLIC GREEN (A2012BLO1POSA) Page 73 of 81
TRANSMISSION ASSEMBLY

Ref #	Part Number	Qty	S/P/F	Description
1	0823-353	1	/P	Pulley, Driven - Assembly (inc. 2-4)
2	0823-176	3	/P	Shoe, Cam
3	0823-177	3		Screw, Machine
4	0823-178	1		Nut
5	0827-010	1		Nut
6	0828-106	1		Washer
7	0823-276	1		Plate, Movable Drive Face
8	0823-277	4		Damper, Movable Drive Face
9	0823-273	1		Face, Movable Drive
10	0823-013	1		Belt, Drive
11	0823-271	1		Spacer
12	0823-164	8		Roller
13	0823-272	1		Face, Fixed Drive
14	0823-131	1		Shroud, Drive Face
15	0623-914	6		Screw, Self-Tapping
16	0823-015	1		Spacer, Fixed Drive Face
17	0470-531	1		O-Ring
18	0821-002	1	/P	Housing, Clutch - Assembly
19	0830-189	1	/P	Seal
20	0827-011	1		Nut
21	0823-018	1		Clutch, One-Way
22	0823-310	1	/P	Clutch, Centrifugal - 6 Plate



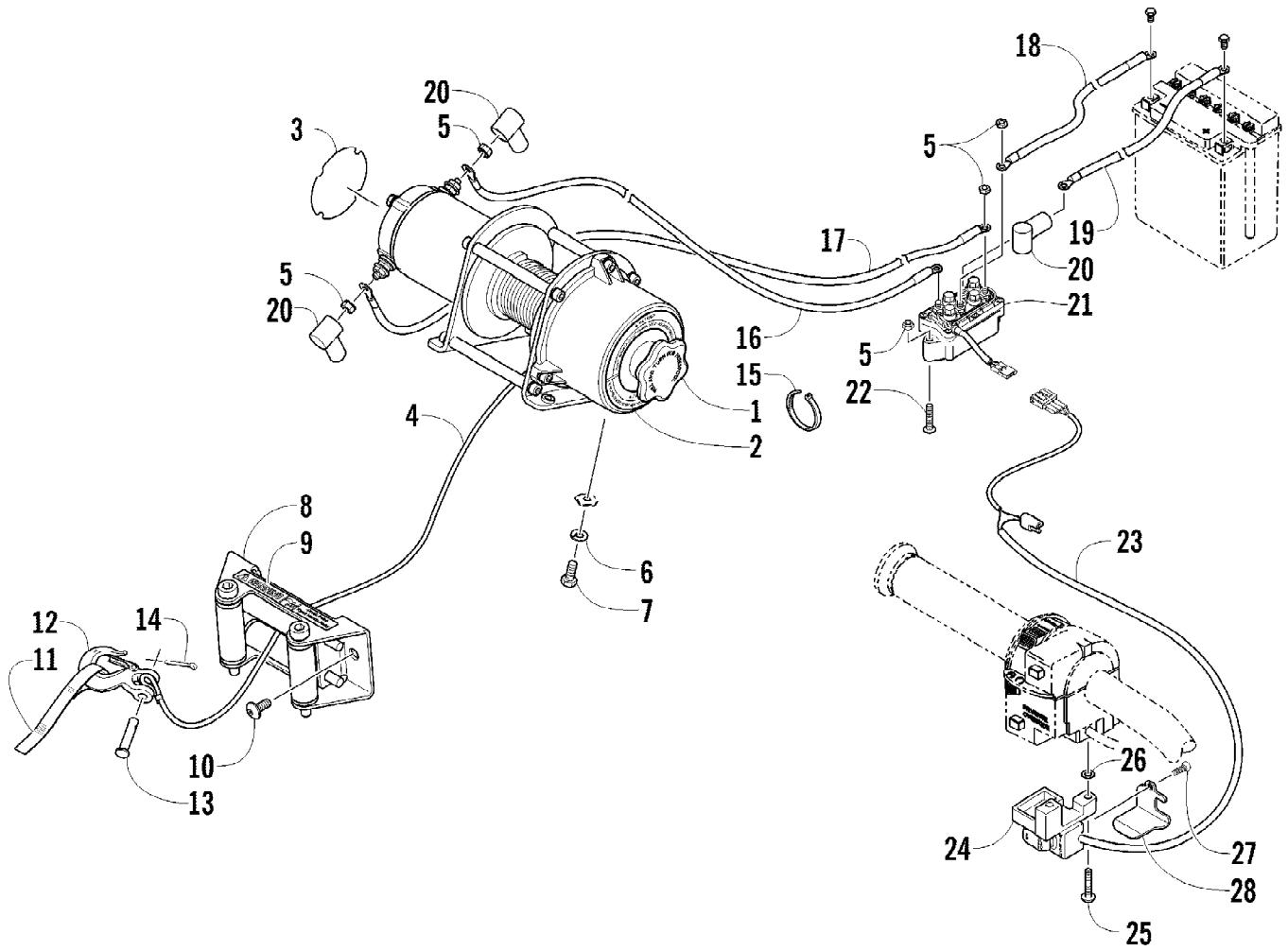
2012 ATV 550 LTD INTERNATIONAL METALLIC GREEN (A2012BLO1POSA) Page 75 of 81
WATER PUMP ASSEMBLY

Ref #	Part Number	Qty	S/P/F	Description
1	0813-001	1		Pump, Water - Assembly (inc. 2)
2	0830-029	1		O-Ring
3	0813-004	1		Gear, Driven
4	0813-005	1		Shaft, Driven Gear
5	0829-009	1		Pin
6	0831-002	2		Ring, Retaining
7	0832-046	1	/P	Bearing
8	0831-004	1		Ring, Retaining
9	0811-003	1		Gear, Water Pump Drive
10	0829-007	1		Pin
11	0831-005	1		Ring, Retaining
12	8468-665	2		Screw, Machine

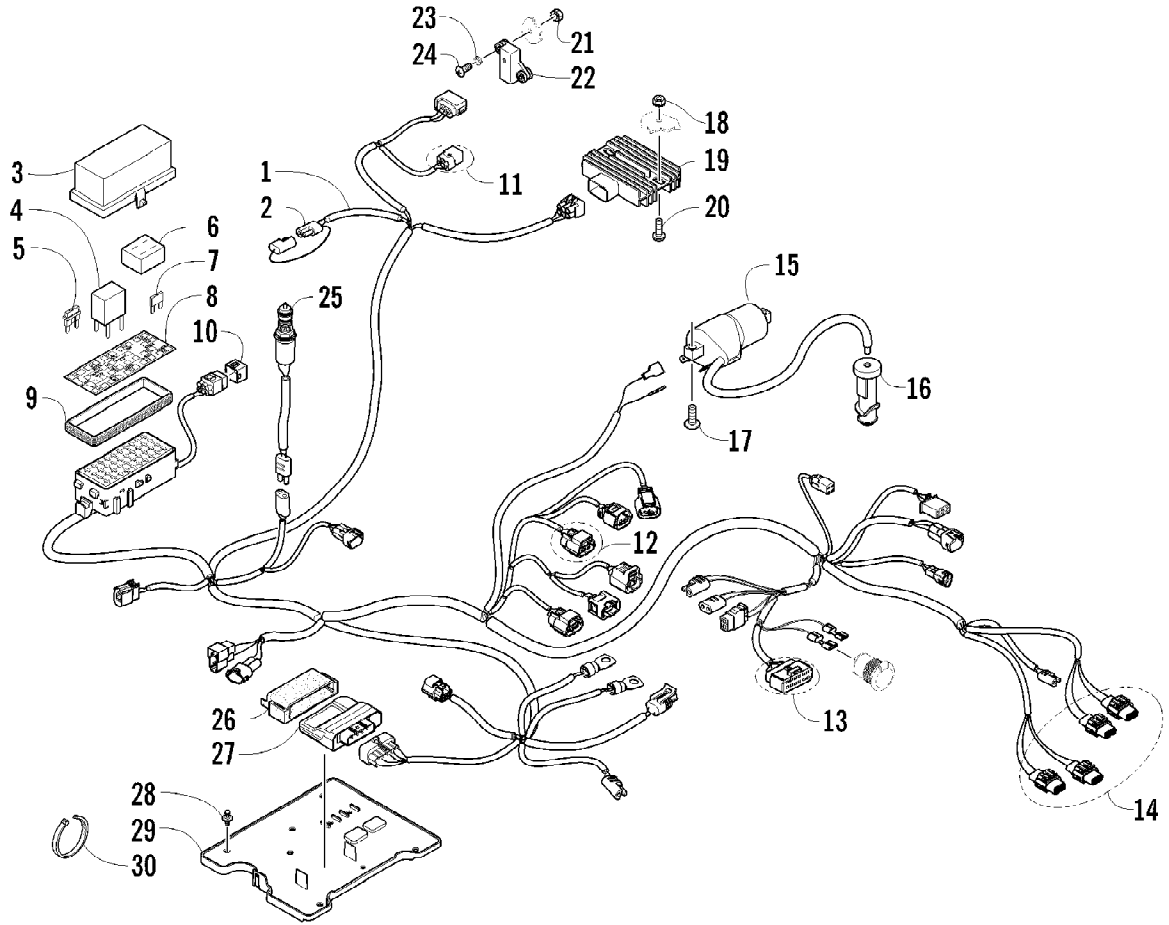


2012 ATV 550 LTD INTERNATIONAL METALLIC GREEN (A2012BLO1POSA) Page 77 of 81
WHEEL AND TIRE ASSEMBLY

Ref #	Part Number	Qty	S/P/F	Description
1	0423-557	12		Screw, Shoulder
2	2402-002	3		Disc, Brake
3	1502-462	2	/P	Hub, Wheel - Front (inc. 4)
4	0402-974	16	/P	Stud
5	1502-462	1	/P	Hub, Wheel - Rear - Right (inc. 4)
5	1502-464	1		Hub, Wheel - Rear - Left (inc. 4)
6	0423-607	4		Nut, Castle
7	0423-407	4		Pin, Cotter
8	1402-730	2		Wheel - Front (inc. 9)
9	1402-736	4		Cap, Wheel
10	0402-064	4		Stem, Valve (inc. 11)
11	0402-140	4		Cap, Valve Stem
12	0423-618	16		Nut, Lug
13	1402-894	2		Tire - Front
14	1402-731	2		Wheel - Rear (inc. 9)
15	1402-895	2		Tire - Rear



Ref #	Part Number	Qty	S/P/F	Description
1	2441-250	1		Winch (inc. 2-4 and two No. 5)
2	2411-141	1		Decal, Warning - Tension
3	2411-140	1		Decal, Warning - Operation
4	1441-831	1		Cable, Winch
5	0623-038	8		Nut w/Washer
6	8051-246	4		Washer, Lock
7	8408-820	4	/P	Screw, Cap
8	0441-403	1	/P	Roller, Winch (inc. 9)
9	0411-474	1		Decal, Warning - Pinch Point
10	8468-820	2		Screw, Machine
11	1441-781	1		Strap
12	1441-833	1		Hook, Winch
13	1441-834	1		Pin
14	0623-175	1		Pin, Cotter
15	0123-903	AR		Tie, Cable - 11.5 in.
16	0445-068	1		Cable, Winch/Solenoid - Yellow
17	0445-069	1		Cable, Winch/Solenoid - Blue
18	1441-112	1		Cable, Solenoid/Battery - Black
19	0445-087	1		Cable, Solenoid/Battery - Red
20	0645-019	3		Boot, Terminal
21	0409-066	1	/P	Solenoid
22	8476-625	2		Screw, Machine
23	0409-087	1		Switch, Control
24	0409-034	1		Retainer, Control Switch
25	8464-560	2		Screw, Machine
26	0423-593	1		Washer
27	0423-382	1		Screw, Self-Tapping
28	0409-106	1		Cover, Switch



2012 ATV 550 LTD INTERNATIONAL METALLIC GREEN (A2012BLO1POSA) Page 81 of 81
WIRING HARNESS ASSEMBLY

Ref #	Part Number	Qty	S/P/F	Description
1	0486-385	1		Harness, Main (inc. 2-10)
2	0486-164	1		Tether, Accessory Connector
3	0430-085	1		Cover, Fuse Block
4	0430-045	6	/P	Relay (4-Pin) - 20 Amp
5	0430-034	2		Diode
6	0430-037	1		Holder, Fuse
7	0430-032	5		Fuse - 10 Amp
7	0430-031	4		Fuse - 15 Amp
7	0430-030	3		Fuse - 30 Amp
8	2411-213	1		Decal, Fuse Block
9	0430-086	1		Seal
10	0430-097	1		Cover, Diagnostics Connector
11	1436-416	1		Repair Kit, Connector - Tilt Sensor
12	1436-417	1		Repair Kit, Connector - Idle Speed Control
13	1436-415	1		Repair Kit, Connector - LCD Gauge
14	1436-290	AR		Repair Kit, Connector - Headlight
15	0824-043	1		Coil, Ignition
16	0824-049	1	/P	Cap, Spark Plug
17	8476-620	2		Screw, Machine
18	0623-038	2		Nut w/Washer
19	0824-037	1	/P	Regulator, Voltage
20	8476-625	2		Screw, Machine
21	0423-493	2		Nut w/Washer
22	0409-064	1		Sensor, Tilt
23	0123-802	2		Washer
24	8468-425	2		Screw, Machine
25	0409-089	1		Switch, Brake - Assembly
26	0430-076	1		Cushion, ECU
27	0530-069	1		ECU
28	0623-362	3		Rivet, Reinstallable
29	2406-643	1		Tray, Electrical
30	0123-788	AR	/P	Tie, Cable - 8 in.
30	0123-903	AR		Tie, Cable - 11.5 in.