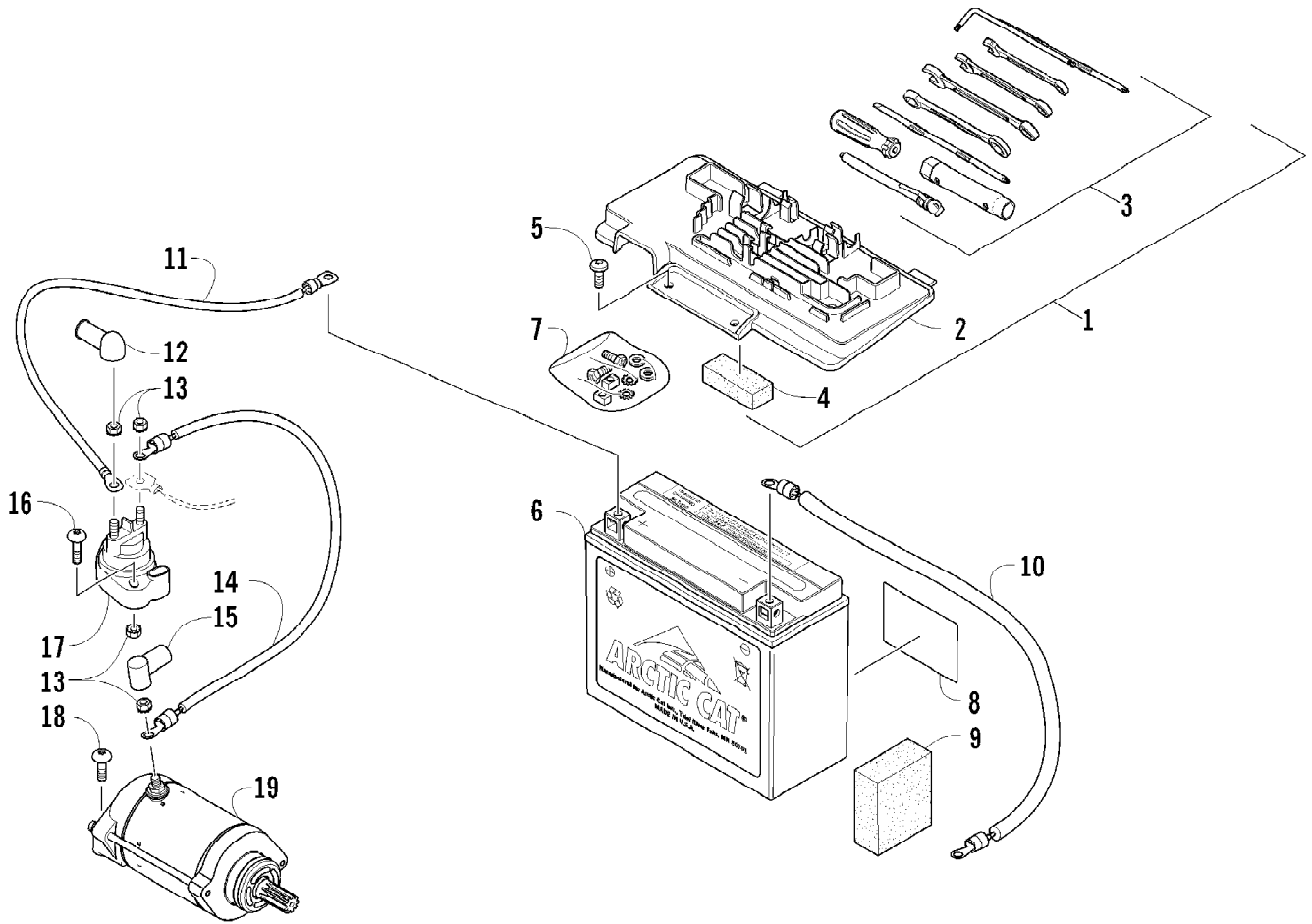


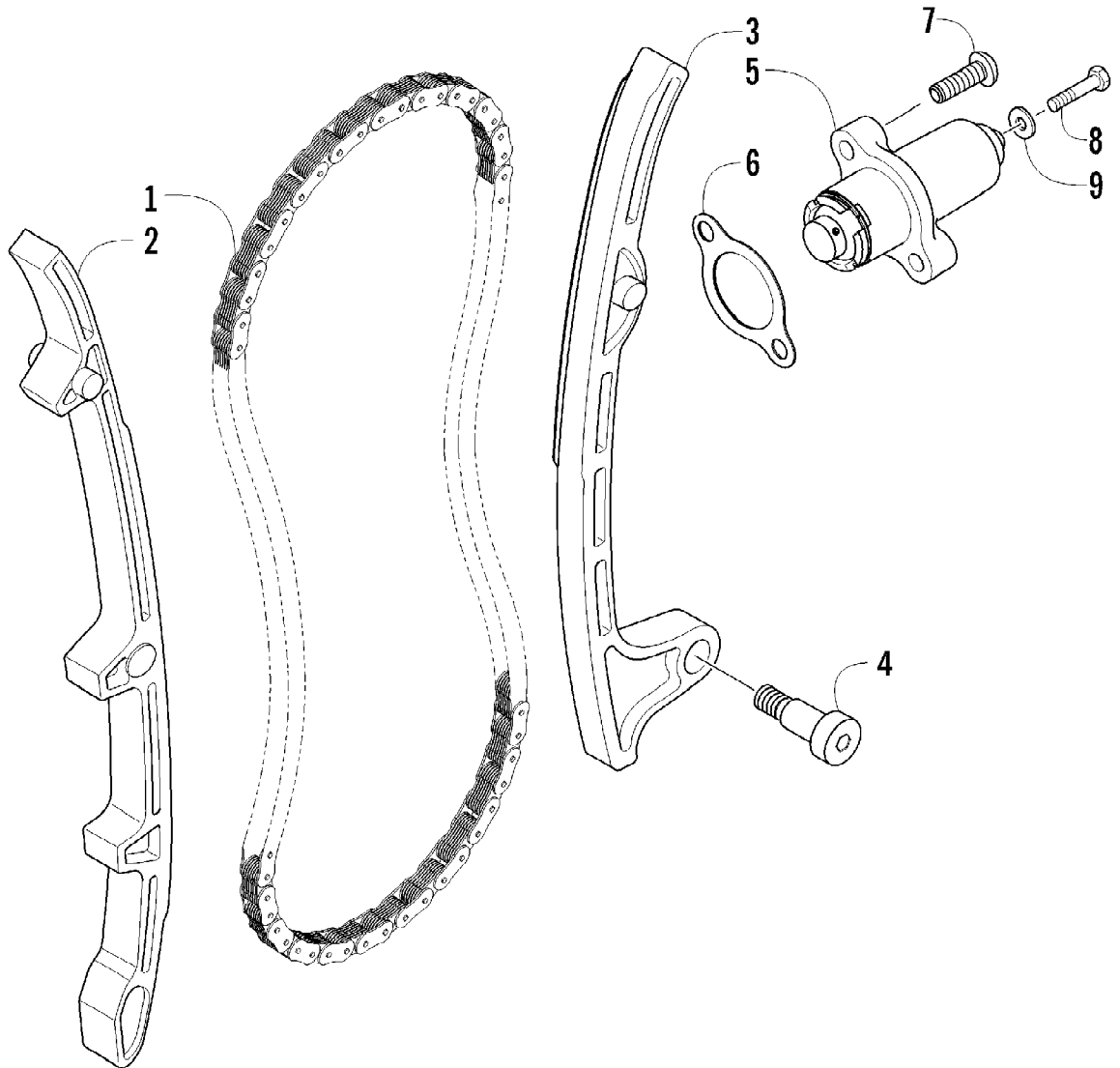
2012 ATV 1000 GT INTERNATIONAL ORANGE-BLACK (A2012AGW1POSY) Page 2 of 79
AIR INTAKE ASSEMBLY

Ref #	Part Number	Qty	S/P/F	Description
1	0413-091	1		Diverter, Air - Top
2	0413-093	1		Diverter, Air - Bottom
3	2406-509	1		Shroud, Splash
4	0623-362	2		Rivet, Reinstallable
5	0423-551	2		Clamp
6	0423-342	4	/P	Screw, Self-Tapping
7	0413-096	1		Cap, Air Intake - Diverter
8	0470-583	1		Boot, Air Intake
9	0423-019	1		Clamp
10	0423-716	2		Wing Nut
11	0470-832	1	/P	Cover, Air Intake
12	0470-828	1		Filter, Air
13	0470-731	1	/P	Support, Air Filter
14	0570-221	1		Housing, Air Intake
15	0406-877	4	/P	Bumper
16	0470-858	2		Valve, Drain
17	0470-638	1		Boot, Throttle Body
18	0430-055	1		Sensor, Air Temperature (inc. 19)
19	5507-224	1		O-Ring
20	0623-028	6	/P	Clamp, Hose
21	0410-198	1		Hose, Separator Tank
22	0470-718	1		Tank, Separator
23	0410-196	1		Hose, Crankcase
24	0410-208	1		Hose, Crankcase
25	0423-066	1		Clamp, Hose



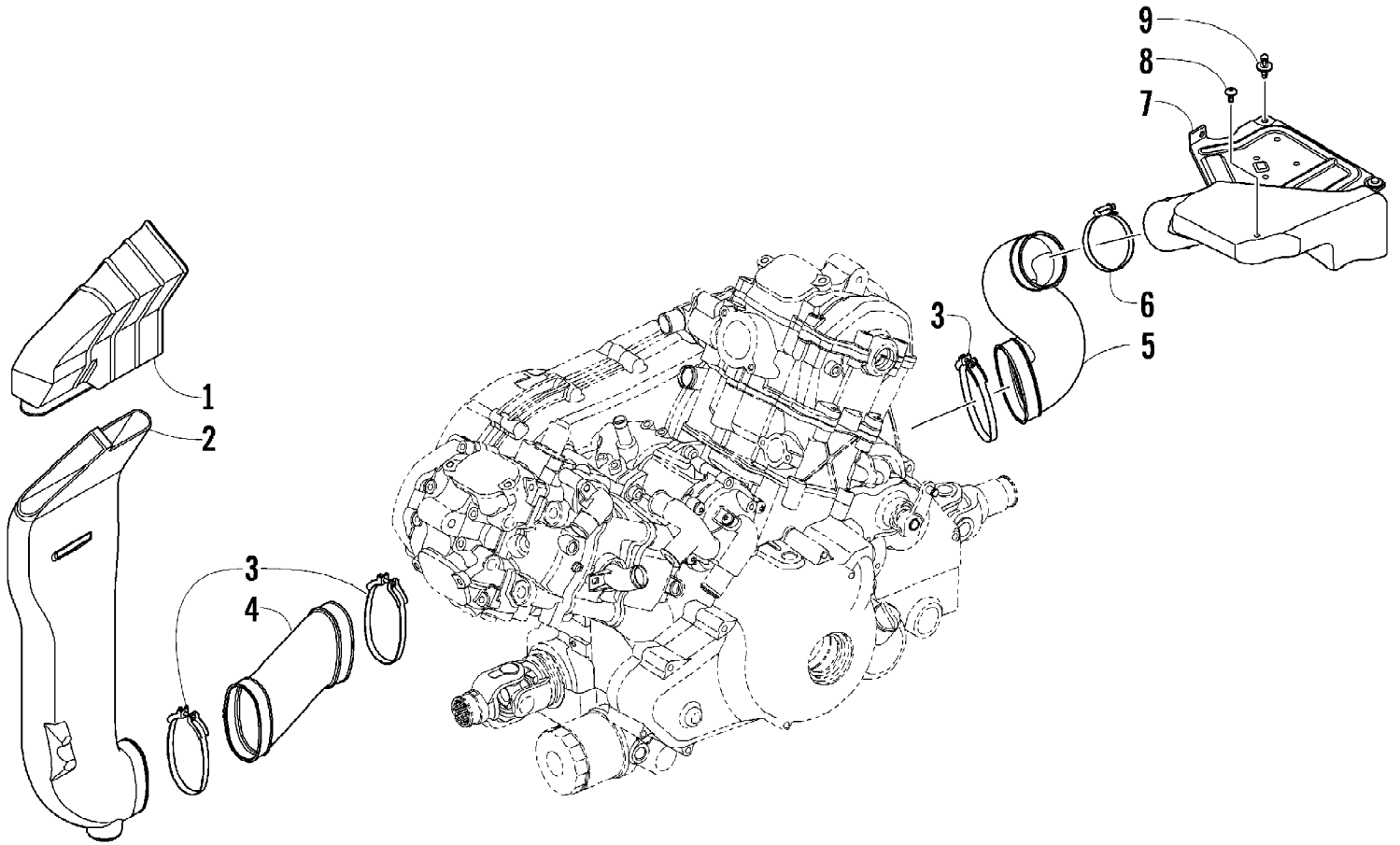
2012 ATV 1000 GT INTERNATIONAL ORANGE-BLACK (A2012AGW1POSY) Page 4 of 79
 BATTERY AND STARTER ASSEMBLY

Ref #	Part Number	Qty	S/P/F	Description
1	5991-655	1	/P	Battery Cover/Tool Tray Assembly (inc. 2-4)
2	2406-815	1	/P	Cover, Battery
3	0444-122	1	S/P	Kit, Tool
4	0417-016	1		Pad, Battery
5	8476-620	2		Screw, Machine
6	0645-480	1		Battery Assembly (inc. 7-8)
7	0445-082	1		Kit, Hardware
8	0645-430	1		Decal, Warning
9	0417-012	1		Foam, Battery
10	0445-071	1		Cable, Battery/Ground
11	0445-062	1		Cable, Battery/Soleniod
12	0645-327	1		Boot, Terminal
13	0623-038	5		Nut w/Washer
14	0445-066	1		Cable, Solenoid/Starter (inc. 15)
15	0645-019	1		Boot, Terminal
16	8476-630	2		Screw, Machine
17	0445-058	1	/P	Solenoid
18	8476-625	2		Screw, Machine
19	0825-015	1		Motor, Starter - Assembly



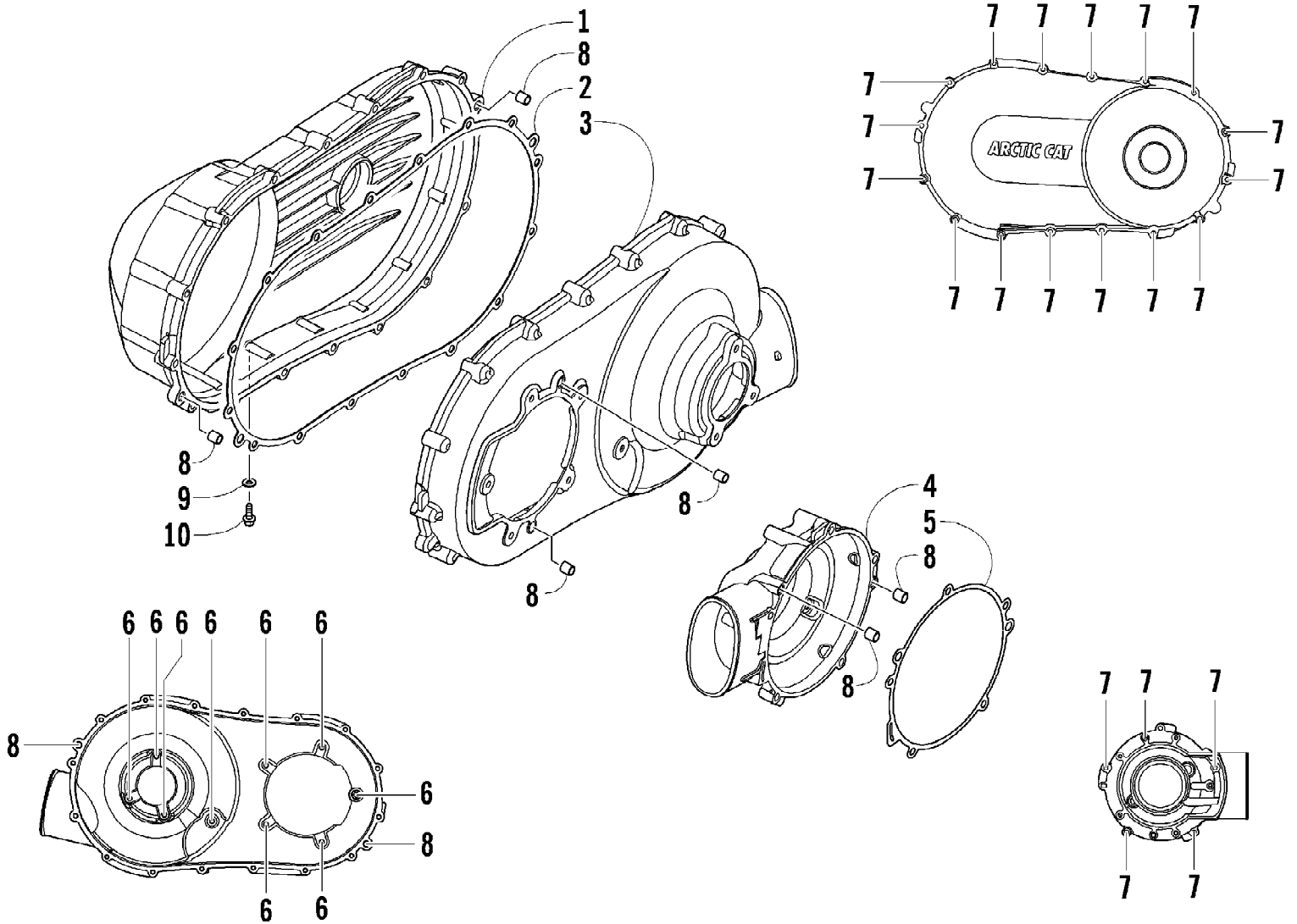
2012 ATV 1000 GT INTERNATIONAL ORANGE-BLACK (A2012AGW1POSY) Page 6 of 79
CAM CHAIN ASSEMBLY

Ref #	Part Number	Qty	S/P/F	Description
1	0810-001	2		Chain, Cam
2	0810-046	2		Guide, Chain
3	0810-049	2		Tensioner, Chain
4	0826-106	2		Pivot, Tensioner
5	0810-004	2		Adjuster, Tensioner - Assembly
6	0830-134	2		Gasket
7	8468-620	4	/P	Screw, Machine
8	8400-610	2		Screw, Cap
9	0828-129	2		Washer



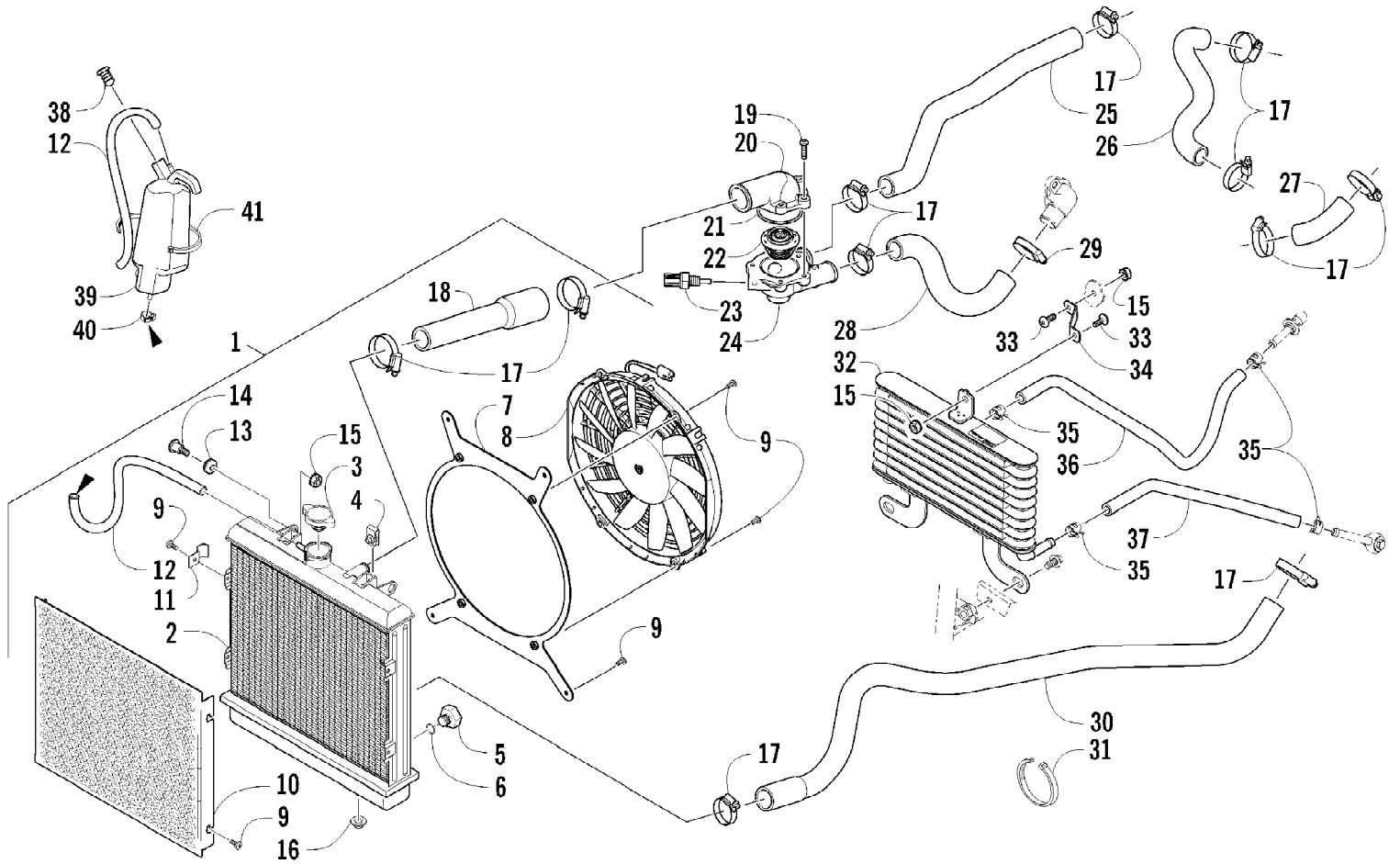
2012 ATV 1000 GT INTERNATIONAL ORANGE-BLACK (A2012AGW1POSY) Page 8 of 79
CASE/BELT COOLING ASSEMBLY

Ref #	Part Number	Qty	S/P/F	Description
1	0413-137	1		Shroud, Air - Air In
2	0413-138	1		Duct, Cooling - Air In
3	0423-730	3		Clamp
4	0413-139	1		Boot, Cooling - Air In
5	0413-135	1		Boot, Cooling - Air Out
6	0423-019	1		Clamp
7	0413-194	1		Duct, Cooling - Air Out
8	0623-797	1		Screw, Self-Tapping
9	0623-362	2		Rivet, Reinstallable



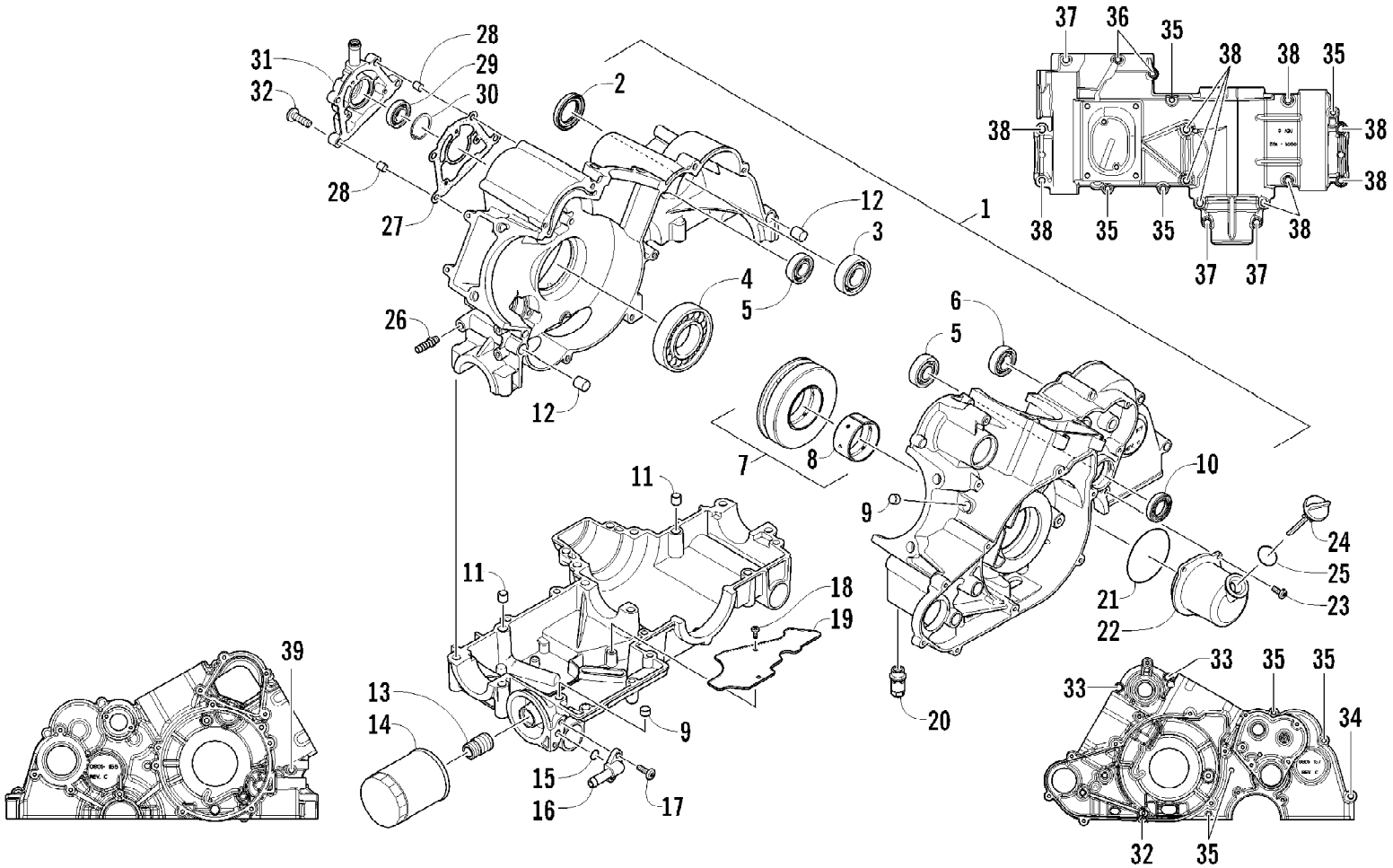
2012 ATV 1000 GT INTERNATIONAL ORANGE-BLACK (A2012AGW1POSY) Page 10 of 79
CLUTCH SIDE ENGINE COVERS

Ref #	Part Number	Qty	S/P/F	Description
1	0806-112	1	/P	Cover, Outside
2	0830-137	1		Gasket, Cover
3	0806-110	1		Cover, Inside
4	0806-109	1		Cover, Clutch
5	0830-133	1		Gasket, Clutch Cover
6	8468-616	9		Screw, Machine
7	8468-630	21		Screw, Machine
8	0829-048	6	/P	Pin, Dowel
9	0830-013	1		Washer, Crush
10	8408-812	1		Screw, Cap



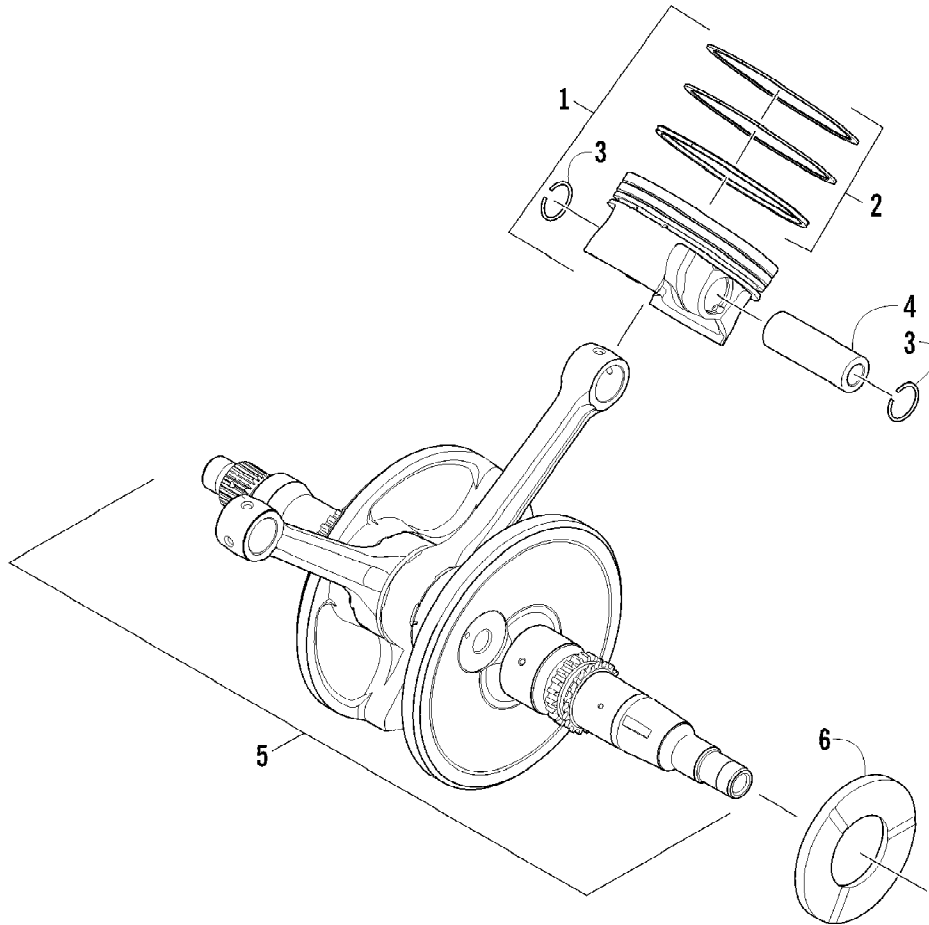
2012 ATV 1000 GT INTERNATIONAL ORANGE-BLACK (A2012AGW1POSY) Page 12 of 79
COOLING ASSEMBLY

Ref #	Part Number	Qty	S/P/F	Description
1	0413-258	1	/P	Radiator Assembly (inc. 2-13)
2	0413-216	1		Radiator
3	0413-255	1	/P	Cap, Radiator
4	1623-637	4		Clip, U-Nut
5	0413-195	1		Plug, Drain
6	1602-213	1	/P	O-Ring
7	0413-217	1		Bracket, Mounting - Fan
8	0413-123	1	/P	Fan, Cooling
9	8470-510	12		Screw, Machine
10	0413-214	1		Screen, Radiator
11	0423-351	1		Clamp, Wire
12	0610-011	AR	/P	Hose - 25 ft
13	0423-030	2		Grommet
14	0423-484	2		Screw, Shoulder
15	0623-038	4		Nut w/Washer
16	0423-028	2		Bushing, Stem
17	0423-496	11		Clamp, Hose
18	0410-120	1		Hose, Coolant - Radiator/Thermostat - Upper
19	8470-520	4		Screw, Machine
20	0808-092	1		Cover, Thermostat
21	0830-173	1		O-Ring
22	0808-093	1		Thermostat
23	0808-124	1		Sensor, Engine Coolant Temperature
24	0808-189	1		Housing, Thermostat
25	0410-195	1		Hose, Coolant - No. 2
26	0410-116	1		Hose, Coolant
27	0410-115	1		Hose, Coolant - Crossover
28	0410-117	1		Hose, Coolant - No. 1
29	1623-093	1		Clamp, Hose
30	0410-229	1		Hose, Coolant - Lower
31	0623-751	AR		Tie, Cable - 11.5 in.
32	0413-211	1	/P	Cooler, Oil
33	8476-612	2		Screw, Machine
34	0513-022	1		Bracket, Mounting - Oil Cooler - Upper
35	0423-632	4		Clamp, Hose
36	0410-149	1		Hose, Oil Cooler - In
37	0410-219	1		Hose, Oil Cooler - Out
38	0413-087	1		Plug
39	0413-086	1		Bottle, Overflow
40	0124-045	1	/P	Clamp, Hose
41	0623-316	AR		Tie, Cable - 14 in.



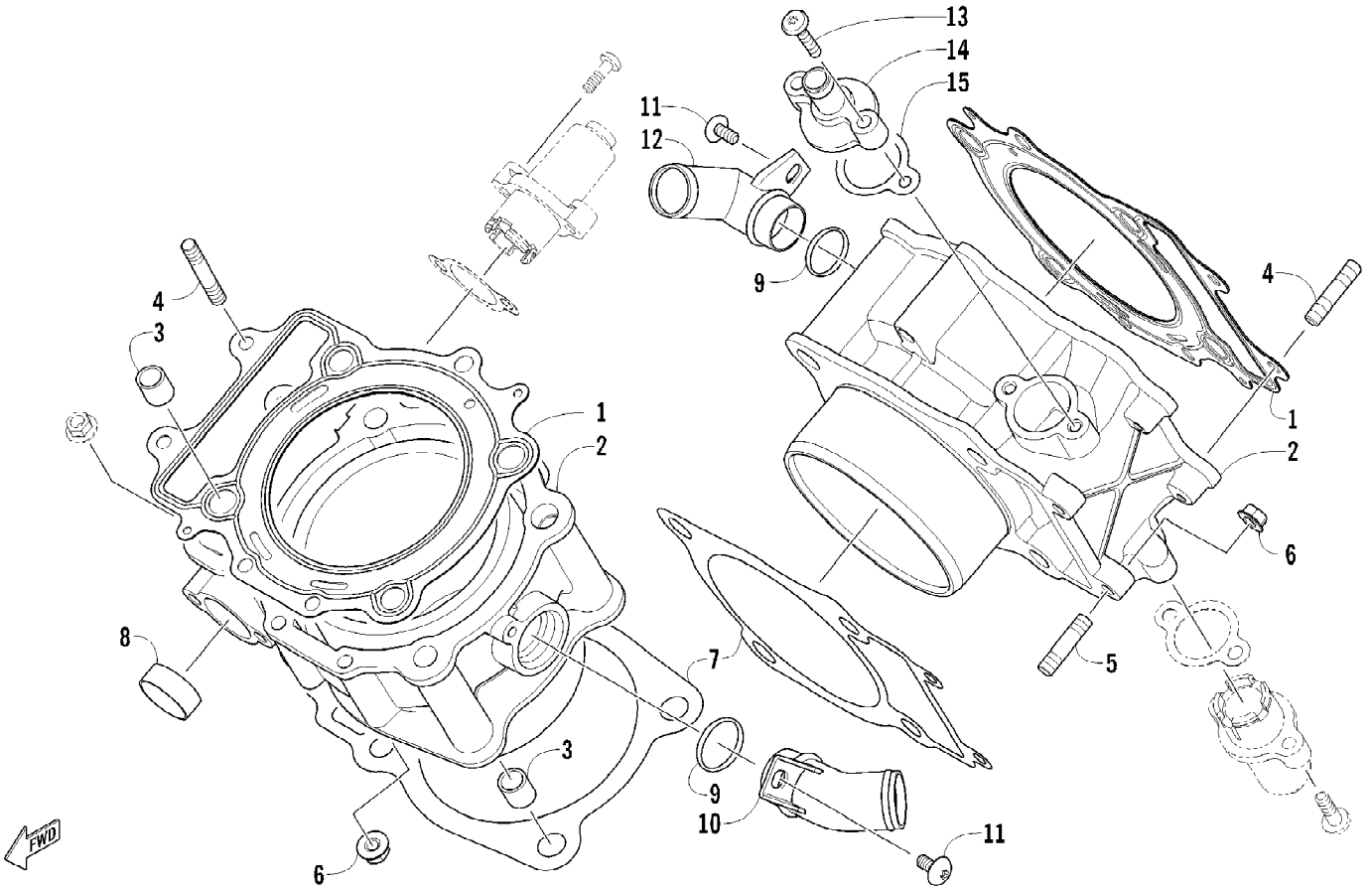
2012 ATV 1000 GT INTERNATIONAL ORANGE-BLACK (A2012AGW1POSY) Page 14 of 79
CRANKCASE ASSEMBLY

Ref #	Part Number	Qty	S/P/F	Description
1	0801-172	1		Crankcase - Assembly (inc. 2-13)
2	0830-035	1		Seal, Driveshaft
3	0832-048	1	/P	Bearing
4	0832-042	1	/P	Bearing
5	0832-050	2	/P	Bearing
6	0832-049	1	/P	Bearing
7	0832-055	1		Bearing - Assembly (inc. 8)
8	0832-057	1		Bearing
9	0801-002	2		Plug, Engine Case
10	0822-052	1		Seal, Countershaft - Right
11	0829-003	2		Pin, Dowel
12	0829-002	2		Pin, Dowel
13	0812-008	1		Union, Oil Filter
14	0812-029	1	S	Filter, Oil
15	0830-172	1		O-Ring
16	0812-060	1		Fitting, Oil
17	8468-620	2	/P	Screw, Machine
18	0623-914	2		Screw, Self-Tapping
19	0812-079	1		Plate, Oil Sump
20	0812-052	1		Valve, Oil-Relief - Assembly
21	0830-162	1		O-Ring, Oil Filler Cover
22	0812-081	1		Cover, Oil Filler
23	8468-616	3		Screw, Machine
24	0801-179	1		Stick, Oil Level
25	0830-010	1		O-Ring
26	0812-078	1		Fitting, Oil - Threaded
27	0830-191	1		Gasket, Breather
28	0829-048	2	/P	Pin, Dowel
29	0832-084	1		Bearing
30	0831-086	1		Circlip
31	0801-193	1		Cover, Breather
32	8468-625	5		Screw, Machine
33	8468-630	2		Screw, Machine
34	8412-875	1		Screw, Cap
35	8468-660	8		Screw, Machine
36	8468-640	2		Screw, Machine
37	8412-830	3		Screw, Cap
38	8412-860	10		Screw, Cap
39	8412-850	1		Screw, Cap



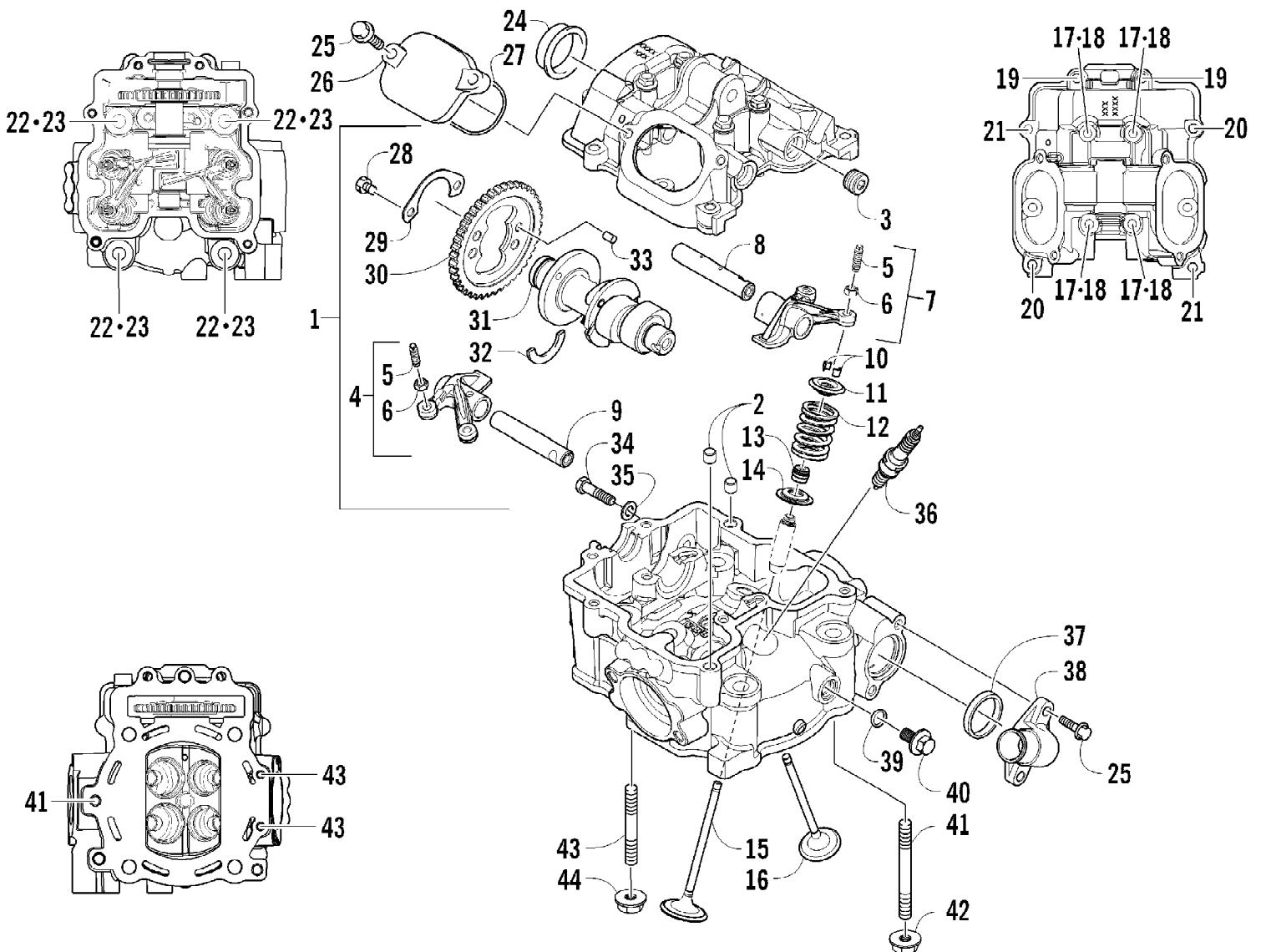
2012 ATV 1000 GT INTERNATIONAL ORANGE-BLACK (A2012AGW1POSY) Page 16 of 79
CRANKSHAFT AND PISTON ASSEMBLY

Ref #	Part Number	Qty	S/P/F	Description
1	0805-299	2	/P	Piston Set - Assembly (inc. 2-4)
2	0805-164	2		Ring, Piston - Set
3	0805-199	4		Circlip, Piston Pin
4	0805-198	2		Pin, Piston
5	0805-331	1	/P	Crankshaft - Assembly
6	0805-273	1		Washer, Thrust



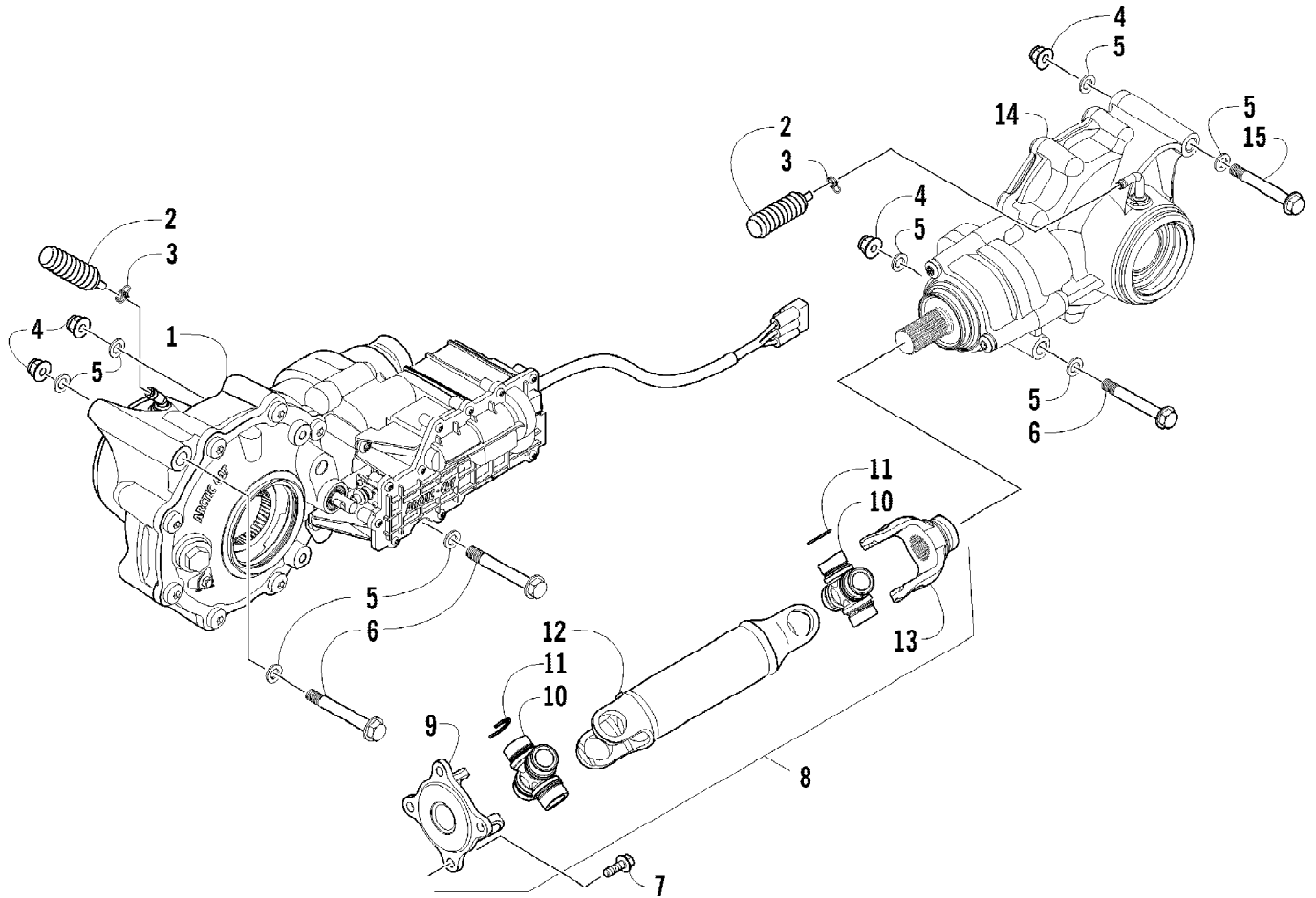
2012 ATV 1000 GT INTERNATIONAL ORANGE-BLACK (A2012AGW1POSY) Page 18 of 79
CYLINDER ASSEMBLY

Ref #	Part Number	Qty	S/P/F	Description
1	0830-209	2	/P	Gasket, Head
2	0804-031	2		Cylinder
3	0829-002	8		Pin, Dowel
4	0827-002	4		Bolt, Stud
5	0827-018	4		Bolt, Stud
6	8424-604	8		Nut
7	0830-193	2		Gasket, Base
8	0804-037	1		Plug, Cylinder
9	0830-007	2		O-Ring
10	0804-046	1		Union, Coolant Hose
11	8468-612	2		Screw, Machine
12	0804-030	1		Union, Coolant Hose
13	8468-630	2		Screw, Machine
14	0801-174	1		Cover, Breather
15	0830-134	1		Gasket



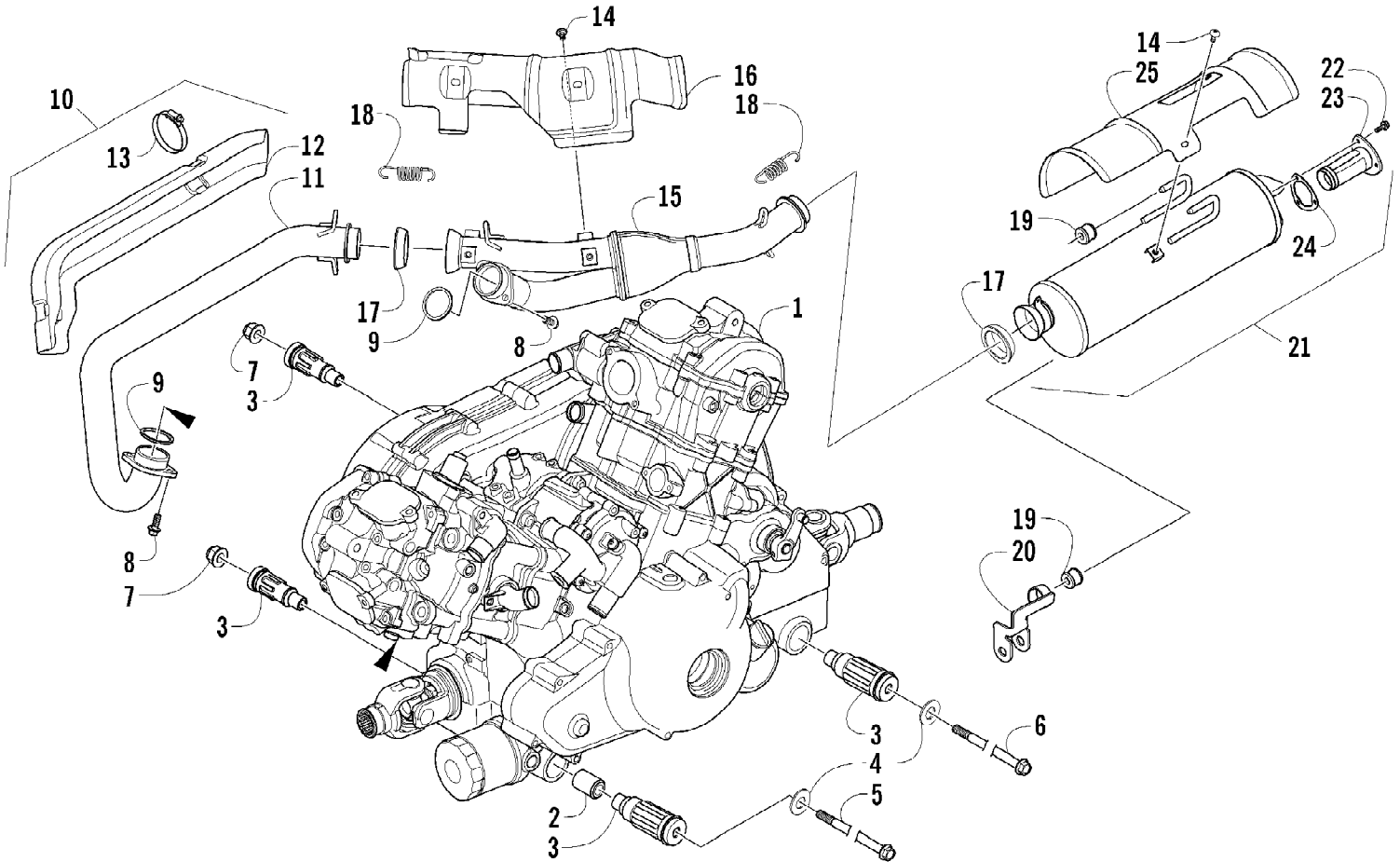
2012 ATV 1000 GT INTERNATIONAL ORANGE-BLACK (A2012AGW1POSY) Page 20 of 79
CYLINDER HEAD AND CAMSHAFT/VALVE ASSEMBLY

Ref #	Part Number	Qty	S/P/F	Description
1	0808-175	2	S	Head, Cylinder - Assembly (inc. 2-17)
2	0829-048	4	/P	Pin, Dowel
3	0831-092	4		Plug, Shaft
4	0809-237	2	/P	Arm, Valve Rocker - Exhaust (inc. two No. 5-6)
5	0809-240	8	/P	Screw, Adjuster
6	0827-059	8		Nut
7	0809-234	2	/P	Arm, Valve Rocker - Intake (inc. two No. 5-6)
8	0809-241	2		Shaft, Rocker Arm - Intake
9	0809-242	2		Shaft, Rocker Arm - Exhaust
10	0809-233	16		Cotter, Valve
11	0809-232	8		Retainer, Spring
12	0809-231	8	/P	Spring, Valve
13	0830-186	8	/P	Seal, Oil
14	0809-230	8		Seat, Spring - Valve
15	0809-228	4	/P	Valve, Intake
16	0809-229	4	/P	Valve, Exhaust
17	0826-149	8		Screw, Cap
18	0830-155	8	/P	Gasket
19	0826-002	4		Screw, Cap
20	0826-005	4		Screw, Cap
21	0826-006	4		Screw, Cap
22	0808-090	8		Screw, Cap
23	0830-147	8	/P	Washer
24	0808-077	2		Plug, Cylinder Head
25	0826-007	12		Screw, Cap
26	0808-003	4		Cap, Inspection
27	0830-167	4	/P	O-Ring
28	0826-034	4		Screw, Cap
29	0828-004	2		Plate, Retainer
30	0809-212	2		Sprocket
31	0809-246	1	/P	Camshaft, Front Cylinder
31	0809-248	1	/P	Camshaft, Rear Cylinder
32	0809-003	2		C-Ring
33	0829-049	2		Pin, Dowel
34	8400-812	2		Screw, Cap
35	0830-025	2		Washer, Crush
36	0217-799	2	/P/F	Spark Plug
37	0830-120	2		Seal
38	0808-008	2		Cover, Thermostat
39	0830-213	2		O-Ring
40	0826-157	2		Screw, Cap
41	0827-062	2		Bolt, Stud
42	8424-804	2		Nut
43	0827-030	4		Bolt, Stud
44	8424-604	4		Nut



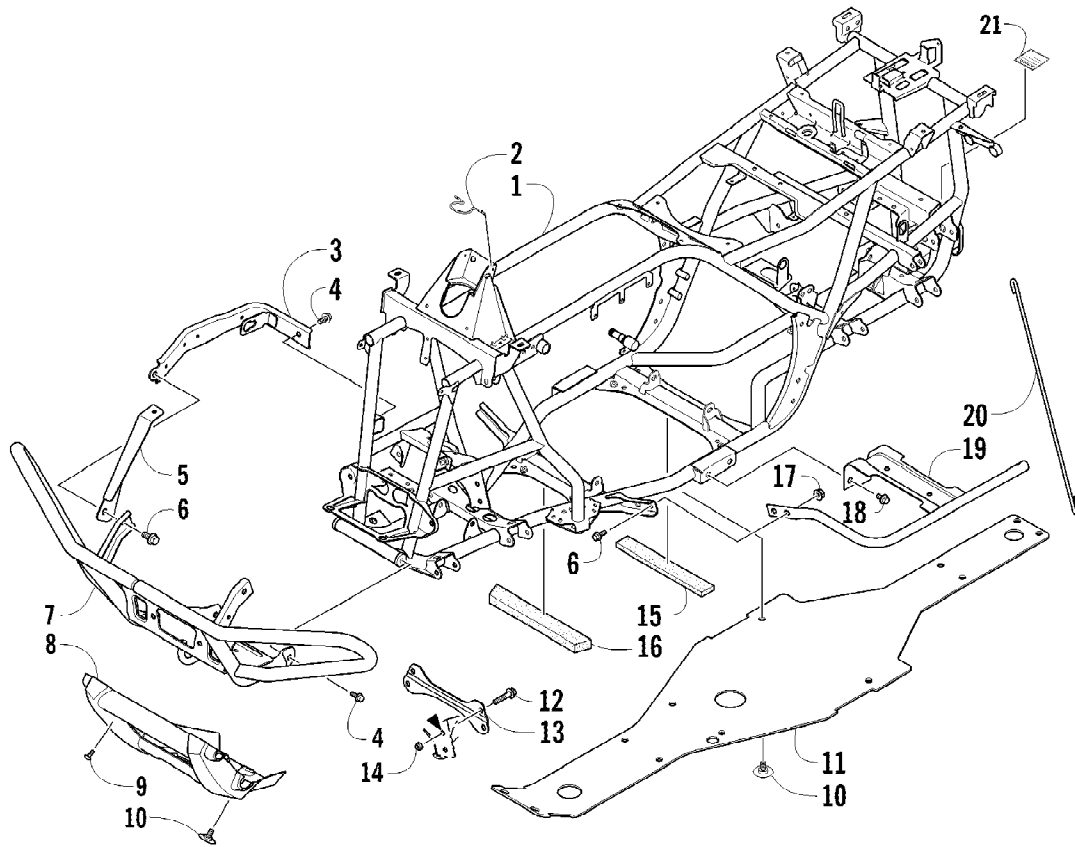
2012 ATV 1000 GT INTERNATIONAL ORANGE-BLACK (A2012AGW1POSY) Page 22 of 79
DRIVE TRAIN ASSEMBLY

Ref #	Part Number	Qty	S/P/F	Description
1	1502-882	1		Gearcase, Front
2	1402-620	2	/P	Bladder, Gearcase
3	0423-315	2		Clamp, Hose
4	8428-002	4		Nut, Lock
5	0423-426	8		Washer
6	0423-404	3		Screw, Cap
7	8408-820	4	/P	Screw, Cap
8	1502-098	1		Driveshaft, Rear - Assembly (inc. 9-13)
9	1402-689	1		Yoke, Flange
10	0402-944	2	/P	Joint, Universal (inc.11)
11	0423-395	8		Ring, Retaining
12	1502-099	1		Driveshaft, Rear
13	1402-567	1		Yoke, Slip
14	1502-883	1		Gearcase, Rear
15	0423-830	1		Screw, Cap



2012 ATV 1000 GT INTERNATIONAL ORANGE-BLACK (A2012AGW1POSY) Page 24 of 79
ENGINE AND EXHAUST

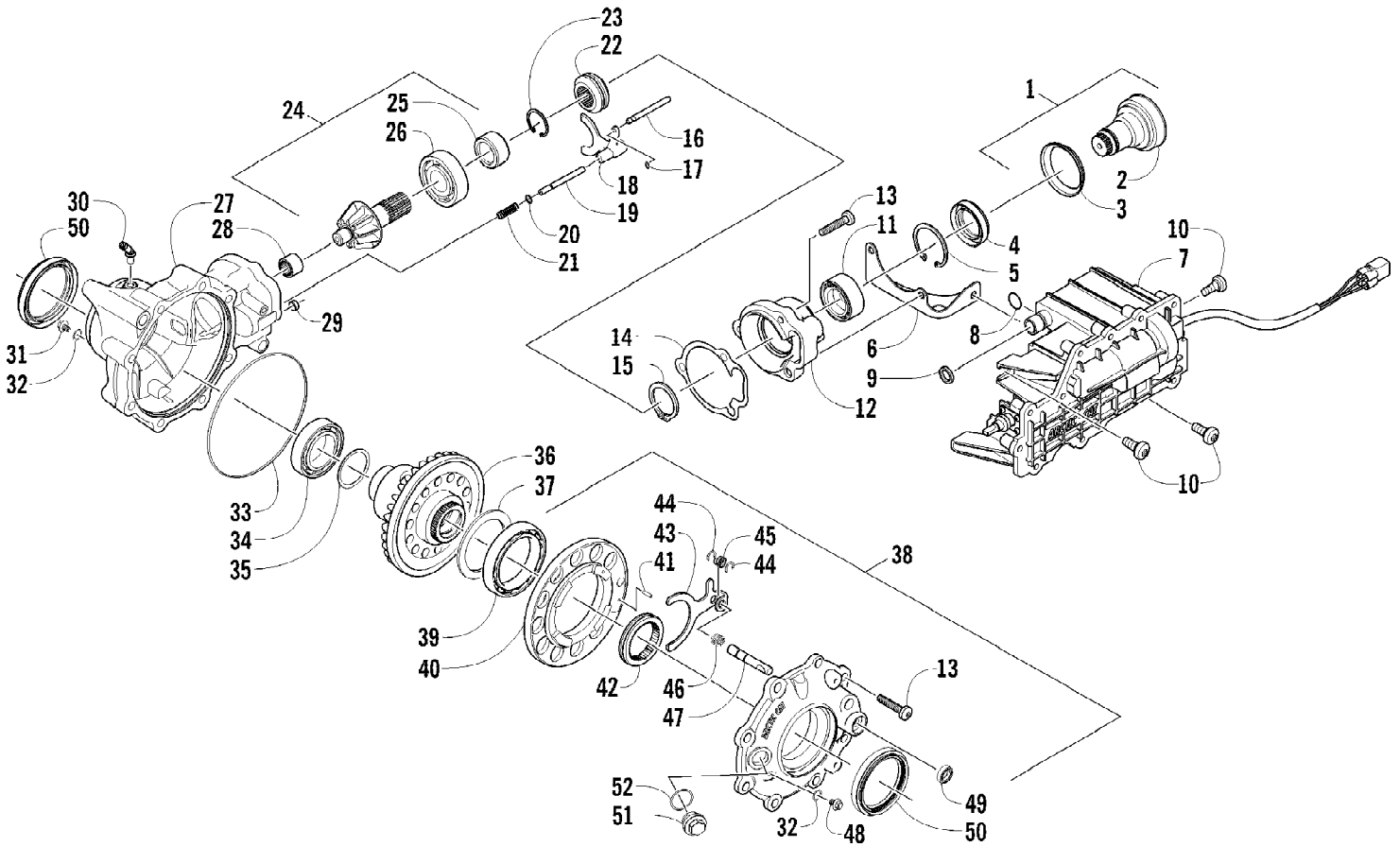
Ref #	Part Number	Qty	S/P/F	Description
1	0800-097	1	/P	Engine, A950H (inc. 2-3)
2	0801-128	1		Spacer, Engine Mount
3	0801-091	4		Mount, Engine
4	0423-426	2		Washer
5	0423-734	1		Screw, Cap
6	0423-451	1		Screw, Cap
7	8428-002	2		Nut, Lock
8	8408-820	4	/P	Screw, Cap
9	0412-338	2	/P	Gasket, Exhaust Pipe
10	0512-433	1		Pipe, Exhaust - Assembly (inc. 11-13)
11	0512-349	1		Pipe, Exhaust
12	0412-400	1		Shield, Exhaust Pipe
13	0423-317	2	/P	Clamp
14	8477-610	7		Screw, Machine
15	0512-477	1	/P	Pipe, Exhaust - Rear
16	0412-403	1		Shield, Exhaust Pipe - Rear
17	0412-375	2	/P	Seal, Exhaust Pipe
18	0612-668	4	/P	Spring, Extension
19	0412-577	3	/P	Bushing
20	2506-631	1		Channel, Muffler Support
21	0512-355	1	/P	Muffler - Assembly (inc. 22-24)
22	8408-616	3		Screw, Cap
23	0512-219	1	/P	Arrester, Spark - Assembly
24	0412-313	1		Gasket, Spark Arrester
25	0412-373	1	/P	Cover, Muffler
26	0411-426	1		Decal, Warning - Clutch Cover



2012 ATV 1000 GT INTERNATIONAL ORANGE-BLACK (A2012AGW1POSY) Page 26 of 79
FRAME AND RELATED PARTS

Ref #	Part Number	Qty	S/P/F	Description
1	4506-555	1		Frame, Main
2	2416-401	1		Clip, Routing
3	2506-813	1		Channel, Mounting - Bumper - Right
3	2506-285	1		Channel, Mounting - Bumper - Left
4	8409-020	4	/P	Screw, Cap
5	1506-562	1		Bracket, Mounting - Bumper - Right
5	1506-563	1		Bracket, Mounting - Bumper - Left
6	8408-816	6		Screw, Cap
7	1506-855	1	/P	Bumper, Front
8	1406-360	1		Fascia, Bumper - Front
9	0423-419	2		Screw, Machine
10	0423-101	12		Screw, Shoulder
11	2406-648	1		Panel, Belly
12	8409-025	2		Screw, Cap
13	2516-852	1	/P	Brace, A-Arm
14	0423-744	2		Nut, Lock
15	0406-289	1		Pad, Foam
16	2506-701	1		Pad, Foam
17	8424-802	4		Nut
18	8409-016	4		Screw, Cap
19	2506-449	1		Footrest - Right
19	1506-379	1		Footrest - Left
20	2506-423	2		Rod, Support
21	1411-077	1		Decal, Warning - Towing

2012 ATV 1000 GT INTERNATIONAL ORANGE-BLACK (A2012AGW1POSY) Page 27 of 79
FRONT DRIVE GEARCASE ASSEMBLY

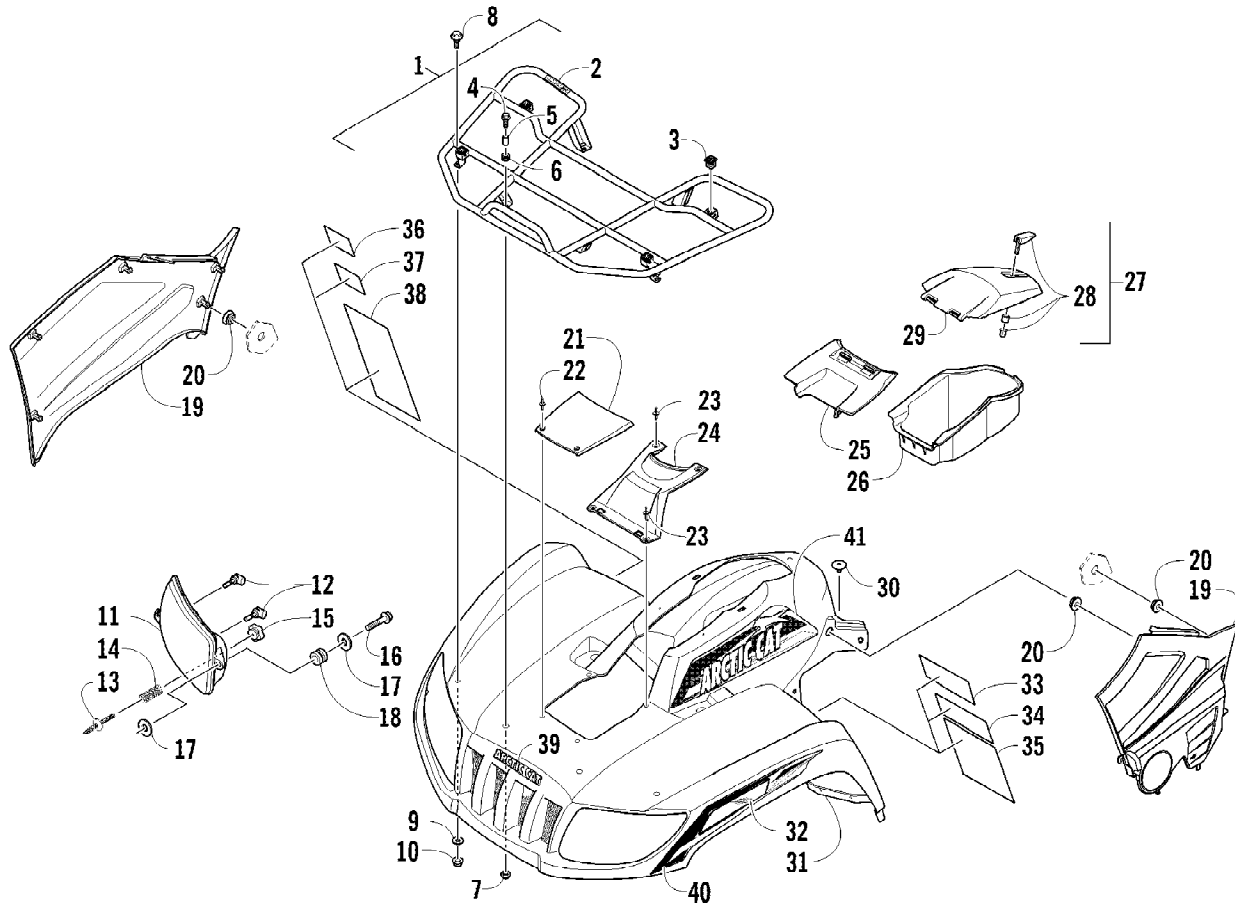


2012 ATV 1000 GT INTERNATIONAL ORANGE-BLACK (A2012AGW1POSY) Page 28 of 79
FRONT DRIVE GEARCASE ASSEMBLY

Ref #	Part Number	Qty	S/P/F	Description
	1502-882	1		Complete Front Drive Gearcase Assembly
1	0502-923	1		Shaft, Propeller - Assembly (inc. 2-3)
2	1402-438	1		Shaft, Input
3	1402-168	1		Deflector
4	1402-011	1		Seal
5	0423-423	1		Ring, Retaining
6	1502-237	1		Bracket, Actuator
7	1502-909	1	/P	Actuator (inc. 8)
8	1402-981	1		O-Ring
9	0423-892	1	/P	O-Ring
10	0423-396	3		Screw, Self-Tapping
11	1402-043	1		Bearing
12	0502-528	1	/P	Housing, Pinion
13	0423-118	11		Screw, Self-Tapping
14	0402-947	1		Gasket
15	0423-417	1		Ring, Retaining
16	0402-997	1		Shaft, Selector
17	0423-402	1		Ring, Retaining
18	0402-998	1		Fork, Selector
19	0402-417	1		Shaft, Shuttle
20	0423-147	1		O-Ring
21	0402-999	1		Spring, Return
22	0402-413	1		Coupler, Drive
23	1423-067	1		Ring, Retaining
24	1502-851	1		Gear, Pinion - Assembly - 11T (inc. 25-26)
25	1402-977	1		Collar, Retaining
26	0402-327	1		Bearing
27	1502-856	1		Housing, Gearcase
28	0402-328	1		Bearing
29	0402-411	1		Pin, Dowel
30	1402-980	1		Fitting, Elbow
31	1402-210	1	/P	Plug, Magnetic (inc. one No. 32)
32	0423-153	2		O-Ring
33	0423-149	1		O-Ring
34	0402-393	1		Bearing
35	0402-405	AR		Shim, 41 x 49 x 1.3 mm
35	0402-406	AR		Shim, 41 x 49 x 1.4 mm
35	0402-407	AR		Shim, 41 x 49 x 1.5 mm
35	0402-408	AR		Shim, 41 x 49 x 1.6 mm
35	0402-409	AR		Shim, 41 x 49 x 1.7 mm
36	1502-859	1		Gear, Ring - 34T
37	1402-074	AR		Shim, 61 x 69 x 1.3 mm
37	1402-075	AR		Shim, 61 x 69 x 1.4 mm
37	1402-076	AR		Shim, 61 x 69 x 1.5 mm
37	1402-077	AR		Shim, 61 x 69 x 1.6 mm
37	1402-078	AR		Shim, 61 x 69 x 1.7 mm
38	1502-895	1		Cover, Gearcase (inc. one No. 32, 39-49 and one No. 50)
39	1402-053	1		Bearing
40	0502-413	1		Flange, Bearing
41	1402-079	1		Pin, Alignment
42	1402-042	1		Collar, Sliding

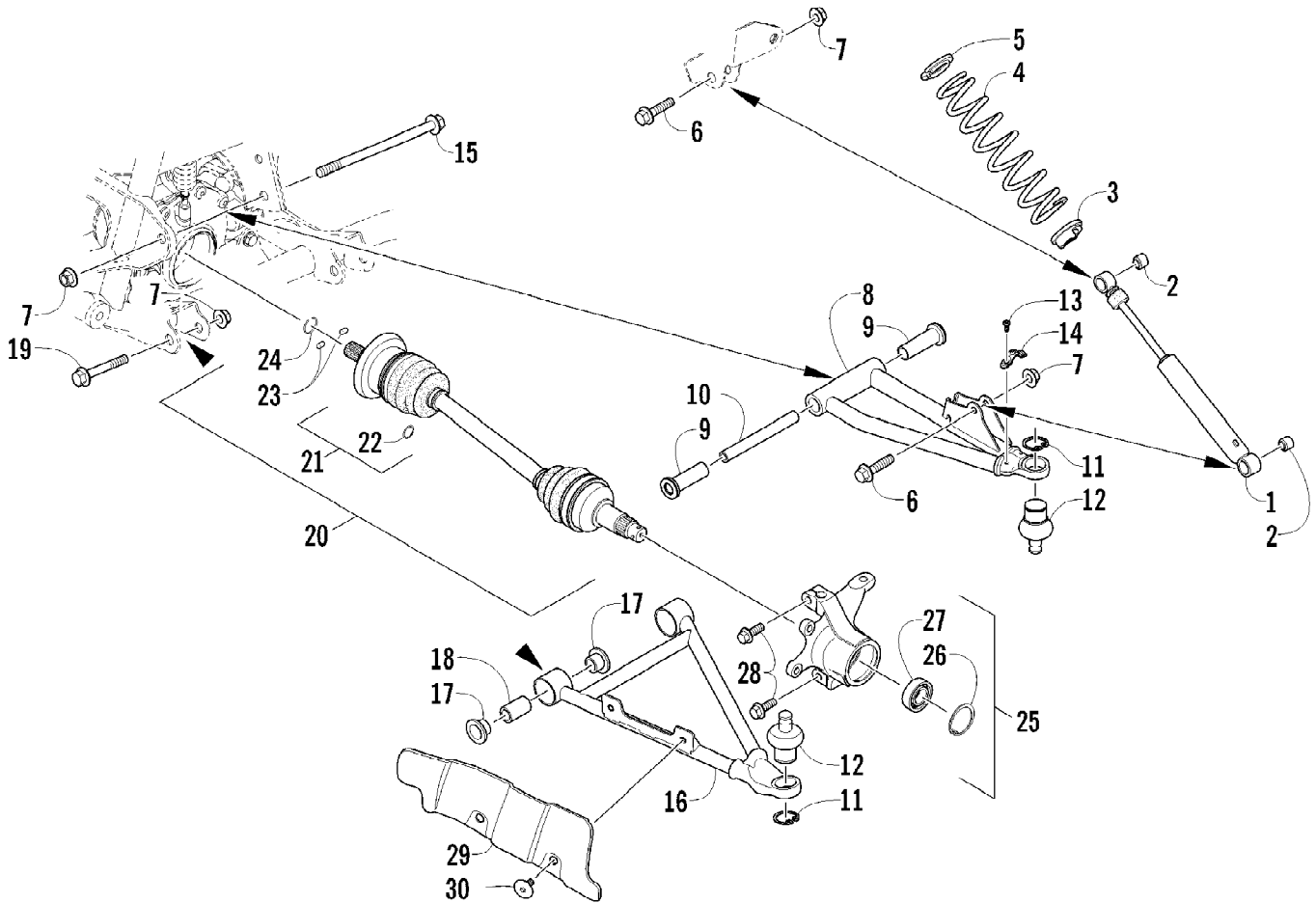
2012 ATV 1000 GT INTERNATIONAL ORANGE-BLACK (A2012AGW1POSY) Page 29 of 79
FRONT DRIVE GEARCASE ASSEMBLY

Ref #	Part Number	Qty	S/P/F	Description
43	1402-054	1		Fork
44	1402-058	2		Ring, Retaining
45	1402-057	1		Spring
46	1402-063	1		Spring
47	1402-656	1		Shaft, Lock
48	1402-211	1		Plug, Oil Level (inc. one No. 32)
49	1402-056	1		Seal
50	1402-950	2	/P	Seal
51	0402-333	1	/P	Plug, Fill (inc. 52)
52	0423-154	1		O-Ring



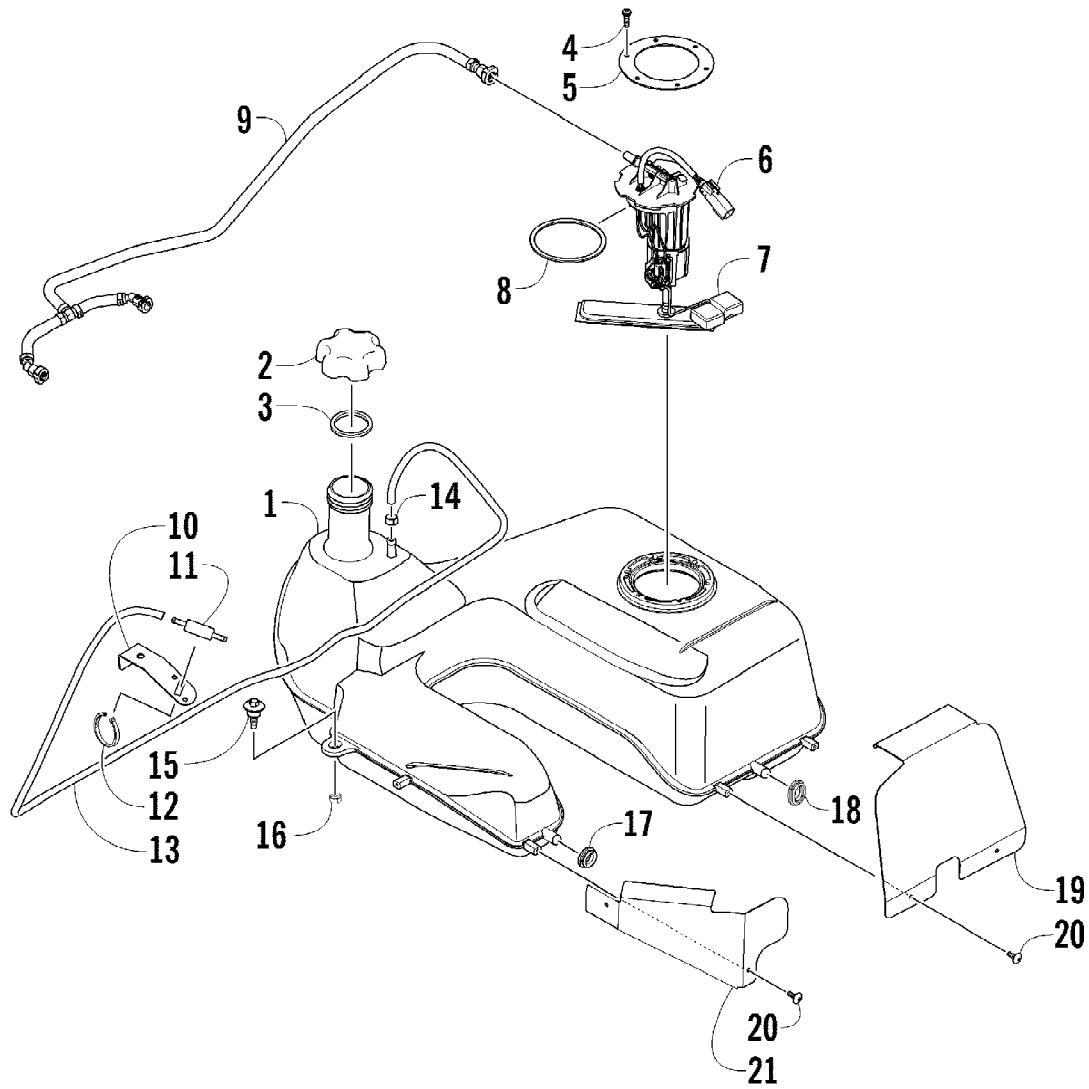
2012 ATV 1000 GT INTERNATIONAL ORANGE-BLACK (A2012AGW1POSY) Page 31 of 79
FRONT RACK, BODY PANEL, AND HEADLIGHT ASSEMBLIES

Ref #	Part Number	Qty	S/P/F	Description
1	2506-106	1		Rack, Front - Assembly (inc. 2-3)
2	0411-576	1		Decal, Warning - Load
3	0441-592	4	/P	Bushing
4	8410-830	4		Screw, Cap
5	0423-669	4		Spacer
6	0423-465	4		Grommet
7	8432-802	4		Nut, Lock
8	0423-654	2		Screw, Shoulder
9	8050-222	2	/P	Washer
10	0423-540	2		Nut, Lock
11	0509-044	1	/P	Headlight Assembly - Right (inc. 12)
11	0509-035	1		Headlight Assembly - Left (inc. 12)
12	0409-055	4		Bulb, Headlight
13	0423-514	2		Stud, Adjuster - Headlight
14	0423-522	2		Spring, Adjuster
15	0423-513	2		Knob, Adjuster
16	0623-785	4		Screw, Self-Tapping
17	8050-217	8	/P	Washer
18	0423-447	4		Grommet
19	2406-588	1		Panel, Side - Lower - Right
19	2406-589	1		Panel, Side - Lower - Left
20	0423-678	8		Grommet
21	1406-358	1		Cover, Access
22	0423-535	2		Rivet, Reinstallable
23	0623-362	4		Rivet, Reinstallable
24	1406-484	1		Cover, Steering Post
25	0470-513	1		Cover, Storage Box
26	1406-573	1		Box, Storage
27	2506-234	1		Lid, Storage Box w/Latch (inc. 28-29)
28	1406-599	1		Latch, Storage Box
29	0470-514	1		Lid, Storage Box
30	0423-101	2		Screw, Shoulder
31	2516-973	1		Panel, Fender - Assembly (inc. 32-38)
32	0411-818	1		Decal, Reflector - Right
32	0411-819	1		Decal, Reflector - Left
33	1411-574	1		Decal, Warning - Off-Road Only
34	1411-804	1	/P	Decal, Warning - Age
35	1411-932	1	/P	Decal, Warning - General
36	0411-835	1		Decal, Warning - Turn/Hill
37	1411-906	1		Decal, Warning - Throttle
38	1411-250	1		Decal, Warning - Reverse/Pre-Ride
39	1411-725	1		Decal, "Arctic Cat"
40	2411-700	1		Decal, Side - Front Right
40	2411-701	1		Decal, Side - Front Left
41	2411-702	1		Decal, Side - Upper Right
41	2411-703	1		Decal, Side - Upper Left



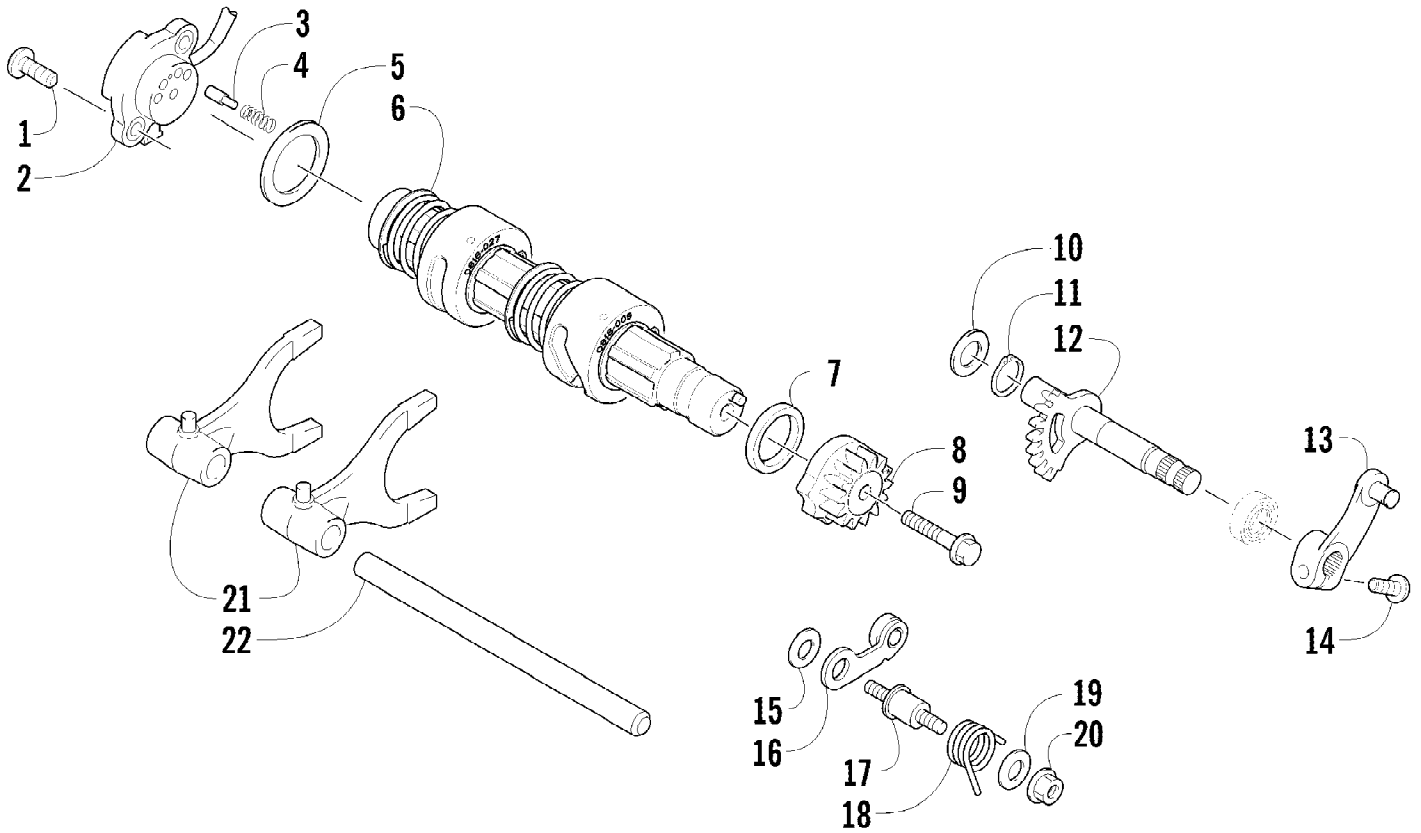
2012 ATV 1000 GT INTERNATIONAL ORANGE-BLACK (A2012AGW1POSY) Page 33 of 79
FRONT SUSPENSION ASSEMBLY

Ref #	Part Number	Qty	S/P/F	Description
1	0403-188	2		Shock Absorber (inc. 2)
2	0403-182	4		Bushing
3	0403-102	2		Cam, Spring Adjuster
4	0503-468	2		Spring, Suspension
5	1603-889	2	/P	Retainer, Spring
6	8409-040	4		Screw, Cap
7	0423-744	10		Nut, Lock
8	0503-416	1	/P	A-Arm, Upper Right (inc. 9-12)
8	0503-417	1	/P	A-Arm, Upper Left (inc. 9-12)
9	0403-207	4	/P	Bushing
10	0403-080	2		Axle
11	0423-009	4	/P	Ring, Retaining
12	0405-115	4	/P	Ball Joint
13	0423-946	4		Screw, Self-Tapping
14	1502-594	2		Clamp, Routing
15	0423-334	2		Screw, Cap
16	0503-376	1	/P	A-Arm, Lower Right (inc. 17-18 and two No. 11-12)
16	0503-377	1	/P	A-Arm, Lower Left (inc. 17-18 and two No. 11-12)
17	0403-208	8	/P	Bushing
18	0403-214	4	/P	Axle
19	8409-075	4		Screw, Cap
20	1502-806	1	S	Axle, Drive - Right (inc. 21-24)
20	1502-805	1	S	Axle, Drive - Locking - Left (inc. 21-24)
21	1436-410	2		Repair Kit, Boot (inc. 22)
22	1441-988	2		Clip, Retaining
23	1402-885	4		Pin, Detent
24	1402-889	2		Clip, Retaining
25	0505-578	1		Knuckle - Assembly - Right (inc. 26-27)
25	0505-579	1	/P	Knuckle - Assembly - Left (inc. 26-27)
26	0423-423	2		Ring, Retaining
27	1402-809	2	/P	Bearing
28	0423-998	4		Screw, Shoulder
29	1406-034	1		Guard, Boot - Right
29	1406-035	1		Guard, Boot - Left
30	0423-545	4	/P	Screw, Shoulder



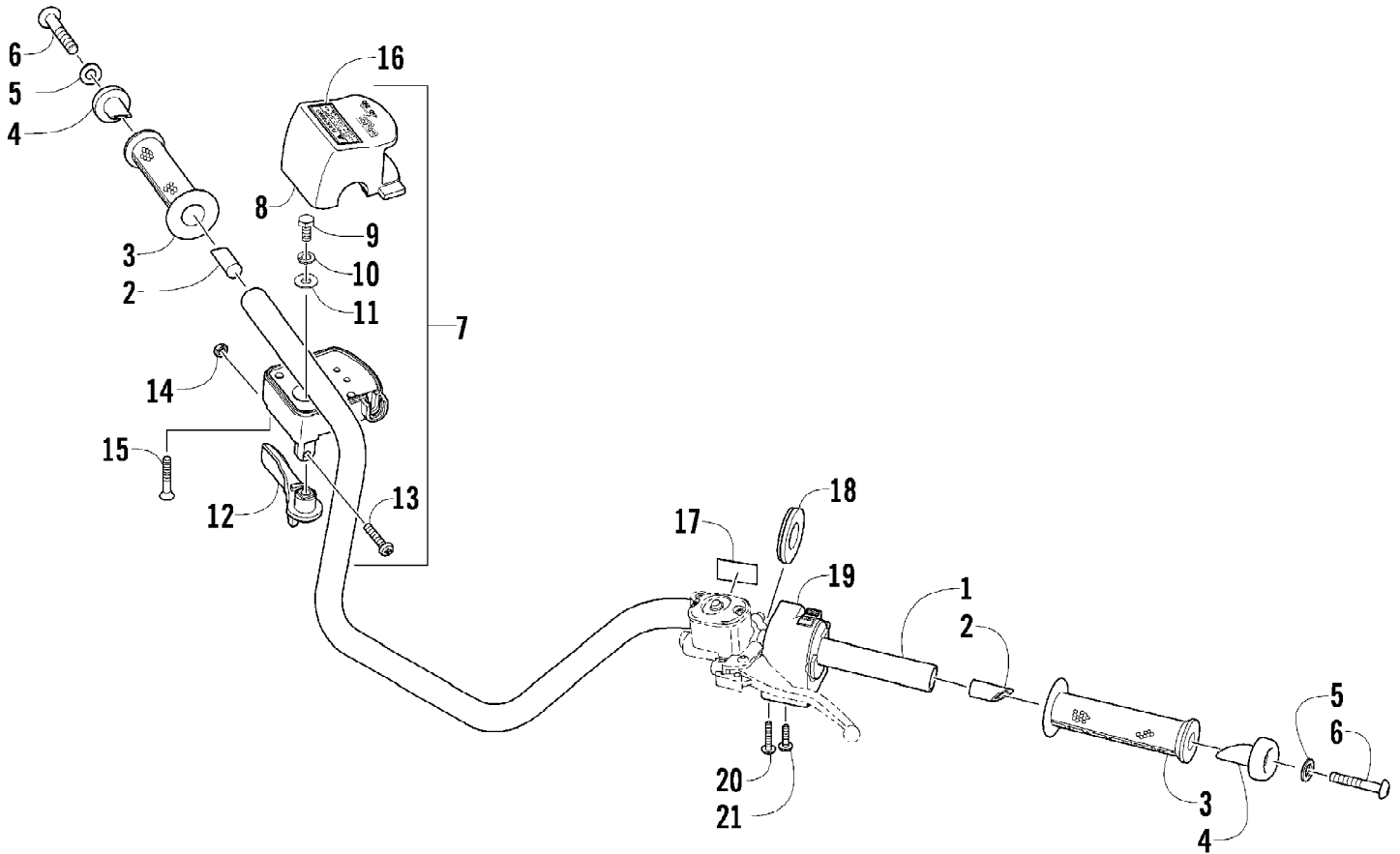
2012 ATV 1000 GT INTERNATIONAL ORANGE-BLACK (A2012AGW1POSY) Page 35 of 79
GAS TANK ASSEMBLY

Ref #	Part Number	Qty	S/P/F	Description
1	0570-307	1		Tank, Gas - Assembly (inc. 2-5)
2	0470-438	1	/P	Cap, Gas Tank (inc. 3)
3	0109-733	1	/P	Gasket, Gas Tank Cap
4	0423-898	6		Screw, Self-Tapping
5	2670-042	1		Plate, Retaining
6	0570-322	1	/P	Pump, Fuel - Assembly (inc. 7-8)
7	2670-235	1		Float
8	0470-838	1		Seal
9	0570-278	1		Hose, Fuel - Assembly
10	0470-827	1		Bracket, Filter Mounting
11	0510-335	1	/P	Filter, In-Line
12	0123-788	AR	/P	Tie, Cable - 8 in.
13	0410-070	AR	/P	Hose, Gasline - 25 ft
14	0423-688	1		Clamp, Hose
15	0423-732	2		Screw, Shoulder
16	0623-038	1		Nut w/Washer
17	0423-460	1		Grommet
18	0423-806	1		Grommet
19	0470-710	1		Shield, Heat - Gas Tank - Rear
20	0623-797	4		Screw, Self-Tapping
21	0470-709	1		Shield, Heat - Gas Tank - Front



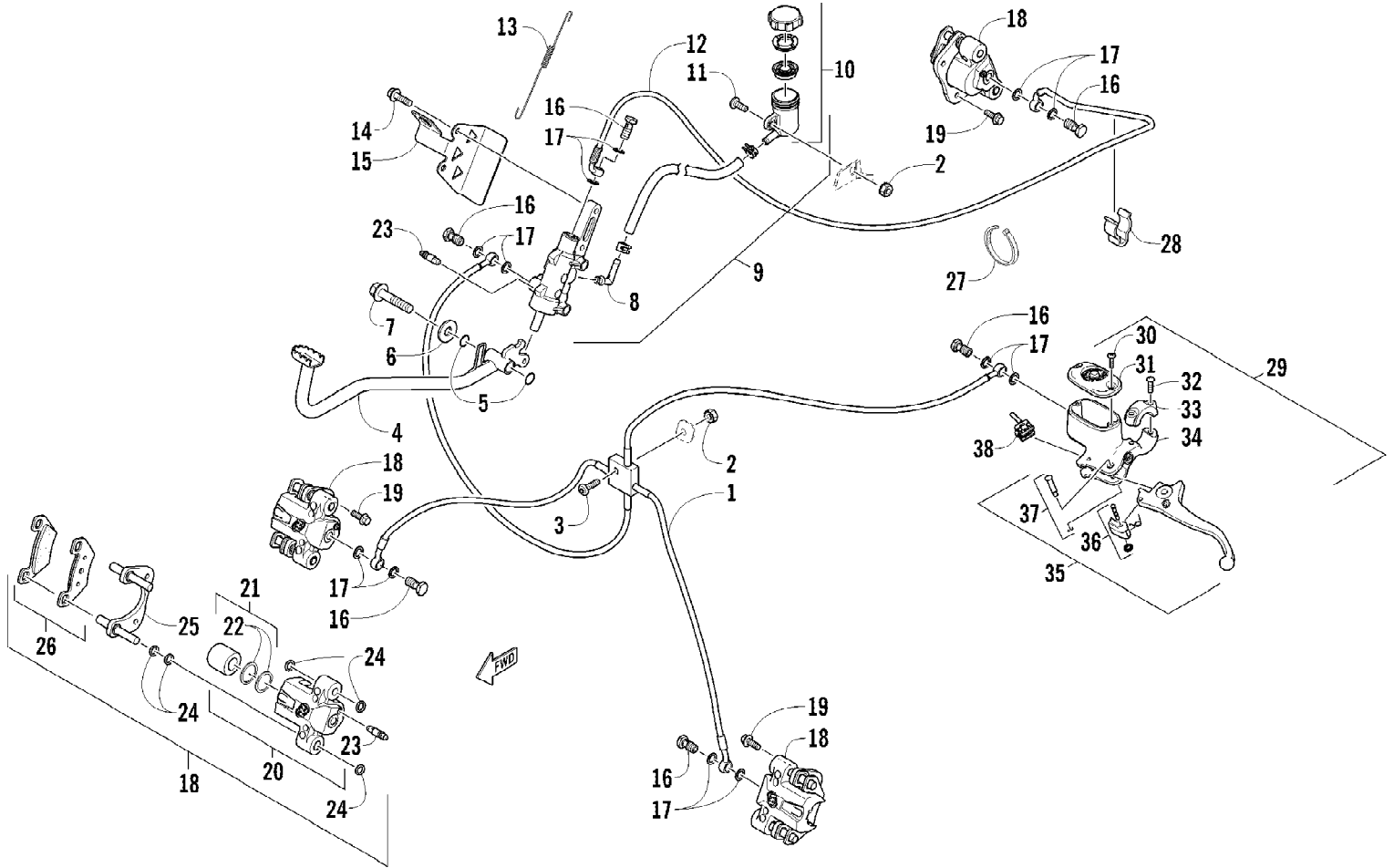
2012 ATV 1000 GT INTERNATIONAL ORANGE-BLACK (A2012AGW1POSY) Page 37 of 79
GEAR SHIFTING ASSEMBLY

Ref #	Part Number	Qty	S/P/F	Description
1	8470-516	2		Screw, Machine
2	0409-091	1		Switch, Gear Position
3	0818-013	2		Contact
4	0818-017	2		Spring
5	0828-040	1		Washer
6	0818-046	1		Shaft, Gear Shift - Assembly
7	0828-131	1		Spacer
8	0818-055	1		Cam, Gear Shift
9	0826-006	1		Screw, Cap
10	0828-036	1		Washer
11	0831-010	1		Ring, Retaining
12	0818-095	1		Shaft, Sub-Gear Shift
13	0818-014	1		Arm, Shift
14	8468-620	1	/P	Screw, Machine
15	0828-038	1		Washer
16	0818-002	1		Stopper, Cam
17	0818-004	1		Support, Cam Stopper
18	0818-090	1		Spring
19	0828-035	1		Washer
20	8424-602	1	/P	Nut
21	0818-072	2	/P	Fork, Shift
22	0818-006	1		Shaft, Shift Fork



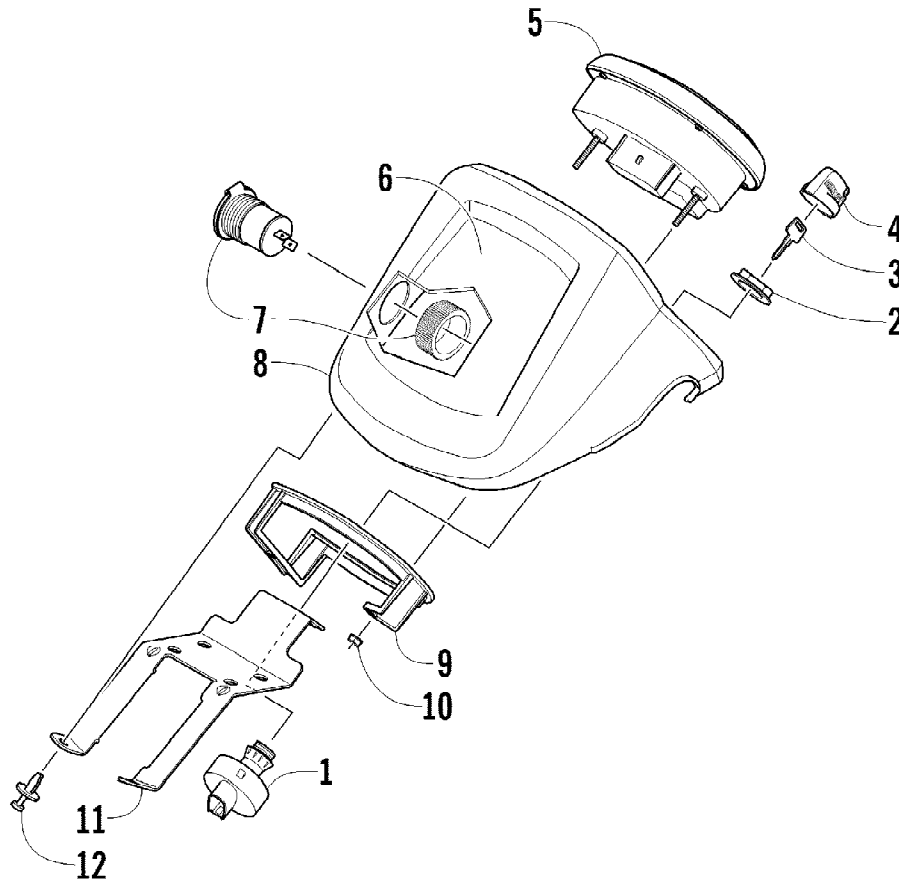
2012 ATV 1000 GT INTERNATIONAL ORANGE-BLACK (A2012AGW1POSY) Page 39 of 79
HANDLEBAR ASSEMBLY

Ref #	Part Number	Qty	S/P/F	Description
1	0505-418	1	/P	Handlebar
2	0405-218	2		Plug, Handlebar
3	0405-147	2		Grip, Handlebar
4	0405-149	2		End Cap, Handlebar
5	8050-247	2	/P	Washer
6	8477-845	2		Screw, Machine
7	0509-054	1		Case, Throttle - Assembly (inc. 8-15)
8	0409-141	1		Cover, Throttle Case w/Switch
9	3007-392	1	/P	Screw, Cap
10	3004-447	1	/P	Washer, Lock
11	3003-030	1	/P	Washer
12	0409-133	1		Lever, Throttle
13	3423-014	1		Screw, Machine
14	3423-327	1		Nut
15	3423-199	2		Screw, Machine
16	0411-966	1		Decal, Warning - Differential Lock
17	1411-865	1		Decal, Warning - Brake Lever Lock
18	3409-019	1		Cover, Switch Housing
19	0509-014	1		Switch, Control - Assembly (inc. 20-21)
20	0409-028	1		Screw, Machine
21	0409-027	1		Screw, Machine



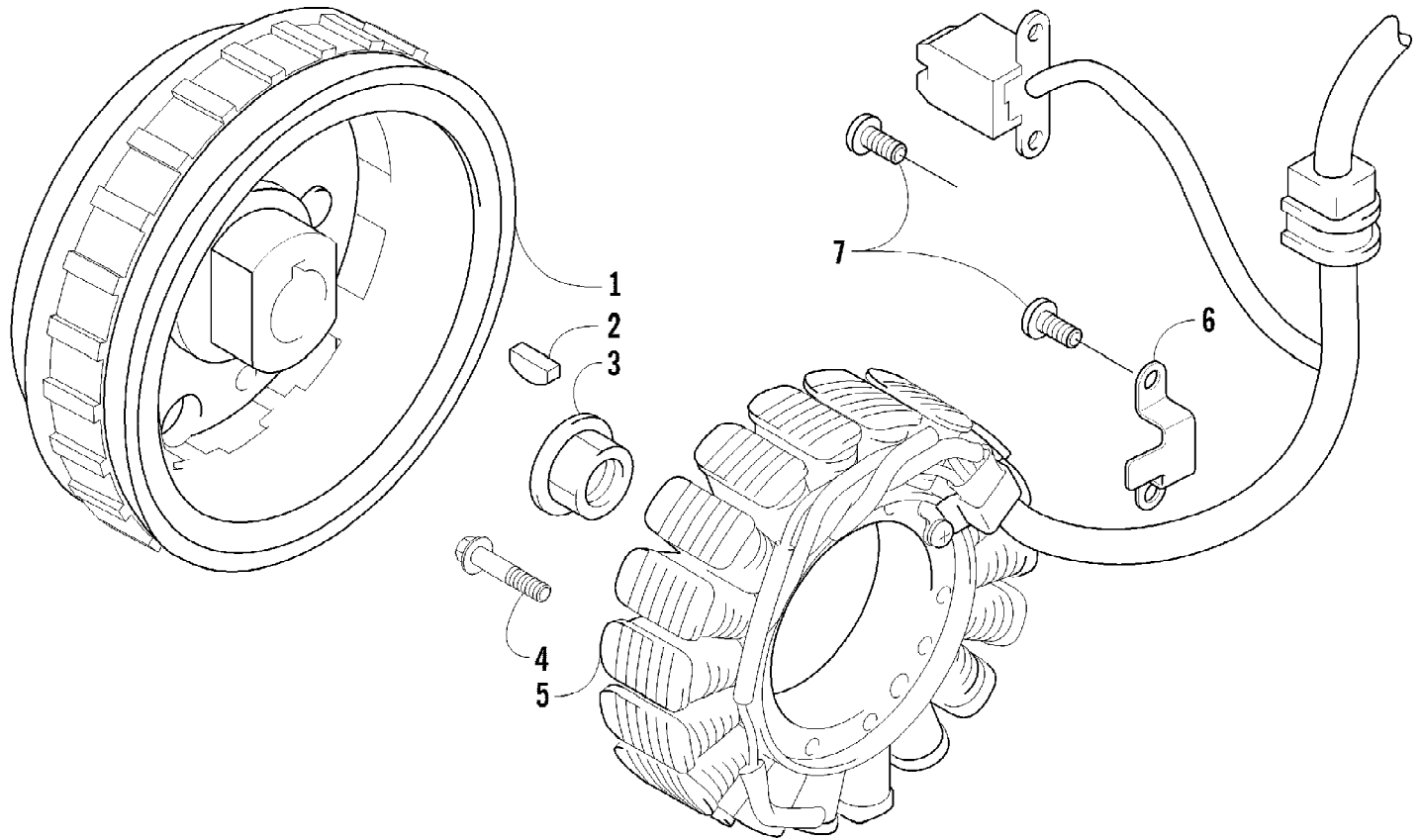
2012 ATV 1000 GT INTERNATIONAL ORANGE-BLACK (A2012AGW1POSY) Page 41 of 79
HYDRAULIC BRAKE ASSEMBLY

Ref #	Part Number	Qty	S/P/F	Description
1	1502-015	1		Hose, Brake - Assembly
2	0623-038	2		Nut w/Washer
3	8476-625	1		Screw, Machine
4	1502-162	1		Lever, Brake
5	1602-213	2	/P	O-Ring
6	8050-252	1		Washer
7	8408-816	1		Screw, Cap
8	1502-296	1	/P	Adapter, Hose
9	1502-293	1		Brake Assembly (inc. 10)
10	1502-155	1		Reservoir, Brake w/Clamp
11	8476-616	1		Screw, Machine
12	1502-593	1		Hose, Brake
13	0502-785	1		Spring, Brake Switch
14	8408-625	2		Screw, Cap
15	1502-164	1		Bracket, Switch
16	0423-413	6		Bolt, Banjo-Fitting
17	0423-178	12		Washer, Crush
18	1436-422	1	/P	Caliper, Brake - Right Front (inc. two No. 19 and 20-26)
18	1436-423	1	/P	Caliper, Brake - Left Front (inc. two No. 19 and 20-26)
18	1436-423	1	/P	Caliper, Brake - Rear (inc. two No. 19 and 20-26)
19	8408-821	6	/P	Screw, Cap
20	1436-160	1	/P	Housing, Caliper - Assembly - Right Front (inc. two No. 19 and 21-23)
20	1436-161	1	/P	Housing, Caliper - Assembly - Left Front (inc. two No. 19 and 21-23)
20	1436-161	1	/P	Housing, Caliper - Assembly - Rear (inc. two No. 19 and 21-23)
21	0502-606	3		Piston/Seal Set (inc. 22)
22	0502-607	3		Seal Set
23	0502-609	4	/P	Valve, Bleed
24	0502-608	3		O-Ring, Guide - Set
25	0502-605	3		Bracket Assembly
26	1502-694	3	S	Pad, Brake - Set
27	0123-788	AR	/P	Tie, Cable - 8 in.
28	1502-115	2		Clip, Brake Hose
29	1502-902	1	/P	Brake Assembly (inc. 30-38)
30	0502-566	1		Screw, Machine - Kit
31	0502-868	1	/P	Cover, Reservoir
32	0502-568	1		Screw, Machine - Kit
33	0502-869	1		Clamp, Master Cylinder
34	0502-704	1		Master Cylinder Assembly
35	1502-904	1		Lever Assembly - Kit (inc. 36-37)
36	1502-905	1		Lock, Brake Lever - Kit
37	0502-580	1		Lever Pin - Kit
38	0502-564	1	/P	Switch, Brake



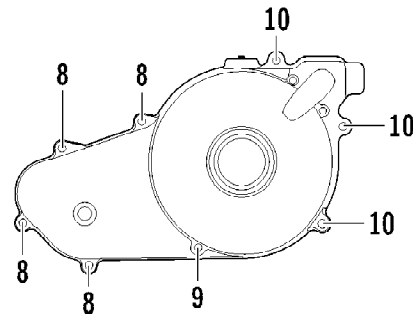
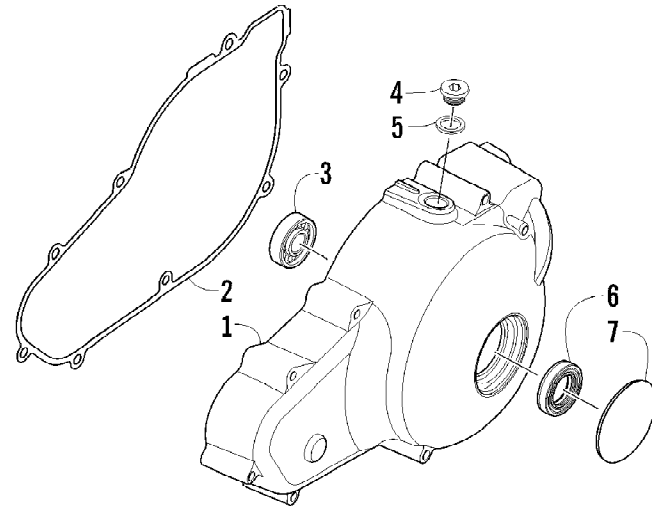
2012 ATV 1000 GT INTERNATIONAL ORANGE-BLACK (A2012AGW1POSY) Page 43 of 79
INSTRUMENT POD ASSEMBLY

Ref #	Part Number	Qty	S/P/F	Description
1	0430-090	1	/P	Switch, Ignition - Assembly (inc. 2-4)
2	0430-050	1		Nut, Retaining
3	0430-042	1		Key, Ignition (Y Series - Left-Side Cut)
3	0430-043	1		Key, Ignition (Z Series - Right-Side Cut)
4	0430-054	1		Cover, Key
5	0520-101	1		Gauge, LCD
6	9611-399	1		Decal, 50th Anniversary
7	0641-897	1	/P	Outlet, Accessory - 12V
8	0505-590	1		Instrument Pod
9	0420-065	1	/P	Bracket, Retaining
10	0423-493	2		Nut w/Washer
11	2506-470	1		Bracket, Mounting - Instrument Pod
12	0423-535	2		Rivet, Reinstallable



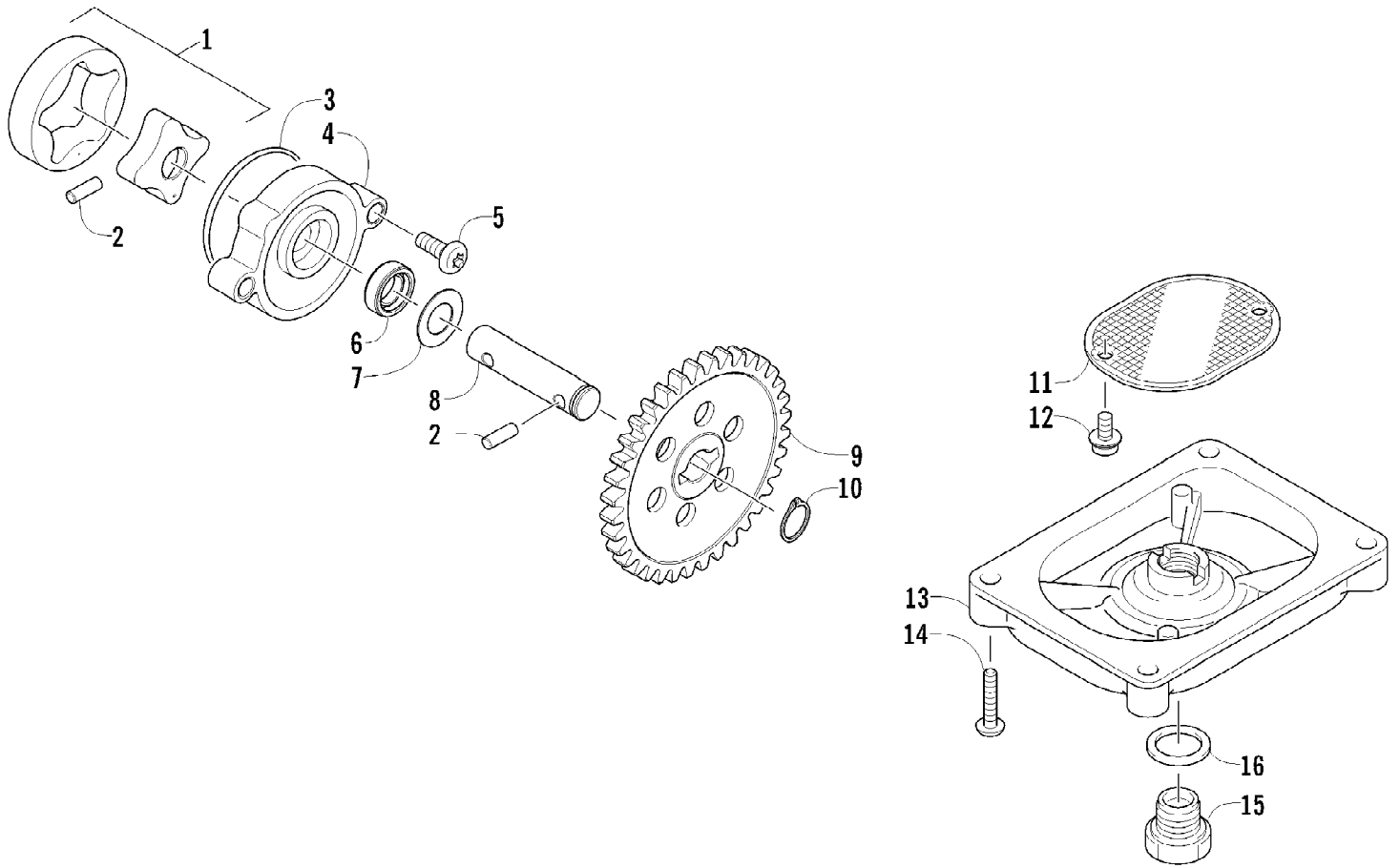
2012 ATV 1000 GT INTERNATIONAL ORANGE-BLACK (A2012AGW1POSY) Page 45 of 79
MAGNETO ASSEMBLY

Ref #	Part Number	Qty	S/P/F	Description
1	0802-042	1		Rotor/Flywheel
2	0829-012	1		Key
3	0827-010	1		Nut
4	8409-632	3		Screw, Cap
5	0802-041	1		Stator - Assembly
6	0831-064	1		Clamp
7	8470-510	4		Screw, Machine



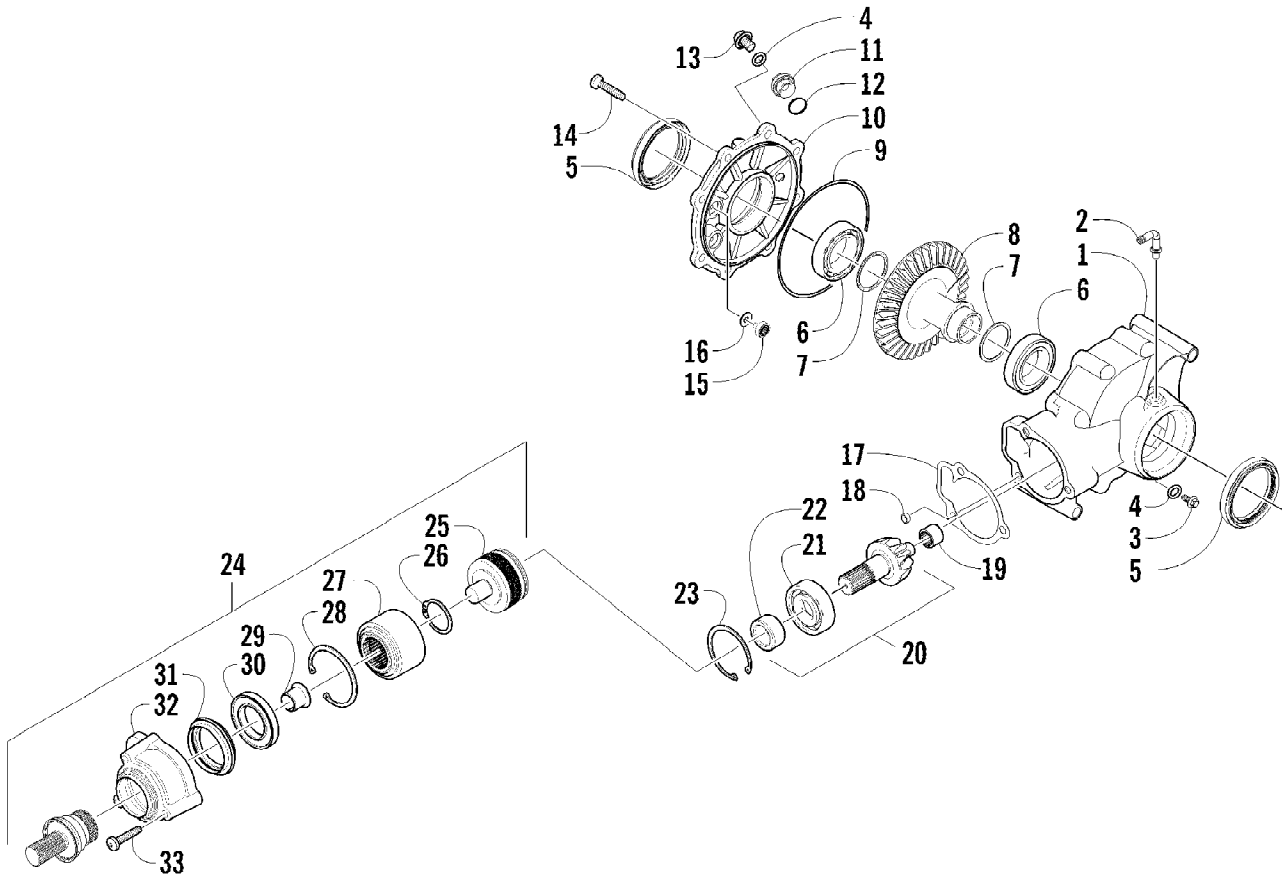
2012 ATV 1000 GT INTERNATIONAL ORANGE-BLACK (A2012AGW1POSY) Page 47 of 79
MAGNETO SIDE ENGINE COVERS

Ref #	Part Number	Qty	S/P/F	Description
1	0806-107	1		Cover, Magneto
2	0830-132	1		Gasket, Magneto Cover
3	0832-010	1		Bearing
4	0826-155	1		Plug, Check
5	0830-015	1		Washer, Crush
6	0830-176	1	/P	Seal, Cap
7	0806-066	1		Cap, Magneto Cover
8	8468-650	4		Screw, Machine
9	8468-695	1		Screw, Machine
10	8468-665	3		Screw, Machine



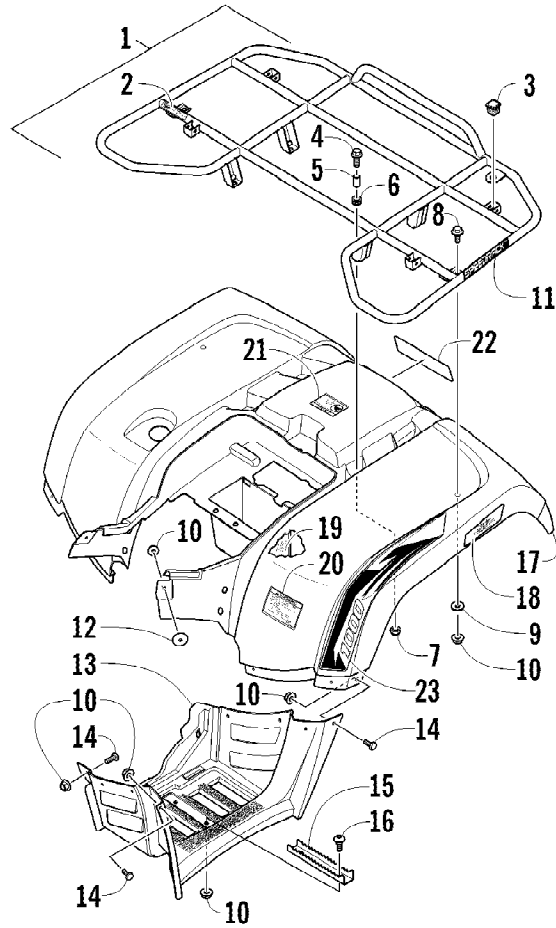
2012 ATV 1000 GT INTERNATIONAL ORANGE-BLACK (A2012AGW1POSY) Page 49 of 79
OIL PUMP ASSEMBLY

Ref #	Part Number	Qty	S/P/F	Description
1	0812-041	1		Gerotor - Set
2	0829-009	2		Pin, Dowel
3	0812-048	1		O-Ring
4	0812-040	1		Housing, Oil Pump
5	8468-625	2		Screw, Machine
6	0812-047	1		Seal, Oil Pump
7	0828-007	1	/P	Shim
8	0812-046	1		Shaft, Oil Pump
9	0812-045	1		Gear, Driven
10	0831-002	1		Ring, Retaining
11	0812-057	1	/P	Strainer, Oil
12	0826-040	2		Screw, Machine
13	0812-053	1		Cap, Oil Strainer
14	8468-625	4		Screw, Machine
15	0812-006	1		Plug, Drain
16	0830-017	1		Gasket, Drain Plug



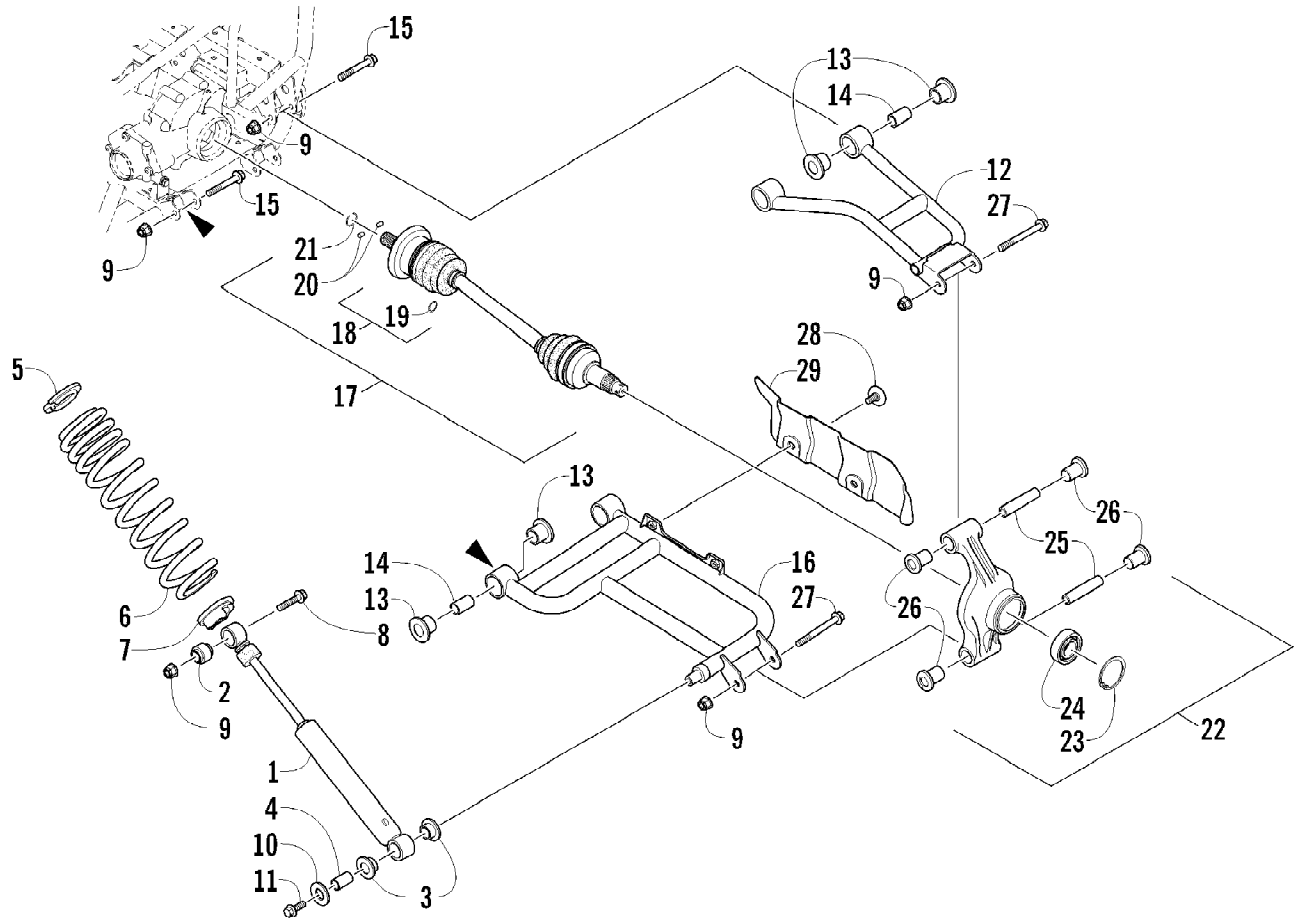
2012 ATV 1000 GT INTERNATIONAL ORANGE-BLACK (A2012AGW1POSY) Page 51 of 79
REAR DRIVE GEARCASE ASSEMBLY

Ref #	Part Number	Qty	S/P/F	Description
	1502-883	1		Complete Rear Drive Gearcase Assembly
1	1502-896	1		Housing, Gearcase
2	1402-442	1		Fitting, Elbow
3	0402-450	1	S	Plug, Magnetic (inc. one No. 4)
4	0423-153	2		O-Ring
5	1402-950	2	/P	Seal
6	0402-393	2		Bearing
7	0402-405	AR		Shim, 41 x 49 x 1.3 mm
7	0402-406	AR		Shim, 41 x 49 x 1.4 mm
7	0402-407	AR		Shim, 41 x 49 x 1.5 mm
7	0402-408	AR		Shim, 41 x 49 x 1.6 mm
7	0402-409	AR		Shim, 41 x 49 x 1.7 mm
8	1402-033	1		Gear, Ring - 34T
9	0423-149	1		O-Ring
10	1502-897	1		Cover, Gearcase
11	0402-333	1	/P	Plug, Fill (inc. 12)
12	0423-154	1		O-Ring
13	1402-211	1		Plug, Oil Level (inc. one No. 4)
14	0423-118	8		Screw, Self-Tapping
15	0402-326	1		Button, Thrust
16	0402-429	AR		Shim, 6.3 x 18 x 1.3 mm
16	0402-430	AR		Shim, 6.3 x 18 x 1.4 mm
16	0402-431	AR		Shim, 6.3 x 18 x 1.5 mm
16	0402-432	AR		Shim, 6.3 x 18 x 1.6 mm
16	0402-433	AR		Shim, 6.3 x 18 x 1.7 mm
17	0402-947	1		Gasket
18	0402-411	1		Pin, Dowel
19	0402-328	1		Bearing
20	1502-851	1		Gear, Pinion - Assembly - 11T (inc. 21-22)
21	0402-327	1		Bearing
22	1402-977	1		Collar, Retaining
23	1423-067	1		Ring, Retaining
24	1502-655	1		Shaft, Input (inc. 25-32)
25	1502-564	1	/P	Cartridge, Clutch - Assembly
26	0423-799	1		Ring, Retaining - External
27	1402-682	1		Basket, Clutch
28	0423-798	1		Ring, Retaining - Internal
29	1402-678	1		Bearing, Flange
30	1402-677	1		Bearing
31	1402-687	1		Seal
32	1502-285	1		Housing, Input
33	0423-834	3		Screw, Self-Tapping



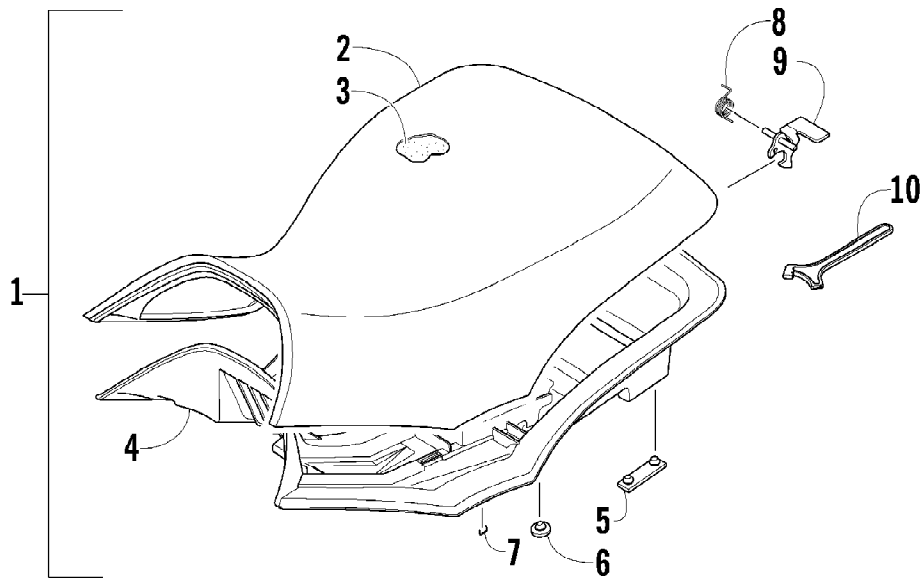
2012 ATV 1000 GT INTERNATIONAL ORANGE-BLACK (A2012AGW1POSY) Page 53 of 79
REAR RACK, BODY PANEL, AND FOOTWELL ASSEMBLIES

Ref #	Part Number	Qty	S/P/F	Description
1	2506-125	1		Rack, Rear - Assembly (inc. 2-3)
2	0411-648	1		Decal, Warning - Load
3	0441-592	4	/P	Bushing
4	8410-830	4		Screw, Cap
5	0423-669	4		Spacer
6	0423-465	4		Grommet
7	8432-802	4		Nut, Lock
8	0423-654	2		Screw, Shoulder
9	8050-222	2	/P	Washer
10	0423-540	26		Nut, Lock
11	0411-965	2		Decal, "Speedrack"
12	0423-101	2		Screw, Shoulder
13	2506-450	1		Footwell - Right
13	1406-519	1		Footwell - Left
14	0423-419	18		Screw, Machine
15	1506-125	2	/P	Footpeg
16	0423-355	4		Screw, Shoulder
17	2516-952	1		Panel, Fender - Assembly (inc. 18-21)
18	1411-592	1	/P	Decal, Reflector - Right
18	1411-593	1	/P	Decal, Reflector - Left
19	0470-658	1		Foil, Protective
20	2411-143	1	/P	Decal, Warning - Tire Pressure
21	1411-809	1	/P	Decal, Passenger
22	1411-725	1		Decal, "Arctic Cat"
23	2411-704	1		Decal, Side - Lower Right
23	2411-705	1		Decal, Side - Lower Left



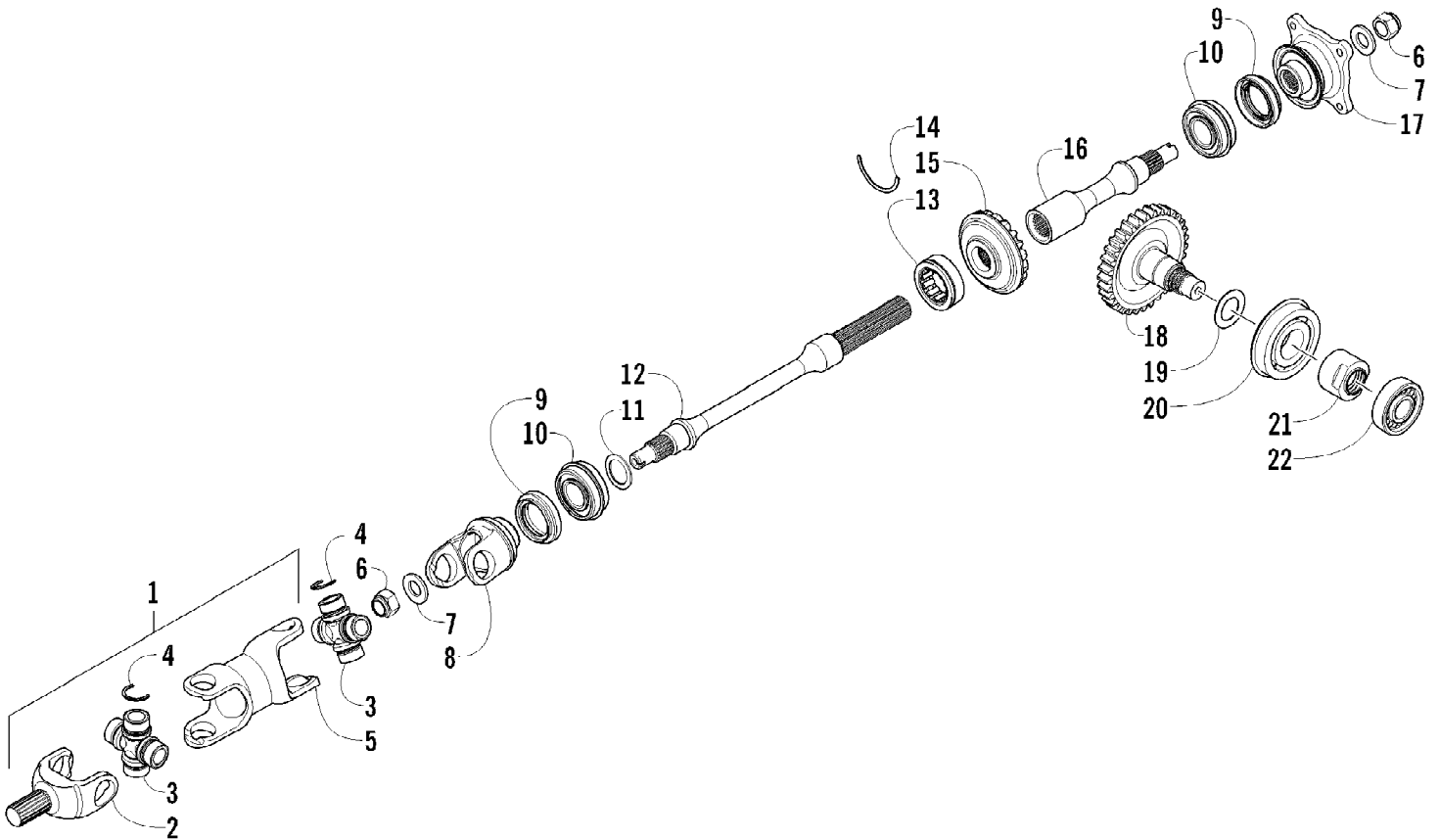
2012 ATV 1000 GT INTERNATIONAL ORANGE-BLACK (A2012AGW1POSY) Page 55 of 79
REAR SUSPENSION ASSEMBLY

Ref #	Part Number	Qty	S/P/F	Description
1	0404-158	2		Shock Absorber (inc. 2-4)
2	0403-182	2		Bushing
3	0603-955	4		Bushing
4	1603-219	2	S	Sleeve
5	1603-889	2	/P	Retainer, Spring
6	0504-659	2		Spring, Suspension
7	0404-057	2		Cam, Spring Adjuster
8	8409-040	1		Screw, Cap - Right
8	8409-050	1		Screw, Cap - Left
9	0423-744	14		Nut, Lock
10	0423-087	2		Washer
11	8408-820	2	/P	Screw, Cap
12	0504-582	1		A-Arm, Rear - Upper Right (inc. 13-14)
12	0504-583	1	/P	A-Arm, Rear - Upper Left (inc. 13-14)
13	0403-208	16	/P	Bushing
14	0403-214	8	/P	Axle
15	8409-075	8		Screw, Cap
16	0504-572	1		A-Arm, Rear - Lower Right (inc. 13-14)
16	0504-573	1		A-Arm, Rear - Lower Left (inc. 13-14)
17	1502-804	2	S	Axle, Drive (inc. 18-21)
18	1436-410	2		Repair Kit, Boot (inc. 19)
19	1441-988	2		Clip, Retaining
20	1402-884	4		Pin, Detent
21	1402-890	2		Clip, Retaining
22	0504-550	1	/P	Knuckle, Right - Assembly (inc. 23-26)
22	0504-551	1	/P	Knuckle, Left - Assembly (inc. 23-26)
23	0423-423	2		Ring, Retaining
24	1402-809	2	/P	Bearing
25	0403-213	4	/P	Axle
26	0403-206	8	/P	Bushing
27	8409-000	4		Screw, Cap
28	0423-545	4	/P	Screw, Shoulder
29	1406-068	1		Guard, Boot - Rear - Right
29	1406-069	1		Guard, Boot - Rear - Left



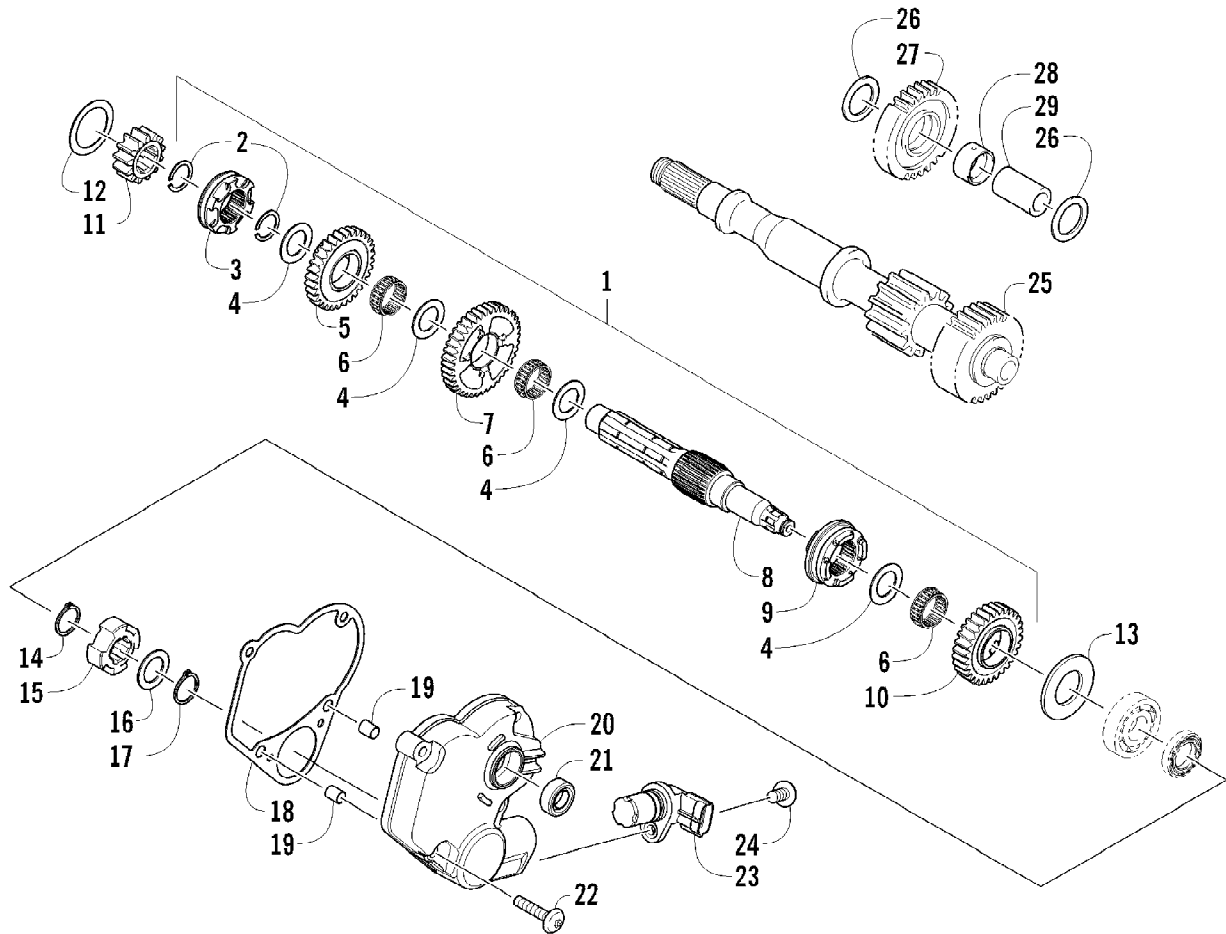
2012 ATV 1000 GT INTERNATIONAL ORANGE-BLACK (A2012AGW1POSY) Page 57 of 79
SEAT ASSEMBLY

Ref #	Part Number	Qty	S/P/F	Description
1	4506-558	1	/P	Seat Assembly (inc. 2-9)
2	1506-209	1		Cover, Seat
3	0517-119	1		Foam, Seat
4	2416-827	1		Base, Seat - Assembly (inc. 5-6)
5	0406-879	2		Bumper, Seat - Rear
6	0406-877	4	/P	Bumper, Seat - Front
7	0624-263	AR		Staple
8	1406-592	1	/P	Spring, Seat Latch
9	1506-156	1		Latch, Seat
10	0441-587	1		Wrench, Spanner



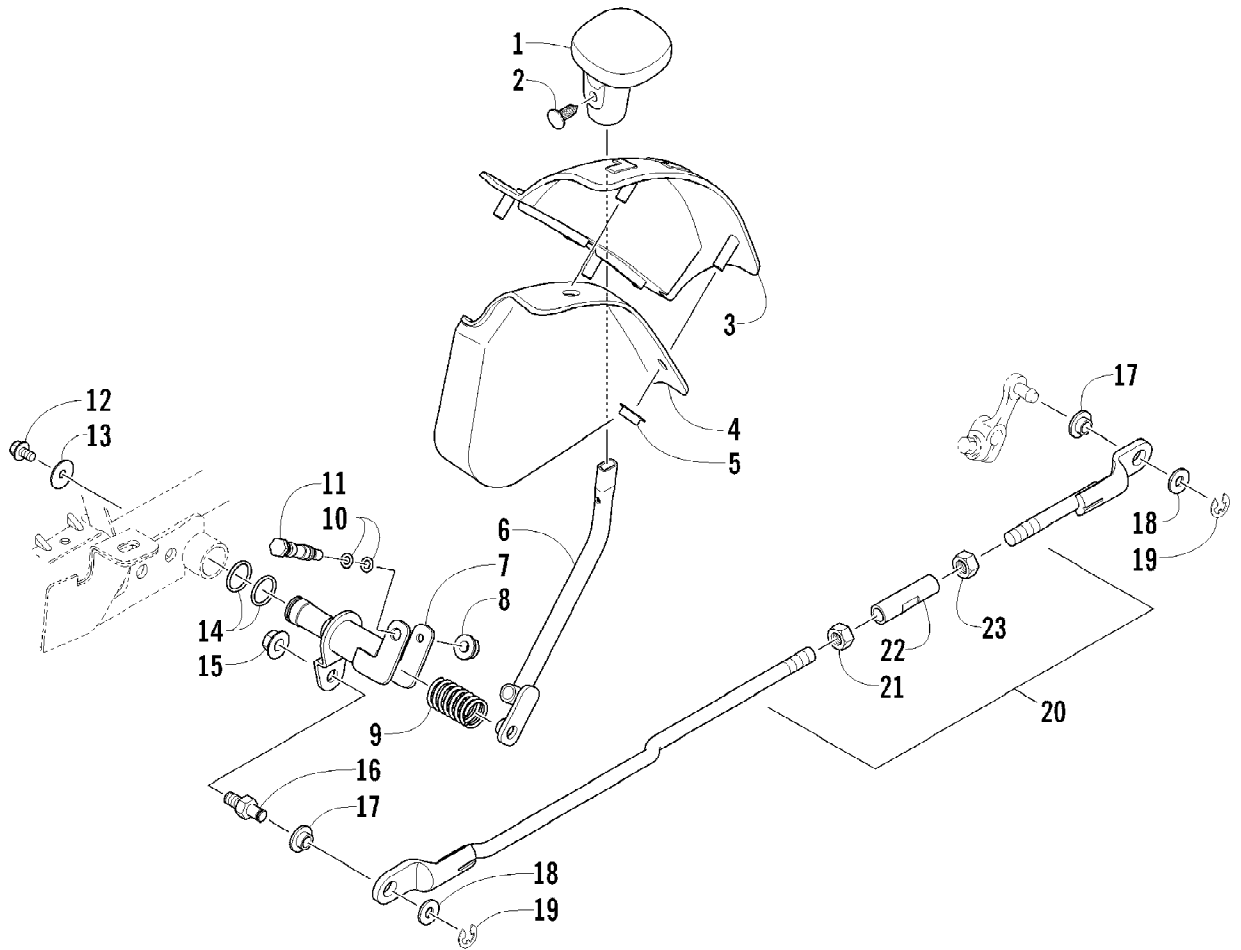
2012 ATV 1000 GT INTERNATIONAL ORANGE-BLACK (A2012AGW1POSY) Page 59 of 79
SECONDARY DRIVE ASSEMBLY

Ref #	Part Number	Qty	S/P/F	Description
1	1502-342	1	/P	Driveshaft, Front - Assembly (inc. 2, one No. 3, four No. 4, and 5)
2	1402-701	1		Yoke, Slip
3	0402-944	2	/P	Joint, Universal - Set (inc. 4)
4	0423-395	8		Ring, Retaining
5	1502-341	1		Driveshaft, Front
6	0827-013	2		Nut
7	0828-020	2		Washer
8	1502-325	1		Yoke, Propeller Shaft Joint
9	0830-043	2		Seal, Oil
10	0832-017	2		Bearing
11	0828-021	AR		Shim, 25 x 34 x 0.25 mm
11	0828-022	AR		Shim, 25 x 34 x 0.30 mm
11	0828-023	AR		Shim, 25 x 34 x 0.70 mm
11	0828-024	AR		Shim, 25 x 34 x 0.90 mm
11	0828-025	AR		Shim, 25 x 34 x 0.95 mm
11	0828-026	AR		Shim, 25 x 34 x 1.00 mm
11	0828-027	AR		Shim, 25 x 34 x 1.05 mm
11	0828-028	AR		Shim, 25 x 34 x 1.10 mm
11	0828-029	AR		Shim, 25 x 34 x 1.15 mm
12	0819-089	1	/P	Shaft, Secondary Driven - Front
13	0832-016	1		Bearing, Driven Gear
14	0819-011	1		Ring, Driven Bearing
15	0822-106	1		Gear, Secondary Driven
16	0819-053	1		Shaft, Secondary Driven - Rear
17	0819-005	1		Flange, Output Joint - Rear
18	0822-132	1		Gear, Secondary Drive
19	0828-119	AR		Shim, 30 x 48 x 0.25 mm
19	0828-120	AR		Shim, 30 x 48 x 0.30 mm
19	0828-121	AR		Shim, 30 x 48 x 0.35 mm
19	0828-122	AR		Shim, 30 x 48 x 0.90 mm
19	0828-123	AR		Shim, 30 x 48 x 0.95 mm
19	0828-124	AR		Shim, 30 x 48 x 1.00 mm
19	0828-125	AR		Shim, 30 x 48 x 1.05 mm
19	0828-126	AR		Shim, 30 x 48 x 1.10 mm
19	0828-127	AR		Shim, 30 x 48 x 1.15 mm
20	0832-083	1	/P	Bearing
21	0827-060	1		Nut
22	0832-050	1	/P	Bearing



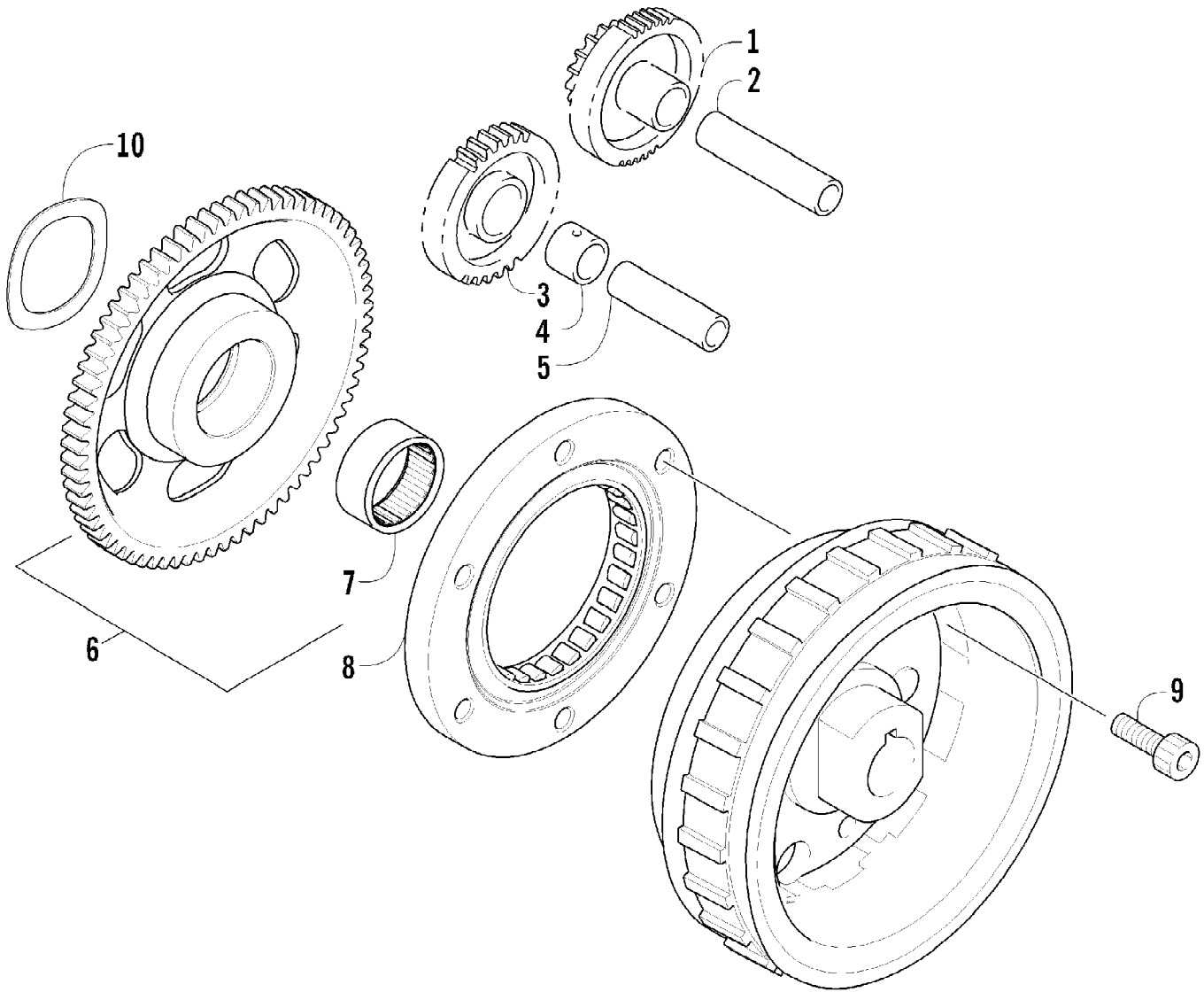
2012 ATV 1000 GT INTERNATIONAL ORANGE-BLACK (A2012AGW1POSY) Page 61 of 79
SECONDARY TRANSMISSION ASSEMBLY

Ref #	Part Number	Qty	S/P/F	Description
1	0822-124	1		Countershaft Assembly (inc. 2-10)
2	0831-085	2		Ring, Retaining
3	0822-120	1		Gear Select, Reverse
4	0822-121	4		Shim
5	0822-119	1		Gear, Reverse Driven
6	0832-082	3		Bearing
7	0822-114	1		Gear, Driven - Low
8	0822-113	1		Countershaft
9	0822-116	1		Gear Select, Sliding
10	0822-115	1		Gear, Driven - High
11	0822-125	1		Gear, Drive
12	0828-019	1		Washer, Thrust
13	0828-011	1		Washer
14	0831-040	1		Ring, Retaining
15	0822-050	1		Trigger, Speedometer Sensor
16	0828-069	1		Washer, Thrust
17	0831-039	1		Ring, Retaining
18	0830-194	1		Gasket
19	0829-048	2	/P	Pin, Dowel
20	0806-105	1		Housing, Speedometer Sensor
21	0830-044	1		Seal
22	8468-630	4		Screw, Machine
23	0824-042	1	/P	Sensor, Speedometer
24	8468-620	1	/P	Screw, Machine
25	0822-001	1		Driveshaft
26	0828-016	2		Washer, Thrust
27	0822-011	1		Gear, Reverse Idle
28	0822-012	1		Bushing
29	0822-015	1		Shaft, Reverse Idle



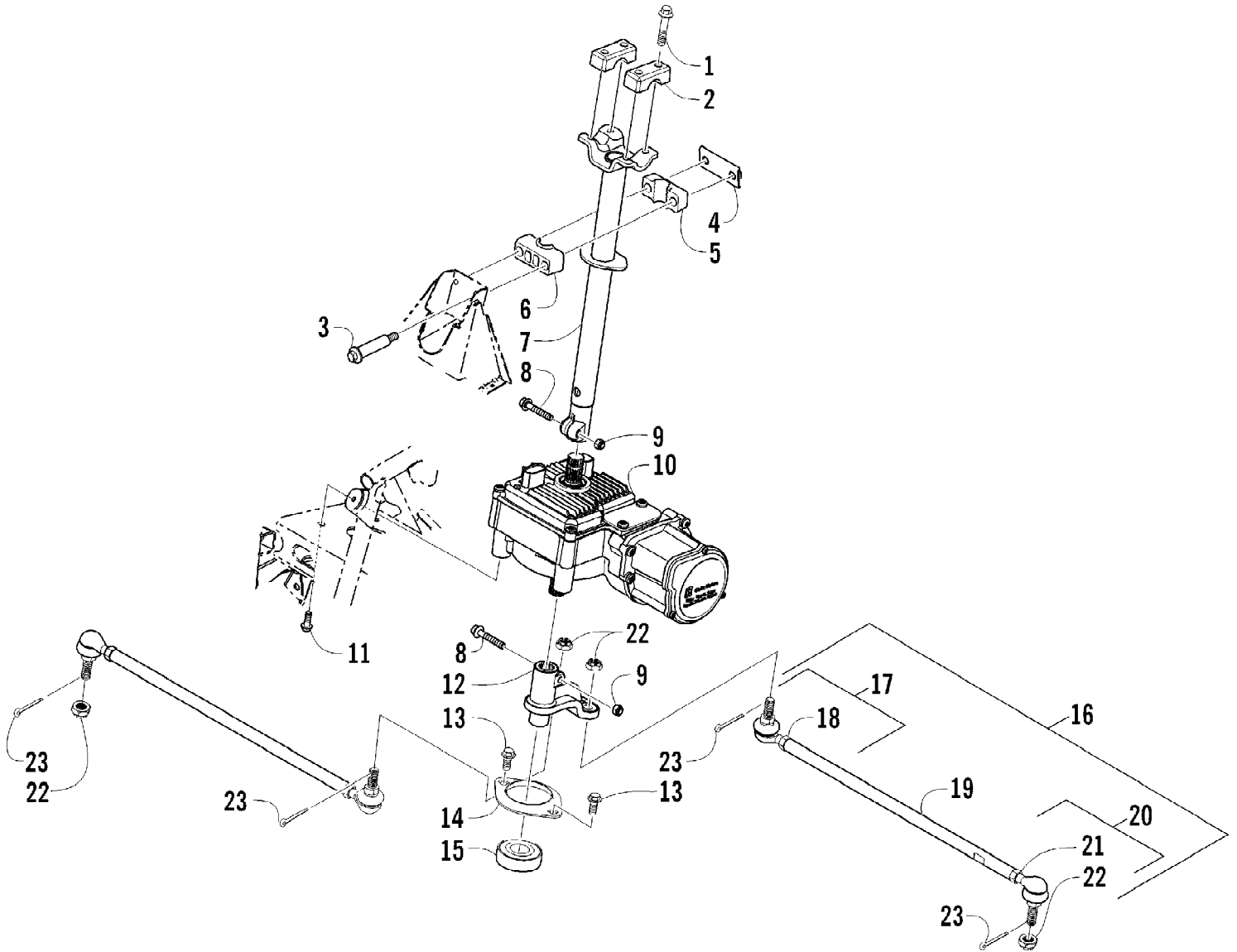
2012 ATV 1000 GT INTERNATIONAL ORANGE-BLACK (A2012AGW1POSY) Page 63 of 79
SHIFT LEVER ASSEMBLY

Ref #	Part Number	Qty	S/P/F	Description
1	0402-843	1	/P	Knob, Shift
2	0423-345	1		Clip, Retaining
3	1402-576	1		Plate, Shift
4	2406-345	1		Shield, Shift Plate
5	0423-357	4		Nut, Stamped
6	0502-659	1		Lever, Shift
7	1502-332	1		Actuator, Shift Lever
8	8424-602	1	/P	Nut
9	0402-678	1	/P	Spring, Shift Lever
10	0423-182	2	/P	O-Ring
11	0402-675	1		Axle, Pivot
12	8408-812	1		Screw, Cap
13	0423-087	1		Washer
14	0423-299	2	/P	O-Ring
15	8424-802	1		Nut
16	1402-621	1		Pin, Mounting - Shift Linkage
17	0423-091	2		Bushing
18	0623-094	2		Washer
19	0423-169	2	/P	E-Ring
20	1502-227	1		Linkage, Shift - Assembly (inc. 21-23)
21	0623-294	1		Nut, Hex - Right-Hand Thread
22	1402-619	1		Coupler
23	0123-917	1	/P	Nut, Hex - Left-Hand Thread



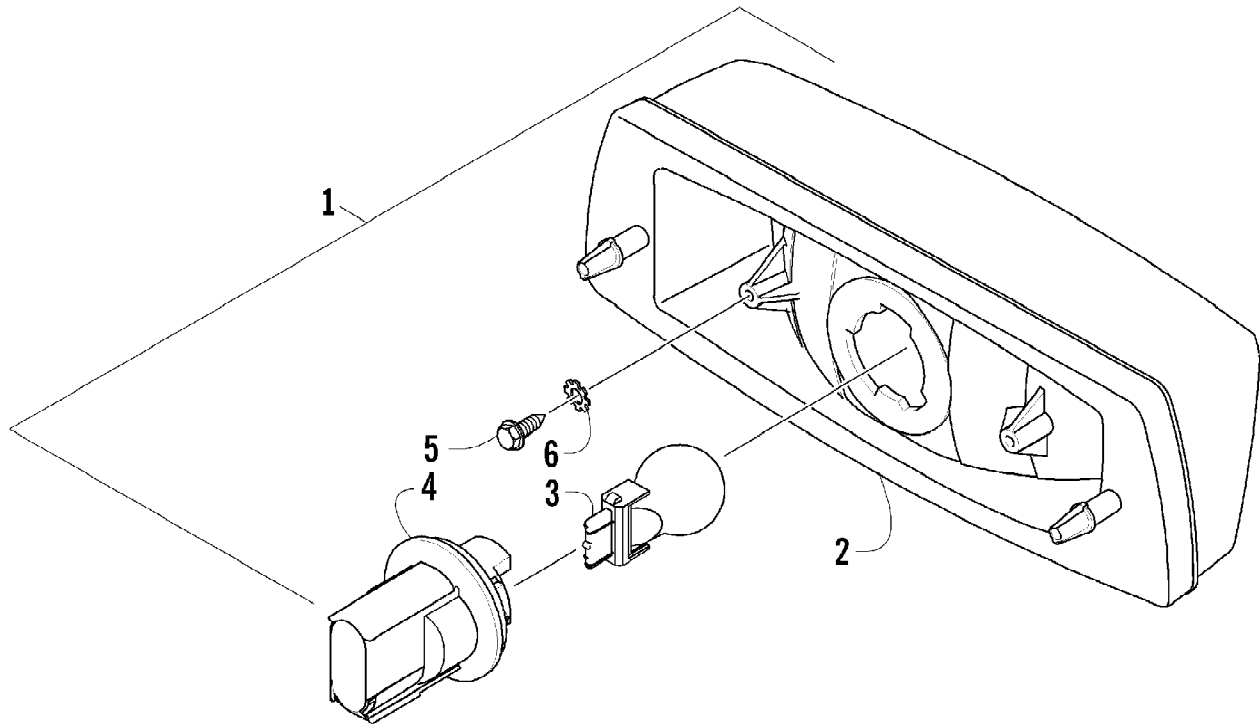
2012 ATV 1000 GT INTERNATIONAL ORANGE-BLACK (A2012AGW1POSY) Page 65 of 79
STARTER CLUTCH ASSEMBLY

Ref #	Part Number	Qty	S/P/F	Description
1	0815-026	1		Gear, Starter Idler - No. 1
2	0829-031	1	/P	Shaft, Starter Gear
3	0815-002	1		Gear, Starter Idler - No. 2
4	0815-003	1		Spacer, Starter Idler Gear No. 2
5	0829-032	1	/P	Shaft, Starter Gear
6	0815-004	1		Gear, Starter Clutch (inc. 7)
7	0832-079	1	/P	Bearing
8	0802-035	1		Clutch, Starter
9	0826-069	6		Screw, Cap
10	0828-113	1		Washer, Wave



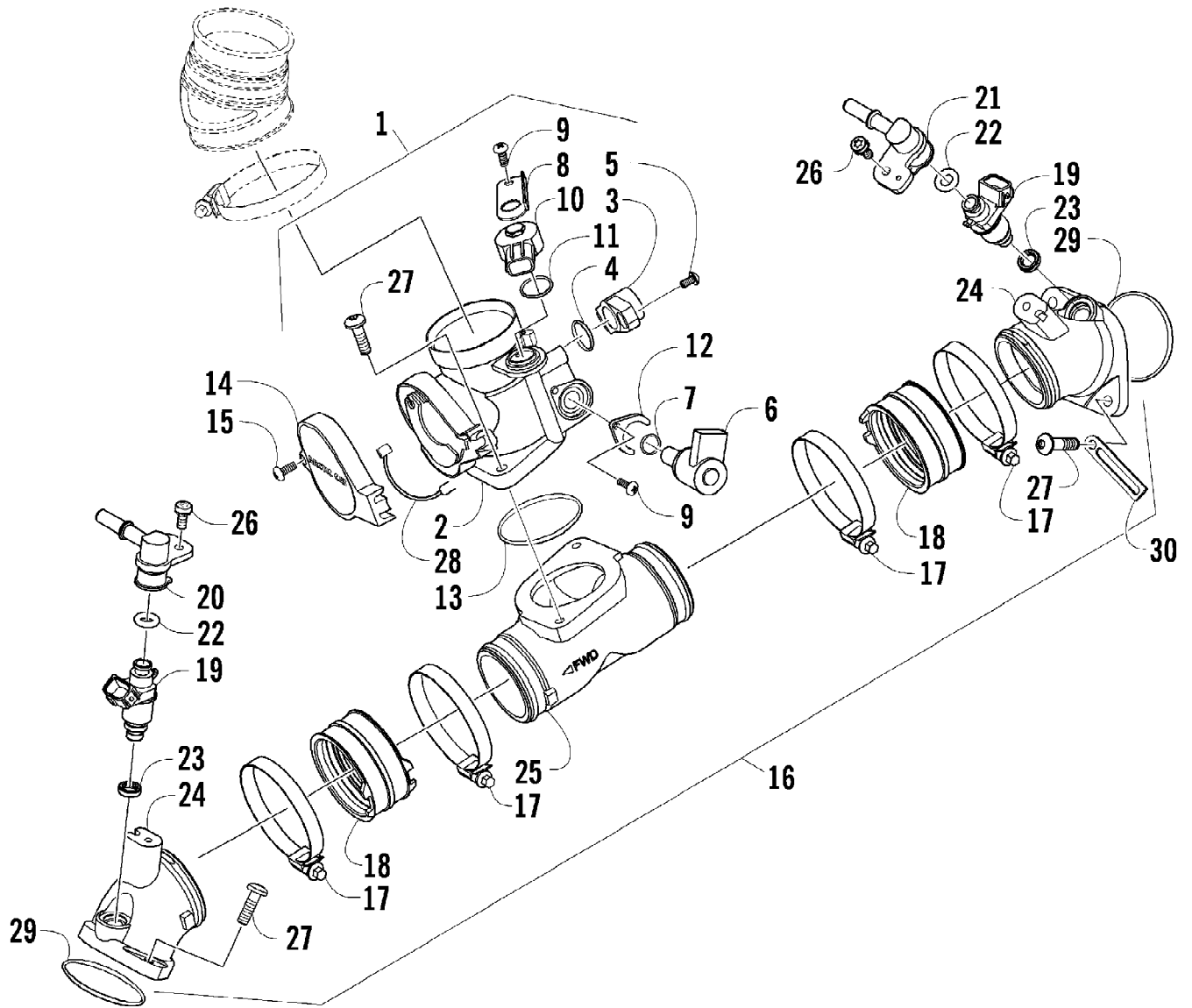
2012 ATV 1000 GT INTERNATIONAL ORANGE-BLACK (A2012AGW1POSY) Page 67 of 79
STEERING ASSEMBLY

Ref #	Part Number	Qty	S/P/F	Description
1	8408-835	4		Screw, Cap
2	0405-035	2		Cap, Steering Adjuster
3	0423-505	2		Screw, Shoulder
4	0505-484	1		Cap, Housing
5	0405-260	1		Housing, Upper
6	0405-259	1		Housing, Lower
7	0505-642	1		Post, Steering
8	8020-045	2		Screw, Cap
9	8040-366	2	/P	Nut, Lock
10	0505-767	1	/P	Assembly, Electronic Power Steering
11	8409-020	4	/P	Screw, Cap
12	0505-664	1		Arm, Steering
13	8408-816	2		Screw, Cap
14	0602-233	1		Flange, Bearing
15	0405-052	1		Bearing w/Inverted Oil Seal
16	0505-499	2	/P	Tie Rod - Assembly (inc. 17-21)
17	0505-511	2	/P	End, Tie Rod - Left-Hand Thread - Kit (inc. 18)
18	0423-013	2		Nut - Left-Hand Thread
19	0405-281	2	/P	Tie Rod
20	0505-510	2	/P	End, Tie Rod - Right-Hand Thread - Kit (inc. 21)
21	8420-002	2	/P	Nut - Right-Hand Thread
22	0423-157	4		Nut, Lock
23	0623-175	4		Pin, Cotter



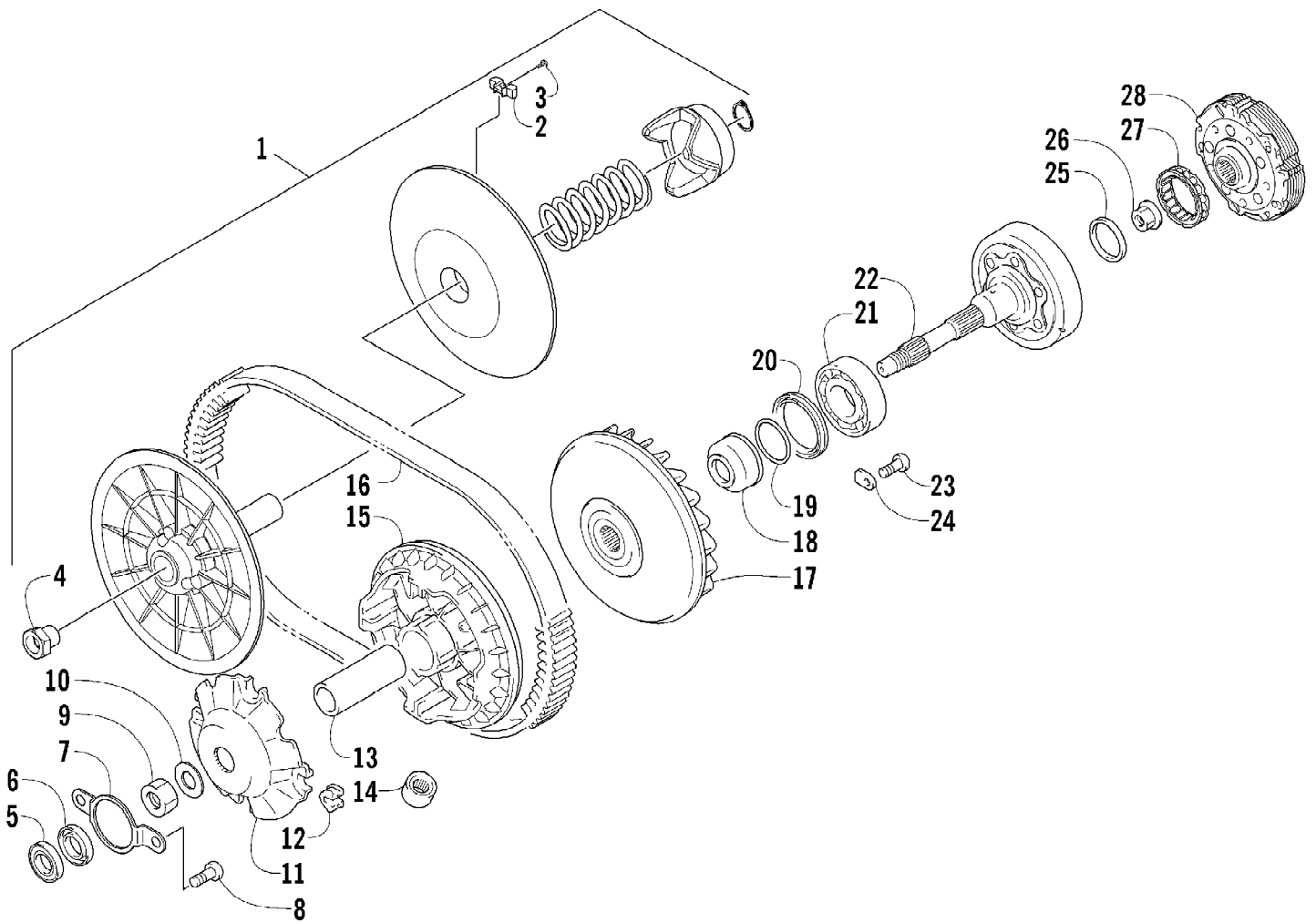
2012 ATV 1000 GT INTERNATIONAL ORANGE-BLACK (A2012AGW1POSY) Page 69 of 79
TAILLIGHT ASSEMBLY

Ref #	Part Number	Qty	S/P/F	Description
1	0509-022	1		Taillight Assembly (inc. 2-4)
2	0509-025	1		Housing, Taillight
3	0409-056	1		Bulb, Taillight
4	0409-057	1		Socket, Taillight
5	0623-301	2	/P	Screw, Self-Tapping
6	8053-212	2	/P	Washer, External Tooth Lock



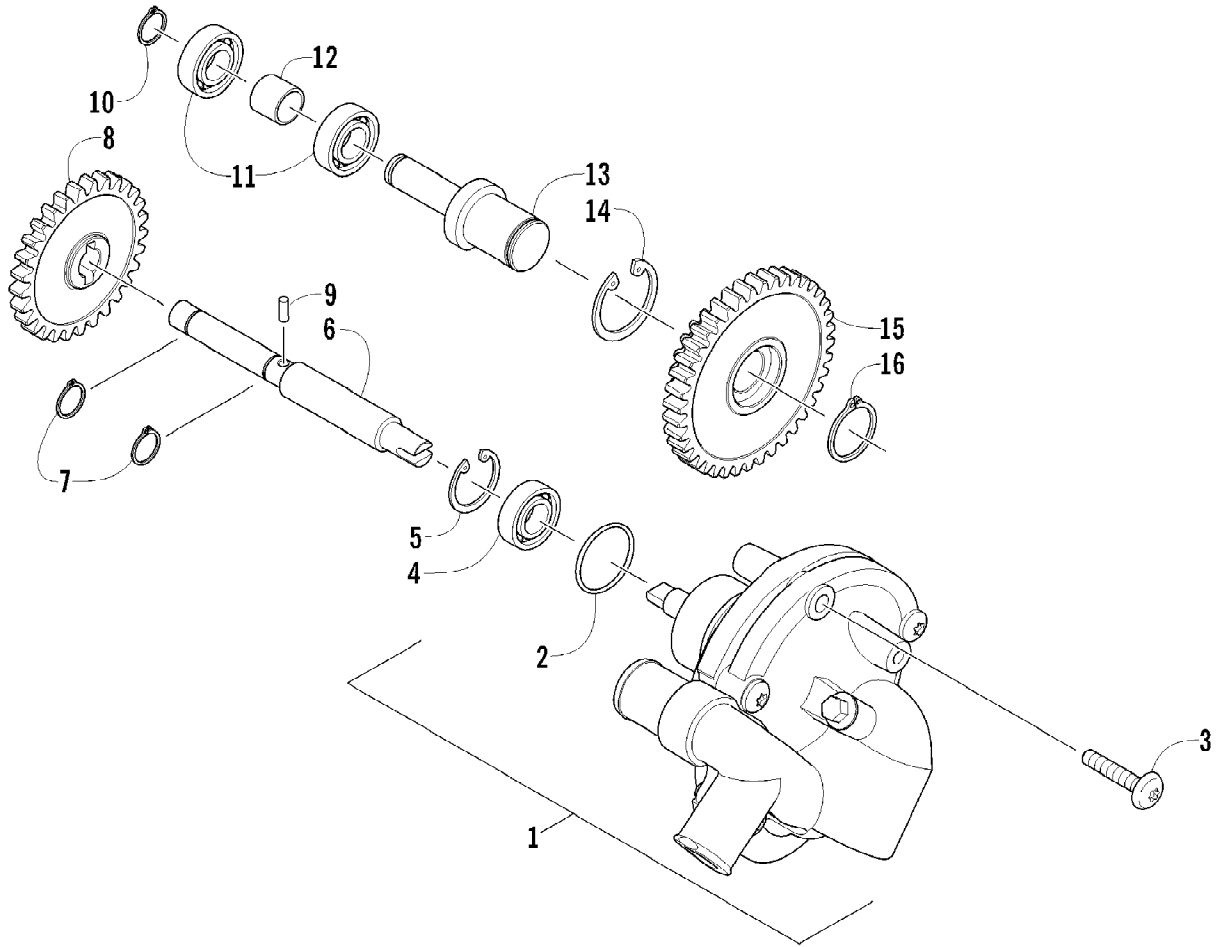
2012 ATV 1000 GT INTERNATIONAL ORANGE-BLACK (A2012AGW1POSY) Page 71 of 79
THROTTLE BODY ASSEMBLY

Ref #	Part Number	Qty	S/P/F	Description
1	0470-686	1		Throttle - Assembly (inc. 2-15)
2	0	1	F	Throttle Body
3	0430-072	1		Sensor, Throttle Position
4	5507-234	1		O-Ring, Throttle Position Sensor
5	5507-231	1		Screw, Machine
6	0430-074	1		Valve, ISC
7	5507-233	1		O-Ring, ISC Valve
8	5507-227	1		Bracket, MAP Sensor
9	5507-117	2	/P	Screw, Machine
10	0430-073	1		Sensor, MAP
11	5507-232	1		O-Ring, MAP Sensor
12	5507-229	1		Plate, ISC Valve
13	5507-235	1		O-Ring
14	5507-223	1		Cover
15	5507-037	1	/P	Screw, Machine
16	0570-230	1		Manifold, Intake - Assembly (inc. 17-26)
17	0423-066	4		Clamp
18	0470-660	2		Boot, Intake - Manifold
19	0470-688	2		Injector, Fuel
20	0470-763	1		Rail, Fuel - Front Cylinder
21	0470-764	1		Rail, Fuel - Rear Cylinder
22	0470-767	2		O-Ring, Fuel Injector
23	0470-768	2		Ring, Seal - Fuel Injector
24	0570-140	2		Manifold, Intake
25	0570-156	1		Plenum, Intake
26	0423-371	2		Screw, Machine
27	0826-008	6		Screw, Machine
28	0487-046	1		Cable, Throttle
29	0830-090	2		O-Ring
30	3002-964	1	/P	Clamp, Wire



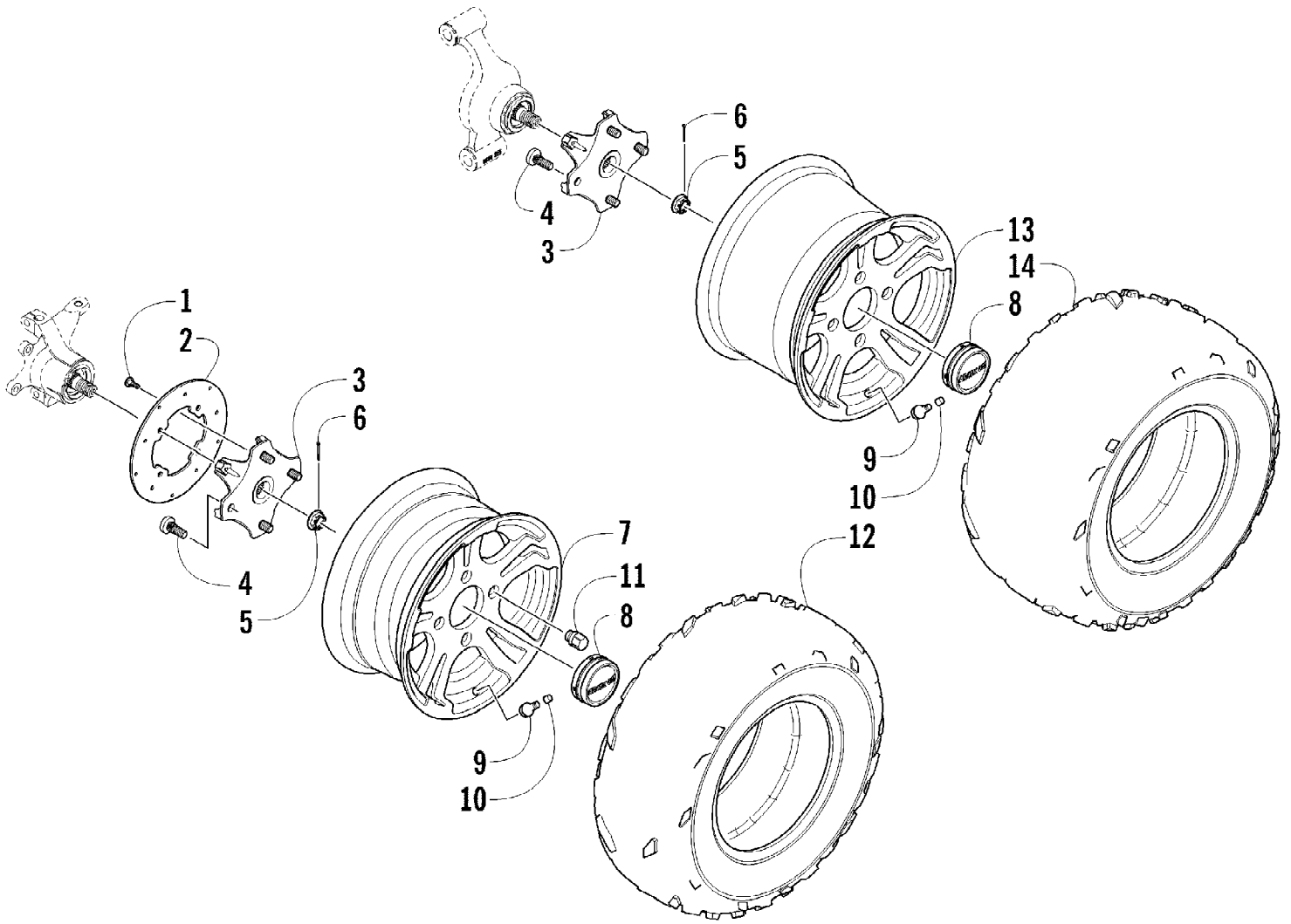
2012 ATV 1000 GT INTERNATIONAL ORANGE-BLACK (A2012AGW1POSY) Page 73 of 79
TRANSMISSION ASSEMBLY

Ref #	Part Number	Qty	S/P/F	Description
1	0823-353	1	/P	Pulley, Driven - Assembly (inc. 2-4)
2	0823-176	3	/P	Shoe, Cam
3	0823-177	3		Screw, Machine
4	0823-178	1		Nut, Driven Pulley
5	0832-010	1		Bearing
6	0830-176	1	/P	Seal
7	0823-020	1		Retainer, Bearing
8	0826-031	2		Screw, Machine
9	0827-010	1		Nut
10	0828-106	1		Washer
11	0823-276	1		Plate, Movable Drive Face
12	0823-277	4		Damper, Movable Drive Face
13	0823-358	1		Spacer, Movable Drive Face
14	0823-170	8	/P	Roller, Movable Drive Face
15	0823-273	1		Face, Movable Drive
16	0823-231	1		Belt, Drive
17	0823-272	1		Face, Fixed Drive
18	0823-015	1		Spacer, Fixed Drive Face
19	0470-531	1		O-Ring
20	0830-188	1	/P	Seal, Clutch Housing - Right
21	0832-009	1	/P	Bearing
22	0821-002	1	/P	Housing, Clutch
23	0826-029	2		Screw, Machine
24	0822-010	2	/P	Retainer, Bearing
25	0830-189	1	/P	Seal, Clutch Housing - Left
26	0827-011	1		Nut
27	0823-018	1		Clutch, One-Way
28	0823-310	1	/P	Clutch, Centrifugal - 6 Plate



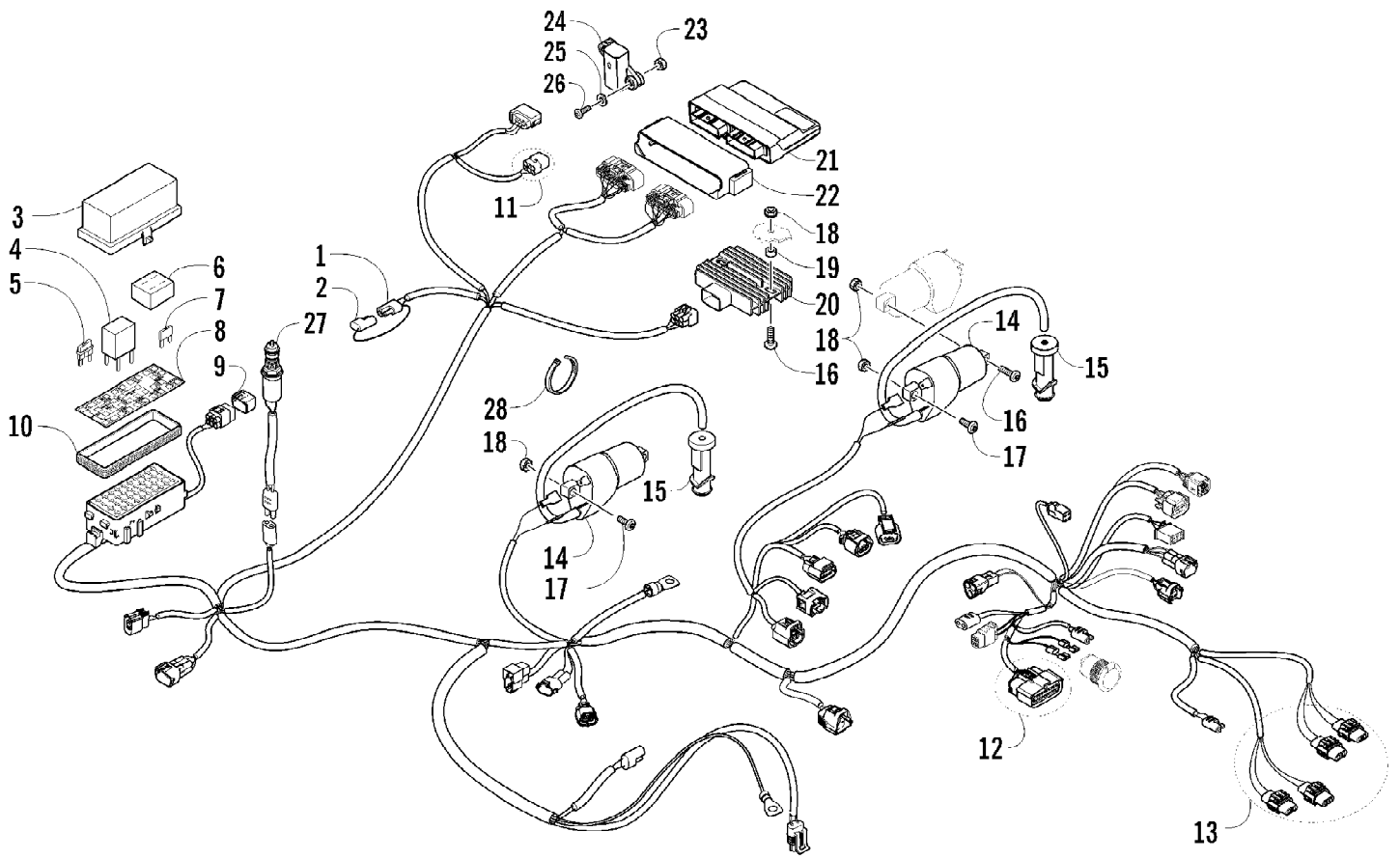
2012 ATV 1000 GT INTERNATIONAL ORANGE-BLACK (A2012AGW1POSY) Page 75 of 79
WATER PUMP ASSEMBLY

Ref #	Part Number	Qty	S/P/F	Description
1	0813-056	1	/P	Pump, Water - Assembly (inc. 2)
2	0830-029	1		O-Ring
3	8468-650	2		Screw, Machine
4	0832-084	1		Bearing
5	0831-086	1		Circlip
6	0813-041	1		Shaft, Driven Gear
7	0831-010	2		Ring, Retaining
8	0813-043	1		Gear, Driven
9	0829-009	1		Pin, Dowel
10	0831-002	1		Ring, Retaining
11	0832-046	2	/P	Bearing
12	0813-028	1		Spacer, Idler - Water Pump
13	0813-026	1		Shaft, Water Pump Idler Gear
14	0831-004	1		Ring, Retaining
15	0813-027	1		Gear, Idler - Water Pump - Drive
16	0831-040	1		Ring, Retaining



2012 ATV 1000 GT INTERNATIONAL ORANGE-BLACK (A2012AGW1POSY) Page 77 of 79
WHEEL AND TIRE ASSEMBLY

Ref #	Part Number	Qty	S/P/F	Description
1	0423-557	12		Screw, Shoulder
2	2402-002	3		Disc, Brake
3	1502-437	4		Hub, Wheel (inc. 4)
4	0402-974	16	/P	Stud
5	0423-607	4		Nut, Castle
6	0423-407	4		Pin, Cotter
7	1402-730	2		Wheel - Front (inc. 8)
8	1402-736	4		Cap, Wheel
9	0402-064	4		Stem, Valve (inc. 10)
10	0402-140	4		Cap, Valve Stem
11	0423-618	16		Nut, Lug
12	1402-935	2		Tire - Front
13	1402-731	2		Wheel - Rear (inc. 8)
14	1402-936	2		Tire - Rear



2012 ATV 1000 GT INTERNATIONAL ORANGE-BLACK (A2012AGW1POSY) Page 79 of 79
WIRING HARNESS ASSEMBLY

Ref #	Part Number	Qty	S/P/F	Description
1	0486-390	1		Harness, Main (inc. 2-10)
2	0486-164	1		Tether, Accessory Connector
3	0430-085	1		Cover, Fuse Block
4	0430-045	6	/P	Relay (4-Pin) - 20 Amp
5	0430-034	2		Diode
6	0430-037	1		Holder, Fuse
7	0430-032	5		Fuse - 10 Amp
7	0430-031	4		Fuse - 15 Amp
7	0430-030	3		Fuse - 30 Amp
8	2411-213	1		Decal, Fuse Block
9	0430-097	1		Cover, Diagnostics Connector
10	0430-086	1		Seal
11	1436-416	1		Repair Kit, Connector - Tilt Sensor
12	1436-415	1		Repair Kit, Connector - LCD Gauge
13	1436-289	AR		Repair Kit, Connector - Headlight
14	0824-043	2		Coil, Ignition - Assembly
15	0824-049	2	/P	Cap, Spark Plug
16	8476-630	3		Screw, Machine
17	8476-620	2		Screw, Machine
18	0623-038	5		Nut w/Washer
19	0423-036	2		Spacer
20	0824-037	1	/P	Regulator, Voltage
21	0530-033	1	/P	ECU
22	0430-059	1		Cushion, ECU
23	0423-493	2		Nut w/Washer
24	0409-064	1		Sensor, Tilt
25	0123-802	2		Washer
26	8468-425	2		Screw, Machine
27	0409-089	1		Switch, Brake - Assembly
28	0123-788	AR	/P	Tie, Cable - 8 in.
28	0123-903	AR		Tie, Cable - 11.5 in.