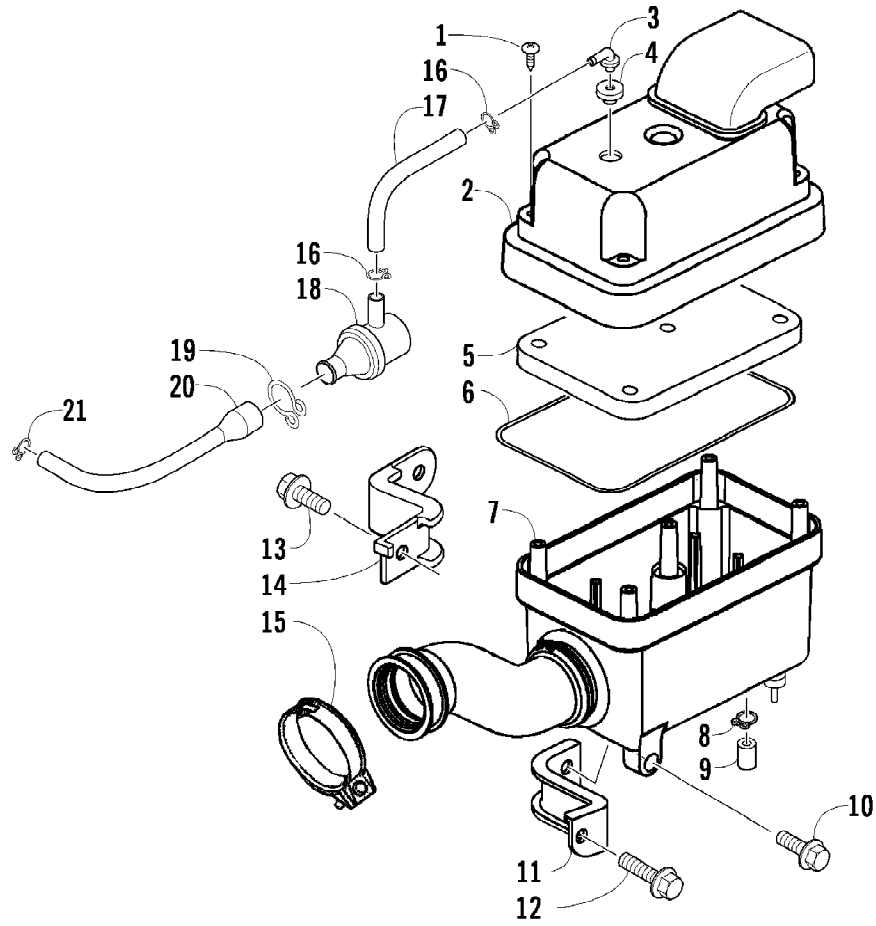


2011 ATV 90 2X4 UTILITY BLACK (A2011KUB2BUSP)
AIR INTAKE ASSEMBLY

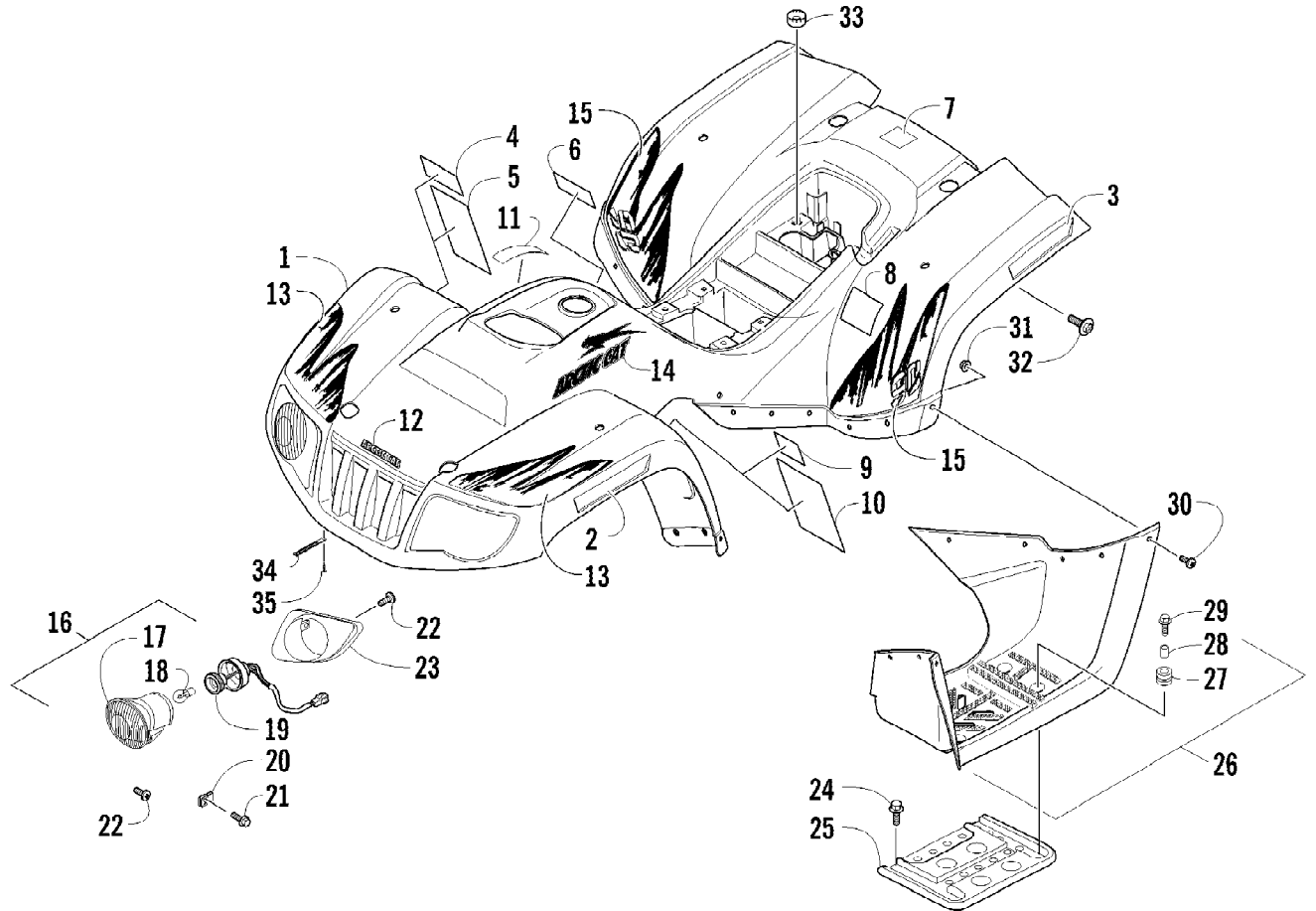


2011 ATV 90 2X4 UTILITY BLACK (A2011KUB2BUSP)
AIR INTAKE ASSEMBLY

Page 2 of 58

Ref #	Part Number	Qty	S/P/F	Description
1	3305-450	5	/P	Screw, Self-Tapping
2	3303-062	1		Cover, Air Intake (inc. 3-4)
3	3305-179	1		Fitting
4	3305-180	1		Grommet
5	3303-060	1		Filter
6	3303-063	1		Seal
7	3305-842	1		Housing, Air Intake (inc. 8-9)
8	3305-315	1		Clamp
9	3304-168	1	/P	Tube, Drain
10	3304-551	1	/P	Screw, Cap
11	3303-005	1		Bracket, Mounting
12	3303-361	1		Screw, Cap
13	3305-458	2		Screw, Cap
14	3305-841	1		Bracket, Mounting
15	3303-288	1		Clamp
16	3303-350	2		Clamp
17	3305-844	1		Hose
18	3303-064	1	/P	Catch, Air Cleaner Element
19	3303-052	1		Clamp
20	3303-001	1		Hose
21	3303-352	1		Clamp

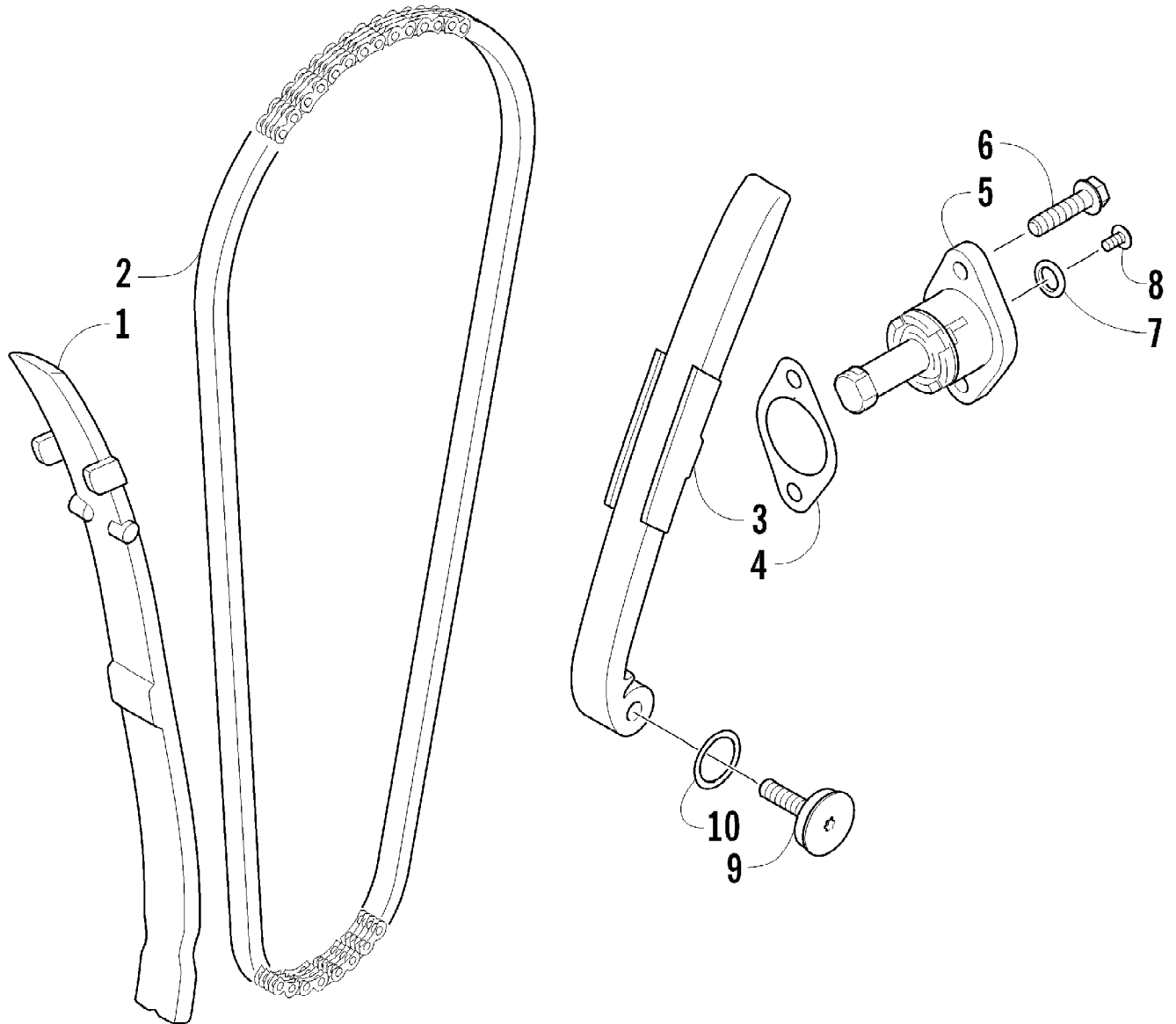
2011 ATV 90 2X4 UTILITY BLACK (A2011KUB2BUSP)
BODY PANEL AND HEADLIGHT ASSEMBLY



2011 ATV 90 2X4 UTILITY BLACK (A2011KUB2BUSP)
BODY PANEL AND HEADLIGHT ASSEMBLY

Page 4 of 58

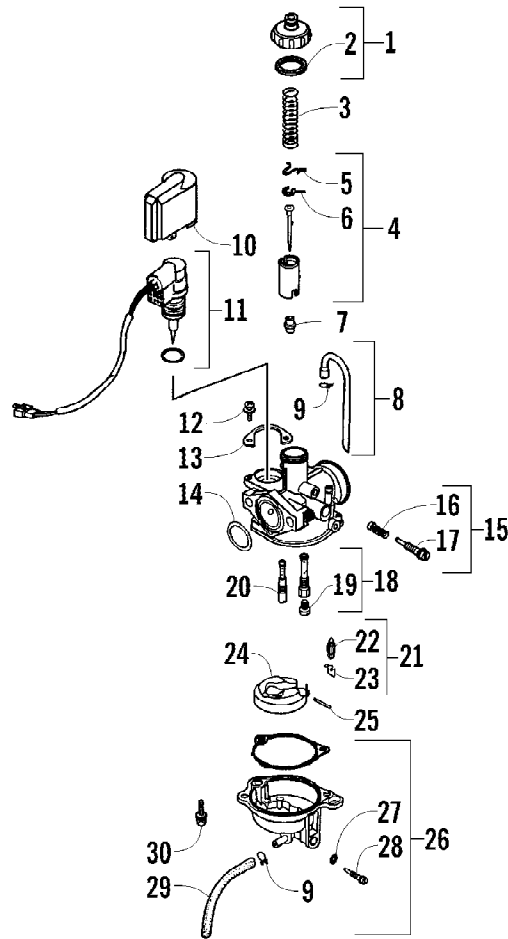
Ref #	Part Number	Qty	S/P/F	Description
1	3306-229	1		Panel, Body - Main (inc. 2-10)
2	1411-180	1		Decal, Reflector - Right
2	1411-181	1		Decal, Reflector - Left
3	1411-178	1		Decal, Reflector - Right
3	1411-179	1		Decal, Reflector - Left
4	0411-836	1		Decal, Warning - Hill
5	0411-457	1		Decal, Warning - Reverse/Pre-Ride
6	1411-577	1		Decal, Warning - Not for Highways
7	1411-809	1	/P	Decal, Warning - Passenger
8	1411-938	1		Decal, Warning - Tire/Load
9	2411-137	1		Decal, Warning - Age
10	1411-932	1	/P	Decal, Warning - General
11	2411-052	1		Decal, Shift
12	2411-465	1		Decal, "Arctic Cat"
13	2411-470	1		Decal, Front Fender - Right
13	2411-471	1		Decal, Front Fender - Left
14	2411-466	1		Decal, Center - Right
14	2411-467	1		Decal, Center - Left
15	2411-468	1		Decal, Rear Fender - Right
15	2411-469	1		Decal, Rear Fender - Left
16	3305-976	2		Headlight - Assembly (inc. 17-20)
17	3305-977	2		Lens, Headlight
18	3305-827	2		Bulb, Headlight
19	3305-978	2		Socket Assembly
20	3304-061	4	/P	Clip, U-Nut
21	3305-828	4		Screw, Cap
22	3304-123	10	/P	Screw, Machine
23	3305-836	1		Adapter, Mounting - Headlight - Right
23	3305-837	1		Adapter, Mounting - Headlight - Left
24	3304-543	8	/P	Screw, Cap
25	3304-494	1		Support, Mudguard - Right
25	3304-495	1		Support, Mudguard - Left
26	3306-144	1	/P	Mudguard, Right - Assembly (inc. 27-28)
26	3306-145	1	/P	Mudguard, Left - Assembly (inc. 27-28)
27	3303-227	8		Bushing
28	3303-233	8		Spacer
29	3304-586	8	/P	Screw, Cap
30	3305-703	18		Screw, Machine
31	3304-431	18	/P	Nut, Lock
32	3304-587	6	/P	Screw, Cap
33	3303-232	2		Grommet, Rubber
34	3304-156	2		Clamp, Routing
35	3304-651	2		Screw, Self-Tapping



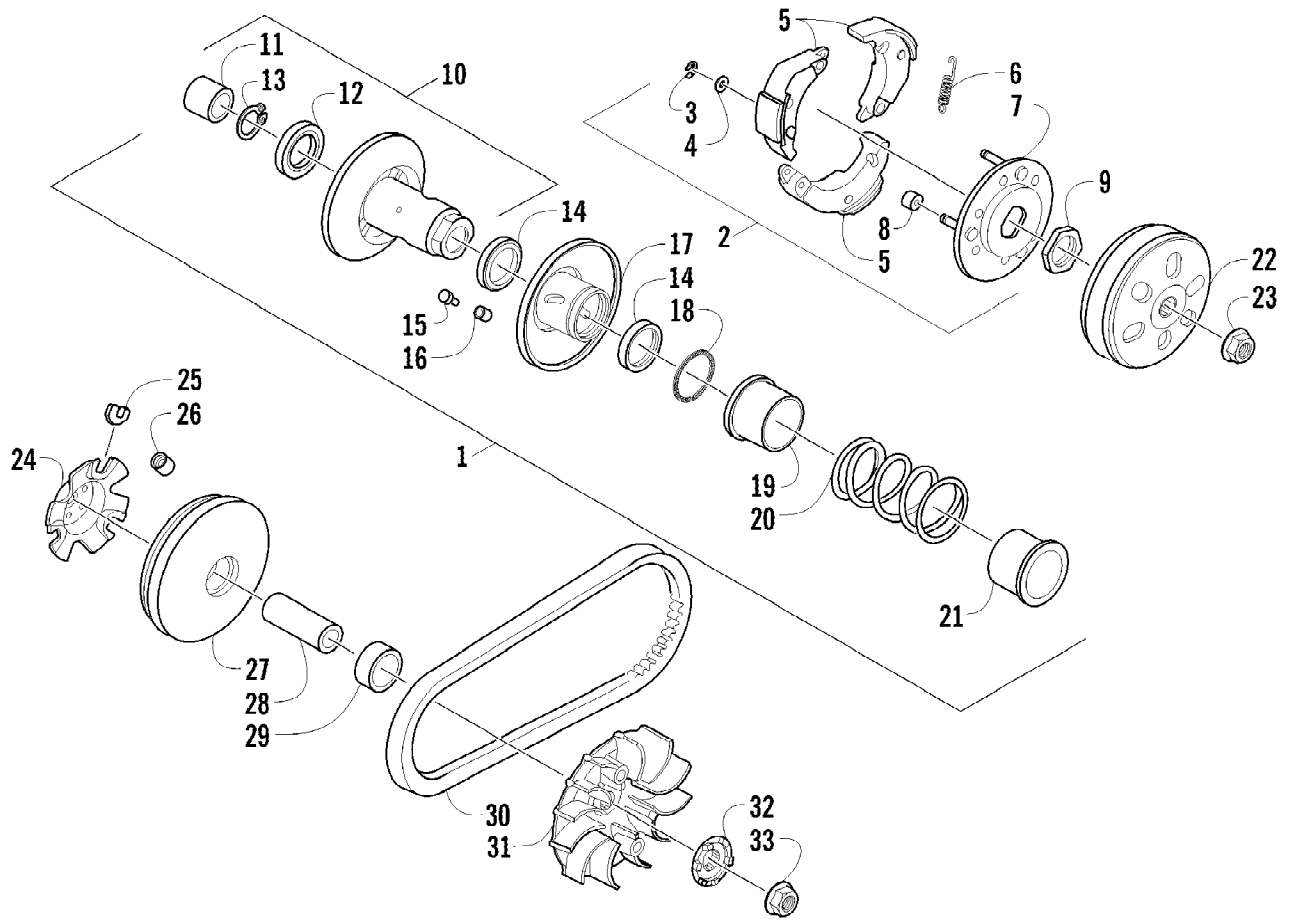
2011 ATV 90 2X4 UTILITY BLACK (A2011KUB2BUSP)
CAM CHAIN ASSEMBLY

Page 6 of 58

Ref #	Part Number	Qty	S/P/F	Description
1	3303-037	1		Guide, Chain
2	3303-030	1		Chain, Cam
3	3303-034	1		Tensioner, Chain
4	3303-035	1		Gasket
5	3303-677	1		Tensioner Assembly
6	3304-002	2	/P	Screw, Cap
7	3304-100	1	/P	O-Ring
8	3303-244	1		Screw, Adjuster
9	3303-036	1		Adjuster, Tension
10	3303-301	1	/P	O-Ring



Ref #	Part Number	Qty	S/P/F	Description
	3306-433	1		Complete Carburetor Assembly
1	3304-462	1		Set, Top (inc. 2)
2	3304-463	1		Gasket
3	3304-464	1		Spring, Compression
4	3304-467	1		Valve, Throttle - Assembly (inc. 5-6)
5	3304-465	1		Clip, Spring
6	3304-466	1		E-Ring
7	3304-468	1		Needle Jet
8	3304-472	1		Hose Assembly (inc. one No. 9)
9	5507-161	2		Clamp, Hose
10	3304-469	1		Cover
11	3304-470	1		Automatic Bypass/Starter Assembly
12	5507-117	2	/P	Screw, Machine
13	3304-471	1		Plate, Retaining
14	3304-488	1		O-Ring
15	3304-477	1		Screw, Stop - Assembly (inc. 16-17)
16	3304-232	1		Spring
17	3304-478	1		Screw, Stop
18	3304-479	1		Holder, Needle Jet - Assembly (inc. 19)
19	3304-482	1		Jet, Main - 80
19	5507-170	1	F	Jet, Main - 75
19	5507-220	1	F	Jet, Main - 78
20	3304-489	1		Jet, Slow
21	3304-490	1		Valve, Float - Assembly (inc. 22-23)
22	3304-483	1		Valve, Float
23	3304-484	1		Clip
24	3304-491	1		Float Assembly
25	3304-485	1		Pin, Float
26	3304-486	1		Chamber, Float w/Gasket (inc. one No. 9 and 27-29)
27	3304-239	1		O-Ring
28	3304-243	1		Screw, Drain
29	3305-248	1	/P	Hose
30	3303-320	2		Screw, Machine

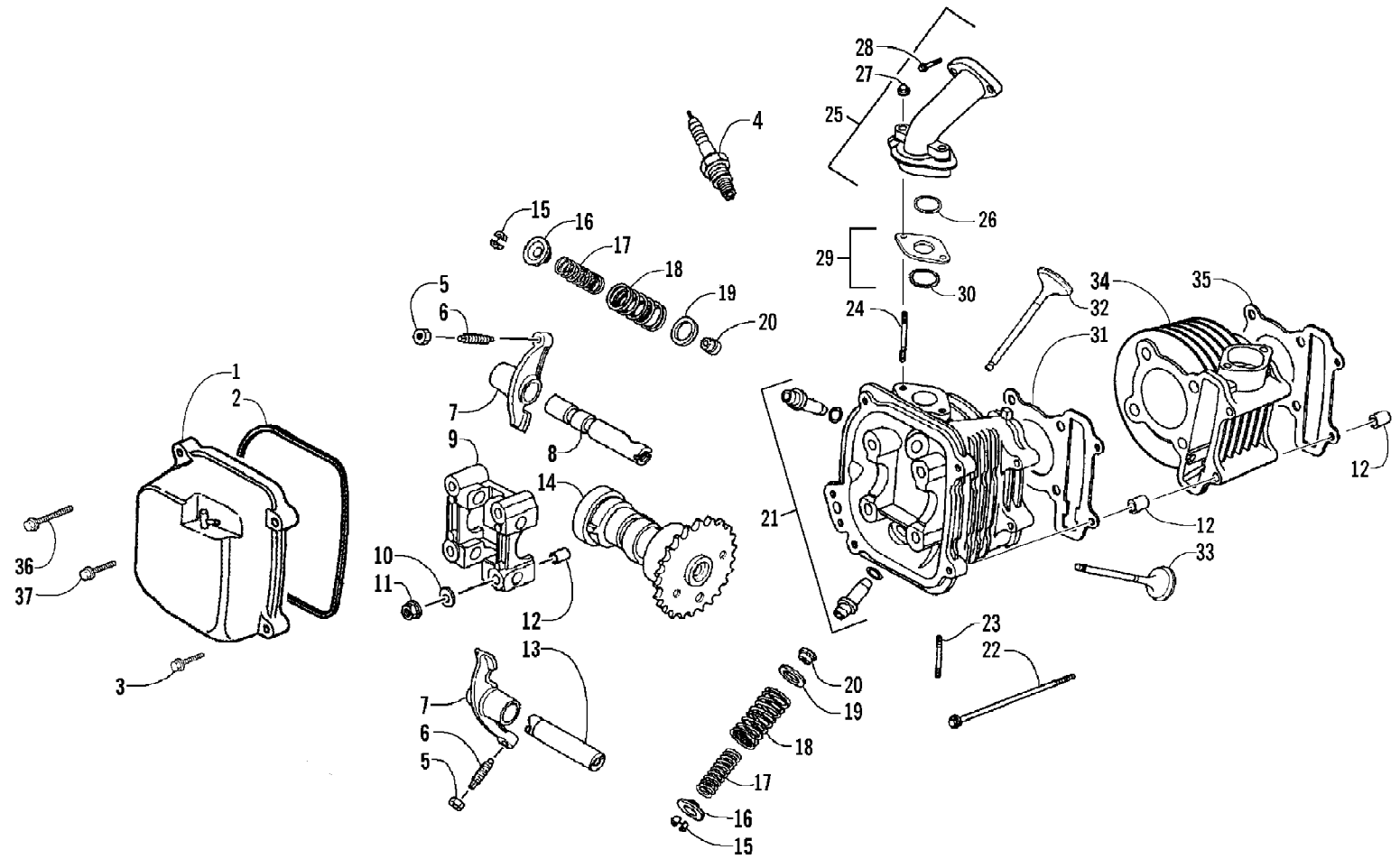


2011 ATV 90 2X4 UTILITY BLACK (A2011KUB2BUSP)
CLUTCH ASSEMBLY

Page 10 of 58

Ref #	Part Number	Qty	S/P/F	Description
1	3303-411	1		Pulley, Driven - Assembly (inc. 2-21)
2	3303-090	1		Clutch, Centrifugal - Assembly (inc. 3-8)
3	3304-618	3	/P	E-Ring
4	3303-274	3		Washer, Thrust
5	3303-093	3		Weight, Clutch
6	3303-092	3		Spring
7	3303-091	1		Plate, Clutch
8	3303-094	3		Roller
9	3304-025	1	/P	Nut
10	3303-096	1		Face, Driven - Fixed (inc. 11-13)
11	3303-294	1		Bearing
12	3303-291	1		Bearing
13	3303-346	1		Circlip
14	3303-299	2		Seal, Oil
15	3303-098	3		Guide, Pin
16	3303-099	3		Guide, Roller
17	3303-097	1		Face, Driven - Movable
18	3304-619	1		O-Ring
19	3303-102	1		Collar
20	3303-100	1		Spring
21	3303-101	1		Collar
22	3303-082	1		Clutch, Outer
23	3303-333	1	/P	Nut
24	3303-088	1		Plate, Ramp
25	3303-089	3		Slide
26	3303-087	6		Roller
27	3303-086	1		Face, Drive - Movable
28	3303-409	1		Sleeve
29	3303-410	1		Collar
30	3303-095	1		Belt, Drive
31	3303-083	1		Face, Drive - Fixed
32	3303-116	1		Ratchet, Kick Starter
33	3303-334	1		Nut

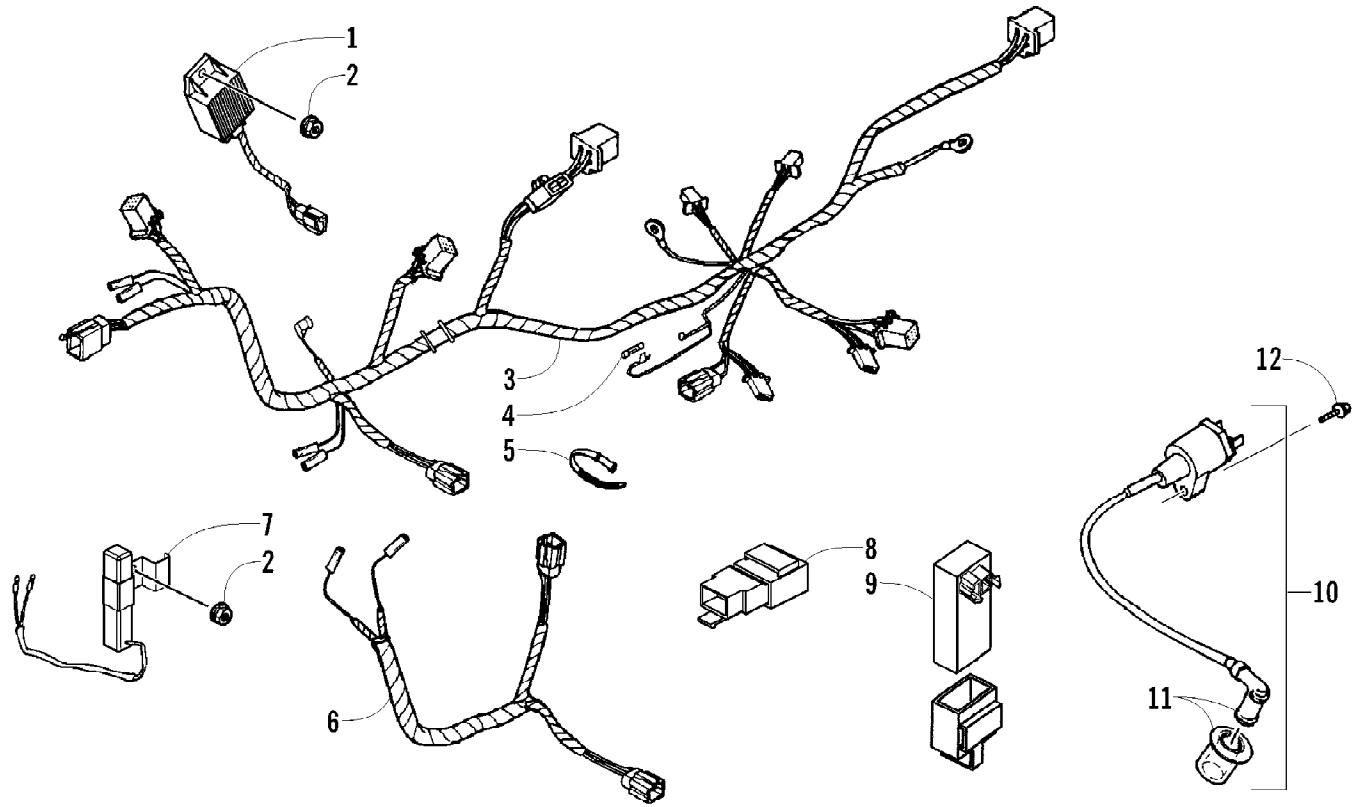
2011 ATV 90 2X4 UTILITY BLACK (A2011KUB2BUSP)
CYLINDER HEAD ASSEMBLY



2011 ATV 90 2X4 UTILITY BLACK (A2011KUB2BUSP)
CYLINDER HEAD ASSEMBLY

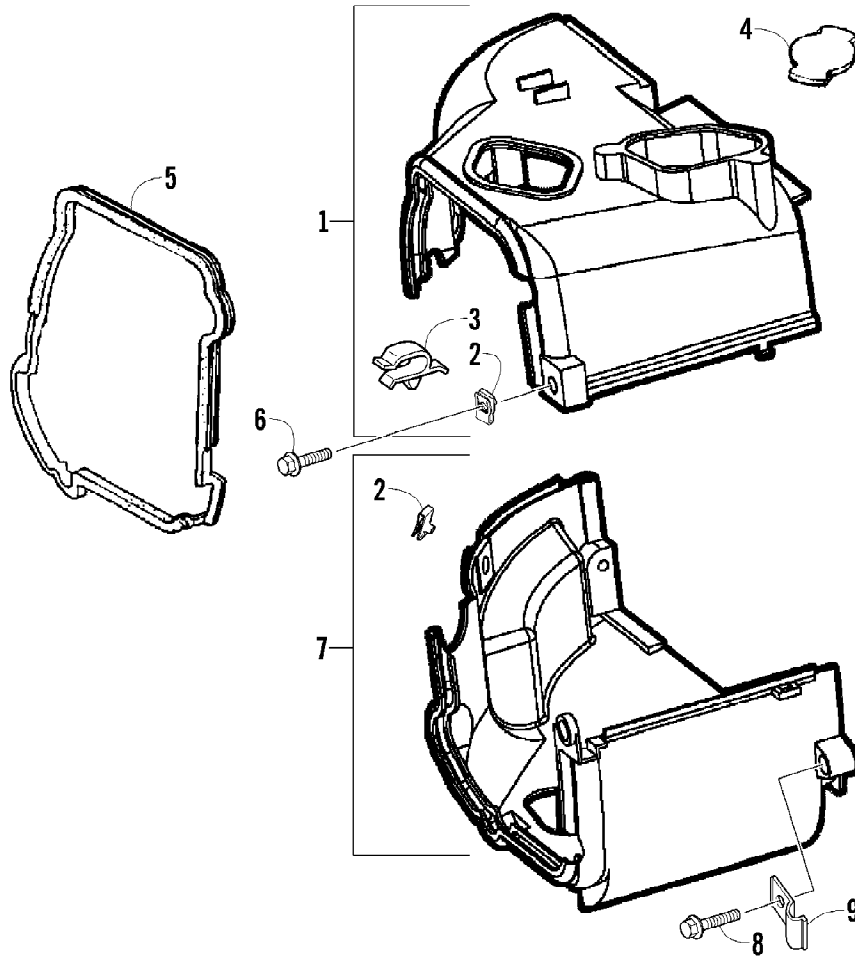
Page 12 of 58

Ref #	Part Number	Qty	S/P/F	Description
1	3305-292	1		Cover, Head
2	3304-616	1		Gasket
3	3303-360	2		Screw, Cap
4	0217-726	1	/P/F	Spark Plug
5	3304-026	2	/P	Nut
6	3304-007	2	/P	Screw, Adjuster
7	3303-031	2		Valve, Rocker Arm
8	3303-032	1		Shaft, Rocker Arm - Intake
9	3303-018	1		Retainer, Camshaft
10	3304-048	4	/P	Washer
11	3303-332	4		Nut
12	3303-342	6		Pin, Dowel
13	3303-033	1		Shaft, Rocker Arm - Exhaust
14	3304-617	1		Camshaft
15	3303-044	4		Cotter, Valve
16	3303-042	2	/P	Retainer, Valve Spring
17	3303-041	2		Spring, Valve - Inner
18	3303-040	2		Spring, Valve - Outer
19	3303-043	2		Seat, Valve Spring - Outer
20	3303-657	2	/P	Seal, Valve Stem
21	3303-016	1		Head, Cylinder
22	3303-389	2		Screw, Cap
23	3303-249	2		Bolt, Stud
24	3303-310	2		Bolt, Stud
25	3303-059	1		Pipe, Intake - Assembly (inc. 26)
26	3303-304	1		O-Ring
27	3304-654	2	/P	Nut, Lock
28	3303-384	2	/P	Screw, Cap
29	3303-511	1	/P	Insulator, Carburetor - Assembly (inc. 30)
30	3304-596	1		O-Ring
31	3303-019	1		Gasket, Cylinder Head
32	3303-038	1		Valve, Intake
33	3303-039	1		Valve, Exhaust
34	3303-014	1		Cylinder
35	3303-015	1		Gasket, Cylinder
36	3303-363	1		Screw, Cap
37	3303-362	1		Screw, Cap



2011 ATV 90 2X4 UTILITY BLACK (A2011KUB2BUSP)
ELECTRICAL AND WIRING HARNESS ASSEMBLY

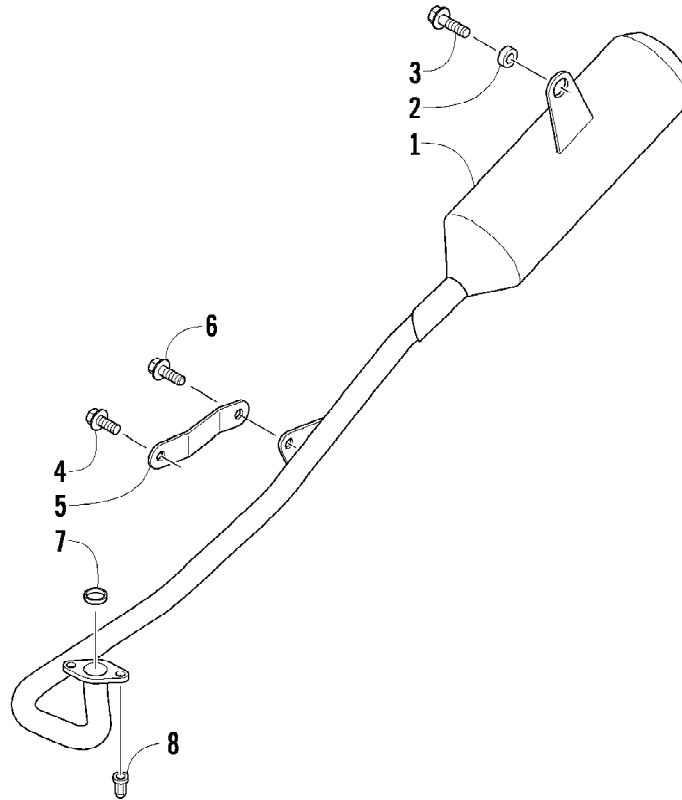
Ref #	Part Number	Qty	S/P/F	Description
1	3303-132	1		Regulator, Voltage
2	3304-654	2	/P	Nut, Lock
3	3305-860	1		Harness, Main (inc. 4)
4	3303-399	2		Fuse
5	3303-289	AR	/P	Tie, Cable
6	3306-002	1		Harness, Extension
7	3303-142	1		Resistor
8	3303-143	1		Relay, Starter
9	3305-861	1		CDI Unit
10	3303-125	1		Coil Assembly - Ignition (inc. 11)
11	3303-126	1		Cap, Noise Suppression
12	3303-252	1		Screw, Cap



2011 ATV 90 2X4 UTILITY BLACK (A2011KUB2BUSP)
ENGINE SHROUD ASSEMBLY

Page 16 of 58

Ref #	Part Number	Qty	S/P/F	Description
1	3305-803	1		Shroud, Upper - Assembly (inc. one No. 2 and 3-4)
2	3303-267	2		Clip, U-Nut
3	3305-804	1		Clip, Routing
4	3303-408	1		Grommet
5	3303-077	1		Seal, Shroud
6	3303-382	2	/P	Screw, Cap
7	3303-078	1		Shroud, Lower - Assembly (inc. one No. 2)
8	3303-384	1	/P	Screw, Cap
9	3304-640	1		Clamp, Routing

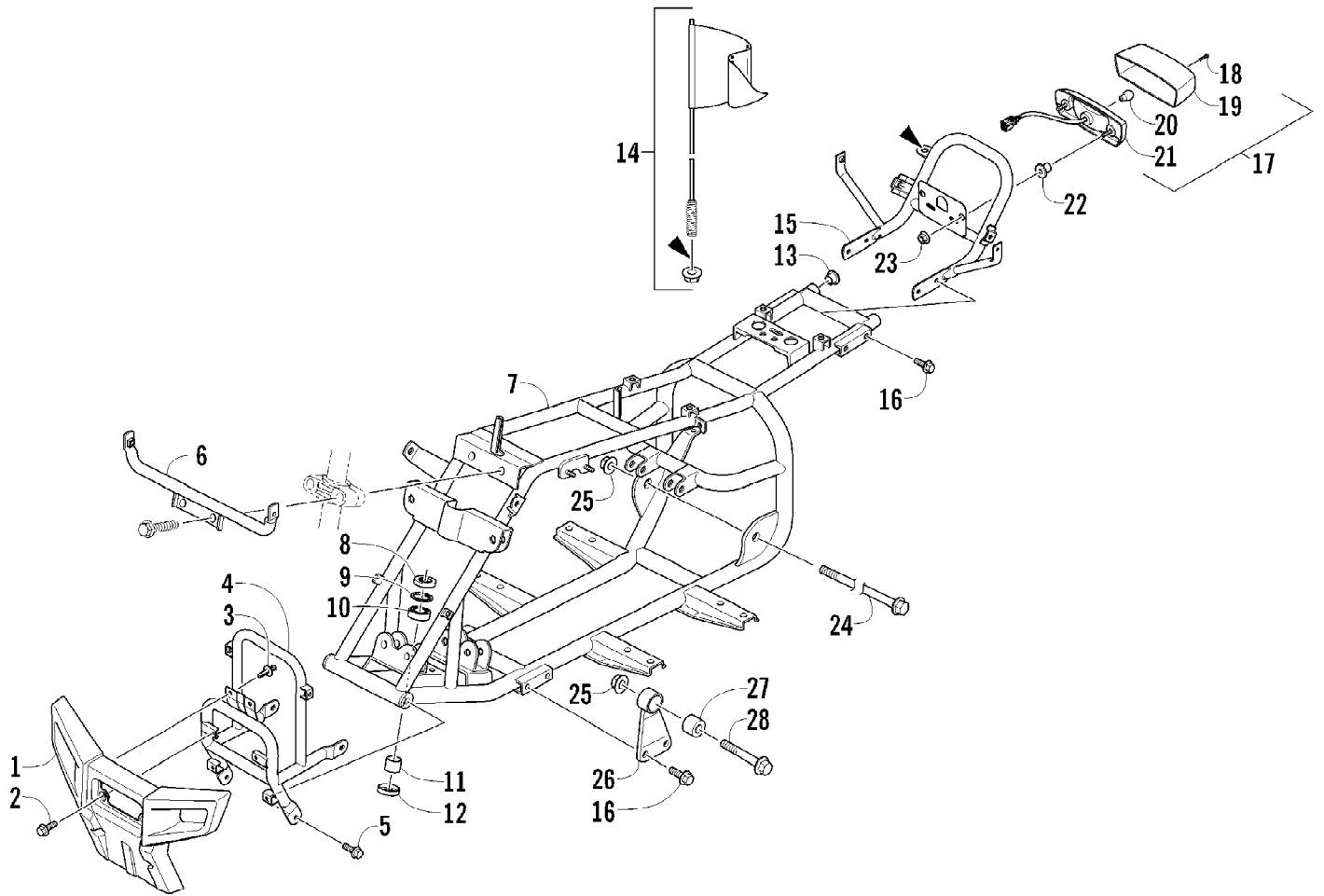


2011 ATV 90 2X4 UTILITY BLACK (A2011KUB2BUSP)
EXHAUST ASSEMBLY

Page 18 of 58

Ref #	Part Number	Qty	S/P/F	Description
1	3303-407	1	/P	Muffler - Assembly (inc. 2)
2	3304-571	1		Bushing
3	3305-845	1		Screw, Cap
4	3303-314	1		Screw, Cap
5	3304-573	1		Bracket, Mounting - Muffler
6	3304-543	1	/P	Screw, Cap
7	3303-071	1		Gasket
8	3303-261	2		Nut, Cap

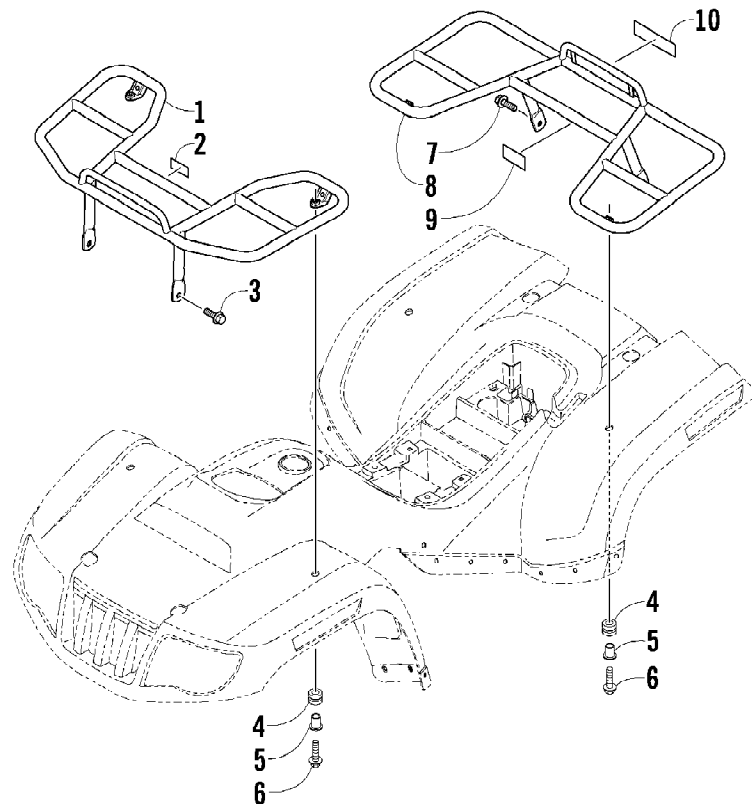
2011 ATV 90 2X4 UTILITY BLACK (A2011KUB2BUSP)
FRAME AND RELATED PARTS ASSEMBLY



2011 ATV 90 2X4 UTILITY BLACK (A2011KUB2BUSP)
 FRAME AND RELATED PARTS ASSEMBLY

Page 20 of 58

Ref #	Part Number	Qty	S/P/F	Description
1	3306-141	1	/P	Fascia, Front Bumper
2	3304-587	4	/P	Screw, Cap
3	3303-592	2		Rivet, Reinstallable
4	3304-541	1		Bumper, Front
5	3304-544	4		Screw, Cap
6	3304-549	1		Bracket, Support - Front
7	3305-862	1		Frame
8	3303-295	1		Seal
9	3303-347	1		Ring, Retaining
10	3303-392	1		Bearing
11	3303-445	1		Sleeve
12	3303-298	1		Seal
13	0	2	F	Plug
14	3305-308	1		Flag Assembly
15	3305-403	1		Grip, Rear
16	3304-543	8	/P	Screw, Cap
17	3303-420	1		Taillight - Assembly (inc. 18-21)
18	3304-537	2		Screw, Self-Tapping
19	3304-283	1		Lens, Taillight
20	3303-849	1	/P	Bulb, Taillight
21	3303-422	1		Base, Taillight
22	3303-226	2		Grommet
23	3304-654	2	/P	Nut, Lock
24	3323-188	1		Screw, Cap
25	3304-031	3	/P	Nut, Lock
26	3303-183	1	/P	Bracket, Mounting - Engine - Right (inc. 27)
26	3303-184	1	/P	Bracket, Mounting - Engine - Left (inc. 27)
27	3304-542	2		Bushing, Rubber
28	3304-548	2	/P	Screw, Cap

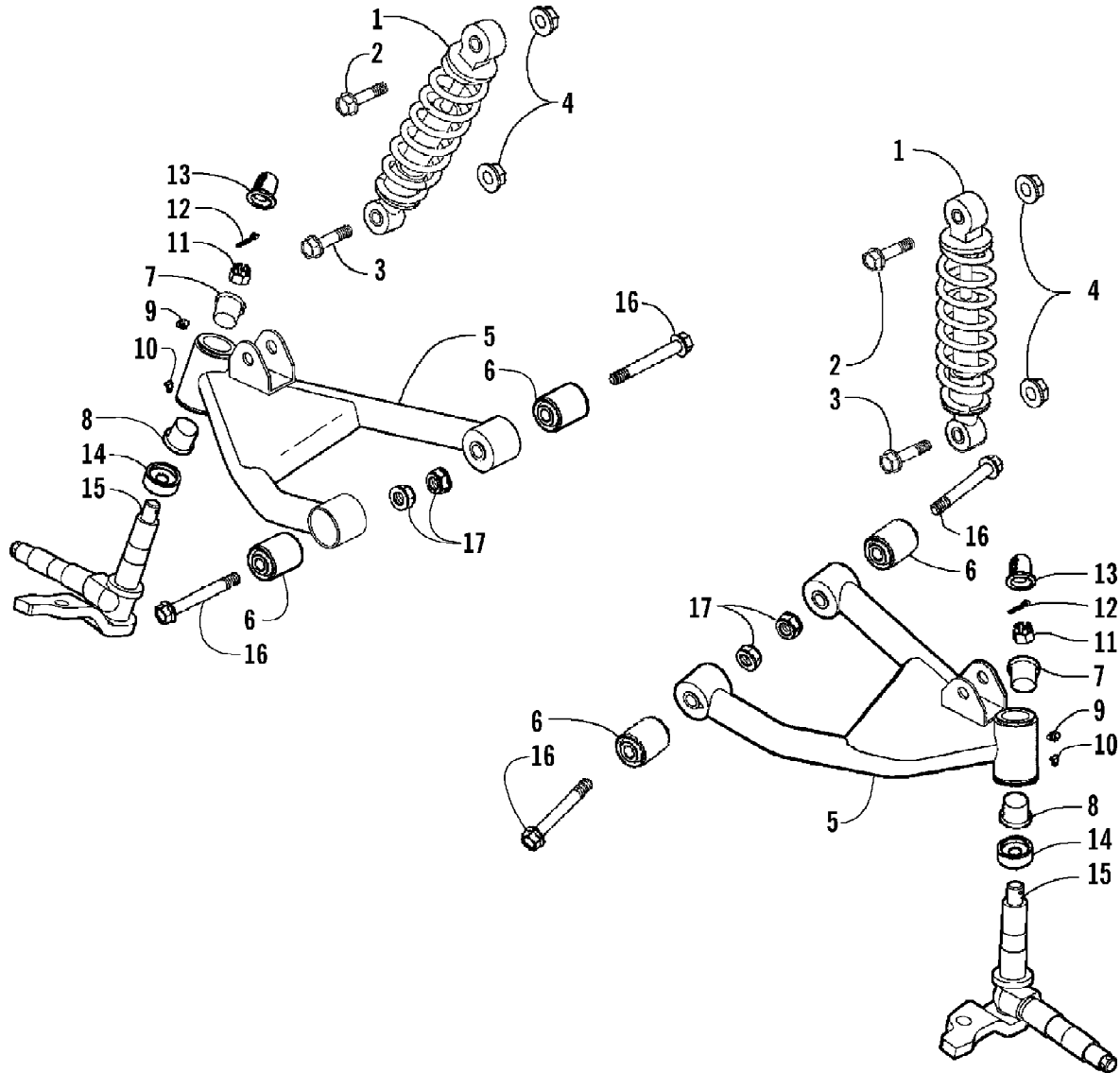


2011 ATV 90 2X4 UTILITY BLACK (A2011KUB2BUSP)
FRONT AND REAR RACK ASSEMBLY

Page 22 of 58

Ref #	Part Number	Qty	S/P/F	Description
1	3304-503	1		Rack, Front
2	1411-316	1		Decal, Warning - Load
3	3304-543	2	/P	Screw, Cap
4	3303-227	4		Grommet
5	3303-233	4		Spacer
6	3304-586	4	/P	Screw, Cap
7	3313-313	2		Screw, Cap
8	3304-504	1		Rack, Rear
9	1411-317	1		Decal, Warning - Load
10	1411-318	1		Decal, "Arctic Cat"

2011 ATV 90 2X4 UTILITY BLACK (A2011KUB2BUSP)
FRONT SUSPENSION ASSEMBLY

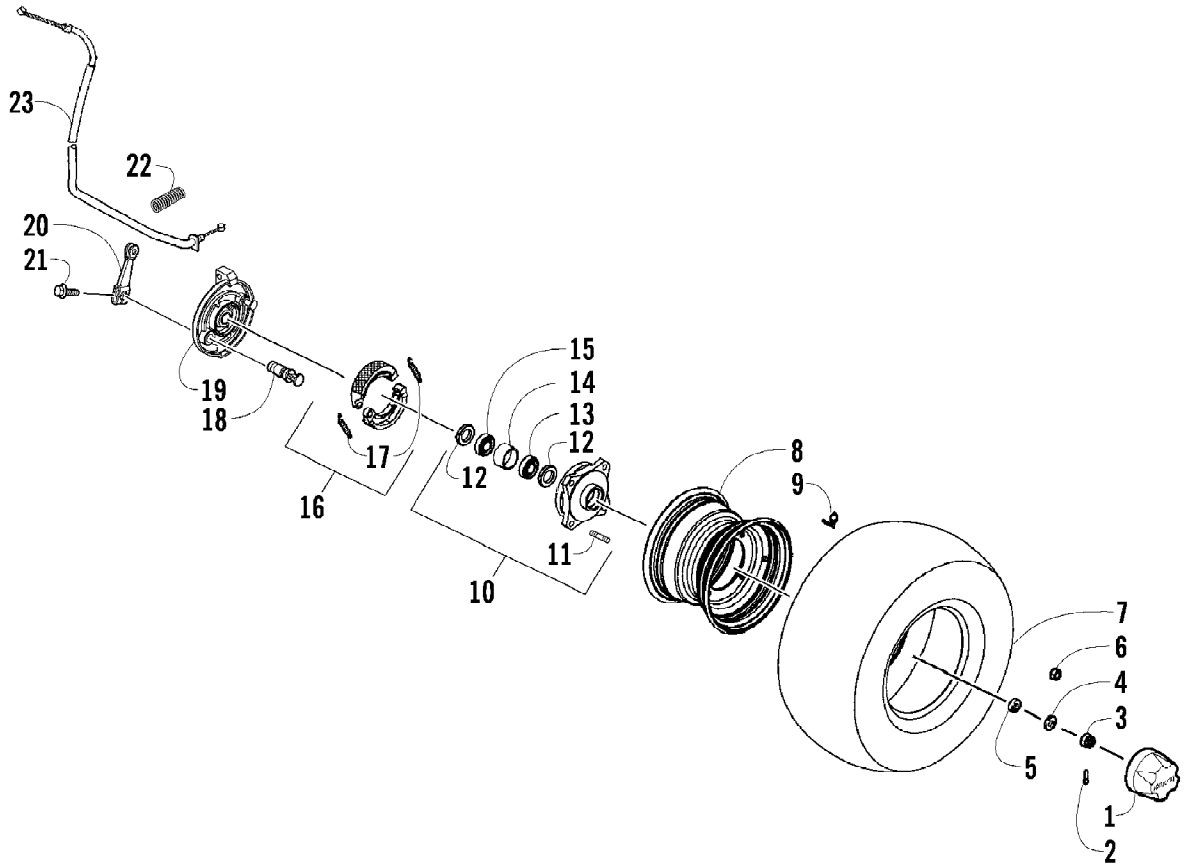


2011 ATV 90 2X4 UTILITY BLACK (A2011KUB2BUSP)
FRONT SUSPENSION ASSEMBLY

Page 24 of 58

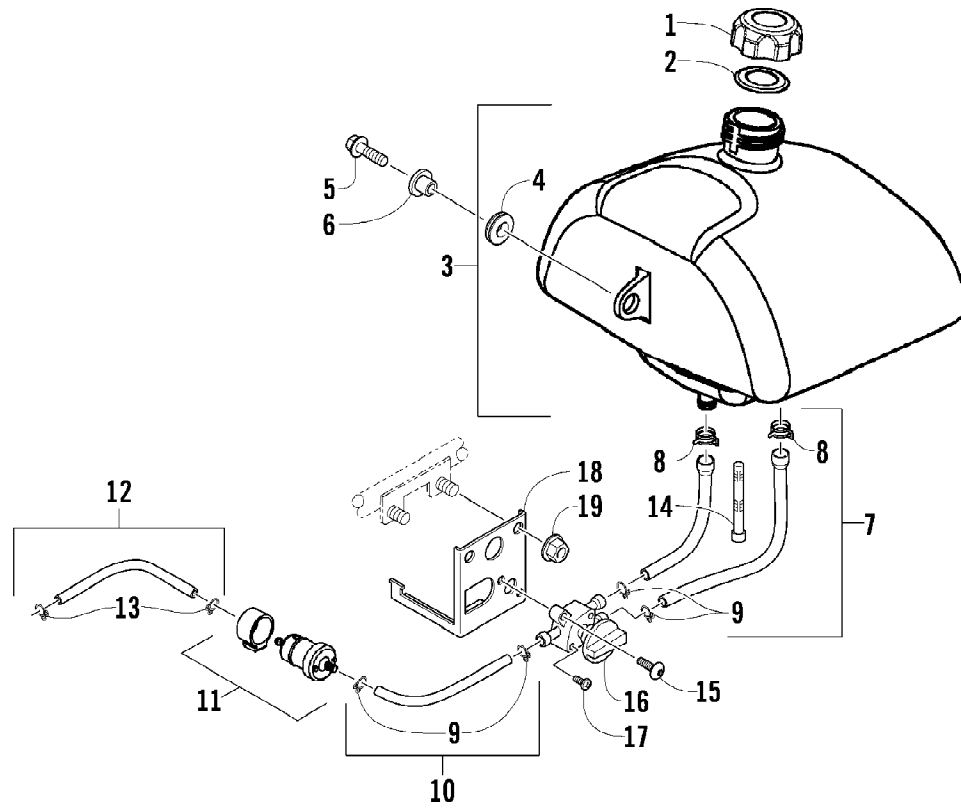
Ref #	Part Number	Qty	S/P/F	Description
1	3306-393	2		Shock/Spring Assembly
2	3303-376	2	/P	Screw, Cap
3	3303-309	2		Screw, Cap
4	3303-333	4	/P	Nut
5	3305-994	1		Arm, Swing - Right (inc. 6-10)
5	3305-995	1		Arm, Swing - Left (inc. 6-10)
6	3303-216	4		Bushing
7	3303-218	2		Bushing
8	3303-217	2		Bushing
9	3303-393	2		Fitting, Grease
10	3303-394	2		Cap, Grease Fitting
11	3303-329	2		Nut, Castle
12	3303-337	2		Pin, Cotter
13	3303-219	2		Cap
14	3303-220	2		Seal
15	3303-178	1		Shaft, Steering - Right
15	3303-180	1		Shaft, Steering - Left
16	3304-595	4	/P	Screw, Cap
17	3304-031	4	/P	Nut, Lock

2011 ATV 90 2X4 UTILITY BLACK (A2011KUB2BUSP)
FRONT WHEEL AND BRAKE ASSEMBLIES



2011 ATV 90 2X4 UTILITY BLACK (A2011KUB2BUSP)
FRONT WHEEL AND BRAKE ASSEMBLIES

Ref #	Part Number	Qty	S/P/F	Description
1	3303-430	2		Cap, Wheel
2	3303-470	2		Pin, Cotter
3	3303-328	2		Nut, Castle
4	3303-279	2	/P	Washer
5	3303-164	2	/P	Collar, Wheel
6	3303-266	8		Nut
7	3303-429	2		Tire - Assembly
8	3303-166	2		Wheel - Assembly (inc. 9)
9	3303-887	2		Stem, Valve
10	3303-165	2		Hub Assembly (inc. 11-15)
11	3303-463	8		Bolt, Stud
12	3303-456	4		Seal
13	3303-468	2		Bearing
14	3303-445	2		Spacer
15	3303-467	2		Bearing
16	3303-169	2		Shoe, Brake - Assembly (inc. 17)
17	3304-563	2		Spring
18	3303-170	2		Cam, Brake
19	3303-168	1		Panel - Front - Right
19	3303-176	1		Panel - Front - Left
20	3303-171	1		Arm, Brake - Right
20	3303-177	1		Arm, Brake - Left
21	3303-355	2		Screw, Cap
22	3303-172	2		Spring, Return
23	3303-173	2		Cable, Brake

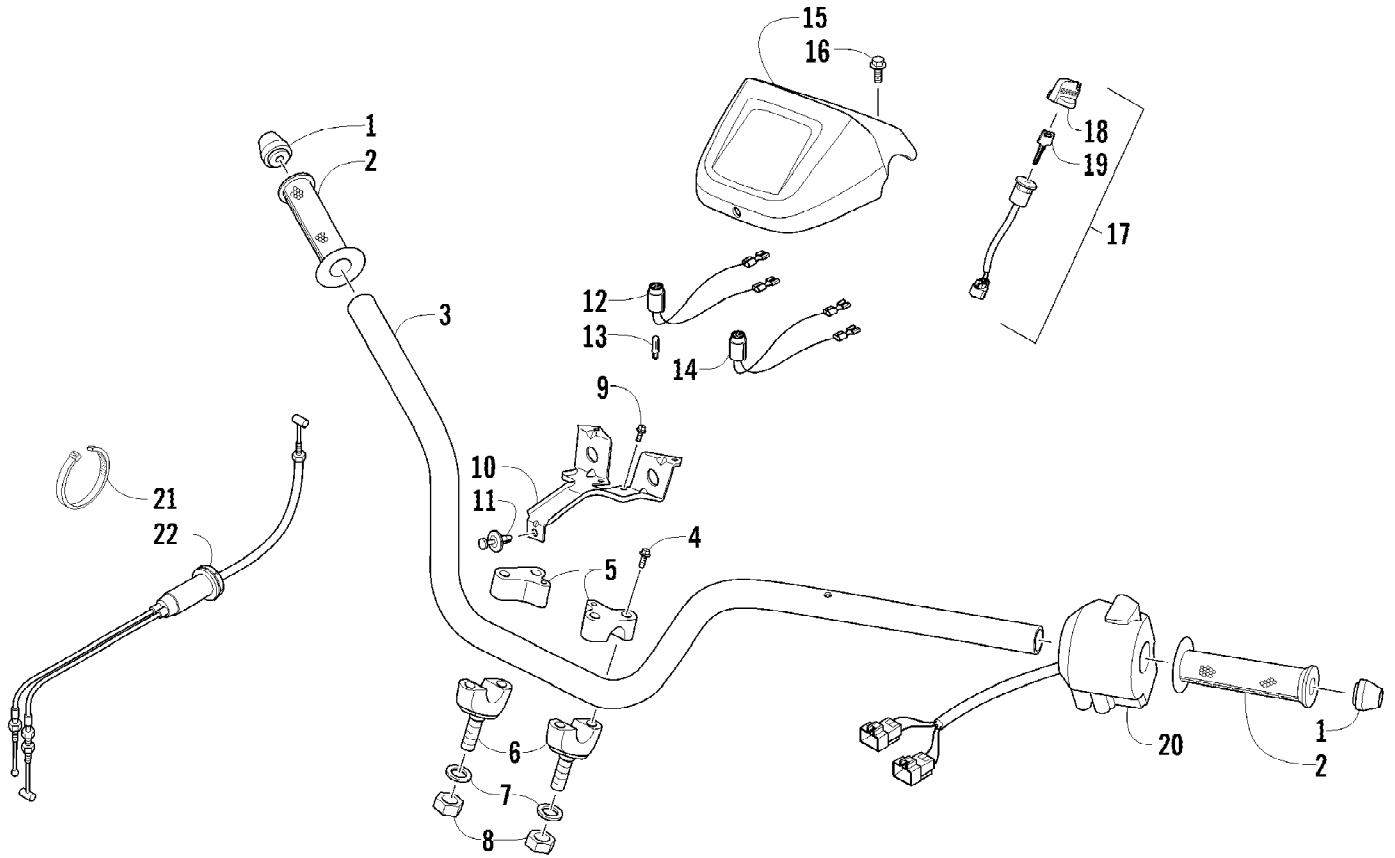


2011 ATV 90 2X4 UTILITY BLACK (A2011KUB2BUSP)
GAS TANK ASSEMBLY

Page 28 of 58

Ref #	Part Number	Qty	S/P/F	Description
1	3306-003	1		Cap, Gas Tank
2	3303-068	1		Seal, Gas Tank Cap
3	3305-488	1		Tank, Gas - Assembly (inc. 4)
4	3303-406	2		Grommet
5	3303-383	2	/P	Screw, Cap
6	3303-226	2		Insert
7	3305-489	2		Hose Assembly (inc. 8 and two No. 9)
8	3305-523	2		Clamp, Hose
9	3303-349	4		Clamp, Hose
10	3305-521	1		Hose Assembly (inc. two No. 9)
11	3303-699	1	/P	Filter, Fuel - Assembly
12	3305-522	1		Hose Assembly (inc. 13)
13	3303-348	2		Clamp, Hose
14	3303-058	1		Strainer, Fuel
15	3303-316	2		Screw, Machine
16	3303-057	1		Shut-Off, Fuel (inc. 17)
17	3304-120	2		Screw, Machine
18	3305-294	1		Bracket, Mounting - Fuel Shut-Off
19	3304-654	2	/P	Nut, Lock

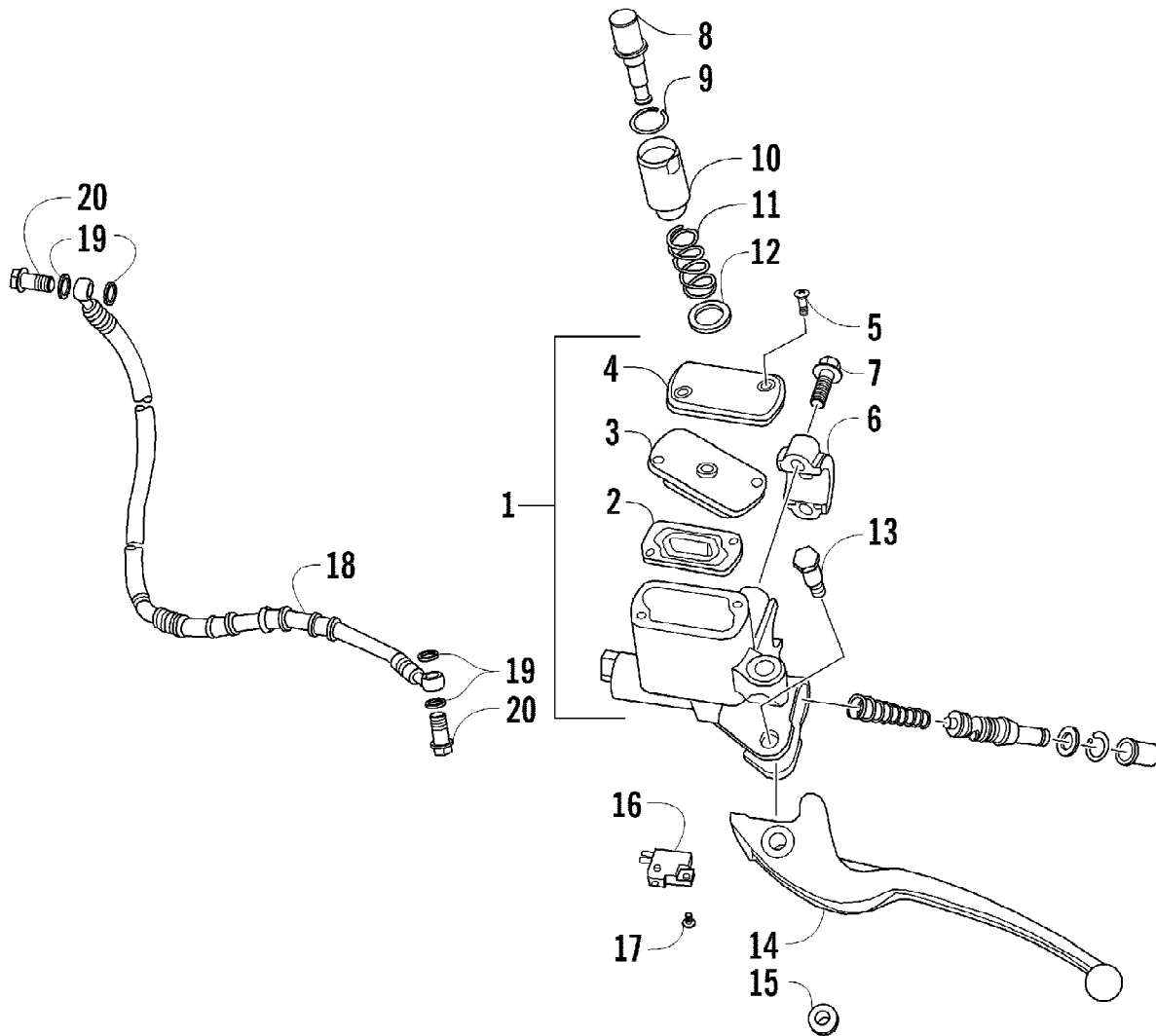
2011 ATV 90 2X4 UTILITY BLACK (A2011KUB2BUSP)
HANDLEBAR AND CONTROL ASSEMBLY



2011 ATV 90 2X4 UTILITY BLACK (A2011KUB2BUSP)
HANDLEBAR AND CONTROL ASSEMBLY

Page 30 of 58

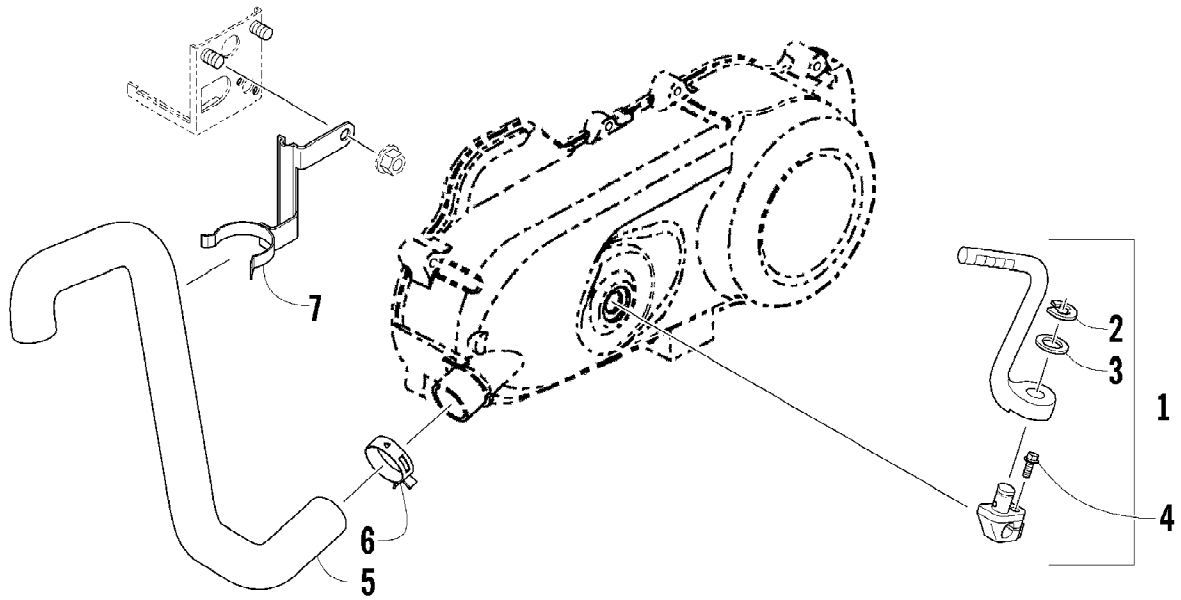
Ref #	Part Number	Qty	S/P/F	Description
1	3303-196	2		End Cap, Handlebar
2	3305-905	2	/P	Grip, Handlebar
3	3305-348	1		Handlebar
4	3303-398	4		Screw, Cap
5	3303-197	1		Clamp, Handlebar - Upper Right
5	3303-198	1		Clamp, Handlebar - Upper Left
6	3303-199	2		Clamp, Handlebar - Lower
7	3304-136	2		Washer
8	3305-517	2		Nut
9	3304-553	2		Screw, Cap
10	3304-506	1		Bracket, Handlebar Cover
11	3304-552	1		Rivet, Reinstallable
12	3305-830	1		Light, Indicator - Neutral (inc. one No. 13)
13	3305-867	2		Bulb
14	3305-831	1		Light, Indicator - Reverse (inc. one No. 13)
15	3306-392	1		Cover, Handlebar
16	3304-029	2	/P	Screw, Cap
17	3305-998	1		Switch, Ignition - Assembly (inc. 18-19)
18	3304-522	1		Cover, Key
19	3305-999	1		Key, Ignition - Right-Side Cut
19	3306-001	1		Key, Ignition - Left-Side Cut
20	3303-424	1		Switch, Handlebar - Assembly
21	3303-289	AR	/P	Tie, Cable
22	1502-096	1	/P	Cable, Throttle



2011 ATV 90 2X4 UTILITY BLACK (A2011KUB2BUSP)
HYDRAULIC HAND BRAKE ASSEMBLY

Page 32 of 58

Ref #	Part Number	Qty	S/P/F	Description
1	3305-982	1	/P	Brake, Master Cylinder - Assembly (inc. 2-4)
2	3305-309	1		Diaphragm
3	3306-225	1		Plate, Diaphragm
4	3303-174	1	/P	Cover, Master Cylinder
5	3303-318	2		Screw, Machine
6	3305-983	1		Clamp, Handlebar
7	3305-297	2		Screw, Cap
8	3305-993	1		Button, Park Brake
9	3305-992	1		Circlip
10	3305-991	1		Housing
11	3305-990	1		Spring
12	3305-989	1		Washer
13	3303-254	1	/P	Screw, Shoulder
14	3306-207	1		Lever
15	3304-654	1	/P	Nut, Lock
16	3303-141	1	/P	Switch Assembly
17	3303-321	1		Screw, Machine
18	3305-278	1		Hose, Brake - Assembly
19	3303-284	4	/P	Washer, Crush
20	3303-257	2	/P	Bolt, Banjo-Fitting

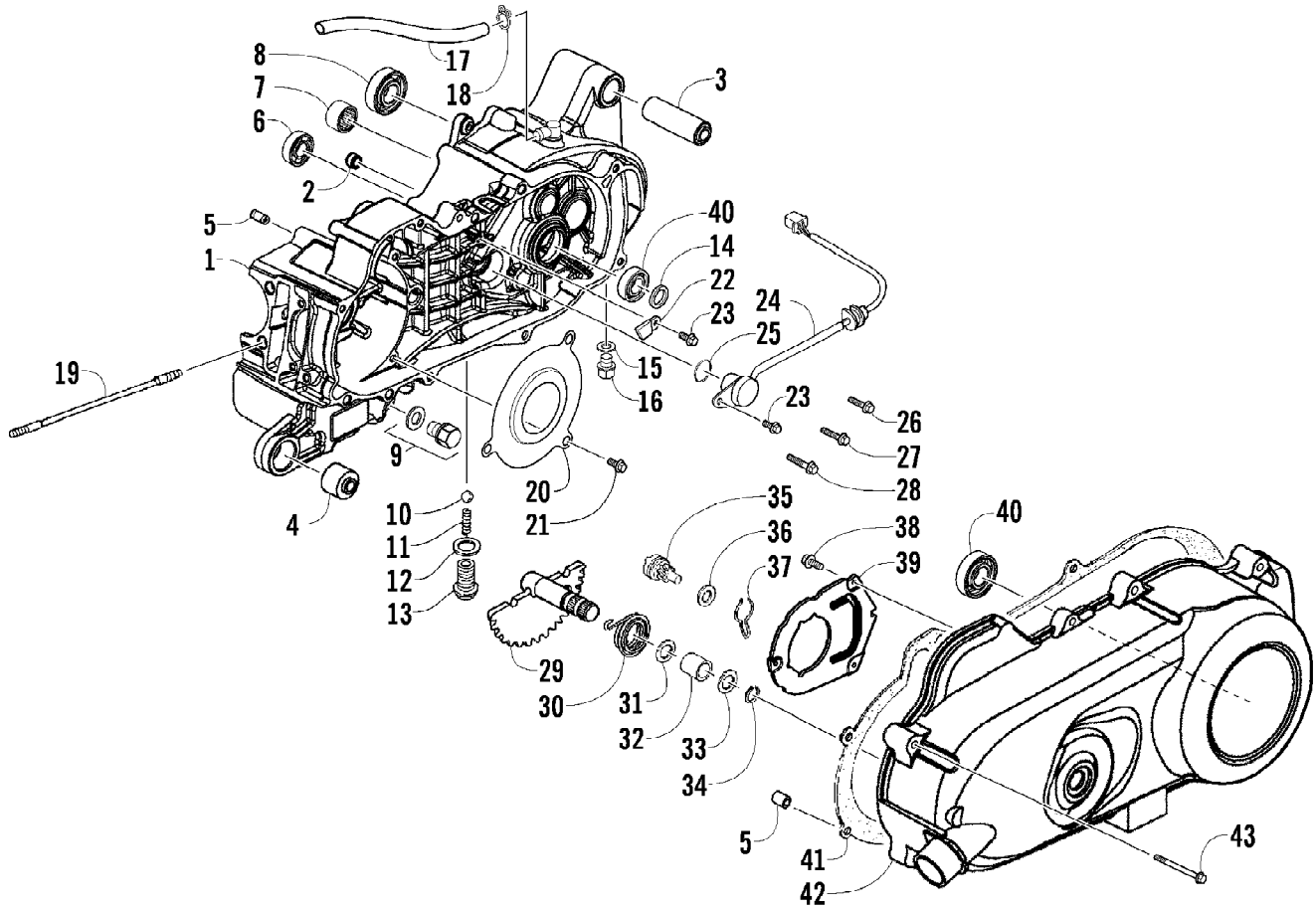


2011 ATV 90 2X4 UTILITY BLACK (A2011KUB2BUSP)
KICK STARTER AND COOLING DUCT ASSEMBLY

Page 34 of 58

Ref #	Part Number	Qty	S/P/F	Description
1	3303-123	1	/P	Arm, Kick Starter (inc. 2-3)
2	3305-247	1	/P	E-Clip
3	3304-138	1		Washer
4	3304-551	1	/P	Screw, Cap
5	3303-010	1		Duct, Cooling
6	3303-074	1		Clamp
7	3303-287	1		Clamp, Routing

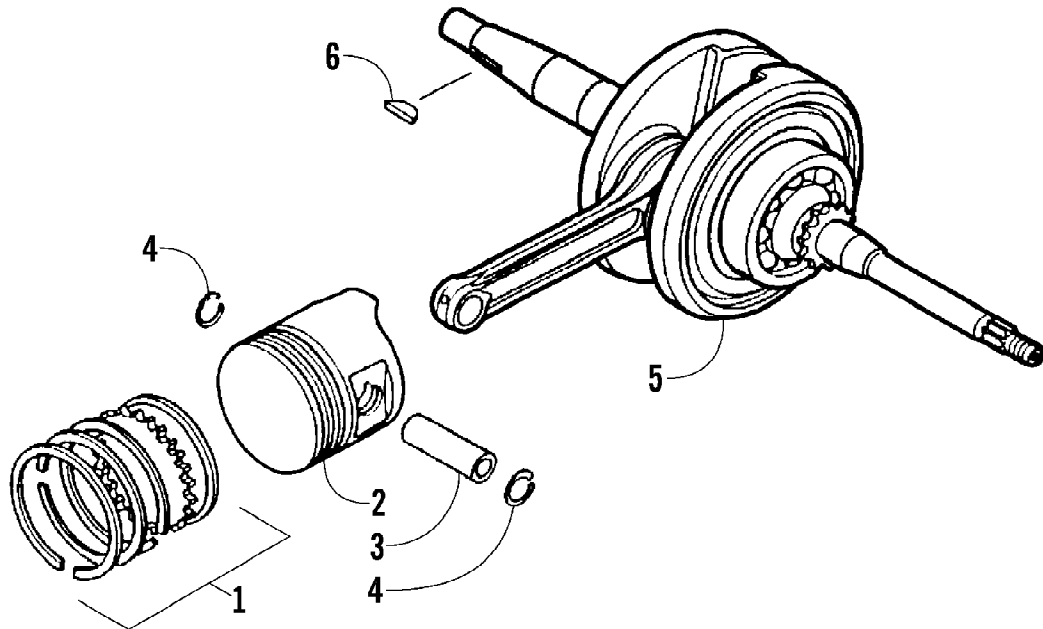
2011 ATV 90 2X4 UTILITY BLACK (A2011KUB2BUSP)
LEFT CRANKCASE AND COVER ASSEMBLY



2011 ATV 90 2X4 UTILITY BLACK (A2011KUB2BUSP)
LEFT CRANKCASE AND COVER ASSEMBLY

Page 36 of 58

Ref #	Part Number	Qty	S/P/F	Description
1	3305-795	1		Crankcase (inc. 2-4)
2	3304-597	1		Plug
3	3305-906	1		Bushing, Rubber - Engine Mount
4	3303-402	1	/P	Bushing, Rubber - Engine Mount
5	3303-341	4		Pin, Dowel
6	3304-905	1		Bearing
7	3304-074	1	/P	Bearing
8	3304-699	1	/P	Bearing
9	3304-052	1	/P	Plug, Drain
10	3304-205	1		Bearing, Ball
11	3304-063	1		Spring, Seat
12	3304-021	1		Washer
13	3304-109	1		Screw, Seat
14	3303-297	1	/P	Seal, Oil
15	3303-278	1		Washer
16	3303-365	1		Plug, Drain
17	3305-798	1		Hose, Vent
18	3303-714	1		Clamp, Hose
19	3303-248	2		Bolt, Stud
20	3304-460	1		Plate, Dust
21	3303-381	3		Screw, Cap
22	3304-040	1		Retainer, Bearing
23	3304-187	2		Screw, Cap
24	3305-797	1		Switch, Gear Position (inc. 25)
25	3305-776	1	/P	O-Ring
26	3303-385	1		Screw, Cap
27	3303-370	6		Screw, Cap
28	3303-372	1		Screw, Cap
29	3303-119	1		Spindle, Kick Starter
30	3303-122	1		Spring
31	3303-121	1		Spacer
32	3303-120	1		Bushing
33	3303-276	1		Washer
34	3303-345	1		Ring, Retaining
35	3303-118	1		Gear, Driven
36	3303-272	1		Washer, Thrust
37	3303-117	1		Spring
38	3303-391	3		Screw, Cap
39	3303-009	1		Plate, Cover
40	3303-465	2		Bearing
41	3303-013	1		Gasket, Crankcase Cover
42	3305-907	1		Cover, Crankcase
43	3303-386	7	/P	Screw, Cap

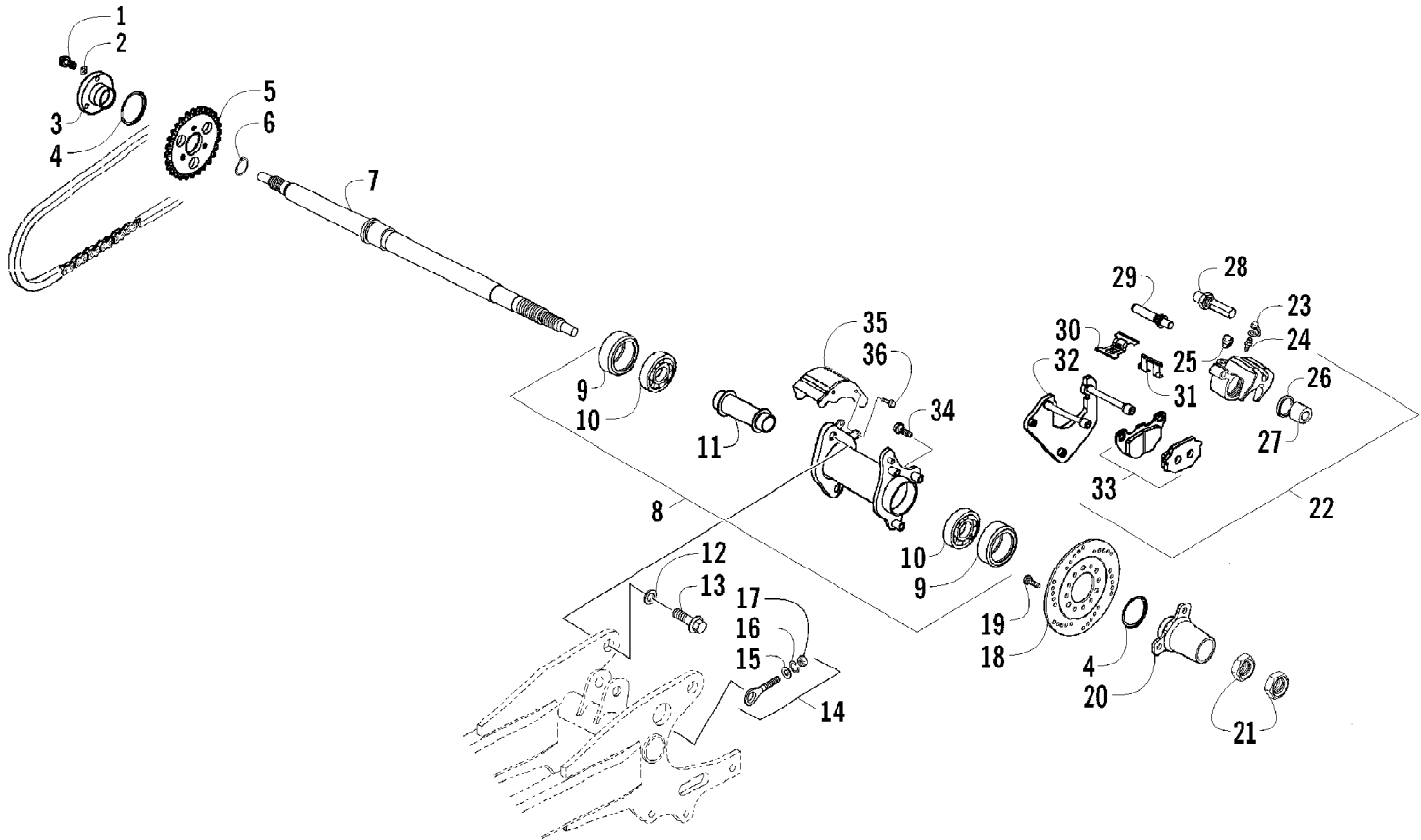


2011 ATV 90 2X4 UTILITY BLACK (A2011KUB2BUSP)
PISTON AND CRANKSHAFT ASSEMBLY

Page 38 of 58

Ref #	Part Number	Qty	S/P/F	Description
1	3303-024	1		Ring, Piston - Set
2	3303-025	1		Piston
3	3303-026	1		Pin, Piston
4	3303-027	2		Clip, Piston Pin
5	3305-443	1		Crankshaft
6	3303-290	1		Key

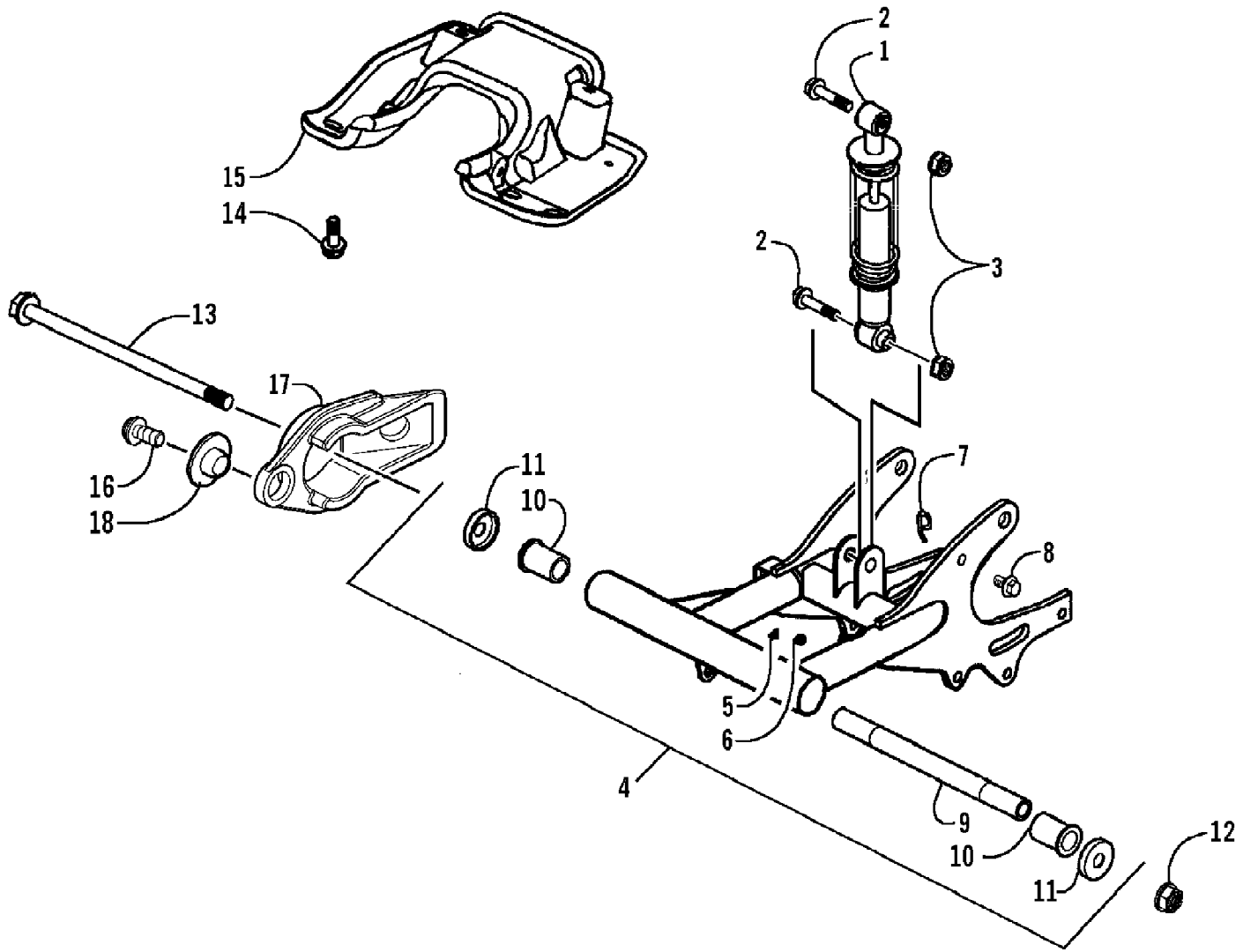
2011 ATV 90 2X4 UTILITY BLACK (A2011KUB2BUSP)
REAR AXLE AND BRAKE ASSEMBLY



2011 ATV 90 2X4 UTILITY BLACK (A2011KUB2BUSP)
 REAR AXLE AND BRAKE ASSEMBLY

Page 40 of 58

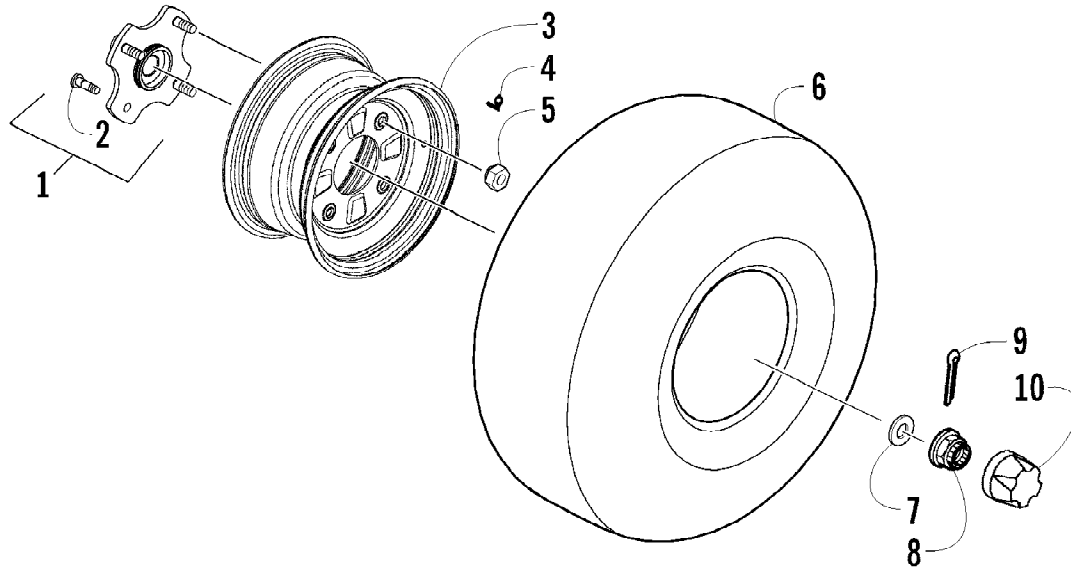
Ref #	Part Number	Qty	S/P/F	Description
1	3304-565	3	/P	Screw, Cap
2	3305-288	3	S	Washer, Lock
3	3305-835	1		Retainer, Sprocket
4	3305-298	2		O-Ring
5	3303-148	1		Sprocket, Final Drive
6	3305-840	1		Ring, Retaining
7	3305-838	1		Axle, Rear
8	3305-347	1	/P	Housing, Rear Axle (inc. 9-11)
9	3303-461	2		Seal
10	3303-466	2		Bearing
11	3303-427	1		Spacer
12	3303-281	3		Washer
13	3303-379	4		Screw, Cap
14	3303-147	1		Adjuster, Chain - Assembly (inc. 15-17)
15	3304-135	1	/P	Washer
16	3303-607	1	/P	Washer, Lock
17	3304-125	1		Nut
18	3303-162	1		Disc, Brake
19	3303-253	3	/P	Screw, Cap
20	3305-249	1		Bracket, Brake Disc
21	3305-839	2		Nut
22	3305-997	1		Caliper, Rear - Assembly (inc. 23-33)
23	3304-303	1		Cap, Bleed Valve
24	3304-302	1		Valve, Bleed
25	3304-333	1		Plug
26	3305-380	1	/P	Seal, Piston
27	3304-314	1	/P	Piston
28	3304-589	1		Pin w/Boot
29	3304-590	1		Pin w/Boot
30	3304-591	1		Spring
31	3305-377	1	/P	Seal
32	3303-469	1	/P	Bracket
33	3304-567	1	/P	Pad, Brake - Assembly
34	3303-256	2		Screw, Cap
35	3303-144	1		Guard, Chain
36	3304-610	2		Screw, Cap



2011 ATV 90 2X4 UTILITY BLACK (A2011KUB2BUSP)
REAR SUSPENSION ASSEMBLY

Page 42 of 58

Ref #	Part Number	Qty	S/P/F	Description
1	3306-394	1		Shock/Spring - Assembly
2	3303-376	2	/P	Screw, Cap
3	3304-031	2	/P	Nut, Lock
4	3305-858	1		Fork, Rear - Assembly (inc. 5-11)
5	3303-394	1		Cap, Grease Fitting
6	3303-393	1		Fitting, Grease
7	3304-594	1		Clamp, Routing
8	3305-341	1		Screw, Cap
9	3303-189	1		Axle
10	3303-191	2		Bushing
11	3303-192	2		Cap
12	3304-032	1		Nut
13	3303-150	1		Screw, Cap
14	3305-454	4		Screw, Cap
15	3305-996	1		Guard, Rear Suspension
16	3304-690	2		Screw, Self-Tapping
17	3305-859	1		Guide, Chain
18	3304-360	2		Bushing

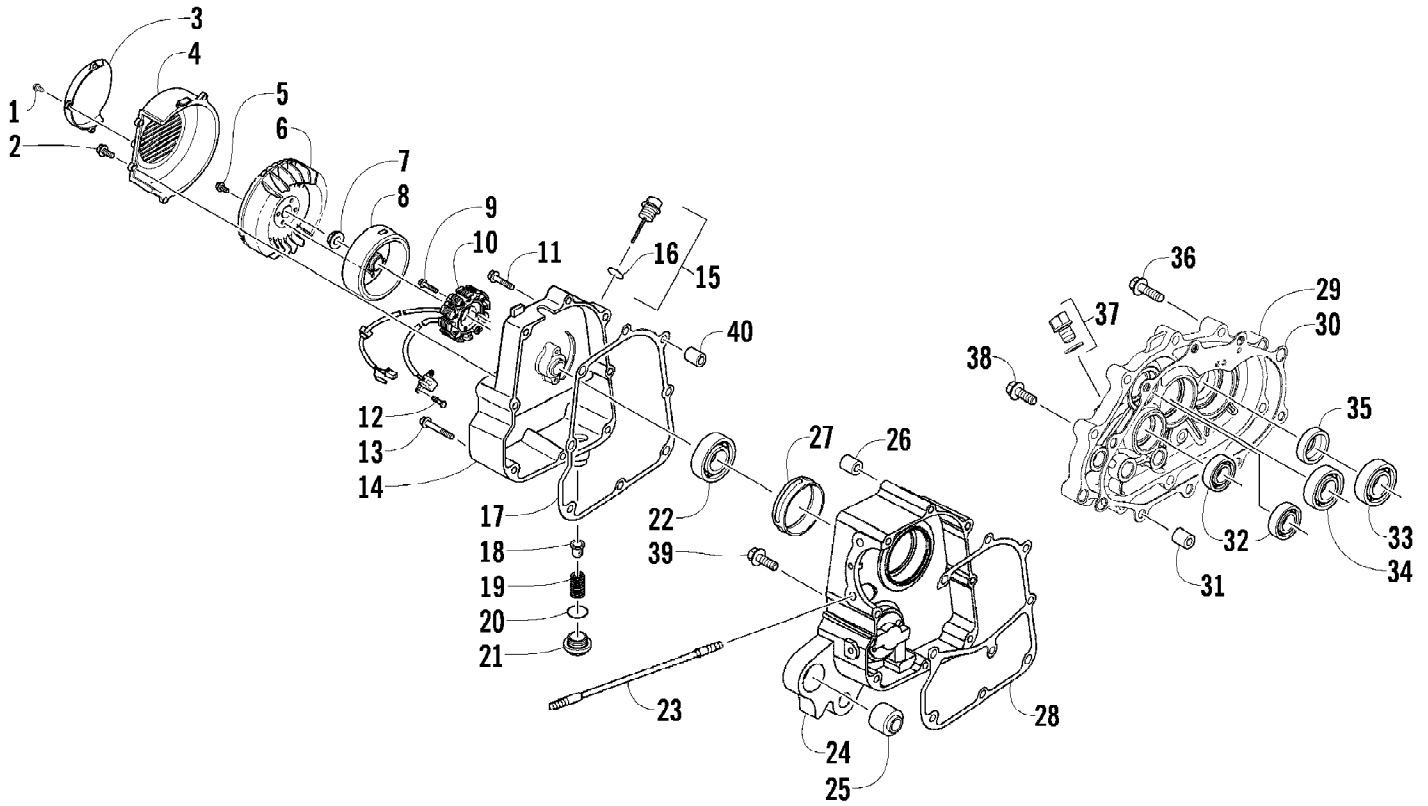


2011 ATV 90 2X4 UTILITY BLACK (A2011KUB2BUSP)
REAR WHEEL ASSEMBLY

Page 44 of 58

Ref #	Part Number	Qty	S/P/F	Description
1	3305-869	2		Hub, Wheel (inc. 2)
2	3303-250	8		Bolt, Stud
3	3303-156	2		Wheel - Assembly
4	3304-562	2		Stem, Valve
5	3303-266	8		Nut
6	3303-428	2		Tire
7	3305-285	2		Washer
8	3303-330	2		Nut, Lock
9	3303-340	2		Pin, Cotter
10	3303-430	2		Cap, Wheel

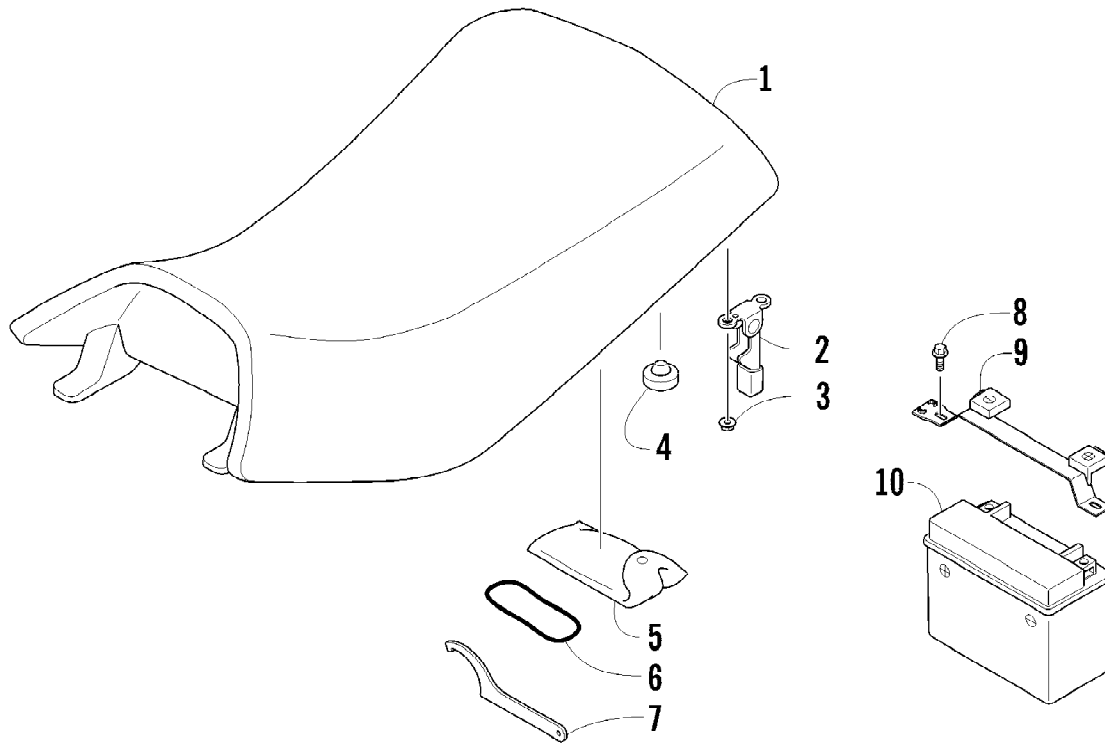
2011 ATV 90 2X4 UTILITY BLACK (A2011KUB2BUSP)
RIGHT CRANKCASE AND COVER ASSEMBLY



2011 ATV 90 2X4 UTILITY BLACK (A2011KUB2BUSP)
RIGHT CRANKCASE AND COVER ASSEMBLY

Page 46 of 58

Ref #	Part Number	Qty	S/P/F	Description
1	3304-585	2	/P	Screw, Self-Tapping
2	3303-384	2	/P	Screw, Cap
3	3305-317	1		Cover, Vent
4	3305-910	1		Cover, Fan
5	3303-382	4	/P	Screw, Cap
6	3303-075	1		Fan, Cooling
7	3303-333	1	/P	Nut
8	3303-127	1		Rotor/Flywheel (A) - D402
8	3303-414	1		Rotor/Flywheel (B) - D406
8	3303-415	1		Rotor/Flywheel (C) - D414
9	3303-383	2	/P	Screw, Cap
10	3304-641	1		Stator - Assembly (O) - D402
10	3305-254	1	/P	Stator - Assembly (A) - D406
10	3305-256	1	/P	Stator - Assembly (B) - D414
11	3304-580	4		Screw, Cap
12	3303-308	2		Screw, Cap
13	3303-390	4		Screw, Cap
14	3303-007	1		Cover, Crankcase
15	3303-050	1		Gauge, Oil Level - Assembly (inc. 16)
16	3304-102	1	/P	O-Ring
17	3303-012	1		Gasket, Crankcase Cover
18	3303-691	1	/P	Screen, Filter
19	3303-692	1	/P	Spring
20	3304-096	1	/P	O-Ring
21	3303-021	1		Cap, Inspection
22	3303-296	1		Seal, Oil
23	3303-247	2		Bolt, Stud
24	3303-400	1	/P	Crankcase (inc. 25-27)
25	3303-402	1	/P	Bushing, Rubber - Engine Mount
26	3304-065	2		Plug
27	0	1	F	Insert
28	3303-003	1		Gasket, Crankcase
29	3305-806	1		Case, Transmission
30	3305-807	1		Gasket, Transmission Case
31	3303-342	2		Pin, Dowel
32	3303-596	2	/P	Bearing
33	3305-821	1		Bearing
34	3304-909	1		Bearing
35	3305-808	1		Seal, Oil
36	3303-615	2		Screw, Cap
37	3304-052	1	/P	Plug, Fill
38	3305-468	8		Screw, Cap
39	3303-387	1		Screw, Cap
40	3303-341	2		Pin, Dowel

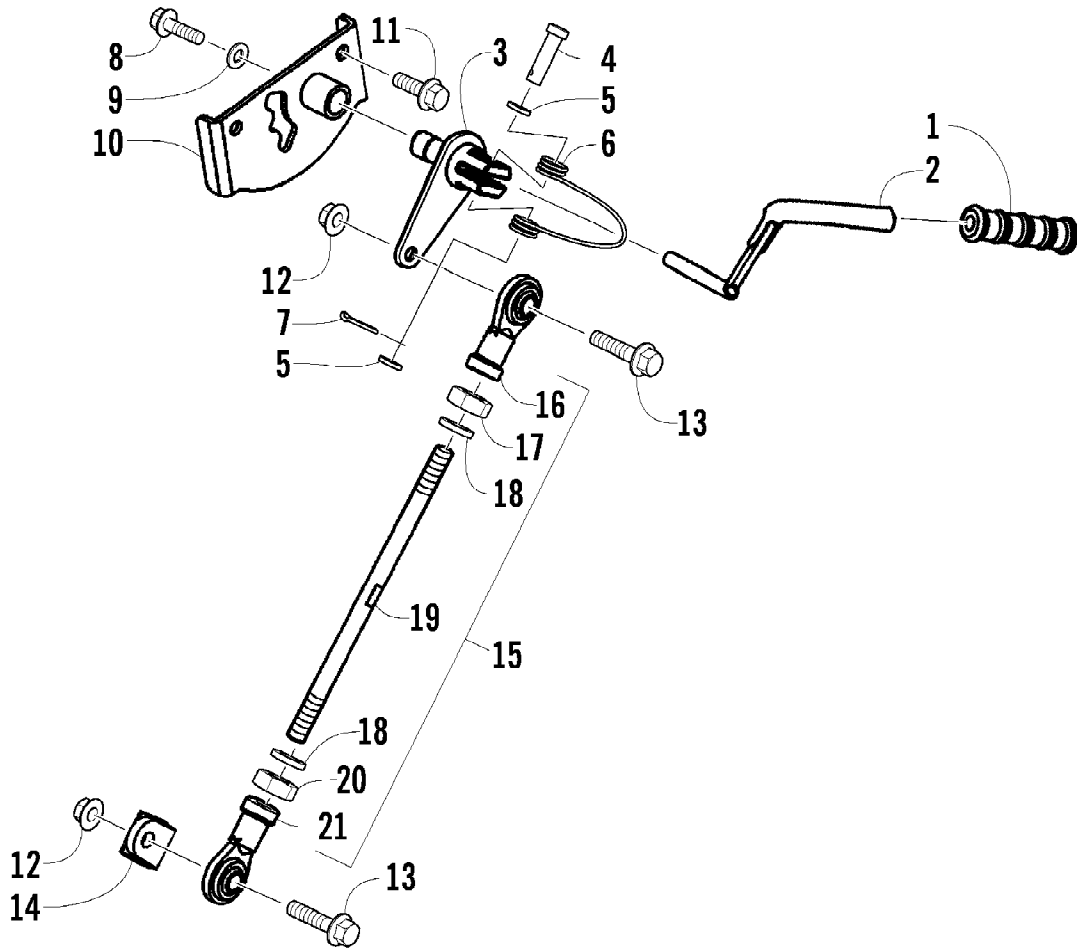


2011 ATV 90 2X4 UTILITY BLACK (A2011KUB2BUSP)
SEAT, BATTERY, AND TOOL KIT ASSEMBLIES

Page 48 of 58

Ref #	Part Number	Qty	S/P/F	Description
1	3304-497	1	/P	Seat Assembly (inc. 2-4)
2	3304-392	1		Latch, Seat
3	3304-654	2	/P	Nut, Lock
4	3304-568	2		Bumper, Seat
5	3303-578	1	/P	Kit, Tool
6	3303-242	1		Retainer, Tool Kit
7	1441-797	1	F	Wrench, Spanner
8	3303-263	2	/P	Screw, Cap
9	3303-182	1		Hold-Down, Battery
10	3303-131	1	/P	Battery

2011 ATV 90 2X4 UTILITY BLACK (A2011KUB2BUSP)
SHIFT LEVER ASSEMBLY

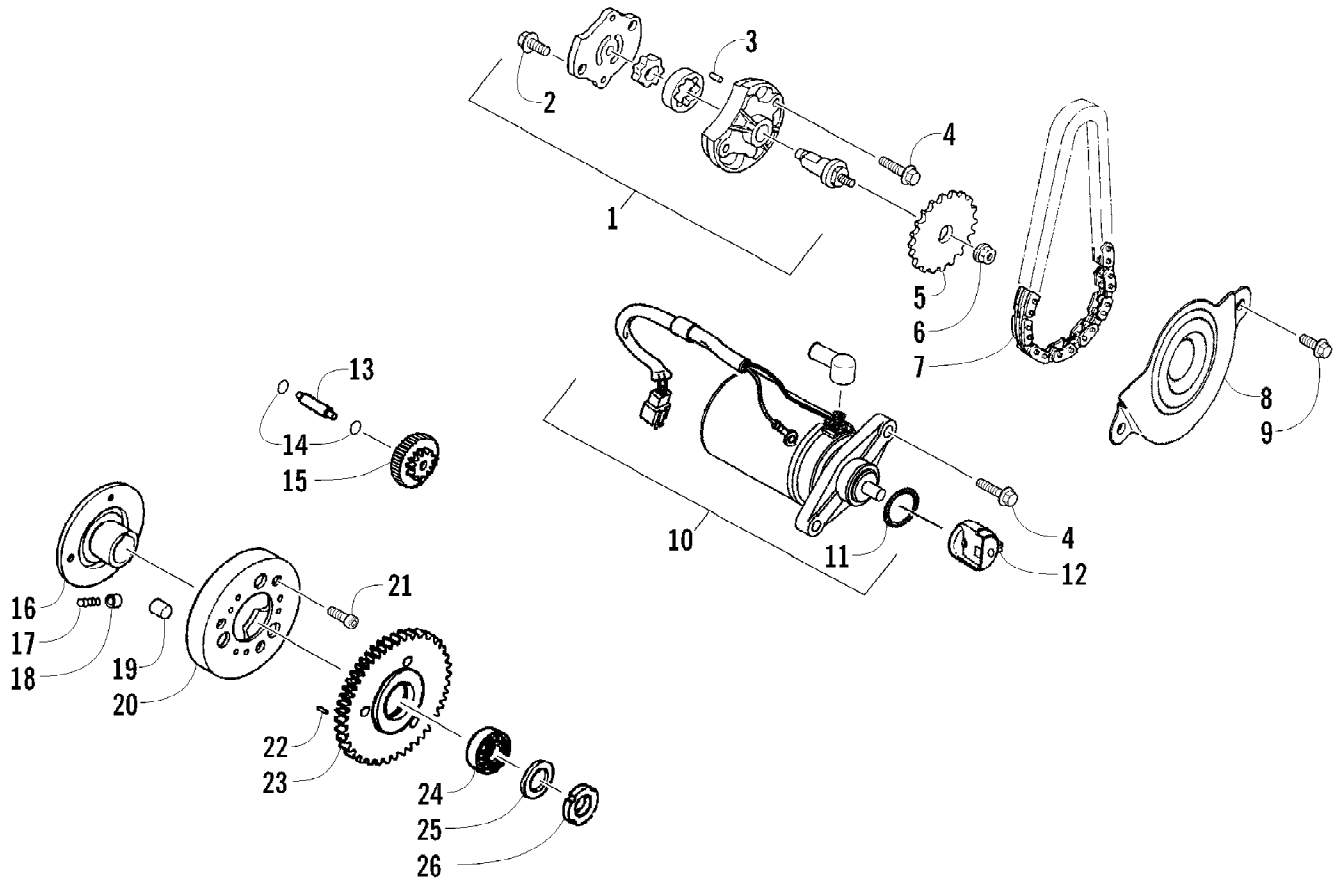


2011 ATV 90 2X4 UTILITY BLACK (A2011KUB2BUSP)
SHIFT LEVER ASSEMBLY

Page 50 of 58

Ref #	Part Number	Qty	S/P/F	Description
1	3305-911	1		Handle, Shift Lever
2	3305-854	1		Lever, Shift
3	3305-849	1		Pivot, Shift Lever
4	3303-817	1		Pin, Shift Lever
5	3305-195	2		Washer
6	3305-853	1		Spring
7	3304-142	1		Pin, Cotter
8	3304-553	1		Screw, Cap
9	3305-852	1		Washer
10	3305-851	1		Bracket, Shift Lever
11	3304-543	2	/P	Screw, Cap
12	3304-668	2		Nut, Lock
13	3304-176	2		Screw, Cap
14	3305-825	1	/P	Bracket, Shift Lever
15	3305-847	1		Shift Linkage Assembly (inc. 16-21)
16	0	1	F	Ball Joint, Tie Rod - Right
17	0	1	F	Nut
18	0	2	F	Washer
19	0	1	F	Tie Rod
20	0	1	F	Nut
21	0	1	F	Ball Joint, Tie Rod - Left

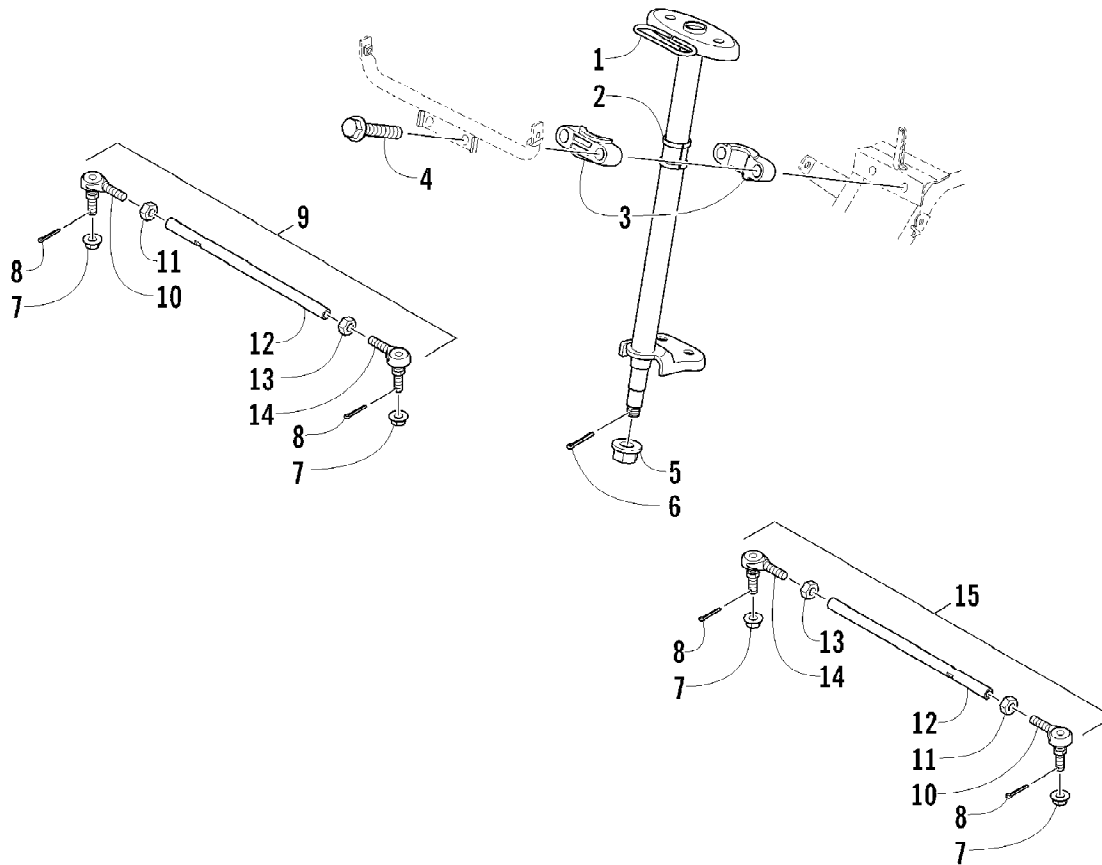
2011 ATV 90 2X4 UTILITY BLACK (A2011KUB2BUSP)
STARTER MOTOR AND OIL PUMP ASSEMBLY



2011 ATV 90 2X4 UTILITY BLACK (A2011KUB2BUSP)
STARTER MOTOR AND OIL PUMP ASSEMBLY

Page 52 of 58

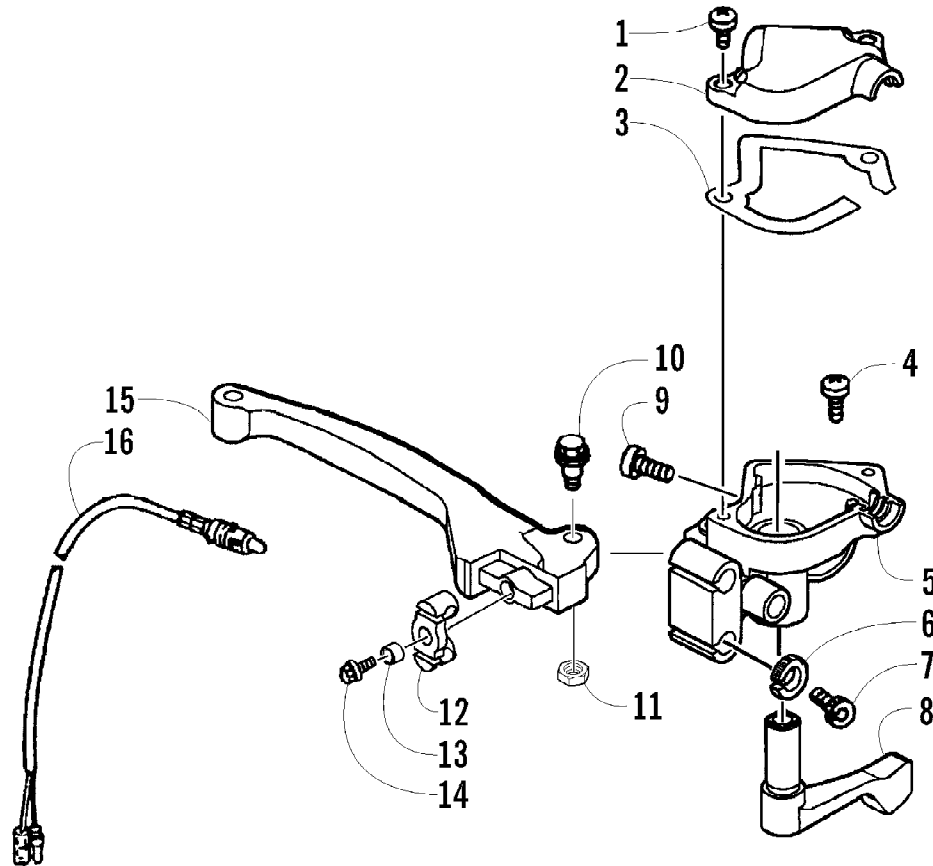
Ref #	Part Number	Qty	S/P/F	Description
1	3303-045	1		Pump, Oil - Assembly (inc. 2-3)
2	3304-426	1		Screw, Cap
3	3304-144	1		Pin, Dowel
4	3303-384	4	/P	Screw, Cap
5	3303-046	1		Sprocket
6	3304-654	1	/P	Nut, Lock
7	3303-047	1		Chain, Oil Pump
8	3303-051	1		Separator, Oil
9	3303-381	2		Screw, Cap
10	3305-802	1		Motor, Starter (inc. 11)
11	3303-604	1		O-Ring
12	3303-130	1		Cover, Starter
13	3303-110	1		Shaft, Starter Reduction
14	3303-282	2		Washer
15	3303-109	1		Gear, Starter Reduction
16	3303-115	1		Plate, Starter Clutch
17	3303-113	3		Spring
18	3303-114	3		Roller, Starter
19	3303-293	3		Roller
20	3303-112	1		Clutch, Outer
21	3303-396	3		Screw, Cap
22	3303-395	1		Pin, Alignment
23	3303-111	1		Gear, Starter
24	3303-292	1		Bearing
25	3303-285	1		Circlip
26	3303-258	1		Nut



2011 ATV 90 2X4 UTILITY BLACK (A2011KUB2BUSP)
STEERING POST ASSEMBLY

Page 54 of 58

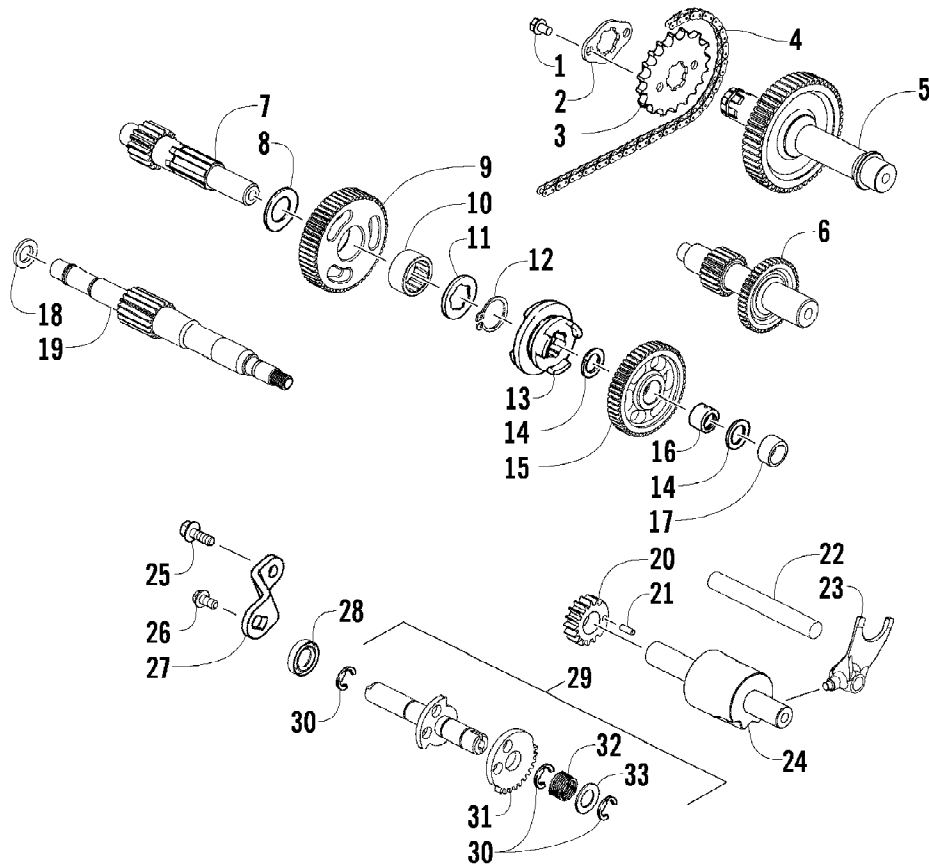
Ref #	Part Number	Qty	S/P/F	Description
1	3303-573	1	/P	Post, Steering
2	3305-497	1	/P	Bushing
3	3303-213	2		Holder, Steering Post
4	3304-559	2		Screw, Cap
5	3304-032	1		Nut
6	3303-470	1		Pin, Cotter
7	3303-266	4		Nut
8	3303-621	4	/P	Pin, Cotter
9	3305-485	1		Tie Rod Assembly - Right (inc. one No. 10-14)
10	3305-486	2		Ball Joint, Tie Rod - Right
11	3303-326	2		Nut
12	3305-282	2		Tie Rod
13	3303-327	2		Nut
14	3305-487	2		Ball Joint, Tie Rod - Left
15	3305-499	1		Tie Rod Assembly - Left (inc. one No. 10-14)



2011 ATV 90 2X4 UTILITY BLACK (A2011KUB2BUSP)
THROTTLE CONTROL ASSEMBLY

Page 56 of 58

Ref #	Part Number	Qty	S/P/F	Description
	3305-979	1		Complete Throttle Control Assembly
1	3303-315	2		Screw, Machine
2	3303-207	1		Cover, Throttle Control
3	3303-209	1		Gasket
4	3303-397	1		Screw, Machine
5	3303-204	1		Housing, Throttle Control
6	3303-271	2		Nut
7	3303-208	2		Screw, Adjuster
8	3303-200	1		Lever, Throttle
9	3305-980	1		Screw, Machine
10	3303-255	1		Screw, Shoulder
11	3303-262	1		Nut
12	3303-201	1		Retainer, Brake Cable
13	3303-202	1		Spacer
14	3305-344	1	/P	Screw, Cap
15	3306-054	1	/P	Lever, Brake
16	3303-140	1		Switch, Brake



Ref #	Part Number	Qty	S/P/F	Description
1	3303-307	2		Screw, Cap
2	3303-108	1		Plate, Retaining
3	3305-814	1		Sprocket, Drive
4	3305-820	1		Chain, Drive
5	3305-805	1	/P	Shaft, Final
6	3305-822	1		Countershaft - Assembly
7	3305-809	1		Shaft, Main
8	3304-042	1		Washer, Thrust
9	3305-811	1		Gear, Reverse
10	3304-074	1	/P	Bearing
11	3305-812	1		Washer
12	3303-344	1		Circlip
13	3305-029	1		Gear Select, Sliding
14	3303-275	2	/P	Washer, Thrust
15	3305-810	1		Gear, Forward
16	3305-024	1		Bushing
17	3305-028	1		Spacer
18	3303-588	1		Washer
19	3305-813	1		Driveshaft
20	3306-008	1		Gear, Drum Shift
21	3306-007	1		Pin, Alignment
22	3304-513	1		Shaft, Shift Fork
23	3305-815	1		Fork, Shift
24	3306-006	1		Cam, Gear Shift - Assembly
25	3303-365	1		Screw, Cap
26	3304-652	1		Screw, Cap
27	3305-825	1	/P	Bracket, Spindle Assembly
28	3304-900	1		Seal, Oil
29	3305-817	1		Spindle Assembly (inc. 30-33)
30	3304-153	3		E-Ring
31	3303-815	1		Gear, Shift
32	3305-818	1		Spring
33	3304-036	1		Washer, Thrust