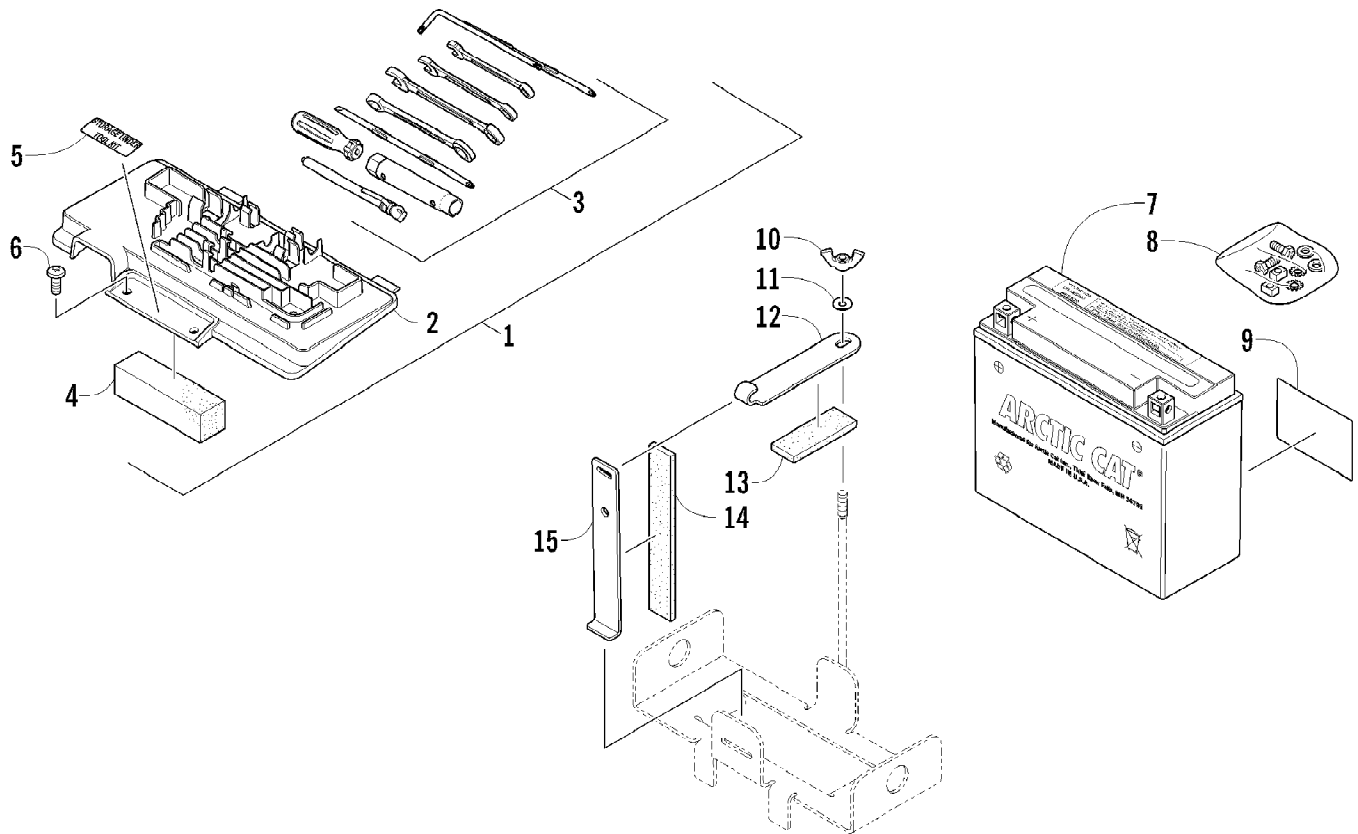


2011 ATV 700 DIESEL GREEN (A2011TBT4DUSG)  
AIR INTAKE ASSEMBLY

Page 2 of 94

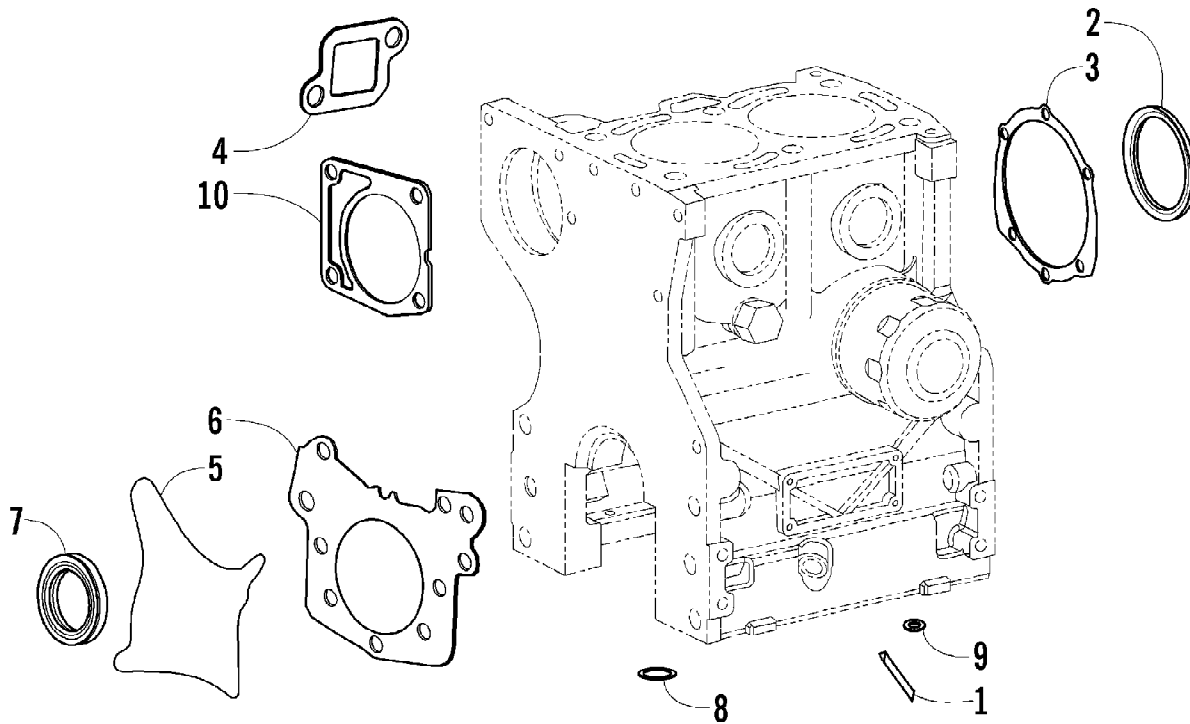
Ref #	Part Number	Qty	S/P/F	Description
1	0413-091	1		Diverter, Air - Top
2	0413-093	1		Diverter, Air - Bottom
3	2406-509	1		Shroud, Splash
4	0623-362	2		Rivet, Reinstallable
5	0423-832	2		Clamp
6	0470-618	1		Duct, Air Intake
7	0423-066	2		Clamp
8	0470-621	1		Duct, Engine Intake
9	0470-617	1		Filter, Air - Assembly (inc. 10-13)
10	0470-627	1		Cap, Air Filter
11	0470-619	1		Filter, Air
12	0470-620	1		Element, Air Filter
13	0470-628	1		Bracket, Mounting - Air Filter
14	8476-620	2		Screw, Machine
15	8050-222	2	/P	Washer
16	2506-082	1		Bracket, Mounting - Air Filter
17	8476-616	4		Screw, Machine



2011 ATV 700 DIESEL GREEN (A2011TBT4DUSG)  
BATTERY ASSEMBLY

Page 4 of 94

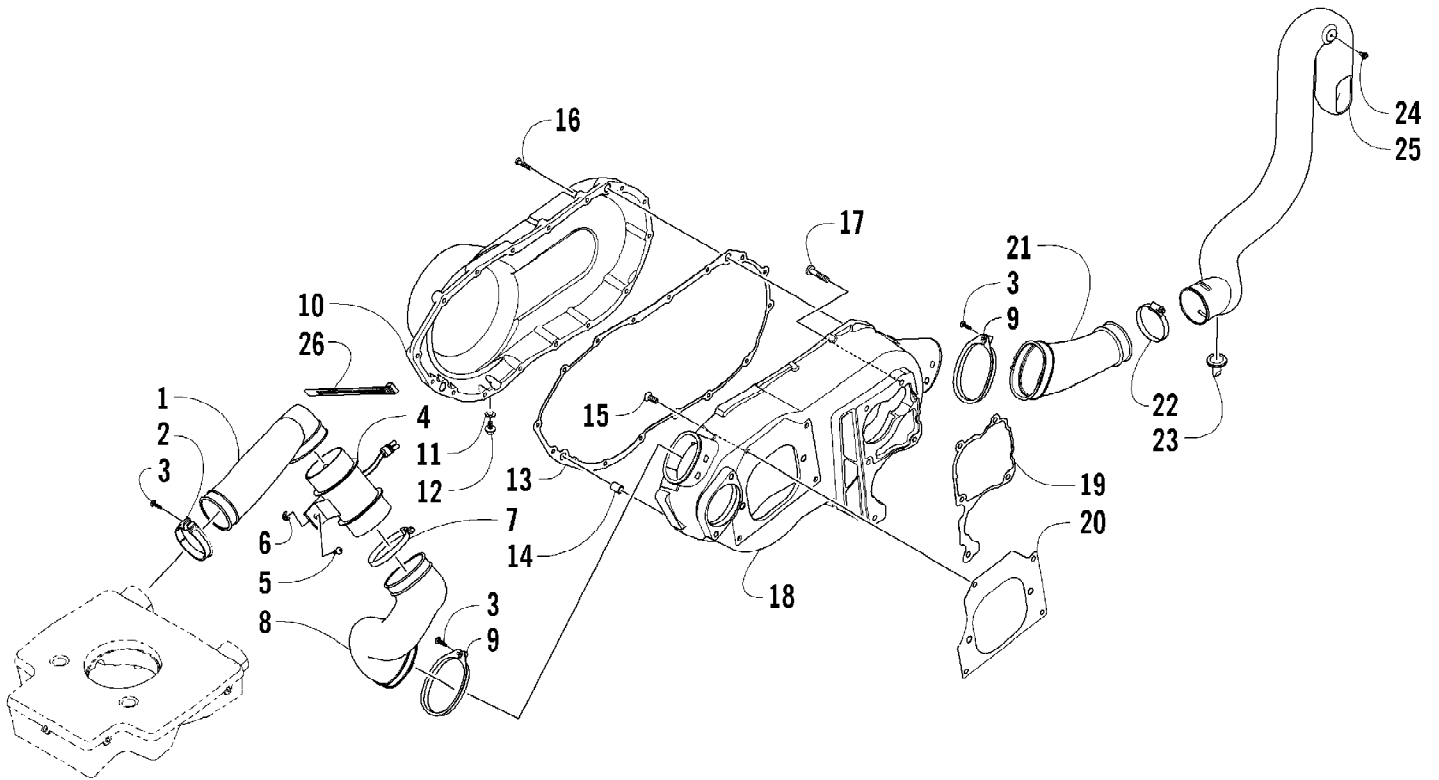
Ref #	Part Number	Qty	S/P/F	Description
1	5991-655	1	/P	Battery Cover/Tool Tray Assembly (inc. 2-4)
2	2406-815	1	/P	Cover, Battery
3	0444-122	1	S/P	Kit, Tool
4	0417-016	1		Pad, Battery
5	1411-508	1		Decal, Storage
6	8476-620	2		Screw, Machine
7	0645-432	1	S	Battery Assembly (inc. 8-9)
8	0445-082	1		Kit, Hardware
9	0645-430	1		Decal, Warning
10	0623-325	1		Nut, Wing
11	8050-217	1	/P	Washer
12	0645-243	1		Strap, Battery - Top
13	0406-288	1		Pad, Foam
14	0406-289	1		Pad, Foam
15	0645-311	1		Strap, Battery - Side



2011 ATV 700 DIESEL GREEN (A2011TBT4DUSG)  
BOTTOM END GASKET SET ASSEMBLY

Page 6 of 94

Ref #	Part Number	Qty	S/P/F	Description
	3206-329	1		Bottom End Gasket Set
1	3206-054	4		Gasket, Crankcase
2	3206-091	1		Ring, Engine Flange
3	3206-358	1	/P	Gasket, Engine Flange
4	3206-264	1		Gasket, Thermostat
5	3206-172	1		O-Ring, Oil Pump
6	3206-173	1	/P	Gasket, Oil Pump
7	3206-161	1		Ring, Seal - Oil Pump
8	3206-176	1		Seal, Oil - Oil Pan
9	3206-177	1		Seal, Oil - Oil Pan
10	3206-272	1		Gasket, Water Pump

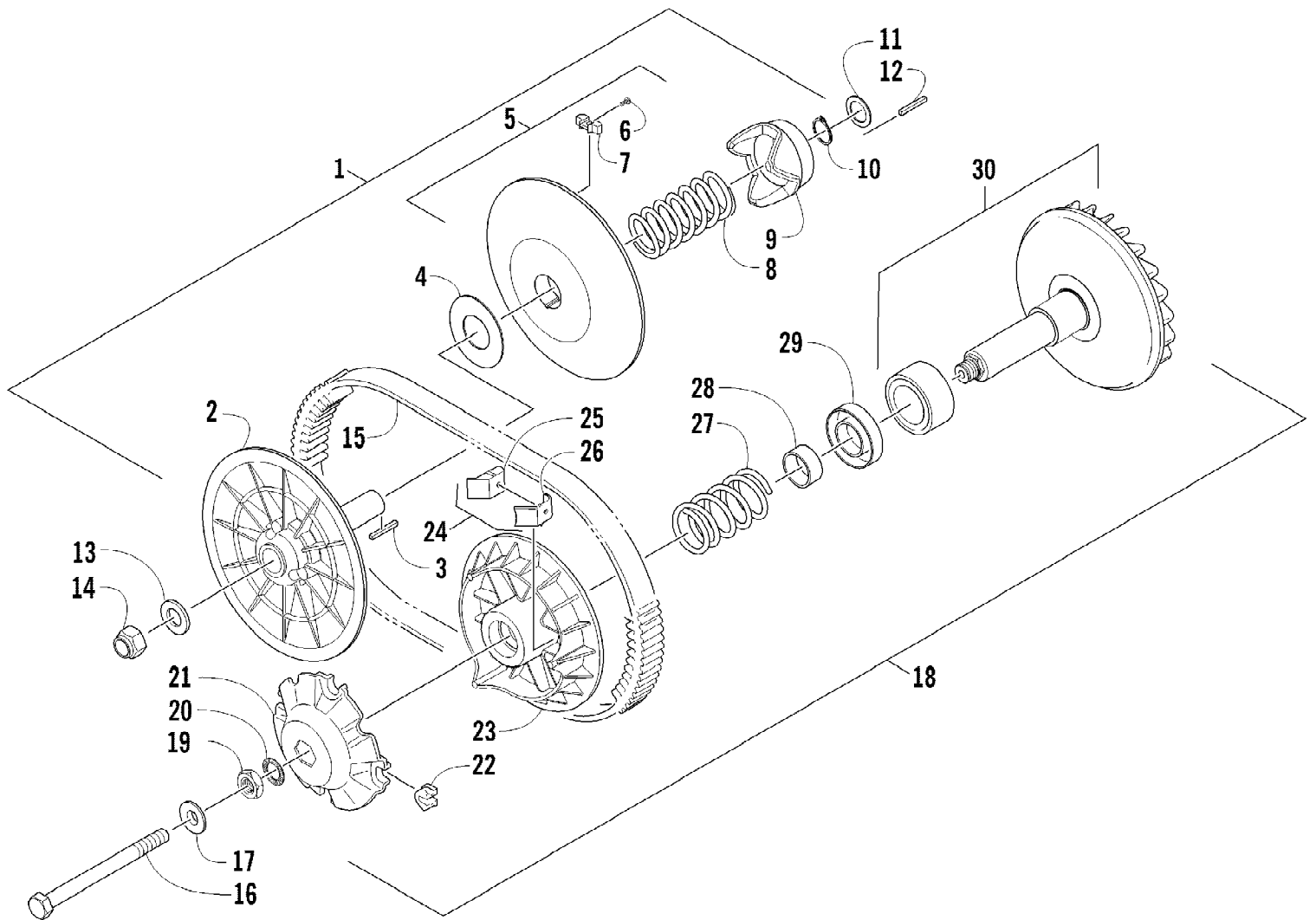


2011 ATV 700 DIESEL GREEN (A2011TBT4DUSG)  
CASE/BELT COOLING ASSEMBLY

Page 8 of 94

Ref #	Part Number	Qty	S/P/F	Description
1	0413-132	1		Duct, Belt Cooling - Front
2	0423-551	1		Clamp
3	0423-342	3	/P	Screw, Self-Tapping
4	0413-141	1		Fan, Belt Cooling
5	8475-512	2		Screw, Machine
6	8424-502	2		Nut
7	0423-057	1		Clamp
8	0413-133	1		Boot, Belt Cooling - Inlet
9	0423-550	2		Clamp
10	1502-157	1		Cover, Clutch
11	0830-013	1		Washer, Crush
12	8408-812	1		Screw, Cap
13	1402-528	1		Gasket, V-Belt Cover
14	0829-002	2		Pin, Dowel
15	8473-820	4		Screw, Machine
16	8468-630	16		Screw, Machine
17	0423-118	5		Screw, Self-Tapping
18	1402-527	1		Cover, Clutch
19	1402-526	1		Gasket, Gearcase
20	1402-524	1		Gasket, Clutch Cover
21	0413-134	1		Boot, Belt Cooling - Outlet
22	0423-019	1		Clamp
23	0470-442	1	/P	Valve, Drain
24	0623-301	1	/P	Screw, Self-Tapping
25	0413-106	1		Duct, Belt Cooling - Rear
26	0623-316	AR		Tie, Cable - 14 in.





Ref #	Part Number	Qty	S/P/F	Description
1	1502-073	1	S	Pulley, Driven - Assembly (inc. 2-10)
2	1402-629	1		Face, Driven - Fixed
3	1402-631	1		Key
4	0423-749	1		Shim
5	1502-208	1		Face, Driven - Movable (inc. 6-7)
6	0423-752	3		Screw, Machine
7	0823-176	3	/P	Shoe, Cam
8	0423-750	1		Spring
9	1402-630	1		Cam
10	0423-751	1		Ring, Retaining
11	0623-954	4		Washer, Thrust
12	0423-718	1		Key
13	0828-020	1		Washer
14	0827-013	1		Nut, Driven Pulley
15	1402-564	1		Belt, Drive
16	0423-673	1		Screw, Cap
17	0423-733	1		Washer
18	1502-072	1		Pulley, Drive - Assembly (inc. 19-30)
19	0423-747	1		Nut
20	0423-746	1		Washer, Lock
21	1502-207	1		Plate, Movable Drive Face (inc. 22)
22	1402-628	3		Damper, Movable Drive Face
23	1402-625	1		Face, Drive - Movable
24	1502-205	6	/P	Block, Weight - Assembly (inc. 25-26)
25	1402-627	6	S	Weight
26	1402-626	6	S	Block, Weight
27	0423-745	1		Spring
28	1402-624	1		Spacer
29	1402-623	1		Seat, Spring
30	1502-206	1		Face, Drive - Fixed

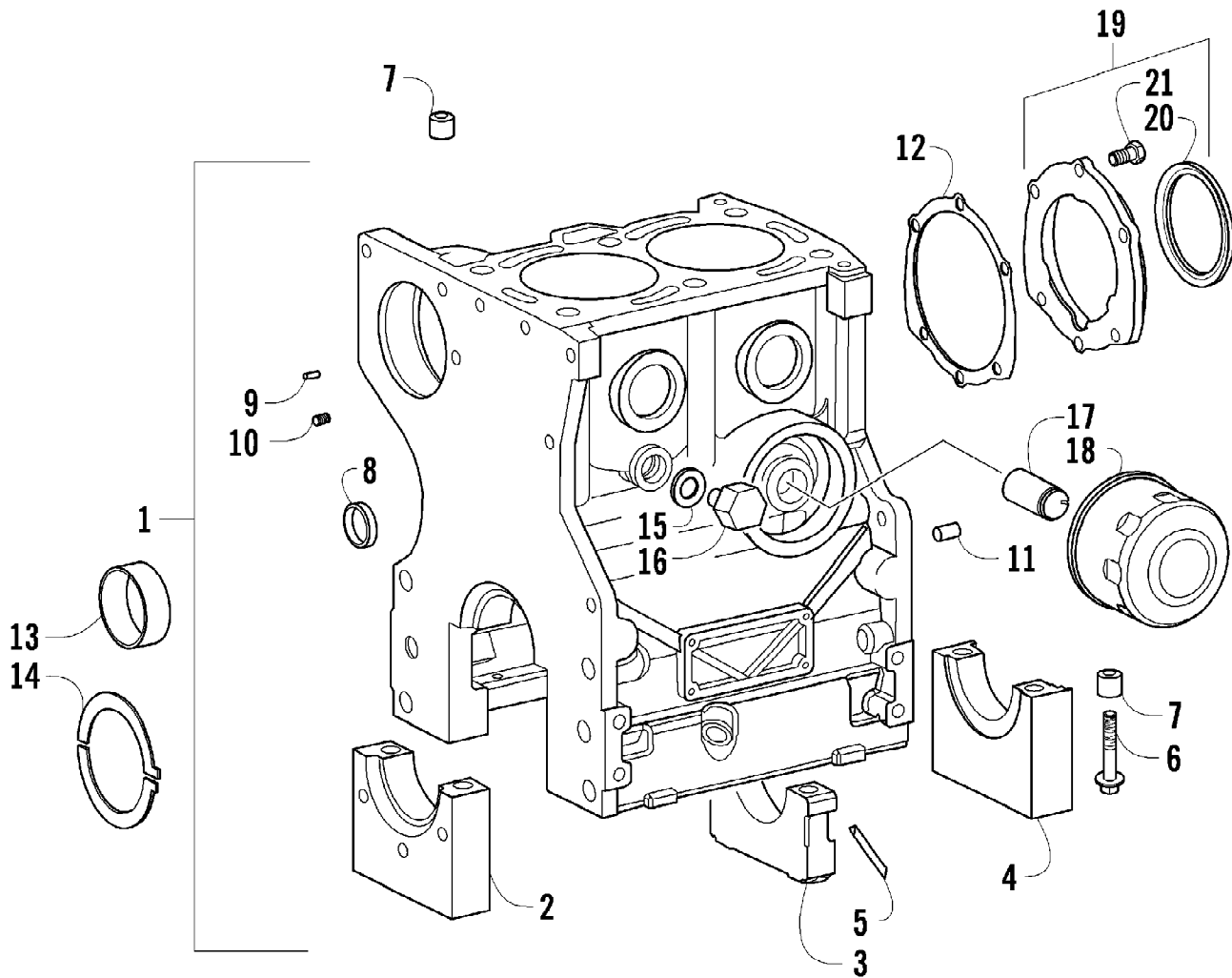


2011 ATV 700 DIESEL GREEN (A2011TBT4DUSG)  
COOLING ASSEMBLY

Page 12 of 94

Ref #	Part Number	Qty	S/P/F	Description
1	0413-276	1		Radiator Assembly (inc. 2-10 and one No. 11)
2	0413-216	1		Radiator
3	0413-214	1		Screen, Radiator
4	8470-510	12		Screw, Machine
5	0413-217	1		Bracket, Mounting - Fan
6	0413-123	1	/P	Fan, Cooling
7	0413-168	1		Sensor, Engine Coolant Temperature
8	1602-213	1	/P	O-Ring
9	1623-637	4		Clip, U-Nut
10	0423-030	2		Grommet
11	0413-255	2	/P	Cap, Radiator
12	0623-038	2		Nut w/Washer
13	0423-484	2		Screw, Shoulder
14	0423-028	2		Bushing, Stem
15	0423-496	3		Clamp, Hose
16	0410-106	1		Hose, Coolant
17	0410-107	1		Hose, Coolant
18	1623-093	3		Clamp
19	0410-121	1		Hose, Coolant
20	0413-193	1	/P	Tank, Coolant Fill
21	0610-011	AR	/P	Hose - 25 ft
22	0124-045	1	/P	Clamp, Hose
23	0413-086	1		Tank, Coolant Overflow
24	0413-087	1		Stopper, Coolant Tank
25	0123-788	AR	/P	Tie, Cable - 8 in.
25	0623-316	AR		Tie, Cable - 14 in.
26	0670-323	1		Plug
27	1623-234	1		Clamp

CRANKCASE, CRANKSHAFT SUPPORT, AND OIL FILTER ASSEMBLIES

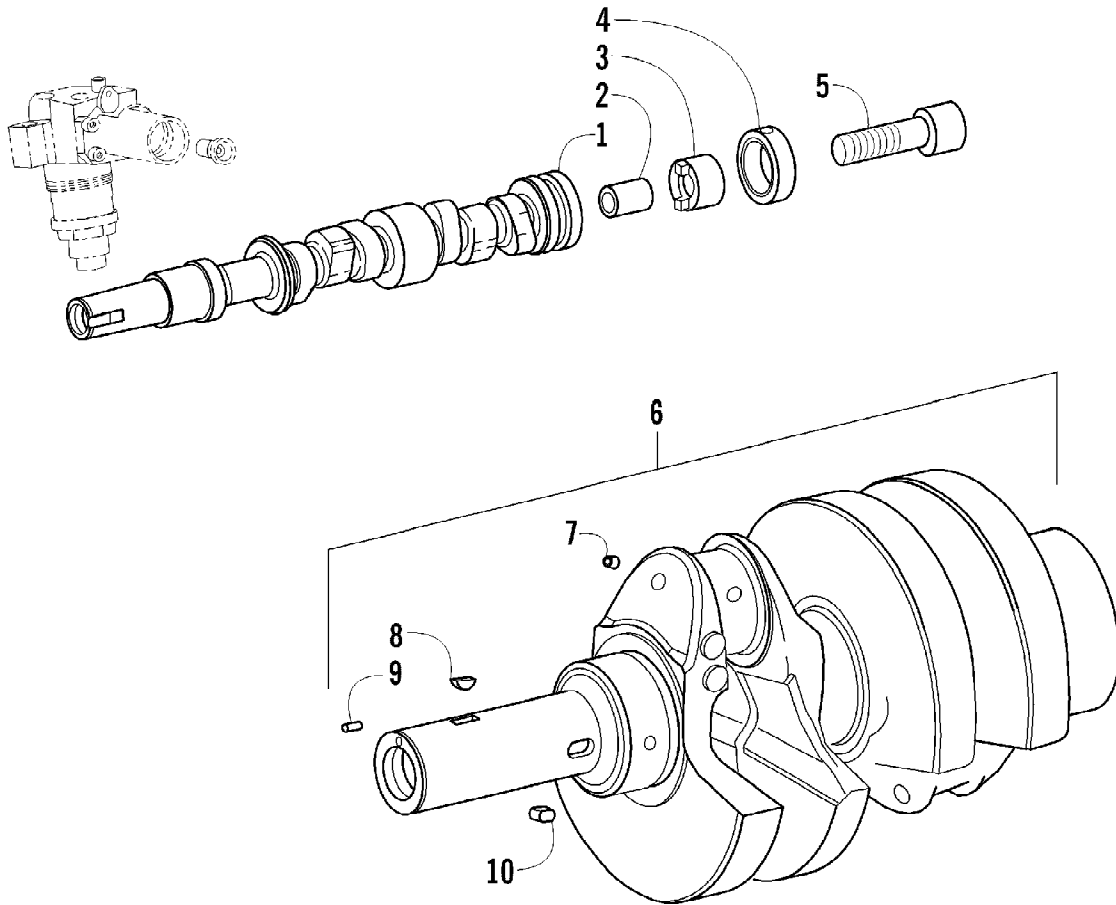


2011 ATV 700 DIESEL GREEN (A2011TBT4DUSG)

Page 14 of 94

## CRANKCASE, CRANKSHAFT SUPPORT, AND OIL FILTER ASSEMBLIES

Ref #	Part Number	Qty	S/P/F	Description
1	3206-046	1		Crankcase (inc. 2-6, two No. 7, and 8-10)
2	0	1	F	Housing - Front
3	0	1	F	Housing - Center
4	0	1	F	Housing - Rear
5	3206-054	4		Gasket
6	3206-049	6		Screw, Cap
7	3206-045	4		Sleeve
8	3206-058	1		Pin, Tapered
9	3206-047	1		Plug
10	3206-048	2		Plug
11	3206-053	2		Pin, Lock
12	3206-358	1	/P	Gasket
13	3206-055	3		Bearing
13	3206-056	3		Bearing (-0.25 mm)
13	3206-057	3		Bearing (-0.50 mm)
14	3206-050	2		Washer
14	3206-051	2		Washer (+0.10 mm)
14	3206-052	2		Washer (+0.20 mm)
15	3206-206	1		Gasket
16	3206-207	1		Plug
17	3206-193	1		Connector, Oil Filter
18	3206-194	1		Cartridge, Oil Filter
19	3206-090	1		Flange, Engine (inc. 20-21)
20	3206-091	1		Ring
21	3206-088	6		Screw, Cap



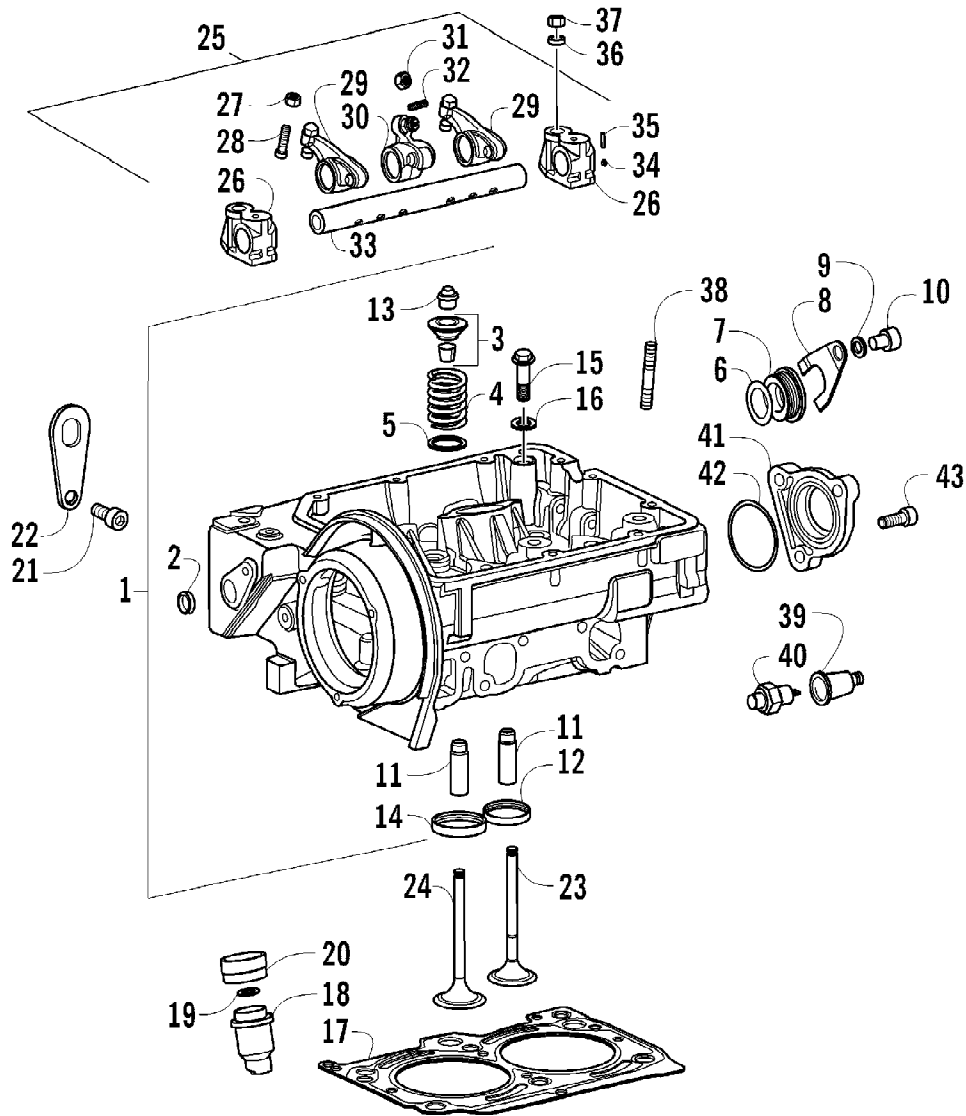
2011 ATV 700 DIESEL GREEN (A2011TBT4DUSG)  
CRANKSHAFT AND CAMSHAFT ASSEMBLIES

Page 16 of 94

Ref #	Part Number	Qty	S/P/F	Description
1	3206-129	1		Camshaft
2	3206-130	1		Sleeve
3	3206-131	1		Cam
4	3206-128	1		Sleeve
5	3206-132	1		Screw, Cap
6	3206-019	1		Crankshaft Assembly (inc. 7-10)
7	3206-020	2		Plug
8	3206-018	1		Key
9	3206-022	1		Pin
10	3206-021	1		Key



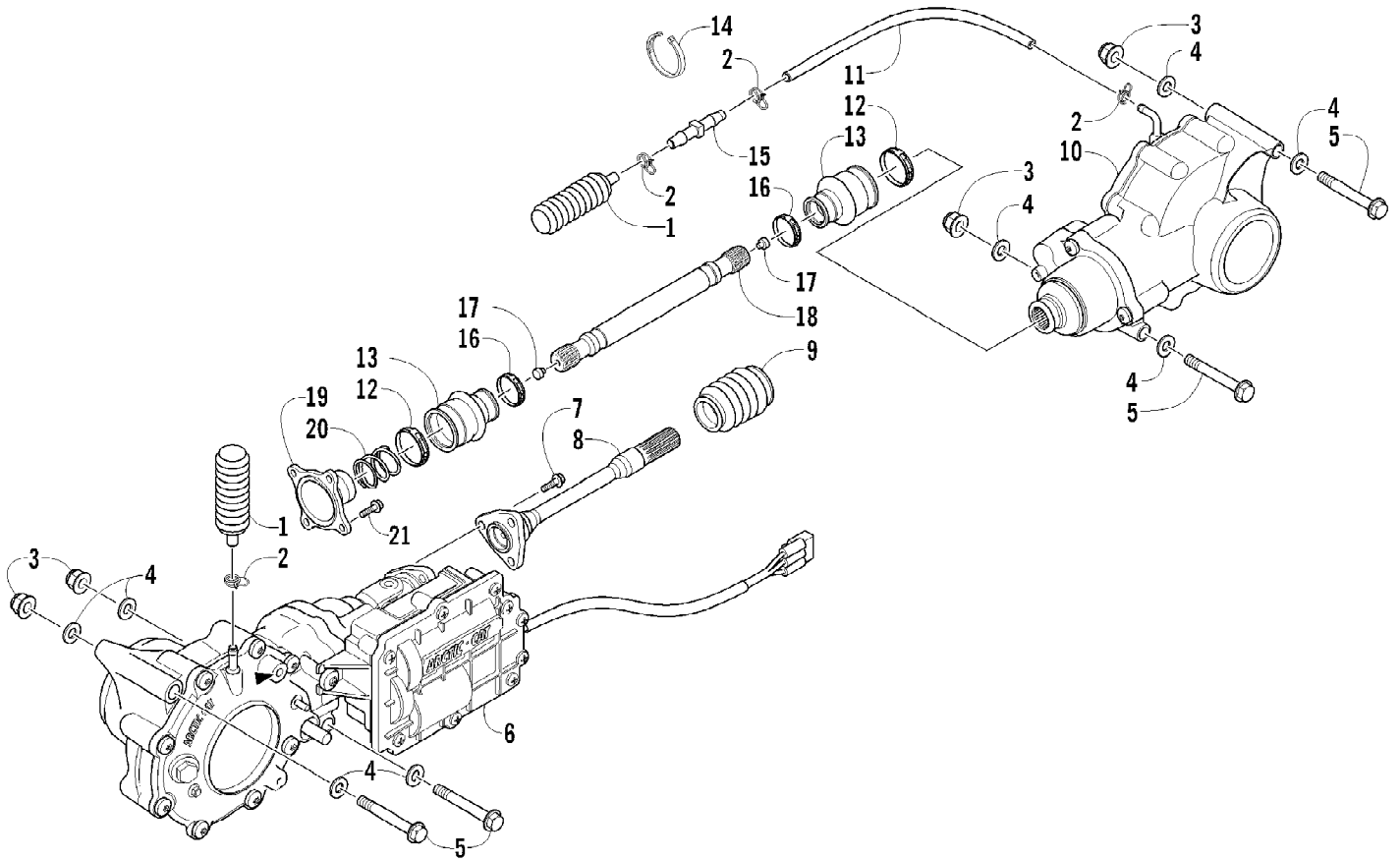
2011 ATV 700 DIESEL GREEN (A2011TBT4DUSG)  
CYLINDER HEAD, VALVE TRAIN, AND RELATED ASSEMBLY



2011 ATV 700 DIESEL GREEN (A2011TBT4DUSG)  
CYLINDER HEAD, VALVE TRAIN, AND RELATED ASSEMBLY

Page 18 of 94

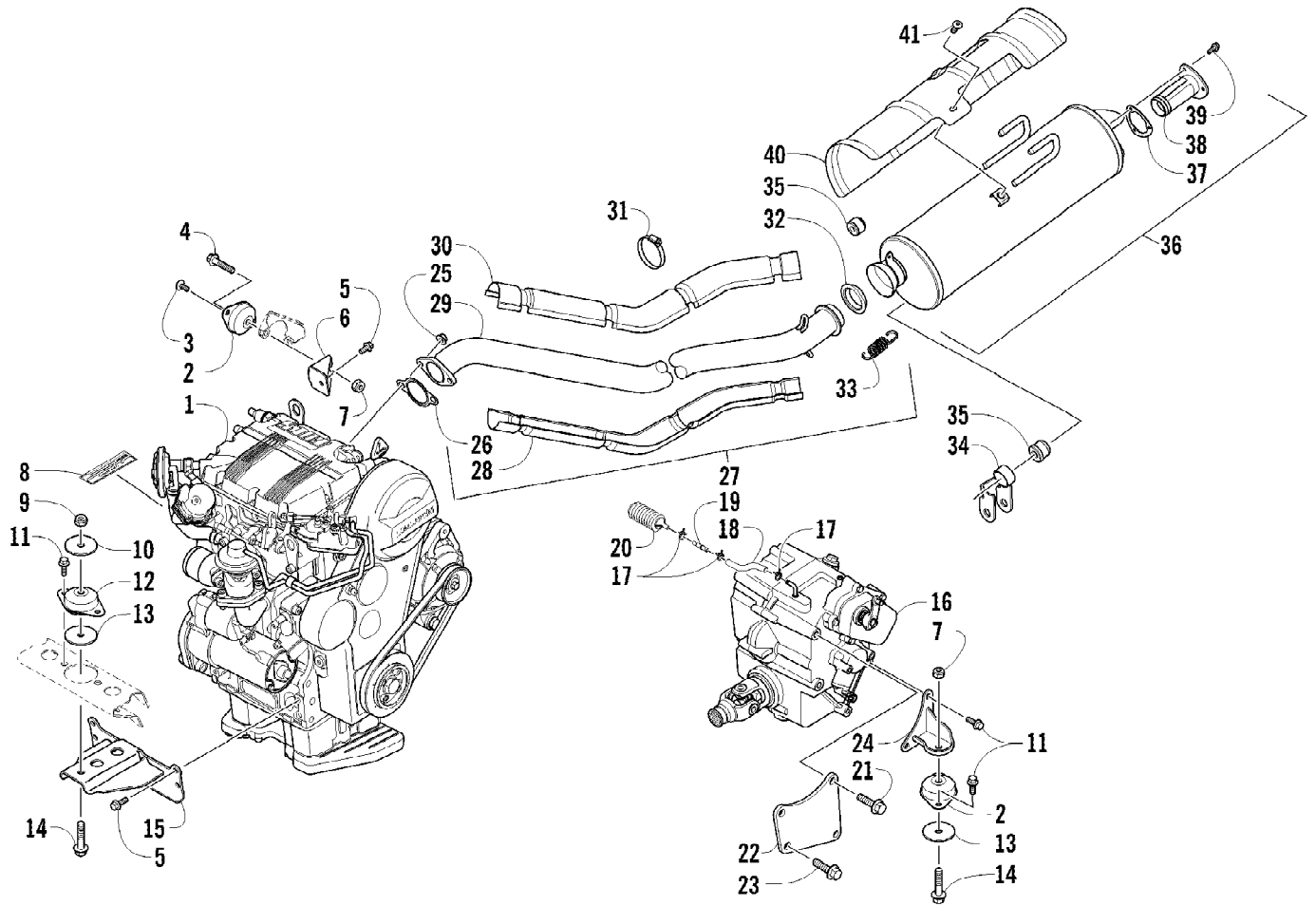
Ref #	Part Number	Qty	S/P/F	Description
1	3206-063	1		Cylinder Head (inc. 2-14)
2	3206-065	1		Plug
3	3206-148	4		Retainer
4	3206-147	4		Spring, Valve
5	3206-149	4		Washer
6	3206-076	1		O-Ring
7	3206-275	1		Plug
8	3206-074	1		Retainer
9	3206-075	1		Washer
10	3206-077	1		Screw, Cap
11	3206-061	4		Guide, Valve
11	3206-062	4		Guide, Valve (+0.50 mm)
12	3206-073	2		Seat, Exhaust Valve
13	3206-152	4		Retainer, Valve
14	3206-072	2		Seat, Intake Valve
15	3206-066	6		Screw, Cap
16	3206-064	6		Washer
17	3206-069	1		Gasket, Head - 1.56-1.64 (1 small hole)
17	3206-070	1		Gasket, Head - 1.66-1.74 (2 small holes)
17	3206-071	1		Gasket, Head - 1.76-1.84 (3 small holes)
18	3206-068	2		Chamber, Precombustion
19	3206-079	2		Spacer
20	3206-067	2		Nut, Locking
21	3206-078	2		Screw, Cap
22	3206-060	2		Brace, Lifting
23	3206-150	2		Valve, Exhaust
24	3206-151	2		Valve, Intake
25	3206-135	1		Arm, Rocker - Assembly (inc. 26-35)
26	3206-141	2		Support
27	3206-137	4		Nut
28	3206-136	4		Screw, Adjuster
29	3206-134	4		Arm, Rocker - Intake/Exhaust
30	3206-140	2		Arm, Rocker - Injection Pump
31	3206-139	2		Nut
32	3206-138	2		Screw, Adjuster
33	3206-144	1		Shaft, Rocker Arm
34	3206-146	2		Plug
35	3206-145	1		Pin, Lock
36	3206-064	3		Washer
37	3206-142	3		Nut
38	3206-143	3		Bolt, Stud
39	3206-305	1		Fitting, Adapter
40	3206-304	1		Switch, Oil
41	3206-314	1		Cover
42	3206-313	1		O-Ring
43	3206-082	3		Screw, Cap



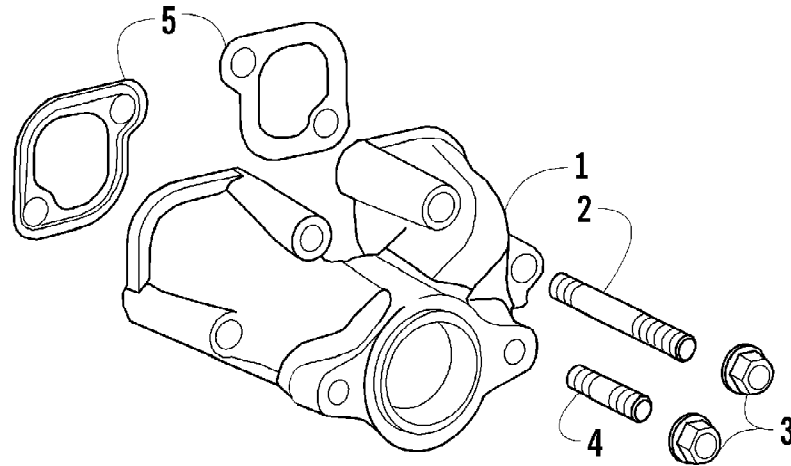
2011 ATV 700 DIESEL GREEN (A2011TBT4DUSG)  
DRIVE TRAIN ASSEMBLY

Page 20 of 94

Ref #	Part Number	Qty	S/P/F	Description
1	1402-620	2	/P	Bladder, Gearcase
2	0423-315	4		Clamp, Hose
3	8428-002	4		Nut, Lock
4	0423-426	8		Washer
5	0423-404	4		Screw, Cap
6	1502-397	1		Gearcase, Front
7	8409-025	3		Screw, Cap
8	0502-976	1		Shaft, Propeller
9	0402-966	1		Boot, Shaft
10	1502-402	1	/P	Gearcase, Rear
11	0410-048	AR	S	Hose, Vent - 25 ft
12	0423-393	2		Clamp
13	0402-985	2	/P	Boot
14	0123-788	AR	/P	Tie, Cable - 8 in.
15	0470-702	1	/P	Fitting, Vent
16	0423-411	2		Clamp
17	0673-618	2	/P	Bumper, Propeller Shaft
18	1402-507	1		Shaft, Propeller
19	0402-950	1		Flange, Output
20	1402-026	1		Spring
21	8408-820	4	/P	Screw, Cap



Ref #	Part Number	Qty	S/P/F	Description
1	0463-044	1		Engine
2	2406-323	3		Mount, Engine
3	8468-820	2		Screw, Machine
4	0423-736	1		Screw, Cap
5	8408-816	5		Screw, Cap
6	2506-186	1		Mounting, Bracket - Engine
7	8422-002	3		Nut, Lock
8	0411-426	1		Decal, Warning - Clutch Cover
9	0423-737	1		Nut, Lock
10	0423-073	1		Washer
11	8408-820	10	/P	Screw, Cap
12	2406-322	1		Mount, Engine
13	2506-061	3		Washer
14	8408-055	3		Screw, Cap
15	2506-189	1		Bracket, Mounting - Engine - Front
16	1502-602	1		Transmission - Assembly
17	0423-315	3		Clamp, Hose
18	0410-048	AR	S	Hose, Vent - 25 ft
19	0470-702	1	/P	Fitting, Vent
20	1402-620	1	/P	Bladder, Vent
21	8409-030	2		Screw, Cap
22	0408-015	1		Plate, Mounting - Engine/Transmission
23	0423-685	2		Screw, Cap
24	2506-190	1		Bracket, Mounting - Engine - Right
24	2506-191	1		Bracket, Mounting - Engine - Left
25	3206-293	2	/P	Nut
26	3206-296	1	/P	Gasket, Exhaust Manifold
27	0512-322	1		Pipe, Exhaust - Assembly (inc. 28-31)
28	0412-386	1		Shield, Exhaust Pipe - Lower
29	0512-321	1		Pipe, Exhaust
30	0412-385	1		Shield, Exhaust Pipe - Upper
31	0423-317	4	/P	Clamp
32	0412-375	1	/P	Seal, Exhaust
33	0612-668	2	/P	Spring
34	1506-732	1		Channel, Muffler Support
35	0412-577	3	/P	Bushing
36	0512-306	1	/P	Muffler - Assembly (inc. 37-39)
37	0412-313	1		Gasket, Spark Arrester
38	0512-219	1	/P	Arrester, Spark
39	8408-616	3		Screw, Cap
40	0412-373	1	/P	Cover, Muffler
41	8477-610	3		Screw, Machine

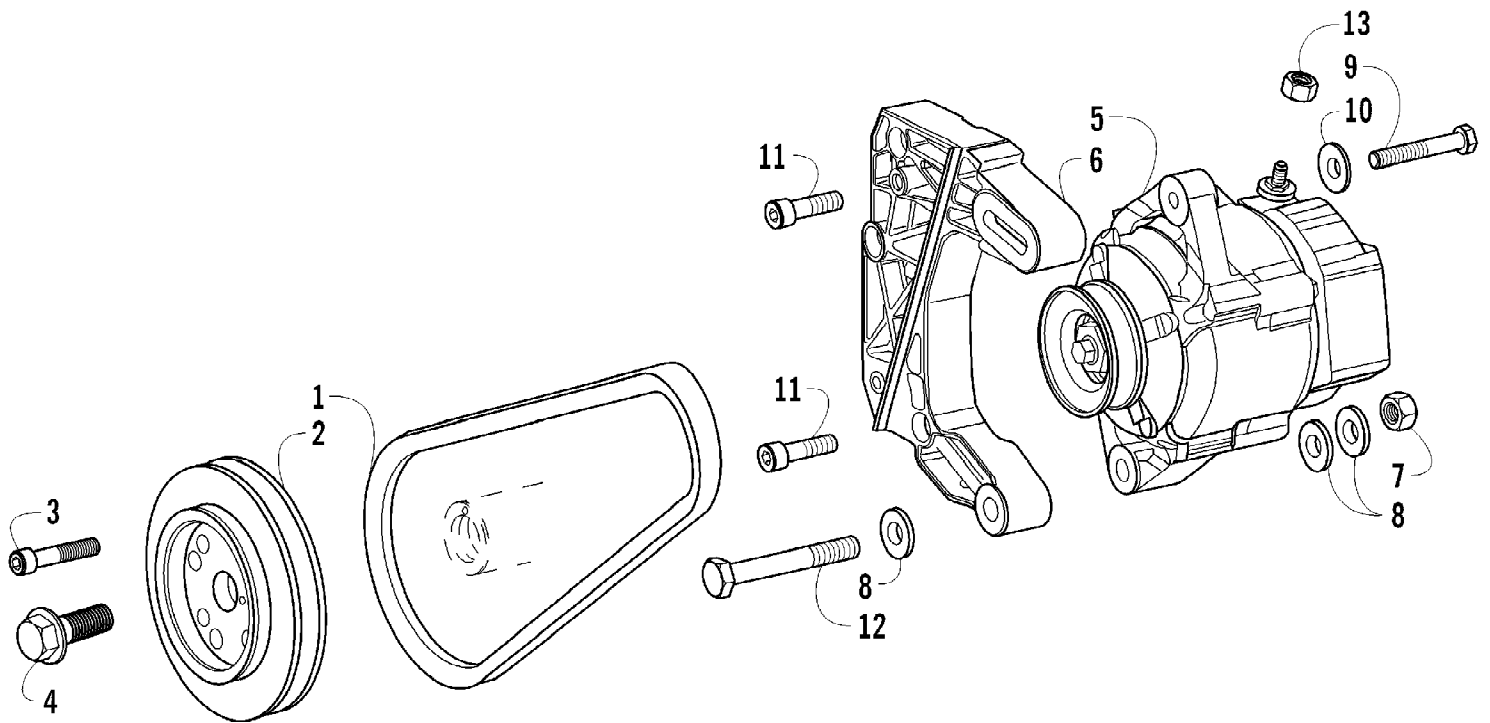


2011 ATV 700 DIESEL GREEN (A2011TBT4DUSG)  
EXHAUST MANIFOLD ASSEMBLY

Page 24 of 94

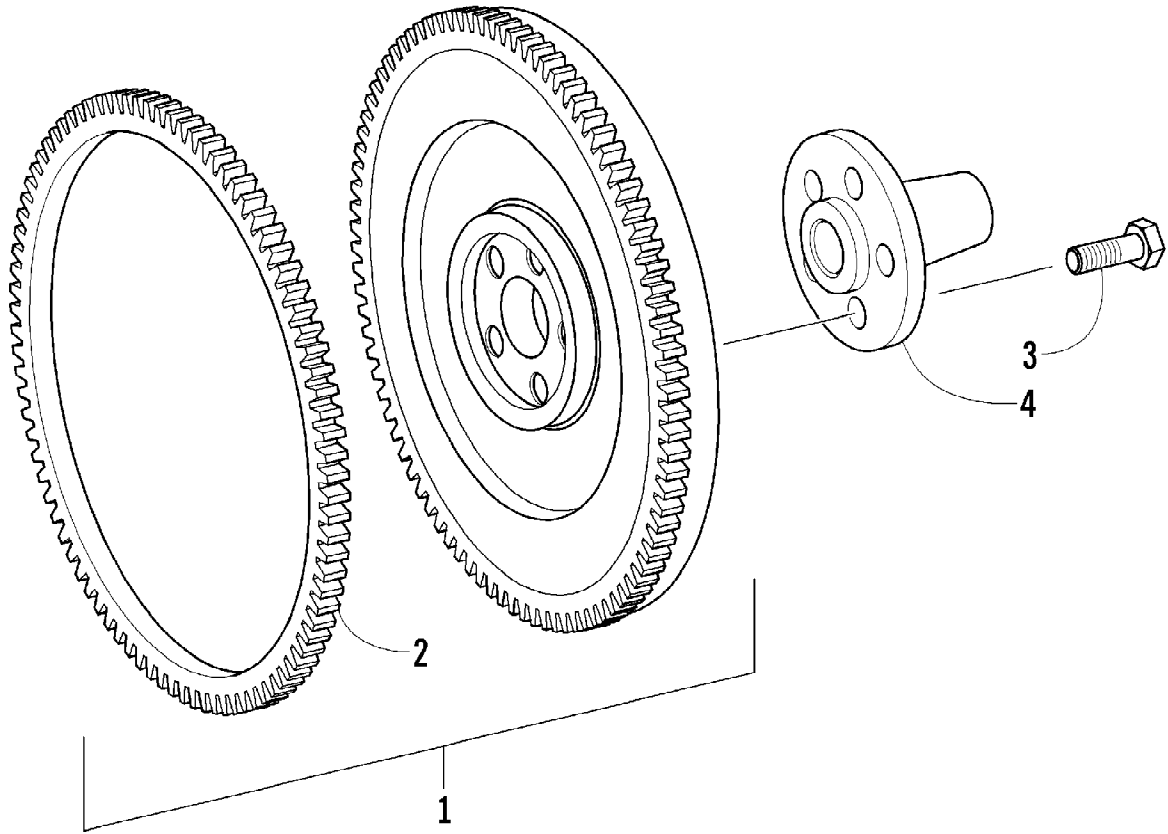
Ref #	Part Number	Qty	S/P/F	Description
1	3206-294	1		Manifold, Exhaust
2	3206-292	4		Bolt, Stud
3	3206-293	6	/P	Nut
4	3206-297	2		Bolt, Stud
5	3206-291	2		Gasket, Exhaust Manifold





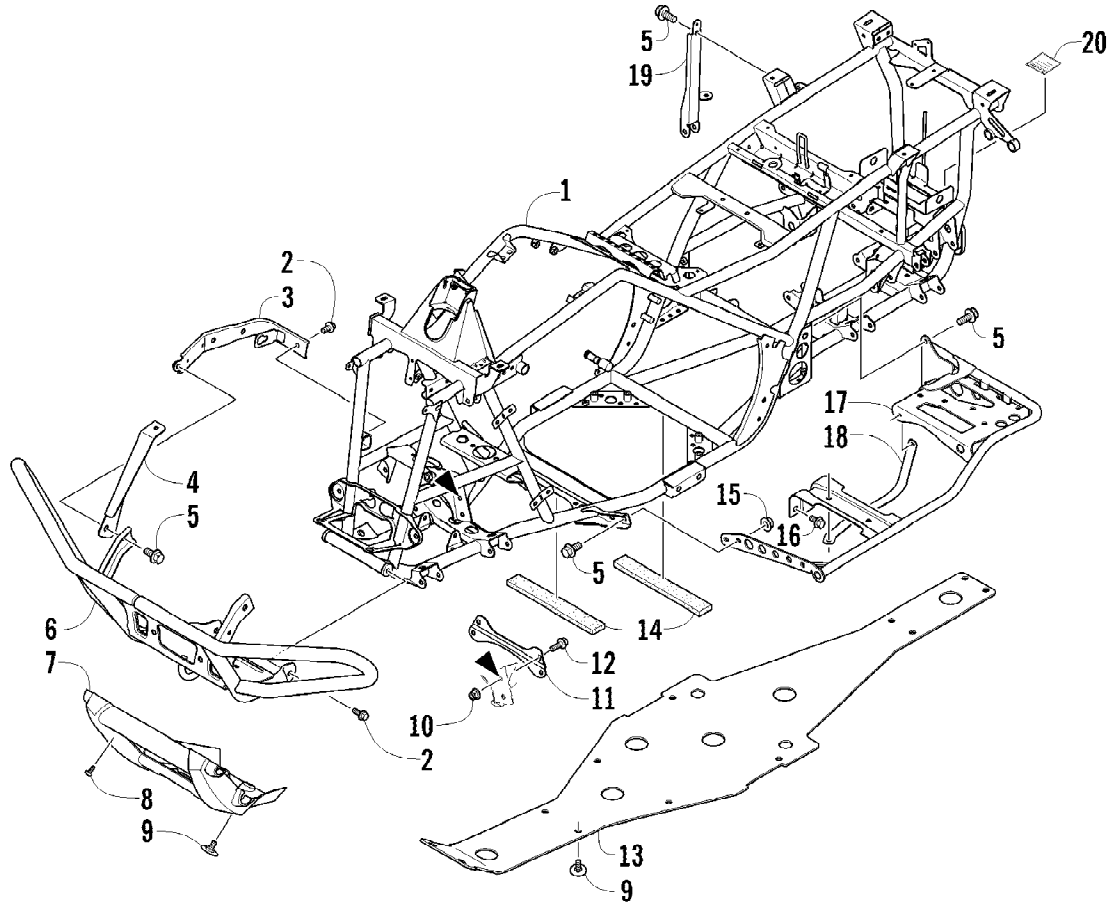
2011 ATV 700 DIESEL GREEN (A2011TBT4DUSG)  
EXTERNAL ALTERNATOR AND DRIVE PULLEY ASSEMBLIES

Ref #	Part Number	Qty	S/P/F	Description
1	3206-042	1		Belt
2	3206-044	1		Pulley
3	3206-043	4		Screw, Cap
4	3206-041	1		Screw, Cap
5	3206-303	1		Alternator
6	3206-300	1		Support, Alternator
7	3206-142	1		Nut
8	3206-298	2		Washer
9	3206-301	1		Screw, Cap
10	3206-302	1		Washer
11	3206-266	3		Screw, Cap
12	3206-299	1		Screw, Cap
13	3206-137	1		Nut



2011 ATV 700 DIESEL GREEN (A2011TBT4DUSG)  
FLYWHEEL AND CROWN GEAR ASSEMBLY

Ref #	Part Number	Qty	S/P/F	Description
1	3206-040	1		Flywheel (inc. 2)
2	3206-037	1		Gear, Crown
3	8409-040	5		Screw, Cap
4	1402-560	1		Axle, Stub

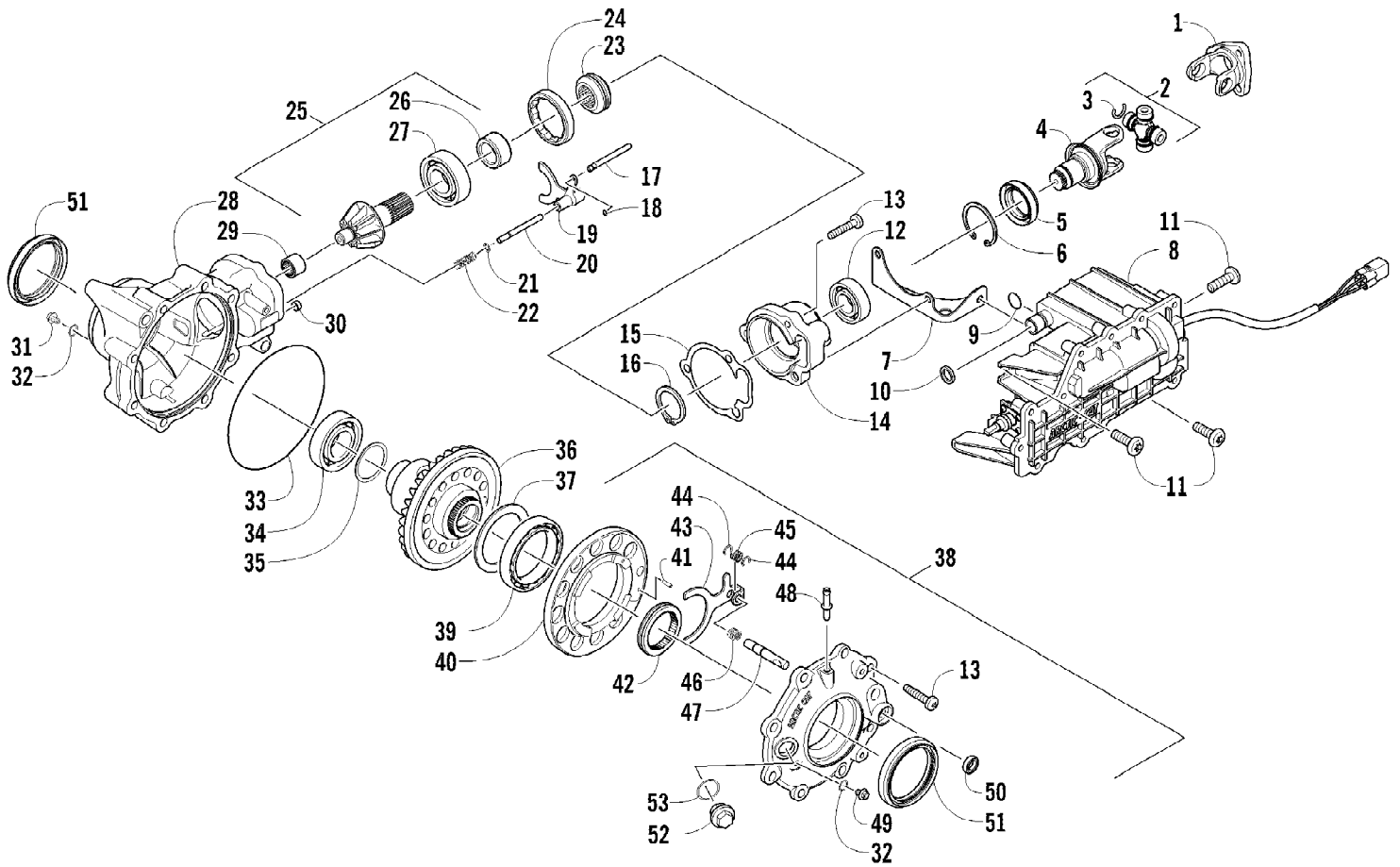


2011 ATV 700 DIESEL GREEN (A2011TBT4DUSG)  
FRAME AND RELATED PARTS

Page 30 of 94

Ref #	Part Number	Qty	S/P/F	Description
1	2506-568	1		Frame, Main
2	8409-020	4	/P	Screw, Cap
3	2506-813	1		Channel, Bumper Mounting - Right
3	2506-285	1		Channel, Bumper Mounting - Left
4	1506-562	1		Bracket, Mounting - Bumper - Right
4	1506-563	1		Bracket, Mounting - Bumper - Left
5	8408-816	11		Screw, Cap
6	1506-855	1	/P	Bumper
7	1406-360	1		Fascia, Bumper - Front
8	0423-419	2		Screw, Machine
9	0423-101	12		Screw, Shoulder
10	0423-744	2		Nut, Lock
11	2516-852	1	/P	Brace, A-Arm
12	8409-025	2		Screw, Cap
13	2406-253	1		Panel, Belly
14	0406-289	2		Pad, Frame
15	8424-802	4		Nut
16	8409-016	3		Screw, Cap
17	1506-848	1		Footrest - Right
17	1506-849	1		Footrest - Left
18	2406-216	1		Strap, Footrest - Right
18	2406-217	1		Strap, Footrest - Left
19	2506-447	1		Bracket, Support
20	1411-077	1		Decal, Warning - Towing

2011 ATV 700 DIESEL GREEN (A2011TBT4DUSG)  
FRONT DRIVE GEARCASE ASSEMBLY



Ref #	Part Number	Qty	S/P/F	Description
	1502-397	1		Complete Front Drive Gearcase Assembly
1	1402-369	1		Yoke, Flange
2	1402-164	1	/P	Joint, Universal - Set (inc. 3)
3	0423-450	4		Retainer
4	0502-517	1		Yoke, Front End - Assembly
5	1402-011	1		Seal
6	0423-423	1		Ring, Retaining
7	1502-237	1		Bracket, Actuator
8	0502-585	1	S	Actuator (inc. 9)
9	1402-981	1		O-Ring
10	0423-892	1	/P	O-Ring
11	0423-396	3		Screw, Self-Tapping
12	1402-043	1		Bearing
13	0423-118	11		Screw, Self-Tapping
14	0502-528	1	/P	Housing, Pinion
15	0402-947	1		Gasket, Flange
16	0423-417	1		Ring, Retaining
17	0402-997	1		Shaft, Selector
18	0423-402	1		Ring, Retaining
19	0402-998	1		Fork, Selector
20	0402-417	1		Shaft, Shuttle
21	0423-147	1		O-Ring
22	0402-999	1		Spring, Return
23	0402-413	1		Coupler, Drive
24	0402-357	1		Collar, Lock
25	0502-783	1		Gear, Pinion - Assembly - 10T (inc. 26-27)
26	0402-336	1		Collar, Retaining
27	0402-327	1		Bearing
28	0502-514	1		Housing, Gearcase
29	0402-328	1		Bearing
30	0402-411	1		Pin, Dowel
31	1402-210	1	/P	Plug, Magnetic (inc. one No. 32)
32	0423-153	2		O-Ring
33	0423-149	1		O-Ring
34	0402-393	1		Bearing
35	0402-405	AR		Shim, 41 x 49 x 1.3 mm
35	0402-406	AR		Shim, 41 x 49 x 1.4 mm
35	0402-407	AR		Shim, 41 x 49 x 1.5 mm
35	0402-408	AR		Shim, 41 x 49 x 1.6 mm
35	0402-409	AR		Shim, 41 x 49 x 1.7 mm
36	1502-555	1	/P	Gear, Ring - 36T
37	1402-074	AR		Shim, 61 x 69 x 1.3 mm
37	1402-075	AR		Shim, 61 x 69 x 1.4 mm
37	1402-076	AR		Shim, 61 x 69 x 1.5 mm
37	1402-077	AR		Shim, 61 x 69 x 1.6 mm
37	1402-078	AR		Shim, 61 x 69 x 1.7 mm
38	1502-389	1		Cover, Gearcase (inc. one No. 32, 39-50, and one No. 51)
39	1402-053	1		Bearing
40	0502-413	1		Flange, Bearing
41	1402-079	1		Pin, Parallel
42	1402-042	1		Collar, Sliding

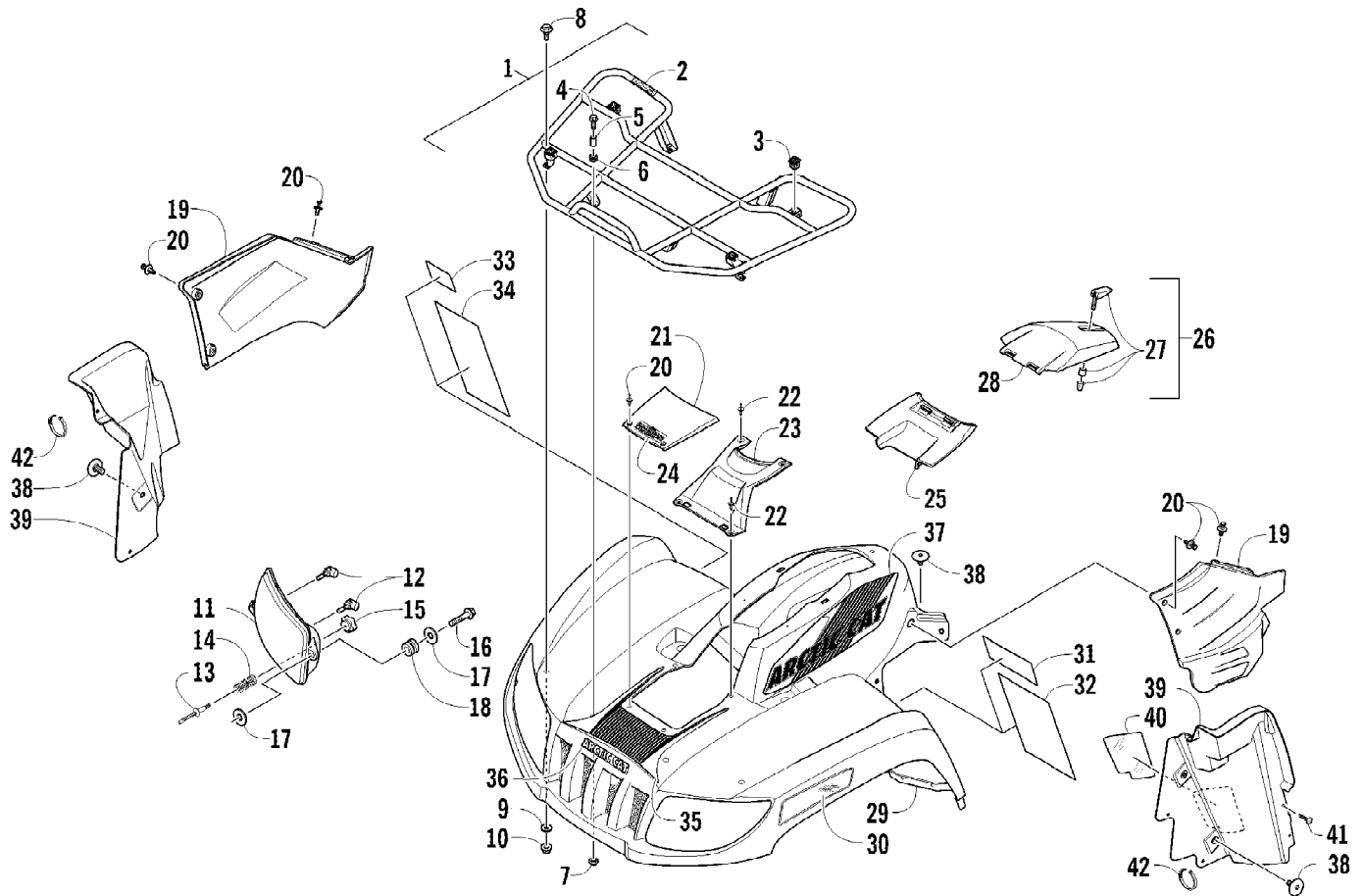


2011 ATV 700 DIESEL GREEN (A2011TBT4DUSG)  
FRONT DRIVE GEARCASE ASSEMBLY

Page 33 of 94

Ref #	Part Number	Qty	S/P/F	Description
43	1402-054	1		Fork
44	1402-058	2		Ring, Retaining
45	1402-057	1		Spring
46	1402-063	1		Spring
47	1402-656	1		Shaft, Lock
48	1402-104	1		Fitting
49	1402-211	1		Plug, Oil Level (inc. one No. 32)
50	1402-056	1		Seal
51	1402-713	2	S	Seal
52	0402-333	1	/P	Plug, Fill (inc. 53)
53	0423-154	1		O-Ring

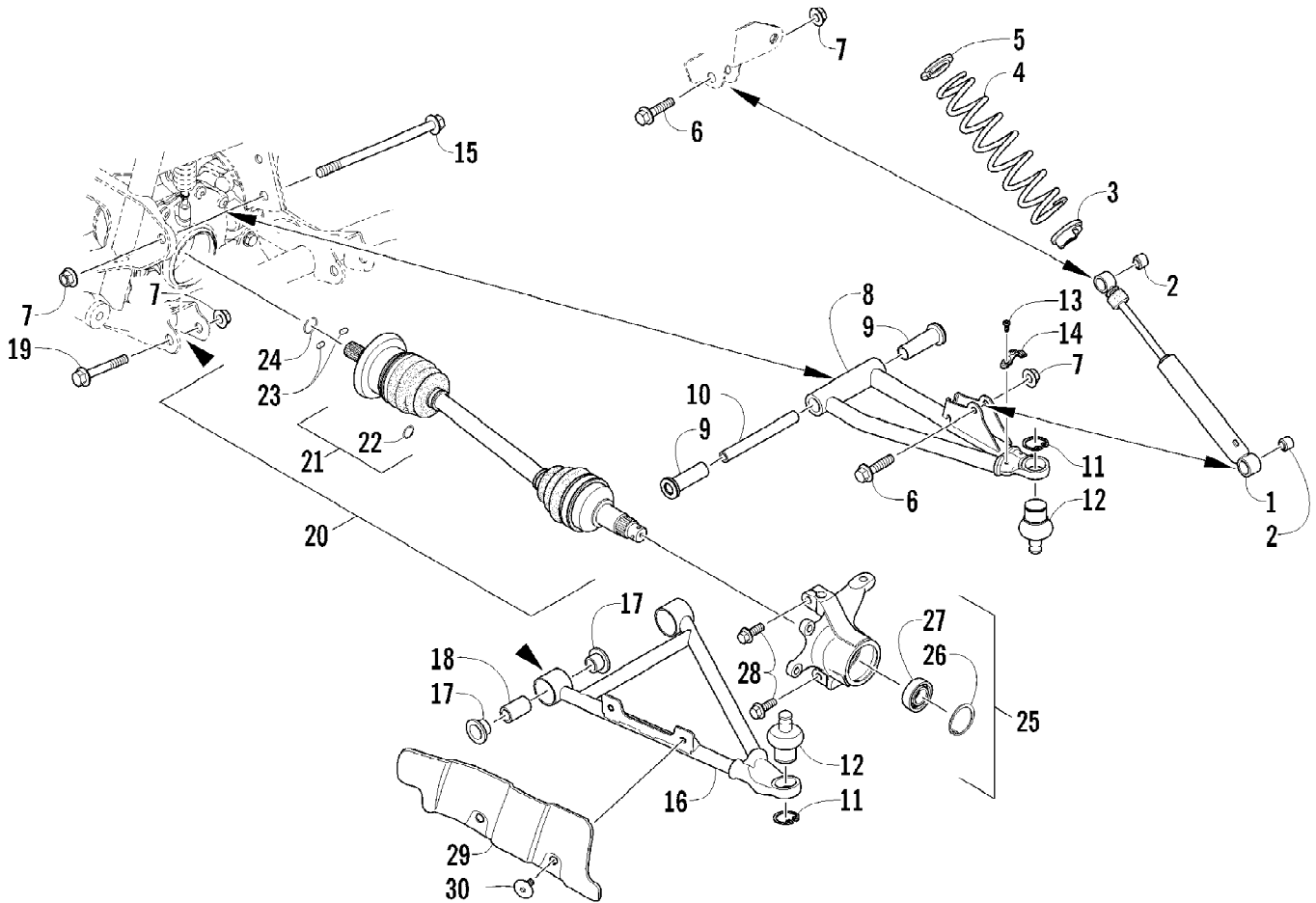
2011 ATV 700 DIESEL GREEN (A2011TBT4DUSG)  
FRONT RACK, BODY PANEL, AND HEADLIGHT ASSEMBLIES



2011 ATV 700 DIESEL GREEN (A2011TBT4DUSG)  
FRONT RACK, BODY PANEL, AND HEADLIGHT ASSEMBLIES

Ref #	Part Number	Qty	S/P/F	Description
1	2506-106	1		Rack, Front - Assembly (inc. 2-3)
2	0411-576	1		Decal, Warning - Load
3	0441-592	4	/P	Bushing
4	8410-830	4		Screw, Cap
5	0423-669	4		Spacer
6	0423-465	4		Grommet
7	8432-802	4		Nut, Lock
8	0423-654	2		Screw, Shoulder
9	8050-222	2	/P	Washer
10	0423-540	2		Nut, Lock
11	0509-044	1	/P	Headlight Assembly - Right (inc. 12)
11	0509-035	1		Headlight Assembly - Left (inc. 12)
12	0409-055	4		Bulb, Headlight
13	0423-514	2		Stud, Adjuster - Headlight
14	0423-522	2		Spring, Adjuster
15	0423-513	2		Knob, Adjuster
16	0623-785	4		Screw, Self-Tapping
17	8050-217	8	/P	Washer
18	0423-447	4		Grommet
19	2406-404	1		Panel, Side - Lower - Right
19	2406-405	1		Panel, Side - Lower - Left
20	0423-535	10		Rivet, Reinstallable
21	1406-358	1		Cover, Access
22	0623-362	4		Rivet, Reinstallable
23	1406-484	1		Cover, Steering Post
24	2411-520	1		Decal, Caution - Coolant
25	0470-513	1		Cover, Filter Access
26	2506-234	1		Lid, Access w/Latch (inc. 27-28)
27	1406-599	1		Latch, Access Lid
28	0470-514	1		Lid, Access
29	0518-036	1	S	Panel, Fender - Assembly - Front (inc. 30-34)
30	0411-818	1		Decal, Reflector - Right
30	0411-819	1		Decal, Reflector - Left
31	1411-574	1		Decal, Warning - Off-Road Only
32	2411-122	1		Decal, Warning - General/Age
33	0411-894	1		Decal, Warning - Turn/Hill
34	1411-490	1		Decal, Warning - Reverse/Pre-Ride
35	2411-509	1		Decal, Crest
36	2411-260	1		Decal, "Arctic Cat"
37	2411-284	1		Decal, Side - Upper Right
37	2411-285	1		Decal, Side - Upper Left
38	0423-101	5		Screw, Shoulder
39	2506-434	1		Panel, Splash - Right
39	2506-383	1	/P	Panel, Splash - Left (inc. 40)
40	0412-404	1		Foil, Protective
41	0423-719	2		Screw, Self-Tapping
42	0123-788	AR	/P	Tie, Cable - 8 in.

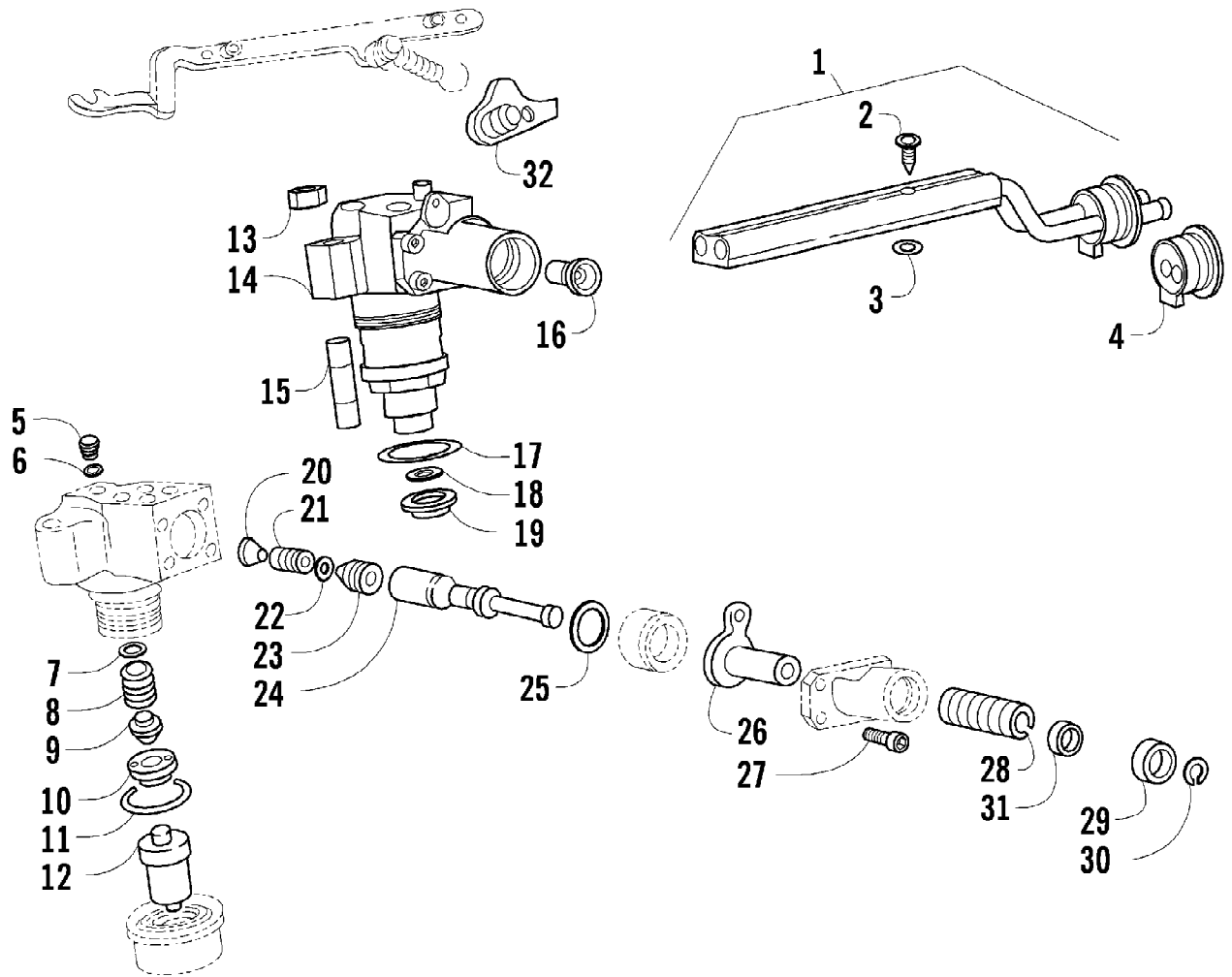
2011 ATV 700 DIESEL GREEN (A2011TBT4DUSG)  
FRONT SUSPENSION ASSEMBLY



2011 ATV 700 DIESEL GREEN (A2011TBT4DUSG)  
FRONT SUSPENSION ASSEMBLY

Page 37 of 94

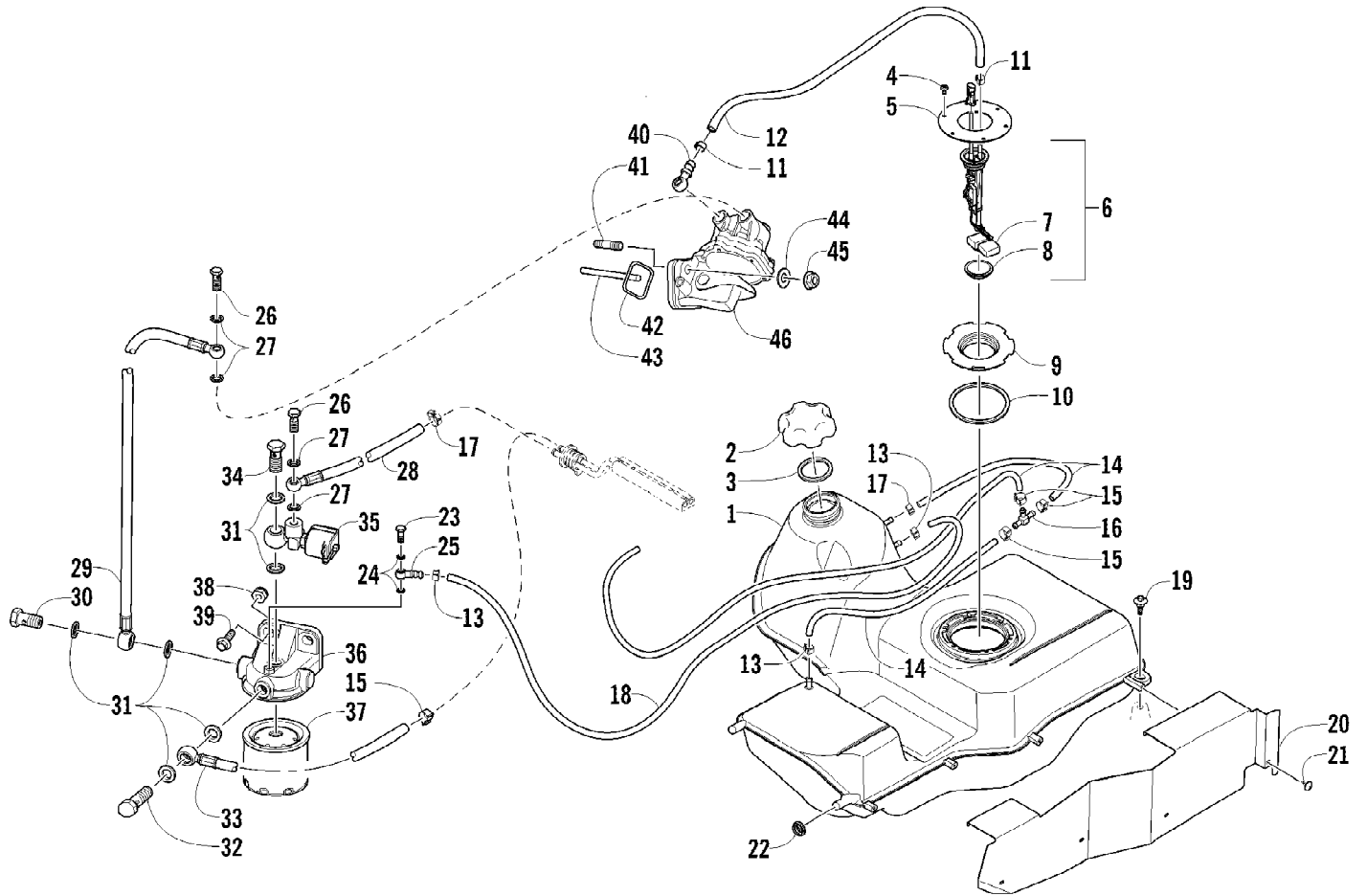
Ref #	Part Number	Qty	S/P/F	Description
1	0403-176	2		Shock Absorber (inc. 2)
2	0403-182	4		Bushing
3	0403-102	2		Cam, Spring Adjuster
4	0403-173	2		Spring, Suspension
5	1603-889	2	/P	Retainer, Spring
6	8409-040	4		Screw, Cap
7	0423-744	10		Nut, Lock
8	0503-416	1	/P	A-Arm, Upper Right (inc. 9-12)
8	0503-417	1	/P	A-Arm, Upper Left (inc. 9-12)
9	0403-207	4	/P	Bushing
10	0403-080	2		Axle
11	0423-009	4	/P	Ring, Retaining
12	0405-115	4	/P	Ball Joint
13	0423-946	4		Screw, Self-Tapping
14	1502-594	2		Clamp, Routing
15	0423-334	2		Screw, Cap
16	0503-376	1	/P	A-Arm, Lower Right (inc. 17-18 and two No. 11-12)
16	0503-377	1	/P	A-Arm, Lower Left (inc. 17-18 and two No. 11-12)
17	0403-208	8	/P	Bushing
18	0403-214	4	/P	Axle
19	8409-075	4		Screw, Cap
20	1502-800	1	S/P	Axle, Drive - Right (inc. 21-24)
20	1502-799	1	S/P	Axle, Drive - Locking - Left (inc. 21-24)
21	1436-419	2		Repair Kit, Boot (inc. 22)
22	1441-988	2		Clip, Retaining
23	1402-885	4		Pin, Detent
24	1402-889	2		Clip, Retaining
25	0505-576	1	/P	Knuckle - Assembly - Right (inc. 26-27)
25	0505-577	1	/P	Knuckle - Assembly - Left (inc. 26-27)
26	0423-423	2		Ring, Retaining
27	1402-809	2	/P	Bearing
28	8409-030	4		Screw, Cap
29	1406-034	1		Guard, Boot - Right
29	1406-035	1		Guard, Boot - Left
30	0423-545	4	/P	Screw, Shoulder



2011 ATV 700 DIESEL GREEN (A2011TBT4DUSG)  
FUEL SYSTEM INJECTION PUMP ASSEMBLY

Page 39 of 94

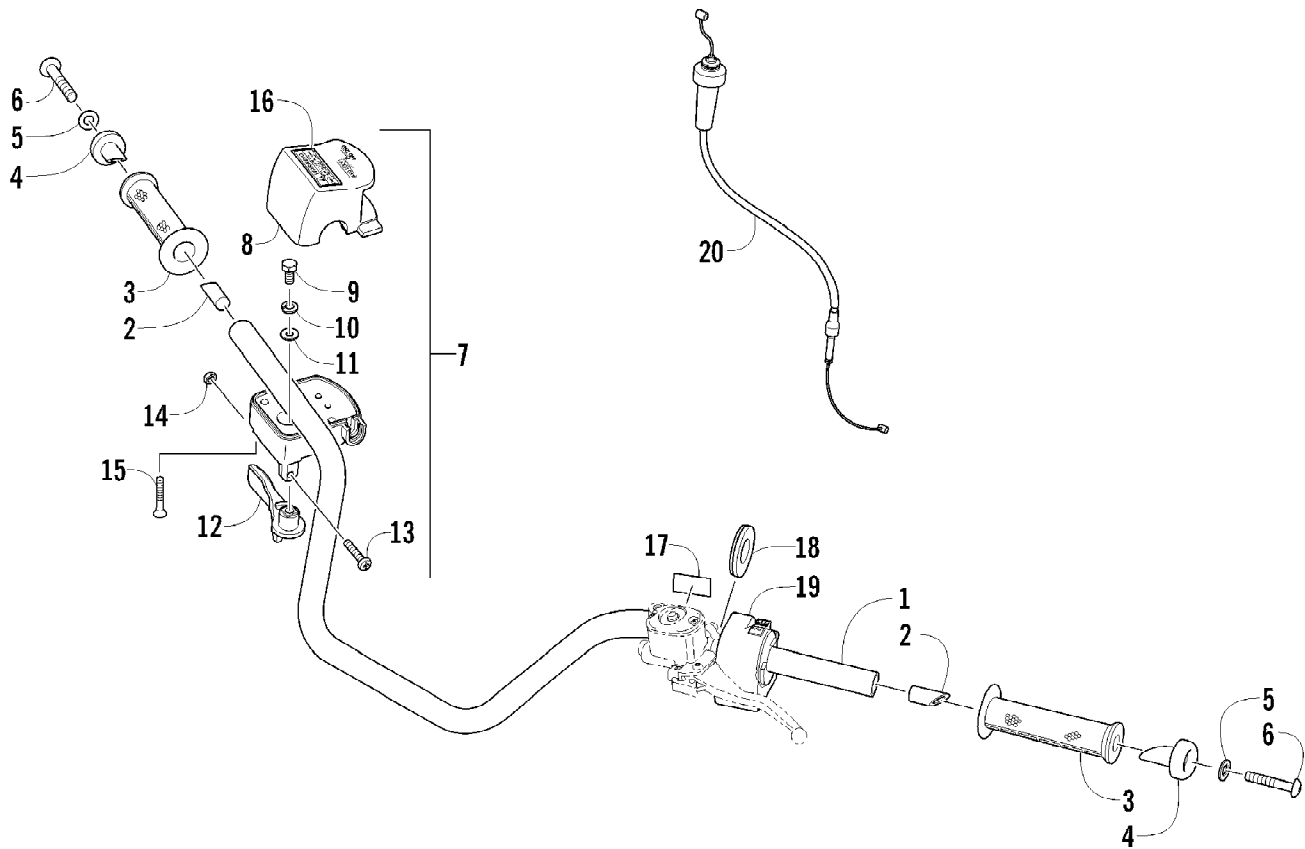
Ref #	Part Number	Qty	S/P/F	Description
1	3206-092	1		Pipe, Delivery (inc. 2-4)
2	3206-093	4		Screw, Cap
3	3206-095	4		Seal, Ring
4	3206-094	1		Seal, Delivery Pipe
5	3206-098	2		Valve, Bleed
6	3206-126	2		Gasket
7	3206-103	2		Spacer - 2.00
7	3206-104	2		Spacer - 1.90
7	3206-105	2		Spacer - 1.80
7	3206-106	2		Spacer - 1.70
7	3206-107	2		Spacer - 1.60
7	3206-108	2		Spacer - 1.50
7	3206-109	2		Spacer - 1.40
7	3206-110	2		Spacer - 1.30
7	3206-111	2		Spacer - 1.20
7	3206-112	2		Spacer - 1.10
7	3206-113	2		Spacer - 1.00
8	0	1	F	Spring, Pressure
9	3206-114	2		Drive Rod
10	3206-115	2		Spacer
11	3206-125	2		O-Ring
12	3206-123	2		Nozzle
13	3206-096	4		Nut
14	3206-102	2		Pump, Injection - Nozzle
15	3206-097	4		Bolt, Stud
16	3206-133	2		Tappet
17	3206-122	2		O-Ring
18	3206-124	2		Gasket, Copper
19	3206-059	2		Arrester, Spark
20	3206-116	2		Filler
21	3206-099	2		Spring, Delivery Valve
22	3206-117	2		Gasket, Valve
23	3206-100	2		Valve, Delivery
24	0	2	F	Plunger, Injection
25	3206-118	2		O-Ring
26	3206-119	2		Sleeve
27	3206-120	8		Screw, Cap
28	3206-101	2		Spring, Tappet
29	0	1	F	Push Rod
30	3206-121	2		Circlip
31	3206-375	2		Retainer, Lower
32	3206-127	1		Plate, Locking





2011 ATV 700 DIESEL GREEN (A2011TBT4DUSG)  
FUEL TANK AND FUEL FILTER ASSEMBLIES

Ref #	Part Number	Qty	S/P/F	Description
1	0570-292	1		Tank, Fuel - Assembly (inc. 2-10)
2	0470-653	1		Cap, Fuel Tank (inc. 3)
3	0109-733	1	/P	Gasket, Fuel Tank Cap
4	0423-898	6		Screw, Self-Tapping
5	0470-848	1		Plate, Retaining
6	0570-228	1	/P	Sensor, Fuel Level (inc. 7-8)
7	2670-235	1		Float
8	0470-521	1		Seal, Fuel Level Sensor
9	0470-847	1		Adapter, Fuel Level Sensor
10	0470-838	1		Seal
11	0423-689	2		Clamp, Hose
12	0410-143	AR		Hose, Fuel - 25 ft
13	0423-688	3		Clamp, Hose
14	0410-070	AR	/P	Hose, Fuel - 25 ft
15	0423-670	4		Clamp, Hose
16	0109-332	1		T-Fitting
17	0423-835	2		Clamp, Hose
18	0410-142	AR		Hose, Fuel - 25 ft
19	0423-732	2		Screw, Shoulder
20	0470-715	1		Shield, Heat
21	0623-797	4		Screw, Self-Tapping
22	0423-460	2		Grommet
23	3206-006	1		Bolt, Banjo-Fitting
24	3206-007	2		Gasket
25	3206-008	1		Fitting
26	3206-009	2		Bolt, Banjo-Fitting
27	3206-010	4		Washer, Crush
28	3206-014	1		Hose, Fuel
29	3206-015	1		Hose, Fuel
30	3206-011	1		Bolt, Banjo-Fitting
31	3206-004	6		Washer, Crush
32	3206-005	1		Bolt, Banjo-Fitting w/Valve
33	3206-013	1		Hose, Fuel
34	3206-003	1		Bolt, Banjo-Fitting
35	3206-002	1		Electro-Valve
36	3206-001	1		Fuel Filter - Assembly
37	3206-012	1		Fuel Filter
38	8432-802	2		Nut, Lock
39	8408-825	2		Screw, Cap
40	3206-258	1		Fitting
41	3206-254	2		Bolt, Stud
42	3206-256	1		O-Ring
43	3206-257	1		Rod, Push
44	3206-234	2		Washer
45	3206-245	2		Nut
46	3206-255	1		Pump, Fuel

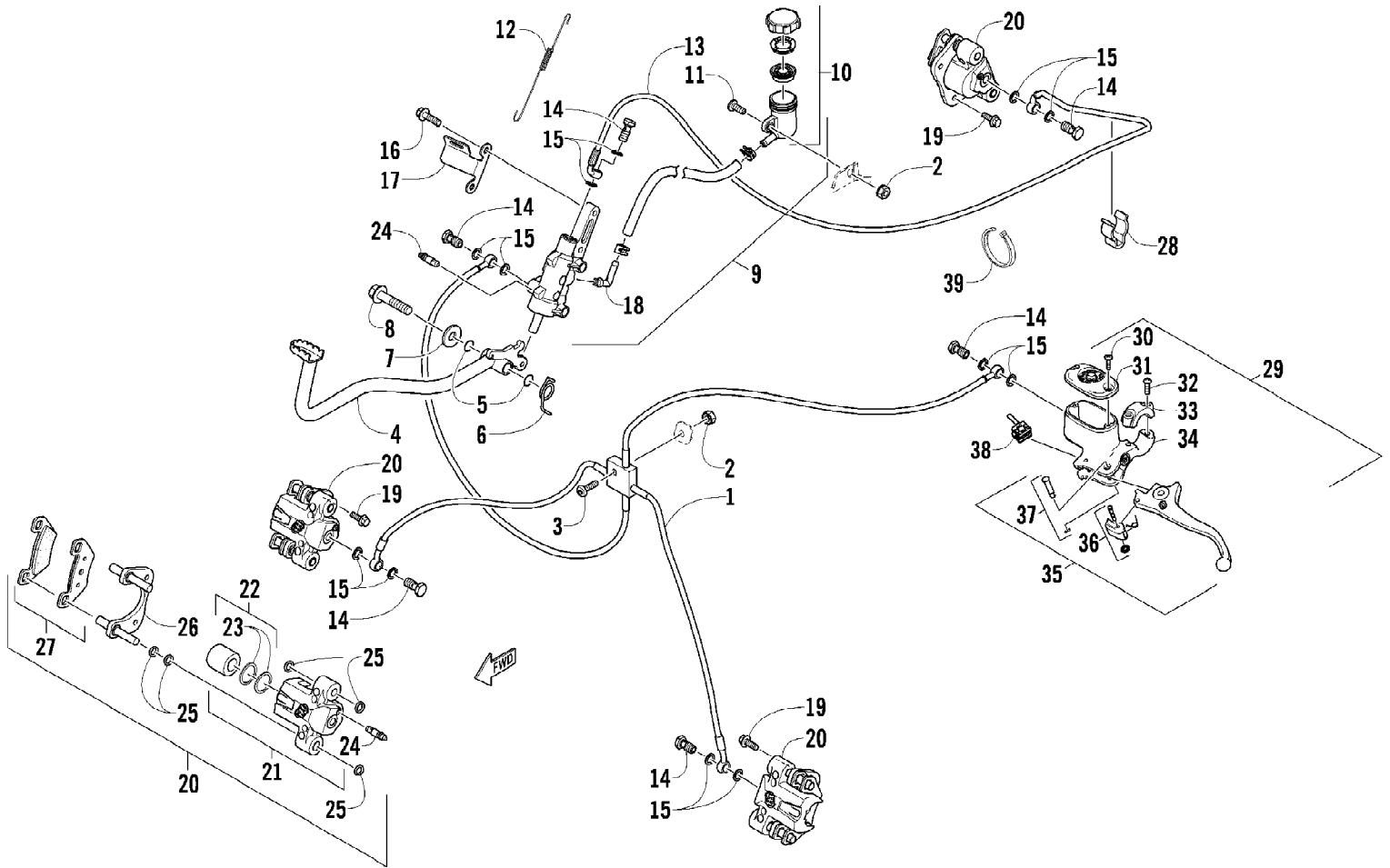


2011 ATV 700 DIESEL GREEN (A2011TBT4DUSG)  
HANDLEBAR ASSEMBLY

Page 43 of 94

Ref #	Part Number	Qty	S/P/F	Description
1	0505-418	1	/P	Handlebar
2	0405-218	2		Plug, Handlebar
3	0405-147	2		Grip, Handlebar
4	0405-149	2		End Cap, Handlebar
5	8050-247	2	/P	Washer
6	8477-845	2		Screw, Machine
7	0509-054	1		Case, Throttle - Assembly (inc. 8-15)
8	0409-141	1		Cover, Throttle Case w/Switch
9	3007-392	1	/P	Screw, Cap
10	3004-447	1	/P	Washer, Lock
11	3003-030	1	/P	Washer
12	0409-133	1		Lever, Throttle
13	3423-014	1		Screw, Machine
14	3423-327	1		Nut
15	3423-199	2		Screw, Machine
16	0411-966	1		Decal, Warning - Differential Lock
17	1411-865	1		Decal, Warning - Brake Lever Lock
18	3409-019	1		Cover, Switch Housing
19	0409-083	1		Switch, Control - Assembly
20	0487-044	1		Cable, Throttle

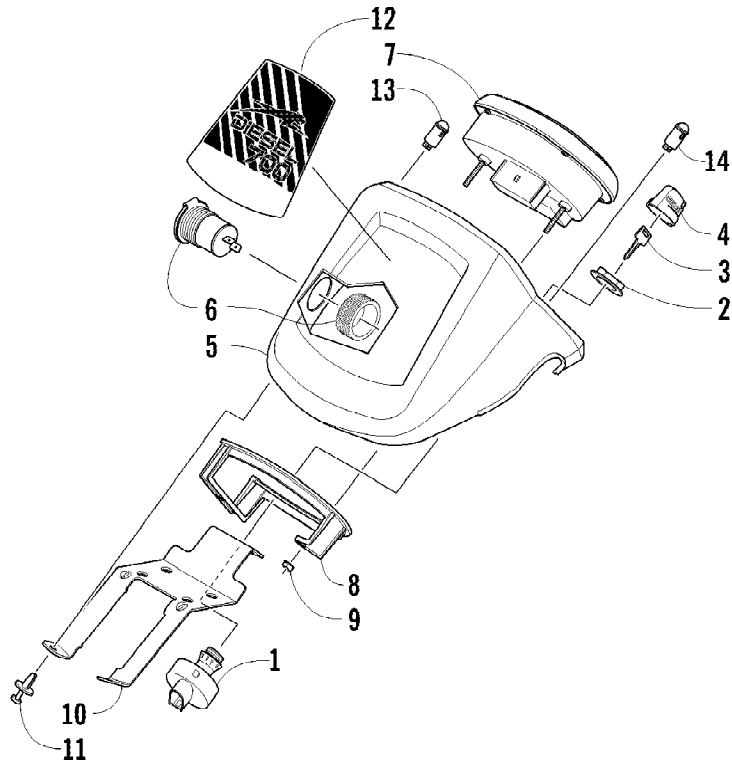
2011 ATV 700 DIESEL GREEN (A2011TBT4DUSG)  
HYDRAULIC BRAKE ASSEMBLY



2011 ATV 700 DIESEL GREEN (A2011TBT4DUSG)  
HYDRAULIC BRAKE ASSEMBLY

Page 45 of 94

Ref #	Part Number	Qty	S/P/F	Description
1	1502-015	1		Hose, Brake - Assembly
2	0623-038	2		Nut w/Washer
3	8476-625	1		Screw, Machine
4	1502-063	1		Lever, Brake
5	1602-213	2	/P	O-Ring
6	0502-807	1		Spring, Brake Lever
7	8050-252	1		Washer
8	8408-816	1		Screw, Cap
9	1502-293	1		Brake Assembly (inc. 10)
10	1502-155	1		Reservoir, Brake w/Clamp
11	8476-616	1		Screw, Machine
12	0502-785	1		Spring, Brake Switch
13	1502-140	1		Hose, Brake
14	0423-413	6		Bolt, Banjo-Fitting
15	0423-178	12		Washer, Crush
16	8408-625	2		Screw, Cap
17	0502-840	1		Bracket, Switch
18	1502-296	1	/P	Adapter, Hose
19	8408-821	6	/P	Screw, Cap
20	1502-726	1	S	Caliper, Brake - Right Front (inc. two No. 19 and 21-27)
20	1502-727	1	S	Caliper, Brake - Left Front (inc. two No. 19 and 21-27)
20	1502-727	1	S	Caliper, Brake - Rear (inc. two No. 19 and 21-27)
21	1436-160	1	/P	Housing, Caliper - Assembly - Right Front (inc. two No. 19 and 22-24)
21	1436-161	1	/P	Housing, Caliper - Assembly - Left Front (inc. two No. 19 and 22-24)
21	1436-161	1	/P	Housing, Caliper - Assembly - Rear (inc. two No. 19 and 22-24)
22	0502-606	3		Piston/Seal Set (inc. 23)
23	0502-607	3		Seal Set
24	0502-609	4	/P	Valve, Bleed
25	0502-608	3		O-Ring, Guide - Set
26	0502-605	3		Bracket Assembly
27	1502-694	3	S	Pad, Brake - Set
28	1502-115	2		Clip, Brake Hose
29	0502-914	1	S	Brake Assembly (inc. 30-38)
30	0502-566	1		Screw, Machine - Kit
31	0502-868	1	/P	Cover, Reservoir
32	0502-568	1		Screw, Machine - Kit
33	0502-869	1		Clamp, Master Cylinder
34	0502-704	1		Master Cylinder Assembly
35	0502-866	1		Lever Assembly - Kit (inc. 36-37)
36	0502-867	1	/P	Lock, Brake Lever - Kit
37	0502-580	1		Lever Pin - Kit
38	0502-564	1	/P	Switch, Brake
39	0123-788	AR	/P	Tie, Cable - 8 in.

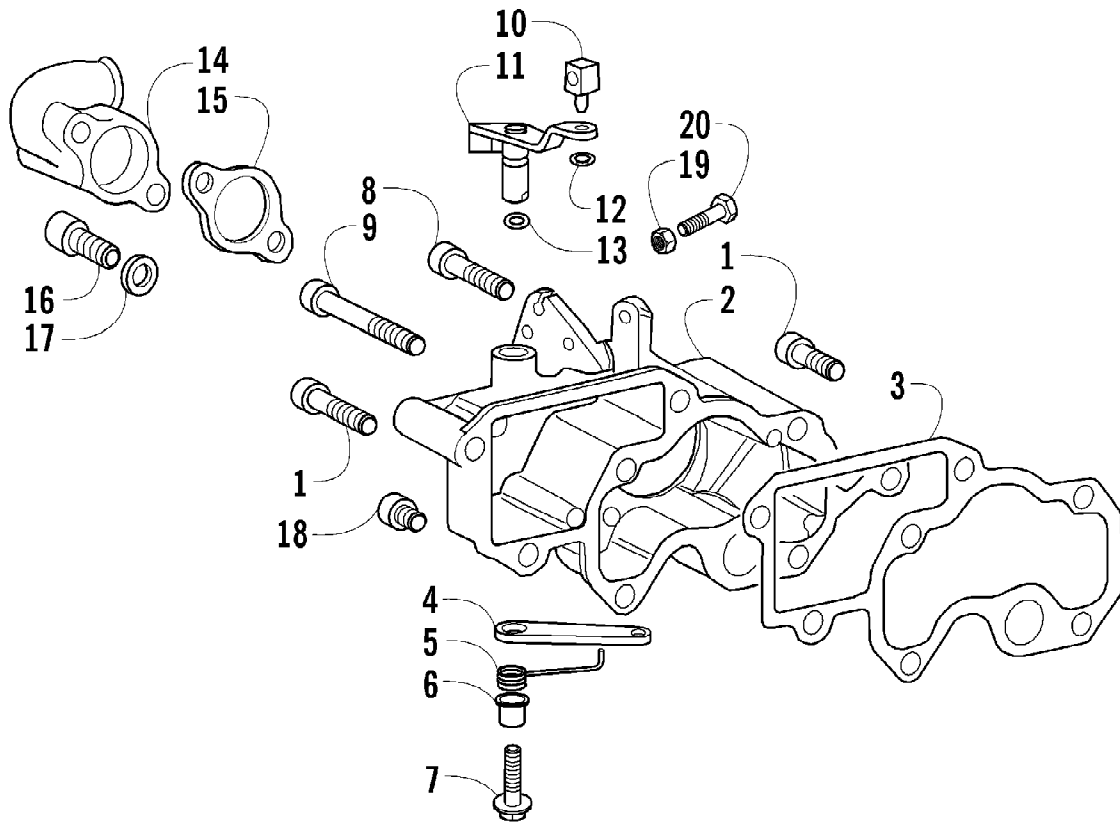


2011 ATV 700 DIESEL GREEN (A2011TBT4DUSG)  
INSTRUMENT POD ASSEMBLY

Page 47 of 94

Ref #	Part Number	Qty	S/P/F	Description
1	0430-090	1	/P	Switch, Ignition - Assembly (inc. 2-4)
2	0430-050	1		Nut, Retaining
3	0430-042	1		Key, Ignition (Y Series - Left-Side Cut)
3	0430-043	1		Key, Ignition (Z Series - Right-Side Cut)
4	0430-054	1		Cover, Key
5	0505-501	1		Instrument Pod
6	0641-897	1	/P	Outlet, Accessory - 12V
7	0520-024	1		Gauge, LCD
8	0420-065	1	/P	Bracket, Retaining
9	0423-493	2		Nut w/Washer
10	2506-470	1		Bracket, Mounting - Instrument Pod
11	0423-535	2		Rivet, Reinstallable
12	2411-510	1		Decal, Instrument Pod
13	0420-075	1		Light, Indicator - Battery
14	0420-074	1		Light, Indicator - Glow Plug

2011 ATV 700 DIESEL GREEN (A2011TBT4DUSG)  
INTAKE MANIFOLD AND THROTTLE CONTROL ASSEMBLY

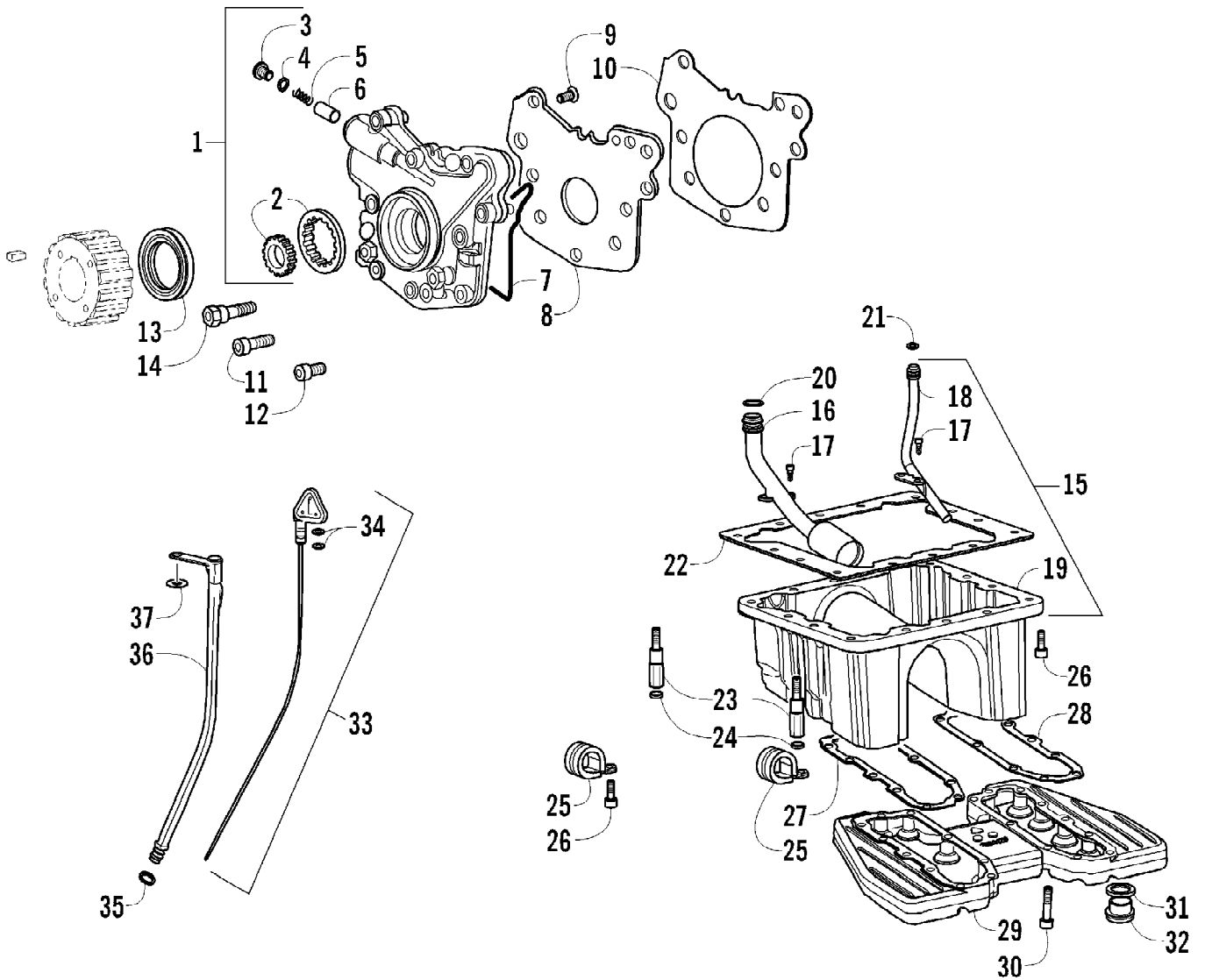




2011 ATV 700 DIESEL GREEN (A2011TBT4DUSG)  
INTAKE MANIFOLD AND THROTTLE CONTROL ASSEMBLY

Ref #	Part Number	Qty	S/P/F	Description
1	3206-276	3		Screw, Cap
2	3206-278	1		Manifold, Intake
3	3206-277	1		Gasket, Intake Manifold
4	3206-286	1		Lever, Internal
5	3206-283	1		Spring, Recovery
6	3206-284	1		Sleeve
7	3206-285	1		Screw, Cap
8	3206-280	1		Screw, Cap
9	3206-279	1		Screw, Cap
10	3206-288	1		Pin
11	3206-287	1		Lever, External
12	3206-242	1		Circlip
13	3206-281	1		O-Ring
14	3206-290	1		Flange, Intake
15	3206-289	1		Gasket
16	3206-169	2		Screw, Cap
17	3206-234	2		Washer
18	3206-266	4		Screw, Cap
19	3206-137	1		Nut
20	3206-282	1		Screw, Cap

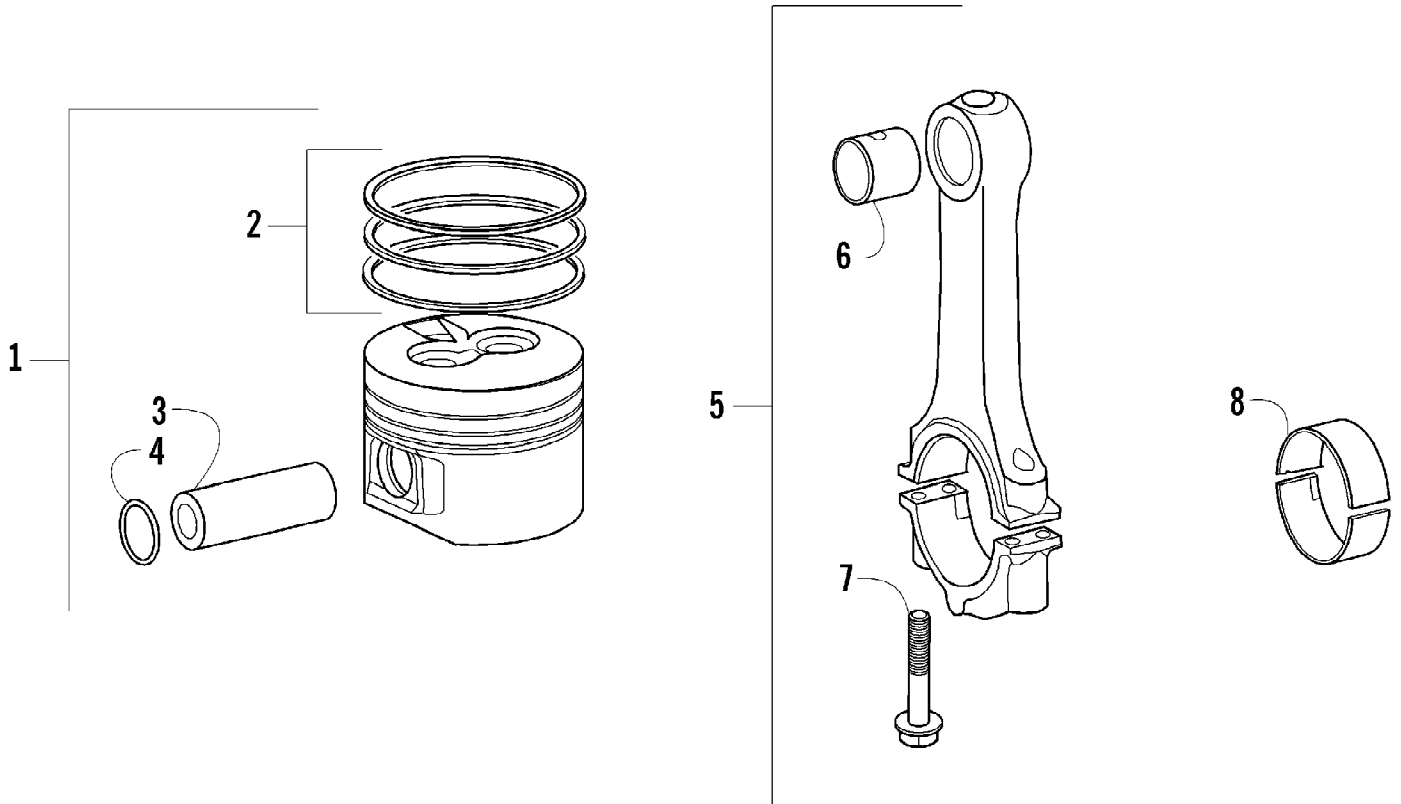
2011 ATV 700 DIESEL GREEN (A2011TBT4DUSG)  
OIL PUMP AND PAN ASSEMBLY



2011 ATV 700 DIESEL GREEN (A2011TBT4DUSG)  
OIL PUMP AND PAN ASSEMBLY

Page 51 of 94

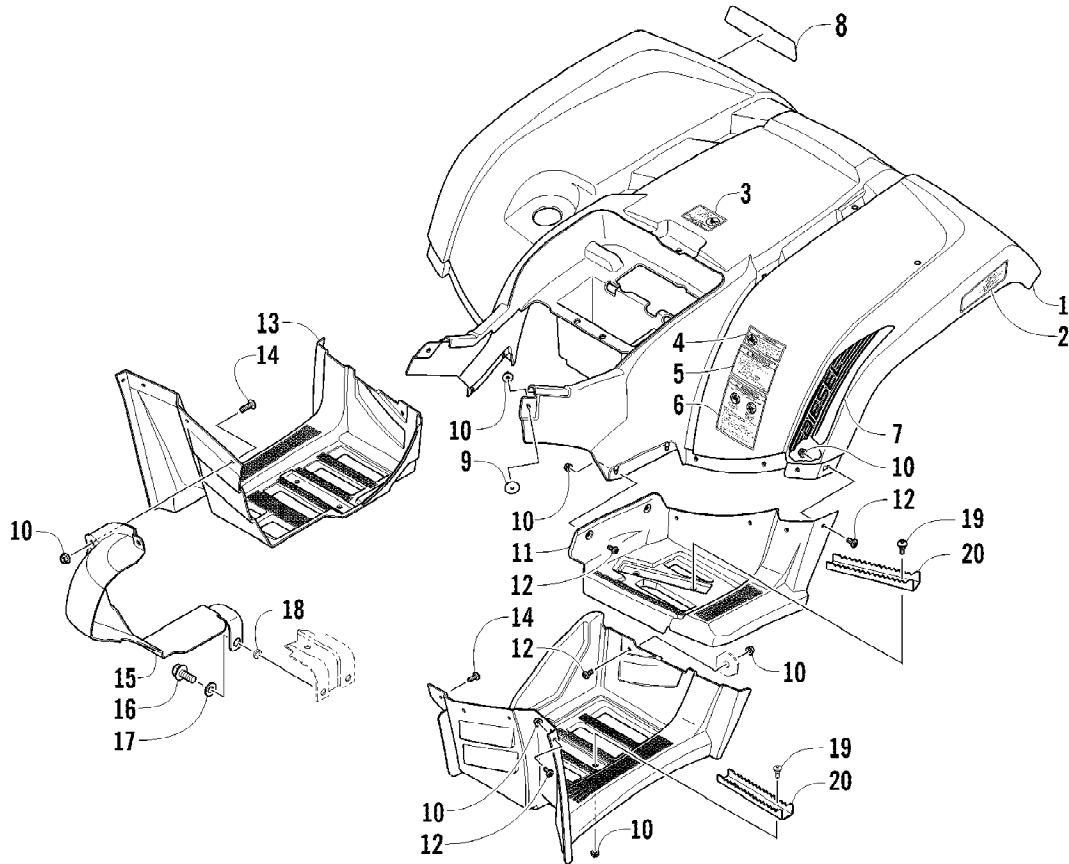
Ref #	Part Number	Qty	S/P/F	Description
1	3206-171	1		Pump, Oil (inc. 2-10)
2	3206-167	1		Rotors, Oil Pump
3	3206-163	1		Plug
4	3206-162	1		Gasket
5	3206-164	1		Spring, Pressure Valve
6	3206-165	1		Rod, Drive
7	3206-172	1		O-Ring
8	0	1	F	Plate
9	3206-166	3		Screw, Machine
10	3206-173	1	/P	Gasket
11	3206-168	1		Screw, Cap
12	3206-169	6		Screw, Cap
13	3206-161	1		Seal
14	3206-174	2		Screw, Shoulder
15	3206-179	1	/P	Pan, Oil - Assembly (inc. 16-19)
16	0	1	F	Pipe, Oil - Intake
17	3206-183	4		Screw, Cap
18	0	1	F	Pipe, Oil - Return
19	0	1	F	Pan, Oil
20	3206-176	1		Seal, Oil
21	3206-177	1		Seal, Oil
22	3206-175	1		Gasket
23	3206-178	2		Stud, Hollow
24	3206-191	2		Washer
25	3206-190	2		Clamp, Routing
26	3206-088	20		Screw, Cap
27	3206-186	1		Gasket
28	3206-187	1		Gasket
29	3206-188	1		Cover, Oil Pan
30	3206-189	20		Screw, Cap
31	3206-181	1		Gasket
32	3206-182	1		Plug
33	3206-197	1		Stick, Oil Level (inc. 34)
34	3206-198	2		Seal
35	3206-195	1		O-Ring
36	3206-196	1		Guard, Oil Level Stick
37	3206-199	1		Washer



2011 ATV 700 DIESEL GREEN (A2011TBT4DUSG)  
PISTON SET AND CONNECTING ROD ASSEMBLY

Page 53 of 94

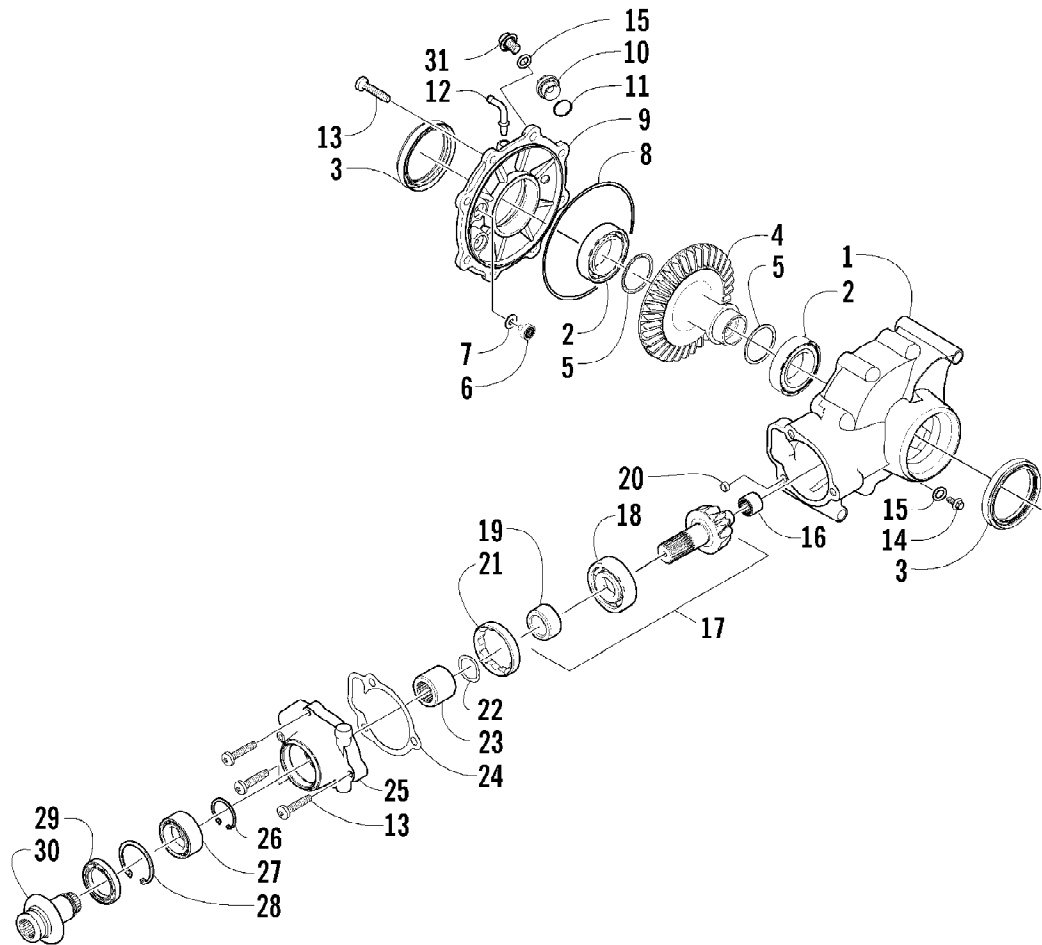
Ref #	Part Number	Qty	S/P/F	Description
1	3206-026	2		Piston - Set (inc. 2-4)
1	3206-027	2		Piston - Set (+0.50 mm)
1	3206-028	2		Piston - Set (+1.00 mm)
2	3206-023	2		Ring - Set
2	3206-024	2		Ring - Set (+0.50 mm)
2	3206-025	2		Ring - Set (+1.00 mm)
3	3206-030	2		Piston Pin
4	3206-031	4		Circlip
5	3206-035	2		Connecting Rod (inc. 6-7)
6	3206-029	2		Bushing
7	3206-036	8		Screw, Cap
8	3206-032	2		Bushing
8	3206-033	2		Bushing (-0.25 mm)
8	3206-034	2		Bushing (-0.50 mm)



2011 ATV 700 DIESEL GREEN (A2011TBT4DUSG)  
REAR BODY PANEL AND FOOTWELL ASSEMBLIES

Ref #	Part Number	Qty	S/P/F	Description
1	0518-066	1	S	Fender, Rear - Assembly (inc. 2-6)
2	1411-592	1	/P	Decal, Reflector - Right
2	1411-593	1	/P	Decal, Reflector - Left
3	1411-251	1		Decal, Warning - Passenger Seat
4	1411-269	1		Decal, Warning - Passenger
5	2411-138	1	/P	Decal, Warning - Tire Pressure
6	1411-956	1		Decal, Warning - Passenger Safety
7	2411-506	1		Decal, "Diesel" - Right
7	2411-507	1		Decal, "Diesel" - Left
8	2411-261	1		Decal, "Arctic Cat"
9	0423-101	2		Screw, Shoulder
10	0423-540	37		Nut, Lock
11	2406-042	1		Footwell, Rear - Right
11	2406-043	1		Footwell, Rear - Left
12	0423-419	24		Screw, Machine
13	2506-193	1		Footwell - Right
13	2406-471	1	/P	Footwell - Left
14	8477-620	3		Screw, Machine
15	2406-531	1		Panel, Splash
16	8409-020	1	/P	Screw, Cap
17	8050-282	1	/P	Washer
18	0405-261	1		Spacer
19	0423-355	8		Screw, Shoulder
20	1506-125	4	/P	Footpeg

2011 ATV 700 DIESEL GREEN (A2011TBT4DUSG)  
REAR DRIVE GEARCASE ASSEMBLY

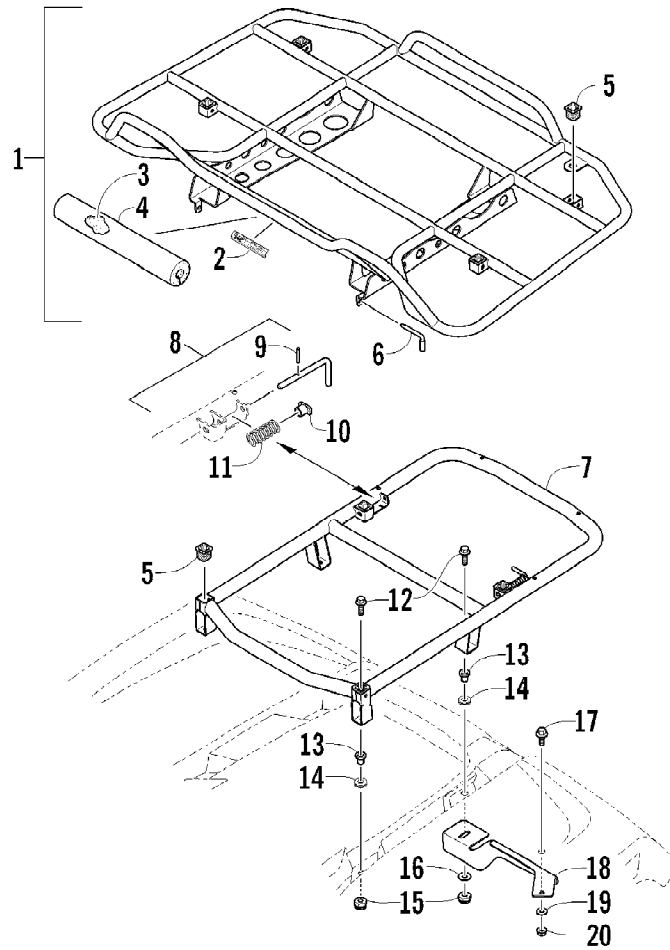




2011 ATV 700 DIESEL GREEN (A2011TBT4DUSG)  
REAR DRIVE GEARCASE ASSEMBLY

Page 57 of 94

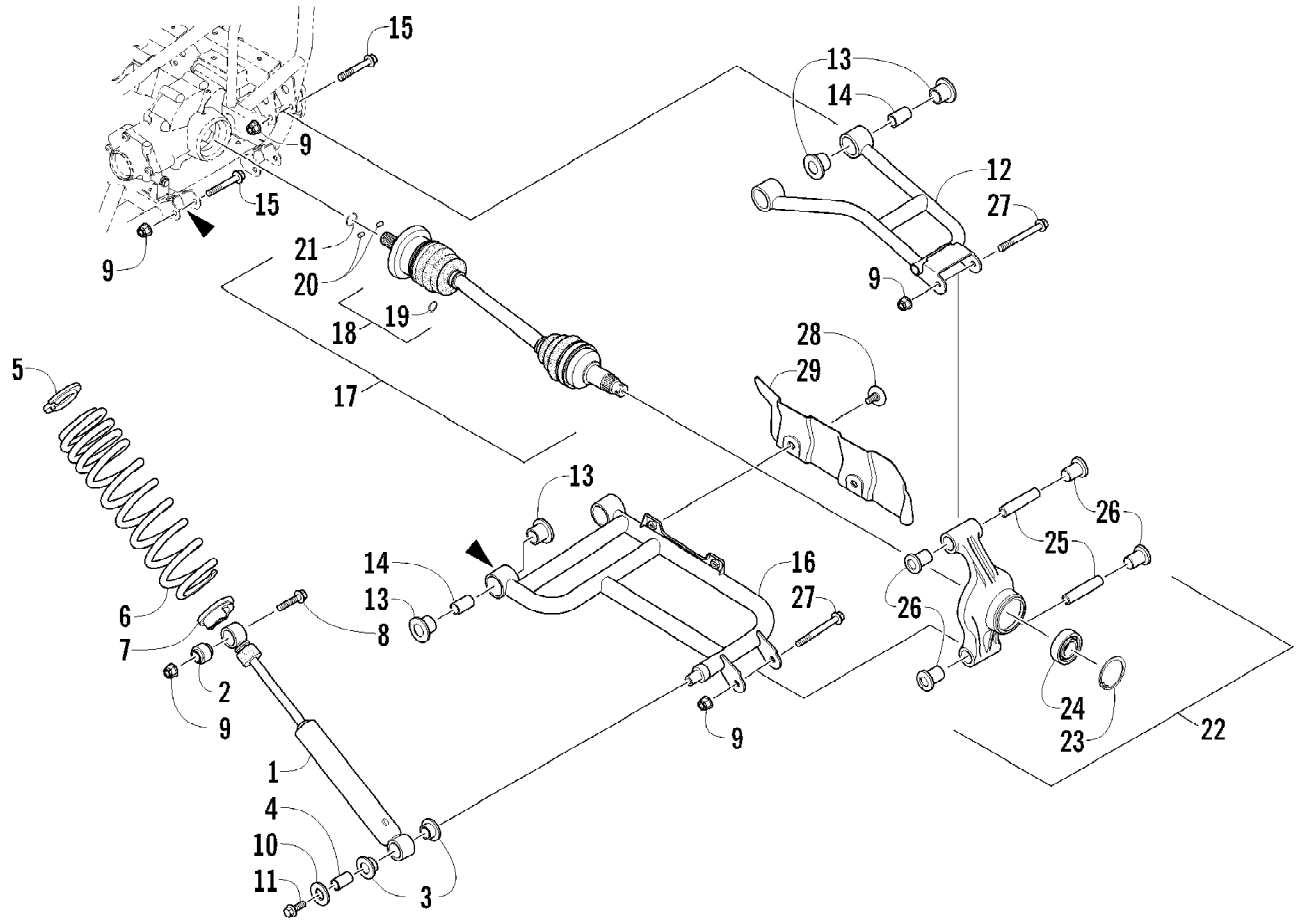
Ref #	Part Number	Qty	S/P/F	Description
	1502-402	1	/P	Complete Rear Drive Gearcase Assembly
1	1502-317	1		Housing, Gearcase
2	0402-393	2		Bearing
3	1402-713	2	S	Seal
4	1402-032	1		Gear, Ring - 36T
5	0402-405	AR		Shim, 41 x 49 x 1.3 mm
5	0402-406	AR		Shim, 41 x 49 x 1.4 mm
5	0402-407	AR		Shim, 41 x 49 x 1.5 mm
5	0402-408	AR		Shim, 41 x 49 x 1.6 mm
5	0402-409	AR		Shim, 41 x 49 x 1.7 mm
6	0402-326	1		Button, Thrust
7	0402-429	AR		Shim, 6.3 x 18 x 1.3 mm
7	0402-430	AR		Shim, 6.3 x 18 x 1.4 mm
7	0402-431	AR		Shim, 6.3 x 18 x 1.5 mm
7	0402-432	AR		Shim, 6.3 x 18 x 1.6 mm
7	0402-433	AR		Shim, 6.3 x 18 x 1.7 mm
8	0423-149	1		O-Ring
9	1502-082	1		Cover, Gearcase
10	0402-333	1	/P	Plug, Magnetic (inc. 11)
11	0423-154	1		O-Ring
12	1402-102	1		Fitting
13	0423-118	11		Screw, Self-Tapping
14	1402-210	1	/P	Plug, Fill (inc. one No. 15)
15	0423-153	2		O-Ring
16	0402-328	1		Bearing
17	0502-783	1		Gear, Pinion - Assembly - 10T (inc. 18-19)
18	0402-327	1		Bearing
19	0402-336	1		Collar, Retaining
20	0402-411	1		Pin, Dowel
21	0402-331	1		Collar, Lock
22	0402-982	1		Washer, Wave
23	0402-981	1		Collar, Shaft
24	0402-947	1		Gasket, Flange
25	0502-529	1		Housing, Pinion
26	0423-417	1		Ring, Retaining
27	1402-043	1		Bearing
28	0423-423	1		Ring, Retaining
29	1402-011	1		Seal
30	1502-085	1	/P	Shaft, Input
31	1402-211	1		Plug, Oil Level (inc. one No. 15)



2011 ATV 700 DIESEL GREEN (A2011TBT4DUSG)  
REAR RACK ASSEMBLY

Page 59 of 94

Ref #	Part Number	Qty	S/P/F	Description
1	2516-483	1		Rack, Rear - Assembly (inc. 2-4 and four No. 5)
2	0411-648	1		Decal, Warning - Load
3	2416-244	1		Pad, Foam
4	2416-245	1		Cover
5	0441-592	8	/P	Bushing
6	0541-447	2	/P	Pin
7	2506-221	1	/P	Base, MRP - Assembly (inc. 8-11 and four No. 5)
8	0541-504	2		Pin - Assembly (inc. 9-11)
9	0423-635	2		Pin, Roll
10	0423-677	2		Bushing, Flanged
11	0423-636	2		Spring
12	8410-835	4		Screw, Cap
13	0423-669	4		Spacer
14	0423-465	4		Grommet
15	8432-802	4		Nut, Lock
16	0423-087	2		Washer
17	0423-654	2		Screw, Shoulder
18	2506-092	1		Bracket, Rear Fender - Right
18	2506-093	1		Bracket, Rear Fender - Left
19	8050-222	2	/P	Washer
20	0423-540	2		Nut, Lock

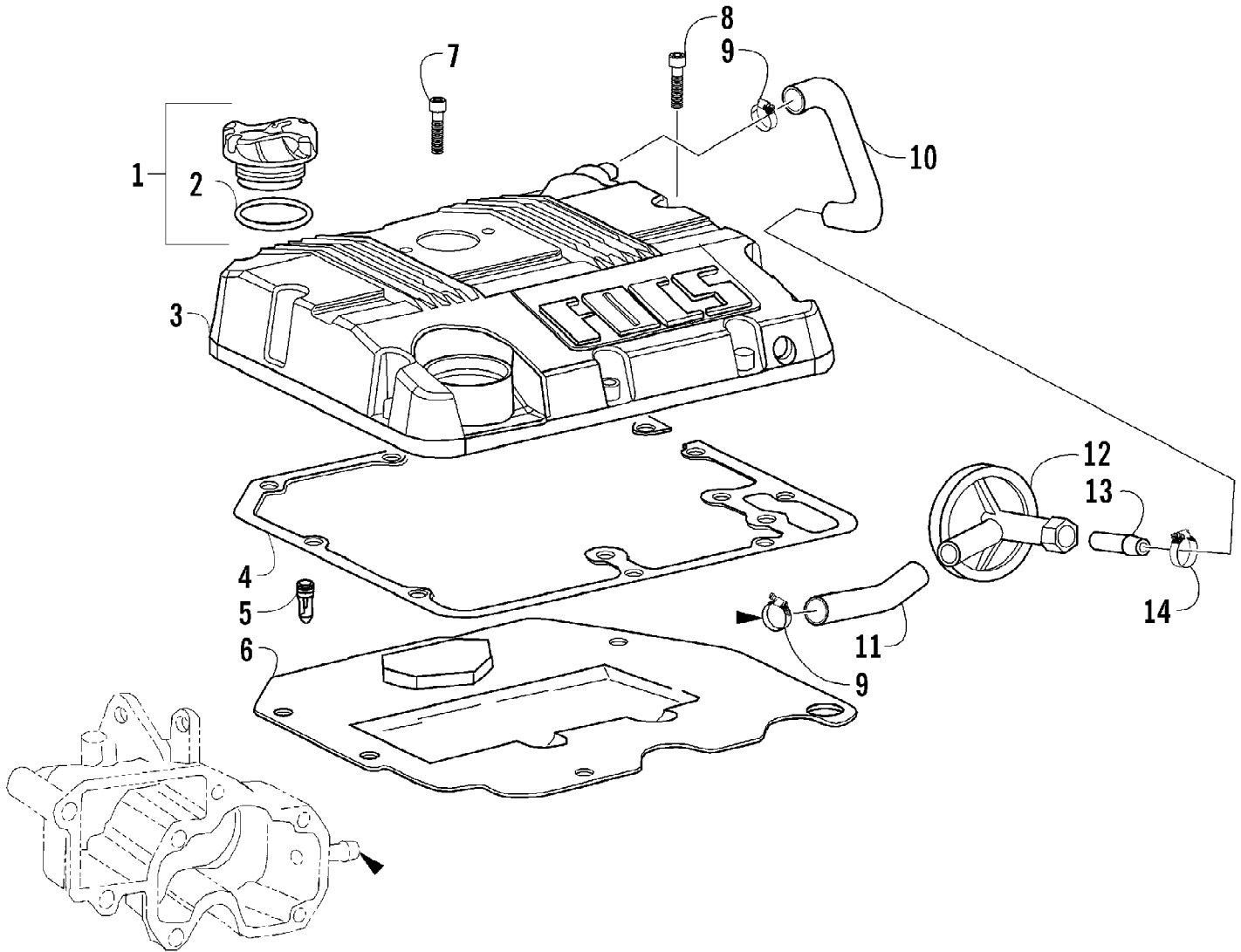


2011 ATV 700 DIESEL GREEN (A2011TBT4DUSG)  
REAR SUSPENSION ASSEMBLY

Page 61 of 94

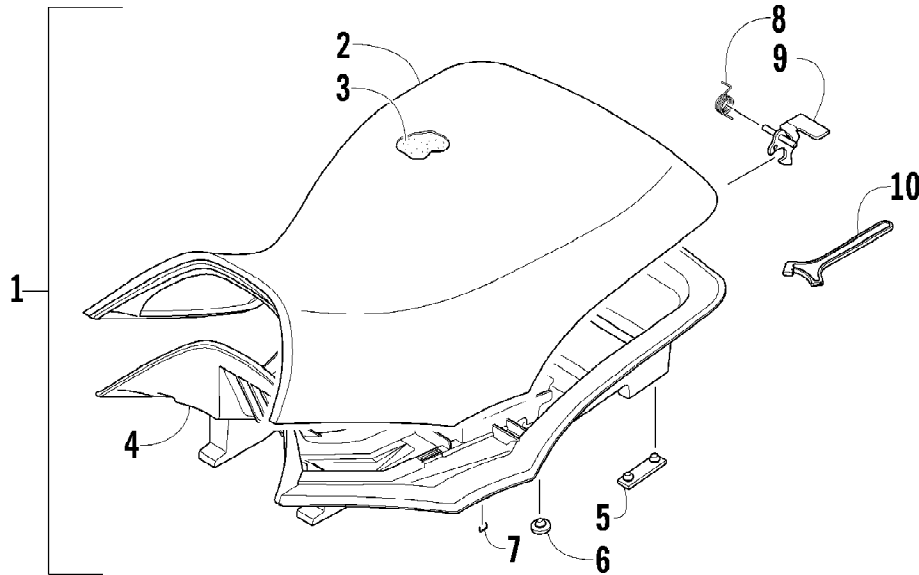
Ref #	Part Number	Qty	S/P/F	Description
1	0404-147	2		Shock Absorber (inc. 2-4)
2	0403-182	2		Bushing
3	0603-955	4		Bushing
4	1603-219	2	S	Sleeve
5	1603-889	2	/P	Retainer, Spring
6	0403-173	2		Spring, Suspension
7	0404-057	2		Cam, Spring Adjuster
8	8409-050	2		Screw, Cap
9	0423-744	14		Nut, Lock
10	0423-087	2		Washer
11	8408-820	2	/P	Screw, Cap
12	0504-582	1		A-Arm, Rear - Upper Right (inc. 13-14)
12	0504-583	1	/P	A-Arm, Rear - Upper Left (inc. 13-14)
13	0403-208	16	/P	Bushing
14	0403-214	8	/P	Axle
15	8409-075	8		Screw, Cap
16	0504-572	1		A-Arm, Rear - Lower Right (inc. 13-14)
16	0504-573	1		A-Arm, Rear - Lower Left (inc. 13-14)
17	1502-798	2	S	Axle, Drive (inc. 18-21)
18	1436-419	2		Repair Kit, Boot (inc. 19)
19	1441-988	2		Clip, Retaining
20	1402-884	4		Pin, Detent
21	1402-890	2		Clip, Retaining
22	0504-548	1	/P	Knuckle, Right - Assembly (inc. 23-26)
22	0504-549	1	/P	Knuckle, Left - Assembly (inc. 23-26)
23	0423-423	2		Ring, Retaining
24	1402-809	2	/P	Bearing
25	0403-213	4	/P	Axle
26	0403-206	8	/P	Bushing
27	8409-000	4		Screw, Cap
28	0423-545	4	/P	Screw, Shoulder
29	1406-068	1		Guard, Boot - Rear - Right
29	1406-069	1		Guard, Boot - Rear - Left

2011 ATV 700 DIESEL GREEN (A2011TBT4DUSG)  
ROCKER ARM COVER AND BREATHER SYSTEM ASSEMBLIES



2011 ATV 700 DIESEL GREEN (A2011TBT4DUSG)  
ROCKER ARM COVER AND BREATHER SYSTEM ASSEMBLIES

Ref #	Part Number	Qty	S/P/F	Description
1	3206-081	1		Cap, Oil Filler (inc. 2)
2	3206-087	1		O-Ring
3	3206-080	1		Cover, Rocker Arm
4	3206-086	1		Gasket
5	3206-084	1		Connection
6	3206-085	1		Separator
7	3206-083	2		Screw, Cap
8	3206-082	8		Screw, Cap
9	3206-200	3		Clamp
10	3206-205	1		Hose, Connection
11	3206-202	1		Hose, Drain
12	3206-201	1		Valve, Suction
13	3206-203	1		Tube, Valve
14	3206-204	1		Clamp

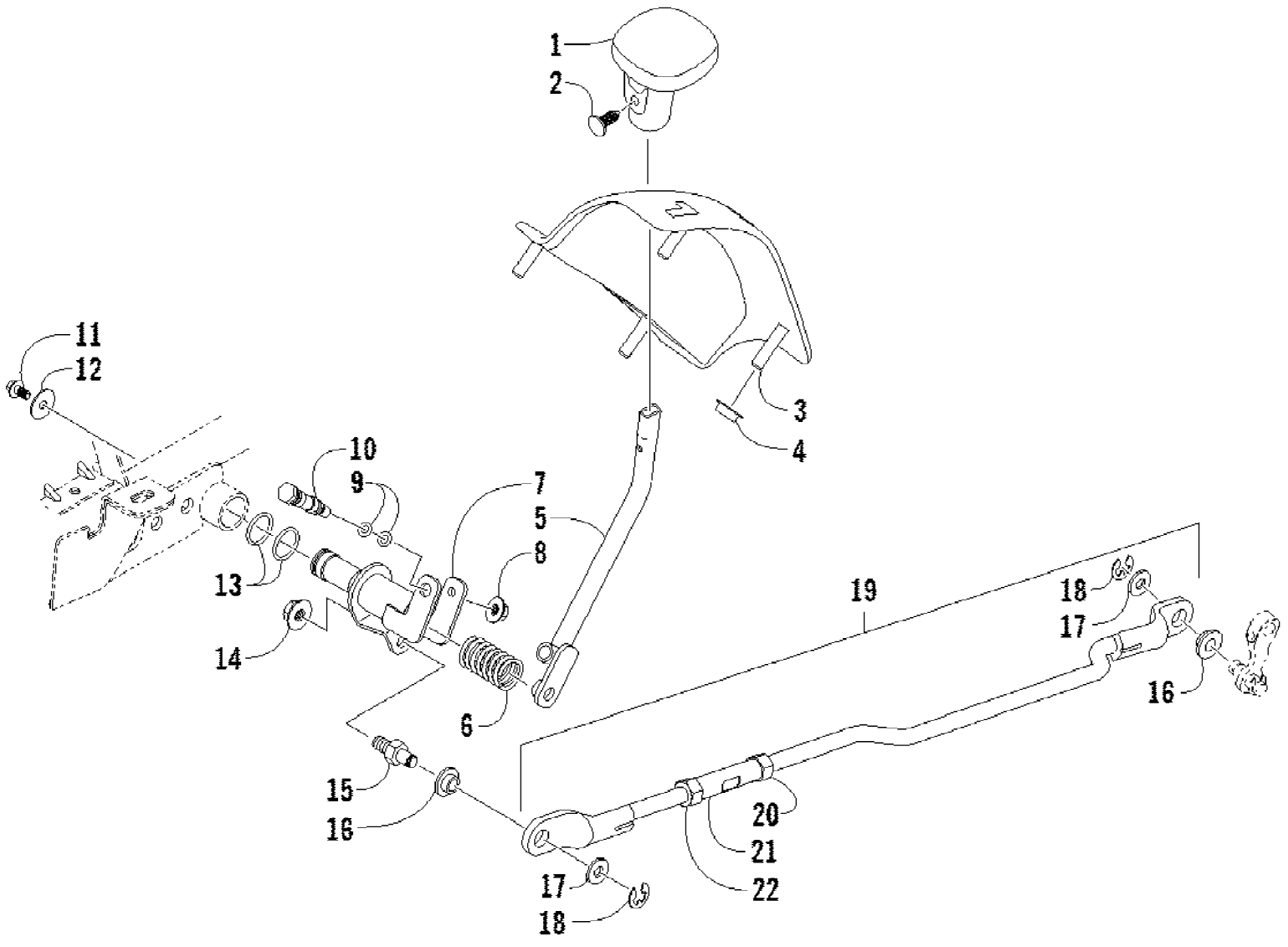




2011 ATV 700 DIESEL GREEN (A2011TBT4DUSG)  
SEAT ASSEMBLY

Page 65 of 94

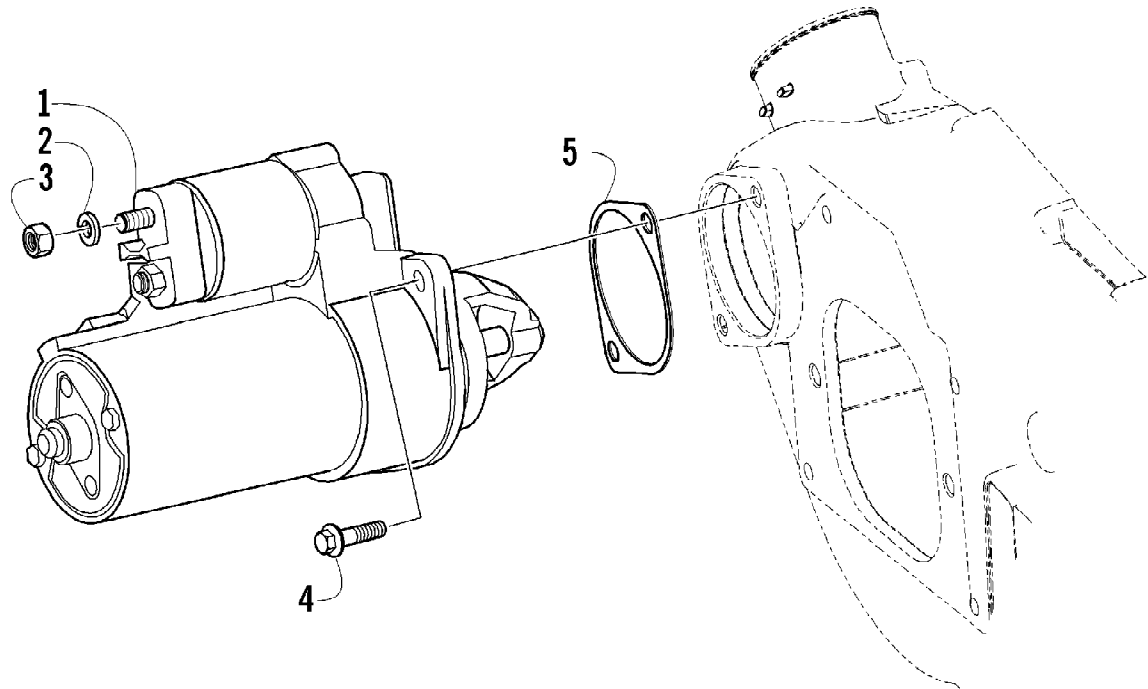
Ref #	Part Number	Qty	S/P/F	Description
1	2516-895	1	S	Seat Assembly (inc. 2-9)
2	1506-209	1		Cover, Seat
3	0517-119	1		Foam, Seat
4	2406-144	1	S/P	Base, Seat - Assembly (inc. 5-6)
5	0406-879	2		Bumper, Seat - Rear
6	0406-877	4	/P	Bumper, Seat - Front
7	0624-263	AR		Staple
8	1406-592	1	/P	Spring, Seat Latch
9	1506-156	1		Latch, Seat
10	0441-587	1		Wrench, Spanner



2011 ATV 700 DIESEL GREEN (A2011TBT4DUSG)  
SHIFT LEVER ASSEMBLY

Page 67 of 94

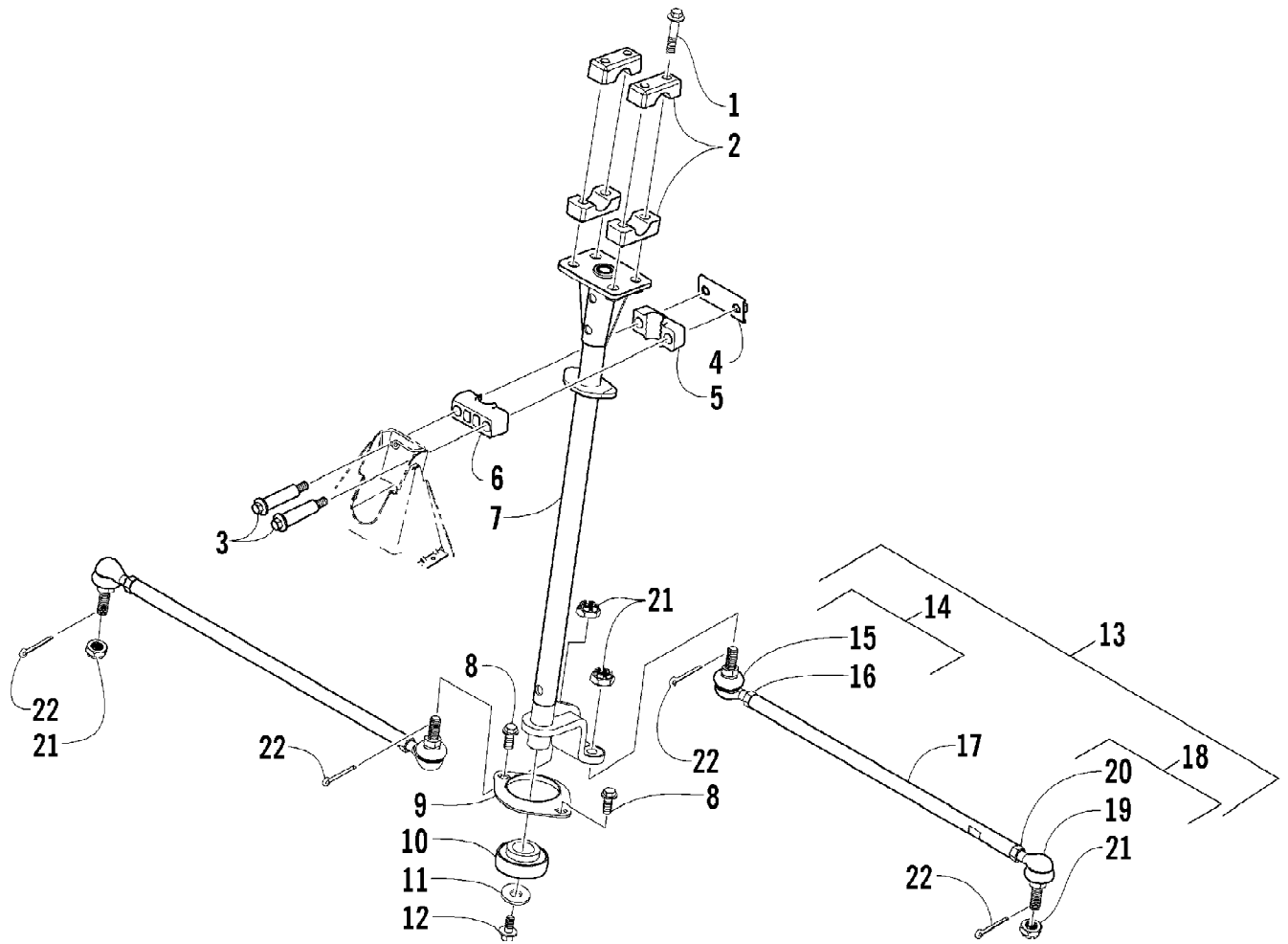
Ref #	Part Number	Qty	S/P/F	Description
1	0402-843	1	/P	Knob, Shift
2	0423-345	1		Clip, Retaining
3	1402-576	1		Plate, Shift
4	0423-357	4		Nut, Stamped
5	0502-659	1		Lever, Shift
6	0402-678	1	/P	Spring, Shift Lever
7	1502-012	1		Actuator, Shift
8	8424-602	1	/P	Nut
9	0423-182	2	/P	O-Ring
10	0402-675	1		Axle, Pivot
11	8408-812	1		Screw, Cap
12	0423-087	1		Washer
13	0423-299	2	/P	O-Ring
14	8424-802	1		Nut
15	1402-621	1		Pin, Mounting
16	0423-091	2		Bushing
17	0623-094	2		Washer
18	0423-169	2	/P	E-Ring
19	1502-226	1		Linkage, Shift - Assembly (inc. 20-22)
20	0123-917	1	/P	Nut, Hex - Left-Hand Thread
21	1402-619	1		Coupler
22	0623-294	1		Nut, Hex - Right-Hand Thread



2011 ATV 700 DIESEL GREEN (A2011TBT4DUSG)  
STARTER MOTOR ASSEMBLY

Page 69 of 94

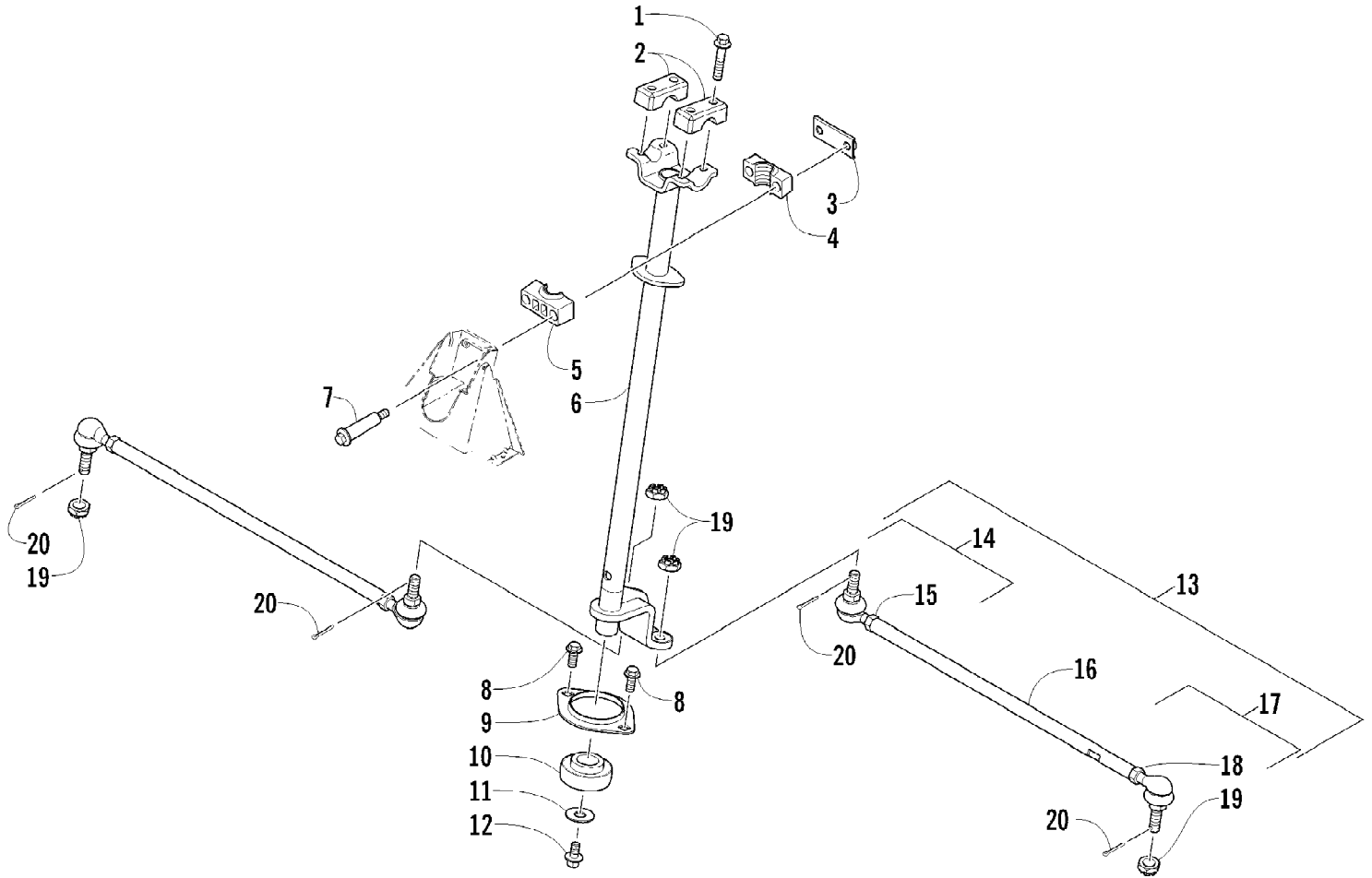
Ref #	Part Number	Qty	S/P/F	Description
1	3206-319	1		Motor, Starter
2	3206-322	1		Washer, Lock
3	3206-321	1		Nut
4	8409-030	2		Screw, Cap
5	1402-525	1		Gasket, Starter



2011 ATV 700 DIESEL GREEN (A2011TBT4DUSG)  
STEERING ASSEMBLY (UP TO VIN: 250000)

Page 71 of 94

Ref #	Part Number	Qty	S/P/F	Description
1	8408-860	4		Screw, Cap
2	0405-035	4		Cap, Steering Adjuster
3	0423-505	2		Screw, Shoulder
4	0505-484	1		Cap, Housing
5	0405-138	1		Housing, Lower
6	0405-139	1		Housing, Upper
7	0505-451	1	S	Post, Steering
8	8408-816	2		Screw, Cap
9	0602-233	1		Flange, Bearing
10	0405-052	1		Bearing w/Inverted Oil Seal
11	0423-073	1		Washer
12	8409-020	1	/P	Screw, Cap
13	0505-499	2	/P	Tie Rod - Assembly (inc. 14-20)
14	0505-511	2	/P	End, Tie Rod - Left-Hand Thread - Kit (inc. 15-16)
15	0	2	F	End, Tie Rod - Left-Hand Thread
16	0423-013	2		Nut - Left-Hand Thread
17	0405-281	2	/P	Tie Rod
18	0505-510	2	/P	End, Tie Rod - Right-Hand Thread - Kit (inc. 19-20)
19	0	2	F	End, Tie Rod - Right-Hand Thread
20	8420-002	2	/P	Nut - Right-Hand Thread
21	0423-157	4		Nut, Lock
22	0623-175	4		Pin, Cotter

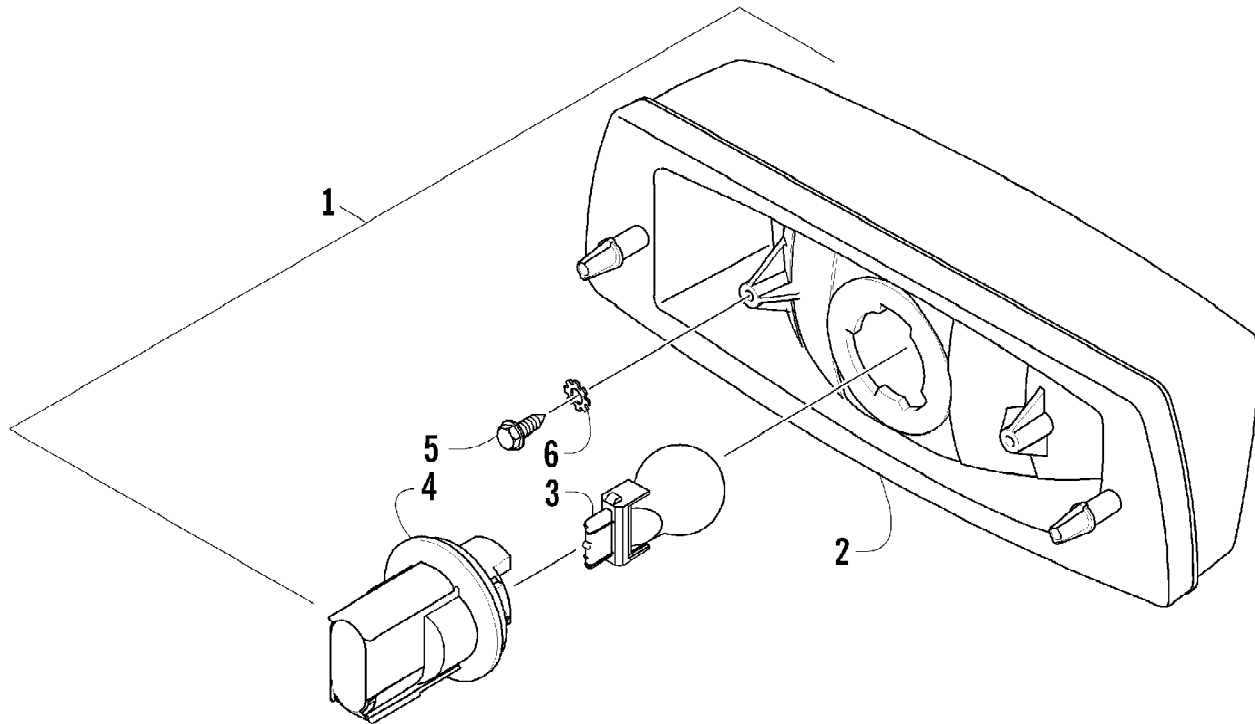




2011 ATV 700 DIESEL GREEN (A2011TBT4DUSG)  
STEERING ASSEMBLY (VIN: 250001 AND UP)

Page 73 of 94

Ref #	Part Number	Qty	S/P/F	Description
1	8408-835	4		Screw, Cap
2	0405-035	2		Cap, Steering Adjuster
3	0505-484	1		Cap, Housing
4	0405-260	1		Housing, Upper
5	0405-259	1		Housing, Lower
6	0505-493	1		Post, Steering
7	0423-505	2		Screw, Shoulder
8	8408-816	2		Screw, Cap
9	0602-233	1		Flange, Bearing
10	0405-052	1		Bearing w/Inverted Oil Seal
11	0423-073	1		Washer
12	8409-020	1	/P	Screw, Cap
13	0505-499	2	/P	Tie Rod - Assembly (inc. 14-18)
14	0505-511	2	/P	End, Tie Rod - Left-Hand Thread - Kit (inc. 15)
15	0423-013	2		Nut - Left-Hand Thread
16	0405-281	2	/P	Tie Rod
17	0505-510	2	/P	End, Tie Rod - Right-Hand Thread - Kit (inc. 18)
18	8420-002	2	/P	Nut - Right-Hand Thread
19	0423-157	4		Nut, Lock
20	0623-175	4		Pin, Cotter

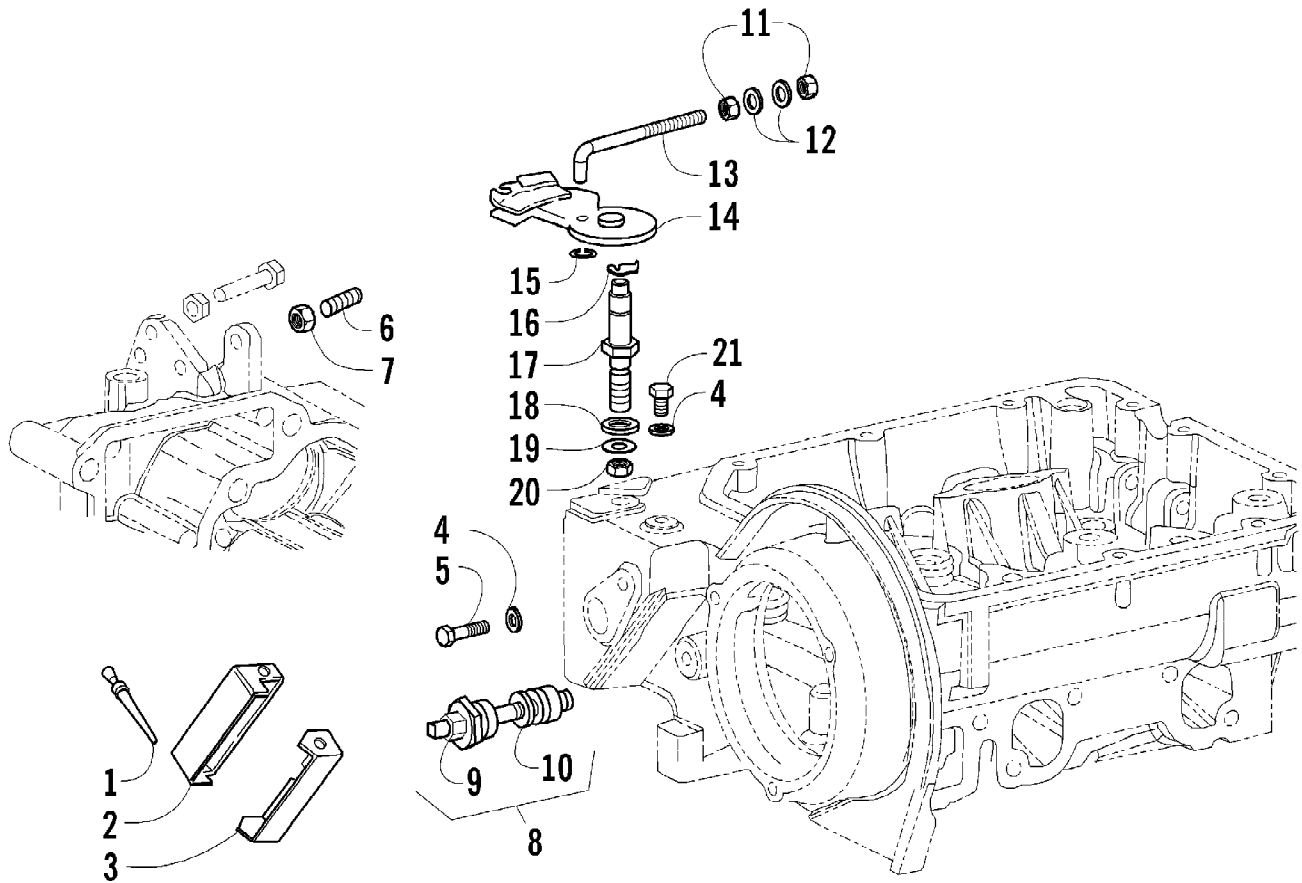


2011 ATV 700 DIESEL GREEN (A2011TBT4DUSG)  
TAILLIGHT ASSEMBLY

Page 75 of 94

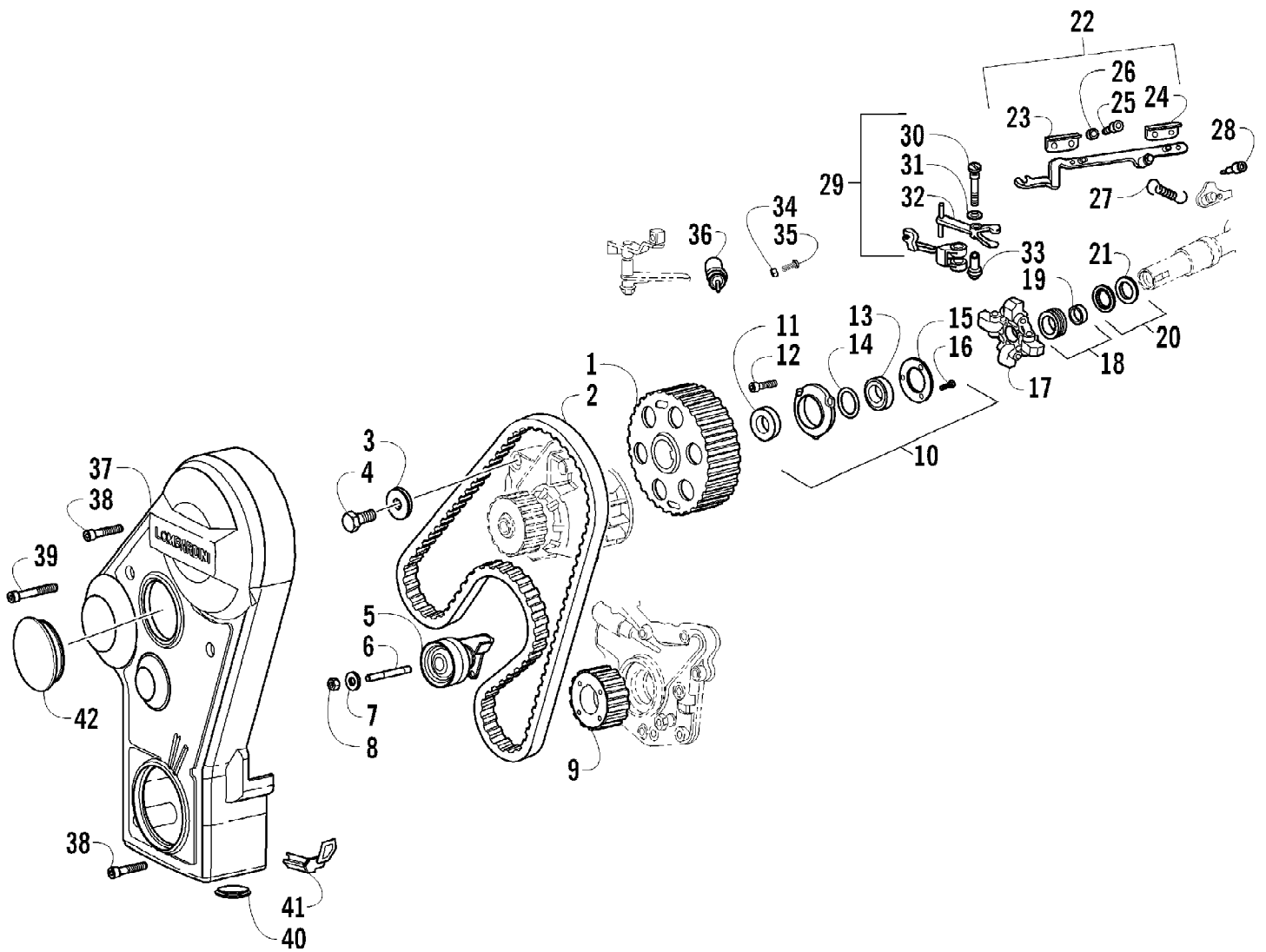
Ref #	Part Number	Qty	S/P/F	Description
1	0509-022	1		Taillight Assembly (inc. 2-4)
2	0509-025	1		Housing, Taillight
3	0409-056	1		Bulb, Taillight
4	0409-057	1		Socket, Taillight
5	0623-301	2	/P	Screw, Self-Tapping
6	8053-212	2	/P	Washer, External Tooth Lock

THROTTLE CONTROL AND LOCKED TORQUE DEVICE ASSEMBLIES



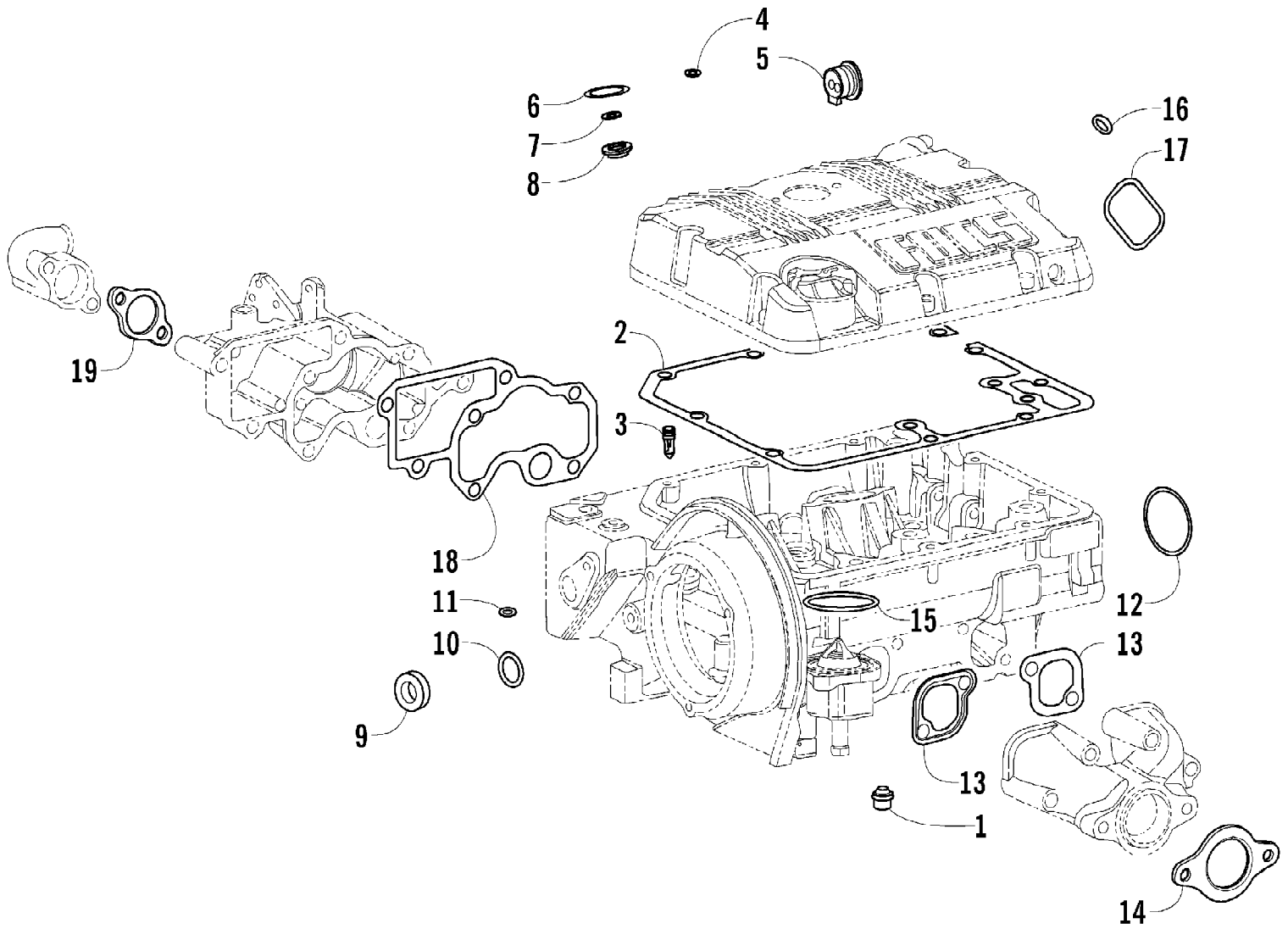
## THROTTLE CONTROL AND LOCKED TORQUE DEVICE ASSEMBLIES

Ref #	Part Number	Qty	S/P/F	Description
1	3206-247	3		Nail
2	3206-251	1		Plate, Safety
3	3206-250	1		Plate, Safety
4	3206-007	2		Seal
5	3206-252	1		Screw, Cap
6	3206-249	1		Bolt, Stud
7	3206-248	1		Nut
8	3206-236	1		Device, Locked Torque (inc. 9-10)
9	3206-233	1		Nut
10	3206-235	1		Gasket
11	3206-237	2		Nut
12	3206-238	2		Washer
13	3206-239	1		Rod, Tie
14	3206-241	1		Lever, Throttle Control
15	3206-242	1		Circlip
16	3206-243	1		Circlip
17	3206-244	1		Pin
18	3206-253	1		Washer
19	3206-246	1		Seal, Oil
20	3206-245	1		Nut
21	3206-240	2		Screw, Cap



2011 ATV 700 DIESEL GREEN (A2011TBT4DUSG)  
TIMING BELT AND SPEED GOVERNOR ASSEMBLIES

Ref #	Part Number	Qty	S/P/F	Description
1	3206-153	1		Pulley, Cam Driven
2	3206-154	1		Belt, Timing
3	3206-156	1		Washer
4	3206-155	1		Screw, Cap
5	3206-159	1		Pulley
6	3206-158	1		Bolt, Stud
7	3206-157	1		Washer
8	3206-142	1		Nut
9	3206-160	1		Pulley, Cam Drive
10	3206-209	1		Camshaft Support (inc. 11-16)
11	3206-208	1		Ring, Seal
12	3206-088	3		Screw, Cap
13	3206-211	1		Bearing
14	3206-210	1		Seal, Oil
15	3206-212	1		Plate
16	3206-166	3		Screw, Cap
17	3206-213	1		Flyweight - Assembly
18	3206-214	1		Sleeve, Control (inc. 19)
19	3206-216	1		Sleeve
20	3206-217	1		Roller, Thrust (inc. 21)
21	3206-215	1		Washer, Thrust
22	3206-218	1	S	Rail, Injection Pump (inc. 23-26)
23	3206-220	1		Plate
24	3206-219	1		Plate
25	3206-221	2		Screw, Cap
26	3206-223	2		Washer
27	3206-222	1		Spring, Fuel
28	3206-225	2		Screw, Cap
29	3206-228	1		Lever, Governor - Assembly (inc. 30-33)
30	3206-224	1		Pin, Lever
31	3206-226	1		Seal
32	3206-229	1		Sleeve
33	3206-227	1		Journal
34	3206-232	1		Nut
35	3206-231	1		Screw, Machine
36	3206-230	1		Device, Min-Max
37	3206-380	1	/P	Guard, Belt
38	3206-043	3		Screw, Cap
39	3206-189	1		Screw, Cap
40	3206-316	1		Plug
41	3206-317	1		Gasket
42	3206-318	1		Cap



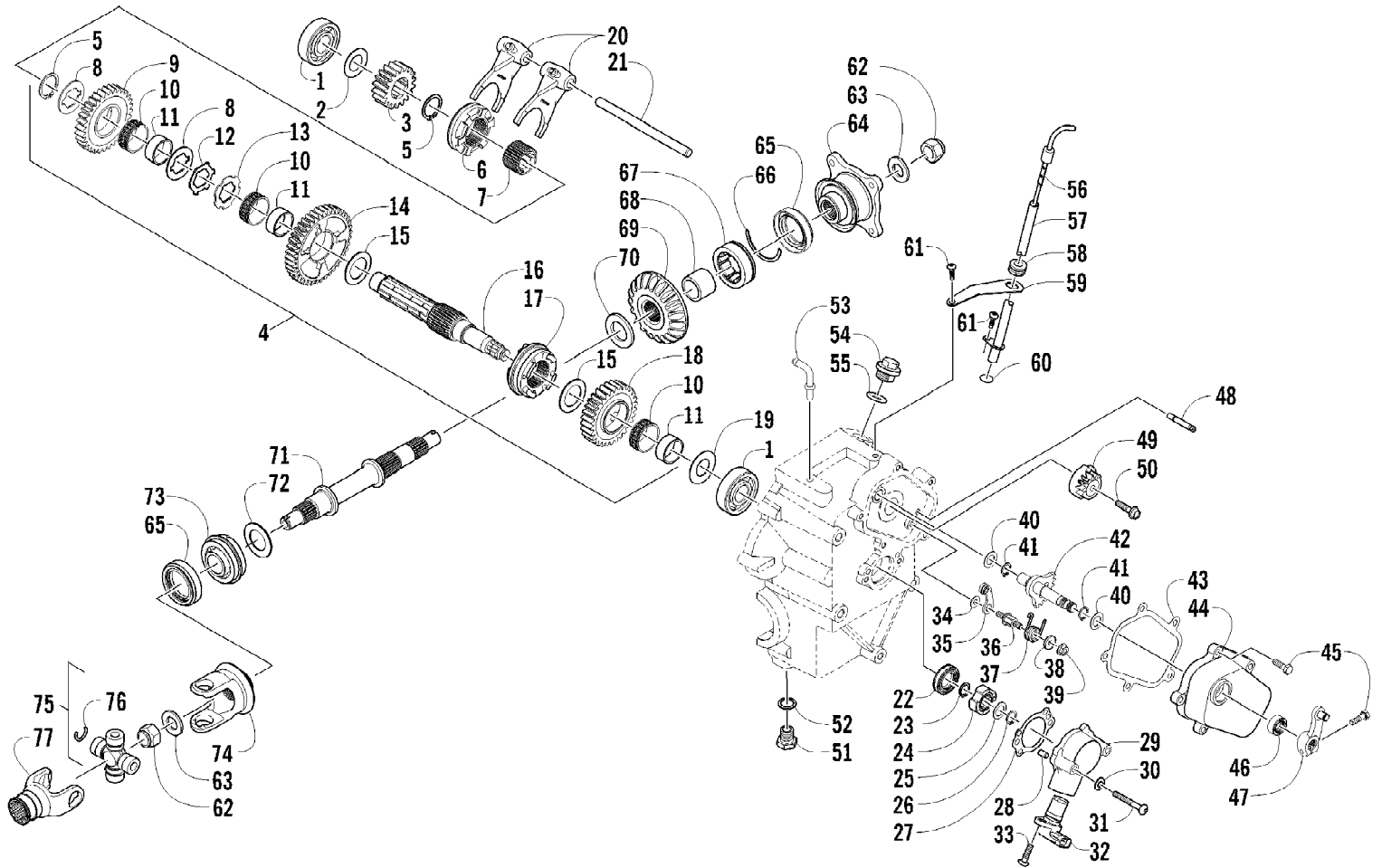


2011 ATV 700 DIESEL GREEN (A2011TBT4DUSG)  
TOP END GASKET SET ASSEMBLY

Page 81 of 94

Ref #	Part Number	Qty	S/P/F	Description
	3206-328	1		Top End Gasket Set
1	3206-152	4		Retainer, Valve - Cylinder Head
2	3206-086	1		Gasket, Rocker Arm Cover
3	3206-084	1		Connection, Rocker Arm Cover
4	3206-095	4		Seal, Ring - Delivery Pipe
5	3206-094	1		Seal, Delivery Pipe
6	3206-122	2		O-Ring, Injection Nozzle
7	3206-124	2		Gasket, Copper - Injection Nozzle
8	3206-059	2		Arrester, Spark - Injection Nozzle
9	3206-208	1		Ring, Seal - Governor Cover
10	3206-210	1		Seal, Oil - Governor Cover
11	3206-226	1		Seal, Governor Lever
12	3206-313	1		O-Ring, Cylinder Head Flange
13	3206-291	2		Gasket, Exhaust Manifold
14	3206-296	1	/P	Gasket, Exhaust
15	3206-260	1		O-Ring, Thermostat
16	3206-010	4		Washer, Crush
17	3206-256	1		O-Ring, Fuel Pump
18	3206-277	1		Gasket, Intake Manifold
19	3206-289	1		Gasket, Intake Flange

2011 ATV 700 DIESEL GREEN (A2011TBT4DUSG)  
TRANSMISSION LEFT-SIDE ASSEMBLY



2011 ATV 700 DIESEL GREEN (A2011TBT4DUSG)  
TRANSMISSION LEFT-SIDE ASSEMBLY

Page 83 of 94

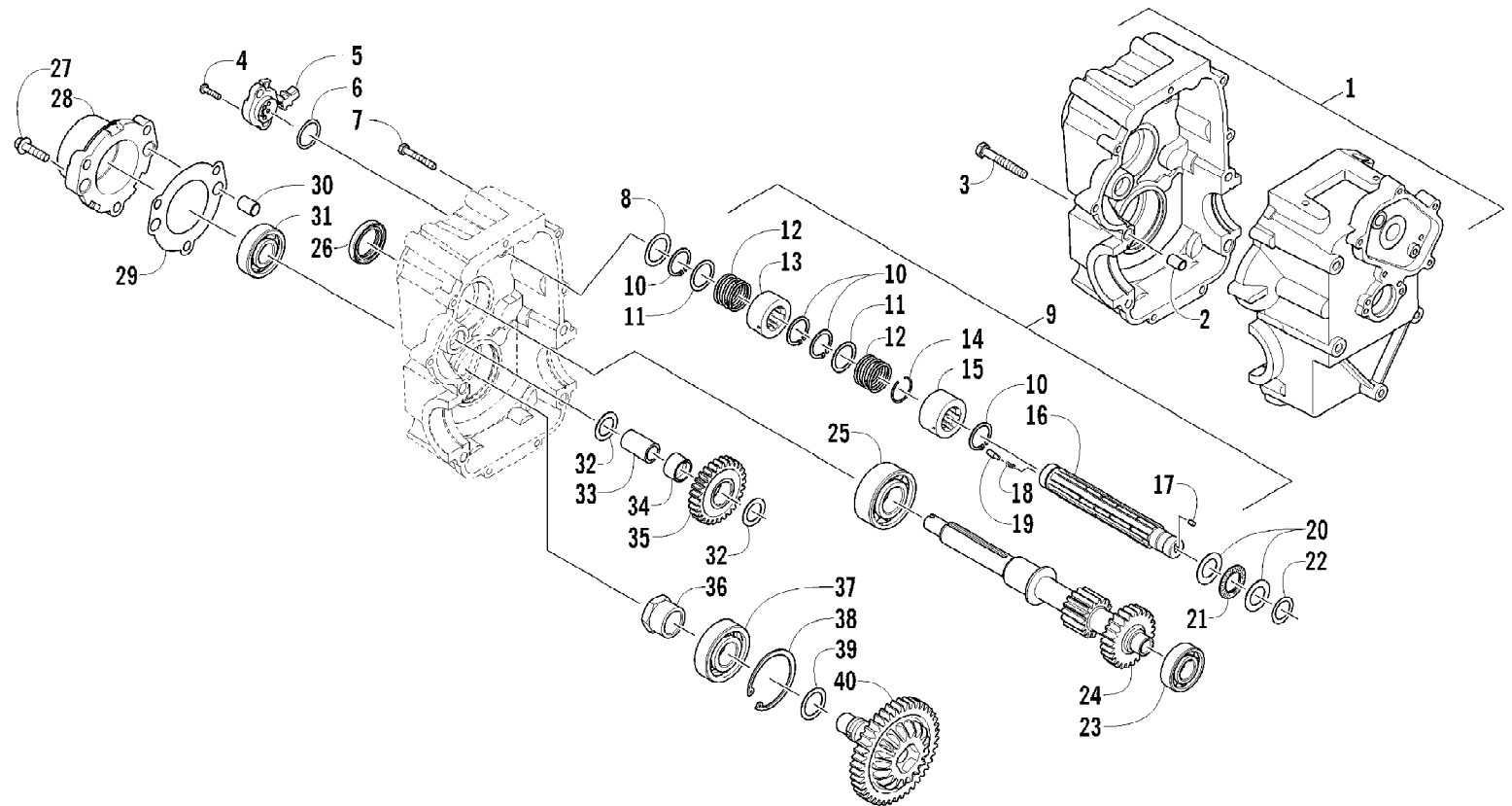
Ref #	Part Number	Qty	S/P/F	Description
1	0832-050	2	/P	Bearing
2	0828-010	1		Washer, Thrust
3	1402-558	1		Gear, Drive - No. 2 (18T)
4	0822-091	1	/P	Countershaft Assembly (inc. 5-18)
5	0831-011	2		Ring, Retaining
6	0822-014	1		Gear Select, Reverse
7	0822-045	1		Spacer, Reverse Driven Gear
8	0828-008	2		Washer
9	0822-013	1		Gear, Reverse Driven
10	0832-011	3		Bearing
11	0822-005	3		Bushing
12	0828-015	1		Washer, Lock
13	0828-014	1		Washer, Lock
14	0822-004	1		Gear, Driven - Low
15	0822-046	2		Washer
16	0822-003	1		Countershaft
17	0822-007	1		Gear Select, Sliding
18	0822-006	1		Gear, Driven - High
19	0828-011	1		Washer
20	0818-072	2	/P	Fork, Shift
21	0818-006	1		Shaft, Shift Fork
22	0822-052	1		Seal, Countershaft - Right
23	0831-040	1		Ring, Retaining
24	0822-050	1		Trigger, Speedometer Sensor
25	0828-069	1		Washer, Thrust
26	0831-039	1		Ring, Retaining
27	0830-129	1		Gasket, Odometer Drive
28	0829-023	2		Pin, Dowel
29	0822-049	1		Housing, Speedometer Sensor
30	0830-107	2		Gasket
31	8468-645	2		Screw, Machine
32	0824-042	1	/P	Sensor, Speedometer
33	8468-620	1	/P	Screw, Machine
34	0828-038	1		Washer
35	0818-002	1		Stopper, Cam
36	0818-004	1		Support, Cam Stopper
37	0818-090	1		Spring
38	0828-035	1		Washer
39	8424-602	1	/P	Nut
40	0828-036	2		Washer
41	0831-010	2		Ring, Retaining
42	0818-007	1	/P	Sub-Shaft - Gear Shift
43	1402-557	1		Gasket, Cover - Selector
44	1502-009	1		Cover, Selector
45	8405-620	6		Screw, Cap
46	0830-044	1		Sub-Seal - Gear Shift
47	0818-014	1		Arm, Selector
48	1402-556	1		Stop, Spring - Selector
49	0818-005	1	S	Plate, Gear Shift Cam
50	0826-006	1		Screw, Cap
51	0812-006	1		Plug, Drain - Magnetic
52	0830-017	1		Gasket, Compression
53	1402-102	1		Fitting Elbow

2011 ATV 700 DIESEL GREEN (A2011TBT4DUSG)  
TRANSMISSION LEFT-SIDE ASSEMBLY

Page 84 of 94

Ref #	Part Number	Qty	S/P/F	Description
54	0402-333	1	/P	Plug, Fill (inc. 55)
55	0423-154	1		O-Ring
56	0470-689	1		Level Stick, Lubricant
57	2506-388	1		Tube, Level Stick
58	0423-465	1		Grommet
59	2506-445	1		Bracket, Level Stick Tube
60	0423-715	1		O-Ring
61	0423-396	2		Screw, Self-Tapping
62	0827-013	2		Nut
63	0828-020	2		Washer
64	0819-005	1		Flange, Output Joint - Assembly
65	0830-043	2		Seal, Oil
66	0819-011	1		Ring, Driven Bearing
67	0832-016	1		Bearing
68	1402-555	1		Sleeve
69	1402-867	1		Gear, Secondary Driven
70	1402-864	1		Spacer
71	1402-554	1		Shaft, Output - Secondary
72	0828-021	AR		Shim, 25 x 34 x 0.25 mm
72	0828-022	AR		Shim, 25 x 34 x 0.30 mm
72	0828-023	AR		Shim, 25 x 34 x 0.70 mm
72	0828-024	AR		Shim, 25 x 34 x 0.90 mm
72	0828-025	AR		Shim, 25 x 34 x 0.95 mm
72	0828-026	AR		Shim, 25 x 34 x 1.00 mm
72	0828-027	AR		Shim, 25 x 34 x 1.05 mm
72	0828-028	AR		Shim, 25 x 34 x 1.10 mm
72	0828-029	AR		Shim, 25 x 34 x 1.15 mm
73	0832-017	1		Bearing, Driven Shaft
74	0619-061	1		Yoke, Drive Output - Front Assembly
75	1402-164	1	/P	Joint, Universal - Set (inc. 76)
76	0423-450	4		Ring, Retaining
77	0819-063	1		Yoke, Propeller Shaft

2011 ATV 700 DIESEL GREEN (A2011TBT4DUSG)  
TRANSMISSION RIGHT-SIDE ASSEMBLY



2011 ATV 700 DIESEL GREEN (A2011TBT4DUSG)  
TRANSMISSION RIGHT-SIDE ASSEMBLY

Page 86 of 94

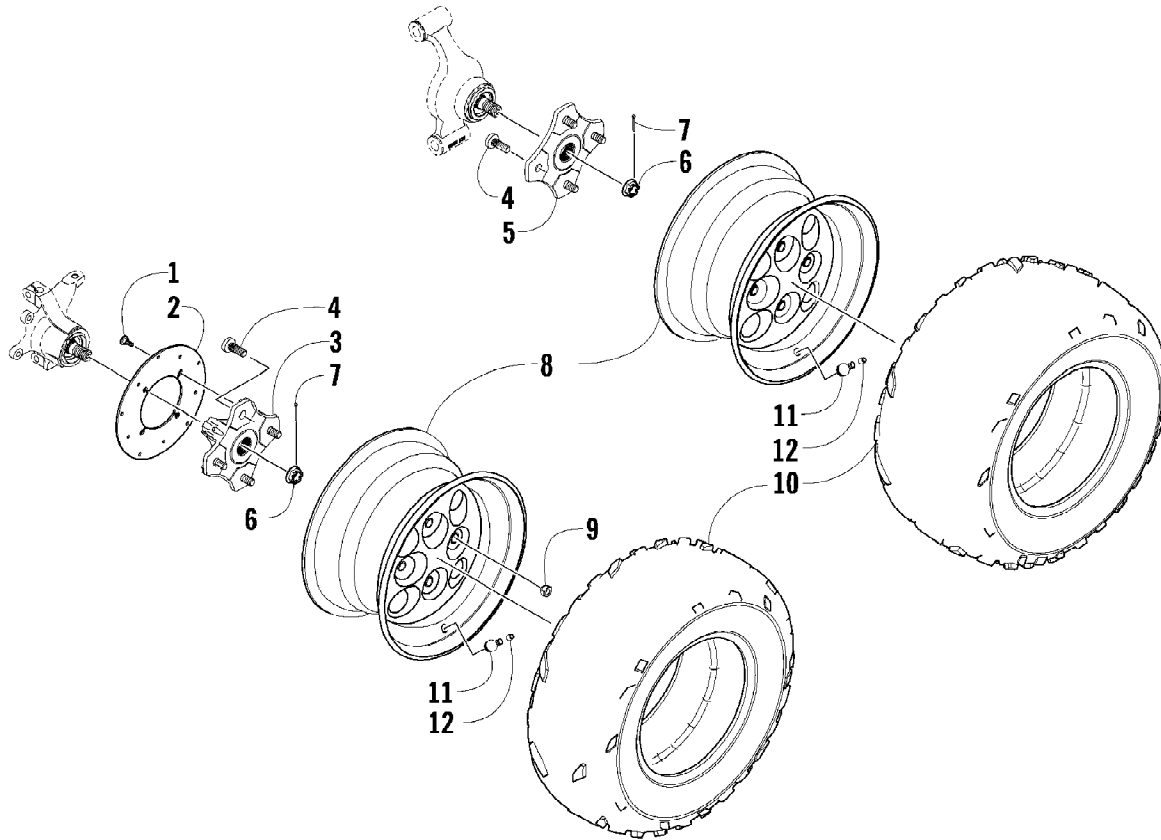
Ref #	Part Number	Qty	S/P/F	Description
1	1502-364	1	/P	Housing, Transmission - Set (inc. 2-3)
2	0829-003	2		Pin, Dowel
3	8405-855	4		Screw, Cap
4	8470-520	2		Screw, Machine
5	0409-090	1	/P	Switch, Gear Position
6	0423-714	1		O-Ring
7	8405-640	7		Screw, Cap
8	0828-040	1		Washer
9	0818-046	1		Shaft, Gear Shift - Assembly (inc. 10-17)
10	0831-011	4		Ring, Retaining
11	0828-039	2		Washer
12	0818-012	2		Spring, Cam - Gear Shift
13	0818-027	1		Cam, Reverse - Gear Shift
14	0818-011	1		C-Ring
15	0818-009	1		Cam, Forward - Gear Shift
16	0818-010	1		Shaft, Gear Shift
17	0829-011	1		Pin, Dowel
18	0818-017	2		Spring, Gear Shift Contact
19	0818-013	2		Contact, Gear Shift
20	0828-095	2		Washer
21	0832-052	1	/P	Bearing, Thrust
22	0828-037	1		Washer
23	0832-049	1	/P	Bearing
24	1402-553	1		Shaft, Input
25	0832-048	1	/P	Bearing
26	0830-035	1		Seal, Driveshaft
27	8408-830	3		Screw, Cap
28	0801-190	1		Housing, Secondary Output Shaft Bearing
29	1402-605	1		Gasket
30	0829-002	2		Pin, Dowel
31	0832-050	1	/P	Bearing
32	0828-016	2		Washer, Thrust
33	1402-737	1		Shaft, Reverse Idle
34	0822-012	1		Bushing
35	0822-011	1		Gear, Reverse Idle
36	0827-052	1		Nut
37	0832-077	1	/P	Bearing, Output - Secondary Shaft
38	0402-347	1		Ring, Retaining
39	0828-021	AR		Shim, 25 x 34 x 0.25 mm
39	0828-022	AR		Shim, 25 x 34 x 0.30 mm
39	0828-023	AR		Shim, 25 x 34 x 0.70 mm
39	0828-024	AR		Shim, 25 x 34 x 0.90 mm
39	0828-025	AR		Shim, 25 x 34 x 0.95 mm
39	0828-026	AR		Shim, 25 x 34 x 1.00 mm
39	0828-027	AR		Shim, 25 x 34 x 1.05 mm
39	0828-028	AR		Shim, 25 x 34 x 1.10 mm
39	0828-029	AR		Shim, 25 x 34 x 1.15 mm
40	1402-857	1		Gear, Secondary Drive



2011 ATV 700 DIESEL GREEN (A2011TBT4DUSG)  
WATER PUMP AND THERMOSTAT HOUSING ASSEMBLY

Ref #	Part Number	Qty	S/P/F	Description
1	3206-271	1		Pump, Water - Assembly
2	3206-273	2		Screw, Cap
3	3206-274	2		Screw, Cap
4	3206-272	1		Gasket
5	3206-262	1		Thermostat - Assembly (inc. 6-12)
6	3206-169	2		Screw, Cap
7	3206-259	1		Cover, Thermostat
8	3206-260	1		O-Ring
9	3206-261	1		Thermostat
10	3206-263	1		Body, Thermostat - Assembly
11	3206-206	1		Gasket
12	3206-265	1		Sensor, Engine Coolant Temperature
13	3206-266	2		Screw, Cap
14	3206-264	1		Gasket
15	3206-268	1		Gasket
16	3206-269	1		Flange
17	3206-200	2		Clamp, Hose
18	0410-111	1		Hose
19	3206-190	2		Clamp, Routing
20	3206-267	2		Screw

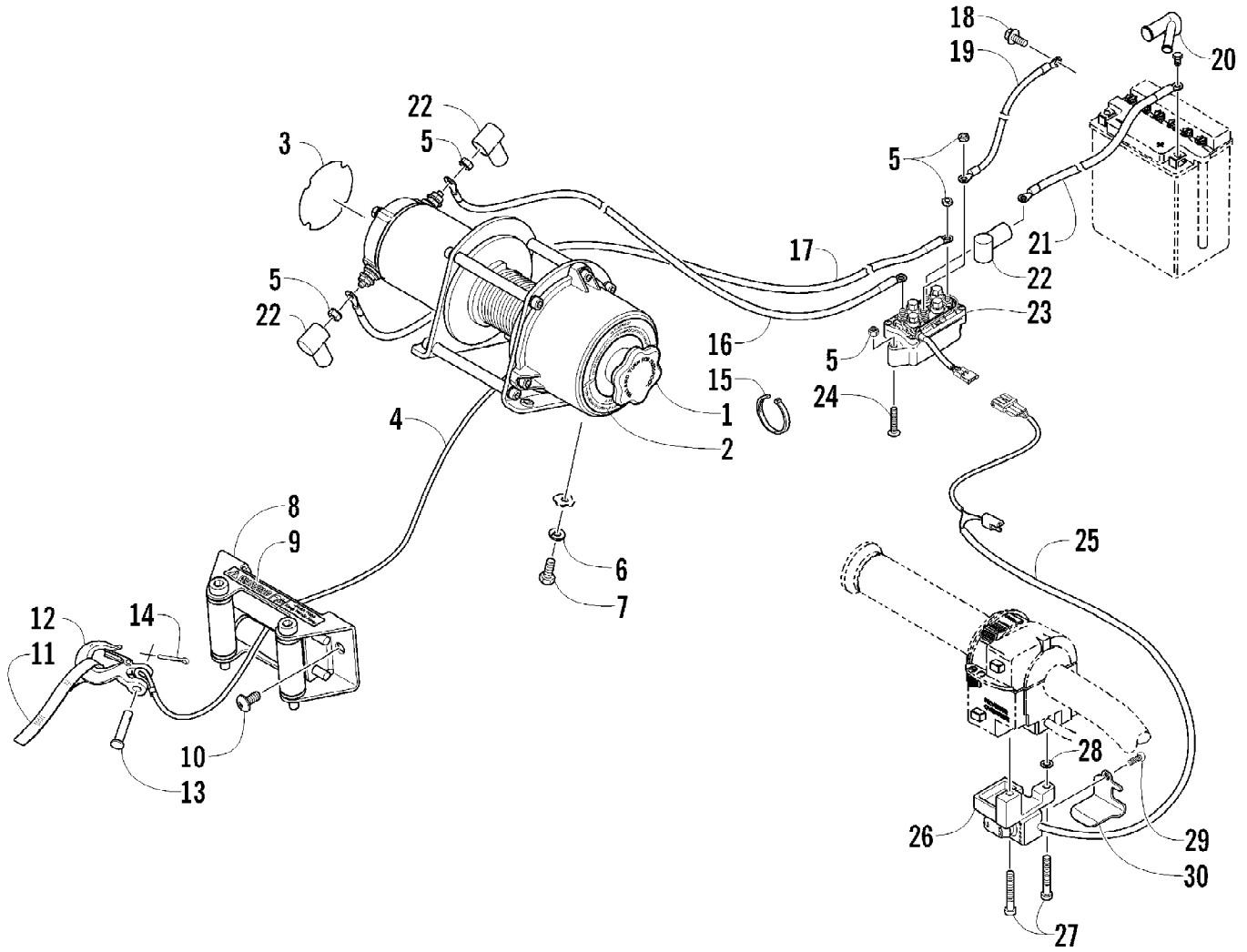




2011 ATV 700 DIESEL GREEN (A2011TBT4DUSG)  
WHEEL AND TIRE ASSEMBLY

Page 90 of 94

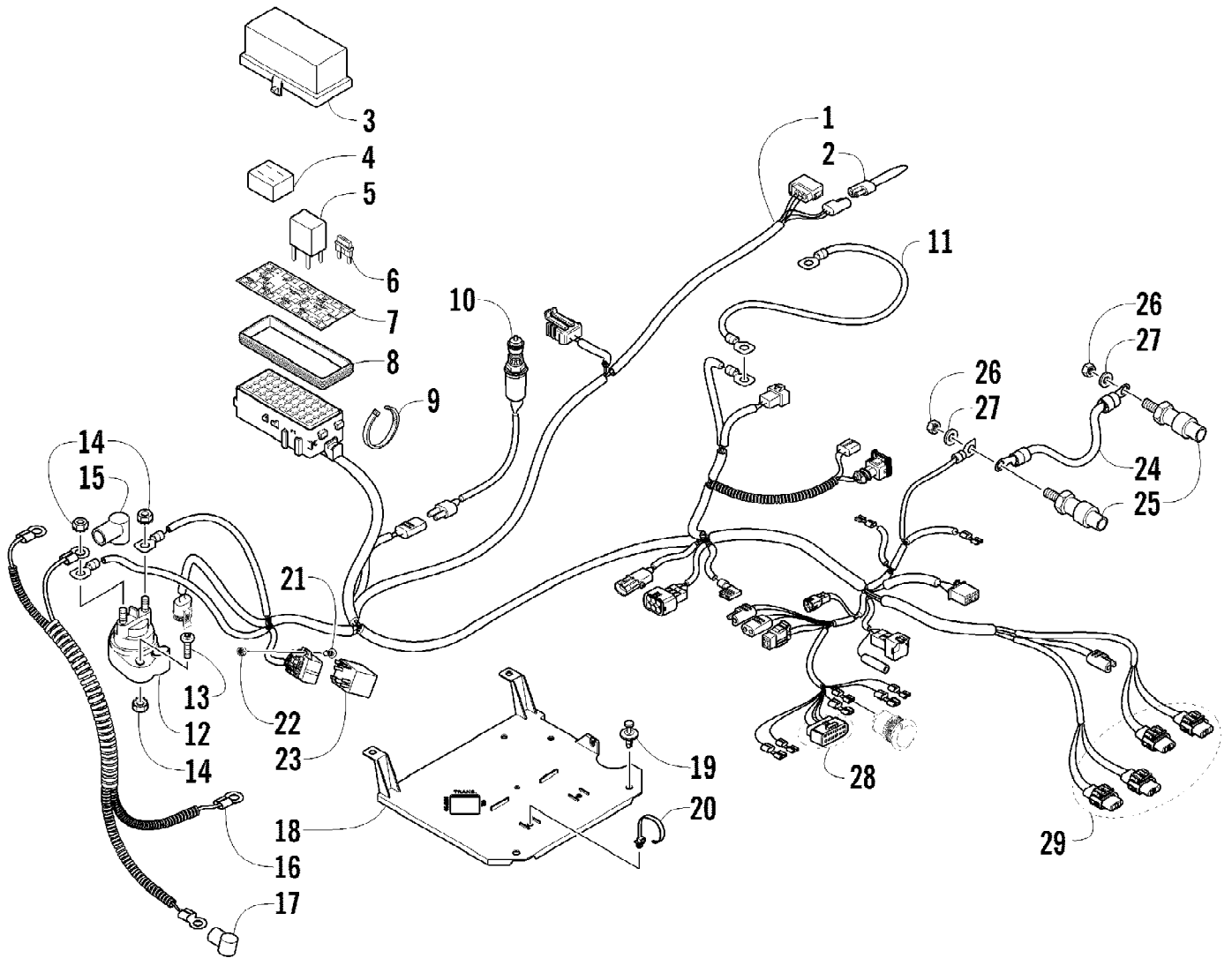
Ref #	Part Number	Qty	S/P/F	Description
1	0423-557	12		Screw, Shoulder
2	1436-164	3	/P	Disc, Brake
3	1502-462	2	/P	Hub, Wheel - Front (inc. 4)
4	0402-974	16	/P	Stud
5	1502-462	1	/P	Hub, Wheel - Rear - Right (inc. 4)
5	1502-464	1		Hub, Wheel - Rear - Left (inc. 4)
6	0423-607	4		Nut, Castle
7	0423-407	4		Pin, Cotter
8	1402-776	2		Wheel - Front
8	1402-777	2		Wheel - Rear
9	0423-408	16	/P	Nut, Lug
10	1402-894	2		Tire - Front
10	1402-895	2		Tire - Rear
11	0402-064	4		Stem, Valve (inc. 12)
12	0402-140	4		Cap, Valve Stem



2011 ATV 700 DIESEL GREEN (A2011TBT4DUSG)  
WINCH ASSEMBLY

Page 92 of 94

Ref #	Part Number	Qty	S/P/F	Description
1	1441-830	1		Winch (inc. 2-4 and two No. 5)
2	2411-141	1		Decal, Warning - Tension
3	2411-140	1		Decal, Warning - Operation
4	1441-831	1		Cable, Winch
5	0623-038	8		Nut w/Washer
6	8051-246	4		Washer, Lock
7	8408-820	4	/P	Screw, Cap
8	0441-403	1	/P	Roller, Winch (inc. 9)
9	0411-474	1		Decal, Warning - Pinch Point
10	8468-820	2		Screw, Machine
11	1441-781	1		Strap
12	1441-833	1		Hook, Winch
13	1441-834	1		Pin
14	0623-175	1		Pin, Cotter
15	0123-903	AR		Tie, Cable - 11.5 in.
16	0445-068	1		Cable, Winch/Solenoid - Yellow
17	0445-069	1		Cable, Winch/Solenoid - Blue
18	8408-812	1		Screw, Cap
19	0445-076	1		Cable, Ground - Black
20	0445-067	1		Boot, Terminal
21	0445-077	1		Cable, Solenoid/Battery - Red
22	0645-019	3		Boot, Terminal
23	0409-066	1	/P	Solenoid
24	8476-625	2		Screw, Machine
25	0409-087	1		Switch, Control
26	0409-033	1		Retainer, Control Switch
27	0623-051	2	/P	Screw, Machine
28	0423-593	1		Washer
29	0423-382	1		Screw, Self-Tapping
30	0409-106	1		Cover, Switch



2011 ATV 700 DIESEL GREEN (A2011TBT4DUSG)  
WIRING HARNESS ASSEMBLY

Page 94 of 94

Ref #	Part Number	Qty	S/P/F	Description
1	0486-347	1		Harness, Main (inc. 2-8)
2	0486-164	1		Tether, Accessory Connector
3	0430-085	1		Cover, Fuse Block
4	0430-037	1		Holder, Fuse
5	0430-045	3	/P	Relay (4-Pin) - 20 Amp
6	0430-032	4		Fuse - 10 Amp
6	0430-031	4		Fuse - 15 Amp
6	0430-030	2		Fuse - 30 Amp
7	2411-096	1		Decal, Fuse Block
8	0430-086	1		Seal
9	0123-788	AR	/P	Tie, Cable - 8 in.
9	0123-903	AR		Tie, Cable - 11.5 in.
10	0409-089	1		Switch, Brake - Assembly
11	0445-060	1		Cable, Battery/Ground
12	0445-058	1	/P	Solenoid
13	8476-625	2		Screw, Machine
14	0623-038	5		Nut w/Washer
15	0645-327	3		Boot, Terminal
16	0445-059	1		Cable, Battery - Assembly
17	0645-019	1		Boot, Terminal
18	2406-388	1		Tray, Electrical
19	0623-362	4		Rivet, Reinstallable
20	0423-075	AR		Tie, Cable - Push-Mount
21	0423-371	1		Screw, Machine
22	8424-502	1		Nut
23	3206-311	1		Relay, Glow Plug
24	3206-307	1		Cable, Glow Plug
25	3206-306	2		Glow Plug
26	3206-308	2		Nut
27	3206-309	2		Washer
28	1436-415	1		Repair Kit, Connector - LCD Gauge
29	1436-290	AR		Repair Kit, Connector - Headlight