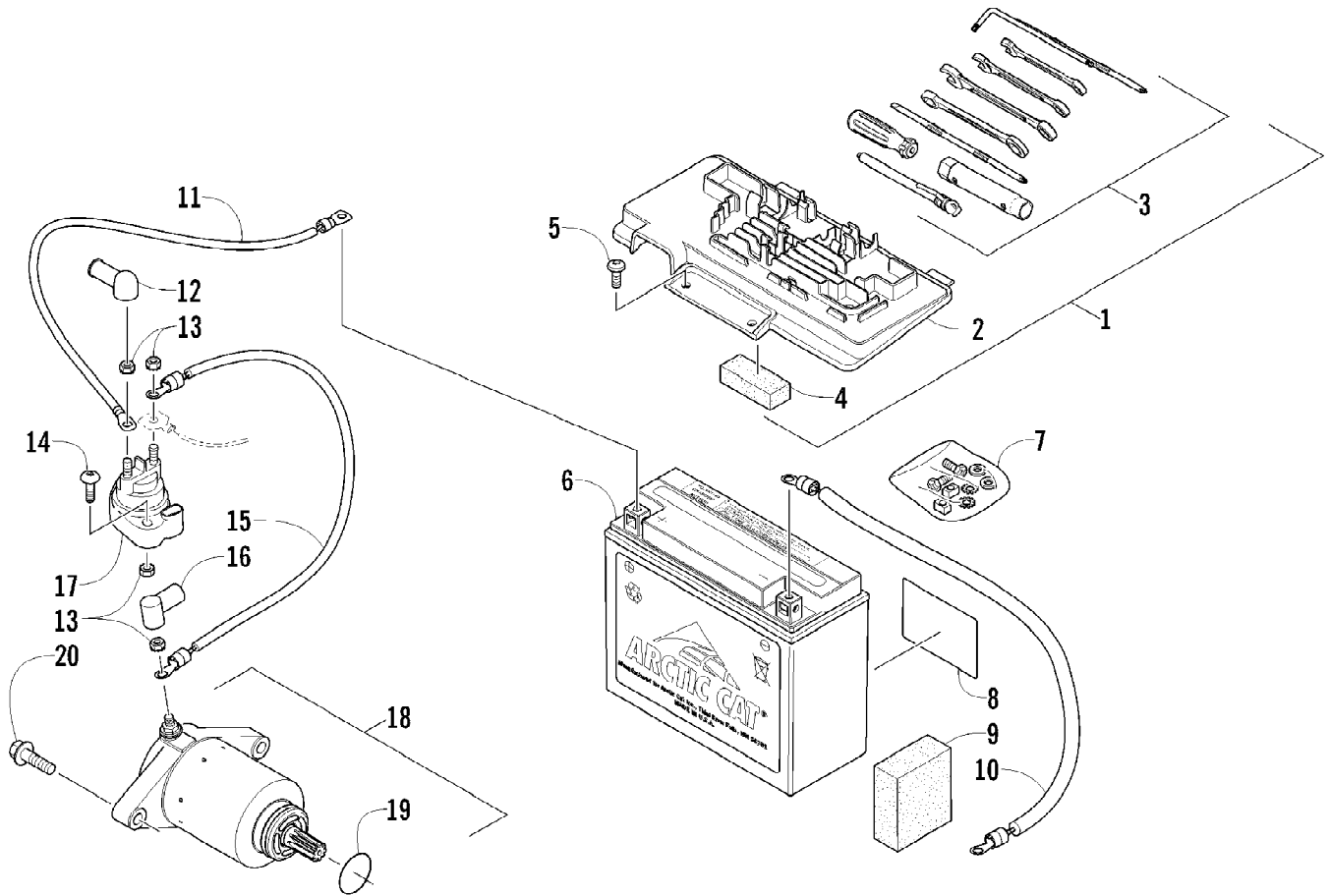
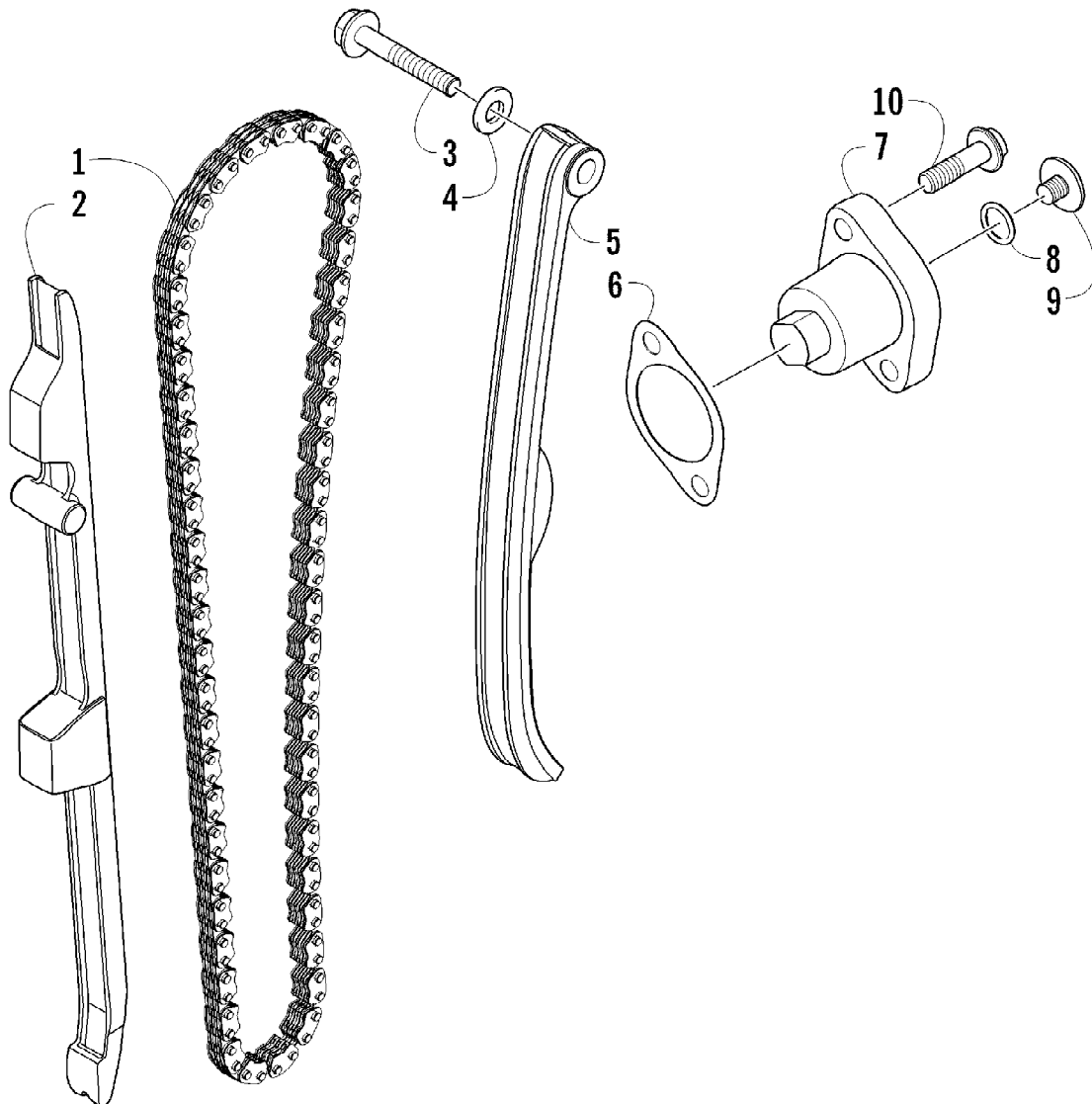


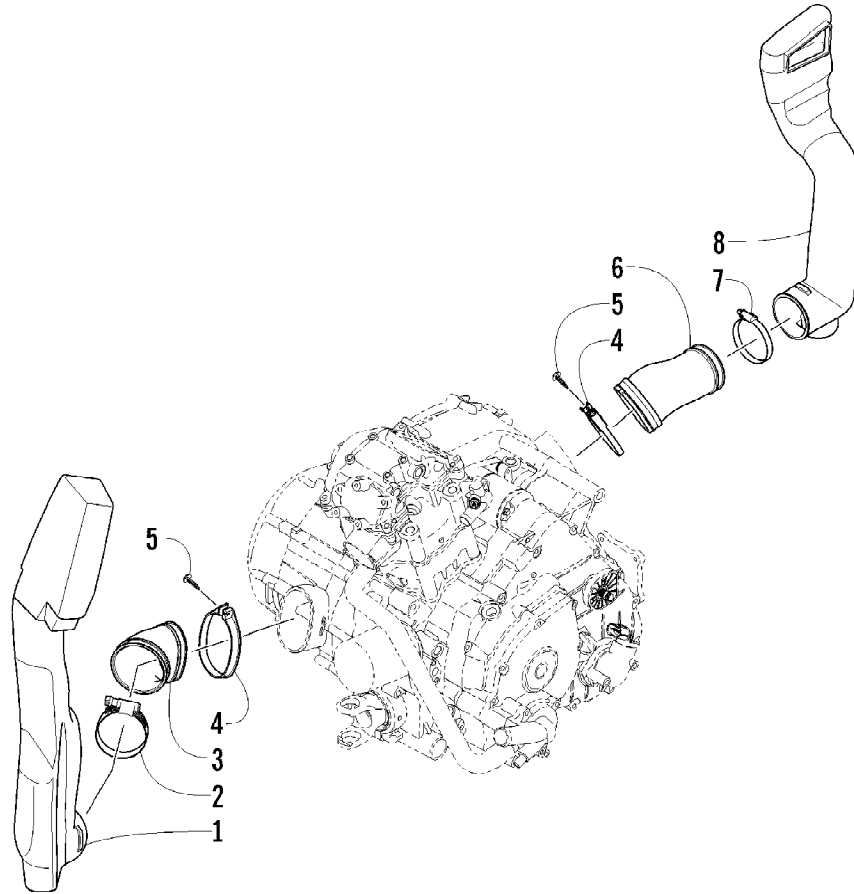
| Ref # | Part Number | Qty | S/P/F | Description |
|-------|-------------|-----|-------|--------------------------------------|
| 1 | 2406-013 | 1 | | Shroud, Splash |
| 2 | 0623-362 | 4 | | Rivet, Reinstallable |
| 3 | 0413-091 | 1 | | Diverter, Air - Top |
| 4 | 0413-093 | 1 | | Diverter, Air - Bottom |
| 5 | 0423-551 | 2 | | Clamp |
| 6 | 0423-342 | 2 | /P | Screw, Self-Tapping |
| 7 | 0413-096 | 1 | | Cap, Air Intake - Diverter |
| 8 | 0470-529 | 1 | | Duct, Air Intake - Engine |
| 9 | 0423-019 | 4 | | Clamp |
| 10 | 0470-875 | 1 | | Duct, Intake - Diverter/Housing |
| 11 | 0470-869 | 1 | | Boot, Intake - Diverter/Housing |
| 12 | 0470-872 | 1 | | Housing, Intake |
| 13 | 0470-890 | 1 | | Filter, Air |
| 14 | 0470-888 | 1 | | Boot, Adapter |
| 15 | 0470-891 | 1 | | Filter, Vent |
| 16 | 0470-873 | 1 | | Cover, Intake |
| 17 | 0623-784 | 11 | | Screw, Self-Tapping |
| 18 | 0470-874 | 1 | | Cover, Access |
| 19 | 0423-996 | 3 | | Screw, Thumb |
| 20 | 0470-892 | 1 | | Seal |
| 21 | 1623-637 | 3 | | Clip, U-Nut |
| 22 | 0470-876 | 1 | | Duct, Intake - Housing/Throttle Body |
| 23 | 0470-871 | 1 | | Boot, Intake - Housing/Throttle Body |
| 24 | 1623-281 | 2 | | Clamp, Hose |
| 25 | 0410-173 | 1 | /P | Hose, Vent |
| 26 | 2416-388 | 1 | | Panel, Shield |
| 27 | 0423-832 | 1 | | Clamp |



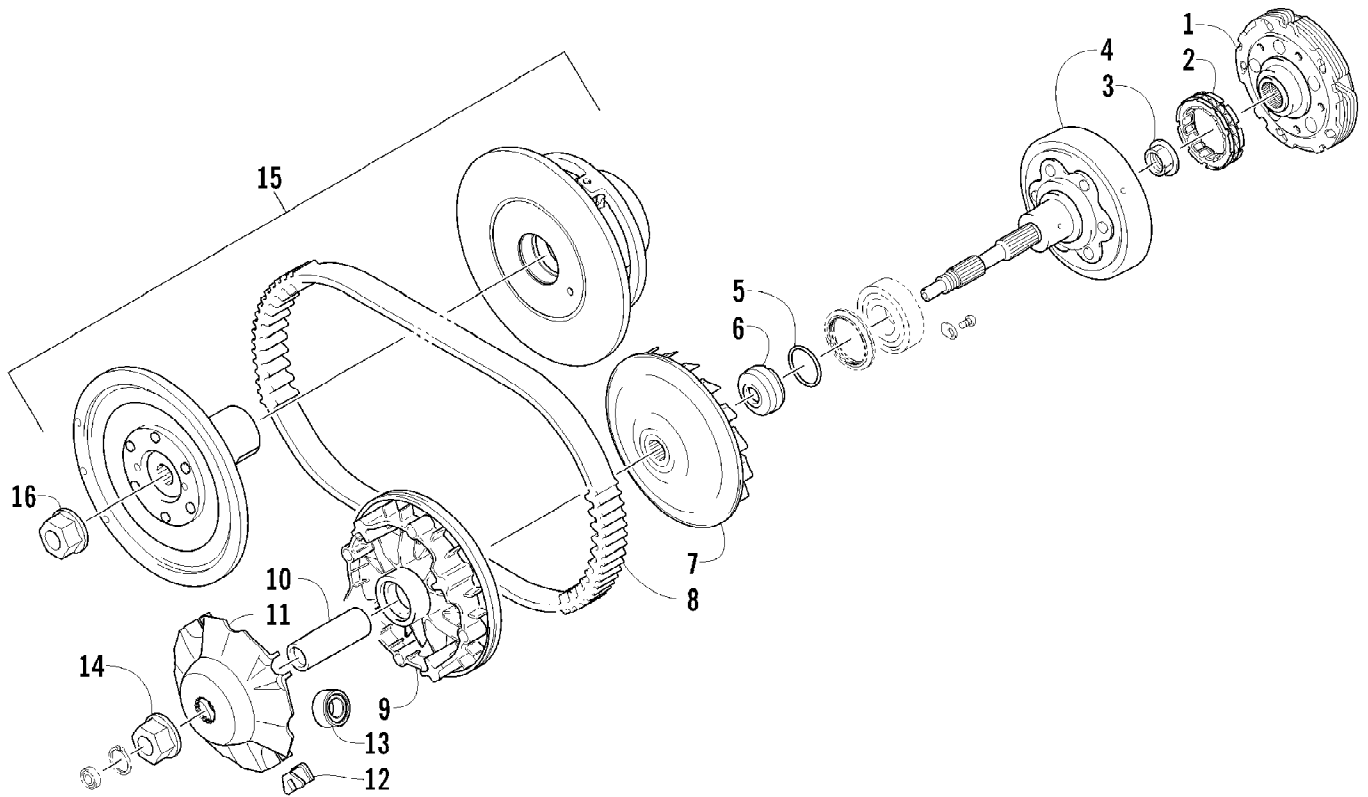
| Ref # | Part Number | Qty | S/P/F | Description |
|-------|-------------|-----|-------|---|
| 1 | 5991-655 | 1 | /P | Battery Cover/Tool Tray Assembly (inc. 2-4) |
| 2 | 2406-815 | 1 | /P | Cover, Battery |
| 3 | 0444-122 | 1 | S/P | Kit, Tool |
| 4 | 0417-016 | 1 | | Pad, Battery |
| 5 | 8476-620 | 2 | | Screw, Machine |
| 6 | 0645-480 | 1 | | Battery Assembly (inc. 7-8) |
| 7 | 0445-082 | 1 | | Kit, Hardware |
| 8 | 0645-430 | 1 | | Decal, Warning |
| 9 | 0417-012 | 1 | | Foam, Battery |
| 10 | 0445-070 | 1 | | Cable, Battery/Ground |
| 11 | 0445-062 | 1 | | Cable, Battery/Solenoid |
| 12 | 0645-327 | 1 | | Boot, Terminal |
| 13 | 0623-038 | 5 | | Nut w/Washer |
| 14 | 8476-625 | 2 | | Screw, Machine |
| 15 | 0445-064 | 1 | | Cable, Solenoid/Starter (inc. 16) |
| 16 | 0645-019 | 1 | | Boot, Terminal |
| 17 | 0445-058 | 1 | /P | Solenoid |
| 18 | 3305-954 | 1 | | Motor, Starter - Assembly (inc. 19) |
| 19 | 3304-104 | 1 | | O-Ring |
| 20 | 3305-946 | 2 | | Screw, Cap |



| Ref # | Part Number | Qty | S/P/F | Description |
|-------|-------------|-----|-------|--------------------------------|
| 1 | 0810-005 | 1 | | Chain, Cam |
| 2 | 0810-068 | 1 | | Guide, Chain |
| 3 | 0826-133 | 1 | | Pivot, Tensioner |
| 4 | 0830-150 | 1 | | Washer |
| 5 | 0810-007 | 1 | | Tensioner, Chain |
| 6 | 3303-035 | 1 | | Gasket |
| 7 | 3303-677 | 1 | | Adjuster, Tensioner - Assembly |
| 8 | 3304-100 | 1 | /P | O-Ring |
| 9 | 3304-006 | 1 | | Screw, Adjuster |
| 10 | 3303-360 | 2 | | Screw, Cap |

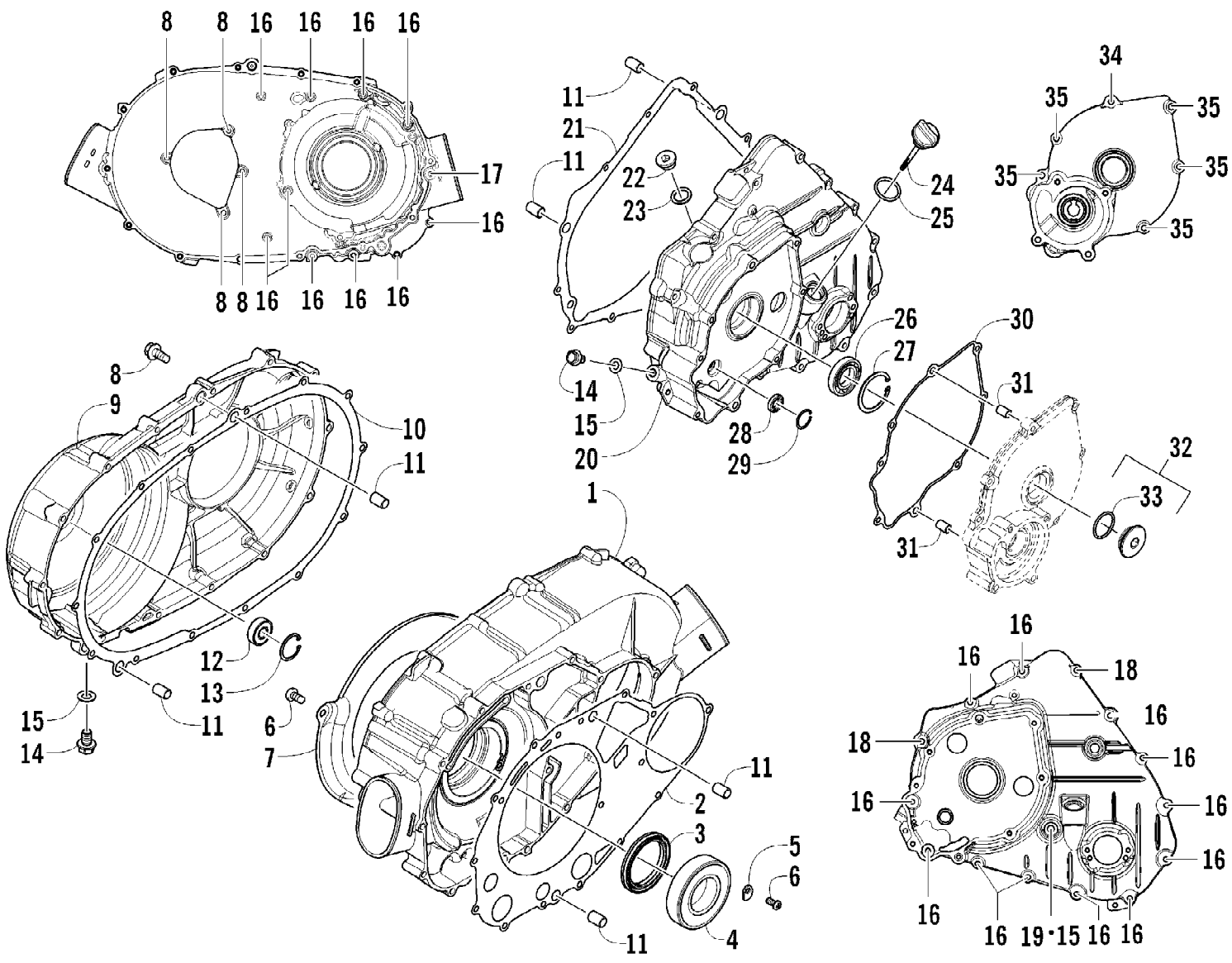


| Ref # | Part Number | Qty | S/P/F | Description |
|-------|-------------|-----|-------|----------------------------------|
| 1 | 0413-126 | 1 | | Duct, Air Intake - Front - Lower |
| 2 | 0423-057 | 1 | | Clamp |
| 3 | 0413-160 | 1 | /P | Boot, Duct - Air Intake - Front |
| 4 | 0423-550 | 2 | | Clamp |
| 5 | 0423-342 | 2 | /P | Screw, Self-Tapping |
| 6 | 0413-231 | 1 | | Boot, Duct - Air Out - Rear |
| 7 | 0423-019 | 1 | | Clamp |
| 8 | 0413-094 | 1 | | Duct, Air Out - Rear |

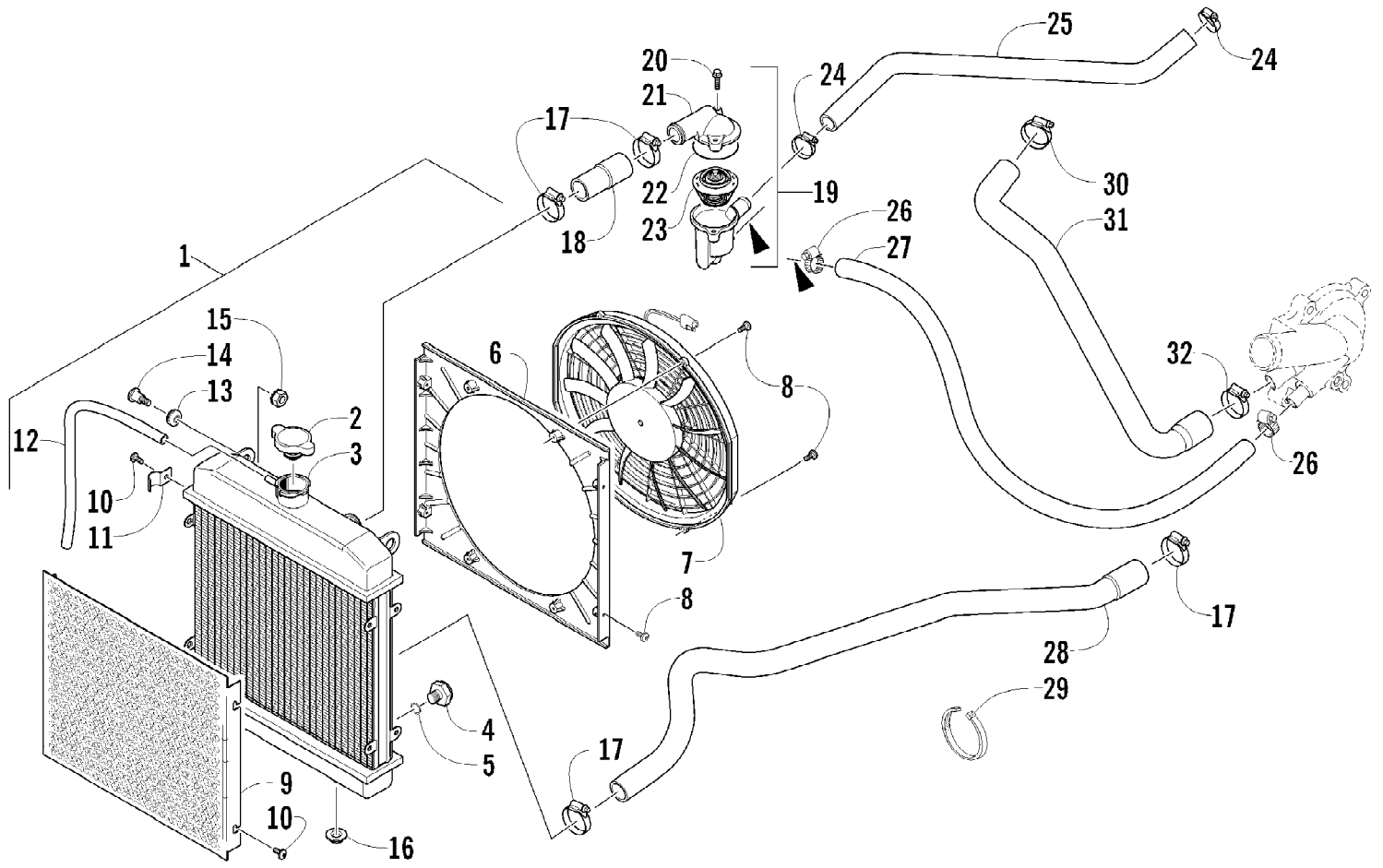


2011 ATV 450 EFI INTERNATIONAL METALLIC GRAY (A2011ICK4COSS) Page 10 of 79
 CLUTCH AND DRIVE BELT ASSEMBLY

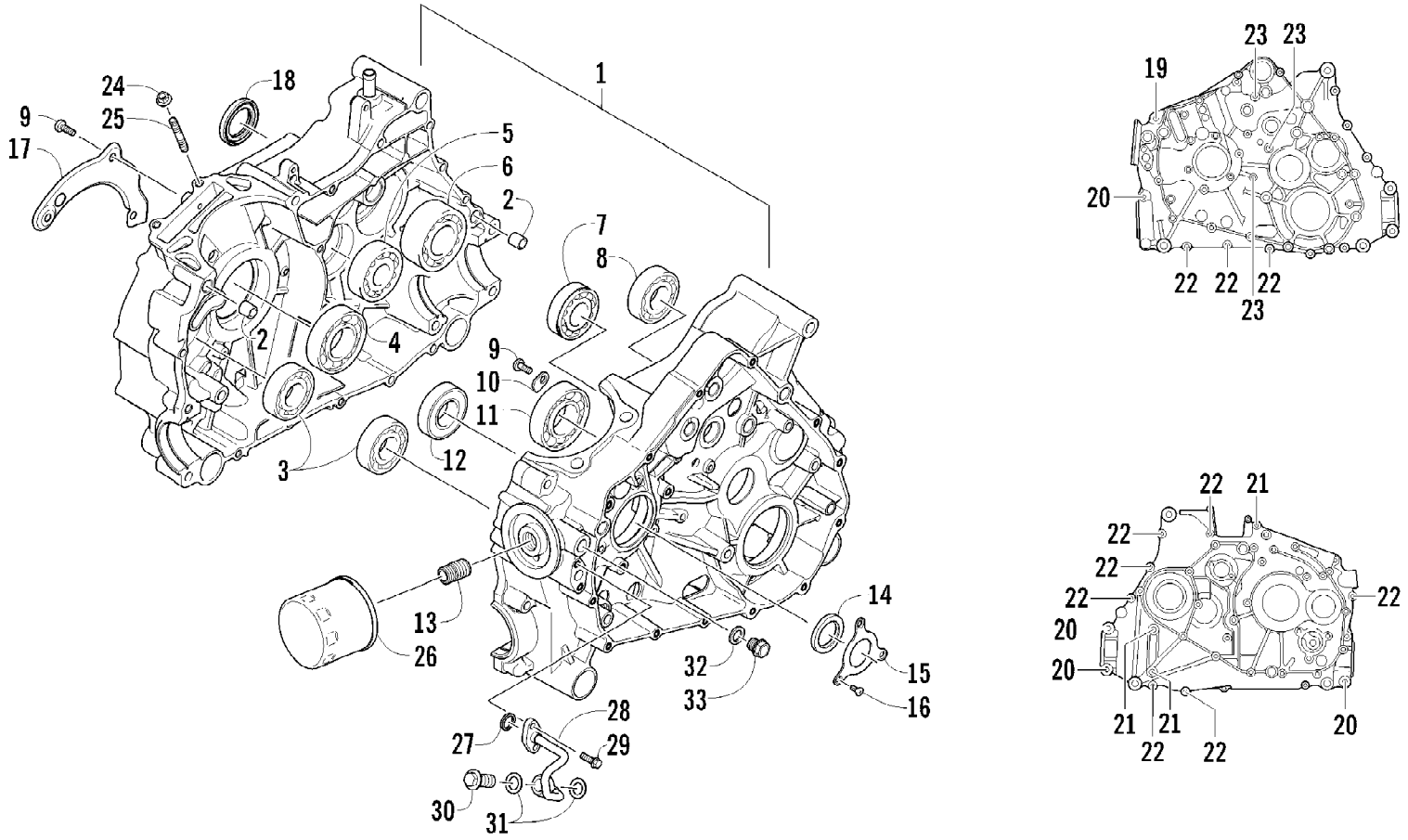
| Ref # | Part Number | Qty | S/P/F | Description |
|-------|-------------|-----|-------|----------------------------|
| 1 | 0823-328 | 1 | | Shoe, Clutch - Assembly |
| 2 | 0823-198 | 1 | | Clutch, One-Way |
| 3 | 0827-050 | 1 | | Nut |
| 4 | 0823-338 | 1 | | Housing, Clutch |
| 5 | 0830-187 | 1 | | O-Ring |
| 6 | 0823-058 | 1 | | Spacer |
| 7 | 0823-313 | 1 | | Face, Fixed Drive |
| 8 | 0823-228 | 1 | | Belt, Drive |
| 9 | 0823-324 | 1 | | Face, Movable Drive |
| 10 | 0823-206 | 1 | | Spacer, Movable Drive Face |
| 11 | 0823-213 | 1 | | Plate, Movable Drive Face |
| 12 | 0823-214 | 4 | | Damper, Movable Drive Face |
| 13 | 0823-351 | 8 | | Roller, Movable Drive Face |
| 14 | 3323-165 | 1 | /P | Nut |
| 15 | 0823-350 | 1 | | Clutch, Driven - Assembly |
| 16 | 0827-058 | 1 | | Nut |



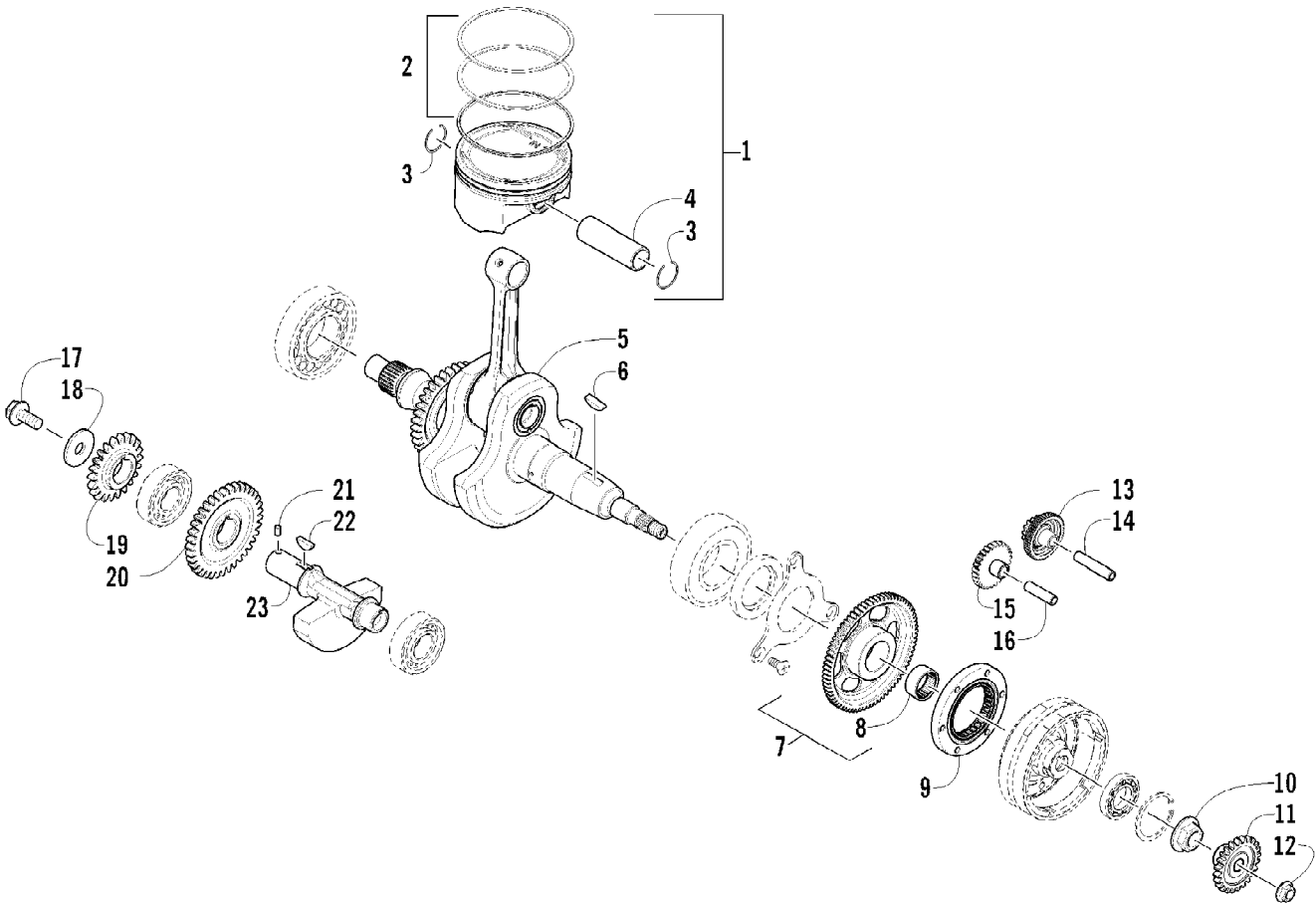
| Ref # | Part Number | Qty | S/P/F | Description |
|-------|-------------|-----|-------|----------------------------|
| 1 | 0806-026 | 1 | | Cover, Clutch |
| 2 | 0830-055 | 1 | | Gasket |
| 3 | 0830-157 | 1 | | Seal |
| 4 | 0832-071 | 1 | | Bearing |
| 5 | 0822-104 | 2 | | Retainer, Bearing |
| 6 | 0826-144 | 5 | | Screw, Machine |
| 7 | 0806-103 | 1 | | Plate, Air Intake |
| 8 | 3303-386 | 18 | /P | Screw, Cap |
| 9 | 0806-027 | 1 | | Cover, Drive Belt |
| 10 | 0830-056 | 1 | | Gasket |
| 11 | 0829-046 | 6 | | Pin, Dowel |
| 12 | 0832-023 | 1 | | Bearing |
| 13 | 3303-347 | 1 | | Circlip |
| 14 | 3303-365 | 2 | | Plug, Drain |
| 15 | 3303-591 | 3 | | Gasket, Drain Plug |
| 16 | 3304-903 | 22 | | Screw, Cap |
| 17 | 0826-066 | 1 | | Screw, Cap |
| 18 | 3304-191 | 2 | /P | Screw, Cap |
| 19 | 0826-068 | 1 | | Screw, Cap |
| 20 | 0806-122 | 1 | | Cover, Magneto |
| 21 | 0830-057 | 1 | | Gasket |
| 22 | 0806-099 | 1 | | Plug |
| 23 | 0830-141 | 1 | | Washer, Crush |
| 24 | 0806-029 | 1 | | Stick, Oil Level (inc. 25) |
| 25 | 3304-102 | 1 | /P | O-Ring, Oil Level Stick |
| 26 | 0832-053 | 1 | | Bearing |
| 27 | 3305-943 | 1 | | Ring, Retaining |
| 28 | 3305-944 | 1 | | Bearing |
| 29 | 3305-942 | 1 | | Ring, Retaining |
| 30 | 0830-206 | 1 | | Gasket |
| 31 | 3301-716 | 2 | | Pin, Dowel |
| 32 | 0812-087 | 1 | | Cap, Inspection (inc. 33) |
| 33 | 0835-016 | 1 | | O-Ring |
| 34 | 0826-136 | 1 | | Screw, Cap |
| 35 | 3303-383 | 5 | /P | Screw, Cap |



| Ref # | Part Number | Qty | S/P/F | Description |
|-------|-------------|-----|-------|---|
| 1 | 0413-256 | 1 | /P | Radiator Assembly (inc. 2-13) |
| 2 | 0413-255 | 1 | /P | Cap |
| 3 | 0413-205 | 1 | | Radiator |
| 4 | 0413-195 | 1 | | Plug, Drain |
| 5 | 1602-213 | 1 | /P | O-Ring |
| 6 | 0413-203 | 1 | | Shroud, Fan |
| 7 | 0413-123 | 1 | /P | Fan, Cooling |
| 8 | 0623-378 | 8 | | Screw, Self-Tapping |
| 9 | 0413-007 | 1 | | Screen |
| 10 | 8475-512 | 4 | | Screw, Machine |
| 11 | 0423-351 | 1 | | Clamp, Wire |
| 12 | 0610-016 | AR | /P | Hose - 25 ft |
| 12 | 0610-015 | AR | /P | Hose - 100 ft |
| 13 | 0423-030 | 2 | | Grommet |
| 14 | 0423-484 | 2 | | Screw, Shoulder |
| 15 | 0623-038 | 2 | | Nut w/Washer |
| 16 | 0423-028 | 2 | | Bushing, Stem |
| 17 | 0423-496 | 4 | | Clamp, Hose |
| 18 | 0410-205 | 1 | | Hose, Coolant - Radiator/Thermostat |
| 19 | 0808-192 | 1 | | Housing, Thermostat - Assembly (inc. 20-23) |
| 20 | 3303-384 | 2 | /P | Screw, Cap |
| 21 | 0808-202 | 1 | | Cover, Housing - Thermostat |
| 22 | 0830-205 | 1 | | O-Ring |
| 23 | 0813-050 | 1 | | Thermostat |
| 24 | 0423-490 | 2 | | Clamp, Hose |
| 25 | 0410-203 | 1 | | Hose, Coolant - Thermostat/Cylinder |
| 26 | 0423-632 | 2 | | Clamp, Hose |
| 27 | 0410-202 | 1 | | Hose, Coolant - Thermostat/Water Pump |
| 28 | 0410-204 | 1 | | Hose, Coolant - Radiator/Water Pump |
| 29 | 0123-788 | AR | /P | Tie, Cable - 8 in. |
| 29 | 0123-903 | AR | | Tie, Cable - 11.5 in. |
| 30 | 1423-008 | 1 | | Clamp, Hose |
| 31 | 0410-216 | 1 | | Hose, Coolant - Water Pump/Cylinder |
| 32 | 3305-941 | 1 | | Clamp, Hose |

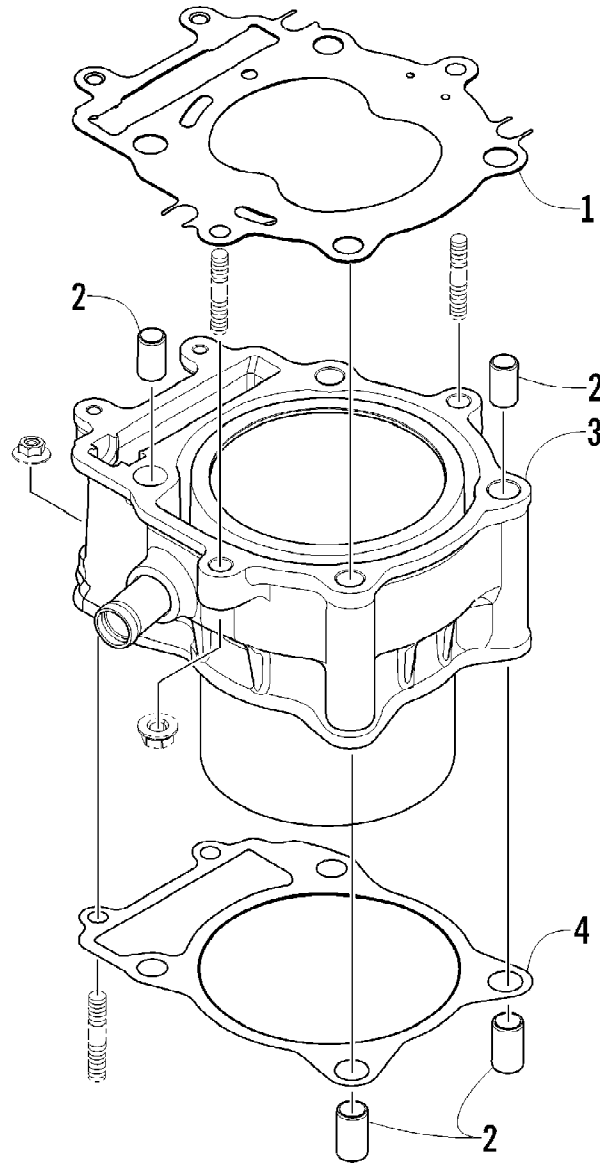


| Ref # | Part Number | Qty | S/P/F | Description |
|-------|-------------|-----|-------|----------------------------------|
| 1 | 0801-191 | 1 | | Crankcase - Assembly (inc. 2-21) |
| 2 | 0829-050 | 2 | | Pin, Dowel |
| 3 | 3313-745 | 2 | | Bearing |
| 4 | 0832-087 | 1 | | Bearing |
| 5 | 3304-198 | 1 | | Bearing |
| 6 | 0832-074 | 1 | | Bearing |
| 7 | 3304-195 | 1 | | Bearing |
| 8 | 3304-699 | 1 | /P | Bearing |
| 9 | 0826-144 | 5 | | Screw, Machine |
| 10 | 0822-104 | 2 | | Retainer, Bearing |
| 11 | 0832-019 | 1 | | Bearing |
| 12 | 0832-020 | 1 | | Bearing |
| 13 | 0812-066 | 1 | | Union, Oil Filter |
| 14 | 0830-058 | 1 | | Seal |
| 15 | 0805-018 | 1 | | Retainer |
| 16 | 0826-145 | 3 | | Screw, Machine |
| 17 | 0801-018 | 1 | | Plate, Oil Guide - Right |
| 18 | 0830-066 | 1 | | Seal |
| 19 | 3303-372 | 1 | | Screw, Cap |
| 20 | 0826-126 | 4 | | Screw, Cap |
| 21 | 0826-064 | 3 | | Screw, Cap |
| 22 | 3303-387 | 10 | | Screw, Cap |
| 23 | 0826-065 | 3 | | Screw, Cap |
| 24 | 3303-331 | 2 | /P | Nut |
| 25 | 3313-721 | 2 | | Bolt, Stud |
| 26 | 0812-029 | 1 | S | Filter, Oil |
| 27 | 0830-172 | 1 | | O-Ring |
| 28 | 0812-086 | 1 | | Oilline |
| 29 | 3303-617 | 2 | /P | Screw, Cap |
| 30 | 0812-084 | 1 | | Bolt, Banjo-Fitting |
| 31 | 0812-085 | 2 | | Washer |
| 32 | 0830-143 | 1 | /P | Gasket |
| 33 | 0835-004 | 1 | | Plug, Oil Pressure |

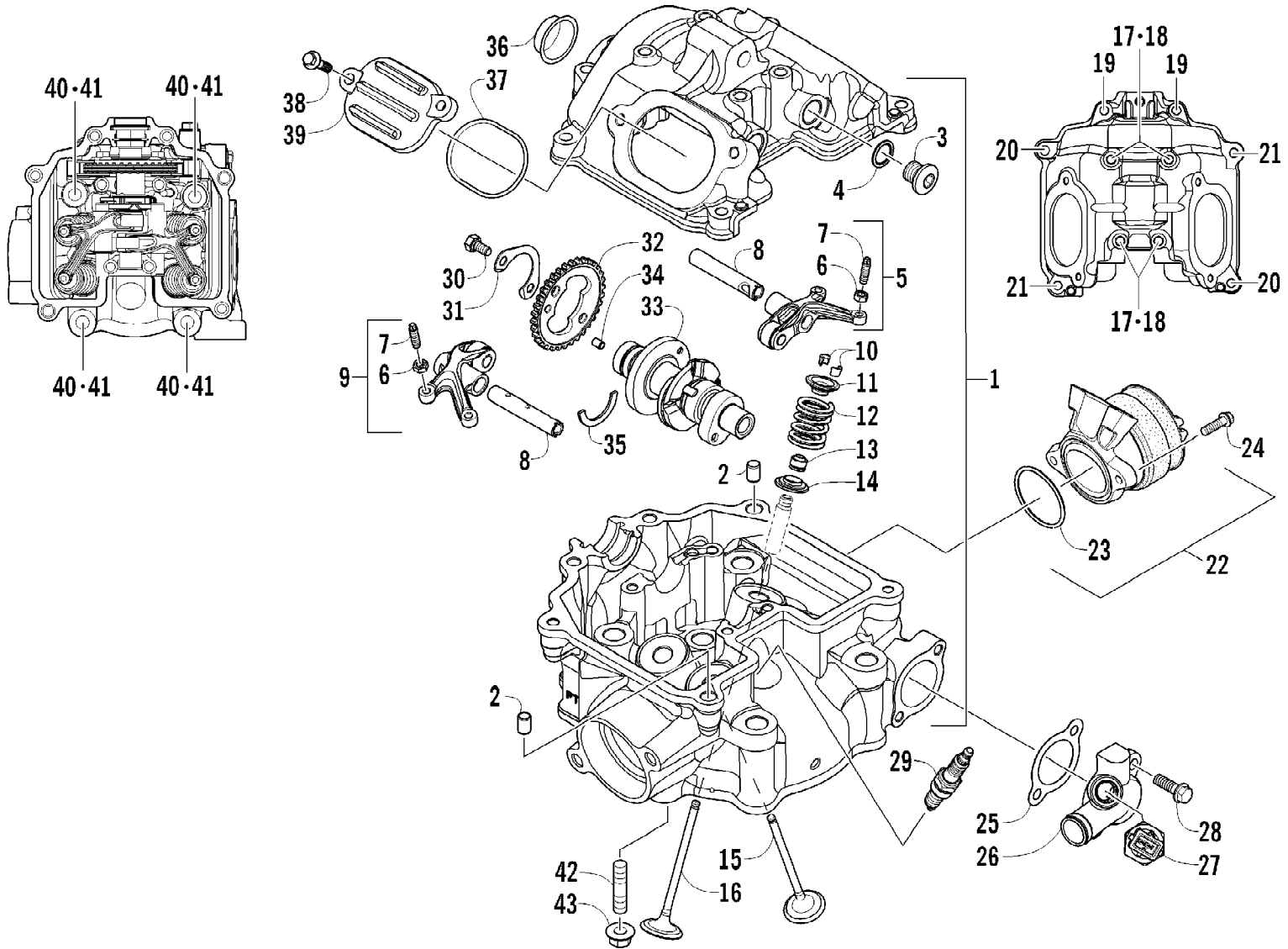


2011 ATV 450 EFI INTERNATIONAL METALLIC GRAY (A2011ICK4COSS) Page 18 of 79
 CRANKSHAFT, BALANCER, STARTER GEAR, AND PISTON ASSEMBLIES

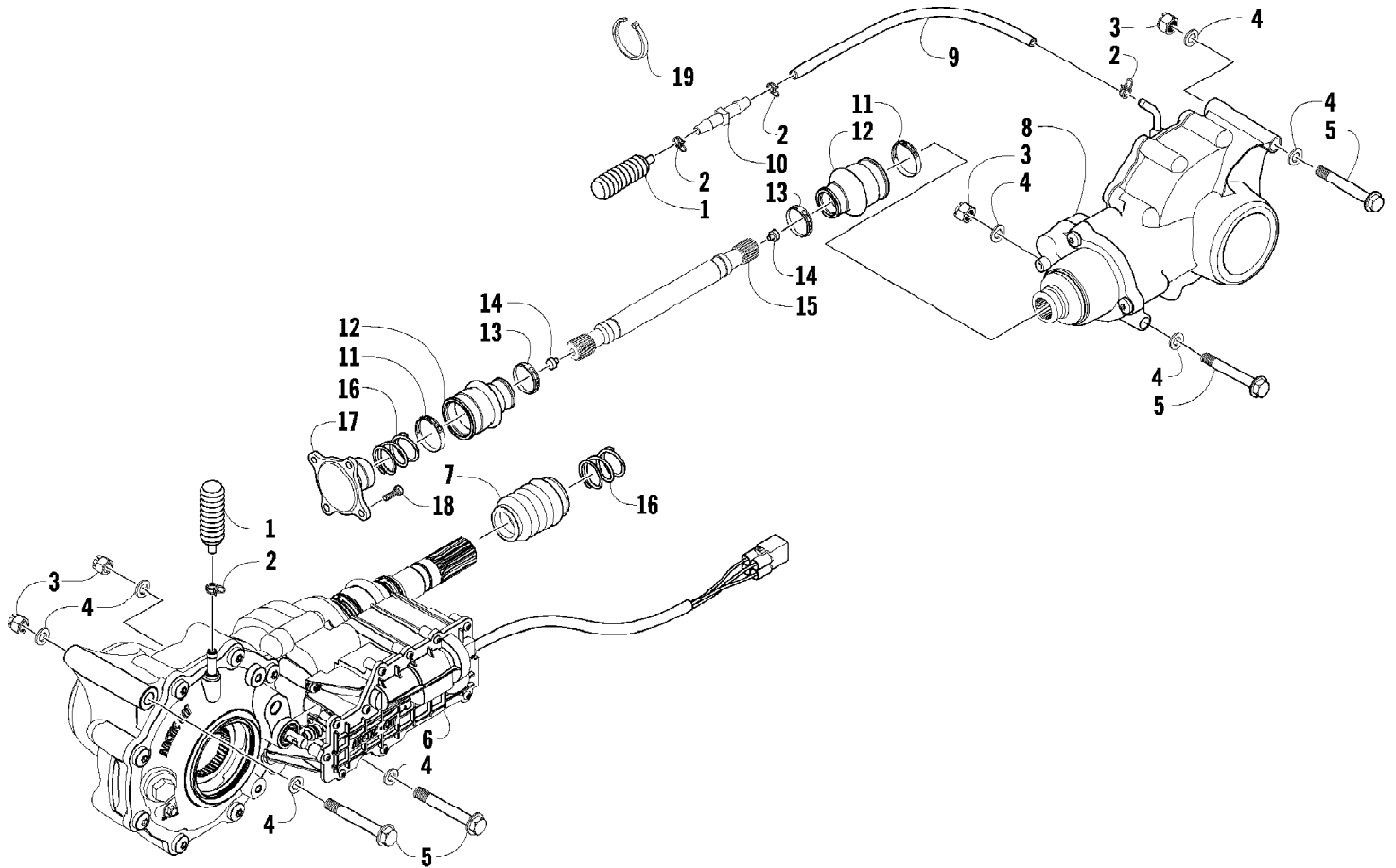
| Ref # | Part Number | Qty | S/P/F | Description |
|-------|-------------|-----|-------|-------------------------------|
| 1 | 0805-333 | 1 | /P | Piston Set (inc. 2-4) |
| 2 | 0805-320 | 1 | | Ring, Piston - Set |
| 3 | 0831-060 | 2 | | Circlip |
| 4 | 0805-023 | 1 | | Pin, Piston |
| 5 | 0805-013 | 1 | | Crankshaft Assembly |
| 6 | 0829-039 | 1 | | Key |
| 7 | 0815-023 | 1 | | Gear, Starter Clutch (inc. 8) |
| 8 | 0832-069 | 1 | | Bearing |
| 9 | 0802-044 | 1 | /P | Clutch, One-Way |
| 10 | 0827-046 | 1 | | Nut |
| 11 | 0811-036 | 1 | | Gear, Drive |
| 12 | 3303-333 | 1 | /P | Nut |
| 13 | 0815-025 | 1 | | Gear, Starter Idler - No. 1 |
| 14 | 0815-007 | 1 | | Pin, Starter Idler Gear No. 1 |
| 15 | 0815-022 | 1 | | Gear, Starter Idler - No. 2 |
| 16 | 0815-015 | 1 | | Pin, Starter Idler Gear No. 2 |
| 17 | 0826-118 | 1 | | Screw, Cap |
| 18 | 0828-091 | 1 | | Washer |
| 19 | 0811-009 | 1 | | Gear, Oil Pump Drive |
| 20 | 0811-006 | 1 | | Gear, Driven |
| 21 | 3304-144 | 1 | | Pin, Alignment |
| 22 | 0829-037 | 1 | | Key |
| 23 | 0811-035 | 1 | | Balancer, Crank |



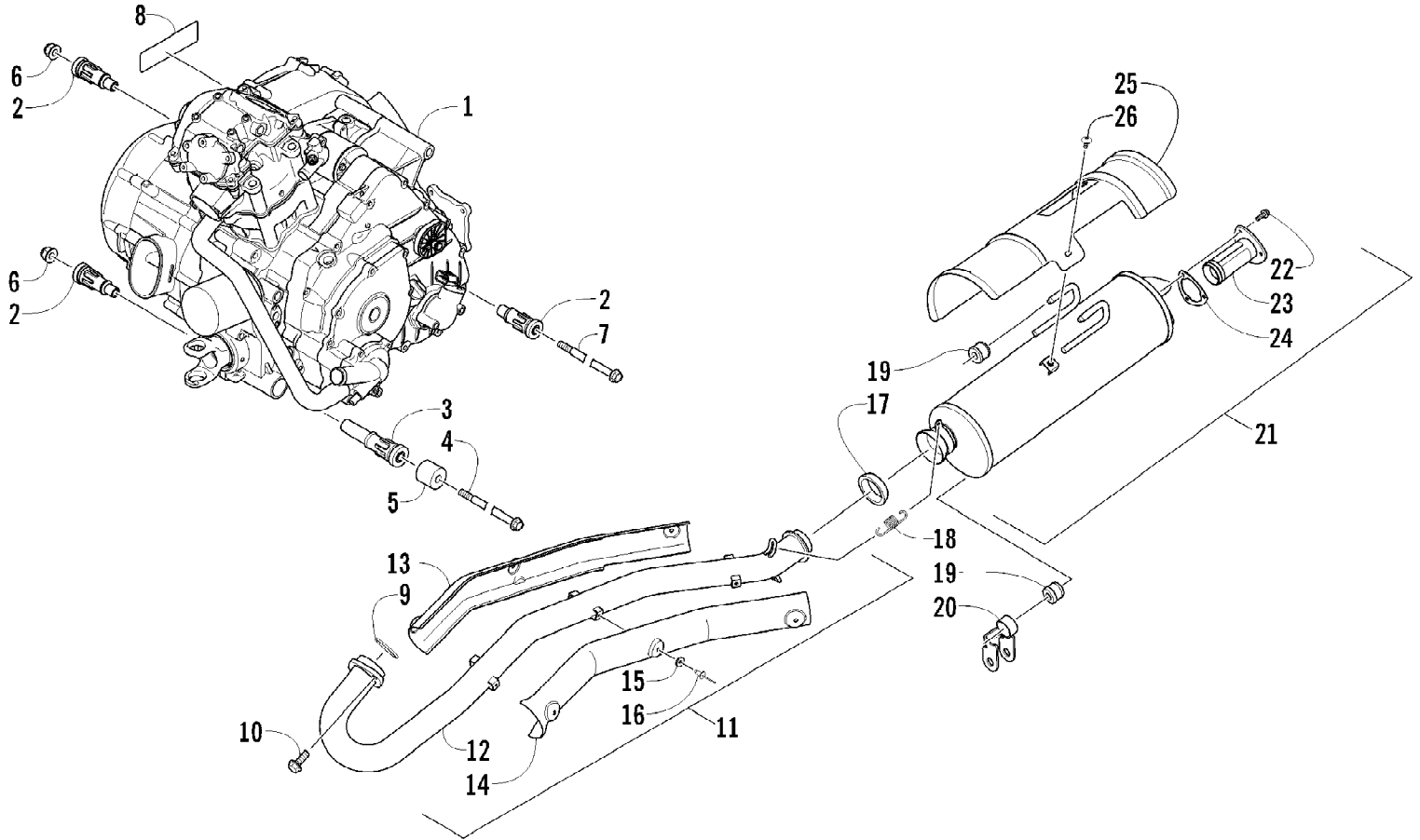
| Ref # | Part Number | Qty | S/P/F | Description |
|-------|-------------|-----|-------|-----------------------|
| 1 | 0830-203 | 1 | | Gasket, Cylinder Head |
| 2 | 0829-046 | 4 | | Pin, Dowel |
| 3 | 0804-056 | 1 | | Cylinder |
| 4 | 0830-204 | 1 | | Gasket, Cylinder |



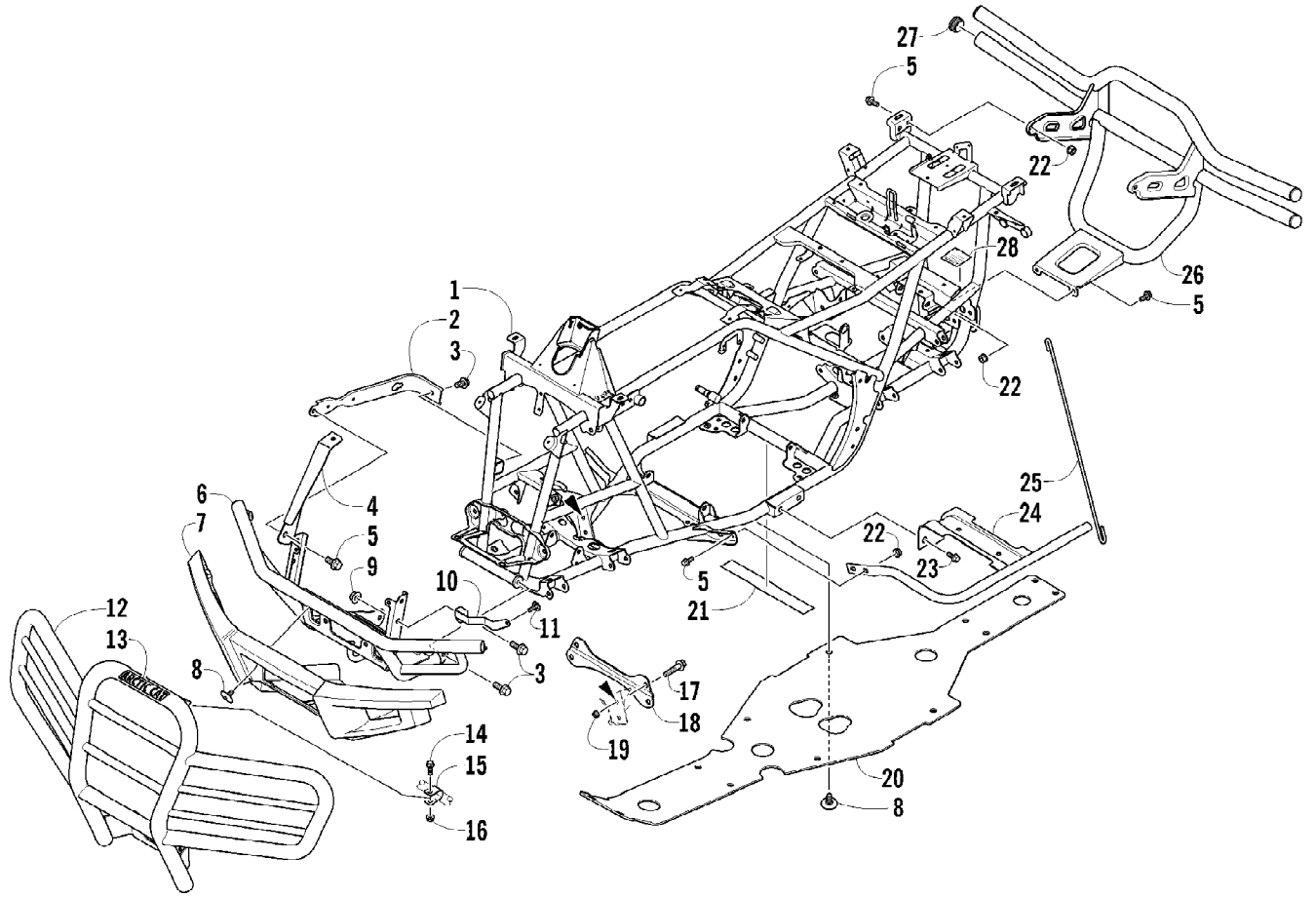
| Ref # | Part Number | Qty | S/P/F | Description |
|-------|-------------|-----|-------|--|
| 1 | 0808-205 | 1 | | Head, Cylinder (inc. 2-17) |
| 2 | 3303-341 | 2 | | Pin, Dowel |
| 3 | 0831-053 | 2 | | Plug, Shaft |
| 4 | 0830-143 | 2 | /P | Gasket |
| 5 | 0809-254 | 1 | | Arm, Valve Rocker - Intake (inc. 6-7) |
| 6 | 3304-026 | 4 | /P | Nut |
| 7 | 3304-007 | 4 | /P | Screw, Adjuster |
| 8 | 0809-256 | 2 | | Shaft, Rocker Arm |
| 9 | 0809-252 | 1 | | Arm, Valve Rocker - Exhaust (inc. 6-7) |
| 10 | 3303-044 | 8 | | Cotter, Valve |
| 11 | 0809-142 | 4 | | Retainer, Spring |
| 12 | 0809-257 | 4 | | Spring, Valve |
| 13 | 0809-190 | 4 | | Seal, Oil |
| 14 | 0809-141 | 4 | | Seat, Spring |
| 15 | 0809-266 | 2 | | Valve, Exhaust |
| 16 | 0809-263 | 2 | | Valve, Intake |
| 17 | 3304-904 | 4 | | Screw, Cap |
| 18 | 0830-155 | 4 | /P | Gasket |
| 19 | 3304-918 | 2 | | Screw, Cap |
| 20 | 0826-136 | 2 | | Screw, Cap |
| 21 | 3303-384 | 2 | /P | Screw, Cap |
| 22 | 0570-304 | 1 | | Manifold, Intake (inc. 23) |
| 23 | 0830-202 | 1 | | O-Ring |
| 24 | 3303-383 | 2 | /P | Screw, Cap |
| 25 | 0830-200 | 1 | | Gasket |
| 26 | 0806-121 | 1 | | Fitting, Coolant - Assembly |
| 27 | 0808-196 | 1 | | Sensor, Engine Coolant Temperature |
| 28 | 3303-617 | 2 | /P | Screw, Cap |
| 29 | 0217-708 | 1 | F | Spark Plug |
| 30 | 0826-154 | 2 | | Screw, Cap |
| 31 | 0828-086 | 1 | | Plate, Retainer |
| 32 | 0809-259 | 1 | | Sprocket |
| 33 | 0809-260 | 1 | | Camshaft (inc. 34) |
| 34 | 0829-036 | 1 | | Pin, Alignment |
| 35 | 0809-165 | 1 | | C-Ring |
| 36 | 0808-112 | 1 | | Plug, Head |
| 37 | 0830-139 | 2 | | O-Ring |
| 38 | 3303-383 | 4 | /P | Screw, Cap |
| 39 | 0808-111 | 2 | | Cap, Inspection |
| 40 | 0826-062 | 4 | | Screw, Cap |
| 41 | 0828-044 | 4 | | Washer |
| 42 | 0827-064 | 2 | | Bolt, Stud |
| 43 | 3303-332 | 2 | | Nut |



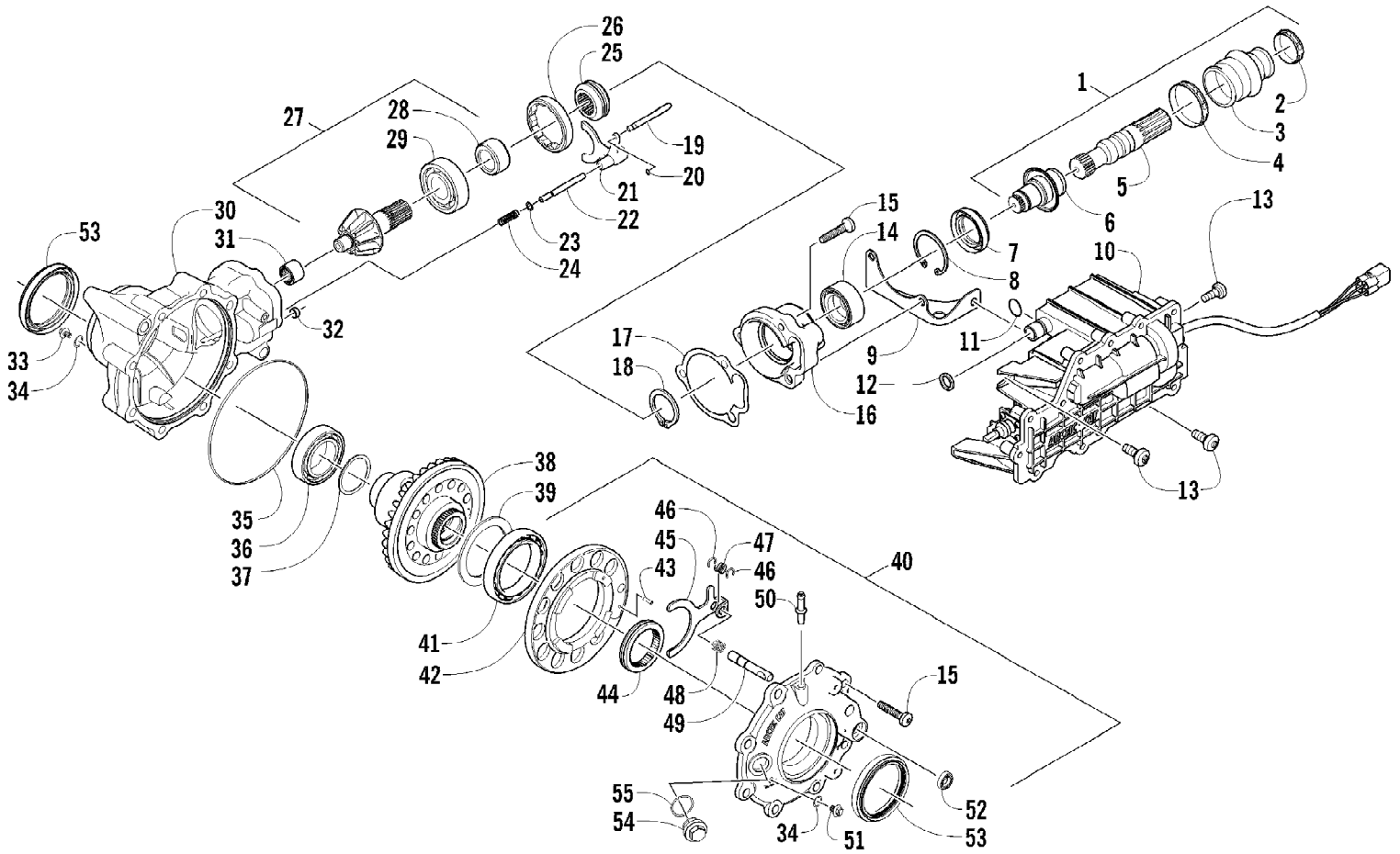
| Ref # | Part Number | Qty | S/P/F | Description |
|-------|-------------|-----|-------|-------------------------|
| 1 | 1402-620 | 2 | /P | Bladder, Gearcase |
| 2 | 0423-315 | 4 | | Clamp, Hose |
| 3 | 8428-002 | 4 | | Nut, Lock |
| 4 | 0423-426 | 8 | | Washer |
| 5 | 0423-404 | 4 | | Screw, Cap |
| 6 | 1502-527 | 1 | | Gearcase, Front |
| 7 | 0402-966 | 1 | | Boot, Shaft |
| 8 | 1502-401 | 1 | | Gearcase, Rear |
| 9 | 0410-048 | AR | S | Hose, Vent |
| 10 | 0470-702 | 1 | /P | Fitting, Vent |
| 11 | 0423-393 | 2 | | Clamp |
| 12 | 0402-985 | 2 | /P | Boot |
| 13 | 0423-411 | 2 | | Clamp |
| 14 | 0673-618 | 2 | /P | Bumper, Propeller Shaft |
| 15 | 1402-233 | 1 | | Shaft, Propeller |
| 16 | 1402-026 | 2 | | Spring |
| 17 | 0402-950 | 1 | | Flange, Output |
| 18 | 8408-820 | 4 | /P | Screw, Cap |
| 19 | 0123-788 | AR | /P | Tie, Cable - 8 in. |



| Ref # | Part Number | Qty | S/P/F | Description |
|-------|-------------|-----|-------|---------------------------------------|
| 1 | 3313-732 | 1 | | Engine (inc. 2-3) |
| 2 | 0801-188 | 3 | | Mount, Rubber - Engine |
| 3 | 0801-189 | 1 | | Mount, Rubber - Engine |
| 4 | 0423-405 | 1 | | Screw, Cap |
| 5 | 0408-018 | 1 | | Spacer |
| 6 | 8428-002 | 2 | | Nut, Lock |
| 7 | 0423-451 | 1 | | Screw, Cap |
| 8 | 0411-426 | 1 | | Decal, Warning - Clutch Cover |
| 9 | 3313-743 | 1 | | Gasket, Exhaust |
| 10 | 8408-820 | 2 | /P | Screw, Cap |
| 11 | 0512-508 | 1 | | Pipe, Exhaust - Assembly (inc. 12-16) |
| 12 | 0512-502 | 1 | | Pipe, Exhaust |
| 13 | 0512-516 | 1 | | Shield, Exhaust Pipe - Inner |
| 14 | 0512-515 | 1 | | Shield, Exhaust Pipe - Outer |
| 15 | 8050-217 | 6 | /P | Washer |
| 16 | 8061-486 | 6 | /P | Rivet |
| 17 | 0412-375 | 1 | /P | Seal, Exhaust |
| 18 | 0612-668 | 2 | /P | Spring, Extension |
| 19 | 0412-577 | 3 | /P | Bushing |
| 20 | 1506-732 | 1 | | Channel, Muffler Support |
| 21 | 0512-355 | 1 | /P | Muffler - Assembly (inc. 22-24) |
| 22 | 8408-616 | 3 | | Screw, Cap |
| 23 | 0512-219 | 1 | /P | Arrester, Spark - Assembly |
| 24 | 0412-313 | 1 | | Gasket, Spark Arrester |
| 25 | 0412-373 | 1 | /P | Cover, Muffler |
| 26 | 8477-610 | 3 | | Screw, Machine |



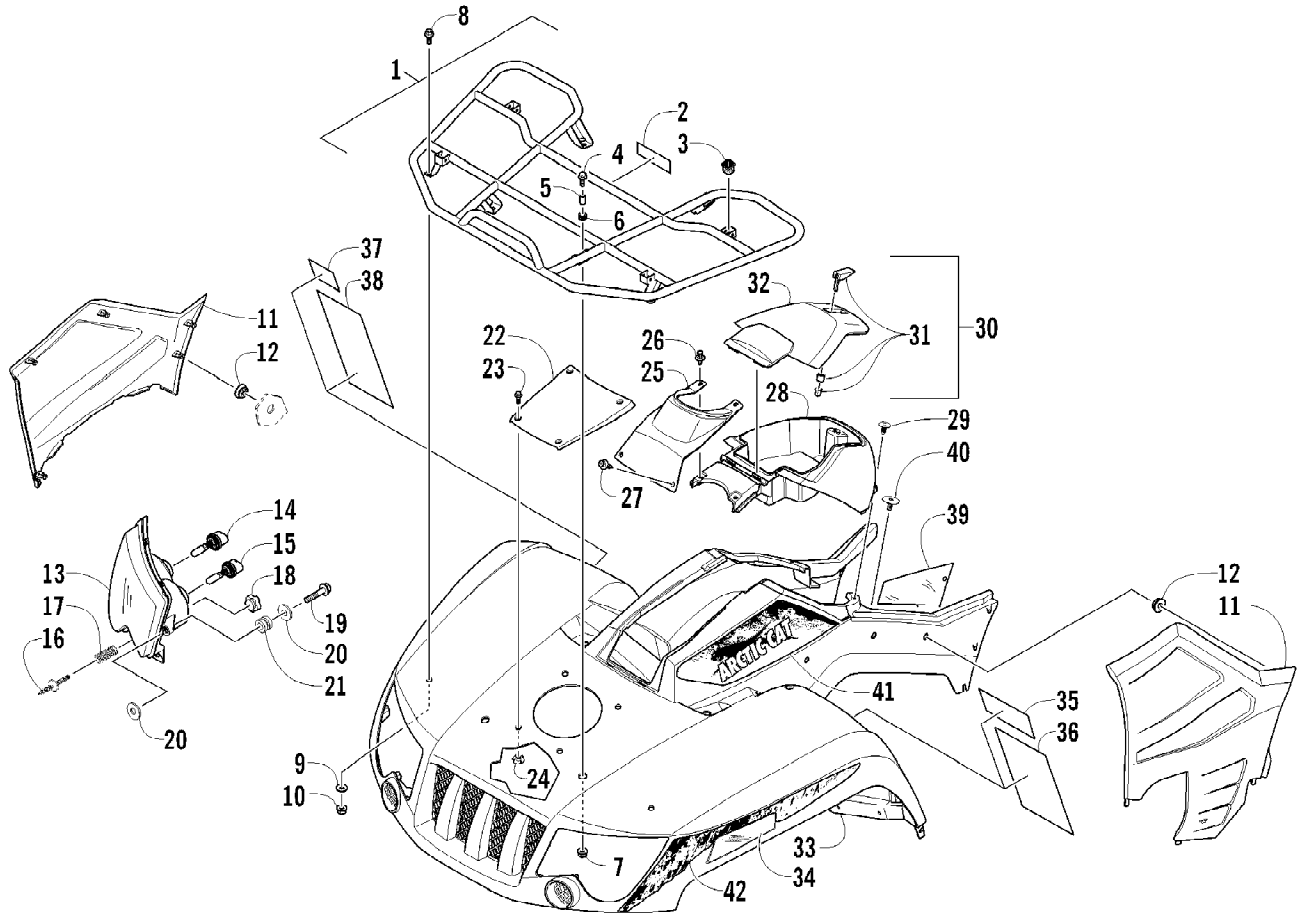
| Ref # | Part Number | Qty | S/P/F | Description |
|-------|-------------|-----|-------|------------------------------------|
| 1 | 2506-541 | 1 | | Frame, Main |
| 2 | 1506-596 | 2 | /P | Channel, Bumper Mounting |
| 3 | 8409-020 | 6 | /P | Screw, Cap |
| 4 | 1506-686 | 1 | | Bracket, Mounting - Bumper - Right |
| 4 | 1506-687 | 1 | | Bracket, Mounting - Bumper - Left |
| 5 | 8408-816 | 10 | | Screw, Cap |
| 6 | 1506-684 | 1 | | Bumper, Front |
| 7 | 1406-868 | 1 | | Fascia, Bumper - Front |
| 8 | 0423-101 | 16 | | Screw, Shoulder |
| 9 | 8424-002 | 2 | | Nut |
| 10 | 2516-594 | 1 | | Bracket, Support - Right |
| 10 | 2516-595 | 1 | | Bracket, Support - Left |
| 11 | 0623-797 | 2 | | Screw, Self-Tapping |
| 12 | 1436-032 | 1 | /P | Bumper, Push - Front (inc. 13-16) |
| 13 | 0411-501 | 1 | | Decal, Bumper - "Arctic Cat" |
| 14 | 8410-835 | 2 | | Screw, Cap |
| 15 | 2506-641 | 2 | | Bracket, Support |
| 16 | 8424-805 | 2 | | Nut |
| 17 | 8409-025 | 2 | | Screw, Cap |
| 18 | 2516-852 | 1 | /P | Brace, A-Arm |
| 19 | 0423-744 | 2 | | Nut, Lock |
| 20 | 1406-030 | 1 | | Panel, Belly |
| 21 | 0406-289 | 2 | | Pad, Frame |
| 22 | 8424-802 | 8 | | Nut |
| 23 | 8409-016 | 4 | | Screw, Cap |
| 24 | 1506-659 | 1 | | Footrest - Right |
| 24 | 1506-660 | 1 | | Footrest - Left |
| 25 | 2506-426 | 2 | /P | Rod, Support |
| 26 | 1506-802 | 1 | | Bumper, Push - Rear (inc. 27) |
| 27 | 2406-045 | 4 | | Plug, Hole |
| 28 | 1411-077 | 1 | | Decal, Warning - Towing |



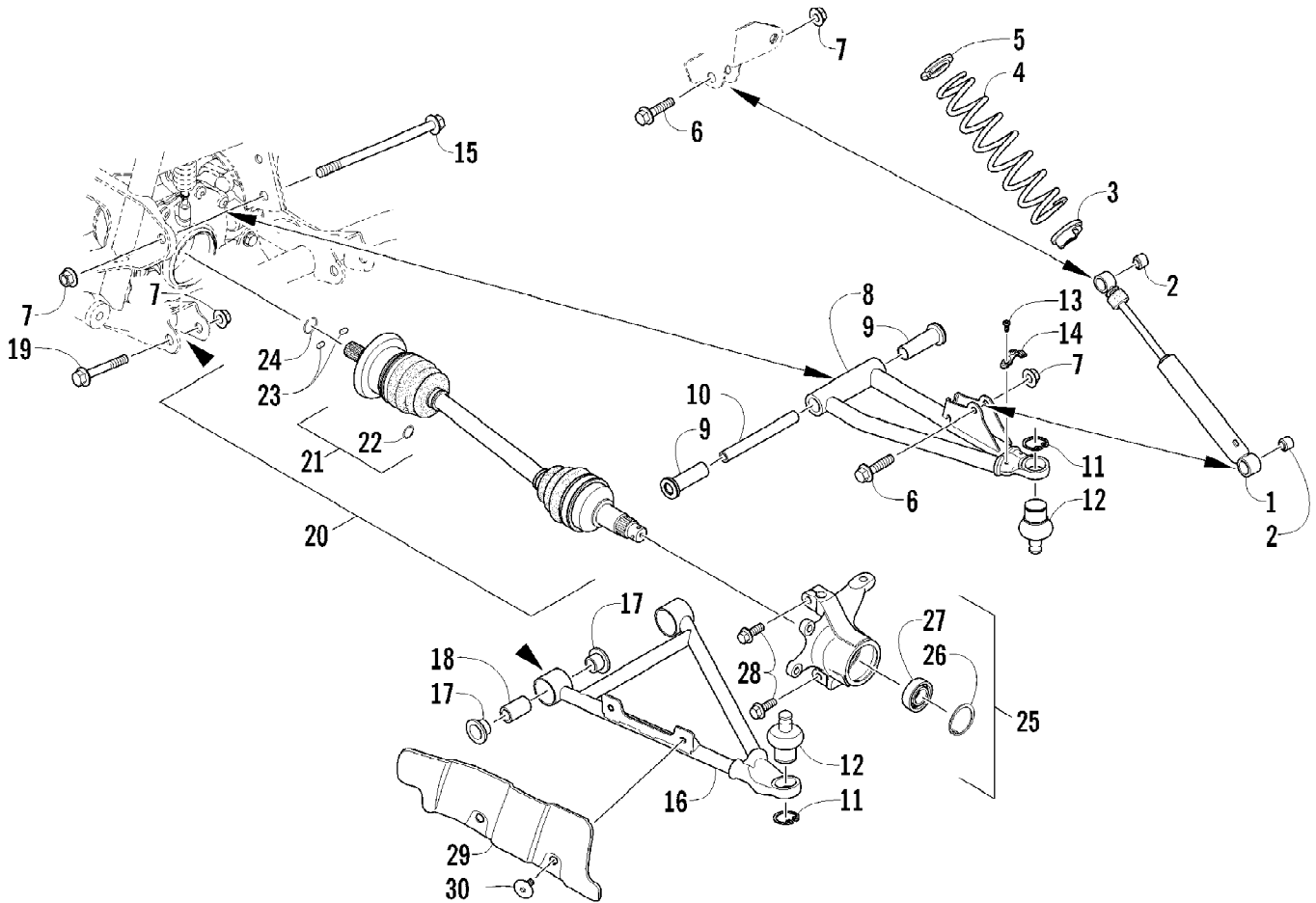
| Ref # | Part Number | Qty | S/P/F | Description |
|-------|-------------|-----|-------|--|
| | 1502-527 | 1 | | Complete Front Drive Gearcase Assembly |
| 1 | 1502-084 | 1 | | Shaft, Propeller - Assembly (inc. 2-6) |
| 2 | 0423-411 | 1 | | Clamp |
| 3 | 0402-985 | 1 | /P | Boot, Propeller Shaft |
| 4 | 0423-393 | 1 | | Clamp |
| 5 | 1402-046 | 1 | | Shaft, Output |
| 6 | 1502-085 | 1 | /P | Shaft, Input |
| 7 | 1402-011 | 1 | | Seal |
| 8 | 0423-423 | 1 | | Ring, Retaining |
| 9 | 1502-237 | 1 | | Bracket, Actuator |
| 10 | 0502-585 | 1 | S | Actuator (inc. 11) |
| 11 | 1402-981 | 1 | | O-Ring |
| 12 | 0423-892 | 1 | /P | O-Ring |
| 13 | 0423-396 | 3 | | Screw, Self-Tapping |
| 14 | 1402-043 | 1 | | Bearing |
| 15 | 0423-118 | 11 | | Screw, Self-Tapping |
| 16 | 0502-528 | 1 | /P | Housing, Pinion |
| 17 | 0402-947 | 1 | | Gasket, Flange |
| 18 | 0423-417 | 1 | | Ring, Retaining |
| 19 | 0402-997 | 1 | | Shaft, Selector |
| 20 | 0423-402 | 1 | | Ring, Retaining |
| 21 | 0402-998 | 1 | | Fork, Selector |
| 22 | 0402-417 | 1 | | Shaft, Shuttle |
| 23 | 0423-147 | 1 | | O-Ring |
| 24 | 0402-999 | 1 | | Spring, Return |
| 25 | 0402-413 | 1 | | Coupler, Drive |
| 26 | 0402-357 | 1 | | Collar, Lock |
| 27 | 0502-784 | 1 | | Gear, Pinion - Assembly - 11T (inc. 28-29) |
| 28 | 0402-336 | 1 | | Collar, Retaining |
| 29 | 0402-327 | 1 | | Bearing |
| 30 | 0502-514 | 1 | | Housing, Gearcase |
| 31 | 0402-328 | 1 | | Bearing |
| 32 | 0402-411 | 1 | | Pin, Dowel |
| 33 | 1402-210 | 1 | /P | Plug, Magnetic (inc. one No. 34) |
| 34 | 0423-153 | 2 | | O-Ring |
| 35 | 0423-149 | 1 | | O-Ring |
| 36 | 0402-393 | 1 | | Bearing |
| 37 | 0402-405 | AR | | Shim, 41 x 49 x 1.3 mm |
| 37 | 0402-406 | AR | | Shim, 41 x 49 x 1.4 mm |
| 37 | 0402-407 | AR | | Shim, 41 x 49 x 1.5 mm |
| 37 | 0402-408 | AR | | Shim, 41 x 49 x 1.6 mm |
| 37 | 0402-409 | AR | | Shim, 41 x 49 x 1.7 mm |
| 38 | 1502-554 | 1 | /P | Gear, Ring - 34T |
| 39 | 1402-074 | AR | | Shim, 61 x 69 x 1.3 mm |
| 39 | 1402-075 | AR | | Shim, 61 x 69 x 1.4 mm |
| 39 | 1402-076 | AR | | Shim, 61 x 69 x 1.5 mm |
| 39 | 1402-077 | AR | | Shim, 61 x 69 x 1.6 mm |
| 39 | 1402-078 | AR | | Shim, 61 x 69 x 1.7 mm |
| 40 | 1502-389 | 1 | | Cover, Gearcase (inc. one No. 34, 41-52, and one No. 53) |
| 41 | 1402-053 | 1 | | Bearing |
| 42 | 0502-413 | 1 | | Flange, Bearing |

2011 ATV 450 EFI INTERNATIONAL METALLIC GRAY (A2011ICK4COSS) Page 31 of 79
FRONT DRIVE GEARCASE ASSEMBLY

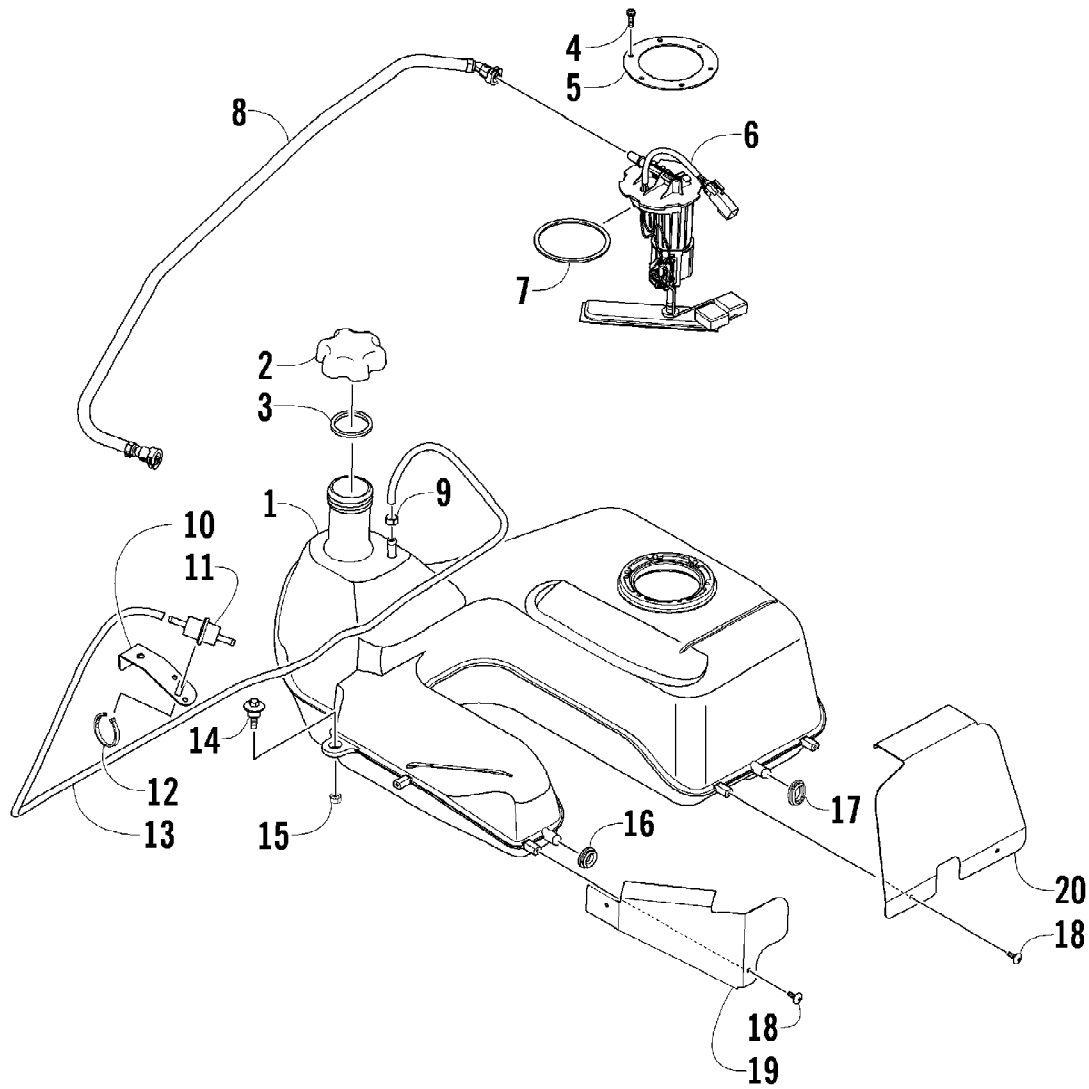
| Ref # | Part Number | Qty | S/P/F | Description |
|-------|-------------|-----|-------|-----------------------------------|
| 43 | 1402-079 | 1 | | Pin, Parallel |
| 44 | 1402-042 | 1 | | Collar, Sliding |
| 45 | 1402-054 | 1 | | Fork |
| 46 | 1402-058 | 2 | | Ring, Retaining |
| 47 | 1402-057 | 1 | | Spring |
| 48 | 1402-063 | 1 | | Spring |
| 49 | 1402-656 | 1 | | Shaft, Lock |
| 50 | 1402-104 | 1 | | Fitting |
| 51 | 1402-211 | 1 | | Plug, Oil Level (inc. one No. 34) |
| 52 | 1402-056 | 1 | | Seal |
| 53 | 1402-713 | 2 | S | Seal |
| 54 | 0402-333 | 1 | /P | Plug, Fill (inc. 55) |
| 55 | 0423-154 | 1 | | O-Ring |



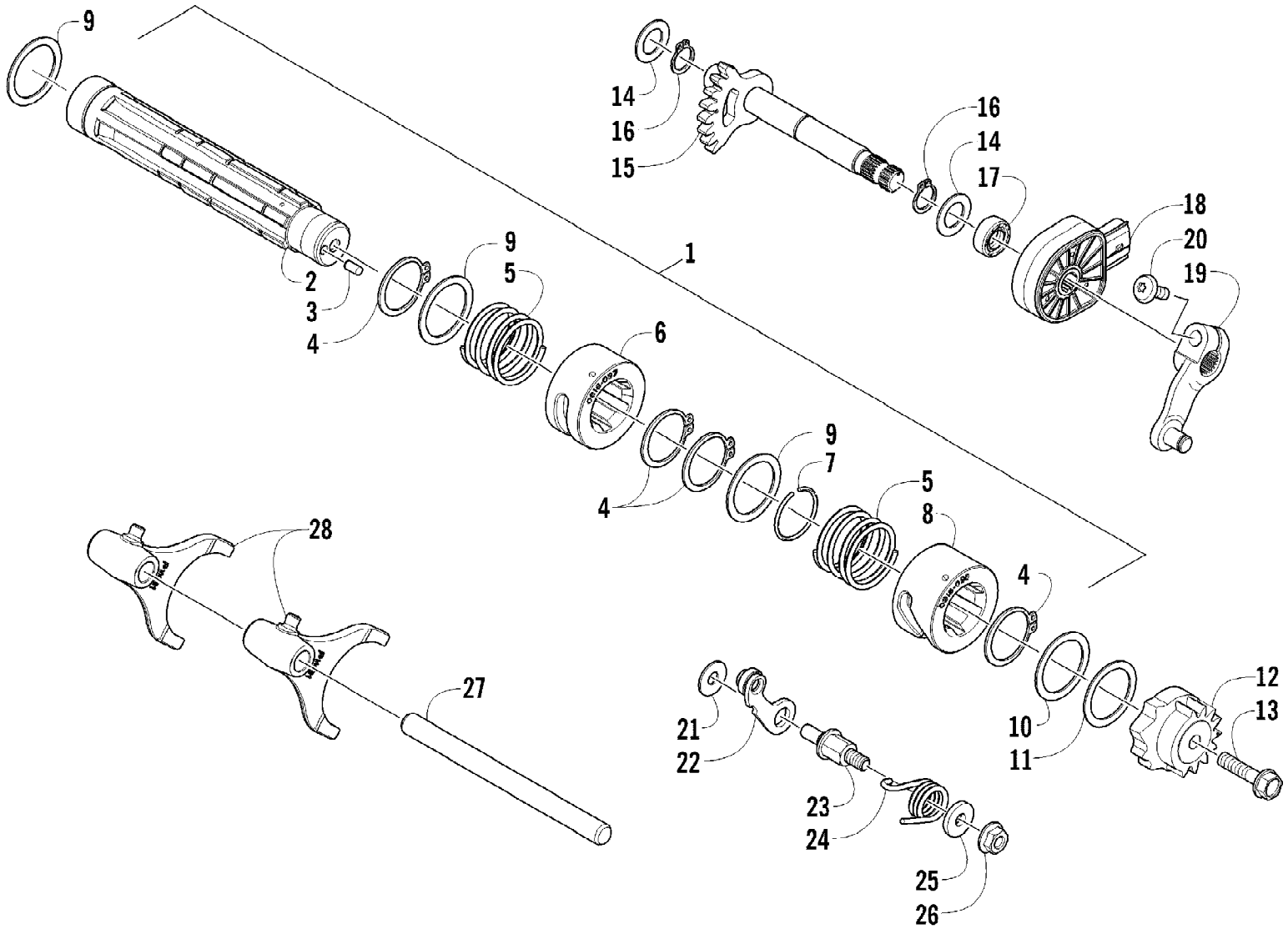
| Ref # | Part Number | Qty | S/P/F | Description |
|-------|-------------|-----|-------|---|
| 1 | 2506-646 | 1 | | Rack, Front - Assembly (inc. 2-3) |
| 2 | 0411-576 | 1 | | Decal, Warning - Load |
| 3 | 0441-592 | 4 | /P | Bushing |
| 4 | 8410-830 | 4 | | Screw, Cap |
| 5 | 0423-669 | 4 | | Spacer |
| 6 | 0423-465 | 4 | | Grommet |
| 7 | 8432-802 | 4 | | Nut, Lock |
| 8 | 0423-654 | 2 | | Screw, Shoulder |
| 9 | 8050-222 | 2 | /P | Washer |
| 10 | 0423-540 | 2 | | Nut, Lock |
| 11 | 2406-302 | 1 | | Panel, Side - Lower - Right |
| 11 | 2416-133 | 1 | | Panel, Side - Lower - Left |
| 12 | 0423-678 | 8 | | Grommet |
| 13 | 0609-852 | 1 | /P | Headlight Assembly - Right (inc. 14-15) |
| 13 | 0609-853 | 1 | /P | Headlight Assembly - Left (inc. 14-15) |
| 14 | 0409-073 | 2 | | Bulb, Headlight |
| 15 | 0409-045 | 2 | | Bulb, Headlight |
| 16 | 0423-514 | 2 | | Stud, Adjuster - Headlight |
| 17 | 0423-522 | 2 | | Spring, Adjuster |
| 18 | 0423-513 | 2 | | Knob, Adjuster |
| 19 | 0623-785 | 4 | | Screw, Self-Tapping |
| 20 | 8050-217 | 8 | /P | Washer |
| 21 | 0423-447 | 4 | | Grommet |
| 22 | 2516-867 | 1 | | Cover, Access |
| 23 | 8410-616 | 4 | | Screw, Cap |
| 24 | 0423-997 | 4 | | T-Nut |
| 25 | 2516-698 | 1 | | Cover, Steering Post |
| 26 | 0623-362 | 2 | | Rivet, Reinstallable |
| 27 | 0423-535 | 2 | | Rivet, Reinstallable |
| 28 | 2516-721 | 1 | | Box, Storage |
| 29 | 0623-544 | 2 | | Clip, Retaining |
| 30 | 2506-235 | 1 | | Lid, Storage Box w/Latch (inc. 31-32) |
| 31 | 1406-599 | 1 | | Latch, Storage Box |
| 32 | 1406-862 | 1 | | Lid, Storage Box |
| 33 | 2516-912 | 1 | | Panel, Fender - Assembly - Front (inc. 34-39) |
| 34 | 1411-078 | 1 | | Decal, Reflector - Right |
| 34 | 1411-079 | 1 | | Decal, Reflector - Left |
| 35 | 1411-574 | 1 | | Decal, Warning - Off-Road Only |
| 36 | 2411-124 | 1 | | Decal, Warning - General/Age |
| 37 | 0411-835 | 1 | | Decal, Warning - Turn/Hill |
| 38 | 1411-250 | 1 | | Decal, Warning - Reverse/Pre-Ride |
| 39 | 0412-394 | 1 | /P | Foil, Protective |
| 40 | 0423-101 | 2 | | Screw, Shoulder |
| 41 | 2411-326 | 1 | | Decal, Side - Upper Right |
| 41 | 2411-327 | 1 | | Decal, Side - Upper Left |
| 42 | 2411-302 | 1 | | Decal, Side - Front Right |
| 42 | 2411-303 | 1 | | Decal, Side - Front Left |



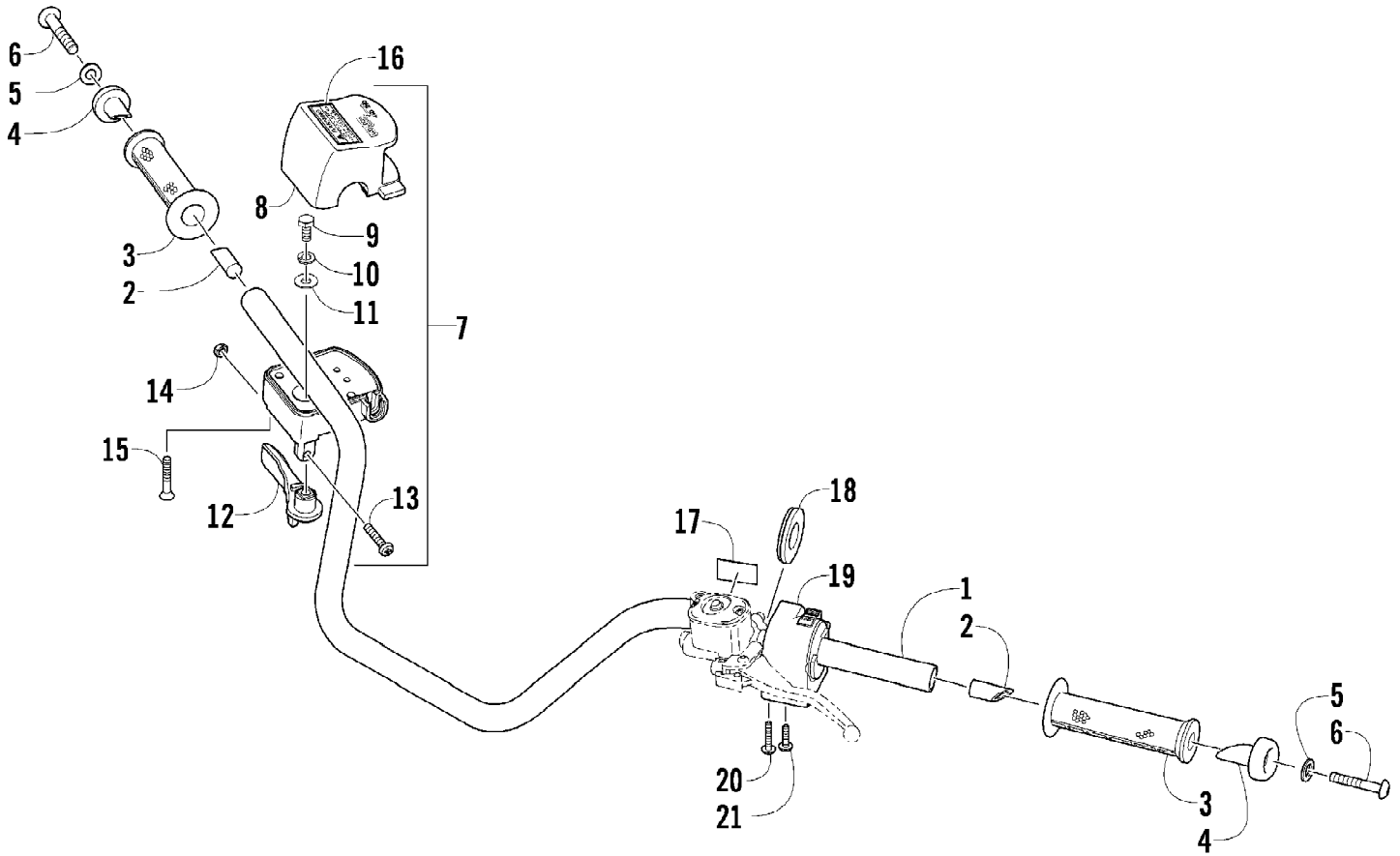
| Ref # | Part Number | Qty | S/P/F | Description |
|-------|-------------|-----|-------|---|
| 1 | 0403-209 | 2 | | Shock Absorber (inc. 2) |
| 2 | 0403-182 | 4 | | Bushing |
| 3 | 0403-102 | 2 | | Cam, Spring Adjuster |
| 4 | 0503-468 | 2 | | Spring, Suspension |
| 5 | 1603-889 | 2 | /P | Retainer, Spring |
| 6 | 8409-040 | 4 | | Screw, Cap |
| 7 | 0423-744 | 10 | | Nut, Lock |
| 8 | 0503-416 | 1 | /P | A-Arm, Upper Right (inc. 9-12) |
| 8 | 0503-417 | 1 | /P | A-Arm, Upper Left (inc. 9-12) |
| 9 | 0403-207 | 4 | /P | Bushing |
| 10 | 0403-080 | 2 | | Axle |
| 11 | 0423-009 | 4 | /P | Ring, Retaining |
| 12 | 0405-115 | 4 | /P | Ball Joint |
| 13 | 0423-946 | 4 | | Screw, Self-Tapping |
| 14 | 1502-594 | 2 | | Clamp, Routing |
| 15 | 0423-334 | 2 | | Screw, Cap |
| 16 | 0503-376 | 1 | /P | A-Arm, Lower Right (inc. 17-18 and two No. 11-12) |
| 16 | 0503-377 | 1 | /P | A-Arm, Lower Left (inc. 17-18 and two No. 11-12) |
| 17 | 0403-208 | 8 | /P | Bushing |
| 18 | 0403-214 | 4 | /P | Axle |
| 19 | 8409-075 | 4 | | Screw, Cap |
| 20 | 1502-800 | 1 | S/P | Axle, Drive - Right (inc. 21-24) |
| 20 | 1502-799 | 1 | S/P | Axle, Drive - Locking - Left (inc. 21-24) |
| 21 | 1436-419 | 2 | | Repair Kit, Boot (inc. 22) |
| 22 | 1441-988 | 2 | | Clip, Retaining |
| 23 | 1402-885 | 4 | | Pin, Detent |
| 24 | 1402-889 | 2 | | Clip, Retaining |
| 25 | 0505-576 | 1 | /P | Knuckle - Assembly - Right (inc. 26-27) |
| 25 | 0505-577 | 1 | /P | Knuckle - Assembly - Left (inc. 26-27) |
| 26 | 0423-423 | 2 | | Ring, Retaining |
| 27 | 1402-809 | 2 | /P | Bearing |
| 28 | 8409-030 | 4 | | Screw, Cap |
| 29 | 1406-034 | 1 | | Guard, Boot - Right |
| 29 | 1406-035 | 1 | | Guard, Boot - Left |
| 30 | 0423-545 | 4 | /P | Screw, Shoulder |



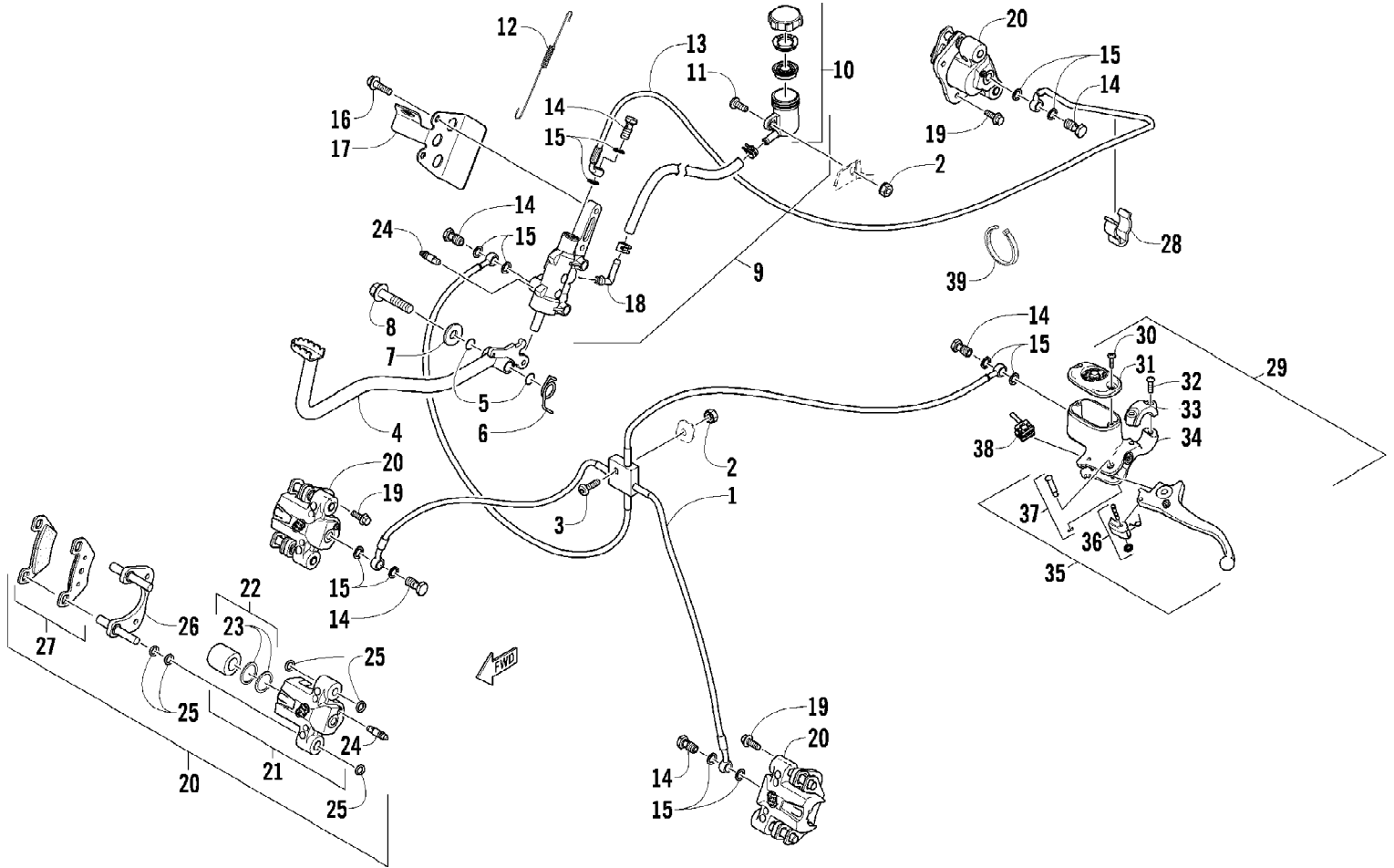
| Ref # | Part Number | Qty | S/P/F | Description |
|-------|-------------|-----|-------|---------------------------------|
| 1 | 0570-307 | 1 | | Tank, Gas - Assembly (inc. 2-5) |
| 2 | 0470-438 | 1 | /P | Cap, Gas Tank (inc. 3) |
| 3 | 0109-733 | 1 | /P | Gasket, Gas Tank Cap |
| 4 | 0423-898 | 6 | | Screw, Self-Tapping |
| 5 | 2670-042 | 1 | | Plate, Retaining |
| 6 | 0570-322 | 1 | /P | Pump, Fuel - Assembly (inc. 7) |
| 7 | 0470-838 | 1 | | Seal |
| 8 | 0570-316 | 1 | | Hose, Fuel - Assembly |
| 9 | 0423-688 | 1 | | Clamp, Hose |
| 10 | 0470-827 | 1 | | Bracket, Filter Mounting |
| 11 | 0510-335 | 1 | /P | Filter, In-Line |
| 12 | 0123-788 | AR | /P | Tie, Cable - 8 in. |
| 13 | 0410-070 | AR | /P | Hose, Gasline - 25 ft |
| 14 | 0423-732 | 2 | | Screw, Shoulder |
| 15 | 0623-038 | 1 | | Nut w/Washer |
| 16 | 0423-460 | 1 | | Grommet |
| 17 | 0423-806 | 1 | | Grommet |
| 18 | 0623-797 | 4 | | Screw, Self-Tapping |
| 19 | 0470-709 | 1 | | Shield, Heat - Gas Tank - Front |
| 20 | 0470-710 | 1 | | Shield, Heat - Gas Tank - Rear |



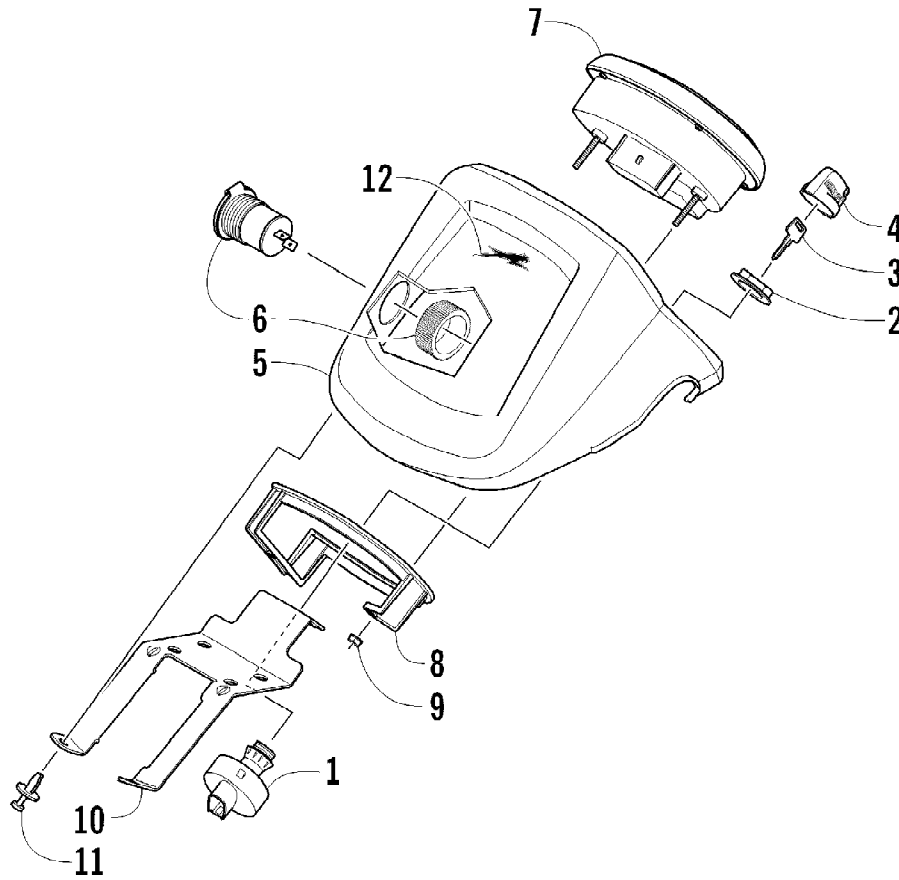
| Ref # | Part Number | Qty | S/P/F | Description |
|-------|-------------|-----|-------|---|
| 1 | 0818-115 | 1 | S | Shaft, Gear Shift - Assembly (inc. 2-8 and two No. 9) |
| 2 | 0818-044 | 1 | S | Shaft, Gear Shift |
| 3 | 3304-439 | 1 | | Pin, Dowel |
| 4 | 3304-147 | 4 | /P | Circlip |
| 5 | 0818-060 | 2 | | Spring |
| 6 | 0818-117 | 1 | | Cam, Reverse |
| 7 | 0831-016 | 1 | | C-Ring |
| 8 | 0818-116 | 1 | | Cam, Gear Shift |
| 9 | 0828-079 | 3 | | Washer |
| 10 | 0828-081 | 1 | | Washer, Thrust |
| 11 | 0828-080 | 1 | | Washer, Thrust |
| 12 | 0818-061 | 1 | | Plate, Gear Shift Cam |
| 13 | 3304-569 | 1 | | Screw, Cap |
| 14 | 0828-084 | 2 | | Washer |
| 15 | 0818-113 | 1 | | Shaft, Sub-Gear Shift (inc. 16) |
| 16 | 3301-875 | 2 | | Circlip |
| 17 | 0830-179 | 1 | | Seal |
| 18 | 0409-125 | 1 | | Switch, Gear Position |
| 19 | 0818-014 | 1 | | Arm, Select |
| 20 | 8468-620 | 1 | /P | Screw, Machine |
| 21 | 0828-083 | 1 | | Washer |
| 22 | 0818-084 | 1 | | Stopper, Cam |
| 23 | 0818-062 | 1 | | Support, Cam Stopper |
| 24 | 0818-109 | 1 | | Spring |
| 25 | 0828-082 | 1 | | Washer |
| 26 | 3303-331 | 1 | /P | Nut |
| 27 | 0818-021 | 1 | | Shaft, Shift Fork |
| 28 | 0818-088 | 2 | | Fork, Shift |



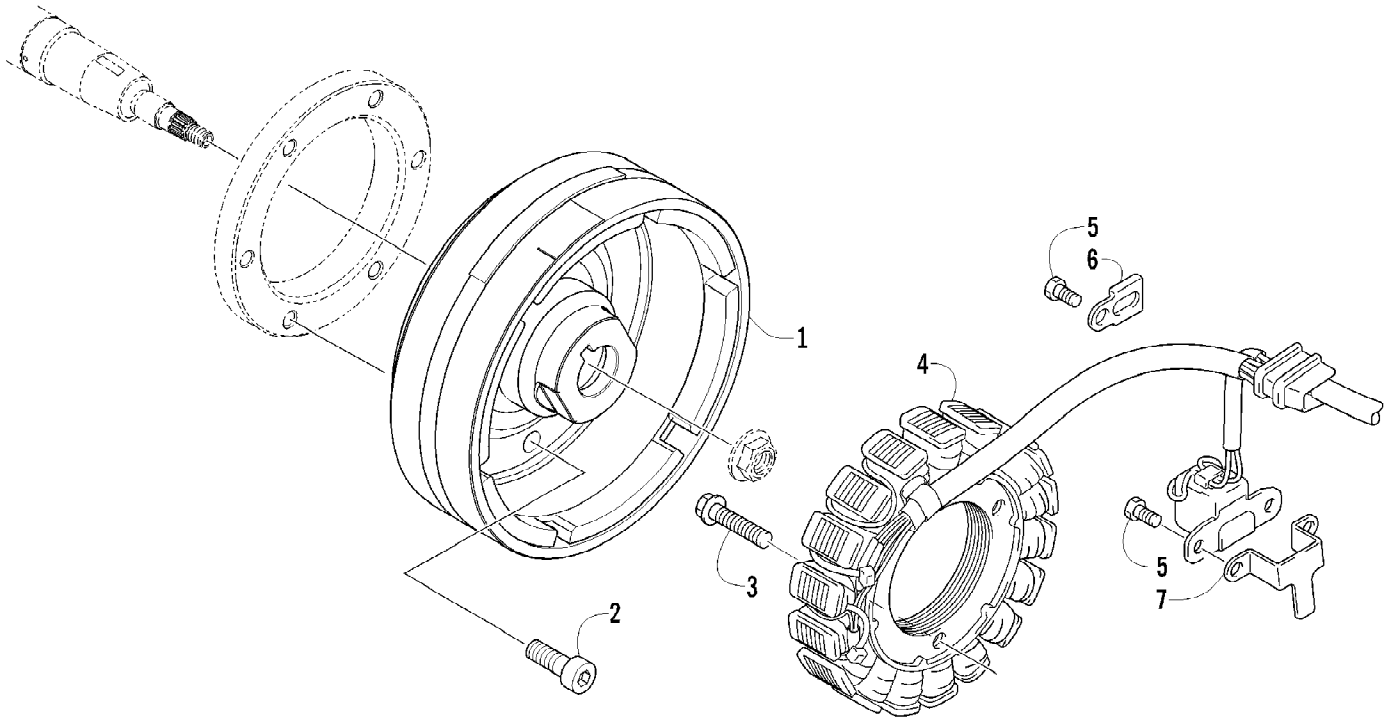
| Ref # | Part Number | Qty | S/P/F | Description |
|-------|-------------|-----|-------|---|
| 1 | 0505-418 | 1 | /P | Handlebar |
| 2 | 0405-218 | 2 | | Plug, Handlebar |
| 3 | 0405-147 | 2 | | Grip, Handlebar |
| 4 | 0405-149 | 2 | | End Cap, Handlebar |
| 5 | 8050-247 | 2 | /P | Washer |
| 6 | 8477-845 | 2 | | Screw, Machine |
| 7 | 0509-054 | 1 | | Case, Throttle - Assembly (inc. 8-15) |
| 8 | 0409-141 | 1 | | Cover, Throttle Case w/Switch |
| 9 | 3007-392 | 1 | /P | Screw, Cap |
| 10 | 3004-447 | 1 | /P | Washer, Lock |
| 11 | 3003-030 | 1 | /P | Washer |
| 12 | 0409-133 | 1 | | Lever, Throttle |
| 13 | 3423-014 | 1 | | Screw, Machine |
| 14 | 3423-327 | 1 | | Nut |
| 15 | 3423-199 | 2 | | Screw, Machine |
| 16 | 0411-966 | 1 | | Decal, Warning - Differential Lock |
| 17 | 1411-865 | 1 | | Decal, Warning - Brake Lever Lock |
| 18 | 3409-019 | 1 | | Cover, Switch Housing |
| 19 | 0509-014 | 1 | | Switch, Control - Assembly (inc. 20-21) |
| 20 | 8464-560 | 1 | | Screw, Machine |
| 21 | 8464-560 | 1 | | Screw, Machine |



| Ref # | Part Number | Qty | S/P/F | Description |
|-------|-------------|-----|-------|---|
| 1 | 1502-015 | 1 | | Hose, Brake - Assembly |
| 2 | 0623-038 | 2 | | Nut w/Washer |
| 3 | 8476-625 | 1 | | Screw, Machine |
| 4 | 1502-063 | 1 | | Lever, Brake |
| 5 | 1602-213 | 2 | /P | O-Ring |
| 6 | 0502-807 | 1 | | Spring, Brake Lever |
| 7 | 8050-252 | 1 | | Washer |
| 8 | 8408-816 | 1 | | Screw, Cap |
| 9 | 1502-293 | 1 | | Brake Assembly (inc. 10) |
| 10 | 1502-155 | 1 | | Reservoir, Brake w/Clamp |
| 11 | 8476-616 | 1 | | Screw, Machine |
| 12 | 0502-785 | 1 | | Spring, Brake Switch |
| 13 | 1502-593 | 1 | | Hose, Brake |
| 14 | 0423-413 | 6 | | Bolt, Banjo-Fitting |
| 15 | 0423-178 | 12 | | Washer, Crush |
| 16 | 8408-625 | 2 | | Screw, Cap |
| 17 | 1502-179 | 1 | | Bracket, Switch |
| 18 | 1502-296 | 1 | /P | Adapter, Hose |
| 19 | 8408-821 | 6 | /P | Screw, Cap |
| 20 | 1502-726 | 1 | S | Caliper, Brake - Right Front (inc. two No. 19 and 21-27) |
| 20 | 1502-727 | 1 | S | Caliper, Brake - Left Front (inc. two No. 19 and 21-27) |
| 20 | 1502-727 | 1 | S | Caliper, Brake - Rear (inc. two No. 19 and 21-27) |
| 21 | 1436-160 | 1 | /P | Housing, Caliper - Assembly - Right Front (inc. two No. 19 and 22-24) |
| 21 | 1436-161 | 1 | /P | Housing, Caliper - Assembly - Left Front (inc. two No. 19 and 22-24) |
| 21 | 1436-161 | 1 | /P | Housing, Caliper - Assembly - Rear (inc. two No. 19 and 22-24) |
| 22 | 0502-606 | 3 | | Piston/Seal Set (inc. 23) |
| 23 | 0502-607 | 3 | | Seal Set |
| 24 | 0502-609 | 4 | /P | Valve, Bleed |
| 25 | 0502-608 | 3 | | O-Ring, Guide - Set |
| 26 | 0502-605 | 3 | | Bracket Assembly |
| 27 | 1502-694 | 3 | S | Pad, Brake - Set |
| 28 | 1502-115 | 2 | | Clip, Brake Hose |
| 29 | 0502-914 | 1 | S | Brake Assembly (inc. 30-38) |
| 30 | 0502-566 | 1 | | Screw, Machine - Kit |
| 31 | 0502-868 | 1 | /P | Cover, Reservoir |
| 32 | 0502-568 | 1 | | Screw, Machine - Kit |
| 33 | 0502-869 | 1 | | Clamp, Master Cylinder |
| 34 | 0502-704 | 1 | | Master Cylinder Assembly |
| 35 | 0502-866 | 1 | | Lever Assembly - Kit (inc. 36-37) |
| 36 | 0502-867 | 1 | /P | Lock, Brake Lever - Kit |
| 37 | 0502-580 | 1 | | Lever Pin - Kit |
| 38 | 0502-564 | 1 | /P | Switch, Brake |
| 39 | 0123-788 | AR | /P | Tie, Cable - 8 in. |

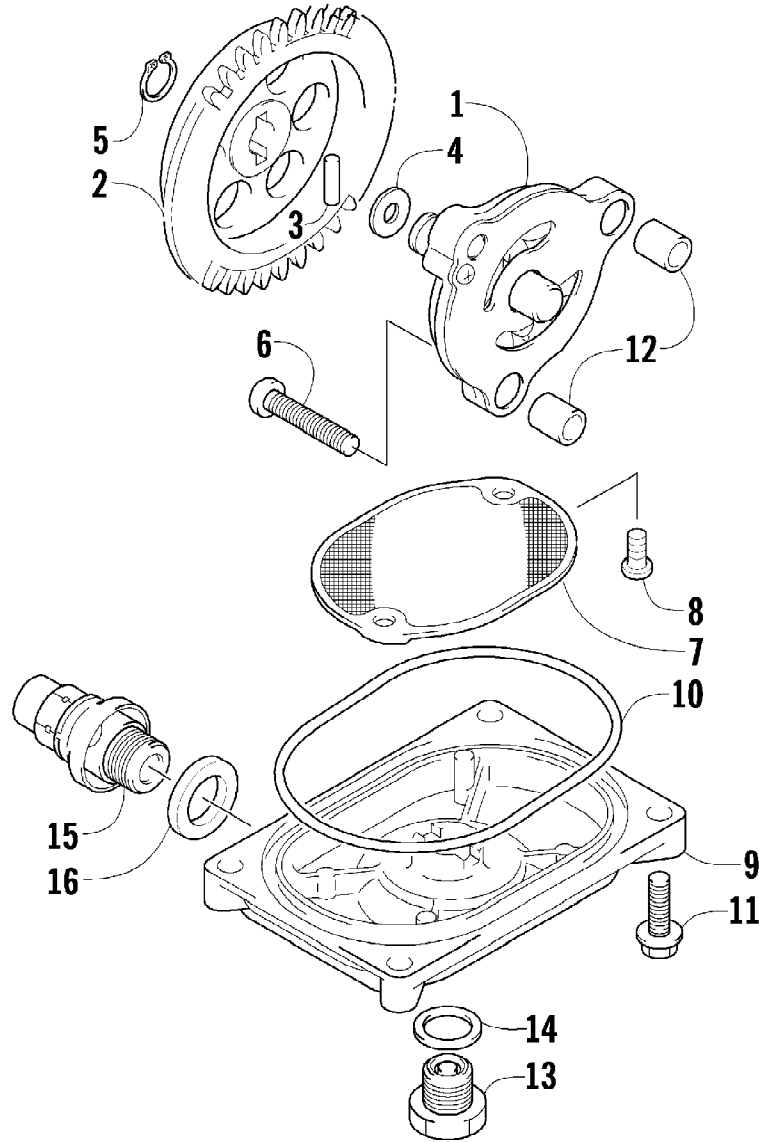


| Ref # | Part Number | Qty | S/P/F | Description |
|-------|-------------|-----|-------|---|
| 1 | 0430-090 | 1 | /P | Switch, Ignition - Assembly (inc. 2-4) |
| 2 | 0430-050 | 1 | | Nut, Retaining |
| 3 | 0430-042 | 1 | | Key, Ignition (Y Series - Left-Side Cut) |
| 3 | 0430-043 | 1 | | Key, Ignition (Z Series - Right-Side Cut) |
| 4 | 0430-054 | 1 | | Cover, Key |
| 5 | 0505-590 | 1 | | Instrument Pod |
| 6 | 0641-897 | 1 | /P | Outlet, Accessory - 12V |
| 7 | 0520-110 | 1 | | Gauge, LCD |
| 8 | 0420-065 | 1 | /P | Bracket, Retaining |
| 9 | 0423-493 | 2 | | Nut w/Washer |
| 10 | 2506-470 | 1 | | Bracket, Mounting - Instrument Pod |
| 11 | 0423-535 | 2 | | Rivet, Reinstallable |
| 12 | 8611-267 | 1 | | Decal, AirCat |



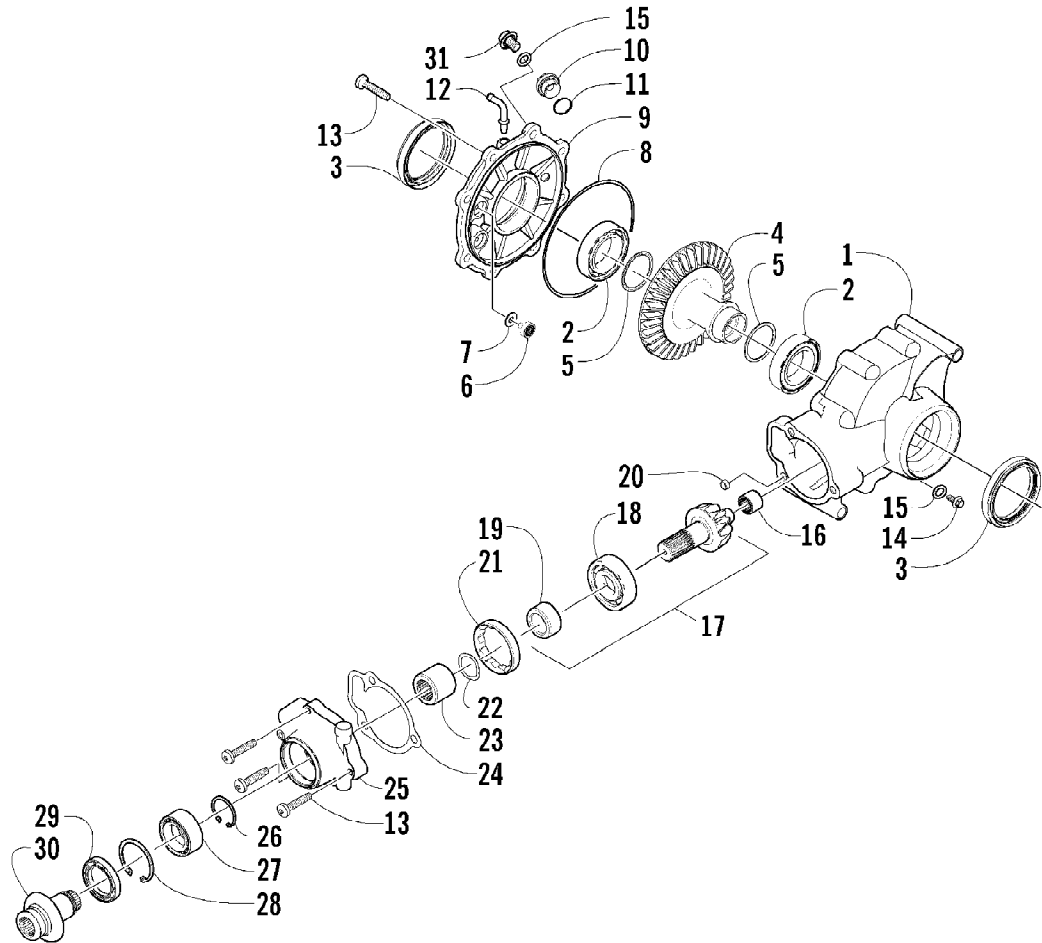
2011 ATV 450 EFI INTERNATIONAL METALLIC GRAY (A2011ICK4COSS) Page 47 of 79
MAGNETO ASSEMBLY

| Ref # | Part Number | Qty | S/P/F | Description |
|-------|-------------|-----|-------|-----------------|
| 1 | 0802-057 | 1 | | Rotor/Flywheel |
| 2 | 0826-120 | 6 | | Screw, Cap |
| 3 | 3305-945 | 3 | | Screw, Cap |
| 4 | 0802-056 | 1 | | Stator Assembly |
| 5 | 3303-308 | 3 | | Screw, Cap |
| 6 | 0802-003 | 1 | | Clamp, Routing |
| 7 | 0802-004 | 1 | | Clamp, Routing |

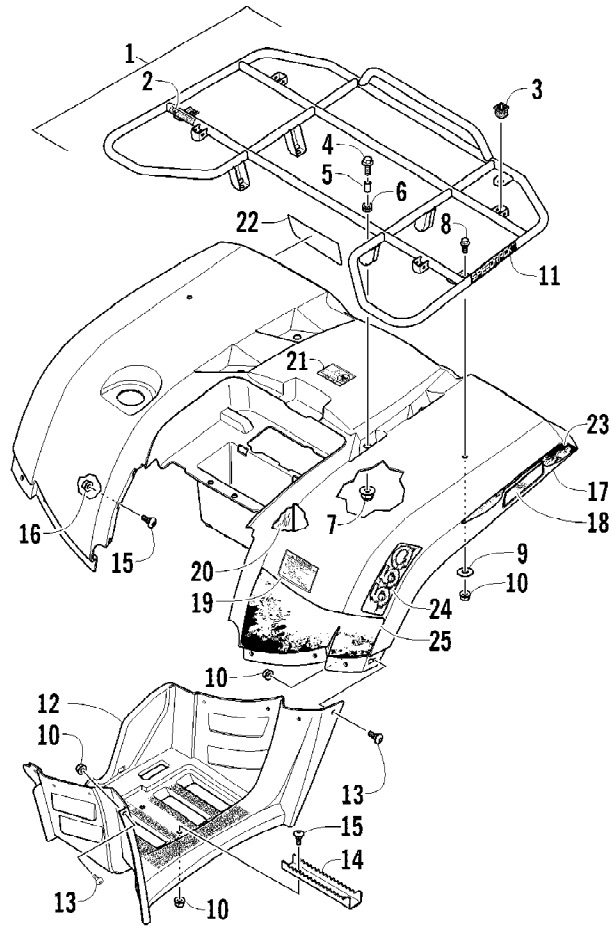


2011 ATV 450 EFI INTERNATIONAL METALLIC GRAY (A2011ICK4COSS) Page 49 of 79
 OIL PUMP AND STRAINER ASSEMBLY

| Ref # | Part Number | Qty | S/P/F | Description |
|-------|-------------|-----|-------|--|
| 1 | 0812-069 | 1 | | Pump, Oil |
| 2 | 0812-010 | 1 | | Gear, Driven |
| 3 | 0812-036 | 1 | | Pin, Dowel |
| 4 | 0828-007 | 1 | /P | Washer |
| 5 | 3004-146 | 1 | | Ring, Retaining |
| 6 | 0826-131 | 3 | | Screw, Machine |
| 7 | 0812-049 | 1 | | Strainer, Oil |
| 8 | 3313-722 | 2 | | Screw, Cap |
| 9 | 0812-038 | 1 | | Cap, Oil Strainer |
| 10 | 0830-159 | 1 | | O-Ring |
| 11 | 3303-384 | 4 | /P | Screw, Cap |
| 12 | 0829-033 | 2 | | Pin, Dowel |
| 13 | 0812-065 | 1 | | Plug, Drain |
| 14 | 0830-143 | 1 | /P | Gasket |
| 15 | 0812-067 | 1 | | Valve, Oil-Relief - Assembly (inc. 16) |
| 16 | 0830-181 | 1 | | O-Ring |

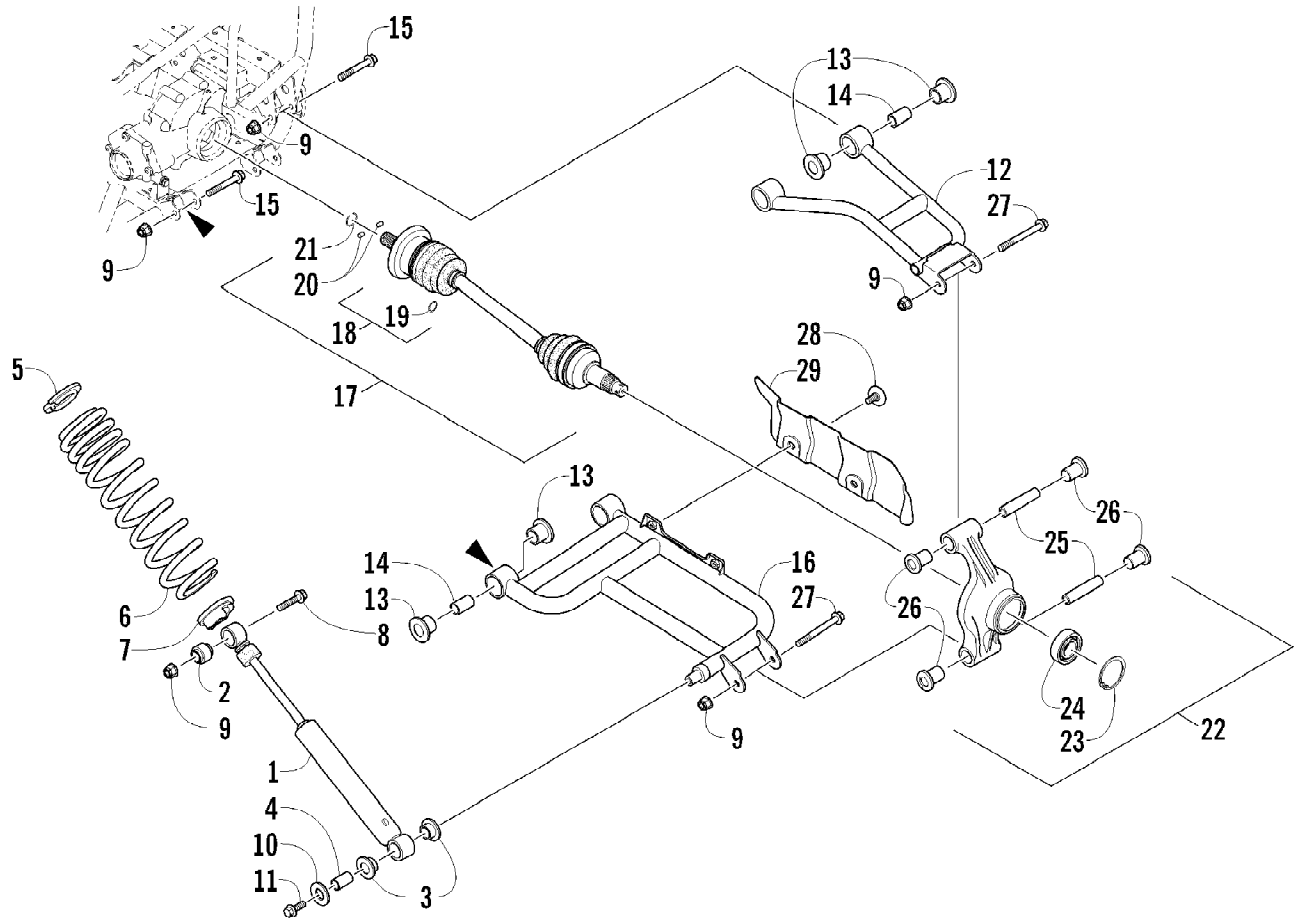


| Ref # | Part Number | Qty | S/P/F | Description |
|-------|-------------|-----|-------|--|
| | 1502-401 | 1 | | Complete Rear Drive Gearcase Assembly |
| 1 | 1502-317 | 1 | | Housing, Gearcase |
| 2 | 0402-393 | 2 | | Bearing |
| 3 | 1402-713 | 2 | S | Seal |
| 4 | 1402-033 | 1 | | Gear, Ring - 34T |
| 5 | 0402-405 | AR | | Shim, 41 x 49 x 1.3 mm |
| 5 | 0402-406 | AR | | Shim, 41 x 49 x 1.4 mm |
| 5 | 0402-407 | AR | | Shim, 41 x 49 x 1.5 mm |
| 5 | 0402-408 | AR | | Shim, 41 x 49 x 1.6 mm |
| 5 | 0402-409 | AR | | Shim, 41 x 49 x 1.7 mm |
| 6 | 0402-326 | 1 | | Button, Thrust |
| 7 | 0402-429 | AR | | Shim, 6.3 x 18 x 1.3 mm |
| 7 | 0402-430 | AR | | Shim, 6.3 x 18 x 1.4 mm |
| 7 | 0402-431 | AR | | Shim, 6.3 x 18 x 1.5 mm |
| 7 | 0402-432 | AR | | Shim, 6.3 x 18 x 1.6 mm |
| 7 | 0402-433 | AR | | Shim, 6.3 x 18 x 1.7 mm |
| 8 | 0423-149 | 1 | | O-Ring |
| 9 | 1502-082 | 1 | | Cover, Gearcase |
| 10 | 0402-333 | 1 | /P | Plug, Magnetic (inc. 11) |
| 11 | 0423-154 | 1 | | O-Ring |
| 12 | 1402-102 | 1 | | Fitting |
| 13 | 0423-118 | 11 | | Screw, Self-Tapping |
| 14 | 1402-210 | 1 | /P | Plug, Fill (inc. one No. 15) |
| 15 | 0423-153 | 2 | | O-Ring |
| 16 | 0402-328 | 1 | | Bearing |
| 17 | 0502-784 | 1 | | Gear, Pinion - Assembly - 11T (inc. 18-19) |
| 18 | 0402-327 | 1 | | Bearing |
| 19 | 0402-336 | 1 | | Collar, Retaining |
| 20 | 0402-411 | 1 | | Pin, Dowel |
| 21 | 0402-331 | 1 | | Collar, Lock |
| 22 | 0402-982 | 1 | | Washer, Wave |
| 23 | 0402-981 | 1 | | Collar, Shaft |
| 24 | 0402-947 | 1 | | Gasket, Flange |
| 25 | 0502-529 | 1 | | Housing, Pinion |
| 26 | 0423-417 | 1 | | Ring, Retaining |
| 27 | 1402-043 | 1 | | Bearing |
| 28 | 0423-423 | 1 | | Ring, Retaining |
| 29 | 1402-011 | 1 | | Seal |
| 30 | 1502-085 | 1 | /P | Shaft, Input |
| 31 | 1402-211 | 1 | | Plug, Oil Level (inc. one No. 15) |

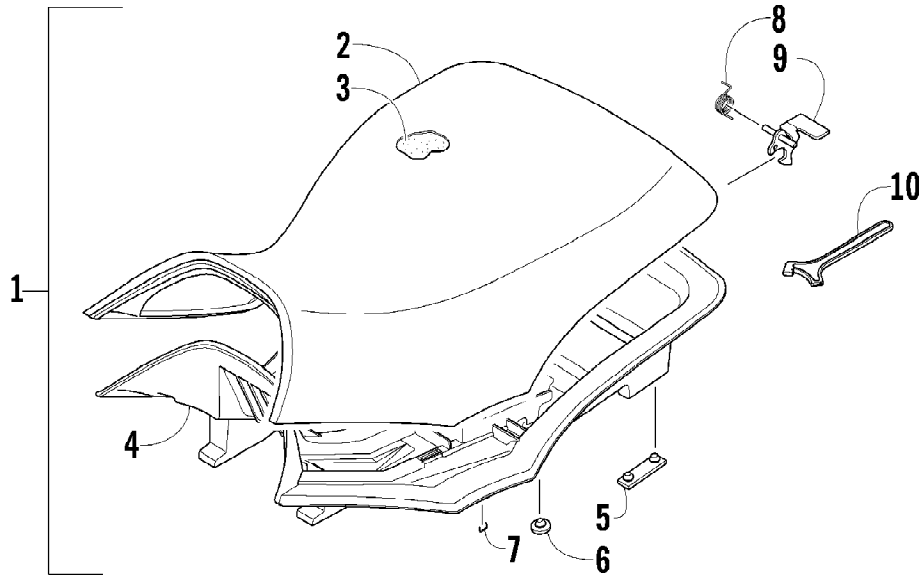


2011 ATV 450 EFI INTERNATIONAL METALLIC GRAY (A2011ICK4COSS) Page 53 of 79
 REAR RACK, BODY PANEL, AND FOOTWELL ASSEMBLIES

| Ref # | Part Number | Qty | S/P/F | Description |
|-------|-------------|-----|-------|----------------------------------|
| 1 | 2506-124 | 1 | | Rack, Rear - Assembly (inc. 2-3) |
| 2 | 0411-648 | 1 | | Decal, Warning - Load |
| 3 | 0441-592 | 4 | /P | Bushing |
| 4 | 8410-830 | 4 | | Screw, Cap |
| 5 | 0423-669 | 4 | | Spacer |
| 6 | 0423-465 | 4 | | Grommet |
| 7 | 8432-802 | 4 | | Nut, Lock |
| 8 | 0423-654 | 2 | | Screw, Shoulder |
| 9 | 8050-222 | 2 | /P | Washer |
| 10 | 0423-540 | 24 | | Nut, Lock |
| 11 | 0411-965 | 2 | | Decal, "Speedrack" |
| 12 | 2406-428 | 1 | /P | Footwell - Right |
| 12 | 2516-385 | 1 | | Footwell - Left |
| 13 | 0423-419 | 18 | | Screw, Machine |
| 14 | 1506-125 | 2 | /P | Footpeg |
| 15 | 0423-355 | 10 | | Screw, Shoulder |
| 16 | 8424-602 | 6 | /P | Nut |
| 17 | 2516-920 | 1 | | Panel, Fender - Assembly - Rear |
| 18 | 1411-598 | 1 | | Decal, Reflector - Right |
| 18 | 1411-599 | 1 | | Decal, Reflector - Left |
| 19 | 2411-143 | 1 | /P | Decal, Warning - Tire Pressure |
| 20 | 0412-351 | 1 | | Foil, Protective |
| 21 | 1411-809 | 1 | /P | Decal, Passenger |
| 22 | 2411-295 | 1 | | Decal, "Arctic Cat" |
| 23 | 2411-304 | 1 | | Decal, Side - Upper Right |
| 23 | 2411-305 | 1 | | Decal, Side - Upper Left |
| 24 | 2411-316 | 1 | | Decal, 450 - Right |
| 24 | 2411-317 | 1 | | Decal, 450 - Left |
| 25 | 2411-328 | 1 | | Decal, Side - Lower Right |
| 25 | 2411-329 | 1 | | Decal, Side - Lower Left |

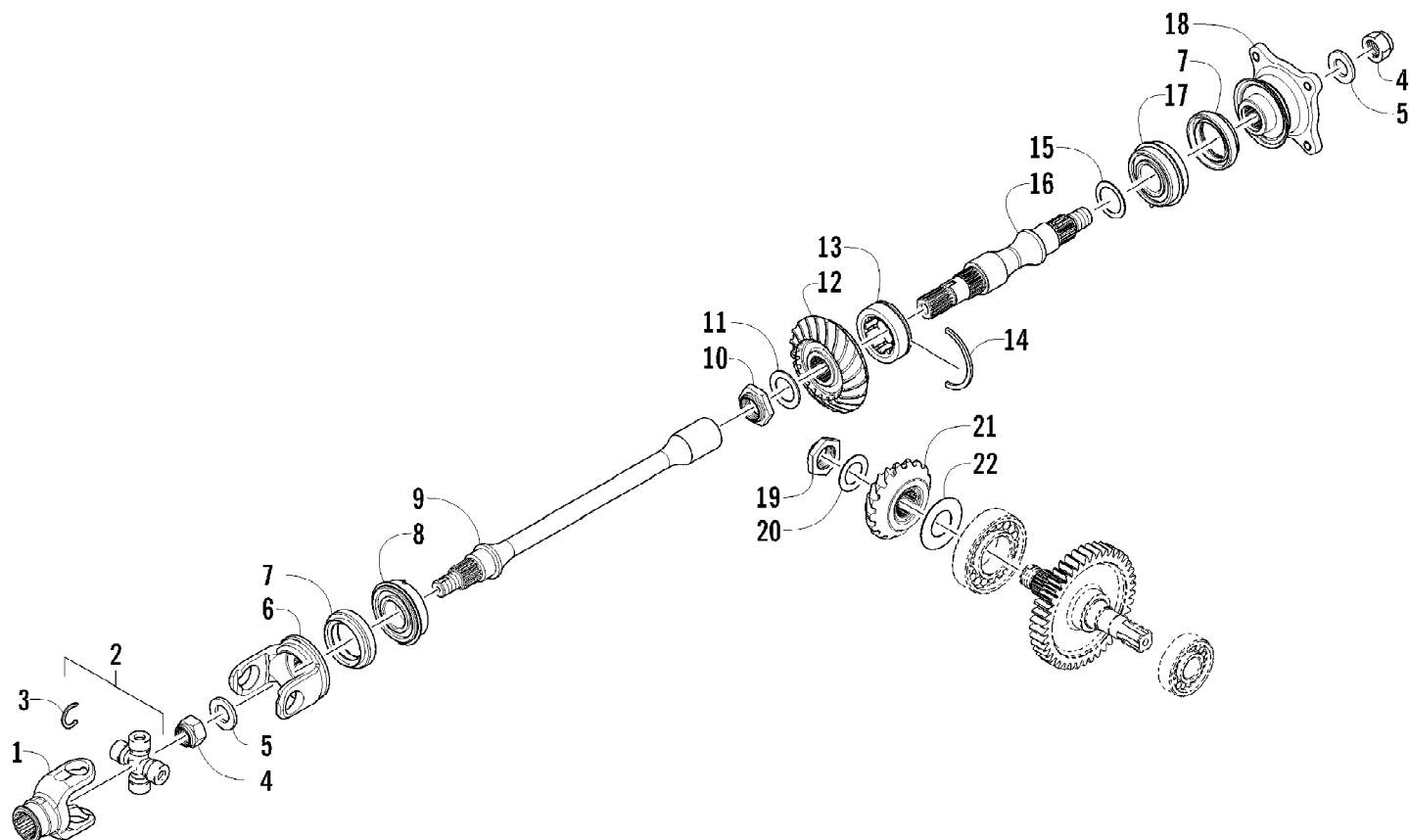


| Ref # | Part Number | Qty | S/P/F | Description |
|-------|-------------|-----|-------|--|
| 1 | 0404-158 | 2 | | Shock Absorber (inc. 2-4) |
| 2 | 0403-182 | 2 | | Bushing |
| 3 | 0603-955 | 4 | | Bushing |
| 4 | 1603-219 | 2 | S | Sleeve |
| 5 | 1603-889 | 2 | /P | Retainer, Spring |
| 6 | 0504-659 | 2 | | Spring, Suspension |
| 7 | 0404-057 | 2 | | Cam, Spring Adjuster |
| 8 | 8409-040 | 1 | | Screw, Cap - Right |
| 8 | 8409-050 | 1 | | Screw, Cap - Left |
| 9 | 0423-744 | 14 | | Nut, Lock |
| 10 | 0423-087 | 2 | | Washer |
| 11 | 8408-820 | 2 | /P | Screw, Cap |
| 12 | 0504-582 | 1 | | A-Arm, Rear - Upper Right (inc. 13-14) |
| 12 | 0504-583 | 1 | /P | A-Arm, Rear - Upper Left (inc. 13-14) |
| 13 | 0403-208 | 16 | /P | Bushing |
| 14 | 0403-214 | 8 | /P | Axle |
| 15 | 8409-075 | 8 | | Screw, Cap |
| 16 | 0504-572 | 1 | | A-Arm, Rear - Lower Right (inc. 13-14) |
| 16 | 0504-573 | 1 | | A-Arm, Rear - Lower Left (inc. 13-14) |
| 17 | 1502-798 | 2 | S | Axle, Drive (inc. 18-21) |
| 18 | 1436-419 | 2 | | Repair Kit, Boot (inc. 19) |
| 19 | 1441-988 | 2 | | Clip, Retaining |
| 20 | 1402-884 | 4 | | Pin, Detent |
| 21 | 1402-890 | 2 | | Clip, Retaining |
| 22 | 0504-548 | 1 | /P | Knuckle, Right - Assembly (inc. 23-26) |
| 22 | 0504-549 | 1 | /P | Knuckle, Left - Assembly (inc. 23-26) |
| 23 | 0423-423 | 2 | | Ring, Retaining |
| 24 | 1402-809 | 2 | /P | Bearing |
| 25 | 0403-213 | 4 | /P | Axle |
| 26 | 0403-206 | 8 | /P | Bushing |
| 27 | 8409-000 | 4 | | Screw, Cap |
| 28 | 0423-545 | 4 | /P | Screw, Shoulder |
| 29 | 1406-068 | 1 | | Guard, Boot - Rear - Right |
| 29 | 1406-069 | 1 | | Guard, Boot - Rear - Left |

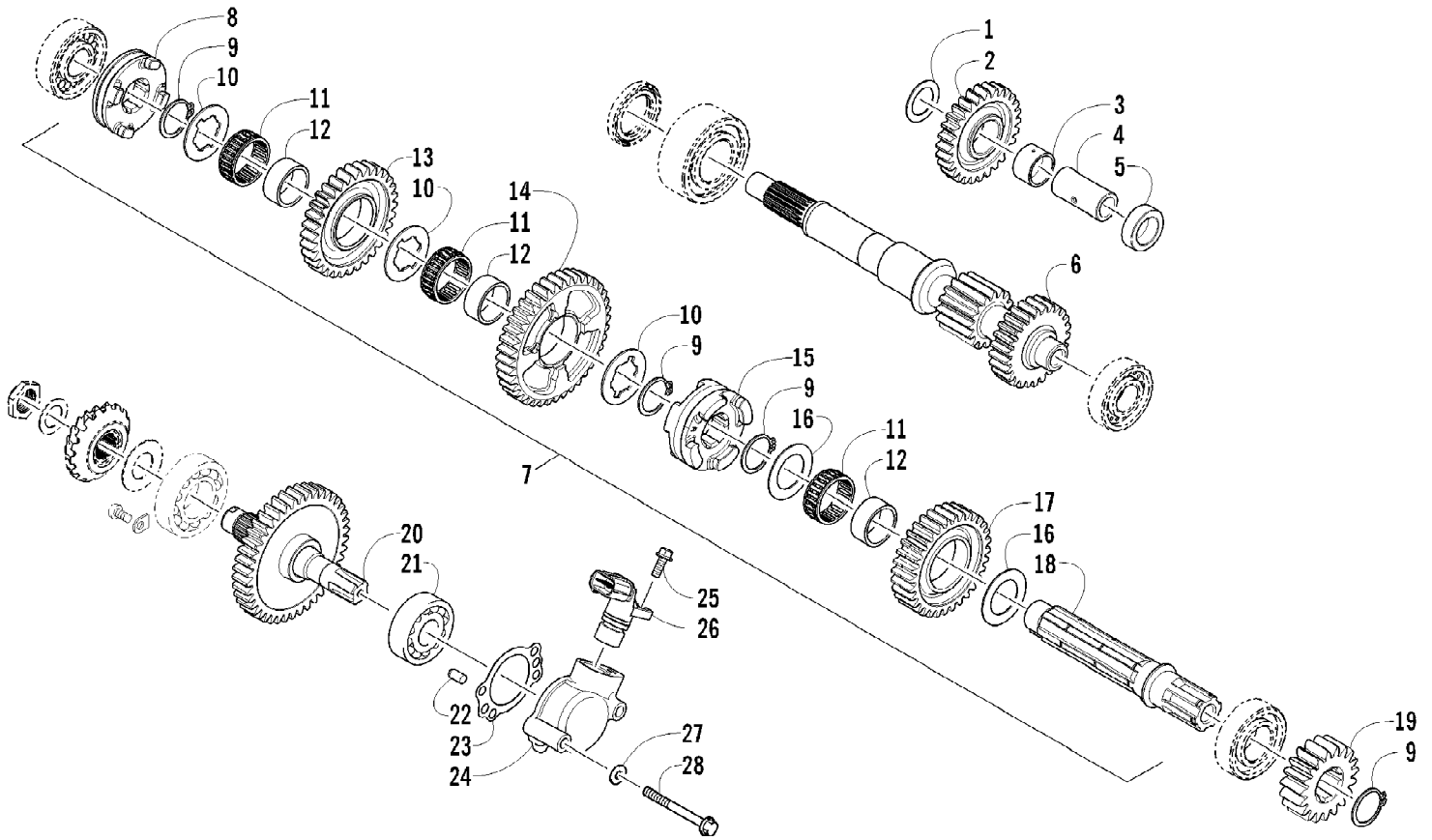


2011 ATV 450 EFI INTERNATIONAL METALLIC GRAY (A2011ICK4COSS) Page 57 of 79
SEAT ASSEMBLY

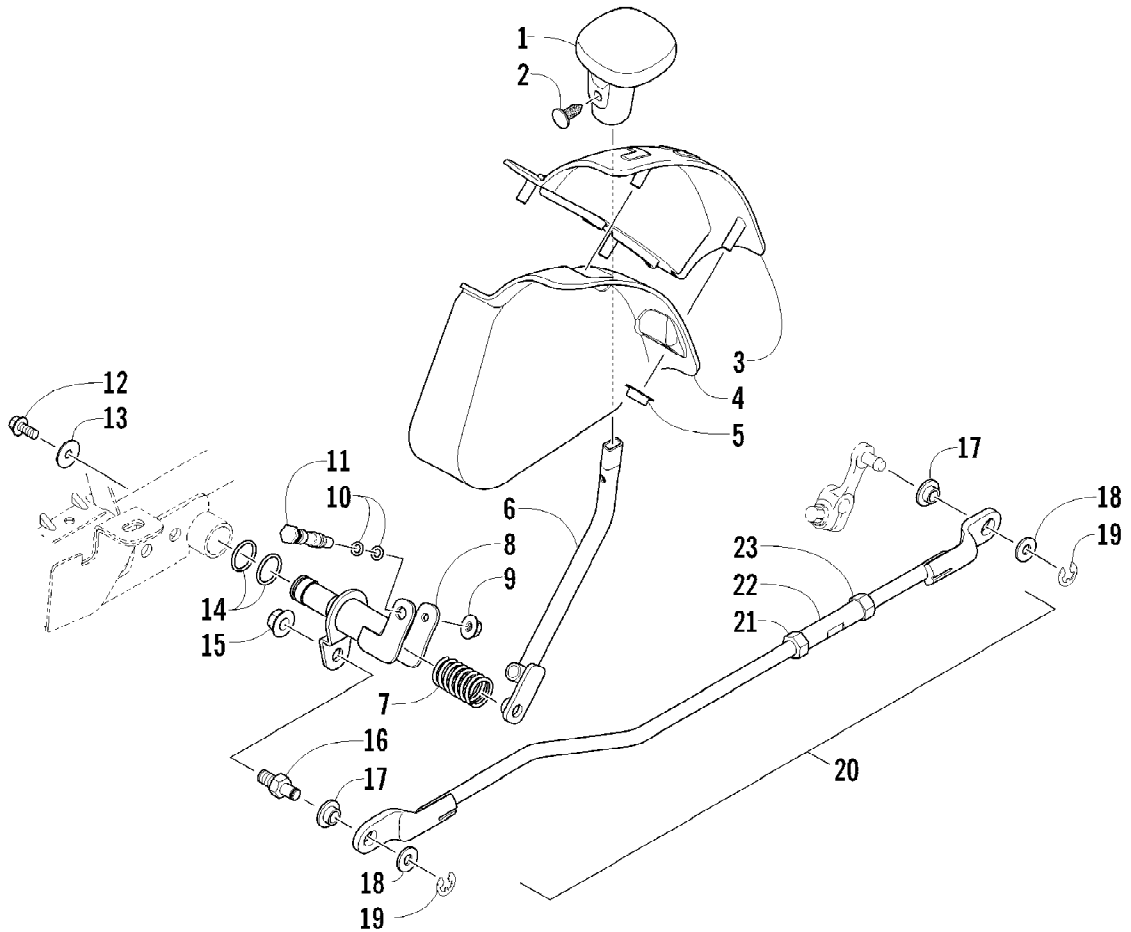
| Ref # | Part Number | Qty | S/P/F | Description |
|-------|-------------|-----|-------|----------------------------------|
| 1 | 2516-895 | 1 | S | Seat Assembly (inc. 2-9) |
| 2 | 1506-209 | 1 | | Cover, Seat |
| 3 | 0517-119 | 1 | | Foam, Seat |
| 4 | 2406-144 | 1 | S/P | Base, Seat - Assembly (inc. 5-6) |
| 5 | 0406-879 | 2 | | Bumper, Seat - Rear |
| 6 | 0406-877 | 4 | /P | Bumper, Seat - Front |
| 7 | 0624-263 | AR | | Staple |
| 8 | 1406-592 | 1 | /P | Spring, Seat Latch |
| 9 | 1506-156 | 1 | | Latch, Seat |
| 10 | 0441-587 | 1 | | Wrench, Spanner |



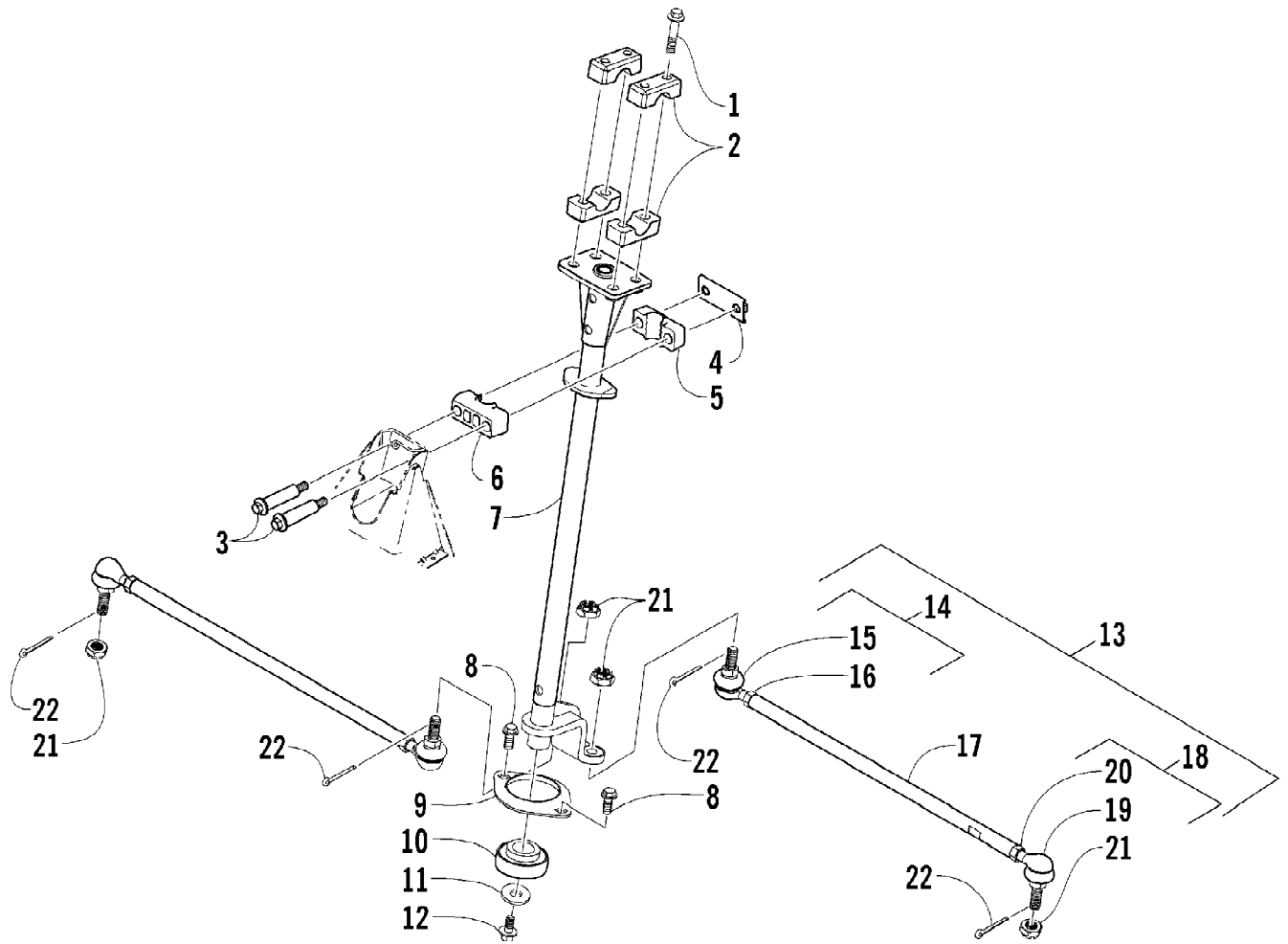
| Ref # | Part Number | Qty | S/P/F | Description |
|-------|-------------|-----|-------|---------------------------------|
| 1 | 0819-063 | 1 | | Yoke, Propeller Shaft Joint |
| 2 | 1402-164 | 1 | /P | Joint, Universal - Set (inc. 3) |
| 3 | 0423-450 | 4 | | Clip, Retaining |
| 4 | 0817-001 | 2 | S | Nut |
| 5 | 3304-958 | 2 | | Washer |
| 6 | 0819-071 | 1 | | Yoke, Drive Output |
| 7 | 0830-144 | 2 | | Seal, Oil |
| 8 | 0832-026 | 1 | | Bearing |
| 9 | 0819-020 | 1 | | Shaft, Secondary Driven |
| 10 | 0827-022 | 1 | | Nut |
| 11 | 0828-090 | 1 | | Washer |
| 12 | 0819-019 | 1 | | Gear, Secondary Driven |
| 13 | 0832-040 | 1 | | Bearing |
| 14 | 0819-070 | 1 | | C-Ring |
| 15 | 3305-955 | AR | | Shim, 25 x 34 x 0.60 mm |
| 15 | 3305-956 | AR | | Shim, 25 x 34 x 0.65 mm |
| 15 | 3305-957 | AR | | Shim, 25 x 34 x 0.70 mm |
| 15 | 3305-958 | AR | | Shim, 25 x 34 x 0.75 mm |
| 15 | 3305-959 | AR | | Shim, 25 x 34 x 0.80 mm |
| 15 | 3305-960 | AR | | Shim, 25 x 34 x 0.85 mm |
| 15 | 3305-961 | AR | | Shim, 25 x 34 x 0.90 mm |
| 15 | 3305-962 | AR | | Shim, 25 x 34 x 0.95 mm |
| 15 | 3305-963 | AR | | Shim, 25 x 34 x 1.00 mm |
| 15 | 3305-964 | AR | | Shim, 25 x 34 x 1.05 mm |
| 15 | 3305-965 | AR | | Shim, 25 x 34 x 1.10 mm |
| 15 | 0828-088 | AR | | Shim, 25 x 34 x 1.15 mm |
| 15 | 3305-966 | AR | | Shim, 25 x 34 x 1.20mm |
| 15 | 3305-967 | AR | | Shim, 25 x 34 x 1.25mm |
| 16 | 0819-021 | 1 | | Shaft, Secondary Driven |
| 17 | 0832-041 | 1 | | Bearing |
| 18 | 0819-022 | 1 | | Flange, Output Joint |
| 19 | 0827-047 | 1 | | Nut |
| 20 | 3304-042 | 1 | | Washer, Thrust |
| 21 | 0819-018 | 1 | | Gear, Secondary Drive |
| 22 | 3306-009 | AR | | Shim, 30 x 48 x 0.60 mm |
| 22 | 3306-010 | AR | | Shim, 30 x 48 x 0.65 mm |
| 22 | 3306-011 | AR | | Shim, 30 x 48 x 0.70 mm |
| 22 | 3306-012 | AR | | Shim, 30 x 48 x 0.75 mm |
| 22 | 3306-013 | AR | | Shim, 30 x 48 x 0.80 mm |
| 22 | 3306-014 | AR | | Shim, 30 x 48 x 0.85 mm |
| 22 | 3306-015 | AR | | Shim, 30 x 48 x 0.90 mm |
| 22 | 3306-016 | AR | | Shim, 30 x 48 x 0.95 mm |
| 22 | 3306-017 | AR | | Shim, 30 x 48 x 1.00 mm |
| 22 | 3306-018 | AR | | Shim, 30 x 48 x 1.05 mm |
| 22 | 3306-019 | AR | | Shim, 30 x 48 x 1.10 mm |
| 22 | 3306-020 | AR | | Shim, 30 x 48 x 1.15 mm |
| 22 | 3306-021 | AR | | Shim, 30 x 48 x 1.20 mm |
| 22 | 3306-022 | AR | | Shim, 30 x 48 x 1.25 mm |



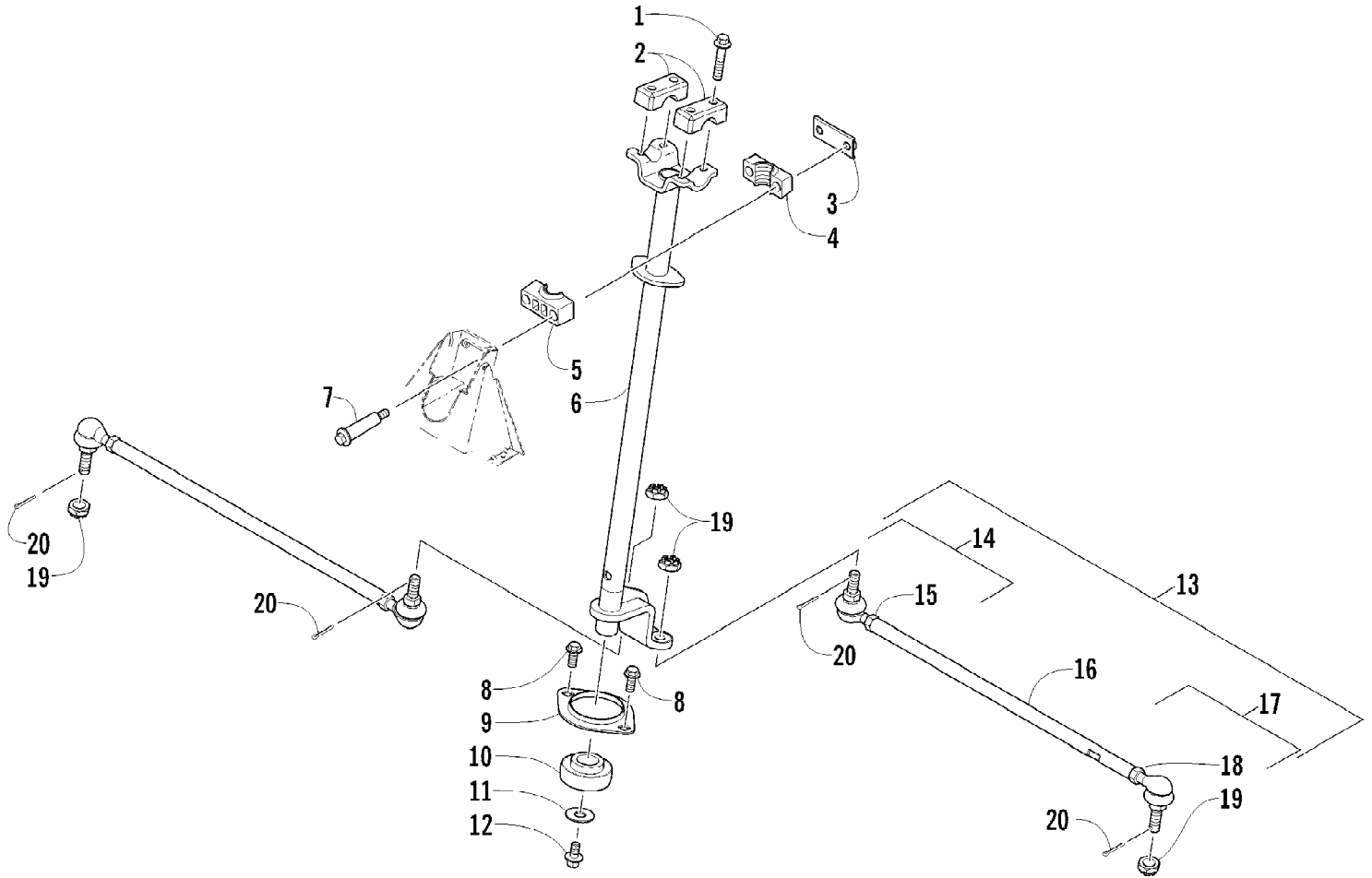
| Ref # | Part Number | Qty | S/P/F | Description |
|-------|-------------|-----|-------|-----------------------------------|
| 1 | 0828-081 | 1 | | Washer |
| 2 | 0822-061 | 1 | | Gear, Reverse Idle |
| 3 | 0822-065 | 1 | | Bushing |
| 4 | 0822-064 | 1 | | Shaft, Reverse Idle |
| 5 | 0822-029 | 1 | | Spacer |
| 6 | 0822-128 | 1 | | Driveshaft |
| 7 | 0822-129 | 1 | | Countershaft Assembly (inc. 8-18) |
| 8 | 0822-033 | 1 | | Gear Select, Reverse |
| 9 | 3304-147 | 4 | /P | Circlip |
| 10 | 3304-045 | 3 | | Washer |
| 11 | 0832-038 | 3 | | Bearing |
| 12 | 0822-062 | 3 | | Bushing |
| 13 | 0822-032 | 1 | | Gear, Reverse Driven |
| 14 | 0822-063 | 1 | | Gear, Driven - Low |
| 15 | 0822-027 | 1 | | Gear Select, Sliding |
| 16 | 3304-044 | 2 | | Washer, Thrust |
| 17 | 0818-119 | 1 | | Gear, Driven - High |
| 18 | 0822-025 | 1 | | Countershaft |
| 19 | 0822-028 | 1 | | Gear, Drive |
| 20 | 0822-023 | 1 | | Shaft, Output |
| 21 | 3304-198 | 1 | | Bearing |
| 22 | 3303-395 | 2 | | Pin, Dowel |
| 23 | 0830-156 | 1 | | Gasket, Housing |
| 24 | 0822-105 | 1 | | Housing, Speedometer Sensor |
| 25 | 3303-382 | 1 | /P | Screw, Cap |
| 26 | 3313-172 | 1 | | Sensor, Speedometer |
| 27 | 0830-155 | 2 | /P | Gasket |
| 28 | 3303-387 | 2 | | Screw, Cap |



| Ref # | Part Number | Qty | S/P/F | Description |
|-------|-------------|-----|-------|--|
| 1 | 0402-843 | 1 | /P | Knob, Shift |
| 2 | 0423-345 | 1 | | Clip, Retaining |
| 3 | 1402-562 | 1 | /P | Plate, Shift |
| 4 | 2406-348 | 1 | | Shield, Shift Plate |
| 5 | 0423-357 | 4 | | Nut, Stamped |
| 6 | 0502-659 | 1 | | Lever, Shift |
| 7 | 0402-678 | 1 | /P | Spring, Shift Lever |
| 8 | 1502-332 | 1 | | Actuator, Shift |
| 9 | 8424-602 | 1 | /P | Nut |
| 10 | 0423-182 | 2 | /P | O-Ring |
| 11 | 0402-675 | 1 | | Axle, Pivot |
| 12 | 8408-812 | 1 | | Screw, Cap |
| 13 | 0423-087 | 1 | | Washer |
| 14 | 0423-299 | 2 | /P | O-Ring |
| 15 | 8424-802 | 1 | | Nut |
| 16 | 1402-621 | 1 | | Pin, Mounting |
| 17 | 0423-091 | 2 | | Bushing |
| 18 | 0623-094 | 2 | | Washer |
| 19 | 0423-169 | 2 | /P | E-Ring |
| 20 | 1502-652 | 1 | | Linkage, Shift - Assembly (inc. 21-23) |
| 21 | 0123-917 | 1 | /P | Nut, Hex - Left-Hand Thread |
| 22 | 1402-619 | 1 | | Coupler |
| 23 | 0623-294 | 1 | | Nut, Hex - Right-Hand Thread |

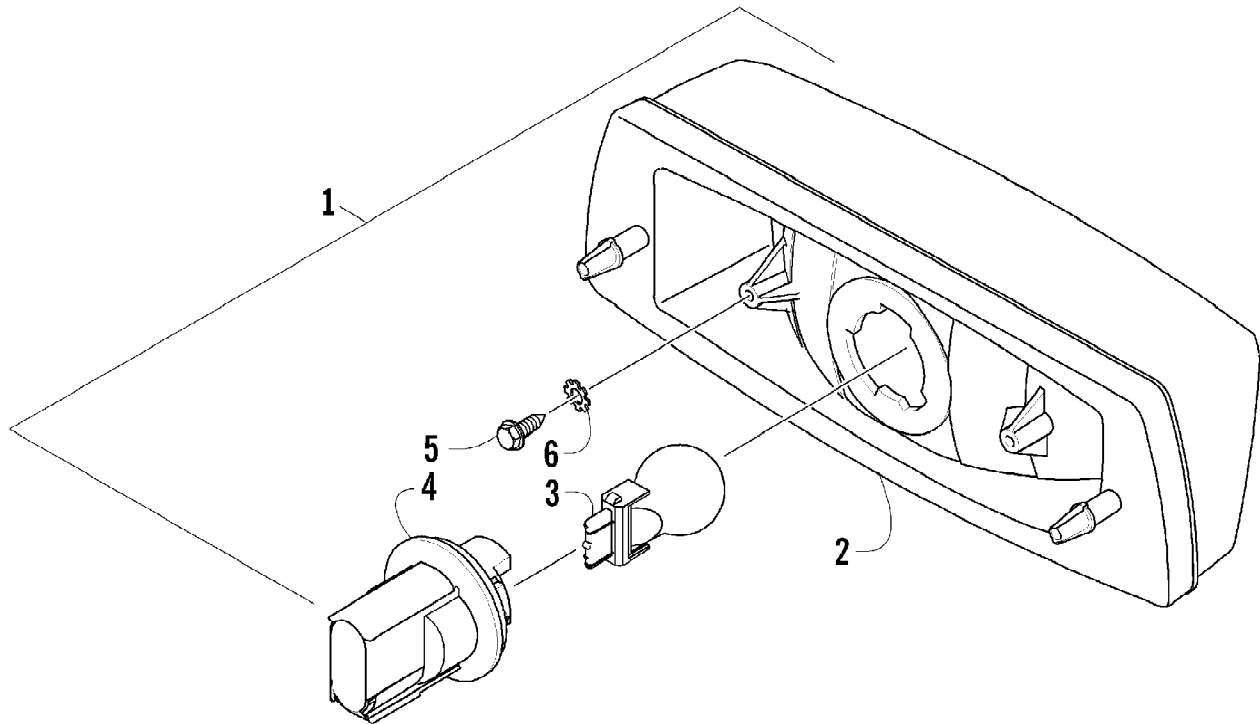


| Ref # | Part Number | Qty | S/P/F | Description |
|-------|-------------|-----|-------|---|
| 1 | 8408-860 | 4 | | Screw, Cap |
| 2 | 0405-035 | 4 | | Cap, Steering Adjuster |
| 3 | 0423-505 | 2 | | Screw, Shoulder |
| 4 | 0505-484 | 1 | | Cap, Housing |
| 5 | 0405-138 | 1 | | Housing, Lower |
| 6 | 0405-139 | 1 | | Housing, Upper |
| 7 | 0505-451 | 1 | S | Post, Steering |
| 8 | 8408-816 | 2 | | Screw, Cap |
| 9 | 0602-233 | 1 | | Flange, Bearing |
| 10 | 0405-052 | 1 | | Bearing w/Inverted Oil Seal |
| 11 | 0423-073 | 1 | | Washer |
| 12 | 8409-020 | 1 | /P | Screw, Cap |
| 13 | 0505-499 | 2 | /P | Tie Rod - Assembly (inc. 14-20) |
| 14 | 0505-511 | 2 | /P | End, Tie Rod - Left-Hand Thread - Kit (inc. 15-16) |
| 15 | 0 | 2 | F | End, Tie Rod - Left-Hand Thread |
| 16 | 0423-013 | 2 | | Nut - Left-Hand Thread |
| 17 | 0405-281 | 2 | /P | Tie Rod |
| 18 | 0505-510 | 2 | /P | End, Tie Rod - Right-Hand Thread - Kit (inc. 19-20) |
| 19 | 0 | 2 | F | End, Tie Rod - Right-Hand Thread |
| 20 | 8420-002 | 2 | /P | Nut - Right-Hand Thread |
| 21 | 0423-157 | 4 | | Nut, Lock |
| 22 | 0623-175 | 4 | | Pin, Cotter |



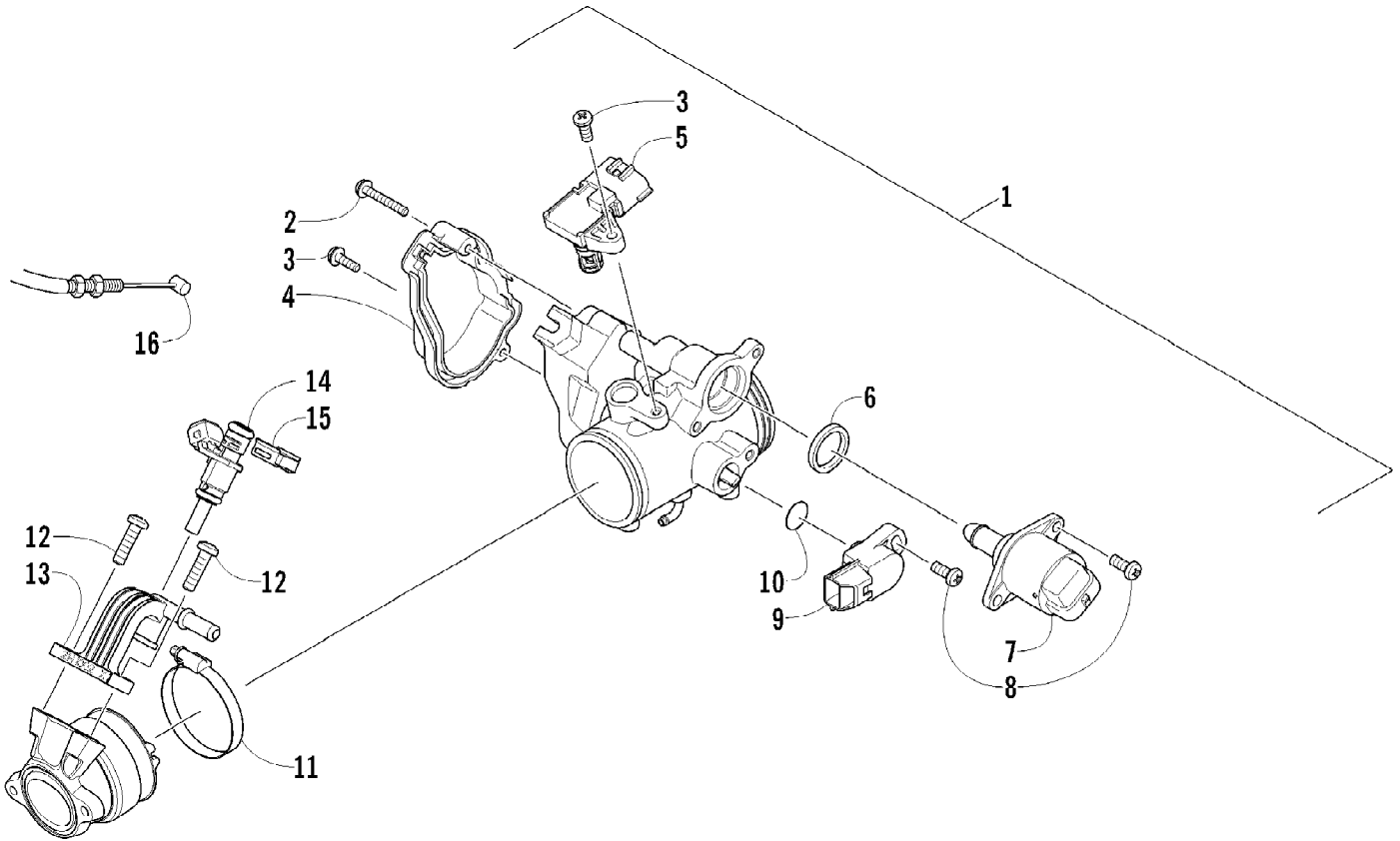
2011 ATV 450 EFI INTERNATIONAL METALLIC GRAY (A2011ICK4COSS) Page 67 of 79
 STEERING ASSEMBLY (VIN: 250001 AND UP)

| Ref # | Part Number | Qty | S/P/F | Description |
|-------|-------------|-----|-------|--|
| 1 | 8408-835 | 4 | | Screw, Cap |
| 2 | 0405-035 | 2 | | Cap, Steering Adjuster |
| 3 | 0505-484 | 1 | | Cap, Housing |
| 4 | 0405-260 | 1 | | Housing, Upper |
| 5 | 0405-259 | 1 | | Housing, Lower |
| 6 | 0505-493 | 1 | | Post, Steering |
| 7 | 0423-505 | 2 | | Screw, Shoulder |
| 8 | 8408-816 | 2 | | Screw, Cap |
| 9 | 0602-233 | 1 | | Flange, Bearing |
| 10 | 0405-052 | 1 | | Bearing w/Inverted Oil Seal |
| 11 | 0423-073 | 1 | | Washer |
| 12 | 8409-020 | 1 | /P | Screw, Cap |
| 13 | 0505-499 | 2 | /P | Tie Rod - Assembly (inc. 14-18) |
| 14 | 0505-511 | 2 | /P | End, Tie Rod - Left-Hand Thread - Kit (inc. 15) |
| 15 | 0423-013 | 2 | | Nut - Left-Hand Thread |
| 16 | 0405-281 | 2 | /P | Tie Rod |
| 17 | 0505-510 | 2 | /P | End, Tie Rod - Right-Hand Thread - Kit (inc. 18) |
| 18 | 8420-002 | 2 | /P | Nut - Right-Hand Thread |
| 19 | 0423-157 | 4 | | Nut, Lock |
| 20 | 0623-175 | 4 | | Pin, Cotter |

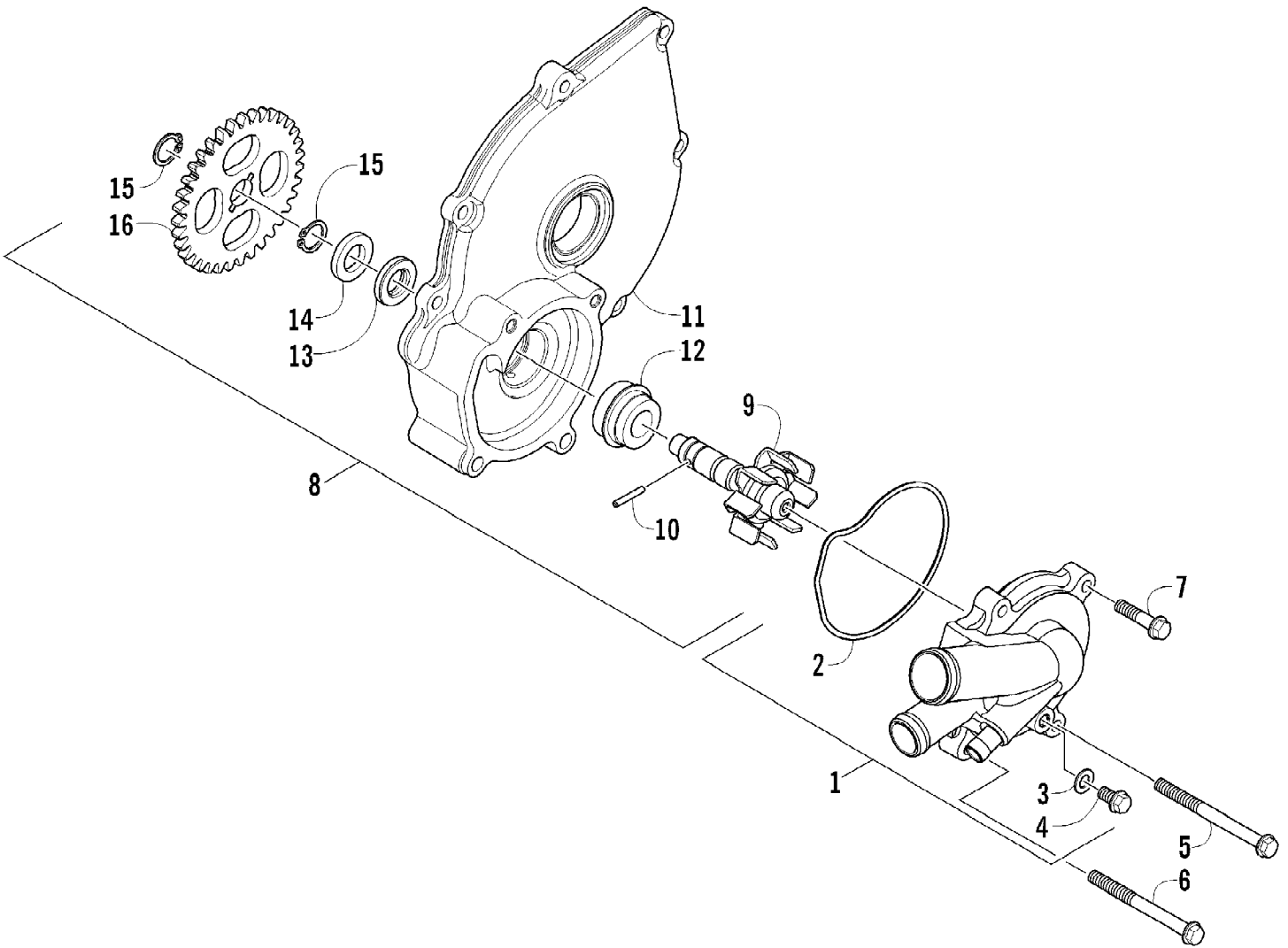


2011 ATV 450 EFI INTERNATIONAL METALLIC GRAY (A2011ICK4COSS) Page 69 of 79
TAILLIGHT ASSEMBLY

| Ref # | Part Number | Qty | S/P/F | Description |
|-------|-------------|-----|-------|-------------------------------|
| 1 | 0509-022 | 1 | | Taillight Assembly (inc. 2-4) |
| 2 | 0509-025 | 1 | | Housing, Taillight |
| 3 | 0409-056 | 1 | | Bulb, Taillight |
| 4 | 0409-057 | 1 | | Socket, Taillight |
| 5 | 0623-301 | 2 | /P | Screw, Self-Tapping |
| 6 | 8053-212 | 2 | /P | Washer, External Tooth Lock |

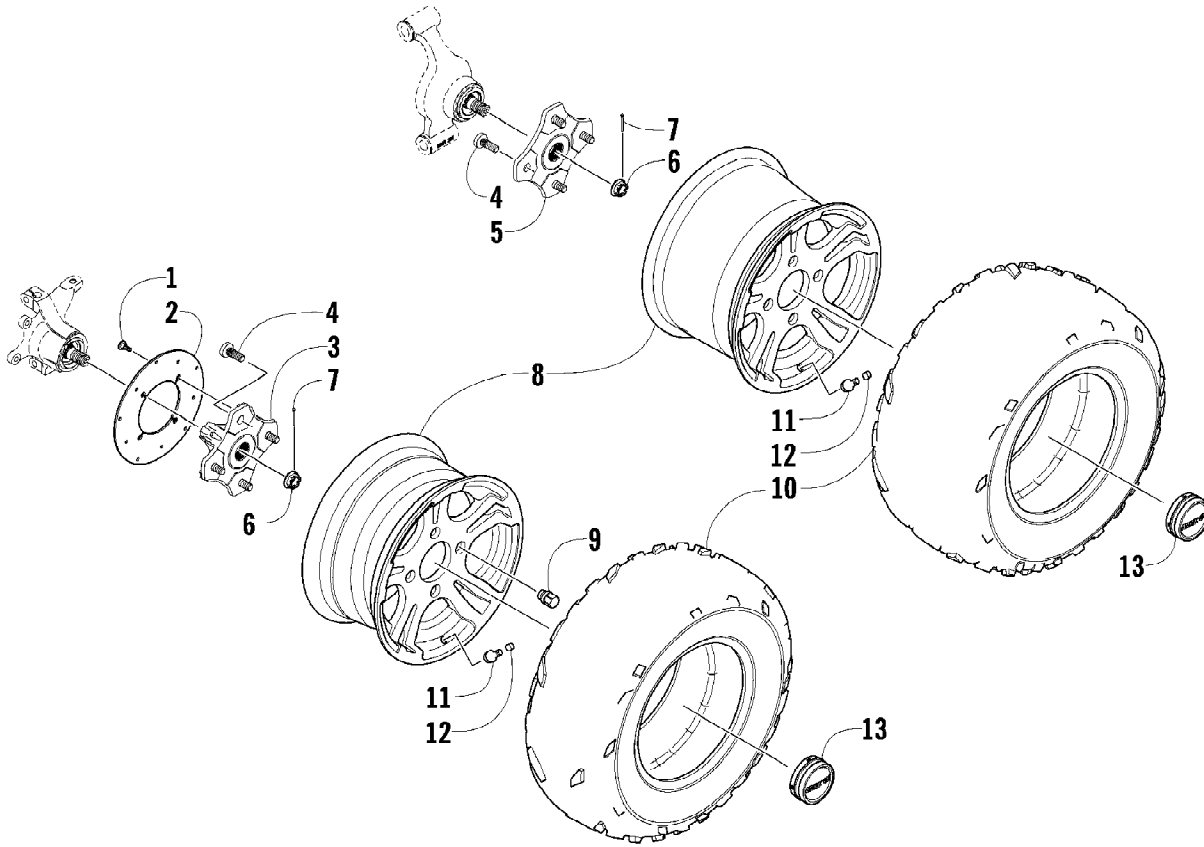


| Ref # | Part Number | Qty | S/P/F | Description |
|-------|-------------|-----|-------|--------------------------------------|
| 1 | 0570-328 | 1 | | Throttle Body - Assembly (inc. 2-10) |
| 2 | 0835-006 | 1 | | Screw, Machine |
| 3 | 0835-007 | 2 | | Screw, Machine |
| 4 | 0824-060 | 1 | | Cover |
| 5 | 0824-052 | 1 | | Sensor, MAP |
| 6 | 0832-088 | 1 | | Seal |
| 7 | 0824-054 | 1 | | Valve, By-Pass - Idle Air |
| 8 | 3305-953 | 3 | | Screw, Machine |
| 9 | 0824-053 | 1 | | Sensor, Throttle Position (inc. 10) |
| 10 | 3306-150 | 1 | | O-Ring |
| 11 | 0423-019 | 1 | | Clamp |
| 12 | 8468-620 | 2 | /P | Screw, Machine |
| 13 | 0470-885 | 1 | | Rail, Fuel |
| 14 | 0470-884 | 1 | | Injector, Fuel |
| 15 | 0470-889 | 1 | | Clip, Retaining |
| 16 | 0487-076 | 1 | | Cable, Throttle |

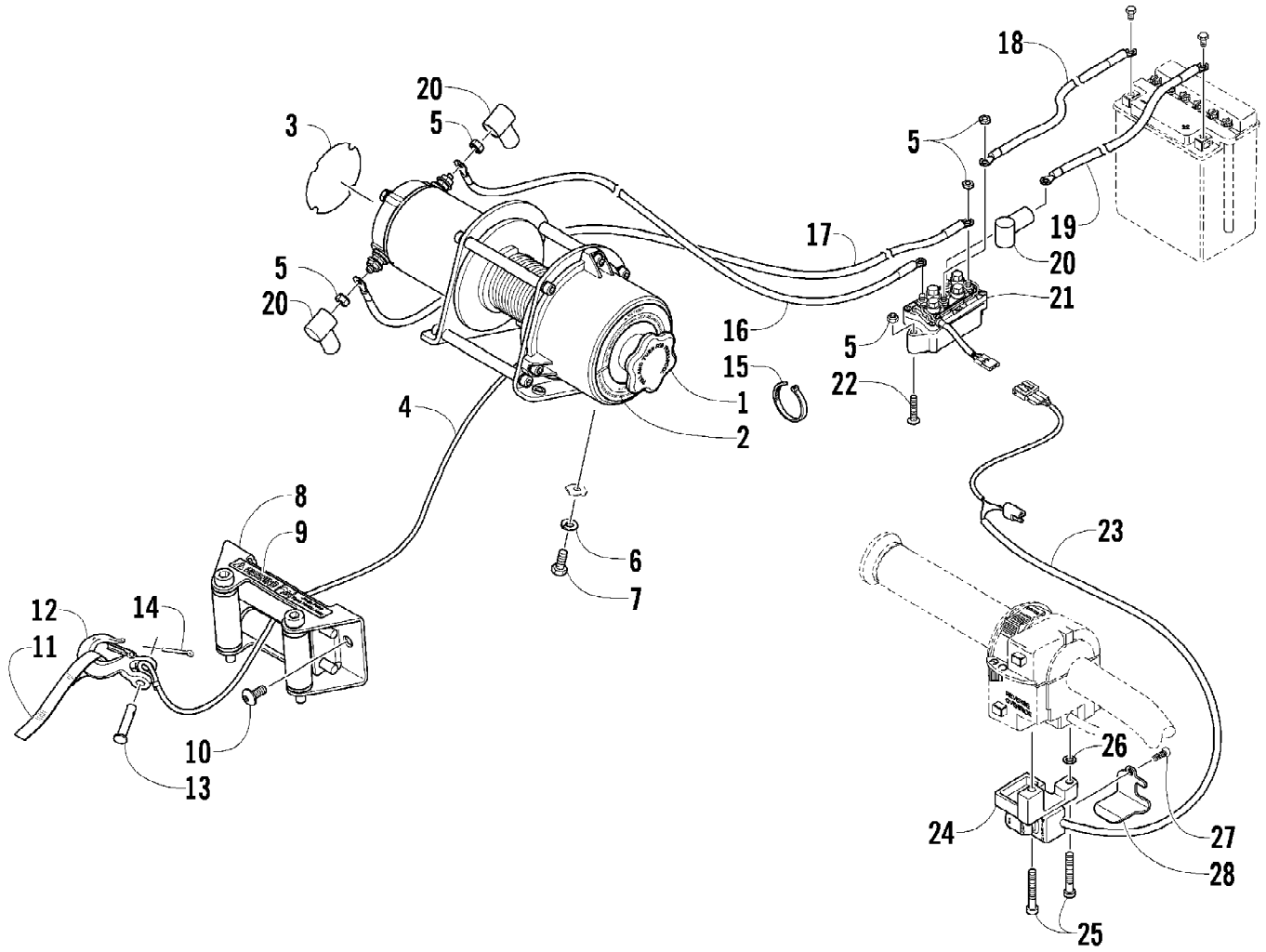


2011 ATV 450 EFI INTERNATIONAL METALLIC GRAY (A2011ICK4COSS) Page 73 of 79
 WATER PUMP ASSEMBLY

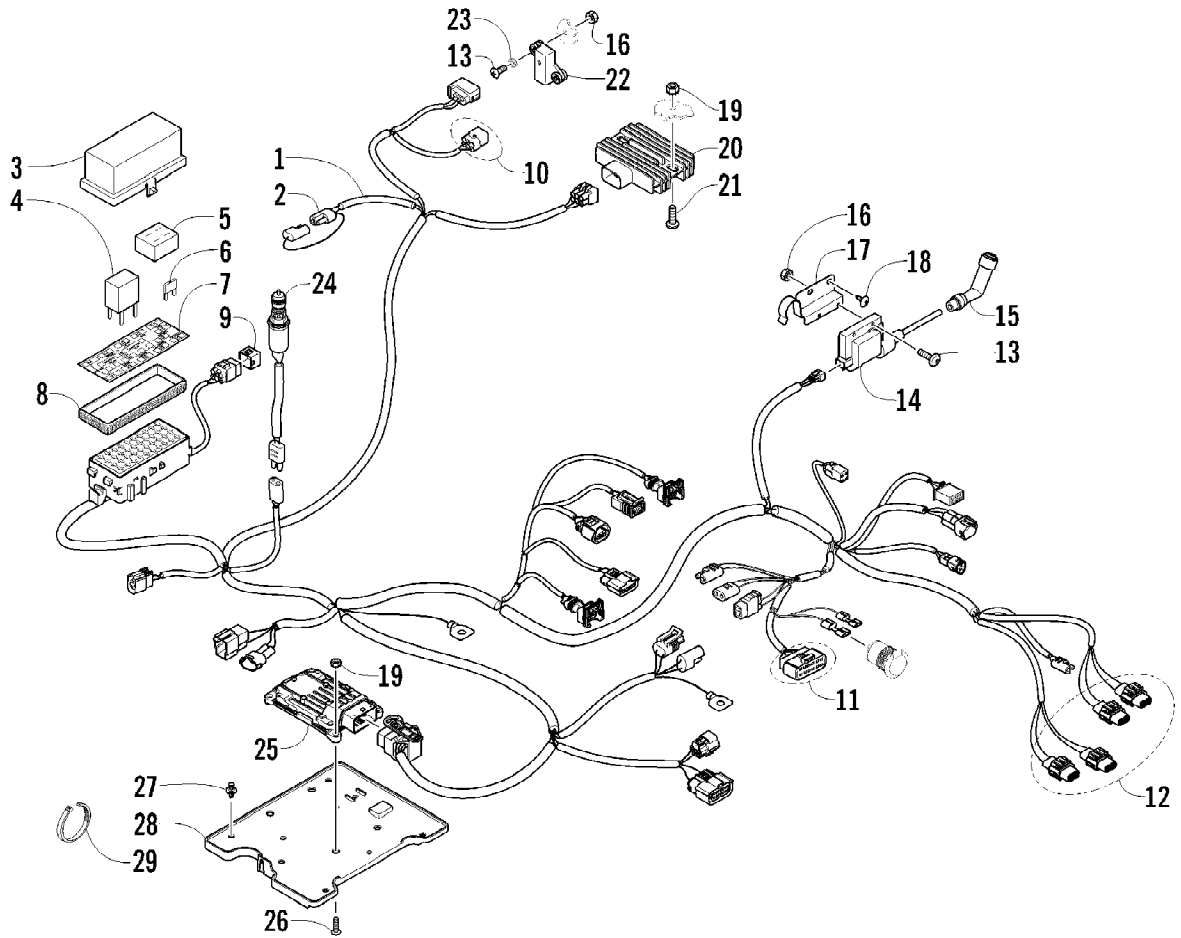
| Ref # | Part Number | Qty | S/P/F | Description |
|-------|-------------|-----|-------|--|
| 1 | 0813-054 | 1 | /P | Cover, Water Pump - Assembly (inc. 2-4) |
| 2 | 0830-208 | 1 | | O-Ring |
| 3 | 3304-049 | 1 | | Washer |
| 4 | 3304-186 | 1 | | Screw, Cap |
| 5 | 0826-065 | 1 | | Screw, Cap |
| 6 | 0826-151 | 1 | | Screw, Cap |
| 7 | 3303-384 | 2 | /P | Screw, Cap |
| 8 | 0813-051 | 1 | | Housing, Water Pump - Assembly (inc. 9-16) |
| 9 | 0813-057 | 1 | | Shaft, Impeller - Assembly |
| 10 | 0829-057 | 1 | | Pin, Alignment |
| 11 | 0806-123 | 1 | | Housing, Water Pump |
| 12 | 3305-940 | 1 | | Seal, Mechanical |
| 13 | 0830-207 | 1 | | Seal, Oil |
| 14 | 0828-130 | 1 | | Washer, Thrust |
| 15 | 0831-089 | 2 | | Circlip |
| 16 | 0811-037 | 1 | | Gear, Driven |



| Ref # | Part Number | Qty | S/P/F | Description |
|-------|-------------|-----|-------|------------------------------------|
| 1 | 0423-557 | 12 | | Screw, Shoulder |
| 2 | 1436-164 | 3 | /P | Disc, Brake |
| 3 | 1502-462 | 2 | /P | Hub, Wheel - Front (inc. 4) |
| 4 | 0402-974 | 16 | /P | Stud |
| 5 | 1502-462 | 1 | /P | Hub, Wheel - Rear - Right (inc. 4) |
| 5 | 1502-464 | 1 | | Hub, Wheel - Rear - Left (inc. 4) |
| 6 | 0423-607 | 4 | | Nut, Castle |
| 7 | 0423-407 | 4 | | Pin, Cotter |
| 8 | 1402-730 | 2 | | Wheel - Front |
| 8 | 1402-731 | 2 | | Wheel - Rear |
| 9 | 0423-618 | 16 | | Nut, Lug |
| 10 | 1402-894 | 2 | | Tire - Front |
| 10 | 1402-895 | 2 | | Tire - Rear |
| 11 | 0402-064 | 4 | | Stem, Valve (inc. 12) |
| 12 | 0402-140 | 4 | | Cap, Valve Stem |
| 13 | 1402-736 | 4 | | Cap, Wheel |



| Ref # | Part Number | Qty | S/P/F | Description |
|-------|-------------|-----|-------|---------------------------------|
| 1 | 1441-830 | 1 | | Winch (inc. 2-4 and two No. 5) |
| 2 | 2411-141 | 1 | | Decal, Warning - Tension |
| 3 | 2411-140 | 1 | | Decal, Warning - Operation |
| 4 | 1441-831 | 1 | | Cable, Winch |
| 5 | 0623-038 | 8 | | Nut w/Washer |
| 6 | 8051-246 | 4 | | Washer, Lock |
| 7 | 8408-820 | 4 | /P | Screw, Cap |
| 8 | 0441-403 | 1 | /P | Roller, Winch (inc. 9) |
| 9 | 0411-474 | 1 | | Decal, Warning - Pinch Point |
| 10 | 8468-820 | 2 | | Screw, Machine |
| 11 | 1441-781 | 1 | | Strap |
| 12 | 1441-833 | 1 | | Hook, Winch |
| 13 | 1441-834 | 1 | | Pin |
| 14 | 0623-175 | 1 | | Pin, Cotter |
| 15 | 0123-903 | AR | | Tie, Cable - 11.5 in. |
| 16 | 0445-068 | 1 | | Cable, Winch/Solenoid - Yellow |
| 17 | 0445-069 | 1 | | Cable, Winch/Solenoid - Blue |
| 18 | 1441-112 | 1 | | Cable, Solenoid/Battery - Black |
| 19 | 0445-087 | 1 | | Cable, Solenoid/Battery - Red |
| 20 | 0645-019 | 3 | | Boot, Terminal |
| 21 | 0409-066 | 1 | /P | Solenoid |
| 22 | 8476-625 | 2 | | Screw, Machine |
| 23 | 0409-087 | 1 | | Switch, Control |
| 24 | 0409-034 | 1 | | Retainer, Control Switch |
| 25 | 8464-560 | 2 | | Screw, Machine |
| 26 | 0423-593 | 1 | | Washer |
| 27 | 0423-382 | 1 | | Screw, Self-Tapping |
| 28 | 0409-106 | 1 | | Cover, Switch |



| Ref # | Part Number | Qty | S/P/F | Description |
|-------|-------------|-----|-------|-------------------------------------|
| 1 | 0486-326 | 1 | | Harness, Main (inc. 2-9) |
| 2 | 0486-164 | 1 | | Tether, Accessory Connector |
| 3 | 0430-085 | 1 | | Cover, Fuse Block |
| 4 | 0430-045 | 2 | /P | Relay (4-Pin) - 20 Amp |
| 4 | 0430-033 | 1 | | Relay (5-Pin) - 20 Amp |
| 5 | 0430-037 | 1 | | Holder, Fuse |
| 6 | 0430-032 | 7 | | Fuse - 10 Amp |
| 6 | 0430-031 | 4 | | Fuse - 15 Amp |
| 6 | 0430-030 | 2 | | Fuse - 30 Amp |
| 7 | 2411-090 | 1 | | Decal, Fuse Block |
| 8 | 0430-086 | 1 | | Seal |
| 9 | 0430-097 | 1 | | Cover, Diagnostics Connector |
| 10 | 1436-416 | 1 | | Repair Kit, Connector - Tilt Sensor |
| 11 | 1436-415 | 1 | | Repair Kit, Connector - LCD Gauge |
| 12 | 1436-290 | AR | | Repair Kit, Connector - Headlight |
| 13 | 8468-425 | 4 | | Screw, Machine |
| 14 | 0824-055 | 1 | | Coil, Ignition (inc. 15) |
| 15 | 0824-056 | 1 | | Cap, Spark Plug |
| 16 | 0423-493 | 4 | | Nut w/Washer |
| 17 | 2516-566 | 1 | | Bracket, Mounting - Coil |
| 18 | 0623-309 | 2 | | Screw, Self-Tapping |
| 19 | 0623-038 | 6 | | Nut w/Washer |
| 20 | 0824-037 | 1 | /P | Regulator, Voltage |
| 21 | 8476-625 | 2 | | Screw, Machine |
| 22 | 0409-064 | 1 | | Sensor, Tilt |
| 23 | 0123-802 | 2 | | Washer |
| 24 | 0409-089 | 1 | | Switch, Brake - Assembly |
| 25 | 0530-057 | 1 | | ECU |
| 26 | 8476-620 | 4 | | Screw, Machine |
| 27 | 0623-362 | 4 | | Rivet, Reinstallable |
| 28 | 2416-181 | 1 | | Tray, Electrical |
| 29 | 0123-788 | AR | /P | Tie, Cable - 8 in. |
| 29 | 0123-903 | AR | | Tie, Cable - 11.5 in. |