

2011 ATV 450 EFI GREEN (A2011ICK4CUSG)
AIR INTAKE ASSEMBLY

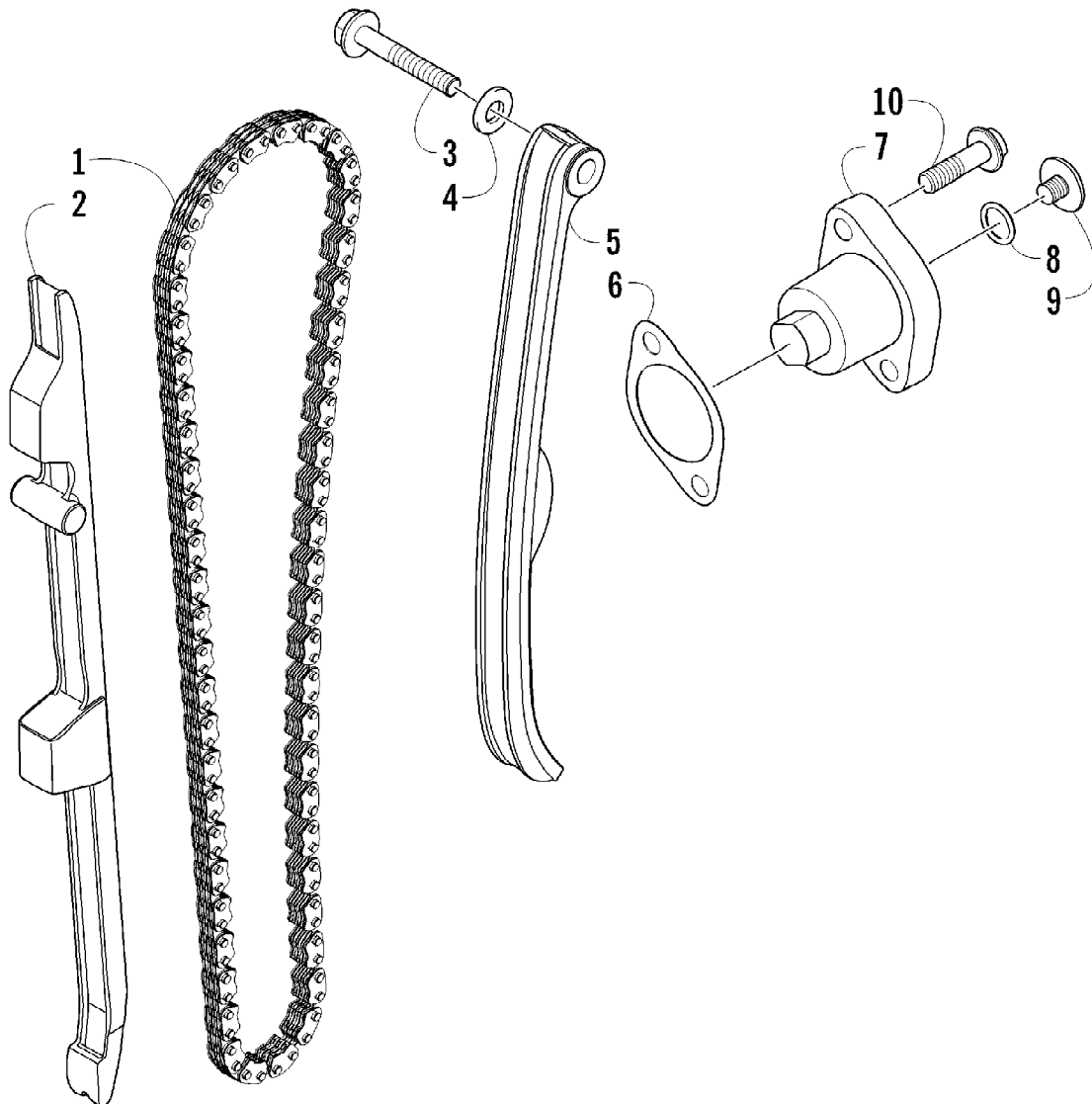
Page 2 of 77

Ref #	Part Number	Qty	S/P/F	Description
1	2406-013	1		Shroud, Splash
2	0623-362	4		Rivet, Reinstallable
3	0413-091	1		Diverter, Air - Top
4	0413-093	1		Diverter, Air - Bottom
5	0423-551	2		Clamp
6	0423-342	2	/P	Screw, Self-Tapping
7	0413-096	1		Cap, Air Intake - Diverter
8	0470-529	1		Duct, Air Intake - Engine
9	0423-019	4		Clamp
10	0470-875	1		Duct, Intake - Diverter/Housing
11	0470-869	1		Boot, Intake - Diverter/Housing
12	0470-872	1		Housing, Intake
13	0470-890	1		Filter, Air
14	0470-888	1		Boot, Adapter
15	0470-891	1		Filter, Vent
16	0470-873	1		Cover, Intake
17	0623-784	11		Screw, Self-Tapping
18	0470-874	1		Cover, Access
19	0423-996	3		Screw, Thumb
20	0470-892	1		Seal
21	1623-637	3		Clip, U-Nut
22	0470-876	1		Duct, Intake - Housing/Throttle Body
23	0470-871	1		Boot, Intake - Housing/Throttle Body
24	1623-281	2		Clamp, Hose
25	0410-173	1	/P	Hose, Vent
26	2416-388	1		Panel, Shield
27	0423-832	1		Clamp

2011 ATV 450 EFI GREEN (A2011ICK4CUSG)
BATTERY AND STARTER ASSEMBLY

Page 4 of 77

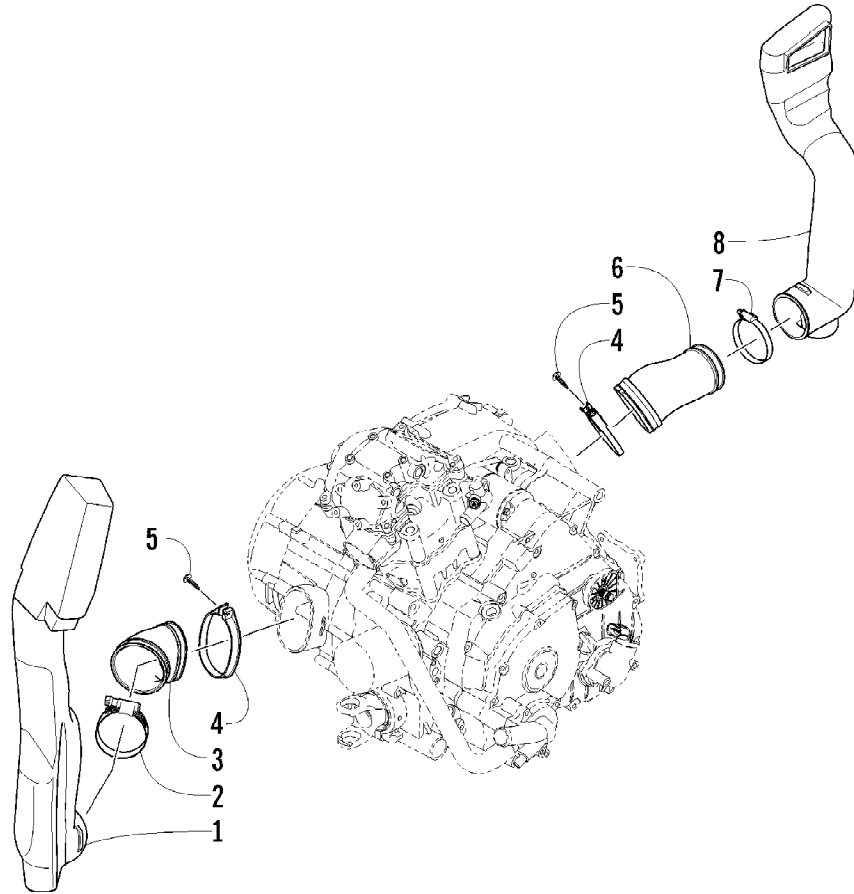
Ref #	Part Number	Qty	S/P/F	Description
1	5991-655	1	/P	Battery Cover/Tool Tray Assembly (inc. 2-4)
2	2406-815	1	/P	Cover, Battery
3	0444-122	1	S/P	Kit, Tool
4	0417-016	1		Pad, Battery
5	8476-620	2		Screw, Machine
6	0645-480	1		Battery Assembly (inc. 7-8)
7	0445-082	1		Kit, Hardware
8	0645-430	1		Decal, Warning
9	0417-012	1		Foam, Battery
10	0445-070	1		Cable, Battery/Ground
11	0445-062	1		Cable, Battery/Solenoid
12	0645-327	1		Boot, Terminal
13	0623-038	5		Nut w/Washer
14	8476-625	2		Screw, Machine
15	0445-064	1		Cable, Solenoid/Starter (inc. 16)
16	0645-019	1		Boot, Terminal
17	0445-058	1	/P	Solenoid
18	3305-954	1		Motor, Starter - Assembly (inc. 19)
19	3304-104	1		O-Ring
20	3305-946	2		Screw, Cap



2011 ATV 450 EFI GREEN (A2011ICK4CUSG)
CAM CHAIN ASSEMBLY

Page 6 of 77

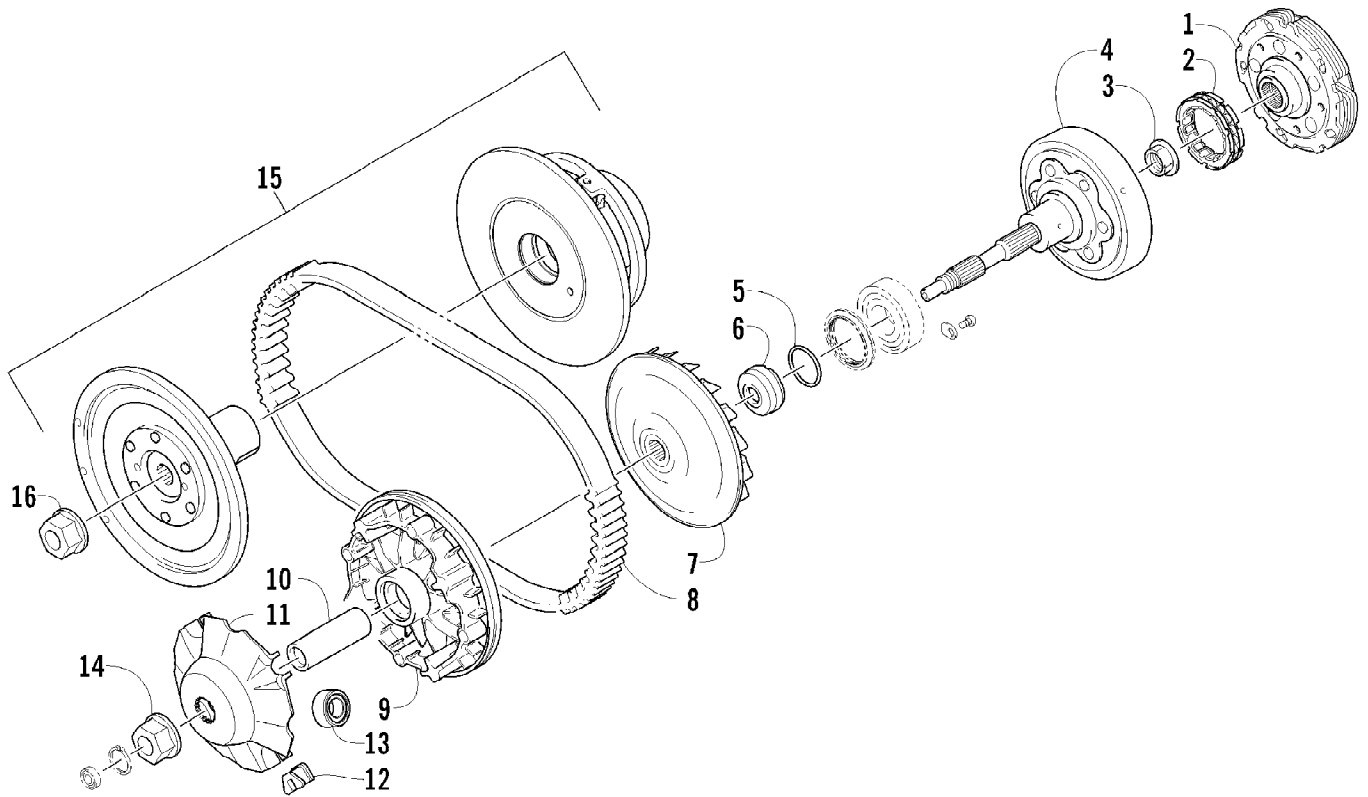
Ref #	Part Number	Qty	S/P/F	Description
1	0810-005	1		Chain, Cam
2	0810-068	1		Guide, Chain
3	0826-133	1		Pivot, Tensioner
4	0830-150	1		Washer
5	0810-007	1		Tensioner, Chain
6	3303-035	1		Gasket
7	3303-677	1		Adjuster, Tensioner - Assembly
8	3304-100	1	/P	O-Ring
9	3304-006	1		Screw, Adjuster
10	3303-360	2		Screw, Cap



2011 ATV 450 EFI GREEN (A2011ICK4CUSG)
CASE/BELT COOLING ASSEMBLY

Page 8 of 77

Ref #	Part Number	Qty	S/P/F	Description
1	0413-126	1		Duct, Air Intake - Front - Lower
2	0423-057	1		Clamp
3	0413-160	1	/P	Boot, Duct - Air Intake - Front
4	0423-550	2		Clamp
5	0423-342	2	/P	Screw, Self-Tapping
6	0413-231	1		Boot, Duct - Air Out - Rear
7	0423-019	1		Clamp
8	0413-094	1		Duct, Air Out - Rear

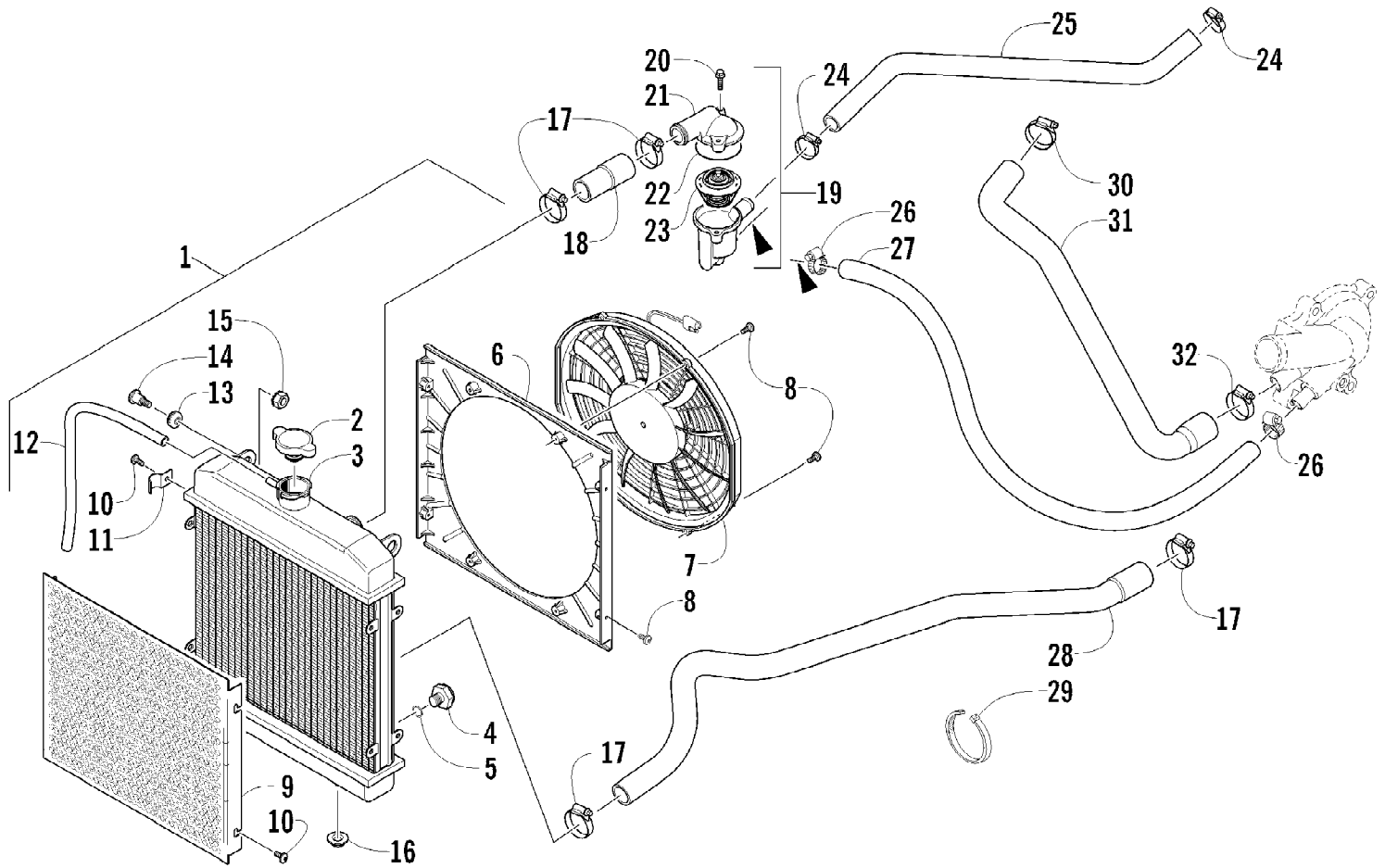


2011 ATV 450 EFI GREEN (A2011ICK4CUSG)
CLUTCH AND DRIVE BELT ASSEMBLY

Ref #	Part Number	Qty	S/P/F	Description
1	0823-328	1		Shoe, Clutch - Assembly
2	0823-198	1		Clutch, One-Way
3	0827-050	1		Nut
4	0823-338	1		Housing, Clutch
5	0830-187	1		O-Ring
6	0823-058	1		Spacer
7	0823-313	1		Face, Fixed Drive
8	0823-228	1		Belt, Drive
9	0823-324	1		Face, Movable Drive
10	0823-206	1		Spacer, Movable Drive Face
11	0823-213	1		Plate, Movable Drive Face
12	0823-214	4		Damper, Movable Drive Face
13	0823-351	8		Roller, Movable Drive Face
14	3323-165	1	/P	Nut
15	0823-350	1		Clutch, Driven - Assembly
16	0827-058	1		Nut

2011 ATV 450 EFI GREEN (A2011ICK4CUSG)
CLUTCH/DRIVE BELT/MAGNETO COVER ASSEMBLY

Ref #	Part Number	Qty	S/P/F	Description
1	0806-026	1		Cover, Clutch
2	0830-055	1		Gasket
3	0830-157	1		Seal
4	0832-071	1		Bearing
5	0822-104	2		Retainer, Bearing
6	0826-144	5		Screw, Machine
7	0806-103	1		Plate, Air Intake
8	3303-386	18	/P	Screw, Cap
9	0806-027	1		Cover, Drive Belt
10	0830-056	1		Gasket
11	0829-046	6		Pin, Dowel
12	0832-023	1		Bearing
13	3303-347	1		Circlip
14	3303-365	2		Plug, Drain
15	3303-591	3		Gasket, Drain Plug
16	3304-903	22		Screw, Cap
17	0826-066	1		Screw, Cap
18	3304-191	2	/P	Screw, Cap
19	0826-068	1		Screw, Cap
20	0806-122	1		Cover, Magneto
21	0830-057	1		Gasket
22	0806-099	1		Plug
23	0830-141	1		Washer, Crush
24	0806-029	1		Stick, Oil Level (inc. 25)
25	3304-102	1	/P	O-Ring, Oil Level Stick
26	0832-053	1		Bearing
27	3305-943	1		Ring, Retaining
28	3305-944	1		Bearing
29	3305-942	1		Ring, Retaining
30	0830-206	1		Gasket
31	3301-716	2		Pin, Dowel
32	0812-087	1		Cap, Inspection (inc. 33)
33	0835-016	1		O-Ring
34	0826-136	1		Screw, Cap
35	3303-383	5	/P	Screw, Cap

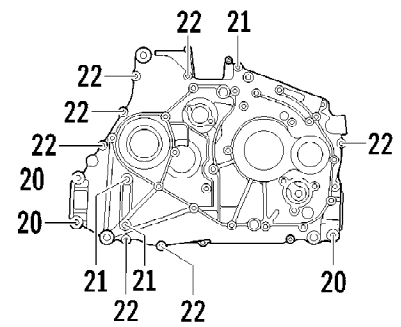
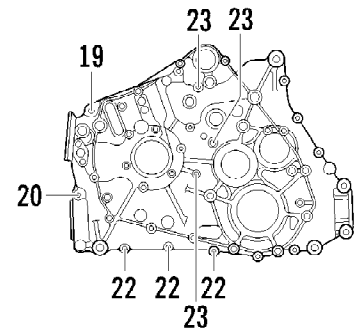
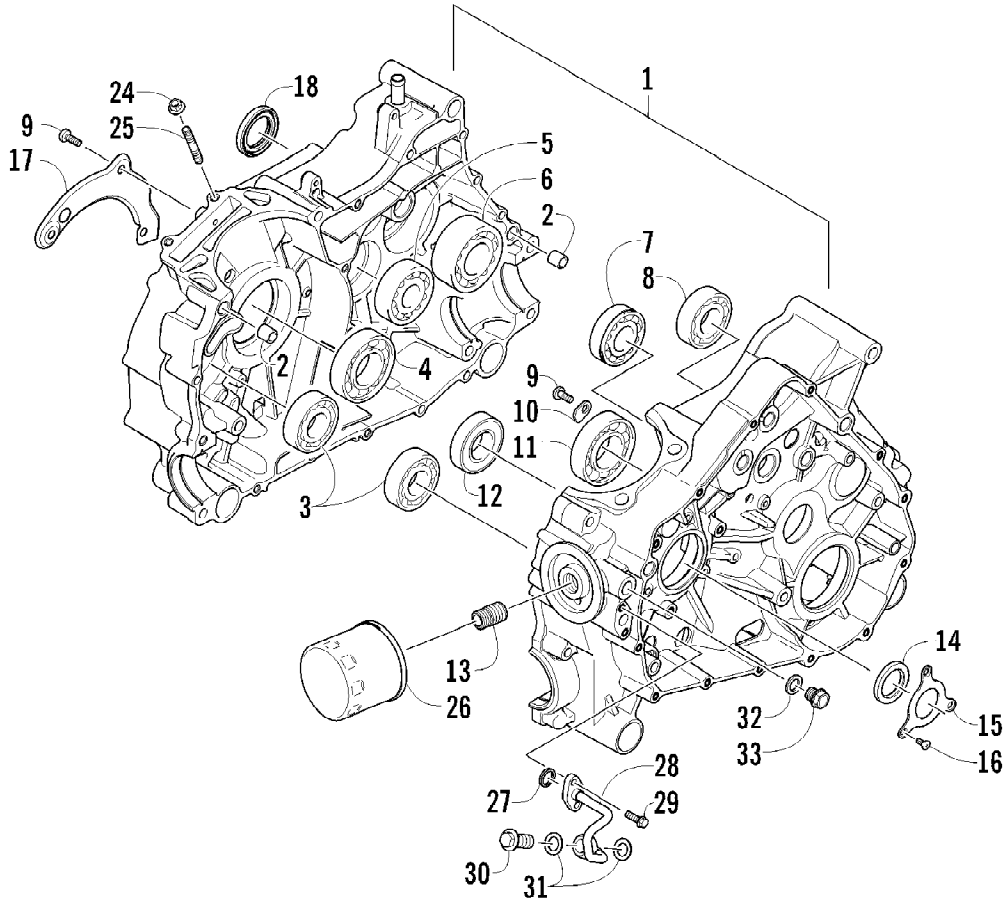


2011 ATV 450 EFI GREEN (A2011ICK4CUSG)
COOLING ASSEMBLY

Page 14 of 77

Ref #	Part Number	Qty	S/P/F	Description
1	0413-256	1	/P	Radiator Assembly (inc. 2-13)
2	0413-255	1	/P	Cap
3	0413-205	1		Radiator
4	0413-195	1		Plug, Drain
5	1602-213	1	/P	O-Ring
6	0413-203	1		Shroud, Fan
7	0413-123	1	/P	Fan, Cooling
8	0623-378	8		Screw, Self-Tapping
9	0413-007	1		Screen
10	8475-512	4		Screw, Machine
11	0423-351	1		Clamp, Wire
12	0610-016	AR	/P	Hose - 25 ft
12	0610-015	AR	/P	Hose - 100 ft
13	0423-030	2		Grommet
14	0423-484	2		Screw, Shoulder
15	0623-038	2		Nut w/Washer
16	0423-028	2		Bushing, Stem
17	0423-496	4		Clamp, Hose
18	0410-205	1		Hose, Coolant - Radiator/Thermostat
19	0808-192	1		Housing, Thermostat - Assembly (inc. 20-23)
20	3303-384	2	/P	Screw, Cap
21	0808-202	1		Cover, Housing - Thermostat
22	0830-205	1		O-Ring
23	0813-050	1		Thermostat
24	0423-490	2		Clamp, Hose
25	0410-203	1		Hose, Coolant - Thermostat/Cylinder
26	0423-632	2		Clamp, Hose
27	0410-202	1		Hose, Coolant - Thermostat/Water Pump
28	0410-204	1		Hose, Coolant - Radiator/Water Pump
29	0123-788	AR	/P	Tie, Cable - 8 in.
29	0123-903	AR		Tie, Cable - 11.5 in.
30	1423-008	1		Clamp, Hose
31	0410-216	1		Hose, Coolant - Water Pump/Cylinder
32	3305-941	1		Clamp, Hose

2011 ATV 450 EFI GREEN (A2011ICK4CUSG)
CRANKCASE ASSEMBLY

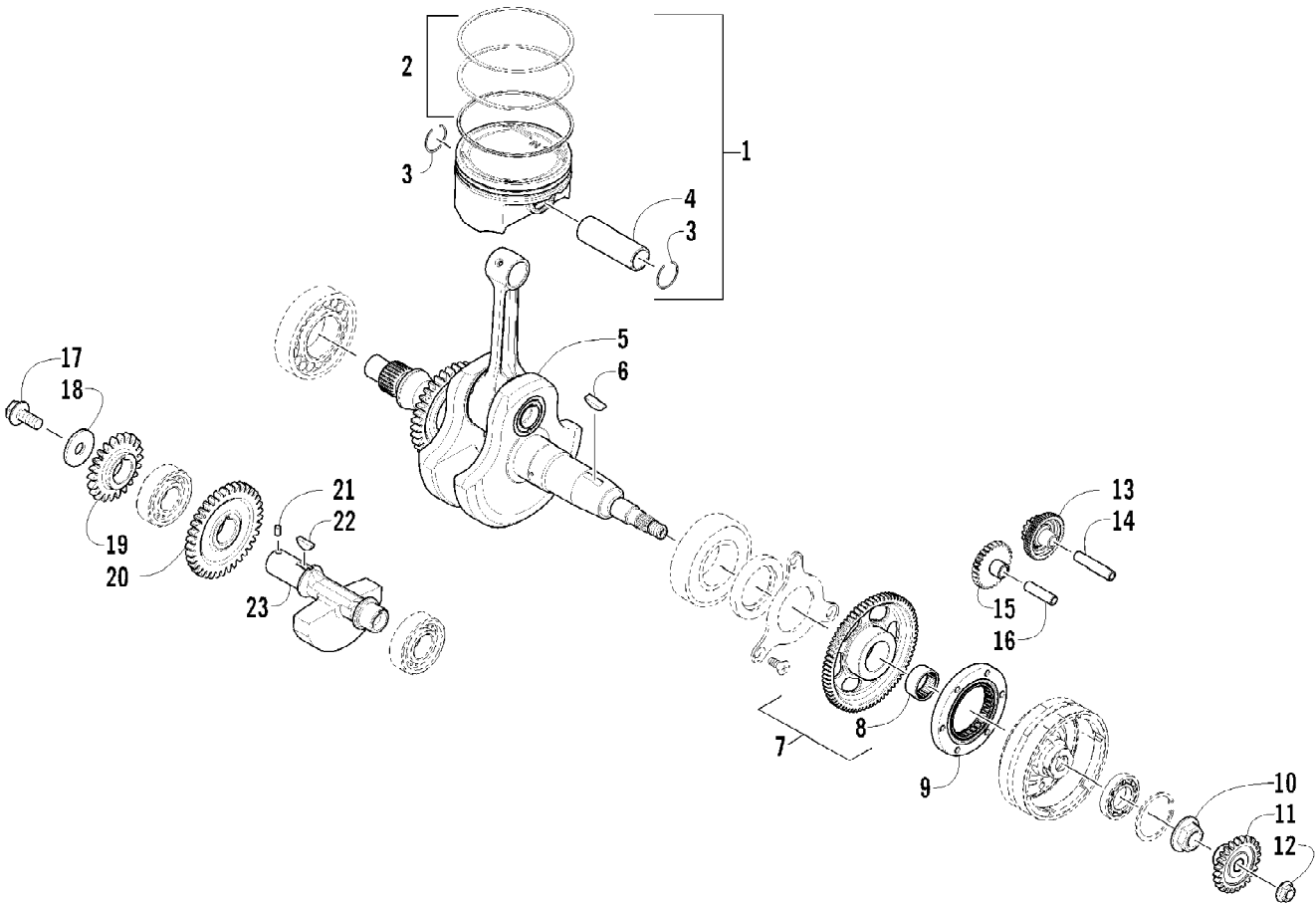


2011 ATV 450 EFI GREEN (A2011ICK4CUSG)
CRANKCASE ASSEMBLY

Page 16 of 77

Ref #	Part Number	Qty	S/P/F	Description
1	0801-191	1		Crankcase - Assembly (inc. 2-21)
2	0829-050	2		Pin, Dowel
3	3313-745	2		Bearing
4	0832-087	1		Bearing
5	3304-198	1		Bearing
6	0832-074	1		Bearing
7	3304-195	1		Bearing
8	3304-699	1	/P	Bearing
9	0826-144	5		Screw, Machine
10	0822-104	2		Retainer, Bearing
11	0832-019	1		Bearing
12	0832-020	1		Bearing
13	0812-066	1		Union, Oil Filter
14	0830-058	1		Seal
15	0805-018	1		Retainer
16	0826-145	3		Screw, Machine
17	0801-018	1		Plate, Oil Guide - Right
18	0830-066	1		Seal
19	3303-372	1		Screw, Cap
20	0826-126	4		Screw, Cap
21	0826-064	3		Screw, Cap
22	3303-387	10		Screw, Cap
23	0826-065	3		Screw, Cap
24	3303-331	2	/P	Nut
25	3313-721	2		Bolt, Stud
26	0812-029	1	S	Filter, Oil
27	0830-172	1		O-Ring
28	0812-086	1		Oilline
29	3303-617	2	/P	Screw, Cap
30	0812-084	1		Bolt, Banjo-Fitting
31	0812-085	2		Washer
32	0830-143	1	/P	Gasket
33	0835-004	1		Plug, Oil Pressure

2011 ATV 450 EFI GREEN (A2011ICK4CUSG)
CRANKSHAFT, BALANCER, STARTER GEAR, AND PISTON ASSEMBLIES

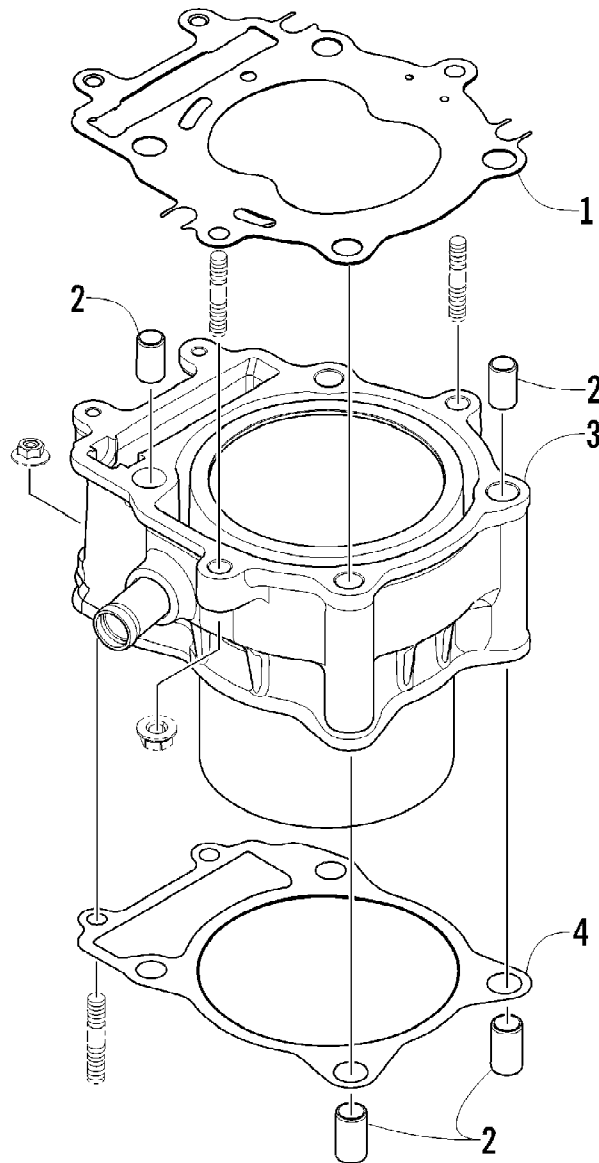


2011 ATV 450 EFI GREEN (A2011ICK4CUSG)

Page 18 of 77

CRANKSHAFT, BALANCER, STARTER GEAR, AND PISTON ASSEMBLIES

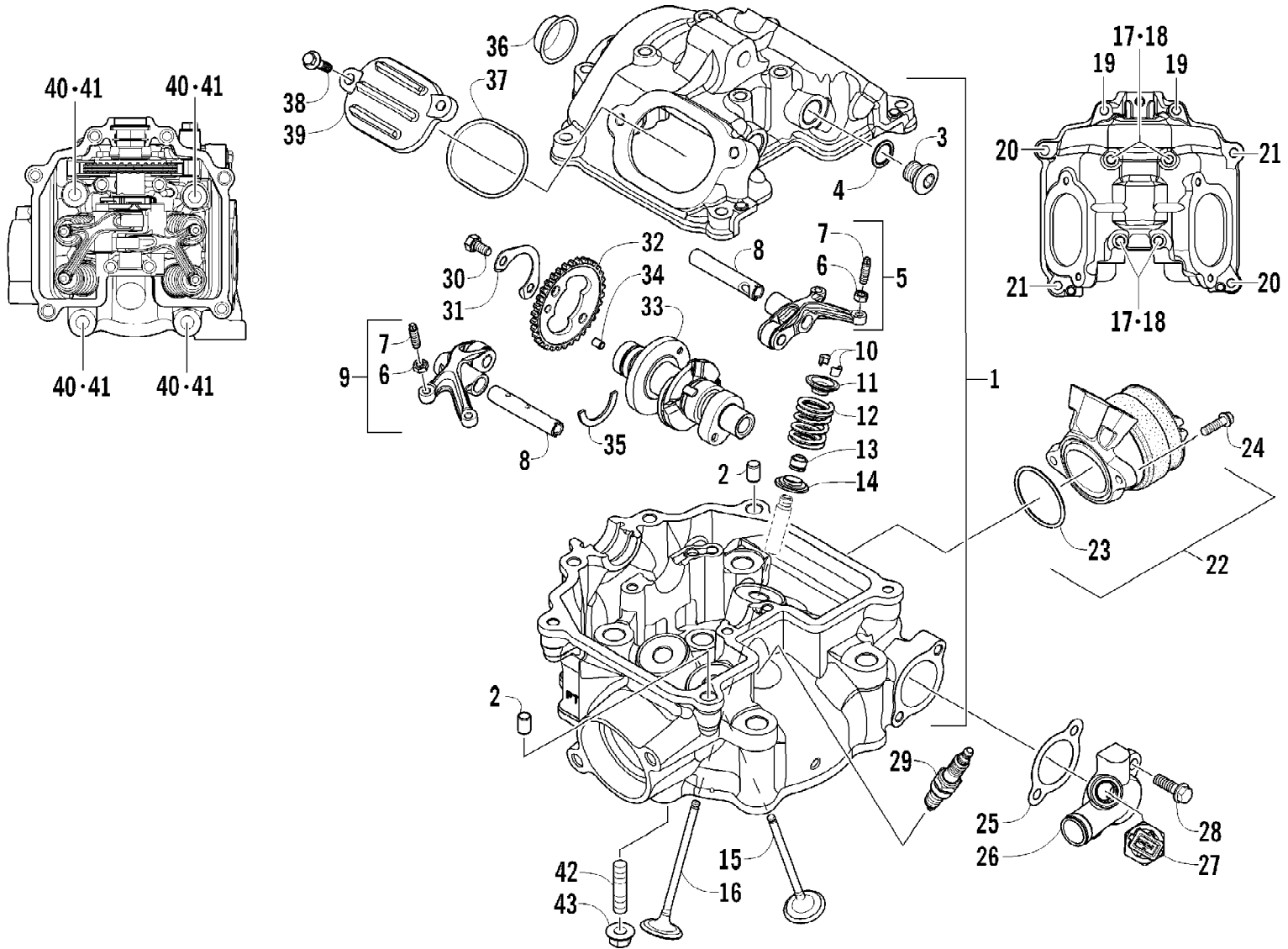
Ref #	Part Number	Qty	S/P/F	Description
1	0805-333	1	/P	Piston Set (inc. 2-4)
2	0805-320	1		Ring, Piston - Set
3	0831-060	2		Circlip
4	0805-023	1		Pin, Piston
5	0805-013	1		Crankshaft Assembly
6	0829-039	1		Key
7	0815-023	1		Gear, Starter Clutch (inc. 8)
8	0832-069	1		Bearing
9	0802-044	1	/P	Clutch, One-Way
10	0827-046	1		Nut
11	0811-036	1		Gear, Drive
12	3303-333	1	/P	Nut
13	0815-025	1		Gear, Starter Idler - No. 1
14	0815-007	1		Pin, Starter Idler Gear No. 1
15	0815-022	1		Gear, Starter Idler - No. 2
16	0815-015	1		Pin, Starter Idler Gear No. 2
17	0826-118	1		Screw, Cap
18	0828-091	1		Washer
19	0811-009	1		Gear, Oil Pump Drive
20	0811-006	1		Gear, Driven
21	3304-144	1		Pin, Alignment
22	0829-037	1		Key
23	0811-035	1		Balancer, Crank



2011 ATV 450 EFI GREEN (A2011ICK4CUSG)
CYLINDER ASSEMBLY

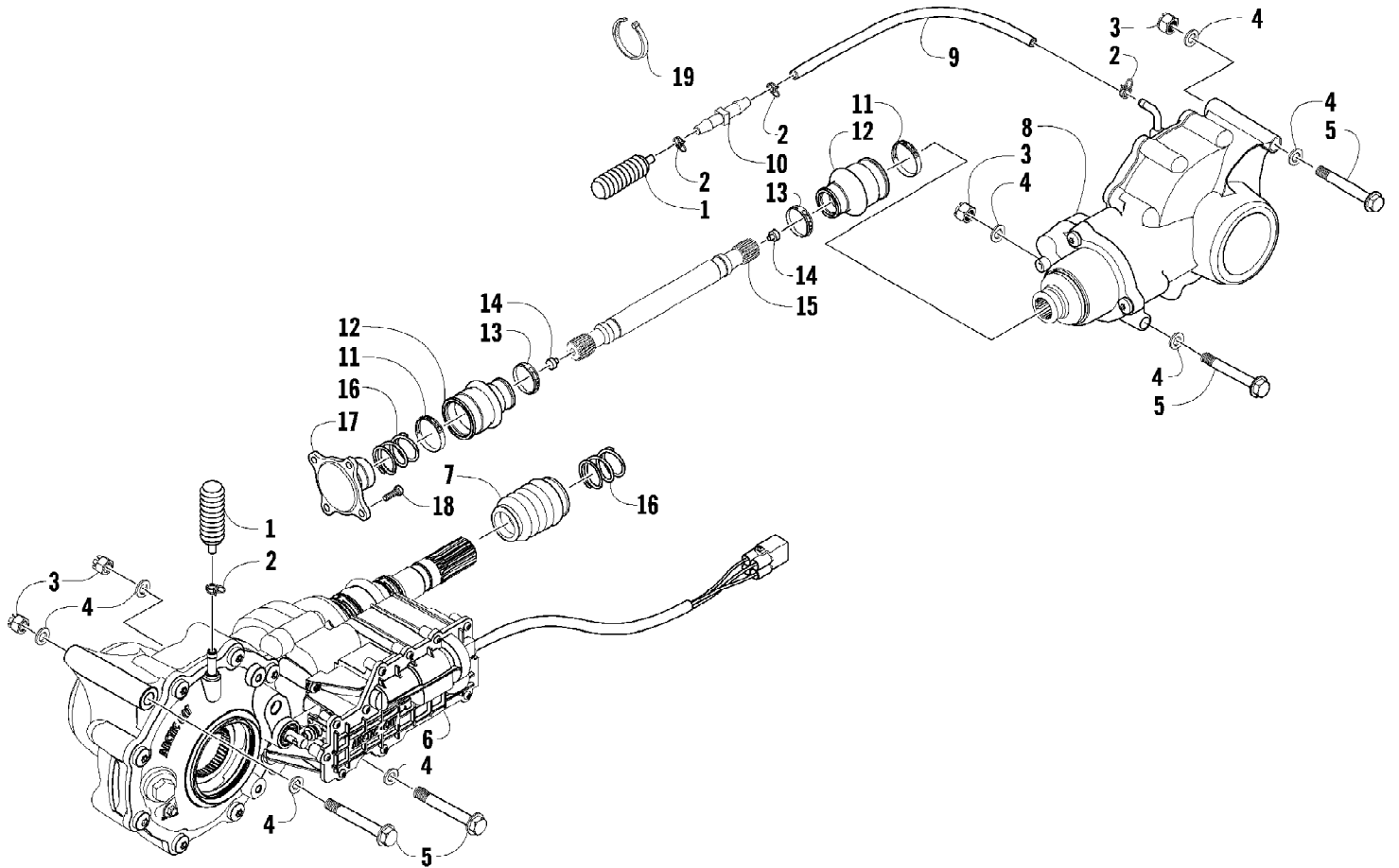
Ref #	Part Number	Qty	S/P/F	Description
1	0830-203	1		Gasket, Cylinder Head
2	0829-046	4		Pin, Dowel
3	0804-056	1		Cylinder
4	0830-204	1		Gasket, Cylinder

2011 ATV 450 EFI GREEN (A2011ICK4CUSG)
CYLINDER HEAD AND CAMSHAFT/VALVE ASSEMBLY



2011 ATV 450 EFI GREEN (A2011ICK4CUSG)
CYLINDER HEAD AND CAMSHAFT/VALVE ASSEMBLY

Ref #	Part Number	Qty	S/P/F	Description
1	0808-205	1		Head, Cylinder (inc. 2-17)
2	3303-341	2		Pin, Dowel
3	0831-053	2		Plug, Shaft
4	0830-143	2	/P	Gasket
5	0809-254	1		Arm, Valve Rocker - Intake (inc. 6-7)
6	3304-026	4	/P	Nut
7	3304-007	4	/P	Screw, Adjuster
8	0809-256	2		Shaft, Rocker Arm
9	0809-252	1		Arm, Valve Rocker - Exhaust (inc. 6-7)
10	3303-044	8		Cotter, Valve
11	0809-142	4		Retainer, Spring
12	0809-257	4		Spring, Valve
13	0809-190	4		Seal, Oil
14	0809-141	4		Seat, Spring
15	0809-266	2		Valve, Exhaust
16	0809-263	2		Valve, Intake
17	3304-904	4		Screw, Cap
18	0830-155	4	/P	Gasket
19	3304-918	2		Screw, Cap
20	0826-136	2		Screw, Cap
21	3303-384	2	/P	Screw, Cap
22	0570-304	1		Manifold, Intake (inc. 23)
23	0830-202	1		O-Ring
24	3303-383	2	/P	Screw, Cap
25	0830-200	1		Gasket
26	0806-121	1		Fitting, Coolant - Assembly
27	0808-196	1		Sensor, Engine Coolant Temperature
28	3303-617	2	/P	Screw, Cap
29	0217-708	1	F	Spark Plug
30	0826-154	2		Screw, Cap
31	0828-086	1		Plate, Retainer
32	0809-259	1		Sprocket
33	0809-260	1		Camshaft (inc. 34)
34	0829-036	1		Pin, Alignment
35	0809-165	1		C-Ring
36	0808-112	1		Plug, Head
37	0830-139	2		O-Ring
38	3303-383	4	/P	Screw, Cap
39	0808-111	2		Cap, Inspection
40	0826-062	4		Screw, Cap
41	0828-044	4		Washer
42	0827-064	2		Bolt, Stud
43	3303-332	2		Nut

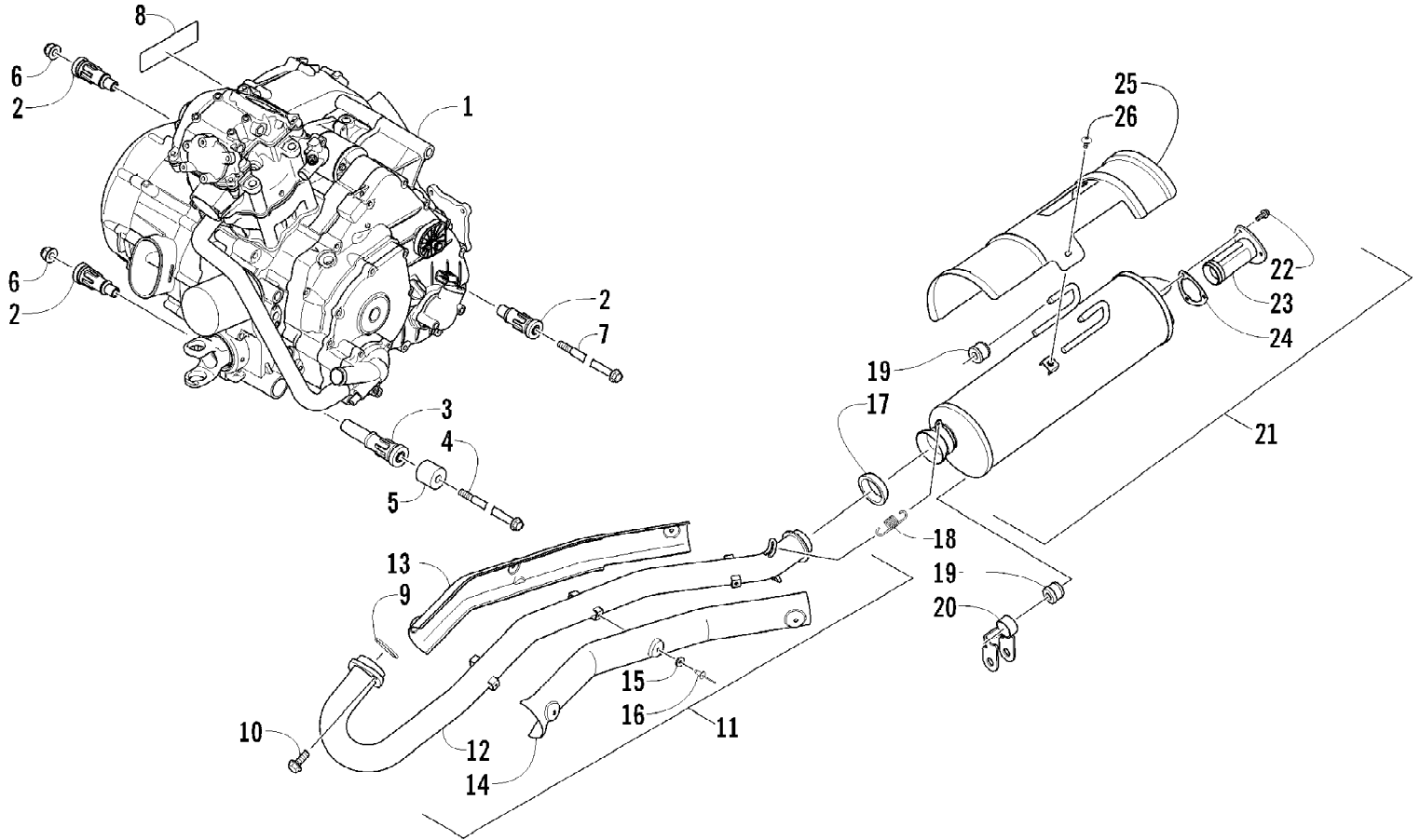


2011 ATV 450 EFI GREEN (A2011ICK4CUSG)
DRIVE TRAIN ASSEMBLY

Page 24 of 77

Ref #	Part Number	Qty	S/P/F	Description
1	1402-620	2	/P	Bladder, Gearcase
2	0423-315	4		Clamp, Hose
3	8428-002	4		Nut, Lock
4	0423-426	8		Washer
5	0423-404	4		Screw, Cap
6	1502-527	1		Gearcase, Front
7	0402-966	1		Boot, Shaft
8	1502-401	1		Gearcase, Rear
9	0410-048	AR	S	Hose, Vent
10	0470-702	1	/P	Fitting, Vent
11	0423-393	2		Clamp
12	0402-985	2	/P	Boot
13	0423-411	2		Clamp
14	0673-618	2	/P	Bumper, Propeller Shaft
15	1402-233	1		Shaft, Propeller
16	1402-026	2		Spring
17	0402-950	1		Flange, Output
18	8408-820	4	/P	Screw, Cap
19	0123-788	AR	/P	Tie, Cable - 8 in.

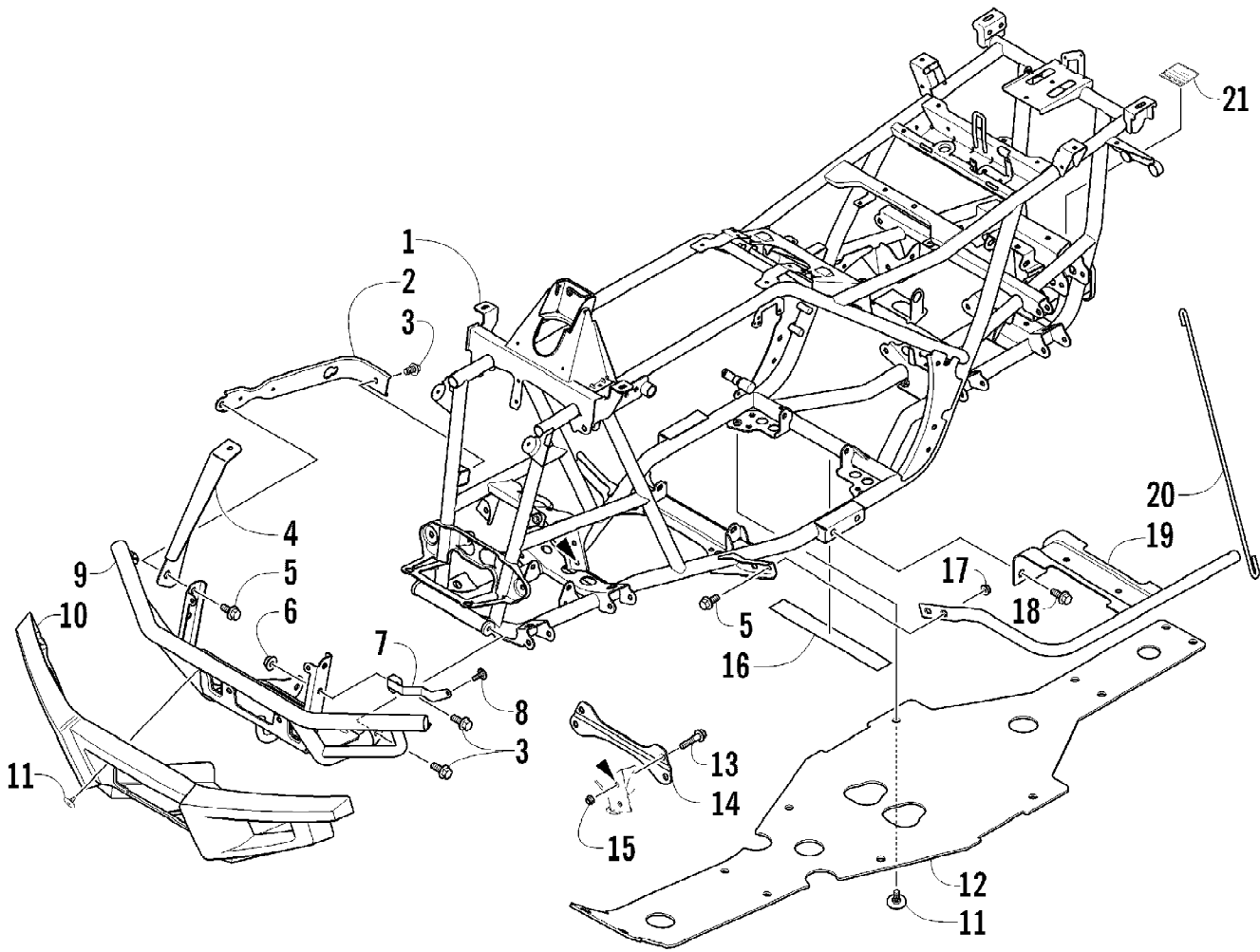
2011 ATV 450 EFI GREEN (A2011ICK4CUSG)
ENGINE AND EXHAUST



2011 ATV 450 EFI GREEN (A2011ICK4CUSG)
ENGINE AND EXHAUST

Page 26 of 77

Ref #	Part Number	Qty	S/P/F	Description
1	3313-732	1		Engine (inc. 2-3)
2	0801-188	3		Mount, Rubber - Engine
3	0801-189	1		Mount, Rubber - Engine
4	0423-405	1		Screw, Cap
5	0408-018	1		Spacer
6	8428-002	2		Nut, Lock
7	0423-451	1		Screw, Cap
8	0411-426	1		Decal, Warning - Clutch Cover
9	3313-743	1		Gasket, Exhaust
10	8408-820	2	/P	Screw, Cap
11	0512-508	1		Pipe, Exhaust - Assembly (inc. 12-16)
12	0512-502	1		Pipe, Exhaust
13	0512-516	1		Shield, Exhaust Pipe - Inner
14	0512-515	1		Shield, Exhaust Pipe - Outer
15	8050-217	6	/P	Washer
16	8061-486	6	/P	Rivet
17	0412-375	1	/P	Seal, Exhaust
18	0612-668	2	/P	Spring, Extension
19	0412-577	3	/P	Bushing
20	1506-732	1		Channel, Muffler Support
21	0512-355	1	/P	Muffler - Assembly (inc. 22-24)
22	8408-616	3		Screw, Cap
23	0512-219	1	/P	Arrester, Spark - Assembly
24	0412-313	1		Gasket, Spark Arrester
25	0412-373	1	/P	Cover, Muffler
26	8477-610	3		Screw, Machine



2011 ATV 450 EFI GREEN (A2011ICK4CUSG)
 FRAME AND RELATED PARTS

Page 28 of 77

Ref #	Part Number	Qty	S/P/F	Description
1	2506-541	1		Frame, Main
2	1506-596	2	/P	Channel, Bumper Mounting
3	8409-020	6	/P	Screw, Cap
4	1506-686	1		Bracket, Mounting - Bumper - Right
4	1506-687	1		Bracket, Mounting - Bumper - Left
5	8408-816	6		Screw, Cap
6	8424-002	2		Nut
7	2516-594	1		Bracket, Support - Right
7	2516-595	1		Bracket, Support - Left
8	0623-797	2		Screw, Self-Tapping
9	1506-684	1		Bumper, Front
10	1406-868	1		Fascia, Bumper - Front
11	0423-101	16		Screw, Shoulder
12	1406-030	1		Panel, Belly
13	8409-025	2		Screw, Cap
14	2516-852	1	/P	Brace, A-Arm
15	0423-744	2		Nut, Lock
16	0406-289	2		Pad, Frame
17	8424-802	4		Nut
18	8409-016	4		Screw, Cap
19	1506-659	1		Footrest - Right
19	1506-660	1		Footrest - Left
20	2506-426	2	/P	Rod, Support
21	1411-077	1		Decal, Warning - Towing

2011 ATV 450 EFI GREEN (A2011ICK4CUSG)
FRONT DRIVE GEARCASE ASSEMBLY

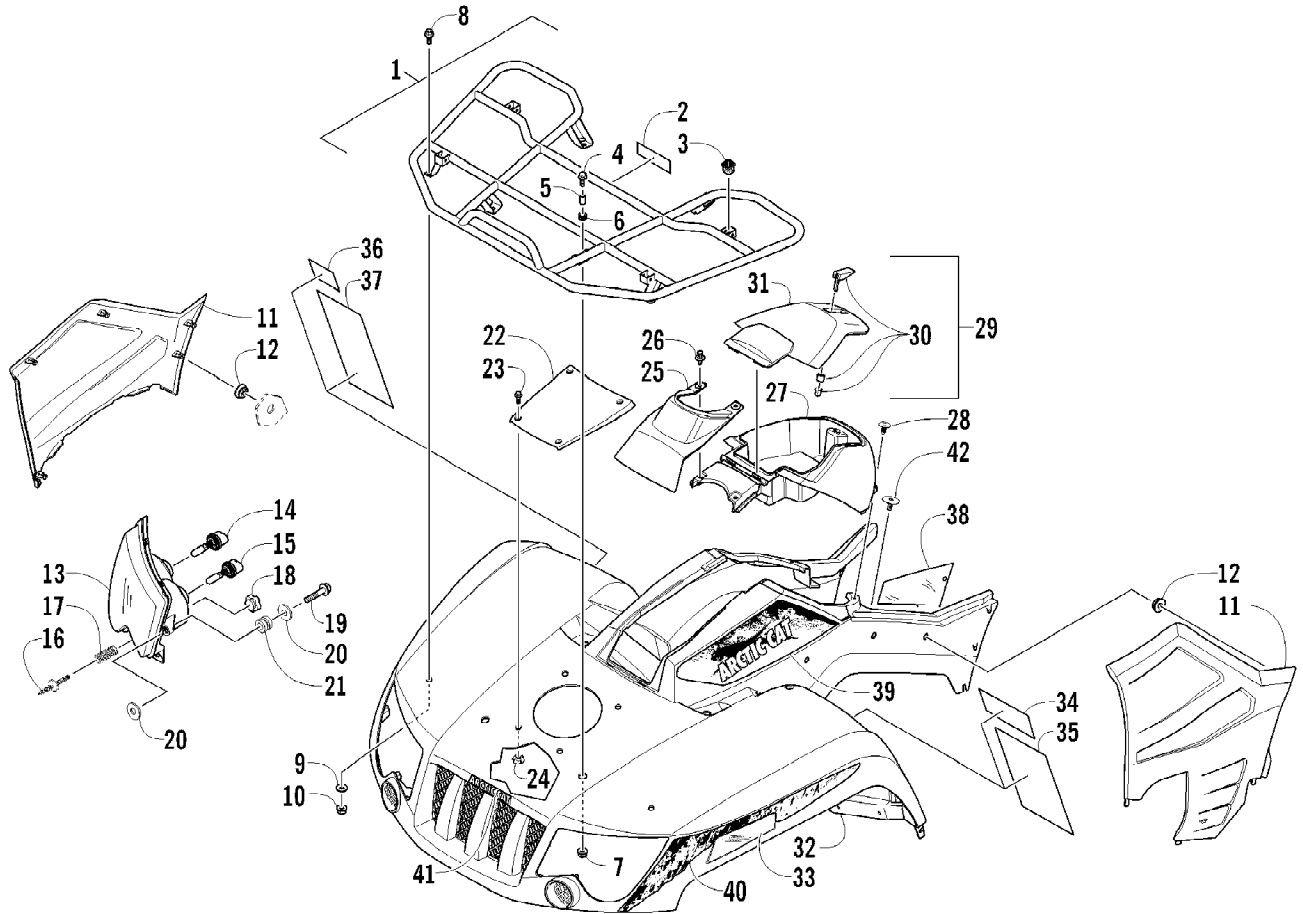
Ref #	Part Number	Qty	S/P/F	Description
	1502-527	1		Complete Front Drive Gearcase Assembly
1	1502-084	1		Shaft, Propeller - Assembly (inc. 2-6)
2	0423-411	1		Clamp
3	0402-985	1	/P	Boot, Propeller Shaft
4	0423-393	1		Clamp
5	1402-046	1		Shaft, Output
6	1502-085	1	/P	Shaft, Input
7	1402-011	1		Seal
8	0423-423	1		Ring, Retaining
9	1502-237	1		Bracket, Actuator
10	0502-585	1	S	Actuator (inc. 11)
11	1402-981	1		O-Ring
12	0423-892	1	/P	O-Ring
13	0423-396	3		Screw, Self-Tapping
14	1402-043	1		Bearing
15	0423-118	11		Screw, Self-Tapping
16	0502-528	1	/P	Housing, Pinion
17	0402-947	1		Gasket, Flange
18	0423-417	1		Ring, Retaining
19	0402-997	1		Shaft, Selector
20	0423-402	1		Ring, Retaining
21	0402-998	1		Fork, Selector
22	0402-417	1		Shaft, Shuttle
23	0423-147	1		O-Ring
24	0402-999	1		Spring, Return
25	0402-413	1		Coupler, Drive
26	0402-357	1		Collar, Lock
27	0502-784	1		Gear, Pinion - Assembly - 11T (inc. 28-29)
28	0402-336	1		Collar, Retaining
29	0402-327	1		Bearing
30	0502-514	1		Housing, Gearcase
31	0402-328	1		Bearing
32	0402-411	1		Pin, Dowel
33	1402-210	1	/P	Plug, Magnetic (inc. one No. 34)
34	0423-153	2		O-Ring
35	0423-149	1		O-Ring
36	0402-393	1		Bearing
37	0402-405	AR		Shim, 41 x 49 x 1.3 mm
37	0402-406	AR		Shim, 41 x 49 x 1.4 mm
37	0402-407	AR		Shim, 41 x 49 x 1.5 mm
37	0402-408	AR		Shim, 41 x 49 x 1.6 mm
37	0402-409	AR		Shim, 41 x 49 x 1.7 mm
38	1502-554	1	/P	Gear, Ring - 34T
39	1402-074	AR		Shim, 61 x 69 x 1.3 mm
39	1402-075	AR		Shim, 61 x 69 x 1.4 mm
39	1402-076	AR		Shim, 61 x 69 x 1.5 mm
39	1402-077	AR		Shim, 61 x 69 x 1.6 mm
39	1402-078	AR		Shim, 61 x 69 x 1.7 mm
40	1502-389	1		Cover, Gearcase (inc. one No. 34, 41-52, and one No. 53)
41	1402-053	1		Bearing
42	0502-413	1		Flange, Bearing

2011 ATV 450 EFI GREEN (A2011ICK4CUSG)
FRONT DRIVE GEARCASE ASSEMBLY

Page 31 of 77

Ref #	Part Number	Qty	S/P/F	Description
43	1402-079	1		Pin, Parallel
44	1402-042	1		Collar, Sliding
45	1402-054	1		Fork
46	1402-058	2		Ring, Retaining
47	1402-057	1		Spring
48	1402-063	1		Spring
49	1402-656	1		Shaft, Lock
50	1402-104	1		Fitting
51	1402-211	1		Plug, Oil Level (inc. one No. 34)
52	1402-056	1		Seal
53	1402-713	2	S	Seal
54	0402-333	1	/P	Plug, Fill (inc. 55)
55	0423-154	1		O-Ring

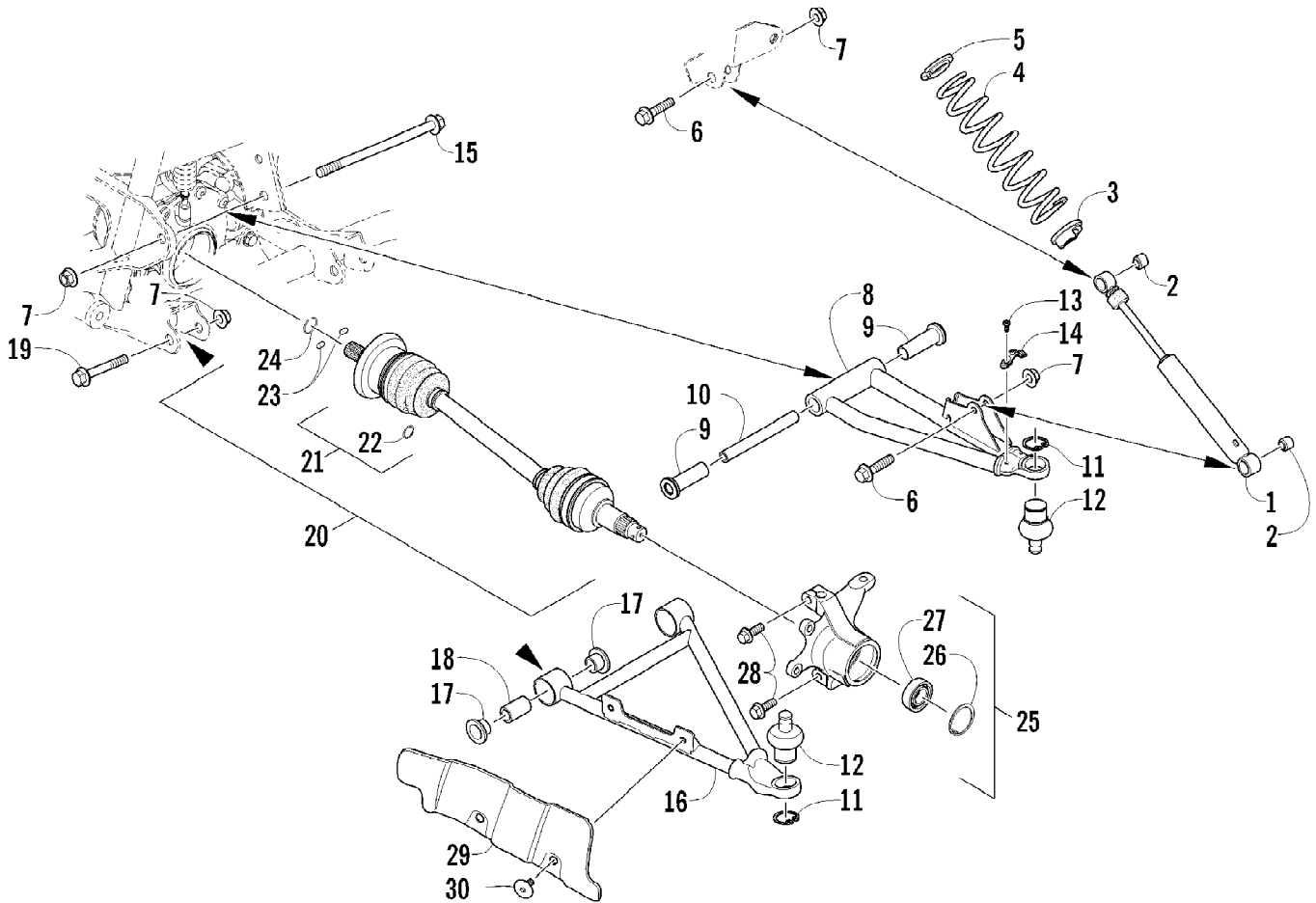
2011 ATV 450 EFI GREEN (A2011ICK4CUSG)
FRONT RACK, BODY PANEL, AND HEADLIGHT ASSEMBLIES



2011 ATV 450 EFI GREEN (A2011ICK4CUSG)
FRONT RACK, BODY PANEL, AND HEADLIGHT ASSEMBLIES

Ref #	Part Number	Qty	S/P/F	Description
1	2506-107	1		Rack, Front - Assembly (inc. 2-3)
2	0411-576	1		Decal, Warning - Load
3	0441-592	4	/P	Bushing
4	8410-830	4		Screw, Cap
5	0423-669	4		Spacer
6	0423-465	4		Grommet
7	8432-802	4		Nut, Lock
8	0423-654	2		Screw, Shoulder
9	8050-222	2	/P	Washer
10	0423-540	2		Nut, Lock
11	2406-302	1		Panel, Side - Lower - Right
11	2416-133	1		Panel, Side - Lower - Left
12	0423-678	8		Grommet
13	0609-852	1	/P	Headlight Assembly - Right (inc. 14-15)
13	0609-853	1	/P	Headlight Assembly - Left (inc. 14-15)
14	0409-073	2		Bulb, Headlight
15	0409-045	2		Bulb, Headlight
16	0423-514	2		Stud, Adjuster - Headlight
17	0423-522	2		Spring, Adjuster
18	0423-513	2		Knob, Adjuster
19	0623-785	4		Screw, Self-Tapping
20	8050-217	8	/P	Washer
21	0423-447	4		Grommet
22	2416-170	1		Cover, Access
23	8410-616	4		Screw, Cap
24	0423-997	4		T-Nut
25	1406-972	1		Cover, Steering Post
26	0623-362	2		Rivet, Reinstallable
27	2416-240	1		Box, Storage
28	0623-544	2		Clip, Retaining
29	2506-235	1		Lid, Storage Box w/Latch (inc. 30-31)
30	1406-599	1		Latch, Storage Box
31	1406-862	1		Lid, Storage Box
32	4506-393	1	/P	Panel, Fender - Assembly - Front (inc. 33-38)
33	1411-078	1		Decal, Reflector - Right
33	1411-079	1		Decal, Reflector - Left
34	1411-574	1		Decal, Warning - Off-Road Only
35	2411-124	1		Decal, Warning - General/Age
36	0411-835	1		Decal, Warning - Turn/Hill
37	1411-250	1		Decal, Warning - Reverse/Pre-Ride
38	0412-394	1	/P	Foil, Protective
39	2411-298	1		Decal, Side - Upper Right
39	2411-299	1		Decal, Side - Upper Left
40	2411-302	1		Decal, Side - Front Right
40	2411-303	1		Decal, Side - Front Left
41	1411-725	1		Decal, "Arctic Cat"
42	0423-101	2		Screw, Shoulder

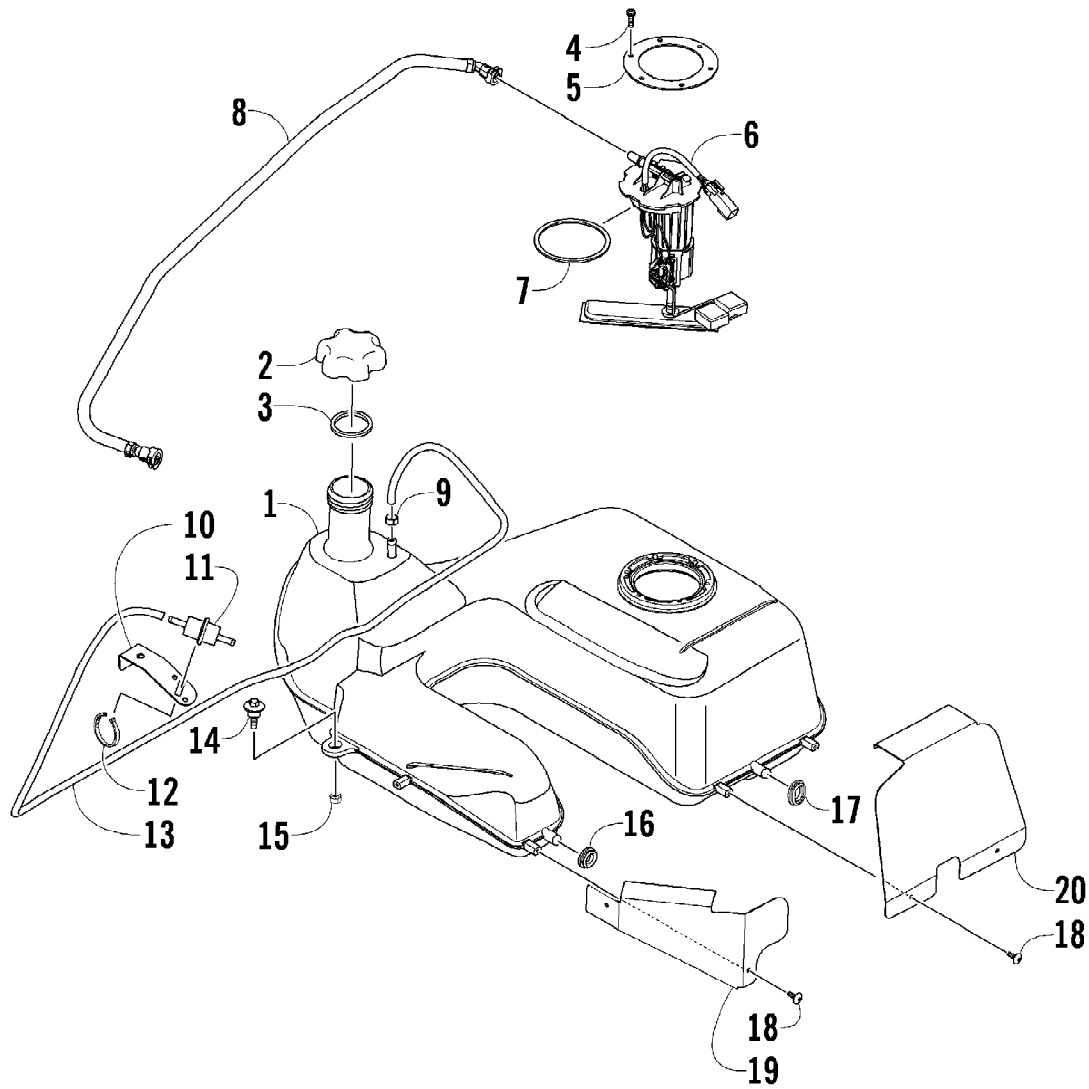
2011 ATV 450 EFI GREEN (A2011ICK4CUSG)
FRONT SUSPENSION ASSEMBLY



2011 ATV 450 EFI GREEN (A2011ICK4CUSG)
FRONT SUSPENSION ASSEMBLY

Page 35 of 77

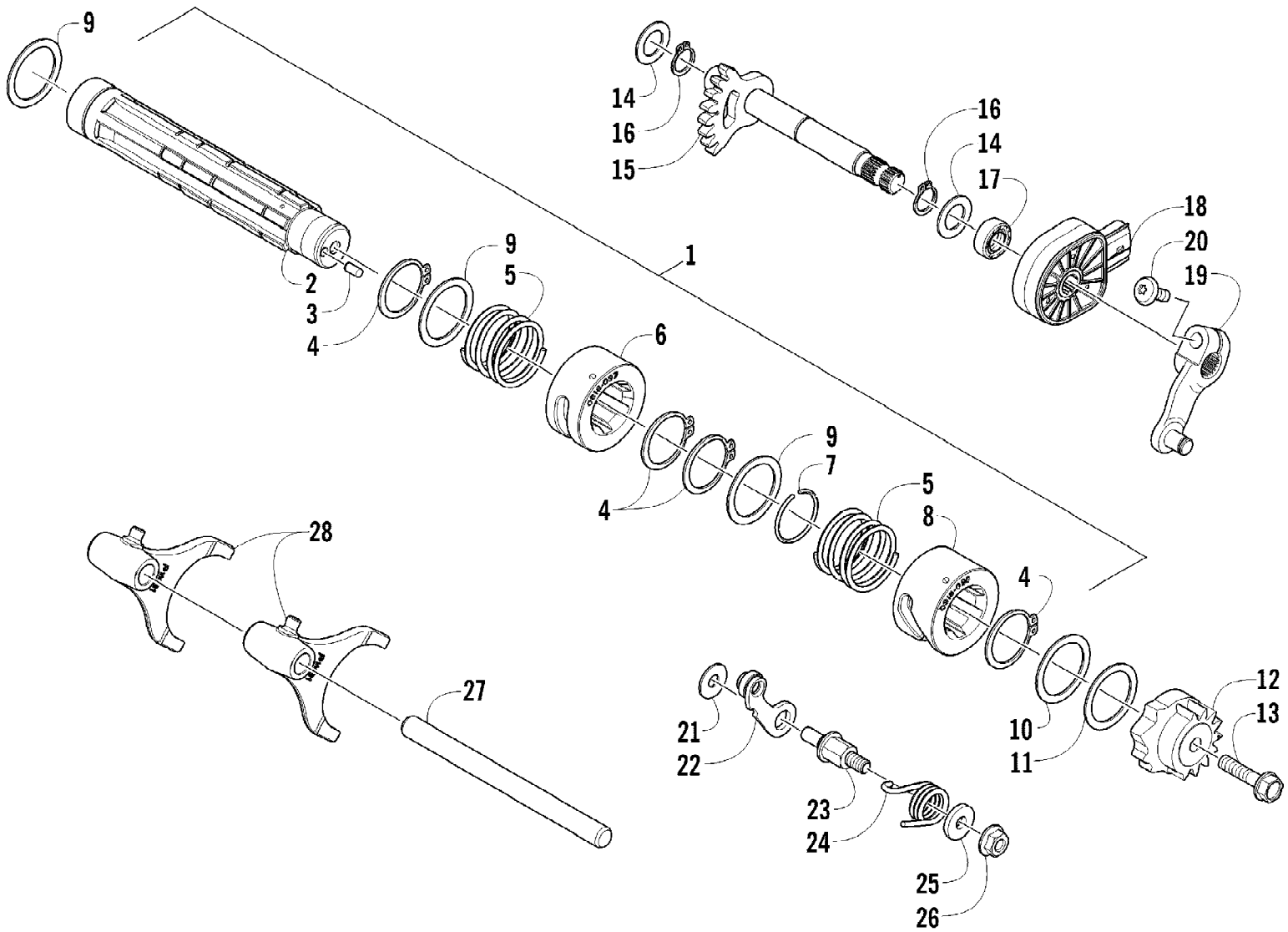
Ref #	Part Number	Qty	S/P/F	Description
1	0403-209	2		Shock Absorber (inc. 2)
2	0403-182	4		Bushing
3	0403-102	2		Cam, Spring Adjuster
4	0503-353	2		Spring, Suspension
5	1603-889	2	/P	Retainer, Spring
6	8409-040	4		Screw, Cap
7	0423-744	10		Nut, Lock
8	0503-416	1	/P	A-Arm, Upper Right (inc. 9-12)
8	0503-417	1	/P	A-Arm, Upper Left (inc. 9-12)
9	0403-207	4	/P	Bushing
10	0403-080	2		Axle
11	0423-009	4	/P	Ring, Retaining
12	0405-115	4	/P	Ball Joint
13	0423-946	4		Screw, Self-Tapping
14	1502-594	2		Clamp, Routing
15	0423-334	2		Screw, Cap
16	0503-376	1	/P	A-Arm, Lower Right (inc. 17-18 and two No. 11-12)
16	0503-377	1	/P	A-Arm, Lower Left (inc. 17-18 and two No. 11-12)
17	0403-208	8	/P	Bushing
18	0403-214	4	/P	Axle
19	8409-075	4		Screw, Cap
20	1502-800	1	S/P	Axle, Drive - Right (inc. 21-24)
20	1502-799	1	S/P	Axle, Drive - Locking - Left (inc. 21-24)
21	1436-419	2		Repair Kit, Boot (inc. 22)
22	1441-988	2		Clip, Retaining
23	1402-885	4		Pin, Detent
24	1402-889	2		Clip, Retaining
25	0505-576	1	/P	Knuckle - Assembly - Right (inc. 26-27)
25	0505-577	1	/P	Knuckle - Assembly - Left (inc. 26-27)
26	0423-423	2		Ring, Retaining
27	1402-809	2	/P	Bearing
28	8409-030	4		Screw, Cap
29	1406-034	1		Guard, Boot - Right
29	1406-035	1		Guard, Boot - Left
30	0423-545	4	/P	Screw, Shoulder



2011 ATV 450 EFI GREEN (A2011ICK4CUSG)
GAS TANK ASSEMBLY

Page 37 of 77

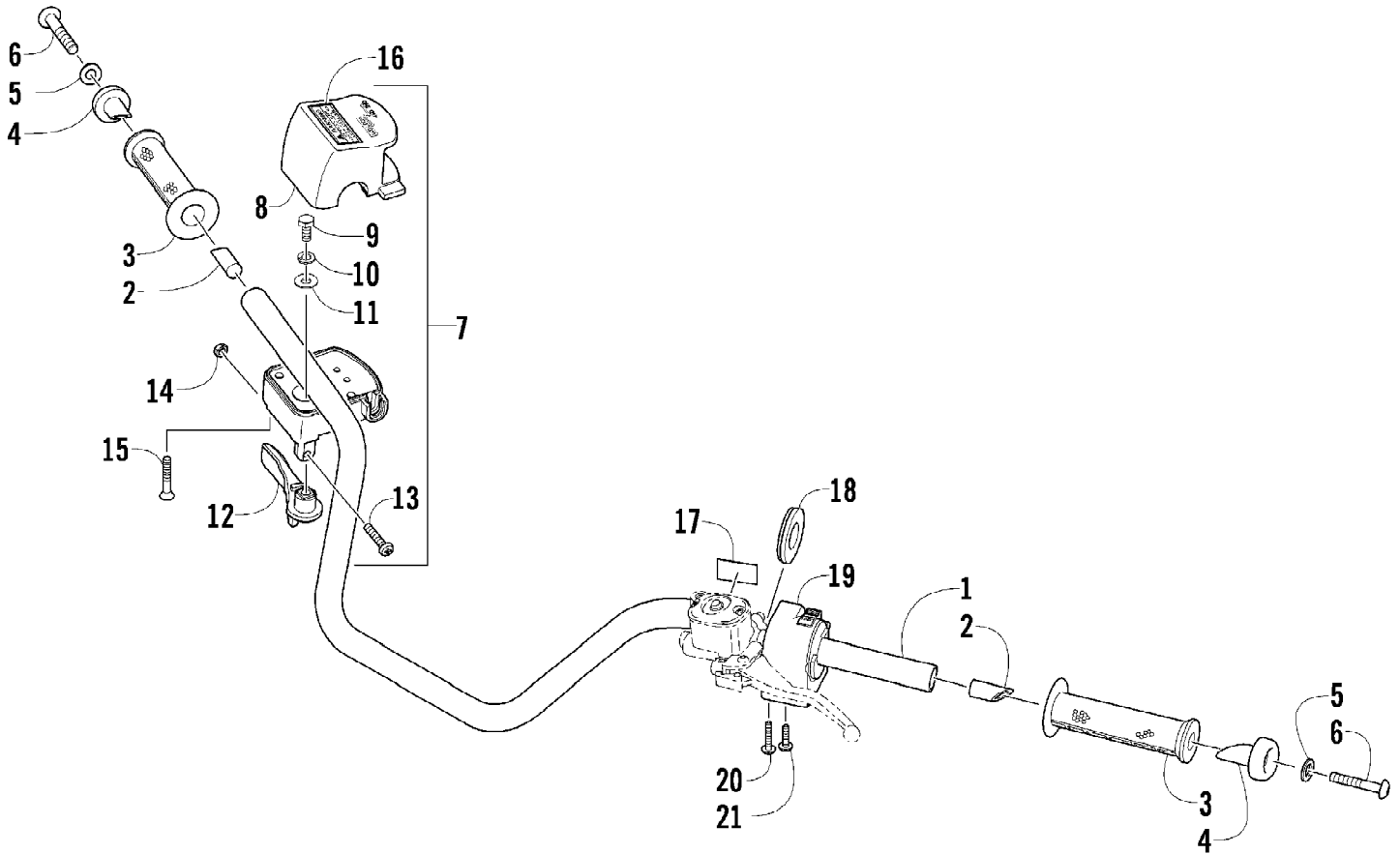
Ref #	Part Number	Qty	S/P/F	Description
1	0570-307	1		Tank, Gas - Assembly (inc. 2-5)
2	0470-438	1	/P	Cap, Gas Tank (inc. 3)
3	0109-733	1	/P	Gasket, Gas Tank Cap
4	0423-898	6		Screw, Self-Tapping
5	2670-042	1		Plate, Retaining
6	0570-322	1	/P	Pump, Fuel - Assembly (inc. 7)
7	0470-838	1		Seal
8	0570-316	1		Hose, Fuel - Assembly
9	0423-688	1		Clamp, Hose
10	0470-827	1		Bracket, Filter Mounting
11	0510-335	1	/P	Filter, In-Line
12	0123-788	AR	/P	Tie, Cable - 8 in.
13	0410-070	AR	/P	Hose, Gasline - 25 ft
14	0423-732	2		Screw, Shoulder
15	0623-038	1		Nut w/Washer
16	0423-460	1		Grommet
17	0423-806	1		Grommet
18	0623-797	4		Screw, Self-Tapping
19	0470-709	1		Shield, Heat - Gas Tank - Front
20	0470-710	1		Shield, Heat - Gas Tank - Rear



2011 ATV 450 EFI GREEN (A2011ICK4CUSG)
GEAR SHIFTING ASSEMBLY

Page 39 of 77

Ref #	Part Number	Qty	S/P/F	Description
1	0818-115	1	S	Shaft, Gear Shift - Assembly (inc. 2-8 and two No. 9)
2	0818-044	1	S	Shaft, Gear Shift
3	3304-439	1		Pin, Dowel
4	3304-147	4	/P	Circlip
5	0818-060	2		Spring
6	0818-117	1		Cam, Reverse
7	0831-016	1		C-Ring
8	0818-116	1		Cam, Gear Shift
9	0828-079	3		Washer
10	0828-081	1		Washer, Thrust
11	0828-080	1		Washer, Thrust
12	0818-061	1		Plate, Gear Shift Cam
13	3304-569	1		Screw, Cap
14	0828-084	2		Washer
15	0818-113	1		Shaft, Sub-Gear Shift (inc. 16)
16	3301-875	2		Circlip
17	0830-179	1		Seal
18	0409-125	1		Switch, Gear Position
19	0818-014	1		Arm, Select
20	8468-620	1	/P	Screw, Machine
21	0828-083	1		Washer
22	0818-084	1		Stopper, Cam
23	0818-062	1		Support, Cam Stopper
24	0818-109	1		Spring
25	0828-082	1		Washer
26	3303-331	1	/P	Nut
27	0818-021	1		Shaft, Shift Fork
28	0818-088	2		Fork, Shift

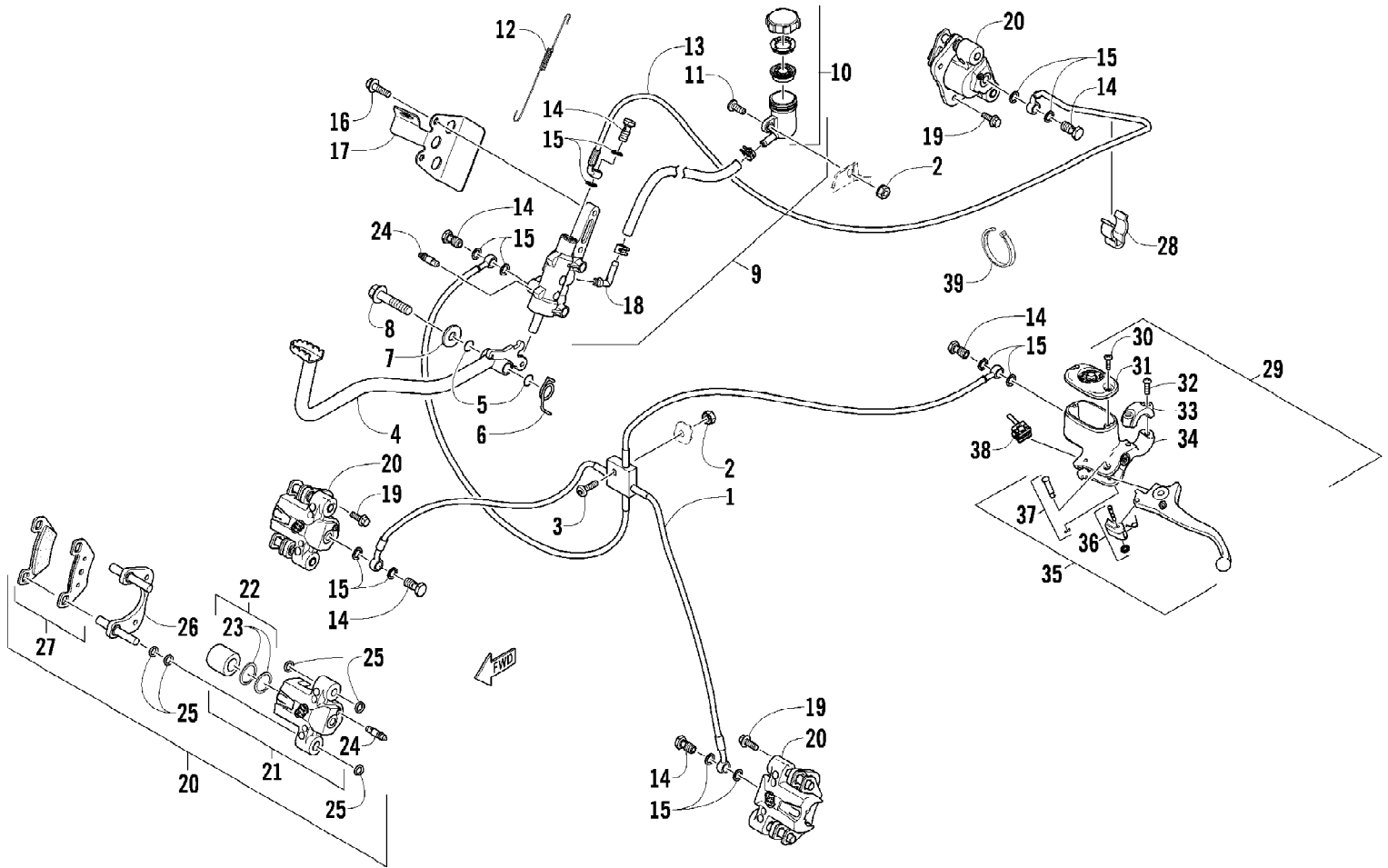


2011 ATV 450 EFI GREEN (A2011ICK4CUSG)
HANDLEBAR ASSEMBLY

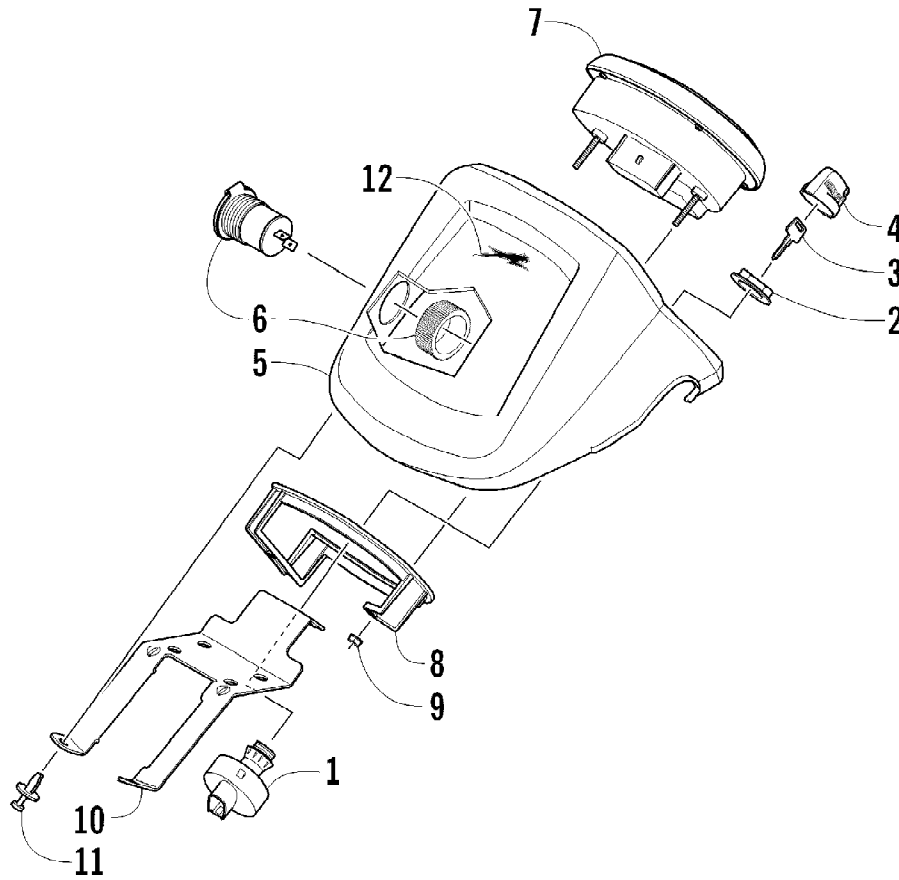
Page 41 of 77

Ref #	Part Number	Qty	S/P/F	Description
1	0505-418	1	/P	Handlebar
2	0405-218	2		Plug, Handlebar
3	0405-147	2		Grip, Handlebar
4	0405-149	2		End Cap, Handlebar
5	8050-247	2	/P	Washer
6	8477-845	2		Screw, Machine
7	0509-054	1		Case, Throttle - Assembly (inc. 8-15)
8	0409-141	1		Cover, Throttle Case w/Switch
9	3007-392	1	/P	Screw, Cap
10	3004-447	1	/P	Washer, Lock
11	3003-030	1	/P	Washer
12	0409-133	1		Lever, Throttle
13	3423-014	1		Screw, Machine
14	3423-327	1		Nut
15	3423-199	2		Screw, Machine
16	0411-966	1		Decal, Warning - Differential Lock
17	1411-865	1		Decal, Warning - Brake Lever Lock
18	3409-019	1		Cover, Switch Housing
19	0509-014	1		Switch, Control - Assembly (inc. 20-21)
20	0409-028	1		Screw, Machine
21	0409-027	1		Screw, Machine

2011 ATV 450 EFI GREEN (A2011ICK4CUSG)
HYDRAULIC BRAKE ASSEMBLY



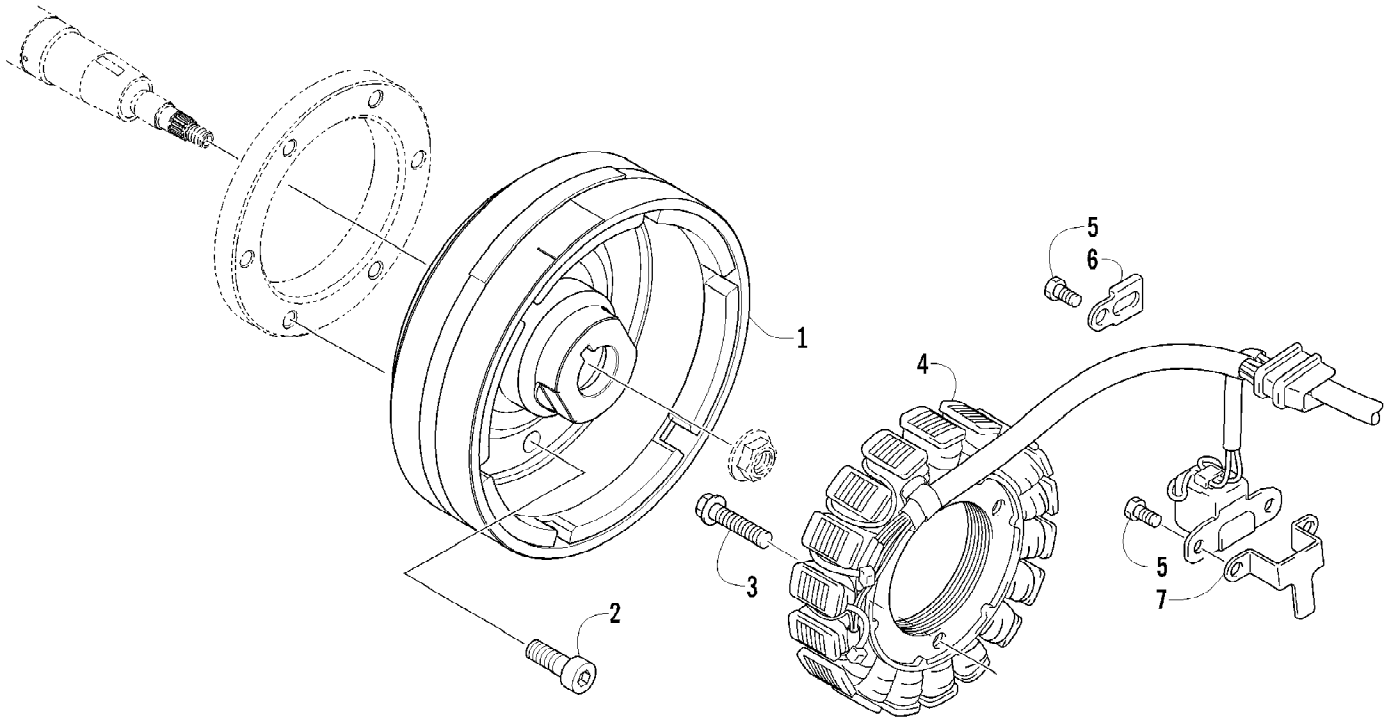
Ref #	Part Number	Qty	S/P/F	Description
1	1502-015	1		Hose, Brake - Assembly
2	0623-038	2		Nut w/Washer
3	8476-625	1		Screw, Machine
4	1502-063	1		Lever, Brake
5	1602-213	2	/P	O-Ring
6	0502-807	1		Spring, Brake Lever
7	8050-252	1		Washer
8	8408-816	1		Screw, Cap
9	1502-293	1		Brake Assembly (inc. 10)
10	1502-155	1		Reservoir, Brake w/Clamp
11	8476-616	1		Screw, Machine
12	0502-785	1		Spring, Brake Switch
13	1502-593	1		Hose, Brake
14	0423-413	6		Bolt, Banjo-Fitting
15	0423-178	12		Washer, Crush
16	8408-625	2		Screw, Cap
17	1502-179	1		Bracket, Switch
18	1502-296	1	/P	Adapter, Hose
19	8408-821	6	/P	Screw, Cap
20	1502-726	1	S	Caliper, Brake - Right Front (inc. two No. 19 and 21-27)
20	1502-727	1	S	Caliper, Brake - Left Front (inc. two No. 19 and 21-27)
20	1502-727	1	S	Caliper, Brake - Rear (inc. two No. 19 and 21-27)
21	1436-160	1	/P	Housing, Caliper - Assembly - Right Front (inc. two No. 19 and 22-24)
21	1436-161	1	/P	Housing, Caliper - Assembly - Left Front (inc. two No. 19 and 22-24)
21	1436-161	1	/P	Housing, Caliper - Assembly - Rear (inc. two No. 19 and 22-24)
22	0502-606	3		Piston/Seal Set (inc. 23)
23	0502-607	3		Seal Set
24	0502-609	4	/P	Valve, Bleed
25	0502-608	3		O-Ring, Guide - Set
26	0502-605	3		Bracket Assembly
27	1502-694	3	S	Pad, Brake - Set
28	1502-115	2		Clip, Brake Hose
29	0502-914	1	S	Brake Assembly (inc. 30-38)
30	0502-566	1		Screw, Machine - Kit
31	0502-868	1	/P	Cover, Reservoir
32	0502-568	1		Screw, Machine - Kit
33	0502-869	1		Clamp, Master Cylinder
34	0502-704	1		Master Cylinder Assembly
35	0502-866	1		Lever Assembly - Kit (inc. 36-37)
36	0502-867	1	/P	Lock, Brake Lever - Kit
37	0502-580	1		Lever Pin - Kit
38	0502-564	1	/P	Switch, Brake
39	0123-788	AR	/P	Tie, Cable - 8 in.



2011 ATV 450 EFI GREEN (A2011ICK4CUSG)
INSTRUMENT POD ASSEMBLY

Page 45 of 77

Ref #	Part Number	Qty	S/P/F	Description
1	0430-090	1	/P	Switch, Ignition - Assembly (inc. 2-4)
2	0430-050	1		Nut, Retaining
3	0430-042	1		Key, Ignition (Y Series - Left-Side Cut)
3	0430-043	1		Key, Ignition (Z Series - Right-Side Cut)
4	0430-054	1		Cover, Key
5	0405-276	1		Instrument Pod
6	0641-897	1	/P	Outlet, Accessory - 12V
7	0520-105	1		Gauge, LCD
8	0420-065	1	/P	Bracket, Retaining
9	0423-493	2		Nut w/Washer
10	2506-470	1		Bracket, Mounting - Instrument Pod
11	0423-535	2		Rivet, Reinstallable
12	8611-267	1		Decal, AirCat

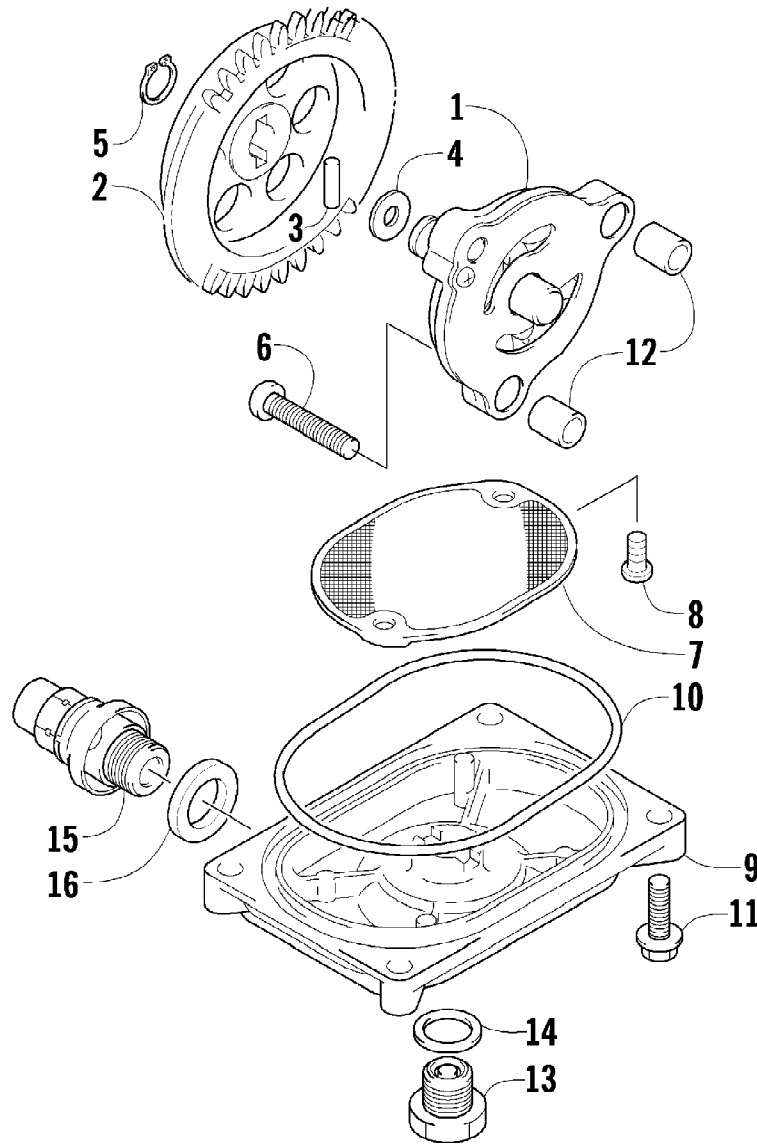


2011 ATV 450 EFI GREEN (A2011ICK4CUSG)
MAGNETO ASSEMBLY

Page 47 of 77

Ref #	Part Number	Qty	S/P/F	Description
1	0802-057	1		Rotor/Flywheel
2	0826-120	6		Screw, Cap
3	3305-945	3		Screw, Cap
4	0802-056	1		Stator Assembly
5	3303-308	3		Screw, Cap
6	0802-003	1		Clamp, Routing
7	0802-004	1		Clamp, Routing

2011 ATV 450 EFI GREEN (A2011ICK4CUSG)
OIL PUMP AND STRAINER ASSEMBLY

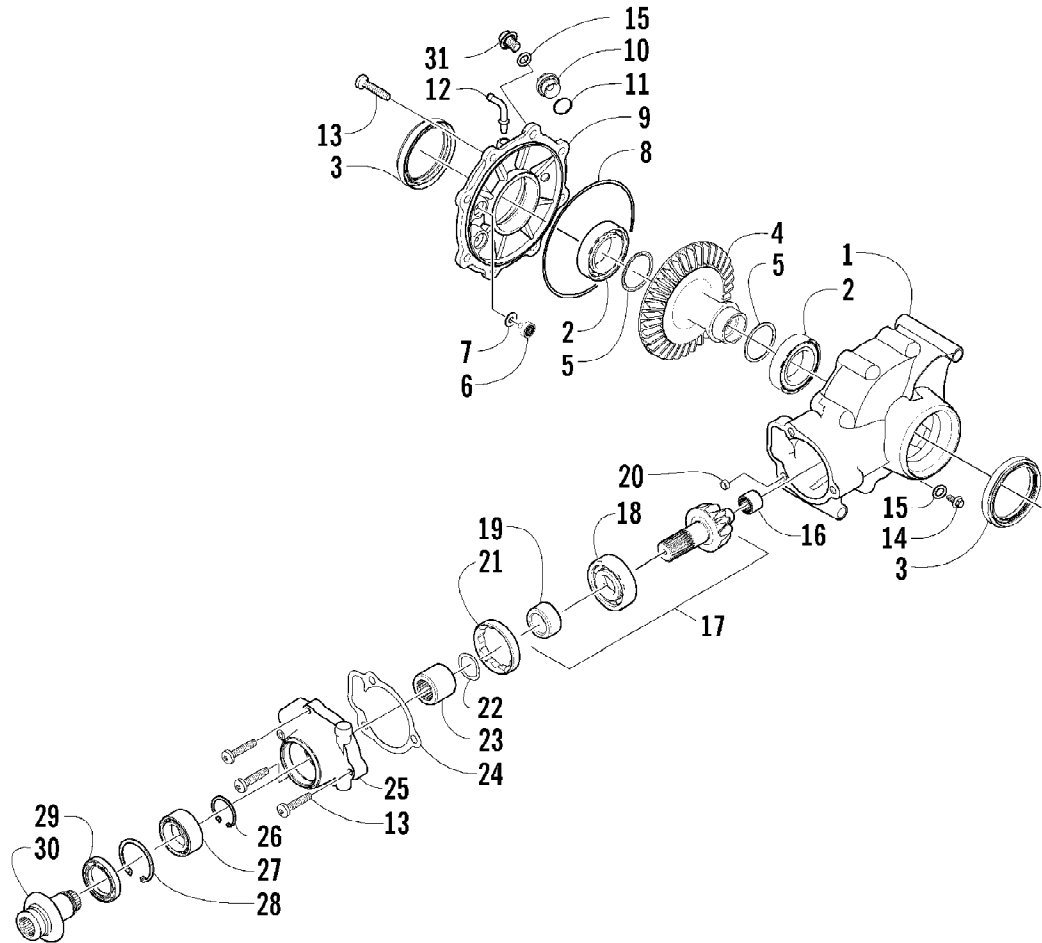


2011 ATV 450 EFI GREEN (A2011ICK4CUSG)
OIL PUMP AND STRAINER ASSEMBLY

Page 49 of 77

Ref #	Part Number	Qty	S/P/F	Description
1	0812-069	1		Pump, Oil
2	0812-010	1		Gear, Driven
3	0812-036	1		Pin, Dowel
4	0828-007	1	/P	Washer
5	3004-146	1		Ring, Retaining
6	0826-131	3		Screw, Machine
7	0812-049	1		Strainer, Oil
8	3313-722	2		Screw, Cap
9	0812-038	1		Cap, Oil Strainer
10	0830-159	1		O-Ring
11	3303-384	4	/P	Screw, Cap
12	0829-033	2		Pin, Dowel
13	0812-065	1		Plug, Drain
14	0830-143	1	/P	Gasket
15	0812-067	1		Valve, Oil-Relief - Assembly (inc. 16)
16	0830-181	1		O-Ring

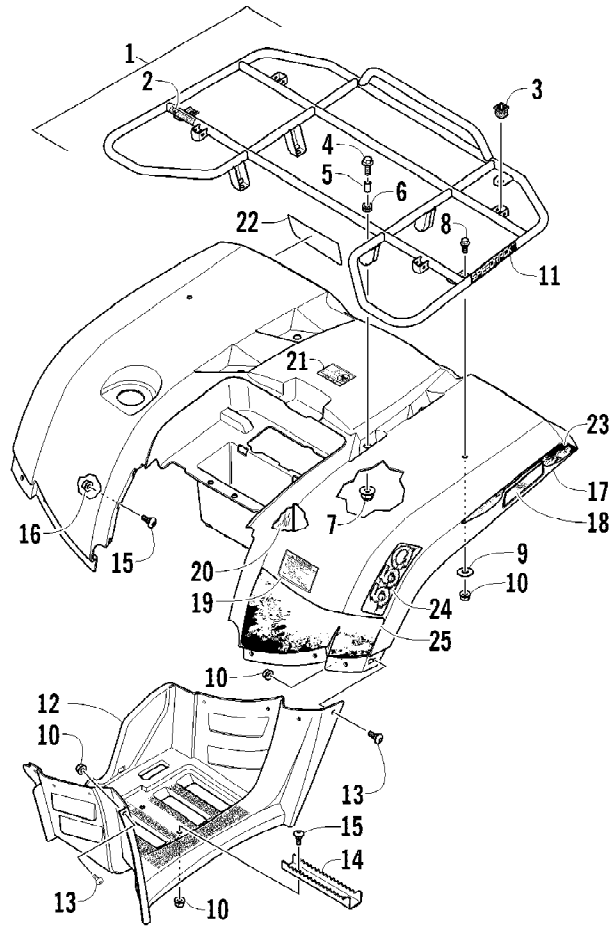
2011 ATV 450 EFI GREEN (A2011ICK4CUSG)
REAR DRIVE GEARCASE ASSEMBLY



2011 ATV 450 EFI GREEN (A2011ICK4CUSG)
REAR DRIVE GEARCASE ASSEMBLY

Ref #	Part Number	Qty	S/P/F	Description
	1502-401	1		Complete Rear Drive Gearcase Assembly
1	1502-317	1		Housing, Gearcase
2	0402-393	2		Bearing
3	1402-713	2	S	Seal
4	1402-033	1		Gear, Ring - 34T
5	0402-405	AR		Shim, 41 x 49 x 1.3 mm
5	0402-406	AR		Shim, 41 x 49 x 1.4 mm
5	0402-407	AR		Shim, 41 x 49 x 1.5 mm
5	0402-408	AR		Shim, 41 x 49 x 1.6 mm
5	0402-409	AR		Shim, 41 x 49 x 1.7 mm
6	0402-326	1		Button, Thrust
7	0402-429	AR		Shim, 6.3 x 18 x 1.3 mm
7	0402-430	AR		Shim, 6.3 x 18 x 1.4 mm
7	0402-431	AR		Shim, 6.3 x 18 x 1.5 mm
7	0402-432	AR		Shim, 6.3 x 18 x 1.6 mm
7	0402-433	AR		Shim, 6.3 x 18 x 1.7 mm
8	0423-149	1		O-Ring
9	1502-082	1		Cover, Gearcase
10	0402-333	1	/P	Plug, Magnetic (inc. 11)
11	0423-154	1		O-Ring
12	1402-102	1		Fitting
13	0423-118	11		Screw, Self-Tapping
14	1402-210	1	/P	Plug, Fill (inc. one No. 15)
15	0423-153	2		O-Ring
16	0402-328	1		Bearing
17	0502-784	1		Gear, Pinion - Assembly - 11T (inc. 18-19)
18	0402-327	1		Bearing
19	0402-336	1		Collar, Retaining
20	0402-411	1		Pin, Dowel
21	0402-331	1		Collar, Lock
22	0402-982	1		Washer, Wave
23	0402-981	1		Collar, Shaft
24	0402-947	1		Gasket, Flange
25	0502-529	1		Housing, Pinion
26	0423-417	1		Ring, Retaining
27	1402-043	1		Bearing
28	0423-423	1		Ring, Retaining
29	1402-011	1		Seal
30	1502-085	1	/P	Shaft, Input
31	1402-211	1		Plug, Oil Level (inc. one No. 15)

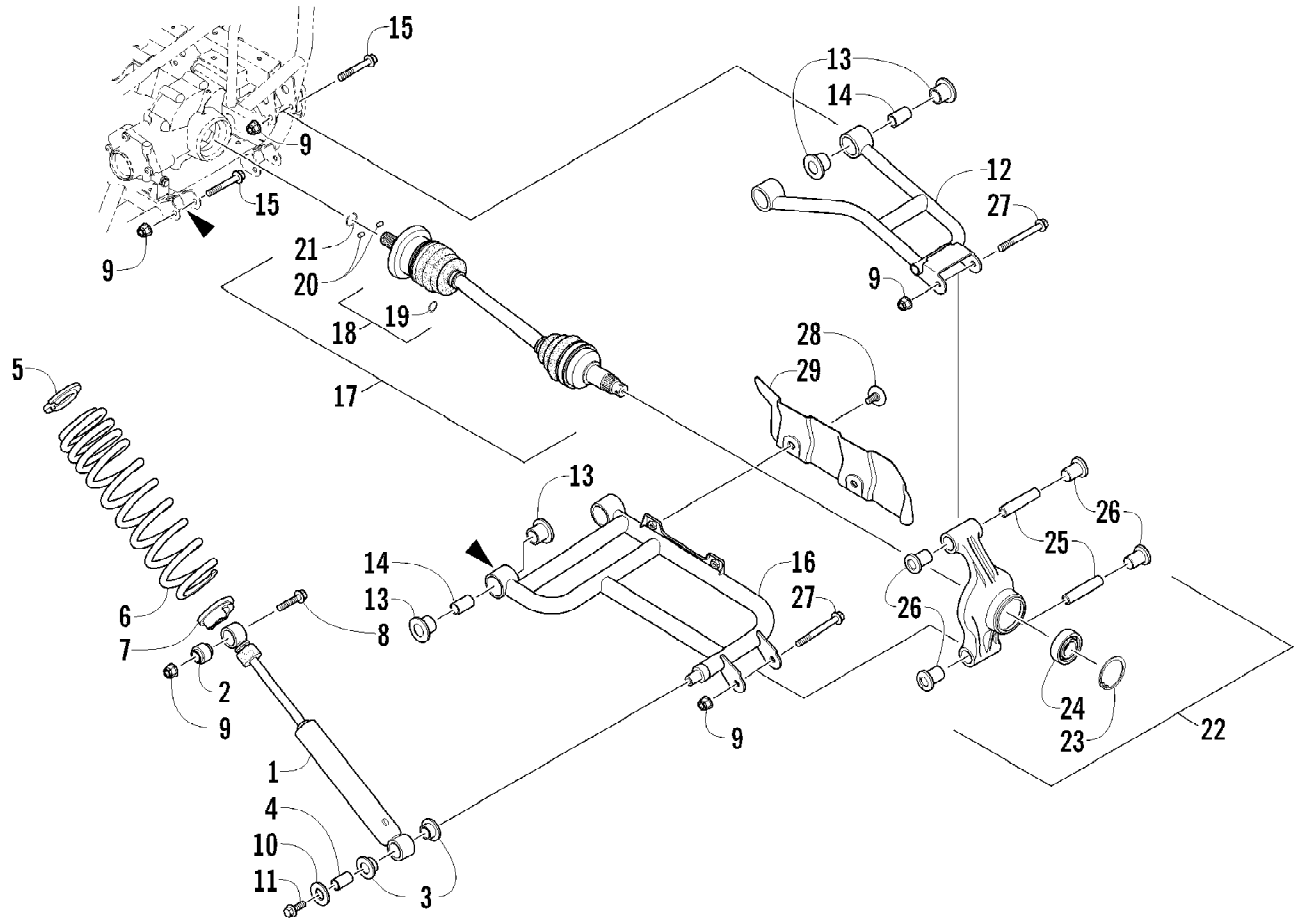
2011 ATV 450 EFI GREEN (A2011ICK4CUSG)
REAR RACK, BODY PANEL, AND FOOTWELL ASSEMBLIES



2011 ATV 450 EFI GREEN (A2011ICK4CUSG)
REAR RACK, BODY PANEL, AND FOOTWELL ASSEMBLIES

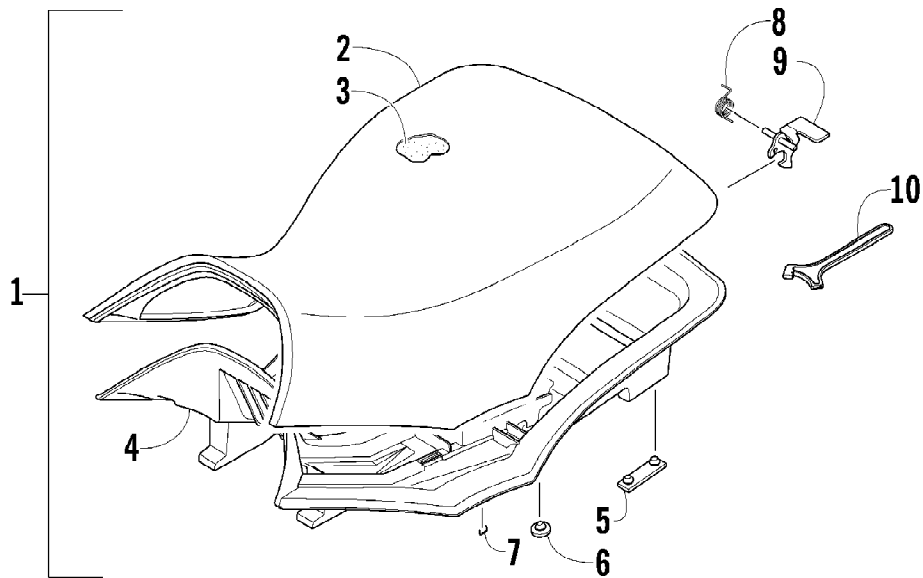
Ref #	Part Number	Qty	S/P/F	Description
1	2506-124	1		Rack, Rear - Assembly (inc. 2-3)
2	0411-648	1		Decal, Warning - Load
3	0441-592	4	/P	Bushing
4	8410-830	4		Screw, Cap
5	0423-669	4		Spacer
6	0423-465	4		Grommet
7	8432-802	4		Nut, Lock
8	0423-654	2		Screw, Shoulder
9	8050-222	2	/P	Washer
10	0423-540	24		Nut, Lock
11	0411-965	2		Decal, "Speedrack"
12	2406-428	1	/P	Footwell - Right
12	2516-385	1		Footwell - Left
13	0423-419	18		Screw, Machine
14	1506-125	2	/P	Footpeg
15	0423-355	10		Screw, Shoulder
16	8424-602	6	/P	Nut
17	4506-120	1	S	Panel, Fender - Assembly - Rear (inc. 18-21)
18	1411-598	1		Decal, Reflector - Right
18	1411-599	1		Decal, Reflector - Left
19	2411-143	1	/P	Decal, Warning - Tire Pressure
20	0412-351	1		Foil, Protective
21	1411-809	1	/P	Decal, Passenger
22	2411-295	1		Decal, "Arctic Cat"
23	2411-304	1		Decal, Side - Upper Right
23	2411-305	1		Decal, Side - Upper Left
24	2411-316	1		Decal, 450 - Right
24	2411-317	1		Decal, 450 - Left
25	2411-314	1		Decal, Side - Lower Right
25	2411-315	1		Decal, Side - Lower Left

2011 ATV 450 EFI GREEN (A2011ICK4CUSG)
REAR SUSPENSION ASSEMBLY



2011 ATV 450 EFI GREEN (A2011ICK4CUSG)
REAR SUSPENSION ASSEMBLY

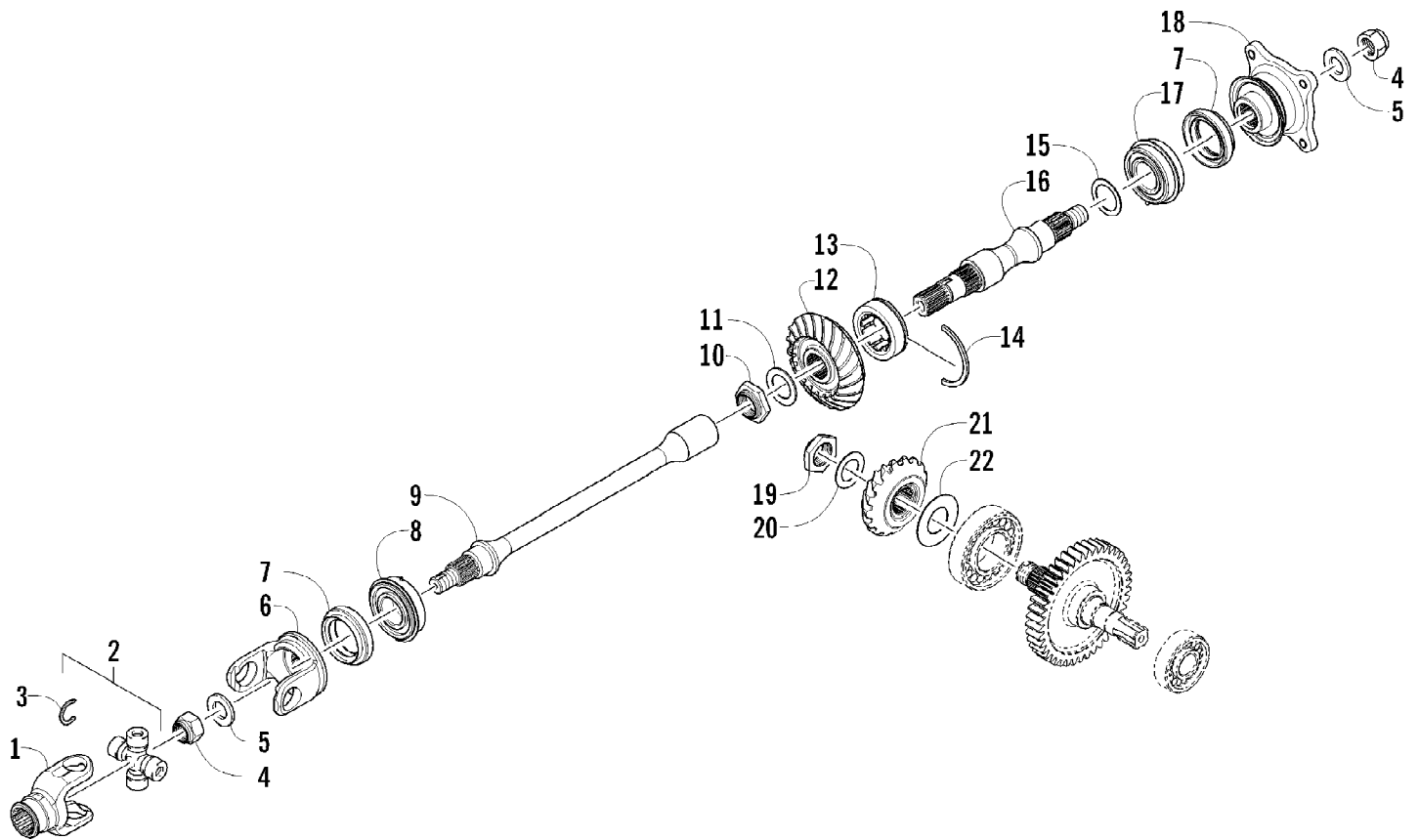
Ref #	Part Number	Qty	S/P/F	Description
1	0404-158	2		Shock Absorber (inc. 2-4)
2	0403-182	2		Bushing
3	0603-955	4		Bushing
4	1603-219	2	S	Sleeve
5	1603-889	2	/P	Retainer, Spring
6	0504-536	2		Spring, Suspension
7	0404-057	2		Cam, Spring Adjuster
8	8409-040	1		Screw, Cap - Right
8	8409-050	1		Screw, Cap - Left
9	0423-744	14		Nut, Lock
10	0423-087	2		Washer
11	8408-820	2	/P	Screw, Cap
12	0504-582	1		A-Arm, Rear - Upper Right (inc. 13-14)
12	0504-583	1	/P	A-Arm, Rear - Upper Left (inc. 13-14)
13	0403-208	16	/P	Bushing
14	0403-214	8	/P	Axle
15	8409-075	8		Screw, Cap
16	0504-572	1		A-Arm, Rear - Lower Right (inc. 13-14)
16	0504-573	1		A-Arm, Rear - Lower Left (inc. 13-14)
17	1502-798	2	S	Axle, Drive (inc. 18-21)
18	1436-419	2		Repair Kit, Boot (inc. 19)
19	1441-988	2		Clip, Retaining
20	1402-884	4		Pin, Detent
21	1402-890	2		Clip, Retaining
22	0504-548	1	/P	Knuckle, Right - Assembly (inc. 23-26)
22	0504-549	1	/P	Knuckle, Left - Assembly (inc. 23-26)
23	0423-423	2		Ring, Retaining
24	1402-809	2	/P	Bearing
25	0403-213	4	/P	Axle
26	0403-206	8	/P	Bushing
27	8409-000	4		Screw, Cap
28	0423-545	4	/P	Screw, Shoulder
29	1406-068	1		Guard, Boot - Rear - Right
29	1406-069	1		Guard, Boot - Rear - Left



2011 ATV 450 EFI GREEN (A2011ICK4CUSG)
SEAT ASSEMBLY

Page 57 of 77

Ref #	Part Number	Qty	S/P/F	Description
1	2516-895	1	S	Seat Assembly (inc. 2-9)
2	1506-209	1		Cover, Seat
3	0517-119	1		Foam, Seat
4	2406-144	1	S/P	Base, Seat - Assembly (inc. 5-6)
5	0406-879	2		Bumper, Seat - Rear
6	0406-877	4	/P	Bumper, Seat - Front
7	0624-263	AR		Staple
8	1406-592	1	/P	Spring, Seat Latch
9	1506-156	1		Latch, Seat
10	0441-587	1		Wrench, Spanner

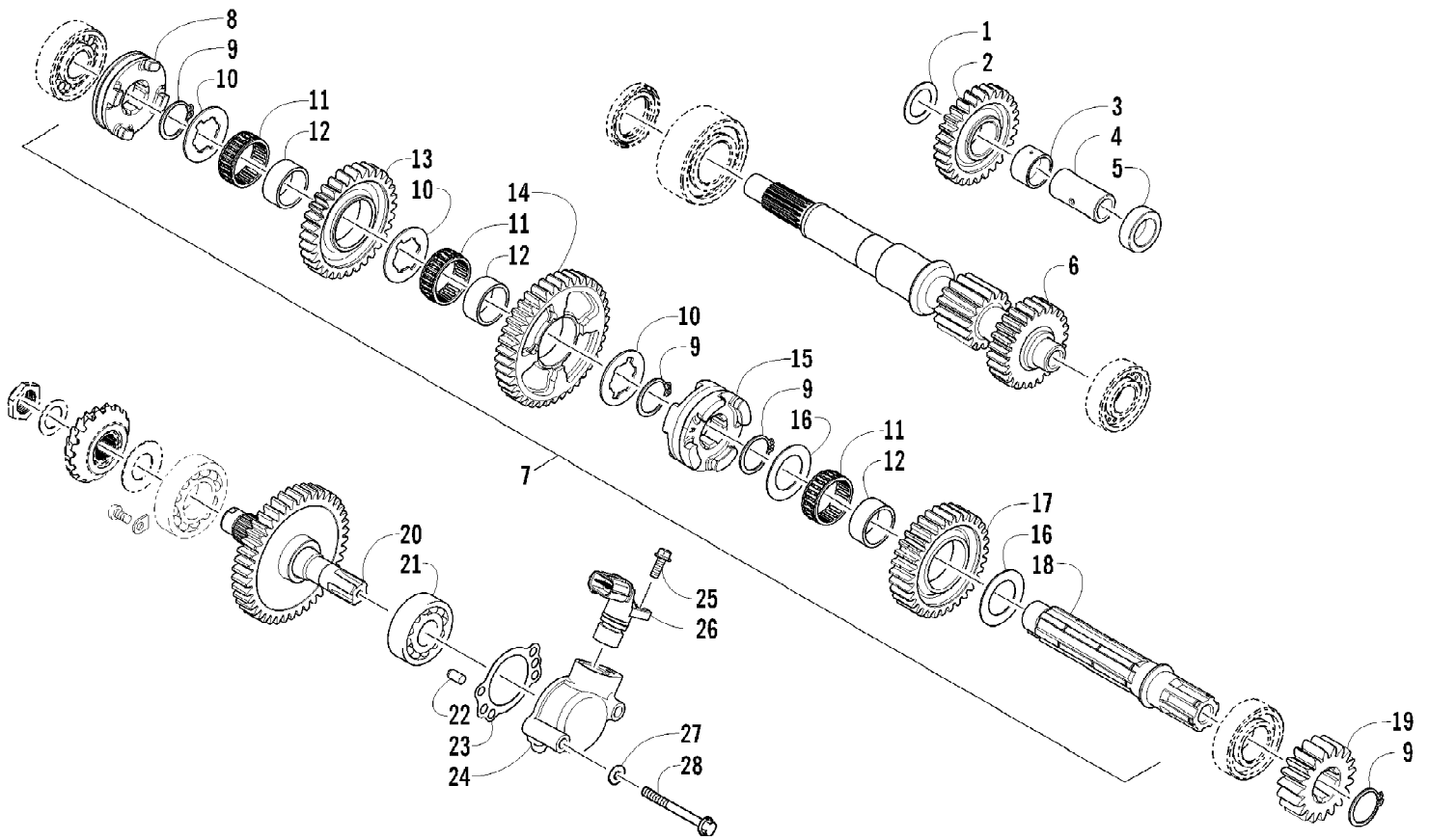


2011 ATV 450 EFI GREEN (A2011ICK4CUSG)
SECONDARY DRIVE ASSEMBLY

Page 59 of 77

Ref #	Part Number	Qty	S/P/F	Description
1	0819-063	1		Yoke, Propeller Shaft Joint
2	1402-164	1	/P	Joint, Universal - Set (inc. 3)
3	0423-450	4		Clip, Retaining
4	0817-001	2	S	Nut
5	3304-958	2		Washer
6	0819-071	1		Yoke, Drive Output
7	0830-144	2		Seal, Oil
8	0832-026	1		Bearing
9	0819-020	1		Shaft, Secondary Driven
10	0827-022	1		Nut
11	0828-090	1		Washer
12	0819-019	1		Gear, Secondary Driven
13	0832-040	1		Bearing
14	0819-070	1		C-Ring
15	3305-955	AR		Shim, 25 x 34 x 0.60 mm
15	3305-956	AR		Shim, 25 x 34 x 0.65 mm
15	3305-957	AR		Shim, 25 x 34 x 0.70 mm
15	3305-958	AR		Shim, 25 x 34 x 0.75 mm
15	3305-959	AR		Shim, 25 x 34 x 0.80 mm
15	3305-960	AR		Shim, 25 x 34 x 0.85 mm
15	3305-961	AR		Shim, 25 x 34 x 0.90 mm
15	3305-962	AR		Shim, 25 x 34 x 0.95 mm
15	3305-963	AR		Shim, 25 x 34 x 1.00 mm
15	3305-964	AR		Shim, 25 x 34 x 1.05 mm
15	3305-965	AR		Shim, 25 x 34 x 1.10 mm
15	0828-088	AR		Shim, 25 x 34 x 1.15 mm
15	3305-966	AR		Shim, 25 x 34 x 1.20mm
15	3305-967	AR		Shim, 25 x 34 x 1.25mm
16	0819-021	1		Shaft, Secondary Driven
17	0832-041	1		Bearing
18	0819-022	1		Flange, Output Joint
19	0827-047	1		Nut
20	3304-042	1		Washer, Thrust
21	0819-018	1		Gear, Secondary Drive
22	3306-009	AR		Shim, 30 x 48 x 0.60 mm
22	3306-010	AR		Shim, 30 x 48 x 0.65 mm
22	3306-011	AR		Shim, 30 x 48 x 0.70 mm
22	3306-012	AR		Shim, 30 x 48 x 0.75 mm
22	3306-013	AR		Shim, 30 x 48 x 0.80 mm
22	3306-014	AR		Shim, 30 x 48 x 0.85 mm
22	3306-015	AR		Shim, 30 x 48 x 0.90 mm
22	3306-016	AR		Shim, 30 x 48 x 0.95 mm
22	3306-017	AR		Shim, 30 x 48 x 1.00 mm
22	3306-018	AR		Shim, 30 x 48 x 1.05 mm
22	3306-019	AR		Shim, 30 x 48 x 1.10 mm
22	3306-020	AR		Shim, 30 x 48 x 1.15 mm
22	3306-021	AR		Shim, 30 x 48 x 1.20 mm
22	3306-022	AR		Shim, 30 x 48 x 1.25 mm

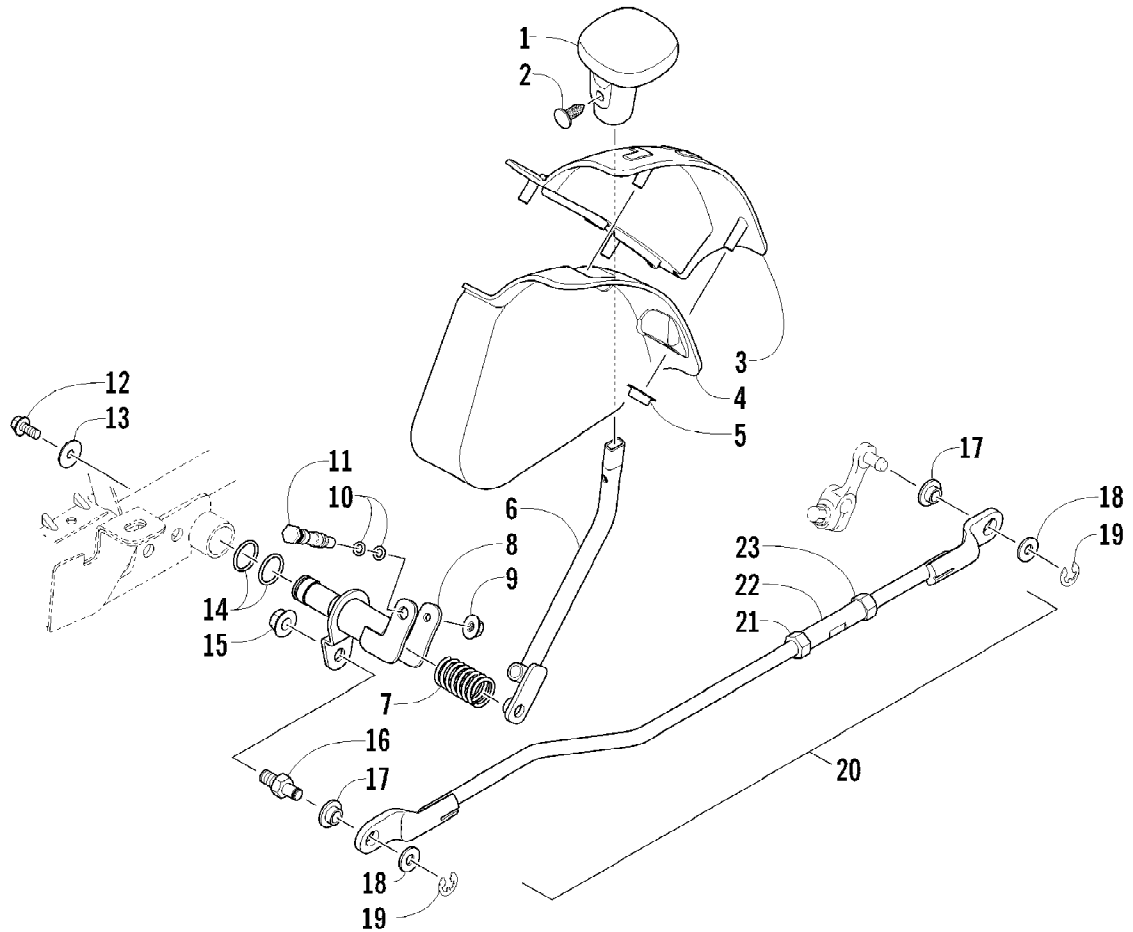
2011 ATV 450 EFI GREEN (A2011ICK4CUSG)
SECONDARY TRANSMISSION ASSEMBLY



2011 ATV 450 EFI GREEN (A2011ICK4CUSG)
SECONDARY TRANSMISSION ASSEMBLY

Page 61 of 77

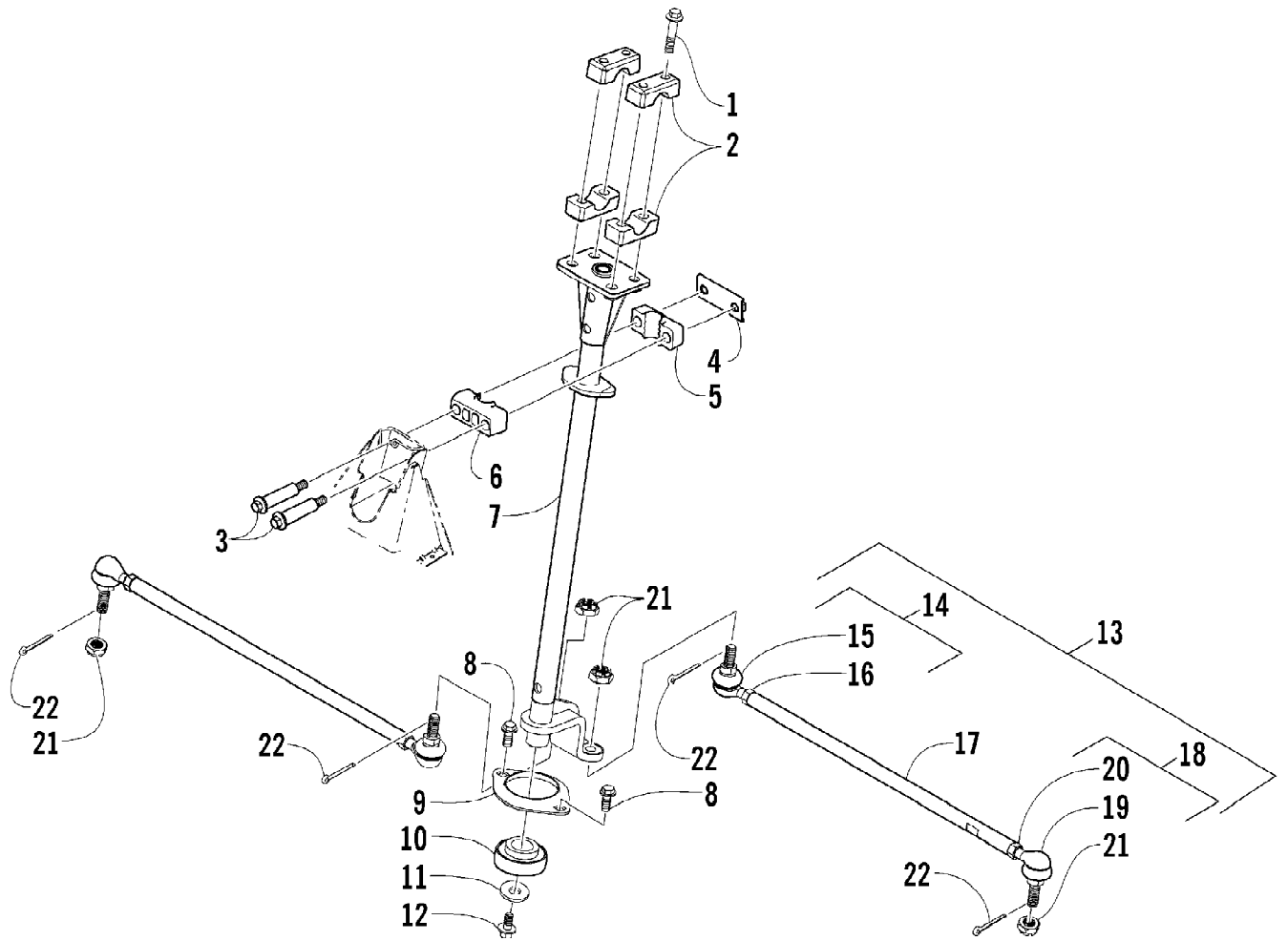
Ref #	Part Number	Qty	S/P/F	Description
1	0828-081	1		Washer
2	0822-061	1		Gear, Reverse Idle
3	0822-065	1		Bushing
4	0822-064	1		Shaft, Reverse Idle
5	0822-029	1		Spacer
6	0822-128	1		Driveshaft
7	0822-129	1		Countershaft Assembly (inc. 8-18)
8	0822-033	1		Gear Select, Reverse
9	3304-147	4	/P	Circlip
10	3304-045	3		Washer
11	0832-038	3		Bearing
12	0822-062	3		Bushing
13	0822-032	1		Gear, Reverse Driven
14	0822-063	1		Gear, Driven - Low
15	0822-027	1		Gear Select, Sliding
16	3304-044	2		Washer, Thrust
17	0818-119	1		Gear, Driven - High
18	0822-025	1		Countershaft
19	0822-028	1		Gear, Drive
20	0822-023	1		Shaft, Output
21	3304-198	1		Bearing
22	3303-395	2		Pin, Dowel
23	0830-156	1		Gasket, Housing
24	0822-105	1		Housing, Speedometer Sensor
25	3303-382	1	/P	Screw, Cap
26	3313-172	1		Sensor, Speedometer
27	0830-155	2	/P	Gasket
28	3303-387	2		Screw, Cap



2011 ATV 450 EFI GREEN (A2011ICK4CUSG)
SHIFT LEVER ASSEMBLY

Page 63 of 77

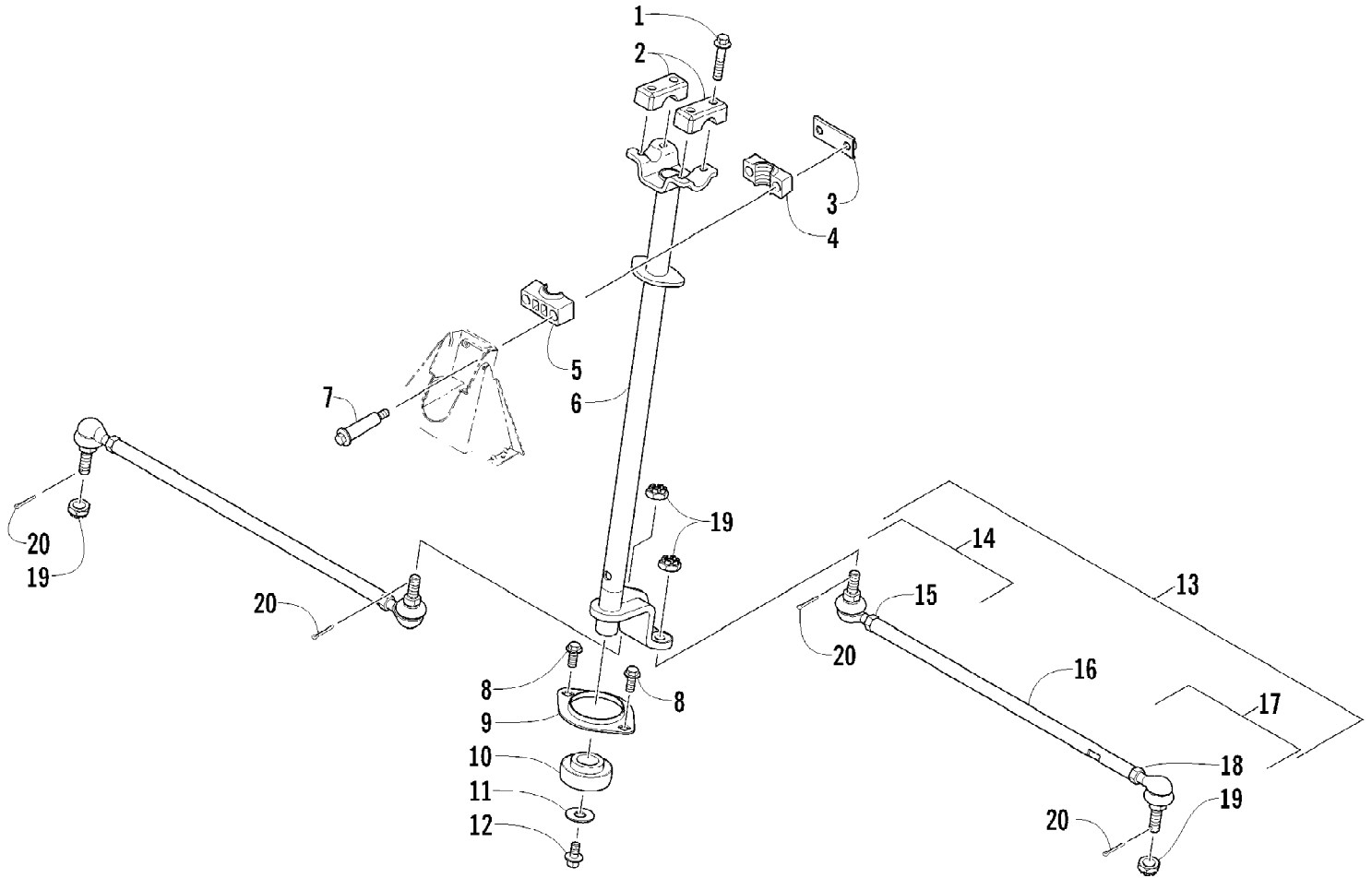
Ref #	Part Number	Qty	S/P/F	Description
1	0402-843	1	/P	Knob, Shift
2	0423-345	1		Clip, Retaining
3	1402-562	1	/P	Plate, Shift
4	2406-348	1		Shield, Shift Plate
5	0423-357	4		Nut, Stamped
6	0502-659	1		Lever, Shift
7	0402-678	1	/P	Spring, Shift Lever
8	1502-332	1		Actuator, Shift
9	8424-602	1	/P	Nut
10	0423-182	2	/P	O-Ring
11	0402-675	1		Axle, Pivot
12	8408-812	1		Screw, Cap
13	0423-087	1		Washer
14	0423-299	2	/P	O-Ring
15	8424-802	1		Nut
16	1402-621	1		Pin, Mounting
17	0423-091	2		Bushing
18	0623-094	2		Washer
19	0423-169	2	/P	E-Ring
20	1502-652	1		Linkage, Shift - Assembly (inc. 21-23)
21	0123-917	1	/P	Nut, Hex - Left-Hand Thread
22	1402-619	1		Coupler
23	0623-294	1		Nut, Hex - Right-Hand Thread



2011 ATV 450 EFI GREEN (A2011ICK4CUSG)
STEERING ASSEMBLY (UP TO VIN: 250000)

Page 65 of 77

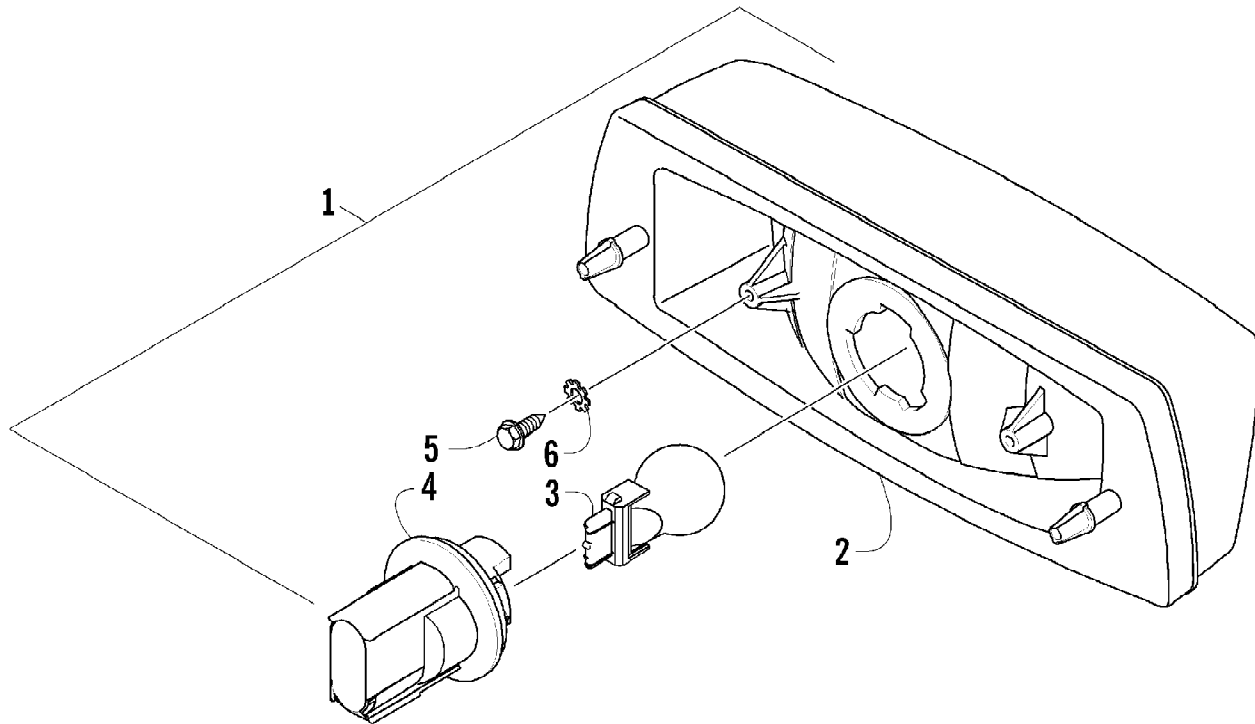
Ref #	Part Number	Qty	S/P/F	Description
1	8408-860	4		Screw, Cap
2	0405-035	4		Cap, Steering Adjuster
3	0423-505	2		Screw, Shoulder
4	0505-484	1		Cap, Housing
5	0405-138	1		Housing, Lower
6	0405-139	1		Housing, Upper
7	0505-451	1	S	Post, Steering
8	8408-816	2		Screw, Cap
9	0602-233	1		Flange, Bearing
10	0405-052	1		Bearing w/Inverted Oil Seal
11	0423-073	1		Washer
12	8409-020	1	/P	Screw, Cap
13	0505-499	2	/P	Tie Rod - Assembly (inc. 14-20)
14	0505-511	2	/P	End, Tie Rod - Left-Hand Thread - Kit (inc. 15-16)
15	0	2	F	End, Tie Rod - Left-Hand Thread
16	0423-013	2		Nut - Left-Hand Thread
17	0405-281	2	/P	Tie Rod
18	0505-510	2	/P	End, Tie Rod - Right-Hand Thread - Kit (inc. 19-20)
19	0	2	F	End, Tie Rod - Right-Hand Thread
20	8420-002	2	/P	Nut - Right-Hand Thread
21	0423-157	4		Nut, Lock
22	0623-175	4		Pin, Cotter



2011 ATV 450 EFI GREEN (A2011ICK4CUSG)
STEERING ASSEMBLY (VIN: 250001 AND UP)

Page 67 of 77

Ref #	Part Number	Qty	S/P/F	Description
1	8408-835	4		Screw, Cap
2	0405-035	2		Cap, Steering Adjuster
3	0505-484	1		Cap, Housing
4	0405-260	1		Housing, Upper
5	0405-259	1		Housing, Lower
6	0505-493	1		Post, Steering
7	0423-505	2		Screw, Shoulder
8	8408-816	2		Screw, Cap
9	0602-233	1		Flange, Bearing
10	0405-052	1		Bearing w/Inverted Oil Seal
11	0423-073	1		Washer
12	8409-020	1	/P	Screw, Cap
13	0505-499	2	/P	Tie Rod - Assembly (inc. 14-18)
14	0505-511	2	/P	End, Tie Rod - Left-Hand Thread - Kit (inc. 15)
15	0423-013	2		Nut - Left-Hand Thread
16	0405-281	2	/P	Tie Rod
17	0505-510	2	/P	End, Tie Rod - Right-Hand Thread - Kit (inc. 18)
18	8420-002	2	/P	Nut - Right-Hand Thread
19	0423-157	4		Nut, Lock
20	0623-175	4		Pin, Cotter

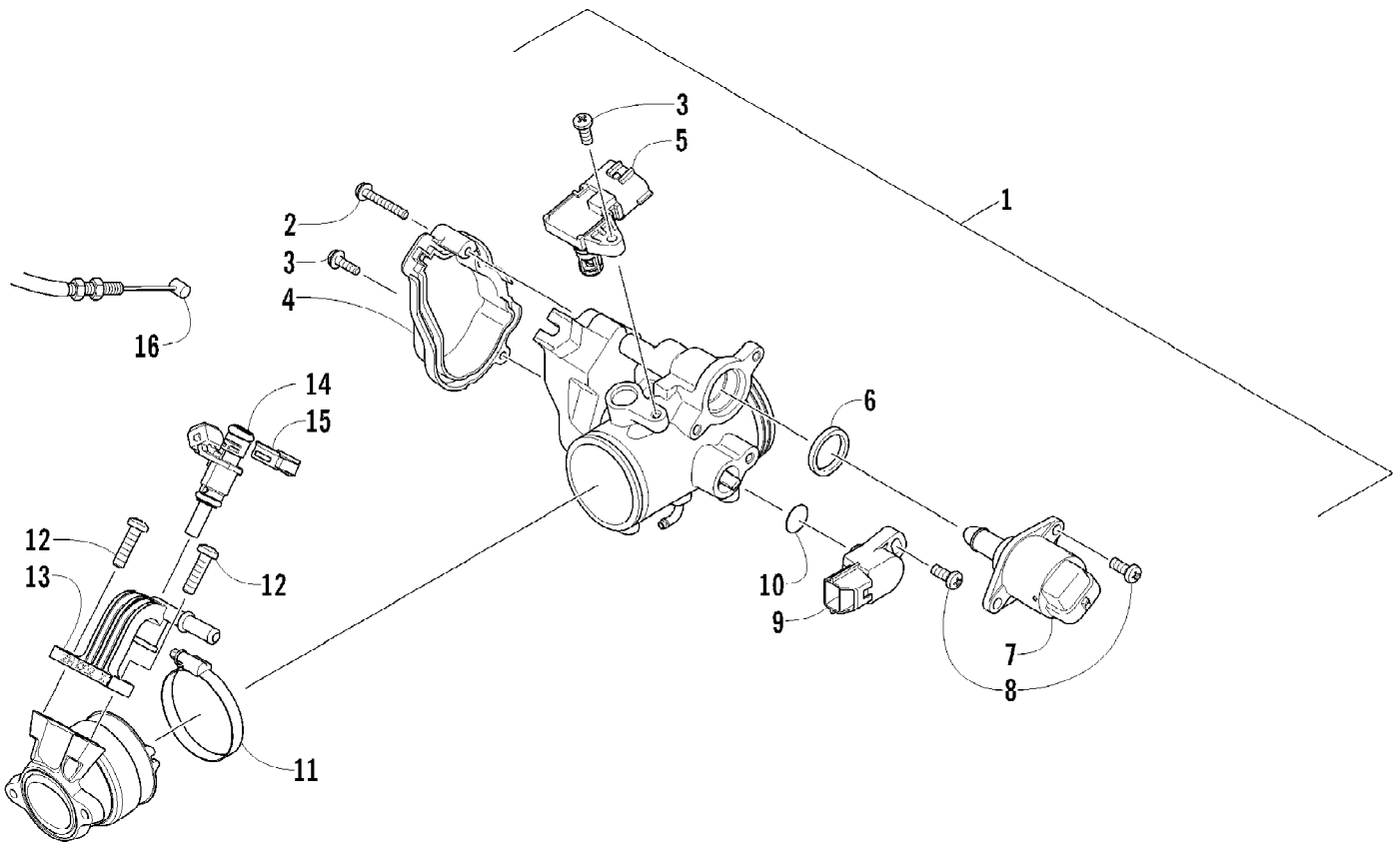


2011 ATV 450 EFI GREEN (A2011ICK4CUSG)
TAILLIGHT ASSEMBLY

Page 69 of 77

Ref #	Part Number	Qty	S/P/F	Description
1	0509-022	1		Taillight Assembly (inc. 2-4)
2	0509-025	1		Housing, Taillight
3	0409-056	1		Bulb, Taillight
4	0409-057	1		Socket, Taillight
5	0623-301	2	/P	Screw, Self-Tapping
6	8053-212	2	/P	Washer, External Tooth Lock

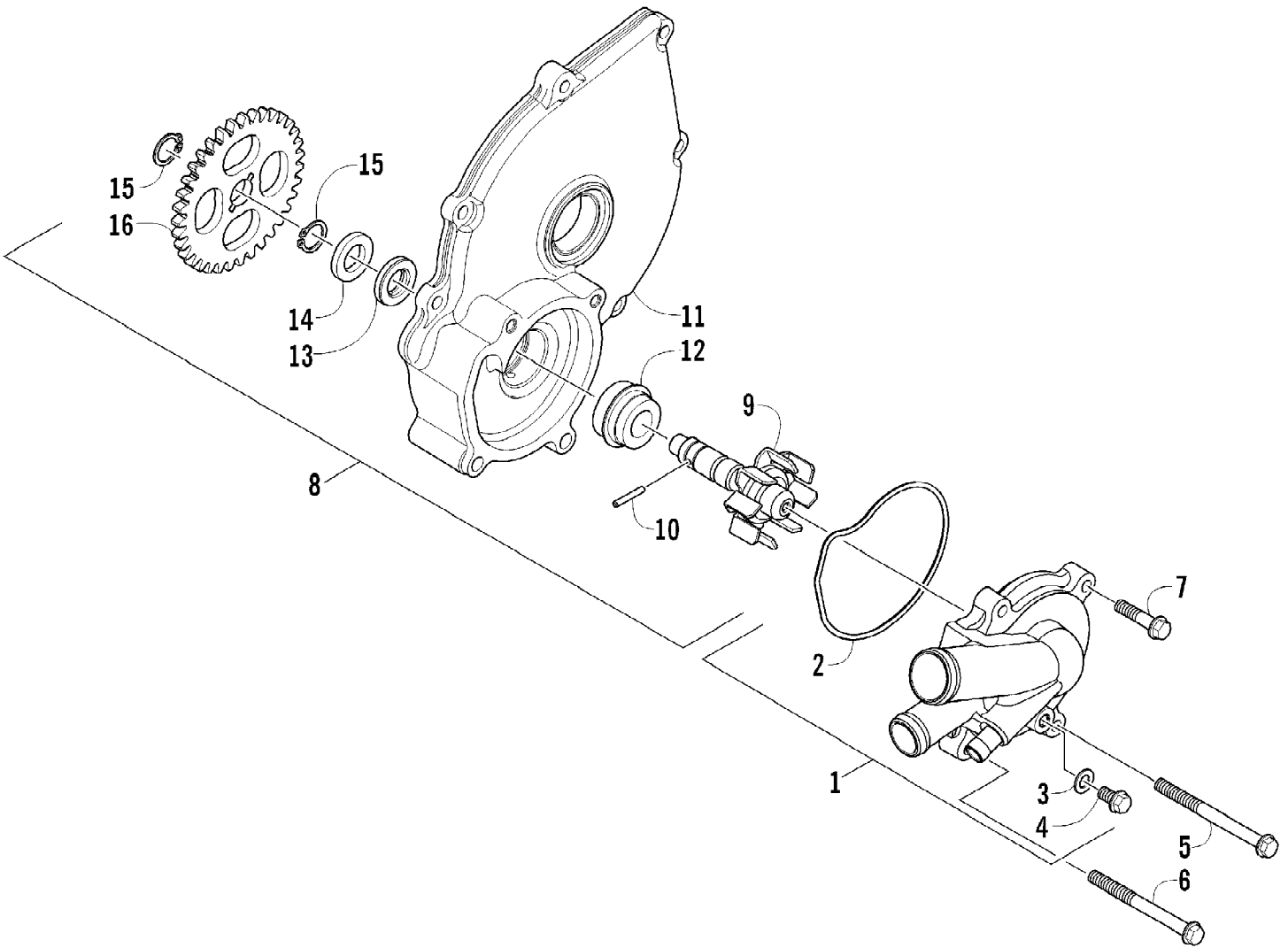
2011 ATV 450 EFI GREEN (A2011ICK4CUSG)
THROTTLE BODY ASSEMBLY



2011 ATV 450 EFI GREEN (A2011ICK4CUSG)
THROTTLE BODY ASSEMBLY

Page 71 of 77

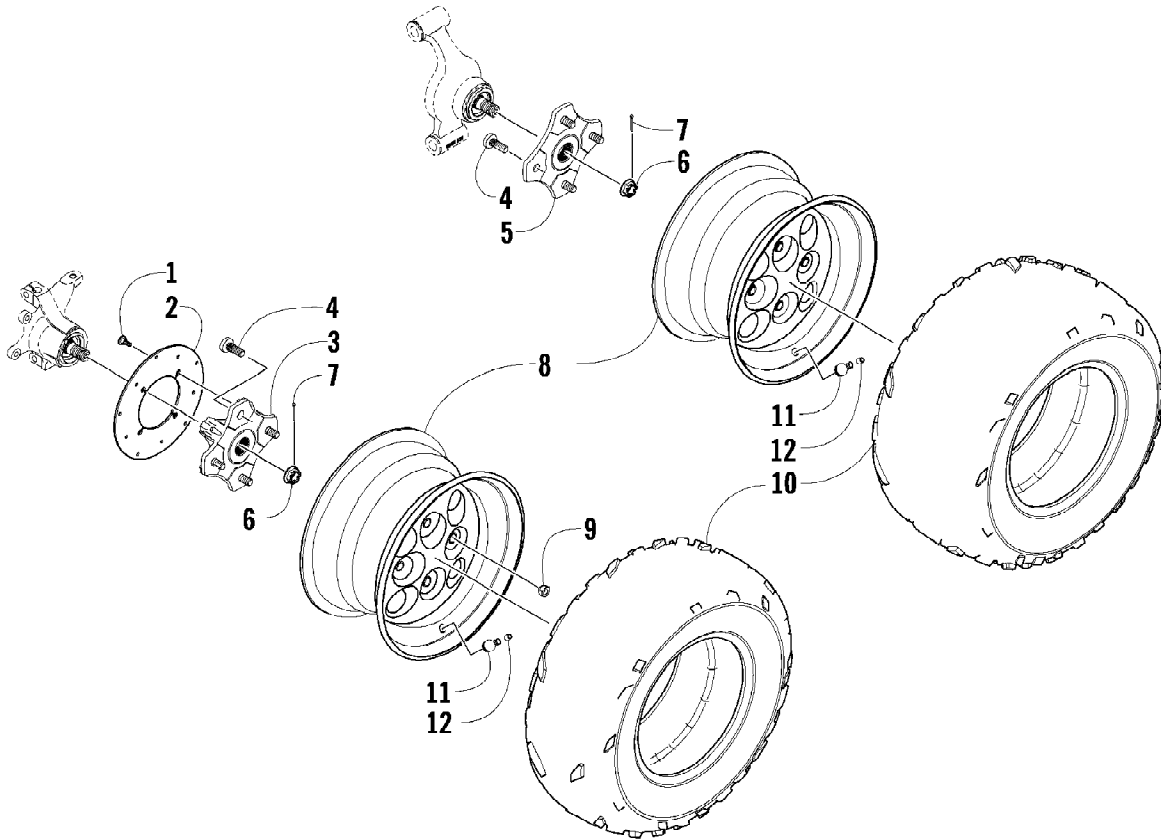
Ref #	Part Number	Qty	S/P/F	Description
1	0570-328	1		Throttle Body - Assembly (inc. 2-10)
2	0835-006	1		Screw, Machine
3	0835-007	2		Screw, Machine
4	0824-060	1		Cover
5	0824-052	1		Sensor, MAP
6	0832-088	1		Seal
7	0824-054	1		Valve, By-Pass - Idle Air
8	3305-953	3		Screw, Machine
9	0824-053	1		Sensor, Throttle Position (inc. 10)
10	3306-150	1		O-Ring
11	0423-019	1		Clamp
12	8468-620	2	/P	Screw, Machine
13	0470-885	1		Rail, Fuel
14	0470-884	1		Injector, Fuel
15	0470-889	1		Clip, Retaining
16	0487-076	1		Cable, Throttle



2011 ATV 450 EFI GREEN (A2011ICK4CUSG)
WATER PUMP ASSEMBLY

Page 73 of 77

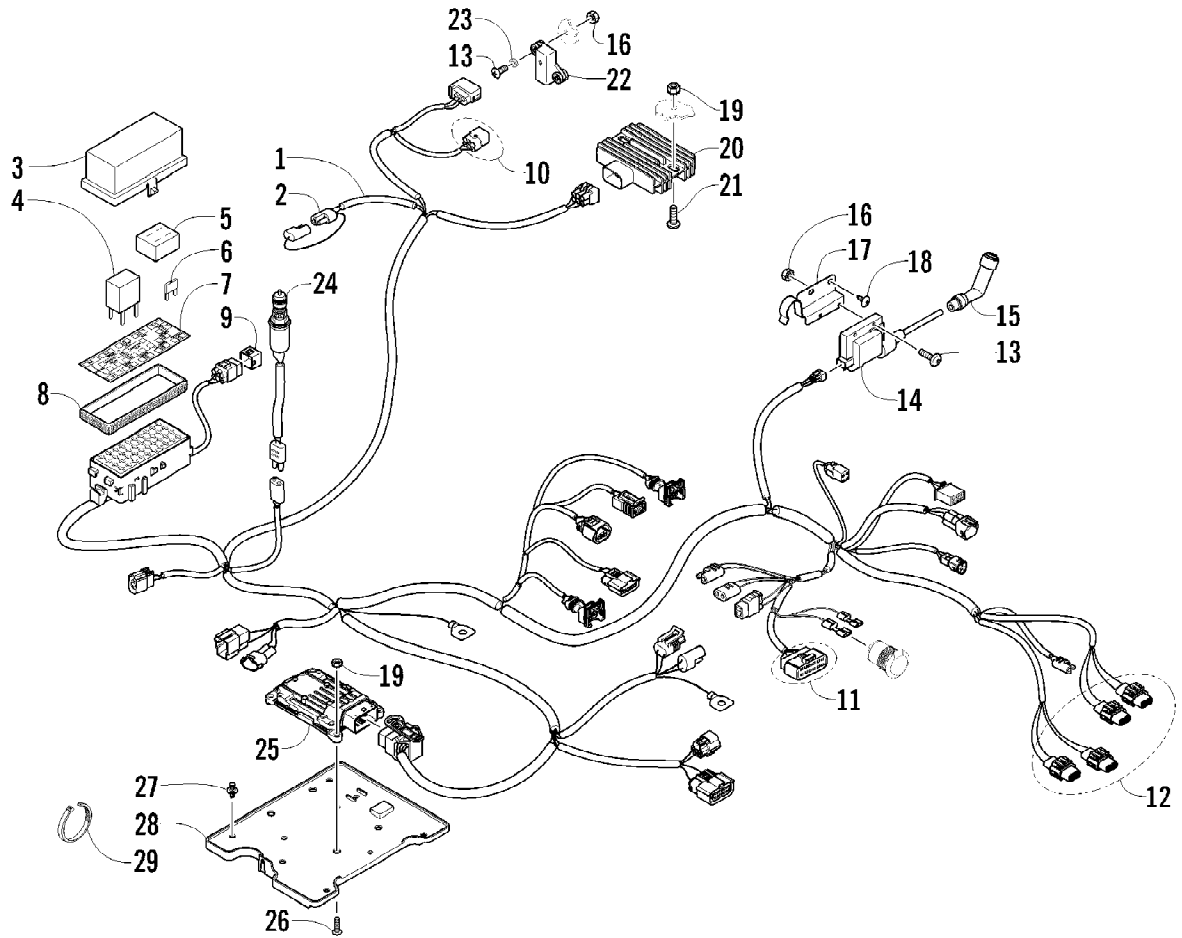
Ref #	Part Number	Qty	S/P/F	Description
1	0813-054	1	/P	Cover, Water Pump - Assembly (inc. 2-4)
2	0830-208	1		O-Ring
3	3304-049	1		Washer
4	3304-186	1		Screw, Cap
5	0826-065	1		Screw, Cap
6	0826-151	1		Screw, Cap
7	3303-384	2	/P	Screw, Cap
8	0813-051	1		Housing, Water Pump - Assembly (inc. 9-16)
9	0813-057	1		Shaft, Impeller - Assembly
10	0829-057	1		Pin, Alignment
11	0806-123	1		Housing, Water Pump
12	3305-940	1		Seal, Mechanical
13	0830-207	1		Seal, Oil
14	0828-130	1		Washer, Thrust
15	0831-089	2		Circlip
16	0811-037	1		Gear, Driven



2011 ATV 450 EFI GREEN (A2011ICK4CUSG)
WHEEL AND TIRE ASSEMBLY

Page 75 of 77

Ref #	Part Number	Qty	S/P/F	Description
1	0423-557	12		Screw, Shoulder
2	1436-164	3	/P	Disc, Brake
3	1502-462	2	/P	Hub, Wheel - Front (inc. 4)
4	0402-974	16	/P	Stud
5	1502-462	1	/P	Hub, Wheel - Rear - Right (inc. 4)
5	1502-464	1		Hub, Wheel - Rear - Left (inc. 4)
6	0423-607	4		Nut, Castle
7	0423-407	4		Pin, Cotter
8	1402-776	2		Wheel - Front
8	1402-777	2		Wheel - Rear
9	0423-408	16	/P	Nut, Lug
10	1402-894	2		Tire - Front
10	1402-895	2		Tire - Rear
11	0402-064	4		Stem, Valve (inc. 12)
12	0402-140	4		Cap, Valve Stem



2011 ATV 450 EFI GREEN (A2011ICK4CUSG)
WIRING HARNESS ASSEMBLY

Page 77 of 77

Ref #	Part Number	Qty	S/P/F	Description
1	0486-326	1		Harness, Main (inc. 2-9)
2	0486-164	1		Tether, Accessory Connector
3	0430-085	1		Cover, Fuse Block
4	0430-045	2	/P	Relay (4-Pin) - 20 Amp
4	0430-033	1		Relay (5-Pin) - 20 Amp
5	0430-037	1		Holder, Fuse
6	0430-032	7		Fuse - 10 Amp
6	0430-031	4		Fuse - 15 Amp
6	0430-030	2		Fuse - 30 Amp
7	2411-090	1		Decal, Fuse Block
8	0430-086	1		Seal
9	0430-097	1		Cover, Diagnostics Connector
10	1436-416	1		Repair Kit, Connector - Tilt Sensor
11	1436-415	1		Repair Kit, Connector - LCD Gauge
12	1436-290	AR		Repair Kit, Connector - Headlight
13	8468-425	4		Screw, Machine
14	0824-055	1		Coil, Ignition (inc. 15)
15	0824-056	1		Cap, Spark Plug
16	0423-493	4		Nut w/Washer
17	2516-566	1		Bracket, Mounting - Coil
18	0623-309	2		Screw, Self-Tapping
19	0623-038	6		Nut w/Washer
20	0824-037	1	/P	Regulator, Voltage
21	8476-625	2		Screw, Machine
22	0409-064	1		Sensor, Tilt
23	0123-802	2		Washer
24	0409-089	1		Switch, Brake - Assembly
25	0530-057	1		ECU
26	8476-620	4		Screw, Machine
27	0623-362	4		Rivet, Reinstallable
28	2416-181	1		Tray, Electrical
29	0123-788	AR	/P	Tie, Cable - 8 in.
29	0123-903	AR		Tie, Cable - 11.5 in.