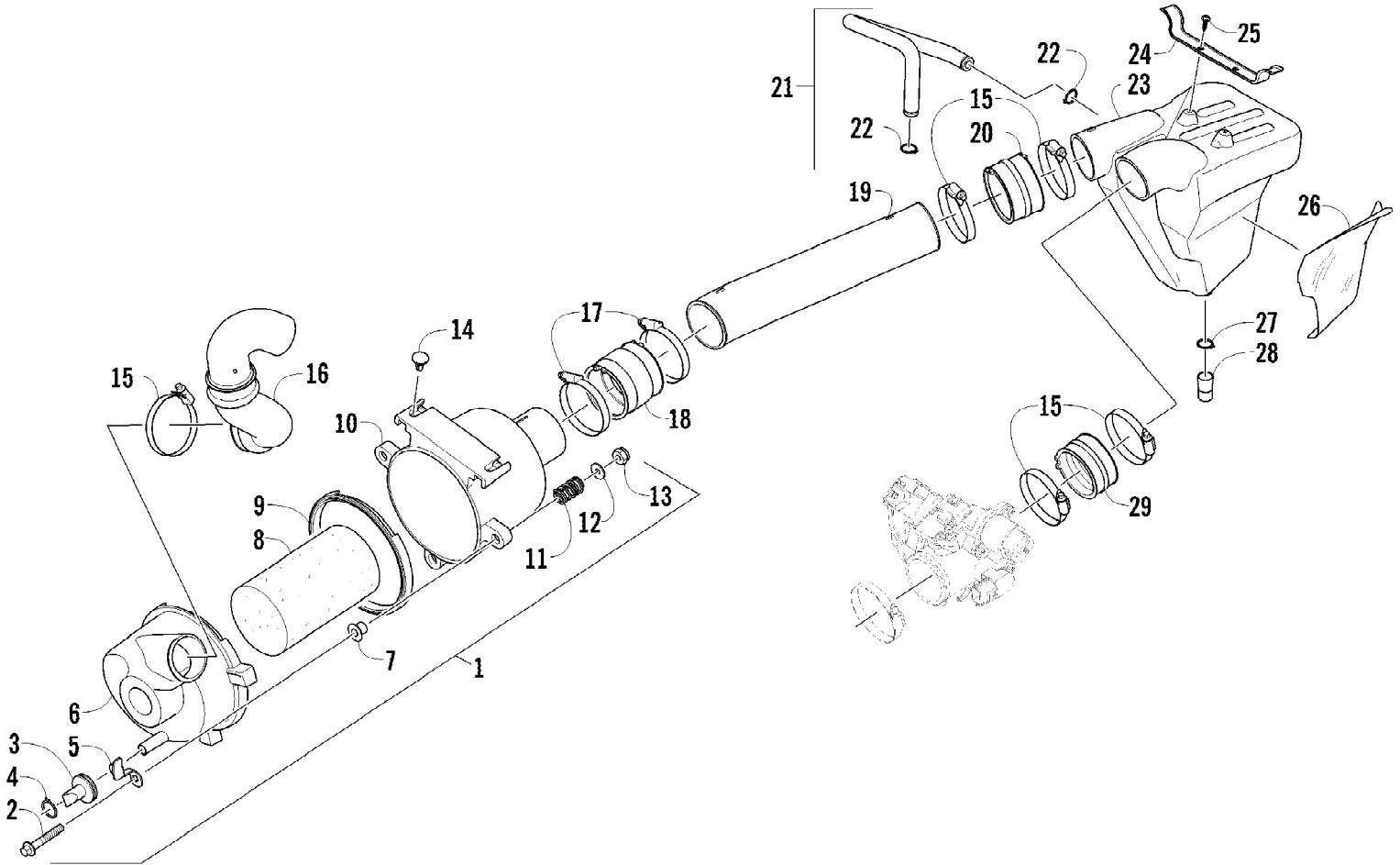


2011 ATV 425 EFI CR RED (A20111RK4CUSR)
AIR INTAKE ASSEMBLY

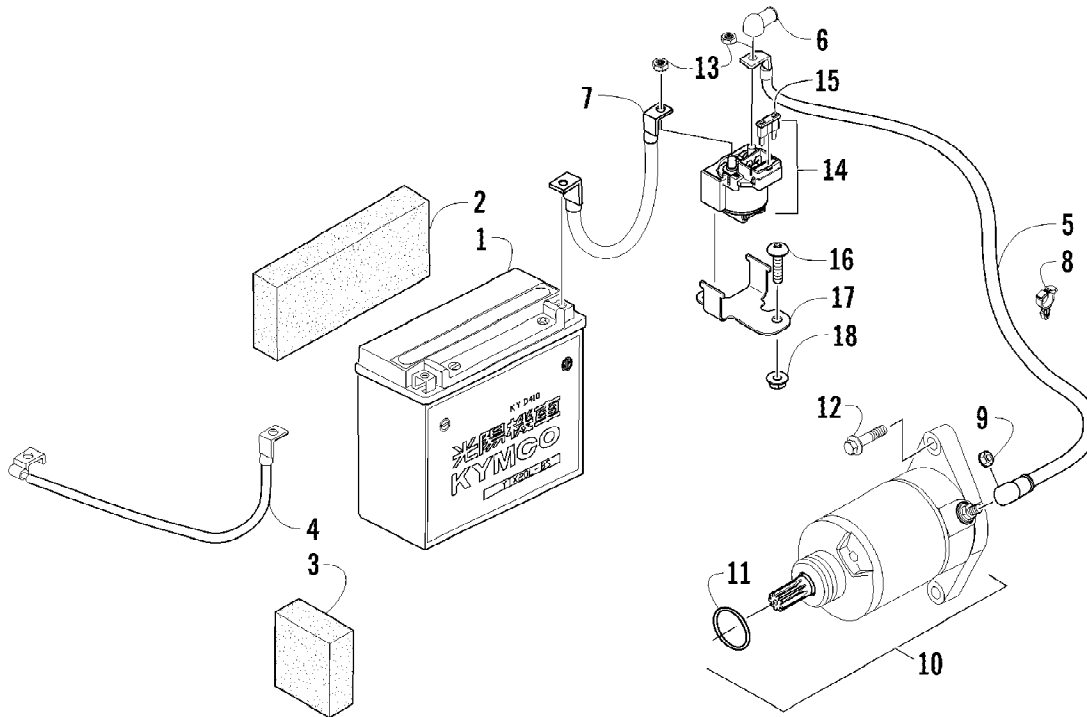


2011 ATV 425 EFI CR RED (A2011IRK4CUSR)
AIR INTAKE ASSEMBLY

Page 2 of 70

| Ref # | Part Number | Qty | S/P/F | Description |
|-------|-------------|-----|-------|--|
| 1 | 3313-395 | 1 | | Filter, Air - Assembly (inc. 2-13) |
| 2 | 8408-850 | 3 | | Screw, Cap |
| 3 | 0470-442 | 1 | /P | Valve, Drain |
| 4 | 3313-705 | 1 | | Clamp |
| 5 | 3313-375 | 3 | | Latch |
| 6 | 3313-376 | 1 | | Cover, Air Filter |
| 7 | 3313-853 | 3 | | Spacer |
| 8 | 3313-378 | 1 | | Element, Air Filter |
| 9 | 3313-446 | 1 | | Gasket, Air Filter |
| 10 | 3313-377 | 1 | | Housing, Air Filter |
| 11 | 0402-678 | 3 | /P | Spring |
| 12 | 8050-222 | 3 | /P | Washer |
| 13 | 3303-269 | 3 | | Nut, Lock |
| 14 | 3305-448 | 2 | | Clip, Retaining |
| 15 | 0423-380 | 5 | /P | Clamp |
| 16 | 3313-816 | 1 | | Boot, Air Intake |
| 17 | 3313-817 | 2 | | Clamp |
| 18 | 3313-275 | 1 | | Boot, Air Intake |
| 19 | 3313-063 | 1 | | Boot, Air Intake |
| 20 | 3313-274 | 1 | | Boot, Air Intake |
| 21 | 3313-397 | 1 | | Hose, Oil Catch (inc. 22) |
| 22 | 3304-167 | 2 | | Clamp, Hose |
| 23 | 3313-224 | 1 | | Housing, Air Intake |
| 24 | 3313-356 | 1 | | Bracket, Mounting - Air Intake Housing |
| 25 | 3304-409 | 2 | /P | Screw, Self-Tapping |
| 26 | 3313-362 | 1 | /P | Foil, Protective |
| 27 | 3313-706 | 1 | | Clamp |
| 28 | 3313-543 | 1 | | Pipe, Drain |
| 29 | 3306-309 | 1 | | Boot, Air Intake |

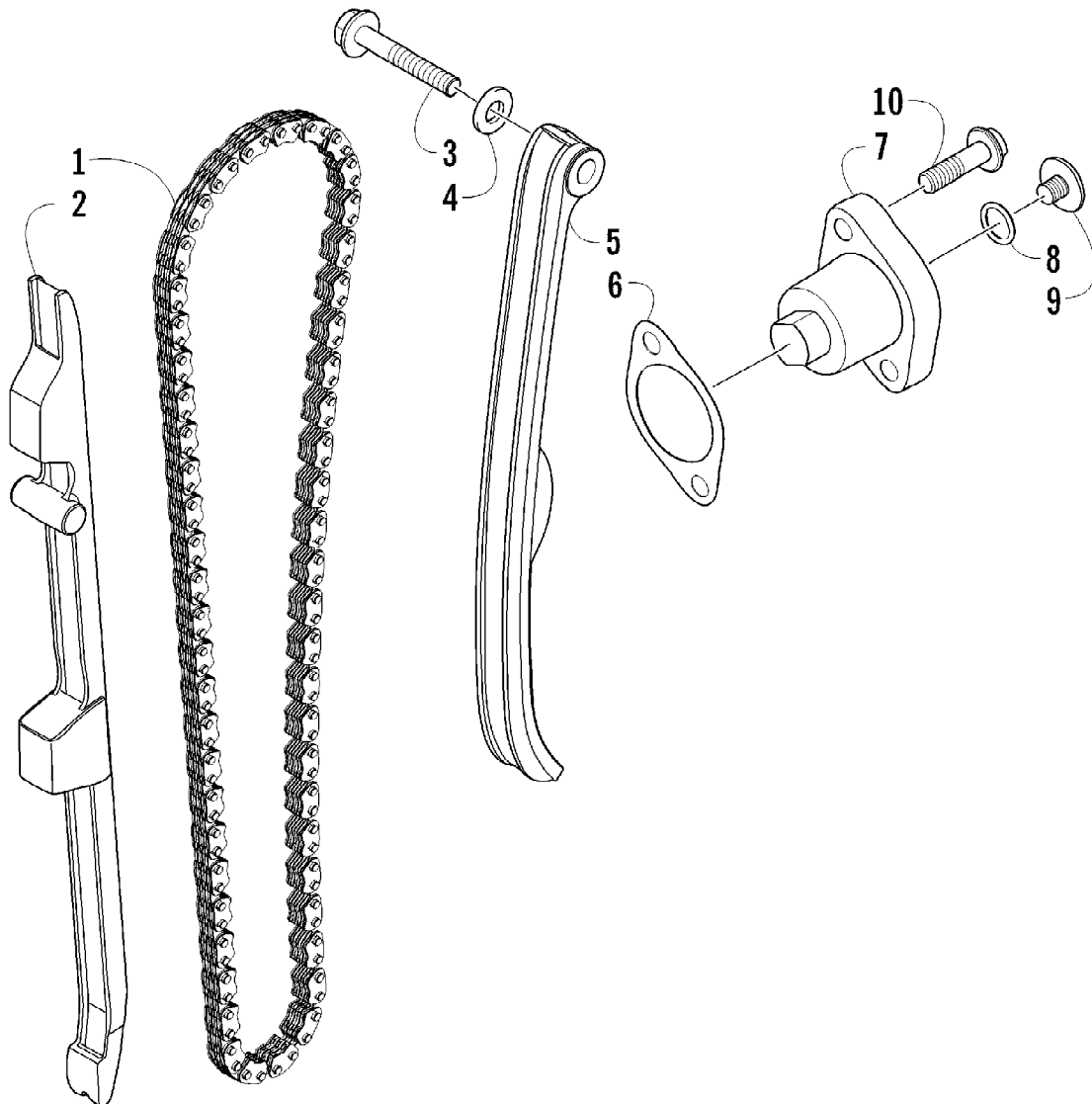
2011 ATV 425 EFI CR RED (A20111RK4CUSR)
BATTERY AND STARTER ASSEMBLY



2011 ATV 425 EFI CR RED (A2011IRK4CUSR)
 BATTERY AND STARTER ASSEMBLY

Page 4 of 70

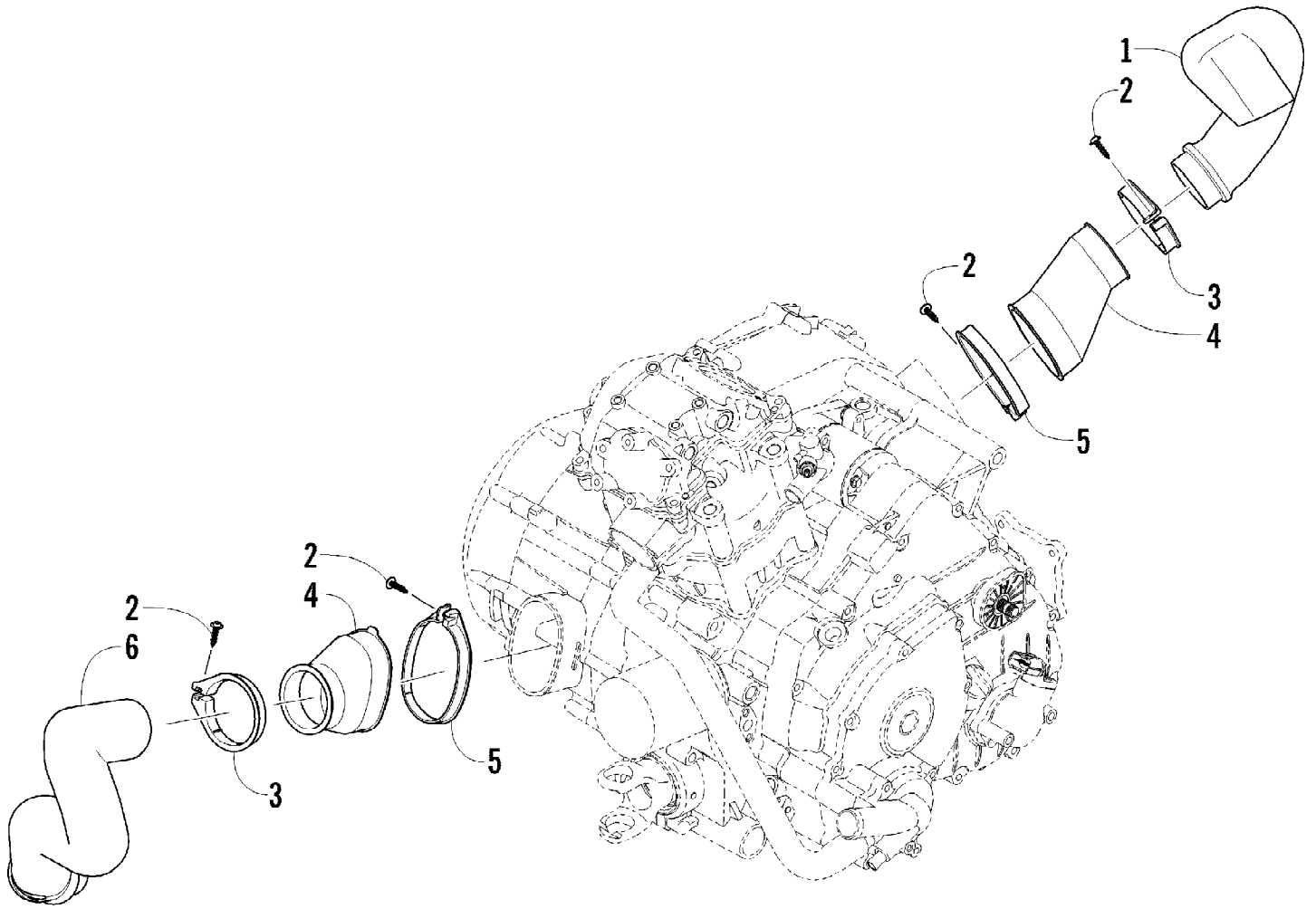
| Ref # | Part Number | Qty | S/P/F | Description |
|-------|-------------|-----|-------|-------------------------------------|
| 1 | 3306-301 | 1 | | Battery Assembly |
| 2 | 3306-302 | 1 | | Pad, Foam |
| 3 | 3306-303 | 1 | | Pad, Foam |
| 4 | 3306-262 | 1 | | Cable, Ground |
| 5 | 3313-527 | 1 | | Cable, Solenoid/Starter (inc. 6) |
| 6 | 0 | 1 | F | Boot, Terminal |
| 7 | 3306-324 | 1 | | Cable, Battery/Solenoid |
| 8 | 3306-364 | 2 | | Clamp, Routing |
| 9 | 3304-011 | 1 | | Nut w/Washer |
| 10 | 3305-954 | 1 | | Motor, Starter - Assembly (inc. 11) |
| 11 | 3304-104 | 1 | | O-Ring |
| 12 | 3305-946 | 2 | | Screw, Cap |
| 13 | 3304-654 | 2 | /P | Nut, Lock |
| 14 | 3313-464 | 1 | | Solenoid (inc. 15) |
| 15 | 3304-212 | 1 | | Fuse - 30 Amp |
| 16 | 3305-703 | 2 | | Screw, Machine |
| 17 | 3313-467 | 1 | | Bracket, Mounting - Solenoid |
| 18 | 3304-431 | 2 | /P | Nut, Lock |



2011 ATV 425 EFI CR RED (A2011IRK4CUSR)
CAM CHAIN ASSEMBLY

Page 6 of 70

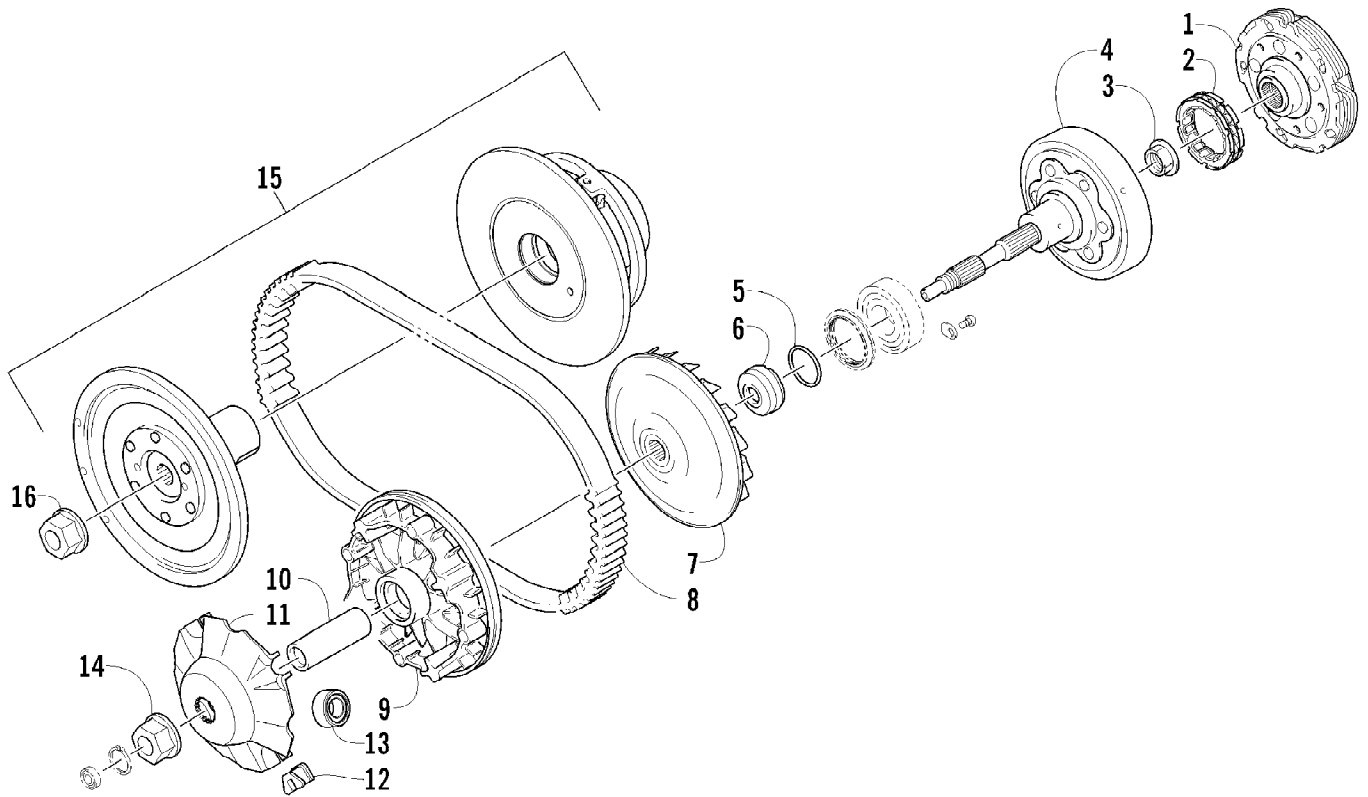
| Ref # | Part Number | Qty | S/P/F | Description |
|-------|-------------|-----|-------|--------------------------------|
| 1 | 0810-005 | 1 | | Chain, Cam |
| 2 | 0810-068 | 1 | | Guide, Chain |
| 3 | 0826-133 | 1 | | Pivot, Tensioner |
| 4 | 0830-150 | 1 | | Washer |
| 5 | 0810-007 | 1 | | Tensioner, Chain |
| 6 | 3303-035 | 1 | | Gasket |
| 7 | 3303-677 | 1 | | Adjuster, Tensioner - Assembly |
| 8 | 3304-100 | 1 | /P | O-Ring |
| 9 | 3304-006 | 1 | | Screw, Adjuster |
| 10 | 3303-360 | 2 | | Screw, Cap |



2011 ATV 425 EFI CR RED (A2011IRK4CUSR)
CASE/BELT COOLING ASSEMBLY

Page 8 of 70

| Ref # | Part Number | Qty | S/P/F | Description |
|-------|-------------|-----|-------|----------------------|
| 1 | 3313-064 | 1 | | Duct, Belt - Air Out |
| 2 | 0423-342 | 4 | /P | Screw, Self-Tapping |
| 3 | 0423-551 | 2 | | Clamp |
| 4 | 3313-782 | 2 | | Boot, Duct |
| 5 | 0423-550 | 2 | | Clamp |
| 6 | 3313-065 | 1 | | Duct, Belt - Air In |

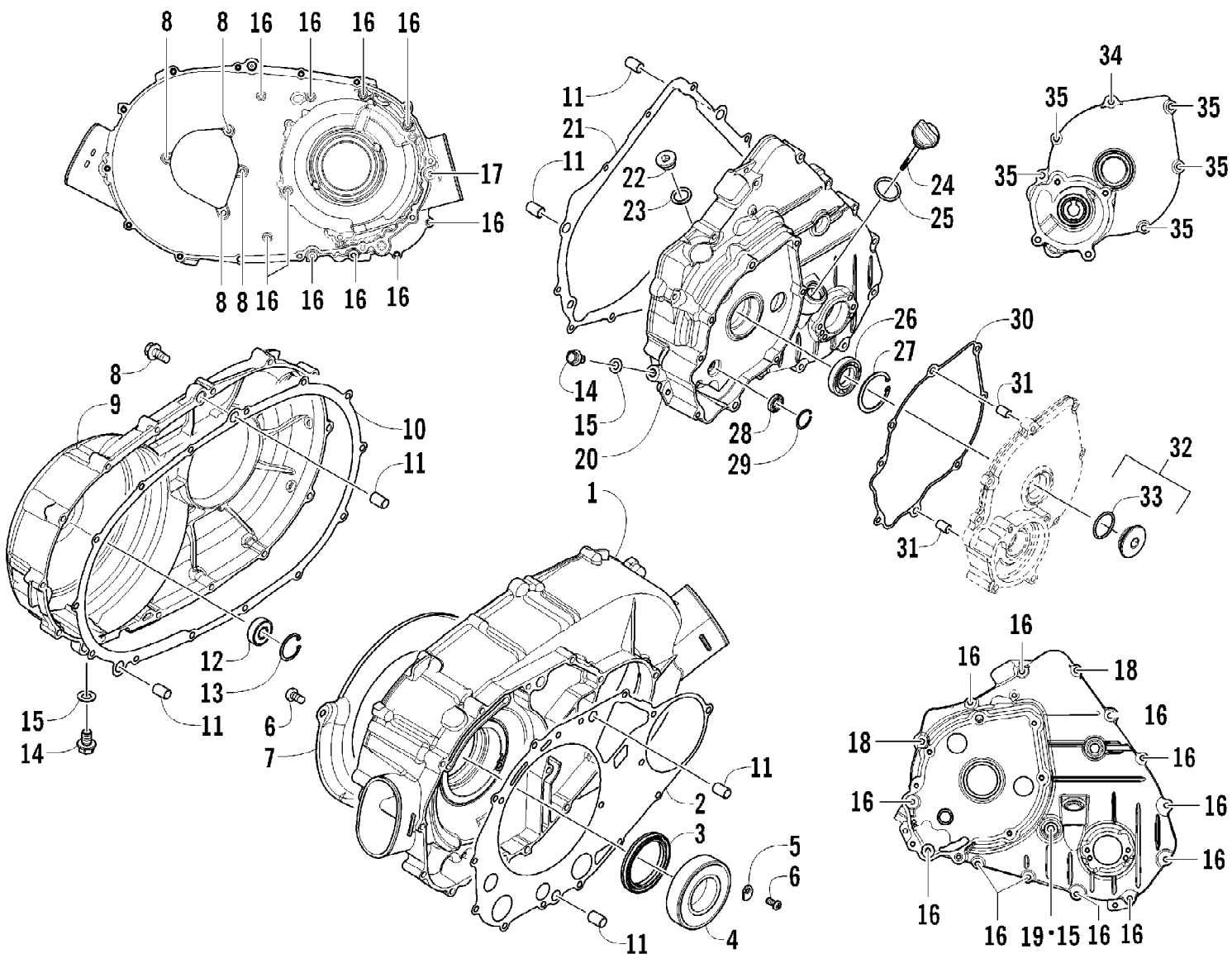


2011 ATV 425 EFI CR RED (A2011IRK4CUSR)
CLUTCH AND DRIVE BELT ASSEMBLY

Page 10 of 70

| Ref # | Part Number | Qty | S/P/F | Description |
|-------|-------------|-----|-------|----------------------------|
| 1 | 0823-328 | 1 | | Shoe, Clutch - Assembly |
| 2 | 0823-198 | 1 | | Clutch, One-Way |
| 3 | 0827-050 | 1 | | Nut |
| 4 | 0823-338 | 1 | | Housing, Clutch |
| 5 | 0470-531 | 1 | | O-Ring |
| 6 | 0823-058 | 1 | | Spacer |
| 7 | 0823-313 | 1 | | Face, Fixed Drive |
| 8 | 0823-228 | 1 | | Belt, Drive |
| 9 | 0823-324 | 1 | | Face, Movable Drive |
| 10 | 0823-206 | 1 | | Spacer, Movable Drive Face |
| 11 | 0823-213 | 1 | | Plate, Movable Drive Face |
| 12 | 0823-214 | 4 | | Damper, Movable Drive Face |
| 13 | 0823-351 | 8 | | Roller, Movable Drive Face |
| 14 | 3323-165 | 1 | /P | Nut |
| 15 | 0823-350 | 1 | | Clutch, Driven - Assembly |
| 16 | 0827-058 | 1 | | Nut |

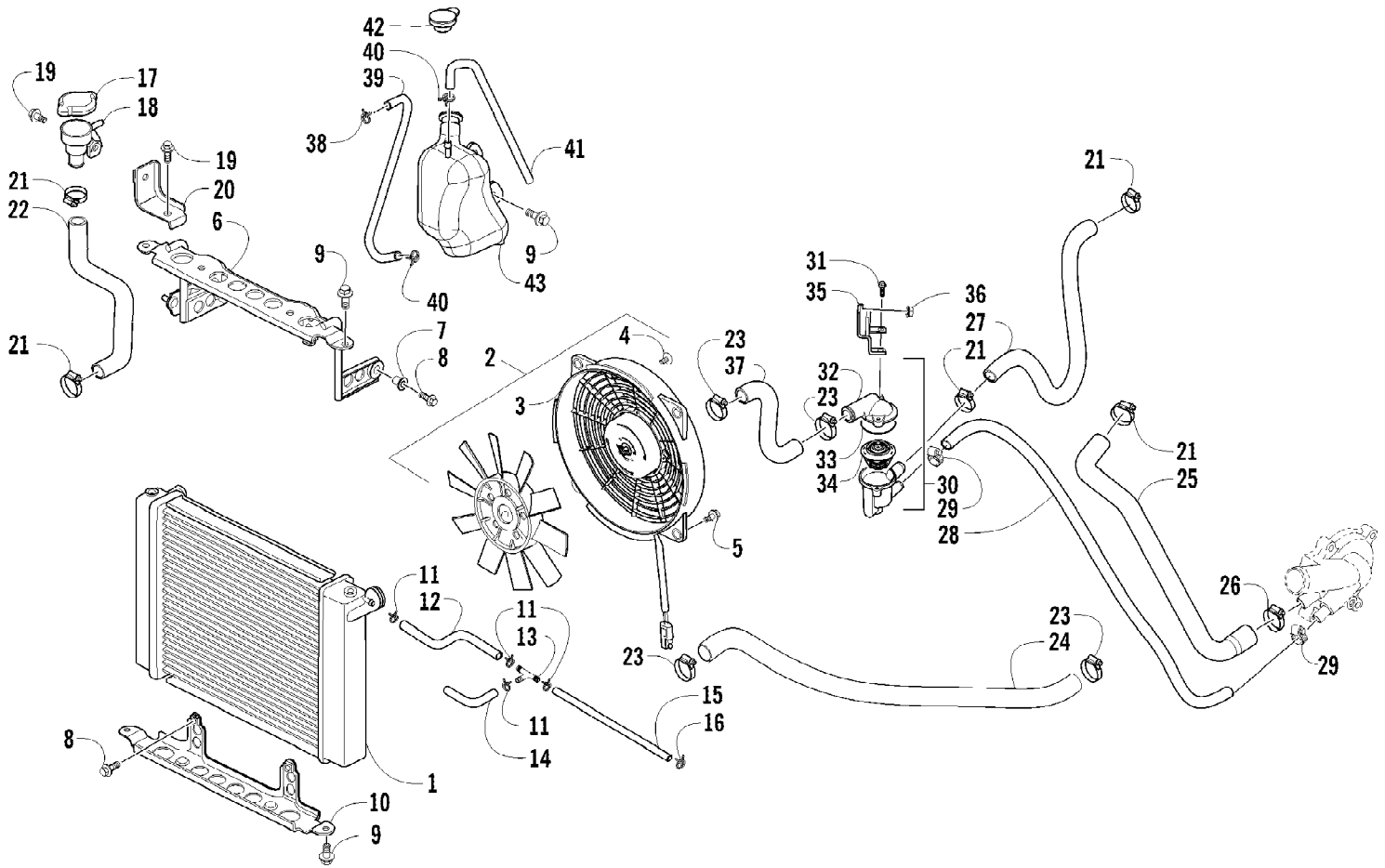
2011 ATV 425 EFI CR RED (A20111RK4CUSR)
CLUTCH/DRIVE BELT/MAGNETO COVER ASSEMBLY



2011 ATV 425 EFI CR RED (A2011IRK4CUSR)
CLUTCH/DRIVE BELT/MAGNETO COVER ASSEMBLY

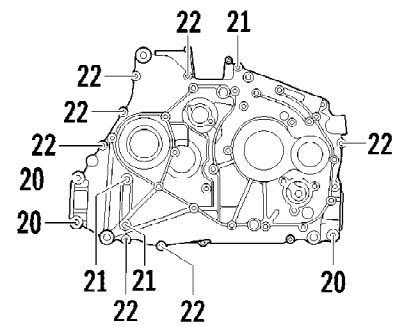
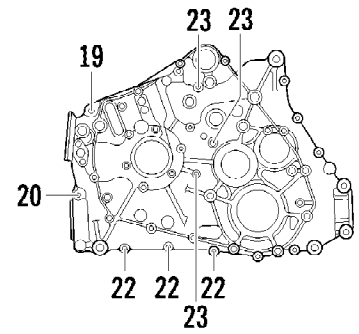
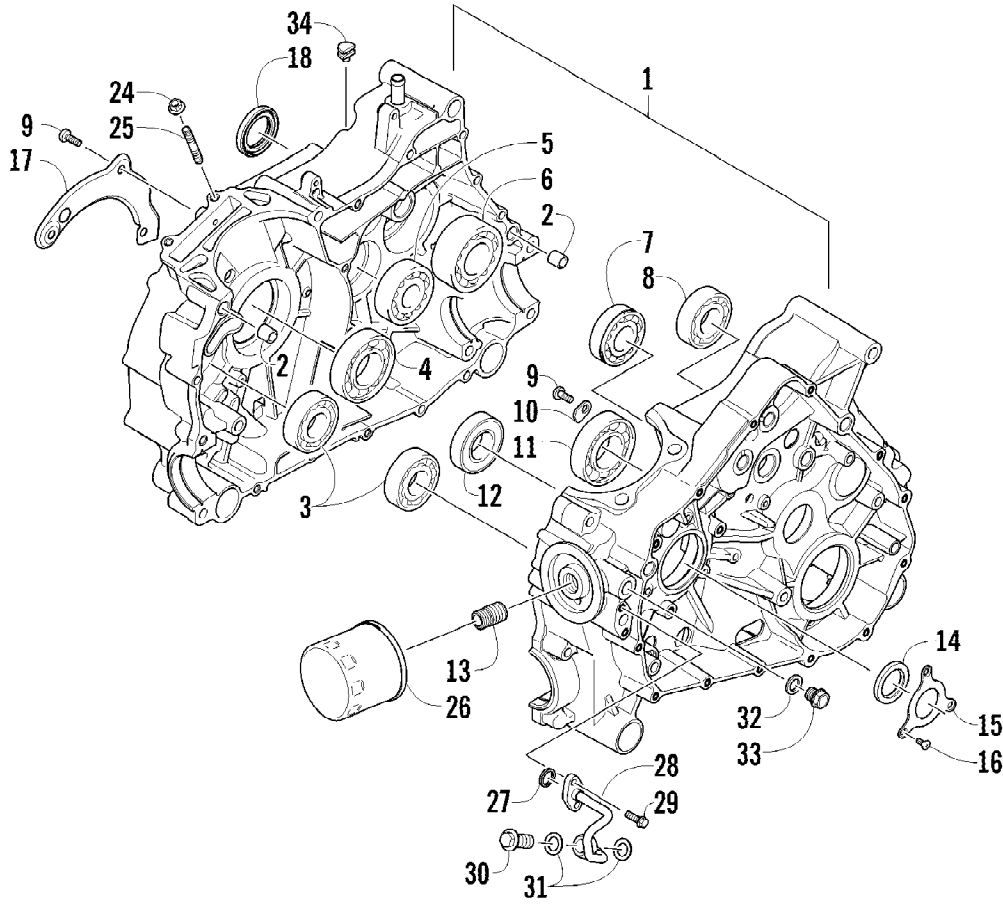
| Ref # | Part Number | Qty | S/P/F | Description |
|-------|-------------|-----|-------|----------------------------|
| 1 | 0806-026 | 1 | | Cover, Clutch |
| 2 | 0830-055 | 1 | | Gasket |
| 3 | 0830-157 | 1 | | Seal |
| 4 | 0832-071 | 1 | | Bearing |
| 5 | 0822-104 | 2 | | Retainer, Bearing |
| 6 | 0826-144 | 5 | | Screw, Machine |
| 7 | 0806-103 | 1 | | Plate, Air Intake |
| 8 | 3303-386 | 18 | /P | Screw, Cap |
| 9 | 0806-027 | 1 | | Cover, Drive Belt |
| 10 | 0830-056 | 1 | | Gasket |
| 11 | 0829-046 | 6 | | Pin, Dowel |
| 12 | 0832-023 | 1 | | Bearing |
| 13 | 3303-347 | 1 | | Circlip |
| 14 | 3303-365 | 2 | | Plug, Drain |
| 15 | 3303-591 | 3 | | Gasket, Drain Plug |
| 16 | 3304-903 | 22 | | Screw, Cap |
| 17 | 0826-066 | 1 | | Screw, Cap |
| 18 | 3304-191 | 2 | /P | Screw, Cap |
| 19 | 0826-068 | 1 | | Screw, Cap |
| 20 | 0806-122 | 1 | | Cover, Magneto |
| 21 | 0830-057 | 1 | | Gasket |
| 22 | 0806-099 | 1 | | Plug |
| 23 | 0830-141 | 1 | | Washer, Crush |
| 24 | 0806-029 | 1 | | Stick, Oil Level (inc. 25) |
| 25 | 3304-102 | 1 | /P | O-Ring, Oil Level Stick |
| 26 | 0832-053 | 1 | | Bearing |
| 27 | 3305-943 | 1 | | Ring, Retaining |
| 28 | 3305-944 | 1 | | Bearing |
| 29 | 3305-942 | 1 | | Ring, Retaining |
| 30 | 0830-206 | 1 | | Gasket |
| 31 | 3301-716 | 2 | | Pin, Dowel |
| 32 | 0812-087 | 1 | | Cap, Inspection (inc. 33) |
| 33 | 0835-016 | 1 | | O-Ring |
| 34 | 0826-136 | 1 | | Screw, Cap |
| 35 | 3303-383 | 5 | /P | Screw, Cap |

2011 ATV 425 EFI CR RED (A20111RK4CUSR)
COOLING ASSEMBLY



| Ref # | Part Number | Qty | S/P/F | Description |
|-------|-------------|-----|-------|---|
| 1 | 3306-334 | 1 | | Radiator |
| 2 | 3306-333 | 1 | | Fan, Cooling - Assembly (inc. 2-3) |
| 3 | 3306-335 | 1 | | Shroud, Fan |
| 4 | 3306-405 | 3 | | Screw, Shoulder |
| 5 | 3304-587 | 4 | /P | Screw, Cap |
| 6 | 3306-347 | 1 | | Bracket, Mounting - Upper |
| 7 | 3303-226 | 2 | | Insert |
| 8 | 3304-551 | 4 | /P | Screw, Cap |
| 9 | 3304-652 | 6 | | Screw, Cap |
| 10 | 3306-348 | 1 | | Bracket, Mounting - Lower |
| 11 | 3304-161 | 5 | | Clamp, Hose |
| 12 | 3306-345 | 1 | | Hose, Coolant - Radiator/T-Fitting |
| 13 | 3306-346 | 1 | | T-Fitting |
| 14 | 3306-374 | 1 | | Hose, Coolant - T-Fitting/Filler Neck |
| 15 | 3306-375 | 1 | | Hose, Coolant - T-Fitting/Engine |
| 16 | 3306-349 | 1 | | Clamp, Hose |
| 17 | 3303-748 | 1 | | Cap, Filler Neck |
| 18 | 3303-738 | 1 | | Neck, Filler |
| 19 | 3304-553 | 2 | | Screw, Cap |
| 20 | 3306-336 | 1 | | Bracket, Mounting - Filler Neck |
| 21 | 1423-008 | 5 | | Clamp, Hose |
| 22 | 3306-344 | 1 | | Hose, Coolant - Filler Neck/Radiator |
| 23 | 3306-256 | 4 | | Clamp, Hose |
| 24 | 3306-343 | 1 | | Hose, Coolant - Radiator/Water Pump |
| 25 | 0410-216 | 1 | | Hose, Coolant - Water Pump/Cylinder |
| 26 | 3305-941 | 1 | | Clamp, Hose |
| 27 | 3306-255 | 1 | | Hose, Coolant - Thermostat/Cylinder |
| 28 | 3306-258 | 1 | | Hose, Coolant - Thermostat/Water Pump |
| 29 | 0423-098 | 2 | /P | Clamp, Hose |
| 30 | 0808-192 | 1 | | Housing, Thermostat - Assembly (inc. 31-34) |
| 31 | 3303-384 | 2 | /P | Screw, Cap |
| 32 | 0808-202 | 1 | | Cover, Housing - Thermostat |
| 33 | 0830-205 | 1 | | O-Ring |
| 34 | 0813-050 | 1 | | Thermostat |
| 35 | 3306-260 | 1 | | Bracket, Mounting - Thermostat Housing |
| 36 | 3304-654 | 1 | /P | Nut, Lock |
| 37 | 3306-257 | 1 | | Hose, Coolant - Radiator/Thermostat |
| 38 | 3303-349 | 1 | | Clamp, Hose |
| 39 | 3306-340 | 1 | | Hose, Coolant - Reservoir/Filler Neck |
| 40 | 3304-163 | 2 | | Clamp, Hose |
| 41 | 3306-339 | 1 | | Hose, Vent |
| 42 | 3303-749 | 1 | | Cap, Reservoir |
| 43 | 3313-661 | 1 | | Tank, Reservoir |

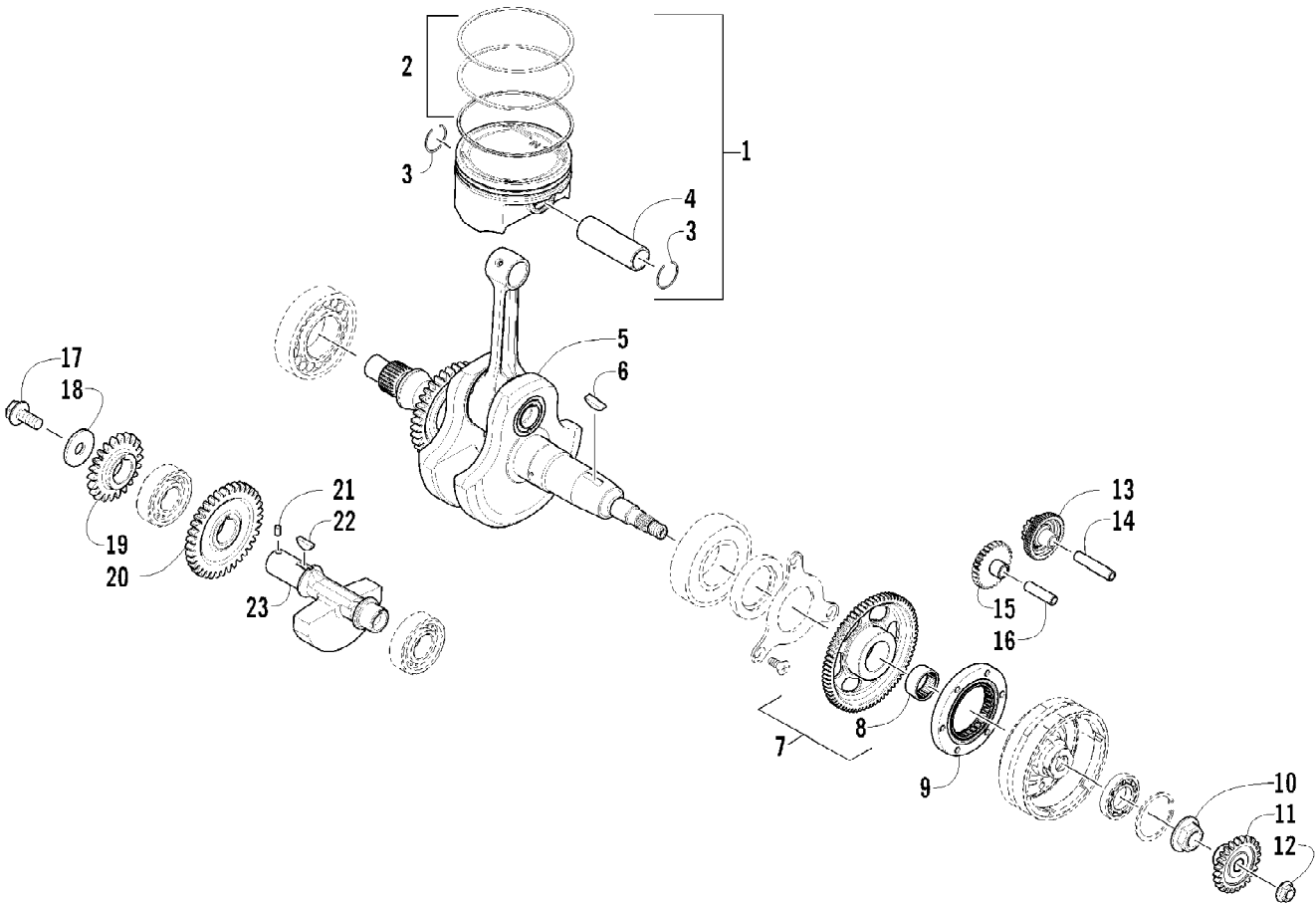
2011 ATV 425 EFI CR RED (A20111RK4CUSR)
CRANKCASE ASSEMBLY



2011 ATV 425 EFI CR RED (A2011IRK4CUSR)
CRANKCASE ASSEMBLY

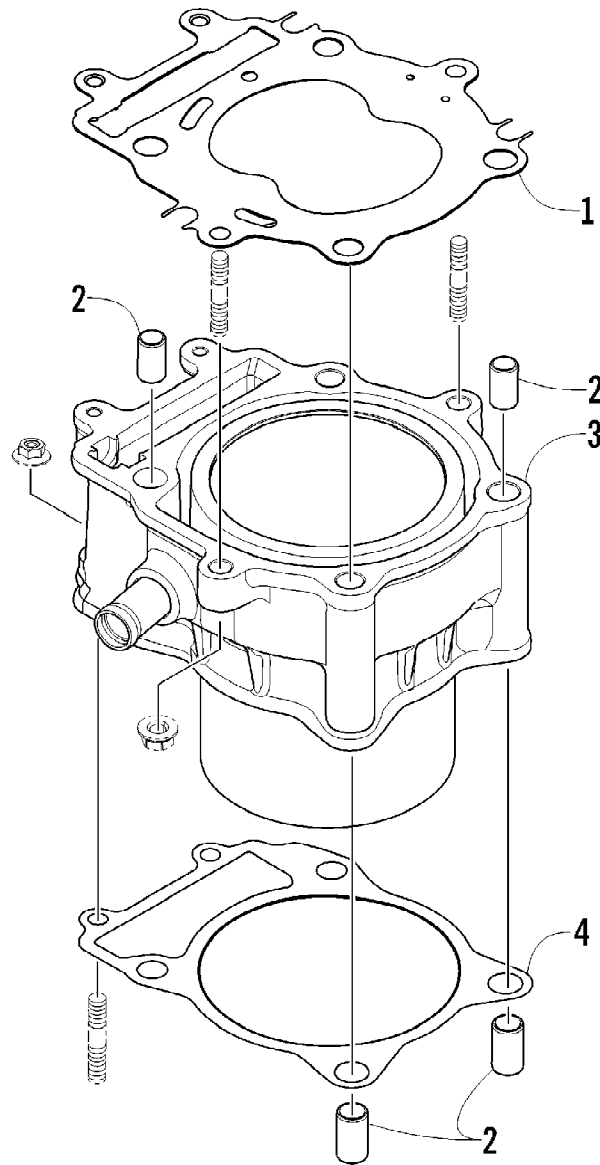
Page 16 of 70

| Ref # | Part Number | Qty | S/P/F | Description |
|-------|-------------|-----|-------|----------------------------------|
| 1 | 0801-191 | 1 | | Crankcase - Assembly (inc. 2-21) |
| 2 | 0829-050 | 2 | | Pin, Dowel |
| 3 | 3313-745 | 2 | | Bearing |
| 4 | 0832-087 | 1 | | Bearing |
| 5 | 3304-198 | 1 | | Bearing |
| 6 | 0832-074 | 1 | | Bearing |
| 7 | 3304-195 | 1 | | Bearing |
| 8 | 3304-699 | 1 | /P | Bearing |
| 9 | 0826-144 | 5 | | Screw, Machine |
| 10 | 0822-104 | 2 | | Retainer, Bearing |
| 11 | 0832-019 | 1 | | Bearing |
| 12 | 0832-020 | 1 | | Bearing |
| 13 | 0812-066 | 1 | | Union, Oil Filter |
| 14 | 0830-058 | 1 | | Seal |
| 15 | 0805-018 | 1 | | Retainer |
| 16 | 0826-145 | 3 | | Screw, Machine |
| 17 | 0801-018 | 1 | | Plate, Oil Guide - Right |
| 18 | 0830-066 | 1 | | Seal |
| 19 | 3303-372 | 1 | | Screw, Cap |
| 20 | 0826-126 | 4 | | Screw, Cap |
| 21 | 0826-064 | 3 | | Screw, Cap |
| 22 | 3303-387 | 10 | | Screw, Cap |
| 23 | 0826-065 | 3 | | Screw, Cap |
| 24 | 3304-654 | 2 | /P | Nut, Lock |
| 25 | 3313-721 | 2 | | Bolt, Stud |
| 26 | 0812-029 | 1 | S | Filter, Oil |
| 27 | 0830-172 | 1 | | O-Ring |
| 28 | 0812-086 | 1 | | Oilline |
| 29 | 3303-617 | 2 | /P | Screw, Cap |
| 30 | 0812-084 | 1 | | Bolt, Banjo-Fitting |
| 31 | 0812-085 | 2 | | Washer |
| 32 | 0830-143 | 1 | /P | Gasket |
| 33 | 0835-004 | 1 | | Plug, Oil Pressure |
| 34 | 3313-744 | 1 | | Grommet |



CRANKSHAFT, BALANCER, STARTER GEAR, AND PISTON ASSEMBLIES

| Ref # | Part Number | Qty | S/P/F | Description |
|-------|-------------|-----|-------|-------------------------------|
| 1 | 0805-352 | 1 | S | Piston Set (inc. 2-4) |
| 2 | 0805-320 | 1 | | Ring, Piston - Set |
| 3 | 0831-060 | 2 | | Circlip |
| 4 | 0805-023 | 1 | | Pin, Piston |
| 5 | 0805-013 | 1 | | Crankshaft Assembly |
| 6 | 0829-039 | 1 | | Key |
| 7 | 0815-023 | 1 | | Gear, Starter Clutch (inc. 8) |
| 8 | 0832-069 | 1 | | Bearing |
| 9 | 0802-044 | 1 | /P | Clutch, One-Way |
| 10 | 0827-046 | 1 | | Nut |
| 11 | 0811-036 | 1 | | Gear, Drive |
| 12 | 3303-333 | 1 | /P | Nut |
| 13 | 0815-031 | 1 | | Gear, Starter Idler - No. 1 |
| 14 | 0815-007 | 1 | | Pin, Starter Idler Gear No. 1 |
| 15 | 0815-022 | 1 | | Gear, Starter Idler - No. 2 |
| 16 | 0815-015 | 1 | | Pin, Starter Idler Gear No. 2 |
| 17 | 0826-118 | 1 | | Screw, Cap |
| 18 | 0828-091 | 1 | | Washer |
| 19 | 0811-009 | 1 | | Gear, Oil Pump Drive |
| 20 | 0811-006 | 1 | | Gear, Driven |
| 21 | 3304-144 | 1 | | Pin, Alignment |
| 22 | 0829-037 | 1 | | Key |
| 23 | 0811-035 | 1 | | Balancer, Crank |

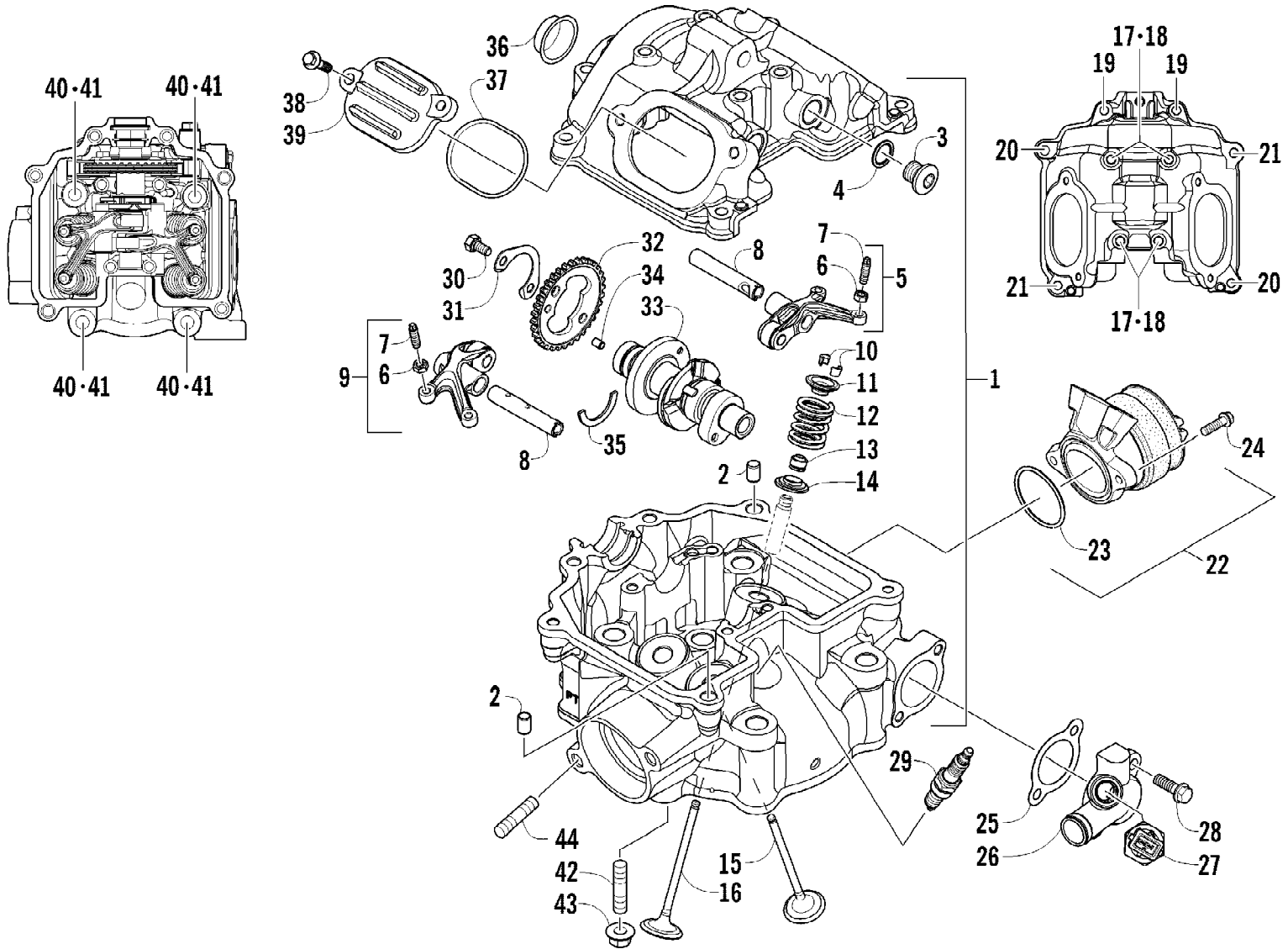


2011 ATV 425 EFI CR RED (A2011IRK4CUSR)
CYLINDER ASSEMBLY

Page 20 of 70

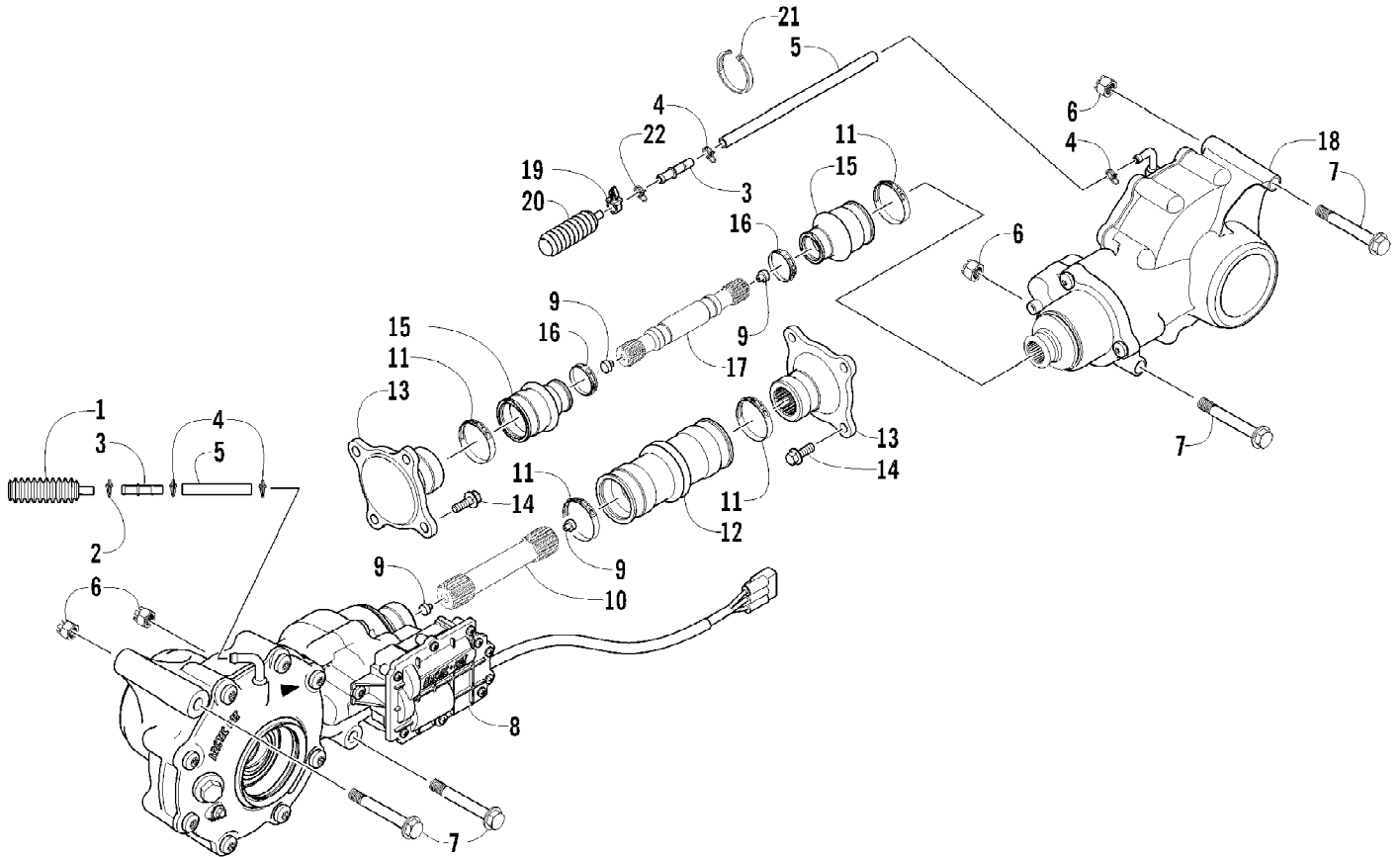
| Ref # | Part Number | Qty | S/P/F | Description |
|-------|-------------|-----|-------|-----------------------|
| 1 | 0830-203 | 1 | | Gasket, Cylinder Head |
| 2 | 0829-046 | 4 | | Pin, Dowel |
| 3 | 0804-056 | 1 | | Cylinder |
| 4 | 0830-204 | 1 | | Gasket, Cylinder |

2011 ATV 425 EFI CR RED (A2011IRK4CUSR)
CYLINDER HEAD AND CAMSHAFT/VALVE ASSEMBLY



2011 ATV 425 EFI CR RED (A2011IRK4CUSR)
CYLINDER HEAD AND CAMSHAFT/VALVE ASSEMBLY

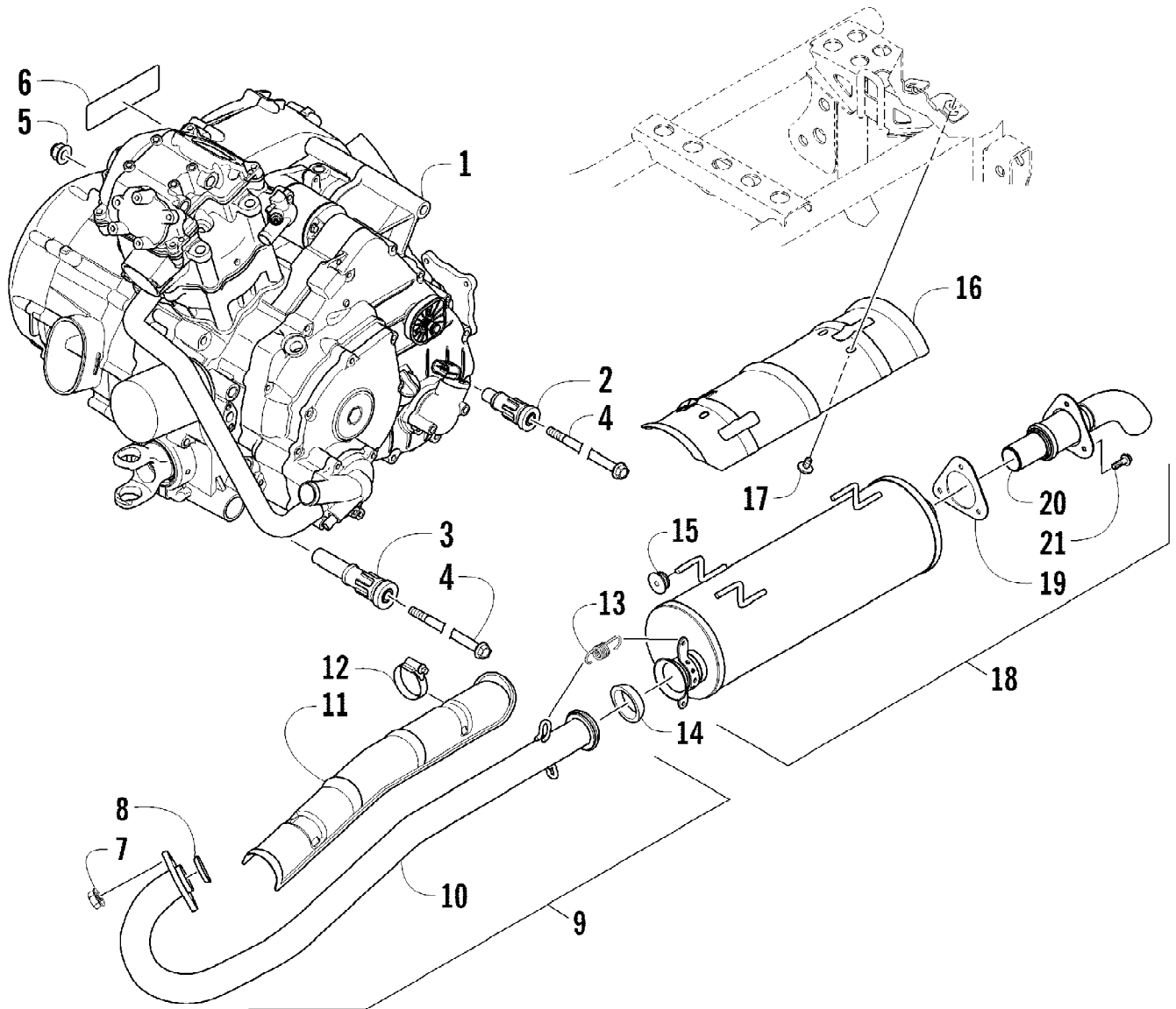
| Ref # | Part Number | Qty | S/P/F | Description |
|-------|-------------|-----|-------|--|
| 1 | 0808-205 | 1 | | Head, Cylinder (inc. 2-17) |
| 2 | 3303-341 | 2 | | Pin, Dowel |
| 3 | 0831-053 | 2 | | Plug, Shaft |
| 4 | 0830-143 | 2 | /P | Gasket |
| 5 | 0809-254 | 1 | | Arm, Valve Rocker - Intake (inc. 6-7) |
| 6 | 3304-026 | 4 | /P | Nut |
| 7 | 3304-007 | 4 | /P | Screw, Adjuster |
| 8 | 0809-256 | 2 | | Shaft, Rocker Arm |
| 9 | 0809-252 | 1 | | Arm, Valve Rocker - Exhaust (inc. 6-7) |
| 10 | 3303-044 | 8 | | Cotter, Valve |
| 11 | 0809-142 | 4 | | Retainer, Spring |
| 12 | 0809-257 | 4 | | Spring, Valve |
| 13 | 0809-190 | 4 | | Seal, Oil |
| 14 | 0809-141 | 4 | | Seat, Spring |
| 15 | 0809-266 | 2 | | Valve, Exhaust |
| 16 | 0809-263 | 2 | | Valve, Intake |
| 17 | 3304-904 | 4 | | Screw, Cap |
| 18 | 0830-155 | 4 | /P | Gasket |
| 19 | 3304-918 | 2 | | Screw, Cap |
| 20 | 0826-136 | 2 | | Screw, Cap |
| 21 | 3303-384 | 2 | /P | Screw, Cap |
| 22 | 3306-249 | 1 | | Manifold, Intake (inc. 23) |
| 23 | 0830-202 | 1 | | O-Ring |
| 24 | 3304-189 | 2 | /P | Screw, Cap |
| 25 | 0830-200 | 1 | | Gasket |
| 26 | 3306-246 | 1 | | Fitting, Coolant - Assembly |
| 27 | 0808-196 | 1 | | Sensor, Engine Coolant Temperature |
| 28 | 3303-617 | 2 | /P | Screw, Cap |
| 29 | 0217-708 | 1 | F | Spark Plug |
| 30 | 0826-154 | 2 | | Screw, Cap |
| 31 | 0828-086 | 1 | | Plate, Retainer |
| 32 | 0809-259 | 1 | | Sprocket |
| 33 | 3306-247 | 1 | | Camshaft (inc. 34) |
| 34 | 0829-036 | 1 | | Pin, Alignment |
| 35 | 0809-165 | 1 | | C-Ring |
| 36 | 0808-112 | 1 | | Plug, Head |
| 37 | 0830-139 | 2 | | O-Ring |
| 38 | 3303-383 | 4 | /P | Screw, Cap |
| 39 | 0808-111 | 2 | | Cap, Inspection |
| 40 | 0826-062 | 4 | | Screw, Cap |
| 41 | 0828-044 | 4 | | Washer |
| 42 | 0827-064 | 2 | | Bolt, Stud |
| 43 | 3303-332 | 2 | | Nut |
| 44 | 0827-065 | 2 | | Bolt, Stud |



2011 ATV 425 EFI CR RED (A2011IRK4CUSR)
DRIVE TRAIN ASSEMBLY

Page 24 of 70

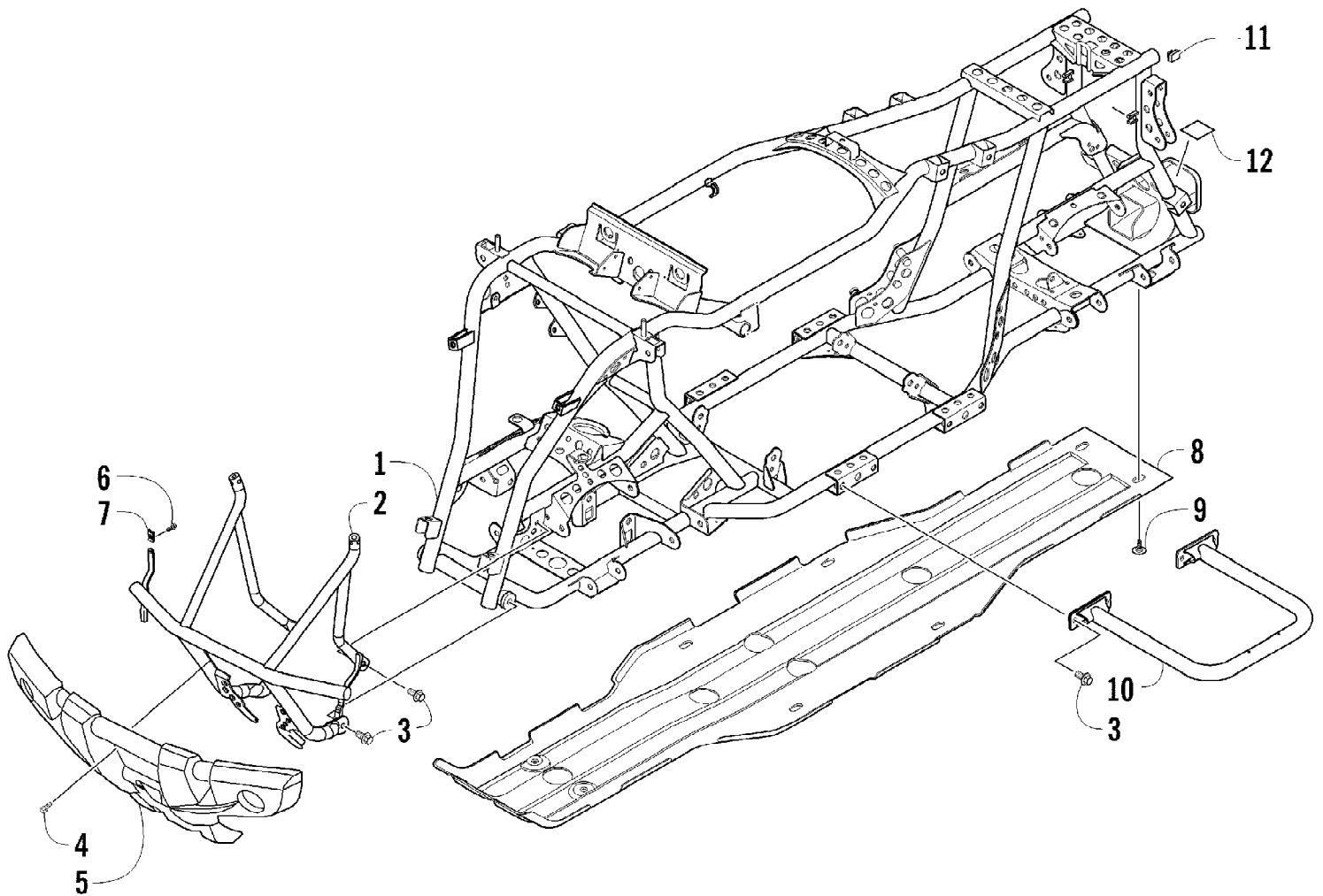
| Ref # | Part Number | Qty | S/P/F | Description |
|-------|-------------|-----|-------|-------------------------|
| 1 | 3313-796 | 1 | | Bladder, Gearcase |
| 2 | 3323-149 | 1 | | Clamp, Hose |
| 3 | 3323-150 | 2 | | Fitting, Vent |
| 4 | 3313-684 | 4 | | Clamp, Hose |
| 5 | 0410-048 | AR | S | Hose, Vent |
| 6 | 3304-031 | 4 | /P | Nut, Lock |
| 7 | 3305-787 | 4 | | Screw, Cap |
| 8 | 3306-265 | 1 | | Gearcase, Front |
| 9 | 3313-783 | 4 | | Bumper, Propeller Shaft |
| 10 | 3313-784 | 1 | | Shaft, Propeller |
| 11 | 3313-776 | 4 | | Clamp |
| 12 | 3313-825 | 1 | | Boot, Coupler |
| 13 | 3313-774 | 2 | | Flange, Output |
| 14 | 3304-565 | 8 | /P | Screw, Cap |
| 15 | 0402-985 | 2 | /P | Boot |
| 16 | 3313-777 | 2 | | Clamp |
| 17 | 3313-773 | 1 | | Shaft, Propeller |
| 18 | 3306-023 | 1 | | Gearcase, Rear |
| 19 | 3323-152 | 1 | | Clip, Routing |
| 20 | 3304-170 | 1 | /P | Bladder, Gearcase |
| 21 | 0123-788 | AR | /P | Tie, Cable - 8 in. |
| 22 | 3303-349 | 1 | | Clamp, Hose |



2011 ATV 425 EFI CR RED (A2011IRK4CUSR)
ENGINE AND EXHAUST

Page 26 of 70

| Ref # | Part Number | Qty | S/P/F | Description |
|-------|-------------|-----|-------|---------------------------------------|
| 1 | 3313-846 | 1 | | Engine (inc. 2-3) |
| 2 | 0801-188 | 3 | | Mount, Rubber - Engine |
| 3 | 0801-189 | 1 | | Mount, Rubber - Engine |
| 4 | 3323-174 | 2 | | Screw, Cap |
| 5 | 3304-031 | 2 | /P | Nut, Lock |
| 6 | 0411-426 | 1 | | Decal, Warning - Clutch Cover |
| 7 | 3303-332 | 2 | | Nut |
| 8 | 3313-743 | 1 | | Gasket, Exhaust Pipe |
| 9 | 3306-314 | 1 | | Pipe, Exhaust - Assembly (inc. 10-12) |
| 10 | 3306-313 | 1 | | Pipe, Exhaust |
| 11 | 3313-025 | 1 | | Shield, Exhaust |
| 12 | 0423-317 | 2 | /P | Clamp |
| 13 | 0612-668 | 2 | /P | Spring, Extension |
| 14 | 3306-315 | 1 | | Seal, Exhaust |
| 15 | 3313-264 | 3 | | Bushing |
| 16 | 3313-026 | 1 | | Cover, Muffler |
| 17 | 3313-711 | 3 | | Screw, Machine |
| 18 | 3306-551 | 1 | | Muffler - Assembly (inc. 19-21) |
| 19 | 3313-708 | 1 | | Gasket, Spark Arrester |
| 20 | 3313-707 | 1 | | Arrester, Spark - Assembly |
| 21 | 3313-710 | 3 | | Screw, Cap |

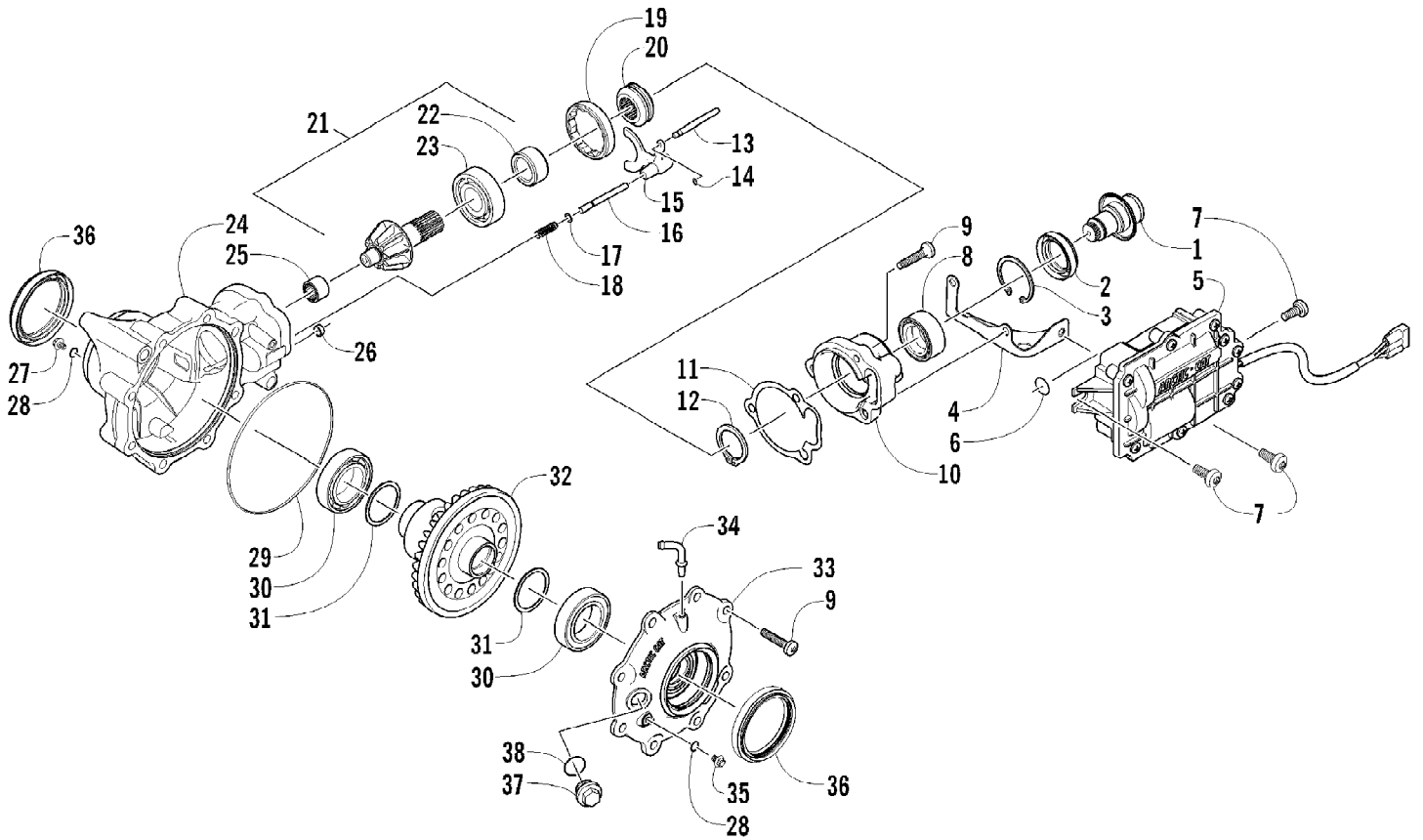


2011 ATV 425 EFI CR RED (A2011IRK4CUSR)
FRAME AND RELATED PARTS

Page 28 of 70

| Ref # | Part Number | Qty | S/P/F | Description |
|-------|-------------|-----|-------|-------------------------|
| 1 | 3306-328 | 1 | | Frame, Main |
| 2 | 3306-332 | 1 | | Bumper - Front |
| 3 | 3304-543 | 12 | /P | Screw, Cap |
| 4 | 3304-587 | 4 | /P | Screw, Cap |
| 5 | 3306-289 | 1 | | Fascia, Bumper |
| 6 | 3304-586 | 2 | /P | Screw, Cap |
| 7 | 3303-267 | 2 | | Clip, U-Nut |
| 8 | 3313-755 | 1 | /P | Panel, Belly |
| 9 | 0423-545 | 10 | /P | Screw, Shoulder |
| 10 | 3313-351 | 2 | | Footrest |
| 11 | 3306-329 | 2 | | Cushion |
| 12 | 1411-077 | 1 | | Decal, Warning - Towing |

2011 ATV 425 EFI CR RED (A20111RK4CUSR)
FRONT DRIVE GEARCASE ASSEMBLY

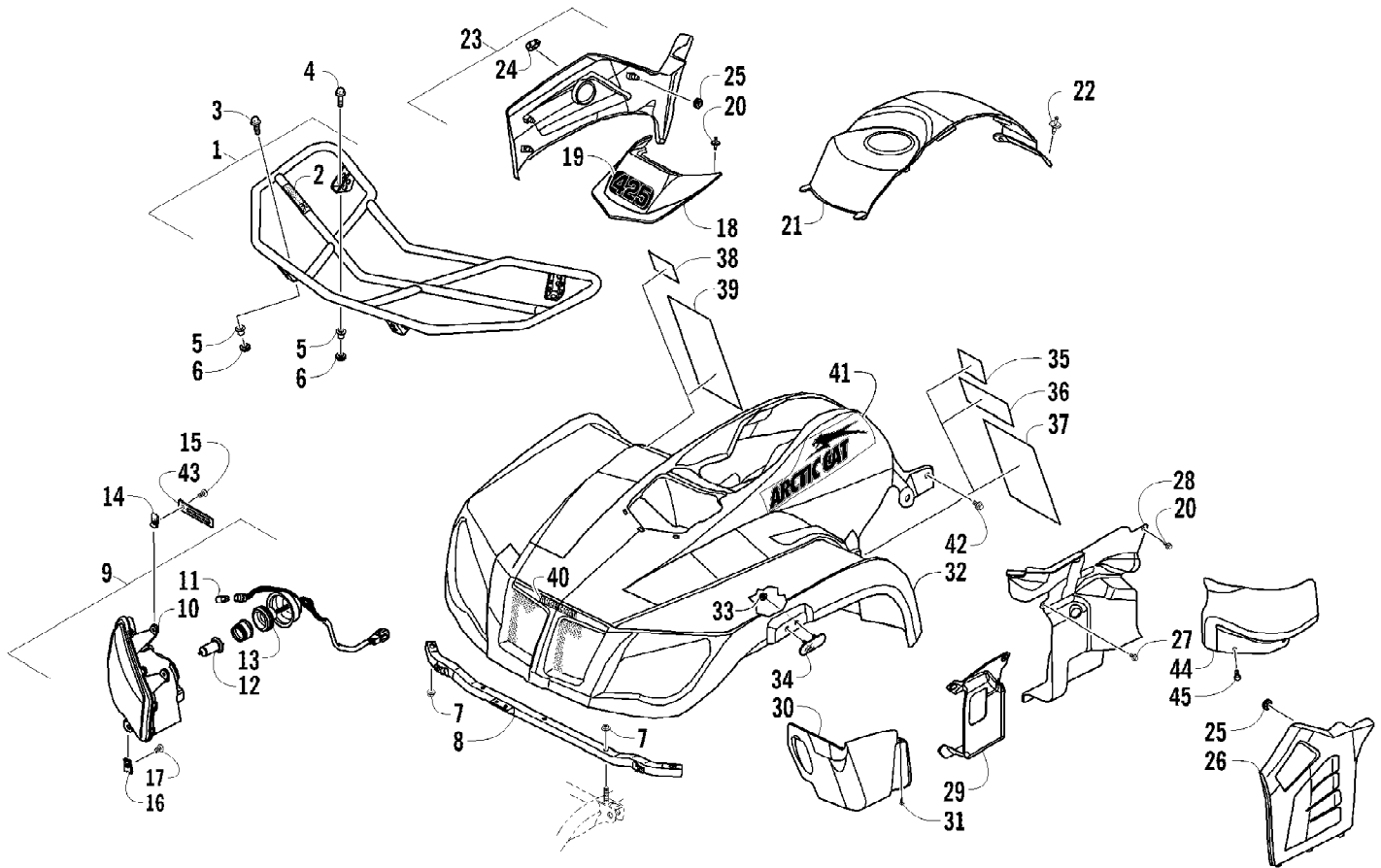


2011 ATV 425 EFI CR RED (A2011IRK4CUSR)
FRONT DRIVE GEARCASE ASSEMBLY

Page 30 of 70

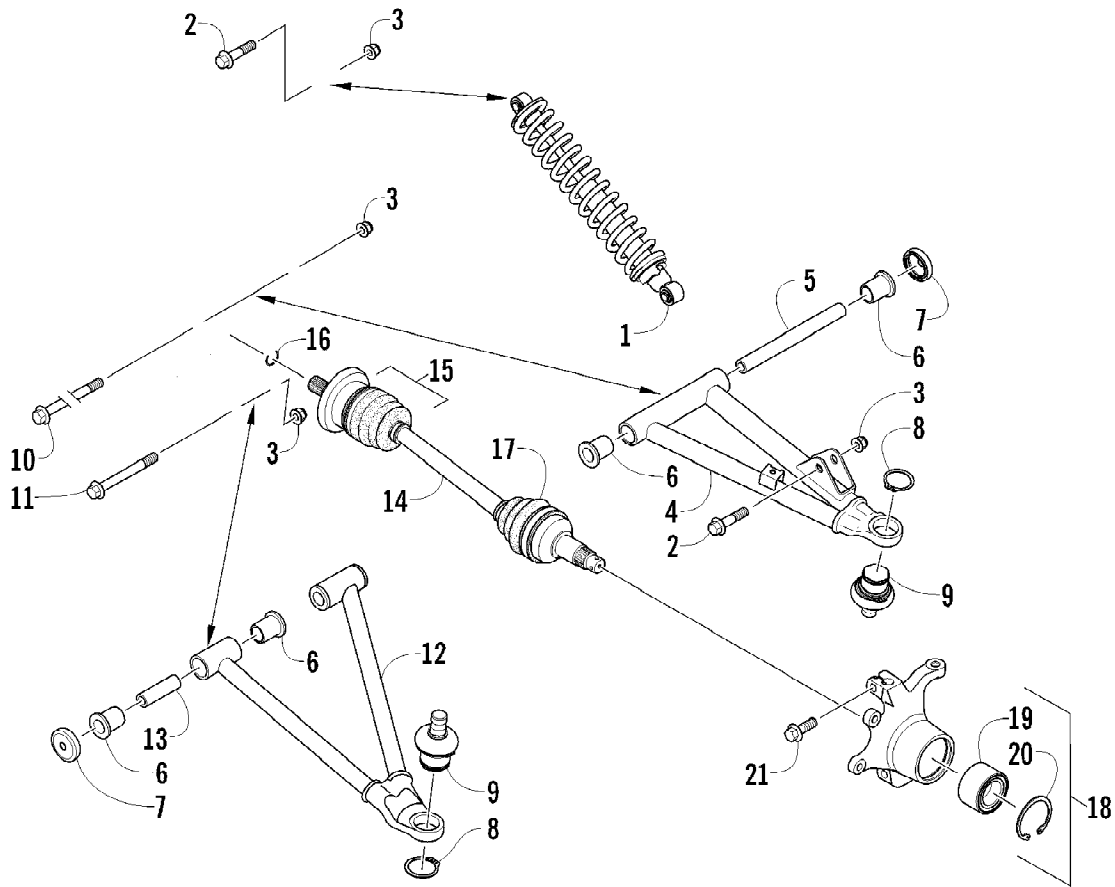
| Ref # | Part Number | Qty | S/P/F | Description |
|-------|-------------|-----|-------|--|
| | 3306-265 | 1 | | Complete Front Drive Gearcase Assembly |
| 1 | 3306-047 | 1 | | Shaft, Input |
| 2 | 3323-239 | 1 | | Seal |
| 3 | 3306-046 | 1 | | Ring, Retaining |
| 4 | 3323-241 | 1 | | Bracket, Actuator |
| 5 | 3306-264 | 1 | | Actuator |
| 6 | 3313-792 | 1 | | O-Ring |
| 7 | 3313-797 | 3 | | Screw, Self-Tapping |
| 8 | 3323-240 | 1 | | Bearing |
| 9 | 3303-615 | 11 | | Screw, Self-Tapping |
| 10 | 3323-238 | 1 | | Housing, Pinion |
| 11 | 3323-234 | 1 | | Gasket, Flange |
| 12 | 3306-045 | 1 | | Ring, Retaining |
| 13 | 3323-235 | 1 | | Shaft, Selector |
| 14 | 3313-791 | 1 | | Ring, Retaining |
| 15 | 3323-236 | 1 | | Fork, Selector |
| 16 | 3323-233 | 1 | | Shaft, Shuttle |
| 17 | 3313-790 | 1 | | O-Ring |
| 18 | 3313-789 | 1 | | Spring, Return |
| 19 | 3313-788 | 1 | | Collar, Lock |
| 20 | 3323-232 | 1 | | Coupler, Drive |
| 21 | 3306-039 | 1 | | Gear, Pinion - Assembly - 11T (inc. 22-23) |
| 22 | 0402-336 | 1 | | Collar, Retaining |
| 23 | 3306-040 | 1 | | Bearing |
| 24 | 3313-793 | 1 | | Housing, Gearcase |
| 25 | 3306-038 | 1 | | Bearing |
| 26 | 3306-048 | 1 | | Pin, Dowel |
| 27 | 3306-027 | 1 | | Plug, Magnetic (inc. one No. 28) |
| 28 | 0423-153 | 2 | | O-Ring |
| 29 | 3306-030 | 1 | | O-Ring |
| 30 | 3306-026 | 2 | | Bearing |
| 31 | 3306-132 | AR | | Shim, 41 x 49 x 1.0 mm |
| 31 | 3306-133 | AR | | Shim, 41 x 49 x 1.1 mm |
| 31 | 3306-134 | AR | | Shim, 41 x 49 x 1.2 mm |
| 31 | 3306-135 | AR | | Shim, 41 x 49 x 1.3 mm |
| 31 | 3306-136 | AR | | Shim, 41 x 49 x 1.4 mm |
| 31 | 3306-137 | AR | | Shim, 41 x 49 x 1.5 mm |
| 31 | 3306-138 | AR | | Shim, 41 x 49 x 1.6 mm |
| 31 | 3306-139 | AR | | Shim, 41 x 49 x 1.7 mm |
| 32 | 3313-794 | 1 | | Gear, Ring - 34T |
| 33 | 3313-795 | 1 | | Cover, Gearcase |
| 34 | 3306-034 | 1 | | Fitting, Elbow |
| 35 | 3306-036 | 1 | | Plug, Oil Level (inc. one No. 28) |
| 36 | 3306-025 | 2 | | Seal |
| 37 | 3306-035 | 1 | | Plug, Fill (inc. 38) |
| 38 | 0423-154 | 1 | | O-Ring |

2011 ATV 425 EFI CR RED (A2011IRK4CUSR)
FRONT RACK, BODY PANEL, AND HEADLIGHT ASSEMBLIES



2011 ATV 425 EFI CR RED (A2011IRK4CUSR)
FRONT RACK, BODY PANEL, AND HEADLIGHT ASSEMBLIES

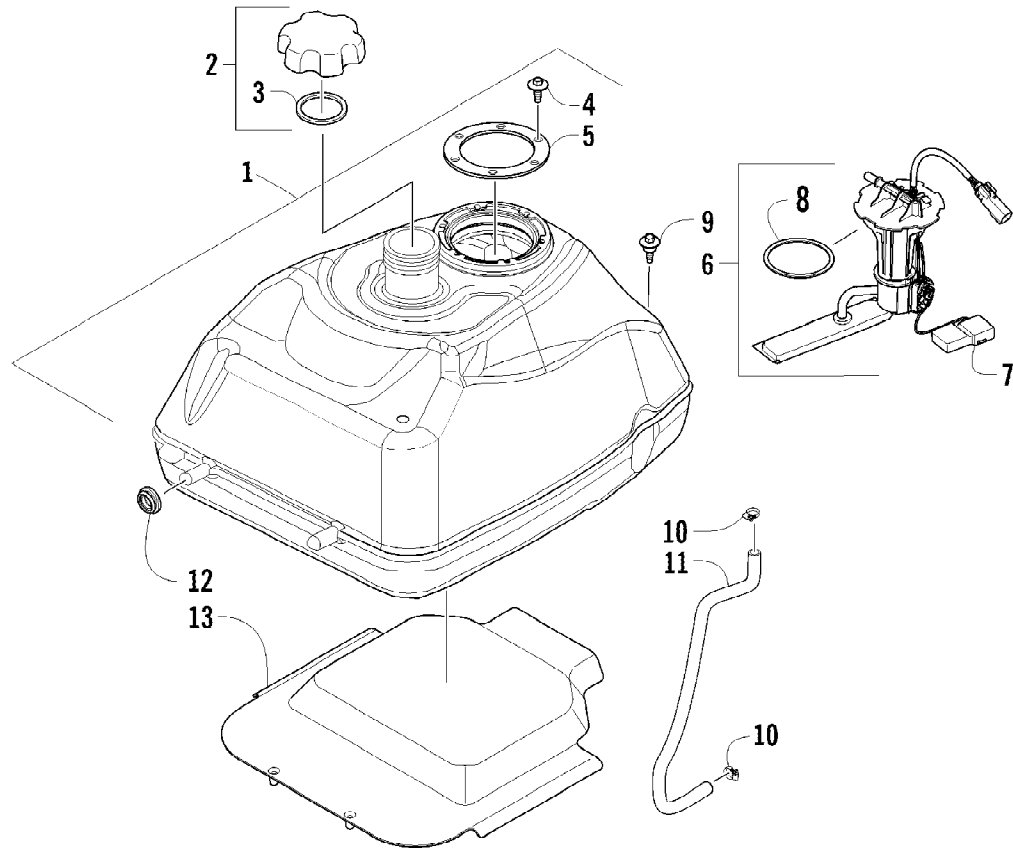
| Ref # | Part Number | Qty | S/P/F | Description |
|-------|-------------|-----|-------|---|
| 1 | 3306-330 | 1 | | Rack, Front - Assembly (inc. 2) |
| 2 | 1411-681 | 1 | | Decal, Warning - Load |
| 3 | 3313-713 | 2 | | Screw, Cap |
| 4 | 3313-522 | 2 | | Screw, Cap |
| 5 | 0423-669 | 4 | | Spacer |
| 6 | 0423-465 | 4 | | Grommet |
| 7 | 3304-668 | 4 | | Nut, Lock |
| 8 | 3306-331 | 1 | | Tube, Mounting |
| 9 | 3306-268 | 1 | | Headlight - Assembly - Right (inc. 10-13) |
| 9 | 3306-269 | 1 | | Headlight - Assembly - Left (inc. 10-13) |
| 10 | 3306-270 | 1 | | Lens, Headlight - Right |
| 10 | 3306-271 | 1 | | Lens, Headlight - Left |
| 11 | 3303-847 | 2 | | Bulb |
| 12 | 3303-846 | 2 | /P | Bulb, Headlight |
| 13 | 3306-272 | 2 | | Harness, Headlight |
| 14 | 3304-061 | 4 | /P | Clip, U-Nut |
| 15 | 3304-029 | 4 | /P | Screw, Cap |
| 16 | 3303-267 | 2 | | Clip, U-Nut |
| 17 | 3304-586 | 2 | /P | Screw, Cap |
| 18 | 3306-404 | 1 | | Cover, Access |
| 19 | 2411-497 | 1 | | Decal, "425" |
| 20 | 3303-592 | 4 | | Clip, Retaining |
| 21 | 3306-280 | 1 | | Cover, Gas Tank |
| 22 | 3304-057 | 2 | /P | Clip, Retaining |
| 23 | 3313-857 | 1 | | Panel, Side - Lower - Right (inc. 24) |
| 24 | 3306-307 | 1 | | Plug, Access |
| 25 | 0423-678 | 10 | | Grommet |
| 26 | 3313-667 | 1 | | Panel, Side - Lower - Left |
| 27 | 3305-448 | 4 | | Clip, Retaining |
| 28 | 3306-284 | 1 | | Panel, Splash - Rear Right |
| 28 | 3306-285 | 1 | | Panel, Splash - Rear Left |
| 29 | 3306-286 | 1 | | Panel, Splash - Front Right |
| 29 | 3306-287 | 1 | | Panel, Splash - Front Left |
| 30 | 3313-754 | 1 | | Shield, Linkage |
| 31 | 3304-650 | 3 | /P | Screw, Self-Tapping |
| 32 | 3306-282 | 1 | | Panel, Fender - Front (inc. 33-39) |
| 33 | 3304-774 | 2 | | Nut, Lock |
| 34 | 3313-359 | 2 | /P | Reflector |
| 35 | 0411-835 | 1 | | Decal, Warning - Turn/Hill |
| 36 | 1411-804 | 1 | /P | Decal, Warning - Age |
| 37 | 1411-932 | 1 | /P | Decal, Warning - General |
| 38 | 1411-574 | 1 | | Decal, Warning - Off-Road Only |
| 39 | 1411-250 | 1 | | Decal, Warning - Reverse/Pre-Ride |
| 40 | 2411-501 | 1 | | Decal, "Arctic Cat" |
| 41 | 2411-494 | 1 | | Decal, Side - Upper Right |
| 41 | 2411-495 | 1 | | Decal, Side - Upper Left |
| 42 | 3305-783 | 2 | | Screw, Cap |
| 43 | 3304-157 | 2 | | Clamp, Routing |
| 44 | 3313-844 | 1 | | Protector, Hose |
| 45 | 3304-587 | 2 | /P | Screw, Cap |



2011 ATV 425 EFI CR RED (A2011IRK4CUSR)
FRONT SUSPENSION ASSEMBLY

Page 34 of 70

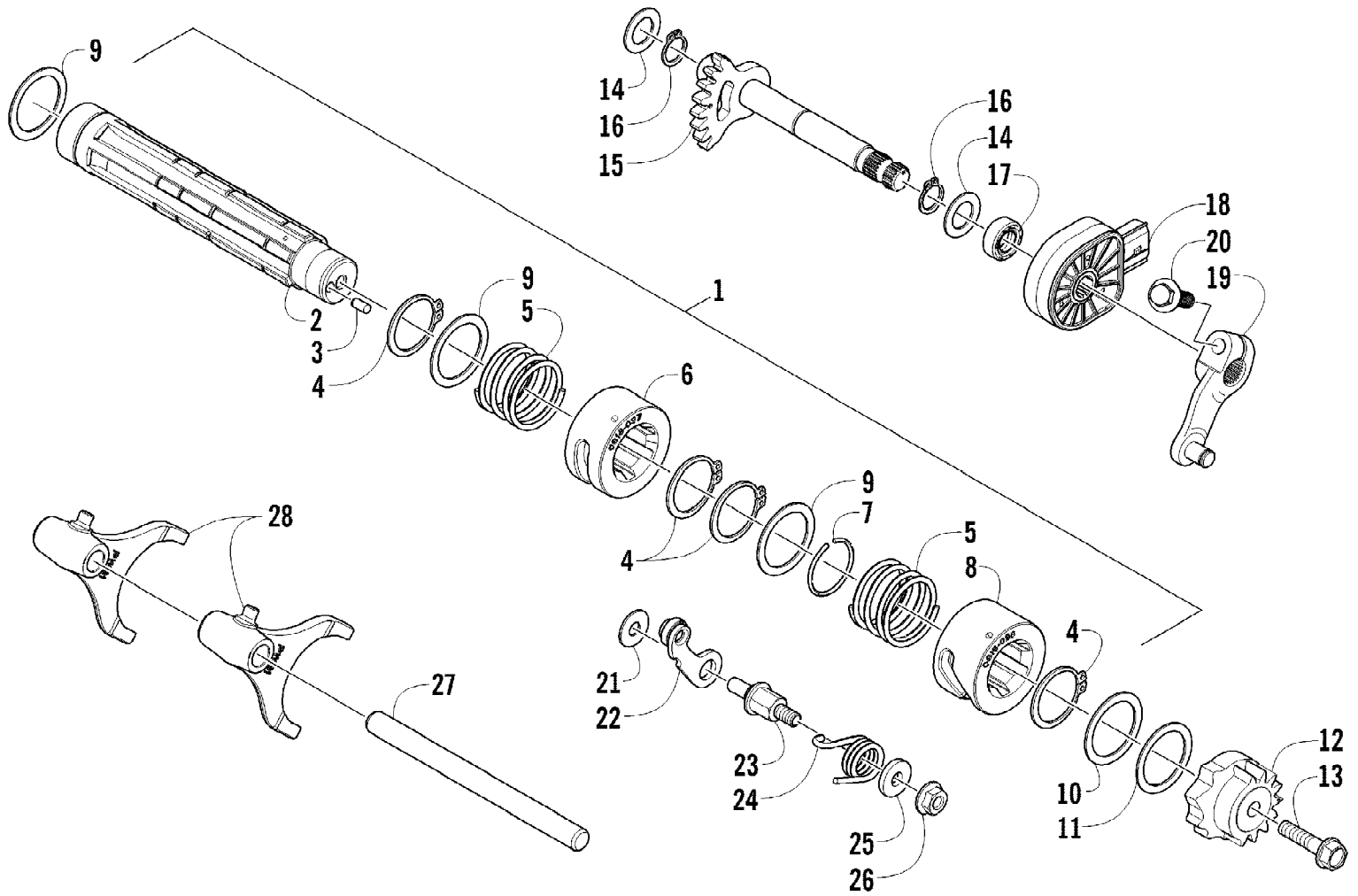
| Ref # | Part Number | Qty | S/P/F | Description |
|-------|-------------|-----|-------|---|
| 1 | 3313-330 | 2 | | Shock/Spring Assembly |
| 2 | 3303-376 | 4 | /P | Screw, Cap |
| 3 | 8428-002 | 10 | | Nut, Lock |
| 4 | 3306-416 | 1 | | A-Arm, Upper Right (inc. 5-9) |
| 4 | 3306-417 | 1 | | A-Arm, Upper Left (inc. 5-9) |
| 5 | 3313-111 | 2 | /P | Axle |
| 6 | 3313-112 | 12 | | Bushing |
| 7 | 3313-113 | 12 | | Seal |
| 8 | 0423-009 | 4 | /P | Ring, Retaining |
| 9 | 0405-115 | 4 | /P | Ball Joint |
| 10 | 3313-430 | 2 | | Screw, Cap |
| 11 | 3304-183 | 4 | /P | Screw, Cap |
| 12 | 3313-080 | 1 | | A-Arm, Lower Right (inc. 6-9 and 13) |
| 12 | 3313-081 | 1 | | A-Arm, Lower Left (inc. 6-9 and 13) |
| 13 | 3313-107 | 4 | | Axle |
| 14 | 3313-831 | 2 | /P | Axle, Drive - Front (inc. 15-17) |
| 15 | 3313-560 | 2 | | Repair Kit, Boot - Drive Axle - Inbound (inc. 16) |
| 16 | 0423-844 | 2 | /P | Clip, Retaining |
| 17 | 3313-558 | 2 | | Repair Kit, Boot - Drive Axle - Outbound |
| 18 | 3323-130 | 1 | | Knuckle - Assembly - Right (inc. 19-20) |
| 18 | 3323-131 | 1 | | Knuckle - Assembly - Left (inc. 19-20) |
| 19 | 1402-809 | 2 | /P | Bearing |
| 20 | 0423-423 | 2 | | Ring, Retaining |
| 21 | 3323-127 | 4 | | Screw, Cap |



2011 ATV 425 EFI CR RED (A2011IRK4CUSR)
GAS TANK ASSEMBLY

Page 36 of 70

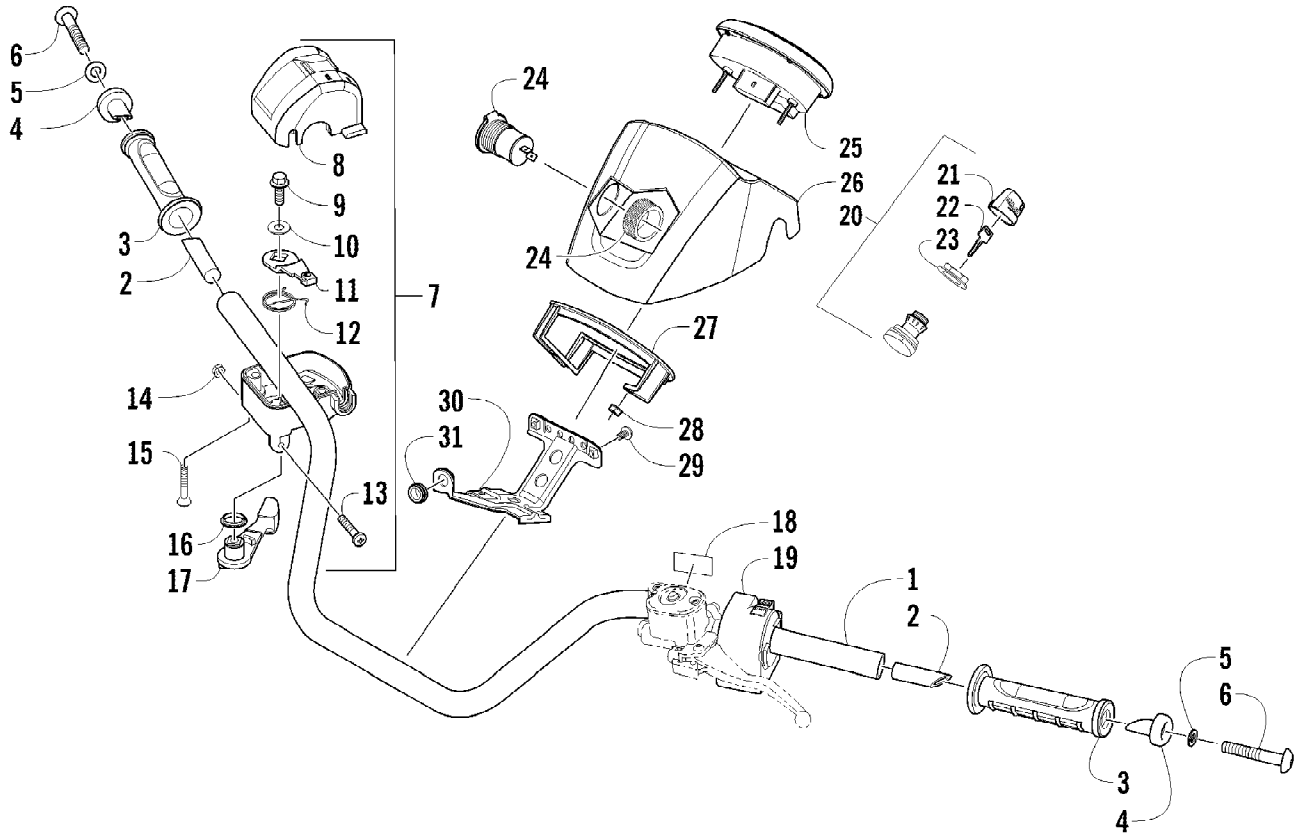
| Ref # | Part Number | Qty | S/P/F | Description |
|-------|-------------|-----|-------|----------------------------------|
| 1 | 3306-403 | 1 | | Tank, Gas - Assembly (inc. 2-5) |
| 2 | 3306-297 | 1 | | Cap, Gas Tank (inc. 3) |
| 3 | 3306-298 | 1 | | Gasket, Gas Tank Cap |
| 4 | 3306-300 | 6 | /P | Screw, Self-Tapping |
| 5 | 3306-299 | 1 | | Plate, Retaining |
| 6 | 3306-296 | 1 | | Pump, Fuel - Assembly (inc. 7-8) |
| 7 | 2670-235 | 1 | | Float |
| 8 | 3313-845 | 1 | | Seal |
| 9 | 0423-732 | 1 | | Screw, Shoulder |
| 10 | 0423-098 | 2 | /P | Clamp, Hose |
| 11 | 3306-295 | 1 | | Hose, Fuel - Assembly |
| 12 | 0423-460 | 2 | | Grommet |
| 13 | 3313-833 | 1 | | Shield, Heat |



2011 ATV 425 EFI CR RED (A2011IRK4CUSR)
GEAR SHIFTING ASSEMBLY

Page 38 of 70

| Ref # | Part Number | Qty | S/P/F | Description |
|-------|-------------|-----|-------|---|
| 1 | 0818-126 | 1 | /P | Shaft, Gear Shift - Assembly (inc. 2-8 and two No. 9) |
| 2 | 0818-125 | 1 | /P | Shaft, Gear Shift |
| 3 | 3304-439 | 1 | | Pin, Dowel |
| 4 | 3304-147 | 4 | /P | Circlip |
| 5 | 0818-060 | 2 | | Spring |
| 6 | 0818-117 | 1 | | Cam, Reverse |
| 7 | 0831-016 | 1 | | C-Ring |
| 8 | 0818-116 | 1 | | Cam, Gear Shift |
| 9 | 0828-079 | 3 | | Washer |
| 10 | 0828-081 | 1 | | Washer, Thrust |
| 11 | 0828-080 | 1 | | Washer, Thrust |
| 12 | 0818-061 | 1 | | Plate, Gear Shift Cam |
| 13 | 3304-569 | 1 | | Screw, Cap |
| 14 | 0828-084 | 2 | | Washer |
| 15 | 0818-113 | 1 | | Shaft, Sub-Gear Shift (inc. 16) |
| 16 | 3301-875 | 2 | | Circlip |
| 17 | 0830-179 | 1 | | Seal |
| 18 | 3306-259 | 1 | | Switch, Gear Position |
| 19 | 3306-316 | 1 | | Arm, Select |
| 20 | 3304-551 | 1 | /P | Screw, Cap |
| 21 | 0828-083 | 1 | | Washer |
| 22 | 0818-084 | 1 | | Stopper, Cam |
| 23 | 0818-062 | 1 | | Support, Cam Stopper |
| 24 | 0818-109 | 1 | | Spring |
| 25 | 0828-082 | 1 | | Washer |
| 26 | 3304-654 | 1 | /P | Nut, Lock |
| 27 | 0818-021 | 1 | | Shaft, Shift Fork |
| 28 | 0818-088 | 2 | | Fork, Shift |

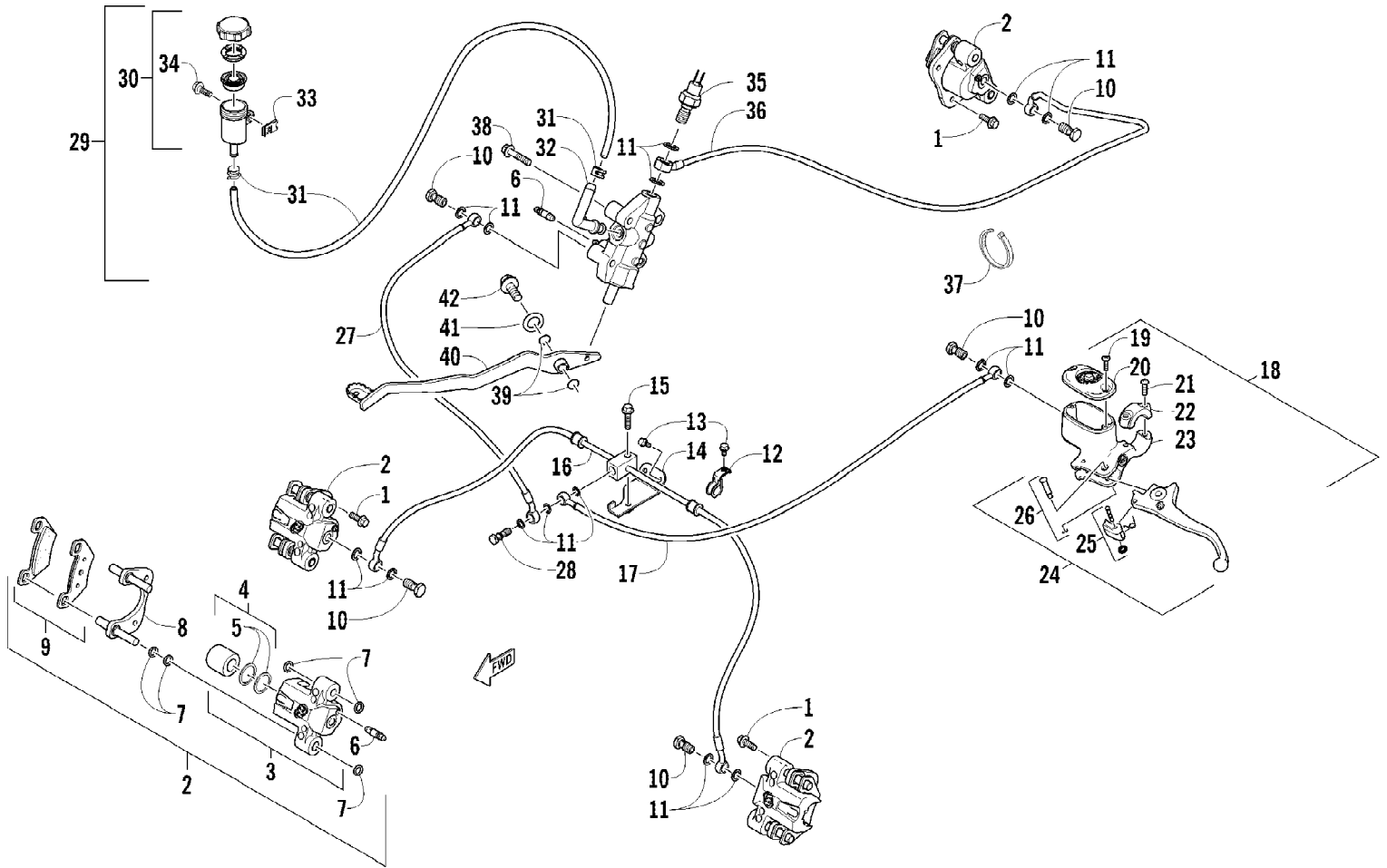


2011 ATV 425 EFI CR RED (A2011IRK4CUSR)
HANDLEBAR ASSEMBLY

Page 40 of 70

| Ref # | Part Number | Qty | S/P/F | Description |
|-------|-------------|-----|-------|--|
| 1 | 3313-059 | 1 | | Handlebar |
| 2 | 0405-148 | 2 | | Plug, Handlebar |
| 3 | 0405-147 | 2 | | Grip, Handlebar |
| 4 | 0405-149 | 2 | | End Cap, Handlebar |
| 5 | 8050-247 | 2 | /P | Washer |
| 6 | 8477-845 | 2 | | Screw, Machine |
| 7 | 3306-276 | 1 | | Case, Throttle - Assembly (inc. 8-17) |
| 8 | 3306-418 | 1 | | Cover, Throttle Case w/Switch |
| 9 | 3305-344 | 1 | /P | Screw, Cap |
| 10 | 3313-739 | 1 | | Washer |
| 11 | 3313-838 | 1 | | Arm, Throttle |
| 12 | 3313-839 | 1 | | Spring |
| 13 | 3313-740 | 1 | | Screw, Machine |
| 14 | 3305-832 | 1 | | Nut |
| 15 | 3313-741 | 2 | | Screw, Machine |
| 16 | 3313-841 | 1 | | Spacer |
| 17 | 3313-842 | 1 | | Lever |
| 18 | 1411-865 | 1 | | Decal, Brake Lever Lock |
| 19 | 3313-428 | 1 | | Switch, Control - Assembly |
| 20 | 3313-439 | 1 | | Switch, Ignition - Assembly (inc. 21-23) |
| 21 | 0430-054 | 1 | | Cover, Key |
| 22 | 3409-007 | 2 | /P/F | Key, Ignition - Blank |
| 23 | 0430-050 | 1 | | Nut, Flange - Ignition Switch |
| 24 | 3313-468 | 1 | | Outlet, Accessory - 12V |
| 25 | 0520-113 | 1 | | Speedometer - Assembly |
| 26 | 3306-278 | 1 | | Pod, Instrument |
| 27 | 0420-065 | 1 | /P | Bracket, Retaining |
| 28 | 0423-493 | 2 | | Nut w/Washer |
| 29 | 3304-404 | 2 | | Screw, Cap |
| 30 | 3306-277 | 1 | | Bracket, Mounting - Pod (inc. 31) |
| 31 | 3303-239 | 1 | | Grommet |

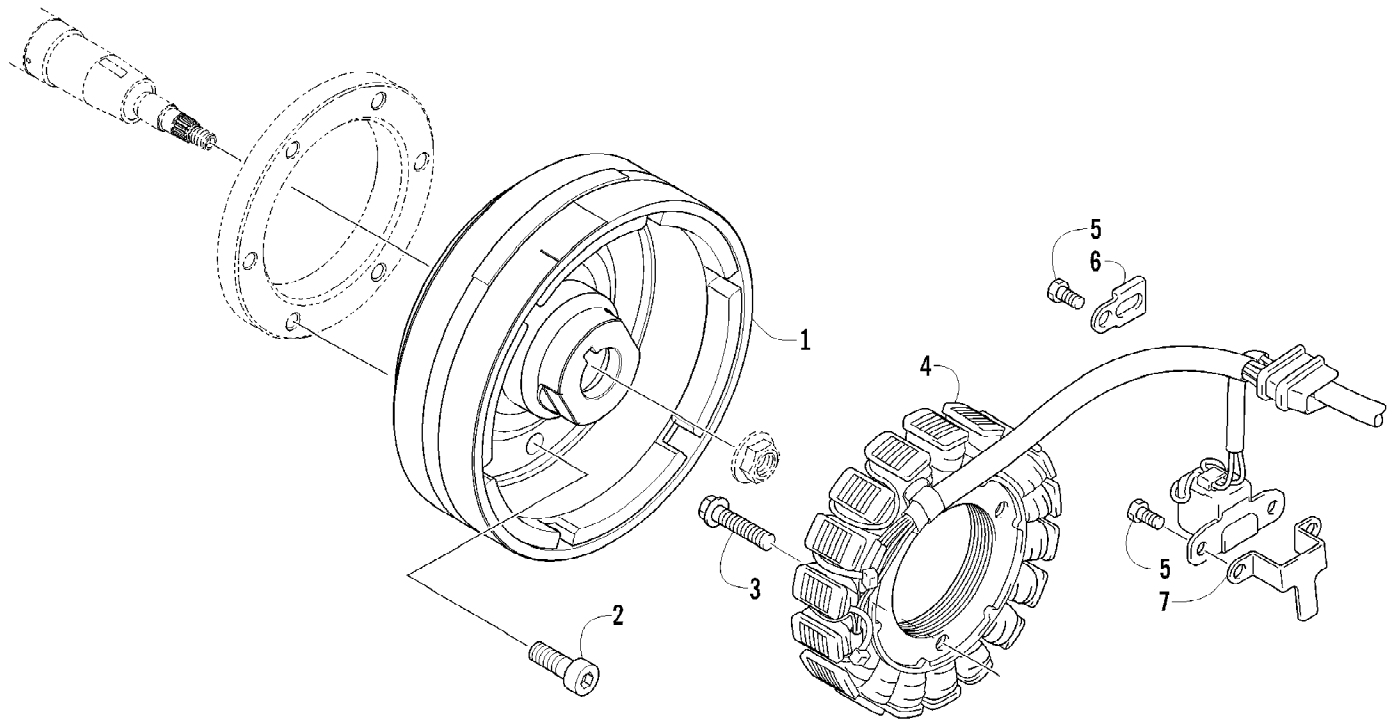
2011 ATV 425 EFI CR RED (A2011IRK4CUSR)
HYDRAULIC BRAKE ASSEMBLY



2011 ATV 425 EFI CR RED (A2011IRK4CUSR)
HYDRAULIC BRAKE ASSEMBLY

Page 42 of 70

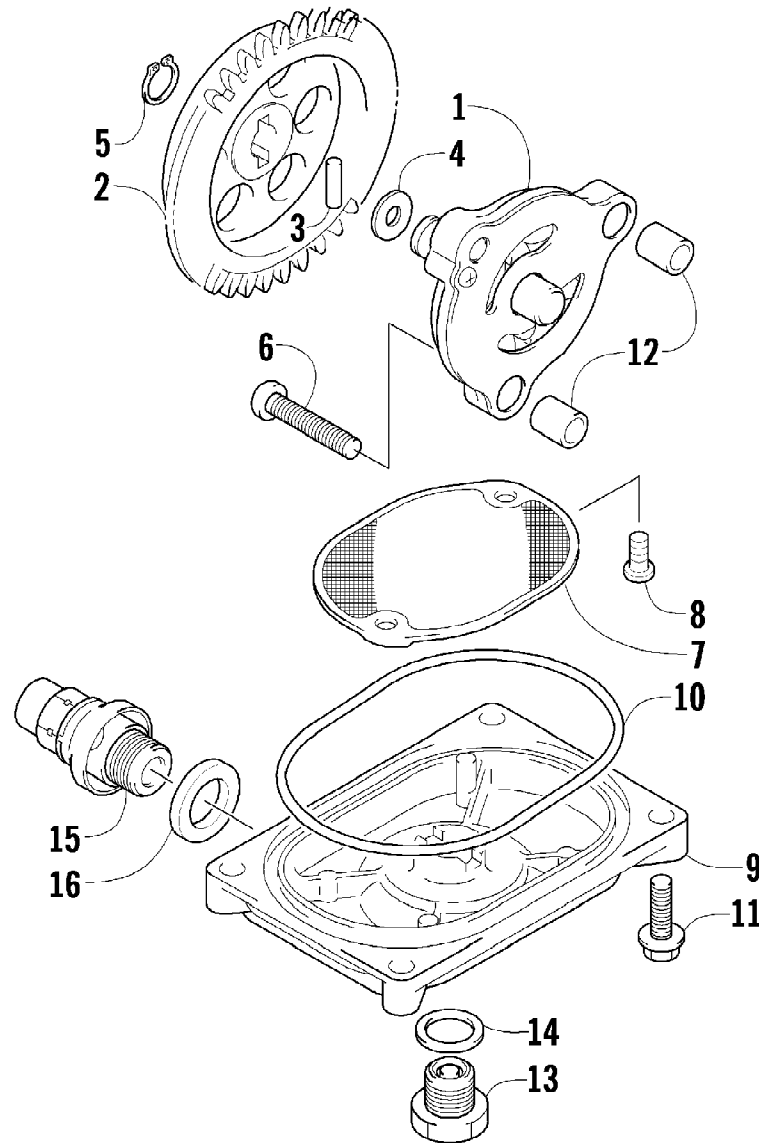
| Ref # | Part Number | Qty | S/P/F | Description |
|-------|-------------|-----|-------|--|
| 1 | 3305-785 | 6 | | Screw, Cap |
| 2 | 3323-230 | 1 | | Caliper, Brake - Right Front (inc. 3-9) |
| 2 | 3323-231 | 1 | | Caliper, Brake - Left Front (inc. 3-9) |
| 2 | 3323-231 | 1 | | Caliper, Brake - Rear (inc. 3-9) |
| 3 | 1436-160 | 1 | /P | Housing, Caliper - Assembly - Right Front (inc. 4-6) |
| 3 | 1436-161 | 1 | /P | Housing, Caliper - Assembly - Left Front (inc. 4-6) |
| 3 | 1436-161 | 1 | /P | Housing, Caliper - Assembly - Rear (inc. 4-6) |
| 4 | 0502-606 | 3 | | Piston/Seal Set (inc. 5) |
| 5 | 0502-607 | 3 | | Seal Set |
| 6 | 0502-609 | 4 | /P | Valve, Bleed |
| 7 | 0502-608 | 3 | | O-Ring, Guide - Set |
| 8 | 0502-605 | 3 | | Bracket Assembly |
| 9 | 1502-694 | 3 | S | Pad, Brake - Set |
| 10 | 3303-257 | 5 | /P | Bolt, Banjo-Fitting |
| 11 | 3303-284 | 15 | /P | Washer, Crush |
| 12 | 3303-919 | 2 | | Clamp, Brake Hose |
| 13 | 3304-553 | 3 | | Screw, Cap |
| 14 | 3313-523 | 1 | | Bracket, Mounting - Brake Hose Assembly |
| 15 | 3305-789 | 1 | | Screw, Cap |
| 16 | 3313-750 | 1 | /P | Hose, Brake - Assembly |
| 17 | 3313-422 | 1 | | Hose, Brake |
| 18 | 3313-316 | 1 | | Brake Assembly (inc. 19-26) |
| 19 | 0502-566 | 1 | | Screw, Machine - Kit |
| 20 | 0502-868 | 1 | /P | Cover, Reservoir |
| 21 | 0502-568 | 1 | | Screw, Machine - Kit |
| 22 | 0502-869 | 1 | | Clamp, Master Cylinder |
| 23 | 0502-704 | 1 | | Master Cylinder Assembly |
| 24 | 0502-866 | 1 | | Lever Assembly - Kit (inc. 25-26) |
| 25 | 0502-867 | 1 | /P | Lock, Brake Lever - Kit |
| 26 | 0502-580 | 1 | | Lever Pin - Kit |
| 27 | 3313-423 | 1 | | Hose, Brake |
| 28 | 3304-674 | 1 | /P | Bolt, Banjo-Fitting - Double |
| 29 | 3313-478 | 1 | /P | Brake Assembly (inc. 30-32) |
| 30 | 1502-141 | 1 | | Reservoir, Brake w/Clamp |
| 31 | 3313-489 | 1 | | Hose, Brake Fluid Reservoir w/Clamps |
| 32 | 1502-296 | 1 | /P | Adapter, Hose |
| 33 | 3304-061 | 1 | /P | Clip, U-Nut |
| 34 | 3306-146 | 1 | | Screw, Cap |
| 35 | 3313-820 | 1 | | Switch, Brake |
| 36 | 3313-315 | 1 | | Hose, Brake |
| 37 | 0123-788 | AR | /P | Tie, Cable - 8 in. |
| 38 | 3303-386 | 2 | /P | Screw, Cap |
| 39 | 1602-213 | 2 | /P | O-Ring |
| 40 | 3313-156 | 1 | /P | Lever, Brake |
| 41 | 3304-135 | 1 | /P | Washer |
| 42 | 3304-543 | 1 | /P | Screw, Cap |



2011 ATV 425 EFI CR RED (A2011IRK4CUSR)
MAGNETO ASSEMBLY

Page 44 of 70

| Ref # | Part Number | Qty | S/P/F | Description |
|-------|-------------|-----|-------|-----------------|
| 1 | 0802-057 | 1 | | Rotor/Flywheel |
| 2 | 0826-120 | 6 | | Screw, Cap |
| 3 | 3305-945 | 3 | | Screw, Cap |
| 4 | 3323-200 | 1 | | Stator Assembly |
| 5 | 3303-308 | 3 | | Screw, Cap |
| 6 | 0802-003 | 1 | | Clamp, Routing |
| 7 | 0802-004 | 1 | | Clamp, Routing |

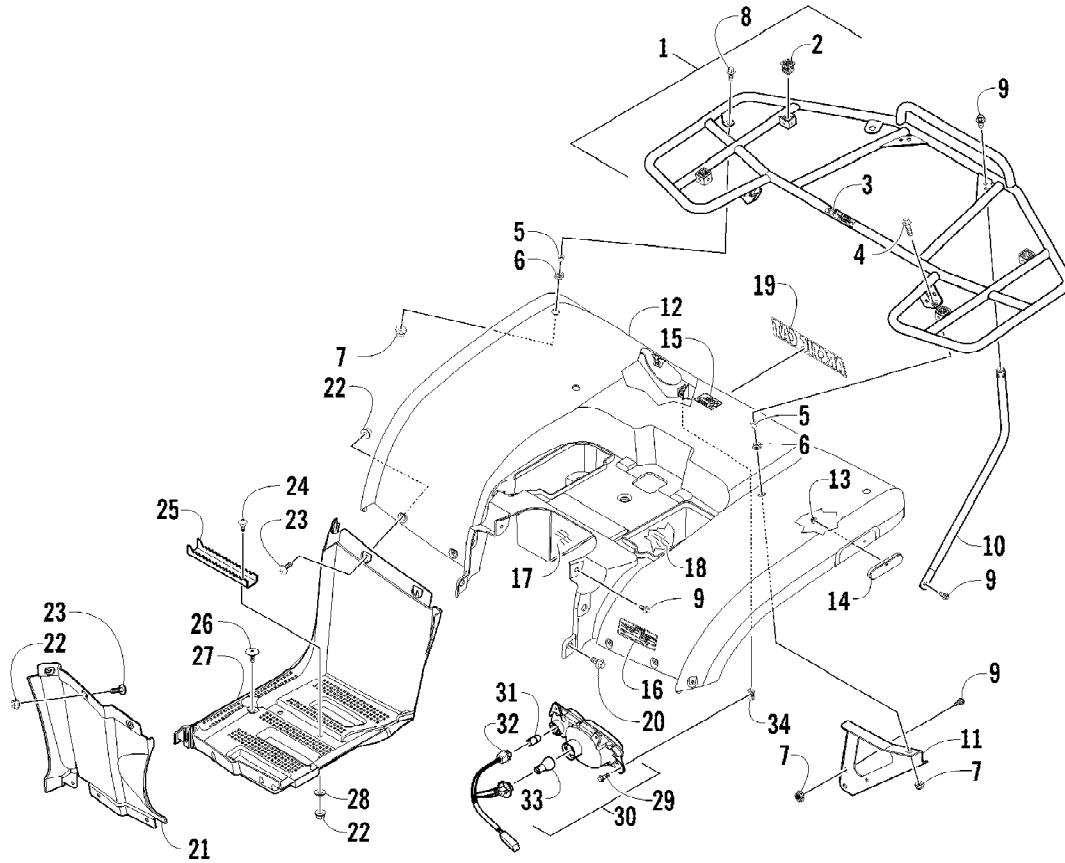


2011 ATV 425 EFI CR RED (A2011IRK4CUSR)
OIL PUMP AND STRAINER ASSEMBLY

Page 46 of 70

| Ref # | Part Number | Qty | S/P/F | Description |
|-------|-------------|-----|-------|--|
| 1 | 0812-069 | 1 | | Pump, Oil |
| 2 | 0812-010 | 1 | | Gear, Driven |
| 3 | 0812-036 | 1 | | Pin, Dowel |
| 4 | 0828-007 | 1 | /P | Washer |
| 5 | 3004-146 | 1 | | Ring, Retaining |
| 6 | 0826-131 | 3 | | Screw, Machine |
| 7 | 0812-049 | 1 | | Strainer, Oil |
| 8 | 3313-722 | 2 | | Screw, Cap |
| 9 | 0812-038 | 1 | | Cap, Oil Strainer |
| 10 | 0830-159 | 1 | | O-Ring |
| 11 | 3303-384 | 4 | /P | Screw, Cap |
| 12 | 0829-033 | 2 | | Pin, Dowel |
| 13 | 0812-065 | 1 | | Plug, Drain |
| 14 | 0830-143 | 1 | /P | Gasket |
| 15 | 0812-067 | 1 | | Valve, Oil-Relief - Assembly (inc. 16) |
| 16 | 0830-181 | 1 | | O-Ring |

2011 ATV 425 EFI CR RED (A2011IRK4CUSR)
REAR BODY, RACK, AND TAILLIGHT ASSEMBLY

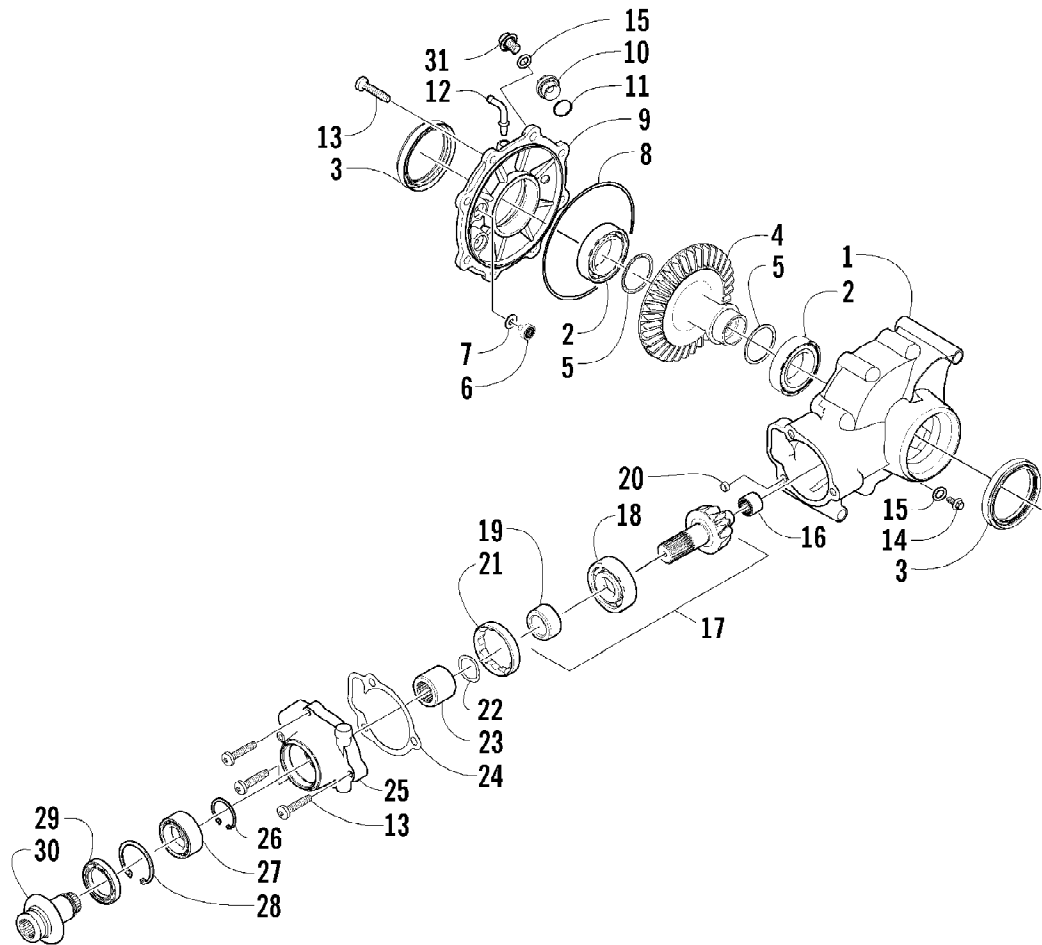


2011 ATV 425 EFI CR RED (A2011IRK4CUSR)
 REAR BODY, RACK, AND TAILLIGHT ASSEMBLY

Page 48 of 70

| Ref # | Part Number | Qty | S/P/F | Description |
|-------|-------------|-----|-------|---|
| 1 | 3313-373 | 1 | | Rack, Rear - Assembly (inc. 2-3) |
| 2 | 0441-592 | 4 | /P | Bushing |
| 3 | 1411-682 | 1 | | Decal, Warning - Load |
| 4 | 8410-830 | 2 | | Screw, Cap |
| 5 | 0423-669 | 4 | | Spacer |
| 6 | 0423-465 | 4 | | Grommet |
| 7 | 3304-668 | 8 | | Nut, Lock |
| 8 | 3313-522 | 2 | | Screw, Cap |
| 9 | 3304-543 | 8 | /P | Screw, Cap |
| 10 | 3313-449 | 2 | | Tube, Mounting |
| 11 | 3313-352 | 1 | | Bracket, Mounting - Rear Rack - Right |
| 11 | 3313-353 | 1 | | Bracket, Mounting - Rear Rack - Left |
| 12 | 3306-305 | 1 | | Panel, Fender - Rear (inc. 13-18) |
| 13 | 3304-774 | 2 | | Nut, Lock |
| 14 | 3313-360 | 2 | /P | Reflector |
| 15 | 1411-809 | 1 | /P | Decal, Warning - Passenger |
| 16 | 1411-893 | 1 | | Decal, Warning - Tire Pressure |
| 17 | 3313-362 | 1 | /P | Foil, Protective - Right |
| 18 | 3313-363 | 1 | | Foil, Protective - Left |
| 19 | 2411-501 | 1 | | Decal, "Arctic Cat" |
| 20 | 3305-783 | 2 | | Screw, Cap |
| 21 | 3313-760 | 1 | | Footwell - Front - Right |
| 21 | 3313-668 | 1 | | Footwell - Front - Left |
| 22 | 3304-431 | 22 | /P | Nut, Lock |
| 23 | 3305-703 | 18 | | Screw, Machine |
| 24 | 3304-586 | 4 | /P | Screw, Cap |
| 25 | 1506-125 | 2 | /P | Footpeg |
| 26 | 0423-545 | 2 | /P | Screw, Shoulder |
| 27 | 3313-762 | 1 | | Footwell - Rear - Right |
| 27 | 3313-763 | 1 | | Footwell - Rear - Left |
| 28 | 3305-852 | 4 | | Washer |
| 29 | 3304-029 | 8 | /P | Screw, Cap |
| 30 | 3313-382 | 1 | | Taillight Assembly - Right (inc. 31-33) |
| 30 | 3313-383 | 1 | | Taillight Assembly - Left (inc. 31-33) |
| 31 | 3313-508 | 2 | /P | Bulb, Backup |
| 32 | 3313-499 | 2 | | Socket, Taillight - Assembly |
| 33 | 3303-849 | 2 | /P | Bulb, Taillight |
| 34 | 3304-061 | 8 | /P | Clip, U-Nut |

2011 ATV 425 EFI CR RED (A2011IRK4CUSR)
REAR DRIVE GEARCASE ASSEMBLY



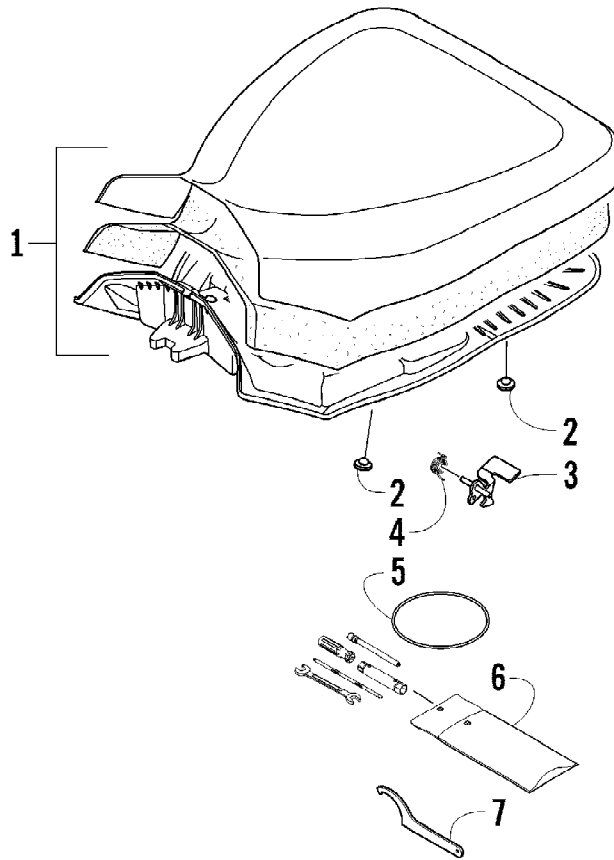
2011 ATV 425 EFI CR RED (A2011IRK4CUSR)
REAR DRIVE GEARCASE ASSEMBLY

| Ref # | Part Number | Qty | S/P/F | Description |
|-------|-------------|-----|-------|--|
| | 3306-023 | 1 | | Complete Rear Drive Gearcase Assembly |
| 1 | 3306-024 | 1 | | Housing, Gearcase |
| 2 | 3306-026 | 2 | | Bearing |
| 3 | 3306-025 | 2 | | Seal |
| 4 | 3306-029 | 1 | | Gear, Ring - 34T |
| 5 | 3306-132 | AR | | Shim, 41 x 49 x 1.0 mm |
| 5 | 3306-133 | AR | | Shim, 41 x 49 x 1.1 mm |
| 5 | 3306-134 | AR | | Shim, 41 x 49 x 1.2 mm |
| 5 | 3306-135 | AR | | Shim, 41 x 49 x 1.3 mm |
| 5 | 3306-136 | AR | | Shim, 41 x 49 x 1.4 mm |
| 5 | 3306-137 | AR | | Shim, 41 x 49 x 1.5 mm |
| 5 | 3306-138 | AR | | Shim, 41 x 49 x 1.6 mm |
| 5 | 3306-139 | AR | | Shim, 41 x 49 x 1.7 mm |
| 6 | 3306-031 | 1 | | Button, Thrust |
| 7 | 3306-124 | AR | | Shim, 6.3 x 18 x 1.0 mm |
| 7 | 3306-125 | AR | | Shim, 6.3 x 18 x 1.1 mm |
| 7 | 3306-126 | AR | | Shim, 6.3 x 18 x 1.2 mm |
| 7 | 3306-127 | AR | | Shim, 6.3 x 18 x 1.3 mm |
| 7 | 3306-128 | AR | | Shim, 6.3 x 18 x 1.4 mm |
| 7 | 3306-129 | AR | | Shim, 6.3 x 18 x 1.5 mm |
| 7 | 3306-130 | AR | | Shim, 6.3 x 18 x 1.6 mm |
| 7 | 3306-131 | AR | | Shim, 6.3 x 18 x 1.7 mm |
| 8 | 3306-030 | 1 | | O-Ring |
| 9 | 3306-033 | 1 | | Cover, Gearcase |
| 10 | 3306-035 | 1 | | Plug, Fill (inc. 11) |
| 11 | 0423-154 | 1 | | O-Ring |
| 12 | 3306-034 | 1 | | Fitting, Elbow |
| 13 | 3303-615 | 11 | | Screw, Self-Tapping |
| 14 | 3306-027 | 1 | | Plug, Magnetic (inc. one No. 15) |
| 15 | 0423-153 | 2 | | O-Ring |
| 16 | 3306-038 | 1 | | Bearing |
| 17 | 3306-039 | 1 | | Gear, Pinion - Assembly - 11T (inc. 18-19) |
| 18 | 3306-040 | 1 | | Bearing |
| 19 | 0402-336 | 1 | | Collar, Retaining |
| 20 | 3306-048 | 1 | | Pin, Dowel |
| 21 | 3306-042 | 1 | | Collar, Lock |
| 22 | 3306-043 | 1 | | Washer, Wave |
| 23 | 3306-044 | 1 | | Collar, Shaft |
| 24 | 3323-234 | 1 | | Gasket, Flange |
| 25 | 3306-049 | 1 | | Housing, Pinion |
| 26 | 3306-045 | 1 | | Ring, Retaining |
| 27 | 3323-240 | 1 | | Bearing |
| 28 | 3306-046 | 1 | | Ring, Retaining |
| 29 | 3323-239 | 1 | | Seal |
| 30 | 3306-047 | 1 | | Shaft, Input |
| 31 | 3306-036 | 1 | | Plug, Oil Level (inc. one No. 15) |

2011 ATV 425 EFI CR RED (A2011IRK4CUSR)
 REAR SUSPENSION ASSEMBLY

Page 52 of 70

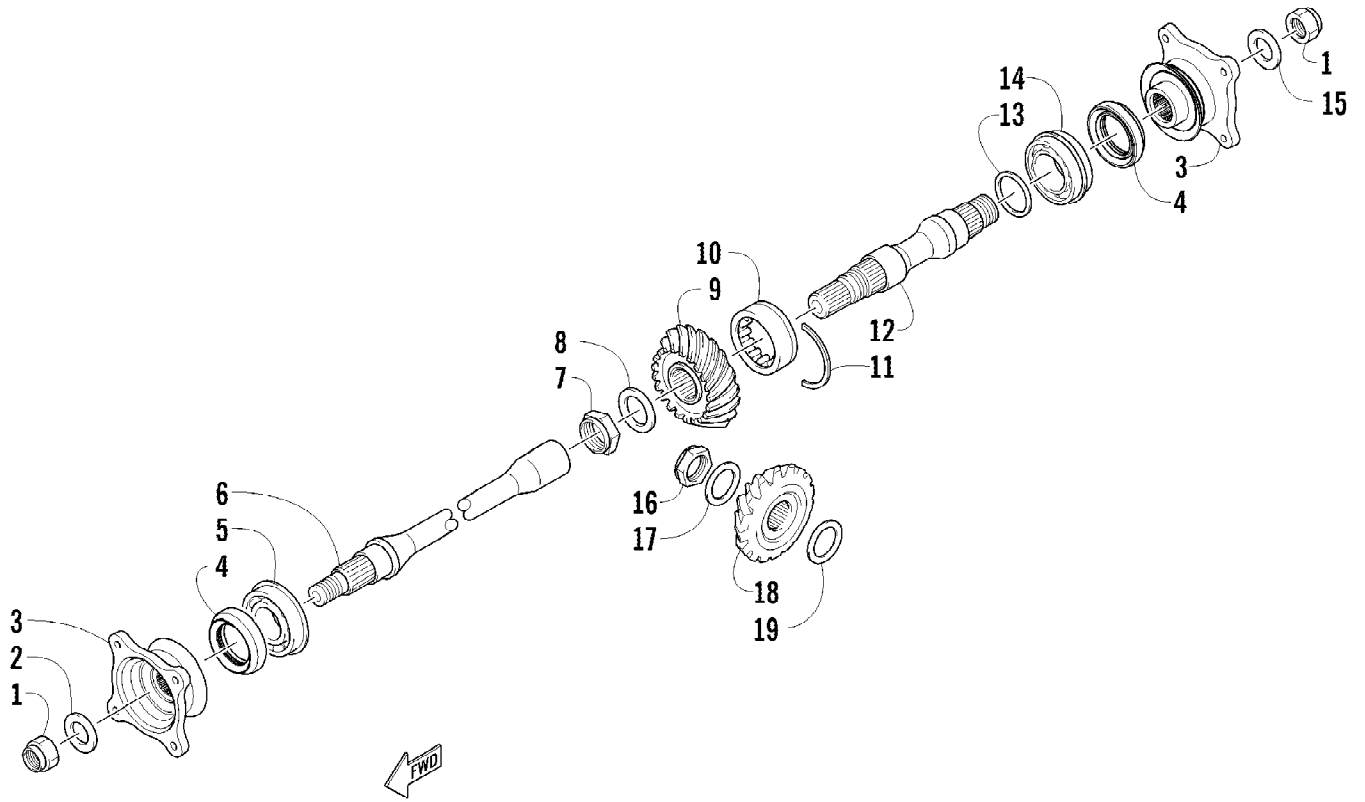
| Ref # | Part Number | Qty | S/P/F | Description |
|-------|-------------|-----|-------|--|
| 1 | 3313-541 | 2 | | Shock/Spring Assembly |
| 2 | 3303-376 | 2 | /P | Screw, Cap |
| 3 | 3304-031 | 14 | /P | Nut, Lock |
| 4 | 8409-065 | 2 | | Screw, Cap |
| 5 | 3306-414 | 1 | | A-Arm, Upper Right (inc. 6-8) |
| 5 | 3306-415 | 1 | | A-Arm, Upper Left (inc. 6-8) |
| 6 | 3313-111 | 2 | /P | Axle |
| 7 | 3313-112 | 12 | | Bushing |
| 8 | 3313-113 | 12 | | Seal |
| 9 | 3323-188 | 4 | | Screw, Cap |
| 10 | 3313-430 | 2 | | Screw, Cap |
| 11 | 3304-183 | 4 | /P | Screw, Cap |
| 12 | 3313-134 | 1 | | A-Arm, Lower Right (inc. 7-8 and 13) |
| 12 | 3313-135 | 1 | | A-Arm, Lower Left (inc. 7-8 and 13) |
| 13 | 3313-107 | 4 | | Axle |
| 14 | 3313-832 | 2 | | Axle, Drive (inc. 15-17) |
| 15 | 3313-560 | 2 | | Repair Kit, Boot - Drive Axle - Inbound |
| 16 | 0423-845 | 2 | /P | Ring, Retaining |
| 17 | 3313-558 | 2 | | Repair Kit, Boot - Drive Axle - Outbound |
| 18 | 3323-108 | 1 | | Knuckle - Assembly - Right (inc. 19-22) |
| 18 | 3323-109 | 1 | | Knuckle - Assembly - Left (inc. 19-22) |
| 19 | 1402-809 | 2 | /P | Bearing |
| 20 | 0423-423 | 2 | | Ring, Retaining |
| 21 | 0403-206 | 8 | /P | Bushing |
| 22 | 0403-213 | 4 | /P | Axle |



2011 ATV 425 EFI CR RED (A2011IRK4CUSR)
SEAT ASSEMBLY

Page 54 of 70

| Ref # | Part Number | Qty | S/P/F | Description |
|-------|-------------|-----|-------|--------------------------|
| 1 | 3313-199 | 1 | | Seat Assembly (inc. 2-4) |
| 2 | 0406-877 | 6 | /P | Bumper, Seat |
| 3 | 1506-156 | 1 | | Latch, Seat |
| 4 | 1406-592 | 1 | /P | Spring, Seat Latch |
| 5 | 3313-759 | 1 | | Retainer, Tool Kit |
| 6 | 3305-913 | 1 | | Kit, Tool |
| 7 | 1441-797 | 1 | F | Wrench, Spanner |

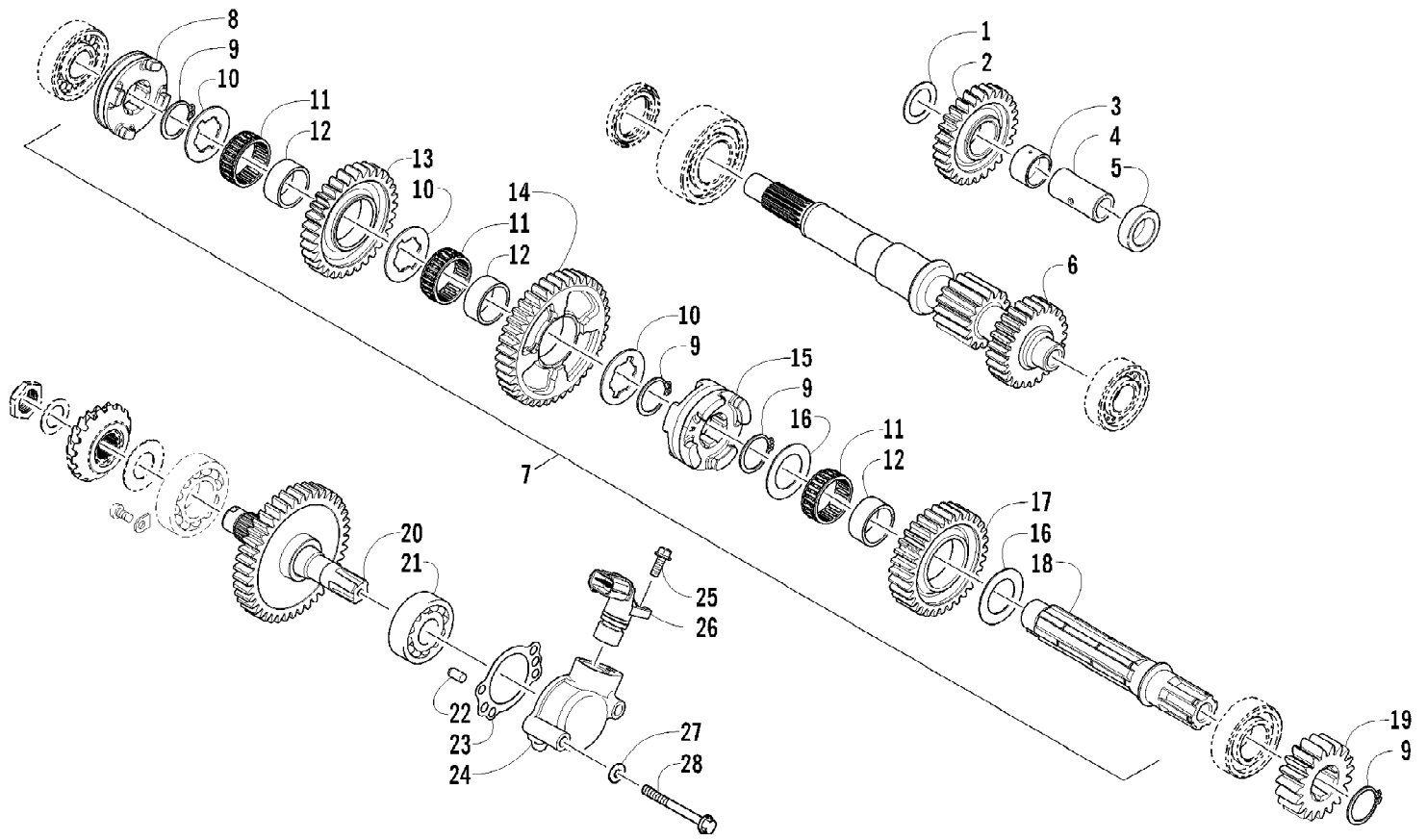


2011 ATV 425 EFI CR RED (A2011IRK4CUSR)
SECONDARY DRIVE ASSEMBLY

Page 56 of 70

| Ref # | Part Number | Qty | S/P/F | Description |
|-------|-------------|-----|-------|-------------------------|
| 1 | 3306-428 | 2 | /P | Nut |
| 2 | 3304-958 | 1 | | Washer |
| 3 | 0819-022 | 2 | | Flange, Output Joint |
| 4 | 0830-144 | 2 | | Seal, Oil |
| 5 | 0832-026 | 1 | | Bearing |
| 6 | 0819-020 | 1 | | Shaft, Secondary Driven |
| 7 | 0827-022 | 1 | | Nut |
| 8 | 0828-090 | 1 | | Washer |
| 9 | 0819-019 | 1 | | Gear, Secondary Driven |
| 10 | 0832-040 | 1 | | Bearing |
| 11 | 0819-070 | 1 | | C-Ring |
| 12 | 0819-021 | 1 | | Shaft, Secondary Driven |
| 13 | 3305-955 | AR | | Shim, 25 x 34 x 0.60mm |
| 13 | 3305-956 | AR | | Shim, 25 x 34 x 0.65mm |
| 13 | 3305-957 | AR | | Shim, 25 x 34 x 0.70mm |
| 13 | 3305-958 | AR | | Shim, 25 x 34 x 0.75mm |
| 13 | 3305-959 | AR | | Shim, 25 x 34 x 0.80mm |
| 13 | 3305-960 | AR | | Shim, 25 x 34 x 0.85mm |
| 13 | 3305-961 | AR | | Shim, 25 x 34 x 0.90mm |
| 13 | 3305-962 | AR | | Shim, 25 x 34 x 0.95mm |
| 13 | 3305-963 | AR | | Shim, 25 x 34 x 1.00mm |
| 13 | 3305-964 | AR | | Shim, 25 x 34 x 1.05mm |
| 13 | 3305-965 | AR | | Shim, 25 x 34 x 1.10mm |
| 13 | 0828-088 | AR | | Shim, 25 x 34 x 1.15mm |
| 13 | 3305-966 | AR | | Shim, 25 x 34 x 1.20mm |
| 13 | 3305-967 | AR | | Shim, 25 x 34 x 1.25mm |
| 14 | 0832-041 | 1 | | Bearing |
| 15 | 3306-226 | 1 | | Washer |
| 16 | 0827-047 | 1 | | Nut |
| 17 | 3304-042 | 1 | | Washer, Thrust |
| 18 | 0819-018 | 1 | | Gear, Secondary Drive |
| 19 | 3306-009 | AR | | Shim, 30 x 48 x 0.60 mm |
| 19 | 3306-010 | AR | | Shim, 30 x 48 x 0.65 mm |
| 19 | 3306-011 | AR | | Shim, 30 x 48 x 0.70 mm |
| 19 | 3306-012 | AR | | Shim, 30 x 48 x 0.75 mm |
| 19 | 3306-013 | AR | | Shim, 30 x 48 x 0.80 mm |
| 19 | 3306-014 | AR | | Shim, 30 x 48 x 0.85 mm |
| 19 | 3306-015 | AR | | Shim, 30 x 48 x 0.90 mm |
| 19 | 3306-016 | AR | | Shim, 30 x 48 x 0.95 mm |
| 19 | 3306-017 | AR | | Shim, 30 x 48 x 1.00 mm |
| 19 | 3306-018 | AR | | Shim, 30 x 48 x 1.05 mm |
| 19 | 3306-019 | AR | | Shim, 30 x 48 x 1.10 mm |
| 19 | 3306-020 | AR | | Shim, 30 x 48 x 1.15 mm |
| 19 | 3306-021 | AR | | Shim, 30 x 48 x 1.20 mm |
| 19 | 3306-022 | AR | | Shim, 30 x 48 x 1.25 mm |

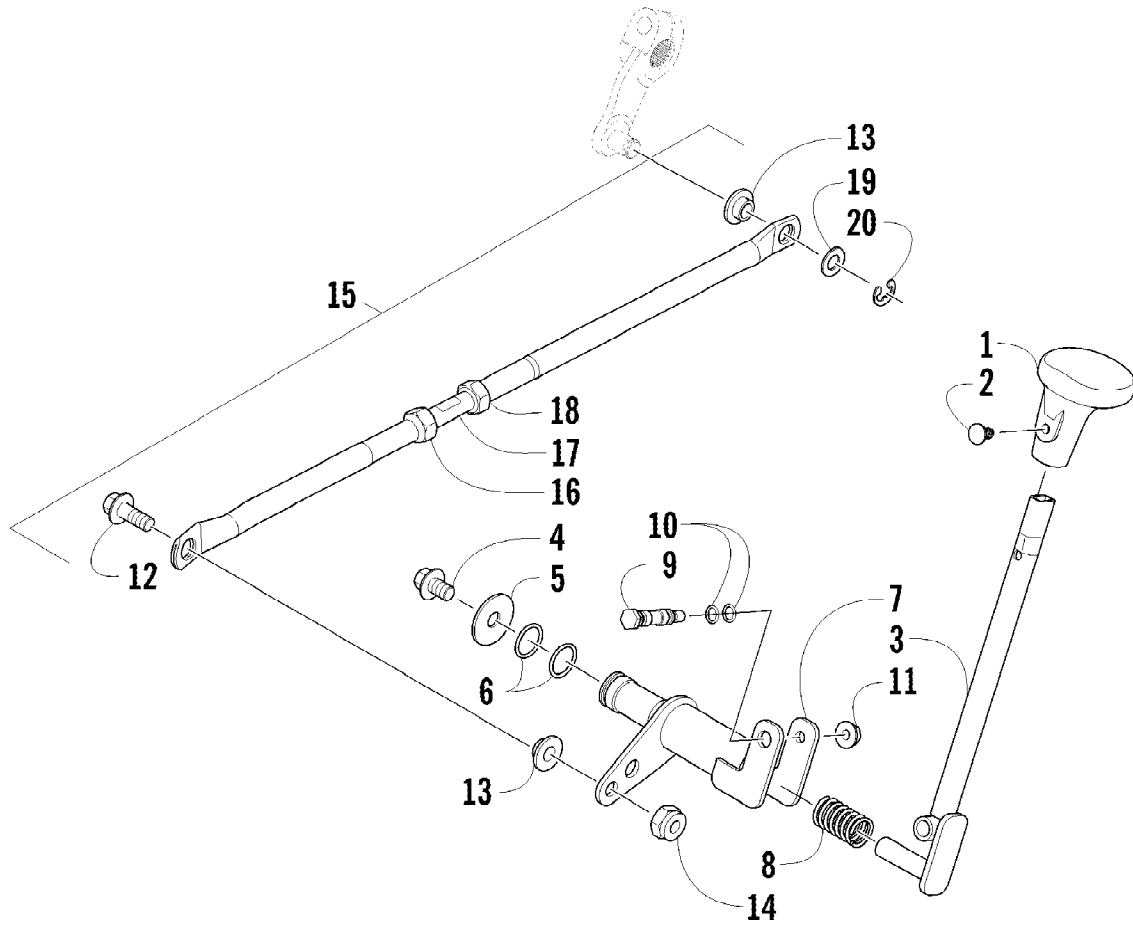
2011 ATV 425 EFI CR RED (A2011IRK4CUSR)
SECONDARY TRANSMISSION ASSEMBLY



2011 ATV 425 EFI CR RED (A2011IRK4CUSR)
SECONDARY TRANSMISSION ASSEMBLY

Page 58 of 70

| Ref # | Part Number | Qty | S/P/F | Description |
|-------|-------------|-----|-------|-----------------------------------|
| 1 | 0828-081 | 1 | | Washer |
| 2 | 0822-061 | 1 | | Gear, Reverse Idle |
| 3 | 0822-065 | 1 | | Bushing |
| 4 | 0822-064 | 1 | | Shaft, Reverse Idle |
| 5 | 0822-029 | 1 | | Spacer |
| 6 | 0822-128 | 1 | | Driveshaft |
| 7 | 0822-129 | 1 | | Countershaft Assembly (inc. 8-18) |
| 8 | 0822-033 | 1 | | Gear Select, Reverse |
| 9 | 3304-147 | 4 | /P | Circlip |
| 10 | 3304-045 | 3 | | Washer |
| 11 | 0832-038 | 3 | | Bearing |
| 12 | 0822-062 | 3 | | Bushing |
| 13 | 0822-032 | 1 | | Gear, Reverse Driven |
| 14 | 0822-063 | 1 | | Gear, Driven - Low |
| 15 | 0822-027 | 1 | | Gear Select, Sliding |
| 16 | 3304-044 | 2 | | Washer, Thrust |
| 17 | 0818-119 | 1 | | Gear, Driven - High |
| 18 | 0822-025 | 1 | | Countershaft |
| 19 | 0822-028 | 1 | | Gear, Drive |
| 20 | 0822-023 | 1 | | Shaft, Output |
| 21 | 3304-198 | 1 | | Bearing |
| 22 | 3303-395 | 2 | | Pin, Dowel |
| 23 | 0830-156 | 1 | | Gasket, Housing |
| 24 | 0822-105 | 1 | | Housing, Speedometer Sensor |
| 25 | 3303-382 | 1 | /P | Screw, Cap |
| 26 | 3313-172 | 1 | | Sensor, Speedometer |
| 27 | 0830-155 | 2 | /P | Gasket |
| 28 | 3303-387 | 2 | | Screw, Cap |



2011 ATV 425 EFI CR RED (A2011IRK4CUSR)
SHIFT LEVER ASSEMBLY

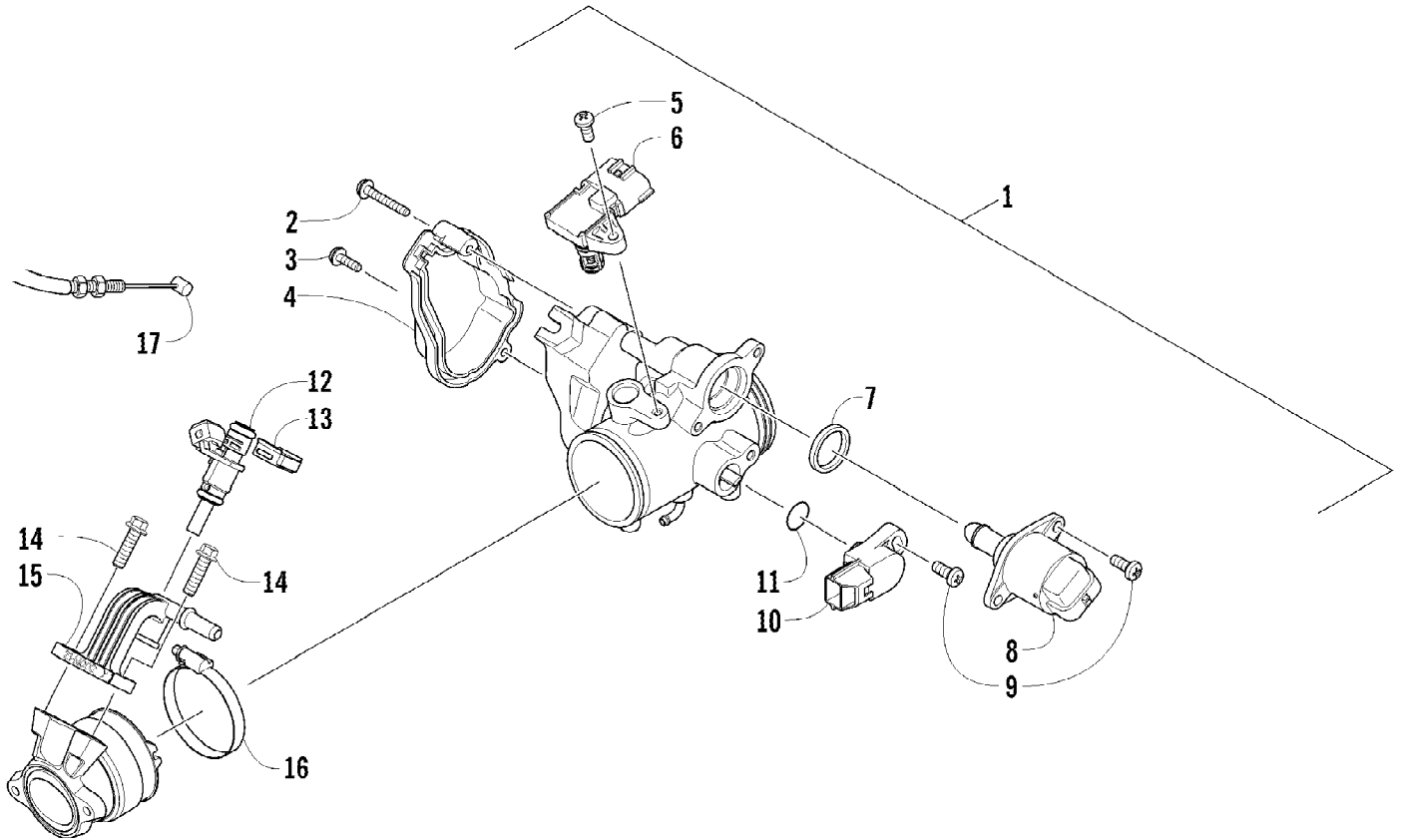
Page 60 of 70

| Ref # | Part Number | Qty | S/P/F | Description |
|-------|-------------|-----|-------|--|
| 1 | 0402-843 | 1 | /P | Knob, Shift Lever |
| 2 | 0423-345 | 1 | | Clip, Retaining |
| 3 | 3313-317 | 1 | | Lever, Shift |
| 4 | 3304-544 | 1 | | Screw, Cap |
| 5 | 0423-087 | 1 | | Washer |
| 6 | 0423-299 | 2 | /P | O-Ring |
| 7 | 3306-317 | 1 | | Actuator, Shift |
| 8 | 0402-678 | 1 | /P | Spring, Shift Lever |
| 9 | 0402-675 | 1 | | Axle, Pivot |
| 10 | 0423-182 | 2 | /P | O-Ring |
| 11 | 3304-654 | 1 | /P | Nut, Lock |
| 12 | 3313-821 | 1 | | Screw, Cap |
| 13 | 3323-037 | 2 | | Bushing |
| 14 | 3305-396 | 1 | | Nut, Lock |
| 15 | 3306-319 | 1 | | Linkage, Shift - Assembly (inc. 16-18) |
| 16 | 3303-327 | 1 | | Nut, Hex - Right-Hand Thread |
| 17 | 3313-278 | 1 | | Adjuster, Shift Linkage |
| 18 | 3313-822 | 1 | | Nut, Hex - Left-Hand Thread |
| 19 | 8050-252 | 1 | | Washer |
| 20 | 3313-766 | 1 | | E-Ring |

2011 ATV 425 EFI CR RED (A2011IRK4CUSR)
STEERING ASSEMBLY

Page 62 of 70

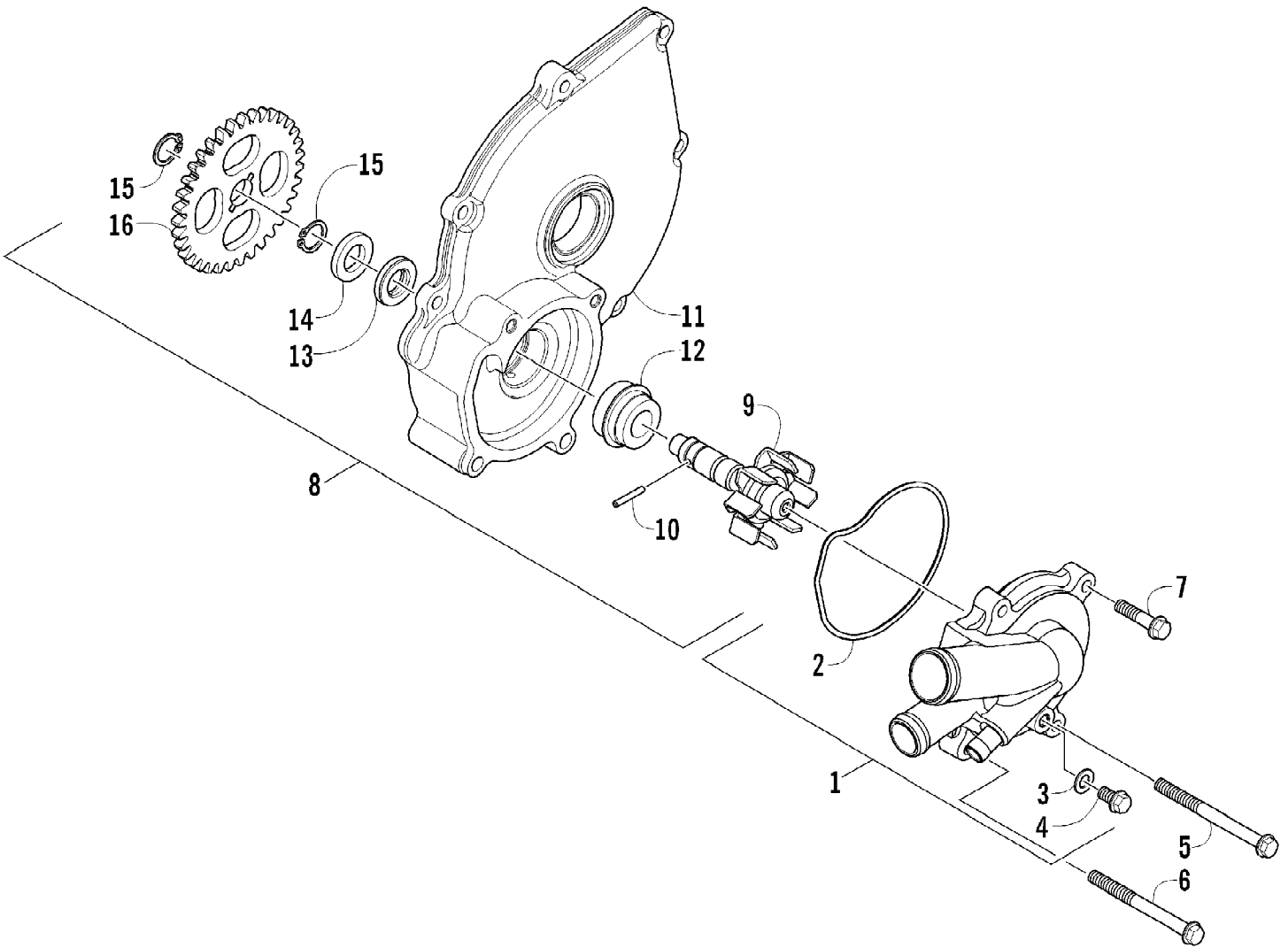
| Ref # | Part Number | Qty | S/P/F | Description |
|-------|-------------|-----|-------|----------------------------------|
| 1 | 8408-860 | 4 | | Screw, Cap |
| 2 | 0405-035 | 2 | | Cap, Steering Adjuster |
| 3 | 0423-505 | 2 | | Screw, Shoulder |
| 4 | 0405-166 | 1 | | Cap, Housing |
| 5 | 3323-052 | 1 | | Housing - Upper |
| 6 | 3323-051 | 1 | | Housing - Lower |
| 7 | 3313-056 | 1 | | Post, Steering |
| 8 | 3304-565 | 2 | /P | Screw, Cap |
| 9 | 0602-233 | 1 | | Flange, Bearing |
| 10 | 0405-052 | 1 | | Bearing w/Inverted Oil Seal |
| 11 | 0423-073 | 1 | | Washer |
| 12 | 8408-820 | 1 | /P | Screw, Cap |
| 13 | 3313-102 | 2 | | Tie Rod - Assembly (inc. 14-18) |
| 14 | 3313-809 | 2 | | End, Tie Rod - Left-Hand Thread |
| 15 | 3306-659 | 2 | | Nut - Left-Hand Thread |
| 16 | 3313-807 | 2 | | Tie Rod |
| 17 | 3303-326 | 2 | | Nut - Right-Hand Thread |
| 18 | 3313-808 | 2 | | End, Tie Rod - Right-Hand Thread |
| 19 | 3306-290 | 4 | | Nut |
| 20 | 3305-724 | 4 | | Pin, Cotter |



2011 ATV 425 EFI CR RED (A2011IRK4CUSR)
 THROTTLE BODY ASSEMBLY

Page 64 of 70

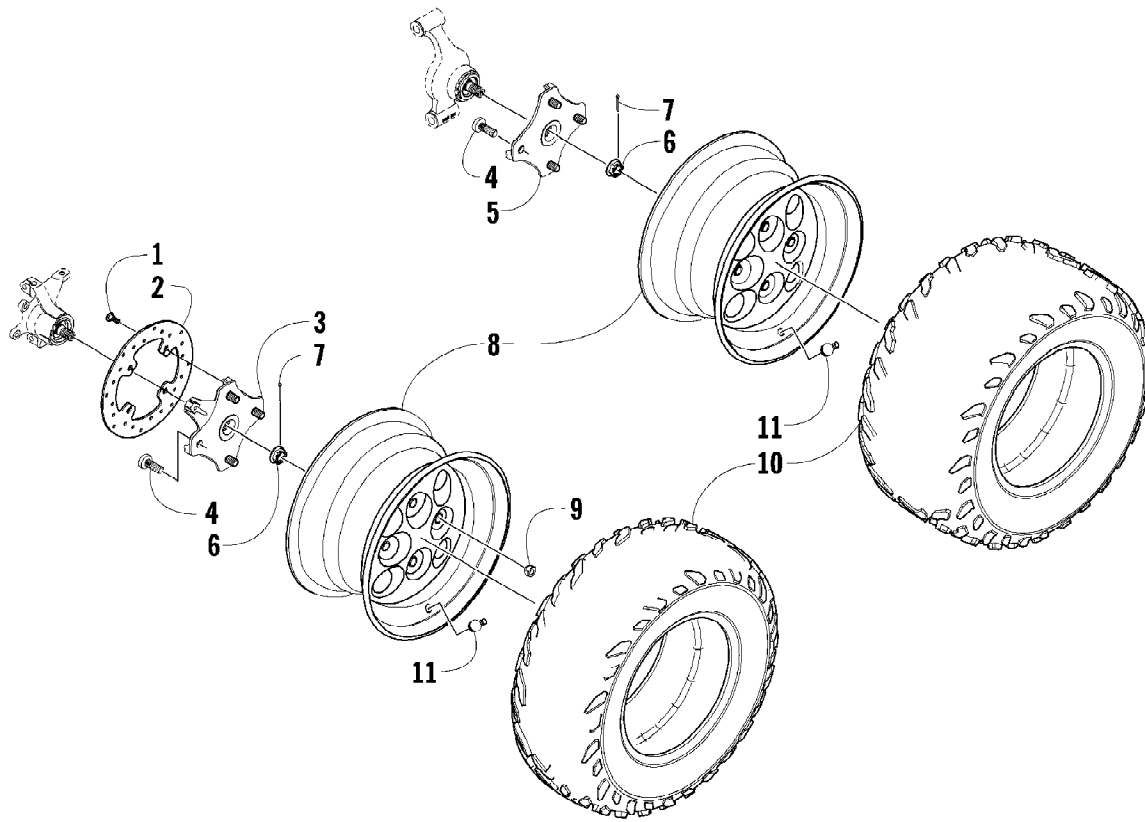
| Ref # | Part Number | Qty | S/P/F | Description |
|-------|-------------|-----|-------|--------------------------------------|
| 1 | 0570-328 | 1 | | Throttle Body - Assembly (inc. 2-11) |
| 2 | 3306-267 | 1 | | Screw, Machine |
| 3 | 3306-266 | 1 | | Screw, Machine |
| 4 | 0824-060 | 1 | | Cover |
| 5 | 0835-007 | 1 | | Screw, Machine |
| 6 | 0824-052 | 1 | | Sensor, MAP |
| 7 | 0832-088 | 1 | | Seal |
| 8 | 0824-054 | 1 | | Valve, Bypass - Idle Air |
| 9 | 3305-953 | 3 | | Screw, Machine |
| 10 | 0824-053 | 1 | | Sensor, Throttle Position (inc. 11) |
| 11 | 3306-150 | 1 | | O-Ring |
| 12 | 3306-251 | 1 | | Injector, Fuel |
| 13 | 3306-253 | 1 | | Clip, Retaining |
| 14 | 3305-344 | 2 | /P | Screw, Cap |
| 15 | 3306-252 | 1 | | Rail, Fuel |
| 16 | 3306-250 | 1 | | Clamp |
| 17 | 3306-275 | 1 | | Cable, Throttle |



2011 ATV 425 EFI CR RED (A2011IRK4CUSR)
WATER PUMP ASSEMBLY

Page 66 of 70

| Ref # | Part Number | Qty | S/P/F | Description |
|-------|-------------|-----|-------|--|
| 1 | 0813-054 | 1 | /P | Cover, Water Pump - Assembly (inc. 2-4) |
| 2 | 0830-208 | 1 | | O-Ring |
| 3 | 3304-049 | 1 | | Washer |
| 4 | 3304-186 | 1 | | Screw, Cap |
| 5 | 0826-065 | 1 | | Screw, Cap |
| 6 | 0826-151 | 1 | | Screw, Cap |
| 7 | 3303-384 | 2 | /P | Screw, Cap |
| 8 | 0813-051 | 1 | | Housing, Water Pump - Assembly (inc. 9-16) |
| 9 | 0813-057 | 1 | | Shaft, Impeller - Assembly |
| 10 | 0829-057 | 1 | | Pin, Alignment |
| 11 | 0806-123 | 1 | | Housing, Water Pump |
| 12 | 3305-940 | 1 | | Seal, Mechanical |
| 13 | 0830-207 | 1 | | Seal, Oil |
| 14 | 0828-130 | 1 | | Washer, Thrust |
| 15 | 0831-089 | 2 | | Circlip |
| 16 | 0811-037 | 1 | | Gear, Driven |

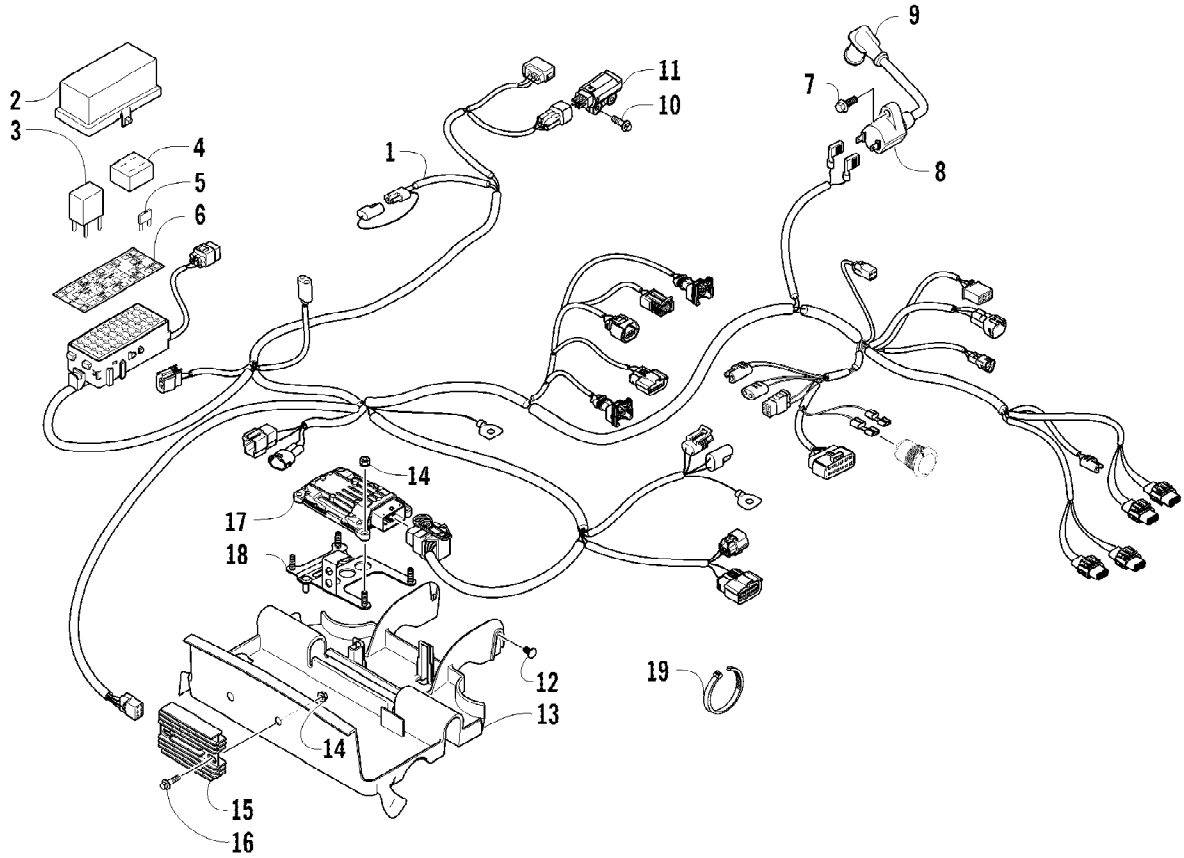


2011 ATV 425 EFI CR RED (A2011IRK4CUSR)
WHEEL AND TIRE ASSEMBLY

Page 68 of 70

| Ref # | Part Number | Qty | S/P/F | Description |
|-------|-------------|-----|-------|----------------------------------|
| 1 | 0423-557 | 12 | | Screw, Shoulder |
| 2 | 1436-164 | 3 | /P | Disc, Brake |
| 3 | 1502-462 | 2 | /P | Hub, Wheel - Front (inc. 4) |
| 4 | 0402-974 | 16 | /P | Stud |
| 5 | 1502-462 | 1 | /P | Hub, Wheel - Right Rear (inc. 4) |
| 5 | 1502-464 | 1 | | Hub, Wheel - Left Rear (inc. 4) |
| 6 | 0423-607 | 4 | | Nut, Castle |
| 7 | 0423-407 | 4 | | Pin, Cotter |
| 8 | 3306-291 | 4 | | Wheel |
| 9 | 0423-408 | 16 | /P | Nut, Lug |
| 10 | 3306-292 | 2 | | Tire - Front |
| 10 | 3306-293 | 2 | | Tire - Rear |
| 11 | 3303-887 | 4 | | Stem, Valve |

2011 ATV 425 EFI CR RED (A20111RK4CUSR)
WIRING HARNESS ASSEMBLY



2011 ATV 425 EFI CR RED (A2011IRK4CUSR)
WIRING HARNESS ASSEMBLY

Page 70 of 70

| Ref # | Part Number | Qty | S/P/F | Description |
|-------|-------------|-----|-------|------------------------------------|
| 1 | 3306-323 | 1 | | Harness, Main (inc. 2-6) |
| 2 | 0530-008 | 1 | | Cover, Fuse Block |
| 3 | 0430-033 | 3 | | Relay (5-Pin) - 10 Amp |
| 4 | 0430-037 | 1 | | Holder, Fuse |
| 5 | 0430-032 | 7 | | Fuse - 10 Amp |
| 5 | 0430-031 | 4 | | Fuse - 15 Amp |
| 5 | 3304-212 | 1 | | Fuse - 30 Amp |
| 6 | 2411-566 | 1 | | Decal, Fuse Block |
| 7 | 3306-326 | 2 | | Screw, Cap |
| 8 | 0824-073 | 1 | | Coil, Ignition - Assembly (inc. 9) |
| 9 | 0824-056 | 1 | | Cap, Spark Plug |
| 10 | 3306-327 | 2 | | Screw, Cap |
| 11 | 3306-325 | 1 | | Sensor, Tilt |
| 12 | 0423-345 | 2 | | Clip, Retaining |
| 13 | 3306-281 | 1 | | Tray, Electrical |
| 14 | 3304-654 | 6 | /P | Nut, Lock |
| 15 | 3306-413 | 1 | | Regulator, Voltage |
| 16 | 3305-344 | 2 | /P | Screw, Cap |
| 17 | 0530-059 | 1 | | ECU |
| 18 | 3306-304 | 1 | | Bracket, Mounting - ECU |
| 19 | 3303-289 | AR | /P | Tie, Cable |