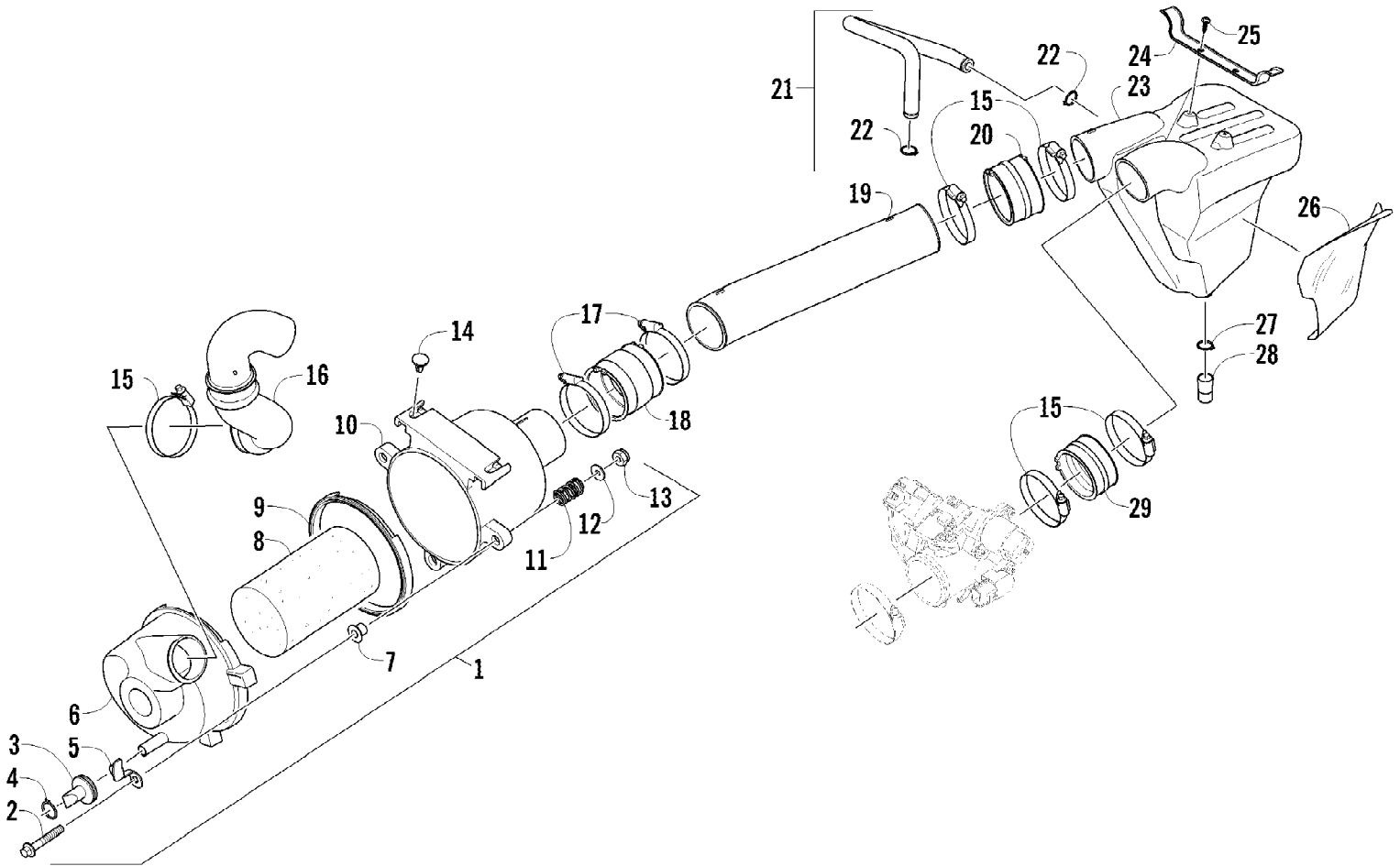


2011 ATV 425 EFI CR GREEN (A2011IRK4CUSG)  
AIR INTAKE ASSEMBLY

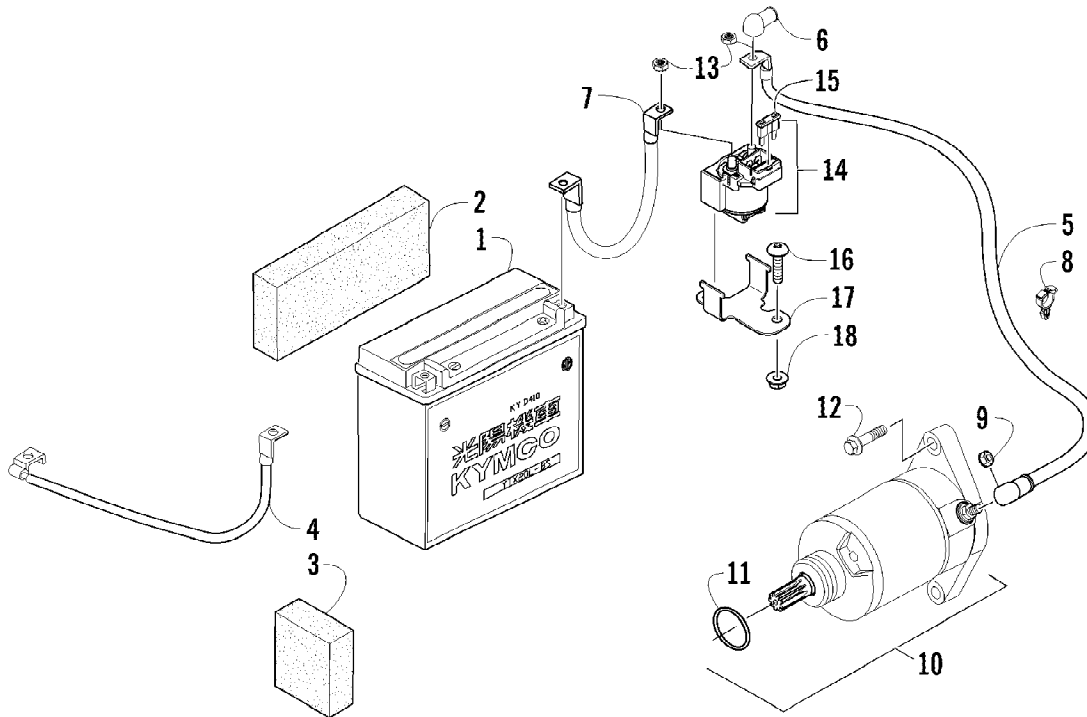


2011 ATV 425 EFI CR GREEN (A2011IRK4CUSG)  
AIR INTAKE ASSEMBLY

Page 2 of 70

Ref #	Part Number	Qty	S/P/F	Description
1	3313-395	1		Filter, Air - Assembly (inc. 2-13)
2	8408-850	3		Screw, Cap
3	0470-442	1	/P	Valve, Drain
4	3313-705	1		Clamp
5	3313-375	3		Latch
6	3313-376	1		Cover, Air Filter
7	3313-853	3		Spacer
8	3313-378	1		Element, Air Filter
9	3313-446	1		Gasket, Air Filter
10	3313-377	1		Housing, Air Filter
11	0402-678	3	/P	Spring
12	8050-222	3	/P	Washer
13	3303-269	3		Nut, Lock
14	3305-448	2		Clip, Retaining
15	0423-380	5	/P	Clamp
16	3313-816	1		Boot, Air Intake
17	3313-817	2		Clamp
18	3313-275	1		Boot, Air Intake
19	3313-063	1		Boot, Air Intake
20	3313-274	1		Boot, Air Intake
21	3313-397	1		Hose, Oil Catch (inc. 22)
22	3304-167	2		Clamp, Hose
23	3313-224	1		Housing, Air Intake
24	3313-356	1		Bracket, Mounting - Air Intake Housing
25	3304-409	2	/P	Screw, Self-Tapping
26	3313-362	1	/P	Foil, Protective
27	3313-706	1		Clamp
28	3313-543	1		Pipe, Drain
29	3306-309	1		Boot, Air Intake

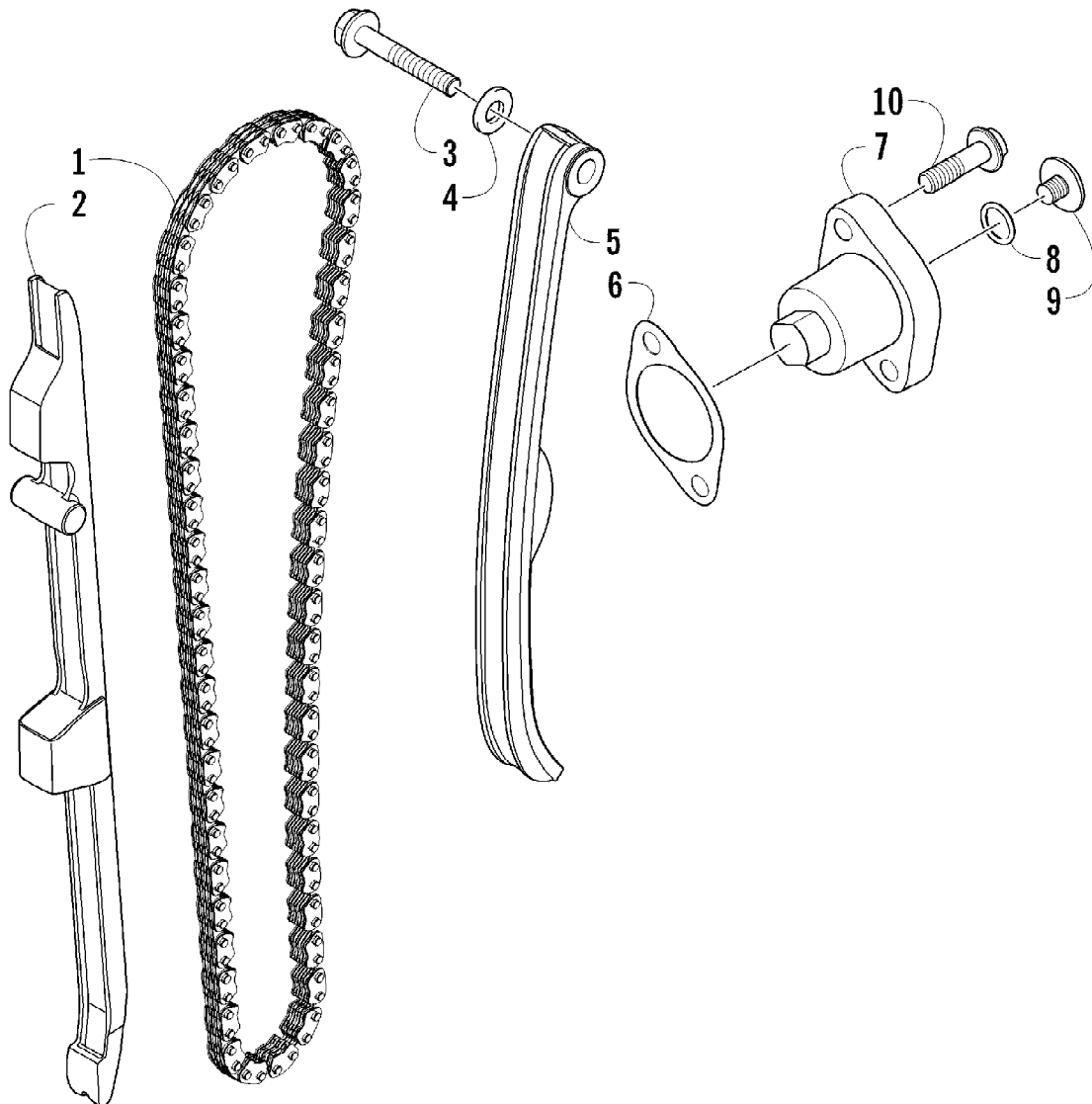
2011 ATV 425 EFI CR GREEN (A2011IRK4CUSG)  
BATTERY AND STARTER ASSEMBLY



2011 ATV 425 EFI CR GREEN (A2011IRK4CUSG)  
 BATTERY AND STARTER ASSEMBLY

Page 4 of 70

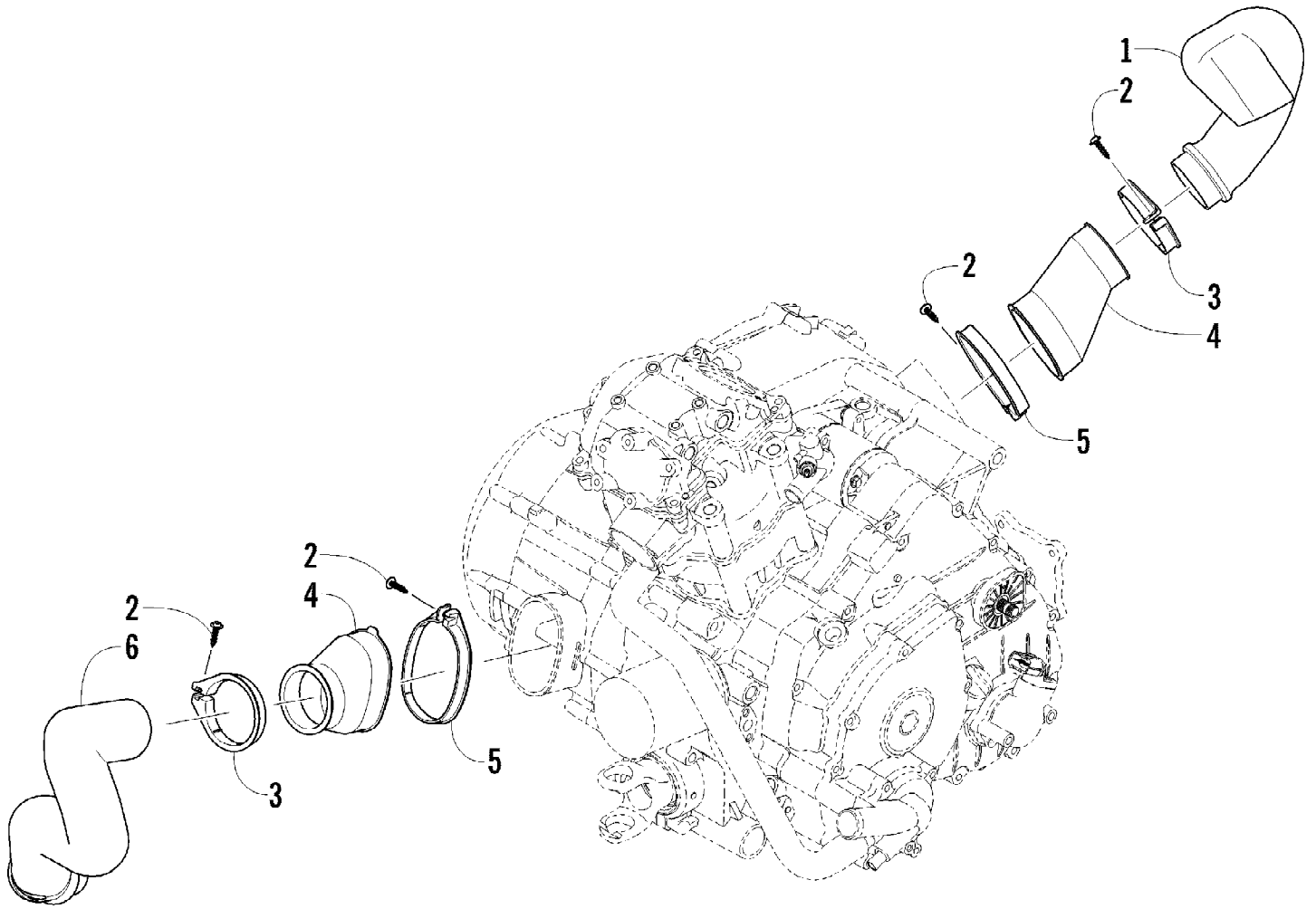
Ref #	Part Number	Qty	S/P/F	Description
1	3306-301	1		Battery Assembly
2	3306-302	1		Pad, Foam
3	3306-303	1		Pad, Foam
4	3306-262	1		Cable, Ground
5	3313-527	1		Cable, Solenoid/Starter (inc. 6)
6	0	1	F	Boot, Terminal
7	3306-324	1		Cable, Battery/Solenoid
8	3306-364	2		Clamp, Routing
9	3304-011	1		Nut w/Washer
10	3305-954	1		Motor, Starter - Assembly (inc. 11)
11	3304-104	1		O-Ring
12	3305-946	2		Screw, Cap
13	3304-654	2	/P	Nut, Lock
14	3313-464	1		Solenoid (inc. 15)
15	3304-212	1		Fuse - 30 Amp
16	3305-703	2		Screw, Machine
17	3313-467	1		Bracket, Mounting - Solenoid
18	3304-431	2	/P	Nut, Lock



2011 ATV 425 EFI CR GREEN (A2011IRK4CUSG)  
CAM CHAIN ASSEMBLY

Page 6 of 70

Ref #	Part Number	Qty	S/P/F	Description
1	0810-005	1		Chain, Cam
2	0810-068	1		Guide, Chain
3	0826-133	1		Pivot, Tensioner
4	0830-150	1		Washer
5	0810-007	1		Tensioner, Chain
6	3303-035	1		Gasket
7	3303-677	1		Adjuster, Tensioner - Assembly
8	3304-100	1	/P	O-Ring
9	3304-006	1		Screw, Adjuster
10	3303-360	2		Screw, Cap

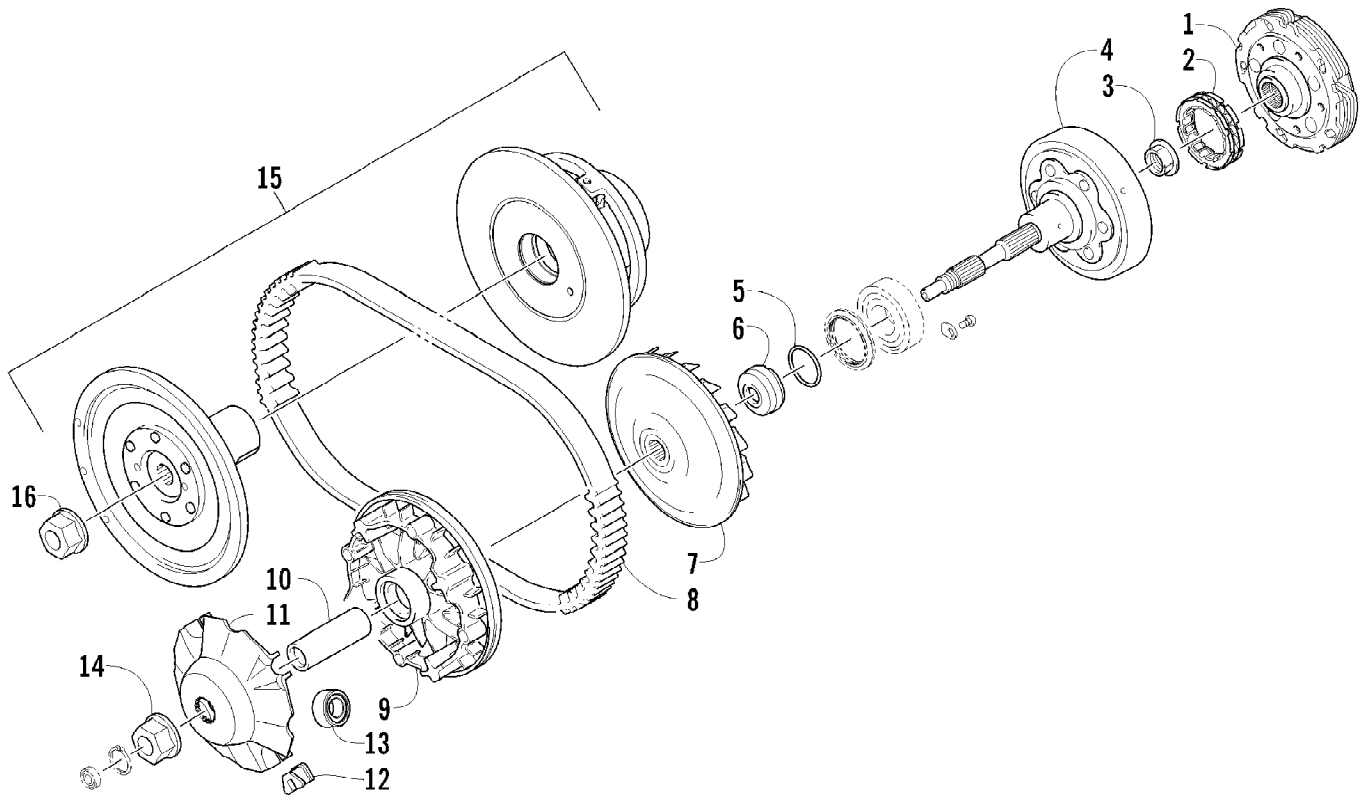


2011 ATV 425 EFI CR GREEN (A2011IRK4CUSG)  
CASE/BELT COOLING ASSEMBLY

Page 8 of 70

Ref #	Part Number	Qty	S/P/F	Description
1	3313-064	1		Duct, Belt - Air Out
2	0423-342	4	/P	Screw, Self-Tapping
3	0423-551	2		Clamp
4	3313-782	2		Boot, Duct
5	0423-550	2		Clamp
6	3313-065	1		Duct, Belt - Air In



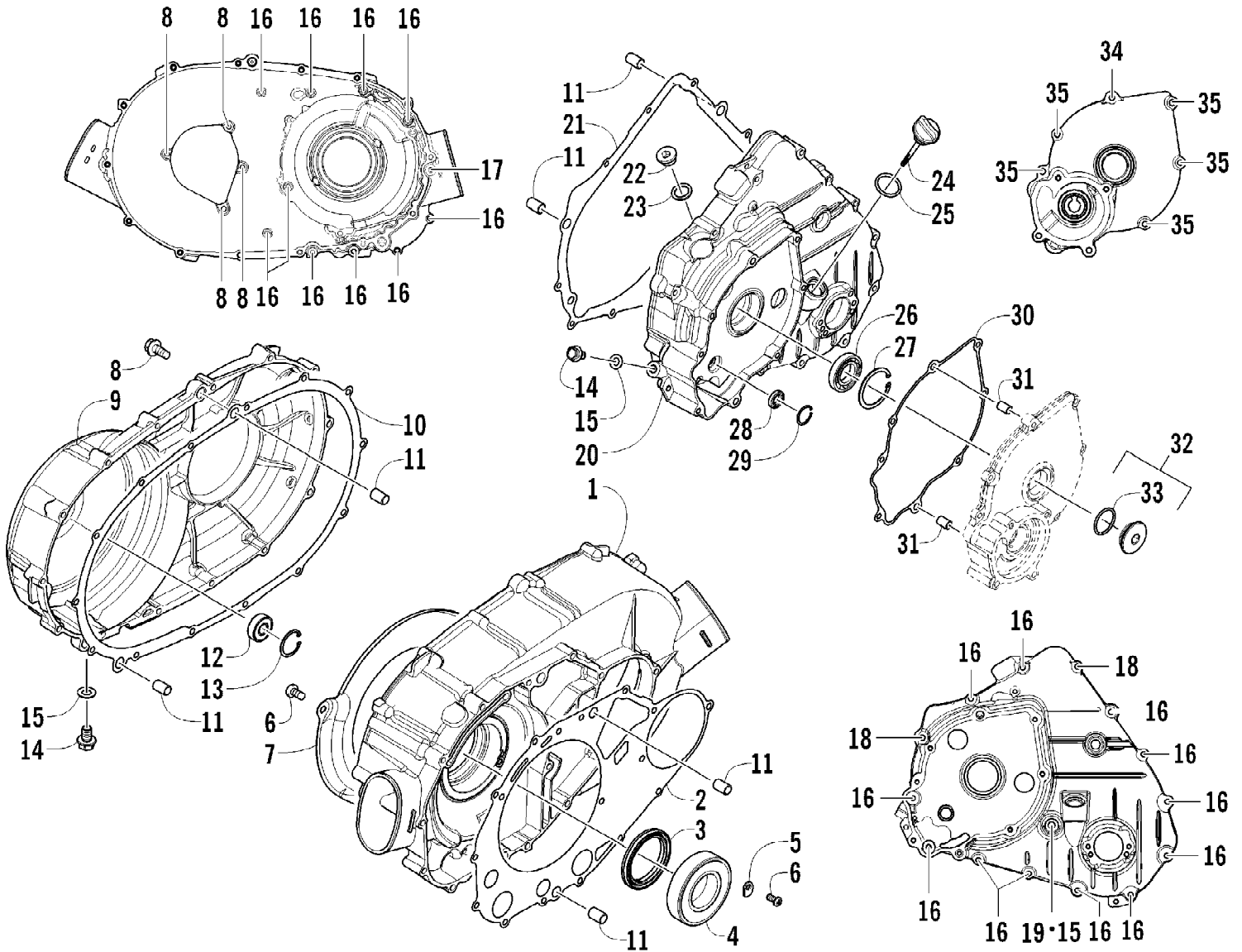


2011 ATV 425 EFI CR GREEN (A2011IRK4CUSG)  
CLUTCH AND DRIVE BELT ASSEMBLY

Page 10 of 70

Ref #	Part Number	Qty	S/P/F	Description
1	0823-328	1		Shoe, Clutch - Assembly
2	0823-198	1		Clutch, One-Way
3	0827-050	1		Nut
4	0823-338	1		Housing, Clutch
5	0470-531	1		O-Ring
6	0823-058	1		Spacer
7	0823-313	1		Face, Fixed Drive
8	0823-228	1		Belt, Drive
9	0823-324	1		Face, Movable Drive
10	0823-206	1		Spacer, Movable Drive Face
11	0823-213	1		Plate, Movable Drive Face
12	0823-214	4		Damper, Movable Drive Face
13	0823-351	8		Roller, Movable Drive Face
14	3323-165	1	/P	Nut
15	0823-350	1		Clutch, Driven - Assembly
16	0827-058	1		Nut

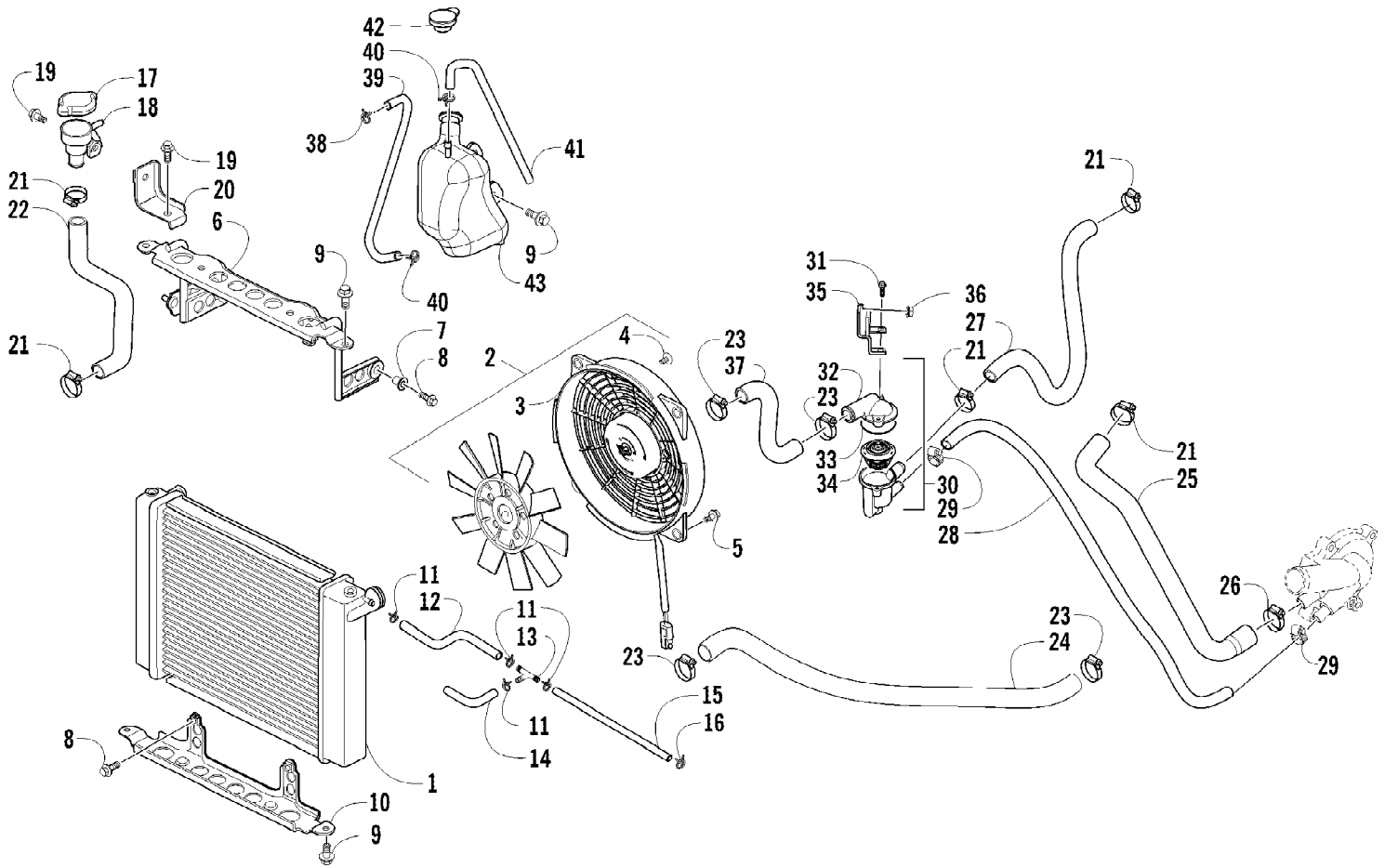
2011 ATV 425 EFI CR GREEN (A2011IRK4CUSG)  
CLUTCH/DRIVE BELT/MAGNETO COVER ASSEMBLY



2011 ATV 425 EFI CR GREEN (A2011IRK4CUSG)  
CLUTCH/DRIVE BELT/MAGNETO COVER ASSEMBLY

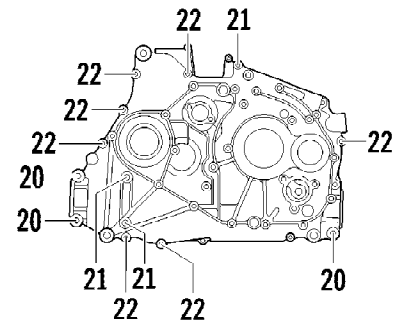
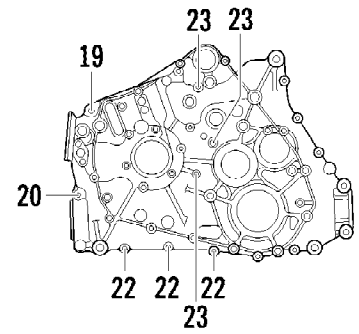
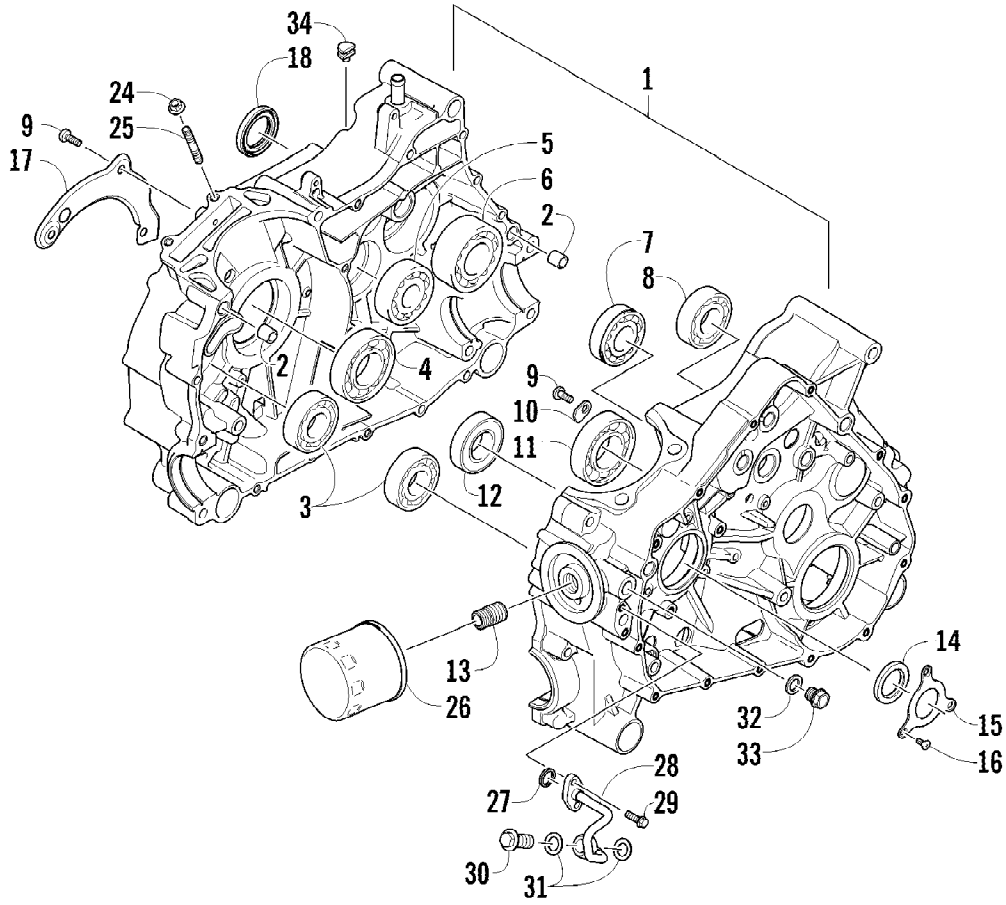
Ref #	Part Number	Qty	S/P/F	Description
1	0806-026	1		Cover, Clutch
2	0830-055	1		Gasket
3	0830-157	1		Seal
4	0832-071	1		Bearing
5	0822-104	2		Retainer, Bearing
6	0826-144	5		Screw, Machine
7	0806-103	1		Plate, Air Intake
8	3303-386	18	/P	Screw, Cap
9	0806-027	1		Cover, Drive Belt
10	0830-056	1		Gasket
11	0829-046	6		Pin, Dowel
12	0832-023	1		Bearing
13	3303-347	1		Circlip
14	3303-365	2		Plug, Drain
15	3303-591	3		Gasket, Drain Plug
16	3304-903	22		Screw, Cap
17	0826-066	1		Screw, Cap
18	3304-191	2	/P	Screw, Cap
19	0826-068	1		Screw, Cap
20	0806-122	1		Cover, Magneto
21	0830-057	1		Gasket
22	0806-099	1		Plug
23	0830-141	1		Washer, Crush
24	0806-029	1		Stick, Oil Level (inc. 25)
25	3304-102	1	/P	O-Ring, Oil Level Stick
26	0832-053	1		Bearing
27	3305-943	1		Ring, Retaining
28	3305-944	1		Bearing
29	3305-942	1		Ring, Retaining
30	0830-206	1		Gasket
31	3301-716	2		Pin, Dowel
32	0812-087	1		Cap, Inspection (inc. 33)
33	0835-016	1		O-Ring
34	0826-136	1		Screw, Cap
35	3303-383	5	/P	Screw, Cap

2011 ATV 425 EFI CR GREEN (A2011IRK4CUSG)  
COOLING ASSEMBLY



Ref #	Part Number	Qty	S/P/F	Description
1	3306-334	1		Radiator
2	3306-333	1		Fan, Cooling - Assembly (inc. 2-3)
3	3306-335	1		Shroud, Fan
4	3306-405	3		Screw, Shoulder
5	3304-587	4	/P	Screw, Cap
6	3306-347	1		Bracket, Mounting - Upper
7	3303-226	2		Insert
8	3304-551	4	/P	Screw, Cap
9	3304-652	6		Screw, Cap
10	3306-348	1		Bracket, Mounting - Lower
11	3304-161	5		Clamp, Hose
12	3306-345	1		Hose, Coolant - Radiator/T-Fitting
13	3306-346	1		T-Fitting
14	3306-374	1		Hose, Coolant - T-Fitting/Filler Neck
15	3306-375	1		Hose, Coolant - T-Fitting/Engine
16	3306-349	1		Clamp, Hose
17	3303-748	1		Cap, Filler Neck
18	3303-738	1		Neck, Filler
19	3304-553	2		Screw, Cap
20	3306-336	1		Bracket, Mounting - Filler Neck
21	1423-008	5		Clamp, Hose
22	3306-344	1		Hose, Coolant - Filler Neck/Radiator
23	3306-256	4		Clamp, Hose
24	3306-343	1		Hose, Coolant - Radiator/Water Pump
25	0410-216	1		Hose, Coolant - Water Pump/Cylinder
26	3305-941	1		Clamp, Hose
27	3306-255	1		Hose, Coolant - Thermostat/Cylinder
28	3306-258	1		Hose, Coolant - Thermostat/Water Pump
29	0423-098	2	/P	Clamp, Hose
30	0808-192	1		Housing, Thermostat - Assembly (inc. 31-34)
31	3303-384	2	/P	Screw, Cap
32	0808-202	1		Cover, Housing - Thermostat
33	0830-205	1		O-Ring
34	0813-050	1		Thermostat
35	3306-260	1		Bracket, Mounting - Thermostat Housing
36	3304-654	1	/P	Nut, Lock
37	3306-257	1		Hose, Coolant - Radiator/Thermostat
38	3303-349	1		Clamp, Hose
39	3306-340	1		Hose, Coolant - Reservoir/Filler Neck
40	3304-163	2		Clamp, Hose
41	3306-339	1		Hose, Vent
42	3303-749	1		Cap, Reservoir
43	3313-661	1		Tank, Reservoir

2011 ATV 425 EFI CR GREEN (A2011IRK4CUSG)  
CRANKCASE ASSEMBLY



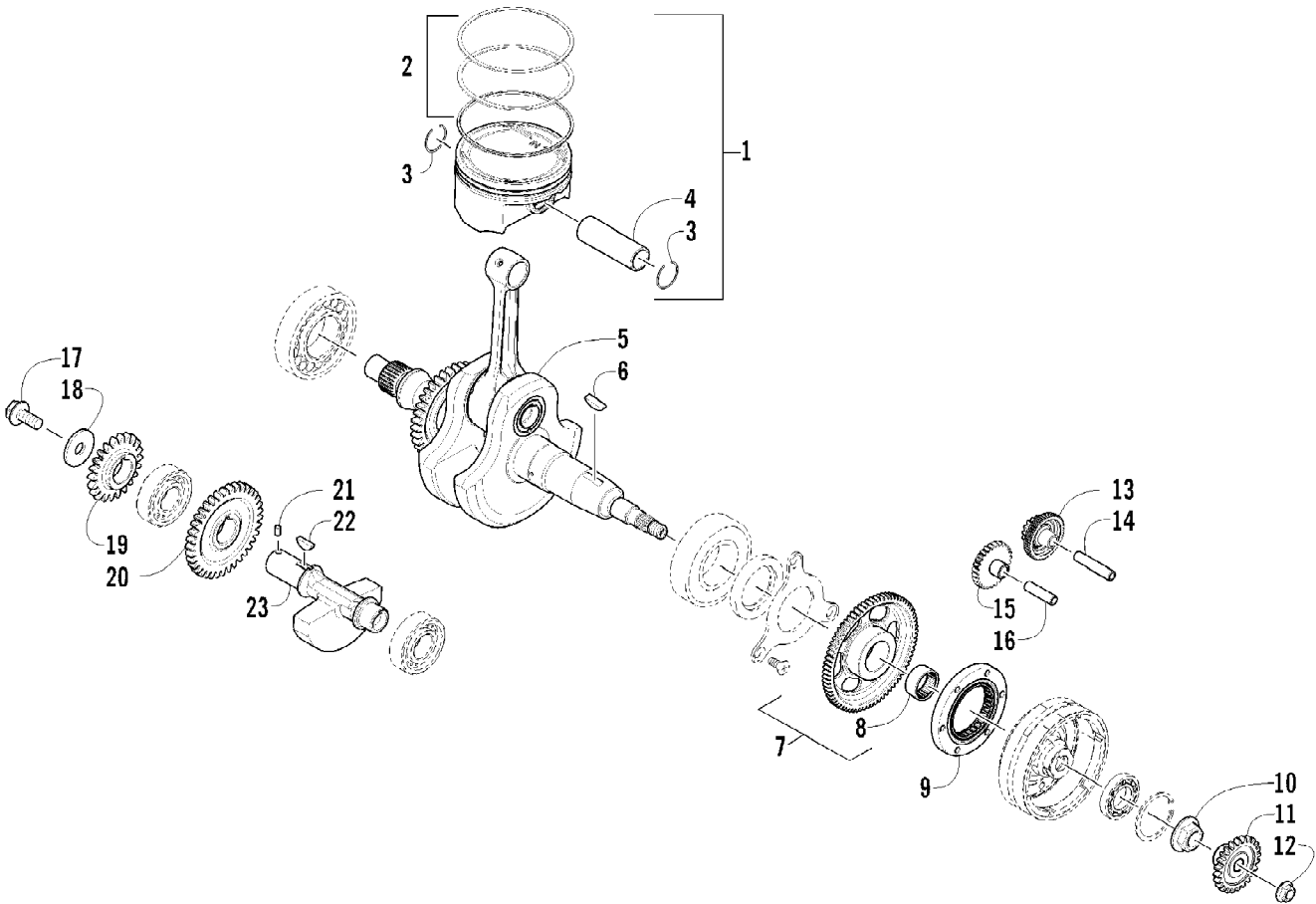
2011 ATV 425 EFI CR GREEN (A2011IRK4CUSG)  
CRANKCASE ASSEMBLY

Page 16 of 70

Ref #	Part Number	Qty	S/P/F	Description
1	0801-191	1		Crankcase - Assembly (inc. 2-21)
2	0829-050	2		Pin, Dowel
3	3313-745	2		Bearing
4	0832-087	1		Bearing
5	3304-198	1		Bearing
6	0832-074	1		Bearing
7	3304-195	1		Bearing
8	3304-699	1	/P	Bearing
9	0826-144	5		Screw, Machine
10	0822-104	2		Retainer, Bearing
11	0832-019	1		Bearing
12	0832-020	1		Bearing
13	0812-066	1		Union, Oil Filter
14	0830-058	1		Seal
15	0805-018	1		Retainer
16	0826-145	3		Screw, Machine
17	0801-018	1		Plate, Oil Guide - Right
18	0830-066	1		Seal
19	3303-372	1		Screw, Cap
20	0826-126	4		Screw, Cap
21	0826-064	3		Screw, Cap
22	3303-387	10		Screw, Cap
23	0826-065	3		Screw, Cap
24	3304-654	2	/P	Nut, Lock
25	3313-721	2		Bolt, Stud
26	0812-029	1	S	Filter, Oil
27	0830-172	1		O-Ring
28	0812-086	1		Oilline
29	3303-617	2	/P	Screw, Cap
30	0812-084	1		Bolt, Banjo-Fitting
31	0812-085	2		Washer
32	0830-143	1	/P	Gasket
33	0835-004	1		Plug, Oil Pressure
34	3313-744	1		Grommet

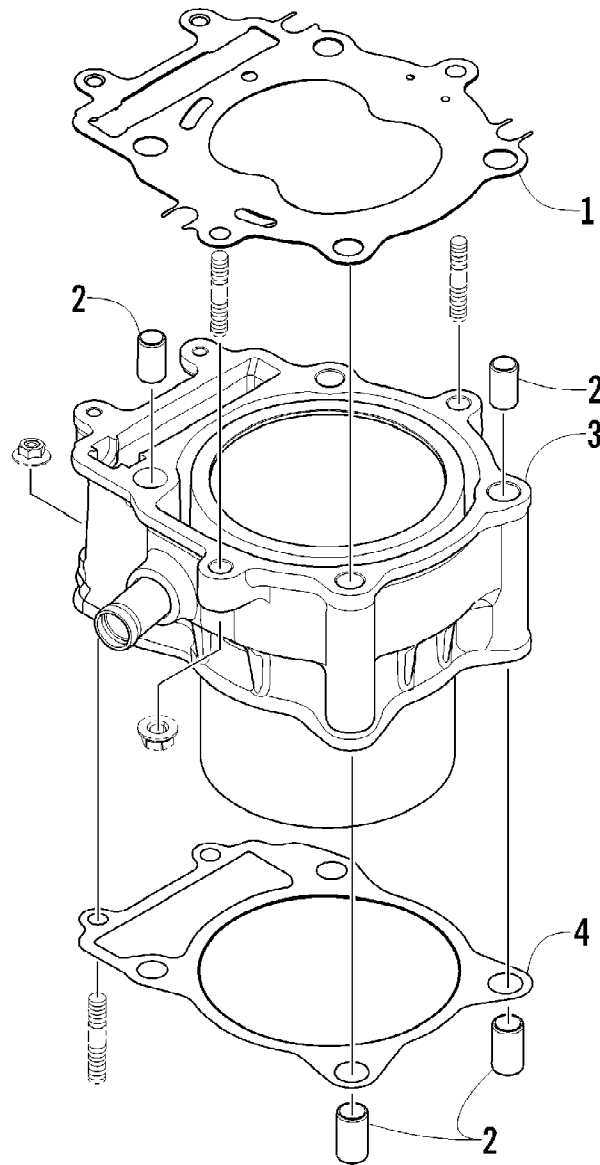


CRANKSHAFT, BALANCER, STARTER GEAR, AND PISTON ASSEMBLIES



## CRANKSHAFT, BALANCER, STARTER GEAR, AND PISTON ASSEMBLIES

Ref #	Part Number	Qty	S/P/F	Description
1	0805-352	1	S	Piston Set (inc. 2-4)
2	0805-320	1		Ring, Piston - Set
3	0831-060	2		Circlip
4	0805-023	1		Pin, Piston
5	0805-013	1		Crankshaft Assembly
6	0829-039	1		Key
7	0815-023	1		Gear, Starter Clutch (inc. 8)
8	0832-069	1		Bearing
9	0802-044	1	/P	Clutch, One-Way
10	0827-046	1		Nut
11	0811-036	1		Gear, Drive
12	3303-333	1	/P	Nut
13	0815-031	1		Gear, Starter Idler - No. 1
14	0815-007	1		Pin, Starter Idler Gear No. 1
15	0815-022	1		Gear, Starter Idler - No. 2
16	0815-015	1		Pin, Starter Idler Gear No. 2
17	0826-118	1		Screw, Cap
18	0828-091	1		Washer
19	0811-009	1		Gear, Oil Pump Drive
20	0811-006	1		Gear, Driven
21	3304-144	1		Pin, Alignment
22	0829-037	1		Key
23	0811-035	1		Balancer, Crank

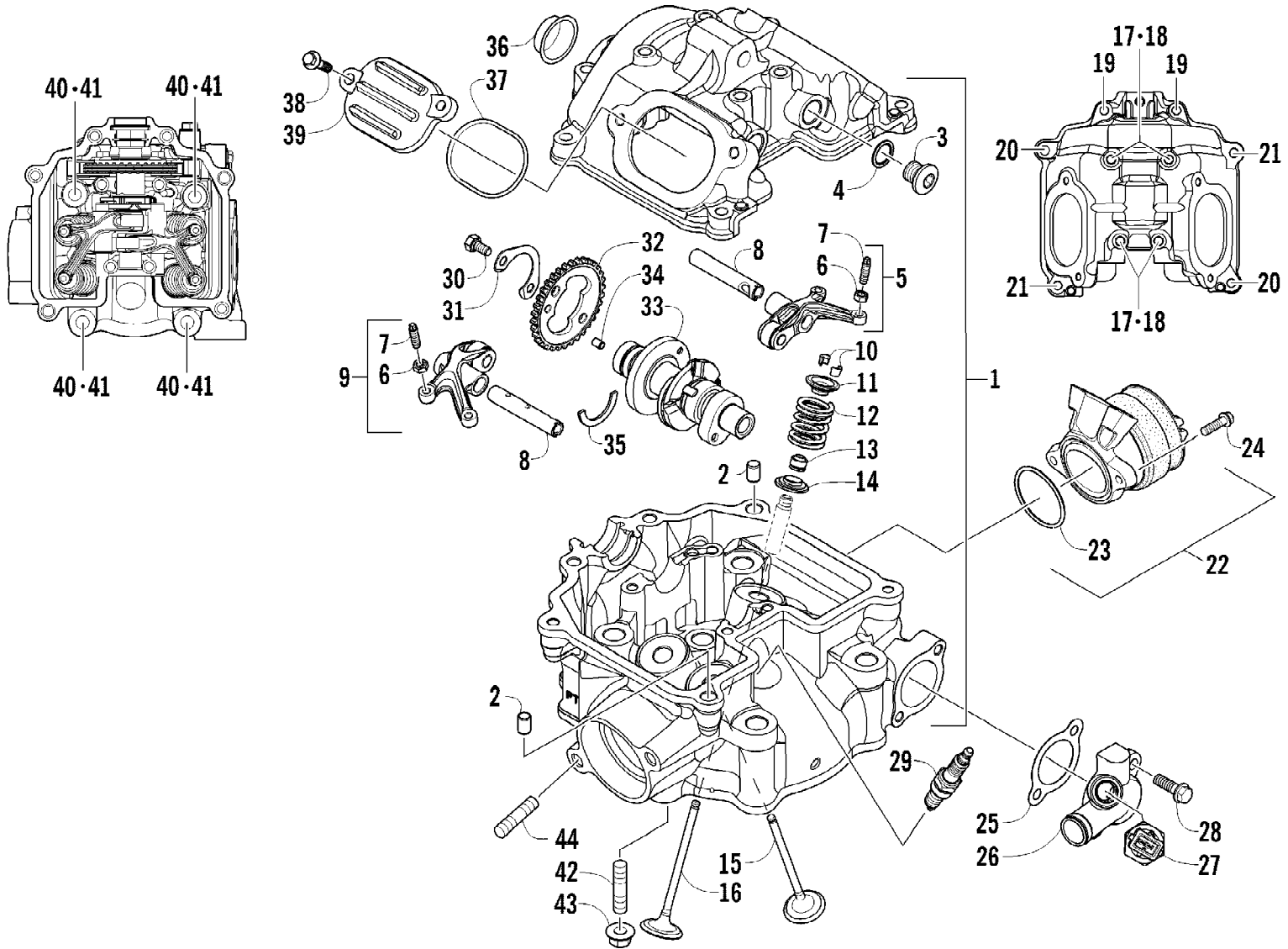


2011 ATV 425 EFI CR GREEN (A2011IRK4CUSG)  
CYLINDER ASSEMBLY

Page 20 of 70

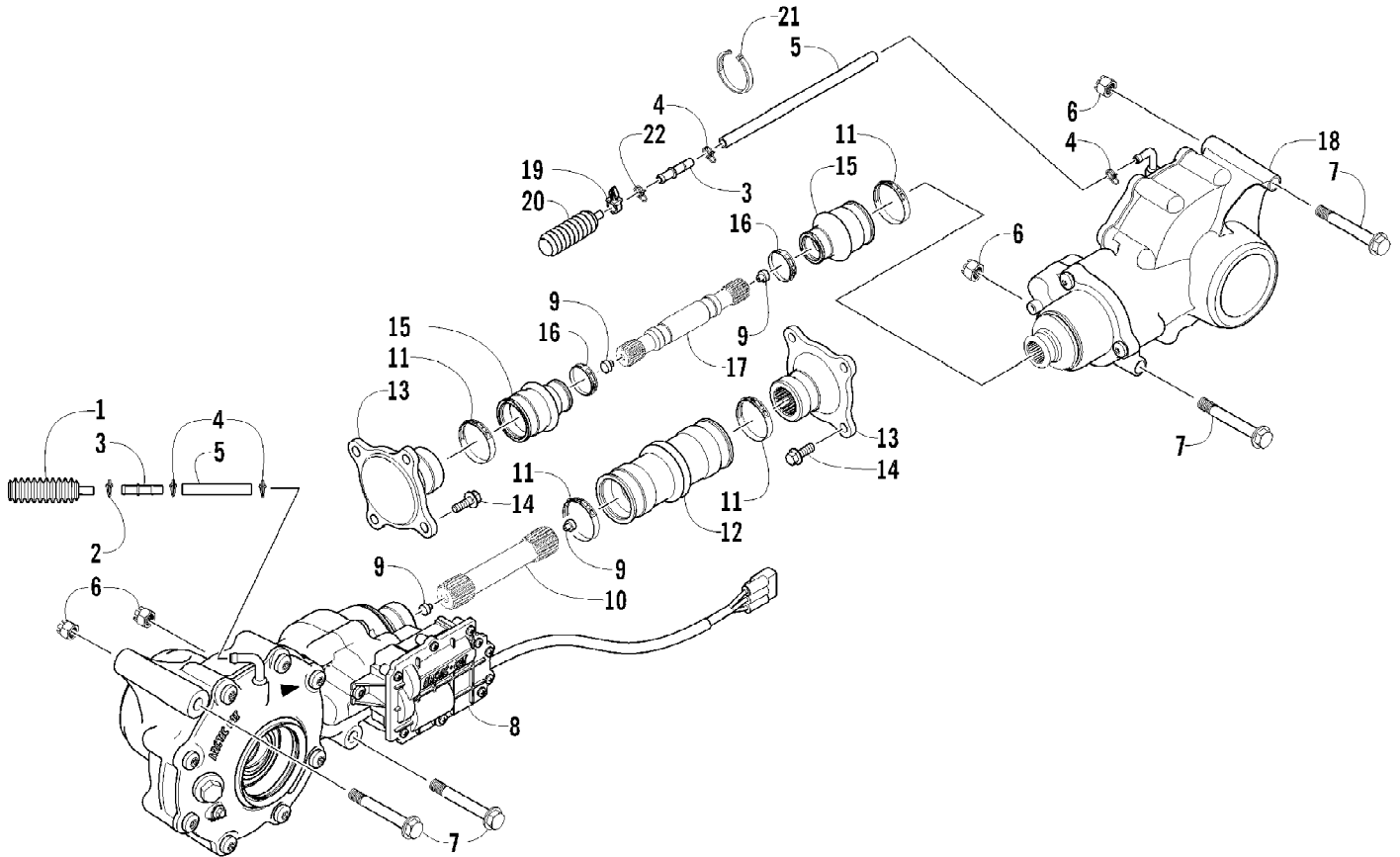
Ref #	Part Number	Qty	S/P/F	Description
1	0830-203	1		Gasket, Cylinder Head
2	0829-046	4		Pin, Dowel
3	0804-056	1		Cylinder
4	0830-204	1		Gasket, Cylinder

2011 ATV 425 EFI CR GREEN (A2011IRK4CUSG)  
CYLINDER HEAD AND CAMSHAFT/VALVE ASSEMBLY



2011 ATV 425 EFI CR GREEN (A2011IRK4CUSG)  
CYLINDER HEAD AND CAMSHAFT/VALVE ASSEMBLY

Ref #	Part Number	Qty	S/P/F	Description
1	0808-205	1		Head, Cylinder (inc. 2-17)
2	3303-341	2		Pin, Dowel
3	0831-053	2		Plug, Shaft
4	0830-143	2	/P	Gasket
5	0809-254	1		Arm, Valve Rocker - Intake (inc. 6-7)
6	3304-026	4	/P	Nut
7	3304-007	4	/P	Screw, Adjuster
8	0809-256	2		Shaft, Rocker Arm
9	0809-252	1		Arm, Valve Rocker - Exhaust (inc. 6-7)
10	3303-044	8		Cotter, Valve
11	0809-142	4		Retainer, Spring
12	0809-257	4		Spring, Valve
13	0809-190	4		Seal, Oil
14	0809-141	4		Seat, Spring
15	0809-266	2		Valve, Exhaust
16	0809-263	2		Valve, Intake
17	3304-904	4		Screw, Cap
18	0830-155	4	/P	Gasket
19	3304-918	2		Screw, Cap
20	0826-136	2		Screw, Cap
21	3303-384	2	/P	Screw, Cap
22	3306-249	1		Manifold, Intake (inc. 23)
23	0830-202	1		O-Ring
24	3304-189	2	/P	Screw, Cap
25	0830-200	1		Gasket
26	3306-246	1		Fitting, Coolant - Assembly
27	0808-196	1		Sensor, Engine Coolant Temperature
28	3303-617	2	/P	Screw, Cap
29	0217-708	1	F	Spark Plug
30	0826-154	2		Screw, Cap
31	0828-086	1		Plate, Retainer
32	0809-259	1		Sprocket
33	3306-247	1		Camshaft (inc. 34)
34	0829-036	1		Pin, Alignment
35	0809-165	1		C-Ring
36	0808-112	1		Plug, Head
37	0830-139	2		O-Ring
38	3303-383	4	/P	Screw, Cap
39	0808-111	2		Cap, Inspection
40	0826-062	4		Screw, Cap
41	0828-044	4		Washer
42	0827-064	2		Bolt, Stud
43	3303-332	2		Nut
44	0827-065	2		Bolt, Stud

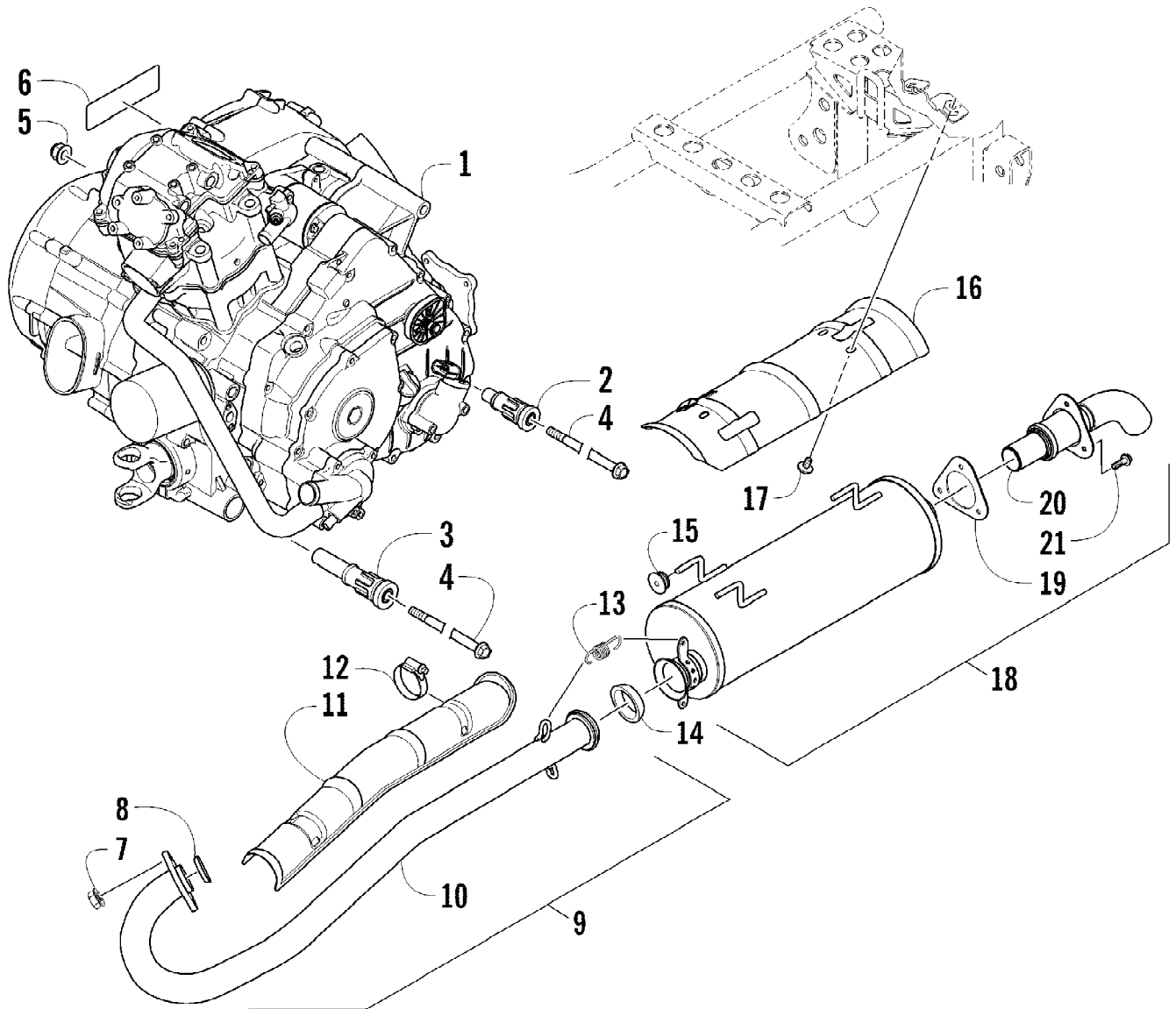


2011 ATV 425 EFI CR GREEN (A2011IRK4CUSG)  
DRIVE TRAIN ASSEMBLY

Page 24 of 70

Ref #	Part Number	Qty	S/P/F	Description
1	3313-796	1		Bladder, Gearcase
2	3323-149	1		Clamp, Hose
3	3323-150	2		Fitting, Vent
4	3313-684	4		Clamp, Hose
5	0410-048	AR	S	Hose, Vent
6	3304-031	4	/P	Nut, Lock
7	3305-787	4		Screw, Cap
8	3306-265	1		Gearcase, Front
9	3313-783	4		Bumper, Propeller Shaft
10	3313-784	1		Shaft, Propeller
11	3313-776	4		Clamp
12	3313-825	1		Boot, Coupler
13	3313-774	2		Flange, Output
14	3304-565	8	/P	Screw, Cap
15	0402-985	2	/P	Boot
16	3313-777	2		Clamp
17	3313-773	1		Shaft, Propeller
18	3306-023	1		Gearcase, Rear
19	3323-152	1		Clip, Routing
20	3304-170	1	/P	Bladder, Gearcase
21	0123-788	AR	/P	Tie, Cable - 8 in.
22	3303-349	1		Clamp, Hose

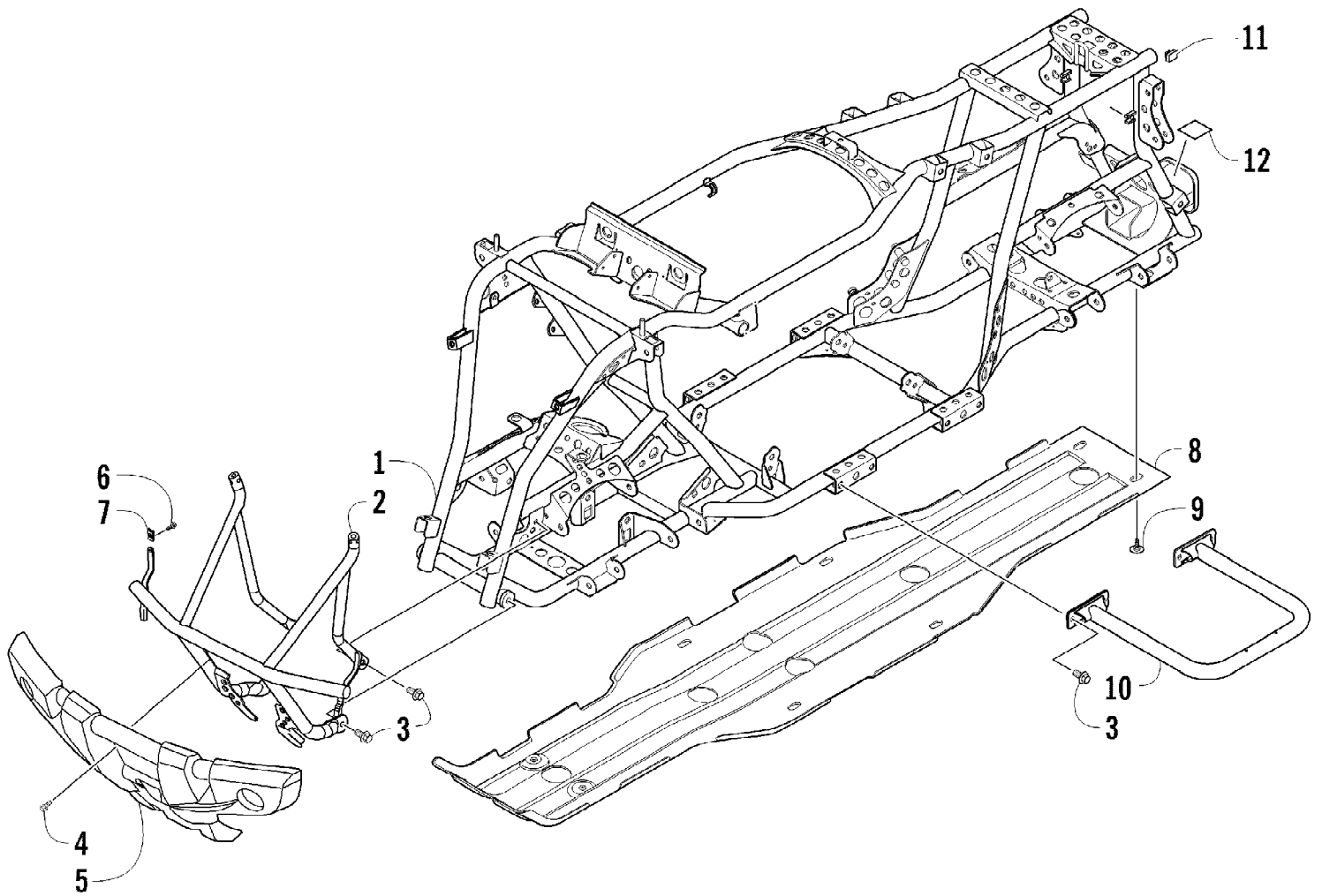




2011 ATV 425 EFI CR GREEN (A2011IRK4CUSG)  
ENGINE AND EXHAUST

Page 26 of 70

Ref #	Part Number	Qty	S/P/F	Description
1	3313-846	1		Engine (inc. 2-3)
2	0801-188	3		Mount, Rubber - Engine
3	0801-189	1		Mount, Rubber - Engine
4	3323-174	2		Screw, Cap
5	3304-031	2	/P	Nut, Lock
6	0411-426	1		Decal, Warning - Clutch Cover
7	3303-332	2		Nut
8	3313-743	1		Gasket, Exhaust Pipe
9	3306-314	1		Pipe, Exhaust - Assembly (inc. 10-12)
10	3306-313	1		Pipe, Exhaust
11	3313-025	1		Shield, Exhaust
12	0423-317	2	/P	Clamp
13	0612-668	2	/P	Spring, Extension
14	3306-315	1		Seal, Exhaust
15	3313-264	3		Bushing
16	3313-026	1		Cover, Muffler
17	3313-711	3		Screw, Machine
18	3306-551	1		Muffler - Assembly (inc. 19-21)
19	3313-708	1		Gasket, Spark Arrester
20	3313-707	1		Arrester, Spark - Assembly
21	3313-710	3		Screw, Cap

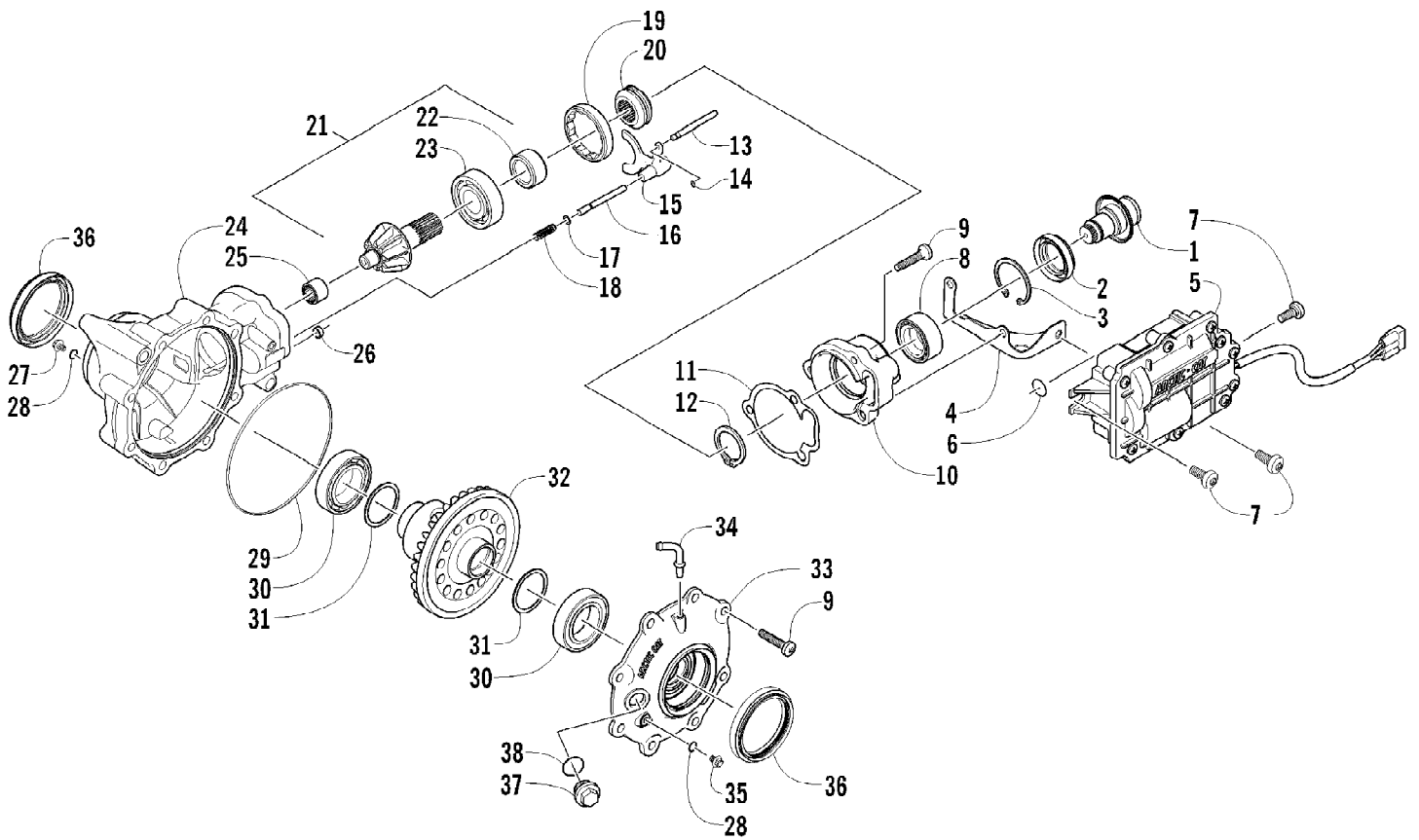


2011 ATV 425 EFI CR GREEN (A2011IRK4CUSG)  
FRAME AND RELATED PARTS

Page 28 of 70

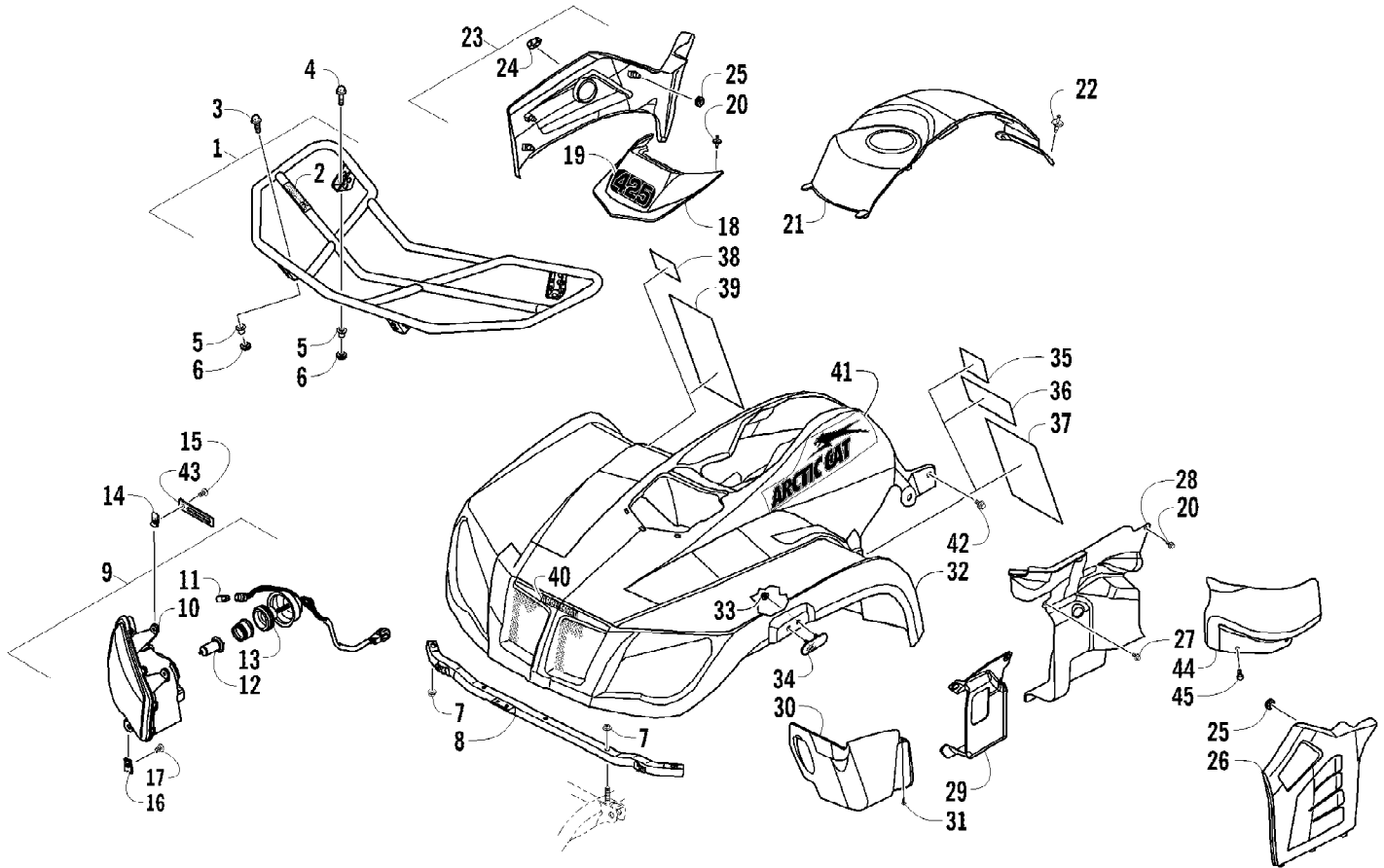
Ref #	Part Number	Qty	S/P/F	Description
1	3306-328	1		Frame, Main
2	3306-332	1		Bumper - Front
3	3304-543	12	/P	Screw, Cap
4	3304-587	4	/P	Screw, Cap
5	3306-289	1		Fascia, Bumper
6	3304-586	2	/P	Screw, Cap
7	3303-267	2		Clip, U-Nut
8	3313-755	1	/P	Panel, Belly
9	0423-545	10	/P	Screw, Shoulder
10	3313-351	2		Footrest
11	3306-329	2		Cushion
12	1411-077	1		Decal, Warning - Towing

2011 ATV 425 EFI CR GREEN (A2011IRK4CUSG)  
FRONT DRIVE GEARCASE ASSEMBLY



Ref #	Part Number	Qty	S/P/F	Description
	3306-265	1		Complete Front Drive Gearcase Assembly
1	3306-047	1		Shaft, Input
2	3323-239	1		Seal
3	3306-046	1		Ring, Retaining
4	3323-241	1		Bracket, Actuator
5	3306-264	1		Actuator
6	3313-792	1		O-Ring
7	3313-797	3		Screw, Self-Tapping
8	3323-240	1		Bearing
9	3303-615	11		Screw, Self-Tapping
10	3323-238	1		Housing, Pinion
11	3323-234	1		Gasket, Flange
12	3306-045	1		Ring, Retaining
13	3323-235	1		Shaft, Selector
14	3313-791	1		Ring, Retaining
15	3323-236	1		Fork, Selector
16	3323-233	1		Shaft, Shuttle
17	3313-790	1		O-Ring
18	3313-789	1		Spring, Return
19	3313-788	1		Collar, Lock
20	3323-232	1		Coupler, Drive
21	3306-039	1		Gear, Pinion - Assembly - 11T (inc. 22-23)
22	0402-336	1		Collar, Retaining
23	3306-040	1		Bearing
24	3313-793	1		Housing, Gearcase
25	3306-038	1		Bearing
26	3306-048	1		Pin, Dowel
27	3306-027	1		Plug, Magnetic (inc. one No. 28)
28	0423-153	2		O-Ring
29	3306-030	1		O-Ring
30	3306-026	2		Bearing
31	3306-132	AR		Shim, 41 x 49 x 1.0 mm
31	3306-133	AR		Shim, 41 x 49 x 1.1 mm
31	3306-134	AR		Shim, 41 x 49 x 1.2 mm
31	3306-135	AR		Shim, 41 x 49 x 1.3 mm
31	3306-136	AR		Shim, 41 x 49 x 1.4 mm
31	3306-137	AR		Shim, 41 x 49 x 1.5 mm
31	3306-138	AR		Shim, 41 x 49 x 1.6 mm
31	3306-139	AR		Shim, 41 x 49 x 1.7 mm
32	3313-794	1		Gear, Ring - 34T
33	3313-795	1		Cover, Gearcase
34	3306-034	1		Fitting, Elbow
35	3306-036	1		Plug, Oil Level (inc. one No. 28)
36	3306-025	2		Seal
37	3306-035	1		Plug, Fill (inc. 38)
38	0423-154	1		O-Ring

2011 ATV 425 EFI CR GREEN (A2011IRK4CUSG)  
FRONT RACK, BODY PANEL, AND HEADLIGHT ASSEMBLIES

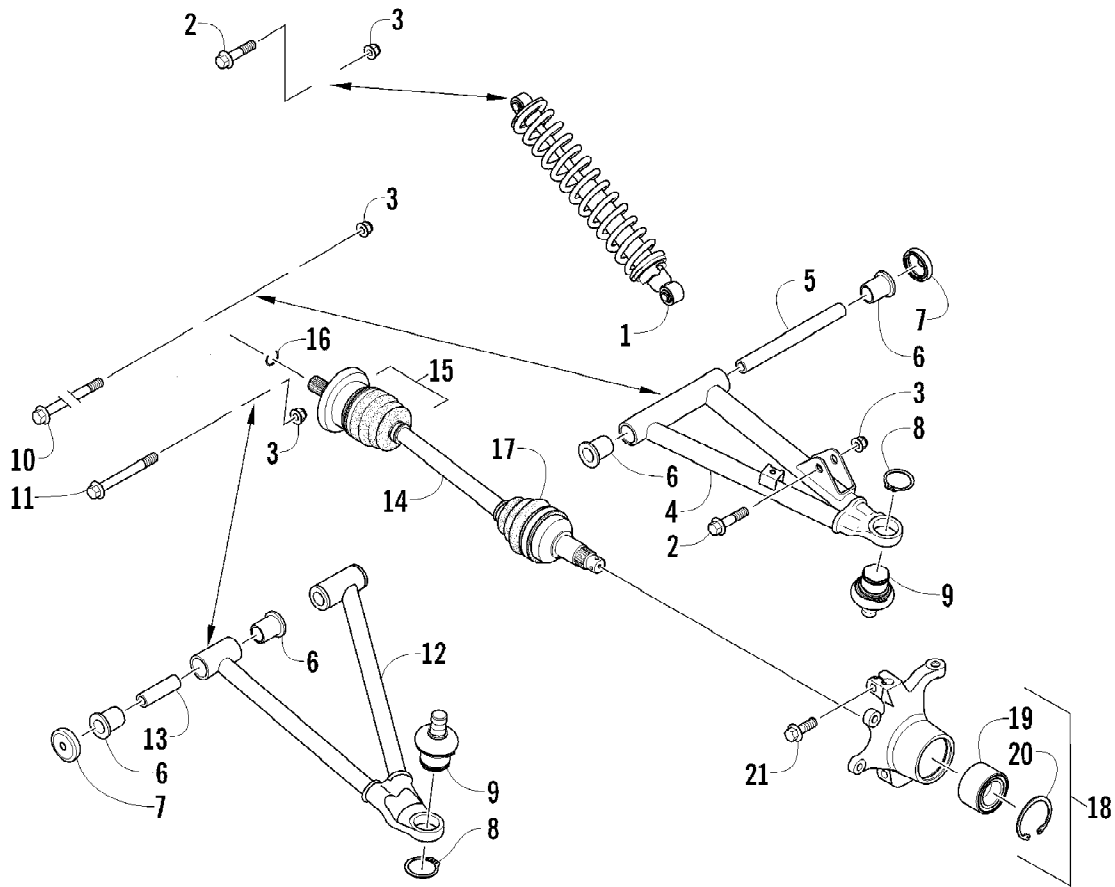


2011 ATV 425 EFI CR GREEN (A2011IRK4CUSG)  
FRONT RACK, BODY PANEL, AND HEADLIGHT ASSEMBLIES

Ref #	Part Number	Qty	S/P/F	Description
1	3306-330	1		Rack, Front - Assembly (inc. 2)
2	1411-681	1		Decal, Warning - Load
3	3313-713	2		Screw, Cap
4	3313-522	2		Screw, Cap
5	0423-669	4		Spacer
6	0423-465	4		Grommet
7	3304-668	4		Nut, Lock
8	3306-331	1		Tube, Mounting
9	3306-268	1		Headlight - Assembly - Right (inc. 10-13)
9	3306-269	1		Headlight - Assembly - Left (inc. 10-13)
10	3306-270	1		Lens, Headlight - Right
10	3306-271	1		Lens, Headlight - Left
11	3303-847	2		Bulb
12	3303-846	2	/P	Bulb, Headlight
13	3306-272	2		Harness, Headlight
14	3304-061	4	/P	Clip, U-Nut
15	3304-029	4	/P	Screw, Cap
16	3303-267	2		Clip, U-Nut
17	3304-586	2	/P	Screw, Cap
18	3306-404	1		Cover, Access
19	2411-497	1		Decal, "425"
20	3303-592	4		Clip, Retaining
21	3306-397	1		Cover, Gas Tank
22	3304-057	2	/P	Clip, Retaining
23	3313-857	1		Panel, Side - Lower - Right (inc. 24)
24	3306-307	1		Plug, Access
25	0423-678	10		Grommet
26	3313-667	1		Panel, Side - Lower - Left
27	3305-448	4		Clip, Retaining
28	3306-284	1		Panel, Splash - Rear Right
28	3306-285	1		Panel, Splash - Rear Left
29	3306-286	1		Panel, Splash - Front Right
29	3306-287	1		Panel, Splash - Front Left
30	3313-754	1		Shield, Linkage
31	3304-650	3	/P	Screw, Self-Tapping
32	3306-399	1		Panel, Fender - Front (inc. 33-39)
33	3304-774	2		Nut, Lock
34	3313-359	2	/P	Reflector
35	0411-835	1		Decal, Warning - Turn/Hill
36	1411-804	1	/P	Decal, Warning - Age
37	1411-932	1	/P	Decal, Warning - General
38	1411-574	1		Decal, Warning - Off-Road Only
39	1411-250	1		Decal, Warning - Reverse/Pre-Ride
40	2411-501	1		Decal, "Arctic Cat"
41	2411-494	1		Decal, Side - Upper Right
41	2411-495	1		Decal, Side - Upper Left
42	3305-783	2		Screw, Cap
43	3304-157	2		Clamp, Routing
44	3313-844	1		Protector, Hose
45	3304-587	2	/P	Screw, Cap

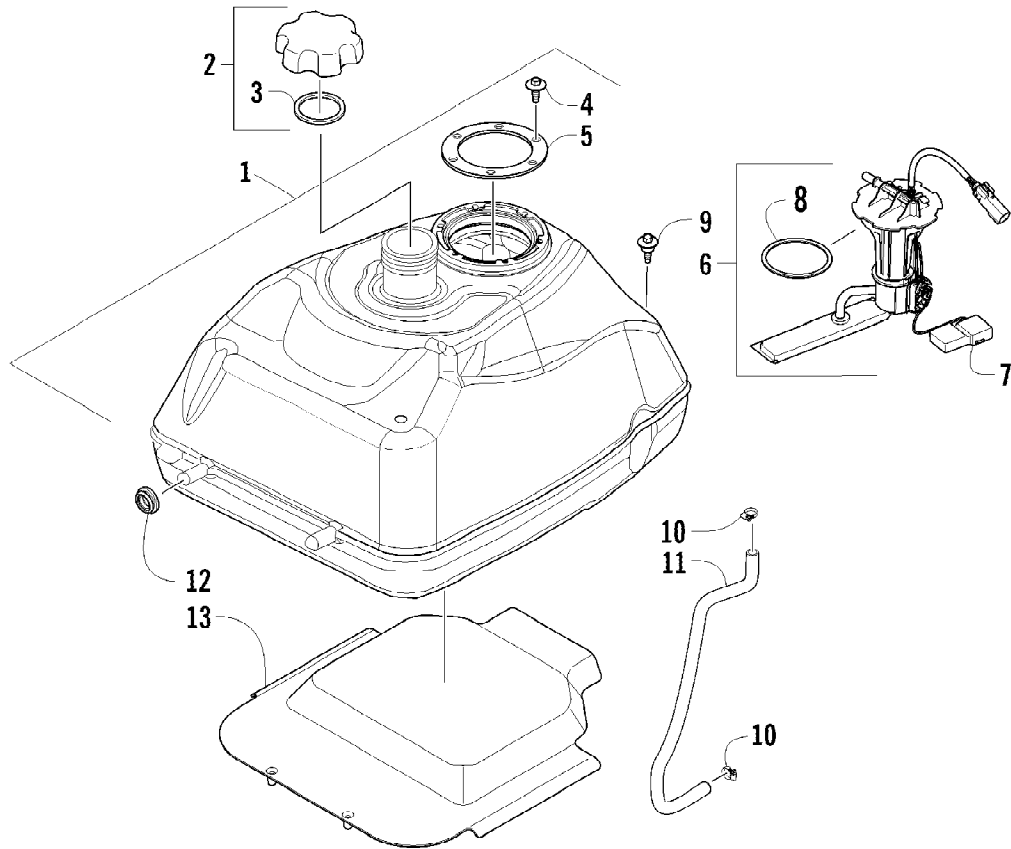


2011 ATV 425 EFI CR GREEN (A2011IRK4CUSG)  
FRONT SUSPENSION ASSEMBLY



2011 ATV 425 EFI CR GREEN (A2011IRK4CUSG)  
FRONT SUSPENSION ASSEMBLY

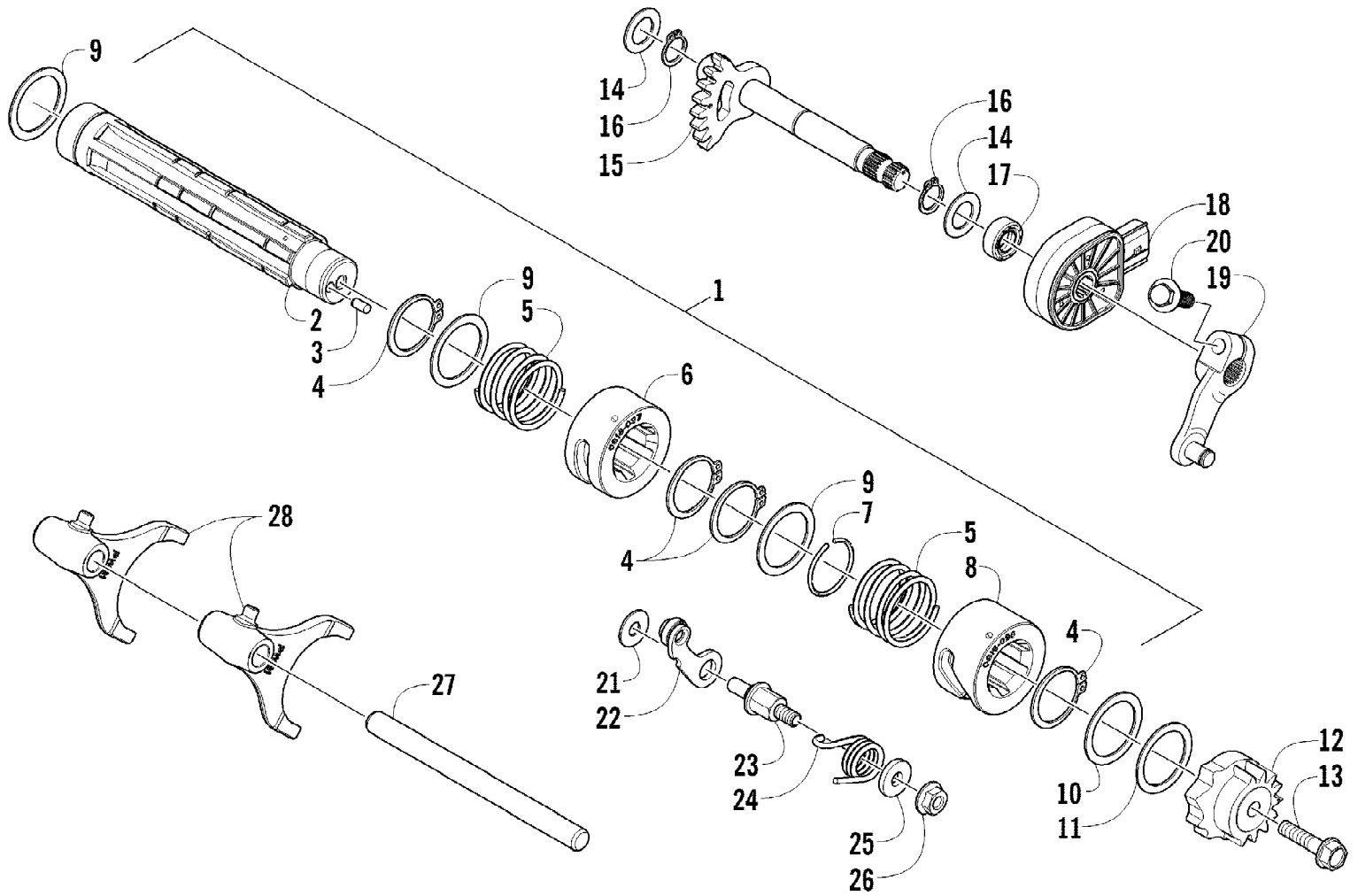
Ref #	Part Number	Qty	S/P/F	Description
1	3313-330	2		Shock/Spring Assembly
2	3303-376	4	/P	Screw, Cap
3	8428-002	10		Nut, Lock
4	3306-416	1		A-Arm, Upper Right (inc. 5-9)
4	3306-417	1		A-Arm, Upper Left (inc. 5-9)
5	3313-111	2	/P	Axle
6	3313-112	12		Bushing
7	3313-113	12		Seal
8	0423-009	4	/P	Ring, Retaining
9	0405-115	4	/P	Ball Joint
10	3313-430	2		Screw, Cap
11	3304-183	4	/P	Screw, Cap
12	3313-080	1		A-Arm, Lower Right (inc. 6-9 and 13)
12	3313-081	1		A-Arm, Lower Left (inc. 6-9 and 13)
13	3313-107	4		Axle
14	3313-831	2	/P	Axle, Drive - Front (inc. 15-17)
15	3313-560	2		Repair Kit, Boot - Drive Axle - Inbound (inc. 16)
16	0423-844	2	/P	Clip, Retaining
17	3313-558	2		Repair Kit, Boot - Drive Axle - Outbound
18	3323-130	1		Knuckle - Assembly - Right (inc. 19-20)
18	3323-131	1		Knuckle - Assembly - Left (inc. 19-20)
19	1402-809	2	/P	Bearing
20	0423-423	2		Ring, Retaining
21	3323-127	4		Screw, Cap



2011 ATV 425 EFI CR GREEN (A2011IRK4CUSG)  
GAS TANK ASSEMBLY

Page 36 of 70

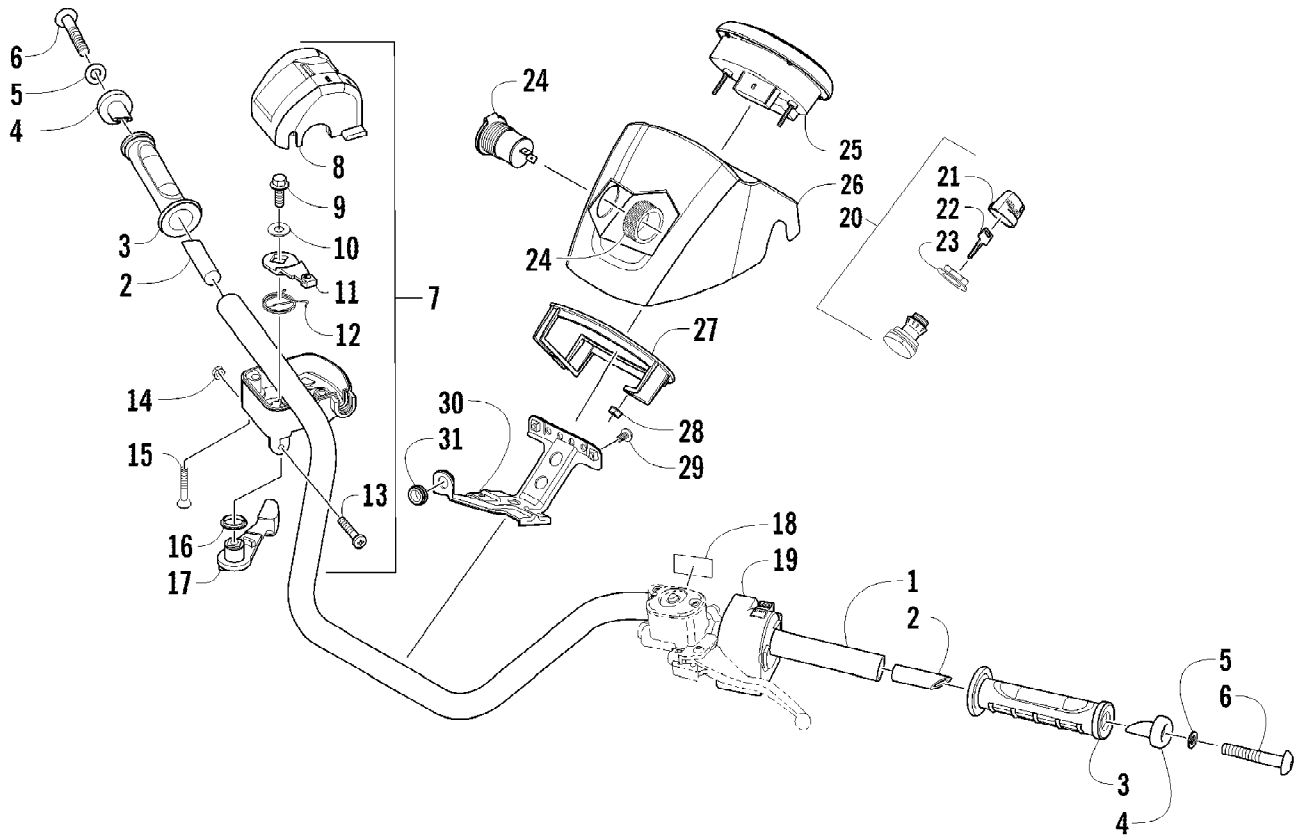
Ref #	Part Number	Qty	S/P/F	Description
1	3306-403	1		Tank, Gas - Assembly (inc. 2-5)
2	3306-297	1		Cap, Gas Tank (inc. 3)
3	3306-298	1		Gasket, Gas Tank Cap
4	3306-300	6	/P	Screw, Self-Tapping
5	3306-299	1		Plate, Retaining
6	3306-296	1		Pump, Fuel - Assembly (inc. 7-8)
7	2670-235	1		Float
8	3313-845	1		Seal
9	0423-732	1		Screw, Shoulder
10	0423-098	2	/P	Clamp, Hose
11	3306-295	1		Hose, Fuel - Assembly
12	0423-460	2		Grommet
13	3313-833	1		Shield, Heat



2011 ATV 425 EFI CR GREEN (A2011IRK4CUSG)  
GEAR SHIFTING ASSEMBLY

Page 38 of 70

Ref #	Part Number	Qty	S/P/F	Description
1	0818-126	1	/P	Shaft, Gear Shift - Assembly (inc. 2-8 and two No. 9)
2	0818-125	1	/P	Shaft, Gear Shift
3	3304-439	1		Pin, Dowel
4	3304-147	4	/P	Circlip
5	0818-060	2		Spring
6	0818-117	1		Cam, Reverse
7	0831-016	1		C-Ring
8	0818-116	1		Cam, Gear Shift
9	0828-079	3		Washer
10	0828-081	1		Washer, Thrust
11	0828-080	1		Washer, Thrust
12	0818-061	1		Plate, Gear Shift Cam
13	3304-569	1		Screw, Cap
14	0828-084	2		Washer
15	0818-113	1		Shaft, Sub-Gear Shift (inc. 16)
16	3301-875	2		Circlip
17	0830-179	1		Seal
18	3306-259	1		Switch, Gear Position
19	3306-316	1		Arm, Select
20	3304-551	1	/P	Screw, Cap
21	0828-083	1		Washer
22	0818-084	1		Stopper, Cam
23	0818-062	1		Support, Cam Stopper
24	0818-109	1		Spring
25	0828-082	1		Washer
26	3304-654	1	/P	Nut, Lock
27	0818-021	1		Shaft, Shift Fork
28	0818-088	2		Fork, Shift



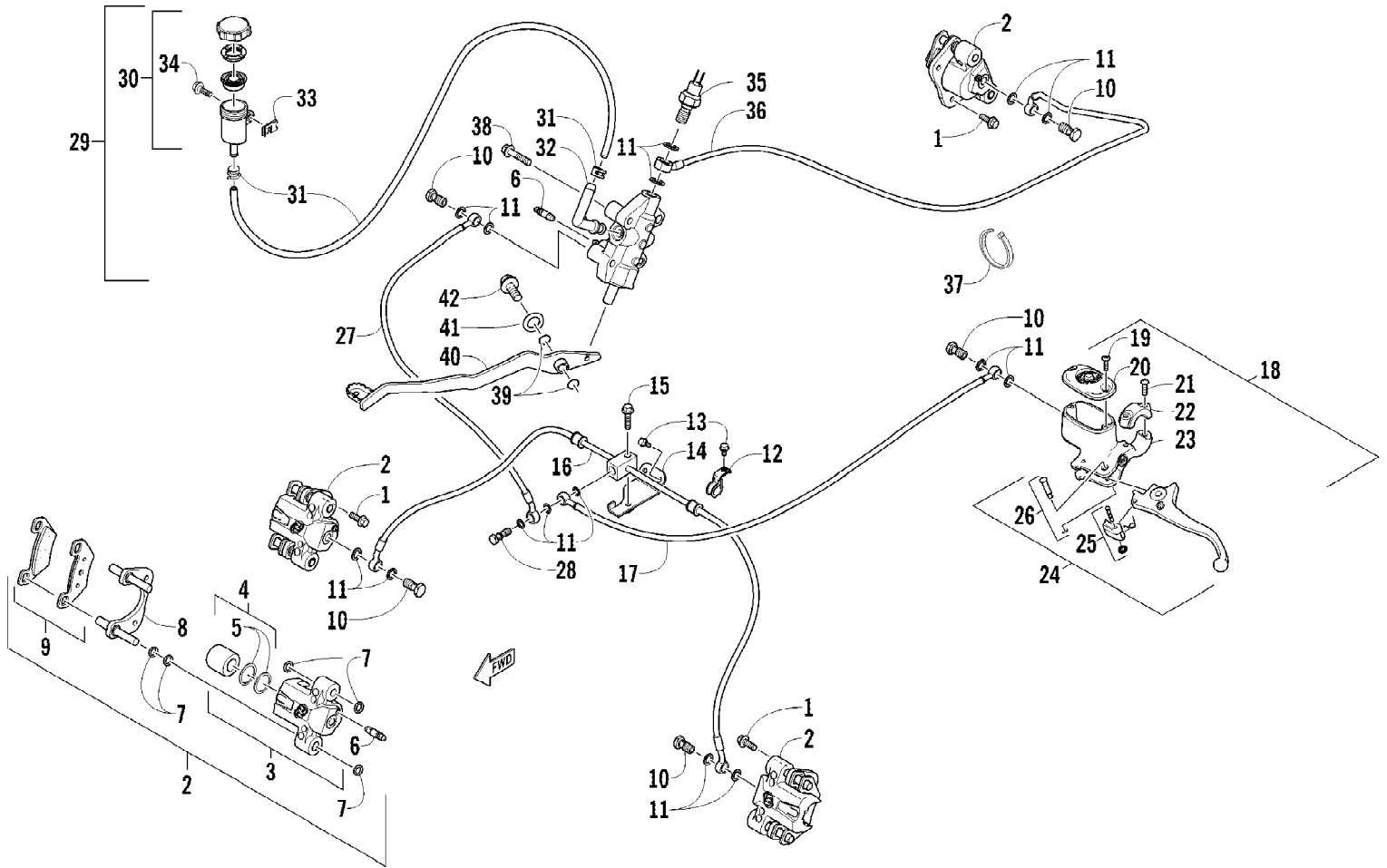
2011 ATV 425 EFI CR GREEN (A2011IRK4CUSG)  
HANDLEBAR ASSEMBLY

Page 40 of 70

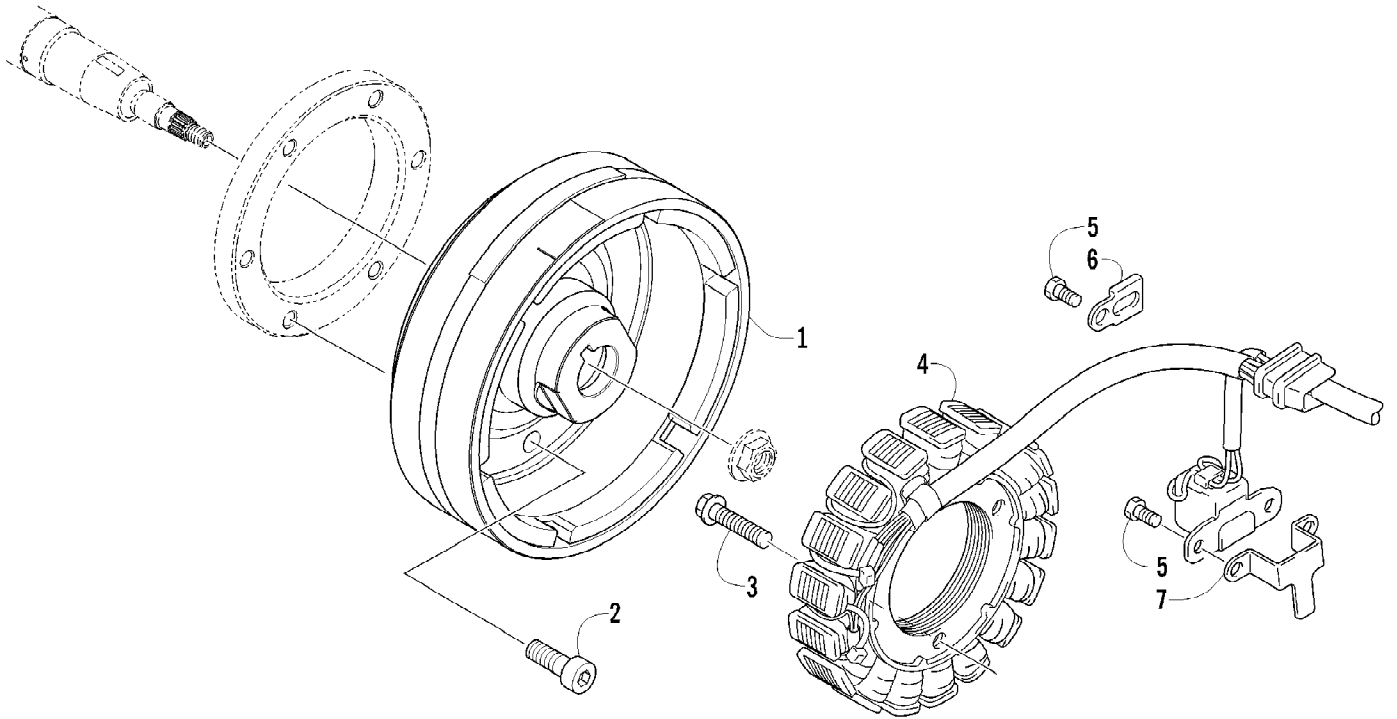
Ref #	Part Number	Qty	S/P/F	Description
1	3313-059	1		Handlebar
2	0405-148	2		Plug, Handlebar
3	0405-147	2		Grip, Handlebar
4	0405-149	2		End Cap, Handlebar
5	8050-247	2	/P	Washer
6	8477-845	2		Screw, Machine
7	3306-276	1		Case, Throttle - Assembly (inc. 8-17)
8	3306-418	1		Cover, Throttle Case w/Switch
9	3305-344	1	/P	Screw, Cap
10	3313-739	1		Washer
11	3313-838	1		Arm, Throttle
12	3313-839	1		Spring
13	3313-740	1		Screw, Machine
14	3305-832	1		Nut
15	3313-741	2		Screw, Machine
16	3313-841	1		Spacer
17	3313-842	1		Lever
18	1411-865	1		Decal, Brake Lever Lock
19	3313-428	1		Switch, Control - Assembly
20	3313-439	1		Switch, Ignition - Assembly (inc. 21-23)
21	0430-054	1		Cover, Key
22	3409-007	2	/P/F	Key, Ignition - Blank
23	0430-050	1		Nut, Flange - Ignition Switch
24	3313-468	1		Outlet, Accessory - 12V
25	0520-113	1		Speedometer - Assembly
26	3306-278	1		Pod, Instrument
27	0420-065	1	/P	Bracket, Retaining
28	0423-493	2		Nut w/Washer
29	3304-404	2		Screw, Cap
30	3306-277	1		Bracket, Mounting - Pod (inc. 31)
31	3303-239	1		Grommet



2011 ATV 425 EFI CR GREEN (A2011IRK4CUSG)  
HYDRAULIC BRAKE ASSEMBLY



Ref #	Part Number	Qty	S/P/F	Description
1	3305-785	6		Screw, Cap
2	3323-230	1		Caliper, Brake - Right Front (inc. 3-9)
2	3323-231	1		Caliper, Brake - Left Front (inc. 3-9)
2	3323-231	1		Caliper, Brake - Rear (inc. 3-9)
3	1436-160	1	/P	Housing, Caliper - Assembly - Right Front (inc. 4-6)
3	1436-161	1	/P	Housing, Caliper - Assembly - Left Front (inc. 4-6)
3	1436-161	1	/P	Housing, Caliper - Assembly - Rear (inc. 4-6)
4	0502-606	3		Piston/Seal Set (inc. 5)
5	0502-607	3		Seal Set
6	0502-609	4	/P	Valve, Bleed
7	0502-608	3		O-Ring, Guide - Set
8	0502-605	3		Bracket Assembly
9	1502-694	3	S	Pad, Brake - Set
10	3303-257	5	/P	Bolt, Banjo-Fitting
11	3303-284	15	/P	Washer, Crush
12	3303-919	2		Clamp, Brake Hose
13	3304-553	3		Screw, Cap
14	3313-523	1		Bracket, Mounting - Brake Hose Assembly
15	3305-789	1		Screw, Cap
16	3313-750	1	/P	Hose, Brake - Assembly
17	3313-422	1		Hose, Brake
18	3313-316	1		Brake Assembly (inc. 19-26)
19	0502-566	1		Screw, Machine - Kit
20	0502-868	1	/P	Cover, Reservoir
21	0502-568	1		Screw, Machine - Kit
22	0502-869	1		Clamp, Master Cylinder
23	0502-704	1		Master Cylinder Assembly
24	0502-866	1		Lever Assembly - Kit (inc. 25-26)
25	0502-867	1	/P	Lock, Brake Lever - Kit
26	0502-580	1		Lever Pin - Kit
27	3313-423	1		Hose, Brake
28	3304-674	1	/P	Bolt, Banjo-Fitting - Double
29	3313-478	1	/P	Brake Assembly (inc. 30-32)
30	1502-141	1		Reservoir, Brake w/Clamp
31	3313-489	1		Hose, Brake Fluid Reservoir w/Clamps
32	1502-296	1	/P	Adapter, Hose
33	3304-061	1	/P	Clip, U-Nut
34	3306-146	1		Screw, Cap
35	3313-820	1		Switch, Brake
36	3313-315	1		Hose, Brake
37	0123-788	AR	/P	Tie, Cable - 8 in.
38	3303-386	2	/P	Screw, Cap
39	1602-213	2	/P	O-Ring
40	3313-156	1	/P	Lever, Brake
41	3304-135	1	/P	Washer
42	3304-543	1	/P	Screw, Cap

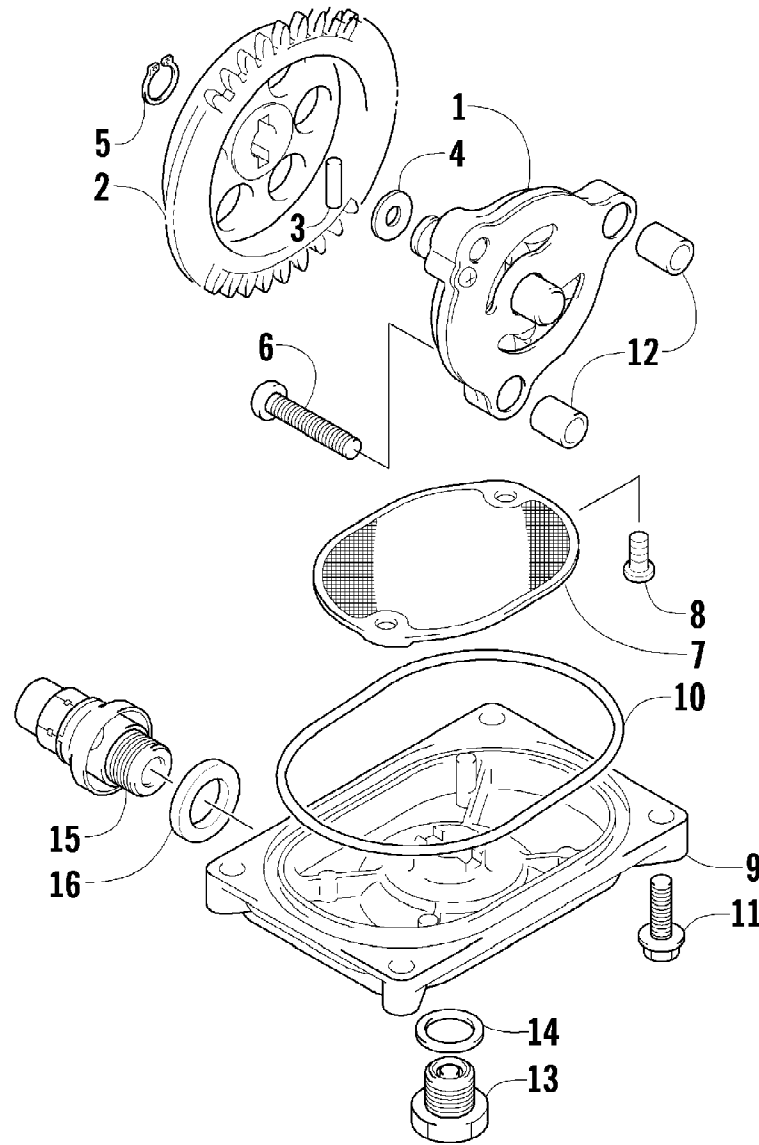


2011 ATV 425 EFI CR GREEN (A2011IRK4CUSG)  
MAGNETO ASSEMBLY

Page 44 of 70

---

Ref #	Part Number	Qty	S/P/F	Description
1	0802-057	1		Rotor/Flywheel
2	0826-120	6		Screw, Cap
3	3305-945	3		Screw, Cap
4	3323-200	1		Stator Assembly
5	3303-308	3		Screw, Cap
6	0802-003	1		Clamp, Routing
7	0802-004	1		Clamp, Routing

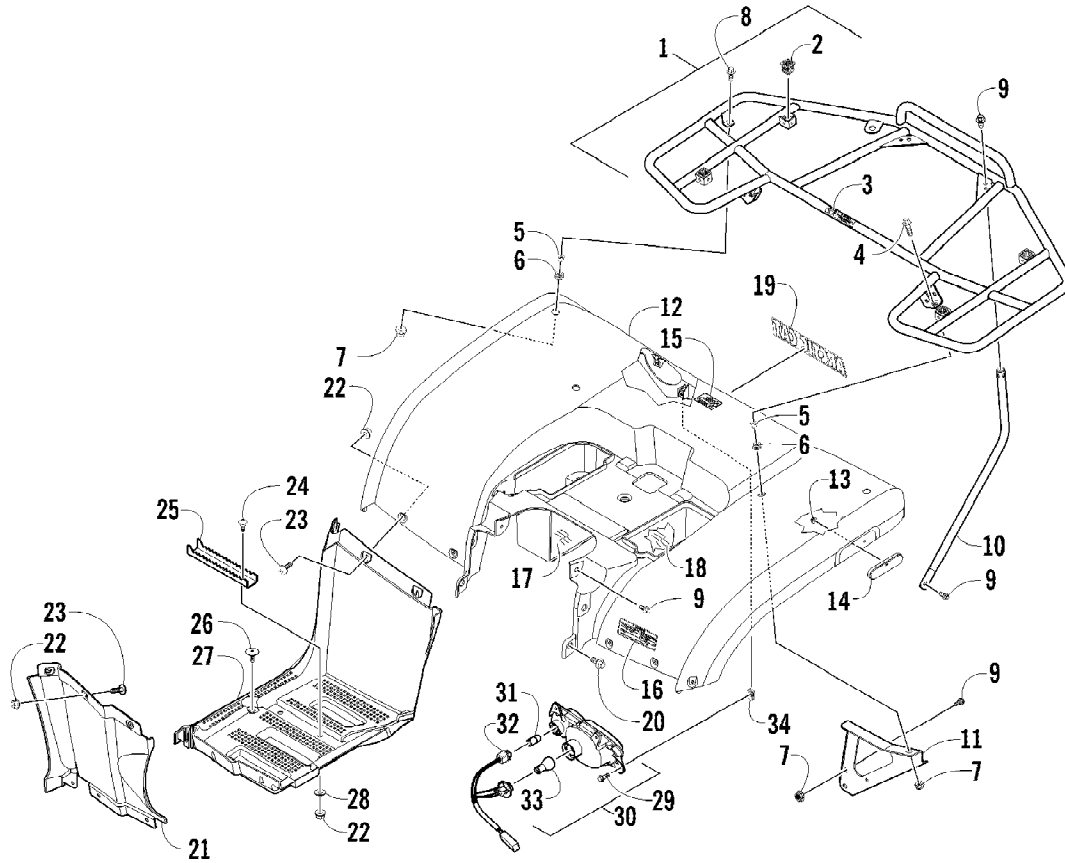


2011 ATV 425 EFI CR GREEN (A2011IRK4CUSG)  
OIL PUMP AND STRAINER ASSEMBLY

Page 46 of 70

Ref #	Part Number	Qty	S/P/F	Description
1	0812-069	1		Pump, Oil
2	0812-010	1		Gear, Driven
3	0812-036	1		Pin, Dowel
4	0828-007	1	/P	Washer
5	3004-146	1		Ring, Retaining
6	0826-131	3		Screw, Machine
7	0812-049	1		Strainer, Oil
8	3313-722	2		Screw, Cap
9	0812-038	1		Cap, Oil Strainer
10	0830-159	1		O-Ring
11	3303-384	4	/P	Screw, Cap
12	0829-033	2		Pin, Dowel
13	0812-065	1		Plug, Drain
14	0830-143	1	/P	Gasket
15	0812-067	1		Valve, Oil-Relief - Assembly (inc. 16)
16	0830-181	1		O-Ring

2011 ATV 425 EFI CR GREEN (A2011IRK4CUSG)  
REAR BODY, RACK, AND TAILLIGHT ASSEMBLY



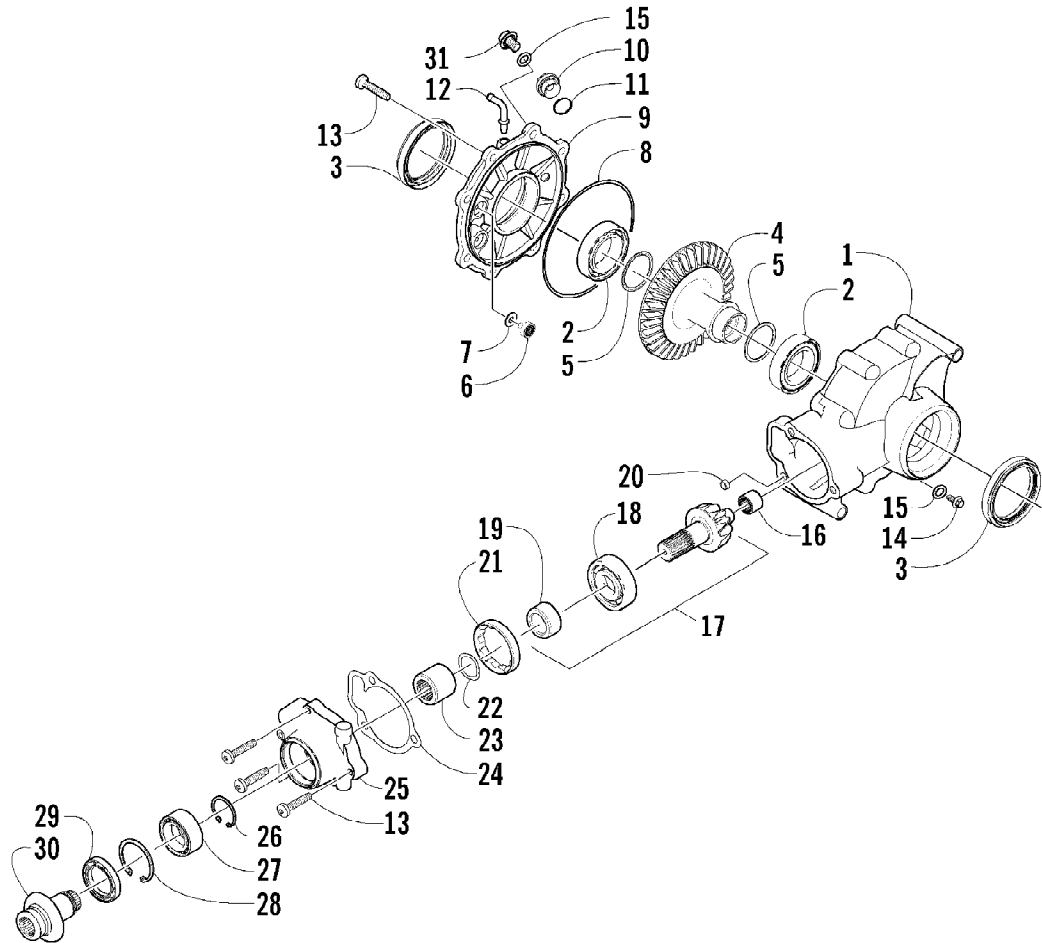
2011 ATV 425 EFI CR GREEN (A2011IRK4CUSG)  
REAR BODY, RACK, AND TAILLIGHT ASSEMBLY

Page 48 of 70

Ref #	Part Number	Qty	S/P/F	Description
1	3313-373	1		Rack, Rear - Assembly (inc. 2-3)
2	0441-592	4	/P	Bushing
3	1411-682	1		Decal, Warning - Load
4	8410-830	2		Screw, Cap
5	0423-669	4		Spacer
6	0423-465	4		Grommet
7	3304-668	8		Nut, Lock
8	3313-522	2		Screw, Cap
9	3304-543	8	/P	Screw, Cap
10	3313-449	2		Tube, Mounting
11	3313-352	1		Bracket, Mounting - Rear Rack - Right
11	3313-353	1		Bracket, Mounting - Rear Rack - Left
12	3306-409	1		Panel, Fender - Rear (inc. 13-18)
13	3304-774	2		Nut, Lock
14	3313-360	2	/P	Reflector
15	1411-809	1	/P	Decal, Warning - Passenger
16	1411-893	1		Decal, Warning - Tire Pressure
17	3313-362	1	/P	Foil, Protective - Right
18	3313-363	1		Foil, Protective - Left
19	2411-501	1		Decal, "Arctic Cat"
20	3305-783	2		Screw, Cap
21	3313-760	1		Footwell - Front - Right
21	3313-668	1		Footwell - Front - Left
22	3304-431	22	/P	Nut, Lock
23	3305-703	18		Screw, Machine
24	3304-586	4	/P	Screw, Cap
25	1506-125	2	/P	Footpeg
26	0423-545	2	/P	Screw, Shoulder
27	3313-762	1		Footwell - Rear - Right
27	3313-763	1		Footwell - Rear - Left
28	3305-852	4		Washer
29	3304-029	8	/P	Screw, Cap
30	3313-382	1		Taillight Assembly - Right (inc. 31-33)
30	3313-383	1		Taillight Assembly - Left (inc. 31-33)
31	3313-508	2	/P	Bulb, Backup
32	3313-499	2		Socket, Taillight - Assembly
33	3303-849	2	/P	Bulb, Taillight
34	3304-061	8	/P	Clip, U-Nut



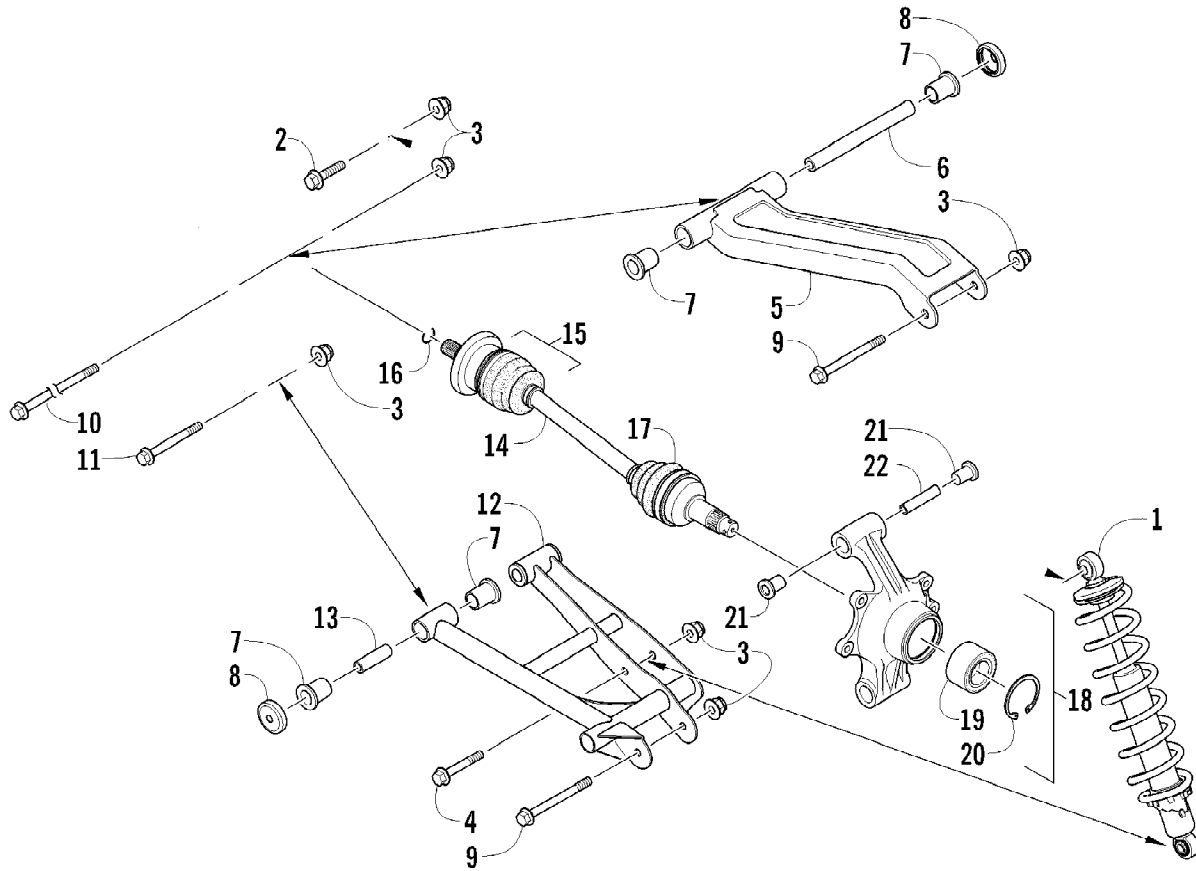
2011 ATV 425 EFI CR GREEN (A2011IRK4CUSG)  
REAR DRIVE GEARCASE ASSEMBLY



2011 ATV 425 EFI CR GREEN (A2011IRK4CUSG)  
REAR DRIVE GEARCASE ASSEMBLY

Ref #	Part Number	Qty	S/P/F	Description
	3306-023	1		Complete Rear Drive Gearcase Assembly
1	3306-024	1		Housing, Gearcase
2	3306-026	2		Bearing
3	3306-025	2		Seal
4	3306-029	1		Gear, Ring - 34T
5	3306-132	AR		Shim, 41 x 49 x 1.0 mm
5	3306-133	AR		Shim, 41 x 49 x 1.1 mm
5	3306-134	AR		Shim, 41 x 49 x 1.2 mm
5	3306-135	AR		Shim, 41 x 49 x 1.3 mm
5	3306-136	AR		Shim, 41 x 49 x 1.4 mm
5	3306-137	AR		Shim, 41 x 49 x 1.5 mm
5	3306-138	AR		Shim, 41 x 49 x 1.6 mm
5	3306-139	AR		Shim, 41 x 49 x 1.7 mm
6	3306-031	1		Button, Thrust
7	3306-124	AR		Shim, 6.3 x 18 x 1.0 mm
7	3306-125	AR		Shim, 6.3 x 18 x 1.1 mm
7	3306-126	AR		Shim, 6.3 x 18 x 1.2 mm
7	3306-127	AR		Shim, 6.3 x 18 x 1.3 mm
7	3306-128	AR		Shim, 6.3 x 18 x 1.4 mm
7	3306-129	AR		Shim, 6.3 x 18 x 1.5 mm
7	3306-130	AR		Shim, 6.3 x 18 x 1.6 mm
7	3306-131	AR		Shim, 6.3 x 18 x 1.7 mm
8	3306-030	1		O-Ring
9	3306-033	1		Cover, Gearcase
10	3306-035	1		Plug, Fill (inc. 11)
11	0423-154	1		O-Ring
12	3306-034	1		Fitting, Elbow
13	3303-615	11		Screw, Self-Tapping
14	3306-027	1		Plug, Magnetic (inc. one No. 15)
15	0423-153	2		O-Ring
16	3306-038	1		Bearing
17	3306-039	1		Gear, Pinion - Assembly - 11T (inc. 18-19)
18	3306-040	1		Bearing
19	0402-336	1		Collar, Retaining
20	3306-048	1		Pin, Dowel
21	3306-042	1		Collar, Lock
22	3306-043	1		Washer, Wave
23	3306-044	1		Collar, Shaft
24	3323-234	1		Gasket, Flange
25	3306-049	1		Housing, Pinion
26	3306-045	1		Ring, Retaining
27	3323-240	1		Bearing
28	3306-046	1		Ring, Retaining
29	3323-239	1		Seal
30	3306-047	1		Shaft, Input
31	3306-036	1		Plug, Oil Level (inc. one No. 15)

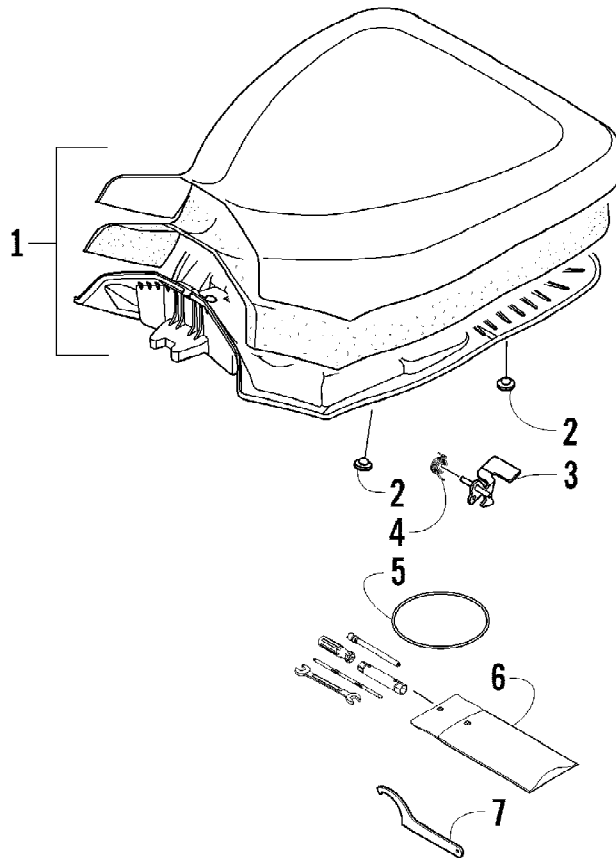
2011 ATV 425 EFI CR GREEN (A2011IRK4CUSG)  
REAR SUSPENSION ASSEMBLY



2011 ATV 425 EFI CR GREEN (A2011IRK4CUSG)  
 REAR SUSPENSION ASSEMBLY

Page 52 of 70

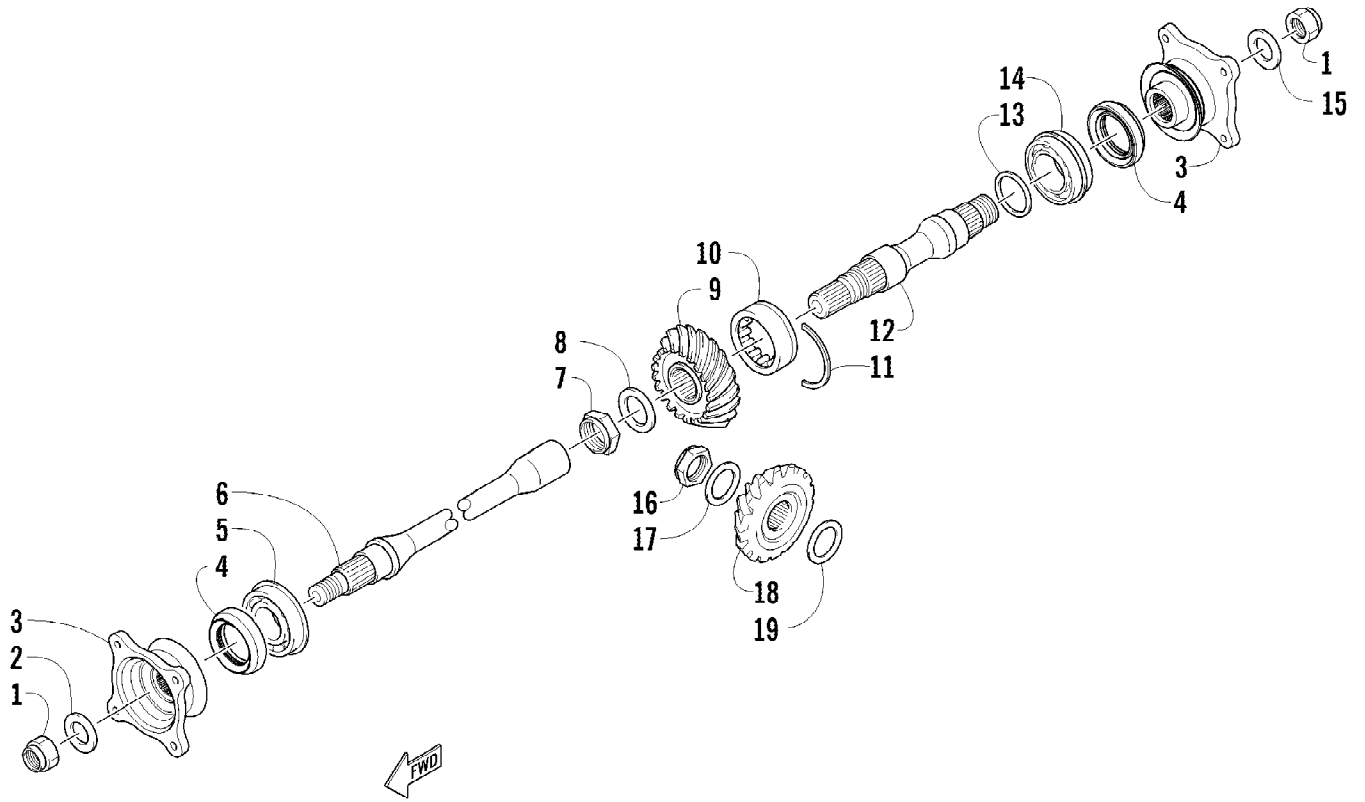
Ref #	Part Number	Qty	S/P/F	Description
1	3313-541	2		Shock/Spring Assembly
2	3303-376	2	/P	Screw, Cap
3	3304-031	14	/P	Nut, Lock
4	8409-065	2		Screw, Cap
5	3306-414	1		A-Arm, Upper Right (inc. 6-8)
5	3306-415	1		A-Arm, Upper Left (inc. 6-8)
6	3313-111	2	/P	Axle
7	3313-112	12		Bushing
8	3313-113	12		Seal
9	3323-188	4		Screw, Cap
10	3313-430	2		Screw, Cap
11	3304-183	4	/P	Screw, Cap
12	3313-134	1		A-Arm, Lower Right (inc. 7-8 and 13)
12	3313-135	1		A-Arm, Lower Left (inc. 7-8 and 13)
13	3313-107	4		Axle
14	3313-832	2		Axle, Drive (inc. 15-17)
15	3313-560	2		Repair Kit, Boot - Drive Axle - Inbound
16	0423-845	2	/P	Ring, Retaining
17	3313-558	2		Repair Kit, Boot - Drive Axle - Outbound
18	3323-108	1		Knuckle - Assembly - Right (inc. 19-22)
18	3323-109	1		Knuckle - Assembly - Left (inc. 19-22)
19	1402-809	2	/P	Bearing
20	0423-423	2		Ring, Retaining
21	0403-206	8	/P	Bushing
22	0403-213	4	/P	Axle



2011 ATV 425 EFI CR GREEN (A2011IRK4CUSG)  
SEAT ASSEMBLY

Page 54 of 70

Ref #	Part Number	Qty	S/P/F	Description
1	3313-199	1		Seat Assembly (inc. 2-4)
2	0406-877	6	/P	Bumper, Seat
3	1506-156	1		Latch, Seat
4	1406-592	1	/P	Spring, Seat Latch
5	3313-759	1		Retainer, Tool Kit
6	3305-913	1		Kit, Tool
7	1441-797	1	F	Wrench, Spanner



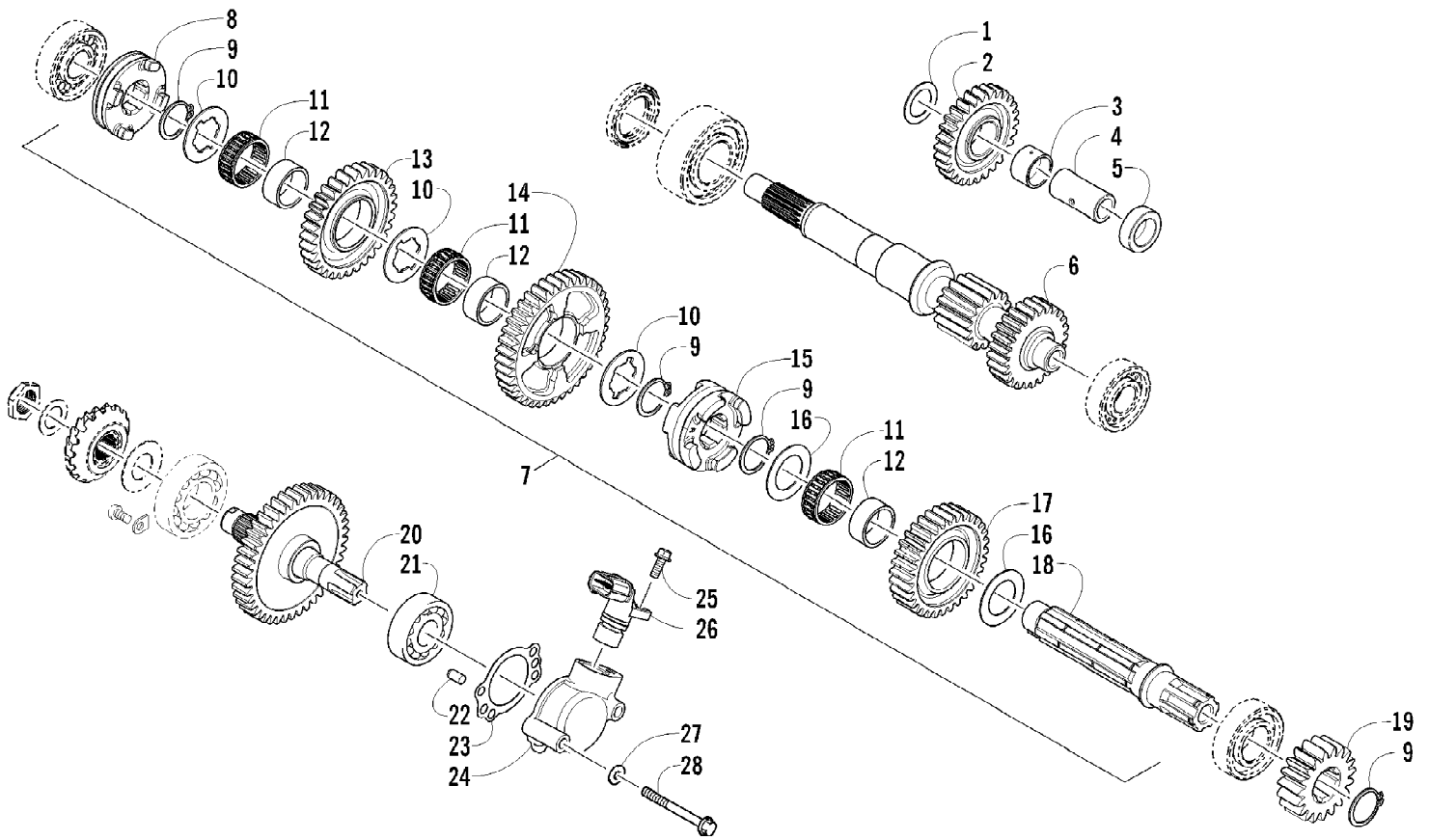
2011 ATV 425 EFI CR GREEN (A2011IRK4CUSG)  
SECONDARY DRIVE ASSEMBLY

Page 56 of 70

Ref #	Part Number	Qty	S/P/F	Description
1	3306-428	2	/P	Nut
2	3304-958	1		Washer
3	0819-022	2		Flange, Output Joint
4	0830-144	2		Seal, Oil
5	0832-026	1		Bearing
6	0819-020	1		Shaft, Secondary Driven
7	0827-022	1		Nut
8	0828-090	1		Washer
9	0819-019	1		Gear, Secondary Driven
10	0832-040	1		Bearing
11	0819-070	1		C-Ring
12	0819-021	1		Shaft, Secondary Driven
13	3305-955	AR		Shim, 25 x 34 x 0.60mm
13	3305-956	AR		Shim, 25 x 34 x 0.65mm
13	3305-957	AR		Shim, 25 x 34 x 0.70mm
13	3305-958	AR		Shim, 25 x 34 x 0.75mm
13	3305-959	AR		Shim, 25 x 34 x 0.80mm
13	3305-960	AR		Shim, 25 x 34 x 0.85mm
13	3305-961	AR		Shim, 25 x 34 x 0.90mm
13	3305-962	AR		Shim, 25 x 34 x 0.95mm
13	3305-963	AR		Shim, 25 x 34 x 1.00mm
13	3305-964	AR		Shim, 25 x 34 x 1.05mm
13	3305-965	AR		Shim, 25 x 34 x 1.10mm
13	0828-088	AR		Shim, 25 x 34 x 1.15mm
13	3305-966	AR		Shim, 25 x 34 x 1.20mm
13	3305-967	AR		Shim, 25 x 34 x 1.25mm
14	0832-041	1		Bearing
15	3306-226	1		Washer
16	0827-047	1		Nut
17	3304-042	1		Washer, Thrust
18	0819-018	1		Gear, Secondary Drive
19	3306-009	AR		Shim, 30 x 48 x 0.60 mm
19	3306-010	AR		Shim, 30 x 48 x 0.65 mm
19	3306-011	AR		Shim, 30 x 48 x 0.70 mm
19	3306-012	AR		Shim, 30 x 48 x 0.75 mm
19	3306-013	AR		Shim, 30 x 48 x 0.80 mm
19	3306-014	AR		Shim, 30 x 48 x 0.85 mm
19	3306-015	AR		Shim, 30 x 48 x 0.90 mm
19	3306-016	AR		Shim, 30 x 48 x 0.95 mm
19	3306-017	AR		Shim, 30 x 48 x 1.00 mm
19	3306-018	AR		Shim, 30 x 48 x 1.05 mm
19	3306-019	AR		Shim, 30 x 48 x 1.10 mm
19	3306-020	AR		Shim, 30 x 48 x 1.15 mm
19	3306-021	AR		Shim, 30 x 48 x 1.20 mm
19	3306-022	AR		Shim, 30 x 48 x 1.25 mm



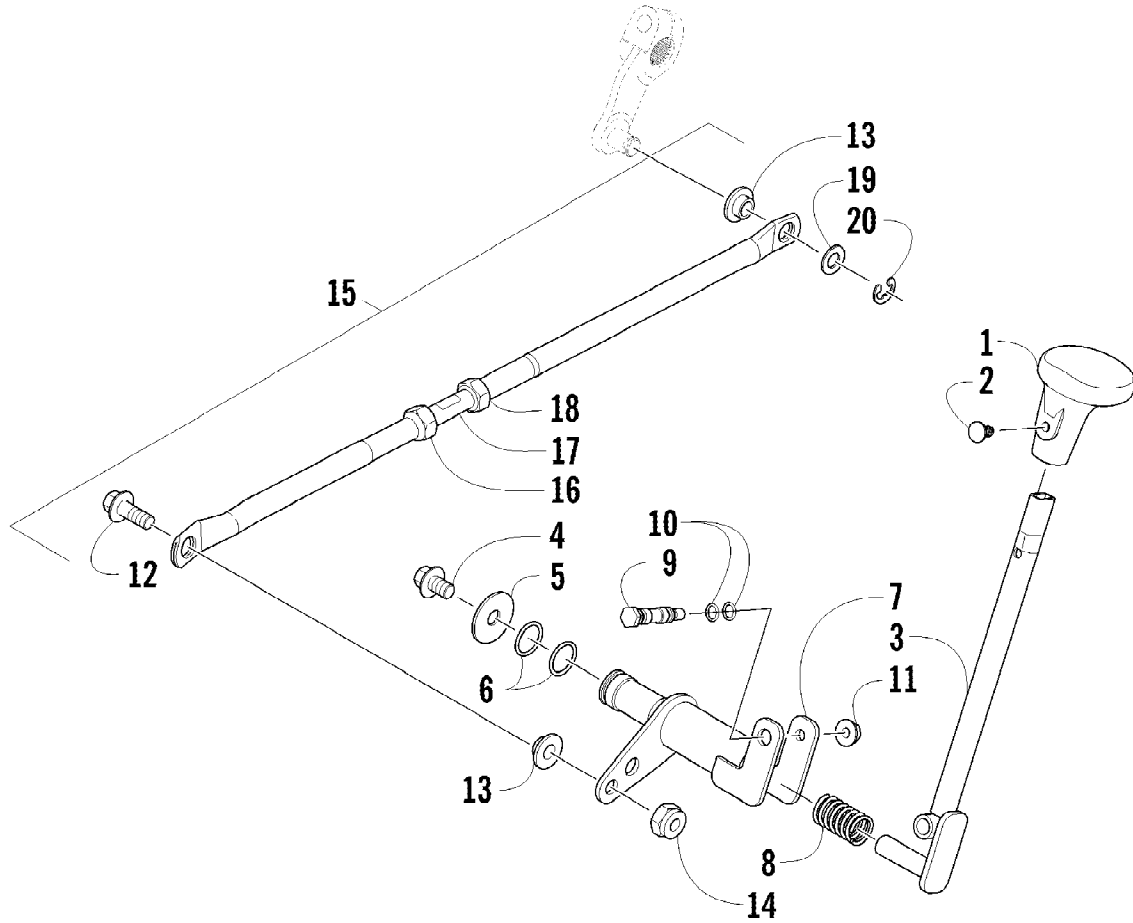
2011 ATV 425 EFI CR GREEN (A2011IRK4CUSG)  
SECONDARY TRANSMISSION ASSEMBLY



2011 ATV 425 EFI CR GREEN (A2011IRK4CUSG)  
SECONDARY TRANSMISSION ASSEMBLY

Page 58 of 70

Ref #	Part Number	Qty	S/P/F	Description
1	0828-081	1		Washer
2	0822-061	1		Gear, Reverse Idle
3	0822-065	1		Bushing
4	0822-064	1		Shaft, Reverse Idle
5	0822-029	1		Spacer
6	0822-128	1		Driveshaft
7	0822-129	1		Countershaft Assembly (inc. 8-18)
8	0822-033	1		Gear Select, Reverse
9	3304-147	4	/P	Circlip
10	3304-045	3		Washer
11	0832-038	3		Bearing
12	0822-062	3		Bushing
13	0822-032	1		Gear, Reverse Driven
14	0822-063	1		Gear, Driven - Low
15	0822-027	1		Gear Select, Sliding
16	3304-044	2		Washer, Thrust
17	0818-119	1		Gear, Driven - High
18	0822-025	1		Countershaft
19	0822-028	1		Gear, Drive
20	0822-023	1		Shaft, Output
21	3304-198	1		Bearing
22	3303-395	2		Pin, Dowel
23	0830-156	1		Gasket, Housing
24	0822-105	1		Housing, Speedometer Sensor
25	3303-382	1	/P	Screw, Cap
26	3313-172	1		Sensor, Speedometer
27	0830-155	2	/P	Gasket
28	3303-387	2		Screw, Cap



2011 ATV 425 EFI CR GREEN (A2011IRK4CUSG)  
SHIFT LEVER ASSEMBLY

Page 60 of 70

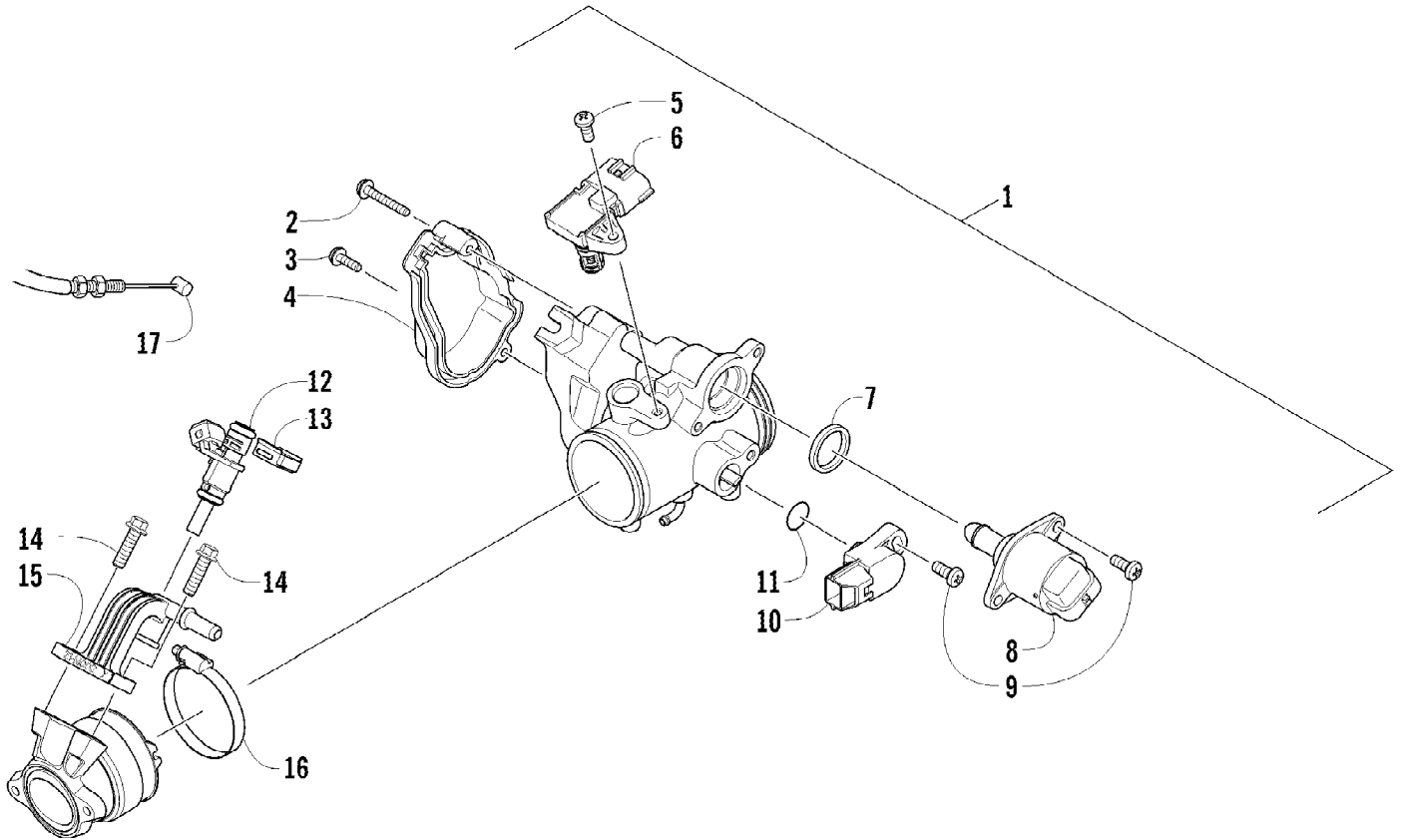
Ref #	Part Number	Qty	S/P/F	Description
1	0402-843	1	/P	Knob, Shift Lever
2	0423-345	1		Clip, Retaining
3	3313-317	1		Lever, Shift
4	3304-544	1		Screw, Cap
5	0423-087	1		Washer
6	0423-299	2	/P	O-Ring
7	3306-317	1		Actuator, Shift
8	0402-678	1	/P	Spring, Shift Lever
9	0402-675	1		Axle, Pivot
10	0423-182	2	/P	O-Ring
11	3304-654	1	/P	Nut, Lock
12	3313-821	1		Screw, Cap
13	3323-037	2		Bushing
14	3305-396	1		Nut, Lock
15	3306-319	1		Linkage, Shift - Assembly (inc. 16-18)
16	3303-327	1		Nut, Hex - Right-Hand Thread
17	3313-278	1		Adjuster, Shift Linkage
18	3313-822	1		Nut, Hex - Left-Hand Thread
19	8050-252	1		Washer
20	3313-766	1		E-Ring



2011 ATV 425 EFI CR GREEN (A2011IRK4CUSG)  
STEERING ASSEMBLY

Page 62 of 70

Ref #	Part Number	Qty	S/P/F	Description
1	8408-860	4		Screw, Cap
2	0405-035	2		Cap, Steering Adjuster
3	0423-505	2		Screw, Shoulder
4	0405-166	1		Cap, Housing
5	3323-052	1		Housing - Upper
6	3323-051	1		Housing - Lower
7	3313-056	1		Post, Steering
8	3304-565	2	/P	Screw, Cap
9	0602-233	1		Flange, Bearing
10	0405-052	1		Bearing w/Inverted Oil Seal
11	0423-073	1		Washer
12	8408-820	1	/P	Screw, Cap
13	3313-102	2		Tie Rod - Assembly (inc. 14-18)
14	3313-809	2		End, Tie Rod - Left-Hand Thread
15	3306-659	2		Nut - Left-Hand Thread
16	3313-807	2		Tie Rod
17	3303-326	2		Nut - Right-Hand Thread
18	3313-808	2		End, Tie Rod - Right-Hand Thread
19	3306-290	4		Nut
20	3305-724	4		Pin, Cotter

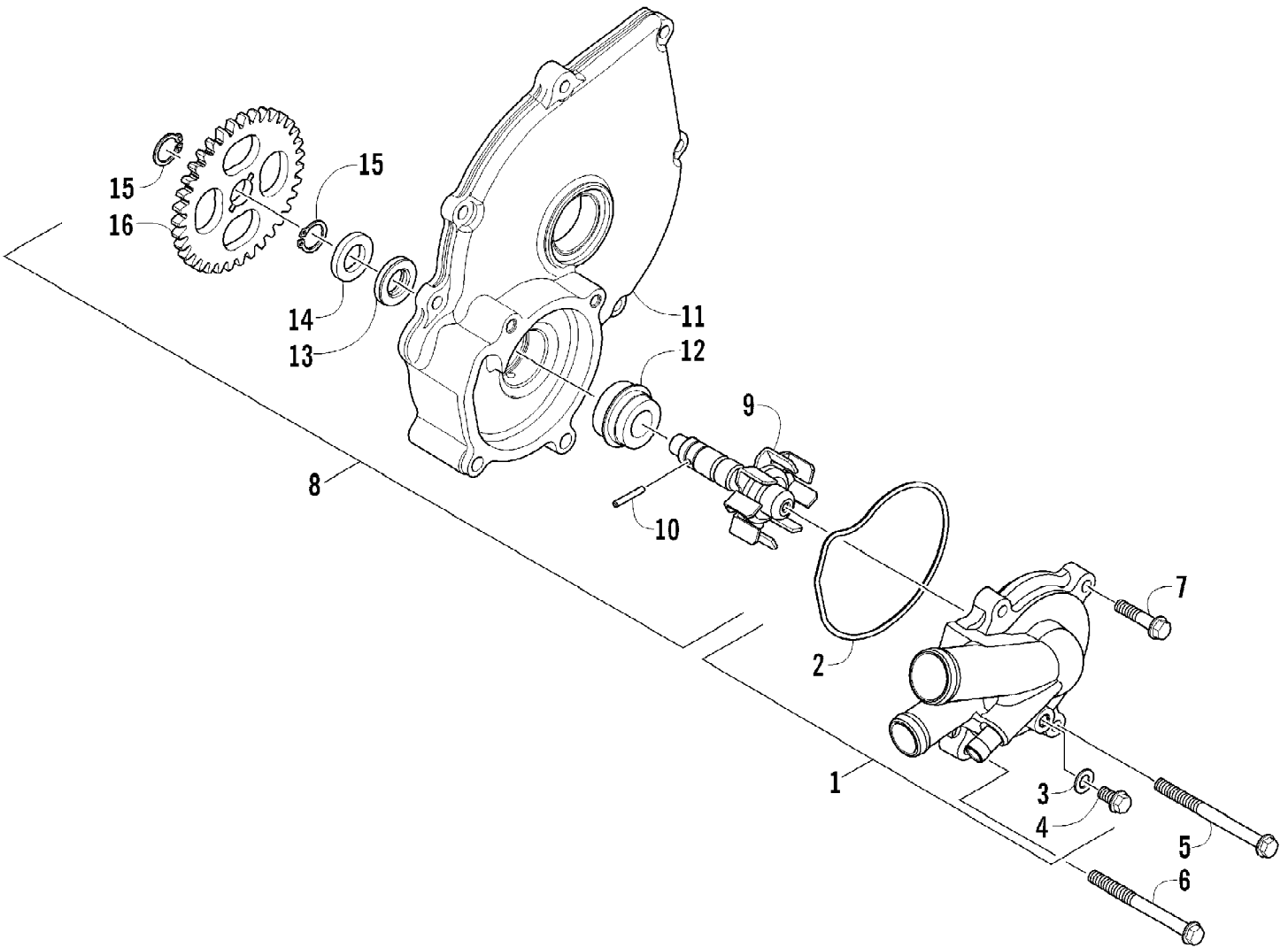


2011 ATV 425 EFI CR GREEN (A2011IRK4CUSG)  
THROTTLE BODY ASSEMBLY

Page 64 of 70

Ref #	Part Number	Qty	S/P/F	Description
1	0570-328	1		Throttle Body - Assembly (inc. 2-11)
2	3306-267	1		Screw, Machine
3	3306-266	1		Screw, Machine
4	0824-060	1		Cover
5	0835-007	1		Screw, Machine
6	0824-052	1		Sensor, MAP
7	0832-088	1		Seal
8	0824-054	1		Valve, Bypass - Idle Air
9	3305-953	3		Screw, Machine
10	0824-053	1		Sensor, Throttle Position (inc. 11)
11	3306-150	1		O-Ring
12	3306-251	1		Injector, Fuel
13	3306-253	1		Clip, Retaining
14	3305-344	2	/P	Screw, Cap
15	3306-252	1		Rail, Fuel
16	3306-250	1		Clamp
17	3306-275	1		Cable, Throttle

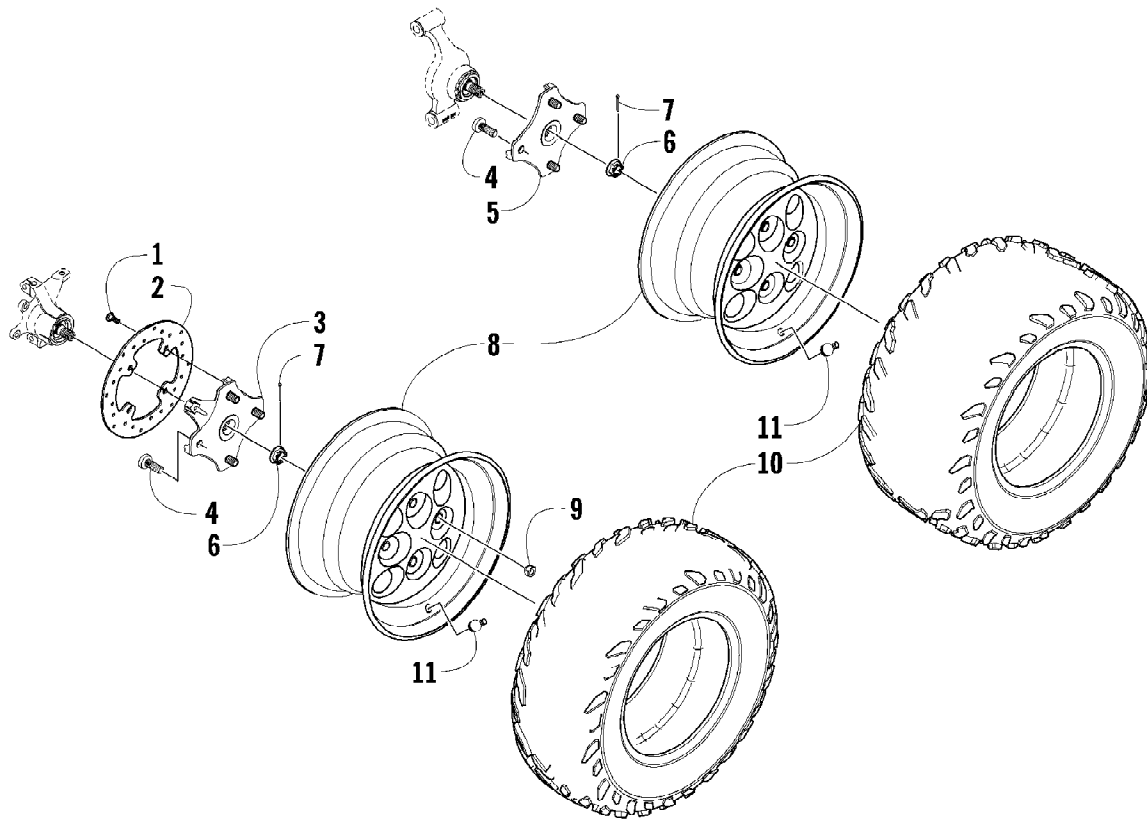




2011 ATV 425 EFI CR GREEN (A2011IRK4CUSG)  
WATER PUMP ASSEMBLY

Page 66 of 70

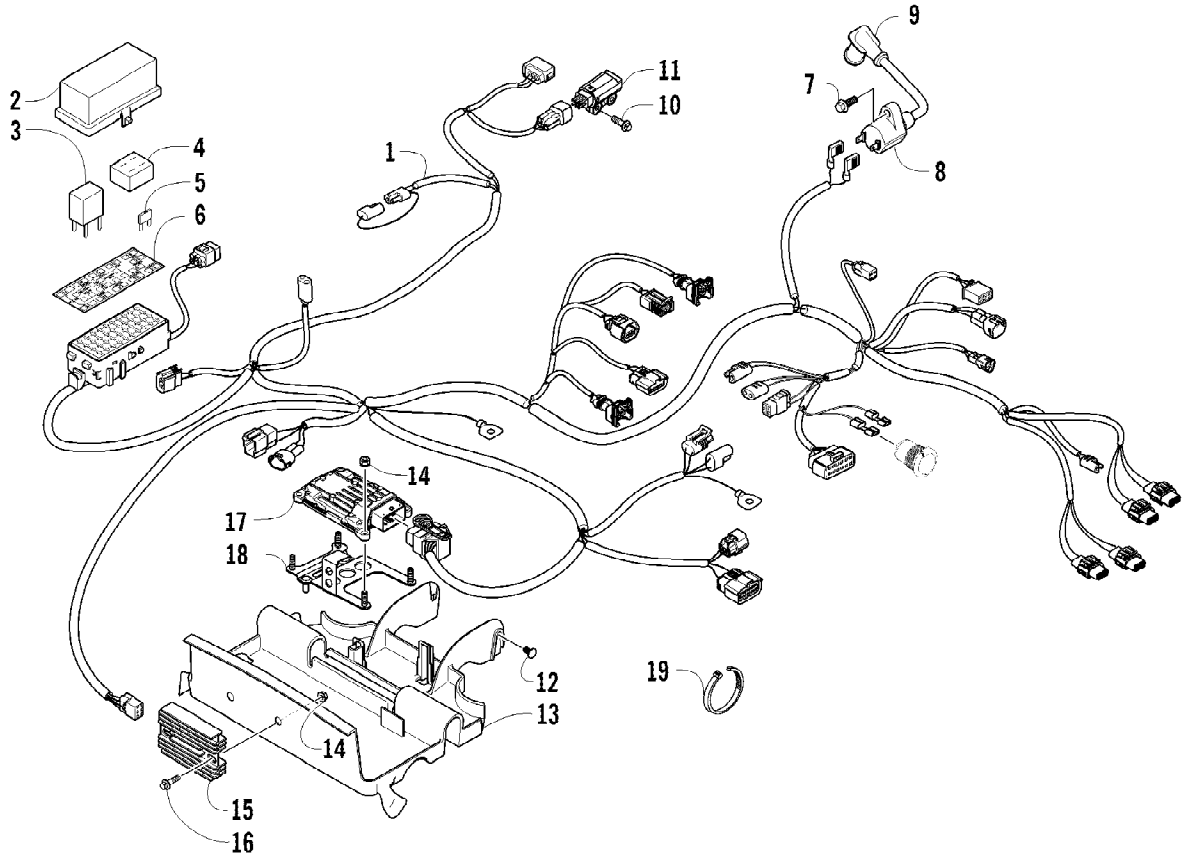
Ref #	Part Number	Qty	S/P/F	Description
1	0813-054	1	/P	Cover, Water Pump - Assembly (inc. 2-4)
2	0830-208	1		O-Ring
3	3304-049	1		Washer
4	3304-186	1		Screw, Cap
5	0826-065	1		Screw, Cap
6	0826-151	1		Screw, Cap
7	3303-384	2	/P	Screw, Cap
8	0813-051	1		Housing, Water Pump - Assembly (inc. 9-16)
9	0813-057	1		Shaft, Impeller - Assembly
10	0829-057	1		Pin, Alignment
11	0806-123	1		Housing, Water Pump
12	3305-940	1		Seal, Mechanical
13	0830-207	1		Seal, Oil
14	0828-130	1		Washer, Thrust
15	0831-089	2		Circlip
16	0811-037	1		Gear, Driven



2011 ATV 425 EFI CR GREEN (A2011IRK4CUSG)  
WHEEL AND TIRE ASSEMBLY

Page 68 of 70

Ref #	Part Number	Qty	S/P/F	Description
1	0423-557	12		Screw, Shoulder
2	1436-164	3	/P	Disc, Brake
3	1502-462	2	/P	Hub, Wheel - Front (inc. 4)
4	0402-974	16	/P	Stud
5	1502-462	1	/P	Hub, Wheel - Right Rear (inc. 4)
5	1502-464	1		Hub, Wheel - Left Rear (inc. 4)
6	0423-607	4		Nut, Castle
7	0423-407	4		Pin, Cotter
8	3306-291	4		Wheel
9	0423-408	16	/P	Nut, Lug
10	3306-292	2		Tire - Front
10	3306-293	2		Tire - Rear
11	3303-887	4		Stem, Valve



2011 ATV 425 EFI CR GREEN (A2011IRK4CUSG)  
WIRING HARNESS ASSEMBLY

Page 70 of 70

Ref #	Part Number	Qty	S/P/F	Description
1	3306-323	1		Harness, Main (inc. 2-6)
2	0530-008	1		Cover, Fuse Block
3	0430-033	3		Relay (5-Pin) - 10 Amp
4	0430-037	1		Holder, Fuse
5	0430-032	7		Fuse - 10 Amp
5	0430-031	4		Fuse - 15 Amp
5	3304-212	1		Fuse - 30 Amp
6	2411-566	1		Decal, Fuse Block
7	3306-326	2		Screw, Cap
8	0824-073	1		Coil, Ignition - Assembly (inc. 9)
9	0824-056	1		Cap, Spark Plug
10	3306-327	2		Screw, Cap
11	3306-325	1		Sensor, Tilt
12	0423-345	2		Clip, Retaining
13	3306-281	1		Tray, Electrical
14	3304-654	6	/P	Nut, Lock
15	3306-413	1		Regulator, Voltage
16	3305-344	2	/P	Screw, Cap
17	0530-059	1		ECU
18	3306-304	1		Bracket, Mounting - ECU
19	3303-289	AR	/P	Tie, Cable