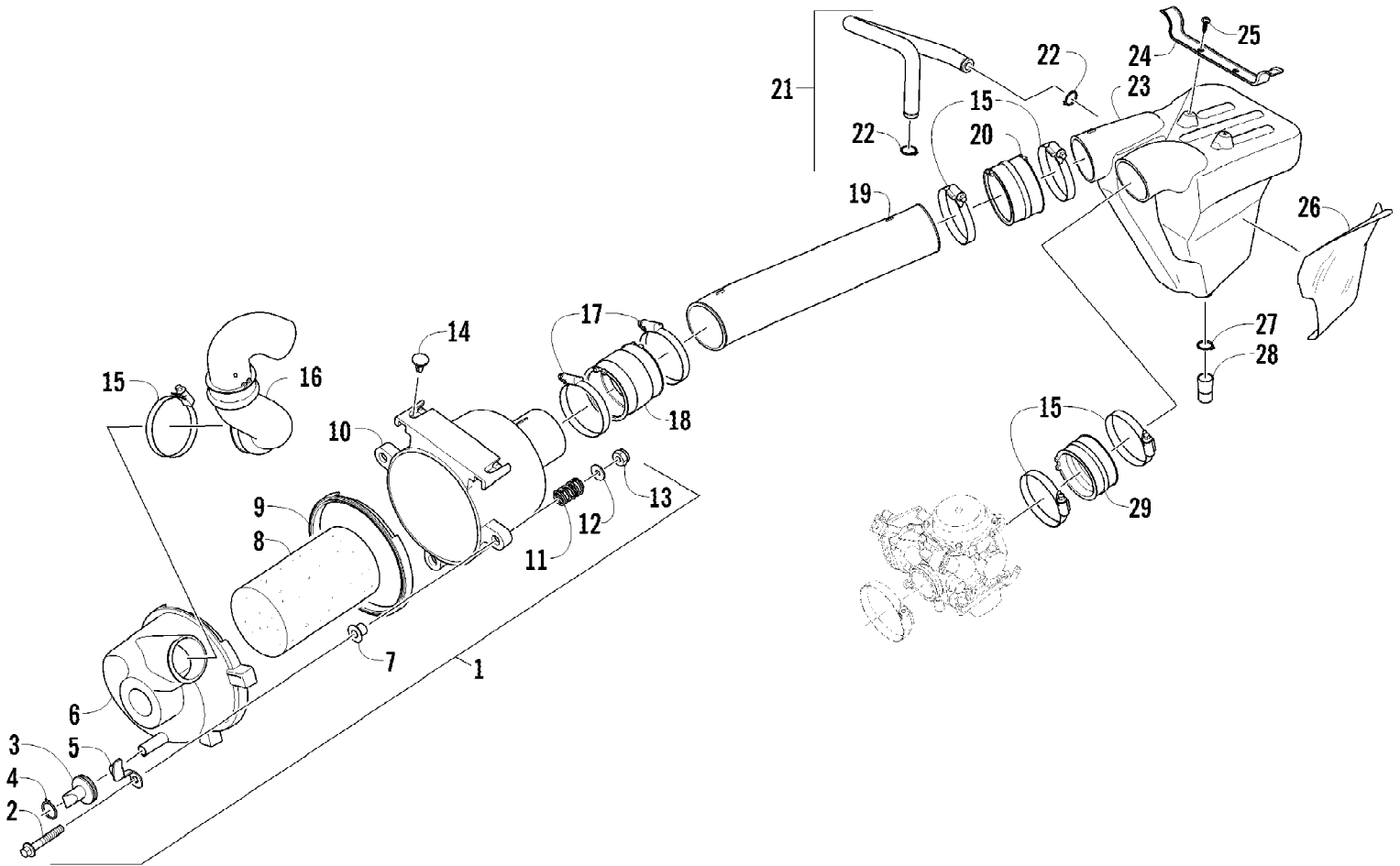


2011 ATV 350 CR RED (A2011IRG4BUSR)  
AIR INTAKE ASSEMBLY

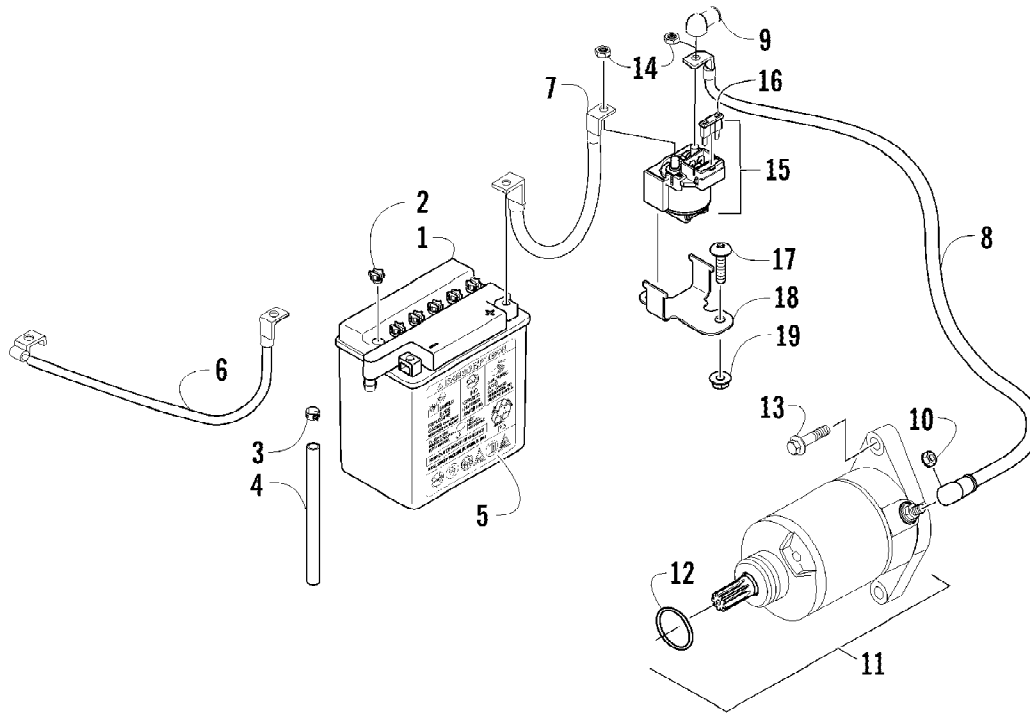


2011 ATV 350 CR RED (A2011IRG4BUSR)  
AIR INTAKE ASSEMBLY

Page 2 of 72

Ref #	Part Number	Qty	S/P/F	Description
1	3313-395	1		Filter, Air - Assembly (inc. 2-13)
2	8408-850	3		Screw, Cap
3	0470-442	1	/P	Valve, Drain
4	3313-705	1		Clamp
5	3313-375	3		Latch
6	3313-376	1		Cover, Air Filter
7	3313-853	3		Spacer
8	3313-378	1		Element, Air Filter
9	3313-446	1		Gasket, Air Filter
10	3313-377	1		Housing, Air Filter
11	0402-678	3	/P	Spring
12	8050-222	3	/P	Washer
13	3303-269	3		Nut, Lock
14	3305-448	2		Clip, Retaining
15	0423-380	5	/P	Clamp
16	3313-816	1		Boot, Air Intake
17	3313-817	2		Clamp
18	3313-275	1		Boot, Air Intake
19	3313-063	1		Boot, Air Intake
20	3313-274	1		Boot, Air Intake
21	3313-397	1		Hose, Oil Catch (inc. 22)
22	3304-167	2		Clamp, Hose
23	3313-224	1		Housing, Air Intake
24	3313-356	1		Bracket, Mounting - Air Intake Housing
25	3304-409	2	/P	Screw, Self-Tapping
26	3313-362	1	/P	Foil, Protective
27	3313-706	1		Clamp
28	3313-543	1		Pipe, Drain
29	3313-551	1		Boot, Air Intake

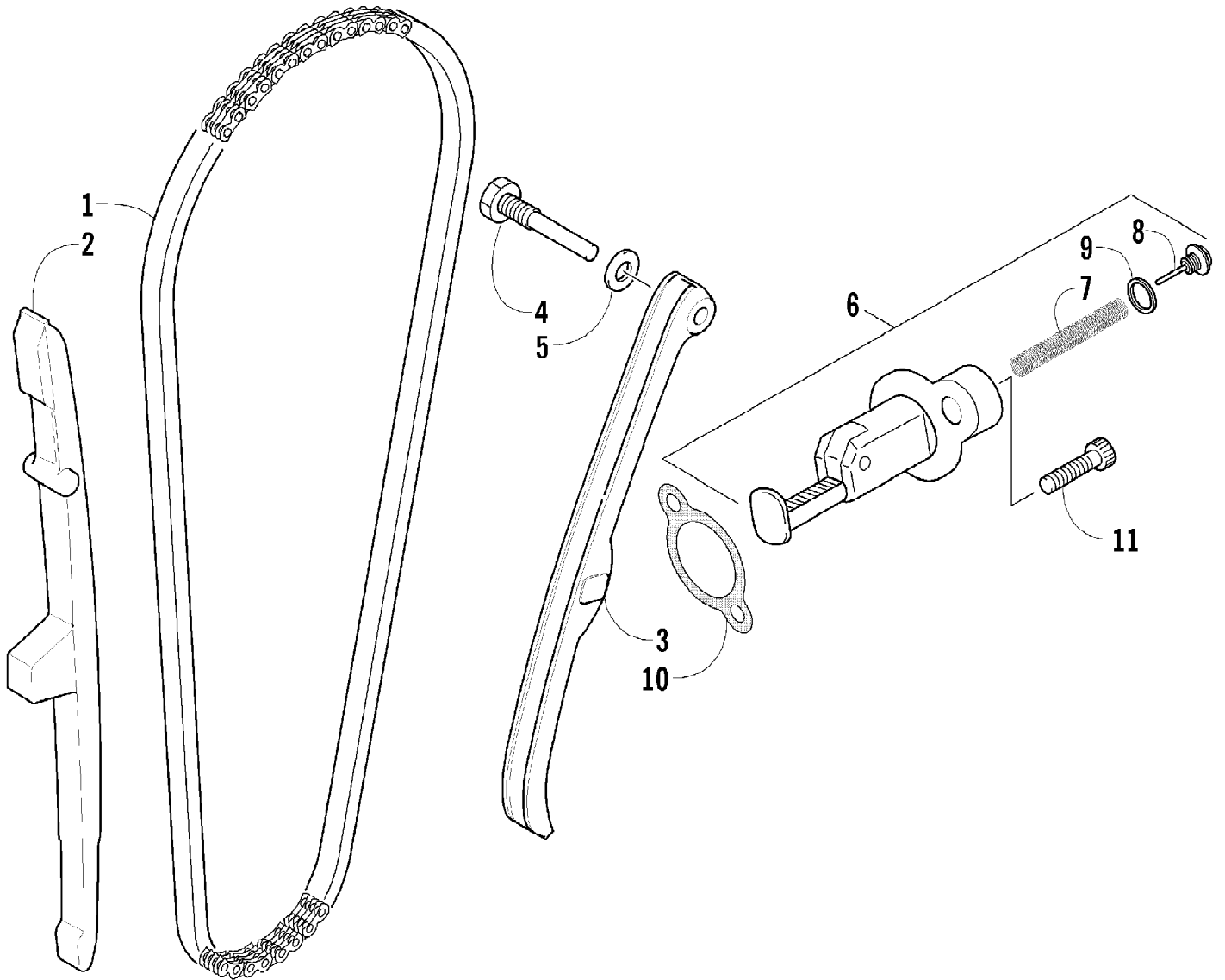
2011 ATV 350 CR RED (A2011IRG4BUSR)  
BATTERY AND STARTER ASSEMBLY



2011 ATV 350 CR RED (A2011IRG4BUSR)  
 BATTERY AND STARTER ASSEMBLY

Page 4 of 72

Ref #	Part Number	Qty	S/P/F	Description
1	0745-045	1	/P	Battery Assembly (inc. 2-5)
2	0645-045	6		Cap
3	0645-152	1		Clamp, Hose
4	0645-263	1	/P	Hose, Vent
5	0645-151	1		Decal, Warning
6	3313-525	1		Cable, Battery/Ground
7	3313-526	1		Cable, Battery/Solenoid
8	3313-527	1		Cable, Solenoid/Starter (inc. 9)
9	0	1	F	Boot, Terminal
10	3304-011	1		Nut w/Washer
11	3305-954	1		Motor, Starter - Assembly (inc. 12)
12	3304-104	1		O-Ring
13	3305-946	2		Screw, Cap
14	3304-654	2	/P	Nut, Lock
15	3313-464	1		Solenoid (inc. 16)
16	3304-212	1		Fuse - 30 Amp
17	3305-703	2		Screw, Machine
18	3313-467	1		Bracket, Mounting - Solenoid
19	3304-431	2	/P	Nut

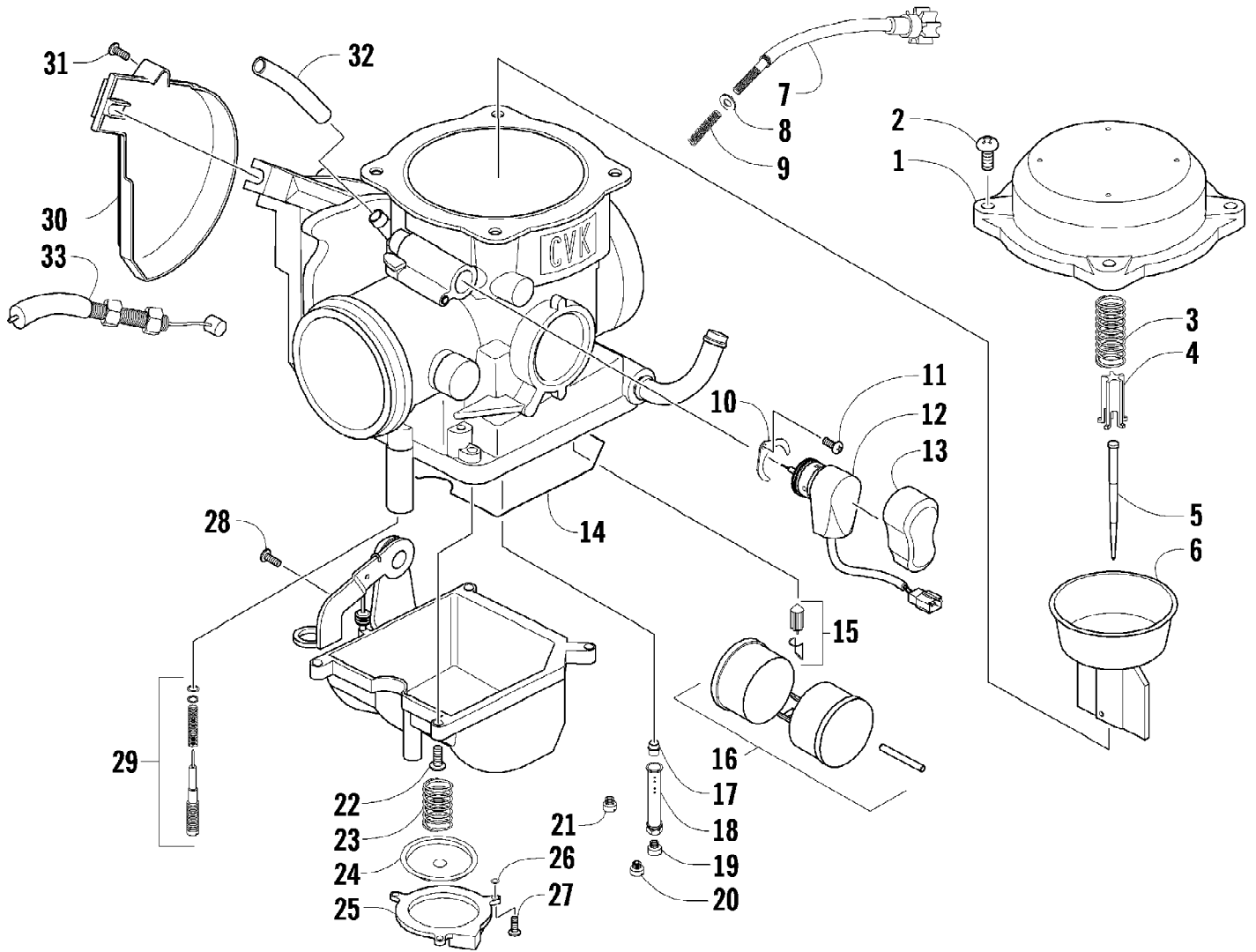


2011 ATV 350 CR RED (A2011IRG4BUSR)  
CAM CHAIN ASSEMBLY

Page 6 of 72

Ref #	Part Number	Qty	S/P/F	Description
1	0810-005	1		Chain, Cam
2	0810-006	1		Guide, Chain
3	0810-007	1		Tensioner, Chain
4	0826-133	1		Pivot, Tensioner
5	0830-150	1		Washer
6	0810-054	1		Adjuster, Tensioner - Assembly (inc. 7-9)
7	0810-056	1		Spring
8	0810-061	1		Plug
9	0810-062	1		Washer
10	0830-060	1		Gasket
11	3303-360	2		Screw, Cap

2011 ATV 350 CR RED (A2011IRG4BUSR)  
CARBURETOR

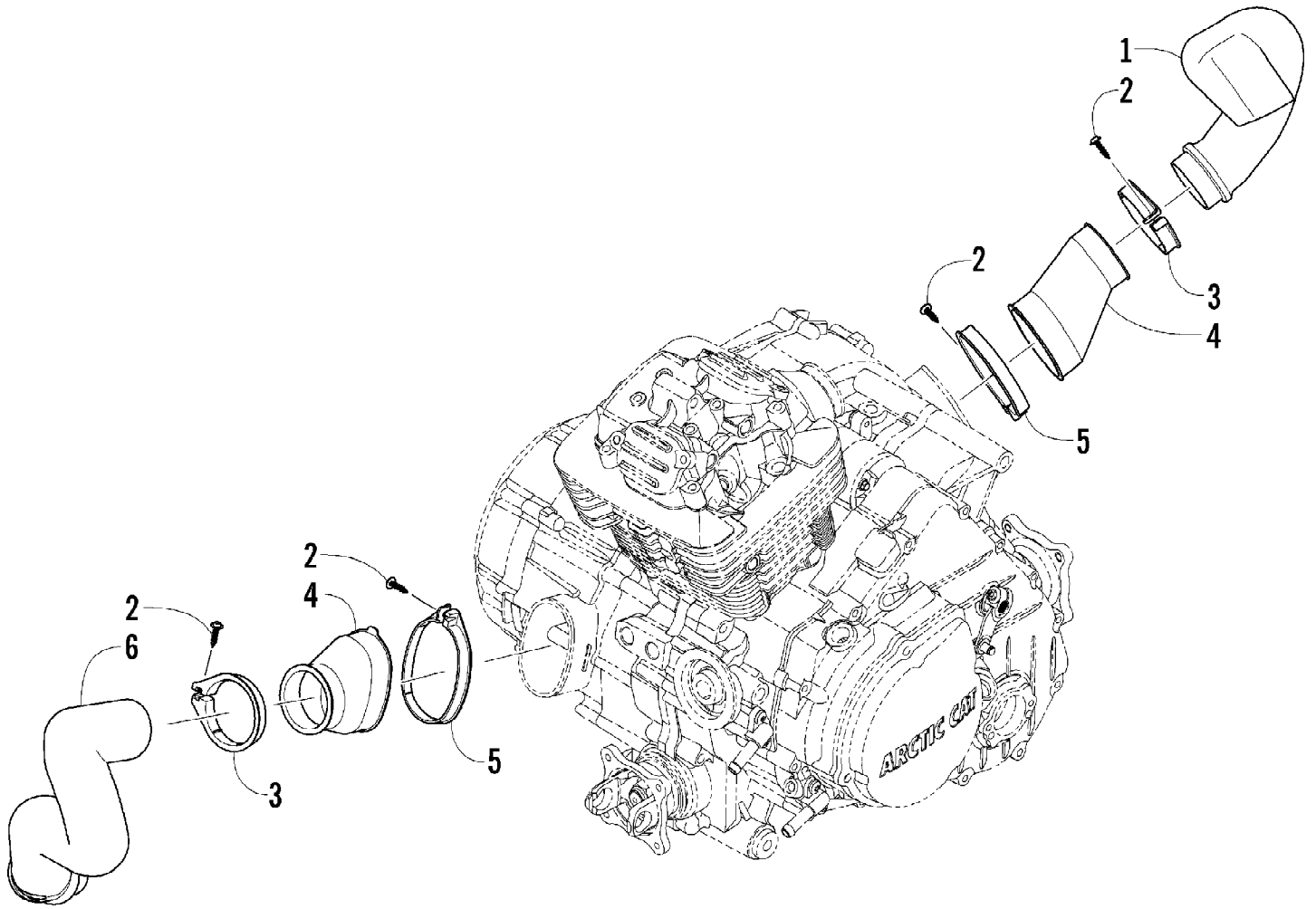


2011 ATV 350 CR RED (A2011IRG4BUSR)  
CARBURETOR

Page 8 of 72

Ref #	Part Number	Qty	S/P/F	Description
	0470-737	1	/P	Complete Carburetor Assembly
1	5507-001	1		Cover, Top
2	5507-002	4	/P	Screw, Machine
3	5507-240	1		Spring
4	5507-005	1		Seat, Spring
5	5507-243	1		Jet Needle
6	5507-004	1	/P	Piston, Vacuum
7	5507-027	1		Screw, Idle Adjust
8	5507-028	1		Washer
9	5507-029	1		Spring
10	5507-115	1		Plate
11	5507-117	1	/P	Screw, Machine
12	5507-180	1		Choke, Electric
13	5507-114	1		Cover, Electric Choke
14	5507-067	1	/P	O-Ring, Float Chamber
15	5507-107	1		Valve, Float - Set
16	5507-039	1		Float Set
17	5507-007	1		Needle Jet
18	5507-047	1	/P	Holder, Needle Jet
19	3305-434	1		Main Jet - 112
19	5507-242	1	F	Main Jet - 108
19	5507-166	1	F	Main Jet - 110
19	5507-126	1	F	Main Jet - 115
19	5507-241	1	F	Main Jet - 118
20	5507-097	1	/P	Starter Jet - 75
21	5507-246	1	/P	Slow Jet - 38
22	5507-017	4	/P	Screw, Machine
23	5507-032	1		Spring
24	5507-182	1	S/P	Diaphragm Assembly
25	5507-198	1		Housing, Pump
26	5507-034	1		U-Ring
27	5507-035	3		Screw, Machine
28	5507-050	1	/P	Screw, Drain
29	5507-111	1		Screw, Pilot - Set
30	5507-036	1		Cover
31	5507-037	1	/P	Screw, Machine
32	0410-070	AR	/P	Hose, Vent - 25 ft
33	3323-227	1		Cable, Throttle

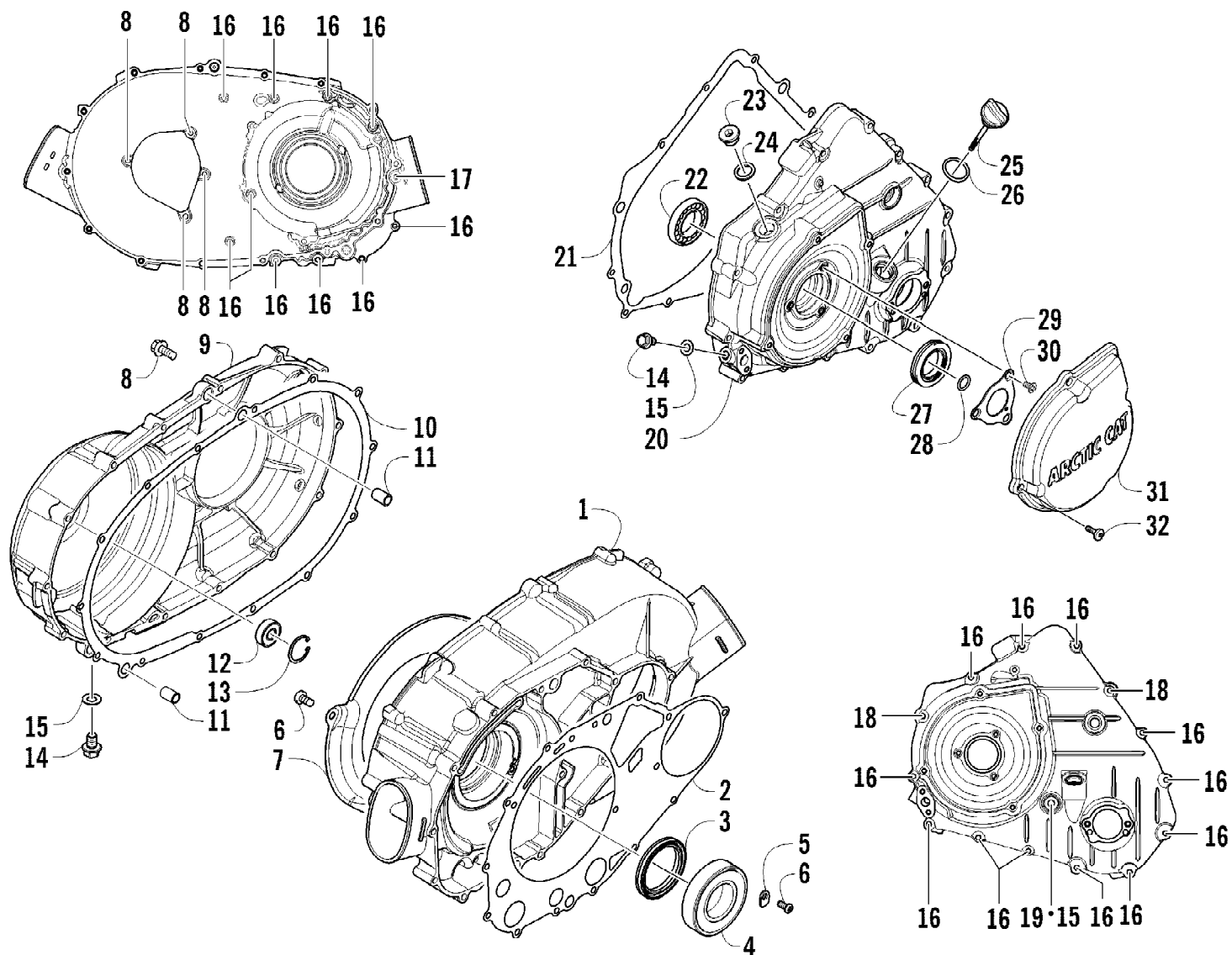




2011 ATV 350 CR RED (A2011IRG4BUSR)  
CASE/BELT COOLING ASSEMBLY

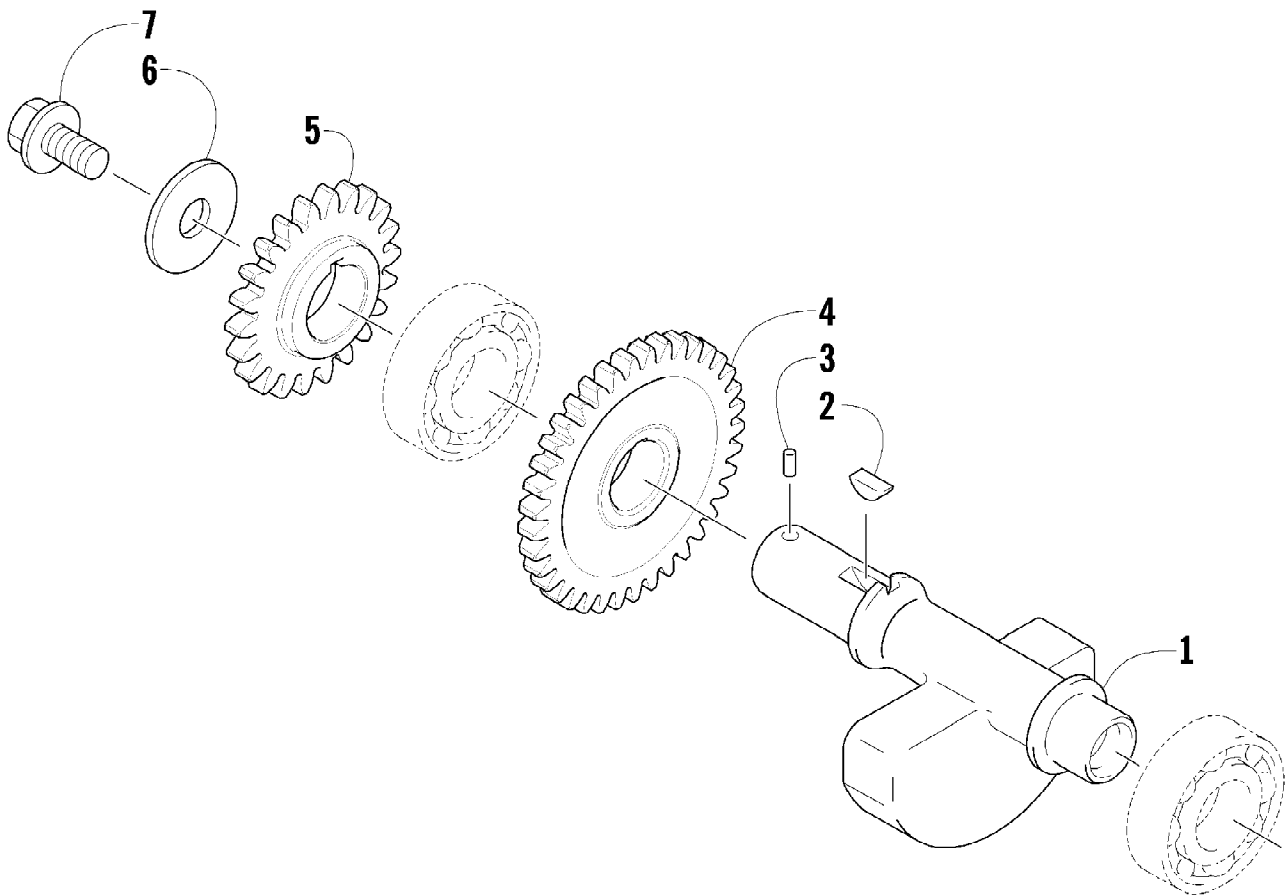
Page 10 of 72

Ref #	Part Number	Qty	S/P/F	Description
1	3313-064	1		Duct, Belt - Air Out
2	0423-342	4	/P	Screw, Self-Tapping
3	0423-551	2		Clamp, Plastic
4	3313-782	2		Boot, Duct
5	0423-550	2		Clamp, Plastic
6	3313-065	1		Duct, Belt - Air In



2011 ATV 350 CR RED (A2011IRG4BUSR)  
CLUTCH/V-BELT/MAGNETO COVER ASSEMBLY

Ref #	Part Number	Qty	S/P/F	Description
1	0806-026	1		Cover, Clutch
2	0830-055	1		Gasket
3	0830-157	1		Seal, Clutch Housing
4	0832-071	1		Bearing
5	0822-104	2		Retainer, Bearing
6	0826-144	5		Screw, Machine
7	0806-103	1		Plate, Air Intake
8	3303-386	18	/P	Screw, Cap
9	0806-027	1		Cover, V-Belt
10	0830-056	1		Gasket, V-Belt Cover
11	0829-046	6		Pin, Dowel
12	0832-023	1		Bearing
13	3303-347	1		Circlip
14	3303-365	2		Plug, Drain
15	3303-591	3		Gasket, Drain Plug
16	3304-903	22		Screw, Cap
17	0826-066	1		Screw, Cap
18	3304-191	2	/P	Screw, Cap
19	0826-068	1		Screw, Cap
20	0806-028	1		Cover, Magneto
21	0830-057	1		Gasket, Magneto Cover
22	0832-053	1		Bearing
23	0806-099	1		Plug
24	0830-141	1		Washer, Crush
25	0806-029	1		Stick, Oil Level (inc. 26)
26	3304-102	1	/P	O-Ring, Oil Level Stick
27	0837-015	1	/P	Seal
28	0830-153	1		O-Ring
29	0805-178	1		Retainer, Oil Seal
30	0826-145	3		Screw, Machine
31	0820-066	1		Cover, Magneto - Outer
32	3303-617	4	/P	Screw, Machine

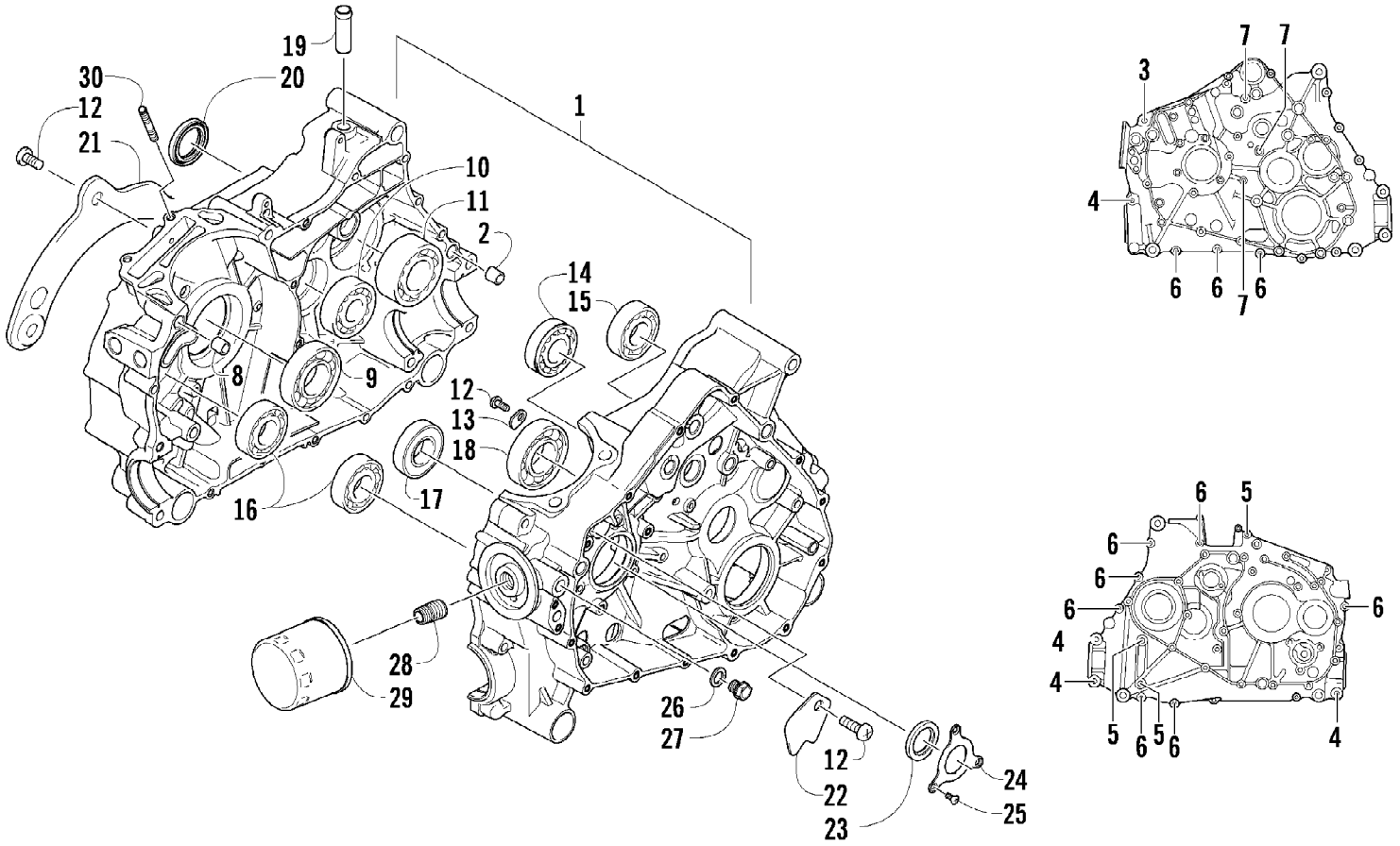


2011 ATV 350 CR RED (A2011IRG4BUSR)  
CRANK BALANCER ASSEMBLY

Page 14 of 72

Ref #	Part Number	Qty	S/P/F	Description
1	0811-005	1		Balancer, Crank
2	0829-037	1		Key
3	3304-144	1		Pin, Alignment
4	0811-006	1		Gear, Driven
5	0811-009	1		Gear, Oil Pump Drive
6	0828-091	1		Washer
7	0826-118	1		Screw, Cap

2011 ATV 350 CR RED (A2011IRG4BUSR)  
CRANKCASE ASSEMBLY



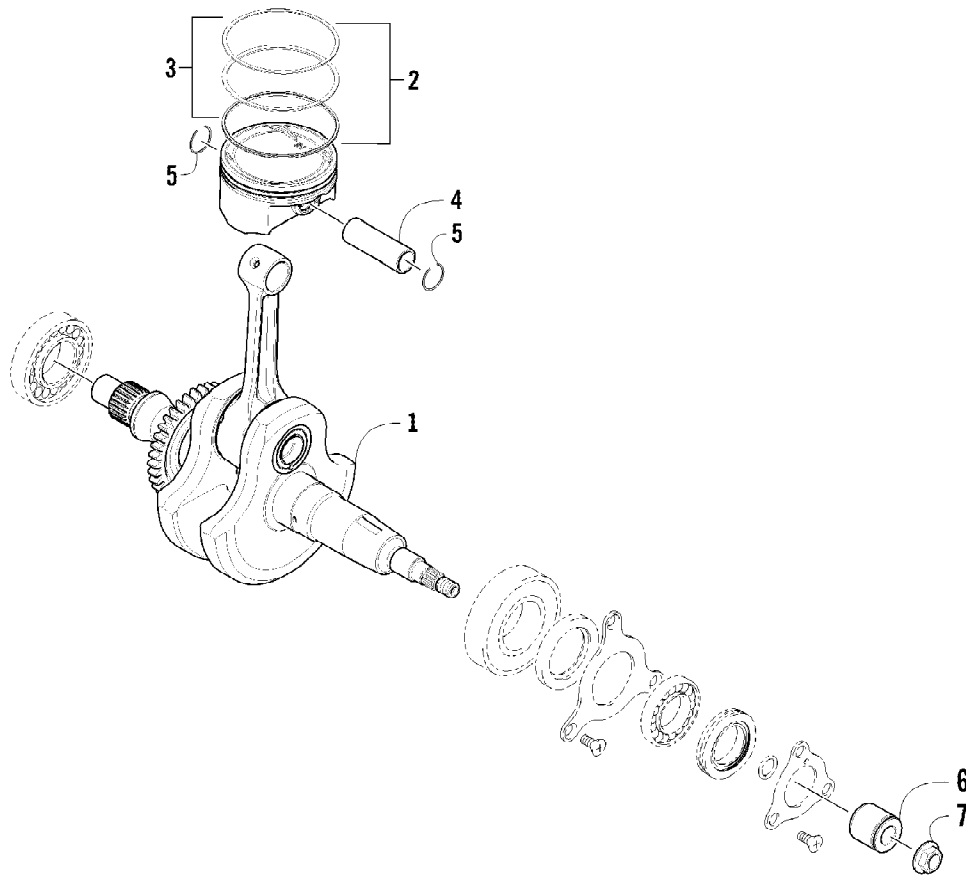
2011 ATV 350 CR RED (A2011IRG4BUSR)  
CRANKCASE ASSEMBLY

Page 16 of 72

Ref #	Part Number	Qty	S/P/F	Description
1	0801-021	1		Crankcase - Assembly (inc. 2-4)
2	0829-050	2		Pin, Dowel
3	3303-372	1		Screw, Cap
4	0826-126	4		Screw, Cap
5	0826-064	3		Screw, Cap
6	3303-387	10		Screw, Cap
7	0826-065	3		Screw, Cap
8	0829-046	2		Pin, Dowel
9	0832-087	1		Bearing
10	3304-198	1		Bearing
11	0832-074	1		Bearing
12	0826-144	6		Screw, Machine
13	0822-104	2		Retainer, Bearing
14	3304-195	1		Bearing
15	3304-699	1	/P	Bearing
16	0832-022	2		Bearing
17	0832-020	1		Bearing
18	0832-019	1		Bearing
19	0801-027	1		Tube, Vent - Crankcase
20	0830-066	1		Seal
21	0801-018	1		Plate, Oil Guide - Right
22	0801-019	1		Plate, Oil Guide - Left
23	0830-058	1		Seal
24	0805-018	1		Retainer
25	0826-145	3		Screw, Machine
26	0830-143	1	/P	Gasket
27	0835-004	1		Plug, Oil Pressure
28	0812-066	1		Union, Oil Filter
29	0812-029	1	S	Filter, Oil
30	3313-721	2		Bolt, Stud



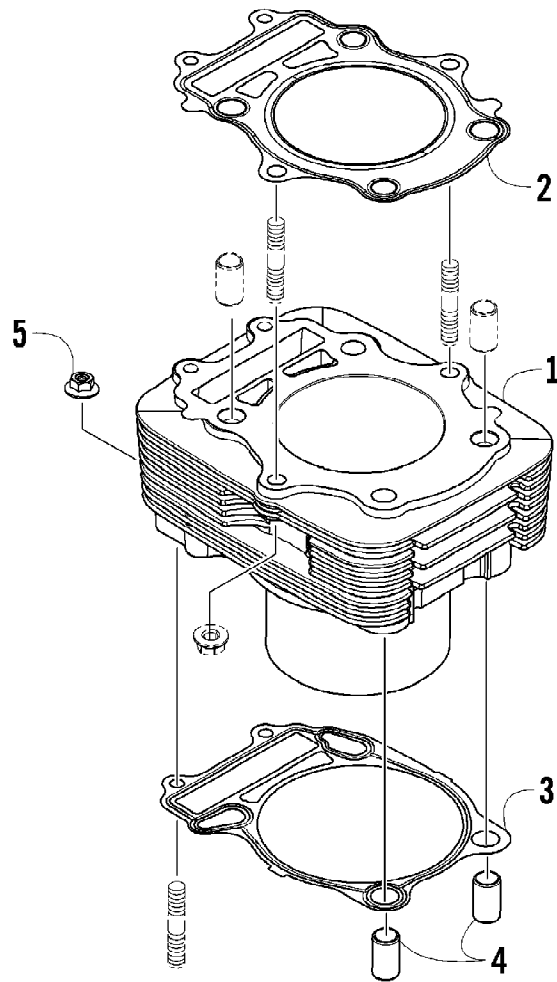
2011 ATV 350 CR RED (A2011IRG4BUSR)  
CRANKSHAFT AND PISTON ASSEMBLY



2011 ATV 350 CR RED (A2011IRG4BUSR)  
CRANKSHAFT AND PISTON ASSEMBLY

Page 18 of 72

Ref #	Part Number	Qty	S/P/F	Description
1	0805-013	1		Crankshaft Assembly
2	0805-169	1		Piston Set (inc. 3-5)
3	0805-170	1		Ring, Piston - Set
4	0805-023	1		Pin, Piston
5	0831-060	2		Circlip
6	0820-064	1		Bushing
7	3303-333	1	/P	Nut

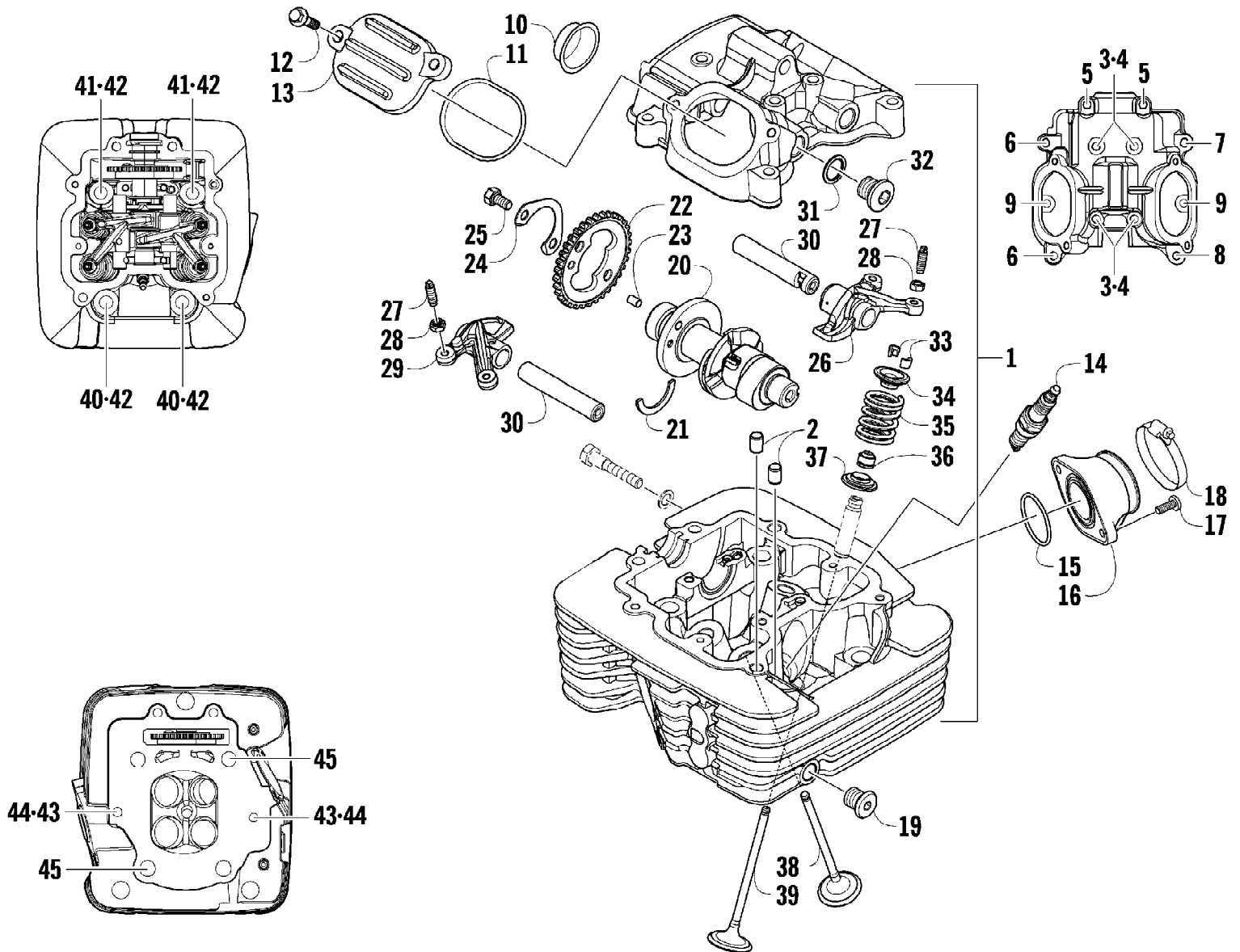


2011 ATV 350 CR RED (A2011IRG4BUSR)  
CYLINDER ASSEMBLY

Page 20 of 72

Ref #	Part Number	Qty	S/P/F	Description
1	0804-042	1		Cylinder
2	0830-050	1		Gasket, Cylinder Head
3	0830-053	1		Gasket, Cylinder
4	0829-046	2		Pin, Dowel
5	3304-654	2	/P	Nut, Lock

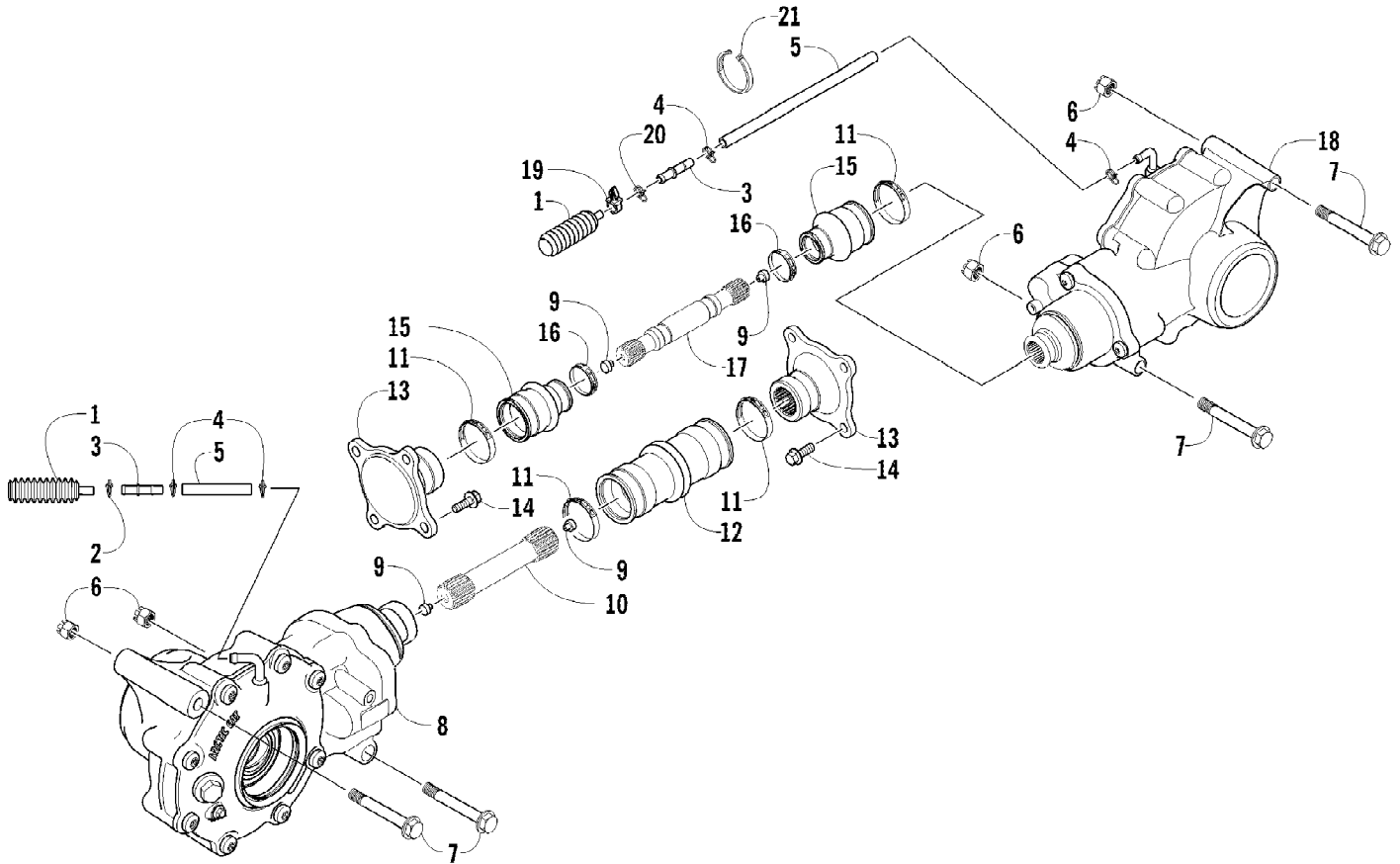
2011 ATV 350 CR RED (A2011IRG4BUSR)  
CYLINDER HEAD AND CAMSHAFT/VALVE ASSEMBLY



2011 ATV 350 CR RED (A2011IRG4BUSR)  
CYLINDER HEAD AND CAMSHAFT/VALVE ASSEMBLY

Ref #	Part Number	Qty	S/P/F	Description
1	0808-012	1	/P	Head, Cylinder (inc. 2)
2	3303-341	2		Pin, Dowel
3	0826-115	4		Screw, Cap
4	0830-155	4	/P	Gasket
5	3304-918	2		Screw, Cap
6	3303-386	2	/P	Screw, Cap
7	3304-903	1		Screw, Cap
8	0826-136	1		Screw, Cap
9	3303-384	2	/P	Screw, Cap
10	0808-112	1		Plug, Head
11	0830-139	2		O-Ring
12	3303-383	4	/P	Screw, Cap
13	0808-111	2		Cap, Inspection
14	0217-705	1	/P/F	Spark Plug
15	3323-145	1		O-Ring
16	3313-843	1		Manifold, Intake (inc. 15)
17	3304-189	2	/P	Screw, Cap
18	0423-380	1	/P	Clamp
19	3303-656	1		Plug, Oil Gallery
20	0809-287	1		Camshaft
21	0809-165	1		C-Ring
22	0809-166	1		Sprocket
23	0829-036	1		Pin, Alignment
24	0828-086	1		Plate, Retainer
25	0826-154	2		Screw, Cap
26	0809-145	1		Arm, Valve Rocker - Intake
27	3304-007	4	/P	Screw, Adjuster
28	3304-026	4	/P	Nut
29	0809-149	1		Arm, Valve Rocker - Exhaust
30	0809-151	2		Shaft, Rocker Arm
31	0830-143	2	/P	Gasket
32	0831-053	2		Plug, Shaft
33	3303-044	8		Cotter, Valve
34	0809-142	4		Retainer, Spring
35	0809-140	4		Spring, Valve
36	0809-190	4		Seal, Oil
37	0809-141	4		Seat, Spring
38	0809-188	2		Valve, Intake
39	0809-189	2		Valve, Exhaust
40	0826-062	2		Screw, Cap
41	0826-061	2		Screw, Cap
42	0828-044	4		Washer
43	0827-019	2		Bolt, Stud
44	3303-332	2		Nut
45	0829-013	2		Pin, Dowel

2011 ATV 350 CR RED (A2011IRG4BUSR)  
DRIVE TRAIN ASSEMBLY

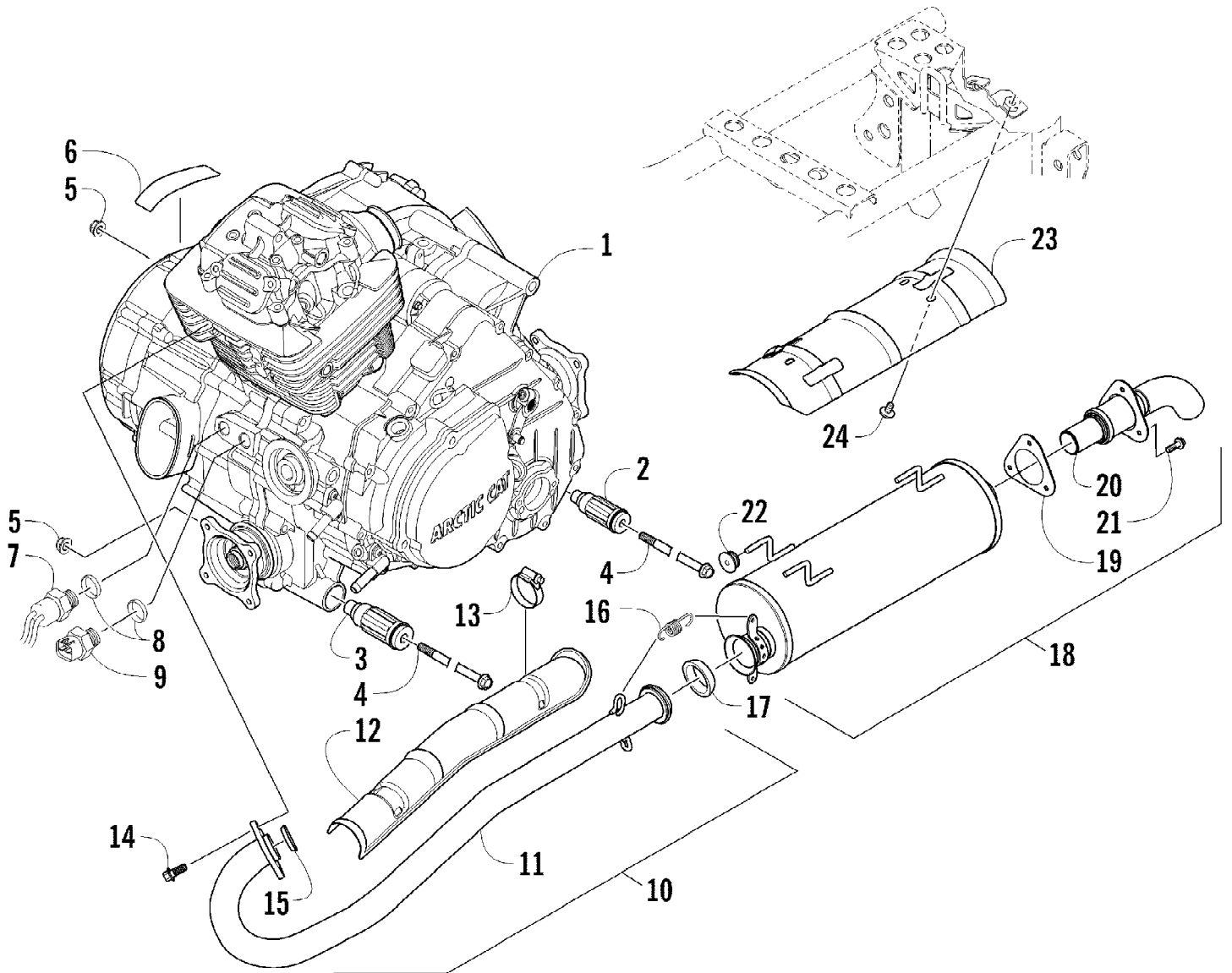


2011 ATV 350 CR RED (A2011IRG4BUSR)  
DRIVE TRAIN ASSEMBLY

Page 24 of 72

Ref #	Part Number	Qty	S/P/F	Description
1	3313-796	2		Bladder, Gearcase
2	3323-149	1		Clamp, Hose
3	3323-150	2		Fitting, Vent
4	3313-684	4		Clamp, Hose
5	0410-070	AR	/P	Hose, Vent
6	3304-031	4	/P	Nut, Lock
7	3305-787	4		Screw, Cap
8	3306-434	1		Gearcase, Front
9	3313-783	4		Bumper, Propeller Shaft
10	3313-784	1		Shaft, Propeller
11	3313-776	4		Clamp
12	3313-825	1		Boot, Coupler
13	3313-774	2		Flange, Output
14	3304-565	8	/P	Screw, Cap
15	0402-985	2	/P	Boot
16	3313-777	2		Clamp
17	3313-773	1		Shaft, Propeller
18	3306-023	1		Gearcase, Rear
19	3323-152	1		Clip, Routing
20	3303-349	1		Clamp, Hose
21	0123-788	AR	/P	Tie, Cable - 8 in.

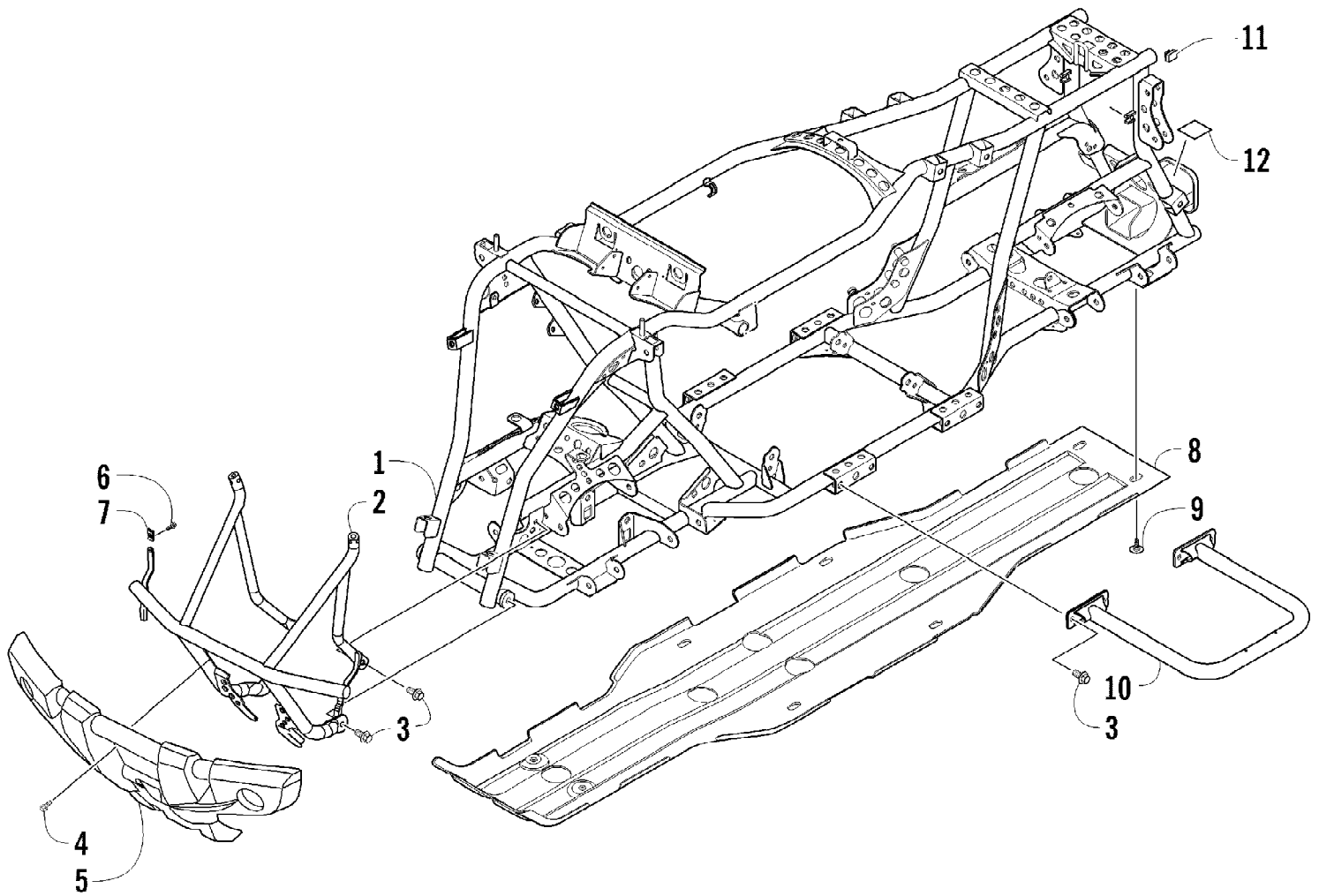




2011 ATV 350 CR RED (A2011IRG4BUSR)  
ENGINE AND EXHAUST

Page 26 of 72

Ref #	Part Number	Qty	S/P/F	Description
1	3313-858	1		Engine (inc. 2-3)
2	0801-092	3		Mount, Rubber - Engine
3	0801-144	1		Mount, Rubber - Engine
4	3323-174	2		Screw, Cap
5	3304-031	2	/P	Nut, Lock
6	0411-426	1		Decal, Warning - Clutch Cover
7	3313-432	1		Switch, Temperature - Fan
8	0830-180	2		O-Ring
9	3313-431	1		Switch, Temperature - Light
10	3313-364	1		Pipe, Exhaust - Assembly (inc. 11-13)
11	3313-024	1		Pipe, Exhaust
12	3313-025	1		Shield, Exhaust
13	0423-317	2	/P	Clamp
14	3304-565	2	/P	Screw, Cap
15	0412-007	1	/P	Gasket, Exhaust Pipe
16	0612-668	2	/P	Spring, Extension
17	0612-188	1	/P	Seal, Exhaust
18	3313-640	1		Muffler - Assembly (inc. 19-21)
19	3313-708	1		Gasket, Spark Arrester
20	3313-707	1		Arrester, Spark - Assembly
21	3304-438	3		Screw, Cap
22	3313-264	3		Bushing
23	3313-026	1		Cover, Muffler
24	3313-711	3		Screw, Machine

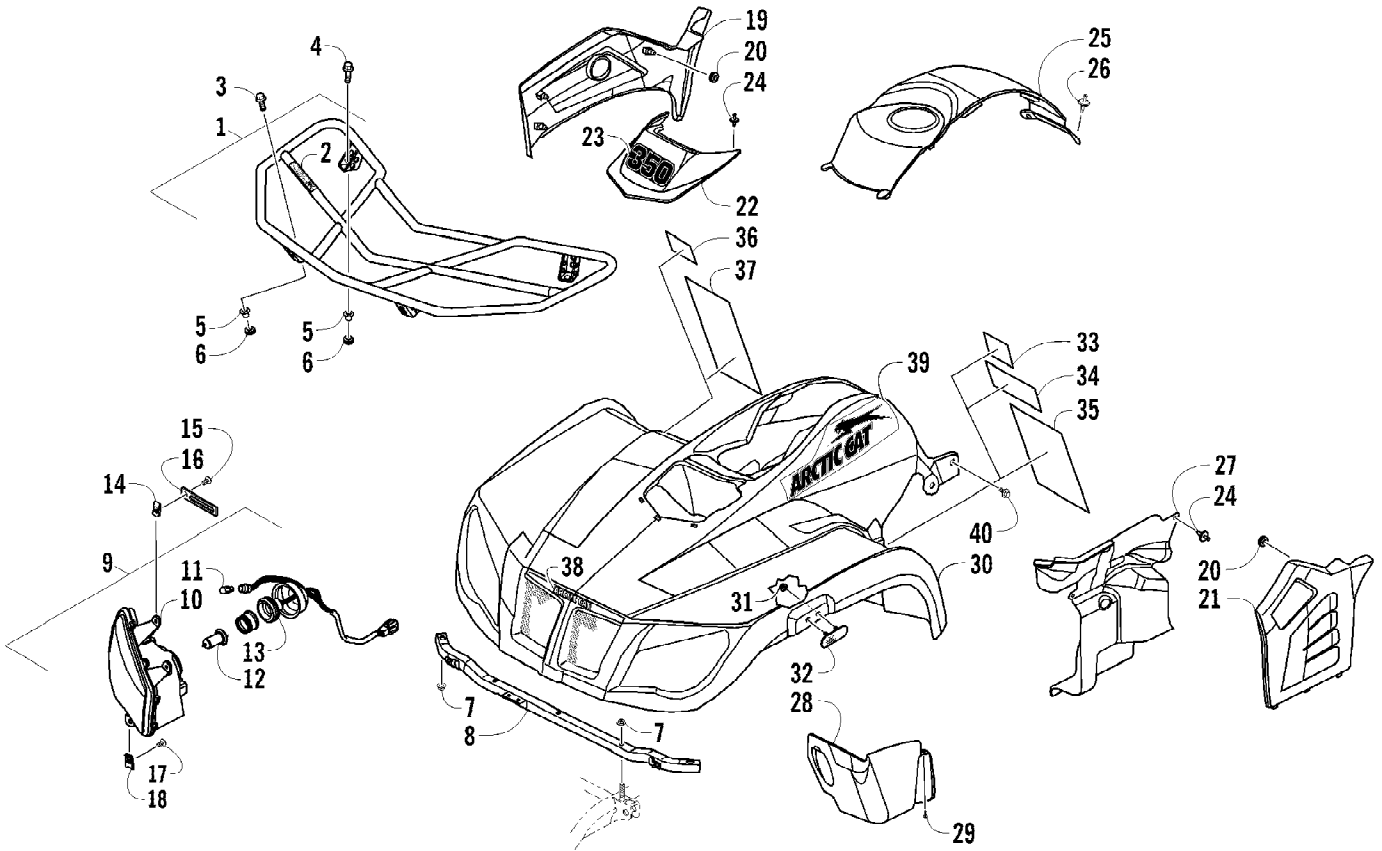


2011 ATV 350 CR RED (A2011IRG4BUSR)  
FRAME AND RELATED PARTS

Page 28 of 72

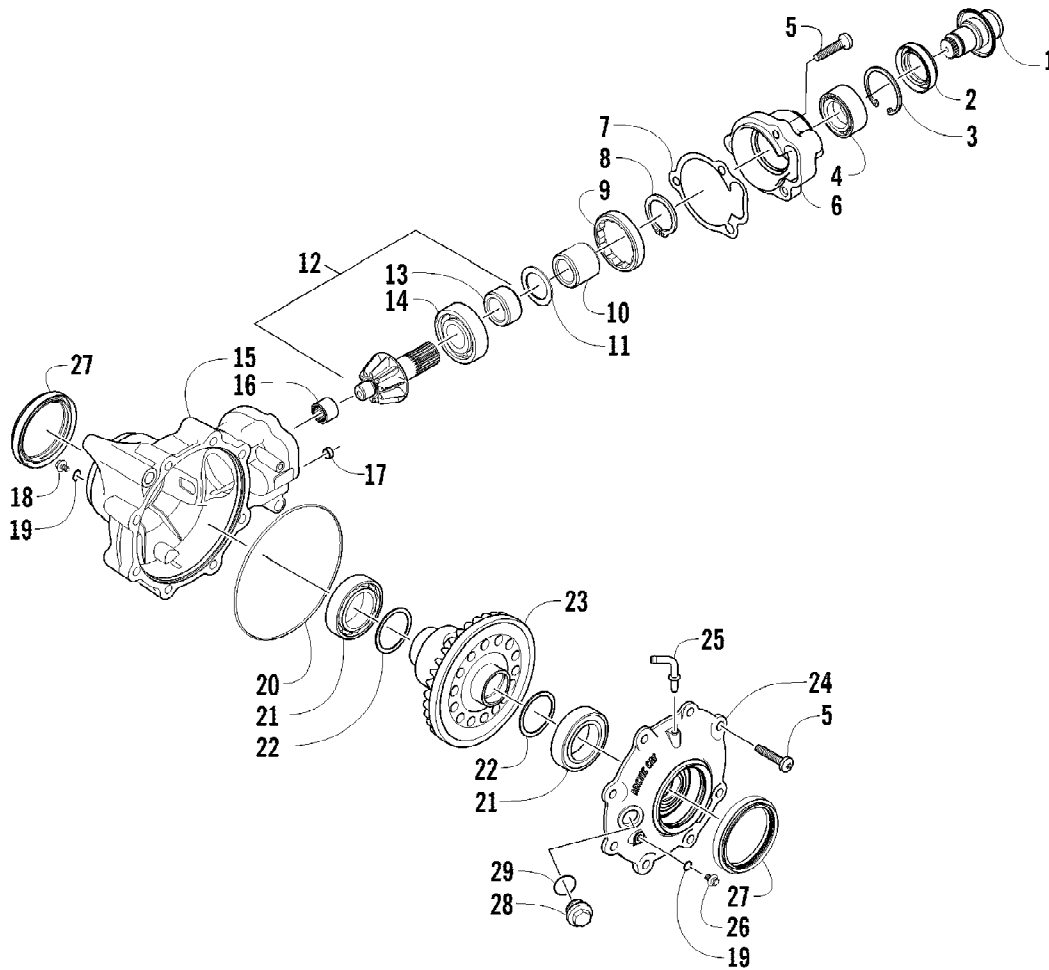
Ref #	Part Number	Qty	S/P/F	Description
1	3313-855	1		Frame, Main
2	3306-332	1		Bumper - Front
3	3304-543	12	/P	Screw, Cap
4	3304-587	4	/P	Screw, Cap
5	3306-289	1		Fascia, Bumper
6	3304-586	2	/P	Screw, Cap
7	3303-267	2		Clip, U-Nut
8	3313-755	1	/P	Panel, Belly
9	0423-545	10	/P	Screw, Shoulder
10	3313-351	2		Footrest
11	3306-329	2		Cushion
12	1411-077	1		Decal, Warning - Towing

2011 ATV 350 CR RED (A2011IRG4BUSR)  
FRONT BODY, RACK, AND HEADLIGHT ASSEMBLY



2011 ATV 350 CR RED (A2011IRG4BUSR)  
FRONT BODY, RACK, AND HEADLIGHT ASSEMBLY

Ref #	Part Number	Qty	S/P/F	Description
1	3306-330	1		Rack, Front - Assembly (inc. 2)
2	1411-681	1		Decal, Warning - Load
3	3313-713	2		Screw, Cap
4	3313-522	2		Screw, Cap
5	0423-669	4		Spacer
6	0423-465	4		Grommet
7	3304-668	4		Nut, Lock
8	3313-469	1		Tube, Mounting
9	3306-268	1		Headlight - Assembly - Right (inc. 10-13)
9	3306-269	1		Headlight - Assembly - Left (inc. 10-13)
10	3306-270	1		Lens, Headlight - Right
10	3306-271	1		Lens, Headlight - Left
11	3303-847	2		Bulb
12	3303-846	2	/P	Bulb, Headlight
13	3306-272	2		Socket, Headlight - Assembly
14	3304-061	4	/P	Clip, U-Nut
15	3304-029	4	/P	Screw, Cap
16	3304-157	2		Clamp, Routing
17	3304-586	2	/P	Screw, Cap
18	3303-267	2		Clip, U-Nut
19	3313-752	1		Panel, Side - Lower - Right
20	0423-678	10		Grommet
21	3313-753	1		Panel, Side - Lower - Left
22	3306-404	1		Cover, Access
23	2411-499	1		Decal, "350"
24	3303-592	4		Clip, Retaining
25	3306-280	1		Cover, Gas Tank
26	3304-057	2	/P	Clip, Retaining
27	3313-756	1		Panel, Splash - Front Right
27	3313-757	1		Panel, Splash - Front Left
28	3313-754	1		Shield, Linkage
29	3304-650	3	/P	Screw, Self-Tapping
30	3306-282	1		Panel, Fender - Front (inc. 31-37)
31	3304-774	2		Nut, Lock
32	3313-359	2	/P	Reflector
33	0411-835	1		Decal, Warning - Turn/Hill
34	1411-804	1	/P	Decal, Warning - Age
35	1411-932	1	/P	Decal, Warning - General
36	1411-574	1		Decal, Warning - Off-Road Only
37	1411-250	1		Decal, Warning - Reverse/Pre-Ride
38	2411-501	1		Decal, "Arctic Cat"
39	2411-494	1		Decal, Side - Upper Right
39	2411-495	1		Decal, Side - Upper Left
40	3305-783	2		Screw, Cap



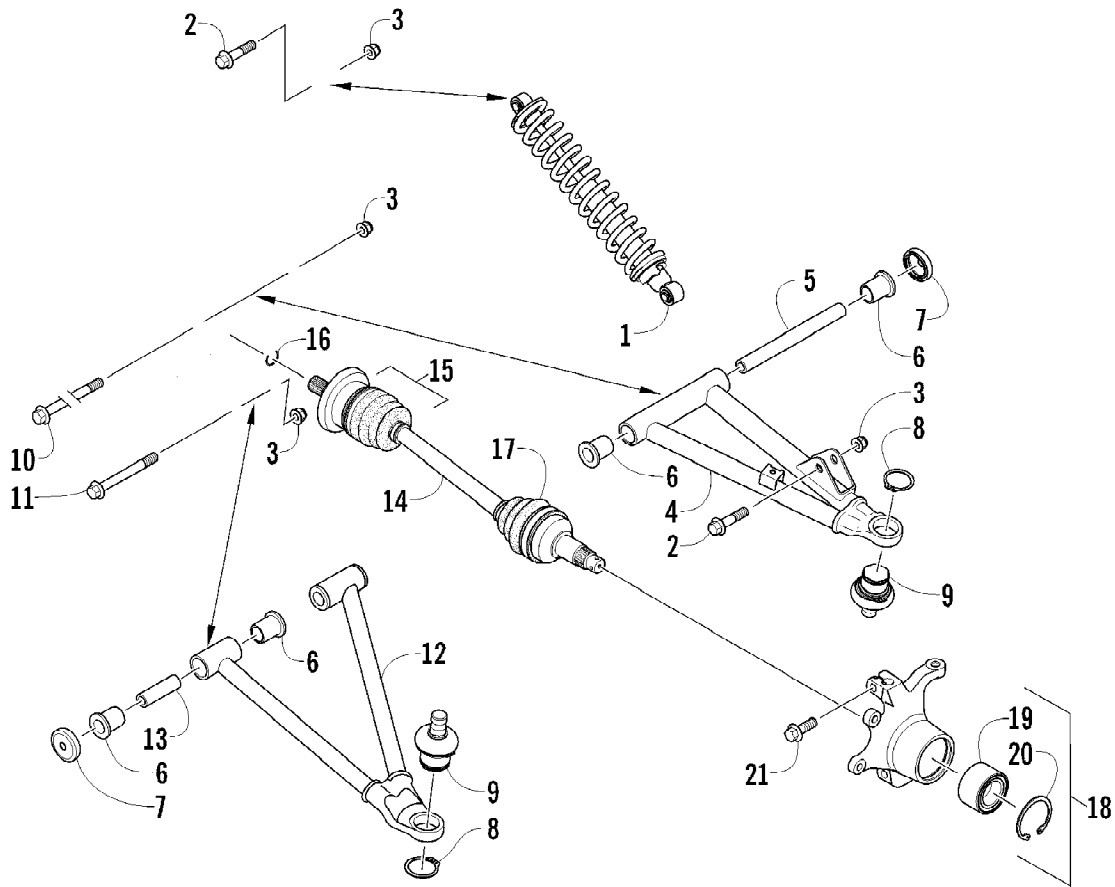
2011 ATV 350 CR RED (A2011IRG4BUSR)  
FRONT DRIVE GEARCASE ASSEMBLY

Page 32 of 72

Ref #	Part Number	Qty	S/P/F	Description
	3306-434	1		Complete Front Drive Gearcase Assembly
1	3306-047	1		Shaft, Input
2	3323-239	1		Seal
3	3306-046	1		Ring, Retaining
4	3323-240	1		Bearing
5	3303-615	11		Screw, Self-Tapping
6	3306-049	1		Housing, Pinion
7	3323-234	1		Gasket, Flange
8	3306-045	1		Ring, Retaining
9	3313-788	1		Collar, Lock
10	3306-044	1		Bearing
11	3306-043	1		Washer, Wave
12	3306-039	1		Gear, Pinion - Assembly - 11T (inc. 13-14)
13	0402-336	1		Collar, Retaining
14	3306-040	1		Bearing
15	3313-793	1		Housing, Gearcase
16	3306-038	1		Bearing
17	3306-048	1		Pin, Dowel
18	3306-027	1		Plug, Magnetic (inc. one No. 19)
19	0423-153	2		O-Ring
20	3306-030	1		O-Ring
21	3306-026	2		Bearing
22	3306-132	AR		Shim, 41 x 49 x 1.0 mm
22	3306-133	AR		Shim, 41 x 49 x 1.1 mm
22	3306-134	AR		Shim, 41 x 49 x 1.2 mm
22	3306-135	AR		Shim, 41 x 49 x 1.3 mm
22	3306-136	AR		Shim, 41 x 49 x 1.4 mm
22	3306-137	AR		Shim, 41 x 49 x 1.5 mm
22	3306-138	AR		Shim, 41 x 49 x 1.6 mm
22	3306-139	AR		Shim, 41 x 49 x 1.7 mm
23	3313-794	1		Gear, Ring - 34T
24	3313-795	1		Cover, Gearcase
25	3306-034	1		Fitting, 90°
26	3306-036	1		Plug, Oil Level (inc. one No. 19)
27	3306-025	2		Seal
28	3306-035	1		Plug, Fill (inc. 29)
29	0423-154	1		O-Ring



2011 ATV 350 CR RED (A2011IRG4BUSR)  
FRONT SUSPENSION ASSEMBLY



2011 ATV 350 CR RED (A2011IRG4BUSR)  
FRONT SUSPENSION ASSEMBLY

Page 34 of 72

Ref #	Part Number	Qty	S/P/F	Description
1	3313-330	2		Shock/Spring Assembly
2	3303-376	4	/P	Screw, Cap
3	3304-031	10	/P	Nut, Lock
4	3313-084	1		A-Arm, Upper Right (inc. 5-9)
4	3313-085	1		A-Arm, Upper Left (inc. 5-9)
5	3313-111	2	/P	Axle
6	3313-112	12		Bushing
7	3313-113	12		Seal
8	0423-009	4	/P	Ring, Retaining
9	0405-115	4	/P	Ball Joint
10	3313-430	2		Screw, Cap
11	3304-183	4	/P	Screw, Cap
12	3313-080	1		A-Arm, Lower Right (inc. 6-9 and 13)
12	3313-081	1		A-Arm, Lower Left (inc. 6-9 and 13)
13	3313-107	4		Axle
14	3313-831	2	/P	Axle, Drive - Front (inc. 15-17)
15	3313-560	1		Repair Kit, Boot - Drive Axle - Inbound (inc. 16)
16	0423-844	2	/P	Clip, Retaining
17	3313-558	1		Repair Kit, Boot - Drive Axle - Outbound
18	3323-130	1		Knuckle - Assembly - Right (inc. 19-20)
18	3323-131	1		Knuckle - Assembly - Left (inc. 19-20)
19	1402-809	2	/P	Bearing
20	0423-423	2		Ring, Retaining
21	3323-127	4		Screw, Cap

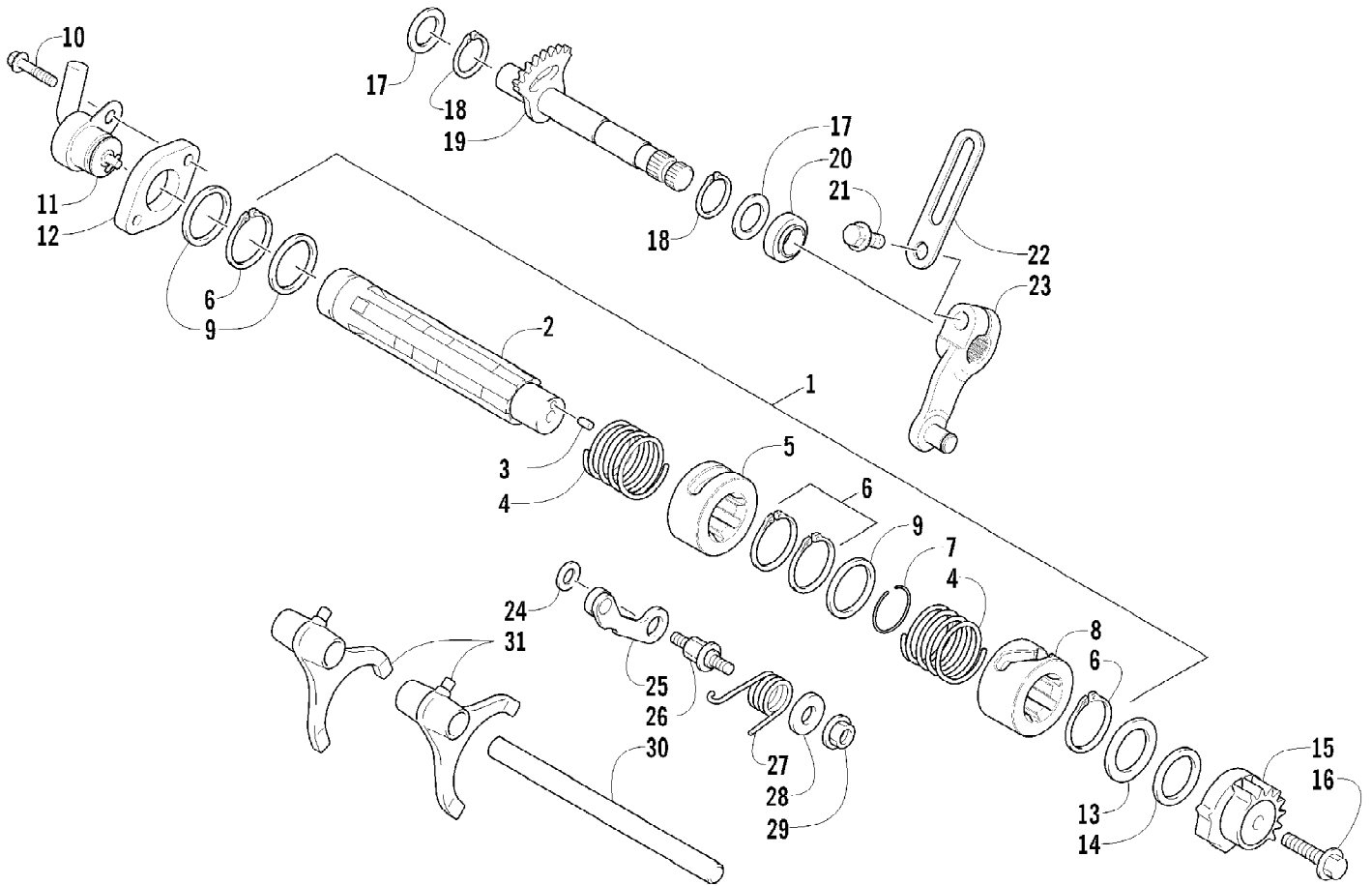


2011 ATV 350 CR RED (A2011IRG4BUSR)  
GAS TANK ASSEMBLY

Page 36 of 72

Ref #	Part Number	Qty	S/P/F	Description
1	3306-406	1		Tank, Gas - Assembly (inc. 2-5)
2	3306-297	1		Cap, Gas Tank (inc. 3)
3	3306-298	1		Gasket, Gas Tank Cap
4	3306-300	6	/P	Screw, Self-Tapping
5	3306-299	1		Plate, Retaining
6	3313-852	1		Pump, Fuel - Assembly
7	3313-845	1		Seal
8	0423-732	1		Screw, Shoulder
9	0423-460	2		Grommet
10	3313-833	1		Shield, Heat
11	0423-146	1		Screw, Machine
12	3313-287	1		Knob, Gas Tank Valve
13	3313-325	1		Valve, Gas Tank
14	3304-431	2	/P	Nut, Lock
15	3313-288	1		Hose, Gasline (inc. 16)
16	3313-684	2		Clamp, Hose

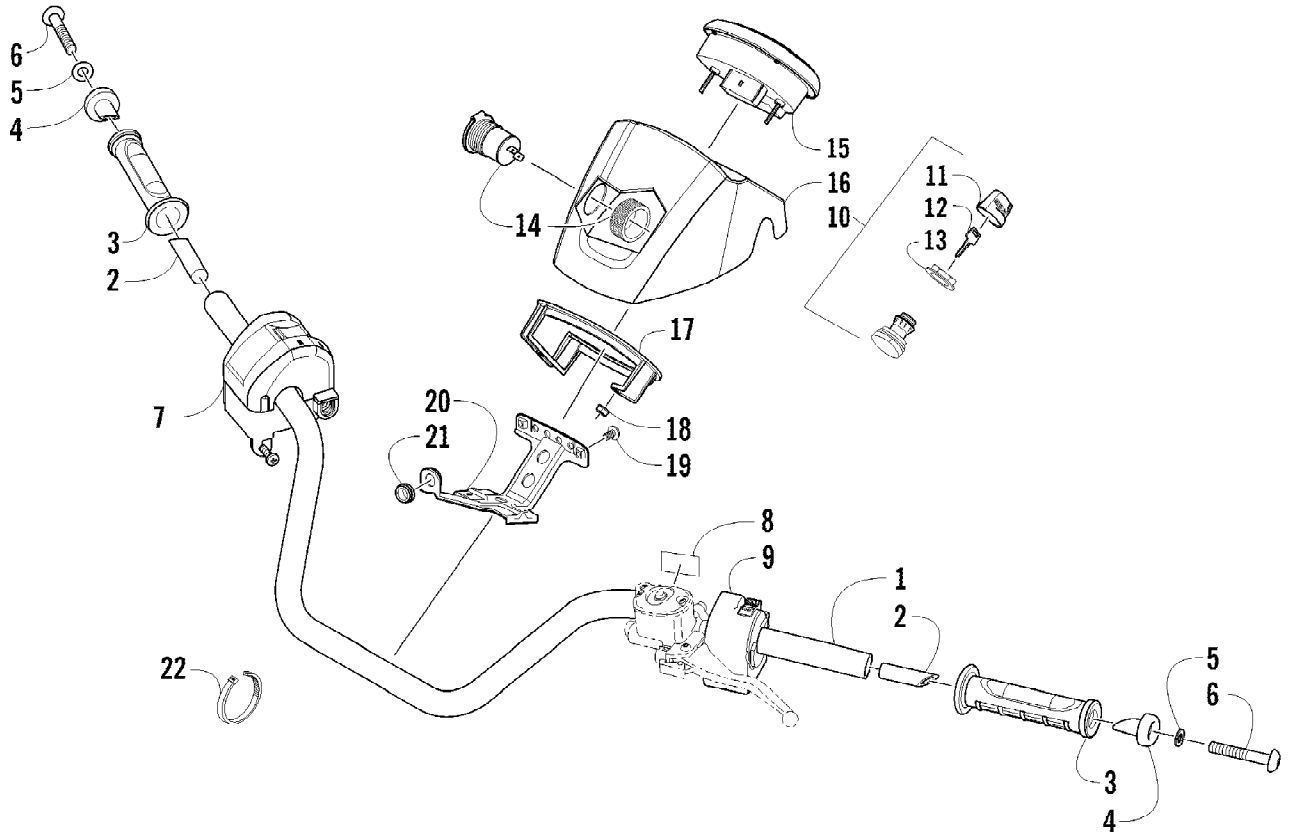
2011 ATV 350 CR RED (A2011IRG4BUSR)  
GEAR SHIFTING ASSEMBLY



2011 ATV 350 CR RED (A2011IRG4BUSR)  
GEAR SHIFTING ASSEMBLY

Page 38 of 72

Ref #	Part Number	Qty	S/P/F	Description
1	0818-126	1	/P	Shaft, Gear Shift - Assembly (inc. 2-8 and two No. 9)
2	0818-125	1	/P	Shaft, Gear Shift
3	3304-439	1		Pin, Dowel
4	0818-060	2		Spring
5	0818-116	1		Cam, Reverse
6	3304-147	4	/P	Circlip
7	0831-016	1		C-Ring
8	0818-117	1		Cam, Gear Shift
9	0828-079	3		Washer
10	3303-252	2		Screw, Cap
11	3306-395	1		Switch, Gear Shift Position
12	0818-073	1		Spacer, Speed Sensor
13	0828-081	1		Washer, Thrust
14	0828-080	1		Washer, Thrust
15	0818-061	1		Plate, Gear Shift Cam
16	3304-569	1		Screw, Cap
17	0828-084	2		Washer
18	3301-875	2		Ring, Retaining
19	0818-114	1		Shaft, Sub-Gear Shift
20	0830-179	1		Seal
21	3304-551	1	/P	Screw, Cap
22	3002-964	1	/P/F	Clamp, Wire
23	3306-316	1		Arm, Select
24	0828-083	1		Washer
25	0818-084	1		Stopper, Cam
26	0818-062	1		Support, Cam Stopper
27	0818-020	1		Spring
28	0828-082	1		Washer
29	3304-654	1	/P	Nut, Lock
30	0818-021	1		Shaft, Shift Fork
31	0818-088	2		Fork, Shift



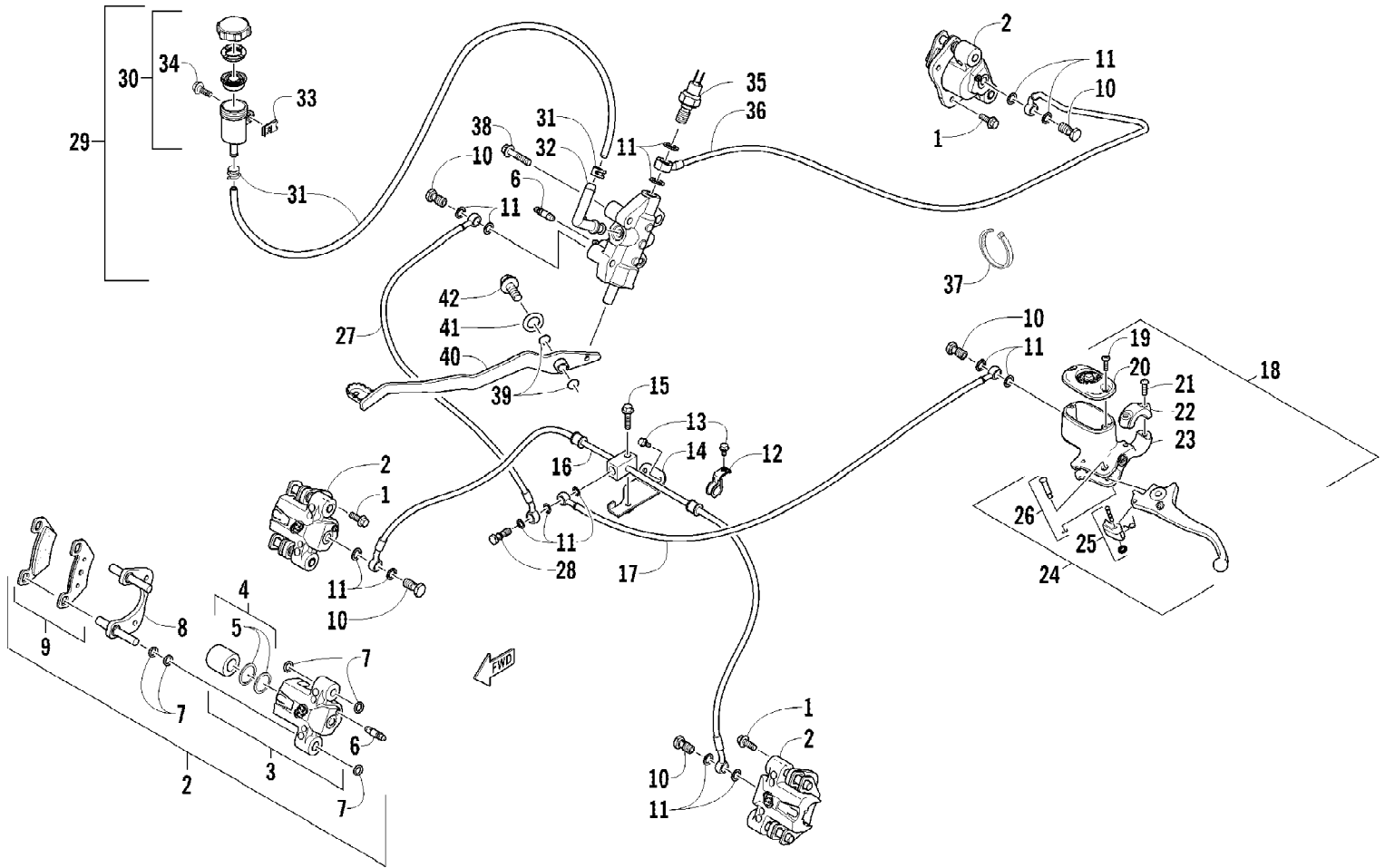
2011 ATV 350 CR RED (A2011IRG4BUSR)  
HANDLEBAR ASSEMBLY

Page 40 of 72

Ref #	Part Number	Qty	S/P/F	Description
1	3306-580	1		Handlebar
2	0405-148	2		Plug, Handlebar
3	0405-147	2		Grip, Handlebar
4	0405-149	2		End Cap, Handlebar
5	8050-247	2	/P	Washer
6	8477-845	2		Screw, Machine
7	3303-953	1		Case, Throttle - Assembly
8	1411-865	1		Decal, Brake Lever Lock
9	3313-428	1		Switch, Control - Assembly
10	3313-439	1		Switch, Ignition - Assembly (inc. 11-13)
11	0430-054	1		Cover, Key
12	3409-007	2	/P/F	Key, Ignition - Blank
13	0430-050	1		Nut, Flange - Ignition Switch
14	3313-468	1		Outlet, Accessory - 12V
15	0520-119	1		Speedometer - Assembly
16	3306-278	1		Pod, Instrument
17	0420-065	1	/P	Bracket, Retaining
18	0423-493	2		Nut w/Washer
19	3304-404	2		Screw, Cap
20	3306-277	1		Bracket, Mounting - Pod (inc. 21)
21	3303-239	1		Grommet
22	3303-839	AR		Tie, Cable



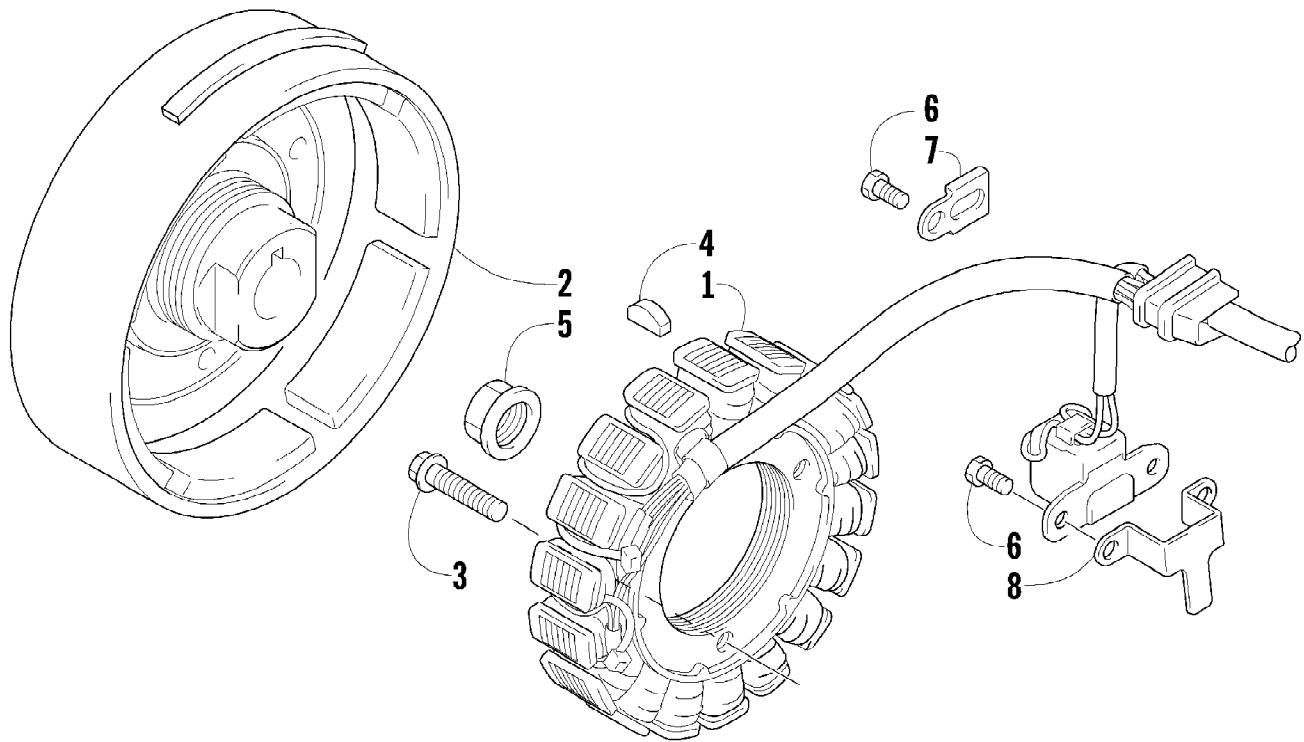
2011 ATV 350 CR RED (A2011IRG4BUSR)  
HYDRAULIC BRAKE ASSEMBLY



2011 ATV 350 CR RED (A2011IRG4BUSR)  
HYDRAULIC BRAKE ASSEMBLY

Page 42 of 72

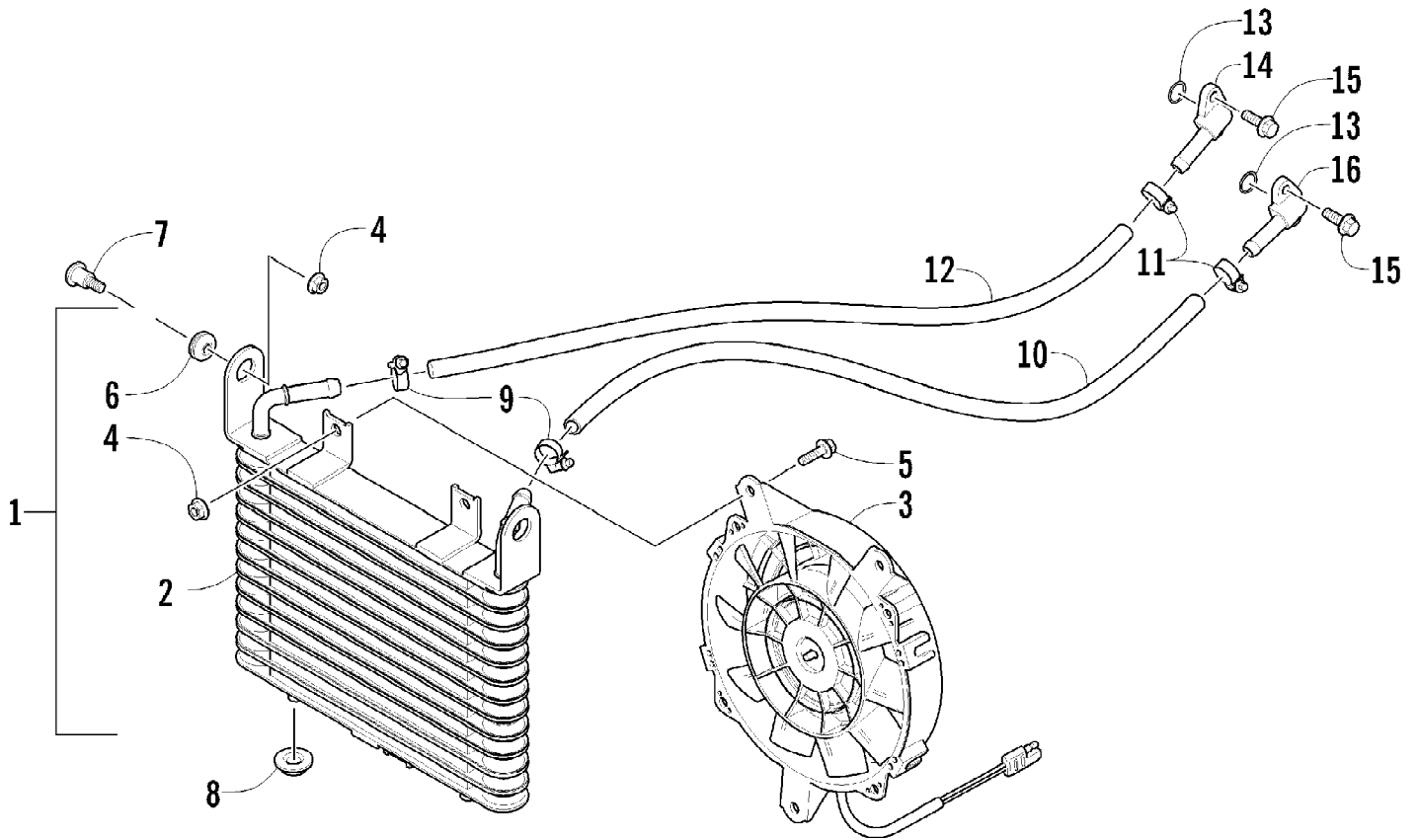
Ref #	Part Number	Qty	S/P/F	Description
1	3305-785	6		Screw, Cap
2	3323-230	1		Caliper, Brake - Right Front (inc. 3-9)
2	3323-231	1		Caliper, Brake - Left Front (inc. 3-9)
2	3323-231	1		Caliper, Brake - Rear (inc. 3-9)
3	1436-160	1	/P	Housing, Caliper - Assembly - Right Front (inc. 4-6)
3	1436-161	1	/P	Housing, Caliper - Assembly - Left Front (inc. 4-6)
3	1436-161	1	/P	Housing, Caliper - Assembly - Rear (inc. 4-6)
4	0502-606	3		Piston/Seal Set (inc. 5)
5	0502-607	3		Seal Set
6	0502-609	4	/P	Valve, Bleed
7	0502-608	3		O-Ring, Guide - Set
8	0502-605	3		Bracket Assembly
9	1502-694	3	S	Pad, Brake - Set
10	3303-257	5	/P	Bolt, Banjo-Fitting
11	3303-284	15	/P	Washer, Crush
12	3303-919	2		Clamp, Brake Hose
13	3304-553	3		Screw, Cap
14	3313-523	1		Bracket, Mounting - Brake Hose Assembly
15	3305-789	1		Screw, Cap
16	3313-750	1	/P	Hose, Brake - Assembly
17	3313-422	1		Hose, Brake
18	3313-316	1		Brake Assembly (inc. 19-26)
19	0502-566	1		Screw, Machine - Kit
20	0502-868	1	/P	Cover, Reservoir
21	0502-568	1		Screw, Machine - Kit
22	0502-869	1		Clamp, Master Cylinder
23	0502-704	1		Master Cylinder Assembly
24	0502-866	1		Lever Assembly - Kit (inc. 25-26)
25	0502-867	1	/P	Lock, Brake Lever - Kit
26	0502-580	1		Lever Pin - Kit
27	3313-423	1		Hose, Brake
28	3304-674	1	/P	Bolt, Banjo-Fitting - Double
29	3313-478	1	/P	Brake Assembly (inc. 30-32)
30	1502-141	1		Reservoir, Brake w/Clamp
31	3313-489	1		Hose, Brake Fluid Reservoir w/Clamps
32	1502-296	1	/P	Adapter, Hose
33	3304-061	1	/P	Clip, U-Nut
34	3306-146	1		Screw, Cap
35	3313-820	1		Switch, Brake
36	3313-315	1		Hose, Brake
37	0123-788	AR	/P	Tie, Cable - 8 in.
38	3303-386	2	/P	Screw, Cap
39	1602-213	2	/P	O-Ring
40	3313-156	1	/P	Lever, Brake
41	8050-252	1		Washer
42	3304-543	1	/P	Screw, Cap



2011 ATV 350 CR RED (A2011IRG4BUSR)  
MAGNETO ASSEMBLY

Page 44 of 72

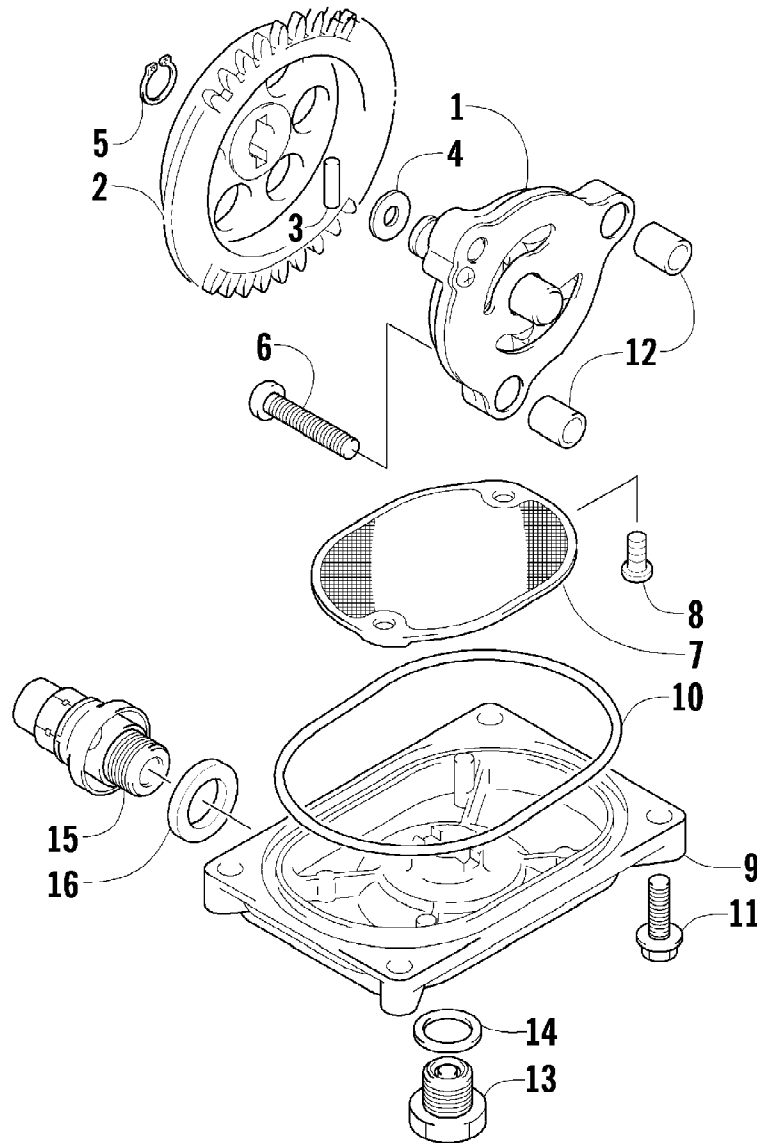
Ref #	Part Number	Qty	S/P/F	Description
1	3323-200	1		Stator Assembly
2	3323-164	1	/P	Rotor/Flywheel
3	3305-945	3		Screw, Cap
4	0829-039	1		Key
5	0827-046	1		Nut
6	3303-308	3		Screw, Cap
7	0802-003	1		Clamp
8	0802-004	1		Clamp



2011 ATV 350 CR RED (A2011IRG4BUSR)  
OIL COOLER ASSEMBLY

Page 46 of 72

Ref #	Part Number	Qty	S/P/F	Description
1	3323-202	1		Cooler, Oil - Assembly (inc. 2-3, three No. 4, and 5-6)
2	3323-203	1		Cooler, Oil
3	3323-204	1		Fan, Cooling
4	3304-654	5	/P	Nut, Lock
5	3304-587	3	/P	Screw, Cap
6	0423-030	2		Grommet
7	3313-166	2		Screw, Shoulder
8	0423-028	2		Bushing, Stem
9	0423-098	2	/P	Clamp, Hose
10	0410-044	1		Hose, Oil
11	3313-772	2		Clamp, Hose
12	3313-771	1		Hose, Oil
13	0830-172	2		O-Ring
14	0812-060	1		Fitting, Oil
15	3303-617	4	/P	Screw, Cap
16	0812-059	1		Fitting, Oil



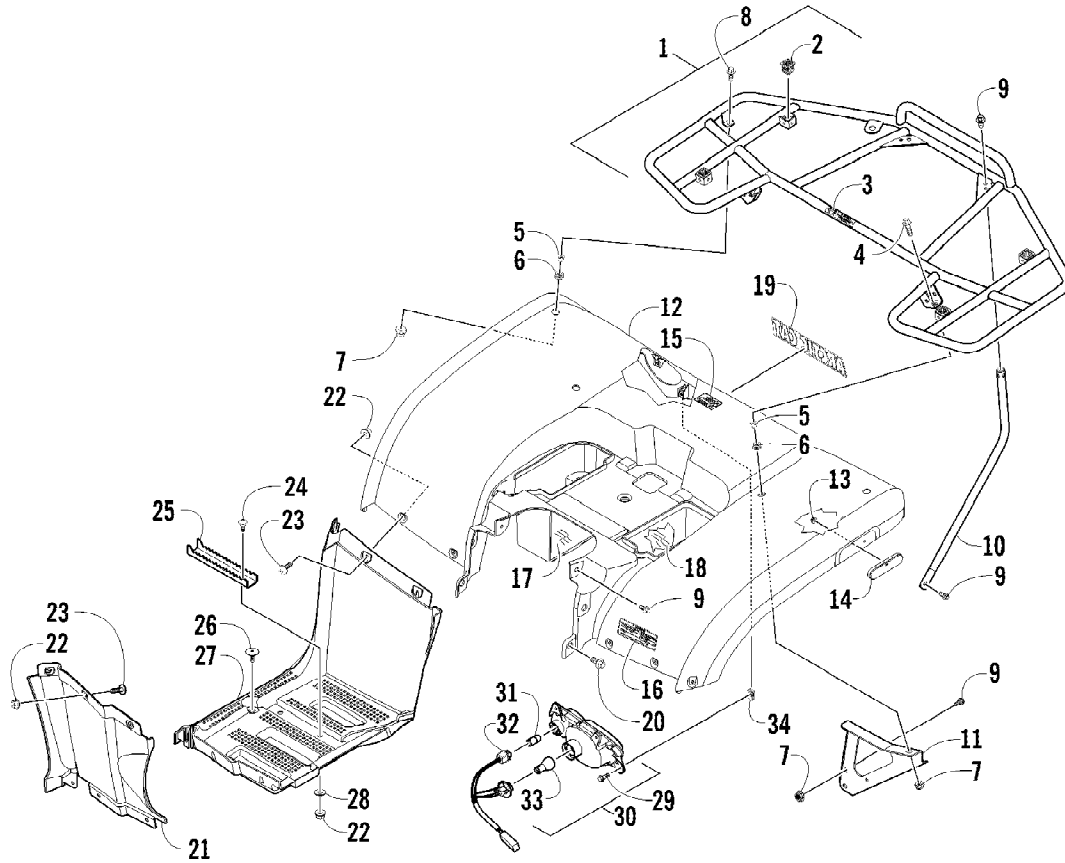
2011 ATV 350 CR RED (A2011IRG4BUSR)  
OIL PUMP AND STRAINER ASSEMBLY

Page 48 of 72

Ref #	Part Number	Qty	S/P/F	Description
1	0812-069	1		Pump, Oil
2	0812-010	1		Gear, Driven
3	0812-036	1		Pin, Dowel
4	0828-007	1	/P	Washer
5	3304-146	1		Ring, Retaining
6	0826-131	3		Screw, Machine
7	0812-049	1		Strainer, Oil
8	3313-722	2		Screw, Cap
9	0812-038	1		Cap, Oil Strainer
10	0830-159	1		O-Ring
11	3303-384	4	/P	Screw, Cap
12	0829-033	2		Pin, Dowel
13	0812-065	1		Plug, Drain
14	0830-143	1	/P	Gasket
15	0812-067	1		Valve, Oil-Relief - Assembly (inc. 16)
16	0830-181	1		O-Ring



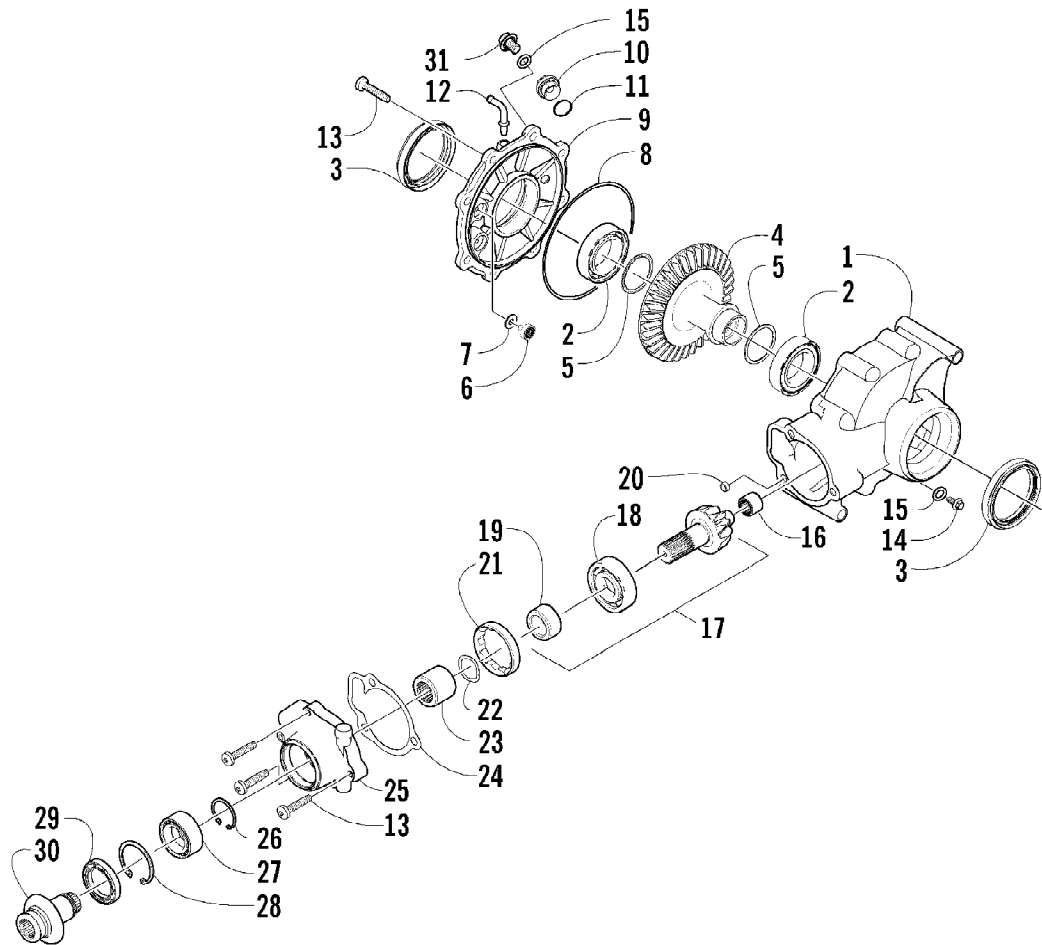
2011 ATV 350 CR RED (A2011IRG4BUSR)  
REAR BODY, RACK, AND TAILLIGHT ASSEMBLY



2011 ATV 350 CR RED (A2011IRG4BUSR)  
REAR BODY, RACK, AND TAILLIGHT ASSEMBLY

Ref #	Part Number	Qty	S/P/F	Description
1	3313-373	1		Rack, Rear - Assembly (inc. 2-3)
2	0441-592	4	/P	Bushing
3	1411-682	1		Decal, Warning - Load
4	8410-830	2		Screw, Cap
5	0423-669	4		Spacer
6	0423-465	4		Grommet
7	3304-668	8		Nut, Lock
8	3313-522	2		Screw, Cap
9	3304-543	8	/P	Screw, Cap
10	3313-449	2		Tube, Mounting
11	3313-352	1		Bracket, Mounting - Rear Rack - Right
11	3313-353	1		Bracket, Mounting - Rear Rack - Left
12	3306-305	1		Panel, Fender - Rear (inc. 13-18)
13	3304-774	2		Nut, Lock
14	3313-360	2	/P	Reflector
15	1411-809	1	/P	Decal, Warning - Passenger
16	1411-893	1		Decal, Warning - Tire Pressure
17	3313-362	1	/P	Foil, Protective - Right
18	3313-363	1		Foil, Protective - Left
19	2411-501	1		Decal, "Arctic Cat"
20	3305-783	2		Screw, Cap
21	3313-760	1		Footwell - Front - Right
21	3313-761	1		Footwell - Front - Left
22	3304-431	22	/P	Nut, Lock
23	3305-703	18		Screw, Machine
24	3304-586	4	/P	Screw, Cap
25	1506-125	2	/P	Footpeg
26	0423-545	2	/P	Screw, Shoulder
27	3313-762	1		Footwell - Rear - Right
27	3313-763	1		Footwell - Rear - Left
28	3305-852	4		Washer
29	3304-029	8	/P	Screw, Cap
30	3313-382	1		Taillight Assembly - Right (inc. 31-33)
30	3313-383	1		Taillight Assembly - Left (inc. 31-33)
31	3313-508	2	/P	Bulb, Backup
32	3313-499	2		Socket, Taillight - Assembly
33	3303-849	2	/P	Bulb, Taillight
34	3304-061	8	/P	Clip, U-Nut

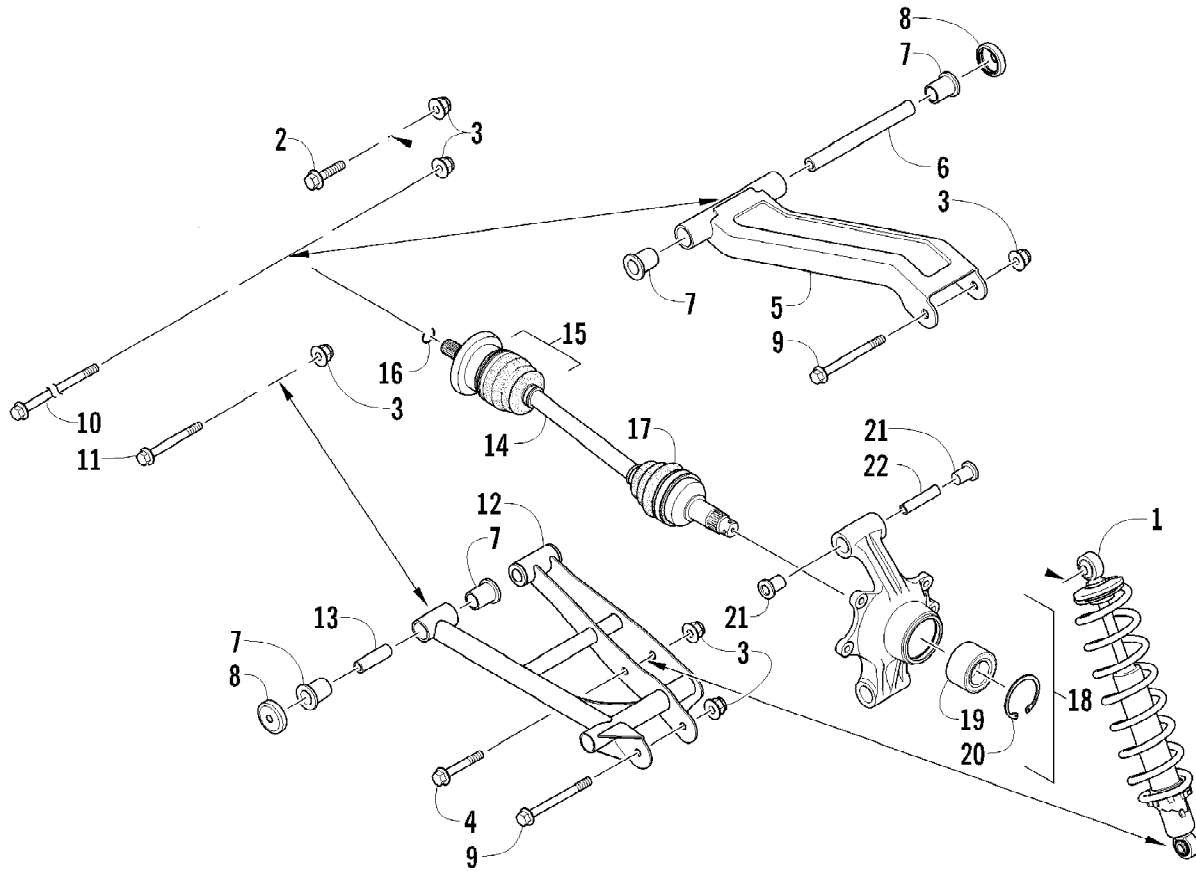
2011 ATV 350 CR RED (A2011IRG4BUSR)  
REAR DRIVE GEARCASE ASSEMBLY



2011 ATV 350 CR RED (A2011IRG4BUSR)  
REAR DRIVE GEARCASE ASSEMBLY

Ref #	Part Number	Qty	S/P/F	Description
	3306-023	1		Complete Rear Drive Gearcase Assembly
1	3306-024	1		Housing, Gearcase
2	3306-026	2		Bearing
3	3306-025	2		Seal
4	3306-029	1		Gear, Ring - 34T
5	3306-132	AR		Shim, 41 x 49 x 1.0 mm
5	3306-133	AR		Shim, 41 x 49 x 1.1 mm
5	3306-134	AR		Shim, 41 x 49 x 1.2 mm
5	3306-135	AR		Shim, 41 x 49 x 1.3 mm
5	3306-136	AR		Shim, 41 x 49 x 1.4 mm
5	3306-137	AR		Shim, 41 x 49 x 1.5 mm
5	3306-138	AR		Shim, 41 x 49 x 1.6 mm
5	3306-139	AR		Shim, 41 x 49 x 1.7 mm
6	3306-031	1		Button, Thrust
7	3306-124	AR		Shim, 6.3 x 18 x 1.0 mm
7	3306-125	AR		Shim, 6.3 x 18 x 1.1 mm
7	3306-126	AR		Shim, 6.3 x 18 x 1.2 mm
7	3306-127	AR		Shim, 6.3 x 18 x 1.3 mm
7	3306-128	AR		Shim, 6.3 x 18 x 1.4 mm
7	3306-129	AR		Shim, 6.3 x 18 x 1.5 mm
7	3306-130	AR		Shim, 6.3 x 18 x 1.6 mm
7	3306-131	AR		Shim, 6.3 x 18 x 1.7 mm
8	3306-030	1		O-Ring
9	3306-033	1		Cover, Gearcase
10	3306-035	1		Plug, Fill (inc. 11)
11	0423-154	1		O-Ring
12	3306-034	1		Fitting, Elbow
13	3303-615	11		Screw, Self-Tapping
14	3306-027	1		Plug, Magnetic (inc. one No. 15)
15	0423-153	2		O-Ring
16	3306-038	1		Bearing
17	3306-039	1		Gear, Pinion - Assembly - 11T (inc. 18-19)
18	3306-040	1		Bearing
19	0402-336	1		Collar, Retaining
20	3306-048	1		Pin, Dowel
21	3306-042	1		Collar, Lock
22	3306-043	1		Washer, Wave
23	3306-044	1		Collar, Shaft
24	3323-234	1		Gasket, Flange
25	3306-049	1		Housing, Pinion
26	3306-045	1		Ring, Retaining
27	3323-240	1		Bearing
28	3306-046	1		Ring, Retaining
29	3323-239	1		Seal
30	3306-047	1		Shaft, Input
31	3306-036	1		Plug, Oil Level (inc. one No. 15)

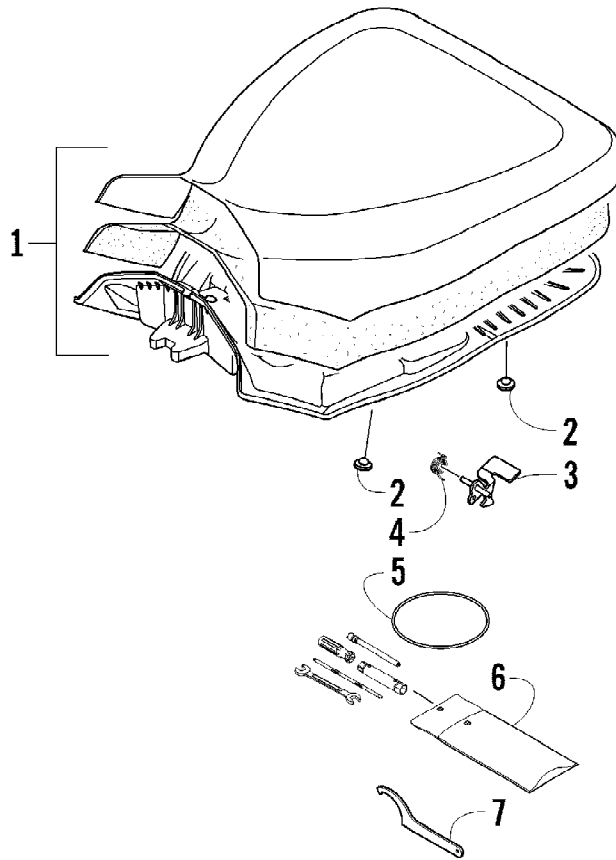
2011 ATV 350 CR RED (A2011IRG4BUSR)  
REAR SUSPENSION ASSEMBLY



2011 ATV 350 CR RED (A2011IRG4BUSR)  
 REAR SUSPENSION ASSEMBLY

Page 54 of 72

Ref #	Part Number	Qty	S/P/F	Description
1	3313-541	2		Shock/Spring Assembly
2	3303-376	2	/P	Screw, Cap
3	3304-031	14	/P	Nut, Lock
4	8409-065	2		Screw, Cap
5	3313-823	1		A-Arm, Upper Right (inc. 6-8)
5	3313-824	1		A-Arm, Upper Left (inc. 6-8)
6	3313-111	2	/P	Axle
7	3313-112	12		Bushing
8	3313-113	12		Seal
9	3323-188	4		Screw, Cap
10	3313-430	2		Screw, Cap
11	3304-183	4	/P	Screw, Cap
12	3313-134	1		A-Arm, Lower Right (inc. 7-8 and 13)
12	3313-135	1		A-Arm, Lower Left (inc. 7-8 and 13)
13	3313-107	4		Axle
14	3313-832	2		Axle, Drive (inc. 15-17)
15	3313-560	1		Repair Kit, Boot - Drive Axle - Inbound
16	0423-845	2	/P	Ring, Retaining
17	3313-558	1		Repair Kit, Boot - Drive Axle - Outbound
18	3323-108	1		Knuckle - Assembly - Right (inc. 19-22)
18	3323-109	1		Knuckle - Assembly - Left (inc. 19-22)
19	1402-809	2	/P	Bearing
20	0423-423	2		Ring, Retaining
21	0403-206	8	/P	Bushing
22	0403-213	4	/P	Axle

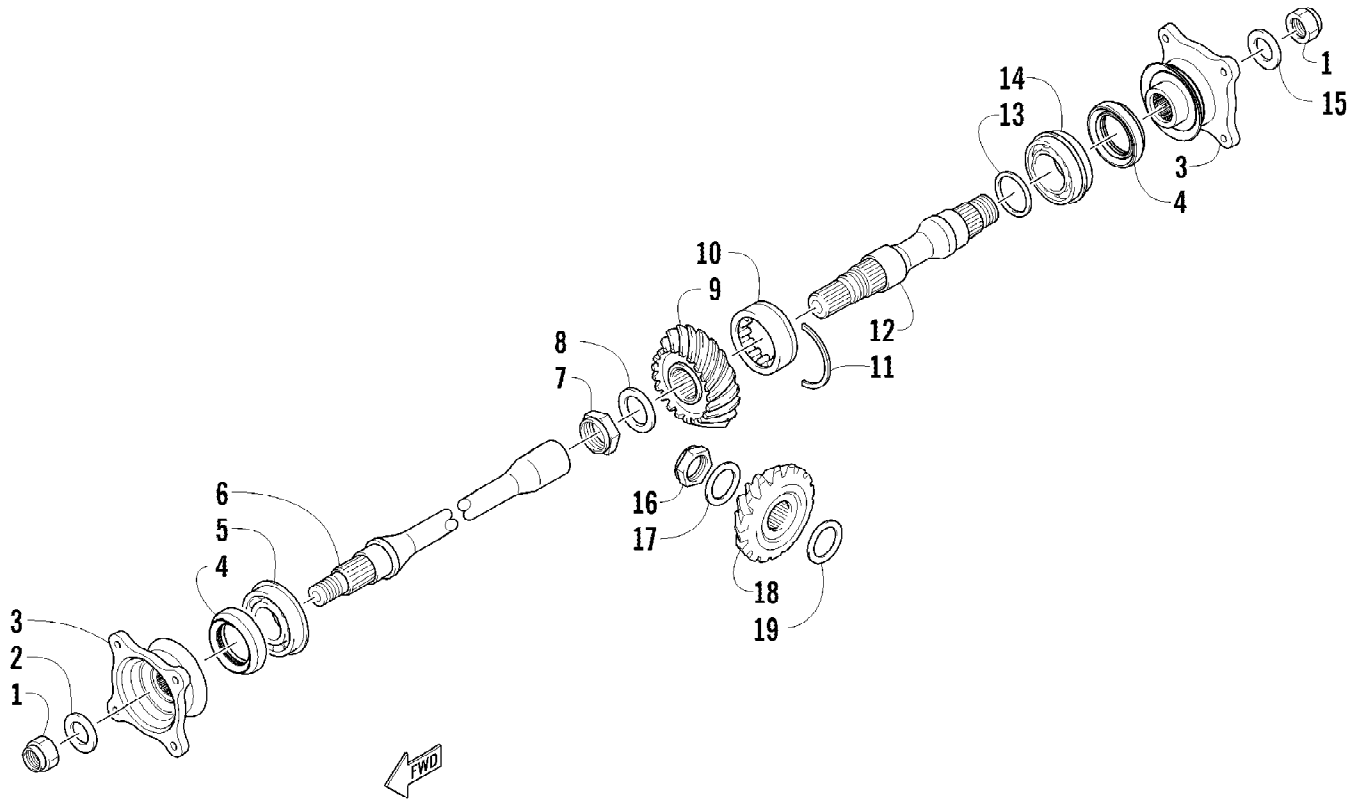


2011 ATV 350 CR RED (A2011IRG4BUSR)  
SEAT ASSEMBLY

Page 56 of 72

Ref #	Part Number	Qty	S/P/F	Description
1	3313-199	1		Seat Assembly (inc. 2-4)
2	0406-877	6	/P	Bumper, Seat
3	1506-156	1		Latch, Seat
4	1406-592	1	/P	Spring, Seat Latch
5	3313-759	1		Retainer, Tool Kit
6	3305-913	1		Kit, Tool
7	1441-797	1	F	Wrench, Spanner



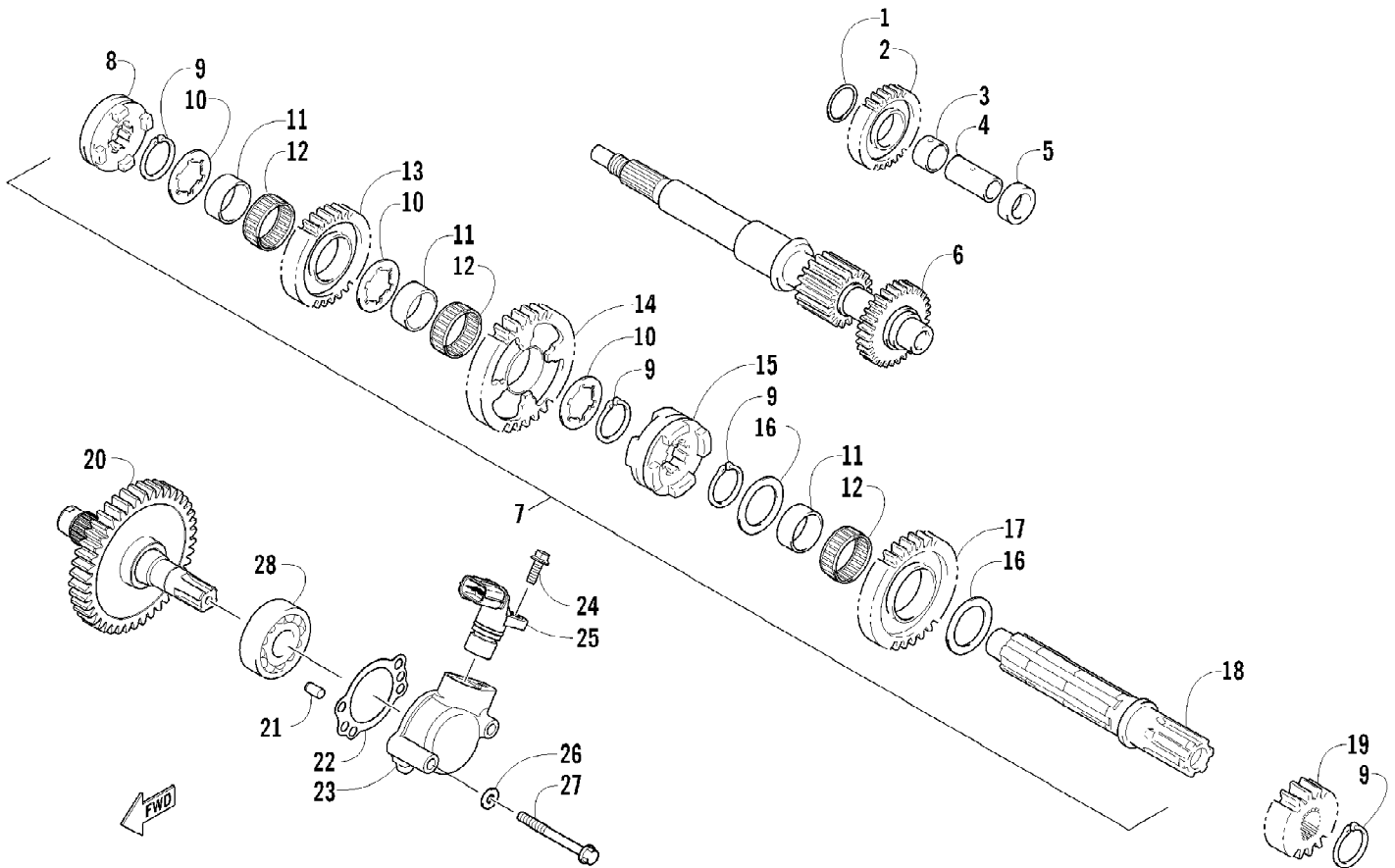


2011 ATV 350 CR RED (A2011IRG4BUSR)  
SECONDARY DRIVE ASSEMBLY

Page 58 of 72

Ref #	Part Number	Qty	S/P/F	Description
1	3306-428	2	/P	Nut
2	3304-958	1		Washer
3	0819-022	2		Flange, Output Joint
4	0830-144	2		Seal, Oil
5	0832-026	1		Bearing
6	0819-020	1		Shaft, Secondary Driven
7	0827-022	1		Nut
8	0828-090	1		Washer
9	0819-019	1		Gear, Secondary Driven
10	0832-040	1		Bearing
11	0819-070	1		C-Ring
12	0819-021	1		Shaft, Secondary Driven
13	3305-955	AR		Shim, 25 x 34 x 0.60mm
13	3305-956	AR		Shim, 25 x 34 x 0.65mm
13	3305-957	AR		Shim, 25 x 34 x 0.70mm
13	3305-958	AR		Shim, 25 x 34 x 0.75mm
13	3305-959	AR		Shim, 25 x 34 x 0.80mm
13	3305-960	AR		Shim, 25 x 34 x 0.85mm
13	3305-961	AR		Shim, 25 x 34 x 0.90mm
13	3305-962	AR		Shim, 25 x 34 x 0.95mm
13	3305-963	AR		Shim, 25 x 34 x 1.00mm
13	3305-964	AR		Shim, 25 x 34 x 1.05mm
13	3305-965	AR		Shim, 25 x 34 x 1.10mm
13	0828-088	AR		Shim, 25 x 34 x 1.15mm
13	3305-966	AR		Shim, 25 x 34 x 1.20mm
13	3305-967	AR		Shim, 25 x 34 x 1.25mm
14	0832-041	1		Bearing
15	3306-226	1		Washer
16	0827-047	1		Nut
17	3304-042	1		Washer, Thrust
18	0819-018	1		Gear, Secondary Drive
19	3306-009	AR		Shim, 30 x 48 x 0.60 mm
19	3306-010	AR		Shim, 30 x 48 x 0.65 mm
19	3306-011	AR		Shim, 30 x 48 x 0.70 mm
19	3306-012	AR		Shim, 30 x 48 x 0.75 mm
19	3306-013	AR		Shim, 30 x 48 x 0.80 mm
19	3306-014	AR		Shim, 30 x 48 x 0.85 mm
19	3306-015	AR		Shim, 30 x 48 x 0.90 mm
19	3306-016	AR		Shim, 30 x 48 x 0.95 mm
19	3306-017	AR		Shim, 30 x 48 x 1.00 mm
19	3306-018	AR		Shim, 30 x 48 x 1.05 mm
19	3306-019	AR		Shim, 30 x 48 x 1.10 mm
19	3306-020	AR		Shim, 30 x 48 x 1.15 mm
19	3306-021	AR		Shim, 30 x 48 x 1.20 mm
19	3306-022	AR		Shim, 30 x 48 x 1.25 mm

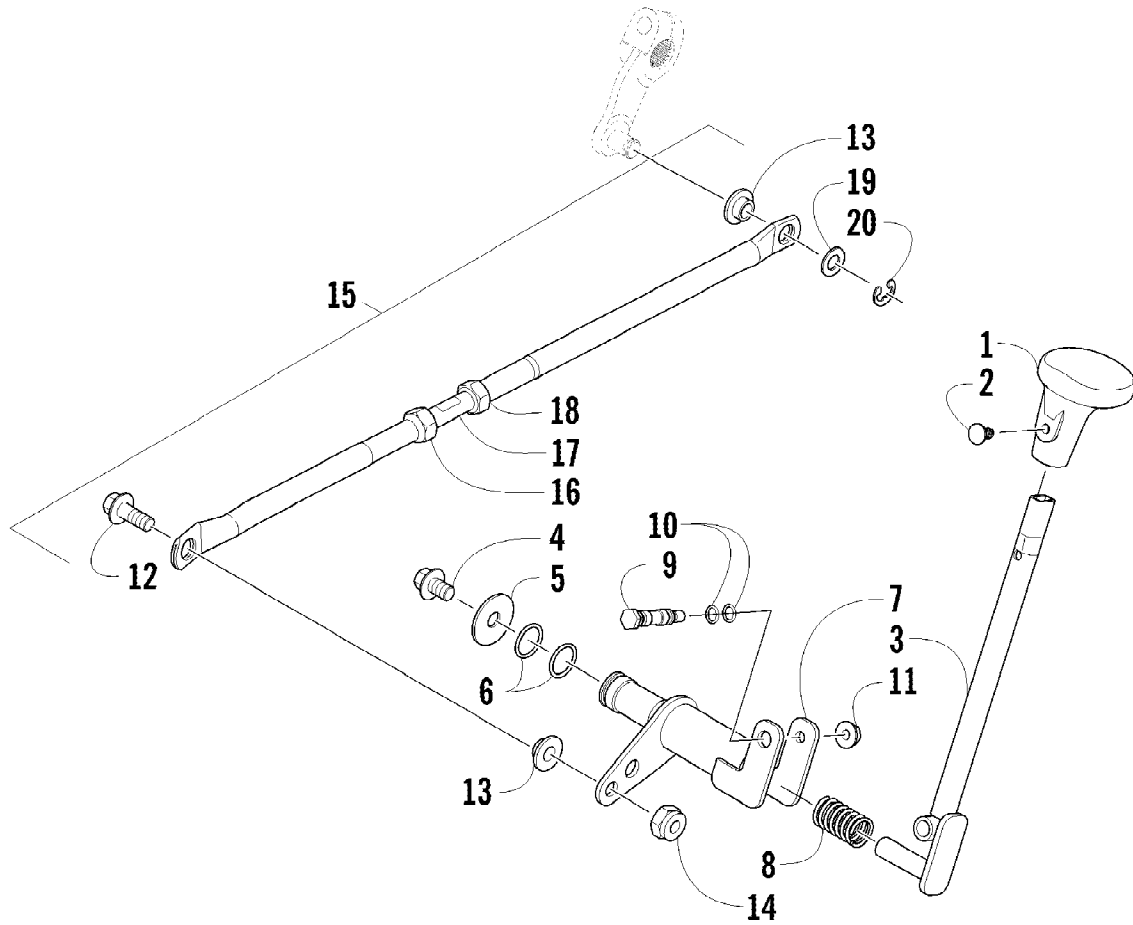
2011 ATV 350 CR RED (A2011IRG4BUSR)  
SECONDARY TRANSMISSION ASSEMBLY



2011 ATV 350 CR RED (A2011IRG4BUSR)  
SECONDARY TRANSMISSION ASSEMBLY

Page 60 of 72

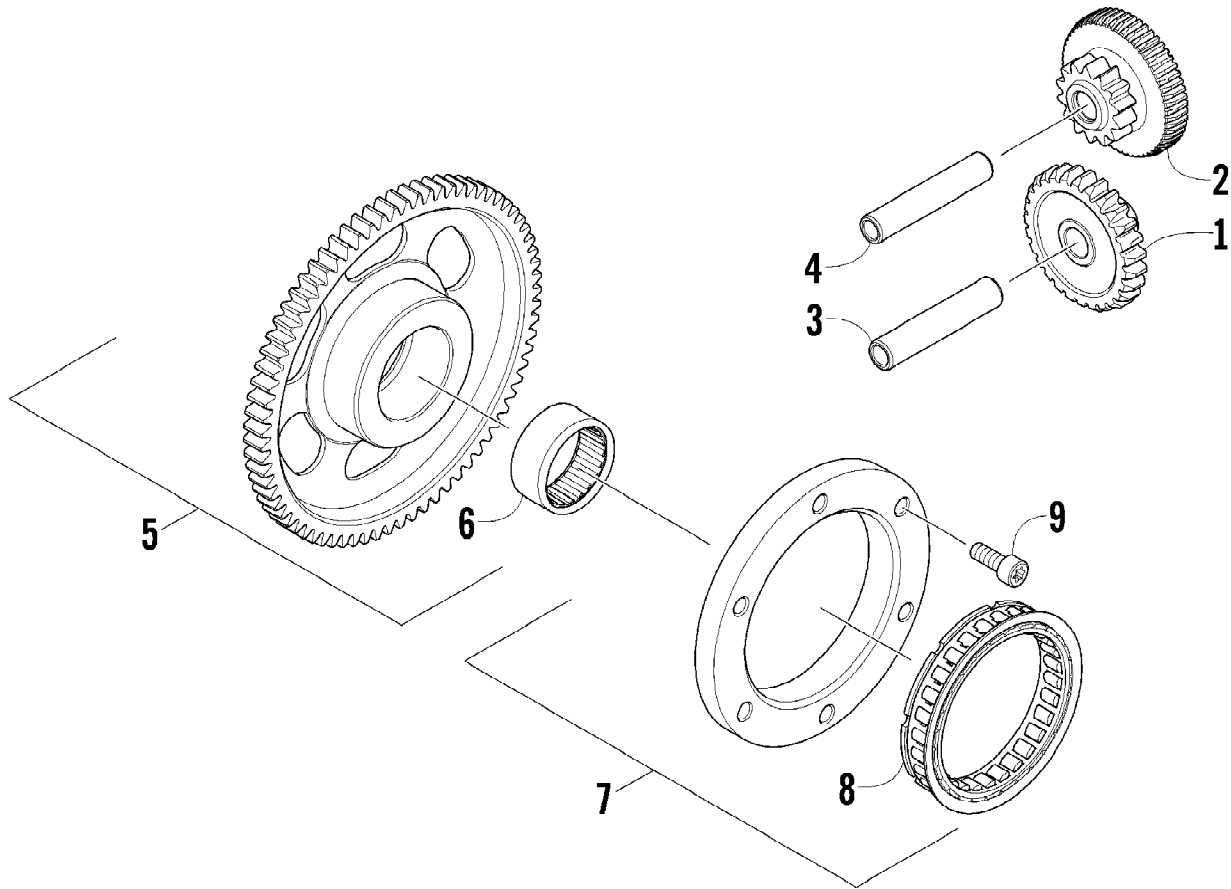
Ref #	Part Number	Qty	S/P/F	Description
1	0828-081	1		Washer
2	0822-061	1		Gear, Reverse Idle
3	0822-065	1		Bushing
4	0822-064	1		Shaft, Reverse Idle
5	0822-029	1		Spacer
6	0822-022	1		Driveshaft
7	0822-036	1		Countershaft Assembly (inc. 8-18)
8	0822-033	1		Gear Select, Reverse
9	3304-147	4	/P	Circlip
10	3304-045	3		Washer
11	0822-062	3		Bushing
12	0832-038	3		Bearing
13	0822-032	1		Gear, Reverse Driven
14	0822-063	1		Gear, Driven - Low
15	0822-027	1		Gear Select, Sliding
16	3304-044	2		Washer, Thrust
17	0822-026	1		Gear, Driven - High
18	0822-025	1		Countershaft
19	0822-028	1		Gear, Drive
20	0822-023	1		Shaft, Output
21	3303-395	2		Pin, Dowel
22	0830-156	1		Gasket, Housing
23	0822-105	1		Housing, Speedometer Sensor
24	3303-382	1	/P	Screw, Cap
25	3313-172	1		Sensor, Speedometer
26	0830-155	2	/P	Gasket
27	3303-387	2		Screw, Cap
28	3304-198	1		Bearing



2011 ATV 350 CR RED (A2011IRG4BUSR)  
SHIFT LEVER ASSEMBLY

Page 62 of 72

Ref #	Part Number	Qty	S/P/F	Description
1	0402-843	1	/P	Knob, Shift Lever
2	0423-345	1		Clip, Retaining
3	3313-317	1		Lever, Shift
4	3304-544	1		Screw, Cap
5	0423-087	1		Washer
6	0423-299	2	/P	O-Ring
7	3306-317	1		Actuator, Shift
8	0402-678	1	/P	Spring, Shift Lever
9	0402-675	1		Axle, Pivot
10	0423-182	2	/P	O-Ring
11	3304-654	1	/P	Nut, Lock
12	3313-821	1		Screw, Cap
13	3323-037	2		Bushing
14	3305-396	1		Nut, Lock
15	3306-319	1		Linkage, Shift - Assembly (inc. 16-18)
16	3303-327	1		Nut, Hex - Right-Hand Thread
17	3313-278	1		Adjuster, Shift Linkage
18	3313-822	1		Nut, Hex - Left-Hand Thread
19	3304-138	1		Washer
20	3313-766	1		E-Ring

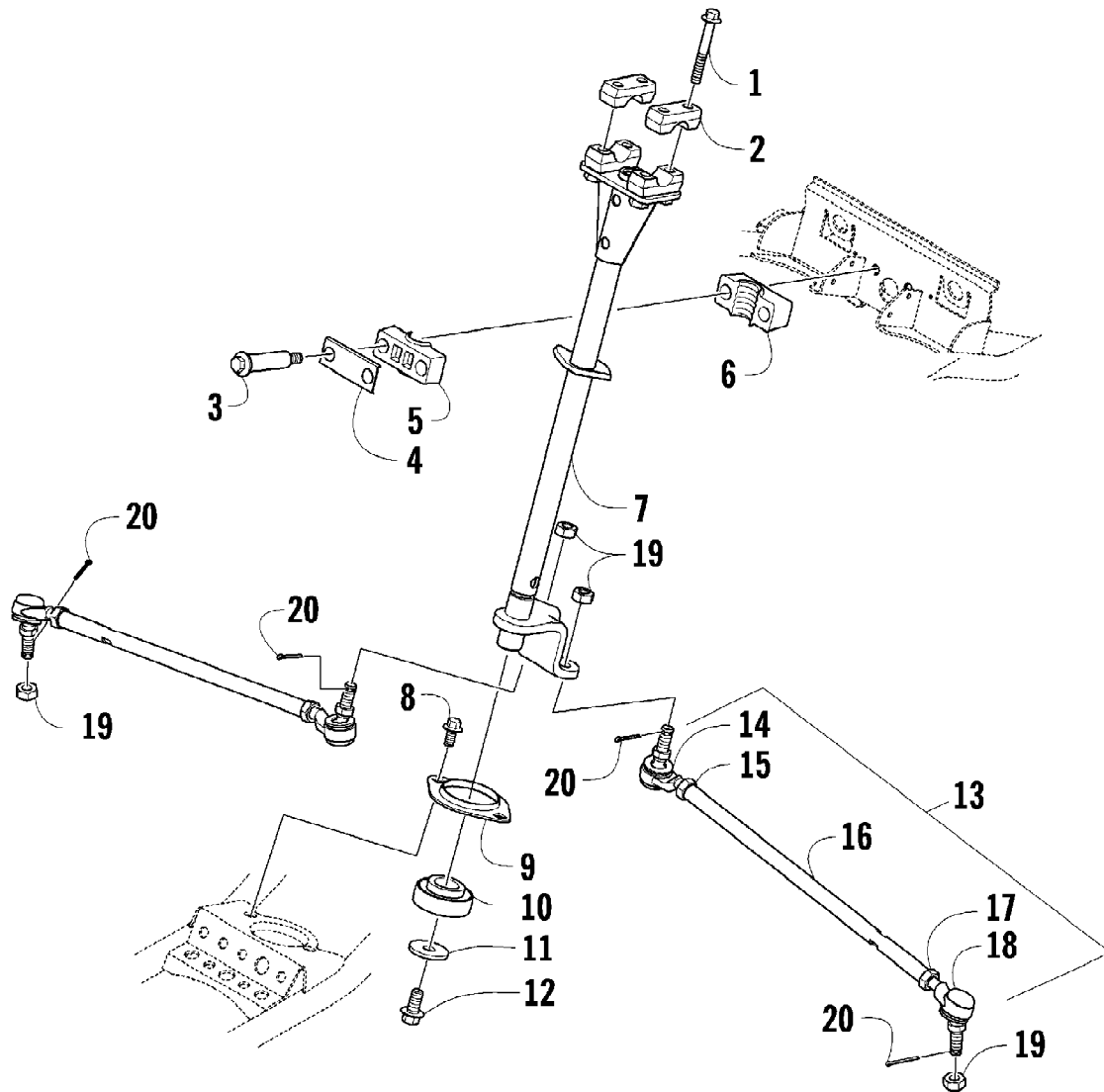


2011 ATV 350 CR RED (A2011IRG4BUSR)  
STARTER CLUTCH ASSEMBLY

Page 64 of 72

Ref #	Part Number	Qty	S/P/F	Description
1	0815-022	1		Gear, Starter Idler - No. 2
2	0815-031	1		Gear, Starter Idler - No. 1
3	0815-015	1		Pin, Starter Idler Gear No. 2
4	0815-007	1		Pin, Starter Idler Gear No. 1
5	0815-023	1		Gear, Starter Clutch (inc. 6)
6	0832-069	1		Bearing
7	0802-044	1	/P	Clutch, One-Way (inc. 8)
8	0	1	F	Bearing
9	0826-120	6		Screw, Cap

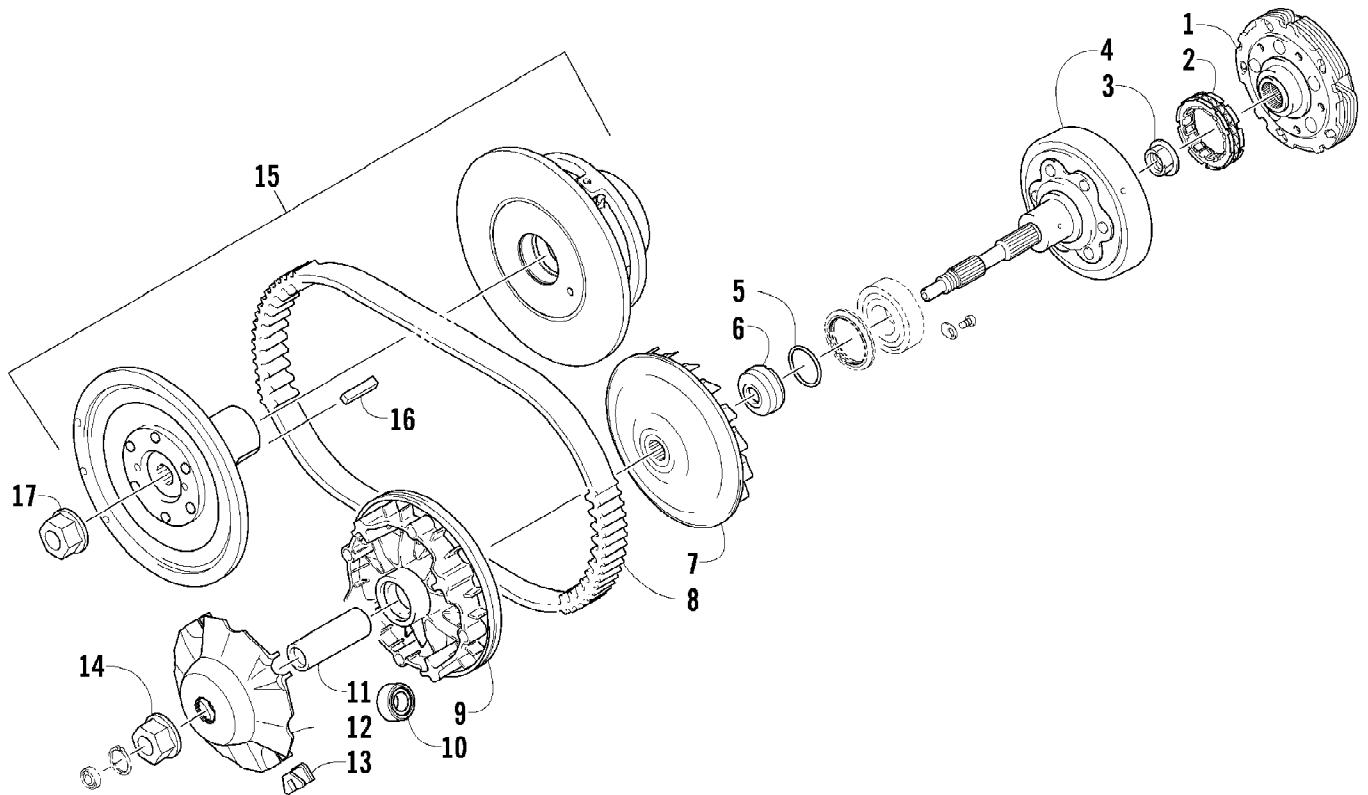




2011 ATV 350 CR RED (A2011IRG4BUSR)  
STEERING ASSEMBLY

Page 66 of 72

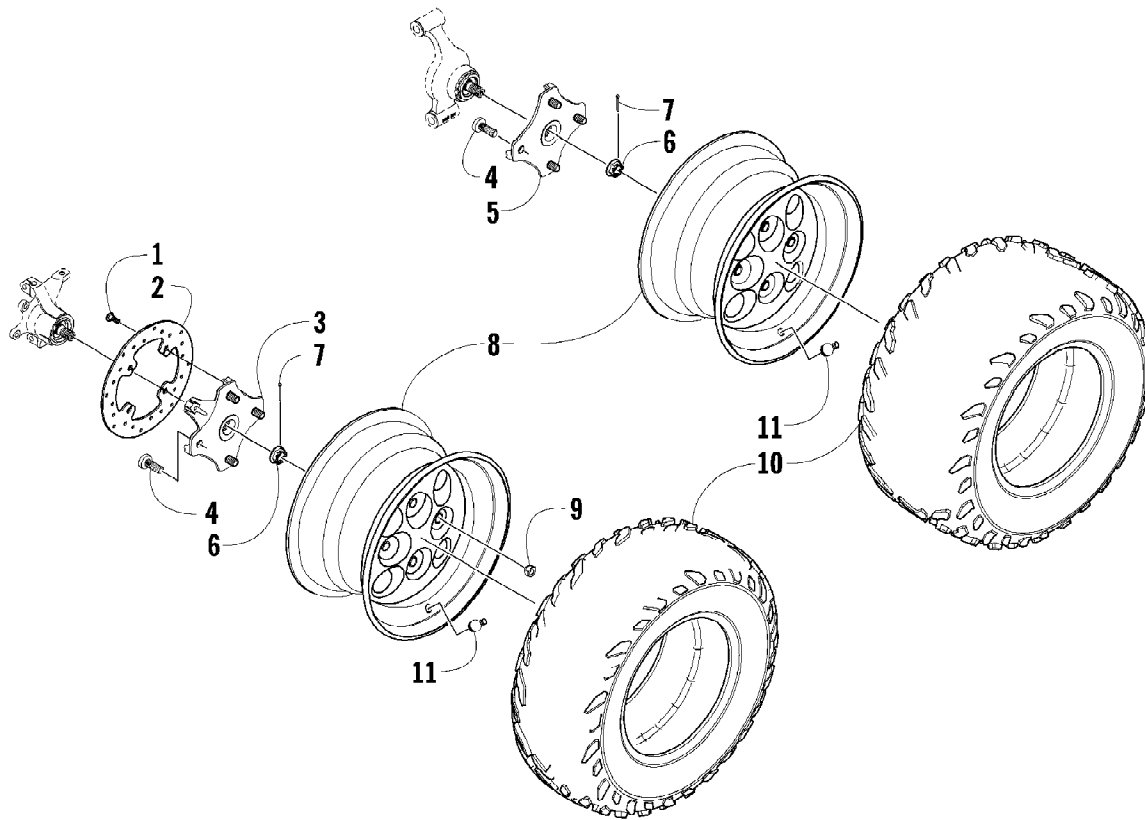
Ref #	Part Number	Qty	S/P/F	Description
1	8408-860	4		Screw, Cap
2	0405-035	2		Cap, Steering Adjuster
3	0423-505	2		Screw, Shoulder
4	0405-166	1		Cap, Housing
5	3323-052	1		Housing - Upper
6	3323-051	1		Housing - Lower
7	3313-056	1		Post, Steering
8	3304-565	2	/P	Screw, Cap
9	0602-233	1		Flange, Bearing
10	0405-052	1		Bearing w/Inverted Oil Seal
11	0423-073	1		Washer
12	8408-820	1	/P	Screw, Cap
13	3313-102	2		Tie Rod - Assembly (inc. 14-18)
14	3313-809	2		End, Tie Rod - Left-Hand Thread
15	3306-659	2		Nut - Left-Hand Thread
16	3313-807	2		Tie Rod
17	3313-826	2		Nut - Right-Hand Thread
18	3313-808	2		End, Tie Rod - Right-Hand Thread
19	3306-290	4		Nut, Lock
20	3305-724	4		Pin, Cotter



2011 ATV 350 CR RED (A2011IRG4BUSR)  
TRANSMISSION ASSEMBLY

Page 68 of 72

Ref #	Part Number	Qty	S/P/F	Description
1	0823-328	1		Shoe, Clutch - Assembly
2	0823-198	1		Clutch, One-Way
3	0827-050	1		Nut
4	0823-338	1		Housing, Clutch
5	0470-531	1		O-Ring
6	0823-058	1		Spacer
7	0823-313	1		Face, Fixed Drive
8	0823-228	1		Belt, Drive
9	0823-324	1		Face, Movable Drive
10	0823-210	8		Roller, Movable Drive Face
11	0823-206	1		Spacer, Movable Drive Face
12	0823-213	1		Plate, Movable Drive Face
13	0823-214	4		Damper, Movable Drive Face
14	3323-165	1	/P	Nut
15	0823-294	1	/P	Clutch, Driven - Assembly (inc. 16)
16	0835-018	1		Key
17	0827-058	1		Nut

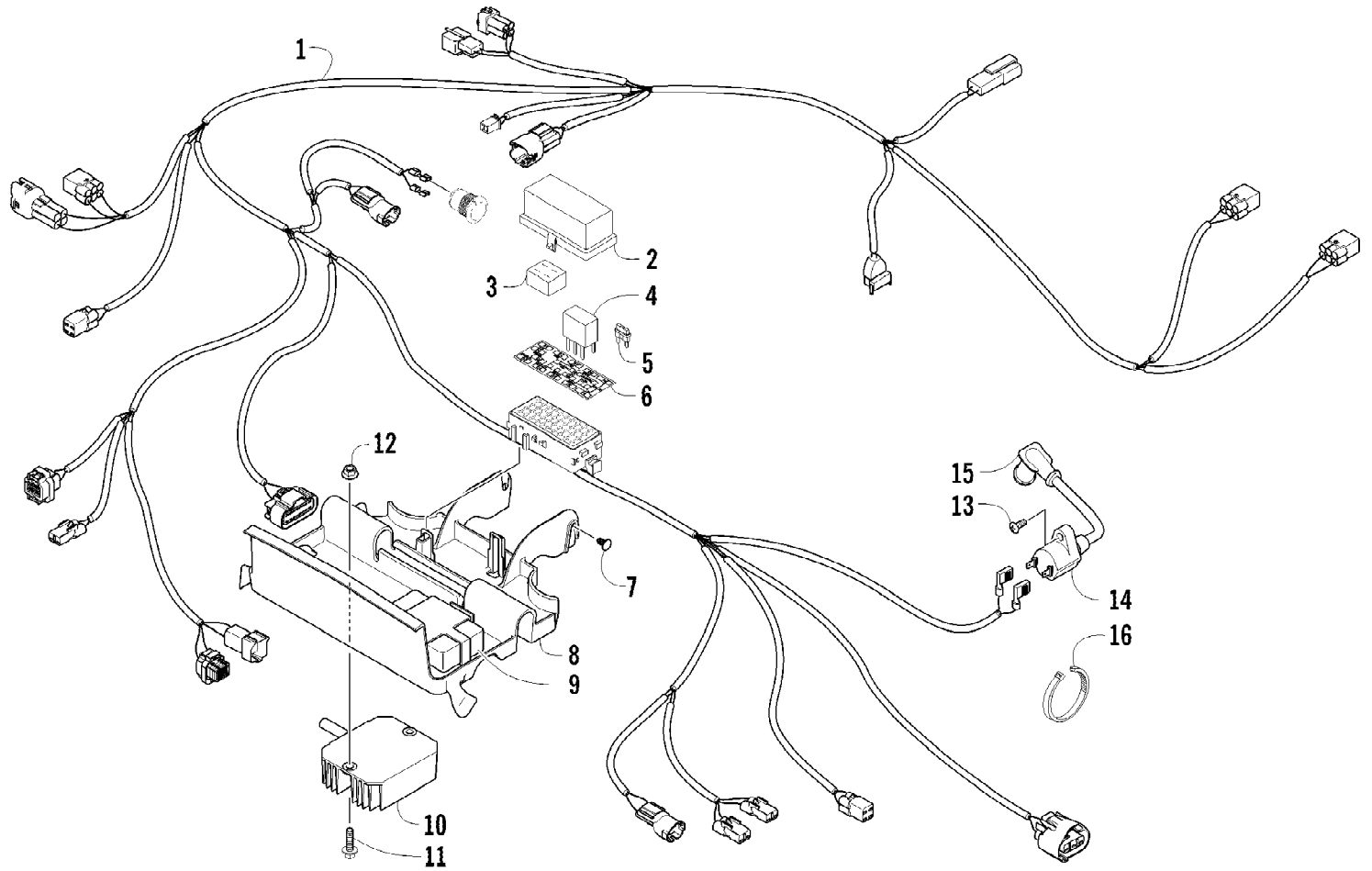


2011 ATV 350 CR RED (A2011IRG4BUSR)  
WHEEL AND TIRE ASSEMBLY

Page 70 of 72

Ref #	Part Number	Qty	S/P/F	Description
1	0423-557	12		Screw, Shoulder
2	1436-164	3	/P	Disc, Brake
3	1502-462	2	/P	Hub, Wheel - Front (inc. 4)
4	0402-974	16	/P	Stud
5	1502-462	1	/P	Hub, Wheel - Right Rear (inc. 4)
5	1502-464	1		Hub, Wheel - Left Rear (inc. 4)
6	0423-607	4		Nut, Castle
7	0423-407	4		Pin, Cotter
8	3306-291	4		Wheel
9	0423-408	16	/P	Nut, Lug
10	3313-850	2		Tire - Front
10	3313-851	2		Tire - Rear
11	3303-887	4		Stem, Valve

2011 ATV 350 CR RED (A2011IRG4BUSR)  
WIRING HARNESS ASSEMBLY



2011 ATV 350 CR RED (A2011IRG4BUSR)  
WIRING HARNESS ASSEMBLY

Page 72 of 72

Ref #	Part Number	Qty	S/P/F	Description
1	3313-854	1		Harness, Main (inc. 2-6)
2	0530-008	1		Cover, Fuse Block
3	0430-037	1		Holder, Fuse
4	0430-033	3		Relay (5-Pin) - 10 Amp
5	0430-032	4		Fuse - 10 Amp
5	0430-031	3		Fuse - 15 Amp
5	3304-212	1		Fuse - 30 Amp
6	2411-565	1		Decal, Fuse Block
7	0423-345	2		Clip, Retaining
8	3313-273	1		Tray, Electrical
9	3313-436	1		CDI Unit
10	3306-413	1		Regulator, Voltage
11	3305-344	2	/P	Screw, Cap
12	3304-654	2	/P	Nut, Lock
13	3303-252	1		Screw, Machine
14	3323-216	1		Coil, Ignition - Assembly (inc. 15)
15	3313-695	1		Cap, Spark Plug
16	3303-289	AR	/P	Tie, Cable