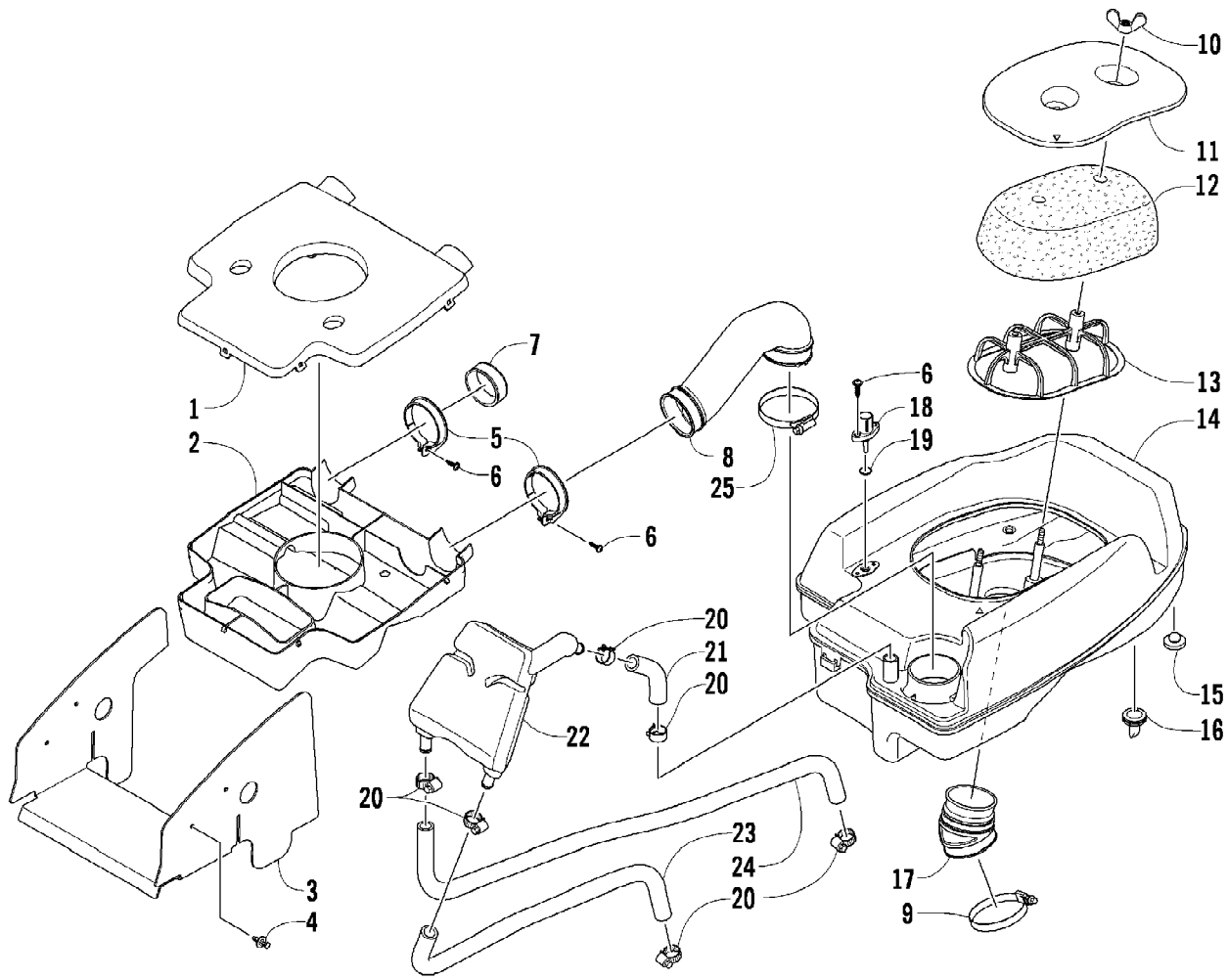
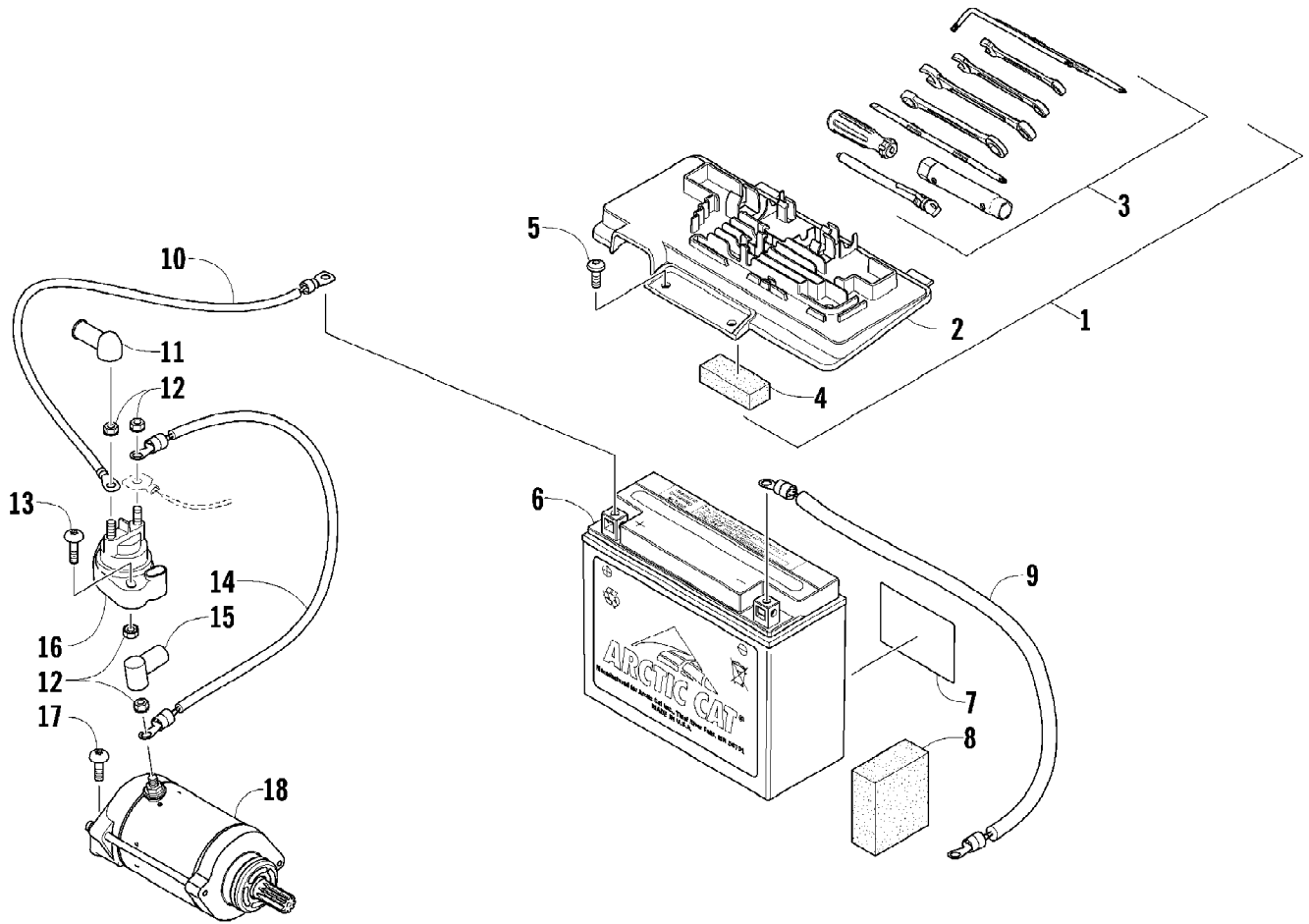


2010 ATV THUNDERCAT EFI 4X4 METALLIC CAT GREEN (A2010IEW4EUSM)Page 1 of 83
AIR INTAKE ASSEMBLY



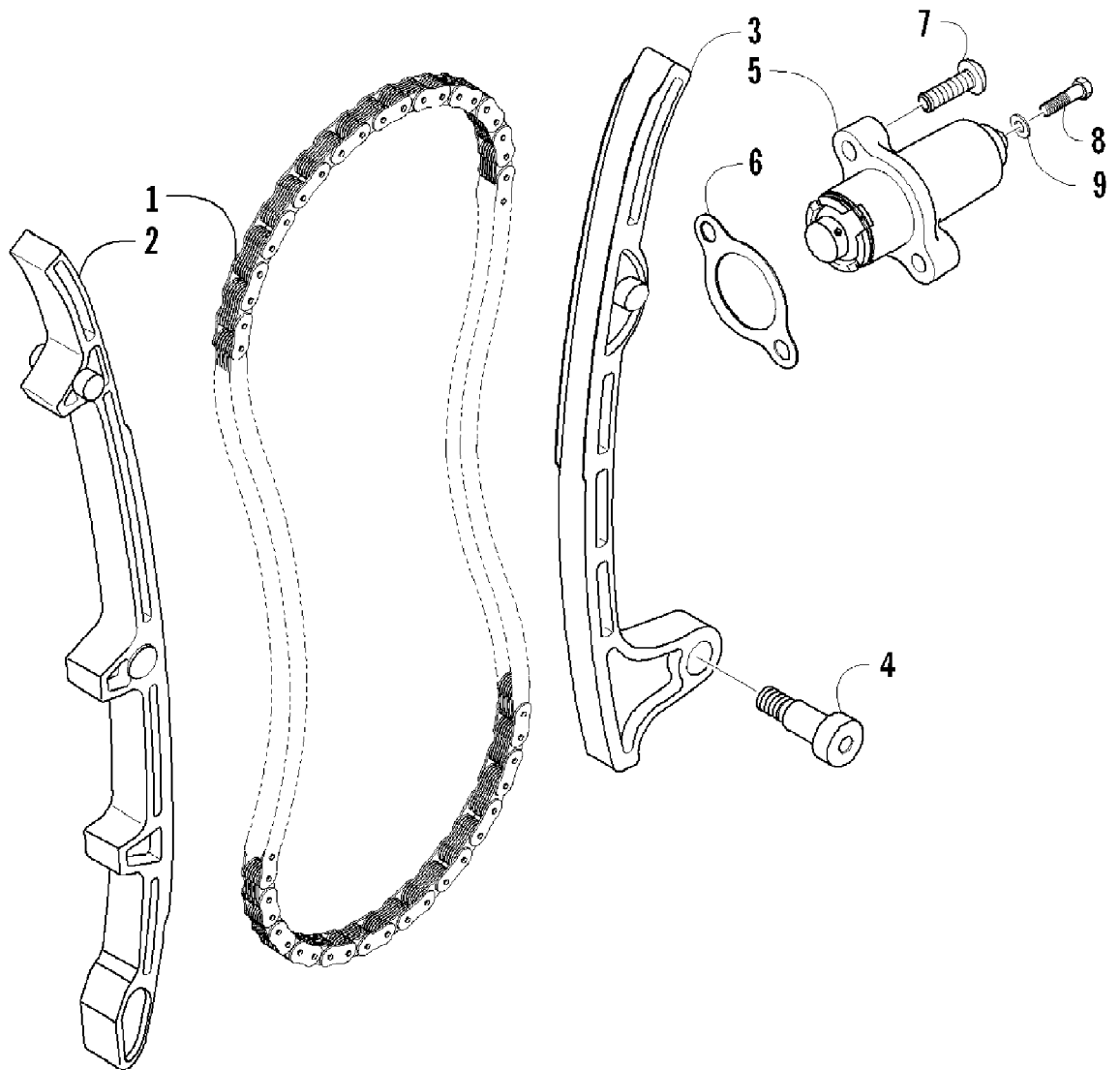
2010 ATV THUNDERCAT EFI 4X4 METALLIC CAT GREEN (A2010IEW4EUSM)Page 2 of 83
AIR INTAKE ASSEMBLY

Ref #	Part Number	Qty	S/P/F	Description
1	0413-091	1		Diverter, Air - Top
2	0413-093	1		Diverter, Air - Bottom
3	2406-509	1		Shroud, Splash
4	0623-362	2		Rivet, Reinstallable
5	0423-551	2		Clamp
6	0423-342	4	/P	Screw, Self-Tapping
7	0413-096	1		Cap, Air Intake - Diverter
8	0470-583	1		Boot, Air Intake
9	0423-019	1		Clamp
10	0423-716	2		Wing Nut
11	0470-832	1	/P	Cover, Air Intake
12	0470-828	1		Filter, Air
13	0470-731	1	/P	Support, Air Filter
14	0570-221	1		Housing, Air Intake
15	0406-877	4	/P	Bumper
16	0470-442	2	/P	Valve, Drain
17	0470-638	1		Boot, Throttle Body
18	0430-055	1		Sensor, Air Temperature (inc. 19)
19	5507-224	1		O-Ring
20	0623-028	6	/P	Clamp, Hose
21	0410-198	1		Hose, Separator Tank
22	0470-718	1		Tank, Separator
23	0410-196	1		Hose, Crankcase
24	0410-197	1		Hose, Crankcase
25	0423-066	1		Clamp, Hose



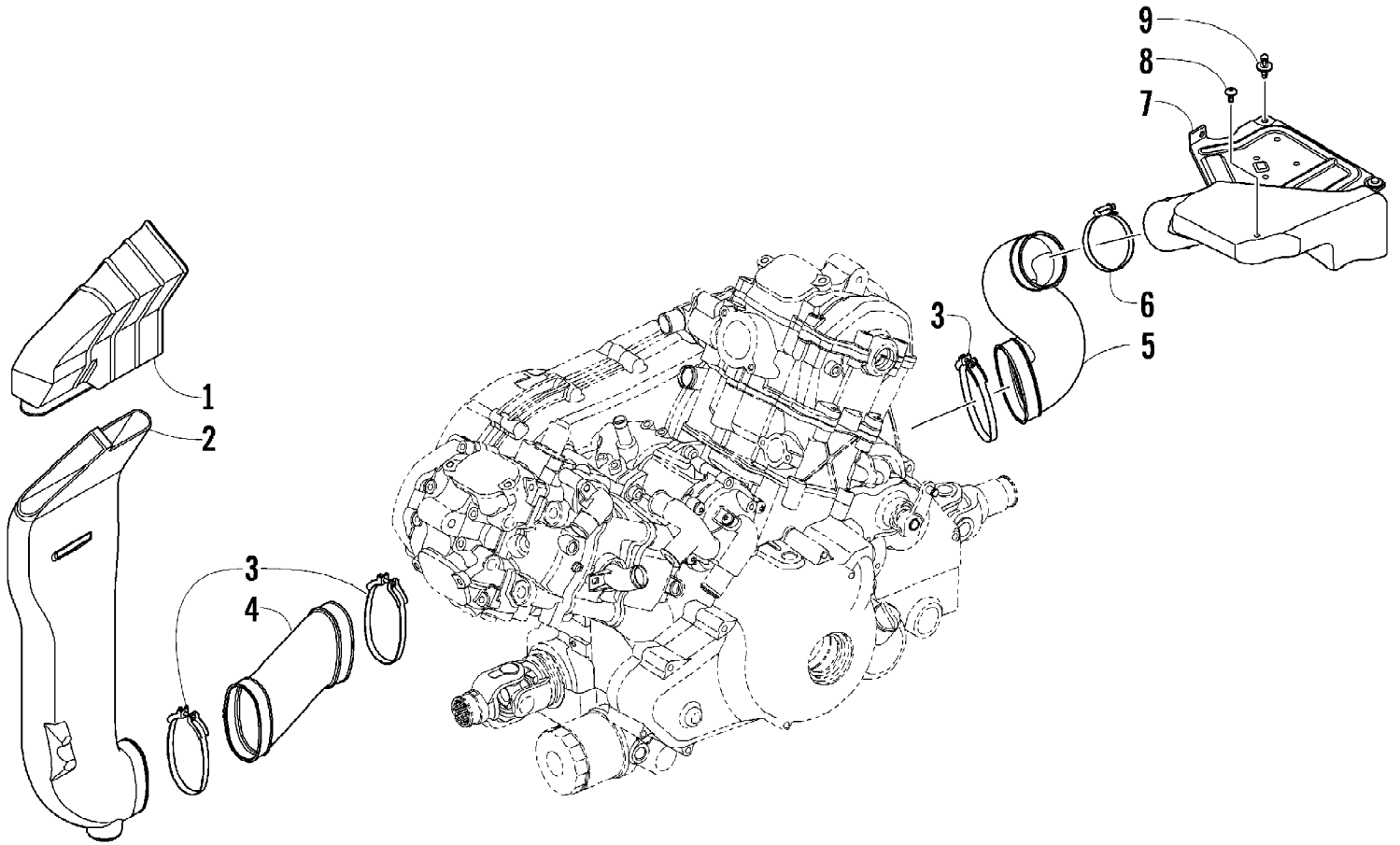
2010 ATV THUNDERCAT EFI 4X4 METALLIC CAT GREEN (A2010IEW4EUSM)Page 4 of 83
BATTERY AND STARTER ASSEMBLY

Ref #	Part Number	Qty	S/P/F	Description
1	5991-655	1	/P	Battery Cover/Tool Tray Assembly (inc. 2-4)
2	2406-815	1	/P	Cover, Battery
3	0444-122	1	S/P	Kit, Tool
4	0417-016	1		Pad, Battery
5	8476-620	2		Screw, Machine
6	0645-480	1		Battery Assembly (inc. 7)
7	0645-430	1		Decal, Warning
8	0417-012	1		Foam, Battery
9	0445-071	1		Cable, Battery/Ground
10	0445-062	1		Cable, Battery/Soleniod
11	0645-327	1		Boot, Terminal
12	0623-038	5		Nut w/Washer
13	8476-630	2		Screw, Machine
14	0445-066	1		Cable, Solenoid/Starter (inc. 15)
15	0645-019	1		Boot, Terminal
16	0445-058	1	/P	Solenoid
17	8476-625	2		Screw, Machine
18	0825-015	1		Motor, Starter - Assembly



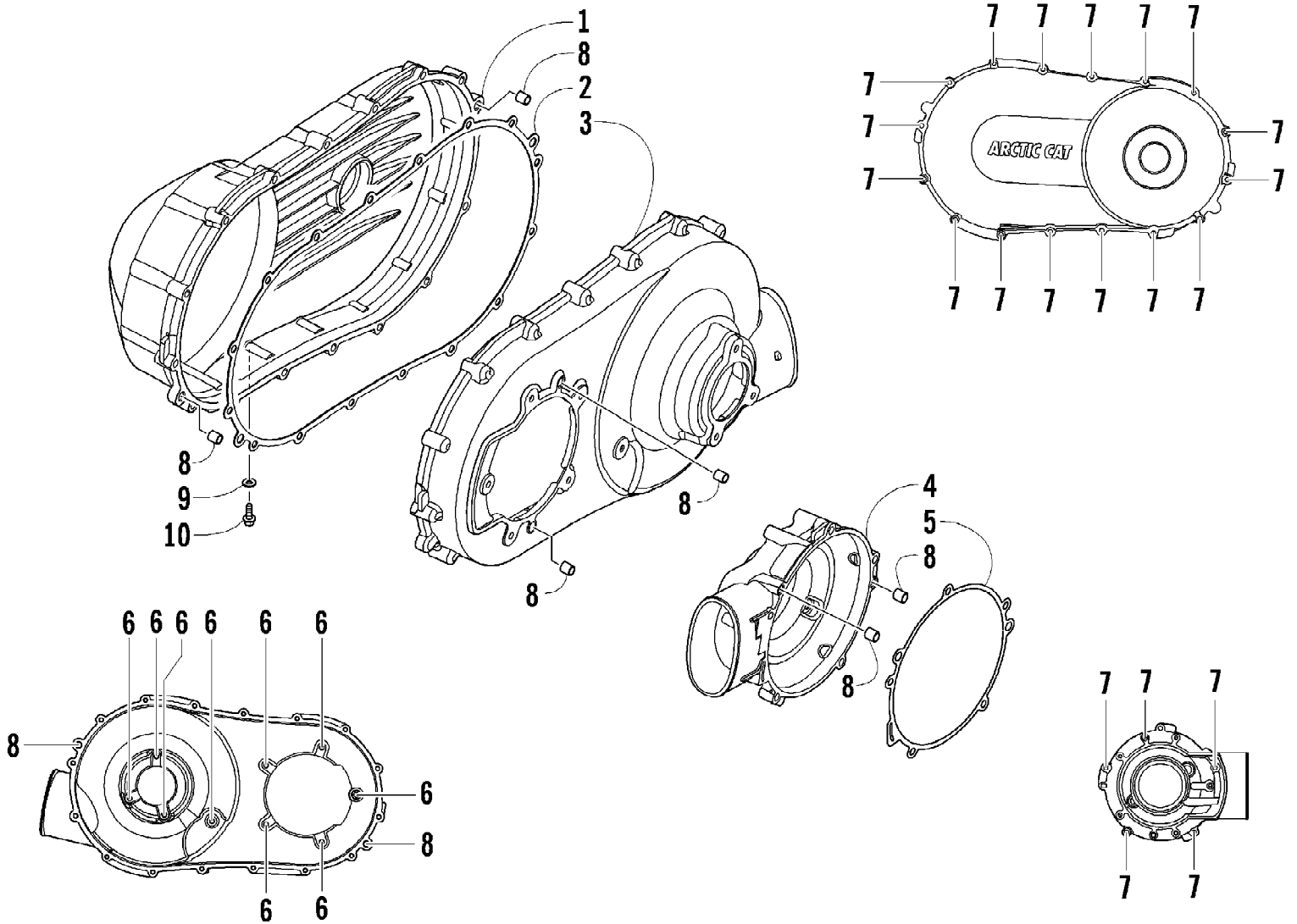
2010 ATV THUNDERCAT EFI 4X4 METALLIC CAT GREEN (A2010IEW4EUSM)Page 6 of 83
CAM CHAIN ASSEMBLY

Ref #	Part Number	Qty	S/P/F	Description
1	0810-001	2		Chain, Cam
2	0810-046	2		Guide, Chain
3	0810-049	2		Tensioner, Chain
4	0826-106	2		Pivot, Tensioner
5	0810-004	2		Adjuster, Tensioner - Assembly
6	0830-134	2		Gasket
7	8468-620	4	/P	Screw, Machine
8	8400-610	2		Screw, Cap
9	0828-129	2		Washer



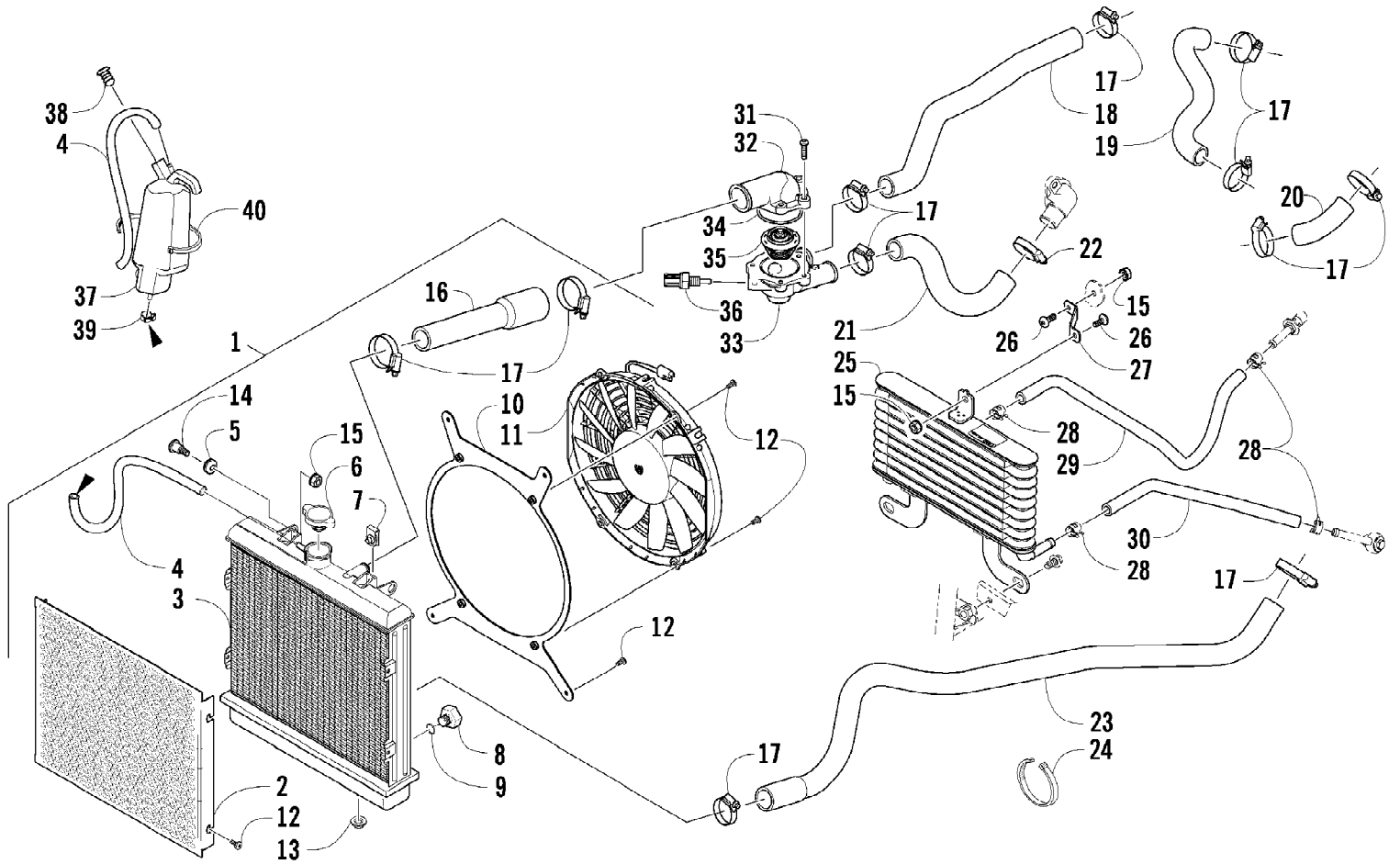
2010 ATV THUNDERCAT EFI 4X4 METALLIC CAT GREEN (A2010IEW4EUSM)Page 8 of 83
CASE/BELT COOLING ASSEMBLY

Ref #	Part Number	Qty	S/P/F	Description
1	0413-137	1		Shroud, Air - Air In
2	0413-138	1		Duct, Cooling - Air In
3	0423-730	3		Clamp
4	0413-139	1		Boot, Cooling - Air In
5	0413-135	1		Boot, Cooling - Air Out
6	0423-019	1		Clamp
7	0413-194	1		Duct, Cooling - Air Out
8	0623-797	1		Screw, Self-Tapping
9	0623-362	2		Rivet, Reinstallable



2010 ATV THUNDERCAT EFI 4X4 METALLIC CAT GREEN (A2010IEW4EUSM) Page 10 of 83
CLUTCH SIDE ENGINE COVERS

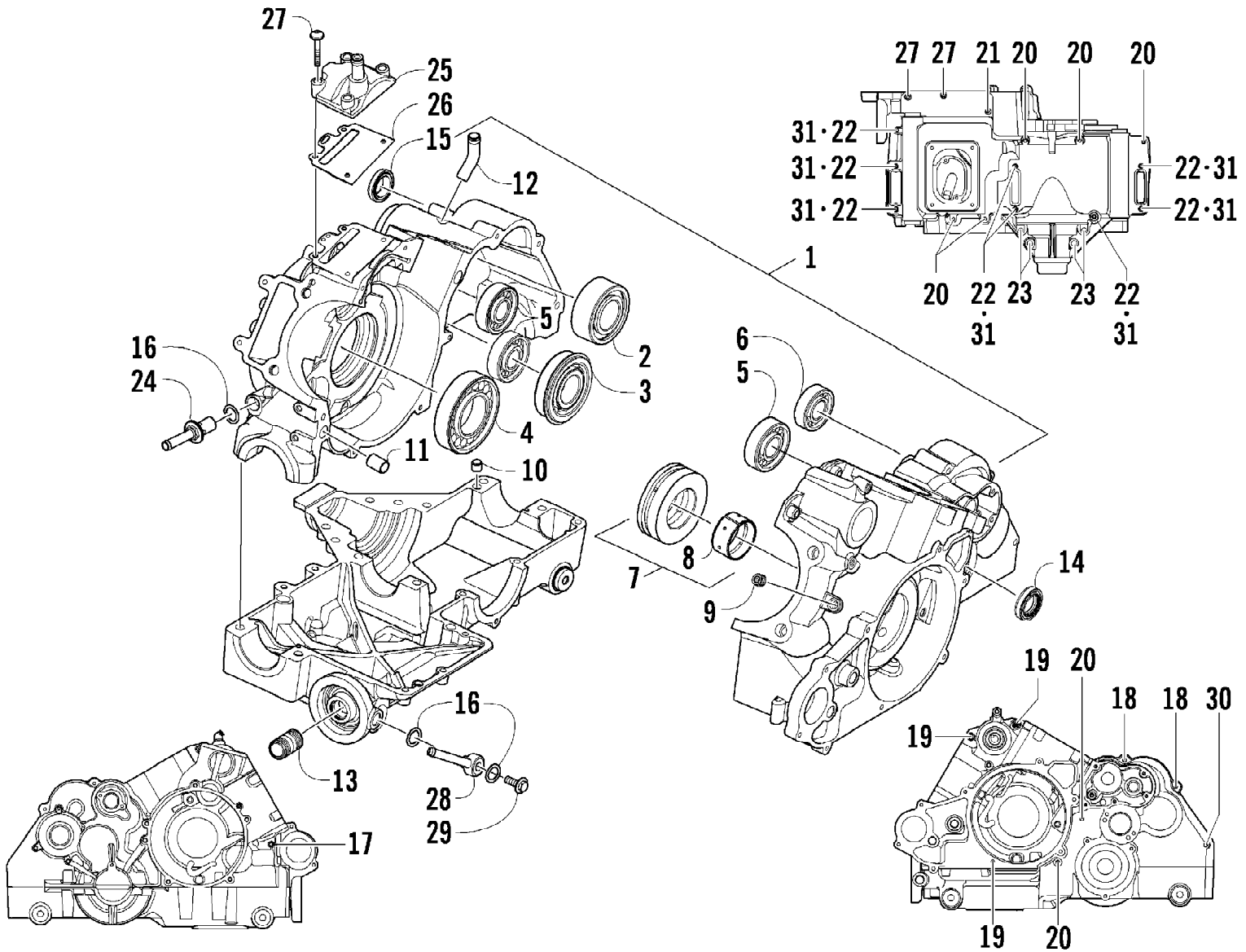
Ref #	Part Number	Qty	S/P/F	Description
1	0806-068	1	S	Cover, Outside
2	0830-137	1		Gasket, Cover
3	0806-067	1		Cover, Inside
4	0806-064	1		Cover, Clutch
5	0830-133	1		Gasket, Clutch Cover
6	8468-616	9		Screw, Machine
7	8468-630	21		Screw, Machine
8	0829-001	6	S	Pin, Dowel
9	0830-013	1		Washer, Crush
10	8408-812	1		Screw, Cap



2010 ATV THUNDERCAT EFI 4X4 METALLIC CAT GREEN (A2010IEW4EUSM) Page 12 of 83
COOLING ASSEMBLY

Ref #	Part Number	Qty	S/P/F	Description
1	0413-258	1	/P	Radiator Assembly (inc. 2-12)
2	0413-214	1		Screen, Radiator
3	0413-216	1		Radiator
4	0610-011	AR	/P	Hose - 25 ft
5	0423-030	2		Grommet
6	0413-255	1	/P	Cap, Radiator
7	1623-637	4		Clip, U-Nut
8	0413-195	1		Plug, Drain
9	1602-213	1	/P	O-Ring
10	0413-217	1		Bracket, Mounting - Fan
11	0413-123	1	/P	Fan, Cooling
12	8470-510	12		Screw, Machine
13	0423-028	2		Bushing, Stem
14	0423-484	2		Screw, Shoulder
15	0623-038	4		Nut w/Washer
16	0410-120	1		Hose, Coolant - Radiator/Thermostat - Upper
17	0423-496	11		Clamp, Hose
18	0410-195	1		Hose, Coolant - No. 2
19	0410-116	1		Hose, Coolant
20	0410-115	1		Hose, Coolant - Crossover
21	0410-117	1		Hose, Coolant - No. 1
22	1623-093	1		Clamp, Hose
23	0410-119	1		Hose, Coolant - Lower
24	0623-751	AR		Tie, Cable - 11.5 in.
25	0413-211	1	/P	Cooler, Oil
26	8476-612	2		Screw, Machine
27	0513-022	1		Bracket, Mounting - Oil Cooler - Upper
28	0423-632	4		Clamp, Hose
29	0410-149	1		Hose, Oil Cooler - In
30	0410-168	1		Hose, Oil Cooler - Out
31	8470-520	4		Screw, Machine
32	0808-092	1		Cover, Thermostat
33	0808-189	1		Housing, Thermostat
34	0830-173	1		O-Ring
35	0808-093	1		Thermostat
36	0808-124	1		Sensor, Engine Coolant Temperature
37	0413-086	1		Bottle, Overflow
38	0413-087	1		Plug
39	0124-045	1	/P	Clamp, Hose
40	0623-316	AR		Tie, Cable - 14 in.

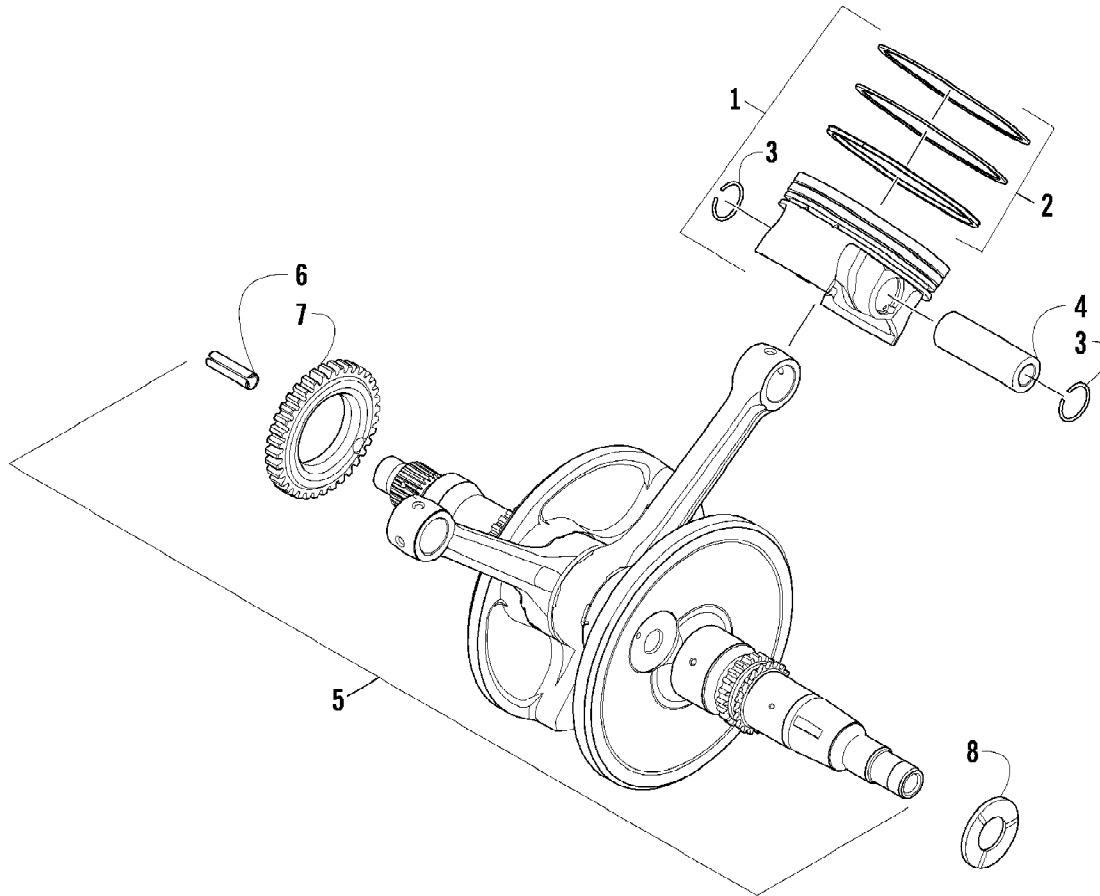
2010 ATV THUNDERCAT EFI 4X4 METALLIC CAT GREEN (A2010IEW4EUSM) Page 13 of 83
CRANKCASE ASSEMBLY



2010 ATV THUNDERCAT EFI 4X4 METALLIC CAT GREEN (A2010IEW4EUSM) Page 14 of 83
CRANKCASE ASSEMBLY

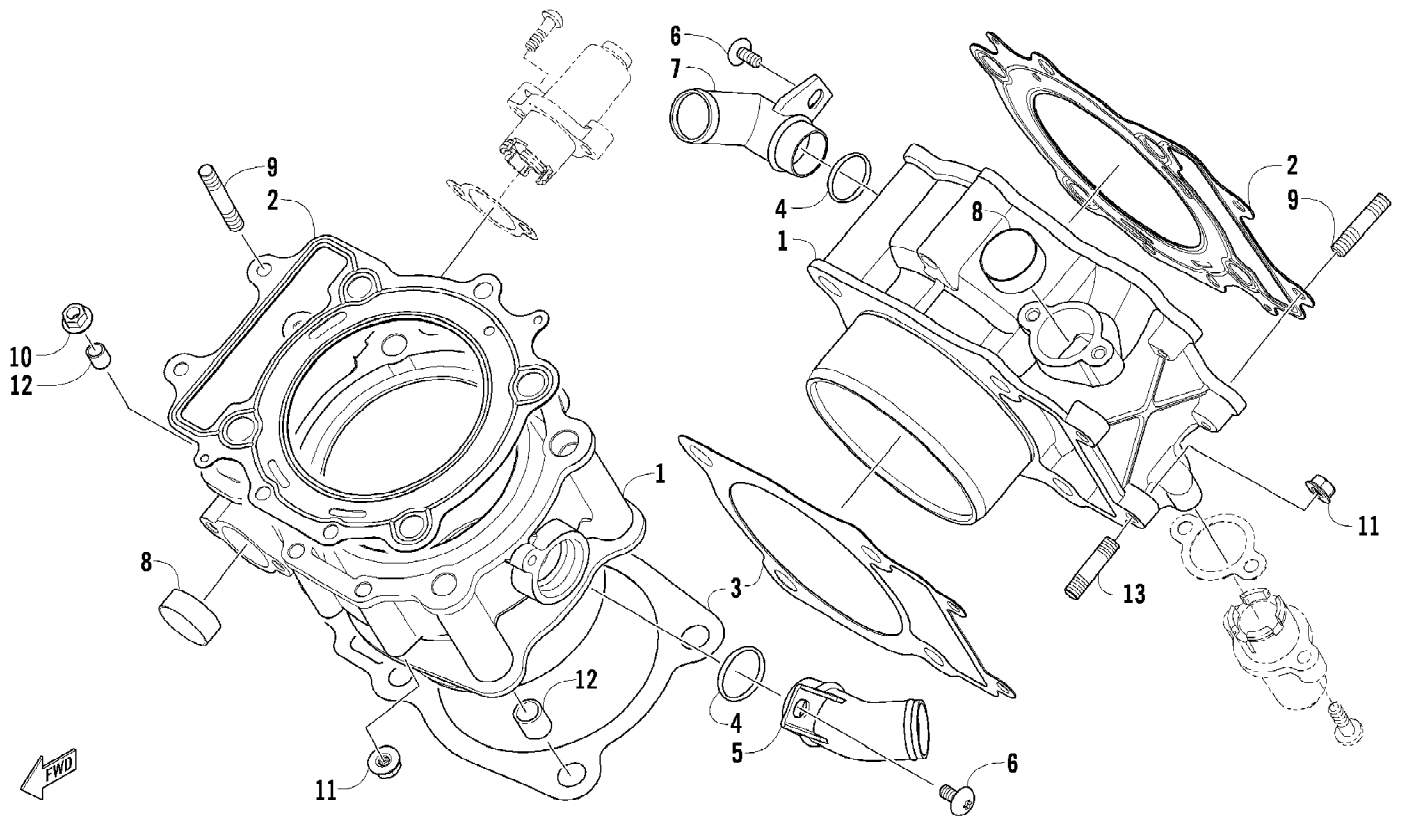
Ref #	Part Number	Qty	S/P/F	Description
1	0801-074	1		Crankcase - Assembly (inc. 2-15)
2	0832-048	1	/P	Bearing
3	0832-058	1	S	Bearing
4	0832-042	1	/P	Bearing
5	0832-050	3	/P	Bearing
6	0832-049	1	/P	Bearing
7	0832-055	1		Bearing - Assembly (inc. 8)
8	0832-057	1		Bearing
9	0801-002	1		Plug, Engine Case
10	0829-001	2	S	Pin, Dowel
11	0829-002	2		Pin, Dowel
12	0801-118	1		Pipe, Breather
13	0812-008	1		Union, Oil Filter
14	0822-052	1		Seal, Countershaft - Right
15	0830-035	1		Seal, Driveshaft
16	0812-026	3		Gasket, Washer
17	8468-685	1		Screw, Machine
18	8468-650	2		Screw, Machine
19	8468-625	3		Screw, Machine
20	8468-665	7		Screw, Machine
21	8468-640	1		Screw, Machine
22	8412-870	8		Screw, Cap
23	8412-830	4		Screw, Cap
24	0812-051	1		Fitting, Oil - Threaded
25	0801-088	1		Cover, Breather
26	0830-160	1		Gasket, Breather
27	8468-630	6		Screw, Machine
28	0812-028	1		Fitting, Oil - 40
29	0812-025	1		Bolt, Oil
30	8468-670	1		Screw, Machine
31	0830-008	8		Washer
32	0830-107	4		Gasket

2010 ATV THUNDERCAT EFI 4X4 METALLIC CAT GREEN (A2010IEW4EUSM) Page 15 of 83
CRANKSHAFT AND PISTON ASSEMBLY



2010 ATV THUNDERCAT EFI 4X4 METALLIC CAT GREEN (A2010IEW4EUSM) Page 16 of 83
CRANKSHAFT AND PISTON ASSEMBLY

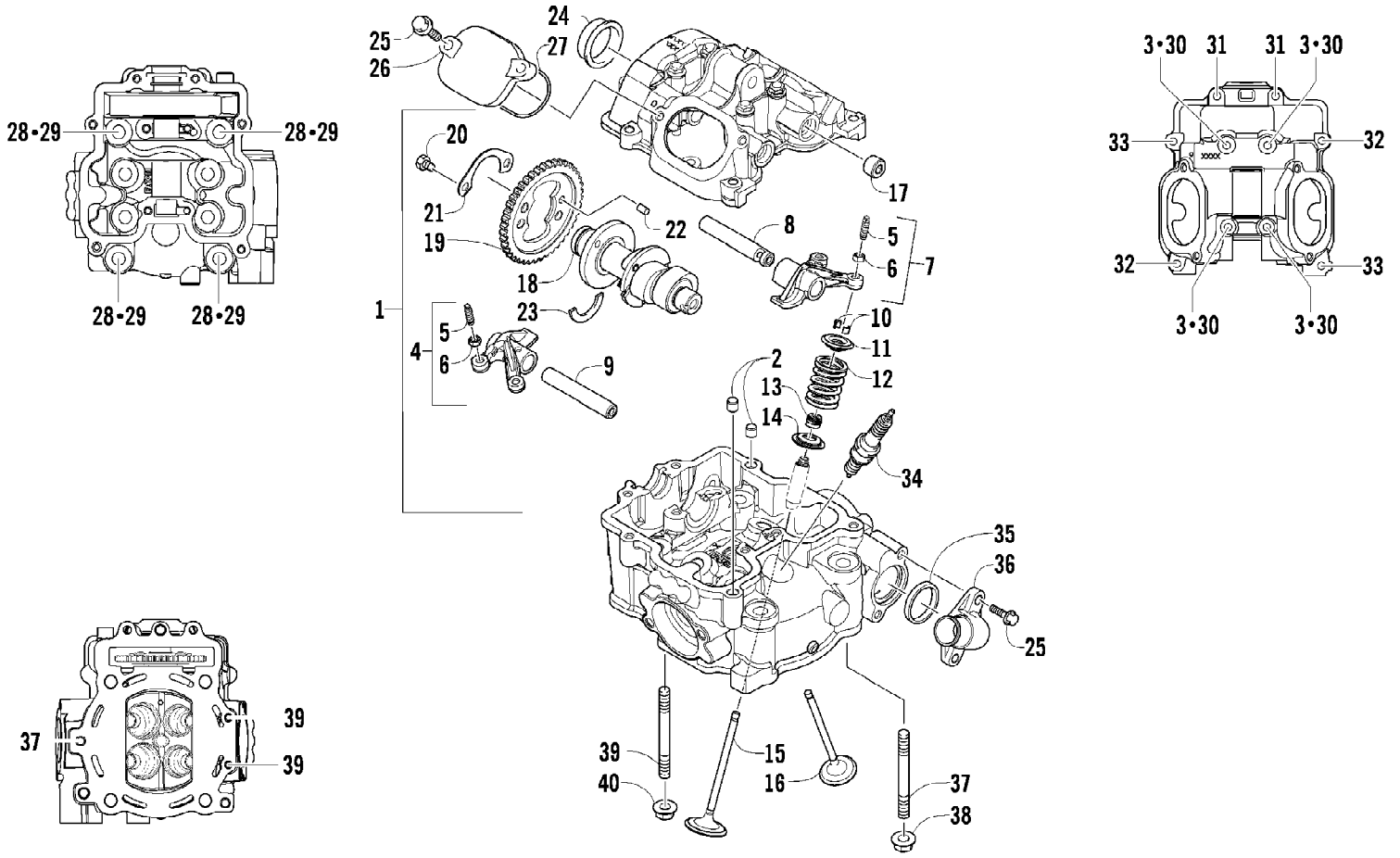
Ref #	Part Number	Qty	S/P/F	Description
1	0805-299	2	/P	Piston Set - Assembly (inc. 2-4)
2	0805-164	2		Ring, Piston - Set
3	0805-199	4		Circlip, Piston Pin
4	0805-198	2		Pin, Piston
5	0805-200	1	S	Crankshaft - Assembly (inc. 6-7)
6	0805-204	1		Pin, Spring
7	0805-201	1		Gear, Crankshaft
8	0805-273	1		Washer, Thrust



2010 ATV THUNDERCAT EFI 4X4 METALLIC CAT GREEN (A2010IEW4EUSM) Page 18 of 83
CYLINDER ASSEMBLY

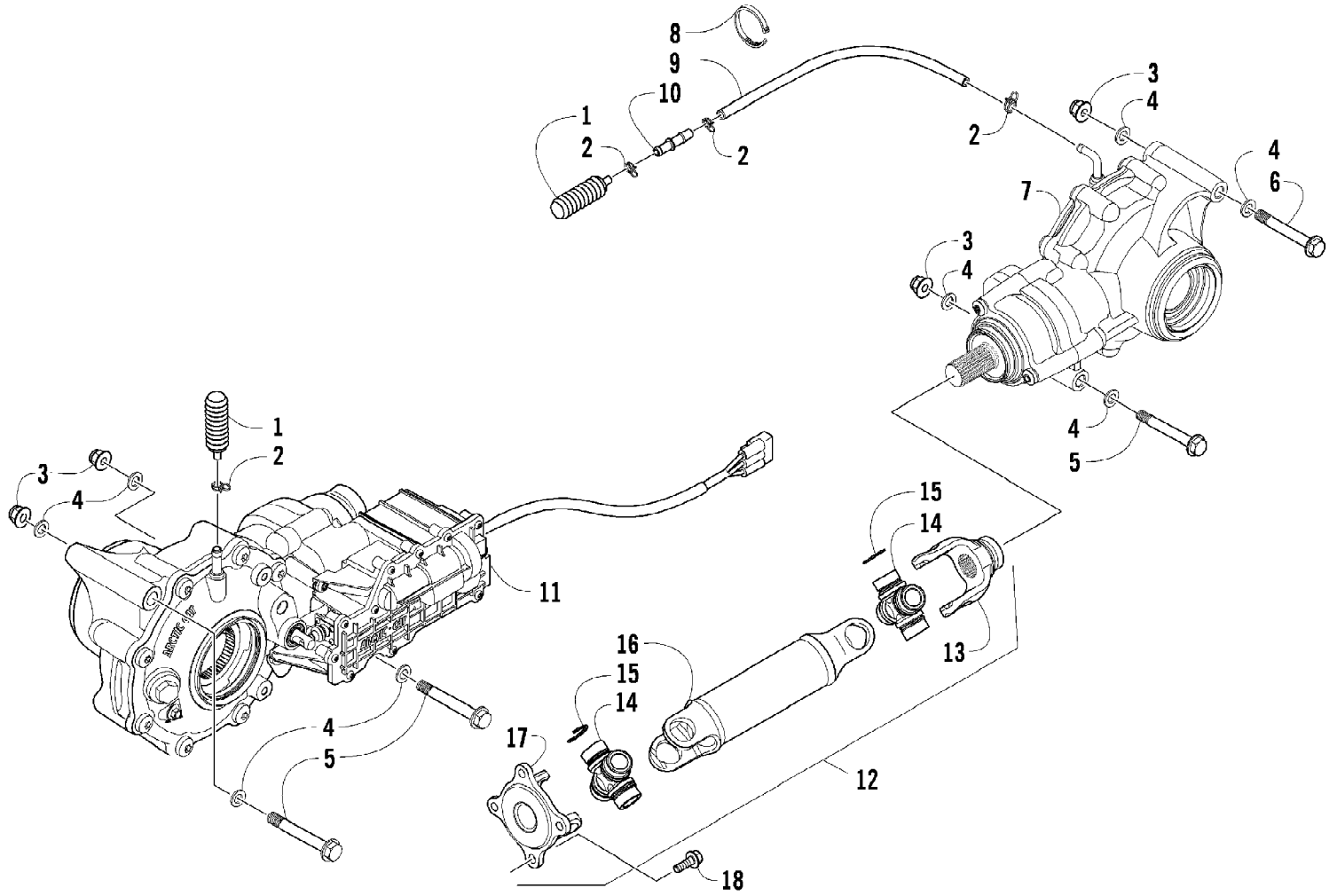
Ref #	Part Number	Qty	S/P/F	Description
1	0804-031	2		Cylinder
2	0830-209	2	/P	Gasket, Head
3	0830-127	2		Gasket, Base
4	0830-007	2		O-Ring
5	0804-046	1		Union, Coolant Hose
6	8468-612	2		Screw, Machine
7	0804-030	1		Union, Coolant Hose
8	0804-037	2		Plug, Cylinder
9	0827-002	4		Bolt, Stud
10	8424-804	2		Nut
11	8424-604	8		Nut
12	0829-002	8		Pin, Dowel
13	0827-018	4		Bolt, Stud

2010 ATV THUNDERCAT EFI 4X4 METALLIC CAT GREEN (A2010IEW4EUSM) Page 19 of 83
CYLINDER HEAD AND CAMSHAFT/VALVE ASSEMBLY



2010 ATV THUNDERCAT EFI 4X4 METALLIC CAT GREEN (A2010IEW4EUSM) Page 20 of 83
CYLINDER HEAD AND CAMSHAFT/VALVE ASSEMBLY

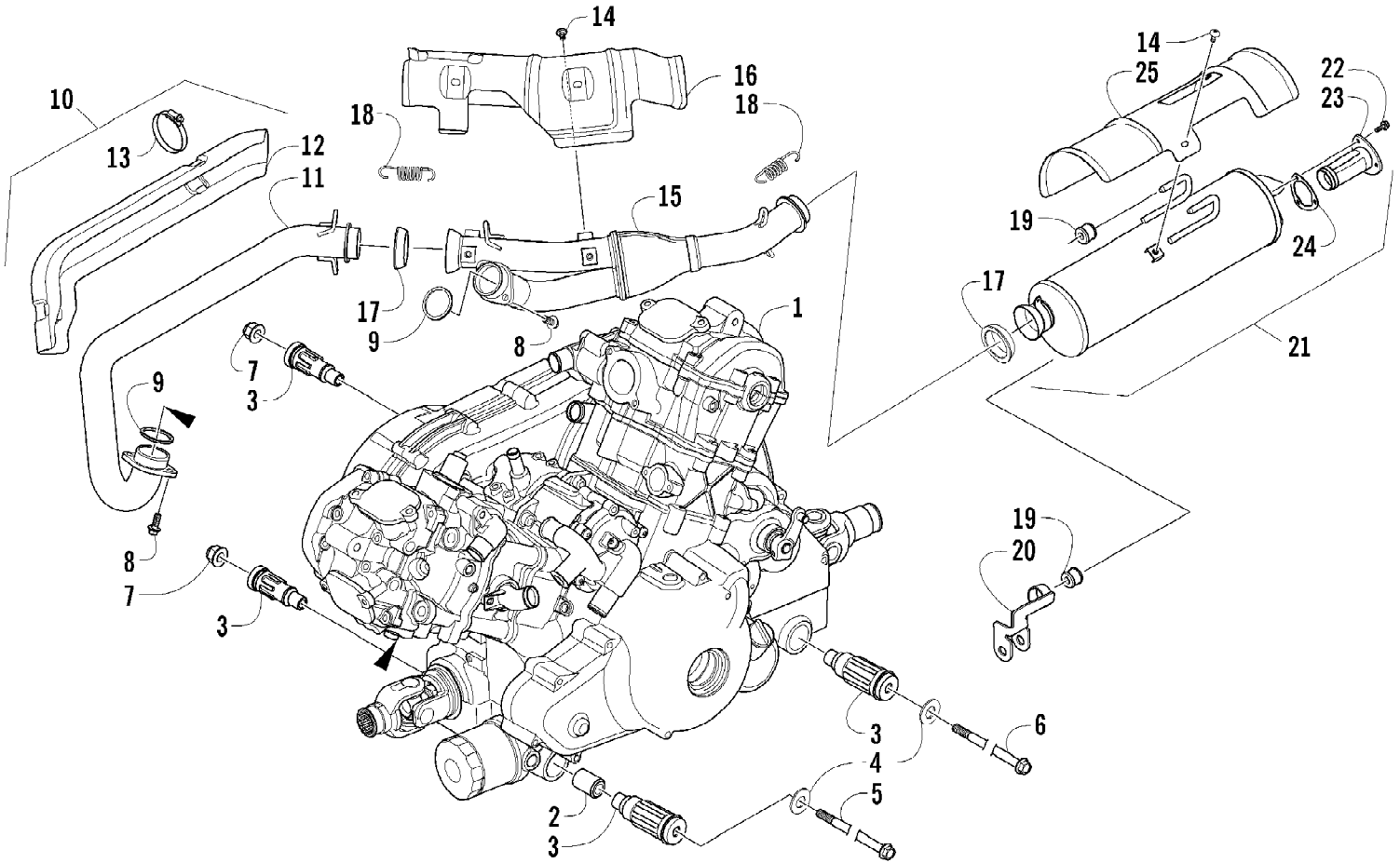
Ref #	Part Number	Qty	S/P/F	Description
1	0808-135	2	S	Head, Cylinder - Assembly (inc. 2-17)
2	0829-001	4	S	Pin, Dowel
3	0826-001	8		Screw, Cap
4	0809-202	2	S	Arm, Valve Rocker - Intake (inc. two No. 5-6)
5	0809-033	8	S	Screw, Adjuster
6	0827-007	8		Nut
7	0809-205	2	S	Arm, Valve Rocker - Exhaust (inc. two No. 5-6)
8	0809-008	2		Shaft, Rocker Arm - Exhaust
9	0809-007	2		Shaft, Rocker Arm - Intake
10	0809-014	16		Cotter, Valve
11	0809-013	8		Retainer, Spring
12	0809-138	8	S	Spring, Valve
13	0830-016	8	S	Seal, Oil
14	0809-006	8		Seat, Spring - Valve
15	0809-040	4	S	Valve, Exhaust
16	0809-039	4	S	Valve, Intake
17	0831-041	4		Plug, Shaft
18	0809-246	1	/P	Camshaft, Front Cylinder
18	0809-248	1	/P	Camshaft, Rear Cylinder
19	0809-002	2		Sprocket
20	0826-034	4		Screw, Cap
21	0828-004	2		Plate, Retainer
22	0829-008	2		Pin, Dowel
23	0809-003	2		C-Ring
24	0808-077	2		Plug, Cylinder Head
25	0826-007	12		Screw, Cap
26	0808-003	4		Cap, Inspection
27	0830-167	4	/P	O-Ring
28	0808-090	8		Screw, Cap
29	0830-147	8	/P	Washer
30	0830-107	8		Gasket
31	0826-002	4		Screw, Cap
32	0826-005	4		Screw, Cap
33	0826-006	4		Screw, Cap
34	0217-799	2	/P/F	Spark Plug
35	0830-120	2		Seal
36	0808-008	2		Cover, Thermostat
37	0827-031	2		Bolt, Stud
38	8424-804	2		Nut
39	0827-030	4		Bolt, Stud
40	8424-604	4		Nut



2010 ATV THUNDERCAT EFI 4X4 METALLIC CAT GREEN (A2010IEW4EUSM) Page 22 of 83
DRIVE TRAIN ASSEMBLY

Ref #	Part Number	Qty	S/P/F	Description
1	1402-620	2	/P	Bladder, Gearcase
2	0423-315	4		Clamp, Hose
3	8428-002	4		Nut, Lock
4	0423-426	8		Washer
5	0423-404	3		Screw, Cap
6	0423-830	1		Screw, Cap
7	1502-403	1		Gearcase, Rear
8	0123-788	AR	/P	Tie, Cable - 8 in.
9	0410-048	AR	S	Hose, Vent - 25 ft
10	0470-702	1	/P	Fitting, Vent
11	1502-395	1		Gearcase, Front
12	1502-098	1		Driveshaft, Rear - Assembly (inc. 13-17)
13	1402-567	1		Yoke, Slip
14	0402-944	2	/P	Joint, Universal (inc.15)
15	0423-395	8		Ring, Retaining
16	1502-099	1		Driveshaft, Rear
17	1402-689	1		Yoke, Flange
18	8408-820	4	/P	Screw, Cap

2010 ATV THUNDERCAT EFI 4X4 METALLIC CAT GREEN (A2010IEW4EUSM) Page 23 of 83
ENGINE AND EXHAUST



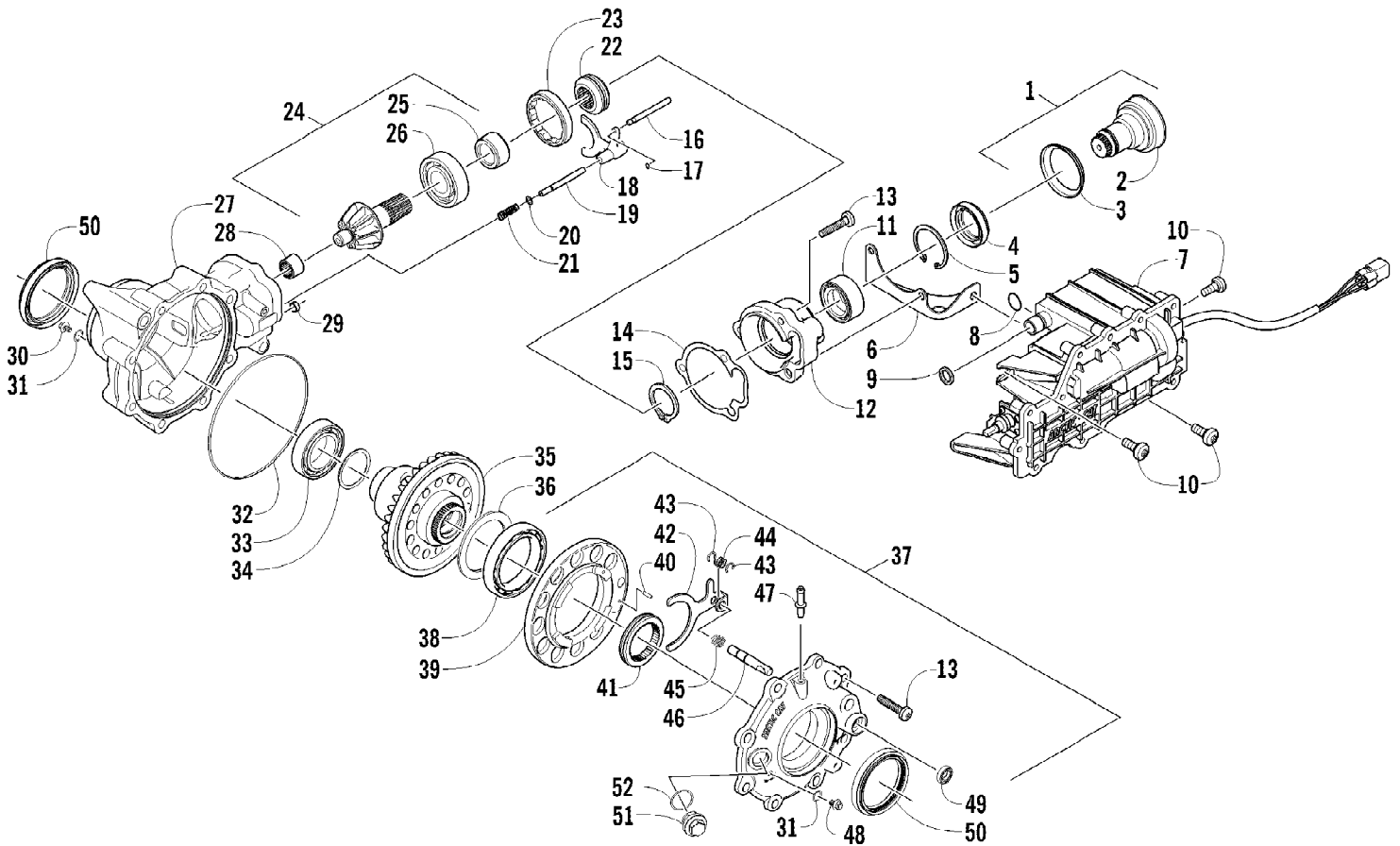
2010 ATV THUNDERCAT EFI 4X4 METALLIC CAT GREEN (A2010IEW4EUSM) Page 24 of 83
ENGINE AND EXHAUST

Ref #	Part Number	Qty	S/P/F	Description
1	0800-085	1	S/P	Engine, A950C (inc. 2-3)
2	0801-128	1		Spacer, Engine Mount
3	0801-091	4		Mount, Engine
4	0423-426	2		Washer
5	0423-734	1		Screw, Cap
6	0423-451	1		Screw, Cap
7	8428-002	2		Nut, Lock
8	8408-820	4	/P	Screw, Cap
9	0412-338	2	/P	Gasket, Exhaust Pipe
10	0512-433	1		Pipe, Exhaust - Assembly (inc. 11-13)
11	0512-349	1		Pipe, Exhaust
12	0412-400	1		Shield, Exhaust Pipe
13	0423-317	2	/P	Clamp
14	8477-610	7		Screw, Machine
15	0512-477	1	/P	Pipe, Exhaust - Rear
16	0412-403	1		Shield, Exhaust Pipe - Rear
17	0412-375	2	/P	Seal, Exhaust Pipe
18	0612-668	4	/P	Spring, Extension
19	0412-215	3	S	Bushing
20	2506-631	1		Channel, Muffler Support
21	0512-355	1	/P	Muffler - Assembly (inc. 22-24)
22	8408-616	3		Screw, Cap
23	0512-219	1	/P	Arrester, Spark - Assembly
24	0412-313	1		Gasket, Spark Arrester
25	0412-373	1	/P	Cover, Muffler
26	0411-426	1		Decal, Warning - Clutch Cover

2010 ATV THUNDERCAT EFI 4X4 METALLIC CAT GREEN (A2010IEW4EUSM) Page 26 of 83
FRAME AND RELATED PARTS

Ref #	Part Number	Qty	S/P/F	Description
1	2506-094	1		Frame, Main
2	8409-020	4	/P	Screw, Cap
3	2506-813	1		Channel, Mounting - Bumper - Right
3	2506-285	1		Channel, Mounting - Bumper - Left
4	1506-562	1		Bracket, Mounting - Bumper - Right
4	1506-563	1		Bracket, Mounting - Bumper - Left
5	8408-816	10		Screw, Cap
6	2506-639	1		Bumper, Front
7	0411-501	1		Decal, Bumper - "Arctic Cat"
8	8410-835	2		Screw, Cap
9	2506-641	2		Strap, Support - Bumper
10	8424-805	2		Nut
11	0423-744	2		Nut, Lock
12	1506-429	1	S	Brace, A-Arm
13	8409-025	2		Screw, Cap
14	2406-648	1		Panel, Belly
15	0423-101	10		Screw, Shoulder
16	2506-701	1		Pad, Foam
17	0406-289	1		Pad, Foam
18	2506-423	2		Rod, Support
19	2506-449	1		Footrest - Right
19	1506-379	1		Footrest - Left
20	8409-016	4		Screw, Cap
21	8424-802	8		Nut
22	1411-077	1		Decal, Warning - Towing
23	0541-607	1		Bumper, Rear (inc. 24)
24	0406-130	4		Plug, Hole

2010 ATV THUNDERCAT EFI 4X4 METALLIC CAT GREEN (A2010IEW4EUSM) Page 27 of 83
FRONT DRIVE GEARCASE ASSEMBLY



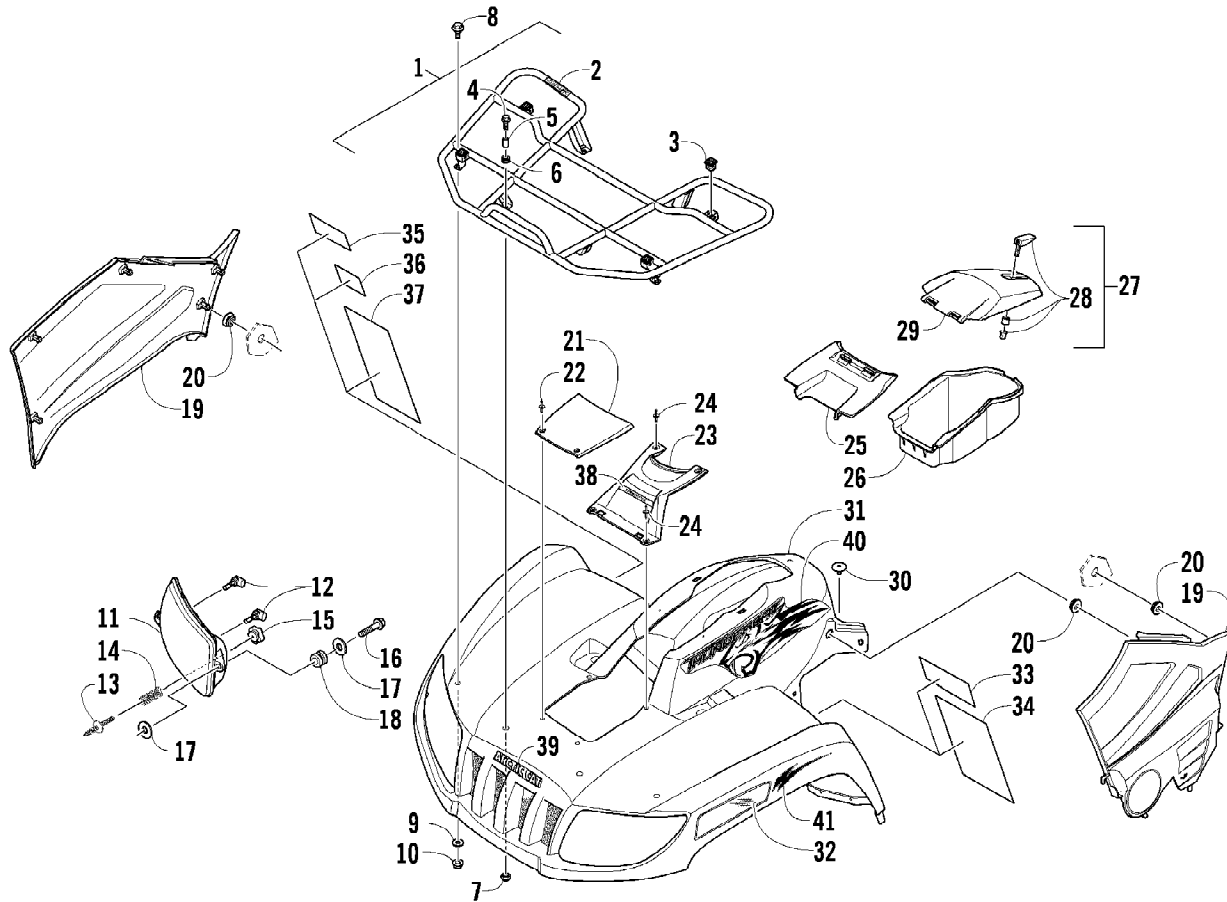
2010 ATV THUNDERCAT EFI 4X4 METALLIC CAT GREEN (A2010IEW4EUSM) Page 28 of 83
FRONT DRIVE GEARCASE ASSEMBLY

Ref #	Part Number	Qty	S/P/F	Description
	1502-395	1		Complete Front Drive Gearcase Assembly
1	0502-923	1		Shaft, Propeller - Assembly (inc. 2-3)
2	1402-438	1		Shaft, Input
3	1402-168	1		Deflector
4	1402-011	1		Seal
5	0423-423	1		Ring, Retaining
6	1502-237	1		Bracket, Actuator
7	0502-585	1	S	Actuator (inc. 8)
8	1402-981	1		O-Ring
9	0423-892	1	/P	O-Ring
10	0423-396	3		Screw, Self-Tapping
11	1402-043	1		Bearing
12	0502-528	1	/P	Housing, Pinion
13	0423-118	11		Screw, Self-Tapping
14	0402-947	1		Gasket
15	0423-417	1		Ring, Retaining
16	0402-997	1		Shaft, Selector
17	0423-402	1		Ring, Retaining
18	0402-998	1		Fork, Selector
19	0402-417	1		Shaft, Shuttle
20	0423-147	1		O-Ring
21	0402-999	1		Spring, Return
22	0402-413	1		Coupler, Drive
23	0402-357	1		Collar, Lock
24	0502-784	1		Gear, Pinion - Assembly - 11T (inc. 25-26)
25	0402-336	1		Collar, Retaining
26	0402-327	1		Bearing
27	0502-514	1		Housing, Gearcase
28	0402-328	1		Bearing
29	0402-411	1		Pin, Dowel
30	1402-210	1	/P	Plug, Magnetic (inc. one No. 31)
31	0423-153	2		O-Ring
32	0423-149	1		O-Ring
33	0402-393	1		Bearing
34	0402-405	AR		Shim, 41 x 49 x 1.3 mm
34	0402-406	AR		Shim, 41 x 49 x 1.4 mm
34	0402-407	AR		Shim, 41 x 49 x 1.5 mm
34	0402-408	AR		Shim, 41 x 49 x 1.6 mm
34	0402-409	AR		Shim, 41 x 49 x 1.7 mm
35	1502-554	1	/P	Gear, Ring - 34T
36	1402-074	AR		Shim, 61 x 69 x 1.3 mm
36	1402-075	AR		Shim, 61 x 69 x 1.4 mm
36	1402-076	AR		Shim, 61 x 69 x 1.5 mm
36	1402-077	AR		Shim, 61 x 69 x 1.6 mm
36	1402-078	AR		Shim, 61 x 69 x 1.7 mm
37	1502-389	1		Cover, Gearcase (inc. one No. 31, 38-49 and one No. 50)
38	1402-053	1		Bearing
39	0502-413	1		Flange, Bearing
40	1402-079	1		Pin, Alignment
41	1402-042	1		Collar, Sliding
42	1402-054	1		Fork

2010 ATV THUNDERCAT EFI 4X4 METALLIC CAT GREEN (A2010IEW4EUSM) Page 29 of 83
FRONT DRIVE GEARCASE ASSEMBLY

Ref #	Part Number	Qty	S/P/F	Description
43	1402-058	2		Ring, Retaining
44	1402-057	1		Spring
45	1402-063	1		Spring
46	1402-656	1		Shaft, Lock
47	1402-104	1		Fitting
48	1402-211	1		Plug, Oil Level (inc. one No. 31)
49	1402-056	1		Seal
50	1402-713	2	S	Seal
51	0402-333	1	/P	Plug, Fill (inc. 52)
52	0423-154	1		O-Ring

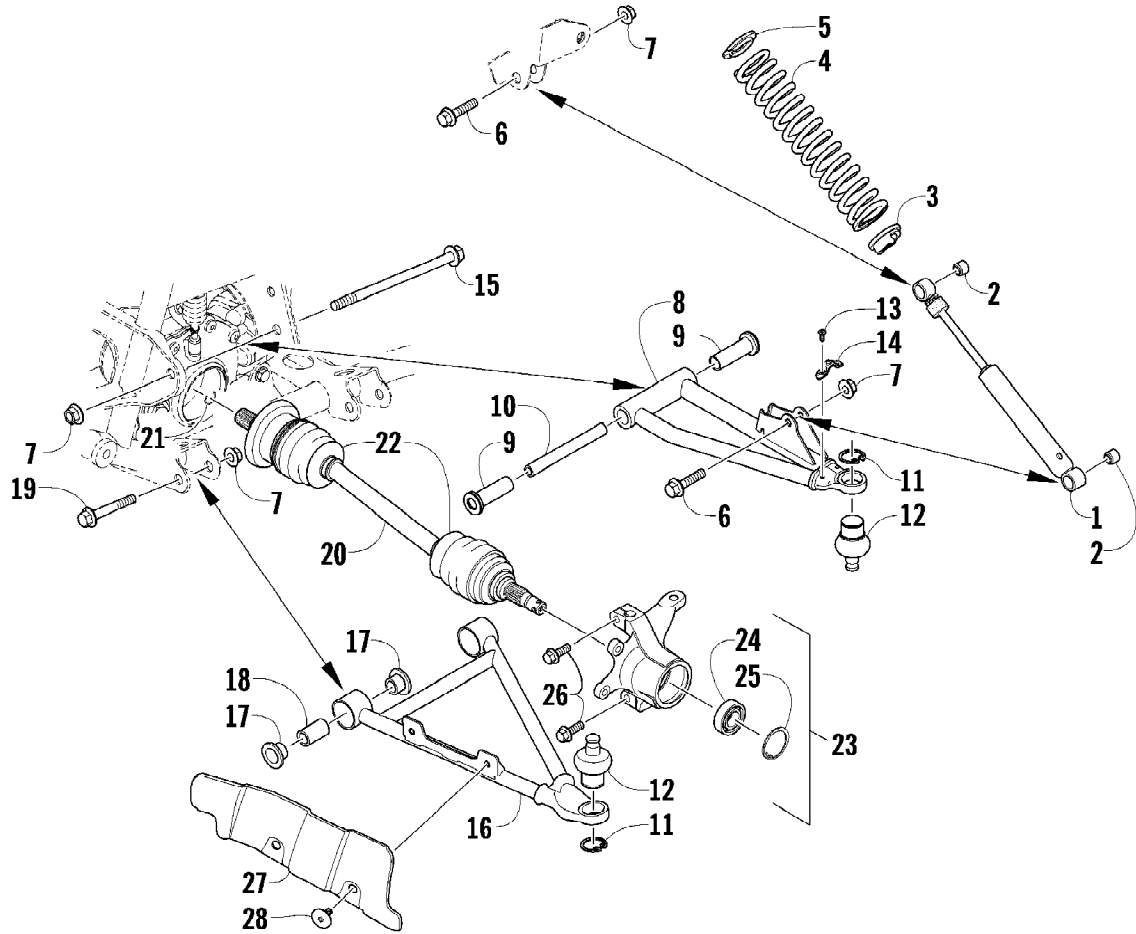
2010 ATV THUNDERCAT EFI 4X4 METALLIC CAT GREEN (A2010IEW4EUSM) Page 30 of 83
FRONT RACK, BODY PANEL, AND HEADLIGHT ASSEMBLIES



2010 ATV THUNDERCAT EFI 4X4 METALLIC CAT GREEN (A2010IEW4EUSM) Page 31 of 83
FRONT RACK, BODY PANEL, AND HEADLIGHT ASSEMBLIES

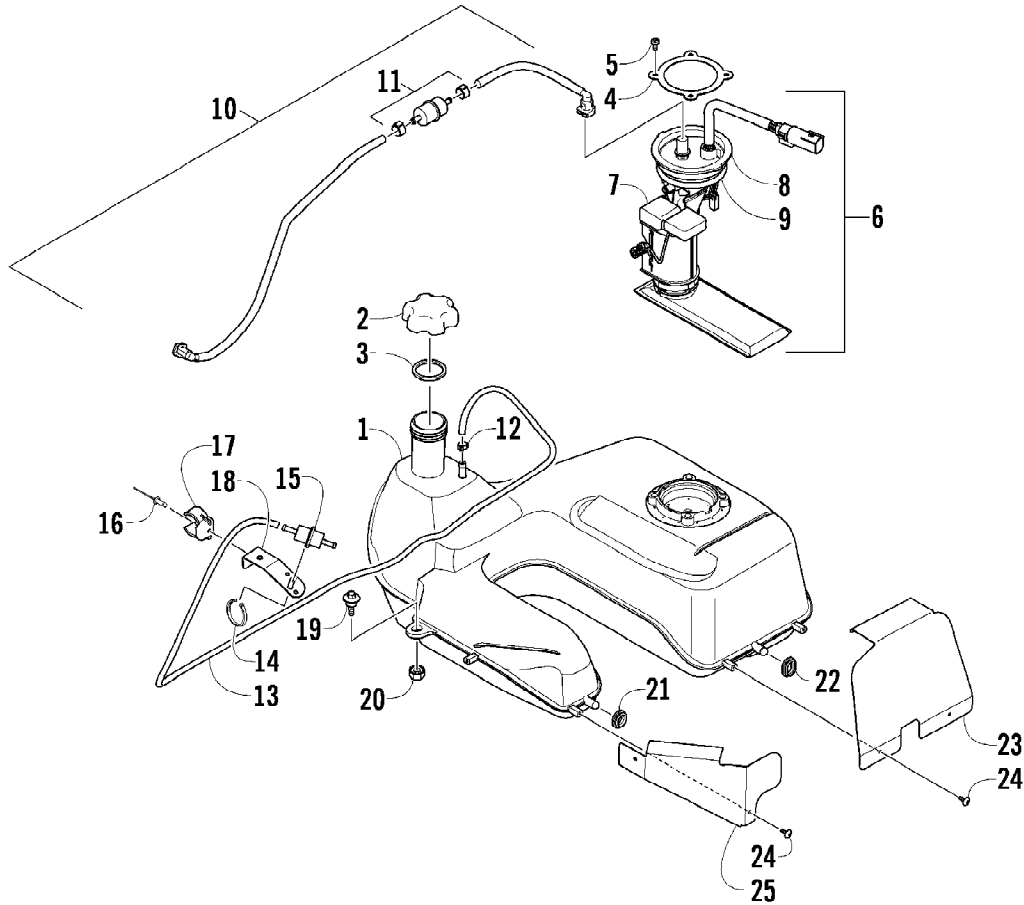
Ref #	Part Number	Qty	S/P/F	Description
1	2506-643	1		Rack, Front - Assembly (inc. 2-3)
2	0411-576	1		Decal, Warning - Load
3	0441-592	4	/P	Bushing, Rack
4	8410-830	4		Screw, Cap
5	0423-669	4		Spacer
6	0423-465	4		Grommet
7	8432-802	4		Nut, Lock
8	0423-654	2		Screw, Shoulder
9	8050-222	2	/P	Washer
10	0423-540	2		Nut, Lock
11	0509-044	1	/P	Headlight Assembly - Right (inc. 12)
11	0509-035	1		Headlight Assembly - Left (inc. 12)
12	0409-055	4		Bulb, Headlight
13	0423-514	2		Stud, Adjuster - Headlight
14	0423-522	2		Spring, Adjuster
15	0423-513	2		Knob, Adjuster
16	0623-785	4		Screw, Self-Tapping
17	8050-217	8	/P	Washer
18	0423-447	4		Grommet
19	2406-588	1		Panel, Side - Lower - Right
19	2406-589	1		Panel, Side - Lower - Left
20	0423-678	8		Grommet
21	1406-358	1		Cover, Access
22	0423-535	2		Rivet, Reinstallable
23	1406-484	1		Cover, Steering Post
24	0623-362	4		Rivet, Reinstallable
25	0470-513	1		Cover, Storage Box
26	1406-573	1		Box, Storage
27	2506-234	1		Lid, Storage Box w/Latch (inc. 28-29)
28	1406-599	1		Latch, Storage Box
29	0470-514	1		Lid, Storage Box
30	0423-101	2		Screw, Shoulder
31	2516-392	1		Panel, Fender - Front (inc. 32-37)
32	0411-818	1		Decal, Reflector - Right
32	0411-819	1		Decal, Reflector - Left
33	1411-574	1		Decal, Warning - Off-Road Only
34	2411-124	1		Decal, Warning - General/Age
35	0411-835	1		Decal, Warning - Turn/Hill
36	1411-906	1		Decal, Warning - Throttle
37	1411-250	1		Decal, Warning - Reverse/Pre-Ride
38	1411-050	1	/P	Decal, "Speedrack"
38	0	1	F	N/A
40	1411-888	1		Decal, Side - Upper Right
40	1411-889	1		Decal, Side - Upper Left
41	1411-820	1		Decal, Side Fender - Front - Right
41	1411-821	1		Decal, Side Fender - Front - Left

2010 ATV THUNDERCAT EFI 4X4 METALLIC CAT GREEN (A2010IEW4EUSM) Page 32 of 83
FRONT SUSPENSION ASSEMBLY



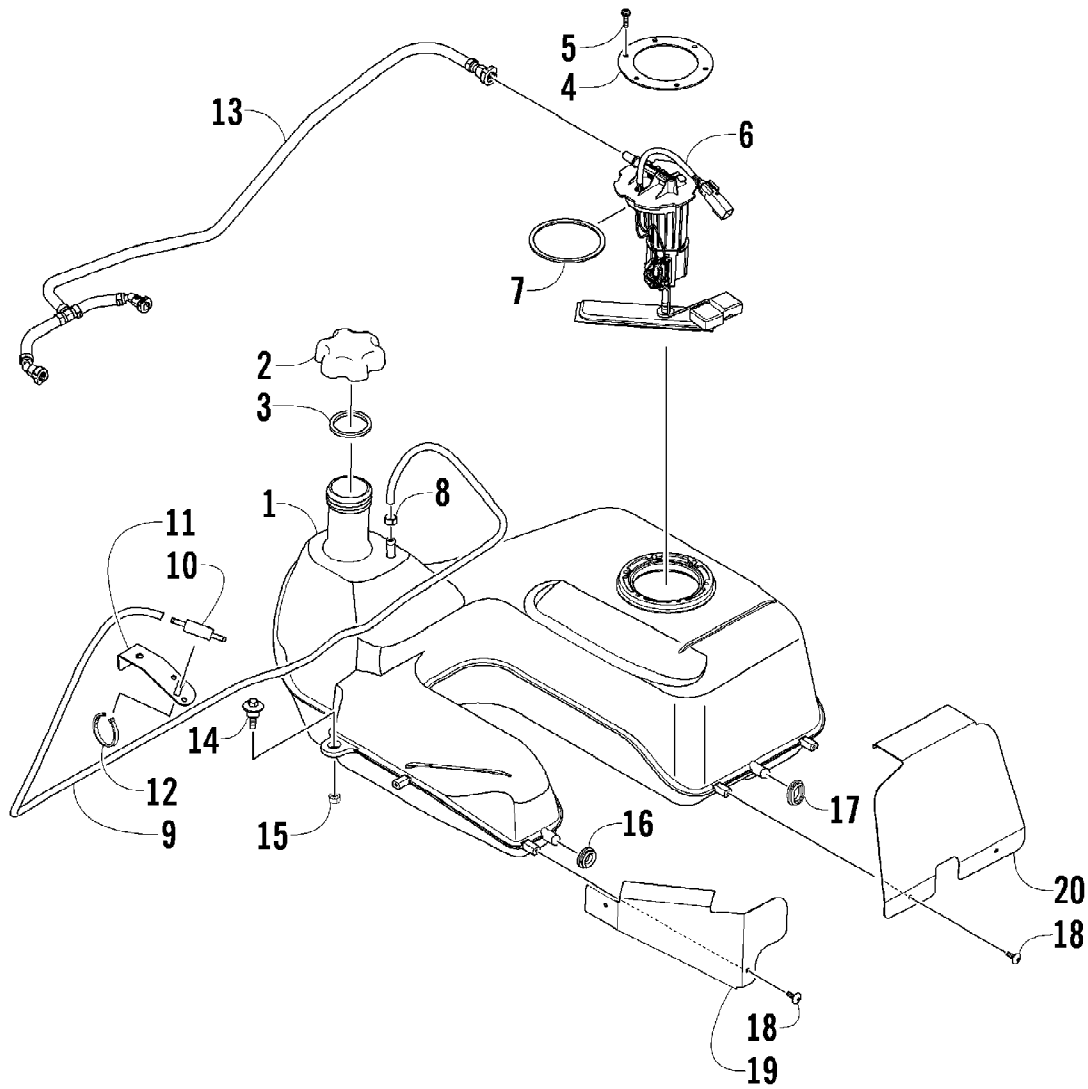
2010 ATV THUNDERCAT EFI 4X4 METALLIC CAT GREEN (A2010IEW4EUSM) Page 33 of 83
FRONT SUSPENSION ASSEMBLY

Ref #	Part Number	Qty	S/P/F	Description
1	0403-188	2		Shock Absorber (inc. 2)
2	0403-182	4		Bushing
3	0403-102	2		Cam, Spring Adjuster
4	0503-354	2		Spring, Suspension
5	1603-889	2	/P	Retainer, Spring
6	8409-040	4		Screw, Cap
7	0423-744	10		Nut, Lock
8	0503-428	1		A-Arm, Upper Right (inc. 9-12)
8	0503-429	1		A-Arm, Upper Left (inc. 9-12)
9	0403-207	4	/P	Bushing
10	0403-080	2		Axle
11	0423-009	4	/P	Ring, Retaining
12	0405-115	4	/P	Ball Joint
13	0423-946	4		Screw, Self-Tapping
14	1502-594	2		Clamp, Routing
15	0423-334	2		Screw, Cap
16	0503-380	1	/P	A-Arm, Lower Right (inc. 17-18 and one No. 11-12)
16	0503-381	1	/P	A-Arm, Lower Left (inc. 17-18 and one No. 11-12)
17	0403-208	8	/P	Bushing
18	0403-214	4	/P	Axle
19	8409-075	4		Screw, Cap
20	1502-344	1	S/P	Axle, Drive - Front - Right (inc. 21-22)
20	1502-345	1	S	Axle, Drive - Front - Left (inc. 21-22)
21	0423-844	2	/P	Ring, Retaining
22	0436-276	2	S	Repair Kit, Boot - Front Axle
23	0505-578	1		Knuckle - Assembly - Right (inc. 24-25)
23	0505-579	1	/P	Knuckle - Assembly - Left (inc. 24-25)
24	1402-809	2	/P	Bearing
25	0423-423	2		Ring, Retaining
26	8409-030	4		Screw, Cap
27	1406-034	1		Guard, Boot - Right
27	1406-035	1		Guard, Boot - Left
28	0423-545	4	/P	Screw, Shoulder



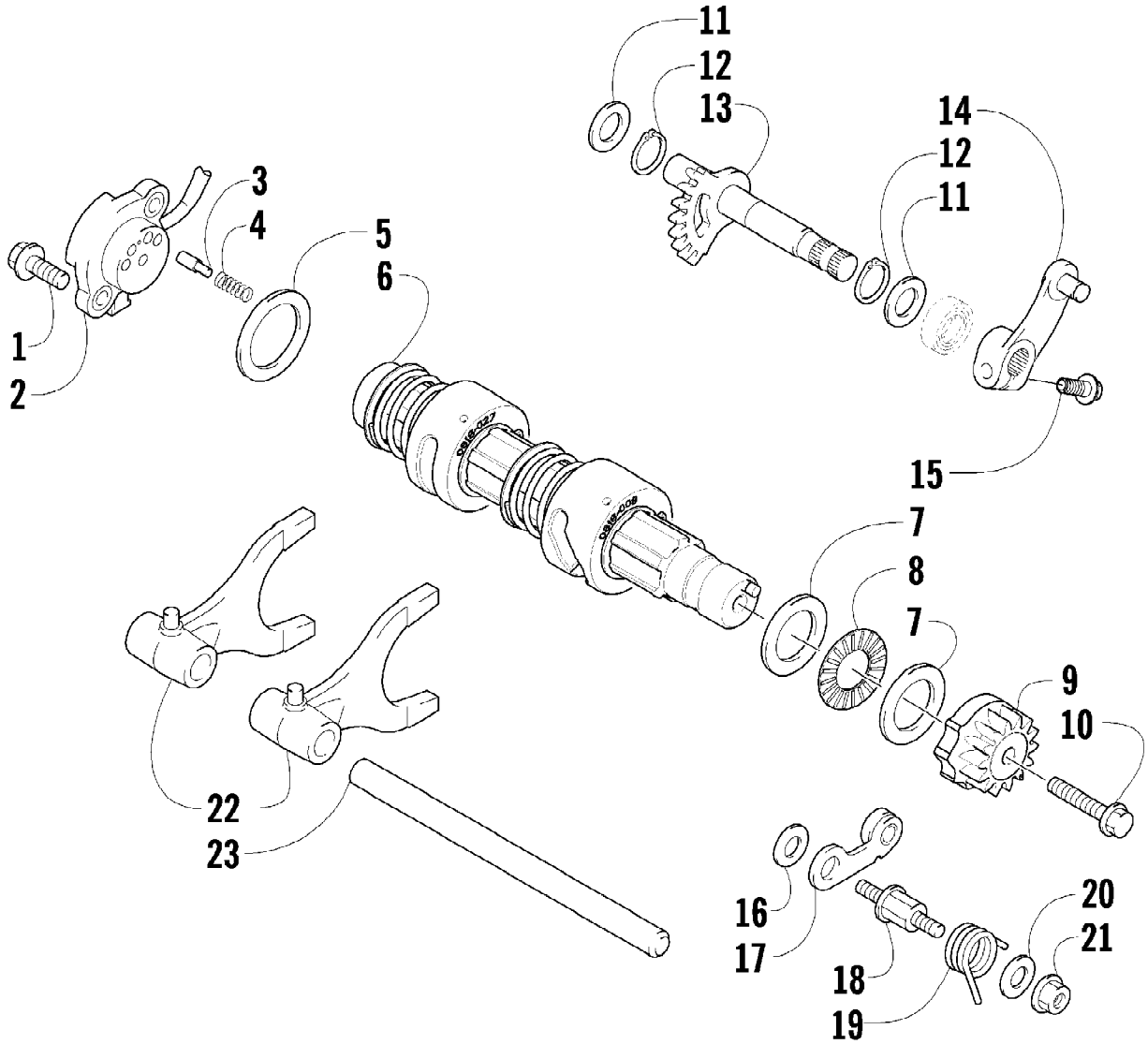
2010 ATV THUNDERCAT EFI 4X4 METALLIC CAT GREEN (A2010IEW4EUSM) Page 35 of 83
 GAS TANK ASSEMBLY (UP TO VIN: 4UF10ATV3AT202941)

Ref #	Part Number	Qty	S/P/F	Description
1	0570-159	1		Tank, Gas - Assembly (inc. 2-5)
2	0470-438	1	/P	Cap, Gas Tank (inc. 3)
3	0109-733	1	/P	Gasket, Gas Tank Cap
4	0470-606	1		Plate, Mounting - Fuel Pump
5	8476-612	4		Screw, Self-Tapping
6	0570-271	1	/P	Pump, Fuel - Assembly (inc. 7-9)
7	0570-252	1	/P	Sensor, Fuel Level - Kit (inc. 8-9)
8	0470-614	1		Seal, Fuel Pump
9	0470-613	1		Seal, Fuel Pump
10	0570-243	1		Hose, Gasline - Assembly (inc. 11)
11	0570-246	1		Filter, Fuel - Kit
12	0423-688	1		Clamp, Hose
13	0410-070	AR	/P	Hose, Gasline - 25 ft
14	0123-788	AR	/P	Tie, Cable - 8 in.
15	0510-335	1	/P	Filter, In-Line
16	8060-628	1		Rivet
17	1670-826	1		Bracket, Fuel Filter
18	0470-827	1		Bracket, Filter Mounting
19	0423-732	2		Screw, Shoulder
20	0623-038	1		Nut w/Washer
21	0423-460	1		Grommet
22	0423-806	1		Grommet
23	0470-710	1		Shield, Heat - Gas Tank - Rear
24	0623-797	4		Screw, Self-Tapping
25	0470-709	1		Shield, Heat - Gas Tank - Front



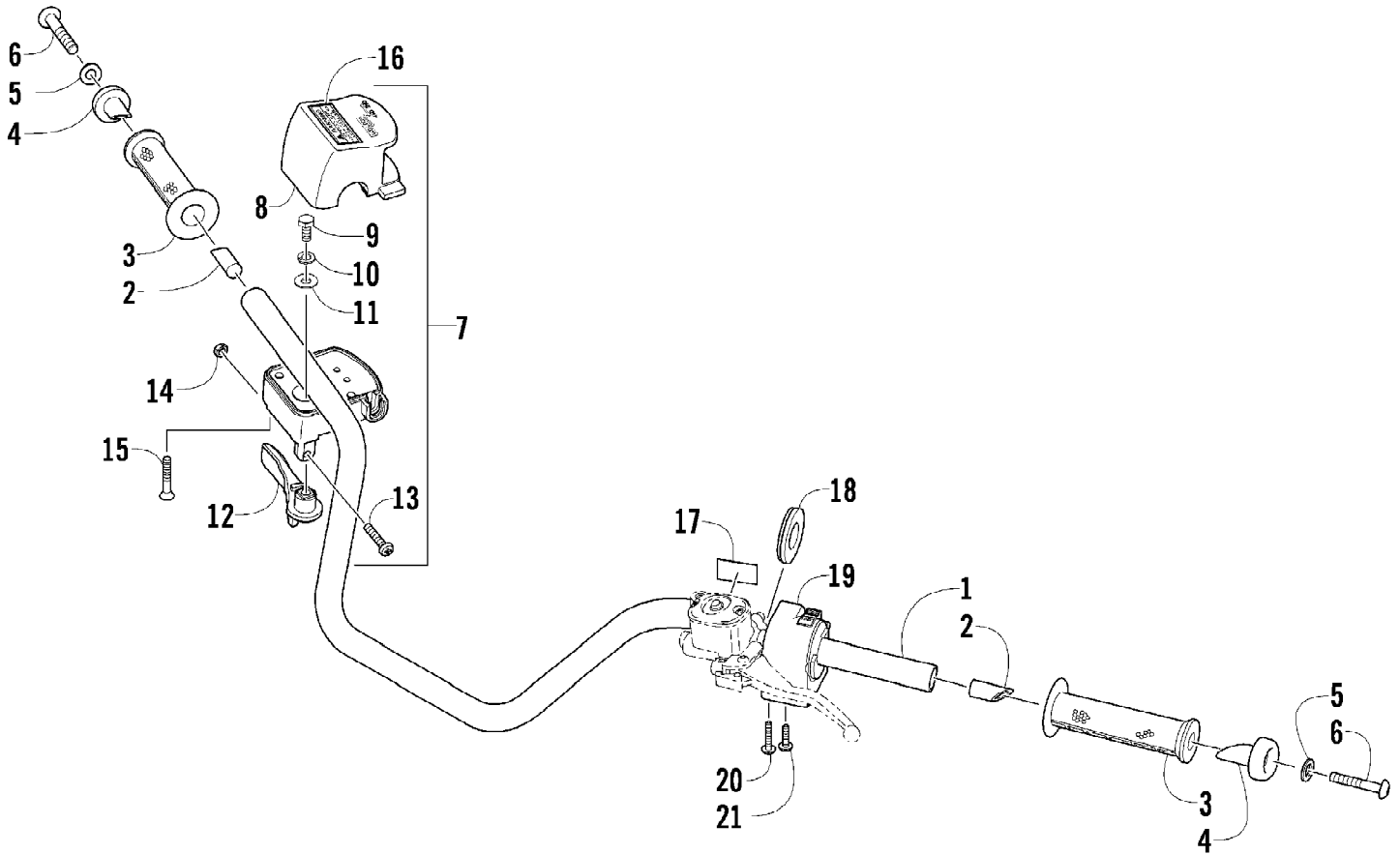
2010 ATV THUNDERCAT EFI 4X4 METALLIC CAT GREEN (A2010IEW4EUSM) Page 37 of 83
 GAS TANK ASSEMBLY (VIN: 4UF10ATV5AT202942 AND UP)

Ref #	Part Number	Qty	S/P/F	Description
1	0570-307	1		Tank, Gas - Assembly (inc. 2-5)
2	0470-438	1	/P	Cap, Gas Tank (inc. 3)
3	0109-733	1	/P	Gasket, Gas Tank Cap
4	2670-042	1		Plate, Retaining
5	0423-898	6		Screw, Self-Tapping
6	0570-322	1	/P	Pump, Fuel - Assembly (inc. 7)
7	0470-838	1		Seal
8	0423-688	1		Clamp, Hose
9	0410-070	AR	/P	Hose, Gasline - 25 ft
10	0510-335	1	/P	Filter, In-Line
11	0470-827	1		Bracket, Filter Mounting
12	0123-788	AR	/P	Tie, Cable - 8 in.
13	0570-278	1		Hose, Fuel - Assembly
14	0423-732	2		Screw, Shoulder
15	0623-038	1		Nut w/Washer
16	0423-460	1		Grommet
17	0423-806	1		Grommet
18	0623-797	4		Screw, Self-Tapping
19	0470-709	1		Shield, Heat - Gas Tank - Front
20	0470-710	1		Shield, Heat - Gas Tank - Rear



2010 ATV THUNDERCAT EFI 4X4 METALLIC CAT GREEN (A2010IEW4EUSM) Page 39 of 83
GEAR SHIFTING ASSEMBLY

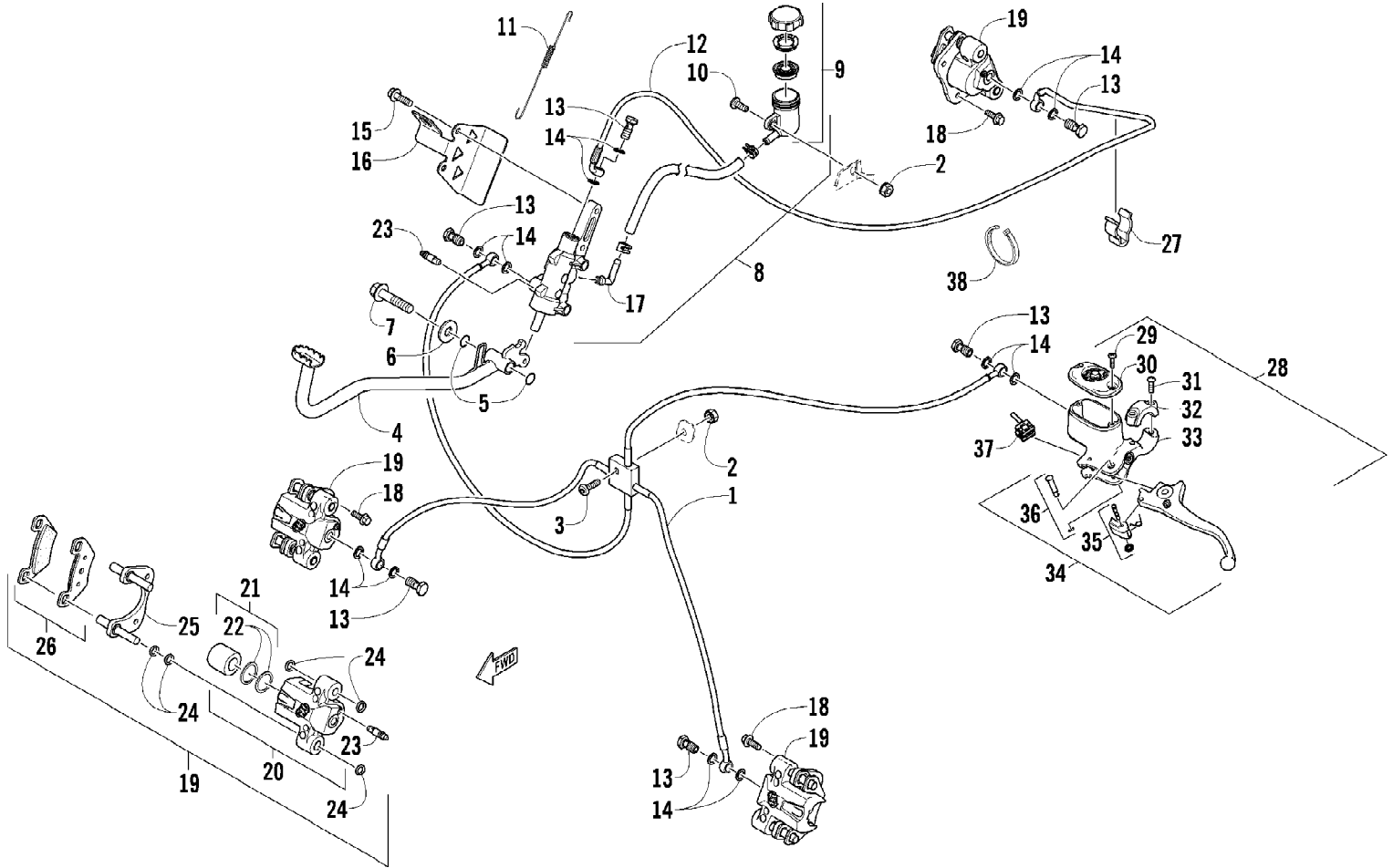
Ref #	Part Number	Qty	S/P/F	Description
1	8470-520	2		Screw, Machine
2	0409-091	1		Switch, Gear Shift Position
3	0818-013	2		Contact
4	0818-017	2		Spring
5	0828-040	1		Washer
6	0818-046	1		Shaft, Gear Shift - Assembly
7	0828-095	2		Washer, Thrust
8	0832-052	1	/P	Bearing, Thrust
9	0818-055	1		Cam, Gear Shift
10	0826-006	1		Screw, Cap
11	0828-036	2		Washer
12	0831-010	2		Ring, Retaining
13	0818-007	1	/P	Shaft, Sub-Gear Shift
14	0818-014	1		Arm, Shift
15	8468-620	1	/P	Screw, Machine
16	0828-038	1		Washer
17	0818-002	1		Stopper, Cam
18	0818-004	1		Support, Cam Stopper
19	0818-090	1		Spring
20	0828-035	1		Washer
21	8424-602	1	/P	Nut
22	0818-072	2	/P	Fork, Shift
23	0818-006	1		Shaft, Shift Fork



2010 ATV THUNDERCAT EFI 4X4 METALLIC CAT GREEN (A2010IEW4EUSM) Page 41 of 83
HANDLEBAR ASSEMBLY

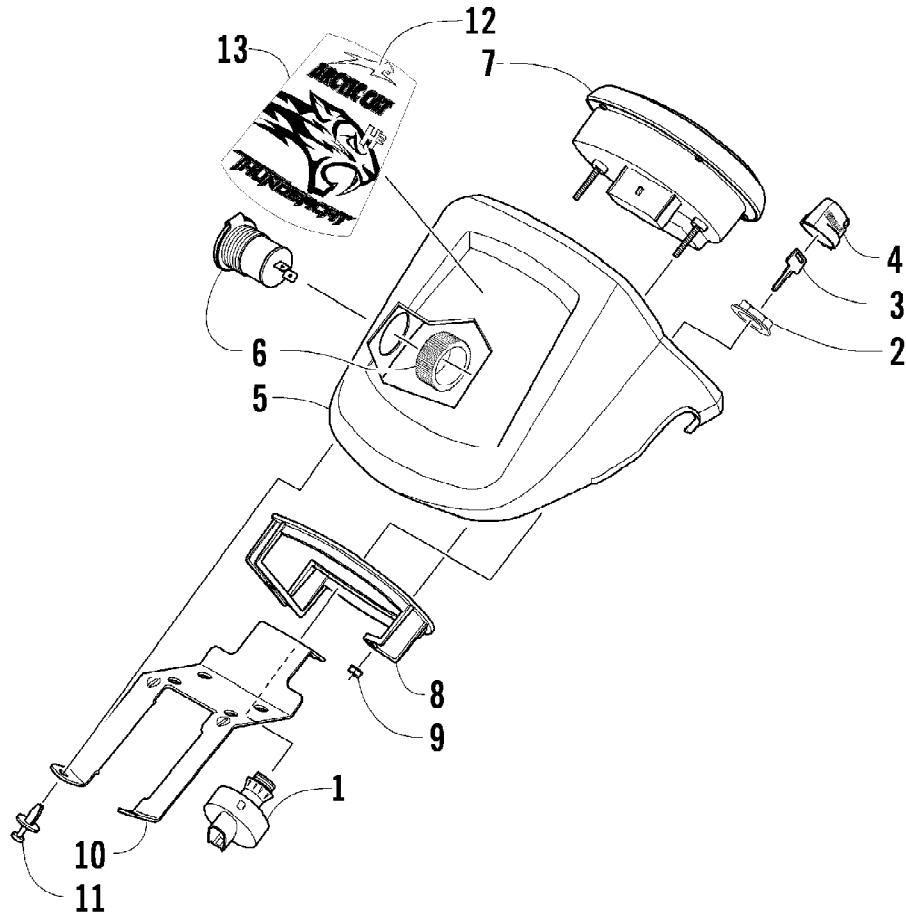
Ref #	Part Number	Qty	S/P/F	Description
1	0505-418	1	/P	Handlebar
2	0405-218	2		Plug, Handlebar
3	0405-147	2		Grip, Handlebar
4	0405-149	2		End Cap, Handlebar
5	8050-247	2	/P	Washer
6	8477-845	2		Screw, Machine
7	0509-054	1		Case, Throttle - Assembly (inc. 8-15)
8	0409-141	1		Cover, Throttle Case w/Switch
9	3007-392	1	/P	Screw, Cap
10	3004-447	1	/P	Washer, Lock
11	3003-030	1	/P	Washer
12	0409-133	1		Lever, Throttle
13	3423-014	1		Screw, Machine
14	3423-327	1		Nut
15	3423-199	2		Screw, Machine
16	0411-966	1		Decal, Warning - Differential Lock
17	1411-865	1		Decal, Warning - Brake Lever Lock
18	3409-019	1		Cover, Switch Housing
19	0509-014	1		Switch, Control - Assembly (inc. 20-21)
20	0409-028	1		Screw, Machine
21	0409-027	1		Screw, Machine

2010 ATV THUNDERCAT EFI 4X4 METALLIC CAT GREEN (A2010IEW4EUSM) Page 42 of 83
HYDRAULIC BRAKE ASSEMBLY



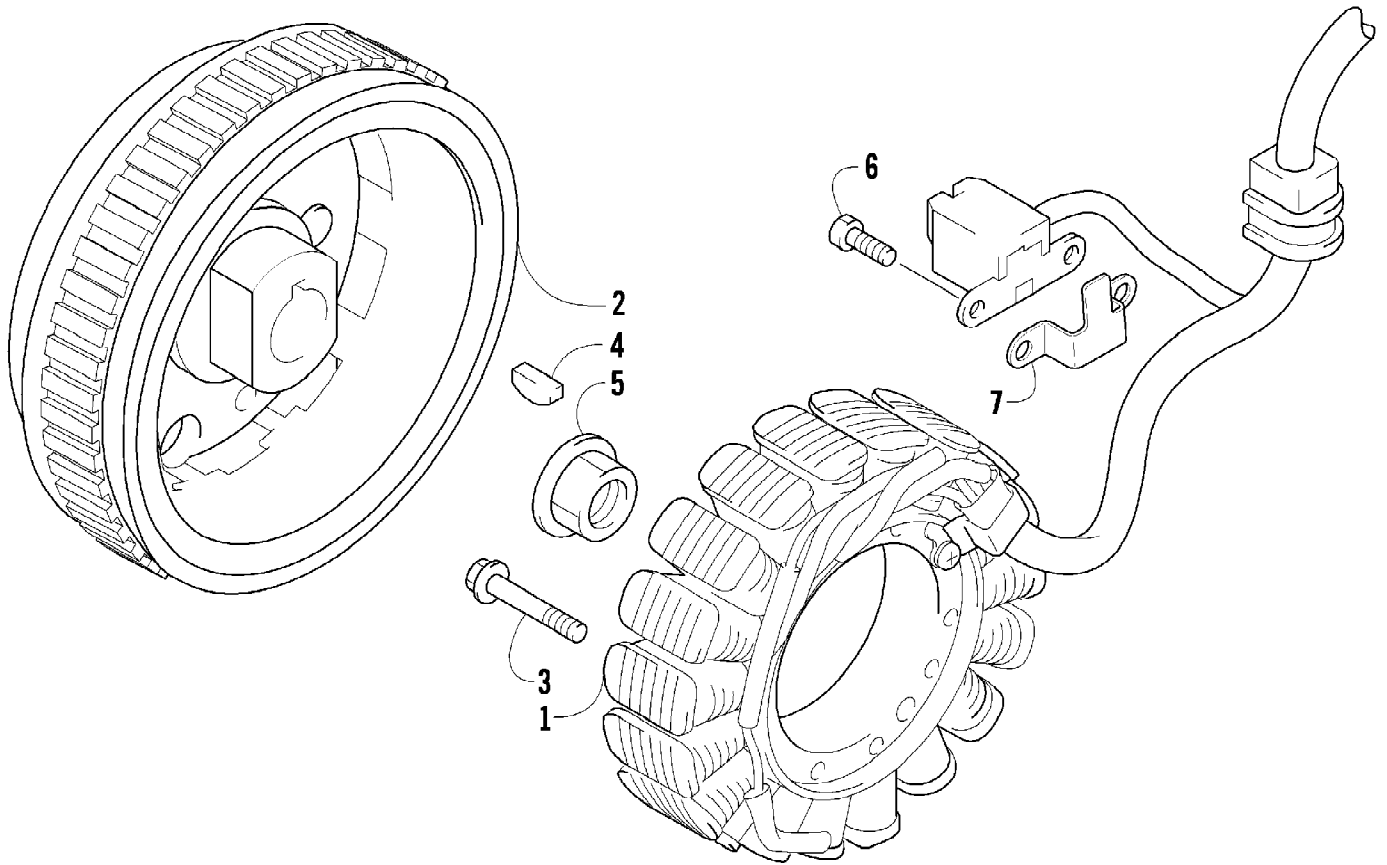
2010 ATV THUNDERCAT EFI 4X4 METALLIC CAT GREEN (A2010IEW4EUSM) Page 43 of 83
HYDRAULIC BRAKE ASSEMBLY

Ref #	Part Number	Qty	S/P/F	Description
1	1502-015	1		Hose, Brake - Assembly
2	0623-038	2		Nut w/Washer
3	8476-625	1		Screw, Machine
4	1502-162	1		Lever, Brake
5	1602-213	2	/P	O-Ring
6	8050-252	1		Washer
7	8408-816	1		Screw, Cap
8	1502-293	1		Brake Assembly (inc. 9)
9	1502-155	1		Reservoir, Brake w/Clamp
10	8476-616	1		Screw, Machine
11	0502-785	1		Spring, Brake Switch
12	1502-593	1		Hose, Brake
13	0423-413	6		Bolt, Banjo-Fitting
14	0423-178	12		Washer, Crush
15	8408-625	2		Screw, Cap
16	1502-164	1		Bracket, Switch
17	1502-296	1	/P	Adapter, Hose
18	8408-821	6	/P	Screw, Cap
19	1502-726	1	S	Caliper, Brake - Right Front (inc. two No. 18 and 20-26)
19	1502-727	1	S	Caliper, Brake - Left Front (inc. two No. 18 and 20-26)
19	1502-727	1	S	Caliper, Brake - Rear (inc. two No. 18 and 20-26)
20	1436-160	1	/P	Housing, Caliper - Assembly - Right Front (inc. two No. 18 and 20-26)
20	1436-161	1	/P	Housing, Caliper - Assembly - Left Front (inc. two No. 18 and 20-26)
20	1436-161	1	/P	Housing, Caliper - Assembly - Rear (inc. two No. 18 and 20-26)
21	0502-606	3		Piston/Seal Set (inc. 22)
22	0502-607	3		Seal Set
23	0502-609	4	/P	Valve, Bleed
24	0502-608	3		O-Ring, Guide - Set
25	0502-605	3		Bracket Assembly
26	1502-694	3	S	Pad, Brake - Set
27	1502-115	2		Clip, Brake Hose
28	0502-914	1	S	Brake Assembly (inc. 29-37)
29	0502-566	1		Screw, Machine - Kit
30	0502-868	1	/P	Cover, Reservoir
31	0502-568	1		Screw, Machine - Kit
32	0502-869	1		Clamp, Master Cylinder
33	0502-704	1		Master Cylinder Assembly
34	0502-866	1		Lever Assembly - Kit (inc. 35-36)
35	0502-867	1	/P	Lock, Brake Lever - Kit
36	0502-580	1		Lever Pin - Kit
37	0502-564	1	/P	Switch, Brake
38	0123-788	AR	/P	Tie, Cable - 8 in.



2010 ATV THUNDERCAT EFI 4X4 METALLIC CAT GREEN (A2010IEW4EUSM) Page 45 of 83
INSTRUMENT POD ASSEMBLY

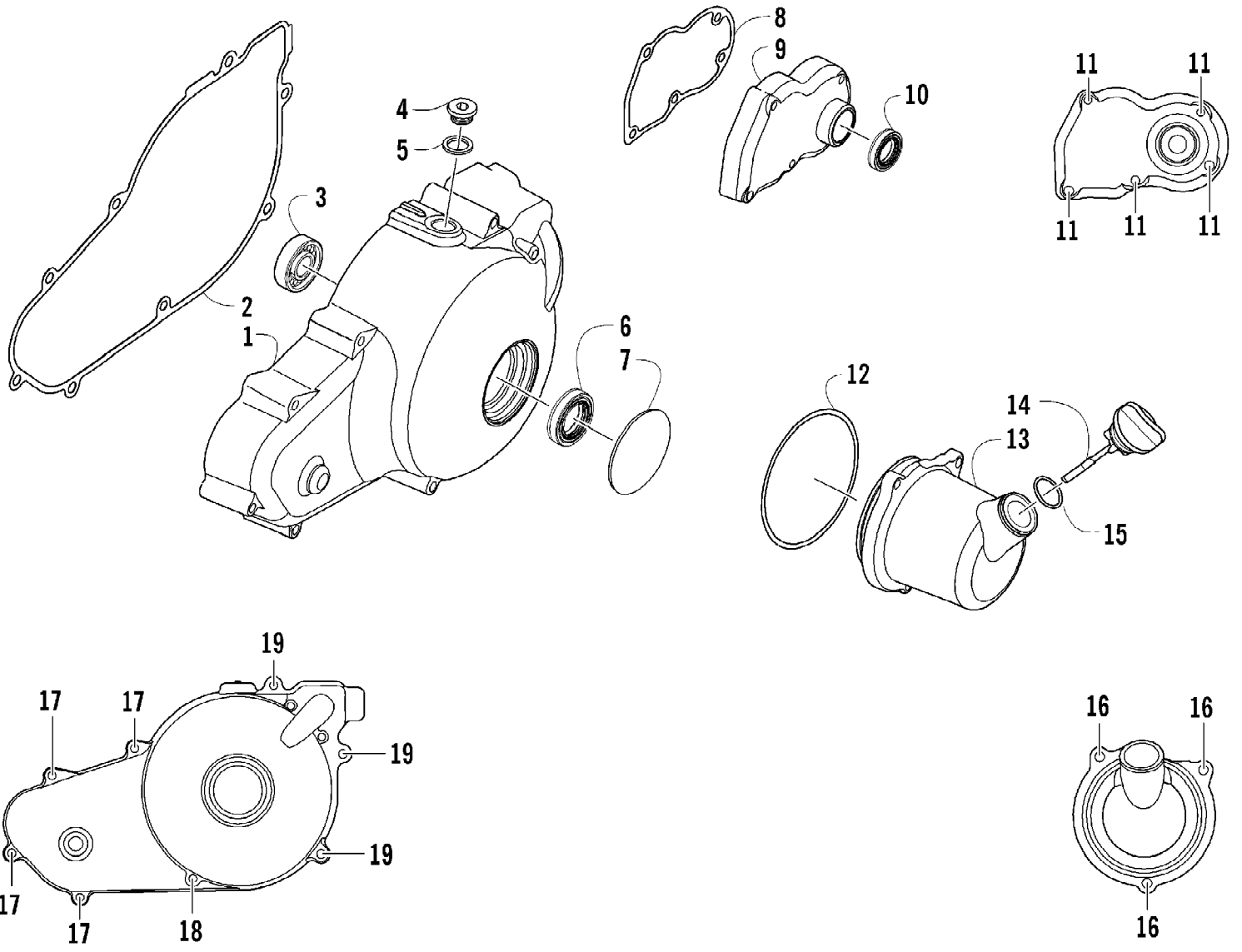
Ref #	Part Number	Qty	S/P/F	Description
1	0430-090	1	/P	Switch, Ignition - Assembly (inc. 2-4)
2	0430-050	1		Nut, Retaining
3	0430-042	1	F	Key, Ignition
3	0430-043	1	F	Key, Ignition
4	0430-054	1		Cover, Key
5	0505-589	1		Instrument Pod
6	0641-897	1	/P	Outlet, Accessory - 12V
7	0520-051	1		Speedometer/Tachometer (Up to VIN: 4UF10ATV3AT202941)
7	0520-071	1		Speedometer/Tachometer (VIN: 4UF10ATV5AT202942 and Up)
8	0420-065	1	/P	Bracket, Retaining
9	0423-493	2		Nut w/Washer
10	2506-470	1		Bracket, Mounting - Instrument Pod
11	0423-535	2		Rivet, Reinstallable
12	8611-267	1		Decal, Aircat
13	2411-073	1		Decal, Instrument Pod



2010 ATV THUNDERCAT EFI 4X4 METALLIC CAT GREEN (A2010IEW4EUSM) Page 47 of 83
MAGNETO ASSEMBLY

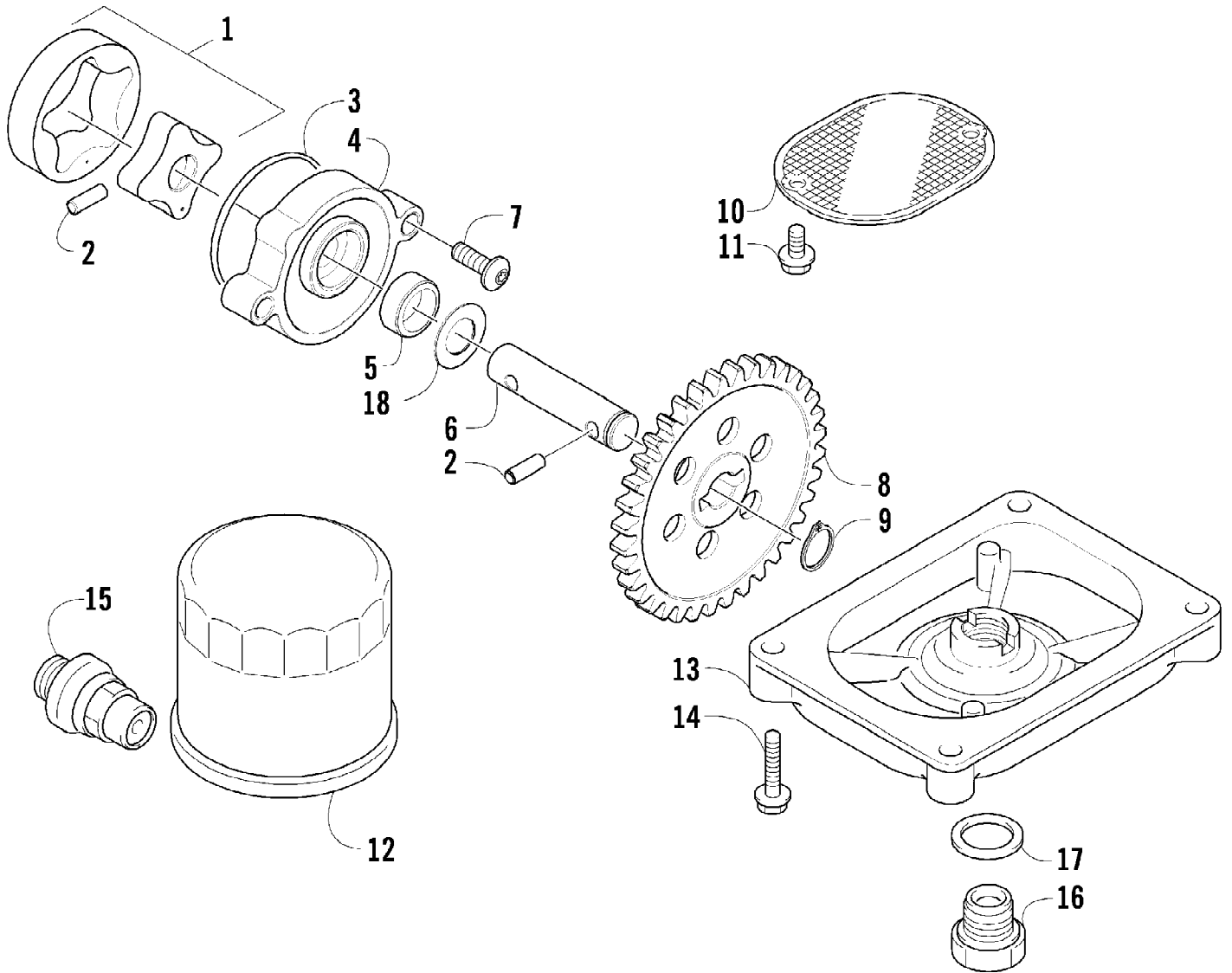
Ref #	Part Number	Qty	S/P/F	Description
1	0802-041	1		Stator - Assembly
2	0802-042	1		Rotor/Flywheel
3	0826-102	3		Screw, Machine
4	0829-012	1		Key
5	0827-010	1		Nut
6	8470-510	4		Screw, Machine
7	0831-064	1		Clamp

2010 ATV THUNDERCAT EFI 4X4 METALLIC CAT GREEN (A2010IEW4EUSM) Page 48 of 83
MAGNETO SIDE ENGINE COVERS



2010 ATV THUNDERCAT EFI 4X4 METALLIC CAT GREEN (A2010IEW4EUSM) Page 49 of 83
MAGNETO SIDE ENGINE COVERS

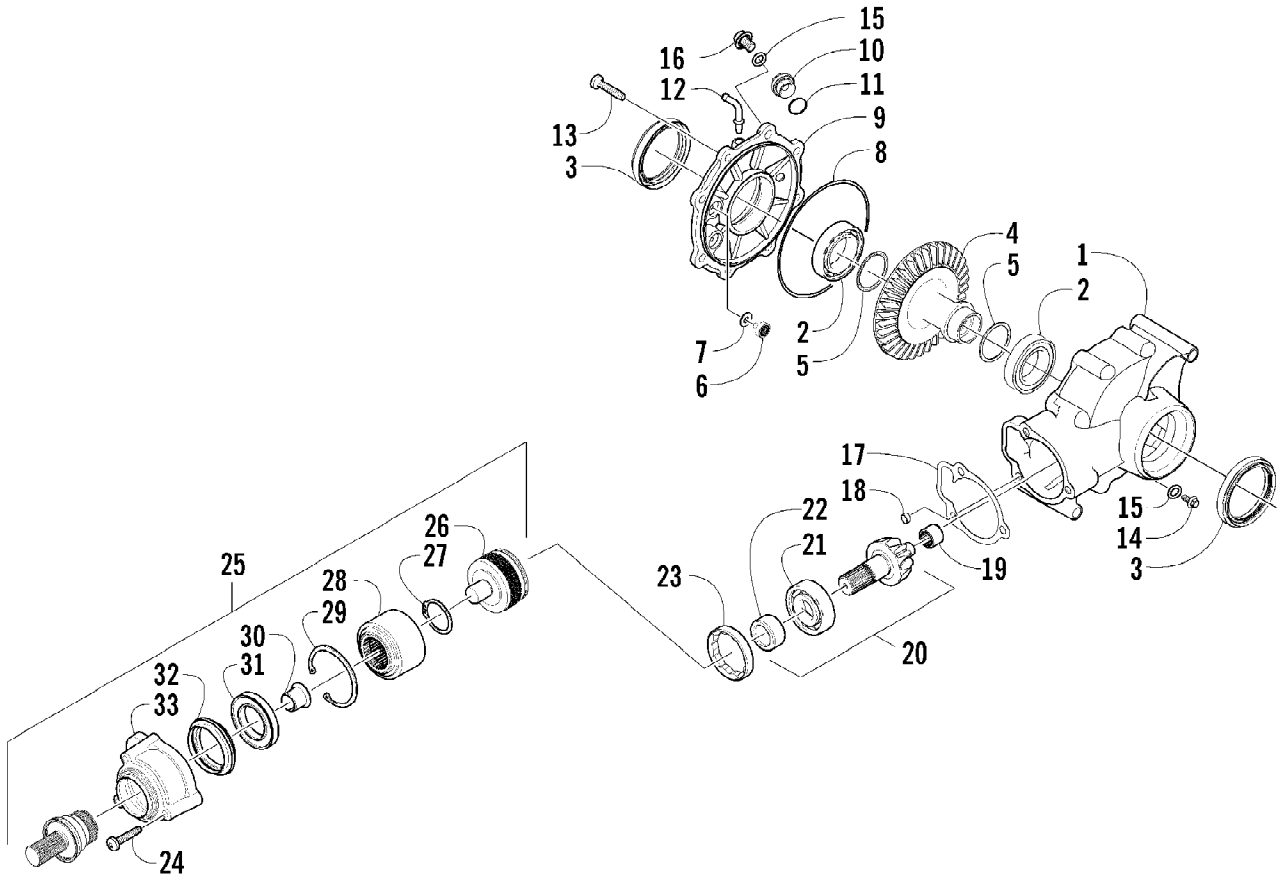
Ref #	Part Number	Qty	S/P/F	Description
1	0806-062	1		Cover, Magneto
2	0830-132	1		Gasket, Magneto Cover
3	0832-010	1		Bearing
4	0806-022	1		Plug, Check
5	0830-015	1		Washer, Crush
6	0830-176	1	/P	Seal, Cap
7	0806-066	1		Cap, Magneto Cover
8	0830-161	1		Gasket, Gear Shift Cover
9	0818-070	1		Cover, Gear Shift
10	0830-044	1		Seal, Gear Shift Cover
11	8468-630	5		Screw, Machine
12	0830-162	1		O-Ring, Oil Filler Cover
13	0801-081	1		Cover, Oil Filler
14	0801-073	1		Stick, Oil Level (inc. 15)
15	0830-010	1		O-Ring
16	8468-620	3	/P	Screw, Machine
17	8468-650	4		Screw, Machine
18	8468-695	1		Screw, Machine
19	8468-665	3		Screw, Machine



2010 ATV THUNDERCAT EFI 4X4 METALLIC CAT GREEN (A2010IEW4EUSM) Page 51 of 83
OIL FILTER/PUMP ASSEMBLY

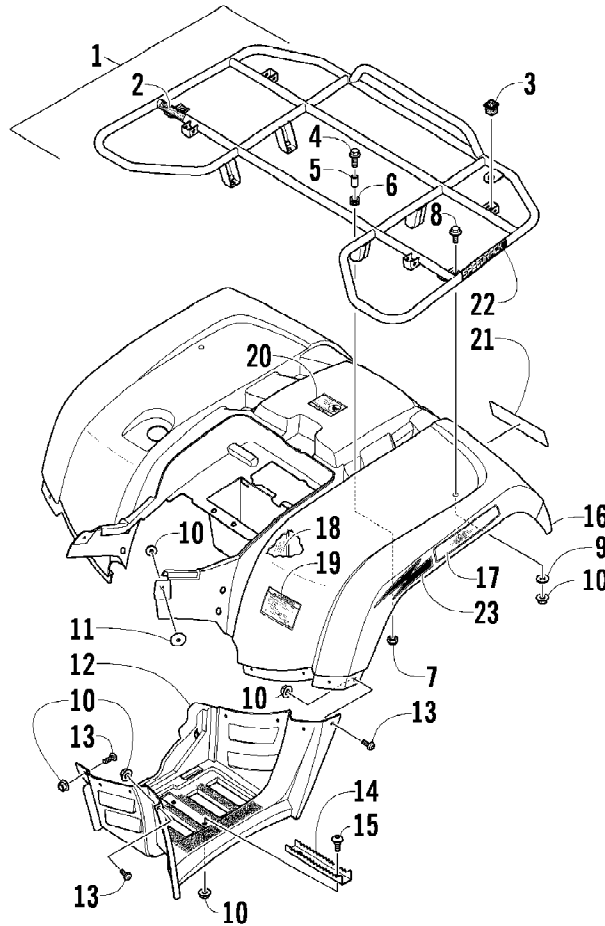
Ref #	Part Number	Qty	S/P/F	Description
1	0812-041	1		Gerotor - Set
2	0829-009	2		Pin, Dowel
3	0812-048	1		O-Ring
4	0812-040	1		Housing, Oil Pump
5	0812-047	1		Seal, Oil Pump
6	0812-046	1		Shaft, Oil Pump
7	8468-620	2	/P	Screw, Machine
8	0812-045	1		Gear, Driven
9	0831-002	1		Ring, Retaining
10	0812-057	1	/P	Strainer, Oil
11	0826-040	2		Screw, Machine
12	0812-029	1	S	Filter, Oil
13	0812-053	1		Cap, Oil Strainer
14	8468-625	4		Screw, Machine
15	0812-052	1		Valve, Oil-Relief - Assembly
16	0812-006	1		Plug, Drain
17	0830-017	1		Gasket, Drain Plug
18	0828-007	1	/P	Shim

2010 ATV THUNDERCAT EFI 4X4 METALLIC CAT GREEN (A2010IEW4EUSM) Page 52 of 83
REAR DRIVE GEARCASE ASSEMBLY



2010 ATV THUNDERCAT EFI 4X4 METALLIC CAT GREEN (A2010IEW4EUSM) Page 53 of 83
REAR DRIVE GEARCASE ASSEMBLY

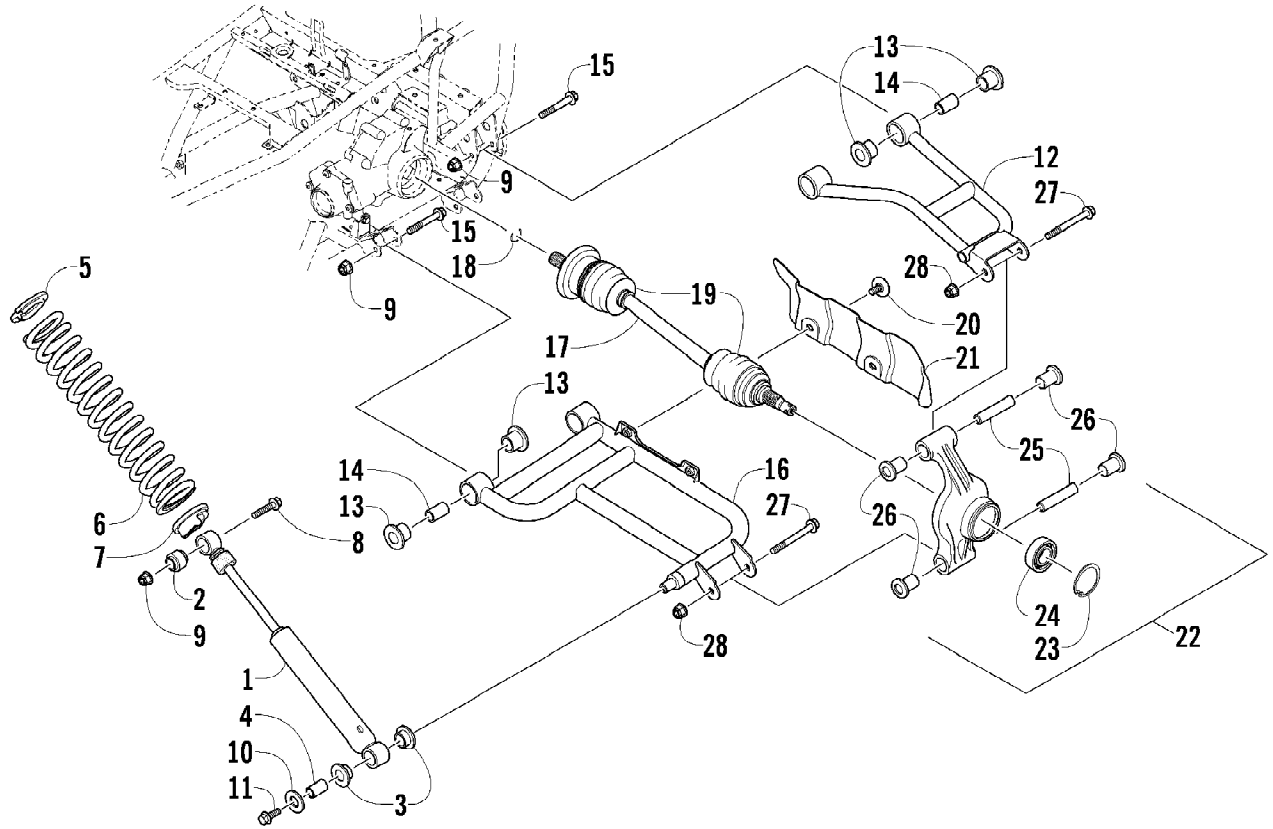
Ref #	Part Number	Qty	S/P/F	Description
	1502-403	1		Complete Rear Drive Gearcase Assembly
1	1502-317	1		Housing, Gearcase
2	0402-393	2		Bearing
3	1402-713	2	S	Seal
4	1402-033	1		Gear, Ring - 34T
5	0402-405	AR		Shim
5	0402-406	AR		Shim
5	0402-407	AR		Shim
5	0402-408	AR		Shim
5	0402-409	AR		Shim
6	0402-326	1		Button, Thrust
7	0402-429	AR		Shim
7	0402-430	AR		Shim
7	0402-431	AR		Shim
7	0402-432	AR		Shim
7	0402-433	AR		Shim
8	0423-149	1		O-Ring
9	1502-082	1		Cover, Gearcase
10	0402-333	1	/P	Plug, Fill (inc. 11)
11	0423-154	1		O-Ring
12	1402-102	1		Fitting
13	0423-118	8		Screw, Self-Tapping
14	0402-450	1	S	Plug, Magnetic (inc. one No. 15)
15	0423-153	2		O-Ring
16	1402-211	1		Plug, Oil Level (inc. one No. 15)
17	0402-947	1		Gasket
18	0402-411	1		Pin, Dowel
19	0402-328	1		Bearing
20	0502-784	1		Gear, Pinion - Assembly - 11T (inc. 21-22)
21	0402-327	1		Bearing
22	0402-336	1		Collar, Retaining
23	0402-331	1		Collar, Lock
24	0423-834	3		Screw, Self-Tapping
25	1502-284	1		Shaft, Input (inc. 26-33)
26	1502-287	1		Cartridge, Clutch - Assembly
27	0423-799	1		Ring, Retaining - External
28	1402-682	1		Basket, Clutch
29	0423-798	1		Ring, Retaining - Internal
30	1402-678	1		Bearing, Flange
31	1402-677	1		Bearing
32	1402-687	1		Seal
33	1502-285	1		Housing, Input



2010 ATV THUNDERCAT EFI 4X4 METALLIC CAT GREEN (A2010IEW4EUSM) Page 55 of 83
REAR RACK, BODY PANEL, AND FOOTWELL ASSEMBLIES

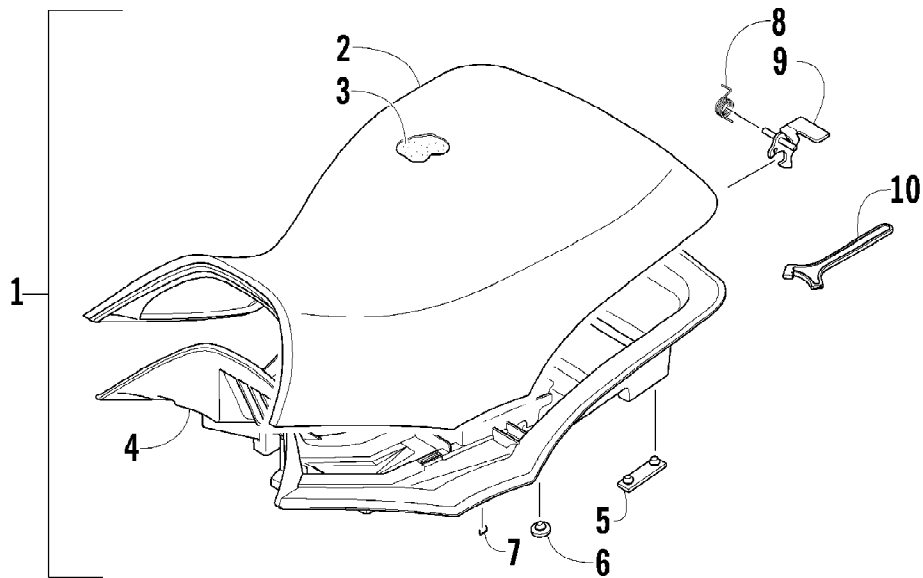
Ref #	Part Number	Qty	S/P/F	Description
1	2506-125	1		Rack, Rear - Assembly (inc. 2-3)
2	0411-648	1		Decal, Warning - Load
3	0441-592	4	/P	Bushing, Rack
4	8410-830	4		Screw, Cap
5	0423-669	4		Spacer
6	0423-465	4		Grommet
7	8432-802	4		Nut, Lock
8	0423-654	2		Screw, Shoulder
9	8050-222	2	/P	Washer
10	0423-540	26		Nut, Lock
11	0423-101	2		Screw, Shoulder
12	2506-450	1		Footwell - Right
12	1406-519	1		Footwell - Left
13	0423-419	18		Screw, Machine
14	1506-125	2	/P	Footpeg
15	0423-355	4		Screw, Shoulder
16	2516-133	1		Panel, Fender - Rear (inc. 17-21)
17	1411-592	1	/P	Decal, Reflector - Right
17	1411-593	1	/P	Decal, Reflector - Left
18	0470-658	1		Foil, Protective
19	2411-143	1	/P	Decal, Warning - Tire Pressure
20	1411-809	1	/P	Decal, Passenger
21	1411-725	1		Decal, Rear
22	0411-965	2		Decal, "Speedrack"
23	1411-822	1		Decal, Side Fender - Rear - Right
23	1411-823	1		Decal, Side Fender - Rear - Left

2010 ATV THUNDERCAT EFI 4X4 METALLIC CAT GREEN (A2010IEW4EUSM) Page 56 of 83
REAR SUSPENSION ASSEMBLY



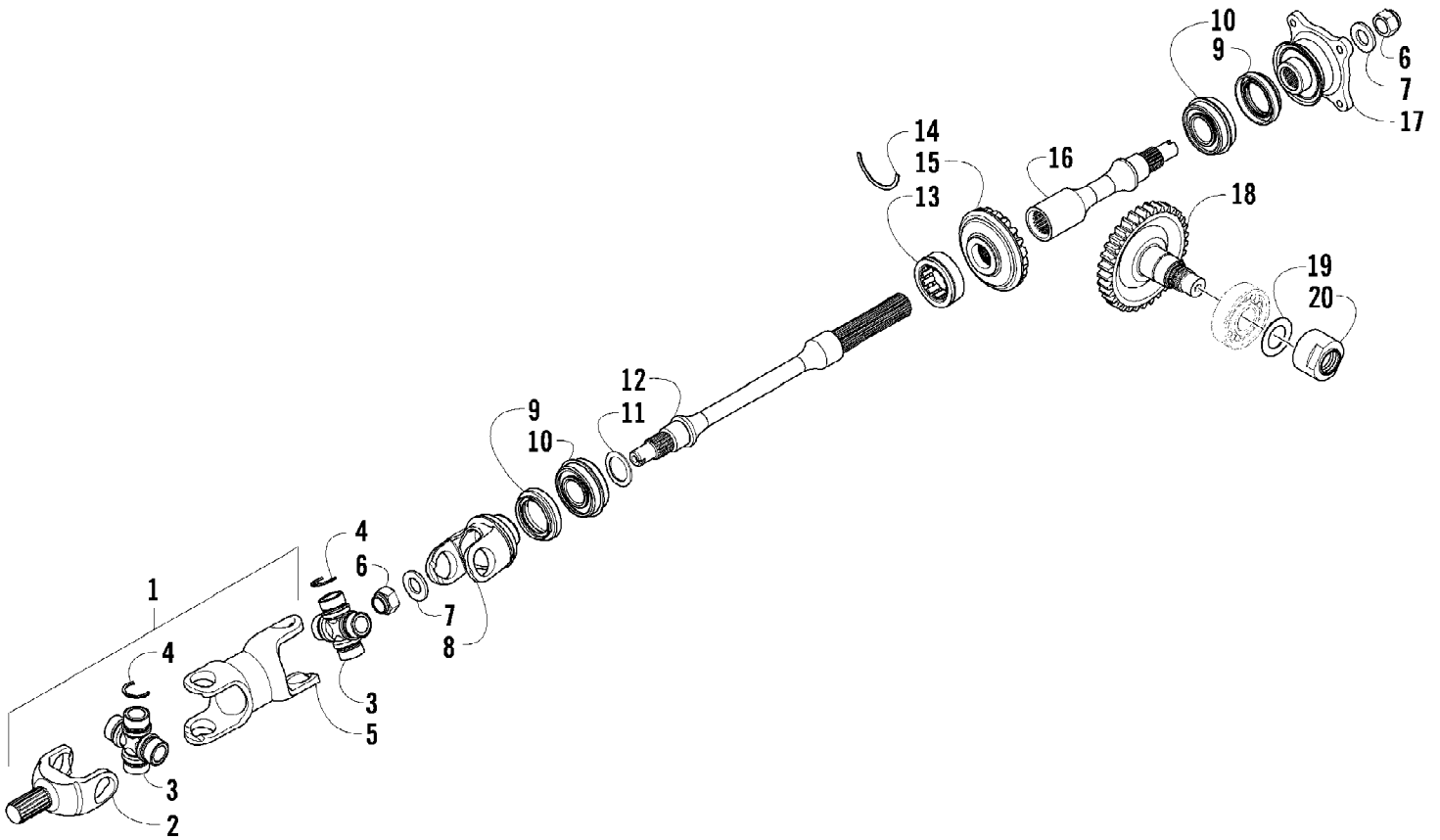
2010 ATV THUNDERCAT EFI 4X4 METALLIC CAT GREEN (A2010IEW4EUSM) Page 57 of 83
REAR SUSPENSION ASSEMBLY

Ref #	Part Number	Qty	S/P/F	Description
1	0404-158	2		Shock Absorber (inc. 2-4)
2	0403-182	2		Bushing
3	0603-955	4		Bushing
4	1603-219	2	S	Sleeve
5	1603-889	2	/P	Retainer, Spring
6	0504-538	2		Spring, Suspension
7	0404-057	2		Cam, Spring Adjuster
8	8409-040	1		Screw, Cap - Right
8	8409-050	1		Screw, Cap - Left
9	0423-744	10		Nut, Lock
10	0423-087	2		Washer
11	8408-820	2	/P	Screw, Cap
12	0504-586	1	/P	A-Arm, Rear - Upper Right (inc. 13-14)
12	0504-587	1	/P	A-Arm, Rear - Upper Left (inc. 13-14)
13	0403-208	16	/P	Bushing
14	0403-214	8	/P	Axle
15	8409-075	8		Screw, Cap
16	0504-576	1	/P	A-Arm, Rear - Lower Right (inc. 13-14)
16	0504-577	1	/P	A-Arm, Rear - Lower Left (inc. 13-14)
17	1502-343	2	S	Axle, Drive (inc. 18-19)
18	0423-845	2	/P	Ring, Retaining
19	0436-276	2	S	Repair Kit, Boot - Rear Axle
20	0423-545	4	/P	Screw, Shoulder
21	1406-068	1		Guard, Boot - Right
21	1406-069	1		Guard, Boot - Left
22	0504-550	1	/P	Knuckle, Right Rear - Assembly (inc. 23-26)
22	0504-551	1	/P	Knuckle, Left Rear - Assembly (inc. 23-26)
23	0423-423	2		Ring, Retaining
24	1402-809	2	/P	Bearing
25	0403-213	4	/P	Axle
26	0403-206	8	/P	Bushing
27	8409-000	4		Screw, Cap
28	8428-002	4		Nut, Lock



2010 ATV THUNDERCAT EFI 4X4 METALLIC CAT GREEN (A2010IEW4EUSM) Page 59 of 83
SEAT ASSEMBLY

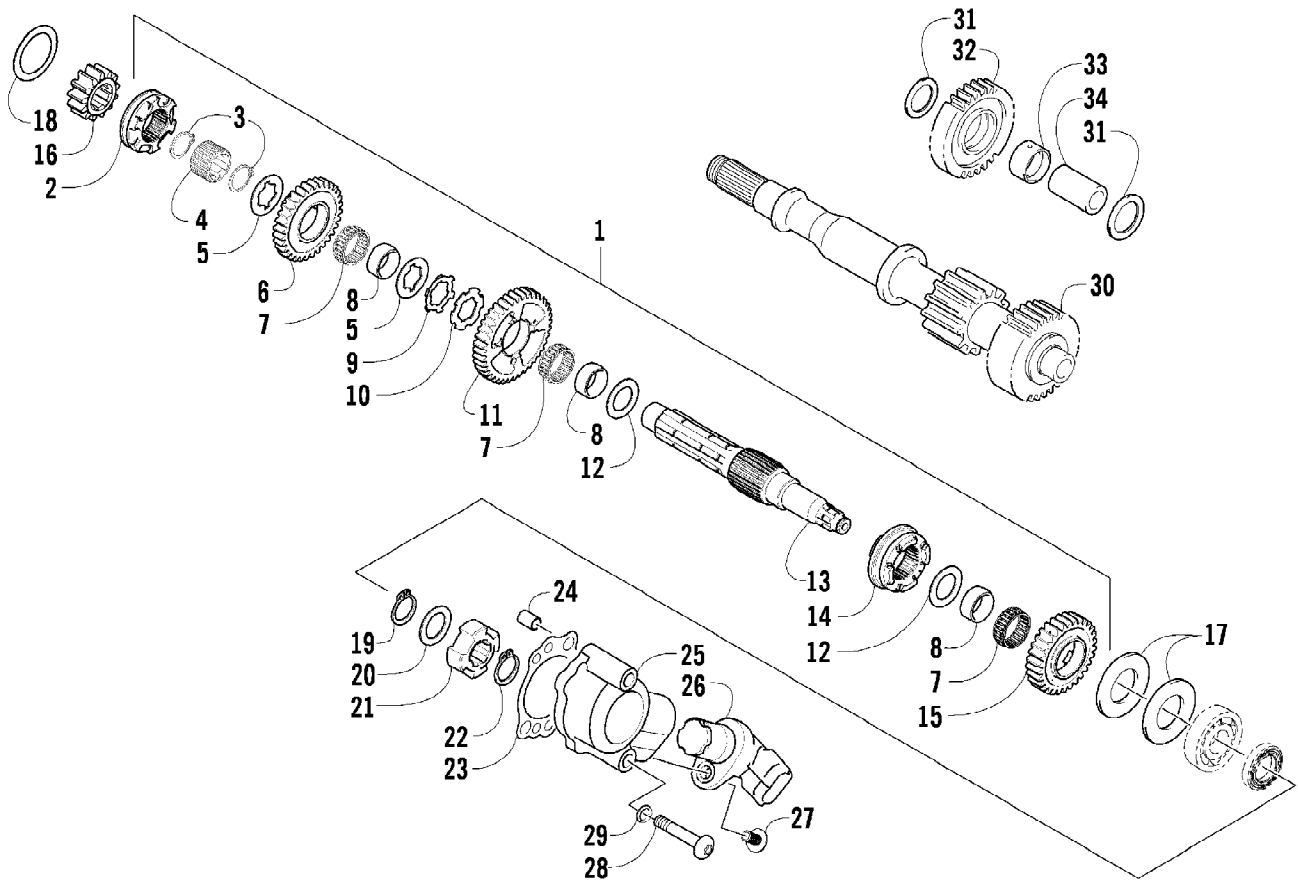
Ref #	Part Number	Qty	S/P/F	Description
1	2506-384	1	S	Seat Assembly (inc. 2-9)
2	2506-756	1		Cover, Seat
3	2506-755	1		Foam, Seat
4	2406-525	1		Base, Seat - Assembly (inc. 5-6)
5	0406-879	2		Bumper, Seat - Rear
6	0406-877	4	/P	Bumper, Seat - Front
7	0624-528	AR	/P	Staple
8	1406-592	1	/P	Spring, Seat Latch
9	1506-156	1		Latch, Seat
10	0441-587	1		Wrench, Spanner



2010 ATV THUNDERCAT EFI 4X4 METALLIC CAT GREEN (A2010IEW4EUSM) Page 61 of 83
SECONDARY DRIVE ASSEMBLY

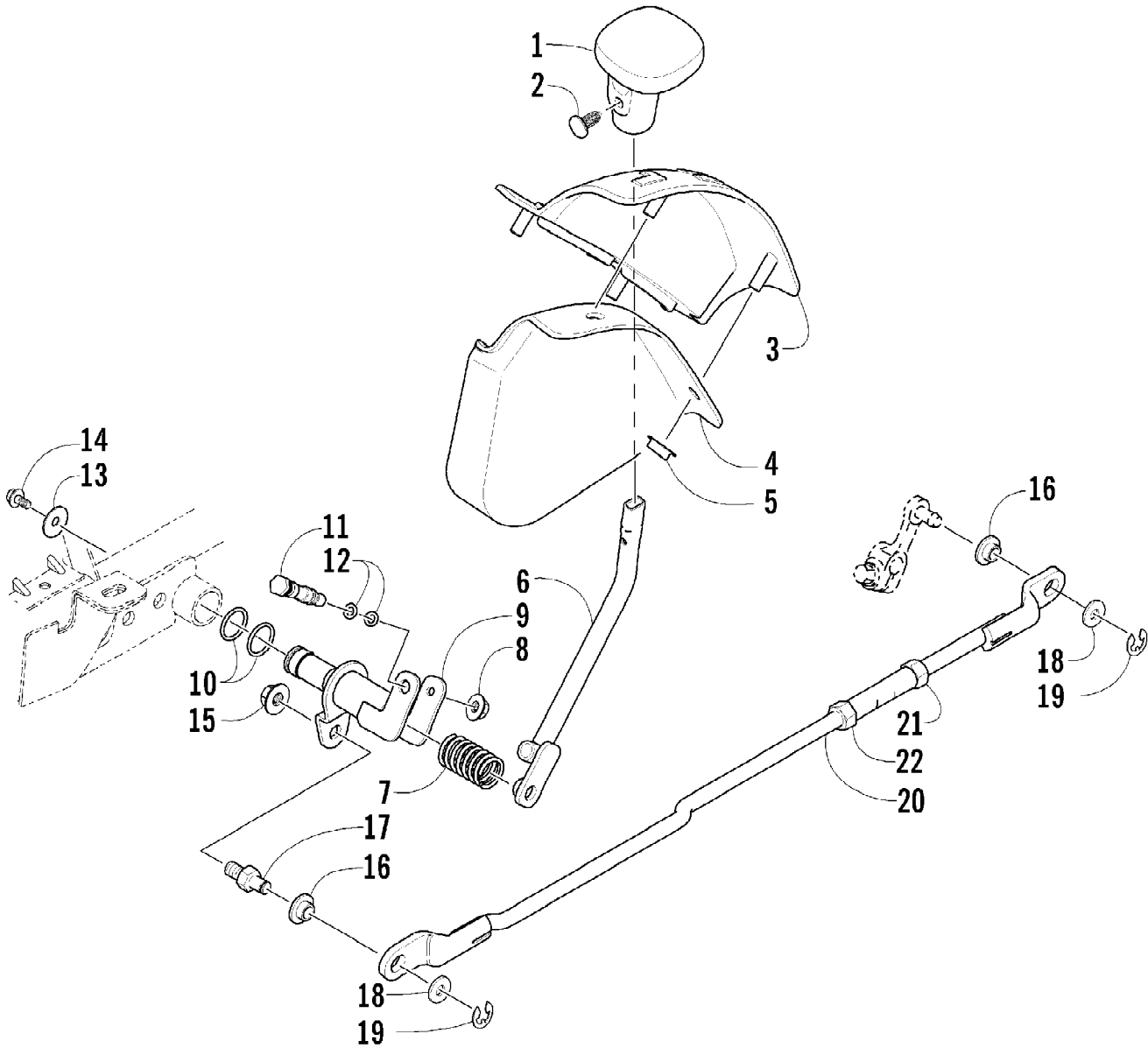
Ref #	Part Number	Qty	S/P/F	Description
1	1502-342	1	/P	Driveshaft, Front - Assembly (inc. 2, one No. 3, four No. 4, and 5)
2	1402-701	1		Yoke, Slip
3	0402-944	2	/P	Joint, Universal - Set (inc. 4)
4	0423-395	8		Ring, Retaining
5	1502-341	1		Driveshaft, Front
6	0827-013	2		Nut
7	0828-020	2		Washer
8	1502-325	1		Yoke, Propeller Shaft Joint
9	0830-043	2		Seal, Oil
10	0832-017	2		Bearing
11	0828-021	AR		Shim, 25 x 34 x 0.25 mm
11	0828-022	AR		Shim, 25 x 34 x 0.30 mm
11	0828-023	AR		Shim, 25 x 34 x 0.70 mm
11	0828-024	AR		Shim, 25 x 34 x 0.90 mm
11	0828-025	AR		Shim, 25 x 34 x 0.95 mm
11	0828-026	AR		Shim, 25 x 34 x 1.00 mm
11	0828-027	AR		Shim, 25 x 34 x 1.05 mm
11	0828-028	AR		Shim, 25 x 34 x 1.10 mm
11	0828-029	AR		Shim, 25 x 34 x 1.15 mm
12	0819-089	1	/P	Shaft, Secondary Driven - Front
13	0832-016	1		Bearing, Driven Gear
14	0819-011	1		Ring, Driven Bearing
15	0822-106	1		Gear, Secondary Driven
16	0819-053	1		Shaft, Secondary Driven - Rear
17	0819-005	1		Flange, Output Joint - Rear
18	0822-108	1		Gear, Secondary Drive
19	0828-119	AR		Shim, 30 x 48 x 0.25 mm
19	0828-120	AR		Shim, 30 x 48 x 0.30 mm
19	0828-121	AR		Shim, 30 x 48 x 0.35 mm
19	0828-122	AR		Shim, 30 x 48 x 0.90 mm
19	0828-123	AR		Shim, 30 x 48 x 0.95 mm
19	0828-124	AR		Shim, 30 x 48 x 1.00 mm
19	0828-125	AR		Shim, 30 x 48 x 1.05 mm
19	0828-126	AR		Shim, 30 x 48 x 1.10 mm
19	0828-127	AR		Shim, 30 x 48 x 1.15 mm
20	0827-060	1		Nut

2010 ATV THUNDERCAT EFI 4X4 METALLIC CAT GREEN (A2010IEW4EUSM) Page 62 of 83
SECONDARY TRANSMISSION ASSEMBLY



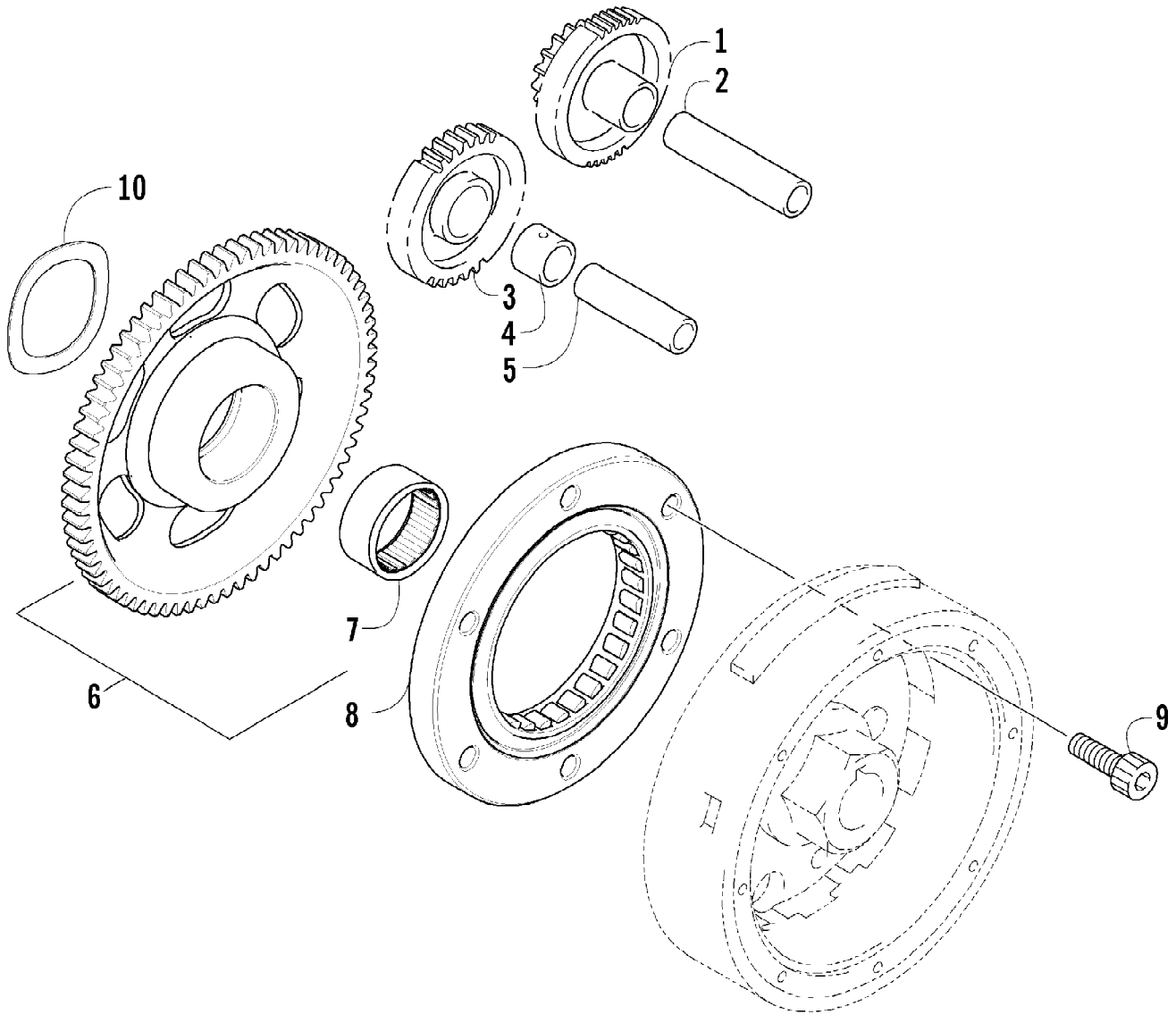
2010 ATV THUNDERCAT EFI 4X4 METALLIC CAT GREEN (A2010IEW4EUSM) Page 63 of 83
SECONDARY TRANSMISSION ASSEMBLY

Ref #	Part Number	Qty	S/P/F	Description
1	0822-091	1	/P	Countershaft Assembly (inc. 2-15)
2	0822-014	1		Gear Select, Reverse
3	0831-011	2		Ring, Retaining
4	0822-045	1		Spacer, Reverse Driven Gear
5	0828-008	2		Washer
6	0822-013	1		Gear, Reverse Driven
7	0832-011	3		Bearing
8	0822-005	3		Bushing
9	0828-014	1		Washer, Lock
10	0828-015	1		Washer, Lock
11	0822-004	1		Gear, Driven - Low
12	0822-046	2		Washer, Driven Gear
13	0822-003	1		Countershaft
14	0822-007	1		Gear Select, Sliding
15	0822-006	1		Gear, Driven - High
16	0822-089	1		Gear, Drive
17	0828-011	2		Washer
18	0828-019	1		Washer, Thrust
19	0831-040	1		Ring, Retaining
20	0828-069	1		Washer, Thrust
21	0822-050	1		Trigger, Speedometer Sensor
22	0831-039	1		Ring, Retaining
23	0830-129	1		Gasket
24	0829-023	2		Pin, Dowel
25	0822-049	1		Housing, Speedometer Sensor
26	0824-042	1	/P	Sensor, Speedometer
27	8468-620	1	/P	Screw, Machine
28	8468-645	2		Screw, Machine
29	0830-107	2		Gasket
30	0822-001	1		Driveshaft
31	0828-016	2		Washer, Thrust
32	0822-011	1		Gear, Reverse Idle
33	0822-012	1		Bushing
34	0822-015	1		Shaft, Reverse Idle



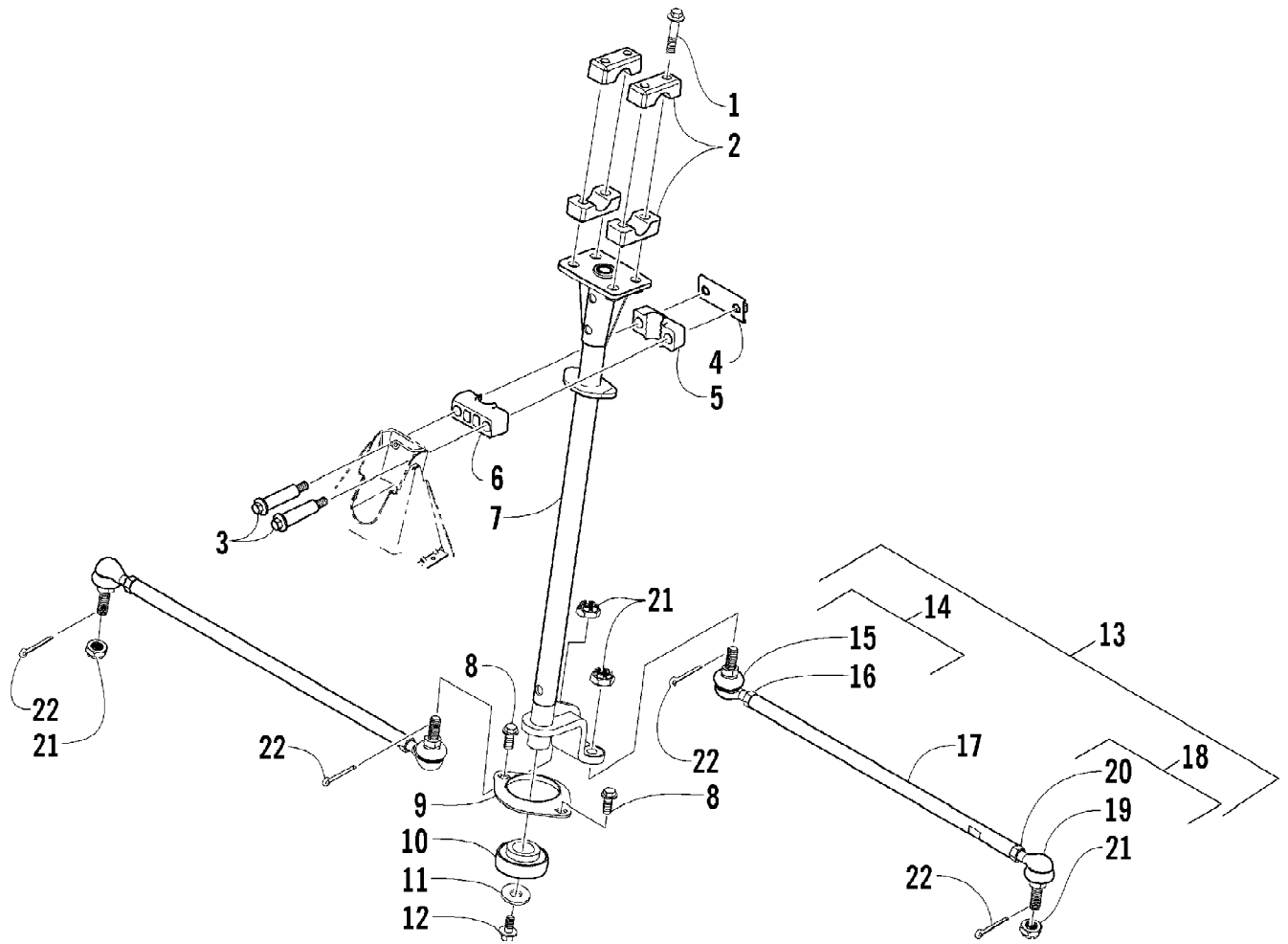
2010 ATV THUNDERCAT EFI 4X4 METALLIC CAT GREEN (A2010IEW4EUSM) Page 65 of 83
SHIFT LEVER ASSEMBLY

Ref #	Part Number	Qty	S/P/F	Description
1	0402-843	1	/P	Knob, Shift
2	0423-345	1		Clip, Retaining
3	1402-576	1		Plate, Shift
4	2406-345	1		Shield, Shift Plate
5	0423-357	4		Nut, Stamped
6	0502-659	1		Lever, Shift
7	0402-678	1	/P	Spring, Shift Lever
8	8424-602	1	/P	Nut
9	1502-332	1		Actuator, Shift Lever
10	0423-299	2	/P	O-Ring
11	0402-675	1		Axle, Pivot
12	0423-182	2	/P	O-Ring
13	0423-087	1		Washer
14	8408-812	1		Screw, Cap
15	8424-802	1		Nut
16	0423-091	2		Bushing
17	1402-621	1		Pin, Mounting - Shift Linkage
18	0623-094	2		Washer
19	0423-169	2	/P	E-Ring
20	1502-227	1		Linkage, Shift - Assembly (inc. 21-22)
21	0623-294	1		Nut, Hex - Right-Hand Thread
22	0123-917	1	/P	Nut, Hex - Left-Hand Thread



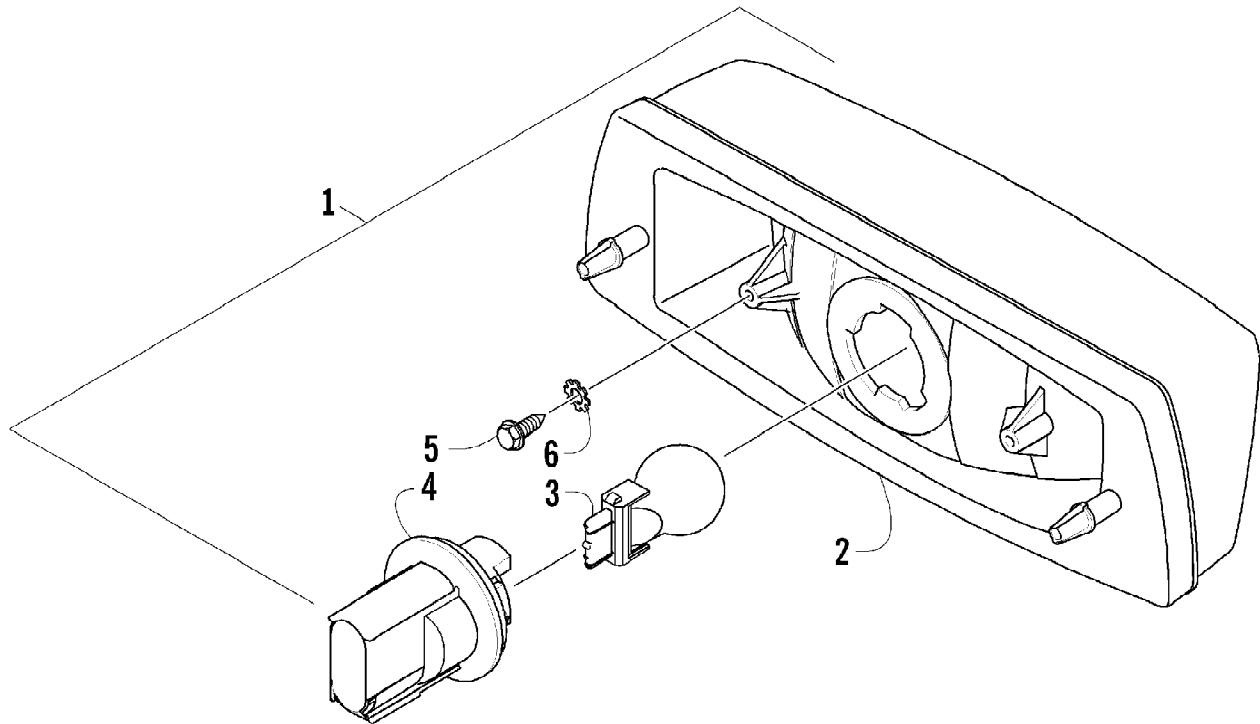
2010 ATV THUNDERCAT EFI 4X4 METALLIC CAT GREEN (A2010IEW4EUSM) Page 67 of 83
STARTER CLUTCH ASSEMBLY

Ref #	Part Number	Qty	S/P/F	Description
1	0815-026	1		Gear, Starter Idler - No. 1
2	0829-031	1	/P	Shaft, Starter Gear
3	0815-002	1		Gear, Starter Idler - No. 2
4	0815-003	1		Spacer, Starter Idler Gear No. 2
5	0829-032	1	/P	Shaft, Starter Gear
6	0815-004	1		Gear, Starter Clutch (inc. 7)
7	0832-079	1	/P	Bearing
8	0802-035	1		Clutch, Starter
9	0826-069	6		Screw, Machine
10	0828-113	1		Washer, Wave



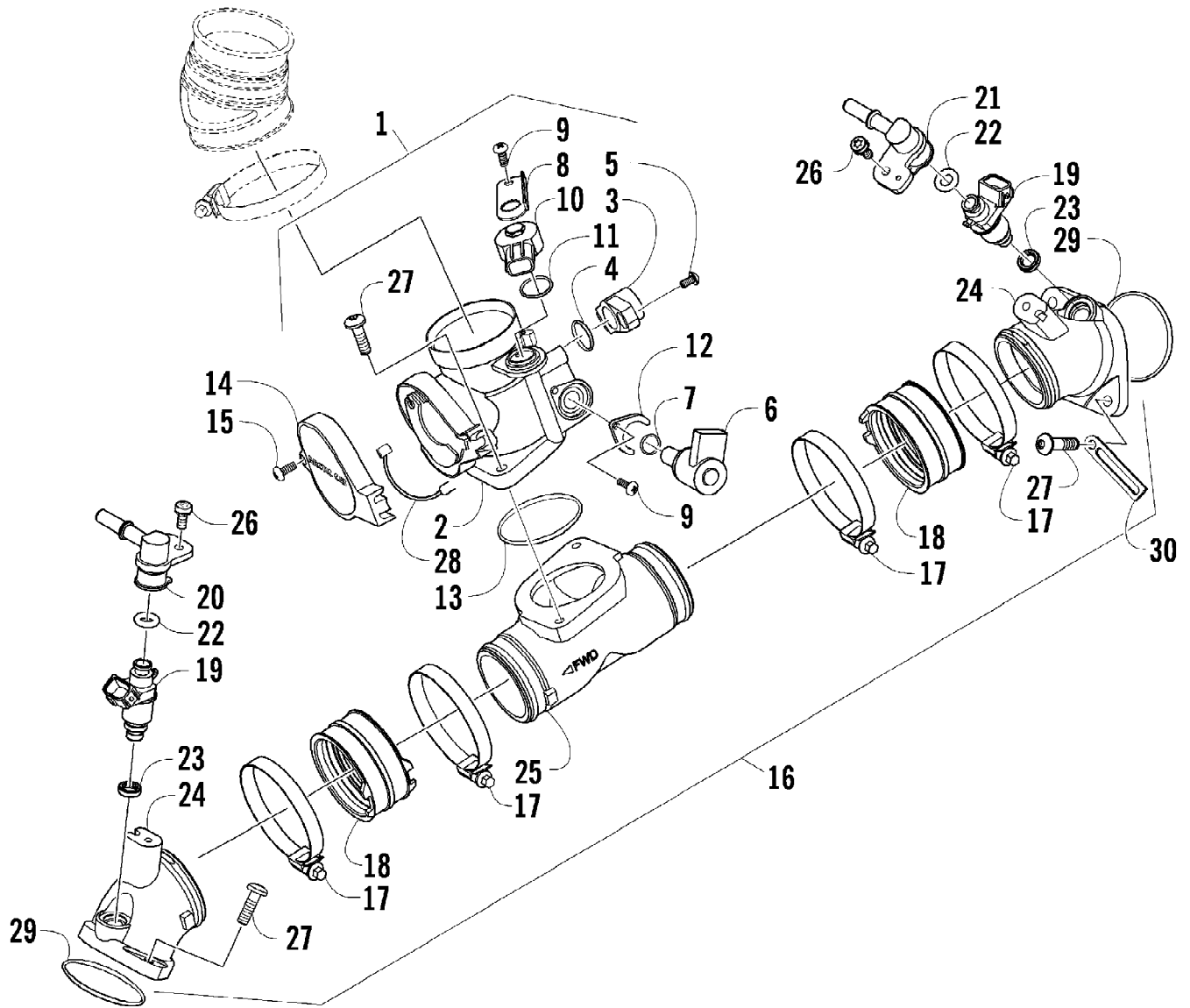
2010 ATV THUNDERCAT EFI 4X4 METALLIC CAT GREEN (A2010IEW4EUSM) Page 69 of 83
STEERING ASSEMBLY

Ref #	Part Number	Qty	S/P/F	Description
1	8408-860	4		Screw, Cap
2	0405-035	4		Cap, Steering Adjuster
3	0423-505	2		Screw, Shoulder
4	0505-484	1		Cap, Housing
5	0405-138	1		Housing, Lower
6	0405-139	1		Housing, Upper
7	0505-451	1	S	Post, Steering
8	8408-816	2		Screw, Cap
9	0602-233	1		Flange, Bearing
10	0405-052	1		Bearing w/Inverted Oil Seal
11	0423-073	1		Washer
12	8409-020	1	/P	Screw, Cap
13	0505-499	2	/P	Tie Rod - Assembly (inc. 14-20)
14	0505-511	2	/P	End, Tie Rod - Left-Hand Thread - Kit (inc. 15-16 and two No. 21-22)
15	0	2	F	End, Tie Rod - Left-Hand Thread
16	0423-013	2		Nut - Left-Hand Thread
17	0405-281	2	/P	Tie Rod
18	0505-510	2	/P	End, Tie Rod - Right-Hand Thread - Kit (inc. 19-20 and two No. 21-22)
19	0	2	F	End, Tie Rod - Right-Hand Thread
20	8420-002	2	/P	Nut - Right-Hand Thread
21	0423-157	4		Nut, Lock
22	0623-175	4		Pin, Cotter



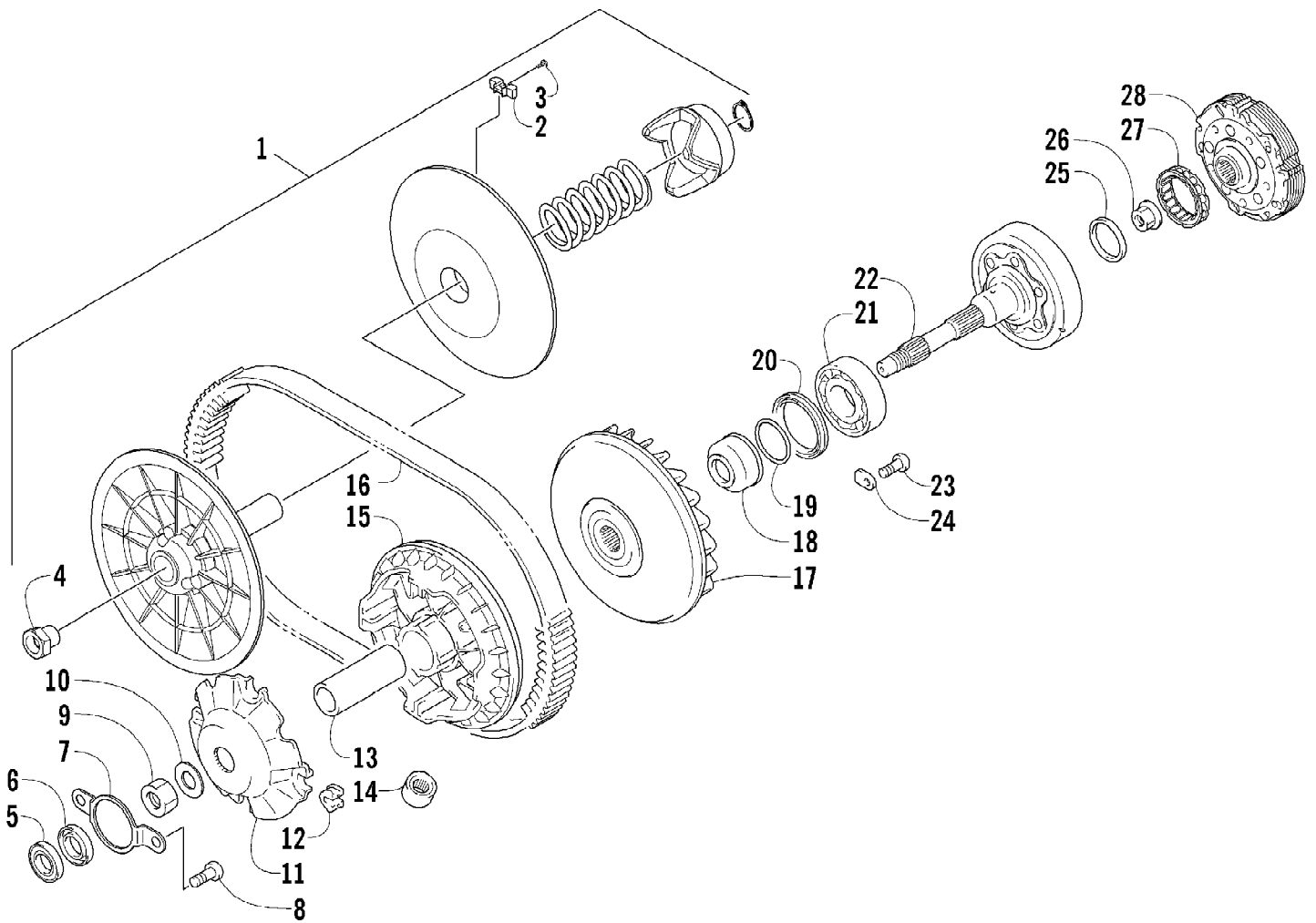
2010 ATV THUNDERCAT EFI 4X4 METALLIC CAT GREEN (A2010IEW4EUSM) Page 71 of 83
TAILLIGHT ASSEMBLY

Ref #	Part Number	Qty	S/P/F	Description
1	0509-022	1		Taillight Assembly (inc. 2-4)
2	0509-025	1		Housing, Taillight
3	0409-056	1		Bulb, Taillight
4	0409-057	1		Socket, Taillight
5	0623-301	2	/P	Screw, Self-Tapping
6	8053-212	2	/P	Washer, External Tooth Lock



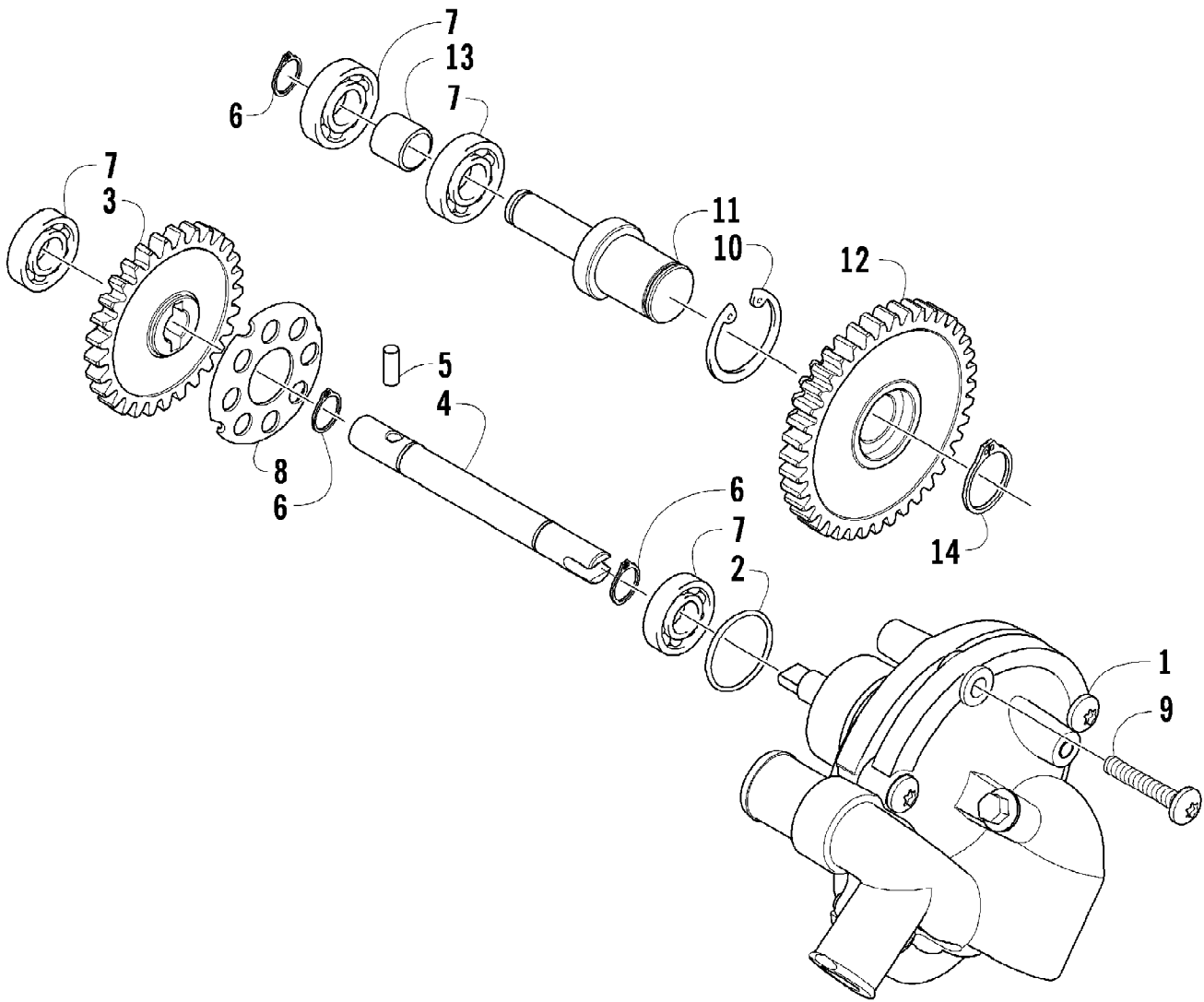
2010 ATV THUNDERCAT EFI 4X4 METALLIC CAT GREEN (A2010IEW4EUSM) Page 73 of 83
THROTTLE BODY ASSEMBLY

Ref #	Part Number	Qty	S/P/F	Description
1	0470-686	1		Throttle - Assembly (inc. 2-15)
2	0	1	F	Throttle Body
3	0430-072	1		Sensor, Throttle Position
4	5507-234	1		O-Ring, Throttle Position Sensor
5	5507-231	1		Screw, Machine
6	0430-074	1		Valve, ISC
7	5507-233	1		O-Ring, ISC Valve
8	5507-227	1		Bracket, MAP Sensor
9	5507-117	2	/P	Screw, Machine
10	0430-073	1		Sensor, MAP
11	5507-232	1		O-Ring, MAP Sensor
12	5507-229	1		Plate, ISC Valve
13	5507-235	1		O-Ring
14	5507-223	1		Cover
15	5507-037	1	/P	Screw, Machine
16	0570-230	1		Manifold, Intake - Assembly (inc. 17-26)
17	0423-066	4		Clamp
18	0470-660	2		Boot, Intake - Manifold
19	0470-688	2		Injector, Fuel
20	0470-763	1		Rail, Fuel - Front Cylinder
21	0470-764	1		Rail, Fuel - Rear Cylinder
22	0470-767	2		O-Ring, Fuel Injector
23	0470-768	2		Ring, Seal - Fuel Injector
24	0570-140	2		Manifold, Intake
25	0570-156	1		Plenum, Intake
26	0423-371	2		Screw, Machine
27	0826-008	6		Screw, Machine
28	0487-046	1		Cable, Throttle
29	0830-090	2		O-Ring
30	3002-964	1	/P	Clamp, Wire



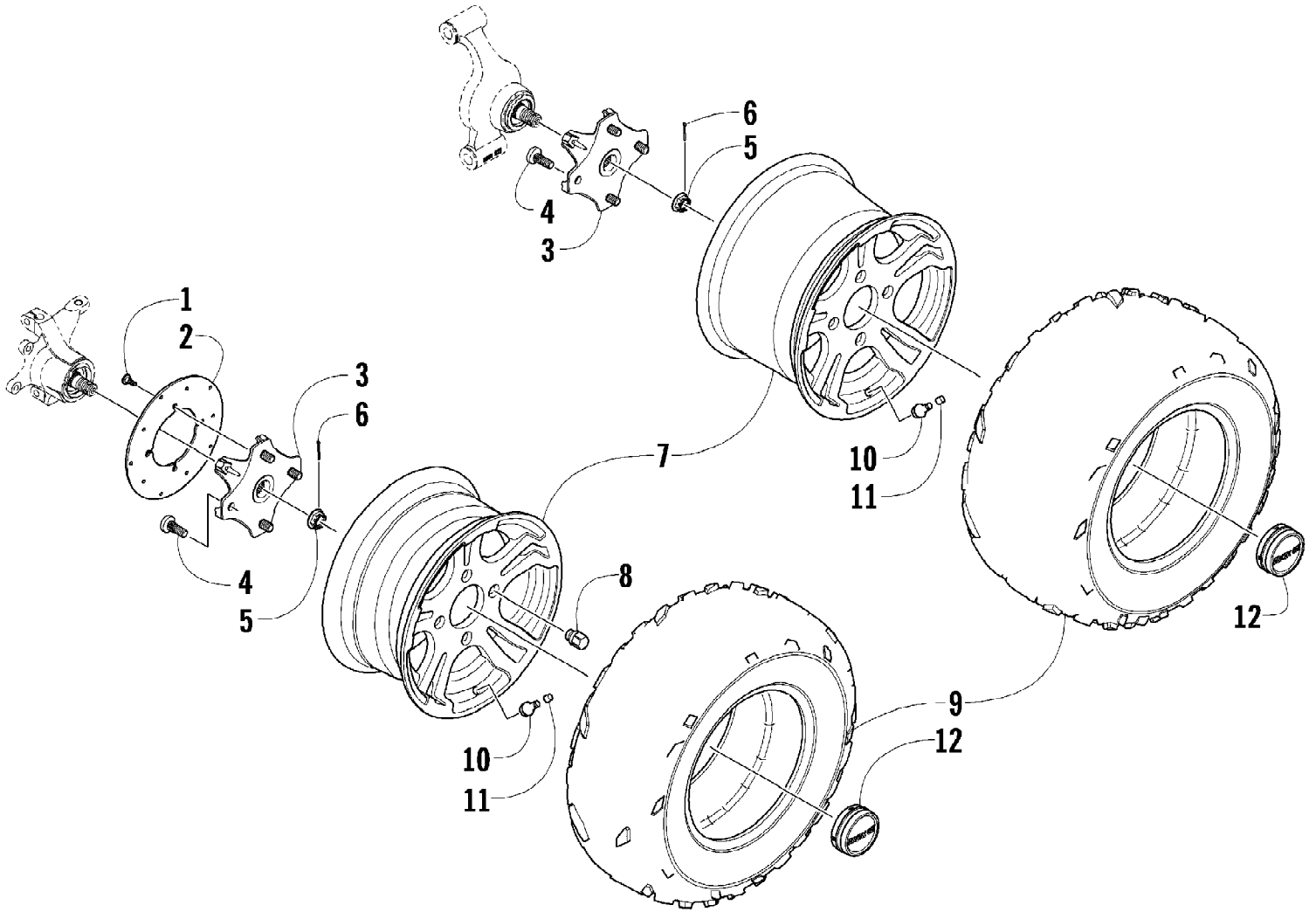
2010 ATV THUNDERCAT EFI 4X4 METALLIC CAT GREEN (A2010IEW4EUSM) Page 75 of 83
TRANSMISSION ASSEMBLY

Ref #	Part Number	Qty	S/P/F	Description
1	0823-157	1	S/P	Pulley, Driven - Assembly (inc. 2-4)
2	0823-176	3	/P	Shoe, Cam
3	0823-177	3		Screw, Machine
4	0823-178	1		Nut, Driven Pulley
5	0832-010	1		Bearing
6	0830-176	1	/P	Seal
7	0823-020	1		Retainer, Bearing
8	0826-031	2		Screw, Machine
9	0827-010	1		Nut
10	0828-106	1		Washer
11	0823-008	1		Plate, Movable Drive Face
12	0823-010	4		Damper, Movable Drive Face
13	0823-265	1		Spacer, Movable Drive Face
14	0823-170	8	/P	Roller, Movable Drive Face
15	0823-159	1		Face, Movable Drive
16	0823-231	1		Belt, Drive
17	0823-156	1	/P	Face, Fixed Drive
18	0823-015	1		Spacer, Fixed Drive Face
19	0470-531	1		O-Ring
20	0830-188	1	/P	Seal, Clutch Housing - Right
21	0832-047	1	S	Bearing
22	0823-261	1	S/P	Housing, Clutch
23	0826-029	2		Screw, Machine
24	0822-010	2	/P	Retainer, Bearing
25	0830-189	1	/P	Seal, Clutch Housing - Left
26	0827-011	1		Nut
27	0823-018	1		Clutch, One-Way
28	0823-098	1	S	Clutch, Centrifugal - 6 Plate



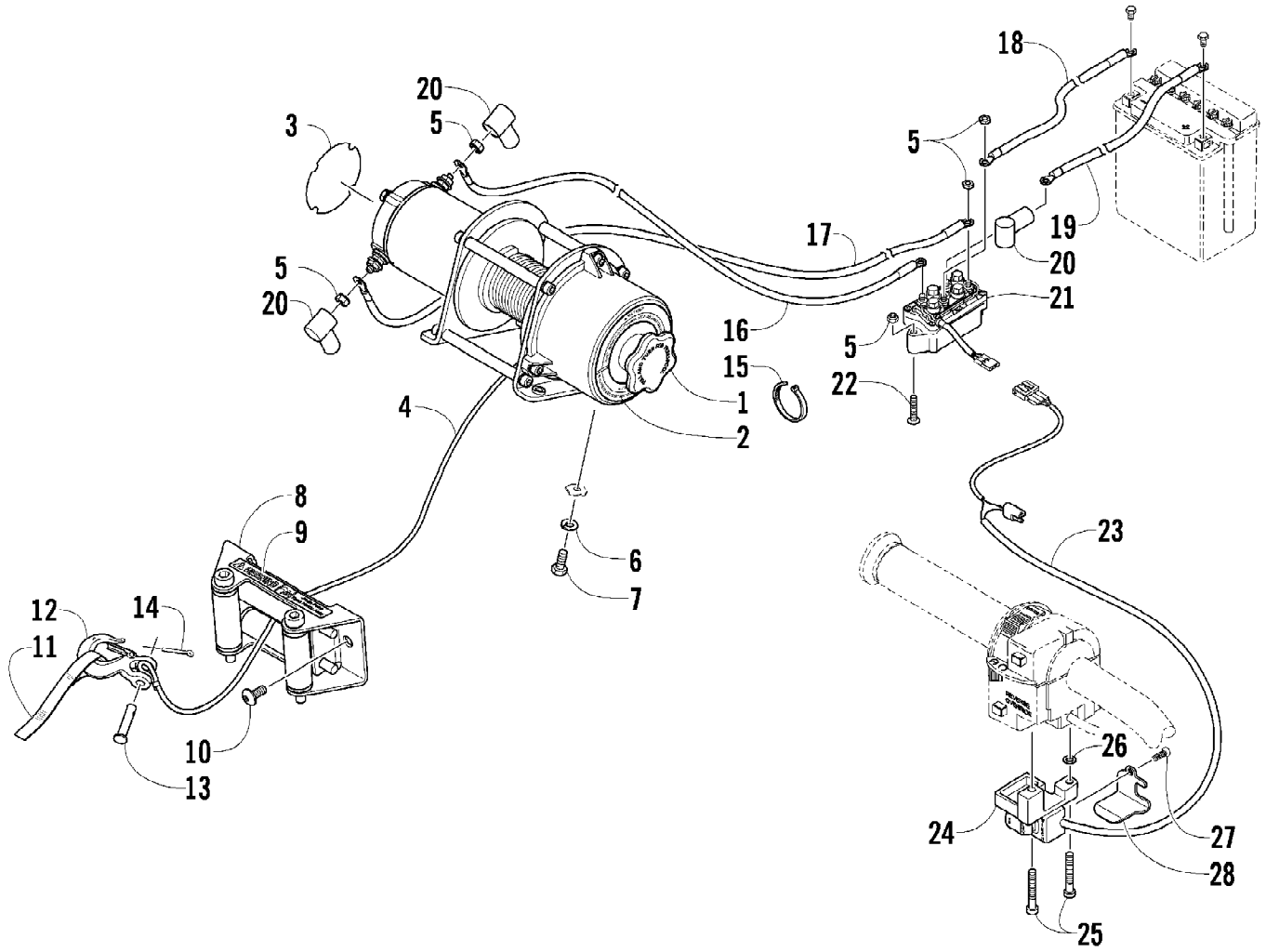
2010 ATV THUNDERCAT EFI 4X4 METALLIC CAT GREEN (A2010IEW4EUSM) Page 77 of 83
WATER PUMP ASSEMBLY

Ref #	Part Number	Qty	S/P/F	Description
1	0813-056	1	/P	Pump, Water - Assembly (inc. 2)
2	0830-029	1		O-Ring
3	0813-029	1		Gear, Driven
4	0813-030	1		Shaft, Driven Gear
5	0829-009	1		Pin, Dowel
6	0831-002	3		Ring, Retaining
7	0832-046	4	/P	Bearing
8	0801-089	1		Disc, Breather
9	8468-650	2		Screw, Machine
10	0831-004	1		Ring, Retaining
11	0813-026	1		Shaft, Water Pump Idler Gear
12	0813-027	1		Gear, Idler - Water Pump - Drive
13	0813-028	1		Spacer, Idler - Water Pump
14	0831-040	1		Ring, Retaining



2010 ATV THUNDERCAT EFI 4X4 METALLIC CAT GREEN (A2010IEW4EUSM) Page 79 of 83
WHEEL AND TIRE ASSEMBLY

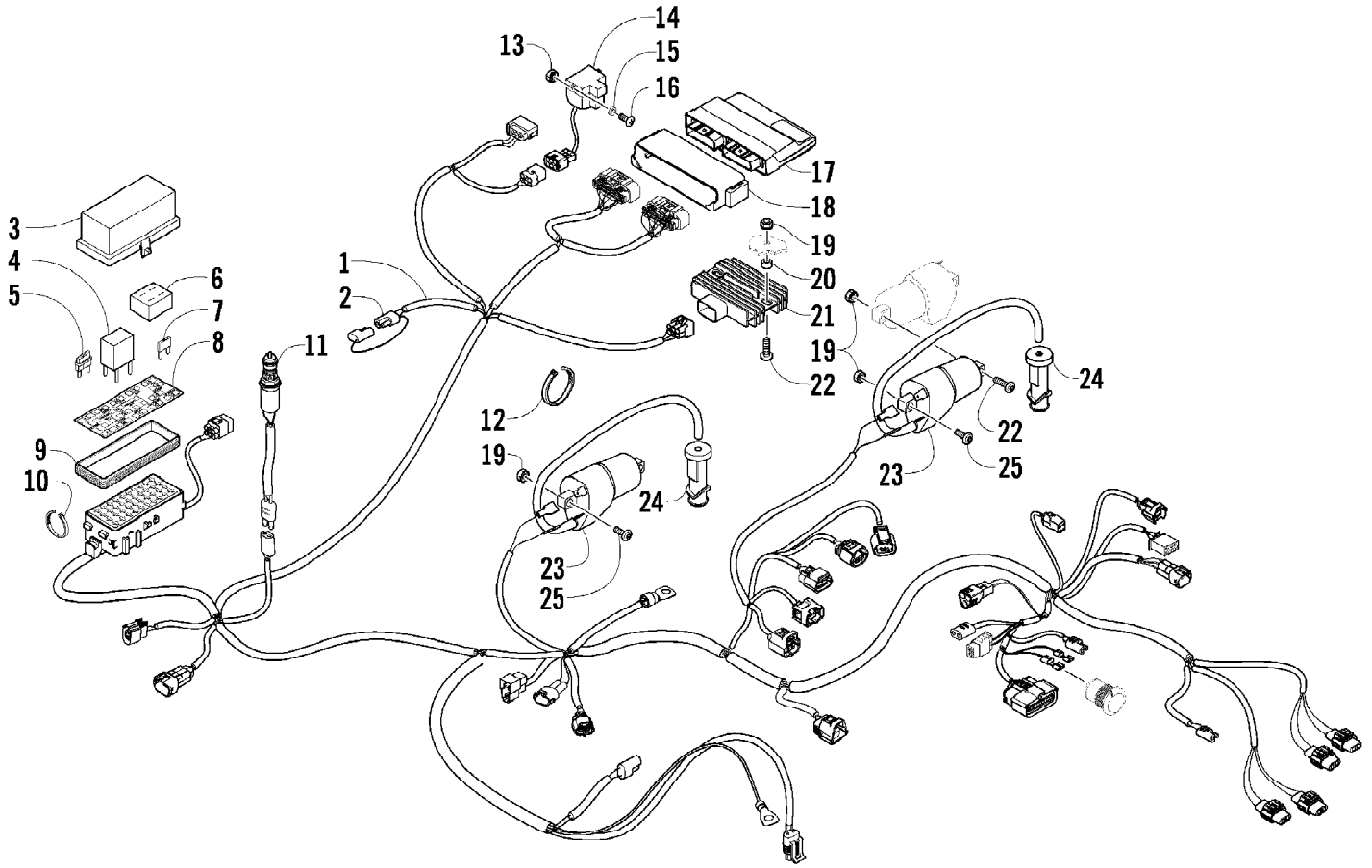
Ref #	Part Number	Qty	S/P/F	Description
1	0423-557	12		Screw, Shoulder
2	1436-164	3	/P	Disc, Brake
3	1502-437	4		Hub, Wheel (inc. 4)
4	0402-974	16	/P	Stud
5	0423-607	4		Nut, Castle
6	0423-407	4		Pin, Cotter
7	1402-730	2		Wheel - Front
7	1402-731	2		Wheel - Rear
8	0423-618	16		Nut, Lug
9	1402-699	2		Tire - Front
9	1402-700	2		Tire - Rear
10	0402-064	4		Stem, Valve (inc. 11)
11	0402-140	4		Cap, Valve Stem
12	1402-736	4		Cap, Wheel



2010 ATV THUNDERCAT EFI 4X4 METALLIC CAT GREEN (A2010IEW4EUSM) Page 81 of 83
WINCH ASSEMBLY

Ref #	Part Number	Qty	S/P/F	Description
1	1441-830	1		Winch (inc. 2-4 and two No. 5)
2	2411-141	1		Decal, Warning - Tension
3	2411-140	1		Decal, Warning - Operation
4	1441-831	1		Cable, Winch
5	0623-038	8		Nut w/Washer
6	8051-246	4		Washer, Lock
7	8408-820	4	/P	Screw, Cap
8	0441-403	1	/P	Roller, Winch (inc. 9)
9	0411-474	1		Decal, Warning - Pinch Point
10	8468-820	2		Screw, Machine
11	1441-781	1		Strap
12	1441-833	1		Hook, Winch
13	1441-834	1		Pin
14	0623-175	1		Pin, Cotter
15	0123-903	AR		Tie, Cable - 11.5 in.
16	0445-068	1		Cable, Winch/Solenoid - Yellow
17	0445-069	1		Cable, Winch/Solenoid - Blue
18	1441-112	1		Cable, Solenoid/Battery - Black
19	0445-087	1		Cable, Solenoid/Battery - Red
20	0645-019	3		Boot, Terminal
21	0409-066	1	/P	Solenoid
22	8476-625	2		Screw, Machine
23	0409-087	1		Switch, Control
24	0409-034	1		Retainer, Control Switch
25	8464-560	2		Screw, Machine
26	0423-593	1		Washer
27	0423-382	1		Screw, Self-Tapping
28	0409-106	1		Cover, Switch

2010 ATV THUNDERCAT EFI 4X4 METALLIC CAT GREEN (A2010IEW4EUSM) Page 82 of 83
WIRING HARNESS ASSEMBLY



2010 ATV THUNDERCAT EFI 4X4 METALLIC CAT GREEN (A2010IEW4EUSM) Page 83 of 83
WIRING HARNESS ASSEMBLY

Ref #	Part Number	Qty	S/P/F	Description
1	0486-336	1		Harness, Main (inc. 2-9)
2	0486-164	1		Tether, Accessory Connector
3	0430-085	1		Cover, Fuse Block
4	0430-045	5	/P	Relay (4-Pin) - 20 Amp
5	0430-034	1		Diode
6	0430-037	1		Holder, Fuse
7	0430-032	5		Fuse - 10 Amp
7	0430-031	4		Fuse - 15 Amp
7	0430-030	2		Fuse - 30 Amp
8	2411-080	1		Decal, Fuse Block
9	0430-086	1		Seal
10	0123-788	AR	/P	Tie, Cable - 8 in.
11	0409-089	1		Switch, Brake - Assembly
12	0123-903	AR		Tie, Cable - 11.5 in.
13	0423-493	2		Nut w/Washer
14	0409-064	1		Switch, Tilt Sensor
15	0123-802	2		Washer
16	8468-425	2		Screw, Machine
17	0530-033	1	/P	ECU
18	0430-059	1		Cushion, ECU
19	0623-038	5		Nut w/Washer
20	0423-036	2		Spacer
21	0824-037	1	/P	Regulator, Voltage
22	8476-630	3		Screw, Machine
23	0824-043	2		Coil, Ignition - Assembly
24	0824-049	2	/P	Cap, Spark Plug
25	8476-620	2		Screw, Machine