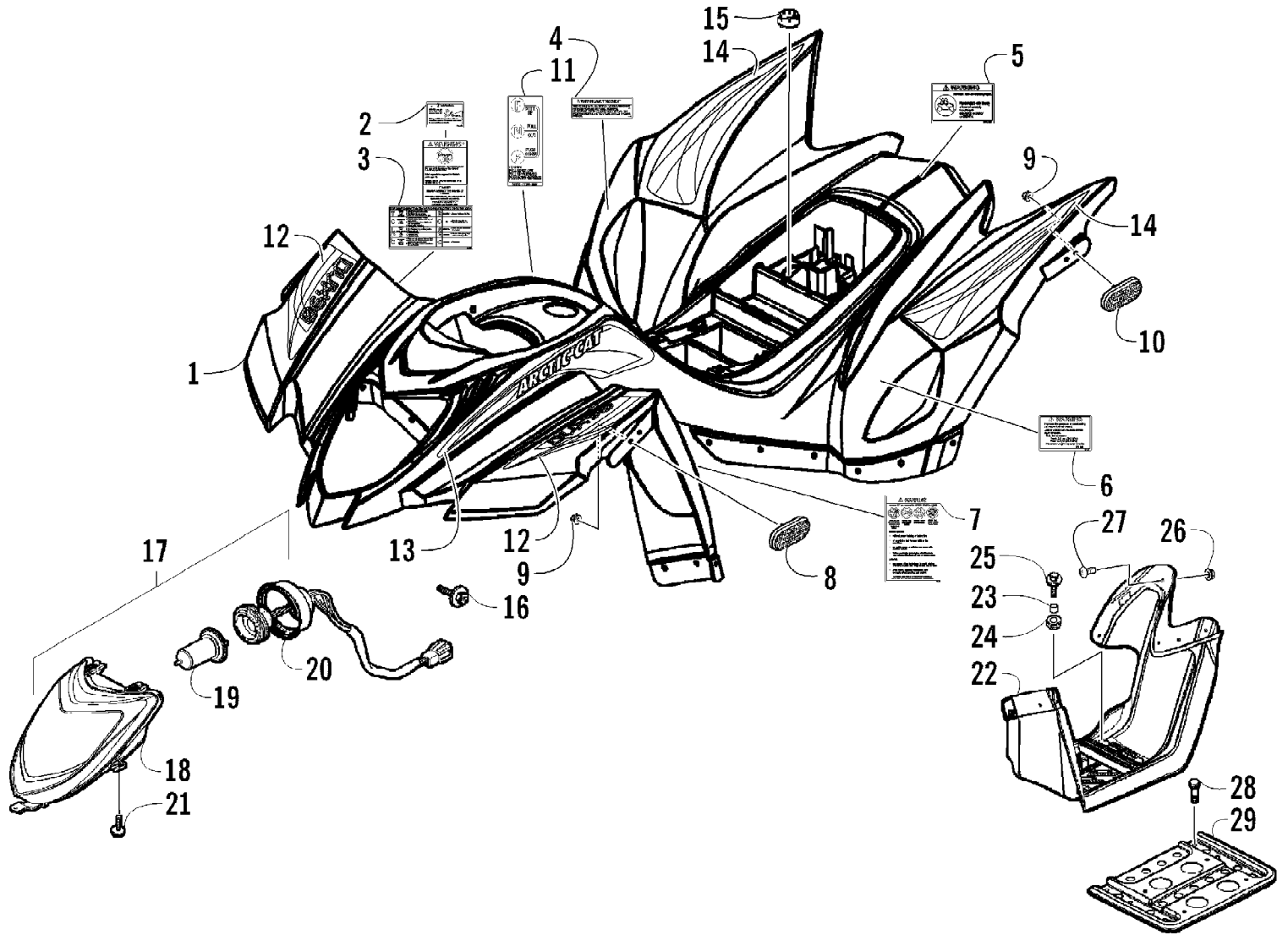


2010 ATV 90 2X4 DVX WHITE (A2010KSB2BUSF)
AIR INTAKE ASSEMBLY

Page 2 of 56

Ref #	Part Number	Qty	S/P/F	Description
1	3305-450	5	/P	Screw, Self-Tapping
2	3303-062	1		Cover, Air Intake (inc. 3-4)
3	3305-179	1		Fitting
4	3305-180	1		Grommet
5	3303-060	1		Filter
6	3303-063	1		Seal
7	3305-842	1		Housing, Air Intake (inc. 8-9)
8	3305-315	1		Clamp
9	3304-168	1	/P	Tube, Drain
10	3304-551	1	/P	Screw, Cap
11	3303-005	1		Bracket, Mounting
12	3303-361	1		Screw, Cap
13	3305-458	2		Screw, Cap
14	3305-841	1		Bracket, Mounting
15	3303-288	1		Clamp
16	3303-350	2		Clamp
17	3305-844	1		Hose
18	3303-064	1	/P	Catch, Air Cleaner Element
19	3303-052	1		Clamp
20	3303-001	1		Hose
21	3303-352	1		Clamp

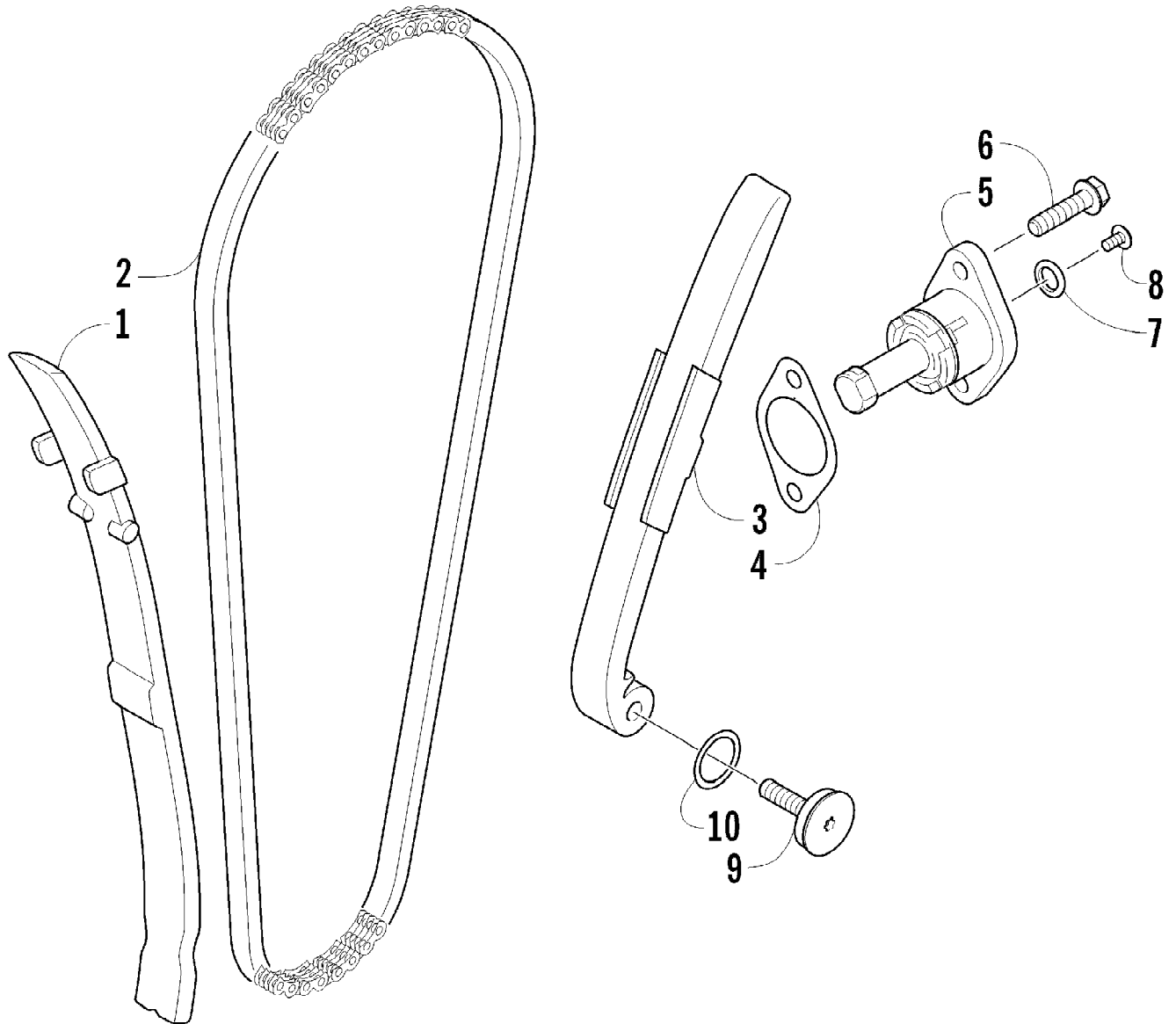
2010 ATV 90 2X4 DVX WHITE (A2010KSB2BUSF)
BODY PANEL AND HEADLIGHT ASSEMBLY



2010 ATV 90 2X4 DVX WHITE (A2010KSB2BUSF)
BODY PANEL AND HEADLIGHT ASSEMBLY

Page 4 of 56

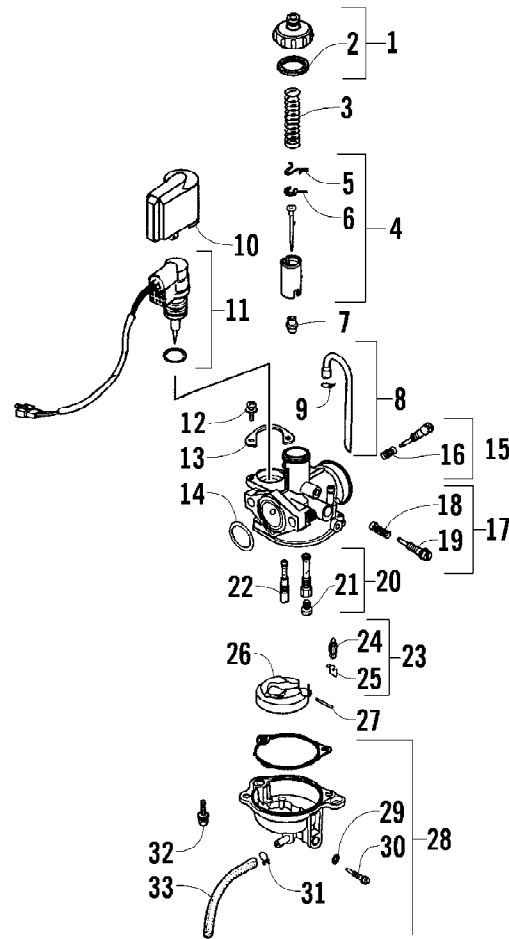
Ref #	Part Number	Qty	S/P/F	Description
1	3306-102	1		Panel, Body - Main (inc. 2-10)
2	0411-836	1		Decal, Warning - Hill
3	2411-136	1	/P	Decal, Warning - Reverse/Pre-Ride
4	1411-577	1		Decal, Warning - Not for Highways
5	1411-809	1	/P	Decal, Warning - Passenger
6	1411-938	1		Decal, Warning - Tire/Load
7	2411-169	1	S	Decal, Warning - General
8	3313-359	2	/P	Reflector - Front
9	3304-774	4		Nut
10	3313-360	2	/P	Reflector - Rear
11	2411-052	1		Decal, Shift
12	1411-968	1		Decal, Front Fender - Right
12	1411-969	1		Decal, Front Fender - Left
13	1411-966	1		Decal, Side - Right
13	1411-967	1		Decal, Side - Left
14	1411-970	1		Decal, Rear Fender - Right
14	1411-971	1		Decal, Rear Fender - Left
15	3303-232	2		Grommet, Rubber
16	3304-587	7	/P	Screw, Cap
17	3304-280	1		Headlight - Assembly (inc. 18-20)
18	3304-281	1		Lens, Headlight
19	3303-846	1	/P	Bulb, Headlight
20	3304-282	1		Socket Assembly
21	3304-650	5	/P	Screw, Self-Tapping
22	3306-144	1	/P	Mudguard, Right - Assembly (inc. 23-24)
22	3306-145	1	/P	Mudguard, Left - Assembly (inc. 23-24)
23	3303-233	8		Spacer
24	3303-227	8		Bushing
25	3304-586	8	/P	Screw, Cap
26	3304-431	18	/P	Nut, Lock
27	3305-703	18		Screw, Machine
28	3304-543	8	/P	Screw, Cap
29	3304-494	1		Support, Mudguard - Right
29	3304-495	1		Support, Mudguard - Left



2010 ATV 90 2X4 DVX WHITE (A2010KSB2BUSF)
CAM CHAIN ASSEMBLY

Page 6 of 56

Ref #	Part Number	Qty	S/P/F	Description
1	3303-037	1		Guide, Chain
2	3303-030	1		Chain, Cam
3	3303-034	1		Tensioner, Chain
4	3303-035	1		Gasket
5	3303-677	1		Tensioner Assembly
6	3304-002	2	/P	Screw, Cap
7	3304-100	1	/P	O-Ring
8	3303-244	1		Screw, Adjuster
9	3303-036	1		Adjuster, Tension
10	3303-301	1	/P	O-Ring

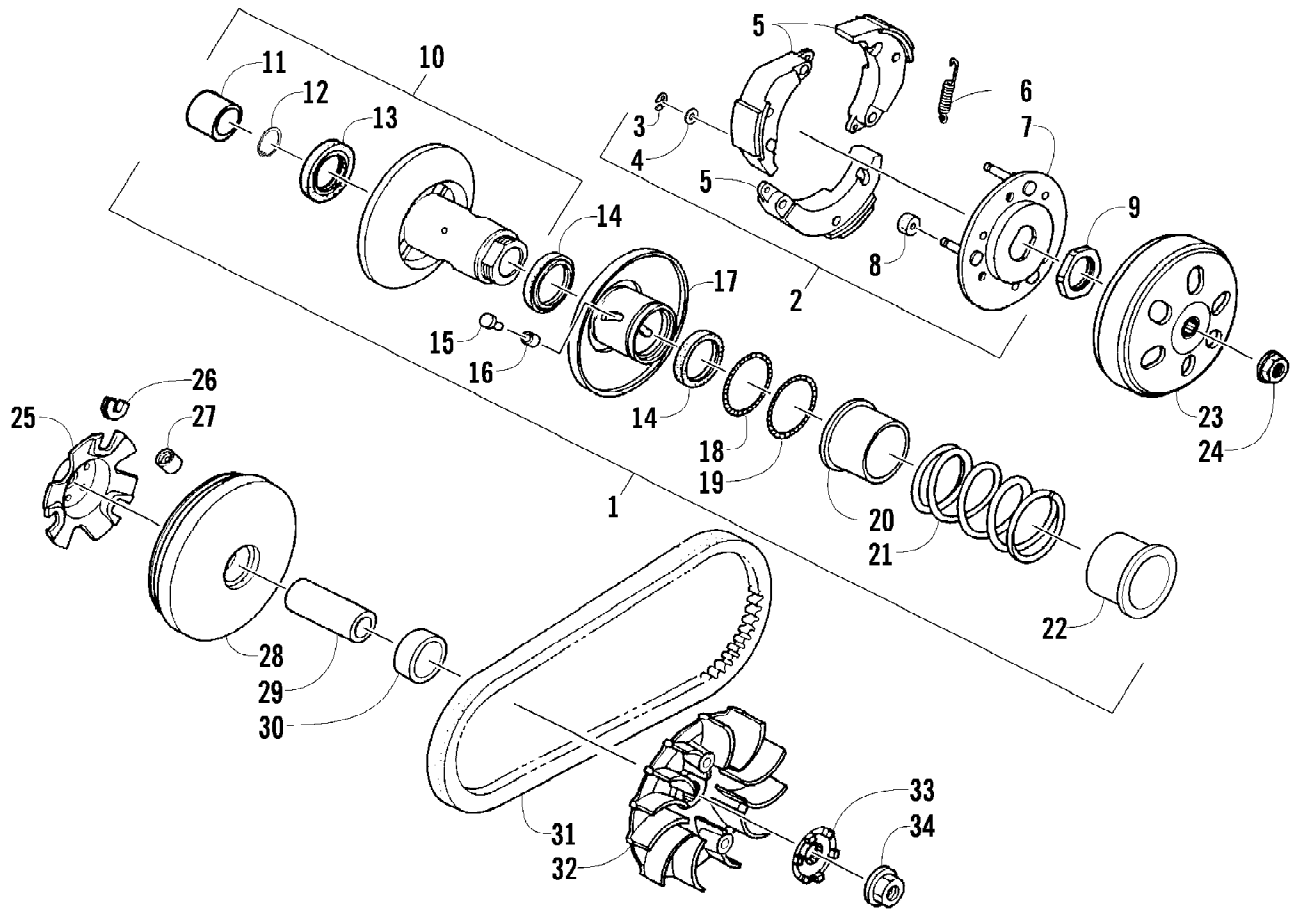


2010 ATV 90 2X4 DVX WHITE (A2010KSB2BUSF)
CARBURETOR ASSEMBLY

Page 8 of 56

Ref #	Part Number	Qty	S/P/F	Description
	3305-529	1		Complete Carburetor Assembly
1	3304-462	1		Set, Top (inc. 2)
2	3304-463	1		Gasket
3	3304-464	1		Spring, Compression
4	3304-467	1		Valve, Throttle - Assembly (inc. 5-6)
5	3304-465	1		Plate, Needle Clip
6	3304-466	1		Clip, Needle
7	3304-468	1		Needle Jet
8	3304-472	1		Hose Assembly (inc. 9)
9	3304-474	1		Clamp, Hose
10	3304-469	1		Cover
11	3304-470	1		Automatic Bypass/Starter Assembly
12	5507-117	2	/P	Screw, Machine
13	3304-471	1		Plate, Retaining
14	3304-488	1		O-Ring
15	3305-446	1		Screw, Adjustment (inc. 16)
16	3305-444	1		Spring
17	3304-477	1		Screw, Stop - Assembly (inc. 18-19)
18	3304-232	1		Spring
19	3304-478	1		Screw, Stop
20	3304-479	1		Holder, Needle Jet - Assembly (inc. 21)
21	3304-482	1		Jet, Main - 80
21	5507-170	1	F	Jet, Main - 75
21	5507-220	1	F	Jet, Main - 78
22	3304-489	1		Jet, Slow
23	3304-490	1		Valve, Float - Assembly (inc. 24-25)
24	3304-483	1		Valve, Float
25	3304-484	1		Clip
26	3304-491	1		Float Assembly
27	3304-485	1		Pin, Float
28	3304-486	1		Chamber, Float w/Gasket (inc. 29-30)
29	3304-239	1		O-Ring
30	3304-243	1		Screw, Drain
31	3304-474	1		Clamp, Hose
32	3303-320	2		Screw, Machine
33	3305-248	1	/P	Hose

2010 ATV 90 2X4 DVX WHITE (A2010KSB2BUSF)
CLUTCH ASSEMBLY

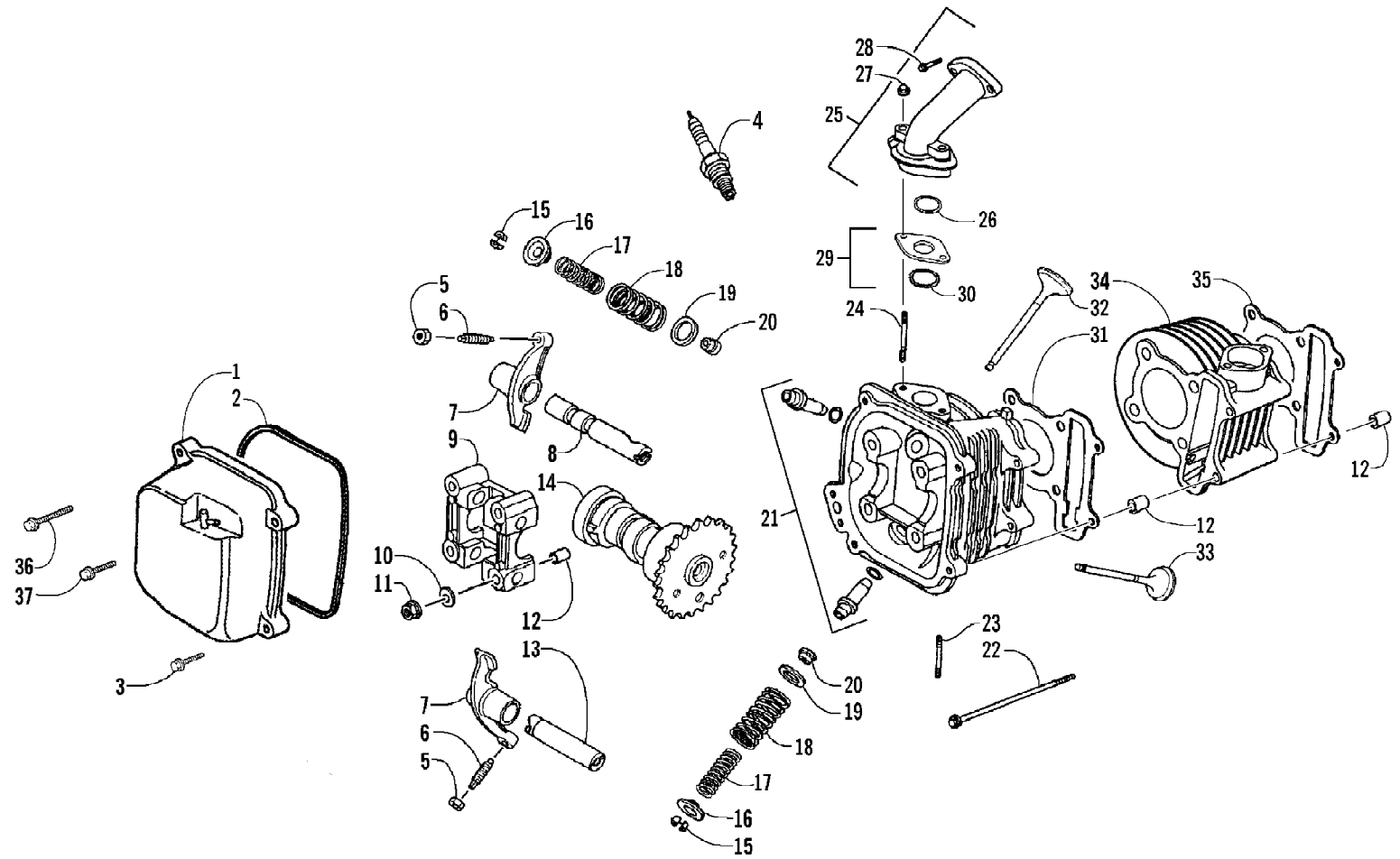


2010 ATV 90 2X4 DVX WHITE (A2010KSB2BUSF)
CLUTCH ASSEMBLY

Page 10 of 56

Ref #	Part Number	Qty	S/P/F	Description
1	3303-411	1		Pulley, Driven - Assembly (inc. 2-22)
2	3303-090	1		Clutch, Centrifugal - Assembly (inc. 3-8)
3	3304-618	3	/P	E-Ring
4	3303-274	3		Washer, Thrust
5	3303-093	3		Weight, Clutch
6	3303-092	3		Spring
7	3303-091	1		Plate, Clutch
8	3303-094	3		Roller
9	3304-025	1	/P	Nut
10	3303-096	1		Face, Driven - Fixed (inc. 11-13)
11	3303-294	1		Bearing
12	3303-346	1		Circlip
13	3303-291	1		Bearing
14	3303-299	2		Seal, Oil
15	3303-098	3		Guide, Pin
16	3303-099	3		Guide, Roller
17	3303-097	1		Face, Driven - Movable
18	3304-620	1		O-Ring
19	3304-619	1		O-Ring
20	3303-102	1		Collar
21	3303-100	1		Spring
22	3303-101	1		Collar
23	3303-082	1		Clutch, Outer
24	3303-333	1	/P	Nut
25	3303-088	1		Plate, Ramp
26	3303-089	3		Slide
27	3303-087	6		Roller
28	3303-086	1		Face, Drive - Movable
29	3303-409	1		Sleeve
30	3303-410	1		Collar
31	3303-095	1		Belt, Drive
32	3303-083	1		Face, Drive - Fixed
33	3303-116	1		Ratchet, Kick Starter
34	3303-334	1		Nut

2010 ATV 90 2X4 DVX WHITE (A2010KSB2BUSF)
CYLINDER HEAD ASSEMBLY

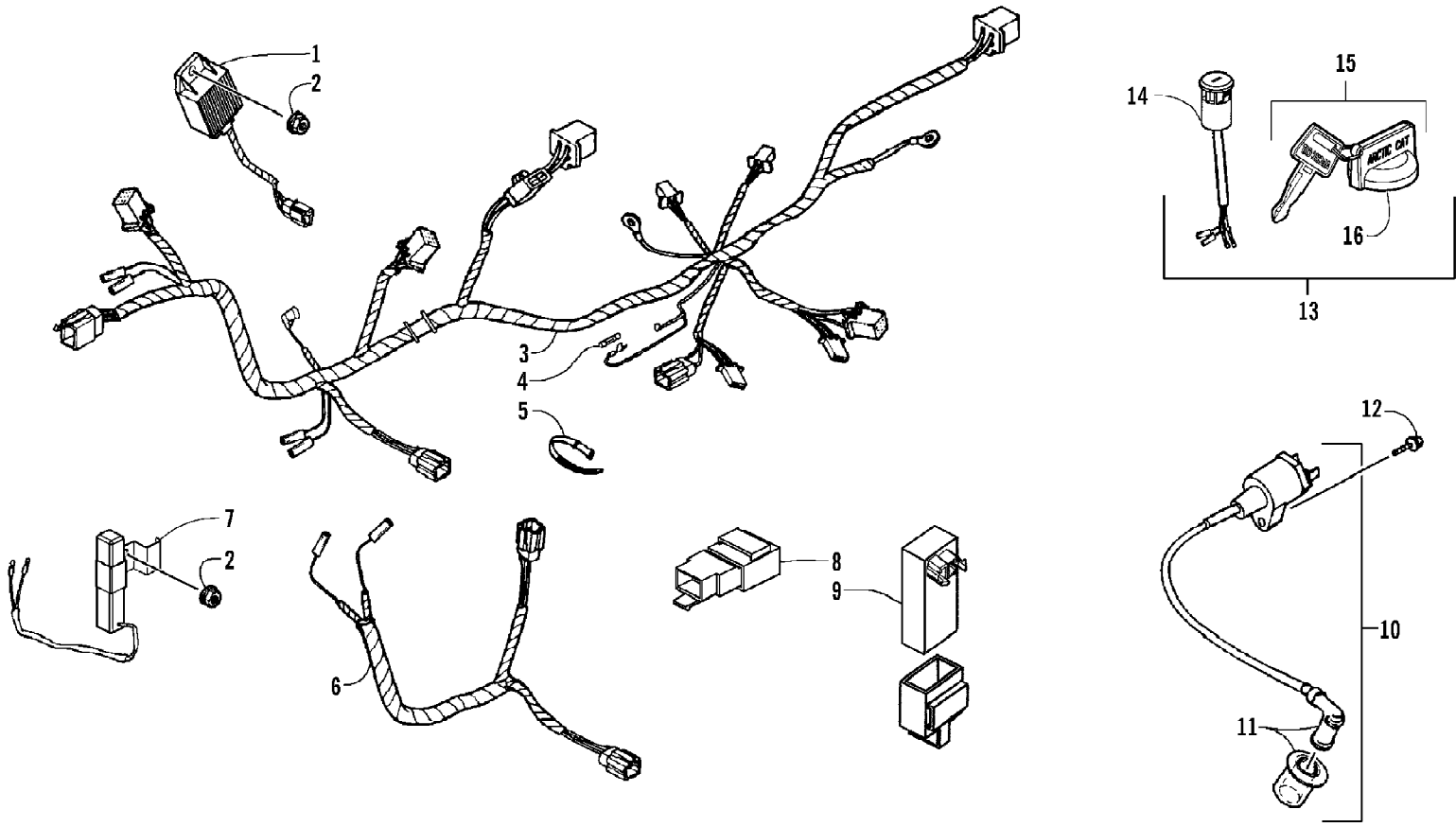


2010 ATV 90 2X4 DVX WHITE (A2010KSB2BUSF)
CYLINDER HEAD ASSEMBLY

Page 12 of 56

Ref #	Part Number	Qty	S/P/F	Description
1	3305-292	1		Cover, Head
2	3304-616	1		Gasket
3	3303-360	2		Screw, Cap
4	0217-726	1	/P/F	Spark Plug
5	3304-026	2	/P	Nut
6	3304-007	2	/P	Screw, Adjuster
7	3303-031	2		Valve, Rocker Arm
8	3303-032	1		Shaft, Rocker Arm - Intake
9	3303-018	1		Retainer, Camshaft
10	3304-048	4	/P	Washer
11	3303-332	4		Nut
12	3303-342	6		Pin, Dowel
13	3303-033	1		Shaft, Rocker Arm - Exhaust
14	3304-617	1		Camshaft
15	3303-044	4		Cotter, Valve
16	3303-042	2	/P	Retainer, Valve Spring
17	3303-041	2		Spring, Valve - Inner
18	3303-040	2		Spring, Valve - Outer
19	3303-043	2		Seat, Valve Spring - Outer
20	3303-657	2	/P	Seal, Valve Stem
21	3303-016	1		Head, Cylinder
22	3303-389	2		Screw, Cap
23	3304-010	2		Bolt, Stud
24	3303-310	2		Bolt, Stud
25	3303-059	1		Pipe, Intake - Assembly (inc. 26)
26	3303-304	1		O-Ring
27	3303-331	2	/P	Nut
28	3303-384	2	/P	Screw, Cap
29	3303-511	1	/P	Insulator, Carburetor - Assembly (inc. 30)
30	3304-596	1		O-Ring
31	3303-019	1		Gasket, Cylinder Head
32	3303-038	1		Valve, Intake
33	3303-039	1		Valve, Exhaust
34	3303-014	1		Cylinder
35	3303-015	1		Gasket, Cylinder
36	3303-363	1		Screw, Cap
37	3303-362	1		Screw, Cap

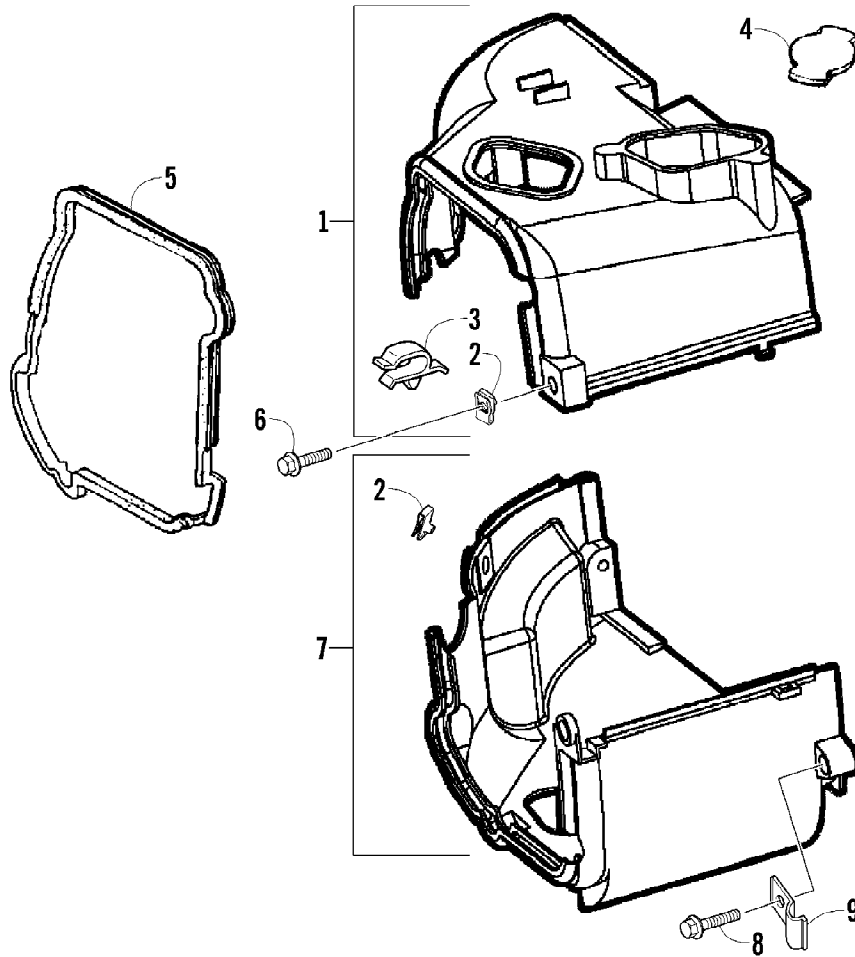
2010 ATV 90 2X4 DVX WHITE (A2010KSB2BUSF)
ELECTRICAL AND WIRING HARNESS ASSEMBLY



2010 ATV 90 2X4 DVX WHITE (A2010KSB2BUSF)
ELECTRICAL AND WIRING HARNESS ASSEMBLY

Page 14 of 56

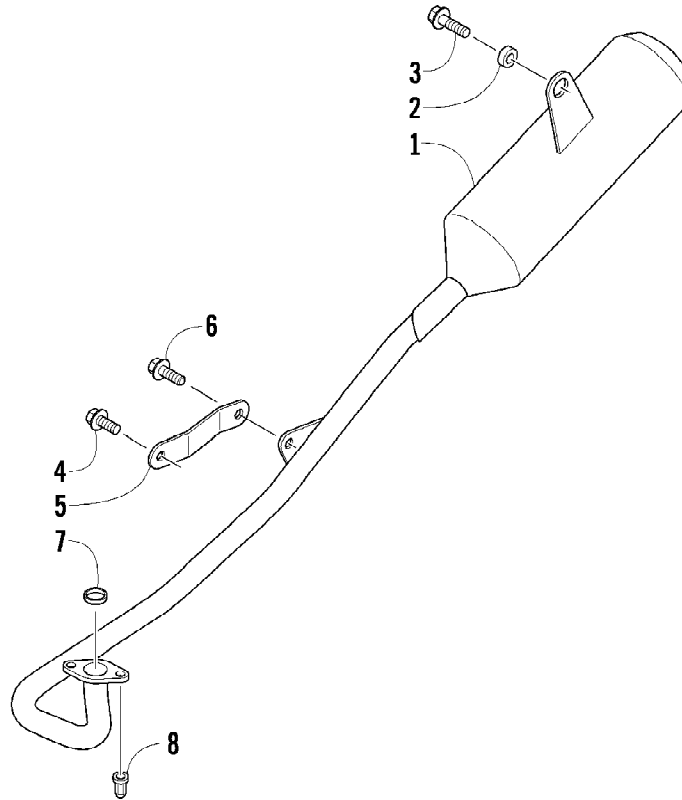
Ref #	Part Number	Qty	S/P/F	Description
1	3303-132	1		Regulator, Voltage
2	3303-331	2	/P	Nut
3	3306-119	1		Harness, Main (inc. 4)
4	3303-399	2		Fuse
5	3303-289	AR	/P	Tie, Cable
6	3306-002	1		Harness, Extension
7	3303-142	1		Resistor
8	3303-143	1		Relay, Starter
9	3305-861	1		CDI Unit
10	3303-125	1		Coil Assembly - Ignition (inc. 11)
11	3303-126	1		Cap, Noise Suppression
12	3303-252	1		Screw, Cap
13	3306-147	1	/P	Switch, Ignition - Assembly (inc. 14-17)
14	0	1	F	Switch, Ignition
15	3304-520	1		Key, Ignition - Right-Side Cut
15	3304-521	1		Key, Ignition - Left-Side Cut
16	3304-522	1		Cover, Key



2010 ATV 90 2X4 DVX WHITE (A2010KSB2BUSF)
ENGINE SHROUD ASSEMBLY

Page 16 of 56

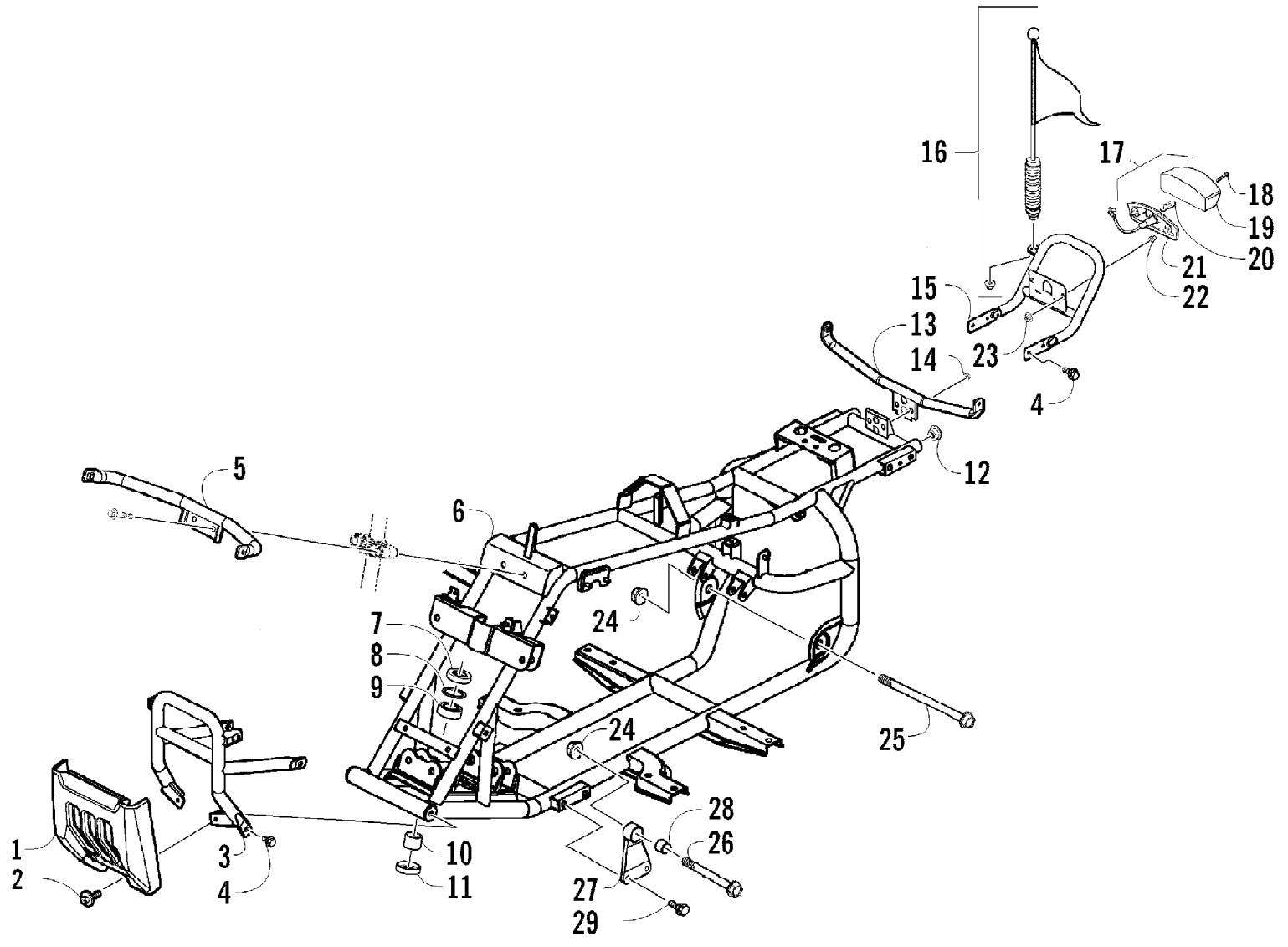
Ref #	Part Number	Qty	S/P/F	Description
1	3305-803	1		Shroud, Upper - Assembly (inc. one No. 2 and 3-4)
2	3303-267	2		Clip, U-Nut
3	3305-804	1		Clip, Routing
4	3303-408	1		Grommet
5	3303-077	1		Seal, Shroud
6	3303-382	2	/P	Screw, Cap
7	3303-078	1		Shroud, Lower - Assembly (inc. one No. 2)
8	3303-384	1	/P	Screw, Cap
9	3304-640	1		Clamp, Routing



2010 ATV 90 2X4 DVX WHITE (A2010KSB2BUSF)
EXHAUST ASSEMBLY

Page 18 of 56

Ref #	Part Number	Qty	S/P/F	Description
1	3303-407	1	/P	Muffler - Assembly (inc. 2)
2	3304-571	1		Bushing
3	3305-845	1		Screw, Cap
4	3303-314	1		Screw, Cap
5	3304-573	1		Bracket, Mounting - Muffler
6	3304-543	1	/P	Screw, Cap
7	3303-071	1		Gasket
8	3303-261	2		Nut, Cap

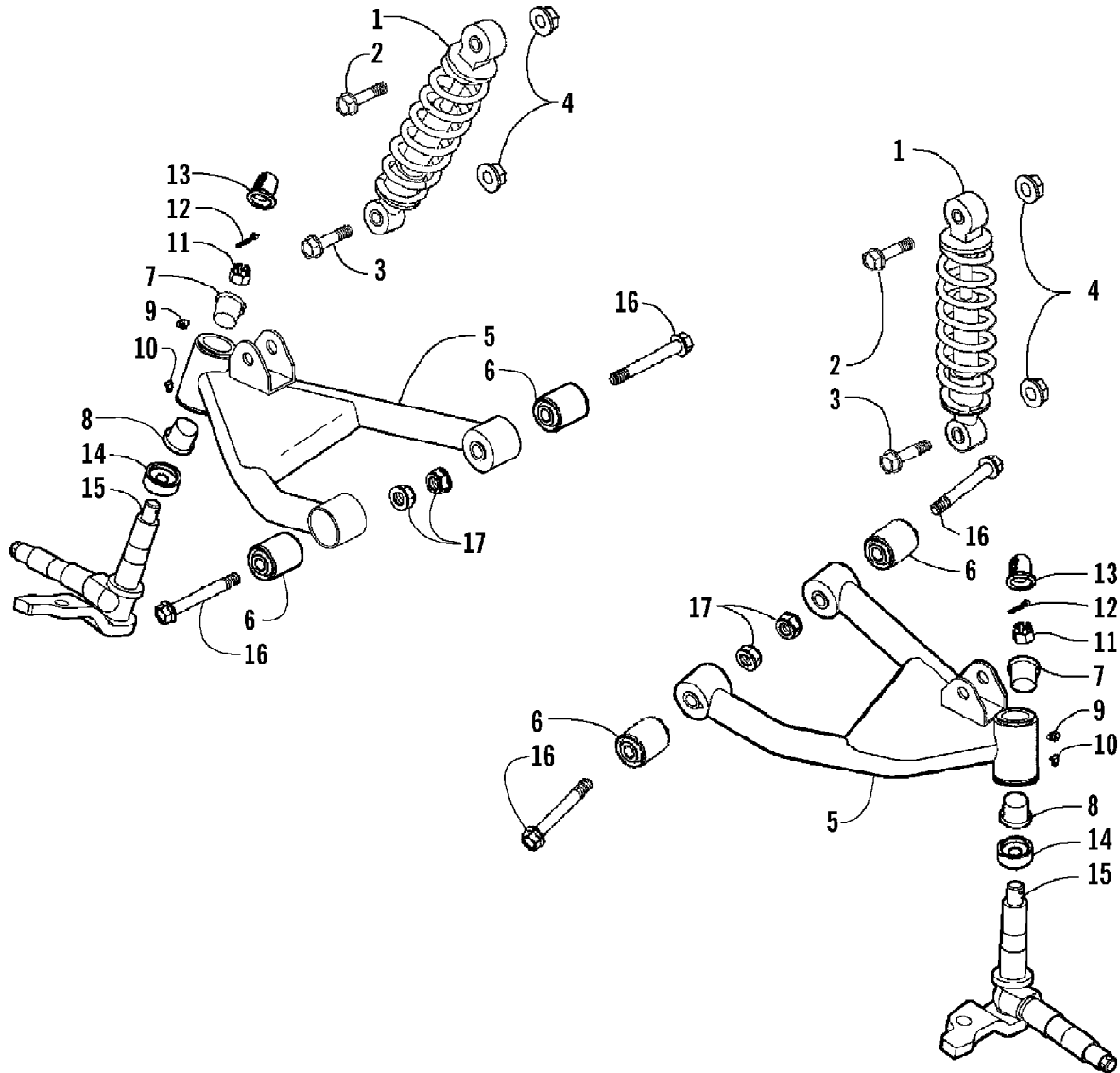


2010 ATV 90 2X4 DVX WHITE (A2010KSB2BUSF)
FRAME AND RELATED PARTS ASSEMBLY

Page 20 of 56

Ref #	Part Number	Qty	S/P/F	Description
1	3306-140	1	/P	Fascia, Front Bumper
2	3304-587	2	/P	Screw, Cap
3	3306-118	1		Bumper, Front
4	3304-544	7		Screw, Cap
5	3305-511	1		Bracket, Support - Front
6	3305-864	1		Frame
7	3303-295	1		Seal
8	3303-347	1		Ring, Retaining
9	3303-392	1		Bearing
10	3303-445	1		Sleeve
11	3303-298	1		Seal
12	0	2	F	Plug
13	3305-514	1		Bracket, Support - Rear
14	3304-668	2		Nut, Lock
15	3305-512	1		Grip, Rear
16	3305-308	1		Flag Assembly
17	3303-420	1		Taillight - Assembly (inc. 18-21)
18	3304-537	2		Screw, Self-Tapping
19	3304-283	1		Lens, Taillight
20	3303-849	1	/P	Bulb, Taillight
21	3303-422	1		Base, Taillight
22	3303-226	2		Grommet
23	3303-331	2	/P	Nut
24	3304-031	3	/P	Nut
25	3323-188	1		Screw, Cap
26	3304-548	2	/P	Screw, Cap
27	3303-183	1	/P	Bracket, Mounting - Engine - Right (inc. 28)
27	3303-184	1	/P	Bracket, Mounting - Engine - Left (inc. 28)
28	3304-542	2		Bushing, Rubber
29	3304-543	4	/P	Screw, Cap

2010 ATV 90 2X4 DVX WHITE (A2010KSB2BUSF)
FRONT SUSPENSION ASSEMBLY

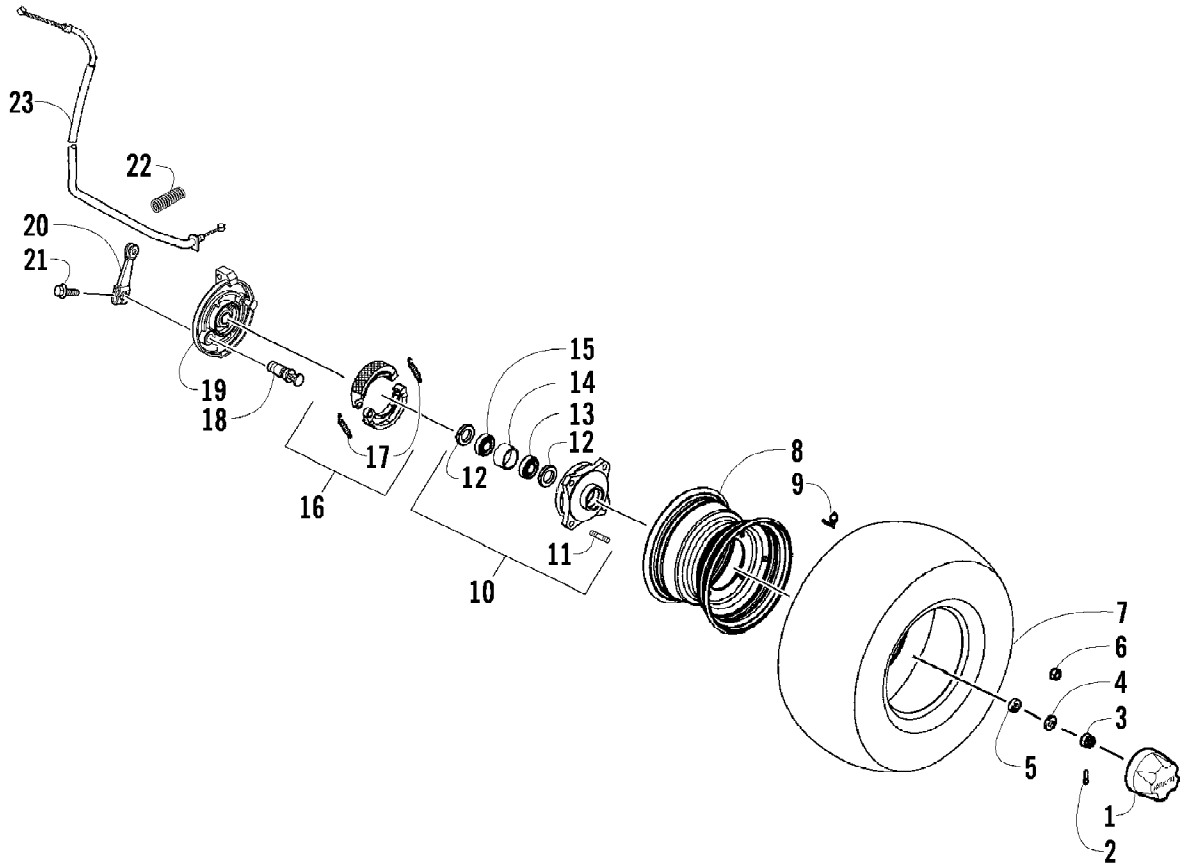


2010 ATV 90 2X4 DVX WHITE (A2010KSB2BUSF)
FRONT SUSPENSION ASSEMBLY

Page 22 of 56

Ref #	Part Number	Qty	S/P/F	Description
1	3306-142	2		Shock/Spring Assembly
2	3303-376	2	/P	Screw, Cap
3	3303-309	2		Screw, Cap
4	3303-333	4	/P	Nut
5	3305-994	1		Arm, Swing - Right (inc. 6-10)
5	3305-995	1		Arm, Swing - Left (inc. 6-10)
6	3303-216	4		Bushing
7	3303-218	2		Bushing
8	3303-217	2		Bushing
9	3303-393	2		Fitting, Grease
10	3303-394	2		Cap, Grease Fitting
11	3303-329	2		Nut, Castle
12	3303-337	2		Pin, Cotter
13	3303-219	2		Cap
14	3303-220	2		Seal
15	3303-178	1		Shaft, Steering - Right
15	3303-180	1		Shaft, Steering - Left
16	3304-595	4	/P	Screw, Cap
17	3304-031	4	/P	Nut

2010 ATV 90 2X4 DVX WHITE (A2010KSB2BUSF)
FRONT WHEEL AND BRAKE ASSEMBLIES



2010 ATV 90 2X4 DVX WHITE (A2010KSB2BUSF)
FRONT WHEEL AND BRAKE ASSEMBLIES

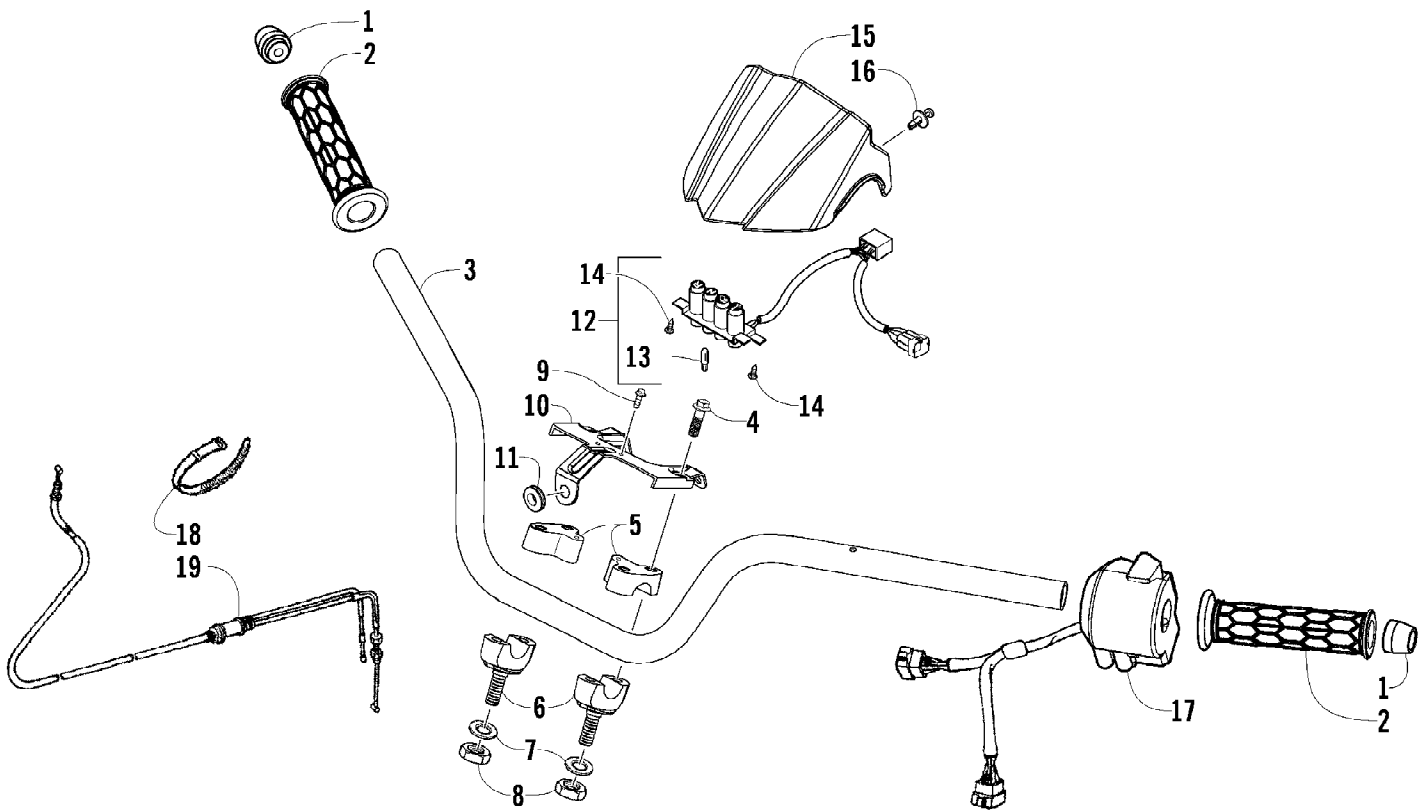
Page 24 of 56

Ref #	Part Number	Qty	S/P/F	Description
1	3303-430	2		Cap, Wheel
2	3303-470	2		Pin, Cotter
3	3303-328	2		Nut, Castle
4	3303-279	2	/P	Washer
5	3303-164	2	/P	Collar, Wheel
6	3303-266	8		Nut
7	3303-429	2		Tire - Assembly
8	3303-166	2		Wheel - Assembly (inc. 9)
9	3303-887	2		Stem, Valve
10	3303-165	2		Hub Assembly (inc. 11-15)
11	3303-463	8		Bolt, Stud
12	3303-456	4		Seal
13	3303-468	2		Bearing
14	3303-445	2		Spacer
15	3303-467	2		Bearing
16	3303-169	2		Shoe, Brake - Assembly (inc. 17)
17	3304-563	2		Spring
18	3303-170	2		Cam, Brake
19	3303-168	1		Panel - Front - Right
19	3303-176	1		Panel - Front - Left
20	3303-171	1		Arm, Brake - Right
20	3303-177	1		Arm, Brake - Left
21	3303-355	2		Screw, Cap
22	3303-172	2		Spring, Return
23	3303-173	2		Cable, Brake

2010 ATV 90 2X4 DVX WHITE (A2010KSB2BUSF)
GAS TANK ASSEMBLY

Page 26 of 56

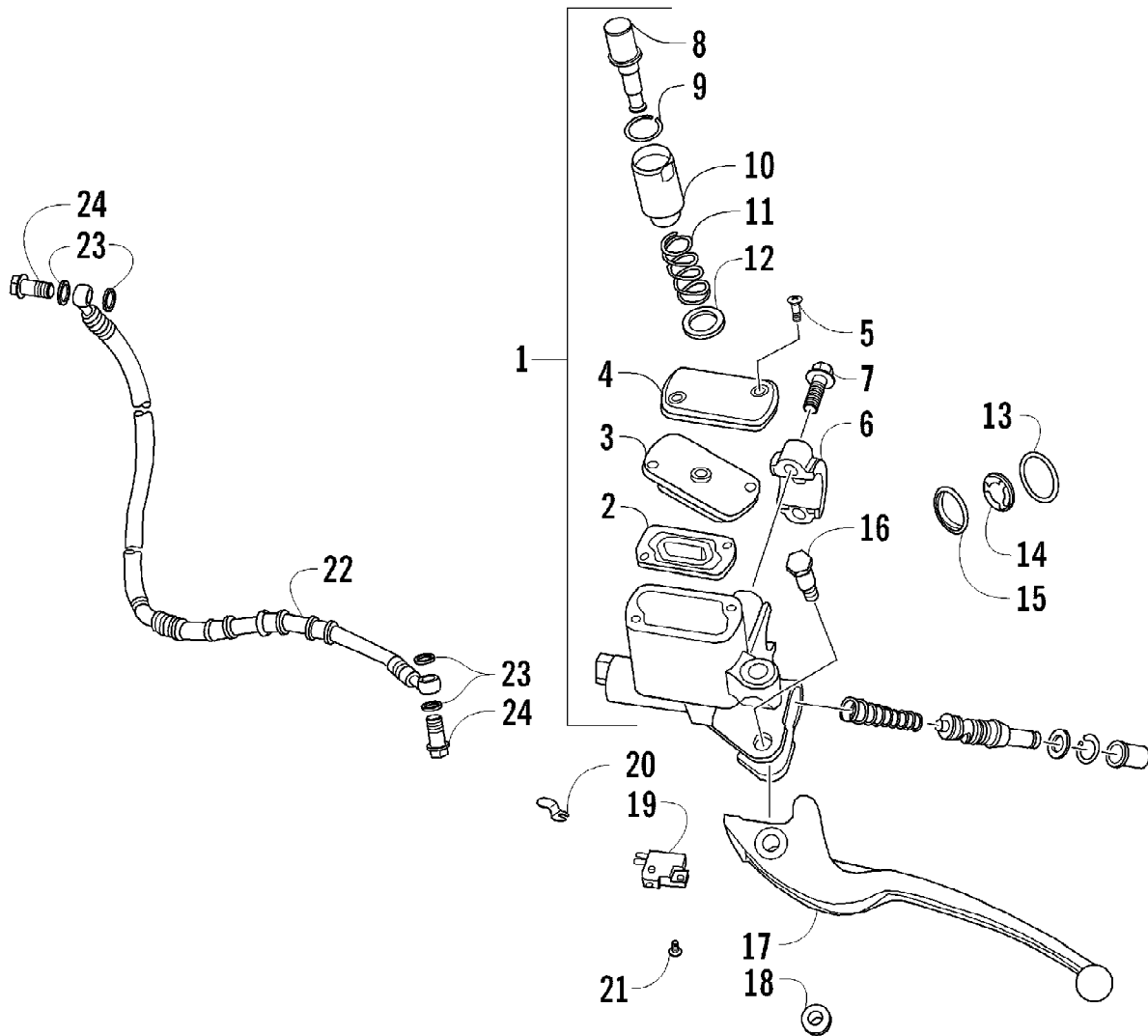
Ref #	Part Number	Qty	S/P/F	Description
1	3306-003	1		Cap, Gas Tank
2	3303-068	1		Seal, Gas Tank Cap
3	3305-488	1		Tank, Gas - Assembly (inc. 4)
4	3303-406	2		Grommet
5	3303-383	2	/P	Screw, Cap
6	3303-226	2		Insert
7	3305-489	2		Hose Assembly (inc. 8 and two No. 9)
8	3305-523	2		Clamp, Hose
9	3303-349	4		Clamp, Hose
10	3305-521	1		Hose Assembly (inc. two No. 9)
11	3303-699	1	/P	Filter, Fuel - Assembly
12	3305-522	1		Hose Assembly (inc. 13)
13	3303-348	2		Clamp, Hose
14	3303-058	1		Strainer, Fuel
15	3303-316	2		Screw, Machine
16	3303-057	1		Shut-Off, Fuel (inc. 17)
17	3304-120	2		Screw, Machine
18	3305-294	1		Bracket, Mounting - Fuel Shut-Off
19	3303-331	2	/P	Nut



2010 ATV 90 2X4 DVX WHITE (A2010KSB2BUSF)
HANDLEBAR AND CONTROL ASSEMBLY

Page 28 of 56

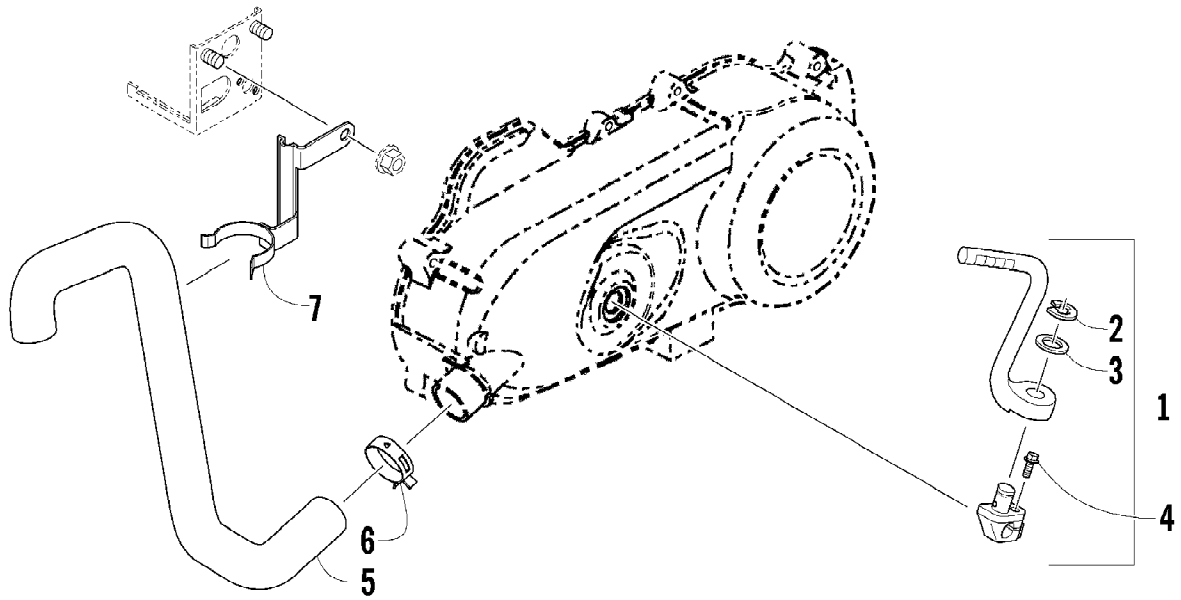
Ref #	Part Number	Qty	S/P/F	Description
1	3303-196	2		End Cap, Handlebar
2	3305-905	2	/P	Grip, Handlebar
3	3303-434	1		Handlebar
4	3303-398	4		Screw, Cap
5	3303-197	1		Clamp, Handlebar - Upper Right
5	3303-198	1		Clamp, Handlebar - Upper Left
6	3303-199	2		Clamp, Handlebar - Lower
7	3304-136	2		Washer
8	3305-517	2		Nut
9	3304-553	2		Screw, Cap
10	3305-575	1		Bracket, Handlebar Cover (inc. 11)
11	3303-239	1		Grommet
12	3305-833	1		Pilot Lamp - Assembly (inc. 13)
13	3304-284	2		Bulb
14	3304-650	2	/P	Screw, Self-Tapping
15	3303-436	1		Cover, Handlebar
16	3303-592	2		Clip, Retaining
17	3305-516	1		Switch, Handlebar - Assembly
18	3303-839	AR		Tie, Cable
19	1502-096	1	/P	Cable, Throttle



2010 ATV 90 2X4 DVX WHITE (A2010KSB2BUSF)
HYDRAULIC HAND BRAKE ASSEMBLY

Page 30 of 56

Ref #	Part Number	Qty	S/P/F	Description
1	3305-982	1	/P	Brake, Master Cylinder - Assembly (inc. 2-6)
2	3305-309	1		Diaphragm
3	3305-250	1		Plate, Diaphragm
4	3303-174	1	/P	Cover, Master Cylinder
5	3303-318	2		Screw, Machine
6	3305-983	1		Clamp, Handlebar
7	3305-297	2		Screw, Cap
8	3305-993	1		Button, Park Brake
9	3305-992	1		Circlip
10	3305-991	1		Housing
11	3305-990	1		Spring
12	3305-989	1		Washer
13	3305-986	1		O-Ring
14	3305-985	1		Plate, Sight Gauge
15	3305-984	1		Gauge, Sight
16	3303-254	1	/P	Screw, Shoulder
17	3306-055	1	/P	Lever
18	3304-654	1	/P	Nut
19	3303-141	1	/P	Switch Assembly
20	3305-987	1		Clip, Retaining
21	3303-321	1		Screw, Machine
22	3305-278	1		Hose, Brake - Assembly
23	3303-284	4	/P	Washer, Crush
24	3303-257	2	/P	Bolt, Banjo-Fitting

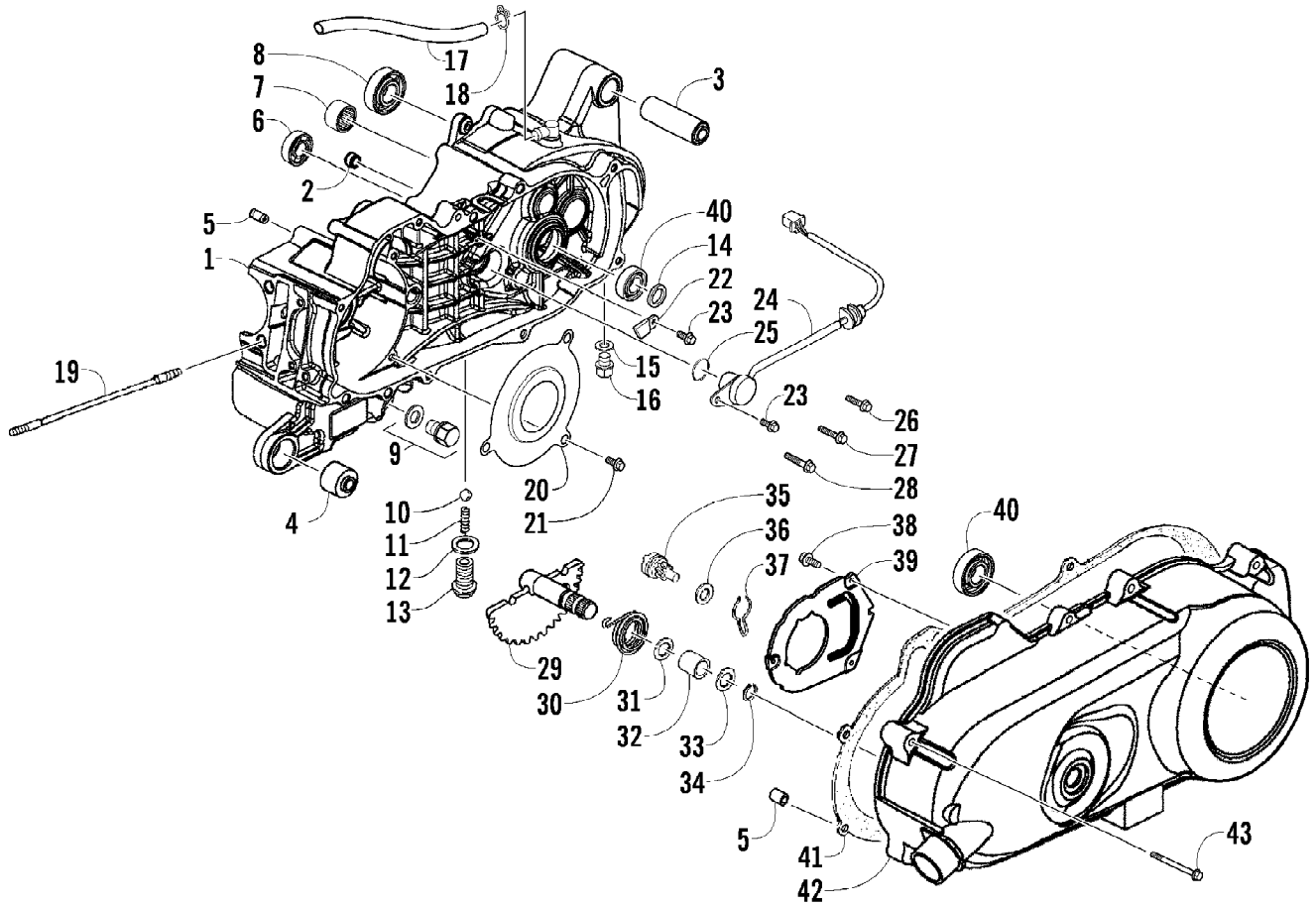


2010 ATV 90 2X4 DVX WHITE (A2010KSB2BUSF)
KICK STARTER AND COOLING DUCT ASSEMBLY

Page 32 of 56

Ref #	Part Number	Qty	S/P/F	Description
1	3303-123	1	/P	Arm, Kick Starter (inc. 2-3)
2	3305-247	1	/P	E-Clip
3	3304-138	1		Washer
4	3304-551	1	/P	Screw, Cap
5	3303-010	1		Duct, Cooling
6	3303-074	1		Clamp
7	3303-287	1		Clamp, Routing

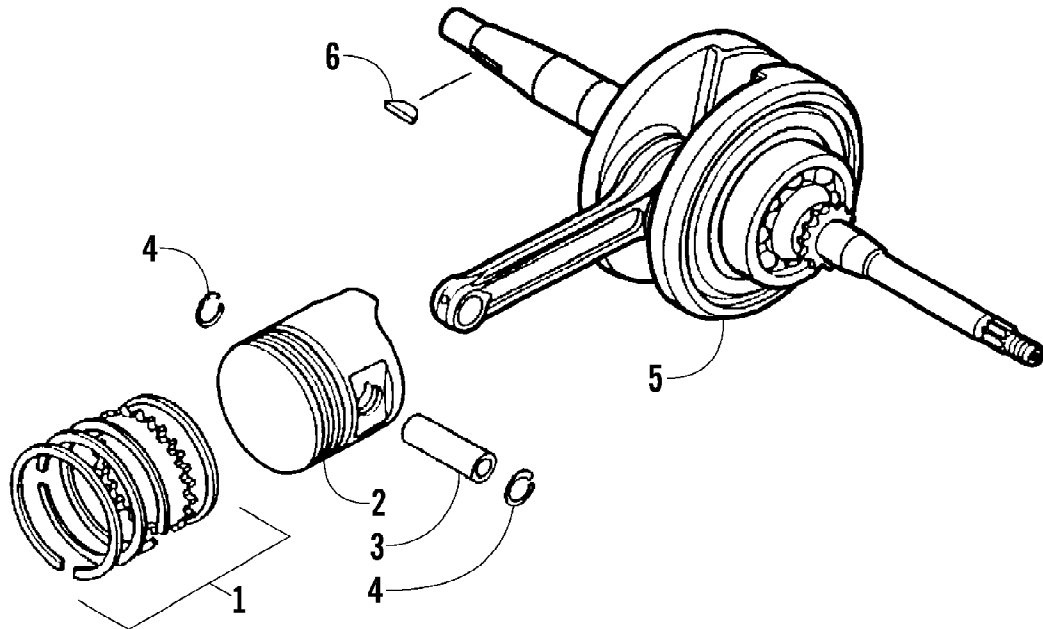
2010 ATV 90 2X4 DVX WHITE (A2010KSB2BUSF)
LEFT CRANKCASE AND COVER ASSEMBLY



2010 ATV 90 2X4 DVX WHITE (A2010KSB2BUSF)
LEFT CRANKCASE AND COVER ASSEMBLY

Page 34 of 56

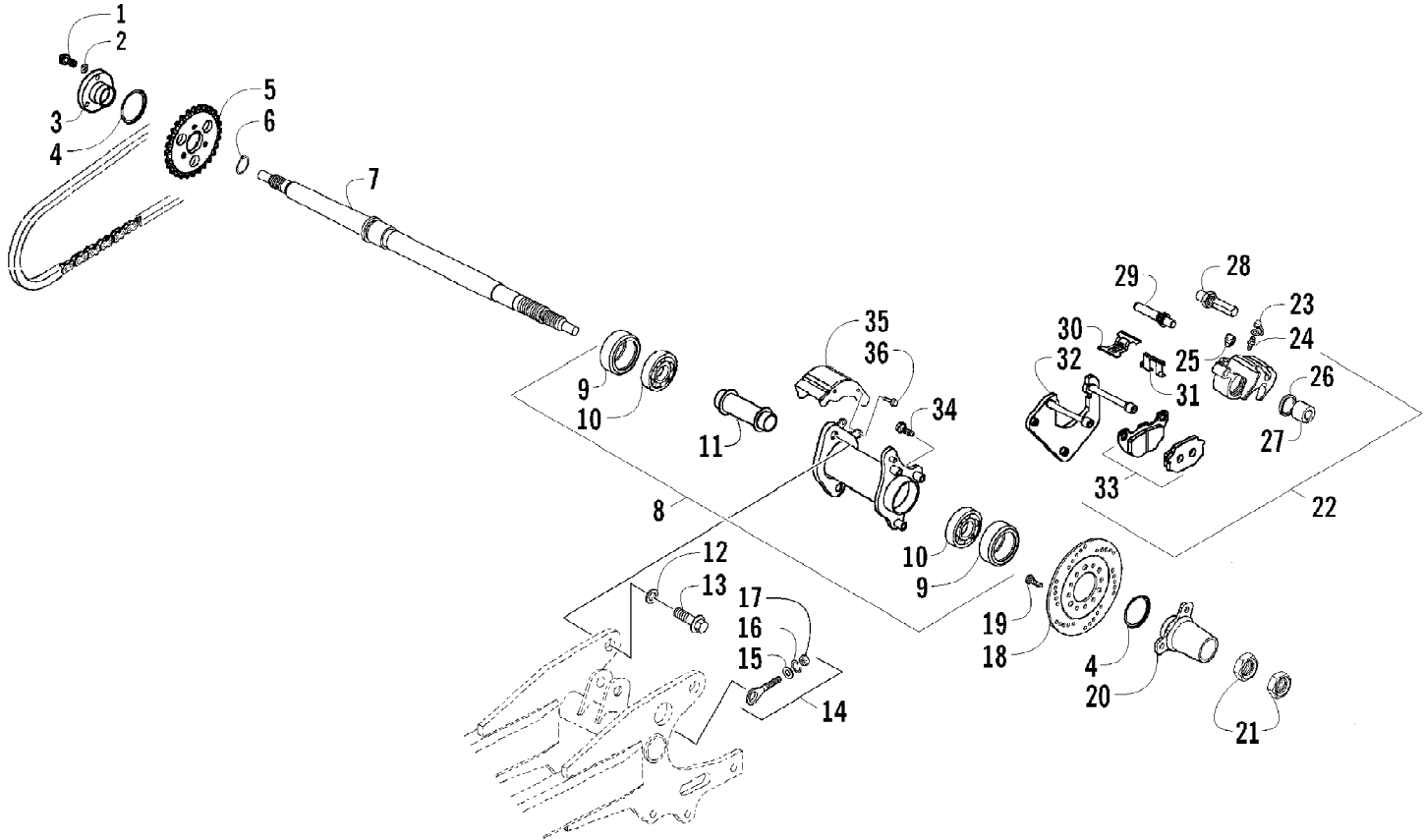
Ref #	Part Number	Qty	S/P/F	Description
1	3305-795	1		Crankcase (inc. 2-4)
2	3304-597	1		Plug
3	3305-906	1		Bushing, Rubber - Engine Mount
4	3303-402	1	/P	Bushing, Rubber - Engine Mount
5	3303-341	4		Pin, Dowel
6	3304-905	1		Bearing
7	3304-074	1	/P	Bearing
8	3304-699	1	/P	Bearing
9	3304-052	1	/P	Plug, Drain
10	3304-205	1		Bearing, Ball
11	3304-063	1		Spring, Seat
12	3304-021	1		Washer
13	3304-109	1		Screw, Seat
14	3303-297	1	/P	Seal, Oil
15	3303-278	1		Washer
16	3303-365	1		Plug, Drain
17	3305-798	1		Hose, Vent
18	3303-714	1		Clamp, Hose
19	3303-248	2		Bolt, Stud
20	3304-460	1		Plate, Dust
21	3303-381	3		Screw, Cap
22	3304-040	1		Retainer, Bearing
23	3304-187	2		Screw, Cap
24	3305-797	1		Switch, Gear Position (inc. 25)
25	3305-776	1	/P	O-Ring
26	3303-385	1		Screw, Cap
27	3303-370	6		Screw, Cap
28	3303-372	1		Screw, Cap
29	3303-119	1		Spindle, Kick Starter
30	3303-122	1		Spring
31	3303-121	1		Spacer
32	3303-120	1		Bushing
33	3303-276	1		Washer
34	3303-345	1		Ring, Retaining
35	3303-118	1		Gear, Driven
36	3303-272	1		Washer, Thrust
37	3303-117	1		Spring
38	3303-391	3		Screw, Cap
39	3303-009	1		Plate, Cover
40	3303-465	2		Bearing
41	3303-013	1		Gasket, Crankcase Cover
42	3305-907	1		Cover, Crankcase
43	3303-386	7	/P	Screw, Cap



2010 ATV 90 2X4 DVX WHITE (A2010KSB2BUSF)
PISTON AND CRANKSHAFT ASSEMBLY

Page 36 of 56

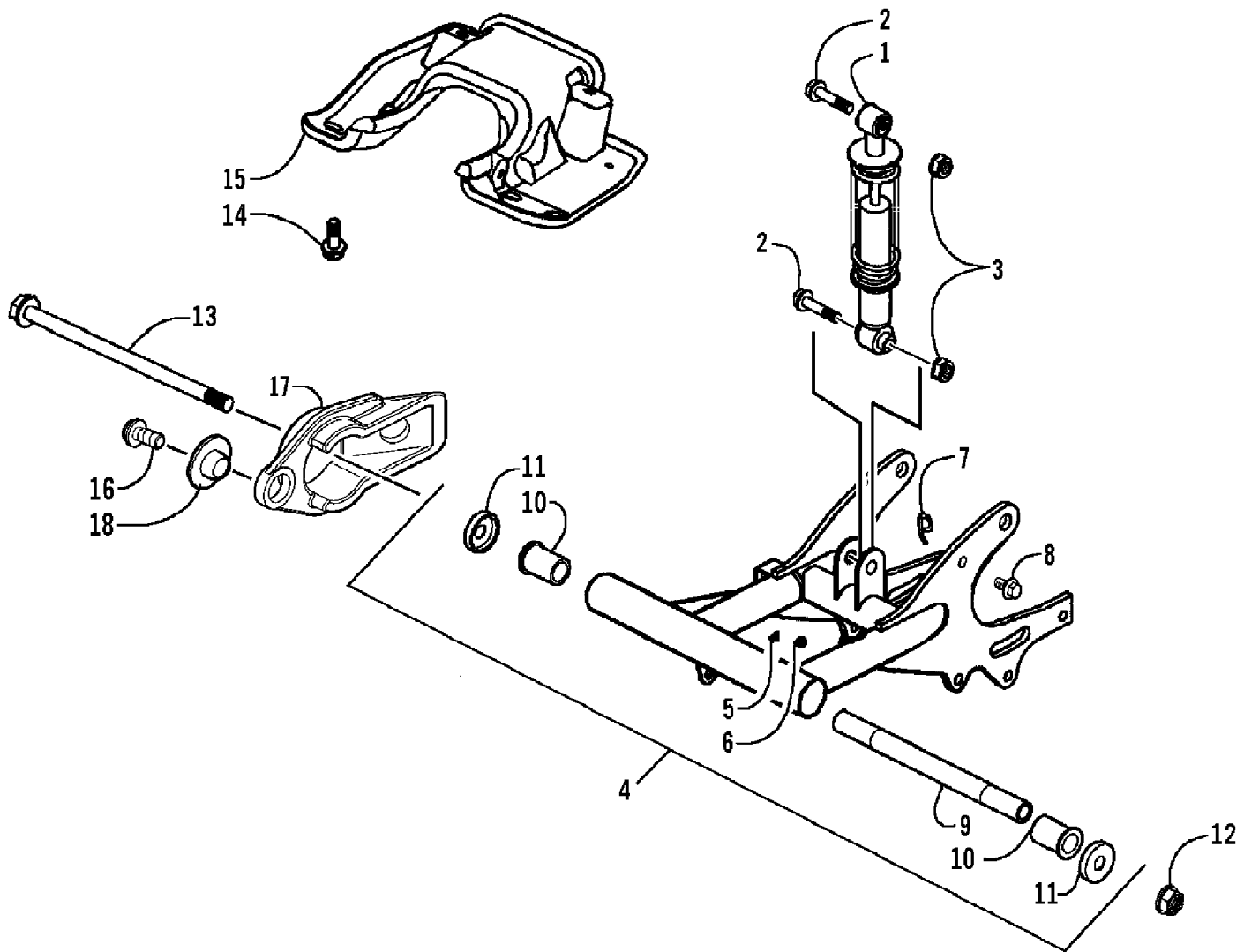
Ref #	Part Number	Qty	S/P/F	Description
1	3303-024	1		Ring, Piston - Set
2	3303-025	1		Piston
3	3303-026	1		Pin, Piston
4	3303-027	2		Clip, Piston Pin
5	3305-443	1		Crankshaft
6	3303-290	1		Key



2010 ATV 90 2X4 DVX WHITE (A2010KSB2BUSF)
 REAR AXLE AND BRAKE ASSEMBLY

Page 38 of 56

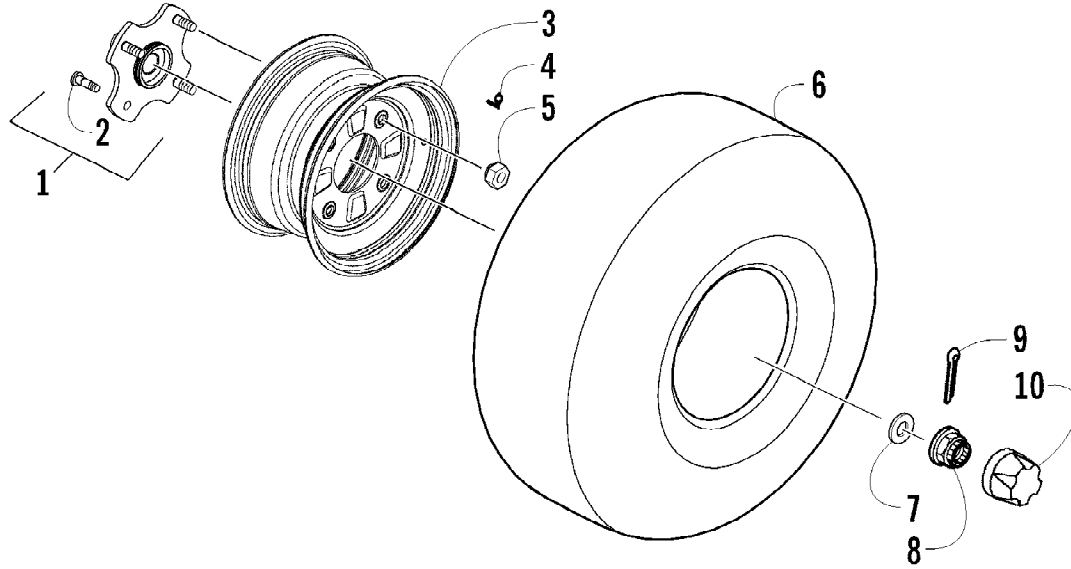
Ref #	Part Number	Qty	S/P/F	Description
1	3304-565	3	/P	Screw, Cap
2	3305-288	3	S	Washer, Lock
3	3305-835	1		Retainer, Sprocket
4	3305-298	2		O-Ring
5	3303-148	1		Sprocket, Final Drive
6	3305-840	1		Ring, Retaining
7	3305-838	1		Axle, Rear
8	3305-347	1	/P	Housing, Rear Axle (inc. 9-11)
9	3303-461	2		Seal
10	3303-466	2		Bearing
11	3303-427	1		Spacer
12	3303-281	3		Washer
13	3303-379	4		Screw, Cap
14	3303-147	1		Adjuster, Chain - Assembly (inc. 15-17)
15	3304-135	1	/P	Washer
16	3303-607	1	/P	Washer, Lock
17	3304-125	1		Nut
18	3303-162	1		Disc, Brake
19	3303-253	3	/P	Screw, Cap
20	3305-249	1		Bracket, Brake Disc
21	3305-839	2		Nut
22	3305-997	1		Caliper, Rear - Assembly (inc. 23-33)
23	3304-303	1		Cap, Bleed Valve
24	3304-302	1		Valve, Bleed
25	3304-333	1		Plug
26	3305-380	1	/P	Seal, Piston
27	3304-314	1	/P	Piston
28	3304-589	1		Pin w/Boot
29	3304-590	1		Pin w/Boot
30	3304-591	1		Spring
31	3305-377	1	/P	Seal
32	3303-469	1	/P	Bracket
33	3304-567	1	/P	Pad, Brake - Assembly
34	3303-256	2		Screw, Cap
35	3303-144	1		Guard, Chain
36	3304-610	2		Screw, Cap



2010 ATV 90 2X4 DVX WHITE (A2010KSB2BUSF)
 REAR SUSPENSION ASSEMBLY

Page 40 of 56

Ref #	Part Number	Qty	S/P/F	Description
1	3305-908	1		Shock/Spring - Assembly
2	3303-376	2	/P	Screw, Cap
3	3304-031	2	/P	Nut
4	3305-858	1		Fork, Rear - Assembly (inc. 5-11)
5	3303-394	1		Cap, Grease Fitting
6	3303-393	1		Fitting, Grease
7	3304-594	1		Clamp, Routing
8	3305-341	1		Screw, Cap
9	3303-189	1		Axle
10	3303-191	2		Bushing
11	3303-192	2		Cap
12	3304-032	1		Nut
13	3303-150	1		Screw, Cap
14	3305-454	4		Screw, Cap
15	3305-996	1		Guard, Rear Suspension
16	3304-690	2		Screw, Self-Tapping
17	3305-859	1		Guide, Chain
18	3304-360	2		Bushing

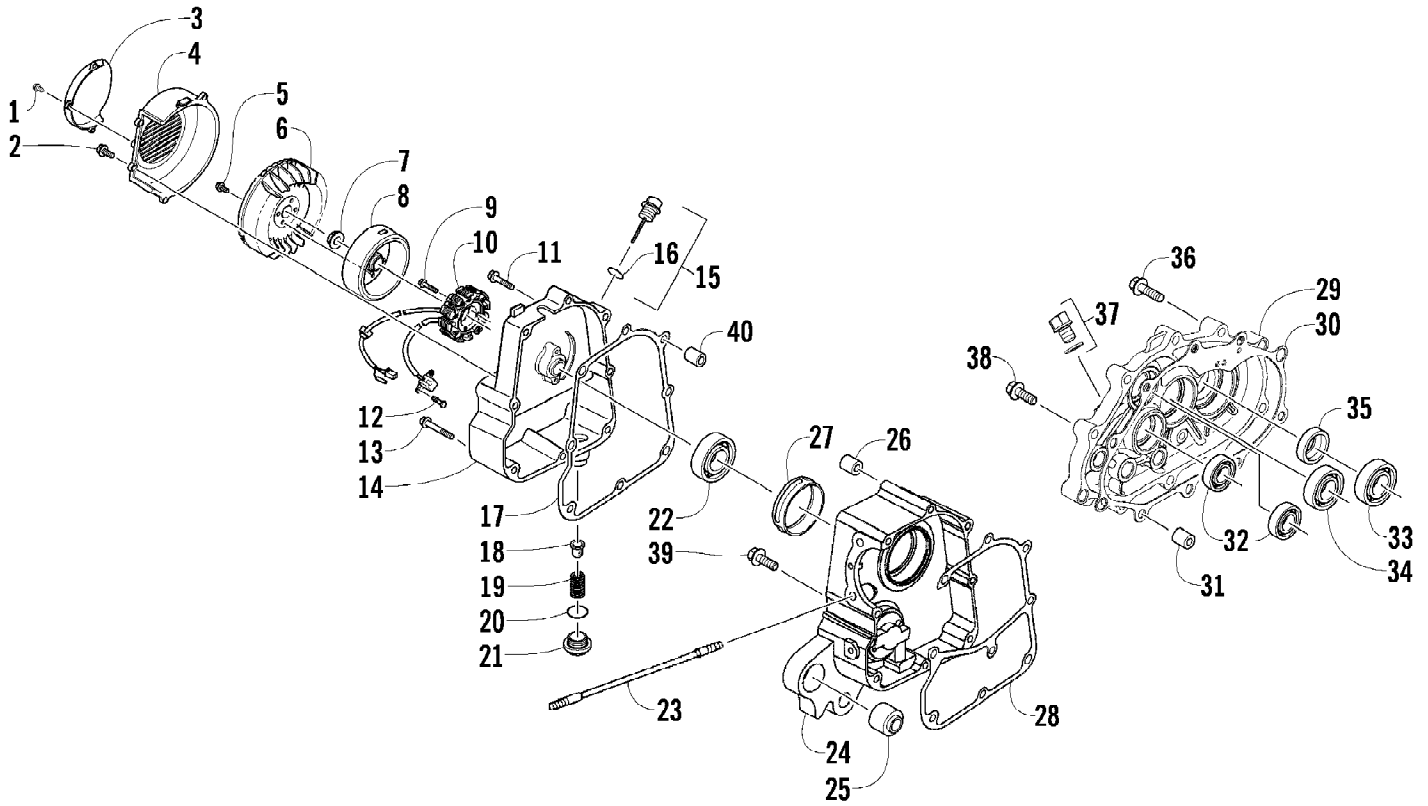


2010 ATV 90 2X4 DVX WHITE (A2010KSB2BUSF)
REAR WHEEL ASSEMBLY

Page 42 of 56

Ref #	Part Number	Qty	S/P/F	Description
1	3305-869	2		Hub, Wheel (inc. 2)
2	3303-250	8		Bolt, Stud
3	3303-156	2		Wheel - Assembly
4	3303-887	2		Stem, Valve
5	3303-266	8		Nut
6	3303-428	2		Tire
7	3305-285	2		Washer
8	3303-330	2		Nut, Lock
9	3303-340	2		Pin, Cotter
10	3303-430	2		Cap, Wheel

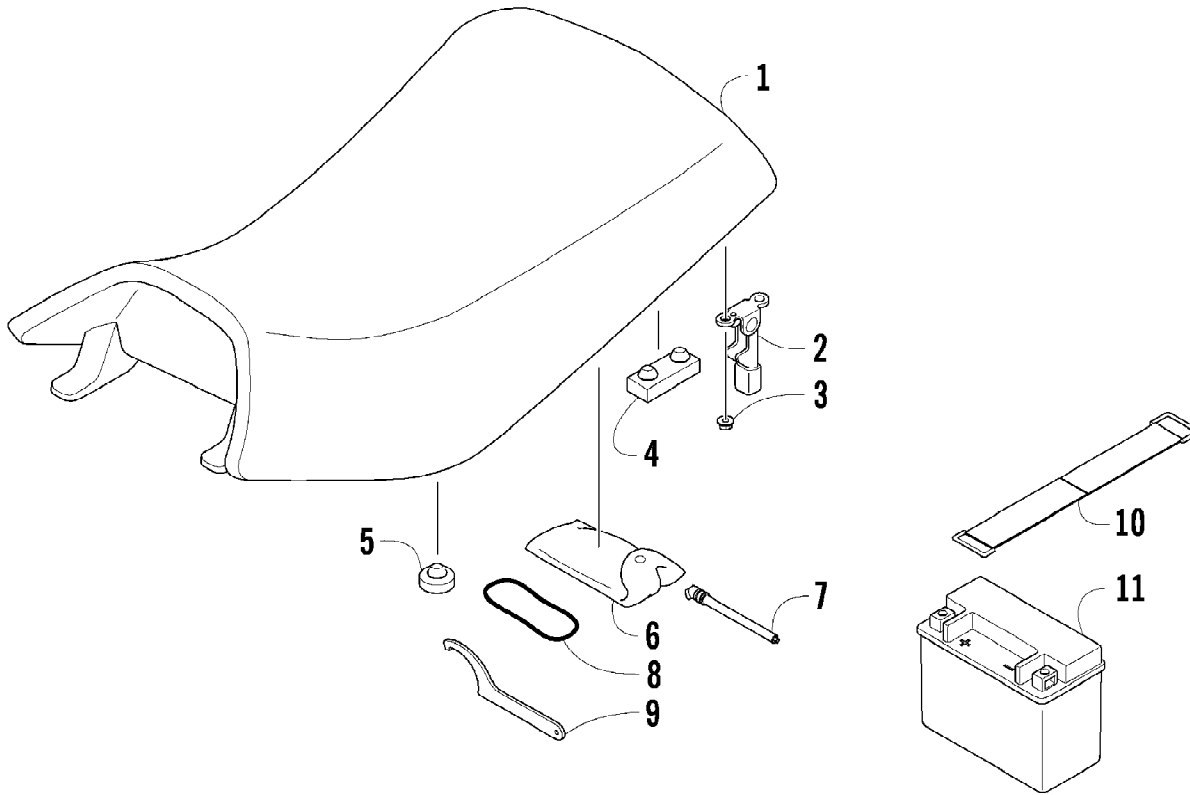
2010 ATV 90 2X4 DVX WHITE (A2010KSB2BUSF)
RIGHT CRANKCASE AND COVER ASSEMBLY



2010 ATV 90 2X4 DVX WHITE (A2010KSB2BUSF)
RIGHT CRANKCASE AND COVER ASSEMBLY

Page 44 of 56

Ref #	Part Number	Qty	S/P/F	Description
1	3304-585	2	/P	Screw, Self-Tapping
2	3303-384	3	/P	Screw, Cap
3	3303-317	1		Cover, Vent
4	3305-910	1		Cover, Fan
5	3303-382	4	/P	Screw, Cap
6	3303-075	1		Fan, Cooling
7	3303-333	1	/P	Nut
8	3303-127	1		Rotor/Flywheel (A) - D402
8	3303-414	1		Rotor/Flywheel (B) - D406
8	3303-415	1		Rotor/Flywheel (C) - D414
9	3303-383	2	/P	Screw, Cap
10	3304-641	1		Stator - Assembly (O) - D402
10	3305-254	1	/P	Stator - Assembly (A) - D406
10	3305-256	1	/P	Stator - Assembly (B) - D414
11	3304-580	4		Screw, Cap
12	3303-308	2		Screw, Cap
13	3303-390	4		Screw, Cap
14	3303-007	1		Cover, Crankcase
15	3303-050	1		Gauge, Oil Level - Assembly (inc. 16)
16	3304-102	1	/P	O-Ring
17	3303-012	1		Gasket, Crankcase Cover
18	3303-691	1	/P	Screen, Filter
19	3303-692	1	/P	Spring
20	3304-096	1	/P	O-Ring
21	3303-021	1		Cap, Inspection
22	3303-296	1		Seal, Oil
23	3303-247	2		Bolt, Stud
24	3303-400	1	/P	Crankcase (inc. 25-27)
25	3303-402	1	/P	Bushing, Rubber - Engine Mount
26	3304-065	2		Plug
27	0	1	F	Insert
28	3303-003	1		Gasket, Crankcase
29	3305-806	1		Case, Transmission
30	3305-807	1		Gasket, Transmission Case
31	3303-342	2		Pin, Dowel
32	3303-596	2	/P	Bearing
33	3305-821	1		Bearing
34	3304-909	1		Bearing
35	3305-808	1		Seal, Oil
36	3303-615	2		Screw, Cap
37	3304-052	1	/P	Plug, Fill
38	3305-468	8		Screw, Cap
39	3303-387	1		Screw, Cap
40	3303-341	2		Pin, Dowel

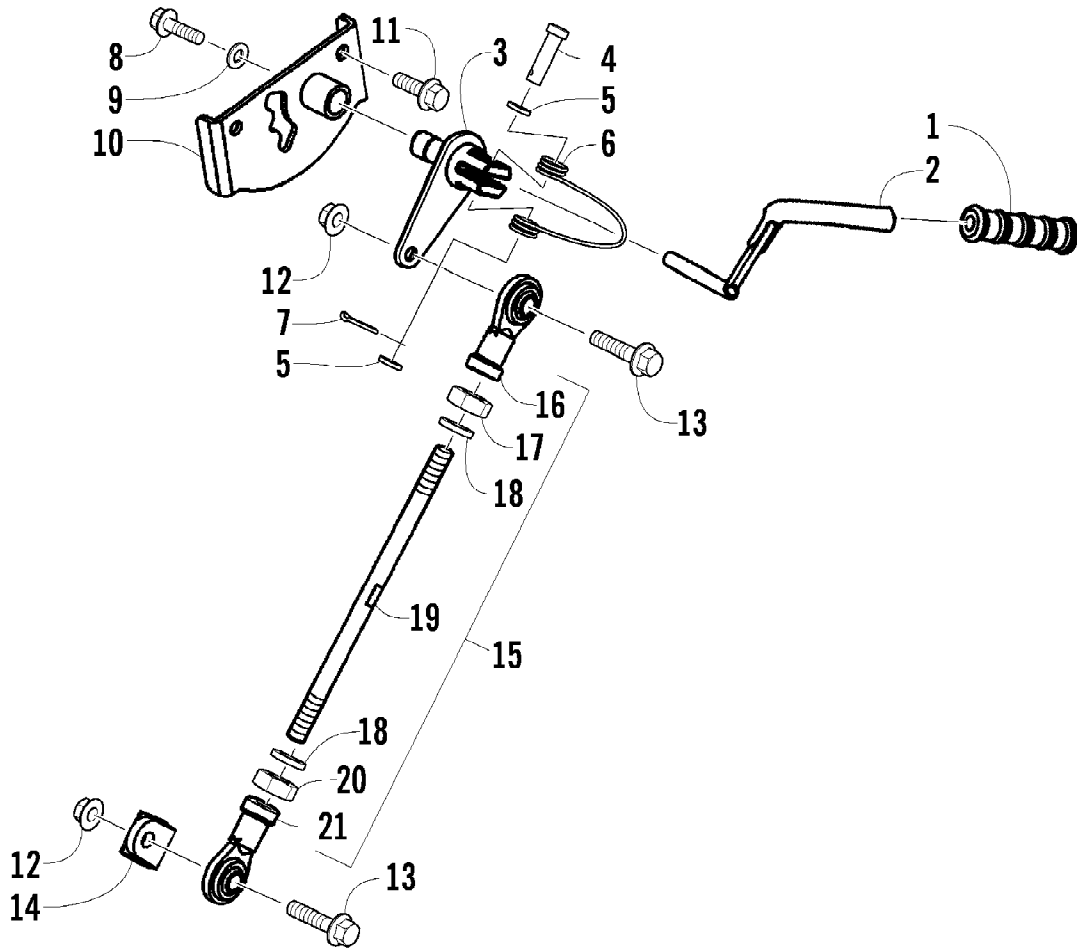


2010 ATV 90 2X4 DVX WHITE (A2010KSB2BUSF)
SEAT, BATTERY, AND TOOL KIT ASSEMBLIES

Page 46 of 56

Ref #	Part Number	Qty	S/P/F	Description
1	3304-497	1	/P	Seat Assembly (inc. 2-3)
2	3304-392	1		Latch, Seat
3	3303-331	2	/P	Nut
4	0	2	F	Bumper, Seat - Rear
5	3304-568	2		Bumper, Seat - Front
6	3303-578	1	/P	Kit, Tool
7	0	1	F	Gauge, Air Pressure
8	3303-242	1		Retainer, Tool Kit
9	1441-797	1	F	Wrench, Spanner
10	3304-434	1		Hold-Down, Battery
11	3303-131	1	/P	Battery

2010 ATV 90 2X4 DVX WHITE (A2010KSB2BUSF)
SHIFT LEVER ASSEMBLY

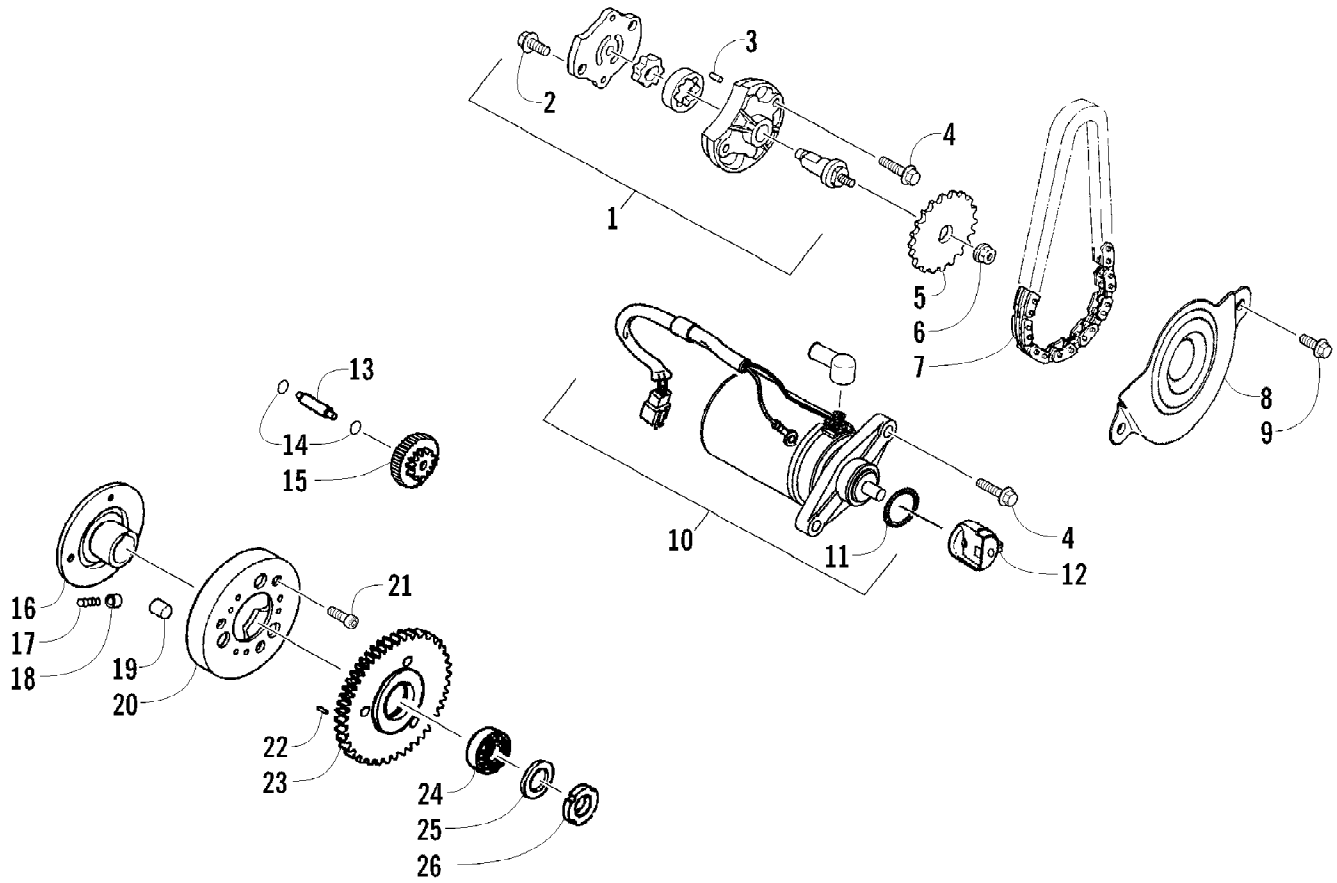


2010 ATV 90 2X4 DVX WHITE (A2010KSB2BUSF)
SHIFT LEVER ASSEMBLY

Page 48 of 56

Ref #	Part Number	Qty	S/P/F	Description
1	3305-911	1		Handle, Shift Lever
2	3305-854	1		Lever, Shift
3	3305-849	1		Pivot, Shift Lever
4	3303-817	1		Pin, Shift Lever
5	3305-195	2		Washer
6	3305-853	1		Spring
7	3304-142	1		Pin, Cotter
8	3304-553	1		Screw, Cap
9	3305-852	1		Washer
10	3305-851	1		Bracket, Shift Lever
11	3304-543	2	/P	Screw, Cap
12	3304-668	2		Nut, Lock
13	3304-176	2		Screw, Cap
14	3305-825	1	/P	Bracket, Shift Lever
15	3305-847	1		Shift Linkage Assembly (inc. 16-21)
16	0	1	F	Ball Joint, Tie Rod - Right
17	0	1	F	Nut
18	0	2	F	Washer
19	0	1	F	Tie Rod
20	0	1	F	Nut
21	0	1	F	Ball Joint, Tie Rod - Left

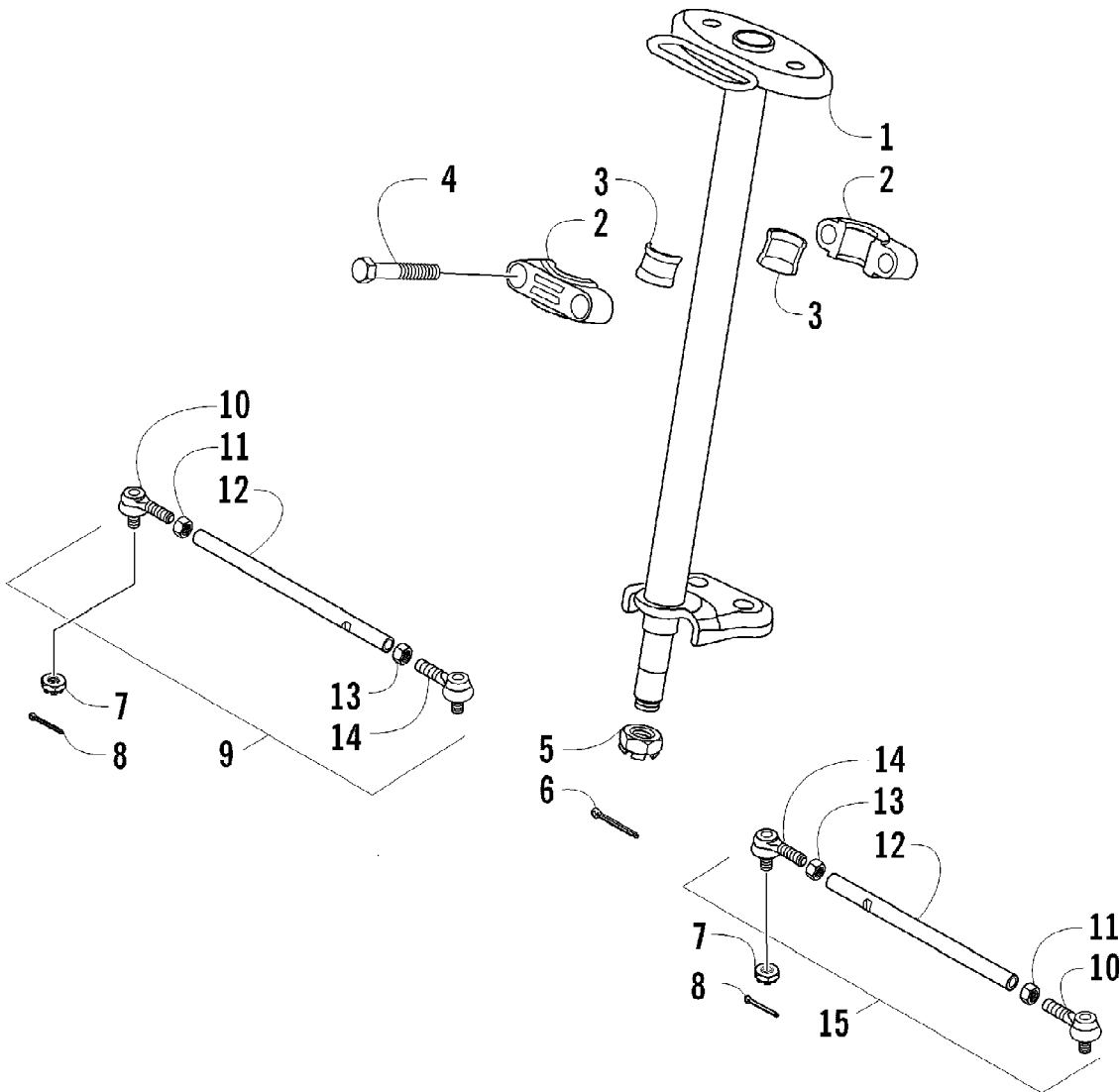
2010 ATV 90 2X4 DVX WHITE (A2010KSB2BUSF)
STARTER MOTOR AND OIL PUMP ASSEMBLY



2010 ATV 90 2X4 DVX WHITE (A2010KSB2BUSF)
STARTER MOTOR AND OIL PUMP ASSEMBLY

Page 50 of 56

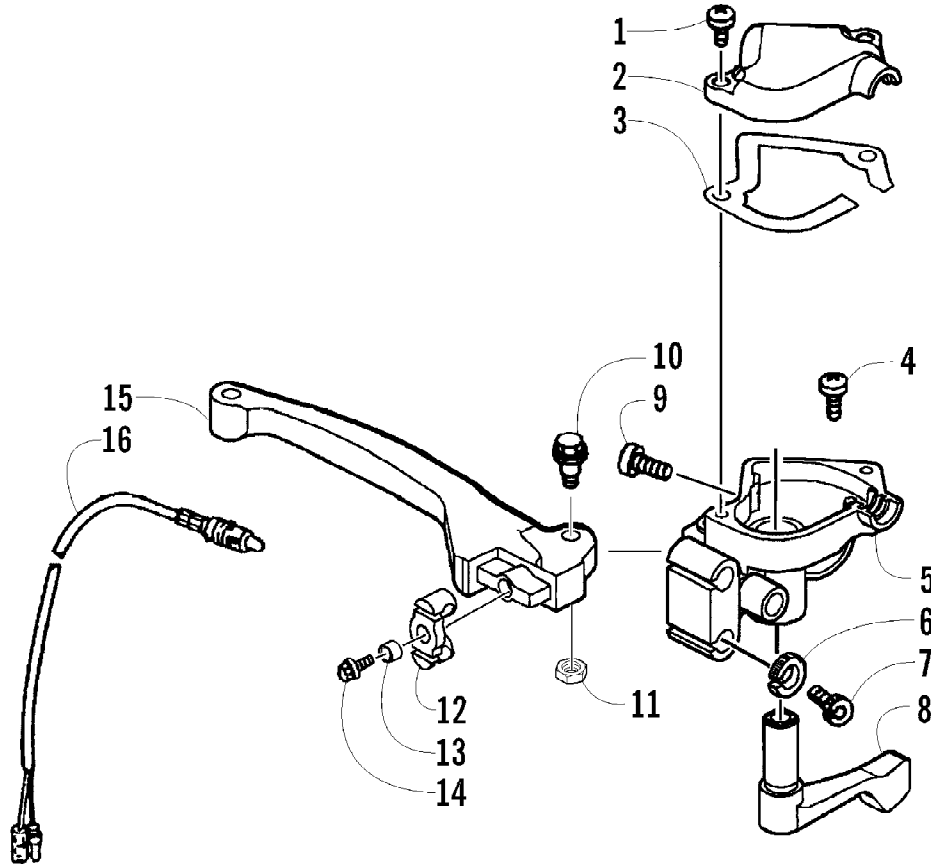
Ref #	Part Number	Qty	S/P/F	Description
1	3303-045	1		Pump, Oil - Assembly (inc. 2-3)
2	3304-426	1		Screw, Cap
3	3304-144	1		Pin, Dowel
4	3303-384	4	/P	Screw, Cap
5	3303-046	1		Sprocket
6	3303-331	1	/P	Nut
7	3303-047	1		Chain, Oil Pump
8	3303-051	1		Separator, Oil
9	3303-381	2		Screw, Cap
10	3305-802	1		Motor, Starter (inc. 11)
11	3303-604	1		O-Ring
12	3303-130	1		Cover, Starter
13	3303-110	1		Shaft, Starter Reduction
14	3303-282	2		Washer
15	3303-109	1		Gear, Starter Reduction
16	3303-115	1		Plate, Starter Clutch
17	3303-113	3		Spring
18	3303-114	3		Roller, Starter
19	3303-293	3		Roller
20	3303-112	1		Clutch, Outer
21	3303-396	3		Screw, Cap
22	3303-395	1		Pin, Alignment
23	3303-111	1		Gear, Starter
24	3303-292	1		Bearing
25	3303-285	1		Circlip
26	3303-258	1		Nut



2010 ATV 90 2X4 DVX WHITE (A2010KSB2BUSF)
STEERING POST ASSEMBLY

Page 52 of 56

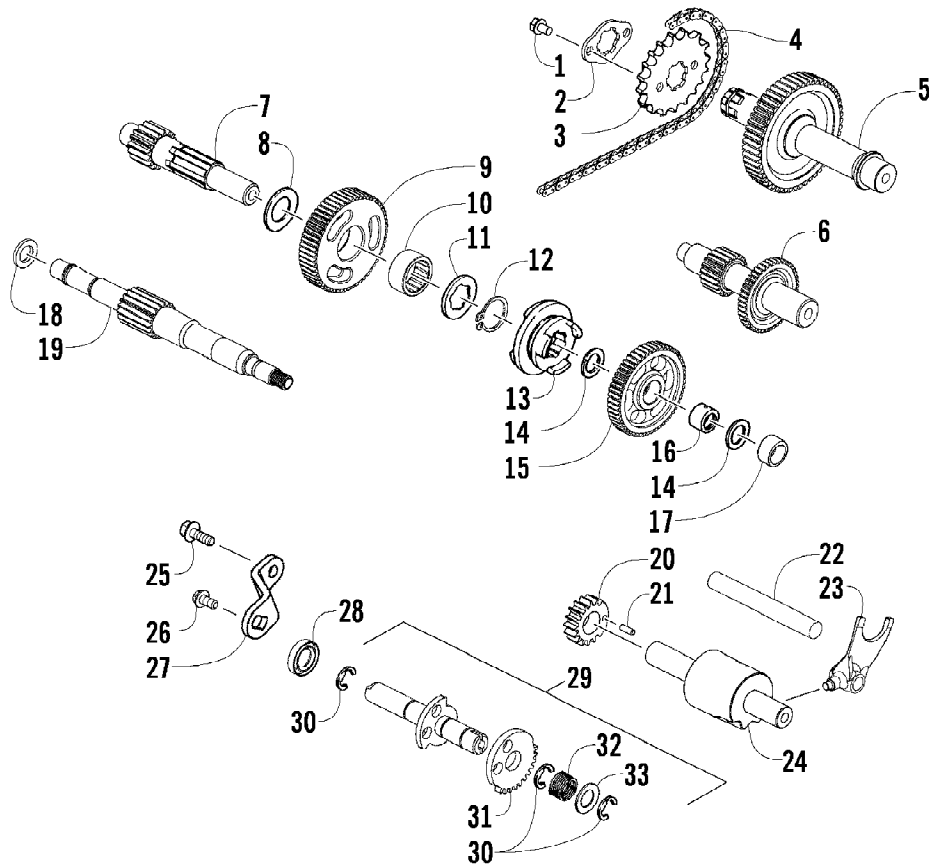
Ref #	Part Number	Qty	S/P/F	Description
1	3303-573	1	/P	Post, Steering
2	3303-213	2		Holder, Steering Post
3	3305-497	1	/P	Bushing
4	3304-559	2		Screw, Cap
5	3304-032	1		Nut
6	3303-470	1		Pin, Cotter
7	3303-266	4		Nut
8	3303-621	4	/P	Pin, Cotter
9	3305-485	1		Tie Rod Assembly - Right (inc. one No. 10-14)
10	3305-486	2		Ball Joint, Tie Rod - Right
11	3303-326	2		Nut
12	3305-282	2		Tie Rod
13	3303-327	2		Nut
14	3305-487	2		Ball Joint, Tie Rod - Left
15	3305-499	1		Tie Rod Assembly - Left (inc. one No. 10-14)



2010 ATV 90 2X4 DVX WHITE (A2010KSB2BUSF)
THROTTLE CONTROL ASSEMBLY

Page 54 of 56

Ref #	Part Number	Qty	S/P/F	Description
	3305-979	1		Complete Throttle Control Assembly
1	3303-315	2		Screw, Machine
2	3303-207	1		Cover, Throttle Control
3	3303-209	1		Gasket
4	3303-397	1		Screw, Machine
5	3303-204	1		Housing, Throttle Control
6	3303-271	2		Nut
7	3303-208	2		Screw, Adjuster
8	3303-200	1		Lever, Throttle
9	3305-980	1		Screw, Machine
10	3303-255	1		Screw, Shoulder
11	3303-262	1		Nut
12	3303-201	1		Retainer, Brake Cable
13	3303-202	1		Spacer
14	3305-344	1	/P	Screw, Cap
15	3306-054	1	/P	Lever, Brake
16	3303-140	1		Switch, Brake



2010 ATV 90 2X4 DVX WHITE (A2010KSB2BUSF)
TRANSMISSION ASSEMBLY

Page 56 of 56

Ref #	Part Number	Qty	S/P/F	Description
1	3303-307	2		Screw, Cap
2	3303-108	1		Plate, Retaining
3	3305-814	1		Sprocket, Drive
4	3305-820	1		Chain, Drive
5	3305-805	1	/P	Shaft, Final
6	3305-822	1		Countershaft - Assembly
7	3305-809	1		Shaft, Main
8	3304-042	1		Washer, Thrust
9	3305-811	1		Gear, Reverse
10	3304-074	1	/P	Bearing
11	3305-812	1		Washer
12	3303-344	1		Circlip
13	3305-029	1		Gear Select, Sliding
14	3303-275	2	/P	Washer, Thrust
15	3305-810	1		Gear, Forward
16	3305-024	1		Bushing
17	3305-028	1		Spacer
18	3303-588	1		Washer
19	3305-813	1		Driveshaft
20	3306-008	1		Gear, Drum Shift
21	3304-206	1		Pin, Alignment
22	3304-513	1		Shaft, Shift Fork
23	3305-815	1		Fork, Shift
24	3305-816	1		Cam, Gear Shift - Assembly
25	3303-365	1		Screw, Cap
26	3304-652	1		Screw, Cap
27	3305-825	1	/P	Bracket, Spindle Assembly
28	3304-900	1		Seal, Oil
29	3305-817	1		Spindle Assembly (inc. 30-33)
30	3304-153	3		E-Ring
31	3303-815	1		Gear, Shift
32	3305-818	1		Spring
33	3304-036	1		Washer, Thrust