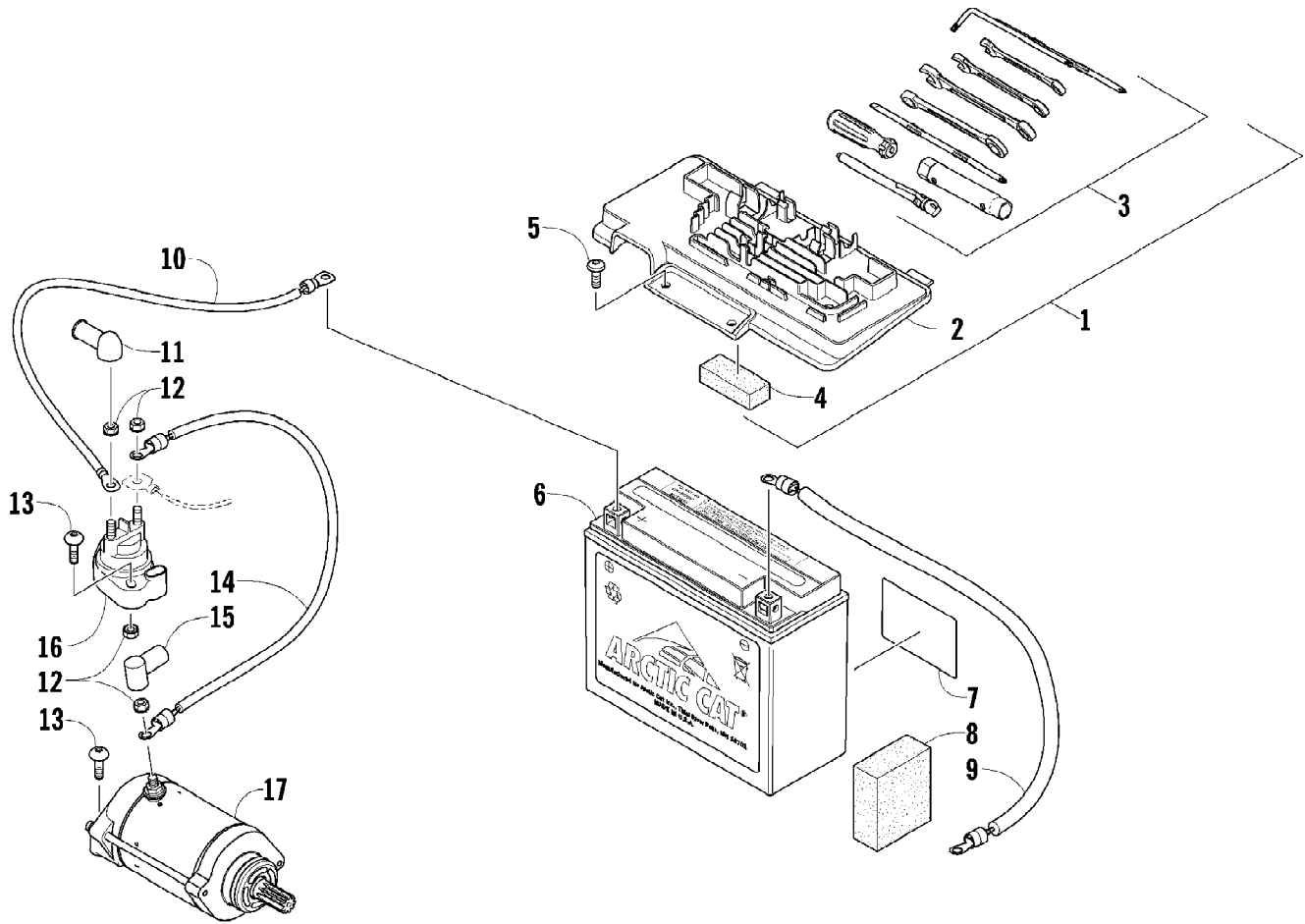


2010 ATV 700s H1 EFI GREEN (A2010IBT1PUSG)  
AIR INTAKE ASSEMBLY

Page 2 of 79

Ref #	Part Number	Qty	S/P/F	Description
1	0470-877	1	/P	Cover, Intake
2	0470-560	1		Screen, Air Filter
3	0470-558	1		Filter, Air
4	0470-728	1		Housing, Intake
5	0423-455	4		Clip, Spring
6	0470-749	1		Duct, Engine Intake
7	0423-763	1		Grommet
8	0570-215	1		Resonator
9	0470-729	1		Boot
10	0423-342	4	/P	Screw, Self-Tapping
11	0423-019	2		Clamp
12	0470-442	1	/P	Valve, Drain
13	0410-172	1	/P	Hose, Vent
14	1623-281	2		Clamp, Hose
15	0423-766	1		Cap, Drain
16	1623-287	1		Clamp
17	0423-554	1		Clamp
18	0470-511	1		Boot
19	0430-055	1		Sensor, Air Temperature (inc. 20)
20	5507-224	1		O-Ring
21	2406-604	1		Panel, Shield
22	0623-362	2		Rivet, Reinstallable



2010 ATV 700s H1 EFI GREEN (A2010IBT1PUSG)  
 BATTERY AND STARTER ASSEMBLY

Page 4 of 79

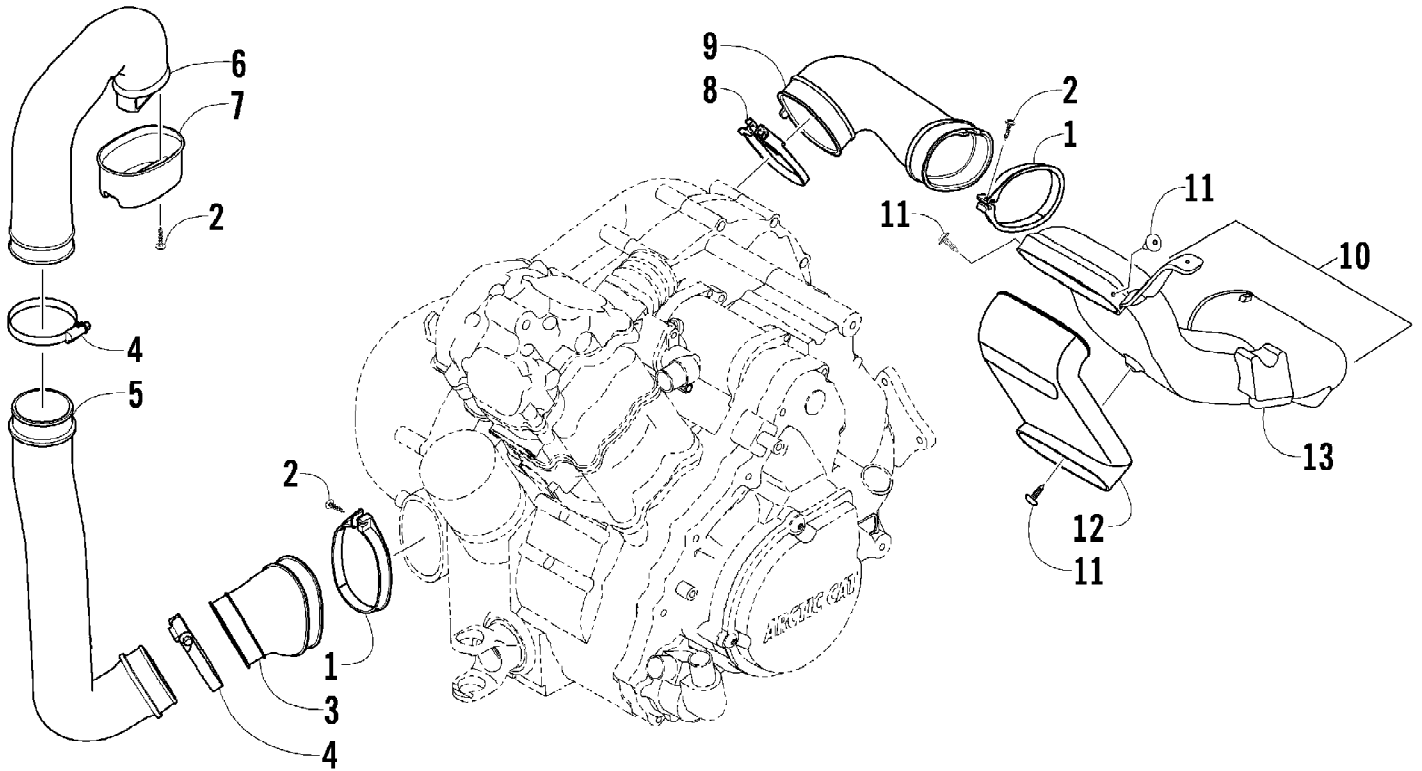
Ref #	Part Number	Qty	S/P/F	Description
1	5991-655	1	/P	Battery Cover/Tool Tray Assembly (inc. 2-4)
2	2406-815	1	/P	Cover, Battery
3	0444-122	1	S/P	Kit, Tool
4	0417-016	1		Pad, Battery
5	8476-620	2		Screw, Machine
6	0645-480	1		Battery Assembly (inc. 7)
7	0645-430	1		Decal, Warning
8	0417-012	1		Foam, Battery
9	0445-070	1		Cable, Battery/Ground
10	0445-062	1		Cable, Battery/Solenoid
11	0645-327	1		Boot, Terminal
12	0623-038	5		Nut w/Washer
13	8476-625	4		Screw, Machine
14	0445-064	1		Cable, Solenoid/Starter (inc. 15)
15	0645-019	1		Boot, Terminal
16	0445-058	1	/P	Solenoid
17	0825-013	1	/P	Motor, Starter - Assembly



2010 ATV 700s H1 EFI GREEN (A2010IBT1PUSG)  
CAM CHAIN ASSEMBLY

Page 6 of 79

Ref #	Part Number	Qty	S/P/F	Description
1	0810-001	1		Chain, Cam
2	0810-002	1		Guide, Chain
3	0810-003	1		Tensioner, Chain
4	0826-036	1		Pivot, Tensioner
5	0830-025	1		Washer, Crush
6	0810-004	1		Adjuster, Tensioner - Assembly
7	0830-018	1		Gasket
8	8468-625	2		Screw, Machine
9	0830-107	2		Gasket
10	8400-610	1		Screw, Cap
11	0828-129	1		Washer



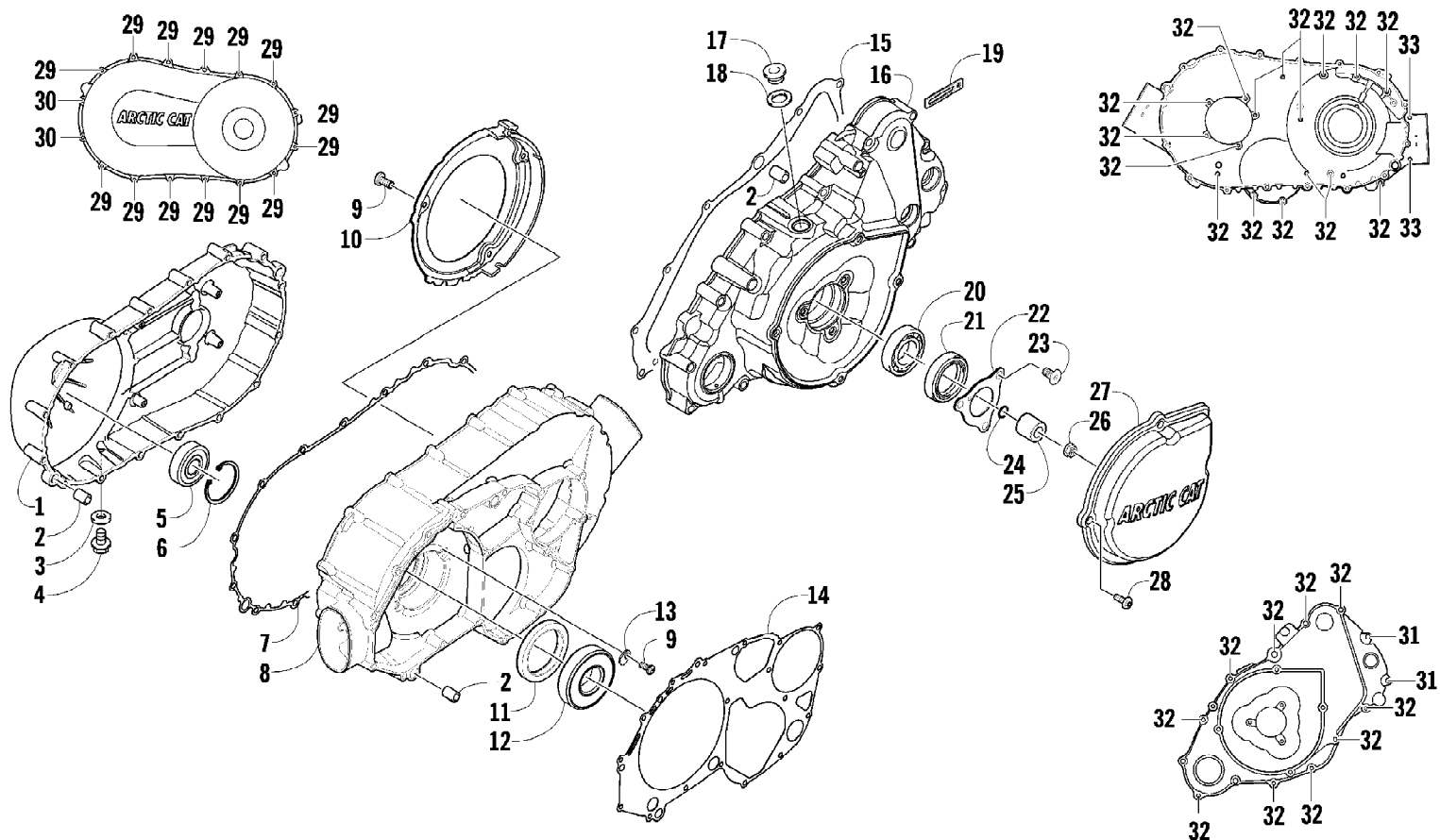
2010 ATV 700s H1 EFI GREEN (A2010IBT1PUSG)  
CASE/BELT COOLING ASSEMBLY

Page 8 of 79

Ref #	Part Number	Qty	S/P/F	Description
1	0423-550	2		Clamp, Plastic
2	0423-342	4	/P	Screw, Self-Tapping
3	0413-252	1		Boot, Duct - Air Intake - Front
4	0423-019	2		Clamp
5	0413-250	1		Duct, Air Intake - Front - Lower
6	0470-750	1		Duct, Air Intake - Front - Upper
7	0470-729	1		Cup, Air Intake
8	0423-730	1		Clamp
9	0413-206	1	/P	Boot, Duct - Air Out - Rear
10	0470-824	1	/P	Duct, Air Out - Rear (inc. three No. 11 and 12-13)
11	0623-784	4		Screw, Self-Tapping
12	0470-778	1		Duct
13	0470-825	1		Duct



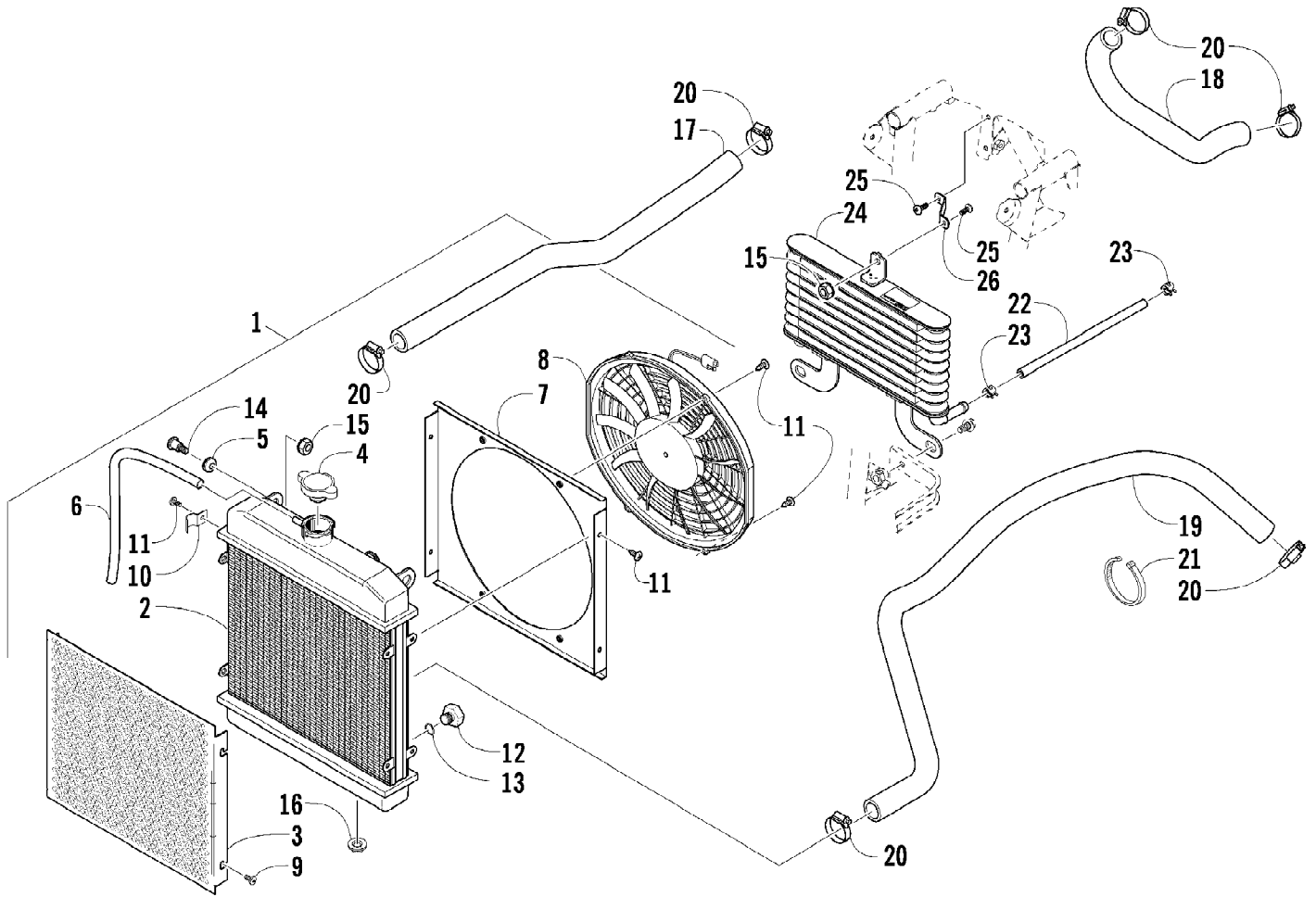
2010 ATV 700s H1 EFI GREEN (A2010IBT1PUSG)  
CLUTCH/V-BELT/MAGNETO COVER ASSEMBLY



2010 ATV 700s H1 EFI GREEN (A2010IBT1PUSG)  
CLUTCH/V-BELT/MAGNETO COVER ASSEMBLY

Page 10 of 79

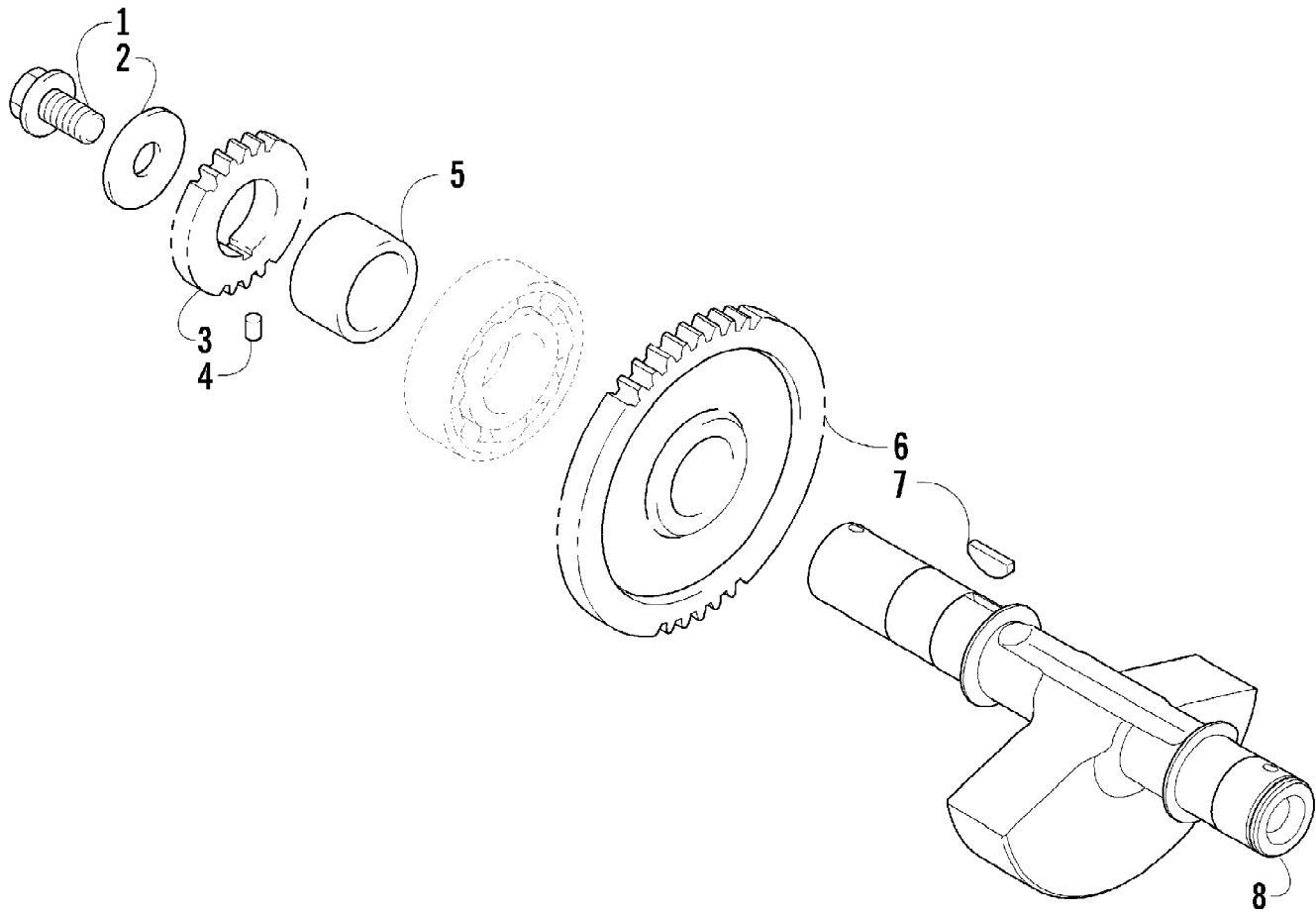
Ref #	Part Number	Qty	S/P/F	Description
1	0806-089	1		Cover, V-Belt
2	0829-002	6		Pin, Dowel
3	0830-013	1		Washer, Crush
4	8408-812	1		Screw, Cap
5	0832-060	1		Bearing
6	0831-078	1		Ring, Retaining
7	0830-174	1	/P	Gasket, V-Belt Cover
8	0806-086	1		Cover, Clutch
9	0826-029	5		Screw, Machine
10	0806-048	1		Plate, Air Intake
11	0830-188	1	/P	Seal
12	0832-047	1	S	Bearing
13	0822-010	2	/P	Retainer, Bearing
14	0830-116	1	/P	Gasket, Clutch Cover
15	0830-128	1		Gasket, Magneto Cover
16	0806-082	1	/P	Cover, Magneto - Assembly
17	0826-155	1		Plug
18	0830-015	1		Washer, Crush
19	3002-964	1	/P	Clamp, Wire
20	0832-045	1	S	Bearing
21	0830-158	1		Seal
22	0805-008	1		Retainer, Seal
23	0826-031	3		Screw, Machine
24	0830-108	1		O-Ring
25	0820-061	1		Bushing
26	0827-008	1		Nut
27	0820-062	1		Cover, Magneto
28	8468-616	4		Screw, Machine
29	8468-645	14		Screw, Machine
30	8468-655	2		Screw, Machine
31	8468-625	2		Screw, Machine
32	8468-640	26		Screw, Machine
33	8468-675	2		Screw, Machine



2010 ATV 700s H1 EFI GREEN (A2010IBT1PUSG)  
COOLING ASSEMBLY

Page 12 of 79

Ref #	Part Number	Qty	S/P/F	Description
1	0413-199	1	S	Radiator Assembly (inc. 2-13)
2	0413-205	1		Radiator
3	0413-007	1		Screen
4	0413-002	1	S	Cap
5	0423-030	2		Grommet
6	0610-016	AR	/P	Hose - 25 ft
6	0610-015	AR	/P	Hose - 100 ft
7	0413-203	1		Shroud, Fan
8	0413-123	1	/P	Fan, Cooling
9	8475-512	4		Screw, Machine
10	0423-351	1		Clamp, Wire
11	0623-378	8		Screw, Self-Tapping
12	0413-195	1		Plug, Drain
13	1602-213	1	/P	O-Ring
14	0423-484	2		Screw, Shoulder
15	0623-038	4		Nut w/Washer
16	0423-028	2		Bushing, Stem
17	0410-002	1		Hose, Coolant - Upper
18	0410-022	1		Hose, Coolant - Crossover
19	0410-222	1		Hose, Coolant - Lower
20	0423-496	6		Clamp, Hose
21	0623-751	AR		Tie, Cable - 11.75 in.
22	0410-127	2		Hose, Oil Cooler
23	0423-632	4		Clamp, Hose
24	0413-211	1	/P	Cooler, Oil
25	8476-612	2		Screw, Machine
26	0513-022	1		Bracket, Mounting - Oil Cooler - Upper

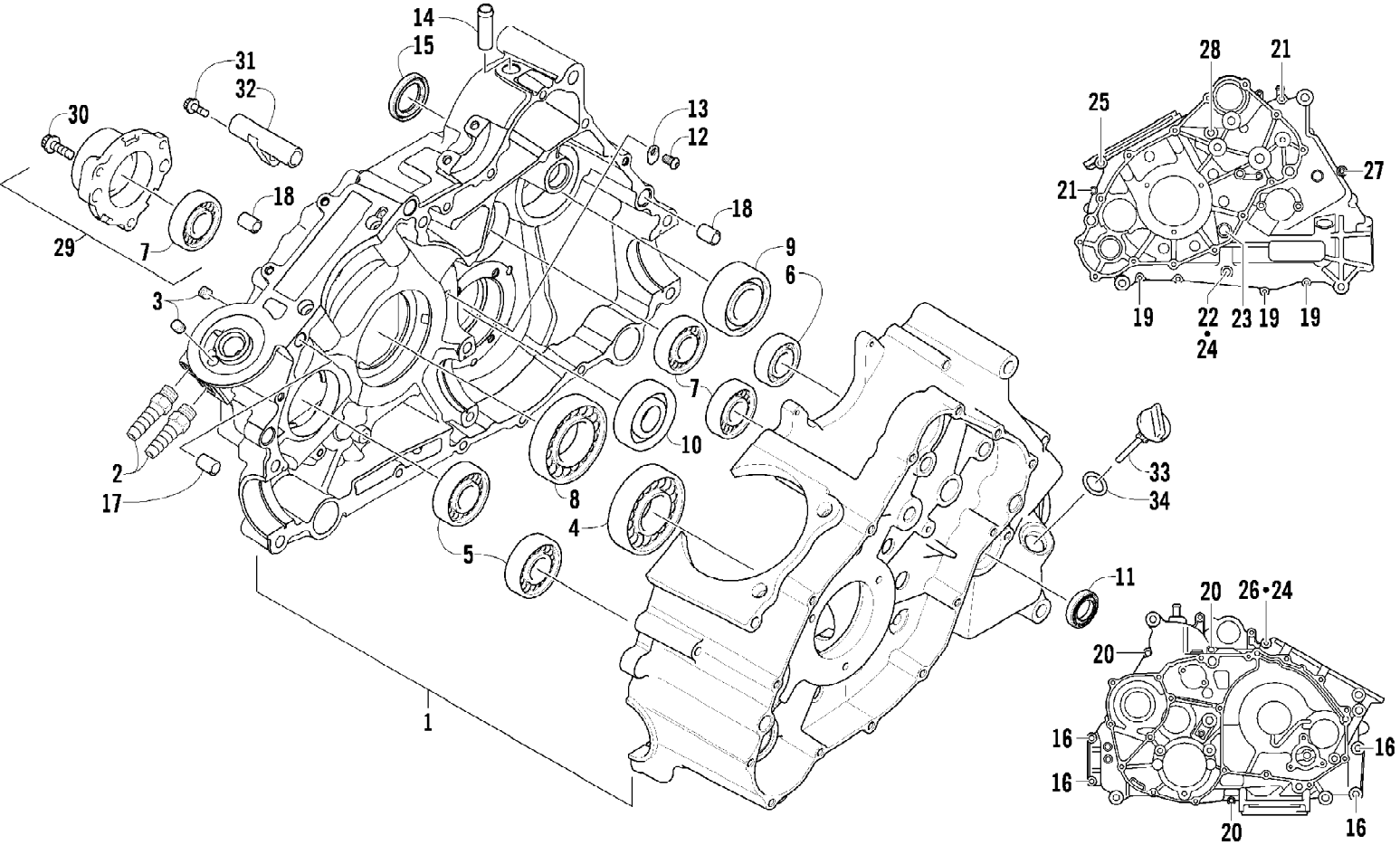


2010 ATV 700s H1 EFI GREEN (A2010IBT1PUSG)  
CRANK BALANCER ASSEMBLY

Page 14 of 79

Ref #	Part Number	Qty	S/P/F	Description
1	0826-033	1		Screw, Cap
2	0828-003	1		Washer
3	0811-003	1		Gear, Oil Pump Drive
4	0829-007	1		Pin, Dowel
5	0811-004	1		Spacer
6	0811-002	1		Gear, Driven
7	0829-006	1		Key
8	0811-017	1		Balancer, Crank

2010 ATV 700s H1 EFI GREEN (A2010IBT1PUSG)  
CRANKCASE ASSEMBLY

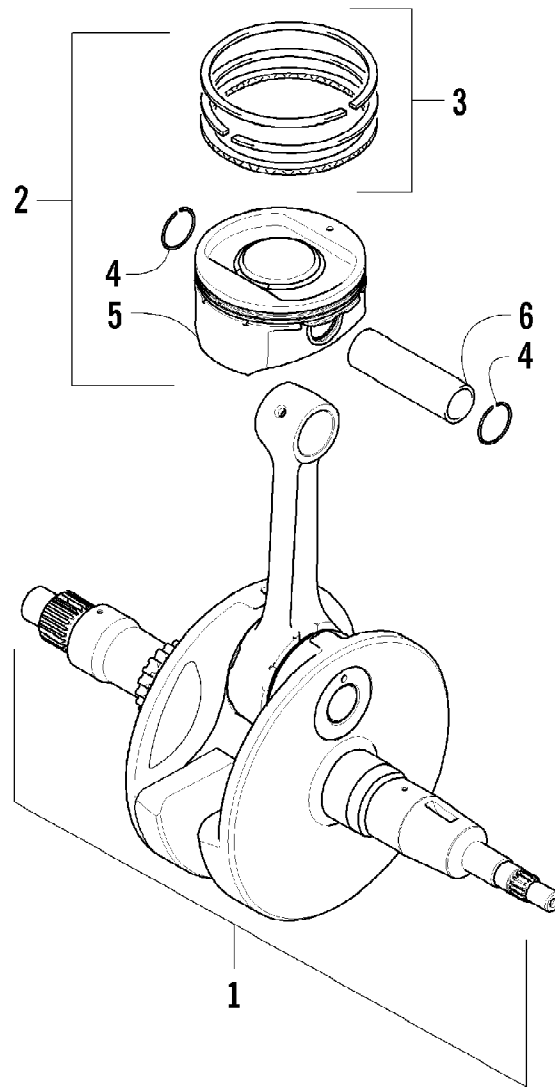


2010 ATV 700s H1 EFI GREEN (A2010IBT1PUSG)  
CRANKCASE ASSEMBLY

Page 16 of 79

Ref #	Part Number	Qty	S/P/F	Description
1	0801-146	1		Crankcase Assembly (inc. 2-15)
2	0812-061	2		Fitting, Adapter
3	0801-002	2		Plug
4	0832-043	1	/P	Bearing
5	0832-044	2	/P	Bearing
6	0832-049	1	/P	Bearing
7	0832-050	3	/P	Bearing
8	0832-042	1	/P	Bearing
9	0832-048	1	/P	Bearing
10	0832-015	1	S/P	Bearing
11	0822-052	1		Seal, Countershaft
12	0826-100	4		Screw, Machine
13	0822-010	4	/P	Retainer, Bearing
14	0801-028	1		Pipe, Breather
15	0830-035	1		Seal, Driveshaft
16	8412-850	4		Screw, Cap
17	0829-003	1		Pin, Dowel
18	0829-002	5		Pin, Dowel
19	8468-645	3		Screw, Machine
20	8468-655	3		Screw, Machine
21	8468-675	2		Screw, Machine
22	8412-860	1		Screw, Cap
23	0826-017	1		Screw, Cap
24	0830-008	2		Gasket
25	0826-019	1		Screw, Cap
26	0826-018	1		Screw, Cap
27	8468-695	1		Screw, Machine
28	8468-680	1		Screw, Machine
29	0801-029	1		Housing, Secondary Shaft (inc. one No. 7)
30	0826-105	3		Screw, Cap
31	0826-038	1		Screw, Cap
32	0801-069	1		Pipe, Breather
33	0801-179	1		Stick, Oil Level
34	0830-010	1		O-Ring

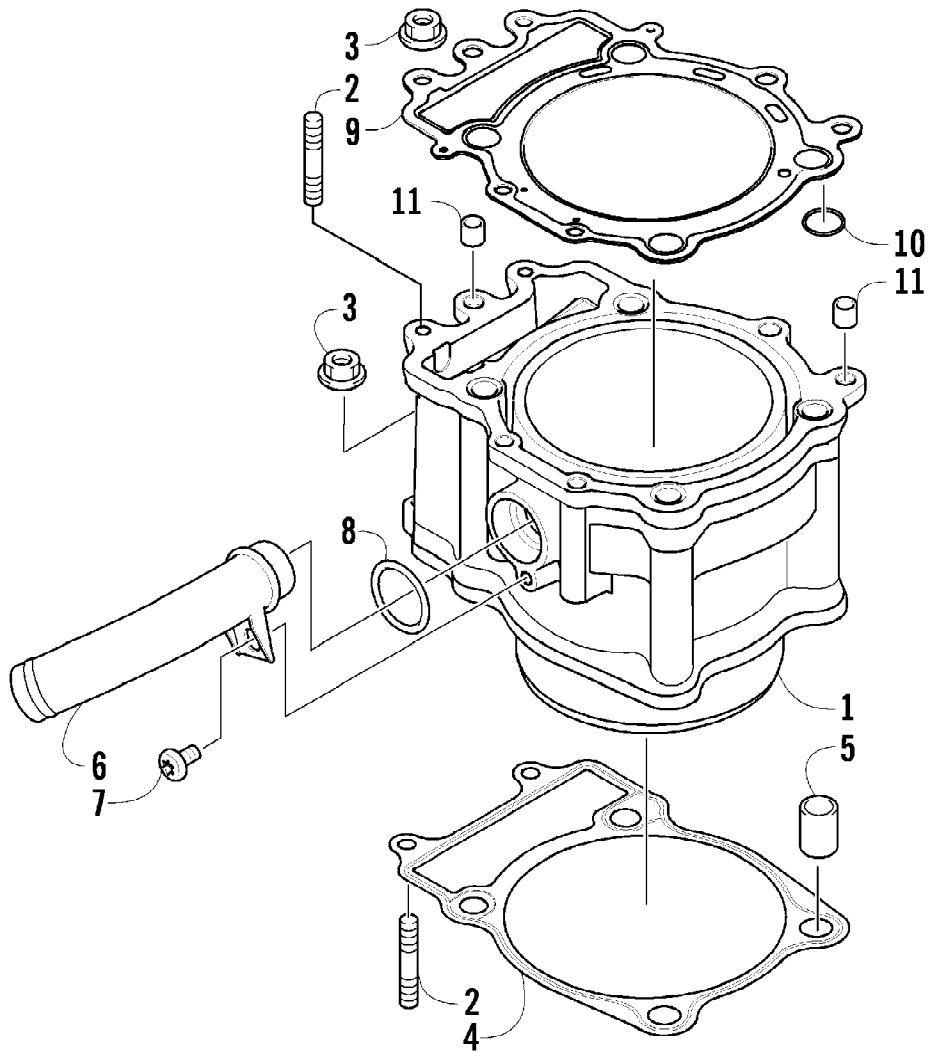




2010 ATV 700s H1 EFI GREEN (A2010IBT1PUSG)  
CRANKSHAFT AND PISTON ASSEMBLY

Page 18 of 79

Ref #	Part Number	Qty	S/P/F	Description
1	0805-032	1	S	Crankshaft Assembly
2	0805-297	1	/P	Piston Set (inc. 3-6)
3	0805-132	1		Ring, Piston - Set
4	0831-001	2		Circlip, Piston Pin
5	0805-296	1		Piston
6	0805-210	1		Pin, Piston

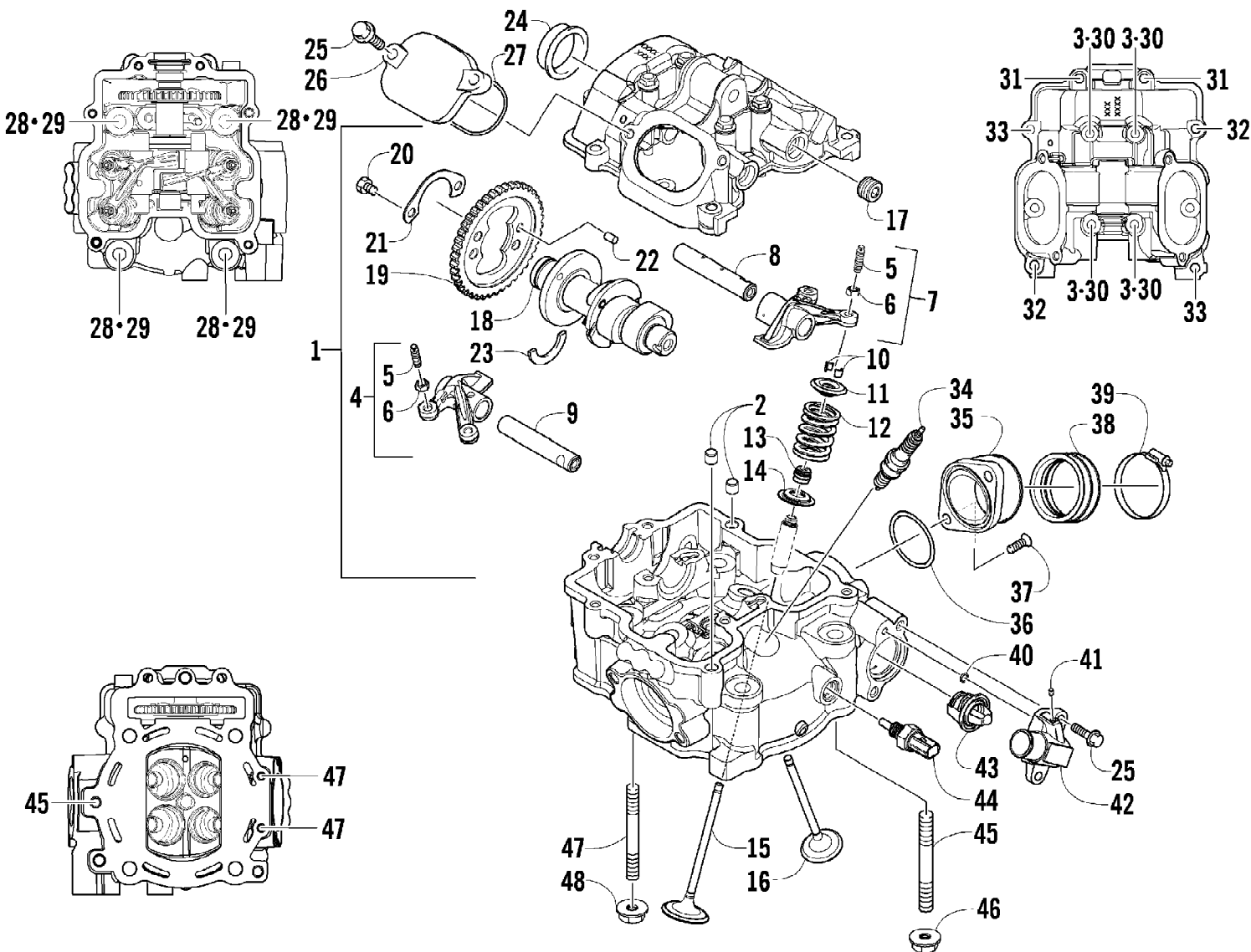


2010 ATV 700s H1 EFI GREEN (A2010IBT1PUSG)  
CYLINDER ASSEMBLY

Page 20 of 79

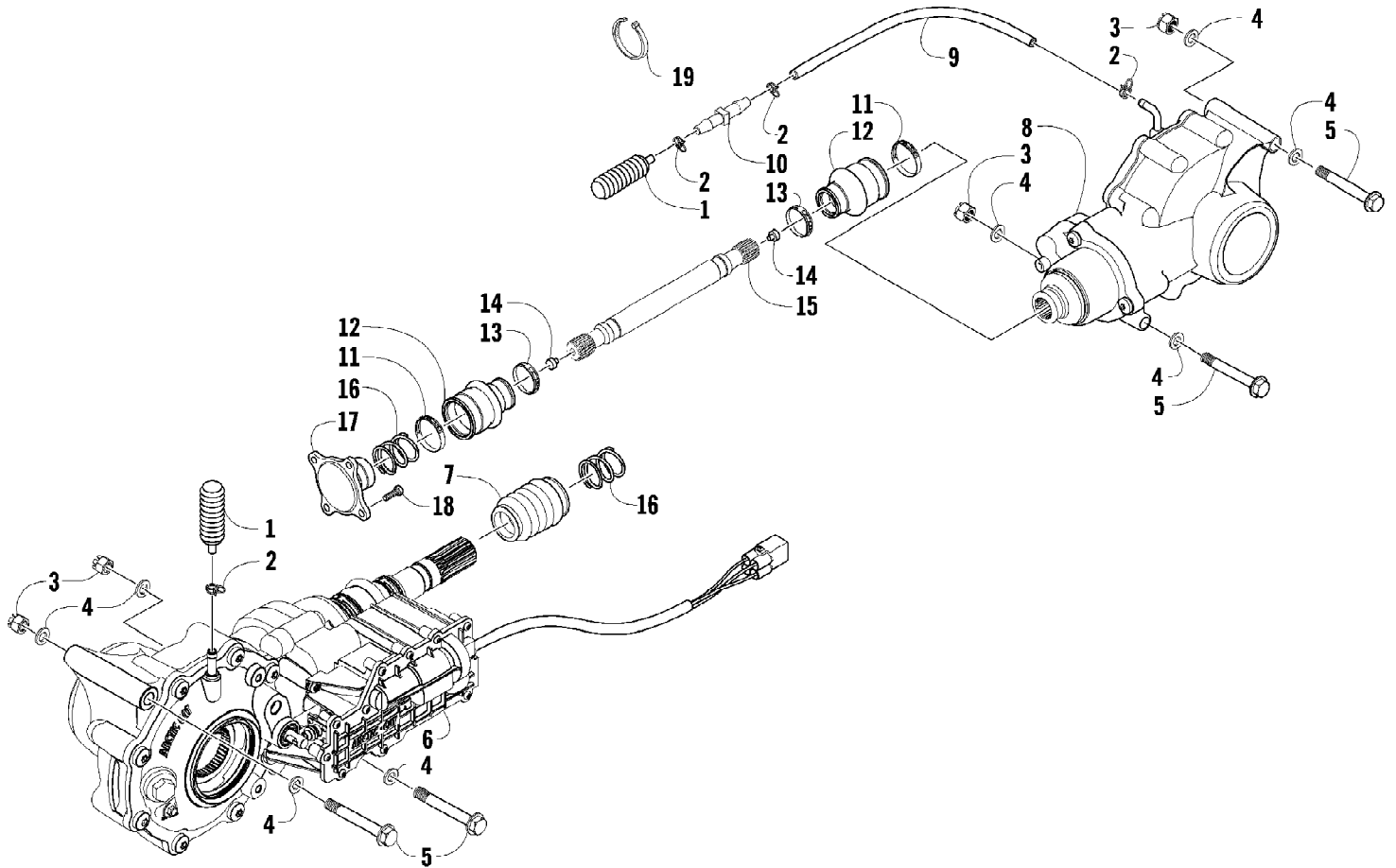
Ref #	Part Number	Qty	S/P/F	Description
1	0804-053	1	/P	Cylinder
2	0827-002	4		Bolt, Stud
3	8424-604	4		Nut
4	0830-111	1		Gasket, Base
5	0829-002	2		Pin, Dowel
6	0804-047	1	/P	Union, Coolant Hose
7	8468-612	1		Screw, Machine
8	0830-007	1		O-Ring
9	0830-112	1		Gasket, Cylinder Head
10	0830-113	4		O-Ring
11	0829-001	2	S	Pin, Dowel

2010 ATV 700s H1 EFI GREEN (A2010IBT1PUSG)  
CYLINDER HEAD AND CAMSHAFT/VALVE ASSEMBLY



2010 ATV 700s H1 EFI GREEN (A2010IBT1PUSG)  
CYLINDER HEAD AND CAMSHAFT/VALVE ASSEMBLY

Ref #	Part Number	Qty	S/P/F	Description
1	0808-082	1		Head, Cylinder - Assembly (inc. 2-17)
2	0829-001	2	S	Pin, Dowel
3	0826-001	4		Screw, Cap
4	0809-205	1	S	Arm, Valve Rocker - Exhaust (inc. two No. 5-6)
5	0809-033	4	S	Screw, Adjuster
6	0827-007	4		Nut
7	0809-202	1	S	Arm, Valve Rocker - Intake (inc. two No. 5-6)
8	0809-007	1		Shaft, Rocker Arm - Intake
9	0809-008	1		Shaft, Rocker Arm - Exhaust
10	0809-014	8		Cotter, Valve
11	0809-013	4		Retainer, Spring
12	0809-138	4	S	Spring, Valve
13	0830-016	4	S	Seal, Oil
14	0809-006	4		Seat, Spring - Valve
15	0809-039	2	S	Valve, Intake
16	0809-040	2	S	Valve, Exhaust
17	0831-041	2		Plug, Shaft
18	0809-245	1	/P	Camshaft
19	0809-002	1		Sprocket
20	0826-034	2		Screw, Cap
21	0828-004	1		Plate, Retainer
22	0829-008	1		Pin, Dowel
23	0809-003	1		C-Ring
24	0808-077	1		Plug, Cylinder Head
25	0826-007	6		Screw, Cap
26	0808-003	2		Cap, Inspection
27	0830-167	2	/P	O-Ring
28	0808-037	4	/P	Screw, Cap
29	0830-147	4	/P	Washer
30	0830-107	4		Gasket
31	0826-002	2		Screw, Cap
32	0826-005	2		Screw, Cap
33	0826-006	2		Screw, Cap
34	0217-799	1	/P	Spark Plug (CPR8E)
35	0470-668	1		Flange, Intake Manifold
36	0830-090	1		O-Ring
37	0826-008	2		Screw, Machine
38	0470-669	1	S	Boot
39	0423-066	1		Clamp
40	0830-168	1	/P	O-Ring
41	0830-169	1		Plug
42	0808-113	1		Cover, Thermostat
43	0808-078	1		Thermostat
44	0808-124	1		Switch, Engine Coolant Temperature
45	0827-031	1		Bolt, Stud
46	8424-804	1		Nut
47	0827-054	2		Bolt, Stud
48	8424-604	2		Nut

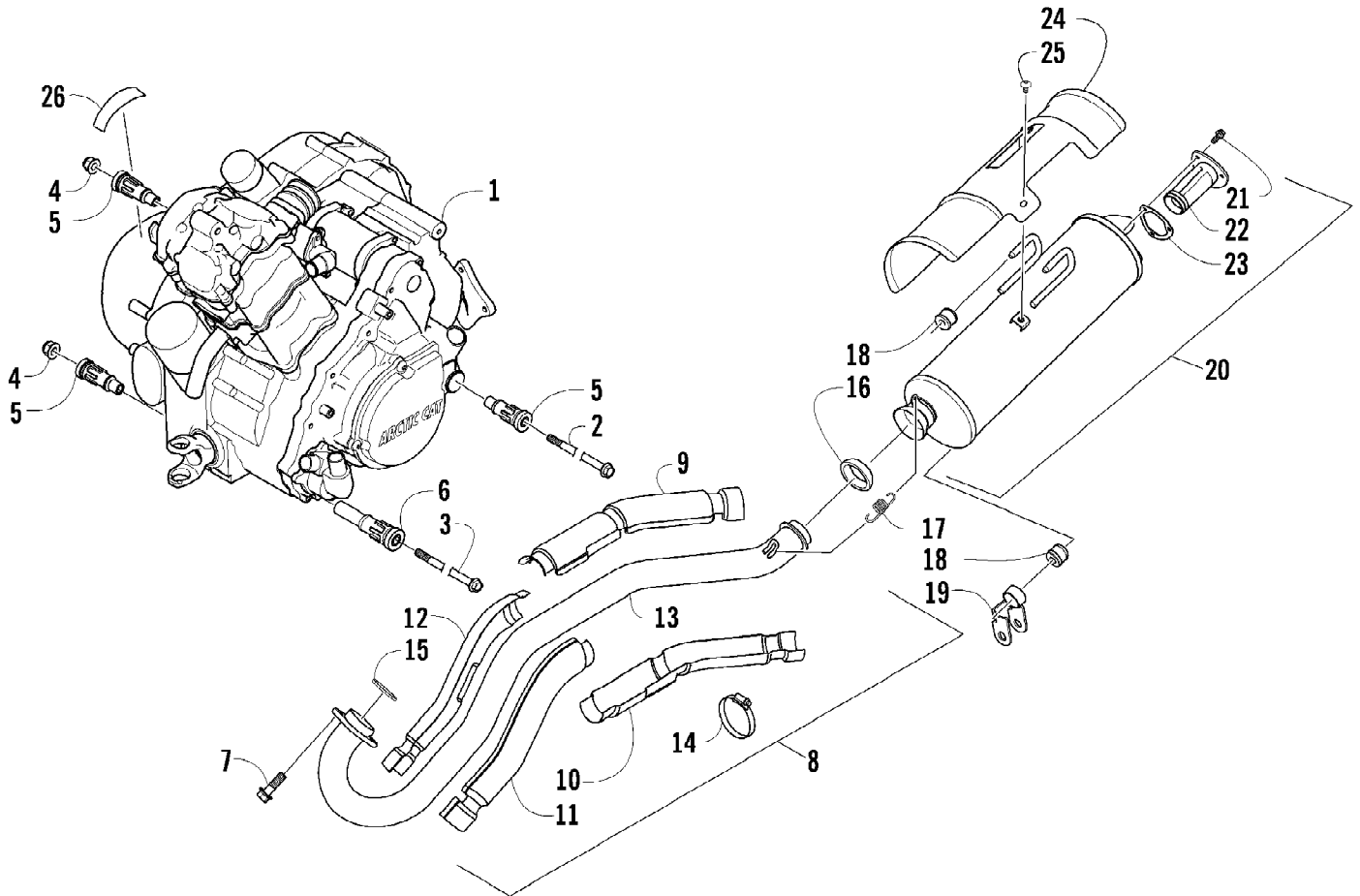


2010 ATV 700s H1 EFI GREEN (A2010IBT1PUSG)  
DRIVE TRAIN ASSEMBLY

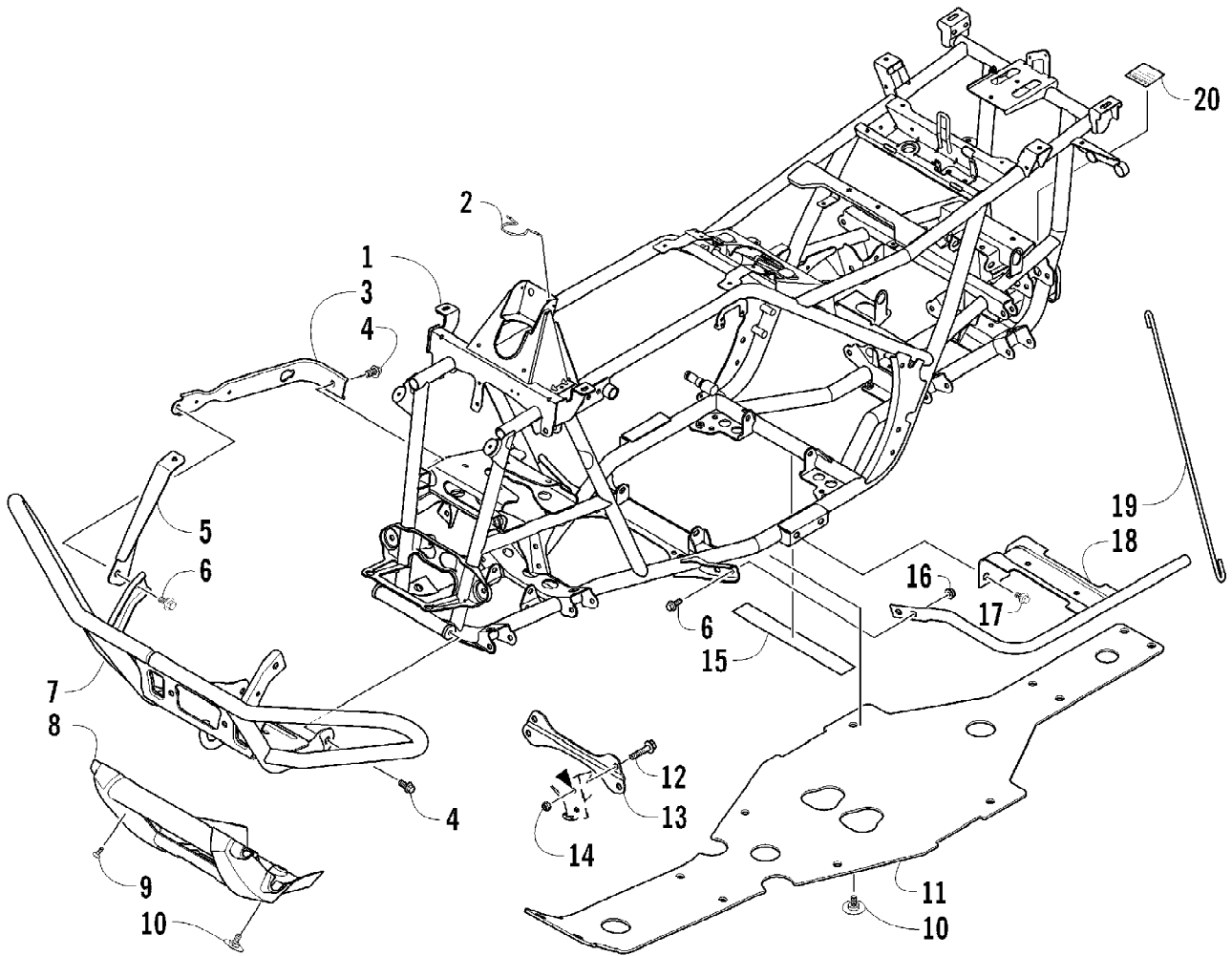
Page 24 of 79

Ref #	Part Number	Qty	S/P/F	Description
1	1402-620	2	/P	Bladder, Gearcase
2	0423-315	4		Clamp, Hose
3	8428-002	4		Nut, Lock
4	0423-426	8		Washer
5	0423-404	4		Screw, Cap
6	1502-393	1		Gearcase, Front
7	0402-966	1		Boot, Shaft
8	1502-401	1		Gearcase, Rear
9	0410-048	AR	S	Hose, Vent
10	0470-702	1	/P	Fitting, Vent
11	0423-393	2		Clamp
12	0402-985	2	/P	Boot
13	0423-411	2		Clamp
14	0673-618	2	/P	Bumper, Propeller Shaft
15	1402-233	1		Shaft, Propeller
16	1402-026	2		Spring
17	0402-950	1		Flange, Output
18	8408-820	4	/P	Screw, Cap
19	0123-788	AR	/P	Tie, Cable - 8 in.





Ref #	Part Number	Qty	S/P/F	Description
1	0800-103	1	S/P	Engine, A700FBH1
2	0423-451	1		Screw, Cap
3	0423-405	1		Screw, Cap
4	8428-002	2		Nut, Lock
5	0801-129	3		Mount, Rubber - Engine
6	0801-122	1		Mount, Rubber - Engine
7	8408-820	2	/P	Screw, Cap
8	0512-345	1	/P	Pipe, Exhaust - Assembly (inc. 9-14)
9	0412-350	1		Shield, Exhaust Pipe - Outer - Rear
10	0412-339	1		Shield, Exhaust Pipe - Inner - Rear
11	0412-349	1		Shield, Exhaust Pipe - Inner - Front
12	0412-348	1		Shield, Exhaust Pipe - Outer - Front
13	0512-344	1		Pipe, Exhaust
14	0423-317	4	/P	Clamp
15	0412-338	1	/P	Gasket, Exhaust
16	0412-375	1	/P	Seal, Exhaust
17	0612-668	2	/P	Spring, Extension
18	0412-215	3	S	Bushing
19	1506-732	1		Channel, Muffler Support
20	0512-355	1	/P	Muffler - Assembly (inc. 21-23)
21	8408-616	3		Screw, Cap
22	0512-219	1	/P	Arrester, Spark - Assembly
23	0412-313	1		Gasket, Spark Arrester
24	0412-373	1	/P	Cover, Muffler
25	8477-610	3		Screw, Machine
26	0411-426	1		Decal, Warning - Clutch Cover

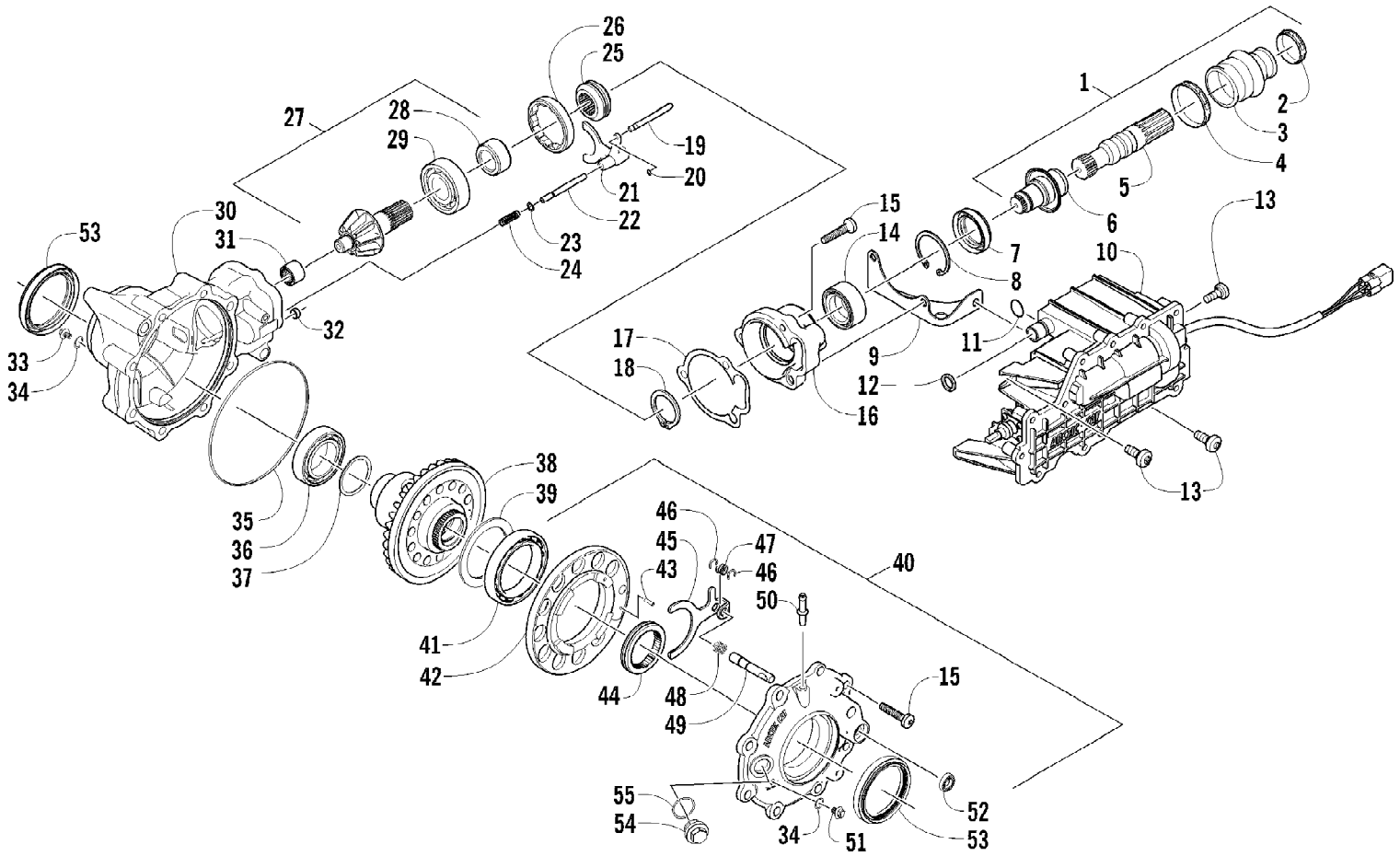


2010 ATV 700s H1 EFI GREEN (A2010IBT1PUSG)  
 FRAME AND RELATED PARTS

Page 28 of 79

Ref #	Part Number	Qty	S/P/F	Description
1	2516-835	1		Frame, Main
2	2416-401	1		Clip, Routing
3	1506-596	1	/P	Channel, Bumper Mounting - Right
3	0506-653	1	S	Channel, Bumper Mounting - Left
4	8409-020	4	/P	Screw, Cap
5	1506-562	1		Bracket, Mounting - Bumper - Right
5	1506-563	1		Bracket, Mounting - Bumper - Left
6	8408-816	6		Screw, Cap
7	1506-855	1	/P	Bumper, Front
8	1406-360	1		Fascia, Bumper - Front
9	0423-419	2		Screw, Machine
10	0423-101	12		Screw, Shoulder
11	1406-030	1		Panel, Belly
12	8409-025	2		Screw, Cap
13	2516-852	1	/P	Brace, A-Arm
14	0423-744	2		Nut, Lock
15	0406-289	2		Pad, Frame
16	8424-802	4		Nut
17	8409-016	4		Screw, Cap
18	1506-380	1		Footrest - Right
18	1506-379	1		Footrest - Left
19	2506-423	2		Rod, Support
20	1411-077	1		Decal, Warning - Towing

2010 ATV 700s H1 EFI GREEN (A2010IBT1PUSG)  
FRONT DRIVE GEARCASE ASSEMBLY



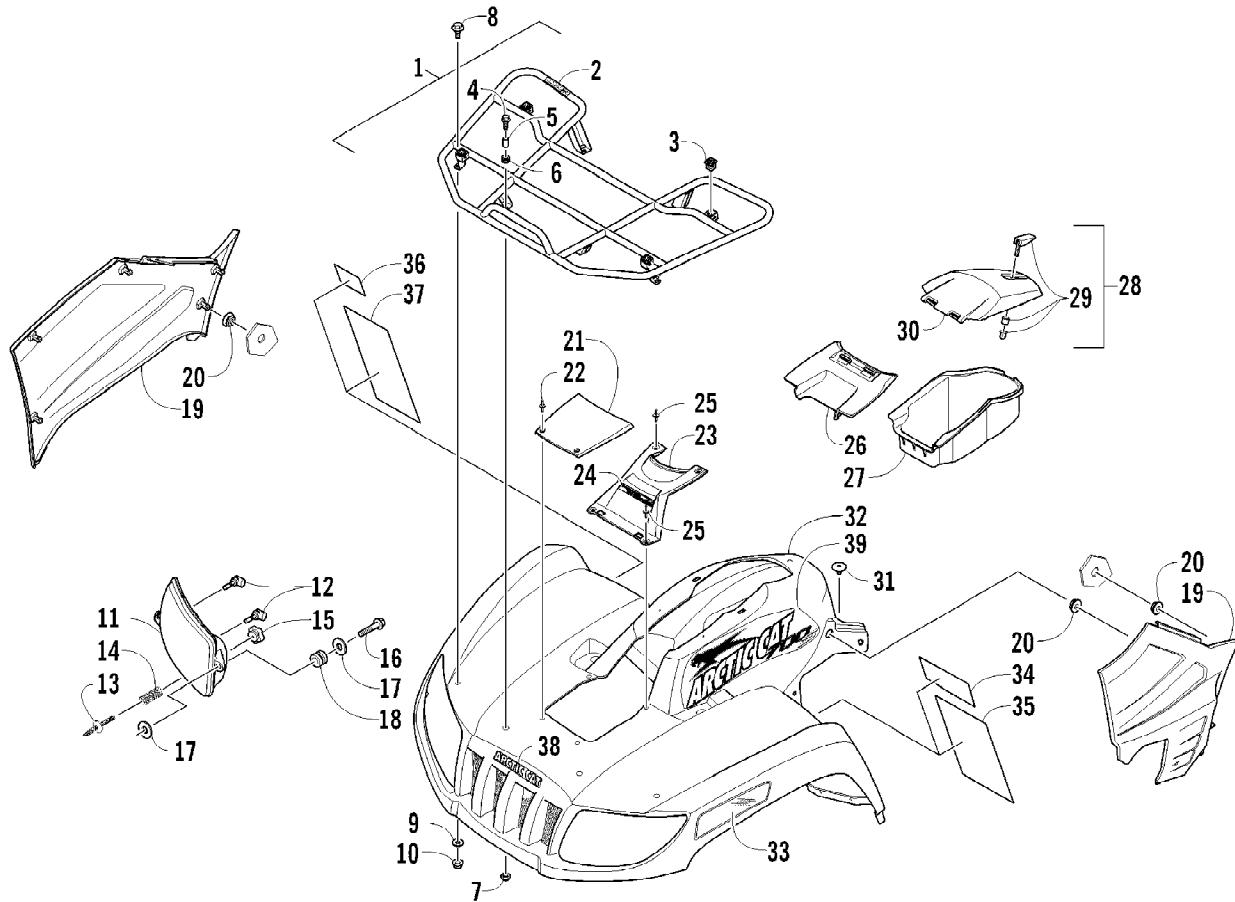
Ref #	Part Number	Qty	S/P/F	Description
	1502-393	1		Complete Front Drive Gearcase Assembly
1	1502-083	1		Shaft, Propeller - Assembly (inc. 2-6)
2	0423-411	1		Clamp
3	0402-985	1	/P	Boot, Propeller Shaft
4	0423-393	1		Clamp
5	1402-045	1		Shaft, Output
6	1502-085	1	/P	Shaft, Input
7	1402-011	1		Seal
8	0423-423	1		Ring, Retaining
9	1502-237	1		Bracket, Actuator
10	0502-585	1	S	Actuator (inc. 11)
11	1402-981	1		O-Ring
12	0423-892	1	/P	O-Ring
13	0423-396	3		Screw, Self-Tapping
14	1402-043	1		Bearing
15	0423-118	11		Screw, Self-Tapping
16	0502-528	1	/P	Housing, Pinion
17	0402-947	1		Gasket, Flange
18	0423-417	1		Ring, Retaining
19	0402-997	1		Shaft, Selector
20	0423-402	1		Ring, Retaining
21	0402-998	1		Fork, Selector
22	0402-417	1		Shaft, Shuttle
23	0423-147	1		O-Ring
24	0402-999	1		Spring, Return
25	0402-413	1		Coupler, Drive
26	0402-357	1		Collar, Lock
27	0502-784	1		Gear, Pinion - Assembly - 11T (inc. 28-29)
28	0402-336	1		Collar, Retaining
29	0402-327	1		Bearing
30	0502-514	1		Housing, Gearcase
31	0402-328	1		Bearing
32	0402-411	1		Pin, Dowel
33	1402-210	1	/P	Plug, Magnetic (inc. one No. 34)
34	0423-153	2		O-Ring
35	0423-149	1		O-Ring
36	0402-393	1		Bearing
37	0402-405	AR		Shim, 41 x 49 x 1.3 mm
37	0402-406	AR		Shim, 41 x 49 x 1.4 mm
37	0402-407	AR		Shim, 41 x 49 x 1.5 mm
37	0402-408	AR		Shim, 41 x 49 x 1.6 mm
37	0402-409	AR		Shim, 41 x 49 x 1.7 mm
38	1502-554	1	/P	Gear, Ring - 34T
39	1402-074	AR		Shim, 61 x 69 x 1.3 mm
39	1402-075	AR		Shim, 61 x 69 x 1.4 mm
39	1402-076	AR		Shim, 61 x 69 x 1.5 mm
39	1402-077	AR		Shim, 61 x 69 x 1.6 mm
39	1402-078	AR		Shim, 61 x 69 x 1.7 mm
40	1502-389	1		Cover, Gearcase (inc. one No. 34, 41-52, and one No. 53)
41	1402-053	1		Bearing
42	0502-413	1		Flange, Bearing

2010 ATV 700s H1 EFI GREEN (A2010IBT1PUSG)  
FRONT DRIVE GEARCASE ASSEMBLY

Page 31 of 79

Ref #	Part Number	Qty	S/P/F	Description
43	1402-079	1		Pin, Parallel
44	1402-042	1		Collar, Sliding
45	1402-054	1		Fork
46	1402-058	2		Ring, Retaining
47	1402-057	1		Spring
48	1402-063	1		Spring
49	1402-656	1		Shaft, Lock
50	1402-104	1		Fitting
51	1402-211	1		Plug, Oil Level (inc. one No. 34)
52	1402-056	1		Seal
53	1402-713	2	S	Seal
54	0402-333	1	/P	Plug, Fill (inc. 55)
55	0423-154	1		O-Ring

2010 ATV 700s H1 EFI GREEN (A2010IBT1PUSG)  
FRONT RACK, BODY PANEL, AND HEADLIGHT ASSEMBLIES

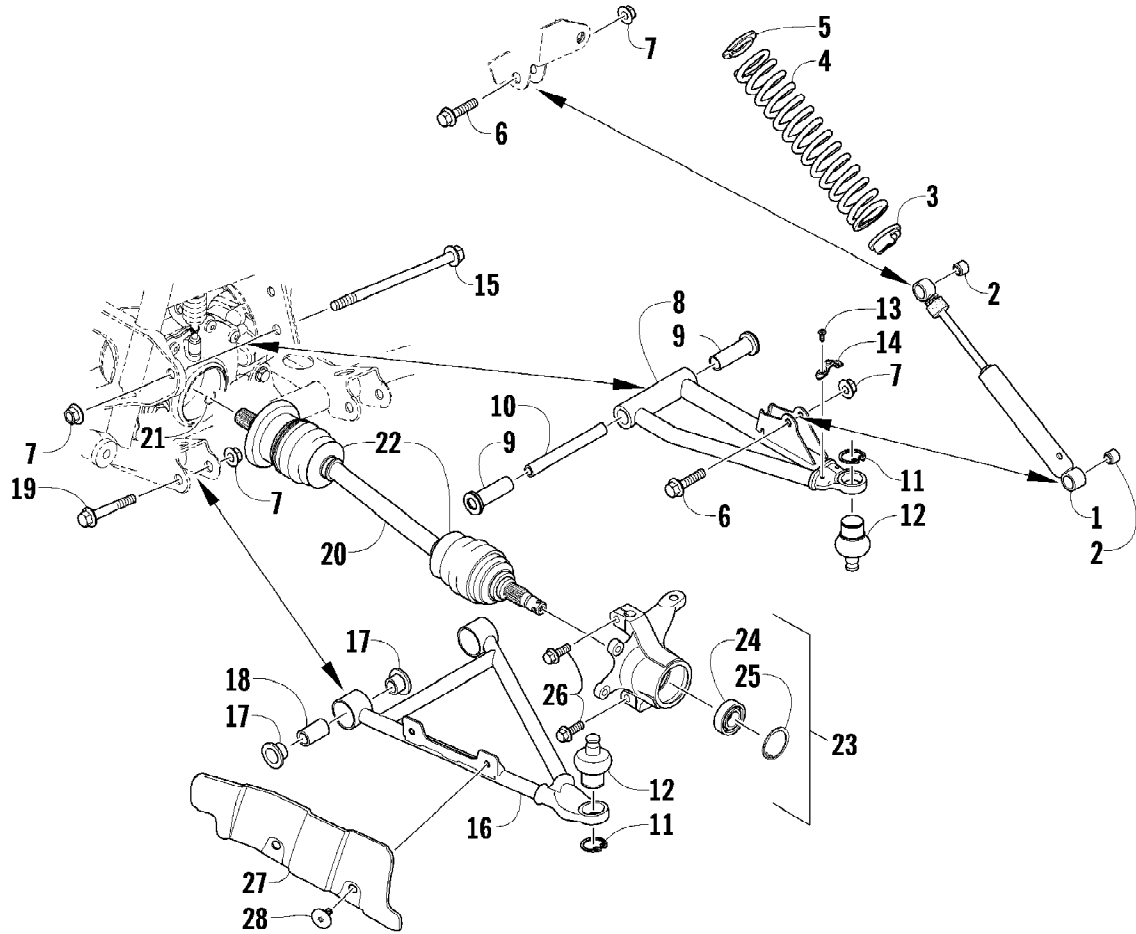




2010 ATV 700s H1 EFI GREEN (A2010IBT1PUSG)  
FRONT RACK, BODY PANEL, AND HEADLIGHT ASSEMBLIES

Ref #	Part Number	Qty	S/P/F	Description
1	2506-106	1		Rack, Front - Assembly (inc. 2-3)
2	0411-576	1		Decal, Warning - Load
3	0441-592	4	/P	Bushing
4	8410-830	4		Screw, Cap
5	0423-669	4		Spacer
6	0423-465	4		Grommet
7	8432-802	4		Nut, Lock
8	0423-654	2		Screw, Shoulder
9	8050-222	2	/P	Washer
10	0423-540	2		Nut, Lock
11	0509-044	1	/P	Headlight Assembly - Right (inc. 12)
11	0509-035	1		Headlight Assembly - Left (inc. 12)
12	0409-055	4		Bulb, Headlight
13	0423-514	2		Stud, Adjuster - Headlight
14	0423-522	2		Spring, Adjuster
15	0423-513	2		Knob, Adjuster
16	0623-785	4		Screw, Self-Tapping
17	8050-217	8	/P	Washer
18	0423-447	4		Grommet
19	2406-300	1		Panel, Side - Lower - Right
19	2406-419	1		Panel, Side - Lower - Left
20	0423-678	8		Grommet
21	1406-358	1		Cover, Access
22	0423-535	2		Rivet, Reinstallable
23	1406-484	1		Cover, Steering Post
24	2411-186	1		Decal, "Power Steering"
25	0623-362	4		Rivet, Reinstallable
26	0470-513	1		Cover, Storage Box
27	1406-573	1		Box, Storage
28	2506-234	1		Lid, Storage Box w/Latch (inc. 29-30)
29	1406-599	1		Latch, Storage Box
30	0470-514	1		Lid, Storage Box
31	0423-101	2		Screw, Shoulder
32	2516-052	1	S	Panel, Fender - Assembly - Front (inc. 33-37)
33	0411-818	1		Decal, Reflector - Right
33	0411-819	1		Decal, Reflector - Left
34	1411-574	1		Decal, Warning - Off-Road Only
35	2411-124	1		Decal, Warning - General/Age
36	0411-835	1		Decal, Warning - Turn/Hill
37	1411-250	1		Decal, Warning - Reverse/Pre-Ride
38	2411-195	1		Decal, "Arctic Cat"
39	2411-190	1		Decal, Side - Upper Right
39	2411-191	1		Decal, Side - Upper Left

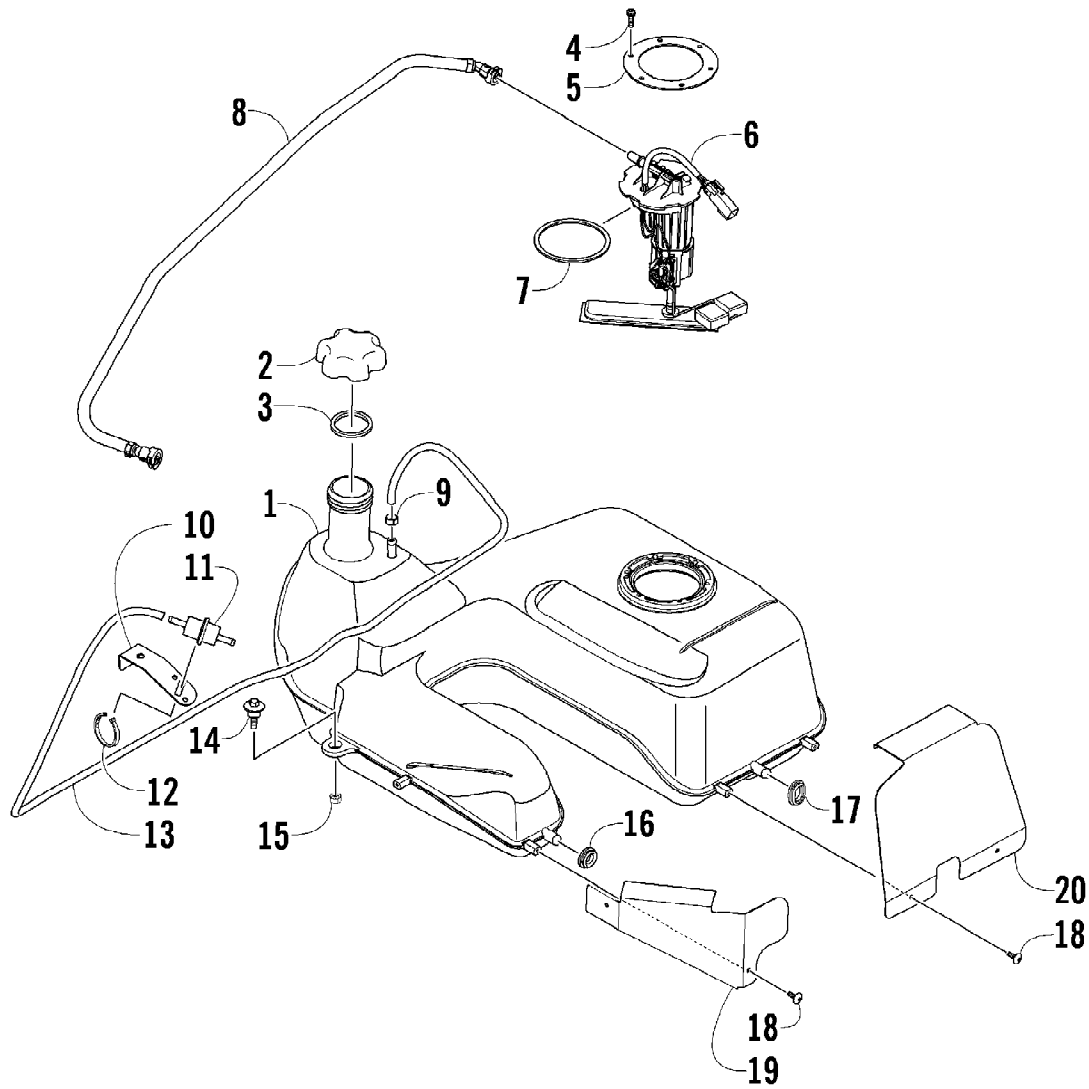
2010 ATV 700s H1 EFI GREEN (A2010IBT1PUSG)  
FRONT SUSPENSION ASSEMBLY



2010 ATV 700s H1 EFI GREEN (A2010IBT1PUSG)  
FRONT SUSPENSION ASSEMBLY

Page 35 of 79

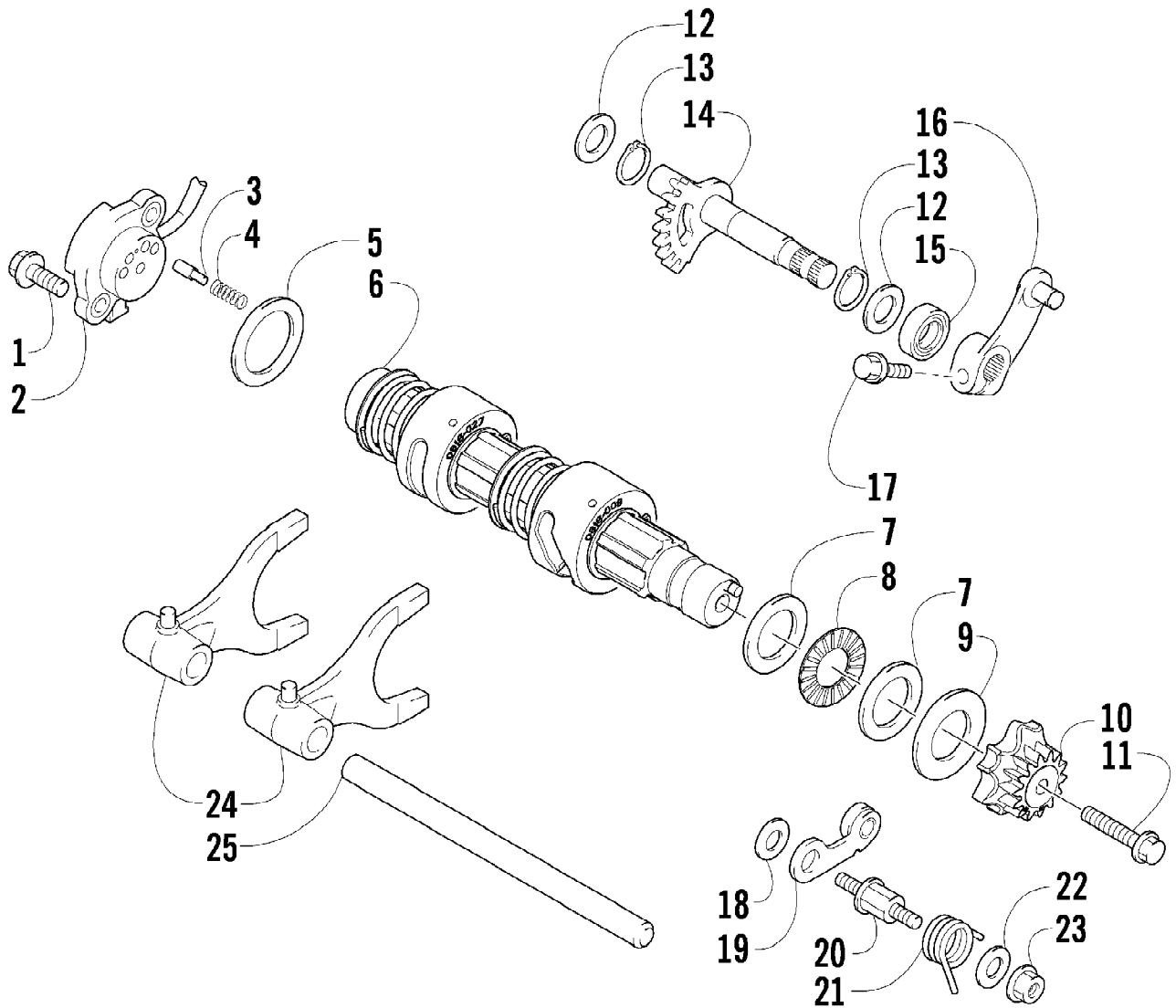
Ref #	Part Number	Qty	S/P/F	Description
1	0403-209	2		Shock Absorber (inc. 2)
2	0403-182	4		Bushing
3	0403-102	2		Cam, Spring Adjuster
4	0503-353	2		Spring, Suspension
5	1603-889	2	/P	Retainer, Spring
6	8409-040	4		Screw, Cap
7	0423-744	10		Nut, Lock
8	0503-416	1	/P	A-Arm, Upper Right (inc. 9-12)
8	0503-417	1	/P	A-Arm, Upper Left (inc. 9-12)
9	0403-207	4	/P	Bushing
10	0403-080	2		Axle
11	0423-009	4	/P	Ring, Retaining
12	0405-115	4	/P	Ball Joint
13	0423-946	4		Screw, Self-Tapping
14	1502-594	2		Clamp, Routing
15	0423-334	2		Screw, Cap
16	0503-376	1	/P	A-Arm, Lower Right (inc. 17-18 and two No. 11-12)
16	0503-377	1	/P	A-Arm, Lower Left (inc. 17-18 and two No. 11-12)
17	0403-208	8	/P	Bushing
18	0403-214	4	/P	Axle
19	8409-075	4		Screw, Cap
20	1502-344	1	S/P	Axle, Drive - Right (inc. 21-22)
20	1502-345	1	S	Axle, Drive - Left (inc. 21-22)
21	0423-844	2	/P	Clip, Retaining
22	1436-207	2	/P	Repair Kit, Boot
23	0505-576	1	/P	Knuckle - Assembly - Right (inc. 24-25)
23	0505-577	1	/P	Knuckle - Assembly - Left (inc. 24-25)
24	1402-809	2	/P	Bearing
25	0423-423	2		Ring, Retaining
26	8409-030	4		Screw, Cap
27	1441-002	1		Guard, Boot - Right
27	1441-003	1		Guard, Boot - Left
28	0423-545	4	/P	Screw, Shoulder



2010 ATV 700s H1 EFI GREEN (A2010IBT1PUSG)  
GAS TANK ASSEMBLY

Page 37 of 79

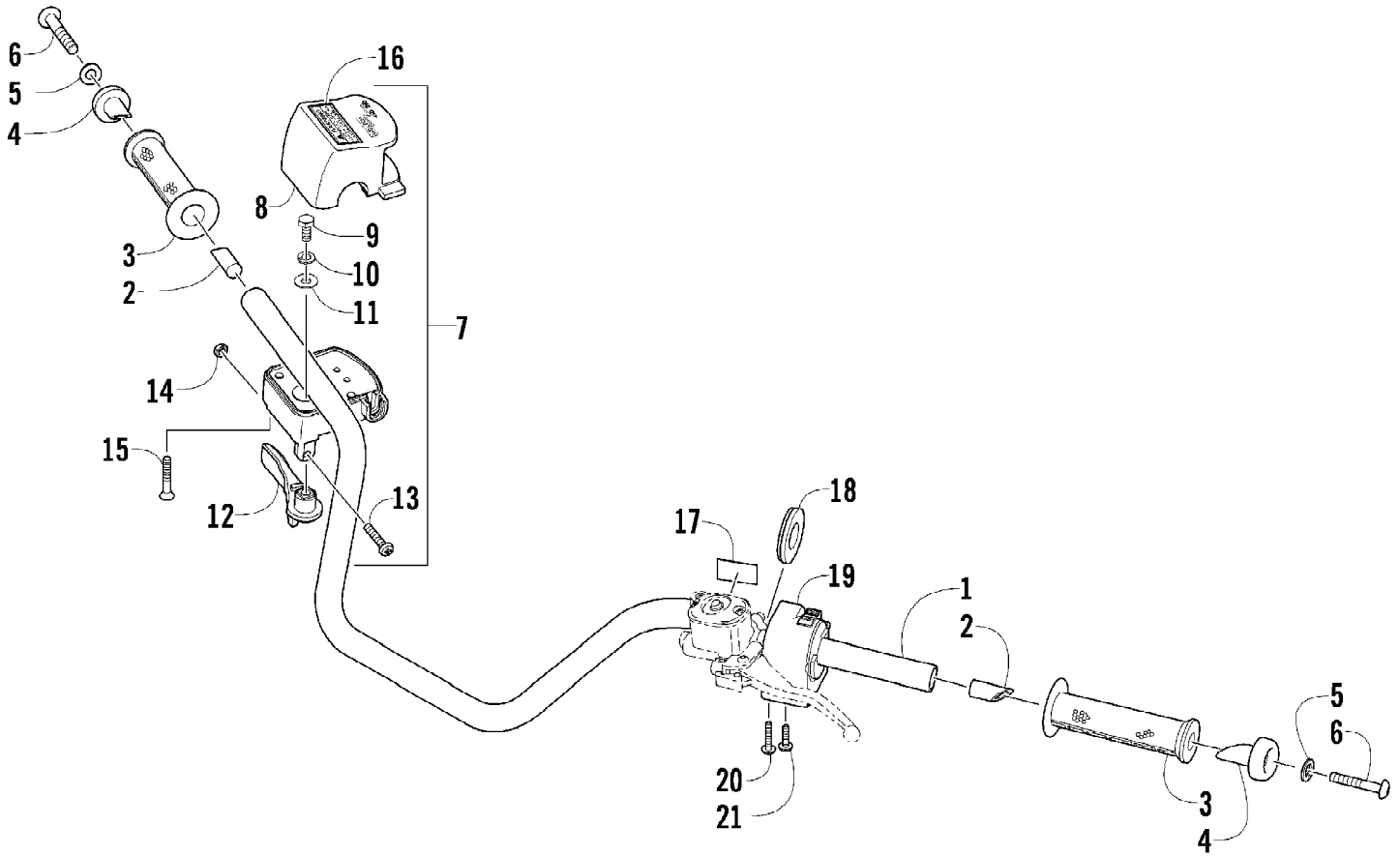
Ref #	Part Number	Qty	S/P/F	Description
1	0570-307	1		Tank, Gas - Assembly (inc. 2-5)
2	0470-438	1	/P	Cap, Gas Tank (inc. 3)
3	0109-733	1	/P	Gasket, Gas Tank Cap
4	0423-898	6		Screw, Self-Tapping
5	2670-042	1		Plate, Retaining
6	0570-322	1	/P	Pump, Fuel - Assembly (inc. 7)
7	0470-838	1		Seal
8	0570-317	1		Hose, Fuel - Assembly
9	0423-688	1		Clamp, Hose
10	0470-827	1		Bracket, Filter Mounting
11	0510-335	1	/P	Filter, In-Line
12	0123-788	AR	/P	Tie, Cable - 8 in.
13	0410-070	AR	/P	Hose, Gasline - 25 ft
14	0423-732	2		Screw, Shoulder
15	0623-038	1		Nut w/Washer
16	0423-460	1		Grommet
17	0423-806	1		Grommet
18	0623-797	4		Screw, Self-Tapping
19	0470-709	1		Shield, Heat - Gas Tank - Front
20	0470-710	1		Shield, Heat - Gas Tank - Rear



2010 ATV 700s H1 EFI GREEN (A2010IBT1PUSG)  
GEAR SHIFTING ASSEMBLY

Page 39 of 79

Ref #	Part Number	Qty	S/P/F	Description
1	8470-520	2		Screw, Machine
2	0409-090	1	/P	Switch, Gear Position
3	0818-013	2		Contact
4	0818-017	2		Spring
5	0828-040	1		Washer
6	0818-046	1		Shaft, Gear Shift - Assembly
7	0828-095	2		Washer
8	0832-052	1	/P	Bearing, Thrust
9	0828-037	1		Washer
10	0818-089	1	/P	Plate, Gear Shift Cam
11	0826-006	1		Screw, Cap
12	0828-036	2		Washer
13	0831-010	2		Ring, Retaining
14	0818-007	1	/P	Shaft, Sub-Gear Shift
15	0830-044	1		Seal, Sub-Gear Shift Shaft
16	0818-014	1		Arm, Select
17	8468-620	1	/P	Screw, Machine
18	0828-038	1		Washer
19	0818-002	1		Stopper, Cam
20	0818-004	1		Support, Cam Stopper
21	0818-090	1		Spring
22	0828-035	1		Washer
23	8424-602	1	/P	Nut
24	0818-072	2	/P	Fork, Shift
25	0818-006	1		Shaft, Shift Fork



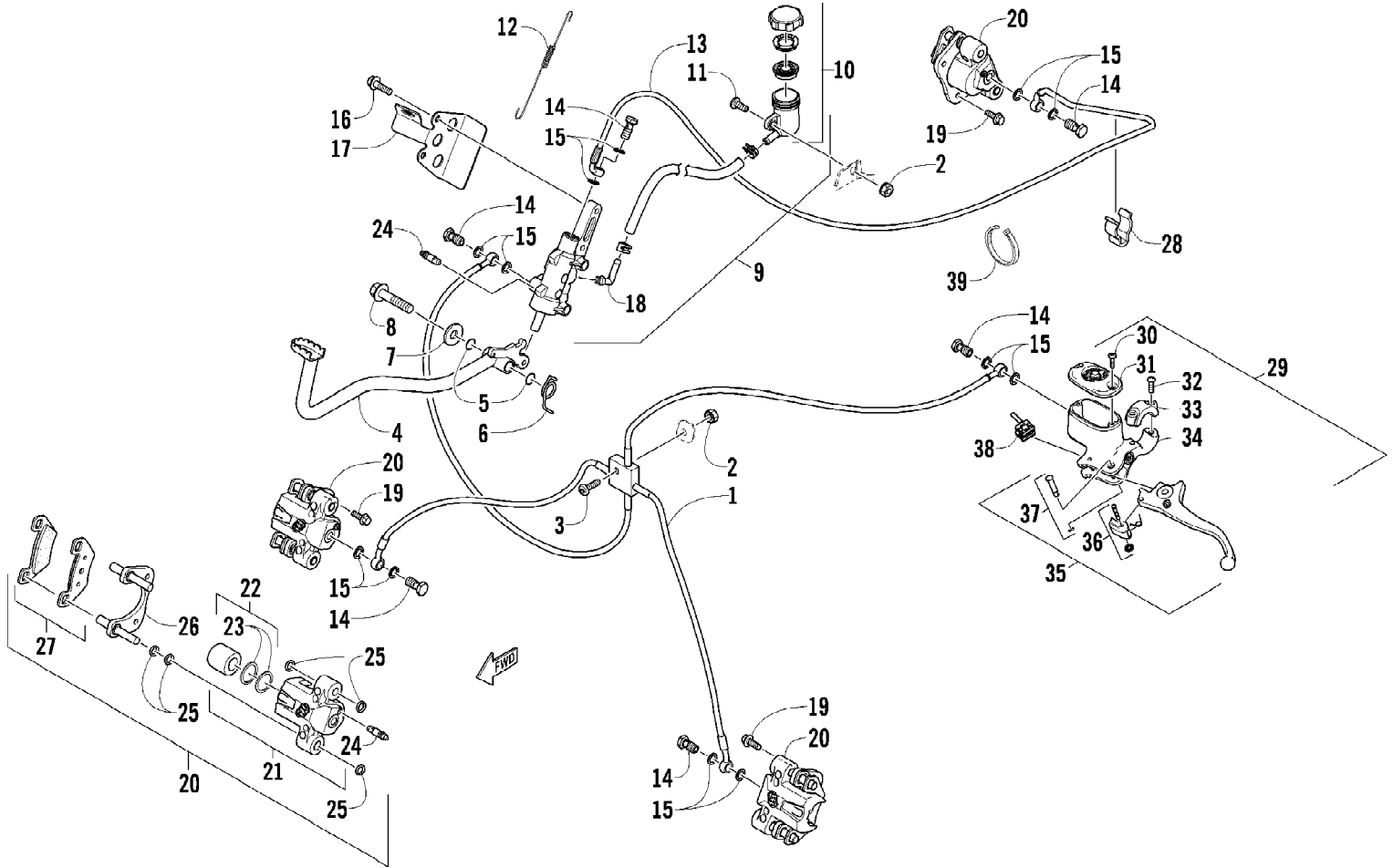


2010 ATV 700s H1 EFI GREEN (A2010IBT1PUSG)  
HANDLEBAR ASSEMBLY

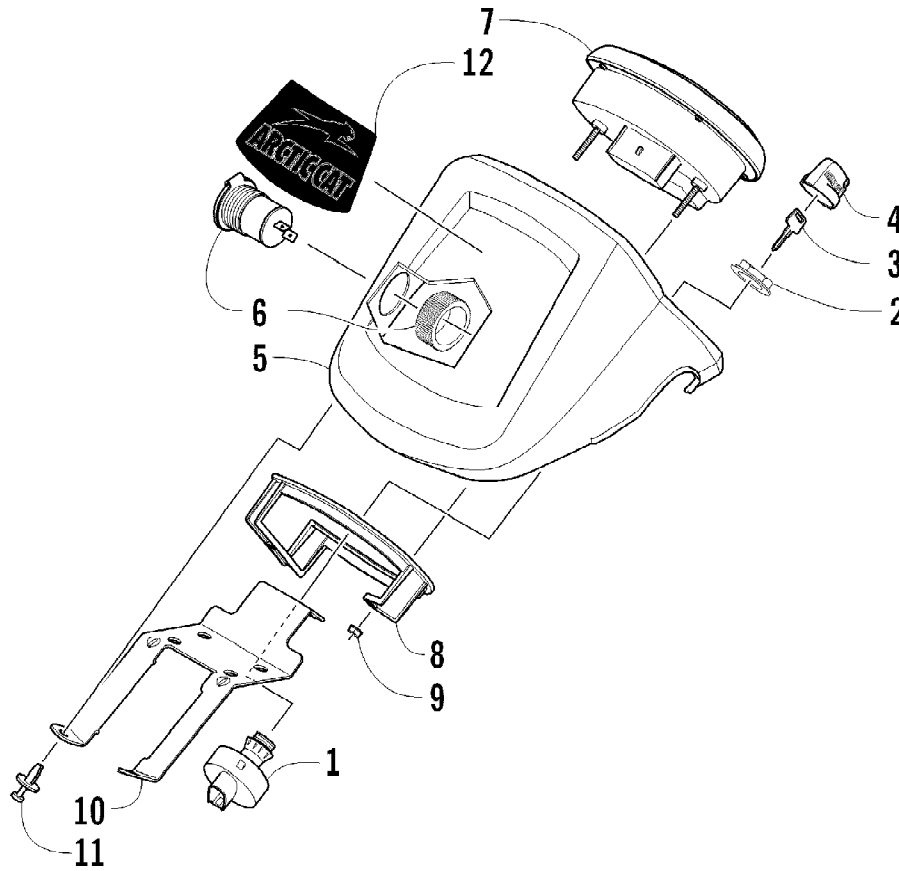
Page 41 of 79

Ref #	Part Number	Qty	S/P/F	Description
1	0505-418	1	/P	Handlebar
2	0405-218	2		Plug, Handlebar
3	0405-147	2		Grip, Handlebar
4	0405-149	2		End Cap, Handlebar
5	8050-247	2	/P	Washer
6	8477-845	2		Screw, Machine
7	0509-054	1		Case, Throttle - Assembly (inc. 8-15)
8	0409-141	1		Cover, Throttle Case w/Switch
9	3007-392	1	/P	Screw, Cap
10	3004-447	1	/P	Washer, Lock
11	3003-030	1	/P	Washer
12	0409-133	1		Lever, Throttle
13	3423-014	1		Screw, Machine
14	3423-327	1		Nut
15	3423-199	2		Screw, Machine
16	0411-966	1		Decal, Warning - Differential Lock
17	1411-865	1		Decal, Warning - Brake Lever Lock
18	3409-019	1		Cover, Switch Housing
19	0509-014	1		Switch, Control - Assembly (inc. 20-21)
20	0409-028	1		Screw, Machine
21	0409-027	1		Screw, Machine

2010 ATV 700s H1 EFI GREEN (A2010IBT1PUSG)  
HYDRAULIC BRAKE ASSEMBLY



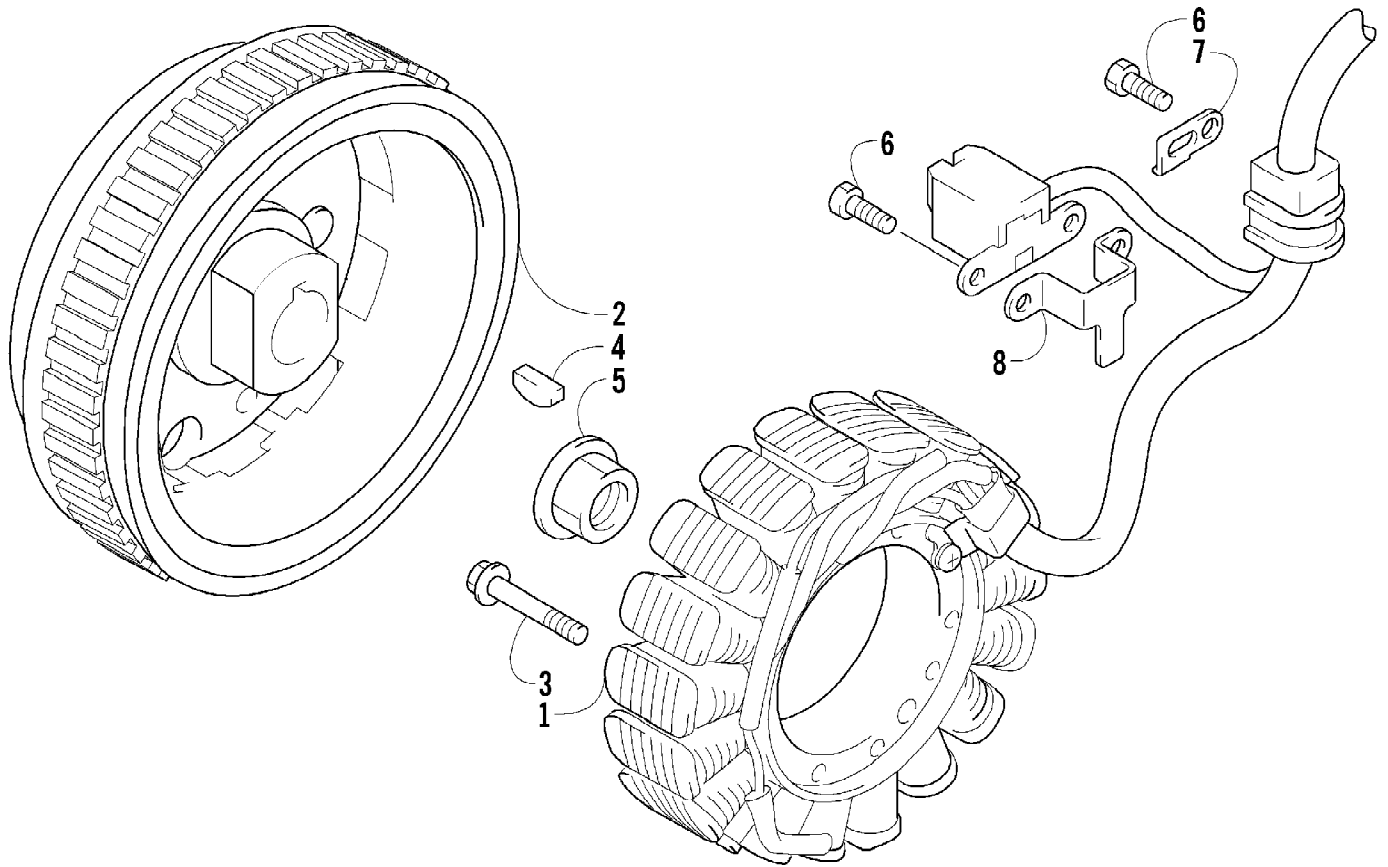
Ref #	Part Number	Qty	S/P/F	Description
1	1502-015	1		Hose, Brake - Assembly
2	0623-038	2		Nut w/Washer
3	8476-625	1		Screw, Machine
4	1502-063	1		Lever, Brake
5	1602-213	2	/P	O-Ring
6	0502-807	1		Spring, Brake Lever
7	8050-252	1		Washer
8	8408-816	1		Screw, Cap
9	1502-293	1		Brake Assembly (inc. 10)
10	1502-155	1		Reservoir, Brake w/Clamp
11	8476-616	1		Screw, Machine
12	0502-785	1		Spring, Brake Switch
13	1502-593	1		Hose, Brake
14	0423-413	6		Bolt, Banjo-Fitting
15	0423-178	12		Washer, Crush
16	8408-625	2		Screw, Cap
17	1502-179	1		Bracket, Switch
18	1502-296	1	/P	Adapter, Hose
19	8408-821	6	/P	Screw, Cap
20	1502-726	1	S	Caliper, Brake - Right Front (inc. two No. 19 and 21-27)
20	1502-727	1	S	Caliper, Brake - Left Front (inc. two No. 19 and 21-27)
20	1502-727	1	S	Caliper, Brake - Rear (inc. two No. 19 and 21-27)
21	1436-160	1	/P	Housing, Caliper - Assembly - Right Front (inc. two No. 19 and 22-24)
21	1436-161	1	/P	Housing, Caliper - Assembly - Left Front (inc. two No. 19 and 22-24)
21	1436-161	1	/P	Housing, Caliper - Assembly - Rear (inc. two No. 19 and 22-24)
22	0502-606	3		Piston/Seal Set (inc. 23)
23	0502-607	3		Seal Set
24	0502-609	4	/P	Valve, Bleed
25	0502-608	3		O-Ring, Guide - Set
26	0502-605	3		Bracket Assembly
27	1502-694	3	S	Pad, Brake - Set
28	1502-115	2		Clip, Brake Hose
29	0502-914	1	S	Brake Assembly (inc. 30-38)
30	0502-566	1		Screw, Machine - Kit
31	0502-868	1	/P	Cover, Reservoir
32	0502-568	1		Screw, Machine - Kit
33	0502-869	1		Clamp, Master Cylinder
34	0502-704	1		Master Cylinder Assembly
35	0502-866	1		Lever Assembly - Kit (inc. 36-37)
36	0502-867	1	/P	Lock, Brake Lever - Kit
37	0502-580	1		Lever Pin - Kit
38	0502-564	1	/P	Switch, Brake
39	0123-788	AR	/P	Tie, Cable - 8 in.



2010 ATV 700s H1 EFI GREEN (A2010IBT1PUSG)  
INSTRUMENT POD ASSEMBLY

Page 45 of 79

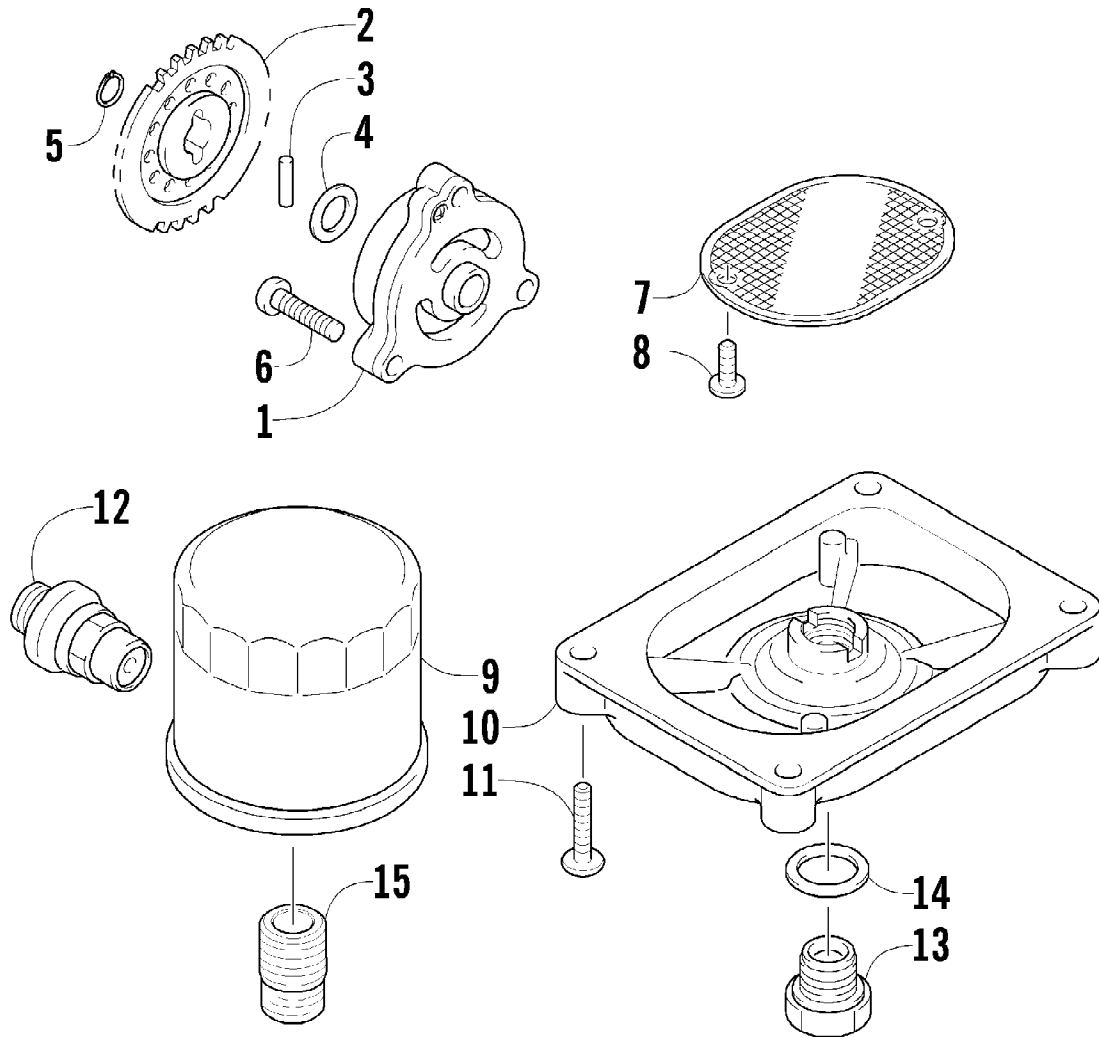
Ref #	Part Number	Qty	S/P/F	Description
1	0430-090	1	/P	Switch, Ignition - Assembly (inc. 2-4)
2	0430-050	1		Nut, Retaining
3	0430-042	1		Key, Ignition (Y Series - Left-Side Cut)
3	0430-043	1		Key, Ignition (Z Series - Right-Side Cut)
4	0430-054	1		Cover, Key
5	0405-276	1		Instrument Pod
6	0641-897	1	/P	Outlet, Accessory - 12V
7	0520-091	1		Gauge, LCD
8	0420-065	1	/P	Bracket, Retaining
9	0423-493	2		Nut w/Washer
10	2506-470	1		Bracket, Mounting - Instrument Pod
11	0423-535	2		Rivet, Reinstallable
12	2411-185	1		Decal, Instrument Pod



2010 ATV 700s H1 EFI GREEN (A2010IBT1PUSG)  
MAGNETO ASSEMBLY

Page 47 of 79

Ref #	Part Number	Qty	S/P/F	Description
1	0802-041	1		Stator - Assembly
2	0802-048	1		Rotor/Flywheel
3	0826-102	3		Screw, Machine
4	0829-012	1		Key
5	0827-014	1		Nut
6	8470-510	3		Screw, Machine
7	0802-015	1		Clamp - No. 1
8	0802-016	1		Clamp - No. 2



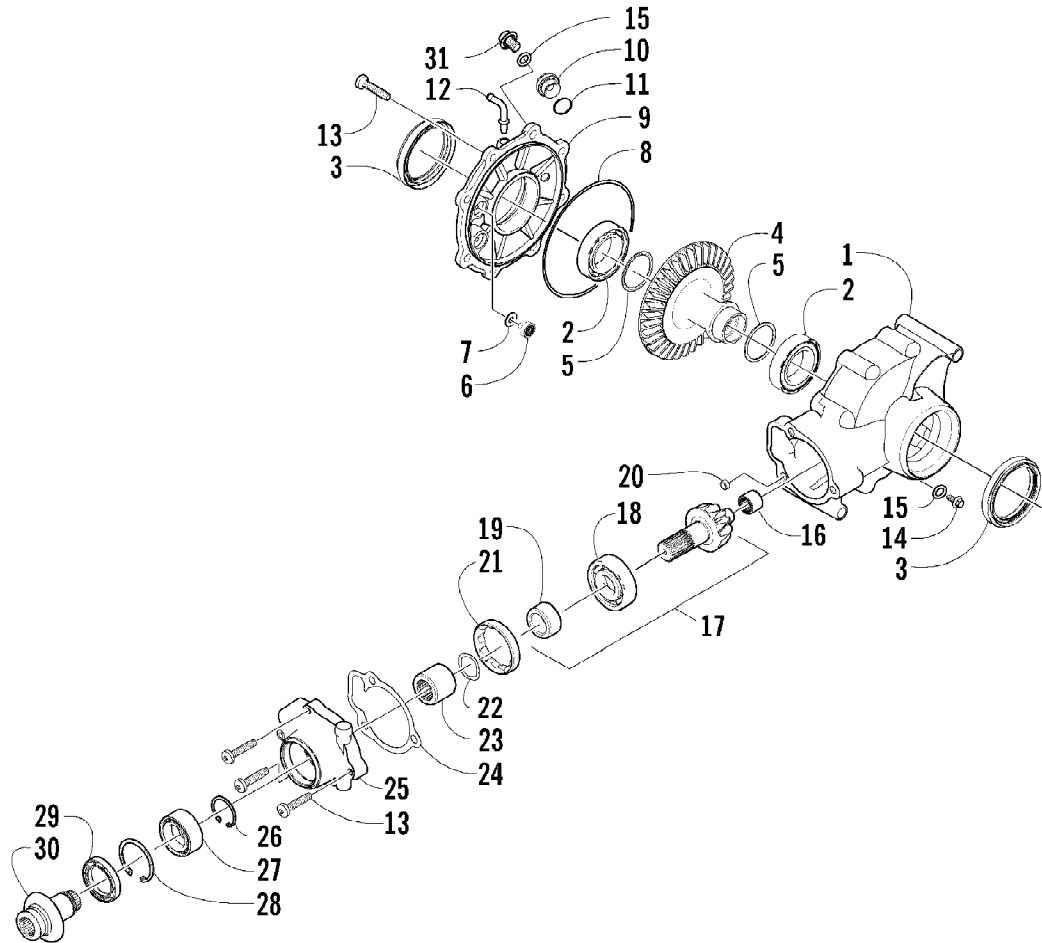


2010 ATV 700s H1 EFI GREEN (A2010IBT1PUSG)  
OIL FILTER/PUMP ASSEMBLY

Page 49 of 79

Ref #	Part Number	Qty	S/P/F	Description
1	0812-023	1		Pump, Oil
2	0812-083	1	/P	Gear, Driven
3	0829-009	1		Pin
4	0828-007	1	/P	Washer
5	0831-002	1		Ring, Retaining
6	0826-039	3		Screw, Machine
7	0812-057	1	/P	Strainer, Oil
8	0826-040	2		Screw, Machine
9	0812-029	1	S	Filter, Oil
10	0812-053	1		Cap, Oil Strainer
11	8468-625	4		Screw, Machine
12	0812-007	1		Valve, Oil-Relief - Assembly
13	0812-006	1		Plug, Drain
14	0830-017	1		Gasket, Drain Plug
15	0812-008	1		Union, Oil Filter

2010 ATV 700s H1 EFI GREEN (A2010IBT1PUSG)  
REAR DRIVE GEARCASE ASSEMBLY

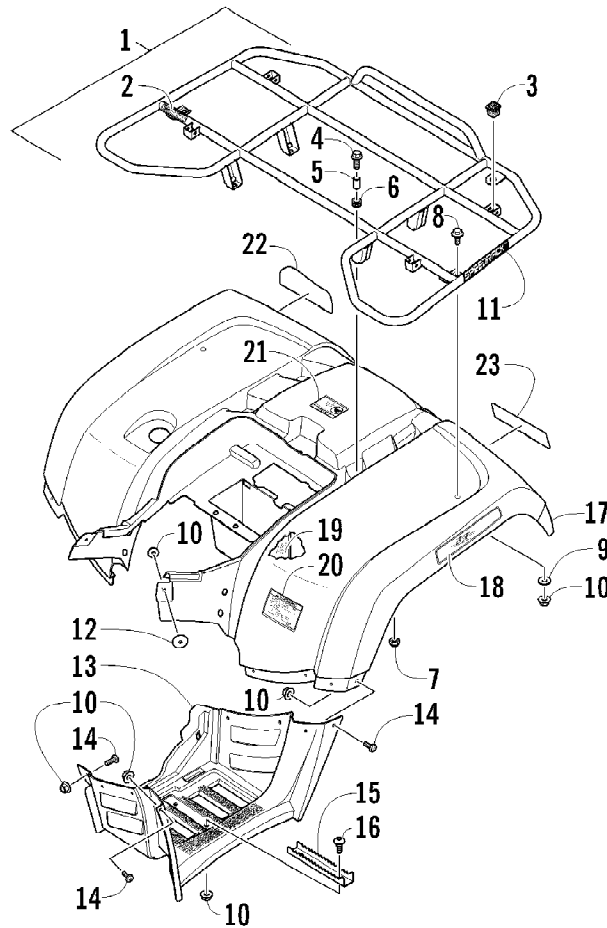


2010 ATV 700s H1 EFI GREEN (A2010IBT1PUSG)  
REAR DRIVE GEARCASE ASSEMBLY

Page 51 of 79

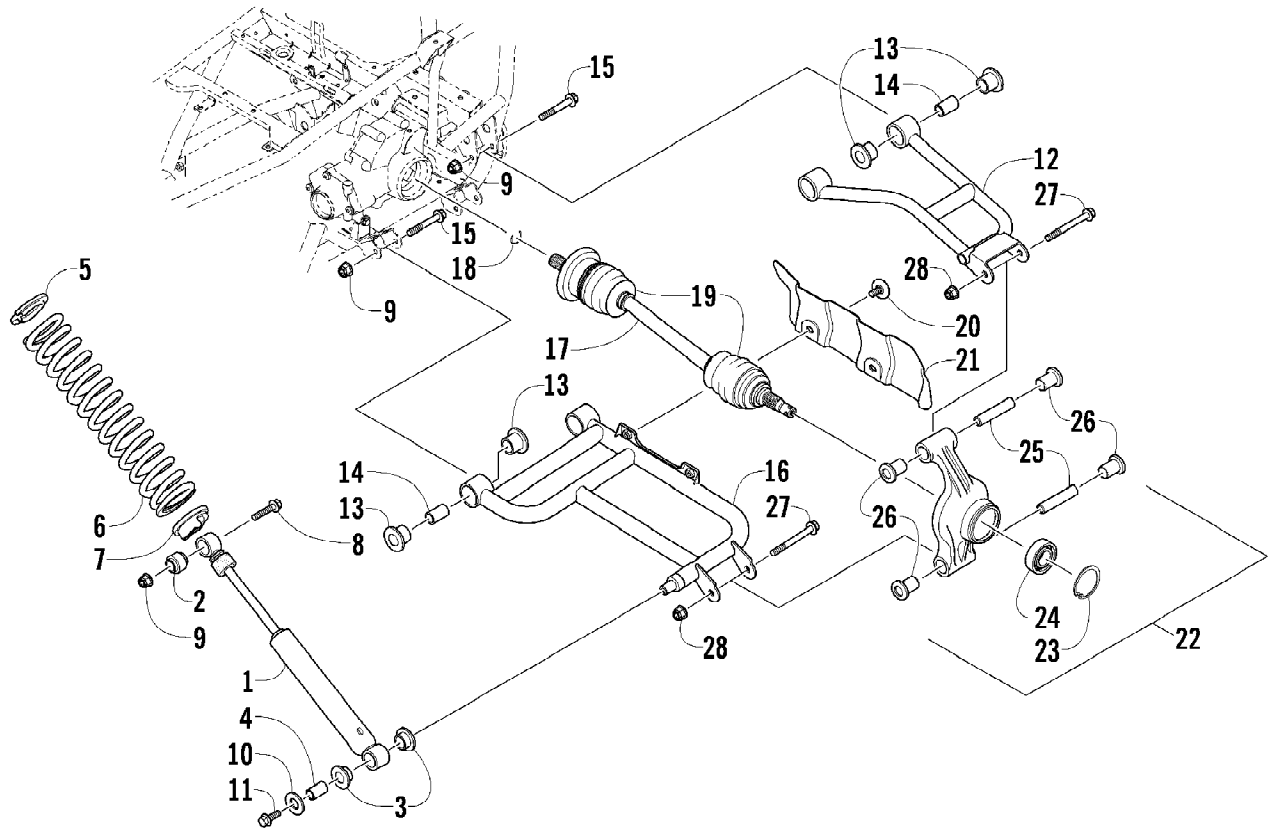
Ref #	Part Number	Qty	S/P/F	Description
	1502-401	1		Complete Rear Drive Gearcase Assembly
1	1502-317	1		Housing, Gearcase
2	0402-393	2		Bearing
3	1402-713	2	S	Seal
4	1402-033	1		Gear, Ring - 34T
5	0402-405	AR		Shim, 41 x 49 x 1.3 mm
5	0402-406	AR		Shim, 41 x 49 x 1.4 mm
5	0402-407	AR		Shim, 41 x 49 x 1.5 mm
5	0402-408	AR		Shim, 41 x 49 x 1.6 mm
5	0402-409	AR		Shim, 41 x 49 x 1.7 mm
6	0402-326	1		Button, Thrust
7	0402-429	AR		Shim, 6.3 x 18 x 1.3 mm
7	0402-430	AR		Shim, 6.3 x 18 x 1.4 mm
7	0402-431	AR		Shim, 6.3 x 18 x 1.5 mm
7	0402-432	AR		Shim, 6.3 x 18 x 1.6 mm
7	0402-433	AR		Shim, 6.3 x 18 x 1.7 mm
8	0423-149	1		O-Ring
9	1502-082	1		Cover, Gearcase
10	0402-333	1	/P	Plug, Magnetic (inc. 11)
11	0423-154	1		O-Ring
12	1402-102	1		Fitting
13	0423-118	11		Screw, Self-Tapping
14	1402-210	1	/P	Plug, Fill (inc. one No. 15)
15	0423-153	2		O-Ring
16	0402-328	1		Bearing
17	0502-784	1		Gear, Pinion - Assembly - 11T (inc. 18-19)
18	0402-327	1		Bearing
19	0402-336	1		Collar, Retaining
20	0402-411	1		Pin, Dowel
21	0402-331	1		Collar, Lock
22	0402-982	1		Washer, Wave
23	0402-981	1		Collar, Shaft
24	0402-947	1		Gasket, Flange
25	0502-529	1		Housing, Pinion
26	0423-417	1		Ring, Retaining
27	1402-043	1		Bearing
28	0423-423	1		Ring, Retaining
29	1402-011	1		Seal
30	1502-085	1	/P	Shaft, Input
31	1402-211	1		Plug, Oil Level (inc. one No. 15)

2010 ATV 700s H1 EFI GREEN (A2010IBT1PUSG)  
REAR RACK, BODY PANEL, AND FOOTWELL ASSEMBLIES



2010 ATV 700s H1 EFI GREEN (A2010IBT1PUSG)  
REAR RACK, BODY PANEL, AND FOOTWELL ASSEMBLIES

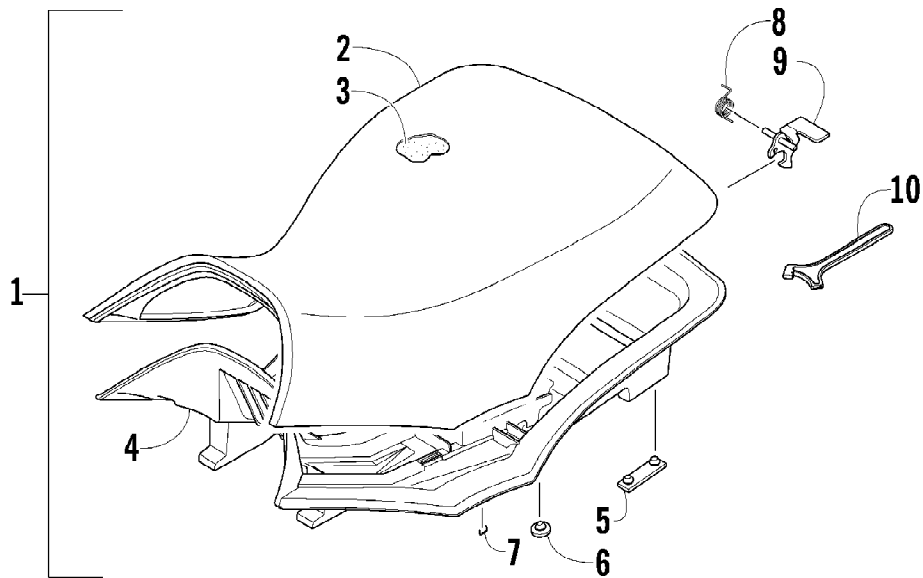
Ref #	Part Number	Qty	S/P/F	Description
1	2506-125	1		Rack, Rear - Assembly (inc. 2-3)
2	0411-648	1		Decal, Warning - Load
3	0441-592	4	/P	Bushing
4	8410-830	4		Screw, Cap
5	0423-669	4		Spacer
6	0423-465	4		Grommet
7	8432-802	4		Nut, Lock
8	0423-654	2		Screw, Shoulder
9	8050-222	2	/P	Washer
10	0423-540	26		Nut, Lock
11	0411-965	2		Decal, "Speedrack"
12	0423-101	2		Screw, Shoulder
13	1406-356	1		Footwell - Right
13	2406-429	1	/P	Footwell - Left
14	0423-419	18		Screw, Machine
15	1506-125	2	/P	Footpeg
16	0423-355	4		Screw, Shoulder
17	2516-950	1		Panel, Fender - Assembly - Rear (inc. 18-21)
18	1411-592	1	/P	Decal, Reflector - Right
18	1411-593	1	/P	Decal, Reflector - Left
19	0470-658	1		Foil, Protective
20	2411-143	1	/P	Decal, Warning - Tire Pressure
21	1411-809	1	/P	Decal, Passenger
22	2411-194	1		Decal, 700
23	2411-192	1		Decal, "Arctic Cat"



2010 ATV 700s H1 EFI GREEN (A2010IBT1PUSG)  
 REAR SUSPENSION ASSEMBLY

Page 55 of 79

Ref #	Part Number	Qty	S/P/F	Description
1	0404-158	2		Shock Absorber (inc. 2-4)
2	0403-182	2		Bushing
3	0603-955	4		Bushing
4	1603-219	2	S	Sleeve
5	1603-889	2	/P	Retainer, Spring
6	0504-536	2		Spring, Suspension
7	0404-057	2		Cam, Spring Adjuster
8	8409-040	1		Screw, Cap - Right
8	8409-050	1		Screw, Cap - Left
9	0423-744	10		Nut, Lock
10	0423-087	2		Washer
11	8408-820	2	/P	Screw, Cap
12	0504-582	1		A-Arm, Rear - Upper Right (inc. 13-14)
12	0504-583	1	/P	A-Arm, Rear - Upper Left (inc. 13-14)
13	0403-208	16	/P	Bushing
14	0403-214	8	/P	Axle
15	8409-075	8		Screw, Cap
16	0504-572	1		A-Arm, Rear - Lower Right (inc. 13-14)
16	0504-573	1		A-Arm, Rear - Lower Left (inc. 13-14)
17	1502-343	2	S	Axle, Drive (inc. 18-19)
18	0423-845	2	/P	Clip, Retaining
19	1436-207	2	/P	Repair Kit, Boot
20	0423-545	4	/P	Screw, Shoulder
21	1441-004	1		Guard, Boot - Right
21	1441-005	1		Guard, Boot - Left
22	0504-548	1	/P	Knuckle, Right - Assembly (inc. 23-26)
22	0504-549	1	/P	Knuckle, Left - Assembly (inc. 23-26)
23	0423-423	2		Ring, Retaining
24	1402-809	2	/P	Bearing
25	0403-213	4	/P	Axle
26	0403-206	8	/P	Bushing
27	8409-000	4		Screw, Cap
28	8428-002	4		Nut, Lock

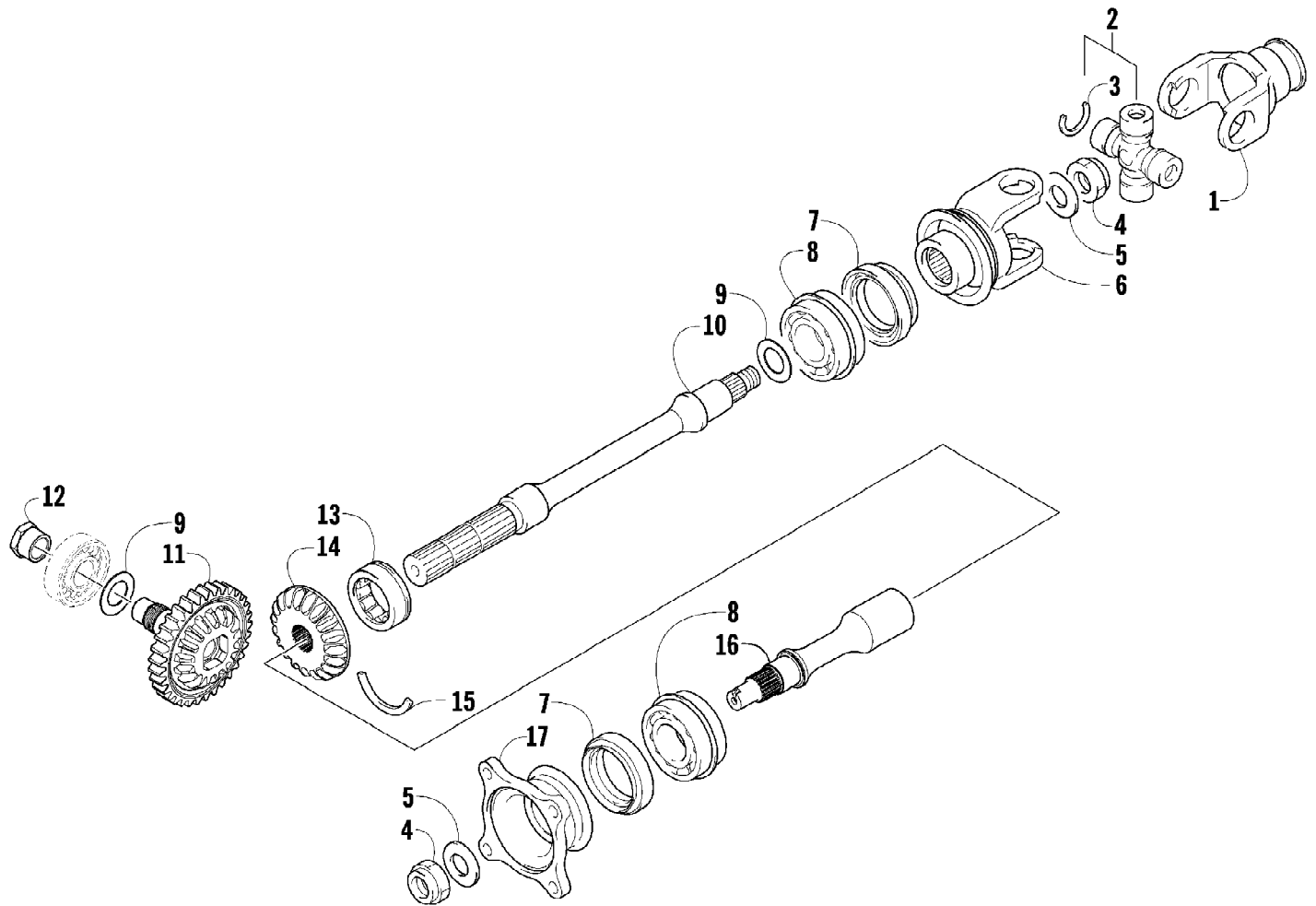




2010 ATV 700s H1 EFI GREEN (A2010IBT1PUSG)  
SEAT ASSEMBLY

Page 57 of 79

Ref #	Part Number	Qty	S/P/F	Description
1	2516-895	1	S	Seat Assembly (inc. 2-9)
2	1506-209	1		Cover, Seat
3	0517-119	1		Foam, Seat
4	2406-144	1	S/P	Base, Seat - Assembly (inc. 5-6)
5	0406-879	2		Bumper, Seat - Rear
6	0406-877	4	/P	Bumper, Seat - Front
7	0624-263	AR		Staple
8	1406-592	1	/P	Spring, Seat Latch
9	1506-156	1		Latch, Seat
10	0441-587	1		Wrench, Spanner

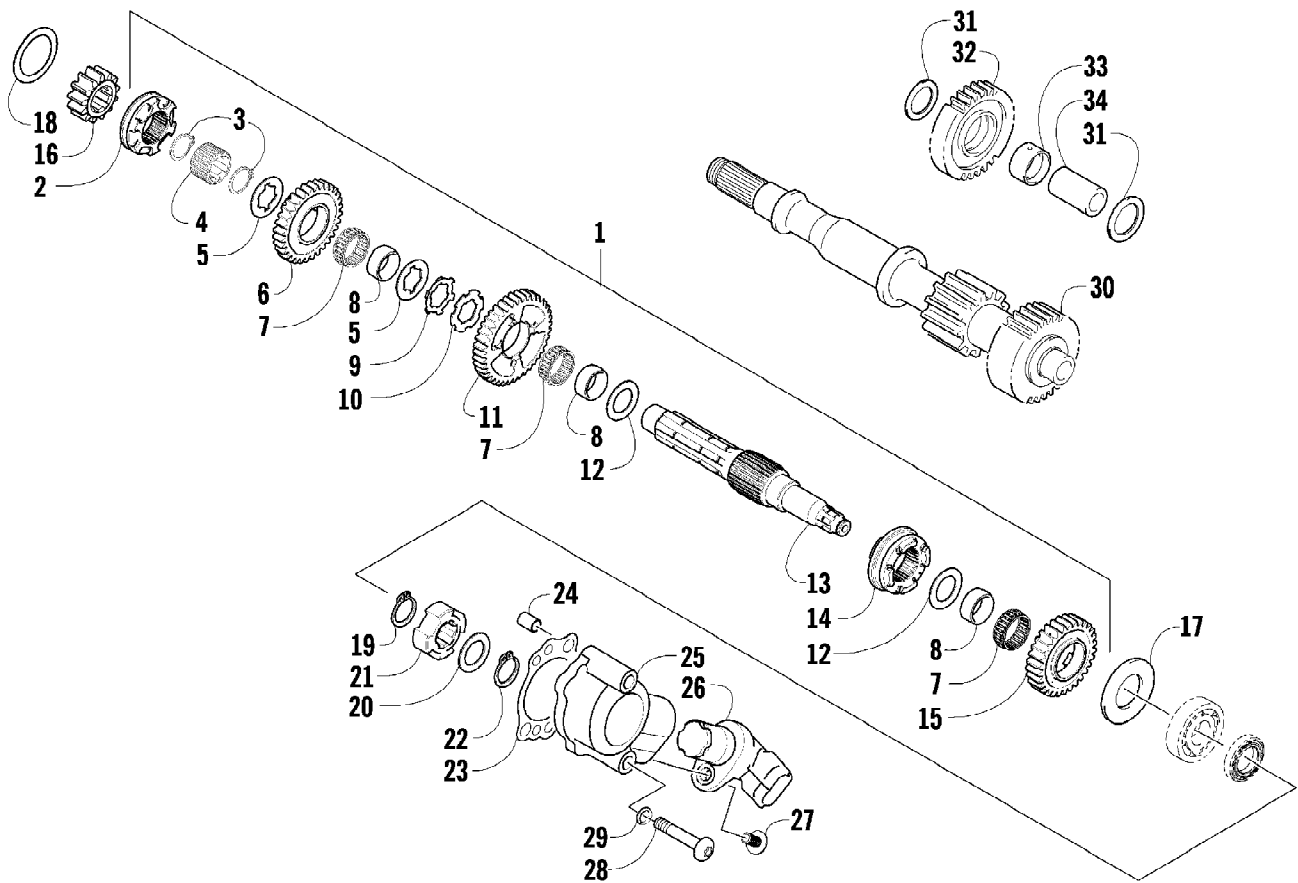


2010 ATV 700s H1 EFI GREEN (A2010IBT1PUSG)  
SECONDARY DRIVE ASSEMBLY

Page 59 of 79

Ref #	Part Number	Qty	S/P/F	Description
1	0819-063	1		Yoke, Propeller Shaft Joint
2	1402-164	1	/P	Joint, Universal - Set (inc. 3)
3	0423-450	4		Ring, Retaining
4	0827-013	2		Nut
5	0828-020	2		Washer
6	0819-061	1		Yoke, Drive Output - Front
7	0830-043	2		Seal, Oil
8	0832-017	2		Bearing
9	0828-021	AR		Shim, 25 x 34 x 0.25 mm
9	0828-022	AR		Shim, 25 x 34 x 0.30 mm
9	0828-023	AR		Shim, 25 x 34 x 0.70 mm
9	0828-024	AR		Shim, 25 x 34 x 0.90 mm
9	0828-025	AR		Shim, 25 x 34 x 0.95 mm
9	0828-026	AR		Shim, 25 x 34 x 1.00 mm
9	0828-027	AR		Shim, 25 x 34 x 1.05 mm
9	0828-028	AR		Shim, 25 x 34 x 1.10 mm
9	0828-029	AR		Shim, 25 x 34 x 1.15 mm
10	0819-089	1	/P	Shaft, Secondary Driven - Front
11	0822-107	1		Gear, Secondary Drive
12	0827-052	1		Nut
13	0832-016	1		Bearing
14	0822-106	1		Gear, Secondary Driven
15	0819-011	1		Ring, Driven Bearing
16	0819-053	1		Shaft, Secondary Driven - Rear
17	0819-005	1		Flange, Output Joint - Rear

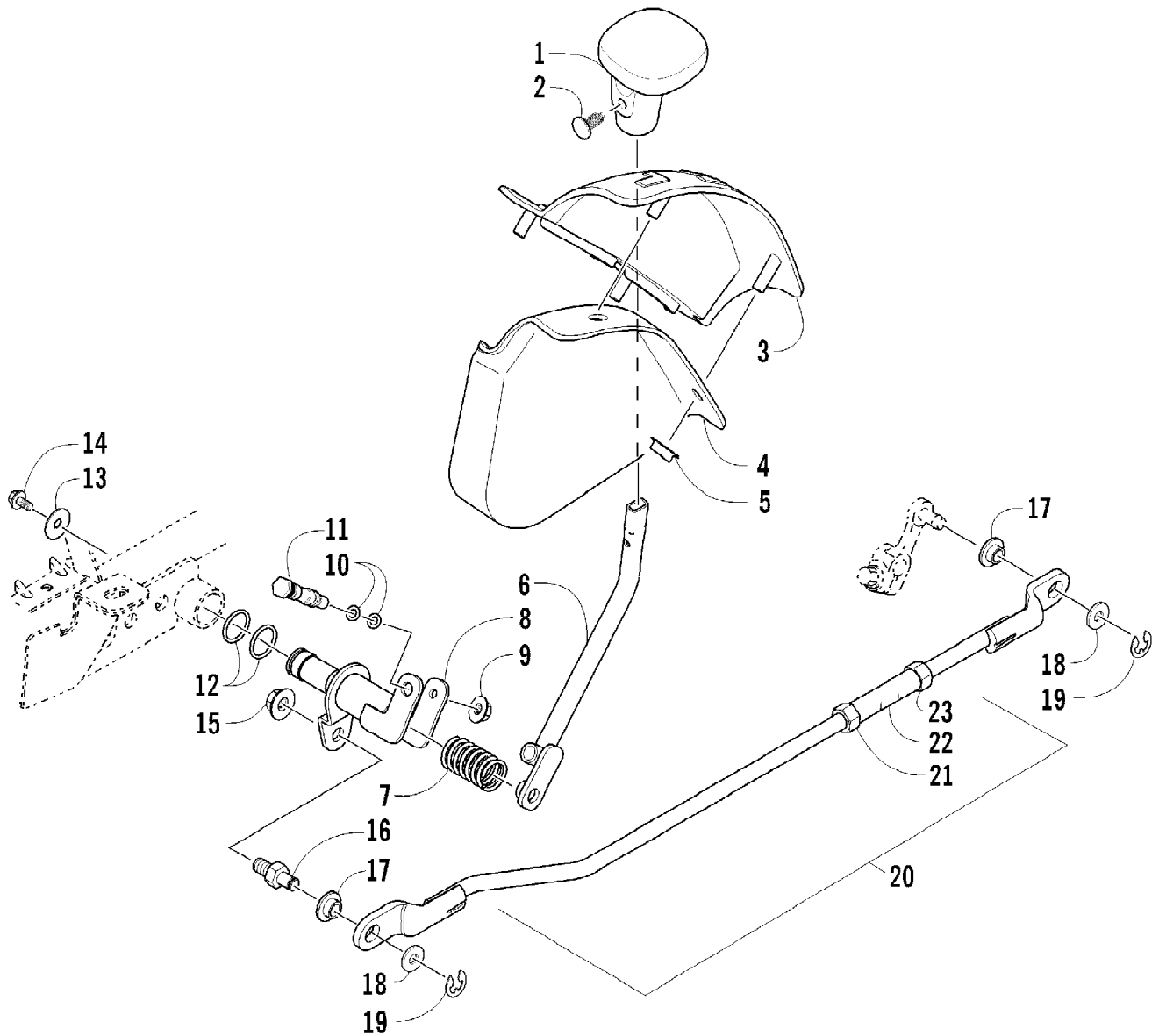
2010 ATV 700s H1 EFI GREEN (A2010IBT1PUSG)  
SECONDARY TRANSMISSION ASSEMBLY



2010 ATV 700s H1 EFI GREEN (A2010IBT1PUSG)  
SECONDARY TRANSMISSION ASSEMBLY

Page 61 of 79

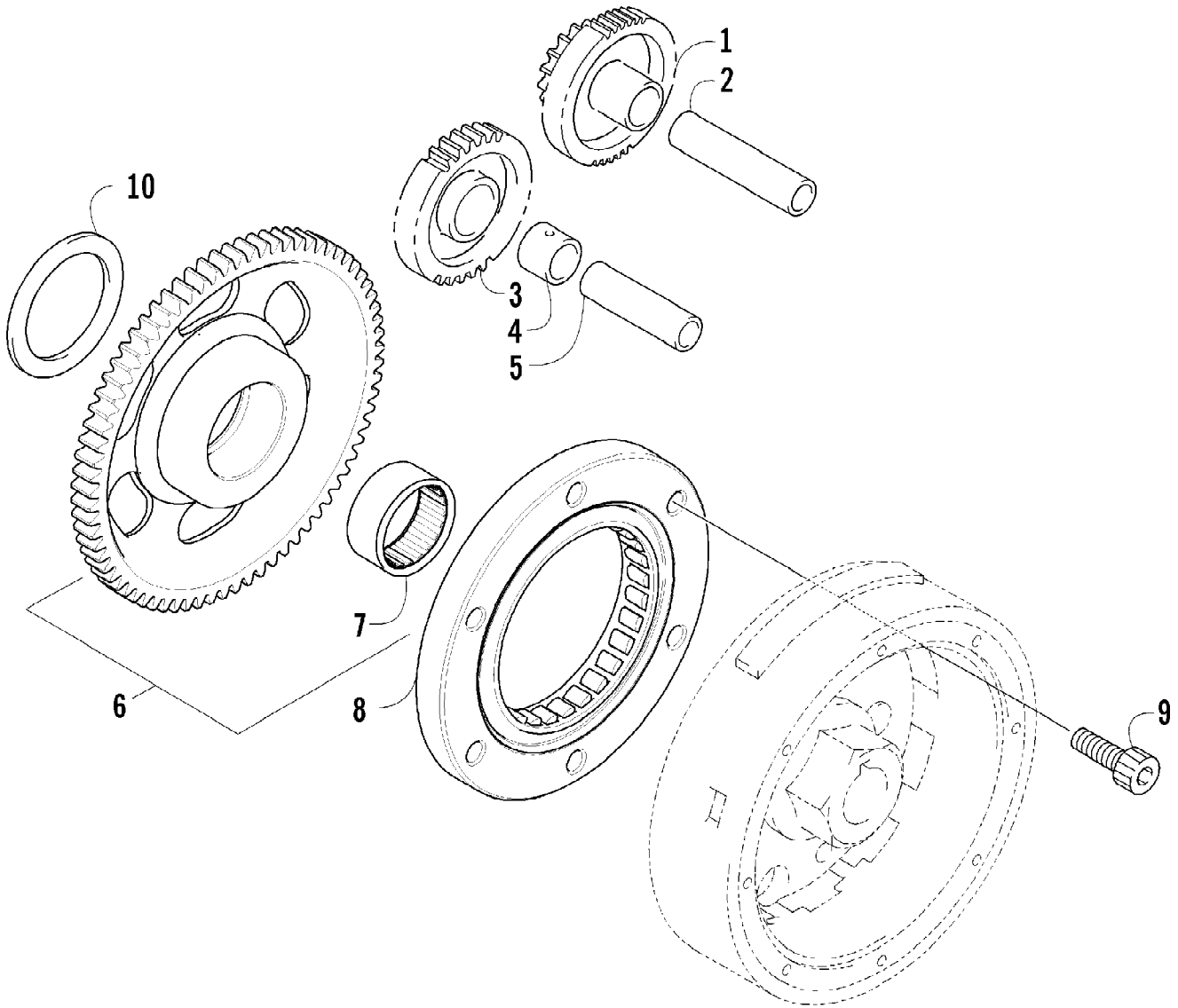
Ref #	Part Number	Qty	S/P/F	Description
1	0822-091	1	/P	Countershaft Assembly (inc. 2-15)
2	0822-014	1		Gear Select, Reverse
3	0831-011	2		Ring, Retaining
4	0822-045	1		Spacer, Reverse Driven Gear
5	0828-008	2		Washer
6	0822-013	1		Gear, Reverse Driven
7	0832-011	3		Bearing
8	0822-005	3		Bushing
9	0828-014	1		Washer, Lock
10	0828-015	1		Washer, Lock
11	0822-004	1		Gear, Driven - Low
12	0822-046	2		Washer
13	0822-003	1		Countershaft
14	0822-007	1		Gear Select, Sliding
15	0822-006	1		Gear, Driven - High
16	0822-089	1		Gear, Drive
17	0828-011	1		Washer
18	0828-019	1		Washer, Thrust
19	0831-040	1		Ring, Retaining
20	0828-069	1		Washer, Thrust
21	0822-050	1		Trigger, Speedometer Sensor
22	0831-039	1		Ring, Retaining
23	0830-129	1		Gasket
24	0829-023	2		Pin, Dowel
25	0822-049	1		Housing, Speedometer Sensor
26	0824-042	1	/P	Sensor, Speedometer
27	8468-620	1	/P	Screw, Machine
28	8468-645	2		Screw, Machine
29	0830-107	2		Gasket
30	0822-001	1		Driveshaft
31	0828-016	2		Washer, Thrust
32	0822-011	1		Gear, Reverse Idle
33	0822-012	1		Bushing
34	0822-015	1		Shaft, Reverse Idle



2010 ATV 700s H1 EFI GREEN (A2010IBT1PUSG)  
SHIFT LEVER ASSEMBLY

Page 63 of 79

Ref #	Part Number	Qty	S/P/F	Description
1	0402-843	1	/P	Knob, Shift
2	0423-345	1		Clip, Retaining
3	1402-576	1		Plate, Shift
4	2406-345	1		Shield, Shift Plate
5	0423-357	4		Nut, Stamped
6	0502-659	1		Lever, Shift
7	0402-678	1	/P	Spring, Shift Lever
8	1502-332	1		Actuator, Shift
9	8424-602	1	/P	Nut
10	0423-182	2	/P	O-Ring
11	0402-675	1		Axle, Pivot
12	0423-299	2	/P	O-Ring
13	0423-087	1		Washer
14	8408-812	1		Screw, Cap
15	8424-802	1		Nut
16	1402-621	1		Pin, Mounting
17	0423-091	2		Bushing
18	0623-094	2		Washer
19	0423-169	2	/P	E-Ring
20	1502-200	1		Linkage, Shift - Assembly (inc. 21-23)
21	0123-917	1	/P	Nut, Hex - Left-Hand Thread
22	1402-619	1		Coupler
23	0623-294	1		Nut, Hex - Right-Hand Thread

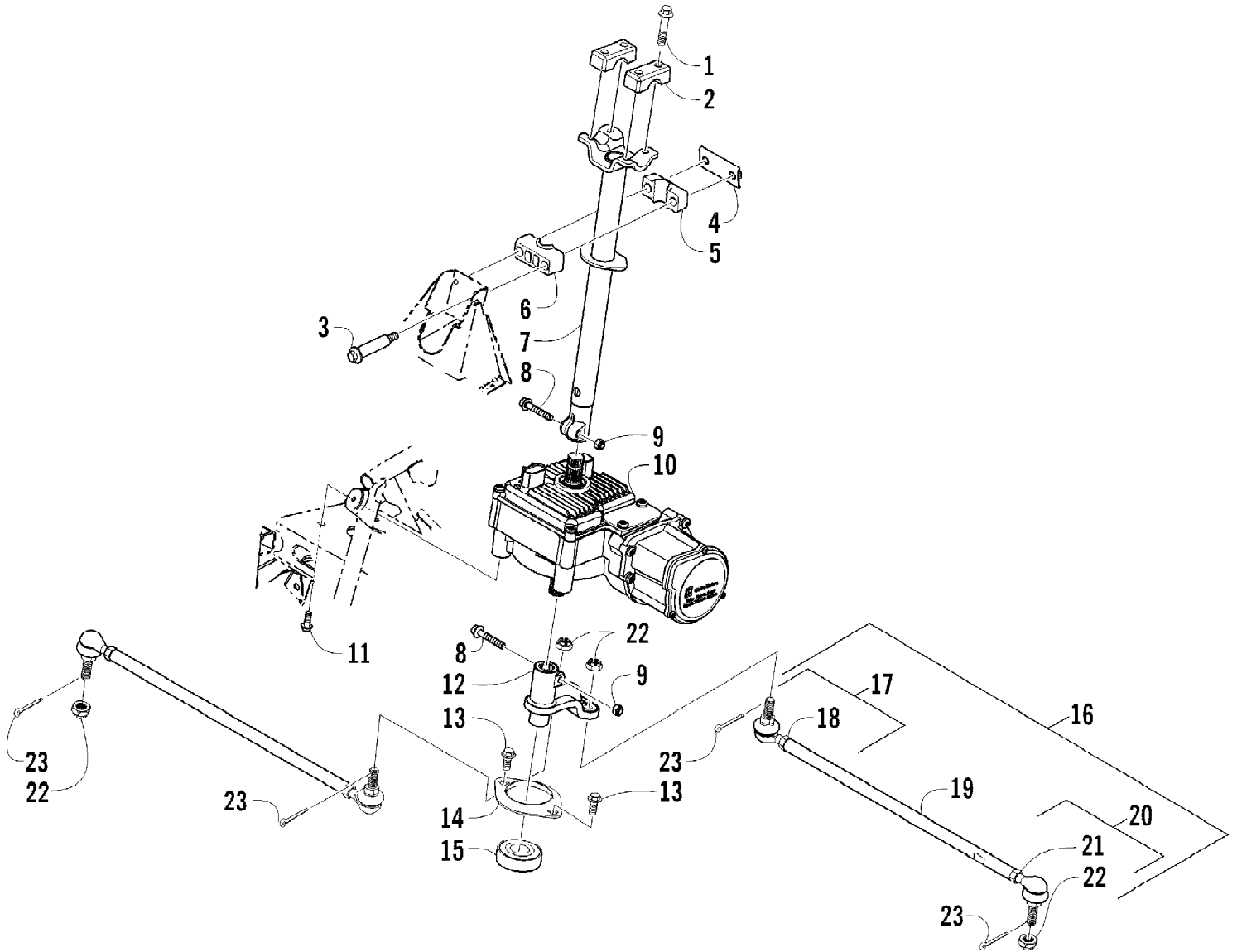




2010 ATV 700s H1 EFI GREEN (A2010IBT1PUSG)  
STARTER CLUTCH ASSEMBLY

Page 65 of 79

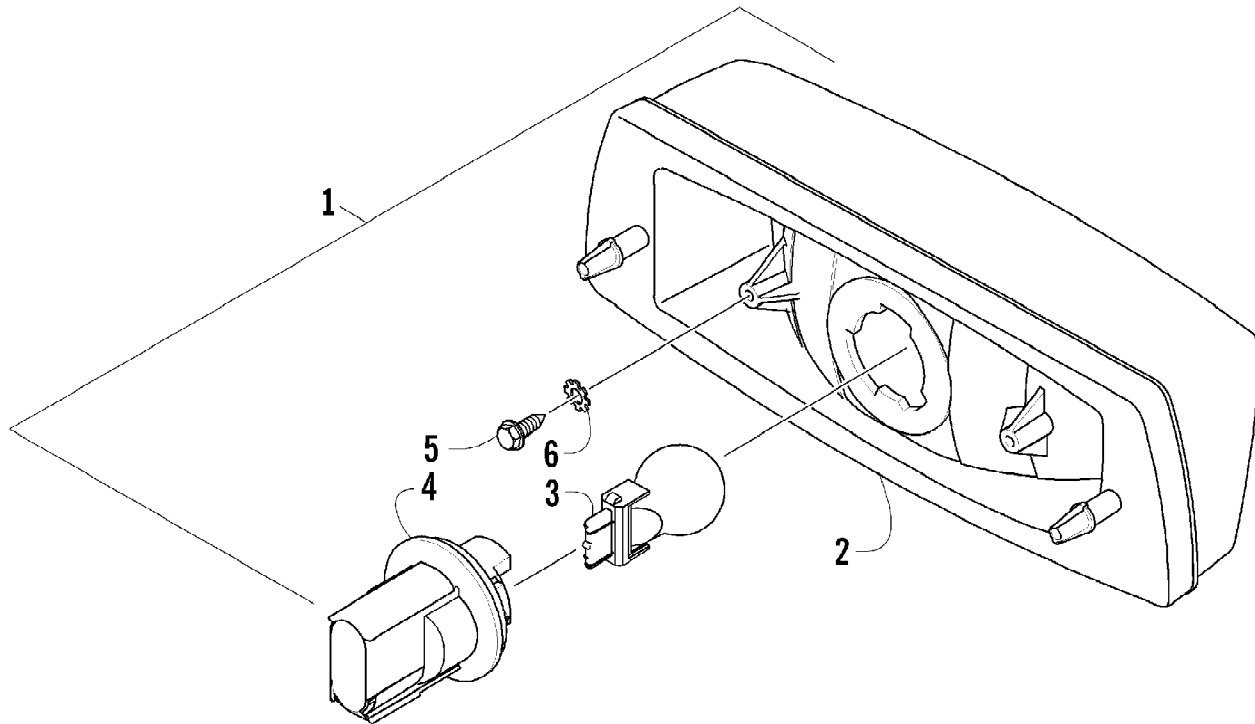
Ref #	Part Number	Qty	S/P/F	Description
1	0815-001	1		Gear, Starter Idler - No. 1
2	0829-031	1	/P	Shaft, Starter Gear
3	0815-002	1		Gear, Starter Idler - No. 2
4	0815-003	1		Spacer, Starter Idler Gear No. 2
5	0829-032	1	/P	Shaft, Starter Gear
6	0815-004	1		Gear, Starter Clutch (inc. 7)
7	0832-079	1	/P	Bearing
8	0802-035	1		Clutch, Starter
9	0826-069	6		Screw, Machine
10	0828-094	1		Washer



2010 ATV 700s H1 EFI GREEN (A2010IBT1PUSG)  
STEERING ASSEMBLY

Page 67 of 79

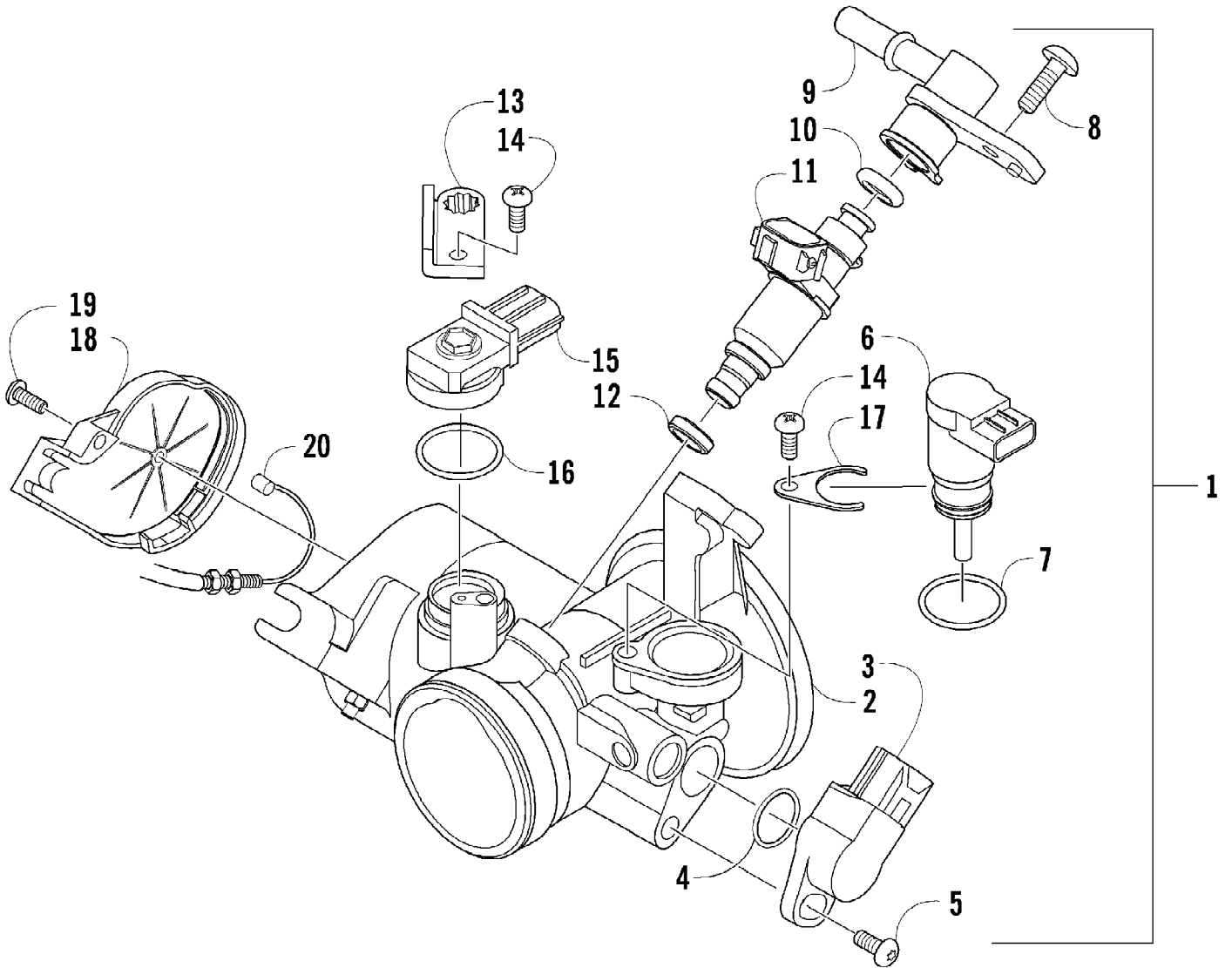
Ref #	Part Number	Qty	S/P/F	Description
1	8408-835	4		Screw, Cap
2	0405-035	2		Cap, Steering Adjuster
3	0423-505	2		Screw, Shoulder
4	0505-484	1		Cap, Housing
5	0405-260	1		Housing, Upper
6	0405-259	1		Housing, Lower
7	0505-642	1		Post, Steering
8	8020-045	2		Screw, Cap
9	8040-366	2	/P	Nut, Lock
10	0505-653	1	S	Assembly, Electronic Power Steering
11	8409-020	4	/P	Screw, Cap
12	0505-664	1		Arm, Steering
13	8408-816	2		Screw, Cap
14	0602-233	1		Flange, Bearing
15	0405-052	1		Bearing w/Inverted Oil Seal
16	0505-499	2	/P	Tie Rod - Assembly (inc. 17-21)
17	0505-511	2	/P	End, Tie Rod - Left-Hand Thread - Kit (inc. 18)
18	0423-013	2		Nut - Left-Hand Thread
19	0405-281	2	/P	Tie Rod
20	0505-510	2	/P	End, Tie Rod - Right-Hand Thread - Kit (inc. 21)
21	8420-002	2	/P	Nut - Right-Hand Thread
22	0423-157	4		Nut, Lock
23	0623-175	4		Pin, Cotter



2010 ATV 700s H1 EFI GREEN (A2010IBT1PUSG)  
TAILLIGHT ASSEMBLY

Page 69 of 79

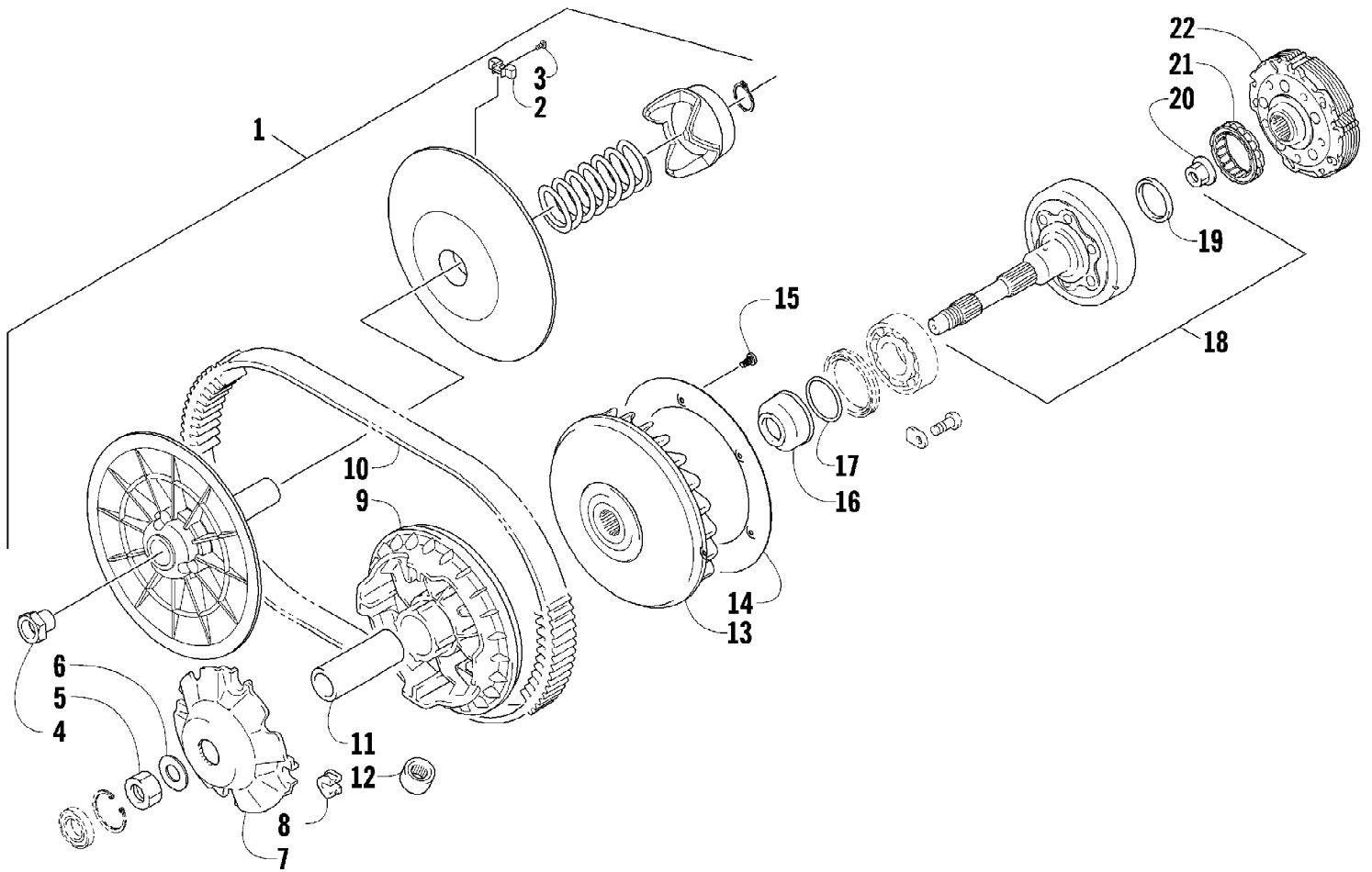
Ref #	Part Number	Qty	S/P/F	Description
1	0509-022	1		Taillight Assembly (inc. 2-4)
2	0509-025	1		Housing, Taillight
3	0409-056	1		Bulb, Taillight
4	0409-057	1		Socket, Taillight
5	0623-301	2	/P	Screw, Self-Tapping
6	8053-212	2	/P	Washer, External Tooth Lock



2010 ATV 700s H1 EFI GREEN (A2010IBT1PUSG)  
THROTTLE BODY ASSEMBLY

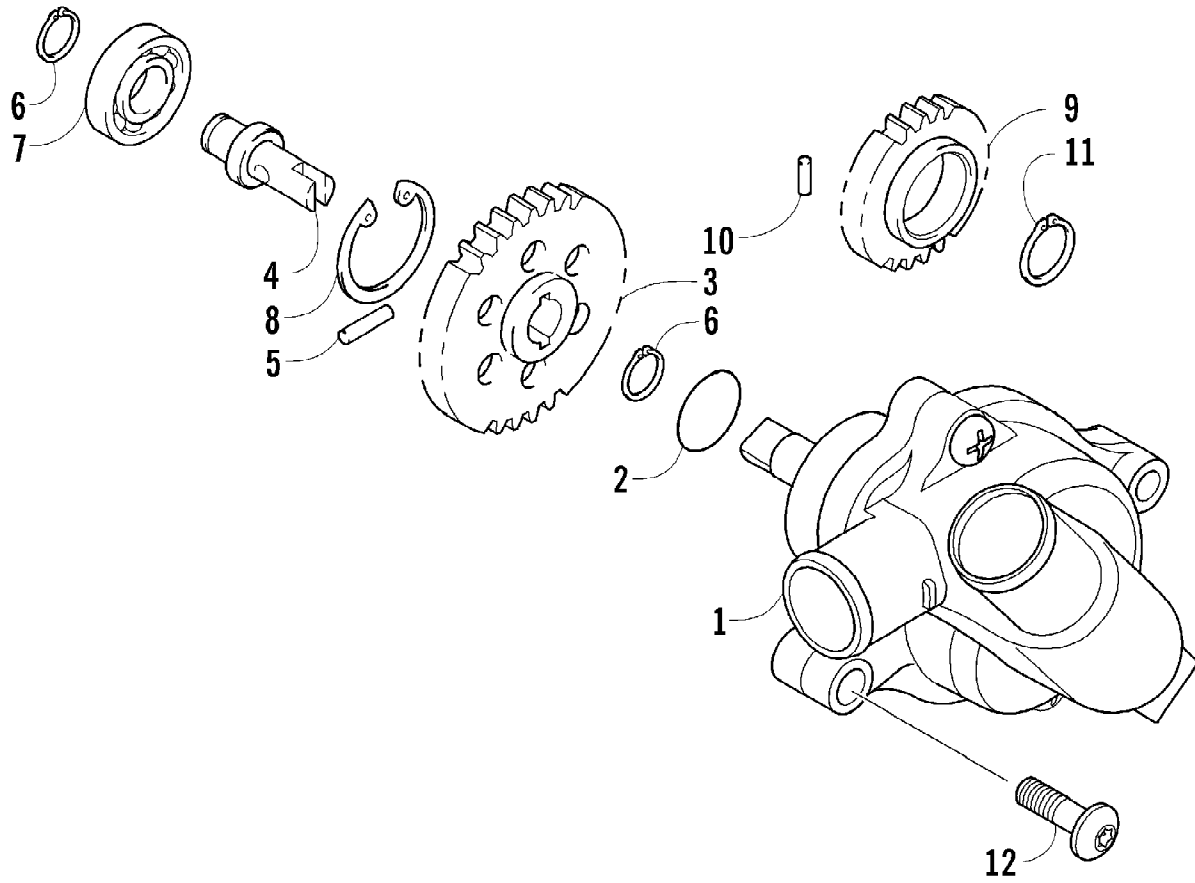
Page 71 of 79

Ref #	Part Number	Qty	S/P/F	Description
1	0470-753	1		Throttle - Assembly (inc. 2-19)
2	0	1	F	Throttle Body
3	0430-072	1		Sensor, Throttle Position
4	5507-234	1		O-Ring
5	5507-231	1		Screw, Machine
6	0430-074	1		Valve, ISC
7	5507-233	1		O-Ring
8	5507-238	1		Screw, Machine
9	0470-687	1		Rail, Fuel
10	0470-767	1		O-Ring
11	0470-762	1		Injector, Fuel
12	0470-768	1		Seal
13	5507-227	1		Bracket, MAP Sensor
14	5507-117	2	/P	Screw, Machine
15	0430-073	1		Sensor, MAP
16	5507-232	1		O-Ring
17	5507-229	1		Plate, ISC Valve
18	5507-223	1		Cover
19	5507-037	1	/P	Screw, Machine
20	0487-057	1		Cable, Throttle





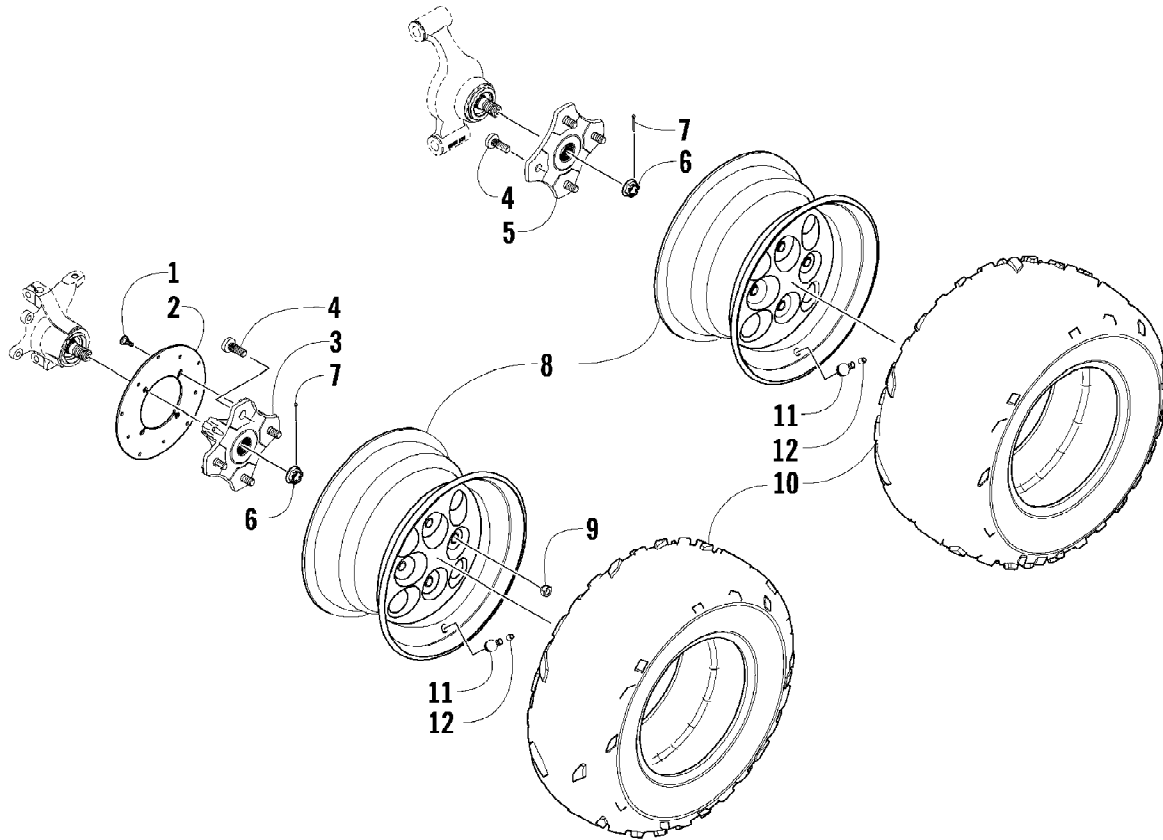
Ref #	Part Number	Qty	S/P/F	Description
1	0823-157	1	S/P	Pulley, Driven - Assembly (inc. 2-4)
2	0823-176	3	/P	Shoe, Cam
3	0823-177	3		Screw, Machine
4	0823-178	1		Nut
5	0827-010	1		Nut
6	0828-106	1		Washer
7	0823-008	1		Plate, Movable Drive Face
8	0823-010	4		Damper, Movable Drive Face
9	0823-159	1		Face, Movable Drive
10	0823-013	1		Belt, Drive
11	0823-149	1		Spacer
12	0823-167	8	/P	Roller
13	0823-156	1	/P	Face, Fixed Drive
14	0823-131	1		Shroud, Drive Face
15	0623-914	6		Screw, Self-Tapping
16	0823-015	1		Spacer, Fixed Drive Face
17	0470-531	1		O-Ring
18	0823-261	1	S/P	Housing, Clutch - Assembly
19	0830-189	1	/P	Seal
20	0827-011	1		Nut
21	0823-018	1		Clutch, One-Way
22	0823-098	1	S	Clutch, Centrifugal - 6 Plate



2010 ATV 700s H1 EFI GREEN (A2010IBT1PUSG)  
WATER PUMP ASSEMBLY

Page 75 of 79

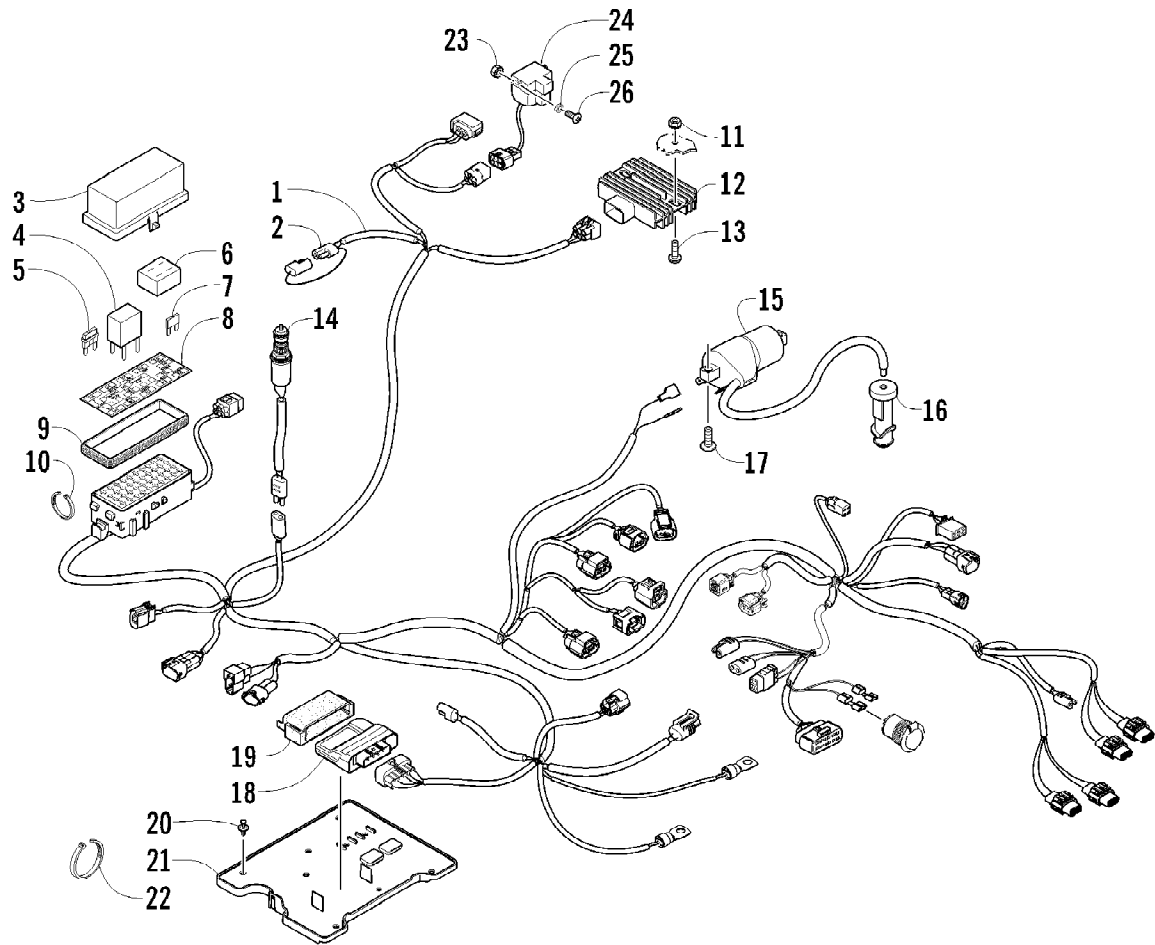
Ref #	Part Number	Qty	S/P/F	Description
1	0813-001	1		Pump, Water - Assembly (inc. 2)
2	0830-029	1		O-Ring
3	0813-004	1		Gear, Driven
4	0813-005	1		Shaft, Driven Gear
5	0829-009	1		Pin
6	0831-002	2		Ring, Retaining
7	0832-046	1	/P	Bearing
8	0831-004	1		Ring, Retaining
9	0811-003	1		Gear, Water Pump Drive
10	0829-007	1		Pin
11	0831-005	1		Ring, Retaining
12	8468-665	2		Screw, Machine



2010 ATV 700s H1 EFI GREEN (A2010IBT1PUSG)  
WHEEL AND TIRE ASSEMBLY

Page 77 of 79

Ref #	Part Number	Qty	S/P/F	Description
1	0423-557	12		Screw, Shoulder
2	1436-164	3	/P	Disc, Brake
3	3323-100	2	S	Hub, Wheel - Front (inc. 4)
4	0402-974	16	/P	Stud
5	3323-100	1	S	Hub, Wheel - Rear - Right (inc. 4)
5	3323-113	1	/P	Hub, Wheel - Rear - Left (inc. 4)
6	0423-607	4		Nut, Castle
7	0423-407	4		Pin, Cotter
8	1402-778	2		Wheel - Front
8	1402-779	2		Wheel - Rear
9	0423-408	16	/P	Nut, Lug
10	1402-894	2		Tire - Front
10	1402-895	2		Tire - Rear
11	0402-064	4		Stem, Valve (inc. 12)
12	0402-140	4		Cap, Valve Stem



2010 ATV 700s H1 EFI GREEN (A2010IBT1PUSG)  
WIRING HARNESS ASSEMBLY

Page 79 of 79

Ref #	Part Number	Qty	S/P/F	Description
1	0486-386	1		Harness, Main (inc. 2-9)
2	0486-164	1		Tether, Accessory Connector
3	0430-085	1		Cover, Fuse Block
4	0430-045	6	/P	Relay (4-Pin) - 20 Amp
5	0430-034	2		Diode
6	0430-037	1		Holder, Fuse
7	0430-032	5		Fuse - 10 Amp
7	0430-031	4		Fuse - 15 Amp
7	0430-030	3		Fuse - 30 Amp
8	2411-213	1		Decal, Fuse Block
9	0430-086	1		Seal
10	0123-788	AR	/P	Tie, Cable - 8 in.
11	0623-038	2		Nut w/Washer
12	0824-037	1	/P	Regulator, Voltage
13	8476-625	2		Screw, Machine
14	0409-089	1		Switch, Brake - Assembly
15	0824-043	1		Coil, Ignition
16	0824-049	1	/P	Cap, Spark Plug
17	8476-620	2		Screw, Machine
18	0530-028	1	/P	ECU
19	0430-076	1		Cushion, ECU
20	0623-362	3		Rivet, Reinstallable
21	2406-643	1		Tray, Electrical
22	0123-903	AR		Tie, Cable - 11.5 in.
23	0423-493	2		Nut w/Washer
24	0409-064	1		Switch, Tilt Sensor
25	0123-802	2		Washer
26	8468-425	2		Screw, Machine