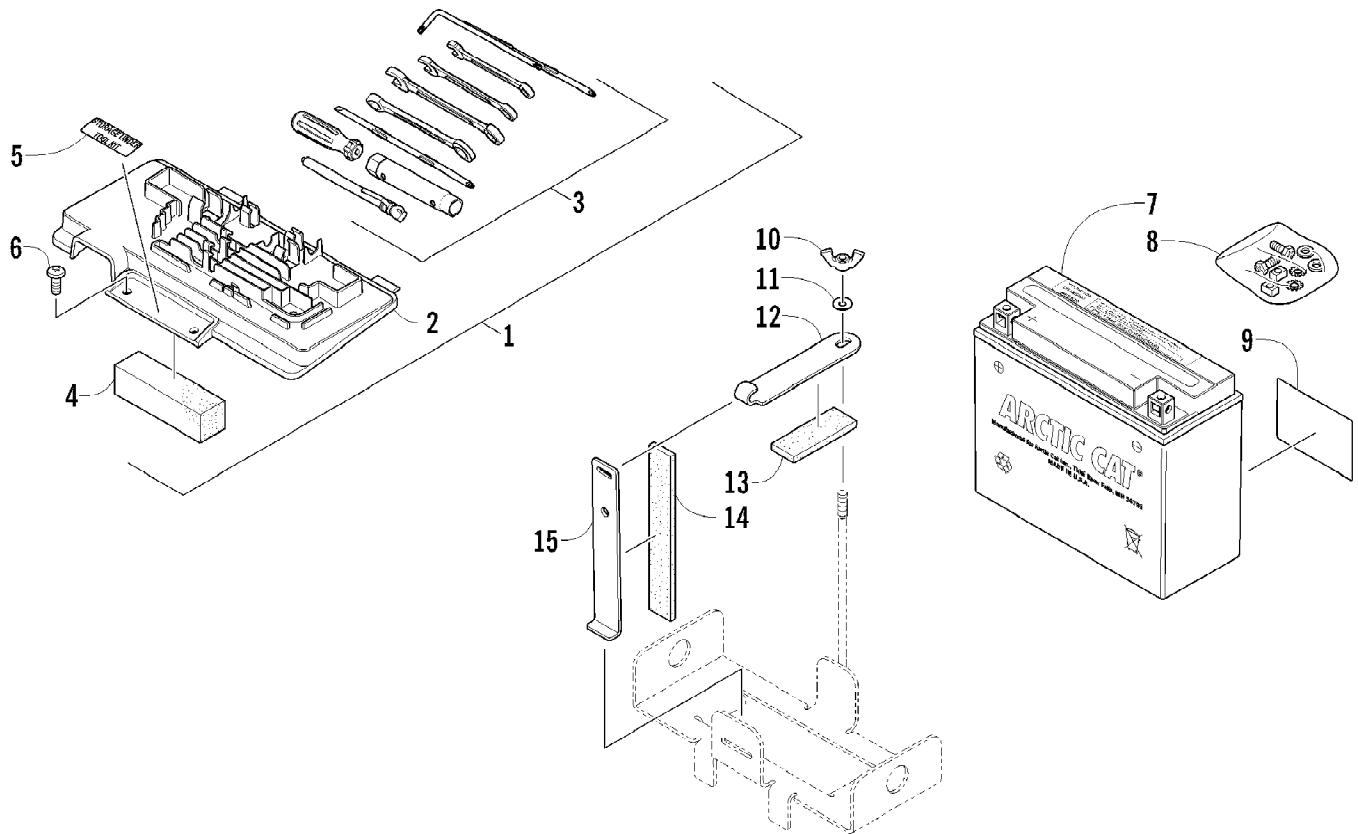


2010 ATV 700 DIESEL BLACK (A2010TBT4DUSP)
AIR INTAKE ASSEMBLY

Page 2 of 90

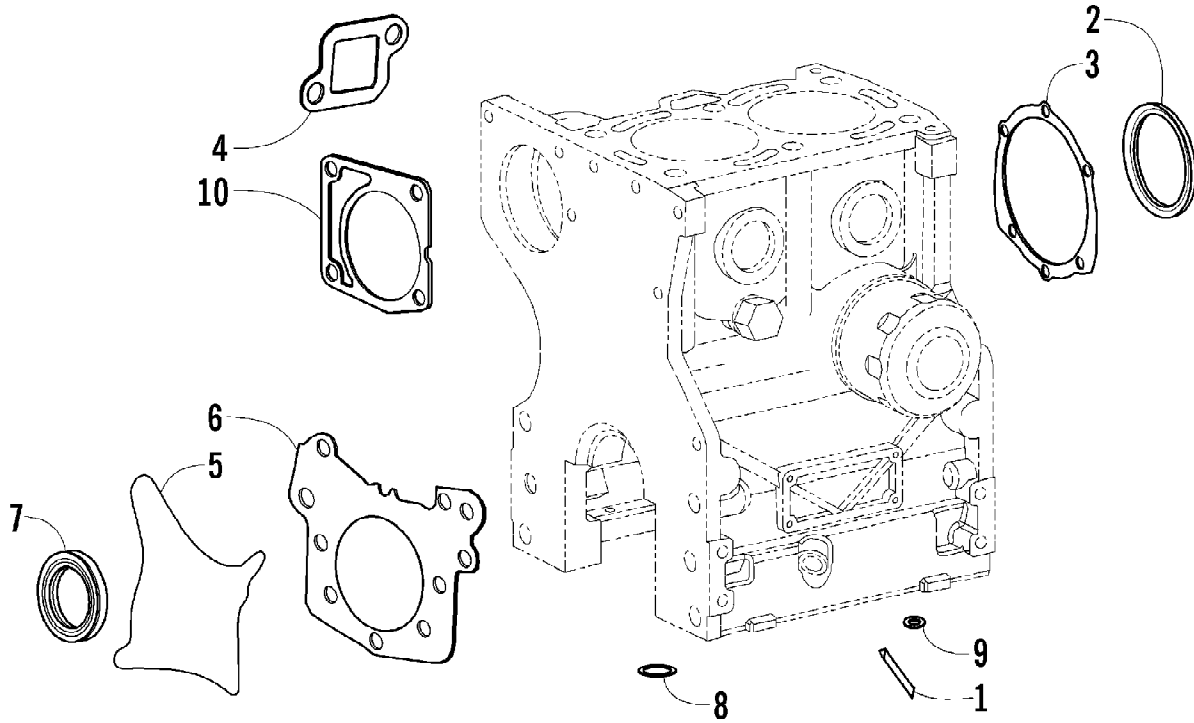
Ref #	Part Number	Qty	S/P/F	Description
1	0413-091	1		Diverter, Air - Top
2	0413-093	1		Diverter, Air - Bottom
3	2406-509	1		Shroud, Splash
4	0623-362	2		Rivet, Reinstallable
5	0423-832	2		Clamp
6	0470-618	1		Duct, Air Intake
7	0423-066	2		Clamp
8	0470-621	1		Duct, Engine Intake
9	0470-617	1		Filter, Air - Assembly (inc. 10-13)
10	0470-627	1		Cap, Air Filter
11	0470-619	1		Filter, Air
12	0470-620	1		Element, Air Filter
13	0470-628	1		Bracket, Mounting - Air Filter
14	8476-620	2		Screw, Machine
15	8050-222	2	/P	Washer
16	2506-082	1		Bracket, Mounting - Air Filter
17	8476-616	4		Screw, Machine



2010 ATV 700 DIESEL BLACK (A2010TBT4DUSP)
 BATTERY ASSEMBLY

Page 4 of 90

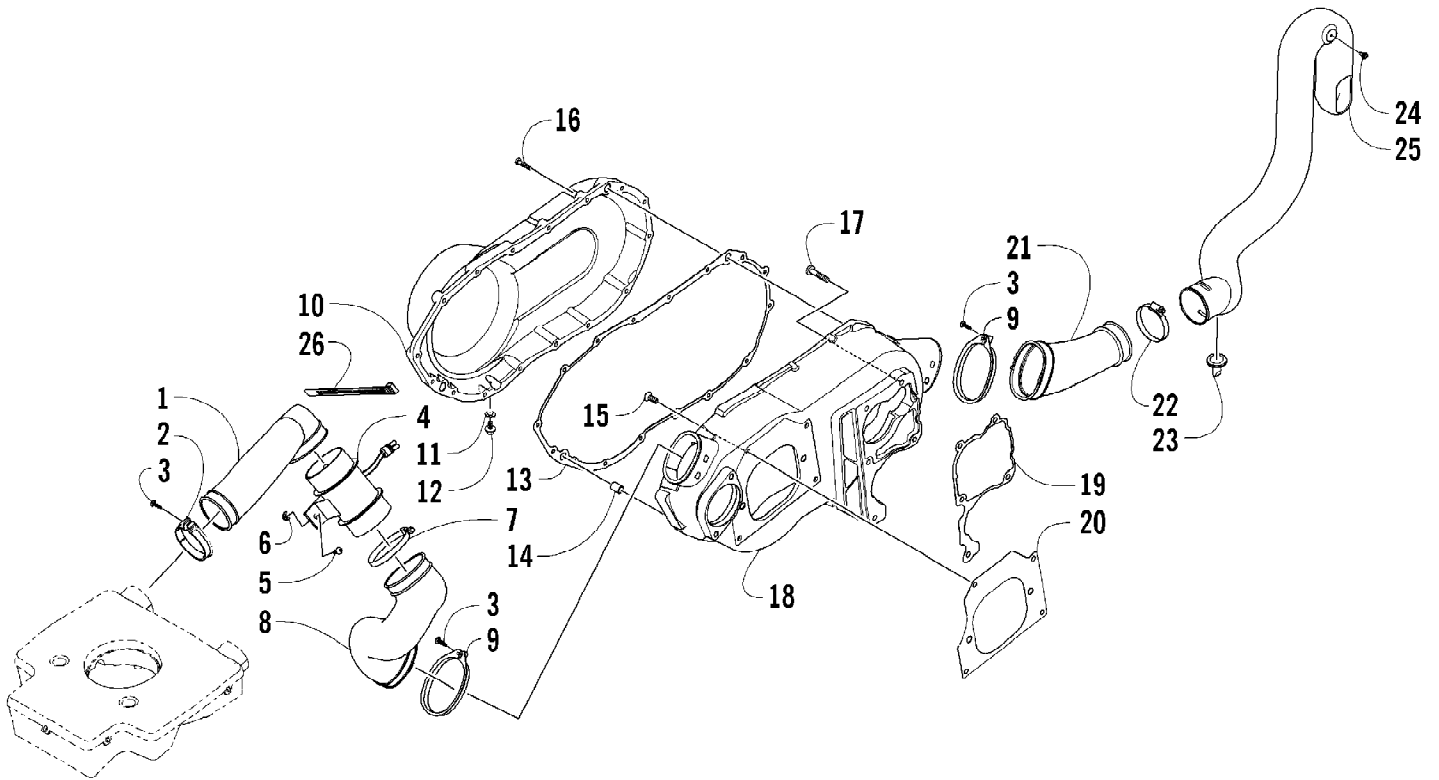
Ref #	Part Number	Qty	S/P/F	Description
1	5991-655	1	/P	Battery Cover/Tool Tray Assembly (inc. 2-4)
2	2406-815	1	/P	Cover, Battery
3	0444-122	1	S/P	Kit, Tool
4	0417-016	1		Pad, Battery
5	1411-508	1		Decal, Storage
6	8476-620	2		Screw, Machine
7	0645-432	1	S	Battery Assembly (inc. 8-9)
8	0445-082	1		Kit, Hardware
9	0645-430	1		Decal, Warning
10	0623-325	1		Nut, Wing
11	8050-217	1	/P	Washer
12	0645-243	1		Strap, Battery - Top
13	0406-288	1		Pad, Foam
14	0406-289	1		Pad, Foam
15	0645-311	1		Strap, Battery - Side



2010 ATV 700 DIESEL BLACK (A2010TBT4DUSP)
BOTTOM END GASKET SET ASSEMBLY

Page 6 of 90

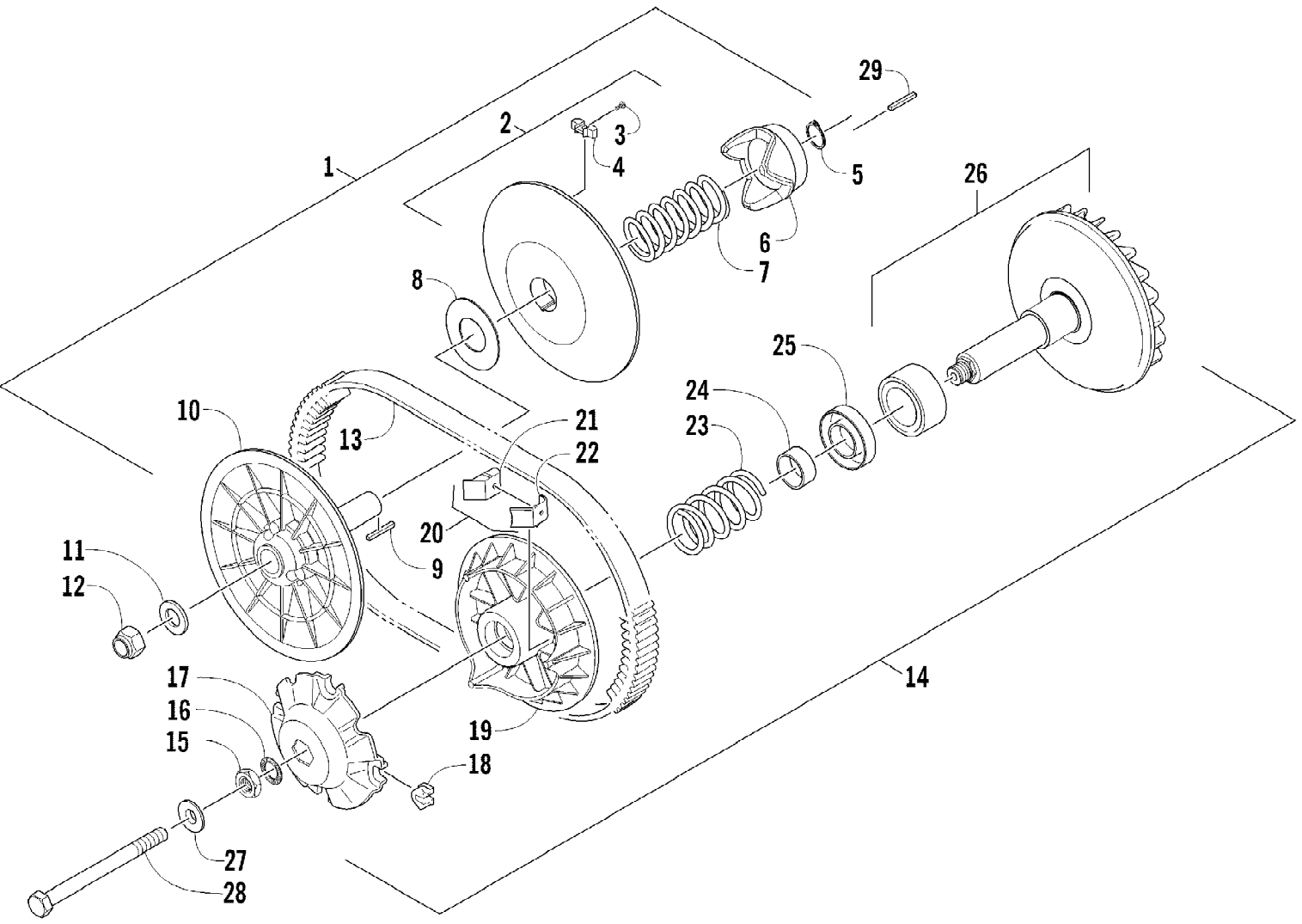
Ref #	Part Number	Qty	S/P/F	Description
	3206-392	1		Bottom End Gasket Set
1	3206-054	4		Gasket, Crankcase
2	3206-091	1		Ring, Engine Flange
3	3206-089	1	S	Gasket, Engine Flange
4	3206-264	1		Gasket, Thermostat
5	3206-172	1		O-Ring, Oil Pump
6	3206-391	1		Gasket, Oil Pump
7	3206-161	1		Ring, Seal - Oil Pump
8	3206-176	1		Seal, Oil - Oil Pan
9	3206-177	1		Seal, Oil - Oil Pan
10	3206-386	1		Gasket, Water Pump



2010 ATV 700 DIESEL BLACK (A2010TBT4DUSP)
CASE/BELT COOLING ASSEMBLY

Page 8 of 90

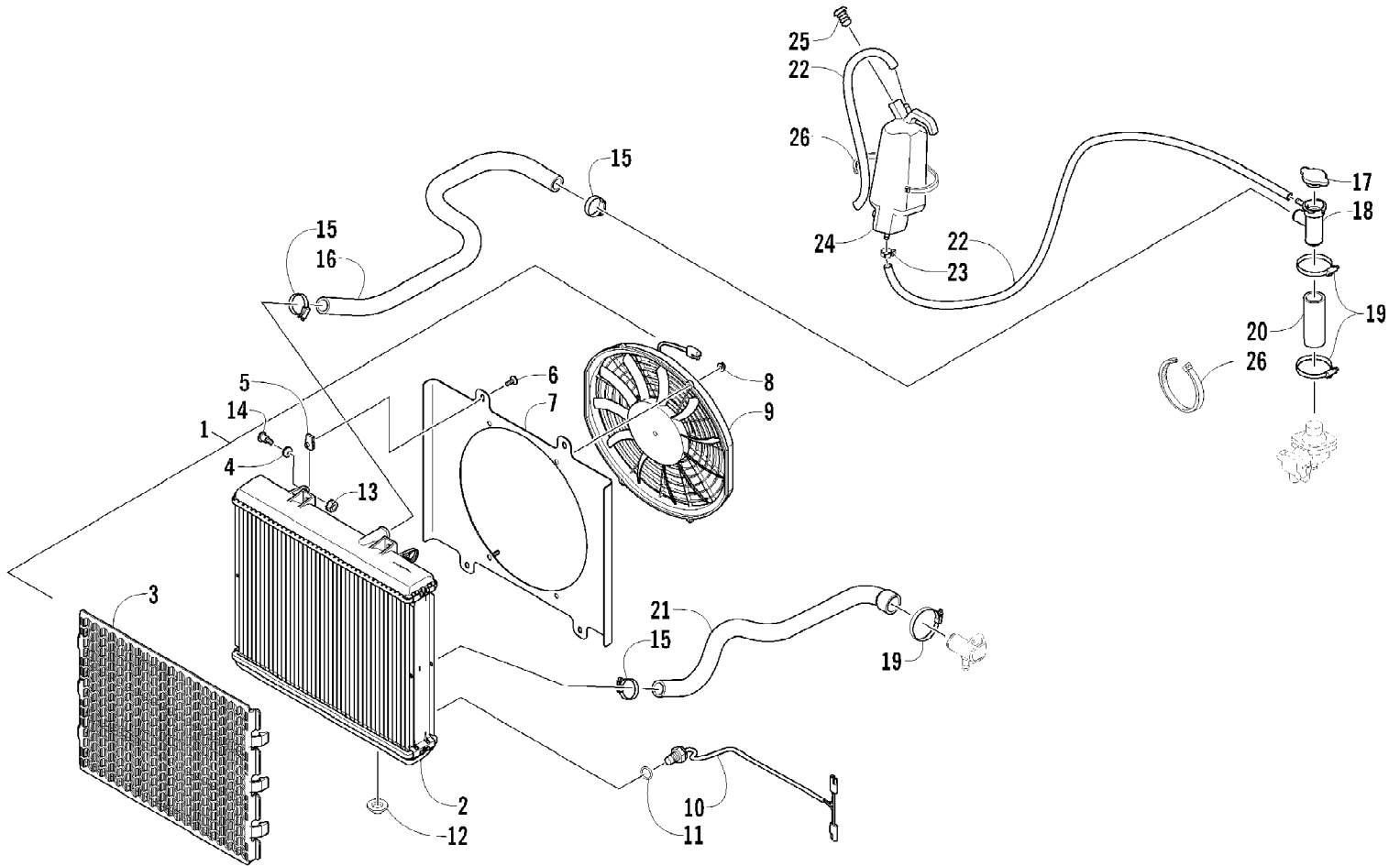
Ref #	Part Number	Qty	S/P/F	Description
1	0413-132	1		Duct, Belt Cooling - Front
2	0423-551	1		Clamp
3	0423-342	3	/P	Screw, Self-Tapping
4	0413-141	1		Fan, Belt Cooling
5	8475-512	2		Screw, Machine
6	8424-502	2		Nut
7	0423-057	1		Clamp
8	0413-133	1		Boot, Belt Cooling - Inlet
9	0423-550	2		Clamp
10	1502-157	1		Cover, Clutch
11	0830-013	1		Washer, Crush
12	8408-812	1		Screw, Cap
13	1402-528	1		Gasket, V-Belt Cover
14	0829-002	2		Pin, Dowel
15	8473-820	4		Screw, Machine
16	8468-630	16		Screw, Machine
17	0423-118	5		Screw, Self-Tapping
18	1402-527	1		Cover, Clutch
19	1402-526	1		Gasket, Gearcase
20	1402-524	1		Gasket, Clutch Cover
21	0413-134	1		Boot, Belt Cooling - Outlet
22	0423-019	1		Clamp
23	0470-442	1	/P	Valve, Drain
24	0623-301	1	/P	Screw, Self-Tapping
25	0413-106	1		Duct, Belt Cooling - Rear
26	0623-316	AR		Tie, Cable - 14 in.



2010 ATV 700 DIESEL BLACK (A2010TBT4DUSP)
CLUTCH ASSEMBLIES

Page 10 of 90

Ref #	Part Number	Qty	S/P/F	Description
1	1502-073	1	S	Pulley, Driven - Assembly (inc. 2-10)
2	1502-208	1		Face, Driven - Movable (inc. 3-4)
3	0423-752	3		Screw, Machine
4	0823-176	3	/P	Shoe, Cam
5	0423-751	1		Ring, Retaining
6	1402-630	1		Cam
7	0423-750	1		Spring
8	0423-749	1		Shim
9	1402-631	1		Key
10	1402-629	1		Face, Driven - Fixed
11	0828-020	1		Washer
12	0827-013	1		Nut, Driven Pulley
13	1402-564	1		Belt, Drive
14	1502-072	1		Pulley, Drive - Assembly (inc. 15-26)
15	0423-747	1		Nut
16	0423-746	1		Washer, Lock
17	1502-207	1		Plate, Movable Drive Face (inc. 18)
18	1402-628	3		Damper, Movable Drive Face
19	1402-625	1		Face, Drive - Movable
20	1502-205	6	/P	Block, Weight - Assembly (inc. 21-22)
21	1402-627	6	S	Weight
22	1402-626	6	S	Block, Weight
23	0423-745	1		Spring
24	1402-624	1		Spacer
25	1402-623	1		Seat, Spring
26	1502-206	1		Face, Drive - Fixed
27	0423-733	1		Washer
28	0423-673	1		Screw, Cap
29	0423-718	1		Key

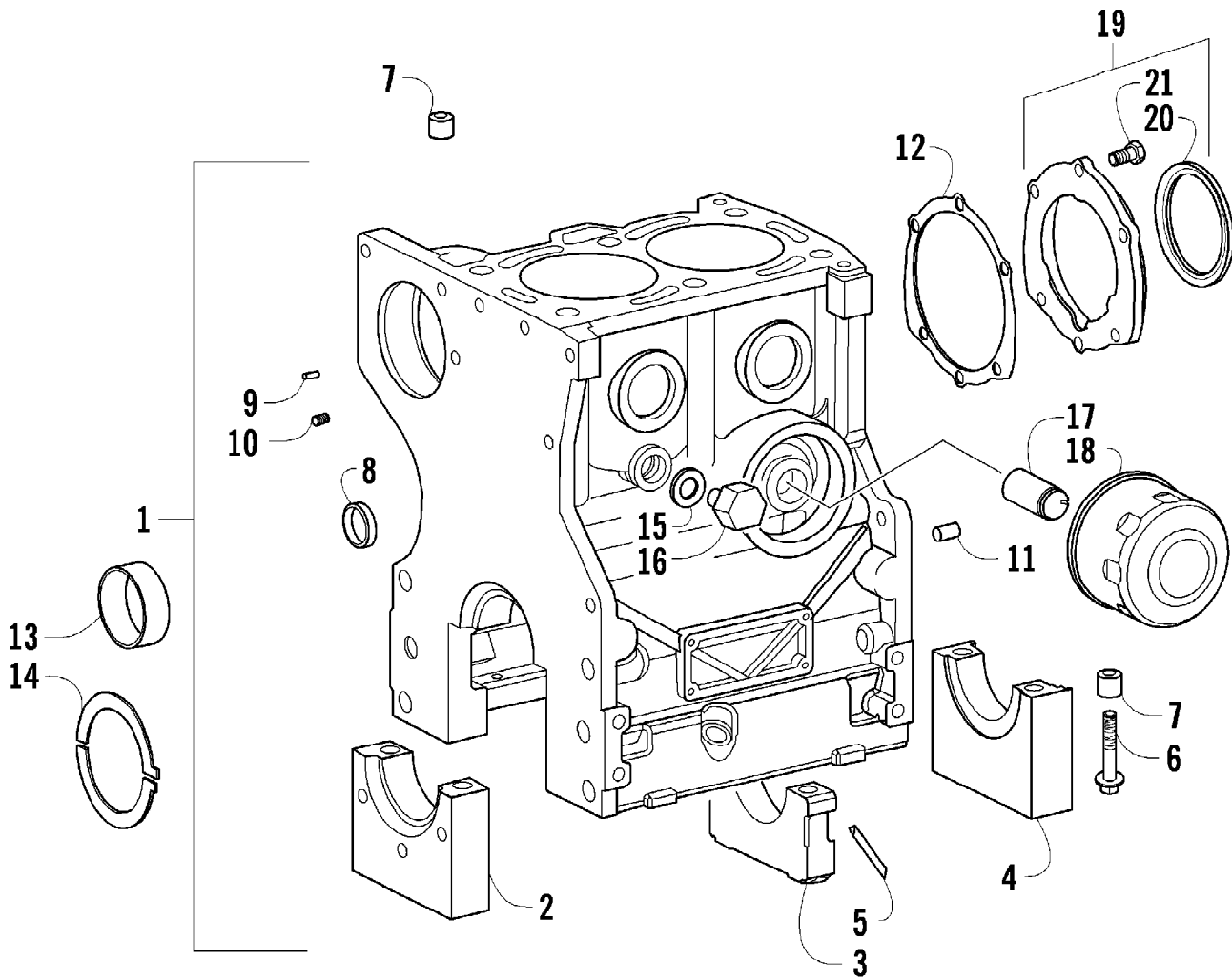


2010 ATV 700 DIESEL BLACK (A2010TBT4DUSP)
COOLING ASSEMBLY

Page 12 of 90

Ref #	Part Number	Qty	S/P/F	Description
1	0413-143	1		Radiator Assembly (inc. 2-11)
2	0413-180	1		Radiator
3	0413-181	1		Screen, Radiator
4	0423-030	2		Grommet
5	0423-577	4		Clip, U-Nut
6	8476-616	4		Screw, Machine
7	0413-182	1		Shroud, Fan
8	8424-602	4	/P	Nut
9	0413-183	1		Fan, Cooling
10	0413-168	1		Sensor, Engine Coolant Temperature
11	1602-213	1	/P	O-Ring
12	0423-028	2		Bushing, Stem
13	0623-038	2		Nut w/Washer
14	0423-484	2		Screw, Shoulder
15	0423-496	3		Clamp, Hose
16	0410-106	1		Hose, Coolant
17	0413-002	1	S	Cap, Radiator
18	0413-193	1	/P	Tank, Coolant Fill
19	1623-093	3		Clamp
20	0410-121	1		Hose, Coolant
21	0410-107	1		Hose, Coolant
22	0610-011	AR	/P	Hose - 25 ft
23	0124-045	1	/P	Clamp, Hose
24	0413-086	1		Tank, Coolant Overflow
25	0413-087	1		Stopper, Coolant Tank
26	0123-788	AR	/P	Tie, Cable - 8 in.
26	0623-316	AR		Tie, Cable - 14 in.

CRANKCASE, CRANKSHAFT SUPPORT, AND OIL FILTER ASSEMBLIES

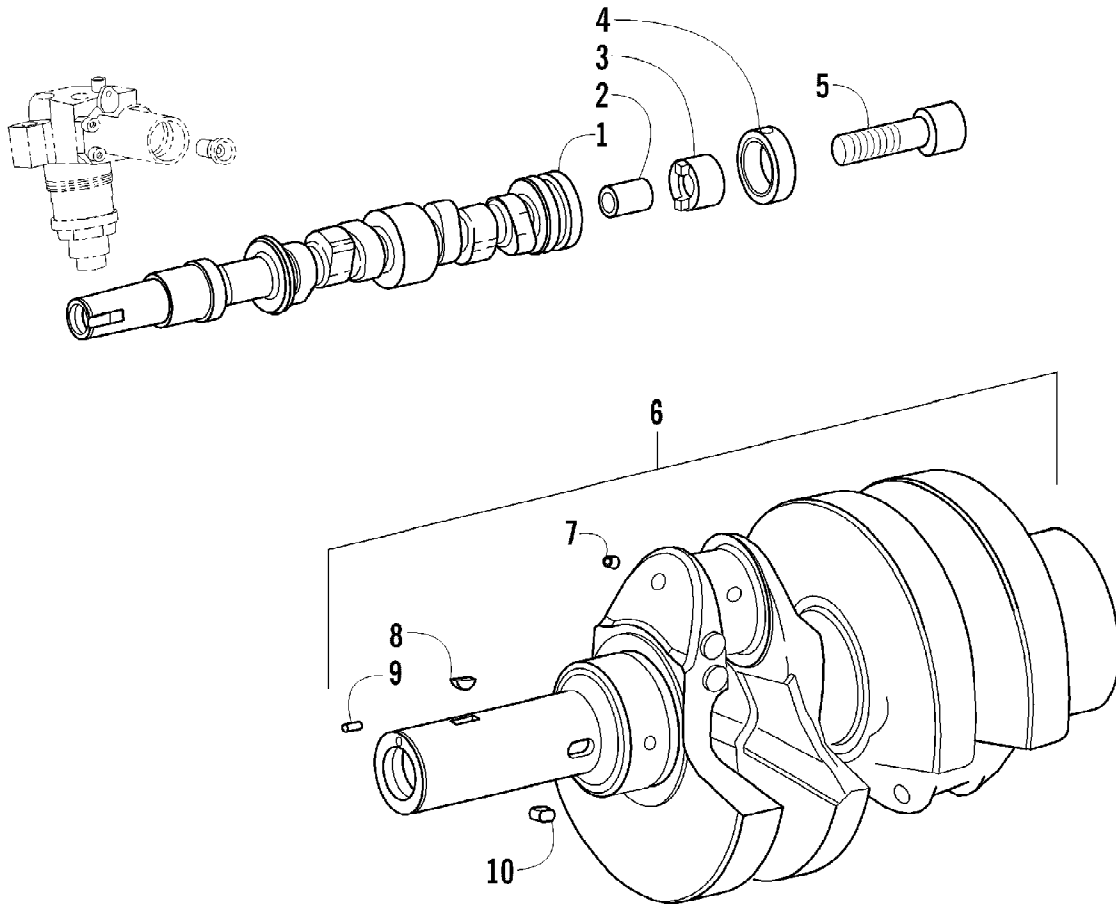


2010 ATV 700 DIESEL BLACK (A2010TBT4DUSP)

Page 14 of 90

CRANKCASE, CRANKSHAFT SUPPORT, AND OIL FILTER ASSEMBLIES

Ref #	Part Number	Qty	S/P/F	Description
1	3206-046	1		Crankcase (inc. 2-6, two No. 7, and 8-10)
2	0	1	F	Housing - Front
3	0	1	F	Housing - Center
4	0	1	F	Housing - Rear
5	3206-054	4		Gasket
6	3206-049	6		Screw, Cap
7	3206-045	4		Sleeve
8	3206-058	1		Pin, Tapered
9	3206-047	1		Plug
10	3206-048	2		Plug
11	3206-053	2		Pin, Lock
12	3206-089	1	S	Gasket
13	3206-055	3		Bearing
13	3206-056	3		Bearing (-0.25 mm)
13	3206-057	3		Bearing (-0.50 mm)
14	3206-050	2		Washer
14	3206-051	2		Washer (+0.10 mm)
14	3206-052	2		Washer (+0.20 mm)
15	3206-206	1		Gasket
16	3206-207	1		Plug
17	3206-193	1		Connector, Oil Filter
18	3206-194	1		Cartridge, Oil Filter
19	3206-090	1		Flange, Engine (inc. 20-21)
20	3206-091	1		Ring
21	3206-088	6		Screw, Cap

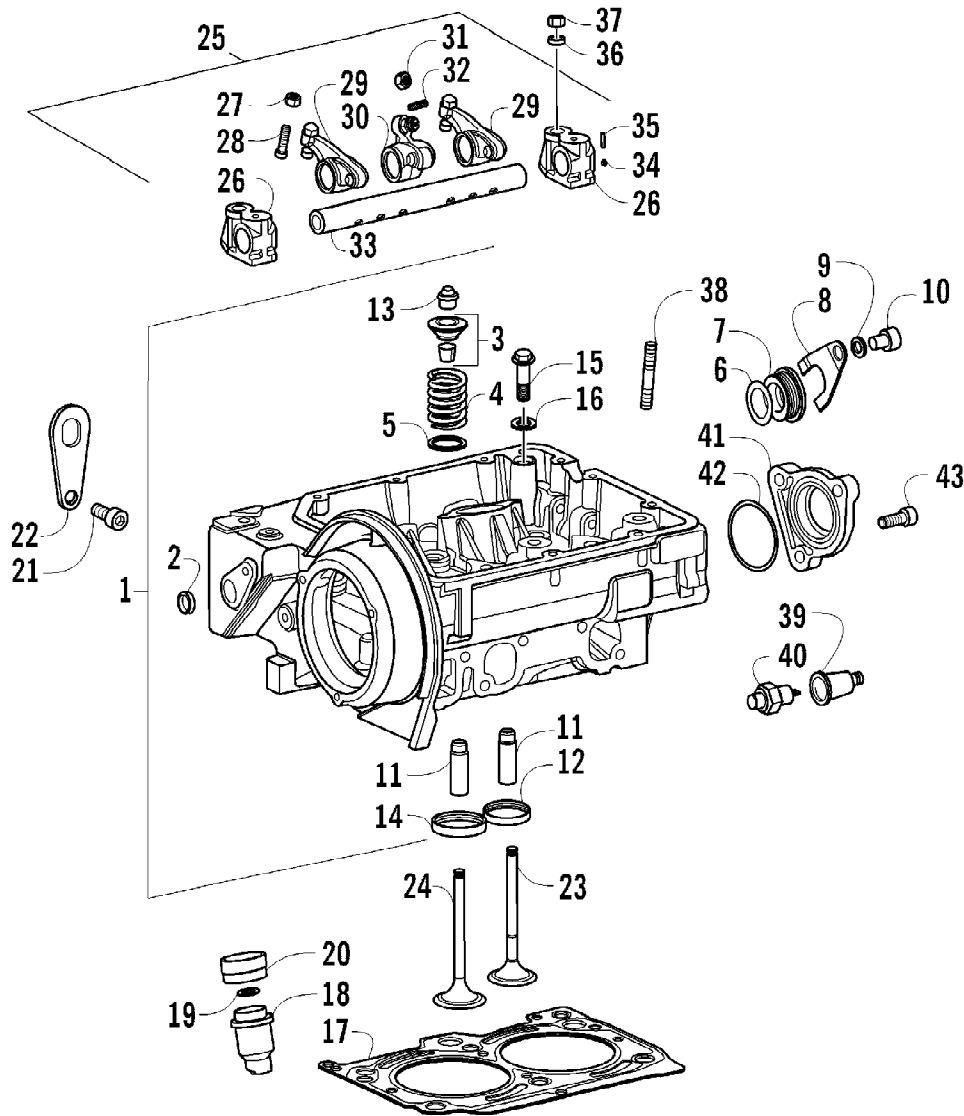


2010 ATV 700 DIESEL BLACK (A2010TBT4DUSP)
CRANKSHAFT AND CAMSHAFT ASSEMBLIES

Page 16 of 90

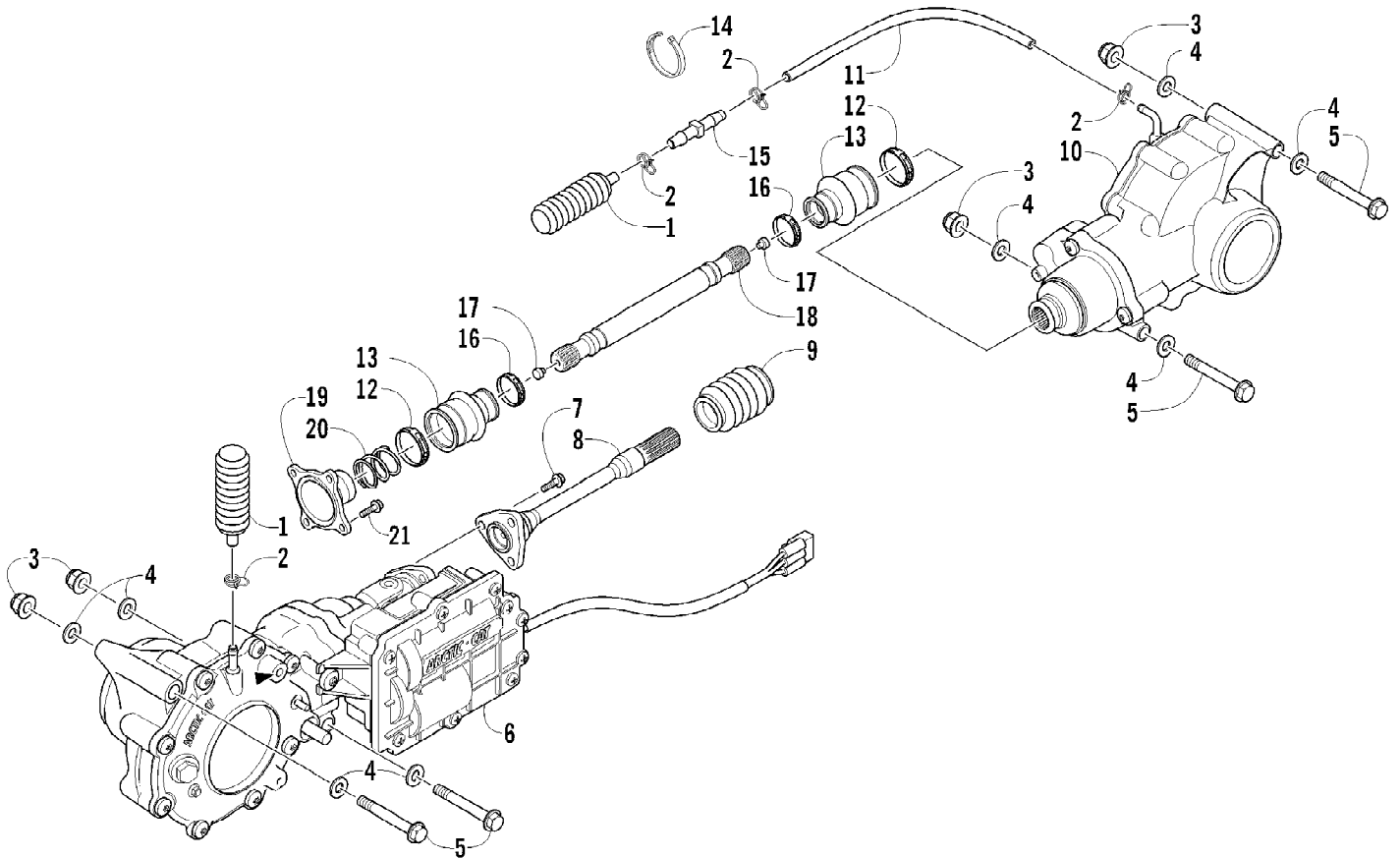
Ref #	Part Number	Qty	S/P/F	Description
1	3206-129	1		Camshaft
2	3206-130	1		Sleeve
3	3206-131	1		Cam
4	3206-128	1		Sleeve
5	3206-132	1		Screw, Cap
6	3206-019	1		Crankshaft Assembly (inc. 7-10)
7	3206-020	2		Plug
8	3206-018	1		Key
9	3206-022	1		Pin
10	3206-021	1		Key

2010 ATV 700 DIESEL BLACK (A2010TBT4DUSP)
CYLINDER HEAD, VALVE TRAIN, AND RELATED ASSEMBLY



2010 ATV 700 DIESEL BLACK (A2010TBT4DUSP)
CYLINDER HEAD, VALVE TRAIN, AND RELATED ASSEMBLY

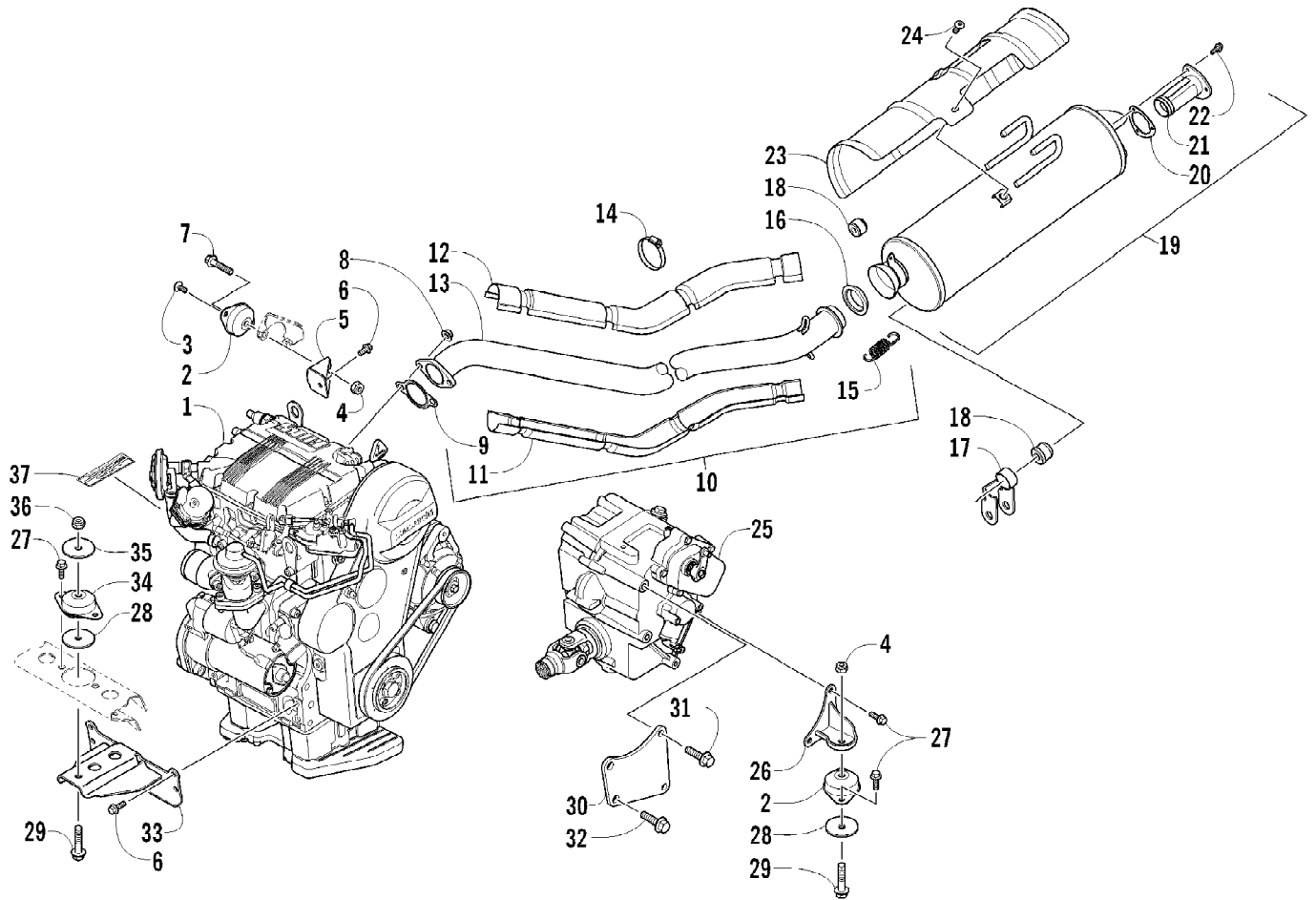
Ref #	Part Number	Qty	S/P/F	Description
1	3206-063	1		Cylinder Head (inc. 2-14)
2	3206-065	1		Plug
3	3206-148	4		Retainer
4	3206-147	4		Spring, Valve
5	3206-149	4		Washer
6	3206-076	1		O-Ring
7	3206-275	1		Plug
8	3206-074	1		Retainer
9	3206-075	1		Washer
10	3206-077	1		Screw, Cap
11	3206-061	4		Guide, Valve
11	3206-062	4		Guide, Valve (+0.50 mm)
12	3206-073	2		Seat, Exhaust Valve
13	3206-152	4		Retainer, Valve
14	3206-072	2		Seat, Intake Valve
15	3206-382	6		Screw, Cap
16	3206-064	6		Washer
17	3206-069	1		Gasket, Head - 1.56-1.64 (1 small hole)
17	3206-070	1		Gasket, Head - 1.66-1.74 (2 small holes)
17	3206-071	1		Gasket, Head - 1.76-1.84 (3 small holes)
18	3206-068	2		Chamber, Precombustion
19	3206-079	2		Spacer
20	3206-067	2		Nut, Locking
21	3206-078	2		Screw, Cap
22	3206-060	2		Brace, Lifting
23	3206-150	2		Valve, Exhaust
24	3206-151	2		Valve, Intake
25	3206-135	1		Arm, Rocker - Assembly (inc. 26-35)
26	3206-141	2		Support
27	3206-137	4		Nut
28	3206-136	4		Screw, Adjuster
29	3206-134	4		Arm, Rocker - Intake/Exhaust
30	3206-140	2		Arm, Rocker - Injection Pump
31	3206-139	2		Nut
32	3206-138	2		Screw, Adjuster
33	3206-144	1		Shaft, Rocker Arm
34	3206-146	2		Plug
35	3206-145	1		Pin, Lock
36	3206-064	3		Washer
37	3206-142	3		Nut
38	3206-143	3		Bolt, Stud
39	3206-388	1		Fitting, Adapter
40	3206-304	1		Switch, Oil
41	3206-314	1		Cover
42	3206-313	1		O-Ring
43	3206-082	3		Screw, Cap



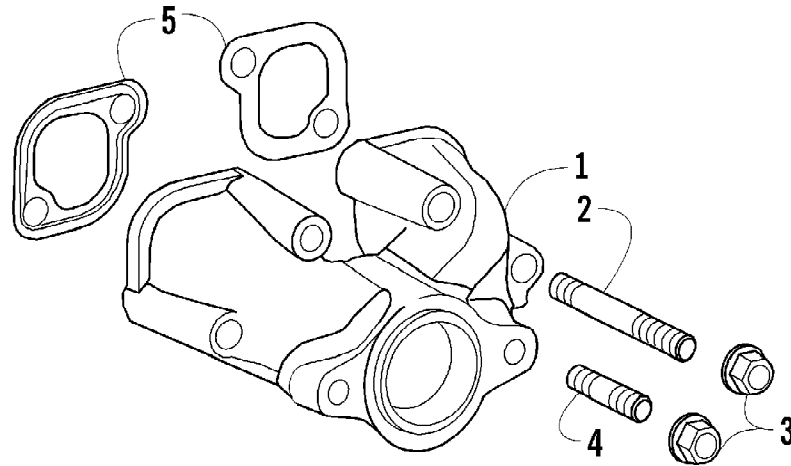
2010 ATV 700 DIESEL BLACK (A2010TBT4DUSP)
DRIVE TRAIN ASSEMBLY

Page 20 of 90

Ref #	Part Number	Qty	S/P/F	Description
1	1402-620	2	/P	Bladder, Gearcase
2	0423-315	4		Clamp, Hose
3	8428-002	4		Nut, Lock
4	0423-426	8		Washer
5	0423-404	4		Screw, Cap
6	1502-397	1		Gearcase, Front
7	8409-025	3		Screw, Cap
8	0502-976	1		Shaft, Propeller
9	0402-966	1		Boot, Shaft
10	1502-402	1	/P	Gearcase, Rear
11	0410-048	AR	S	Hose, Vent - 25 ft
12	0423-393	2		Clamp
13	0402-985	2	/P	Boot
14	0123-788	AR	/P	Tie, Cable - 8 in.
15	0470-702	1	/P	Fitting, Vent
16	0423-411	2		Clamp
17	0673-618	2	/P	Bumper, Propeller Shaft
18	1402-507	1		Shaft, Propeller
19	0402-950	1		Flange, Output
20	1402-026	1		Spring
21	8408-820	4	/P	Screw, Cap



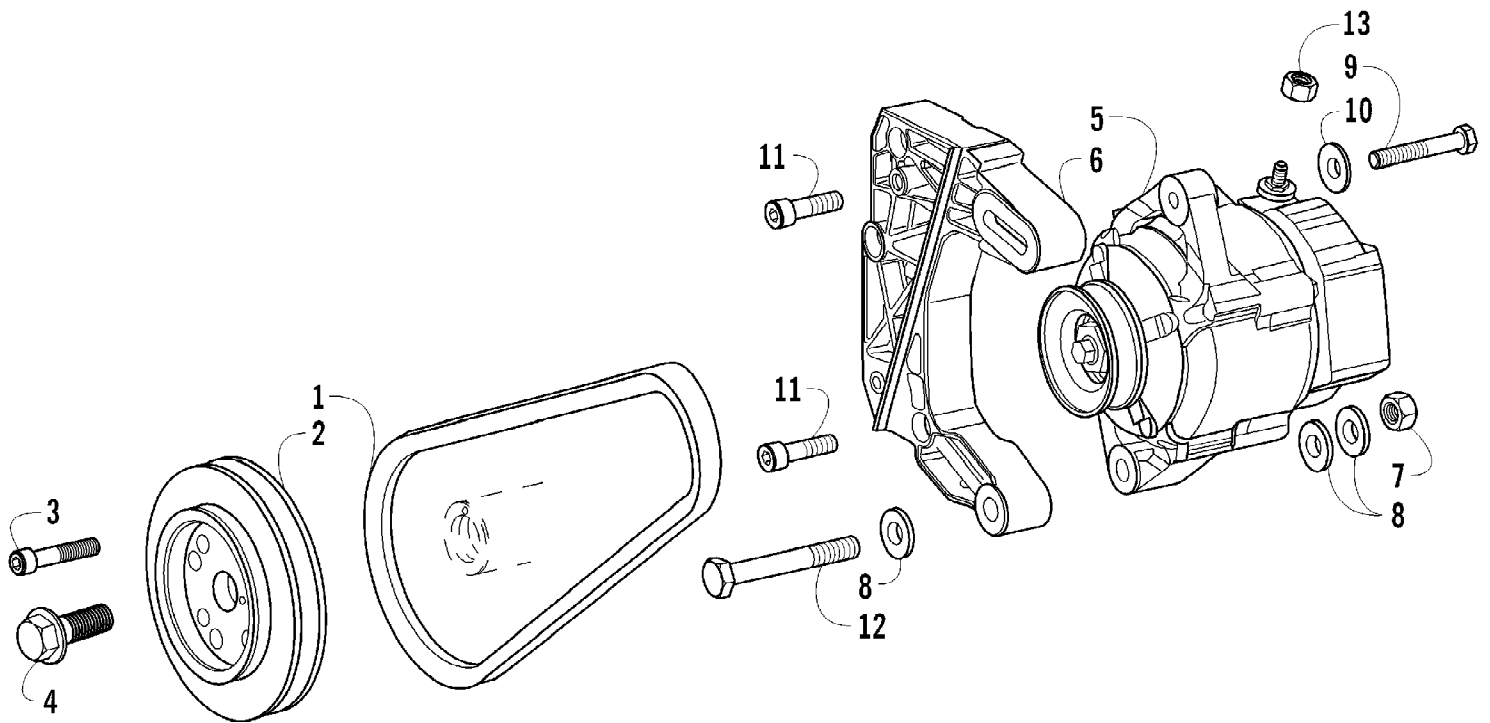
Ref #	Part Number	Qty	S/P/F	Description
1	0463-044	1		Engine
2	2406-323	3		Mount, Engine
3	8468-820	2		Screw, Machine
4	8422-002	3		Nut, Lock
5	2506-186	1		Mounting, Bracket - Engine
6	8408-816	5		Screw, Cap
7	0423-736	1		Screw, Cap
8	3206-293	2	/P	Nut
9	3206-296	1	/P	Gasket, Exhaust Manifold
10	0512-322	1		Pipe, Exhaust - Assembly (inc. 11-14)
11	0412-386	1		Shield, Exhaust Pipe - Lower
12	0412-385	1		Shield, Exhaust Pipe - Upper
13	0512-321	1		Pipe, Exhaust
14	0423-317	4	/P	Clamp
15	0612-668	2	/P	Spring
16	0412-375	1	/P	Seal, Exhaust
17	1506-732	1		Channel, Muffler Support
18	0412-215	3	S	Bushing
19	0512-306	1	/P	Muffler - Assembly (inc. 20-22)
20	0412-313	1		Gasket, Spark Arrester
21	0512-219	1	/P	Arrester, Spark
22	8408-616	3		Screw, Cap
23	0412-373	1	/P	Cover, Muffler
24	8477-610	3		Screw, Machine
25	1502-602	1		Transmission - Assembly
26	2506-190	1		Bracket, Mounting - Engine - Right
26	2506-191	1		Bracket, Mounting - Engine - Left
27	8408-820	10	/P	Screw, Cap
28	2506-061	3		Washer
29	8408-055	3		Screw, Cap
30	0408-015	1		Plate, Mounting - Engine/Transmission
31	8409-030	2		Screw, Cap
32	0423-685	2		Screw, Cap
33	2506-189	1		Bracket, Mounting - Engine - Front
34	2406-322	1		Mount, Engine
35	0423-073	1		Washer
36	0423-737	1		Nut, Lock
37	0411-426	1		Decal, Warning - Clutch Cover



2010 ATV 700 DIESEL BLACK (A2010TBT4DUSP)
EXHAUST MANIFOLD ASSEMBLY

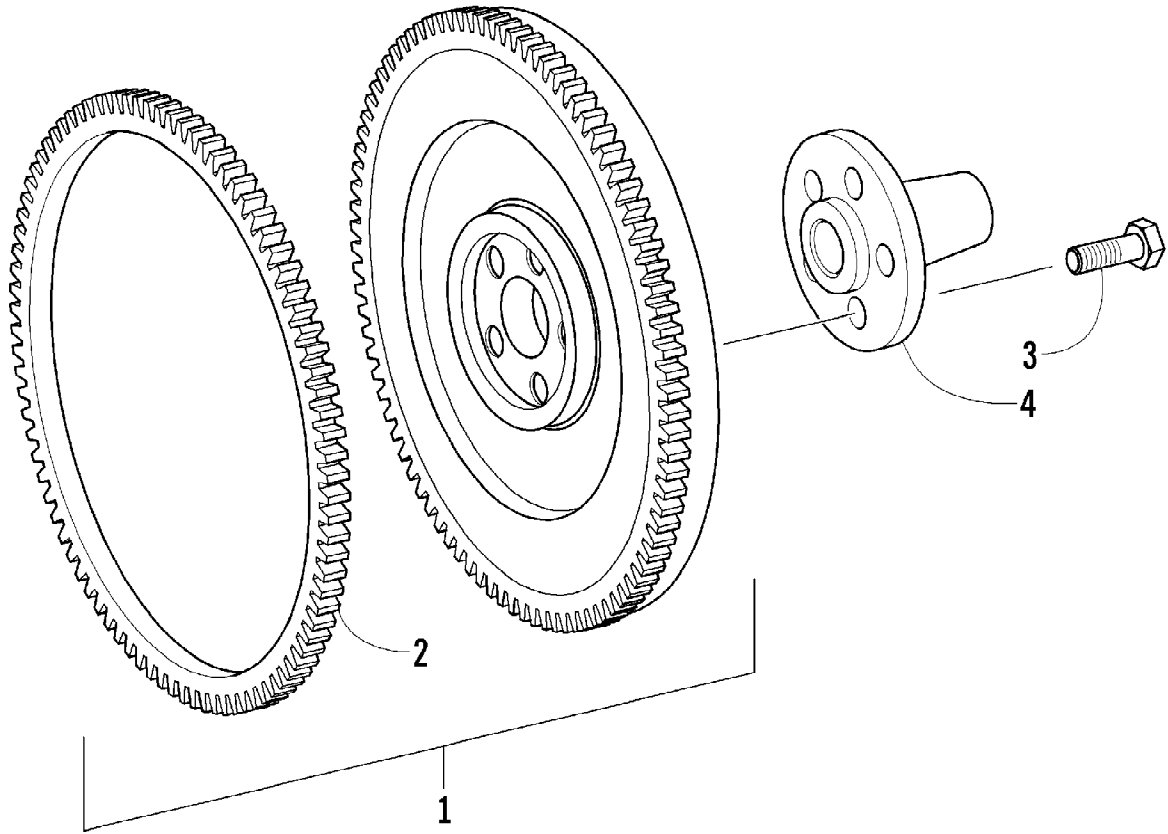
Page 24 of 90

Ref #	Part Number	Qty	S/P/F	Description
1	3206-294	1		Manifold, Exhaust
2	3206-292	4		Bolt, Stud
3	3206-293	6	/P	Nut
4	3206-297	2		Bolt, Stud
5	3206-291	2		Gasket, Exhaust Manifold



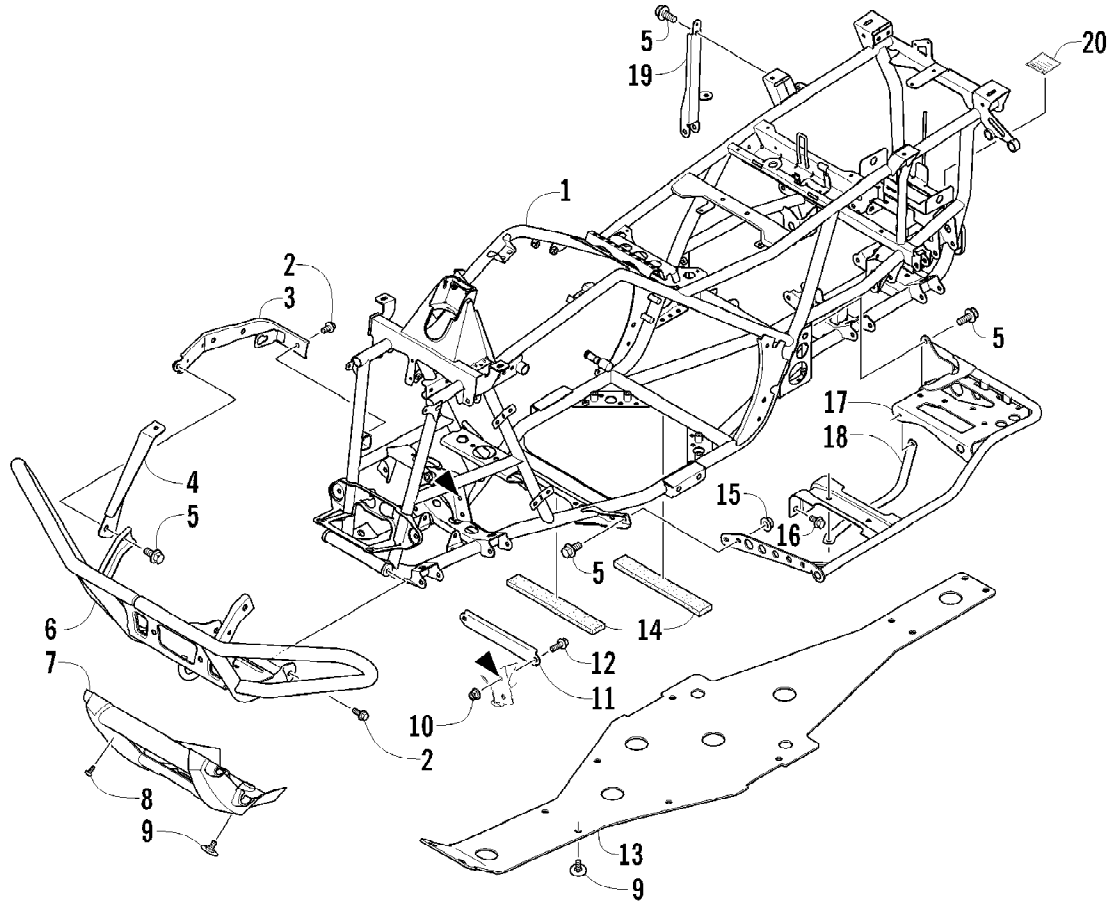
2010 ATV 700 DIESEL BLACK (A2010TBT4DUSP)
EXTERNAL ALTERNATOR AND DRIVE PULLEY ASSEMBLIES

Ref #	Part Number	Qty	S/P/F	Description
1	3206-042	1		Belt
2	3206-044	1		Pulley
3	3206-043	4		Screw, Cap
4	3206-041	1		Screw, Cap
5	3206-303	1		Alternator
6	3206-300	1		Support, Alternator
7	3206-142	1		Nut
8	3206-298	2		Washer
9	3206-301	1		Screw, Cap
10	3206-302	1		Washer
11	3206-266	3		Screw, Cap
12	3206-299	1		Screw, Cap
13	3206-137	1		Nut



2010 ATV 700 DIESEL BLACK (A2010TBT4DUSP)
FLYWHEEL AND CROWN GEAR ASSEMBLY

Ref #	Part Number	Qty	S/P/F	Description
1	3206-040	1		Flywheel (inc. 2)
2	3206-037	1		Gear, Crown
3	8409-040	5		Screw, Cap
4	1402-560	1		Axle, Stub

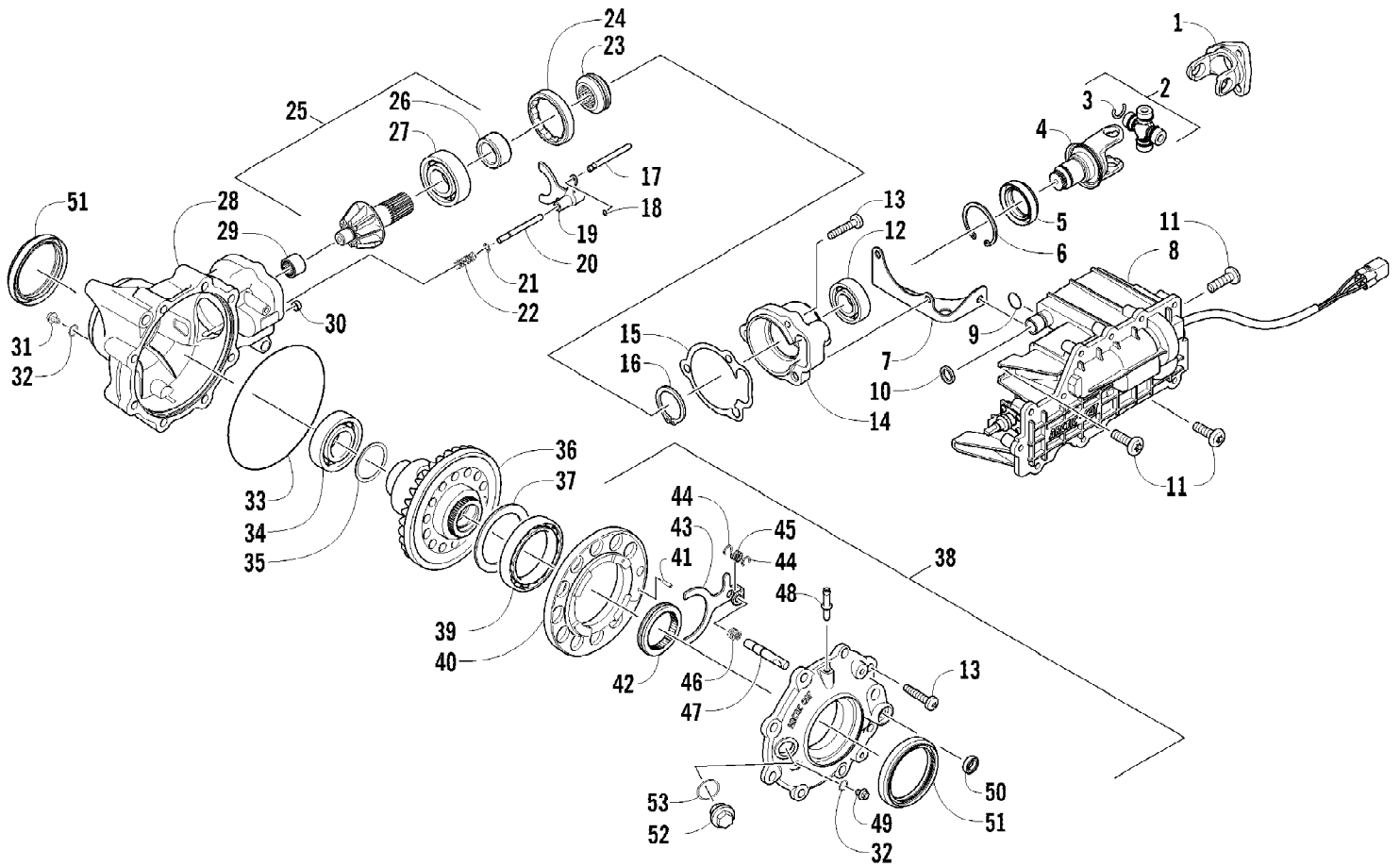


2010 ATV 700 DIESEL BLACK (A2010TBT4DUSP)
FRAME AND RELATED PARTS

Page 30 of 90

Ref #	Part Number	Qty	S/P/F	Description
1	2506-568	1		Frame, Main
2	8409-020	4	/P	Screw, Cap
3	2506-813	1		Channel, Bumper Mounting - Right
3	2506-285	1		Channel, Bumper Mounting - Left
4	1506-562	1		Bracket, Mounting - Bumper - Right
4	1506-563	1		Bracket, Mounting - Bumper - Left
5	8408-816	11		Screw, Cap
6	1506-855	1	/P	Bumper
7	1406-360	1		Fascia, Bumper - Front
8	0423-419	2		Screw, Machine
9	0423-101	12		Screw, Shoulder
10	0423-744	2		Nut, Lock
11	1506-429	1	S	Brace, A-Arm
12	8409-025	2		Screw, Cap
13	2406-253	1		Panel, Belly
14	0406-289	2		Pad, Frame
15	8424-802	4		Nut
16	8409-016	3		Screw, Cap
17	1506-848	1		Footrest - Right
17	1506-849	1		Footrest - Left
18	2406-216	1		Strap, Footrest - Right
18	2406-217	1		Strap, Footrest - Left
19	2506-447	1		Bracket, Support
20	1411-077	1		Decal, Warning - Towing

2010 ATV 700 DIESEL BLACK (A2010TBT4DUSP)
FRONT DRIVE GEARCASE ASSEMBLY



2010 ATV 700 DIESEL BLACK (A2010TBT4DUSP)
FRONT DRIVE GEARCASE ASSEMBLY

Page 32 of 90

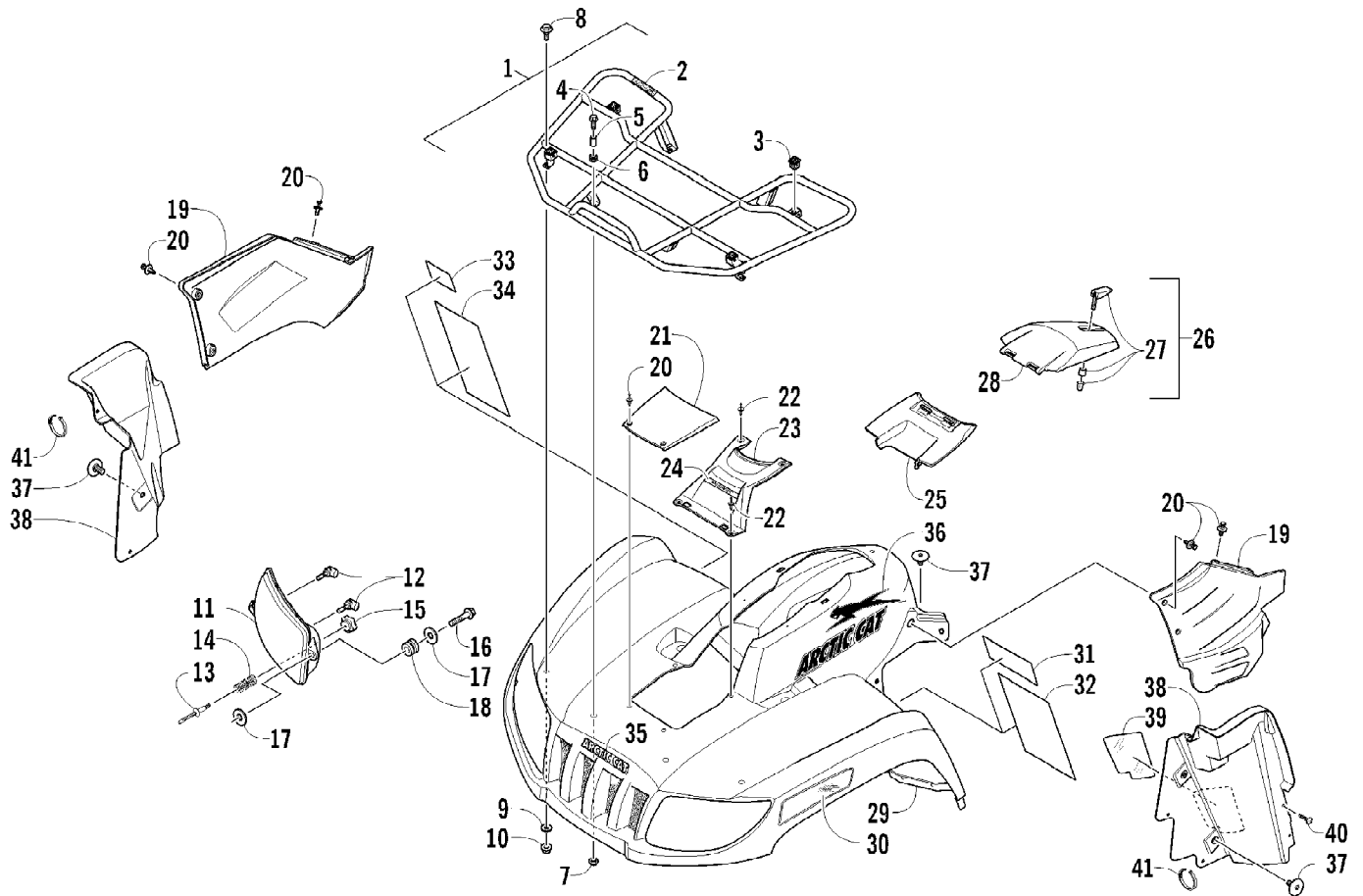
Ref #	Part Number	Qty	S/P/F	Description
	1502-397	1		Complete Front Drive Gearcase Assembly
1	1402-369	1		Yoke, Flange
2	1402-164	1	/P	Joint, Universal - Set (inc. 3)
3	0423-450	4		Retainer
4	0502-517	1		Yoke, Front End - Assembly
5	1402-011	1		Seal
6	0423-423	1		Ring, Retaining
7	1502-237	1		Bracket, Actuator
8	0502-585	1	S	Actuator (inc. 9)
9	1402-981	1		O-Ring
10	0423-892	1	/P	O-Ring
11	0423-396	3		Screw, Self-Tapping
12	1402-043	1		Bearing
13	0423-118	11		Screw, Self-Tapping
14	0502-528	1	/P	Housing, Pinion
15	0402-947	1		Gasket, Flange
16	0423-417	1		Ring, Retaining
17	0402-997	1		Shaft, Selector
18	0423-402	1		Ring, Retaining
19	0402-998	1		Fork, Selector
20	0402-417	1		Shaft, Shuttle
21	0423-147	1		O-Ring
22	0402-999	1		Spring, Return
23	0402-413	1		Coupler, Drive
24	0402-357	1		Collar, Lock
25	0502-783	1		Gear, Pinion - Assembly - 10T (inc. 26-27)
26	0402-336	1		Collar, Retaining
27	0402-327	1		Bearing
28	0502-514	1		Housing, Gearcase
29	0402-328	1		Bearing
30	0402-411	1		Pin, Dowel
31	1402-210	1	/P	Plug, Magnetic (inc. one No. 32)
32	0423-153	2		O-Ring
33	0423-149	1		O-Ring
34	0402-393	1		Bearing
35	0402-405	AR		Shim, 41 x 49 x 1.3 mm
35	0402-406	AR		Shim, 41 x 49 x 1.4 mm
35	0402-407	AR		Shim, 41 x 49 x 1.5 mm
35	0402-408	AR		Shim, 41 x 49 x 1.6 mm
35	0402-409	AR		Shim, 41 x 49 x 1.7 mm
36	1502-555	1	/P	Gear, Ring - 36T
37	1402-074	AR		Shim, 61 x 69 x 1.3 mm
37	1402-075	AR		Shim, 61 x 69 x 1.4 mm
37	1402-076	AR		Shim, 61 x 69 x 1.5 mm
37	1402-077	AR		Shim, 61 x 69 x 1.6 mm
37	1402-078	AR		Shim, 61 x 69 x 1.7 mm
38	1502-389	1		Cover, Gearcase (inc. one No. 32, 39-50, and one No. 51)
39	1402-053	1		Bearing
40	0502-413	1		Flange, Bearing
41	1402-079	1		Pin, Parallel
42	1402-042	1		Collar, Sliding

2010 ATV 700 DIESEL BLACK (A2010TBT4DUSP)
FRONT DRIVE GEARCASE ASSEMBLY

Page 33 of 90

Ref #	Part Number	Qty	S/P/F	Description
43	1402-054	1		Fork
44	1402-058	2		Ring, Retaining
45	1402-057	1		Spring
46	1402-063	1		Spring
47	1402-656	1		Shaft, Lock
48	1402-104	1		Fitting
49	1402-211	1		Plug, Oil Level (inc. one No. 32)
50	1402-056	1		Seal
51	1402-713	2	S	Seal
52	0402-333	1	/P	Plug, Fill (inc. 53)
53	0423-154	1		O-Ring

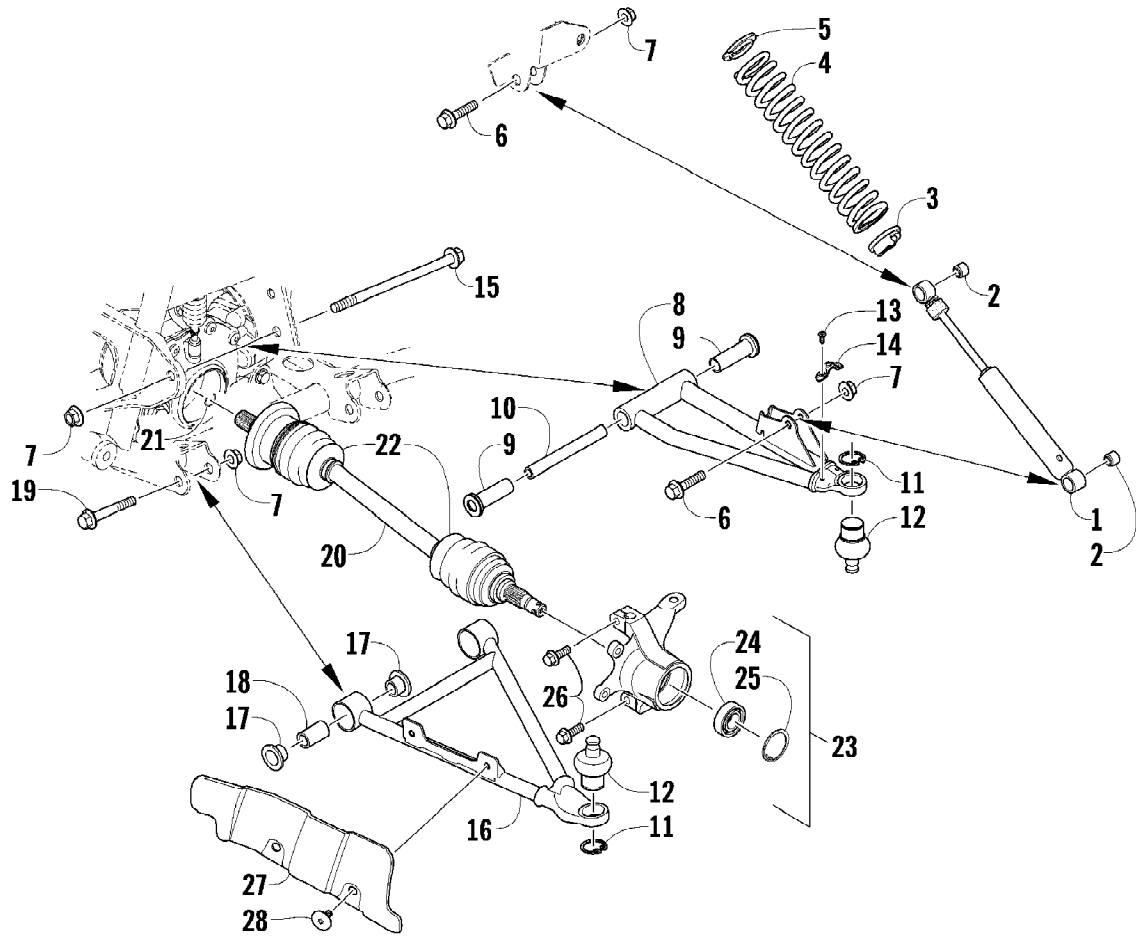
2010 ATV 700 DIESEL BLACK (A2010TBT4DUSP)
FRONT RACK, BODY PANEL, AND HEADLIGHT ASSEMBLIES



2010 ATV 700 DIESEL BLACK (A2010TBT4DUSP)
FRONT RACK, BODY PANEL, AND HEADLIGHT ASSEMBLIES

Ref #	Part Number	Qty	S/P/F	Description
1	2506-106	1		Rack, Front - Assembly (inc. 2-3)
2	0411-576	1		Decal, Warning - Load
3	0441-592	4	/P	Bushing
4	8410-830	4		Screw, Cap
5	0423-669	4		Spacer
6	0423-465	4		Grommet
7	8432-802	4		Nut, Lock
8	0423-654	2		Screw, Shoulder
9	8050-222	2	/P	Washer
10	0423-540	2		Nut, Lock
11	0509-044	1	/P	Headlight Assembly - Right (inc. 12)
11	0509-035	1		Headlight Assembly - Left (inc. 12)
12	0409-055	4		Bulb, Headlight
13	0423-514	2		Stud, Adjuster - Headlight
14	0423-522	2		Spring, Adjuster
15	0423-513	2		Knob, Adjuster
16	0623-785	4		Screw, Self-Tapping
17	8050-217	8	/P	Washer
18	0423-447	4		Grommet
19	2406-404	1		Panel, Side - Lower - Right
19	2406-405	1		Panel, Side - Lower - Left
20	0423-535	10		Rivet, Reinstallable
21	1406-358	1		Cover, Access
22	0623-362	4		Rivet, Reinstallable
23	1406-484	1		Cover, Steering Post
24	1411-050	1	/P	Decal, "Speedrack"
25	0470-513	1		Cover, Filter Access
26	2506-234	1		Lid, Access w/Latch (inc. 27-28)
27	1406-599	1		Latch, Access Lid
28	0470-514	1		Lid, Access
29	0518-037	1	S	Panel, Fender - Assembly - Front (inc. 30-34)
30	0411-818	1		Decal, Reflector - Right
30	0411-819	1		Decal, Reflector - Left
31	1411-574	1		Decal, Warning - Off-Road Only
32	2411-122	1		Decal, Warning - General/Age
33	0411-894	1		Decal, Warning - Turn/Hill
34	1411-490	1		Decal, Warning - Reverse/Pre-Ride
35	1411-724	1		Decal, "Arctic Cat"
36	1411-634	1		Decal, Side - Upper Right
36	1411-635	1		Decal, Side - Upper Left
37	0423-101	5		Screw, Shoulder
38	2506-434	1		Panel, Splash - Right
38	2506-383	1	/P	Panel, Splash - Left (inc. 39)
39	0412-404	1		Foil, Protective
40	0423-719	2		Screw, Self-Tapping
41	0123-788	AR	/P	Tie, Cable - 8 in.

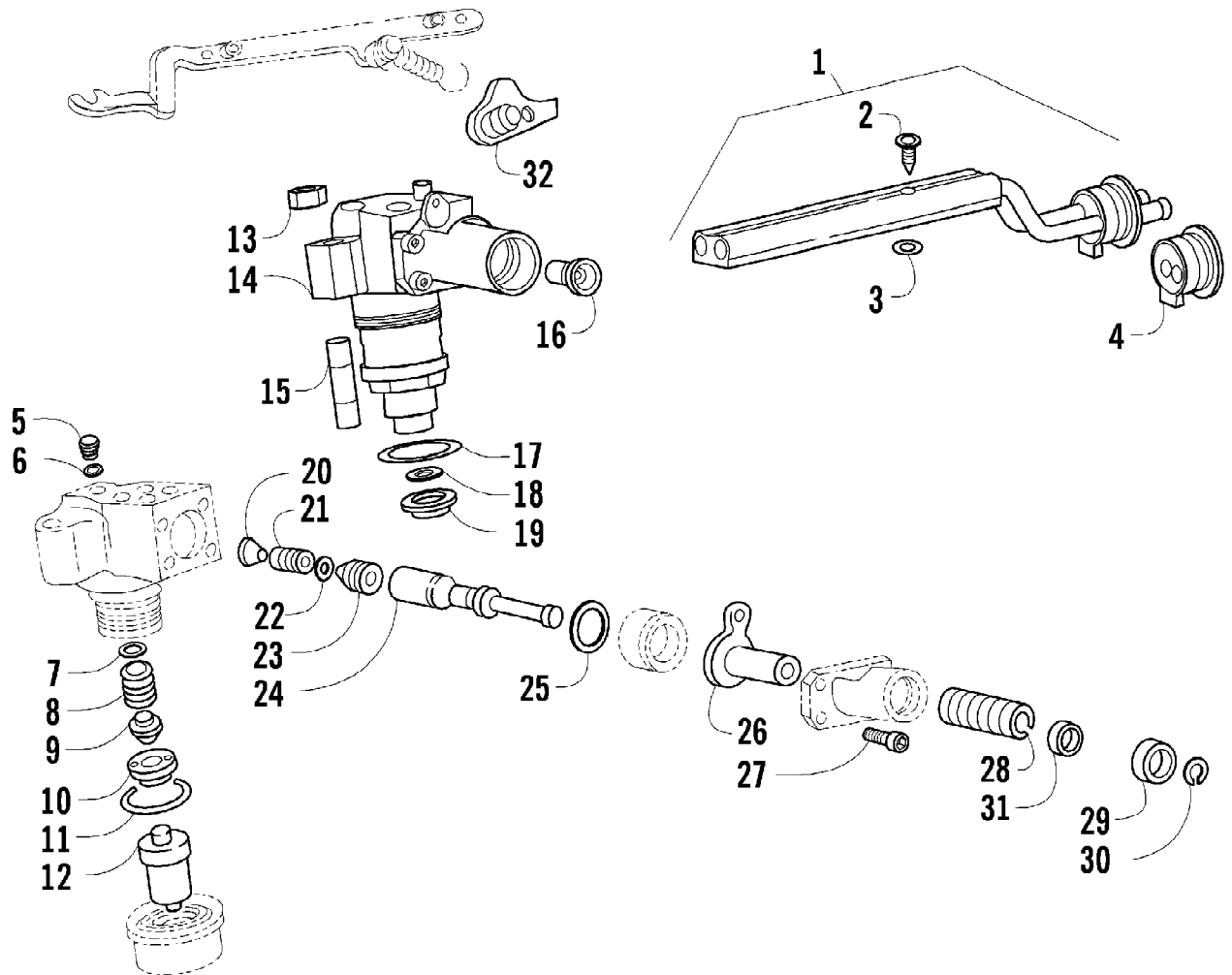
2010 ATV 700 DIESEL BLACK (A2010TBT4DUSP)
FRONT SUSPENSION ASSEMBLY



2010 ATV 700 DIESEL BLACK (A2010TBT4DUSP)
FRONT SUSPENSION ASSEMBLY

Page 37 of 90

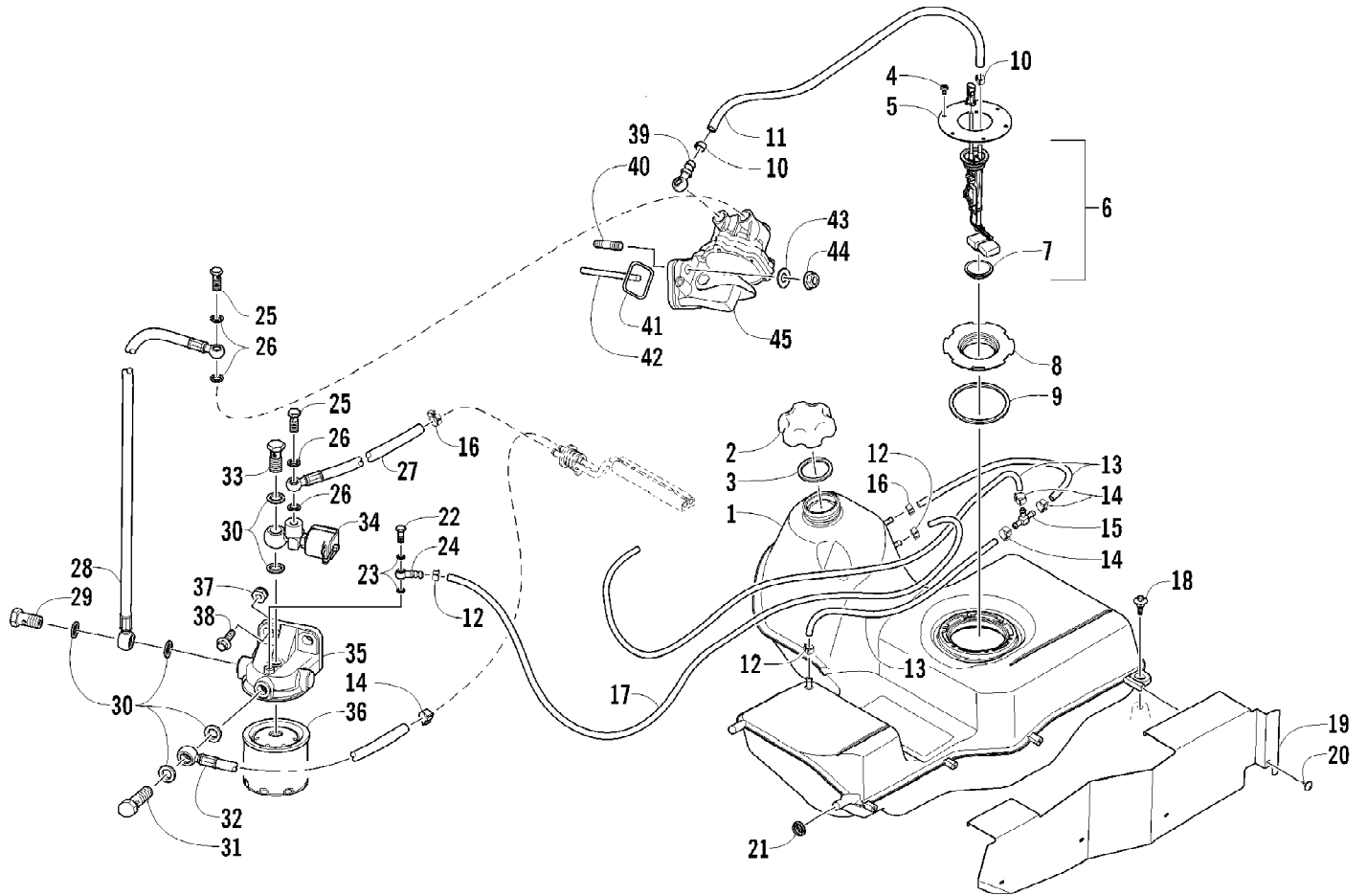
Ref #	Part Number	Qty	S/P/F	Description
1	0403-176	2		Shock Absorber (inc. 2)
2	0403-182	4		Bushing
3	0403-102	2		Cam, Spring Adjuster
4	0403-174	2		Spring, Suspension
5	1603-889	2	/P	Retainer, Spring
6	8409-040	4		Screw, Cap
7	0423-744	10		Nut, Lock
8	0503-420	1	/P	A-Arm, Upper Right (inc. 9-12)
8	0503-421	1	/P	A-Arm, Upper Left (inc. 9-12)
9	0403-207	4	/P	Bushing
10	0403-080	2		Axle
11	0423-009	4	/P	Ring, Retaining
12	0405-115	4	/P	Ball Joint
13	0423-946	4		Screw, Self-Tapping
14	1502-594	2		Clamp, Routing
15	0423-334	2		Screw, Cap
16	0503-380	1	/P	A-Arm, Lower Right (inc. 17-18 and two No. 11-12)
16	0503-381	1	/P	A-Arm, Lower Left (inc. 17-18 and two No. 11-12)
17	0403-208	8	/P	Bushing
18	0403-214	4	/P	Axle
19	8409-075	4		Screw, Cap
20	1502-344	1	S/P	Axle, Drive - Right (inc. 21-22)
20	1502-345	1	S	Axle, Drive - Left (inc. 21-22)
21	0423-844	2	/P	Clip, Retaining
22	1436-207	2	/P	Repair Kit, Boot
23	0505-576	1	/P	Knuckle - Assembly - Right (inc. 24-25)
23	0505-577	1	/P	Knuckle - Assembly - Left (inc. 24-25)
24	1402-809	2	/P	Bearing
25	0423-423	2		Ring, Retaining
26	8409-030	4		Screw, Cap
27	1406-034	1		Guard, Boot - Right
27	1406-035	1		Guard, Boot - Left
28	0423-545	4	/P	Screw, Shoulder



2010 ATV 700 DIESEL BLACK (A2010TBT4DUSP)
FUEL SYSTEM INJECTION PUMP ASSEMBLY

Page 39 of 90

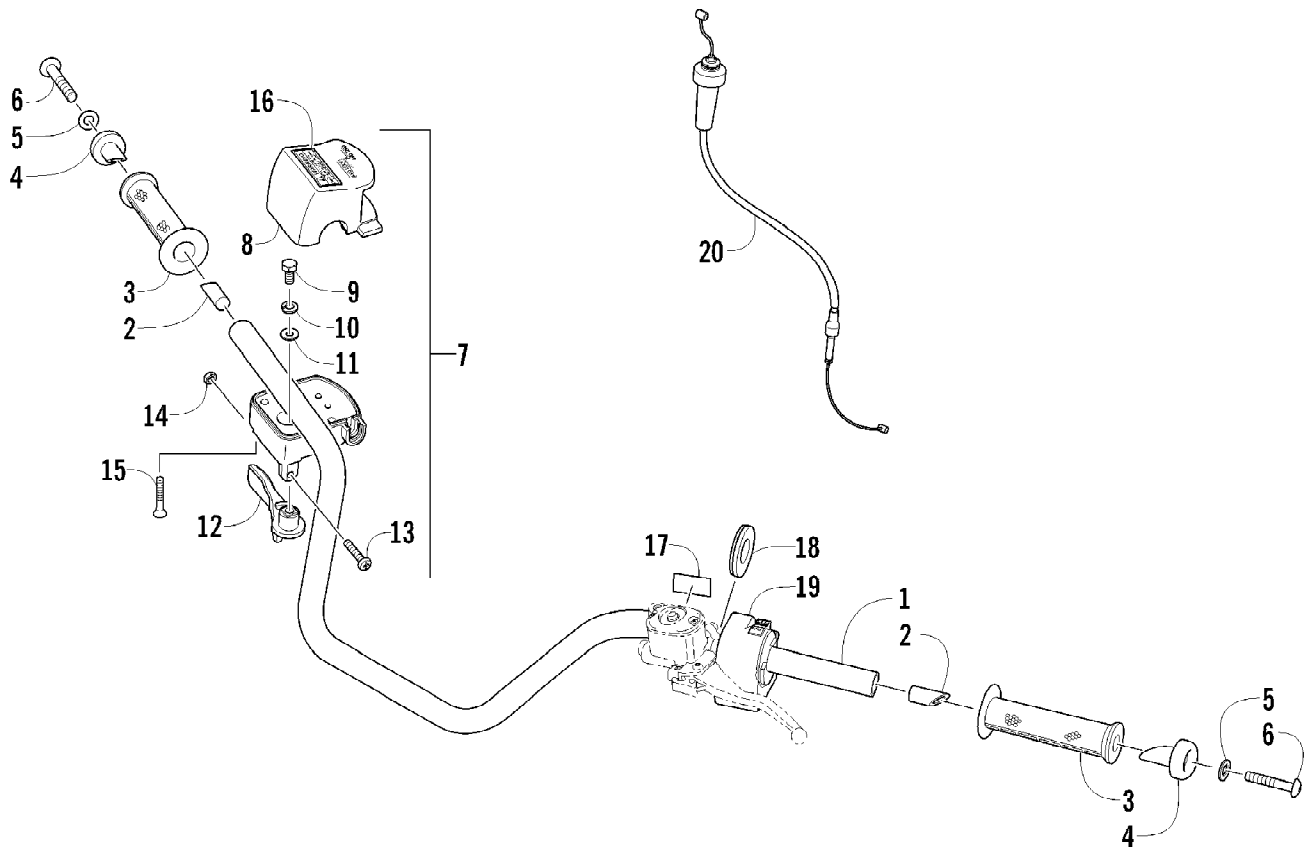
Ref #	Part Number	Qty	S/P/F	Description
1	3206-092	1		Pipe, Delivery (inc. 2-4)
2	3206-093	4		Screw, Cap
3	3206-095	4		Seal, Ring
4	3206-094	1		Seal, Delivery Pipe
5	3206-098	2		Valve, Bleed
6	3206-126	2		Gasket
7	3206-103	2		Spacer - 2.00
7	3206-104	2		Spacer - 1.90
7	3206-105	2		Spacer - 1.80
7	3206-106	2		Spacer - 1.70
7	3206-107	2		Spacer - 1.60
7	3206-108	2		Spacer - 1.50
7	3206-109	2		Spacer - 1.40
7	3206-110	2		Spacer - 1.30
7	3206-111	2		Spacer - 1.20
7	3206-112	2		Spacer - 1.10
7	3206-113	2		Spacer - 1.00
8	0	1	F	Spring, Pressure
9	3206-114	2		Drive Rod
10	3206-115	2		Spacer
11	3206-125	2		O-Ring
12	3206-123	2		Nozzle
13	3206-096	4		Nut
14	3206-102	2		Pump, Injection - Nozzle
15	3206-097	4		Bolt, Stud
16	3206-133	2		Tappet
17	3206-122	2		O-Ring
18	3206-124	2		Gasket, Copper
19	3206-059	2		Arrester, Spark
20	3206-116	2		Filler
21	3206-099	2		Spring, Delivery Valve
22	3206-117	2		Gasket, Valve
23	3206-100	2		Valve, Delivery
24	0	2	F	Plunger, Injection
25	3206-118	2		O-Ring
26	3206-119	2		Sleeve
27	3206-120	8		Screw, Cap
28	3206-101	2		Spring, Tappet
29	0	1	F	Push Rod
30	3206-121	2		Circlip
31	3206-375	2		Retainer, Lower
32	3206-127	1		Plate, Locking



2010 ATV 700 DIESEL BLACK (A2010TBT4DUSP)
FUEL TANK AND FUEL FILTER ASSEMBLIES

Page 41 of 90

Ref #	Part Number	Qty	S/P/F	Description
1	0570-292	1		Tank, Fuel - Assembly (inc. 2-9)
2	0470-653	1		Cap, Fuel Tank (inc. 3)
3	0109-733	1	/P	Gasket, Fuel Tank Cap
4	0423-898	4		Screw, Self-Tapping
5	0470-848	1		Plate, Retaining
6	0570-228	1	/P	Sensor, Fuel Level (inc. 7)
7	0470-521	1		Seal, Fuel Level Sensor
8	0470-847	1		Adapter, Fuel Level Sensor
9	0470-838	1		Seal
10	0423-689	2		Clamp, Hose
11	0410-143	AR		Hose, Fuel - 25 ft
12	0423-688	3		Clamp, Hose
13	0410-070	AR	/P	Hose, Fuel - 25 ft
14	0423-670	4		Clamp, Hose
15	0109-332	1		T-Fitting
16	0423-835	2		Clamp, Hose
17	0410-142	AR		Hose, Fuel - 25 ft
18	0423-732	2		Screw, Shoulder
19	0470-715	1		Shield, Heat
20	0623-797	4		Screw, Self-Tapping
21	0423-460	2		Grommet
22	3206-006	1		Bolt, Banjo-Fitting
23	3206-007	2		Gasket
24	3206-008	1		Fitting
25	3206-009	2		Bolt, Banjo-Fitting
26	3206-010	4		Washer, Crush
27	3206-014	1		Hose, Fuel
28	3206-015	1		Hose, Fuel
29	3206-011	1		Bolt, Banjo-Fitting
30	3206-004	6		Washer, Crush
31	3206-005	1		Bolt, Banjo-Fitting w/Valve
32	3206-013	1		Hose, Fuel
33	3206-003	1		Bolt, Banjo-Fitting
34	3206-002	1		Electro-Valve
35	3206-001	1		Fuel Filter - Assembly
36	3206-390	1		Fuel Filter
37	8432-802	2		Nut, Lock
38	8408-825	2		Screw, Cap
39	3206-258	1		Fitting
40	3206-254	2		Bolt, Stud
41	3206-256	1		O-Ring
42	3206-257	1		Rod, Push
43	3206-234	2		Washer
44	3206-245	2		Nut
45	3206-384	1		Pump, Fuel

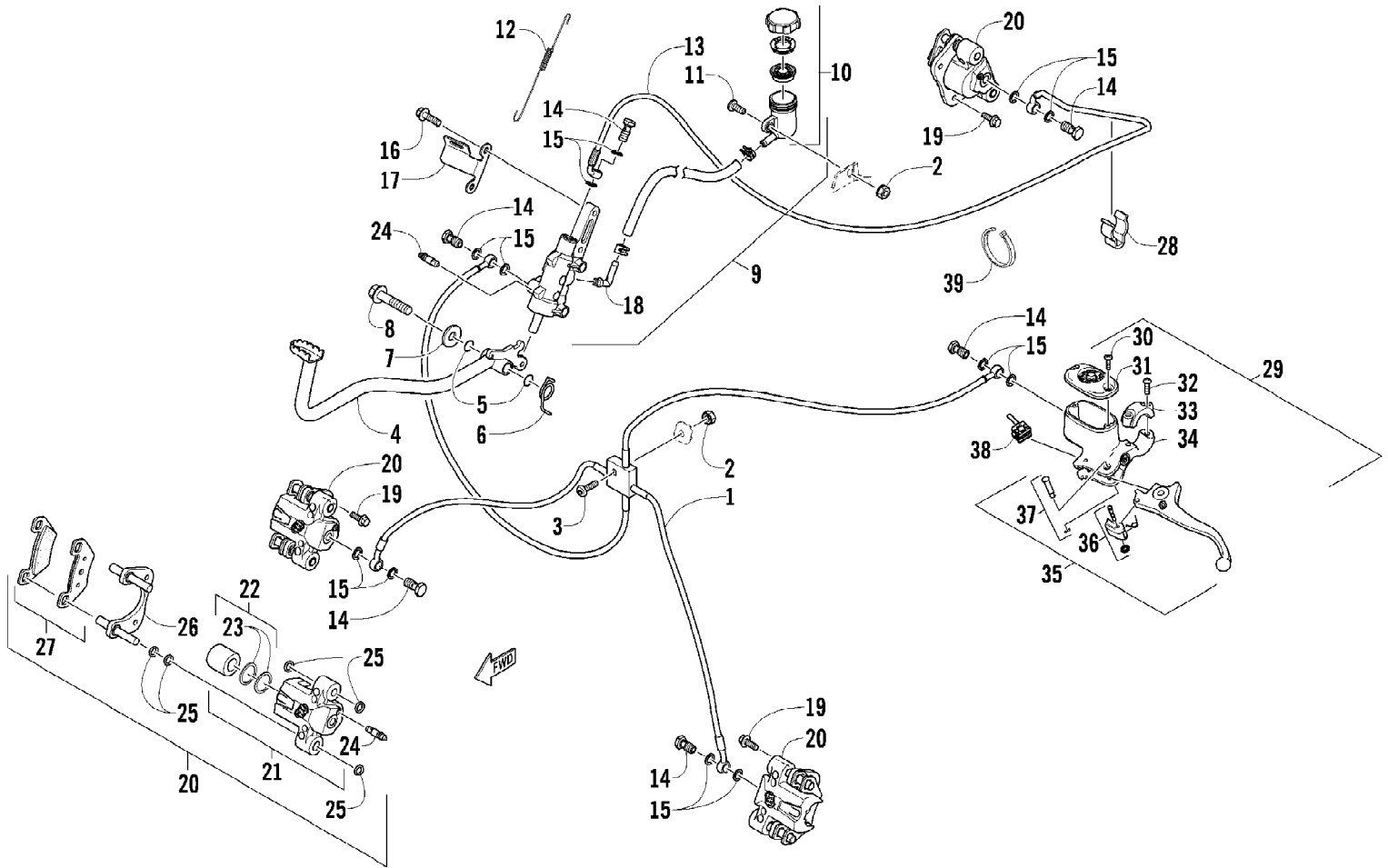


2010 ATV 700 DIESEL BLACK (A2010TBT4DUSP)
HANDLEBAR ASSEMBLY

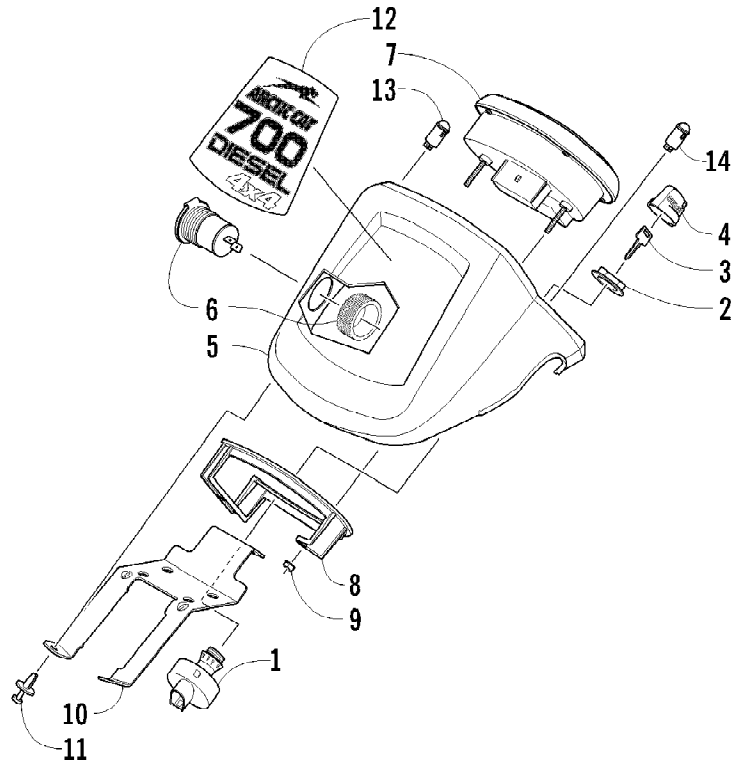
Page 43 of 90

Ref #	Part Number	Qty	S/P/F	Description
1	0505-418	1	/P	Handlebar
2	0405-218	2		Plug, Handlebar
3	0405-147	2		Grip, Handlebar
4	0405-149	2		End Cap, Handlebar
5	8050-247	2	/P	Washer
6	8477-845	2		Screw, Machine
7	0509-054	1		Case, Throttle - Assembly (inc. 8-15)
8	0409-141	1		Cover, Throttle Case w/Switch
9	3007-392	1	/P	Screw, Cap
10	3004-447	1	/P	Washer, Lock
11	3003-030	1	/P	Washer
12	0409-133	1		Lever, Throttle
13	3423-014	1		Screw, Machine
14	3423-327	1		Nut
15	3423-199	2		Screw, Machine
16	0411-966	1		Decal, Warning - Differential Lock
17	1411-865	1		Decal, Warning - Brake Lever Lock
18	3409-019	1		Cover, Switch Housing
19	0409-083	1		Switch, Control - Assembly
20	0487-044	1		Cable, Throttle

2010 ATV 700 DIESEL BLACK (A2010TBT4DUSP)
HYDRAULIC BRAKE ASSEMBLY



Ref #	Part Number	Qty	S/P/F	Description
1	1502-015	1		Hose, Brake - Assembly
2	0623-038	2		Nut w/Washer
3	8476-625	1		Screw, Machine
4	1502-063	1		Lever, Brake
5	1602-213	2	/P	O-Ring
6	0502-807	1		Spring, Brake Lever
7	8050-252	1		Washer
8	8408-816	1		Screw, Cap
9	1502-293	1		Brake Assembly (inc. 10)
10	1502-155	1		Reservoir, Brake w/Clamp
11	8476-616	1		Screw, Machine
12	0502-785	1		Spring, Brake Switch
13	1502-140	1		Hose, Brake
14	0423-413	6		Bolt, Banjo-Fitting
15	0423-178	12		Washer, Crush
16	8408-625	2		Screw, Cap
17	0502-840	1		Bracket, Switch
18	1502-296	1	/P	Adapter, Hose
19	8408-821	6	/P	Screw, Cap
20	1502-726	1	S	Caliper, Brake - Right Front (inc. two No. 19 and 21-27)
20	1502-727	1	S	Caliper, Brake - Left Front (inc. two No. 19 and 21-27)
20	1502-727	1	S	Caliper, Brake - Rear (inc. two No. 19 and 21-27)
21	1436-160	1	/P	Housing, Caliper - Assembly - Right Front (inc. two No. 19 and 22-24)
21	1436-161	1	/P	Housing, Caliper - Assembly - Left Front (inc. two No. 19 and 22-24)
21	1436-161	1	/P	Housing, Caliper - Assembly - Rear (inc. two No. 19 and 22-24)
22	0502-606	3		Piston/Seal Set (inc. 23)
23	0502-607	3		Seal Set
24	0502-609	4	/P	Valve, Bleed
25	0502-608	3		O-Ring, Guide - Set
26	0502-605	3		Bracket Assembly
27	1502-694	3	S	Pad, Brake - Set
28	1502-115	2		Clip, Brake Hose
29	0502-914	1	S	Brake Assembly (inc. 30-38)
30	0502-566	1		Screw, Machine - Kit
31	0502-868	1	/P	Cover, Reservoir
32	0502-568	1		Screw, Machine - Kit
33	0502-869	1		Clamp, Master Cylinder
34	0502-704	1		Master Cylinder Assembly
35	0502-866	1		Lever Assembly - Kit (inc. 36-37)
36	0502-867	1	/P	Lock, Brake Lever - Kit
37	0502-580	1		Lever Pin - Kit
38	0502-564	1	/P	Switch, Brake
39	0123-788	AR	/P	Tie, Cable - 8 in.

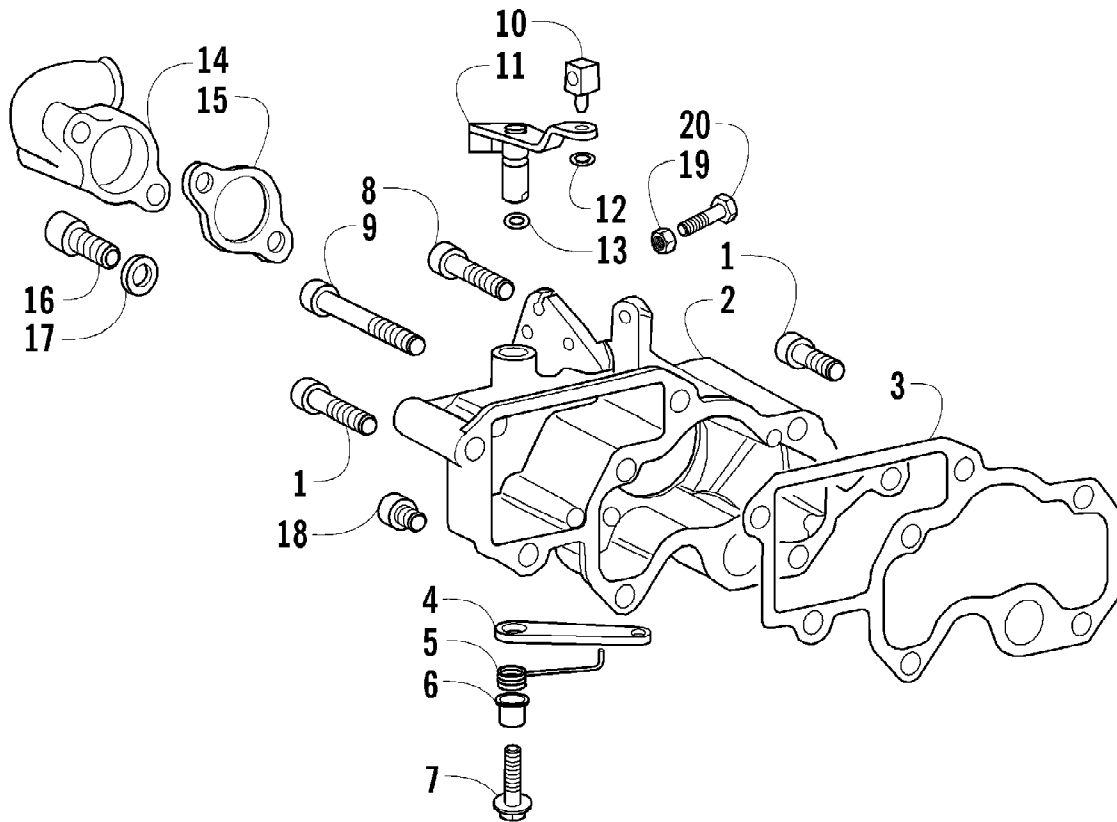


2010 ATV 700 DIESEL BLACK (A2010TBT4DUSP)
INSTRUMENT POD ASSEMBLY

Page 47 of 90

Ref #	Part Number	Qty	S/P/F	Description
1	0430-090	1	/P	Switch, Ignition - Assembly (inc. 2-4)
2	0430-050	1		Nut, Retaining
3	0430-042	1		Key, Ignition (Y Series - Left-Side Cut)
3	0430-043	1		Key, Ignition (Z Series - Right-Side Cut)
4	0430-054	1		Cover, Key
5	0505-616	1		Instrument Pod
6	0641-897	1	/P	Outlet, Accessory - 12V
7	0520-024	1		Gauge, LCD
8	0420-065	1	/P	Bracket, Retaining
9	0423-493	2		Nut w/Washer
10	2506-470	1		Bracket, Mounting - Instrument Pod
11	0423-535	2		Rivet, Reinstallable
12	1411-610	1		Decal, Instrument Pod
13	0420-075	1		Light, Indicator - Battery
14	0420-074	1		Light, Indicator - Glow Plug

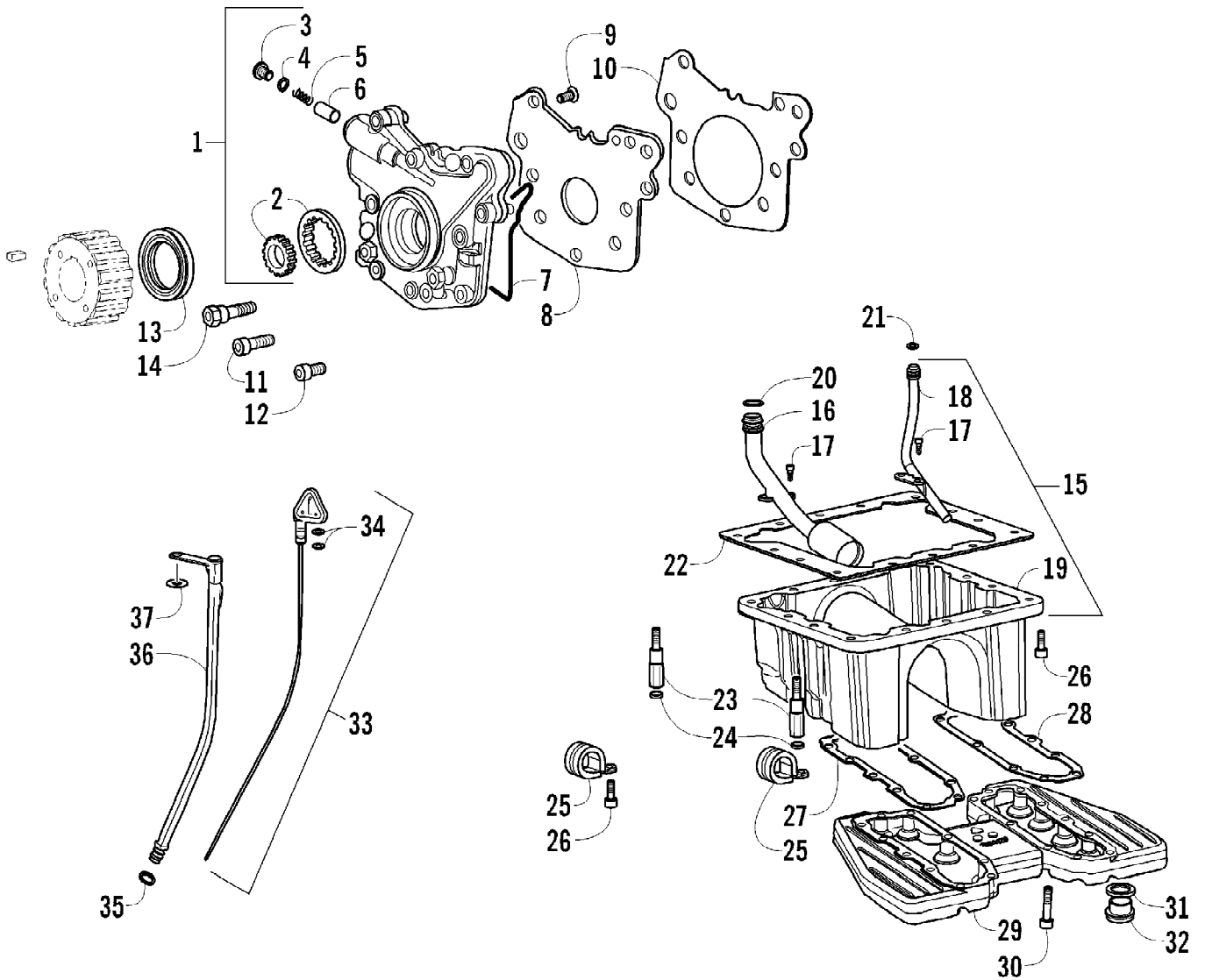
2010 ATV 700 DIESEL BLACK (A2010TBT4DUSP)
INTAKE MANIFOLD AND THROTTLE CONTROL ASSEMBLY



2010 ATV 700 DIESEL BLACK (A2010TBT4DUSP)
INTAKE MANIFOLD AND THROTTLE CONTROL ASSEMBLY

Ref #	Part Number	Qty	S/P/F	Description
1	3206-276	3		Screw, Cap
2	3206-387	1		Manifold, Intake
3	3206-277	1		Gasket, Intake Manifold
4	3206-286	1		Lever, Internal
5	3206-283	1		Spring, Recovery
6	3206-284	1		Sleeve
7	3206-285	1		Screw, Cap
8	3206-280	1		Screw, Cap
9	3206-279	1		Screw, Cap
10	3206-288	1		Pin
11	3206-287	1		Lever, External
12	3206-242	1		Circlip
13	3206-281	1		O-Ring
14	3206-290	1		Flange, Intake
15	3206-289	1		Gasket
16	3206-169	2		Screw, Cap
17	3206-234	2		Washer
18	3206-266	4		Screw, Cap
19	3206-137	1		Nut
20	3206-282	1		Screw, Cap

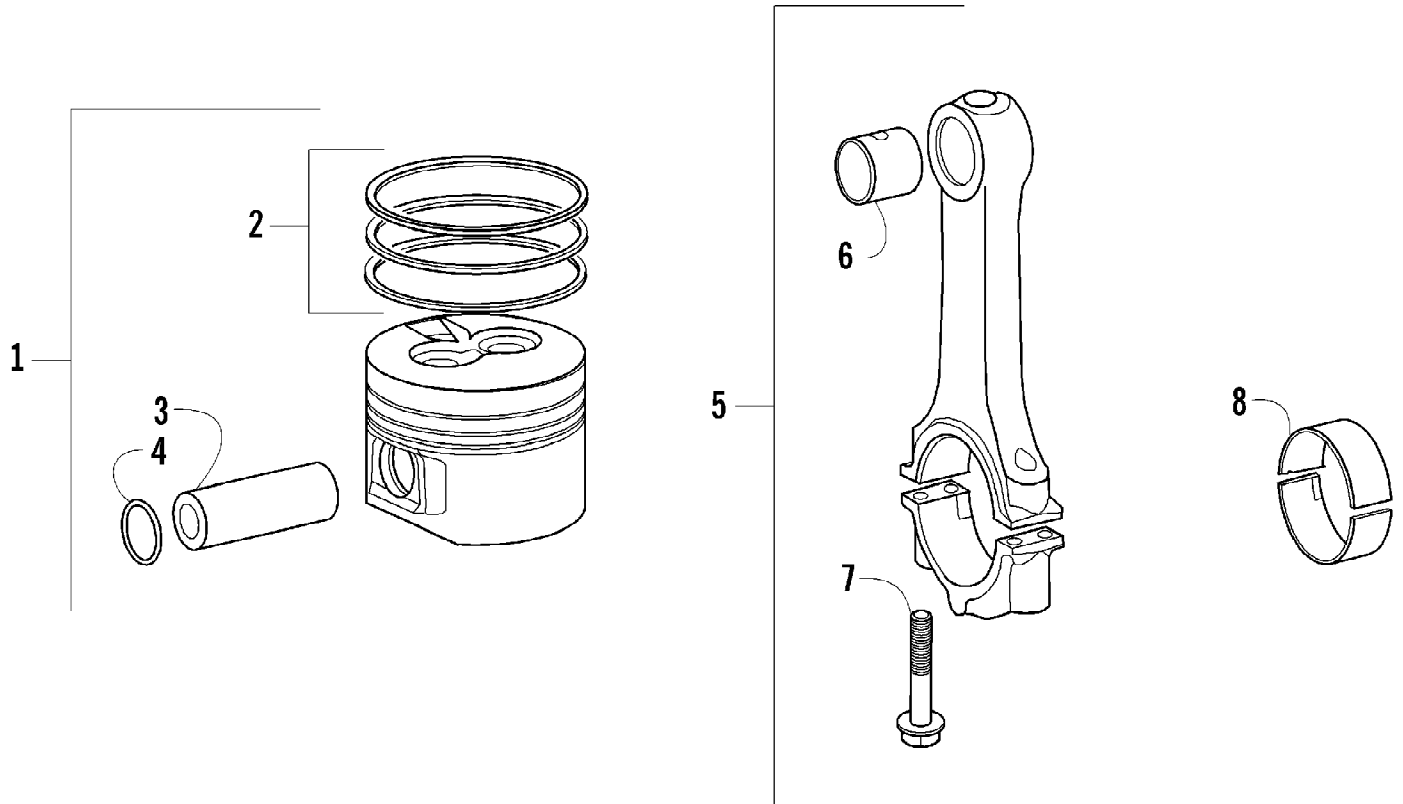
2010 ATV 700 DIESEL BLACK (A2010TBT4DUSP)
OIL PUMP AND PAN ASSEMBLY



2010 ATV 700 DIESEL BLACK (A2010TBT4DUSP)
OIL PUMP AND PAN ASSEMBLY

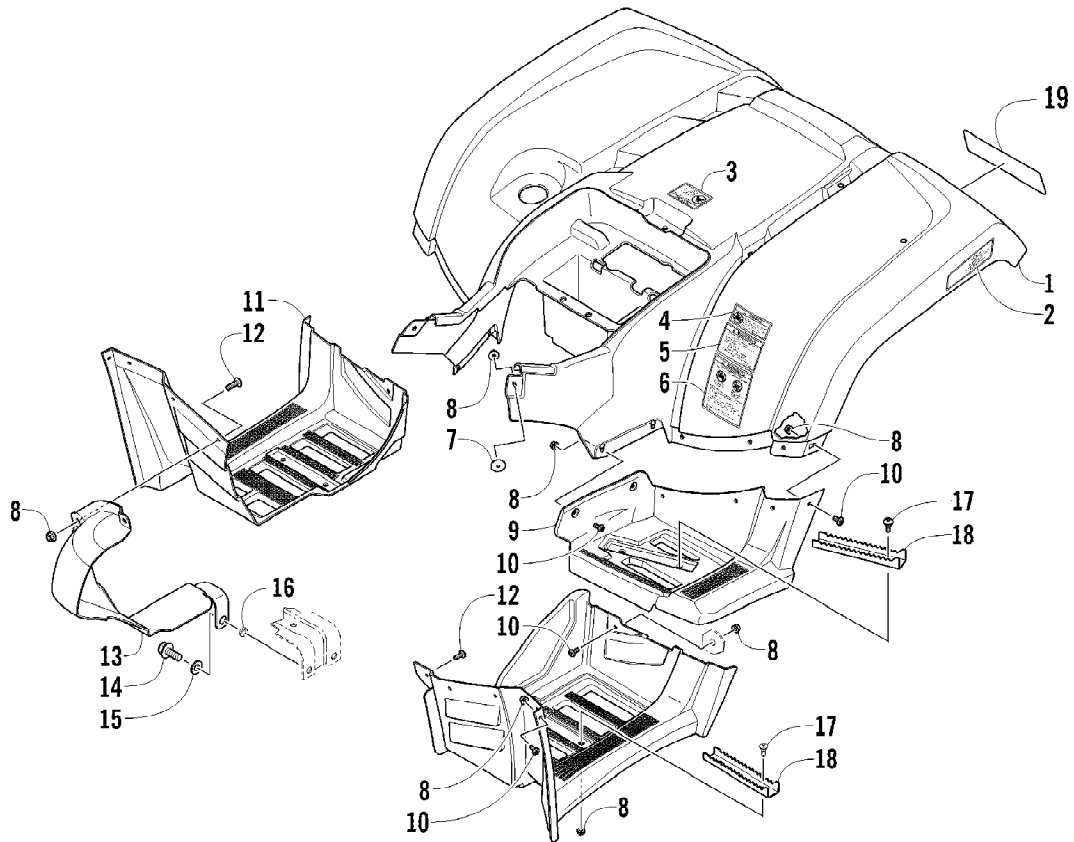
Page 51 of 90

Ref #	Part Number	Qty	S/P/F	Description
1	3206-171	1		Pump, Oil (inc. 2-10)
2	3206-167	1		Rotors, Oil Pump
3	3206-163	1		Plug
4	3206-162	1		Gasket
5	3206-164	1		Spring, Pressure Valve
6	3206-165	1		Rod, Drive
7	3206-172	1		O-Ring
8	0	1	F	Plate
9	3206-166	3		Screw, Machine
10	3206-391	1		Gasket
11	3206-168	1		Screw, Cap
12	3206-169	6		Screw, Cap
13	3206-161	1		Seal
14	3206-174	2		Screw, Shoulder
15	3206-179	1	/P	Pan, Oil - Assembly (inc. 16-19)
16	0	1	F	Pipe, Oil - Intake
17	3206-183	4		Screw, Cap
18	0	1	F	Pipe, Oil - Return
19	0	1	F	Pan, Oil
20	3206-176	1		Seal, Oil
21	3206-177	1		Seal, Oil
22	3206-175	1		Gasket
23	3206-178	2		Stud, Hollow
24	3206-383	2		Washer
25	3206-190	2		Clamp, Routing
26	3206-088	20		Screw, Cap
27	3206-186	1		Gasket
28	3206-187	1		Gasket
29	3206-188	1		Cover, Oil Pan
30	3206-189	20		Screw, Cap
31	3206-181	1		Gasket
32	3206-182	1		Plug
33	3206-197	1		Stick, Oil Level (inc. 34)
34	3206-198	2		Seal
35	3206-195	1		O-Ring
36	3206-196	1		Guard, Oil Level Stick
37	3206-190	1		Washer



2010 ATV 700 DIESEL BLACK (A2010TBT4DUSP)
PISTON SET AND CONNECTING ROD ASSEMBLY

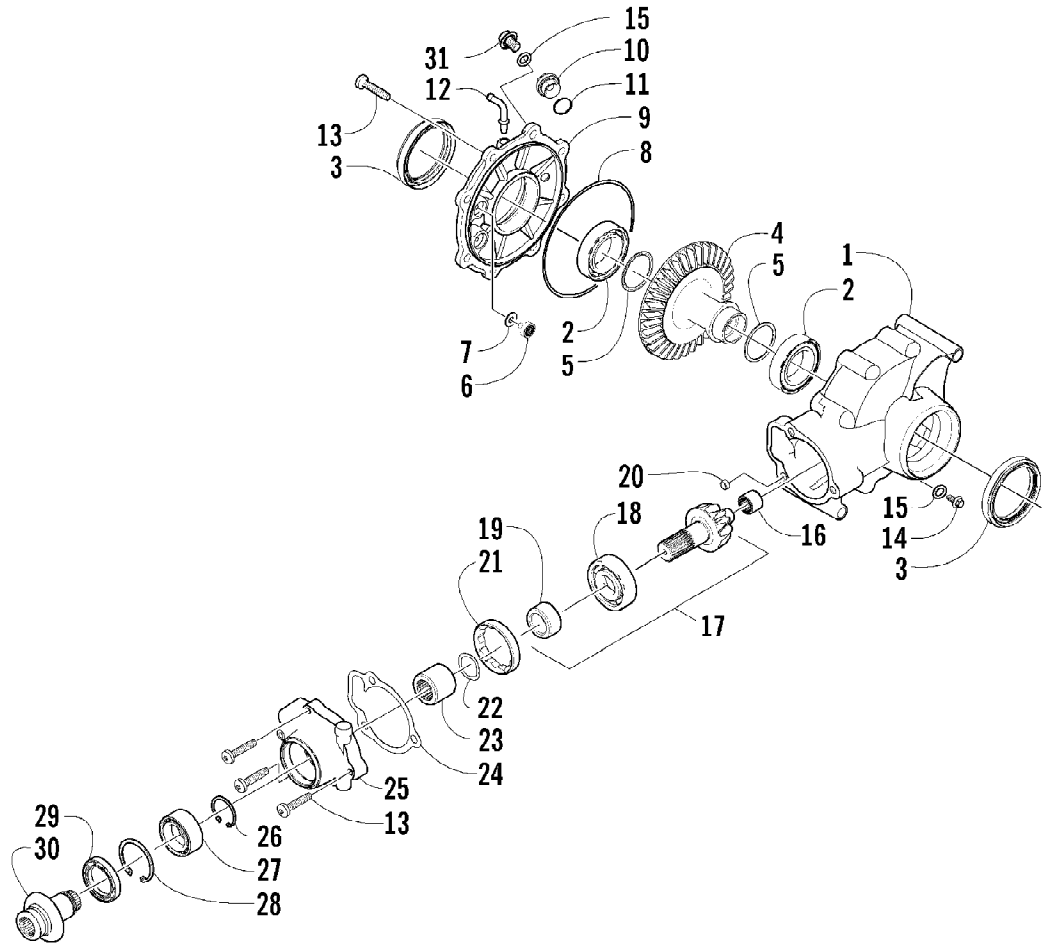
Ref #	Part Number	Qty	S/P/F	Description
1	3206-026	2		Piston - Set (inc. 2-4)
1	3206-027	2		Piston - Set (+0.50 mm)
1	3206-028	2		Piston - Set (+1.00 mm)
2	3206-023	2		Ring - Set
2	3206-024	2		Ring - Set (+0.50 mm)
2	3206-025	2		Ring - Set (+1.00 mm)
3	3206-030	2		Piston Pin
4	3206-031	4		Circlip
5	3206-035	2		Connecting Rod (inc. 6-7)
6	3206-029	2		Bushing
7	3206-036	8		Screw, Cap
8	3206-032	2		Bushing
8	3206-033	2		Bushing (-0.25 mm)
8	3206-034	2		Bushing (-0.50 mm)



2010 ATV 700 DIESEL BLACK (A2010TBT4DUSP)
REAR BODY PANEL AND FOOTWELL ASSEMBLIES

Ref #	Part Number	Qty	S/P/F	Description
1	0518-063	1	S	Fender, Rear - Assembly (inc. 2-6)
2	1411-592	1	/P	Decal, Reflector - Right
2	1411-593	1	/P	Decal, Reflector - Left
3	1411-251	1		Decal, Warning - Passenger Seat
4	1411-269	1		Decal, Warning - Passenger
5	2411-138	1	/P	Decal, Warning - Tire Pressure
6	1411-956	1		Decal, Warning - Passenger Safety
7	0423-101	2		Screw, Shoulder
8	0423-540	37		Nut, Lock
9	2406-042	1		Footwell, Rear - Right
9	2406-043	1		Footwell, Rear - Left
10	0423-419	24		Screw, Machine
11	2506-193	1		Footwell - Right
11	2406-471	1	/P	Footwell - Left
12	8477-620	3		Screw, Machine
13	2406-531	1		Panel, Splash
14	8409-020	1	/P	Screw, Cap
15	8050-282	1	/P	Washer
16	0405-261	1		Spacer
17	0423-355	8		Screw, Shoulder
18	1506-125	4	/P	Footpeg
19	1411-724	1		Decal, "Arctic Cat"

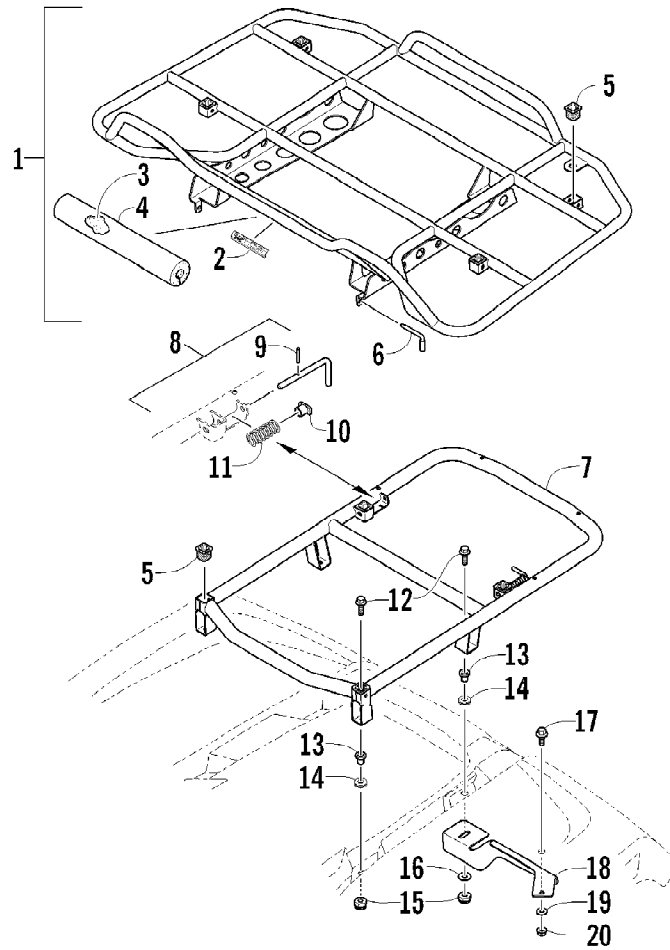
2010 ATV 700 DIESEL BLACK (A2010TBT4DUSP)
REAR DRIVE GEARCASE ASSEMBLY



2010 ATV 700 DIESEL BLACK (A2010TBT4DUSP)
REAR DRIVE GEARCASE ASSEMBLY

Page 57 of 90

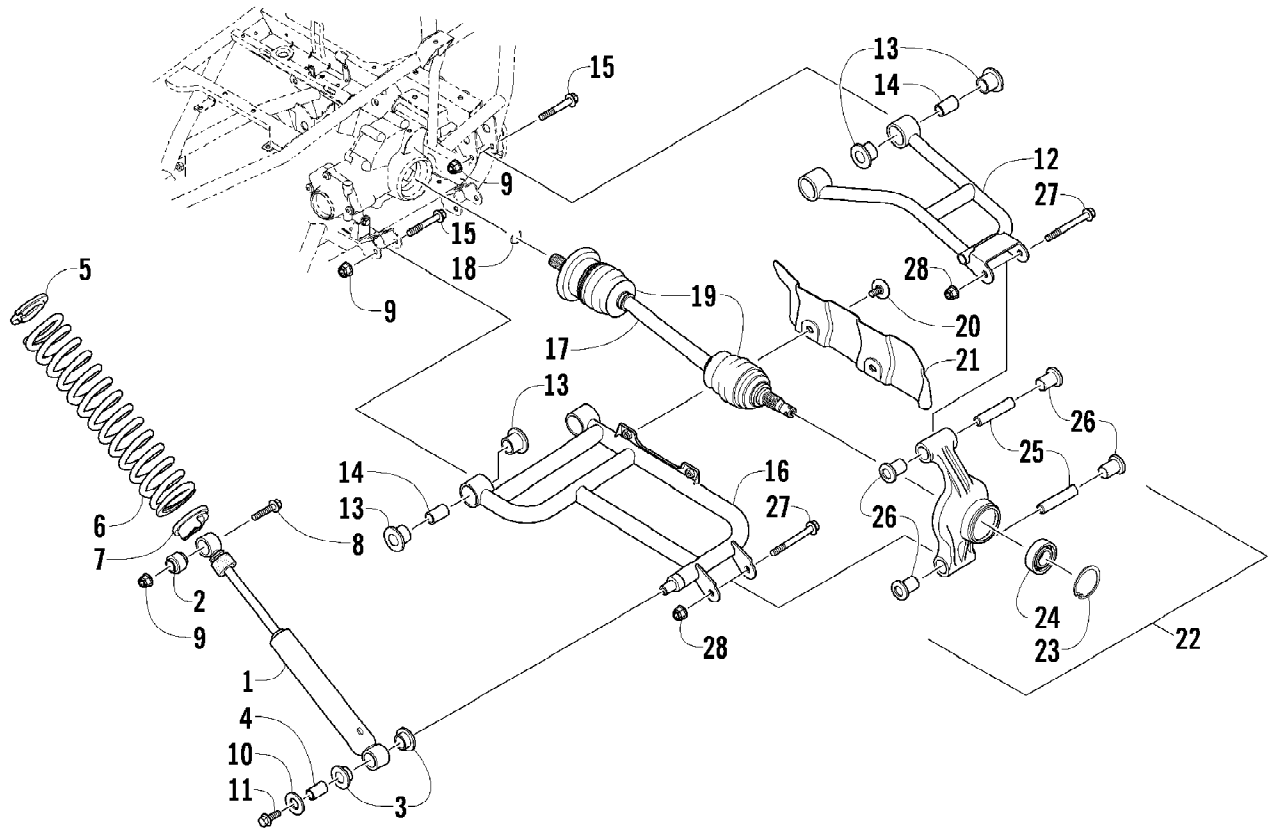
Ref #	Part Number	Qty	S/P/F	Description
	1502-402	1	/P	Complete Rear Drive Gearcase Assembly
1	1502-317	1		Housing, Gearcase
2	0402-393	2		Bearing
3	1402-713	2	S	Seal
4	1402-032	1		Gear, Ring - 36T
5	0402-405	AR		Shim, 41 x 49 x 1.3 mm
5	0402-406	AR		Shim, 41 x 49 x 1.4 mm
5	0402-407	AR		Shim, 41 x 49 x 1.5 mm
5	0402-408	AR		Shim, 41 x 49 x 1.6 mm
5	0402-409	AR		Shim, 41 x 49 x 1.7 mm
6	0402-326	1		Button, Thrust
7	0402-429	AR		Shim, 6.3 x 18 x 1.3 mm
7	0402-430	AR		Shim, 6.3 x 18 x 1.4 mm
7	0402-431	AR		Shim, 6.3 x 18 x 1.5 mm
7	0402-432	AR		Shim, 6.3 x 18 x 1.6 mm
7	0402-433	AR		Shim, 6.3 x 18 x 1.7 mm
8	0423-149	1		O-Ring
9	1502-082	1		Cover, Gearcase
10	0402-333	1	/P	Plug, Magnetic (inc. 11)
11	0423-154	1		O-Ring
12	1402-102	1		Fitting
13	0423-118	11		Screw, Self-Tapping
14	1402-210	1	/P	Plug, Fill (inc. one No. 15)
15	0423-153	2		O-Ring
16	0402-328	1		Bearing
17	0502-783	1		Gear, Pinion - Assembly - 10T (inc. 18-19)
18	0402-327	1		Bearing
19	0402-336	1		Collar, Retaining
20	0402-411	1		Pin, Dowel
21	0402-331	1		Collar, Lock
22	0402-982	1		Washer, Wave
23	0402-981	1		Collar, Shaft
24	0402-947	1		Gasket, Flange
25	0502-529	1		Housing, Pinion
26	0423-417	1		Ring, Retaining
27	1402-043	1		Bearing
28	0423-423	1		Ring, Retaining
29	1402-011	1		Seal
30	1502-085	1	/P	Shaft, Input
31	1402-211	1		Plug, Oil Level (inc. one No. 15)



2010 ATV 700 DIESEL BLACK (A2010TBT4DUSP)
 REAR RACK ASSEMBLY

Page 59 of 90

Ref #	Part Number	Qty	S/P/F	Description
1	2516-483	1		Rack, Rear - Assembly (inc. 2-4 and four No. 5)
2	0411-648	1		Decal, Warning - Load
3	2416-244	1		Pad, Foam
4	2416-245	1		Cover
5	0441-592	8	/P	Bushing
6	0541-447	2	/P	Pin
7	2506-221	1	/P	Base, MRP - Assembly (inc. 8-11 and four No. 5)
8	0541-504	2		Pin - Assembly (inc. 9-11)
9	0423-635	2		Pin, Roll
10	0423-677	2		Bushing, Flanged
11	0423-636	2		Spring
12	8410-835	4		Screw, Cap
13	0423-669	4		Spacer
14	0423-465	4		Grommet
15	8432-802	4		Nut, Lock
16	0423-087	2		Washer
17	0423-654	2		Screw, Shoulder
18	2506-092	1		Bracket, Rear Fender - Right
18	2506-093	1		Bracket, Rear Fender - Left
19	8050-222	2	/P	Washer
20	0423-540	2		Nut, Lock

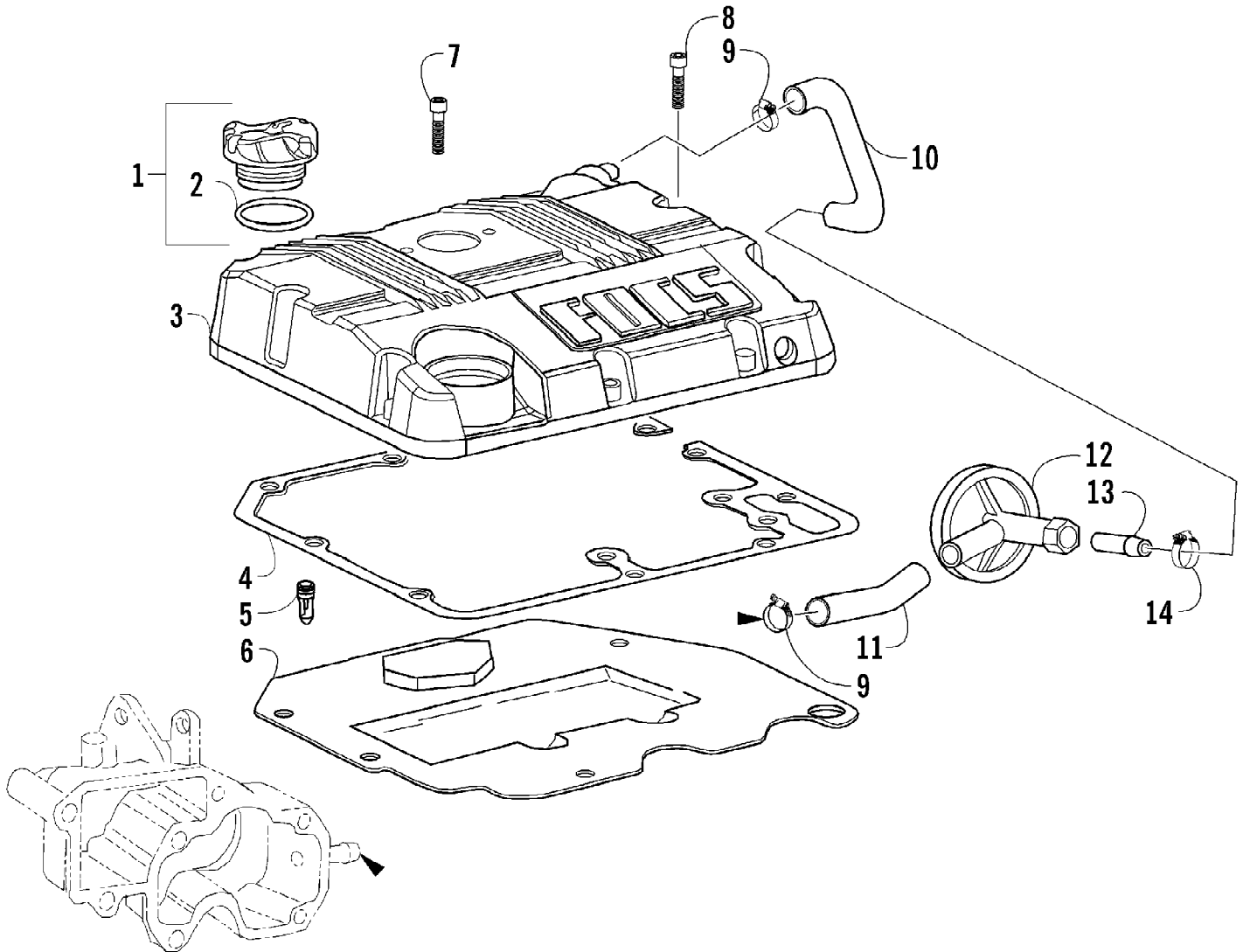


2010 ATV 700 DIESEL BLACK (A2010TBT4DUSP)
REAR SUSPENSION ASSEMBLY

Page 61 of 90

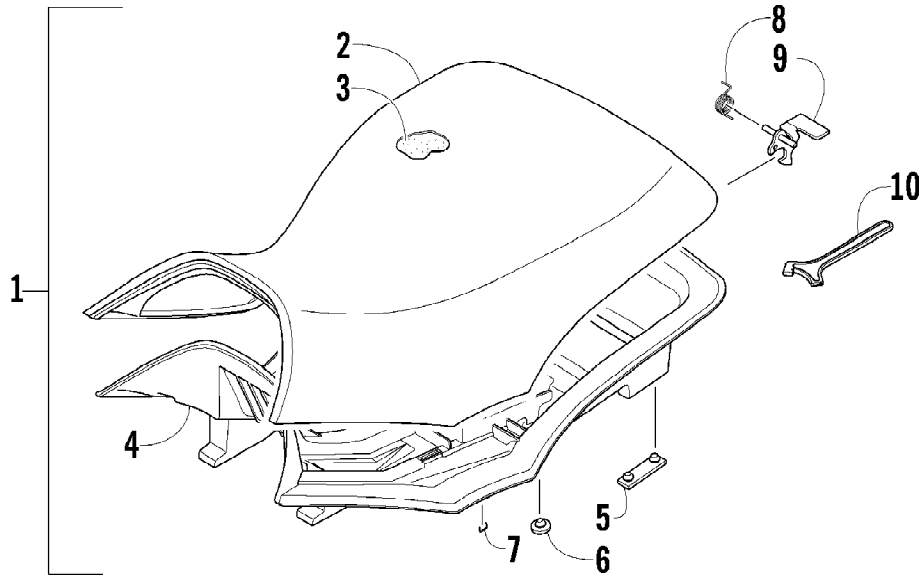
Ref #	Part Number	Qty	S/P/F	Description
1	0404-147	2		Shock Absorber (inc. 2-4)
2	0403-182	2		Bushing
3	0603-955	4		Bushing
4	1603-219	2	S	Sleeve
5	1603-889	2	/P	Retainer, Spring
6	0403-174	2		Spring, Suspension
7	0404-057	2		Cam, Spring Adjuster
8	8409-050	2		Screw, Cap
9	0423-744	10		Nut, Lock
10	0423-087	2		Washer
11	8408-820	2	/P	Screw, Cap
12	0504-586	1	/P	A-Arm, Rear - Upper Right (inc. 13-14)
12	0504-587	1	/P	A-Arm, Rear - Upper Left (inc. 13-14)
13	0403-208	16	/P	Bushing
14	0403-214	8	/P	Axle
15	8409-075	8		Screw, Cap
16	0504-576	1	/P	A-Arm, Rear - Lower Right (inc. 13-14)
16	0504-577	1	/P	A-Arm, Rear - Lower Left (inc. 13-14)
17	1502-343	2	S	Axle, Drive (inc. 18-19)
18	0423-845	2	/P	Clip, Retaining
19	1436-207	2	/P	Repair Kit, Boot
20	0423-545	4	/P	Screw, Shoulder
21	1406-068	1		Guard, Boot - Rear - Right
21	1406-069	1		Guard, Boot - Rear - Left
22	0504-548	1	/P	Knuckle, Right Rear - Assembly (inc. 23-26)
22	0504-549	1	/P	Knuckle, Left Rear - Assembly (inc. 23-26)
23	0423-423	2		Ring, Retaining
24	1402-809	2	/P	Bearing
25	0403-213	4	/P	Axle
26	0403-206	8	/P	Bushing
27	8409-000	4		Screw, Cap
28	8428-002	4		Nut, Lock

2010 ATV 700 DIESEL BLACK (A2010TBT4DUSP)
ROCKER ARM COVER AND BREATHER SYSTEM ASSEMBLIES



2010 ATV 700 DIESEL BLACK (A2010TBT4DUSP)
ROCKER ARM COVER AND BREATHER SYSTEM ASSEMBLIES

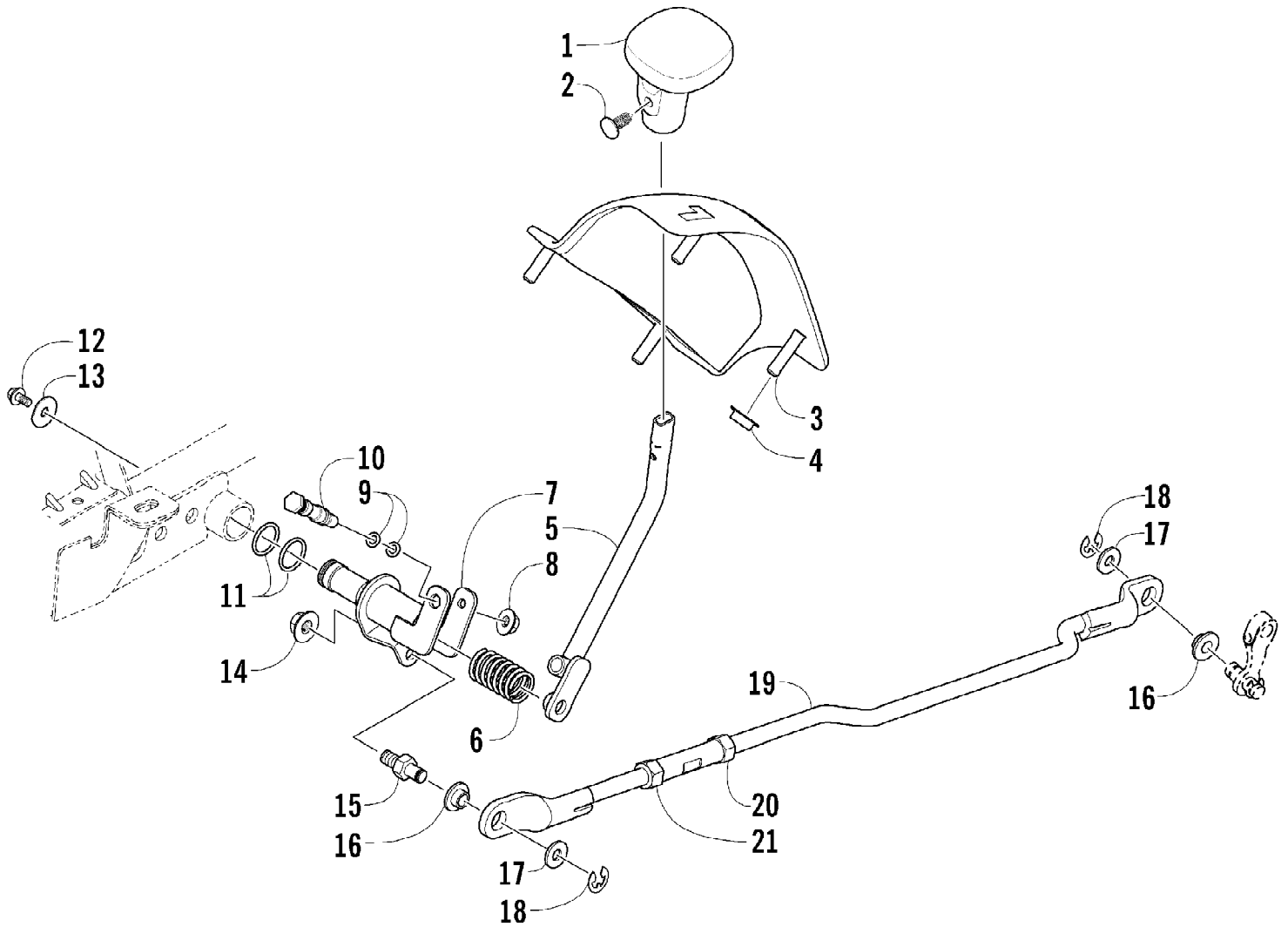
Ref #	Part Number	Qty	S/P/F	Description
1	3206-081	1		Cap, Oil Filler (inc. 2)
2	3206-087	1		O-Ring
3	3206-080	1		Cover, Rocker Arm
4	3206-086	1		Gasket
5	3206-084	1		Connection
6	3206-085	1		Separator
7	3206-083	2		Screw, Cap
8	3206-082	8		Screw, Cap
9	3206-200	3		Clamp
10	3206-205	1		Hose, Connection
11	3206-202	1		Hose, Drain
12	3206-201	1		Valve, Suction
13	3206-203	1		Tube, Valve
14	3206-204	1		Clamp



2010 ATV 700 DIESEL BLACK (A2010TBT4DUSP)
SEAT ASSEMBLY

Page 65 of 90

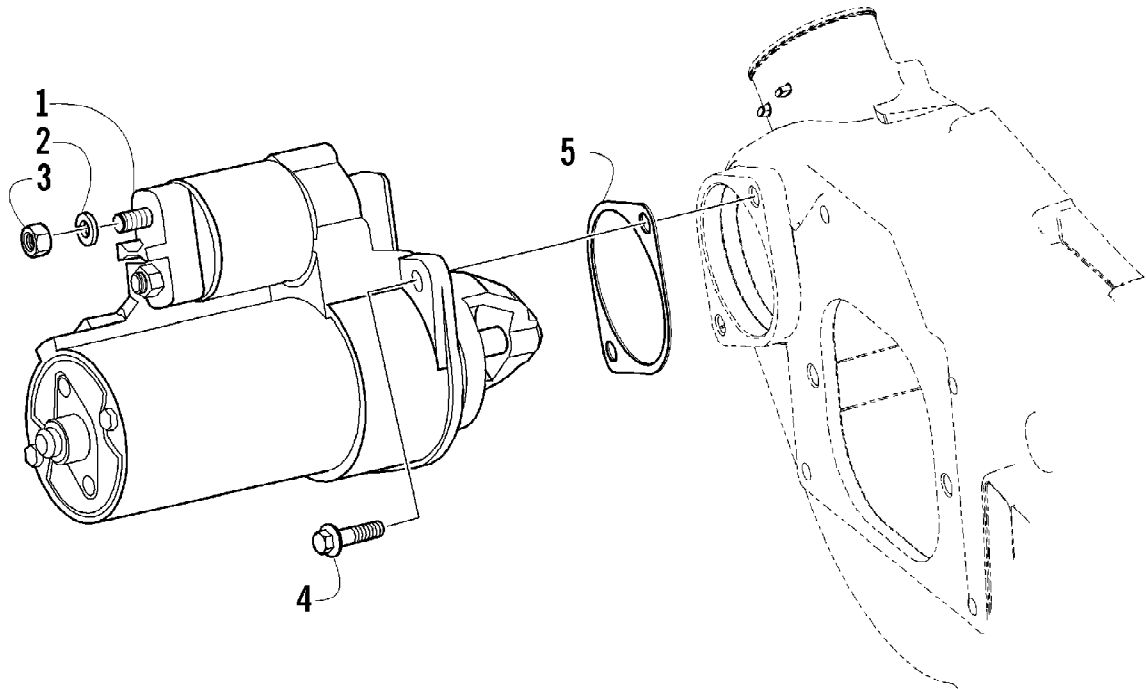
Ref #	Part Number	Qty	S/P/F	Description
1	2506-805	1		Seat Assembly (inc. 2-9)
2	2506-756	1		Cover, Seat
3	2506-755	1		Foam, Seat
4	2406-144	1	S/P	Base, Seat - Assembly (inc. 5-6)
5	0406-879	2		Bumper, Seat - Rear
6	0406-877	4	/P	Bumper, Seat - Front
7	0624-528	AR	/P	Staple
8	1406-592	1	/P	Spring, Seat Latch
9	1506-156	1		Latch, Seat
10	0441-587	1		Wrench, Spanner



2010 ATV 700 DIESEL BLACK (A2010TBT4DUSP)
SHIFT LEVER ASSEMBLY

Page 67 of 90

Ref #	Part Number	Qty	S/P/F	Description
1	0402-843	1	/P	Knob, Shift
2	0423-345	1		Clip, Retaining
3	1402-576	1		Plate, Shift
4	0423-357	4		Nut, Stamped
5	0502-659	1		Lever, Shift
6	0402-678	1	/P	Spring, Shift Lever
7	1502-012	1		Actuator, Shift
8	8424-602	1	/P	Nut
9	0423-182	2	/P	O-Ring
10	0402-675	1		Axle, Pivot
11	0423-299	2	/P	O-Ring
12	8408-812	1		Screw, Cap
13	0423-087	1		Washer
14	8424-802	1		Nut
15	1402-621	1		Pin, Mounting
16	0423-091	2		Bushing
17	0623-094	2		Washer
18	0423-169	2	/P	E-Ring
19	1502-226	1		Linkage, Shift - Assembly (inc. 20-21)
20	0123-917	1	/P	Nut, Hex - Left-Hand Thread
21	0623-294	1		Nut, Hex - Right-Hand Thread



2010 ATV 700 DIESEL BLACK (A2010TBT4DUSP)
STARTER MOTOR ASSEMBLY

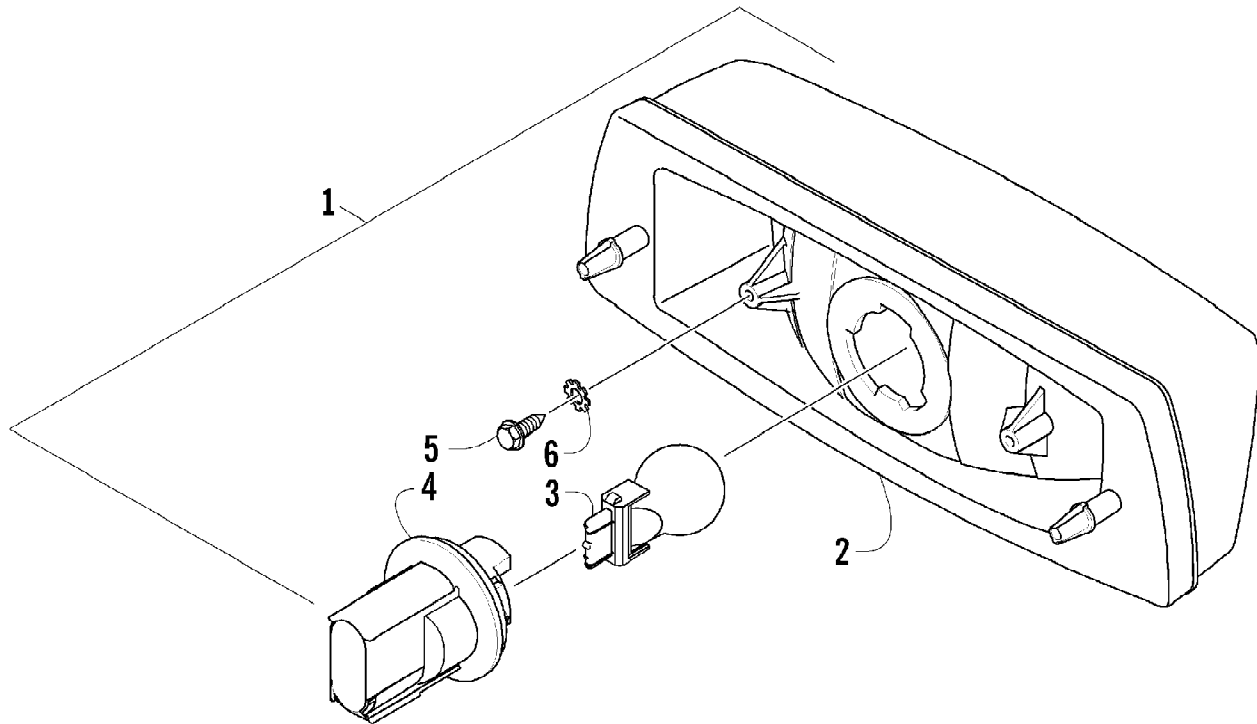
Page 69 of 90

Ref #	Part Number	Qty	S/P/F	Description
1	3206-319	1		Motor, Starter
2	3206-322	1		Washer, Lock
3	3206-321	1		Nut
4	8409-030	2		Screw, Cap
5	1402-525	1		Gasket, Starter

2010 ATV 700 DIESEL BLACK (A2010TBT4DUSP)
STEERING ASSEMBLY

Page 71 of 90

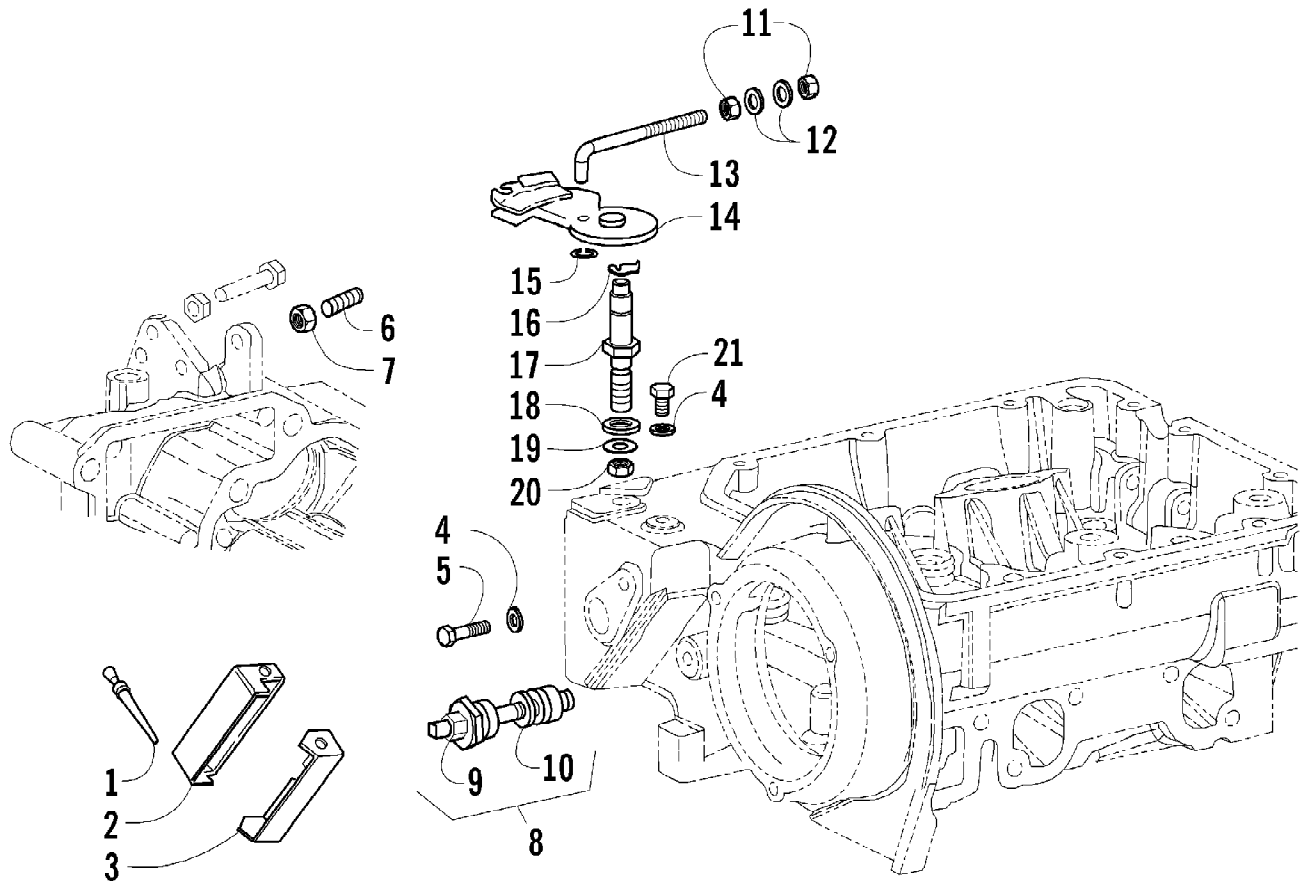
Ref #	Part Number	Qty	S/P/F	Description
1	8408-860	4		Screw, Cap
2	0405-035	4		Cap, Steering Adjuster
3	0423-505	2		Screw, Shoulder
4	0505-484	1		Cap, Housing
5	0405-138	1		Housing, Lower
6	0405-139	1		Housing, Upper
7	0505-451	1	S	Post, Steering
8	8408-816	2		Screw, Cap
9	0602-233	1		Flange, Bearing
10	0405-052	1		Bearing w/Inverted Oil Seal
11	0423-073	1		Washer
12	8409-020	1	/P	Screw, Cap
13	0505-499	2	/P	Tie Rod - Assembly (inc. 14-20)
14	0505-511	2	/P	End, Tie Rod - Left-Hand Thread - Kit (inc. 15-16 and two No. 21-22)
15	0	2	F	End, Tie Rod - Left-Hand Thread
16	0423-013	2		Nut - Left-Hand Thread
17	0405-281	2	/P	Tie Rod
18	0505-510	2	/P	End, Tie Rod - Right-Hand Thread - Kit (inc. 19-20 and two No. 21-22)
19	0	2	F	End, Tie Rod - Right-Hand Thread
20	8420-002	2	/P	Nut - Right-Hand Thread
21	0423-157	4		Nut, Lock
22	0623-175	4		Pin, Cotter



2010 ATV 700 DIESEL BLACK (A2010TBT4DUSP)
TAILLIGHT ASSEMBLY

Page 73 of 90

Ref #	Part Number	Qty	S/P/F	Description
1	0509-022	1		Taillight Assembly (inc. 2-4)
2	0509-025	1		Housing, Taillight
3	0409-056	1		Bulb, Taillight
4	0409-057	1		Socket, Taillight
5	0623-301	2	/P	Screw, Self-Tapping
6	8053-212	2	/P	Washer, External Tooth Lock

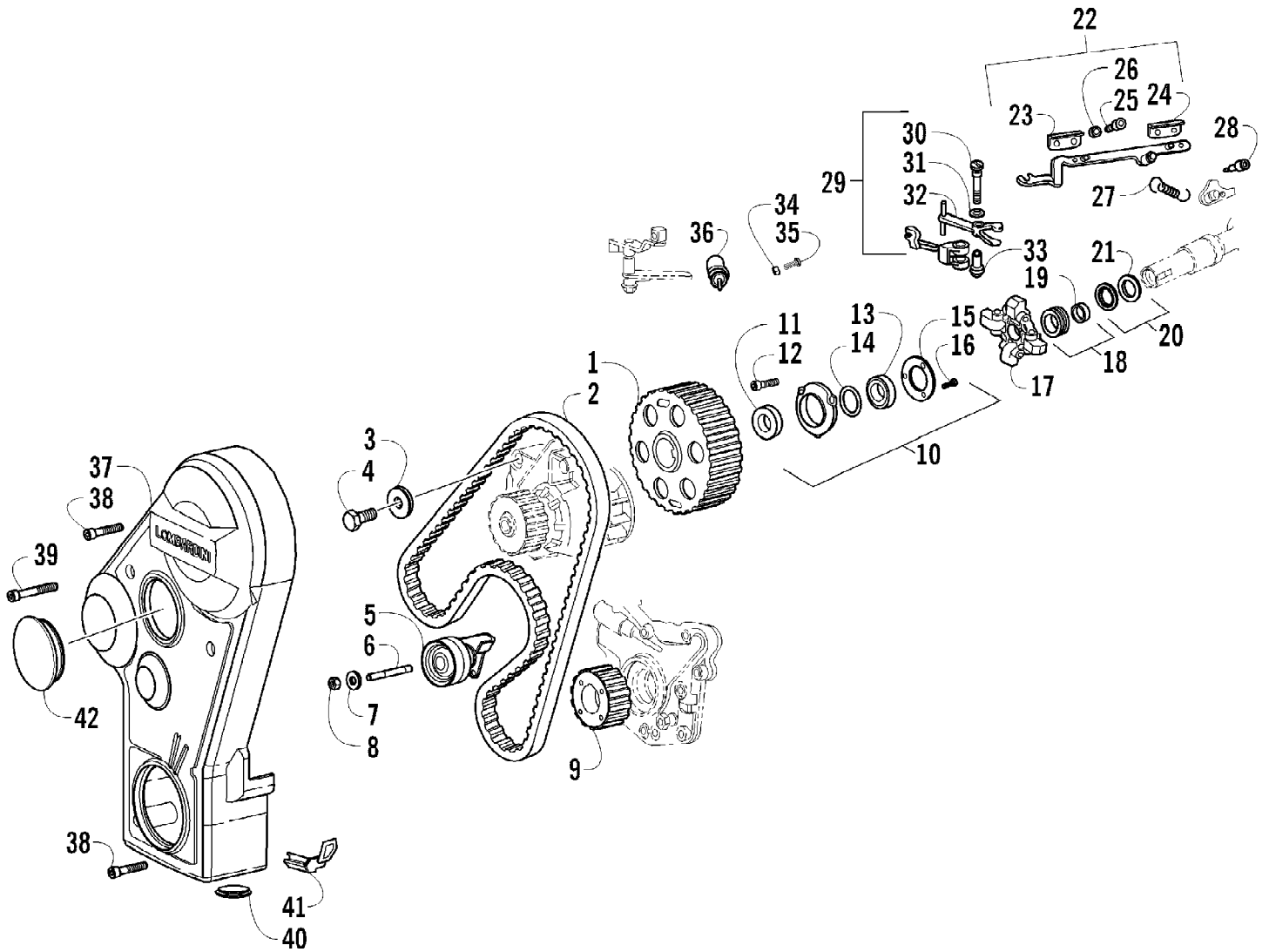


2010 ATV 700 DIESEL BLACK (A2010TBT4DUSP)

Page 75 of 90

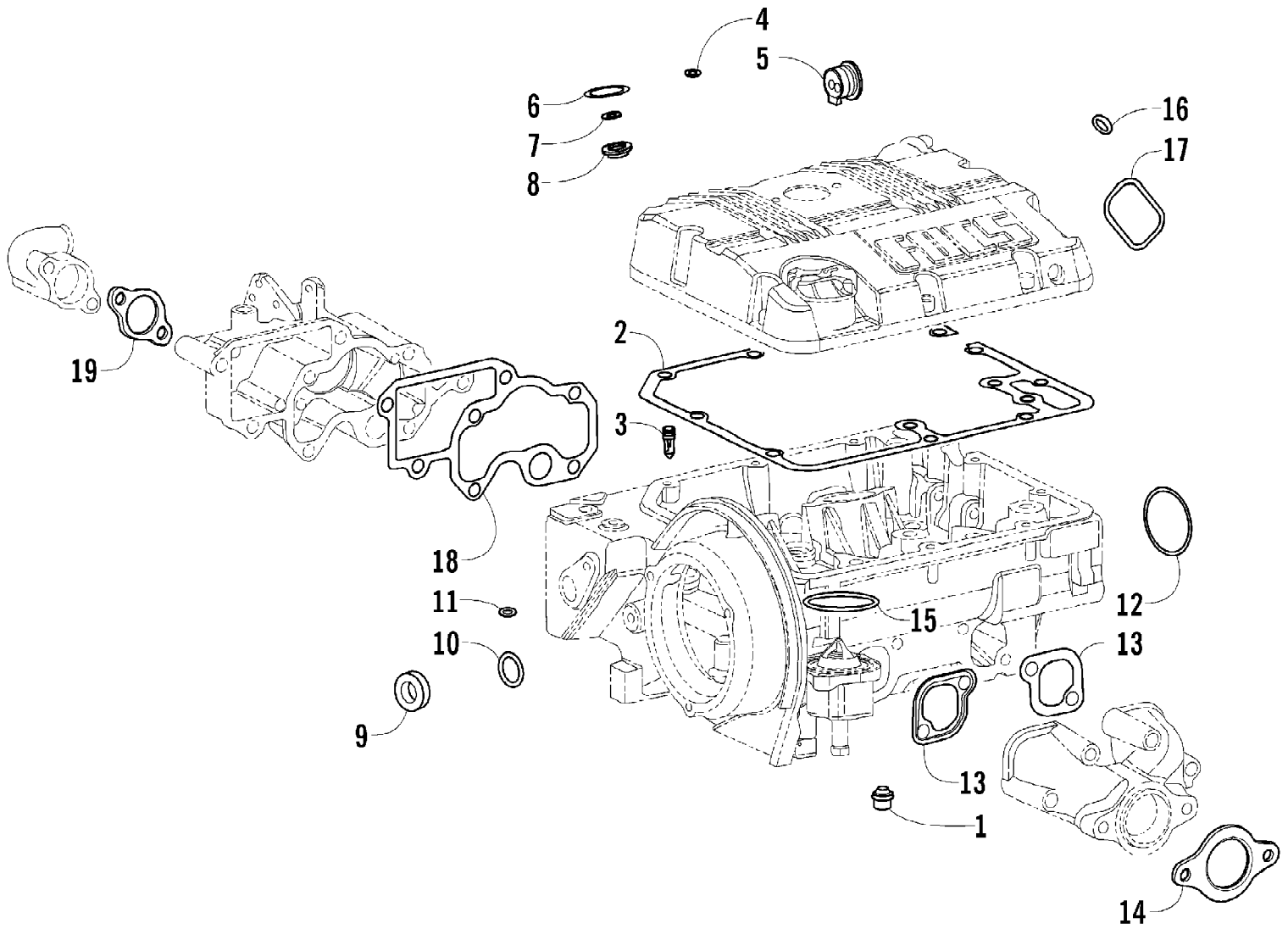
THROTTLE CONTROL AND LOCKED TORQUE DEVICE ASSEMBLIES

Ref #	Part Number	Qty	S/P/F	Description
1	3206-247	3		Nail
2	3206-251	1		Plate, Safety
3	3206-250	1		Plate, Safety
4	3206-007	2		Seal
5	3206-252	1		Screw, Cap
6	3206-249	1		Bolt, Stud
7	3206-248	1		Nut
8	3206-236	1		Device, Locked Torque (inc. 9-10)
9	3206-233	1		Nut
10	3206-235	1		Gasket
11	3206-237	2		Nut
12	3206-238	2		Washer
13	3206-239	1		Rod, Tie
14	3206-241	1		Lever, Throttle Control
15	3206-242	1		Circlip
16	3206-243	1		Circlip
17	3206-244	1		Pin
18	3206-253	1		Washer
19	3206-246	1		Seal, Oil
20	3206-245	1		Nut
21	3206-240	2		Screw, Cap



2010 ATV 700 DIESEL BLACK (A2010TBT4DUSP)
TIMING BELT AND SPEED GOVERNOR ASSEMBLIES

Ref #	Part Number	Qty	S/P/F	Description
1	3206-153	1		Pulley, Cam Driven
2	3206-154	1		Belt, Timing
3	3206-156	1		Washer
4	3206-155	1		Screw, Cap
5	3206-159	1		Pulley
6	3206-158	1		Bolt, Stud
7	3206-157	1		Washer
8	3206-142	1		Nut
9	3206-160	1		Pulley, Cam Drive
10	3206-209	1		Camshaft Support (inc. 11-16)
11	3206-208	1		Ring, Seal
12	3206-088	3		Screw, Cap
13	3206-211	1		Bearing
14	3206-210	1		Seal, Oil
15	3206-212	1		Plate
16	3206-166	3		Screw, Cap
17	3206-213	1		Flyweight - Assembly
18	3206-214	1		Sleeve, Control (inc. 19)
19	3206-216	1		Sleeve
20	3206-217	1		Roller, Thrust (inc. 21)
21	3206-215	1		Washer, Thrust
22	3206-218	1	S	Rail, Injection Pump (inc. 23-26)
23	3206-220	1		Plate
24	3206-219	1		Plate
25	3206-221	2		Screw, Cap
26	3206-223	2		Washer
27	3206-222	1		Spring, Fuel
28	3206-225	2		Screw, Cap
29	3206-228	1		Lever, Governor - Assembly (inc. 30-33)
30	3206-224	1		Pin, Lever
31	3206-226	1		Seal
32	3206-229	1		Sleeve
33	3206-227	1		Journal
34	3206-232	1		Nut
35	3206-231	1		Screw, Machine
36	3206-230	1		Device, Min-Max
37	3206-380	1	/P	Guard, Belt
38	3206-043	3		Screw, Cap
39	3206-189	1		Screw, Cap
40	3206-316	1		Plug
41	3206-317	1		Gasket
42	3206-318	1		Cap

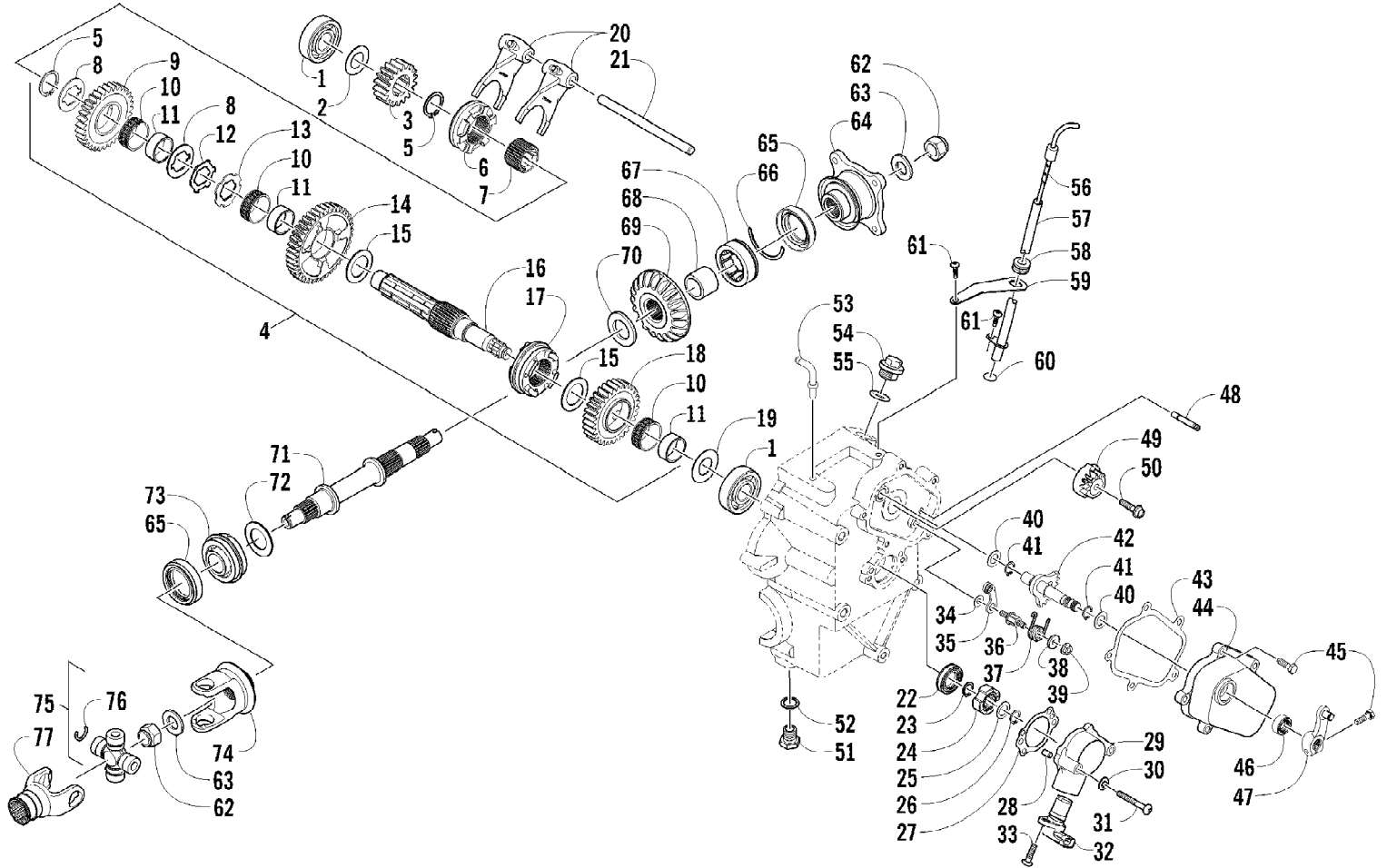


2010 ATV 700 DIESEL BLACK (A2010TBT4DUSP)
TOP END GASKET SET ASSEMBLY

Page 79 of 90

Ref #	Part Number	Qty	S/P/F	Description
	3206-328	1		Top End Gasket Set
1	3206-152	4		Retainer, Valve - Cylinder Head
2	3206-086	1		Gasket, Rocker Arm Cover
3	3206-084	1		Connection, Rocker Arm Cover
4	3206-095	4		Seal, Ring - Delivery Pipe
5	3206-094	1		Seal, Delivery Pipe
6	3206-122	2		O-Ring, Injection Nozzle
7	3206-124	2		Gasket, Copper - Injection Nozzle
8	3206-059	2		Arrester, Spark - Injection Nozzle
9	3206-208	1		Ring, Seal - Governor Cover
10	3206-210	1		Seal, Oil - Governor Cover
11	3206-226	1		Seal, Governor Lever
12	3206-313	1		O-Ring, Cylinder Head Flange
13	3206-291	2		Gasket, Exhaust Manifold
14	3206-296	1	/P	Gasket, Exhaust
15	3206-260	1		O-Ring, Thermostat
16	3206-010	4		Washer, Crush
17	3206-256	1		O-Ring, Fuel Pump
18	3206-277	1		Gasket, Intake Manifold
19	3206-289	1		Gasket, Intake Flange

2010 ATV 700 DIESEL BLACK (A2010TBT4DUSP)
TRANSMISSION LEFT-SIDE ASSEMBLY



2010 ATV 700 DIESEL BLACK (A2010TBT4DUSP)
TRANSMISSION LEFT-SIDE ASSEMBLY

Page 81 of 90

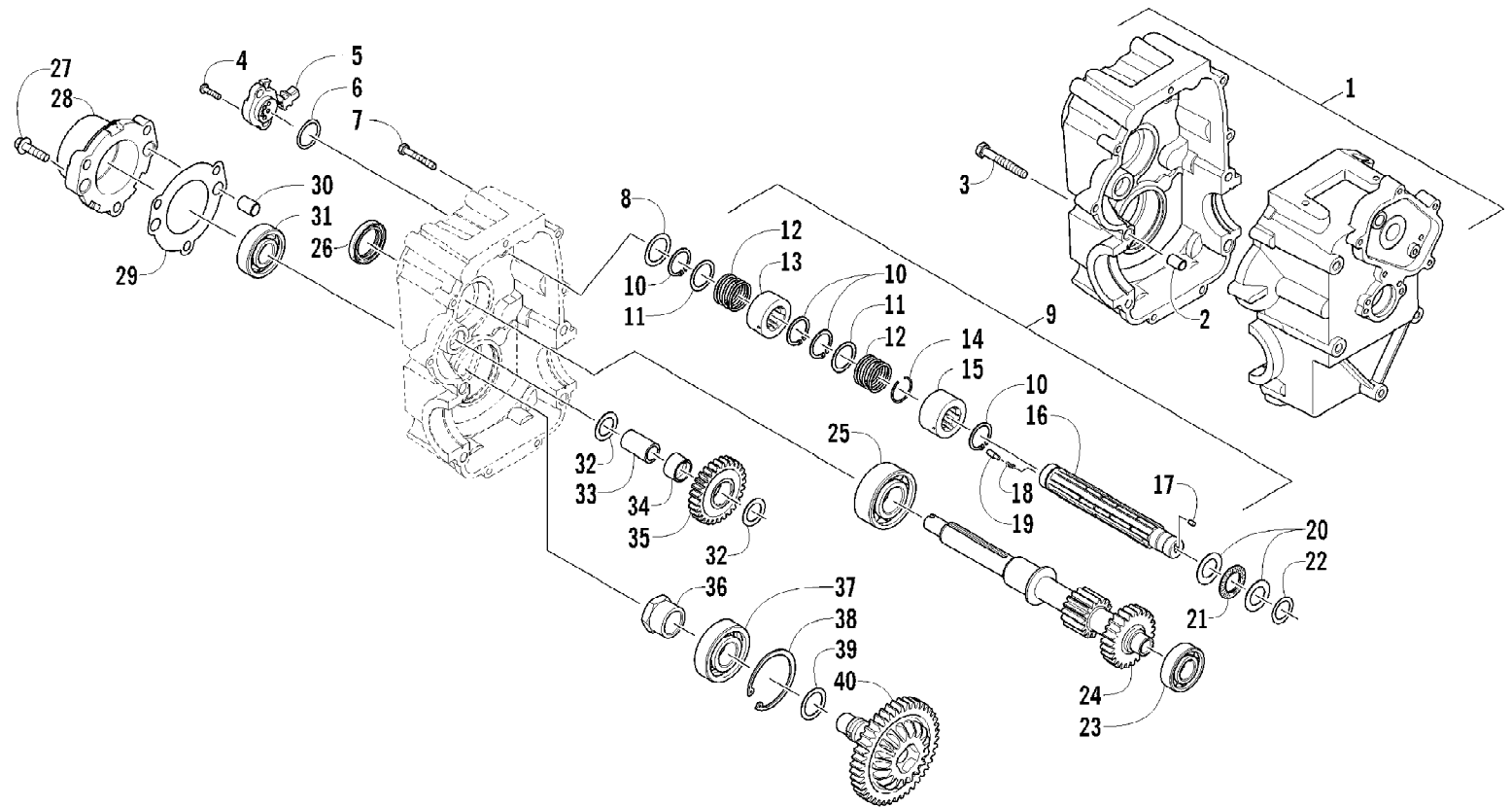
Ref #	Part Number	Qty	S/P/F	Description
1	0832-050	2	/P	Bearing
2	0828-010	1		Washer, Thrust
3	1402-558	1		Gear, Drive - No. 2 (18T)
4	0822-091	1	/P	Countershaft Assembly (inc. 5-18)
5	0831-011	2		Ring, Retaining
6	0822-014	1		Gear Select, Reverse
7	0822-045	1		Spacer, Reverse Driven Gear
8	0828-008	2		Washer
9	0822-013	1		Gear, Reverse Driven
10	0832-011	3		Bearing
11	0822-005	3		Bushing
12	0828-015	1		Washer, Lock
13	0828-014	1		Washer, Lock
14	0822-004	1		Gear, Driven - Low
15	0822-046	2		Washer
16	0822-003	1		Countershaft
17	0822-007	1		Gear Select, Sliding
18	0822-006	1		Gear, Driven - High
19	0828-011	1		Washer
20	0818-072	2	/P	Fork, Shift
21	0818-006	1		Shaft, Shift Fork
22	0822-052	1		Seal, Countershaft - Right
23	0831-040	1		Ring, Retaining
24	0822-050	1		Trigger, Speedometer Sensor
25	0828-069	1		Washer, Thrust
26	0831-039	1		Ring, Retaining
27	0830-129	1		Gasket, Odometer Drive
28	0829-023	2		Pin, Dowel
29	0822-049	1		Housing, Speedometer Sensor
30	0830-107	2		Gasket
31	8468-645	2		Screw, Machine
32	0824-042	1	/P	Sensor, Speedometer
33	8468-620	1	/P	Screw, Machine
34	0828-038	1		Washer
35	0818-002	1		Stopper, Cam
36	0818-004	1		Support, Cam Stopper
37	0818-090	1		Spring
38	0828-035	1		Washer
39	8424-602	1	/P	Nut
40	0828-036	2		Washer
41	0831-010	2		Ring, Retaining
42	0818-007	1	/P	Sub-Shaft - Gear Shift
43	1402-557	1		Gasket, Cover - Selector
44	1502-009	1		Cover, Selector
45	8405-620	6		Screw, Cap
46	0830-044	1		Sub-Seal - Gear Shift
47	0818-014	1		Arm, Selector
48	1402-556	1		Stop, Spring - Selector
49	0818-005	1	S	Plate, Gear Shift Cam
50	0826-006	1		Screw, Cap
51	0812-006	1		Plug, Drain - Magnetic
52	0830-017	1		Gasket, Compression
53	1402-102	1		Fitting Elbow

2010 ATV 700 DIESEL BLACK (A2010TBT4DUSP)
TRANSMISSION LEFT-SIDE ASSEMBLY

Page 82 of 90

Ref #	Part Number	Qty	S/P/F	Description
54	0402-333	1	/P	Plug, Fill (inc. 55)
55	0423-154	1		O-Ring
56	0470-689	1		Level Stick, Lubricant
57	2506-388	1		Tube, Level Stick
58	0423-465	1		Grommet
59	2506-445	1		Bracket, Level Stick Tube
60	0423-715	1		O-Ring
61	0423-396	2		Screw, Self-Tapping
62	0827-013	2		Nut
63	0828-020	2		Washer
64	0819-005	1		Flange, Output Joint - Assembly
65	0830-043	2		Seal, Oil
66	0819-011	1		Ring, Driven Bearing
67	0832-016	1		Bearing
68	1402-555	1		Sleeve
69	1402-867	1		Gear, Secondary Driven
70	1402-864	1		Spacer
71	1402-554	1		Shaft, Output - Secondary
72	0828-021	AR		Shim, 25 x 34 x 0.25 mm
72	0828-022	AR		Shim, 25 x 34 x 0.30 mm
72	0828-023	AR		Shim, 25 x 34 x 0.70 mm
72	0828-024	AR		Shim, 25 x 34 x 0.90 mm
72	0828-025	AR		Shim, 25 x 34 x 0.95 mm
72	0828-026	AR		Shim, 25 x 34 x 1.00 mm
72	0828-027	AR		Shim, 25 x 34 x 1.05 mm
72	0828-028	AR		Shim, 25 x 34 x 1.10 mm
72	0828-029	AR		Shim, 25 x 34 x 1.15 mm
73	0832-017	1		Bearing, Driven Shaft
74	0619-061	1		Yoke, Drive Output - Front Assembly
75	1402-164	1	/P	Joint, Universal - Set (inc. 76)
76	0423-450	4		Ring, Retaining
77	0819-063	1		Yoke, Propeller Shaft

2010 ATV 700 DIESEL BLACK (A2010TBT4DUSP)
TRANSMISSION RIGHT-SIDE ASSEMBLY



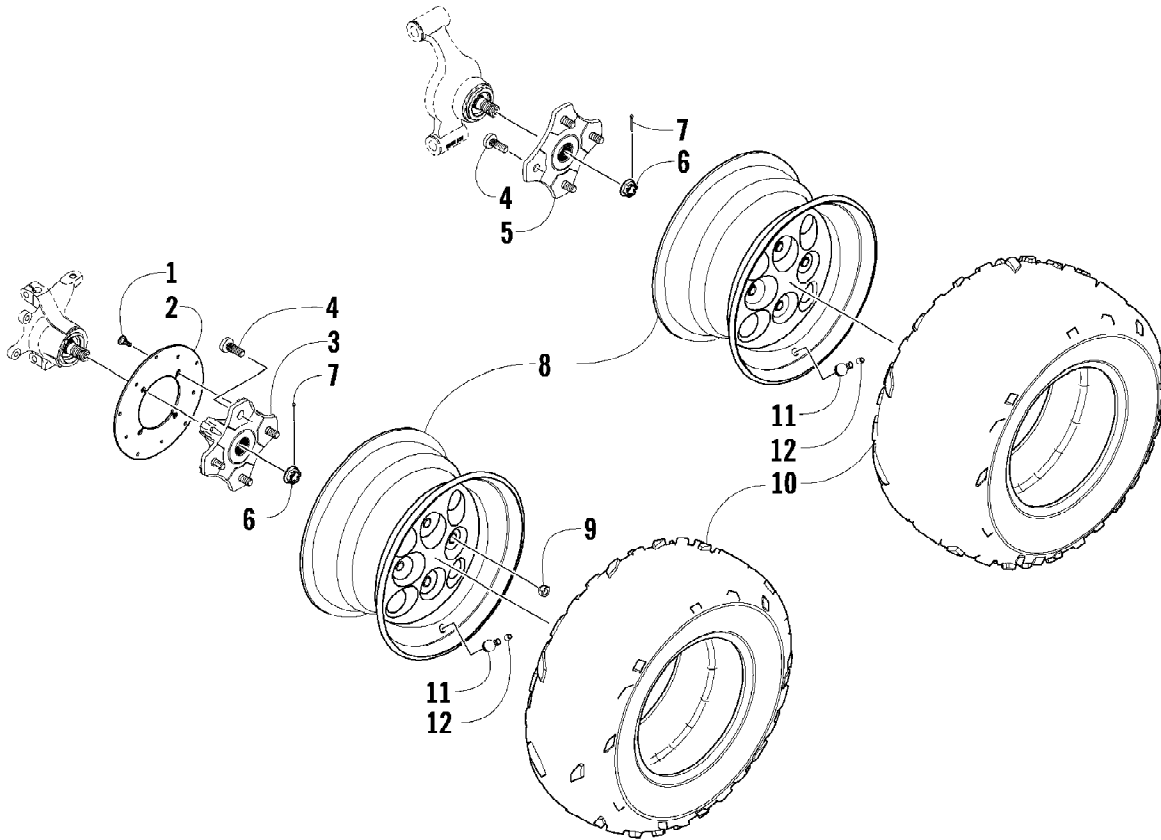
2010 ATV 700 DIESEL BLACK (A2010TBT4DUSP)
TRANSMISSION RIGHT-SIDE ASSEMBLY

Page 84 of 90

Ref #	Part Number	Qty	S/P/F	Description
1	1502-364	1	/P	Housing, Transmission - Set (inc. 2-3)
2	0829-003	2		Pin, Dowel
3	8405-855	4		Screw, Cap
4	8470-520	2		Screw, Machine
5	0409-090	1	/P	Switch, Gear Position
6	0423-714	1		O-Ring
7	8405-640	7		Screw, Cap
8	0828-040	1		Washer
9	0818-046	1		Shaft, Gear Shift - Assembly (inc. 10-17)
10	0831-011	4		Ring, Retaining
11	0828-039	2		Washer
12	0818-012	2		Spring, Cam - Gear Shift
13	0818-027	1		Cam, Reverse - Gear Shift
14	0818-011	1		C-Ring
15	0818-009	1		Cam, Forward - Gear Shift
16	0818-010	1		Shaft, Gear Shift
17	0829-011	1		Pin, Dowel
18	0818-017	2		Spring, Gear Shift Contact
19	0818-013	2		Contact, Gear Shift
20	0828-095	2		Washer
21	0832-052	1	/P	Bearing, Thrust
22	0828-037	1		Washer
23	0832-049	1	/P	Bearing
24	1402-553	1		Shaft, Input
25	0832-048	1	/P	Bearing
26	0830-035	1		Seal, Driveshaft
27	8408-830	3		Screw, Cap
28	0801-190	1		Housing, Secondary Output Shaft Bearing
29	1402-605	1		Gasket
30	0829-002	2		Pin, Dowel
31	0832-050	1	/P	Bearing
32	0828-016	2		Washer, Thrust
33	1402-737	1		Shaft, Reverse Idle
34	0822-012	1		Bushing
35	0822-011	1		Gear, Reverse Idle
36	0827-052	1		Nut
37	0832-015	1	S/P	Bearing, Output - Secondary Shaft
38	0402-347	1		Ring, Retaining
39	0828-021	AR		Shim, 25 x 34 x 0.25 mm
39	0828-022	AR		Shim, 25 x 34 x 0.30 mm
39	0828-023	AR		Shim, 25 x 34 x 0.70 mm
39	0828-024	AR		Shim, 25 x 34 x 0.90 mm
39	0828-025	AR		Shim, 25 x 34 x 0.95 mm
39	0828-026	AR		Shim, 25 x 34 x 1.00 mm
39	0828-027	AR		Shim, 25 x 34 x 1.05 mm
39	0828-028	AR		Shim, 25 x 34 x 1.10 mm
39	0828-029	AR		Shim, 25 x 34 x 1.15 mm
40	1402-857	1		Gear, Secondary Drive

2010 ATV 700 DIESEL BLACK (A2010TBT4DUSP)
WATER PUMP AND THERMOSTAT HOUSING ASSEMBLY

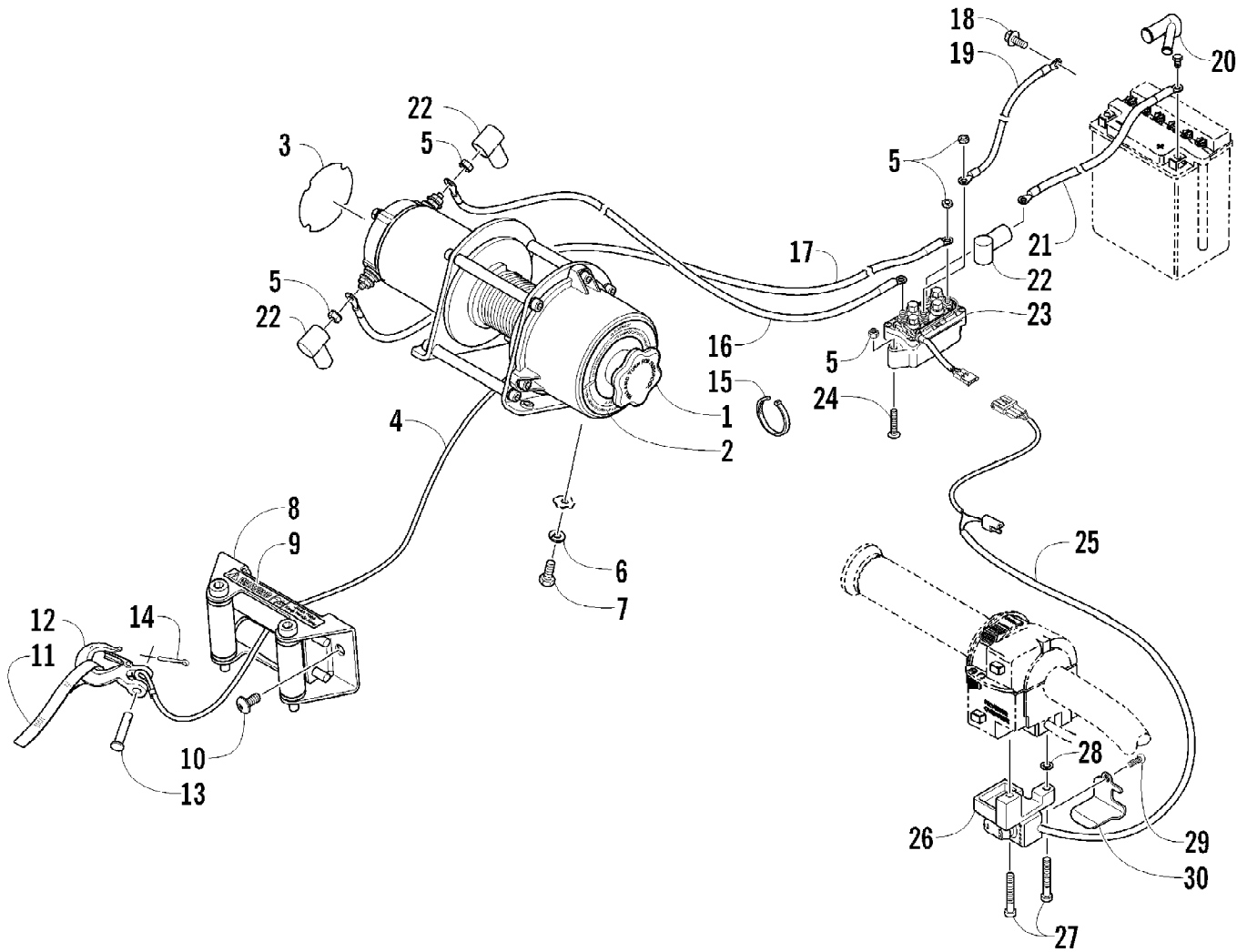
Ref #	Part Number	Qty	S/P/F	Description
1	3206-271	1		Pump, Water - Assembly
2	3206-273	2		Screw, Cap
3	3206-274	2		Screw, Cap
4	3206-386	1		Gasket
5	3206-262	1		Thermostat - Assembly (inc. 6-12)
6	3206-169	2		Screw, Cap
7	3206-259	1		Cover, Thermostat
8	3206-260	1		O-Ring
9	3206-261	1		Thermostat
10	3206-263	1		Body, Thermostat - Assembly
11	3206-206	1		Gasket
12	3206-265	1		Sensor, Engine Coolant Temperature
13	3206-266	2		Screw, Cap
14	3206-264	1		Gasket
15	3206-385	1		Gasket
16	3206-269	1		Flange
17	3206-200	2		Clamp, Hose
18	0410-111	1		Hose
19	3206-190	2		Clamp, Routing
20	3206-267	2		Screw



2010 ATV 700 DIESEL BLACK (A2010TBT4DUSP)
WHEEL AND TIRE ASSEMBLY

Page 88 of 90

Ref #	Part Number	Qty	S/P/F	Description
1	0423-557	12		Screw, Shoulder
2	1436-164	3	/P	Disc, Brake
3	3323-100	2	S	Hub, Wheel - Front (inc. 4)
4	0402-974	16	/P	Stud
5	3323-100	1	S	Hub, Wheel - Rear - Right (inc. 4)
5	3323-113	1	/P	Hub, Wheel - Rear - Left (inc. 4)
6	0423-607	4		Nut, Castle
7	0423-407	4		Pin, Cotter
8	1402-776	2		Wheel - Front
8	1402-777	2		Wheel - Rear
9	0423-408	16	/P	Nut, Lug
10	1402-658	2		Tire - Front
10	1402-659	2		Tire - Rear
11	0402-064	4		Stem, Valve (inc. 12)
12	0402-140	4		Cap, Valve Stem



2010 ATV 700 DIESEL BLACK (A2010TBT4DUSP)
WINCH ASSEMBLY

Page 90 of 90

Ref #	Part Number	Qty	S/P/F	Description
1	1441-830	1		Winch (inc. 2-4 and two No. 5)
2	2411-141	1		Decal, Warning - Tension
3	2411-140	1		Decal, Warning - Operation
4	1441-831	1		Cable, Winch
5	0623-038	8		Nut w/Washer
6	8051-246	4		Washer, Lock
7	8408-820	4	/P	Screw, Cap
8	0441-403	1	/P	Roller, Winch (inc. 9)
9	0411-474	1		Decal, Warning - Pinch Point
10	8468-820	2		Screw, Machine
11	1441-781	1		Strap
12	1441-833	1		Hook, Winch
13	1441-834	1		Pin
14	0623-175	1		Pin, Cotter
15	0123-903	AR		Tie, Cable - 11.5 in.
16	0445-068	1		Cable, Winch/Solenoid - Yellow
17	0445-069	1		Cable, Winch/Solenoid - Blue
18	8408-812	1		Screw, Cap
19	0445-076	1		Cable, Ground - Black
20	0445-067	1		Boot, Terminal
21	0445-077	1		Cable, Solenoid/Battery - Red
22	0645-019	3		Boot, Terminal
23	0409-066	1	/P	Solenoid
24	8476-625	2		Screw, Machine
25	0409-087	1		Switch, Control
26	0409-033	1		Retainer, Control Switch
27	0623-051	2	/P	Screw, Machine
28	0423-593	1		Washer
29	0423-382	1		Screw, Self-Tapping
30	0409-106	1		Cover, Switch