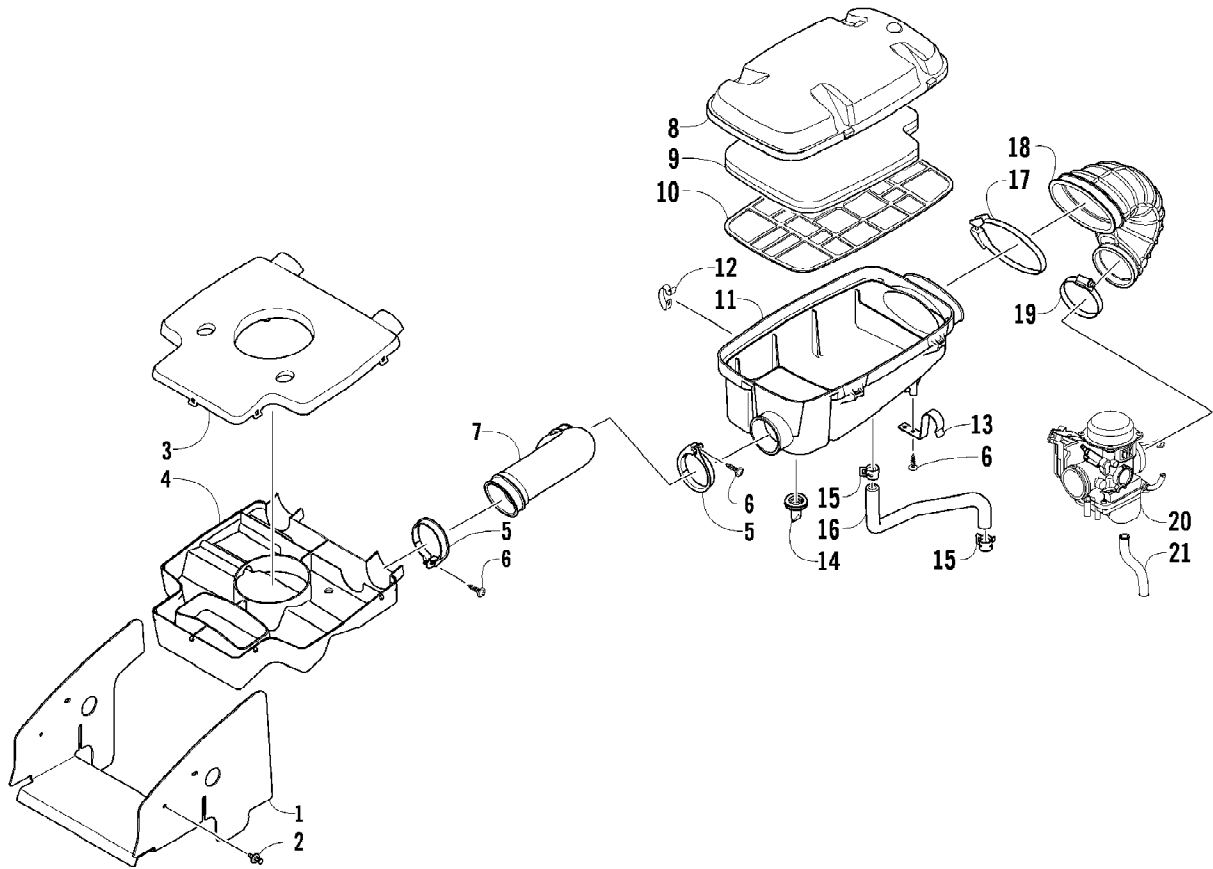


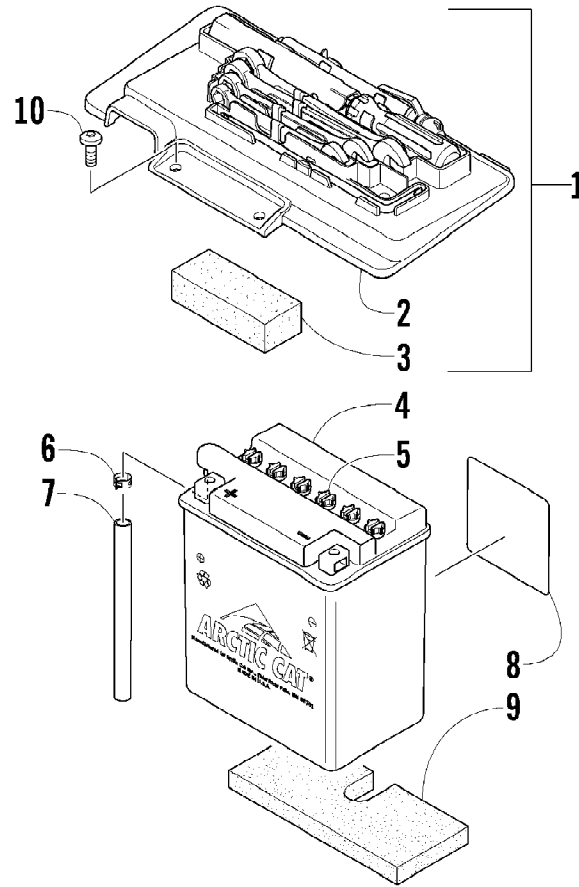
2010 ATV 400 TRV BLACK (A2010TBG4BUSP)
AIR INTAKE ASSEMBLY



2010 ATV 400 TRV BLACK (A2010TBG4BUSP)
AIR INTAKE ASSEMBLY

Page 2 of 81

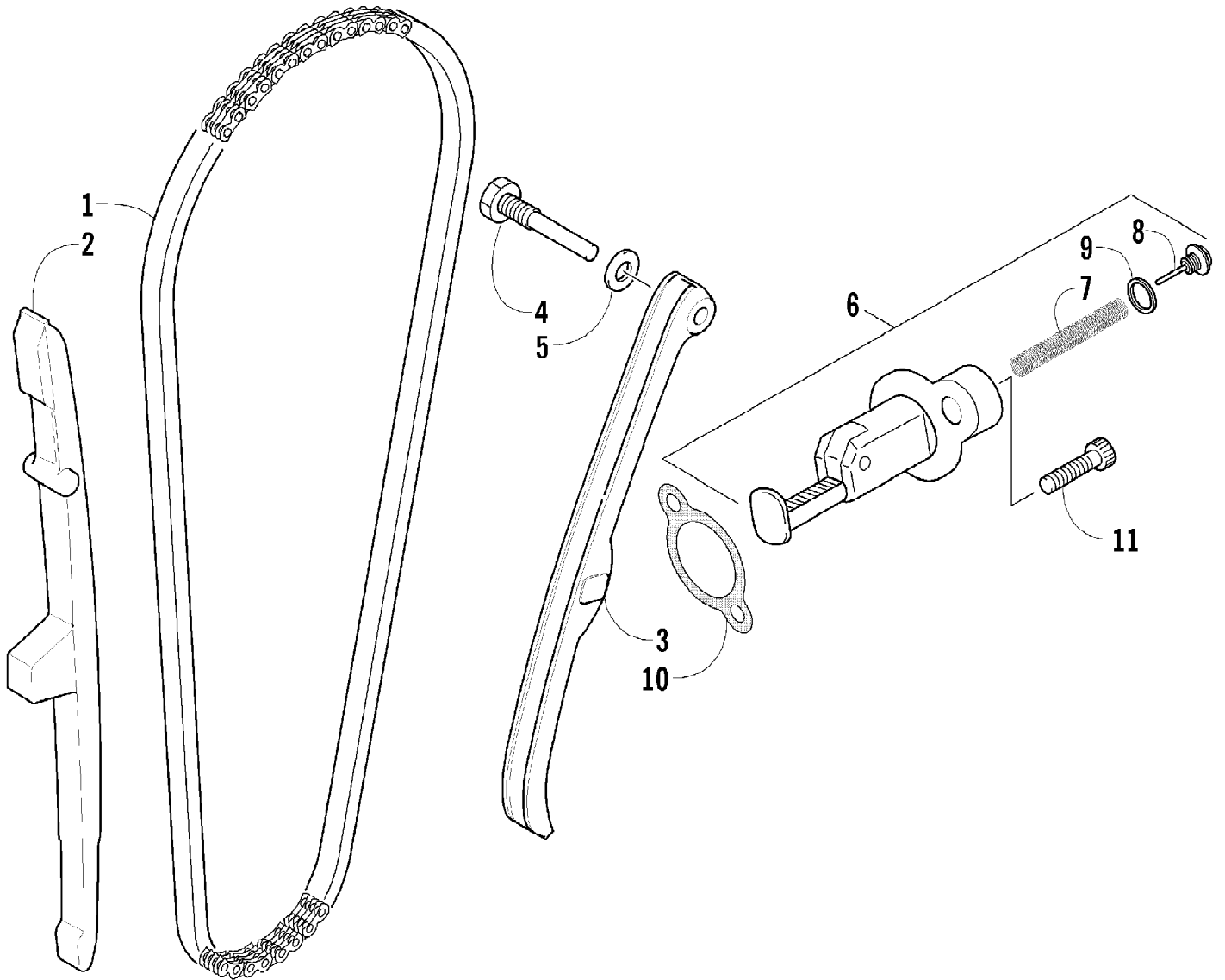
Ref #	Part Number	Qty	S/P/F	Description
1	1406-747	1		Shield, Intake
2	0623-362	2		Rivet, Reinstallable
3	0413-091	1		Diverter, Air - Top
4	0413-093	1		Diverter, Air - Bottom
5	0423-551	2		Clamp
6	0423-342	6	/P	Screw, Self-Tapping
7	0470-529	1		Duct, Air Intake
8	0470-877	1	/P	Cover, Air Intake
9	0470-663	1	/P	Filter, Air
10	0470-516	1		Screen, Air Filter
11	0470-853	1	/P	Housing, Air Intake
12	0423-455	4		Clip, Spring
13	0423-454	2		Bracket, Retaining
14	0470-442	2	/P	Valve, Drain
15	1623-281	2		Clamp, Hose
16	0410-173	1	/P	Hose, Vent - Crankcase
17	0423-554	1		Clamp
18	0470-517	1		Boot, Carburetor
19	0423-019	1		Clamp
20	0470-859	1		Carburetor, CVK-36
21	0510-592	1		Hose, Drain



2010 ATV 400 TRV BLACK (A2010TBG4BUSP)
BATTERY ASSEMBLY

Page 4 of 81

Ref #	Part Number	Qty	S/P/F	Description
1	5991-655	1	/P	Battery Cover/Tool Tray Assembly (inc. 2-3)
2	2406-815	1	/P	Cover, Battery
3	0417-016	1		Pad, Battery
3	0444-122	1	S/P/F	Kit, Tool
4	0745-045	1	/P	Battery Assembly (inc. 5-8)
5	0645-045	6		Cap, Battery
6	0645-152	1		Clamp, Hose
7	0645-263	1	/P	Hose, Vent
8	0645-151	1		Decal, Warning
9	0417-012	1		Pad, Foam
10	8476-620	2		Screw, Machine

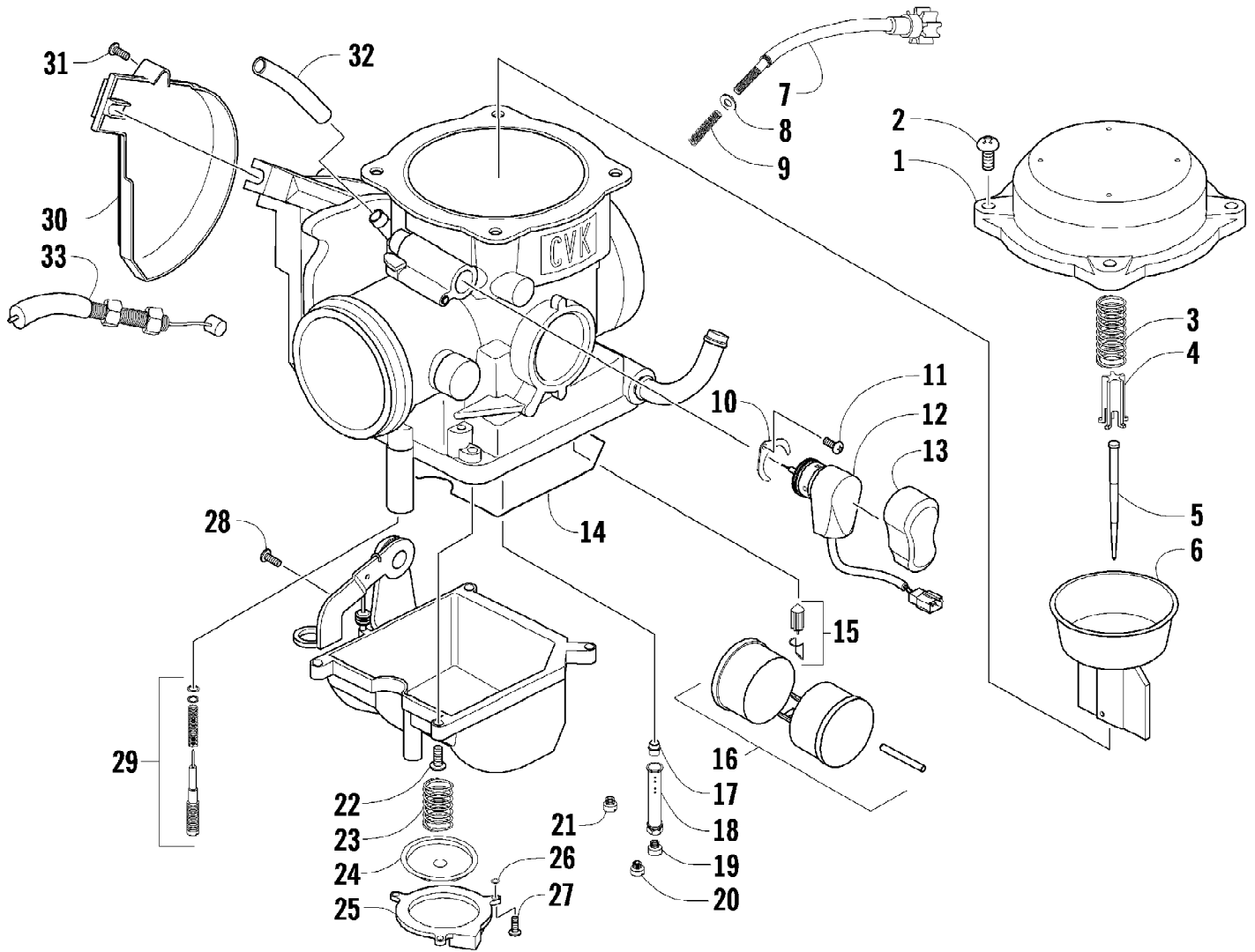


2010 ATV 400 TRV BLACK (A2010TBG4BUSP)
CAM CHAIN ASSEMBLY

Page 6 of 81

Ref #	Part Number	Qty	S/P/F	Description
1	0810-005	1		Chain, Cam
2	0810-006	1		Guide, Chain
3	0810-007	1		Tensioner, Chain
4	0826-133	1		Pivot, Tensioner
5	0830-150	1		Washer
6	0810-054	1		Adjuster, Tensioner - Assembly (inc. 7-9)
7	0810-056	1		Spring
8	0810-061	1		Plug
9	0810-062	1		Washer
10	0830-060	1		Gasket
11	3303-360	2		Screw, Cap

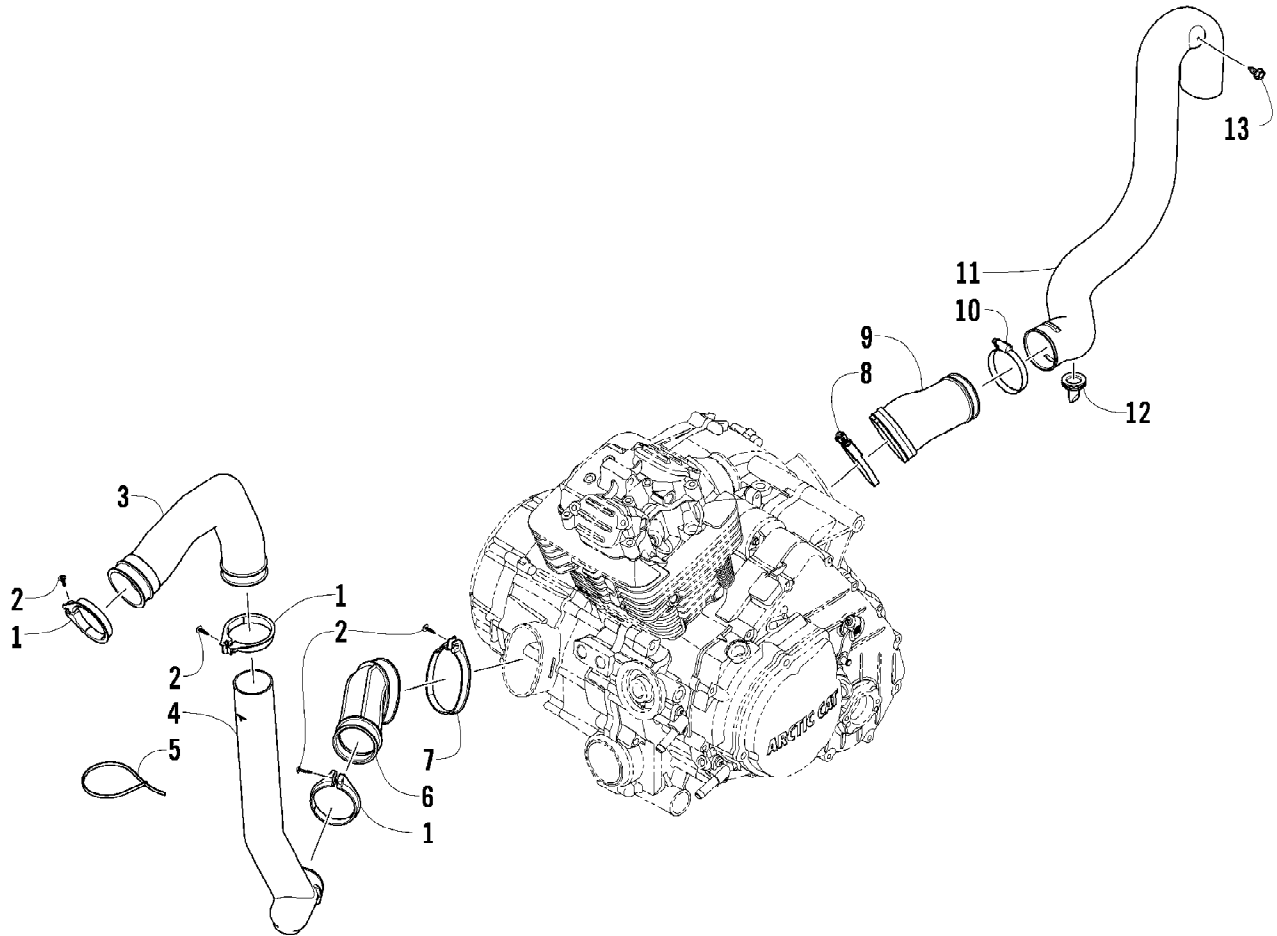
2010 ATV 400 TRV BLACK (A2010TBG4BUSP)
CARBURETOR



2010 ATV 400 TRV BLACK (A2010TBG4BUSP)
CARBURETOR

Page 8 of 81

Ref #	Part Number	Qty	S/P/F	Description
	0470-859	1		Complete Carburetor Assembly
1	5507-001	1		Cover, Top
2	5507-002	4	/P	Screw, Machine
3	5507-066	1	/P	Spring
4	5507-005	1		Seat, Spring
5	5507-201	1		Jet Needle
6	5507-099	1		Piston, Vacuum
7	5507-027	1		Screw, Idle Adjust
8	5507-028	1		Washer
9	5507-029	1		Spring
10	5507-115	1		Plate
11	5507-117	1	/P	Screw, Machine
12	5507-204	1		Choke, Electric
13	5507-114	1		Cover, Electric Choke
14	5507-067	1	/P	O-Ring, Float Chamber
15	5507-183	1		Valve, Float - Set
16	5507-039	1		Float Set
17	5507-007	1		Needle Jet
18	5507-047	1	/P	Holder, Needle Jet
19	5507-075	1		Main Jet - 132
19	5507-072	1	F	Main Jet - 125
19	5507-073	1	F	Main Jet - 128
19	5507-074	1	F	Main Jet - 130
19	5507-057	1	/P/F	Main Jet - 135
19	5507-076	1	/P/F	Main Jet - 138
19	5507-043	1	F	Main Jet - 142
19	5507-042	1	/P/F	Main Jet - 145
19	5507-041	1	F	Main Jet - 148
19	5507-009	1	/P/F	Main Jet - 150
19	5507-077	1	F	Main Jet - 152
19	5507-078	1	F	Main Jet - 155
20	5507-247	1		Starter Jet - 80
21	5507-070	1	/P	Slow Jet - 40
22	5507-017	4	/P	Screw, Machine
23	5507-211	1		Spring
24	5507-197	1		Diaphragm Assembly
25	5507-198	1		Housing, Pump
26	5507-034	1		U-Ring
27	5507-035	3		Screw, Machine
28	5507-050	1	/P	Screw, Drain
29	5507-213	1		Screw, Pilot - Set
30	5507-036	1		Cover
31	5507-037	1	/P	Screw, Machine
32	0410-048	AR	S	Hose, Vent - 25 ft
33	0487-049	1	/P	Cable, Throttle

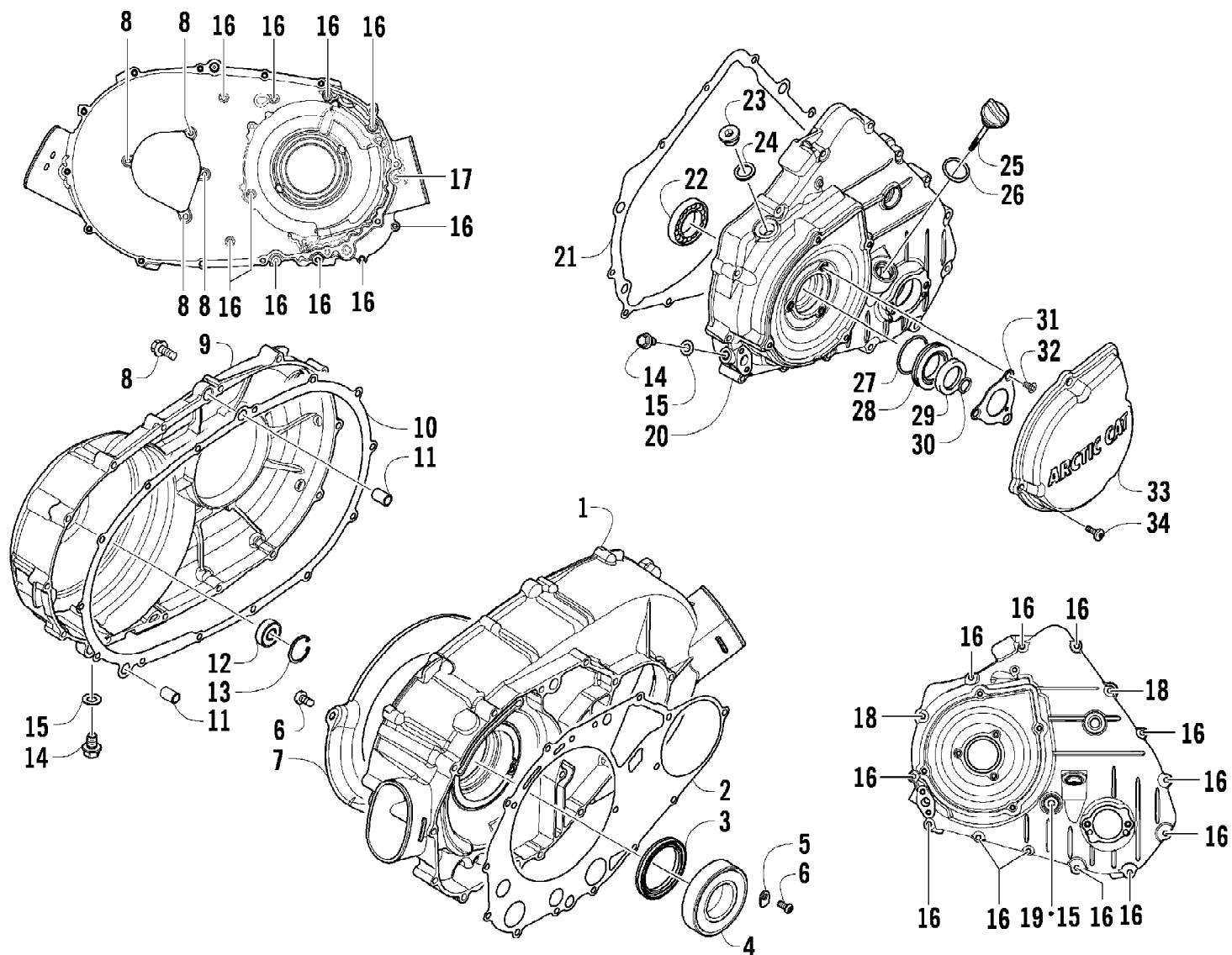


2010 ATV 400 TRV BLACK (A2010TBG4BUSP)
CASE/BELT COOLING ASSEMBLY

Page 10 of 81

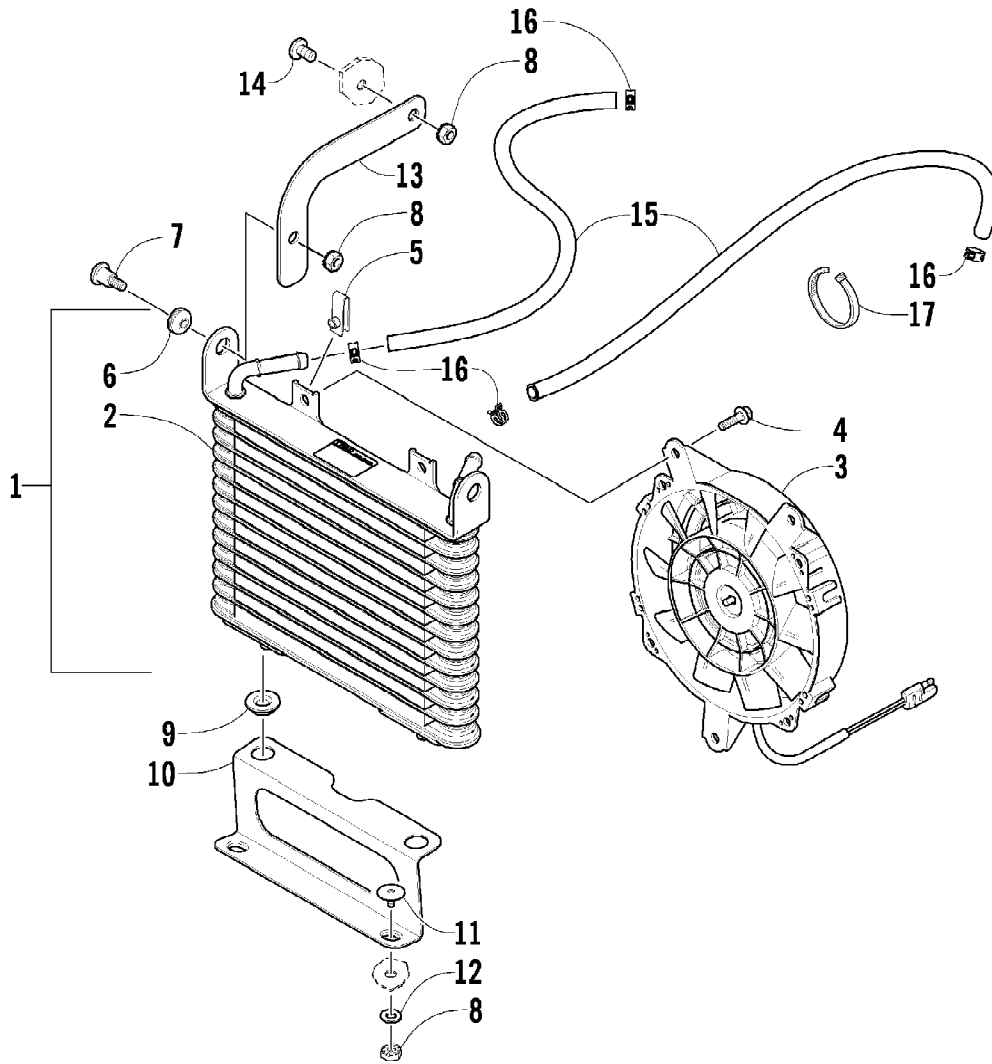
Ref #	Part Number	Qty	S/P/F	Description
1	0423-551	3		Clamp
2	0423-342	4	/P	Screw, Self-Tapping
3	0413-092	1		Boot, Duct - Air Intake - Front
4	0513-027	1		Duct, Air Intake - Front - Lower
5	0123-903	AR		Tie, Cable - 11.5 in.
6	0413-222	1		Boot, Duct - Air Intake - Lower
7	0423-550	1		Clamp
8	0423-730	1		Clamp
9	0413-231	1		Boot, Duct - Air Out
10	0423-019	1		Clamp
11	0413-106	1		Duct, Air Out
12	0470-442	1	/P	Valve, Drain
13	0623-301	1	/P	Screw, Self-Tapping

2010 ATV 400 TRV BLACK (A2010TBG4BUSP)
CLUTCH/V-BELT/MAGNETO COVER ASSEMBLY



2010 ATV 400 TRV BLACK (A2010TBG4BUSP)
CLUTCH/V-BELT/MAGNETO COVER ASSEMBLY

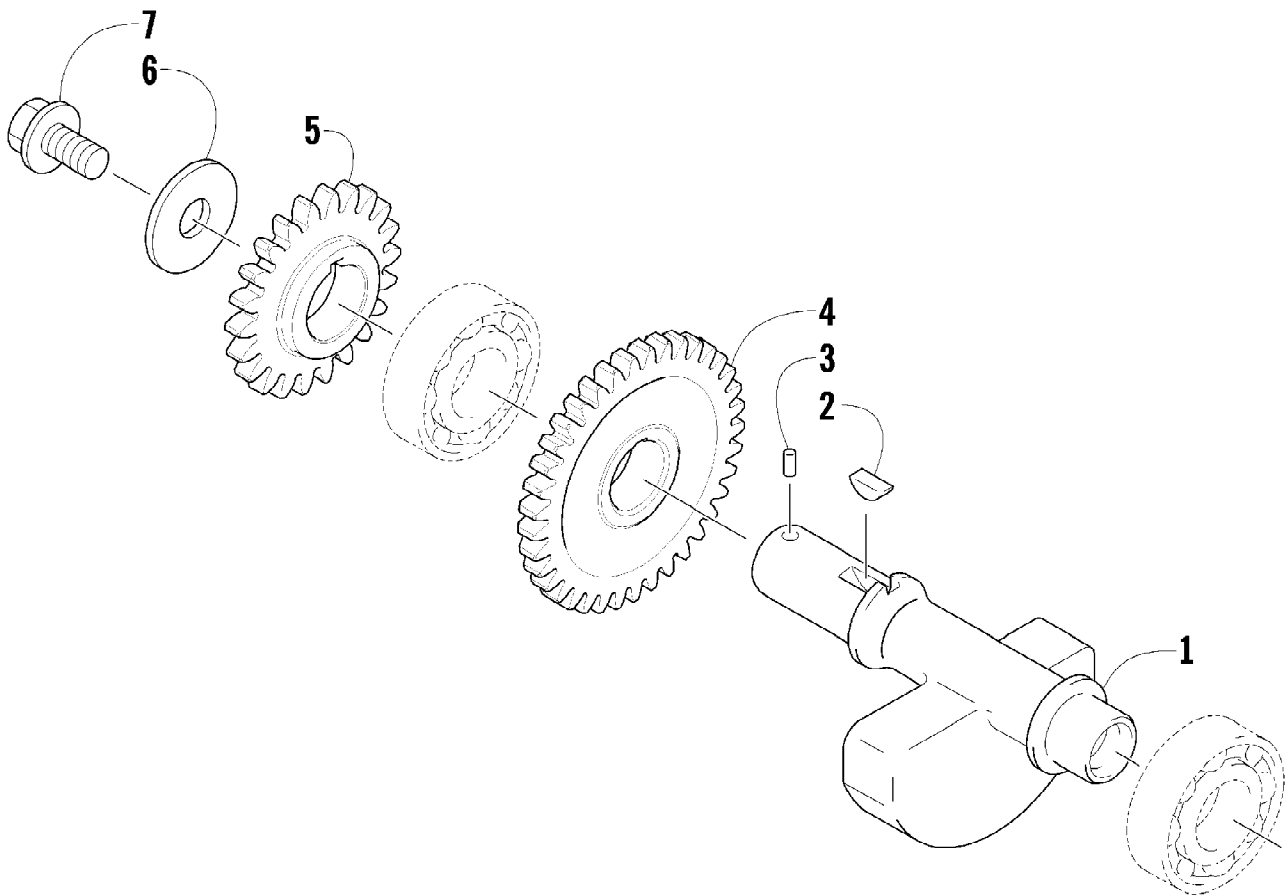
Ref #	Part Number	Qty	S/P/F	Description
1	0806-026	1		Cover, Clutch
2	0830-055	1		Gasket
3	0830-157	1		Seal, Clutch Housing
4	0832-071	1		Bearing
5	0822-104	2		Retainer, Bearing
6	0826-144	5		Screw, Machine
7	0806-103	1		Plate, Air Intake
8	3303-386	18	/P	Screw, Cap
9	0806-027	1		Cover, V-Belt
10	0830-056	1		Gasket, V-Belt Cover
11	0829-046	6		Pin, Dowel
12	0832-023	1		Bearing
13	3303-347	1		Circlip
14	3303-365	2		Plug, Drain
15	3303-591	3		Gasket, Drain Plug
16	3304-903	22		Screw, Cap
17	0826-066	1		Screw, Cap
18	3304-191	2	/P	Screw, Cap
19	0826-068	1		Screw, Cap
20	0806-028	1		Cover, Magneto
21	0830-057	1		Gasket, Magneto Cover
22	0832-053	1		Bearing
23	0806-099	1		Plug
24	0830-141	1		Washer, Crush
25	0806-029	1		Stick, Oil Level (inc. 26)
26	3304-102	1	/P	O-Ring, Oil Level Stick
27	0830-021	1	/P	O-Ring
28	0820-037	1		Spacer
29	0830-145	1	S	Seal, Oil
30	0830-153	1		O-Ring
31	0805-178	1		Retainer, Oil Seal
32	0826-145	3		Screw, Machine
33	0820-066	1		Cover, Magneto - Outer
34	3303-617	4	/P	Screw, Machine



2010 ATV 400 TRV BLACK (A2010TBG4BUSP)
COOLING ASSEMBLY

Page 14 of 81

Ref #	Part Number	Qty	S/P/F	Description
1	0513-026	1		Cooler, Oil - Assembly (inc. 2-6)
2	0413-224	1		Cooler, Oil
3	0413-145	1		Fan, Cooling
4	8408-616	3		Screw, Cap
5	0423-031	3		Clip, U-Nut
6	0423-030	2		Grommet
7	0423-484	2		Screw, Shoulder
8	0623-038	6		Nut w/Washer
9	0423-028	2		Bushing, Stem
10	0513-021	1		Bracket, Mounting - Lower
11	0423-101	2		Screw, Shoulder
12	8050-222	2	/P	Washer
13	0513-020	1		Bracket, Mounting - Upper
14	8476-612	2		Screw, Machine
15	0410-044	2		Hose, Coolant
16	0423-098	4	/P	Clamp, Hose
17	0123-903	AR		Tie, Cable - 11.5 in.

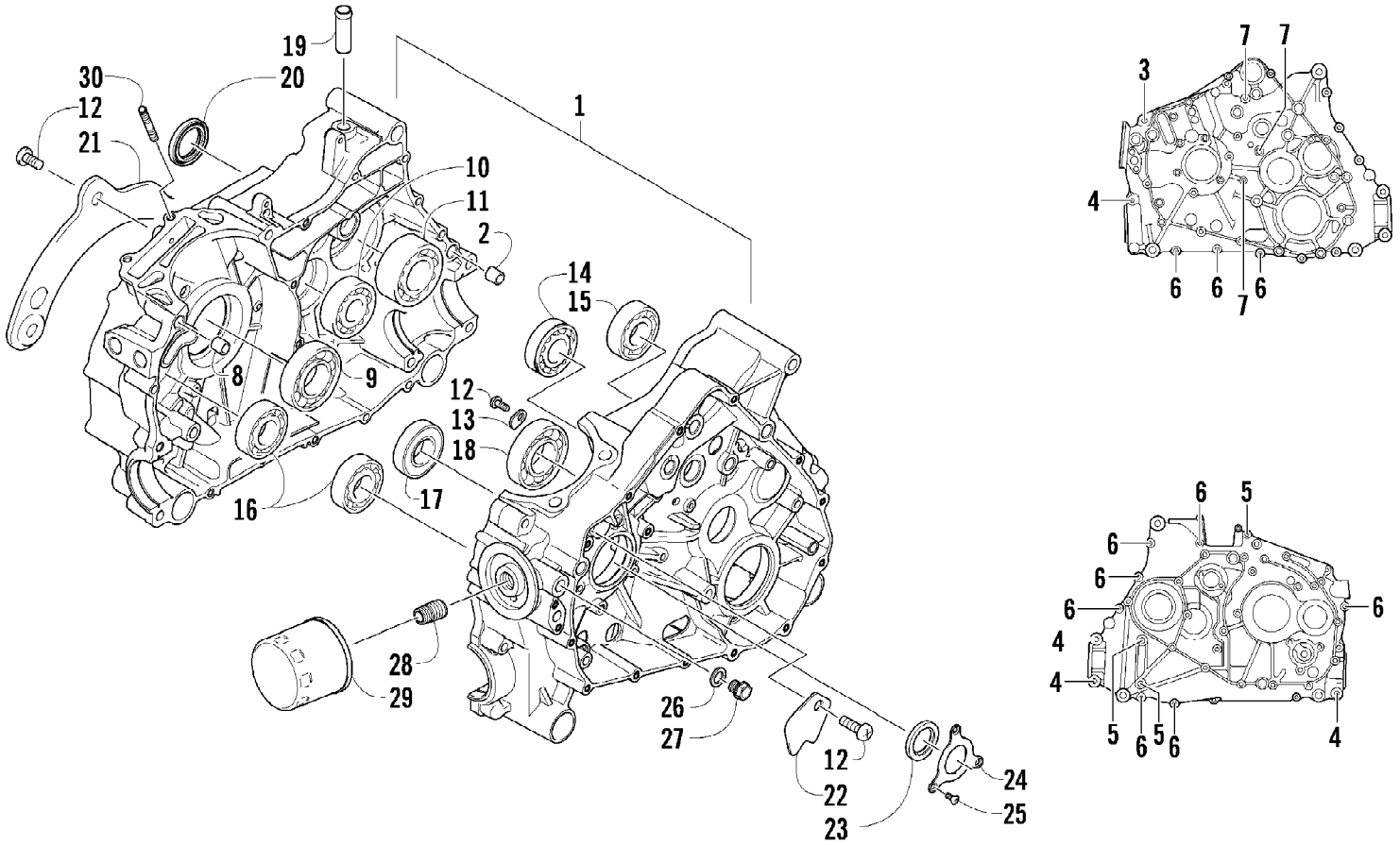


2010 ATV 400 TRV BLACK (A2010TBG4BUSP)
CRANK BALANCER ASSEMBLY

Page 16 of 81

Ref #	Part Number	Qty	S/P/F	Description
1	0811-005	1		Balancer, Crank
2	0829-037	1		Key
3	3304-144	1		Pin, Alignment
4	0811-006	1		Gear, Driven
5	0811-009	1		Gear, Oil Pump Drive
6	0828-091	1		Washer
7	0826-118	1		Screw, Cap

2010 ATV 400 TRV BLACK (A2010TBG4BUSP)
CRANKCASE ASSEMBLY

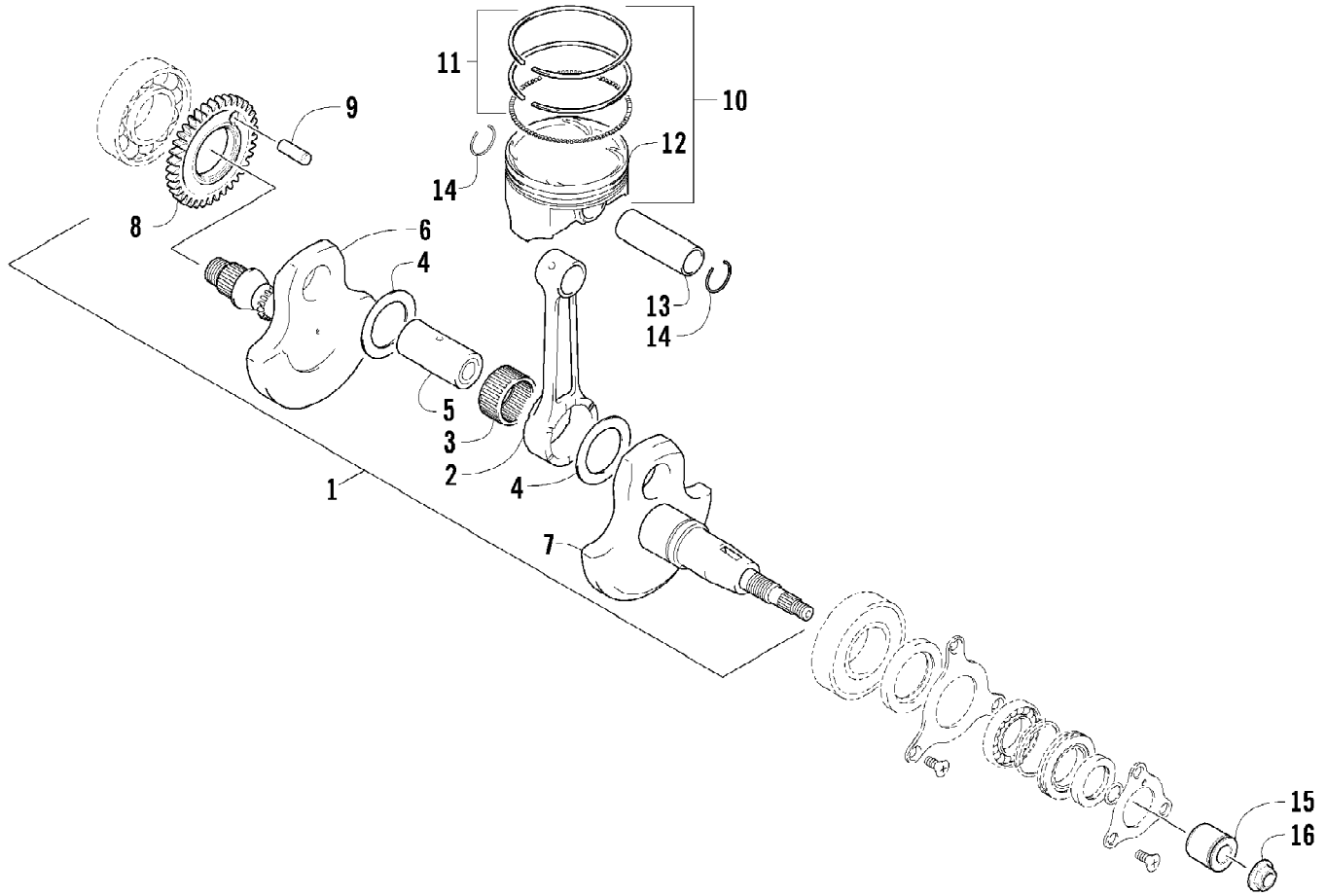


2010 ATV 400 TRV BLACK (A2010TBG4BUSP)
CRANKCASE ASSEMBLY

Page 18 of 81

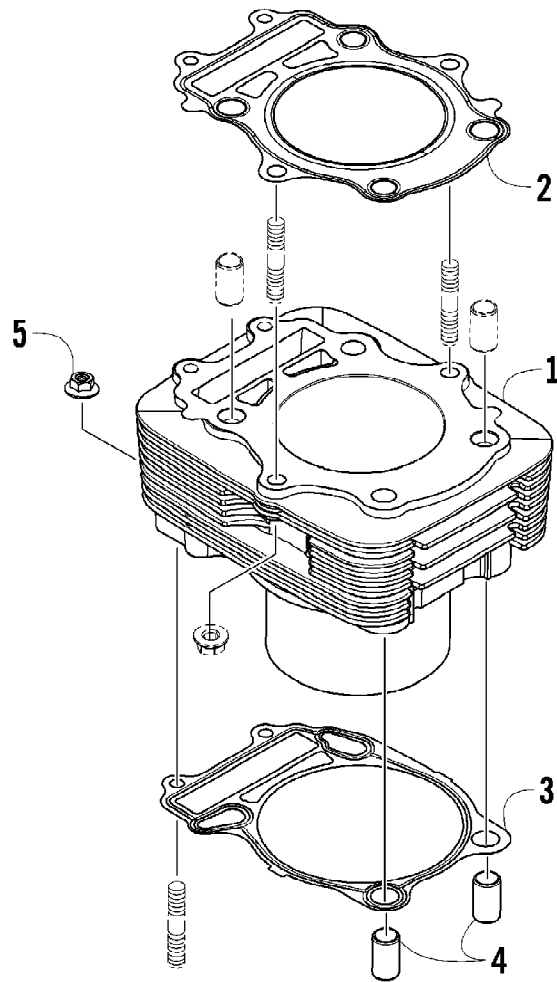
Ref #	Part Number	Qty	S/P/F	Description
1	0801-021	1		Crankcase - Assembly (inc. 2-5)
2	0829-050	2		Pin, Dowel
3	3303-372	1		Screw, Cap
4	0826-126	4		Screw, Cap
5	0826-064	3		Screw, Cap
6	3303-387	10		Screw, Cap
7	0826-065	3		Screw, Cap
8	0829-046	2		Pin, Dowel
9	0832-086	1		Bearing
10	3304-198	1		Bearing
11	0832-074	1		Bearing
12	0826-144	6		Screw, Machine
13	0822-104	2		Retainer, Bearing
14	3304-195	1		Bearing
15	3304-699	1	/P	Bearing
16	0832-022	2		Bearing
17	0832-020	1		Bearing
18	0832-019	1		Bearing
19	0801-027	1		Tube, Vent - Crankcase
20	0830-066	1		Seal
21	0801-018	1		Plate, Oil Guide - Right
22	0801-019	1		Plate, Oil Guide - Left
23	0830-058	1		Seal
24	0805-018	1		Retainer
25	0826-145	3		Screw, Machine
26	0830-143	1	/P	Gasket
27	0835-004	1		Plug, Oil Pressure
28	0812-066	1		Union, Oil Filter
29	0812-029	1	S	Filter, Oil
30	3313-721	2		Bolt, Stud

2010 ATV 400 TRV BLACK (A2010TBG4BUSP)
CRANKSHAFT AND PISTON ASSEMBLY



2010 ATV 400 TRV BLACK (A2010TBG4BUSP)
CRANKSHAFT AND PISTON ASSEMBLY

Ref #	Part Number	Qty	S/P/F	Description
1	0805-013	1		Crankshaft Assembly (inc. 2-9)
2	0	1	F	Rod, Connecting
3	0832-018	1		Bearing
4	0828-045	2		Washer
5	0805-043	1		Pin, Crankshaft
6	0805-036	1		Crankshaft - Right
7	0805-038	1		Crankshaft - Left
8	0805-020	1		Gear, Crank Balancer Drive
9	0805-168	1		Pin, Dowel
10	0805-169	1		Piston Set (inc. 11-14)
11	0805-170	1		Ring, Piston - Set
12	0805-021	1		Piston
13	0805-023	1		Pin, Piston
14	0831-060	2		Circlip
15	0820-064	1		Bushing
16	3303-333	1	/P	Nut

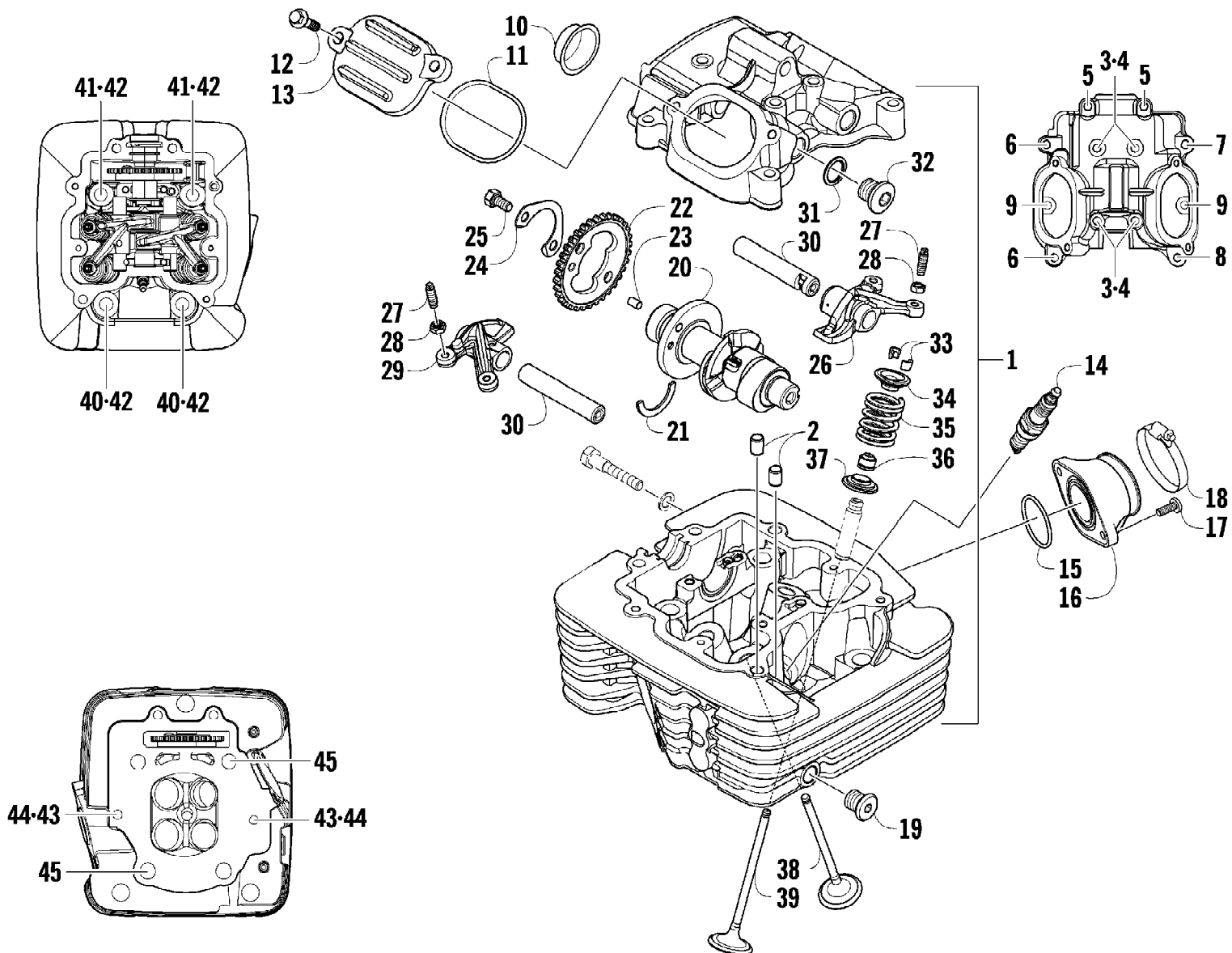


2010 ATV 400 TRV BLACK (A2010TBG4BUSP)
CYLINDER ASSEMBLY

Page 22 of 81

Ref #	Part Number	Qty	S/P/F	Description
1	0804-042	1		Cylinder
2	0830-050	1		Gasket, Cylinder Head
3	0830-053	1		Gasket, Cylinder
4	0829-046	2		Pin, Dowel
5	3303-331	2	/P	Nut

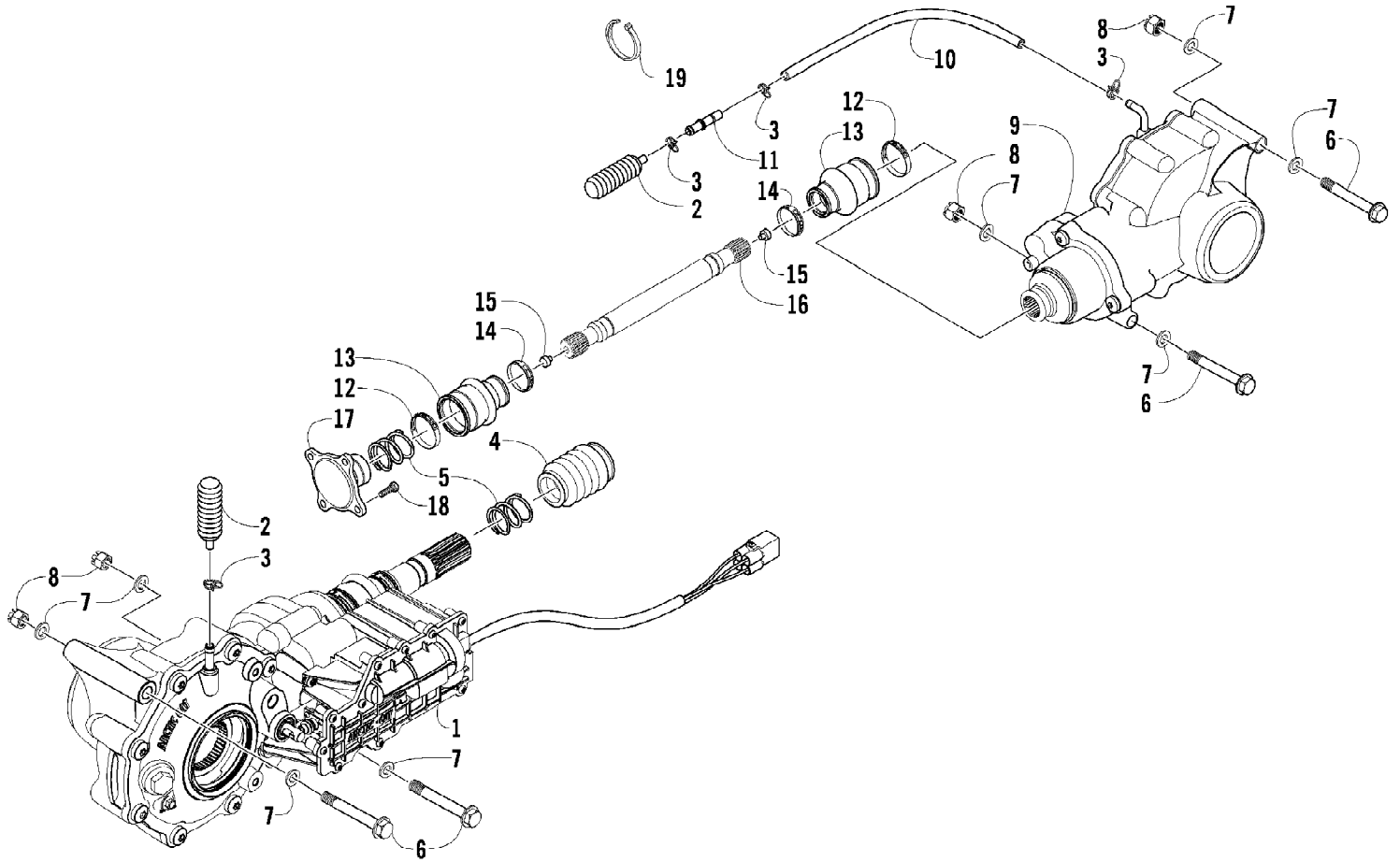
2010 ATV 400 TRV BLACK (A2010TBG4BUSP)
CYLINDER HEAD AND CAMSHAFT/VALVE ASSEMBLY



2010 ATV 400 TRV BLACK (A2010TBG4BUSP)
CYLINDER HEAD AND CAMSHAFT/VALVE ASSEMBLY

Ref #	Part Number	Qty	S/P/F	Description
1	0808-012	1	/P	Head, Cylinder (inc. 2)
2	3303-341	2		Pin, Dowel
3	0826-115	4		Screw, Cap
4	0830-155	4	/P	Gasket
5	3304-918	2		Screw, Cap
6	3303-386	2	/P	Screw, Cap
7	3304-903	1		Screw, Cap
8	0826-136	1		Screw, Cap
9	3303-384	2	/P	Screw, Cap
10	0808-112	1		Plug, Head
11	0830-139	2		O-Ring
12	3303-383	4	/P	Screw, Cap
13	0808-111	2		Cap, Inspection
14	0217-705	1	/P/F	Spark Plug
15	0470-531	1		O-Ring
16	0570-084	1		Manifold, Intake
17	8476-620	2		Screw, Machine
18	0423-832	1		Clamp
19	3303-656	1		Plug, Oil Gallery
20	0809-251	1	/P	Camshaft
21	0809-165	1		C-Ring
22	0809-166	1		Sprocket
23	0829-036	1		Pin, Alignment
24	0828-086	1		Plate, Retainer
25	0826-117	2		Screw, Cap
26	0809-145	1		Arm, Valve Rocker - Intake
27	3304-007	4	/P	Screw, Adjuster
28	3304-026	4	/P	Nut
29	0809-149	1		Arm, Valve Rocker - Exhaust
30	0809-151	2		Shaft, Rocker Arm
31	0830-143	2	/P	Gasket
32	0831-053	2		Plug, Shaft
33	3303-044	8		Cotter, Valve
34	0809-142	4		Retainer, Spring
35	0809-140	4		Spring, Valve
36	0809-190	4		Seal, Oil
37	0809-141	4		Seat, Spring
38	0809-188	2		Valve, Intake
39	0809-189	2		Valve, Exhaust
40	0826-062	2		Screw, Cap
41	0826-061	2		Screw, Cap
42	0828-044	4		Washer
43	0827-019	2		Bolt, Stud
44	3303-332	2		Nut
45	0829-013	2		Pin, Dowel

2010 ATV 400 TRV BLACK (A2010TBG4BUSP)
DRIVE TRAIN ASSEMBLY

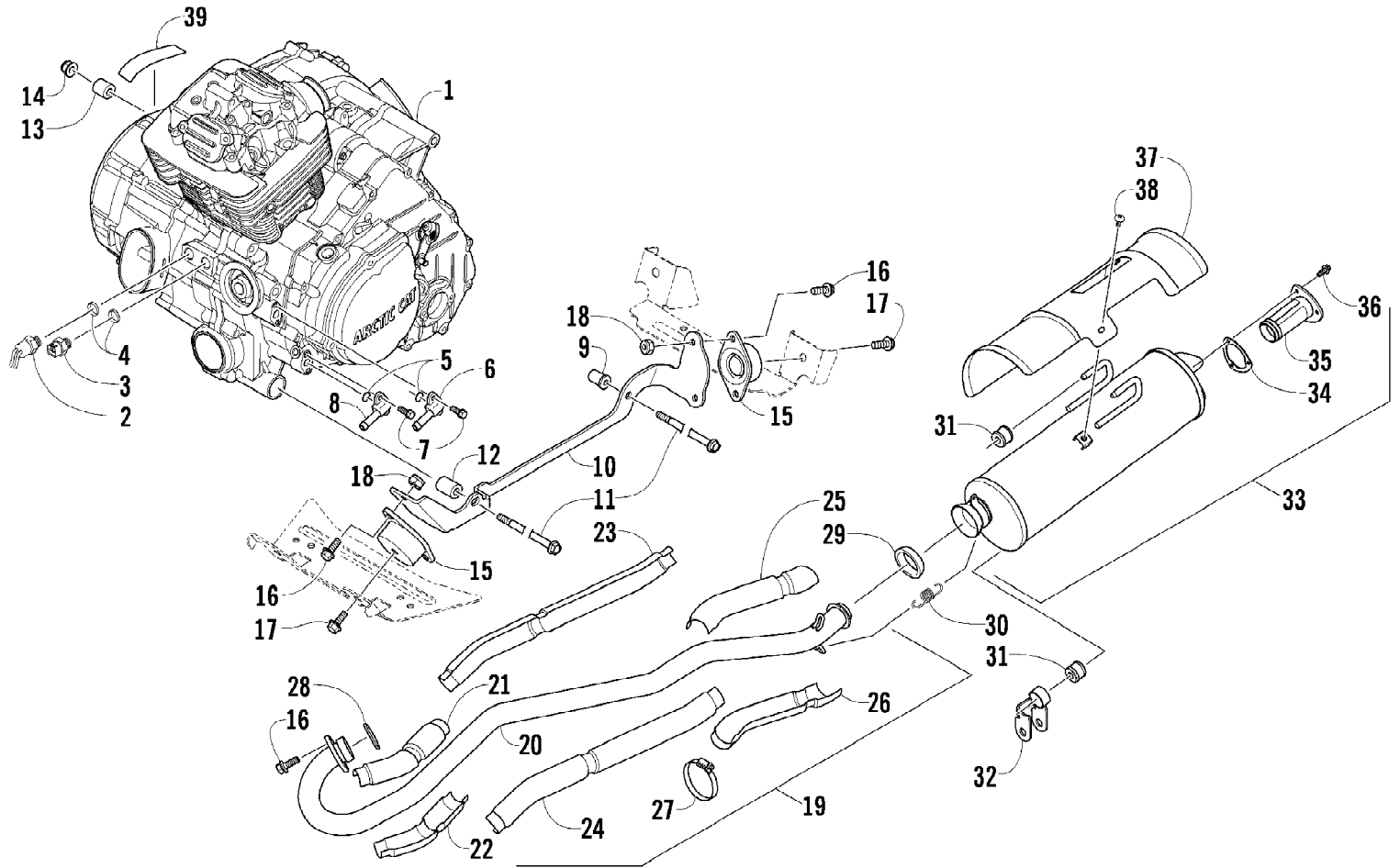


2010 ATV 400 TRV BLACK (A2010TBG4BUSP)
DRIVE TRAIN ASSEMBLY

Page 26 of 81

Ref #	Part Number	Qty	S/P/F	Description
1	1502-527	1		Gearcase, Front
2	1402-620	2	/P	Bladder, Gearcase
3	0423-315	4		Clamp, Hose
4	0402-966	1		Boot, Shaft
5	1402-026	2		Spring
6	0423-404	4		Screw, Cap
7	0423-426	8		Washer
8	8428-002	4		Nut, Lock
9	1502-401	1		Gearcase, Rear
10	0410-070	AR	/P	Hose, Vent - 25 ft
11	0470-702	1	/P	Fitting, Vent
12	0423-393	2		Clamp
13	0402-985	2	/P	Boot
14	0423-411	2		Clamp
15	0673-618	2	/P	Bumper, Propeller Shaft
16	1402-092	1		Shaft, Propeller
17	0402-950	1		Flange, Output
18	8408-820	4	/P	Screw, Cap
19	0123-788	AR	/P	Tie, Cable - 8 in.

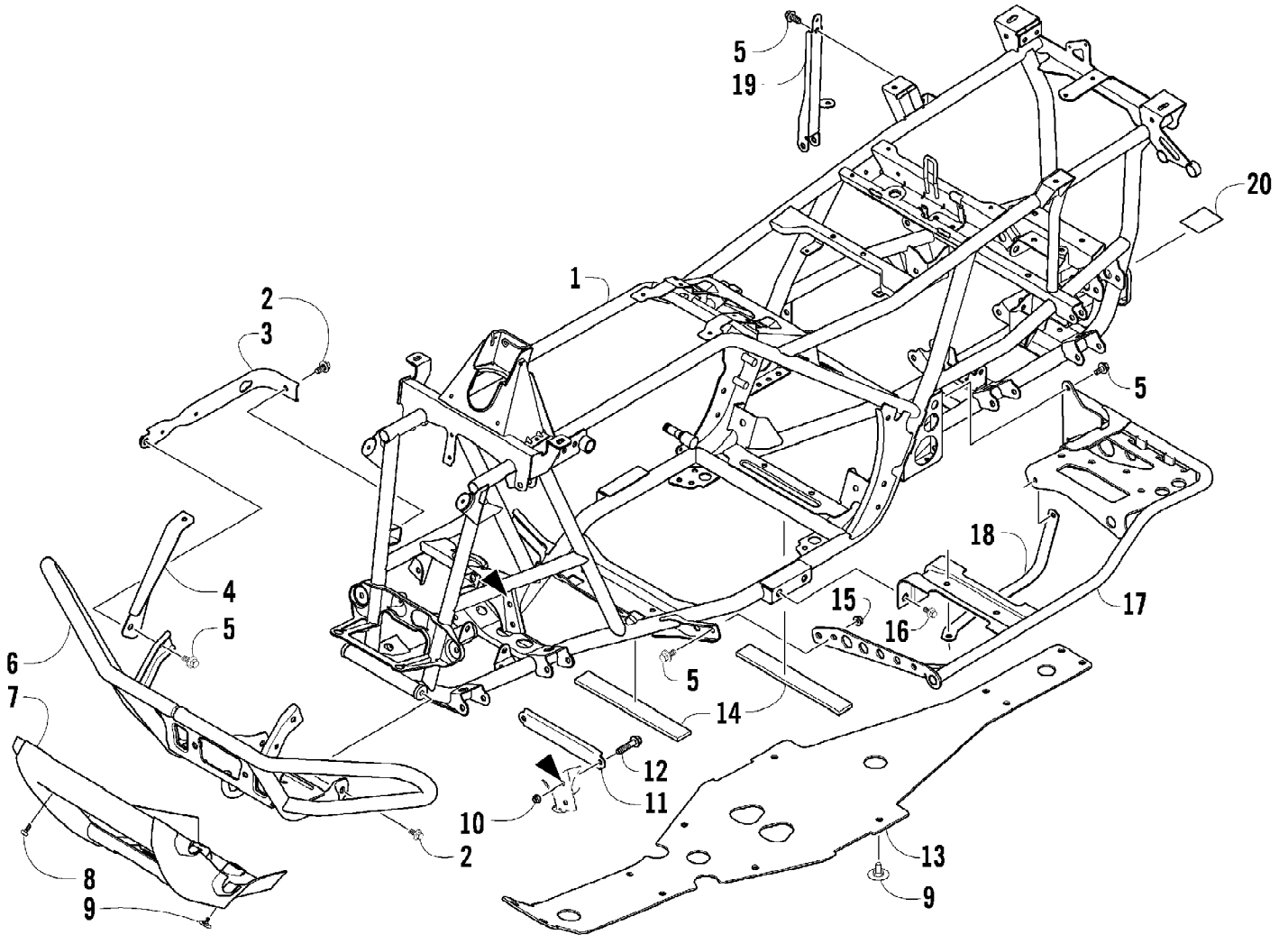
2010 ATV 400 TRV BLACK (A2010TBG4BUSP)
ENGINE AND EXHAUST



2010 ATV 400 TRV BLACK (A2010TBG4BUSP)
ENGINE AND EXHAUST

Page 28 of 81

Ref #	Part Number	Qty	S/P/F	Description
1	3313-638	1		Engine, A366 (inc. 2-8)
2	3313-432	1		Switch, Temperature - Fan
3	3313-431	1		Switch, Temperature - Light
4	0830-180	2		O-Ring
5	0830-172	2		O-Ring
6	0812-059	1		Fitting, Oil
7	3303-617	4	/P	Screw, Cap
8	0812-060	1		Fitting, Oil
9	0801-108	4	S	Mount, Rubber - Engine
10	1506-740	1		Bracket, Engine - Right
10	1506-741	1		Bracket, Engine - Left
11	0423-405	2		Screw, Cap
12	1423-025	1	/P	Spacer, Engine
13	0408-018	1		Spacer, Engine
14	8428-002	2		Nut, Lock
15	2406-065	4		Mount, Engine
16	8408-820	10	/P	Screw, Cap
17	8408-012	4		Screw, Cap
18	8432-802	8		Nut, Lock
19	0512-262	1		Pipe, Exhaust - Assembly (inc. 20-27)
20	0512-281	1		Pipe, Exhaust
21	0412-292	1		Shield, Exhaust Pipe - Upper - Front
22	0412-293	1		Shield, Exhaust Pipe - Lower - Front
23	0412-294	1		Shield, Exhaust Pipe - Upper - Center
24	0412-295	1		Shield, Exhaust Pipe - Lower - Center
25	0412-283	1		Shield, Exhaust Pipe - Upper - Rear
26	0412-282	1		Shield, Exhaust Pipe - Lower - Rear
27	0423-317	6	/P	Clamp
28	0412-007	1	/P	Gasket, Exhaust Pipe
29	0612-188	1	/P	Seal, Exhaust
30	0612-668	2	/P	Spring, Extension
31	0412-215	3	S	Bushing
32	1506-732	1		Channel, Muffler Support
33	0512-306	1	/P	Muffler - Assembly (inc. 34-36)
34	0412-313	1		Gasket, Spark Arrester
35	0512-219	1	/P	Arrester, Spark - Assembly
36	8408-616	3		Screw, Cap
37	0412-373	1	/P	Cover, Muffler
38	8477-610	3		Screw, Machine
39	0411-426	1		Decal, Warning - Clutch Cover

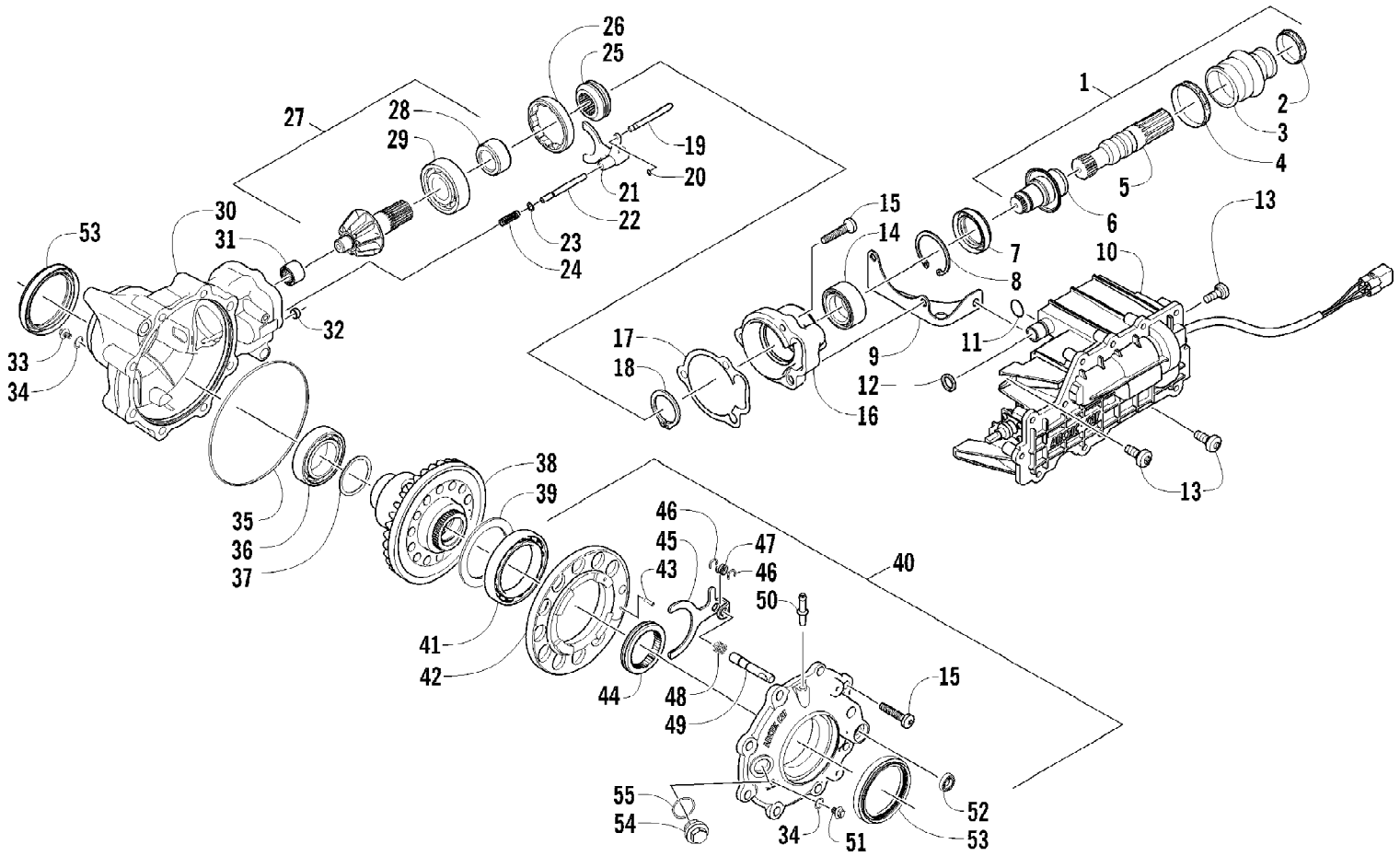


2010 ATV 400 TRV BLACK (A2010TBG4BUSP)
FRAME AND RELATED PARTS

Page 30 of 81

Ref #	Part Number	Qty	S/P/F	Description
1	2516-112	1		Frame, Main
2	8409-020	4	/P	Screw, Cap
3	1506-596	1	/P	Channel, Bumper Mounting - Right
3	0506-653	1	S	Channel, Bumper Mounting - Left
4	1506-562	1		Bracket, Mounting - Bumper - Right
4	1506-563	1		Bracket, Mounting - Bumper - Left
5	8408-816	11		Screw, Cap
6	1506-855	1	/P	Bumper
7	1406-360	1		Grille, Bumper
8	0423-419	2		Screw, Machine
9	0423-101	12		Screw, Shoulder
10	0423-744	2		Nut, Lock
11	1506-429	1	S	Brace, A-Arm
12	8409-025	2		Screw, Cap
13	2406-091	1		Panel, Belly
14	0406-289	2		Pad, Frame
15	8424-802	4		Nut
16	8409-016	4		Screw, Cap
17	1506-848	1		Footrest - Right
17	1506-849	1		Footrest - Left
18	2406-216	1		Strap, Footrest - Right
18	2406-217	1		Strap, Footrest - Left
19	2506-447	1		Bracket, Support
20	1411-077	1		Decal, Warning - Towing

2010 ATV 400 TRV BLACK (A2010TBG4BUSP)
FRONT DRIVE GEARCASE ASSEMBLY



2010 ATV 400 TRV BLACK (A2010TBG4BUSP)
FRONT DRIVE GEARCASE ASSEMBLY

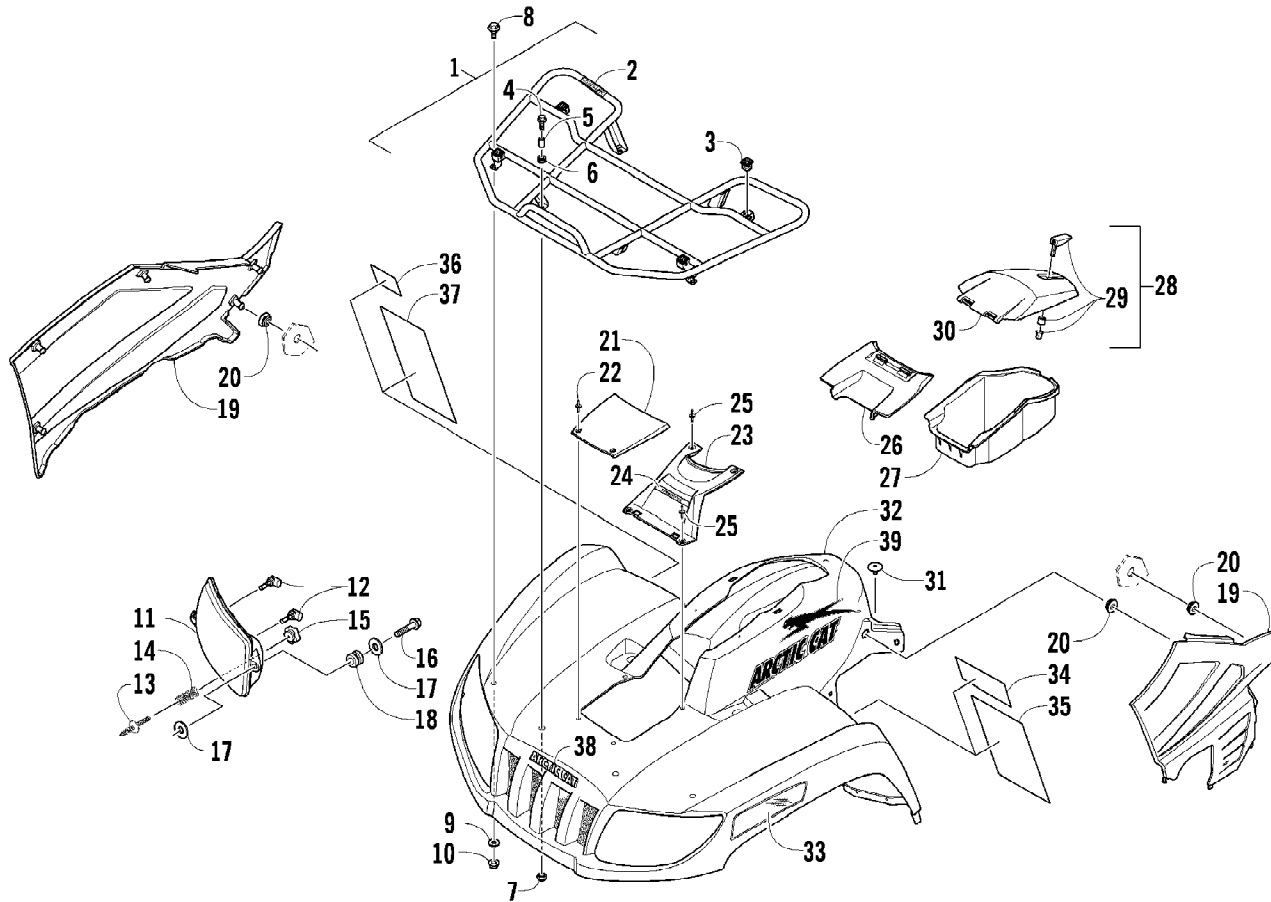
Ref #	Part Number	Qty	S/P/F	Description
	1502-527	1		Complete Front Drive Gearcase Assembly
1	1502-084	1		Shaft, Propeller - Assembly (inc. 2-6)
2	0423-411	1		Clamp
3	0402-985	1	/P	Boot, Propeller Shaft
4	0423-393	1		Clamp
5	1402-046	1		Shaft, Output
6	1502-085	1	/P	Shaft, Input
7	1402-011	1		Seal
8	0423-423	1		Ring, Retaining
9	1502-237	1		Bracket, Actuator
10	0502-585	1	S	Actuator (inc. 11)
11	1402-981	1		O-Ring
12	0423-892	1	/P	O-Ring
13	0423-396	3		Screw, Self-Tapping
14	1402-043	1		Bearing
15	0423-118	11		Screw, Self-Tapping
16	0502-528	1	/P	Housing, Pinion
17	0402-947	1		Gasket, Flange
18	0423-417	1		Ring, Retaining
19	0402-997	1		Shaft, Selector
20	0423-402	1		Ring, Retaining
21	0402-998	1		Fork, Selector
22	0402-417	1		Shaft, Shuttle
23	0423-147	1		O-Ring
24	0402-999	1		Spring, Return
25	0402-413	1		Coupler, Drive
26	0402-357	1		Collar, Lock
27	0502-784	1		Gear, Pinion - Assembly - 11T (inc. 28-29)
28	0402-336	1		Collar, Retaining
29	0402-327	1		Bearing
30	0502-514	1		Housing, Gearcase
31	0402-328	1		Bearing
32	0402-411	1		Pin, Dowel
33	1402-210	1	/P	Plug, Magnetic (inc. one No. 34)
34	0423-153	2		O-Ring
35	0423-149	1		O-Ring
36	0402-393	1		Bearing
37	0402-405	AR		Shim, 41 x 49 x 1.3 mm
37	0402-406	AR		Shim, 41 x 49 x 1.4 mm
37	0402-407	AR		Shim, 41 x 49 x 1.5 mm
37	0402-408	AR		Shim, 41 x 49 x 1.6 mm
37	0402-409	AR		Shim, 41 x 49 x 1.7 mm
38	1502-554	1	/P	Gear, Ring - 34T
39	1402-074	AR		Shim, 61 x 69 x 1.3 mm
39	1402-075	AR		Shim, 61 x 69 x 1.4 mm
39	1402-076	AR		Shim, 61 x 69 x 1.5 mm
39	1402-077	AR		Shim, 61 x 69 x 1.6 mm
39	1402-078	AR		Shim, 61 x 69 x 1.7 mm
40	1502-389	1		Cover, Gearcase (inc. one No. 34, 41-52, and one No. 53)
41	1402-053	1		Bearing
42	0502-413	1		Flange, Bearing

2010 ATV 400 TRV BLACK (A2010TBG4BUSP)
FRONT DRIVE GEARCASE ASSEMBLY

Page 33 of 81

Ref #	Part Number	Qty	S/P/F	Description
43	1402-079	1		Pin, Parallel
44	1402-042	1		Collar, Sliding
45	1402-054	1		Fork
46	1402-058	2		Ring, Retaining
47	1402-057	1		Spring
48	1402-063	1		Spring
49	1402-656	1		Shaft, Lock
50	1402-104	1		Fitting
51	1402-211	1		Plug, Oil Level (inc. one No. 34)
52	1402-056	1		Seal
53	1402-713	2	S	Seal
54	0402-333	1	/P	Plug, Fill (inc. 55)
55	0423-154	1		O-Ring

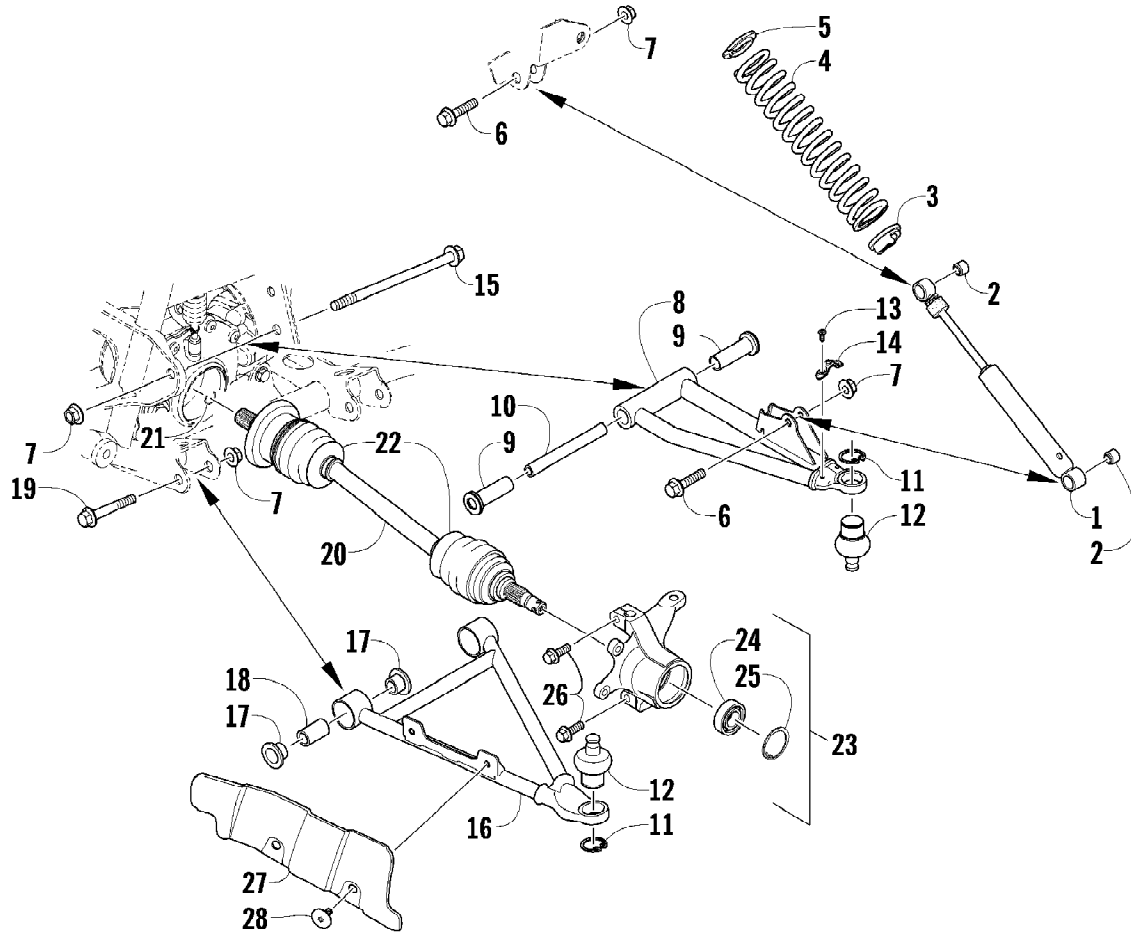
2010 ATV 400 TRV BLACK (A2010TBG4BUSP)
FRONT RACK, BODY PANEL, AND HEADLIGHT ASSEMBLIES



2010 ATV 400 TRV BLACK (A2010TBG4BUSP)
FRONT RACK, BODY PANEL, AND HEADLIGHT ASSEMBLIES

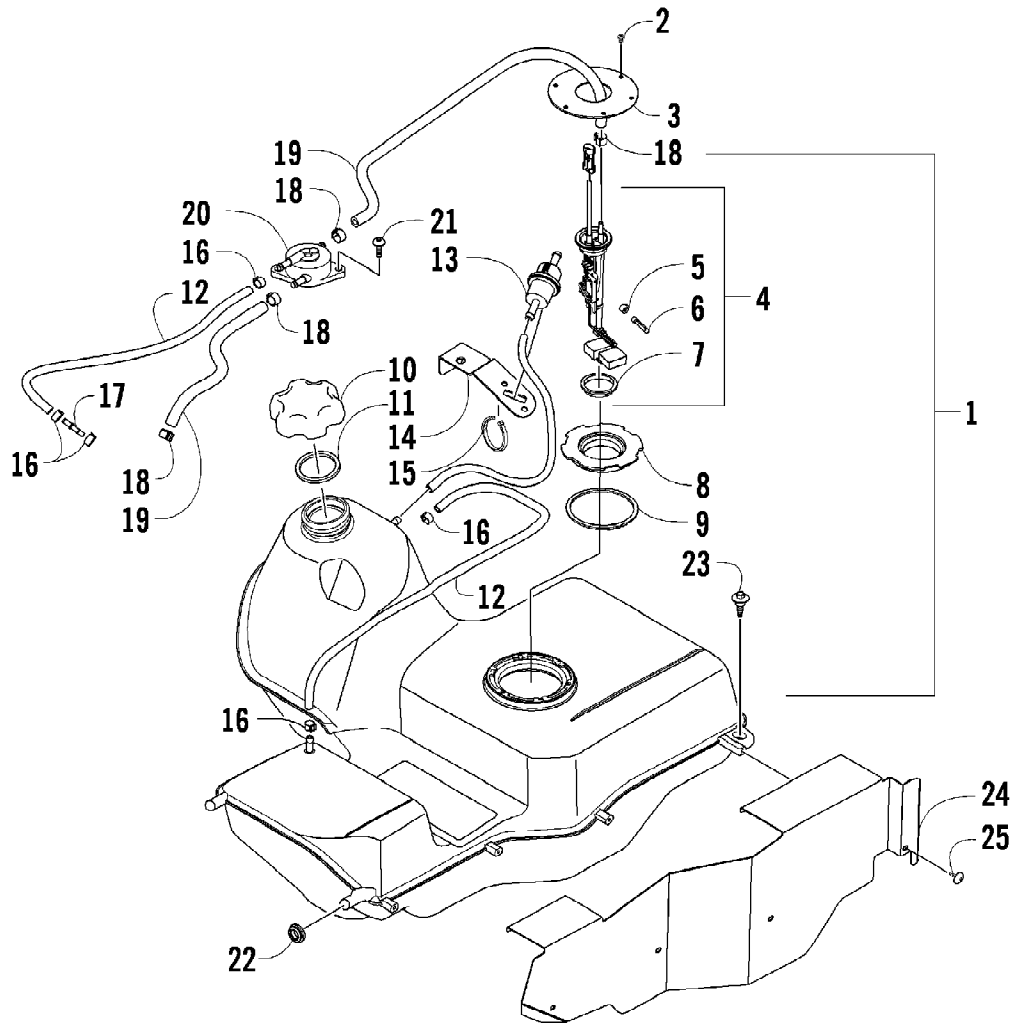
Ref #	Part Number	Qty	S/P/F	Description
1	2506-106	1		Rack, Front - Assembly (inc. 2-3)
2	0411-576	1		Decal, Warning - Load
3	0441-592	4	/P	Bushing
4	8410-830	4		Screw, Cap
5	0423-669	4		Spacer
6	0423-465	4		Grommet
7	8432-802	4		Nut, Lock
8	0423-654	2		Screw, Shoulder
9	8050-222	2	/P	Washer
10	0423-540	2		Nut, Lock
11	0509-044	1	/P	Headlight Assembly - Right (inc. 12)
11	0509-035	1		Headlight Assembly - Left (inc. 12)
12	0409-055	4		Bulb, Headlight
13	0423-514	2		Stud, Adjuster - Headlight
14	0423-522	2		Spring, Adjuster
15	0423-513	2		Knob, Adjuster
16	0623-785	4		Screw, Self-Tapping
17	8050-217	8	/P	Washer
18	0423-447	4		Grommet
19	2406-326	1		Panel, Side - Lower - Right
19	2406-327	1		Panel, Side - Lower - Left
20	0423-678	8		Grommet
21	1406-358	1		Cover, Access
22	0423-535	2		Rivet, Reinstallable
23	1406-484	1		Cover, Steering Post
24	1411-050	1	/P	Decal, "Speedrack"
25	0623-362	4		Rivet, Reinstallable
26	0470-513	1		Cover, Storage Box
27	1406-573	1		Box, Storage
28	2506-234	1		Lid, Storage Box w/Latch (inc. 29-30)
29	1406-599	1		Latch, Storage Box
30	0470-514	1		Lid, Storage Box
31	0423-101	2		Screw, Shoulder
32	2516-066	1	S	Panel, Fender - Assembly - Front (inc. 33-37)
33	0411-818	1		Decal, Reflector - Right
33	0411-819	1		Decal, Reflector - Left
34	1411-574	1		Decal, Warning - Off-Road Only
35	2411-122	1		Decal, Warning - General/Age
36	0411-894	1		Decal, Warning - Turn/Hill
37	1411-250	1		Decal, Warning - Reverse/Pre-Ride
38	1411-724	1		Decal, Front
39	1411-634	1		Decal, Side - Upper Right
39	1411-635	1		Decal, Side - Upper Left

2010 ATV 400 TRV BLACK (A2010TBG4BUSP)
FRONT SUSPENSION ASSEMBLY



2010 ATV 400 TRV BLACK (A2010TBG4BUSP)
FRONT SUSPENSION ASSEMBLY

Ref #	Part Number	Qty	S/P/F	Description
1	0403-209	2		Shock Absorber (inc. 2)
2	0403-182	4		Bushing
3	0403-102	2		Cam, Spring Adjuster
4	0503-354	2		Spring, Suspension
5	1603-889	2	/P	Retainer, Spring
6	8409-040	4		Screw, Cap
7	0423-744	10		Nut, Lock
8	0503-420	1	/P	A-Arm, Upper Right (inc. 9-12)
8	0503-421	1	/P	A-Arm, Upper Left (inc. 9-12)
9	0403-207	4	/P	Bushing
10	0403-080	2		Axle
11	0423-009	4	/P	Ring, Retaining
12	0405-115	4	/P	Ball Joint
13	0423-946	4		Screw, Self-Tapping
14	1502-594	2		Clamp, Routing
15	0423-334	2		Screw, Cap
16	0503-380	1	/P	A-Arm, Lower Right (inc. 17-18 and two No. 11-12)
16	0503-381	1	/P	A-Arm, Lower Left (inc. 17-18 and two No. 11-12)
17	0403-208	8	/P	Bushing
18	0403-214	4	/P	Axle
19	8409-075	4		Screw, Cap
20	1502-344	1	S/P	Axle, Drive - Right (inc. 21-22)
20	1502-345	1	S	Axle, Drive - Left (inc. 21-22)
21	0423-844	2	/P	Clip, Retaining
22	0436-276	2	S	Repair Kit, Boot
23	0505-576	1	/P	Knuckle - Assembly - Right (inc. 24-25)
23	0505-577	1	/P	Knuckle - Assembly - Left (inc. 24-25)
24	1402-809	2	/P	Bearing
25	0423-423	2		Ring, Retaining
26	8409-030	4		Screw, Cap
27	1406-034	1		Guard, Boot - Right
27	1406-035	1		Guard, Boot - Left
28	0423-545	4	/P	Screw, Shoulder

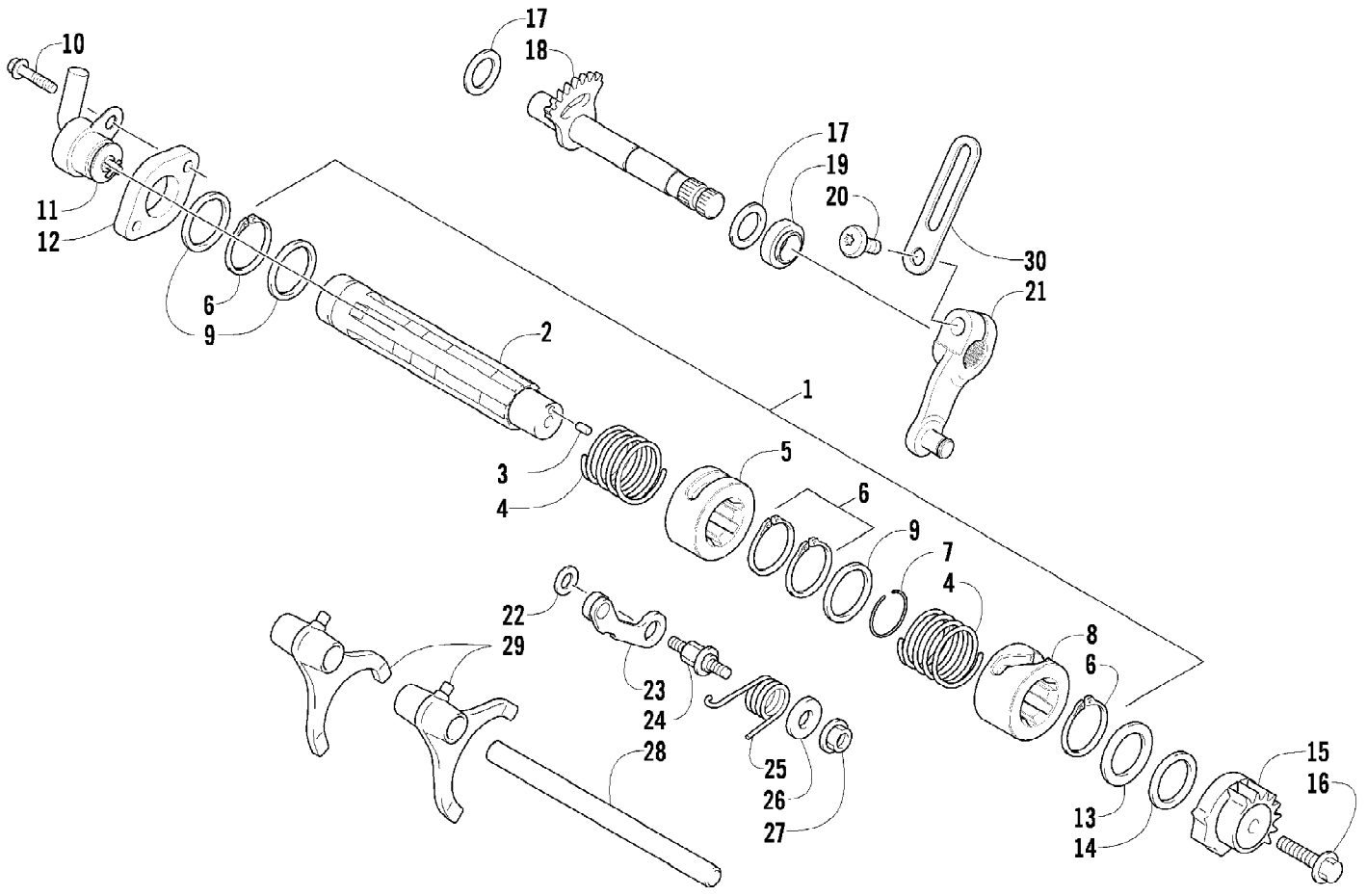


2010 ATV 400 TRV BLACK (A2010TBG4BUSP)
GAS TANK ASSEMBLY

Page 39 of 81

Ref #	Part Number	Qty	S/P/F	Description
1	0570-287	1		Tank, Gas - Assembly w/Straps (inc. 2-11)
2	0423-898	6		Screw, Self-Tapping
3	0470-848	1		Plate, Retaining
4	0570-253	1	/P	Sensor, Fuel Level (inc. 5-7)
5	0423-603	1		Clamp, Hose
6	0470-475	1		Filter, Fuel
7	0470-521	1		Seal, Fuel Level Sensor
8	0470-847	1		Adapter, Fuel Sensor
9	0470-838	1		Seal
10	0470-438	1	/P	Cap, Gas Tank (inc. 11)
11	0109-733	1	/P	Gasket, Gas Tank Cap
12	0410-070	AR	/P	Hose, Gasline - 25 ft
13	0510-335	1	/P	Filter, Fuel
14	0470-794	1		Bracket, Mounting - Filter
15	0123-788	AR	/P	Tie, Cable - 8 in.
16	0423-688	5		Clamp, Hose
17	0470-702	1	/P	Fitting, Straight
18	0423-689	4		Clamp, Hose
19	0410-143	AR		Hose, Gasline - 25 ft
20	0470-758	1	/P	Pump, Fuel
21	8476-620	2		Screw, Machine
22	0423-460	2		Grommet, Gas Tank
23	0423-732	2		Screw, Shoulder
24	0470-822	1		Shield, Gas Tank
25	0623-797	4		Screw, Self-Tapping

2010 ATV 400 TRV BLACK (A2010TBG4BUSP)
GEAR SHIFTING ASSEMBLY

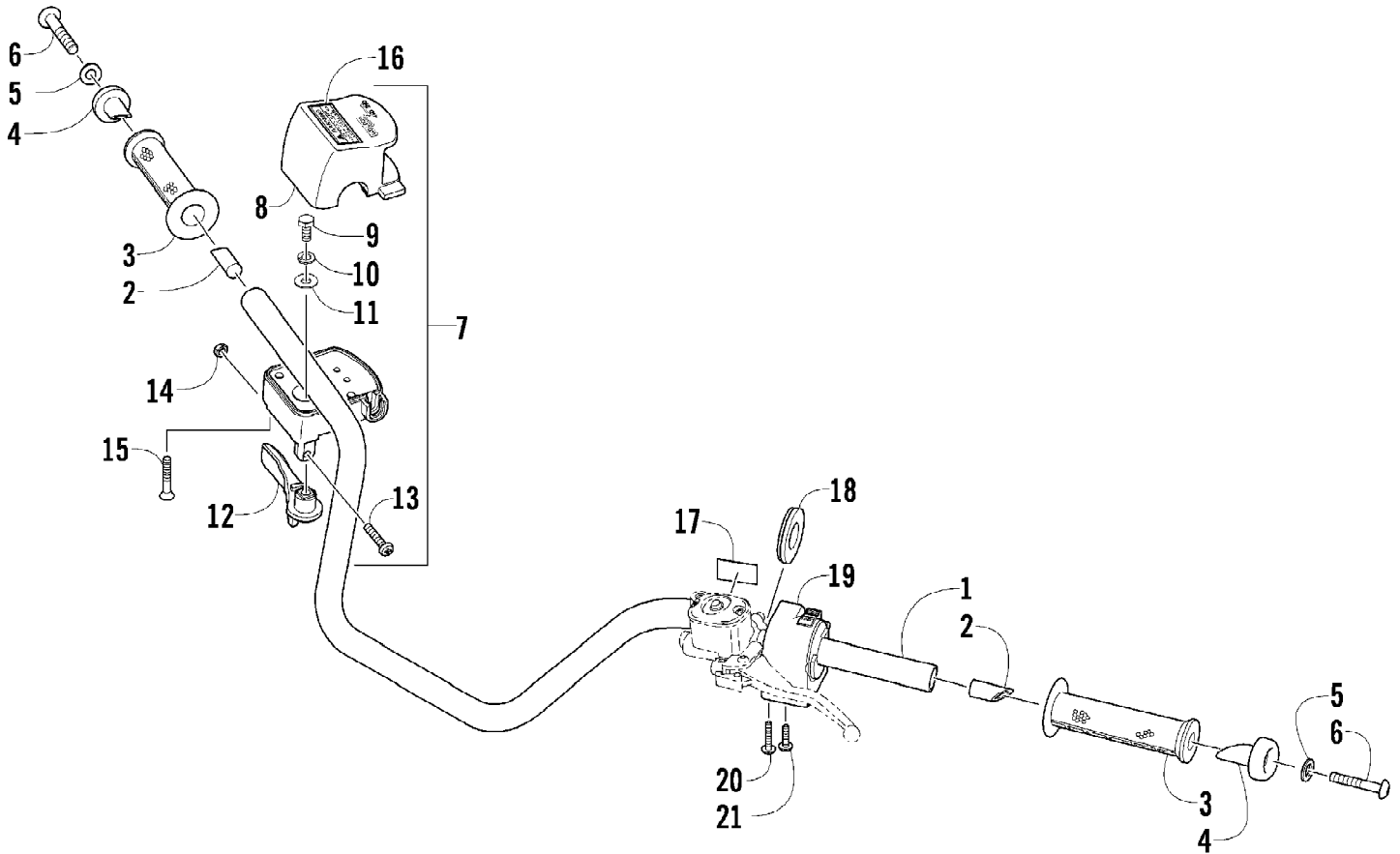


2010 ATV 400 TRV BLACK (A2010TBG4BUSP)
GEAR SHIFTING ASSEMBLY

Page 41 of 81

Ref #	Part Number	Qty	S/P/F	Description
1	0818-024	1	S	Shaft, Gear Shift - Assembly (inc. 2-8 and two No. 9)
2	0818-044	1	S	Shaft, Gear Shift
3	3304-439	1		Pin, Dowel
4	0818-060	2		Spring
5	0818-019	1		Cam, Reverse
6	3304-147	4	/P	Circlip
7	0831-016	1		C-Ring
8	0818-023	1		Cam, Gear Shift
9	0828-079	3		Washer
10	3303-252	2		Screw, Cap
11	3313-434	1		Switch, Gear Position
12	0818-073	1		Spacer, Speed Sensor
13	0828-081	1		Washer, Thrust
14	0828-080	1		Washer, Thrust
15	0818-061	1		Plate, Gear Shift Cam
16	3304-569	1		Screw, Cap
17	0828-084	2		Washer
18	0818-022	1		Shaft, Sub-Gear Shift
19	0830-179	1		Seal
20	8468-620	1	/P	Screw, Machine
21	0818-014	1		Arm, Select
22	0828-083	1		Washer
23	0818-084	1		Stopper, Cam
24	0818-062	1		Support, Cam Stopper
25	0818-020	1		Spring
26	0828-082	1		Washer
27	3303-331	1	/P	Nut
28	0818-021	1		Shaft, Shift Fork
29	0818-088	2		Fork, Shift
30	3002-964	1	/P	Clamp, Wire

2010 ATV 400 TRV BLACK (A2010TBG4BUSP)
HANDLEBAR ASSEMBLY

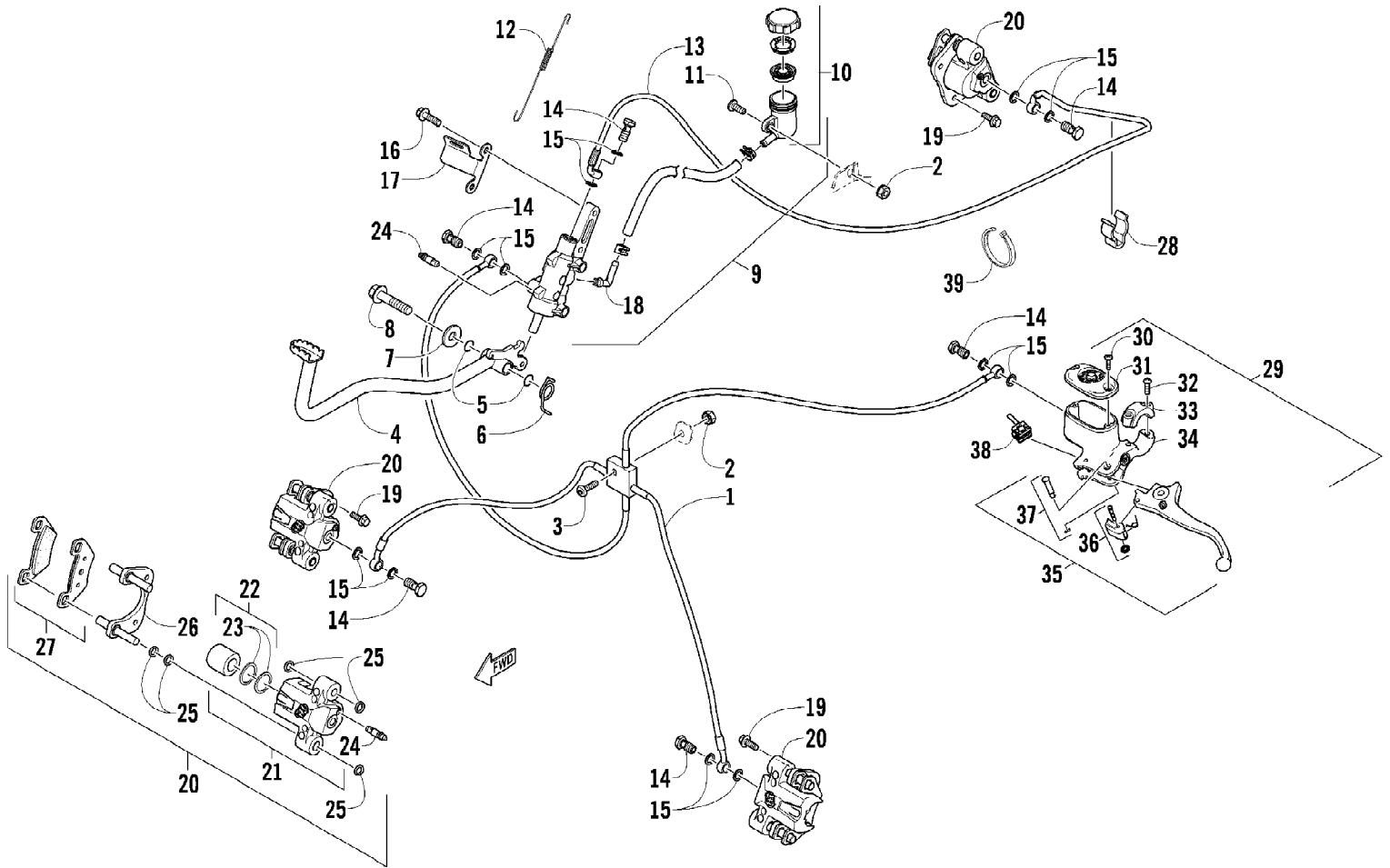


2010 ATV 400 TRV BLACK (A2010TBG4BUSP)
HANDLEBAR ASSEMBLY

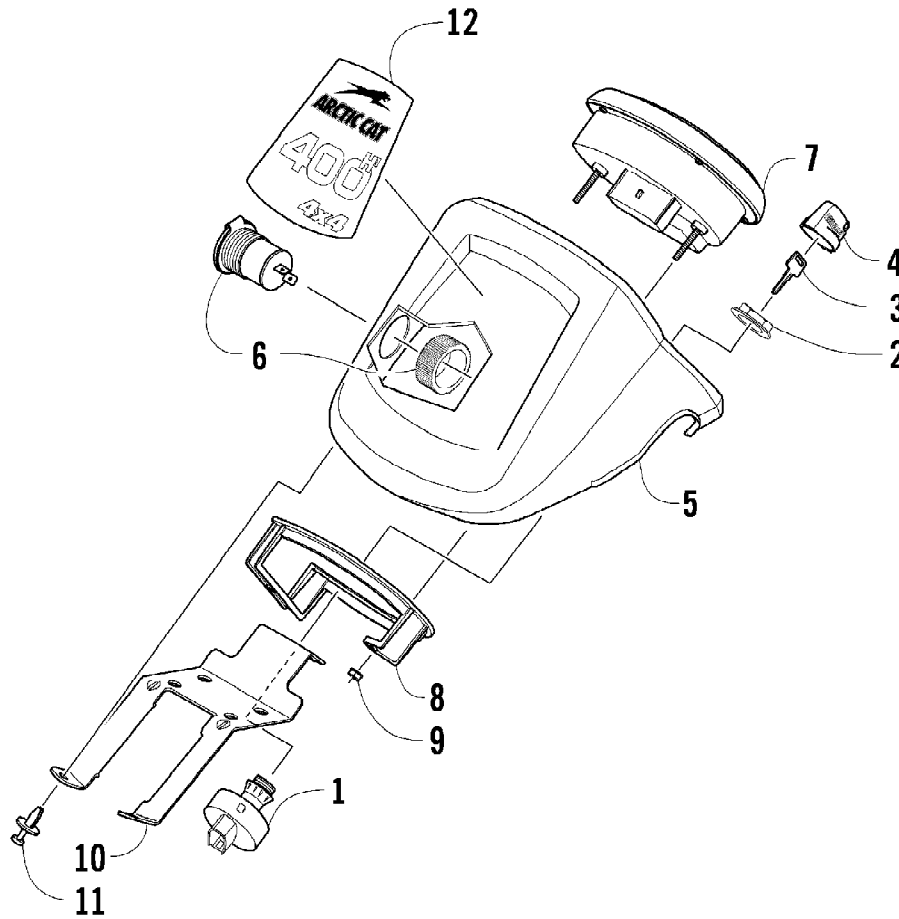
Page 43 of 81

Ref #	Part Number	Qty	S/P/F	Description
1	0505-418	1	/P	Handlebar
2	0405-218	2		Plug, Handlebar
3	0405-147	2		Grip, Handlebar
4	0405-149	2		End Cap, Handlebar
5	8050-247	2	/P	Washer
6	8477-845	2		Screw, Machine
7	0509-054	1		Case, Throttle - Assembly (inc. 8-15)
8	0409-141	1		Cover, Throttle Case w/Switch
9	3007-392	1	/P	Screw, Cap
10	3004-447	1	/P	Washer, Lock
11	3003-030	1	/P	Washer
12	0409-133	1		Lever, Throttle
13	3423-014	1		Screw, Machine
14	3423-327	1		Nut
15	3423-199	2		Screw, Machine
16	0411-966	1		Decal, Warning - Differential Lock
17	1411-865	1		Decal, Warning - Brake Lever Lock
18	3409-019	1		Cover, Switch Housing
19	0509-014	1		Switch, Control - Assembly (inc. 20-21)
20	0409-028	1		Screw, Machine
21	0409-027	1		Screw, Machine

2010 ATV 400 TRV BLACK (A2010TBG4BUSP)
HYDRAULIC BRAKE ASSEMBLY



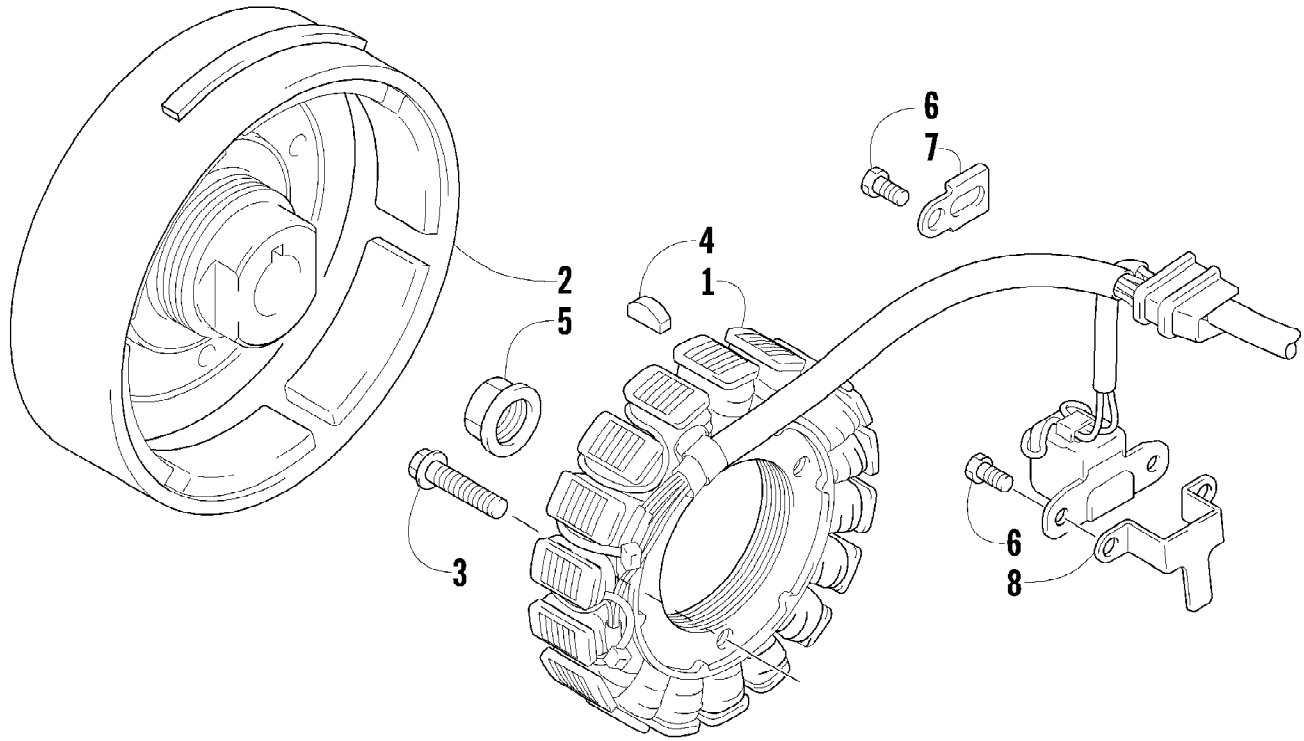
Ref #	Part Number	Qty	S/P/F	Description
1	1502-015	1		Hose, Brake - Assembly
2	0623-038	2		Nut w/Washer
3	8476-625	1		Screw, Machine
4	1502-063	1		Lever, Brake
5	1602-213	2	/P	O-Ring
6	0502-807	1		Spring, Brake Lever
7	8050-252	1		Washer
8	8408-816	1		Screw, Cap
9	1502-577	1		Brake Assembly (inc. 10)
10	1502-578	1		Reservoir, Brake w/Clamp
11	8476-616	1		Screw, Machine
12	0502-785	1		Spring, Brake Switch
13	1502-591	1		Hose, Brake
14	0423-413	6		Bolt, Banjo-Fitting
15	0423-178	12		Washer, Crush
16	8408-625	2		Screw, Cap
17	0502-840	1		Bracket, Switch
18	1502-296	1	/P	Adapter, Hose
19	8408-821	6	/P	Screw, Cap
20	1502-726	1	S	Caliper, Brake - Right Front (inc. two No. 19 and 21-27)
20	1502-727	1	S	Caliper, Brake - Left Front (inc. two No. 19 and 21-27)
20	1502-727	1	S	Caliper, Brake - Rear (inc. two No. 19 and 21-27)
21	1436-160	1	/P	Housing, Caliper - Assembly - Right Front (inc. two No. 19 and 22-24)
21	1436-161	1	/P	Housing, Caliper - Assembly - Left Front (inc. two No. 19 and 22-24)
21	1436-161	1	/P	Housing, Caliper - Assembly - Rear (inc. two No. 19 and 22-24)
22	0502-606	3		Piston/Seal Set (inc. 23)
23	0502-607	3		Seal Set
24	0502-609	4	/P	Valve, Bleed
25	0502-608	3		O-Ring, Guide - Set
26	0502-605	3		Bracket Assembly
27	1502-694	3	S	Pad, Brake - Set
28	1502-115	2		Clip, Brake Hose
29	0502-914	1	S	Brake Assembly (inc. 30-38)
30	0502-566	1		Screw, Machine - Kit
31	0502-868	1	/P	Cover, Reservoir
32	0502-568	1		Screw, Machine - Kit
33	0502-869	1		Clamp, Master Cylinder
34	0502-704	1		Master Cylinder Assembly
35	0502-866	1		Lever Assembly - Kit (inc. 36-37)
36	0502-867	1	/P	Lock, Brake Lever - Kit
37	0502-580	1		Lever Pin - Kit
38	0502-564	1	/P	Switch, Brake
39	0123-788	AR	/P	Tie, Cable - 8 in.



2010 ATV 400 TRV BLACK (A2010TBG4BUSP)
INSTRUMENT POD ASSEMBLY

Page 47 of 81

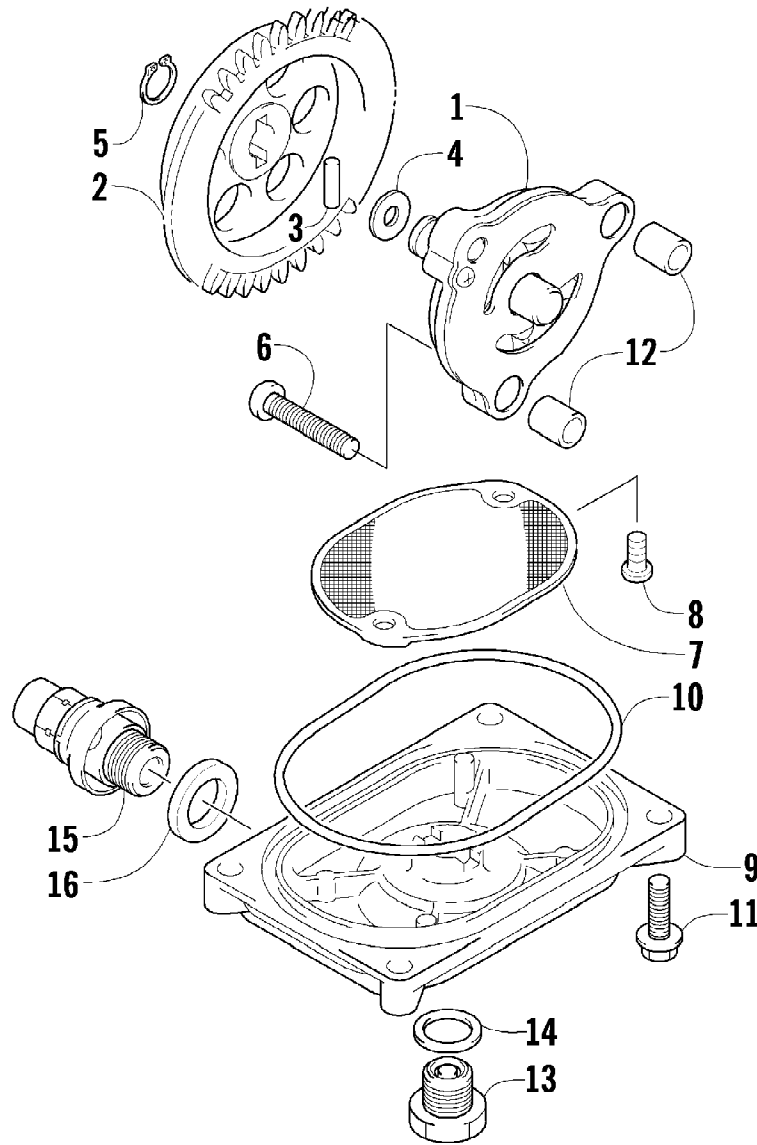
Ref #	Part Number	Qty	S/P/F	Description
1	0430-090	1	/P	Switch, Ignition - Assembly (inc. 2-4)
2	0430-050	1		Nut, Retaining
3	0430-042	1	F	Key, Ignition
3	0430-043	1	F	Key, Ignition
4	0430-054	1		Cover, Key
5	0405-276	1		Instrument Pod
6	0641-897	1	/P	Outlet, Accessory - 12V
7	0520-042	1		Gauge, LCD
8	0420-065	1	/P	Bracket, Retaining
9	0423-493	2		Nut w/Washer
10	2506-470	1		Bracket, Mounting - Instrument Pod
11	0423-535	2		Rivet, Reinstallable
12	1411-936	1		Decal, Instrument Pod



2010 ATV 400 TRV BLACK (A2010TBG4BUSP)
MAGNETO ASSEMBLY

Page 49 of 81

Ref #	Part Number	Qty	S/P/F	Description
1	3323-200	1		Stator Assembly
2	3323-164	1	/P	Rotor/Flywheel
3	3305-945	3		Screw, Cap
4	0829-039	1		Key
5	0827-046	1		Nut
6	3303-308	3		Screw, Cap
7	0802-003	1		Clamp
8	0802-004	1		Clamp

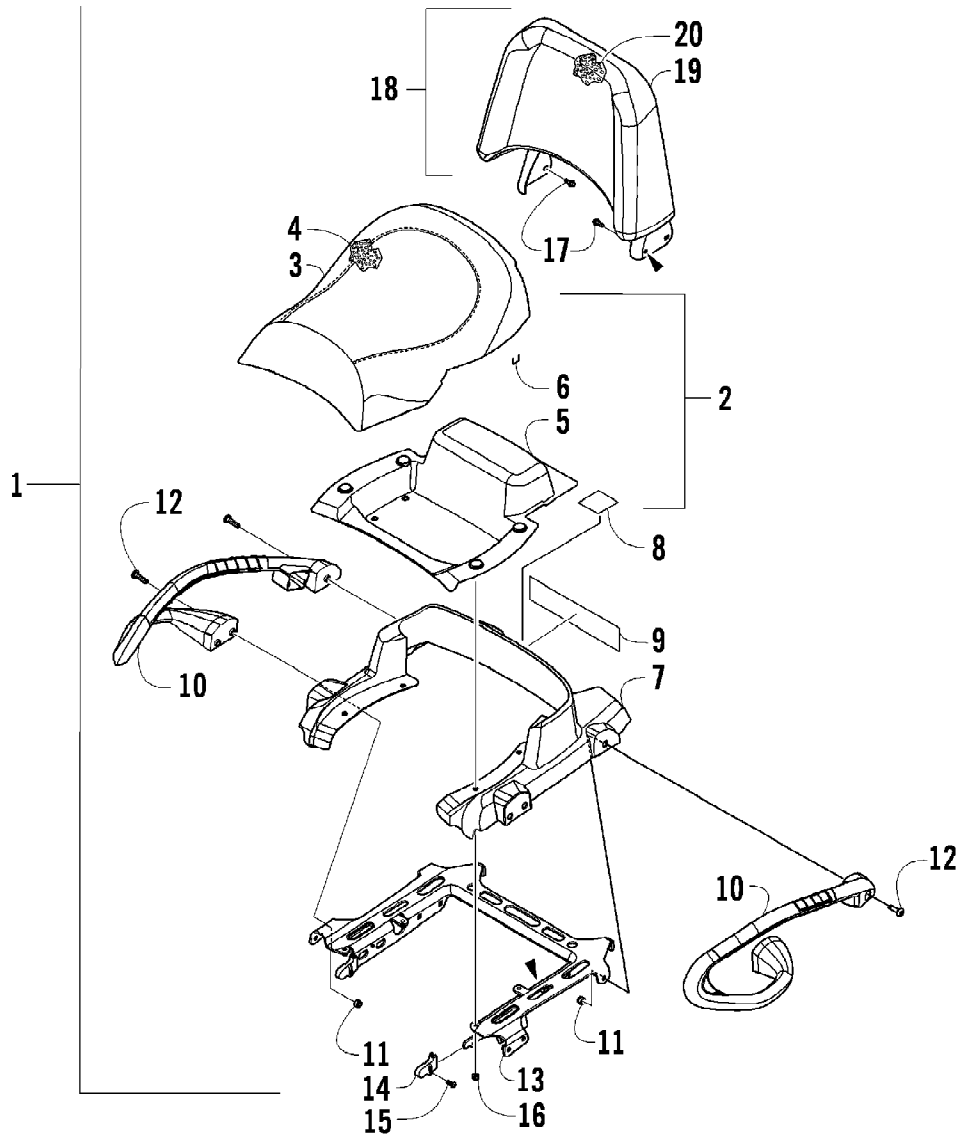


2010 ATV 400 TRV BLACK (A2010TBG4BUSP)
OIL PUMP AND STRAINER ASSEMBLY

Page 51 of 81

Ref #	Part Number	Qty	S/P/F	Description
1	0812-069	1		Pump, Oil
2	0812-010	1		Gear, Driven
3	0812-036	1		Pin, Dowel
4	0828-007	1	/P	Washer
5	3004-146	1		Ring, Retaining
6	0826-131	3		Screw, Machine
7	0812-049	1		Strainer, Oil
8	3313-722	2		Screw, Cap
9	0812-038	1		Cap, Oil Strainer
10	0830-159	1		O-Ring
11	3303-384	4	/P	Screw, Cap
12	0829-033	2		Pin, Dowel
13	0812-065	1		Plug, Drain
14	0830-143	1	/P	Gasket
15	0812-067	1		Valve, Oil-Relief - Assembly (inc. 16)
16	0830-181	1		O-Ring

2010 ATV 400 TRV BLACK (A2010TBG4BUSP)
PASSENGER SEAT AND BACKREST ASSEMBLY

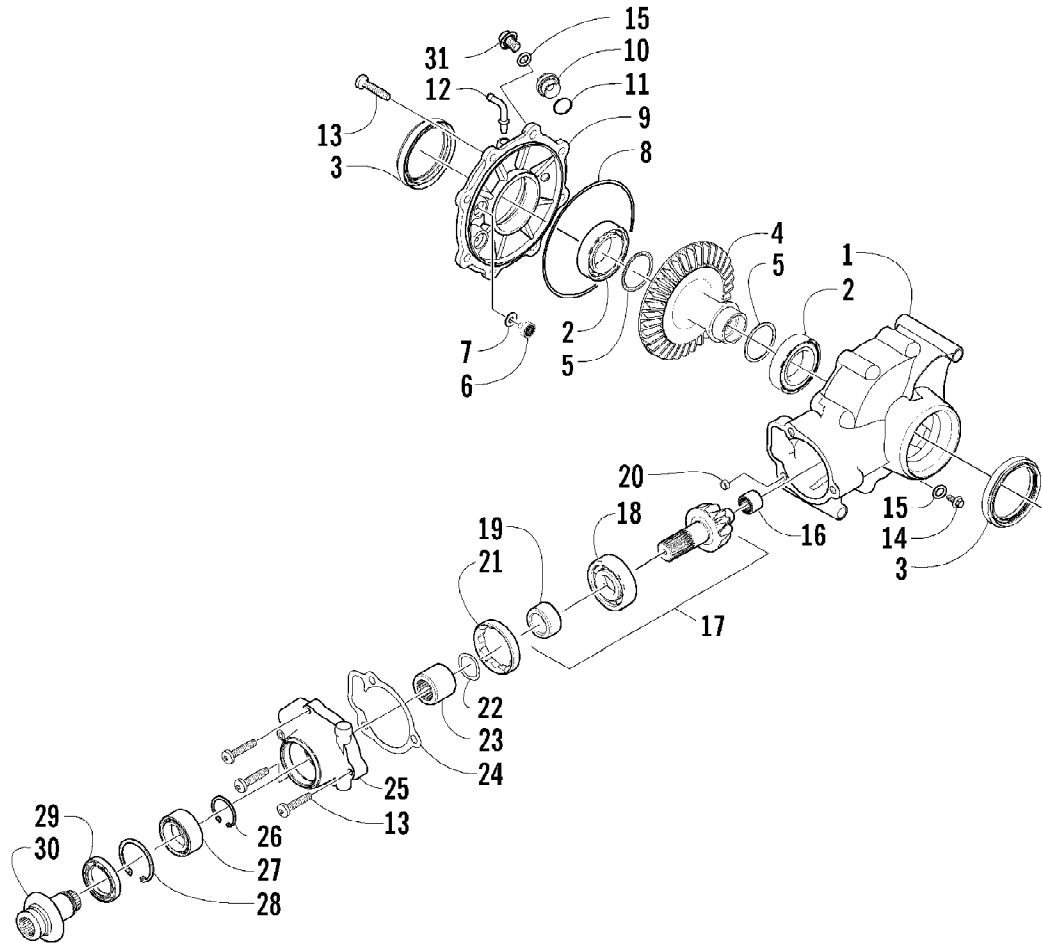


2010 ATV 400 TRV BLACK (A2010TBG4BUSP)
PASSENGER SEAT AND BACKREST ASSEMBLY

Page 53 of 81

Ref #	Part Number	Qty	S/P/F	Description
1	2506-956	1		Seat, Passenger - Assembly (inc. 2-15)
2	2506-940	1		Seat, Passenger - Sub-Assembly (inc. 3-6)
3	2506-944	1		Cover, Seat - Passenger
4	2506-942	1		Foam, Seat - Passenger
5	2406-110	1		Base, Seat - Inner
6	0624-263	AR		Staple
7	2406-044	1		Base, Seat - Passenger
8	0411-814	1	/P	Decal, "Arctic Cat"
9	2406-834	1		Handhold, Passenger - Right
9	2406-835	1		Handhold, Passenger - Left
10	8432-802	6		Nut, Lock
11	8468-830	6		Screw, Machine
12	2516-040	1		Bracket, Seat Support - Assembly
13	2406-895	2		End Cap, Seat Support
14	0423-538	2		Screw, Self-Tapping
15	8427-602	4		Nut, Lock
16	8408-816	4		Screw, Cap
17	2516-020	1		Backrest Assembly (inc. 18-19)
18	2516-141	1		Cover, Backrest
19	2516-018	1		Foam, Backrest

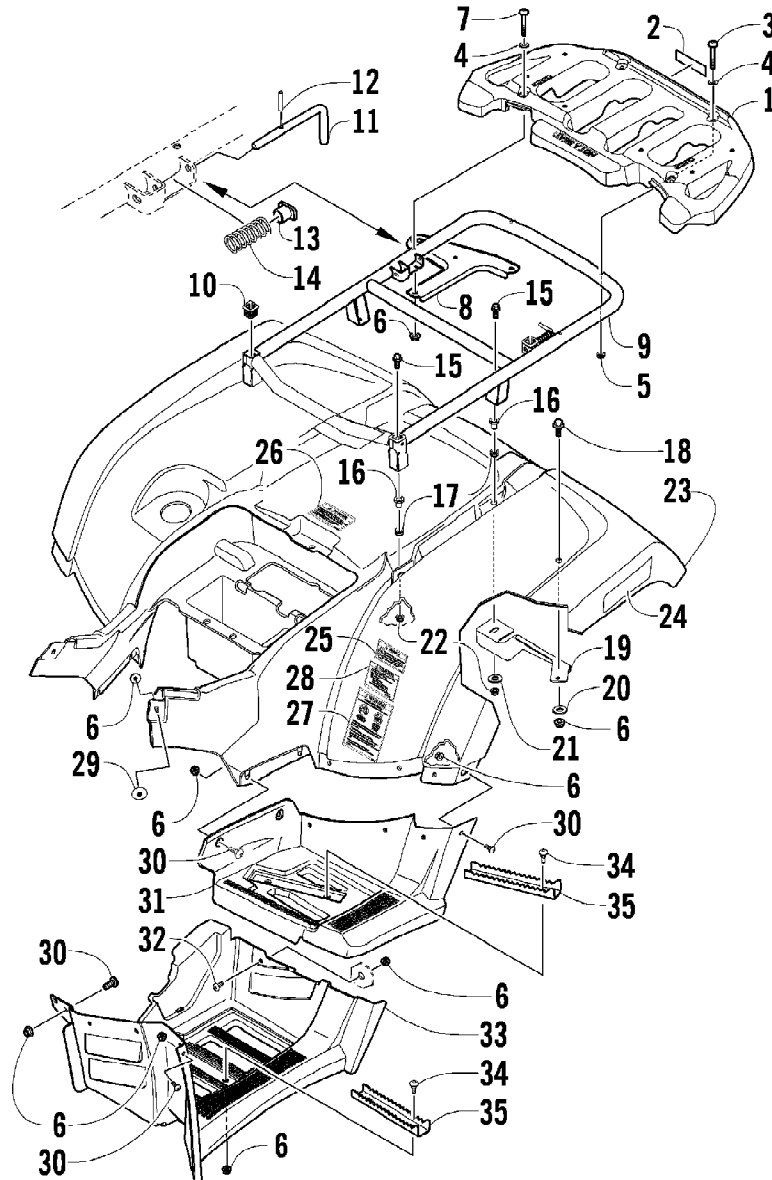
2010 ATV 400 TRV BLACK (A2010TBG4BUSP)
REAR DRIVE GEARCASE ASSEMBLY



2010 ATV 400 TRV BLACK (A2010TBG4BUSP)
REAR DRIVE GEARCASE ASSEMBLY

Ref #	Part Number	Qty	S/P/F	Description
	1502-401	1		Complete Rear Drive Gearcase Assembly
1	1502-317	1		Housing, Gearcase
2	0402-393	2		Bearing
3	1402-713	2	S	Seal
4	1402-033	1		Gear, Ring - 34T
5	0402-405	AR		Shim, 41 x 49 x 1.3 mm
5	0402-406	AR		Shim, 41 x 49 x 1.4 mm
5	0402-407	AR		Shim, 41 x 49 x 1.5 mm
5	0402-408	AR		Shim, 41 x 49 x 1.6 mm
5	0402-409	AR		Shim, 41 x 49 x 1.7 mm
6	0402-326	1		Button, Thrust
7	0402-429	AR		Shim, 6.3 x 18 x 1.3 mm
7	0402-430	AR		Shim, 6.3 x 18 x 1.4 mm
7	0402-431	AR		Shim, 6.3 x 18 x 1.5 mm
7	0402-432	AR		Shim, 6.3 x 18 x 1.6 mm
7	0402-433	AR		Shim, 6.3 x 18 x 1.7 mm
8	0423-149	1		O-Ring
9	1502-082	1		Cover, Gearcase
10	0402-333	1	/P	Plug, Magnetic (inc. 11)
11	0423-154	1		O-Ring
12	1402-102	1		Fitting
13	0423-118	11		Screw, Self-Tapping
14	1402-210	1	/P	Plug, Fill (inc. one No. 15)
15	0423-153	2		O-Ring
16	0402-328	1		Bearing
17	0502-784	1		Gear, Pinion - Assembly - 11T (inc. 18-19)
18	0402-327	1		Bearing
19	0402-336	1		Collar, Retaining
20	0402-411	1		Pin, Dowel
21	0402-331	1		Collar, Lock
22	0402-982	1		Washer, Wave
23	0402-981	1		Collar, Shaft
24	0402-947	1		Gasket, Flange
25	0502-529	1		Housing, Pinion
26	0423-417	1		Ring, Retaining
27	1402-043	1		Bearing
28	0423-423	1		Ring, Retaining
29	1402-011	1		Seal
30	1502-085	1	/P	Shaft, Input
31	1402-211	1		Plug, Oil Level (inc. one No. 15)

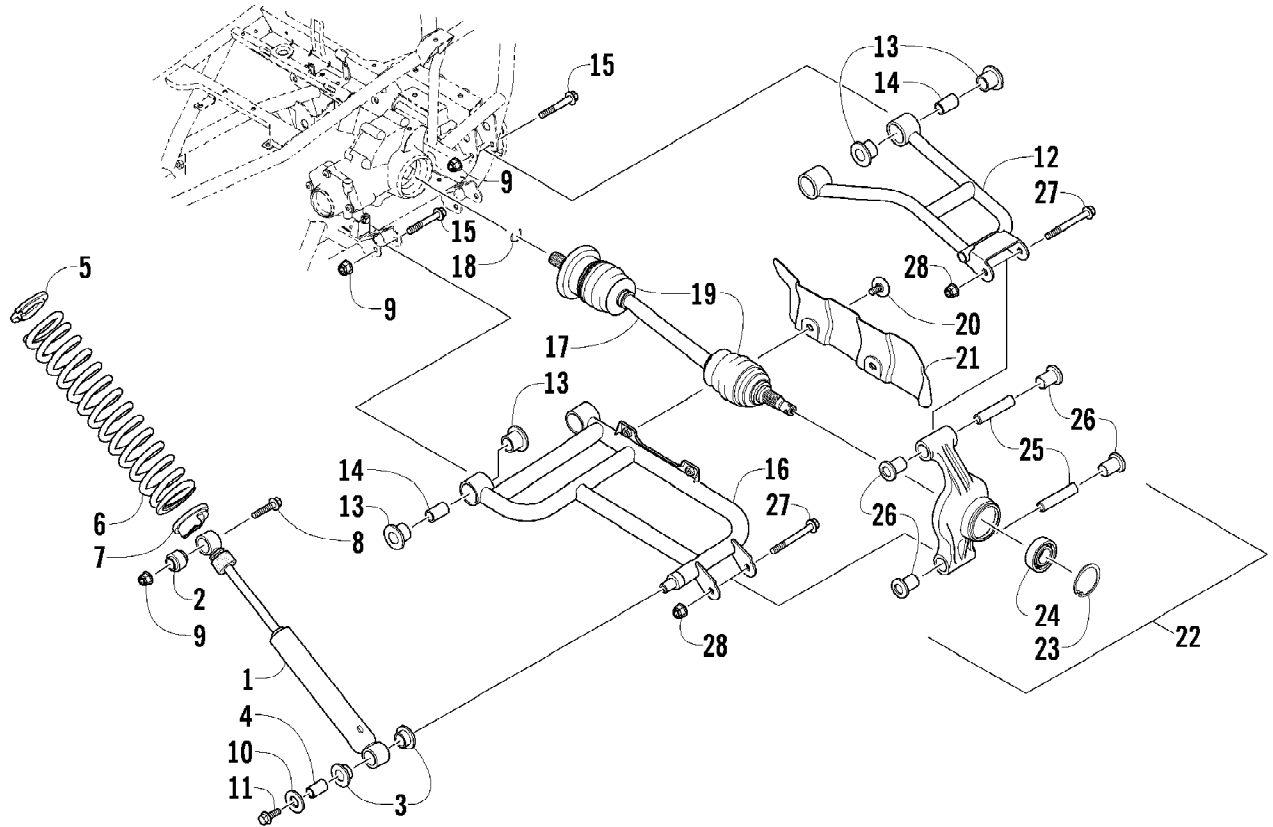
2010 ATV 400 TRV BLACK (A2010TBG4BUSP)
REAR RACK, BODY PANEL, AND FOOTWELL ASSEMBLIES



2010 ATV 400 TRV BLACK (A2010TBG4BUSP)
REAR RACK, BODY PANEL, AND FOOTWELL ASSEMBLIES

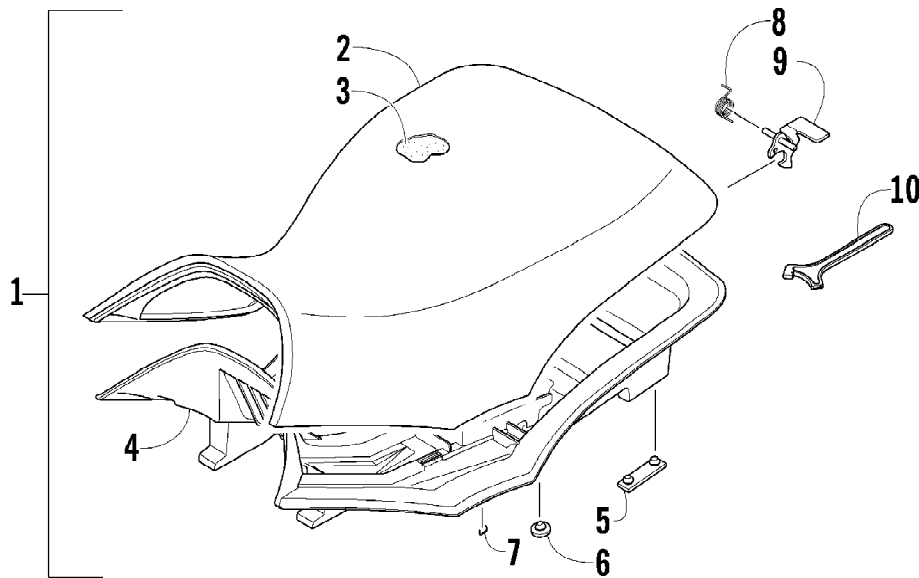
Ref #	Part Number	Qty	S/P/F	Description
1	2516-339	1	/P	Cover, Rack (inc. 2)
2	1411-201	1		Decal, Warning - Load
3	8410-640	3		Screw, Cap
4	8050-223	4		Washer
5	0423-891	2		Nut, Cap
6	0423-540	38		Nut, Lock
7	8410-645	2		Screw, Cap
8	2506-926	1		Bracket, Mounting - Safety Flag
9	2516-169	1		Rack, Rear - Assembly (inc. 10-14)
10	0441-592	4	/P	Bushing
11	0541-504	2		Pin - Assembly (inc. 12-14)
12	0423-635	2		Pin, Roll
13	0423-677	2		Bushing, Flanged
14	0423-636	2		Spring
15	8410-835	4		Screw, Cap
16	0423-669	4		Spacer
17	0423-465	4		Grommet
18	0423-654	2		Screw, Shoulder
19	2506-092	1		Bracket, Rear Fender - Right
19	2506-093	1		Bracket, Rear Fender - Left
20	8050-222	2	/P	Washer
21	0423-087	2		Washer
22	8432-802	4		Nut, Lock
23	2516-218	1	S	Fender, Rear - Assembly (inc. 24-28)
24	1411-592	1	/P	Decal, Reflector - Right
24	1411-593	1	/P	Decal, Reflector - Left
25	1411-269	1		Decal, Warning - Passenger
26	1411-251	1		Decal, Warning - Passenger Seat
27	1411-956	1		Decal, Warning - Passenger Safety
28	2411-138	1	/P	Decal, Warning - Tire Pressure
29	0423-101	2		Screw, Shoulder
30	0423-419	22		Screw, Machine
31	2406-042	1		Footwell, Rear - Right
31	2406-043	1		Footwell, Rear - Left
32	8477-620	2		Screw, Machine
33	1506-813	1		Footwell - Right
33	2406-471	1	/P	Footwell - Left
34	0423-355	8		Screw, Shoulder
35	1506-125	4	/P	Footpeg

2010 ATV 400 TRV BLACK (A2010TBG4BUSP)
REAR SUSPENSION ASSEMBLY



2010 ATV 400 TRV BLACK (A2010TBG4BUSP)
REAR SUSPENSION ASSEMBLY

Ref #	Part Number	Qty	S/P/F	Description
1	0404-158	2		Shock Absorber (inc. 2-4)
2	0403-182	2		Bushing
3	0603-955	4		Bushing
4	1603-219	2	S	Sleeve
5	1603-889	2	/P	Retainer, Spring
6	0504-543	2		Spring, Suspension
7	0404-057	2		Cam, Spring Adjuster
8	8409-050	2		Screw, Cap
9	0423-744	10		Nut, Lock
10	0423-087	2		Washer
11	8408-820	2	/P	Screw, Cap
12	0504-586	1	/P	A-Arm, Rear - Upper Right (inc. 13-14)
12	0504-587	1	/P	A-Arm, Rear - Upper Left (inc. 13-14)
13	0403-208	16	/P	Bushing
14	0403-214	8	/P	Axle
15	8409-075	8		Screw, Cap
16	0504-576	1	/P	A-Arm, Rear - Lower Right (inc. 13-14)
16	0504-577	1	/P	A-Arm, Rear - Lower Left (inc. 13-14)
17	1502-343	2	S	Axle, Drive (inc. 18-19)
18	0423-845	2	/P	Clip, Retaining
19	0436-276	2	S	Repair Kit, Boot
20	0423-545	4	/P	Screw, Shoulder
21	1406-068	1		Guard, Boot - Right
21	1406-069	1		Guard, Boot - Left
22	0504-548	1	/P	Knuckle, Right Rear - Assembly (inc. 23-26)
22	0504-549	1	/P	Knuckle, Left Rear - Assembly (inc. 23-26)
23	0423-423	2		Ring, Retaining
24	1402-809	2	/P	Bearing
25	0403-213	4	/P	Axle
26	0403-206	8	/P	Bushing
27	8409-000	4		Screw, Cap
28	8428-002	4		Nut, Lock

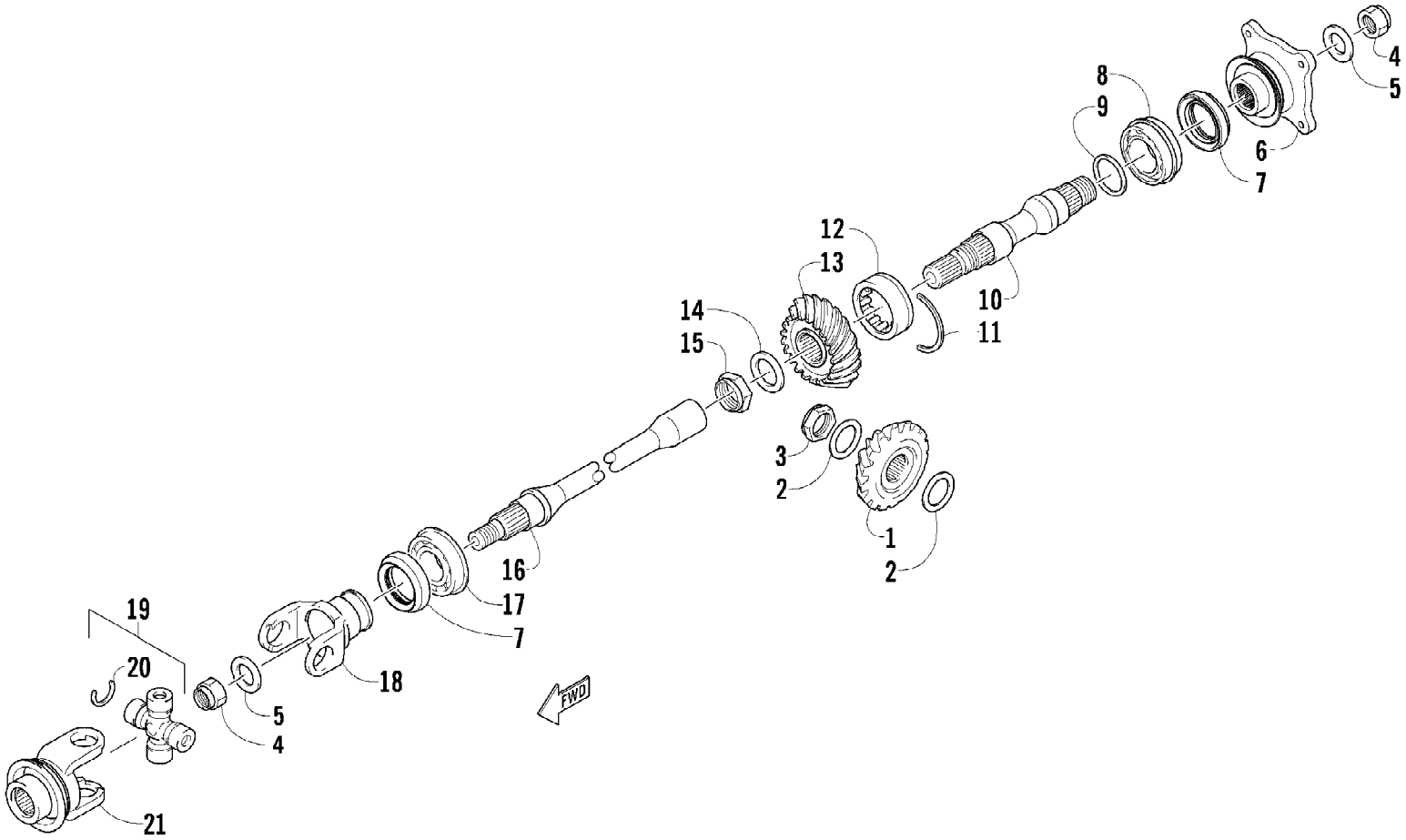


2010 ATV 400 TRV BLACK (A2010TBG4BUSP)
SEAT ASSEMBLY

Page 61 of 81

Ref #	Part Number	Qty	S/P/F	Description
1	2506-805	1		Seat Assembly (inc. 2-9)
2	2506-756	1		Cover, Seat
3	2506-755	1		Foam, Seat
4	2406-144	1	S/P	Base, Seat - Assembly (inc. 5-6)
5	0406-879	2		Bumper, Seat - Rear
6	0406-877	4	/P	Bumper, Seat - Front
7	0624-528	AR	/P	Staple
8	1406-592	1	/P	Spring, Seat Latch
9	1506-156	1		Latch, Seat
10	0441-587	1		Wrench, Spanner

2010 ATV 400 TRV BLACK (A2010TBG4BUSP)
SECONDARY DRIVE ASSEMBLY

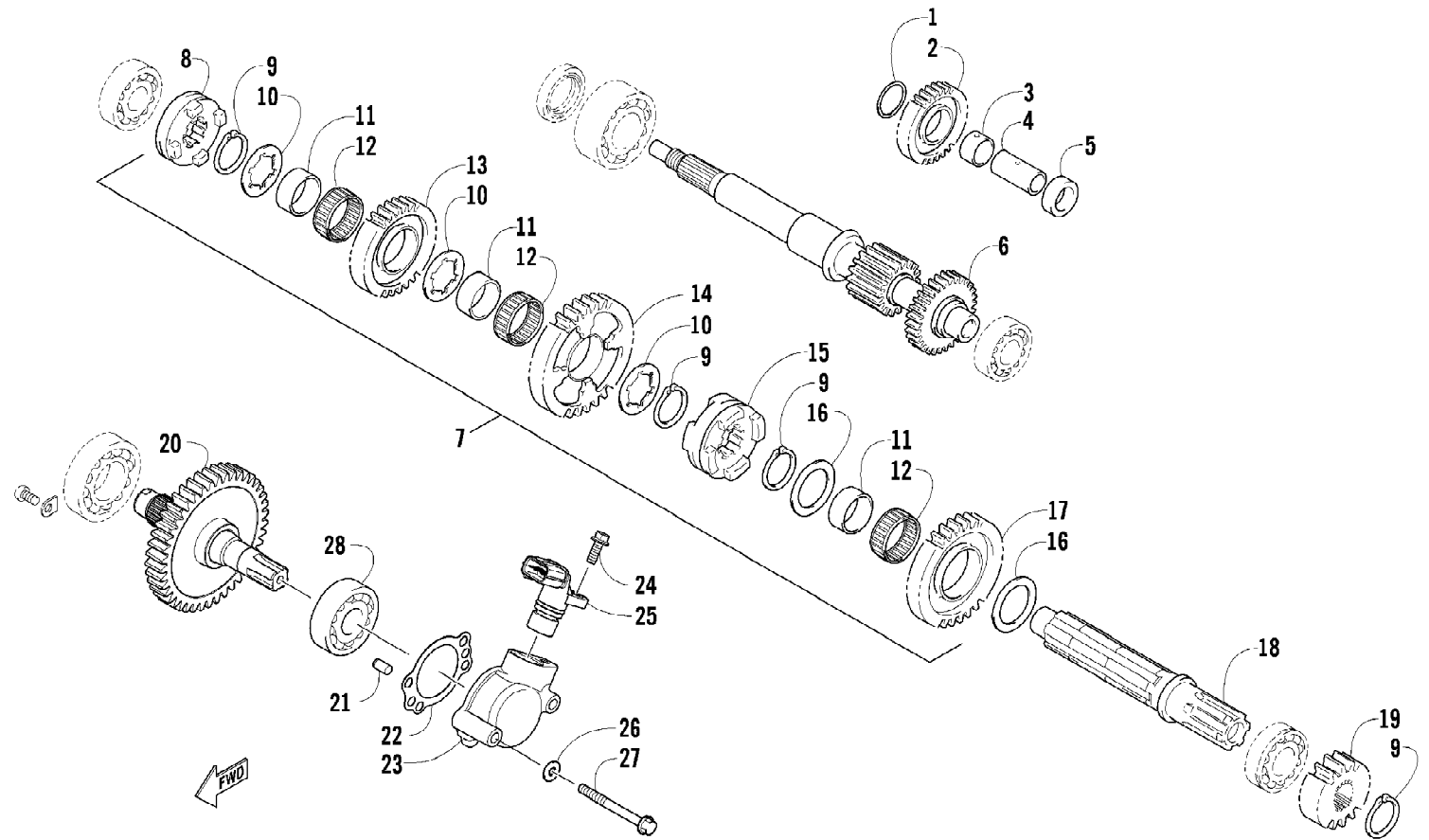


2010 ATV 400 TRV BLACK (A2010TBG4BUSP)
SECONDARY DRIVE ASSEMBLY

Page 63 of 81

Ref #	Part Number	Qty	S/P/F	Description
1	0819-018	1		Gear, Secondary Drive
2	3305-554	2	/P	Washer, Thrust
3	0827-047	1		Nut
4	0817-001	2	S	Nut
5	3304-958	2		Washer
6	0819-022	1		Flange, Output Joint
7	0830-144	2		Seal, Oil
8	0832-041	1		Bearing
9	0828-088	AR		Shim, 25 x 34
10	0819-021	1		Shaft, Secondary Driven
11	0819-070	1		C-Ring
12	0832-040	1		Bearing
13	0819-019	1		Gear, Secondary Driven
14	0828-090	1		Washer
15	0827-022	1		Nut
16	0819-020	1		Shaft, Secondary Driven
17	0832-026	1		Bearing
18	0819-063	1		Yoke, Propeller Shaft Joint
19	1402-164	1	/P	Joint, Universal - Set (inc. 20)
20	0423-450	4		Ring, Retaining
21	0819-071	1		Yoke, Drive Output

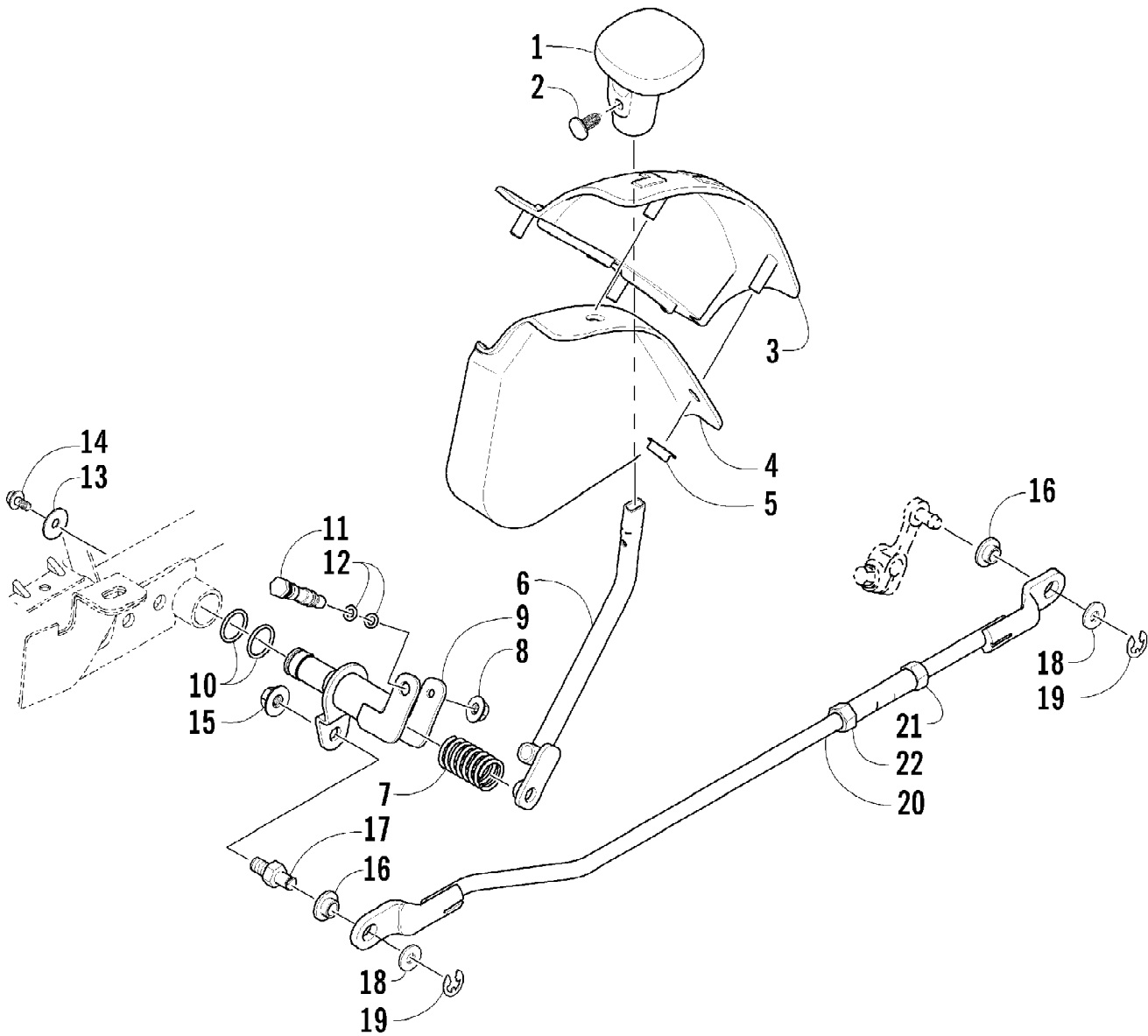
2010 ATV 400 TRV BLACK (A2010TBG4BUSP)
SECONDARY TRANSMISSION ASSEMBLY



2010 ATV 400 TRV BLACK (A2010TBG4BUSP)
SECONDARY TRANSMISSION ASSEMBLY

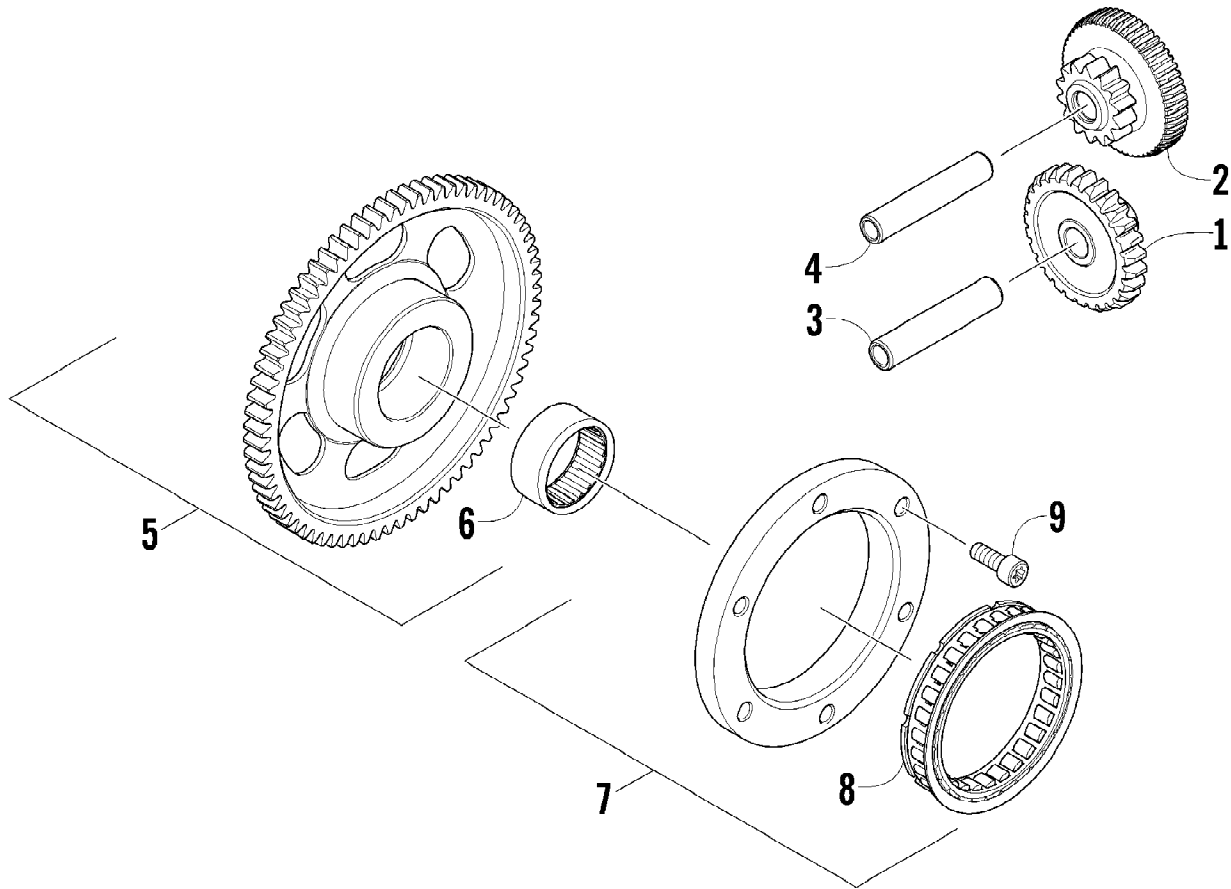
Page 65 of 81

Ref #	Part Number	Qty	S/P/F	Description
1	0828-081	1		Washer
2	0822-061	1		Gear, Reverse Idle
3	0822-065	1		Bushing
4	0822-064	1		Shaft, Reverse Idle
5	0822-029	1		Spacer
6	0822-022	1		Driveshaft
7	0822-036	1		Countershaft Assembly (inc. 8-18)
8	0822-033	1		Gear Select, Reverse
9	3304-147	4	/P	Circlip
10	3304-045	3		Washer
11	0822-062	3		Bushing
12	0832-038	3		Bearing
13	0822-032	1		Gear, Reverse Driven
14	0822-063	1		Gear, Driven - Low
15	0822-027	1		Gear Select, Sliding
16	3304-044	2		Washer, Thrust
17	0822-026	1		Gear, Driven - High
18	0822-025	1		Countershaft
19	0822-028	1		Gear, Drive
20	0822-023	1		Shaft, Output
21	3303-395	2		Pin, Dowel
22	0830-156	1		Gasket, Housing
23	0822-105	1		Housing, Speedometer Sensor
24	3303-382	1	/P	Screw, Cap
25	3313-172	1		Sensor, Speedometer
26	0830-155	2	/P	Gasket
27	3303-387	2		Screw, Cap
28	3304-198	1		Bearing



2010 ATV 400 TRV BLACK (A2010TBG4BUSP)
SHIFT LEVER ASSEMBLY

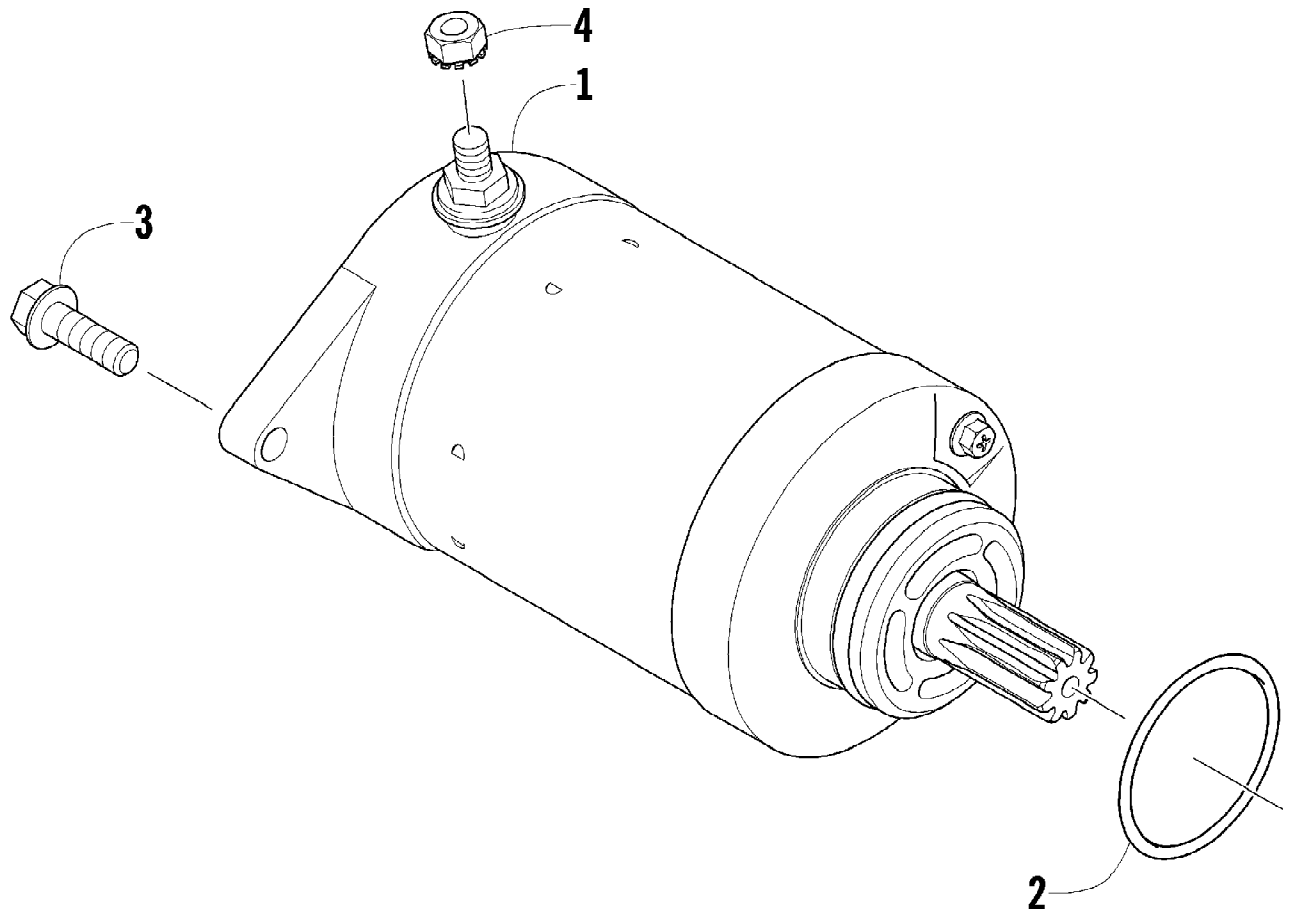
Ref #	Part Number	Qty	S/P/F	Description
1	0402-843	1	/P	Knob, Shift
2	0423-345	1		Clip, Retaining
3	1402-576	1		Plate, Shift
4	2406-345	1		Shield, Shift Plate
5	0423-357	4		Nut, Stamped
6	0502-659	1		Lever, Shift
7	0402-678	1	/P	Spring, Shift Lever
8	8424-602	1	/P	Nut
9	1502-332	1		Actuator, Shift
10	0423-299	2	/P	O-Ring
11	0402-675	1		Axle, Pivot
12	0423-182	2	/P	O-Ring
13	0423-087	1		Washer
14	8408-812	1		Screw, Cap
15	8424-802	1		Nut
16	0423-091	2		Bushing
17	1402-621	1		Pin, Mounting
18	0623-094	2		Washer
19	0423-169	2	/P	E-Ring
20	1502-201	1		Linkage, Shift - Assembly (inc. 21-22)
21	0623-294	1		Nut, Hex - Right-Hand Thread
22	0123-917	1	/P	Nut, Hex - Left-Hand Thread



2010 ATV 400 TRV BLACK (A2010TBG4BUSP)
STARTER CLUTCH ASSEMBLY

Page 69 of 81

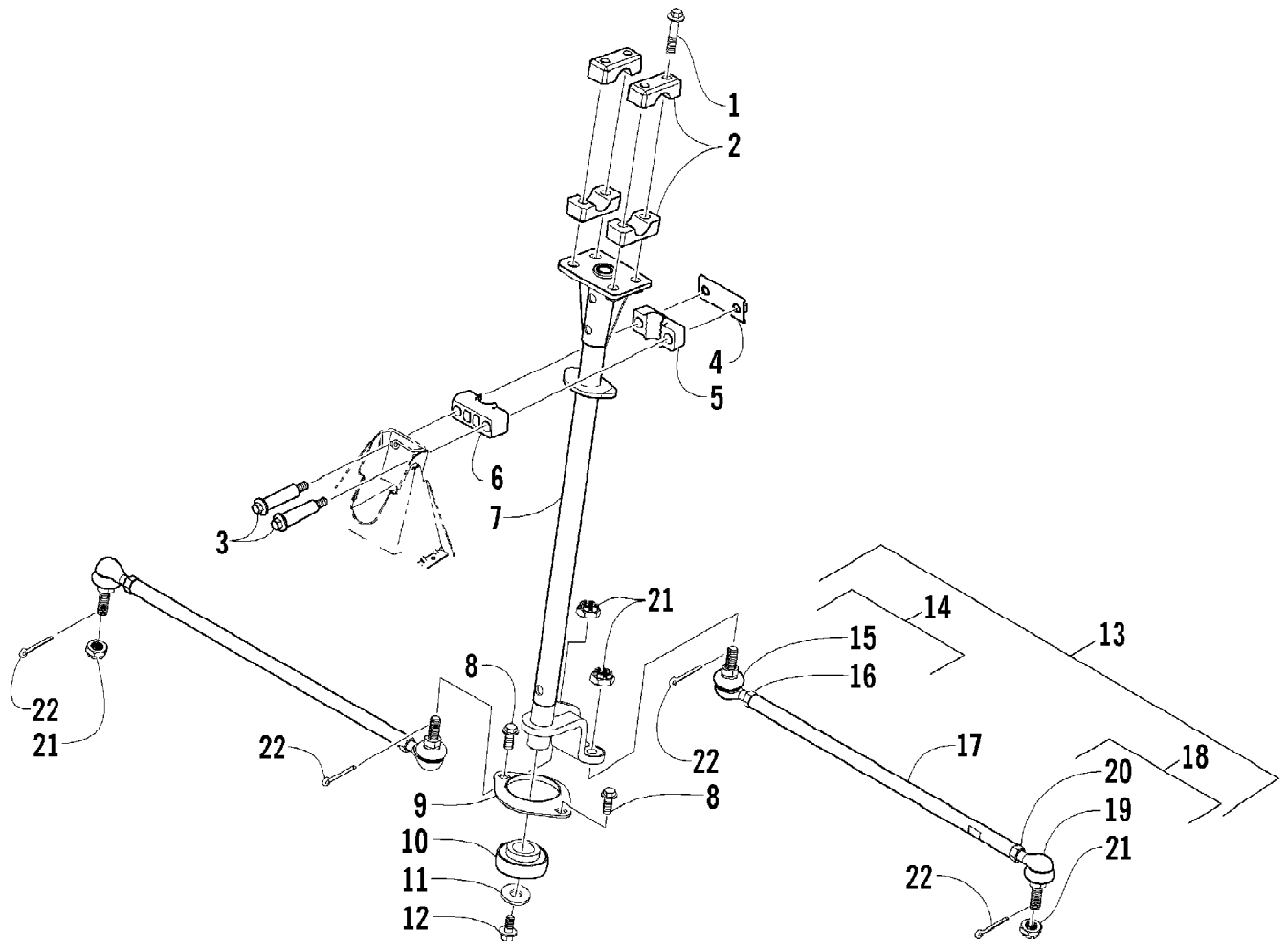
Ref #	Part Number	Qty	S/P/F	Description
1	0815-022	1		Gear, Starter Idler - No. 2
2	0815-031	1		Gear, Starter Idler - No. 1
3	0815-015	1		Pin, Starter Idler Gear No. 2
4	0815-007	1		Pin, Starter Idler Gear No. 1
5	0815-023	1		Gear, Starter Clutch (inc. 6)
6	0832-069	1		Bearing
7	0802-044	1	/P	Clutch, One-Way (inc. 8)
8	0802-046	1	S	Bearing
9	0826-120	6		Screw, Cap



2010 ATV 400 TRV BLACK (A2010TBG4BUSP)
STARTER MOTOR ASSEMBLY

Page 71 of 81

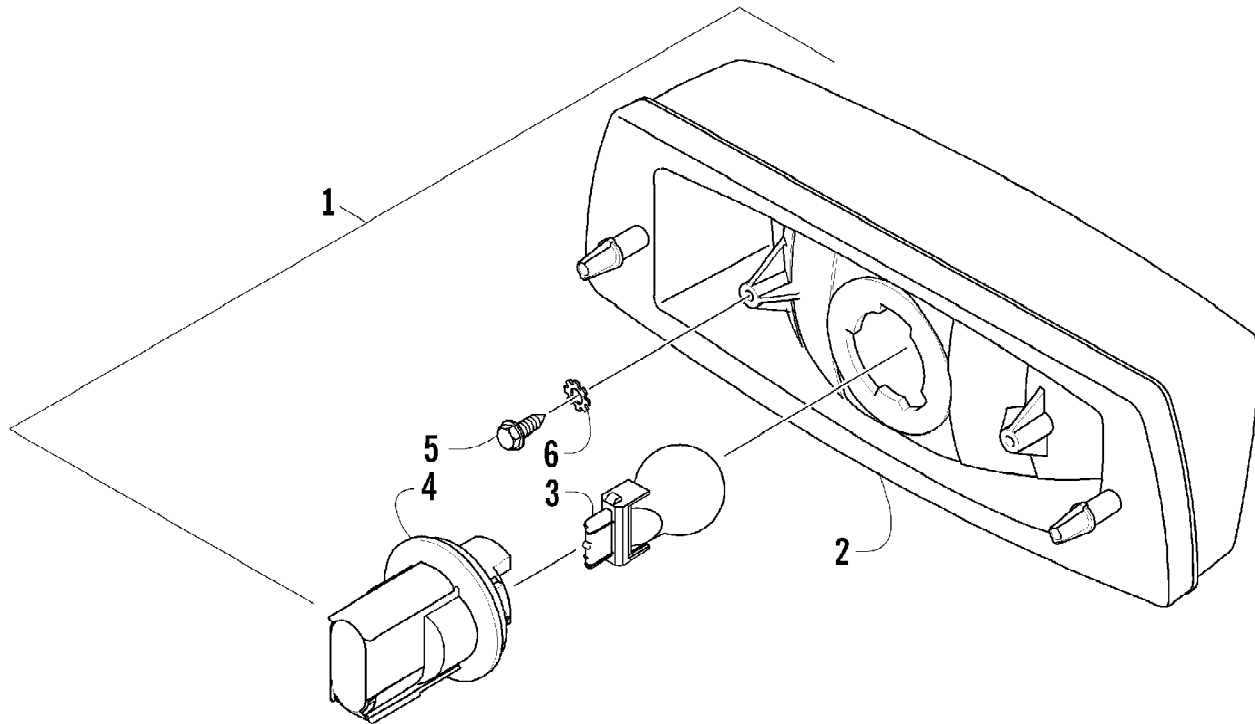
Ref #	Part Number	Qty	S/P/F	Description
1	3313-719	1		Motor, Starter - Assembly (inc. 2)
2	3304-104	1		O-Ring
3	3305-946	2		Screw, Cap
4	3304-011	1		Nut w/Washer



2010 ATV 400 TRV BLACK (A2010TBG4BUSP)
STEERING ASSEMBLY

Page 73 of 81

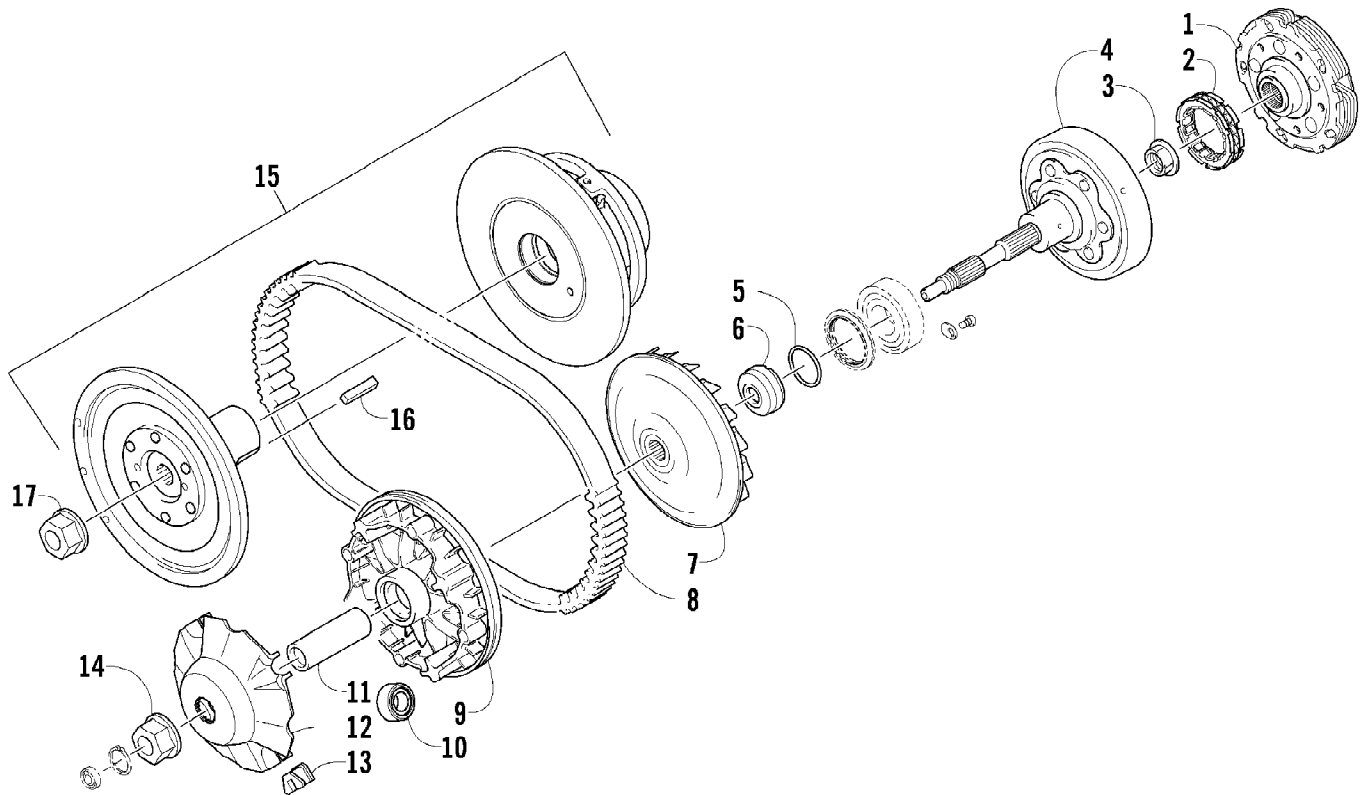
Ref #	Part Number	Qty	S/P/F	Description
1	8408-860	4		Screw, Cap
2	0405-035	4		Cap, Steering Adjuster
3	0423-505	2		Screw, Shoulder
4	0505-484	1		Cap, Housing
5	0405-138	1		Housing, Lower
6	0405-139	1		Housing, Upper
7	0505-451	1	S	Post, Steering
8	8408-816	2		Screw, Cap
9	0602-233	1		Flange, Bearing
10	0405-052	1		Bearing w/Inverted Oil Seal
11	0423-073	1		Washer
12	8409-020	1	/P	Screw, Cap
13	0505-499	2	/P	Tie Rod - Assembly (inc. 14-20)
14	0505-511	2	/P	End, Tie Rod - Left-Hand Thread - Kit (inc. 15-16 and two No. 21-22)
15	0	2	F	End, Tie Rod - Left-Hand Thread
16	0423-013	2		Nut - Left-Hand Thread
17	0405-281	2	/P	Tie Rod
18	0505-510	2	/P	End, Tie Rod - Right-Hand Thread - Kit (inc. 19-20 and two No. 21-22)
19	0	2	F	End, Tie Rod - Right-Hand Thread
20	8420-002	2	/P	Nut - Right-Hand Thread
21	0423-157	4		Nut, Lock
22	0623-175	4		Pin, Cotter



2010 ATV 400 TRV BLACK (A2010TBG4BUSP)
TAILLIGHT ASSEMBLY

Page 75 of 81

Ref #	Part Number	Qty	S/P/F	Description
1	0509-022	1		Taillight Assembly (inc. 2-4)
2	0509-025	1		Housing, Taillight
3	0409-056	1		Bulb, Taillight
4	0409-057	1		Socket, Taillight
5	0623-301	2	/P	Screw, Self-Tapping
6	8053-212	2	/P	Washer, External Tooth Lock

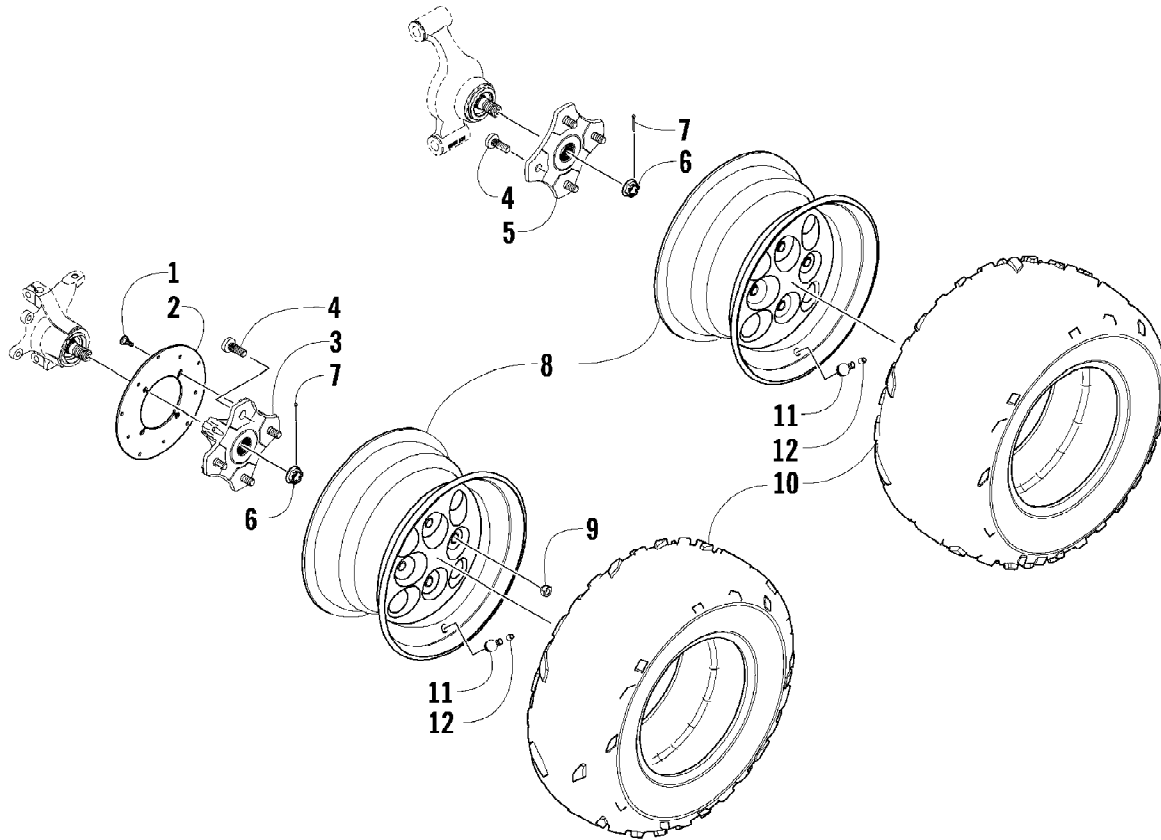


2010 ATV 400 TRV BLACK (A2010TBG4BUSP)
TRANSMISSION ASSEMBLY

Page 77 of 81

Ref #	Part Number	Qty	S/P/F	Description
1	0823-197	1		Shoe, Clutch - Assembly
2	0823-198	1		Clutch, One-Way
3	0827-050	1		Nut
4	0823-200	1		Housing, Clutch
5	0470-531	1		O-Ring
6	0823-058	1		Spacer
7	0823-203	1		Face, Fixed Drive
8	0823-228	1		Belt, Drive
9	0823-207	1		Face, Movable Drive
10	0823-210	8		Roller, Movable Drive Face
11	0823-206	1		Spacer, Movable Drive Face
12	0823-213	1		Plate, Movable Drive Face
13	0823-214	4		Damper, Movable Drive Face
14	3323-165	1	/P	Nut
15	0823-294	1	/P	Clutch, Driven - Assembly (inc. 16)
16	0829-043	1		Key
17	0827-058	1		Nut

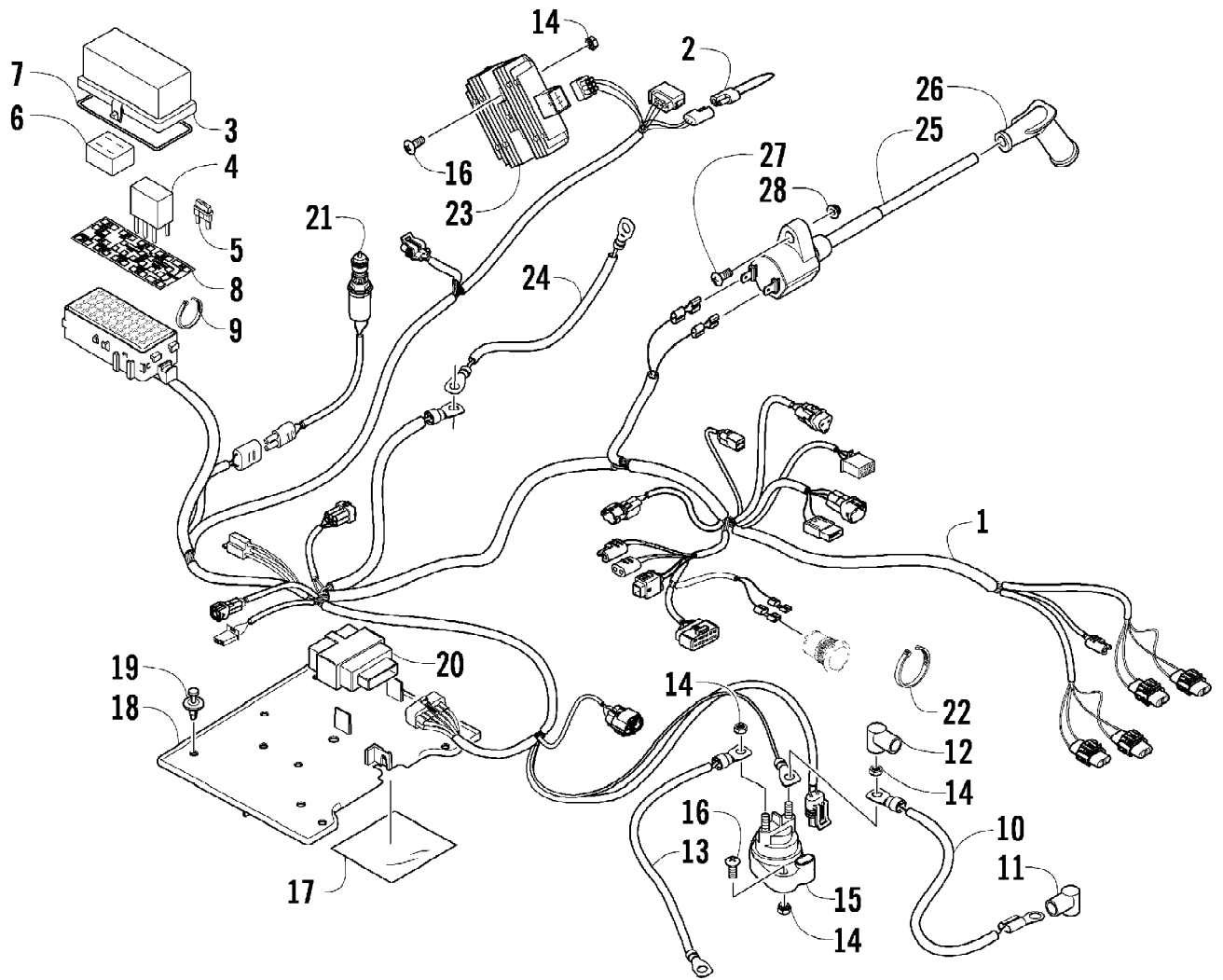
2010 ATV 400 TRV BLACK (A2010TBG4BUSP)
WHEEL AND TIRE ASSEMBLY



2010 ATV 400 TRV BLACK (A2010TBG4BUSP)
WHEEL AND TIRE ASSEMBLY

Page 79 of 81

Ref #	Part Number	Qty	S/P/F	Description
1	0423-557	12		Screw, Shoulder
2	1436-164	3	/P	Disc, Brake
3	3323-100	2	S	Hub, Wheel - Front (inc. 4)
4	0402-974	16	/P	Stud
5	3323-100	1	S	Hub, Wheel - Rear - Right (inc. 4)
5	3323-113	1	/P	Hub, Wheel - Rear - Left (inc. 4)
6	0423-607	4		Nut, Castle
7	0423-407	4		Pin, Cotter
8	1402-776	2		Wheel - Front
8	1402-777	2		Wheel - Rear
9	0423-408	16	/P	Nut, Lug
10	1402-658	2		Tire - Front
10	1402-659	2		Tire - Rear
11	0402-064	4		Stem, Valve (inc. 12)
12	0402-140	4		Cap, Valve Stem



2010 ATV 400 TRV BLACK (A2010TBG4BUSP)
WIRING HARNESS ASSEMBLY

Ref #	Part Number	Qty	S/P/F	Description
1	0486-325	1		Harness, Main (inc. 2-8)
2	0486-164	1		Tether, Accessory Connector
3	0430-085	1		Cover, Fuse Block
4	0430-045	2	/P	Relay (4-Pin) - 20 Amp
5	0430-032	4		Fuse - 10 Amp
5	0430-031	3		Fuse - 15 Amp
5	0430-030	2		Fuse - 30 Amp
6	0430-037	1		Holder, Fuse
7	0430-086	1		Seal
8	2411-078	1		Decal, Fuse Block
9	0123-788	AR	/P	Tie, Cable - 8 in.
10	0445-053	1	/P	Cable, Solenoid/Starter (inc. 11)
11	0645-019	1		Boot, Terminal
12	0645-327	1		Boot, Terminal
13	0445-055	1	/P	Cable, Battery/Solenoid
14	0623-038	6		Nut w/Washer
15	0445-058	1	/P	Solenoid
16	8476-625	4		Screw, Machine
17	0412-291	1		Foil, Protective
18	1406-787	1		Tray, Electrical
19	0623-362	4		Rivet, Reinstallable
20	3313-436	1		CDI Unit
21	0409-089	1		Switch, Brake - Assembly
22	0123-903	AR		Cable Tie - 11.5 in.
23	0824-037	1	/P	Regulator, Voltage
24	0445-054	1	/P	Cable, Battery/Ground
25	3323-216	1		Coil, Ignition - Assembly (inc. 26)
26	3313-695	1		Cap, Spark Plug
27	8470-525	1		Screw, Machine
28	8427-502	1		Nut, Lock