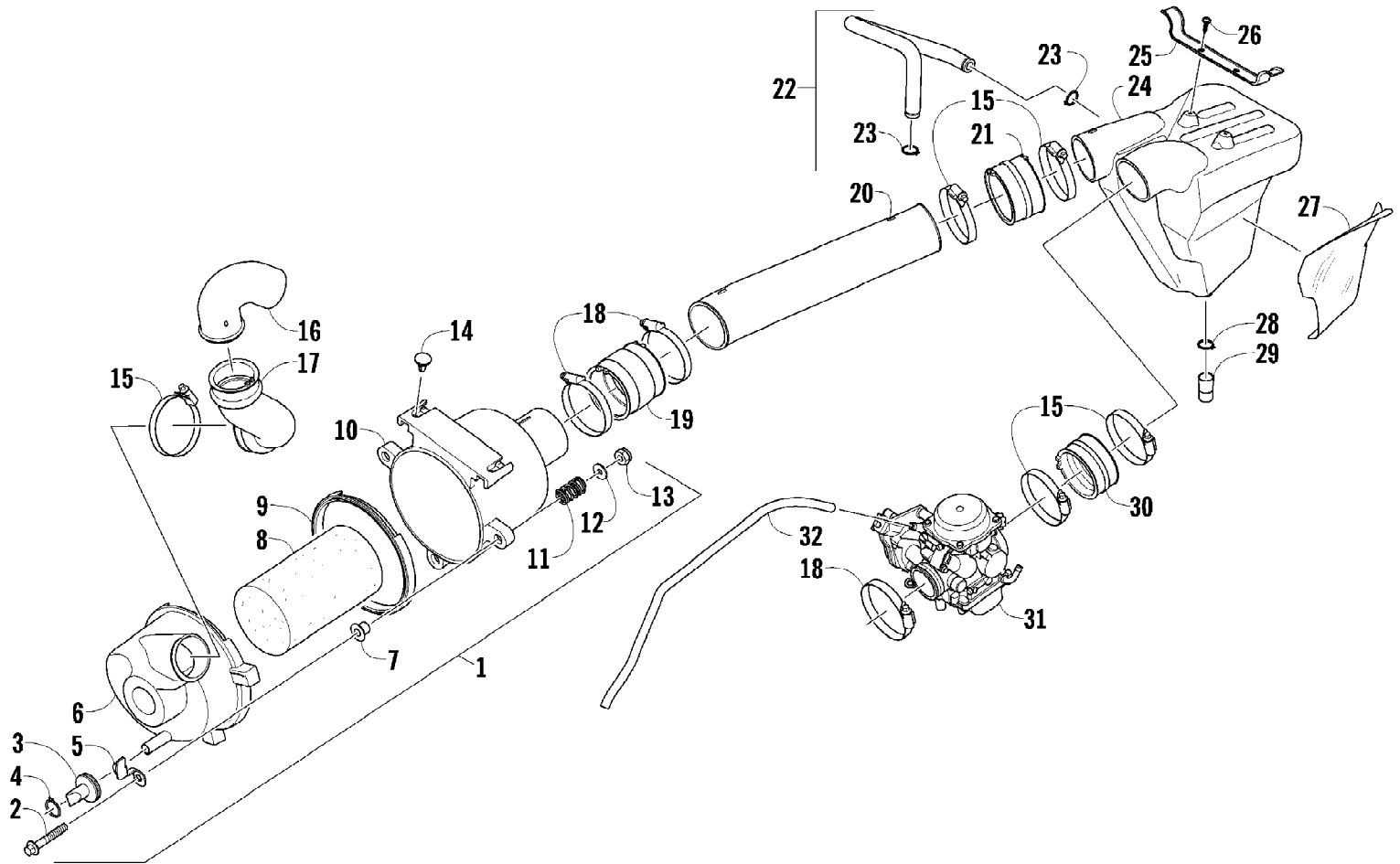


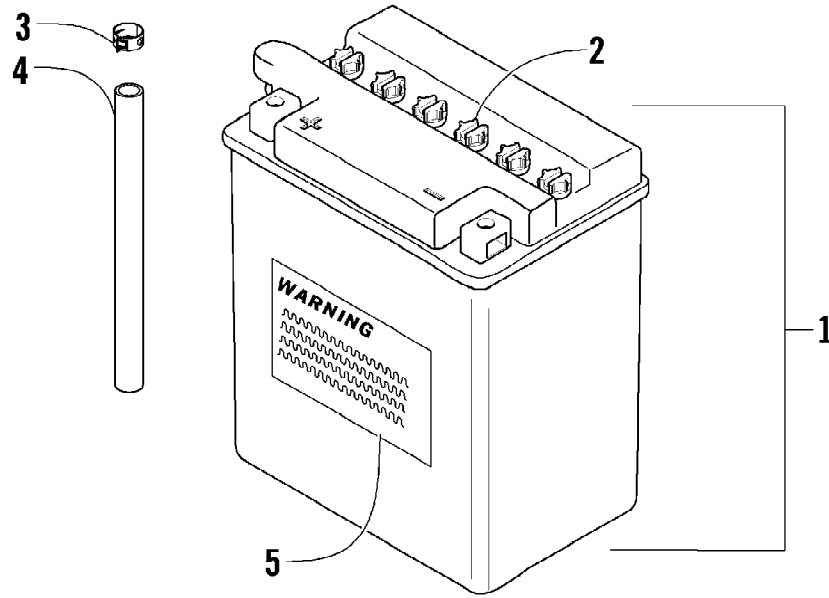
2010 ATV 366 4X4 METALLIC BLACK (A2010IDG4BUSO)
AIR INTAKE ASSEMBLY



2010 ATV 366 4X4 METALLIC BLACK (A2010IDG4BUSO)
AIR INTAKE ASSEMBLY

Page 2 of 76

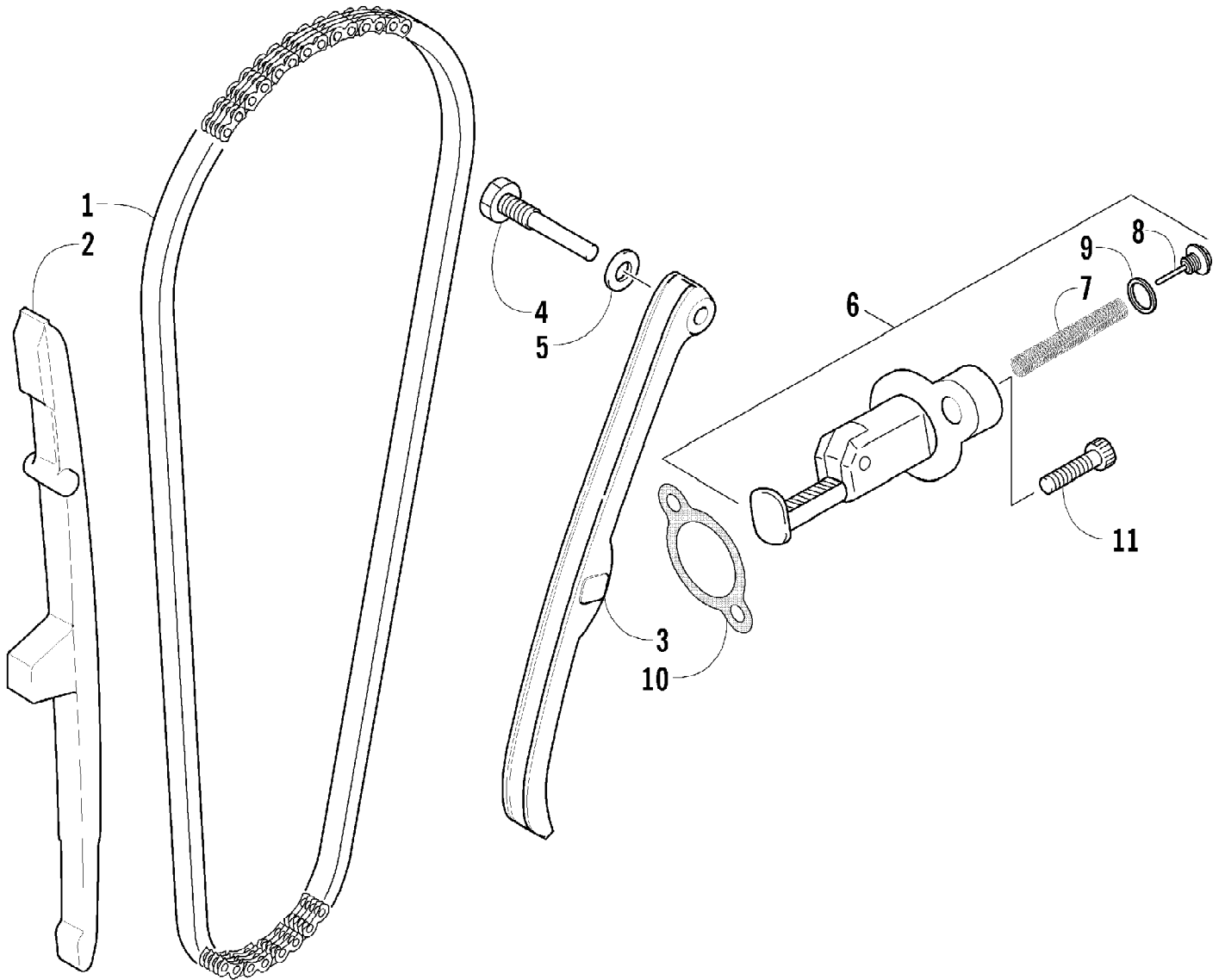
Ref #	Part Number	Qty	S/P/F	Description
1	3313-395	1		Filter, Air - Assembly (inc. 2-13)
2	8408-850	3		Screw, Cap
3	0470-442	1	/P	Valve, Drain
4	3313-705	1		Clamp
5	3313-375	3		Latch
6	3313-376	1		Cover, Air Filter
7	0423-669	3		Spacer
8	3313-378	1		Element, Air Filter
9	3313-446	1		Gasket, Air Filter
10	3313-377	1		Housing, Air Filter
11	0402-678	3	/P	Spring
12	8050-222	3	/P	Washer
13	3303-269	3		Nut, Lock
14	3305-448	2		Clip, Retaining
15	0423-380	5	/P	Clamp
16	3313-366	1		Boot, Air Intake - Top
17	3313-367	1		Boot, Air Intake - Bottom
18	3313-817	3		Clamp
19	3313-275	1		Boot, Air Intake
20	3313-063	1		Boot, Air Intake
21	3313-274	1		Boot, Air Intake
22	3313-397	1		Hose, Oil Catch (inc. 23)
23	3304-167	2		Clamp, Hose
24	3313-224	1		Housing, Air Intake
25	3313-356	1		Bracket, Mounting - Air Intake Housing
26	3304-409	2	/P	Screw, Self-Tapping
27	3313-362	1	/P	Foil, Protective
28	3313-706	1		Clamp
29	3313-543	1		Pipe, Drain
30	3313-551	1		Boot, Air Intake - Carburetor
31	0470-737	1	/P	Carburetor, CVK34
32	3313-476	1		Hose, Vent



2010 ATV 366 4X4 METALLIC BLACK (A2010IDG4BUSO)
BATTERY ASSEMBLY

Page 4 of 76

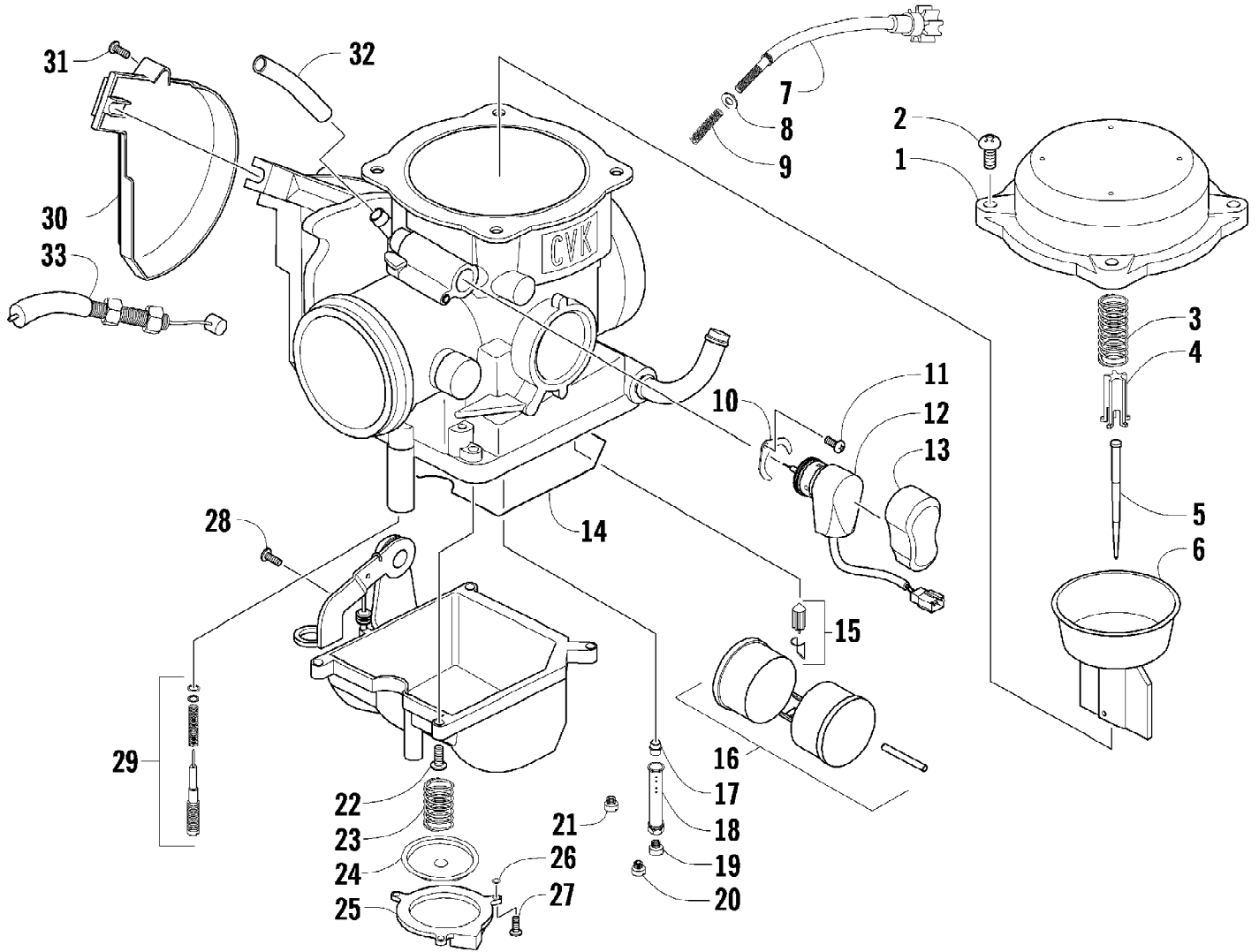
Ref #	Part Number	Qty	S/P/F	Description
1	0745-045	1	/P	Battery Assembly (inc. 2-5)
2	0645-045	6		Cap
3	0645-152	1		Clamp, Hose
4	0645-263	1	/P	Hose, Vent
5	0645-151	1		Decal, Warning



2010 ATV 366 4X4 METALLIC BLACK (A2010IDG4BUSO)
CAM CHAIN ASSEMBLY

Page 6 of 76

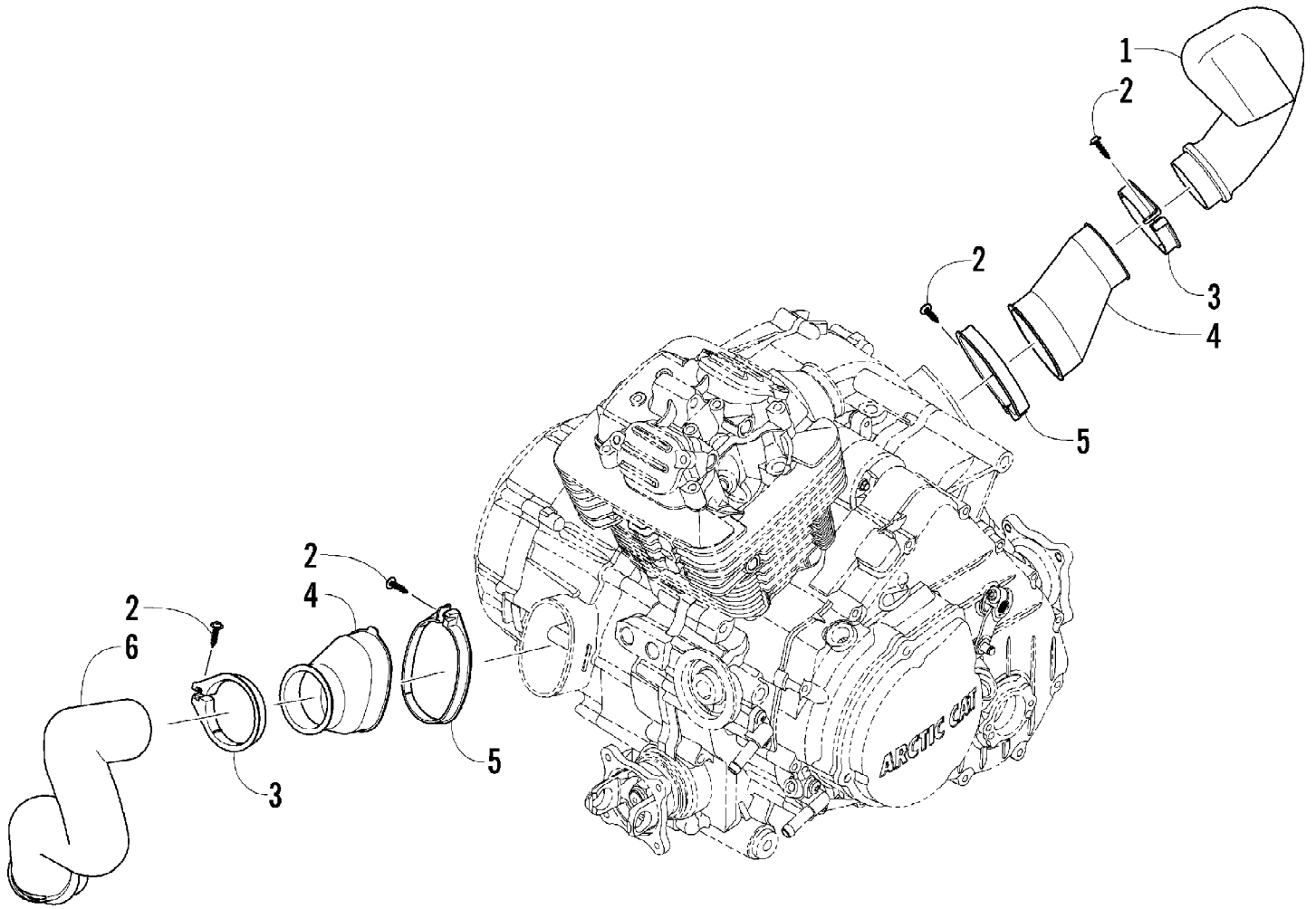
Ref #	Part Number	Qty	S/P/F	Description
1	0810-005	1		Chain, Cam
2	0810-006	1		Guide, Chain
3	0810-007	1		Tensioner, Chain
4	0826-133	1		Pivot, Tensioner
5	0830-150	1		Washer
6	0810-054	1		Adjuster, Tensioner - Assembly (inc. 7-9)
7	0810-056	1		Spring
8	0810-061	1		Plug
9	0810-062	1		Washer
10	0830-060	1		Gasket
11	3303-360	2		Screw, Cap



2010 ATV 366 4X4 METALLIC BLACK (A2010IDG4BUSO)
CARBURETOR

Page 8 of 76

Ref #	Part Number	Qty	S/P/F	Description
	0470-737	1	/P	Complete Carburetor Assembly
1	5507-001	1		Cover, Top
2	5507-002	4	/P	Screw, Machine
3	5507-240	1		Spring
4	5507-005	1		Seat, Spring
5	5507-243	1		Jet Needle
6	5507-004	1	/P	Piston, Vacuum
7	5507-027	1		Screw, Idle Adjust
8	5507-028	1		Washer
9	5507-029	1		Spring
10	5507-115	1		Plate
11	5507-117	1	/P	Screw, Machine
12	5507-180	1		Choke, Electric
13	5507-114	1		Cover, Electric Choke
14	5507-067	1	/P	O-Ring, Float Chamber
15	5507-107	1		Valve, Float - Set
16	5507-039	1		Float Set
17	5507-007	1		Needle Jet
18	5507-047	1	/P	Holder, Needle Jet
19	3305-434	1		Main Jet - 112
19	5507-242	1	F	Main Jet - 108
19	5507-166	1	F	Main Jet - 110
19	5507-126	1	F	Main Jet - 115
19	5507-241	1	F	Main Jet - 118
20	5507-097	1	/P	Starter Jet - 75
21	5507-246	1	/P	Slow Jet - 38
22	5507-017	4	/P	Screw, Machine
23	5507-032	1		Spring
24	5507-182	1	S/P	Diaphragm Assembly
25	5507-198	1		Housing, Pump
26	5507-034	1		U-Ring
27	5507-035	3		Screw, Machine
28	5507-050	1	/P	Screw, Drain
29	5507-111	1		Screw, Pilot - Set
30	5507-036	1		Cover
31	5507-037	1	/P	Screw, Machine
32	0410-048	AR	S	Hose, Vent - 25 ft
33	0487-049	1	/P	Cable, Throttle

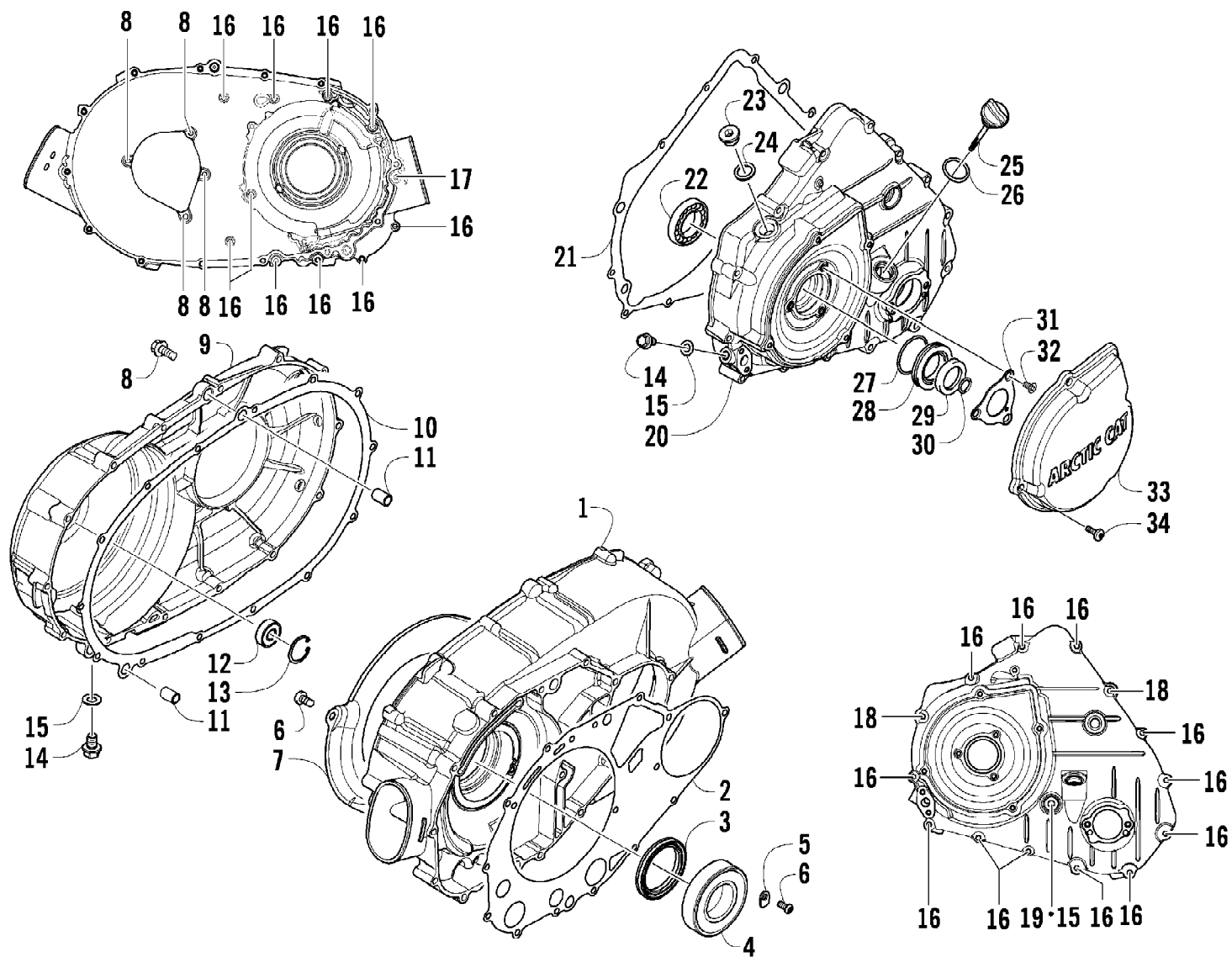


2010 ATV 366 4X4 METALLIC BLACK (A2010IDG4BUSO)
CASE/BELT COOLING ASSEMBLY

Page 10 of 76

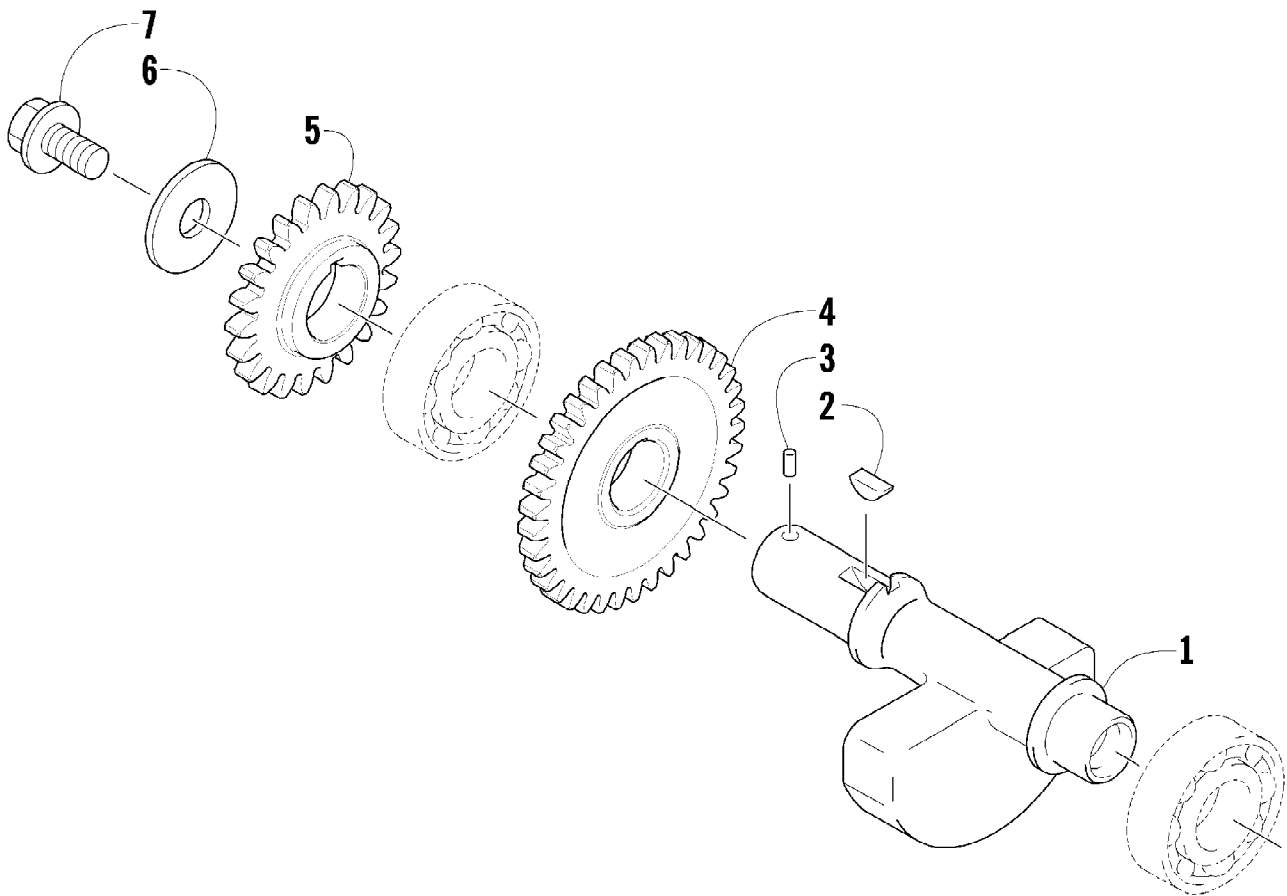
Ref #	Part Number	Qty	S/P/F	Description
1	3313-064	1		Duct, Belt - Air Out
2	0423-342	4	/P	Screw, Self-Tapping
3	0423-551	2		Clamp, Plastic
4	3313-782	2		Boot, Duct
5	0423-550	2		Clamp, Plastic
6	3313-065	1		Duct, Belt - Air In

2010 ATV 366 4X4 METALLIC BLACK (A2010IDG4BUSO)
CLUTCH/V-BELT/MAGNETO COVER ASSEMBLY



2010 ATV 366 4X4 METALLIC BLACK (A2010IDG4BUSO)
CLUTCH/V-BELT/MAGNETO COVER ASSEMBLY

Ref #	Part Number	Qty	S/P/F	Description
1	0806-026	1		Cover, Clutch
2	0830-055	1		Gasket
3	0830-157	1		Seal, Clutch Housing
4	0832-071	1		Bearing
5	0822-104	2		Retainer, Bearing
6	0826-144	5		Screw, Machine
7	0806-103	1		Plate, Air Intake
8	3303-386	18	/P	Screw, Cap
9	0806-027	1		Cover, V-Belt
10	0830-056	1		Gasket, V-Belt Cover
11	0829-046	6		Pin, Dowel
12	0832-023	1		Bearing
13	3303-347	1		Circlip
14	3303-365	2		Plug, Drain
15	3303-591	3		Gasket, Drain Plug
16	3304-903	22		Screw, Cap
17	0826-066	1		Screw, Cap
18	3304-191	2	/P	Screw, Cap
19	0826-068	1		Screw, Cap
20	0806-028	1		Cover, Magneto
21	0830-057	1		Gasket, Magneto Cover
22	0832-053	1		Bearing
23	0806-099	1		Plug
24	0830-141	1		Washer, Crush
25	0806-029	1		Stick, Oil Level (inc. 26)
26	3304-102	1	/P	O-Ring, Oil Level Stick
27	0830-021	1	/P	O-Ring
28	0820-037	1		Spacer
29	0830-145	1	S	Seal, Oil
30	0830-153	1		O-Ring
31	0805-178	1		Retainer, Oil Seal
32	0826-145	3		Screw, Machine
33	0820-066	1		Cover, Magneto - Outer
34	3303-617	4	/P	Screw, Machine

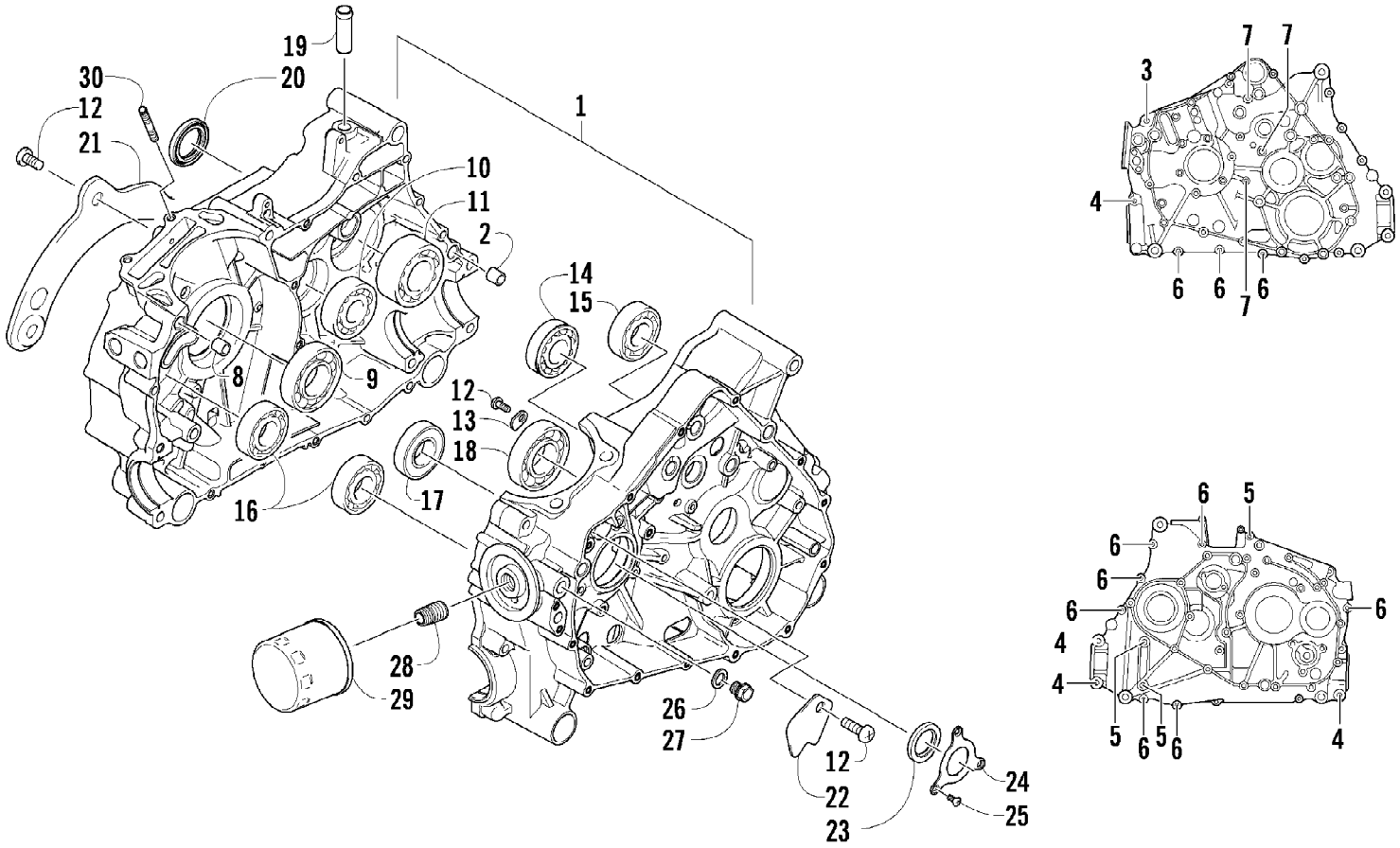


2010 ATV 366 4X4 METALLIC BLACK (A2010IDG4BUSO)
CRANK BALANCER ASSEMBLY

Page 14 of 76

Ref #	Part Number	Qty	S/P/F	Description
1	0811-005	1		Balancer, Crank
2	0829-037	1		Key
3	3304-144	1		Pin, Alignment
4	0811-006	1		Gear, Driven
5	0811-009	1		Gear, Oil Pump Drive
6	0828-091	1		Washer
7	0826-118	1		Screw, Cap

2010 ATV 366 4X4 METALLIC BLACK (A2010IDG4BUSO)
CRANKCASE ASSEMBLY

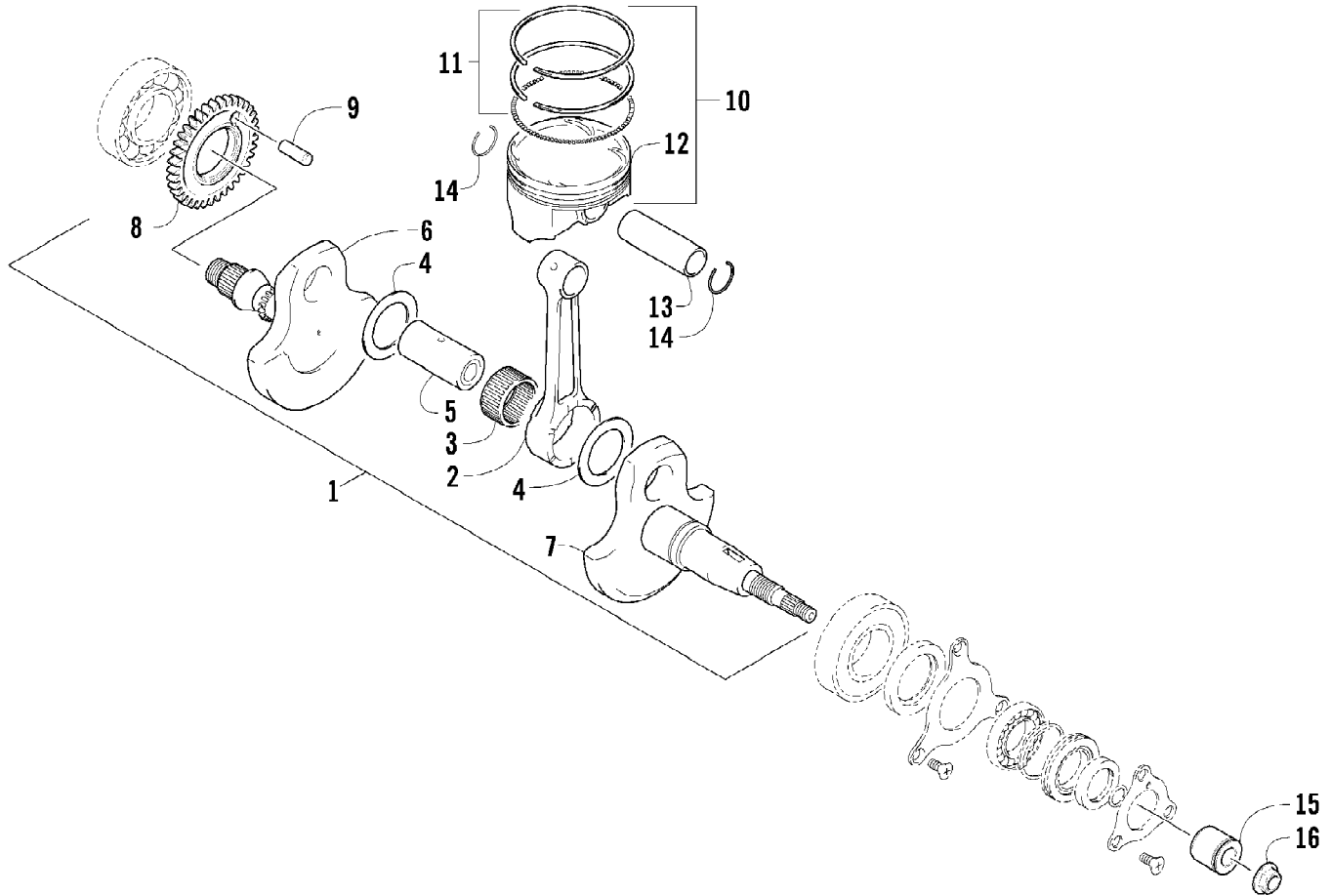


2010 ATV 366 4X4 METALLIC BLACK (A2010IDG4BUSO)
CRANKCASE ASSEMBLY

Page 16 of 76

Ref #	Part Number	Qty	S/P/F	Description
1	0801-021	1		Crankcase - Assembly (inc. 2-4)
2	0829-050	2		Pin, Dowel
3	3303-372	1		Screw, Cap
4	0826-126	4		Screw, Cap
5	0826-064	3		Screw, Cap
6	3303-387	10		Screw, Cap
7	0826-065	3		Screw, Cap
8	0829-046	2		Pin, Dowel
9	0832-087	1		Bearing
10	3304-198	1		Bearing
11	0832-074	1		Bearing
12	0826-144	6		Screw, Machine
13	0822-104	2		Retainer, Bearing
14	3304-195	1		Bearing
15	3304-699	1	/P	Bearing
16	0832-022	2		Bearing
17	0832-020	1		Bearing
18	0832-019	1		Bearing
19	0801-027	1		Tube, Vent - Crankcase
20	0830-066	1		Seal
21	0801-018	1		Plate, Oil Guide - Right
22	0801-019	1		Plate, Oil Guide - Left
23	0830-058	1		Seal
24	0805-018	1		Retainer
25	0826-145	3		Screw, Machine
26	0830-143	1	/P	Gasket
27	0835-004	1		Plug, Oil Pressure
28	0812-066	1		Union, Oil Filter
29	0812-029	1	S	Filter, Oil
30	3313-721	2		Bolt, Stud

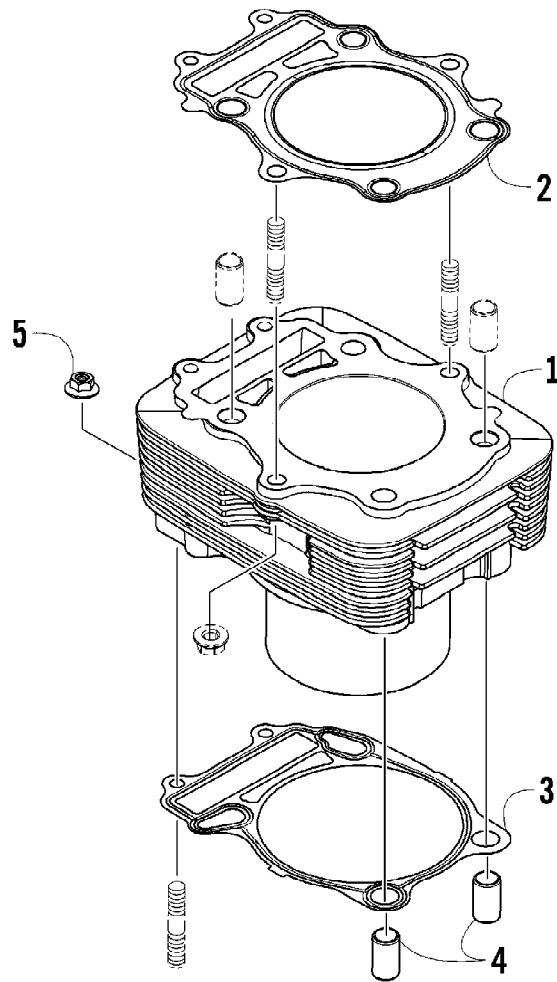
2010 ATV 366 4X4 METALLIC BLACK (A2010IDG4BUSO)
CRANKSHAFT AND PISTON ASSEMBLY



2010 ATV 366 4X4 METALLIC BLACK (A2010IDG4BUSO)
CRANKSHAFT AND PISTON ASSEMBLY

Page 18 of 76

Ref #	Part Number	Qty	S/P/F	Description
1	0805-013	1		Crankshaft Assembly (inc. 2-9)
2	0	1	F	Rod, Connecting
3	0832-018	1		Bearing
4	0828-045	2		Washer
5	0805-043	1		Pin, Crankshaft
6	0805-036	1		Crankshaft - Right
7	0805-038	1		Crankshaft - Left
8	0805-020	1		Gear, Crank Balancer Drive
9	0805-168	1		Pin, Dowel
10	0805-169	1		Piston Set (inc. 11-14)
11	0805-170	1		Ring, Piston - Set
12	0805-021	1		Piston
13	0805-023	1		Pin, Piston
14	0831-060	2		Circlip
15	0820-064	1		Bushing
16	3303-333	1	/P	Nut

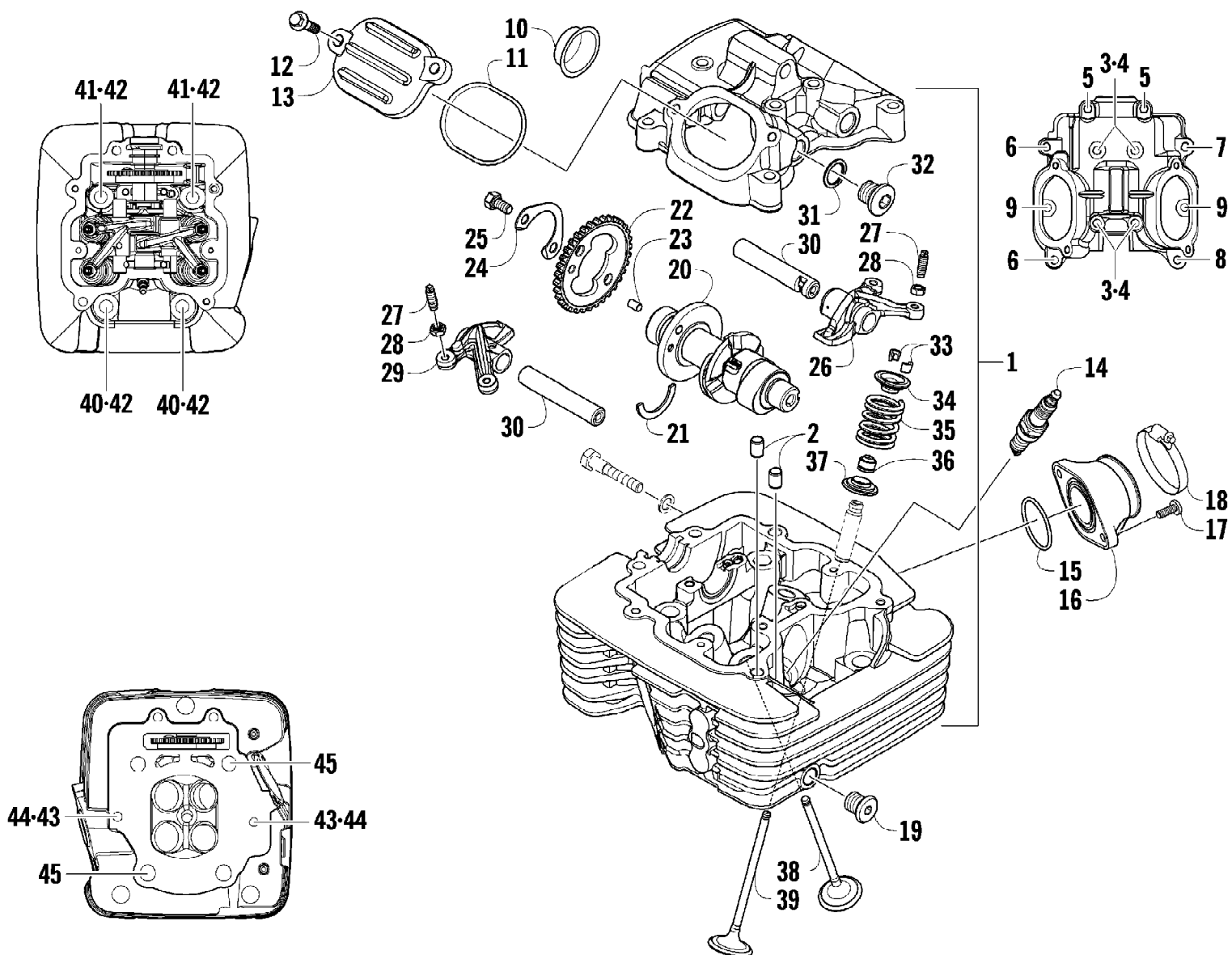


2010 ATV 366 4X4 METALLIC BLACK (A2010IDG4BUSO)
CYLINDER ASSEMBLY

Page 20 of 76

Ref #	Part Number	Qty	S/P/F	Description
1	0804-042	1		Cylinder
2	0830-050	1		Gasket, Cylinder Head
3	0830-053	1		Gasket, Cylinder
4	0829-046	2		Pin, Dowel
5	3304-654	2	/P	Nut, Lock

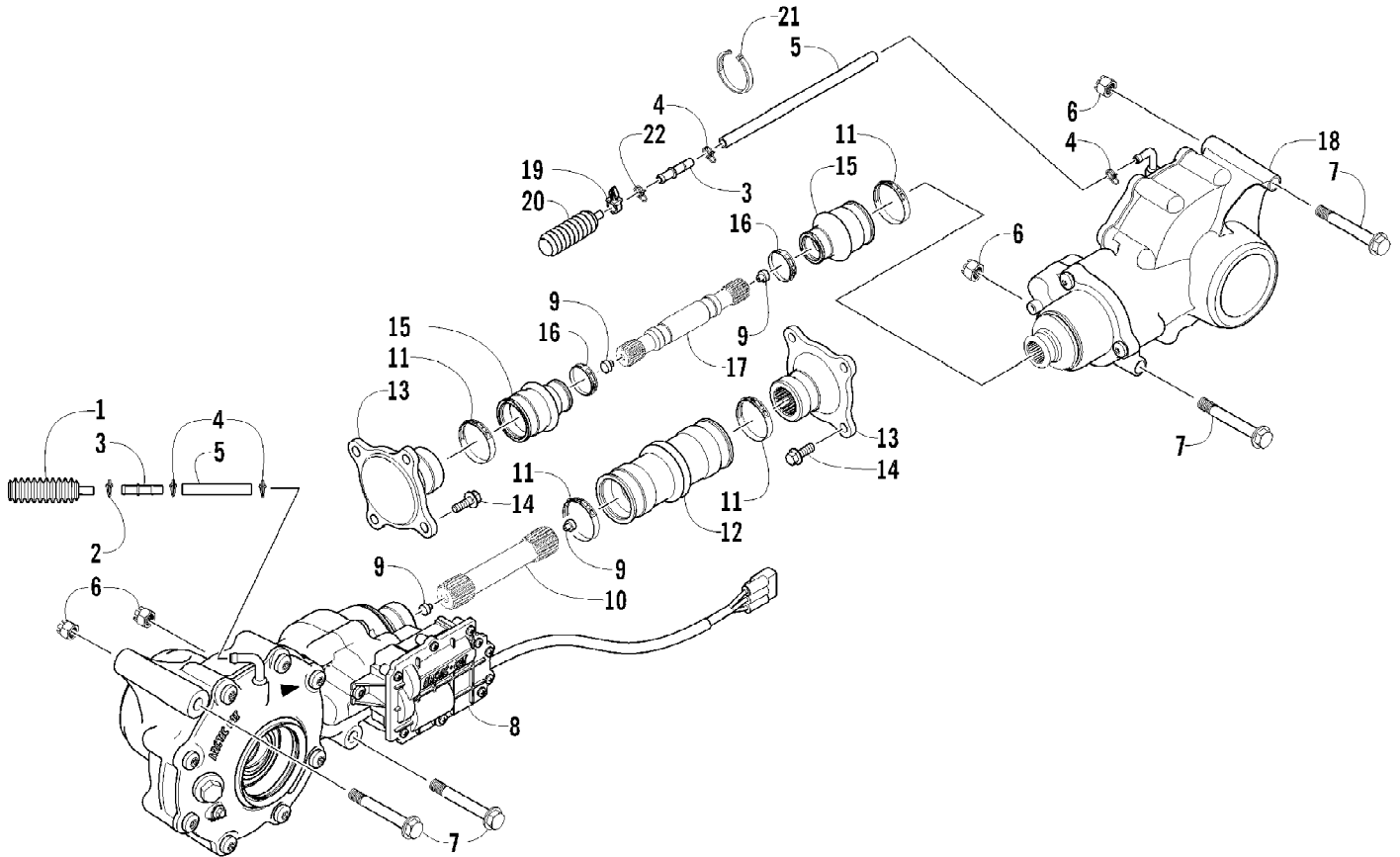
2010 ATV 366 4X4 METALLIC BLACK (A2010IDG4BUSO)
CYLINDER HEAD AND CAMSHAFT/VALVE ASSEMBLY



2010 ATV 366 4X4 METALLIC BLACK (A2010IDG4BUSO)
CYLINDER HEAD AND CAMSHAFT/VALVE ASSEMBLY

Page 22 of 76

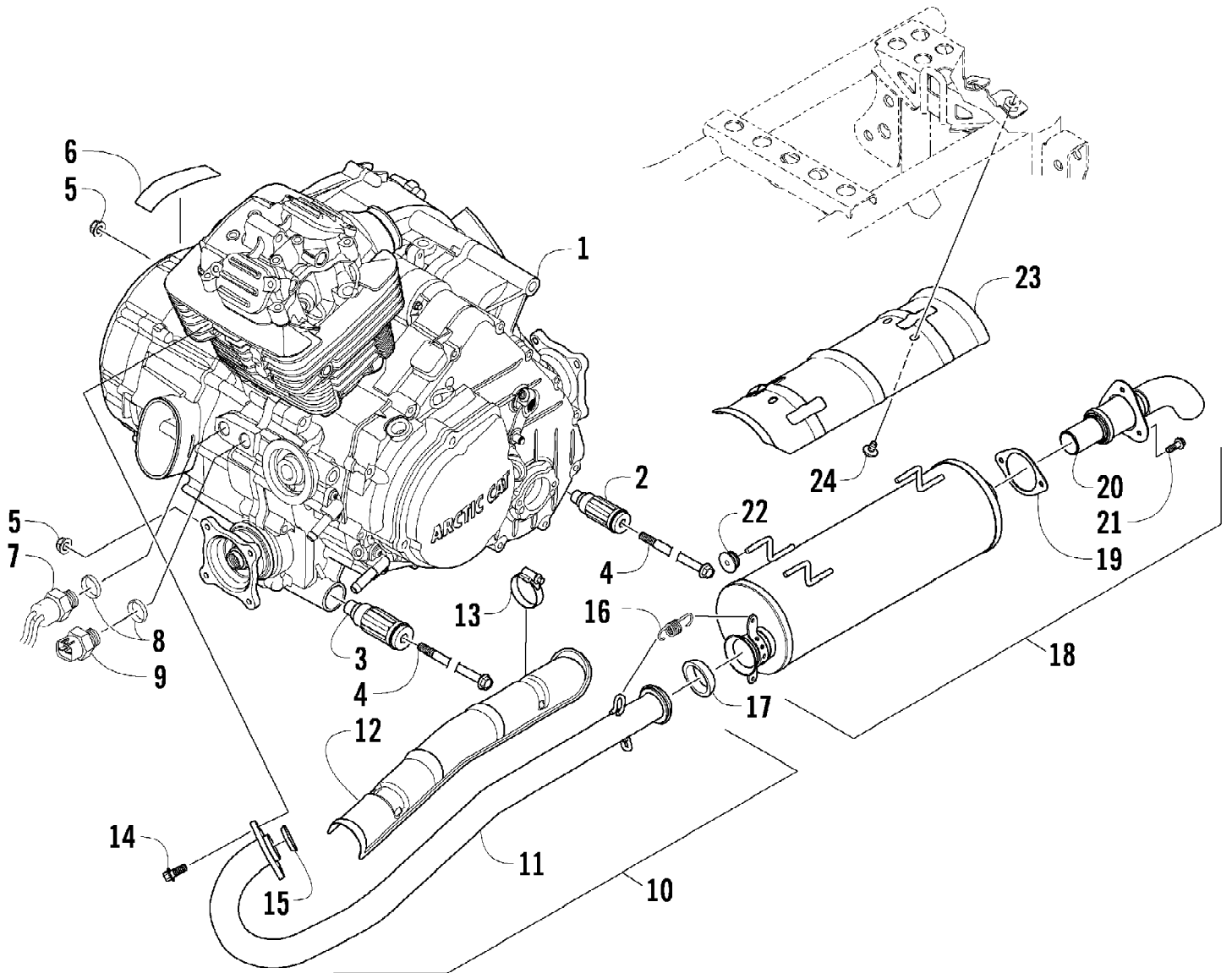
Ref #	Part Number	Qty	S/P/F	Description
1	0808-012	1	/P	Head, Cylinder (inc. 2)
2	3303-341	2		Pin, Dowel
3	0826-115	4		Screw, Cap
4	0830-155	4	/P	Gasket
5	3304-918	2		Screw, Cap
6	3303-386	2	/P	Screw, Cap
7	3304-903	1		Screw, Cap
8	0826-136	1		Screw, Cap
9	3303-384	2	/P	Screw, Cap
10	0808-112	1		Plug, Head
11	0830-139	2		O-Ring
12	3303-383	4	/P	Screw, Cap
13	0808-111	2		Cap, Inspection
14	0217-705	1	/P/F	Spark Plug
15	3323-145	1		O-Ring
16	3323-030	1		Manifold, Intake (inc. 15)
17	3304-189	2	/P	Screw, Cap
18	0423-380	1	/P	Clamp
19	3303-656	1		Plug, Oil Gallery
20	0809-251	1	/P	Camshaft
21	0809-165	1		C-Ring
22	0809-166	1		Sprocket
23	0829-036	1		Pin, Alignment
24	0828-086	1		Plate, Retainer
25	0826-117	2		Screw, Cap
26	0809-145	1		Arm, Valve Rocker - Intake
27	3304-007	4	/P	Screw, Adjuster
28	3304-026	4	/P	Nut
29	0809-149	1		Arm, Valve Rocker - Exhaust
30	0809-151	2		Shaft, Rocker Arm
31	0830-143	2	/P	Gasket
32	0831-053	2		Plug, Shaft
33	3303-044	8		Cotter, Valve
34	0809-142	4		Retainer, Spring
35	0809-140	4		Spring, Valve
36	0809-190	4		Seal, Oil
37	0809-141	4		Seat, Spring
38	0809-188	2		Valve, Intake
39	0809-189	2		Valve, Exhaust
40	0826-062	2		Screw, Cap
41	0826-061	2		Screw, Cap
42	0828-044	4		Washer
43	0827-019	2		Bolt, Stud
44	3303-332	2		Nut
45	0829-013	2		Pin, Dowel



2010 ATV 366 4X4 METALLIC BLACK (A2010IDG4BUSO)
DRIVE TRAIN ASSEMBLY

Page 24 of 76

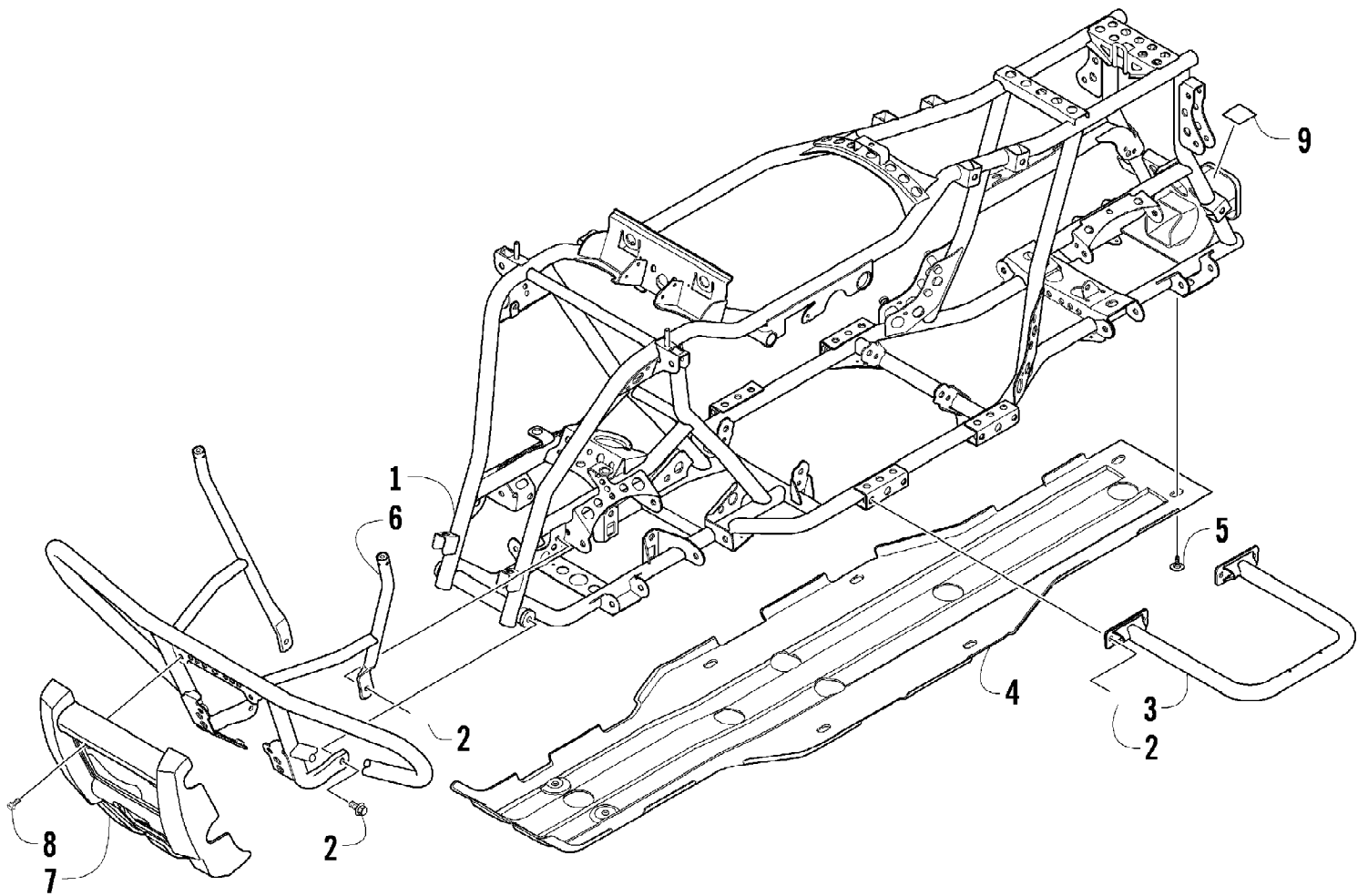
Ref #	Part Number	Qty	S/P/F	Description
1	3313-796	1		Bladder, Gearcase
2	3323-149	1		Clamp, Hose
3	3323-150	2		Fitting, Vent
4	3313-684	4		Clamp, Hose
5	0410-048	AR	S	Hose, Vent
6	3304-031	4	/P	Nut, Lock
7	3305-787	4		Screw, Cap
8	3313-787	1		Gearcase, Front
9	3313-783	4		Bumper, Propeller Shaft
10	3313-784	1		Shaft, Propeller
11	3313-776	4		Clamp
12	3313-825	1		Boot, Coupler
13	3313-774	2		Flange, Output
14	3304-565	8	/P	Screw, Cap
15	0402-985	2	/P	Boot
16	3313-777	2		Clamp
17	3313-773	1		Shaft, Propeller
18	3306-023	1		Gearcase, Rear
19	3323-152	1		Clip, Routing
20	3304-170	1	/P	Bladder, Gearcase
21	0123-788	AR	/P	Tie, Cable - 8 in.
22	3303-349	1		Clamp, Hose



2010 ATV 366 4X4 METALLIC BLACK (A2010IDG4BUSO)
ENGINE AND EXHAUST

Page 26 of 76

Ref #	Part Number	Qty	S/P/F	Description
1	3313-400	1		Engine (inc. 2-3)
2	0801-092	3		Mount, Rubber - Engine
3	0801-144	1		Mount, Rubber - Engine
4	3323-174	2		Screw, Cap
5	3304-031	2	/P	Nut, Lock
6	0411-426	1		Decal, Warning - Clutch Cover
7	3313-432	1		Switch, Temperature - Fan
8	0830-180	2		O-Ring
9	3313-431	1		Switch, Temperature - Light
10	3313-364	1		Pipe, Exhaust - Assembly (inc. 11-13)
11	3313-024	1		Pipe, Exhaust
12	3313-025	1		Shield, Exhaust
13	0423-317	2	/P	Clamp
14	3304-565	2	/P	Screw, Cap
15	0412-007	1	/P	Gasket, Exhaust Pipe
16	0612-668	2	/P	Spring, Extension
17	0612-188	1	/P	Seal, Exhaust
18	3313-640	1		Muffler - Assembly (inc. 19-21)
19	3313-708	1		Gasket, Spark Arrester
20	3313-707	1		Arrester, Spark - Assembly
21	3304-438	3		Screw, Cap
22	3313-264	3		Bushing
23	3313-026	1		Cover, Muffler
24	3313-711	3		Screw, Machine

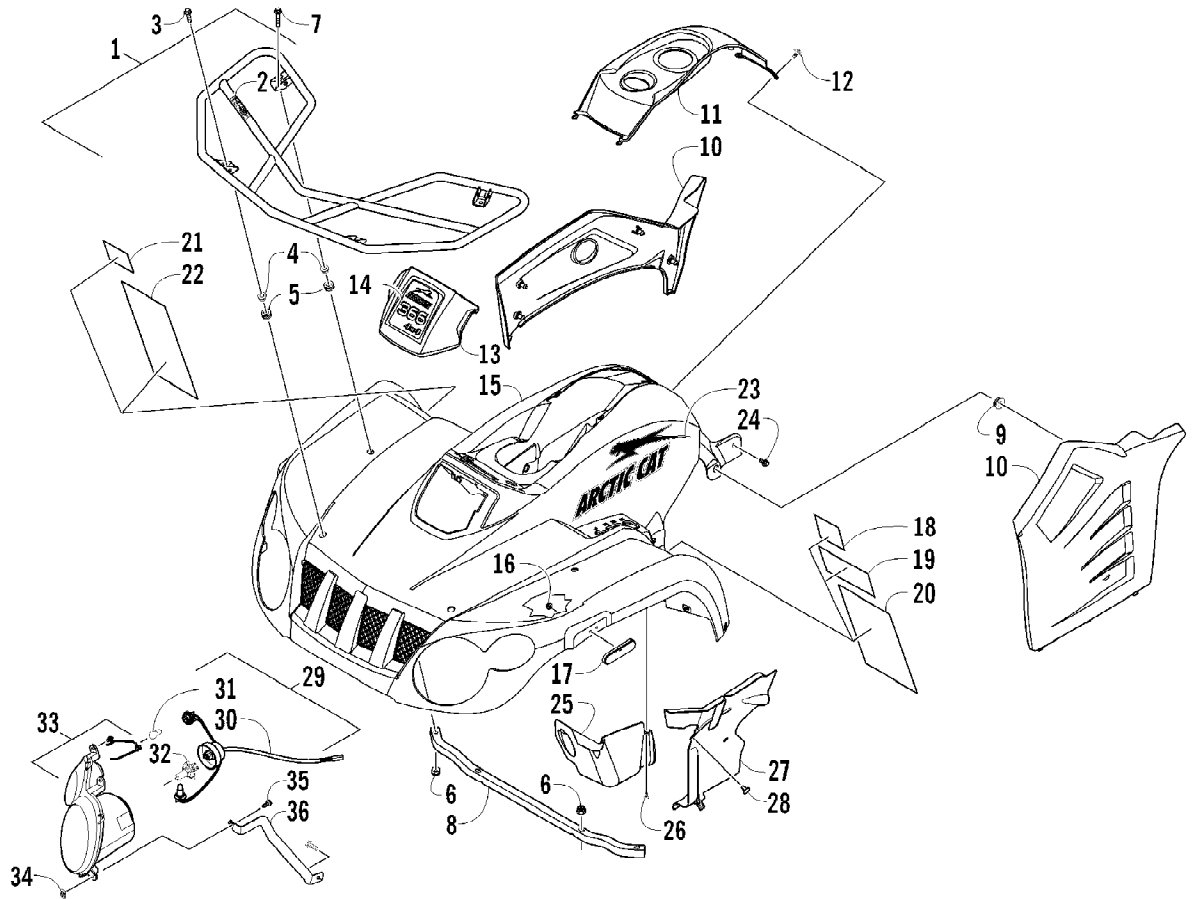


2010 ATV 366 4X4 METALLIC BLACK (A2010IDG4BUSO)
FRAME AND RELATED PARTS

Page 28 of 76

Ref #	Part Number	Qty	S/P/F	Description
1	3313-727	1		Frame, Main
2	3304-543	12	/P	Screw, Cap
3	3313-351	2		Footrest
4	3313-755	1	/P	Panel, Belly
5	0423-545	10	/P	Screw, Shoulder
6	3313-357	1		Bumper - Front
7	3313-758	1	/P	Fascia, Bumper
8	3304-587	4	/P	Screw, Cap
9	1411-077	1		Decal, Warning - Towing

2010 ATV 366 4X4 METALLIC BLACK (A2010IDG4BUSO)
FRONT BODY, RACK, AND HEADLIGHT ASSEMBLY

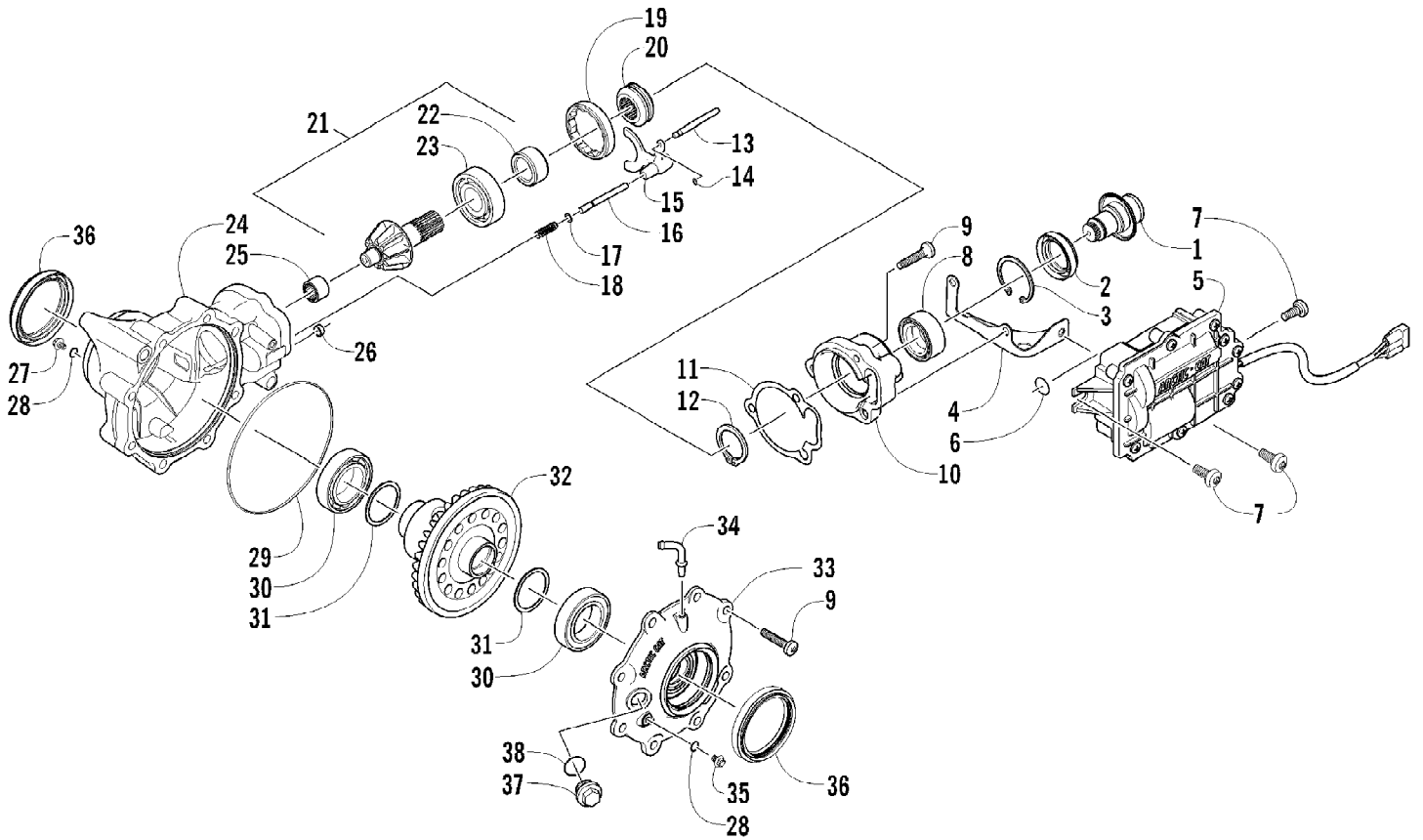


2010 ATV 366 4X4 METALLIC BLACK (A2010IDG4BUSO)
FRONT BODY, RACK, AND HEADLIGHT ASSEMBLY

Page 30 of 76

Ref #	Part Number	Qty	S/P/F	Description
1	3313-372	1		Rack, Front - Assembly (inc. 2)
2	1411-681	1		Decal, Warning - Load
3	3313-713	2		Screw, Cap
4	0423-669	4		Spacer
5	0423-465	4		Grommet
6	3304-668	4		Nut, Lock
7	3313-522	2		Screw, Cap
8	3313-469	1		Tube, Mounting
9	0423-678	10		Grommet
10	3313-752	1		Panel, Side - Lower - Right
10	3313-753	1		Panel, Side - Lower - Left
11	3305-970	1		Cover, Gas Tank
12	3304-057	2	/P	Rivet, Plastic
13	3313-751	1		Cover, Access - Electrical
14	1411-691	1	/P	Decal, Instrument Pod
15	3313-767	1		Panel, Fender - Front (inc. 16-22)
16	3304-774	2		Nut, Lock
17	3313-359	2	/P	Reflector
18	0411-835	1		Decal, Warning - Turn/Hill
19	2411-203	1	S	Decal, Warning - Age
20	2411-169	1	S	Decal, Warning - General
21	1411-574	1		Decal, Warning - Off-Road Only
22	1411-250	1		Decal, Warning - Reverse/Pre-Ride
23	1411-634	1		Decal, Side - Upper Right
23	1411-635	1		Decal, Side - Upper Left
24	3305-783	2		Screw, Cap
25	3313-754	1		Shield, Linkage
26	3304-650	3	/P	Screw, Self-Tapping
27	3313-756	1		Panel, Splash - Right
27	3313-757	1		Panel, Splash - Left
28	3303-592	2		Clip, Retaining
29	3313-516	1		Headlight - Assembly - Right (inc. 30-33)
29	3313-517	1		Headlight - Assembly - Left (inc. 30-33)
30	3313-173	2		Socket, Headlight - Assembly
31	3313-508	2	/P	Bulb
32	3303-846	2	/P	Bulb, Headlight
33	3313-249	1		Lens, Headlight - Assembly - Right
33	3313-495	1		Lens, Headlight - Assembly - Left
34	3304-061	8	/P	Clip, U-Nut
35	3304-029	8	/P	Screw, Cap
36	3313-492	1		Bracket, Support - Headlight - Right
36	3313-493	1		Bracket, Support - Headlight - Left

2010 ATV 366 4X4 METALLIC BLACK (A2010IDG4BUSO)
FRONT DRIVE GEARCASE ASSEMBLY

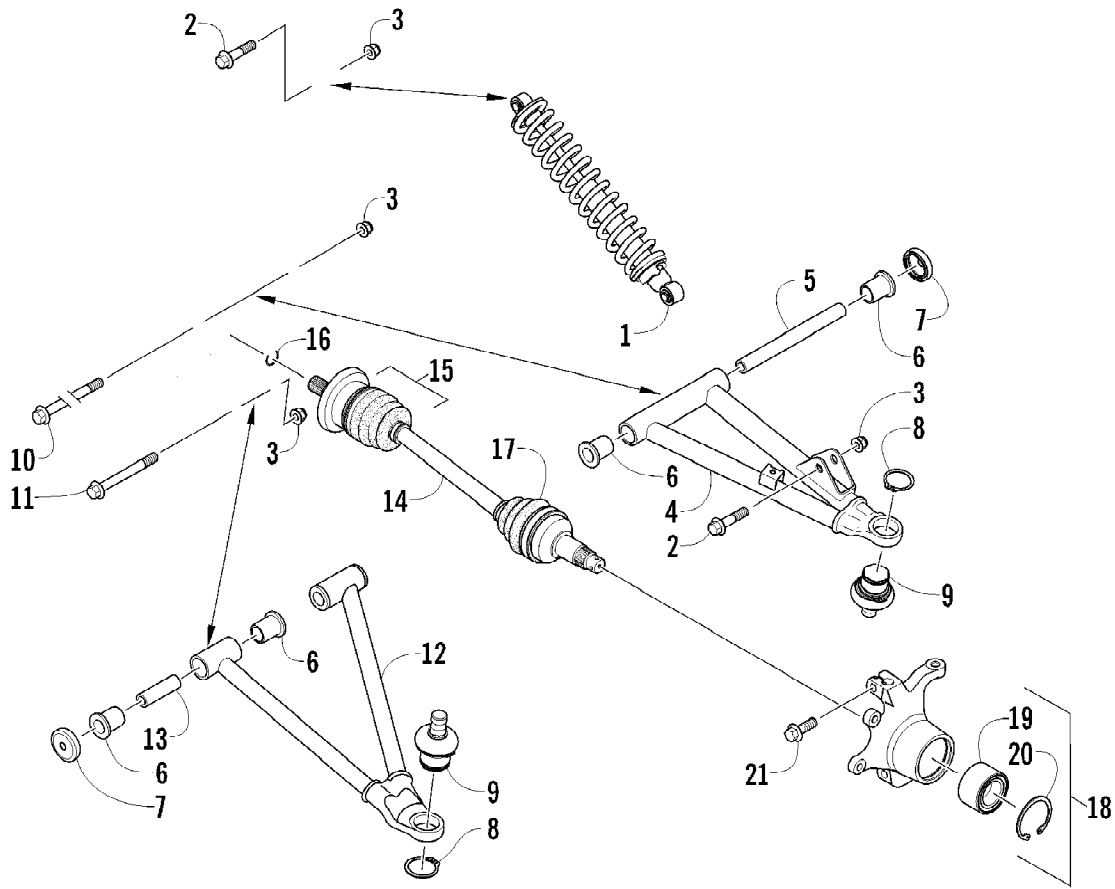


2010 ATV 366 4X4 METALLIC BLACK (A2010IDG4BUSO)
FRONT DRIVE GEARCASE ASSEMBLY

Page 32 of 76

Ref #	Part Number	Qty	S/P/F	Description
	3313-787	1		Complete Front Drive Gearcase Assembly
1	3306-047	1		Shaft, Input
2	3323-239	1		Seal
3	3306-046	1		Ring, Retaining
4	3323-241	1		Bracket, Actuator
5	3313-786	1		Actuator
6	3313-792	1		O-Ring
7	3313-797	3		Screw, Self-Tapping
8	3323-240	1		Bearing
9	3303-615	11		Screw, Self-Tapping
10	3323-238	1		Housing, Pinion
11	3323-234	1		Gasket, Flange
12	3306-045	1		Ring, Retaining
13	3323-235	1		Shaft, Selector
14	3313-791	1		Ring, Retaining
15	3323-236	1		Fork, Selector
16	3323-233	1		Shaft, Shuttle
17	3313-790	1		O-Ring
18	3313-789	1		Spring, Return
19	3313-788	1		Collar, Lock
20	3323-232	1		Coupler, Drive
21	3306-039	1		Gear, Pinion - Assembly - 11T (inc. 22-23)
22	0402-336	1		Collar, Retaining
23	3306-040	1		Bearing
24	3313-793	1		Housing, Gearcase
25	3306-038	1		Bearing
26	3306-048	1		Pin, Dowel
27	3306-027	1		Plug, Magnetic (inc. one No. 28)
28	0423-153	2		O-Ring
29	3306-030	1		O-Ring
30	3306-026	2		Bearing
31	0402-405	AR		Shim
31	0402-406	AR		Shim
31	0402-407	AR		Shim
31	0402-408	AR		Shim
31	0402-409	AR		Shim
32	3313-794	1		Gear, Ring - 34T
33	3313-795	1		Cover, Gearcase
34	3306-034	1		Fitting, 90°
35	3306-036	1		Plug, Oil Level (inc. one No. 28)
36	3306-025	2		Seal
37	3306-035	1		Plug, Fill (inc. 38)
38	0423-154	1		O-Ring

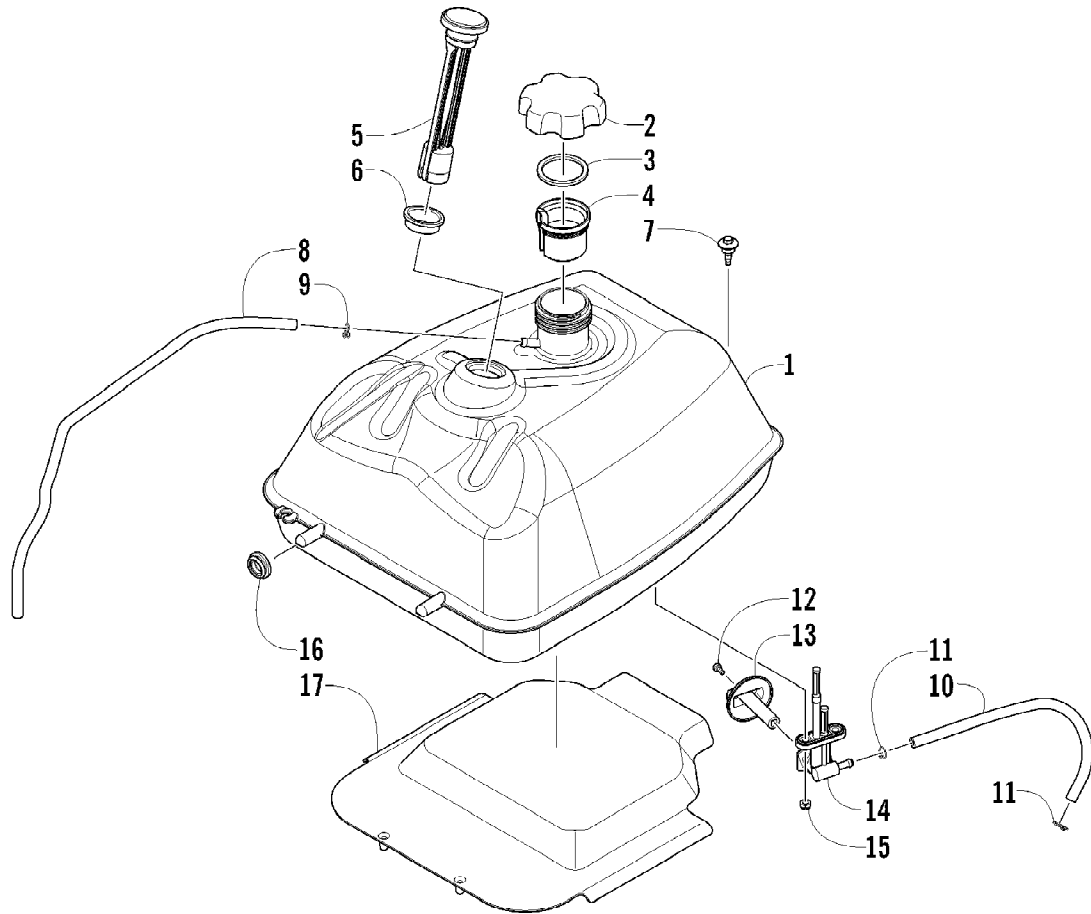
2010 ATV 366 4X4 METALLIC BLACK (A2010IDG4BUSO)
FRONT SUSPENSION ASSEMBLY



2010 ATV 366 4X4 METALLIC BLACK (A2010IDG4BUSO)
FRONT SUSPENSION ASSEMBLY

Page 34 of 76

Ref #	Part Number	Qty	S/P/F	Description
1	3313-330	2		Shock/Spring Assembly
2	3303-376	4	/P	Screw, Cap
3	8428-002	10		Nut, Lock
4	3313-084	1		A-Arm, Upper Right (inc. 5-9)
4	3313-085	1		A-Arm, Upper Left (inc. 5-9)
5	3313-111	2	/P	Axle
6	3313-112	12		Bushing
7	3313-113	12		Seal
8	0423-009	4	/P	Ring, Retaining
9	0405-115	4	/P	Ball Joint
10	3313-430	2		Screw, Cap
11	3304-183	4	/P	Screw, Cap
12	3313-080	1		A-Arm, Lower Right (inc. 6-9 and 13)
12	3313-081	1		A-Arm, Lower Left (inc. 6-9 and 13)
13	3313-107	4		Axle
14	3313-831	2	/P	Axle, Drive - Front (inc. 15-17)
15	3313-560	1		Repair Kit, Boot - Drive Axle - Inbound (inc. 16)
16	0423-844	2	/P	Clip, Retaining
17	3313-558	1		Repair Kit, Boot - Drive Axle - Outbound
18	3323-130	1		Knuckle - Assembly - Right (inc. 19-20)
18	3323-131	1		Knuckle - Assembly - Left (inc. 19-20)
19	1402-809	2	/P	Bearing
20	0423-423	2		Ring, Retaining
21	3323-127	4		Screw, Cap

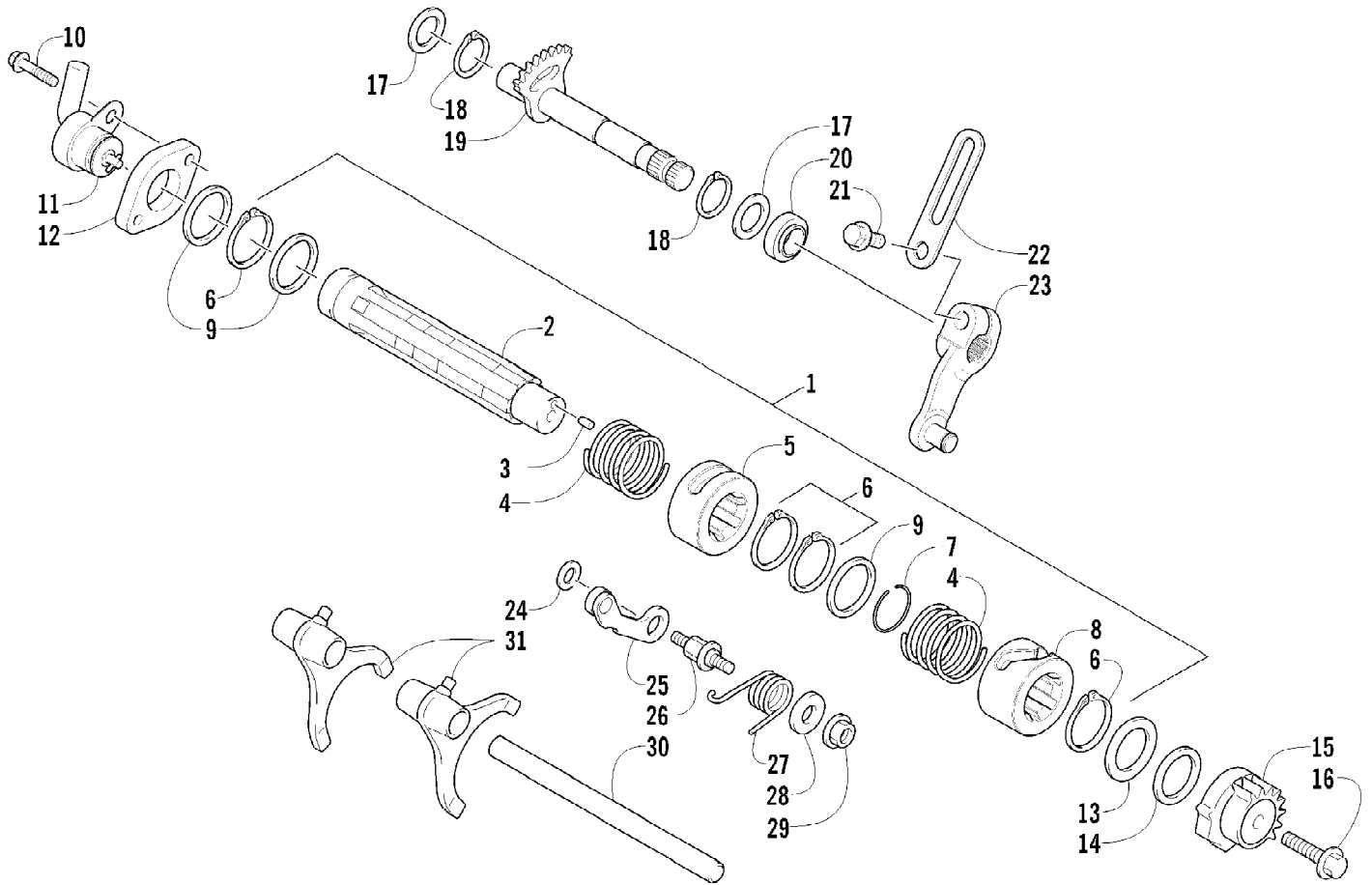


2010 ATV 366 4X4 METALLIC BLACK (A2010IDG4BUSO)
GAS TANK ASSEMBLY

Page 36 of 76

Ref #	Part Number	Qty	S/P/F	Description
1	3313-284	1		Tank, Gas
2	3323-094	1		Cap, Gas Tank (inc. 3)
3	0109-733	1	/P	Gasket, Cap
4	3313-328	1	/P	Neck, Gas Tank Extension
5	3313-324	1	S	Gauge, Gas - Assembly (inc. 6)
6	3323-092	1		Seal, Gas Gauge
7	0423-732	1		Screw, Shoulder
8	3313-322	1		Hose, Gasline (inc. 9)
9	3303-349	1		Clamp, Hose
10	3313-288	1		Hose, Gasline (inc. 11)
11	3313-684	2		Clamp, Hose
12	0423-146	1		Screw, Machine
13	3313-287	1		Knob, Gas Tank Valve
14	3313-325	1		Valve, Gas Tank
15	3304-431	2	/P	Nut, Lock
16	0423-460	2		Grommet
17	3313-286	1		Shield, Heat

2010 ATV 366 4X4 METALLIC BLACK (A2010IDG4BUSO)
GEAR SHIFTING ASSEMBLY

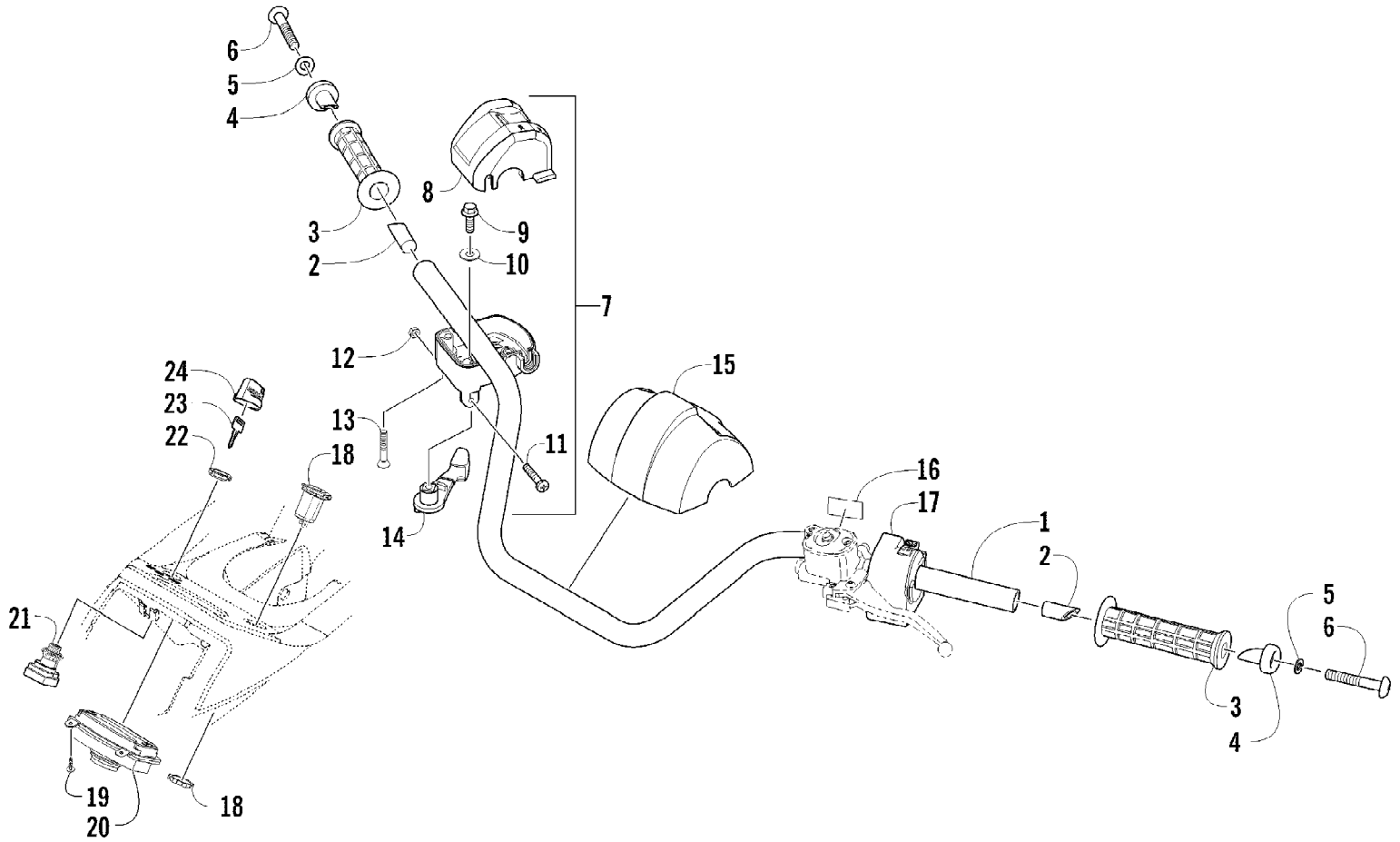


2010 ATV 366 4X4 METALLIC BLACK (A2010IDG4BUSO)
GEAR SHIFTING ASSEMBLY

Page 38 of 76

Ref #	Part Number	Qty	S/P/F	Description
1	0818-024	1	S	Shaft, Gear Shift - Assembly (inc. 2-8 and two No. 9)
2	0818-044	1	S	Shaft, Gear Shift
3	3304-439	1		Pin, Dowel
4	0818-060	2		Spring
5	0818-019	1		Cam, Reverse
6	3304-147	4	/P	Circlip
7	0831-016	1		C-Ring
8	0818-023	1		Cam, Gear Shift
9	0828-079	3		Washer
10	3303-252	2		Screw, Cap
11	3313-434	1		Switch, Gear Shift Position
12	0818-073	1		Spacer, Speed Sensor
13	0828-081	1		Washer, Thrust
14	0828-080	1		Washer, Thrust
15	0818-061	1		Plate, Gear Shift Cam
16	3304-569	1		Screw, Cap
17	0828-084	2		Washer
18	3301-785	2		Ring, Retaining
19	0818-022	1		Shaft, Sub-Gear Shift
20	0830-179	1		Seal
21	3303-382	1	/P	Screw, Cap
22	3002-964	1	/P	Clamp, Wire
23	0818-080	1		Arm, Select
24	0828-083	1		Washer
25	0818-084	1		Stopper, Cam
26	0818-062	1		Support, Cam Stopper
27	0818-020	1		Spring
28	0828-082	1		Washer
29	3304-654	1	/P	Nut, Lock
30	0818-021	1		Shaft, Shift Fork
31	0818-088	2		Fork, Shift

2010 ATV 366 4X4 METALLIC BLACK (A2010IDG4BUSO)
HANDLEBAR ASSEMBLY

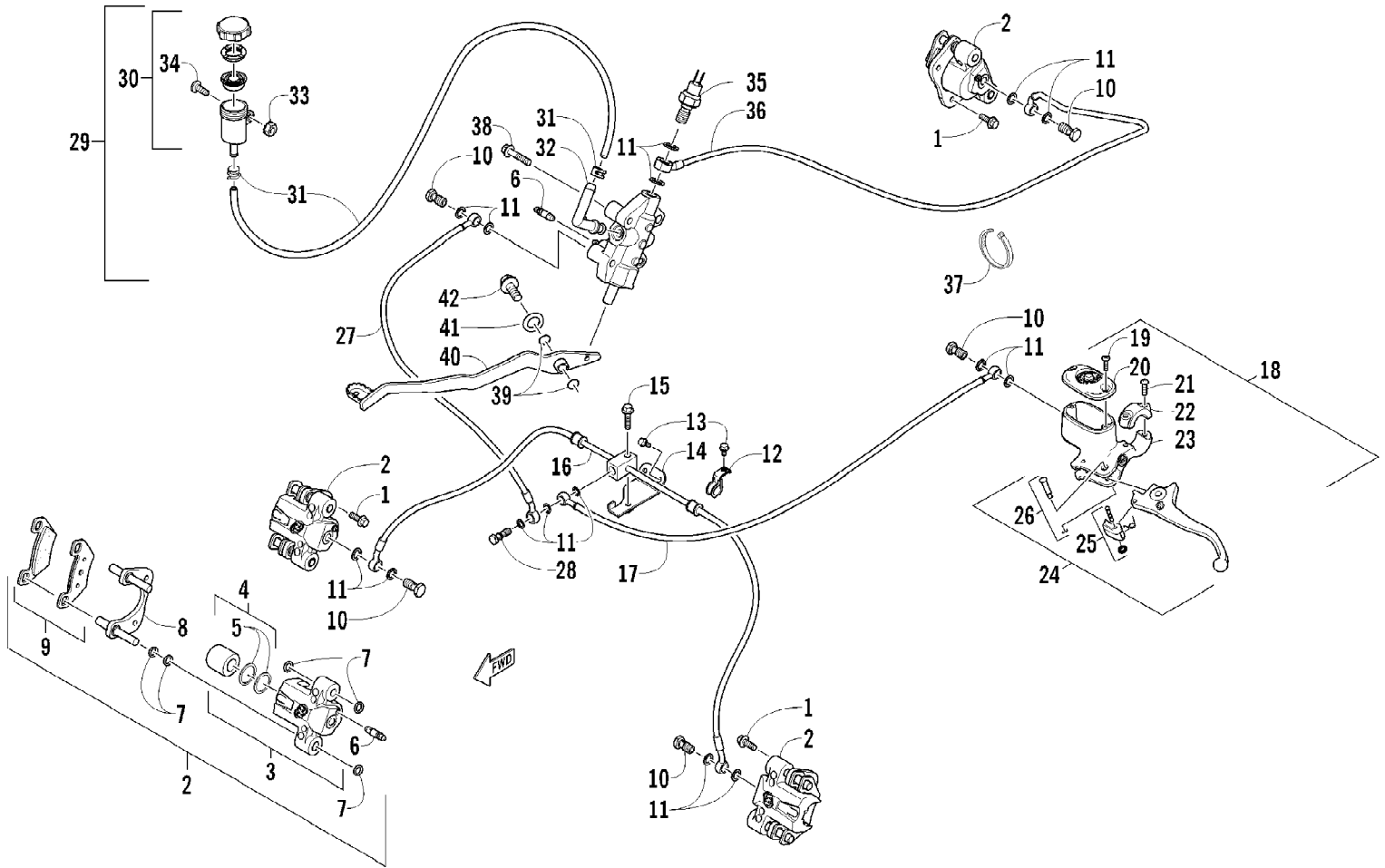


2010 ATV 366 4X4 METALLIC BLACK (A2010IDG4BUSO)
HANDLEBAR ASSEMBLY

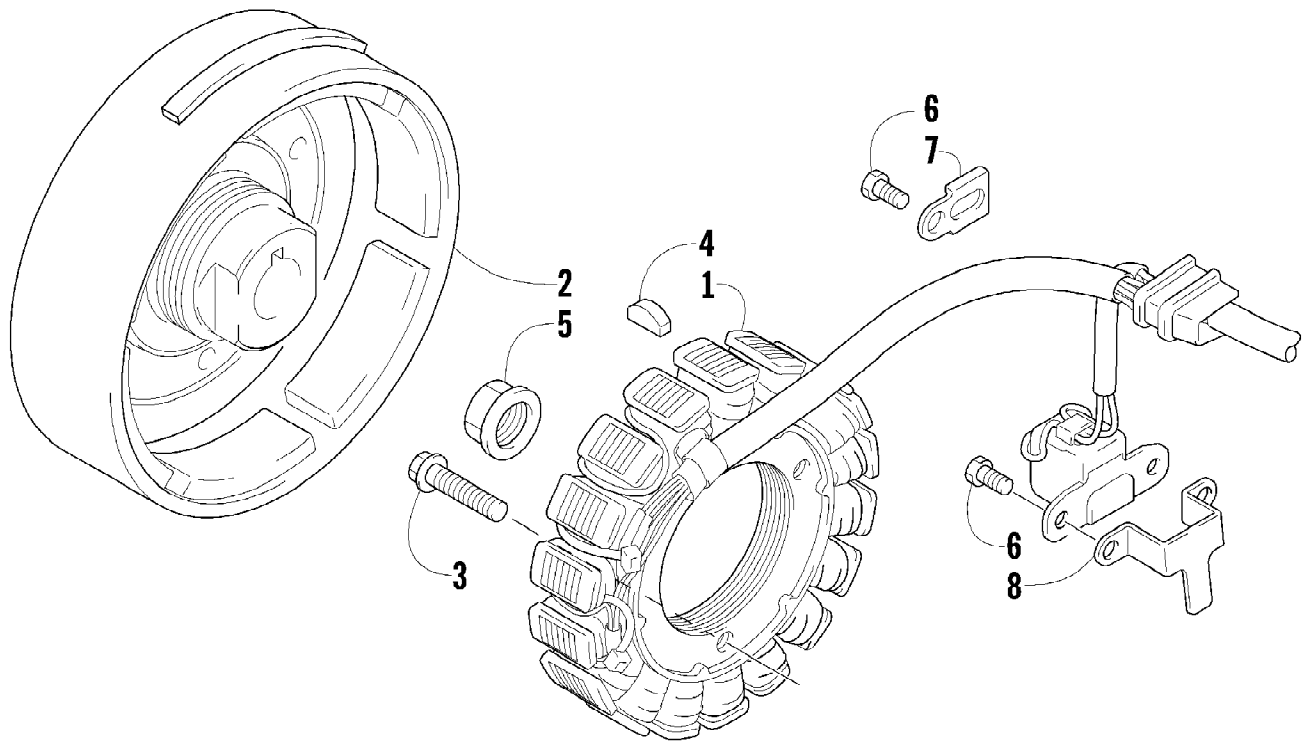
Page 40 of 76

Ref #	Part Number	Qty	S/P/F	Description
1	3313-059	1		Handlebar
2	0405-148	2		Plug, Handlebar
3	0405-147	2		Grip, Handlebar
4	0405-149	2		End Cap, Handlebar
5	8050-247	2	/P	Washer
6	8477-845	2		Screw, Machine
7	3313-429	1		Case, Throttle - Assembly (inc. 8-14)
8	3313-742	1		Cover, Throttle Case w/Switch
9	3305-344	1	/P	Screw, Cap
10	3313-739	1		Washer
11	3313-740	1		Screw, Machine
12	3305-832	1		Nut
13	3313-741	2		Screw, Machine
14	3313-738	1	S	Lever
15	3313-764	1		Cover, Post - Steering
16	1411-865	1		Decal, Brake Lever Lock
17	3313-428	1		Switch, Control - Assembly
18	3313-468	1		Outlet, Accessory - 12V
19	3304-650	3	/P	Screw, Self-Tapping
20	3313-435	1		Speedometer - Assembly
21	3313-439	1		Switch, Ignition - Assembly (inc. 22-24)
22	0430-050	1		Nut, Flange - Ignition Switch
23	3409-007	1	/P/F	Key, Ignition - Blank
24	0430-054	1		Cover, Key

2010 ATV 366 4X4 METALLIC BLACK (A2010IDG4BUSO)
HYDRAULIC BRAKE ASSEMBLY



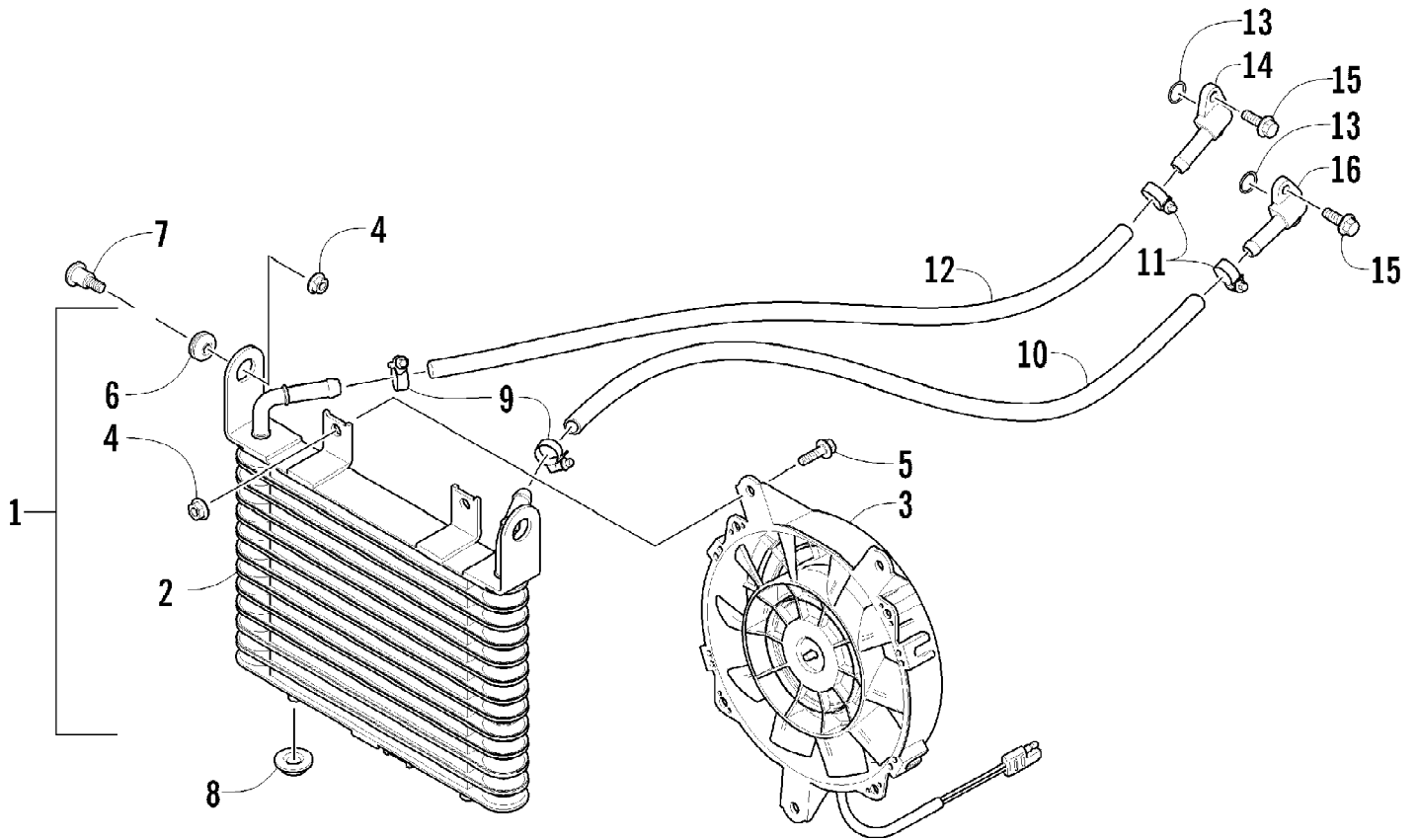
Ref #	Part Number	Qty	S/P/F	Description
1	3305-785	6		Screw, Cap
2	3323-230	1		Caliper, Brake - Right Front (inc. 3-9)
2	3323-231	1		Caliper, Brake - Left Front (inc. 3-9)
2	3323-231	1		Caliper, Brake - Rear (inc. 3-9)
3	1436-160	1	/P	Housing, Caliper - Assembly - Right Front (inc. 4-6)
3	1436-161	1	/P	Housing, Caliper - Assembly - Left Front (inc. 4-6)
3	1436-161	1	/P	Housing, Caliper - Assembly - Rear (inc. 4-6)
4	0502-606	3		Piston/Seal Set (inc. 5)
5	0502-607	3		Seal Set
6	0502-609	4	/P	Valve, Bleed
7	0502-608	3		O-Ring, Guide - Set
8	0502-605	3		Bracket Assembly
9	1502-694	3	S	Pad, Brake - Set
10	3303-257	5	/P	Bolt, Banjo-Fitting
11	3303-284	15	/P	Washer, Crush
12	3303-919	2		Clamp, Brake Hose
13	3304-553	3		Screw, Cap
14	3313-523	1		Bracket, Mounting - Brake Hose Assembly
15	3303-361	1		Screw, Cap
16	3313-750	1	/P	Hose, Brake - Assembly
17	3313-422	1		Hose, Brake
18	3313-316	1		Brake Assembly (inc. 19-26)
19	0502-566	1		Screw, Machine - Kit
20	0502-868	1	/P	Cover, Reservoir
21	0502-568	1		Screw, Machine - Kit
22	0502-869	1		Clamp, Master Cylinder
23	0502-704	1		Master Cylinder Assembly
24	0502-866	1		Lever Assembly - Kit (inc. 25-26)
25	0502-867	1	/P	Lock, Brake Lever - Kit
26	0502-580	1		Lever Pin - Kit
27	3313-423	1		Hose, Brake
28	3304-674	1	/P	Bolt, Banjo-Fitting - Double
29	3313-478	1	/P	Brake Assembly (inc. 30-32)
30	1502-141	1		Reservoir, Brake w/Clamp
31	3313-489	1		Hose, Brake Fluid Reservoir w/Clamps
32	1502-296	1	/P	Adapter, Hose
33	3304-654	1	/P	Nut, Lock
34	3303-384	1	/P	Screw, Cap
35	3313-820	1		Switch, Brake
36	3313-315	1		Hose, Brake
37	0123-788	AR	/P	Tie, Cable - 8 in.
38	3303-386	2	/P	Screw, Cap
39	1602-213	2	/P	O-Ring
40	3313-156	1	/P	Lever, Brake
41	8050-252	1		Washer
42	3304-543	1	/P	Screw, Cap



2010 ATV 366 4X4 METALLIC BLACK (A2010IDG4BUSO)
MAGNETO ASSEMBLY

Page 44 of 76

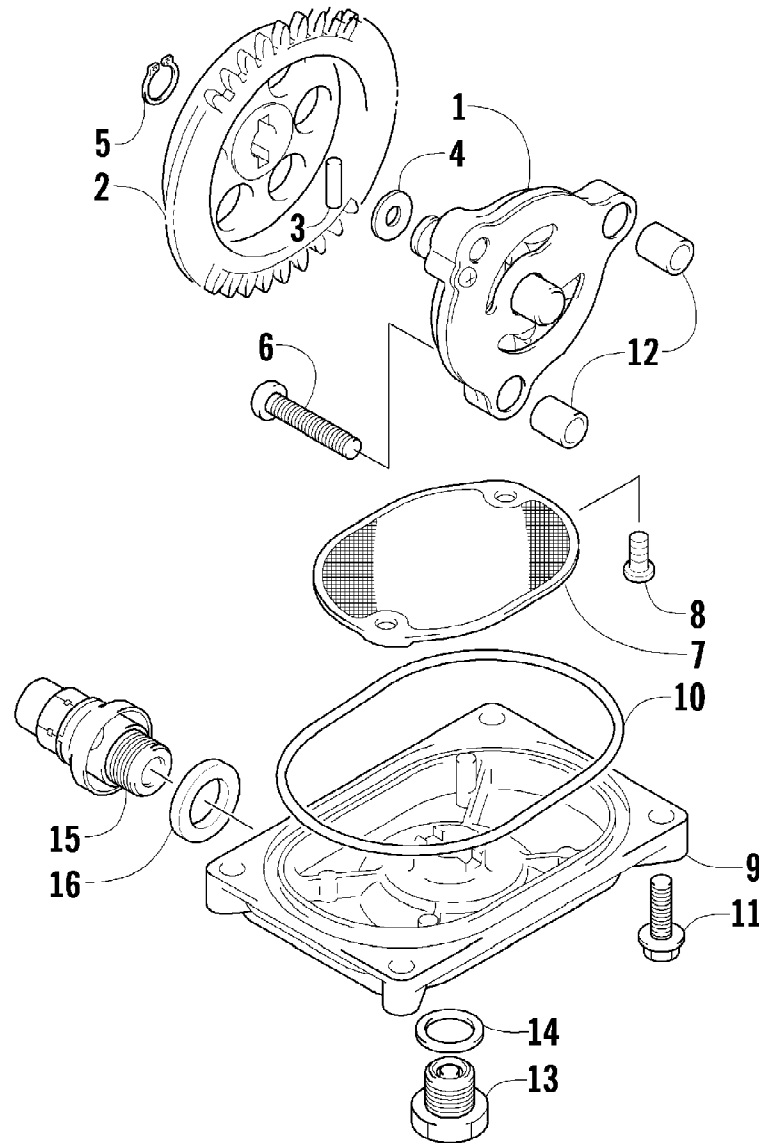
Ref #	Part Number	Qty	S/P/F	Description
1	3323-200	1		Stator Assembly
2	3323-164	1	/P	Rotor/Flywheel
3	3305-945	3		Screw, Cap
4	0829-039	1		Key
5	0827-046	1		Nut
6	3303-308	3		Screw, Cap
7	0802-003	1		Clamp
8	0802-004	1		Clamp



2010 ATV 366 4X4 METALLIC BLACK (A2010IDG4BUSO)
OIL COOLER ASSEMBLY

Page 46 of 76

Ref #	Part Number	Qty	S/P/F	Description
1	3323-202	1		Cooler, Oil - Assembly (inc. 2-3, three No. 4, and 5-6)
2	3323-203	1		Cooler, Oil
3	3323-204	1		Fan, Cooling
4	3304-654	5	/P	Nut, Lock
5	3304-587	3	/P	Screw, Cap
6	0423-030	2		Grommet
7	3313-166	2		Screw, Shoulder
8	0423-028	2		Bushing, Stem
9	0423-098	2	/P	Clamp, Hose
10	0410-044	1		Hose, Oil
11	3313-772	2		Clamp, Hose
12	3313-771	1		Hose, Oil
13	0830-172	2		O-Ring
14	0812-060	1		Fitting, Oil
15	3303-617	4	/P	Screw, Cap
16	0812-059	1		Fitting, Oil

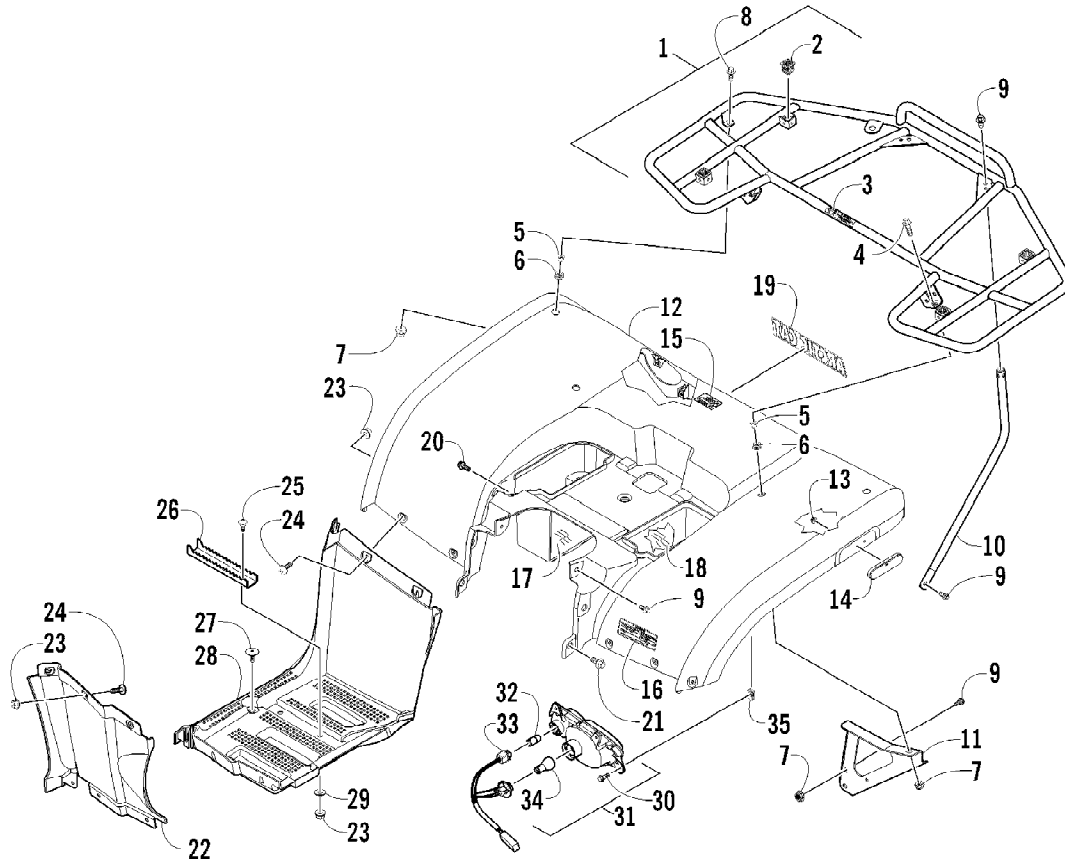


2010 ATV 366 4X4 METALLIC BLACK (A2010IDG4BUSO)
OIL PUMP AND STRAINER ASSEMBLY

Page 48 of 76

Ref #	Part Number	Qty	S/P/F	Description
1	0812-069	1		Pump, Oil
2	0812-010	1		Gear, Driven
3	0812-036	1		Pin, Dowel
4	0828-007	1	/P	Washer
5	3304-146	1		Ring, Retaining
6	0826-131	3		Screw, Machine
7	0812-049	1		Strainer, Oil
8	3313-722	2		Screw, Cap
9	0812-038	1		Cap, Oil Strainer
10	0830-159	1		O-Ring
11	3303-384	4	/P	Screw, Cap
12	0829-033	2		Pin, Dowel
13	0812-065	1		Plug, Drain
14	0830-143	1	/P	Gasket
15	0812-067	1		Valve, Oil-Relief - Assembly (inc. 16)
16	0830-181	1		O-Ring

2010 ATV 366 4X4 METALLIC BLACK (A2010IDG4BUSO)
REAR BODY, RACK, AND TAILLIGHT ASSEMBLY

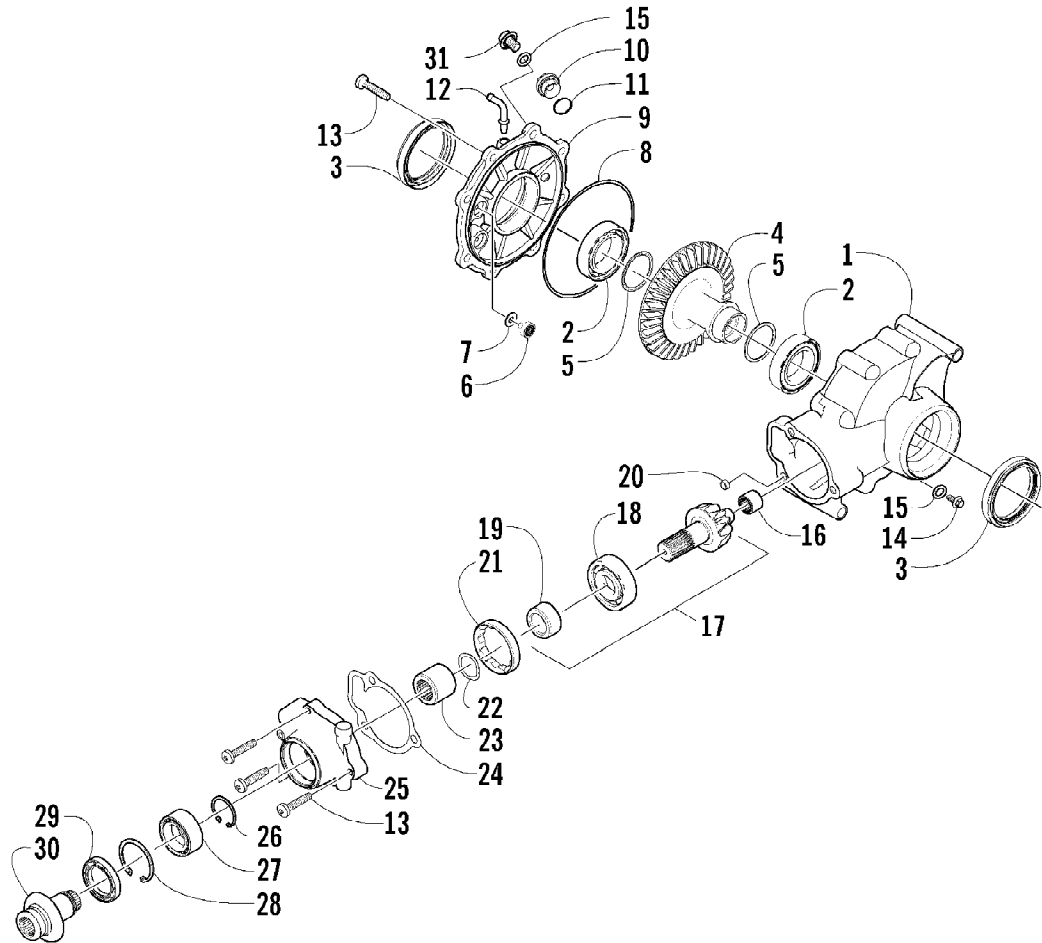


2010 ATV 366 4X4 METALLIC BLACK (A2010IDG4BUSO)
 REAR BODY, RACK, AND TAILLIGHT ASSEMBLY

Page 50 of 76

Ref #	Part Number	Qty	S/P/F	Description
1	3313-373	1		Rack, Rear - Assembly (inc. 2-3)
2	0441-592	4	/P	Bushing
3	1411-682	1		Decal, Warning - Load
4	8410-830	2		Screw, Cap
5	0423-669	4		Spacer
6	0423-465	4		Grommet
7	3304-668	8		Nut, Lock
8	3313-522	2		Screw, Cap
9	3304-543	8	/P	Screw, Cap
10	3313-449	2		Tube, Mounting
11	3313-352	1		Bracket, Mounting - Rear Rack - Right
11	3313-353	1		Bracket, Mounting - Rear Rack - Left
12	3313-768	1		Panel, Fender - Rear (inc. 13-18)
13	3304-774	2		Nut, Lock
14	3313-360	2	/P	Reflector
15	1411-809	1	/P	Decal, Warning - Passenger
16	1411-893	1		Decal, Warning - Tire Pressure
17	3313-362	1	/P	Foil, Protective - Right
18	3313-363	1		Foil, Protective - Left
19	1411-725	1		Decal, Rear
20	3306-146	1		Screw, Cap
21	3305-783	2		Screw, Cap
22	3313-760	1		Footwell - Front - Right
22	3313-761	1		Footwell - Front - Left
23	3304-431	22	/P	Nut, Lock
24	3305-703	18		Screw, Machine
25	3304-586	4	/P	Screw, Shoulder
26	1506-125	2	/P	Footpeg
27	0423-545	2	/P	Screw, Shoulder
28	3313-762	1		Footwell - Rear - Right
28	3313-763	1		Footwell - Rear - Left
29	3305-852	4		Washer
30	3304-029	8	/P	Screw, Cap
31	3313-382	1		Taillight Assembly - Right (inc. 32-34)
31	3313-383	1		Taillight Assembly - Left (inc. 32-34)
32	3313-508	2	/P	Bulb, Backup
33	3313-499	2		Socket, Taillight - Assembly
34	3303-849	2	/P	Bulb, Taillight
35	3304-061	9	/P	Clip, U-Nut

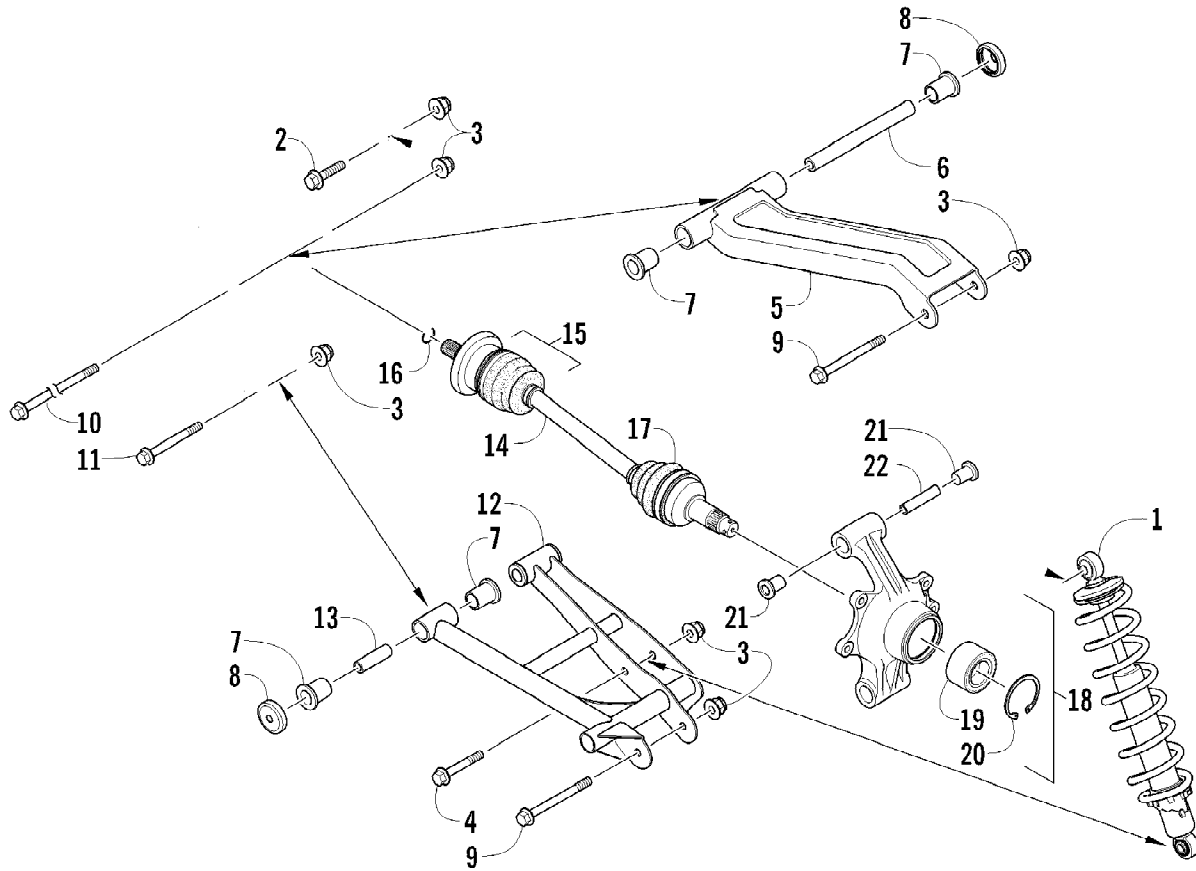
2010 ATV 366 4X4 METALLIC BLACK (A2010IDG4BUSO)
REAR DRIVE GEARCASE ASSEMBLY



2010 ATV 366 4X4 METALLIC BLACK (A2010IDG4BUSO)
REAR DRIVE GEARCASE ASSEMBLY

Ref #	Part Number	Qty	S/P/F	Description
	3306-023	1		Complete Rear Drive Gearcase Assembly
1	3306-024	1		Housing, Gearcase
2	3306-026	2		Bearing
3	3306-025	2		Seal
4	3306-029	1		Gear, Ring - 34T
5	0402-405	AR		Shim
5	0402-406	AR		Shim
5	0402-407	AR		Shim
5	0402-408	AR		Shim
5	0402-409	AR		Shim
6	3306-031	1		Button, Thrust
7	0402-429	AR		Shim
7	0402-430	AR		Shim
7	0402-431	AR		Shim
7	0402-432	AR		Shim
7	0402-433	AR		Shim
8	3306-030	1		O-Ring
9	3306-033	1		Cover, Gearcase
10	3306-035	1		Plug, Fill (inc. 11)
11	0423-154	1		O-Ring
12	3306-034	1		Fitting, 90°
13	3303-615	11		Screw, Self-Tapping
14	3306-027	1		Plug, Magnetic (inc. one No. 15)
15	0423-153	2		O-Ring
16	3306-038	1		Bearing
17	3306-039	1		Gear, Pinion - Assembly - 11T (inc. 18-19)
18	3306-040	1		Bearing
19	0402-336	1		Collar, Retaining
20	3306-048	1		Pin, Dowel
21	3306-042	1		Collar, Lock
22	3306-043	1		Washer, Wave
23	3306-044	1		Collar, Shaft
24	3323-234	1		Gasket, Flange
25	3306-049	1		Housing, Pinion
26	3306-045	1		Ring, Retaining
27	3323-240	1		Bearing
28	3306-046	1		Ring, Retaining
29	3323-239	1		Seal
30	3306-047	1		Shaft, Input
31	3306-036	1		Plug, Oil Level (inc. one No. 15)

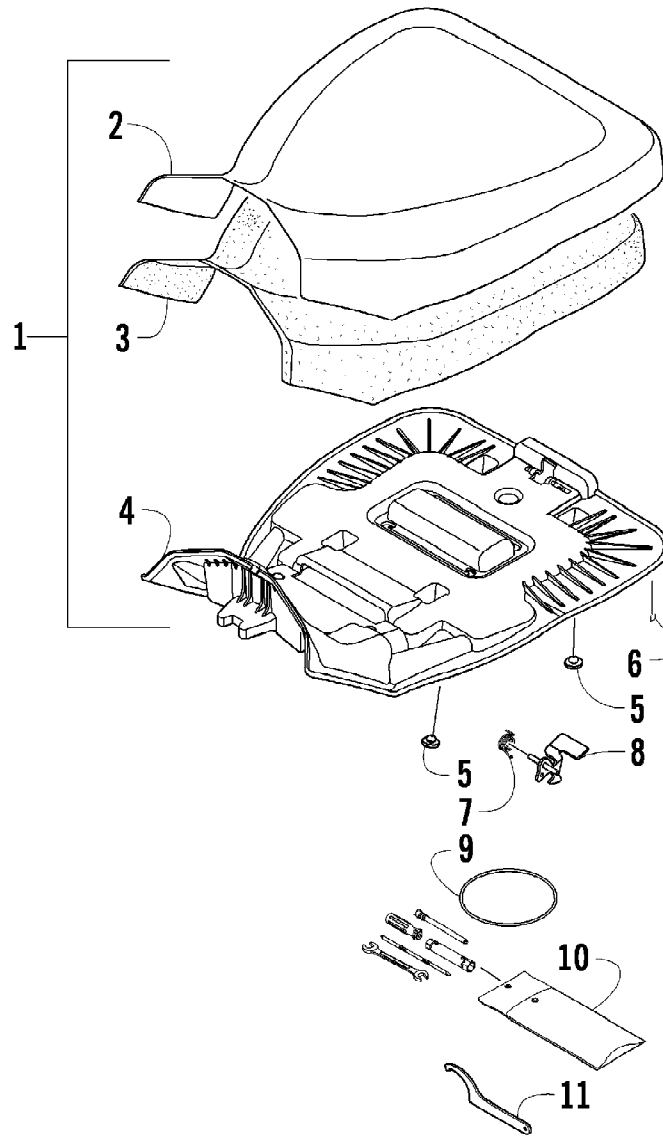
2010 ATV 366 4X4 METALLIC BLACK (A2010IDG4BUSO)
REAR SUSPENSION ASSEMBLY



2010 ATV 366 4X4 METALLIC BLACK (A2010IDG4BUSO)
 REAR SUSPENSION ASSEMBLY

Page 54 of 76

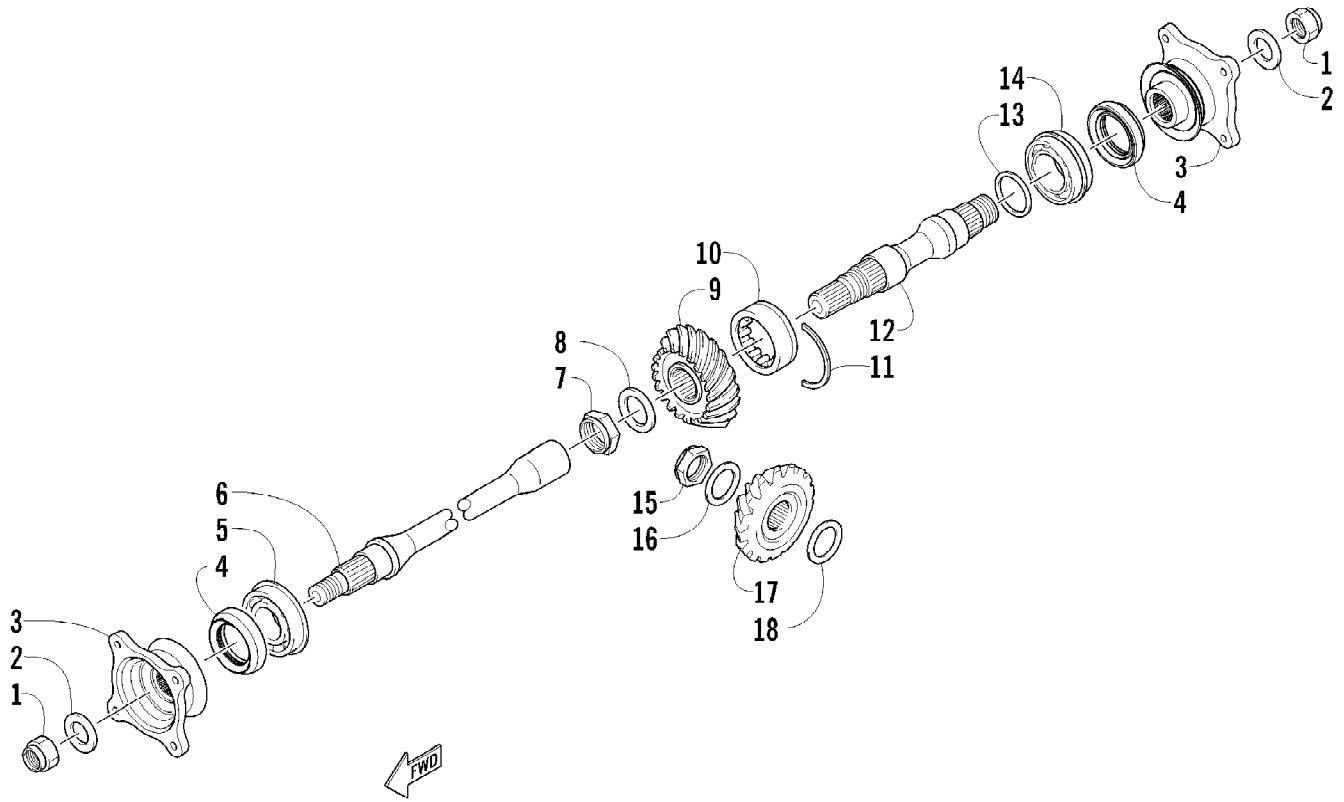
Ref #	Part Number	Qty	S/P/F	Description
1	3313-541	2		Shock/Spring Assembly
2	3303-376	2	/P	Screw, Cap
3	3304-031	14	/P	Nut, Lock
4	8409-065	2		Screw, Cap
5	3313-823	1		A-Arm, Upper Right (inc. 6-8)
5	3313-824	1		A-Arm, Upper Left (inc. 6-8)
6	3313-111	2	/P	Axle
7	3313-112	12		Bushing
8	3313-113	12		Seal
9	3323-188	4		Screw, Cap
10	3313-430	2		Screw, Cap
11	3304-183	4	/P	Screw, Cap
12	3313-134	1		A-Arm, Lower Right (inc. 7-8 and 13)
12	3313-135	1		A-Arm, Lower Left (inc. 7-8 and 13)
13	3313-107	4		Axle
14	3313-832	2		Axle, Drive (inc. 15-17)
15	3313-560	1		Repair Kit, Boot - Drive Axle - Inbound
16	0423-845	2	/P	Ring, Retaining
17	3313-558	1		Repair Kit, Boot - Drive Axle - Outbound
18	3323-108	1		Knuckle - Assembly - Right (inc. 19-22)
18	3323-109	1		Knuckle - Assembly - Left (inc. 19-22)
19	1402-809	2	/P	Bearing
20	0423-423	2		Ring, Retaining
21	0403-206	8	/P	Bushing
22	0403-213	4	/P	Axle



2010 ATV 366 4X4 METALLIC BLACK (A2010IDG4BUSO)
SEAT ASSEMBLY

Page 56 of 76

Ref #	Part Number	Qty	S/P/F	Description
1	3313-199	1		Seat Assembly (inc. 2-8)
2	0	1	F	Cover, Seat
3	3313-198	1		Foam, Seat
4	3313-196	1		Base, Seat
5	0406-877	6	/P	Bumper, Seat
6	0624-528	AR	/P	Staple
7	1406-592	1	/P	Spring, Seat Latch
8	1506-156	1		Latch, Seat
9	3313-759	1		Retainer, Tool Kit
10	3305-913	1		Kit, Tool
11	1441-797	1	F	Wrench, Spanner

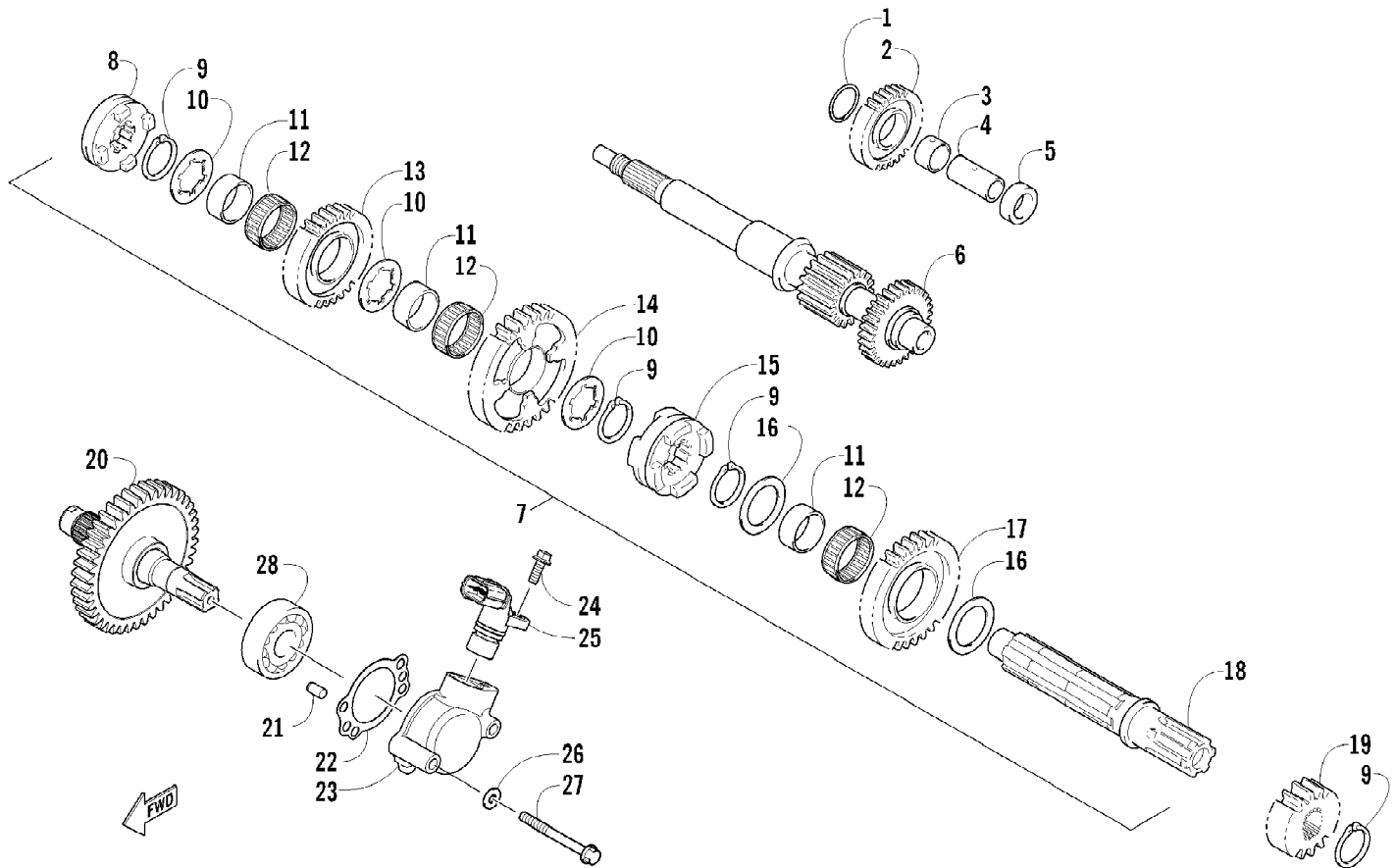


2010 ATV 366 4X4 METALLIC BLACK (A2010IDG4BUSO)
SECONDARY DRIVE ASSEMBLY

Page 58 of 76

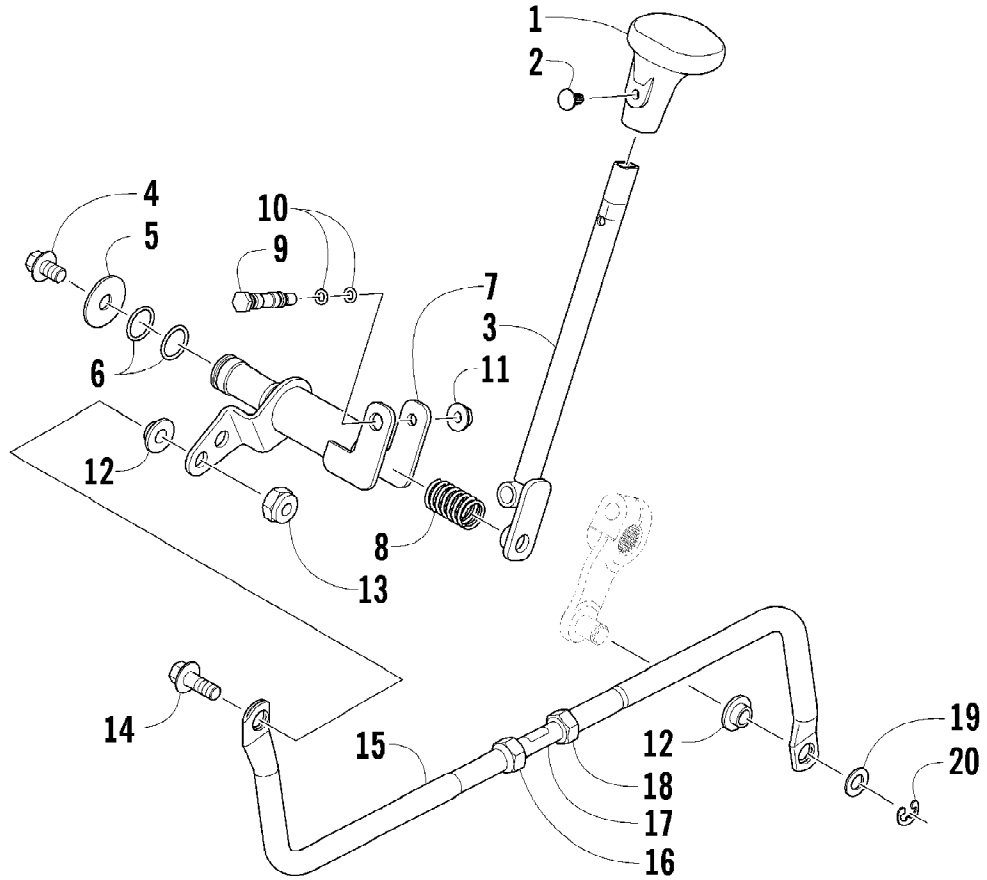
Ref #	Part Number	Qty	S/P/F	Description
1	0817-001	2	S	Nut
2	3304-958	2		Washer
3	0819-022	2		Flange, Output Joint
4	0830-144	2		Seal, Oil
5	0832-026	1		Bearing
6	0819-020	1		Shaft, Secondary Driven
7	0827-022	1		Nut
8	0828-090	1		Washer
9	0819-019	1		Gear, Secondary Driven
10	0832-040	1		Bearing
11	0819-070	1		C-Ring
12	0819-021	1		Shaft, Secondary Driven
13	3305-955	AR		Shim, 25 x 34 x 0.60mm
13	3305-956	AR		Shim, 25 x 34 x 0.65mm
13	3305-957	AR		Shim, 25 x 34 x 0.70mm
13	3305-958	AR		Shim, 25 x 34 x 0.75mm
13	3305-959	AR		Shim, 25 x 34 x 0.80mm
13	3305-960	AR		Shim, 25 x 34 x 0.85mm
13	3305-961	AR		Shim, 25 x 34 x 0.90mm
13	3305-962	AR		Shim, 25 x 34 x 0.95mm
13	3305-963	AR		Shim, 25 x 34 x 1.00mm
13	3305-964	AR		Shim, 25 x 34 x 1.05mm
13	3305-965	AR		Shim, 25 x 34 x 1.10mm
13	0828-088	AR		Shim, 25 x 34 x 1.15mm
13	3305-966	AR		Shim, 25 x 34 x 1.20mm
13	3305-967	AR		Shim, 25 x 34 x 1.25mm
14	0832-041	1		Bearing
15	0827-047	1		Nut
16	3304-042	1		Washer, Thrust
17	0819-018	1		Gear, Secondary Drive
18	3306-009	AR		Shim, 30 x 48 x 0.60 mm
18	3306-010	AR		Shim, 30 x 48 x 0.65 mm
18	3306-011	AR		Shim, 30 x 48 x 0.70 mm
18	3306-012	AR		Shim, 30 x 48 x 0.75 mm
18	3306-013	AR		Shim, 30 x 48 x 0.80 mm
18	3306-014	AR		Shim, 30 x 48 x 0.85 mm
18	3306-015	AR		Shim, 30 x 48 x 0.90 mm
18	3306-016	AR		Shim, 30 x 48 x 0.95 mm
18	3306-017	AR		Shim, 30 x 48 x 1.00 mm
18	3306-018	AR		Shim, 30 x 48 x 1.05 mm
18	3306-019	AR		Shim, 30 x 48 x 1.10 mm
18	3306-020	AR		Shim, 30 x 48 x 1.15 mm
18	3306-021	AR		Shim, 30 x 48 x 1.20 mm
18	3306-022	AR		Shim, 30 x 48 x 1.25 mm

2010 ATV 366 4X4 METALLIC BLACK (A2010IDG4BUSO)
SECONDARY TRANSMISSION ASSEMBLY



2010 ATV 366 4X4 METALLIC BLACK (A2010IDG4BUSO)
SECONDARY TRANSMISSION ASSEMBLY

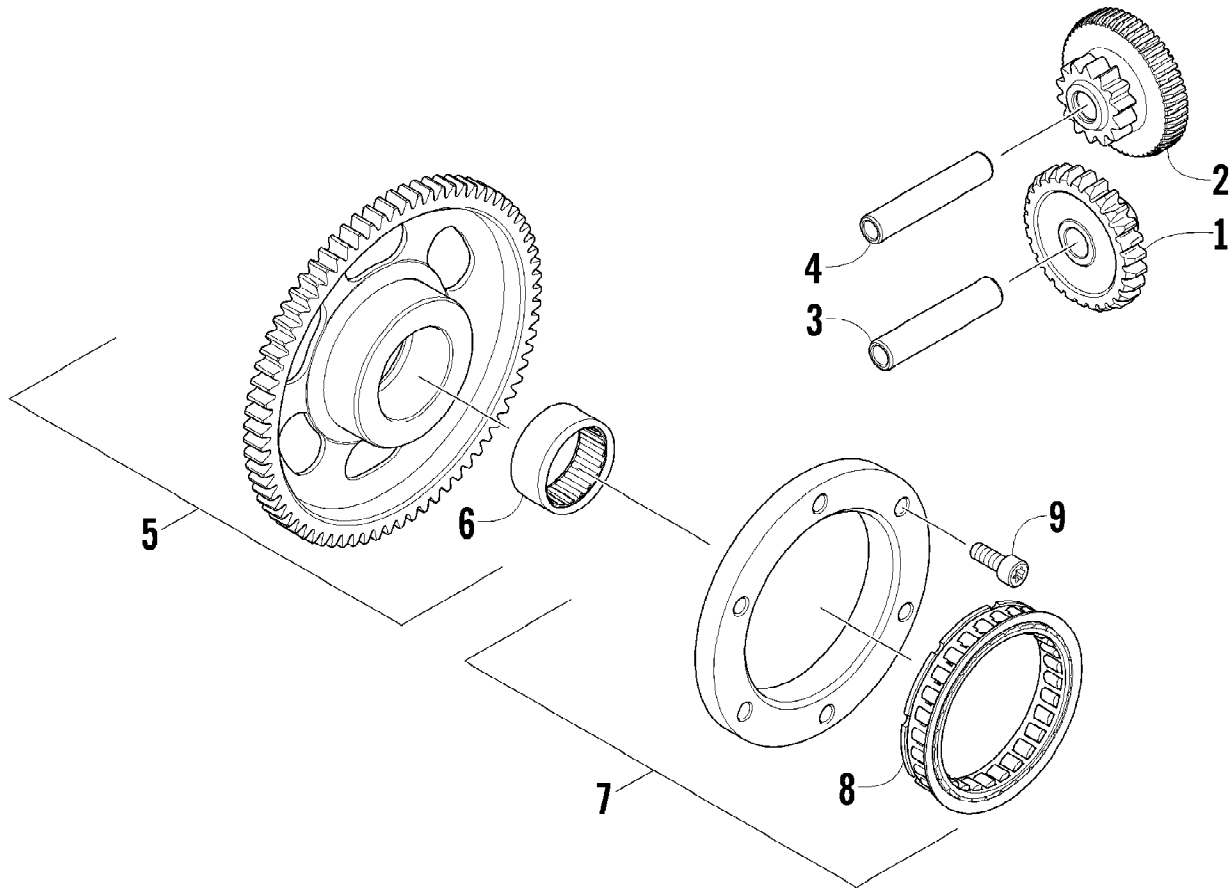
Ref #	Part Number	Qty	S/P/F	Description
1	0828-081	1		Washer
2	0822-061	1		Gear, Reverse Idle
3	0822-065	1		Bushing
4	0822-064	1		Shaft, Reverse Idle
5	0822-029	1		Spacer
6	0822-022	1		Driveshaft
7	0822-036	1		Countershaft Assembly (inc. 8-18)
8	0822-033	1		Gear Select, Reverse
9	3304-147	4	/P	Circlip
10	3304-045	3		Washer
11	0822-062	3		Bushing
12	0832-038	3		Bearing
13	0822-032	1		Gear, Reverse Driven
14	0822-063	1		Gear, Driven - Low
15	0822-027	1		Gear Select, Sliding
16	3304-044	2		Washer, Thrust
17	0822-026	1		Gear, Driven - High
18	0822-025	1		Countershaft
19	0822-028	1		Gear, Drive
20	0822-023	1		Shaft, Output
21	3303-395	2		Pin, Dowel
22	0830-156	1		Gasket, Housing
23	0822-105	1		Housing, Speedometer Sensor
24	3303-382	1	/P	Screw, Cap
25	3313-172	1		Sensor, Speedometer
26	0830-155	2	/P	Gasket
27	3303-387	2		Screw, Cap
28	3304-198	1		Bearing



2010 ATV 366 4X4 METALLIC BLACK (A2010IDG4BUSO)
SHIFT LEVER ASSEMBLY

Page 62 of 76

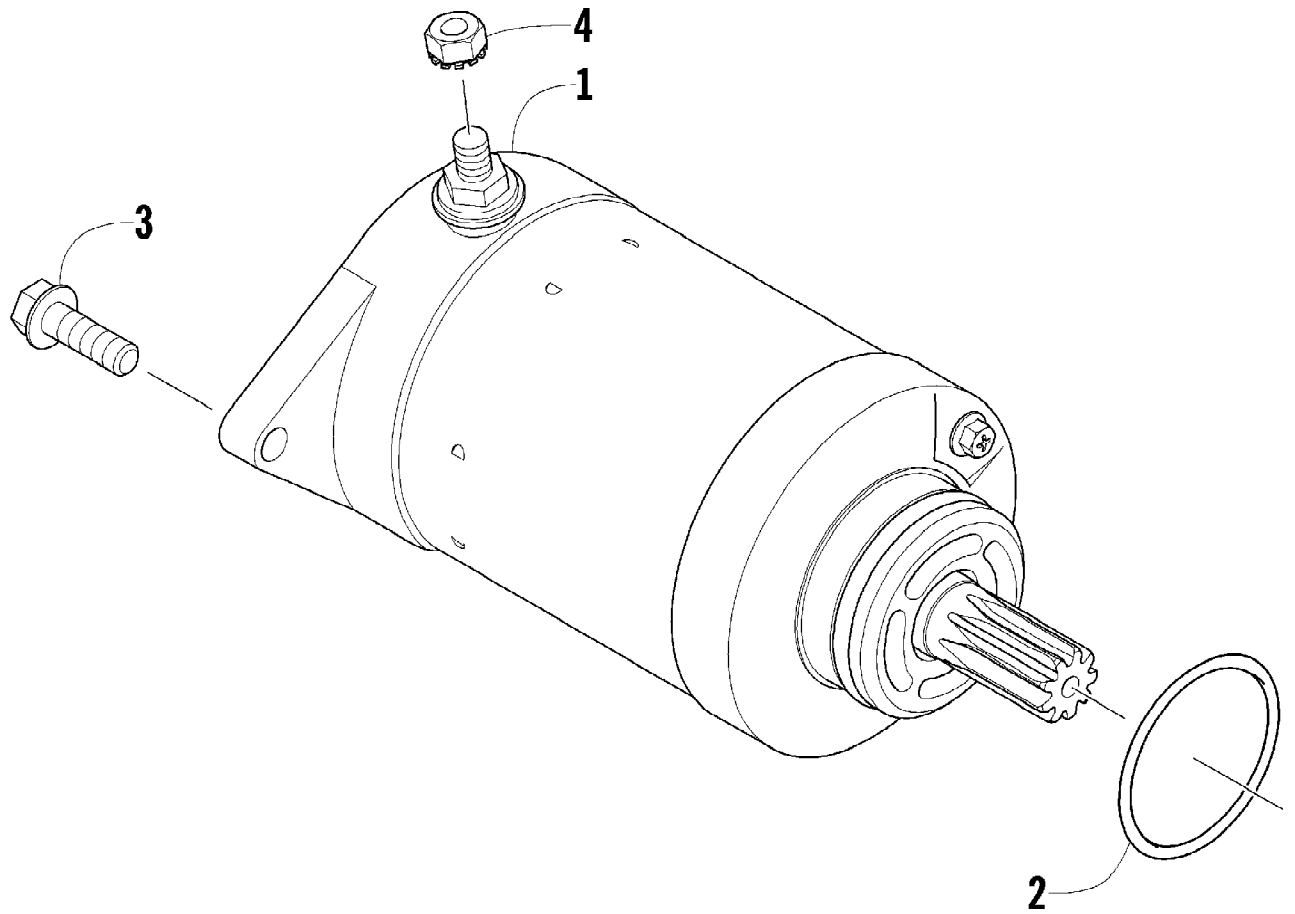
Ref #	Part Number	Qty	S/P/F	Description
1	0402-843	1	/P	Knob, Shift Lever
2	0423-345	1		Clip, Retaining
3	3313-317	1		Lever, Shift
4	3304-544	1		Screw, Cap
5	0423-087	1		Washer
6	0423-299	2	/P	O-Ring
7	3313-051	1		Actuator, Shift
8	0402-678	1	/P	Spring, Shift Lever
9	0402-675	1		Axle, Pivot
10	0423-182	2	/P	O-Ring
11	3304-654	1	/P	Nut, Lock
12	3323-037	2		Bushing
13	3304-668	1		Nut, Lock
14	3313-821	1		Screw, Cap
15	3313-054	1		Linkage, Shift - Assembly (inc. 16-18)
16	3313-822	1		Nut, Hex - Left-Hand Thread
17	3313-278	1		Adjuster, Shift Linkage
18	3303-327	1		Nut, Hex - Right-Hand Thread
19	3304-138	1		Washer
20	3313-766	1		E-Ring



2010 ATV 366 4X4 METALLIC BLACK (A2010IDG4BUSO)
STARTER CLUTCH ASSEMBLY

Page 64 of 76

Ref #	Part Number	Qty	S/P/F	Description
1	0815-022	1		Gear, Starter Idler - No. 2
2	0815-031	1		Gear, Starter Idler - No. 1
3	0815-015	1		Pin, Starter Idler Gear No. 2
4	0815-007	1		Pin, Starter Idler Gear No. 1
5	0815-023	1		Gear, Starter Clutch (inc. 6)
6	0832-069	1		Bearing
7	0802-044	1	/P	Clutch, One-Way (inc. 8)
8	0	1	F	Bearing
9	0826-120	6		Screw, Cap



2010 ATV 366 4X4 METALLIC BLACK (A2010IDG4BUSO)
STARTER MOTOR ASSEMBLY

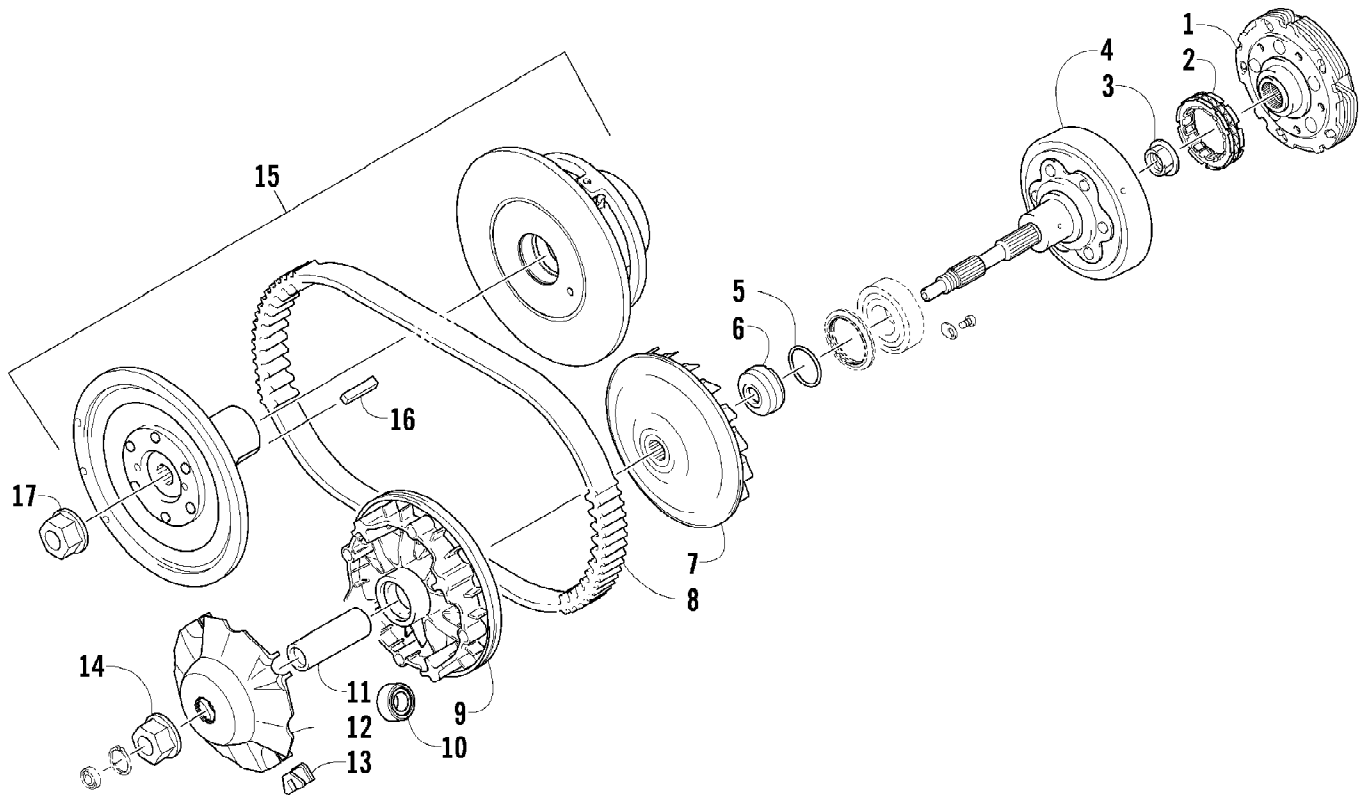
Page 66 of 76

Ref #	Part Number	Qty	S/P/F	Description
1	0837-009	1	/P	Motor, Starter - Assembly (inc. 2)
2	3304-104	1		O-Ring
3	3305-946	2		Screw, Cap
4	3304-011	1		Nut w/Washer

2010 ATV 366 4X4 METALLIC BLACK (A2010IDG4BUSO)
STEERING ASSEMBLY

Page 68 of 76

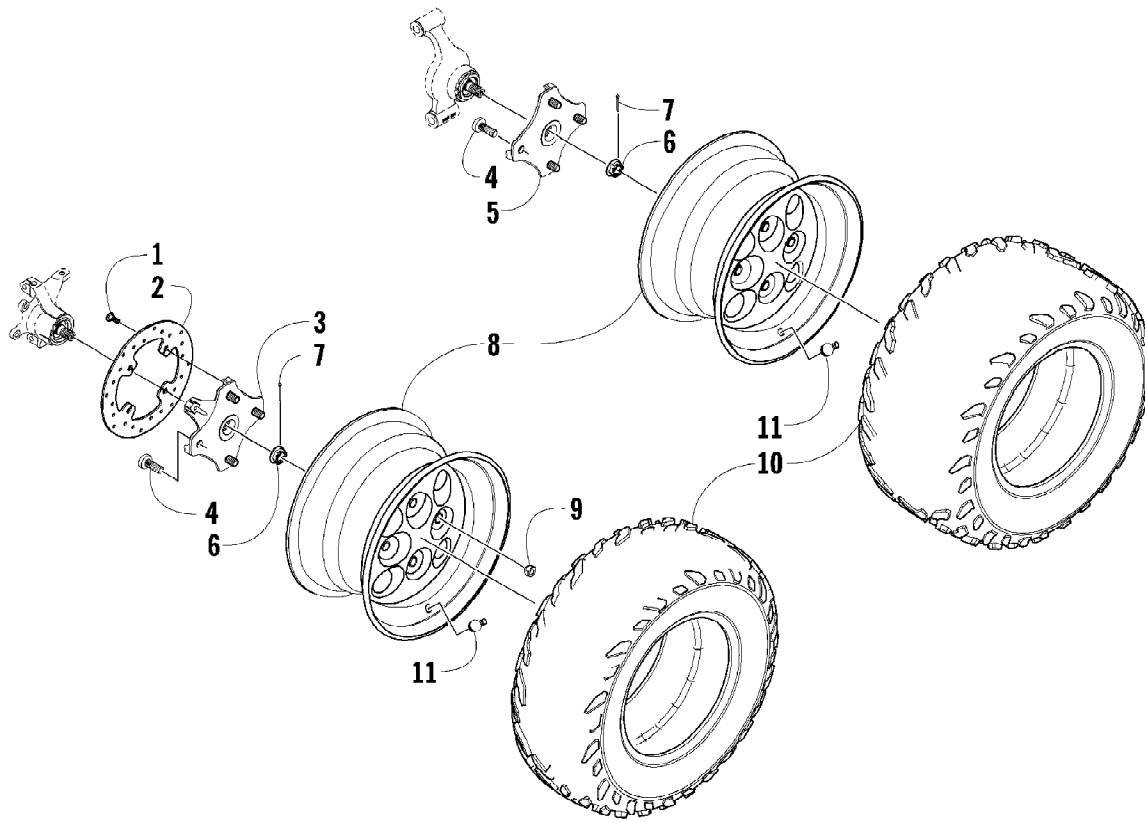
Ref #	Part Number	Qty	S/P/F	Description
1	8408-860	4		Screw, Cap
2	0405-035	2		Cap, Steering Adjuster
3	0423-505	2		Screw, Shoulder
4	0405-166	1		Cap, Housing
5	3323-052	1		Housing - Upper
6	3323-051	1		Housing - Lower
7	3313-056	1		Post, Steering
8	3304-565	2	/P	Screw, Cap
9	0602-233	1		Flange, Bearing
10	0405-052	1		Bearing w/Inverted Oil Seal
11	0423-073	1		Washer
12	8408-820	1	/P	Screw, Cap
13	3313-102	2		Tie Rod - Assembly (inc. 14-18)
14	3313-809	2		End, Tie Rod - Left-Hand Thread
15	3306-659	2		Nut - Left-Hand Thread
16	3313-807	2		Tie Rod
17	3313-826	2		Nut - Right-Hand Thread
18	3313-808	2		End, Tie Rod - Right-Hand Thread
19	0423-157	4		Nut, Lock
20	3303-621	4	/P	Pin, Cotter



2010 ATV 366 4X4 METALLIC BLACK (A2010IDG4BUSO)
TRANSMISSION ASSEMBLY

Page 70 of 76

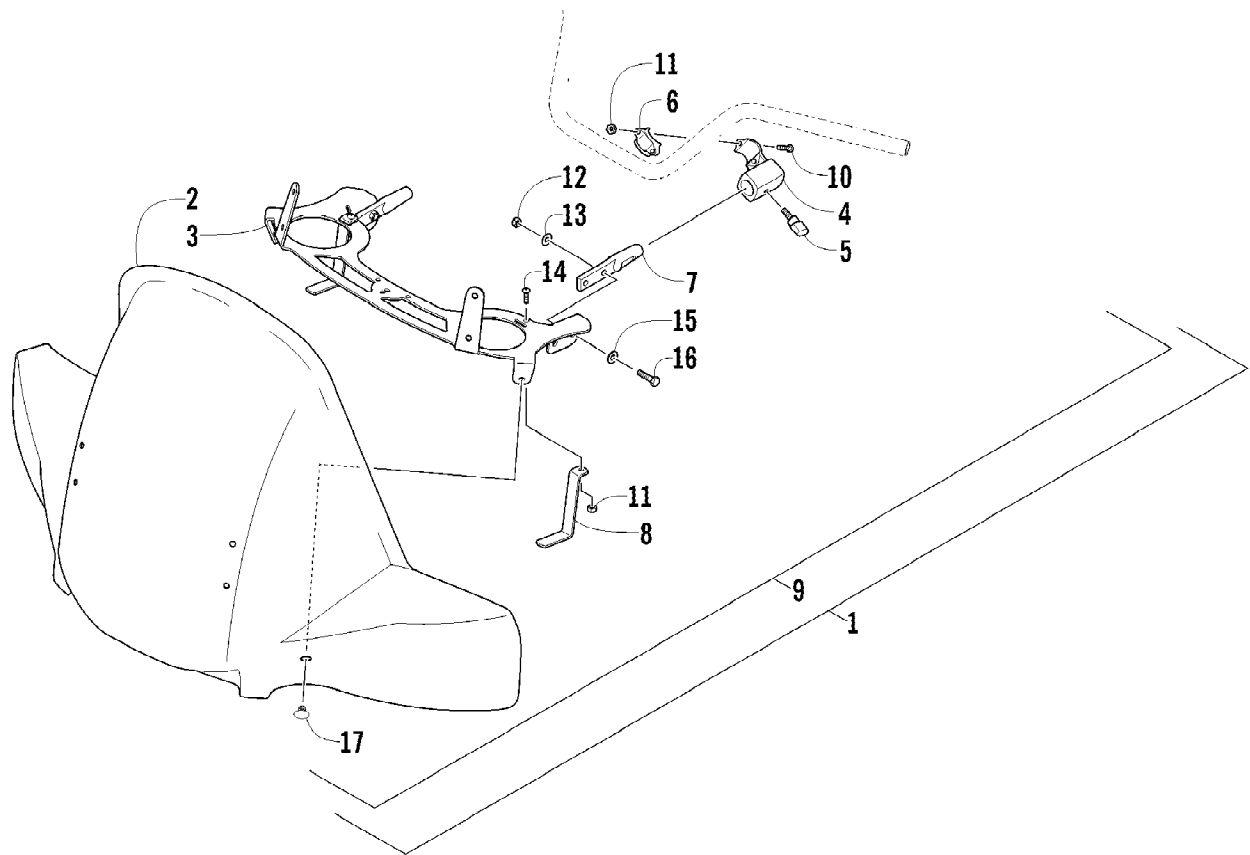
Ref #	Part Number	Qty	S/P/F	Description
1	0823-197	1		Shoe, Clutch - Assembly
2	0823-198	1		Clutch, One-Way
3	0827-050	1		Nut
4	0823-200	1		Housing, Clutch
5	0470-531	1		O-Ring
6	0823-058	1		Spacer
7	0823-203	1		Face, Fixed Drive
8	0823-228	1		Belt, Drive
9	0823-207	1		Face, Movable Drive
10	0823-210	8		Roller, Movable Drive Face
11	0823-206	1		Spacer, Movable Drive Face
12	0823-213	1		Plate, Movable Drive Face
13	0823-214	4		Damper, Movable Drive Face
14	3323-165	1	/P	Nut
15	0823-294	1	/P	Clutch, Driven - Assembly (inc. 16)
16	0829-043	1		Key
17	0827-058	1		Nut



2010 ATV 366 4X4 METALLIC BLACK (A2010IDG4BUSO)
WHEEL AND TIRE ASSEMBLY

Page 72 of 76

Ref #	Part Number	Qty	S/P/F	Description
1	0423-557	12		Screw, Shoulder
2	1436-164	3	/P	Disc, Brake
3	3323-100	2	S	Hub, Wheel - Front (inc. 4)
4	0402-974	16	/P	Stud
5	3323-100	1	S	Hub, Wheel - Right Rear (inc. 4)
5	3323-113	1	/P	Hub, Wheel - Left Rear (inc. 4)
6	0423-607	4		Nut, Castle
7	0423-407	4		Pin, Cotter
8	3313-307	4		Wheel
9	0423-408	16	/P	Nut, Lug
10	3313-311	2		Tire - Front
10	3313-312	2		Tire - Rear
11	3303-887	4		Stem, Valve

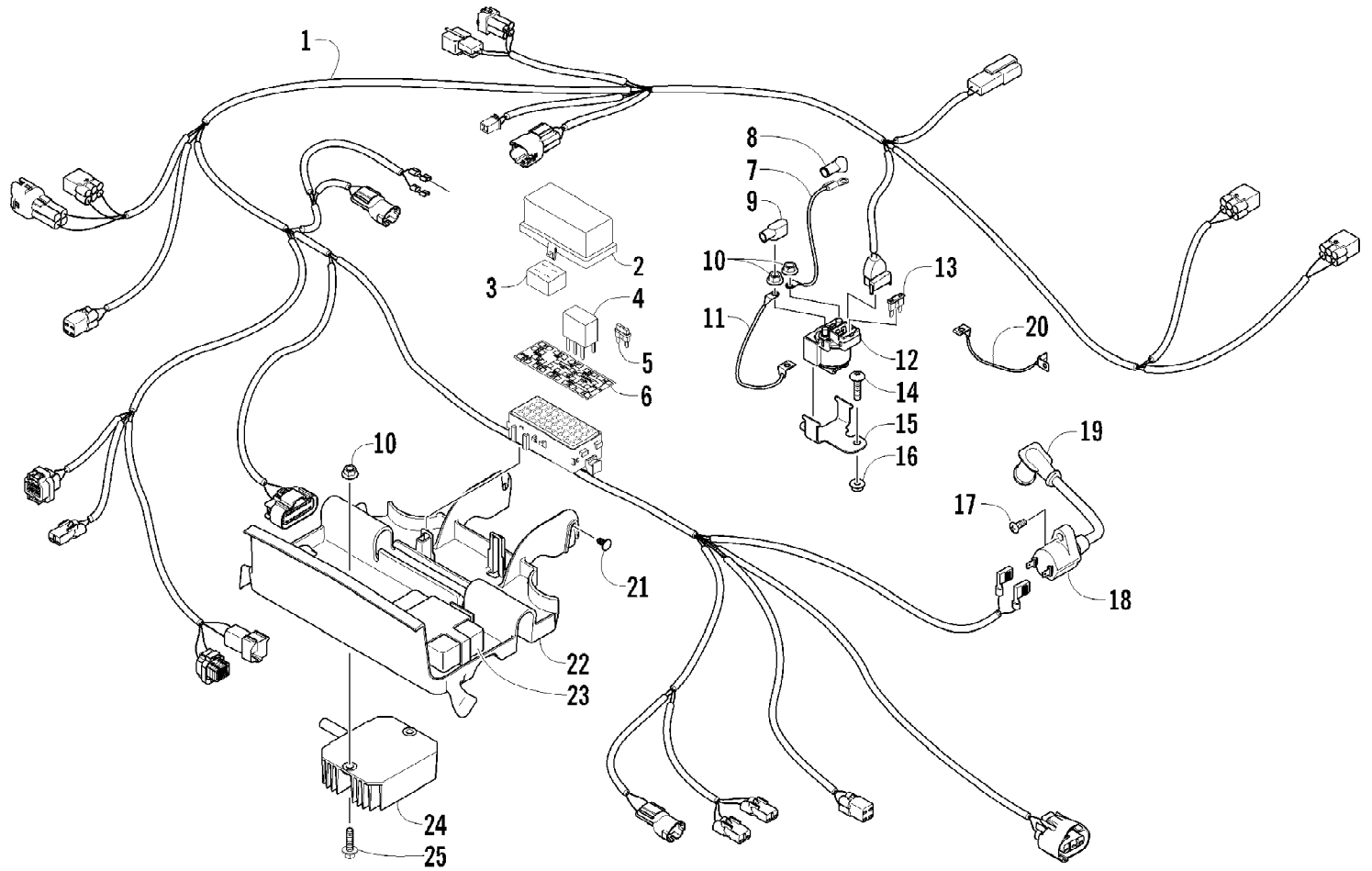


2010 ATV 366 4X4 METALLIC BLACK (A2010IDG4BUSO)
WINDSHIELD ASSEMBLY

Page 74 of 76

Ref #	Part Number	Qty	S/P/F	Description
1	1436-551	1	/P	Complete Windshield Assembly (inc. 2-17)
2	1441-803	1		Windshield
3	0541-589	1		Bracket, Mounting - Windshield
4	1436-554	2	/P	Bracket, Mounting - Support
5	1441-624	2		Knob, Adjuster
6	1402-338	2		Clamp, Handlebar
7	0541-590	1	S	Pin, Mounting - Right
7	0541-591	1		Pin, Mounting - Left
8	0541-594	2		Bracket, Support
9	1436-560	1	/P	Kit, Hardware (inc. 10-17)
10	8440-530	4		Screw, Cap
11	8431-503	6		Nut, Lock
12	8431-603	4		Nut, Lock
13	0423-768	4		Washer, Nylon
14	8440-516	2		Screw, Cap
15	8050-218	4		Washer
16	8404-625	4		Screw, Cap
17	1436-313	6	/P	Clip, Retaining

2010 ATV 366 4X4 METALLIC BLACK (A2010IDG4BUSO)
WIRING HARNESS ASSEMBLY



2010 ATV 366 4X4 METALLIC BLACK (A2010IDG4BUSO)
WIRING HARNESS ASSEMBLY

Page 76 of 76

Ref #	Part Number	Qty	S/P/F	Description
1	3313-437	1		Harness, Main (inc. 2-6)
2	0530-008	1		Cover, Fuse Block
3	0430-037	1		Holder, Fuse
4	0430-033	3		Relay (5-Pin) - 10 Amp
5	0430-032	4		Fuse - 10 Amp
5	0430-031	3		Fuse - 15 Amp
5	0430-030	2		Fuse - 30 Amp
6	0411-837	1		Decal, Fuse Block
7	3313-527	1		Cable, Solenoid/Starter (inc. 8)
8	0	1	F	Boot, Terminal
9	0645-327	1		Boot, Terminal
10	3304-654	4	/P	Nut, Lock
11	3313-526	1		Cable, Battery/Solenoid
12	3313-464	1		Solenoid (inc. 13)
13	0630-098	1		Fuse - 30 Amp
14	3305-703	2		Screw, Machine
15	3313-467	1		Bracket, Mounting - Solenoid
16	3304-538	2	S	Nut
17	3303-252	1		Screw, Machine
18	3323-216	1		Coil, Ignition - Assembly (inc. 19)
19	3313-695	1		Cap, Spark Plug
20	3313-525	1		Cable, Battery/Ground
21	0423-345	2		Clip, Retaining
22	3313-273	1		Tray, Electrical
23	3313-436	1		CDI Unit
24	3323-208	1		Regulator, Voltage
25	3305-344	2	/P	Screw, Cap