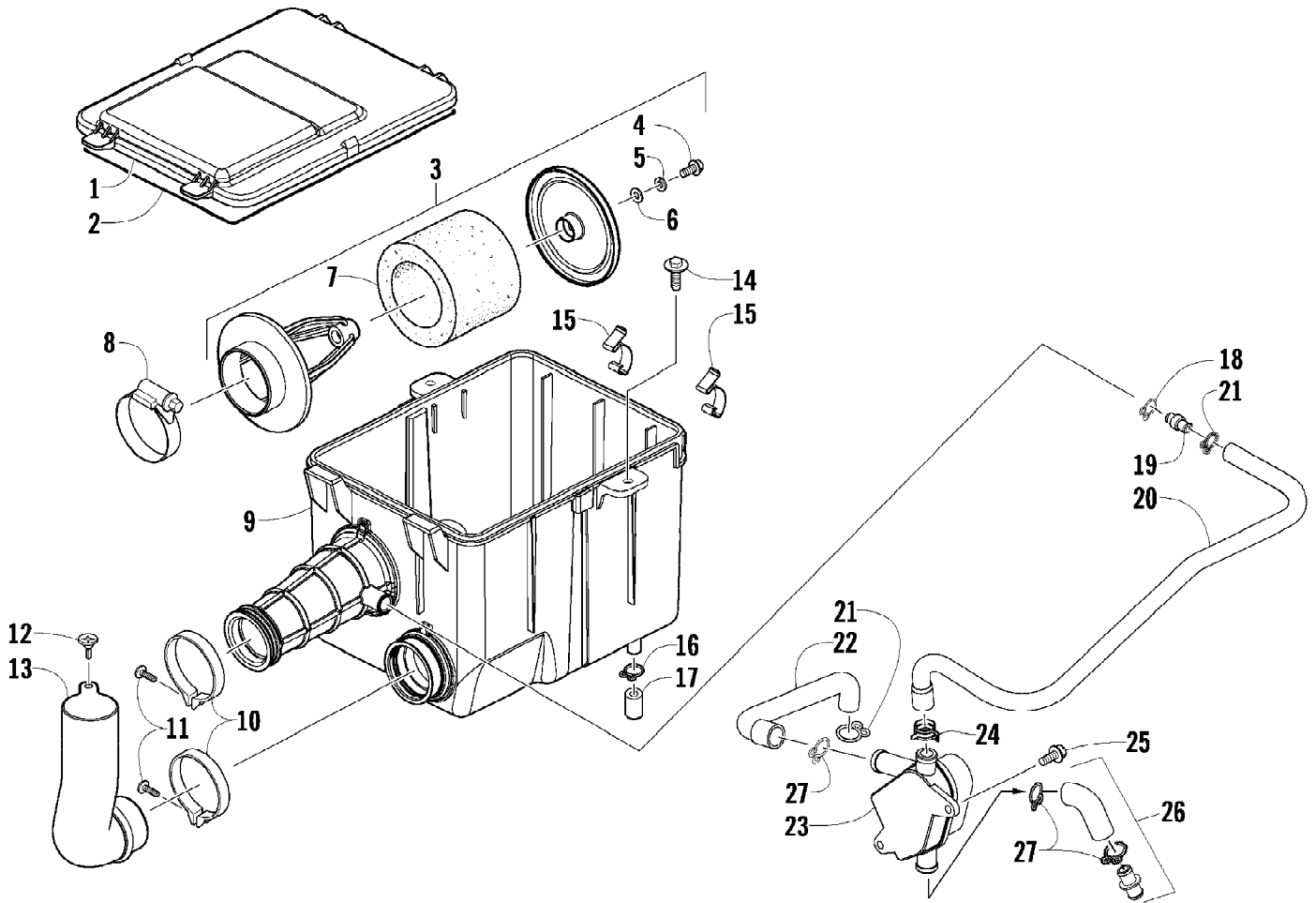


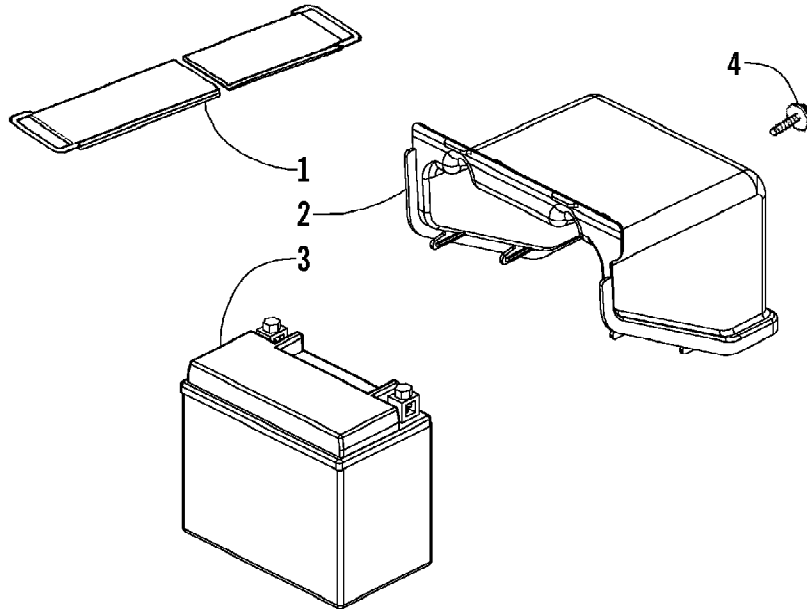
2010 ATV 300 2X4 UTILITY RED (A2010KUF2BUSR)
AIR INTAKE ASSEMBLY



2010 ATV 300 2X4 UTILITY RED (A2010KUF2BUSR)
AIR INTAKE ASSEMBLY

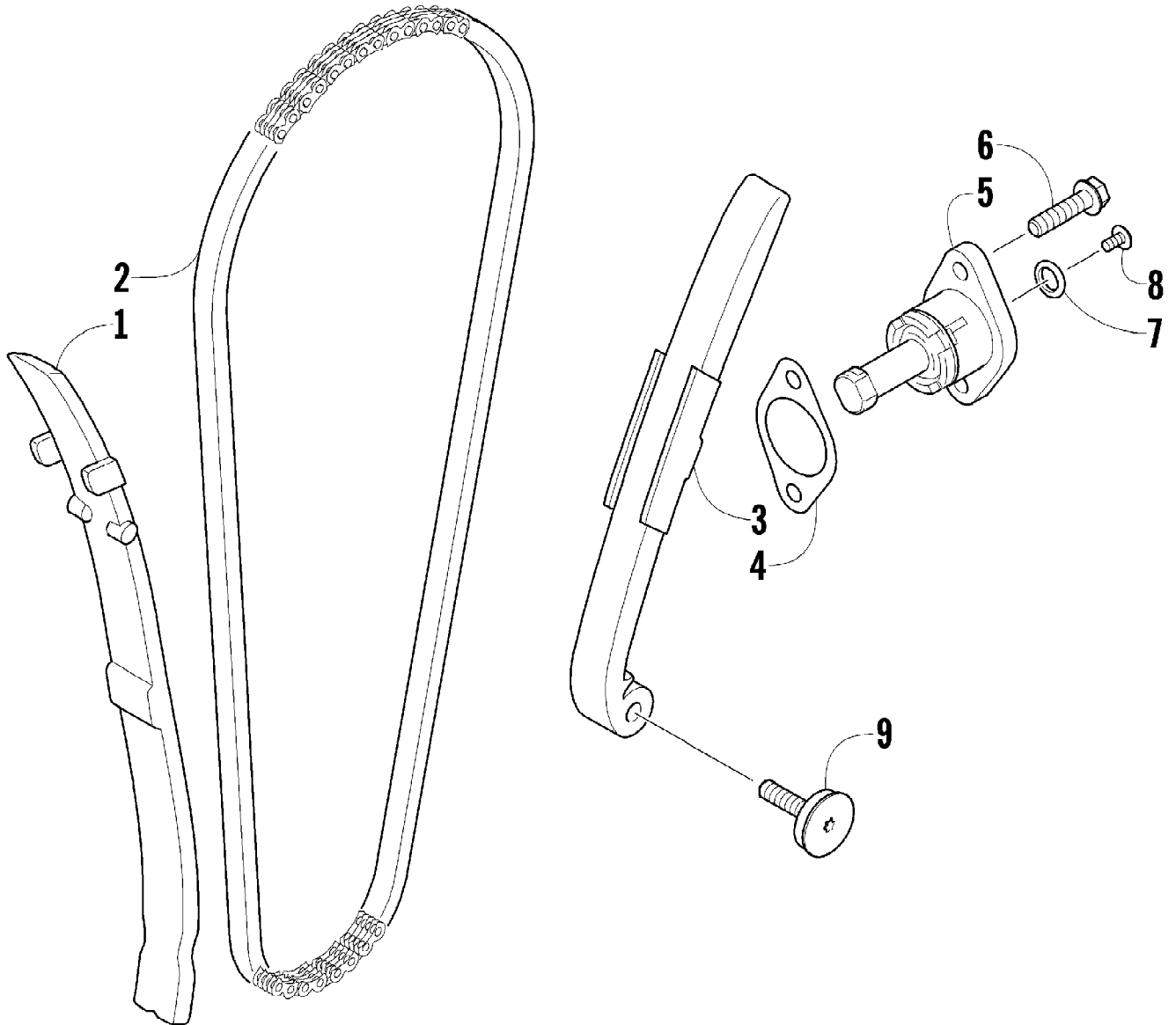
Page 2 of 63

Ref #	Part Number	Qty	S/P/F	Description
1	3303-705	1		Cover, Air Silencer
2	3303-703	1		Seal
3	3303-704	1		Filter, Air - Assembly (inc. 4-7)
4	0	1	F	Screw, Cap
5	0	1	F	Washer, Lock
6	0	1	F	Washer
7	0	1	F	Filter, Air
8	3304-416	1		Clamp, Hose
9	3305-790	1		Silencer, Air
10	3303-709	2		Clamp, Hose (inc. 11)
11	3304-117	2		Screw, Machine
12	3304-062	1		Screw, Machine
13	3303-710	1		Duct
14	3304-652	2		Screw, Cap
15	3303-708	4		Clip, Spring
16	3304-433	1		Clamp, Hose
17	3305-424	1		Hose, Drain
18	3303-716	1		Clamp, Hose
19	3303-711	1		Joint, Blow-By
20	3303-734	1		Tube B - Oil Catch (inc. one No. 21)
21	3303-714	2		Clamp, Hose
22	3303-733	1		Tube A - Oil Catch (inc. one No. 21 and one No. 27)
23	3303-706	1		Catch, Oil
24	3304-167	1		Clamp, Hose
25	3304-553	2		Screw, Cap
26	3303-735	1		Tube C - Oil Catch (inc. two No. 27)
27	3303-712	3		Clamp, Hose



2010 ATV 300 2X4 UTILITY RED (A2010KUF2BUSR)
BATTERY ASSEMBLY

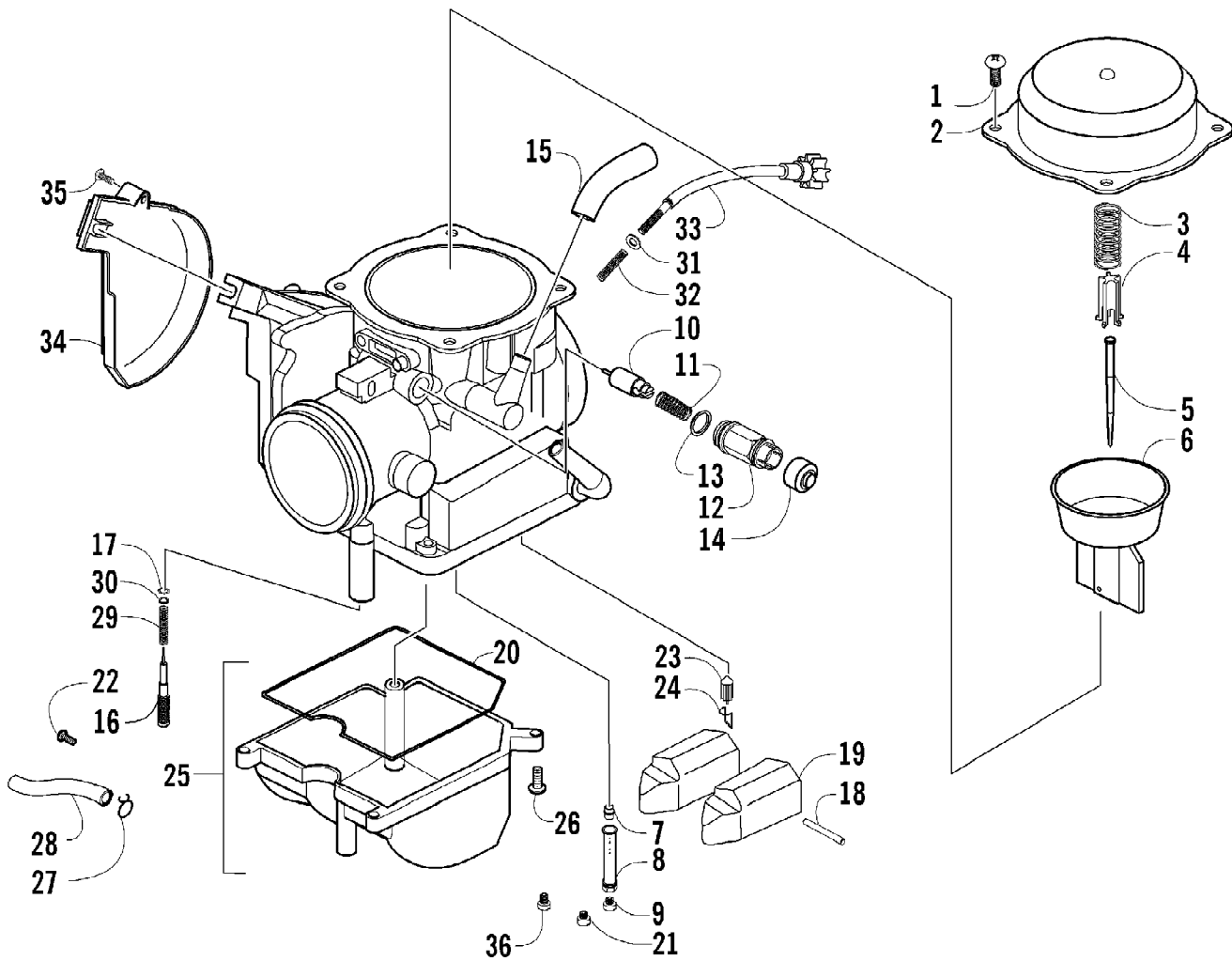
Ref #	Part Number	Qty	S/P/F	Description
1	3303-937	1		Strap, Battery
2	3303-995	1		Cover, Battery
3	3304-275	1	/P	Battery
4	3304-029	2	/P	Screw, Cap



2010 ATV 300 2X4 UTILITY RED (A2010KUF2BUSR)
CAM CHAIN ASSEMBLY

Page 6 of 63

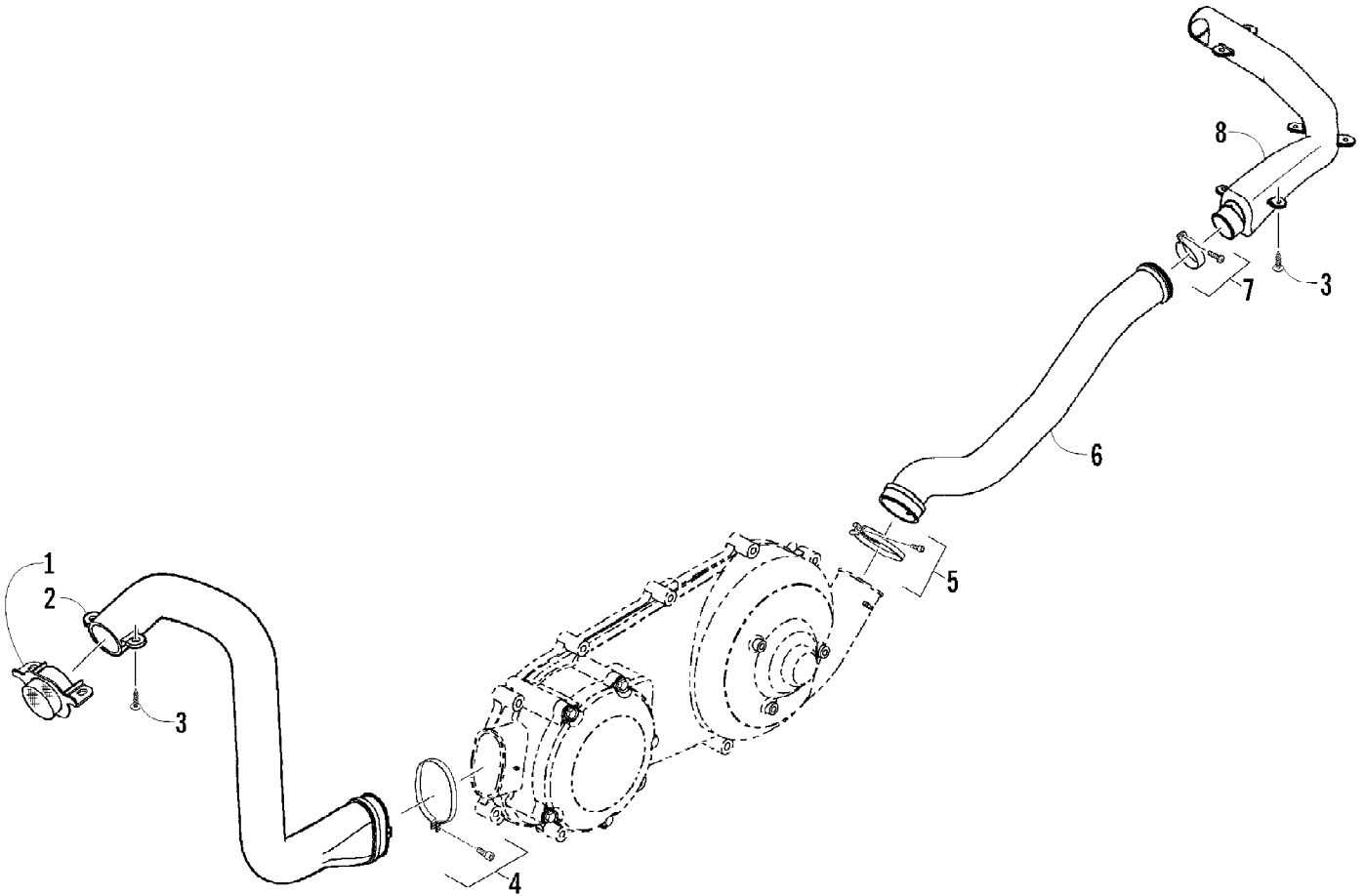
Ref #	Part Number	Qty	S/P/F	Description
1	3305-692	1		Guide, Chain
2	3305-620	1		Chain, Cam
3	3305-622	1		Tensioner, Chain
4	3303-035	1		Gasket
5	3303-677	1		Tensioner Assembly
6	3304-002	2	/P	Screw, Cap
7	3304-100	1	/P	O-Ring
8	3304-006	1		Screw, Adjuster
9	3303-678	1		Pivot, Tensioner



2010 ATV 300 2X4 UTILITY RED (A2010KUF2BUSR)
CARBURETOR

Page 8 of 63

Ref #	Part Number	Qty	S/P/F	Description
	3305-426	1	/P	Complete Carburetor Assembly
1	5507-002	4	/P	Screw, Machine
2	5507-051	1		Cover, Top - Assembly
3	3305-432	1		Spring
4	3305-538	1		Seat, Spring
5	3305-540	1	/P	Needle, Jet
6	3305-711	1	S	Piston, Vacuum
7	5507-245	1	/P	Jet, Needle
8	5507-047	1	/P	Holder, Jet Needle
9	3305-434	1		Jet, Main - 112
10	5507-022	1		Valve, Starter
11	5507-023	1		Spring
12	5507-025	1		Cap
13	5507-024	1		O-Ring
14	5507-026	1		Cable, Sealing Cap
15	0410-056	1		Hose, Vent
16	3305-442	1		Screw, Pilot
17	3304-237	1		O-Ring
18	3304-451	1		Pin, Float Arm
19	3305-550	1		Float Set
20	5507-068	1		O-Ring
21	5507-010	1	S	Jet, Slow
22	5507-050	1	/P	Screw, Drain
23	3304-242	1		Valve, Float (inc. 24)
24	0	1	F	Clip
25	3305-430	1	S	Chamber, Float - Assembly
26	5507-017	4	/P	Screw, Machine
27	3304-474	1		Clamp, Hose
28	3305-428	1		Hose, Drain
29	5507-226	1		Spring
30	5507-225	1		Washer
31	5507-028	1		Washer
32	5507-029	1		Spring
33	3305-437	1		Screw, Stop
34	3305-441	1		Cover
35	5507-037	1	/P	Screw, Machine
36	5507-090	1		Jet, Starter

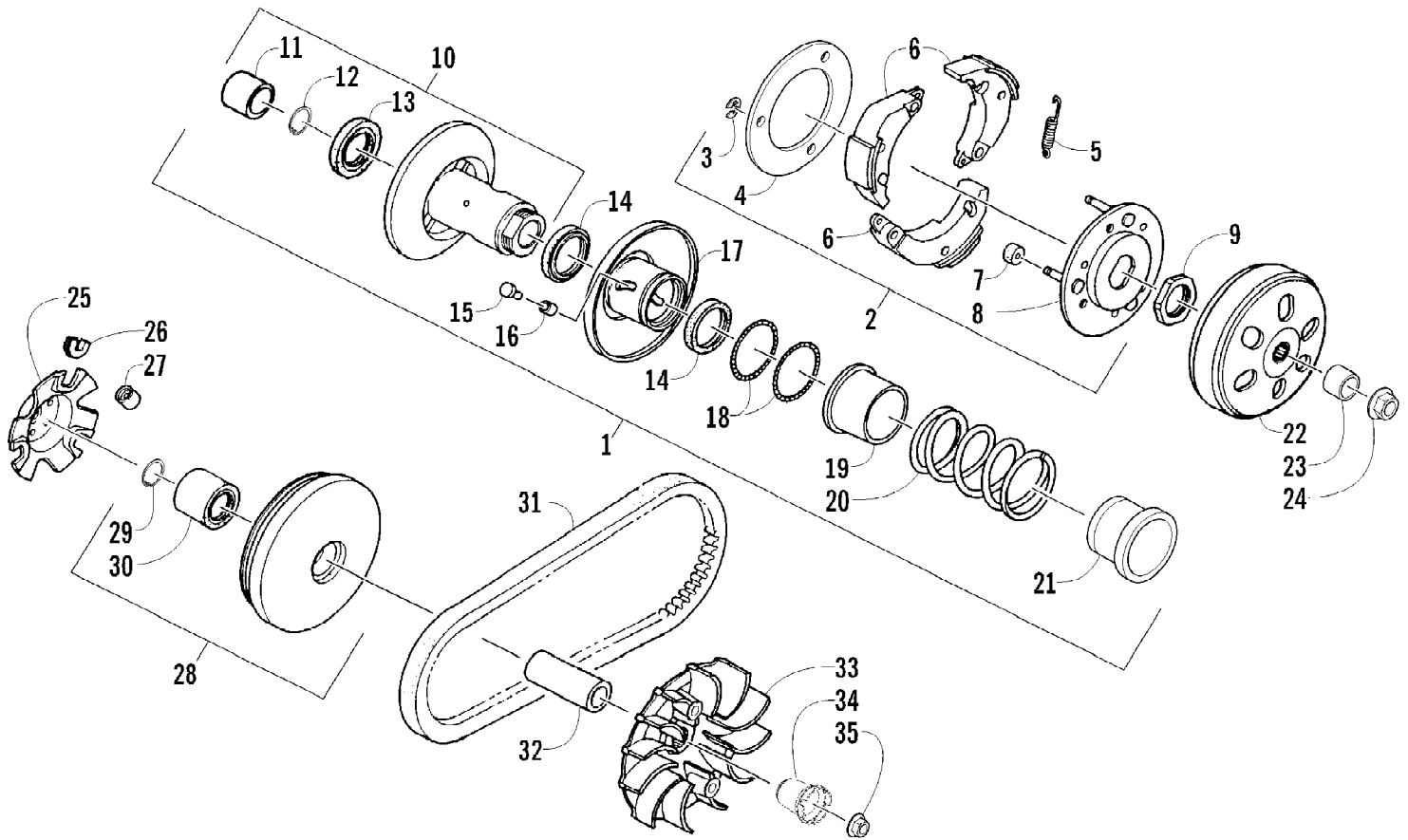


2010 ATV 300 2X4 UTILITY RED (A2010KUF2BUSR)
CASE/BELT COOLING ASSEMBLY

Page 10 of 63

Ref #	Part Number	Qty	S/P/F	Description
1	3303-640	1		Filter, Inlet
2	3303-634	1		Duct, Cooling
3	3304-650	8	/P	Screw, Self-Tapping
4	3303-635	1		Clamp w/Screw
5	3303-636	1		Clamp w/Screw
6	3303-633	1		Duct, Cooling
7	3305-440	1		Clamp
8	3303-637	1		Duct, Cooling

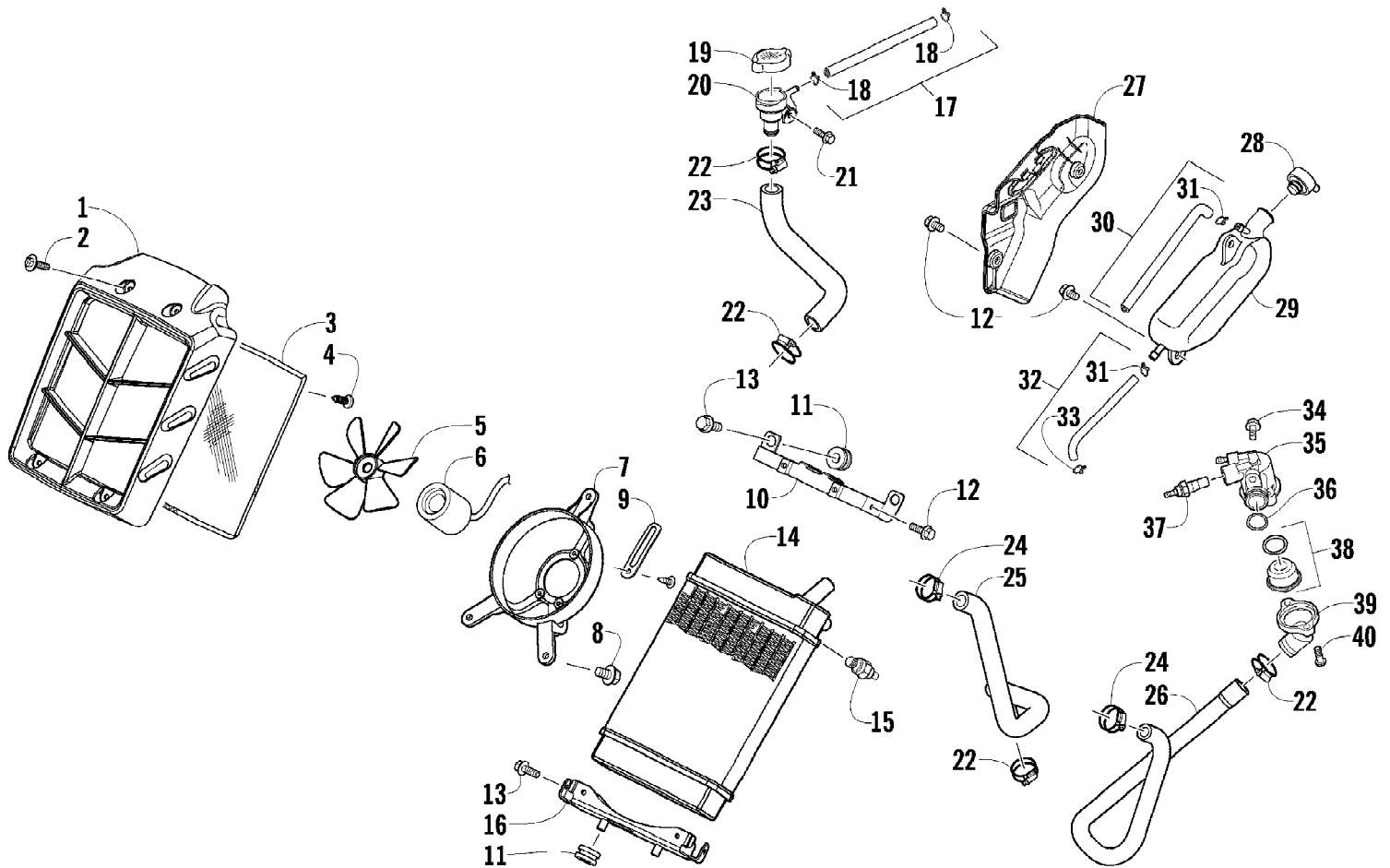
2010 ATV 300 2X4 UTILITY RED (A2010KUF2BUSR)
CLUTCH ASSEMBLY



2010 ATV 300 2X4 UTILITY RED (A2010KUF2BUSR)
CLUTCH ASSEMBLY

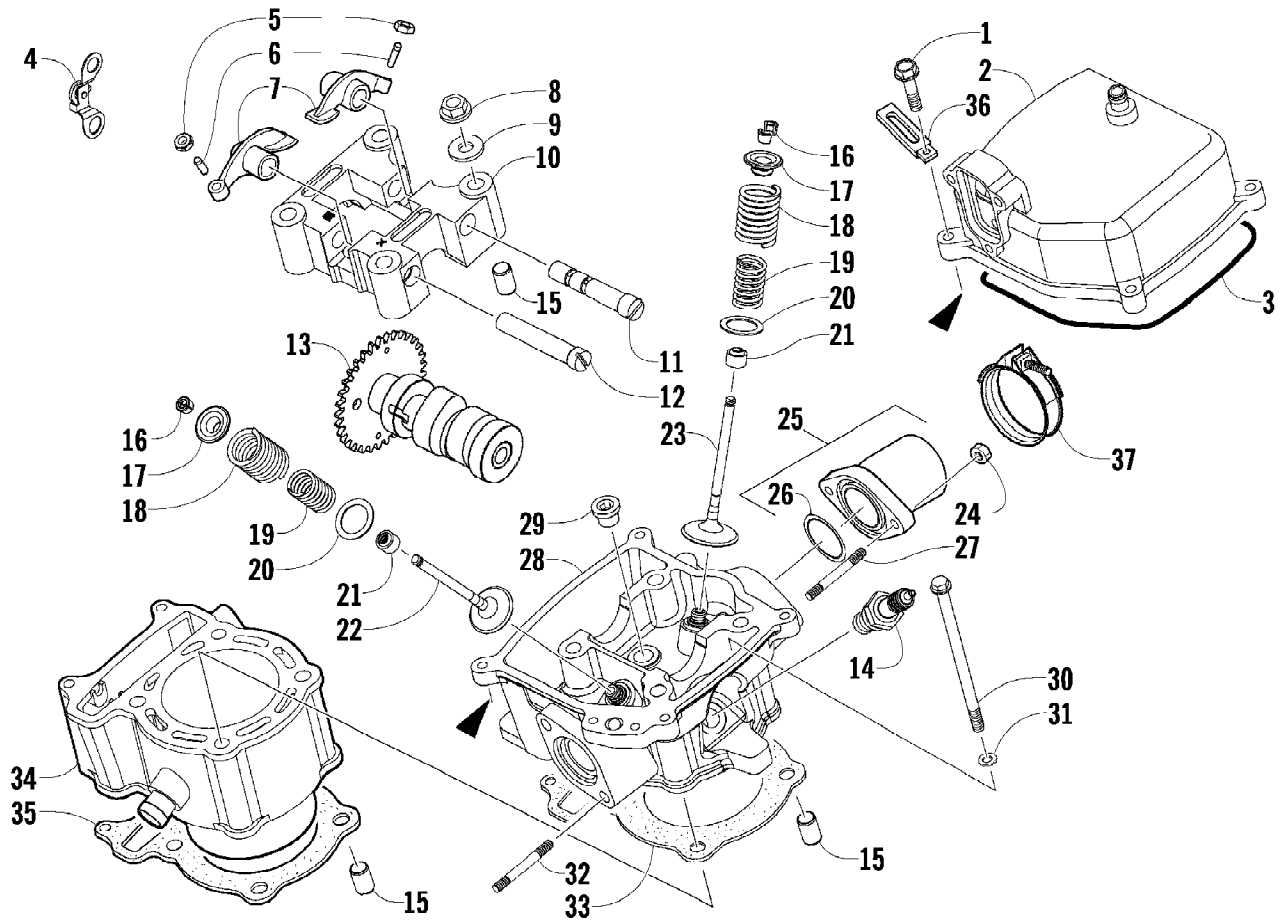
Page 12 of 63

Ref #	Part Number	Qty	S/P/F	Description
1	3303-781	1		Pulley, Driven - Assembly (inc. 2-21)
2	3303-775	1		Clutch, Centrifugal - Assembly (inc. 3-8)
3	3304-054	3		Ring, Retaining
4	3303-777	1		Plate, Clutch
5	3303-778	3		Spring
6	3303-779	3		Weight, Clutch
7	3303-780	3		Roller
8	3303-776	1		Plate, Clutch
9	3304-025	1	/P	Nut
10	3303-783	1		Face, Driven - Fixed (inc. 11-13)
11	3304-072	1		Bearing
12	3304-149	1		Ring, Retaining
13	3304-070	1		Bearing
14	3304-082	2		Seal
15	3303-786	4		Pin, Guide
16	3303-787	4		Guide, Roller
17	3303-785	1		Face, Driven - Movable
18	3304-107	2		O-Ring
19	3303-789	1		Sleeve, Spring
20	3303-788	1		Spring
21	3303-790	1		Sleeve, Spring
22	3303-767	1		Clutch, Outer
23	3303-638	1		Sleeve
24	3304-023	1		Nut
25	3303-773	1		Plate, Ramp
26	3303-774	3		Slide
27	3303-772	6		Roller
28	3303-770	1		Face, Drive - Movable (inc. 29-30)
29	3304-160	1		Ring, Retaining
30	3303-771	1		Sleeve
31	3303-782	1		Belt, Drive
32	3303-769	1		Sleeve
33	3303-768	1		Face, Drive - Fixed
34	3303-828	1		Ratchet, Recoil
35	3304-024	1		Nut



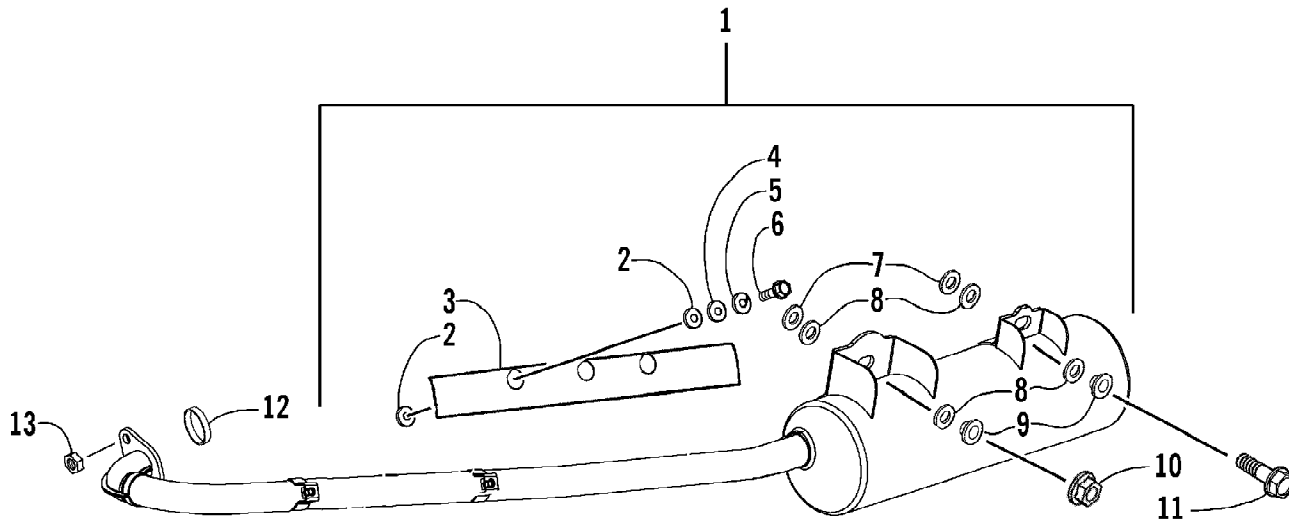
Ref #	Part Number	Qty	S/P/F	Description
1	3305-973	1		Fascia, Radiator
2	3303-263	4	/P	Screw, Cap
3	3303-744	1		Screen, Radiator
4	3304-123	6	/P	Screw, Self-Tapping
5	3303-741	1		Fan, Cooling
6	3303-742	1		Motor, Fan
7	3303-739	1		Shroud, Fan
8	3304-586	3	/P	Screw, Cap
9	3304-155	1		Clamp, Wire
10	3303-983	1		Bracket, Radiator - Upper
11	3303-239	4		Grommet
12	3304-587	6	/P	Screw, Cap
13	3304-116	4		Screw, Cap
14	3303-737	1		Radiator Assembly
15	3303-862	1		Switch, Temperature
16	3303-984	1		Bracket, Radiator - Lower
17	3304-066	1		Hose, Overflow (inc. 18)
18	3304-161	2		Clamp, Hose
19	3303-748	1		Cap, Radiator
20	3303-738	1		Neck, Filler
21	3304-553	1		Screw, Cap
22	3304-165	4	/P	Clamp, Hose
23	3303-761	1		Hose, Coolant - Filler Neck/Radiator
24	3304-164	2		Clamp, Hose
25	3303-759	1		Hose, Coolant - Radiator/Water Pump
26	3303-760	1		Hose, Cooling - Engine/Radiator
27	3305-974	1		Shield, Reservoir Tank
28	3303-749	1		Cap, Reservoir Tank
29	3304-253	1		Tank, Reservoir
30	3303-745	1		Hose, Drain (inc. one No. 31)
31	3304-163	2		Clamp, Hose
32	3303-746	1		Hose, Reservoir Tank (inc. 33 and one No. 31)
33	3303-349	1		Clamp, Hose
34	3303-617	1	/P	Screw, Cap
35	3303-756	1		Housing, Thermostat
36	3304-094	1		O-Ring
37	3303-861	1		Unit, Thermostat
38	3303-755	1		Thermostat
39	3303-757	1		Cap, Thermostat
40	3304-118	2		Screw, Machine

2010 ATV 300 2X4 UTILITY RED (A2010KUF2BUSR)
CYLINDER HEAD AND CAMSHAFT/VALVE ASSEMBLY



2010 ATV 300 2X4 UTILITY RED (A2010KUF2BUSR)
CYLINDER HEAD AND CAMSHAFT/VALVE ASSEMBLY

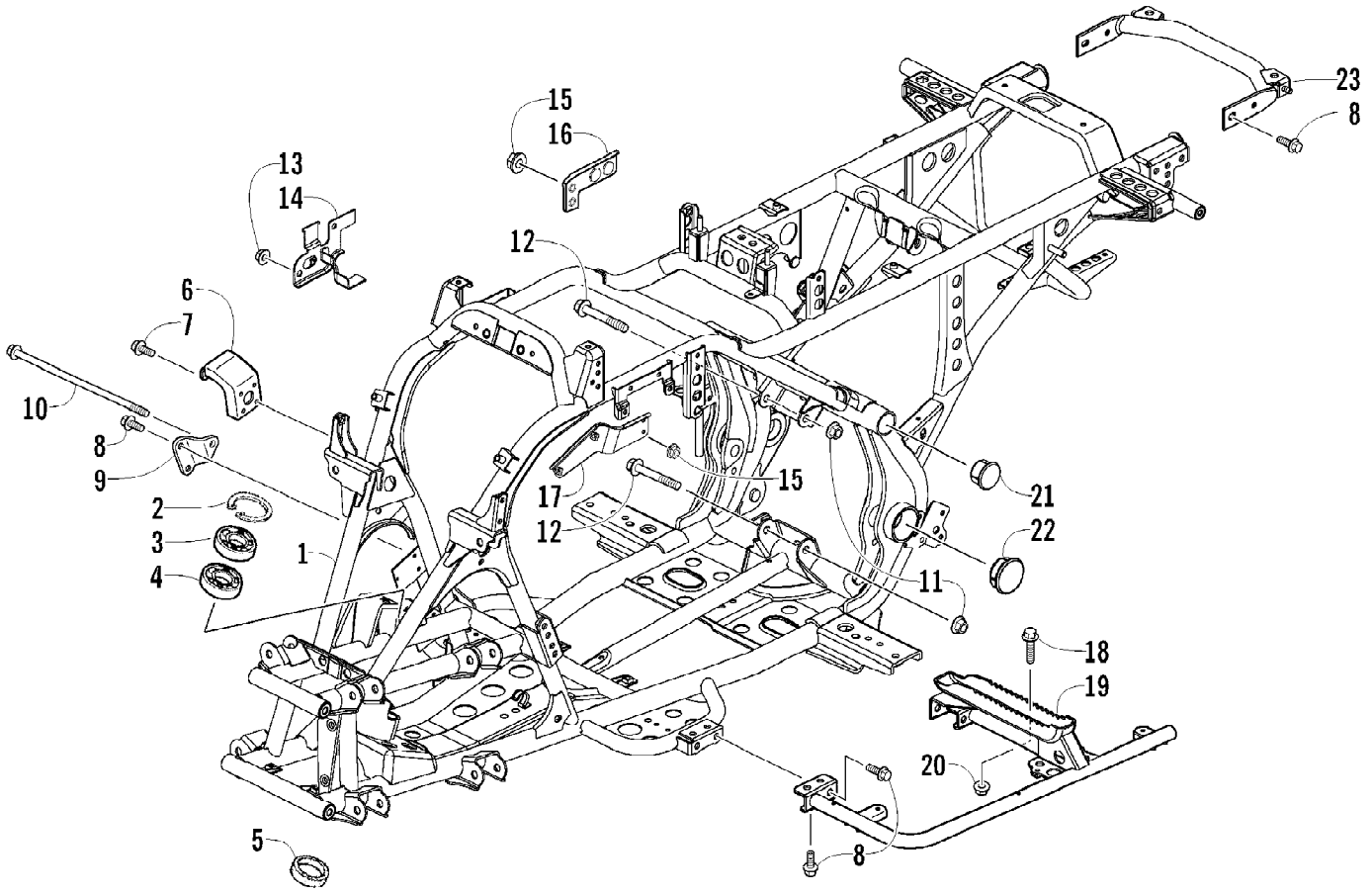
Ref #	Part Number	Qty	S/P/F	Description
	3306-187	1		Complete Engine Assembly
1	3303-360	4		Screw, Cap
2	3305-608	1		Cover, Cylinder Head
3	3305-609	1		Gasket
4	3305-618	1		Plate, Stop
5	3304-026	2	/P	Nut
6	3304-007	2	/P	Screw, Adjuster
7	3305-611	2		Arm, Rocker
8	3303-332	4		Nut
9	3304-048	4	/P	Washer
10	3305-689	1	/P	Retainer, Camshaft
11	3303-674	1		Shaft, Rocker Arm - Intake
12	3305-612	1		Shaft, Rocker Arm - Exhaust
13	3305-613	1		Camshaft
14	0217-730	1	/P/F	Spark Plug
15	3303-342	6		Pin, Dowel
16	3303-044	4		Valve, Cotter
17	3303-042	2	/P	Retainer, Valve Spring
18	3303-682	2		Spring, Valve - Outer
19	3303-683	2		Spring, Valve - Inner
20	3303-043	2		Seat, Valve Spring
21	3303-657	2	/P	Seal, Valve Stem
22	3305-615	1		Valve, Exhaust
23	3305-614	1		Valve, Intake
24	3304-124	2		Nut
25	3305-690	1		Flange, Intake (inc. 26)
26	3304-620	1		O-Ring
27	3304-114	2		Bolt, Stud
28	3305-691	1		Head, Cylinder (inc. 29-30)
29	3303-656	1		Bolt, Sealing
30	3303-390	2		Screw, Cap
31	3304-049	2		Washer
32	3304-010	2		Bolt, Stud
33	3303-659	1		Gasket, Cylinder Head
34	3305-621	1		Cylinder
35	3303-654	1	S	Gasket, Cylinder
36	3304-157	1		Clamp, Wire
37	3305-410	1		Clamp, Intake Flange



2010 ATV 300 2X4 UTILITY RED (A2010KUF2BUSR)
EXHAUST ASSEMBLY

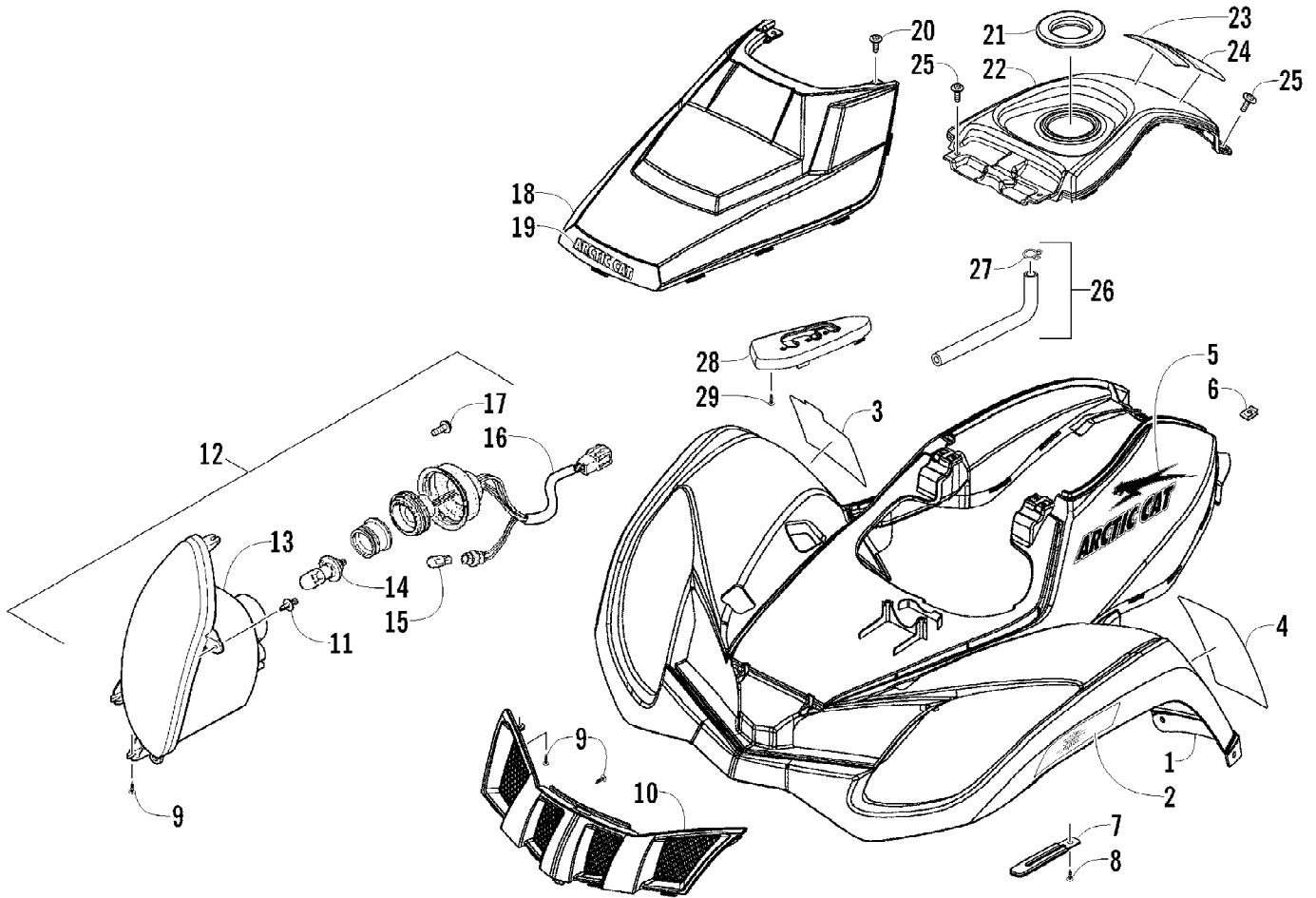
Page 18 of 63

Ref #	Part Number	Qty	S/P/F	Description
1	3305-971	1		Muffler - Assemblby (inc. 2-9)
2	3303-727	4		Washer, Fiber
3	3303-730	1		Shield, Exhaust
4	3304-134	2		Washer
5	3304-140	2		Washer, Lock
6	3303-381	2		Screw, Cap
7	3303-726	2		Bushing
8	3303-728	4		Washer, Fiber
9	3303-731	2		Insert
10	3303-332	1		Nut
11	3304-175	1		Screw, Cap
12	3303-725	1		Gasket, Exhaust
13	3304-125	2		Nut



Ref #	Part Number	Qty	S/P/F	Description
1	3303-933	1		Frame, Main
2	3304-150	1		Circlip
3	3304-203	1		Bearing
4	3303-298	1		Seal
5	3304-064	1		Seal
6	3303-942	1		Bracket, Mounting - Front Rack - Right
6	3303-943	1		Bracket, Mounting - Front Rack - Left
7	3304-553	4		Screw, Cap
8	3304-543	12	/P	Screw, Cap
9	3303-938	2		Bracket, Mounting - Engine
10	3304-184	1	/P	Screw, Cap
11	3304-031	4	/P	Nut, Lock
12	3304-185	2		Screw, Cap
13	3303-331	2	/P	Nut
14	3304-657	1		Bracket, Mounting - Lighting Control
15	3304-654	4	/P	Nut
16	3304-655	1		Bracket, Mounting - Brake Switch
17	3303-935	1	/P	Bracket, Mounting - Gas Tank
18	3303-616	2	/P	Screw, Cap
19	3303-939	1		Footrest - Right
19	3303-940	1		Footrest - Left
20	3303-332	2		Nut
21	3304-658	2		End Cap
22	3303-999	2		End Cap
23	3303-936	1		Bracket, Mounting - Rear Rack

2010 ATV 300 2X4 UTILITY RED (A2010KUF2BUSR)
FRONT BODY AND HEADLIGHT ASSEMBLY

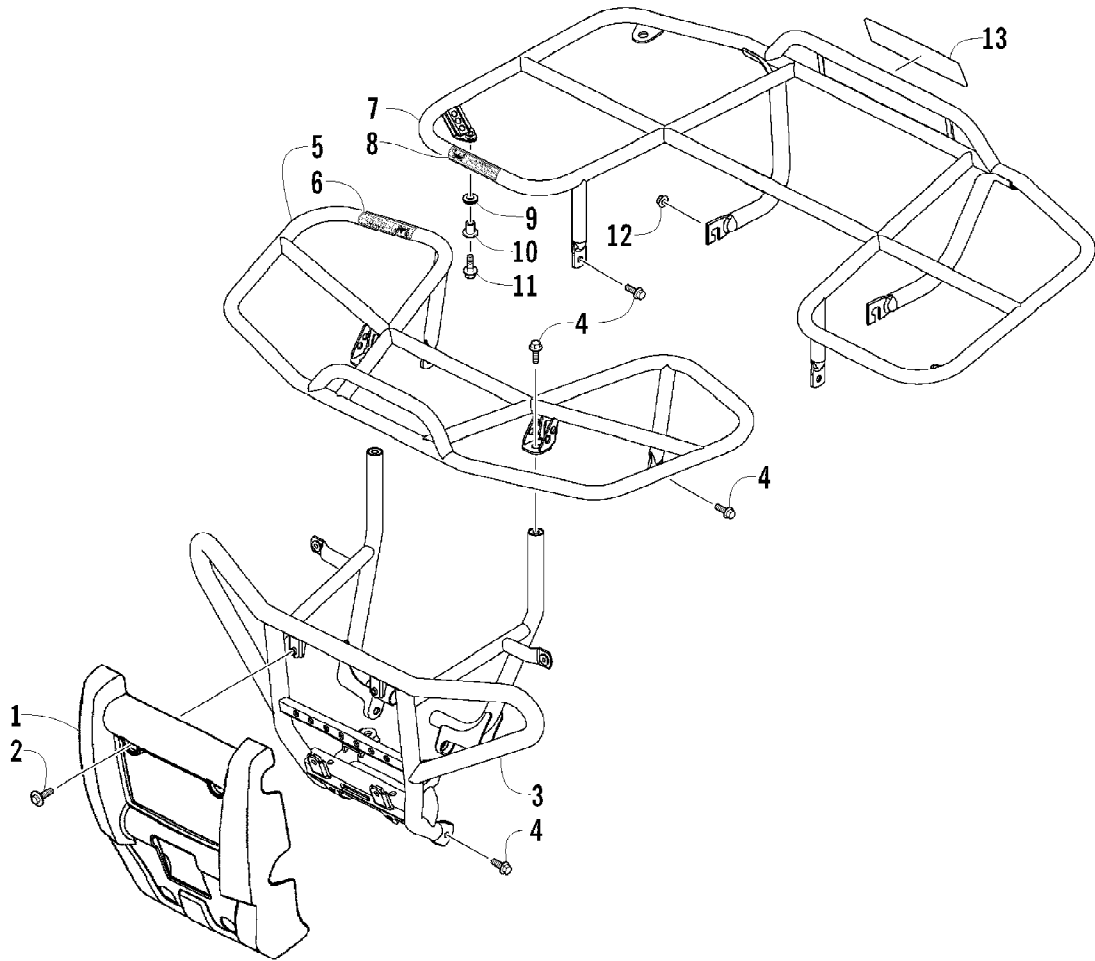


2010 ATV 300 2X4 UTILITY RED (A2010KUF2BUSR)
FRONT BODY AND HEADLIGHT ASSEMBLY

Page 22 of 63

Ref #	Part Number	Qty	S/P/F	Description
1	3306-107	1		Panel, Fender - Assembly (inc. 2-4)
2	1411-180	1		Decal, Reflector - Right
2	1411-181	1		Decal, Reflector - Left
3	1411-173	1		Decal, Warning - Pre-Ride
4	2411-169	1	S	Decal, Warning - General
5	1411-636	1		Decal, Side - Upper Right
5	1411-637	1		Decal, Side - Upper Left
6	3304-061	6	/P	Clip, U-Nut
7	3304-156	2		Clamp, Routing
8	3304-651	2		Screw, Self-Tapping
9	3304-122	10		Screw, Self-Tapping
10	3303-981	1		Grille
11	3304-057	2	/P	Clip, Retaining
12	3303-844	1		Headlight - Assembly - Right (inc. 13-16)
12	3303-845	1		Headlight - Assembly - Left (inc. 13-16)
13	3304-643	1		Lens, Headlight - Assembly - Right
13	3304-644	1		Lens, Headlight - Assembly - Left
14	3303-846	2	/P	Bulb, Headlight
15	3303-847	2		Bulb
16	3305-065	2		Socket, Headlight - Assembly
17	3304-587	2	/P	Screw, Cap
18	3303-978	1		Cover, Access
19	1411-825	1		Decal, "Arctic Cat"
20	3303-263	2	/P	Screw, Cap
21	3303-721	1		Grommet, Gas Tank Cover
22	3306-108	1		Cover, Gas Tank (inc. 23-24)
23	1411-577	1		Decal, Warning - Off-Road Only
24	2411-203	1	S	Decal, Warning - Age
25	3304-029	4	/P	Screw, Cap
26	3303-720	1		Tube, Drain (inc. 27)
27	3303-349	1		Clamp, Hose
28	3303-976	1		Guide, Shift Handle
29	3304-650	2	/P	Screw, Self-Tapping

2010 ATV 300 2X4 UTILITY RED (A2010KUF2BUSR)
FRONT BUMPER, FRONT RACK, AND REAR RACK ASSEMBLY

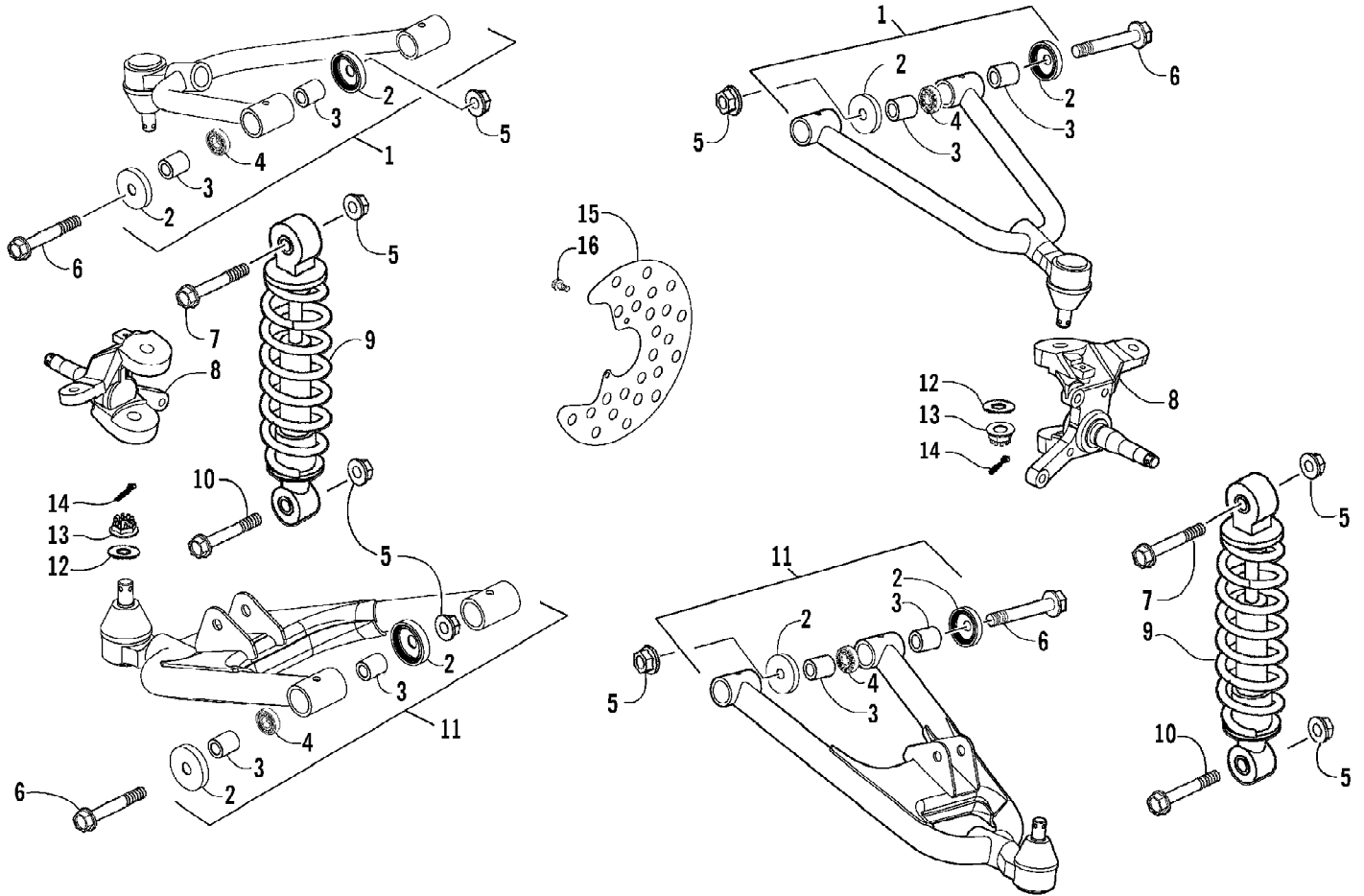


2010 ATV 300 2X4 UTILITY RED (A2010KUF2BUSR)
FRONT BUMPER, FRONT RACK, AND REAR RACK ASSEMBLY

Page 24 of 63

Ref #	Part Number	Qty	S/P/F	Description
1	3313-758	1	/P	Fasica, Bumper
2	3304-587	4	/P	Screw, Cap
3	3304-001	1		Bumper, Front
4	3304-543	14	/P	Screw, Cap
5	3303-988	1		Rack, Front
6	0411-576	1		Decal, Warning - Load
7	3305-464	1		Rack, Rear
8	1411-102	1		Decal, Warning - Load
9	3303-227	2		Grommet
10	3303-233	2		Spacer
11	3304-586	2	/P	Screw, Cap
12	3304-668	2		Nut, Lock
13	0411-814	1	/P	Decal, "Arctic Cat"

2010 ATV 300 2X4 UTILITY RED (A2010KUF2BUSR)
FRONT SUSPENSION ASSEMBLY

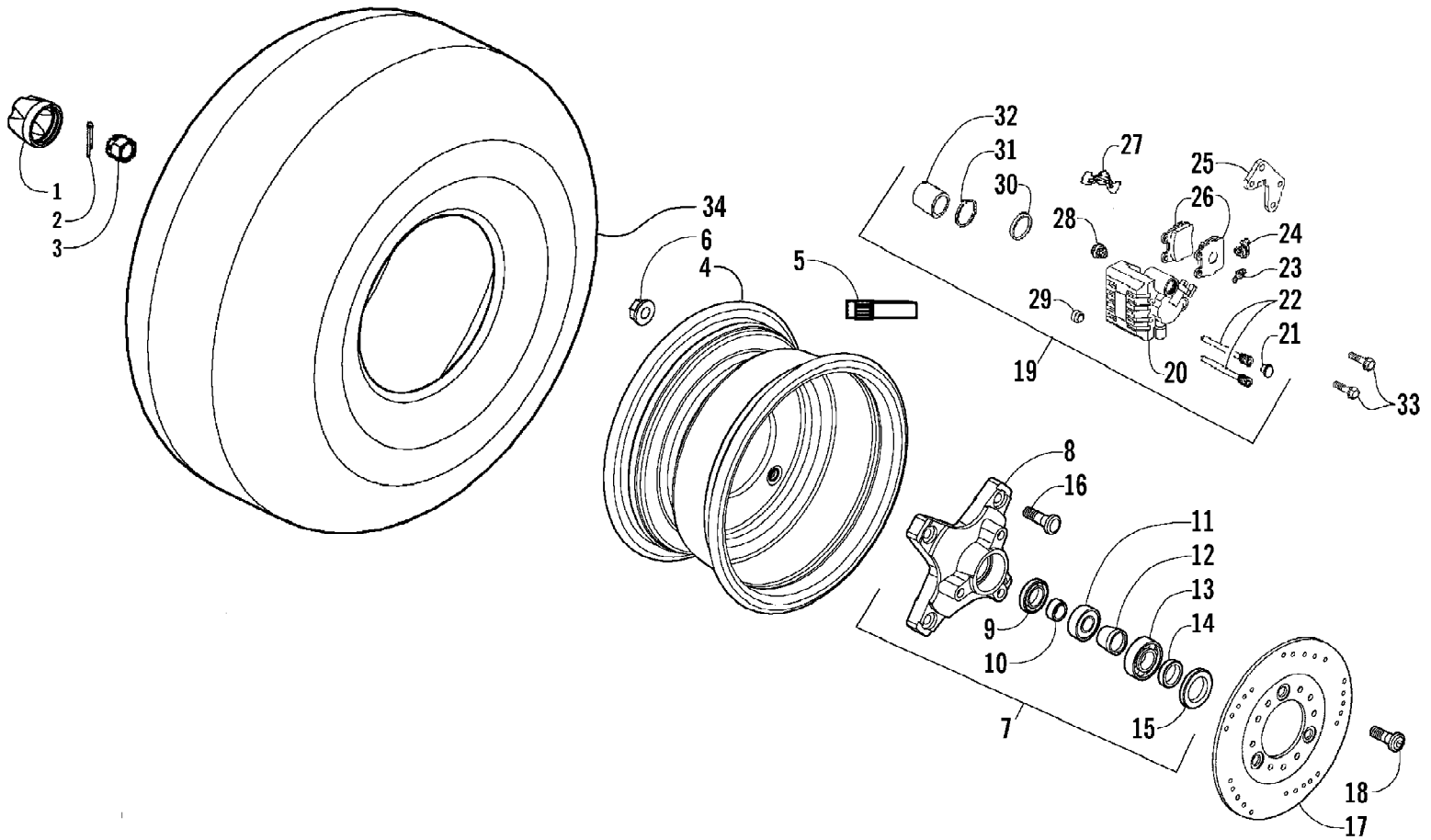


2010 ATV 300 2X4 UTILITY RED (A2010KUF2BUSR)
FRONT SUSPENSION ASSEMBLY

Page 26 of 63

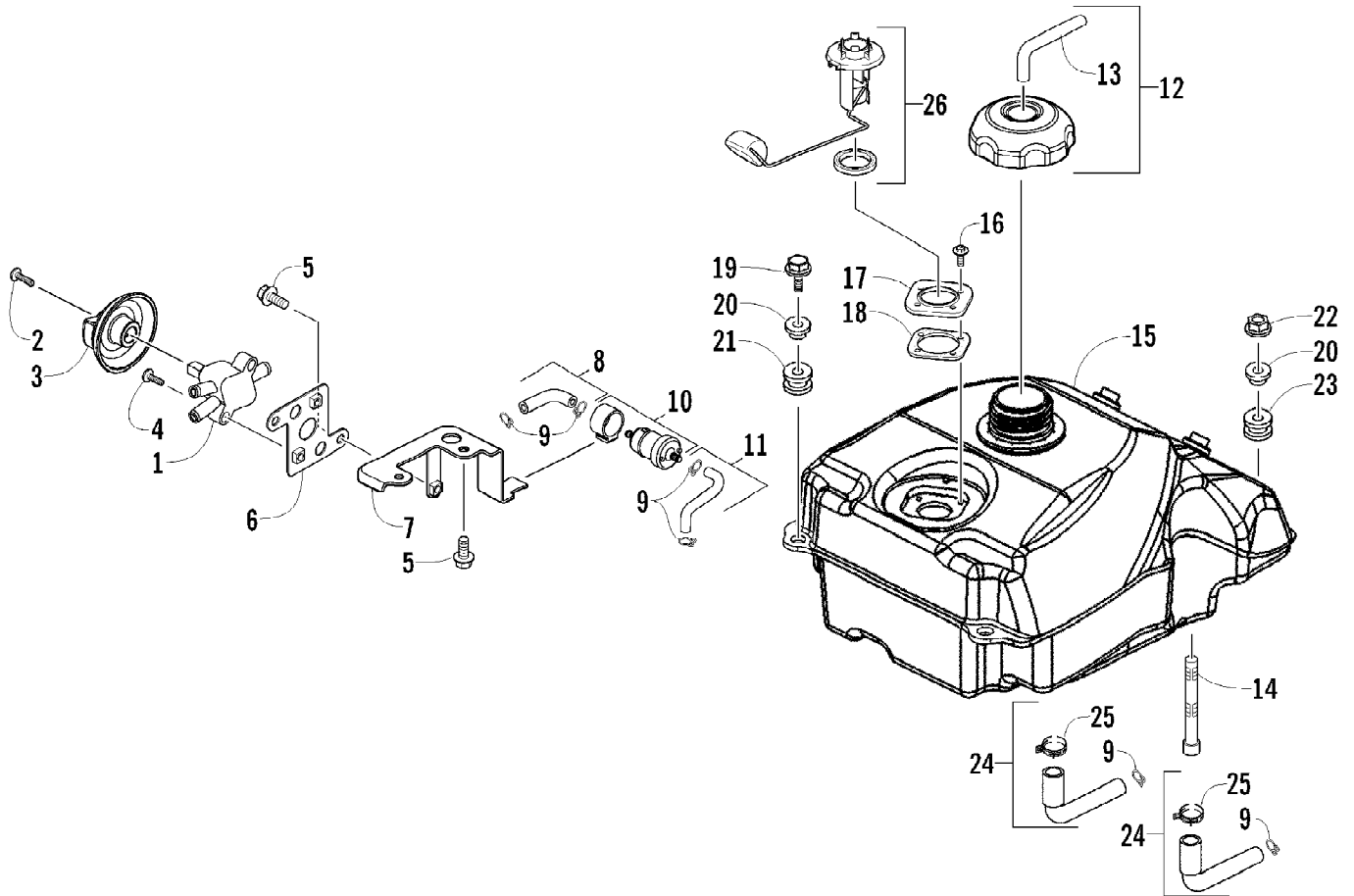
Ref #	Part Number	Qty	S/P/F	Description
1	3303-964	1		A-Arm, Upper Right (inc. 2-4)
1	3303-967	1		A-Arm, Upper Left (inc. 2-4)
2	3304-090	16		Seal
3	3304-689	16	/P	Axle
4	3304-199	8		Bearing
5	3304-031	12	/P	Nut, Lock
6	3304-182	8	/P	Screw, Cap
7	3303-376	2	/P	Screw, Cap
8	3303-930	1		Knuckle - Assembly - Right
8	3303-932	1		Knuckle - Assembly - Left
9	3303-941	2		Shock/Spring Assembly
10	3304-595	2	/P	Screw, Cap
11	3303-966	1		A-Arm, Lower Right (inc. 2-4)
11	3303-968	1		A-Arm, Lower Left (inc. 2-4)
12	3303-335	4		Washer
13	3303-328	4		Nut, Castle
14	3303-470	4		Pin, Cotter
15	3303-920	2		Guard, Brake Disc
16	3303-356	4	/P	Screw, Cap

2010 ATV 300 2X4 UTILITY RED (A2010KUF2BUSR)
FRONT WHEELS AND BRAKE ASSEMBLY



2010 ATV 300 2X4 UTILITY RED (A2010KUF2BUSR)
FRONT WHEELS AND BRAKE ASSEMBLY

Ref #	Part Number	Qty	S/P/F	Description
1	3303-931	2		Cap, Wheel
2	3303-340	2		Pin, Cotter
3	3303-330	2		Nut
4	3303-902	2	/P	Wheel
5	3304-562	2		Stem, Valve
6	3304-028	8		Nut, Lug
7	3303-903	2		Hub, Wheel - Assembly (inc. 8-16)
8	0	2	F	Hub, Wheel
9	3304-089	2		Seal
10	3303-898	2		Collar
11	3304-200	2		Bearing
12	3303-900	2		Collar
13	3304-202	2		Bearing
14	3303-899	2		Collar
15	3304-088	2		Seal
16	3304-014	8		Stud
17	3303-912	1		Disc, Brake - Right
17	3303-918	1		Disc, Brake - Left
18	3304-015	6		Screw, Shoulder
19	3306-116	1		Caliper Assembly - Right (inc. 20-32)
19	3306-117	1		Caliper Assembly - Left (inc. 20-32)
20	0	1	F	Housing, Caliper - Right
20	0	1	F	Housing, Caliper - Left
21	3304-334	2		Plug
22	3304-326	4		Pin
23	3304-302	2		Valve, Bleed
24	3304-303	2		Cap, Bleed Valve
25	3304-317	1		Bracket, Mounting - Right
25	3304-328	1		Bracket, Mounting - Left
26	3303-908	2		Pad, Brake - Set
27	3304-315	2		Spring
28	3304-322	2		Boot
29	3304-329	2		Bushing
30	3303-922	2		Seal, Piston - Inner
31	3303-910	2		Seal, Piston - Outer
32	3303-909	2		Piston
33	3304-174	4		Screw, Cap
34	3303-904	2		Tire

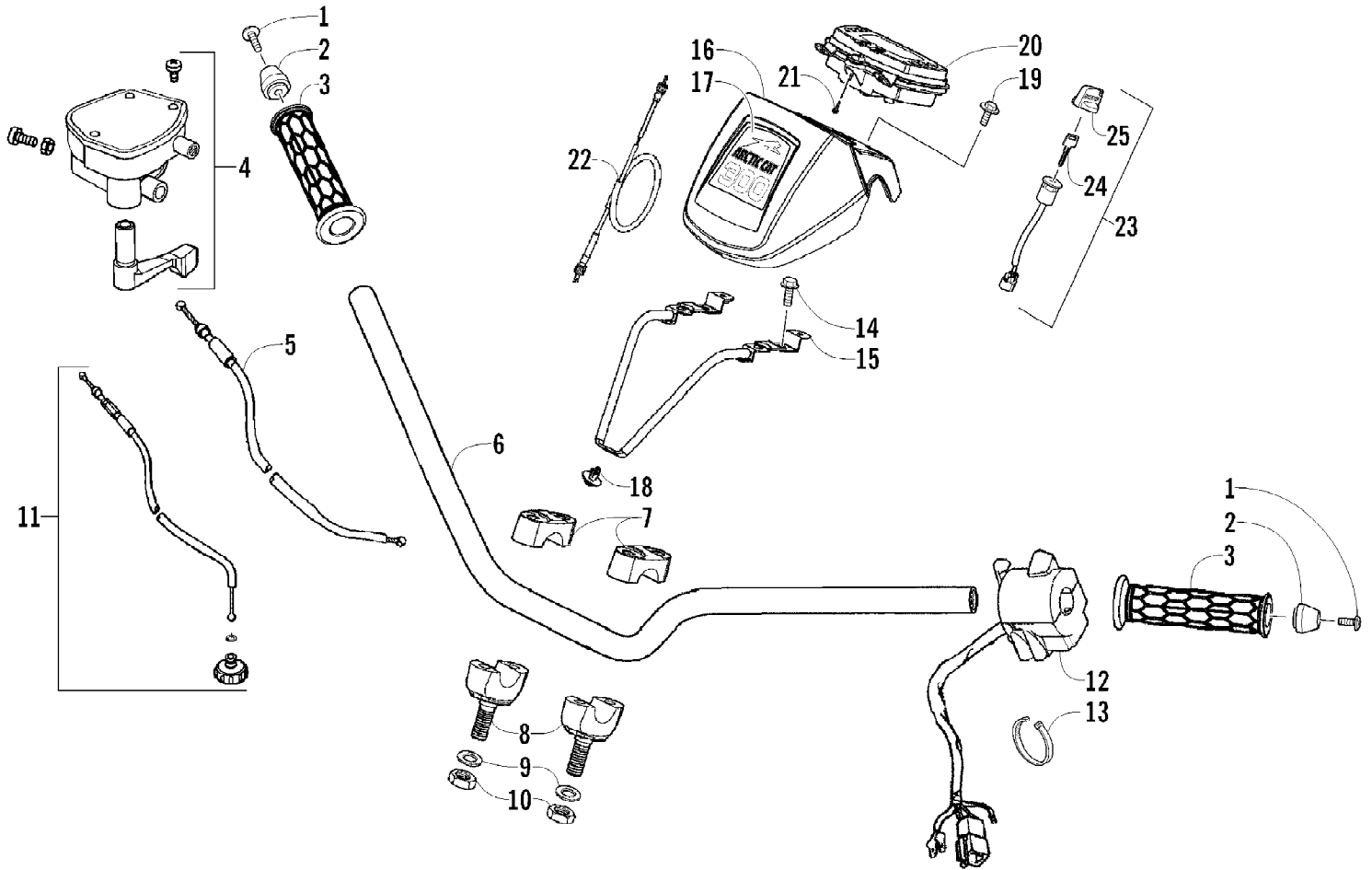


2010 ATV 300 2X4 UTILITY RED (A2010KUF2BUSR)
GAS TANK ASSEMBLY

Page 30 of 63

Ref #	Part Number	Qty	S/P/F	Description
1	3303-700	1		Shut-Off, Fuel (inc. 2)
2	3304-120	1		Screw, Machine
3	3303-701	1		Cover, Fuel Shut-Off
4	3303-316	2		Screw, Machine
5	3304-409	4	/P	Screw, Cap
6	3305-551	1		Bracket, Mounting - Fuel Shut-Off
7	3305-419	1		Bracket, Support
8	3305-421	1		Hose Assembly (inc. 9)
9	3303-349	6		Clamp, Hose
10	3305-501	1		Filter, Fuel
11	3305-422	1		Hose Assembly (inc. 9)
12	3305-975	1		Cap, Gas Tank (inc. 13)
13	3304-169	1		Hose, Vent
14	3303-058	1		Strainer, Fuel
15	3305-415	1		Tank, Gas
16	3305-397	4		Screw, Cap
17	3305-417	1		Cover, Access
18	3305-418	1		Seal
19	3304-551	2	/P	Screw, Cap
20	3303-226	4		Insert
21	3303-406	2		Grommet
22	3303-331	2	/P	Nut
23	3304-647	2		Grommet
24	3305-416	2		Hose Assembly (inc. 25 and two No. 9)
25	3303-351	2		Clamp, Hose
26	3305-545	1		Sensor, Fuel Level

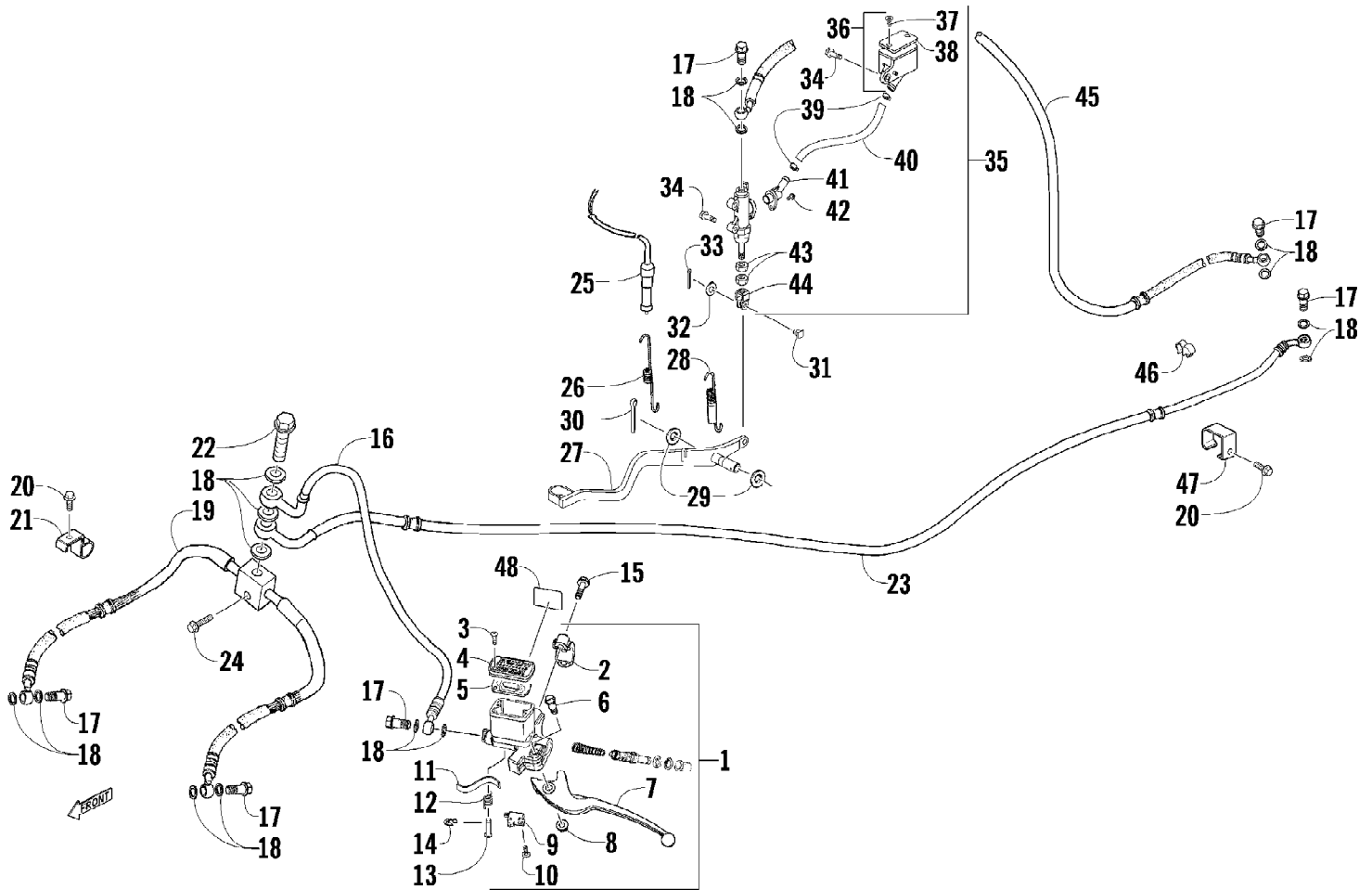
2010 ATV 300 2X4 UTILITY RED (A2010KUF2BUSR)
HANDLEBAR, INSTRUMENT POD, AND CONTROL ASSEMBLIES



2010 ATV 300 2X4 UTILITY RED (A2010KUF2BUSR)
HANDLEBAR, INSTRUMENT POD, AND CONTROL ASSEMBLIES

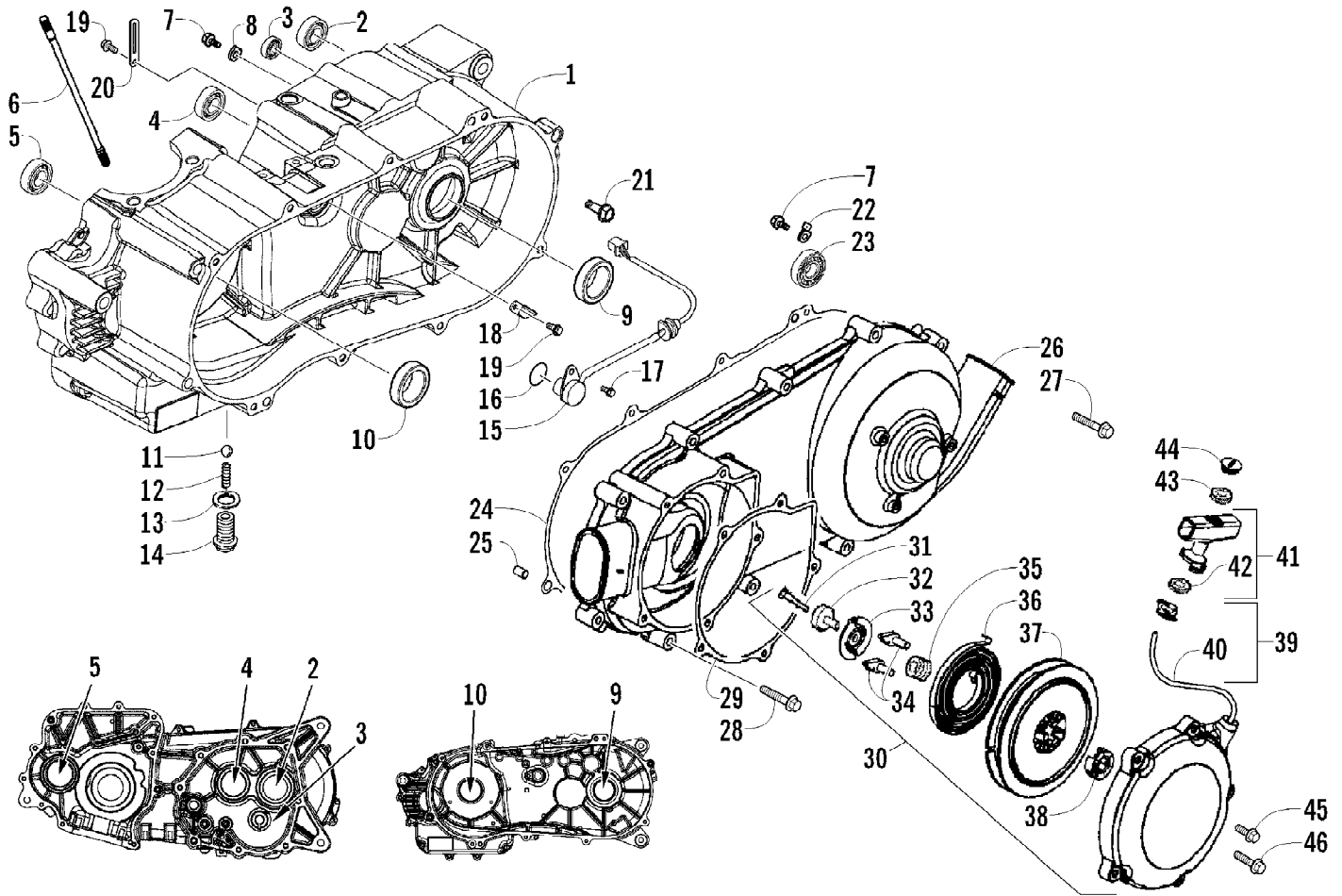
Page 32 of 63

Ref #	Part Number	Qty	S/P/F	Description
1	3304-016	2		Screw, Cap
2	3305-541	2		End Cap, Handlebar
3	3305-905	2	/P	Grip, Handlebar
4	3303-953	1		Control, Throttle - Assembly
5	3305-414	1	/P	Cable, Throttle
6	3305-457	1		Handlebar
7	3304-954	2		Clamp, Handlebar - Upper
8	3304-955	2		Clamp, Handlebar - Lower
9	3305-088	2	/P	Washer
10	3303-325	2		Nut
11	3305-462	1		Cable, Choke
12	3303-852	1	/P	Switch, Control - Assembly
13	3303-839	AR		Tie, Cable
14	3305-400	4		Screw, Cap
15	3303-951	1		Bracket, Mounting - Instrument Pod
16	3303-958	1		Pod, Instrument
17	2411-071	1	S	Decal, Instrument Pod
18	3304-552	1		Clip, Retaining
19	3304-029	2	/P	Screw, Cap
20	3303-859	1		Speedometer - Assembly
21	3304-122	3		Screw, Self-Tapping
22	3303-906	1	/P	Cable, Speedometer
23	3303-850	1		Switch, Ignition - Assembly (inc. 24-25)
24	3304-520	1	F	Key, Ignition
24	3304-521	1	F	Key, Ignition
25	3304-522	1		Cover, Key



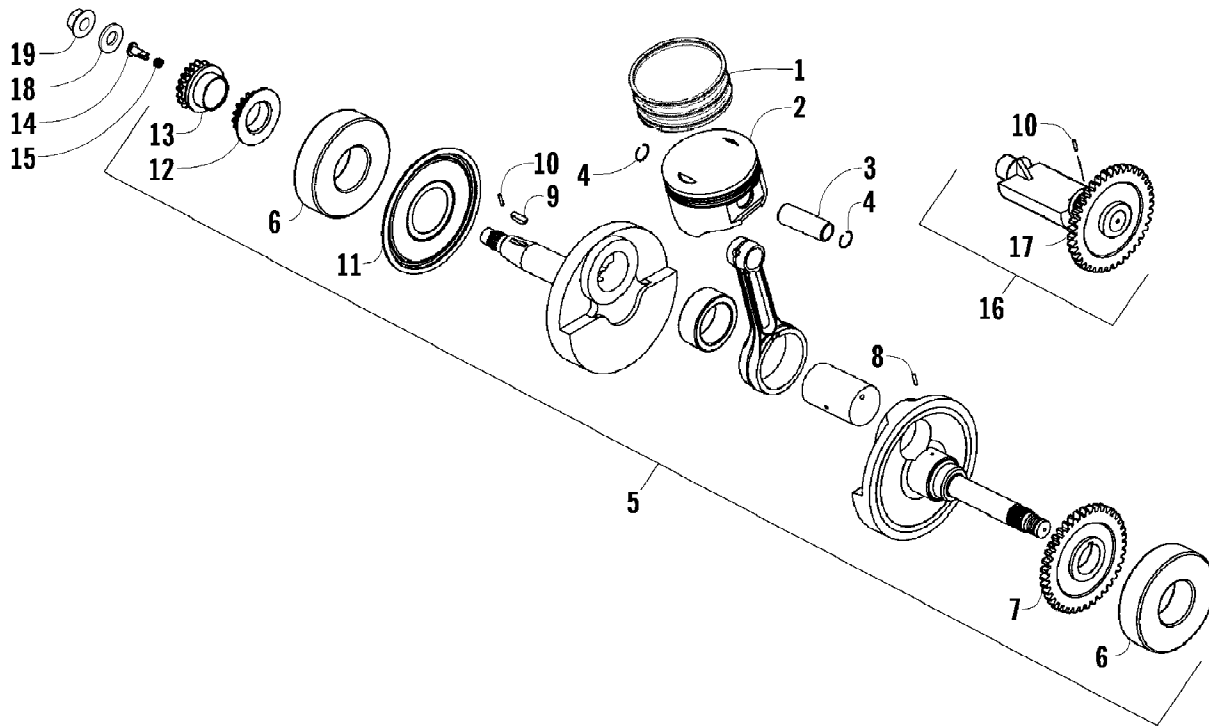
Ref #	Part Number	Qty	S/P/F	Description
1	3304-676	1		Master Cylinder - Assembly (inc. 2-15)
2	3303-175	1	/P	Clamp, Handlebar
3	3303-318	2		Screw, Machine
4	3303-923	1		Cover, Master Cylinder
5	3303-925	1		Diaphragm, Master Cylinder
6	3304-017	1		Screw, Shoulder
7	3304-369	1	/P	Lever, Brake
8	3304-654	1	/P	Nut
9	3303-141	1	/P	Switch, Brake
10	3303-321	1		Screw, Machine
11	3304-442	1	/P	Lock, Brake Lever
12	3304-678	1		Spring, Return
13	3304-679	1		Pin
14	3304-680	1		E-Clip
15	3304-746	2		Screw, Cap
16	3304-321	1		Hose, Brake - Junction Block/Master Cylinder
17	3303-257	6	/P	Bolt, Banjo-Fitting
18	3303-284	15	/P	Washer, Crush
19	3304-320	1		Hose, Brake w/Junction Block
20	3304-553	3		Screw, Cap
21	3303-919	2		Clamp, Brake Hose
22	3304-674	1	/P	Bolt, Banjo-Fitting - Double
23	3303-914	1		Hose, Brake - Junction Block/Rear Caliper
24	3304-176	1		Screw, Cap
25	3303-854	1		Switch, Brake
26	3303-855	1		Spring, Stop
27	3303-926	1		Lever, Brake
28	3303-929	1		Spring, Set
29	3304-139	2		Washer
30	3304-143	1		Pin, Cotter
31	3303-927	1		Pin, Clevis
32	3304-050	1		Washer
33	3304-141	1		Pin, Cotter
34	3304-551	3	/P	Screw, Cap
35	3304-306	1		Brake Assembly - Rear (inc. 36-44)
36	3303-896	1		Reservoir, Brake (inc. 37-38)
37	3304-119	2		Screw, Machine
38	3304-332	1		Cover, Brake Reservoir
39	3303-895	2		Clamp, Hose
40	3304-308	1		Hose, Brake
41	3304-307	1		Connector
42	3303-321	1		Screw, Machine
43	3304-128	2		Nut, Jam
44	3303-928	1		Actuator, Push Rod
45	3303-889	1		Hose, Brake - Rear Brake/Rear Caliper
46	3304-675	1		Clip, Retaining
47	3303-891	1		Clamp, Brake Hose
48	1411-865	1		Decal, Warning - Parking Brake

2010 ATV 300 2X4 UTILITY RED (A2010KUF2BUSR)
LEFT CRANKCASE, COVER, AND RECOIL ASSEMBLY



2010 ATV 300 2X4 UTILITY RED (A2010KUF2BUSR)
LEFT CRANKCASE, COVER, AND RECOIL ASSEMBLY

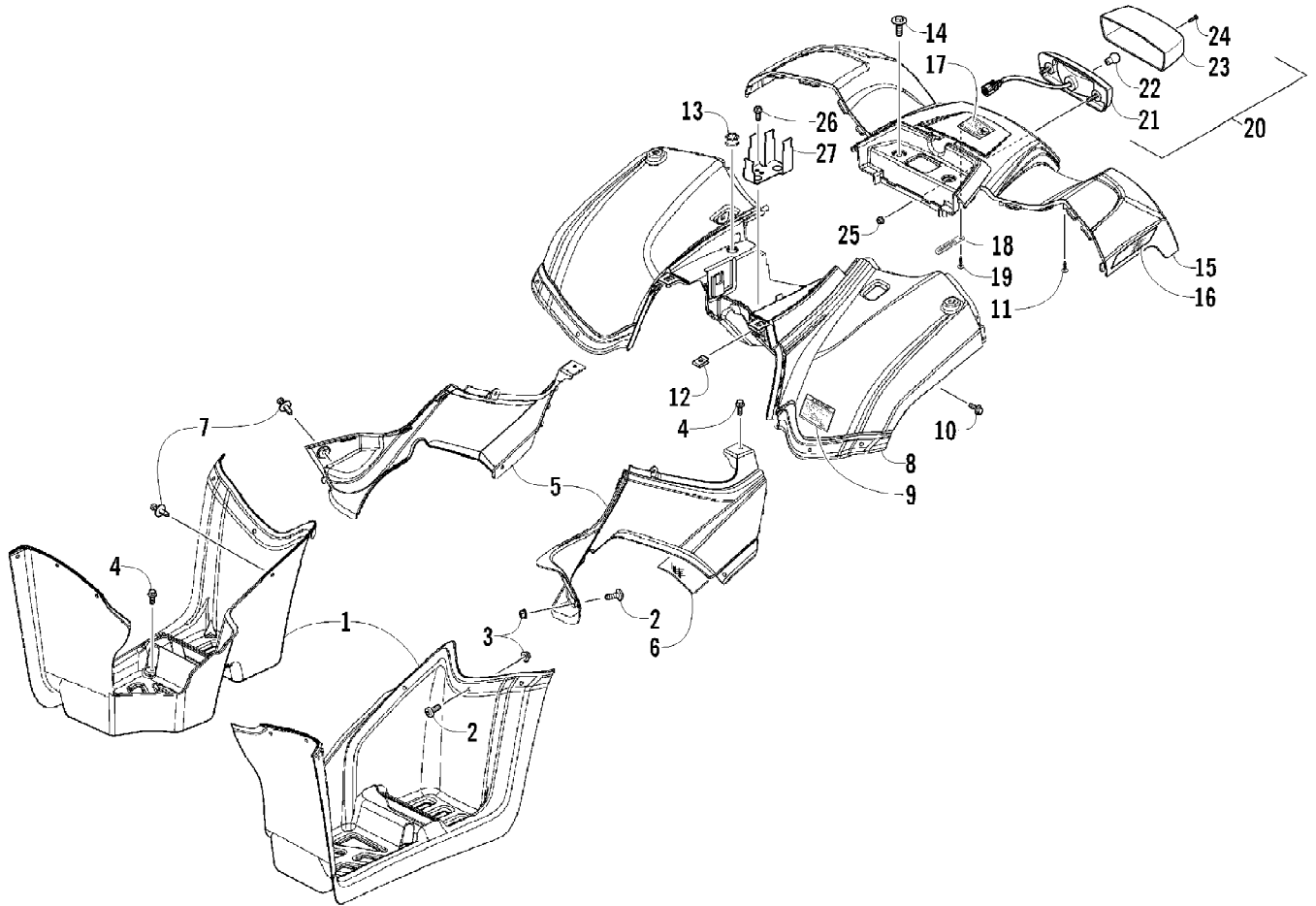
Ref #	Part Number	Qty	S/P/F	Description
1	3303-629	1		Crankcase
2	3304-067	1		Bearing
3	3304-074	1	/P	Bearing
4	3304-195	1		Bearing
5	3304-198	1		Bearing
6	3305-606	2		Bolt, Stud
7	3304-005	3		Screw, Cap
8	3304-039	2		Retainer, Bearing
9	3304-091	1		Seal, Oil
10	3304-079	1		Seal, Oil
11	3304-205	1		Ball, Stopper
12	3304-063	1		Spring
13	3304-021	1		Washer
14	3304-109	1		Plug
15	3303-856	1		Switch, Gear Shift Position (inc. 16)
16	3305-776	1	/P	O-Ring
17	3304-187	1		Screw, Cap
18	3303-843	2		Retainer, Wire
19	3303-381	3		Screw, Cap
20	3304-158	1		Clamp, Wire
21	3303-365	1		Screw, Cap
22	3304-040	1		Retainer, Bearing
23	3304-073	1	/P	Bearing
24	3303-642	1		Gasket, Cover
25	3303-342	4		Pin, Dowel
26	3303-632	1		Cover, Crankcase
27	3304-003	8		Screw, Cap
28	3304-004	2		Screw, Cap
29	3304-101	1		Gasket, Cover
30	3305-459	1		Recoil Starter - Assembly (inc. 31-44)
31	3304-113	1		Screw, Cap
32	3303-651	1		Insert
33	3303-649	1		Guide, Ratchet
34	3303-646	2		Ratchet
35	3303-647	1		Spring
36	3303-645	1		Spring, Spiral
37	3305-346	1		Reel, Starter
38	3303-648	1		Spacer
39	3303-639	1		Cover, Recoil (inc. 40)
40	3303-650	1		Rope, Starter
41	3303-652	1		Handle, Recoil (inc. 42)
42	3304-103	1		O-Ring
43	3304-137	1		Washer
44	3305-269	1		Cap, Recoil Handle
45	3303-384	3	/P	Screw, Cap
46	3304-190	2		Screw, Cap



2010 ATV 300 2X4 UTILITY RED (A2010KUF2BUSR)
 PISTON AND CRANKSHAFT ASSEMBLY

Page 38 of 63

Ref #	Part Number	Qty	S/P/F	Description
1	3303-664	1	/P	Ring Set, Piston
2	3305-625	1		Piston
3	3305-623	1		Pin, Piston
4	3304-159	2		Circlip
5	3305-619	1		Crankshaft Assembly (inc. 6-13)
6	3304-420	2	/P	Bearing
7	3304-234	1		Gear, Balancer
8	3304-962	1		Pin, Alignment
9	3304-145	1		Key
10	3304-439	2		Pin, Alignment
11	3305-328	1		Plate, Crankshaft
12	3304-236	1		Gear, Timing
13	3303-689	1		Gear, Oil Pump Drive
14	3303-693	1		Oil Through
15	3303-694	1		Spring
16	3305-624	1		Balancer, Crankshaft (inc. 17 and one No. 10)
17	0	1	F	Gear, Balancer
18	3304-036	1		Washer, Thrust
19	3304-024	1		Nut

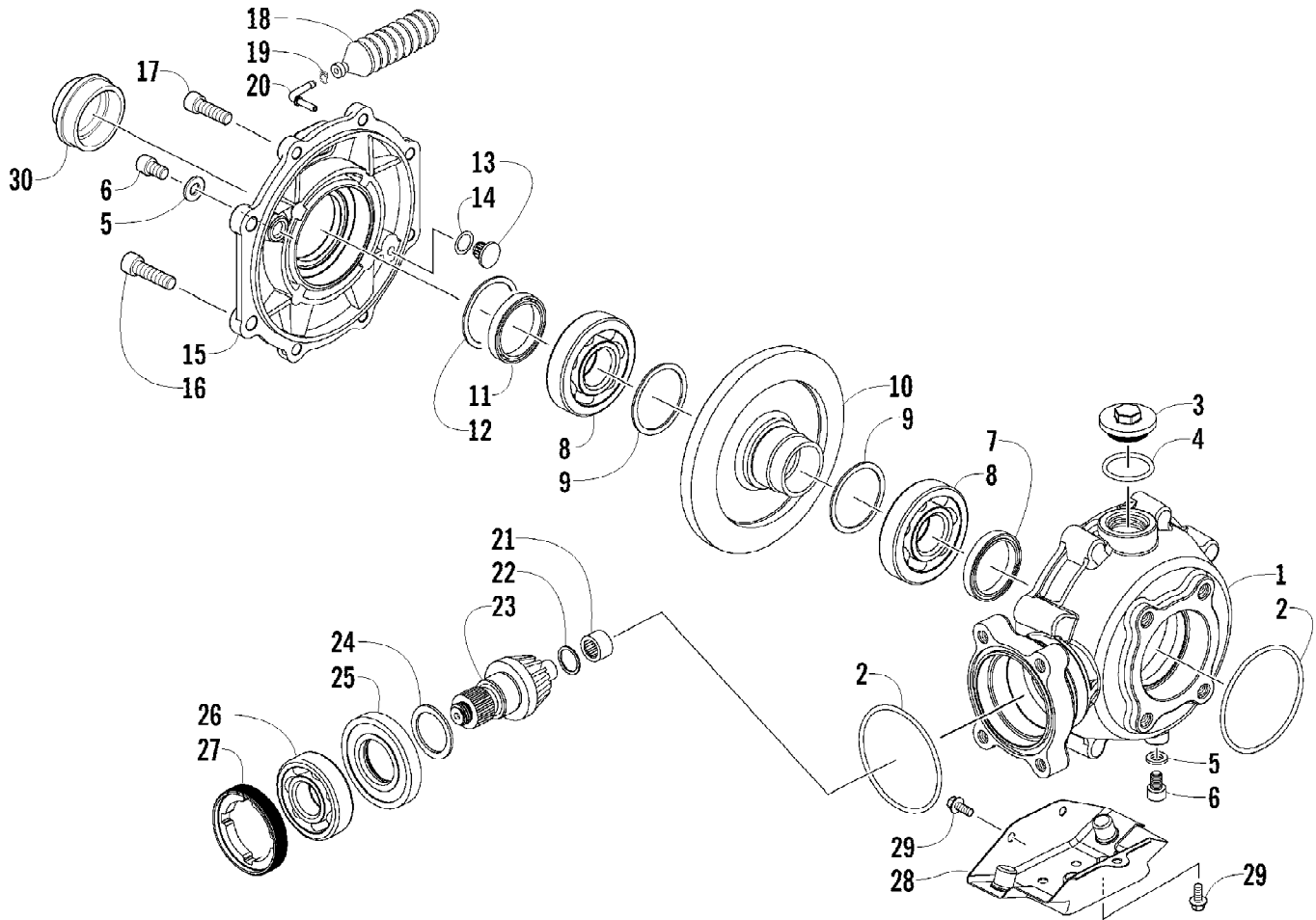


2010 ATV 300 2X4 UTILITY RED (A2010KUF2BUSR)
REAR BODY AND TAILLIGHT ASSEMBLY

Page 40 of 63

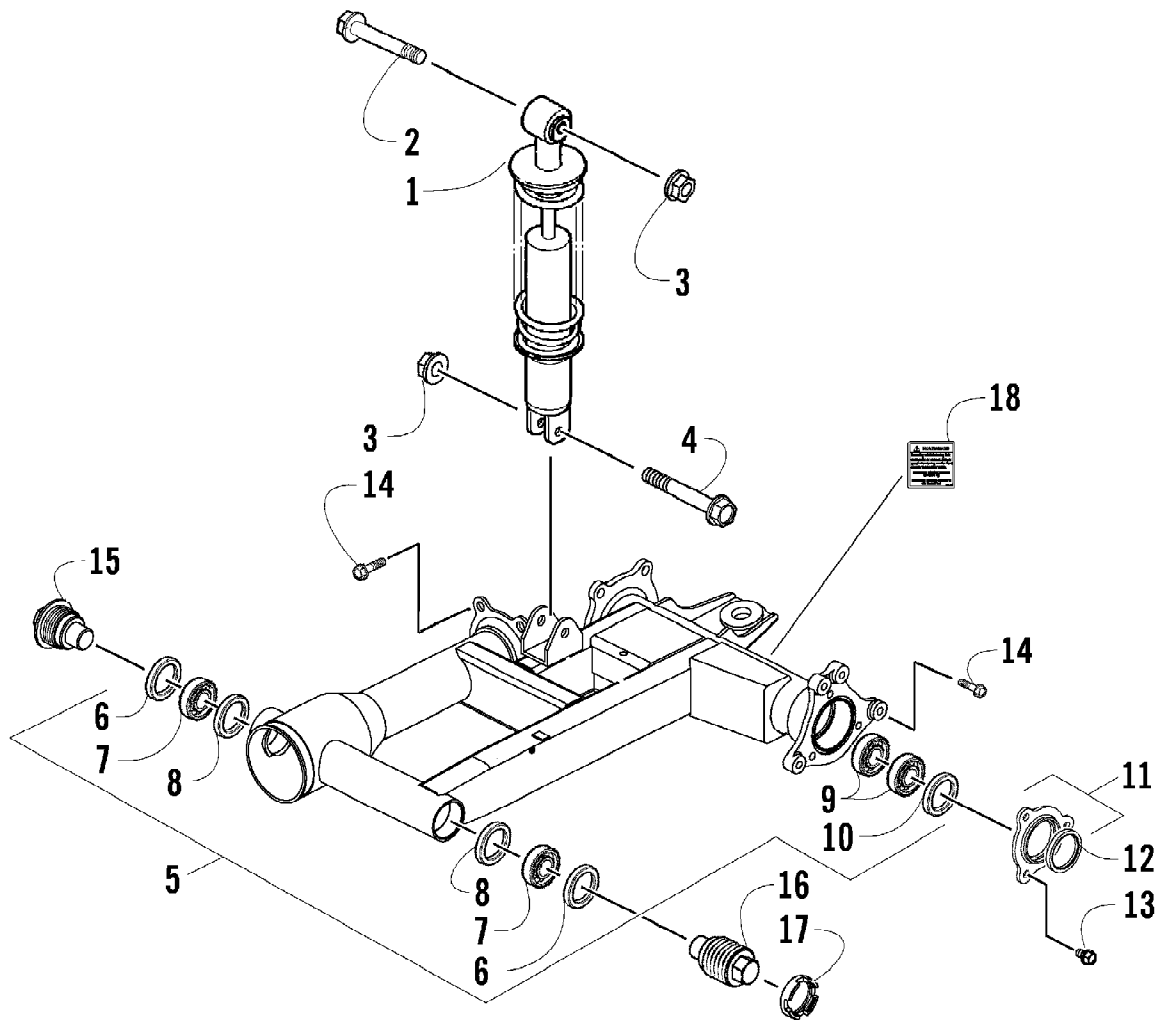
Ref #	Part Number	Qty	S/P/F	Description
1	3303-991	1		Footwell - Right
1	3303-992	1		Footwell - Left
2	3303-251	11	/P	Screw, Machine
3	3304-538	11	S	Nut, Lock
4	3304-587	19	/P	Screw, Cap
5	3303-997	1		Panel, Splash - Right
5	3303-998	1		Panel, Splash - Left (inc. 6)
6	1706-220	AR		Foil, Protective - 5 ft
7	3305-448	3		Clip, Retaining
8	3306-109	1		Panel, Fender - Forward Rear (inc. 9)
9	2411-167	1	S	Decal, Warning - Tire Pressure
10	3304-586	2	/P	Screw, Cap
11	3304-650	10	/P	Screw, Self-Tapping
12	3304-061	2	/P	Clip, U-Nut
13	3303-232	2		Grommet
14	3304-587	2	/P	Screw, Cap
15	3306-110	1		Panel, Fender - Rear (inc. 16-17)
16	1411-178	1		Decal, Reflector - Right
16	1411-179	1		Decal, Reflector - Left
17	2411-171	1	S	Decal, Warning - Passenger
18	3304-156	1		Clamp, Routing
19	3304-651	1		Screw, Self-Tapping
20	3303-136	1	/P	Taillight Assembly (inc. 21-24)
21	3303-422	1		Housing, Taillight
22	3303-849	1	/P	Bulb, Taillight
23	3303-421	1	/P	Lens
24	3304-537	2		Screw, Self-Tapping
25	3305-396	2		Nut
26	3304-409	1	/P	Screw, Cap
27	3303-934	1		Bracket, Mounting - Starter/Magneto Switch

2010 ATV 300 2X4 UTILITY RED (A2010KUF2BUSR)
REAR DRIVE GEARCASE ASSEMBLY



2010 ATV 300 2X4 UTILITY RED (A2010KUF2BUSR)
REAR DRIVE GEARCASE ASSEMBLY

Ref #	Part Number	Qty	S/P/F	Description
	3305-894	1		Complete Gearcase Assembly
1	3303-872	1		Housing, Gearcase
2	3304-095	2		O-Ring
3	3303-021	1		Plug, Fill
4	3304-096	1	/P	O-Ring
5	3303-591	2		Washer
6	3303-365	2		Screw, Cap
7	3304-093	1		Seal
8	3304-194	2		Bearing
9	3305-311	AR		Shim, 46 x 54 x 1.47 mm
9	3303-881	AR		Shim, 46 x 54 x 1.50 mm
9	3305-310	AR		Shim, 46 x 54 x 1.53 mm
10	3305-549	1		Gear, Ring
11	3304-092	1		Seal
12	3304-670	1		O-Ring
13	3303-878	1		Button, Thrust
14	3303-879	AR		Shim
15	3303-873	1		Cover, Gearcase
16	3304-178	2		Screw, Cap
17	3304-177	6		Screw, Cap
18	3304-170	1	/P	Bladder, Gearcase
19	3304-669	1		Clamp
20	3303-877	1		Fitting, Elbow
21	3304-076	1		Bearing
22	3303-874	1		O-Ring
23	3303-875	1		Gear, Pinion
24	3305-313	AR		Shim, 31 x 40 x 1.97 mm
24	3305-312	AR		Shim, 31 x 40 x 2.00 mm
24	3303-880	AR		Shim, 31 x 40 x 2.03 mm
25	3304-085	1		Seal
26	3304-196	1		Bearing
27	3304-027	1		Nut, Retaining
28	3303-871	1		Plate, Skid
29	3304-554	3		Screw, Cap
30	3313-670	1		Seal

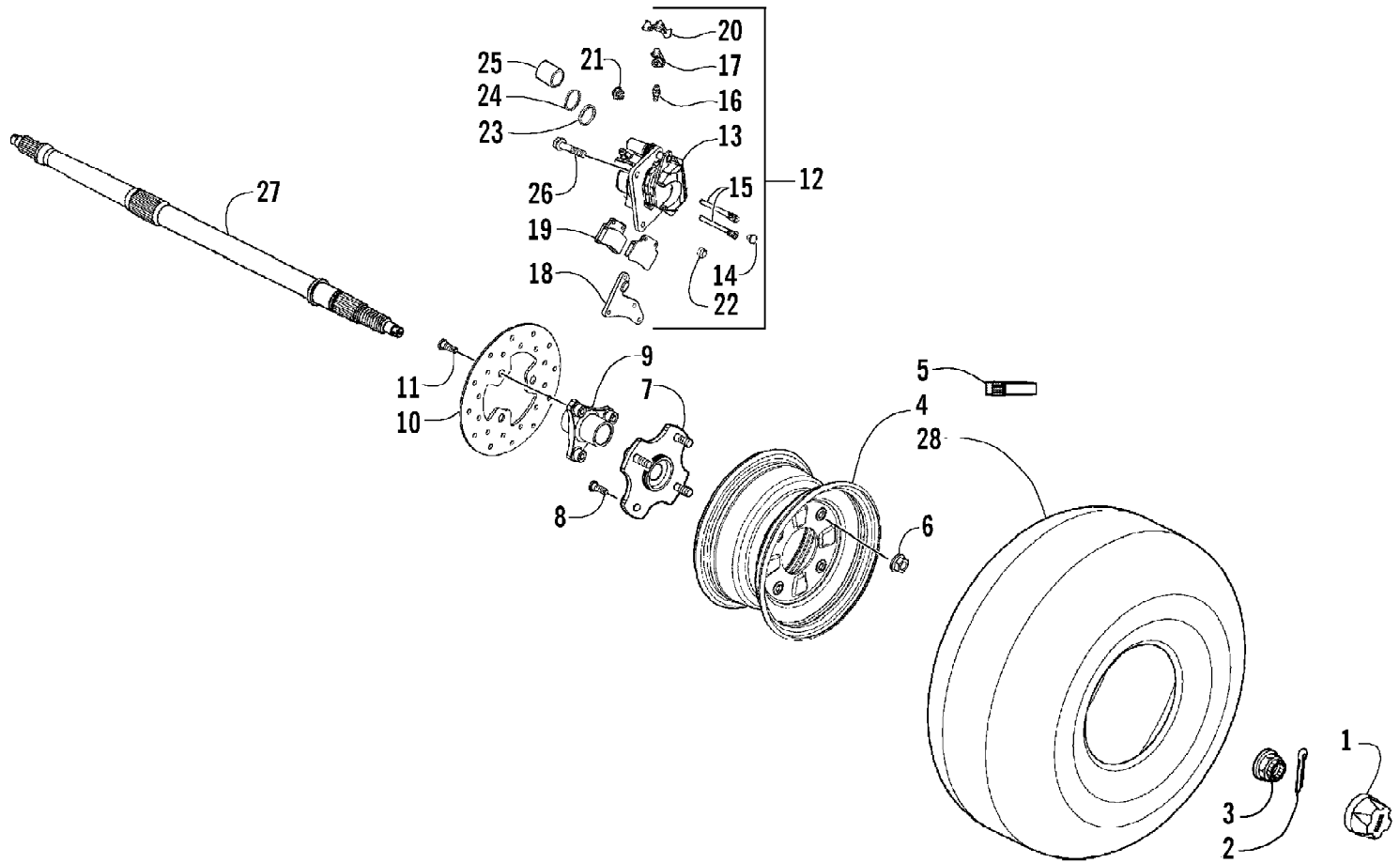


2010 ATV 300 2X4 UTILITY RED (A2010KUF2BUSR)
 REAR SUSPENSION ASSEMBLY

Page 44 of 63

Ref #	Part Number	Qty	S/P/F	Description
1	3303-949	1		Shock/Spring Assembly
2	3304-182	1	/P	Screw, Cap
3	3304-031	2	/P	Nut, Lock
4	3304-185	1		Screw, Cap
5	3303-944	1		Fork, Rear - Assembly (inc. 6-10)
6	3304-086	2		Seal
7	3304-666	2		Bearing
8	3303-946	2		Seal
9	3304-201	2		Bearing
10	3304-106	1		O-Ring
11	3305-547	1	/P	Gasket w/Seal (inc. 12)
12	3305-548	1	/P	Seal
13	3304-544	3		Screw, Cap
14	3304-181	8		Screw, Cap
15	3304-018	1		Bolt, Rear Fork - Right
16	3304-019	1		Bolt, Rear Fork - Left
17	3304-020	1		Nut, Locking
18	1411-102	1		Decal, Warning - Towing

2010 ATV 300 2X4 UTILITY RED (A2010KUF2BUSR)
REAR WHEELS, AXLE, AND BRAKE ASSEMBLY

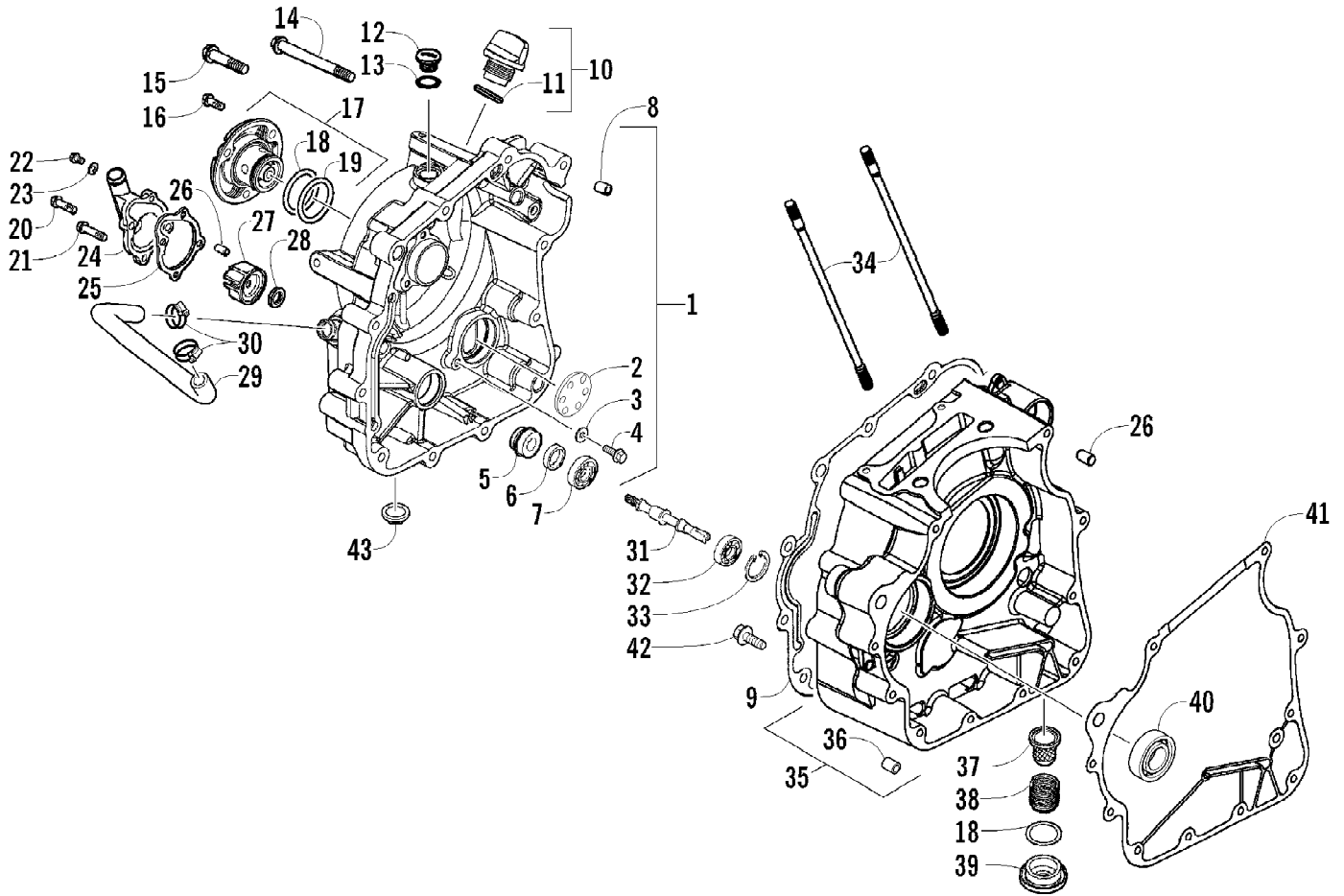


2010 ATV 300 2X4 UTILITY RED (A2010KUF2BUSR)
REAR WHEELS, AXLE, AND BRAKE ASSEMBLY

Page 46 of 63

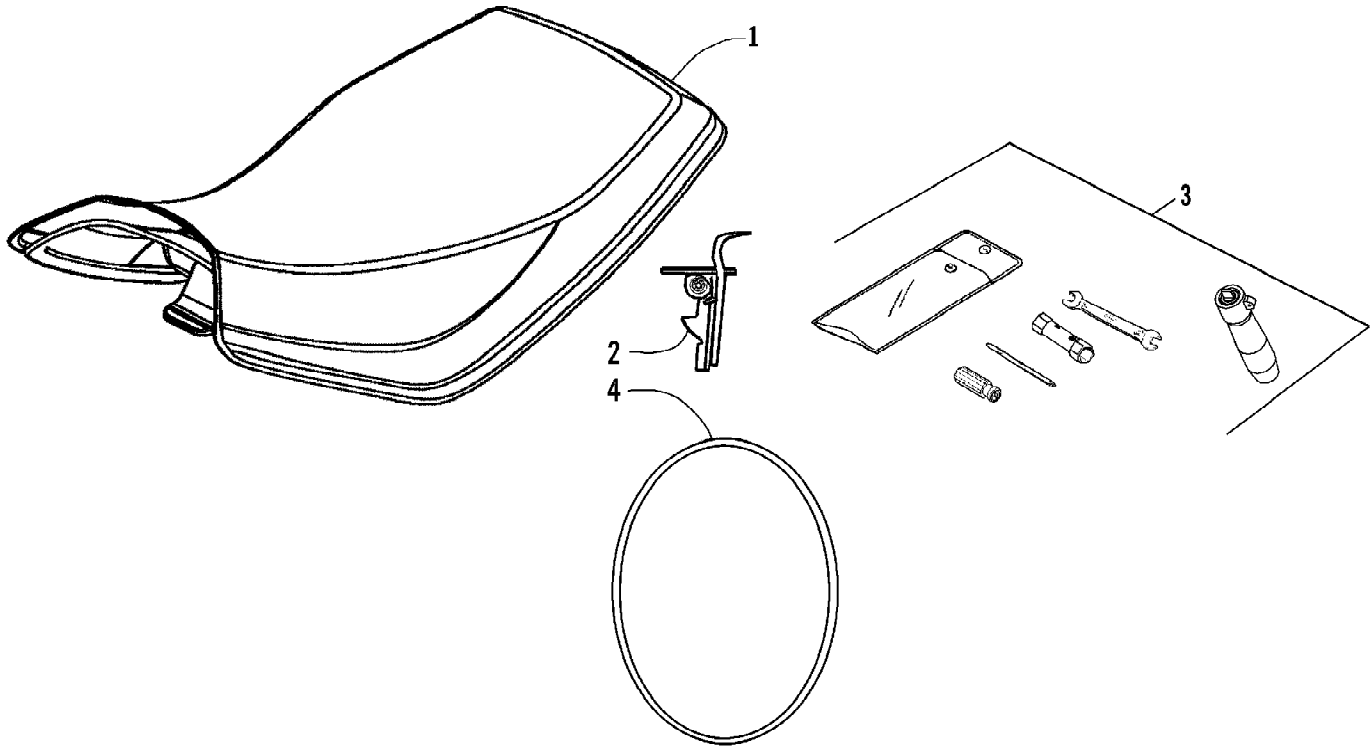
Ref #	Part Number	Qty	S/P/F	Description
1	3303-931	2		Cap, Wheel
2	3303-340	2		Pin, Cotter
3	3304-129	2		Nut
4	3303-883	2	/P	Wheel, Rear
5	3304-562	2		Valve, Wheel
6	3304-028	8		Nut, Wheel
7	3304-296	2		Hub, Wheel - Rear (inc. 8)
8	3304-014	8		Bolt, Hub
9	3303-893	1		Hub, Brake Disc
10	3303-913	1		Disc, Brake
11	3304-015	3		Bolt
12	3303-888	1		Caliper Assembly - Foot Brake (inc. 13-25)
12	3303-892	1		Caliper Assembly - Hand Brake (inc. 13-25)
13	0	1	F	Housing, Caliper - Assembly - Right
13	0	1	F	Housing, Caliper - Assembly - Left
14	3304-334	2		Plug
15	3304-326	4		Pin
16	3304-330	2		Bleed Valve
17	3304-331	2		Cap, Bleed Valve
18	3303-911	2		Bracket
19	3303-908	2		Pad, Brake - Set
20	3304-315	2		Spring, Brake Pad
21	3304-322	2		Boot A
22	3304-329	2		Bushing
23	3305-380	1	/P	Seal, Piston - Inner - Foot Brake
23	3303-922	1		Seal, Piston - Inner - Hand Brake
24	3305-377	1	/P	Seal, Dust - Outer - Foot Brake
24	3303-910	1		Seal, Dust - Outer - Hand Brake
25	3304-314	1	/P	Piston - Foot Brake
25	3303-909	1		Piston - Hand Brake
26	3304-565	4	/P	Screw, Cap
27	3305-546	1	/P	Axle, Wheel - Rear
28	3303-885	2		Tire, Rear

2010 ATV 300 2X4 UTILITY RED (A2010KUF2BUSR)
RIGHT CRANKCASE AND COVER ASSEMBLY

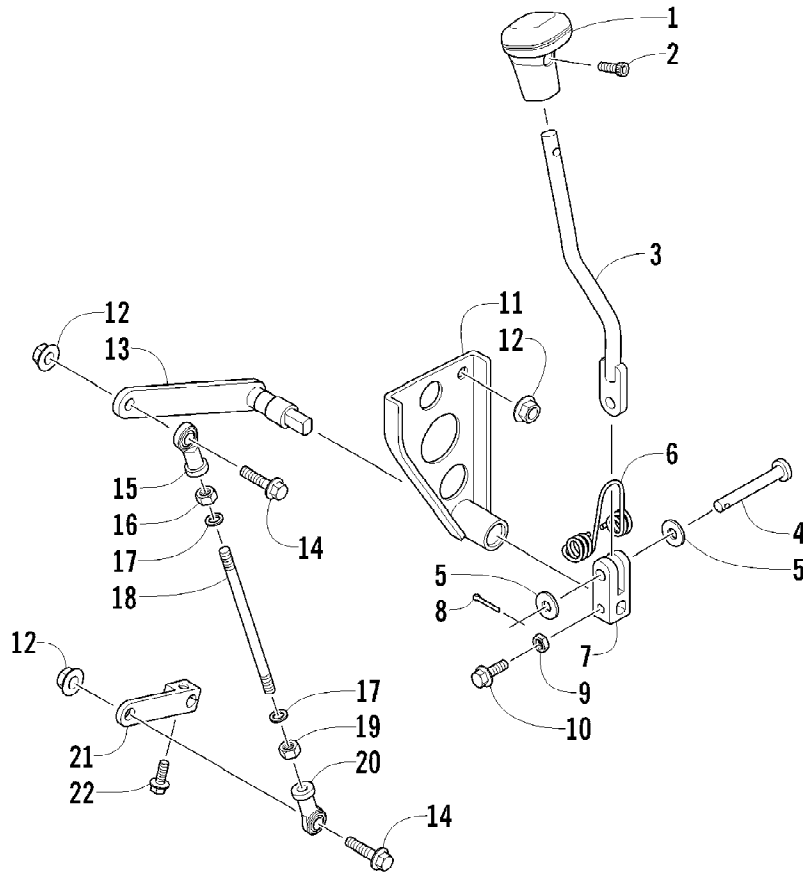


2010 ATV 300 2X4 UTILITY RED (A2010KUF2BUSR)
RIGHT CRANKCASE AND COVER ASSEMBLY

Ref #	Part Number	Qty	S/P/F	Description
1	3305-626	1		Cover, Crankcase (inc. 2-7)
2	3303-696	1		Plate, Sight Gauge
3	0	1	F	Washer
4	3304-005	1		Screw, Cap
5	3303-751	1		Seal, Mechanical
6	3304-078	1		Seal, Oil
7	3304-068	1		Bearing
8	3303-342	2		Pin, Dowel
9	3303-641	1		Gasket
10	3303-695	1		Gauge, Oil Level (inc. 11)
11	3304-102	1	/P	O-Ring
12	3304-012	1		Plug, Inspection
13	3304-099	1		O-Ring
14	3304-192	8		Screw, Cap
15	3303-387	4		Screw, Cap
16	3303-382	3	/P	Screw, Cap
17	3304-013	1		Cap, Crankcase Cover (inc. 18-19)
18	3304-096	2	/P	O-Ring
19	3304-098	1		O-Ring
20	3303-619	2	/P	Screw, Cap
21	3303-385	2		Screw, Cap
22	3304-186	1		Screw, Cap
23	3304-049	1		Washer
24	3303-752	1		Cover, Water Pump
25	3303-753	1		Gasket, Water Pump
26	3303-341	4		Pin, Dowel
27	3303-750	1		Impeller, Water Pump
28	3304-038	1		Washer
29	3303-758	1		Hose, Coolant - Water Pump/Cylinder
30	3304-165	2	/P	Clamp, Hose
31	3303-754	1		Shaft, Water Pump
32	3304-193	1		Bearing
33	3304-148	1		Ring, Retaining
34	3304-008	2		Bolt, Stud
35	3305-605	1		Crankcase - Right (inc. 36)
36	3304-065	1		Plug
37	3303-691	1	/P	Screen
38	3303-692	1	/P	Spring
39	3303-021	1		Cap, Oil
40	3304-198	1		Bearing
41	3303-628	1		Gasket, Crankcase
42	3304-191	4	/P	Screw, Cap
43	3304-052	1	/P	Plug, Drain



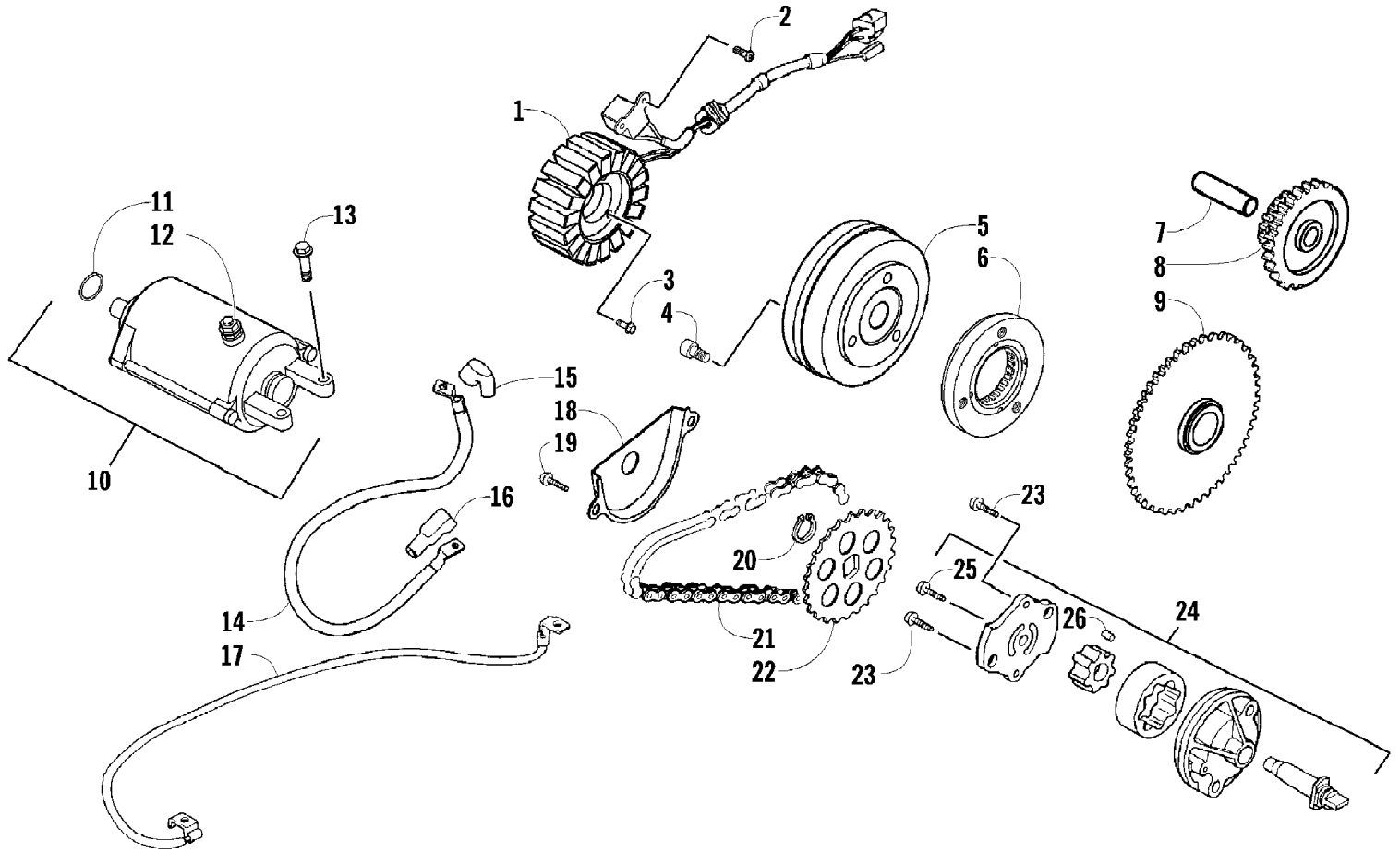
Ref #	Part Number	Qty	S/P/F	Description
1	3303-985	1		Seat Assembly (inc. 2)
2	3303-986	1		Latch, Seat
3	3304-648	1		Kit, Tool
4	3303-242	1		Retainer, Tool Kit



2010 ATV 300 2X4 UTILITY RED (A2010KUF2BUSR)
SHIFT LEVER ASSEMBLY

Ref #	Part Number	Qty	S/P/F	Description
1	3303-823	1		Knob, Shift Lever
2	3304-401	1		Screw, Cap
3	3303-816	1	/P	Rod, Shift Lever
4	3303-817	1		Pin, Shift Lever
5	3304-138	2		Washer
6	3303-818	1		Spring, Shift Lever
7	3303-819	1		Bracket, Shift Lever
8	3304-142	1		Pin, Cotter
9	3305-340	1	/P	Nut
10	3303-382	1	/P	Screw, Cap
11	3305-299	1		Bracket, Mounting - Shift Lever
12	3303-332	4		Nut
13	3303-821	1		Lever, Shift
14	3304-176	2		Screw, Cap
15	3303-970	1		Ball Joint, Tie Rod - Right-Hand Thread
16	3304-125	1		Nut, Hex - Right-Hand Thread
17	3303-607	2	/P	Washer
18	3303-822	1		Tie Rod
19	3304-126	1		Nut, Hex - Left-Hand Thread
20	3303-972	1		Ball Joint, Tie Rod - Right-Hand Thread
21	3303-814	1		Linkage, Shift
22	3304-112	1		Screw, Cap

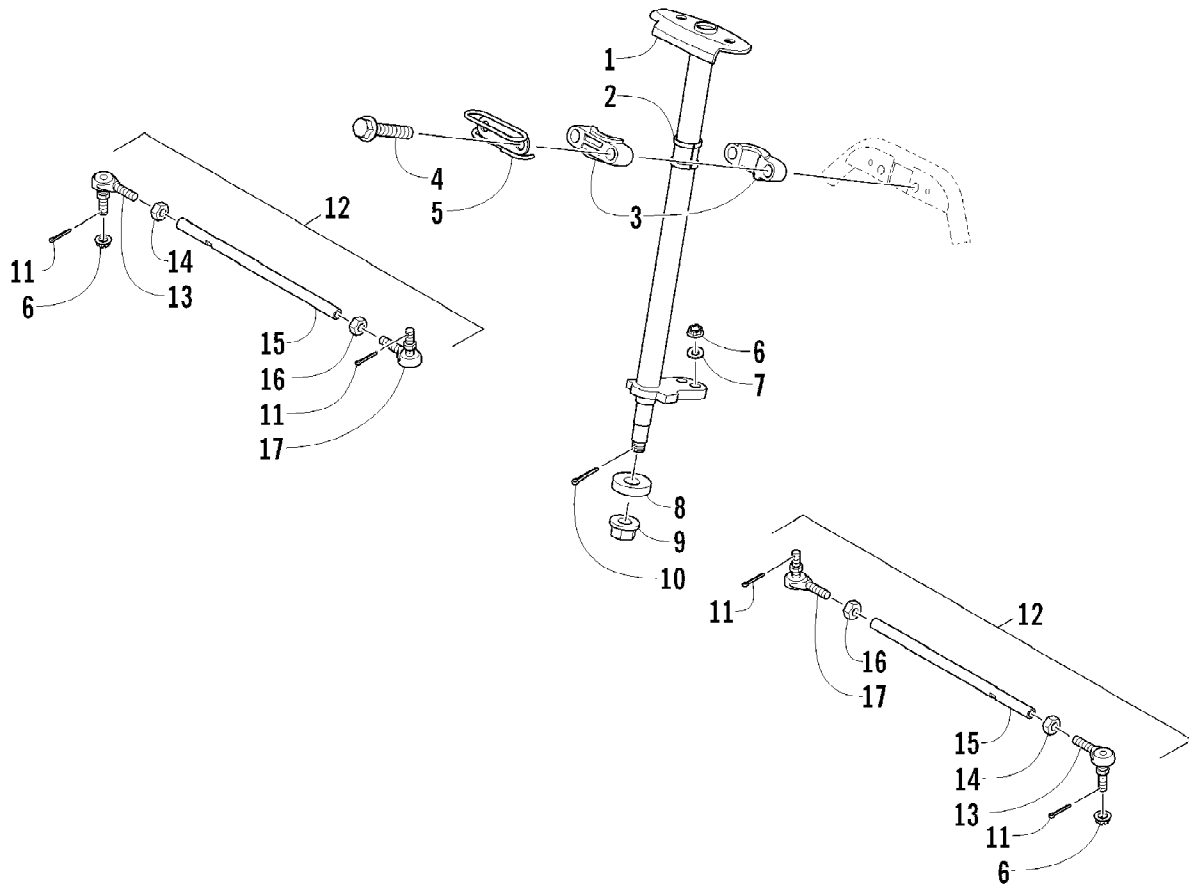
2010 ATV 300 2X4 UTILITY RED (A2010KUF2BUSR)
STARTER MOTOR, MAGNETO, AND OIL PUMP ASSEMBLY



2010 ATV 300 2X4 UTILITY RED (A2010KUF2BUSR)
STARTER MOTOR, MAGNETO, AND OIL PUMP ASSEMBLY

Page 54 of 63

Ref #	Part Number	Qty	S/P/F	Description
1	3306-121	1		Stator
2	3304-118	2		Screw, Machine
3	3304-111	3		Screw, Cap
4	3304-208	3		Screw, Cap
5	3305-628	1		Rotor/Flywheel
6	3305-412	1		Clutch, One-Way
7	3305-629	1		Shaft, Starter Reduction
8	3303-824	1		Gear, Starter Reduction
9	3305-411	1	/P	Gear, Starter
10	3304-274	1		Motor, Starter (inc. 11-12)
11	3304-104	1		O-Ring
12	3304-011	2		Nut w/Washer
13	3304-002	2	/P	Screw, Cap
14	3304-277	1		Cable, Battery/Starter (inc. 15-16)
15	3305-251	1		Boot, Terminal
16	3305-252	1		Boot, Terminal
17	3303-842	1		Cable, Battery/Ground
18	3303-697	1		Separator, Oil
19	3303-381	2		Screw, Cap
20	3304-146	1		Ring, Retaining
21	3305-631	1		Chain, Oil Pump
22	3303-688	1		Sprocket, Oil Pump
23	3303-385	2		Screw, Cap
24	3303-687	1		Pump, Oil (inc. 25-26)
25	3304-426	1		Screw, Machine
26	3304-144	1		Pin, Dowel

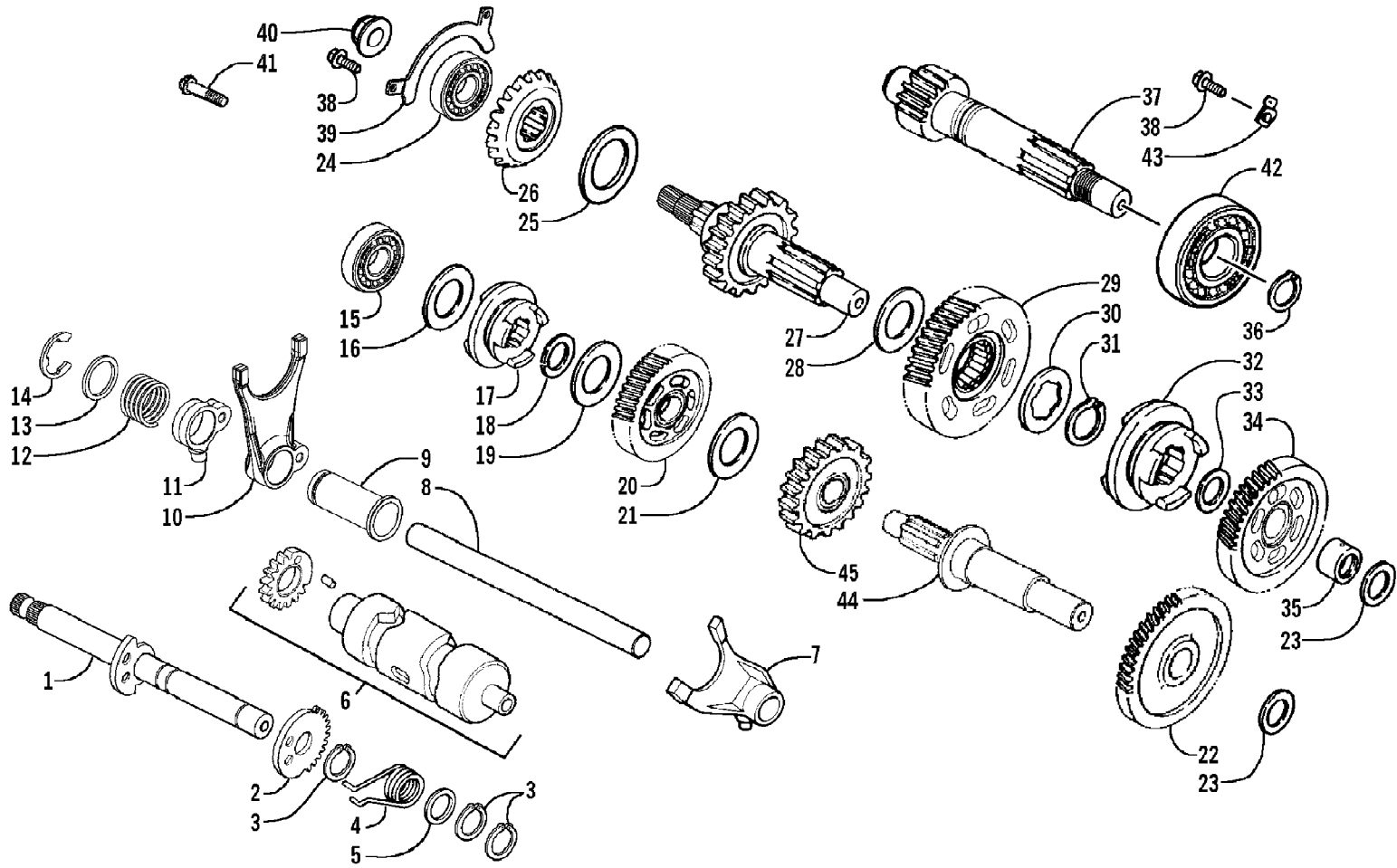


2010 ATV 300 2X4 UTILITY RED (A2010KUF2BUSR)
STEERING ASSEMBLY

Page 56 of 63

Ref #	Part Number	Qty	S/P/F	Description
1	3303-957	1		Post, Steering
2	3305-496	1	/P	Bushing
3	3305-927	2		Block, Mounting - Steering Post
4	3304-649	2		Screw, Cap
5	3303-962	1		Clamp, Mounting Block
6	3304-130	4		Nut, Castle
7	3304-136	2		Washer
8	3303-960	1		Collar, Steering Post - Lower
9	3304-032	1		Nut, Lock
10	3303-470	1		Pin, Cotter
11	3304-143	4		Pin, Cotter
12	3303-969	2		Tie Rod - Assembly (inc. 13-17)
13	3303-971	2		End, Tie Rod - Right-Hand Thread
14	3303-326	2		Nut - Right-Hand Thread
15	3304-376	2		Tie Rod
16	3303-327	2		Nut - Left-Hand Thread
17	3303-973	2		End, Tie Rod - Left-Hand Thread

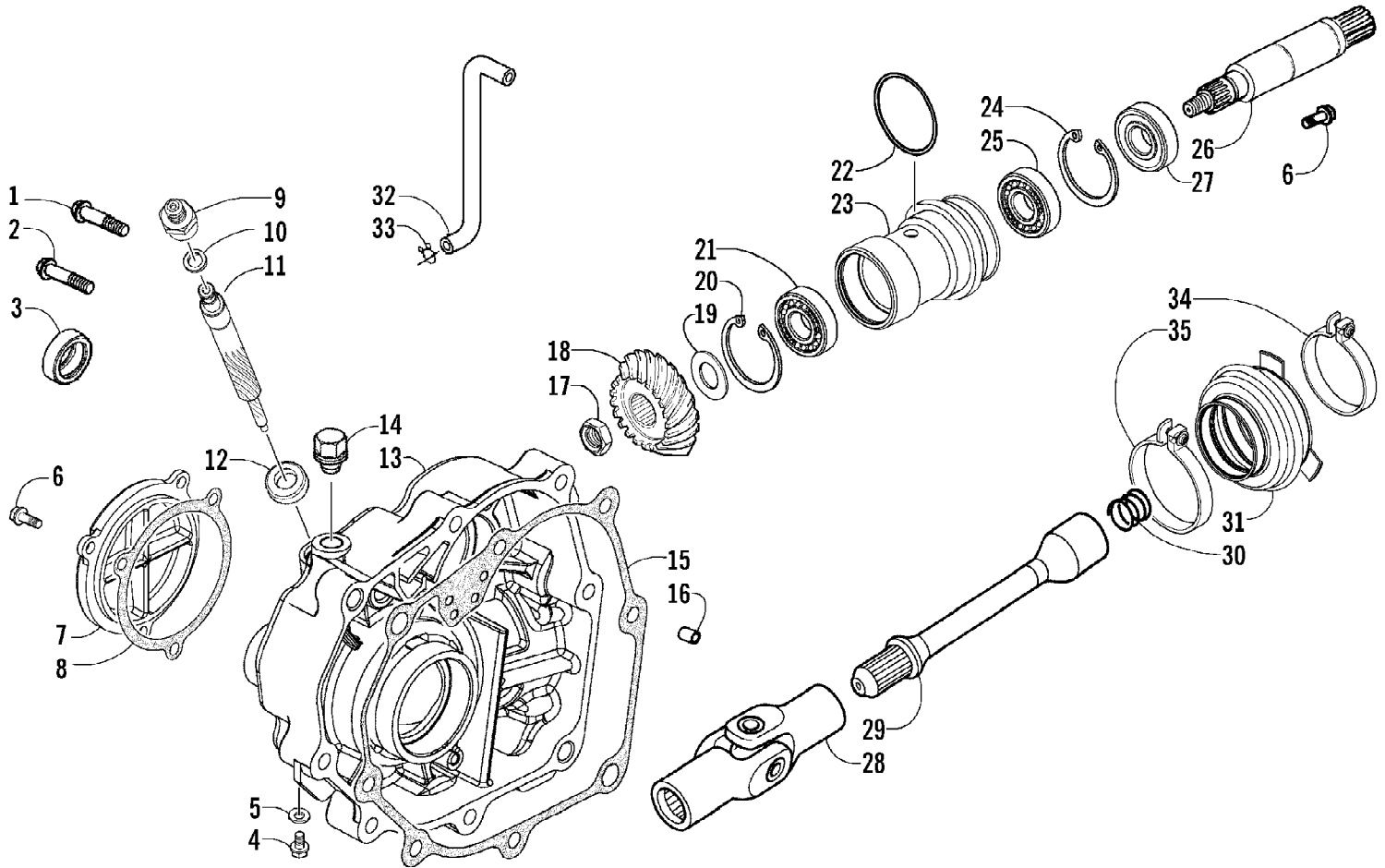
2010 ATV 300 2X4 UTILITY RED (A2010KUF2BUSR)
TRANSMISSION ASSEMBLY



Ref #	Part Number	Qty	S/P/F	Description
1	3303-812	1		Spindle, Gear Shift Cam
2	3303-815	1		Gear, Shift Handle
3	3304-153	3		Circlip
4	3303-813	1		Spring, Gear Shift Return
5	3304-036	1		Washer, Thrust
6	3305-552	1		Cam, Gear Shift - Assembly
7	3303-805	1		Fork, Gear Shift - Left
8	3303-806	1		Shaft, Gear Shift Fork
9	3303-807	1		Sleeve, Fork
10	3303-804	1		Fork, Gear Shift - Right
11	3303-808	1		Guide, Right Fork
12	3304-821	1	/P	Spring, Cam
13	3304-051	1		Washer
14	3304-154	1		E-Ring
15	3304-197	1		Bearing
16	3304-637	1		Washer, Thrust
17	3305-657	1		Shift, Forward - Dog
18	3304-056	1		Circlip
19	3305-871	1		Washer
20	3305-656	1		Gear, Forward
21	3305-674	1		Washer, Thrust
22	3303-793	1		Gear, Counter
23	3305-554	2	/P	Washer, Thrust
24	3304-194	1		Bearing
25	3304-525	AR		Shim, Drive Bevel Gear - A
25	3304-526	AR		Shim, Drive Bevel Gear - B
25	3304-527	AR		Shim, Drive Bevel Gear - C
25	3304-528	AR		Shim, Drive Bevel Gear - D
25	3304-529	AR		Shim, Drive Bevel Gear - E
25	3304-530	AR		Shim, Drive Bevel Gear - F
25	3304-531	AR		Shim, Drive Bevel Gear - G
25	3304-532	AR		Shim, Drive Bevel Gear - H
25	3304-533	AR		Shim, Drive Bevel Gear - I
25	3304-534	AR		Shim, Drive Bevel Gear - J
25	3304-535	AR		Shim, Drive Bevel Gear - K
25	3304-536	AR		Shim, Drive Bevel Gear - L
26	3303-801	1		Gear, Bevel - Drive
27	3303-784	1		Shaft, Main
28	3304-044	1		Washer, Thrust
29	3304-622	1		Gear, Lower - Driven
30	3304-045	1		Washer, Spline
31	3304-056	1		Circlip
32	3305-556	1		Shift, Reverse - Dog
33	3304-043	1		Washer, Thrust
34	3303-797	1		Gear, Reverse
35	3304-074	1	/P	Bearing, Needle
36	3304-147	1	/P	Circlip
37	3303-791	1		Driveshaft
38	3304-005	3		Screw, Cap
39	3304-041	1		Plate, Retaining
40	3304-033	1		Nut
41	3304-112	1		Screw, Cap
42	3304-067	1		Bearing

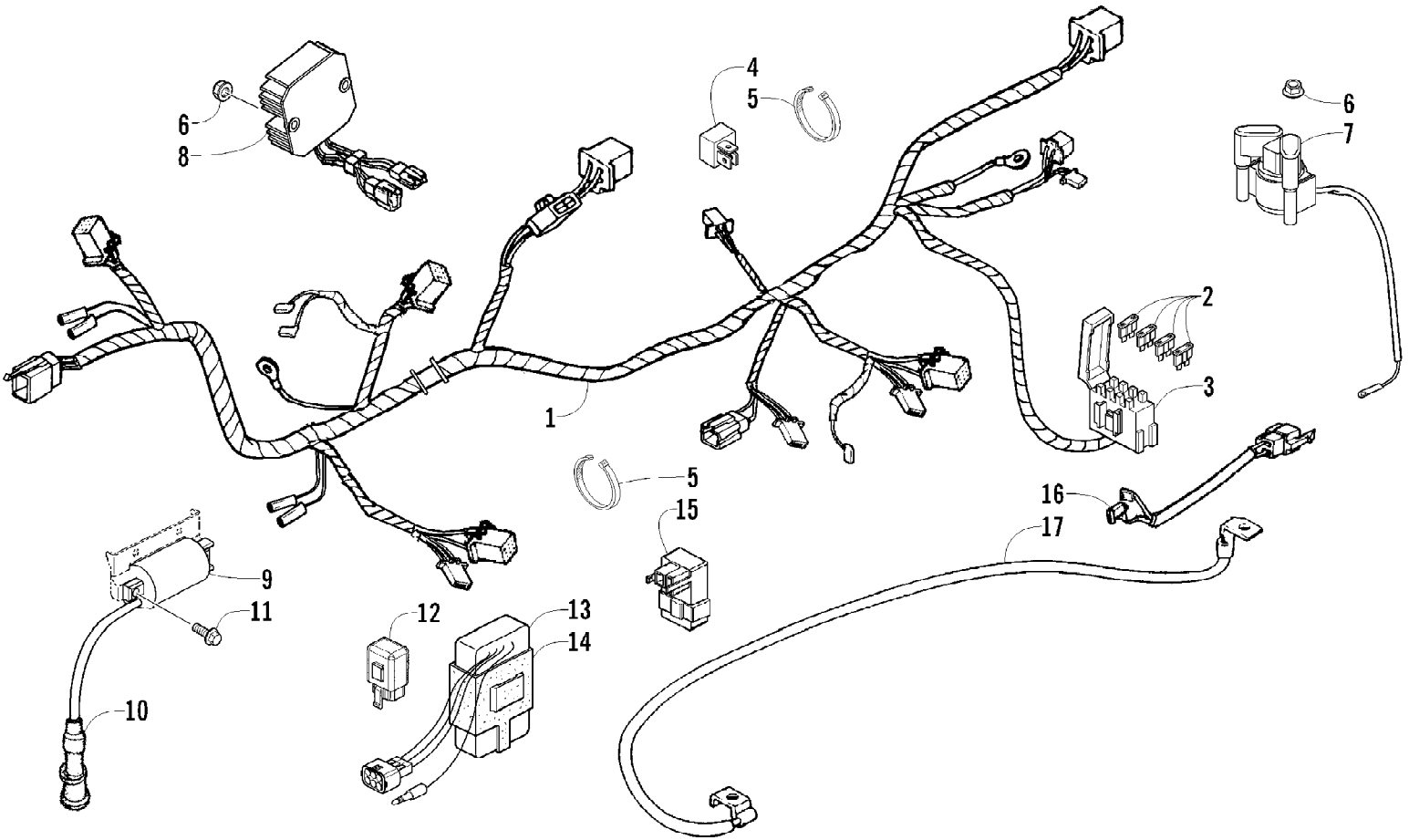
Ref #	Part Number	Qty	S/P/F	Description
43	3305-655	1		Plate, Retaining
44	3305-654	1		Countershaft
45	3303-800	1		Gear, Lower - Drive

2010 ATV 300 2X4 UTILITY RED (A2010KUF2BUSR)
TRANSMISSION CASE ASSEMBLY



Ref #	Part Number	Qty	S/P/F	Description
1	3303-615	2		Screw, Cap
2	3304-572	7	/P	Screw, Cap
3	3304-081	1		Seal, Oil
4	3303-365	1		Screw, Drain
5	3303-591	1		Washer
6	3303-383	7	/P	Screw, Cap
7	3303-763	1		Cap, Transmission Case
8	3303-766	1		Gasket, Transmission Case Cap
9	3304-108	1	/P	Adapter, Speedometer
10	3304-047	1	/P	Washer
11	3303-662	1		Gear, Speedometer
12	3304-077	2	/P	Seal
13	3303-762	1		Case, Transmission (inc. one No. 12)
14	3304-052	1	/P	Plug, Fill
15	3303-765	1		Gasket, Transmission Case
16	3303-342	2		Pin, Dowel
17	3304-131	1		Nut
18	3303-802	1		Gear, Bevel - Driven
19	3304-624	AR		Shim, Driven Bevel Gear - A
19	3304-625	AR		Shim, Driven Bevel Gear - B
19	3304-626	AR		Shim, Driven Bevel Gear - C
19	3304-627	AR		Shim, Driven Bevel Gear - D
19	3304-628	AR		Shim, Driven Bevel Gear - E
19	3304-629	AR		Shim, Driven Bevel Gear - F
19	3304-630	AR		Shim, Driven Bevel Gear - G
19	3304-631	AR		Shim, Driven Bevel Gear - H
19	3304-632	AR		Shim, Driven Bevel Gear - I
19	3304-633	AR		Shim, Driven Bevel Gear - J
19	3304-634	AR		Shim, Driven Bevel Gear - K
19	3304-635	AR		Shim, Driven Bevel Gear - L
20	3304-151	1		Circlip
21	3304-069	1		Bearing
22	3304-105	1		O-Ring
23	3303-764	1		Case, Final Shaft
24	3304-152	1		Circlip
25	3304-071	1		Bearing
26	3304-642	1	/P	Shaft, Final
27	3304-087	1		Seal, Oil
28	3303-869	1		Joint, Yoke
29	3303-868	1		Shaft, Propeller
30	3303-870	1		Spring
31	3303-945	1		Boot
32	3303-630	1		Tube, Breather
33	3304-433	1		Clamp
34	3304-058	1		Clamp
35	3304-059	1		Clamp

2010 ATV 300 2X4 UTILITY RED (A2010KUF2BUSR)
WIRING HARNESS ASSEMBLY



2010 ATV 300 2X4 UTILITY RED (A2010KUF2BUSR)
WIRING HARNESS ASSEMBLY

Page 63 of 63

Ref #	Part Number	Qty	S/P/F	Description
1	3303-838	1		Harness, Main (inc. 2-3)
2	3304-210	1		Fuse - 10 Amp
2	3304-211	2		Fuse - 15 Amp
2	3304-212	1		Fuse - 30 Amp
3	3303-866	1		Box, Fuse
4	3303-837	1		Diode, Neutral
5	3303-840	AR		Tie, Cable
6	3303-331	4	/P	Nut
7	3303-857	1		Relay, Starter
8	3303-836	1		Regulator, Voltage
9	3303-830	1		Coil, Ignition (inc. 10)
10	3305-425	1		Cap, Noise Suppression
11	3303-382	2	/P	Screw, Cap
12	3303-867	1		Relay, Start-in-Gear
13	3306-115	1		CDI Unit (inc. 14)
14	3305-780	1		Cushion, CDI Unit
15	3304-523	1		Relay, Lighting Control
16	3303-134	1	/P	Adapter, Harness
17	3303-841	1		Cable, Battery