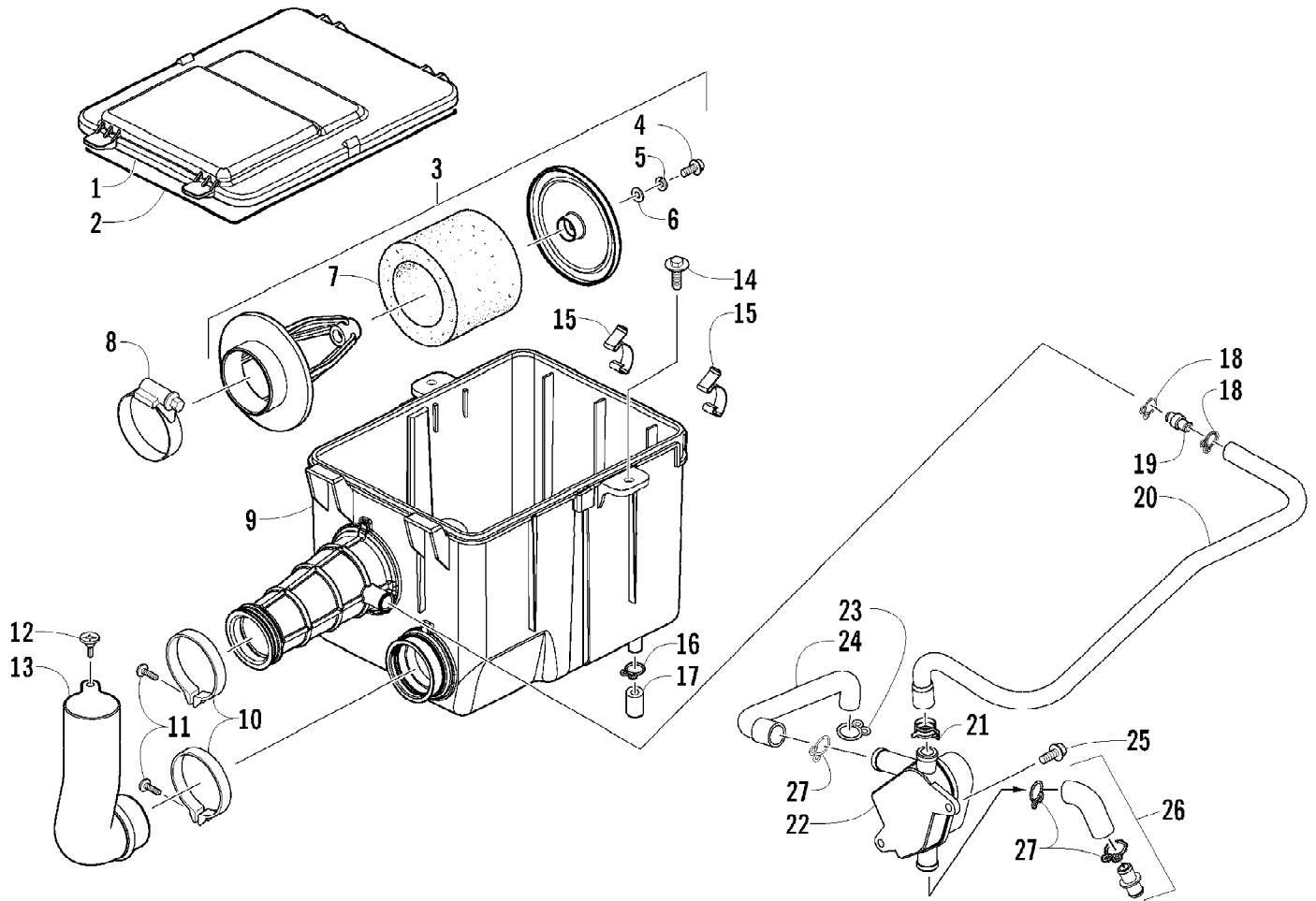


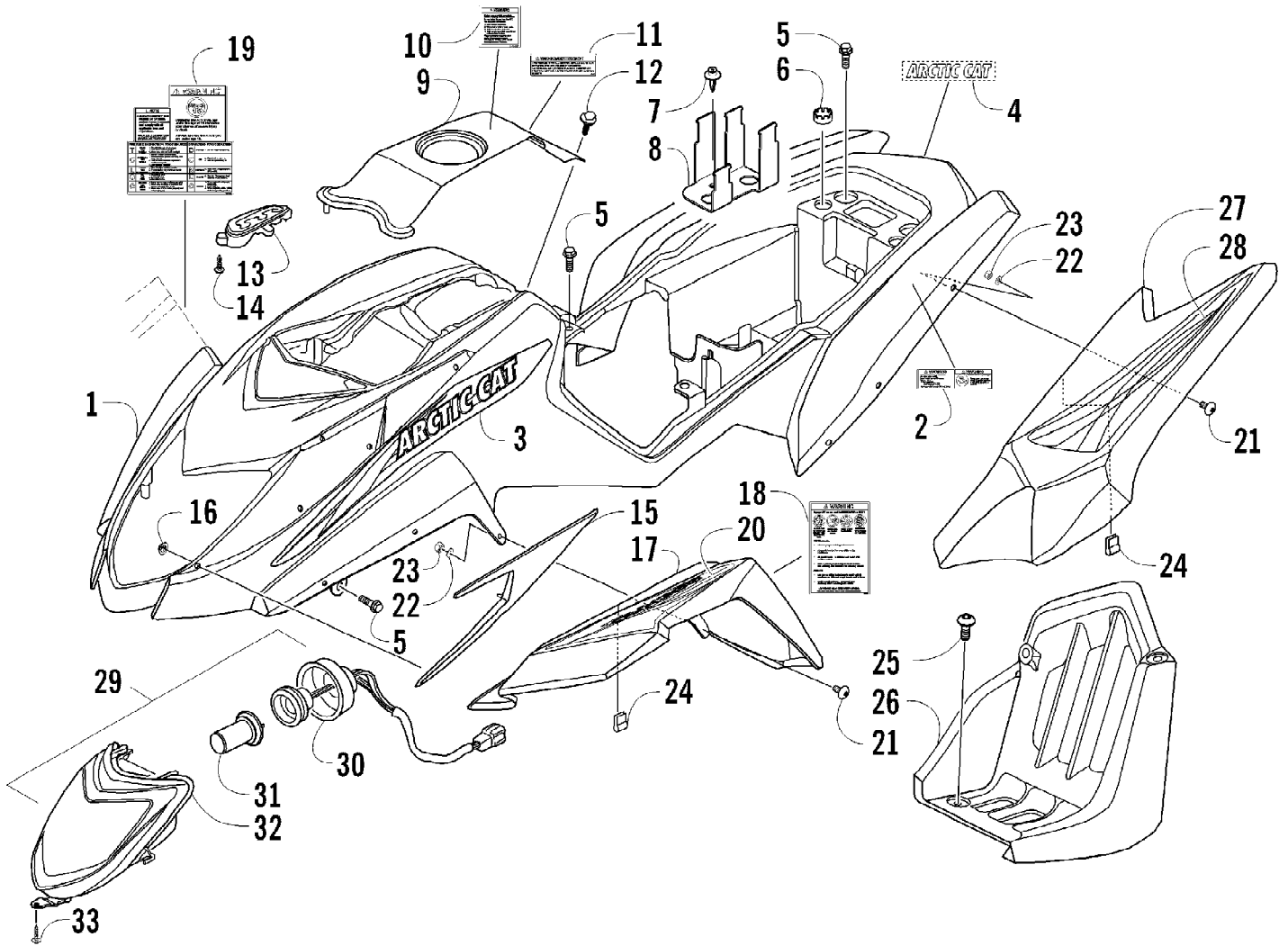
2010 ATV 300 2X4 DVX WHITE (A2010KSF2BUSF)
AIR INTAKE ASSEMBLY



2010 ATV 300 2X4 DVX WHITE (A2010KSF2BUSF)
AIR INTAKE ASSEMBLY

Page 2 of 56

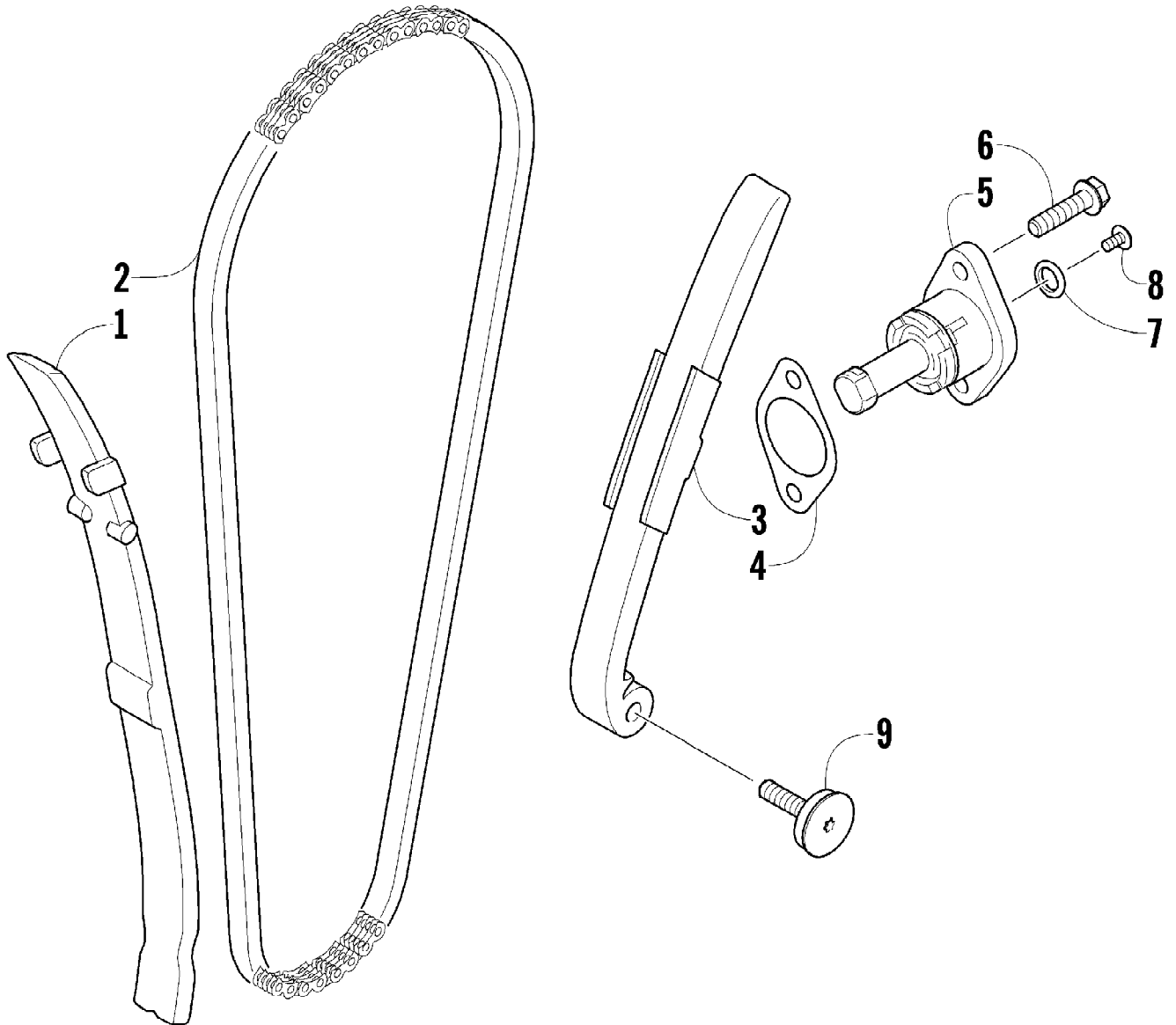
Ref #	Part Number	Qty	S/P/F	Description
1	3303-705	1		Cover, Air Silencer
2	3303-703	1		Seal
3	3303-704	1		Filter, Air - Assembly (inc. 4-7)
4	0	1	F	Screw, Cap
5	0	1	F	Washer, Lock
6	0	1	F	Washer
7	0	1	F	Filter, Air
8	3304-416	1		Clamp, Hose
9	3305-790	1		Silencer, Air
10	3303-709	2		Clamp, Hose (inc. 11)
11	3304-117	2		Screw, Machine
12	3304-062	1		Screw, Machine
13	3303-710	1		Duct
14	3304-652	2		Screw, Cap
15	3303-708	4		Clip, Spring
16	3303-716	1		Clamp, Hose
17	3305-424	1		Hose, Drain
18	3304-433	2		Clamp, Hose
19	3303-711	1		Joint, Blow-By
20	3303-734	1		Tube B - Oil Catch
21	3304-167	1		Clamp, Hose
22	3303-706	1		Catch, Oil
23	3303-714	2		Clamp, Hose
24	3303-733	1		Tube A - Oil Catch
25	3304-553	2		Screw, Cap
26	3303-735	1		Tube C - Oil Catch (inc. two No. 27)
27	3303-712	3		Clamp, Hose



2010 ATV 300 2X4 DVX WHITE (A2010KSF2BUSF)
BODY PANEL AND HEADLIGHT ASSEMBLY

Page 4 of 56

Ref #	Part Number	Qty	S/P/F	Description
1	3306-114	1		Body, Main (inc. 2)
2	2411-256	1		Decal, Warning - Passenger/Tire Pressure
3	1411-972	1		Decal, Side - "Arctic Cat" - Right
3	1411-973	1		Decal, Side - "Arctic Cat" - Left
4	0411-762	1		Decal, "Arctic Cat" - White
5	3304-587	7	/P	Screw, Cap
6	3303-232	2		Grommet
7	3304-057	1	/P	Clip, Retaining
8	3304-339	1		Bracket, Mounting - Starter/Magneto Switch
9	3306-111	1		Cover, Gas Tank (inc. 10-11)
10	1411-109	1		Decal, Warning - Reverse
11	1411-577	1		Decal, Warning - Not for Highways
12	3304-029	2	/P	Screw, Machine
13	3304-381	1		Guide, Shift Handle
14	3304-650	3	/P	Screw, Self-Tapping
15	3305-675	1		Panel, Trim - Right
15	3305-676	1		Panel, Trim - Left
16	3304-418	10		Nut, Stamped
17	3306-112	1		Fender, Front - Right (inc. 19)
17	3306-113	1		Fender, Front - Left (inc. 18)
18	2411-169	1	S	Decal, Warning - General
19	1411-945	1		Decal, Warning - Pre-Ride
20	1411-974	1		Decal, Fender - Front - Right
20	1411-975	1		Decal, Fender - Front - Left
21	3304-406	12		Screw, Machine
22	3304-432	12		Washer
23	3304-431	12	/P	Nut, Lock
24	3304-683	4		Clip, Fender
25	3304-404	8		Screw, Machine
26	3306-050	1	/P	Mudguard, Floor - Right
26	3306-051	1		Mudguard, Floor - Left
27	3305-679	1		Fender, Rear - Right
27	3305-680	1		Fender, Rear - Left
28	1411-970	1		Decal, Fender - Rear - Right
28	1411-971	1		Decal, Fender - Rear - Left
29	3304-280	1		Headlight - Assembly (inc. 30-32)
30	3304-282	1		Socket Assembly
31	3303-846	1	/P	Bulb, Headlight
32	3304-281	1		Lens, Headlight
33	3304-650	5	/P	Screw, Self-Tapping

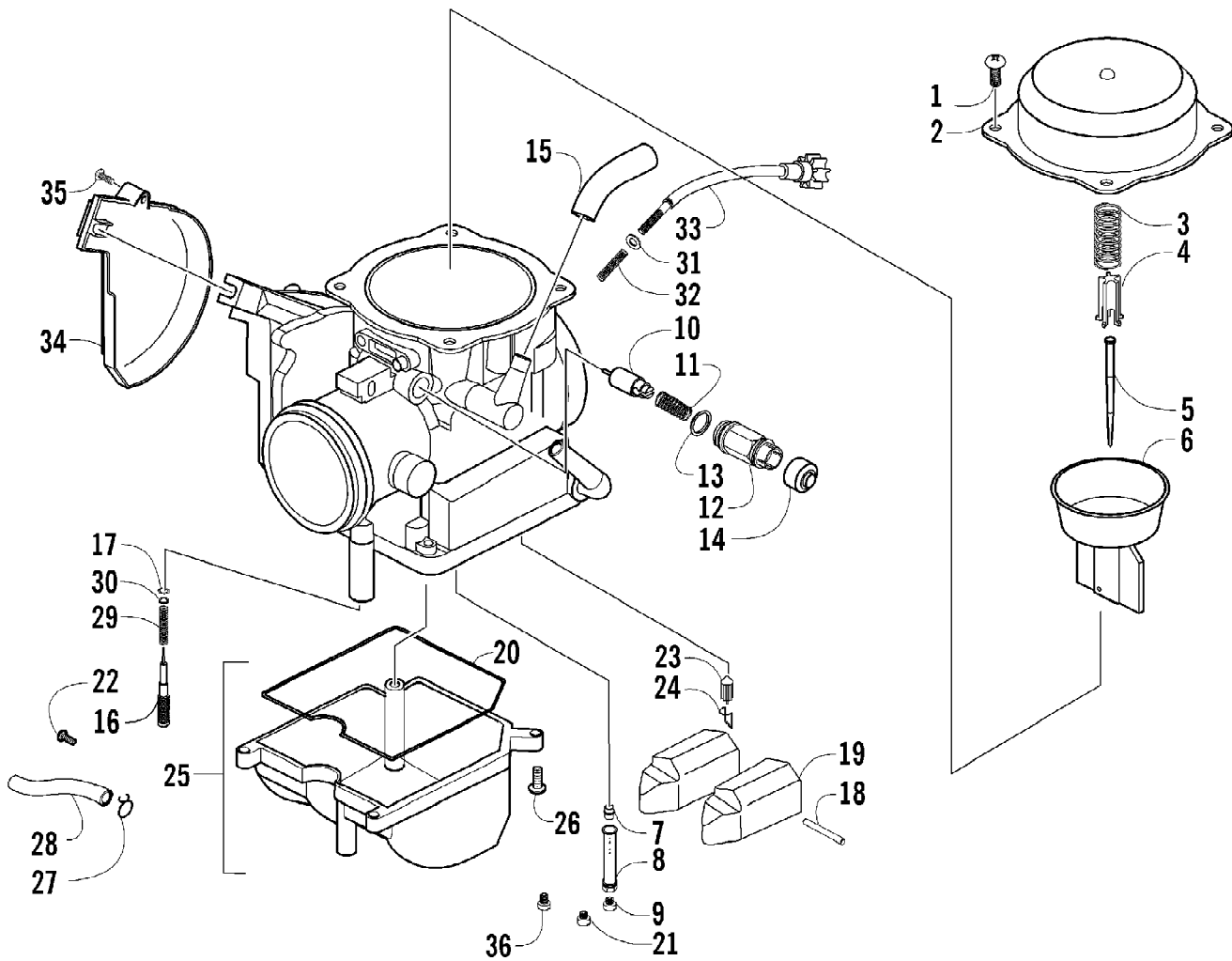


2010 ATV 300 2X4 DVX WHITE (A2010KSF2BUSF)
CAM CHAIN ASSEMBLY

Page 6 of 56

Ref #	Part Number	Qty	S/P/F	Description
1	3305-692	1		Guide, Chain
2	3305-620	1		Chain, Cam
3	3305-622	1		Tensioner, Chain
4	3303-035	1		Gasket
5	3303-677	1		Tensioner Assembly
6	3304-002	2	/P	Screw, Cap
7	3304-100	1	/P	O-Ring
8	3304-006	1		Screw, Adjuster
9	3303-678	1		Pivot, Tensioner

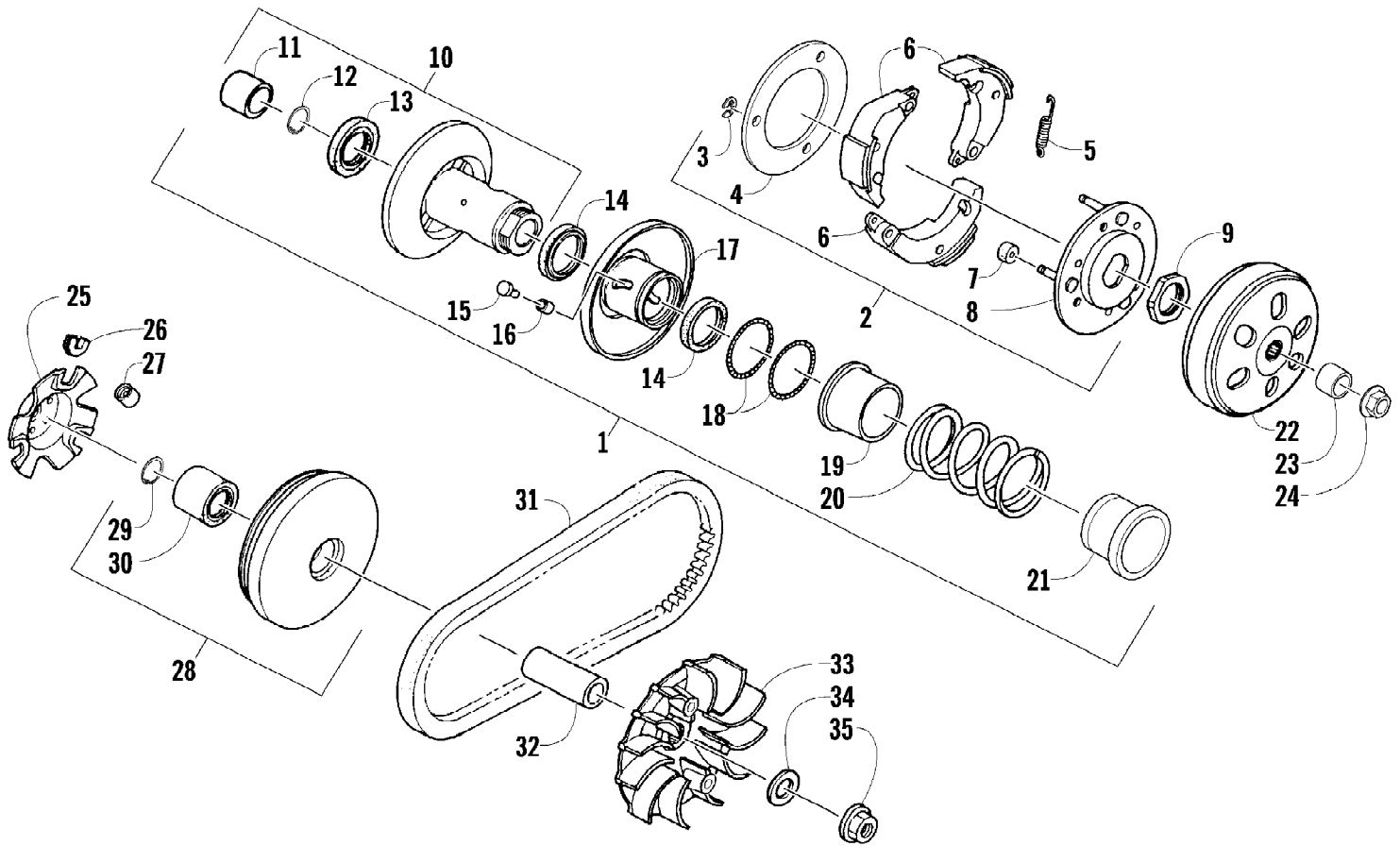
2010 ATV 300 2X4 DVX WHITE (A2010KSF2BUSF)
CARBURETOR ASSEMBLY



2010 ATV 300 2X4 DVX WHITE (A2010KSF2BUSF)
CARBURETOR ASSEMBLY

Page 8 of 56

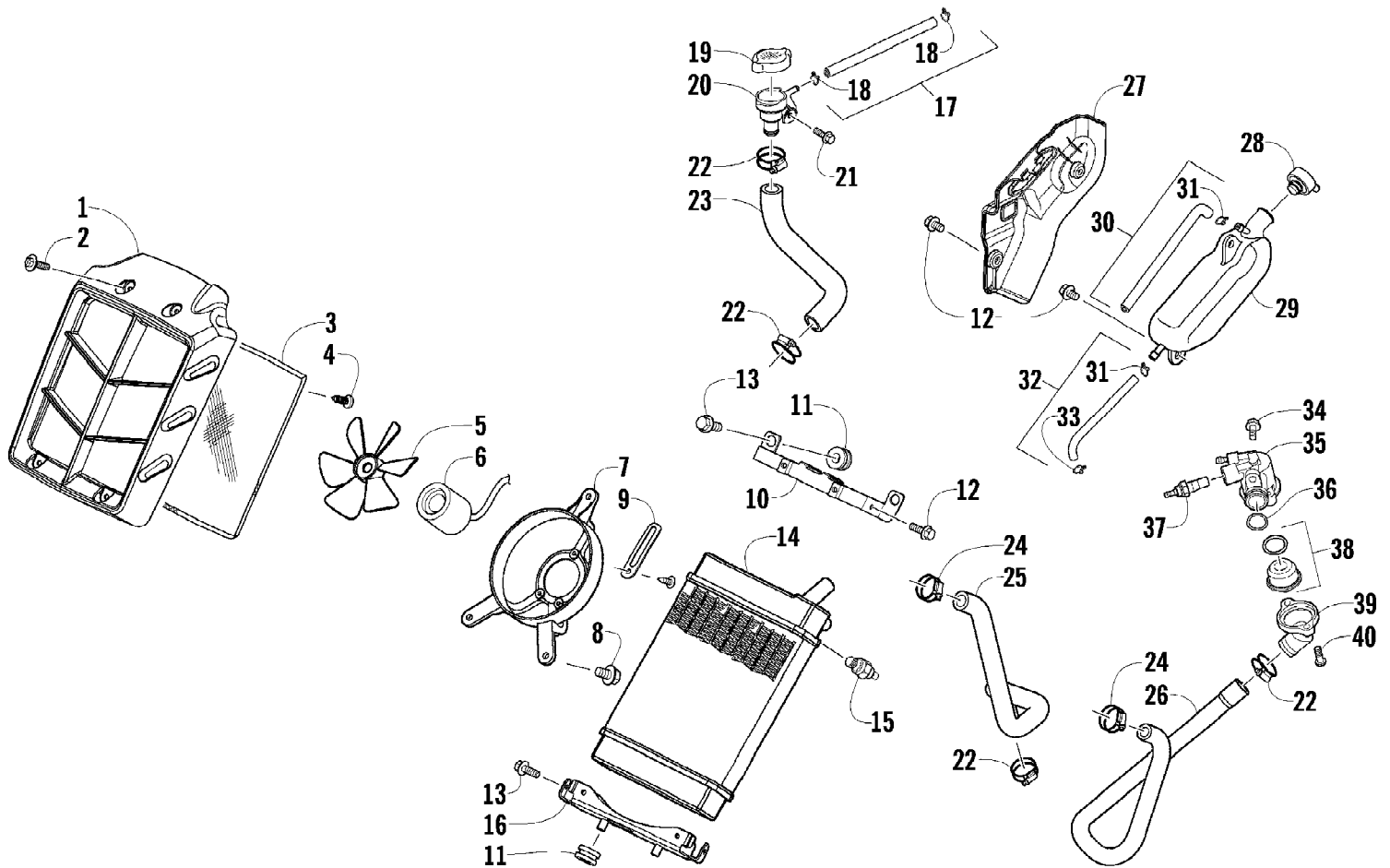
Ref #	Part Number	Qty	S/P/F	Description
	3305-426	1	/P	Complete Carburetor Assembly
1	5507-002	4	/P	Screw, Machine
2	5507-051	1		Cover, Top - Assembly
3	3305-432	1		Spring
4	3305-538	1		Seat, Spring
5	3305-540	1	/P	Needle, Jet
6	3305-433	1	S/P	Piston, Vacuum
7	5507-245	1	/P	Jet, Needle - 4.0/3.6
8	5507-047	1	/P	Holder, Jet Needle
9	3305-434	1		Jet, Main - 112
10	5507-022	1		Valve, Starter
11	5507-023	1		Spring
12	5507-025	1		Cap
13	5507-024	1		O-Ring
14	5507-026	1		Cable, Sealing Cap
15	0410-056	1		Hose, Vent
16	3305-442	1		Screw, Pilot
17	3304-237	1		O-Ring
18	3304-451	1		Pin, Float Arm
19	3305-550	1		Float, Set
20	5507-068	1		O-Ring
21	5507-010	1	S	Jet, Slow - 38
22	5507-050	1	/P	Screw, Drain
23	3304-242	1		Valve, Float (inc. 24)
24	0	1	F	Clip
25	3305-430	1	S	Chamber, Float - Assembly
26	5507-017	4	/P	Screw, Machine
27	3304-474	1		Clamp, Hose
28	3305-428	1		Hose, Drain
29	5507-226	1		Spring
30	5507-225	1		Washer
31	5507-028	1		Washer
32	5507-029	1		Spring
33	3305-437	1		Screw, Stop
34	3305-441	1		Cover
35	5507-037	1	/P	Screw, Machine
36	5507-090	1		Jet, Starter - 60



2010 ATV 300 2X4 DVX WHITE (A2010KSF2BUSF)
CLUTCH ASSEMBLY

Page 10 of 56

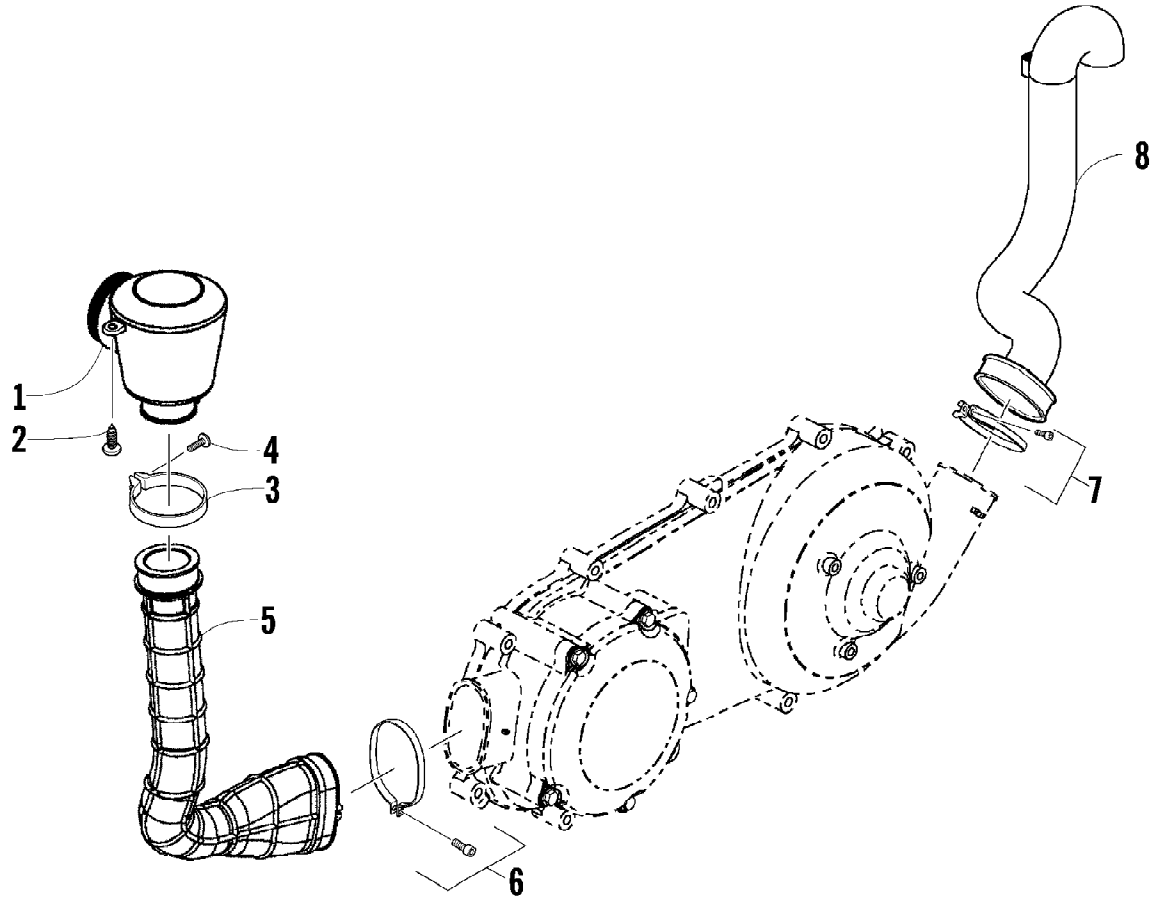
Ref #	Part Number	Qty	S/P/F	Description
1	3303-781	1		Pulley, Driven - Assembly (inc. 2-21)
2	3303-775	1		Clutch, Centrifugal - Assembly (inc. 3-8)
3	3304-054	3		Ring, Retaining
4	3303-777	1		Plate, Clutch
5	3303-778	3		Spring
6	3303-779	3		Weight, Clutch
7	3303-780	3		Roller
8	3303-776	1		Plate, Clutch
9	3304-025	1	/P	Nut
10	3303-783	1		Face, Driven - Fixed (inc. 11-13)
11	3304-072	1		Bearing
12	3304-149	1		Ring, Retaining
13	3304-070	1		Bearing
14	3304-082	2		Seal
15	3303-786	4		Pin, Guide
16	3303-787	4		Guide, Roller
17	3303-785	1		Face, Driven - Movable
18	3304-107	2		O-Ring
19	3303-789	1		Sleeve, Spring
20	3303-788	1		Spring
21	3303-790	1		Sleeve, Spring
22	3303-767	1		Clutch, Outer
23	3303-638	1		Sleeve
24	3304-023	1		Nut
25	3303-773	1		Plate, Ramp
26	3303-774	3		Slide
27	3303-772	6		Roller
28	3303-770	1		Face, Drive - Movable (inc. 29-30)
29	3304-160	1		Ring, Retaining
30	3303-771	1		Sleeve
31	3303-782	1		Belt, Drive
32	3303-769	1		Sleeve
33	3303-768	1		Face, Drive - Fixed
34	3304-414	1		Washer
35	3304-024	1		Nut



2010 ATV 300 2X4 DVX WHITE (A2010KSF2BUSF)
COOLING ASSEMBLY

Page 12 of 56

Ref #	Part Number	Qty	S/P/F	Description
1	3305-973	1		Fascia, Radiator
2	3303-263	4	/P	Screw, Cap
3	3303-744	1		Screen, Radiator
4	3304-123	6	/P	Screw, Self-Tapping
5	3303-741	1		Fan, Cooling
6	3303-742	1		Motor, Fan
7	3303-739	1		Shroud, Fan
8	3304-586	3	/P	Screw, Cap
9	3304-155	1		Clamp, Wire
10	3303-983	1		Bracket, Radiator - Upper
11	3303-239	4		Grommet
12	3304-587	6	/P	Screw, Cap
13	3304-116	4		Screw, Cap
14	3303-737	1		Radiator Assembly
15	3303-862	1		Switch, Temperature
16	3303-984	1		Bracket, Radiator - Lower
17	3304-066	1		Hose, Overflow (inc. 18)
18	3304-161	2		Clamp, Hose
19	3303-748	1		Cap, Radiator
20	3303-738	1		Neck, Filler
21	3304-553	1		Screw, Cap
22	3304-165	4	/P	Clamp, Hose
23	3303-761	1		Hose, Coolant - Filler Neck/Radiator
24	3304-164	2		Clamp, Hose
25	3303-759	1		Hose, Coolant - Radiator/Water Pump
26	3303-760	1		Hose, Cooling - Engine/Radiator
27	3305-974	1		Shield, Reservoir Tank
28	3303-749	1		Cap, Reservoir Tank
29	3304-692	1		Tank, Reservoir
30	3303-745	1		Hose, Drain (inc. 31)
31	3304-163	2		Clamp, Hose
32	3304-255	1		Hose, Reservoir Tank (inc. 33 and one No. 31)
33	3303-349	1		Clamp, Hose
34	3303-617	1	/P	Screw, Cap
35	3303-756	1		Housing, Thermostat
36	3304-094	1		O-Ring
37	3303-861	1		Unit, Thermostat
38	3303-755	1		Thermostat
39	3303-757	1		Cap, Thermostat
40	3304-118	2		Screw, Machine

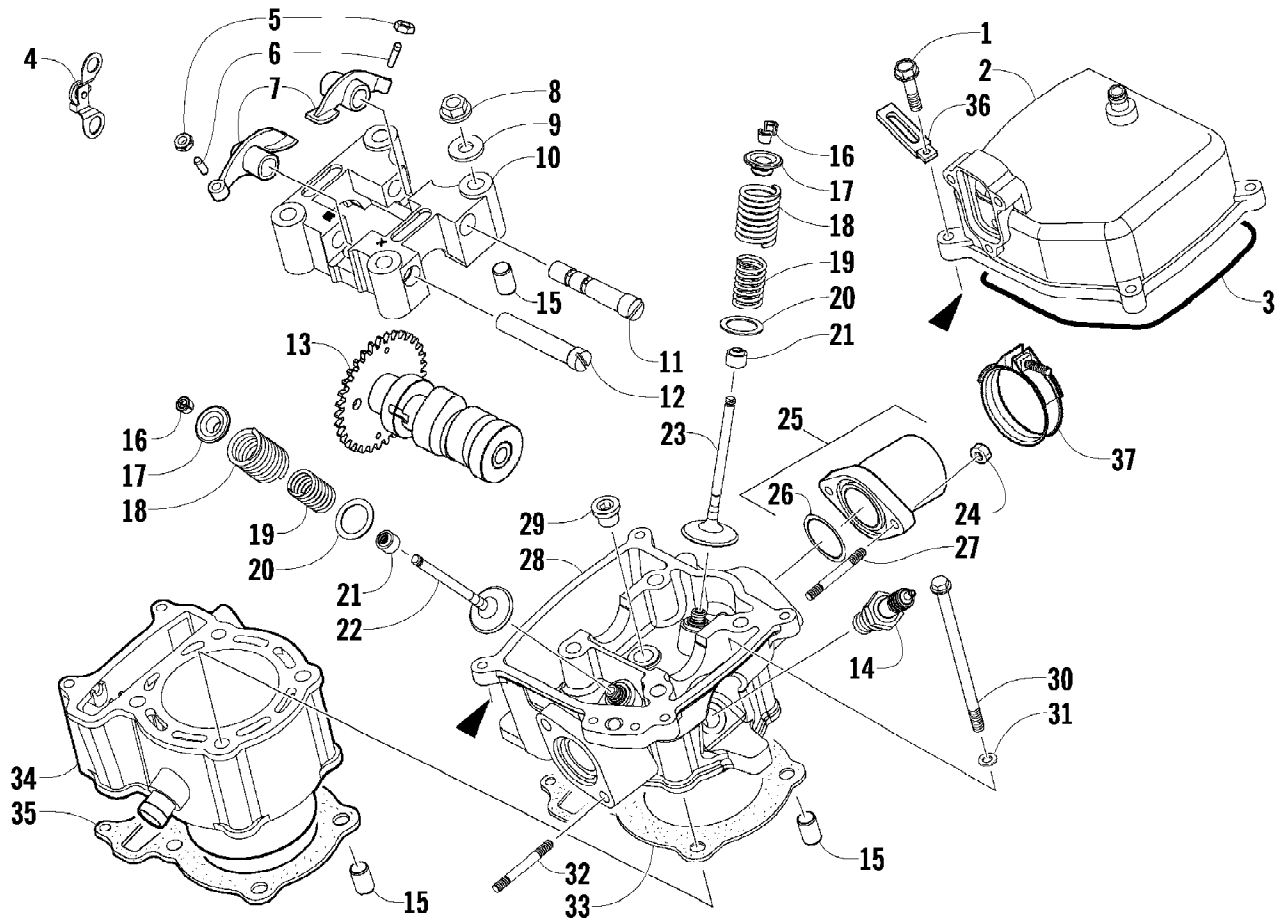


2010 ATV 300 2X4 DVX WHITE (A2010KSF2BUSF)
COOLING DUCT ASSEMBLY

Page 14 of 56

Ref #	Part Number	Qty	S/P/F	Description
1	3304-226	1		Duct, Inlet
2	3304-650	2	/P	Screw, Self-Tapping
3	3304-694	1		Clamp w/Screw (inc. 4)
4	3304-117	1		Screw, Machine
5	3304-224	1		Duct, Cooling
6	3303-635	1		Clamp w/Screw
7	3303-636	1		Clamp w/Screw
8	3304-223	1		Duct, Cooling

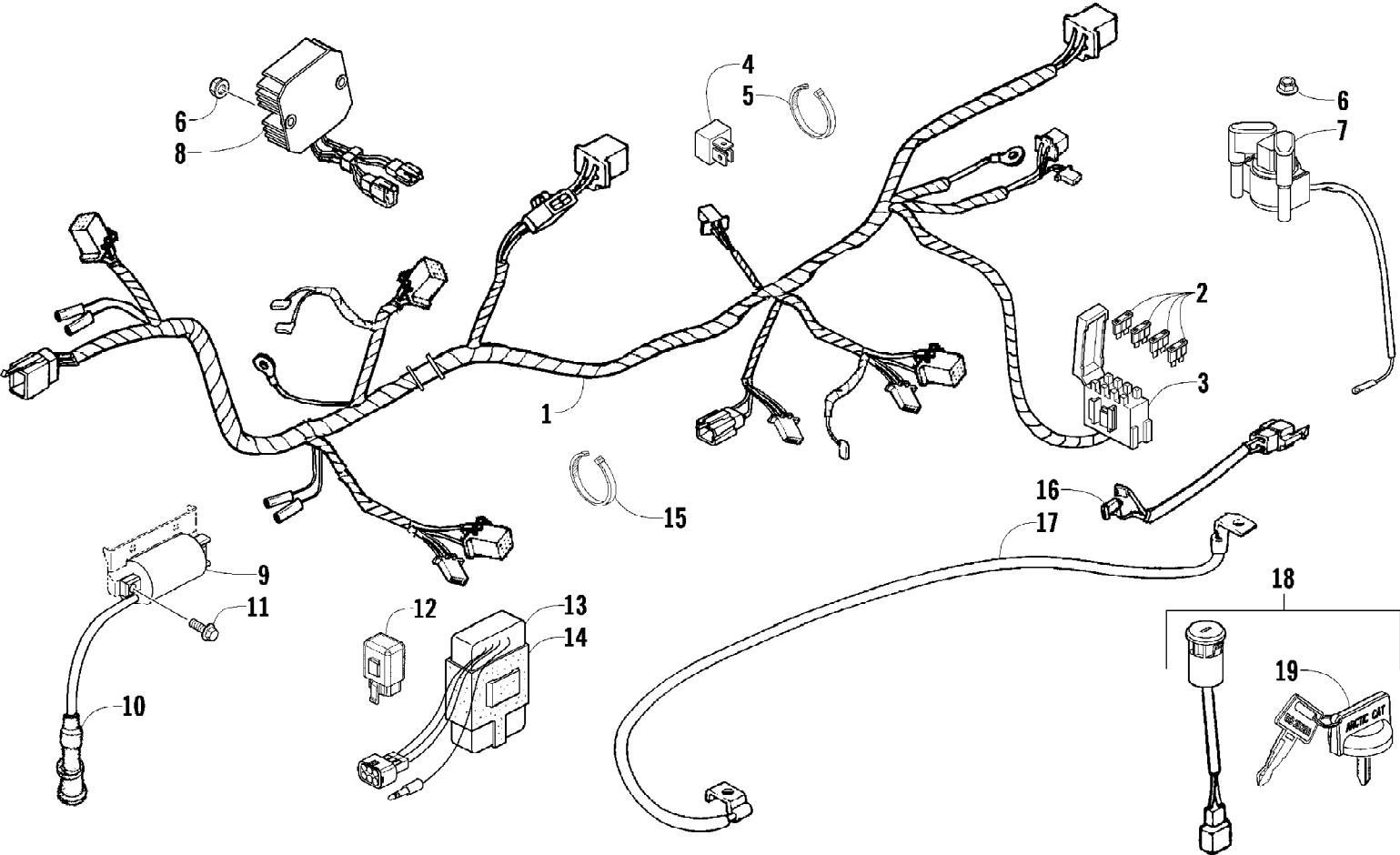
2010 ATV 300 2X4 DVX WHITE (A2010KSF2BUSF)
CYLINDER HEAD AND CAMSHAFT/VALVE ASSEMBLY



2010 ATV 300 2X4 DVX WHITE (A2010KSF2BUSF)
CYLINDER HEAD AND CAMSHAFT/VALVE ASSEMBLY

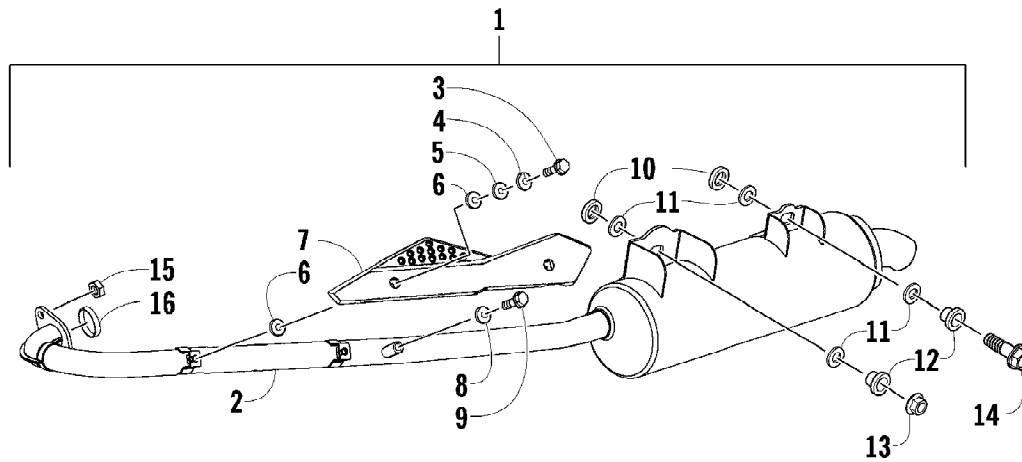
Ref #	Part Number	Qty	S/P/F	Description
1	3303-360	4		Screw, Cap
2	3305-608	1		Cover, Cylinder Head
3	3305-609	1		Gasket
4	3305-618	1		Plate, Stop
5	3304-026	2	/P	Nut
6	3304-007	2	/P	Screw, Adjuster
7	3305-611	2		Arm, Rocker
8	3303-332	4		Nut
9	3304-048	4	/P	Washer
10	3305-689	1	/P	Retainer, Camshaft
11	3303-674	1		Shaft, Rocker Arm - Intake
12	3305-612	1		Shaft, Rocker Arm - Exhaust
13	3305-613	1		Camshaft
14	0217-730	1	/P/F	Spark Plug
15	3303-342	6		Pin, Dowel
16	3303-044	4		Valve, Cotter
17	3303-042	2	/P	Retainer, Valve Spring
18	3303-682	2		Spring, Valve - Outer
19	3303-683	2		Spring, Valve - Inner
20	3303-043	2		Seat, Valve Spring
21	3303-657	2	/P	Seal, Valve Stem
22	3305-615	1		Valve, Exhaust
23	3305-614	1		Valve, Intake
24	3304-124	2		Nut
25	3305-690	1		Flange, Intake (inc. 26)
26	3304-620	1		O-Ring
27	3304-114	2		Bolt, Stud
28	3305-691	1		Head, Cylinder (inc. 29-30)
29	3303-656	1		Bolt, Sealing
30	3304-918	2		Screw, Cap
31	3304-049	2		Washer
32	3304-010	2		Bolt, Stud
33	3303-659	1		Gasket, Cylinder Head
34	3305-621	1		Cylinder
35	3303-654	1	S	Gasket, Cylinder
36	3304-157	1		Clamp, Wire
37	3305-410	1		Clamp, Intake Flange

2010 ATV 300 2X4 DVX WHITE (A2010KSF2BUSF)
ELECTRICAL AND WIRING HARNESS ASSEMBLY



2010 ATV 300 2X4 DVX WHITE (A2010KSF2BUSF)
ELECTRICAL AND WIRING HARNESS ASSEMBLY

Ref #	Part Number	Qty	S/P/F	Description
1	3304-276	1		Harness, Main (inc. 2-4)
2	3304-210	1		Fuse - 10 Amp
2	3304-211	2		Fuse - 15 Amp
2	3304-212	1		Fuse - 30 Amp
3	3303-866	1		Box, Fuse
4	3303-837	1		Diode, Neutral
5	3303-289	AR	/P	Tie, Cable
6	3303-331	4	/P	Nut
7	3303-857	1		Relay, Starter
8	3304-681	1		Regulator, Voltage
9	3303-830	1		Coil, Ignition (inc. 10)
10	3305-425	1		Cap, Noise Suppression
11	3303-382	2	/P	Screw, Cap
12	3305-939	1		Relay, Start-in-Gear
13	3303-829	1		CDI Unit (inc. 14)
14	3305-780	1		Cushion, CDI Unit
15	3303-840	AR		Tie, Cable
16	3303-134	1	/P	Adapter, Harness
17	3304-278	1		Cable, Battery
18	3303-850	1		Switch, Ignition - Assembly (inc. 19)
19	3304-522	1		Cover, Key - "Arctic Cat"
19	3304-520	1		Key, Ignition - Set - Right-Side Cut
19	3304-521	1		Key, Ignition - Set - Left-Side Cut

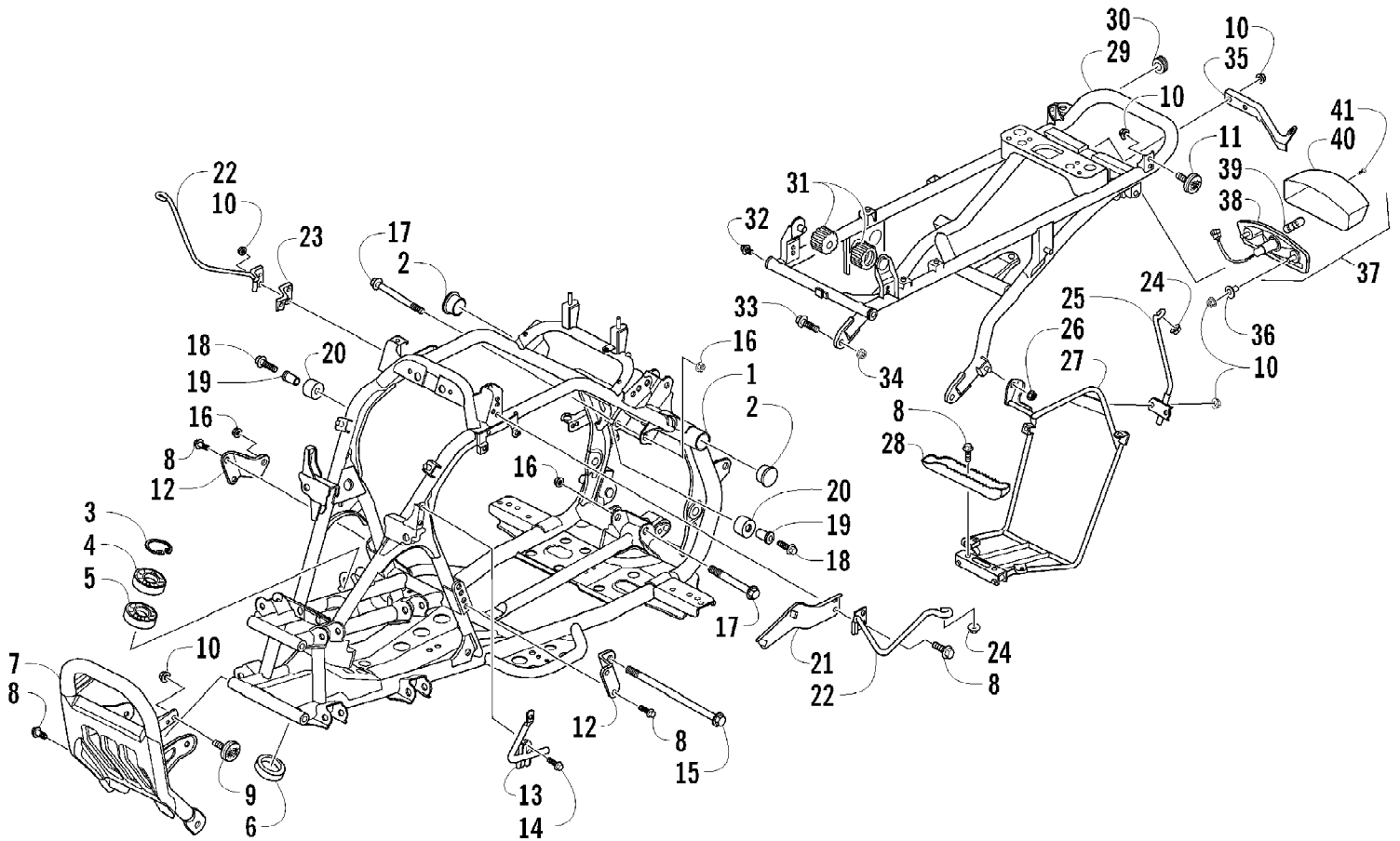


2010 ATV 300 2X4 DVX WHITE (A2010KSF2BUSF)
EXHAUST ASSEMBLY

Page 20 of 56

Ref #	Part Number	Qty	S/P/F	Description
1	3305-688	1		Pipe, Exhaust - Assembly (inc. 2-12)
2	0	1	F	Pipe, Exhaust
3	3303-381	2		Screw, Cap
4	3304-140	2		Washer, Lock
5	3304-134	2		Washer
6	3303-728	4		Washer, Fiber
7	3304-251	1		Shield, Exhaust
8	3305-773	2		Washer
9	3305-769	2	/P	Screw, Cap
10	3303-726	2		Grommet
11	3303-727	4		Washer, Fiber
12	3303-731	2		Insert
13	3303-332	1		Nut
14	3304-175	1		Screw, Cap
15	3304-125	2		Nut
16	3303-725	1		Gasket, Exhaust

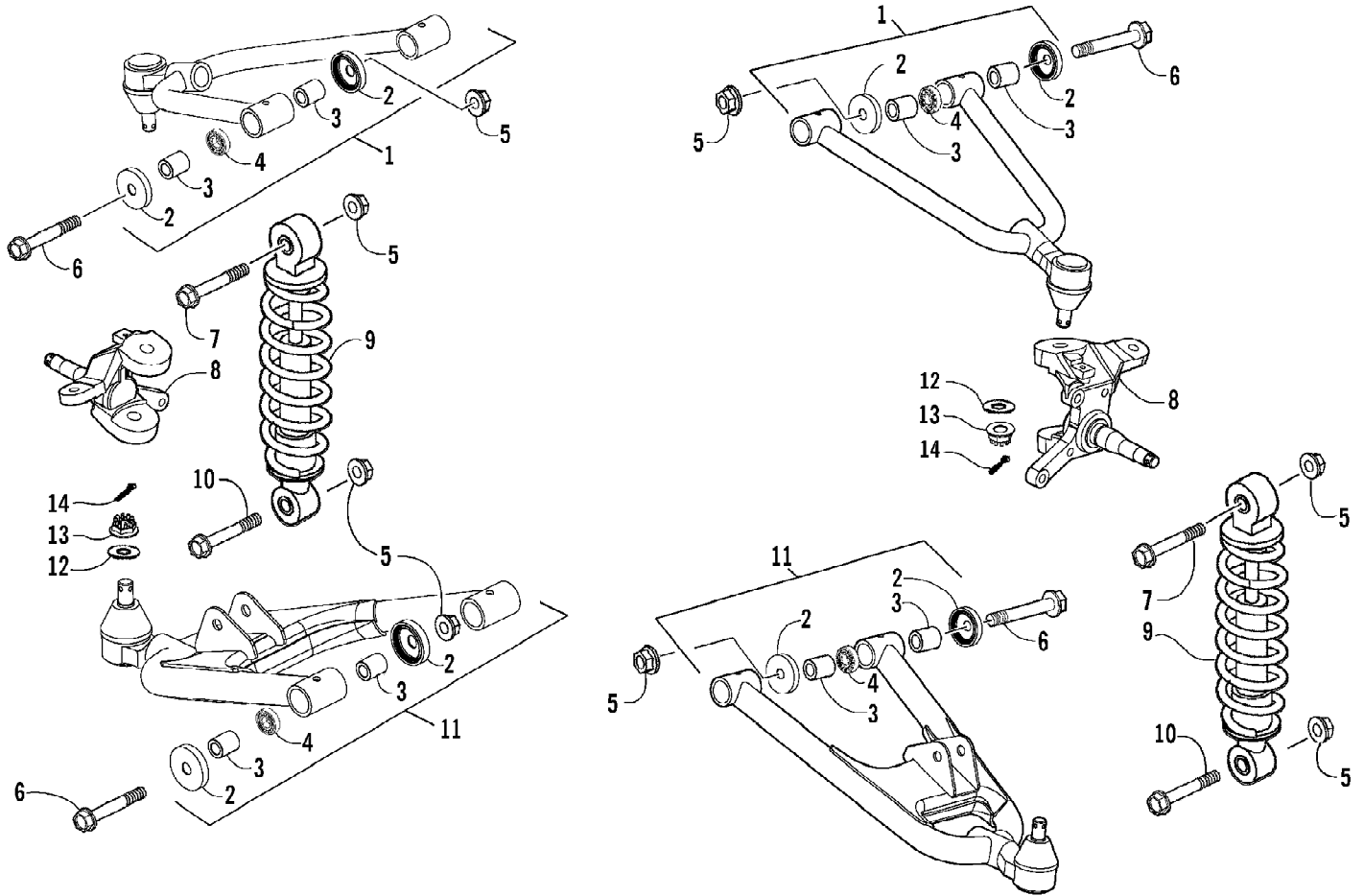
2010 ATV 300 2X4 DVX WHITE (A2010KSF2BUSF)
FRAME, TAILLIGHT, AND RELATED PARTS ASSEMBLY



2010 ATV 300 2X4 DVX WHITE (A2010KSF2BUSF)
FRAME, TAILLIGHT, AND RELATED PARTS ASSEMBLY

Ref #	Part Number	Qty	S/P/F	Description
1	3304-338	1		Frame, Main - Front
2	3304-658	2		End Cap, Frame
3	3304-150	1		Ring, Retaining
4	3304-203	1		Bearing
5	3303-298	1		Seal, Oil
6	3304-064	1		Seal, Dust
7	3305-270	1	/P	Bumper, Front
8	3304-543	12	/P	Screw, Cap
9	3305-272	2		Reflector, Front
10	3304-654	16	/P	Nut, Lock
11	3305-273	2		Reflector, Rear
12	3303-938	2		Bracket, Mounting - Engine
13	3304-352	1		Bracket, Support - Fender - Front - Right
13	3304-353	1		Bracket, Support - Fender - Front - Left
14	3304-553	6		Screw, Cap
15	3304-184	1	/P	Screw, Cap
16	3304-031	3	/P	Nut
17	3304-183	2	/P	Screw, Cap
18	3304-408	2		Screw, Cap
19	3304-701	2		Insert
20	3304-362	2		Grommet
21	3303-935	1	/P	Bracket, Support - Gas Tank
22	3304-350	1		Bracket, Mounting - Fender Support - Right
22	3304-351	1		Bracket, Mounting - Fender Support - Left
23	3303-740	1		Bracket, Mounting - Radiator
24	3304-417	6		Nut, Stamped
25	3304-348	1		Bracket, Support - Fender - Rear - Right
25	3304-349	1		Bracket, Support - Fender - Rear - Left
26	3303-332	3		Nut
27	3304-354	1		Bracket, Mounting - Fender - Right
27	3304-356	1	/P	Bracket, Mounting - Fender - Left
28	3304-346	2		Footpeg
29	3305-271	1		Frame, Main - Rear
30	3303-239	2		Grommet
31	3304-245	2		Support, Gas Tank
32	3304-435	2		Screw, Cap
33	3304-181	2		Screw, Cap
34	3303-333	2	/P	Nut, Lock
35	3304-345	1		Bracket, Mounting - Fender - Rear - Right
35	3304-344	1		Bracket, Mounting - Fender - Rear - Left
36	3303-226	2		Insert
37	3303-420	1		Taillight - Assembly (inc. 38-41)
38	3303-422	1		Base, Taillight
39	3303-849	1	/P	Bulb, Taillight
40	3304-283	1		Lens, Taillight
41	3304-537	2		Screw, Machine

2010 ATV 300 2X4 DVX WHITE (A2010KSF2BUSF)
FRONT SUSPENSION ASSEMBLY

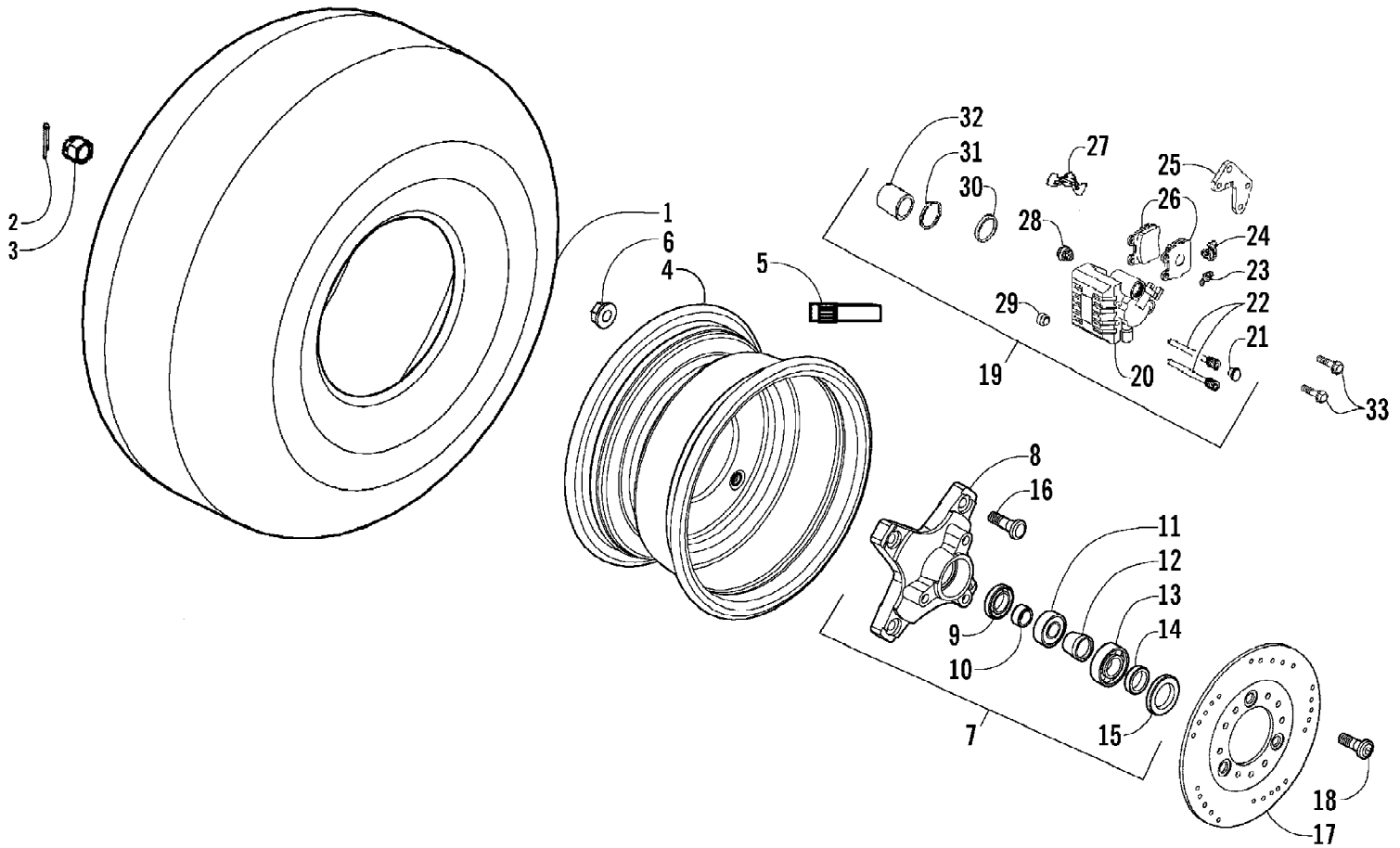


2010 ATV 300 2X4 DVX WHITE (A2010KSF2BUSF)
FRONT SUSPENSION ASSEMBLY

Page 24 of 56

Ref #	Part Number	Qty	S/P/F	Description
1	3305-682	1	/P	A-Arm Assembly - Upper Right (inc. 2-4)
1	3305-683	1	/P	A-Arm Assembly - Upper Left (inc. 2-4)
2	3304-090	16		Seal
3	3304-689	16	/P	Bushing
4	3304-199	8		Bearing
5	3304-031	12	/P	Nut
6	3304-182	8	/P	Screw, Cap
7	3303-376	2	/P	Screw, Cap
8	3304-336	1		Knuckle - Assembly - Right
8	3304-337	1		Knuckle - Assembly - Left
9	3305-686	2		Shock/Spring Assembly
10	3304-595	2	/P	Screw, Cap
11	3305-684	1	/P	A-Arm Assembly - Lower Right (inc. 2-4)
11	3305-685	1	/P	A-Arm Assembly - Lower Left (inc. 2-4)
12	3303-335	4		Washer
13	3303-328	4		Nut, Castle
14	3303-470	4		Pin, Cotter

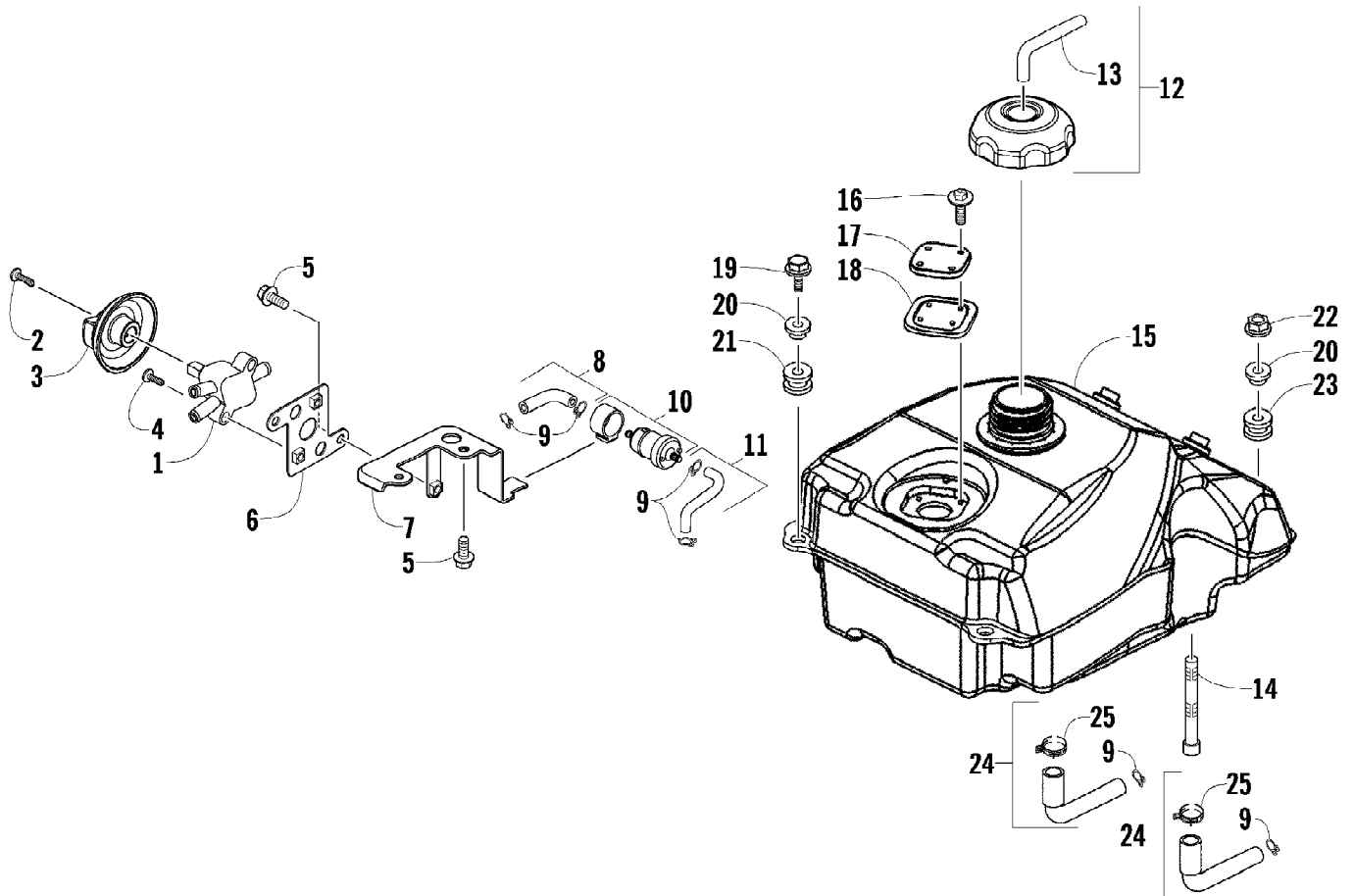
2010 ATV 300 2X4 DVX WHITE (A2010KSF2BUSF)
FRONT WHEELS AND BRAKE ASSEMBLY



2010 ATV 300 2X4 DVX WHITE (A2010KSF2BUSF)
FRONT WHEELS AND BRAKE ASSEMBLY

Page 26 of 56

Ref #	Part Number	Qty	S/P/F	Description
1	3304-312	2		Tire, Front
2	3303-340	2		Pin, Cotter
3	3303-330	2		Nut, Castle
4	3304-310	2		Wheel, Front (inc. 5)
5	3303-887	2		Stem, Valve
6	3304-028	8		Nut, Lug
7	3304-311	2		Hub, Wheel - Assembly - Front (inc. 8-16)
8	0	2	F	Hub, Wheel - Front
9	3304-089	2		Seal, Oil
10	3303-898	2		Collar, Wheel - Inside
11	3304-200	2		Bearing
12	3303-900	2		Collar, Wheel - Center
13	3304-202	2		Bearing
14	3303-899	2		Collar, Wheel - Outside
15	3304-088	2		Seal, Oil
16	3304-014	8		Bolt, Carriage
17	3303-912	1		Disc, Brake - Front - Right
17	3303-918	1		Disc, Brake - Front - Left
18	3304-015	6		Screw, Shoulder
19	3304-313	1	/P	Caliper Assembly - Front - Right (inc. 20-32)
19	3303-921	1		Caliper Assembly - Front - Left (inc. 20-32)
20	0	1	F	Housing, Caliper - Assembly - Right
20	0	1	F	Housing, Caliper - Assembly - Left
21	3304-334	2		Plug
22	3304-326	4		Pin
23	3304-330	2		Valve, Bleed
24	3304-331	2		Cap, Bleed Valve
25	3304-317	1		Bracket, Right
25	3304-328	1		Bracket, Left
26	3303-908	1		Pad, Brake - Set (inc. 25)
27	3304-315	2		Spring, Brake Pad
28	3304-322	2		Boot
29	3304-329	2		Bushing
30	3303-922	2		Seal, Piston - Inner
31	3303-910	2		Seal, Dust - Outer
32	3303-909	2		Piston
33	3304-174	4		Screw, Cap

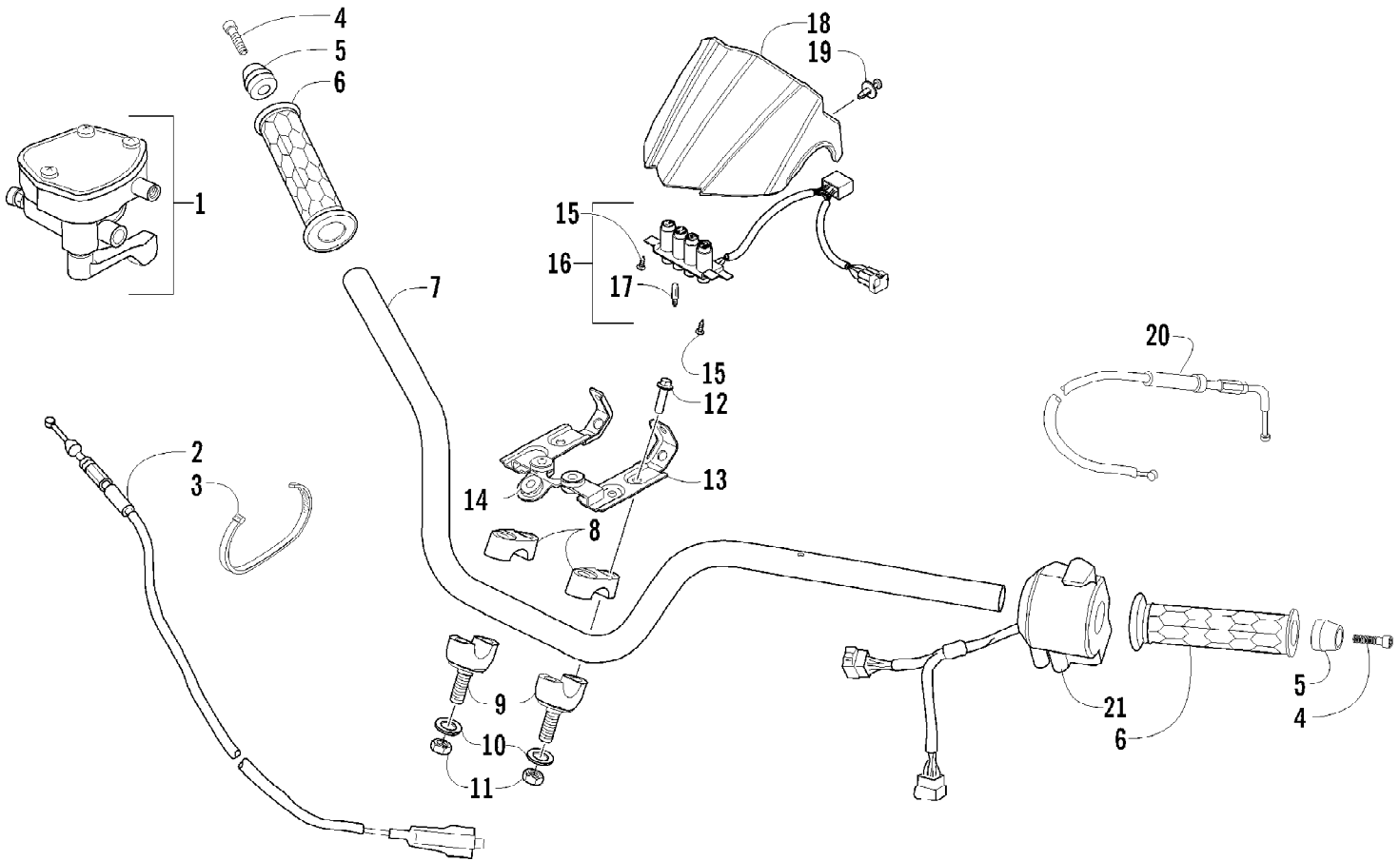


2010 ATV 300 2X4 DVX WHITE (A2010KSF2BUSF)
GAS TANK ASSEMBLY

Page 28 of 56

Ref #	Part Number	Qty	S/P/F	Description
1	3303-700	1		Shut-Off, Fuel
2	3305-420	1		Screw, Machine
3	3303-701	1		Cover, Fuel Shut-Off
4	3303-316	2		Screw, Machine
5	3304-409	4	/P	Screw, Cap
6	3305-551	1		Bracket, Mounting - Fuel Shut-Off
7	3305-419	1		Bracket, Support
8	3305-421	1		Hose Assembly (inc. 9)
9	3303-349	6		Clamp, Hose
10	3305-501	1		Filter, Fuel
11	3305-422	1		Hose Assembly (inc. 9)
12	3305-975	1		Cap, Gas Tank (inc. 13)
13	3304-169	1		Hose, Vent
14	3303-058	1		Strainer, Fuel
15	3305-415	1		Tank, Gas
16	3305-397	4		Screw, Cap
17	3305-417	1		Cover, Access
18	3305-418	1		Seal
19	3304-551	2	/P	Screw, Cap
20	3303-226	4		Insert
21	3303-406	2		Grommet
22	3303-331	2	/P	Nut
23	3304-647	2		Grommet
24	3305-416	2		Hose Assembly (inc. 25 and two No. 9)
25	3303-351	2		Clamp, Hose

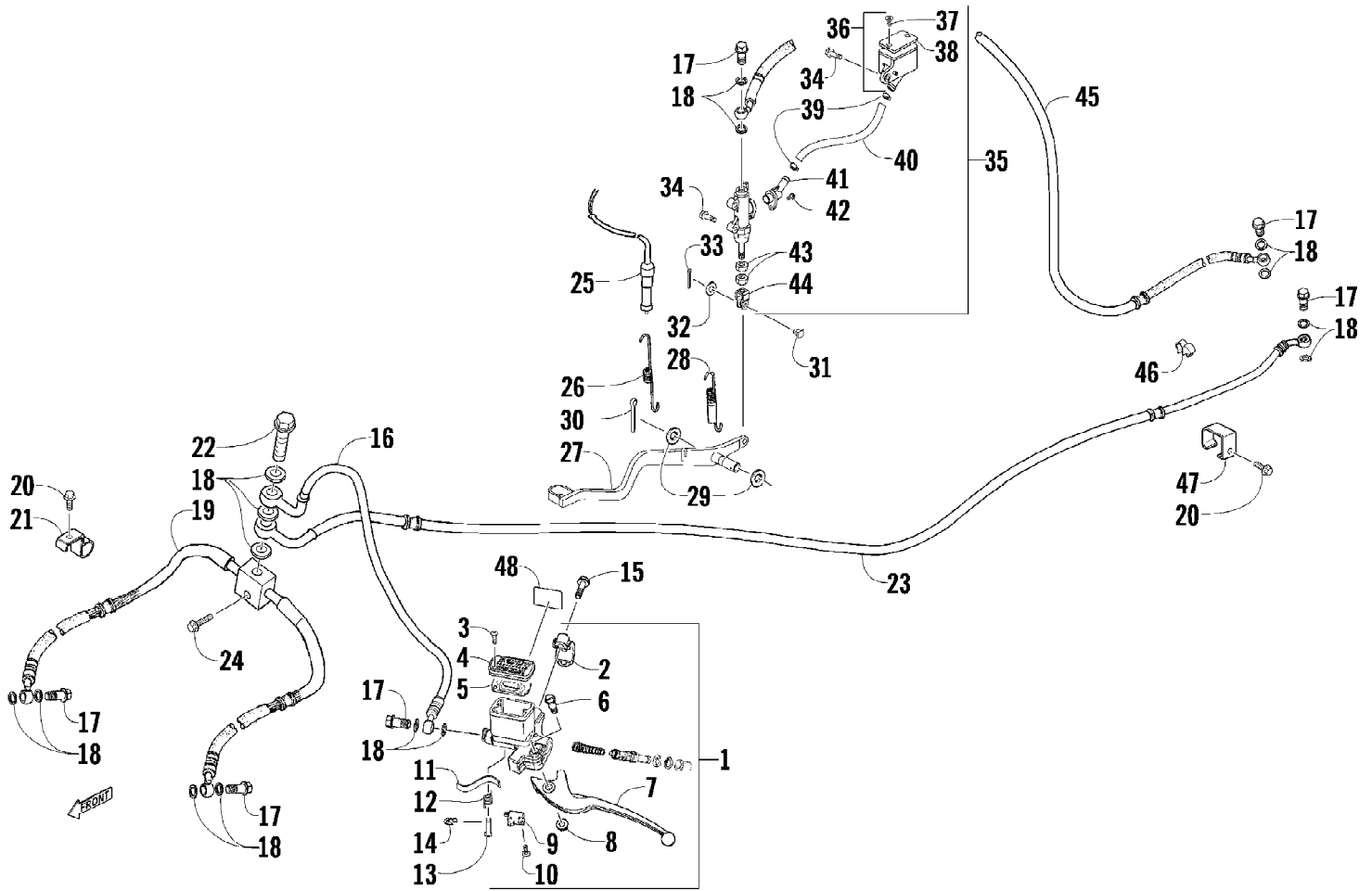
2010 ATV 300 2X4 DVX WHITE (A2010KSF2BUSF)
HANDLEBAR AND CONTROLS ASSEMBLY



2010 ATV 300 2X4 DVX WHITE (A2010KSF2BUSF)
HANDLEBAR AND CONTROLS ASSEMBLY

Page 30 of 56

Ref #	Part Number	Qty	S/P/F	Description
1	3303-953	1		Lever, Throttle - Assembly
2	3305-414	1	/P	Cable, Throttle
3	3303-839	AR		Tie, Cable
4	3304-016	2		Screw, Cap
5	3305-541	2		End Cap, Handlebar
6	3305-905	2	/P	Grip, Handlebar
7	3304-367	1		Handlebar
8	3303-954	2		Retainer, Handlebar - Upper
9	3303-955	2		Retainer, Handlebar - Lower
10	3305-088	2	/P	Washer
11	3303-325	2		Nut
12	3305-400	4		Screw, Cap
13	3304-368	1		Bracket, Instrument Pod
14	3303-239	3		Grommet
15	3304-650	2	/P	Screw, Self-Tapping
16	3304-285	1	/P	Pilot Lamp - Assembly (inc. 17)
17	3304-284	4		Bulb
18	3303-436	1		Instrument Pod
19	3303-592	2		Clip, Retaining
20	3305-462	1		Cable, Choke
21	3303-852	1	/P	Switch Assembly

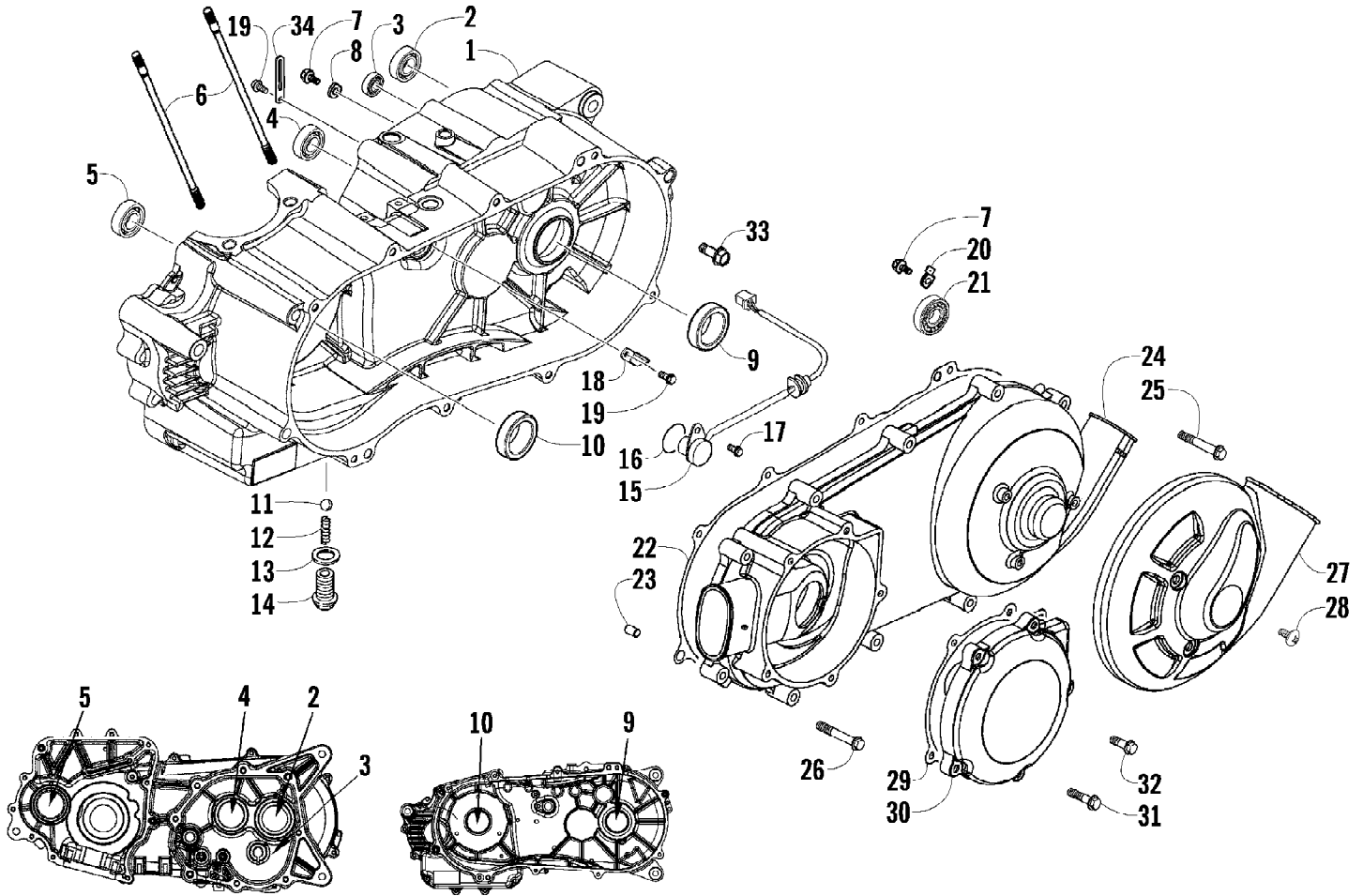


2010 ATV 300 2X4 DVX WHITE (A2010KSF2BUSF)
HYDRAULIC BRAKE ASSEMBLY

Page 32 of 56

Ref #	Part Number	Qty	S/P/F	Description
1	3304-676	1		Master Cylinder - Assembly (inc. 2-5)
2	3303-175	1	/P	Clamp, Handlebar
3	3303-318	2		Screw, Machine
4	3304-332	1		Cover, Master Cylinder
5	3303-925	1		Diaphragm, Master Cylinder
6	3304-017	1		Screw, Shoulder
7	3304-369	1	/P	Lever, Brake
8	3304-654	1	/P	Nut
9	3303-141	1	/P	Switch, Brake
10	3303-321	1		Screw, Machine
11	3304-442	1	/P	Lock, Brake Lever
12	3304-678	1		Spring, Return
13	3304-679	1		Pin
14	3304-680	1		E-Clip
15	3304-746	2		Screw, Cap
16	3304-321	1		Hose, Brake - Junction Block/Master Cylinder
17	3303-257	6	/P	Bolt, Banjo-Fitting
18	3303-284	15	/P	Washer, Crush
19	3305-681	1		Hose, Brake w/Junction Block
20	3304-553	3		Screw, Cap
21	3303-919	2		Clamp, Brake Hose
22	3304-674	1	/P	Bolt, Banjo-Fitting - Double
23	3304-319	1		Hose, Brake - Junction Block/Rear Caliper
24	3304-176	1		Screw, Cap
25	3304-685	1		Switch, Brake
26	3303-855	1		Spring, Stop
27	3304-335	1		Lever, Brake
28	3303-929	1		Spring, Set
29	3304-139	2		Washer
30	3304-143	1		Pin, Cotter
31	3303-927	1		Pin, Clevis
32	3304-050	1		Washer
33	3304-141	1		Pin, Cotter
34	3304-551	3	/P	Screw, Cap
35	3304-306	1		Brake Assembly - Rear (inc. 36-44)
36	3303-896	1		Reservoir, Brake (inc. 37-38)
37	3304-119	2		Screw, Machine
38	3304-332	1		Cover, Brake Reservoir
39	3303-895	2		Clamp, Hose
40	3304-308	1		Hose, Brake
41	3304-307	1		Connector
42	3303-321	1		Screw, Machine
43	3304-128	2		Nut, Jam
44	3303-928	1		Actuator, Push Rod
45	3304-299	1		Hose, Brake - Rear Brake/Rear Caliper
46	3304-675	1		Clip, Retaining
47	3303-891	1		Clamp, Brake Hose
48	1411-865	1		Decal, Warning - Parking Brake

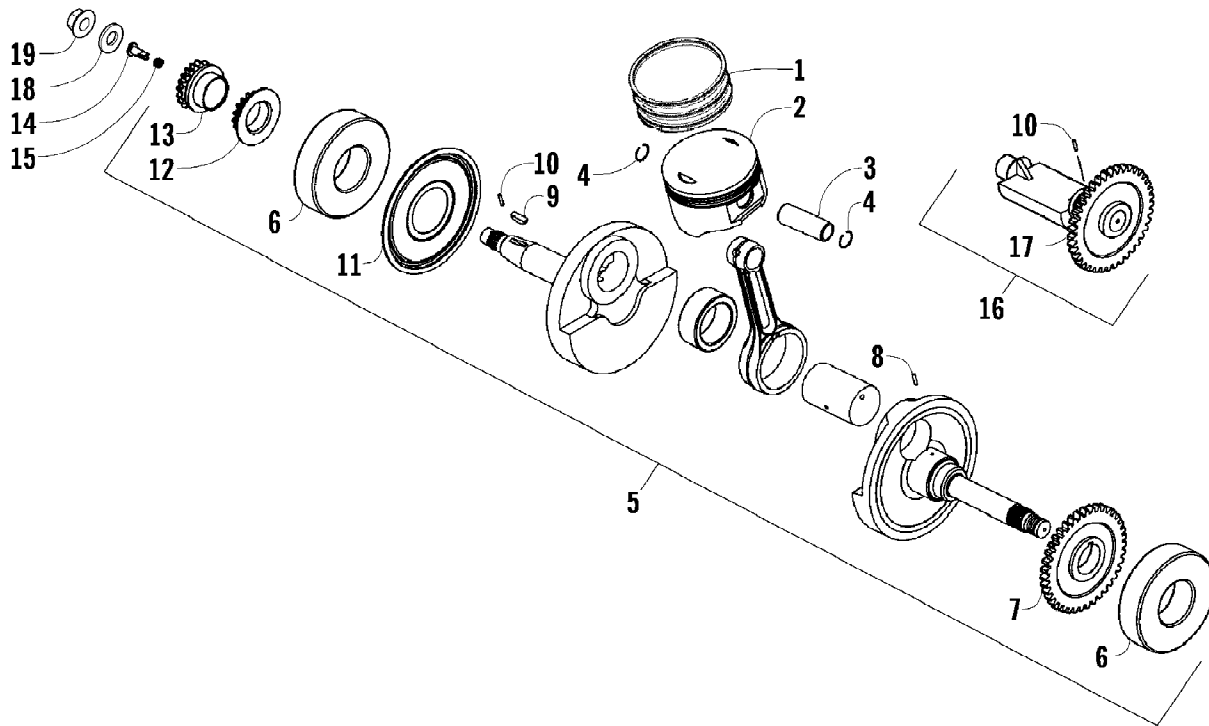
2010 ATV 300 2X4 DVX WHITE (A2010KSF2BUSF)
LEFT CRANKCASE AND COVER ASSEMBLY



2010 ATV 300 2X4 DVX WHITE (A2010KSF2BUSF)
LEFT CRANKCASE AND COVER ASSEMBLY

Page 34 of 56

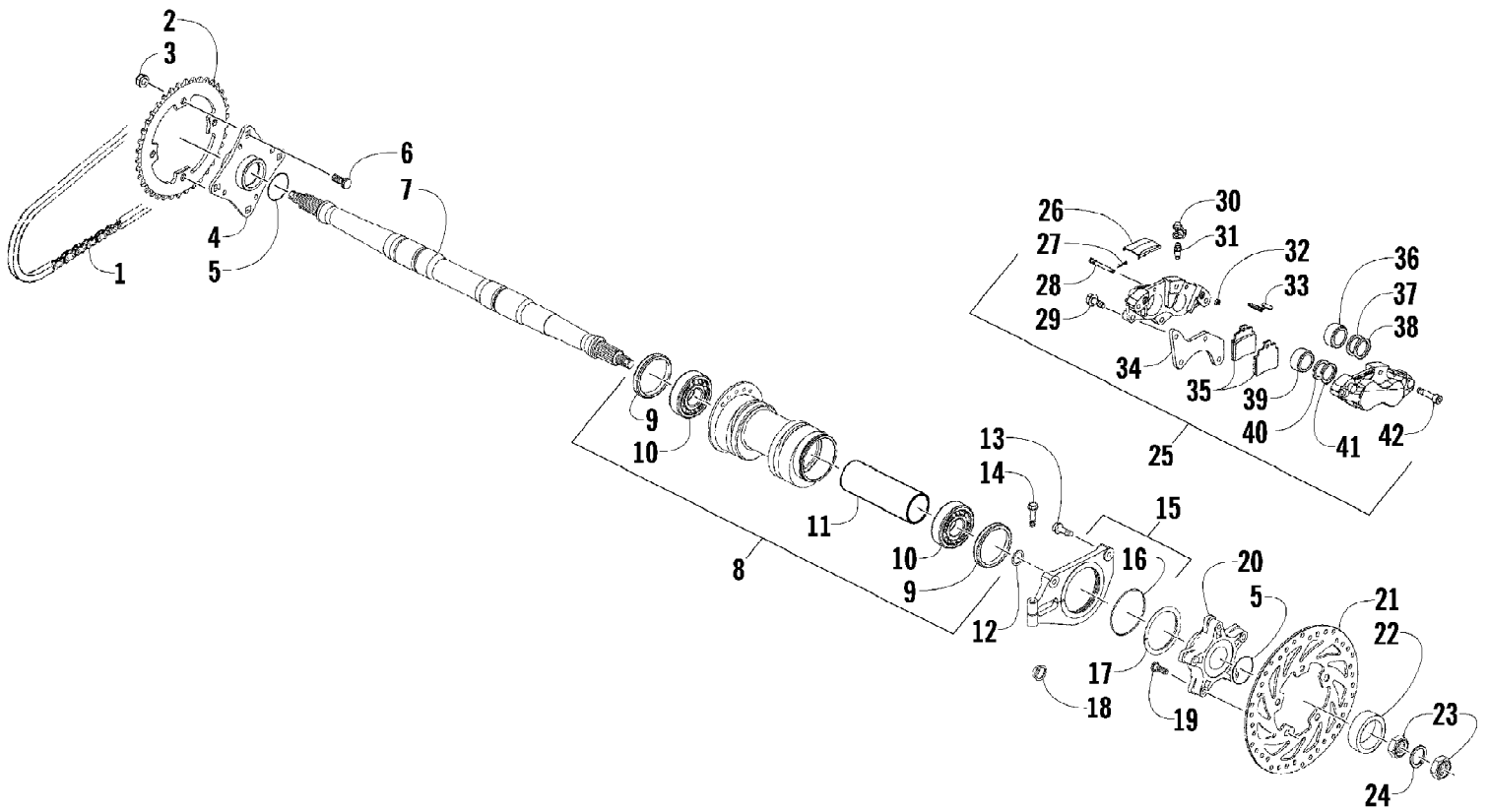
Ref #	Part Number	Qty	S/P/F	Description
1	3304-221	1		Crankcase
2	3304-067	1		Bearing
3	3304-074	1	/P	Bearing
4	3304-699	1	/P	Bearing
5	3304-195	1		Bearing
6	3305-606	2		Bolt, Stud
7	3304-005	3		Screw, Cap
8	3304-039	2		Retainer, Bearing
9	3304-091	1		Seal, Oil
10	3304-079	1		Seal, Oil
11	3304-205	1		Ball, Stopper
12	3304-063	1		Spring
13	3304-021	1		Washer
14	3304-109	1		Plug
15	3304-698	1		Switch, Gear Position (inc. 16)
16	3305-776	1	/P	O-Ring
17	3304-187	1		Screw, Cap
18	3303-843	2		Retainer, Wire
19	3303-381	3		Screw, Cap
20	3304-040	1		Retainer, Bearing
21	3304-073	1	/P	Bearing
22	3303-642	1		Gasket, Cover
23	3303-342	4		Pin, Dowel
24	3303-632	1		Cover, Crankcase
25	3304-003	8		Screw, Cap
26	3304-004	2		Screw, Cap
27	3304-222	1		Cover, Protective
28	3304-407	3		Screw, Machine
29	3304-101	1		Gasket, Cover
30	3304-225	1		Cover
31	3304-190	2		Screw, Cap
32	3303-384	3	/P	Screw, Cap
33	3303-365	1		Screw, Cap
34	3304-158	1		Clamp, Wire



2010 ATV 300 2X4 DVX WHITE (A2010KSF2BUSF)
 PISTON AND CRANKSHAFT ASSEMBLY

Page 36 of 56

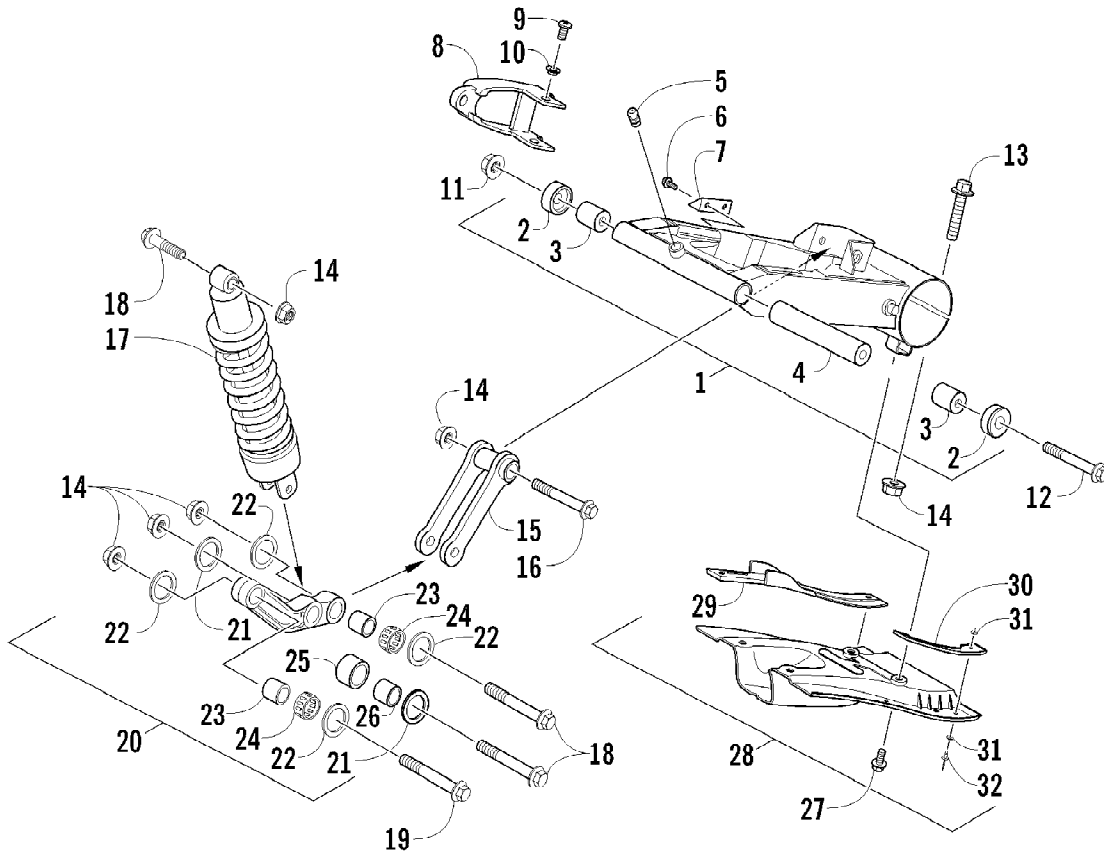
Ref #	Part Number	Qty	S/P/F	Description
	3305-752	1		Complete Engine Assembly
1	3303-664	1	/P	Ring Set, Piston
2	3305-625	1		Piston
3	3305-623	1		Pin, Piston
4	3304-159	2		Circlip
5	3305-619	1		Crankshaft Assembly (inc. 6-13)
6	3304-420	2	/P	Bearing
7	3303-668	1		Gear, Balancer
8	3304-962	1		Pin, Alignment
9	3304-145	1		Key
10	3304-439	2		Pin, Alignment
11	3305-328	1		Plate, Crankshaft
12	3304-236	1		Gear, Timing
13	3303-689	1		Gear, Oil Pump Drive
14	3303-693	1		Oil Through
15	3303-694	1		Spring
16	3305-624	1		Balancer, Crankshaft (inc. 17 and one No. 10)
17	0	1	F	Gear, Balancer
18	3304-036	1		Washer, Thrust
19	3304-024	1		Nut



2010 ATV 300 2X4 DVX WHITE (A2010KSF2BUSF)
 REAR AXLE AND BRAKE ASSEMBLY

Page 38 of 56

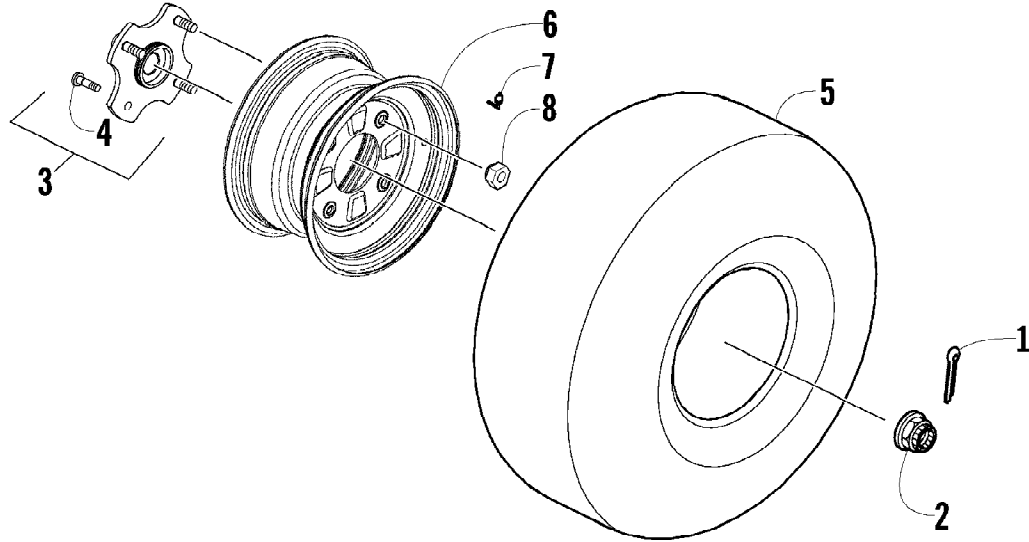
Ref #	Part Number	Qty	S/P/F	Description
1	3304-510	1		Chain, Drive
2	3304-291	1		Sprocket, Drive
3	3304-031	4	/P	Nut
4	3304-292	1		Flange, Sprocket
5	3303-603	2		O-Ring
6	3304-403	4		Bolt, Carriage
7	3305-639	1		Axle, Rear
8	3304-294	1		Hub, Rear - Assembly (inc. 9-11)
9	3304-424	2		Seal
10	3304-688	2		Bearing
11	3305-593	1		Spacer
12	3304-415	1		Ring, Retaining
13	3304-687	2		Screw, Cap
14	3304-518	1		Screw, Cap
15	3304-305	1		Bracket, Caliper (inc. 16)
16	3305-259	1		O-Ring
17	3304-519	1		Ring, Retaining
18	3304-304	1		Insert
19	3304-015	5		Bolt, Carriage
20	3304-300	1		Hub, Brake Disc (inc. one No. 5)
21	3304-301	1		Disc, Brake
22	3304-343	1		Spacer
23	3304-342	2		Nut
24	3305-267	1		Washer, Lock
25	3304-298	1		Caliper Assembly - Rear (inc. 26-42)
26	3304-318	2		Cover, Dust
27	3303-608	2		Pin, Lock
28	3304-325	2		Pin
29	3304-174	2		Screw, Cap
30	3304-303	2		Cap, Bleed Valve
31	3304-302	2		Bleed Valve
32	3304-333	2		Plug
33	3304-696	2		Spring, Brake Pad
34	3304-695	2		Bracket
35	3304-697	1		Pad, Brake - Set
36	3305-257	2		Piston
37	3303-922	2		Seal, Piston - Inner
38	3305-406	2		Seal, Dust - Outer
39	3305-262	2	/P	Piston
40	3305-380	2	/P	Seal, Dust - Inside
41	3305-377	2	/P	Seal, Piston - Outside
42	3304-440	3		Screw, Cap



2010 ATV 300 2X4 DVX WHITE (A2010KSF2BUSF)
REAR SUSPENSION ASSEMBLY

Page 40 of 56

Ref #	Part Number	Qty	S/P/F	Description
1	3305-687	1		Fork, Rear - Assembly (inc. 2-5)
2	3303-192	2		Seal, Dust
3	3304-359	2		Bushing
4	3304-358	1		Axle, Rear Fork
5	3303-393	1		Fitting, Grease
6	3304-405	2		Screw, Cap
7	3304-289	1		Guide, Chain
8	3304-361	1		Guide, Chain
9	3304-690	3		Screw, Self-Tapping
10	3304-360	3		Insert
11	3304-411	1		Nut
12	3303-150	1		Screw, Cap
13	3304-437	2		Screw, Cap
14	3304-031	7	/P	Nut
15	3304-365	1		Link, Arm - Assembly
16	3304-183	1	/P	Screw, Cap
17	3306-123	1		Shock/Spring Assembly
18	3304-185	3		Screw, Cap
19	3304-436	1		Screw, Cap
20	3304-363	1		Link, Shock - Assembly (inc. 21-26)
21	3304-090	2		Seal
22	3304-459	4		Seal
23	3304-364	2		Collar
24	3304-421	2		Bearing
25	3304-372	1		Sleeve
26	3304-309	1		Axle
27	3304-587	4	/P	Screw, Cap
28	3305-972	1	/P	Guard, Rear Suspension - Assembly (inc. 29-32)
29	3304-287	1		Guard, Chain
30	3304-288	1		Guard, Brake Disc
31	3305-779	8		Washer
32	3305-774	4		Rivet

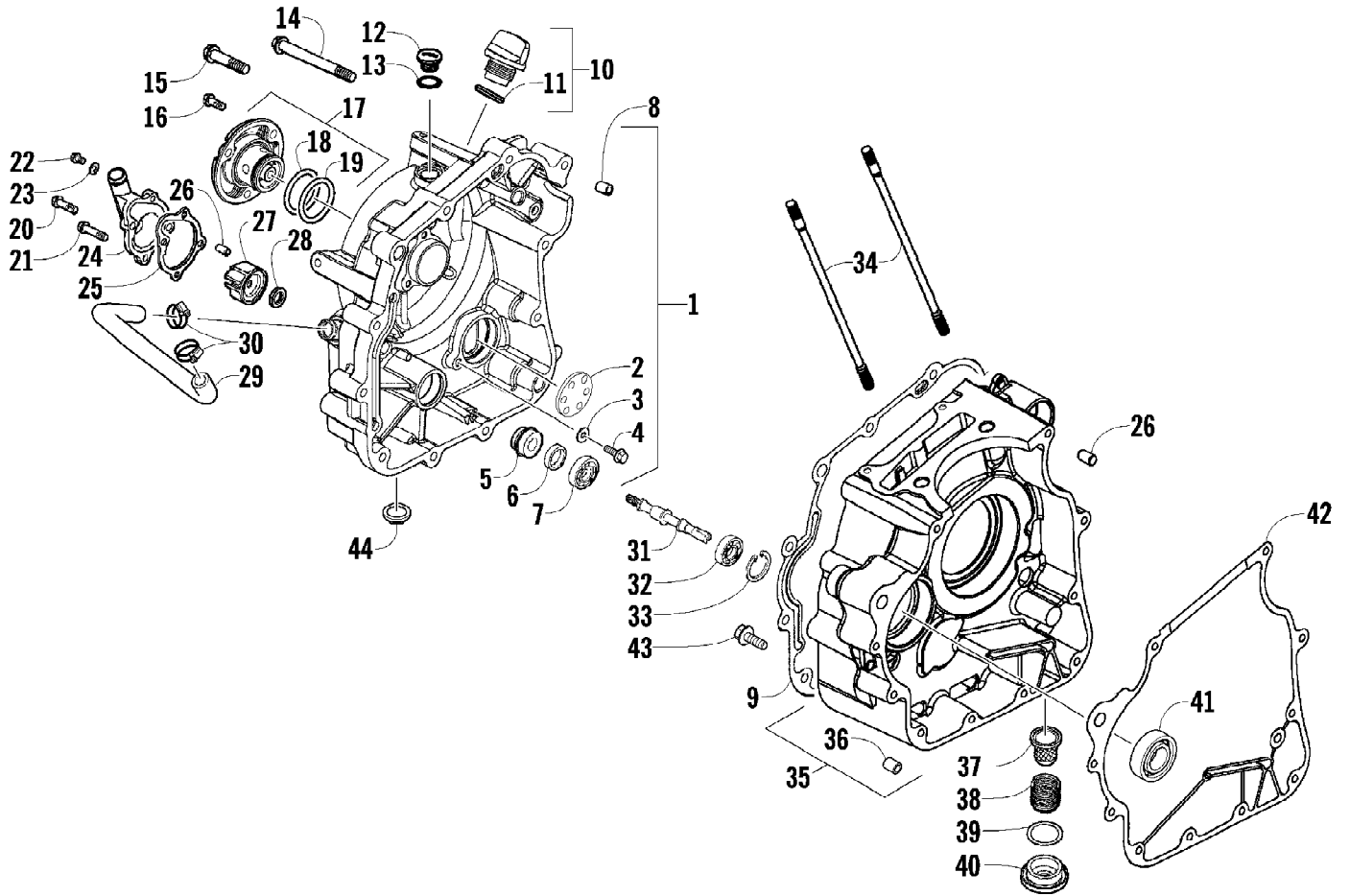


2010 ATV 300 2X4 DVX WHITE (A2010KSF2BUSF)
REAR WHEEL ASSEMBLY

Page 42 of 56

Ref #	Part Number	Qty	S/P/F	Description
1	3303-340	2		Pin, Cotter
2	3304-129	2		Nut, Castle
3	3305-266	2		Hub, Wheel (inc. 4)
4	3304-014	8		Bolt, Hub
5	3304-297	2		Tire
6	3304-295	2		Wheel - Assembly
7	3303-887	2		Stem, Valve
8	3304-028	8		Nut, Lug

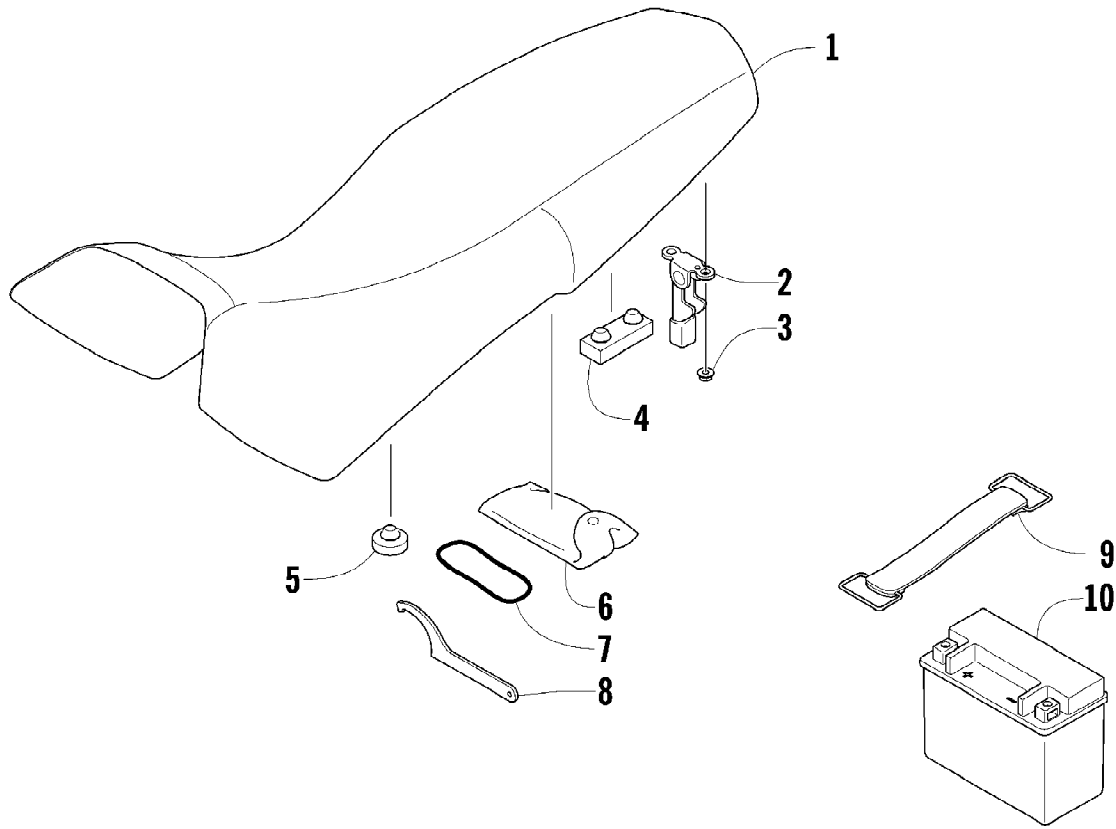
2010 ATV 300 2X4 DVX WHITE (A2010KSF2BUSF)
RIGHT CRANKCASE AND COVER ASSEMBLY



2010 ATV 300 2X4 DVX WHITE (A2010KSF2BUSF)
RIGHT CRANKCASE AND COVER ASSEMBLY

Page 44 of 56

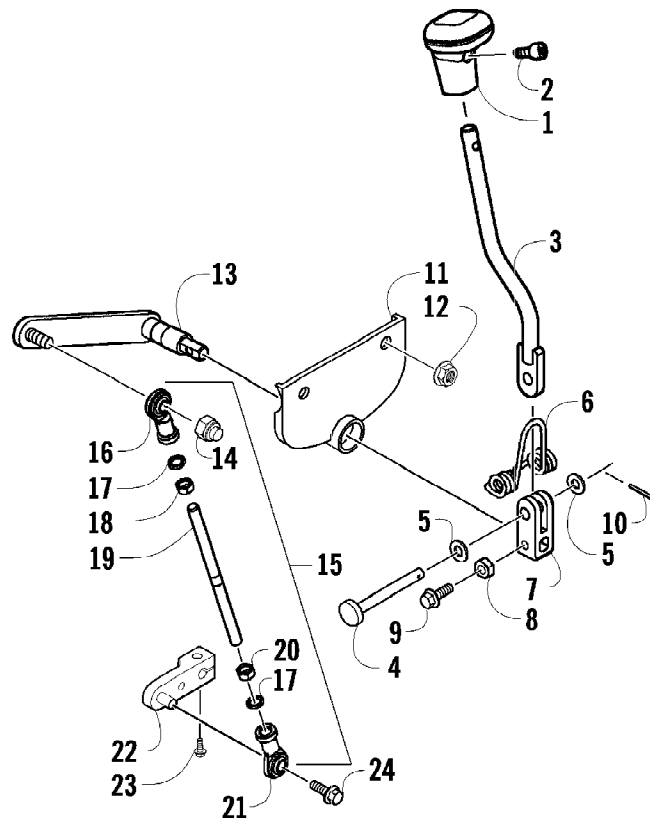
Ref #	Part Number	Qty	S/P/F	Description
1	3305-626	1		Cover, Crankcase (inc. 2-7)
2	3303-696	1		Plate, Sight Gauge
3	0	1	F	Washer
4	3304-005	1		Screw, Cap
5	3303-751	1		Seal, Mechanical
6	3304-078	1		Seal, Oil
7	3304-068	1		Bearing
8	3303-342	2		Pin, Dowel
9	3303-641	1		Gasket
10	3303-695	1		Gauge, Oil Level (inc. 11)
11	3304-102	1	/P	O-Ring
12	3304-012	1		Plug, Inspection
13	3304-099	1		O-Ring
14	3304-192	8		Screw, Cap
15	3303-387	4		Screw, Cap
16	3303-382	3	/P	Screw, Cap
17	3304-013	1		Cap, Crankcase Cover (inc. 18-19)
18	3304-096	1	/P	O-Ring
19	3304-098	1		O-Ring
20	3303-619	2	/P	Screw, Cap
21	3303-385	2		Screw, Cap
22	3304-186	1		Screw, Cap
23	3304-049	1		Washer
24	3303-752	1		Cover, Water Pump
25	3303-753	1		Gasket, Water Pump
26	3303-341	4		Pin, Dowel
27	3303-750	1		Impeller, Water Pump
28	3304-038	1		Washer
29	3303-758	1		Hose, Coolant - Water Pump/Cylinder
30	3304-165	2	/P	Clamp, Hose
31	3303-754	1		Shaft, Water Pump
32	3304-193	1		Bearing
33	3304-148	1		Ring, Retaining
34	3304-008	2		Bolt, Stud
35	3305-605	1		Crankcase - Right (inc. 36)
36	3304-065	1		Plug
37	3303-691	1	/P	Screen
38	3303-692	1	/P	Spring
39	3304-096	1	/P	O-Ring
40	3303-021	1		Cap, Oil
41	3304-195	1		Bearing
42	3303-628	1		Gasket, Crankcase
43	3304-191	4	/P	Screw, Cap
44	3304-052	1	/P	Plug, Drain



2010 ATV 300 2X4 DVX WHITE (A2010KSF2BUSF)
SEAT, BATTERY, AND TOOL KIT ASSEMBLIES

Page 46 of 56

Ref #	Part Number	Qty	S/P/F	Description
1	3304-391	1		Seat Assembly (inc. 2-3)
2	3304-392	1		Latch, Seat
3	3305-929	2		Nut
4	0	2	F	Bumper, Seat - Rear
5	0	2	F	Bumper, Seat - Front
6	3304-400	1		Kit, Tool
7	3303-242	1		Retainer, Tool Kit
8	1441-797	1	F	Wrench, Spanner
9	3304-434	1		Hold-Down, Battery
10	3304-275	1	/P	Battery

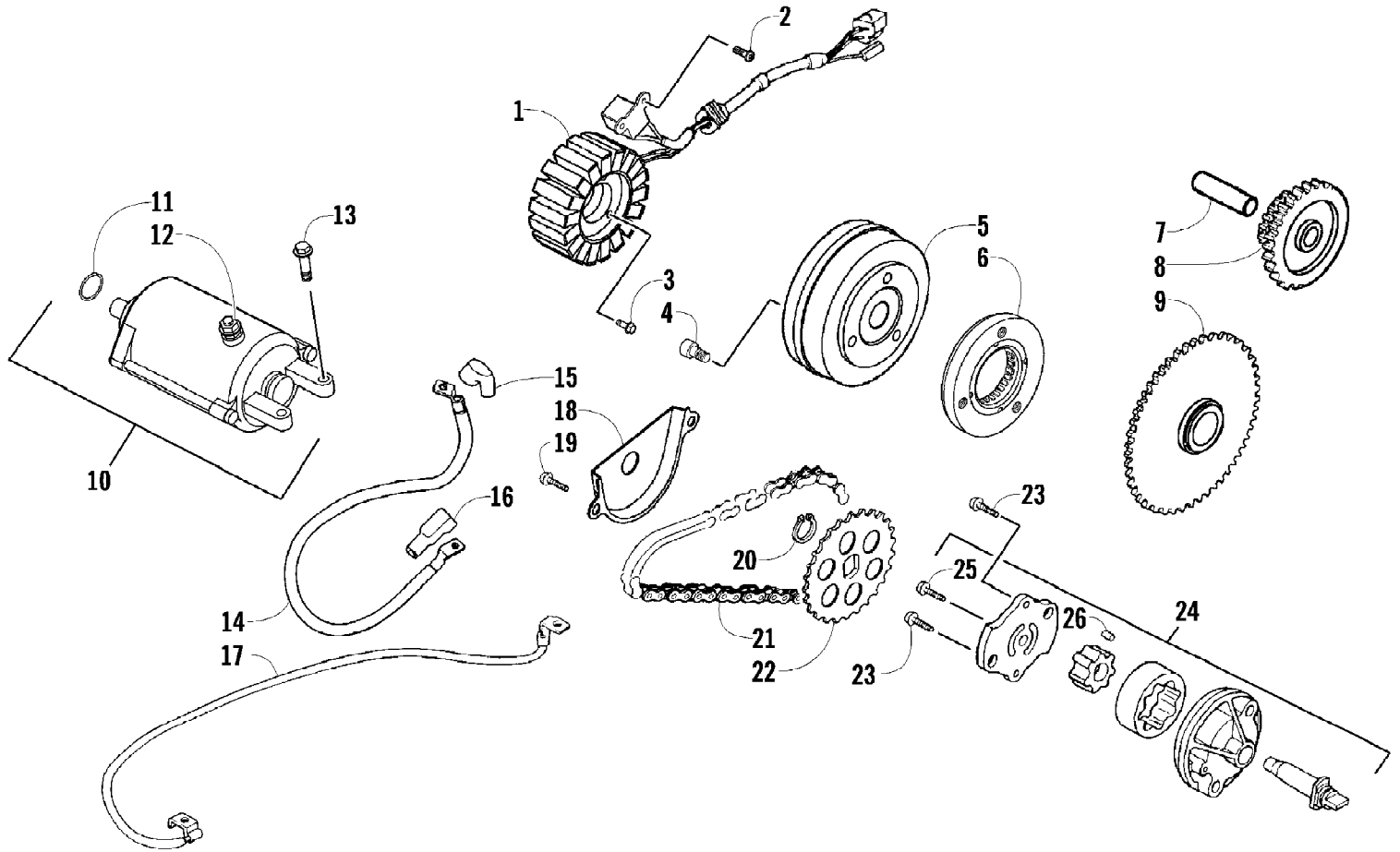


2010 ATV 300 2X4 DVX WHITE (A2010KSF2BUSF)
SHIFT LEVER ASSEMBLY

Page 48 of 56

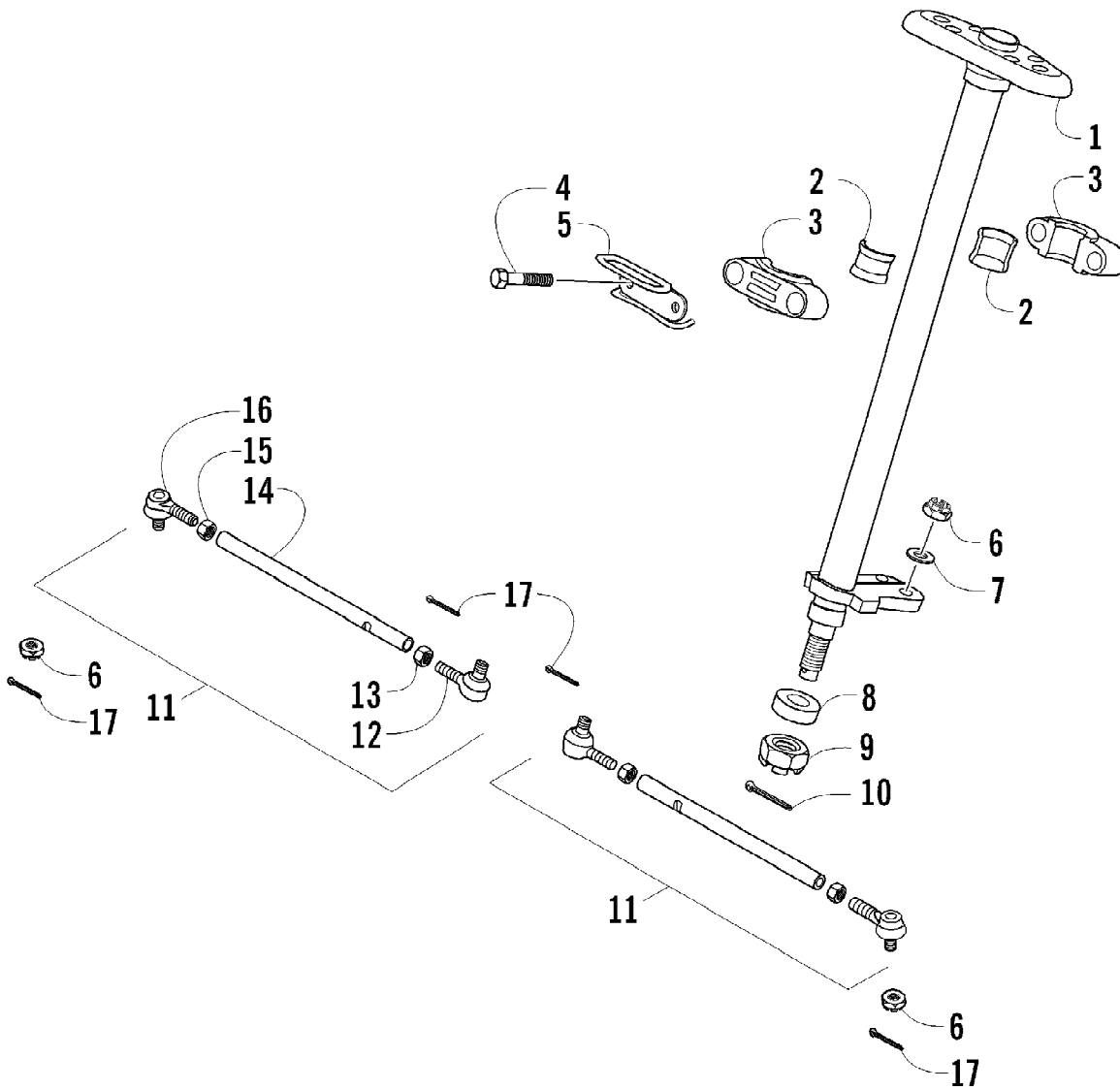
Ref #	Part Number	Qty	S/P/F	Description
1	3303-823	1		Knob, Gear Shift
2	3304-401	1		Screw, Cap
3	3304-458	1		Rod, Gear Shift
4	3303-817	1		Pin
5	3304-138	2		Washer
6	3303-818	1		Spring
7	3303-819	1		Bracket
8	3305-340	1	/P	Nut
9	3304-438	1		Screw, Cap
10	3304-142	1		Pin, Cotter
11	3304-271	1		Cover, Gear Shift
12	3303-332	2		Nut
13	3305-644	1		Lever, Gear Shift
14	3305-792	1		Nut, Cap
15	3305-778	1		Tie Rod - Assembly (inc. 16-21)
16	3303-972	1		Ball Joint, Tie Rod - Right
17	3303-607	2	/P	Washer
18	3304-126	1		Nut
19	3304-273	1		Tie Rod
20	3304-125	1		Nut
21	3303-970	1		Ball Joint, Tie Rod - Left
22	3305-543	1		Link, Gear Shift
23	3304-112	1		Screw, Cap
24	3304-176	1		Screw, Cap

2010 ATV 300 2X4 DVX WHITE (A2010KSF2BUSF)
STARTER MOTOR, MAGNETO, AND OIL PUMP ASSEMBLY



2010 ATV 300 2X4 DVX WHITE (A2010KSF2BUSF)
STARTER MOTOR, MAGNETO, AND OIL PUMP ASSEMBLY

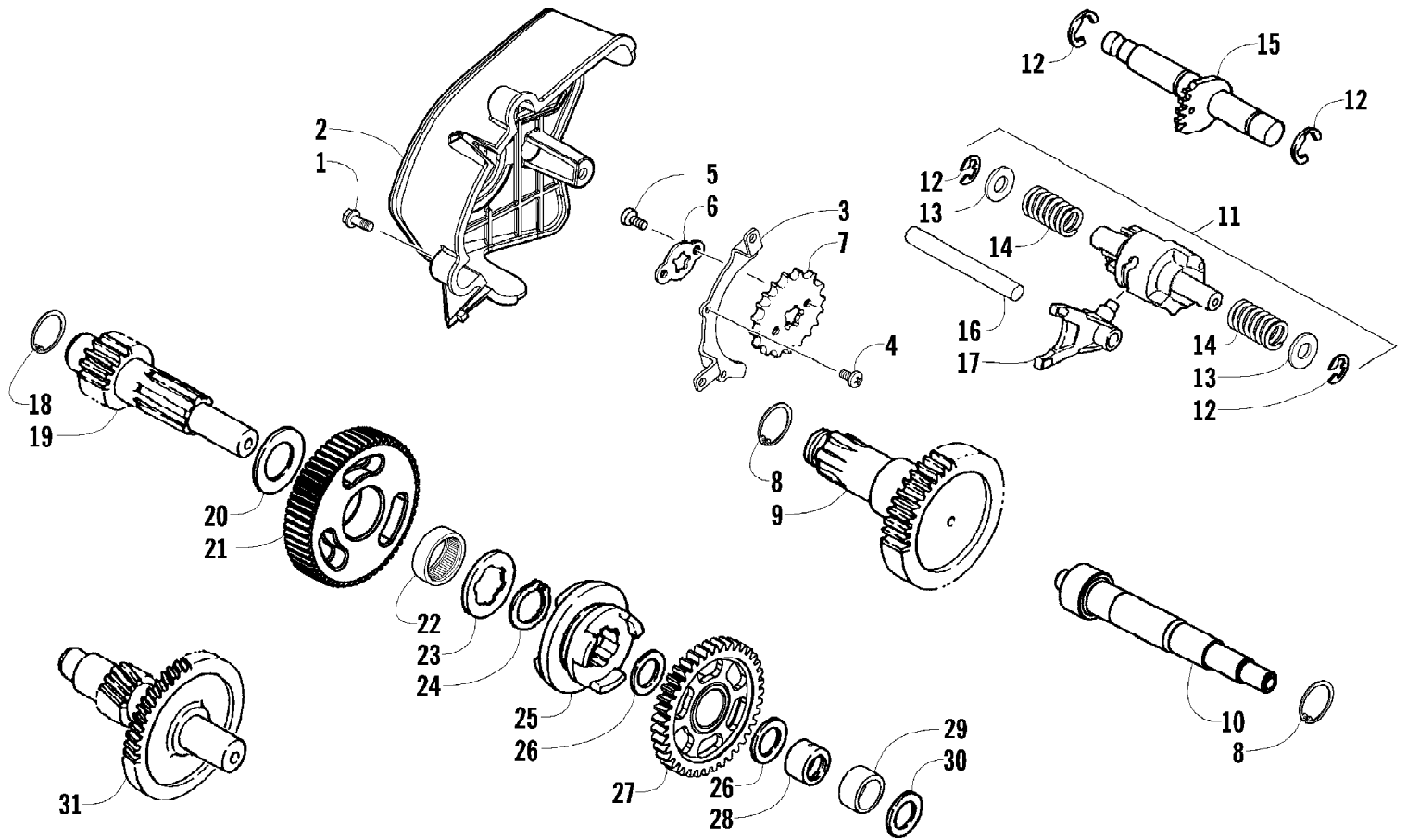
Ref #	Part Number	Qty	S/P/F	Description
1	3305-627	1		Stator
2	3304-118	2		Screw, Machine
3	3304-111	3		Screw, Cap
4	3304-208	3		Screw, Cap
5	3305-628	1		Rotor/Flywheel
6	3305-412	1		Clutch, One-Way
7	3305-629	1		Shaft, Starter Reduction
8	3303-824	1		Gear, Starter Reduction
9	3305-411	1	/P	Gear, Starter
10	3304-274	1		Motor, Starter (inc. 11-12)
11	3304-104	1		O-Ring
12	3304-011	2		Nut w/Washer
13	3304-002	2	/P	Screw, Cap
14	3304-277	1		Cable, Battery/Starter (inc. 15-16)
15	3305-251	1		Boot, Terminal
16	3305-252	1		Boot, Terminal
17	3304-279	1		Cable, Battery/Ground
18	3303-697	1		Separator, Oil
19	3303-381	2		Screw, Cap
20	3304-146	1		Ring, Retaining
21	3305-631	1		Chain, Oil Pump
22	3303-688	1		Sprocket, Oil Pump
23	3303-385	2		Screw, Cap
24	3303-687	1		Pump, Oil (inc. 25-26)
25	3304-426	1		Screw, Machine
26	3304-144	1		Pin, Dowel



2010 ATV 300 2X4 DVX WHITE (A2010KSF2BUSF)
STEERING ASSEMBLY

Page 52 of 56

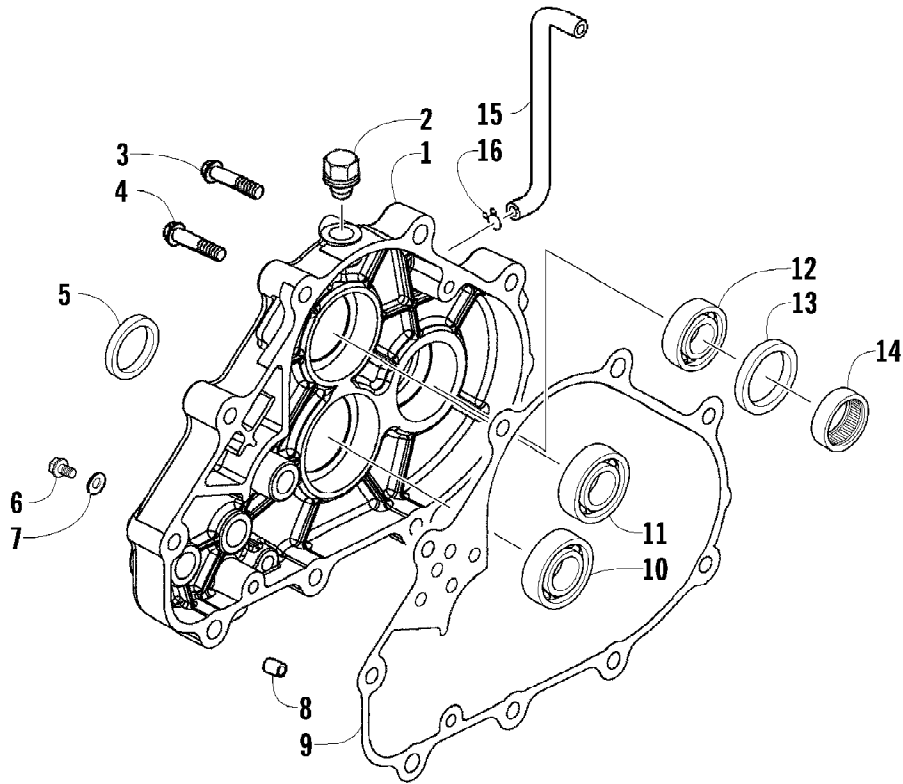
Ref #	Part Number	Qty	S/P/F	Description
1	3303-957	1		Post, Steering
2	3305-496	1	/P	Bushing
3	3305-927	2		Block, Mounting - Steering Post
4	3304-649	2		Screw, Cap
5	3303-962	1		Clamp, Mounting Block
6	3304-130	4		Nut, Castle
7	3304-136	2		Washer
8	3303-960	1		Spacer
9	3304-032	1		Nut, Castle
10	3303-470	1		Pin, Cotter
11	3305-634	2		Tie Rod - Assembly (inc. 12-16)
12	3303-973	2		Ball Joint, Tie Rod - Left
13	3303-327	2		Nut, Hex - Left
14	3305-635	2		Tube, Tie Rod
15	3303-326	2		Nut, Hex - Right
16	3303-971	2		Ball Joint, Tie Rod - Right
17	3304-143	4		Pin, Cotter



2010 ATV 300 2X4 DVX WHITE (A2010KSF2BUSF)
TRANSMISSION ASSEMBLY

Page 54 of 56

Ref #	Part Number	Qty	S/P/F	Description
1	3303-383	3	/P	Screw, Cap
2	3304-286	1		Cover, Chain
3	3304-515	1		Guide, Chain
4	3304-650	2	/P	Screw, Self-Tapping
5	3303-307	2		Screw, Cap
6	3304-266	1		Plate, Retaining
7	3304-265	1		Sprocket, Drive
8	3304-147	2	/P	Ring, Retaining
9	3304-262	1		Shaft, Output
10	3305-695	1		Shaft, Driven
11	3304-268	1		Drum, Gear Shift - Assembly (inc. two No. 12 and 13-14)
12	3304-153	4		E-Ring
13	3304-412	2		Washer, Thrust
14	3304-700	2		Spring
15	3304-269	1	/P	Shaft, Gear Shift
16	3304-513	1		Shaft, Shift Fork
17	3305-693	1		Fork, Shift
18	3304-514	1		Ring, Retaining
19	3304-259	1	/P	Shaft, Main
20	3304-044	1		Washer, Thrust
21	3304-263	1		Gear, Reverse
22	3305-398	1		Bearing
23	3304-045	1		Washer, Splined
24	3304-056	1		Ring, Retaining
25	3304-264	1		Gear Select, Sliding
26	3304-413	2		Washer, Thrust
27	3305-694	1		Gear, Forward
28	3304-509	1		Bushing
29	3304-508	1		Spacer
30	3304-042	1		Washer, Thrust
31	3304-261	1		Shaft, Counterbalance



2010 ATV 300 2X4 DVX WHITE (A2010KSF2BUSF)
TRANSMISSION CASE ASSEMBLY

Page 56 of 56

Ref #	Part Number	Qty	S/P/F	Description
1	3304-257	1		Case, Transmission
2	3304-052	1	/P	Plug, Fill
3	3303-615	2		Screw, Cap
4	3304-572	7	/P	Screw, Cap
5	3304-081	1		Seal
6	3303-365	1		Screw, Cap
7	3303-591	1		Washer
8	3303-342	2		Pin, Dowel
9	3304-258	1		Gasket
10	3304-699	1	/P	Bearing
11	3304-198	1		Bearing
12	3304-195	1		Bearing
13	3304-425	1		Seal
14	3304-422	1		Bearing
15	3303-630	1		Hose, Breather (inc. 16)
16	3304-433	1		Clamp, Hose