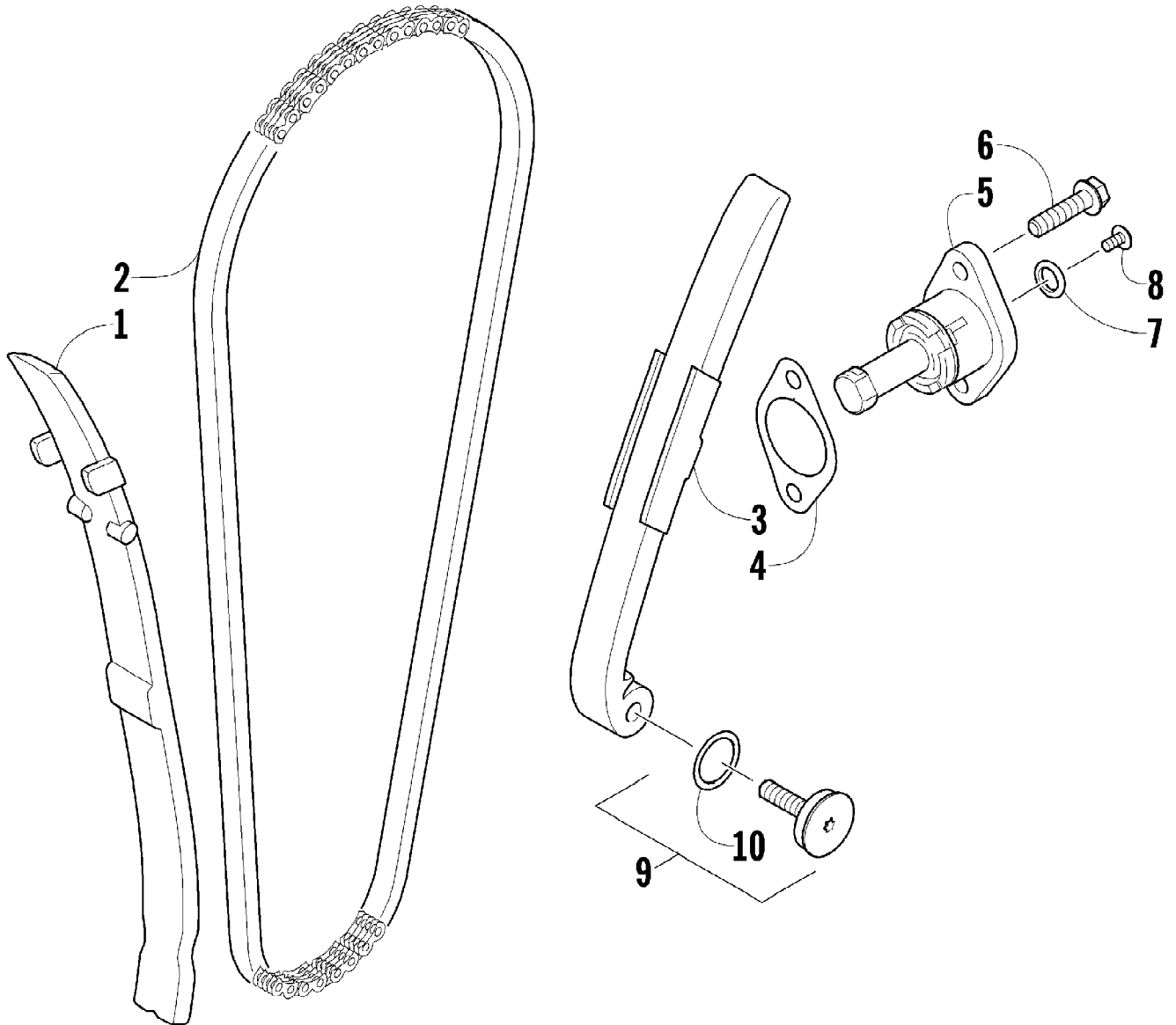


2010 ATV 150 2X4 UTILITY RED (A2010KYC2BUSR)  
AIR INTAKE ASSEMBLY

Page 2 of 58

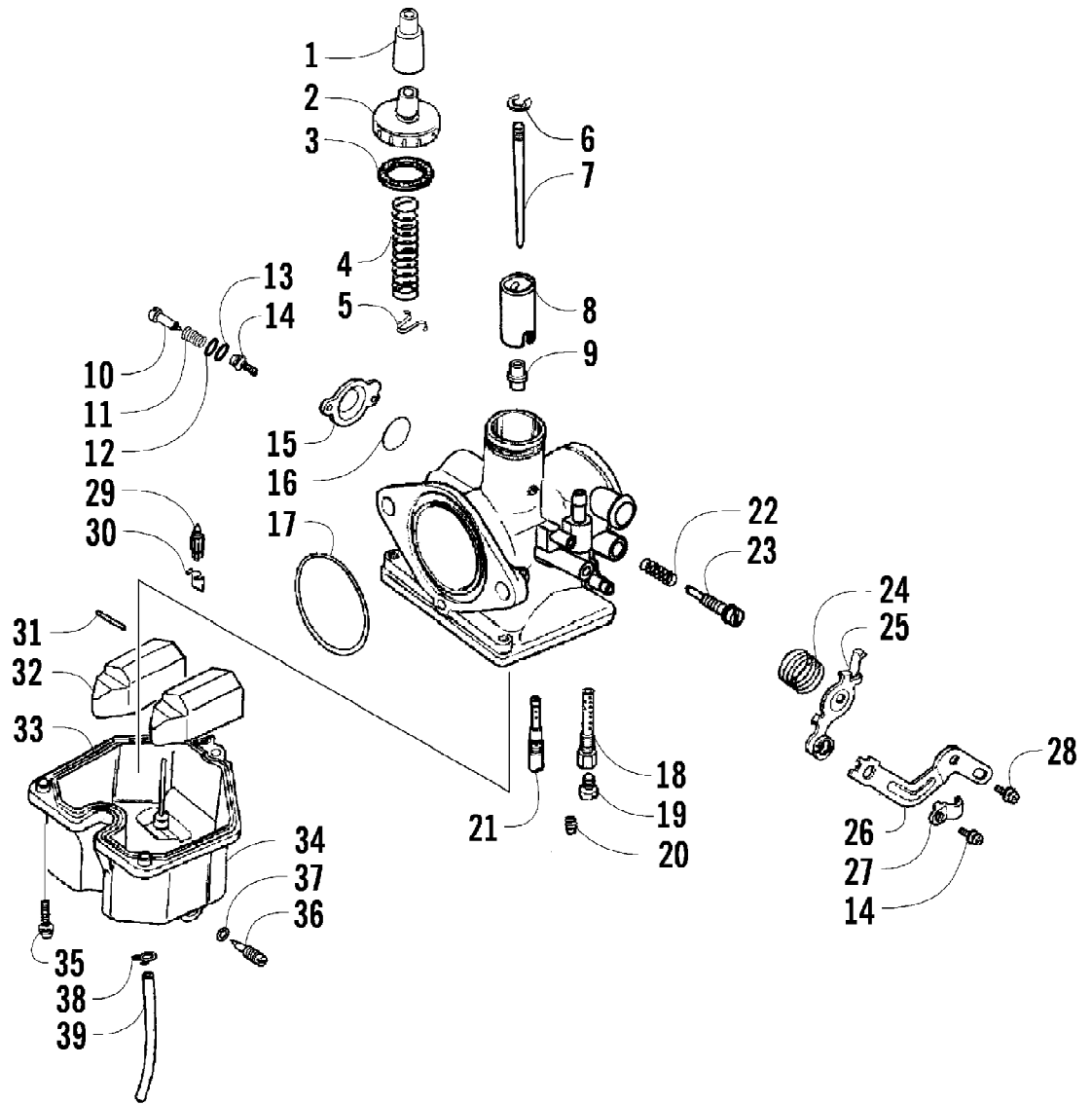
Ref #	Part Number	Qty	S/P/F	Description
1	3305-183	4		Screw, Self-Tapping
2	3305-758	1		Cover, Air Silencer
3	3305-173	1		Seal
4	3305-177	1		Silencer, Air
5	3303-709	1		Clamp, Hose (inc. 6)
6	3304-117	1		Screw, Machine
7	3303-064	1	/P	Catch, Oil
8	3303-052	1		Clamp, Hose
9	3305-170	1		Hose
10	3303-352	1		Clamp, Hose
11	3303-350	2		Clamp, Hose
12	3305-171	1		Hose
13	3303-609	2		Clamp, Hose
14	3305-185	1		Hose, Drain
15	3305-182	1		Plug, Drain
16	3304-003	2		Screw, Cap
17	3305-179	1		Fitting, Elbow
18	3305-180	1		Grommet
19	3305-184	1		Screw, Self-Tapping
20	3305-175	2		Plate
21	3305-172	1		Filter, Air
22	3305-174	2		Screen



2010 ATV 150 2X4 UTILITY RED (A2010KYC2BUSR)  
CAM CHAIN ASSEMBLY

Page 4 of 58

Ref #	Part Number	Qty	S/P/F	Description
1	3304-932	1		Guide, Chain
2	3304-924	1		Chain, Cam
3	3304-930	1		Tensioner, Chain
4	3303-035	1		Gasket
5	3303-677	1		Tensioner Assembly
6	3304-002	2	/P	Screw, Cap
7	3304-100	1	/P	O-Ring
8	3304-006	1		Screw, Adjuster
9	3304-931	1		Adjuster, Tension (inc. 10)
10	3303-301	1	/P	O-Ring

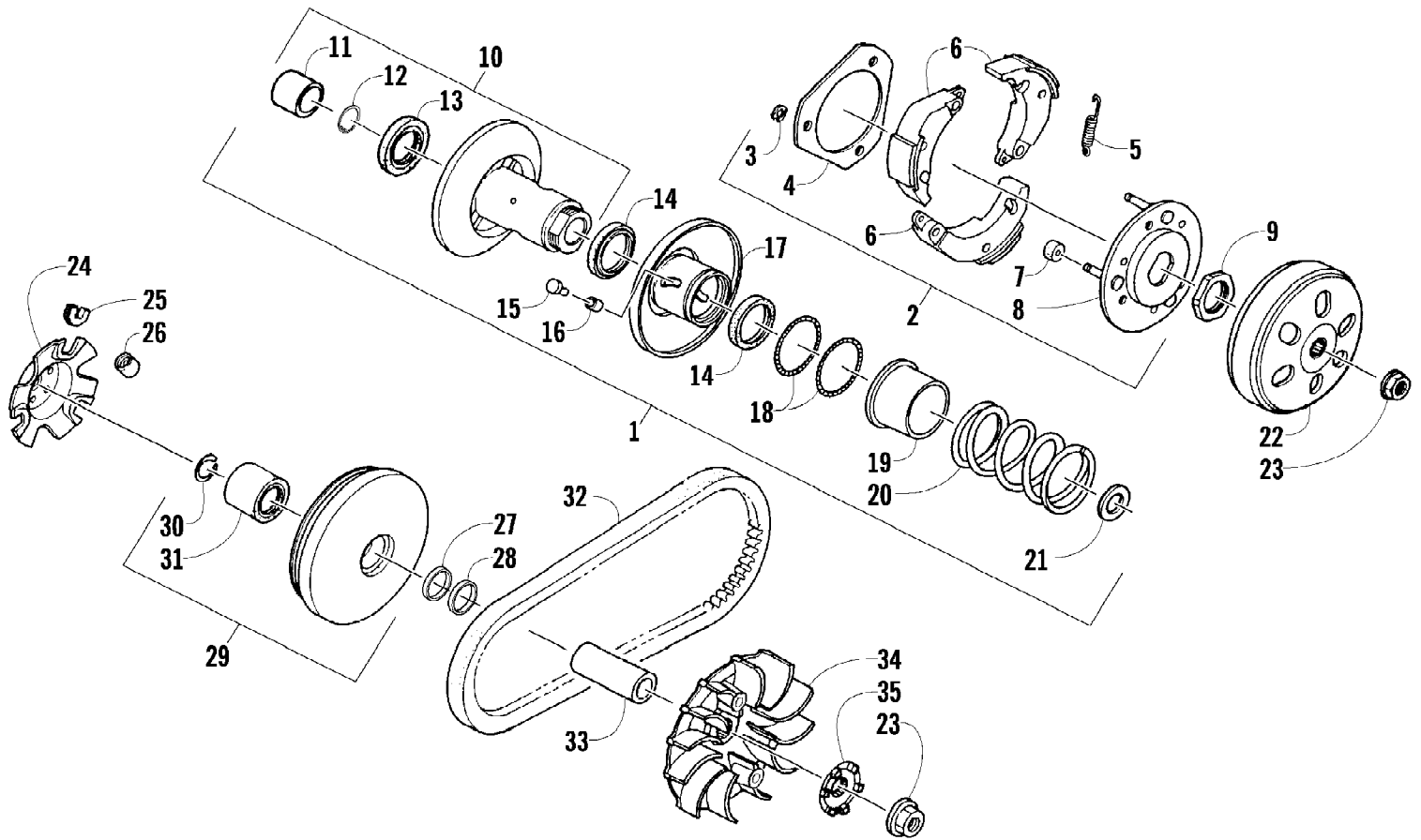


2010 ATV 150 2X4 UTILITY RED (A2010KYC2BUSR)  
CARBURETOR ASSEMBLY

Page 6 of 58

Ref #	Part Number	Qty	S/P/F	Description
	3305-058	1		Complete Carburetory Assembly
1	3305-059	1		Seal, Cap
2	3305-052	1		Adjuster, Cable
3	3304-217	1		Gasket
4	3304-230	1		Spring, Compression
5	3304-454	1		Clip, Needle
6	3304-240	1		E-Clip
7	3305-061	1		Jet Needle
8	3305-062	1		Valve, Throttle
9	3304-456	1		Needle Jet
10	3305-051	1		Screw, Adjuster
11	3304-231	1		Spring, Compression
12	3304-250	1		Washer
13	3304-237	1		O-Ring
14	5507-117	3	/P	Screw, Machine
15	3305-056	1		Plate, Cover - Diaphragm
16	3305-063	1		O-Ring
17	3304-238	1		O-Ring
18	3304-447	1		Holder, Needle Jet
19	3304-441	1		Main Jet (98)
20	3304-214	1		Holder, Main Jet
21	3305-050	1		Slow Jet
22	3304-232	1		Spring, Compression
23	3304-455	1		Screw, Stop
24	3305-057	1		Spring, Torsion
25	3305-053	1		Lever, Choke
26	3305-055	1		Bracket, Choke Cable
27	3305-054	1		Clamp, Retaining
28	3304-429	1		Screw, Machine
29	3304-242	1		Valve, Float
30	3304-249	1		Clip, Float Valve
31	3304-451	1		Pin, Float Arm
32	3304-444	1		Float, Set
33	3304-219	1		Gasket, Float Chamber
34	3304-220	1		Chamber, Float - Assembly
35	3304-428	3		Screw, Machine
36	3304-243	1		Screw, Drain
37	3304-239	1		O-Ring
38	3304-452	1		Clamp, Hose
39	3305-922	1		Hose, Drain

2010 ATV 150 2X4 UTILITY RED (A2010KYC2BUSR)  
CLUTCH ASSEMBLY



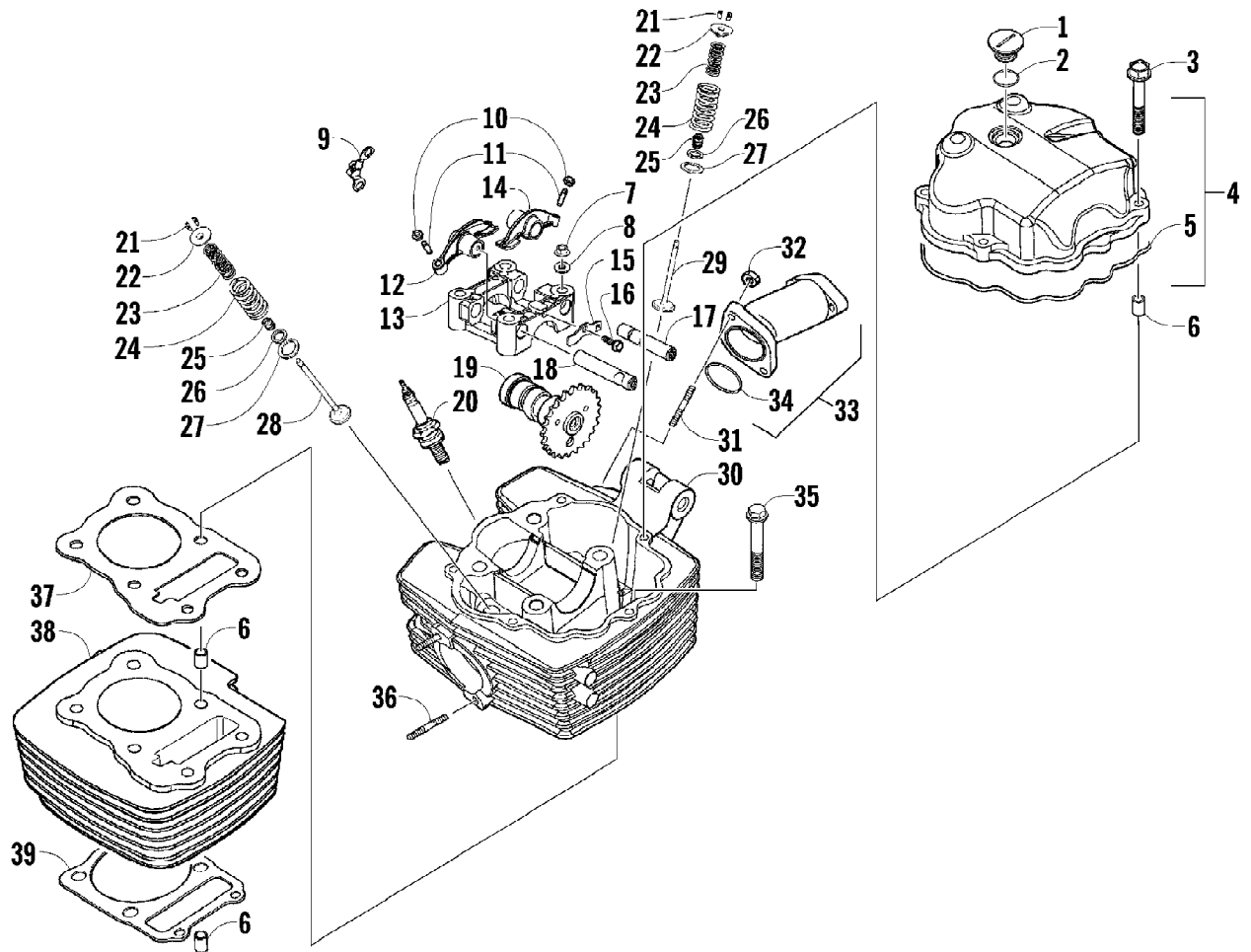
2010 ATV 150 2X4 UTILITY RED (A2010KYC2BUSR)  
CLUTCH ASSEMBLY

Page 8 of 58

Ref #	Part Number	Qty	S/P/F	Description
1	3304-986	1		Pulley, Driven - Assembly (inc. 2-21)
2	3304-981	1		Clutch, Centrifugal - Assembly (inc. 3-8)
3	3304-054	3		Ring, Retaining
4	3304-983	1		Plate, Clutch
5	3304-984	3		Spring
6	3304-985	3		Weight, Clutch
7	3303-780	3		Roller
8	3304-982	1		Plate, Clutch
9	3304-994	1		Nut
10	3304-988	1		Face, Driven - Fixed (inc. 11-13)
11	3304-996	1		Bearing
12	3304-149	1		Ring, Retaining
13	3304-070	1		Bearing
14	3304-997	2		Seal
15	3304-990	3		Pin, Guide
16	3303-787	3		Guide, Roller
17	3304-989	1		Face, Driven - Movable
18	3304-998	2		O-Ring
19	3304-992	1		Sleeve, Spring
20	3304-991	1		Spring
21	3304-995	2		Washer, Thrust
22	3304-973	1		Clutch, Outer
23	3303-334	2		Nut
24	3304-979	1		Plate, Ramp
25	3304-980	3		Slide
26	3304-978	6		Roller
27	3305-744	1		Collar
28	3305-745	1		Collar
29	3304-976	1		Face, Drive - Movable (inc. 30-31)
30	3304-160	1		Ring, Retaining
31	3304-977	1		Sleeve
32	3305-919	1	S	Belt, Drive
33	3304-975	1		Sleeve
34	3304-974	1		Face, Drive
35	3304-993	1		Ratchet, Kick Starter



2010 ATV 150 2X4 UTILITY RED (A2010KYC2BUSR)  
CYLINDER HEAD ASSEMBLY

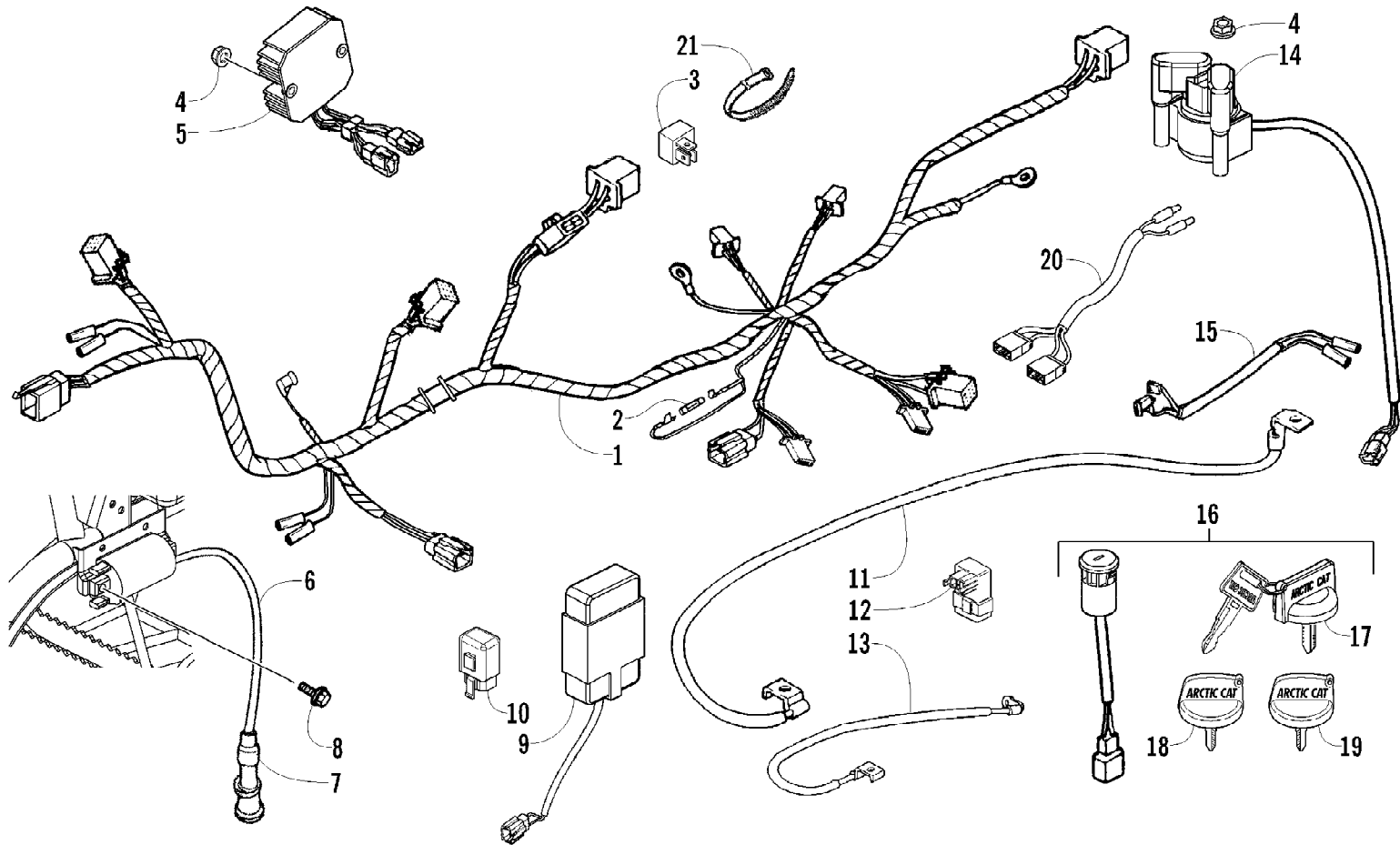


2010 ATV 150 2X4 UTILITY RED (A2010KYC2BUSR)  
CYLINDER HEAD ASSEMBLY

Page 10 of 58

Ref #	Part Number	Qty	S/P/F	Description
1	3304-012	1		Cap, Inspection
2	3304-099	1		O-Ring
3	3303-611	4		Screw, Cap
4	3304-914	1		Cover, Cylinder Head (inc. 5)
5	3304-915	1		Gasket
6	3303-342	6		Pin, Dowel
7	3303-332	4		Nut
8	3304-048	4	/P	Washer
9	3304-923	1		Plate, Stop
10	3304-942	2		Nut
11	3304-941	2		Screw, Adjuster
12	3304-926	1		Arm, Rocker - Exhaust
13	3304-921	1		Retainer, Camshaft
14	3304-925	1		Arm, Rocker - Intake
15	3304-929	1		Plate, Retaining
16	3304-944	1		Screw, Cap
17	3304-927	1		Shaft, Rocker Arm - Intake
18	3304-928	1		Shaft, Rocker Arm - Exhaust
19	3304-922	1		Camshaft
20	0217-796	1		Spark Plug D8EA
21	3304-940	4		Cotter, Valve
22	3304-937	2		Retainer, Valve Spring
23	3304-936	2		Spring, Valve - Inner
24	3304-935	2		Spring, Valve - Outer
25	3304-920	2		Seal, Valve Stem
26	3304-939	2		Seat, Valve Spring - Inner
27	3304-938	2		Seat, Valve Spring - Outer
28	3304-934	1		Valve, Exhaust
29	3304-933	1		Valve, Intake
30	3305-741	1		Head, Cylinder
31	3304-114	4		Bolt, Stud
32	3304-124	4		Nut
33	3304-916	1		Pipe, Intake (inc. 34)
34	3304-097	1		O-Ring
35	3304-918	2		Screw, Cap
36	3304-917	2		Bolt, Stud
37	3304-913	1		Gasket, Cylinder Head
38	3304-910	1		Cylinder
39	3304-911	1		Gasket, Cylinder

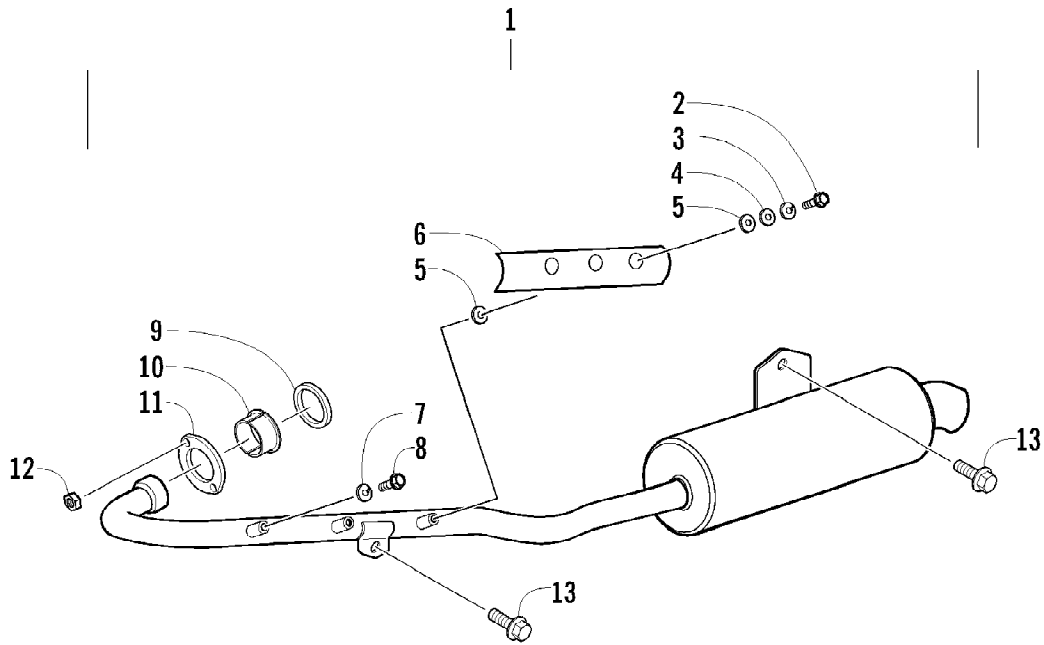
2010 ATV 150 2X4 UTILITY RED (A2010KYC2BUSR)  
ELECTRICAL AND WIRING HARNESS ASSEMBLY



2010 ATV 150 2X4 UTILITY RED (A2010KYC2BUSR)  
ELECTRICAL AND WIRING HARNESS ASSEMBLY

Page 12 of 58

Ref #	Part Number	Qty	S/P/F	Description
1	3305-748	1		Harness, Main (inc. 2-3)
2	3305-233	1		Fuse - 20 Amp
3	3303-837	1		Diode, Neutral
4	3303-331	4	/P	Nut
5	3303-836	1		Regulator, Voltage
6	3305-222	1		Coil, Ignition (inc. 7)
7	3305-223	1		Cap, Noise Suppression
8	3303-252	2		Screw, Cap
9	3305-727	1		CDI Unit
10	3305-939	1		Relay, Start-in-Gear
11	3305-225	1		Cable, Battery
12	3304-523	1		Relay, Lighting Control
13	3304-969	1		Harness, Ground
14	3303-857	1		Relay, Starter
15	3305-012	1		Cable, Starter
16	3305-756	1		Switch, Ignition - Assembly (inc. 17-19)
17	3304-522	1		Cover, Key - "Arctic Cat"
18	3304-520	1		Key, Ignition - Set - Right-Side Cut
19	3304-521	1		Key, Ignition - Set - Left-Side Cut
20	3303-134	1	/P	Harness, Extension
21	3303-289	AR	/P	Tie, Cable

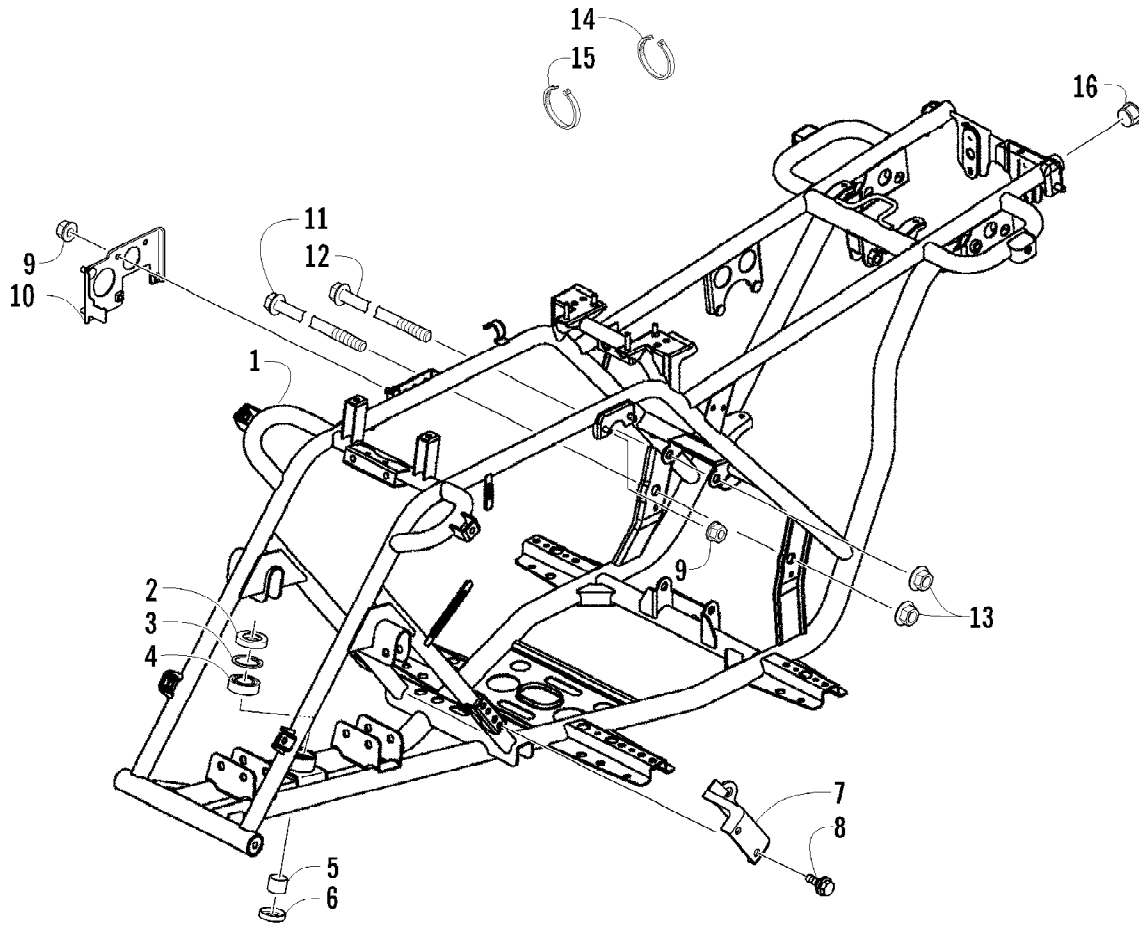


2010 ATV 150 2X4 UTILITY RED (A2010KYC2BUSR)  
EXHAUST ASSEMBLY

Page 14 of 58

Ref #	Part Number	Qty	S/P/F	Description
1	3305-750	1		Pipe, Exhaust (inc. 2-8)
2	3304-686	2	/P	Screw, Cap
3	3304-140	2		Washer, Lock
4	3304-134	2		Washer
5	3303-727	4		Washer, Fiber
6	3303-730	1		Shield, Exhaust
7	3305-773	1		Washer
8	3305-769	2	/P	Screw, Cap
9	3305-188	1		Gasket, Exhaust
10	3305-187	2		Coupler, Exhaust
11	3305-186	1		Flange, Exhaust
12	3304-124	2		Nut
13	3305-749	2		Screw, Cap

2010 ATV 150 2X4 UTILITY RED (A2010KYC2BUSR)  
FRAME AND RELATED PARTS ASSEMBLY



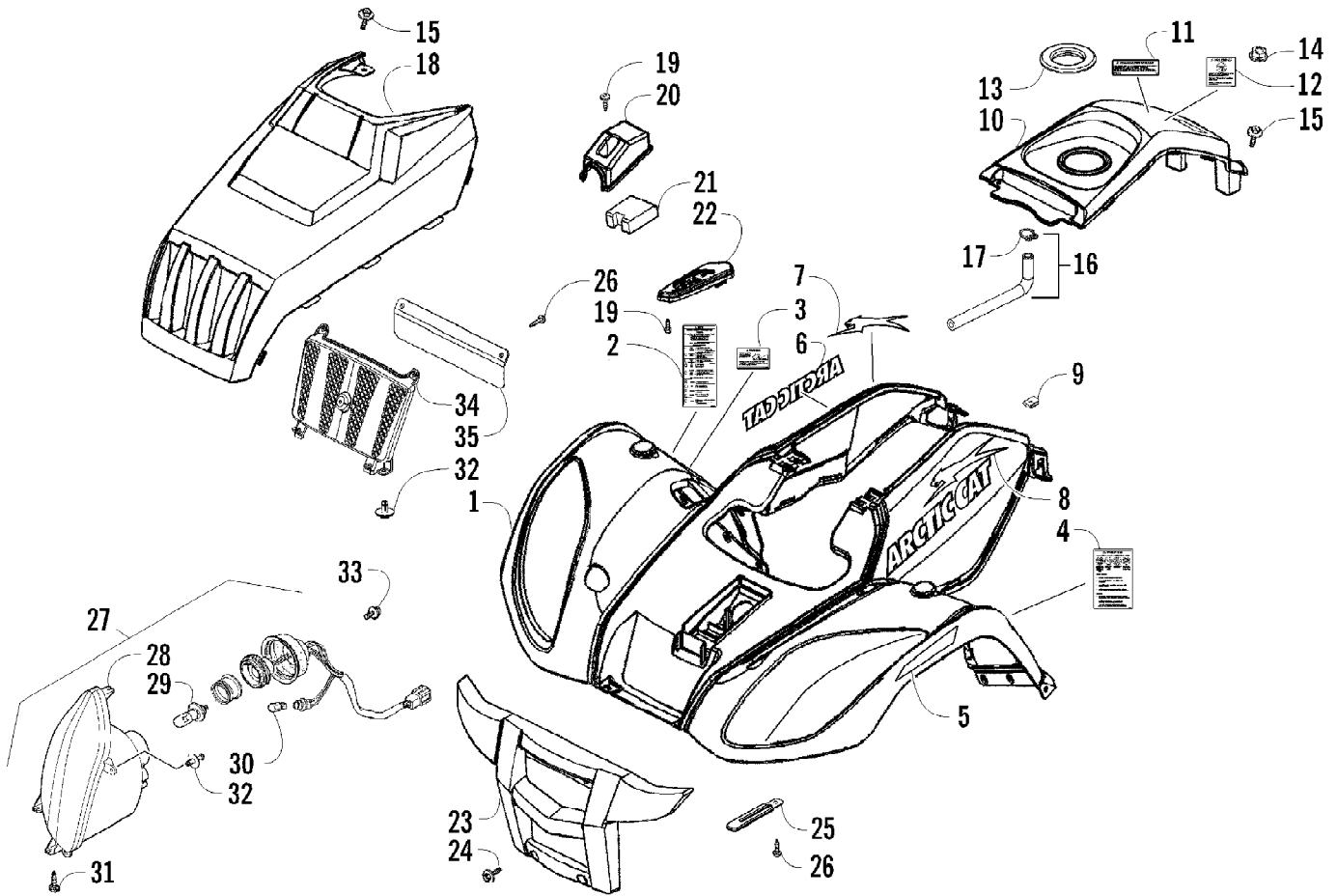
2010 ATV 150 2X4 UTILITY RED (A2010KYC2BUSR)  
 FRAME AND RELATED PARTS ASSEMBLY

Page 16 of 58

Ref #	Part Number	Qty	S/P/F	Description
1	3305-704	1		Frame, Main
2	3303-295	1		Seal, Oil
3	3303-347	1		Ring, Retaining
4	3303-392	1		Bearing
5	3305-104	1		Sleeve
6	3303-298	1		Seal, Oil
7	3305-239	2		Bracket, Mounting - Engine
8	3304-544	4		Screw, Cap
9	3303-331	4	/P	Nut
10	3305-237	1		Bracket, Mounting - Coil/Regulator
11	3304-184	1	/P	Screw, Cap
12	3305-705	2		Screw, Cap
13	3304-031	3	/P	Nut
14	3303-593	AR		Tie, Cable
15	3303-289	AR	/P	Tie, Cable
16	3305-242	2		Plug

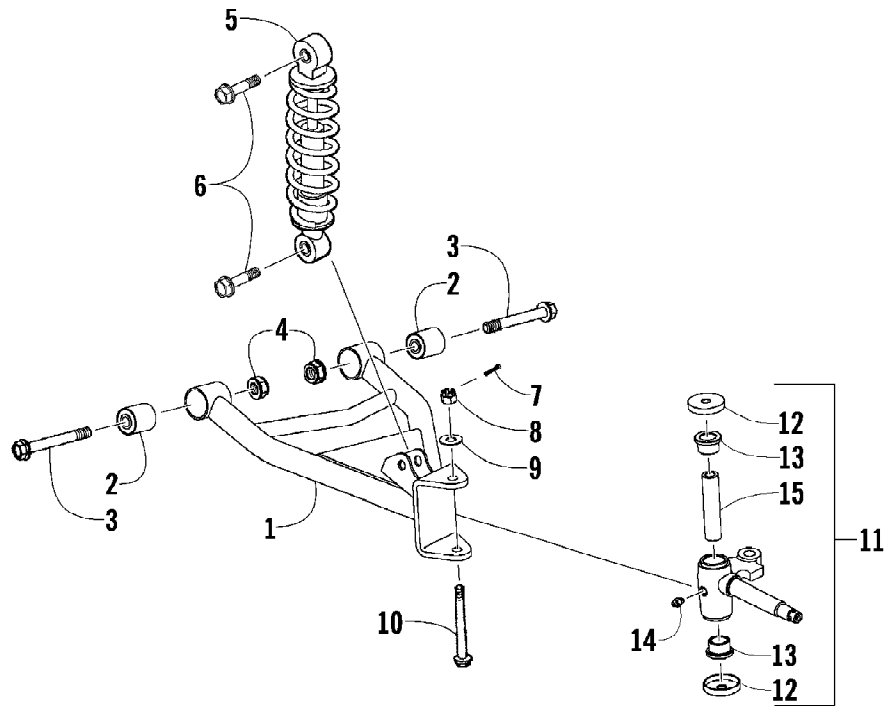


2010 ATV 150 2X4 UTILITY RED (A2010KYC2BUSR)  
FRONT BODY PANEL AND HEADLIGHT ASSEMBLIES



2010 ATV 150 2X4 UTILITY RED (A2010KYC2BUSR)  
FRONT BODY PANEL AND HEADLIGHT ASSEMBLIES

Ref #	Part Number	Qty	S/P/F	Description
1	3306-103	1		Fender, Front (inc. 2-5)
2	1411-943	1		Decal, Pre-Ride Inspection
3	0411-836	1		Decal, Warning - Hill
4	2411-169	1	S	Decal, Warning - General
5	1411-180	1		Decal, Reflector - Right
5	1411-181	1		Decal, Reflector - Left
6	1411-976	1		Decal, Side - Front Right
7	1411-978	1		Decal, Side - Rear Right
8	1411-637	1		Decal, Side - Left
9	3304-061	4	/P	Clip, U-Nut
10	3306-104	1		Cover, Gas Tank (inc. 11-12)
11	1411-577	1		Decal, Warning - Not for Highways
12	1411-377	1		Decal, Warning - Age
13	3303-721	1		Grommet, Cover
14	3303-331	2	/P	Nut
15	3304-029	6	/P	Screw, Machine
16	3305-701	1		Hose, Fuel Drain (inc. 17)
17	3303-349	1		Clamp, Hose
18	3305-697	1		Cover, Front
19	3304-650	3	/P	Screw, Self-Tapping
20	3305-926	1		Cover, CVT Air Filter Element
21	3305-096	1		Element, CVT Air Filter
22	3305-092	1		Guide, Shift Handle
23	3306-148	1		Bumper, Front
24	3304-587	4	/P	Screw, Machine
25	3304-156	2		Clamp, Wire
26	3304-651	7		Screw, Self-Tapping
27	3303-844	1		Headlight - Assembly - Right (inc. 28-30)
27	3303-845	1		Headlight - Assembly - Left (inc. 28-30)
28	3304-643	1		Lens, Headlight - Right
28	3304-644	1		Lens, Headlight - Left
29	3303-846	2	/P	Bulb, Headlight
30	3303-847	2		Bulb, Turn Signal
31	3304-122	6		Screw, Self-Tapping
32	3304-057	4	/P	Rivet, Reinstallable
33	3304-587	2	/P	Screw, Machine
34	3305-095	1	/P	Grille, Front
35	3305-925	1		Support, Grille

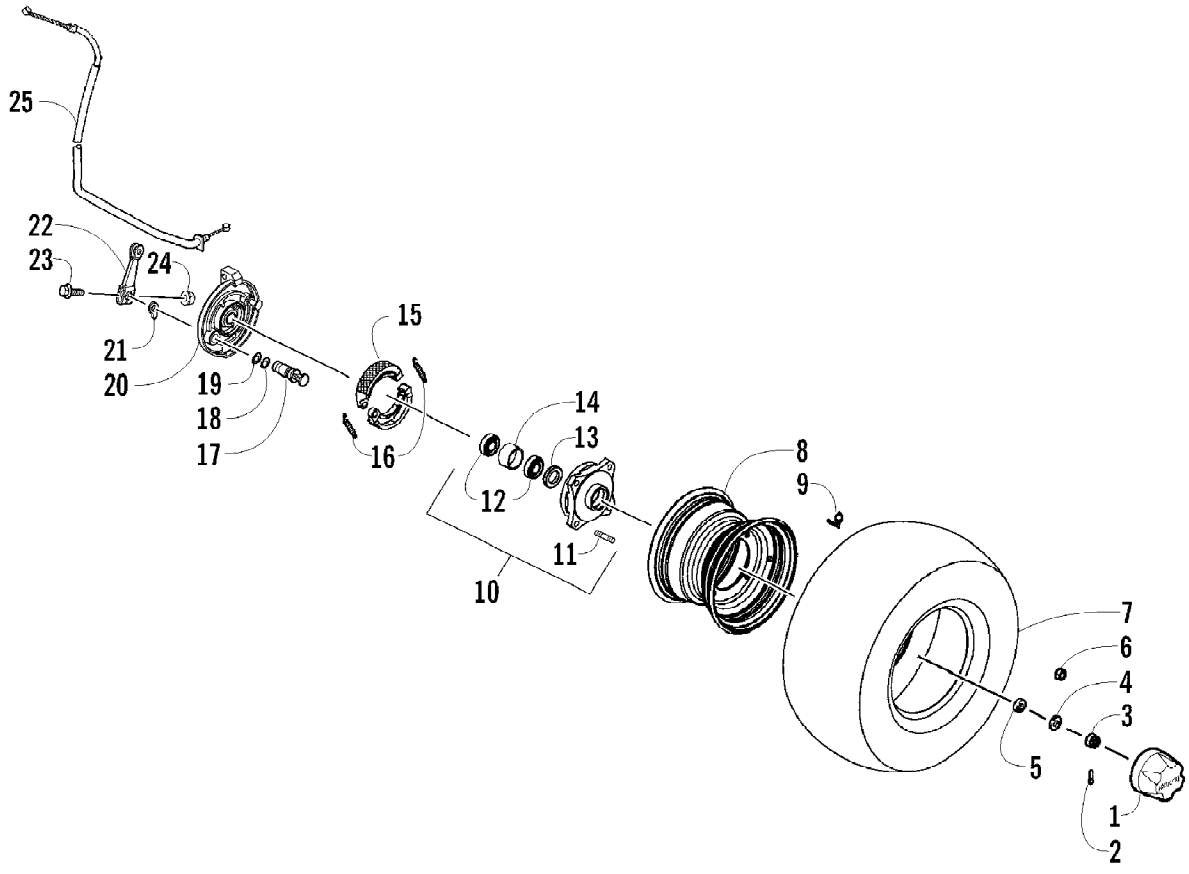


2010 ATV 150 2X4 UTILITY RED (A2010KYC2BUSR)  
FRONT SUSPENSION ASSEMBLY

Page 20 of 58

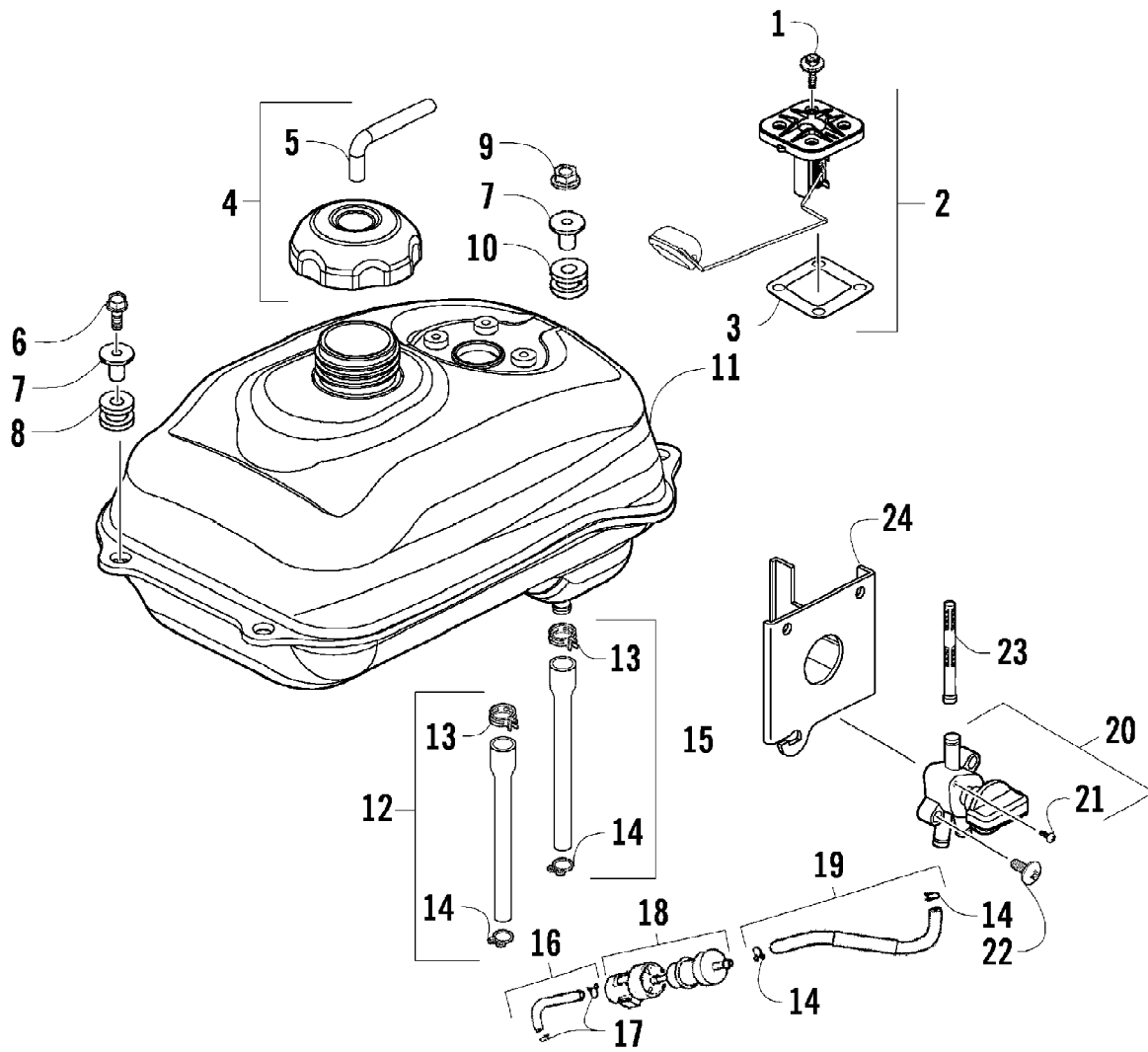
Ref #	Part Number	Qty	S/P/F	Description
1	3305-208	1		A-Arm Assembly - Right (inc. 2)
1	3305-209	1		A-Arm Assembly - Left (inc. 2)
2	3303-965	4		Bushing
3	3304-182	4	/P	Screw, Cap
4	3304-031	4	/P	Nut
5	3305-937	2		Shock/Spring Assembly
6	3303-376	4	/P	Screw, Cap
7	3305-724	2		Pin, Cotter
8	3305-211	2		Nut, Lock
9	3305-107	2		Washer
10	3305-202	2		Screw, Cap
11	3305-198	1		Knuckle - Assembly - Right (inc. 12-15)
11	3305-203	1		Knuckle - Assembly - Left (inc. 12-15)
12	3305-201	4		Cap
13	3305-199	4		Bushing
14	3303-393	2		Fitting, Grease
15	3305-200	2		Axle

2010 ATV 150 2X4 UTILITY RED (A2010KYC2BUSR)  
FRONT WHEEL AND BRAKE ASSEMBLIES



2010 ATV 150 2X4 UTILITY RED (A2010KYC2BUSR)  
FRONT WHEEL AND BRAKE ASSEMBLIES

Ref #	Part Number	Qty	S/P/F	Description
1	3303-931	2		Cap, Wheel
2	3303-340	2		Pin, Cotter
3	3303-330	2		Nut, Lock
4	3305-124	2		Washer
5	3305-108	2		Spacer
6	3304-028	8		Nut, Lug
7	3305-112	2		Tire
8	3303-902	2	/P	Wheel - Assembly
9	3304-562	2		Stem, Valve
10	3305-109	2		Hub, Front - Assembly (inc. 11-14)
11	3305-126	8		Bolt, Stud
12	3303-468	4		Bearing
13	3303-456	2		Seal, Dust
14	3305-110	2		Spacer
15	3305-720	4	/P	Shoe, Brake
16	3305-116	4		Spring
17	3305-119	2		Cam, Brake
18	3305-117	2		Seal
19	3305-125	2		Seal
20	3305-114	1		Panel - Front - Right
20	3305-121	1		Panel - Front - Left
21	3305-118	2		Indicator, Wear
22	3305-120	1		Arm, Brake - Right
22	3305-122	1		Arm, Brake - Left
23	3303-611	2		Screw, Cap
24	3303-331	2	/P	Nut
25	3305-077	1		Cable, Brake - Right
25	3305-079	1		Cable, Brake - Left



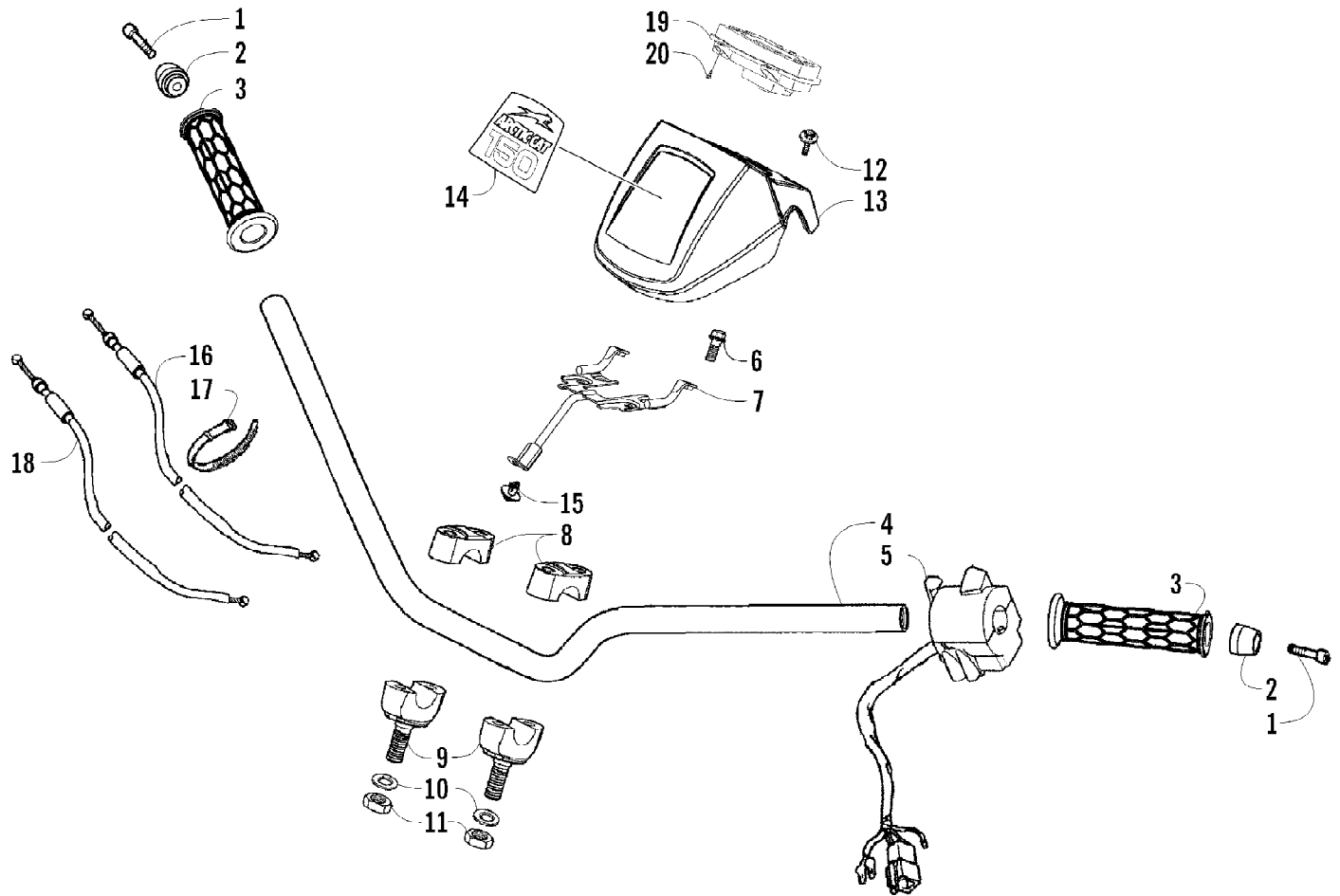
2010 ATV 150 2X4 UTILITY RED (A2010KYC2BUSR)  
GAS TANK ASSEMBLY

Page 24 of 58

Ref #	Part Number	Qty	S/P/F	Description
1	3305-397	4		Screw, Cap
2	3305-931	1		Pump, Fuel (inc. 3)
3	3305-930	1		Seal
4	3305-975	1		Cap, Gas Tank (inc. 5)
5	3304-169	1		Hose, Vent
6	3304-551	2	/P	Screw, Cap
7	3303-226	4		Insert
8	3304-647	2		Grommet
9	3303-331	2	/P	Nut
10	3303-406	2		Grommet
11	3305-734	1		Tank, Gas
12	3305-735	1		Hose Assembly (inc. 13-14)
13	3305-523	2		Clamp, Hose
14	3303-349	4		Clamp, Hose
15	3305-736	1		Hose Assembly (inc. 13-14)
16	3305-739	1		Hose Assembly (inc. 17)
17	3303-348	2		Clamp, Hose
18	3303-699	1	/P	Filter, Fuel
19	3305-738	1		Hose Assembly (inc. 14)
20	3303-057	1		Shut-Off, Fuel (inc. 21)
21	3304-120	2		Screw, Machine
22	3303-316	2		Screw, Machine
23	3303-058	1		Strainer, Fuel
24	3305-074	1		Bracket, Mounting - Fuel Shut-Off



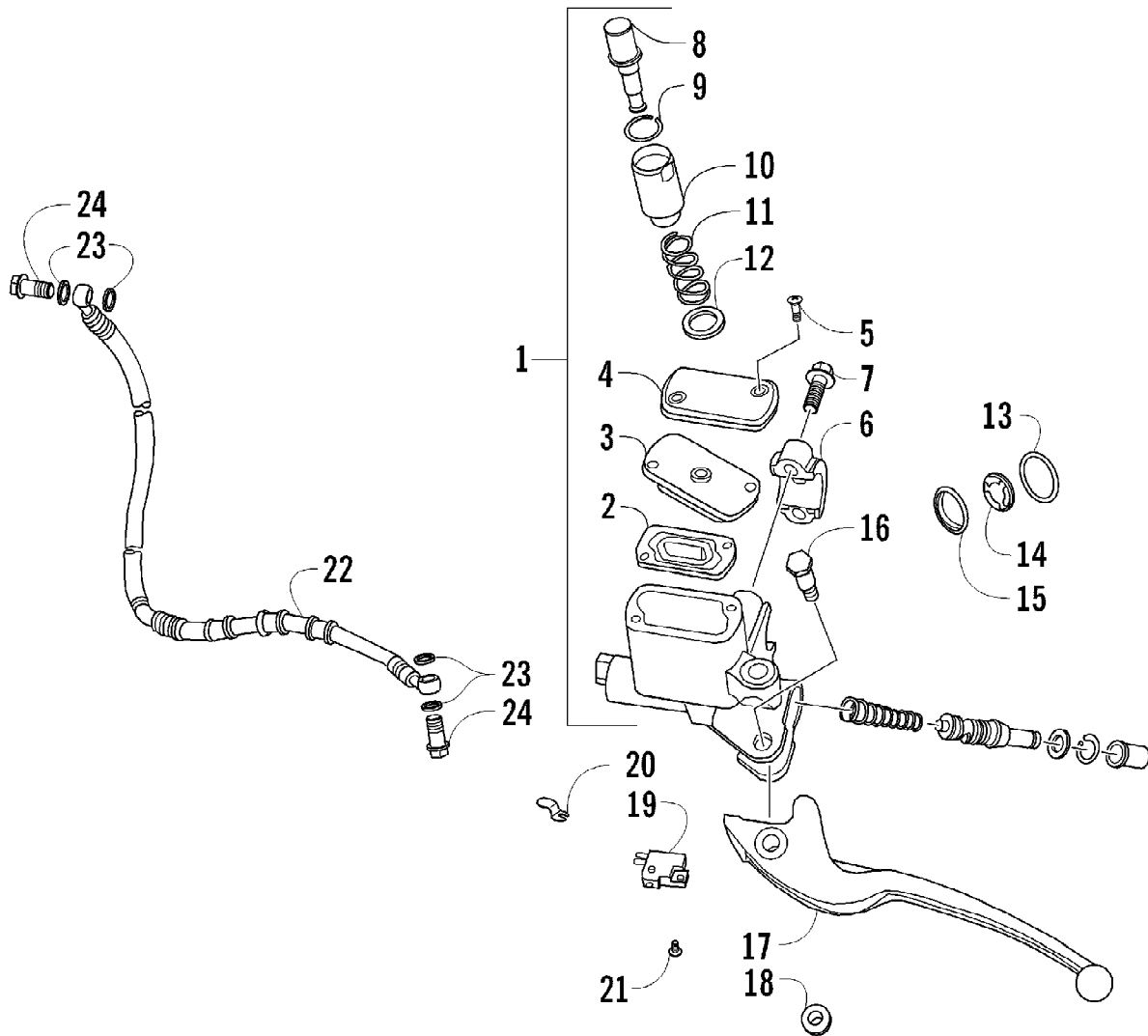
2010 ATV 150 2X4 UTILITY RED (A2010KYC2BUSR)  
HANDLEBAR AND CONTROLS ASSEMBLY



2010 ATV 150 2X4 UTILITY RED (A2010KYC2BUSR)  
HANDLEBAR AND CONTROLS ASSEMBLY

Page 26 of 58

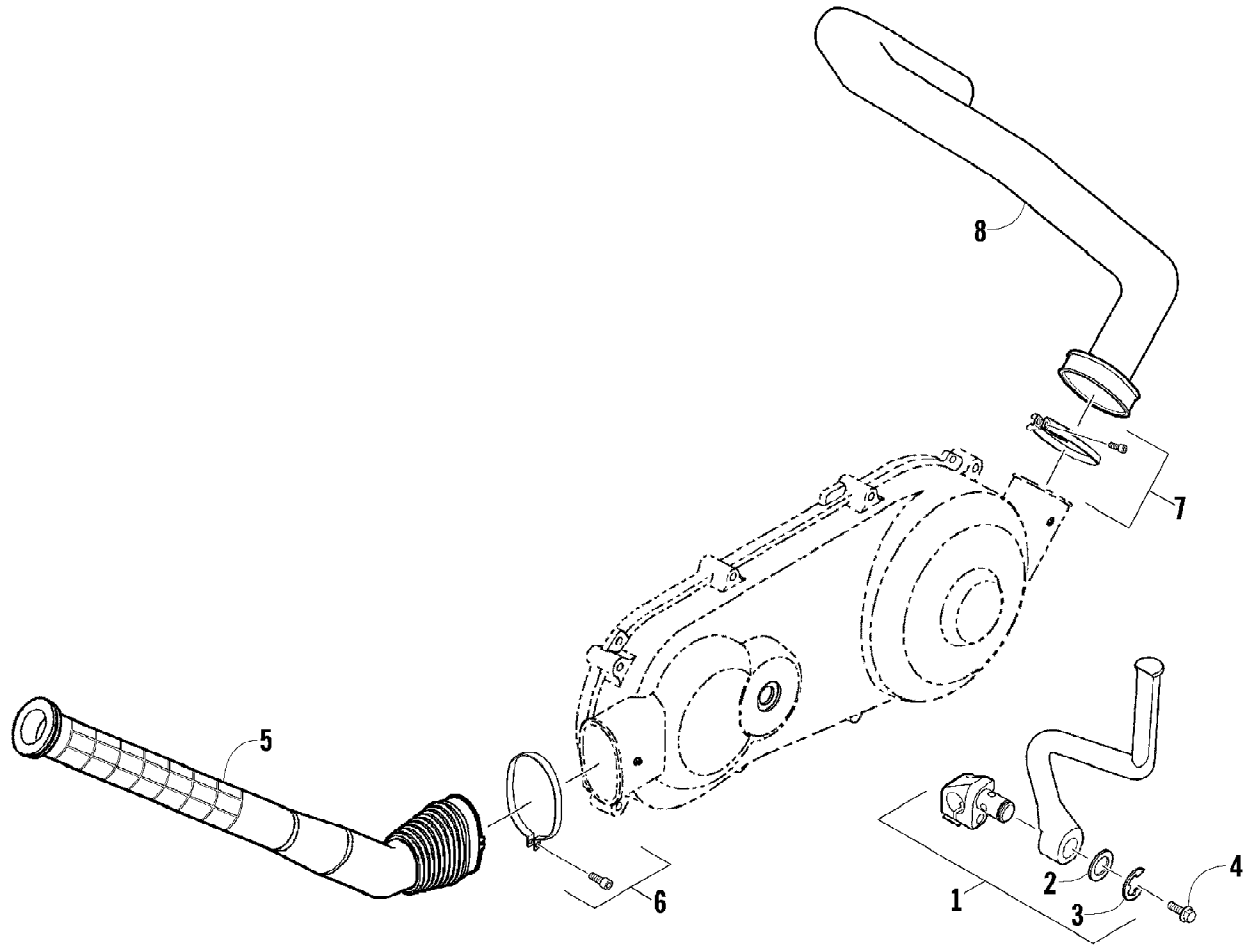
Ref #	Part Number	Qty	S/P/F	Description
1	3304-016	2		Screw, Cap
2	3305-541	2		End Cap, Handlebar
3	3305-905	2	/P	Grip, Handlebar
4	3305-714	1		Handlebar
5	3303-852	1	/P	Switch Assembly
6	3305-400	4		Screw, Cap
7	3305-715	1		Bracket, Instrument Pod
8	3303-954	2		Clamp, Handlebar - Upper
9	3303-955	2		Clamp, Handlebar - Lower
10	3305-088	2	/P	Washer
11	3303-325	2		Nut
12	3304-029	2	/P	Screw, Machine
13	3303-958	1		Instrument Pod
14	1411-621	1		Decal, Instrument Pod
15	3303-592	1		Rivet, Reinstallable
16	3305-072	1		Cable, Throttle
17	3303-839	AR		Tie, Cable
17	3303-289	AR	/P	Tie, Cable
18	3303-723	1		Cable, Choke
19	3305-923	1		Gauge, Speedometer
20	3304-122	3		Screw, Self-Tapping



2010 ATV 150 2X4 UTILITY RED (A2010KYC2BUSR)  
HYDRAULIC HAND BRAKE ASSEMBLY

Page 28 of 58

Ref #	Part Number	Qty	S/P/F	Description
1	3305-982	1	/P	Brake, Master Cylinder - Assembly (inc. 2-6)
2	3305-309	1		Diaphragm
3	3305-250	1		Plate, Diaphragm
4	3303-174	1	/P	Cover, Master Cylinder
5	3303-318	2		Screw, Machine
6	3305-983	1		Clamp, Handlebar
7	3305-297	2		Screw, Cap
8	3305-993	1		Button, Park Brake
9	3305-992	1		Circlip
10	3305-991	1		Housing
11	3305-990	1		Spring
12	3305-989	1		Washer
13	3305-986	1		O-Ring
14	3305-985	1		Plate, Sight Gauge
15	3305-984	1		Gauge, Sight
16	3303-254	1	/P	Screw, Shoulder
17	3306-055	1	/P	Lever
18	3304-654	1	/P	Nut
19	3303-141	1	/P	Switch Assembly
20	3305-987	1		Clip, Retaining
21	3303-321	1		Screw, Machine
22	3305-278	1		Hose, Brake - Assembly
23	3303-284	4	/P	Washer, Crush
24	3303-257	2	/P	Bolt, Banjo-Fitting

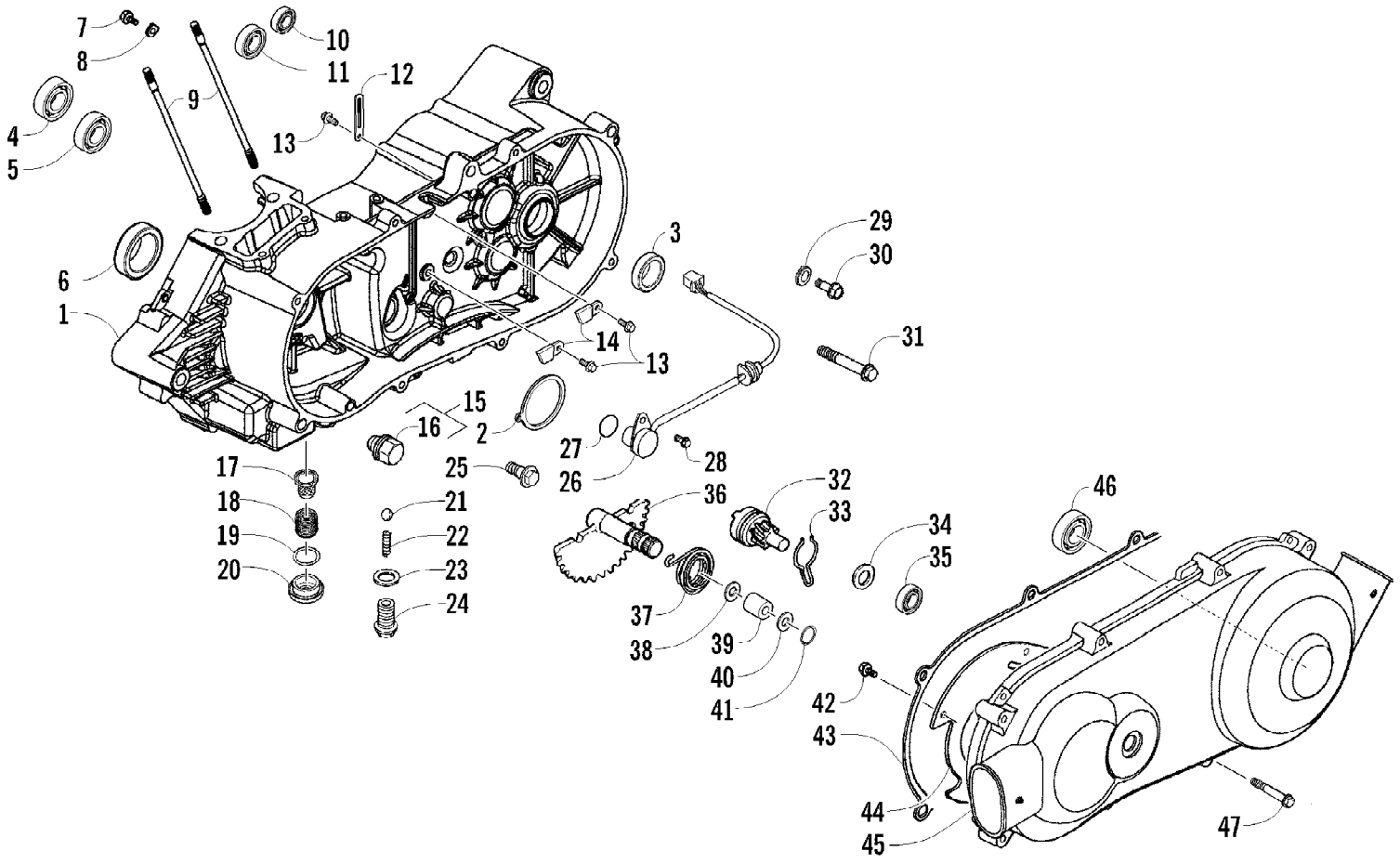


2010 ATV 150 2X4 UTILITY RED (A2010KYC2BUSR)  
KICK STARTER AND COOLING DUCT ASSEMBLY

Page 30 of 58

Ref #	Part Number	Qty	S/P/F	Description
1	3303-549	1	/P	Arm, Kick Starter (inc. 2-3)
2	3305-195	1		Washer
3	3305-247	1	/P	E-Clip
4	3304-551	1	/P	Screw, Cap
5	3305-235	1		Duct, Cooling
6	3303-635	1		Clamp w/Screw
7	3303-636	1		Clamp w/Screw
8	3305-234	1		Duct, Cooling

2010 ATV 150 2X4 UTILITY RED (A2010KYC2BUSR)  
LEFT CRANKCASE AND COVER ASSEMBLY



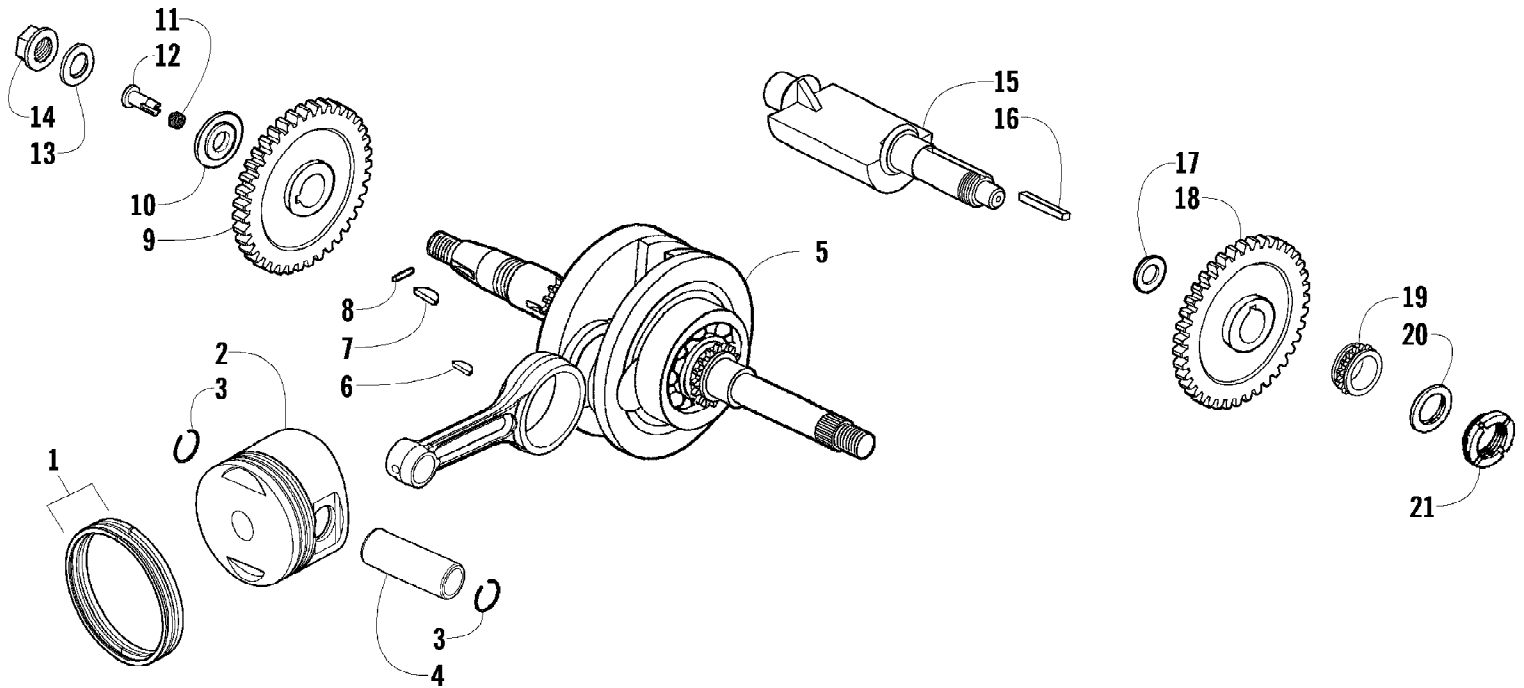
2010 ATV 150 2X4 UTILITY RED (A2010KYC2BUSR)  
LEFT CRANKCASE AND COVER ASSEMBLY

Page 32 of 58

Ref #	Part Number	Qty	S/P/F	Description
1	3304-888	1		Crankcase - Left (inc. 2)
2	3304-886	1		Retainer
3	3303-297	1	/P	Seal, Oil
4	3304-197	1		Bearing
5	3304-905	1		Bearing
6	3304-901	1		Seal, Oil
7	3304-005	2		Screw, Cap
8	3304-039	2		Retainer, Bearing
9	3304-008	2		Bolt, Stud
10	3303-465	1		Bearing
11	3304-907	2		Bearing
12	3304-158	1		Clamp, Wire
13	3303-381	3		Screw, Cap
14	3303-843	2		Retainer, Wire
15	3304-052	1	/P	Plug, Drain (inc. 16)
16	0	1	F	O-Ring
17	3303-691	1	/P	Screen, Filter
18	3303-692	1	/P	Spring
19	3304-096	1	/P	O-Ring
20	3303-021	1		Cap, Inspection
21	3304-205	1		Bearing, Ball
22	3304-063	1		Spring, Seat
23	3304-021	1		Washer
24	3304-109	1		Screw, Seat
25	3304-435	1		Screw, Cap
26	3304-895	1		Switch, Gear Shift (inc. 27)
27	3305-776	1	/P	O-Ring
28	3304-187	1		Screw, Cap
29	3303-591	1		Washer
30	3303-365	2		Screw, Cap
31	3304-903	2		Screw, Cap
32	3304-893	1		Gear, Kick Start Drive
33	3303-117	1		Spring
34	3303-272	1		Washer, Thrust
35	3304-900	1		Bearing
36	3304-894	1		Gear, Kick Start
37	3303-122	1		Spring
38	3303-121	1		Washer
39	3303-120	1		Spacer
40	3305-777	1		Washer
41	3303-345	1		Ring, Retaining
42	3303-391	3		Screw, Cap
43	3304-892	1		Gasket
44	3304-891	1		Plate, Cover
45	3304-890	1		Cover, Crankcase
46	3304-897	1		Bearing
47	3304-004	8		Screw, Cap



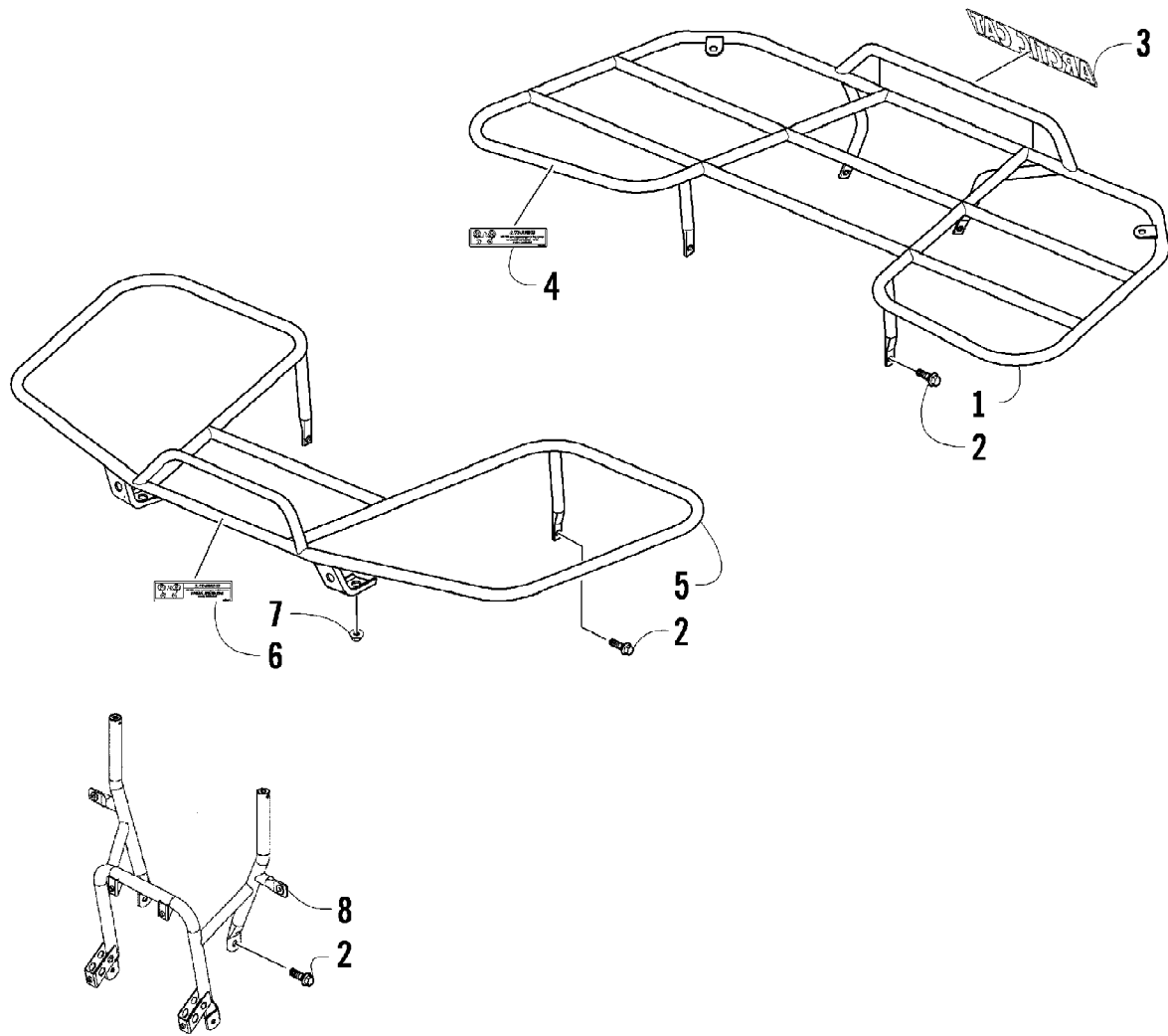
2010 ATV 150 2X4 UTILITY RED (A2010KYC2BUSR)  
PISTON AND CRANKSHAFT ASSEMBLY



2010 ATV 150 2X4 UTILITY RED (A2010KYC2BUSR)  
 PISTON AND CRANKSHAFT ASSEMBLY

Page 34 of 58

Ref #	Part Number	Qty	S/P/F	Description
1	3304-946	1		Ring Set, Piston
2	3304-947	1		Piston
3	3304-961	2		Circlip
4	3304-948	1		Pin, Piston
5	3304-945	1		Crankshaft Assembly
6	3304-960	1		Key
7	3304-959	2		Key
8	3304-962	1		Pin, Alignment
9	3304-950	1		Gear, Timing
10	3304-956	1		Washer, Thrust
11	3303-694	1		Spring
12	3303-693	1		Oil Through
13	3304-036	1		Washer, Thrust
14	3304-954	1		Nut
15	3304-951	1		Shaft, Balancer
16	3304-949	1		Key
17	3304-958	1		Washer
18	3304-953	1		Gear, Balancer
19	3304-952	1		Gear, Oil Pump Drive
20	3304-957	1		Washer
21	3304-955	1		Nut

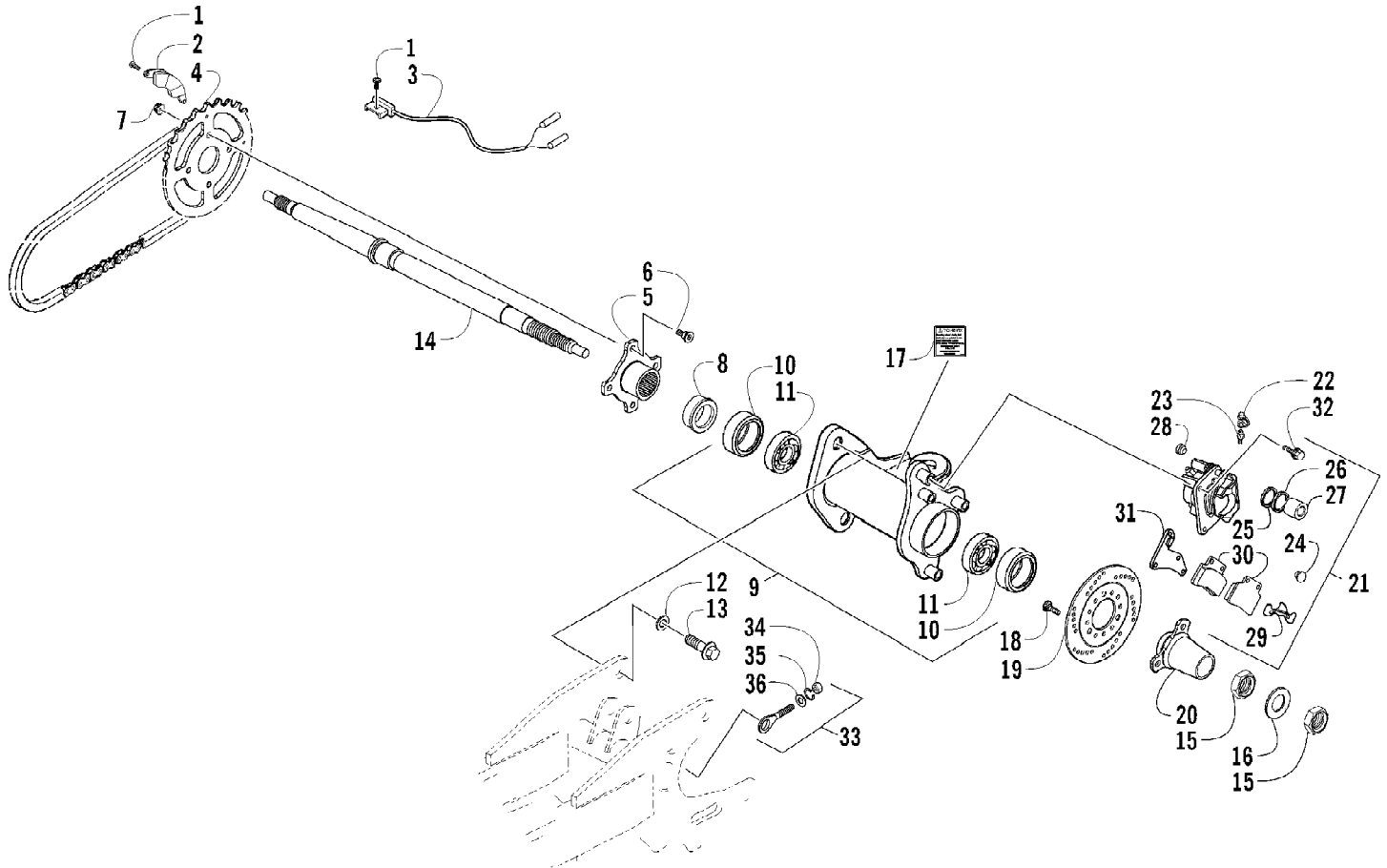


2010 ATV 150 2X4 UTILITY RED (A2010KYC2BUSR)  
RACKS AND BUMPER ASSEMBLY

Page 36 of 58

Ref #	Part Number	Qty	S/P/F	Description
1	3305-706	1		Rack, Rear
2	3304-543	10	/P	Screw, Cap
3	0411-814	1	/P	Decal, "Arctic Cat"
4	1411-444	1		Decal, Warning - Load - Rear
5	3305-707	1		Rack, Front
6	1411-201	1		Decal, Warning - Load - Front
7	3304-668	2		Nut
8	3305-708	1		Bumper

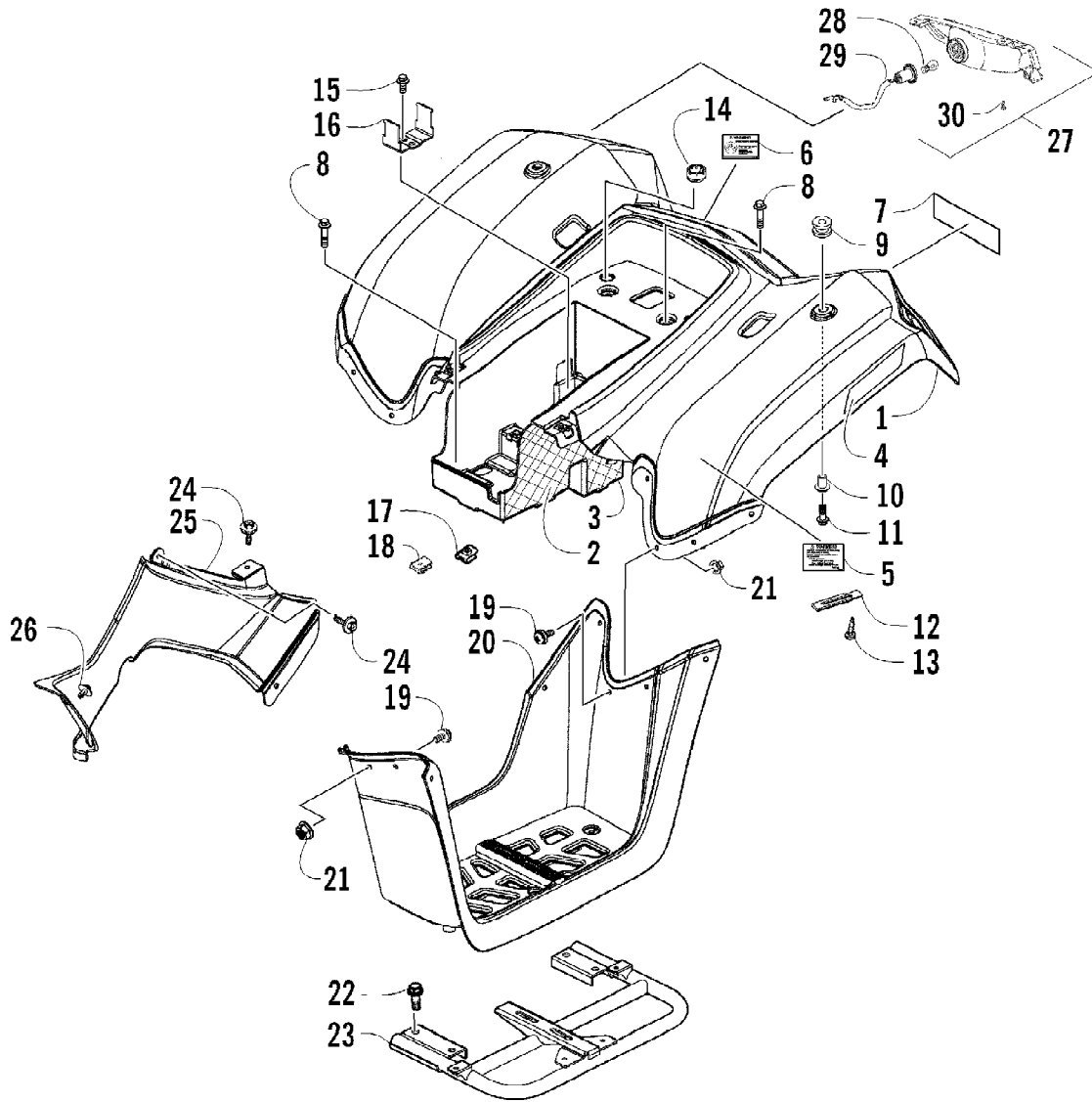
2010 ATV 150 2X4 UTILITY RED (A2010KYC2BUSR)  
REAR AXLE AND BRAKE ASSEMBLY



2010 ATV 150 2X4 UTILITY RED (A2010KYC2BUSR)  
 REAR AXLE AND BRAKE ASSEMBLY

Page 38 of 58

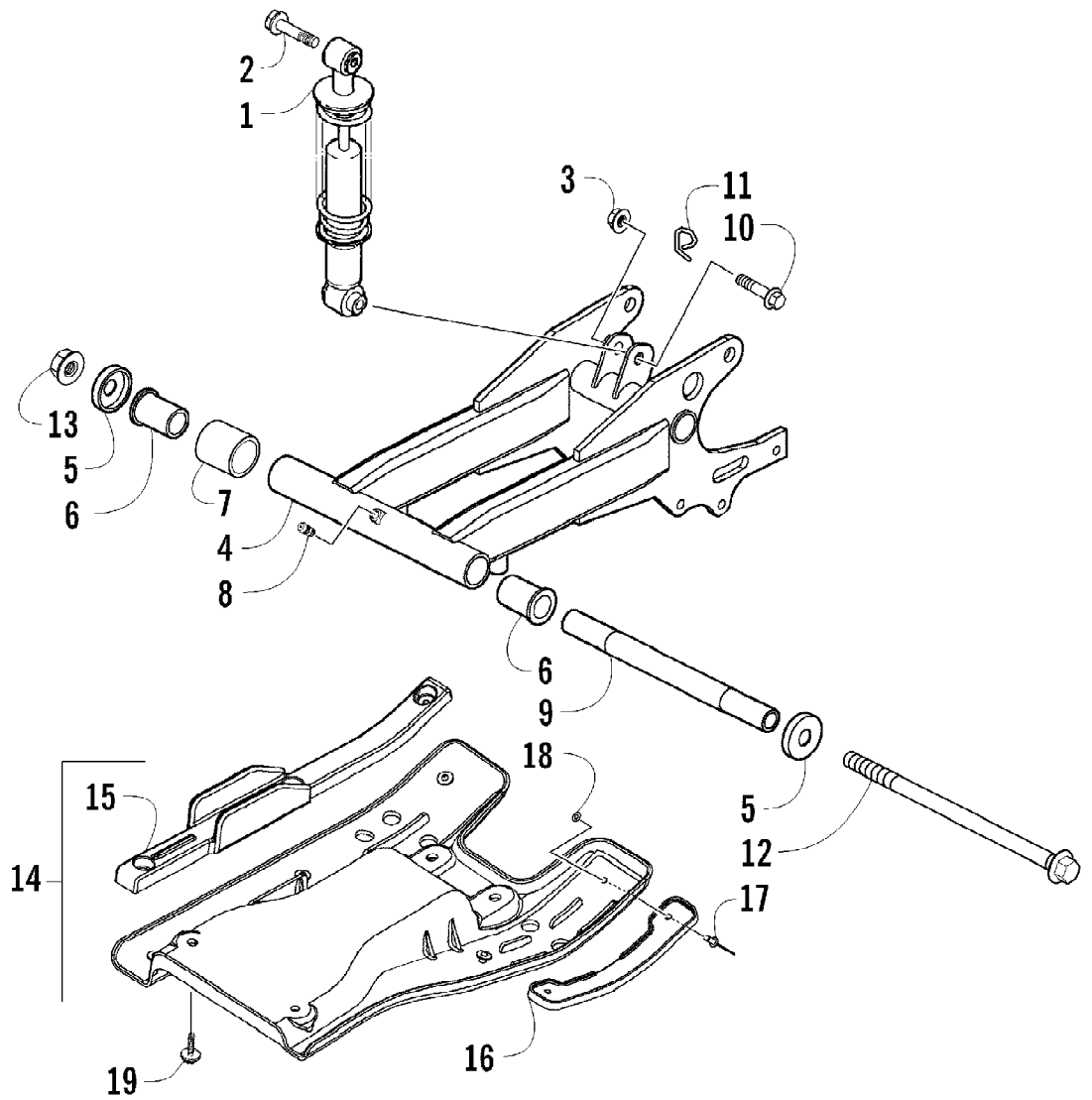
Ref #	Part Number	Qty	S/P/F	Description
1	3305-924	3		Screw, Self-Tapping
2	3305-069	1		Magnet, Speed Sensor
3	3305-068	1		Sensor, Speed
4	3305-722	1		Sprocket, Final Drive
5	3305-129	1		Retainer, Sprocket
6	3305-142	4		Screw, Cap
7	3304-031	4	/P	Nut
8	3305-132	1		Spacer
9	3305-133	1		Housing, Rear Axle (inc. 10-11)
10	3305-144	2		Seal
11	3305-145	2		Bearing
12	3303-281	3		Washer
13	3303-379	4		Screw, Cap
14	3305-131	1		Axle, Rear
15	3305-141	2		Nut
16	3305-127	1		Washer
17	1411-942	1		Decal, Warning - Towing
18	3303-253	3	/P	Screw, Cap
19	3303-162	1		Disc, Brake
20	3305-138	1		Bracket, Brake Disc
21	3303-568	1	/P	Caliper, Brake - Assembly (inc. 22-31)
22	3304-303	1		Cap, Bleed Valve
23	3304-302	1		Valve, Bleed
24	3304-333	1		Plug
25	3305-377	1	/P	Seal
26	3305-380	1	/P	Seal
27	3304-314	1	/P	Piston
28	3304-590	1		Boot
29	3304-591	1		Spring
30	3304-567	1	/P	Set, Brake Pad
31	3303-469	1	/P	Bracket, Brake Caliper
32	3303-256	2		Screw, Cap
33	3305-194	1		Adjuster, Chain - Assembly (inc. 34-36)
34	3304-125	1		Nut
35	3303-607	1	/P	Washer, Lock
36	3304-135	1	/P	Washer



2010 ATV 150 2X4 UTILITY RED (A2010KYC2BUSR)  
REAR BODY PANEL AND TAILLIGHT ASSEMBLIES

Ref #	Part Number	Qty	S/P/F	Description
1	3306-105	1		Fender, Rear (inc. 2-6)
2	3305-163	1		Foil, Protective
3	3305-164	1		Foil, Protective - Rear
4	1411-178	1		Decal, Reflector - Right
4	1411-179	1		Decal, Reflector - Left
5	2411-167	1	S	Decal, Warning - Tire/Load
6	1411-809	1	/P	Decal, Warning - Passenger
7	0411-814	1	/P	Decal, "Arctic Cat"
8	3304-587	11	/P	Screw, Machine
9	3303-227	2		Grommet
10	3303-233	2		Insert
11	3304-586	2	/P	Screw, Cap
12	3304-156	2		Clamp, Wire
13	3304-651	2		Screw, Self-Tapping
14	3303-232	2		Grommet
15	3304-409	1	/P	Screw, Cap
16	3305-238	1		Bracket, Mounting - Starter/Magneto Switch
17	3303-267	3		Clip, U-Nut
18	3304-061	5	/P	Clip, U-Nut
19	3305-703	16		Screw, Machine
20	3305-932	1	/P	Footwell - Right
20	3305-933	1	/P	Footwell - Left
21	3304-431	16	/P	Nut, Lock
22	3304-543	8	/P	Screw, Cap
23	3305-160	1		Support, Footwell - Right
23	3305-161	1		Support, Footwell - Left
24	3304-029	4	/P	Screw, Machine
25	3305-934	1		Fender, Lower - Right
25	3305-935	1		Fender, Lower - Left
26	3303-592	2		Rivet, Reinstallable
27	3305-732	1		Taillight - Assembly - Right (inc. 28-29)
27	3305-733	1		Taillight - Assembly - Left (inc. 28-29)
28	3303-849	2	/P	Bulb, Taillight
29	3305-217	2		Harness, Taillight
30	3304-122	8		Screw, Self-Tapping

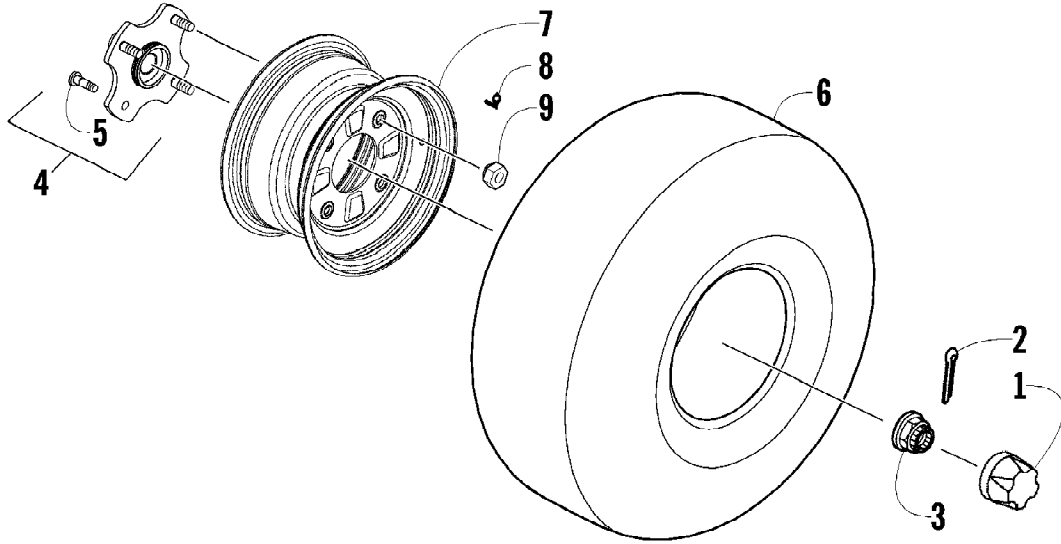




2010 ATV 150 2X4 UTILITY RED (A2010KYC2BUSR)  
 REAR SUSPENSION ASSEMBLY

Page 42 of 58

Ref #	Part Number	Qty	S/P/F	Description
1	3305-938	1		Shock/Spring Assembly
2	3303-376	2	/P	Screw, Cap
3	3304-031	1	/P	Nut
4	3305-205	1		Fork - Assembly (inc. 5-11)
5	3303-192	2		Cap
6	3304-359	2		Bushing
7	3305-206	1		Sleeve
8	3303-393	1		Fitting, Grease
9	3304-358	1		Axle
10	3305-341	1		Screw, Cap
11	3304-594	1		Clamp, Routing
12	3305-130	1		Screw, Cap
13	3304-411	1		Nut
14	3305-936	1		Guard, Rear Suspension - Assembly (inc. 15-18)
15	3305-726	1		Guard, Chain
16	3305-725	1		Guard, Brake Disc
17	3305-774	4		Rivet
18	3305-773	4		Washer
19	3304-587	4	/P	Screw, Machine

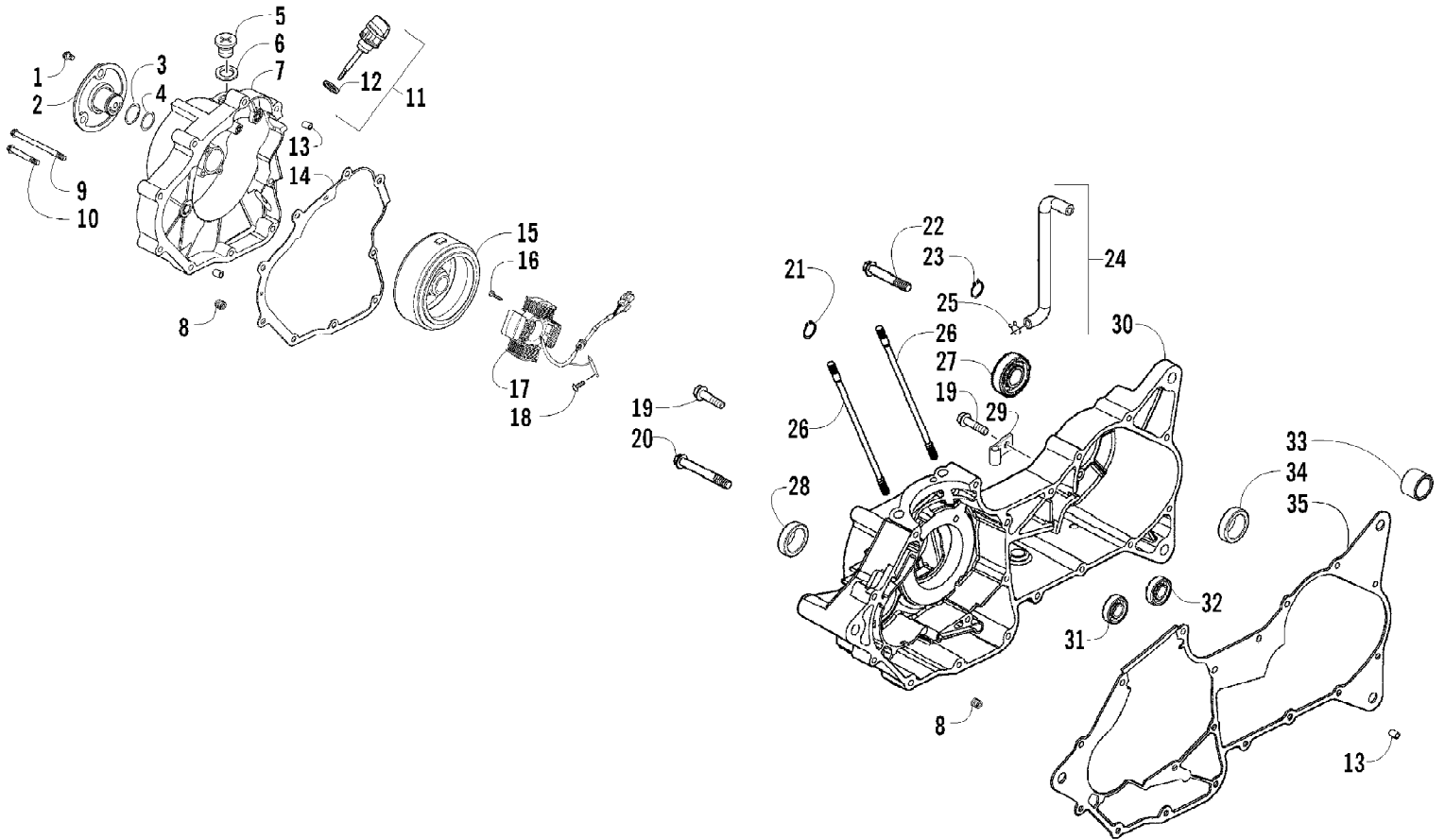


2010 ATV 150 2X4 UTILITY RED (A2010KYC2BUSR)  
REAR WHEEL ASSEMBLY

Page 44 of 58

Ref #	Part Number	Qty	S/P/F	Description
1	3303-931	2		Cap, Wheel
2	3304-340	2	S	Pin, Cotter
3	3304-129	2		Nut, Lock
4	3304-296	2		Hub, Wheel (inc. 5)
5	3304-014	8		Bolt, Carriage
6	3303-885	2		Tire
7	3303-883	2	/P	Wheel - Assembly
8	3304-562	2		Stem, Valve
9	3304-028	8		Nut, Lug

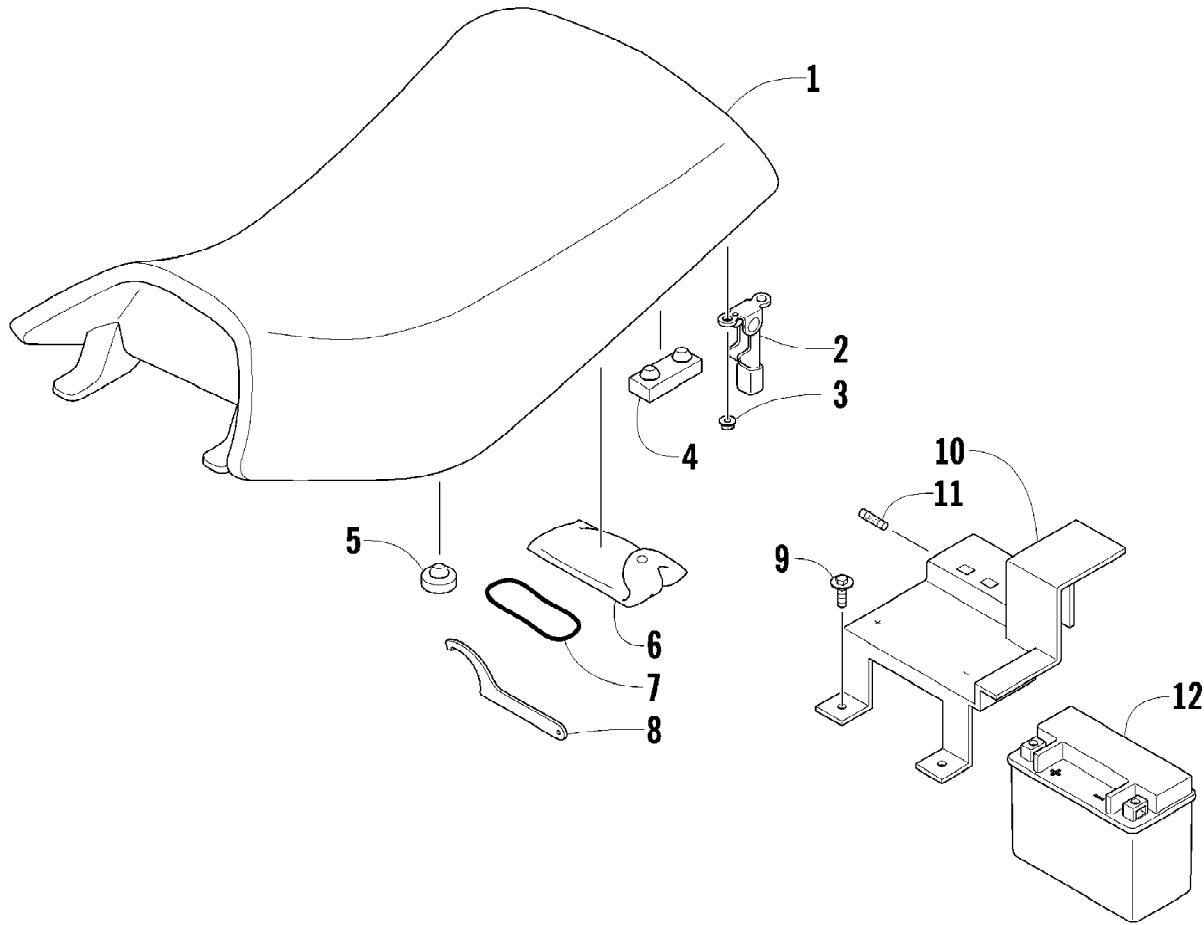
2010 ATV 150 2X4 UTILITY RED (A2010KYC2BUSR)  
RIGHT CRANKCASE AND COVER ASSEMBLY



2010 ATV 150 2X4 UTILITY RED (A2010KYC2BUSR)  
RIGHT CRANKCASE AND COVER ASSEMBLY

Page 46 of 58

Ref #	Part Number	Qty	S/P/F	Description
1	3303-381	3		Screw, Cap
2	3305-918	1		Cap, Crankcase Cover - Assembly
3	3304-971	1		O-Ring
4	3304-596	1		O-Ring
5	3304-012	1		Cap, Inspection
6	3304-099	1		O-Ring
7	3304-963	1		Cover, Crankcase (inc. one No. 8)
8	3304-065	2		Plug
9	3304-192	8		Screw, Cap
10	3303-387	1		Screw, Cap
11	3303-050	1		Gauge, Oil Level (inc. 12)
12	3304-102	1	/P	O-Ring
13	3303-342	6		Pin, Dowel
14	3304-964	1		Gasket
15	3304-965	1	/P	Rotor/Flywheel
16	3304-113	3		Screw, Machine
17	3304-967	1	/P	Stator
18	3304-118	2		Screw, Machine
19	3304-190	7		Screw, Cap
20	3304-904	2		Screw, Cap
21	3303-344	1		Ring, Retaining
22	3304-903	1		Screw, Cap
23	3304-514	1		Ring, Retaining
24	3304-889	1		Hose, Vent (inc. 25)
25	3304-433	1		Clamp, Hose
26	3304-008	2		Bolt, Stud
27	3304-195	1		Bearing
28	3304-081	1		Seal, Oil
29	3304-972	1		Clamp, Routing
30	3304-884	1		Crankcase - Right (inc. one No. 8)
31	3304-699	1	/P	Bearing
32	3304-909	1		Bearing
33	3304-898	1	/P	Bearing
34	3304-425	1		Seal, Oil
35	3304-887	1		Gasket

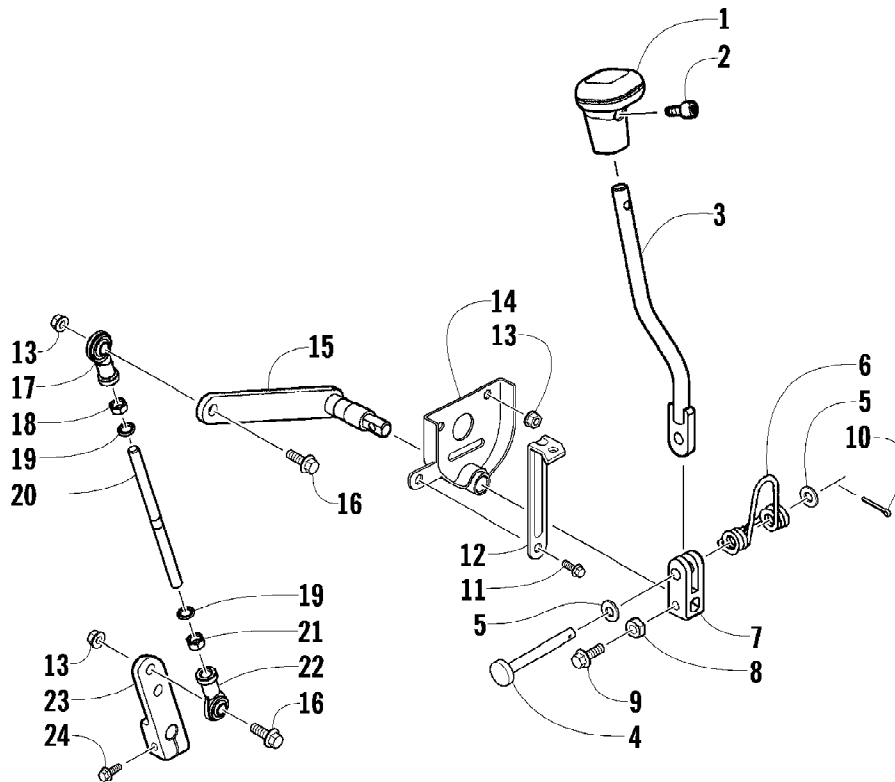


2010 ATV 150 2X4 UTILITY RED (A2010KYC2BUSR)  
SEAT, BATTERY, AND TOOL KIT ASSEMBLIES

Page 48 of 58

Ref #	Part Number	Qty	S/P/F	Description
1	3305-729	1		Seat Assembly (inc. 2-3)
2	3304-392	1		Latch, Seat
3	3305-929	2		Nut
4	0	2	F	Bumper, Seat - Rear
5	3304-568	2		Bumper, Seat - Front
6	3305-730	1		Kit, Tool
7	3303-242	1		Retainer, Tool Kit
8	1441-797	1	F	Wrench, Spanner
9	3304-029	2	/P	Screw, Machine
10	3305-157	1		Cover, Battery (inc. 11)
11	3305-233	1		Fuse - 20 Amp
12	3445-034	1	/P	Battery



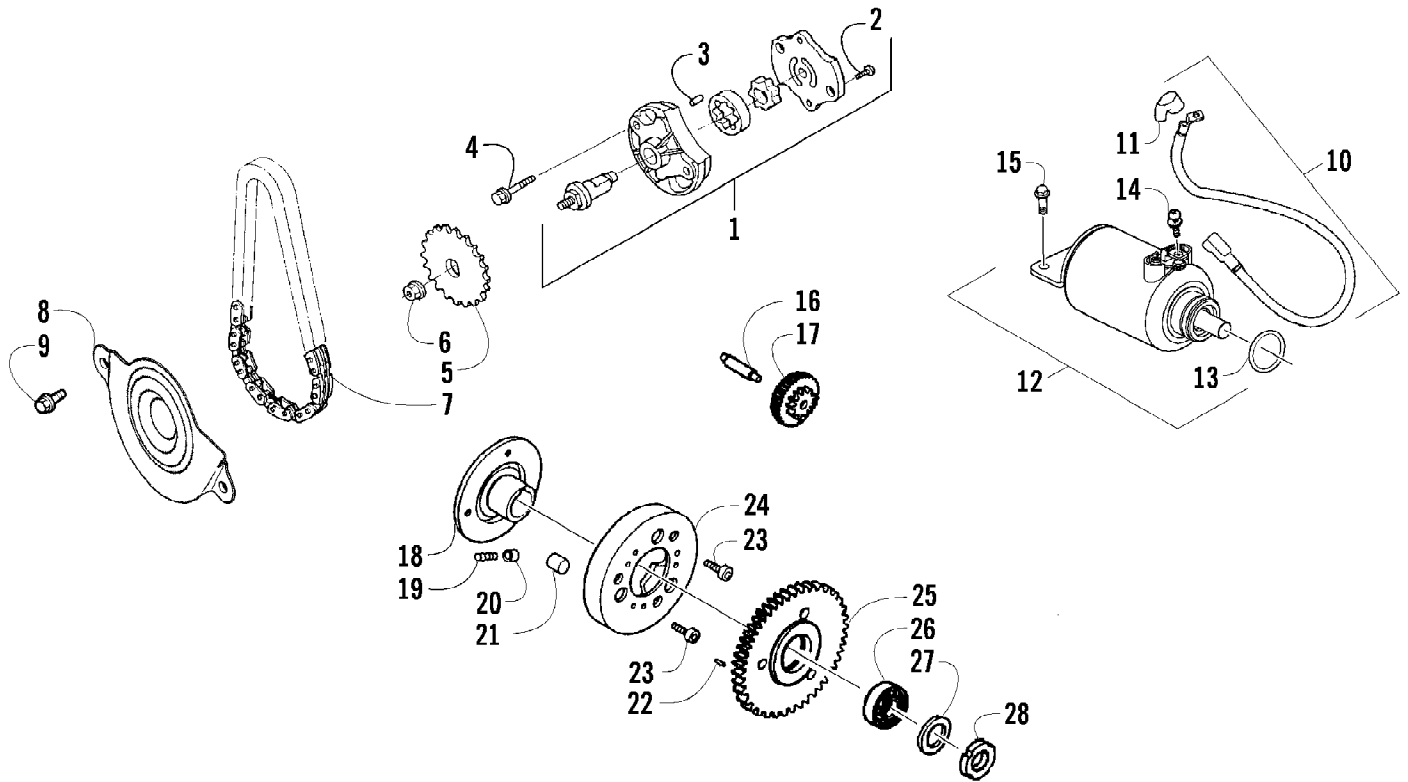


2010 ATV 150 2X4 UTILITY RED (A2010KYC2BUSR)  
SHIFT LEVER ASSEMBLY

Page 50 of 58

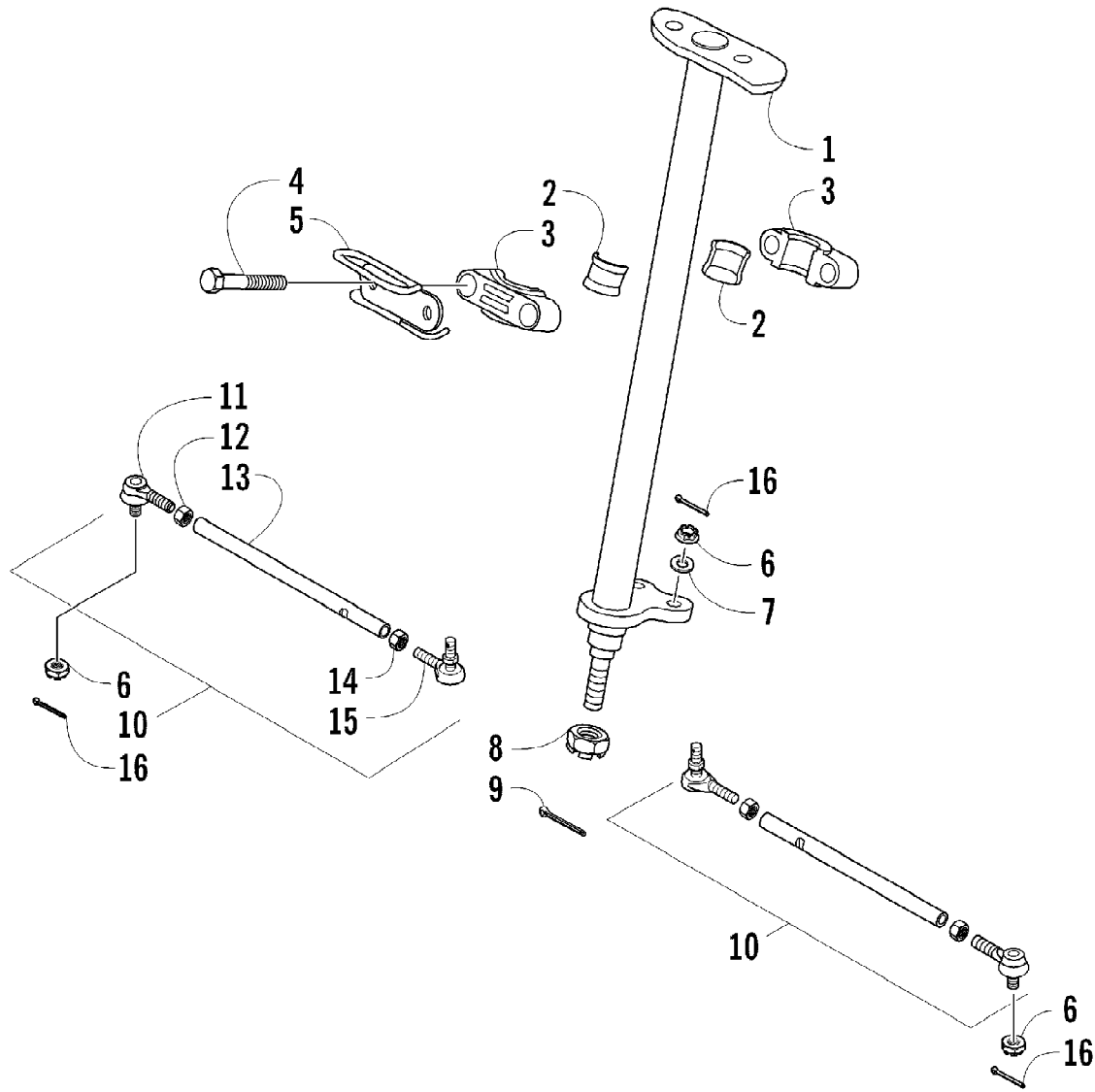
Ref #	Part Number	Qty	S/P/F	Description
1	3303-823	1		Knob, Gear Shift
2	3304-401	1		Screw, Cap
3	3305-717	1		Rod, Gear Shift
4	3303-817	1		Pin, Gear Shift
5	3304-135	2	/P	Washer
6	3303-818	1		Spring
7	3303-819	1		Bracket, Gear Shift
8	3305-340	1	/P	Nut
9	3303-382	1	/P	Screw, Cap
10	3304-142	1		Pin, Cotter
11	3305-702	1		Screw, Cap
12	3305-090	1		Support, Fender
13	3303-332	4		Nut
14	3305-038	1		Cover, Gear Shift
15	3305-039	1		Lever, Gear Shift
16	3305-749	2		Screw, Cap
17	3303-970	1		Ball Joint, Tie Rod - Right
18	3304-125	1		Nut
19	3303-607	2	/P	Washer
20	3305-718	1		Tie Rod
21	3304-126	1		Nut
22	3303-972	1		Ball Joint, Tie Rod - Left
23	3305-036	1		Link, Gear Shift
24	3304-112	1		Screw, Cap

2010 ATV 150 2X4 UTILITY RED (A2010KYC2BUSR)  
STARTER MOTOR AND OIL PUMP ASSEMBLY



2010 ATV 150 2X4 UTILITY RED (A2010KYC2BUSR)  
STARTER MOTOR AND OIL PUMP ASSEMBLY

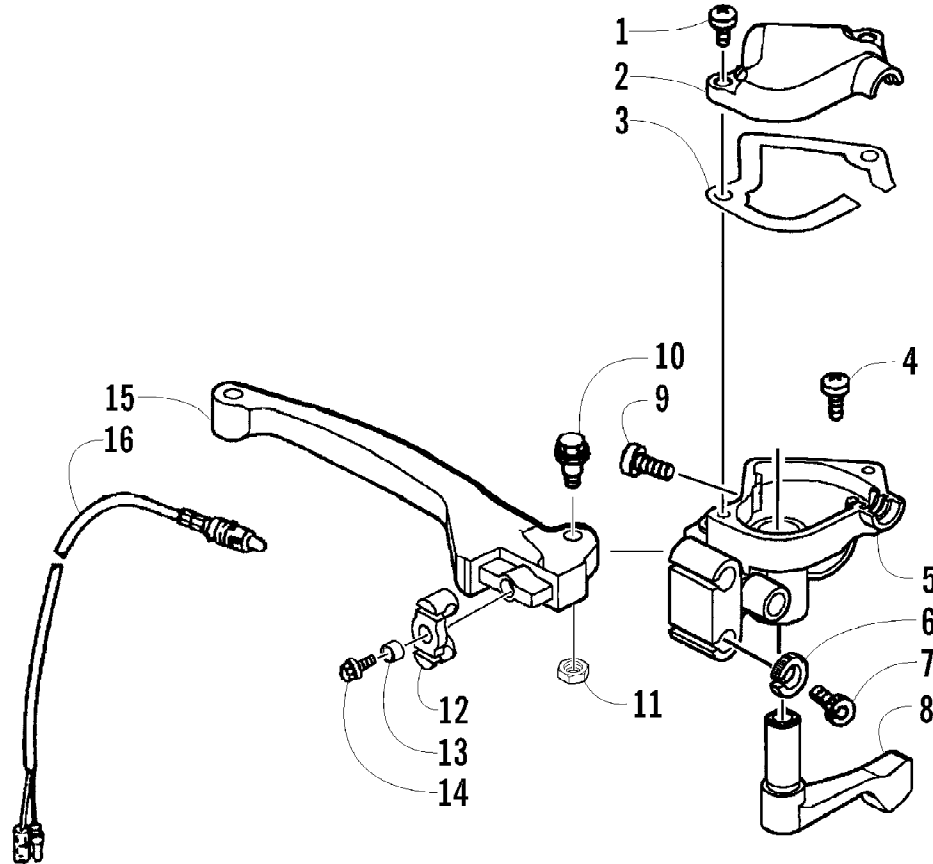
Ref #	Part Number	Qty	S/P/F	Description
1	3304-999	1		Pump, Oil - Assembly (inc. 2-3)
2	3304-426	1		Screw, Machine
3	3304-144	1		Pin, Dowel
4	3303-385	2		Screw, Cap
5	3303-046	1		Sprocket
6	3303-331	1	/P	Nut
7	3305-002	1		Chain, Oil Pump
8	3305-003	1		Cover, Chain
9	3303-381	2		Screw, Cap
10	3305-012	1		Cable, Starter (inc. 11)
11	3305-252	1		Boot, Terminal
12	3305-011	1		Motor, Starter (inc. 13)
13	3304-104	1		O-Ring
14	3305-019	1		Screw, Machine
15	3303-382	2	/P	Screw, Cap
16	3305-005	1		Shaft, Reduction Gear
17	3305-004	1		Gear, Reduction
18	3305-009	1		Plate, Clutch
19	3305-008	3		Spring
20	3305-010	3		Roller, Starter
21	3305-015	3		Roller
22	3303-395	1		Pin, Spring
23	3305-020	3		Screw, Cap
24	3305-007	1		Clutch, Outer
25	3305-006	1		Gear, Starter
26	3305-671	1		Bearing
27	3305-014	1		Washer, Thrust
28	3305-013	1		Nut



2010 ATV 150 2X4 UTILITY RED (A2010KYC2BUSR)  
STEERING ASSEMBLY

Page 54 of 58

Ref #	Part Number	Qty	S/P/F	Description
1	3305-103	1		Post, Steering
2	3305-496	1	/P	Bushing, Sleeve
3	3305-927	2		Block, Mounting - Steering Post
4	3304-649	2		Screw, Cap
5	3303-962	1		Clamp, Mounting Block
6	3304-130	4		Nut
7	3305-107	2		Washer
8	3304-032	1		Nut
9	3303-470	1		Pin, Cotter
10	3305-105	2		Tie Rod - Assembly (inc. 11-15)
11	3303-971	2		Ball Joint, Tie Rod - Right
12	3303-326	2		Nut, Hex - Right
13	3305-106	2		Tube, Tie Rod
14	3303-327	2		Nut, Hex - Left
15	3303-973	2		Ball Joint, Tie Rod - Left
16	3304-143	4		Pin, Cotter

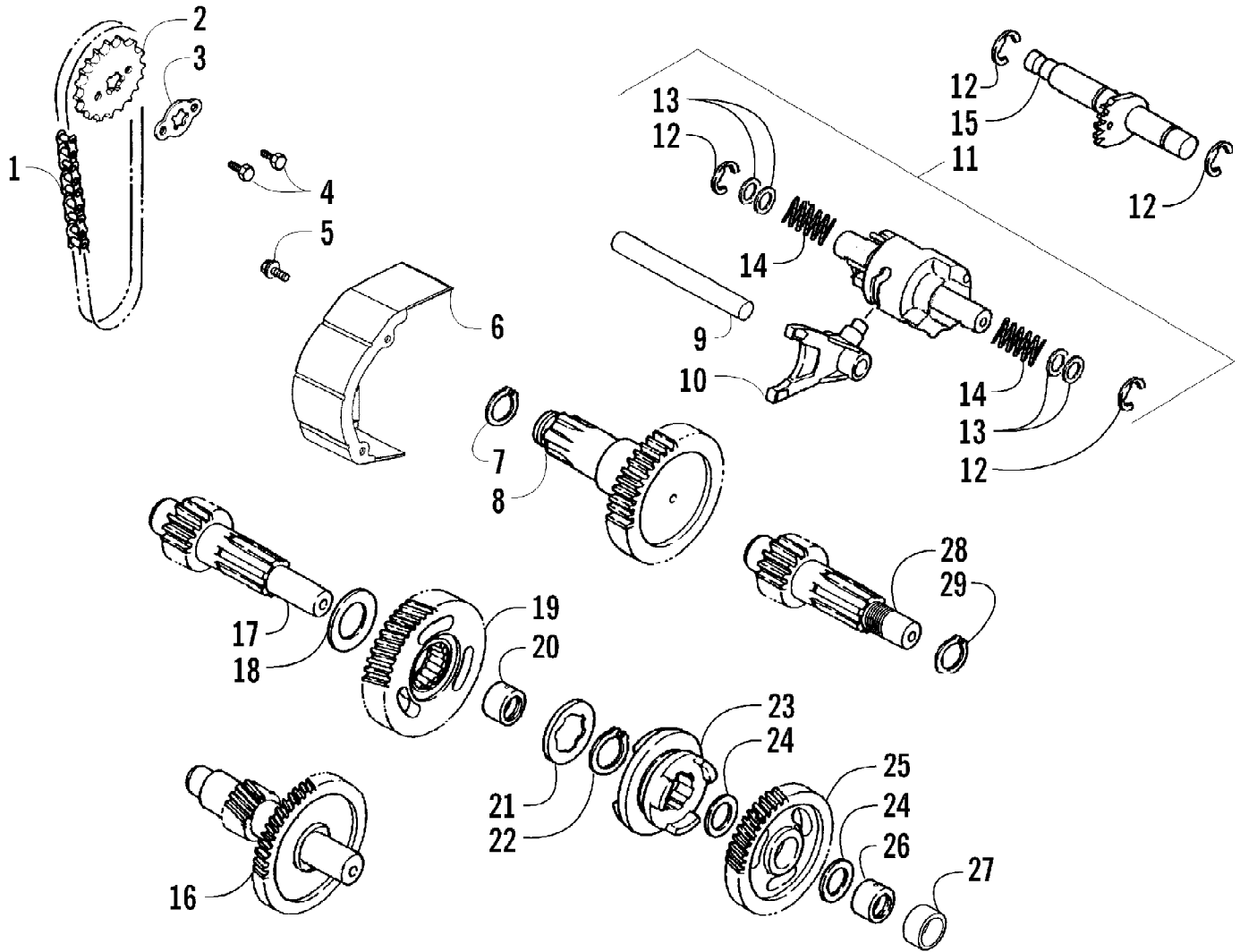


2010 ATV 150 2X4 UTILITY RED (A2010KYC2BUSR)  
THROTTLE CONTROL ASSEMBLY

Page 56 of 58

Ref #	Part Number	Qty	S/P/F	Description
	3305-979	1		Complete Throttle Control Assembly
1	3303-315	2		Screw, Machine
2	3303-207	1		Cover, Throttle Control
3	3303-209	1		Gasket
4	3303-397	1		Screw, Machine
5	3303-204	1		Housing, Throttle Control
6	3303-271	2		Nut
7	3303-208	2		Screw, Adjuster
8	3303-200	1		Lever, Throttle
9	3305-980	1		Screw, Machine
10	3303-255	1		Screw, Shoulder
11	3303-262	1		Nut
12	3303-201	1		Retainer, Brake Cable
13	3303-202	1		Spacer
14	3305-344	1	/P	Screw, Cap
15	3306-054	1	/P	Lever, Brake
16	3303-140	1		Switch, Brake





2010 ATV 150 2X4 UTILITY RED (A2010KYC2BUSR)  
TRANSMISSION ASSEMBLY

Page 58 of 58

Ref #	Part Number	Qty	S/P/F	Description
1	3305-042	1		Chain, Drive
2	3305-030	1		Sprocket, Drive
3	3305-031	1		Plate, Retaining
4	3303-307	2		Screw, Cap
5	3303-381	2		Screw, Cap
6	3305-743	1		Cover, Chain
7	3304-147	1	/P	Ring, Retaining
8	3305-025	1		Shaft, Output
9	3304-513	1		Shaft, Shift Fork
10	3305-032	1		Fork, Shift
11	3305-035	1		Drum, Gear Shift - Assembly (inc. two No. 12 and 13-14)
12	3304-153	4		E-Ring
13	3304-412	4		Washer, Thrust
14	3305-034	2		Spring
15	3304-269	1	/P	Shaft, Gear Shift
16	3305-023	1		Shaft, Counterbalance
17	3305-021	1		Shaft, Main
18	3305-044	1		Washer, Thrust
19	3305-027	1		Gear, Reverse
20	3305-046	1		Bearing
21	3305-045	1		Washer, Splined
22	3304-638	1		Ring, Retaining
23	3305-029	1		Gear Select, Sliding
24	3303-275	2	/P	Washer, Thrust
25	3305-026	1		Gear, Forward
26	3305-024	1		Bushing
27	3305-028	1		Spacer
28	3305-022	1		Shaft, Drive
29	3303-344	1		Ring, Retaining