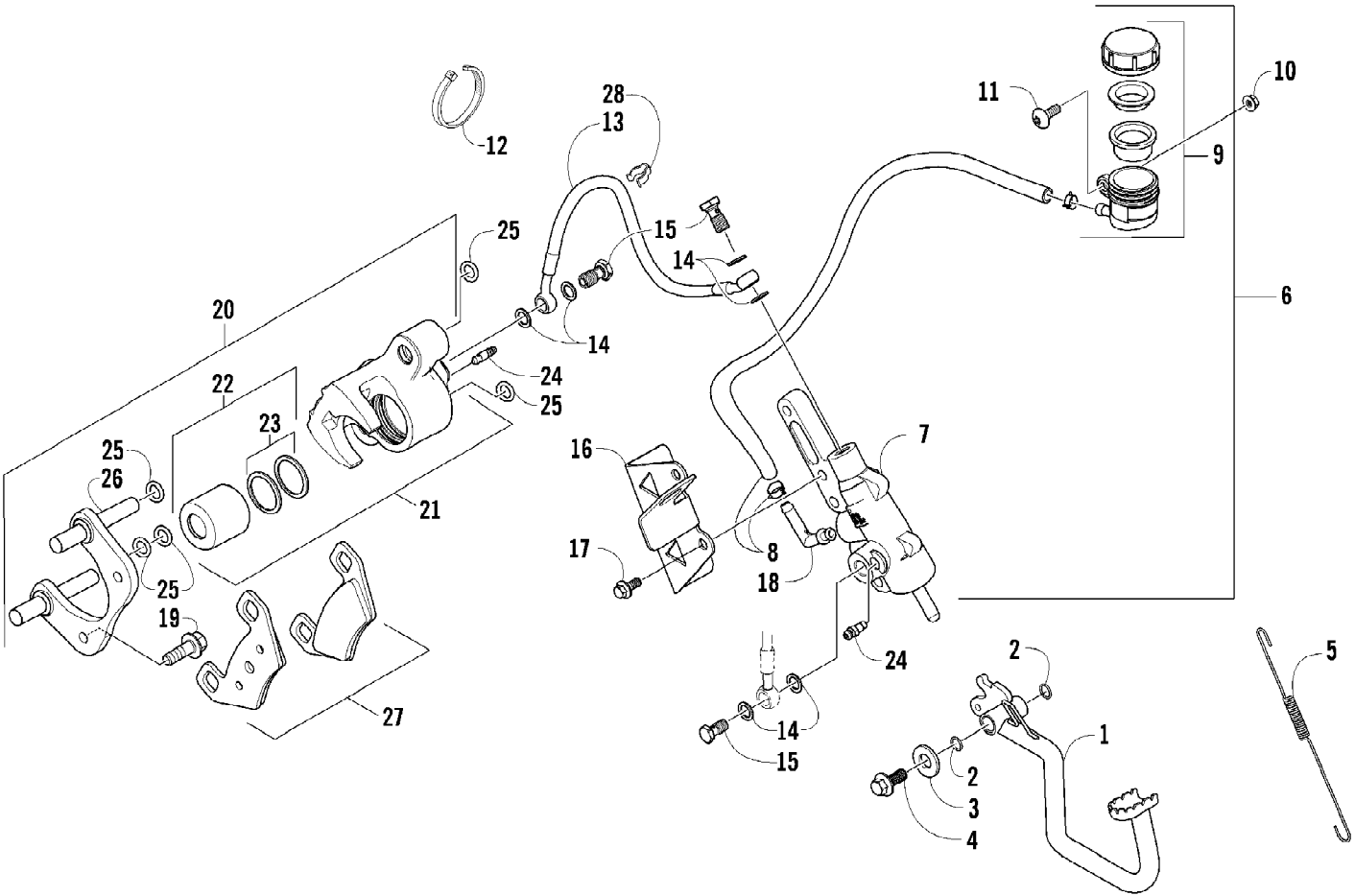
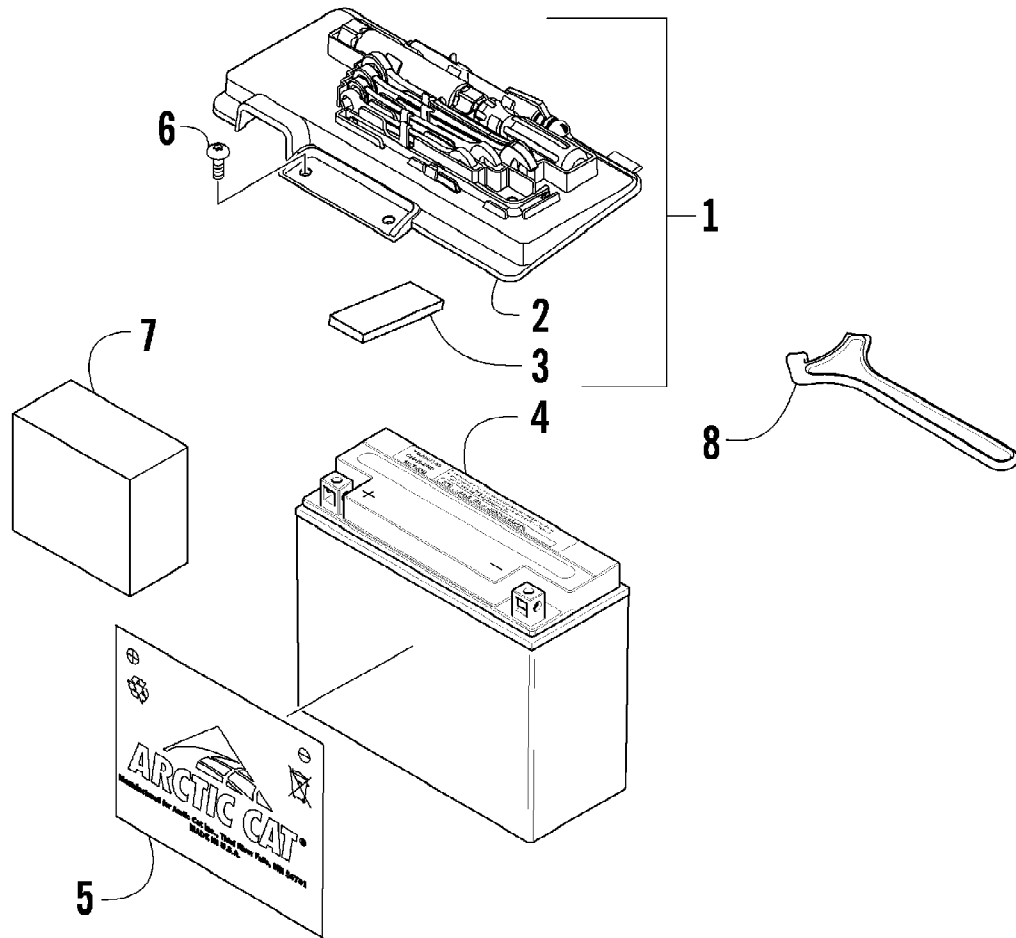




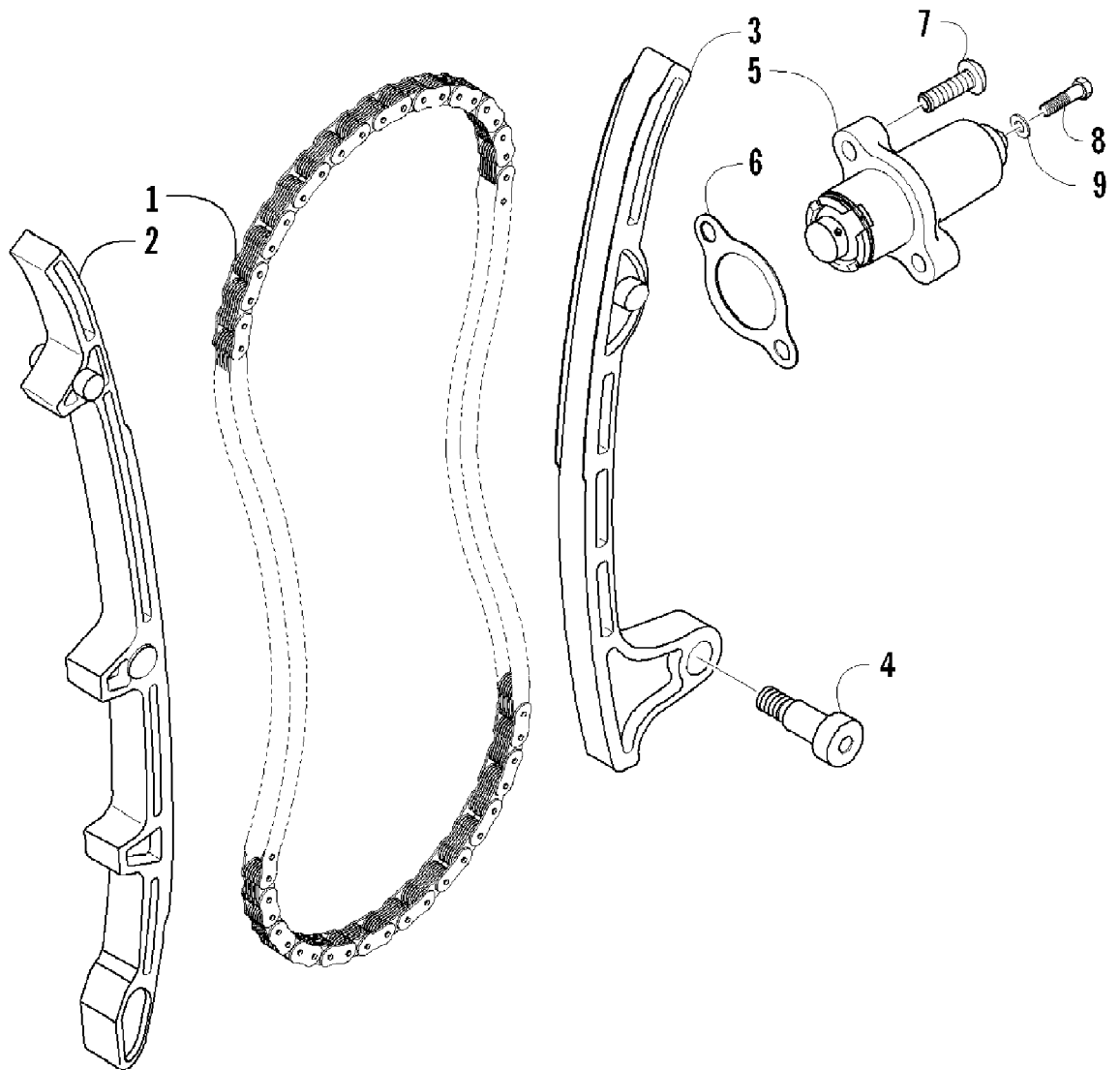
Ref #	Part Number	Qty	S/P/F	Description
1	0413-091	1		Diverter, Air - Top
2	0413-093	1		Diverter, Air - Bottom
3	2406-509	1		Shroud, Splash
4	0623-362	2		Rivet, Reinstallable
5	0423-551	2		Clamp
6	0423-342	4	/P	Screw, Self-Tapping
7	0413-096	1		Cap, Air Intake - Diverter
8	0470-583	1		Boot, Air Intake
9	0423-019	1		Clamp
10	0423-716	2		Wing Nut
11	0470-832	1	/P	Cover, Air Intake
12	0470-828	1		Filter, Air
13	0470-731	1	/P	Support, Air Filter
14	0570-221	1		Housing, Air Intake
15	0406-877	4	/P	Bumper
16	0470-442	2	/P	Valve, Drain
17	0470-638	1		Boot, Throttle Body
18	0430-055	1		Sensor, Air Temperature (inc. 19)
19	5507-224	1		O-Ring
20	1623-285	6		Clamp, Hose
21	0410-152	1		Hose, Separator Tank
22	0470-718	1		Tank, Separator
23	0410-150	1		Hose, Crankcase
24	0410-151	1		Hose, Crankcase
25	0423-066	1		Clamp, Hose



Ref #	Part Number	Qty	S/P/F	Description
	1502-295	1		Master Cylinder Replacement Kit
1	1502-162	1		Lever, Brake
2	1602-213	2	/P	O-Ring
3	8050-252	1		Washer
4	8408-816	1		Screw, Cap
5	0502-785	1		Spring, Brake Switch
6	1502-293	1		Brake Assembly (inc. 7-9 and one No. 24)
7	0	1	F	Master Cylinder
8	0	1	F	Hose, Brake Reservoir w/Clamps
9	1502-155	1		Reservoir, Brake w/Clamp
10	0623-038	1		Nut w/Washer
11	8476-616	1		Screw, Machine
12	0123-788	AR	/P	Tie, Cable - 8 in.
13	1502-593	1		Hose, Brake
14	0423-178	6		Washer, Crush
15	0423-413	3		Bolt, Banjo-Fitting
16	1502-164	1		Bracket, Switch
17	8408-625	2		Screw, Cap
18	1502-296	1	/P	Adapter, Hose
19	8408-821	2	/P	Screw, Cap
20	1436-162	1	S/P	Caliper, Brake (inc. 21-23, one No. 24, and 25-27)
21	1436-160	1	/P	Housing, Caliper - Assembly - Right Rear (inc. 22-23 and one No. 24)
22	0502-606	1		Piston/Seal Set (inc. 23)
23	0502-607	1		Seal Set
24	0502-609	2	/P	Valve, Bleed
25	0502-608	1		O-Ring, Guide - Set
26	0502-605	1		Bracket Assembly
27	1436-165	1	S	Pad, Brake - Set
28	1502-115	2		Clip, Retaining



Ref #	Part Number	Qty	S/P/F	Description
1	5991-655	1	/P	Battery Cover/Tool Tray Assembly (inc. 2-3)
2	2406-815	1	/P	Cover, Battery
3	0417-016	1		Pad, Battery
3	0444-122	1	S/P/F	Kit, Tool
4	0645-480	1		Battery Assembly (inc. 5)
5	0645-430	1		Decal, Warning
6	8476-620	2		Screw, Machine
7	0417-012	1		Foam, Battery
8	0441-587	1		Wrench, Spanner

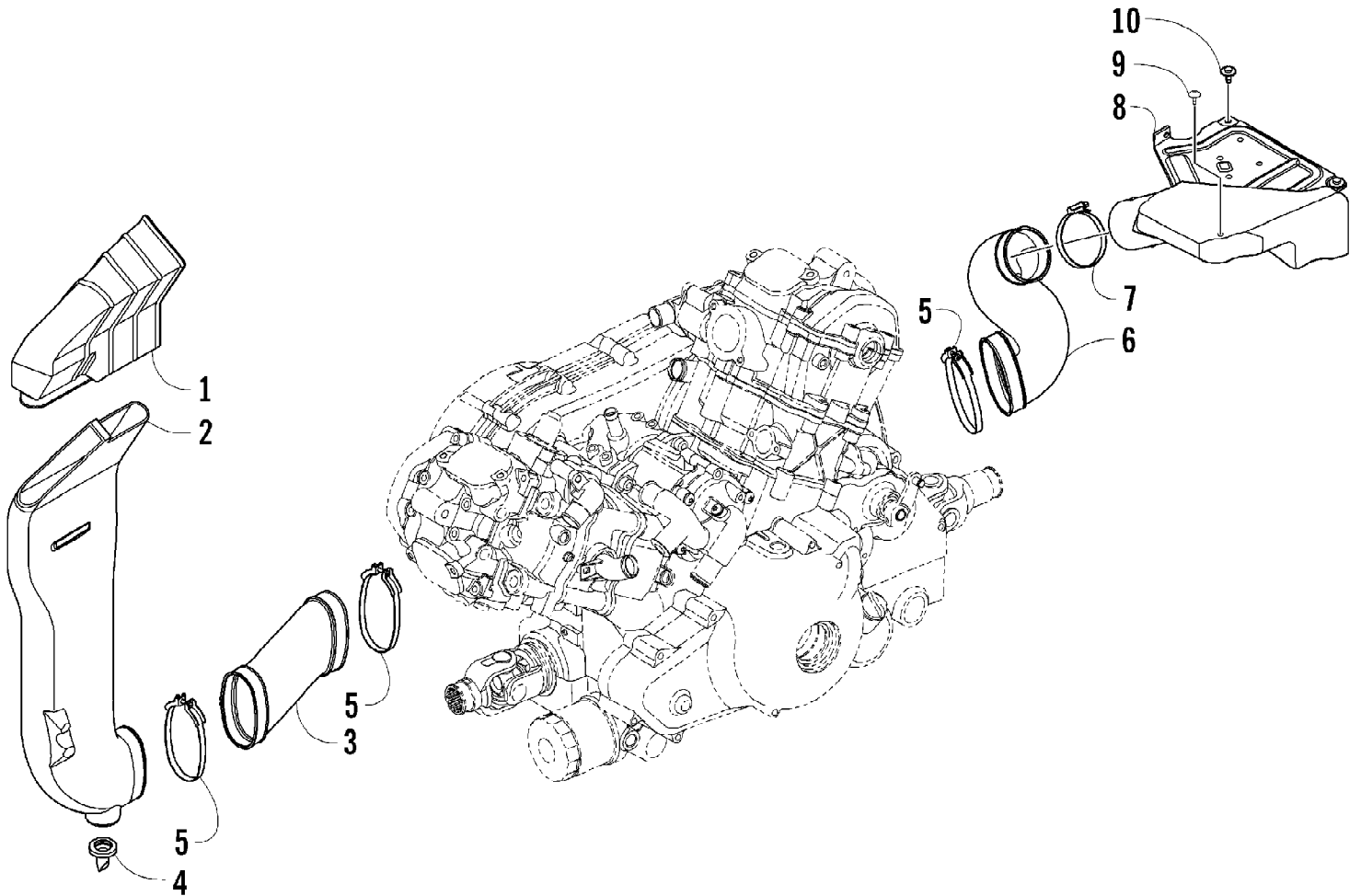


2009 THUNDERCAT EFI 4X4 AUTO FIS SE SILVER (A2009IEW4EUSL)  
CAM CHAIN ASSEMBLY

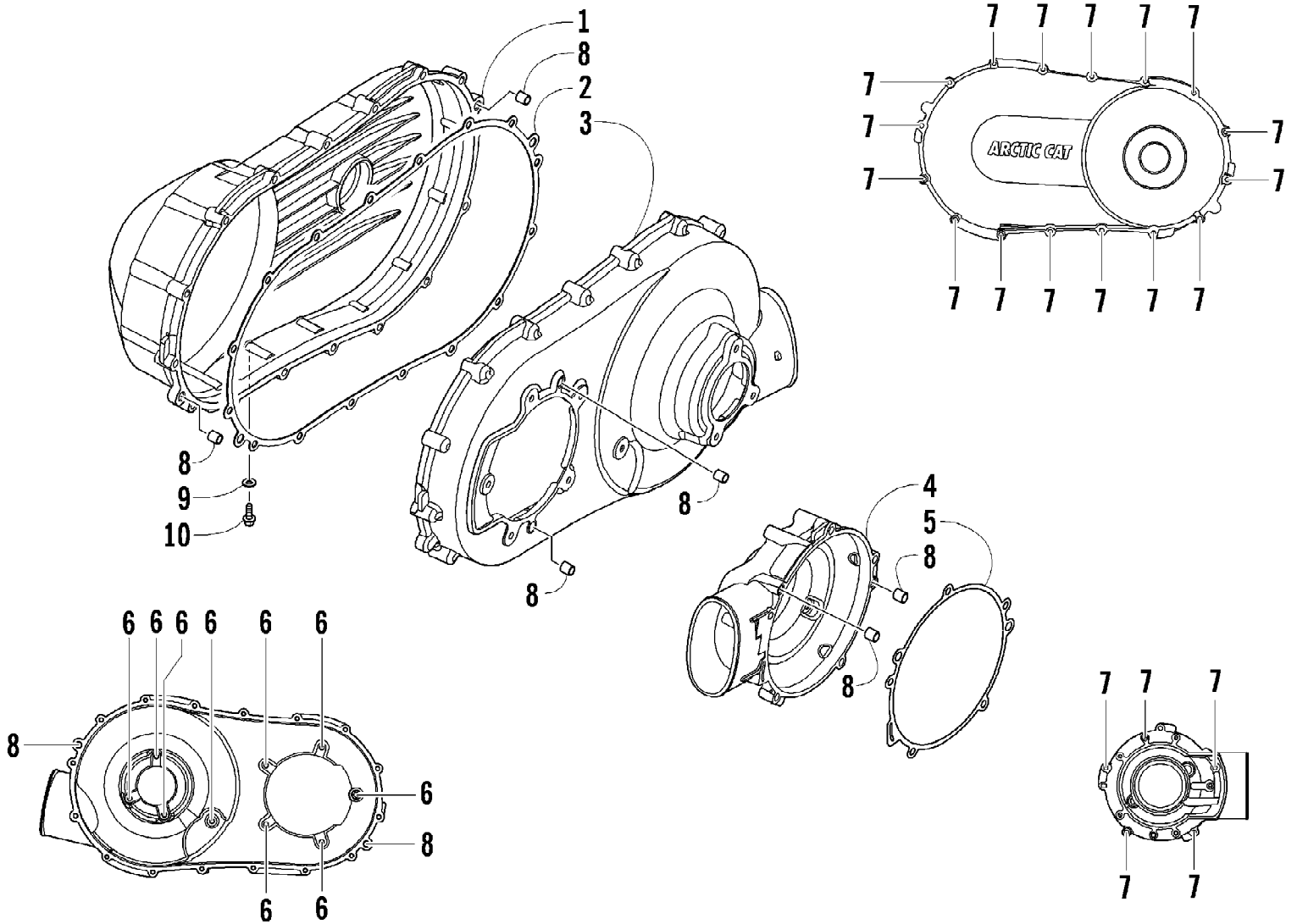
Page 8 of 89

Ref #	Part Number	Qty	S/P/F	Description
1	0810-001	2		Chain, Cam
2	0810-046	2		Guide, Chain
3	0810-049	2		Tensioner, Chain
4	0826-106	2		Pivot, Tensioner
5	0810-004	2		Adjuster, Tensioner - Assembly
6	0830-134	2		Gasket
7	8468-620	4	/P	Screw, Machine
8	8400-610	2		Screw, Cap
9	0828-129	2		Washer





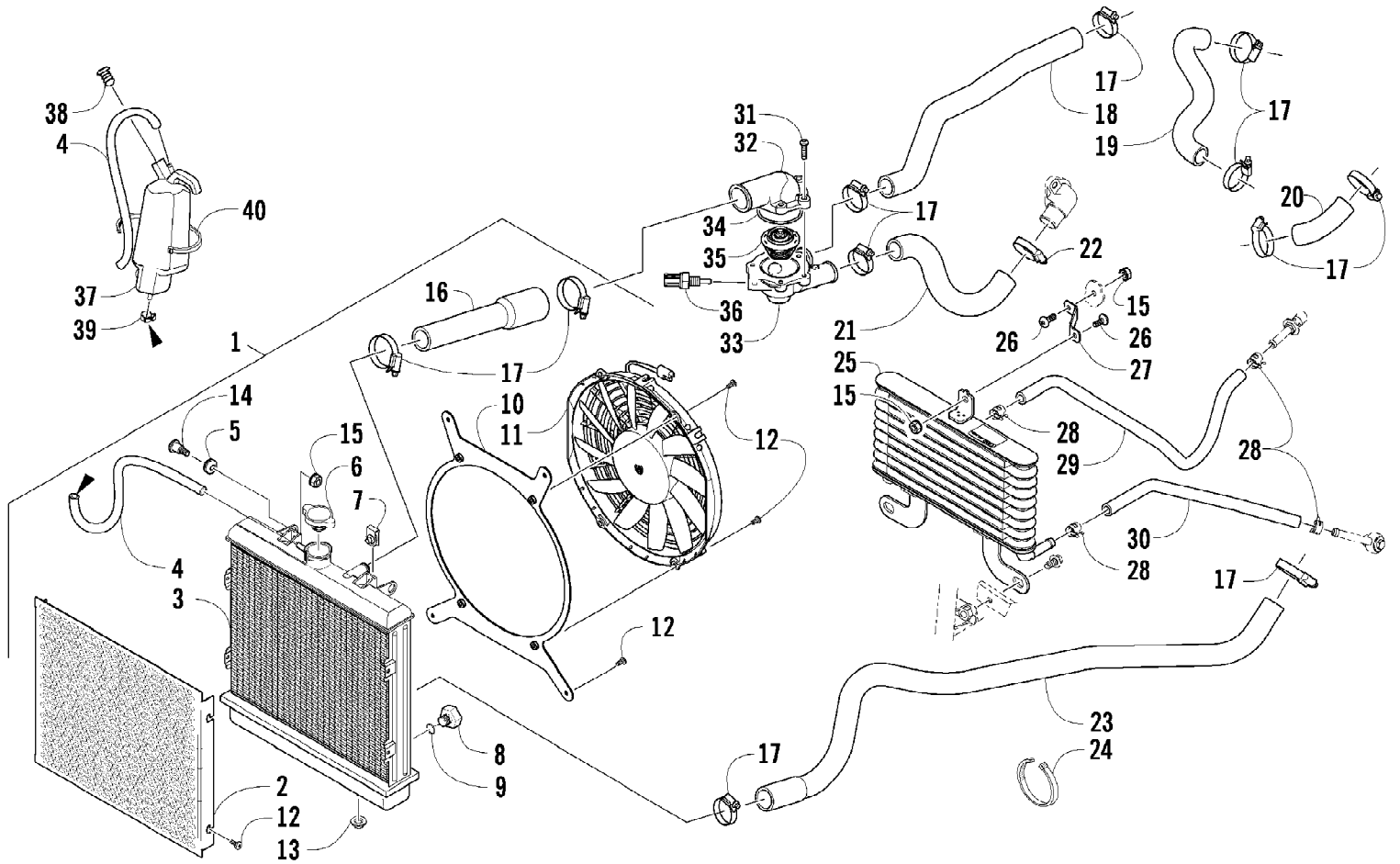
Ref #	Part Number	Qty	S/P/F	Description
1	0413-137	1		Shroud, Air - Air In
2	0413-138	1		Duct, Cooling - Air In
3	0413-139	1		Boot, Cooling - Air In
4	0470-442	1	/P	Valve, Drain
5	0423-730	3		Clamp
6	0413-135	1		Boot, Cooling - Air Out
7	0423-019	1		Clamp
8	0413-194	1		Duct, Cooling - Air Out
9	0623-797	1		Screw, Self-Tapping
10	0623-362	2		Rivet, Reinstallable



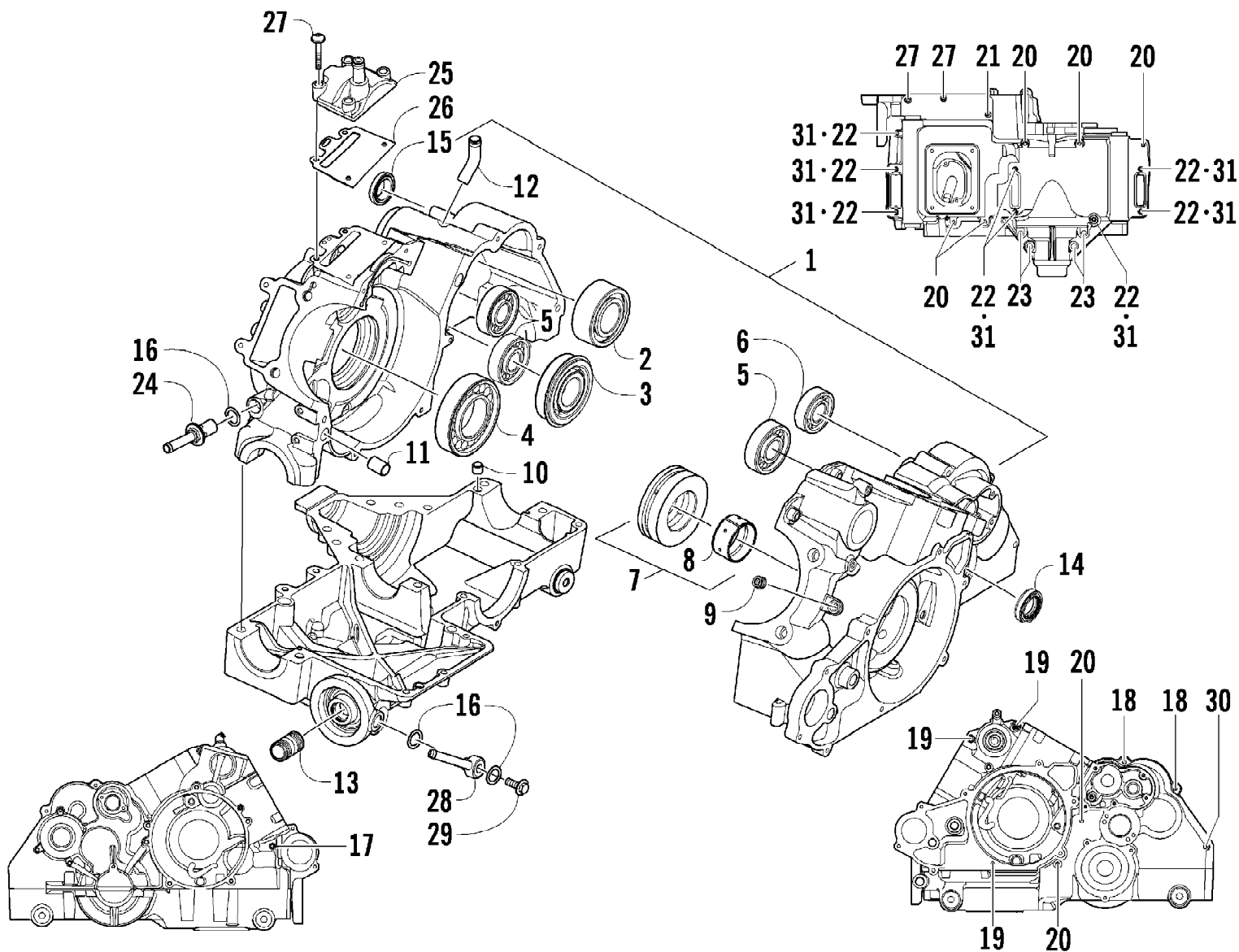
2009 THUNDERCAT EFI 4X4 AUTO FIS SE SILVER (A2009IEW4EUSL)  
CLUTCH SIDE ENGINE COVERS

Page 12 of 89

Ref #	Part Number	Qty	S/P/F	Description
1	0806-068	1	S	Cover, Outside
2	0830-137	1		Gasket, Cover
3	0806-067	1		Cover, Inside
4	0806-064	1		Cover, Clutch
5	0830-133	1		Gasket, Clutch Cover
6	8468-616	9		Screw, Machine
7	8468-630	21		Screw, Machine
8	0829-001	6	S	Pin, Dowel
9	0830-013	1		Washer, Crush
10	8408-812	1		Screw, Cap

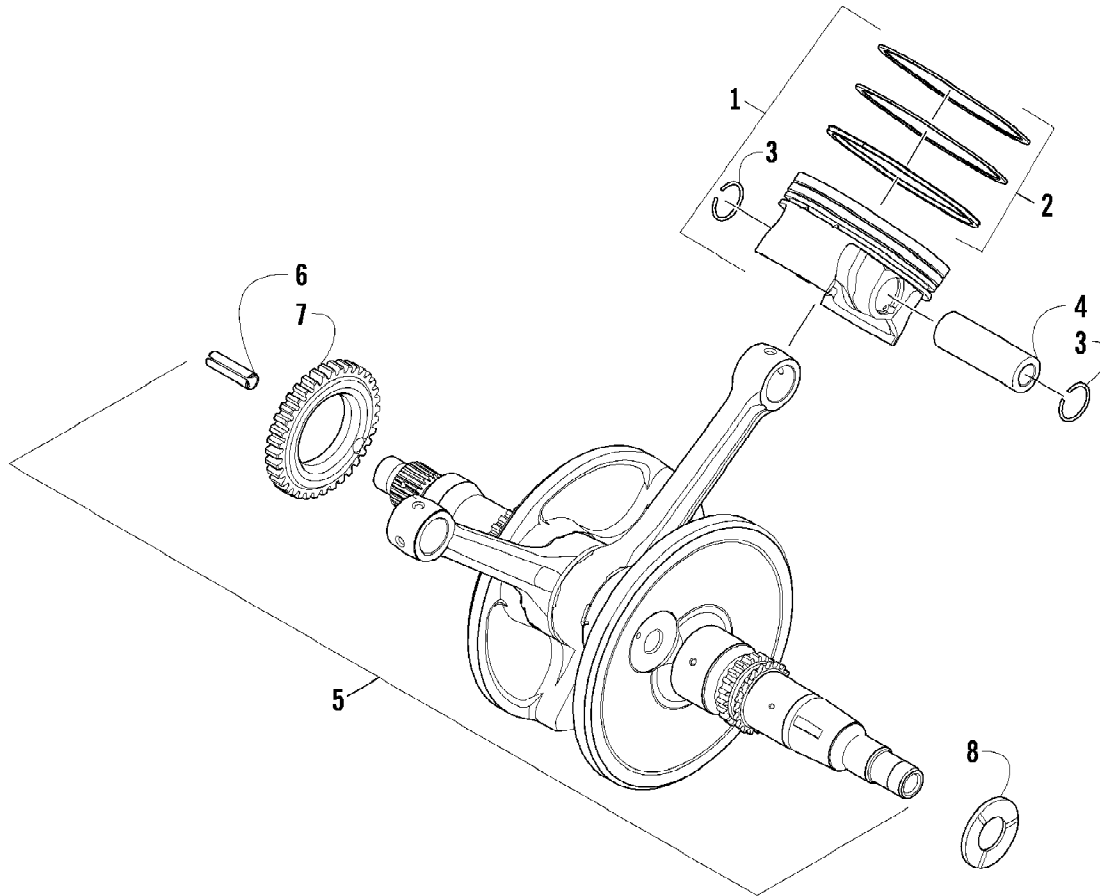


Ref #	Part Number	Qty	S/P/F	Description
1	0413-212	1	S	Radiator Assembly (inc. 2-12)
2	0413-214	1		Screen, Radiator
3	0413-216	1		Radiator
4	0610-011	AR	/P	Hose - 25 ft
5	0423-030	2		Grommet
6	0413-002	1	S	Cap, Radiator
7	1623-637	4		Clip, U-Nut
8	0413-195	1		Plug, Drain
9	1602-213	1	/P	O-Ring
10	0413-217	1		Bracket, Mounting - Fan
11	0413-123	1	/P	Fan, Cooling
12	8470-510	12		Screw, Machine
13	0423-028	2		Bushing, Stem
14	0423-484	2		Screw, Shoulder
15	0623-038	4		Nut w/Washer
16	0410-120	1		Hose, Coolant - Radiator/Thermostat - Upper
17	0423-496	11		Clamp, Hose
18	0410-118	1		Hose, Coolant - No. 2
19	0410-116	1		Hose, Coolant
20	0410-115	1		Hose, Coolant - Crossover
21	0410-117	1		Hose, Coolant - No. 1
22	1623-093	1		Clamp, Hose
23	0410-119	1		Hose, Coolant - Suction Pump - Lower
24	0123-788	AR	/P	Cable Tie - 8 in.
25	0413-211	1	/P	Cooler, Oil
26	8476-612	2		Screw, Machine
27	0513-022	1		Bracket, Mounting - Oil Cooler - Upper
28	0423-632	4		Clamp, Hose
29	0410-149	1		Hose, Oil Cooler - In
30	0410-168	1		Hose, Oil Cooler - Out
31	8470-520	4		Screw, Machine
32	0808-092	1		Cover, Thermostat
33	0808-091	1		Housing, Thermostat
34	0830-173	1		O-Ring
35	0808-093	1		Thermostat
36	0808-124	1		Sensor, Engine Coolant Temperature
37	0413-086	1		Bottle, Overflow
38	0413-087	1		Plug
39	0124-045	1	/P	Clamp, Hose
40	0623-316	AR		Tie, Cable - 14 in.



Ref #	Part Number	Qty	S/P/F	Description
1	0801-074	1		Crankcase - Assembly (inc. 2-15)
2	0832-048	1	/P	Bearing
3	0832-058	1	S	Bearing
4	0832-042	1	/P	Bearing
5	0832-050	3	/P	Bearing
6	0832-049	1	/P	Bearing
7	0832-055	1		Bearing - Assembly (inc. 8)
8	0832-057	1		Bearing
9	0801-002	1		Plug, Engine Case
10	0829-001	2	S	Pin, Dowel
11	0829-002	2		Pin, Dowel
12	0801-118	1		Pipe, Breather
13	0812-008	1		Union, Oil Filter
14	0822-052	1		Seal, Counter Shaft - Right
15	0830-035	1		Seal, Driveshaft
16	0812-026	3		Gasket, Washer
17	8468-685	1		Screw, Machine
18	8468-650	2		Screw, Machine
19	8468-625	3		Screw, Machine
20	8468-665	7		Screw, Machine
21	8468-640	1		Screw, Machine
22	8412-870	7		Screw, Cap
23	8412-830	4		Screw, Cap
24	0812-051	1		Fitting, Oil - Threaded
25	0801-088	1		Cover, Breather
26	0830-160	1		Gasket, Breather
27	8468-630	6		Screw, Machine
28	0812-028	1		Fitting, Oil - 40°
29	0812-025	1		Bolt, Oil
30	8468-670	1		Screw, Machine
31	0830-008	7		Washer

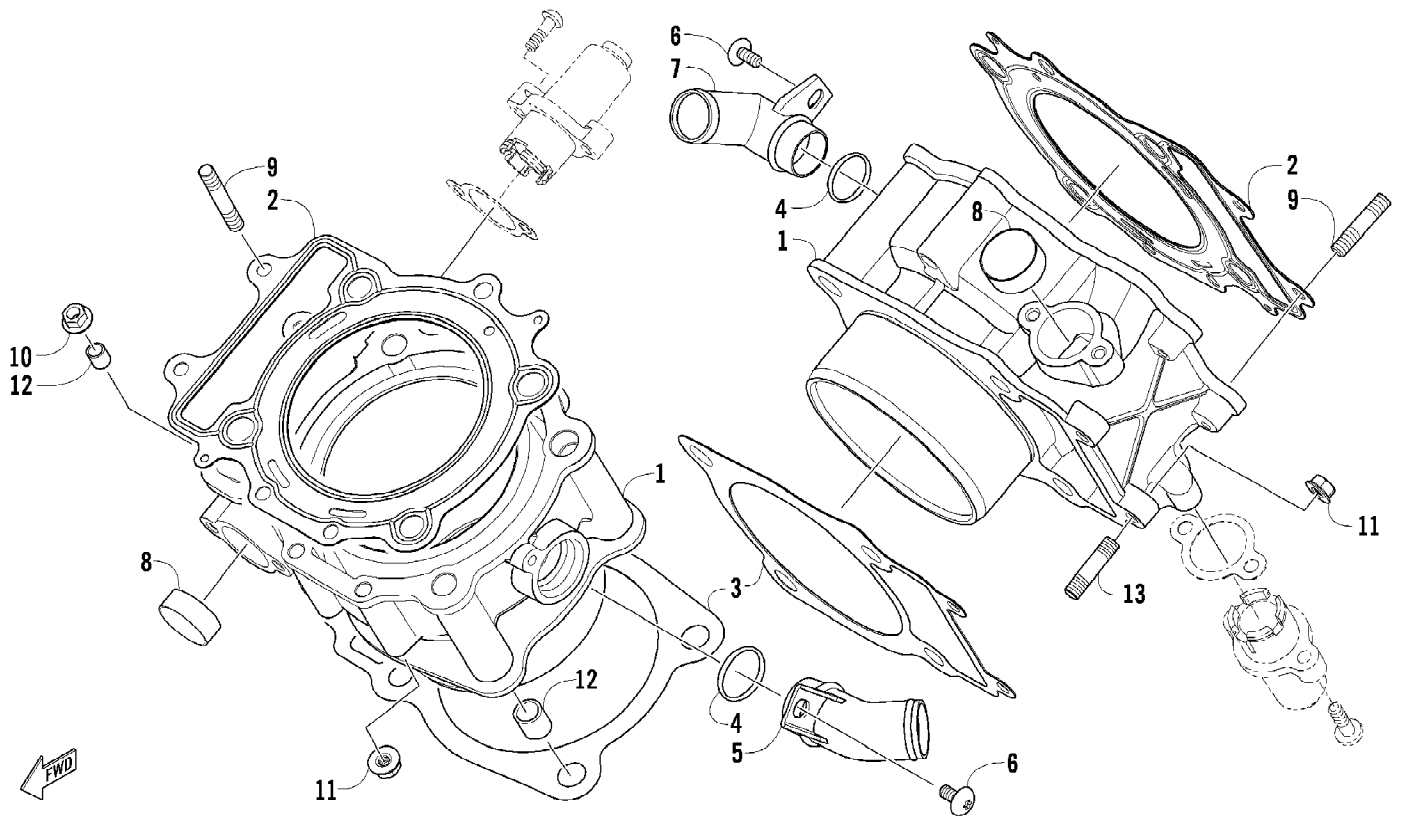




2009 THUNDERCAT EFI 4X4 AUTO FIS SE SILVER (A2009IEW4EUSL)  
CRANKSHAFT AND PISTON ASSEMBLY

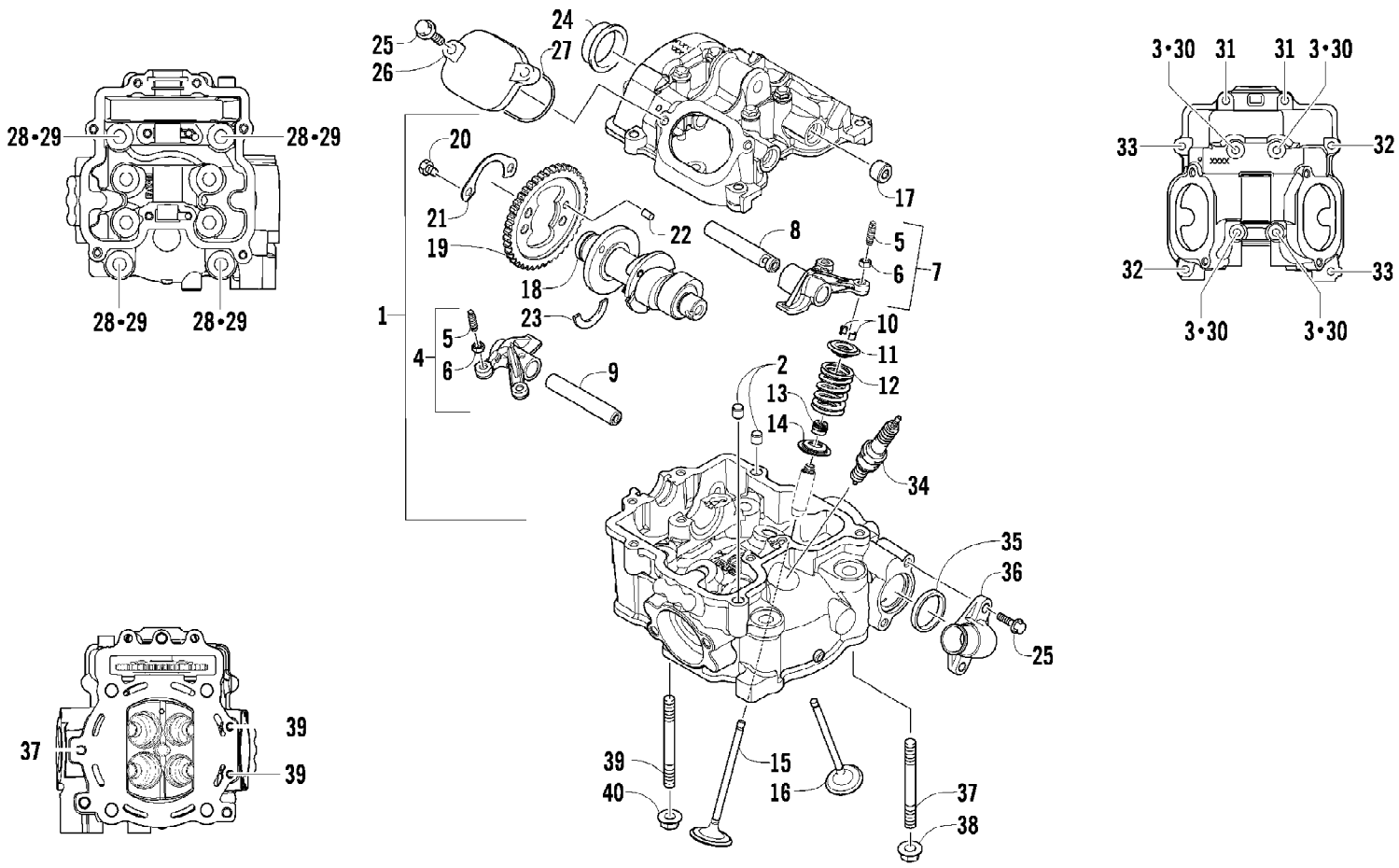
Page 18 of 89

Ref #	Part Number	Qty	S/P/F	Description
1	0805-299	2	/P	Piston Set - Assembly (inc. 2-4)
2	0805-164	2		Ring, Piston - Set
3	0805-199	4		Circlip, Piston Pin
4	0805-198	2		Pin, Piston
5	0805-200	1	S	Crankshaft - Assembly (inc. 6-7)
6	0805-204	1		Pin, Spring
7	0805-201	1		Gear, Crankshaft
8	0805-273	1		Washer, Thrust



Ref #	Part Number	Qty	S/P/F	Description
1	0804-031	2		Cylinder
2	0830-126	2	S	Gasket, Head
3	0830-127	2		Gasket, Base
4	0830-007	2		O-Ring
5	0804-046	1		Union, Coolant Hose
6	8468-612	2		Screw, Machine
7	0804-030	1		Union, Coolant Hose
8	0804-037	2		Plug, Cylinder
9	0827-002	4		Bolt, Stud
10	8424-804	2		Nut
11	8424-604	8		Nut
12	0829-002	8		Pin, Dowel
13	0827-018	4		Bolt, Stud

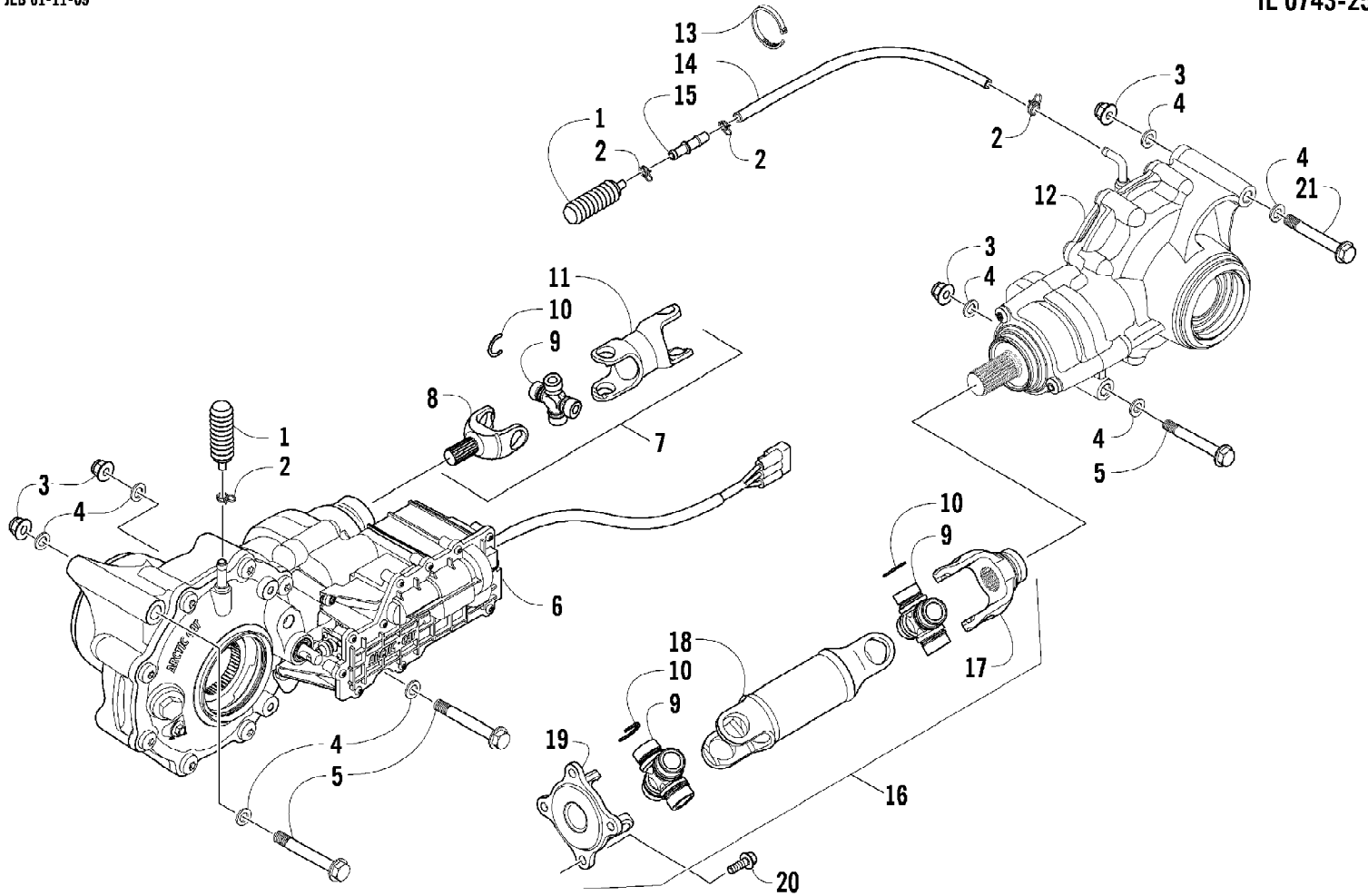
2009 THUNDERCAT EFI 4X4 AUTO FIS SE SILVER (A2009IEW4EUSL)  
CYLINDER HEAD AND CAMSHAFT/VALVE ASSEMBLY



Ref #	Part Number	Qty	S/P/F	Description
1	0808-135	2	S	Head, Cylinder - Assembly (inc. 2-17)
2	0829-001	4	S	Pin, Dowel
3	0826-001	8		Screw, Cap
4	0809-202	2	S	Arm, Valve Rocker - Intake (inc. two No. 5-6)
5	0809-033	8	S	Screw, Adjuster
6	0827-007	8		Nut
7	0809-205	2	S	Arm, Valve Rocker - Exhaust (inc. two No. 5-6)
8	0809-008	2		Shaft, Rocker Arm - Exhaust
9	0809-007	2		Shaft, Rocker Arm - Intake
10	0809-014	16		Cotter, Valve
11	0809-013	8		Retainer, Spring
12	0809-138	8	S	Spring, Valve
13	0830-016	8	S	Seal, Oil
14	0809-006	8		Seat, Spring - Valve
15	0809-040	4	S	Valve, Exhaust
16	0809-039	4	S	Valve, Intake
17	0831-066	4		Plug, Shaft
18	0809-246	1	/P	Camshaft, Front Cylinder
18	0809-210	1	S	Camshaft, Rear Cylinder
19	0809-002	2		Sprocket
20	0826-034	4		Screw, Cap
21	0828-004	2		Plate, Retainer
22	0829-049	2		Pin, Dowel
23	0809-003	2		C-Ring
24	0808-077	2		Plug, Cylinder Head
25	0826-007	12		Screw, Cap
26	0808-003	4		Cap, Inspection
27	0830-167	4	/P	O-Ring
28	0808-090	8		Screw, Cap
29	0830-147	8	/P	Washer
30	0830-107	8		Gasket
31	0826-002	4		Screw, Cap
32	0826-005	4		Screw, Cap
33	0826-006	4		Screw, Cap
34	0217-799	2	/P/F	Spark Plug
35	0830-120	2		Seal
36	0808-008	2		Cover, Thermostat
37	0827-031	2		Bolt, Stud
38	8424-804	2		Nut
39	0827-030	4		Bolt, Stud
40	8424-604	4		Nut

IL 0743-252

JLB 01-11-09



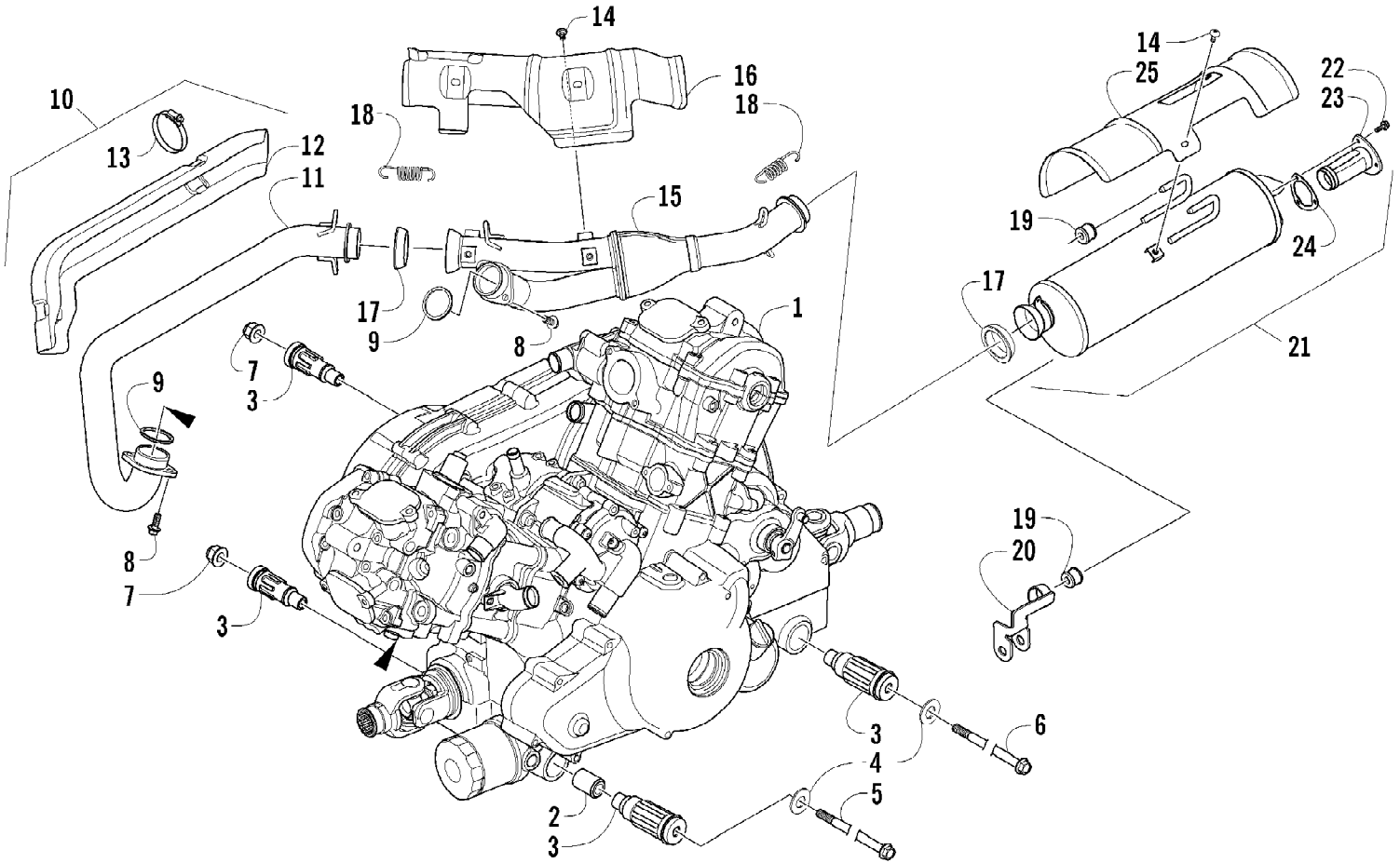
'09 THUNDERCAT

DRIVE TRAIN ASSEMBLY

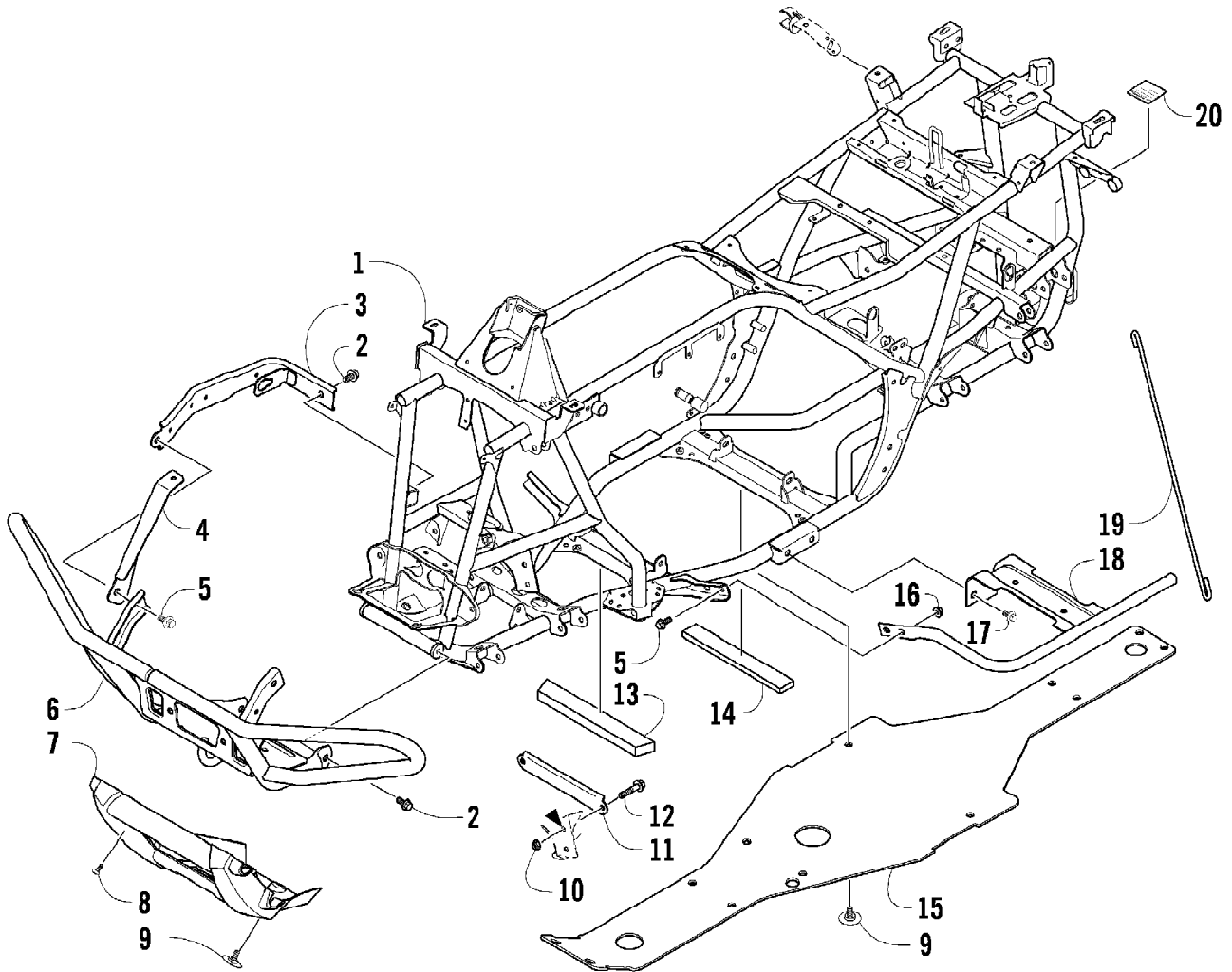
IL 0743-252  
REF. IL 0742-971

Ref #	Part Number	Qty	S/P/F	Description
1	1402-620	2	/P	Bladder, Gearcase
2	0423-315	4		Clamp, Fitting
3	8428-002	4		Nut, Lock
4	0423-426	8		Washer
5	0423-404	3		Screw, Cap
6	1502-395	1		Gearcase, Front
7	1502-342	1	/P	Driveshaft, Front - Assembly (inc. 8, one No. 9, four No. 10, and 11)
8	1402-701	1		Yoke, Slip
9	0402-944	3	/P	Joint, Universal (inc. four No. 10)
10	0423-395	12		Ring, Retaining
11	1502-341	1		Driveshaft, Front
12	1502-403	1		Gearcase, Rear
13	0123-788	AR	/P	Tie, Cable - 8 in.
14	0410-070	AR	/P	Hose, Vent - 25 ft
15	0470-702	1	/P	Fitting, Vent
16	1502-098	1		Driveshaft, Rear - Assembly (inc. two No. 9, eight No. 10, and 17-19)
17	1402-567	1		Yoke, Slip
18	1502-099	1		Driveshaft, Rear
19	1402-689	1		Yoke, Flange
20	8408-820	4	/P	Screw, Cap
21	0423-830	1		Screw, Cap

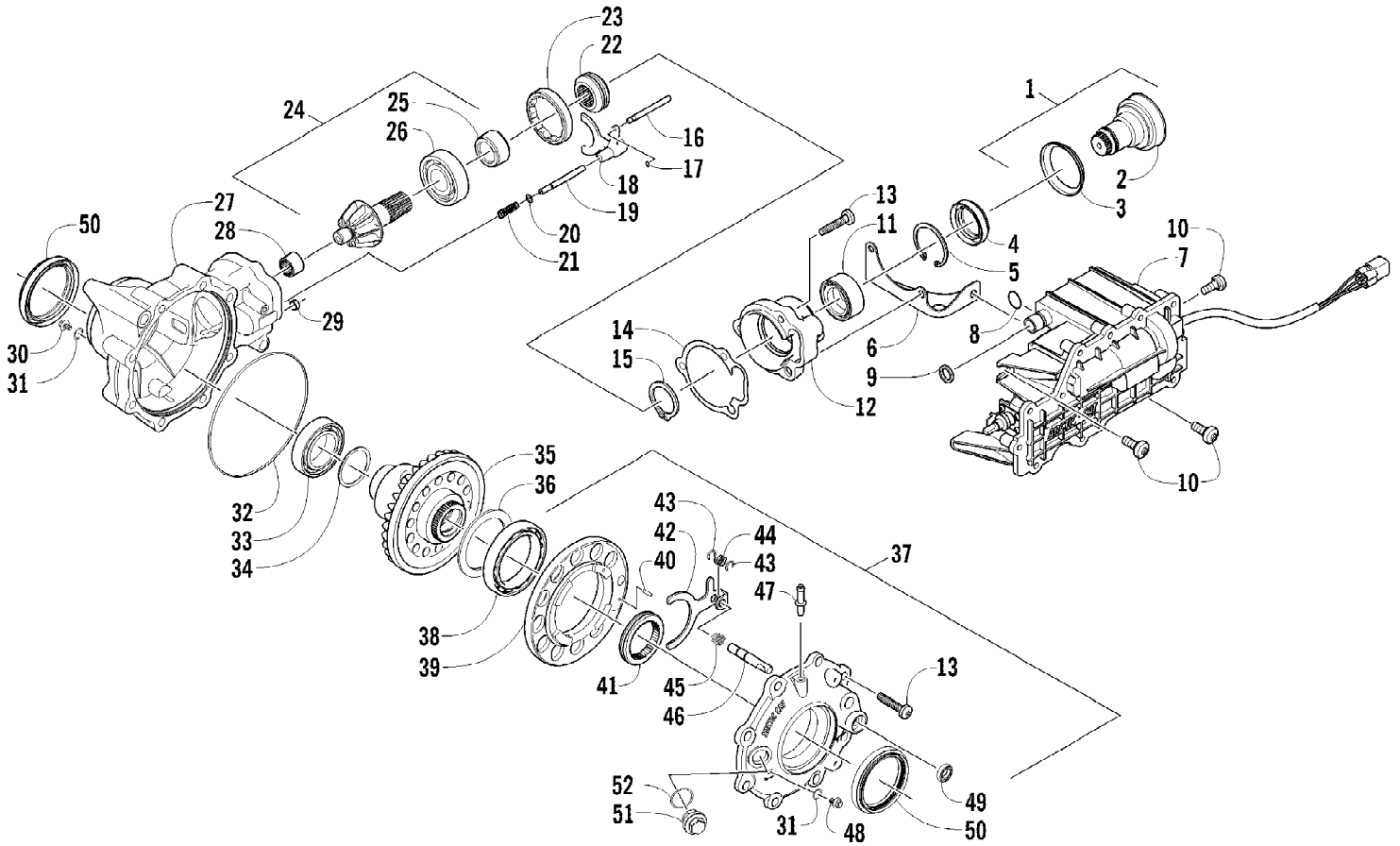




Ref #	Part Number	Qty	S/P/F	Description
1	0800-069	1	S/P	Engine, AGZa (inc. 2-3)
2	0801-128	1		Spacer, Engine Mount
3	0801-091	4		Mount, Engine
4	0423-426	2		Washer
5	0423-734	1		Screw, Cap
6	0423-451	1		Screw, Cap
7	8428-002	2		Nut, Lock
8	8408-820	4	/P	Screw, Cap
9	0412-338	2	/P	Gasket, Exhaust Pipe
10	0512-433	1		Pipe, Exhaust - Assembly (inc. 11-13)
11	0512-349	1		Pipe, Exhaust
12	0412-400	1		Shield, Exhaust Pipe
13	0423-317	2	/P	Clamp
14	8477-610	7		Screw, Machine
15	0512-477	1	/P	Pipe, Exhaust - Rear
16	0412-403	1		Shield, Exhaust Pipe - Rear
17	0412-375	2	/P	Seal, Exhaust Pipe
18	0612-668	4	/P	Spring, Extension
19	0412-215	3	S	Bushing
20	2506-631	1		Channel, Muffler Support
21	0512-355	1	/P	Muffler - Assembly (inc. 22-24)
22	8408-616	3		Screw, Cap
23	0512-219	1	/P	Arrester, Spark - Assembly
24	0412-313	1		Gasket, Spark Arrester
25	0412-373	1	/P	Cover, Muffler
26	0411-426	1		Decal, Warning - Clutch Cover



Ref #	Part Number	Qty	S/P/F	Description
1	2506-094	1		Frame, Main
2	8409-020	4	/P	Screw, Cap
3	2506-813	1		Channel, Mounting - Bumper - Right
3	2506-285	1		Channel, Mounting - Bumper - Left
4	1506-562	1		Bracket, Mounting - Bumper - Right
4	1506-563	1		Bracket, Mounting - Bumper - Left
5	8408-816	6		Screw, Cap
6	1506-855	1	/P	Bumper, Front
7	2406-732	1		Fascia, Bumper - Front
8	0423-419	2		Screw, Machine
9	0423-101	12		Screw, Shoulder
10	0423-744	2		Nut, Lock
11	1506-429	1	S	Brace, A-Arm
12	8409-025	2		Screw, Cap
13	2506-701	1		Pad, Foam
14	0406-289	1		Pad, Foam
15	2406-648	1		Panel, Belly
16	8424-802	4		Nut
17	8409-016	4		Screw, Cap
18	2506-449	1		Footrest - Right
18	1506-379	1		Footrest - Left
19	2506-423	2		Rod, Support
20	1411-077	1		Decal, Warning - Towing

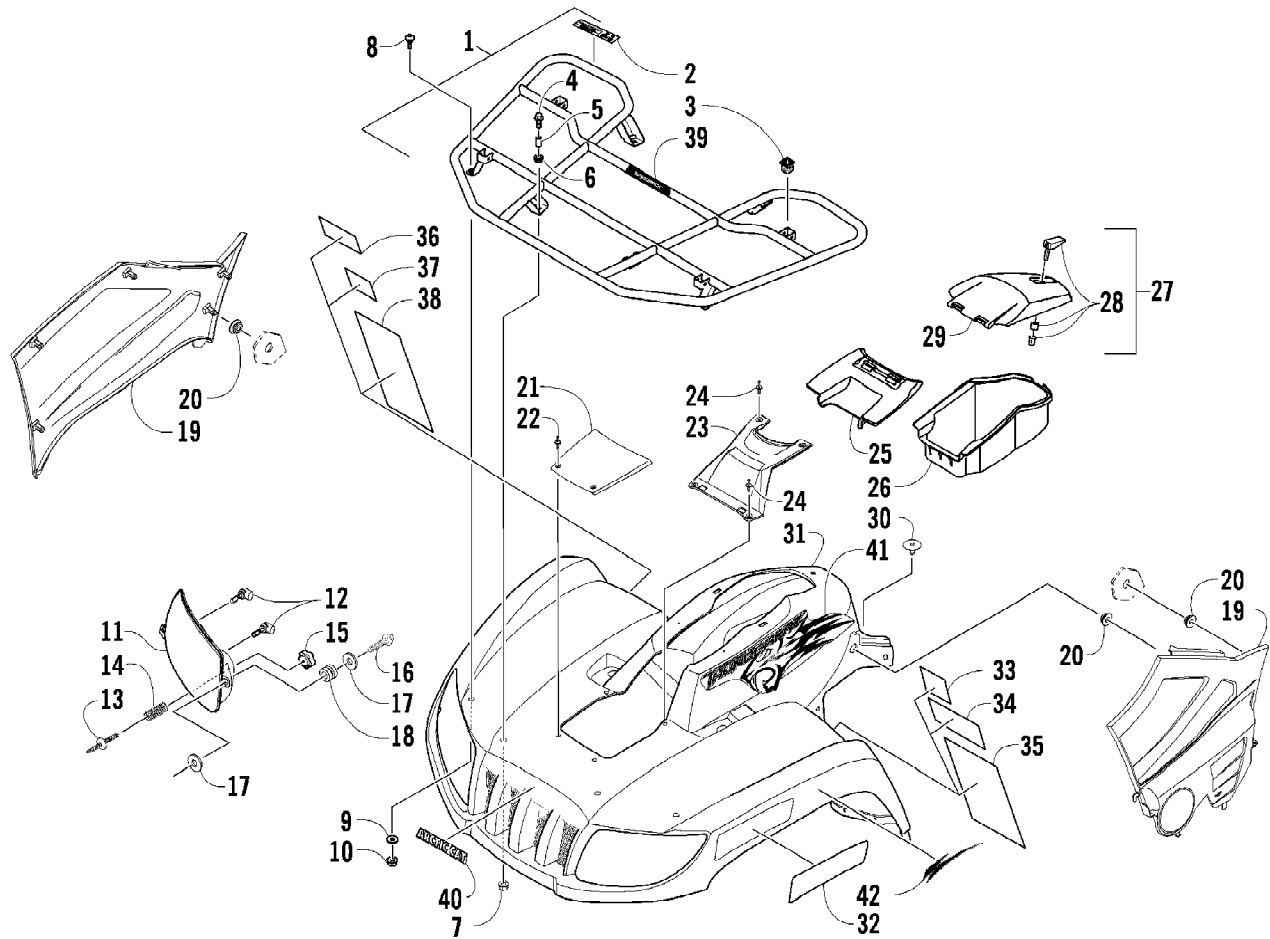


Ref #	Part Number	Qty	S/P/F	Description
	1502-395	1		Complete Front Drive Gearcase Assembly
1	0502-923	1		Shaft, Propeller - Assembly (inc. 2-3)
2	1402-438	1		Shaft, Input
3	1402-168	1		Deflector
4	1402-011	1		Seal
5	0423-423	1		Ring, Retaining
6	1502-237	1		Bracket, Actuator
7	0502-585	1	S	Actuator (inc. 8)
8	1402-981	1		O-Ring
9	0423-892	1	/P	O-Ring
10	0423-396	3		Screw, Self-Tapping
11	1402-043	1		Bearing
12	0502-528	1	/P	Housing, Pinion
13	0423-118	11		Screw, Self-Tapping
14	0402-947	1		Gasket
15	0423-417	1		Ring, Retaining
16	0402-997	1		Shaft, Selector
17	0423-402	1		Ring, Retaining
18	0402-998	1		Fork, Selector
19	0402-417	1		Shaft, Shuttle
20	0423-147	1		O-Ring
21	0402-999	1		Spring, Return
22	0402-413	1		Coupler, Drive
23	0402-357	1		Collar, Lock
24	0502-784	1		Gear, Pinion - Assembly - 11T (inc. 25-26)
25	0402-336	1		Collar, Retaining
26	0402-327	1		Bearing
27	0502-514	1		Housing, Gearcase
28	0402-328	1		Bearing
29	0402-411	1		Pin, Dowel
30	1402-210	1	/P	Plug, Magnetic (inc. one No. 31)
31	0423-153	2		O-Ring
32	0423-149	1		O-Ring
33	0402-393	1		Bearing
34	0402-405	AR		Shim, 41 x 49 x 1.3 mm
34	0402-406	AR		Shim, 41 x 49 x 1.4 mm
34	0402-407	AR		Shim, 41 x 49 x 1.5 mm
34	0402-408	AR		Shim, 41 x 49 x 1.6 mm
34	0402-409	AR		Shim, 41 x 49 x 1.7 mm
35	1502-554	1	/P	Gear, Ring - 34T
36	1402-074	AR		Shim, 61 x 69 x 1.3 mm
36	1402-075	AR		Shim, 61 x 69 x 1.4 mm
36	1402-076	AR		Shim, 61 x 69 x 1.5 mm
36	1402-077	AR		Shim, 61 x 69 x 1.6 mm
36	1402-078	AR		Shim, 61 x 69 x 1.7 mm
37	1502-389	1		Cover, Gearcase (inc. one No. 31, 38-49 and one No. 50)
38	1402-053	1		Bearing
39	0502-413	1		Flange, Bearing
40	1402-079	1		Pin, Alignment
41	1402-042	1		Collar, Sliding
42	1402-054	1		Fork

2009 THUNDERCAT EFI 4X4 AUTO FIS SE SILVER (A2009IEW4EUSL)  
FRONT DRIVE GEARCASE ASSEMBLY

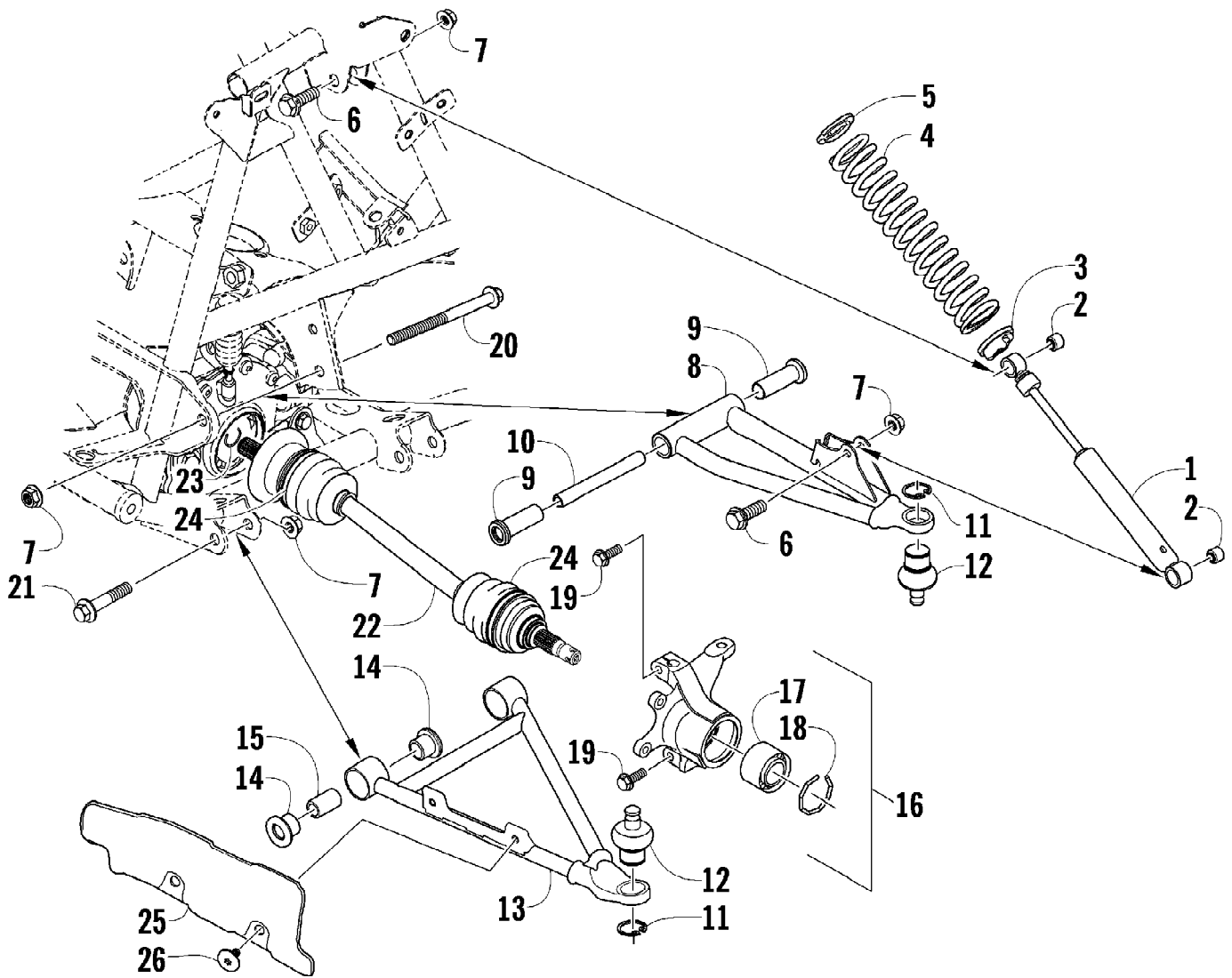
Page 31 of 89

Ref #	Part Number	Qty	S/P/F	Description
43	1402-058	2		Ring, Retaining
44	1402-057	1		Spring
45	1402-063	1		Spring
46	1402-656	1		Shaft, Lock
47	1402-104	1		Fitting
48	1402-211	1		Plug, Oil Level (inc. one No. 31)
49	1402-056	1		Seal
50	1402-713	2	S	Seal
51	0402-333	1	/P	Plug, Fill (inc. 52)
52	0423-154	1		O-Ring

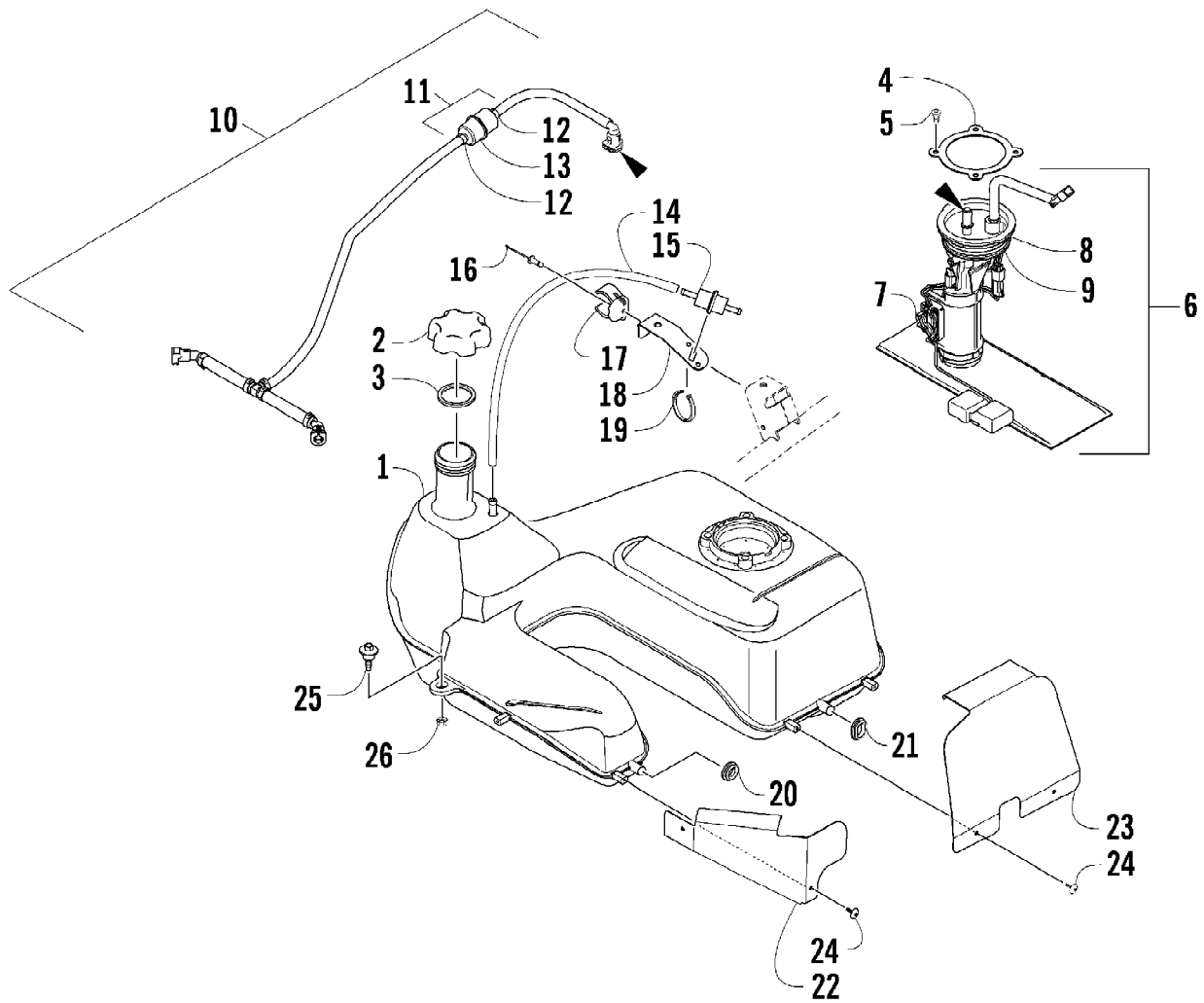




Ref #	Part Number	Qty	S/P/F	Description
1	2506-106	1		Rack, Front - Assembly (inc. 2-3)
2	0411-576	1		Decal, Warning - Load
3	0441-592	4	/P	Bushing, Rack
4	8410-830	4		Screw, Cap
5	0423-669	4		Spacer
6	0423-465	4		Grommet
7	8432-802	4		Nut, Lock
8	0423-654	2		Screw, Shoulder
9	8050-222	2	/P	Washer
10	0423-540	2		Nut, Lock
11	0509-044	1	/P	Headlight Assembly - Right (inc. 12)
11	0509-035	1		Headlight Assembly - Left (inc. 12)
12	0409-055	4		Bulb, Headlight
13	0423-514	2		Stud, Adjuster - Headlight
14	0423-522	2		Spring, Adjuster
15	0423-513	2		Knob, Adjuster
16	0623-785	4		Screw, Self-Tapping
17	8050-217	8	/P	Washer
18	0423-447	4		Grommet
19	2406-588	1		Panel, Side - Lower - Right
19	2406-589	1		Panel, Side - Lower - Left
20	0423-678	9		Grommet
21	1406-358	1		Cover, Access
22	0423-535	2		Rivet, Reinstallable
23	1406-484	1		Cover, Steering Post
24	0623-362	4		Rivet, Reinstallable
25	0470-513	1		Cover, Storage Box
26	1406-573	1		Box, Storage
27	2506-234	1		Lid, Storage Box w/Latch (inc. 28-29)
28	1406-599	1		Latch, Storage Box
29	0470-514	1		Lid, Storage Box
30	0423-101	2		Screw, Shoulder
31	2516-062	1	/P	Panel, Fender - Front (inc. 32-38)
32	0411-818	1		Decal, Reflector - Front - Right
32	0411-819	1		Decal, Reflector - Front - Left
33	1411-804	1	/P	Decal, Warning - Age
34	1411-574	1		Decal, Warning - Off-Road Only
35	1411-932	1	/P	Decal, Warning - General
36	0411-835	1		Decal, Warning - Turn/Hil
37	1411-906	1		Decal, Warning - Throttle
38	1411-250	1		Decal, Warning - Reverse/Pre-Ride
39	1411-050	1	/P	Decal, "Speedrack"
40	1411-817	1		Decal, Front
41	1411-818	1		Decal, Side - Upper Right
41	1411-819	1		Decal, Side - Upper Left
42	1411-820	1		Decal, Side Fender - Front - Right
42	1411-821	1		Decal, Side Fender - Front - Left



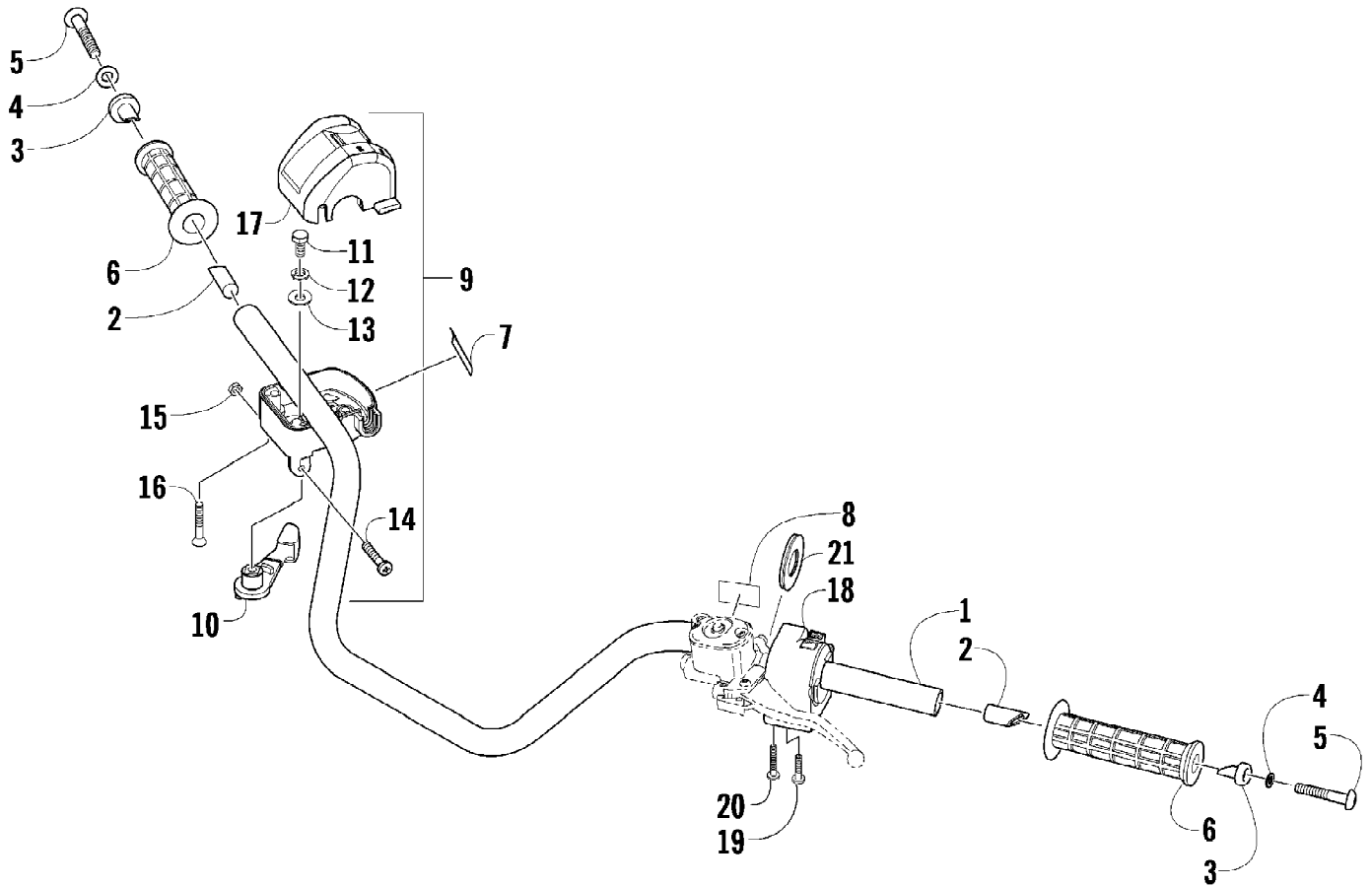
Ref #	Part Number	Qty	S/P/F	Description
1	0403-188	2		Shock Absorber (inc. 2)
2	0403-182	4		Bushing
3	0403-102	2		Cam, Spring Adjuster
4	0503-346	2		Spring, Suspension
5	1603-889	2	/P	Retainer, Spring
6	8409-040	4		Screw, Cap
7	0423-744	10		Nut, Lock
8	0503-364	1		A-Arm, Upper Right (inc. 9-12)
8	0503-365	1		A-Arm, Upper Left (inc. 9-12)
9	0403-081	4	S	Bushing
10	0403-080	2		Axle
11	0423-009	4	/P	Ring, Retaining
12	0405-115	4	/P	Ball Joint - Front
13	0503-342	1	S	A-Arm, Lower Right (inc. 14-15 and one No. 11-)
13	0503-343	1	S	A-Arm, Lower Left (inc. 14-15 and one No. 11-12)
14	0403-115	8	S	Bushing
15	0403-114	4	S	Axle
16	0505-506	1		Knuckle - Assembly - Right (inc. 17-18)
16	0505-507	1	S	Knuckle - Assembly - Left (inc. 17-18)
17	1402-027	2	S/P	Bearing
18	0423-423	2		Ring, Retaining
19	8409-030	4		Screw, Cap
20	0423-334	2		Screw, Cap
21	8409-075	4		Screw, Cap
22	1502-344	1	S/P	Axle, Drive - Front - Right (inc. 23-24)
22	1502-345	1	S	Axle, Drive - Front - Left (inc. 23-24)
23	0423-844	2	/P	Ring, Retaining
24	0436-276	2	S	Repair Kit, Boot - Front Axle
25	1441-084	1		Guard, Boot - Right
25	1441-085	1		Guard, Boot - Left
26	0423-545	4	/P	Screw, Shoulder



Ref #	Part Number	Qty	S/P/F	Description
1	0570-159	1		Tank, Gas - Assembly (inc. 2-5 and one No. 9)
2	0470-438	1	/P	Cap, Gas Tank (inc. 3)
3	0109-733	1	/P	Gasket, Gas Tank Cap
4	0470-606	1		Plate, Mounting - Fuel Pump
5	8476-612	4		Screw, Machine
6	0570-271	1	/P	Pump, Fuel - Assembly (inc. 7-9)
7	0570-252	1	/P	Sensor, Fuel Level - Kit (inc. 8-9)
8	0470-614	1		Seal, Fuel Pump
9	0470-613	1		Seal, Fuel Pump
10	0570-244	1	/P	Hose, Gasline - Assembly (inc. 11-13)
11	0570-246	1		Filter, Fuel - Kit (inc. 12-13)
12	0	2	F	Clamp, Hose
13	0	1	F	Filter, Fuel
14	0410-070	AR	/P	Hose, Gasline - 25 ft
15	0510-335	1	/P	Filter, In-Line
16	8060-628	1		Rivet
17	1670-826	1		Bracket, Fuel Filter
18	0470-827	1		Bracket, Filter Mounting
19	0123-788	AR	/P	Tie, Cable - 8 in.
20	0423-460	1		Grommet
21	0423-806	1		Grommet
22	0470-709	1		Shield, Heat - Front
23	0470-710	1		Shield, Heat - Rear
24	0623-797	4		Screw, Self-Tapping
25	0423-732	2		Screw, Shoulder
26	0623-038	1		Nut w/Washer

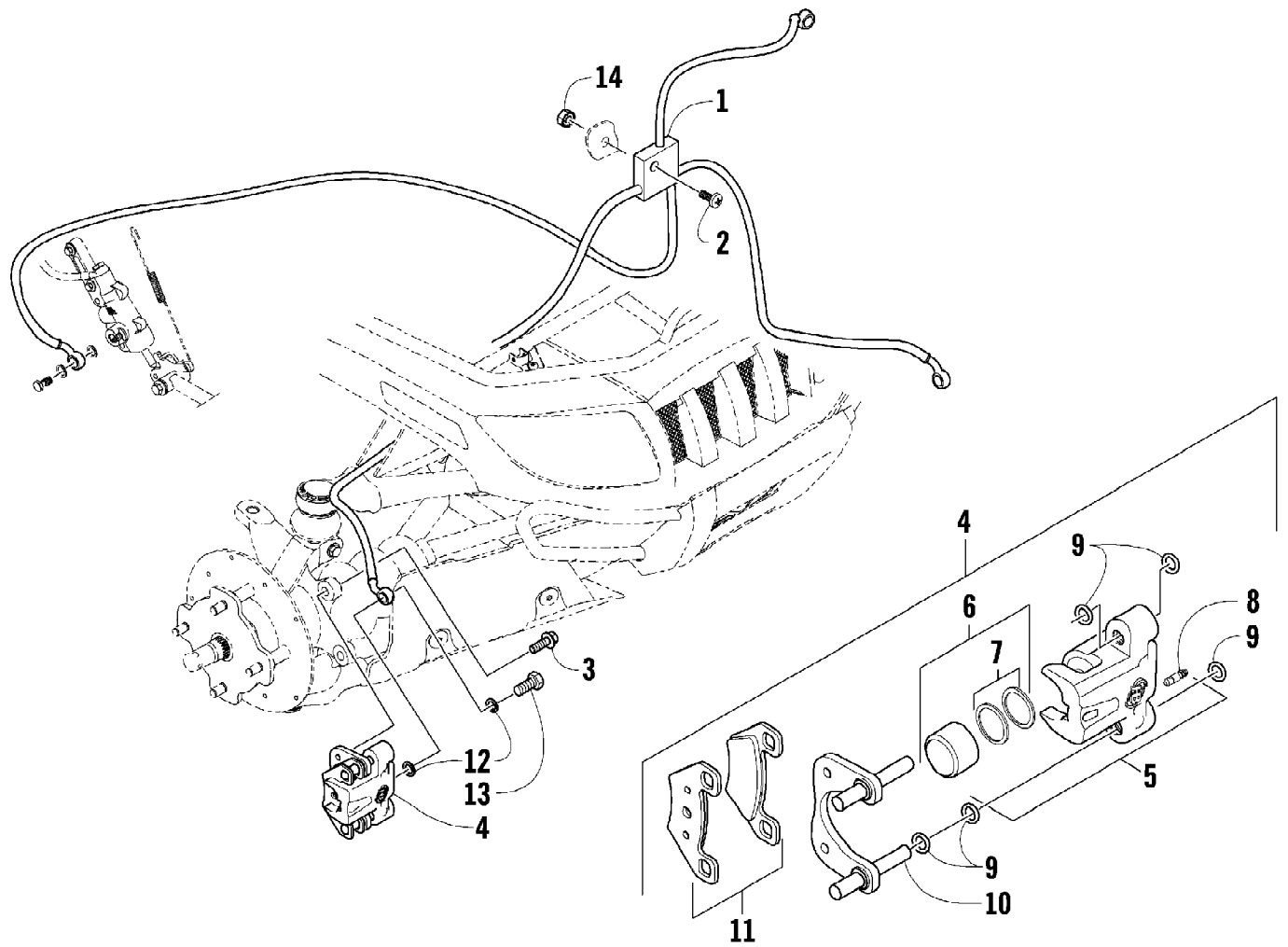


Ref #	Part Number	Qty	S/P/F	Description
1	8470-520	2		Screw, Machine
2	0409-091	1		Switch, Gear Shift Position
3	0818-013	2		Contact
4	0818-017	2		Spring
5	0828-040	1		Washer
6	0818-046	1		Shaft, Gear Shift - Assembly
7	0828-095	2		Washer, Thrust
8	0832-052	1	/P	Bearing, Thrust
9	0818-055	1		Cam, Gear Shift
10	0826-006	1		Screw, Cap
11	0828-036	2		Washer
12	0831-010	2		Ring, Retaining
13	0818-007	1	/P	Shaft, Sub-Gear Shift
14	0818-014	1		Arm, Shift
15	8468-620	1	/P	Screw, Machine
16	0828-038	1		Washer
17	0818-002	1		Stopper, Cam
18	0818-004	1		Support, Cam Stopper
19	0818-090	1		Spring
20	0828-035	1		Washer
21	8424-602	1	/P	Nut
22	0818-072	2	/P	Fork, Shift
23	0818-006	1		Shaft, Shift Fork

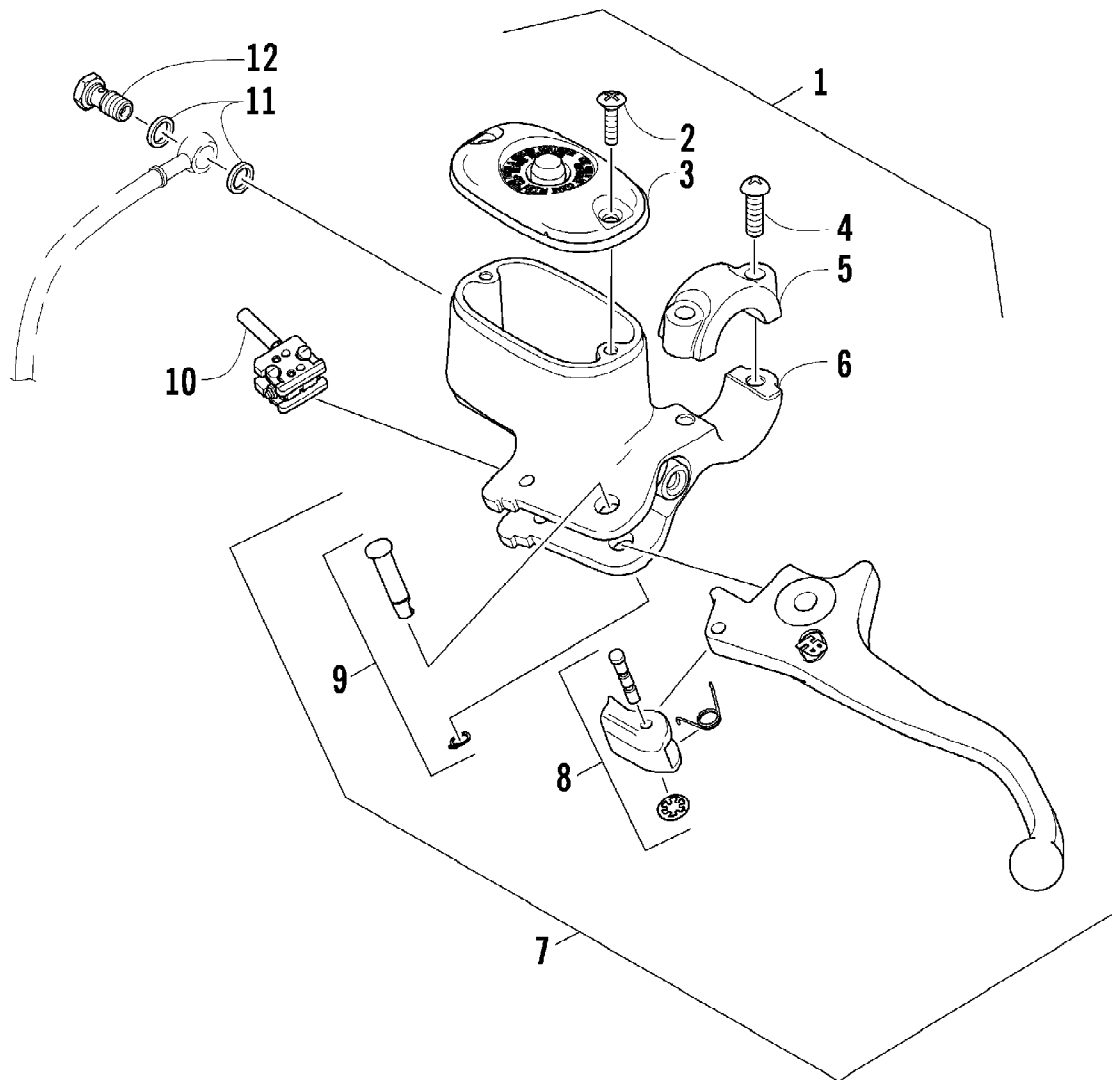




Ref #	Part Number	Qty	S/P/F	Description
1	0505-418	1	/P	Handlebar
2	0405-218	2		Plug, Handlebar
3	0405-149	2		End Cap, Handlebar
4	8050-247	2	/P	Washer
5	8477-845	2		Screw, Machine
6	0405-147	2		Grip, Handlebar
7	0411-966	1		Decal, Warning - Differential Lock
8	1411-865	1		Decal, Warning - Brake Lever Lock
9	0509-045	1		Case, Throttle - Assembly (inc. 10-17)
10	3409-001	1		Lever
11	3004-533	1	S/P	Screw, Cap
12	3004-447	1	/P	Washer, Lock
13	3003-030	1	/P	Washer
14	3423-014	1		Screw, Machine
15	3423-327	1		Nut
16	3423-199	2		Screw, Machine
17	0409-119	1		Cover, Throttle Case w/Switch
18	0509-014	1		Switch, Control - Assembly (inc. 19-21)
19	0409-027	1		Screw, Machine
20	0409-028	1		Screw, Machine
21	3409-019	1		Cover, Switch Housing



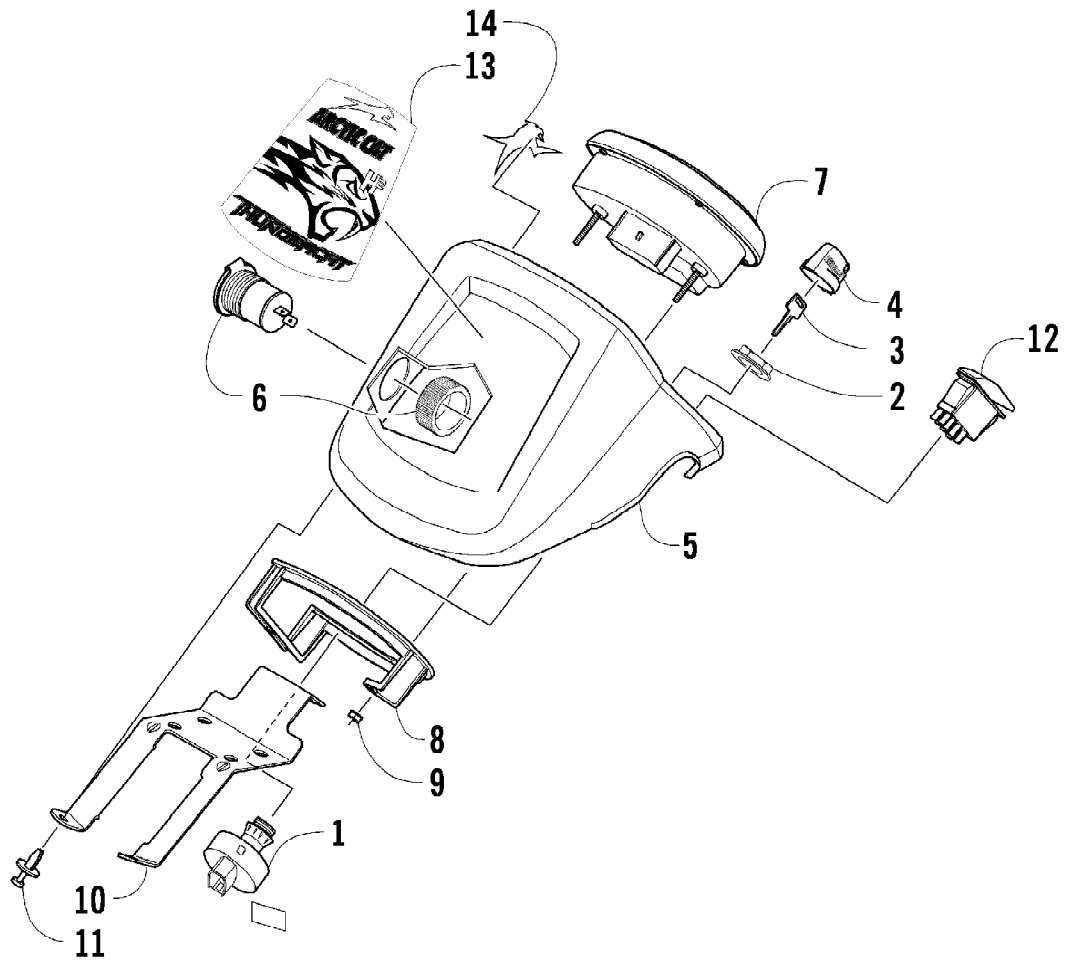
Ref #	Part Number	Qty	S/P/F	Description
1	1502-015	1		Hose, Brake - Assembly
2	8476-625	1		Screw, Machine
3	8408-821	4	/P	Screw, Cap
4	1436-162	1	S/P	Caliper, Brake - Right Front (inc. 5-11 and two No. 3)
4	1436-163	1		Caliper, Brake - Left Front (inc. 5-11 and two No. 3)
5	1436-160	1	/P	Housing, Caliper - Assembly - Right Front (inc. 6-8)
5	1436-161	1	/P	Housing, Caliper - Assembly - Left Front (inc. 6-8)
6	0502-606	2		Piston/Seal Set (inc. 7)
7	0502-607	2		Seal Set
8	0502-609	2	/P	Valve, Bleed
9	0502-608	2		O-Ring, Guide - Set
10	0502-605	2		Bracket Assembly
11	1436-165	2	S	Pad, Brake - Set
12	0423-178	4		Washer, Crush
13	0423-413	2		Bolt, Banjo-Fitting
14	0623-038	1		Nut w/Washer



2009 THUNDERCAT EFI 4X4 AUTO FIS SE SILVER (A2009IEW4EUSL)  
HYDRAULIC HAND BRAKE ASSEMBLY

Page 45 of 89

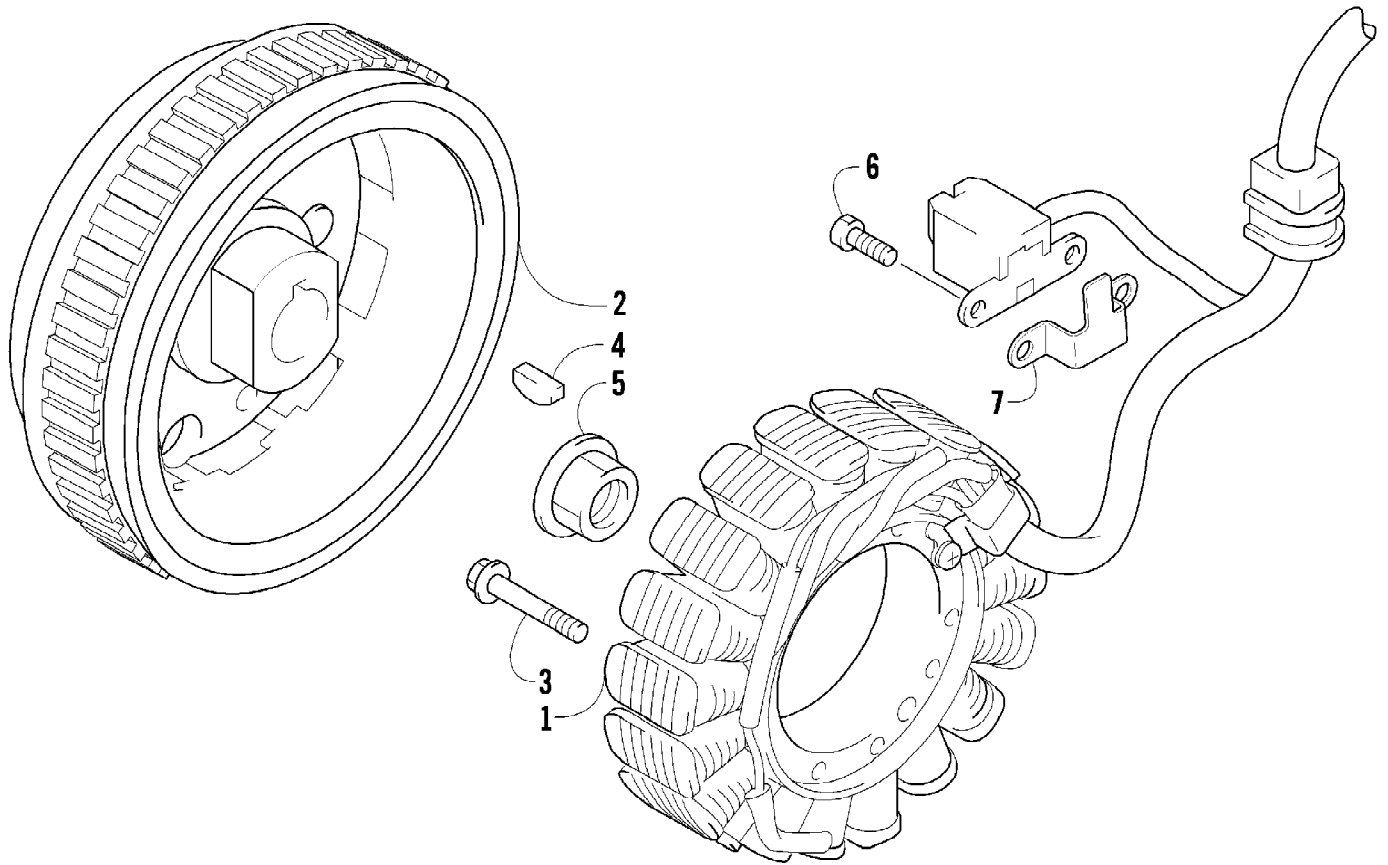
Ref #	Part Number	Qty	S/P/F	Description
1	0502-914	1	S	Brake Assembly (inc. 2-10)
2	0502-566	1		Screw, Machine - Kit
3	0502-868	1	/P	Cover, Reservoir
4	0502-568	1		Screw, Machine - Kit
5	0502-869	1		Clamp, Master Cylinder
6	0502-704	1		Master Cylinder Assembly
7	0502-866	1		Lever Assembly - Kit (inc. 8-9)
8	0502-867	1	/P	Lock, Brake Lever - Kit
9	0502-580	1		Lever Pin - Kit
10	0502-564	1	/P	Switch, Brake
11	0423-178	2		Washer, Crush
12	0423-413	1		Bolt, Banjo-Fitting



2009 THUNDERCAT EFI 4X4 AUTO FIS SE SILVER (A2009IEW4EUSL)  
INSTRUMENT POD ASSEMBLY

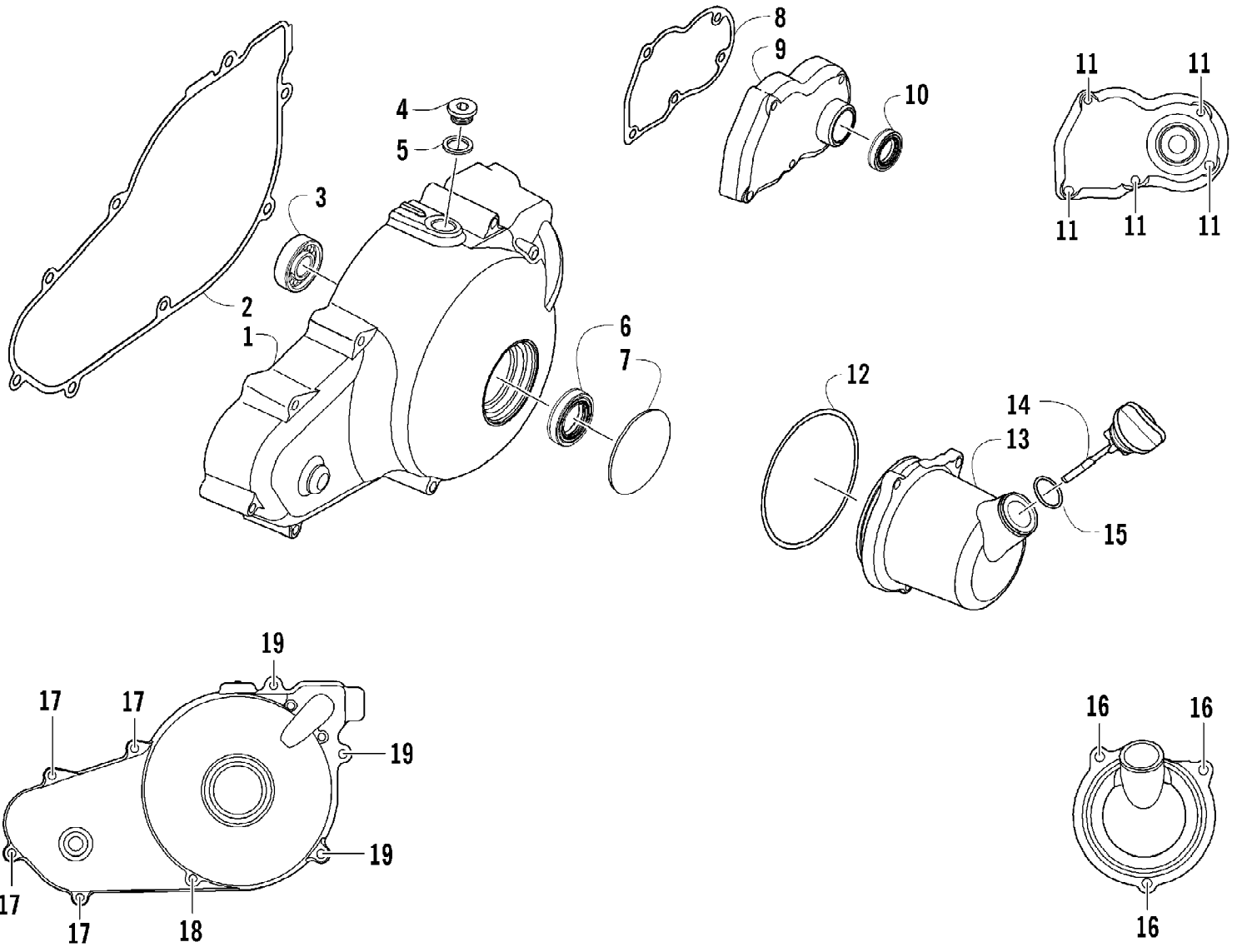
Page 47 of 89

Ref #	Part Number	Qty	S/P/F	Description
1	0430-090	1	/P	Switch, Ignition - Assembly (inc. 2-4)
2	0430-050	1		Nut, Retaining
3	0430-042	1	F	Key, Ignition
3	0430-043	1	F	Key, Ignition
4	0430-054	1		Cover, Key
5	0505-550	1		Instrument Pod
6	0641-897	1	/P	Outlet, Accessory - 12V
7	0520-051	1		Speedometer/Tachometer
8	0420-065	1	/P	Bracket, Retaining
9	0423-493	2		Nut w/Washer
10	2506-470	1		Bracket, Mounting - Instrument Pod
11	0423-535	2		Rivet, Reinstallable
12	0409-120	1		Switch, Differential Lock
13	1411-824	1		Decal, Instrument Pod
14	8611-267	1		Decal, Aircat





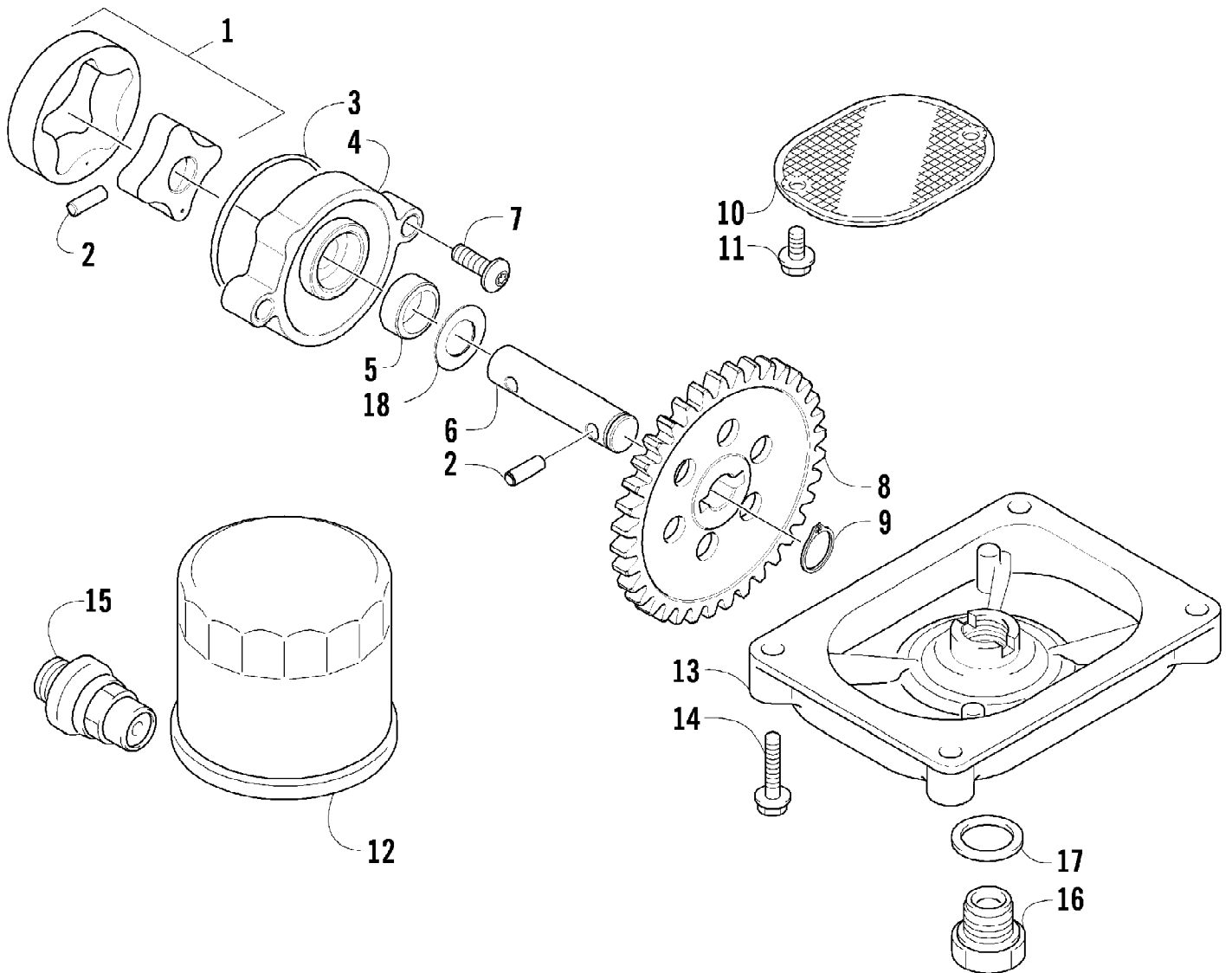
Ref #	Part Number	Qty	S/P/F	Description
1	0802-041	1		Stator - Assembly
2	0802-042	1		Rotor/Flywheel
3	0826-102	3		Screw, Machine
4	0829-012	1		Key
5	0827-010	1		Nut
6	8470-510	4		Screw, Machine
7	0831-064	1		Clamp



2009 THUNDERCAT EFI 4X4 AUTO FIS SE SILVER (A2009IEW4EUSL)  
MAGNETO SIDE ENGINE COVERS

Page 51 of 89

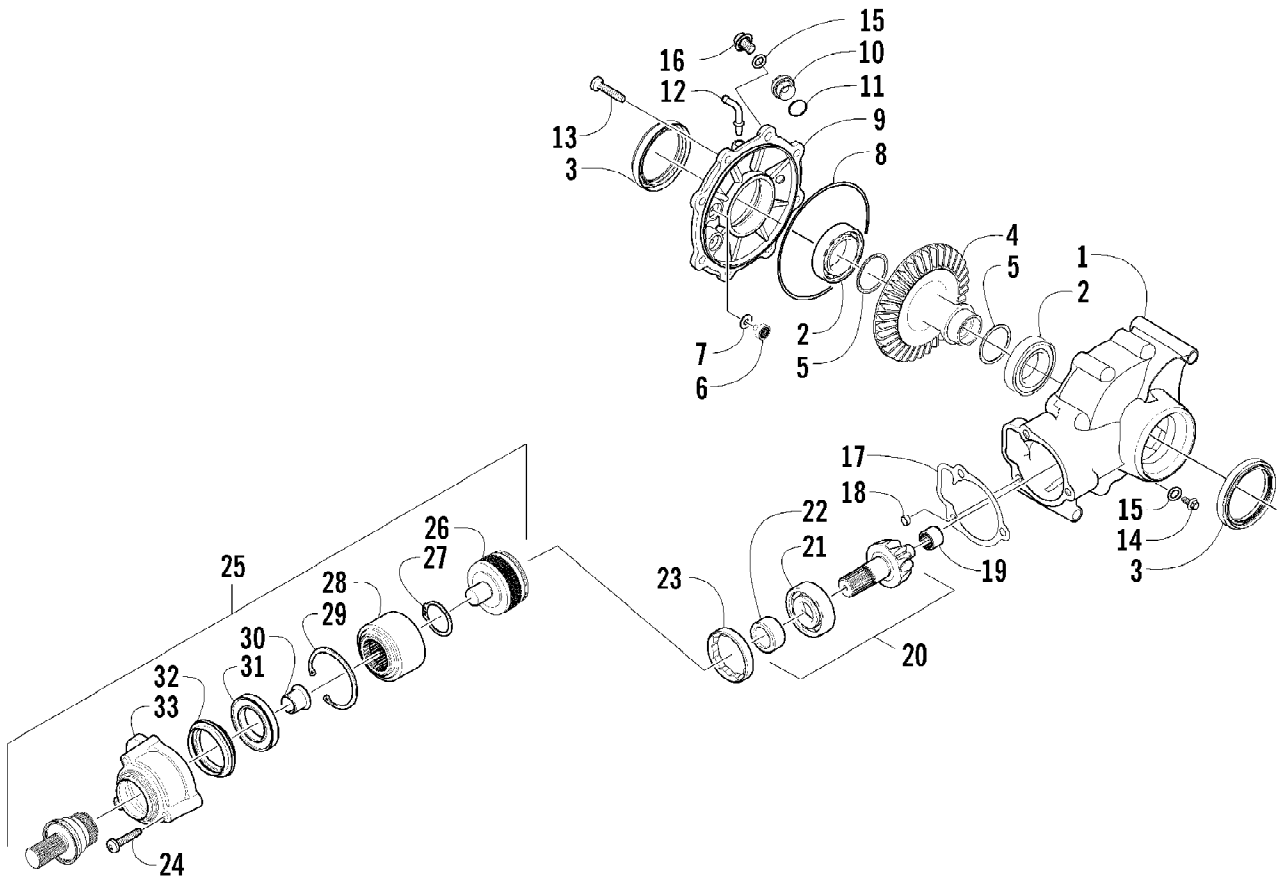
Ref #	Part Number	Qty	S/P/F	Description
1	0806-062	1		Cover, Magneto
2	0830-132	1		Gasket, Magneto Cover
3	0832-060	1		Bearing
4	0806-022	1		Plug, Check
5	0830-015	1		Washer, Crush
6	0830-176	1	/P	Seal, Cap
7	0806-066	1		Cap, Magneto Cover
8	0830-161	1		Gasket, Gear Shift Cover
9	0818-070	1		Cover, Gear Shift
10	0830-044	1		Seal, Gear Shift Cover
11	8468-630	5		Screw, Machine
12	0830-162	1		O-Ring, Oil Filler Cover
13	0801-081	1		Cover, Oil Filler
14	0801-073	1		Stick, Oil Level (inc. 15)
15	0830-010	1		O-Ring
16	8468-620	3	/P	Screw, Machine
17	8468-650	4		Screw, Machine
18	8468-695	1		Screw, Machine
19	8468-665	3		Screw, Machine



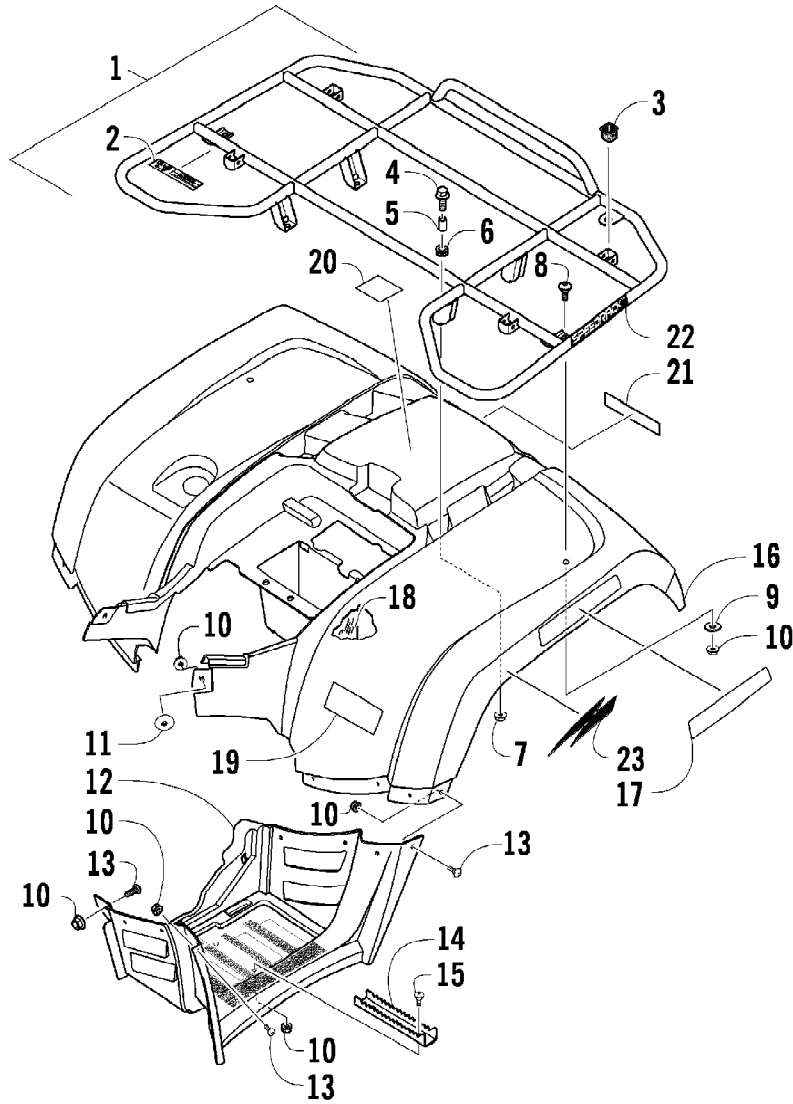
2009 THUNDERCAT EFI 4X4 AUTO FIS SE SILVER (A2009IEW4EUSL)  
OIL FILTER/PUMP ASSEMBLY

Page 53 of 89

Ref #	Part Number	Qty	S/P/F	Description
1	0812-041	1		Gerotor - Set
2	0829-009	2		Pin, Dowel
3	0812-048	1		O-Ring
4	0812-040	1		Housing, Oil Pump
5	0812-047	1		Seal, Oil Pump
6	0812-046	1		Shaft, Oil Pump
7	8468-620	2	/P	Screw, Machine
8	0812-045	1		Gear, Driven
9	0831-002	1		Ring, Retaining
10	0812-057	1	/P	Strainer, Oil
11	0826-040	2		Screw, Machine
12	0812-029	1	S	Filter, Oil
13	0812-053	1		Cap, Oil Strainer
14	8468-625	4		Screw, Machine
15	0812-052	1		Valve, Oil-Relief - Assembly
16	0812-006	1		Plug, Drain
17	0830-017	1		Gasket, Drain Plug
18	0828-007	1	/P	Shim



Ref #	Part Number	Qty	S/P/F	Description
	1502-403	1		Complete Rear Drive Gearcase Assembly
1	1502-317	1		Housing, Gearcase
2	0402-393	2		Bearing
3	1402-713	2	S	Seal
4	1402-033	1		Gear, Ring - 34T
5	0402-405	AR		Shim
5	0402-406	AR		Shim
5	0402-407	AR		Shim
5	0402-408	AR		Shim
5	0402-409	AR		Shim
6	0402-326	1		Button, Thrust
7	0402-429	AR		Shim
7	0402-430	AR		Shim
7	0402-431	AR		Shim
7	0402-432	AR		Shim
7	0402-433	AR		Shim
8	0423-149	1		O-Ring
9	1502-082	1		Cover, Gearcase
10	0402-333	1	/P	Plug, Fill (inc. 11)
11	0423-154	1		O-Ring
12	1402-102	1		Fitting
13	0423-118	8		Screw, Self-Tapping
14	0402-450	1	S	Plug, Magnetic (inc. one No. 15)
15	0423-153	2		O-Ring
16	1402-211	1		Plug, Oil Level (inc. one No. 15)
17	0402-947	1		Gasket
18	0402-411	1		Pin, Dowel
19	0402-328	1		Bearing
20	0502-784	1		Gear, Pinion - Assembly - 11T (inc. 21-22)
21	0402-327	1		Bearing
22	0402-336	1		Collar, Retaining
23	0402-331	1		Collar, Lock
24	0423-834	3		Screw, Self-Tapping
25	1502-284	1		Shaft, Input (inc. 26-33)
26	1502-287	1		Cartridge, Clutch - Assembly
27	0423-799	1		Ring, Retaining - External
28	1402-682	1		Basket, Clutch
29	0423-798	1		Ring, Retaining - Internal
30	1402-678	1		Bearing, Flange
31	1402-677	1		Bearing
32	1402-687	1		Seal
33	1502-285	1		Housing, Input

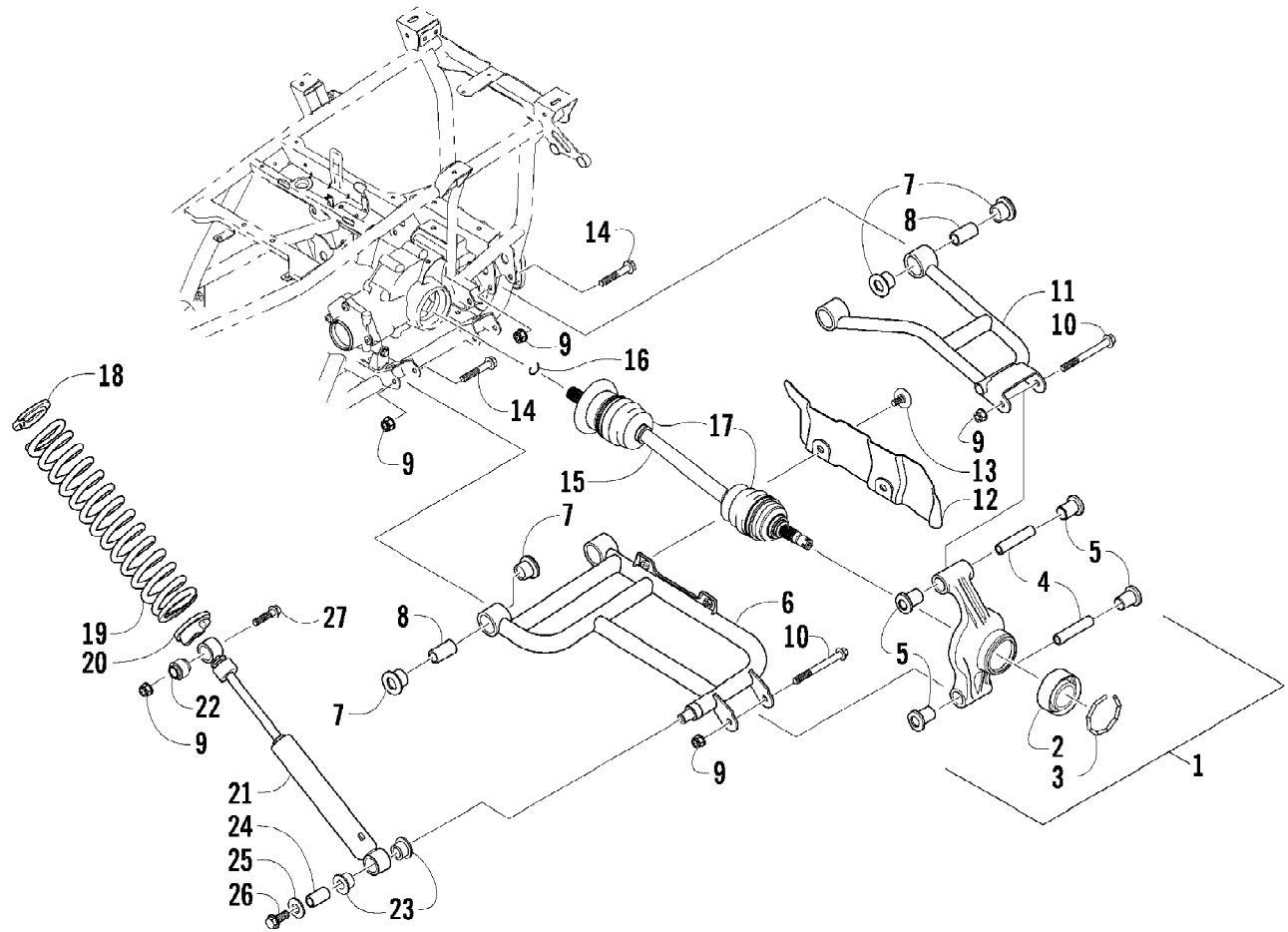




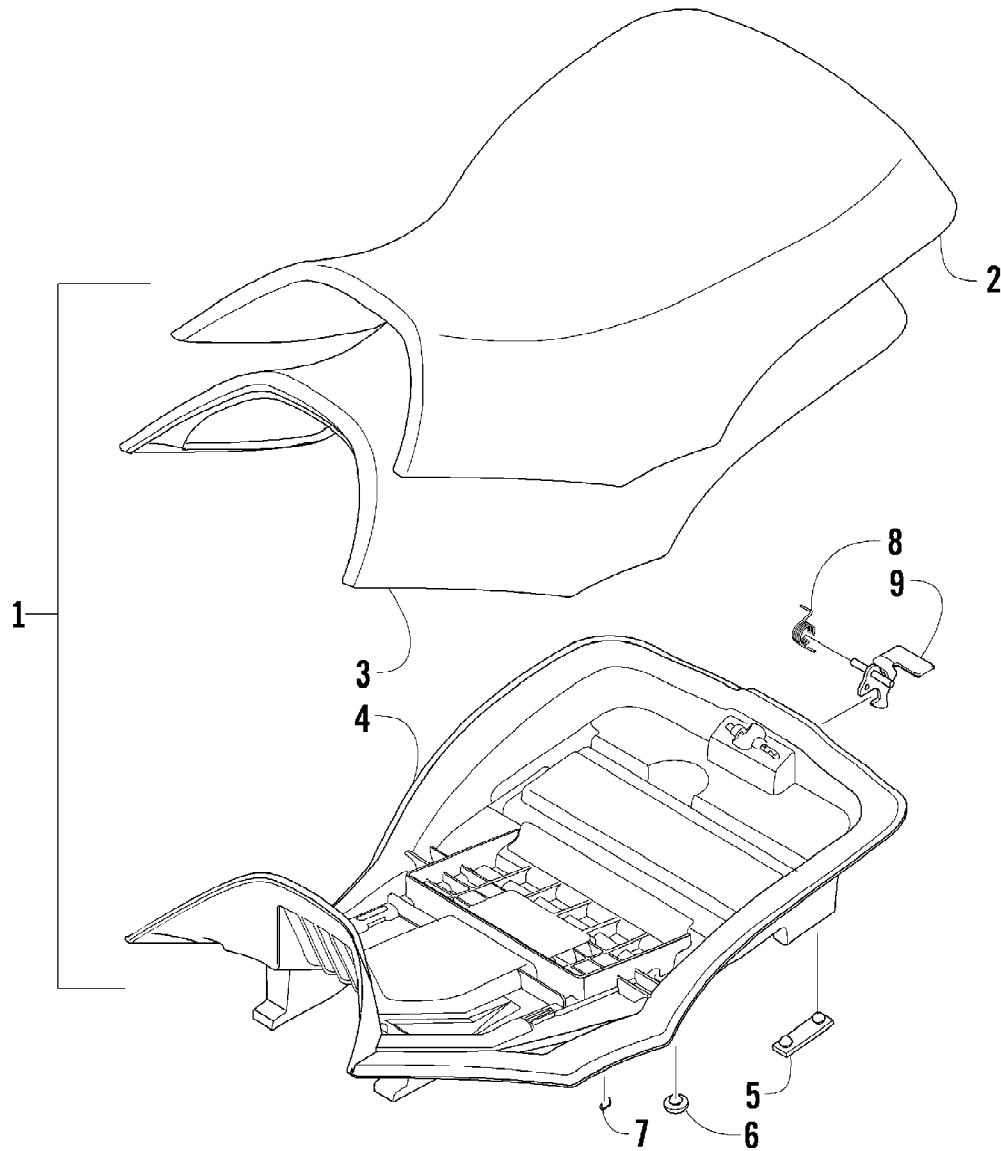
2009 THUNDERCAT EFI 4X4 AUTO FIS SE SILVER (A2009IEW4EUSL)  
REAR RACK, BODY PANEL, AND FOOTWELL ASSEMBLIES

Page 57 of 89

Ref #	Part Number	Qty	S/P/F	Description
1	2506-125	1		Rack, Rear - Assembly (inc. 2-3)
2	0411-648	1		Decal, Warning - Load
3	0441-592	4	/P	Bushing, Rack
4	8410-830	4		Screw, Cap
5	0423-669	4		Spacer
6	0423-465	4		Grommet
7	8432-802	4		Nut, Lock
8	0423-654	2		Screw, Shoulder
9	8050-222	2	/P	Washer
10	0423-540	26		Nut, Lock
11	0423-101	2		Screw, Shoulder
12	2506-450	1		Footwell - Right
12	1406-519	1		Footwell - Left
13	0423-419	18		Screw, Machine
14	1506-125	2	/P	Footpeg
15	0423-355	4		Screw, Shoulder
16	2516-078	1	/P	Panel, Fender - Rear (inc. 17-21)
17	1411-592	1	/P	Decal, Reflector - Rear - Right
17	1411-593	1	/P	Decal, Reflector - Rear - Left
18	0470-658	1		Foil, Protective
19	1411-806	1	S	Decal, Warning - Tire Pressure
20	1411-809	1	/P	Decal, Passenger
21	1411-817	1		Decal, Rear
22	0411-965	2		Decal, "Speedrack"
23	1411-822	1		Decal, Side Fender - Rear - Right
23	1411-823	1		Decal, Side Fender - Rear - Left



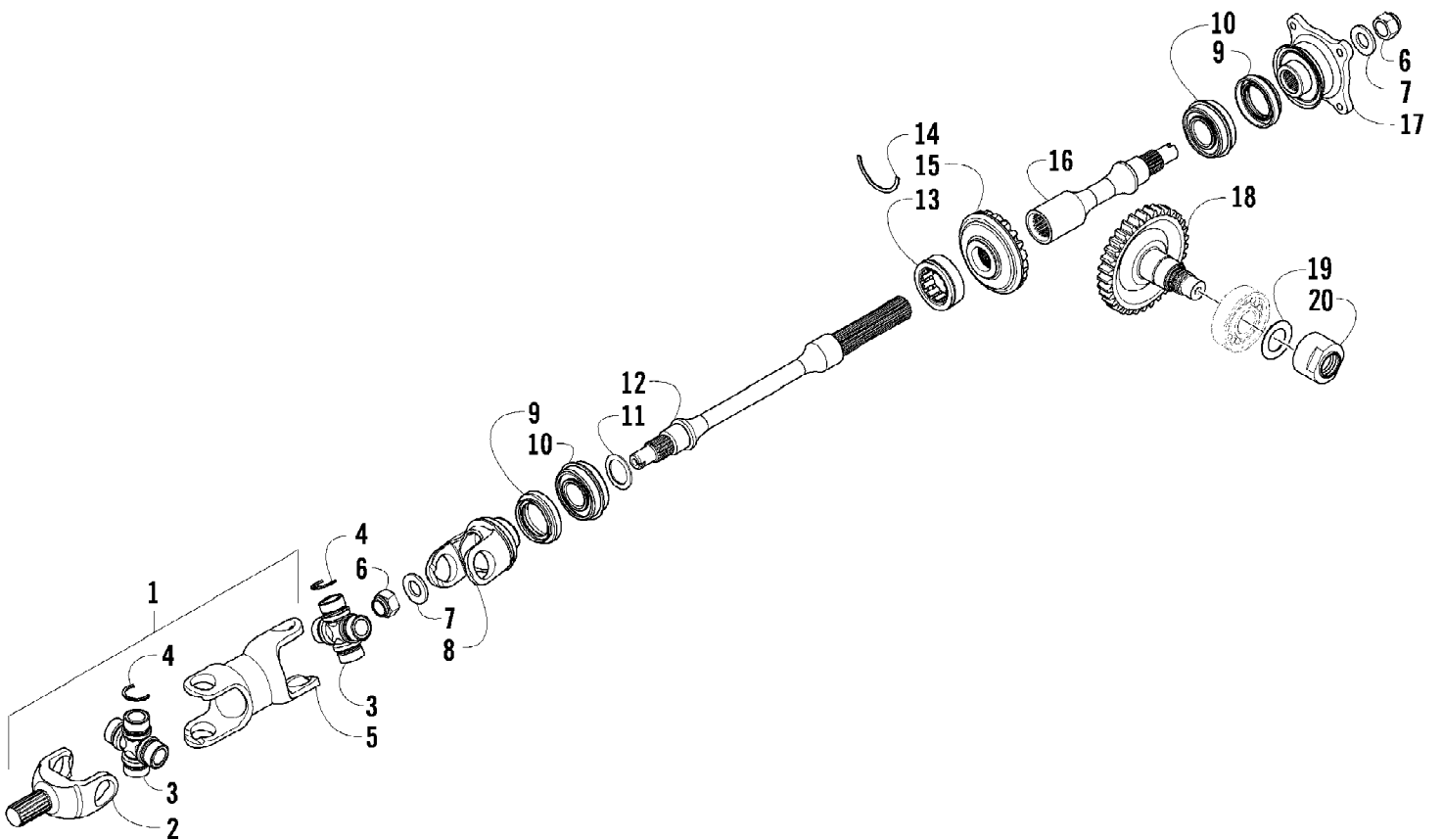
Ref #	Part Number	Qty	S/P/F	Description
1	0504-493	1	S	Knuckle, Right Rear - Assembly (inc. 2-5)
1	0504-389	1	S	Knuckle, Left Rear - Assembly (inc. 2-5)
2	1402-027	2	S/P	Bearing
3	0423-423	2		Ring, Retaining
4	0403-038	4	S/P	Axle
5	0403-032	8	S	Bushing
6	0504-526	1	S	A-Arm, Rear - Lower Right (inc. 7-8)
6	0504-527	1	S	A-Arm, Rear - Lower Left (inc. 7-8)
7	0403-115	16	S	Bushing
8	0403-114	8	S	Axle
9	0423-744	14		Nut, Lock
10	8409-000	4		Screw, Cap
11	0504-512	1	S	A-Arm, Rear - Upper Right (inc. 7-8)
11	0504-513	1	S	A-Arm, Rear - Upper Left (inc. 7-8)
12	1441-086	1		Guard, Boot - Right
12	1441-087	1		Guard, Boot - Left
13	0423-545	4	/P	Screw, Shoulder
14	8409-075	8		Screw, Cap
15	1502-343	2	S	Axle, Drive (inc. 16-17)
16	0423-845	2	/P	Ring, Retaining
17	0436-276	2	S	Repair Kit, Boot - Rear Axle
18	1603-889	2	/P	Retainer, Spring
19	0504-534	2		Spring, Suspension
20	0404-057	2		Cam, Spring Adjuster
21	0404-158	2		Shock Absorber (inc. 22-24)
22	0403-182	2		Bushing
23	0603-955	4		Bushing
24	1603-219	2	S	Sleeve
25	0423-087	2		Washer
26	8408-820	2	/P	Screw, Cap
27	8409-040	1		Screw, Cap - Right
27	8409-050	1		Screw, Cap - Left



2009 THUNDERCAT EFI 4X4 AUTO FIS SE SILVER (A2009IEW4EUSL)  
SEAT ASSEMBLY

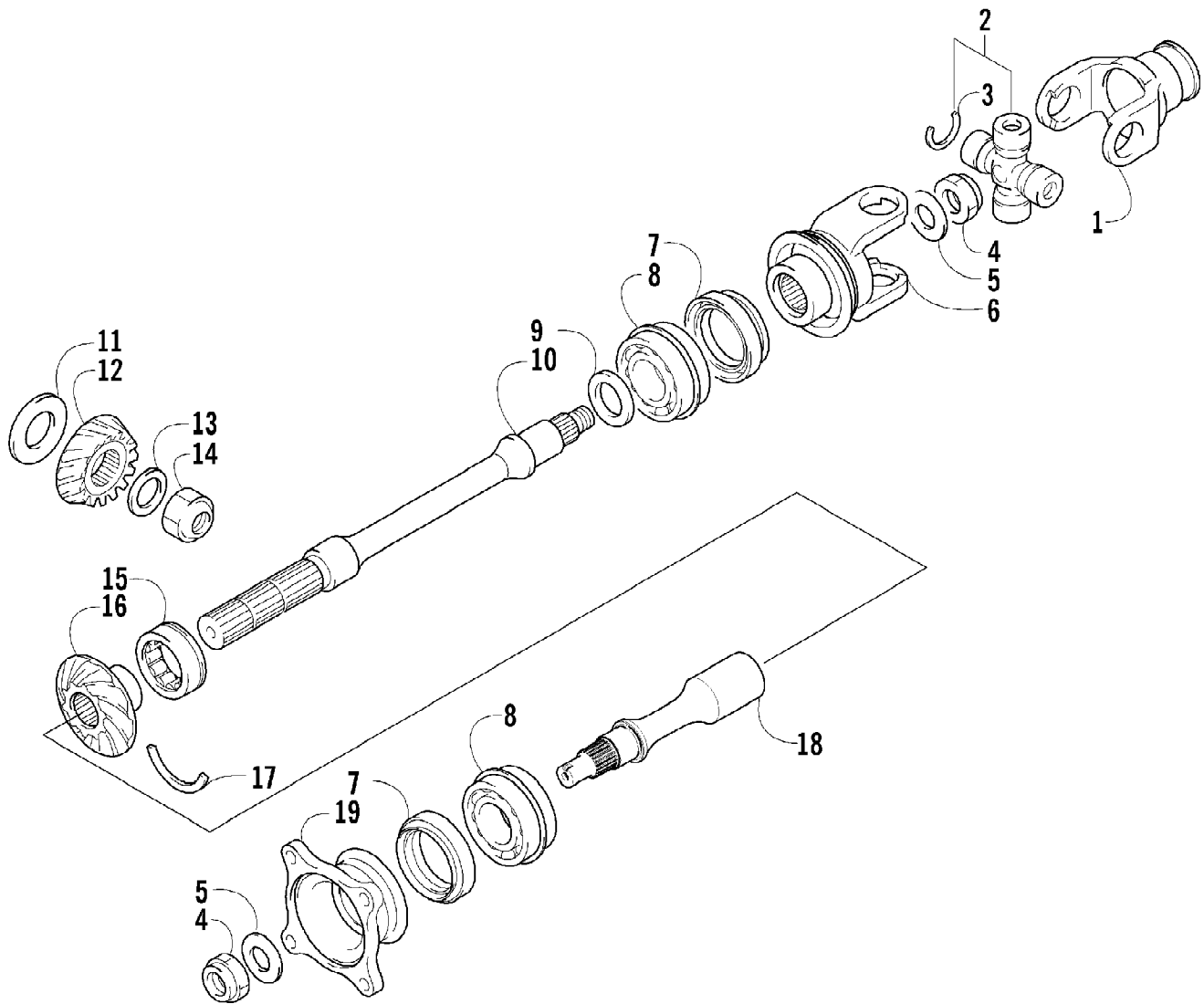
Page 61 of 89

Ref #	Part Number	Qty	S/P/F	Description
1	2506-384	1	S	Seat Assembly (inc. 2-9)
2	2506-756	1		Cover, Seat
3	2506-755	1		Foam, Seat
4	2406-525	1		Base, Seat - Assembly (inc. 5-6)
5	0406-879	2		Bumper, Seat - Rear
6	0406-877	4	/P	Bumper, Seat - Front
7	0624-528	AR	/P	Staple
8	1406-592	1	/P	Spring, Seat Latch
9	1506-156	1		Latch, Seat



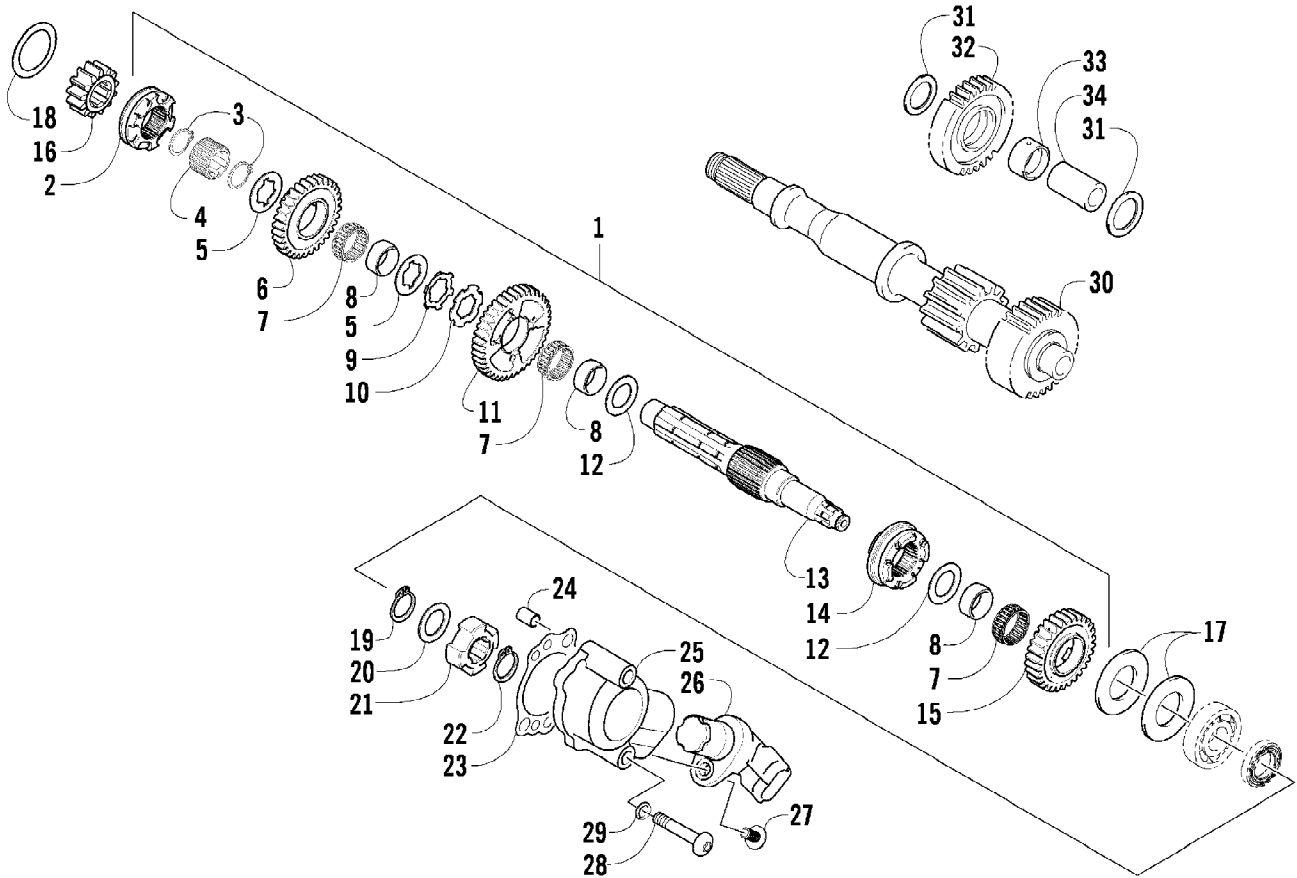
2009 THUNDERCAT EFI 4X4 AUTO FIS SE SILVER (A2009IEW4EUSL) Page 63 of 89  
 SECONDARY DRIVE ASSEMBLY (ENGINE SERIAL NO. 0950T10142250 AND UP)

Ref #	Part Number	Qty	S/P/F	Description
1	1502-341	1		Driveshaft, Front - Assembly (inc. 2, one No. 3, four No. 4, and 5)
2	1402-701	1		Yoke, Slip
3	0402-944	2	/P	Joint, Universal - Set (inc. 4)
4	0423-395	8		Ring, Retaining
5	1502-341	1		Driveshaft, Front
6	0827-013	2		Nut
7	0828-020	2		Washer
8	1502-325	1		Yoke, Propeller Shaft Joint
9	0830-043	2		Seal, Oil
10	0832-017	2		Bearing
11	0828-021	AR		Shim, 25 x 34 x 0.25 mm
11	0828-022	AR		Shim, 25 x 34 x 0.30 mm
11	0828-023	AR		Shim, 25 x 34 x 0.70 mm
11	0828-024	AR		Shim, 25 x 34 x 0.90 mm
11	0828-025	AR		Shim, 25 x 34 x 0.95 mm
11	0828-026	AR		Shim, 25 x 34 x 1.00 mm
11	0828-027	AR		Shim, 25 x 34 x 1.05 mm
11	0828-028	AR		Shim, 25 x 34 x 1.10 mm
11	0828-029	AR		Shim, 25 x 34 x 1.15 mm
12	0819-003	1	S	Shaft, Secondary Driven - Front
13	0832-016	1		Bearing, Driven Gear
14	0819-011	1		Ring, Driven Bearing
15	0822-106	1		Gear, Secondary Driven
16	0819-053	1		Shaft, Secondary Driven - Rear
17	0819-005	1		Flange, Output Joint - Rear
18	0822-108	1		Gear, Secondary Drive
19	0828-119	AR		Shim, 30 x 48 x 0.25 mm
19	0828-120	AR		Shim, 30 x 48 x 0.30 mm
19	0828-121	AR		Shim, 30 x 48 x 0.35 mm
19	0828-122	AR		Shim, 30 x 48 x 0.90 mm
19	0828-123	AR		Shim, 30 x 48 x 0.95 mm
19	0828-124	AR		Shim, 30 x 48 x 1.00 mm
19	0828-125	AR		Shim, 30 x 48 x 1.05 mm
19	0828-126	AR		Shim, 30 x 48 x 1.10 mm
19	0828-127	AR		Shim, 30 x 48 x 1.15 mm
20	0827-060	1		Nut



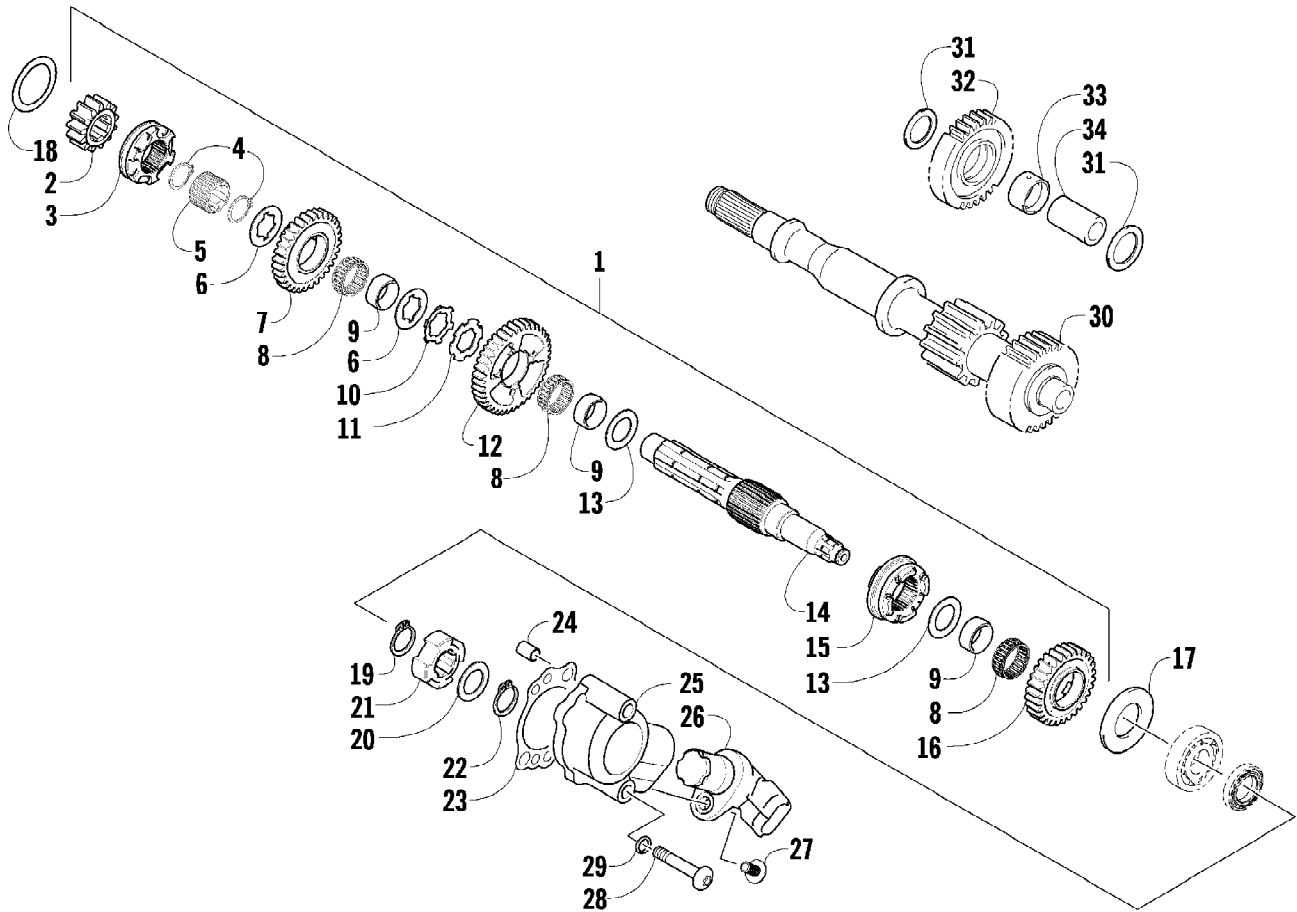


Ref #	Part Number	Qty	S/P/F	Description
1	0819-063	1		Yoke, Propeller Shaft Joint
2	1402-164	1	/P	Joint, Universal - Set (inc. 3)
3	0423-450	4		Ring, Retaining
4	0827-013	2		Nut
5	0828-020	2		Washer
6	0819-061	1		Yoke, Drive Output - Front
7	0830-043	2		Seal, Oil
8	0832-017	2		Bearing
9	0828-021	AR		Shim, 25 x 34 x 0.25 mm
9	0828-022	AR		Shim, 25 x 34 x 0.30 mm
9	0828-023	AR		Shim, 25 x 34 x 0.70 mm
9	0828-024	AR		Shim, 25 x 34 x 0.90 mm
9	0828-025	AR		Shim, 25 x 34 x 0.95 mm
9	0828-026	AR		Shim, 25 x 34 x 1.00 mm
9	0828-027	AR		Shim, 25 x 34 x 1.05 mm
9	0828-028	AR		Shim, 25 x 34 x 1.10 mm
9	0828-029	AR		Shim, 25 x 34 x 1.15 mm
10	0819-003	1	S	Shaft, Secondary Driven - Front
11	0828-030	AR		Shim, 24 x 48 x 0.25 mm
11	0828-031	AR		Shim, 24 x 48 x 0.30 mm
11	0828-032	AR		Shim, 24 x 48 x 0.35 mm
11	0828-033	AR		Shim, 24 x 48 x 0.90 mm
11	0828-018	AR		Shim, 24 x 48 x 0.95 mm
11	0828-062	AR		Shim, 24 x 48 x 1.00 mm
11	0828-063	AR		Shim, 24 x 48 x 1.05 mm
11	0828-064	AR		Shim, 24 x 48 x 1.10 mm
11	0828-065	AR		Shim, 24 x 48 x 1.15 mm
12	0822-123	1		Kit, Gear Set
13	0828-019	1		Washer
14	0827-012	1		Nut
15	0832-016	1		Bearing
16	0822-123	1		Kit, Gear Set
17	0819-011	1		Ring, Driven Bearing
18	0819-053	1		Shaft, Secondary Driven - Rear
19	0819-005	1		Flange, Output Joint - Rear



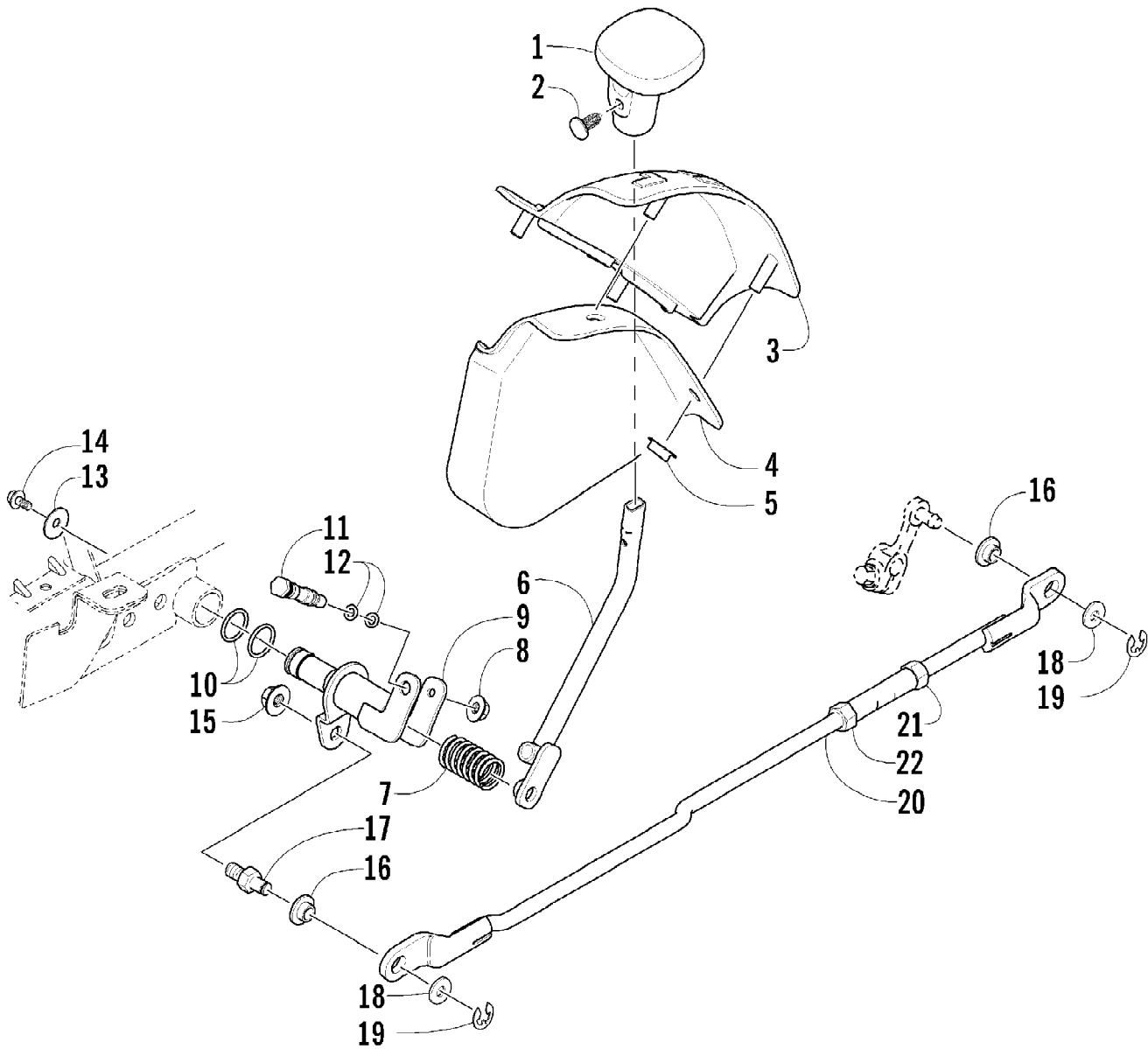
2009 THUNDERCAT EFI 4X4 AUTO FIS SE SILVER (A2009IEW4EUSL) Page 67 of 89  
 SECONDARY TRANSMISSION ASSEMBLY (ENGINE SERIAL NO. 0950T10142250 AND UF

Ref #	Part Number	Qty	S/P/F	Description
1	1502-149	1	S	Countershaft Assembly (inc. 2-15)
2	0822-014	1		Gear Select, Reverse
3	0831-011	2		Ring, Retaining
4	0822-045	1		Spacer, Reverse Driven Gear
5	0828-008	2		Washer
6	0822-013	1		Gear, Reverse Driven
7	0832-011	3		Bearing
8	0822-005	3		Bushing
9	0828-014	1		Washer, Lock
10	0828-015	1		Washer, Lock
11	0822-004	1		Gear, Driven - Low
12	0822-046	2		Washer, Driven Gear
13	0822-003	1		Countershaft
14	0822-007	1		Gear Select, Sliding
15	0822-006	1		Gear, Driven - High
16	0822-089	1		Gear, Drive
17	0828-011	2		Washer
18	0828-019	1		Washer, Thrust
19	0831-040	1		Ring, Retaining
20	0828-069	1		Washer, Thrust
21	0822-050	1		Trigger, Speedometer Sensor
22	0831-039	1		Ring, Retaining
23	0830-129	1		Gasket
24	0829-023	2		Pin, Dowel
25	0822-049	1		Housing, Speedometer Sensor
26	0824-042	1	/P	Sensor, Speedometer
27	8468-620	1	/P	Screw, Machine
28	8468-645	2		Screw, Machine
29	0830-107	2		Seal
30	0822-001	1		Driveshaft
31	0828-016	2		Washer, Thrust
32	0822-011	1		Gear, Reverse Idle
33	0822-012	1		Bushing
34	0822-015	1		Shaft, Reverse Idle



2009 THUNDERCAT EFI 4X4 AUTO FIS SE SILVER (A2009IEW4EUSL) Page 69 of 89  
 SECONDARY TRANSMISSION ASSEMBLY (ENGINE SERIAL NO. UP TO 0950T10142249)

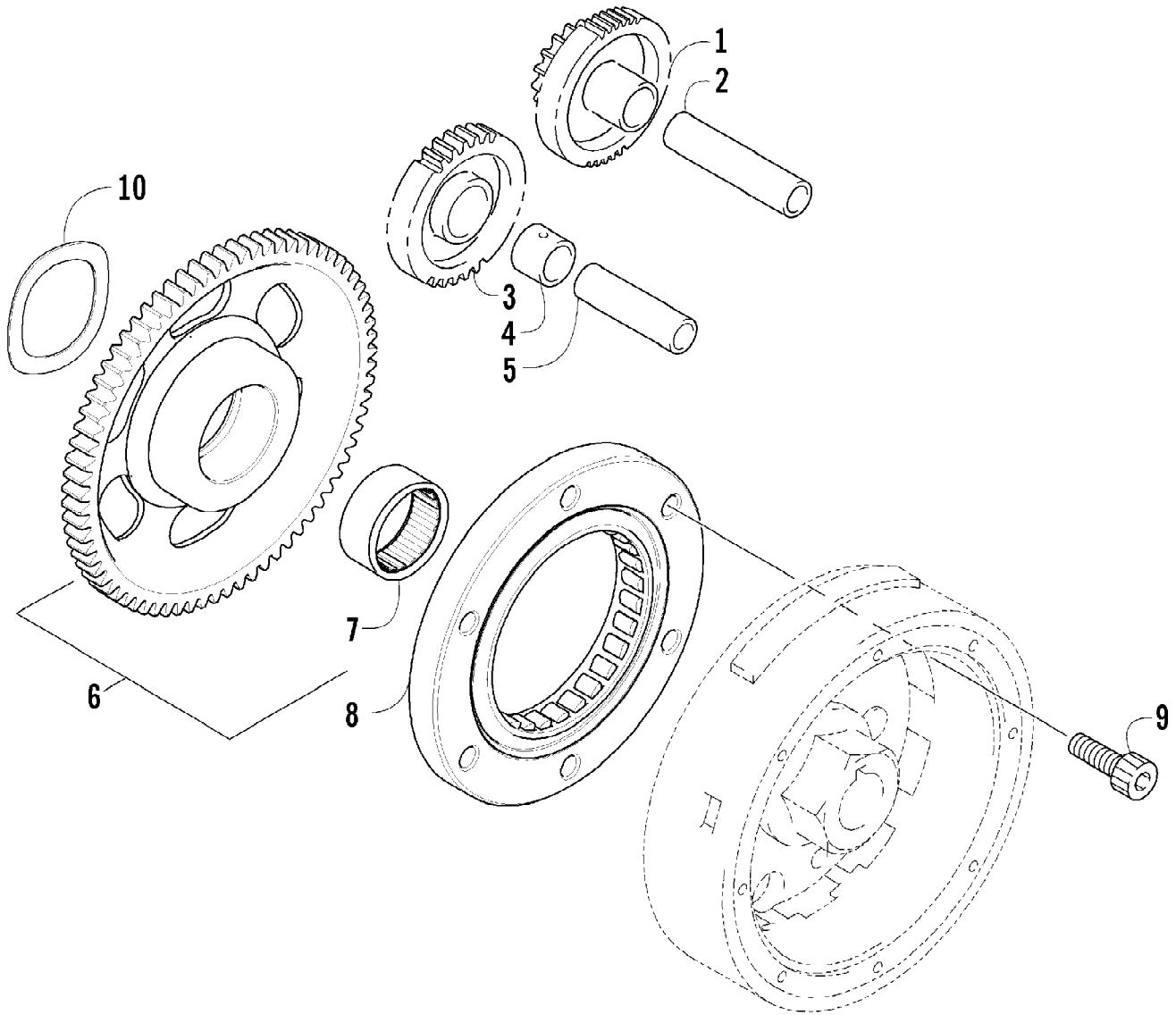
Ref #	Part Number	Qty	S/P/F	Description
1	0822-048	1		Countershaft Assembly (inc. 2-16)
2	0822-008	1		Gear, Drive
3	0822-014	1		Gear Select, Reverse
4	0831-011	2		Ring, Retaining
5	0822-045	1		Spacer, Reverse Driven Gear
6	0828-008	2		Washer
7	0822-013	1		Gear, Reverse Driven
8	0832-011	3		Bearing
9	0822-005	3		Bushing
10	0828-014	1		Washer, Lock
11	0828-015	1		Washer, Lock
12	0822-004	1		Gear, Driven - Low
13	0822-046	2		Washer, Driven Gear
14	0822-003	1		Countershaft
15	0822-007	1		Gear Select, Sliding
16	0822-006	1		Gear, Driven - High
17	0828-011	1		Washer
18	0828-019	1		Washer, Thrust
19	0831-040	1		Ring, Retaining
20	0828-069	1		Washer, Thrust
21	0822-050	1		Trigger, Speedometer Sensor
22	0831-039	1		Ring, Retaining
23	0830-129	1		Gasket
24	0829-023	2		Pin, Dowel
25	0822-049	1		Housing, Speedometer Sensor
26	0824-042	1	/P	Sensor, Speedometer
27	8468-620	1	/P	Screw, Machine
28	8468-645	2		Screw, Machine
29	0830-107	2		Seal
30	0822-001	1		Driveshaft
31	0828-016	2		Washer, Thrust
32	0822-011	1		Gear, Reverse Idle
33	0822-012	1		Bushing
34	0822-015	1		Shaft, Reverse Idle



2009 THUNDERCAT EFI 4X4 AUTO FIS SE SILVER (A2009IEW4EUSL)  
SHIFT LEVER ASSEMBLY

Page 71 of 89

Ref #	Part Number	Qty	S/P/F	Description
1	0402-843	1	/P	Knob, Shift
2	0423-345	1		Clip, Retaining
3	1402-576	1		Plate, Shift
4	2406-345	1		Shield, Shift Plate
5	0423-357	4		Nut, Stamped
6	0502-659	1		Lever, Shift
7	0402-678	1	/P	Spring, Shift Lever
8	8424-602	1	/P	Nut
9	1502-332	1		Actuator, Shift Lever
10	0423-299	2	/P	O-Ring
11	0402-675	1		Axle, Pivot
12	0423-182	2	/P	O-Ring
13	0423-087	1		Washer
14	8408-812	1		Screw, Cap
15	8424-802	1		Nut
16	0423-091	2		Bushing
17	1402-621	1		Pin, Mounting - Shift Linkage
18	0623-094	2		Washer
19	0423-169	2	/P	E-Ring
20	1502-227	1		Linkage, Shift - Assembly (inc. 21-22)
21	0623-294	1		Nut, Hex - Right-Hand Thread
22	0123-917	1	/P	Nut, Hex - Left-Hand Thread

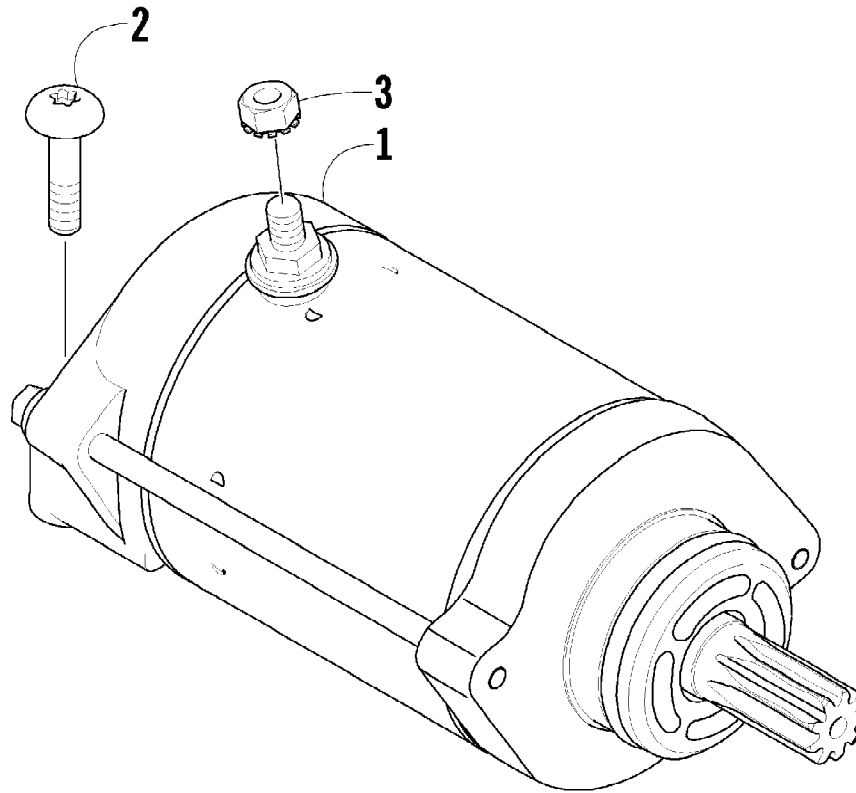




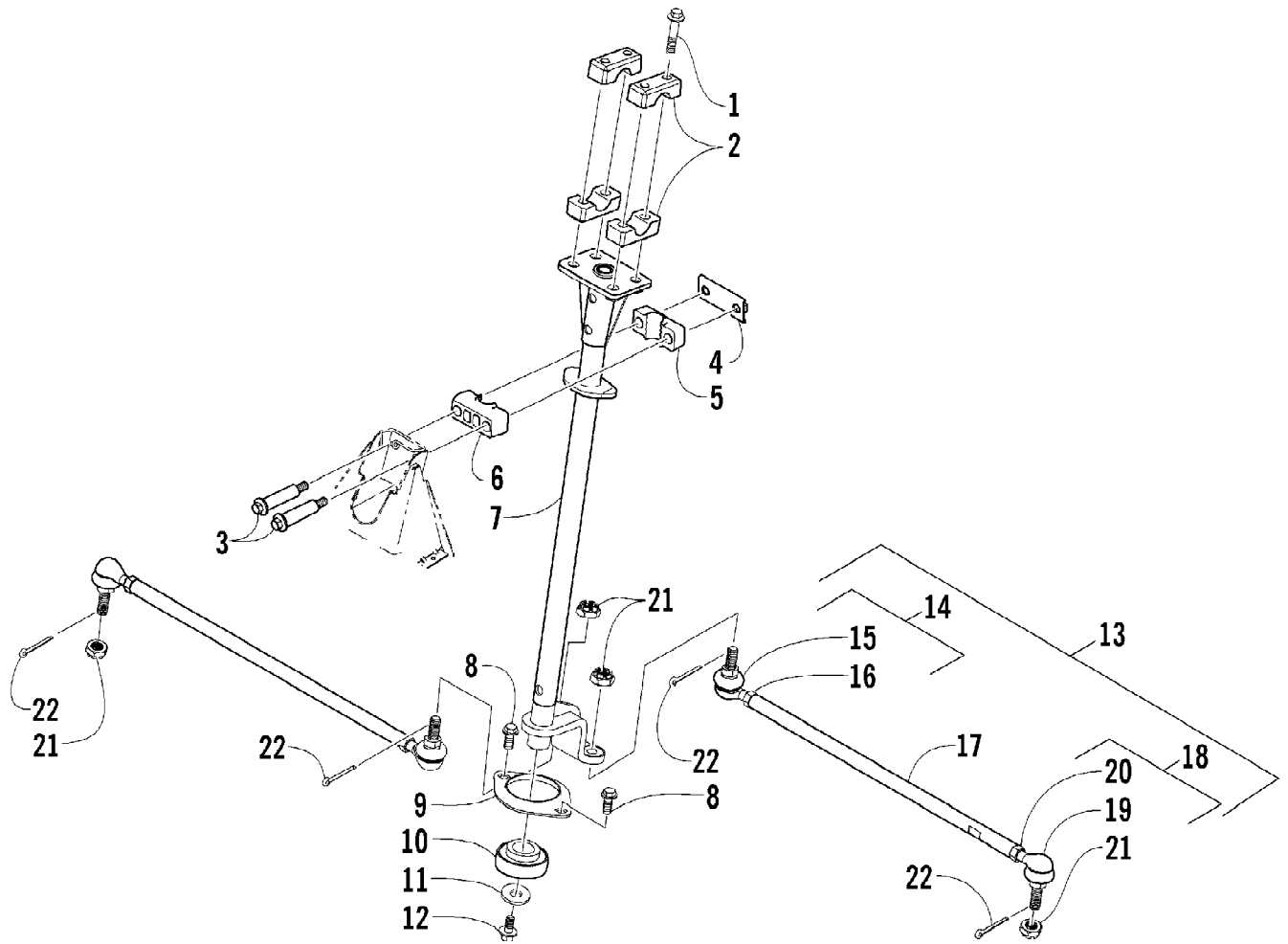
2009 THUNDERCAT EFI 4X4 AUTO FIS SE SILVER (A2009IEW4EUSL)  
STARTER CLUTCH ASSEMBLY

Page 73 of 89

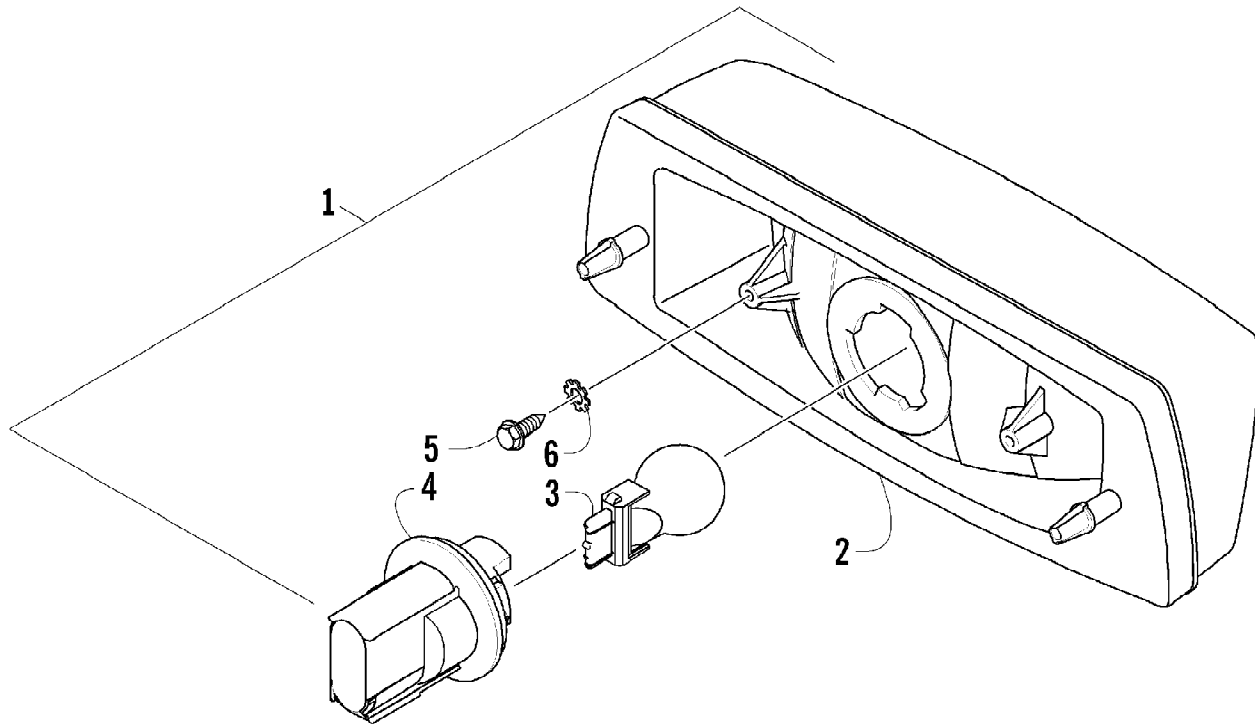
Ref #	Part Number	Qty	S/P/F	Description
1	0815-001	1		Gear, Starter Idler - No. 1
2	0829-031	1	/P	Shaft, Starter Gear
3	0815-002	1		Gear, Starter Idler - No. 2
4	0815-003	1		Spacer, Starter Idler Gear No. 2
5	0829-032	1	/P	Shaft, Starter Gear
6	0815-004	1		Gear, Starter Clutch (inc. 7)
7	0832-004	1	S	Bearing
8	0802-035	1		Clutch, Starter
9	0826-069	6		Screw, Machine
10	0828-113	1		Washer, Wave



Ref #	Part Number	Qty	S/P/F	Description
1	0825-013	1	/P	Motor, Starter - Assembly
2	8476-625	2		Screw, Machine
3	0623-038	1		Nut w/Washer



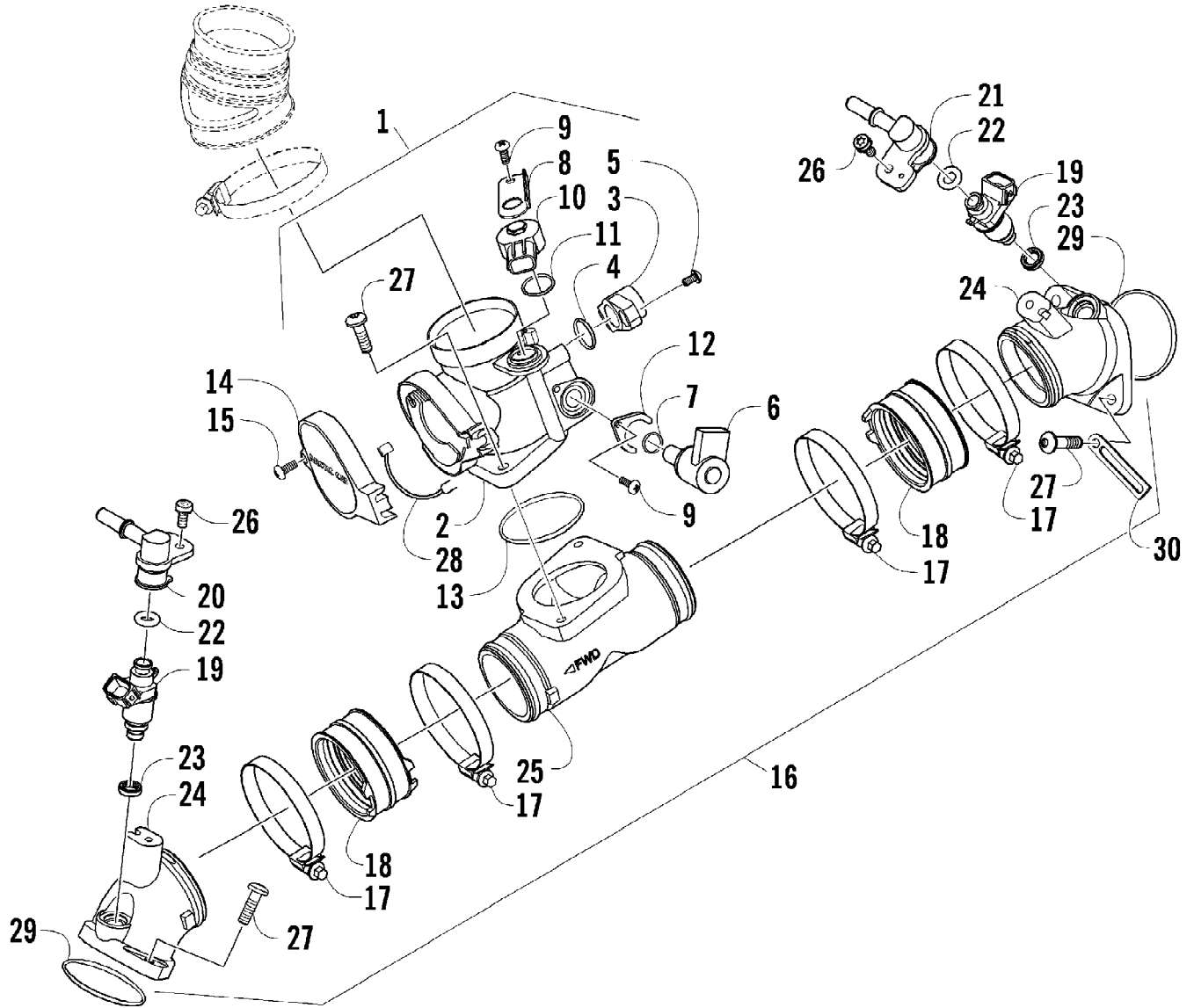
Ref #	Part Number	Qty	S/P/F	Description
1	8408-860	4		Screw, Cap
2	0405-035	4		Cap, Steering Adjuster
3	0423-505	2		Screw, Shoulder
4	0505-484	1		Cap, Housing
5	0405-138	1		Housing, Lower
6	0405-139	1		Housing, Upper
7	0505-451	1	S	Post, Steering
8	8408-816	2		Screw, Cap
9	0602-233	1		Flange, Bearing
10	0405-052	1		Bearing w/Inverted Oil Seal
11	0423-073	1		Washer
12	8409-020	1	/P	Screw, Cap
13	0505-499	2	/P	Tie Rod - Assembly (inc. 14-20)
14	0505-511	2	/P	End, Tie Rod - Left-Hand Thread - Kit (inc. 15-16 and two No. 21-22)
15	0	2	F	End, Tie Rod - Left-Hand Thread
16	0423-013	2		Nut - Left-Hand Thread
17	0405-281	2	/P	Tie Rod
18	0505-510	2	/P	End, Tie Rod - Right-Hand Thread - Kit (inc. 19-20 and two No. 21-22)
19	0	2	F	End, Tie Rod - Right-Hand Thread
20	8420-002	2	/P	Nut - Right-Hand Thread
21	0423-157	4		Nut, Lock
22	0623-175	4		Pin, Cotter



2009 THUNDERCAT EFI 4X4 AUTO FIS SE SILVER (A2009IEW4EUSL)  
TAILLIGHT ASSEMBLY

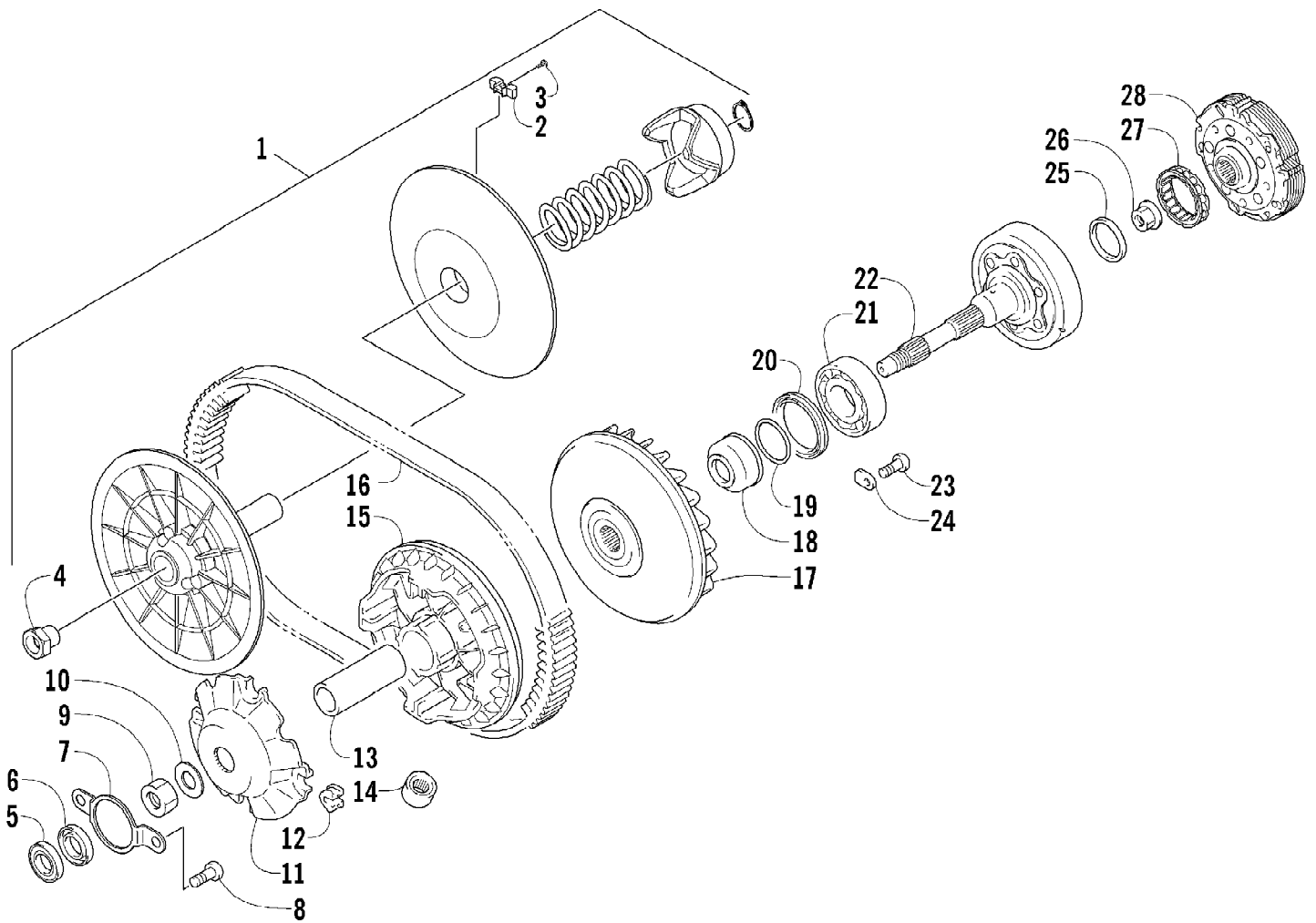
Page 79 of 89

Ref #	Part Number	Qty	S/P/F	Description
1	0509-022	1		Taillight Assembly (inc. 2-4)
2	0509-025	1		Housing, Taillight
3	0409-056	1		Bulb, Taillight
4	0409-057	1		Socket, Taillight
5	0623-301	2	/P	Screw, Self-Tapping
6	8053-212	2	/P	Washer, External Tooth Lock

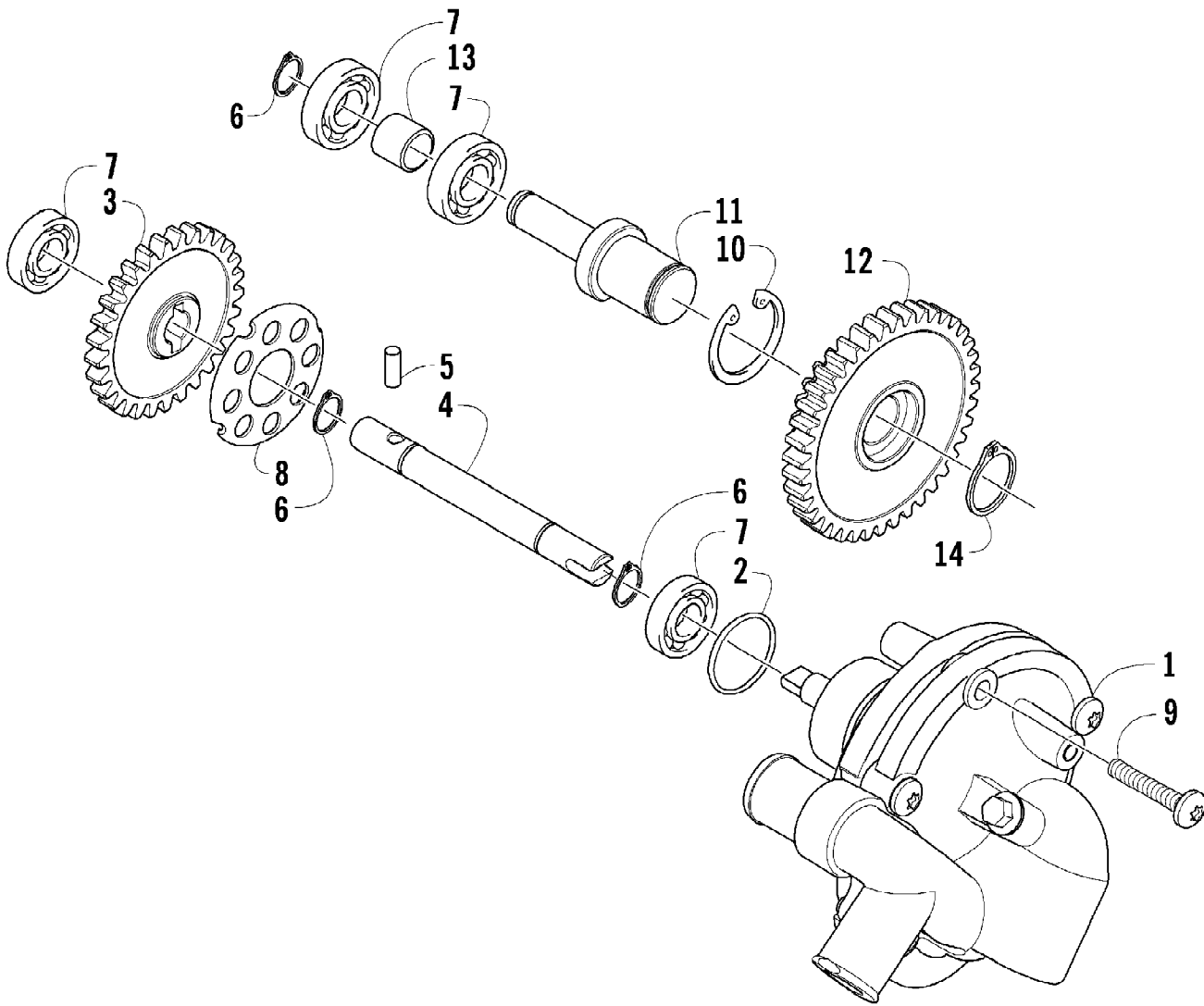




Ref #	Part Number	Qty	S/P/F	Description
1	0470-686	1		Throttle - Assembly (inc. 2-15)
2	0	1	F	Throttle Body
3	0430-072	1		Sensor, Throttle Position
4	5507-234	1		O-Ring, Throttle Position Sensor
5	5507-231	1		Screw, Machine
6	0430-074	1		Valve, ISC
7	5507-233	1		O-Ring, ISC Valve
8	5507-227	1		Bracket, MAP Sensor
9	5507-117	2	/P	Screw, Machine
10	0430-073	1		Sensor, MAP
11	5507-232	1		O-Ring, MAP Sensor
12	5507-229	1		Plate, ISC Valve
13	5507-235	1		O-Ring
14	5507-223	1		Cover
15	5507-037	1	/P	Screw, Machine
16	0570-230	1		Manifold, Intake - Assembly (inc. 17-26)
17	0423-066	4		Clamp
18	0470-660	2		Boot, Intake - Manifold
19	0470-688	2		Injector, Fuel
20	0470-763	1		Rail, Fuel - Front Cylinder
21	0470-764	1		Rail, Fuel - Rear Cylinder
22	0470-767	2		O-Ring, Fuel Injector
23	0470-768	2		Ring, Seal - Fuel Injector
24	0570-140	2		Manifold, Intake
25	0570-156	1		Plenum, Intake
26	0423-371	2		Screw, Machine
27	0826-008	6		Screw, Machine
28	0487-046	1		Cable, Throttle
29	0830-090	2		O-Ring
30	3002-964	1	/P	Clamp, Wire



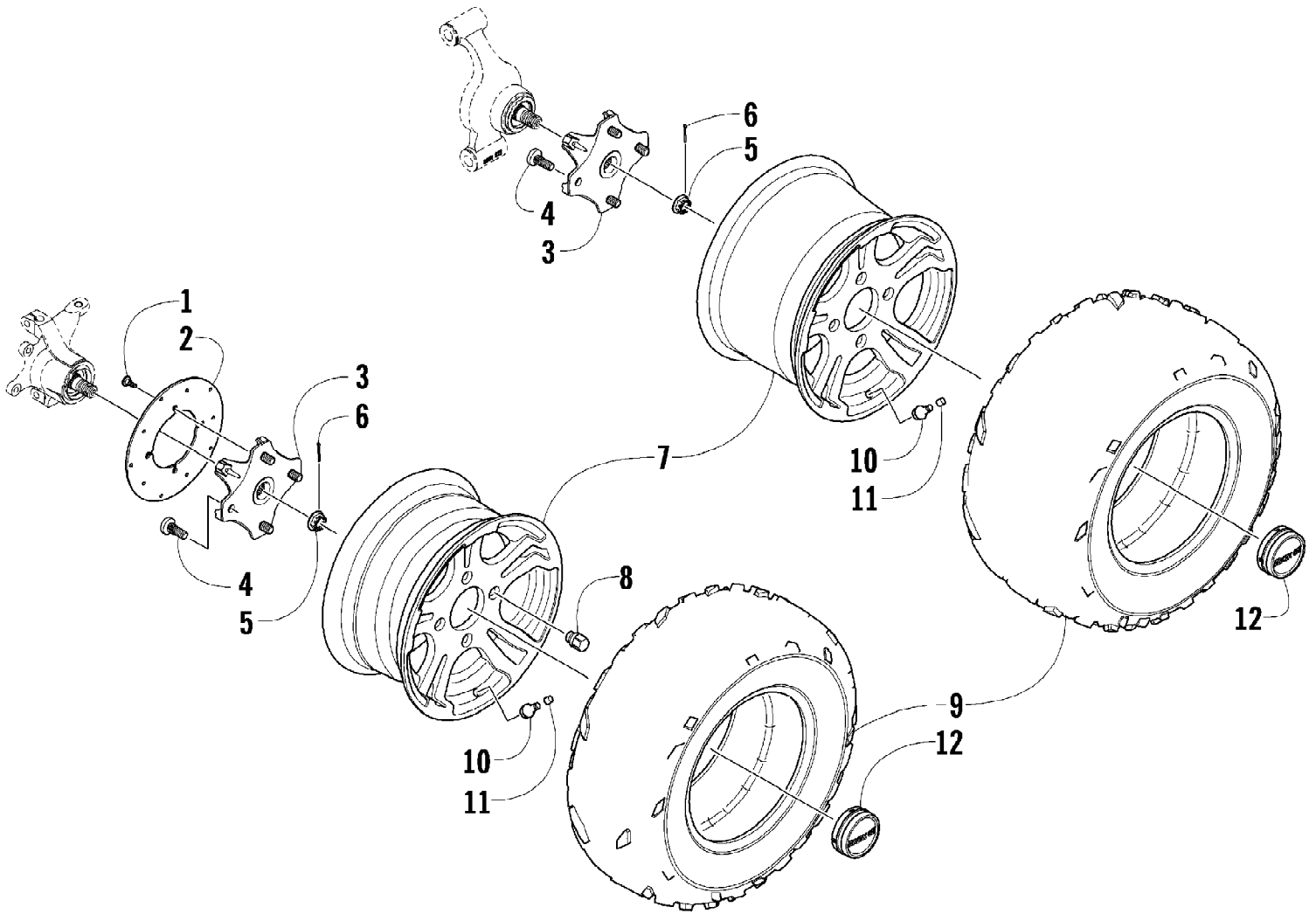
Ref #	Part Number	Qty	S/P/F	Description
1	0823-157	1	S/P	Pulley, Driven - Assembly (inc. 2-4)
2	0823-176	3	/P	Shoe, Cam
3	0823-177	3		Screw, Machine
4	0823-178	1		Nut, Driven Pulley
5	0832-060	1		Bearing
6	0830-176	1	/P	Seal
7	0823-020	1		Retainer, Bearing
8	0826-031	2		Screw, Machine
9	0827-010	1		Nut
10	0828-106	1		Washer
11	0823-008	1		Plate, Movable Drive Face
12	0823-010	4		Damper, Movable Drive Face
13	0823-265	1		Spacer, Movable Drive Face
14	0823-170	8	/P	Roller, Movable Drive Face
15	0823-159	1		Face, Movable Drive
16	0823-231	1		Belt, Drive
17	0823-156	1	/P	Face, Fixed Drive
18	0823-015	1		Spacer, Fixed Drive Face
19	0470-531	1		O-Ring
20	0830-188	1	/P	Seal, Clutch Housing - Right
21	0832-047	1	S	Bearing
22	0823-096	1	S	Housing, Clutch
23	0826-029	2		Screw, Machine
24	0822-010	2	/P	Retainer, Bearing
25	0830-189	1	/P	Seal, Clutch Housing - Left
26	0827-011	1		Nut
27	0823-018	1		Clutch, One-Way
28	0823-098	1	S	Clutch, Centrifugal - 6 Plate



2009 THUNDERCAT EFI 4X4 AUTO FIS SE SILVER (A2009IEW4EUSL)  
WATER PUMP ASSEMBLY

Page 85 of 89

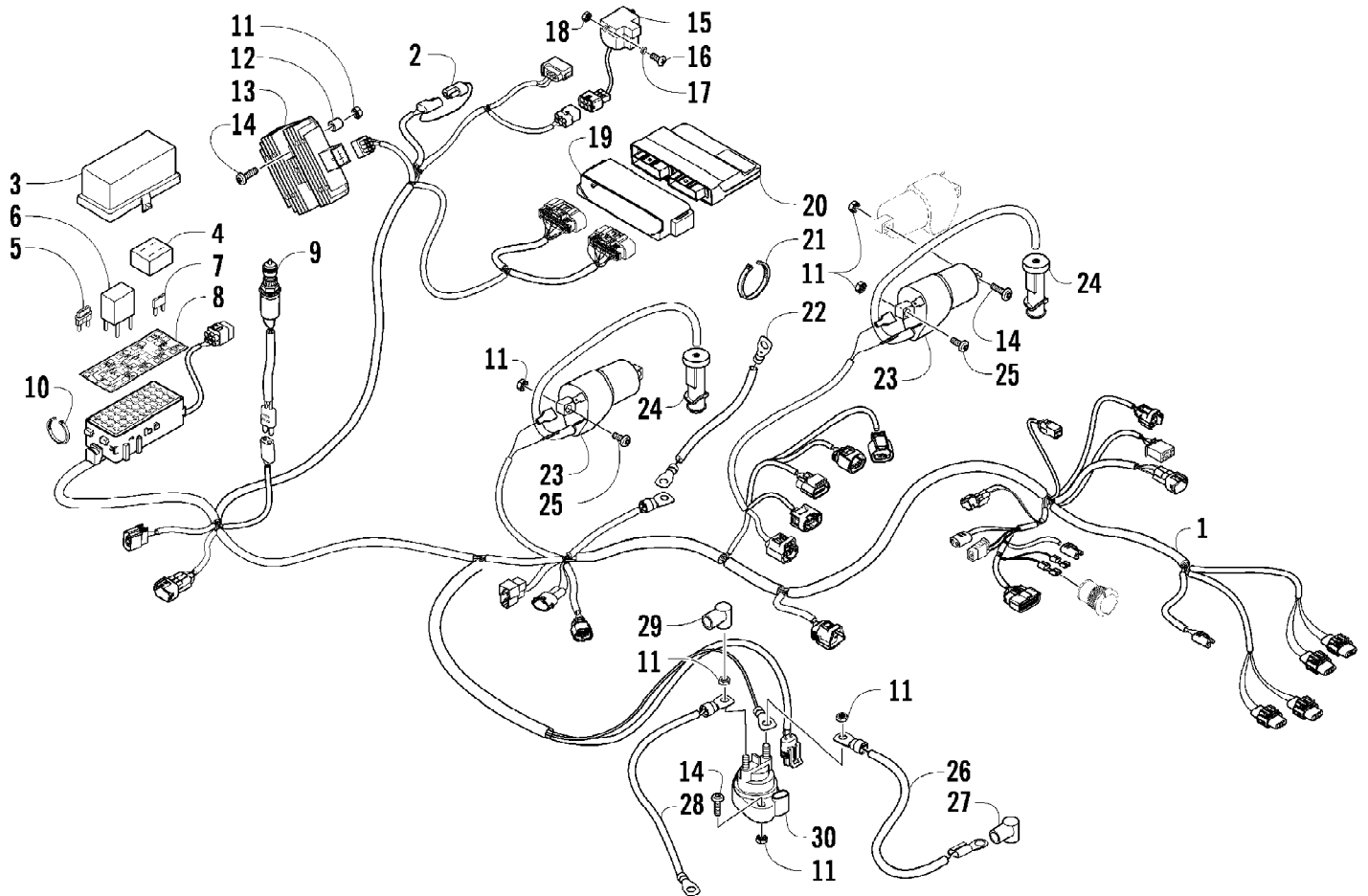
Ref #	Part Number	Qty	S/P/F	Description
1	0813-036	1	S	Pump, Water - Assembly (inc. 2)
2	0830-029	1		O-Ring
3	0813-029	1		Gear, Driven
4	0813-030	1		Shaft, Driven Gear
5	0829-009	1		Pin, Dowel
6	0831-002	3		Ring, Retaining
7	0832-046	4	/P	Bearing
8	0801-089	1		Disc, Breather
9	8468-650	2		Screw, Machine
10	0831-004	1		Ring, Retaining
11	0813-026	1		Shaft, Water Pump Idler Gear
12	0813-027	1		Gear, Idler - Water Pump - Drive
13	0813-028	1		Spacer, Idler - Water Pump
14	0831-040	1		Ring, Retaining



2009 THUNDERCAT EFI 4X4 AUTO FIS SE SILVER (A2009IEW4EUSL)  
WHEEL AND TIRE ASSEMBLY

Page 87 of 89

Ref #	Part Number	Qty	S/P/F	Description
1	0423-557	12		Screw, Shoulder
2	1436-164	3	/P	Disc, Brake
3	1502-437	4		Hub, Wheel (inc. 4)
4	0402-974	16	/P	Stud, Wheel Hub
5	0423-607	4		Nut, Castle
6	0423-407	4		Pin, Cotter
7	1402-730	2		Wheel - Front
7	1402-731	2		Wheel - Rear
8	0423-618	16		Nut, Lug
9	1402-699	2		Tire - Front
9	1402-700	2		Tire - Rear
10	0402-064	4		Stem, Valve (inc. 11)
11	0402-140	4		Cap, Valve Stem
12	1402-736	4		Cap, Wheel





Ref #	Part Number	Qty	S/P/F	Description
1	0486-284	1		Harness, Main (inc. 2-8)
2	0486-164	1		Tether, Accessory Connector
3	0530-008	1		Cover, Fuse Block
4	0430-037	1		Holder, Fuse
5	0430-034	2		Diode
6	0430-045	5	/P	Relay (4-Pin) - 20 Amp
7	0430-032	5		Fuse - 10 Amp
7	0430-031	3		Fuse - 15 Amp
7	0430-030	2		Fuse - 30 Amp
8	1411-526	1		Decal, Fuse Block
9	0409-089	1		Switch, Brake - Assembly
10	0123-788	AR	/P	Tie, Cable - 8 in.
11	0623-038	10		Nut w/Washer
12	0423-036	2		Spacer
13	0824-037	1	/P	Regulator, Voltage
14	8476-630	5		Screw, Machine
15	0409-064	1		Switch, Tilt Sensor
16	8468-425	2		Screw, Machine
17	0123-802	2		Washer
18	0423-493	2		Nut w/Washer
19	0430-059	1		Cushion, ECU
20	0530-024	1	S	ECU
21	0123-903	AR		Tie, Cable - 11.5 in.
22	0445-071	1		Cable, Battery/Ground
23	0824-043	2		Coil, Ignition - Assembly
24	0824-049	2	/P	Cap, Spark Plug
25	8476-620	2		Screw, Machine
26	0445-066	1		Cable, Solenoid/Starter (inc. 27)
27	0645-019	1		Boot, Terminal
28	0445-062	1		Cable, Battery/Solenoid
29	0645-327	1		Boot, Terminal - Solenoid
30	0445-058	1	/P	Solenoid