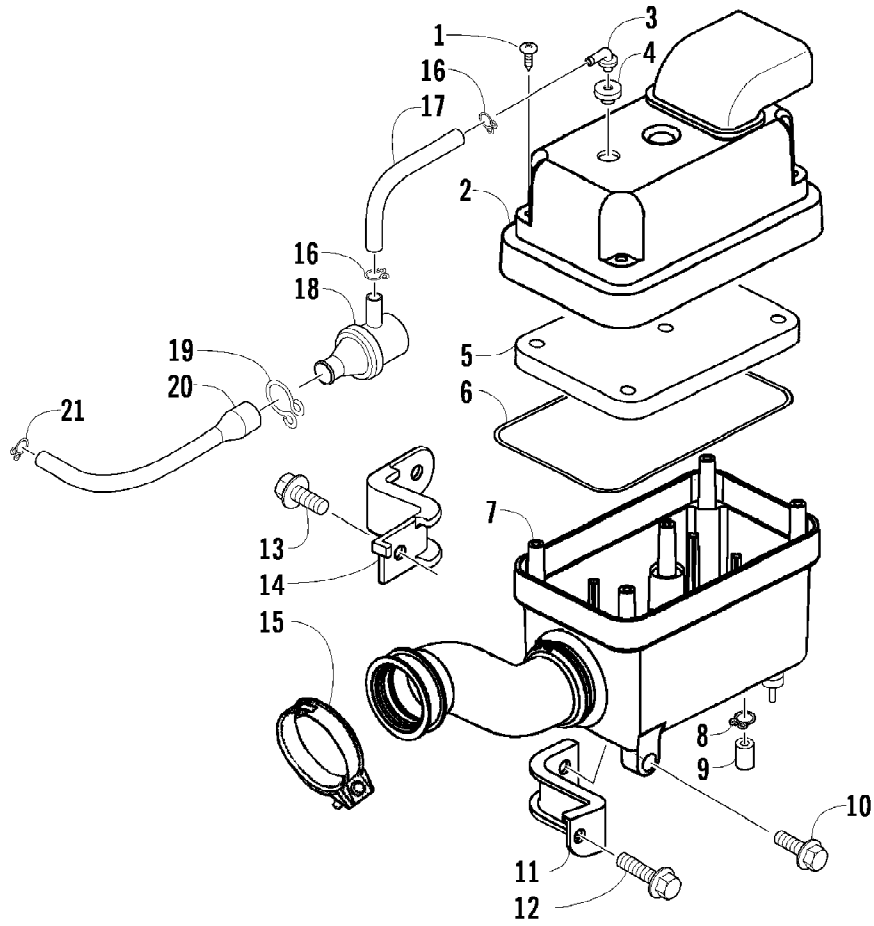


2009 ATV 90 DVX WHITE (A2009KSB2BUSP)
AIR INTAKE ASSEMBLY

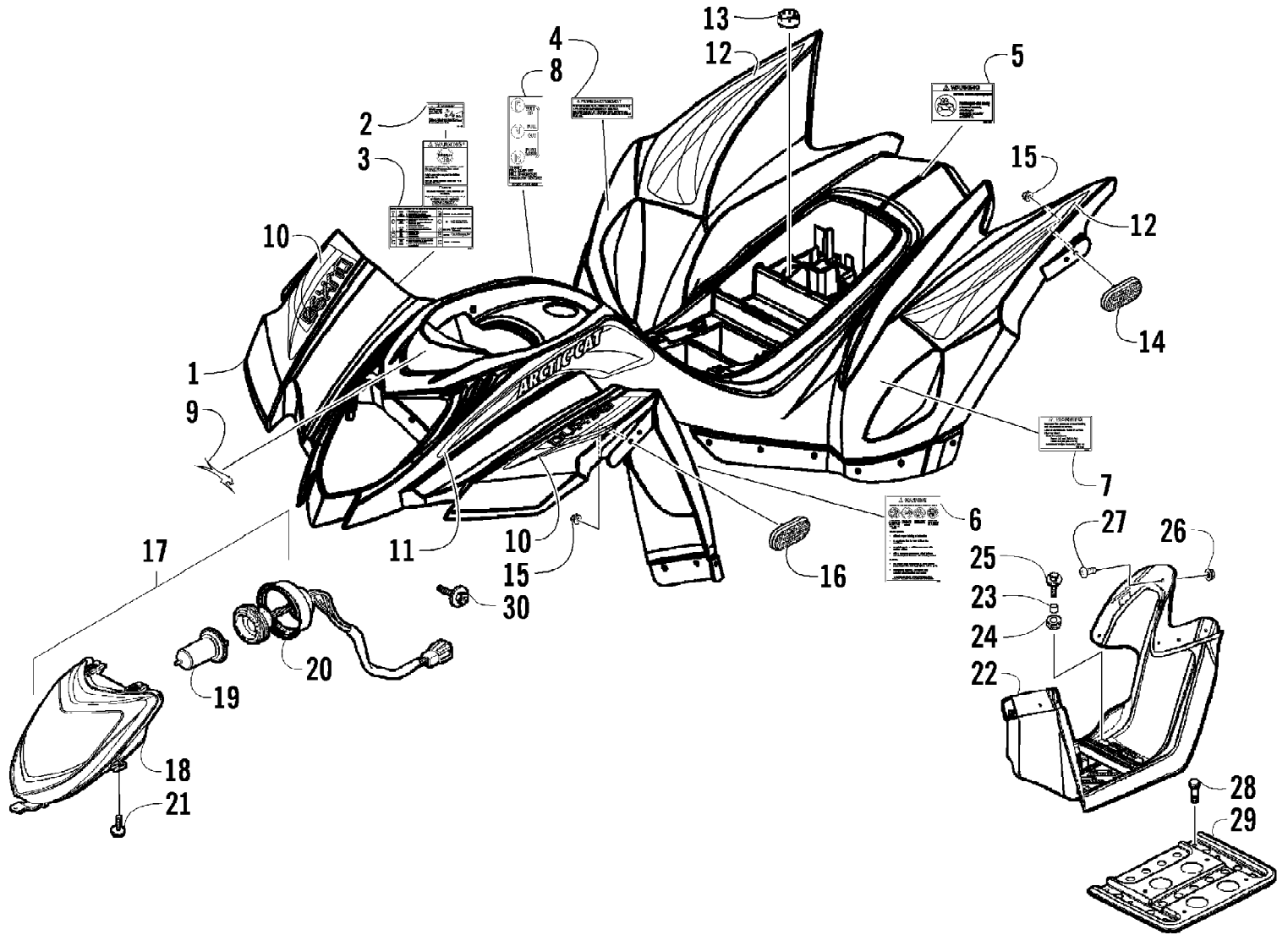


2009 ATV 90 DVX WHITE (A2009KSB2BUSP)
AIR INTAKE ASSEMBLY

Page 2 of 56

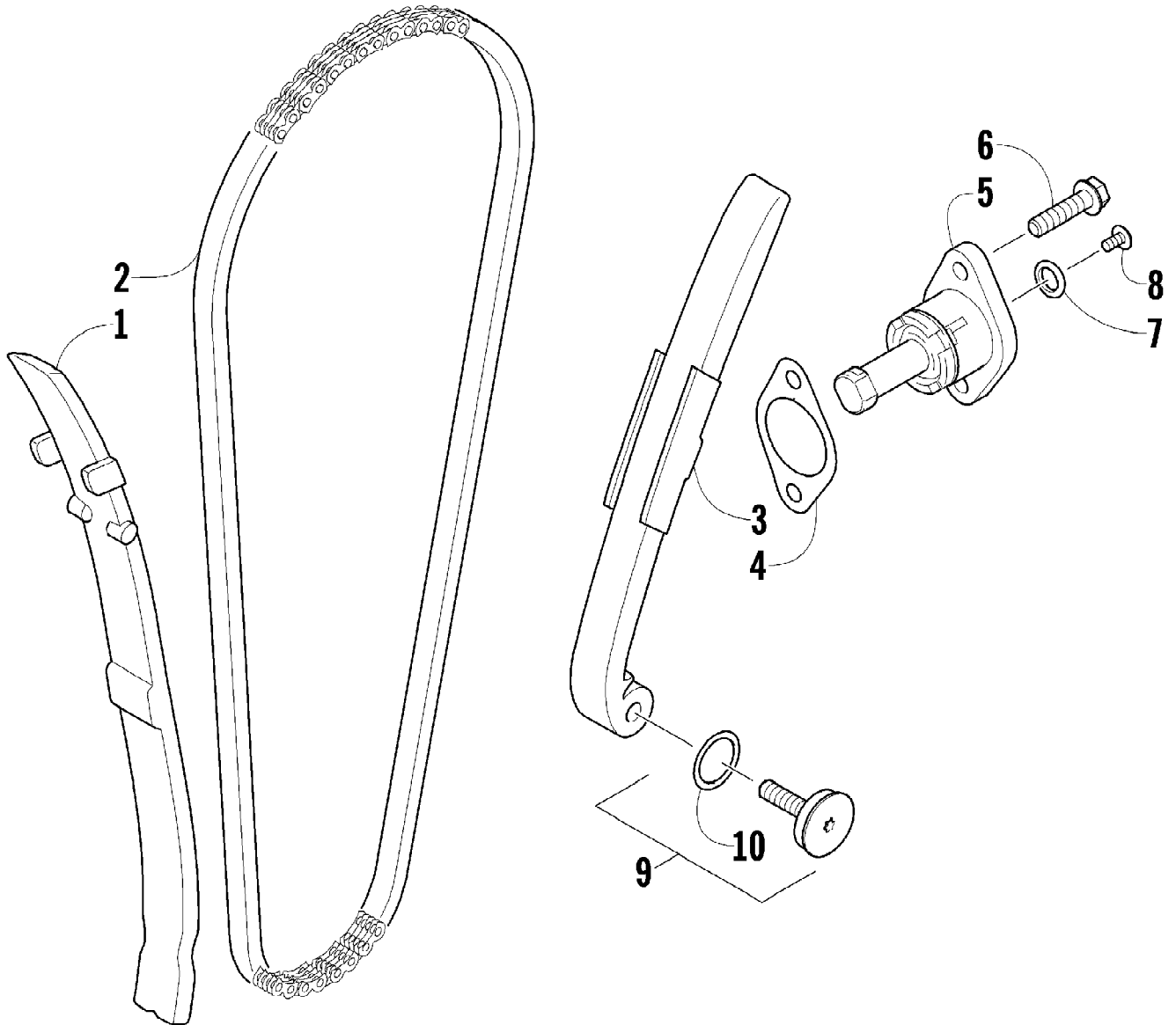
Ref #	Part Number	Qty	S/P/F	Description
1	3305-450	5	/P	Screw, Self-Tapping
2	3303-062	1		Cover, Air Intake (inc. 3-4)
3	3305-179	1		Fitting
4	3305-180	1		Grommet
5	3303-060	1		Filter
6	3303-063	1		Seal
7	3305-842	1		Housing, Air Intake (inc. 8-9)
8	3305-315	1		Clamp
9	3304-168	1	/P	Tube, Drain
10	3304-551	1	/P	Screw, Cap
11	3303-005	1		Bracket, Mounting
12	3303-361	1		Screw, Cap
13	3305-458	2		Screw, Cap
14	3305-841	1		Bracket, Mounting
15	3303-288	1		Clamp
16	3303-350	2		Clamp
17	3305-844	1		Hose
18	3303-064	1	/P	Catch, Air Cleaner Element
19	3303-052	1		Clamp
20	3303-001	1		Hose
21	3303-352	1		Clamp

2009 ATV 90 DVX WHITE (A2009KSB2BUSP)
BODY PANEL AND HEADLIGHT ASSEMBLY



2009 ATV 90 DVX WHITE (A2009KSB2BUSP)
BODY PANEL AND HEADLIGHT ASSEMBLY

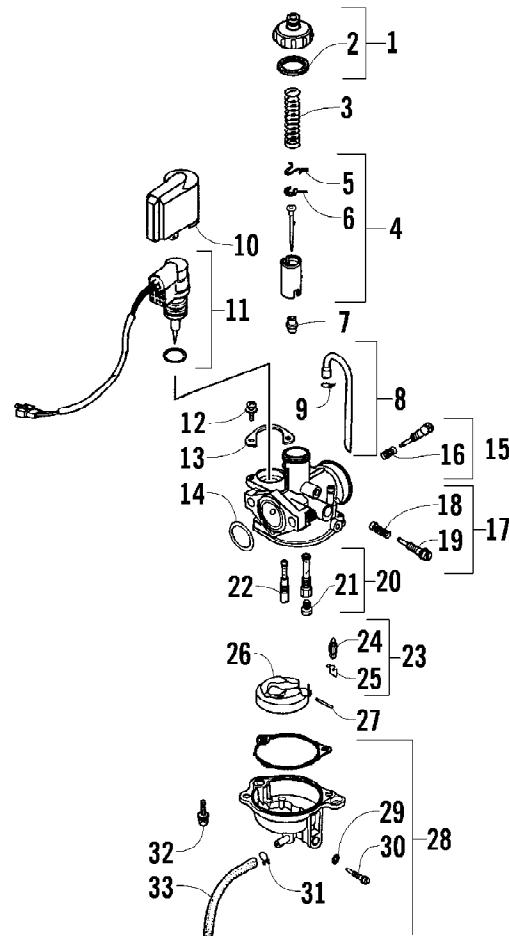
Ref #	Part Number	Qty	S/P/F	Description
1	3305-834	1		Panel, Body - Main
2	0411-836	1		Decal, Warning - Hill
3	1411-912	1	S	Decal, Warning - Reverse/Pre-Ride
4	1411-577	1		Decal, Warning - Not for Highways
5	1411-809	1	/P	Decal, Warning - Passenger
6	1411-932	1	/P	Decal, Warning - General
7	1411-938	1		Decal, Warning - Tire/Load
8	2411-052	1		Decal, Shift
9	8611-267	1		Decal, Aircat
10	1411-968	1		Decal, Front Fender - Right
10	1411-969	1		Decal, Front Fender - Left
11	1411-966	1		Decal, Side - Right
11	1411-967	1		Decal, Side - Left
12	1411-970	1		Decal, Rear Fender - Right
12	1411-971	1		Decal, Rear Fender - Left
13	3303-232	2		Grommet, Rubber
14	3313-360	2	/P	Reflector - Rear
15	3304-774	4		Nut
16	3313-359	2	/P	Reflector - Front
17	3304-280	1		Headlight - Assembly (inc. 18-20)
18	3304-281	1		Lens, Headlight
19	3303-846	1	/P	Bulb, Headlight
20	3304-282	1		Socket Assembly
21	3304-650	5	/P	Screw, Self-Tapping
22	3304-612	1	S	Mudguard, Right - Assembly (inc. 23-24)
22	3304-613	1	S	Mudguard, Left - Assembly (inc. 23-24)
23	3303-233	8		Spacer
24	3303-227	8		Bushing
25	3304-586	8	/P	Screw, Cap
26	3304-538	18	S	Nut, Lock
27	3305-703	18		Screw, Machine
28	3304-543	8	/P	Screw, Cap
29	3304-494	1		Support, Mudguard - Right
29	3304-495	1		Support, Mudguard - Left
30	3304-587	7	/P	Screw, Cap



2009 ATV 90 DVX WHITE (A2009KSB2BUSP)
CAM CHAIN ASSEMBLY

Page 6 of 56

Ref #	Part Number	Qty	S/P/F	Description
1	3303-037	1		Guide, Chain
2	3303-030	1		Chain, Cam
3	3303-034	1		Tensioner, Chain
4	3303-035	1		Gasket
5	3303-677	1		Tensioner Assembly
6	3304-002	2	/P	Screw, Cap
7	3304-100	1	/P	O-Ring
8	3304-006	1		Screw, Adjuster
9	3303-036	1		Adjuster, Tension (inc. 10)
10	3303-301	1	/P	O-Ring

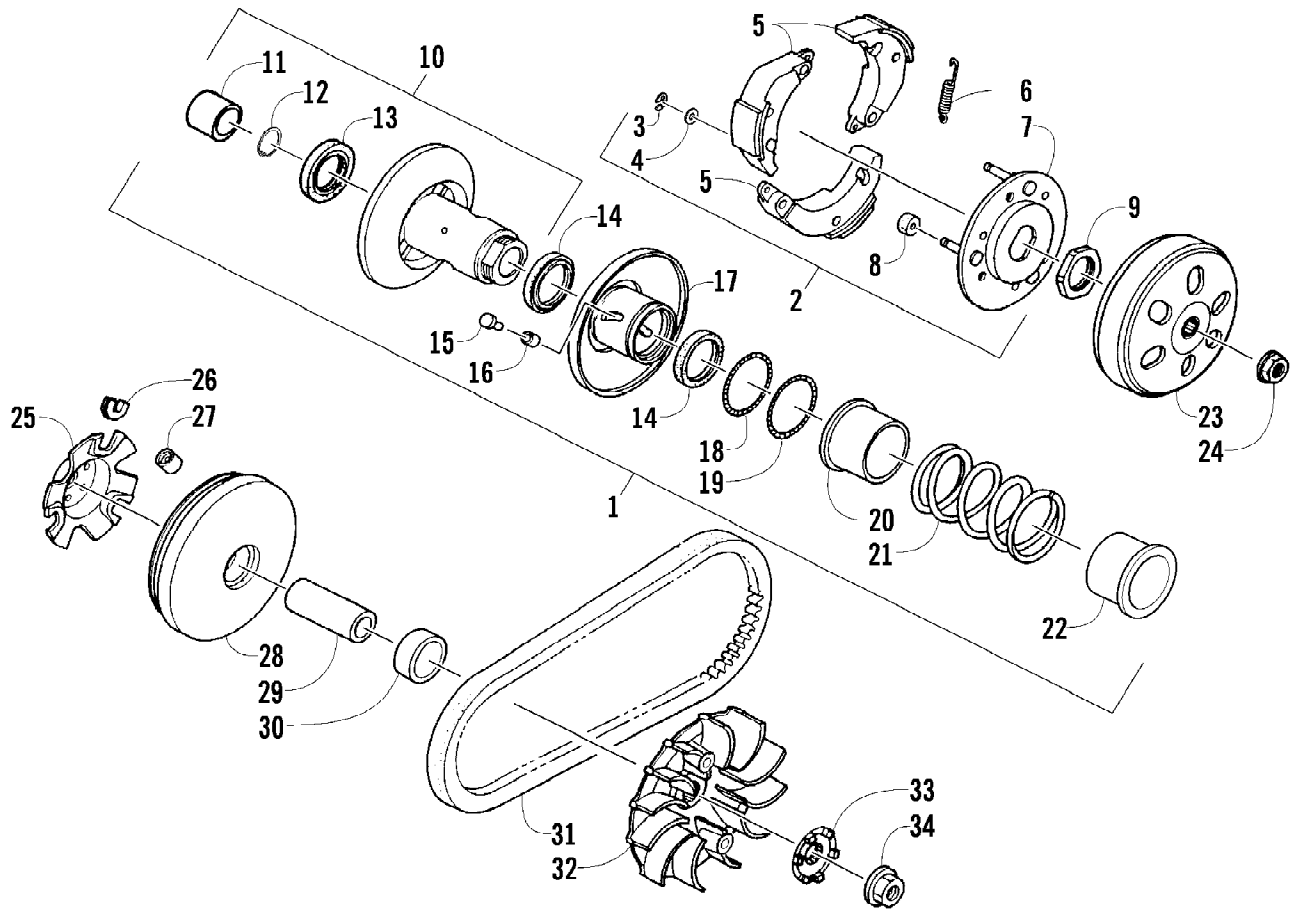


2009 ATV 90 DVX WHITE (A2009KSB2BUSP)
CARBURETOR ASSEMBLY

Page 8 of 56

Ref #	Part Number	Qty	S/P/F	Description
	3305-529	1		Complete Carburetor Assembly
1	3304-462	1		Set, Top (inc. 2)
2	3304-463	1		Gasket
3	3304-464	1		Spring, Compression
4	3304-467	1		Valve, Throttle - Assembly (inc. 5-6)
5	3304-465	1		Plate, Needle Clip
6	3304-466	1		Clip, Needle
7	3304-468	1		Needle Jet
8	3304-472	1		Hose Assembly (inc. 9)
9	3304-474	1		Clamp, Hose
10	3304-469	1		Cover
11	3304-470	1		Automatic Bypass/Starter Assembly
12	5507-117	2	/P	Screw, Machine
13	3304-471	1		Plate, Retaining
14	3304-488	1		O-Ring
15	3305-446	1		Screw, Adjustment (inc. 16)
16	3305-444	1		Spring
17	3304-477	1		Screw, Stop - Assembly (inc. 18-19)
18	3304-232	1		Spring
19	3304-478	1		Screw, Stop
20	3304-479	1		Holder, Needle Jet - Assembly (inc. 21)
21	3304-482	1		Jet, Main - 80
21	5507-170	1	F	Jet, Main - 75
21	5507-220	1	F	Jet, Main - 78
22	3304-489	1		Jet, Slow
23	3304-490	1		Valve, Float - Assembly (inc. 24-25)
24	3304-483	1		Valve, Float
25	3304-484	1		Clip
26	3304-491	1		Float Assembly
27	3304-485	1		Pin, Float
28	3304-486	1		Chamber, Float w/Gasket (inc. 29-30)
29	3304-239	1		O-Ring
30	3304-243	1		Screw, Drain
31	3304-474	1		Clamp, Hose
32	3303-320	2		Screw, Machine
33	3305-248	1	/P	Hose

2009 ATV 90 DVX WHITE (A2009KSB2BUSB)
CLUTCH ASSEMBLY

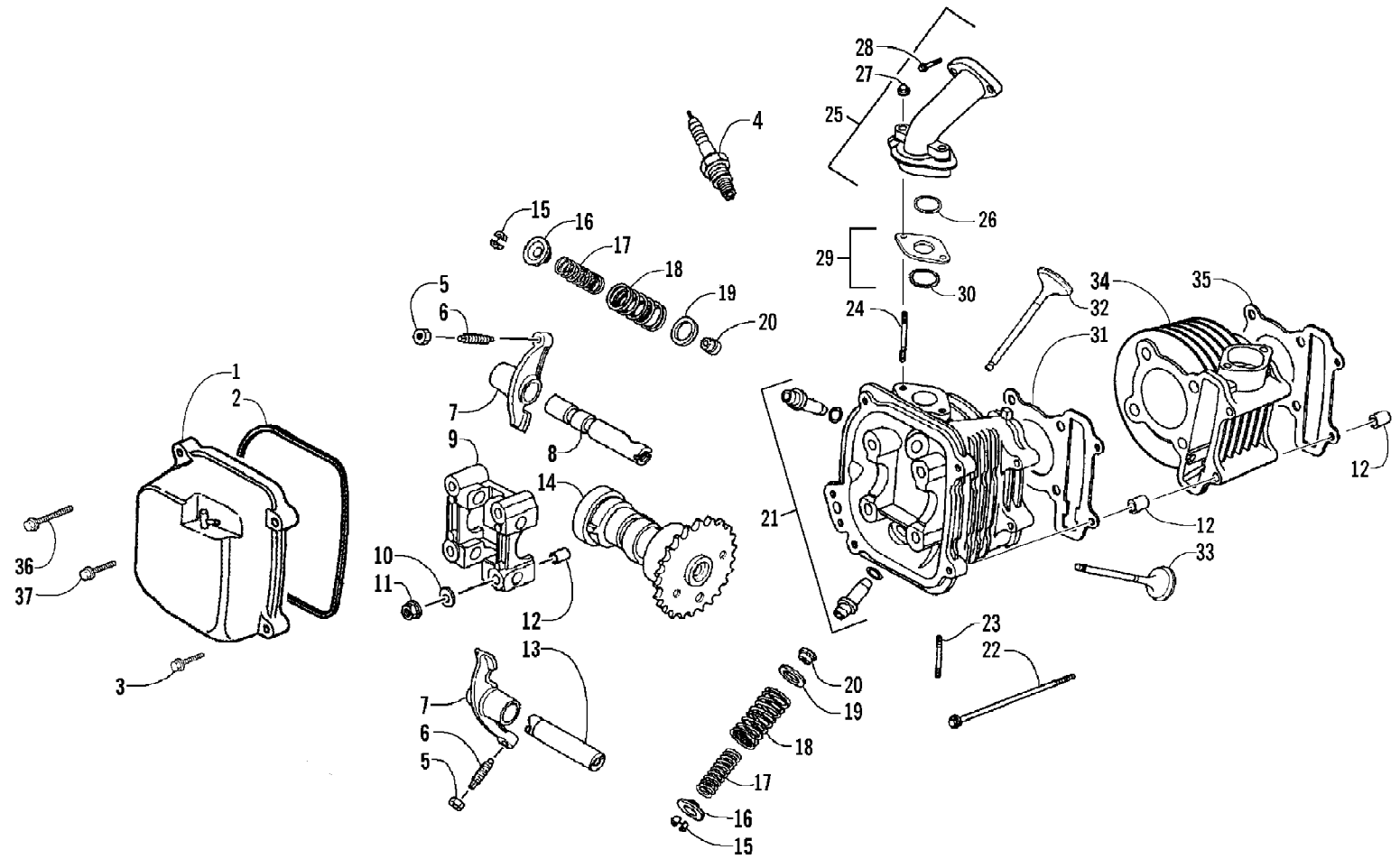


2009 ATV 90 DVX WHITE (A2009KSB2BUSP)
CLUTCH ASSEMBLY

Page 10 of 56

Ref #	Part Number	Qty	S/P/F	Description
1	3303-411	1		Pulley, Driven - Assembly (inc. 2-22)
2	3303-090	1		Clutch, Centrifugal - Assembly (inc. 3-8)
3	3304-618	3	/P	E-Ring
4	3303-274	3		Washer, Thrust
5	3303-093	3		Weight, Clutch
6	3303-092	3		Spring
7	3303-091	1		Plate, Clutch
8	3303-094	3		Roller
9	3304-025	1	/P	Nut
10	3303-096	1		Face, Driven - Fixed (inc. 11-13)
11	3303-294	1		Bearing
12	3303-346	1		Circlip
13	3303-291	1		Bearing
14	3303-299	2		Seal, Oil
15	3303-098	3		Guide, Pin
16	3303-099	3		Guide, Roller
17	3303-097	1		Face, Driven - Movable
18	3304-620	1		O-Ring
19	3304-619	1		O-Ring
20	3303-102	1		Collar
21	3303-100	1		Spring
22	3303-101	1		Collar
23	3303-082	1		Clutch, Outer
24	3303-333	1	/P	Nut
25	3303-088	1		Plate, Ramp
26	3303-089	3		Slide
27	3303-087	6		Roller
28	3303-086	1		Face, Drive - Movable
29	3303-409	1		Sleeve
30	3303-410	1		Collar
31	3303-095	1		Belt, Drive
32	3303-083	1		Face, Drive - Fixed
33	3303-116	1		Ratchet, Kick Starter
34	3303-334	1		Nut

2009 ATV 90 DVX WHITE (A2009KSB2BUSP)
CYLINDER HEAD ASSEMBLY

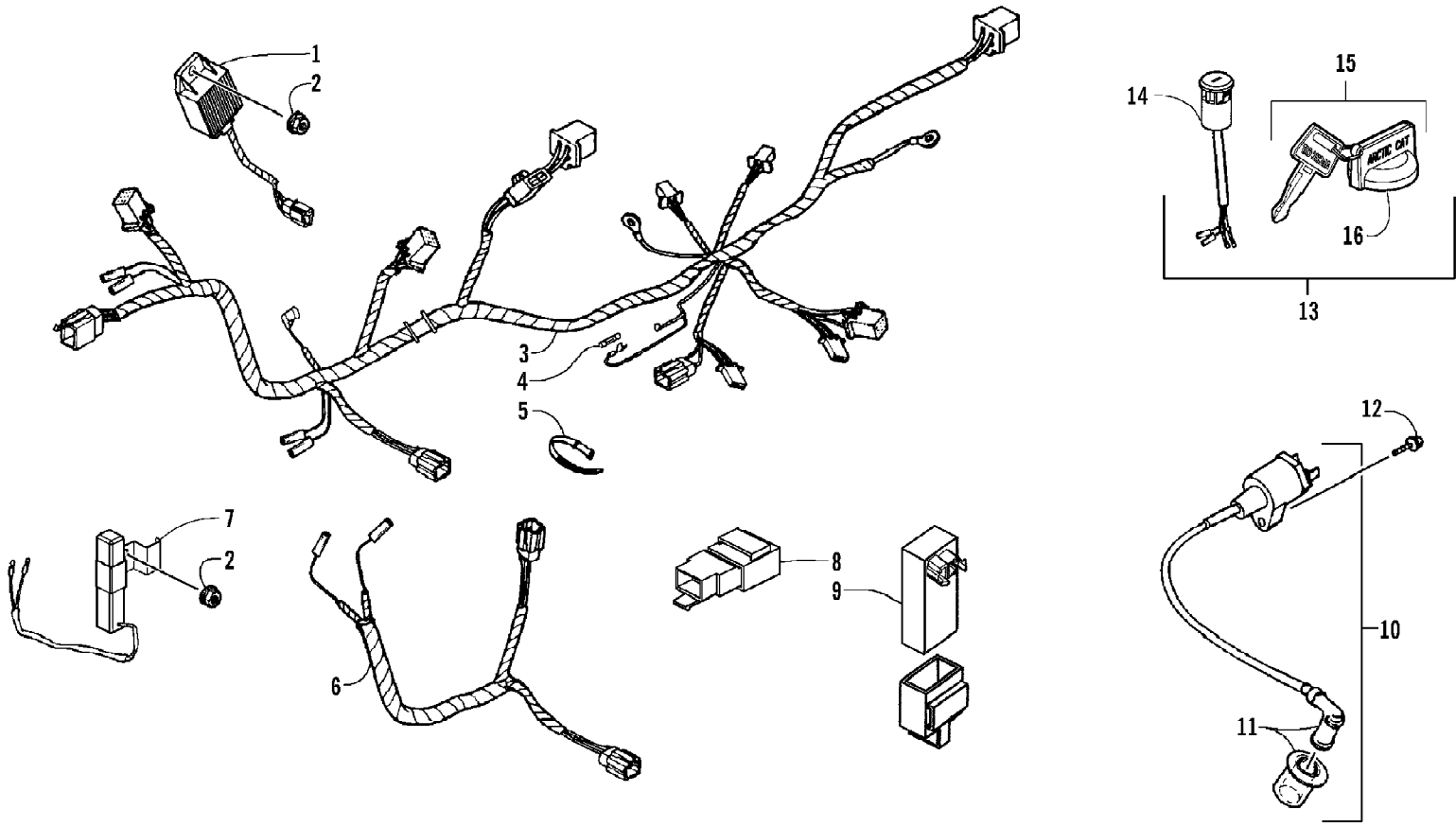


2009 ATV 90 DVX WHITE (A2009KSB2BUSP)
CYLINDER HEAD ASSEMBLY

Page 12 of 56

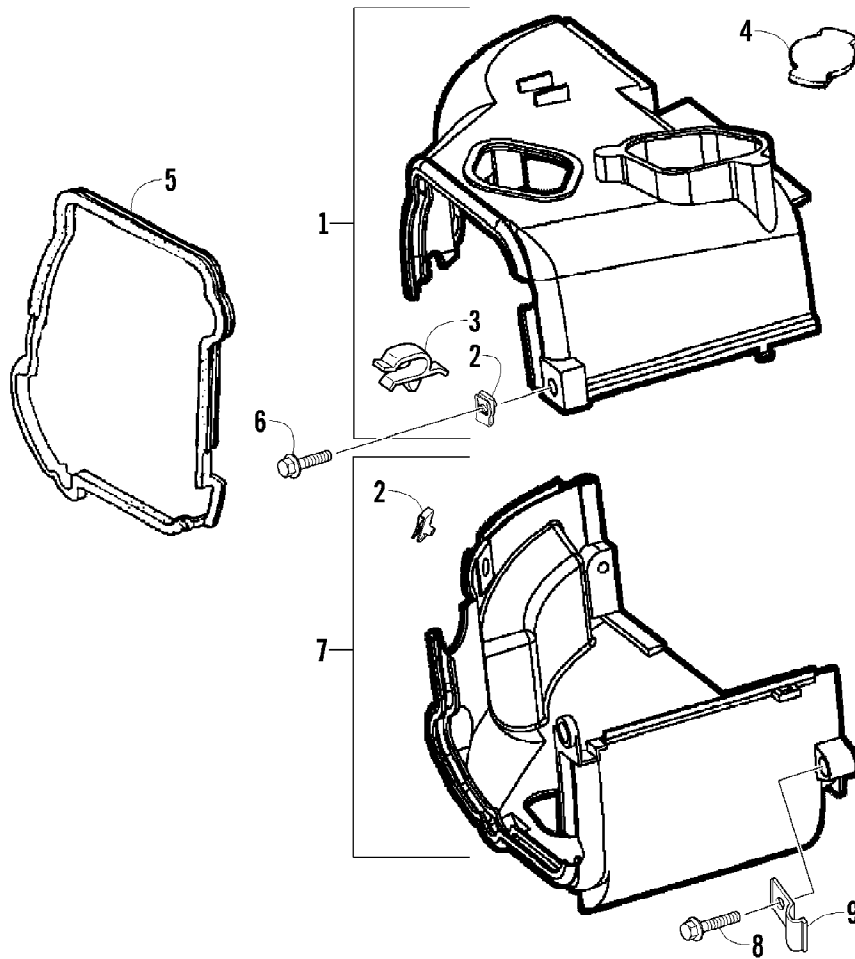
Ref #	Part Number	Qty	S/P/F	Description
1	3305-292	1		Cover, Head
2	3304-616	1		Gasket
3	3303-360	2		Screw, Cap
4	0217-726	1	/P/F	Spark Plug
5	3304-026	2	/P	Nut
6	3304-007	2	/P	Screw, Adjuster
7	3303-031	2		Valve, Rocker Arm
8	3303-032	1		Shaft, Rocker Arm - Intake
9	3303-018	1		Retainer, Camshaft
10	3304-048	4	/P	Washer
11	3303-332	4		Nut
12	3303-342	6		Pin, Dowel
13	3303-033	1		Shaft, Rocker Arm - Exhaust
14	3304-617	1		Camshaft
15	3303-044	4		Cotter, Valve
16	3303-042	2	/P	Retainer, Valve Spring
17	3303-041	2		Spring, Valve - Inner
18	3303-040	2		Spring, Valve - Outer
19	3303-043	2		Seat, Valve Spring - Outer
20	3303-657	2	/P	Seal, Valve Stem
21	3303-016	1		Head, Cylinder
22	3303-389	2		Screw, Cap
23	3304-010	2		Bolt, Stud
24	3303-310	2		Bolt, Stud
25	3303-059	1		Pipe, Intake - Assembly (inc. 26)
26	3303-304	1		O-Ring
27	3303-331	2	/P	Nut
28	3303-384	2	/P	Screw, Cap
29	3303-511	1	/P	Insulator, Carburetor - Assembly (inc. 30)
30	3304-596	1		O-Ring
31	3303-019	1		Gasket, Cylinder Head
32	3303-038	1		Valve, Intake
33	3303-039	1		Valve, Exhaust
34	3303-014	1		Cylinder
35	3303-015	1		Gasket, Cylinder
36	3303-363	2		Screw, Cap
37	3303-362	2		Screw, Cap

2009 ATV 90 DVX WHITE (A2009KSB2BUSP)
ELECTRICAL AND WIRING HARNESS ASSEMBLY



2009 ATV 90 DVX WHITE (A2009KSB2BUSP)
ELECTRICAL AND WIRING HARNESS ASSEMBLY

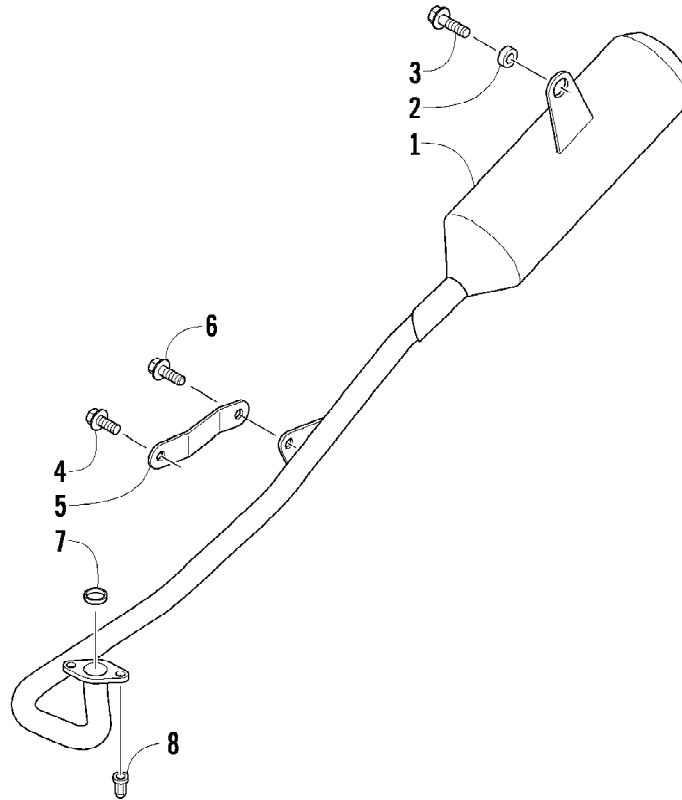
Ref #	Part Number	Qty	S/P/F	Description
1	3303-132	1		Regulator, Voltage
2	3303-331	2	/P	Nut
3	3305-863	1		Harness, Main (inc. 4)
4	3303-399	2		Fuse
5	3303-289	AR	/P	Tie, Cable
6	3303-134	1	/P	Sub-Cord
7	3303-142	1		Resistor
8	3303-143	1		Relay, Starter
9	3305-861	1		CDI Unit
10	3303-125	1		Coil Assembly - Ignition (inc. 11)
11	3303-126	1		Cap, Noise Suppression
12	3303-252	1		Screw, Cap
13	3305-519	1	S	Switch, Ignition - Assembly (inc. 14-17)
14	0	1	F	Switch, Ignition
15	3304-520	1		Key, Ignition - Right-Side Cut
15	3304-521	1		Key, Ignition - Left-Side Cut
16	3304-522	1		Cover, Key



2009 ATV 90 DVX WHITE (A2009KSB2BUSP)
ENGINE SHROUD ASSEMBLY

Page 16 of 56

Ref #	Part Number	Qty	S/P/F	Description
1	3305-803	1		Shroud, Upper - Assembly (inc. one No. 2 and 3-4)
2	3303-267	2		Clip, U-Nut
3	3305-804	1		Clip, Routing
4	3303-408	1		Grommet
5	3303-077	1		Seal, Shroud
6	3303-382	2	/P	Screw, Cap
7	3303-078	1		Shroud, Lower - Assembly (inc. one No. 2)
8	3303-384	1	/P	Screw, Cap
9	3304-640	1		Clamp, Routing

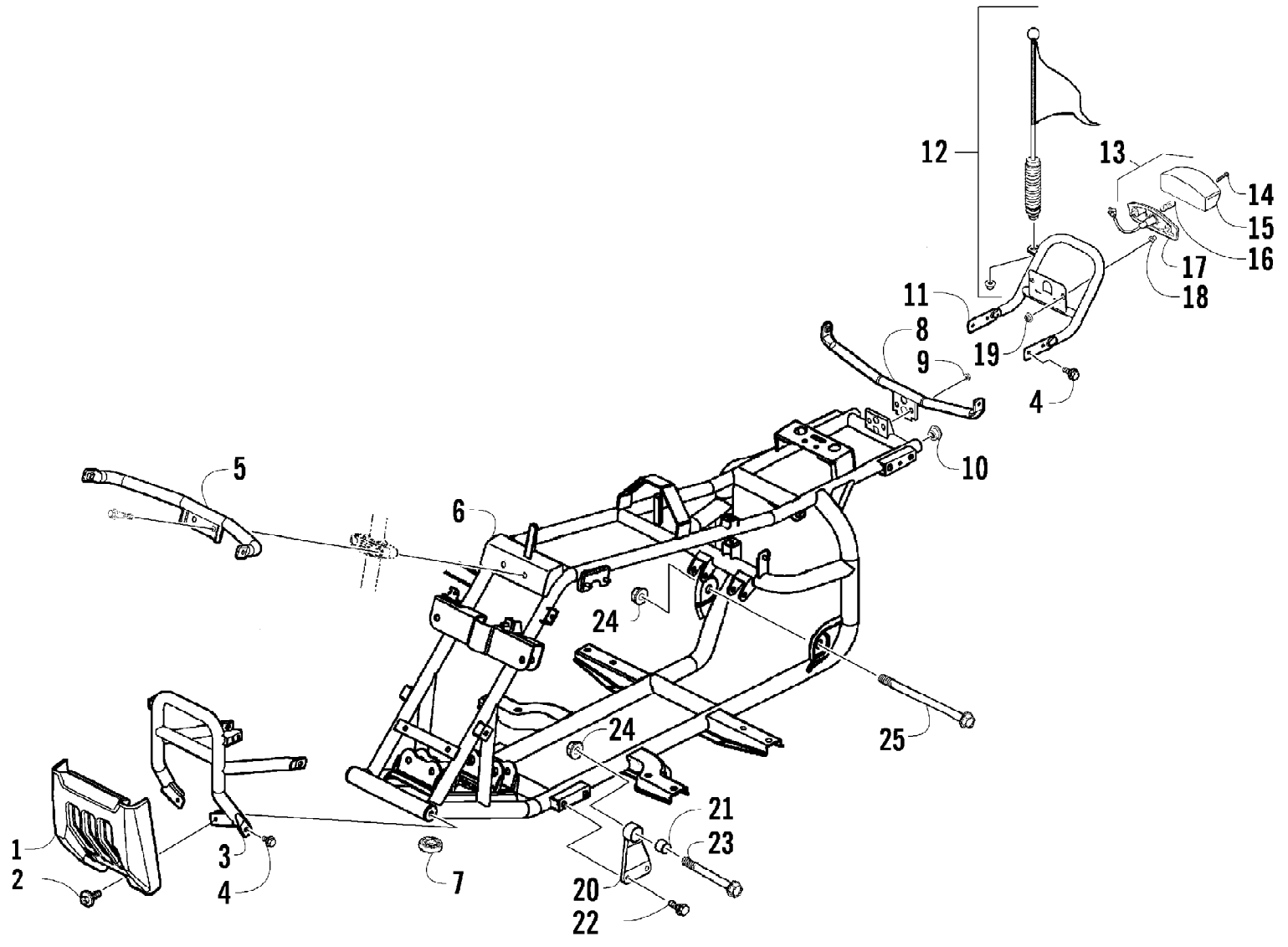


2009 ATV 90 DVX WHITE (A2009KSB2BUSP)
EXHAUST ASSEMBLY

Page 18 of 56

Ref #	Part Number	Qty	S/P/F	Description
1	3303-407	1	/P	Muffler - Assembly (inc. 2)
2	3304-571	1		Bushing
3	3305-845	1		Screw, Cap
4	3303-314	1		Screw, Cap
5	3304-573	1		Bracket, Mounting - Muffler
6	3304-543	1	/P	Screw, Cap
7	3303-071	1		Gasket
8	3303-261	2		Nut, Cap

2009 ATV 90 DVX WHITE (A2009KSB2BUSP)
FRAME AND RELATED PARTS ASSEMBLY

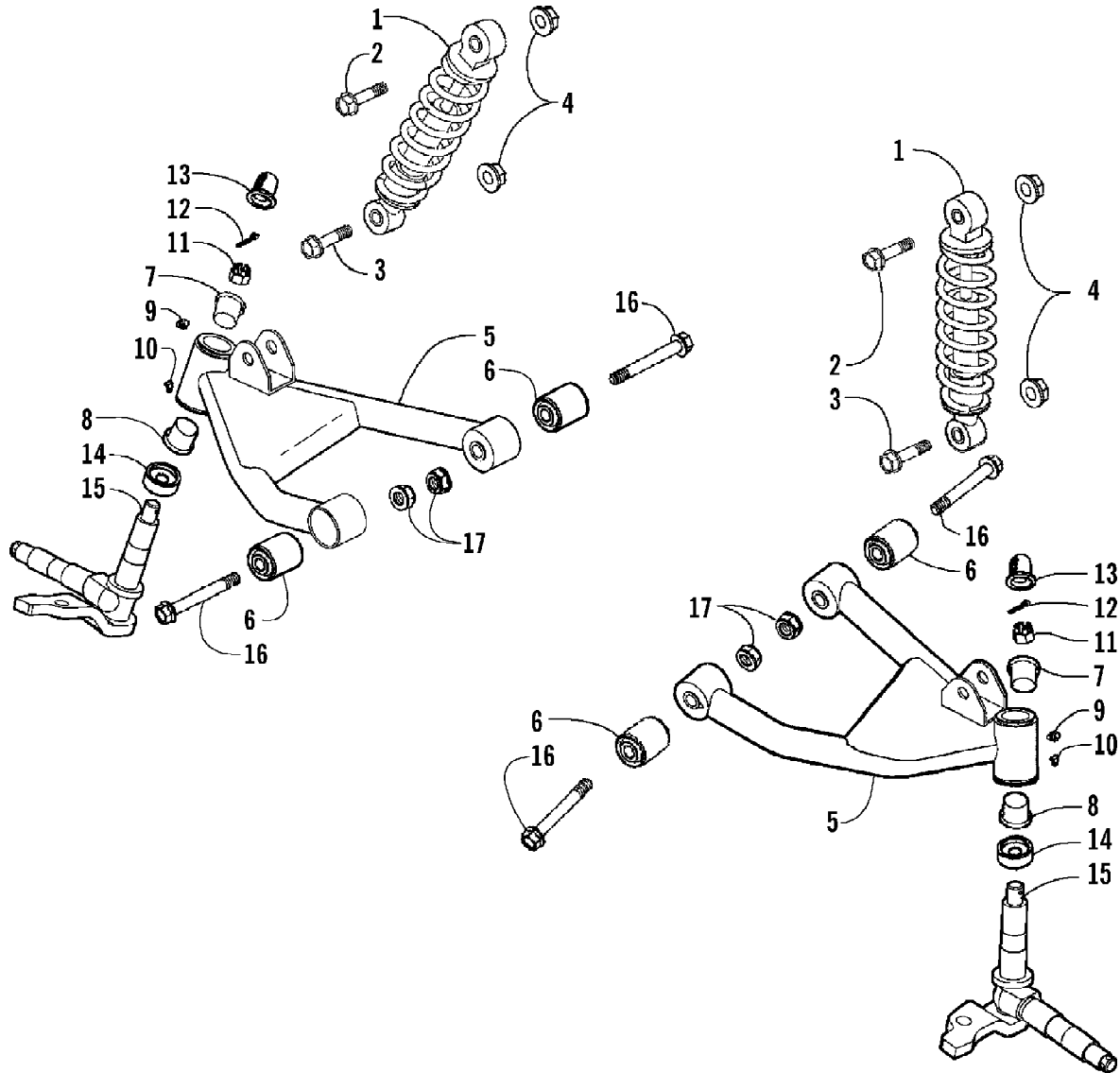


2009 ATV 90 DVX WHITE (A2009KSB2BUSP)
 FRAME AND RELATED PARTS ASSEMBLY

Page 20 of 56

Ref #	Part Number	Qty	S/P/F	Description
1	3303-575	1	S	Fascia, Front Bumper
2	3304-587	2	/P	Screw, Cap
3	3305-261	1	/P	Bumper, Front
4	3304-544	7		Screw, Cap
5	3305-511	1		Bracket, Support - Front
6	3305-864	1		Frame
7	3303-392	1		Bearing
8	3305-514	1		Bracket, Support - Rear
9	3304-668	2		Nut, Lock
10	0	2	F	Plug
11	3305-512	1		Grip, Rear
12	3305-308	1		Flag Assembly
13	3303-420	1		Taillight - Assembly (inc. 14-17)
14	3304-537	2		Screw, Self-Tapping
15	3304-283	1		Lens, Taillight
16	3303-849	1	/P	Bulb, Taillight
17	3303-422	1		Base, Taillight
18	3303-226	2		Grommet
19	3303-331	2	/P	Nut
20	3303-183	1	/P	Bracket, Mounting - Engine - Right (inc. 21)
20	3303-184	1	/P	Bracket, Mounting - Engine - Left (inc. 21)
21	3304-542	2		Bushing, Rubber
22	3304-543	4	/P	Screw, Cap
23	3304-548	2	/P	Screw, Cap
24	3304-031	3	/P	Nut
25	8409-000	1		Screw, Cap

2009 ATV 90 DVX WHITE (A2009KSB2BUSP)
FRONT SUSPENSION ASSEMBLY

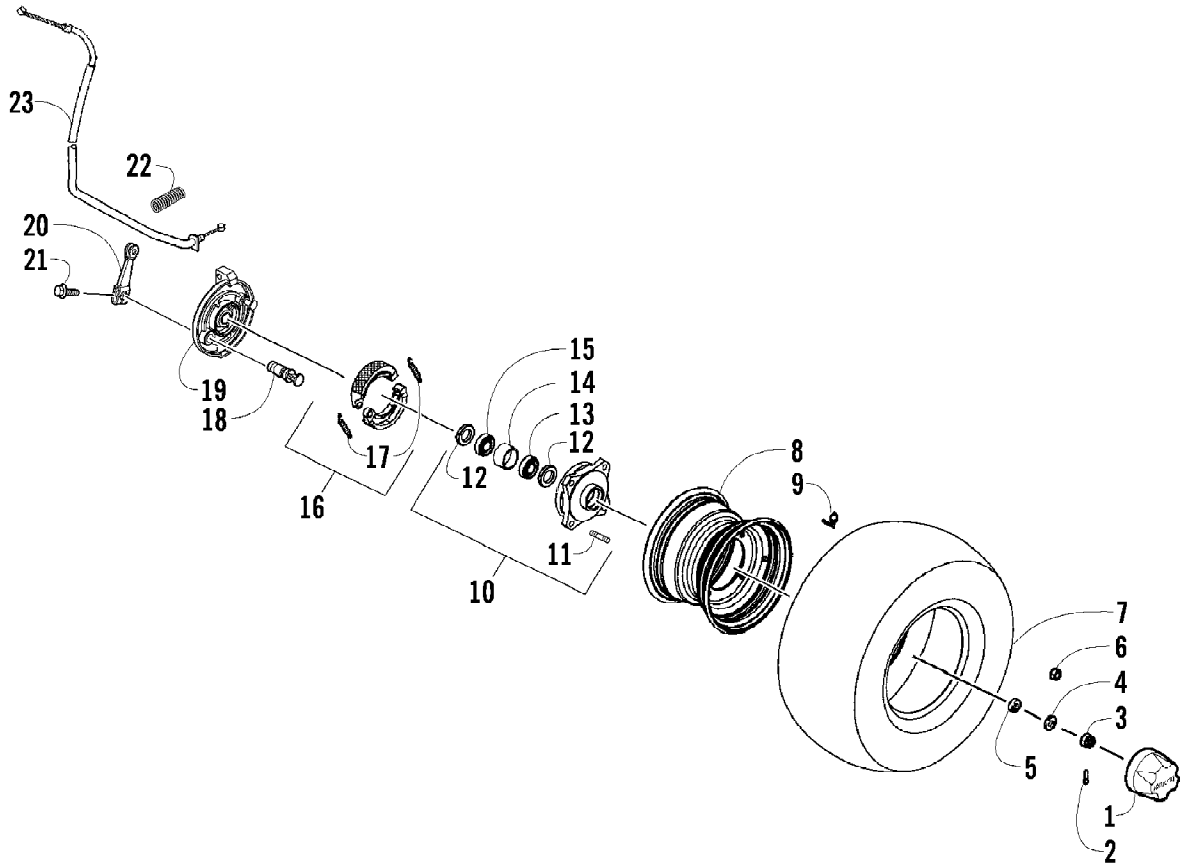


2009 ATV 90 DVX WHITE (A2009KSB2BUSP)
FRONT SUSPENSION ASSEMBLY

Page 22 of 56

Ref #	Part Number	Qty	S/P/F	Description
1	3305-892	2		Shock/Spring Assembly
2	3303-376	2	/P	Screw, Cap
3	3303-309	2		Screw, Cap
4	3303-333	4	/P	Nut
5	3305-452	1		Arm, Swing - Set - Front Right (inc. 6-10)
5	3305-453	1		Arm, Swing - Set - Front Left (inc. 6-10)
6	3303-216	4		Bushing
7	3303-218	2		Bushing
8	3303-217	2		Bushing
9	3303-393	2		Fitting, Grease
10	3303-394	2		Cap, Grease Fitting
11	3303-329	2		Nut, Castle
12	3303-337	2		Pin, Cotter
13	3303-219	2		Cap
14	3303-220	2		Seal
15	3303-178	1		Shaft, Steering - Right
15	3303-180	1		Shaft, Steering - Left
16	3304-595	4	/P	Screw, Cap
17	3304-031	4	/P	Nut

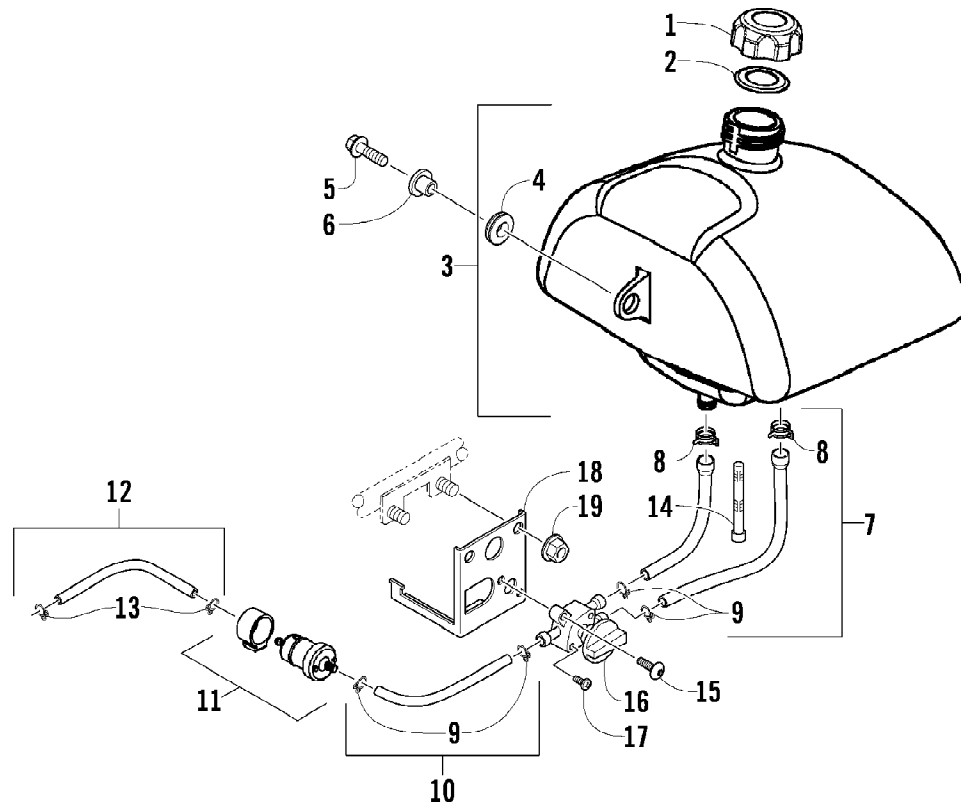
2009 ATV 90 DVX WHITE (A2009KSB2BUSP)
FRONT WHEEL AND BRAKE ASSEMBLIES



2009 ATV 90 DVX WHITE (A2009KSB2BUSP)
FRONT WHEEL AND BRAKE ASSEMBLIES

Page 24 of 56

Ref #	Part Number	Qty	S/P/F	Description
1	3303-430	2		Cap, Wheel
2	3303-470	2		Pin, Cotter
3	3303-328	2		Nut, Castle
4	3303-279	2	/P	Washer
5	3303-164	2	/P	Collar, Wheel
6	3303-266	8		Nut
7	3303-429	2		Tire - Assembly
8	3303-166	2		Wheel - Assembly (inc. 9)
9	3303-887	2		Stem, Valve
10	3303-165	2		Hub Assembly (inc. 11-15)
11	3303-463	8		Bolt, Stud
12	3303-456	4		Seal
13	3303-468	2		Bearing
14	3303-445	2		Spacer
15	3303-467	2		Bearing
16	3303-169	2		Shoe, Brake - Assembly (inc. 17)
17	3304-563	2		Spring
18	3303-170	2		Cam, Brake
19	3303-168	1		Panel - Front - Right
19	3303-176	1		Panel - Front - Left
20	3303-171	1		Arm, Brake - Right
20	3303-177	1		Arm, Brake - Left
21	3303-355	2		Screw, Cap
22	3303-172	2		Spring, Return
23	3303-173	2		Cable, Brake

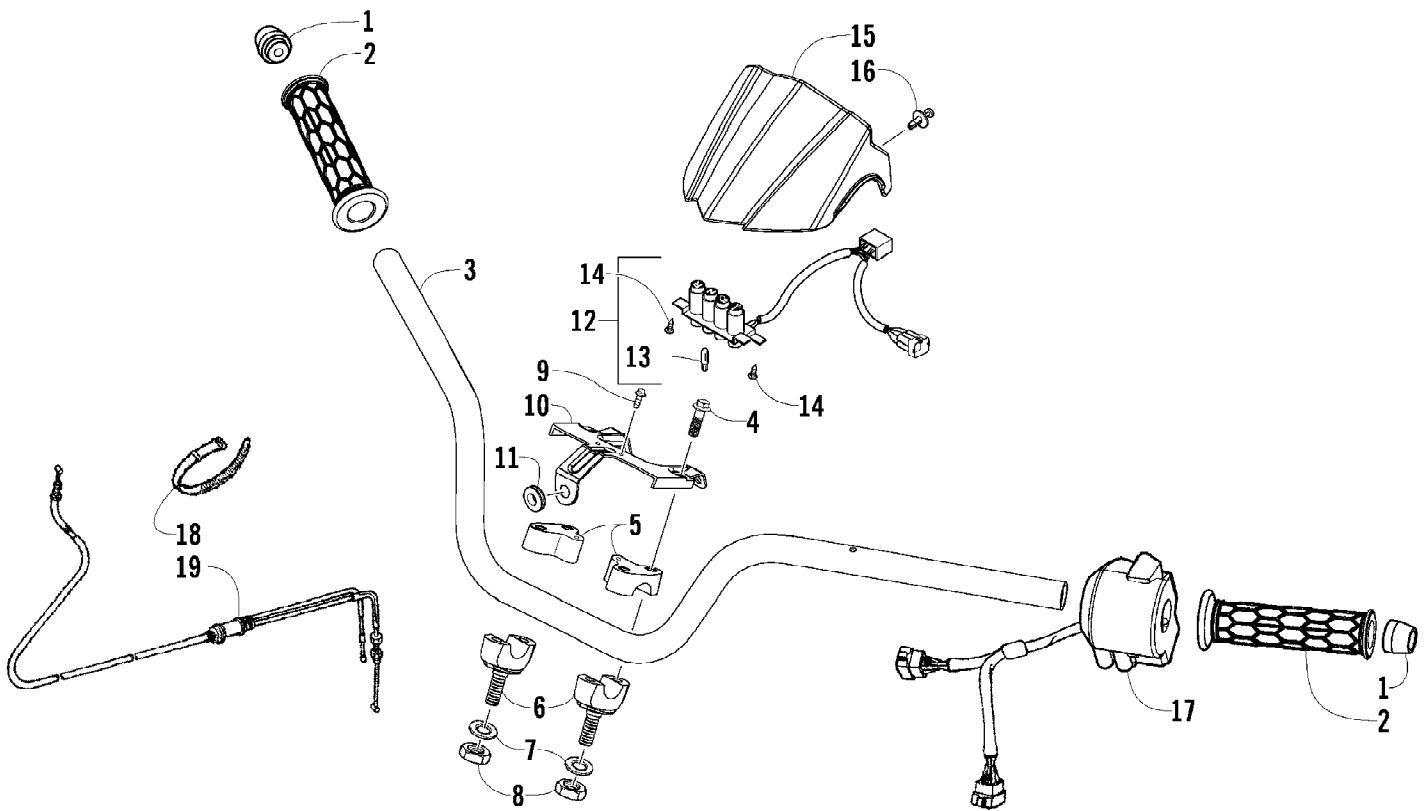


2009 ATV 90 DVX WHITE (A2009KSB2BUSP)
GAS TANK ASSEMBLY

Page 26 of 56

Ref #	Part Number	Qty	S/P/F	Description
1	3303-067	1		Cap, Gas Tank
2	3303-068	1		Seal, Gas Tank Cap
3	3305-488	1		Tank, Gas - Assembly (inc. 4)
4	3303-406	2		Grommet
5	3303-383	2	/P	Screw, Cap
6	3303-226	2		Insert
7	3305-489	2		Hose Assembly (inc. 8 and two No. 9)
8	3305-523	2		Clamp, Hose
9	3303-349	4		Clamp, Hose
10	3305-521	1		Hose Assembly (inc. two No. 9)
11	3303-699	1	/P	Filter, Fuel - Assembly
12	3305-522	1		Hose Assembly (inc. 13)
13	3303-348	2		Clamp, Hose
14	3303-058	1		Strainer, Fuel
15	3303-316	2		Screw, Machine
16	3303-057	1		Shut-Off, Fuel (inc. 17)
17	0	2	F	Screw, Machine
18	3305-294	1		Bracket, Mounting - Fuel Shut-Off
19	3303-331	2	/P	Nut

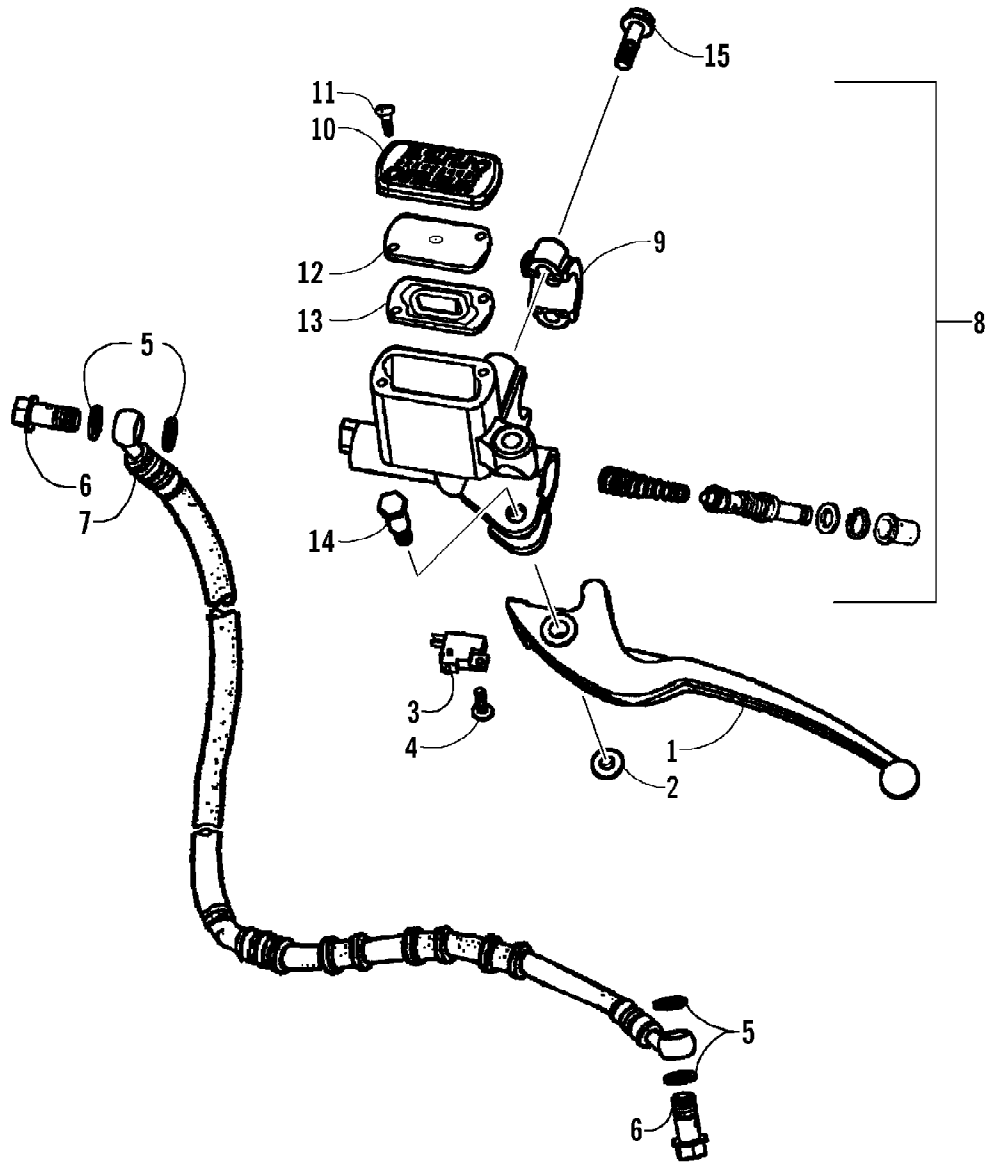
2009 ATV 90 DVX WHITE (A2009KSB2BUSP)
HANDLEBAR AND CONTROL ASSEMBLY



2009 ATV 90 DVX WHITE (A2009KSB2BUSP)
HANDLEBAR AND CONTROL ASSEMBLY

Page 28 of 56

Ref #	Part Number	Qty	S/P/F	Description
1	3303-196	2		End Cap, Handlebar
2	3303-203	2	S	Grip, Handlebar
3	3303-434	1		Handlebar
4	3303-398	4		Screw, Cap
5	3303-197	1		Clamp, Handlebar - Upper Right
5	3303-198	1		Clamp, Handlebar - Upper Left
6	3303-199	2		Clamp, Handlebar - Lower
7	3304-136	2		Washer
8	3305-517	2		Nut
9	3304-553	2		Screw, Cap
10	3305-575	1		Bracket, Handlebar Cover (inc. 11)
11	3303-239	1		Grommet
12	3305-833	1		Pilot Lamp - Assembly (inc. 13)
13	3304-284	2		Bulb
14	3304-650	2	/P	Screw, Self-Tapping
15	3303-436	1		Cover, Handlebar
16	3303-592	2		Clip, Retaining
17	3305-516	1		Switch, Handlebar - Assembly
18	3303-839	1		Tie, Cable
19	1502-096	1	/P	Cable, Throttle

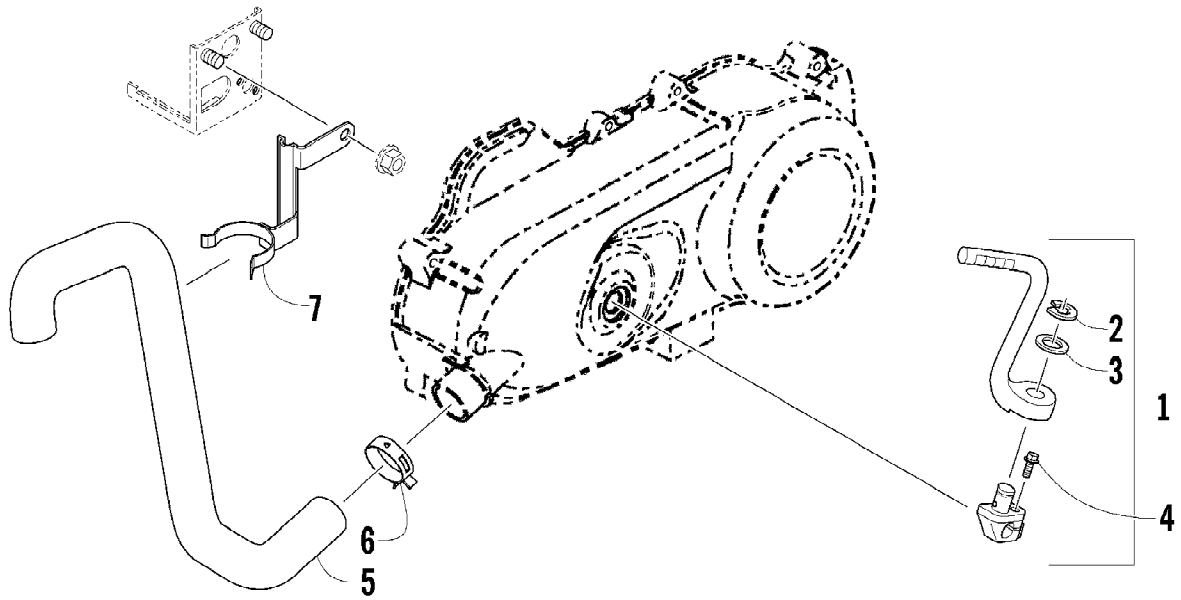


2009 ATV 90 DVX WHITE (A2009KSB2BUSP)
HYDRAULIC HAND BRAKE ASSEMBLY

Page 30 of 56

Ref #	Part Number	Qty	S/P/F	Description
1	3303-206	1	/P	Lever
2	3304-654	1	/P	Nut
3	3303-141	1	/P	Switch Assembly
4	3303-321	1		Screw, Machine
5	3303-284	4	/P	Washer, Crush
6	3303-257	2	/P	Bolt, Banjo-Fitting
7	3305-278	1		Hose, Brake - Assembly
8	3305-484	1	S	Brake, Master Cylinder - Assembly (inc. 9-14)
9	3303-175	1	/P	Clamp, Handlebar
10	3303-174	1	/P	Cover, Master Cylinder
11	3303-318	2		Screw, Machine
12	3305-250	1		Plate, Diaphragm
13	3305-309	1		Diaphragm
14	3303-254	1	/P	Screw, Shoulder
15	3305-297	2		Screw, Cap

2009 ATV 90 DVX WHITE (A2009KSB2BUSP)
KICK STARTER AND COOLING DUCT ASSEMBLY

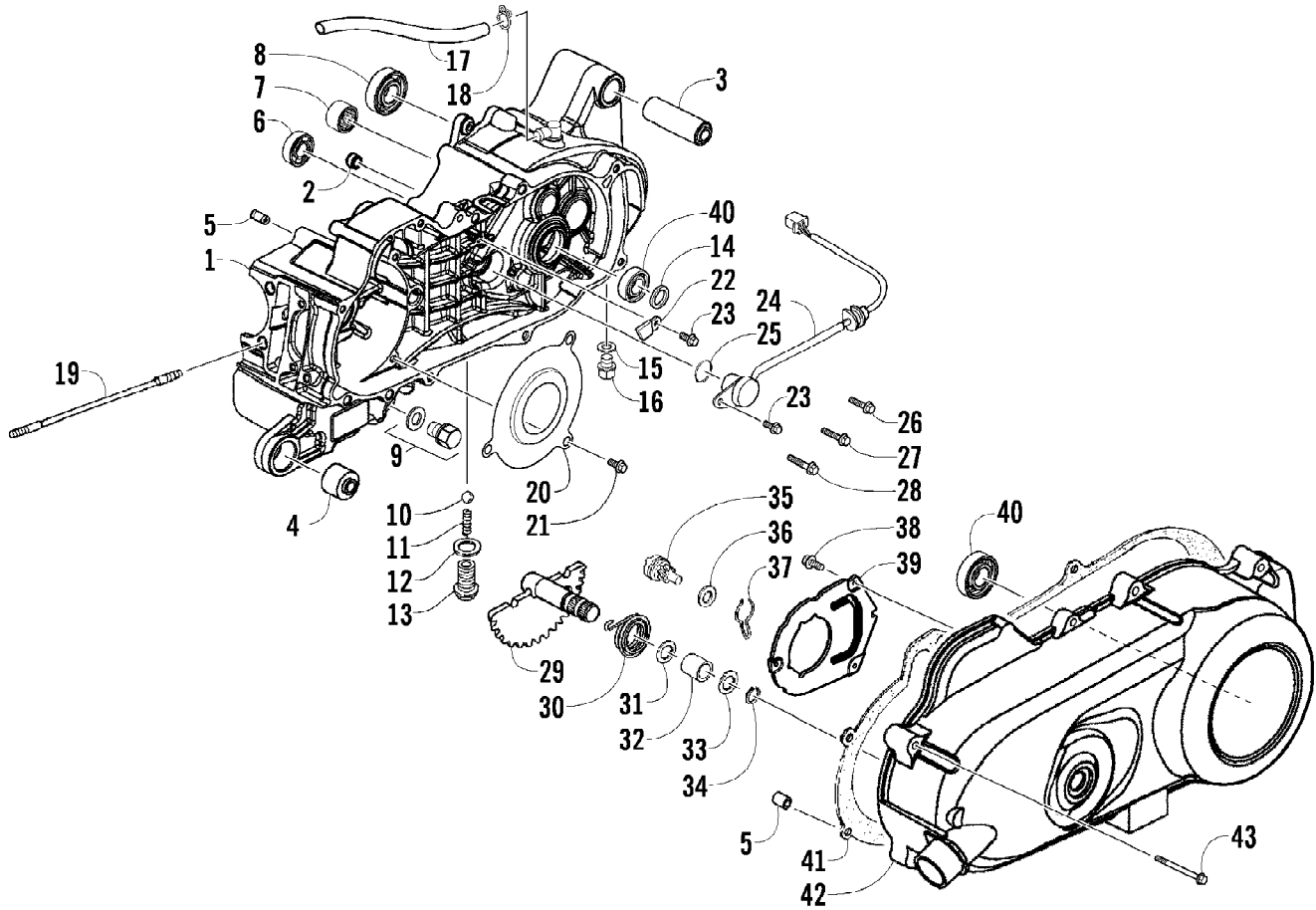


2009 ATV 90 DVX WHITE (A2009KSB2BUSP)
KICK STARTER AND COOLING DUCT ASSEMBLY

Page 32 of 56

Ref #	Part Number	Qty	S/P/F	Description
1	3303-123	1	/P	Arm, Kick Starter (inc. 2-3)
2	3305-247	1	/P	E-Clip
3	3304-138	1		Washer
4	3304-551	1	/P	Screw, Cap
5	3303-010	1		Duct, Cooling
6	3303-074	1		Clamp
7	3303-287	1		Clamp, Routing

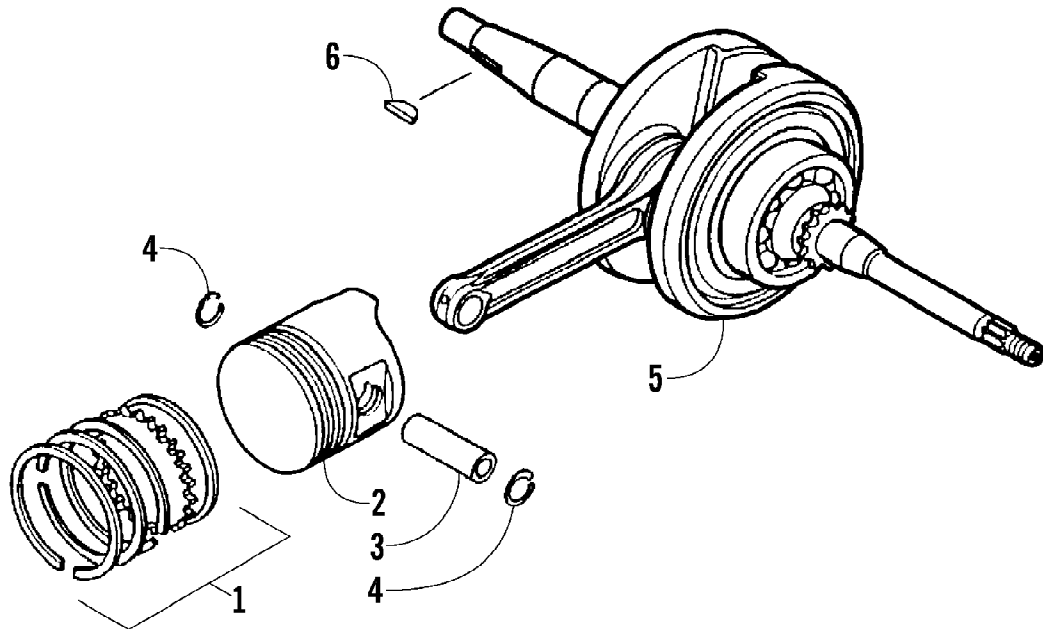
2009 ATV 90 DVX WHITE (A2009KSB2BUSP)
LEFT CRANKCASE AND COVER ASSEMBLY



2009 ATV 90 DVX WHITE (A2009KSB2BUSP)
LEFT CRANKCASE AND COVER ASSEMBLY

Page 34 of 56

Ref #	Part Number	Qty	S/P/F	Description
1	3305-795	1		Crankcase (inc. 2-4)
2	3304-597	1		Plug
3	3305-906	1		Bushing, Rubber - Engine Mount
4	3303-402	1	/P	Bushing, Rubber - Engine Mount
5	3303-341	4		Pin, Dowel
6	3304-905	1		Bearing
7	3304-074	1	/P	Bearing
8	3304-699	1	/P	Bearing
9	3304-052	1	/P	Plug, Drain
10	3304-205	1		Bearing, Ball
11	3304-063	1		Spring, Seat
12	3304-021	1		Washer
13	3304-109	1		Screw, Seat
14	3303-297	1	/P	Seal, Oil
15	3303-278	1		Washer
16	3303-365	1		Plug, Drain
17	3305-798	1		Hose, Vent
18	3303-714	1		Clamp, Hose
19	3303-248	2		Bolt, Stud
20	3304-460	1		Plate, Dust
21	3303-381	3		Screw, Cap
22	3304-040	1		Retainer, Bearing
23	3304-187	2		Screw, Cap
24	3305-797	1		Switch, Gear Shift (inc. 25)
25	3305-799	1	S	O-Ring
26	3303-385	1		Screw, Cap
27	3303-370	6		Screw, Cap
28	3303-372	1		Screw, Cap
29	3303-119	1		Spindle, Kick Starter
30	3303-122	1		Spring
31	3303-121	1		Spacer
32	3303-120	1		Bushing
33	3303-276	1		Washer
34	3303-345	1		Ring, Retaining
35	3303-118	1		Gear, Driven
36	3303-272	1		Washer, Thrust
37	3303-117	1		Spring
38	3303-391	3		Screw, Cap
39	3303-009	1		Plate, Cover
40	3303-465	2		Bearing
41	3303-013	1		Gasket, Crankcase Cover
42	3305-907	1		Cover, Crankcase
43	3303-386	7	/P	Screw, Cap

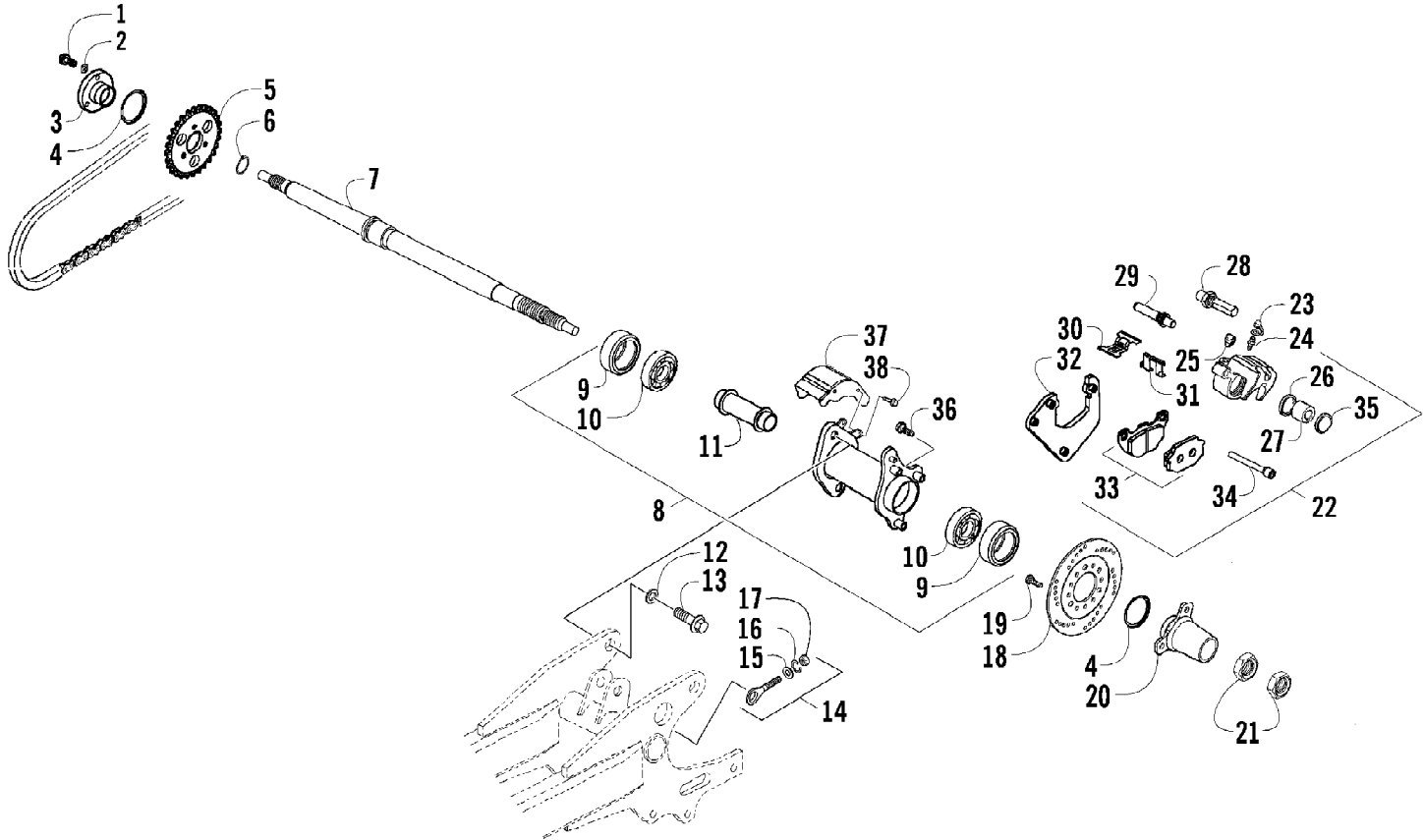


2009 ATV 90 DVX WHITE (A2009KSB2BUSP)
PISTON AND CRANKSHAFT ASSEMBLY

Page 36 of 56

Ref #	Part Number	Qty	S/P/F	Description
1	3303-024	1		Ring, Piston - Set
2	3303-025	1		Piston
3	3303-026	1		Pin, Piston
4	3303-027	2		Clip, Piston Pin
5	3305-443	1		Crankshaft
6	3303-290	1		Key

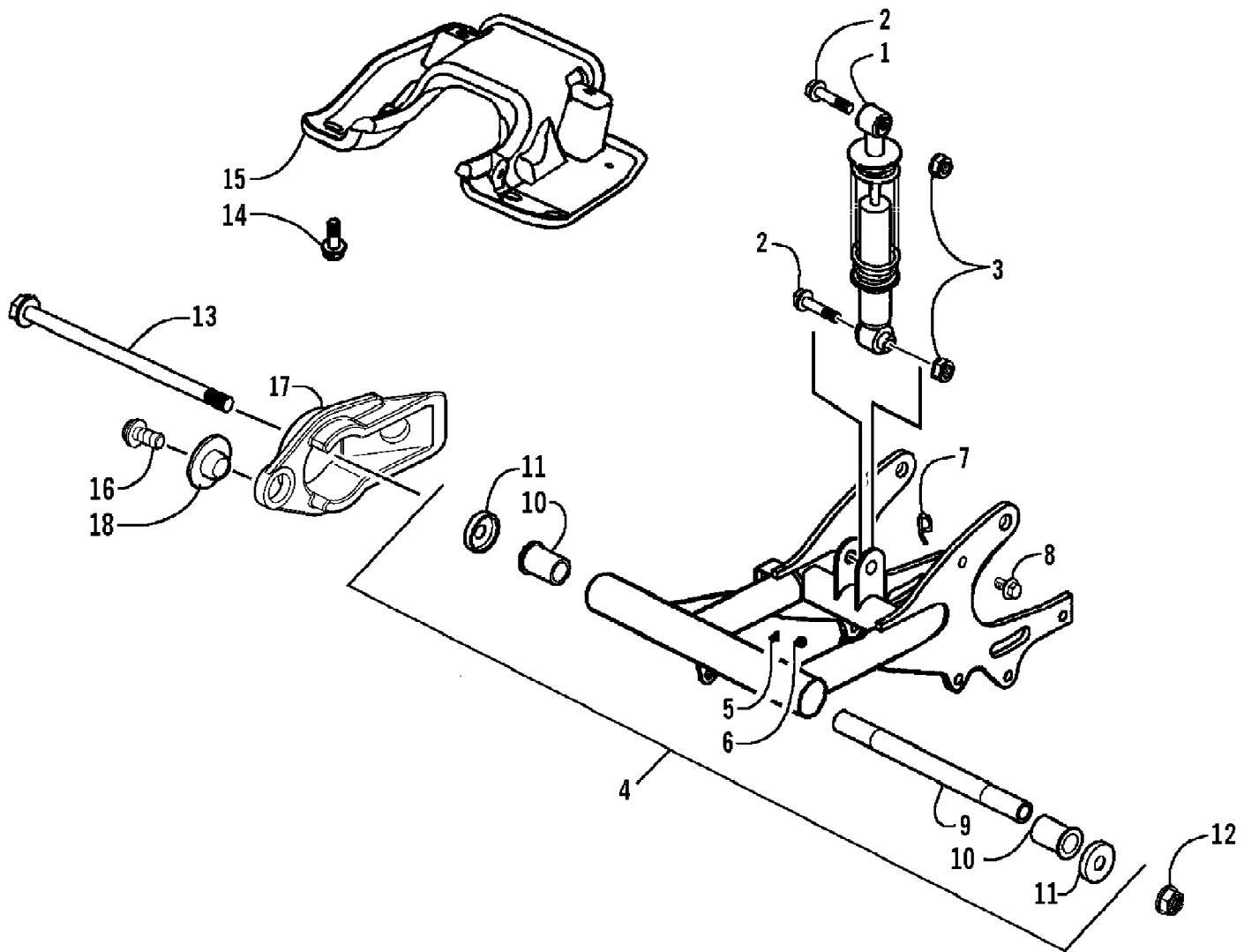
2009 ATV 90 DVX WHITE (A2009KSB2BUSP)
REAR AXLE AND BRAKE ASSEMBLY



2009 ATV 90 DVX WHITE (A2009KSB2BUSP)
 REAR AXLE AND BRAKE ASSEMBLY

Page 38 of 56

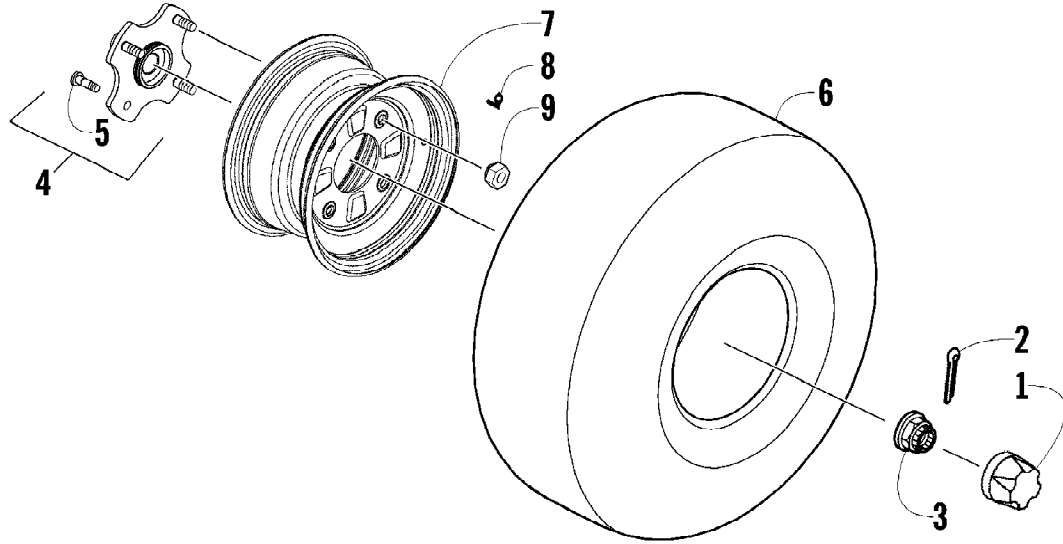
Ref #	Part Number	Qty	S/P/F	Description
1	3304-565	3	/P	Screw, Cap
2	3305-288	3	S	Washer, Lock
3	3305-835	1		Retainer, Sprocket
4	3305-298	2		O-Ring
5	3303-148	1		Sprocket, Final Drive
6	3305-840	1		Ring, Retaining
7	3305-838	1		Axle, Rear
8	3305-347	1	/P	Housing, Rear Axle (inc. 9-11)
9	3303-461	2		Seal
10	3303-466	2		Bearing
11	3303-427	1		Spacer
12	3303-281	3		Washer
13	3303-379	4		Screw, Cap
14	3303-147	1		Adjuster, Chain - Assembly (inc. 15-17)
15	3304-135	1	/P	Washer
16	3303-607	1	/P	Washer, Lock
17	3304-125	1		Nut
18	3303-162	1		Disc, Brake
19	3303-253	3	/P	Screw, Cap
20	3305-249	1		Bracket, Brake Disc
21	3305-839	2		Nut
22	3305-449	1		Caliper, Rear - Assembly (inc. 23-35)
23	3304-303	1		Cap, Bleed Valve
24	3304-302	1		Valve, Bleed
25	3304-333	1		Plug
26	3304-327	1	S	Seal, Piston
27	3304-314	1	/P	Piston
28	3304-589	1		Pin w/Boot
29	3304-590	1		Pin w/Boot
30	3304-591	1		Spring
31	3304-316	1	S	Seal
32	3303-469	1	/P	Bracket
33	3304-567	1	/P	Pad, Brake - Assembly
34	3304-566	2		Screw, Cap
35	3305-377	1	/P	Seal
36	3303-256	2		Screw, Cap
37	3303-144	1		Guard, Chain
38	3304-610	2		Screw, Cap



2009 ATV 90 DVX WHITE (A2009KSB2BUSP)
 REAR SUSPENSION ASSEMBLY

Page 40 of 56

Ref #	Part Number	Qty	S/P/F	Description
1	3305-908	1		Shock/Spring - Assembly
2	3303-376	2	/P	Screw, Cap
3	3304-031	2	/P	Nut
4	3305-858	1		Fork, Rear - Assembly (inc. 5-11)
5	3303-394	1		Cap, Grease Fitting
6	3303-393	1		Fitting, Grease
7	3304-594	1		Clamp, Routing
8	3305-341	1		Screw, Cap
9	3303-189	1		Axle
10	3303-191	2		Bushing
11	3303-192	2		Cap
12	3304-032	1		Nut
13	3303-150	1		Screw, Cap
14	3305-454	4		Screw, Cap
15	3305-855	1		Guard, Rear Suspension
16	3304-690	2		Screw, Self-Tapping
17	3305-859	1		Guide, Chain
18	3304-360	2		Bushing

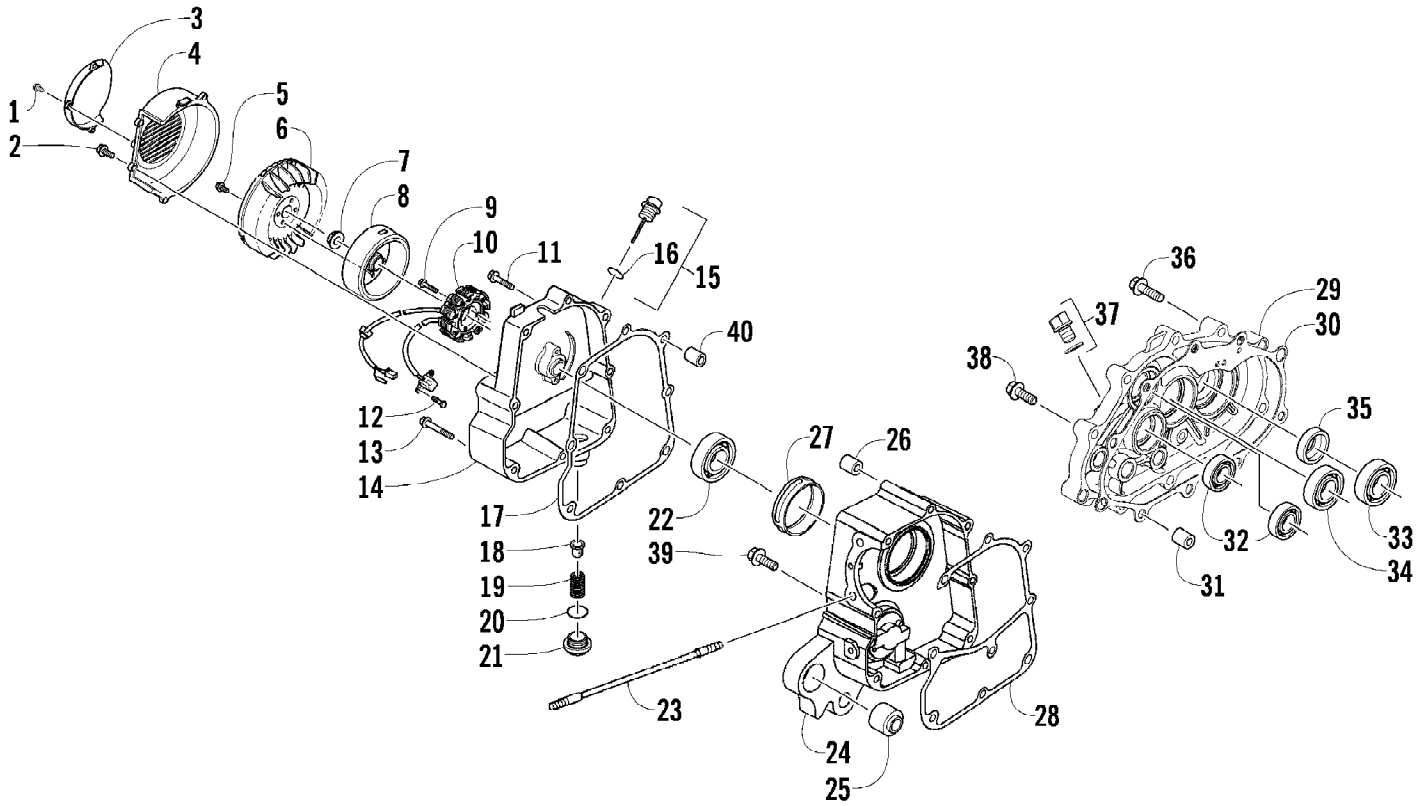


2009 ATV 90 DVX WHITE (A2009KSB2BUSP)
REAR WHEEL ASSEMBLY

Page 42 of 56

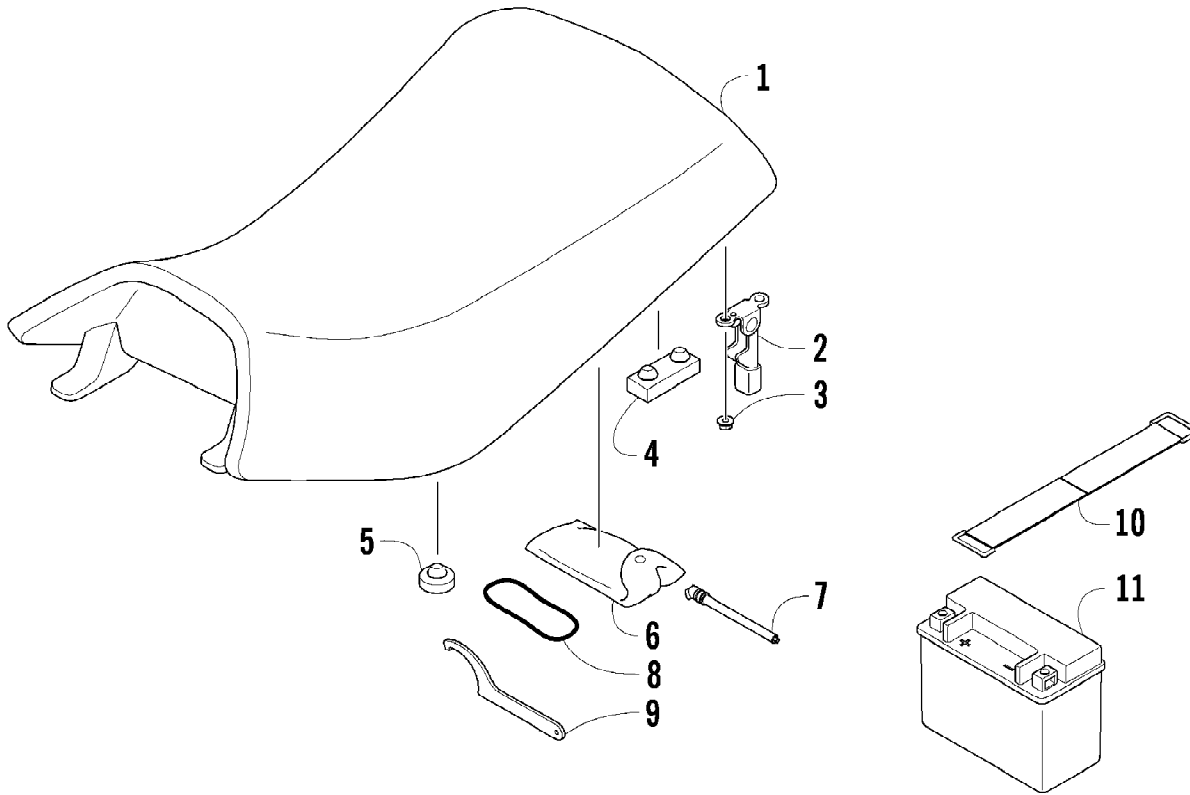
Ref #	Part Number	Qty	S/P/F	Description
1	3303-430	2		Cap, Wheel
2	3303-340	2		Pin, Cotter
3	3303-330	2		Nut, Lock
4	3305-869	2		Hub, Wheel (inc. 5)
5	3303-250	8		Bolt, Stud
6	3303-428	2		Tire
7	3303-156	2		Wheel - Assembly (inc. 8)
8	3303-887	2		Stem, Valve
9	3303-266	8		Nut

2009 ATV 90 DVX WHITE (A2009KSB2BUSP)
RIGHT CRANKCASE AND COVER ASSEMBLY



2009 ATV 90 DVX WHITE (A2009KSB2BUSP)
RIGHT CRANKCASE AND COVER ASSEMBLY

Ref #	Part Number	Qty	S/P/F	Description
1	3304-585	2	/P	Screw, Self-Tapping
2	3303-384	2	/P	Screw, Cap
3	3303-317	1		Cover, Vent
4	3305-910	1		Cover, Fan
5	3303-382	4	/P	Screw, Cap
6	3303-075	1		Fan, Cooling
7	3303-333	1	/P	Nut
8	3303-127	1		Rotor/Flywheel (A) - D402
8	3303-414	1		Rotor/Flywheel (B) - D406
8	3303-415	1		Rotor/Flywheel (C) - D414
9	3303-383	2	/P	Screw, Cap
10	3304-641	1		Stator - Assembly (O) - D402
10	3305-254	1	/P	Stator - Assembly (A) - D406
10	3305-256	1	/P	Stator - Assembly (B) - D414
11	3304-580	4		Screw, Cap
12	3303-308	2		Screw, Cap
13	3303-390	4		Screw, Cap
14	3303-007	1		Cover, Crankcase
15	3303-050	1		Gauge, Oil Level - Assembly (inc. 16)
16	3304-102	1	/P	O-Ring
17	3303-012	1		Gasket, Crankcase Cover
18	3303-691	1	/P	Screen, Filter
19	3303-692	1	/P	Spring
20	3304-096	1	/P	O-Ring
21	3303-021	1		Cap, Inspection
22	3303-296	1		Seal, Oil
23	3303-247	2		Bolt, Stud
24	3303-400	1	/P	Crankcase (inc. 25-27)
25	3303-402	1	/P	Bushing, Rubber - Engine Mount
26	3304-065	2		Plug
27	0	1	F	Insert
28	3303-003	1		Gasket, Crankcase
29	3305-806	1		Case, Transmission
30	3305-807	1		Gasket, Transmission Case
31	3303-342	2		Pin, Dowel
32	3303-596	2	/P	Bearing
33	3305-821	1		Bearing
34	3304-909	1		Bearing
35	3305-808	1		Seal, Oil
36	3303-615	2		Screw, Cap
37	3304-052	1	/P	Plug, Fill
38	3305-468	8		Screw, Cap
39	3303-387	1		Screw, Cap
40	3303-341	2		Pin, Dowel

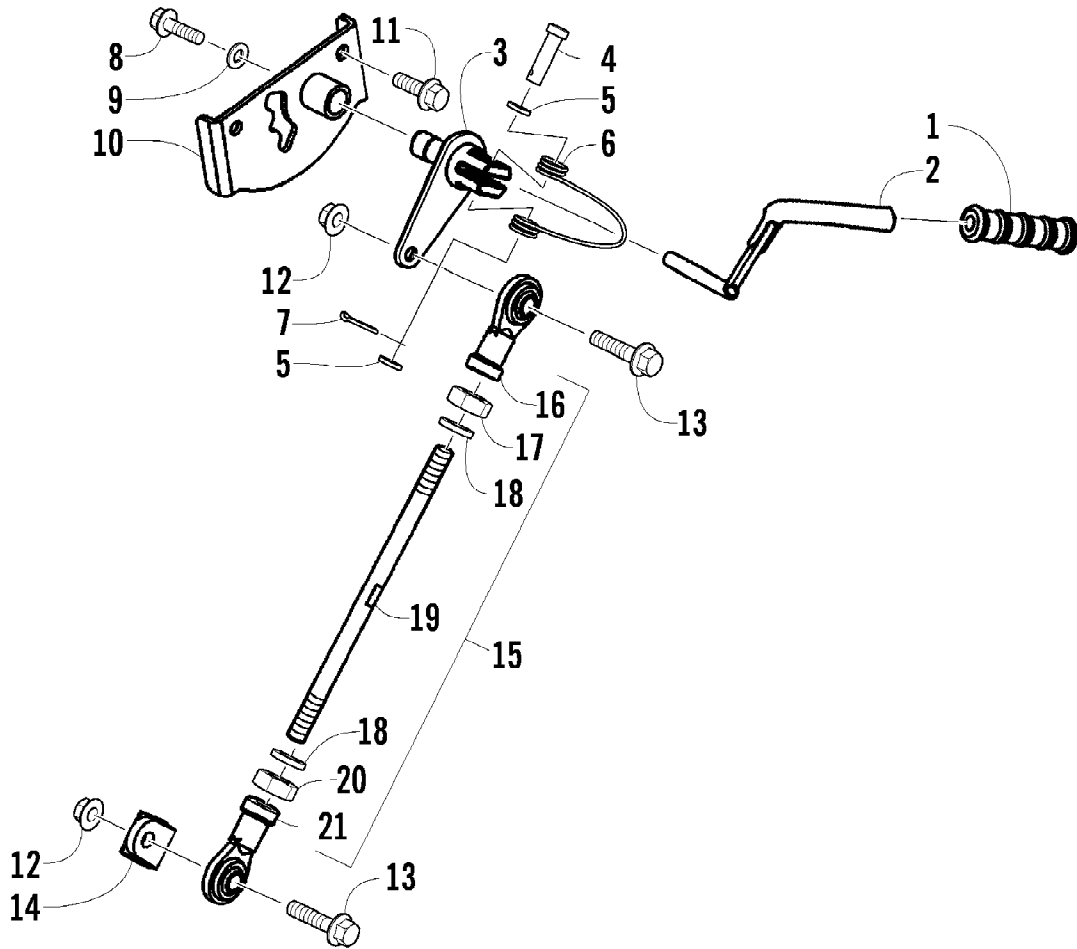


2009 ATV 90 DVX WHITE (A2009KSB2BUSP)
SEAT, BATTERY, AND TOOL KIT ASSEMBLIES

Page 46 of 56

Ref #	Part Number	Qty	S/P/F	Description
1	3304-497	1	/P	Seat Assembly (inc. 2-3)
2	3304-392	1		Latch, Seat
3	3303-331	2	/P	Nut
4	0	2	F	Bumper, Seat - Rear
5	3304-568	2		Bumper, Seat - Front
6	3303-578	1	/P	Kit, Tool
7	0	1	F	Gauge, Air Pressure
8	3303-242	1		Retainer, Tool Kit
9	1441-797	1	F	Wrench, Spanner
10	3304-434	1		Hold-Down, Battery
11	3303-131	1	/P	Battery

2009 ATV 90 DVX WHITE (A2009KSB2BUSP)
SHIFT LEVER ASSEMBLY

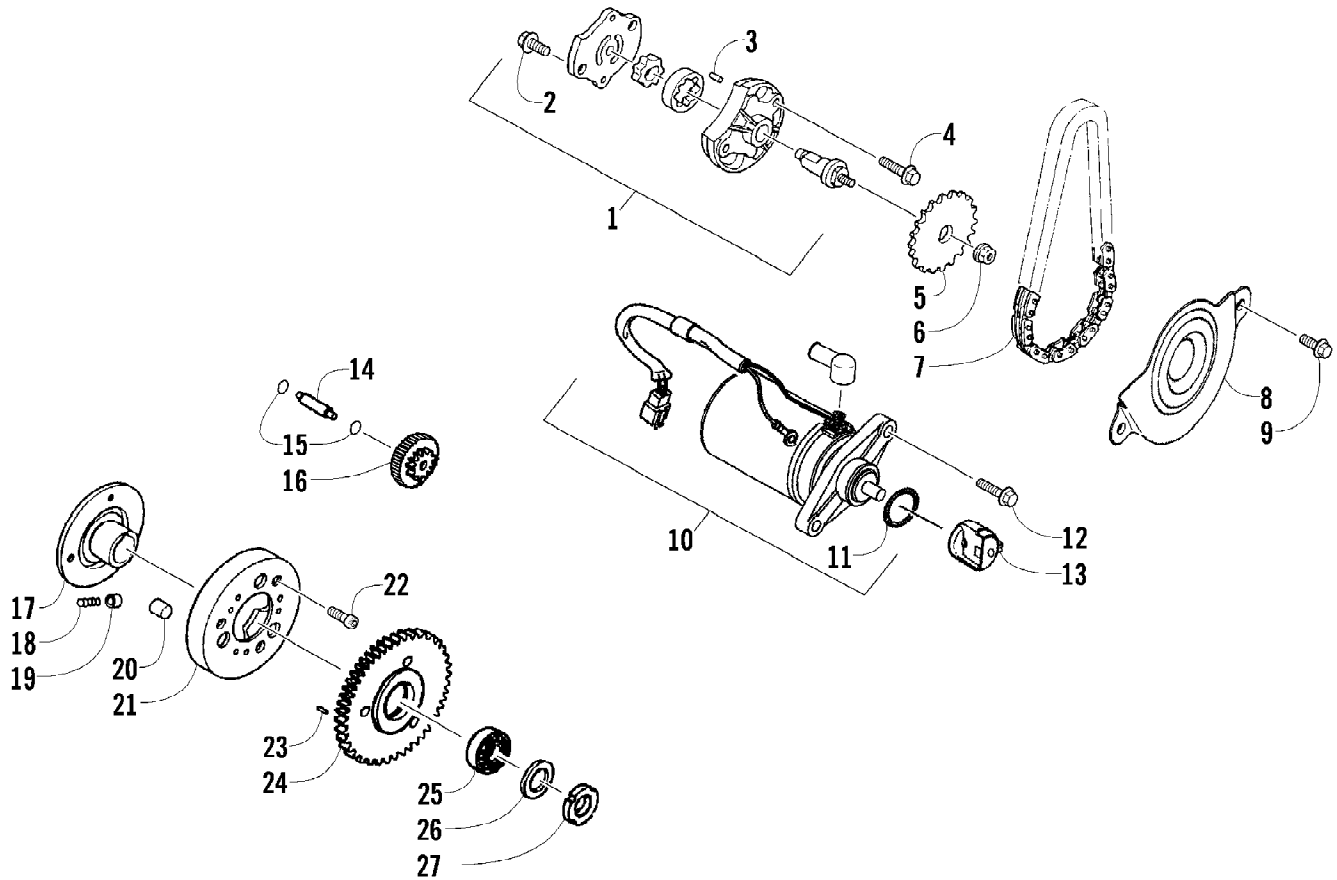


2009 ATV 90 DVX WHITE (A2009KSB2BUSP)
SHIFT LEVER ASSEMBLY

Page 48 of 56

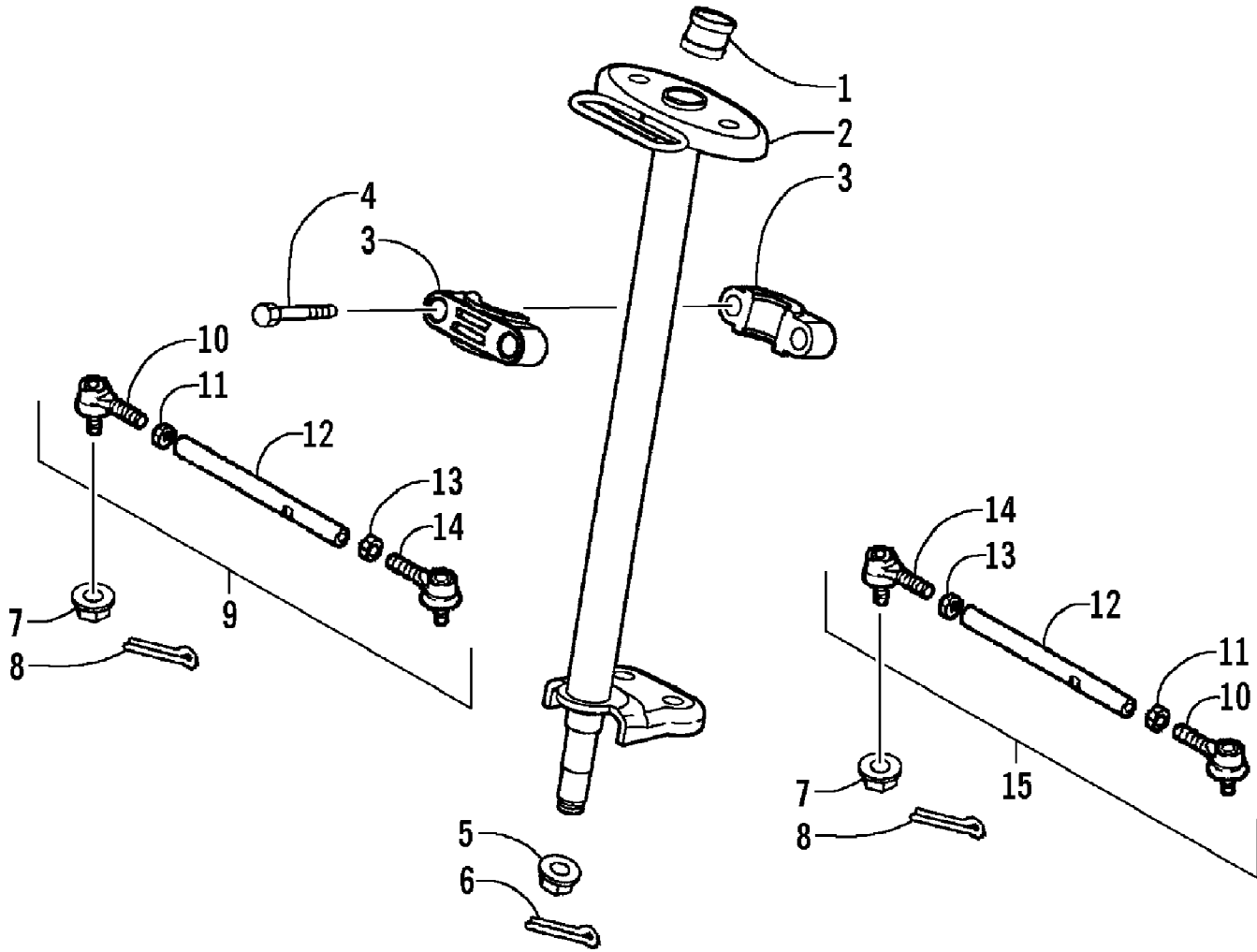
Ref #	Part Number	Qty	S/P/F	Description
1	3305-850	1		Handle, Shift Lever
2	3305-854	1		Lever, Shift
3	3305-849	1		Pivot, Shift Lever
4	3303-817	1		Pin, Shift Lever
5	3304-138	2		Washer
6	3305-853	1		Spring
7	3304-142	1		Pin, Cotter
8	3304-553	1		Screw, Cap
9	3305-852	1		Washer
10	3305-851	1		Bracket, Shift Lever
11	3304-543	2	/P	Screw, Cap
12	3304-668	2		Nut, Lock
13	3304-176	2		Screw, Cap
14	3305-825	1	/P	Bracket, Shift Lever
15	3305-847	1		Shift Linkage Assembly (inc. 16-21)
16	0	1	F	Ball Joint, Tie Rod - Right
17	0	1	F	Nut
18	0	2	F	Washer
19	0	1	F	Tie Rod
20	0	1	F	Nut
21	0	1	F	Ball Joint, Tie Rod - Left

2009 ATV 90 DVX WHITE (A2009KSB2BUSP)
STARTER MOTOR AND OIL PUMP ASSEMBLY



2009 ATV 90 DVX WHITE (A2009KSB2BUSP)
STARTER MOTOR AND OIL PUMP ASSEMBLY

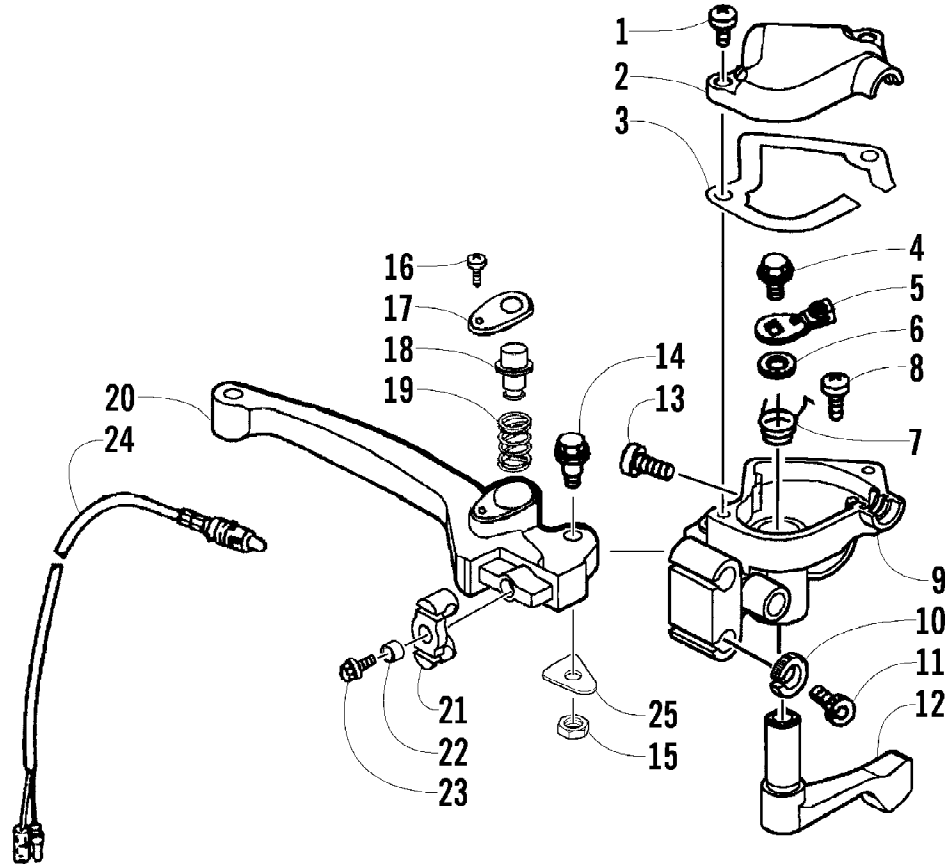
Ref #	Part Number	Qty	S/P/F	Description
1	3303-045	1		Pump, Oil - Assembly (inc. 2-3)
2	3304-426	1		Screw, Cap
3	3304-144	1		Pin, Dowel
4	3303-384	4	/P	Screw, Cap
5	3303-046	1		Sprocket
6	3303-331	1	/P	Nut
7	3303-047	1		Chain, Oil Pump
8	3303-051	1		Separator, Oil
9	3303-381	2		Screw, Cap
10	3305-802	1		Motor, Starter (inc. 11)
11	3303-604	1		O-Ring
12	3303-384	2	/P	Screw, Cap
13	3303-130	1		Cover, Starter
14	3303-110	1		Shaft, Starter Reduction
15	3303-282	2		Washer
16	3303-109	1		Gear, Starter Reduction
17	3303-115	1		Plate, Starter Clutch
18	3303-113	3		Spring
19	3303-114	3		Roller, Starter
20	3303-293	3		Roller
21	3303-112	1		Clutch, Outer
22	3303-396	3		Screw, Cap
23	3303-395	1		Pin, Alignment
24	3303-111	1		Gear, Starter
25	3303-292	1		Bearing
26	3303-285	1		Circlip
27	3303-258	1		Nut



2009 ATV 90 DVX WHITE (A2009KSB2BUSP)
STEERING POST ASSEMBLY

Page 52 of 56

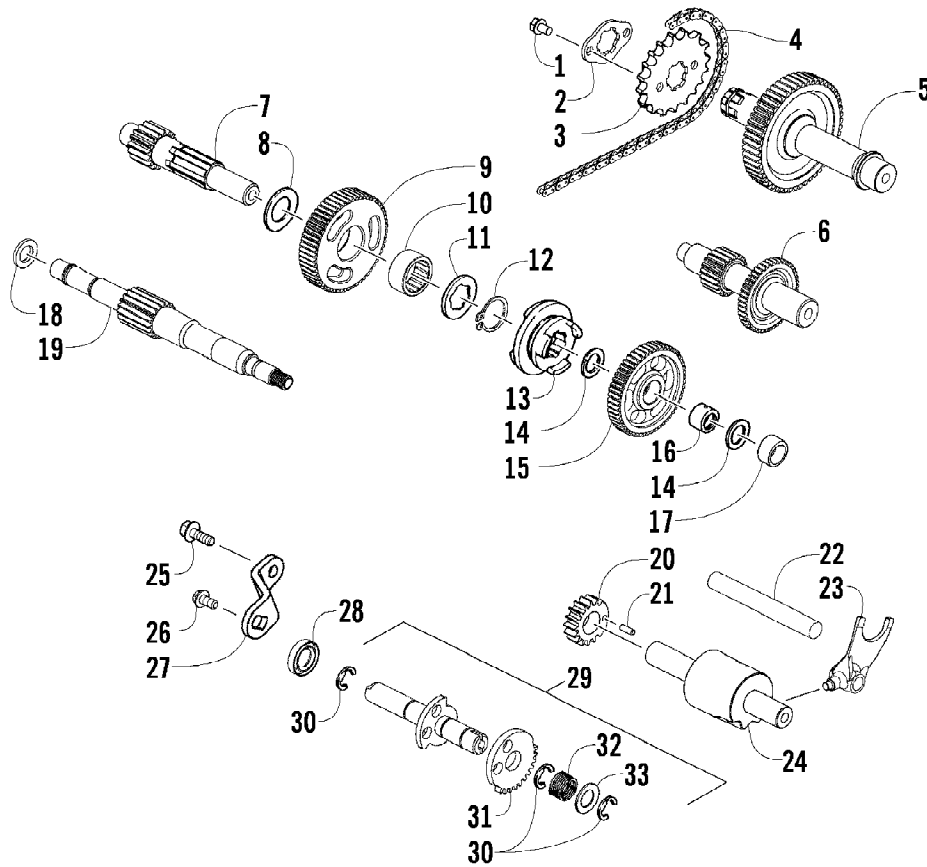
Ref #	Part Number	Qty	S/P/F	Description
1	3303-214	1	S	Bushing
2	3303-573	1	/P	Post, Steering
3	3303-213	2		Holder, Steering Post
4	3304-559	2		Screw, Cap
5	3304-032	1		Nut
6	3303-470	1		Pin, Cotter
7	3303-266	4		Nut
8	3303-621	4	/P	Pin, Cotter
9	3305-485	1		Tie Rod Assembly - Right (inc. one No. 10-14)
10	3305-486	2		Ball Joint, Tie Rod - Right
11	3303-326	2		Nut
12	3305-282	2		Tie Rod
13	3303-327	2		Nut
14	3305-487	2		Ball Joint, Tie Rod - Left
15	3305-499	1		Tie Rod Assembly - Left (inc. one No. 10-14)



2009 ATV 90 DVX WHITE (A2009KSB2BUSP)
THROTTLE CONTROL ASSEMBLY

Page 54 of 56

Ref #	Part Number	Qty	S/P/F	Description
	3303-447	1		Complete Throttle Control Assembly
1	3303-315	2		Screw, Machine
2	3303-207	1		Cover, Throttle Control
3	3303-209	1		Gasket
4	3303-358	1	S/P	Screw, Cap
5	3305-875	1		End, Parking Brake
6	3305-873	1		Spacer
7	3305-874	1		Spring, Return
8	3303-397	1		Screw, Machine
9	3303-204	1		Housing, Throttle Control
10	3303-271	2		Nut
11	3303-208	2		Screw, Adjuster
12	3303-200	1		Lever, Throttle
13	3304-558	1		Screw, Machine
14	3303-255	1		Screw, Shoulder
15	3303-262	1		Nut
16	3304-554	1		Screw, Machine
17	3304-555	1		Plate, Retaining
18	3304-556	1		Pin, Parking Brake
19	3305-872	1		Spring
20	3305-083	1		Lever, Brake
21	3303-201	1		Retainer, Brake Cable
22	3303-202	1		Spacer
23	3303-358	1	S/P	Screw, Cap
24	3303-140	1		Switch, Brake
25	3304-557	1		Stop, Parking Brake



2009 ATV 90 DVX WHITE (A2009KSB2BUSP)
TRANSMISSION ASSEMBLY

Page 56 of 56

Ref #	Part Number	Qty	S/P/F	Description
1	3303-307	2		Screw, Cap
2	3303-108	1		Plate, Retaining
3	3305-814	1		Sprocket, Drive
4	3305-820	1		Chain, Drive
5	3305-805	1	/P	Shaft, Final
6	3305-822	1		Countershaft - Assembly
7	3305-809	1		Shaft, Main
8	3304-042	1		Washer, Thrust
9	3305-811	1		Gear, Reverse
10	3304-074	1	/P	Bearing
11	3305-812	1		Washer
12	3303-344	1		Circlip
13	3305-029	1		Gear Select, Sliding
14	3303-275	2	/P	Washer, Thrust
15	3305-810	1		Gear, Forward
16	3305-024	1		Bushing
17	3305-028	1		Spacer
18	3303-588	1		Washer
19	3305-813	1		Driveshaft
20	3303-811	1		Gear, Drum Shift
21	3304-206	1		Pin, Alignment
22	3304-513	1		Shaft, Shift Fork
23	3305-815	1		Fork, Shift
24	3305-816	1		Cam, Gear Shift - Assembly
25	3303-365	1		Screw, Cap
26	3304-652	1		Screw, Cap
27	3305-825	1	/P	Bracket, Spindle Assembly
28	3304-900	1		Seal, Oil
29	3305-817	1		Spindle Assembly (inc. 30-33)
30	3304-153	3		E-Ring
31	3303-815	1		Gear, Shift
32	3305-818	1		Spring
33	3304-036	1		Washer, Thrust