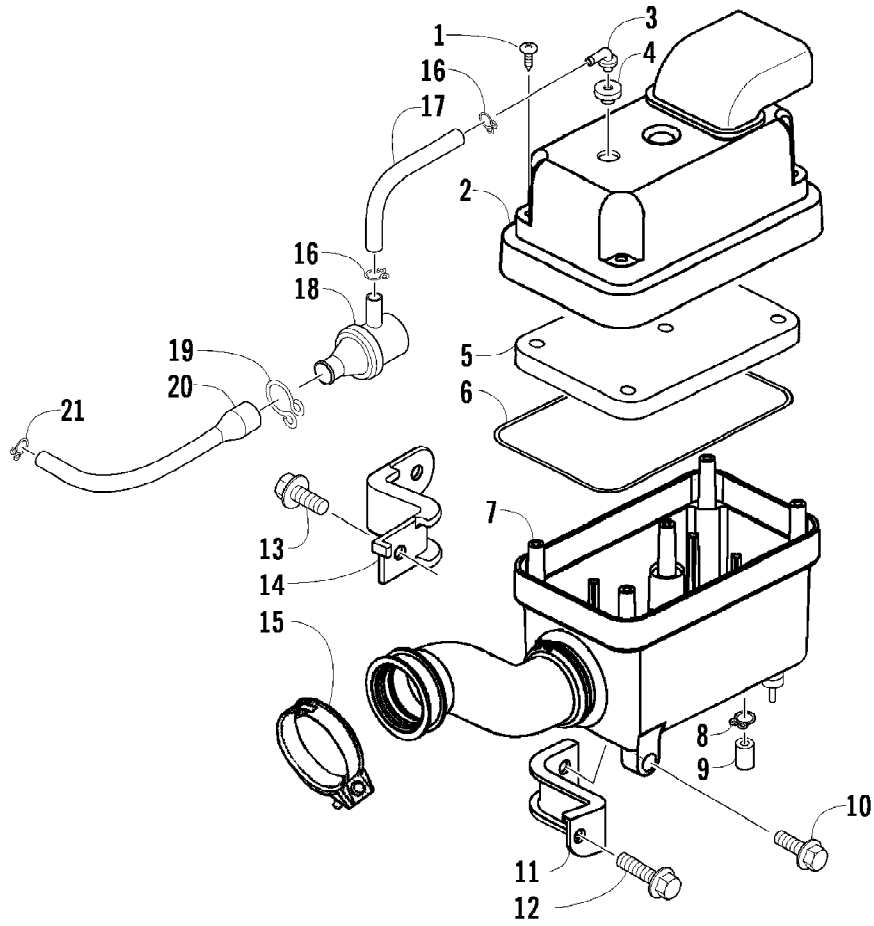


2009 ATV 90 2X4 UTILITY GREEN (A2009KUB2BUSG)
AIR INTAKE ASSEMBLY

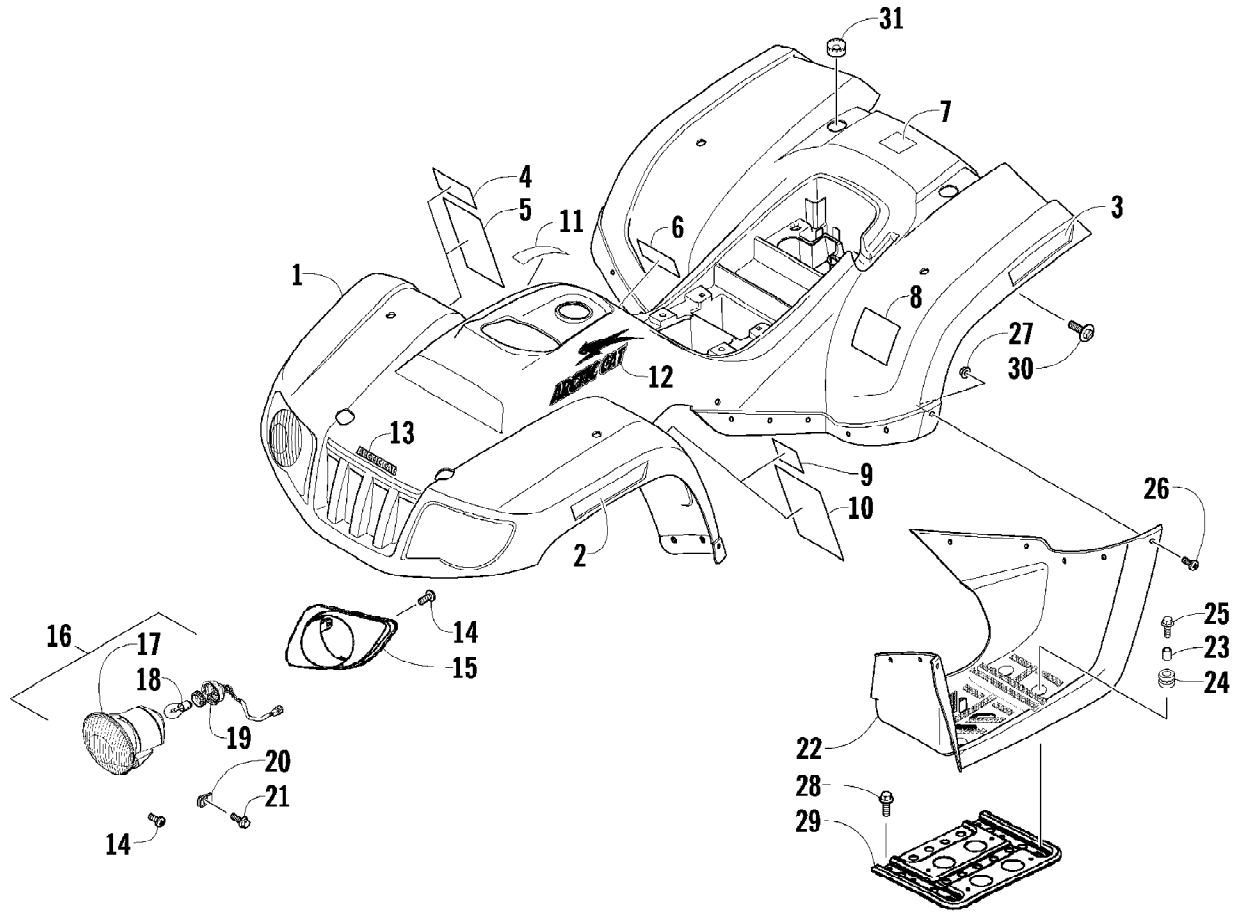


2009 ATV 90 2X4 UTILITY GREEN (A2009KUB2BUSG)
AIR INTAKE ASSEMBLY

Page 2 of 58

Ref #	Part Number	Qty	S/P/F	Description
1	3305-450	5	/P	Screw, Self-Tapping
2	3303-062	1		Cover, Air Intake (inc. 3-4)
3	3305-179	1		Fitting
4	3305-180	1		Grommet
5	3303-060	1		Filter
6	3303-063	1		Seal
7	3305-842	1		Housing, Air Intake (inc. 8-9)
8	3305-315	1		Clamp
9	3304-168	1	/P	Tube, Drain
10	3304-551	1	/P	Screw, Cap
11	3303-005	1		Bracket, Mounting
12	3303-361	1		Screw, Cap
13	3305-458	2		Screw, Cap
14	3305-841	1		Bracket, Mounting
15	3303-288	1		Clamp
16	3303-350	2		Clamp
17	3305-844	1		Hose
18	3303-064	1	/P	Catch, Air Cleaner Element
19	3303-052	1		Clamp
20	3303-001	1		Hose
21	3303-352	1		Clamp

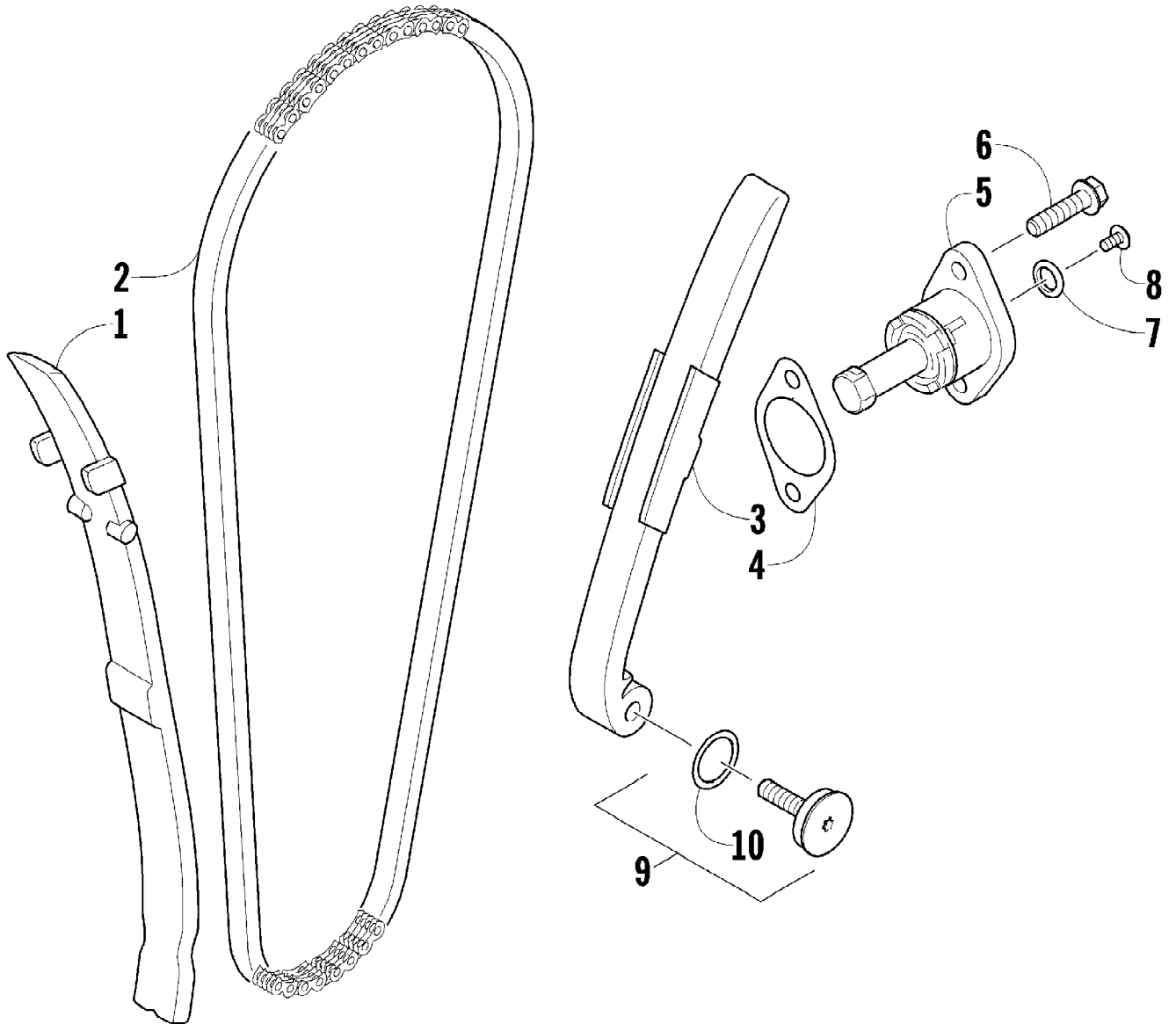
2009 ATV 90 2X4 UTILITY GREEN (A2009KUB2BUSG)
BODY PANEL AND HEADLIGHT ASSEMBLY



2009 ATV 90 2X4 UTILITY GREEN (A2009KUB2BUSG)
BODY PANEL AND HEADLIGHT ASSEMBLY

Page 4 of 58

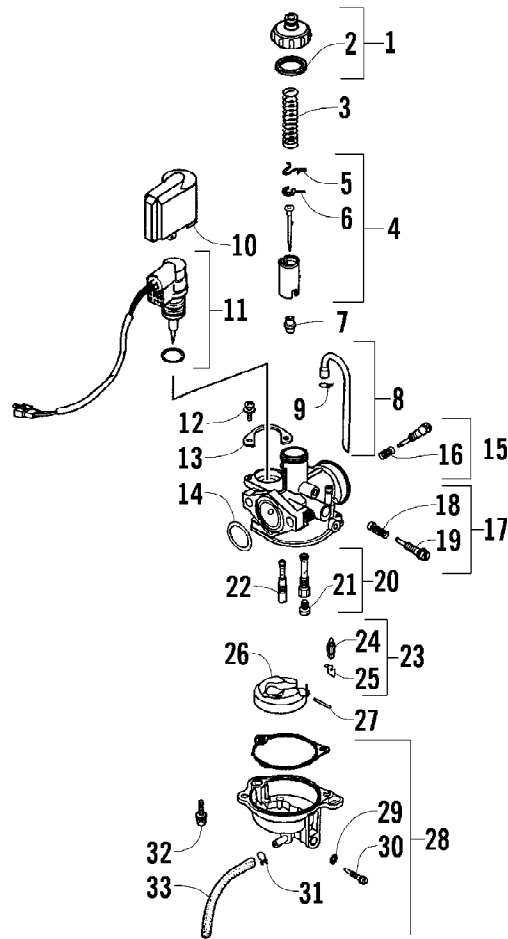
Ref #	Part Number	Qty	S/P/F	Description
1	3305-912	1		Panel, Body - Main
2	1411-180	1		Decal, Reflector - Amber - Right
2	1411-181	1		Decal, Reflector - Amber - Left
3	1411-178	1		Decal, Reflector - Red - Right
3	1411-179	1		Decal, Reflector - Red - Left
4	0411-836	1		Decal, Warning - Hill
5	0411-457	1		Decal, Warning - Reverse/Pre-Ride
6	1411-577	1		Decal, Warning - Not for Highways
7	1411-809	1	/P	Decal, Warning - Passenger
8	1411-938	1		Decal, Warning - Tire/Load
9	1411-687	1		Decal, Warning - Age
10	1411-932	1	/P	Decal, Warning - General
11	2411-052	1		Decal, Shift
12	1411-636	1		Decal, Front Fender - Right
12	1411-637	1		Decal, Front Fender - Left
13	1411-825	1		Decal, "Arctic Cat"
14	3304-123	10	/P	Screw, Machine
15	3305-900	1		Adapter, Mounting - Headlight - Right
15	3305-901	1		Adapter, Mounting - Headlight - Left
16	3305-826	2		Headlight - Assembly (inc. 17-20)
17	3305-866	2		Lens, Headlight
18	3305-827	2		Bulb, Headlight
19	3305-865	2		Socket Assembly
20	3304-061	4	/P	Clip, U-Nut
21	3305-828	4		Screw, Cap
22	3304-612	1	S	Mudguard, Right - Assembly (inc. 23-24)
22	3304-613	1	S	Mudguard, Left - Assembly (inc. 23-24)
23	3303-233	8		Spacer
24	3303-227	8		Bushing
25	3304-586	8	/P	Screw, Cap
26	3305-703	18		Screw, Machine
27	3304-538	18	S	Nut, Lock
28	3304-543	8	/P	Screw, Cap
29	3304-494	1		Support, Mudguard - Right
29	3304-495	1		Support, Mudguard - Left
30	3304-587	6	/P	Screw, Cap
31	3303-232	2		Grommet, Rubber



2009 ATV 90 2X4 UTILITY GREEN (A2009KUB2BUSG)
CAM CHAIN ASSEMBLY

Page 6 of 58

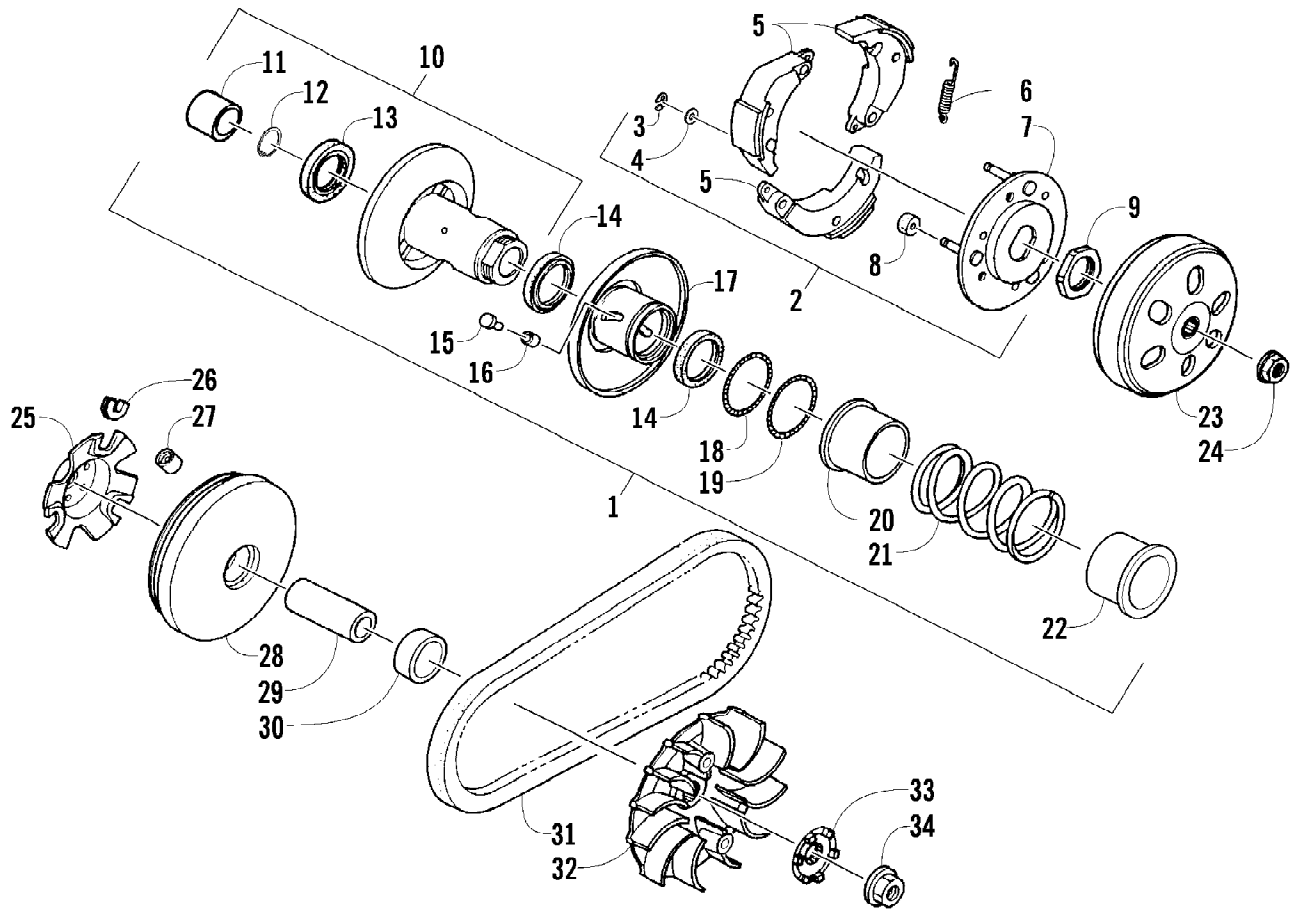
Ref #	Part Number	Qty	S/P/F	Description
1	3303-037	1		Guide, Chain
2	3303-030	1		Chain, Cam
3	3303-034	1		Tensioner, Chain
4	3303-035	1		Gasket
5	3303-677	1		Tensioner Assembly
6	3304-002	2	/P	Screw, Cap
7	3304-100	1	/P	O-Ring
8	3304-006	1		Screw, Adjuster
9	3303-036	1		Adjuster, Tension (inc. 10)
10	3303-301	1	/P	O-Ring



2009 ATV 90 2X4 UTILITY GREEN (A2009KUB2BUSG)
CARBURETOR ASSEMBLY

Page 8 of 58

Ref #	Part Number	Qty	S/P/F	Description
	3305-529	1		Complete Carburetor Assembly
1	3304-462	1		Set, Top (inc. 2)
2	3304-463	1		Gasket
3	3304-464	1		Spring, Compression
4	3304-467	1		Valve, Throttle - Assembly (inc. 5-6)
5	3304-465	1		Plate, Needle Clip
6	3304-466	1		Clip, Needle
7	3304-468	1		Needle Jet
8	3304-472	1		Hose Assembly (inc. 9)
9	3304-474	1		Clamp, Hose
10	3304-469	1		Cover
11	3304-470	1		Automatic Bypass/Starter Assembly
12	5507-117	2	/P	Screw, Machine
13	3304-471	1		Plate, Retaining
14	3304-488	1		O-Ring
15	3305-446	1		Screw, Adjustment (inc. 16)
16	3305-444	1		Spring
17	3304-477	1		Screw, Stop - Assembly (inc. 18-19)
18	3304-232	1		Spring
19	3304-478	1		Screw, Stop
20	3304-479	1		Holder, Needle Jet - Assembly (inc. 21)
21	3304-482	1		Jet, Main - 80
21	5507-170	1	F	Jet, Main - 75
21	5507-220	1	F	Jet, Main - 78
22	3304-489	1		Jet, Slow
23	3304-490	1		Valve, Float - Assembly (inc. 24-25)
24	3304-483	1		Valve, Float
25	3304-484	1		Clip
26	3304-491	1		Float Assembly
27	3304-485	1		Pin, Float
28	3304-486	1		Chamber, Float w/Gasket (inc. 29-30)
29	3304-239	1		O-Ring
30	3304-243	1		Screw, Drain
31	3304-474	1		Clamp, Hose
32	3303-320	2		Screw, Machine
33	3305-248	1	/P	Hose

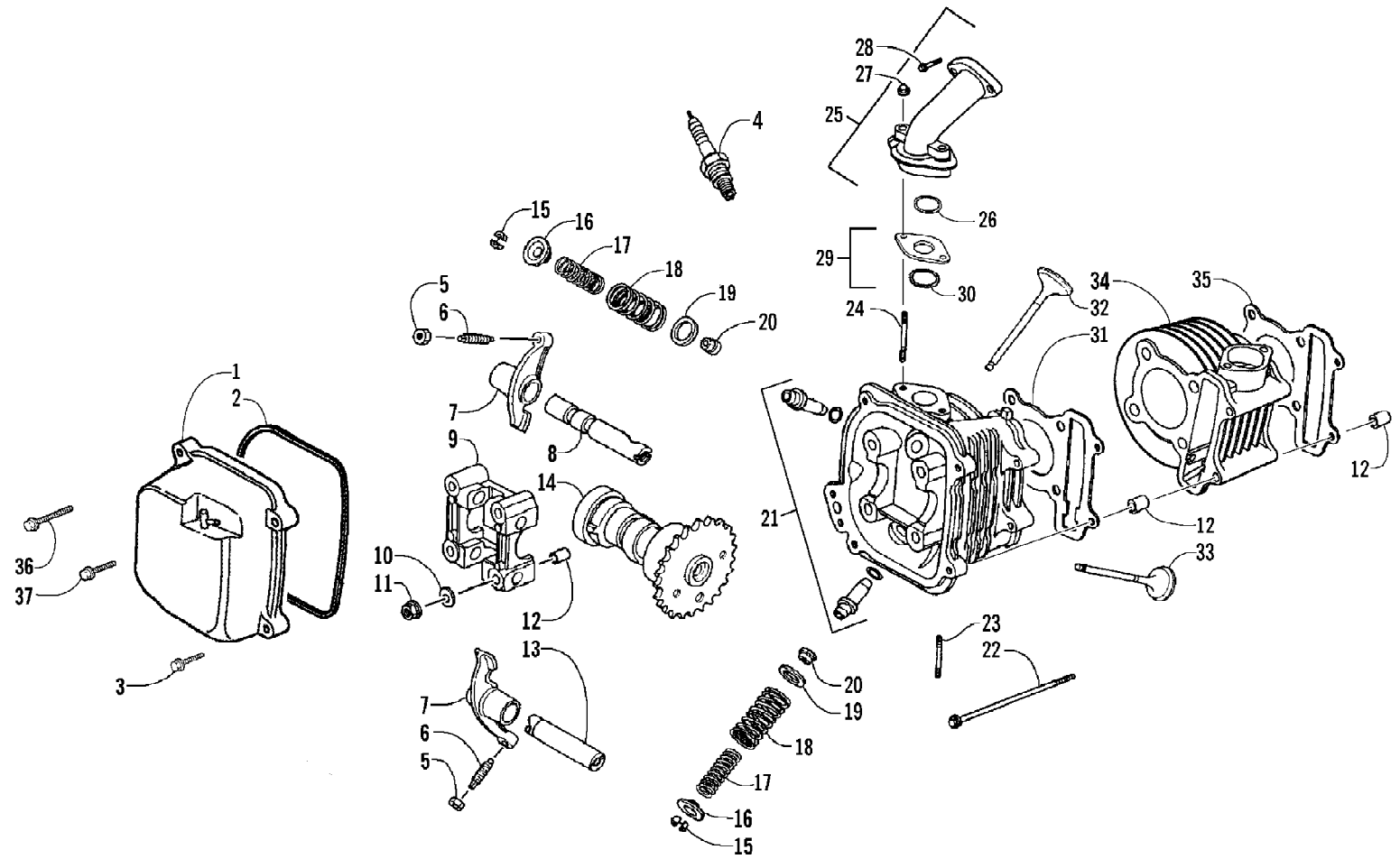


2009 ATV 90 2X4 UTILITY GREEN (A2009KUB2BUSG)
CLUTCH ASSEMBLY

Page 10 of 58

Ref #	Part Number	Qty	S/P/F	Description
1	3303-411	1		Pulley, Driven - Assembly (inc. 2-22)
2	3303-090	1		Clutch, Centrifugal - Assembly (inc. 3-8)
3	3304-618	3	/P	E-Ring
4	3303-274	3		Washer, Thrust
5	3303-093	3		Weight, Clutch
6	3303-092	3		Spring
7	3303-091	1		Plate, Clutch
8	3303-094	3		Roller
9	3304-025	1	/P	Nut
10	3303-096	1		Face, Driven - Fixed (inc. 11-13)
11	3303-294	1		Bearing
12	3303-346	1		Circlip
13	3303-291	1		Bearing
14	3303-299	2		Seal, Oil
15	3303-098	3		Guide, Pin
16	3303-099	3		Guide, Roller
17	3303-097	1		Face, Driven - Movable
18	3304-620	1		O-Ring
19	3304-619	1		O-Ring
20	3303-102	1		Collar
21	3303-100	1		Spring
22	3303-101	1		Collar
23	3303-082	1		Clutch, Outer
24	3303-333	1	/P	Nut
25	3303-088	1		Plate, Ramp
26	3303-089	3		Slide
27	3303-087	6		Roller
28	3303-086	1		Face, Drive - Movable
29	3303-409	1		Sleeve
30	3303-410	1		Collar
31	3303-095	1		Belt, Drive
32	3303-083	1		Face, Drive - Fixed
33	3303-116	1		Ratchet, Kick Starter
34	3303-334	1		Nut

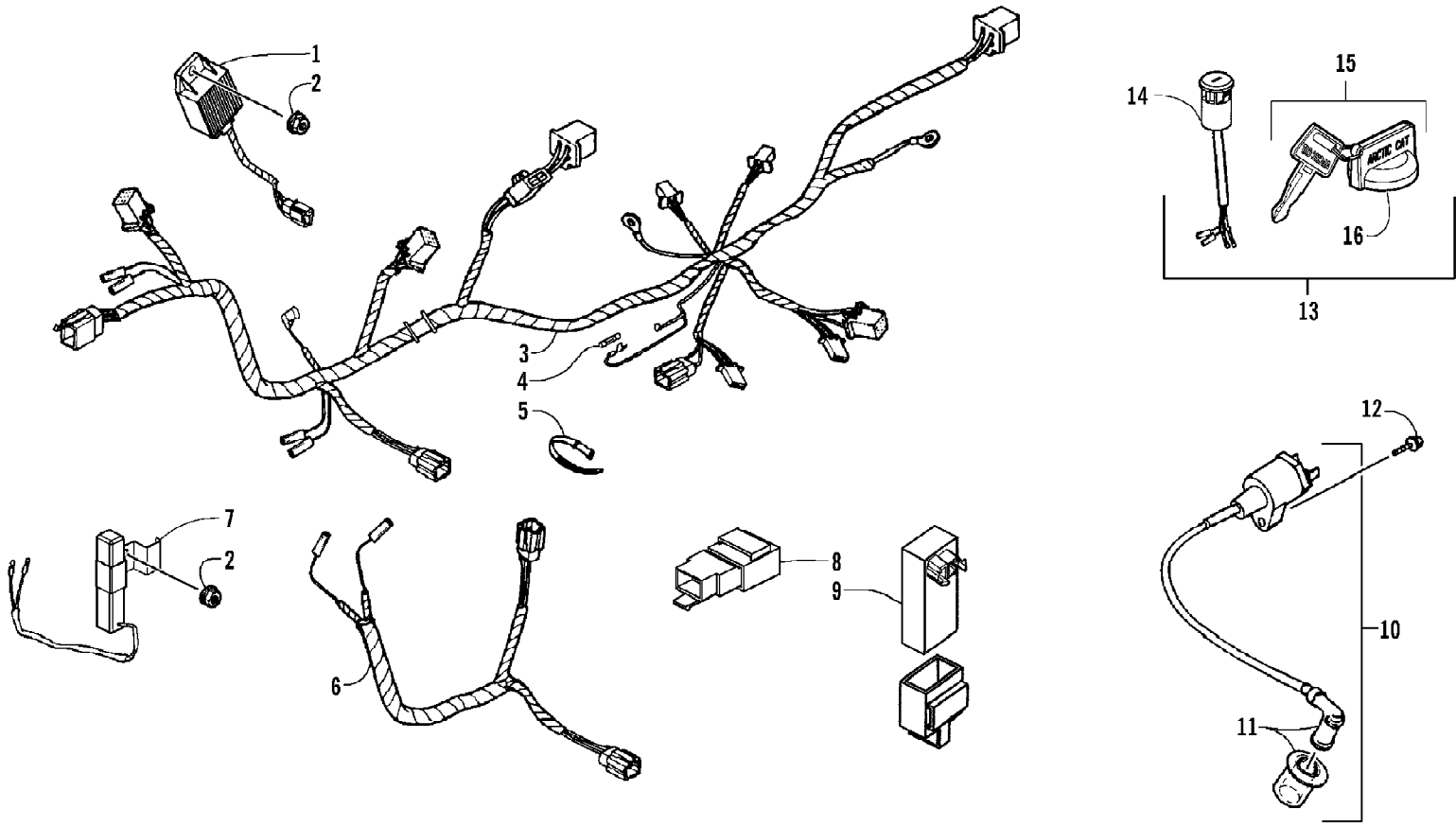
2009 ATV 90 2X4 UTILITY GREEN (A2009KUB2BUSG)
CYLINDER HEAD ASSEMBLY



2009 ATV 90 2X4 UTILITY GREEN (A2009KUB2BUSG)
CYLINDER HEAD ASSEMBLY

Ref #	Part Number	Qty	S/P/F	Description
1	3305-292	1		Cover, Head
2	3304-616	1		Gasket
3	3303-360	2		Screw, Cap
4	0217-726	1	/P/F	Spark Plug
5	3304-026	2	/P	Nut
6	3304-007	2	/P	Screw, Adjuster
7	3303-031	2		Valve, Rocker Arm
8	3303-032	1		Shaft, Rocker Arm - Intake
9	3303-018	1		Retainer, Camshaft
10	3304-048	4	/P	Washer
11	3303-332	4		Nut
12	3303-342	6		Pin, Dowel
13	3303-033	1		Shaft, Rocker Arm - Exhaust
14	3304-617	1		Camshaft
15	3303-044	4		Cotter, Valve
16	3303-042	2	/P	Retainer, Valve Spring
17	3303-041	2		Spring, Valve - Inner
18	3303-040	2		Spring, Valve - Outer
19	3303-043	2		Seat, Valve Spring - Outer
20	3303-657	2	/P	Seal, Valve Stem
21	3303-016	1		Head, Cylinder
22	3303-389	2		Screw, Cap
23	3304-010	2		Bolt, Stud
24	3303-310	2		Bolt, Stud
25	3303-059	1		Pipe, Intake - Assembly (inc. 26)
26	3303-304	1		O-Ring
27	3303-331	2	/P	Nut
28	3303-384	2	/P	Screw, Cap
29	3303-511	1	/P	Insulator, Carburetor - Assembly (inc. 30)
30	3304-596	1		O-Ring
31	3303-019	1		Gasket, Cylinder Head
32	3303-038	1		Valve, Intake
33	3303-039	1		Valve, Exhaust
34	3303-014	1		Cylinder
35	3303-015	1		Gasket, Cylinder
36	3303-363	2		Screw, Cap
37	3303-362	2		Screw, Cap

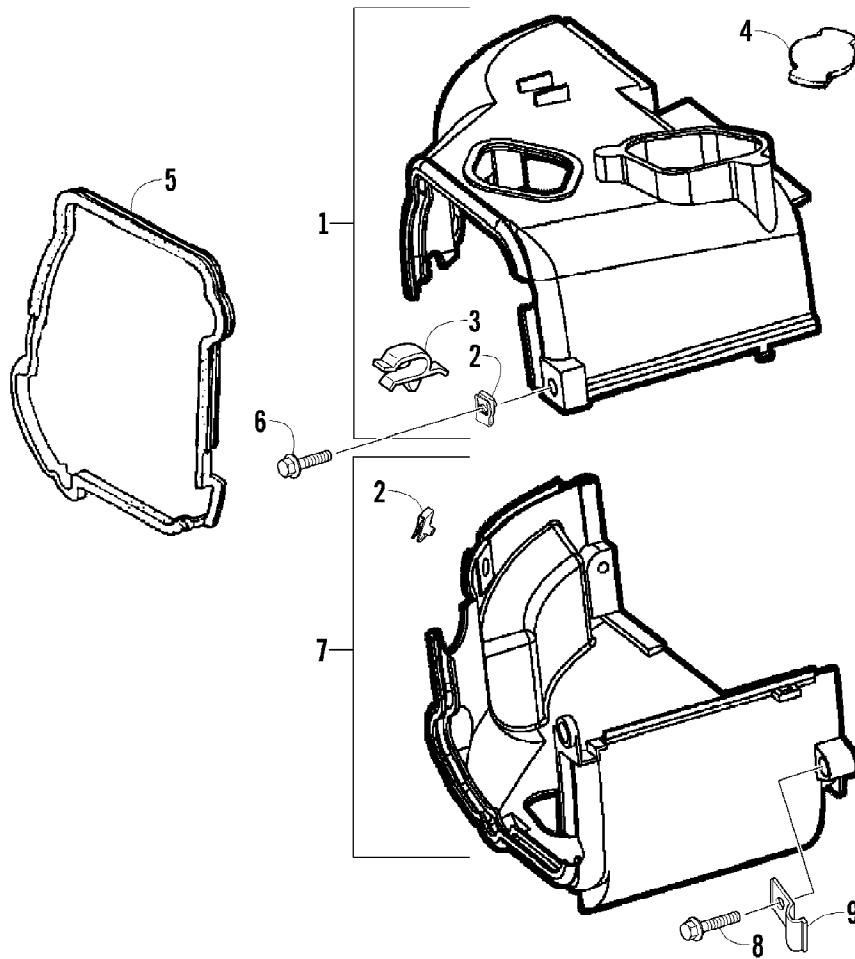
2009 ATV 90 2X4 UTILITY GREEN (A2009KUB2BUSG)
ELECTRICAL AND WIRING HARNESS ASSEMBLY



2009 ATV 90 2X4 UTILITY GREEN (A2009KUB2BUSG)
ELECTRICAL AND WIRING HARNESS ASSEMBLY

Page 14 of 58

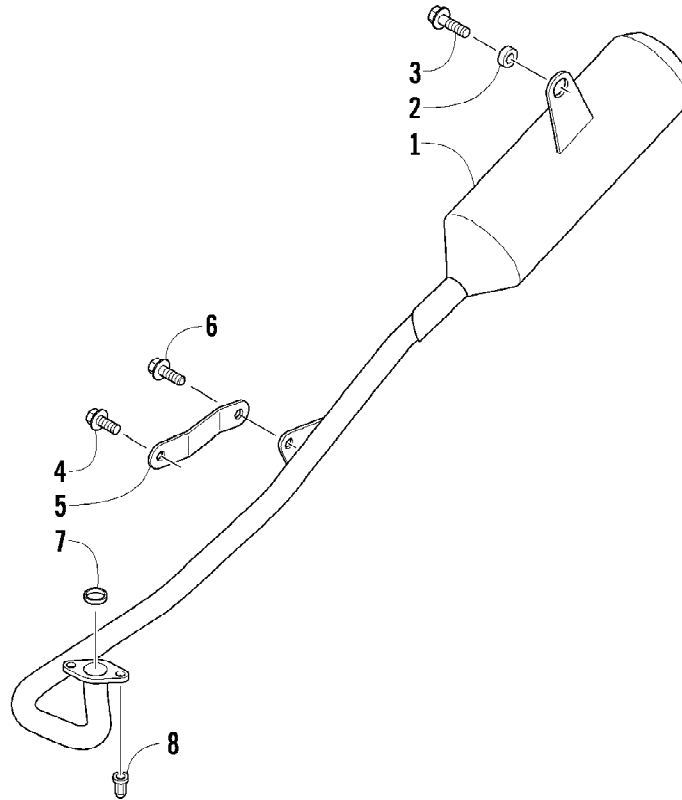
Ref #	Part Number	Qty	S/P/F	Description
1	3303-132	1		Regulator, Voltage
2	3303-331	2	/P	Nut
3	3305-860	1		Harness, Main (inc. 4)
4	3303-399	2		Fuse
5	3303-289	AR	/P	Tie, Cable
6	3303-134	1	/P	Sub-Cord
7	3303-142	1		Resistor
8	3303-143	1		Relay, Starter
9	3305-861	1		CDI Unit
10	3303-125	1		Coil Assembly - Ignition (inc. 11)
11	3303-126	1		Cap, Noise Suppression
12	3303-252	1		Screw, Cap
13	3303-423	1		Switch, Ignition - Assembly (inc. 14-16)
14	0	1	F	Switch, Ignition
15	3304-520	1		Key, Ignition - Right-Side Cut
15	3304-521	1		Key, Ignition - Left-Side Cut
16	3304-522	1		Cover, Key



2009 ATV 90 2X4 UTILITY GREEN (A2009KUB2BUSG)
ENGINE SHROUD ASSEMBLY

Page 16 of 58

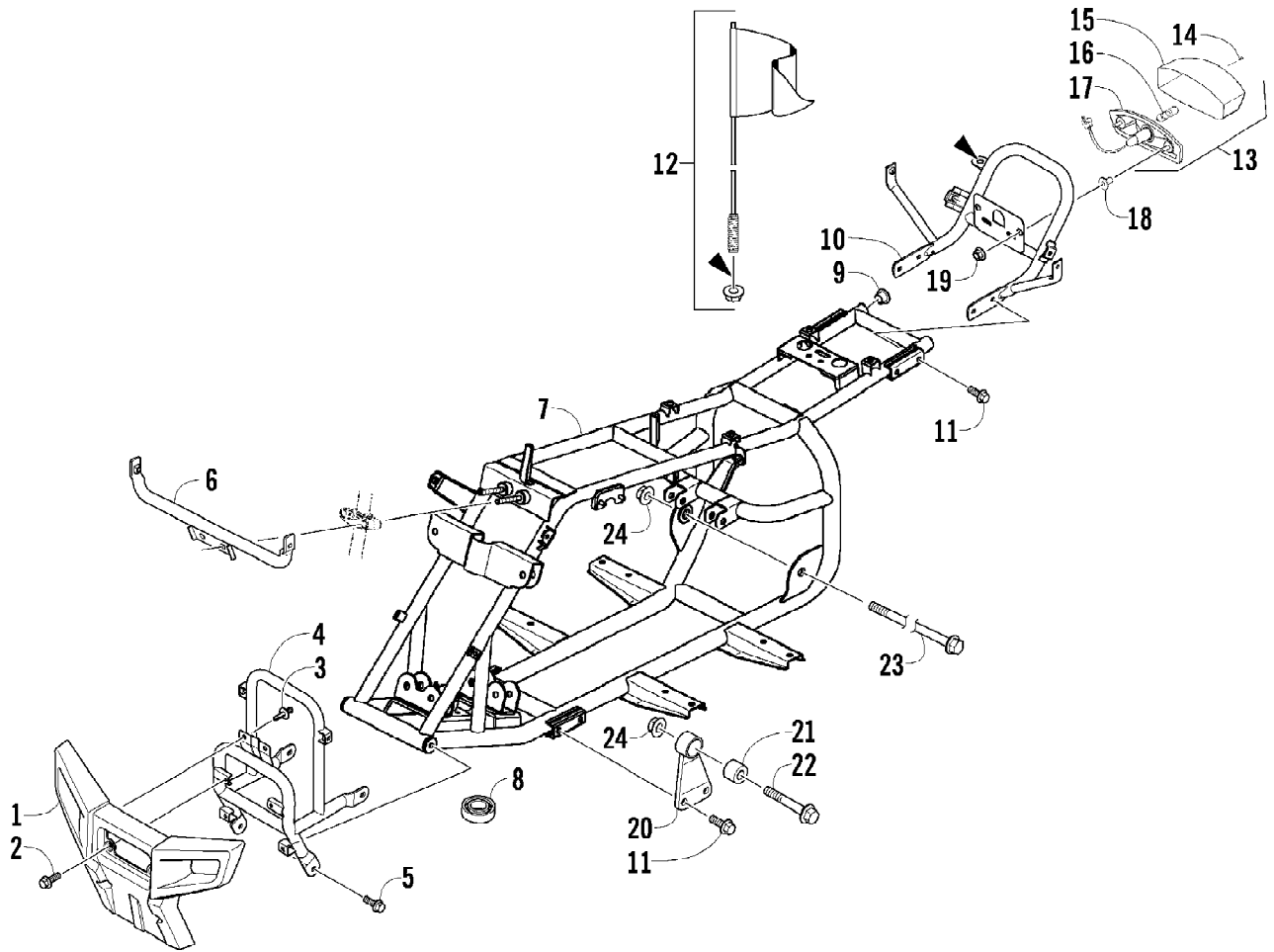
Ref #	Part Number	Qty	S/P/F	Description
1	3305-803	1		Shroud, Upper - Assembly (inc. one No. 2 and 3-4)
2	3303-267	2		Clip, U-Nut
3	3305-804	1		Clip, Routing
4	3303-408	1		Grommet
5	3303-077	1		Seal, Shroud
6	3303-382	2	/P	Screw, Cap
7	3303-078	1		Shroud, Lower - Assembly (inc. one No. 2)
8	3303-384	1	/P	Screw, Cap
9	3304-640	1		Clamp, Routing



2009 ATV 90 2X4 UTILITY GREEN (A2009KUB2BUSG)
EXHAUST ASSEMBLY

Page 18 of 58

Ref #	Part Number	Qty	S/P/F	Description
1	3303-407	1	/P	Muffler - Assembly (inc. 2)
2	3304-571	1		Bushing
3	3305-845	1		Screw, Cap
4	3303-314	1		Screw, Cap
5	3304-573	1		Bracket, Mounting - Muffler
6	3304-543	1	/P	Screw, Cap
7	3303-071	1		Gasket
8	3303-261	2		Nut, Cap

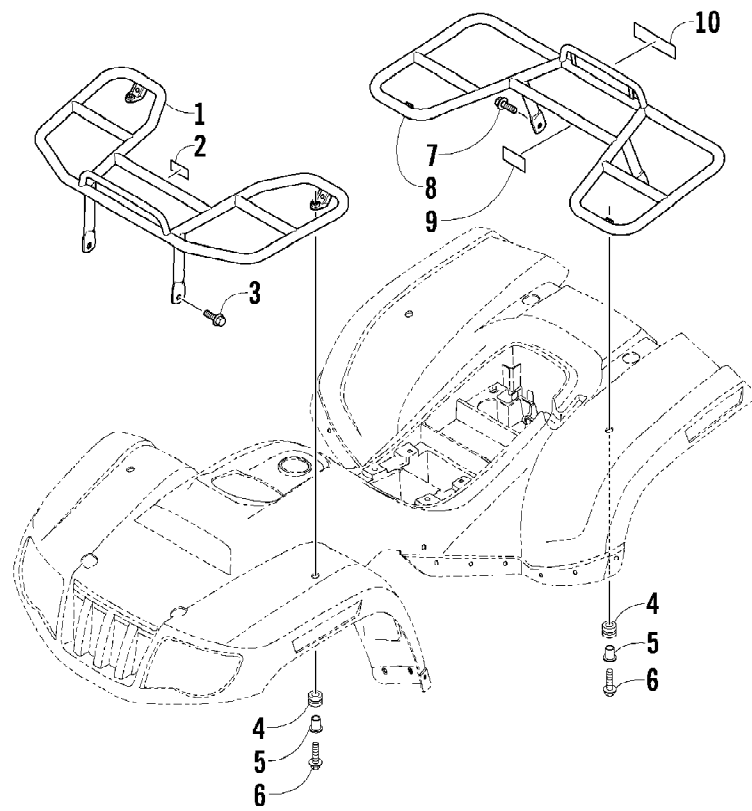


2009 ATV 90 2X4 UTILITY GREEN (A2009KUB2BUSG)
 FRAME AND RELATED PARTS ASSEMBLY

Page 20 of 58

Ref #	Part Number	Qty	S/P/F	Description
1	3304-496	1	S	Fascia, Front Bumper
2	3304-587	4	/P	Screw, Cap
3	3303-592	2		Rivet, Reinstallable
4	3304-541	1		Bumper, Front
5	3304-544	4		Screw, Cap
6	3304-549	1		Bracket, Support - Front
7	3305-862	1		Frame
8	3303-392	1		Bearing
9	0	2	F	Plug
10	3305-403	1		Grip, Rear
11	3304-543	8	/P	Screw, Cap
12	3305-308	1		Flag Assembly
13	3303-420	1		Taillight - Assembly (inc. 14-17)
14	3304-537	2		Screw, Self-Tapping
15	3304-283	1		Lens, Taillight
16	3303-849	1	/P	Bulb, Taillight
17	3303-422	1		Base, Taillight
18	3303-226	2		Grommet
19	3303-331	2	/P	Nut
20	3303-183	1	/P	Bracket, Mounting - Engine - Right (inc. 21)
20	3303-184	1	/P	Bracket, Mounting - Engine - Left (inc. 21)
21	3304-542	2		Bushing, Rubber
22	3304-548	2	/P	Screw, Cap
23	8409-000	1		Screw, Cap
24	3304-031	3	/P	Nut

2009 ATV 90 2X4 UTILITY GREEN (A2009KUB2BUSG)
FRONT AND REAR RACK ASSEMBLY

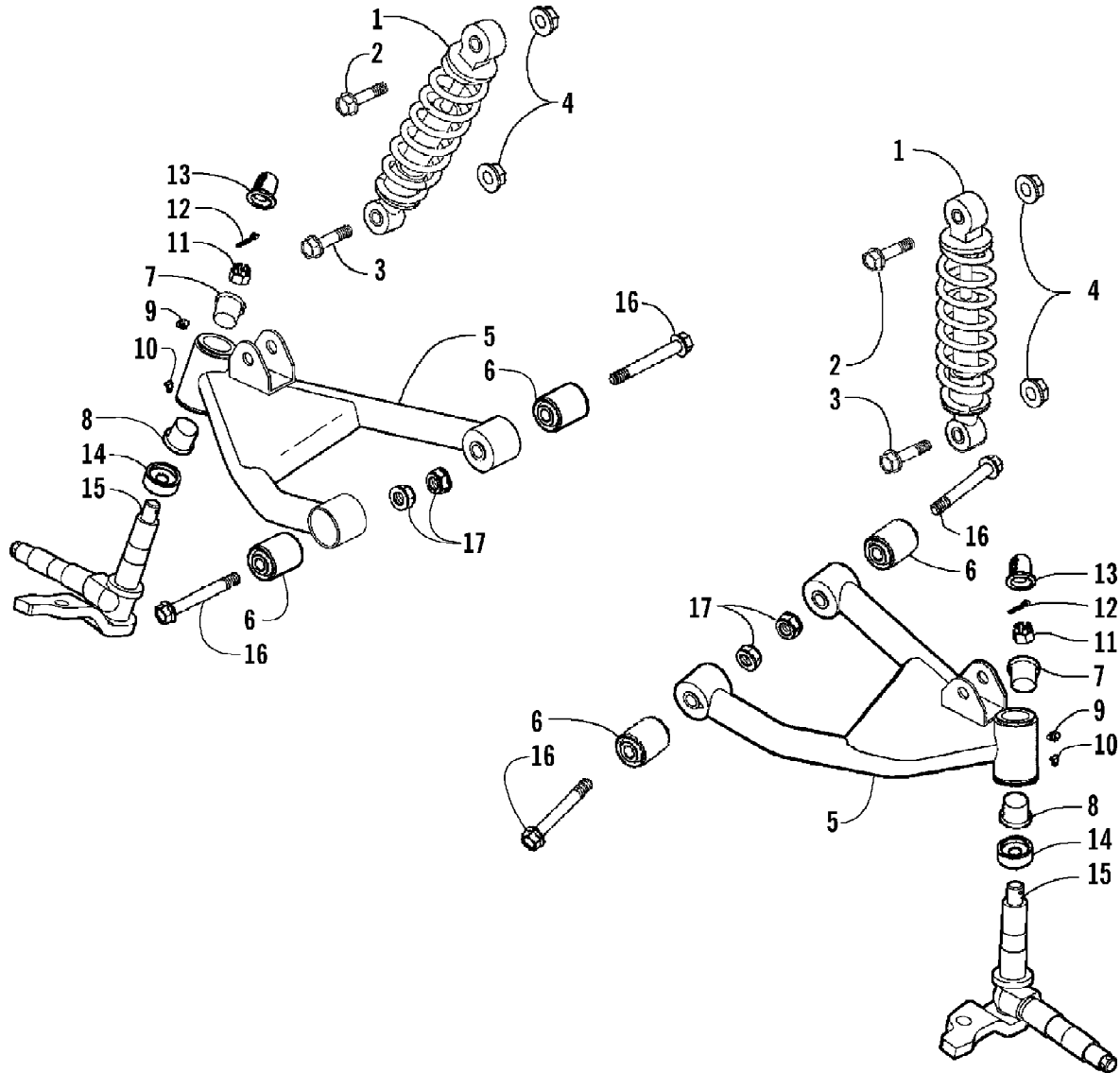


2009 ATV 90 2X4 UTILITY GREEN (A2009KUB2BUSG)
FRONT AND REAR RACK ASSEMBLY

Page 22 of 58

Ref #	Part Number	Qty	S/P/F	Description
1	3304-503	1		Rack, Front
2	1411-316	1		Decal, Warning - Load
3	3304-543	2	/P	Screw, Cap
4	3303-227	4		Grommet
5	3303-233	4		Spacer
6	3304-586	4	/P	Screw, Cap
7	3313-313	2		Screw, Cap
8	3304-504	1		Rack, Rear
9	1411-317	1		Decal, Warning - Load
10	1411-318	1		Decal, "Arctic Cat"

2009 ATV 90 2X4 UTILITY GREEN (A2009KUB2BUSG)
FRONT SUSPENSION ASSEMBLY

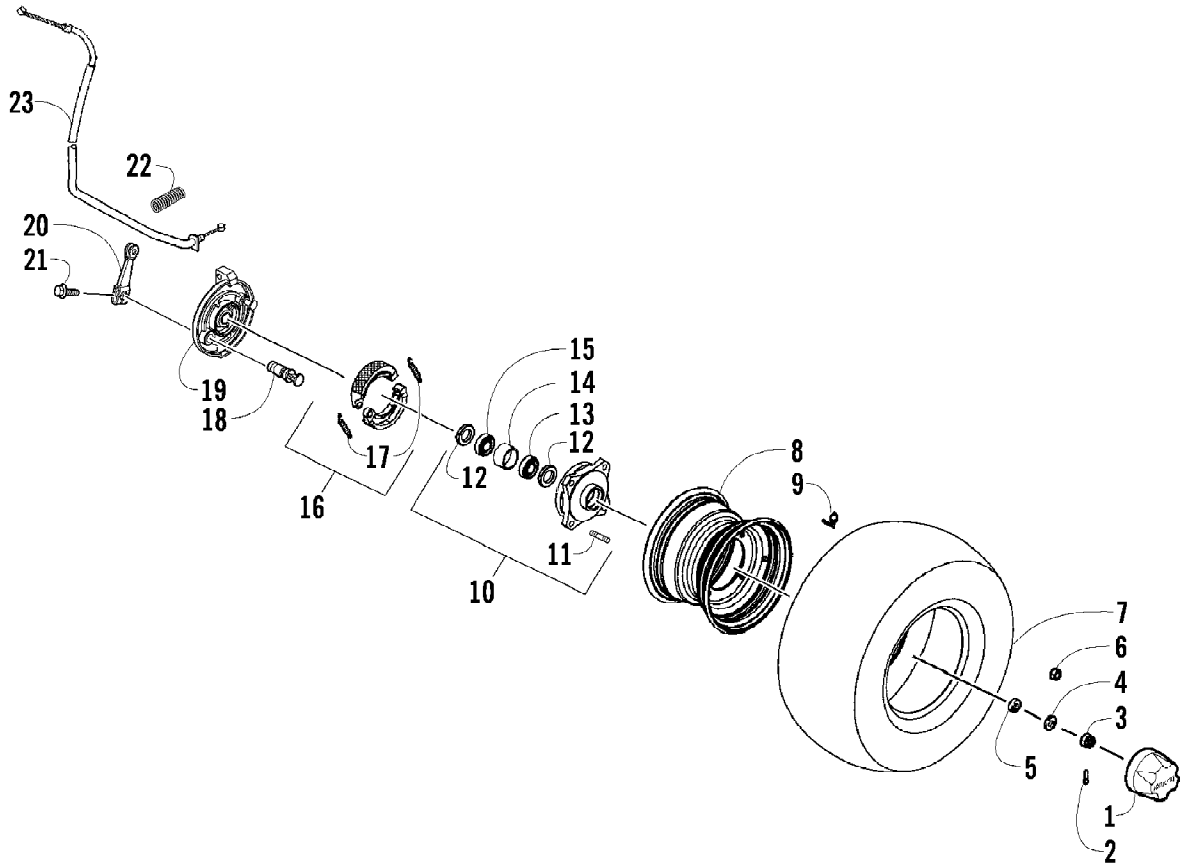


2009 ATV 90 2X4 UTILITY GREEN (A2009KUB2BUSG)
FRONT SUSPENSION ASSEMBLY

Page 24 of 58

Ref #	Part Number	Qty	S/P/F	Description
1	3305-891	2		Shock/Spring Assembly
2	3303-376	2	/P	Screw, Cap
3	3303-309	2		Screw, Cap
4	3303-333	4	/P	Nut
5	3305-452	1		Arm, Swing - Set - Front Right (inc. 6-10)
5	3305-453	1		Arm, Swing - Set - Front Left (inc. 6-10)
6	3303-216	4		Bushing
7	3303-218	2		Bushing
8	3303-217	2		Bushing
9	3303-393	2		Fitting, Grease
10	3303-394	2		Cap, Grease Fitting
11	3303-329	2		Nut, Castle
12	3303-337	2		Pin, Cotter
13	3303-219	2		Cap
14	3303-220	2		Seal
15	3303-178	1		Shaft, Steering - Right
15	3303-180	1		Shaft, Steering - Left
16	3304-595	4	/P	Screw, Cap
17	3304-031	4	/P	Nut

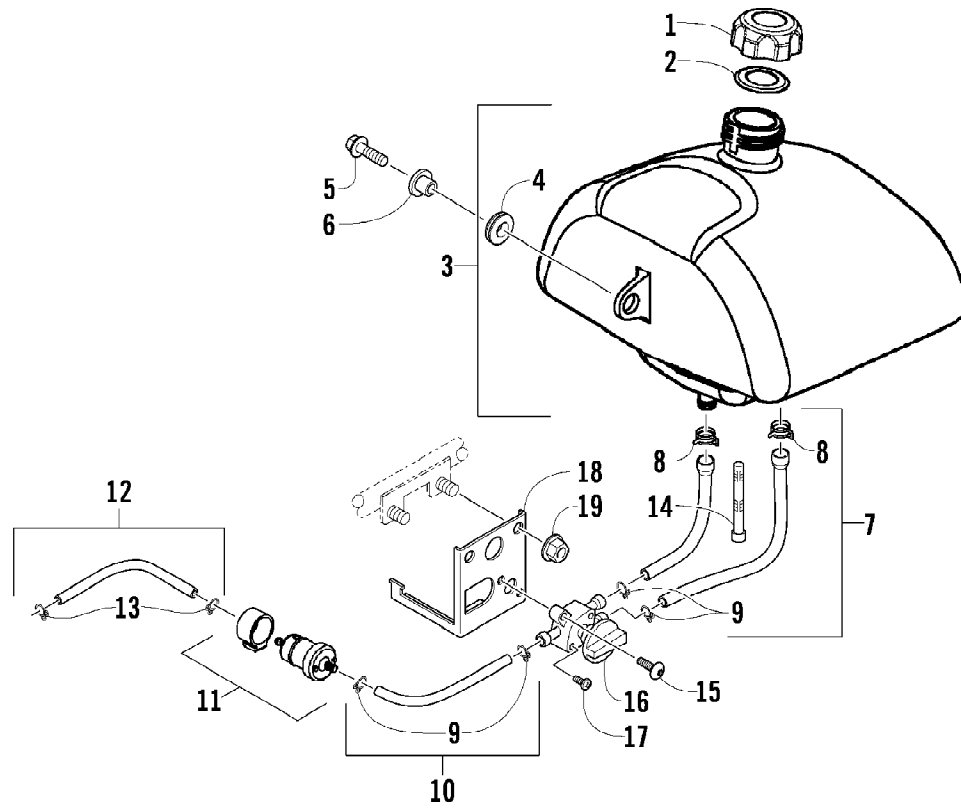
2009 ATV 90 2X4 UTILITY GREEN (A2009KUB2BUSG)
FRONT WHEEL AND BRAKE ASSEMBLIES



2009 ATV 90 2X4 UTILITY GREEN (A2009KUB2BUSG)
FRONT WHEEL AND BRAKE ASSEMBLIES

Page 26 of 58

Ref #	Part Number	Qty	S/P/F	Description
1	3303-430	2		Cap, Wheel
2	3303-470	2		Pin, Cotter
3	3303-328	2		Nut, Castle
4	3303-279	2	/P	Washer
5	3303-164	2	/P	Collar, Wheel
6	3303-266	8		Nut
7	3303-429	2		Tire - Assembly
8	3303-166	2		Wheel - Assembly (inc. 9)
9	3303-887	2		Stem, Valve
10	3303-165	2		Hub Assembly (inc. 11-15)
11	3303-463	8		Bolt, Stud
12	3303-456	4		Seal
13	3303-468	2		Bearing
14	3303-445	2		Spacer
15	3303-467	2		Bearing
16	3303-169	2		Shoe, Brake - Assembly (inc. 17)
17	3304-563	2		Spring
18	3303-170	2		Cam, Brake
19	3303-168	1		Panel - Front - Right
19	3303-176	1		Panel - Front - Left
20	3303-171	1		Arm, Brake - Right
20	3303-177	1		Arm, Brake - Left
21	3303-355	2		Screw, Cap
22	3303-172	2		Spring, Return
23	3303-173	2		Cable, Brake

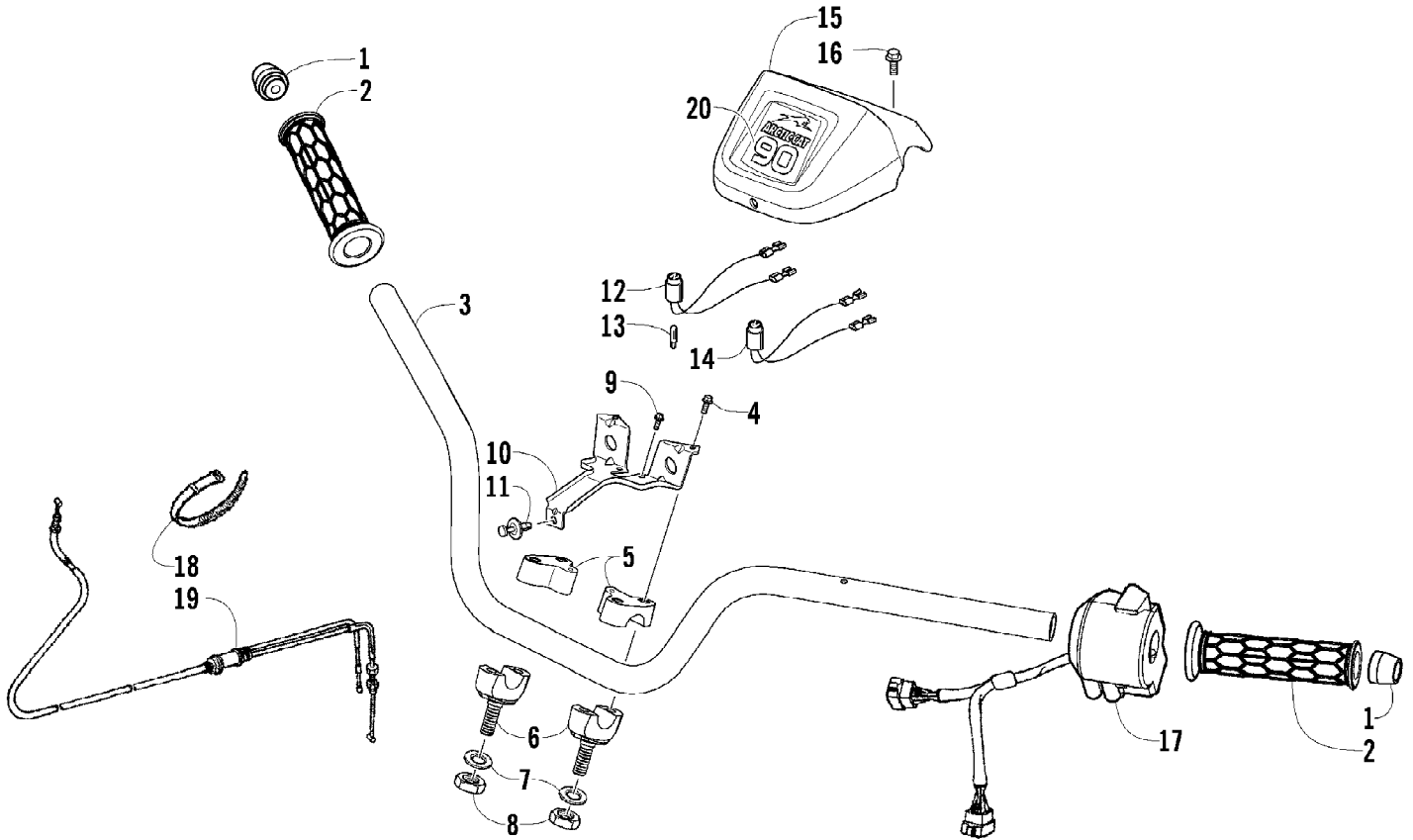


2009 ATV 90 2X4 UTILITY GREEN (A2009KUB2BUSG)
GAS TANK ASSEMBLY

Page 28 of 58

Ref #	Part Number	Qty	S/P/F	Description
1	3303-067	1		Cap, Gas Tank
2	3303-068	1		Seal, Gas Tank Cap
3	3305-488	1		Tank, Gas - Assembly (inc. 4)
4	3303-406	2		Grommet
5	3303-383	2	/P	Screw, Cap
6	3303-226	2		Insert
7	3305-489	2		Hose Assembly (inc. 8 and two No. 9)
8	3305-523	2		Clamp, Hose
9	3303-349	4		Clamp, Hose
10	3305-521	1		Hose Assembly (inc. two No. 9)
11	3303-699	1	/P	Filter, Fuel - Assembly
12	3305-522	1		Hose Assembly (inc. 13)
13	3303-348	2		Clamp, Hose
14	3303-058	1		Strainer, Fuel
15	3303-316	2		Screw, Machine
16	3303-057	1		Shut-Off, Fuel (inc. 17)
17	0	2	F	Screw, Machine
18	3305-294	1		Bracket, Mounting - Fuel Shut-Off
19	3303-331	2	/P	Nut

2009 ATV 90 2X4 UTILITY GREEN (A2009KUB2BUSG)
HANDLEBAR AND CONTROL ASSEMBLY



2009 ATV 90 2X4 UTILITY GREEN (A2009KUB2BUSG)
HANDLEBAR AND CONTROL ASSEMBLY

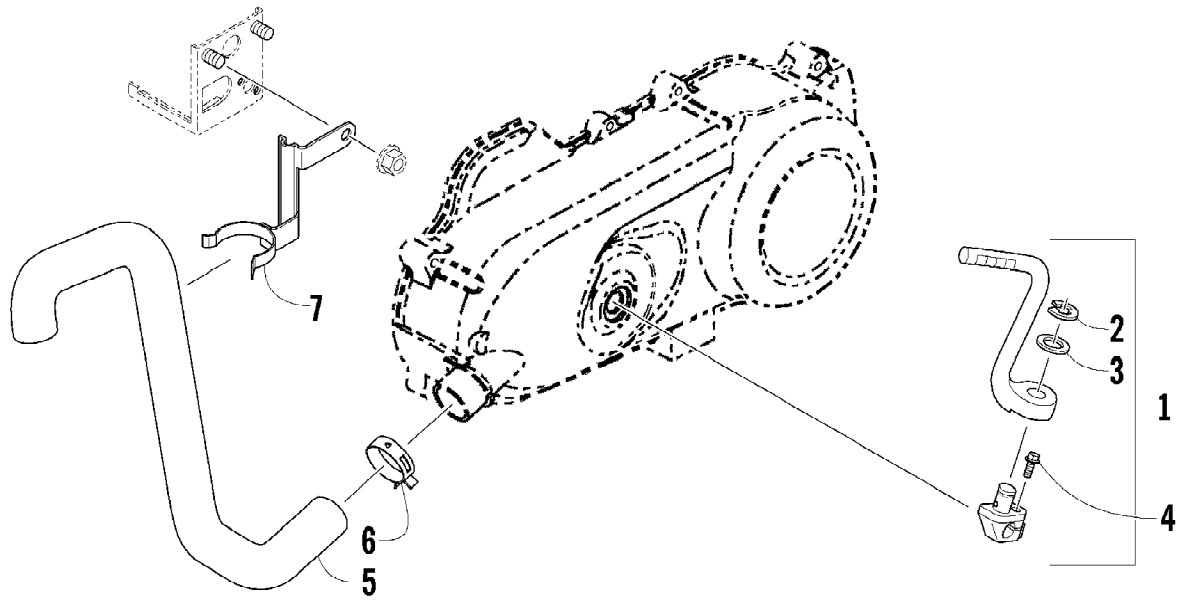
Page 30 of 58

Ref #	Part Number	Qty	S/P/F	Description
1	3303-196	2		End Cap, Handlebar
2	3303-203	2	S	Grip, Handlebar
3	3303-434	1		Handlebar
4	3303-398	4		Screw, Cap
5	3303-197	1		Clamp, Handlebar - Upper Right
5	3303-198	1		Clamp, Handlebar - Upper Left
6	3303-199	2		Clamp, Handlebar - Lower
7	3304-136	2		Washer
8	3305-517	2		Nut
9	3304-553	2		Screw, Cap
10	3304-506	1		Bracket, Handlebar Cover
11	3304-552	1		Rivet, Reinstallable
12	3305-830	1		Light, Indicator - Neutral (inc. one No. 13)
13	3305-867	2		Bulb
14	3305-831	1		Light, Indicator - Reverse (inc. one No. 13)
15	3304-501	1		Cover, Handlebar
16	3304-029	2	/P	Screw, Cap
17	3303-424	1		Switch, Handlebar - Assembly
18	3303-839	1		Tie, Cable
19	1502-096	1	/P	Cable, Throttle
20	1411-618	1		Decal, Instrument Pod

2009 ATV 90 2X4 UTILITY GREEN (A2009KUB2BUSG)
HYDRAULIC HAND BRAKE ASSEMBLY

Page 32 of 58

Ref #	Part Number	Qty	S/P/F	Description
1	3303-206	1	/P	Lever
2	3304-654	1	/P	Nut
3	3303-141	1	/P	Switch Assembly
4	3303-321	1		Screw, Machine
5	3303-284	4	/P	Washer, Crush
6	3303-257	2	/P	Bolt, Banjo-Fitting
7	3305-278	1		Hose, Brake - Assembly
8	3305-484	1	S	Brake, Master Cylinder - Assembly (inc. 9-14)
9	3303-175	1	/P	Clamp, Handlebar
10	3303-174	1	/P	Cover, Master Cylinder
11	3303-318	2		Screw, Machine
12	3305-250	1		Plate, Diaphragm
13	3305-309	1		Diaphragm
14	3303-254	1	/P	Screw, Shoulder
15	3305-297	2		Screw, Cap

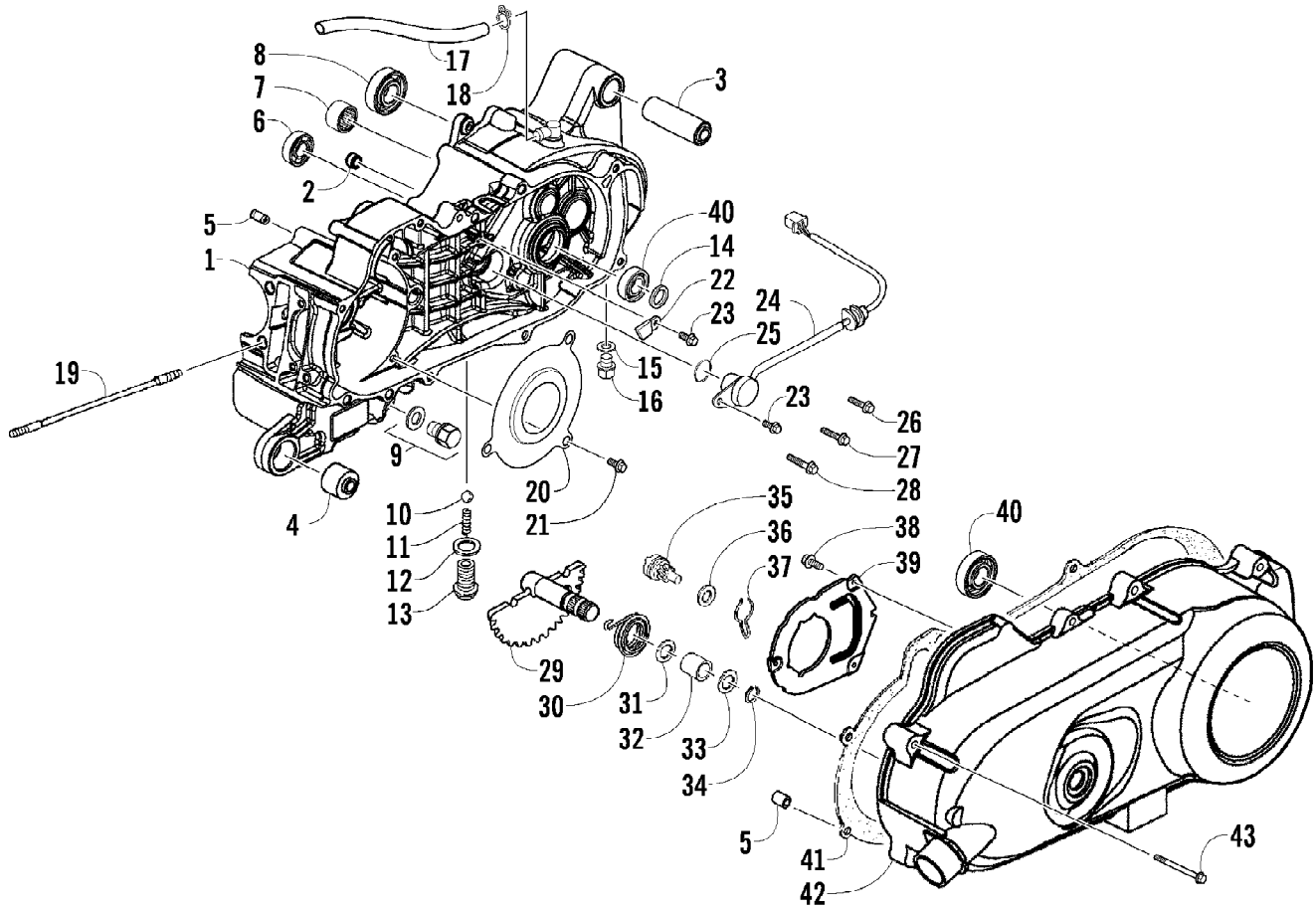


2009 ATV 90 2X4 UTILITY GREEN (A2009KUB2BUSG)
KICK STARTER AND COOLING DUCT ASSEMBLY

Page 34 of 58

Ref #	Part Number	Qty	S/P/F	Description
1	3303-123	1	/P	Arm, Kick Starter (inc. 2-3)
2	3305-247	1	/P	E-Clip
3	3304-138	1		Washer
4	3304-551	1	/P	Screw, Cap
5	3303-010	1		Duct, Cooling
6	3303-074	1		Clamp
7	3303-287	1		Clamp, Routing

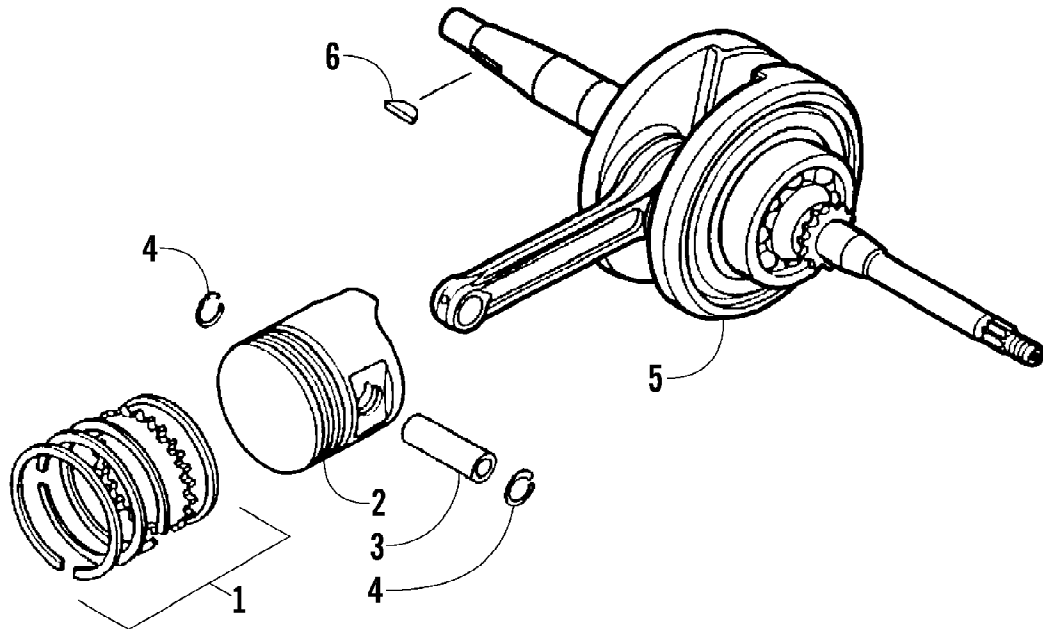
2009 ATV 90 2X4 UTILITY GREEN (A2009KUB2BUSG)
LEFT CRANKCASE AND COVER ASSEMBLY



2009 ATV 90 2X4 UTILITY GREEN (A2009KUB2BUSG)
LEFT CRANKCASE AND COVER ASSEMBLY

Page 36 of 58

Ref #	Part Number	Qty	S/P/F	Description
1	3305-795	1		Crankcase (inc. 2-4)
2	3304-597	1		Plug
3	3305-906	1		Bushing, Rubber - Engine Mount
4	3303-402	1	/P	Bushing, Rubber - Engine Mount
5	3303-341	4		Pin, Dowel
6	3304-905	1		Bearing
7	3304-074	1	/P	Bearing
8	3304-699	1	/P	Bearing
9	3304-052	1	/P	Plug, Drain
10	3304-205	1		Bearing, Ball
11	3304-063	1		Spring, Seat
12	3304-021	1		Washer
13	3304-109	1		Screw, Seat
14	3303-297	1	/P	Seal, Oil
15	3303-278	1		Washer
16	3303-365	1		Plug, Drain
17	3305-798	1		Hose, Vent
18	3303-714	1		Clamp, Hose
19	3303-248	2		Bolt, Stud
20	3304-460	1		Plate, Dust
21	3303-381	3		Screw, Cap
22	3304-040	1		Retainer, Bearing
23	3304-187	2		Screw, Cap
24	3305-797	1		Switch, Gear Shift (inc. 25)
25	3305-799	1	S	O-Ring
26	3303-385	1		Screw, Cap
27	3303-370	6		Screw, Cap
28	3303-372	1		Screw, Cap
29	3303-119	1		Spindle, Kick Starter
30	3303-122	1		Spring
31	3303-121	1		Spacer
32	3303-120	1		Bushing
33	3303-276	1		Washer
34	3303-345	1		Ring, Retaining
35	3303-118	1		Gear, Driven
36	3303-272	1		Washer, Thrust
37	3303-117	1		Spring
38	3303-391	3		Screw, Cap
39	3303-009	1		Plate, Cover
40	3303-465	2		Bearing
41	3303-013	1		Gasket, Crankcase Cover
42	3305-907	1		Cover, Crankcase
43	3303-386	7	/P	Screw, Cap

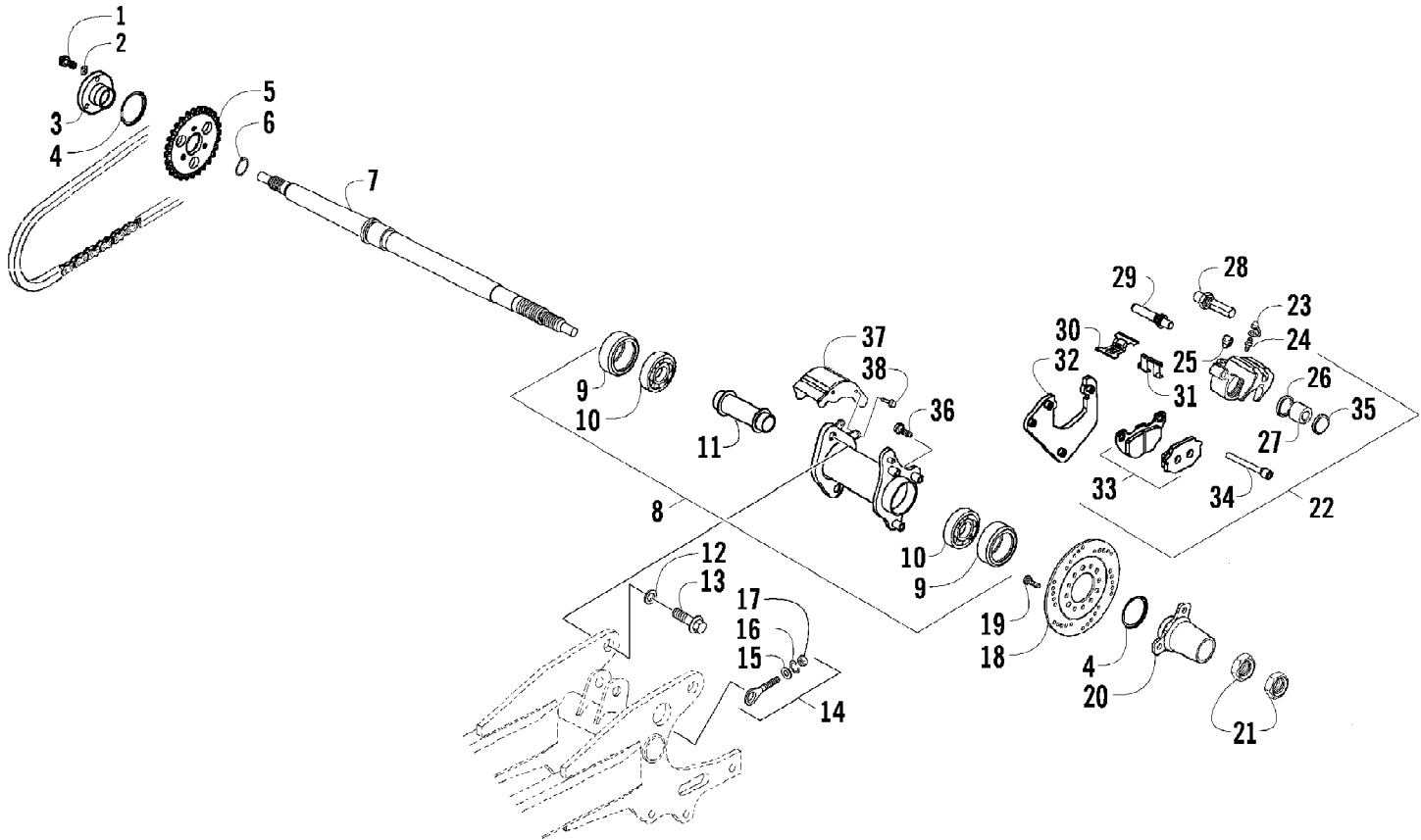


2009 ATV 90 2X4 UTILITY GREEN (A2009KUB2BUSG)
PISTON AND CRANKSHAFT ASSEMBLY

Page 38 of 58

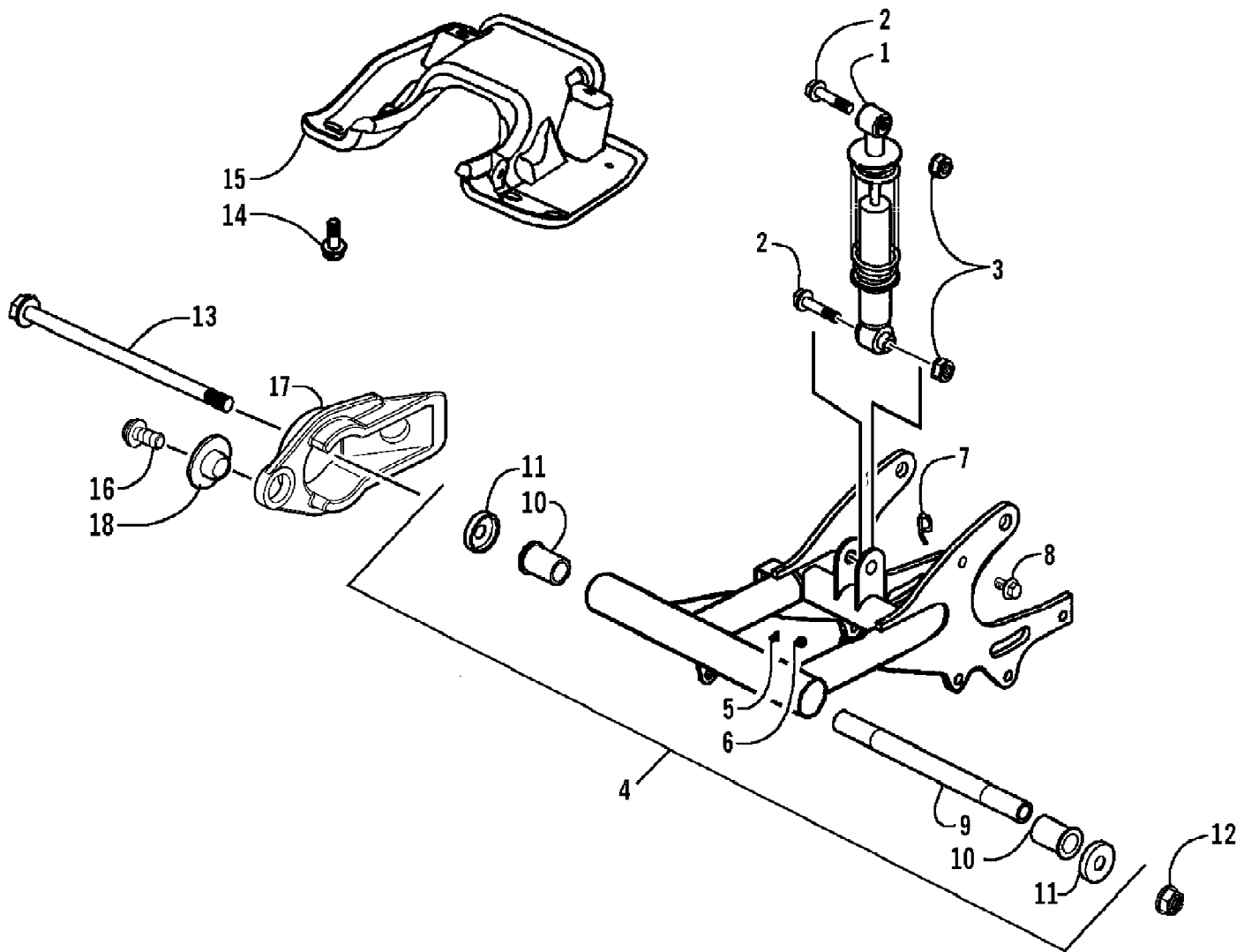
Ref #	Part Number	Qty	S/P/F	Description
1	3303-024	1		Ring, Piston - Set
2	3303-025	1		Piston
3	3303-026	1		Pin, Piston
4	3303-027	2		Clip, Piston Pin
5	3305-443	1		Crankshaft
6	3303-290	1		Key

2009 ATV 90 2X4 UTILITY GREEN (A2009KUB2BUSG)
REAR AXLE AND BRAKE ASSEMBLY



2009 ATV 90 2X4 UTILITY GREEN (A2009KUB2BUSG)
REAR AXLE AND BRAKE ASSEMBLY

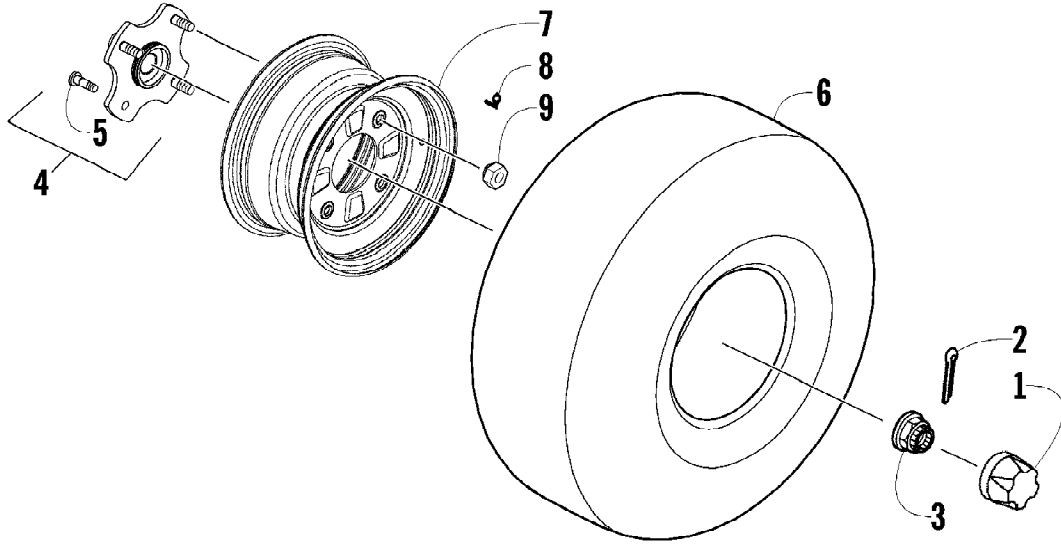
Ref #	Part Number	Qty	S/P/F	Description
1	3304-565	3	/P	Screw, Cap
2	3305-288	3	S	Washer, Lock
3	3305-835	1		Retainer, Sprocket
4	3305-298	2		O-Ring
5	3303-148	1		Sprocket, Final Drive
6	3305-840	1		Ring, Retaining
7	3305-838	1		Axle, Rear
8	3305-347	1	/P	Housing, Rear Axle (inc. 9-11)
9	3303-461	2		Seal
10	3303-466	2		Bearing
11	3303-427	1		Spacer
12	3303-281	3		Washer
13	3303-379	4		Screw, Cap
14	3303-147	1		Adjuster, Chain - Assembly (inc. 15-17)
15	3304-135	1	/P	Washer
16	3303-607	1	/P	Washer, Lock
17	3304-125	1		Nut
18	3303-162	1		Disc, Brake
19	3303-253	3	/P	Screw, Cap
20	3305-249	1		Bracket, Brake Disc
21	3305-839	2		Nut
22	3305-449	1		Caliper, Rear - Assembly (inc. 23-35)
23	3304-303	1		Cap, Bleed Valve
24	3304-302	1		Valve, Bleed
25	3304-333	1		Plug
26	3304-327	1	S	Seal, Piston
27	3304-314	1	/P	Piston
28	3304-589	1		Pin w/Boot
29	3304-590	1		Pin w/Boot
30	3304-591	1		Spring
31	3304-316	1	S	Seal
32	3303-469	1	/P	Bracket
33	3304-567	1	/P	Pad, Brake - Assembly
34	3304-566	2		Screw, Cap
35	3305-377	1	/P	Seal
36	3303-256	2		Screw, Cap
37	3303-144	1		Guard, Chain
38	3304-610	2		Screw, Cap



2009 ATV 90 2X4 UTILITY GREEN (A2009KUB2BUSG)
REAR SUSPENSION ASSEMBLY

Page 42 of 58

Ref #	Part Number	Qty	S/P/F	Description
1	3305-909	1		Shock/Spring - Assembly
2	3303-376	2	/P	Screw, Cap
3	3304-031	2	/P	Nut
4	3305-858	1		Fork, Rear - Assembly (inc. 5-11)
5	3303-394	1		Cap, Grease Fitting
6	3303-393	1		Fitting, Grease
7	3304-594	1		Clamp, Routing
8	3305-341	1		Screw, Cap
9	3303-189	1		Axle
10	3303-191	2		Bushing
11	3303-192	2		Cap
12	3304-032	1		Nut
13	3303-150	1		Screw, Cap
14	3305-454	4		Screw, Cap
15	3305-855	1		Guard, Rear Suspension
16	3304-690	2		Screw, Self-Tapping
17	3305-859	1		Guide, Chain
18	3304-360	2		Bushing

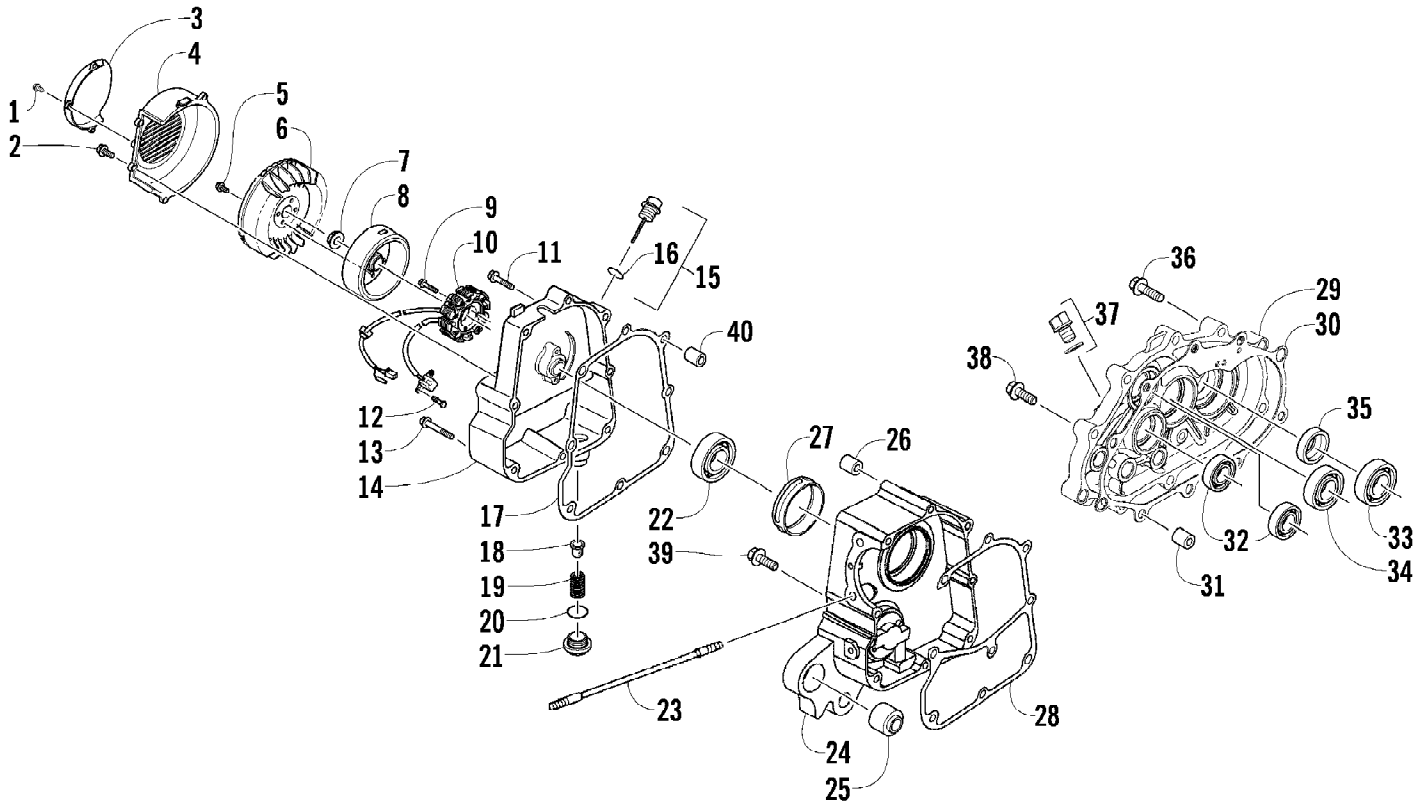


2009 ATV 90 2X4 UTILITY GREEN (A2009KUB2BUSG)
REAR WHEEL ASSEMBLY

Page 44 of 58

Ref #	Part Number	Qty	S/P/F	Description
1	3303-430	2		Cap, Wheel
2	3303-340	2		Pin, Cotter
3	3303-330	2		Nut, Lock
4	3305-869	2		Hub, Wheel (inc. 5)
5	3303-250	8		Bolt, Stud
6	3303-428	2		Tire
7	3303-156	2		Wheel - Assembly (inc. 8)
8	3303-887	2		Stem, Valve
9	3303-266	8		Nut

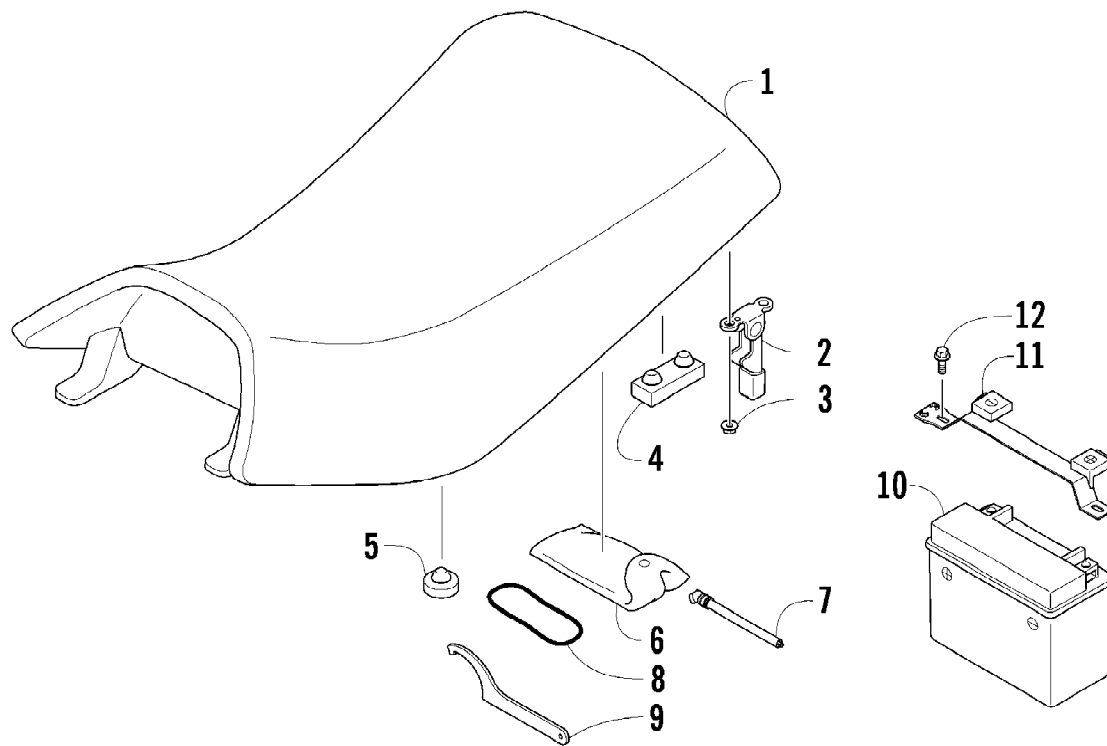
2009 ATV 90 2X4 UTILITY GREEN (A2009KUB2BUSG)
RIGHT CRANKCASE AND COVER ASSEMBLY



2009 ATV 90 2X4 UTILITY GREEN (A2009KUB2BUSG)
RIGHT CRANKCASE AND COVER ASSEMBLY

Page 46 of 58

Ref #	Part Number	Qty	S/P/F	Description
1	3304-585	2	/P	Screw, Self-Tapping
2	3303-384	2	/P	Screw, Cap
3	3305-317	1		Cover, Vent
4	3305-910	1		Cover, Fan
5	3303-382	4	/P	Screw, Cap
6	3303-075	1		Fan, Cooling
7	3303-333	1	/P	Nut
8	3303-127	1		Rotor/Flywheel (A) - D402
8	3303-414	1		Rotor/Flywheel (B) - D406
8	3303-415	1		Rotor/Flywheel (C) - D414
9	3303-383	2	/P	Screw, Cap
10	3304-641	1		Stator - Assembly (O) - D402
10	3305-254	1	/P	Stator - Assembly (A) - D406
10	3305-256	1	/P	Stator - Assembly (B) - D414
11	3304-580	4		Screw, Cap
12	3303-308	2		Screw, Cap
13	3303-390	4		Screw, Cap
14	3303-007	1		Cover, Crankcase
15	3303-050	1		Gauge, Oil Level - Assembly (inc. 16)
16	3304-102	1	/P	O-Ring
17	3303-012	1		Gasket, Crankcase Cover
18	3303-691	1	/P	Screen, Filter
19	3303-692	1	/P	Spring
20	3304-096	1	/P	O-Ring
21	3303-021	1		Cap, Inspection
22	3303-296	1		Seal, Oil
23	3303-247	2		Bolt, Stud
24	3303-400	1	/P	Crankcase (inc. 25-27)
25	3303-402	1	/P	Bushing, Rubber - Engine Mount
26	3304-065	2		Plug
27	0	1	F	Insert
28	3303-003	1		Gasket, Crankcase
29	3305-806	1		Case, Transmission
30	3305-807	1		Gasket, Transmission Case
31	3303-342	2		Pin, Dowel
32	3303-596	2	/P	Bearing
33	3305-821	1		Bearing
34	3304-909	1		Bearing
35	3305-808	1		Seal, Oil
36	3303-615	2		Screw, Cap
37	3304-052	1	/P	Plug, Fill
38	3305-468	8		Screw, Cap
39	3303-387	1		Screw, Cap
40	3303-341	2		Pin, Dowel

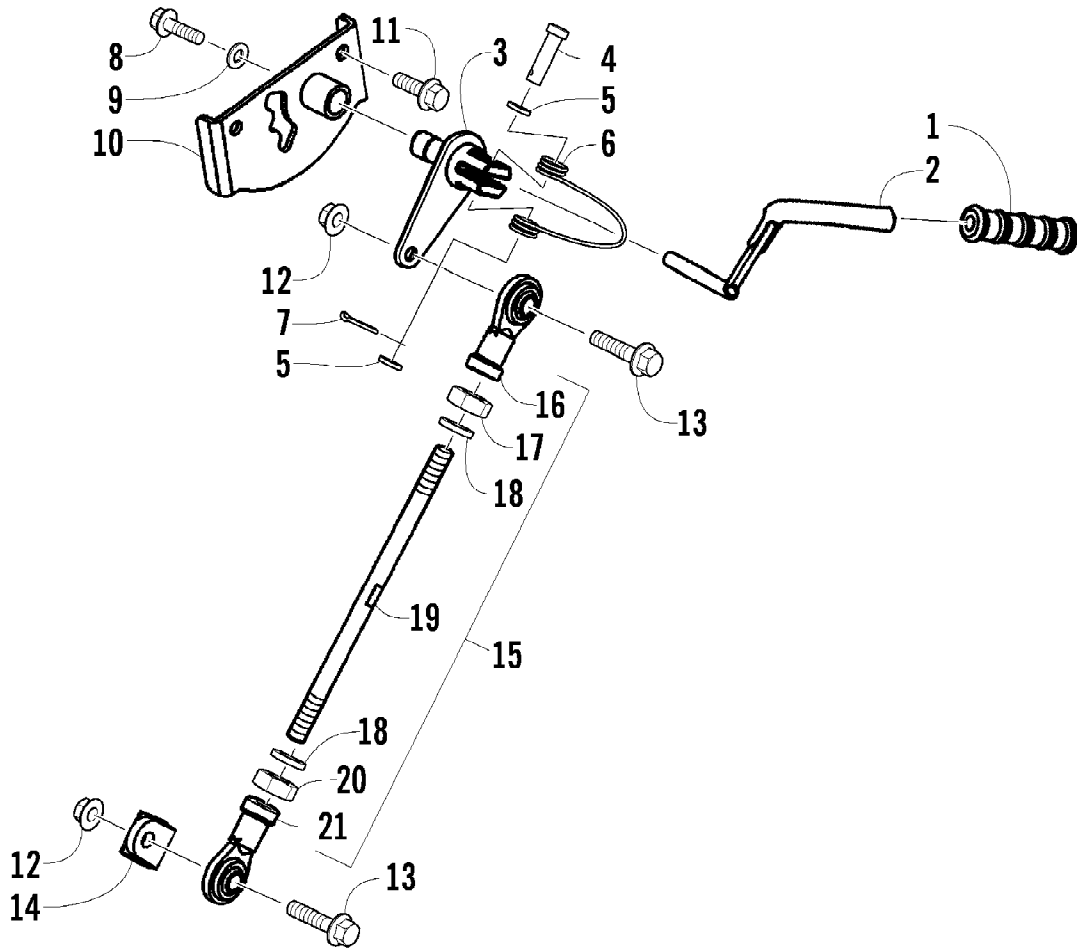


2009 ATV 90 2X4 UTILITY GREEN (A2009KUB2BUSG)
SEAT, BATTERY, AND TOOL KIT ASSEMBLIES

Page 48 of 58

Ref #	Part Number	Qty	S/P/F	Description
1	3304-497	1	/P	Seat Assembly (inc. 2-3)
2	3304-392	1		Latch, Seat
3	3303-331	2	/P	Nut
4	0	2	F	Bumper, Seat - Rear
5	3304-568	2		Bumper, Seat - Front
6	3303-578	1	/P	Kit, Tool
7	0	1	F	Gauge, Air Pressure
8	3303-242	1		Retainer, Tool Kit
9	1441-797	1	F	Wrench, Spanner
10	3303-131	1	/P	Battery
11	3303-182	1		Hold-Down, Battery
12	3303-263	2	/P	Screw, Cap

2009 ATV 90 2X4 UTILITY GREEN (A2009KUB2BUSG)
SHIFT LEVER ASSEMBLY

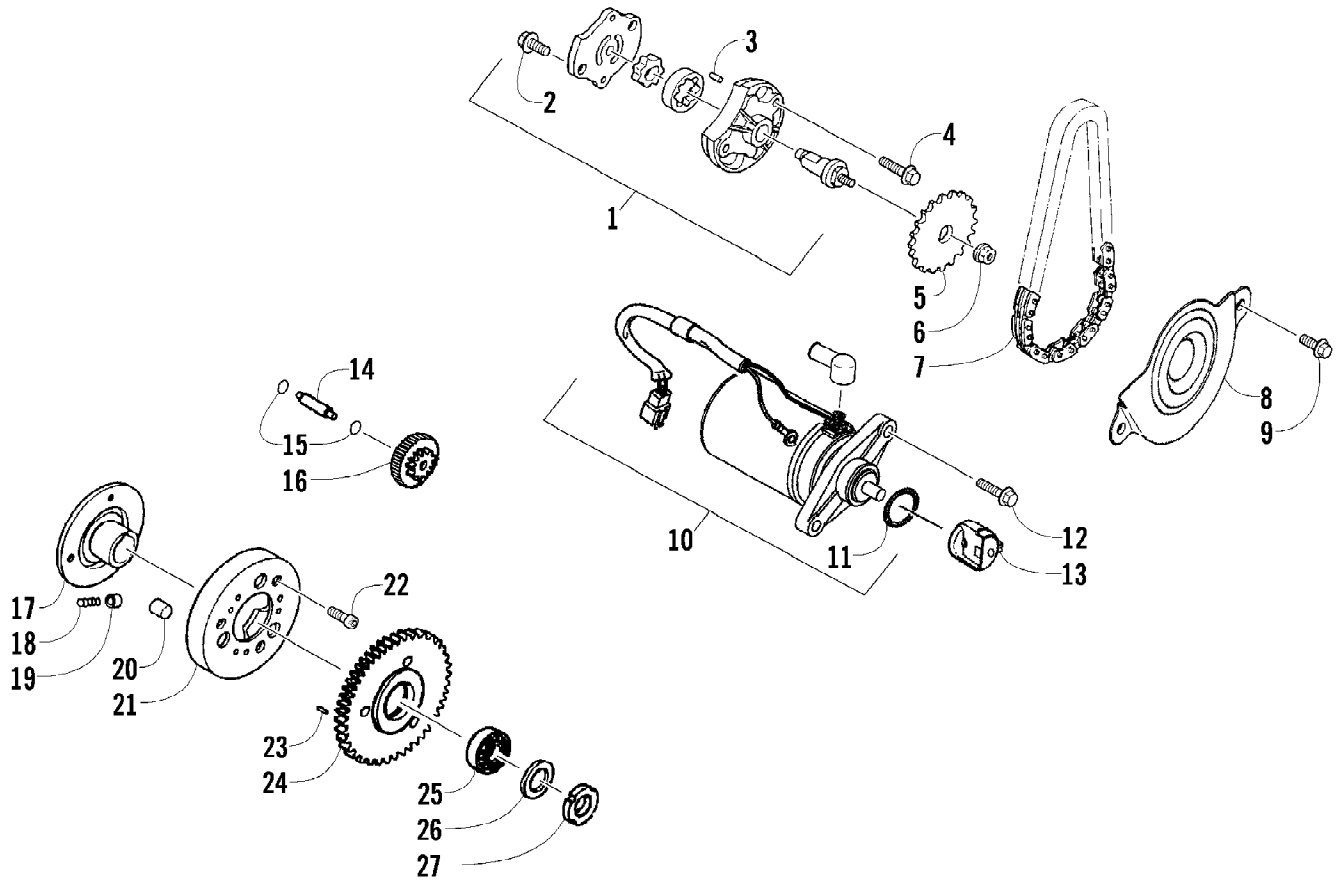


2009 ATV 90 2X4 UTILITY GREEN (A2009KUB2BUSG)
SHIFT LEVER ASSEMBLY

Page 50 of 58

Ref #	Part Number	Qty	S/P/F	Description
1	3305-850	1		Handle, Shift Lever
2	3305-854	1		Lever, Shift
3	3305-849	1		Pivot, Shift Lever
4	3303-817	1		Pin, Shift Lever
5	3304-138	2		Washer
6	3305-853	1		Spring
7	3304-142	1		Pin, Cotter
8	3304-553	1		Screw, Cap
9	3305-852	1		Washer
10	3305-851	1		Bracket, Shift Lever
11	3304-543	2	/P	Screw, Cap
12	3304-668	2		Nut, Lock
13	3304-176	2		Screw, Cap
14	3305-825	1	/P	Bracket, Shift Lever
15	3305-847	1		Shift Linkage Assembly (inc. 16-21)
16	0	1	F	Ball Joint, Tie Rod - Right
17	0	1	F	Nut
18	0	2	F	Washer
19	0	1	F	Tie Rod
20	0	1	F	Nut
21	0	1	F	Ball Joint, Tie Rod - Left

2009 ATV 90 2X4 UTILITY GREEN (A2009KUB2BUSG)
STARTER MOTOR AND OIL PUMP ASSEMBLY

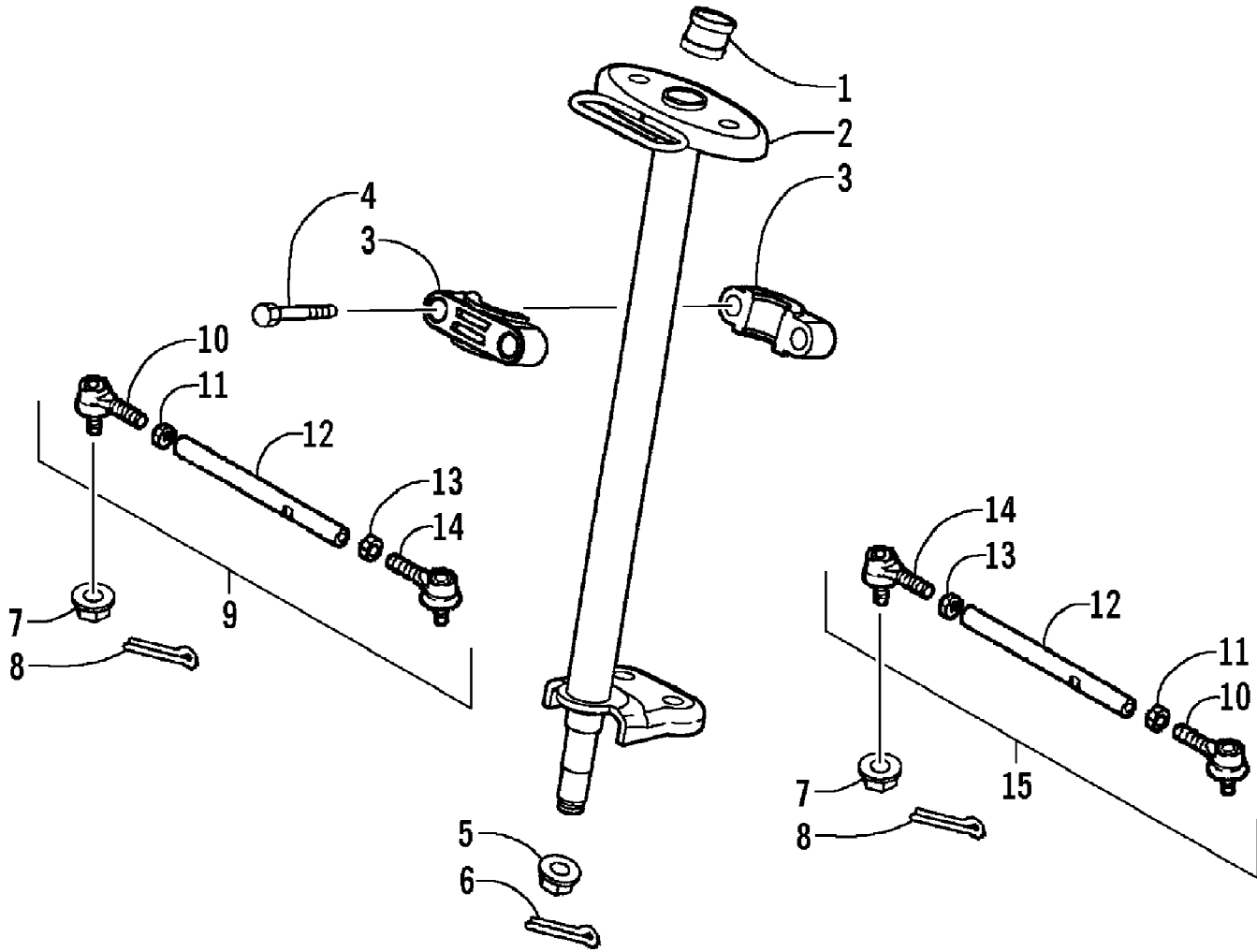


2009 ATV 90 2X4 UTILITY GREEN (A2009KUB2BUSG)
STARTER MOTOR AND OIL PUMP ASSEMBLY

Page 52 of 58

Ref #	Part Number	Qty	S/P/F	Description
1	3303-045	1		Pump, Oil - Assembly (inc. 2-3)
2	3304-426	1		Screw, Cap
3	3304-144	1		Pin, Dowel
4	3303-384	4	/P	Screw, Cap
5	3303-046	1		Sprocket
6	3303-331	1	/P	Nut
7	3303-047	1		Chain, Oil Pump
8	3303-051	1		Separator, Oil
9	3303-381	2		Screw, Cap
10	3304-639	1	/P	Motor, Starter (inc. 11)
11	3303-604	1		O-Ring
12	3303-384	2	/P	Screw, Cap
13	3303-130	1		Cover, Starter
14	3303-110	1		Shaft, Starter Reduction
15	3303-282	2		Washer
16	3303-109	1		Gear, Starter Reduction
17	3303-115	1		Plate, Starter Clutch
18	3303-113	3		Spring
19	3303-114	3		Roller, Starter
20	3303-293	3		Roller
21	3303-112	1		Clutch, Outer
22	3303-396	3		Screw, Cap
23	3303-395	1		Pin, Alignment
24	3303-111	1		Gear, Starter
25	3303-292	1		Bearing
26	3303-285	1		Circlip
27	3303-258	1		Nut

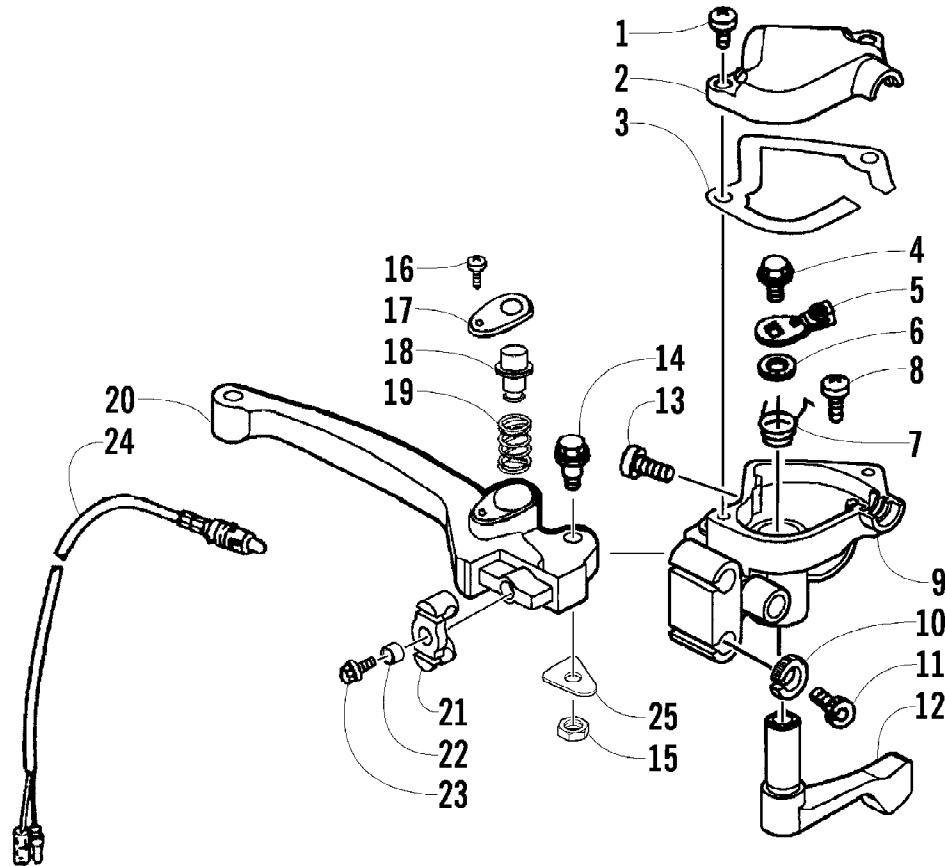
2009 ATV 90 2X4 UTILITY GREEN (A2009KUB2BUSG)
STEERING POST ASSEMBLY



2009 ATV 90 2X4 UTILITY GREEN (A2009KUB2BUSG)
STEERING POST ASSEMBLY

Page 54 of 58

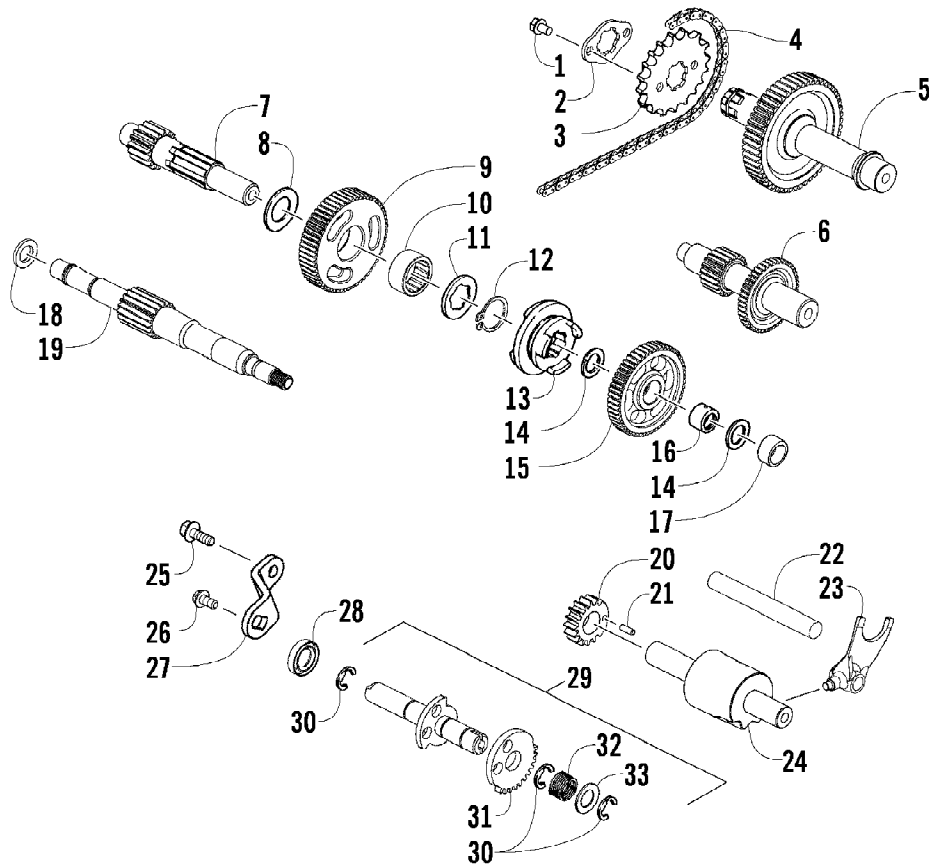
Ref #	Part Number	Qty	S/P/F	Description
1	3303-214	1	S	Bushing
2	3303-573	1	/P	Post, Steering
3	3303-213	2		Holder, Steering Post
4	3304-559	2		Screw, Cap
5	3304-032	1		Nut
6	3303-470	1		Pin, Cotter
7	3303-266	4		Nut
8	3303-621	4	/P	Pin, Cotter
9	3305-485	1		Tie Rod Assembly - Right (inc. one No. 10-14)
10	3305-486	2		Ball Joint, Tie Rod - Right
11	3303-326	2		Nut
12	3305-282	2		Tie Rod
13	3303-327	2		Nut
14	3305-487	2		Ball Joint, Tie Rod - Left
15	3305-499	1		Tie Rod Assembly - Left (inc. one No. 10-14)



2009 ATV 90 2X4 UTILITY GREEN (A2009KUB2BUSG)
THROTTLE CONTROL ASSEMBLY

Page 56 of 58

Ref #	Part Number	Qty	S/P/F	Description
	3303-447	1		Complete Throttle Control Assembly
1	3303-315	2		Screw, Machine
2	3303-207	1		Cover, Throttle Control
3	3303-209	1		Gasket
4	3303-358	1	S/P	Screw, Cap
5	3305-875	1		End, Parking Brake
6	3305-873	1		Spacer
7	3305-874	1		Spring, Return
8	3303-397	1		Screw, Machine
9	3303-204	1		Housing, Throttle Control
10	3303-271	2		Nut
11	3303-208	2		Screw, Adjuster
12	3303-200	1		Lever, Throttle
13	3304-558	1		Screw, Machine
14	3303-255	1		Screw, Shoulder
15	3303-262	1		Nut
16	3304-554	1		Screw, Machine
17	3304-555	1		Plate, Retaining
18	3304-556	1		Pin, Parking Brake
19	3305-872	1		Spring
20	3305-083	1		Lever, Brake
21	3303-201	1		Retainer, Brake Cable
22	3303-202	1		Spacer
23	3303-358	1	S/P	Screw, Cap
24	3303-140	1		Switch, Brake
25	3304-557	1		Stop, Parking Brake



2009 ATV 90 2X4 UTILITY GREEN (A2009KUB2BUSG)
TRANSMISSION ASSEMBLY

Page 58 of 58

Ref #	Part Number	Qty	S/P/F	Description
1	3303-307	2		Screw, Cap
2	3303-108	1		Plate, Retaining
3	3305-814	1		Sprocket, Drive
4	3305-820	1		Chain, Drive
5	3305-805	1	/P	Shaft, Final
6	3305-822	1		Countershaft - Assembly
7	3305-809	1		Shaft, Main
8	3304-042	1		Washer, Thrust
9	3305-811	1		Gear, Reverse
10	3304-074	1	/P	Bearing
11	3305-812	1		Washer
12	3303-344	1		Circlip
13	3305-029	1		Gear Select, Sliding
14	3303-275	2	/P	Washer, Thrust
15	3305-810	1		Gear, Forward
16	3305-024	1		Bushing
17	3305-028	1		Spacer
18	3303-588	1		Washer
19	3305-813	1		Driveshaft
20	3303-811	1		Gear, Drum Shift
21	3304-206	1		Pin, Alignment
22	3304-513	1		Shaft, Shift Fork
23	3305-815	1		Fork, Shift
24	3305-816	1		Cam, Gear Shift - Assembly
25	3303-365	1		Screw, Cap
26	3304-652	1		Screw, Cap
27	3305-825	1	/P	Bracket, Spindle Assembly
28	3304-900	1		Seal, Oil
29	3305-817	1		Spindle Assembly (inc. 30-33)
30	3304-153	3		E-Ring
31	3303-815	1		Gear, Shift
32	3305-818	1		Spring
33	3304-036	1		Washer, Thrust