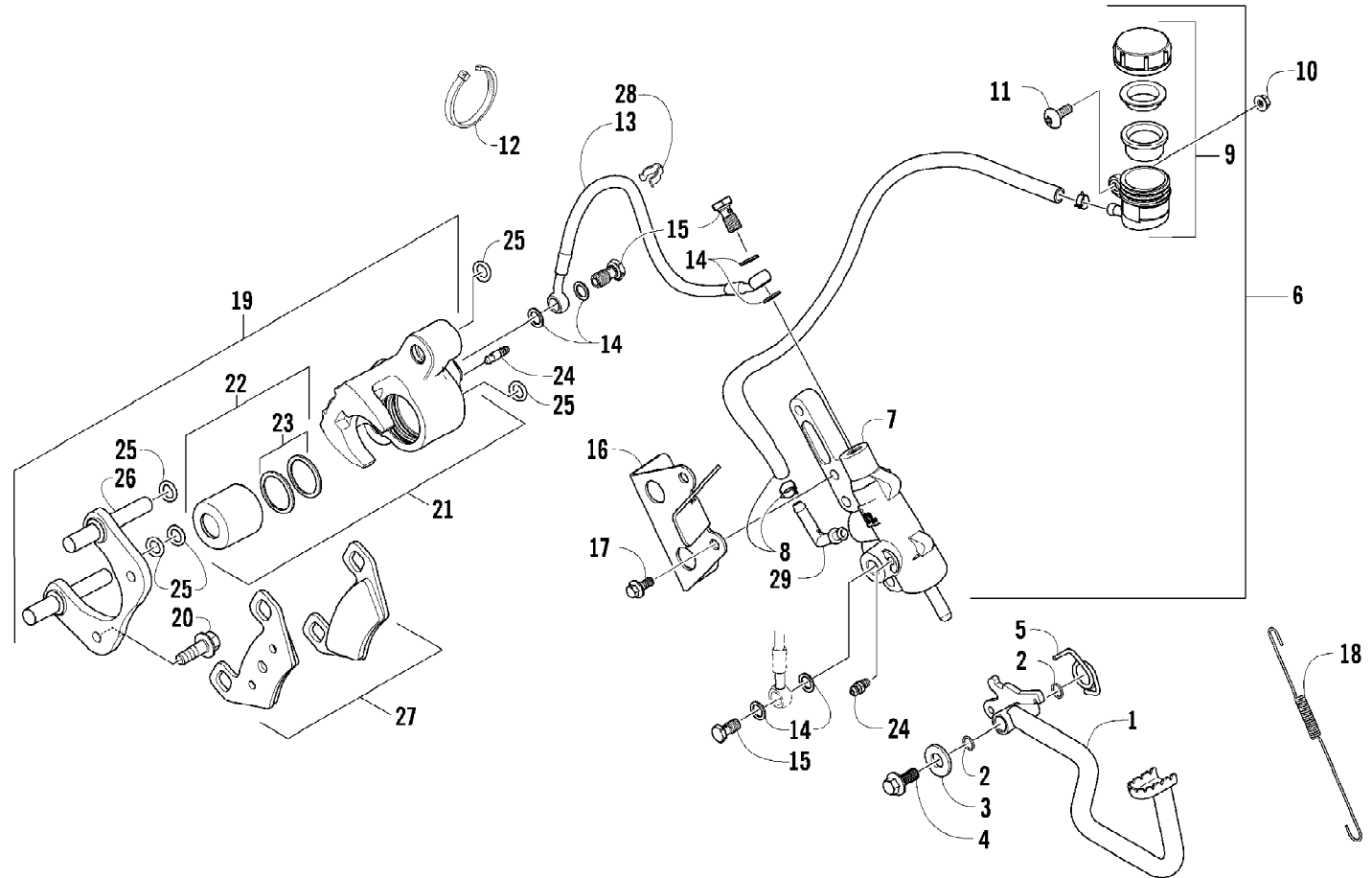
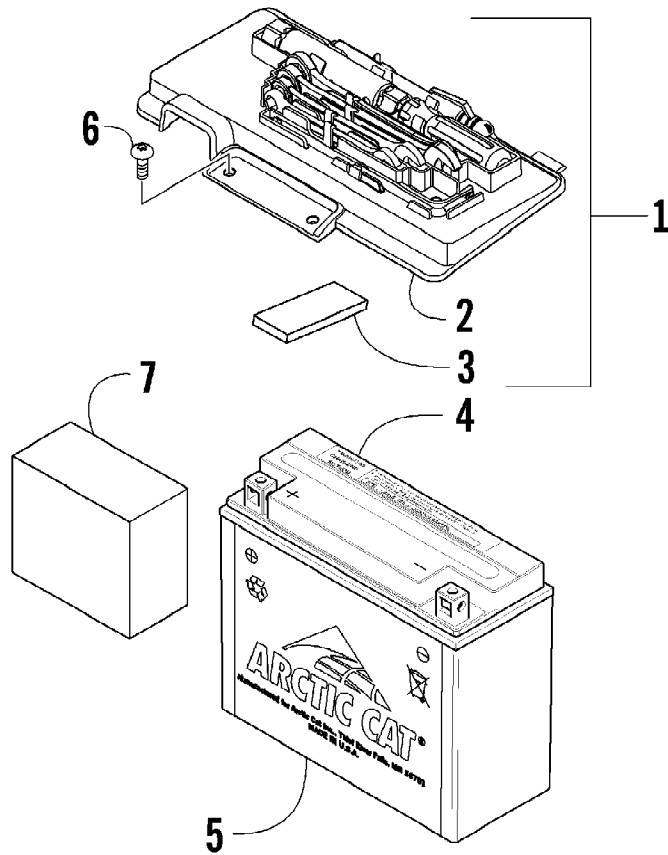


Ref #	Part Number	Qty	S/P/F	Description
1	0470-850	1	S	Cover, Intake
2	0470-560	1		Screen, Air Filter
3	0470-558	1		Filter, Air
4	0470-728	1		Housing, Intake
5	0423-455	4		Clip, Spring
6	0470-749	1		Duct, Engine Intake
7	0423-763	1		Grommet
8	0570-215	1		Resonator
9	0470-729	1		Boot
10	0423-342	4	/P	Screw, Self-Tapping
11	0423-019	2		Clamp, Boot
12	0470-442	1	/P	Valve, Drain
13	0410-172	1	/P	Hose, Vent
14	1623-281	2		Clamp, Hose
15	0423-766	1		Cap, Drain
16	1623-287	1		Clamp
17	0423-554	1		Clamp, Boot
18	0470-511	1		Boot
19	0430-055	1		Sensor, Air Temperature (inc. 20)
20	5507-224	1		O-Ring
21	2406-604	1		Panel, Shield
22	0623-362	2		Rivet, Reinstallable

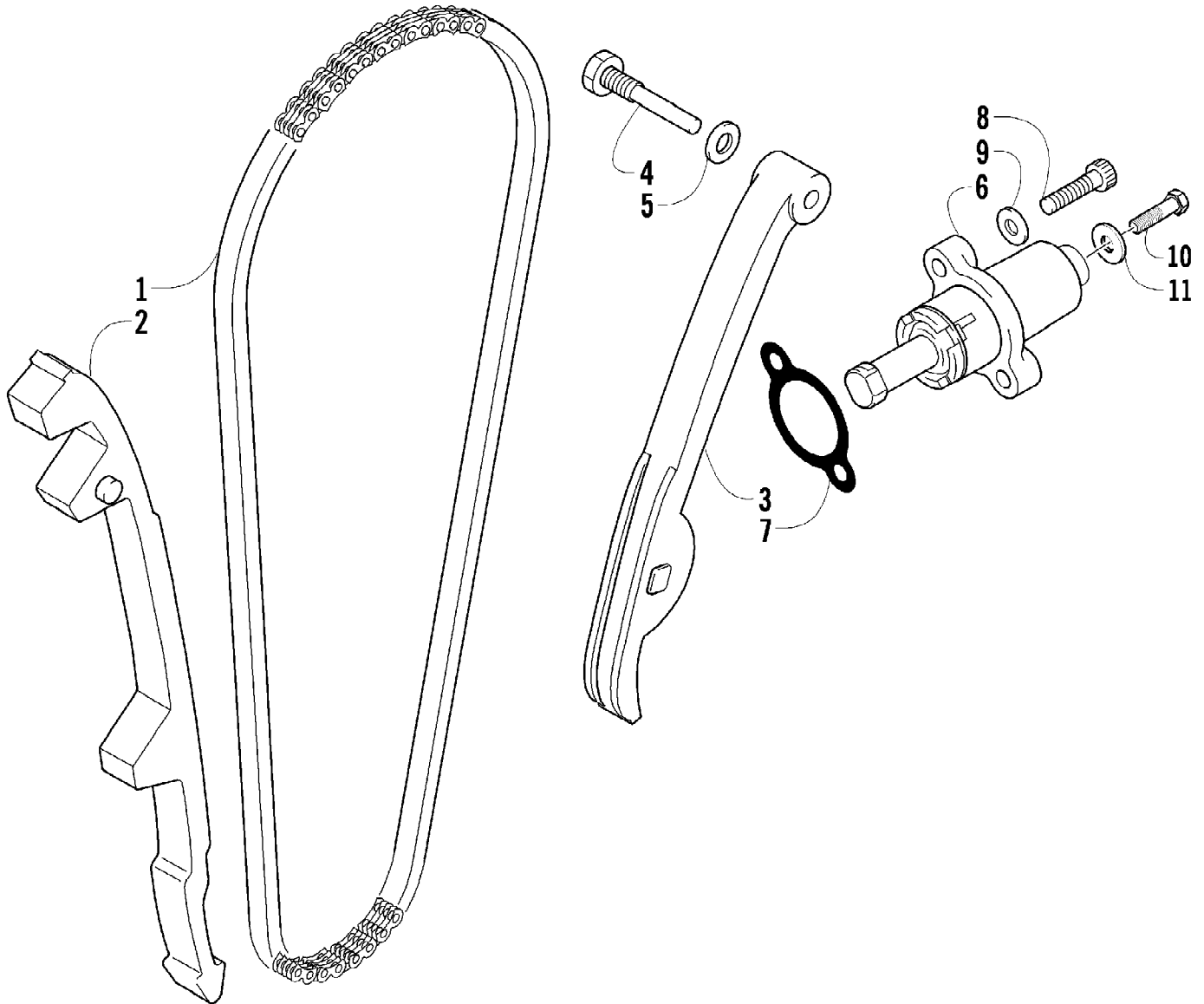
2009 ATV 550 TRV LE BLACK INTERNATIONAL (A2009TBO4EOSQ)  
AUXILIARY BRAKE ASSEMBLY



Ref #	Part Number	Qty	S/P/F	Description
	1502-294	1		Master Cylinder Replacement Kit
1	1502-063	1		Lever, Brake
2	1602-213	2	/P	O-Ring
3	8050-252	1		Washer
4	8408-816	1		Screw, Cap
5	0502-807	1		Spring, Brake Lever
6	1502-293	1		Brake Assembly (inc. 7-9)
7	0	1	F	Master Cylinder
8	0	1	F	Hose, Brake Reservoir w/Clamps
9	1502-155	1		Reservoir, Brake w/Clamp
10	0623-038	1		Nut w/Washer
11	8476-616	1		Screw, Machine
12	0123-788	AR	/P	Cable Tie - 8 in.
13	1502-140	1		Hose, Brake
14	0423-178	6		Washer, Crush
15	0423-413	3		Bolt, Banjo-Fitting
16	0502-840	1		Bracket, Switch
17	8408-625	2		Screw, Cap
18	0502-785	1		Spring, Brake Switch
19	1436-163	1		Caliper, Brake (inc. 20-23, one No. 24, and 25-27)
20	8408-821	2	/P	Screw, Cap
21	1436-161	1	/P	Housing, Caliper - Assembly - Right Rear (inc. 20, 22-23, and one No. 24)
22	0502-606	1		Piston/Seal Set (inc. 23)
23	0502-607	1		Seal Set
24	0502-609	2	/P	Valve, Bleed
25	0502-608	1		O-Ring, Guide - Set
26	0502-605	1		Bracket Assembly
27	1436-165	1	S	Pad, Brake - Set
28	1502-115	2		Clip, Brake Hose
29	1502-296	1	/P	Adapter, Hose



Ref #	Part Number	Qty	S/P/F	Description
1	5991-655	1	/P	Battery Cover/Tool Tray Assembly (inc. 2-3)
2	2406-815	1	/P	Cover, Battery
3	0417-016	1		Pad, Battery
3	0444-122	1	S/P/F	Kit, Tool
4	0645-480	1		Battery Assembly (inc. 5)
5	0645-430	1		Decal, Warning
6	8476-620	2		Screw, Machine
7	0417-017	1		Foam, Battery

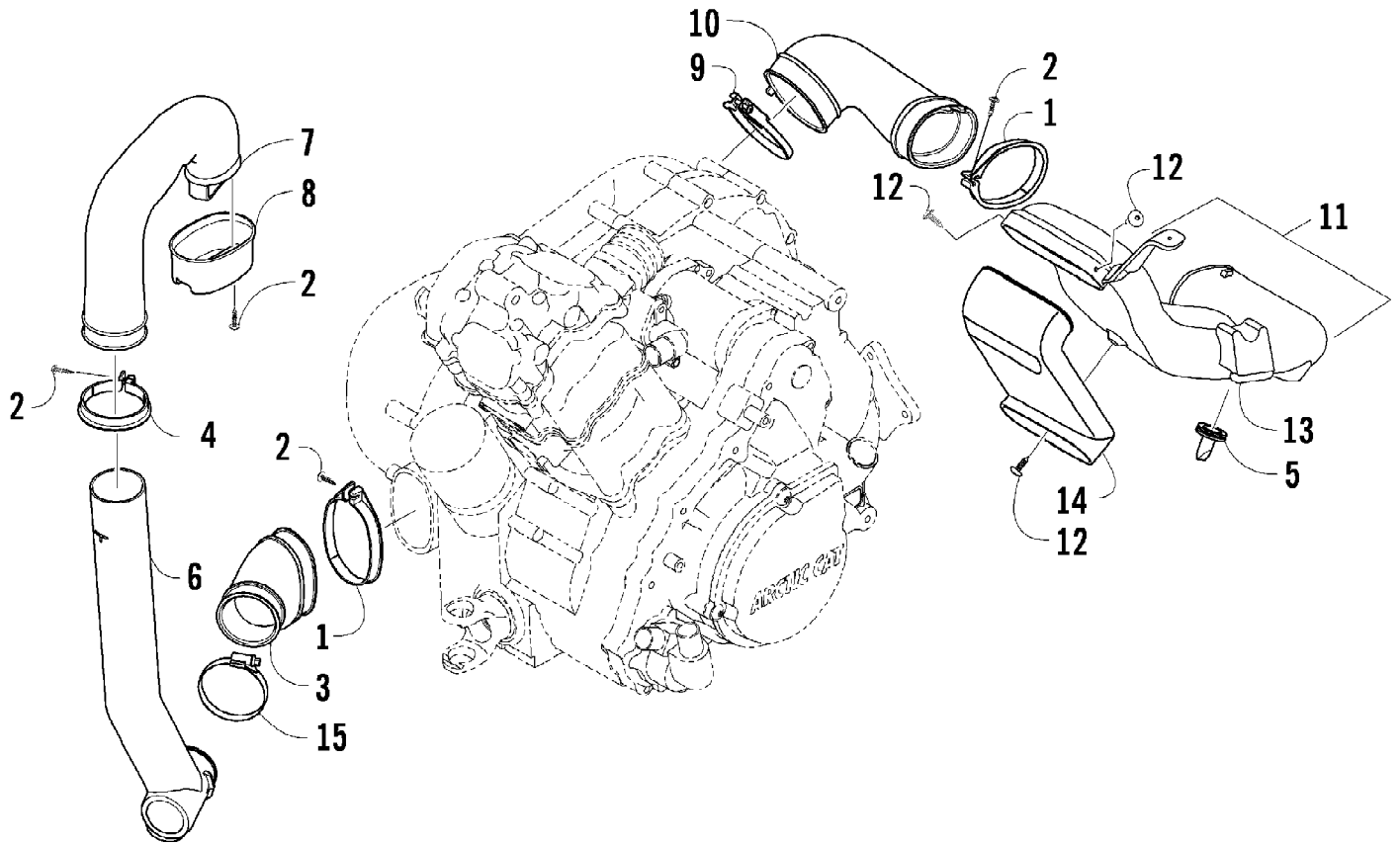


2009 ATV 550 TRV LE BLACK INTERNATIONAL (A2009TBO4EOSQ)  
CAM CHAIN ASSEMBLY

Page 8 of 89

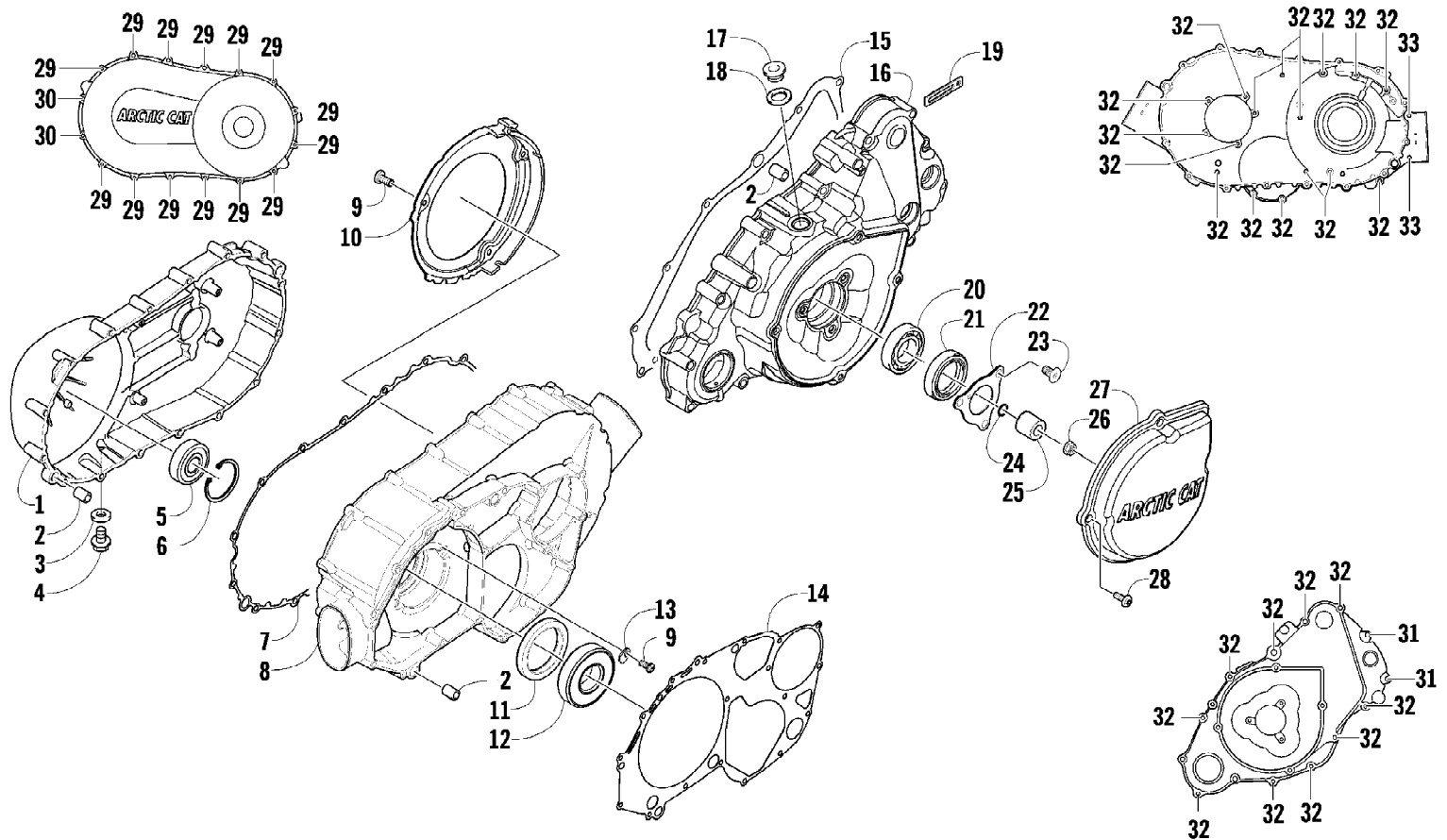
Ref #	Part Number	Qty	S/P/F	Description
1	0810-001	1		Chain, Cam
2	0810-002	1		Guide, Chain
3	0810-003	1		Tensioner, Chain
4	0826-036	1		Pivot, Tensioner
5	0830-025	1		Washer, Crush
6	0810-004	1		Adjuster, Tensioner - Assembly
7	0830-018	1		Gasket
8	8468-625	2		Screw, Machine
9	0830-107	2		Gasket
10	8400-610	1		Screw, Cap
11	0828-129	1		Washer





Ref #	Part Number	Qty	S/P/F	Description
1	0423-550	2		Clamp, Plastic
2	0423-342	5	/P	Screw, Self-Tapping
3	0413-198	1	/P	Boot, Duct - Air Intake - Front
4	0423-551	1		Clamp, Boot
5	0470-442	AR	/P	Valve, Drain
6	0513-027	1		Duct, Air Intake - Front - Lower
7	0470-750	1		Duct, Air Intake - Front - Upper
8	0470-729	1		Cup, Air Intake
9	0423-730	1		Clamp, Boot
10	0413-206	1	/P	Boot, Duct - Air Out - Rear
11	0470-824	1	/P	Duct, Air Out - Rear (inc. three No. 12 and 13-14)
12	0623-784	4		Screw, Self-Tapping
13	0470-825	1		Duct
14	0470-778	1		Duct
15	0423-019	1		Clamp, Hose

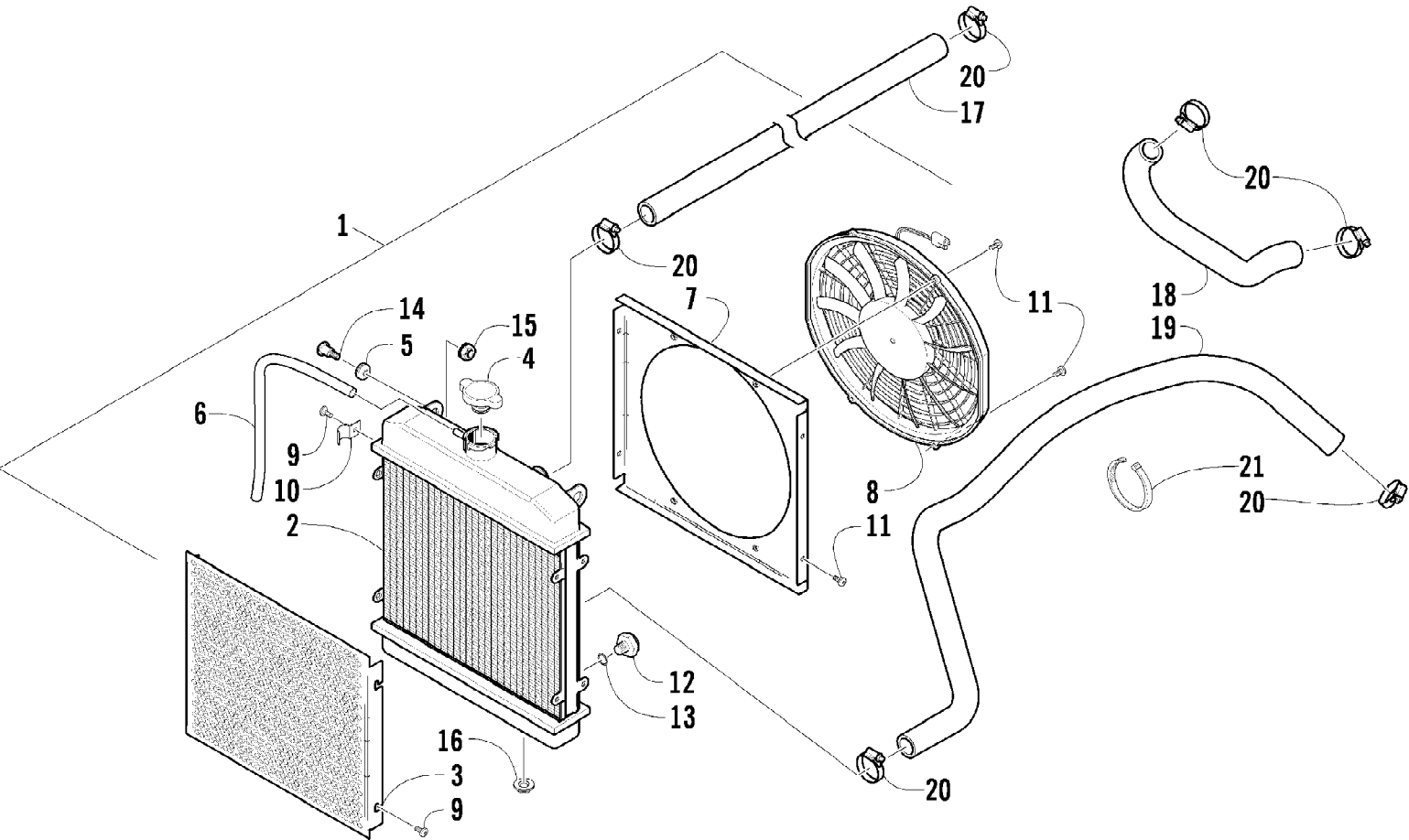
2009 ATV 550 TRV LE BLACK INTERNATIONAL (A2009TBO4EOSQ)  
CLUTCH/V-BELT/MAGNETO COVER ASSEMBLY



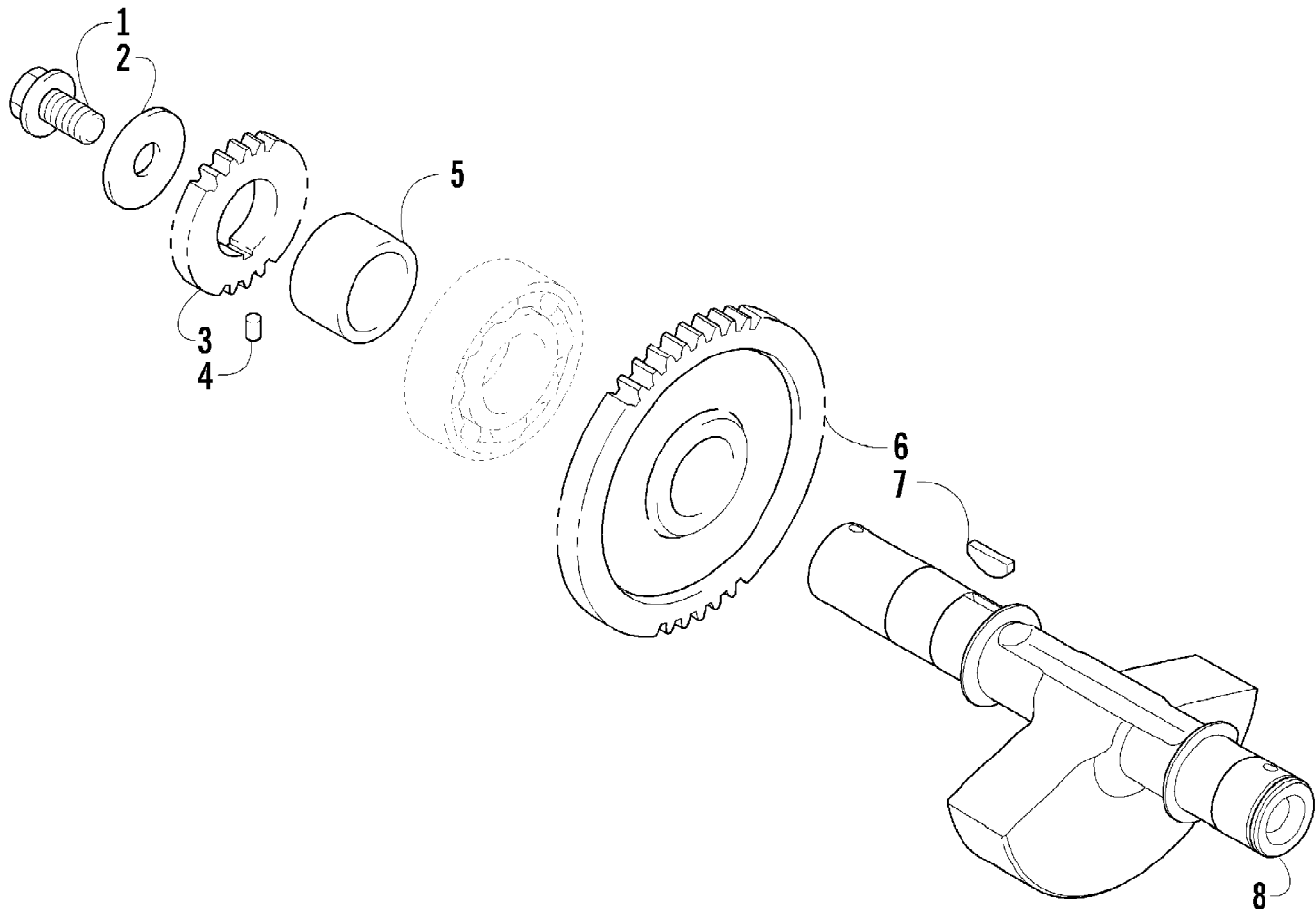
2009 ATV 550 TRV LE BLACK INTERNATIONAL (A2009TBO4EOSQ)  
CLUTCH/V-BELT/MAGNETO COVER ASSEMBLY

Page 12 of 89

Ref #	Part Number	Qty	S/P/F	Description
1	0806-089	1		Cover, V-Belt
2	0829-002	6		Pin, Dowel
3	0830-013	1		Washer, Crush
4	8408-812	1		Screw, Cap
5	0832-060	1		Bearing
6	0831-078	1		Ring, Retaining
7	0830-174	1	/P	Gasket, V-Belt Cover
8	0806-086	1		Cover, Clutch
9	0826-029	5		Screw, Machine
10	0806-048	1		Plate, Air Intake
11	0830-188	1	/P	Seal
12	0832-047	1	S	Bearing
13	0822-010	2	/P	Retainer, Bearing
14	0830-116	1	/P	Gasket, Clutch Cover
15	0830-128	1		Gasket, Magneto Cover
16	0806-082	1	/P	Cover, Magneto - Assembly
17	0806-022	1		Plug
18	0830-015	1		Washer, Crush
19	3002-964	1	/P	Clamp, Wire
20	0832-045	1	S	Bearing
21	0830-158	1		Seal
22	0805-008	1		Retainer, Seal
23	0826-031	3		Screw, Machine
24	0830-108	1		O-Ring
25	0820-061	1		Bushing
26	0827-008	1		Nut
27	0820-062	1		Cover, Magneto
28	8468-616	4		Screw, Machine
29	8468-645	14		Screw, Machine
30	8468-655	2		Screw, Machine
31	8468-625	2		Screw, Machine
32	8468-640	26		Screw, Machine
33	8468-675	2		Screw, Machine



Ref #	Part Number	Qty	S/P/F	Description
1	0413-199	1	S	Radiator Assembly (inc. 2-13)
2	0413-205	1		Radiator
3	0413-007	1		Screen
4	0413-002	1	S	Cap
5	0423-030	2		Grommet
6	0610-016	AR	/P	Hose - 25 ft
6	0610-015	AR	/P	Hose - 100 ft
7	0413-203	1		Shroud, Fan
8	0413-123	1	/P	Fan, Cooling
9	8475-512	4		Screw, Machine
10	0423-351	1		Clamp, Wire
11	0623-378	8		Screw, Self-Tapping
12	0413-195	1		Plug, Drain
13	1602-213	1	/P	O-Ring
14	0423-484	2		Screw, Shoulder
15	0623-038	2		Nut w/Washer
16	0423-028	2		Bushing, Stem
17	0410-002	1		Hose, Coolant - Upper
18	0410-022	1		Hose, Coolant - Crossover
19	0410-041	1		Hose, Coolant - Lower
20	0423-496	6		Clamp, Hose
21	0123-903	AR		Tie, Cable - 11.5 in.



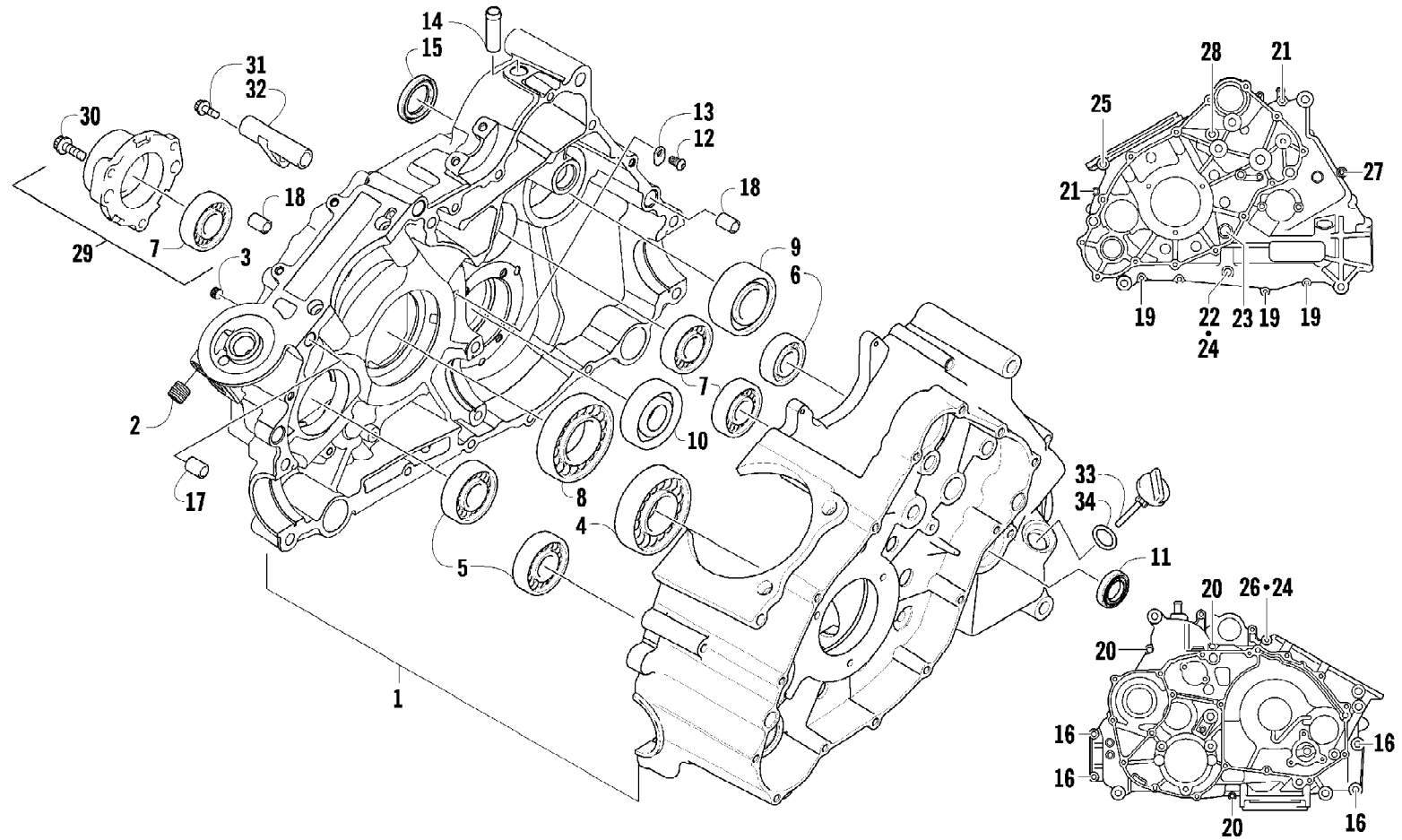
2009 ATV 550 TRV LE BLACK INTERNATIONAL (A2009TBO4EOSQ)  
CRANK BALANCER ASSEMBLY

Page 16 of 89

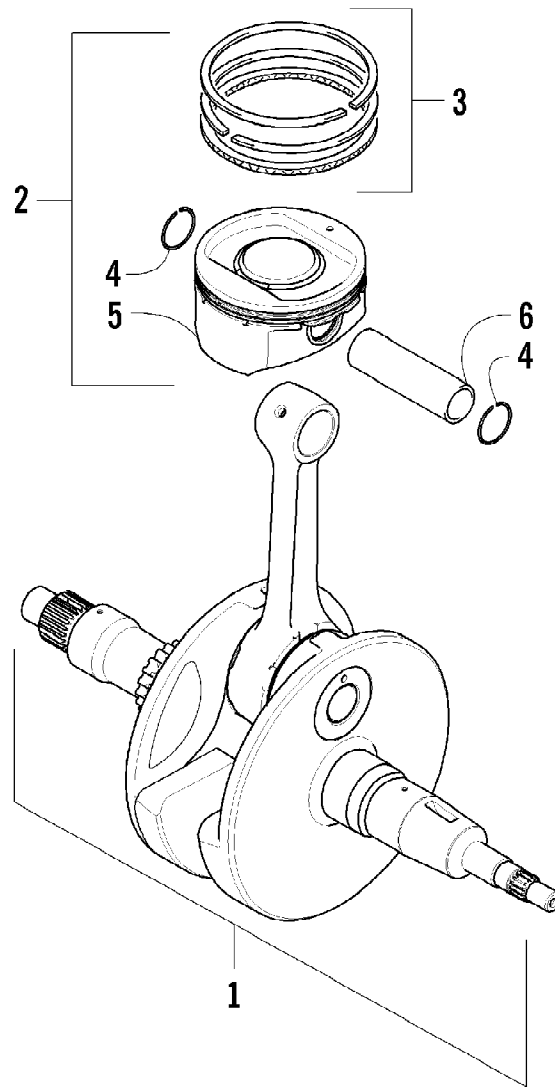
Ref #	Part Number	Qty	S/P/F	Description
1	0826-033	1		Screw, Cap
2	0828-003	1		Washer
3	0811-003	1		Gear, Oil Pump Drive
4	0829-007	1		Pin, Dowel
5	0811-004	1		Spacer
6	0811-002	1		Gear, Driven
7	0829-006	1		Key
8	0811-017	1		Balancer, Crank



2009 ATV 550 TRV LE BLACK INTERNATIONAL (A2009TBO4EOSQ)  
CRANKCASE ASSEMBLY



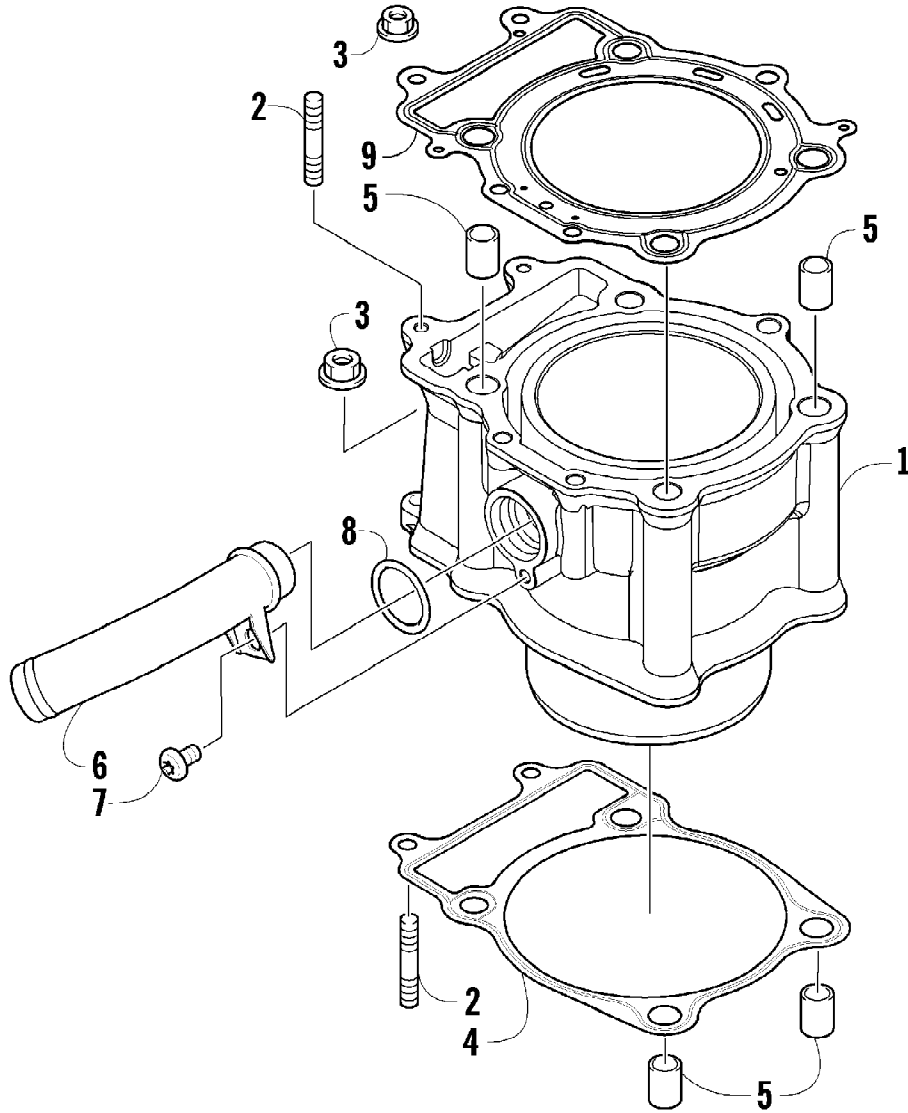
Ref #	Part Number	Qty	S/P/F	Description
1	0801-153	1	S	Crankcase Assembly (inc. 2-15)
2	0812-064	2		Plug
3	0801-002	1		Plug
4	0832-043	1	/P	Bearing
5	0832-044	2	/P	Bearing
6	0832-049	1	/P	Bearing
7	0832-050	3	/P	Bearing
8	0832-042	1	/P	Bearing
9	0832-048	1	/P	Bearing
10	0832-015	1	S/P	Bearing
11	0822-052	1		Seal, Countershaft
12	0826-100	4		Screw, Machine
13	0822-010	4	/P	Retainer, Bearing
14	0801-028	1		Pipe, Breather
15	0830-035	1		Seal, Driveshaft
16	8412-850	4		Screw, Cap
17	0829-003	1		Pin, Dowel
18	0829-002	5		Pin, Dowel
19	8468-645	3		Screw, Machine
20	8468-655	3		Screw, Machine
21	8468-675	2		Screw, Machine
22	8412-860	1		Screw, Cap
23	0826-017	1		Screw, Cap
24	0830-008	2		Gasket
25	0826-019	1		Screw, Cap
26	0826-018	1		Screw, Cap
27	8468-695	1		Screw, Machine
28	8468-680	1		Screw, Machine
29	0801-029	1		Housing, Secondary Shaft (inc. one No. 7)
30	0826-105	3		Screw, Cap
31	0826-038	1		Screw, Cap
32	0801-069	1		Pipe, Breather
33	0801-143	1		Stick, Oil Level
34	0830-010	1		O-Ring



2009 ATV 550 TRV LE BLACK INTERNATIONAL (A2009TBO4EOSQ)  
CRANKSHAFT AND PISTON ASSEMBLY

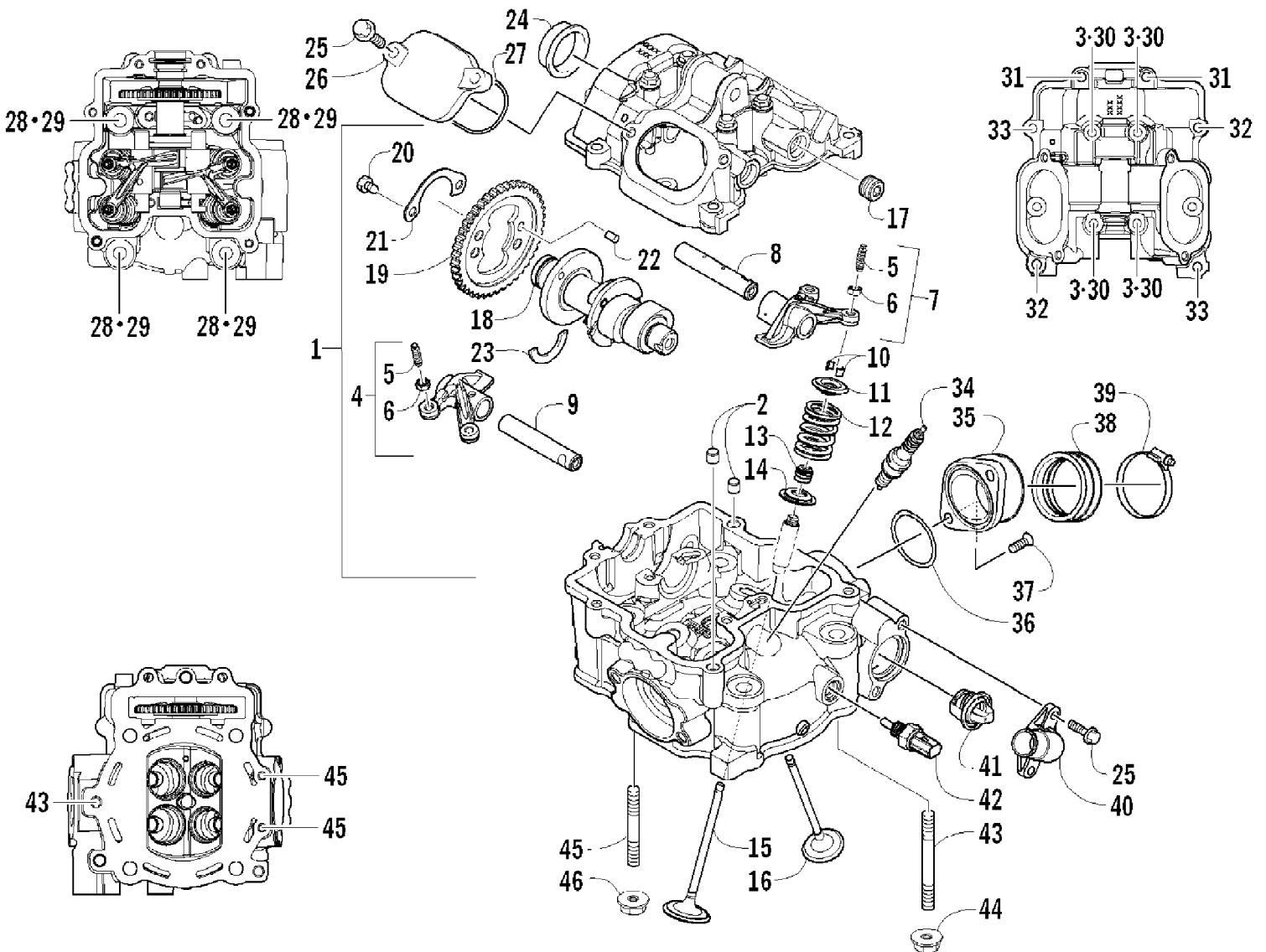
Page 20 of 89

Ref #	Part Number	Qty	S/P/F	Description
1	0805-073	1	S	Crankshaft Assembly
2	0805-064	1		Piston Set (inc. 3-6)
3	0805-065	1		Ring, Piston - Set
4	0831-001	2		Circlip, Piston Pin
5	0805-059	1		Piston
6	0805-012	1		Pin, Piston



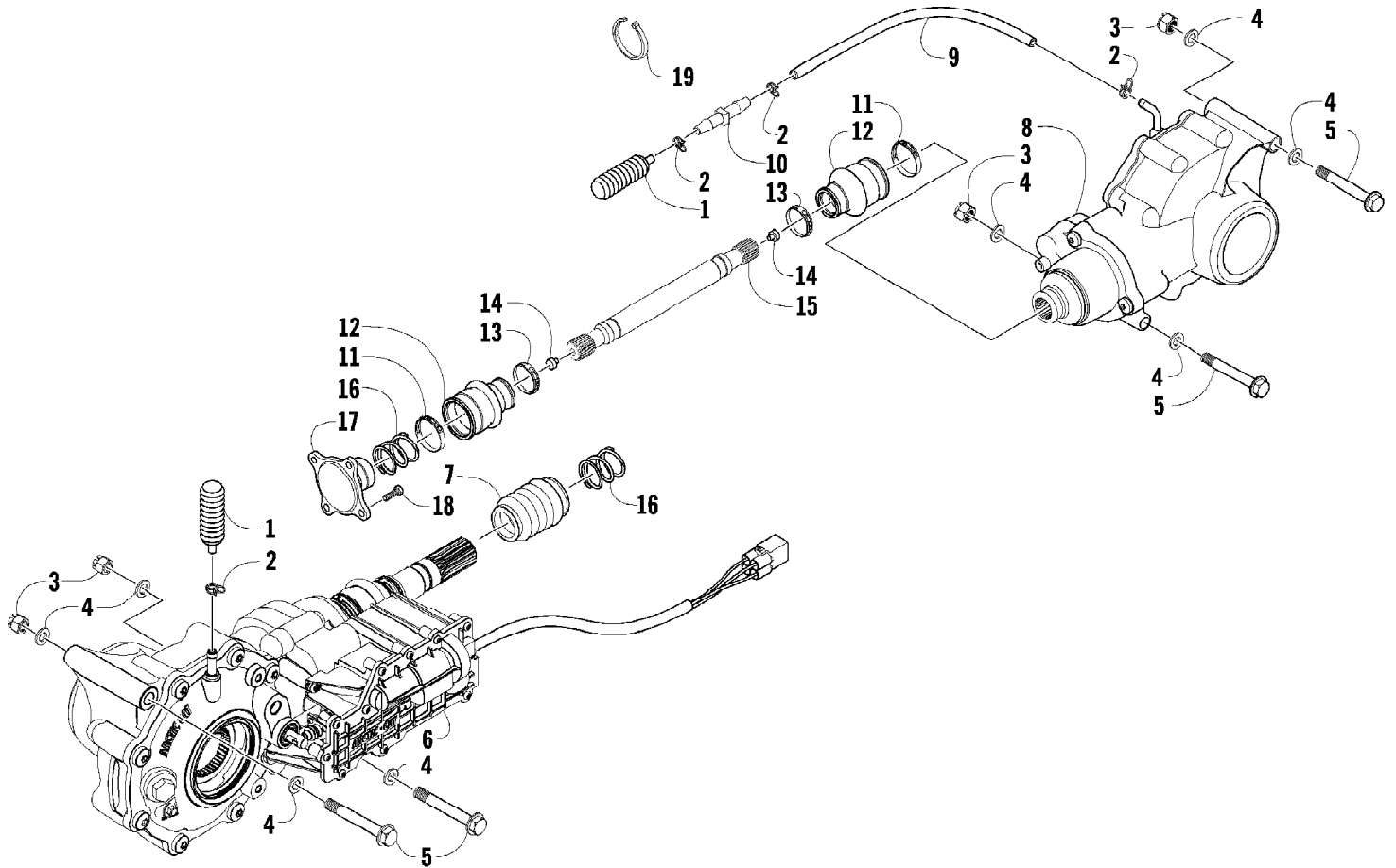
Ref #	Part Number	Qty	S/P/F	Description
1	0804-019	1	S	Cylinder
2	0827-002	4		Bolt, Stud
3	8424-604	4		Nut
4	0830-084	1		Gasket, Base
5	0829-002	4		Pin, Dowel
6	0804-047	1	/P	Union, Coolant Hose
7	8468-612	1		Screw, Machine
8	0830-007	1		O-Ring
9	0830-097	1		Gasket, Cylinder Head

2009 ATV 550 TRV LE BLACK INTERNATIONAL (A2009TBO4EOSQ)  
CYLINDER HEAD AND CAMSHAFT/VALVE ASSEMBLY



Ref #	Part Number	Qty	S/P/F	Description
1	0808-137	1		Head, Cylinder - Assembly (inc. 2-17)
2	0829-001	2	S	Pin, Dowel
3	0826-001	4		Screw, Cap
4	0809-205	1	S	Arm, Valve Rocker - Exhaust (inc. two No. 5-6)
5	0809-033	4	S	Screw, Adjuster
6	0827-007	4		Nut
7	0809-202	1	S	Arm, Valve Rocker - Intake (inc. two No. 5-6)
8	0809-007	1		Shaft, Rocker Arm - Intake
9	0809-008	1		Shaft, Rocker Arm - Exhaust
10	0809-014	8		Cotter, Valve
11	0809-013	4		Retainer, Spring
12	0809-138	4	S	Spring, Valve
13	0830-016	4	S	Seal, Oil
14	0809-006	4		Seat, Spring - Valve
15	0809-039	2	S	Valve, Intake
16	0809-040	2	S	Valve, Exhaust
17	0831-066	2		Plug, Shaft
18	0809-245	1	/P	Camshaft
19	0809-002	1		Sprocket
20	0826-034	2		Screw, Cap
21	0828-004	1		Plate, Retainer
22	0829-049	1		Pin, Dowel
23	0809-003	1		C-Ring
24	0808-077	1		Plug, Cylinder Head
25	0826-007	6		Screw, Cap
26	0808-003	2		Cap, Inspection
27	0830-167	2	/P	O-Ring
28	0808-037	4	/P	Screw, Cap
29	0830-147	4	/P	Washer
30	0830-107	4		Gasket
31	0826-002	2		Screw, Cap
32	0826-005	2		Screw, Cap
33	0826-006	2		Screw, Cap
34	0217-799	1	/P/F	Spark Plug
35	0470-668	1		Flange, Intake Manifold
36	0830-090	1		O-Ring
37	0826-008	2		Screw, Machine
38	0470-669	1	S	Boot
39	0423-066	1		Clamp
40	0808-008	1		Cover, Thermostat
41	0808-078	1		Thermostat
42	0808-124	1		Sensor, Engine Coolant Temperature
43	0827-031	1		Bolt, Stud
44	8424-804	1		Nut
45	0827-030	2		Bolt, Stud
46	8424-604	2		Nut

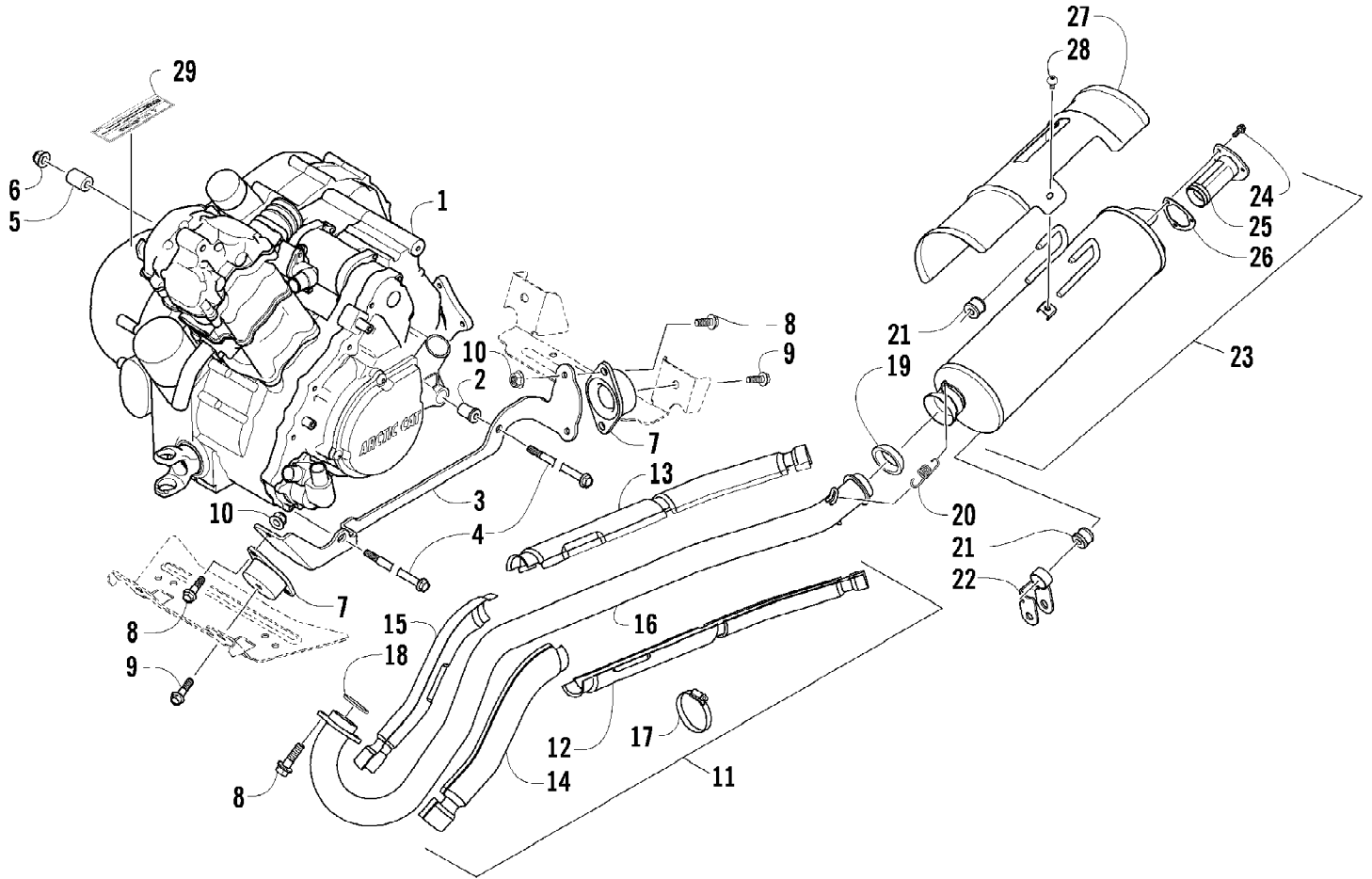




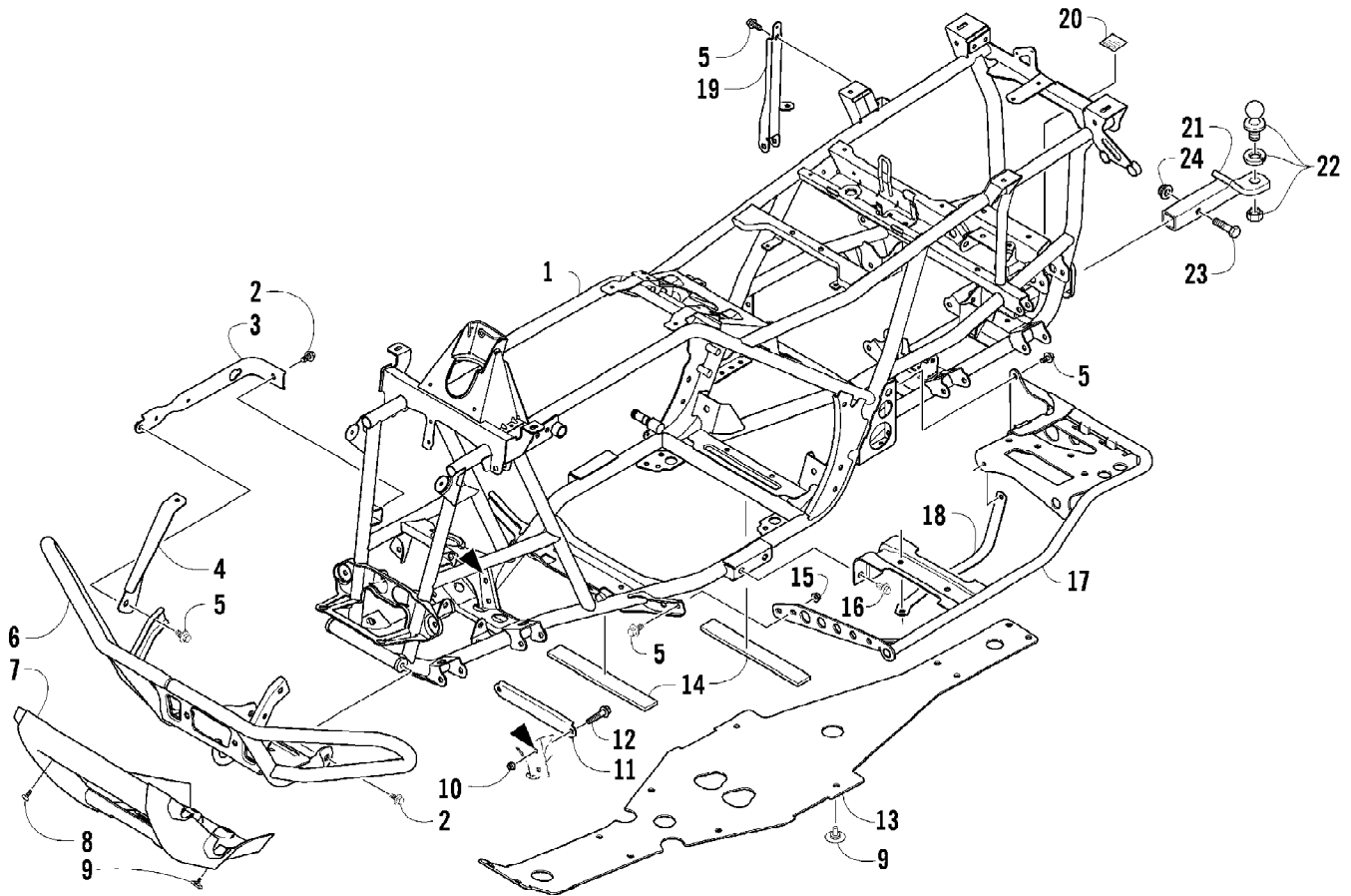
2009 ATV 550 TRV LE BLACK INTERNATIONAL (A2009TBO4EOSQ)  
DRIVE TRAIN ASSEMBLY

Page 26 of 89

Ref #	Part Number	Qty	S/P/F	Description
1	1402-620	2	/P	Bladder, Gearcase
2	0423-315	4		Clamp, Fitting
3	8428-002	4		Nut, Lock
4	0423-426	8		Washer
5	0423-404	4		Screw, Cap
6	1502-394	1		Gearcase, Front
7	0402-966	1		Boot, Shaft
8	1502-402	1	/P	Gearcase, Rear
9	0410-048	AR	S	Hose, Vent
10	0470-702	1	/P	Fitting, Vent
11	0423-393	2		Clamp, Boot
12	0402-985	2	/P	Boot
13	0423-411	2		Clamp, Boot
14	0673-618	2	/P	Bumper, Propeller Shaft
15	1402-092	1		Shaft, Propeller
16	1402-026	2		Spring
17	0402-950	1		Flange, Output
18	8408-820	4	/P	Screw, Cap
19	0123-788	AR	/P	Tie, Cable - 8 in.

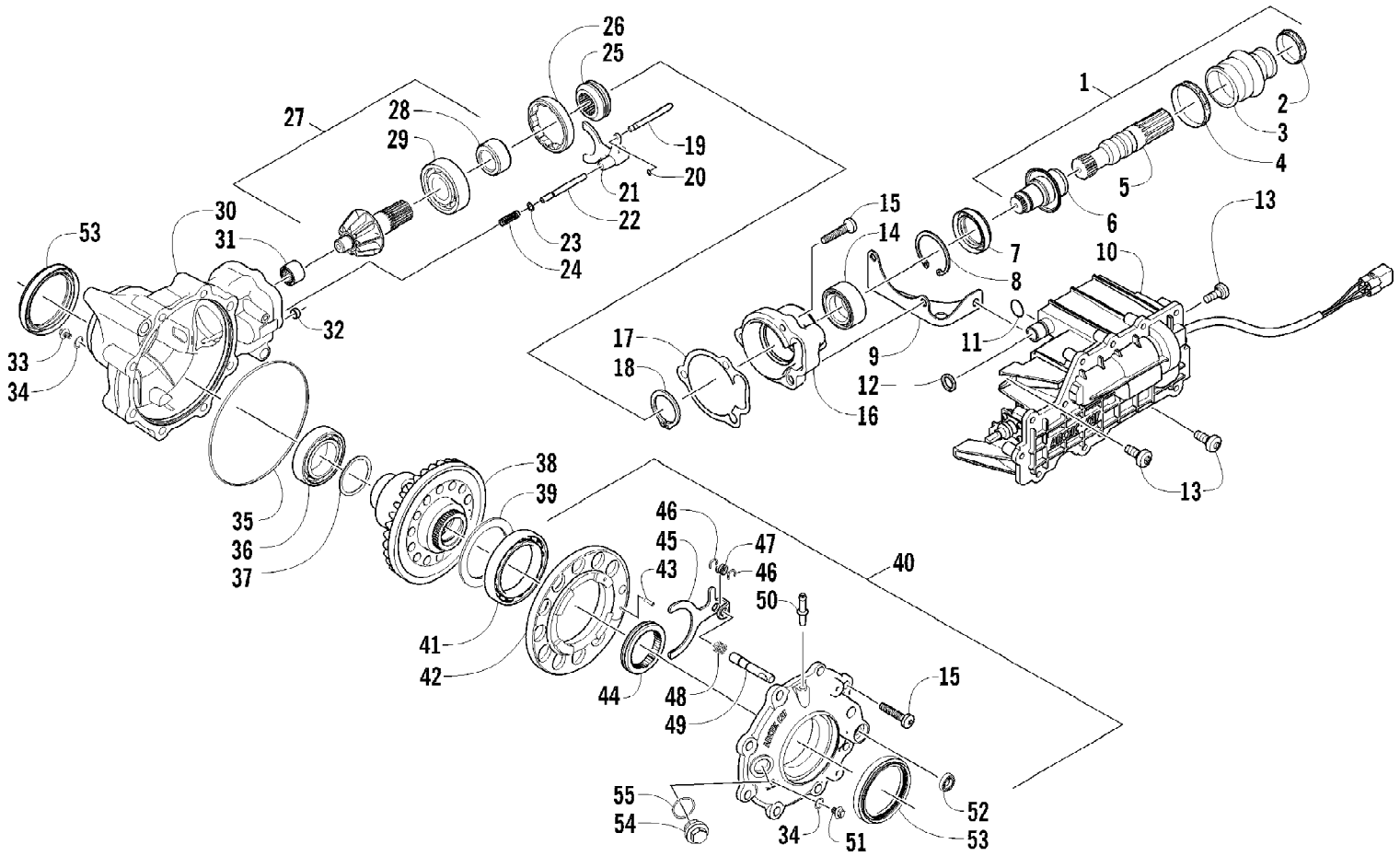


Ref #	Part Number	Qty	S/P/F	Description
1	0800-073	1		Engine, A550F
2	0801-108	4	S	Mount, Rubber - Engine
3	1506-740	1		Bracket, Engine - Right
3	1506-741	1		Bracket, Engine - Left
4	0423-405	2		Screw, Cap
5	0423-042	1	S	Spacer, Engine
6	8428-002	2		Nut, Lock
7	2406-065	4		Mount, Engine
8	8408-820	10	/P	Screw, Cap
9	8408-012	4		Screw, Cap
10	8432-802	8		Nut, Lock
11	0512-363	1		Pipe, Exhaust - Assembly (inc. 12-17)
12	0412-355	1		Shield, Exhaust Pipe - Lower - Rear
13	0412-354	1		Shield, Exhaust Pipe - Upper - Rear
14	0412-349	1		Shield, Exhaust Pipe - Inner - Front
15	0412-348	1		Shield, Exhaust Pipe - Outer - Front
16	0512-362	1		Pipe, Exhaust
17	0423-317	4	/P	Clamp
18	0412-338	1	/P	Gasket, Exhaust Pipe
19	0412-375	1	/P	Seal, Exhaust
20	0612-668	2	/P	Spring, Extension
21	0412-215	3	S	Bushing
22	1506-732	1		Channel, Muffler Support
23	0512-355	1	/P	Muffler - Assembly (inc. 24-26)
24	8408-616	3		Screw, Cap
25	0512-219	1	/P	Arrester, Spark - Assembly
26	0412-313	1		Gasket, Spark Arrester
27	0412-373	1	/P	Cover, Muffler
28	8477-610	3		Screw, Machine
29	0411-426	1		Decal, Warning - Clutch Cover



Ref #	Part Number	Qty	S/P/F	Description
1	2506-881	1		Frame, Main
2	8409-020	4	/P	Screw, Cap
3	1506-596	1	/P	Channel, Bumper Mounting - Right
3	0506-653	1	S	Channel, Bumper Mounting - Left
4	1506-562	1		Bracket, Mounting - Bumper - Right
4	1506-563	1		Bracket, Mounting - Bumper - Left
5	8408-816	11		Screw, Cap
6	1506-855	1	/P	Bumper
7	1406-360	1		Grille, Bumper
8	0423-419	2		Screw, Machine
9	0423-101	12		Screw, Shoulder
10	0423-744	2		Nut, Lock
11	1506-429	1	S	Brace, A-Arm
12	8409-025	2		Screw, Cap
13	2406-091	1		Panel, Belly
14	0406-289	2		Pad, Frame
15	8424-802	4		Nut
16	8409-016	4		Screw, Cap
17	1506-848	1		Footrest - Right
17	1506-849	1		Footrest - Left
18	2406-216	1		Strap, Footrest - Right
18	2406-217	1		Strap, Footrest - Left
19	2506-447	1		Bracket, Support
20	1411-077	1		Decal, Warning - Towing
21	0541-714	1		Mount, Hitch
22	0436-715	1		Kit, Ball Hitch
23	0423-693	1		Screw, Cap
24	0423-690	1		Nut, Lock

2009 ATV 550 TRV LE BLACK INTERNATIONAL (A2009TBO4EOSQ)  
FRONT DRIVE GEARCASE ASSEMBLY



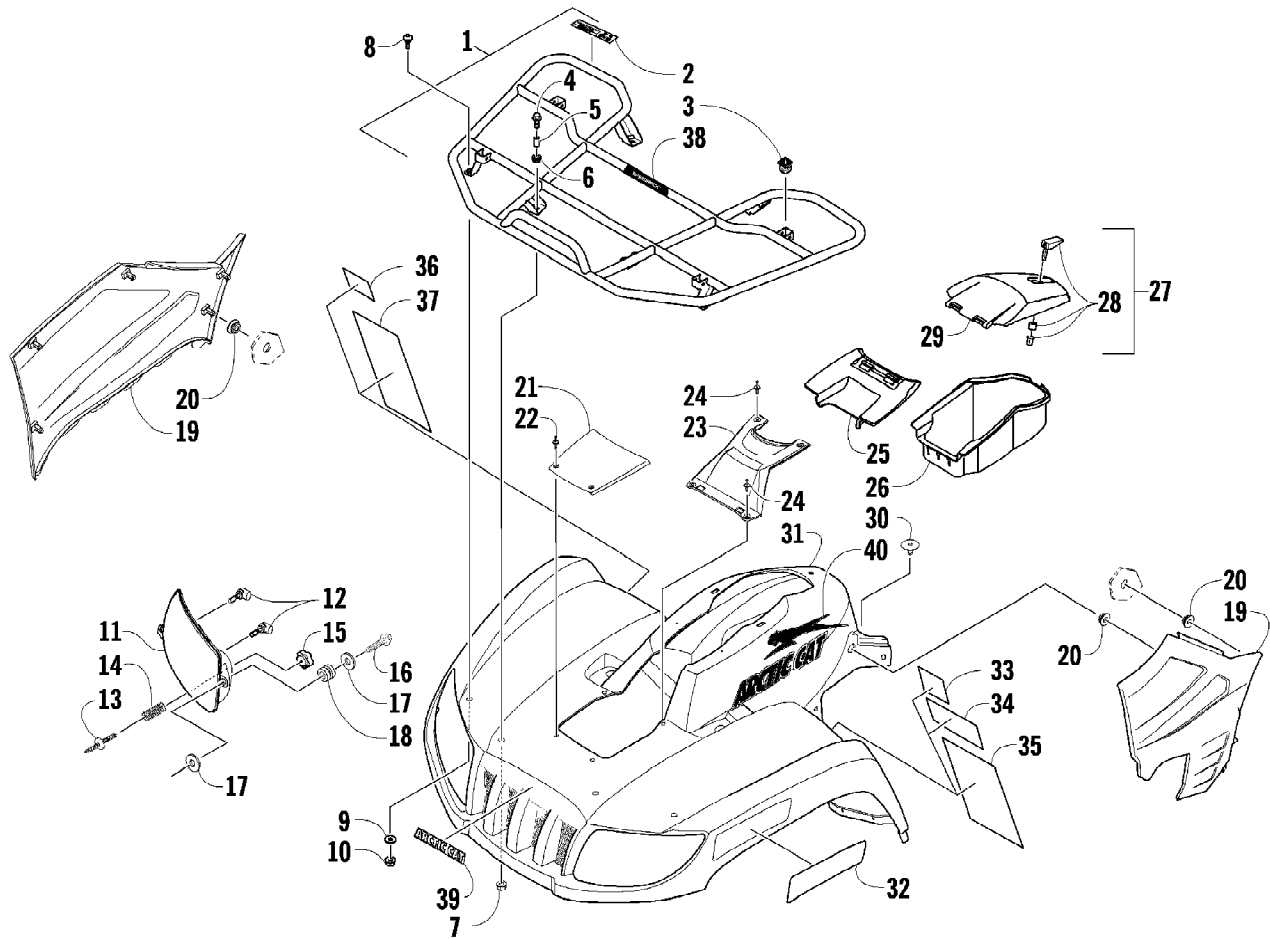
Ref #	Part Number	Qty	S/P/F	Description
	1502-394	1		Complete Front Drive Gearcase Assembly
1	1502-083	1		Shaft, Propeller - Assembly (inc. 2-6)
2	0423-411	1		Clamp
3	0402-985	1	/P	Boot, Propeller Shaft
4	0423-393	1		Clamp
5	1402-045	1		Shaft, Output
6	1502-085	1	/P	Shaft, Input
7	1402-011	1		Seal
8	0423-423	1		Ring, Retaining
9	1502-237	1		Bracket, Actuator
10	0502-585	1	S	Actuator (inc. 11)
11	1402-981	1		O-Ring
12	0423-892	1	/P	O-Ring
13	0423-396	3		Screw, Self-Tapping
14	1402-043	1		Bearing
15	0423-118	11		Screw, Self-Tapping
16	0502-528	1	/P	Housing, Pinion
17	0402-947	1		Gasket, Flange
18	0423-417	1		Ring, Retaining
19	0402-997	1		Shaft, Selector
20	0423-402	1		Ring, Retaining
21	0402-998	1		Fork, Selector
22	0402-417	1		Shaft, Shuttle
23	0423-147	1		O-Ring
24	0402-999	1		Spring, Return
25	0402-413	1		Coupler, Drive
26	0402-357	1		Collar, Lock
27	0502-783	1		Gear, Pinion - Assembly - 10T (inc. 28-29)
28	0402-336	1		Collar, Retaining
29	0402-327	1		Bearing
30	0502-514	1		Housing, Gearcase
31	0402-328	1		Bearing
32	0402-411	1		Pin, Dowel
33	1402-210	1	/P	Plug, Magnetic (inc. one No. 34)
34	0423-153	2		O-Ring
35	0423-149	1		O-Ring
36	0402-393	1		Bearing
37	0402-405	AR		Shim, 41 x 49 x 1.3 mm
37	0402-406	AR		Shim, 41 x 49 x 1.4 mm
37	0402-407	AR		Shim, 41 x 49 x 1.5 mm
37	0402-408	AR		Shim, 41 x 49 x 1.6 mm
37	0402-409	AR		Shim, 41 x 49 x 1.7 mm
38	1502-555	1	/P	Gear, Ring - 36T
39	1402-074	AR		Shim, 61 x 69 x 1.3 mm
39	1402-075	AR		Shim, 61 x 69 x 1.4 mm
39	1402-076	AR		Shim, 61 x 69 x 1.5 mm
39	1402-077	AR		Shim, 61 x 69 x 1.6 mm
39	1402-078	AR		Shim, 61 x 69 x 1.7 mm
40	1502-389	1		Cover, Gearcase (inc. one No. 34, 41-52, and one No. 53)
41	1402-053	1		Bearing
42	0502-413	1		Flange, Bearing



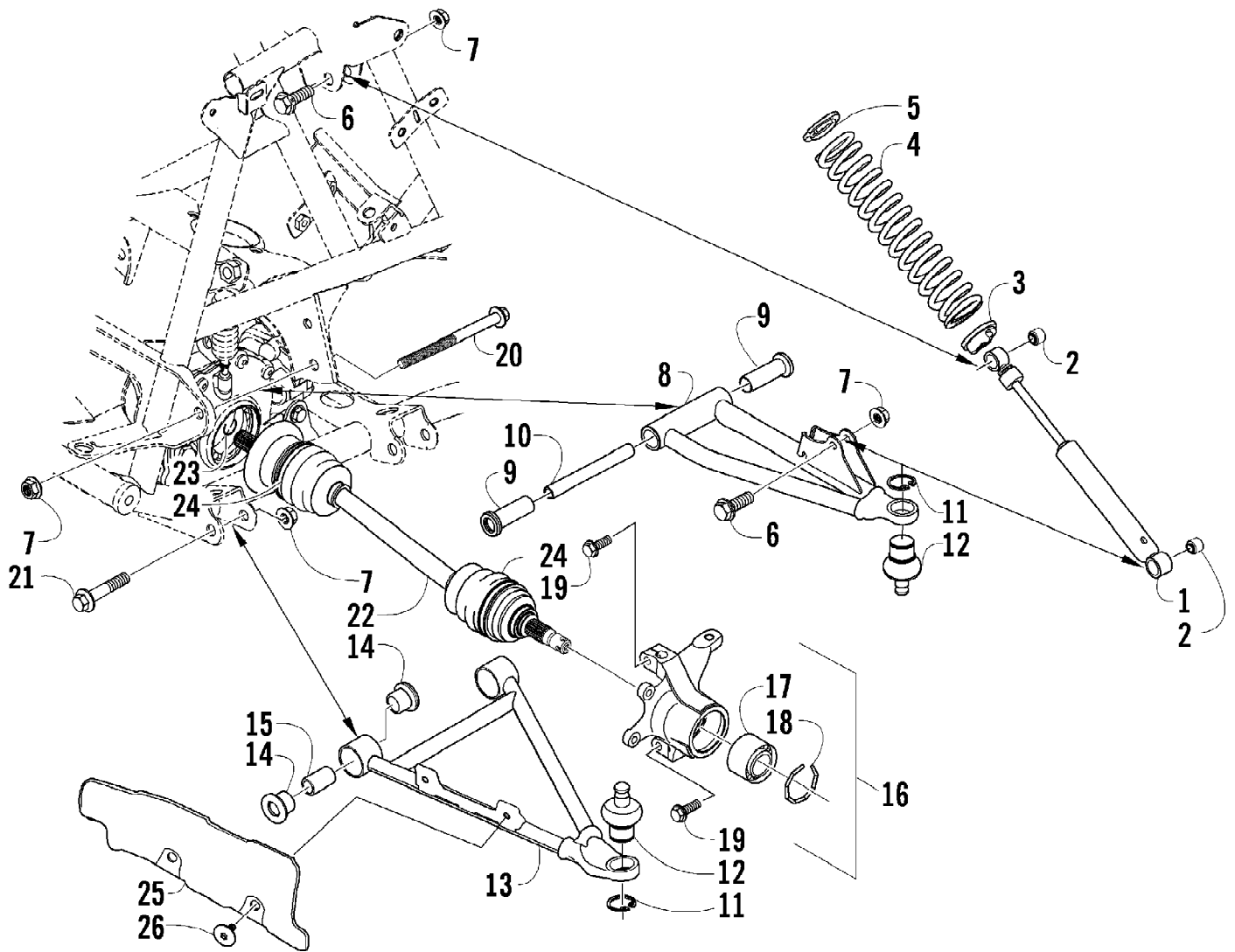
2009 ATV 550 TRV LE BLACK INTERNATIONAL (A2009TBO4EOSQ)  
FRONT DRIVE GEARCASE ASSEMBLY

Page 33 of 89

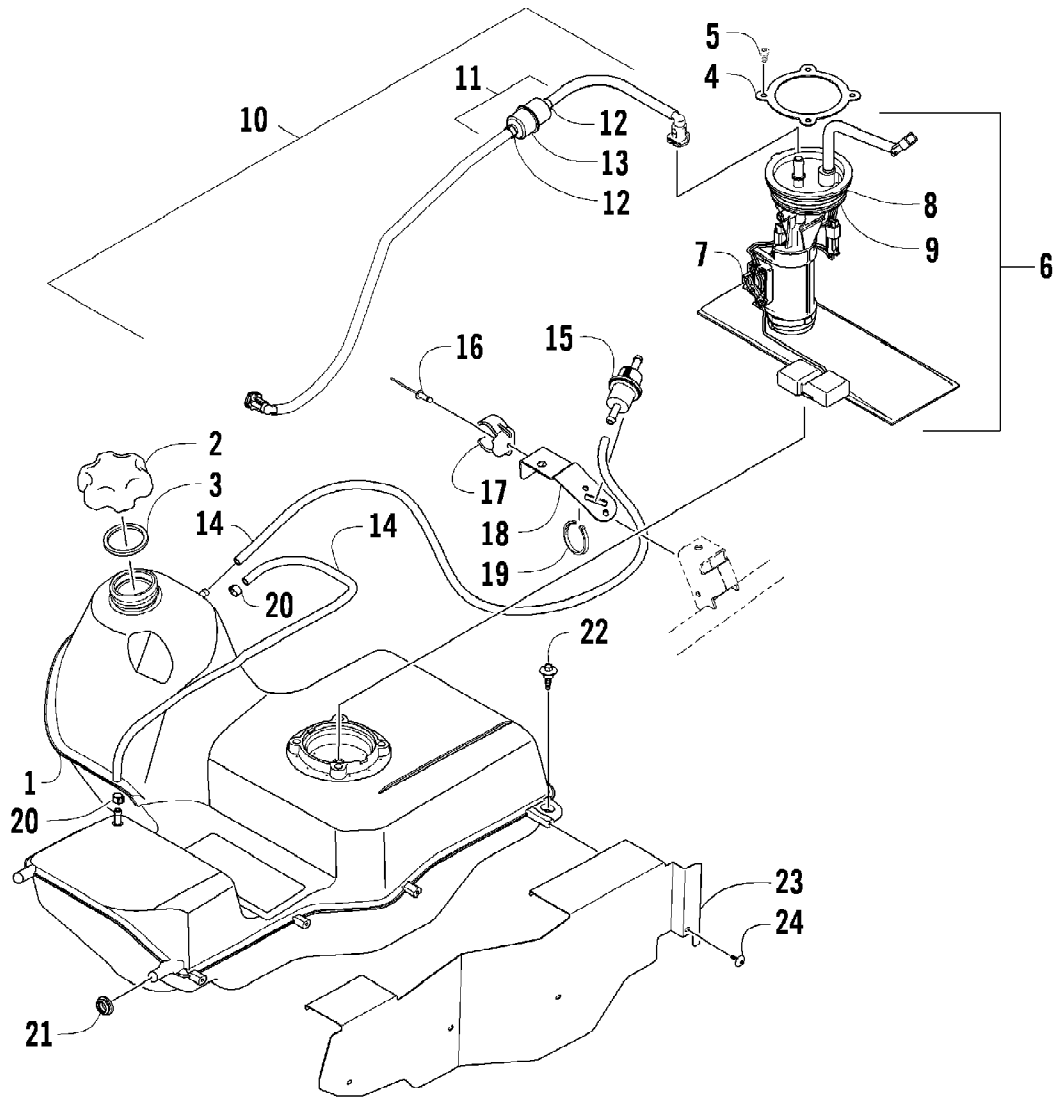
Ref #	Part Number	Qty	S/P/F	Description
43	1402-079	1		Pin, Parallel
44	1402-042	1		Collar, Sliding
45	1402-054	1		Fork
46	1402-058	2		Ring, Retaining
47	1402-057	1		Spring
48	1402-063	1		Spring
49	1402-656	1		Shaft, Lock
50	1402-104	1		Fitting
51	1402-211	1		Plug, Oil Level (inc. one No. 34)
52	1402-056	1		Seal
53	1402-713	2	S	Seal
54	0402-333	1	/P	Plug, Fill (inc. 55)
55	0423-154	1		O-Ring



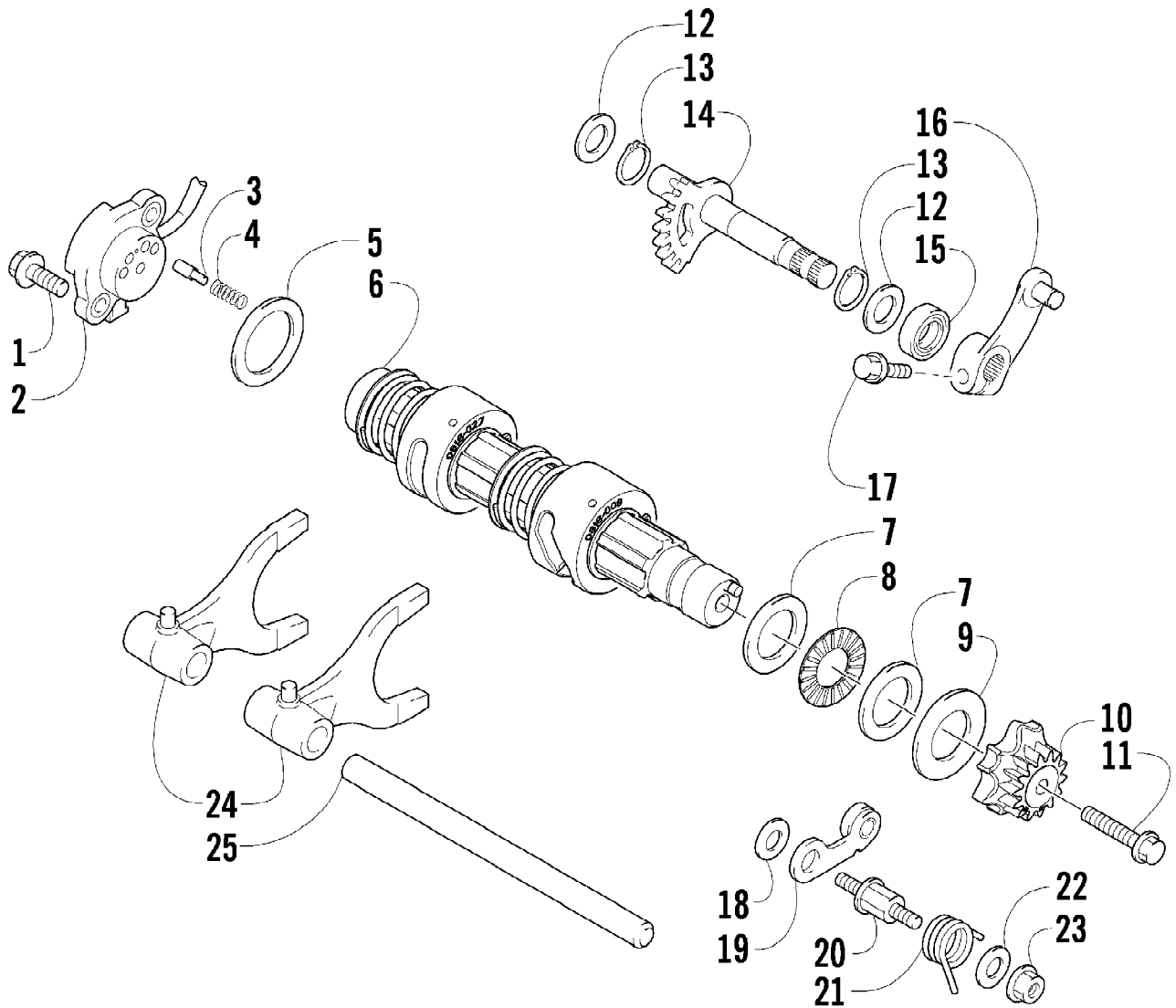
Ref #	Part Number	Qty	S/P/F	Description
1	2506-106	1		Rack, Front - Assembly (inc. 2-3)
2	0411-576	1		Decal, Warning - Load
3	0441-592	4	/P	Bushing
4	8410-830	4		Screw, Cap
5	0423-669	4		Spacer
6	0423-465	4		Grommet
7	8432-802	4		Nut, Lock
8	0423-654	2		Screw, Shoulder
9	8050-222	2	/P	Washer
10	0423-540	2		Nut, Lock
11	0509-044	1	/P	Headlight Assembly - Right (inc. 12)
11	0509-035	1		Headlight Assembly - Left (inc. 12)
12	0409-055	4		Bulb, Headlight
13	0423-514	2		Stud, Adjuster - Headlight
14	0423-522	2		Spring, Adjuster
15	0423-513	2		Knob, Adjuster
16	0623-785	4		Screw, Self-Tapping
17	8050-217	8	/P	Washer
18	0423-447	4		Grommet
19	2406-324	1		Panel, Side - Lower - Right
19	2406-421	1		Panel, Side - Lower - Left
20	0423-678	8		Grommet
21	1406-358	1		Cover, Access
22	0423-535	2		Rivet, Reinstallable
23	1406-484	1		Cover, Steering Post
24	0623-362	4		Rivet, Reinstallable
25	0470-513	1		Cover, Storage Box
26	1406-573	1		Box, Storage
27	2506-234	1		Lid, Storage Box w/Latch (inc. 28-29)
28	1406-599	1		Latch, Storage Box
29	0470-514	1		Lid, Storage Box
30	0423-101	2		Screw, Shoulder
31	2516-212	1	S	Panel, Fender - Assembly - Front (inc. 32-37)
32	0411-818	1		Decal, Reflector - Front - Right
32	0411-819	1		Decal, Reflector - Front - Left
33	1411-930	1	S	Decal, Warning - Age
34	1411-574	1		Decal, Warning - Off-Road Only
35	1411-932	1	/P	Decal, Warning - General
36	0411-894	1		Decal, Warning - Turn/Hill
37	1411-250	1		Decal, Warning - Reverse/Pre-Ride
38	1411-050	1	/P	Decal, "Speedrack"
39	1411-724	1		Decal, Front
40	1411-634	1		Decal, Side - Upper Right
40	1411-635	1		Decal, Side - Upper Left



Ref #	Part Number	Qty	S/P/F	Description
1	0403-209	2		Shock Absorber (inc. 2)
2	0403-182	4		Bushing
3	0403-102	2		Cam, Spring Adjuster
4	0503-354	2		Spring, Suspension
5	1603-889	2	/P	Retainer, Spring
6	8409-040	4		Screw, Cap
7	0423-744	10		Nut, Lock
8	0503-272	1	S	A-Arm, Upper Right (inc. 9-12)
8	0503-273	1	S	A-Arm, Upper Left (inc. 9-12)
9	0403-081	4	S	Bushing
10	0403-080	2		Axle
11	0423-009	4	/P	Ring, Retaining
12	0405-115	4	/P	Ball Joint
13	0503-342	1	S	A-Arm, Lower Right (inc. 14-15 and two No. 11-12)
13	0503-343	1	S	A-Arm, Lower Left (inc. 14-15 and two No. 11-12)
14	0403-115	8	S	Bushing
15	0403-114	4	S	Axle
16	0505-460	1		Knuckle - Assembly - Right (inc. 17-18)
16	0505-461	1	S	Knuckle - Assembly - Left (inc. 17-18)
17	1402-027	2	S/P	Bearing
18	0423-423	2		Ring, Retaining
19	8409-030	4		Screw, Cap
20	0423-334	2		Screw, Cap
21	8409-075	4		Screw, Cap
22	1502-344	1	S/P	Axle, Drive - Right (inc. 23-24)
22	1502-345	1	S	Axle, Drive - Left (inc. 23-24)
23	0423-844	2	/P	Clip, Retaining
24	0436-276	2	S	Repair Kit, Boot
25	0441-752	1		Guard, Boot - Right
25	0441-753	1		Guard, Boot - Left
26	0423-545	4	/P	Screw, Shoulder

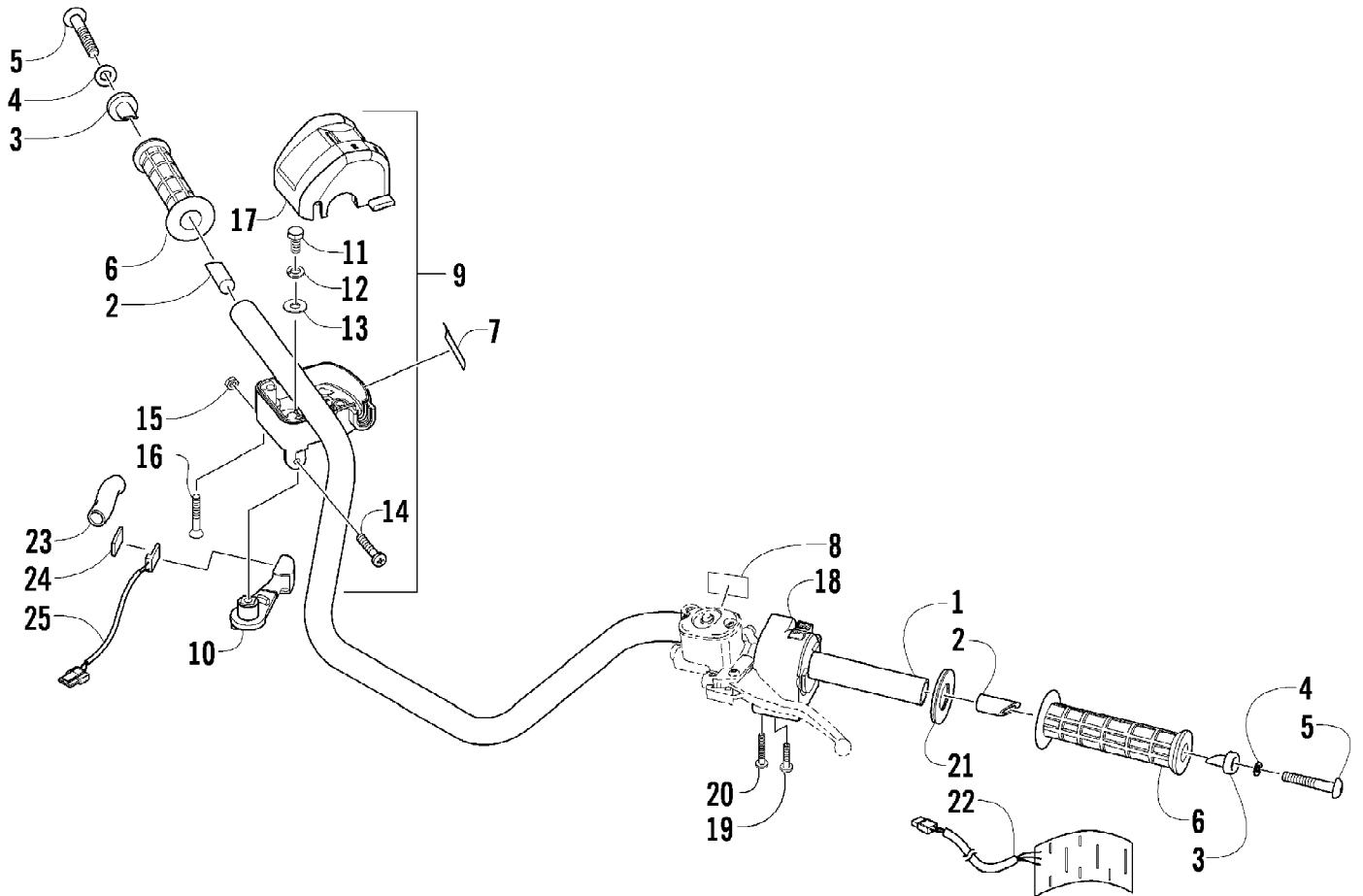


Ref #	Part Number	Qty	S/P/F	Description
1	0570-206	1		Tank, Gas - Assembly (inc. 2-5)
2	0470-438	1	/P	Cap, Gas Tank (inc. 3)
3	0109-733	1	/P	Gasket, Gas Tank Cap
4	0470-606	1		Plate, Mounting - Fuel Pump
5	8476-612	4		Screw, Machine
6	0570-271	1	/P	Pump, Fuel - Assembly (inc. 7-9)
7	0570-252	1	/P	Sensor, Fuel Level - Kit (inc. 8-9)
8	0470-614	1		Seal, Fuel Pump
9	0470-613	1		Seal, Fuel Pump
10	0570-277	1		Hose, Gasline - Assembly (inc. 11-13)
11	0570-246	1		Filter, Fuel - Kit (inc. 12-13)
12	0	2	F	Clamp, Hose
13	0	1	F	Filter, Fuel
14	0410-070	AR	/P	Hose, Gasline - 25 ft
15	0510-335	1	/P	Filter, In-Line
16	8060-628	1		Rivet
17	1670-826	1		Bracket, Fuel Filter
18	0470-794	1		Bracket, Filter Mounting
19	0123-788	AR	/P	Tie, Cable - 8 in.
20	0423-688	2		Clamp, Hose
21	0423-460	2		Grommet
22	0423-732	2		Screw, Shoulder
23	0470-822	1		Shield, Heat
24	0623-797	4		Screw, Self-Tapping

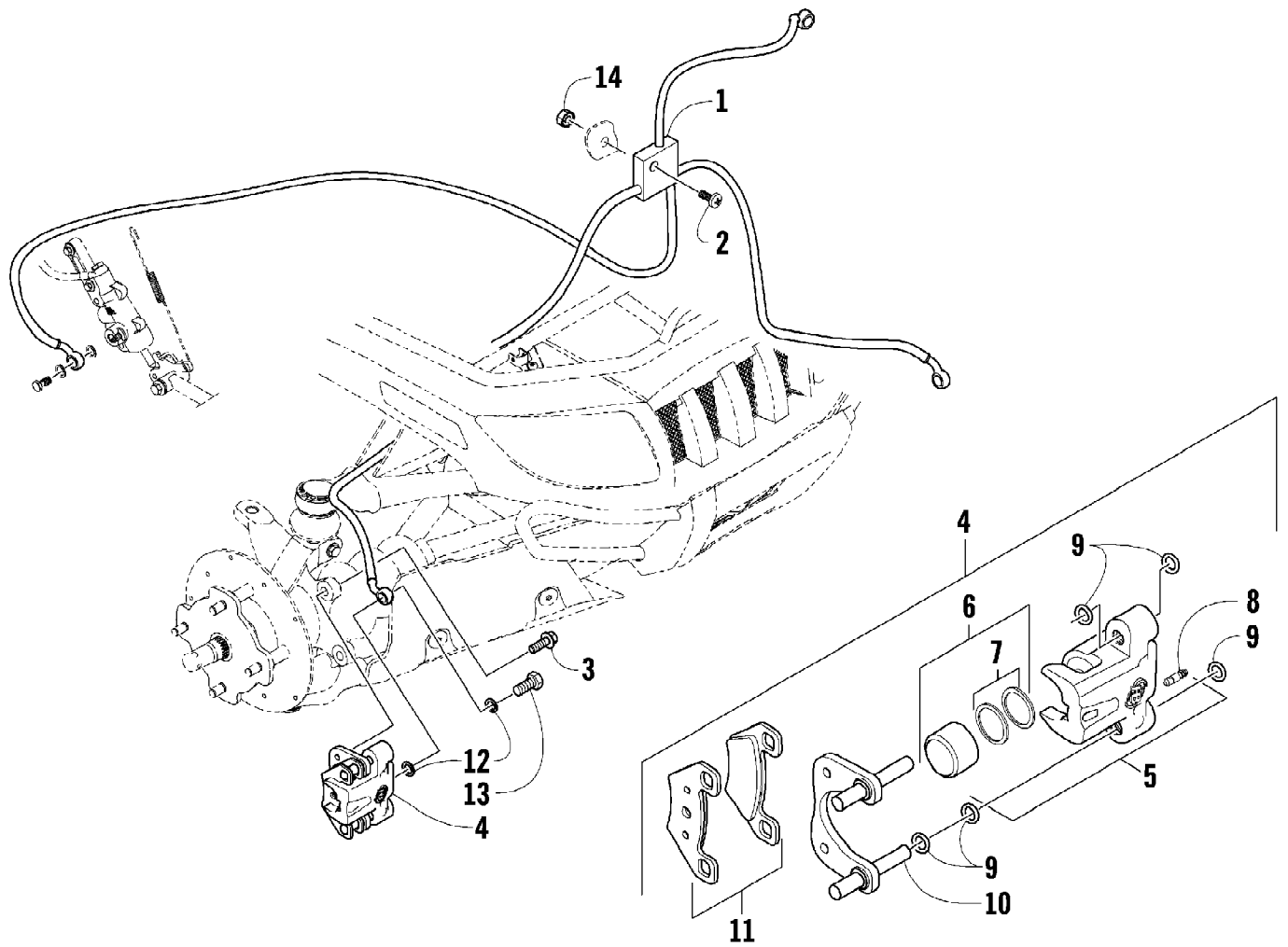




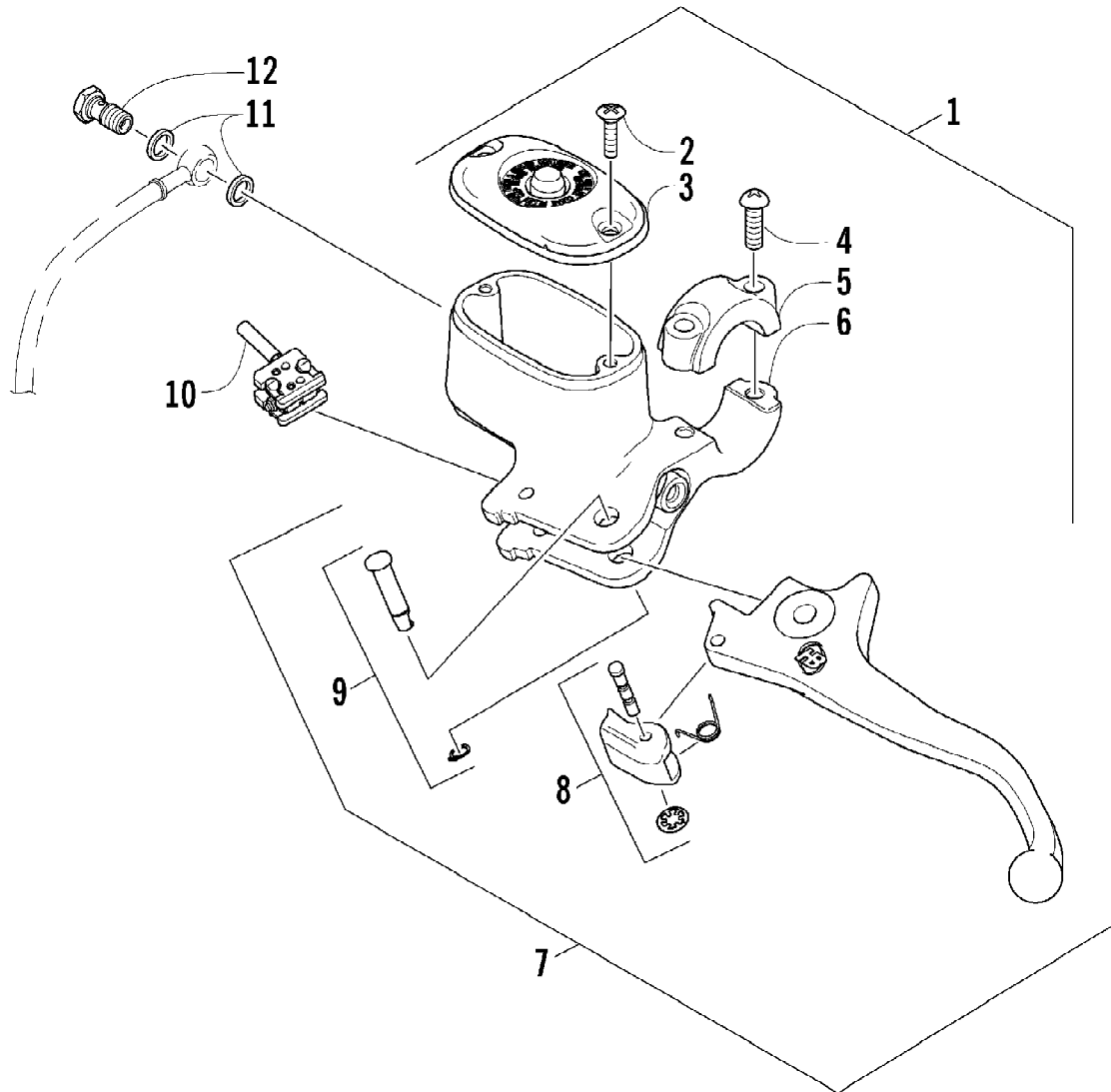
Ref #	Part Number	Qty	S/P/F	Description
1	8470-520	2		Screw, Machine
2	0409-090	1	/P	Switch, Gear Shift Position
3	0818-013	2		Contact
4	0818-017	2		Spring
5	0828-040	1		Washer
6	0818-046	1		Shaft, Gear Shift - Assembly
7	0828-095	2		Washer
8	0832-052	1	/P	Bearing, Thrust
9	0828-037	1		Washer
10	0818-089	1	/P	Plate, Gear Shift Cam
11	0826-006	1		Screw, Cap
12	0828-036	2		Washer
13	0831-010	2		Ring, Retaining
14	0818-007	1	/P	Shaft, Sub-Gear Shift
15	0830-044	1		Seal, Sub-Gear Shift Shaft
16	0818-014	1		Arm, Select
17	8468-620	1	/P	Screw, Machine
18	0828-038	1		Washer
19	0818-002	1		Stopper, Cam
20	0818-004	1		Support, Cam Stopper
21	0818-090	1		Spring
22	0828-035	1		Washer
23	8424-602	1	/P	Nut
24	0818-072	2	/P	Fork, Shift
25	0818-006	1		Shaft, Shift Fork



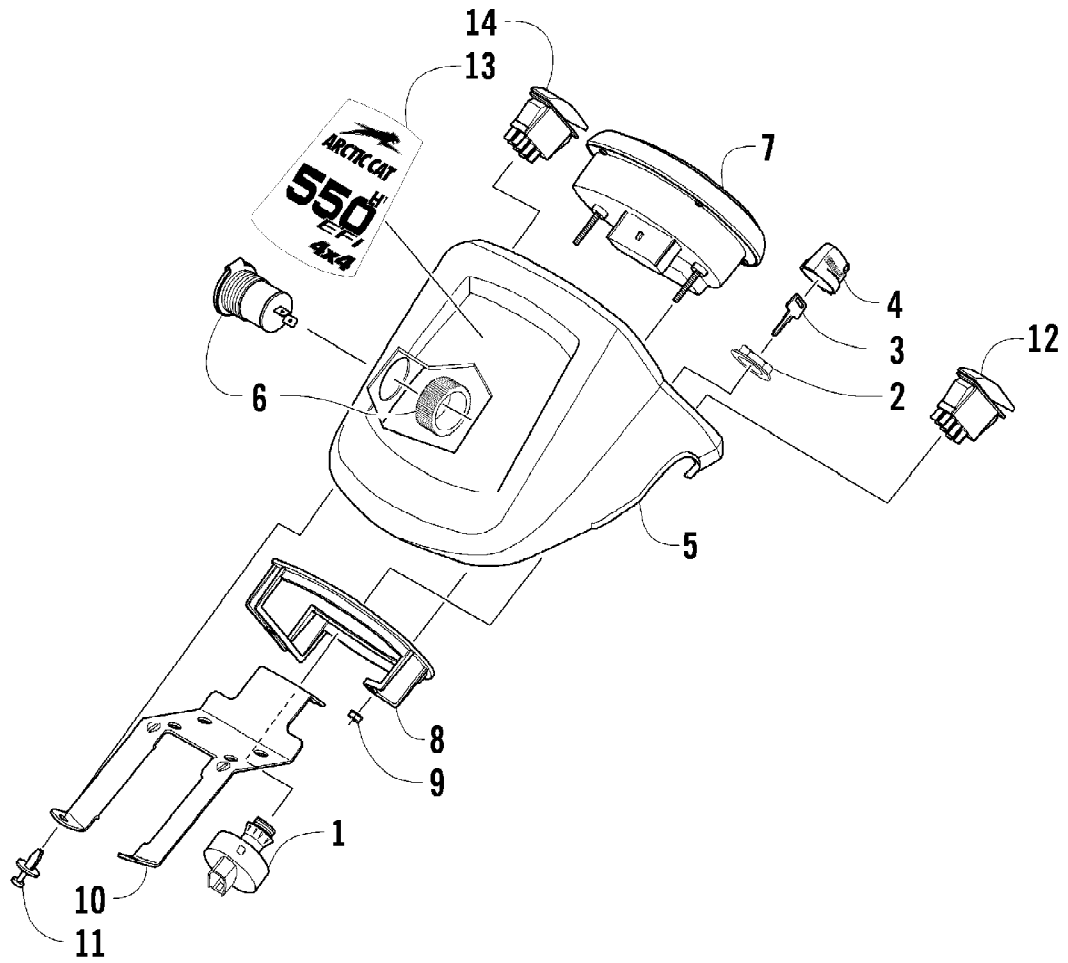
Ref #	Part Number	Qty	S/P/F	Description
1	0505-418	1	/P	Handlebar
2	0405-218	2		Plug, Handlebar
3	0405-149	2		End Cap, Handlebar
4	8050-247	2	/P	Washer
5	8477-845	2		Screw, Machine
6	0405-147	2		Grip, Handlebar
7	0411-966	1		Decal, Warning - Differential Lock
8	1411-865	1		Decal, Warning - Brake Lever Lock
9	0509-045	1		Case, Throttle - Assembly (inc. 10-17)
10	3409-001	1		Lever
11	3004-533	1	S/P	Screw, Cap
12	3004-447	1	/P	Washer, Lock
13	3003-030	1	/P	Washer
14	3423-014	1		Screw, Machine
15	3423-327	1		Nut
16	3423-199	2		Screw, Machine
17	0409-119	1		Cover, Throttle Case w/Switch
18	0509-014	1		Switch, Control - Assembly (inc. 19-20)
19	0409-027	1		Screw, Machine
20	0409-028	1		Screw, Machine
21	3409-019	1		Cover, Switch Housing
22	0609-800	2		Element, Handwarmer
23	0441-498	1		Tube, Shrink
24	0441-500	1	S	Pad, Insulator
25	0409-117	1	S	Element, Thumbwarmer



Ref #	Part Number	Qty	S/P/F	Description
1	1502-015	1		Hose, Brake - Assembly
2	8476-625	1		Screw, Machine
3	8408-821	4	/P	Screw, Cap
4	1436-162	1	S/P	Caliper, Brake - Right Front (inc. 5-11 and two No. 3)
4	1436-163	1		Caliper, Brake - Left Front (inc. 5-11 and two No. 3)
5	1436-160	1	/P	Housing, Caliper - Assembly - Right Front (inc. 6-8)
5	1436-161	1	/P	Housing, Caliper - Assembly - Left Front (inc. 6-8)
6	0502-606	2		Piston/Seal Set (inc. 7)
7	0502-607	2		Seal Set
8	0502-609	2	/P	Valve, Bleed
9	0502-608	2		O-Ring, Guide - Set
10	0502-605	2		Bracket Assembly
11	1436-165	2	S	Pad, Brake - Set
12	0423-178	4		Washer, Crush
13	0423-413	2		Bolt, Banjo-Fitting
14	0623-038	1		Nut w/Washer

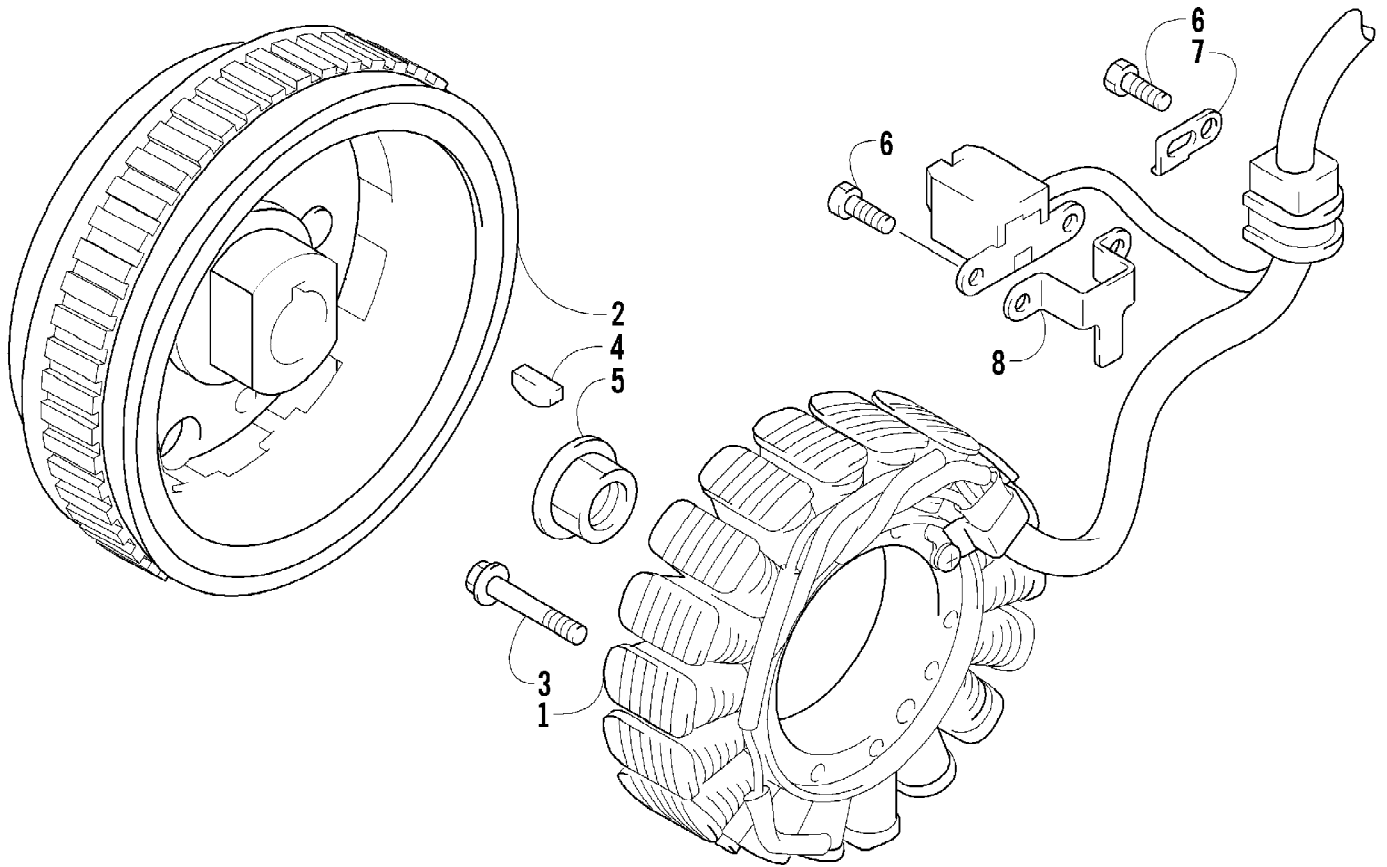


Ref #	Part Number	Qty	S/P/F	Description
1	0502-914	1	S	Brake Assembly (inc. 2-10)
2	0502-566	1		Screw, Machine
3	0502-868	1	/P	Cover, Reservoir
4	0502-568	1		Screw, Machine
5	0502-869	1		Clamp, Master Cylinder
6	0502-704	1		Master Cylinder Assembly
7	0502-866	1		Lever Assembly - Kit (inc. 8-9)
8	0502-867	1	/P	Lock, Brake Lever - Kit
9	0502-580	1		Lever Pin - Kit
10	0502-564	1	/P	Switch, Brake
11	0423-178	2		Washer, Crush
12	0423-413	1		Bolt, Banjo-Fitting





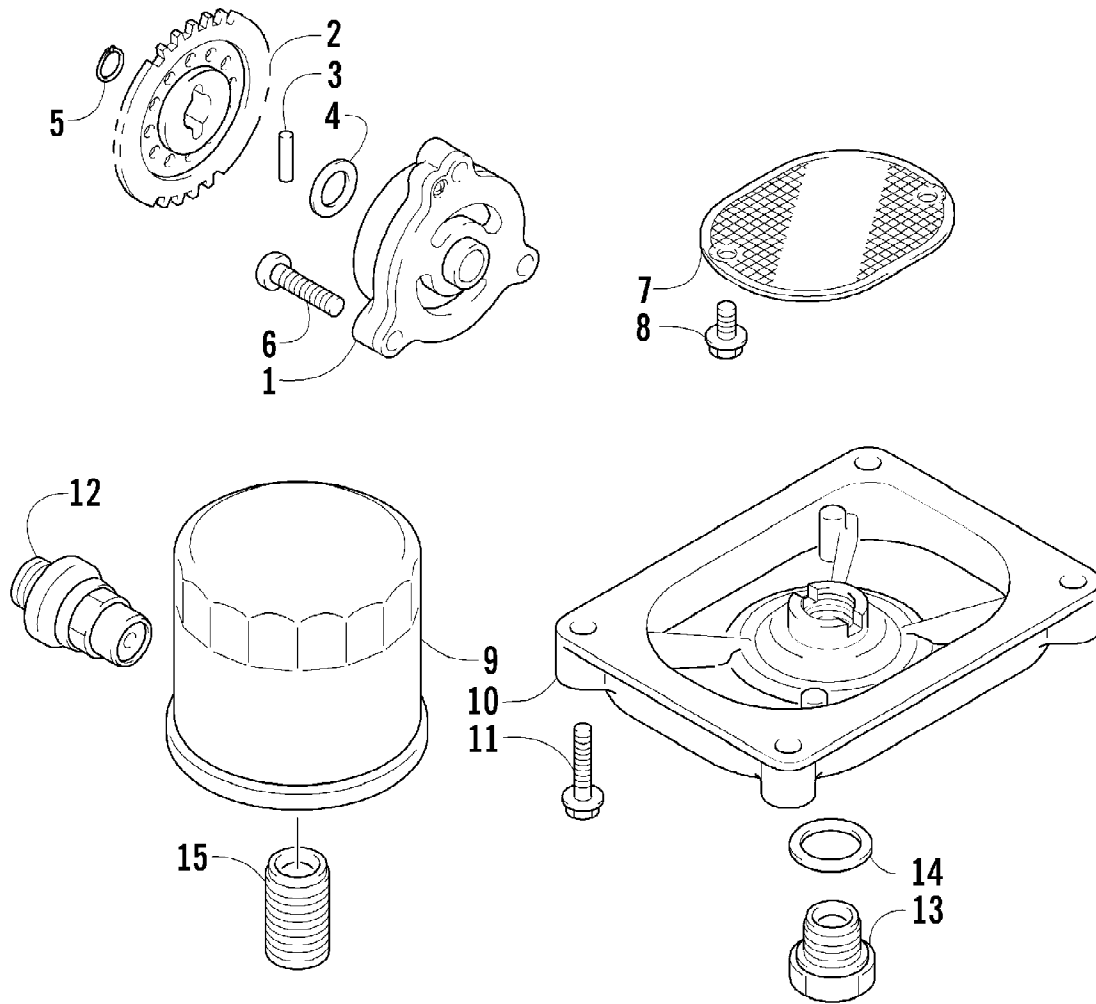
Ref #	Part Number	Qty	S/P/F	Description
1	0430-090	1	/P	Switch, Ignition - Assembly (inc. 2-4)
2	0430-050	1		Nut, Retaining
3	0430-042	1	F	Key, Ignition
3	0430-043	1	F	Key, Ignition
4	0430-054	1		Cover, Key
5	0505-585	1		Instrument Pod
6	0641-897	1	/P	Outlet, Accessory - 12V
7	0520-053	1		Gauge, LCD
8	0420-065	1	/P	Bracket, Retaining
9	0423-493	2		Nut w/Washer
10	2506-470	1		Bracket, Mounting - Instrument Pod
11	0423-535	2		Rivet, Reinstallable
12	0409-120	1		Switch, Differential Lock
13	1411-875	1		Decal, Instrument Pod
14	0409-121	1		Switch, Handwarmer



2009 ATV 550 TRV LE BLACK INTERNATIONAL (A2009TBO4EOSQ)  
MAGNETO ASSEMBLY

Page 51 of 89

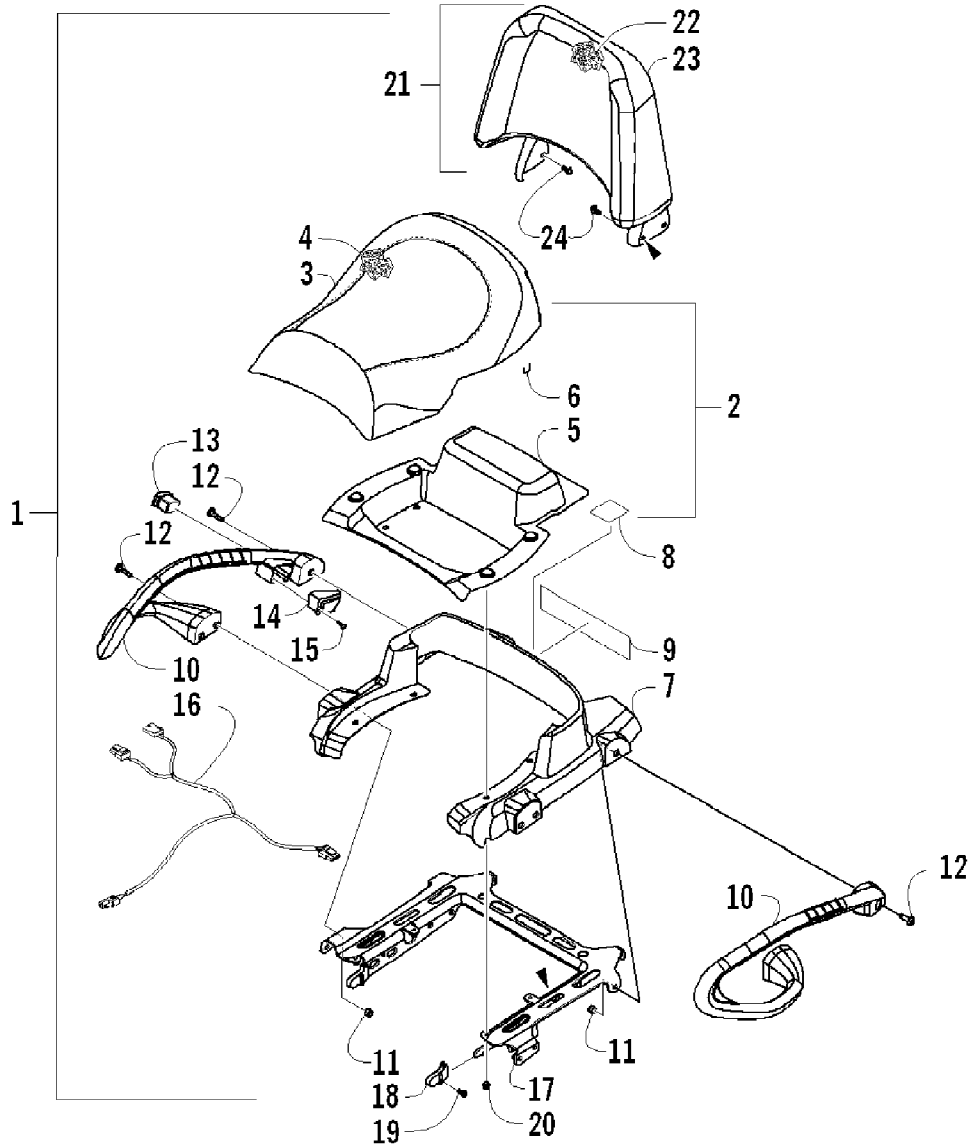
Ref #	Part Number	Qty	S/P/F	Description
1	0802-041	1		Stator - Assembly
2	0802-048	1		Rotor/Flywheel
3	0826-102	3		Screw, Machine
4	0829-012	1		Key
5	0827-014	1		Nut
6	8470-510	3		Screw, Machine
7	0802-015	1		Clamp - No. 1
8	0802-016	1		Clamp - No. 2



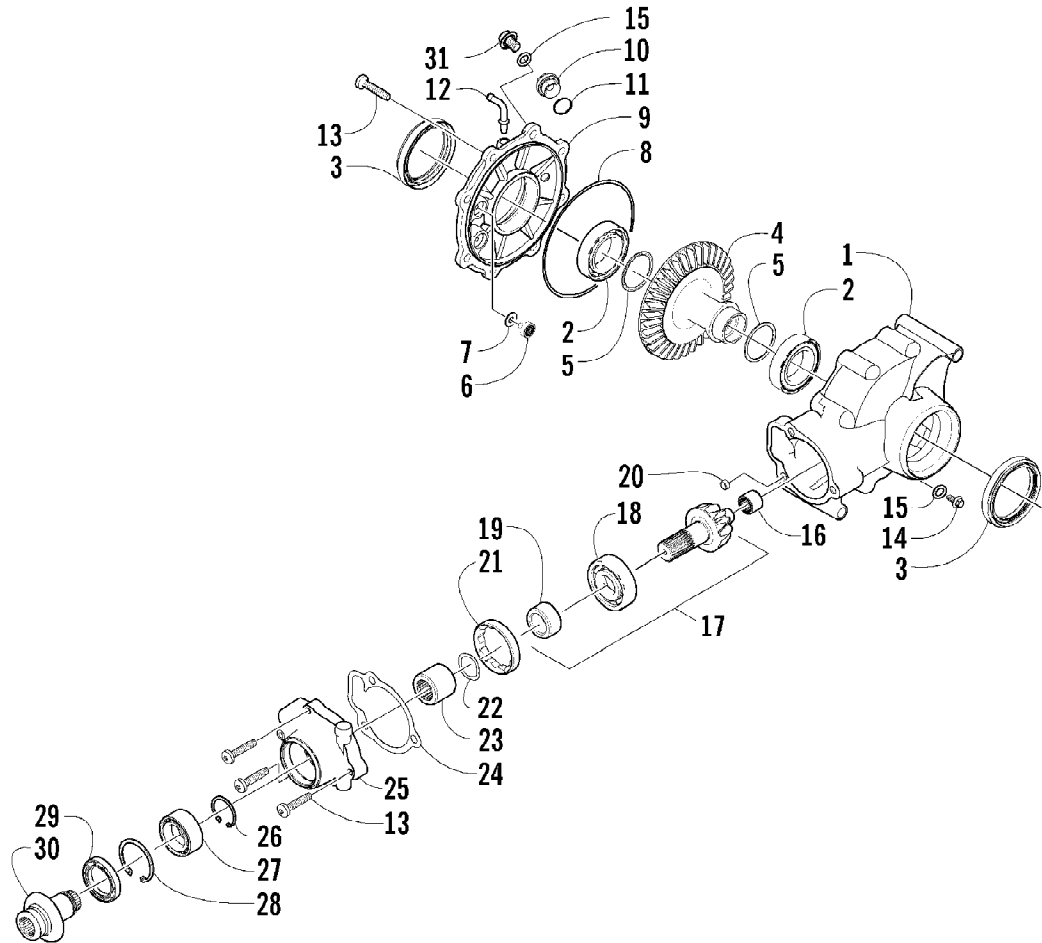
2009 ATV 550 TRV LE BLACK INTERNATIONAL (A2009TBO4EOSQ)  
OIL FILTER/PUMP ASSEMBLY

Page 53 of 89

Ref #	Part Number	Qty	S/P/F	Description
1	0812-023	1		Pump, Oil
2	0812-002	1	S	Gear, Driven
3	0829-009	1		Pin
4	0828-007	1	/P	Washer
5	0831-002	1		Ring, Retaining
6	0826-039	3		Screw, Machine
7	0812-057	1	/P	Strainer, Oil
8	0826-040	2		Screw, Machine
9	0812-029	1	S	Filter, Oil
10	0812-053	1		Cap, Oil Strainer
11	8468-625	4		Screw, Machine
12	0812-007	1		Valve, Oil-Relief - Assembly
13	0812-006	1		Plug, Drain
14	0830-017	1		Gasket, Drain Plug
15	0812-008	1		Union, Filter



Ref #	Part Number	Qty	S/P/F	Description
1	2506-938	1		Seat, Passenger - Assembly (inc. 2-20)
2	2506-940	1		Seat, Passenger - Sub-Assembly (inc. 3-6)
3	2506-944	1		Cover, Seat - Passenger
4	2506-942	1		Foam, Seat - Passenger
5	2406-110	1		Base, Seat - Inner
6	0624-263	AR		Staple
7	2406-044	1		Base, Seat - Passenger
8	1411-251	1		Decal, Warning - Passenger
9	0411-814	1	/P	Decal, "Arctic Cat"
10	2406-744	1		Handhold, Passenger - Right
10	2406-745	1		Handhold, Passenger - Left
11	8432-802	6		Nut, Lock
12	8468-830	6		Screw, Machine
13	0409-126	1		Switch, Handwarmer
14	2416-042	1		Cover, Switch
15	0423-342	2	/P	Screw, Self-Tapping
16	0486-318	1		Harness, Adapter - Handwarmer
17	2516-040	1		Bracket, Seat Support - Assembly
18	2406-895	2		End Cap, Seat Support
19	0423-538	2		Screw, Self-Tapping
20	8427-602	4		Nut, Lock
21	2516-020	1		Backrest Assembly (inc. 22-23)
22	2516-018	1		Foam, Backrest
23	2516-141	1		Cover, Backrest
24	8408-816	4		Screw, Cap

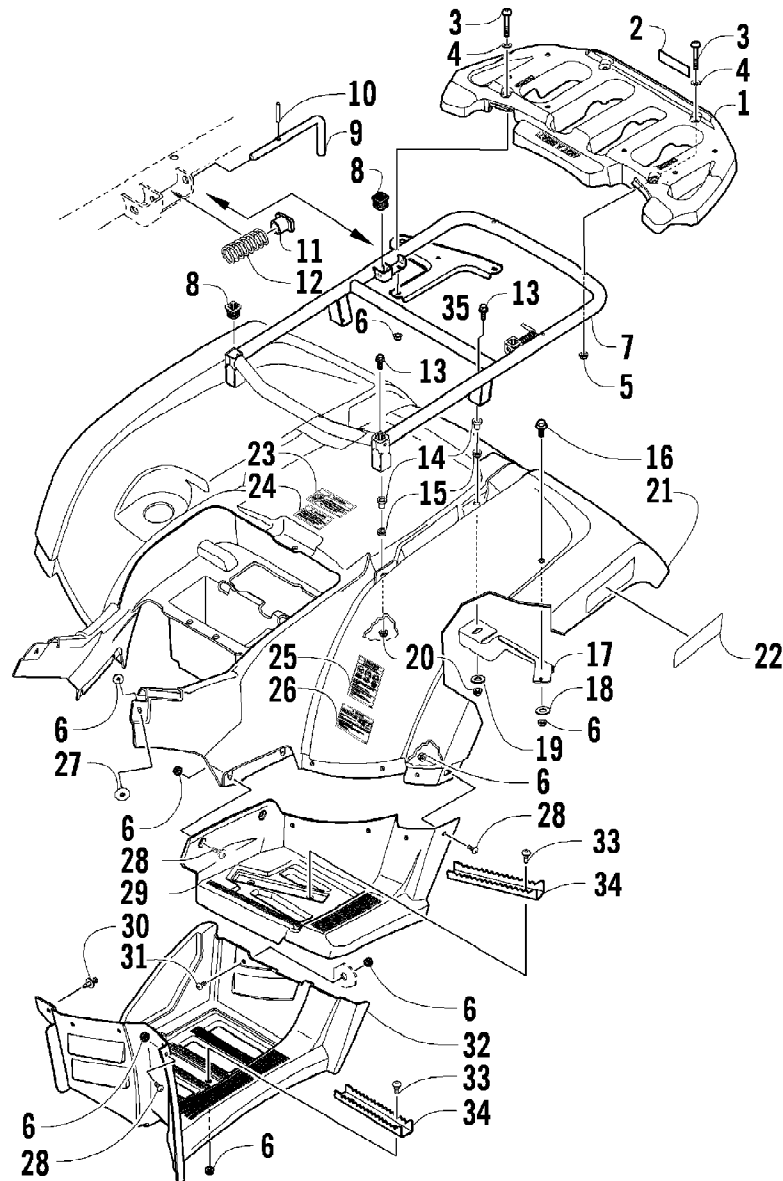




2009 ATV 550 TRV LE BLACK INTERNATIONAL (A2009TBO4EOSQ)  
REAR DRIVE GEARCASE ASSEMBLY

Page 57 of 89

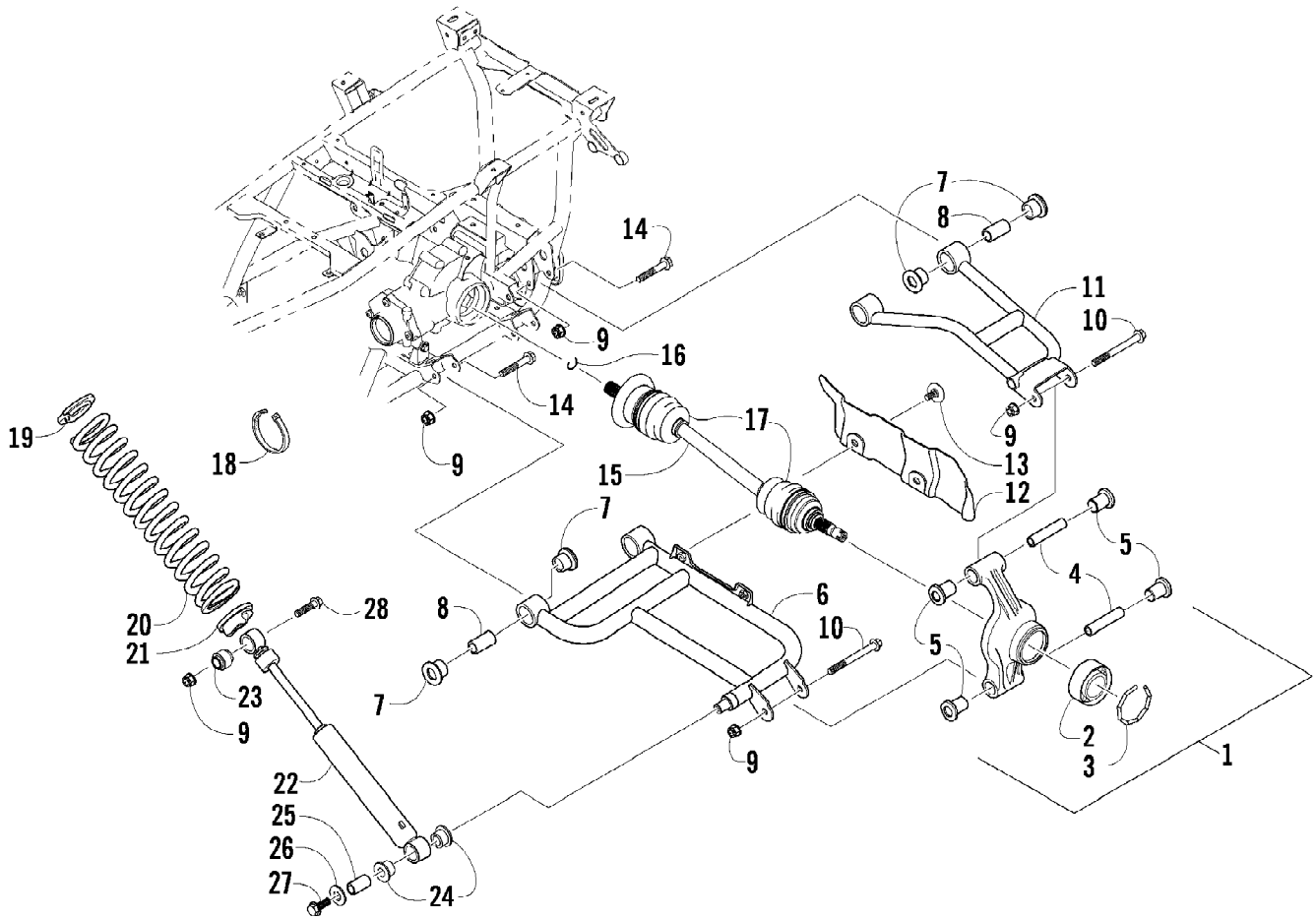
Ref #	Part Number	Qty	S/P/F	Description
	1502-402	1	/P	Complete Rear Drive Gearcase Assembly
1	1502-317	1		Housing, Gearcase
2	0402-393	2		Bearing
3	1402-713	2	S	Seal
4	1402-032	1		Gear, Ring - 36T
5	0402-405	AR		Shim, 41 x 49 x 1.3 mm
5	0402-406	AR		Shim, 41 x 49 x 1.4 mm
5	0402-407	AR		Shim, 41 x 49 x 1.5 mm
5	0402-408	AR		Shim, 41 x 49 x 1.6 mm
5	0402-409	AR		Shim, 41 x 49 x 1.7 mm
6	0402-326	1		Button, Thrust
7	0402-429	AR		Shim, 6.3 x 18 x 1.3 mm
7	0402-430	AR		Shim, 6.3 x 18 x 1.4 mm
7	0402-431	AR		Shim, 6.3 x 18 x 1.5 mm
7	0402-432	AR		Shim, 6.3 x 18 x 1.6 mm
7	0402-433	AR		Shim, 6.3 x 18 x 1.7 mm
8	0423-149	1		O-Ring
9	1502-082	1		Cover, Gearcase
10	0402-333	1	/P	Plug, Magnetic (inc. 11)
11	0423-154	1		O-Ring
12	1402-102	1		Fitting
13	0423-118	11		Screw, Self-Tapping
14	1402-210	1	/P	Plug, Fill (inc. one No. 15)
15	0423-153	2		O-Ring
16	0402-328	1		Bearing
17	0502-783	1		Gear, Pinion - Assembly - 10T (inc. 18-19)
18	0402-327	1		Bearing
19	0402-336	1		Collar, Retaining
20	0402-411	1		Pin, Dowel
21	0402-331	1		Collar, Lock
22	0402-982	1		Washer, Wave
23	0402-981	1		Collar, Shaft
24	0402-947	1		Gasket, Flange
25	0502-529	1		Housing, Pinion
26	0423-417	1		Ring, Retaining
27	1402-043	1		Bearing
28	0423-423	1		Ring, Retaining
29	1402-011	1		Seal
30	1502-085	1	/P	Shaft, Input
31	1402-211	1		Plug, Oil Level (inc. one No. 15)



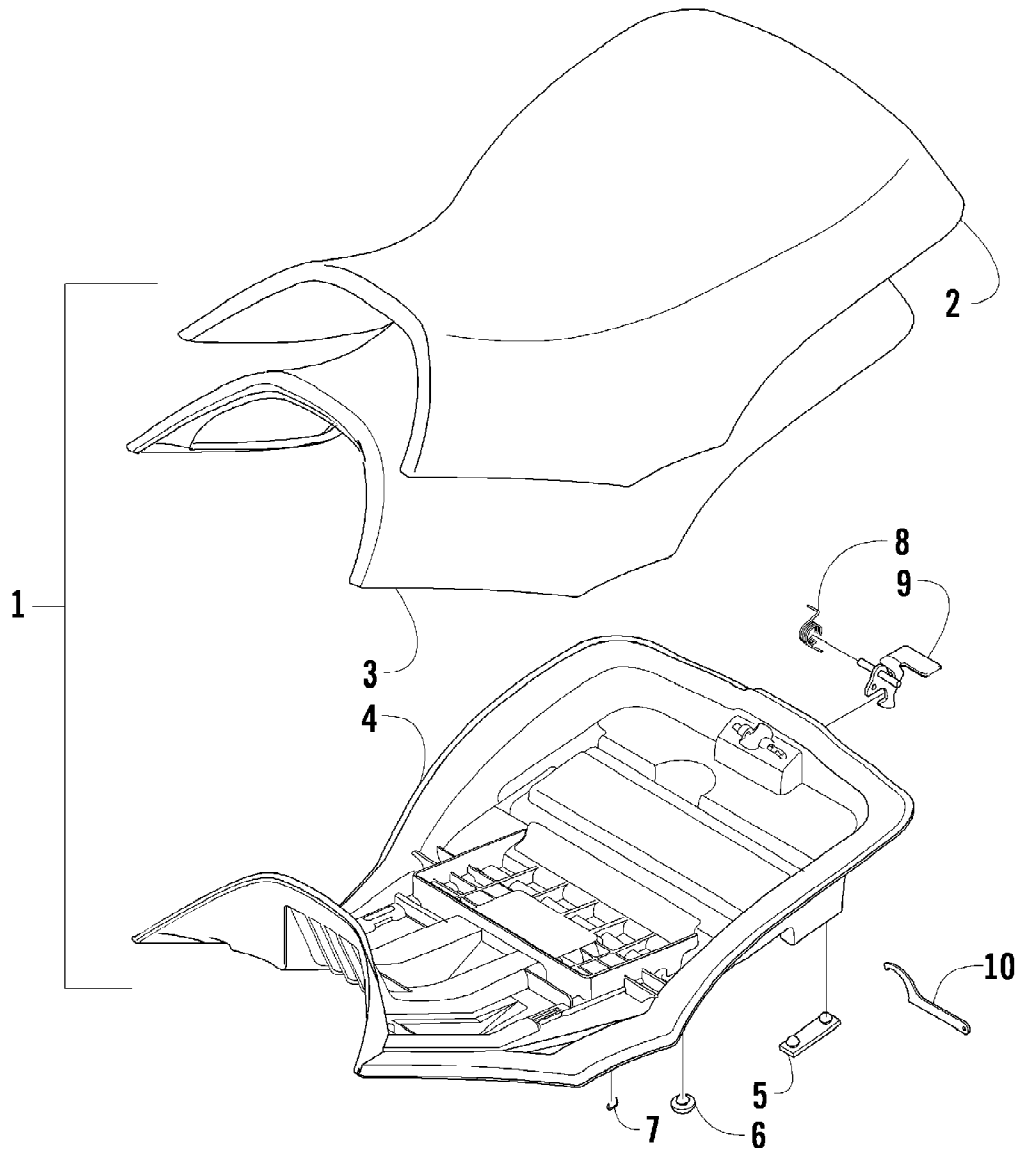
2009 ATV 550 TRV LE BLACK INTERNATIONAL (A2009TBO4EOSQ)  
REAR RACK, BODY PANEL, AND FOOTWELL ASSEMBLIES

Page 59 of 89

Ref #	Part Number	Qty	S/P/F	Description
1	2516-339	1	/P	Cover, Rack (inc. 2)
2	1411-201	1		Decal, Warning - Load
3	8410-640	4		Screw, Cap
4	8050-223	4		Washer
5	0423-891	2		Nut, Cap
6	0423-540	38		Nut, Lock
7	2516-169	1		Rack, Rear - Assembly (inc. 8-12)
8	0441-592	4	/P	Bushing
9	0541-504	2		Pin - Assembly (inc. 10-12)
10	0423-635	2		Pin, Roll
11	0423-677	2		Bushing, Flanged
12	0423-636	2		Spring
13	8410-835	4		Screw, Cap
14	0423-669	4		Spacer
15	0423-465	4		Grommet
16	0423-654	2		Screw, Shoulder
17	2506-092	1		Bracket, Rear Fender - Right
17	2506-093	1		Bracket, Rear Fender - Left
18	8050-222	2	/P	Washer
19	0423-087	2		Washer
20	8432-802	4		Nut, Lock
21	2516-218	1	S	Fender, Rear - Assembly (inc. 22-26)
22	1411-592	1	/P	Decal, Reflector - Rear - Right
22	1411-593	1	/P	Decal, Reflector - Rear - Left
23	1411-269	1		Decal, Warning - Passenger
24	1411-251	1		Decal, Warning - Seat/Passenger
25	1411-956	1		Decal, Passenger
26	1411-957	1	S	Decal, Warning - Tire Pressure
27	0423-101	2		Screw, Shoulder
28	0423-419	22		Screw, Machine
29	2406-042	1		Footwell, Rear - Right
29	2406-043	1		Footwell, Rear - Left
30	0623-362	2		Rivet, Reinstallable
31	8477-620	2		Screw, Machine
32	1506-813	1		Footwell - Right
32	2406-471	1	/P	Footwell - Left
33	0423-355	8		Screw, Shoulder
34	1506-125	4	/P	Footpeg
35	2506-926	1		Bracket, Mounting - Safety Flag



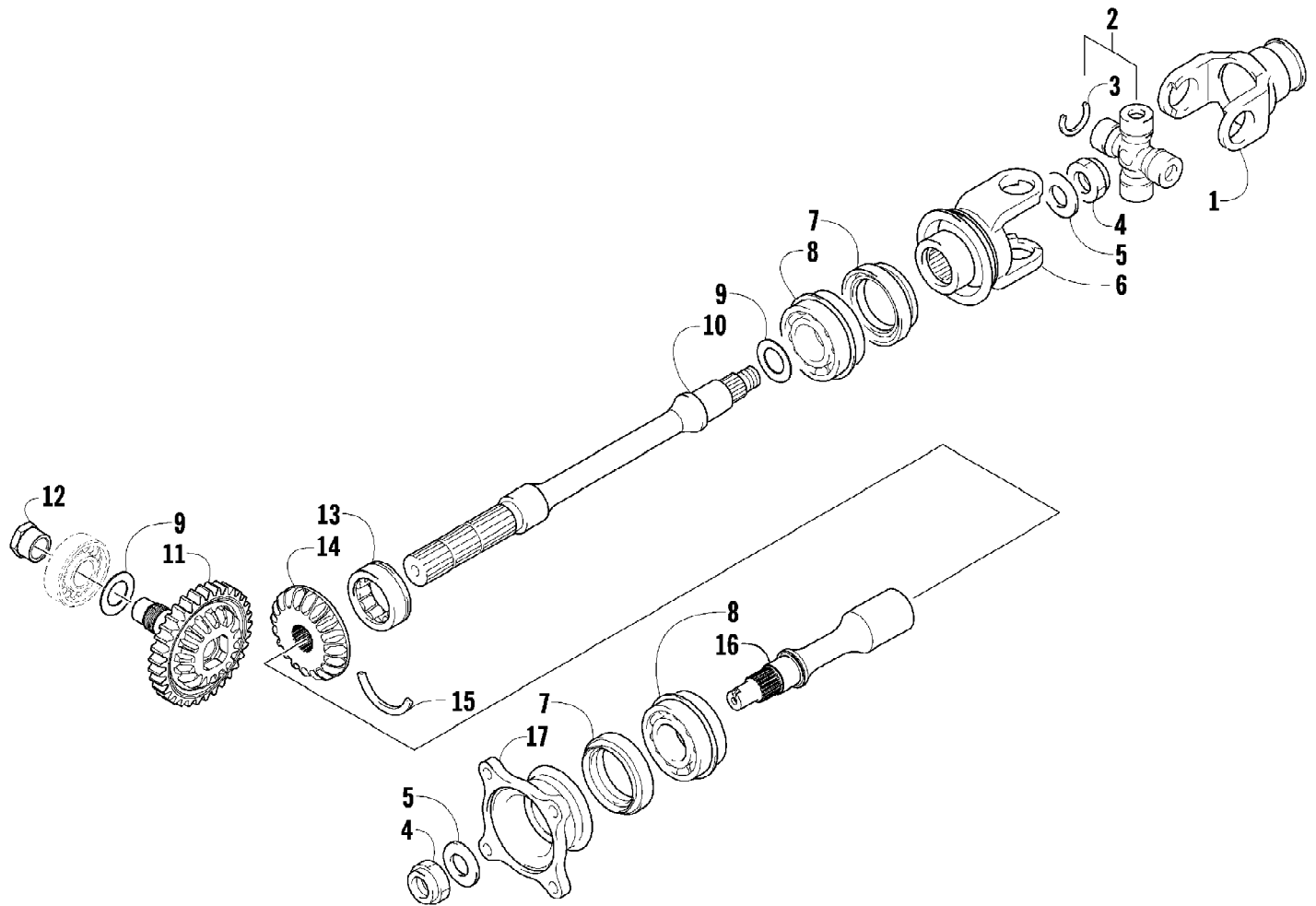
Ref #	Part Number	Qty	S/P/F	Description
1	0504-372	1	S	Knuckle, Right Rear - Assembly (inc. 2-5)
1	0504-373	1	S/P	Knuckle, Left Rear - Assembly (inc. 2-5)
2	1402-027	2	S/P	Bearing
3	0423-423	2		Ring, Retaining
4	0403-038	4	S/P	Axle
5	0403-032	8	S	Bushing
6	0504-526	1	S	A-Arm, Rear - Lower Right (inc. 7-8)
6	0504-527	1	S	A-Arm, Rear - Lower Left (inc. 7-8)
7	0403-115	16	S	Bushing
8	0403-114	8	S	Axle
9	0423-744	14		Nut, Lock
10	8409-000	4		Screw, Cap
11	0504-512	1	S	A-Arm, Rear - Upper Right (inc. 7-8)
11	0504-513	1	S	A-Arm, Rear - Upper Left (inc. 7-8)
12	1406-068	1		Guard, Boot - Rear - Right
12	1406-069	1		Guard, Boot - Rear - Left
13	0423-545	4	/P	Screw, Shoulder
14	8409-075	8		Screw, Cap
15	1502-343	2	S	Axle, Drive (inc. 16-17)
16	0423-845	2	/P	Clip, Retaining
17	0436-276	2	S	Repair Kit, Boot
18	0123-788	AR	/P	Tie, Cable - 8 in.
19	1603-889	2	/P	Retainer, Spring
20	0504-543	2		Spring, Suspension
21	0404-057	2		Cam, Spring Adjuster
22	0404-158	2		Shock Absorber (inc. 23-25)
23	0403-182	2		Bushing, Double-Bonded
24	0603-955	4		Bushing
25	1603-219	2	S	Sleeve
26	0423-087	2		Washer
27	8408-820	2	/P	Screw, Cap
28	8409-050	2		Screw, Cap



2009 ATV 550 TRV LE BLACK INTERNATIONAL (A2009TBO4EOSQ)  
SEAT ASSEMBLY

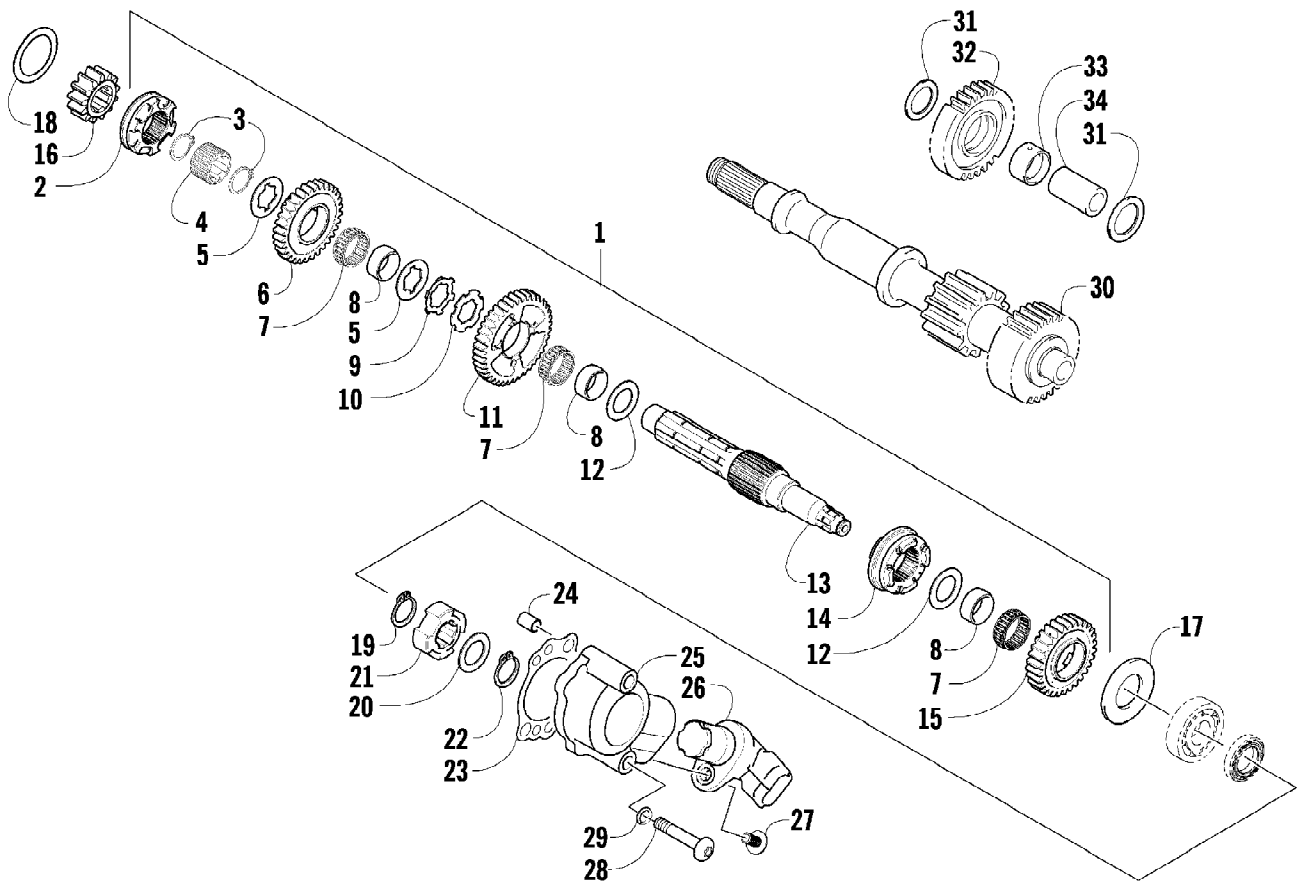
Page 63 of 89

Ref #	Part Number	Qty	S/P/F	Description
1	2506-805	1		Seat Assembly (inc. 2-9)
2	2506-756	1		Cover, Seat
3	2506-755	1		Foam, Seat
4	2406-144	1	S/P	Base, Seat - Assembly (inc. 5-6)
5	0406-879	2		Bumper, Seat - Rear
6	0406-877	4	/P	Bumper, Seat - Front
7	0624-528	AR	/P	Staple
8	1406-592	1	/P	Spring, Seat Latch
9	1506-156	1		Latch, Seat
10	0441-587	1		Wrench, Spanner

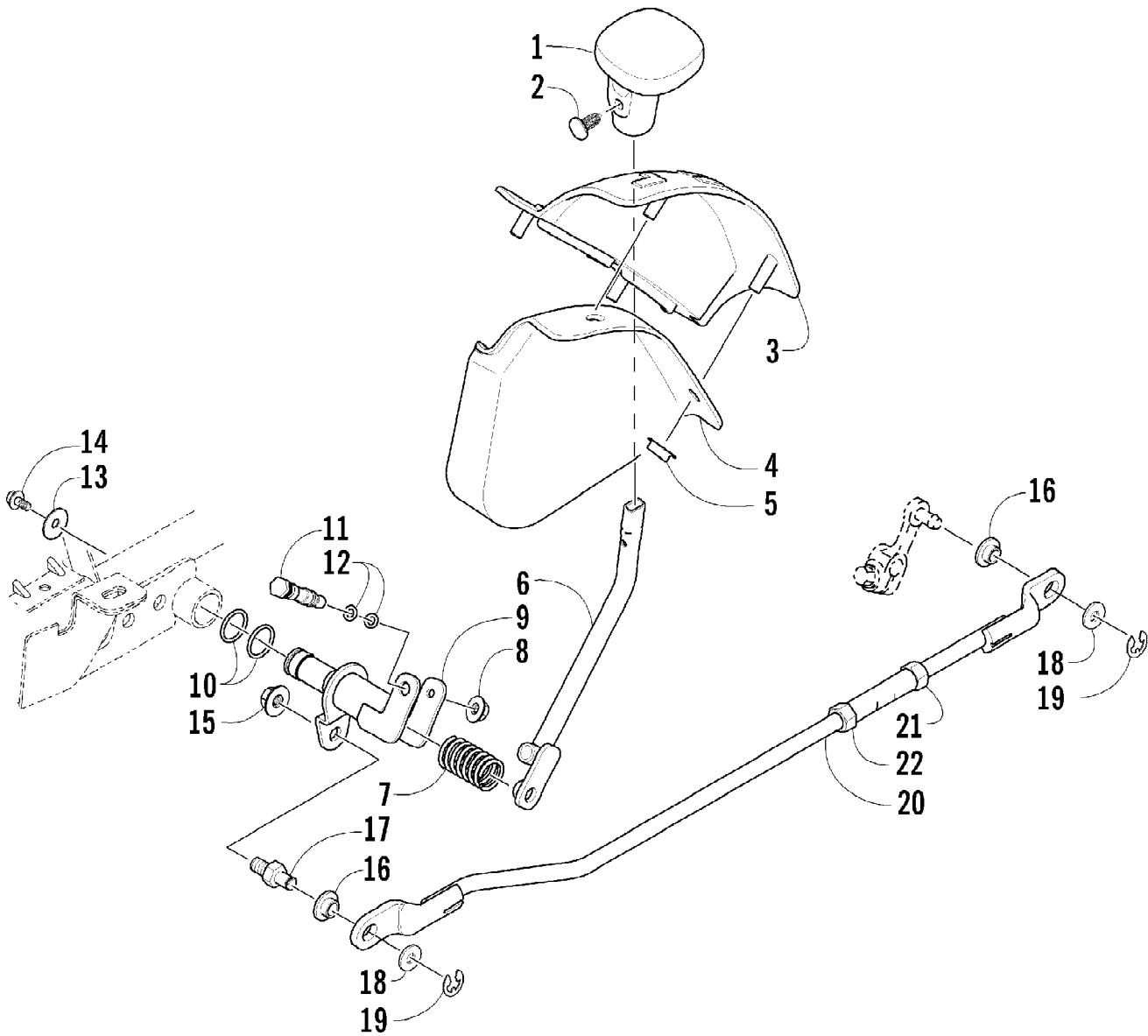




Ref #	Part Number	Qty	S/P/F	Description
1	0819-063	1		Yoke, Propeller Shaft Joint
2	1402-164	1	/P	Joint, Universal - Set (inc. 3)
3	0423-450	4		Ring, Retaining
4	0827-013	2		Nut
5	0828-020	2		Washer
6	0819-061	1		Yoke, Drive Output
7	0830-043	2		Seal, Oil
8	0832-017	2		Bearing
9	0828-021	AR		Shim, 25 x 34 x 0.25 mm
9	0828-022	AR		Shim, 25 x 34 x 0.30 mm
9	0828-023	AR		Shim, 25 x 34 x 0.70 mm
9	0828-024	AR		Shim, 25 x 34 x 0.90 mm
9	0828-025	AR		Shim, 25 x 34 x 0.95 mm
9	0828-026	AR		Shim, 25 x 34 x 1.00 mm
9	0828-027	AR		Shim, 25 x 34 x 1.05 mm
9	0828-028	AR		Shim, 25 x 34 x 1.10 mm
9	0828-029	AR		Shim, 25 x 34 x 1.15 mm
10	0819-003	1	S	Shaft, Secondary Driven - Front
11	0822-107	1		Gear, Secondary Drive
12	0827-052	1		Nut
13	0832-016	1		Bearing
14	0822-106	1		Gear, Secondary Driven
15	0819-011	1		Ring, Driven Bearing
16	0819-053	1		Shaft, Secondary Driven - Rear
17	0819-005	1		Flange, Output Joint



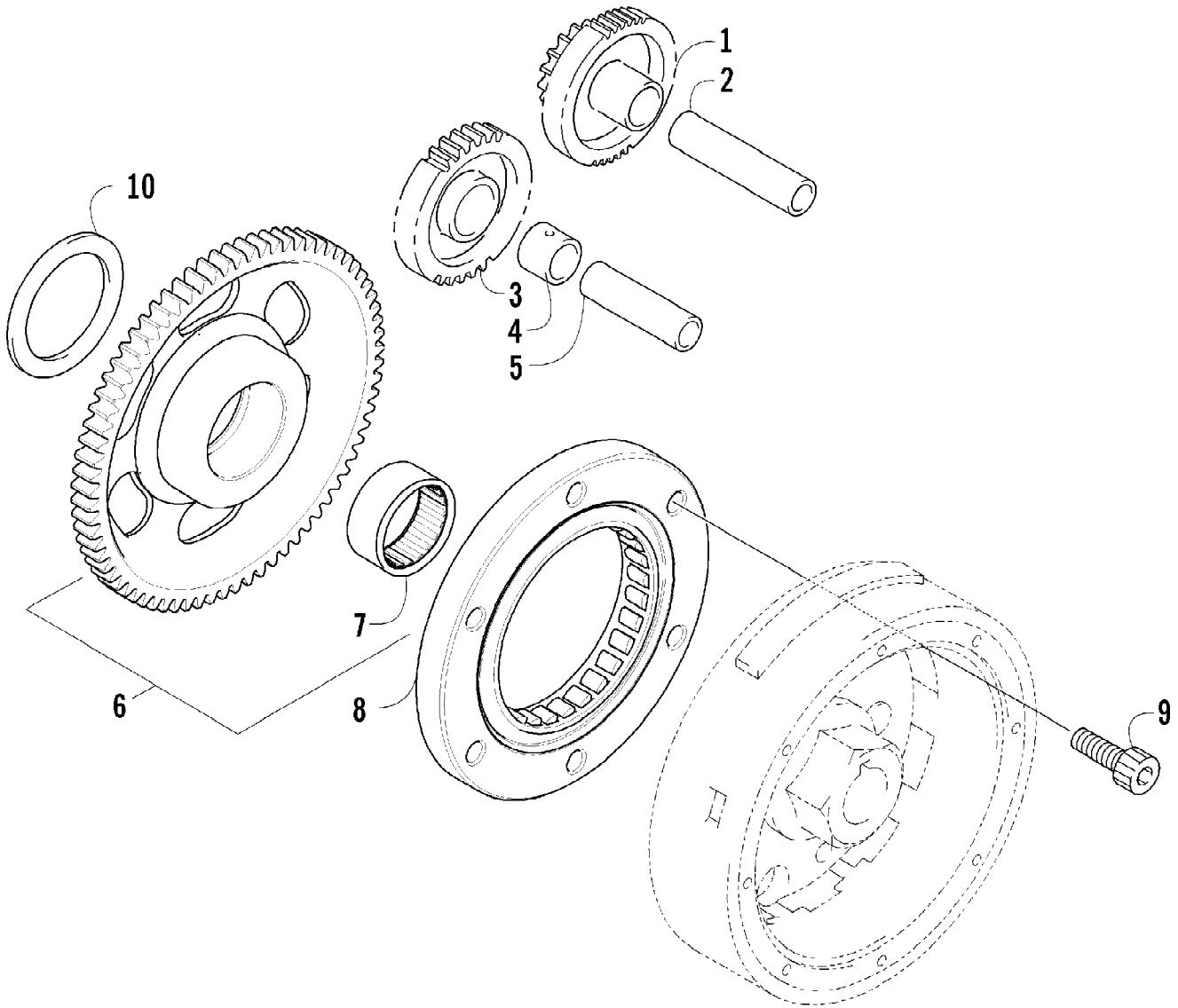
Ref #	Part Number	Qty	S/P/F	Description
1	1502-149	1	S	Countershaft Assembly (inc. 2-15)
2	0822-014	1		Gear Select, Reverse
3	0831-011	2		Ring, Retaining
4	0822-045	1		Spacer, Reverse Driven Gear
5	0828-008	2		Washer
6	0822-013	1		Gear, Reverse Driven
7	0832-011	3		Bearing
8	0822-005	3		Bushing
9	0828-014	1		Washer, Lock
10	0828-015	1		Washer, Lock
11	0822-004	1		Gear, Driven - Low
12	0822-046	2		Washer, Driven Gear
13	0822-003	1		Countershaft
14	0822-007	1		Gear Select, Sliding
15	0822-006	1		Gear, Driven - High
16	0822-089	1		Gear, Drive
17	0828-011	1		Washer
18	0828-019	1		Washer, Thrust
19	0831-040	1		Ring, Retaining
20	0828-069	1		Washer, Thrust
21	0822-050	1		Trigger, Speedometer Sensor
22	0831-039	1		Ring, Retaining
23	0830-129	1		Gasket
24	0829-023	2		Pin, Dowel
25	0822-049	1		Housing, Speedometer Sensor
26	0824-042	1	/P	Sensor, Speedometer
27	8468-620	1	/P	Screw, Machine
28	8468-645	2		Screw, Machine
29	0830-107	2		Seal, Fastener
30	0822-001	1		Driveshaft
31	0828-016	2		Washer, Thrust
32	0822-011	1		Gear, Reverse Idle
33	0822-012	1		Bushing
34	0822-015	1		Shaft, Reverse Idle



2009 ATV 550 TRV LE BLACK INTERNATIONAL (A2009TBO4EOSQ)  
SHIFT LEVER ASSEMBLY

Page 69 of 89

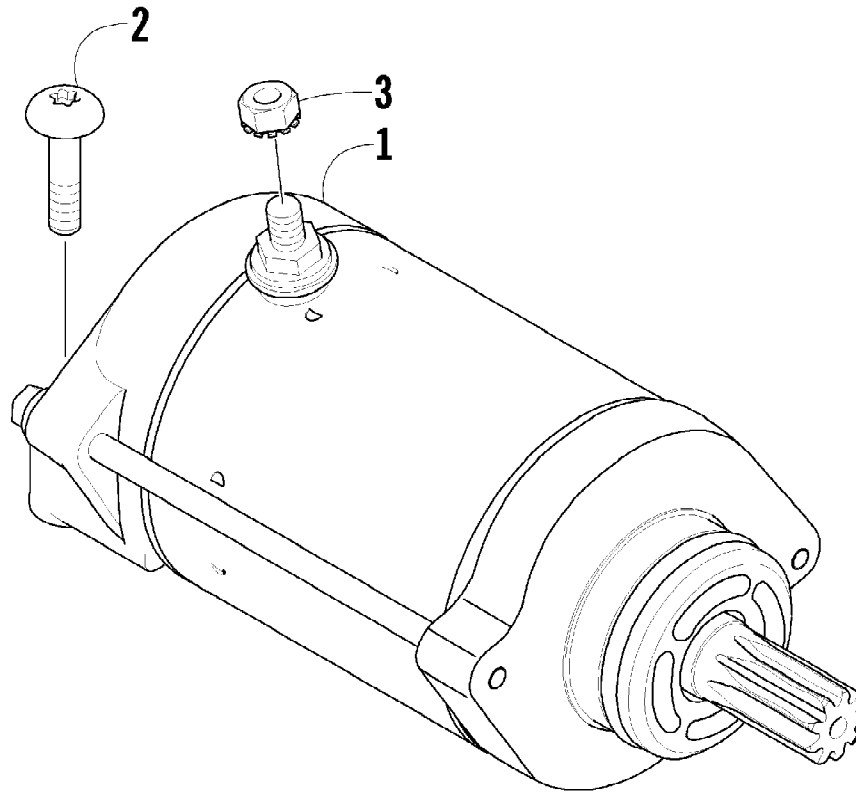
Ref #	Part Number	Qty	S/P/F	Description
1	0402-843	1	/P	Knob, Shift
2	0423-345	1		Clip, Retaining
3	1402-576	1		Plate, Shift
4	2406-345	1		Shield, Shift Plate
5	0423-357	4		Nut, Stamped
6	0502-659	1		Lever, Shift
7	0402-678	1	/P	Spring, Shift Lever
8	8424-602	1	/P	Nut
9	1502-332	1		Actuator, Shift
10	0423-299	2	/P	O-Ring
11	0402-675	1		Axle, Pivot
12	0423-182	2	/P	O-Ring
13	0423-087	1		Washer
14	8408-812	1		Screw, Cap
15	8424-802	1		Nut
16	0423-091	2		Bushing
17	1402-621	1		Pin, Mounting
18	0623-094	2		Washer
19	0423-169	2	/P	E-Ring
20	1502-200	1		Linkage, Shift - Assembly (inc. 21-22)
21	0623-294	1		Nut, Hex - Right-Hand Thread
22	0123-917	1	/P	Nut, Hex - Left-Hand Thread



2009 ATV 550 TRV LE BLACK INTERNATIONAL (A2009TBO4EOSQ)  
STARTER CLUTCH ASSEMBLY

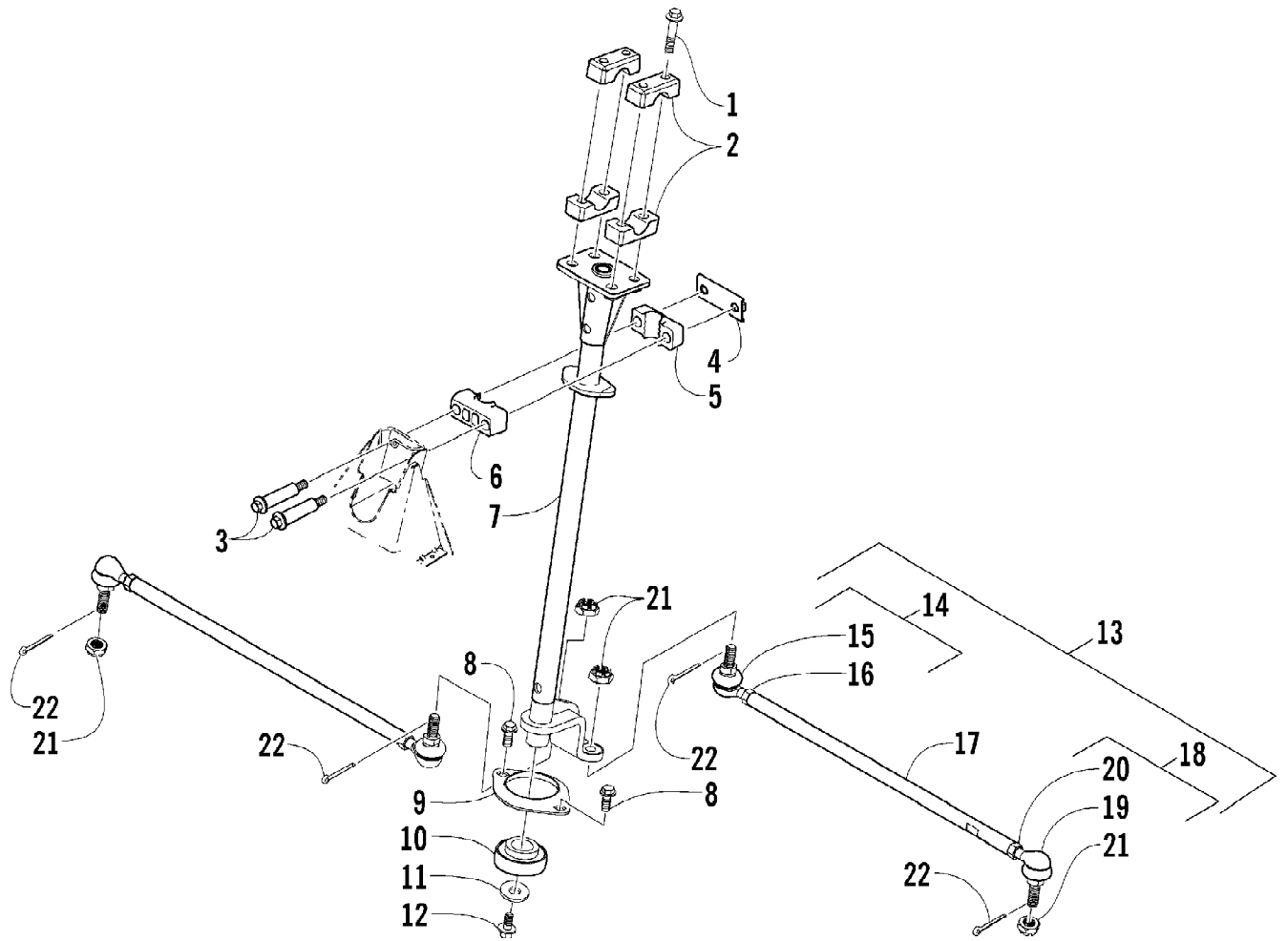
Page 71 of 89

Ref #	Part Number	Qty	S/P/F	Description
1	0815-001	1		Gear, Starter Idler - No. 1
2	0829-031	1	/P	Shaft, Starter Gear
3	0815-002	1		Gear, Starter Idler - No. 2
4	0815-003	1		Spacer, Starter Idler Gear No. 2
5	0829-032	1	/P	Shaft, Starter Gear
6	0815-004	1		Gear, Starter Clutch (inc. 7)
7	0832-004	1	S	Bearing
8	0802-035	1		Clutch, Starter
9	0826-069	6		Screw, Machine
10	0828-094	1		Washer

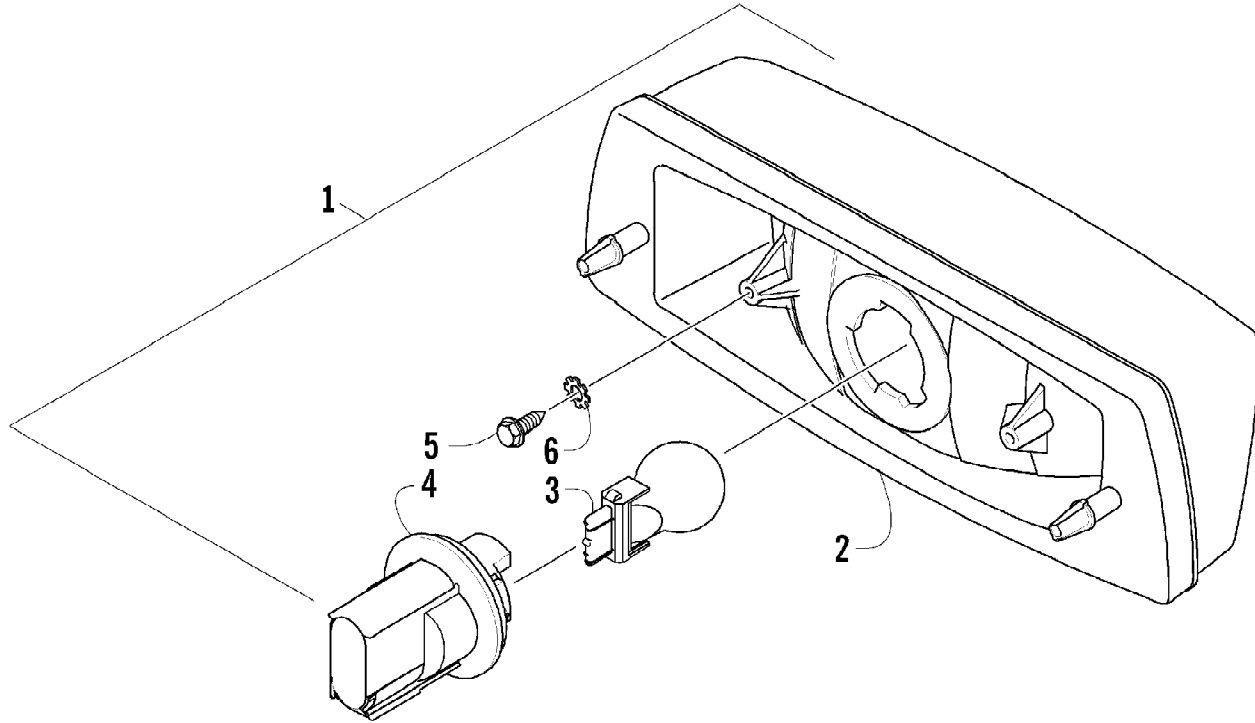




Ref #	Part Number	Qty	S/P/F	Description
1	0825-013	1	/P	Motor, Starter - Assembly
2	8476-625	2		Screw, Machine
3	0623-038	1		Nut w/Washer



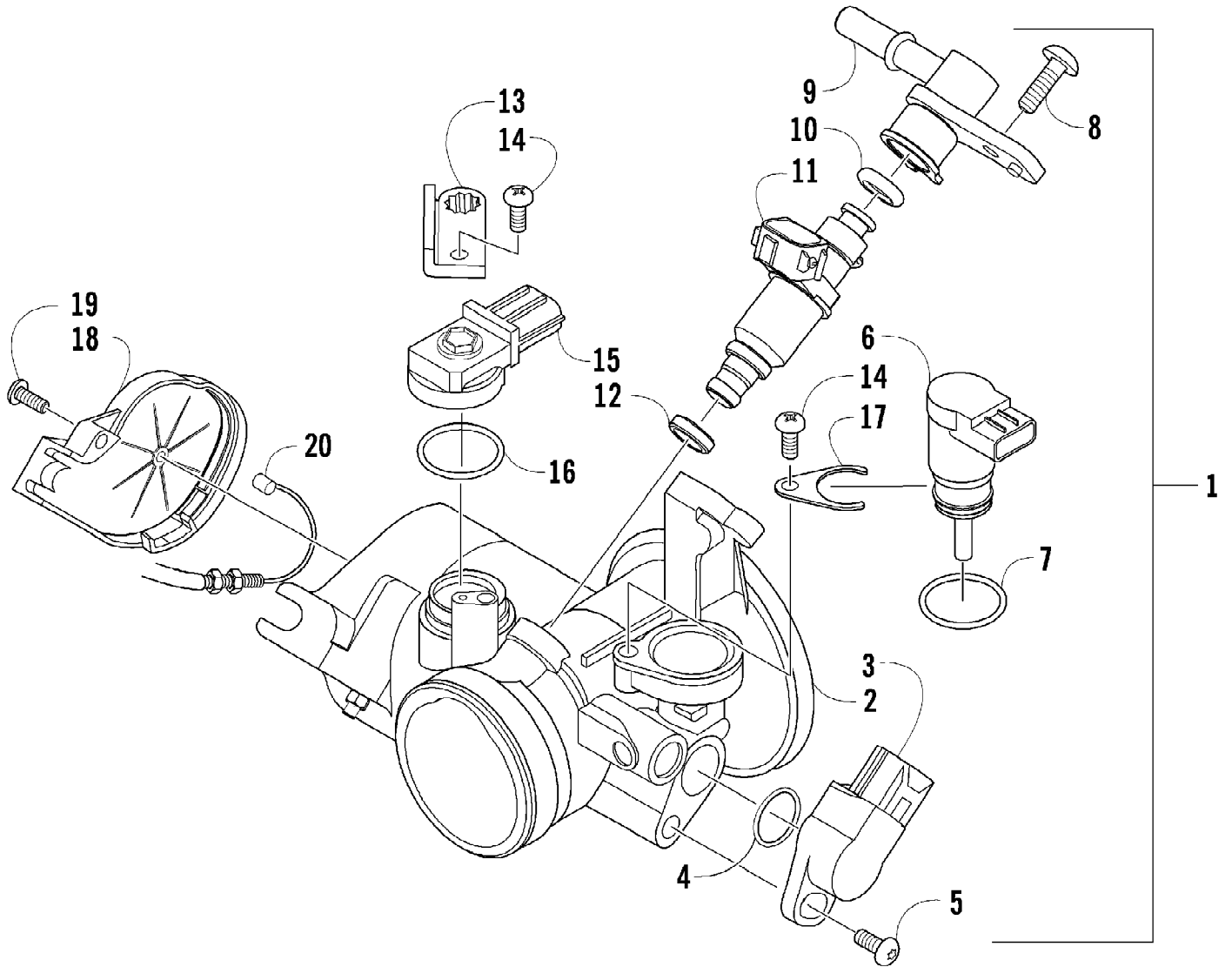
Ref #	Part Number	Qty	S/P/F	Description
1	8408-860	4		Screw, Cap
2	0405-035	4		Cap, Steering Adjuster
3	0423-505	2		Screw, Shoulder
4	0505-484	1		Cap, Housing
5	0405-138	1		Housing, Lower
6	0405-139	1		Housing, Upper
7	0505-451	1	S	Post, Steering
8	8408-816	2		Screw, Cap
9	0602-233	1		Flange, Bearing
10	0405-052	1		Bearing w/Inverted Oil Seal
11	0423-073	1		Washer
12	8409-020	1	/P	Screw, Cap
13	0505-499	2	/P	Tie Rod - Assembly (inc. 14-20)
14	0505-511	2	/P	End, Tie Rod - Left-Hand Thread - Kit (inc. 15-16 and two No. 21-22)
15	0	2	F	End, Tie Rod - Left-Hand Thread
16	0423-013	2		Nut - Left-Hand Thread
17	0405-281	2	/P	Tie Rod
18	0505-510	2	/P	End, Tie Rod - Right-Hand Thread - Kit (inc. 19-20 and two No. 21-22)
19	0	2	F	End, Tie Rod - Right-Hand Thread
20	8420-002	2	/P	Nut - Right-Hand Thread
21	0423-157	4		Nut, Lock
22	0623-175	4		Pin, Cotter



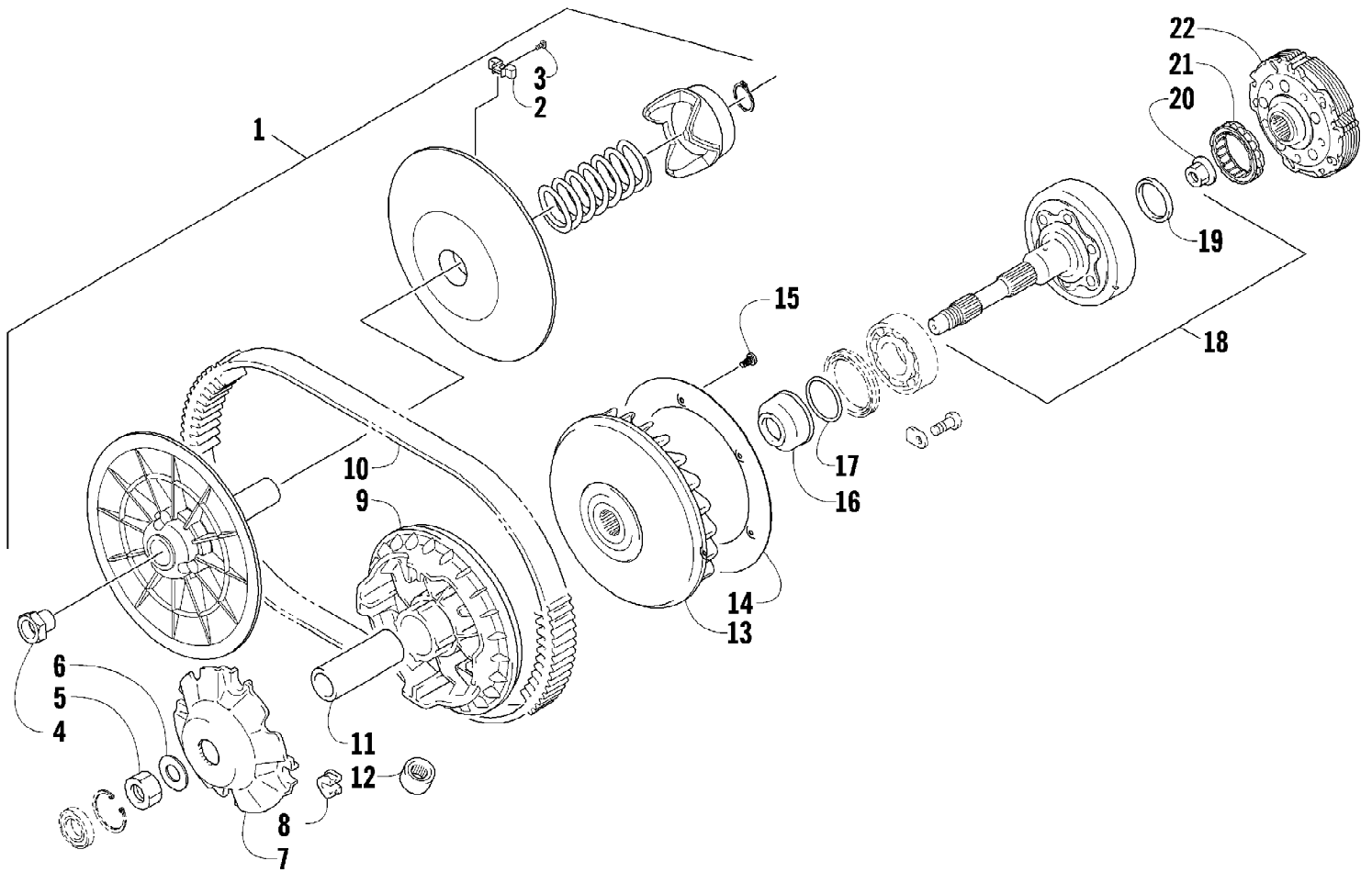
2009 ATV 550 TRV LE BLACK INTERNATIONAL (A2009TBO4EOSQ)  
TAILLIGHT ASSEMBLY

Page 77 of 89

Ref #	Part Number	Qty	S/P/F	Description
1	0509-022	1		Taillight Assembly (inc. 2-4)
2	0509-025	1		Housing, Taillight
3	0409-056	1		Bulb, Taillight
4	0409-057	1		Socket, Taillight
5	0623-301	2	/P	Screw, Self-Tapping
6	8053-212	2	/P	Washer, External Tooth Lock

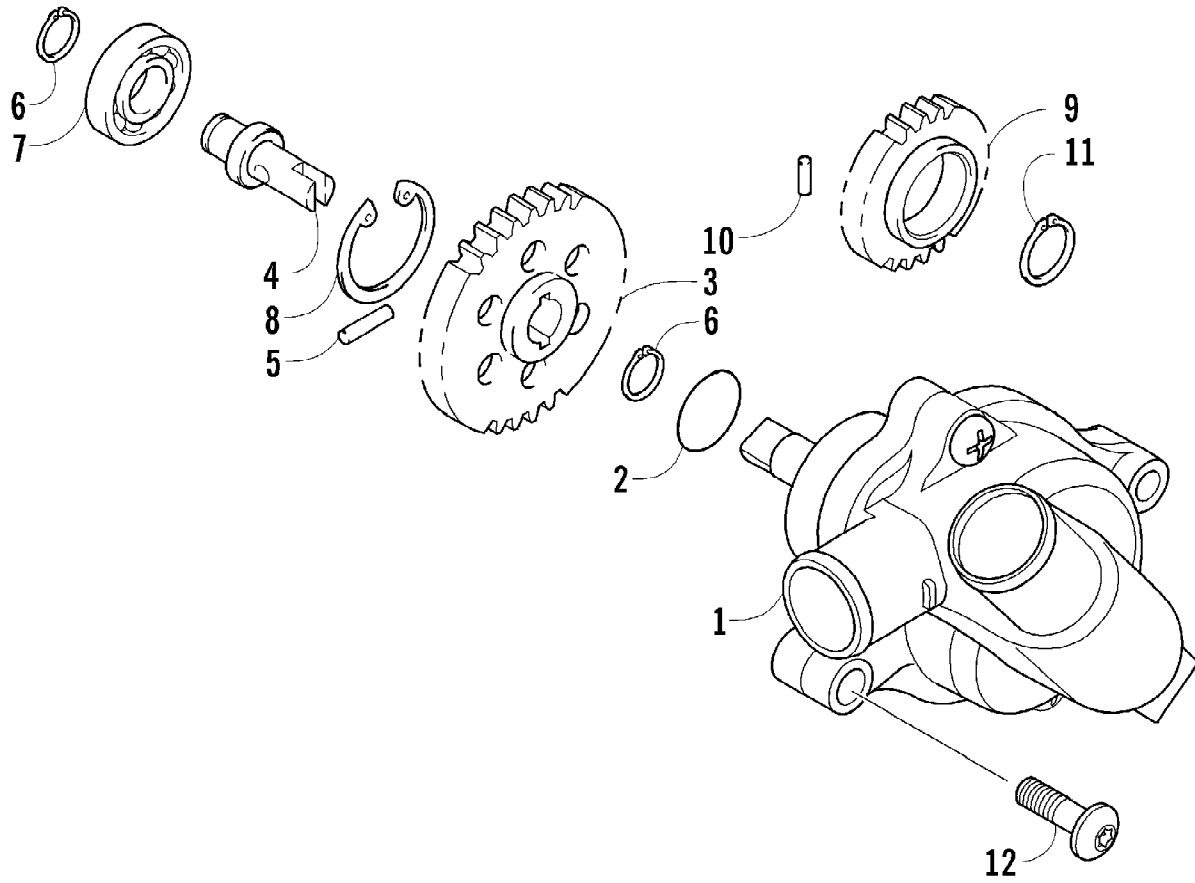


Ref #	Part Number	Qty	S/P/F	Description
1	0470-753	1		Throttle - Assembly (inc. 2-19)
2	0	1	F	Throttle Body
3	0430-072	1		Sensor, Throttle Position
4	5507-234	1		O-Ring
5	5507-231	1		Screw, Machine
6	0430-074	1		Valve, ISC
7	5507-233	1		O-Ring
8	5507-238	1		Screw, Machine
9	0470-687	1		Rail, Fuel
10	0470-767	1		O-Ring
11	0470-762	1		Injector, Fuel
12	0470-768	1		Seal
13	5507-227	1		Bracket, MAP Sensor
14	5507-117	2	/P	Screw, Machine
15	0430-073	1		Sensor, MAP
16	5507-232	1		O-Ring
17	5507-229	1		Plate, ISC Valve
18	5507-223	1		Cover
19	5507-037	1	/P	Screw, Machine
20	0487-057	1		Cable, Throttle

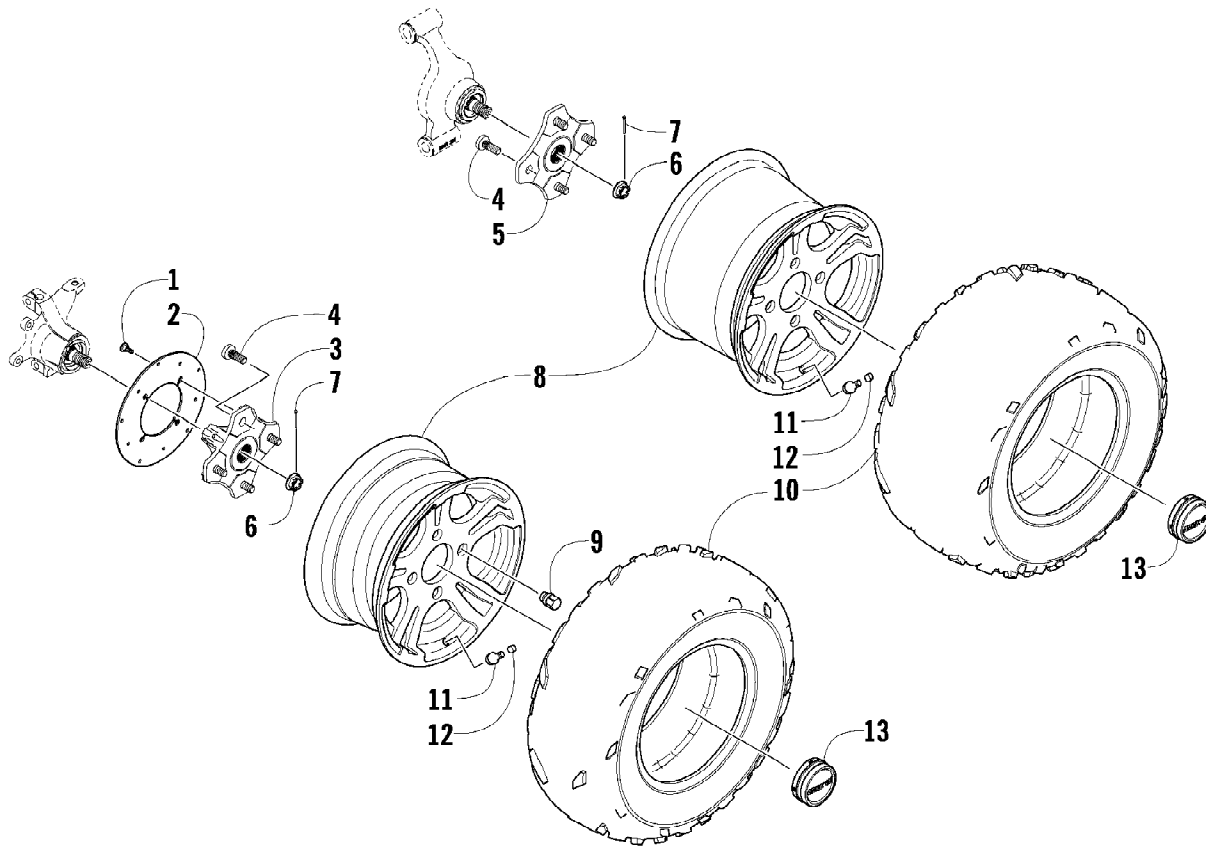




Ref #	Part Number	Qty	S/P/F	Description
1	0823-157	1	S/P	Pulley, Driven - Assembly (inc. 2-4)
2	0823-176	3	/P	Shoe, Cam
3	0823-177	3		Screw, Machine
4	0823-178	1		Nut
5	0827-010	1		Nut
6	0828-106	1		Washer
7	0823-008	1		Plate, Movable Drive Face
8	0823-010	4		Damper, Movable Drive Face
9	0823-159	1		Face, Movable Drive
10	0823-013	1		Belt, Drive
11	0823-149	1		Spacer
12	0823-167	8	/P	Roller
13	0823-156	1	/P	Face, Fixed Drive
14	0823-131	1		Shroud, Drive Face
15	0623-914	6		Screw, Self-Tapping
16	0823-015	1		Spacer, Fixed Drive Face
17	0470-531	1		O-Ring
18	0823-096	1	S	Housing, Clutch - Assembly (inc. 19)
19	0830-189	1	/P	Seal
20	0827-011	1		Nut
21	0823-018	1		Clutch, One-Way
22	0823-098	1	S	Clutch, Centrifugal - 6 Plate



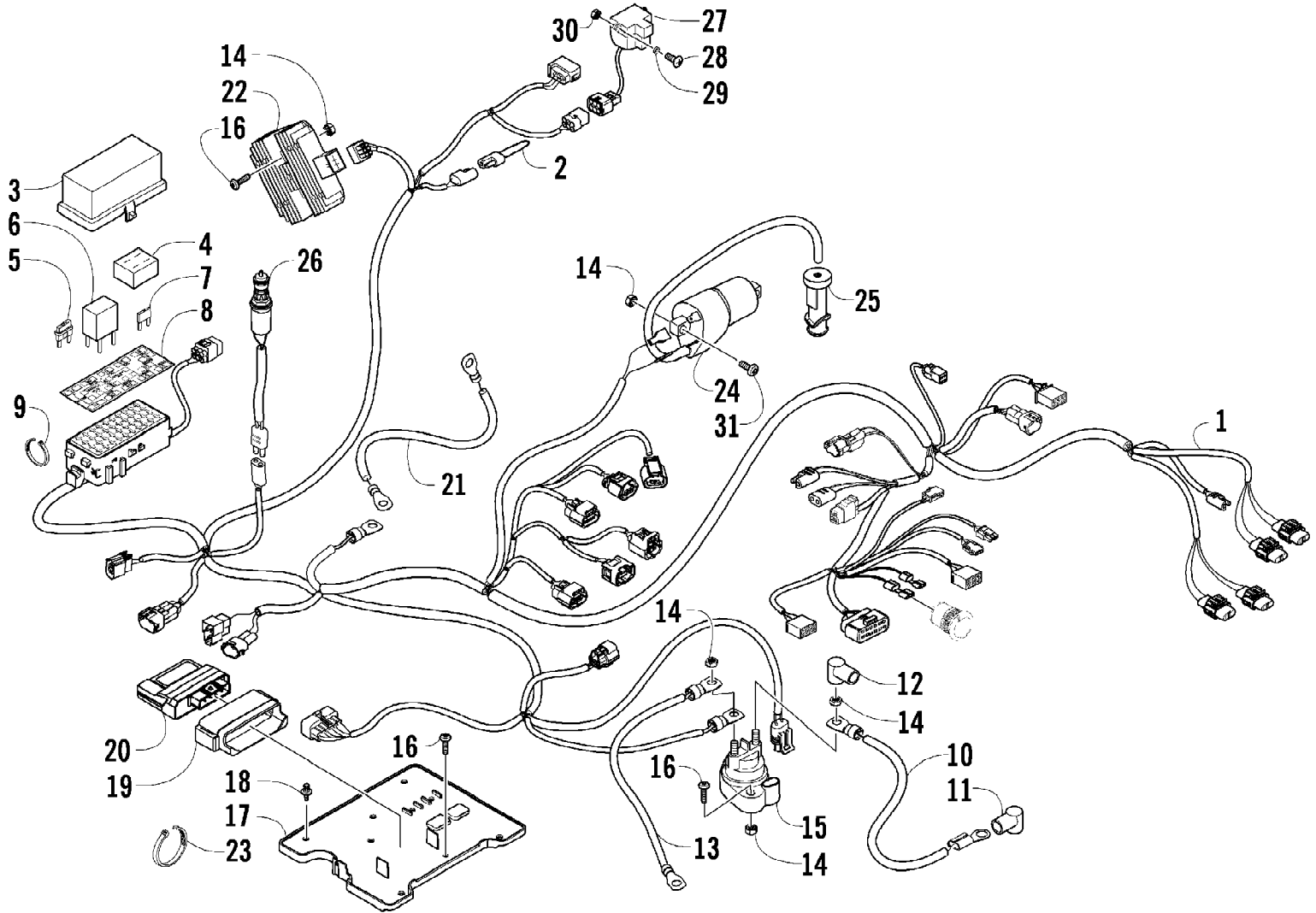
Ref #	Part Number	Qty	S/P/F	Description
1	0813-001	1		Pump, Water - Assembly (inc. 2)
2	0830-029	1		O-Ring
3	0813-004	1		Gear, Driven
4	0813-005	1		Shaft, Driven Gear
5	0829-009	1		Pin
6	0831-002	2		Ring, Retaining
7	0832-046	1	/P	Bearing
8	0831-004	1		Ring, Retaining
9	0811-003	1		Gear, Water Pump Drive
10	0829-007	1		Pin
11	0831-005	1		Ring, Retaining
12	8468-665	2		Screw, Machine



Ref #	Part Number	Qty	S/P/F	Description
1	0423-557	12		Screw, Shoulder
2	1436-164	3	/P	Disc, Brake
3	3323-100	2	S	Hub, Wheel - Front (inc. 4)
4	0402-974	16	/P	Stud
5	3323-113	1	/P	Hub, Wheel - Rear - Left (inc. 4)
5	3323-100	1	S	Hub, Wheel - Rear - Right (inc. 4)
6	0423-607	4		Nut, Castle
7	0423-407	4		Pin, Cotter
8	1402-730	2		Wheel - Front
8	1402-731	2		Wheel - Rear
9	0423-618	16		Nut, Lug
10	1402-658	2		Tire - Front
10	1402-659	2		Tire - Rear
11	0402-064	4		Stem, Valve (inc. 12)
12	0402-140	4		Cap, Valve Stem
13	1402-736	4		Cap, Center



Ref #	Part Number	Qty	S/P/F	Description
1	1441-704	1		Winch (inc. 2-3)
2	0441-061	1		Cable, Winch
3	1411-826	1		Decal, Warning
4	8051-246	4		Washer, Lock
5	8408-820	4	/P	Screw, Cap
6	0541-759	1		Hook, Winch w/Strap - Assembly (inc. 7-9)
7	0541-760	1		Hook, Winch w/Strap
8	1441-130	1		Pin
9	1441-129	1		Pin, Cotter
10	0441-403	1	/P	Roller, Winch
11	8468-820	2		Screw, Machine
12	0123-788	AR	/P	Tie, Cable - 8 in.
13	0445-068	1		Cable, Winch/Solenoid - Yellow
14	0445-069	1		Cable, Winch/Solenoid - Blue
15	0623-038	8		Nut w/Washer
16	1441-112	1		Cable, Solenoid/Battery - Black
17	1441-113	1		Cable, Solenoid/Battery - Red
18	0441-060	3		Boot, Terminal
19	0409-066	1	/P	Solenoid
20	8476-625	2		Screw, Machine
21	0409-087	1		Switch, Control
22	0409-034	1		Retainer, Control Switch
23	0409-106	1		Cover, Switch
24	0423-593	1		Washer
25	0423-382	1		Screw, Self-Tapping
26	8464-560	2		Screw, Machine





Ref #	Part Number	Qty	S/P/F	Description
1	0486-316	1	/P	Harness, Main (inc. 2-8)
2	0486-164	1		Tether, Accessory Connector
3	0530-008	1		Cover, Fuse Block
4	0430-037	1		Holder, Fuse
5	0430-034	2		Diode
6	0430-045	5	/P	Relay (4-Pin) - 20 Amp
7	0430-032	6		Fuse - 10 Amp
7	0430-031	3		Fuse - 15 Amp
7	0430-030	2		Fuse - 30 Amp
8	1411-940	1		Decal, Fuse Block
9	0123-788	AR	/P	Tie, Cable - 8 in.
10	0445-064	1		Cable, Solenoid/Starter (inc. 11)
11	0645-019	1		Boot, Terminal
12	0645-327	1		Boot, Terminal
13	0445-062	1		Cable, Battery/Solenoid
14	0623-038	8		Nut w/Washer
15	0445-058	1	/P	Solenoid
16	8476-625	6		Screw, Machine
17	2406-643	1		Tray, Electrical
18	0623-362	3		Rivet, Reinstallable
19	0430-076	1		Cushion, ECU
20	0530-020	1		ECU
21	0445-070	1		Cable, Battery/Ground
22	0824-037	1	/P	Regulator, Voltage
23	0123-903	AR		Tie, Cable - 11.5 in.
24	0824-043	1		Coil, Ignition
25	0824-049	1	/P	Cap, Spark Plug
26	0409-089	1		Switch, Brake - Assembly
27	0409-064	1		Switch, Tilt Sensor
28	8468-425	2		Screw, Machine
29	0123-802	2		Washer
30	0423-493	2		Nut w/Washer
31	8476-620	2		Screw, Machine