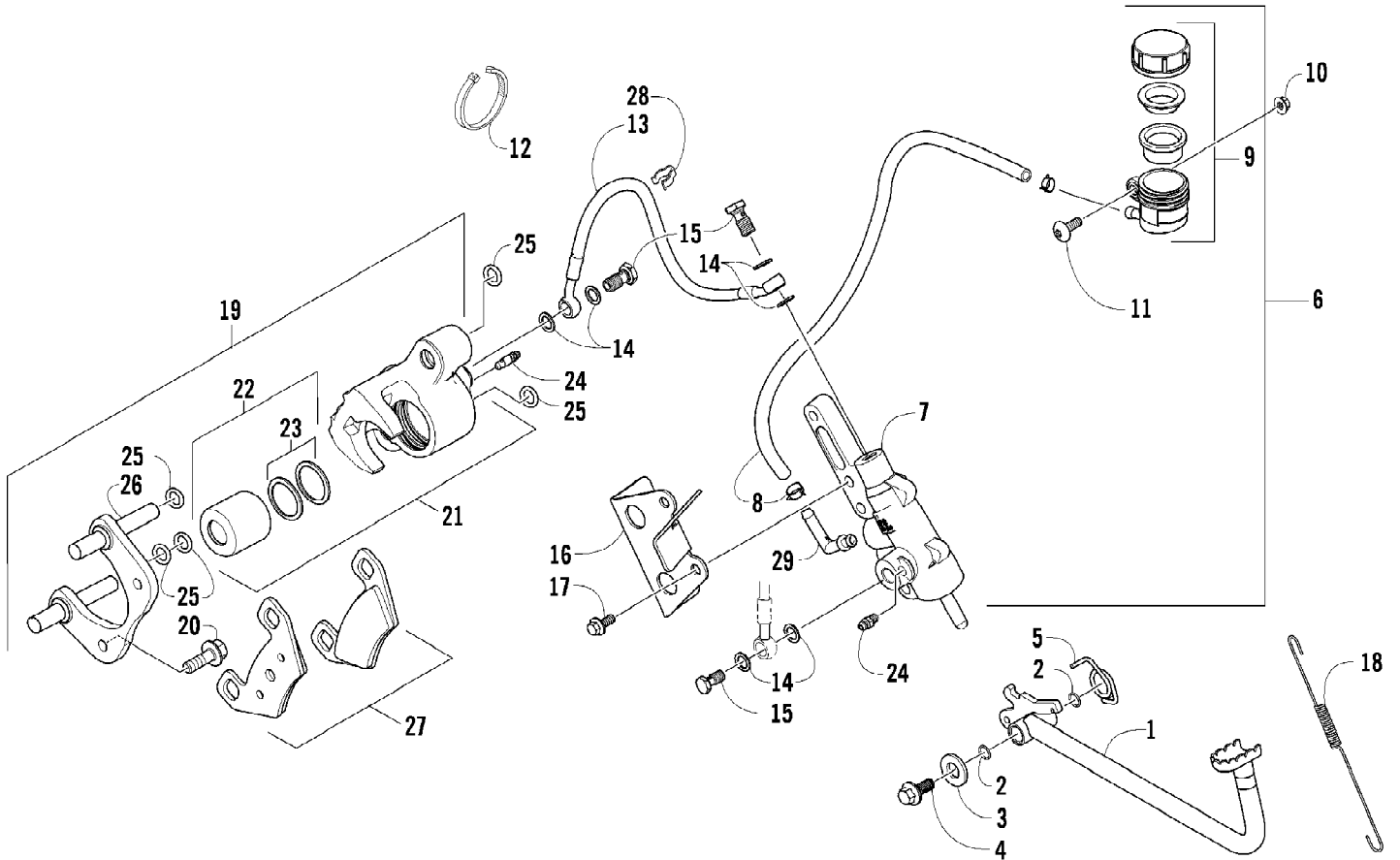
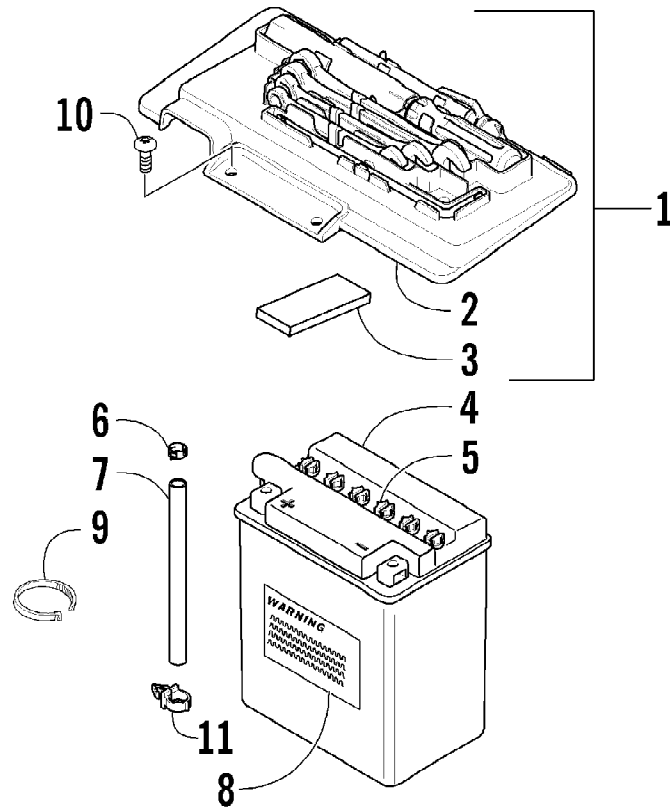


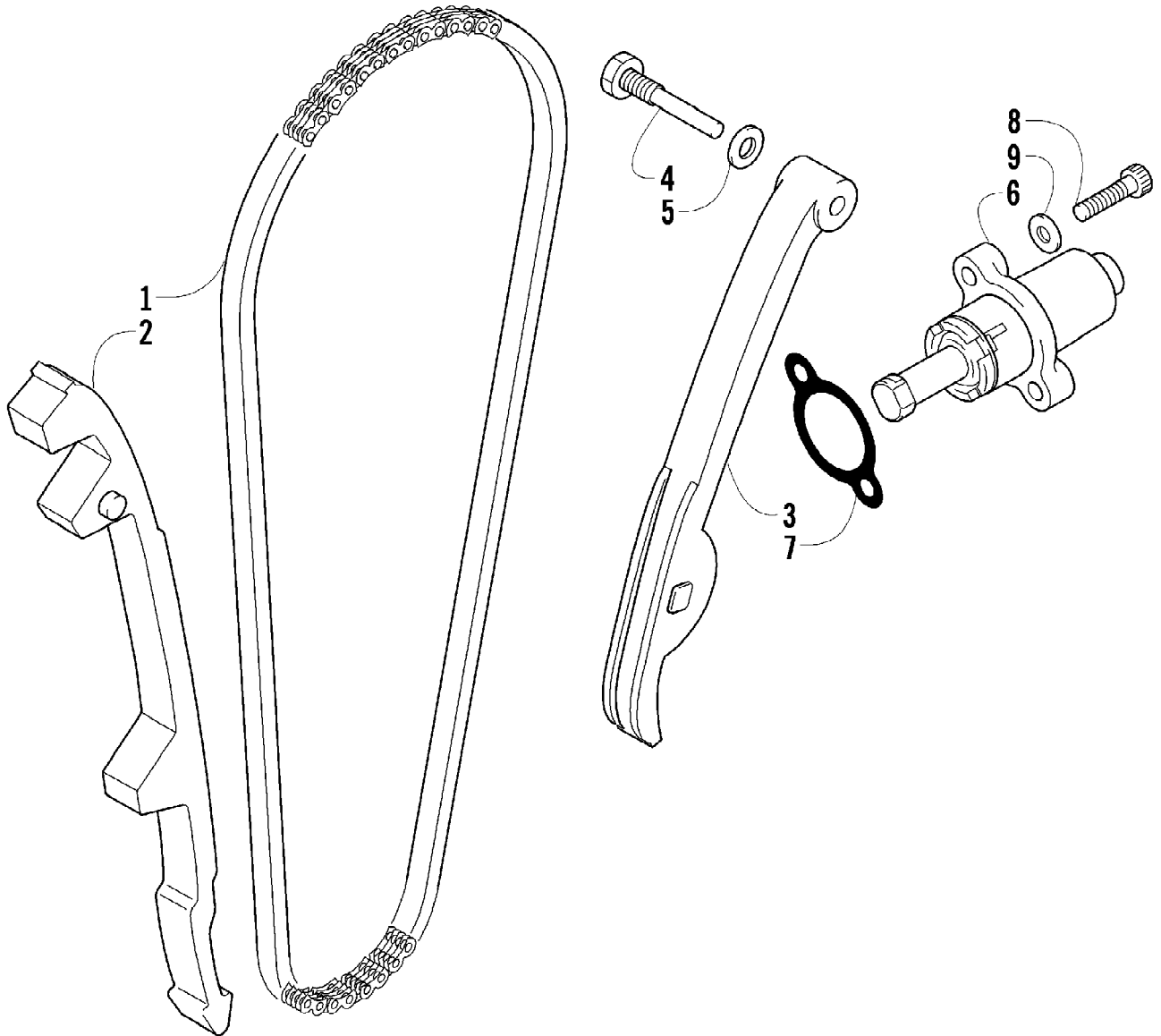
Ref #	Part Number	Qty	S/P/F	Description
1	0413-091	1		Diverter, Air - Top
2	0413-093	1		Diverter, Air - Bottom
3	0413-096	1		Cap, Air Diverter
4	0470-529	1		Boot, Air Intake
5	0423-551	3		Clamp, Boot
6	1406-747	1		Shroud, Splash
7	0623-362	2		Rivet, Reinstallable
8	0423-342	7	/P	Screw, Self-Tapping
9	0423-454	2		Clip, Mounting - Air Intake
10	0470-515	1	S	Housing, Air Intake
11	0470-442	2	/P	Valve, Drain
12	0470-755	1	S	Cover, Air Intake
13	0470-663	1	/P	Filter, Air
14	0470-516	1		Screen, Air Filter
15	0423-554	1		Clamp, Boot
16	0423-455	4		Clip, Spring
17	1623-281	2		Clamp, Hose
18	0410-172	1	/P	Hose, Vent - Crankcase
19	0470-524	1		Boot, Carburetor
20	0423-019	1		Clamp, Boot
21	0470-739	1		Carburetor, CVK36-AE
22	0510-592	1		Hose, Carburetor Drain



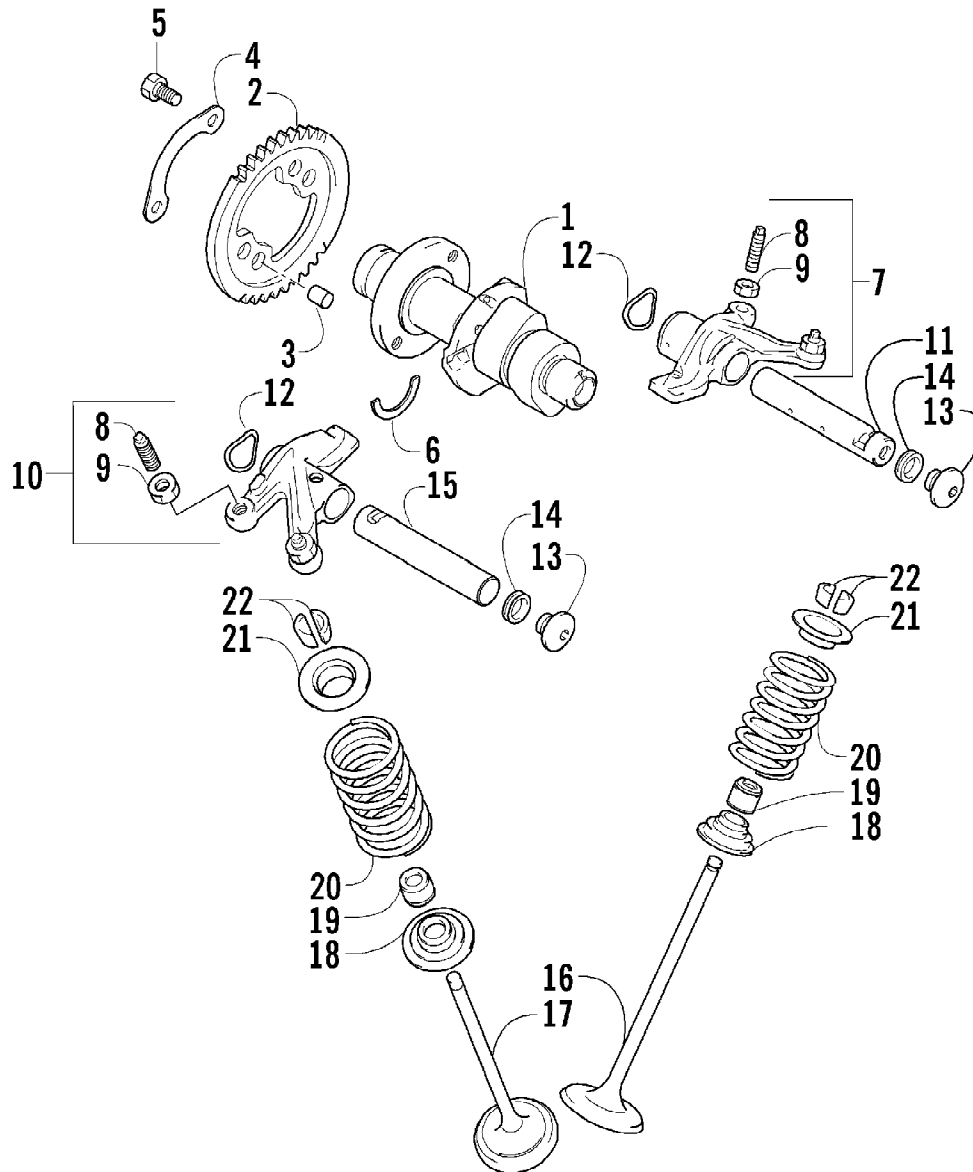
Ref #	Part Number	Qty	S/P/F	Description
	1502-292	1		Master Cylinder Replacement Kit
1	1502-066	1		Lever, Brake
2	1602-213	2	/P	O-Ring
3	8050-252	1		Washer
4	8408-816	1		Screw, Cap
5	0502-807	1		Spring, Brake Lever
6	1502-293	1		Brake Assembly (inc. 7-9)
7	0	1	F	Master Cylinder
8	0	1	F	Hose, Brake Fluid Reservoir w/Clamps
9	1502-155	1		Reservoir, Brake Fluid w/Clamp
10	0623-038	1		Nut w/Washer
11	8476-616	1		Screw, Machine
12	0123-788	AR	/P	Tie, Cable - 8 in.
13	1502-139	1		Hose, Brake
14	0423-178	6		Washer, Crush
15	0423-413	3		Bolt, Banjo-Fitting
16	1502-179	1		Bracket, Switch
17	8408-625	2		Screw, Cap
18	0502-785	1		Spring, Brake Switch
19	1436-162	1	S/P	Caliper, Brake (inc. 20-23, one No. 24, and 25-27)
20	8408-821	2	/P	Screw, Cap
21	1436-160	1	/P	Housing, Caliper - Assembly - Right Rear (inc. 22-23 and one no. 24)
22	0502-606	1		Piston/Seal Set (inc. 23)
23	0502-607	1		Seal Set
24	0502-609	2	/P	Valve, Bleed
25	0502-608	1		O-Ring, Guide - Set
26	0502-605	1		Bracket Assembly
27	1436-165	1	S	Pad, Brake - Set
28	1502-115	2		Clip, Brake Hose
29	1502-296	1	/P	Adapter, Hose



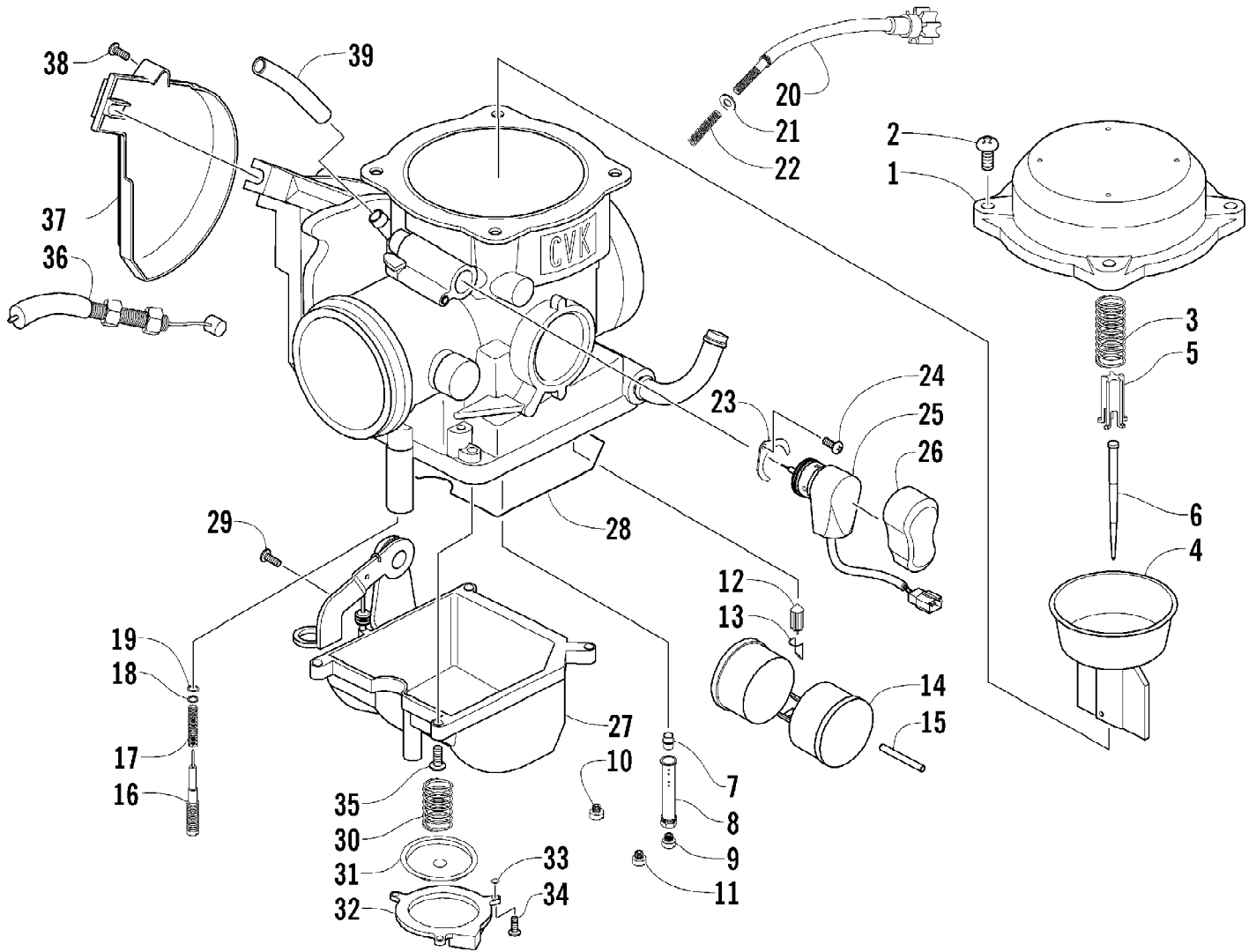
Ref #	Part Number	Qty	S/P/F	Description
1	5991-395	1	S	Battery Cover/Tool Tray Assembly (inc. 2-3)
2	2406-815	1	/P	Cover, Battery
3	0406-288	2		Pad, Battery
3	0444-122	1	S/P	Kit, Tool
4	0745-045	1	/P	Battery Assembly (inc. 5-8)
5	0645-045	6		Cap
6	0645-152	1		Clamp, Hose
7	0645-263	1	/P	Hose, Vent
8	0645-151	1		Label, Warning
9	0123-903	4		Tie, Cable - 11.5 in.
10	8476-620	2		Screw, Machine
11	0623-101	1		Clip, Routing



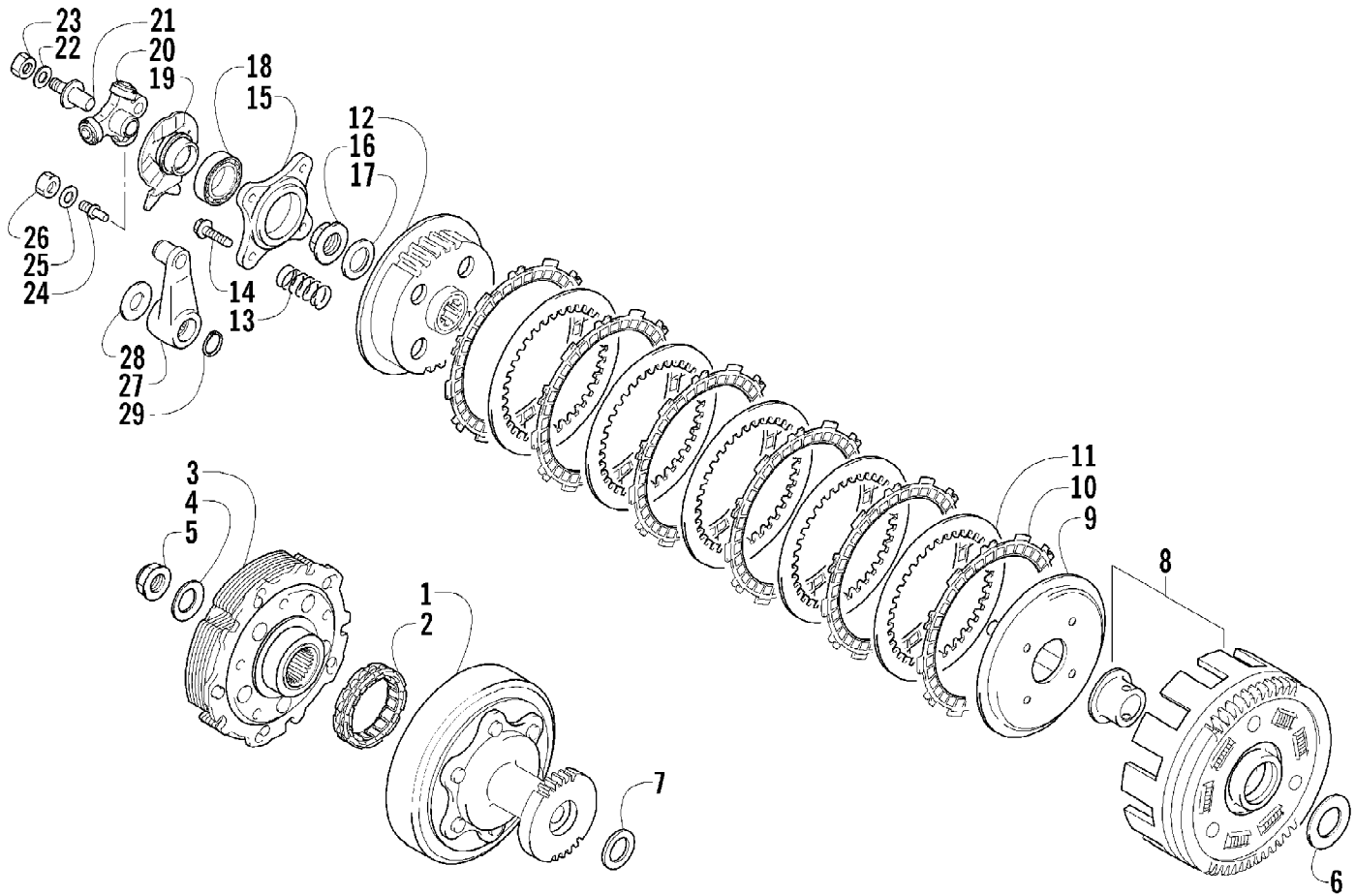
Ref #	Part Number	Qty	S/P/F	Description
1	3402-353	1		Chain, Cam
2	3402-355	1		Guide, Chain
3	3402-356	1		Tensioner, Chain
4	3423-074	1		Bolt
5	3402-436	1	/P	Washer
6	3402-136	1		Adjuster, Tensioner - Assembly
7	3402-137	1		Gasket
8	3007-509	2	/P	Screw, Cap
9	3003-290	2	/P	Gasket



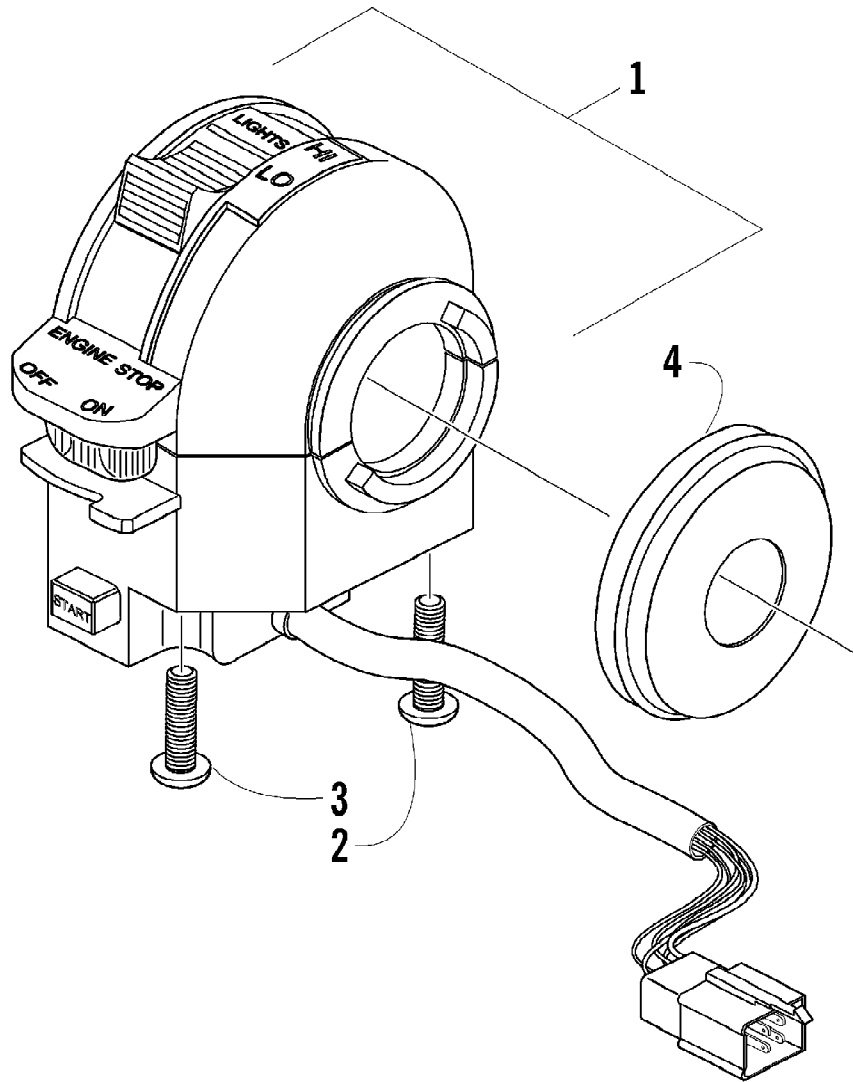
Ref #	Part Number	Qty	S/P/F	Description
1	3402-982	1	/P	Camshaft
2	3402-352	1		Sprocket
3	3423-047	1		Pin
4	3423-073	1		Washer
5	3423-013	2	S	Screw, Cap
6	3423-071	1	/P	C-Ring
7	3402-805	1	/P	Arm, Valve Rocker - Intake (inc. two No. 8-9)
8	3423-075	4		Screw
9	3423-076	4		Nut
10	3402-139	1		Arm, Valve Rocker - Exhaust (inc. two No. 8-9)
11	3402-140	1		Shaft, Rocker Arm - Intake
12	3423-031	2		Washer
13	3423-111	2	S	Plug, Shaft
14	3402-012	2		Gasket
15	3402-141	1		Shaft, Rocker Arm - Exhaust
16	3402-725	2	/P	Valve, Intake
17	3402-143	2		Valve, Exhaust
18	3402-148	4		Seat, Spring
19	3402-078	4		Seal, Oil
20	3402-726	4		Spring, Valve
21	3423-541	4	/P	Retainer, Spring
22	3402-147	8		Cotter, Valve



Ref #	Part Number	Qty	S/P/F	Description
	0470-739	1		Carburetor Assembly - CVK36-AE
1	5507-001	1		Cover, Top
2	5507-002	4	/P	Screw, Machine
3	5507-066	1	/P	Spring
4	5507-099	1		Piston, Vacuum
5	5507-005	1		Seat, Spring
6	5507-184	1		Jet Needle
7	5507-007	1		Needle Jet
8	5507-047	1	/P	Holder, Needle Jet
9	5507-076	1	/P	Main Jet - 138
9	5507-044	1	F	Main Jet - 140
9	5507-043	1	F	Main Jet - 142
9	5507-057	1	/P/F	Main Jet - 135
9	5507-075	1	F	Main Jet - 132
9	5507-074	1	F	Main Jet - 130
10	5507-070	1	/P	Slow Jet
11	5507-112	1		Starter Jet - 85
12	5507-183	1		Valve, Float - Set (inc. 13)
13	0	1	F	Clip
14	5507-039	1		Float Set (inc. 15)
15	0	1	F	Pin, Float
16	5507-213	1		Screw, Pilot - Set (inc. 17-19)
17	0	1	F	Spring
18	0	1	F	Washer
19	0	1	F	O-Ring
20	5507-027	1		Screw, Idle Adjust
21	5507-028	1		Washer
22	5507-029	1		Spring
23	5507-115	1		Plate
24	5507-117	1	/P	Screw, Machine
25	5507-113	1		Choke, Electric
26	5507-114	1		Cover, Electric Choke
27	5507-214	1		Chamber, Float - Assembly (inc. 28-34)
28	5507-067	1	/P	O-Ring, Float Chamber
29	5507-050	1	/P	Screw, Machine
30	5507-211	1		Spring
31	5507-197	1		Diaphragm Assembly
32	5507-198	1		Housing, Pump
33	5507-034	1		U-Ring
34	5507-035	3		Screw, Machine
35	5507-017	4	/P	Screw, Machine
36	0487-049	1	/P	Cable, Throttle
37	5507-036	1		Cover
38	5507-037	1	/P	Screw, Machine
39	0410-056	1		Hose, Vent



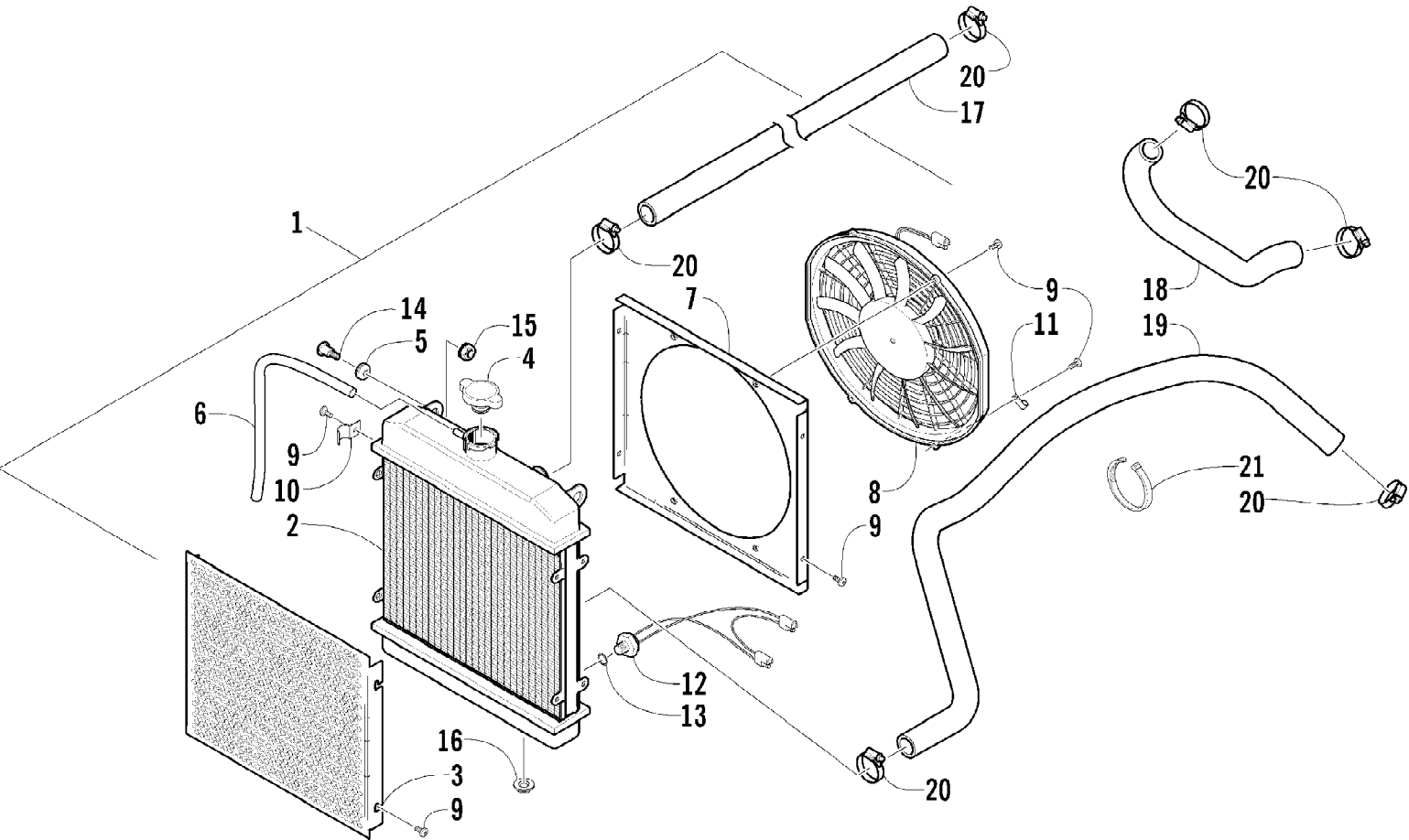
Ref #	Part Number	Qty	S/P/F	Description
1	3446-329	1		Housing, Starter Clutch
2	3446-003	1		Clutch, Primary Drive One-Way
3	3446-330	1		Shoe, Starter Clutch
4	3423-032	1		Washer
5	3423-081	1		Nut, Starter Clutch Shoe
6	3423-122	1		Washer, Primary Driven
7	3423-350	1		Washer, Primary Driven
8	3446-331	1		Gear, Primary Driven - Assembly
9	3446-008	1		Disc, Clutch Pressure
10	3446-332	6		Plate, Clutch Drive
11	3446-007	5		Plate, Clutch Driven
12	3446-004	1		Hub, Clutch Sleeve
13	3423-544	4		Spring, Clutch
14	3423-330	4		Screw, Cap
15	3446-009	1		Plate, Clutch Release
16	3423-080	1		Nut, Clutch Sleeve Hub
17	3423-032	1		Washer
18	3402-186	1	/P	Bearing, Clutch Release Plate
19	3446-334	1		Guide, Clutch Release Roller
20	3446-335	1		Roller Assembly, Clutch Release
21	3423-361	1		Bolt, Clutch Release - No. 1
22	3423-360	1		Washer, Clutch Release - No. 1
23	3423-853	1		Nut, Clutch Release - No. 1
24	3423-083	1		Bolt, Clutch Release - No. 2
25	3423-027	1		Washer, Clutch Release - No. 2
26	3008-014	1		Nut, Clutch Release - No. 2
27	3446-333	1		Arm, Clutch Release
28	3423-545	1		Washer, Clutch Release Arm
29	3423-546	1		Circlip, Clutch Release Arm



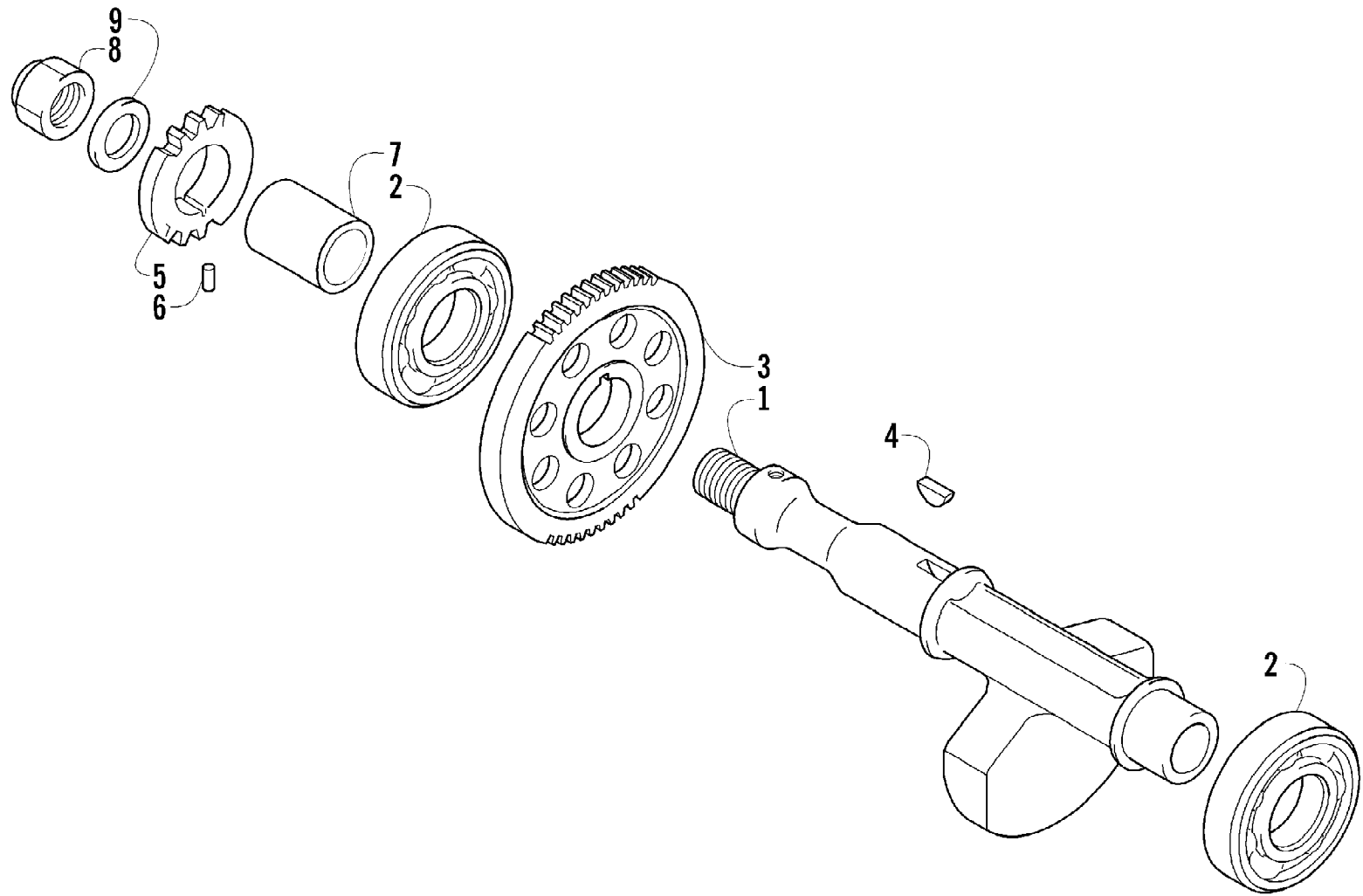
2009 ATV 500 4X4 MANUAL GREEN (A2009IBM4AUSG)
CONTROL SWITCH HOUSING ASSEMBLY

Page 16 of 93

Ref #	Part Number	Qty	S/P/F	Description
1	0509-013	1		Switch, Control - Assembly (inc. 2-3)
2	3423-197	1		Screw, Machine
3	3423-196	1		Screw, Machine
4	3409-019	1		Cover, Switch Housing



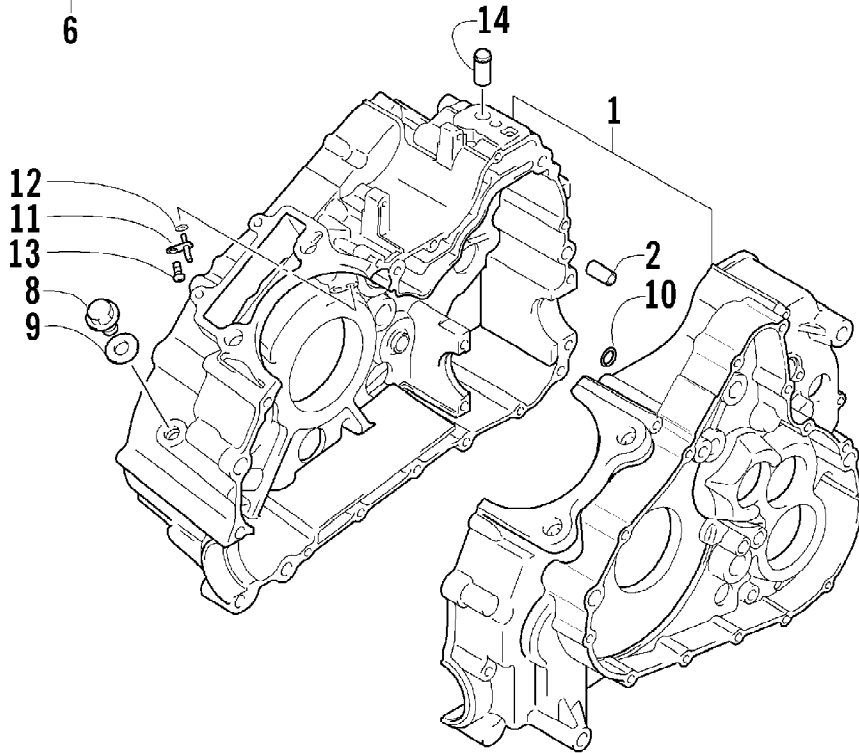
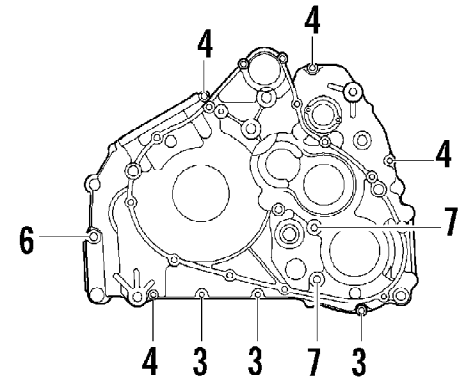
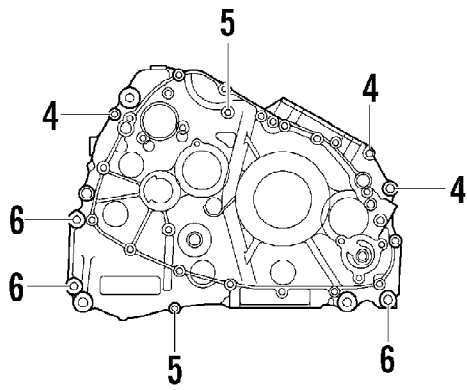
Ref #	Part Number	Qty	S/P/F	Description
1	0413-172	1	S	Radiator Assembly (inc. 2-13)
2	0413-184	1	/P	Radiator
3	0413-007	1		Screen
4	0413-002	1	S	Cap
5	0423-030	2		Grommet
6	0610-016	AR	/P	Hose - 25 ft
7	0413-046	1		Shroud, Fan
8	0413-123	1	/P	Fan, Cooling
9	8475-512	12		Screw, Machine
10	0423-351	1		Clamp, Wire
11	0123-397	1		Clamp, Wire
12	0413-168	1		Switch, Engine Coolant Temperature
13	1602-213	1	/P	O-Ring
14	0423-484	2		Screw, Shoulder
15	0623-038	2		Nut w/Washer
16	0423-028	2		Bushing, Stem
17	0410-002	1		Hose, Coolant - Upper
18	0410-003	1		Hose, Coolant - Crossover
19	0410-042	1		Hose, Coolant - Lower
20	0423-496	6		Clamp, Hose
21	0623-751	1		Tie, Cable



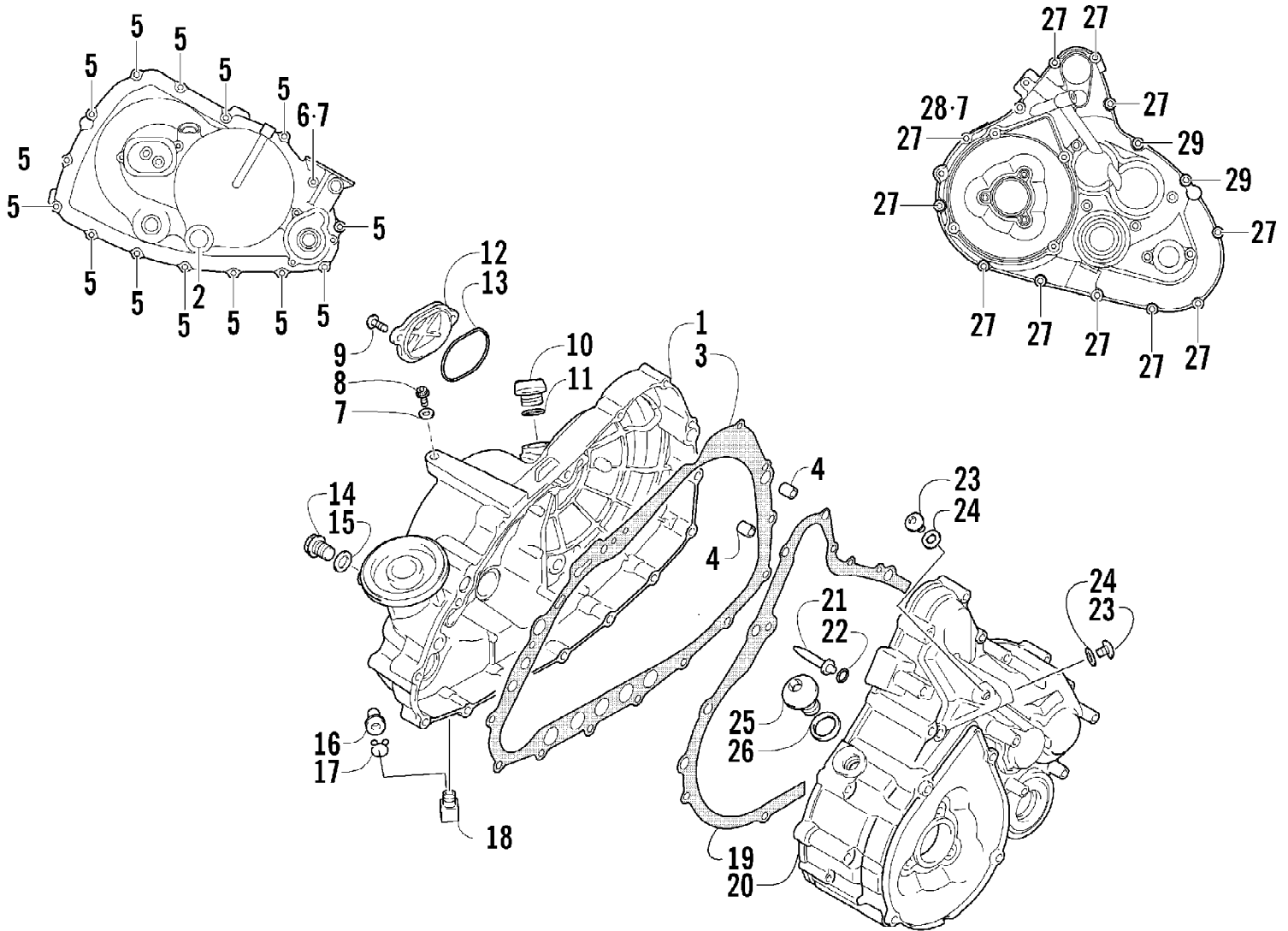
2009 ATV 500 4X4 MANUAL GREEN (A2009IBM4AUSG)
CRANK BALANCER ASSEMBLY

Page 20 of 93

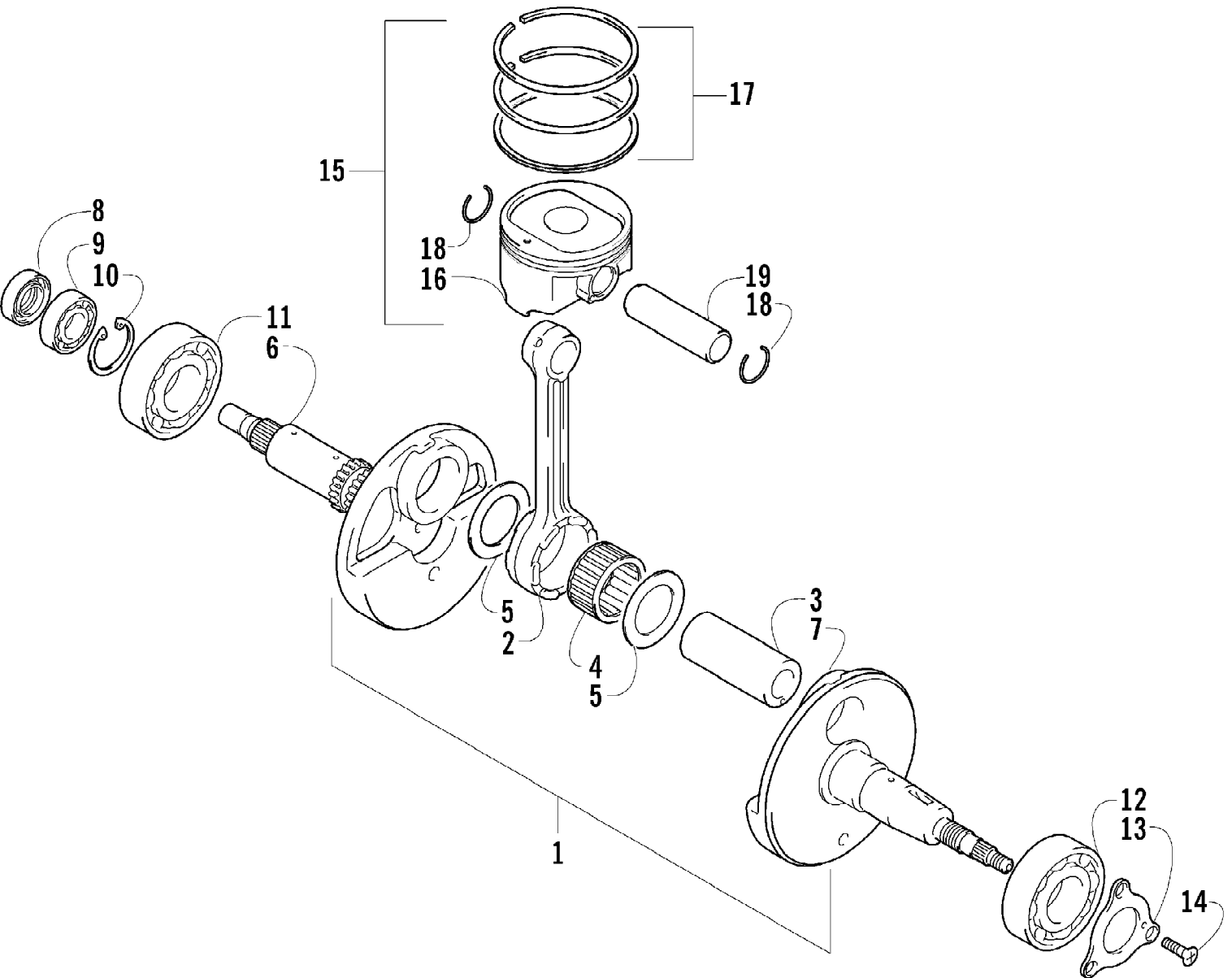
Ref #	Part Number	Qty	S/P/F	Description
1	3402-350	1		Balancer, Crank
2	3402-050	2		Bearing
3	3402-814	1		Gear, Driven
4	3004-540	1	/P	Key
5	3402-390	1		Gear, Oil Pump Drive
6	3423-114	1	/P	Pin, Drive Gear
7	3402-151	1		Spacer
8	3423-025	1		Nut
9	3423-029	1		Washer



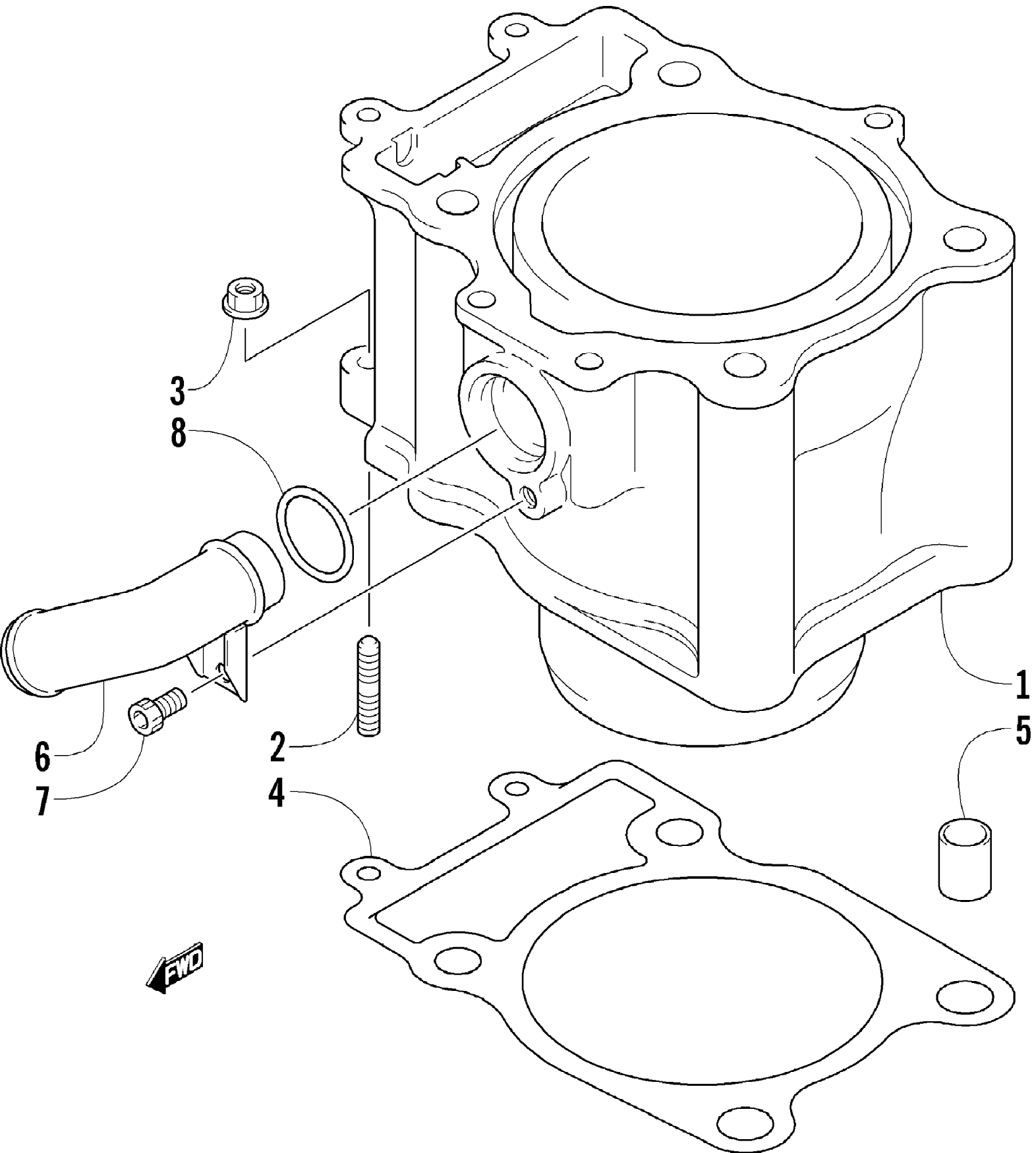
Ref #	Part Number	Qty	S/P/F	Description
1	3402-809	1	S	Crankcase Assembly (inc. 2-13)
2	3423-088	2		Pin, Dowel
3	3423-091	3	S	Bolt
4	3423-092	7	S	Bolt
5	3423-094	2		Bolt
6	0693-303	4	S	Bolt
7	3423-093	2		Bolt
8	3423-095	1		Plug, Oil Gallery
9	3402-011	1		Gasket
10	3423-052	1		O-Ring
11	3402-369	1		Jet, Piston Cooling
12	3423-051	1		O-Ring
13	3423-370	1		Screw, Machine
14	3402-389	1		Union, Breather Hose



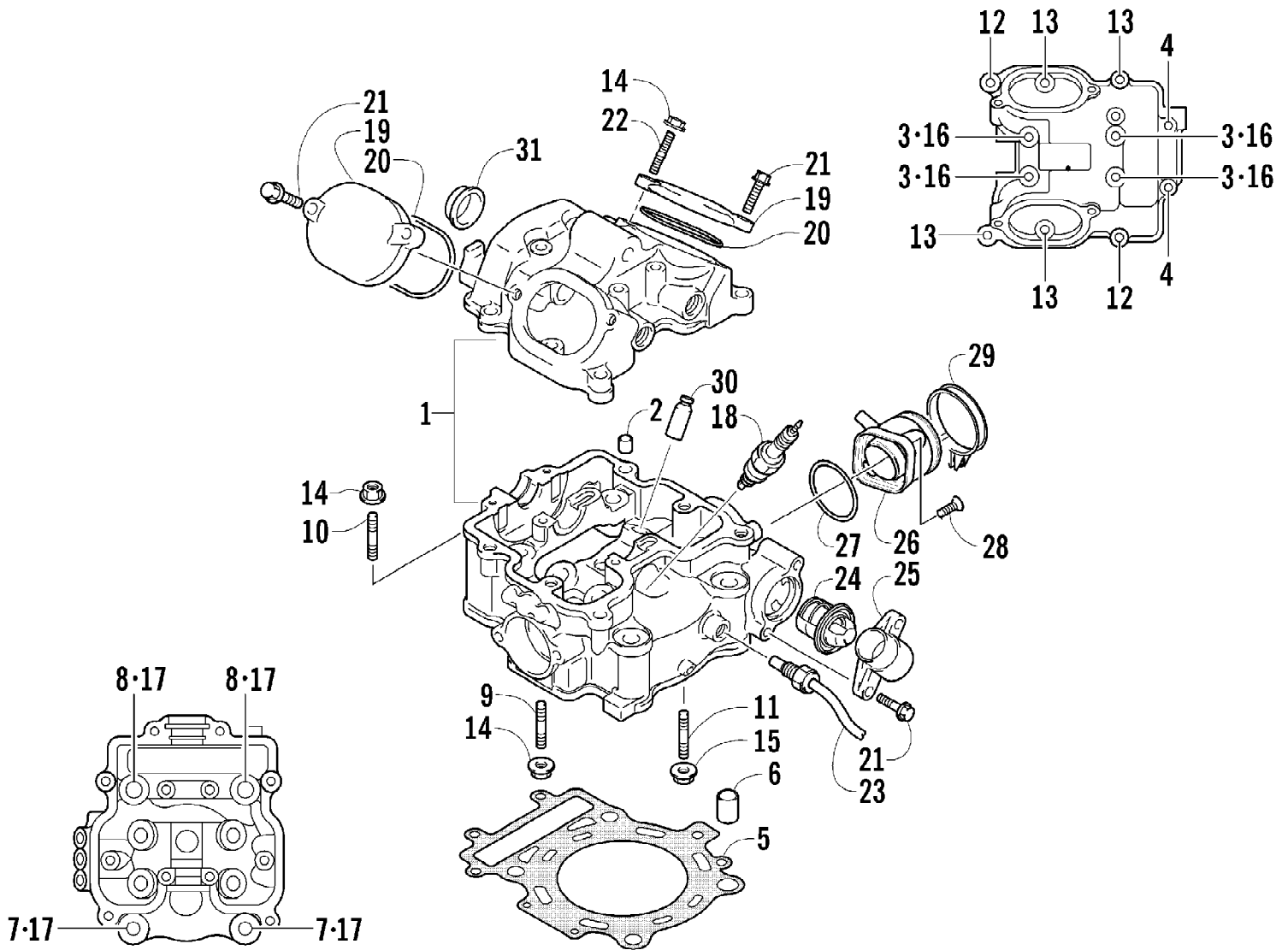
Ref #	Part Number	Qty	S/P/F	Description
1	3402-810	1		Cover, Clutch (inc. 2)
2	3402-112	1	/P	Lens, Oil Inspection
3	3402-108	1		Gasket
4	3423-088	4		Pin, Dowel
5	0693-327	14	S	Screw, Cap
6	3423-097	1		Screw, Cap
7	3003-290	3	/P	Gasket
8	3423-539	1		Plug, Oil Gallery
9	3423-096	2	S	Screw, Cap
10	3402-042	1		Cap, Engine Oil Filler
11	3423-055	1		O-Ring
12	3402-363	1		Cap, Inspection
13	3402-101	1		O-Ring
14	3402-214	1		Plug, Oil Pressure
15	3402-012	1		Gasket
16	3413-008	1		Tube, Drain
17	3423-120	1		Clamp
18	3413-009	1		Union, Water Drain
19	3402-538	1	/P	Gasket, Transfer Cover
20	3402-368	1		Cover, Transfer (inc. 21-22)
21	3402-097	1		Jet, Oil Mission
22	3423-051	1		O-Ring
23	3423-540	2		Plug, Oil Gallery
24	3005-242	2		Gasket
25	3402-041	1	S	Plug
26	3402-013	1	/P	Gasket
27	3423-098	11	S	Screw, Cap
28	3423-092	1	S	Screw, Cap
29	3007-505	2	/P	Screw, Cap



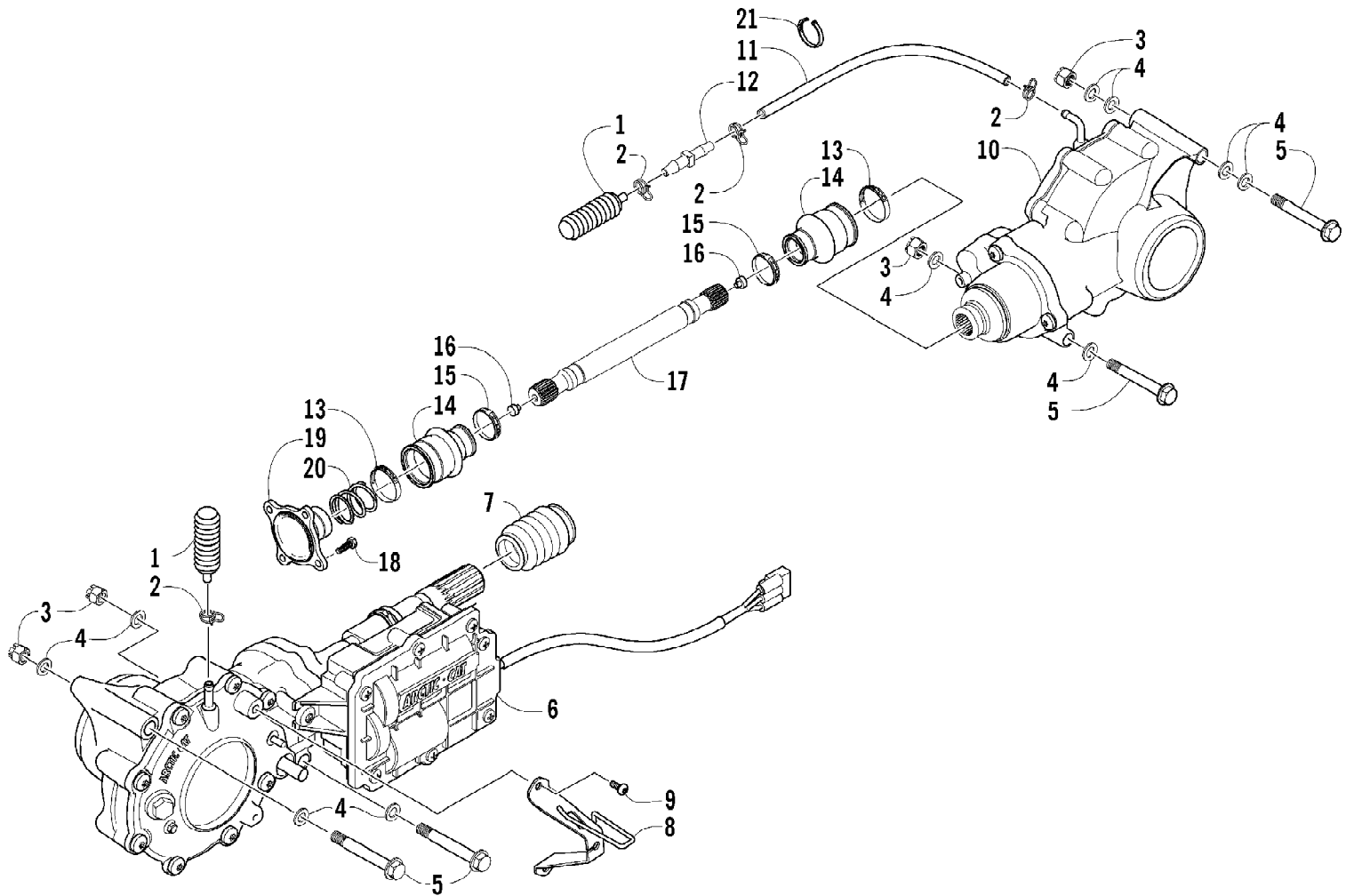
Ref #	Part Number	Qty	S/P/F	Description
1	3402-811	1		Crankshaft Assembly (inc. 2-7)
2	3402-376	1		Rod, Connecting
3	3402-377	1		Pin, Crank
4	3402-717	1	/P	Bearing
5	3423-351	2		Washer
6	3402-812	1		Crankshaft - Right
7	3402-705	1	/P	Crankshaft - Left
8	3402-387	1		Seal, Oil
9	3402-384	1		Bearing - Right
10	3423-355	1		Circlip
11	3402-058	1		Bearing - Middle
12	3402-054	1		Bearing - Left
13	3402-188	1	/P	Retainer, Oil Seal - Left
14	3423-018	3		Screw, Machine
15	3402-788	1		Piston Set (inc. 16-18)
16	3402-719	1		Piston
17	3402-720	1		Ring Set, Piston
18	3423-344	2		Circlip
19	3402-375	1		Pin



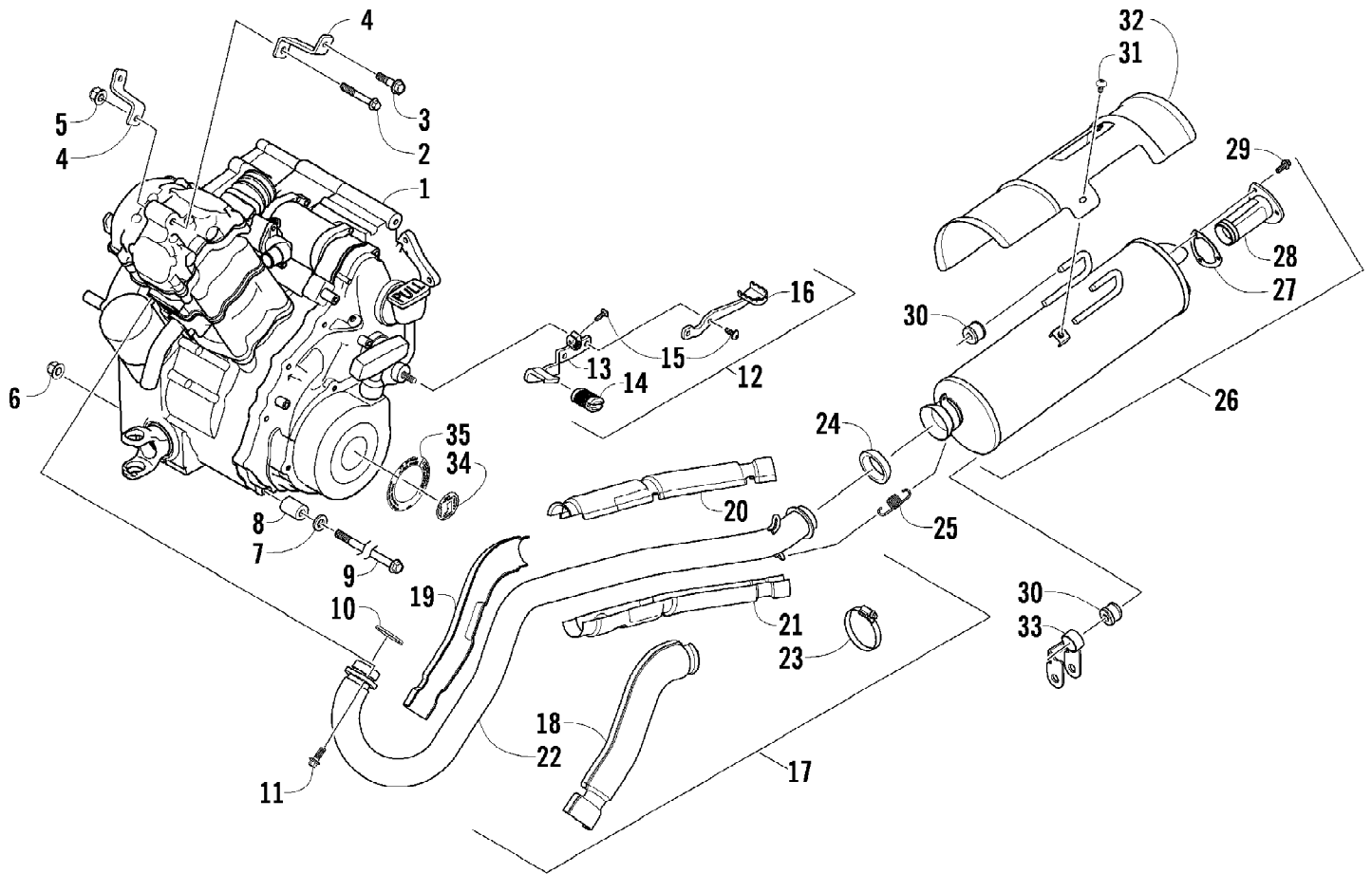
Ref #	Part Number	Qty	S/P/F	Description
1	3402-707	1		Cylinder
2	3423-384	2	S	Bolt, Stud
3	3007-373	2	/P	Nut
4	3402-365	1	/P	Gasket, Cylinder
5	3423-088	2		Pin, Dowel
6	3413-013	1		Union, Water Hose
7	3423-121	1	S	Screw, Cap
8	3423-058	1		O-Ring



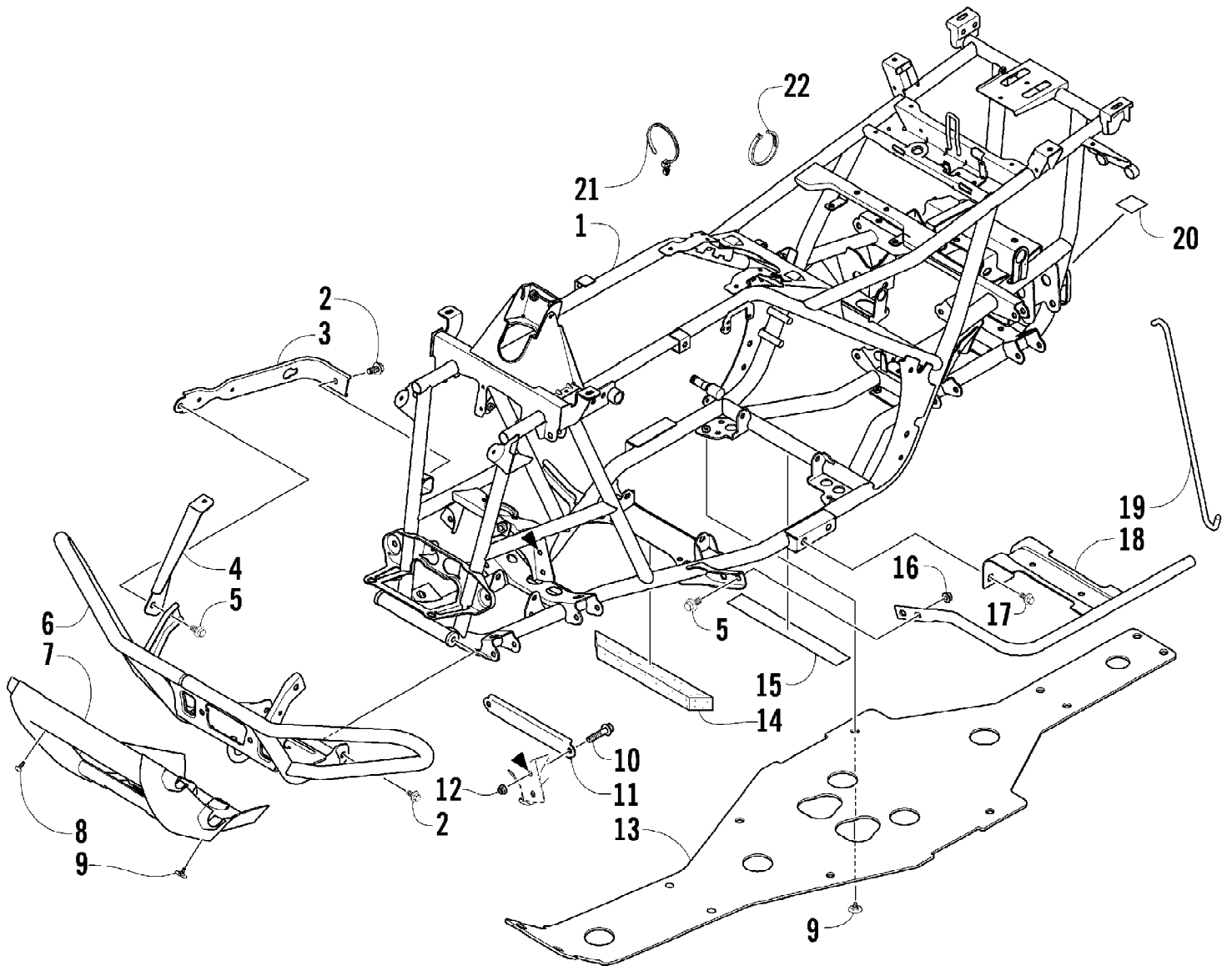
Ref #	Part Number	Qty	S/P/F	Description
1	3402-098	1		Head, Cylinder - Assembly (inc. 2-4)
2	3423-043	2	/P	Pin, Dowel
3	3423-006	4		Bolt
4	3007-395	2	/P	Bolt
5	3402-362	1		Gasket, Cylinder Head
6	3423-088	2		Pin, Dowel
7	3423-015	2		Bolt
8	3423-016	2		Bolt
9	3423-089	2	S	Bolt, Stud
10	3423-087	2	S	Bolt, Stud
11	3423-862	1	/P	Bolt, Stud
12	3423-007	2	S	Bolt
13	3007-380	4	/P	Bolt
14	3007-373	9	/P	Nut
15	3007-390	1	/P	Nut
16	3003-290	4	/P	Gasket
17	3402-010	4		Gasket
18	0217-632	1		Spark Plug (NGK CR6E)
18	0217-708	1	F	Spark Plug (NGK CR7E)
18	0217-705	1	/P/F	Spark Plug (NGK CR8E)
19	3402-100	2		Cap, Inspection
20	3402-101	2		O-Ring
21	3004-341	5	S/P	Screw, Cap
22	3423-383	1		Bolt, Stud
23	3530-045	1	/P	Switch, Engine Coolant Temperature
24	3413-012	1		Thermostat
25	3413-004	1		Cover, Thermostat
26	0570-091	1		Manifold, Intake
27	0470-531	1		O-Ring
28	8476-620	2		Screw, Machine
29	0423-317	1	/P	Clamp
30	3402-099	4		Guide, Valve
31	3402-035	1		Plug, Head
	3402-048	1		Plug, Frost



Ref #	Part Number	Qty	S/P/F	Description
1	1402-620	2	/P	Bladder, Gearcase
2	0423-315	4		Clamp, Hose
3	8428-002	4		Nut, Lock
4	0423-426	10		Washer
5	0423-404	4		Screw, Cap
6	1502-248	1		Gearcase, Front Drive
7	0402-966	1		Boot, Shaft
8	0502-500	1		Plate, Cable
9	0423-396	2		Screw, Self-Tapping
10	1502-079	1	S	Gearcase, Rear Drive
11	0410-048	AR	S	Hose, Vent - 25 ft
12	0470-702	1	/P	Fitting, Vent Hose
13	0423-393	2		Clamp, Boot
14	0402-985	2	/P	Boot
15	0423-411	2		Clamp, Boot
16	0673-618	2	/P	Bumper, Propeller Shaft
17	1402-234	1		Shaft, Propeller
18	8408-820	4	/P	Screw, Cap
19	0402-950	1		Flange, Output
20	1402-026	1		Spring
21	0123-788	AR	/P	Tie, Cable - 8 in.

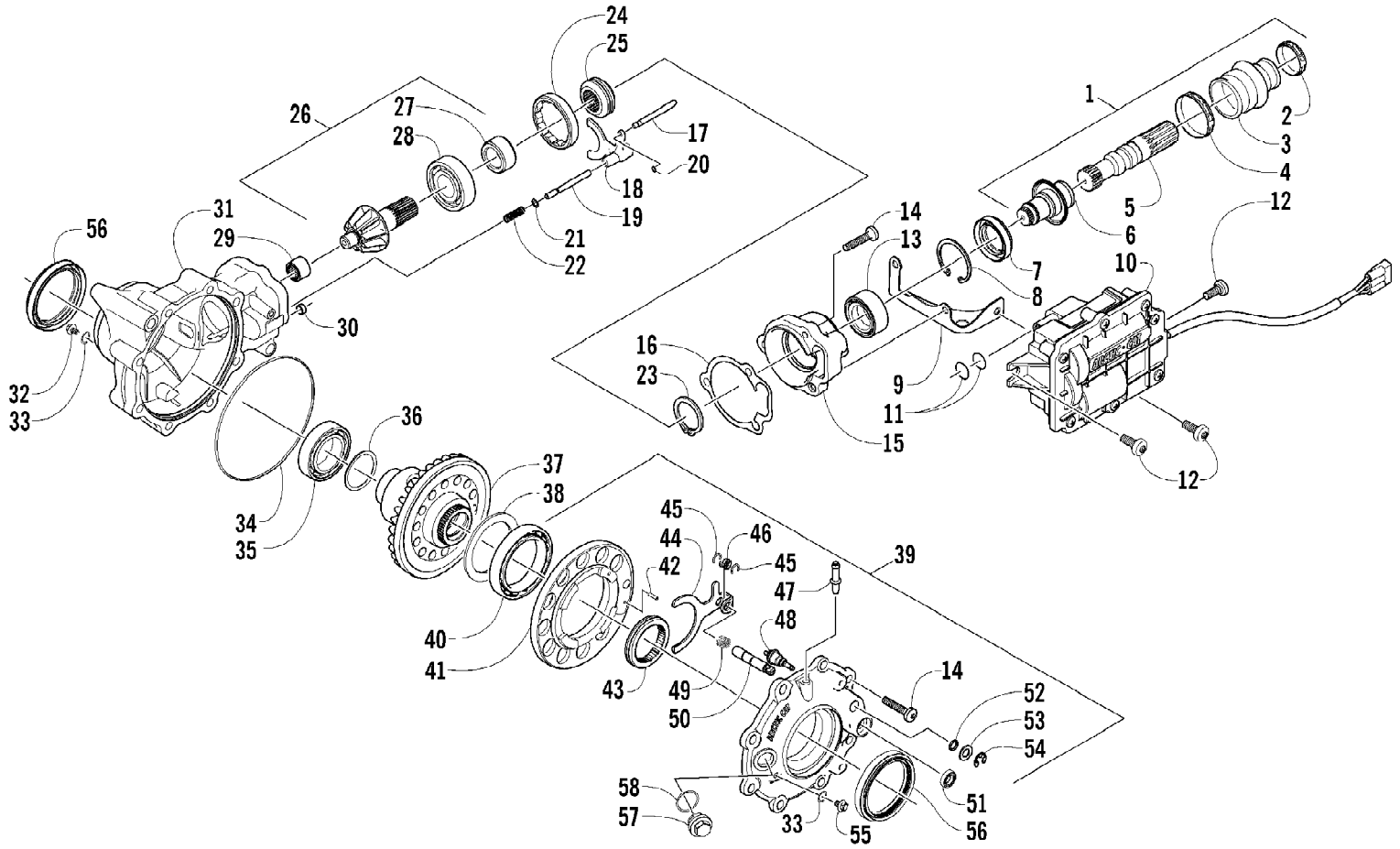


Ref #	Part Number	Qty	S/P/F	Description
1	0462-031	1		Engine
2	8408-860	1		Screw, Cap
3	8408-816	2		Screw, Cap
4	1506-626	1		Bracket, Engine - Right
4	1506-625	1		Bracket, Engine - Left
5	8424-802	1		Nut
6	8428-002	2		Nut, Lock
7	0423-426	2		Washer
8	0423-042	1	S	Spacer
9	0423-405	2		Screw, Cap
10	0412-007	1	/P	Gasket, Exhaust
11	8408-820	2	/P	Screw, Cap
12	0502-694	1		Lever, Shift - Assembly (inc. 13-14, two No. 15, and 16)
13	0502-691	1		Lever, Toe Shift
14	1402-284	1		Pad, Toe - Shift Lever
15	8476-620	3		Screw, Machine
16	0502-693	1		Lever, Heel Shift
17	0512-341	1	/P	Pipe, Exhaust - Assembly (inc. 18-23)
18	0412-326	1		Shield, Exhaust Pipe - Outer - Front
19	0412-320	1		Shield, Exhaust Pipe - Inner - Front
20	0412-350	1		Shield, Exhaust Pipe - Outer - Rear
21	0412-339	1		Shield, Exhaust Pipe - Inner - Rear
22	0512-340	1	/P	Pipe, Exhaust
23	0423-317	3	/P	Clamp
24	0412-375	1	/P	Seal, Exhaust
25	0612-668	2	/P	Spring, Extension
26	0512-306	1	/P	Muffler - Assembly (inc. 27-29)
27	0412-313	1		Gasket
28	0512-219	1	/P	Arrester, Spark - Assembly
29	8408-616	3		Screw, Cap
30	0412-215	3	S	Bushing
31	8477-610	3		Screw, Machine
32	0412-373	1	/P	Cover, Muffler
33	1506-732	1		Channel, Support
34	0411-003	1		Decal, Shift Pattern
35	0411-009	1		Decal, High/Low



Ref #	Part Number	Qty	S/P/F	Description
1	2506-549	1		Frame, Main
2	8409-020	4	/P	Screw, Cap
3	1506-596	1	/P	Channel, Bumper Mounting - Right
3	0506-653	1	S	Channel, Bumper Mounting - Left
4	1506-562	1		Bracket, Mounting - Bumper - Right
4	1506-563	1		Bracket, Mounting - Bumper - Left
5	8408-816	6		Screw, Cap
6	1506-855	1	/P	Bumper
7	1406-360	1		Grille, Bumper
8	0423-419	2		Screw, Machine
9	0423-101	12		Screw, Body
10	8409-025	2		Screw, Cap
11	1506-429	1	S	Brace, A-Arm
12	0423-744	2		Nut, Lock
13	1406-030	1		Panel, Belly
14	1506-067	1		Foam, Frame
15	0406-289	1		Pad, Frame
16	8424-802	4		Nut
17	8409-016	4		Screw, Cap
18	1506-380	1		Footrest - Right
18	1506-379	1		Footrest - Left
19	2506-423	2		Rod, Support
20	1411-077	1		Decal, Warning - Towing
21	0423-075	1		Tie, Cable - Push-Mount
22	0123-788	AR	/P	Tie, Cable - 8 in.

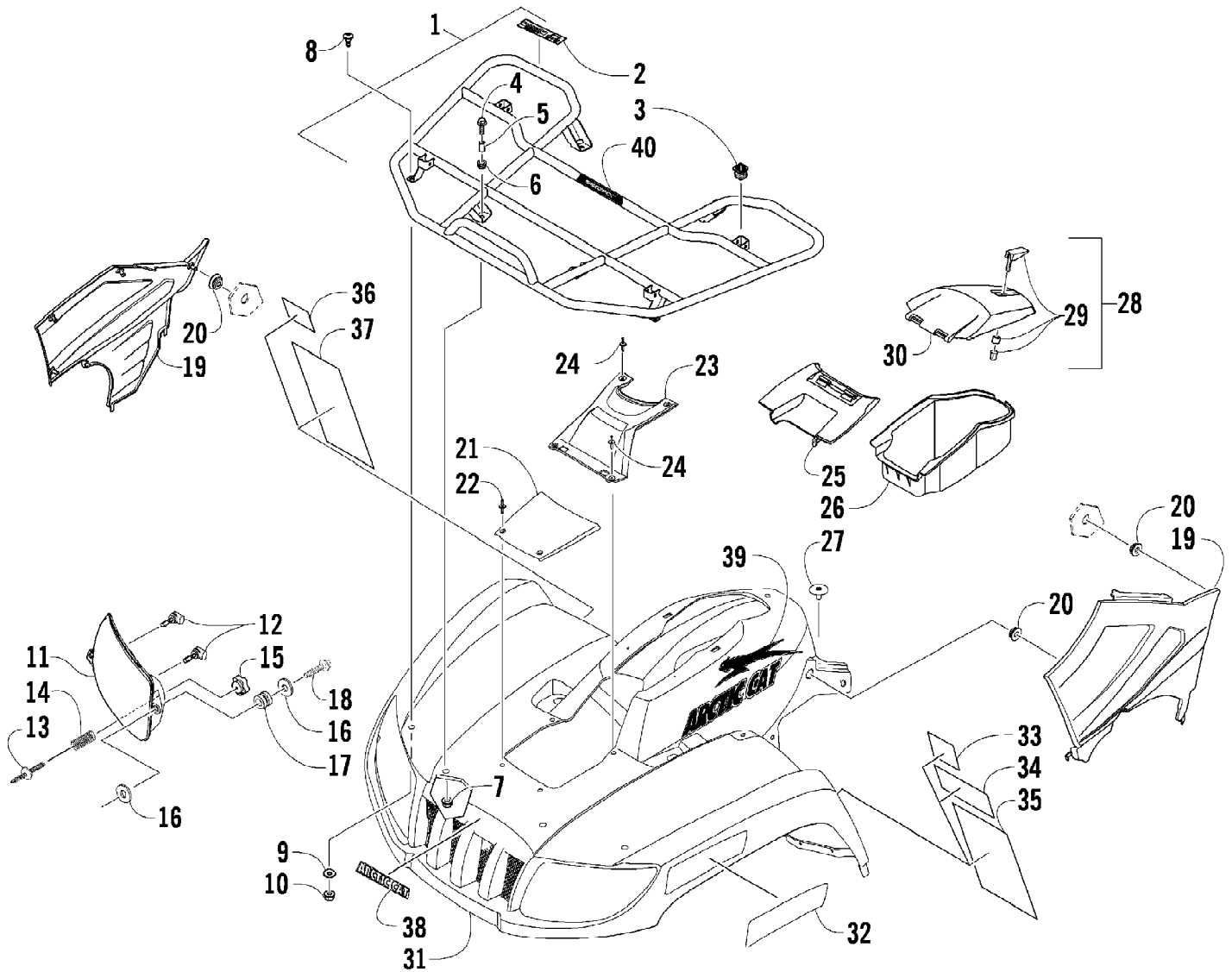
2009 ATV 500 4X4 MANUAL GREEN (A2009IBM4AUSG)
FRONT DRIVE GEARCASE ASSEMBLY



Ref #	Part Number	Qty	S/P/F	Description
	1502-248	1		Front Gearcase Assembly
1	1502-083	1		Shaft, Propeller - Assembly (inc. 2-6)
2	0423-411	1		Clamp, Boot
3	0402-985	1	/P	Boot, Propeller Shaft
4	0423-393	1		Clamp, Boot
5	1402-045	1		Shaft, Output
6	1502-085	1	/P	Shaft, Input
7	1402-011	1		Seal
8	0423-423	1		Ring, Retaining
9	0502-347	1		Bracket, Actuator
10	0502-579	1		Actuator (inc. one No. 11)
11	0423-498	2	S	O-Ring
12	0423-396	3		Screw, Self-Tapping
13	1402-043	1		Bearing
14	0423-118	11		Screw, Self-Tapping
15	0502-528	1	/P	Housing, Pinion
16	0402-947	1		Gasket, Flange
17	0402-997	1		Shaft, Selector
18	0402-998	1		Fork, Selector
19	0402-417	1		Shaft, Shuttle
20	0423-402	1		Ring, Retaining
21	0423-147	1		O-Ring
22	0402-999	1		Spring, Return
23	0423-417	1		Ring, Retaining
24	0402-357	1		Collar, Lock
25	0402-413	1		Coupler, Drive
26	0502-783	1		Gear, Pinion - Assembly - 10T (inc. 27-28)
27	0402-336	1		Collar, Retaining
28	0402-327	1		Bearing
29	0402-328	1		Bearing
30	0402-411	1		Pin, Dowel
31	0502-514	1		Housing, Gearcase
32	1402-210	1	/P	Plug, Magnetic (inc. one No. 33)
33	0423-153	2		O-Ring
34	0423-149	1		O-Ring
35	0402-393	1		Bearing
36	0402-405	AR		Shim
36	0402-406	AR		Shim
36	0402-407	AR		Shim
36	0402-408	AR		Shim
36	0402-409	AR		Shim
37	1502-234	1	S	Gear, Ring - 36T
38	1402-074	AR		Shim
38	1402-075	AR		Shim
38	1402-076	AR		Shim
38	1402-077	AR		Shim
38	1402-078	AR		Shim
39	1502-097	1		Cover, Gearcase (inc. one No. 33, 40-55, and one No. 56)
40	1402-053	1		Bearing
41	0502-413	1		Flange, Bearing
42	1402-079	1		Pin, Parallel

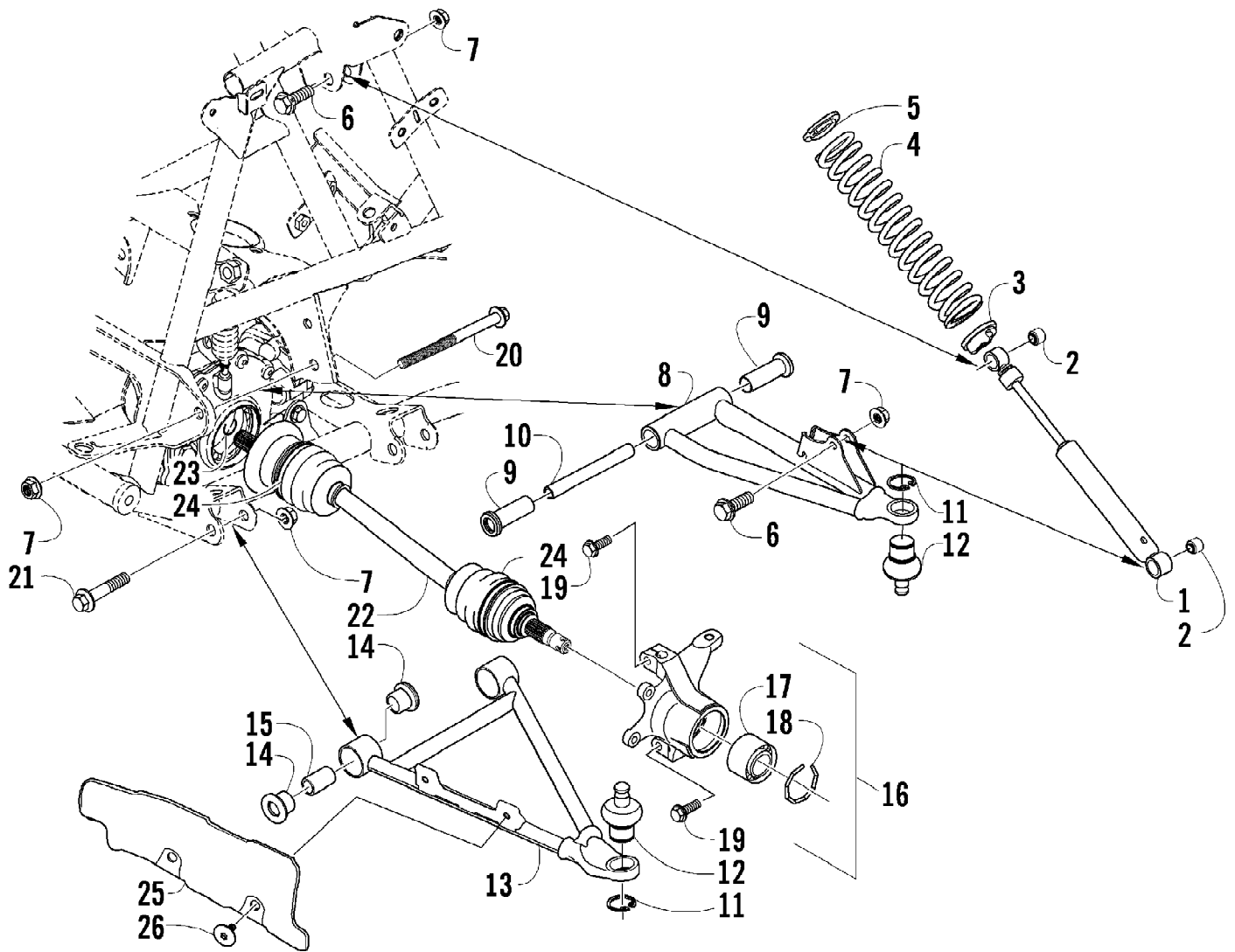
2009 ATV 500 4X4 MANUAL GREEN (A2009IBM4AUSG)
FRONT DRIVE GEARCASE ASSEMBLY

Ref #	Part Number	Qty	S/P/F	Description
43	1402-042	1		Collar, Sliding
44	1402-054	1		Fork
45	1402-058	2		Ring, Retaining
46	1402-057	1		Spring
47	1402-104	1		Fitting
48	0402-419	1		Switch, Indicator
49	1402-063	1		Spring
50	1402-055	1		Shaft, Lock
51	1402-056	1		Seal
52	0423-133	1		O-Ring
53	0423-132	1		Washer
54	0423-424	1		Ring, Retaining
55	1402-211	1		Plug, Oil Level (inc. one No. 33)
56	1402-713	2	S	Seal
57	0402-333	1	/P	Plug, Fill (inc. 58)
58	0423-154	1		O-Ring

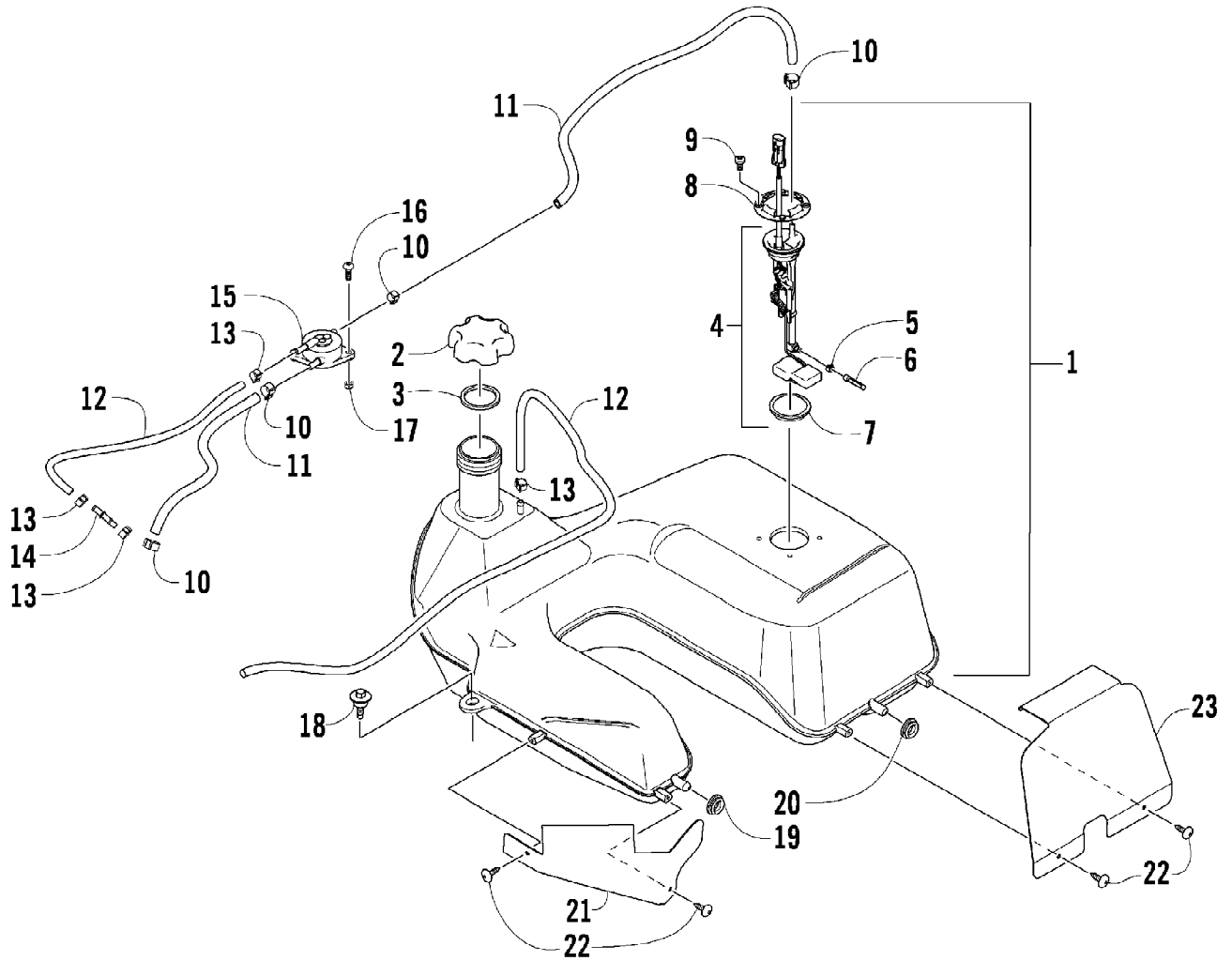


2009 ATV 500 4X4 MANUAL GREEN (A2009IBM4AUSG)
FRONT RACK, BODY PANEL, AND HEADLIGHT ASSEMBLIES

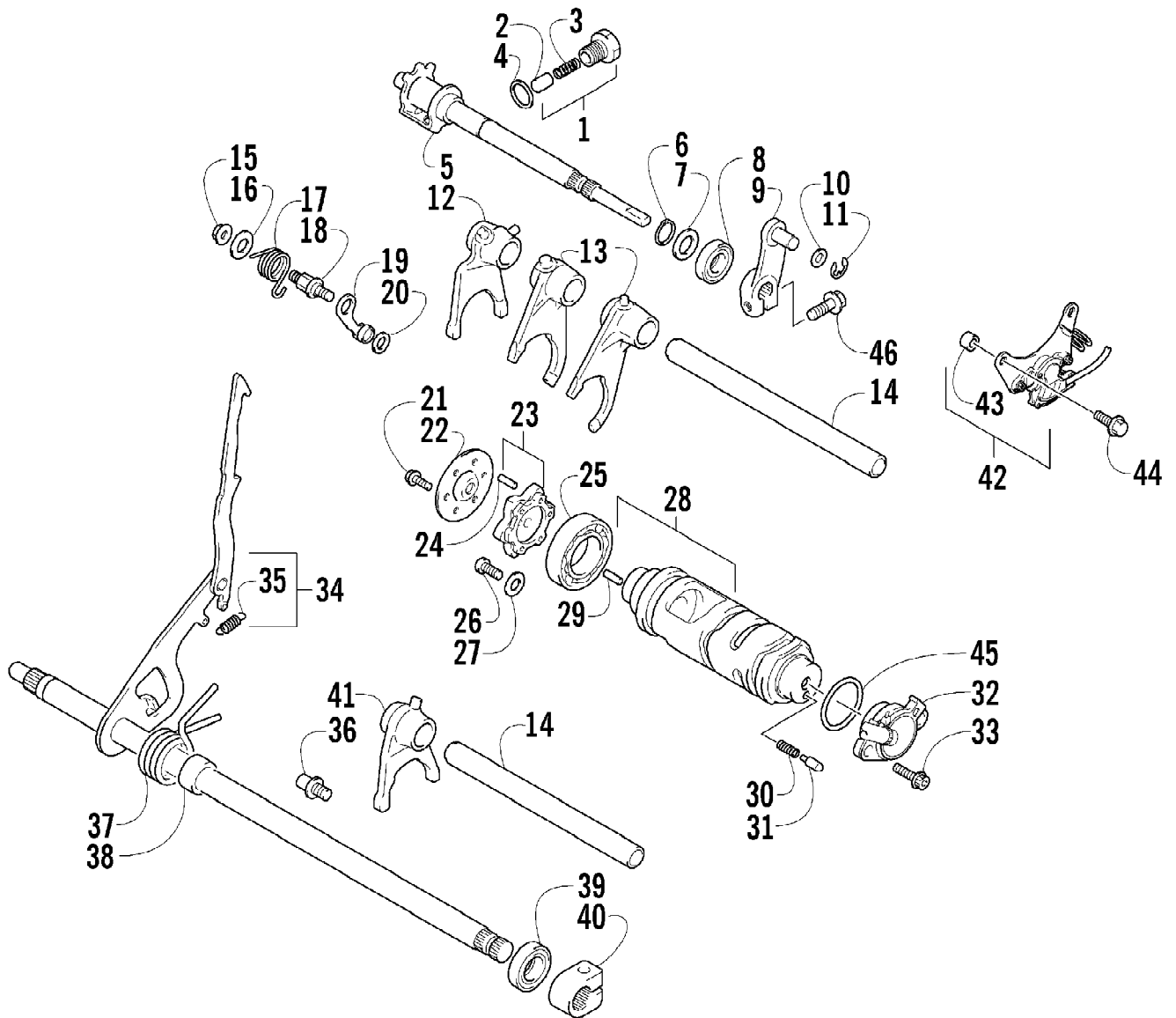
Ref #	Part Number	Qty	S/P/F	Description
1	2506-106	1		Rack, Front - Assembly (inc. 2-3)
2	0411-576	1		Decal, Warning - Load
3	0441-592	4	/P	Bushing
4	8410-830	4		Screw, Cap
5	0423-669	4		Spacer
6	0423-465	4		Grommet
7	8432-802	4		Nut, Lock
8	0423-654	2		Screw, Shoulder
9	8050-222	2	/P	Washer
10	0423-540	2		Nut, Lock
11	0509-034	1	S	Headlight Assembly - Right (inc. 12)
11	0509-035	1		Headlight Assembly - Left (inc. 12)
12	0409-055	4		Bulb, Headlight
13	0423-514	2		Stud, Adjuster - Headlight
14	0423-522	2		Spring, Adjuster
15	0423-513	2		Knob, Adjuster
16	8050-217	8	/P	Washer
17	0423-447	4		Grommet
18	0623-785	4		Screw, Self-Tapping
19	2406-376	1		Panel, Side - Right
19	2406-377	1		Panel, Side - Left
20	0423-678	7		Grommet
21	1406-358	1		Cover, Access
22	0423-535	2		Rivet, Reinstallable
23	1406-484	1		Cover, Steering Post
24	0623-362	4		Rivet, Reinstallable
25	0470-513	1		Cover, Storage Box
26	1406-573	1		Box, Storage
27	0423-101	2		Screw, Body
28	2506-234	1		Lid, Storage Box w/Latch (inc. 29-30)
29	1406-599	1		Latch, Storage Box
30	0470-514	1		Lid, Storage Box
31	2516-052	1	S	Panel, Fender - Assembly - Front (inc. 32-37)
32	0411-818	1		Decal, Reflector - Front - Right
32	0411-819	1		Decal, Reflector - Front - Left
33	1411-804	1	/P	Decal, Warning - Age
34	1411-574	1		Decal, Warning - Off-Road Only
35	1411-932	1	/P	Decal, Warning - General
36	0411-835	1		Decal, Warning - Turn/Hill
37	1411-250	1		Decal, Warning - Reverse/Pre-Ride
38	1411-725	1		Decal, Front
39	1411-634	1		Decal, Side - Upper - Right
39	1411-635	1		Decal, Side - Upper - Left
40	1411-050	1	/P	Decal, Speedrack



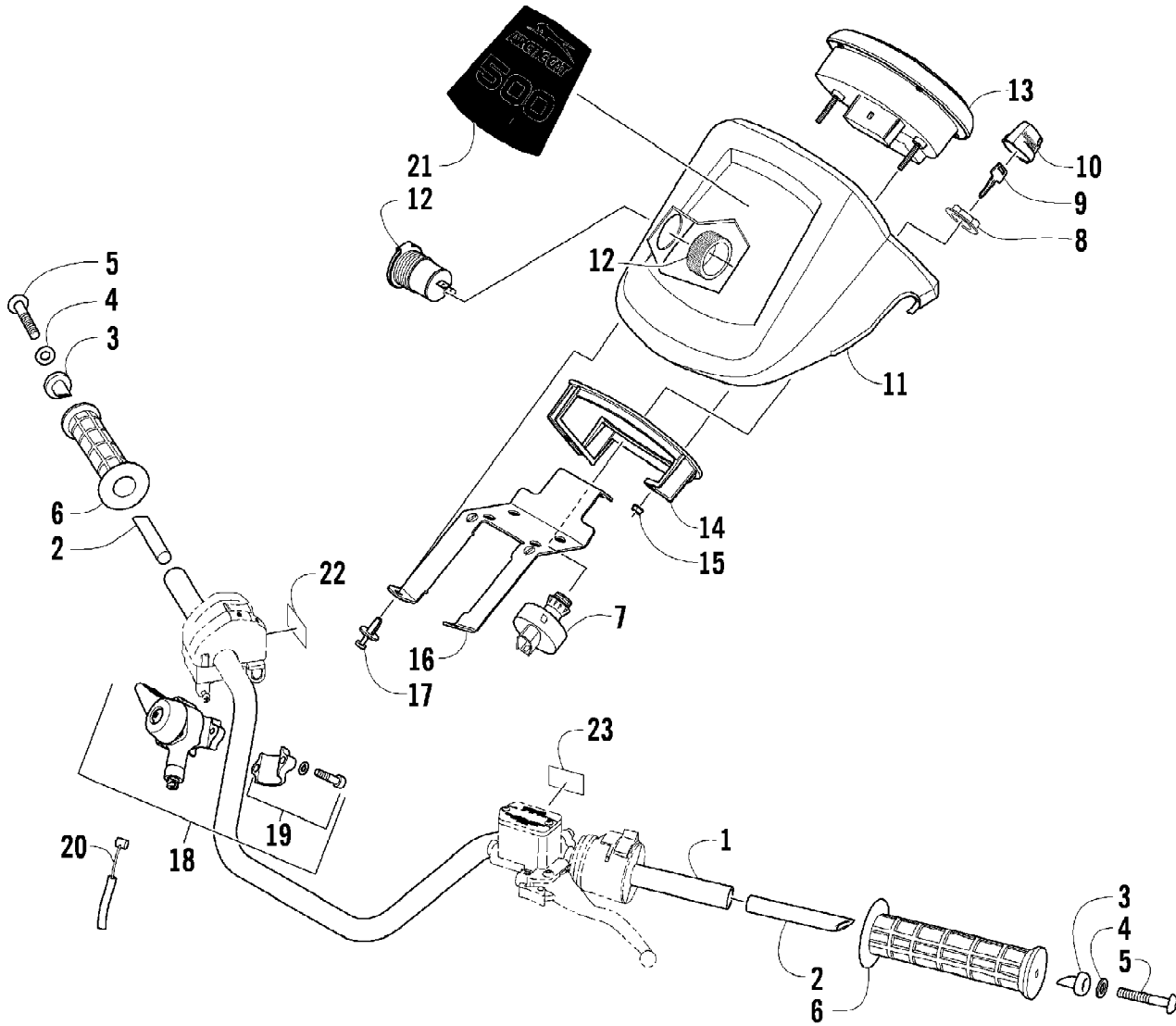
Ref #	Part Number	Qty	S/P/F	Description
1	0403-180	2		Shock Absorber (inc. 2)
2	0403-182	4		Bushing, Double-Bonded
3	0403-102	2		Cam, Spring Adjuster
4	0403-177	2		Spring, Shock Absorber
5	1603-889	2	/P	Retainer, Spring
6	8409-040	4		Screw, Cap
7	0423-744	10		Nut, Lock
8	0503-196	1	S	A-Arm, Upper Right (inc. 9-12)
8	0503-197	1		A-Arm, Upper Left (inc. 9-12)
9	0403-081	4	S	Bushing
10	0403-080	2		Collar
11	0423-009	4	/P	Ring, Retaining
12	0405-115	4	/P	Ball Joint
13	0503-334	1	S	A-Arm, Lower Right (inc. one No. 11-12 and 14-15)
13	0503-335	1	S	A-Arm, Lower Left (inc. one No. 11-12 and 14-15)
14	0403-115	8	S	Bushing
15	0403-114	4	S	Collar
16	0505-460	1		Knuckle, Steering - Assembly - Right Front (inc. 17-18)
16	0505-461	1	S	Knuckle, Steering - Assembly - Left Front (inc. 17-18)
17	1402-027	2	S/P	Bearing
18	0423-423	2		Ring, Retaining
19	8409-030	4		Screw, Cap
20	0423-334	2		Screw, Cap
21	8409-075	4		Screw, Cap
22	1502-344	1	S/P	Axle, Drive - Front - Right (inc. 23-24)
22	1502-345	1	S	Axle, Drive - Front - Left (inc. 23-24)
23	0423-844	2	/P	Clip, Retaining
24	0436-276	2	S	Repair Kit, Boot - Front Axle
25	1441-002	1		Guard, Boot - Axle - Right
25	1441-003	1		Guard, Boot - Axle - Left
26	0423-545	4	/P	Screw, Body



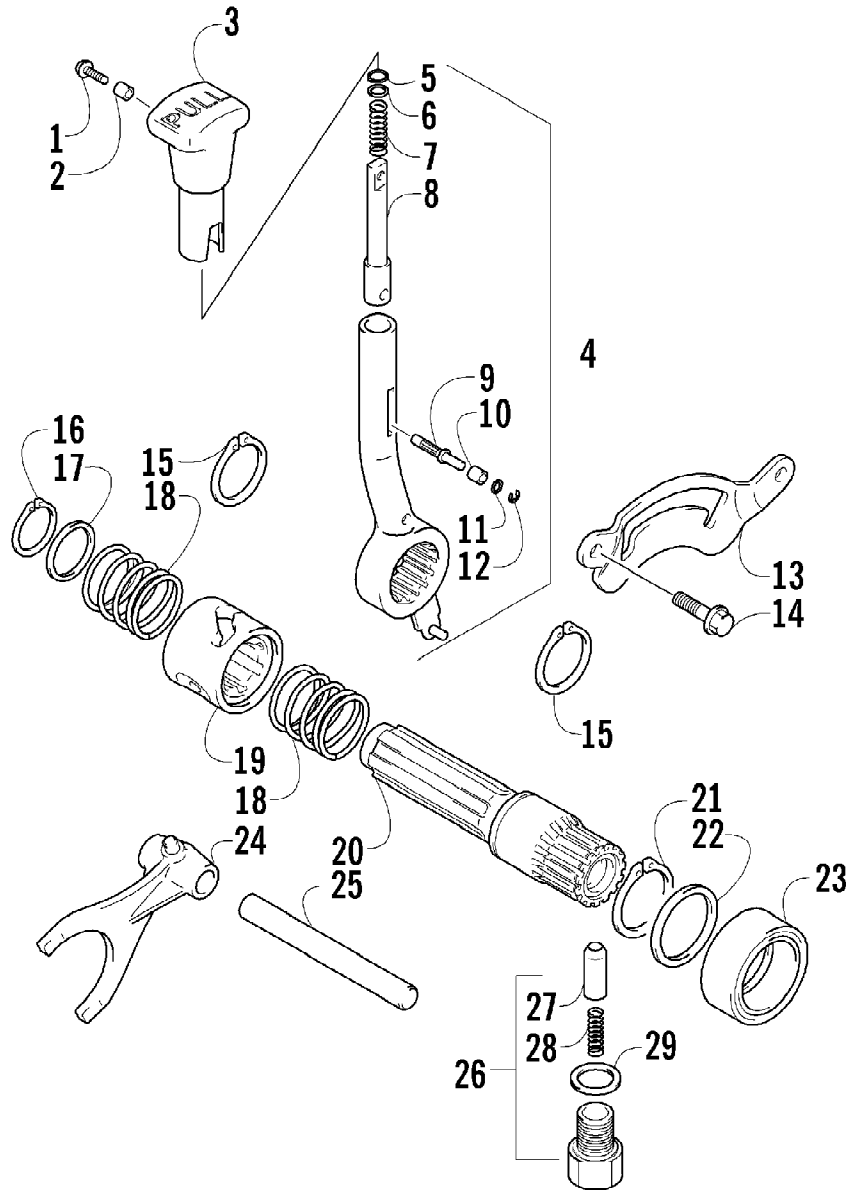
Ref #	Part Number	Qty	S/P/F	Description
1	0570-183	1	S	Tank, Gas - Assembly (inc. 2-9)
2	0470-438	1	/P	Cap, Gas Tank (inc. 3)
3	0109-733	1	/P	Gasket, Gas Tank Cap
4	0570-141	1	S	Sensor, Fuel Level (inc. 5-7)
5	0423-603	1		Clamp, Hose
6	0470-475	1		Filter, Fuel
7	0470-521	1		Seal, Fuel Level Sensor
8	0470-639	1	/P	Plate, Mounting - Fuel Level Sensor
9	1623-158	4		Screw, Plastite
10	0423-688	4		Clamp, Hose
11	0410-143	AR		Hose, Gasline - 25 ft
12	0410-070	AR	/P	Hose, Gasline - 25 ft
13	0423-689	4		Clamp, Hose
14	0470-702	1	/P	Fitting, Straight
15	0470-758	1	/P	Pump, Fuel
16	8476-620	2		Screw, Machine
17	0623-038	2		Nut w/Washer
18	0423-732	2		Screw, Gas Tank
19	0423-460	1		Grommet
20	0423-806	1		Grommet
21	0470-709	1		Shield, Gas Tank - Front
22	0623-797	4		Screw, Self-Tapping
23	0470-710	1		Shield, Gas Tank - Rear



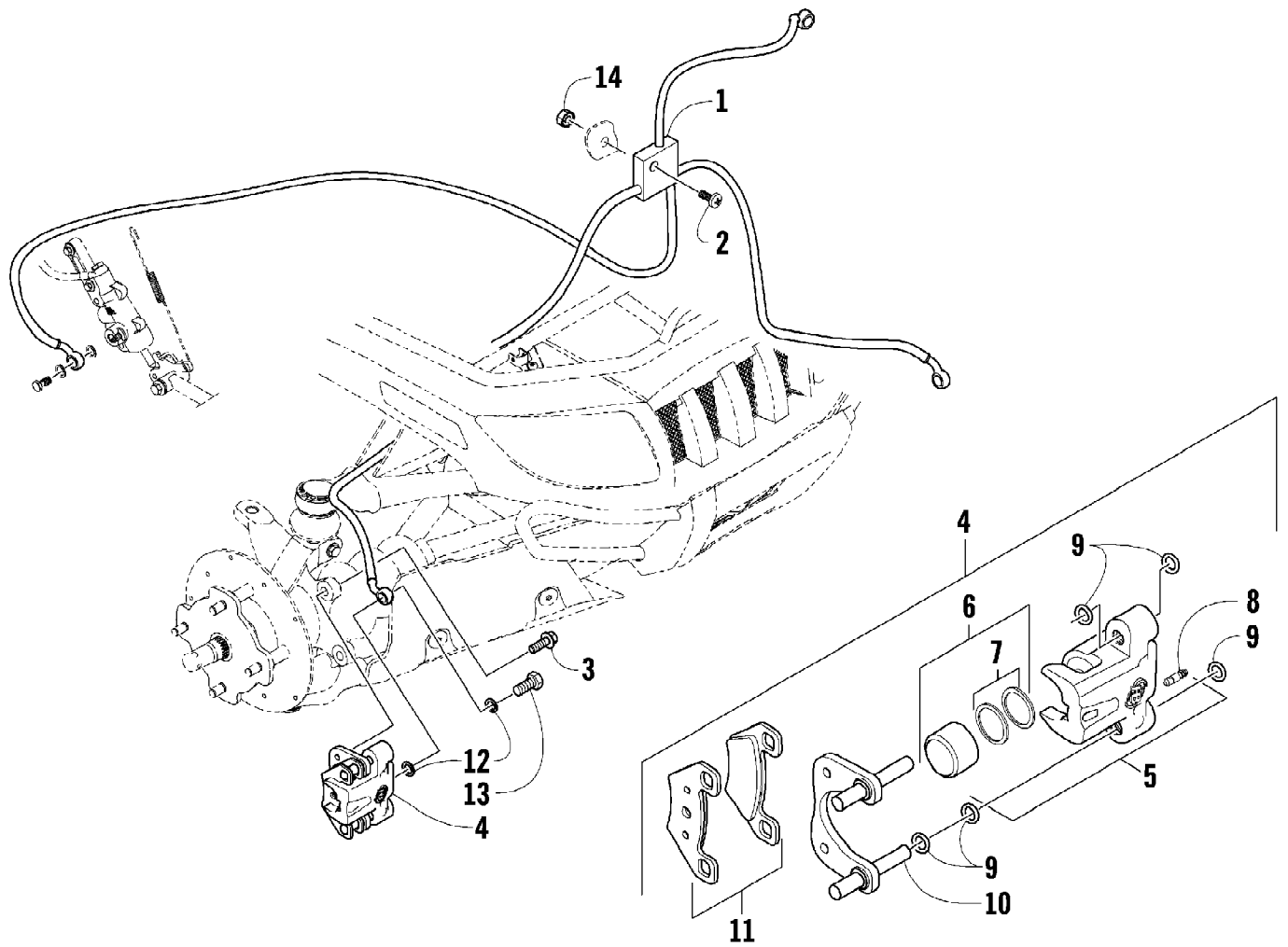
Ref #	Part Number	Qty	S/P/F	Description
1	3446-164	1		Stopper, Reverse (inc. 2-3)
2	3446-117	1		Stopper
3	3402-088	1		Spring
4	3402-012	1		Gasket
5	3446-349	1		Cam, Reverse Shift
6	3423-358	1	S	Circlip
7	3423-357	1		Washer
8	3402-076	1		Seal, Oil
9	3402-434	1	/P	Arm, Reverse Gear Shift
10	3423-204	1	/P	Washer
11	3423-168	1	S	E-Ring
12	3446-040	1		Fork, Gear Shift - Reverse
13	3446-347	2		Fork, Gear Shift
14	3446-052	2		Shaft, Gear Shift Fork
15	3007-373	1	/P	Nut, Cam Stopper
16	3423-142	1		Washer, Cam Stopper
17	3423-551	1		Spring, Cam Stopper
18	3446-048	1		Support, Cam Stopper
19	3446-043	1		Stopper, Cam
20	3423-141	1		Washer, Cam Stopper
21	3423-125	1	S	Screw, Cap
22	3446-309	1	/P	Guide, Gear Shift Cam
23	3446-049	1		Plate, Gear Shift Cam (inc. 24)
24	3423-045	5		Pin
25	3402-051	1		Bearing, Gear Shift Cam
26	3423-370	2		Screw, Machine
27	3423-135	2		Retainer, Bearing
28	3446-348	1		Cam, Gear Shift (inc. 29)
29	3423-114	1	/P	Pin
30	3402-087	2		Spring
31	3423-044	2		Contact
32	3402-816	1		Switch, Gear Position Assembly
33	3423-418	2		Screw, Cap
34	3446-410	1	/P	Shaft, Gear Shift (inc. 35)
35	3402-093	1		Spring
36	3446-056	1		Stopper, Gear Shift
37	3402-094	1		Spring, Gear Return
38	3446-054	1		Spacer, Gear Shift Shaft
39	3402-068	1	/P	Seal, Oil
40	3402-815	1		Boss, Gear Shift Lever
41	3446-039	1		Fork, Gear Shift
42	3409-020	1		Switch, Reverse (inc. 43)
43	3423-553	1		Spacer
44	3423-307	2	S	Screw, Cap
45	3423-059	1		O-Ring
46	8476-620	1		Screw, Cap



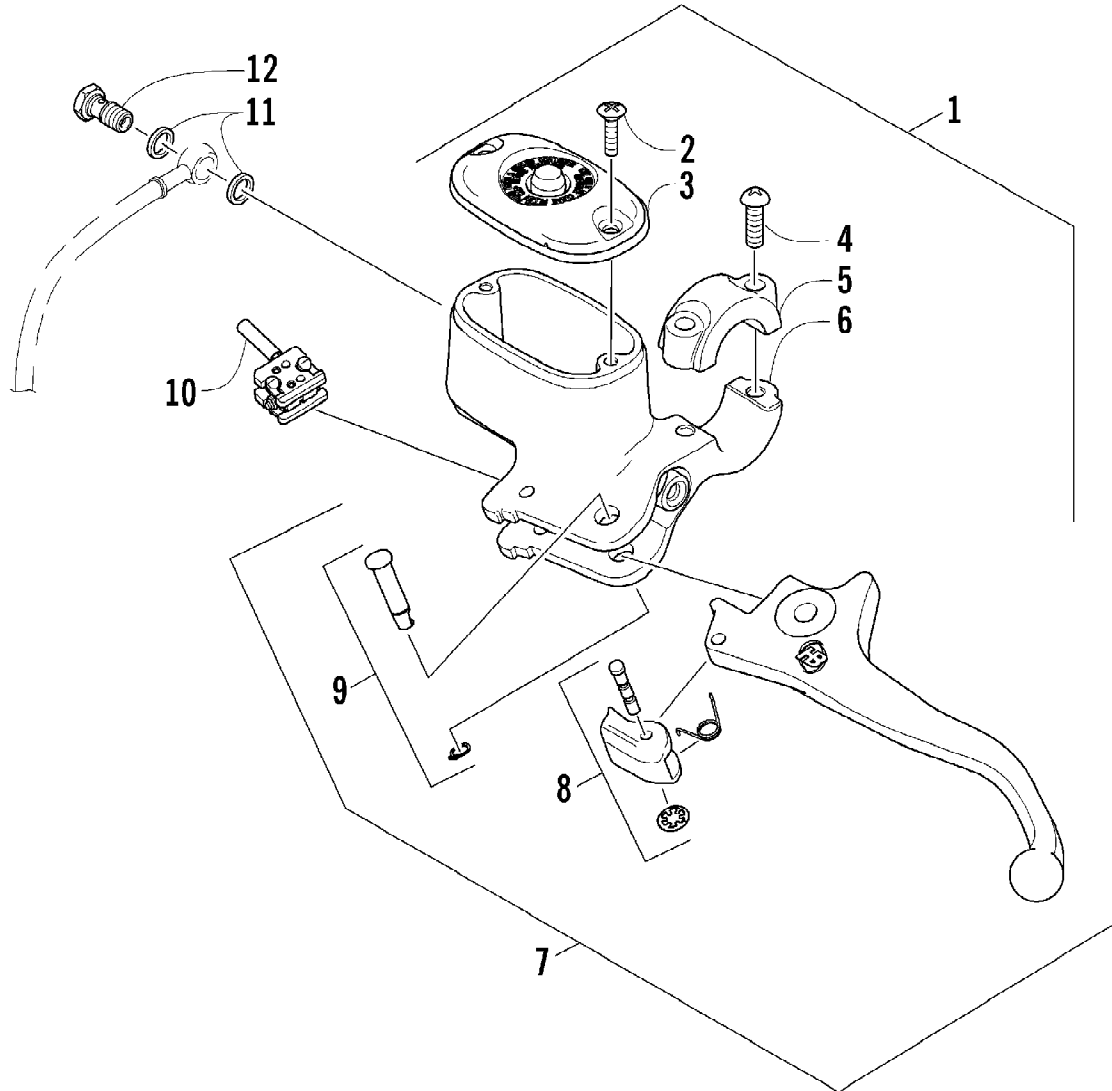
Ref #	Part Number	Qty	S/P/F	Description
1	0505-476	1		Tube, Handlebar
2	0405-148	2		Plug, Handlebar
3	0405-149	2		End Cap, Handlebar
4	8050-247	2	/P	Washer
5	8477-845	2		Screw, Machine
6	0405-147	2		Grip, Handlebar
7	0430-069	1	S	Switch, Ignition - Assembly (inc. 8-10)
8	0430-050	1		Nut, Flange - Ignition Switch
9	0430-042	1		Key, Ignition (Y Series - Left-Side Cut)
9	0430-043	1		Key, Ignition (Z Series - Right-Side Cut)
10	0430-054	1		Cover, Key
11	0405-274	1		Instrument Pod
12	0641-897	1	/P	Outlet, Accessory - 12V
13	0520-018	1		Gauge, LCD
14	0420-065	1	/P	Bracket, Retaining
15	0423-493	2		Nut w/Washer
16	2506-470	1		Bracket, Mounting - Instrument Pod
17	0423-535	2		Rivet, Reinstallable
18	0502-527	1		Control, Differential Lock (inc. 19)
19	0502-613	1		Clamp, Differential Lock Control - Kit
20	0487-050	1	/P	Cable, Differential Lock
21	1411-558	1		Decal, Instrument Pod
22	0411-966	1		Decal, Warning - Differential Lock
23	1411-865	1		Decal, Warning - Brake Lever Lock



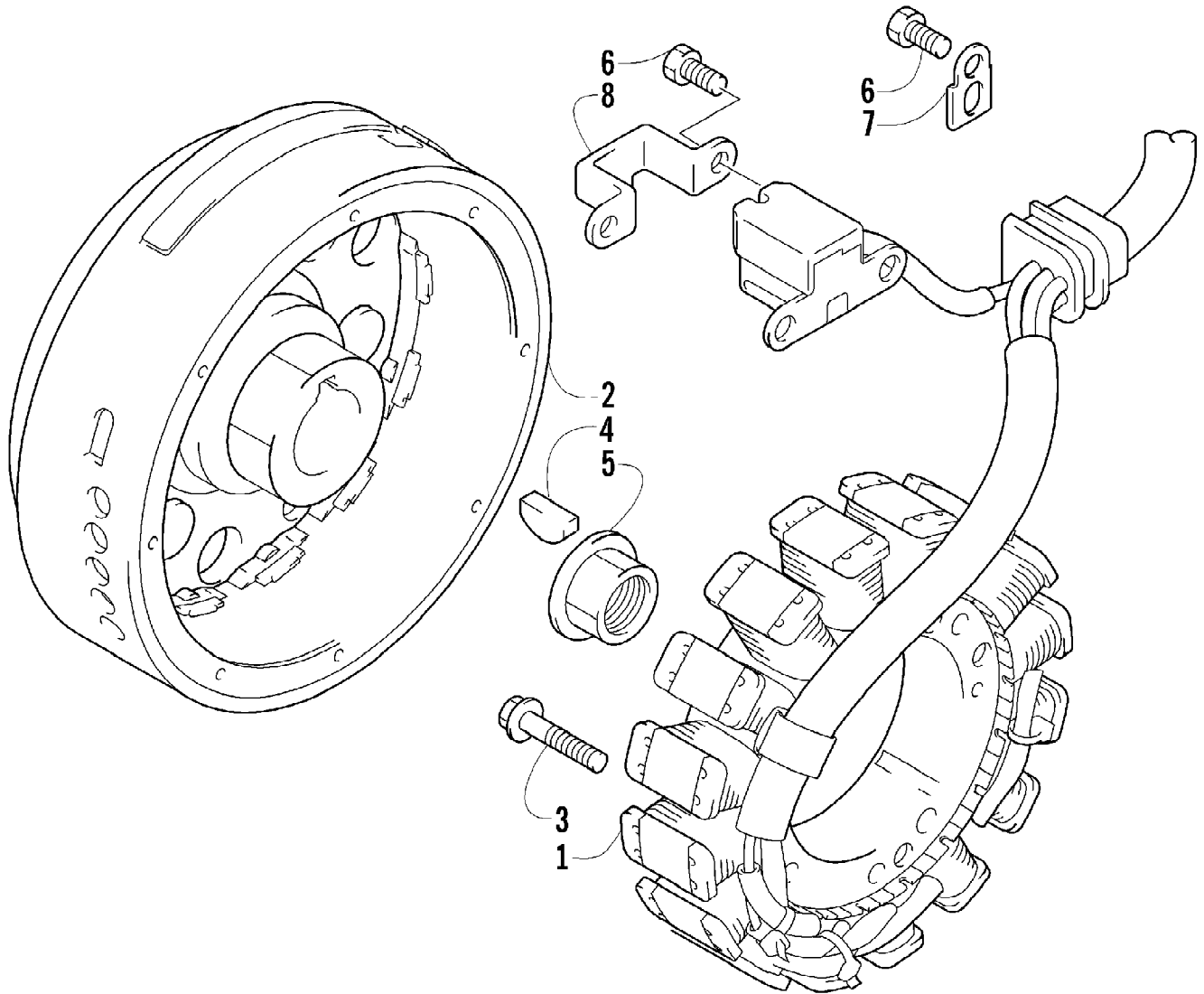
Ref #	Part Number	Qty	S/P/F	Description
1	3423-156	1	S	Screw, Shift Handle
2	3402-191	1		Spacer
3	3446-078	1		Handle, Shift
4	3446-351	1		Lever, Shift - Assembly (inc. 5-12)
5	3423-154	1		Circlip
6	3423-155	1		Washer
7	3446-107	1		Spring
8	3446-252	1		Rod
9	3423-205	1		Pin
10	3446-106	1		Roller
11	3423-152	1	/P	Washer
12	3423-153	1		E-Ring
13	3446-077	1		Plate, Lever Stop
14	3004-377	2	S/P	Screw, Cap
15	3423-192	2	/P	Circlip, Shift Lever
16	3423-191	1	/P	Circlip
17	3402-382	1		Washer
18	3446-104	2		Spring
19	3446-250	1		Cam, Gear Shift
20	3446-328	1	/P	Shaft, Gear Shift
21	3423-193	1	S/P	Circlip, Gear Shift Shaft
22	3006-489	1		Washer, Gear Shift Shaft
23	3402-071	1	/P	Seal, Oil
24	3446-073	1		Fork, Gear Shift
25	3446-051	1		Shaft, Gear Shift Fork
26	3446-314	1		Stopper, Shift Cam - Assembly (inc. 27-28)
27	3446-315	1		Stopper, Shift Cam
28	3423-524	1		Spring
29	3402-012	1		Gasket



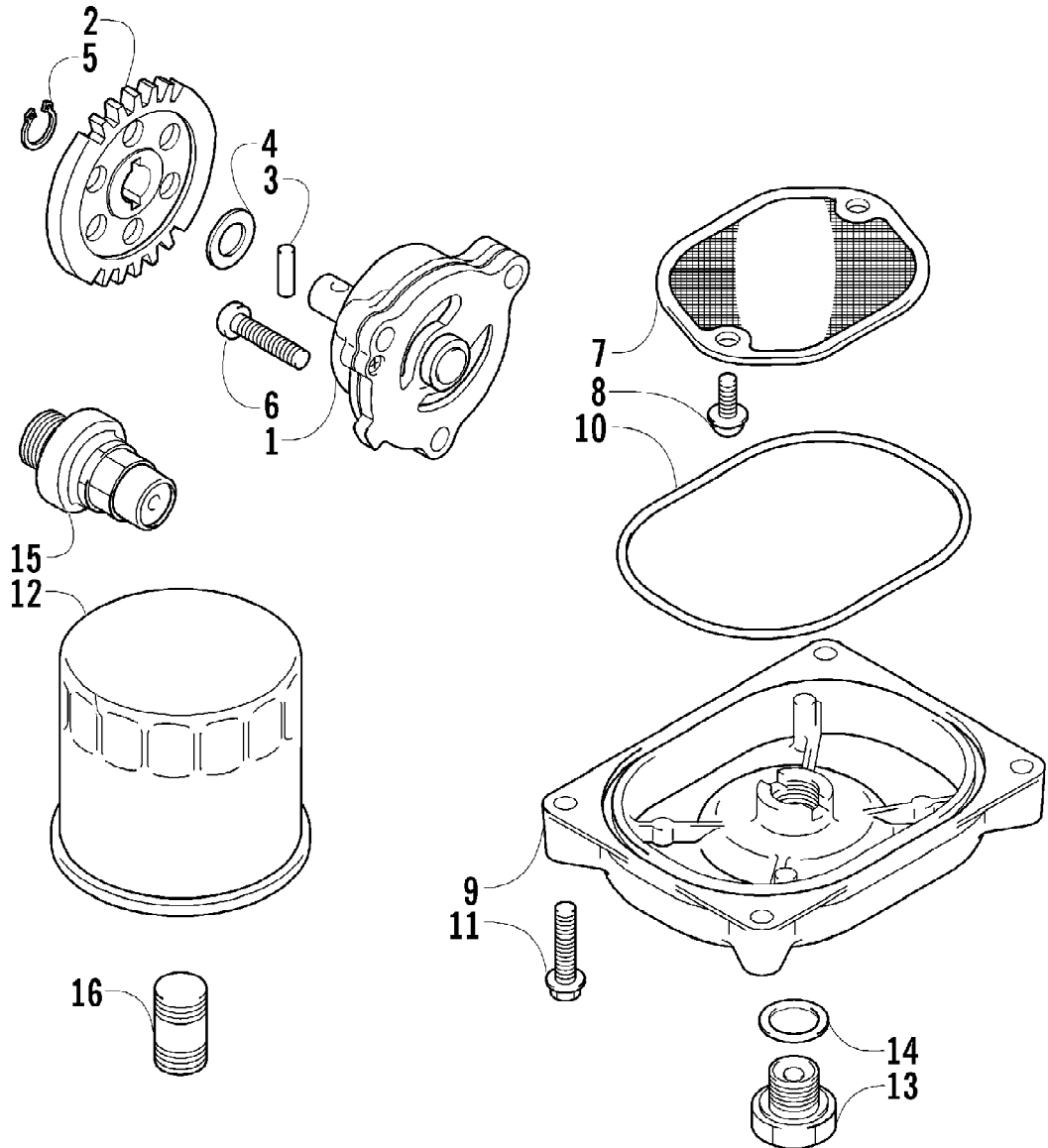
Ref #	Part Number	Qty	S/P/F	Description
1	1502-015	1		Hose, Brake - Assembly
2	8476-625	1		Screw, Machine
3	8408-821	4	/P	Screw, Cap
4	1436-162	1	S/P	Caliper, Brake - Right Front (inc. 5-11 and two No. 3)
4	1436-163	1		Caliper, Brake - Left Front (inc. 5-11 and two No. 3)
5	1436-160	1	/P	Housing, Caliper - Assembly - Right Front (inc. 6-8)
5	1436-161	1	/P	Housing, Caliper - Assembly - Left Front (inc. 6-8)
6	0502-606	2		Piston/Seal Set (inc. 7)
7	0502-607	2		Seal Set
8	0502-609	2	/P	Valve, Bleed
9	0502-608	2		O-Ring, Guide - Set
10	0502-605	2		Bracket Assembly
11	1436-165	2	S	Pad, Brake - Set
12	0423-178	4		Washer, Crush
13	0423-413	2		Bolt, Banjo-Fitting
14	0623-038	1		Nut w/Washer



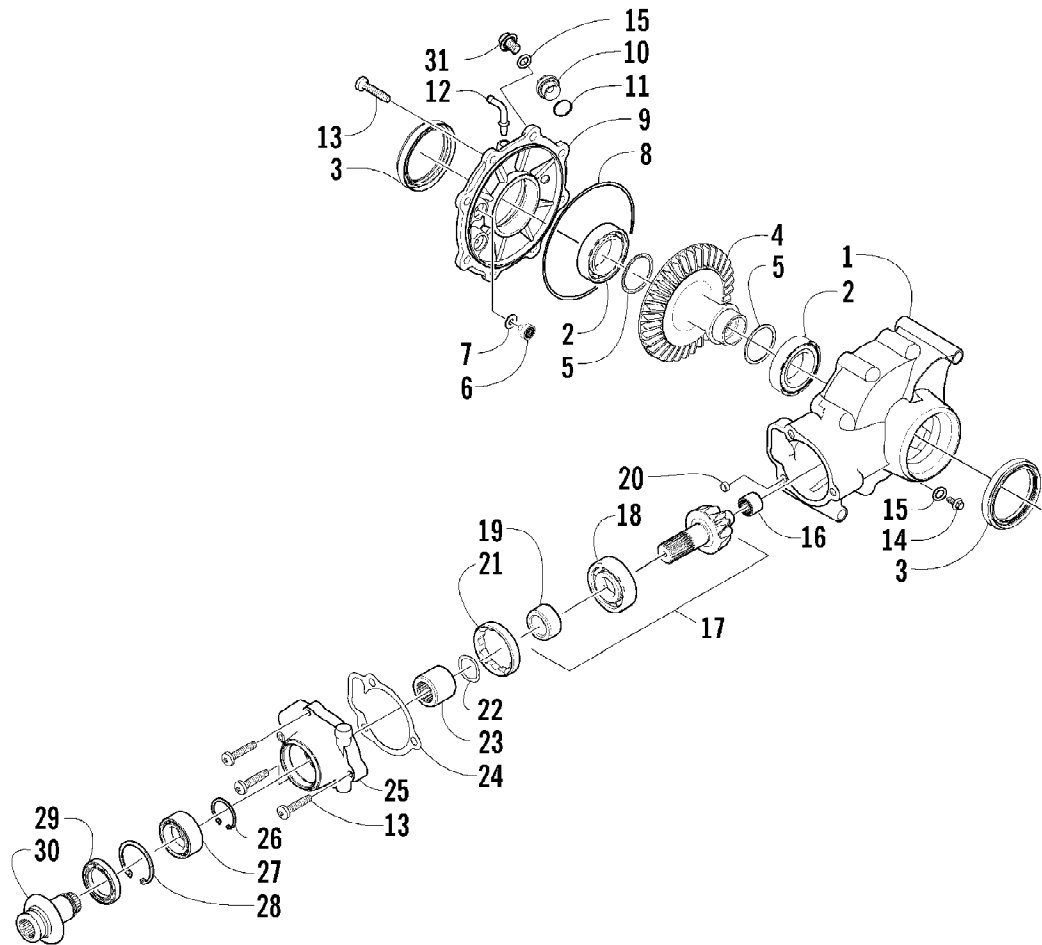
Ref #	Part Number	Qty	S/P/F	Description
1	0502-914	1	S	Brake Assembly (inc. 2-10)
2	0502-566	1		Screw, Machine
3	0502-868	1	/P	Cover, Reservoir
4	0502-568	1		Screw, Machine
5	0502-869	1		Clamp, Master Cylinder
6	0502-704	1		Master Cylinder Assembly
7	0502-866	1		Lever Assembly - Kit (inc. 8-9)
8	0502-867	1	/P	Lock, Brake Lever - Kit
9	0502-580	1		Lever Pin - Kit
10	0502-564	1	/P	Switch, Brake
11	0423-178	2		Washer, Crush
12	0423-413	1		Bolt, Banjo-Fitting



Ref #	Part Number	Qty	S/P/F	Description
1	3430-058	1		Stator Assembly
2	3430-046	1		Rotor/Flywheel
3	3423-162	3	S	Screw, Cap
4	0691-785	1		Key
5	3423-086	1		Nut
6	3423-005	3	/P	Screw, Cap
7	3430-005	1		Clamp
8	3430-006	1		Clamp

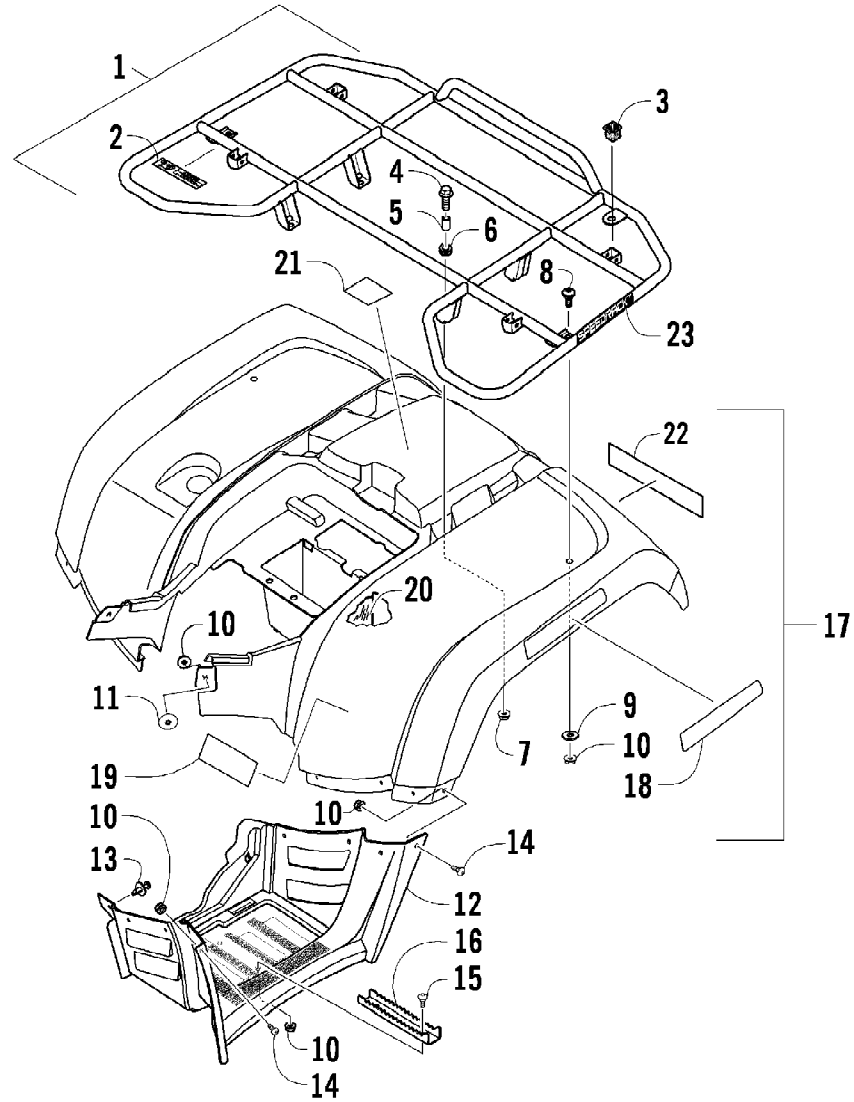


Ref #	Part Number	Qty	S/P/F	Description
1	3402-153	1		Pump, Oil
2	3402-026	1		Gear, Driven
3	3423-046	1		Pin
4	3423-443	1		Washer
5	3423-184	1	S	Circlip
6	3423-510	3		Screw, Machine
7	3402-156	1		Strainer, Oil
8	0693-389	2	S	Screw, Machine
9	3402-157	1		Cap, Oil Strainer
10	3423-077	1		O-Ring
11	3004-756	4	S	Screw, Cap
12	0812-029	1	S	Filter, Oil
13	3403-021	1	/P	Plug, Drain
14	3402-012	1		Gasket
15	3402-359	1		Valve, Oil-Relief - Assembly
16	3402-158	1	S	Union, Oil Filter



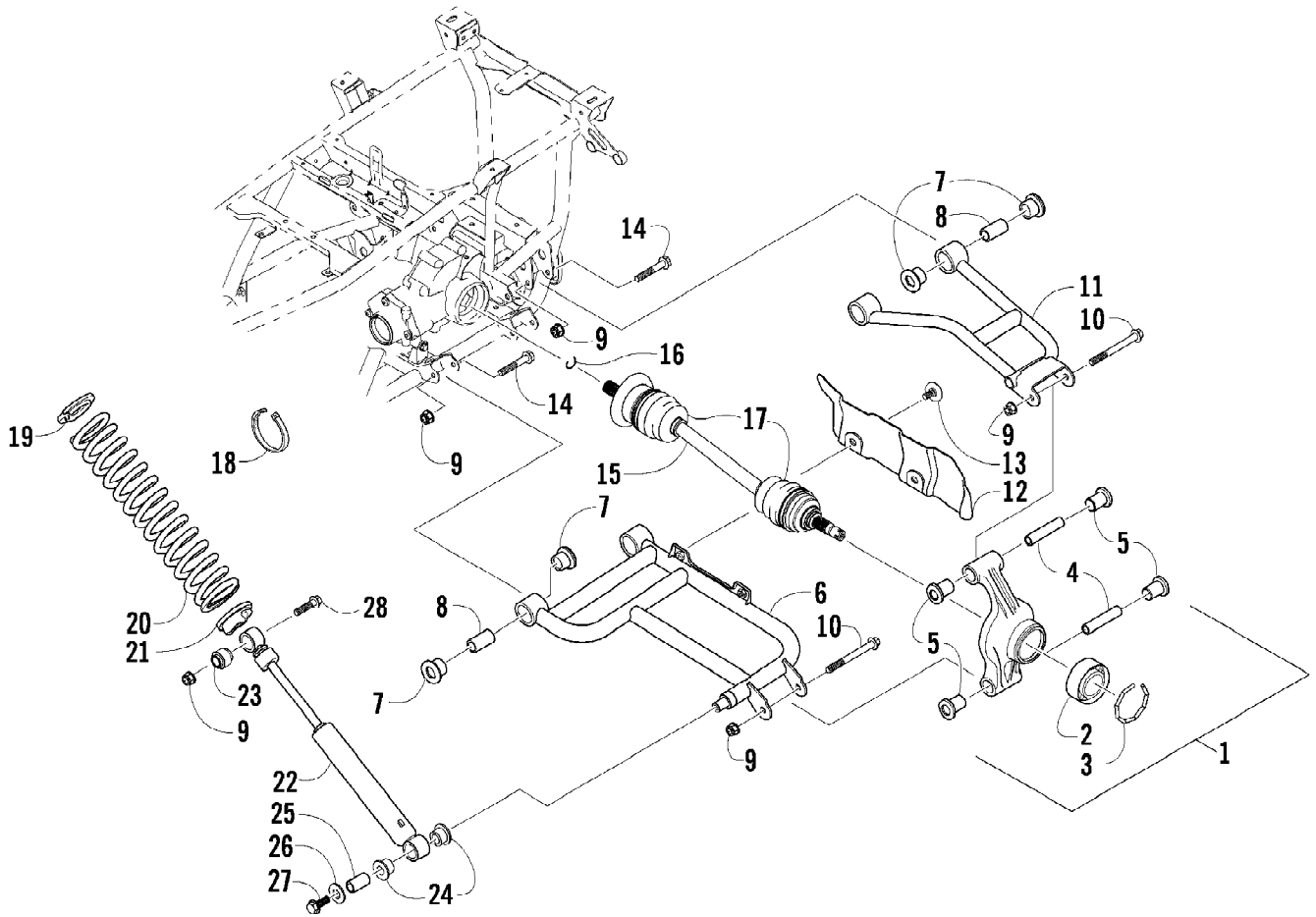
2009 ATV 500 4X4 MANUAL GREEN (A2009IBM4AUSG)
REAR DRIVE GEARCASE ASSEMBLY

Ref #	Part Number	Qty	S/P/F	Description
	1502-079	1	S	Rear Gearcase Assembly
1	0502-622	1		Housing, Gearcase
2	0402-393	2		Bearing
3	1402-713	2	S	Seal
4	1402-032	1		Gear, Ring - 36T
5	0402-405	AR		Shim
5	0402-406	AR		Shim
5	0402-407	AR		Shim
5	0402-408	AR		Shim
5	0402-409	AR		Shim
6	0402-326	1		Button, Thrust
7	0402-429	AR		Shim
7	0402-430	AR		Shim
7	0402-431	AR		Shim
7	0402-432	AR		Shim
7	0402-433	AR		Shim
8	0423-149	1		O-Ring
9	1502-082	1		Cover, Gearcase
10	0402-333	1	/P	Plug, Fill (inc. 11)
11	0423-154	1		O-Ring
12	1402-102	1		Fitting
13	0423-118	11		Screw, Self-Tapping
14	0402-450	1	S	Plug, Magnetic (inc. one No. 15)
15	0423-153	2		O-Ring
16	0402-328	1		Bearing
17	0502-783	1		Gear, Pinion - Assembly - 10T (inc. 18-19)
18	0402-327	1		Bearing
19	0402-336	1		Collar, Retaining
20	0402-411	1		Pin, Dowel
21	0402-331	1		Collar, Lock
22	0402-982	1		Washer, Wave
23	0402-981	1		Collar, Shaft
24	0402-947	1		Gasket, Flange
25	0502-529	1		Housing, Pinion
26	0423-417	1		Ring, Retaining
27	1402-043	1		Bearing
28	0423-423	1		Ring, Retaining
29	1402-011	1		Seal
30	1502-085	1	/P	Shaft, Input
31	1402-211	1		Plug, Oil Level (inc. one No. 15)

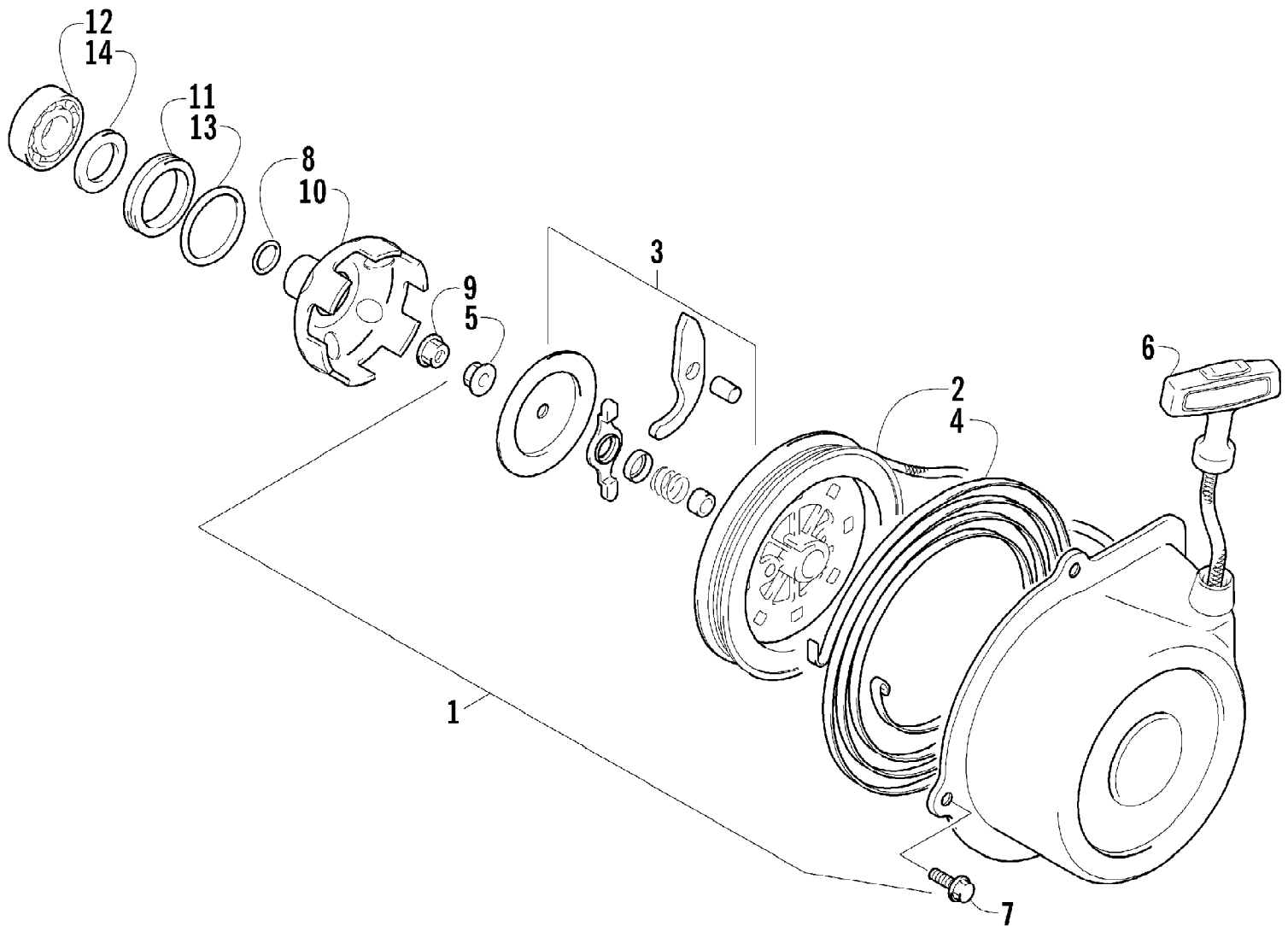


2009 ATV 500 4X4 MANUAL GREEN (A2009IBM4AUSG)
REAR RACK, BODY PANEL, AND FOOTWELL ASSEMBLY

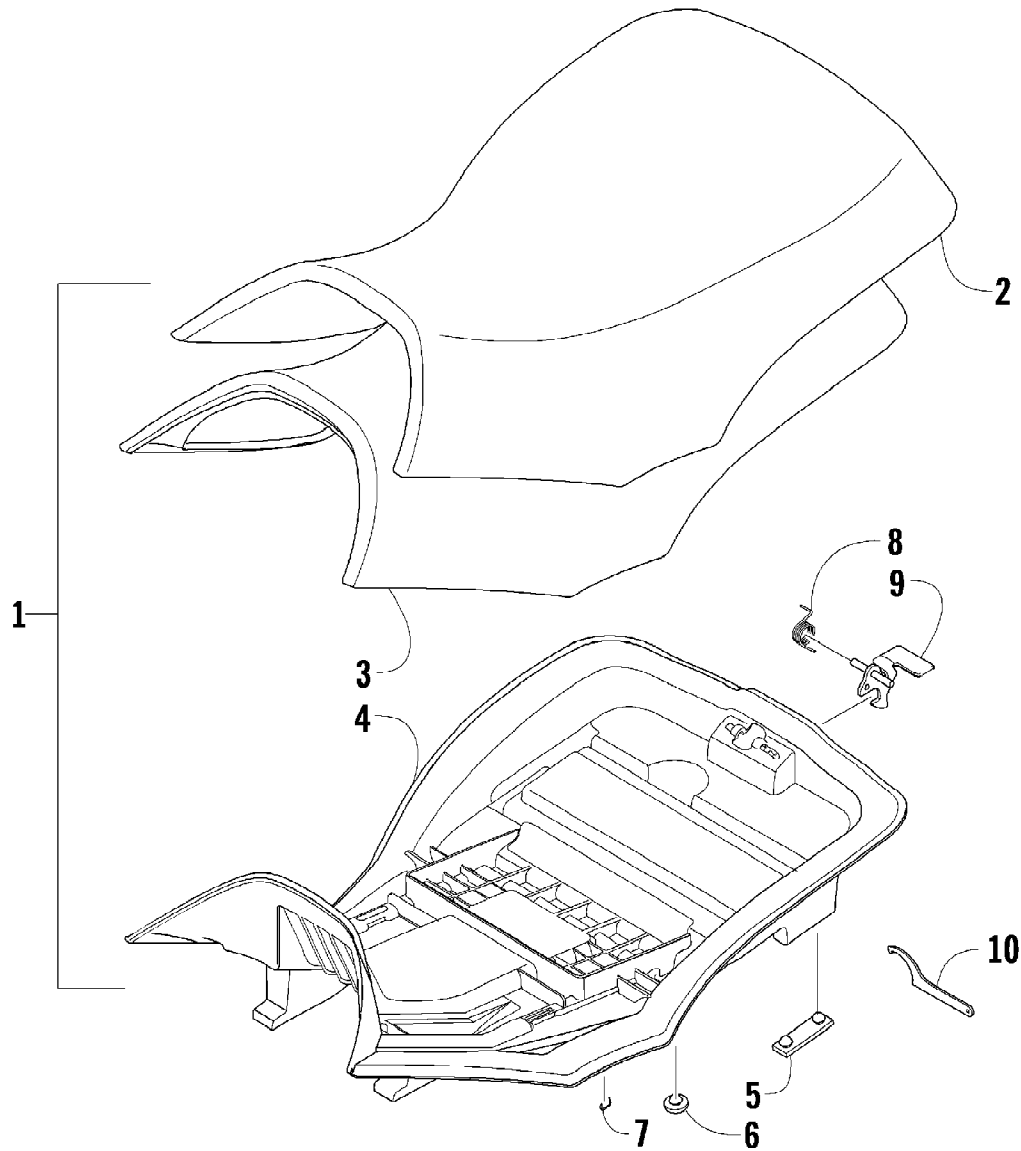
Ref #	Part Number	Qty	S/P/F	Description
1	2506-125	1		Rack, Rear - Assembly (inc. 2-3)
2	0411-648	1		Decal, Warning - Load
3	0441-592	4	/P	Bushing
4	8410-830	4		Screw, Cap
5	0423-669	4		Spacer
6	0423-465	4		Grommet
7	8432-802	4		Nut, Lock
8	0423-654	2		Screw, Shoulder
9	8050-222	2	/P	Washer
10	0423-540	24		Nut, Lock
11	0423-101	2		Screw, Body
12	2406-424	1	/P	Footwell - Right
12	2406-425	1	/P	Footwell - Left
13	0623-362	2		Rivet, Reinstallable
14	0423-419	16		Screw, Machine
15	0423-355	4		Screw, Shoulder
16	1506-125	2	/P	Footpeg
17	2516-073	1	/P	Panel, Fender - Assembly - Rear (inc. 18-22)
18	1411-592	1	/P	Decal, Reflector - Rear - Right
18	1411-593	1	/P	Decal, Reflector - Rear - Left
19	1411-806	1	S	Decal, Warning - Tire Pressure
20	0470-658	1		Shield, Heat
21	1411-809	1	/P	Decal, Passenger
22	1411-725	1		Decal, Rear
23	0411-965	2		Decal, Speedrack



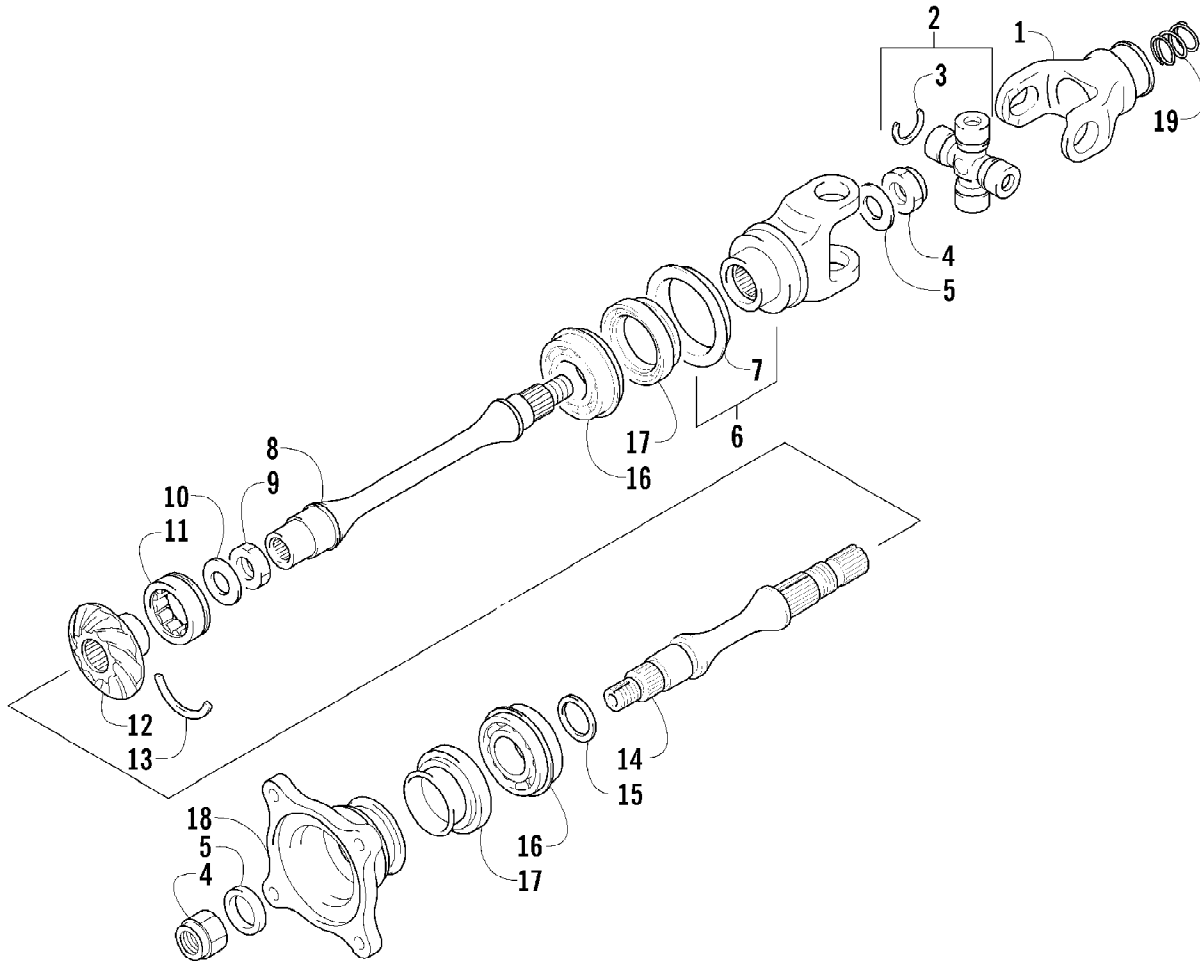
Ref #	Part Number	Qty	S/P/F	Description
1	0504-372	1	S	Knuckle, Right Rear - Assembly (inc. 2-5)
1	0504-373	1	S/P	Knuckle, Left Rear - Assembly (inc. 2-5)
2	1402-027	2	S/P	Bearing
3	0423-423	2		Ring, Retaining
4	0403-038	4	S/P	Collar
5	0403-032	8	S	Bushing
6	0504-524	1		A-Arm, Rear - Lower Right (inc. 7-8)
6	0504-525	1	/P	A-Arm, Rear - Lower Left (inc. 7-8)
7	0403-115	16	S	Bushing
8	0403-114	8	S	Collar
9	0423-744	14		Nut, Lock
10	8409-000	4		Screw, Cap
11	0504-510	1		A-Arm, Rear - Upper Right (inc. 7-8)
11	0504-511	1		A-Arm, Rear - Upper Left (inc. 7-8)
12	1441-004	1		Guard, Boot - Right
12	1441-005	1		Guard, Boot - Left
13	0423-545	4	/P	Screw, Body
14	8409-075	8		Screw, Cap
15	1502-343	2	S	Axle, Drive (inc. 16-17)
16	0423-845	2	/P	Clip, Retaining
17	0436-276	2	S	Repair Kit, Boot - Rear Axle
18	0123-788	2	/P	Tie, Cable - 8 in.
19	1603-889	2	/P	Retainer, Spring
20	0404-112	2		Spring, Suspension
21	0404-057	2		Cam, Spring Adjuster
22	0404-150	2		Shock Absorber (inc. 23-25)
23	0403-182	2		Bushing, Double-Bonded
24	0603-955	4		Bushing
25	1603-219	2	S	Sleeve
26	0423-087	2		Washer
27	8408-820	2	/P	Screw, Cap
28	8409-040	1		Screw, Cap - Right
28	8409-050	1		Screw, Cap - Left



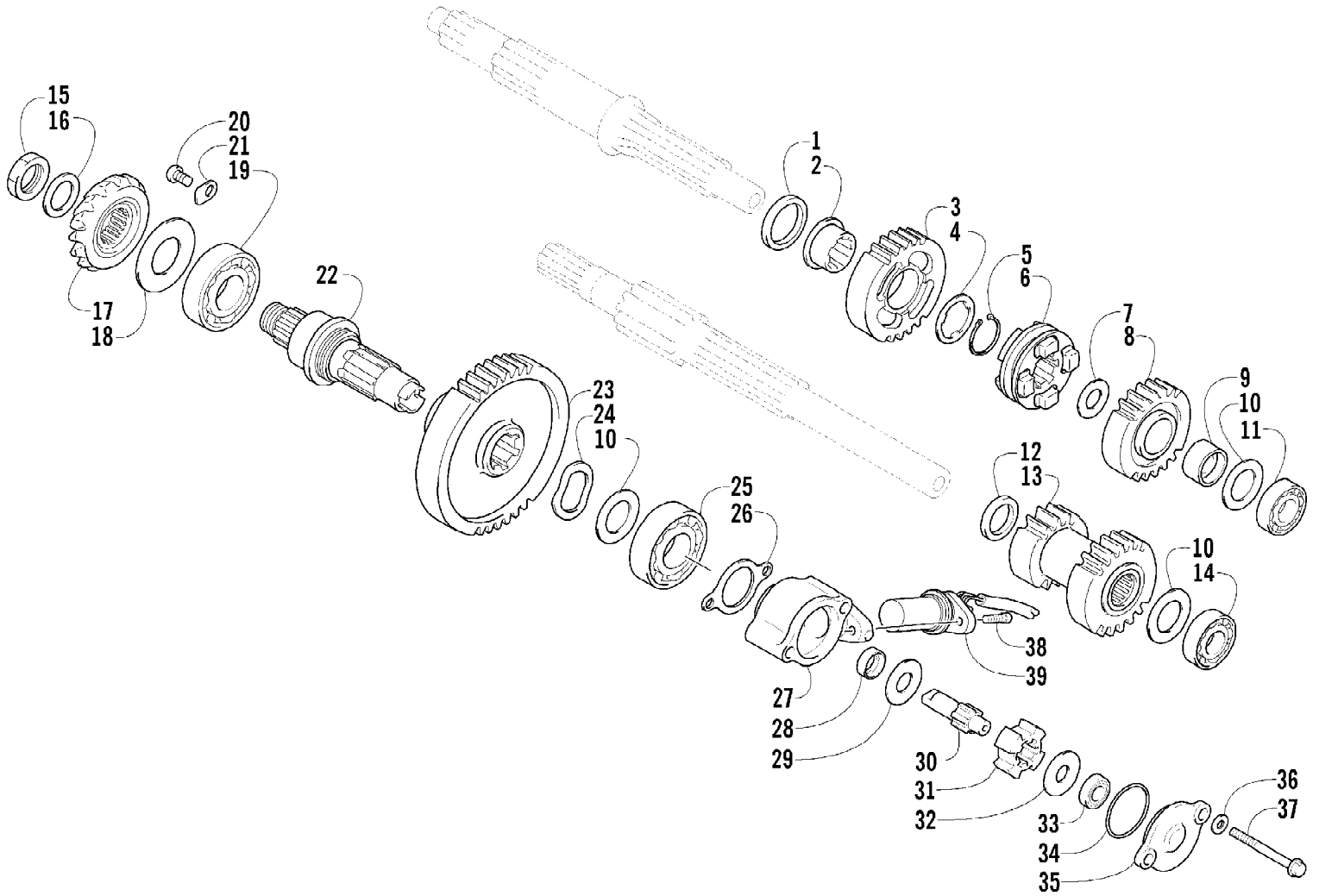
Ref #	Part Number	Qty	S/P/F	Description
1	3445-003	1		Starter, Recoil - Assembly (inc. 2-6)
2	3445-004	1		Reel
3	3445-016	1		Ratchet Set
4	3445-007	1		Spring, Spiral
5	3007-373	1	/P	Nut
6	3445-011	1		Rope Assembly
7	3423-428	4		Screw, Cap
8	3423-053	1	/P	O-Ring
9	3007-391	1	/P	Nut
10	3445-029	1	/P	Cup, Starter
11	3423-542	1	/P	Spacer
12	3402-051	1		Bearing
13	3423-063	1		O-Ring
14	3402-070	1		Seal, Oil



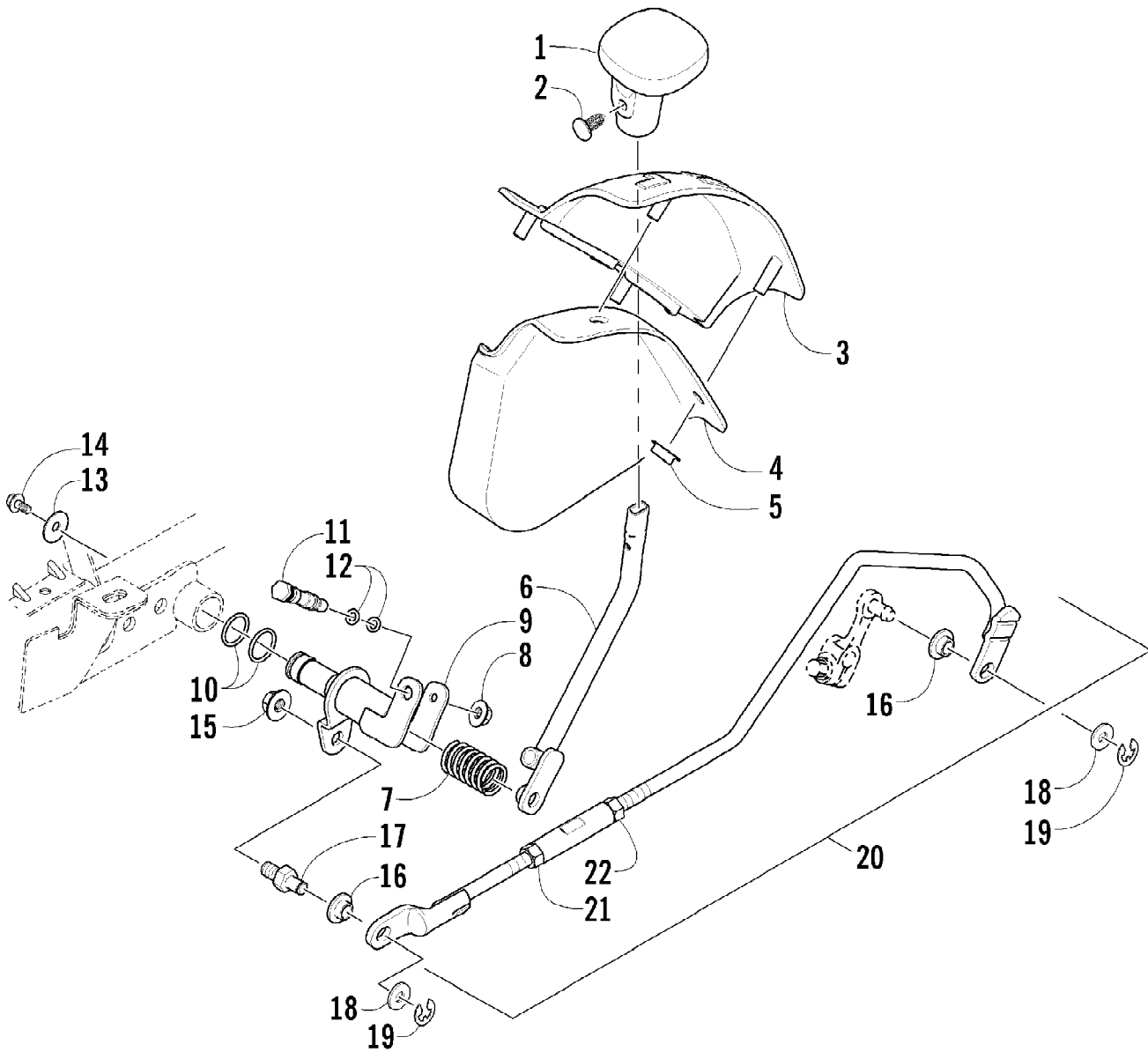
Ref #	Part Number	Qty	S/P/F	Description
1	1506-937	1	S/P	Seat Assembly (inc. 2-9)
2	1506-209	1		Cover, Seat
3	1506-208	1		Foam, Seat
4	2604-144	1		Base, Seat - Assembly (inc. 5-6)
5	0406-879	2		Bumper, Seat - Rear
6	0406-877	4	/P	Bumper, Seat - Front
7	0624-263	AR		Staple
8	1406-592	1	/P	Spring, Seat Latch
9	1506-156	1		Latch, Seat
10	0441-587	1		Wrench, Spanner



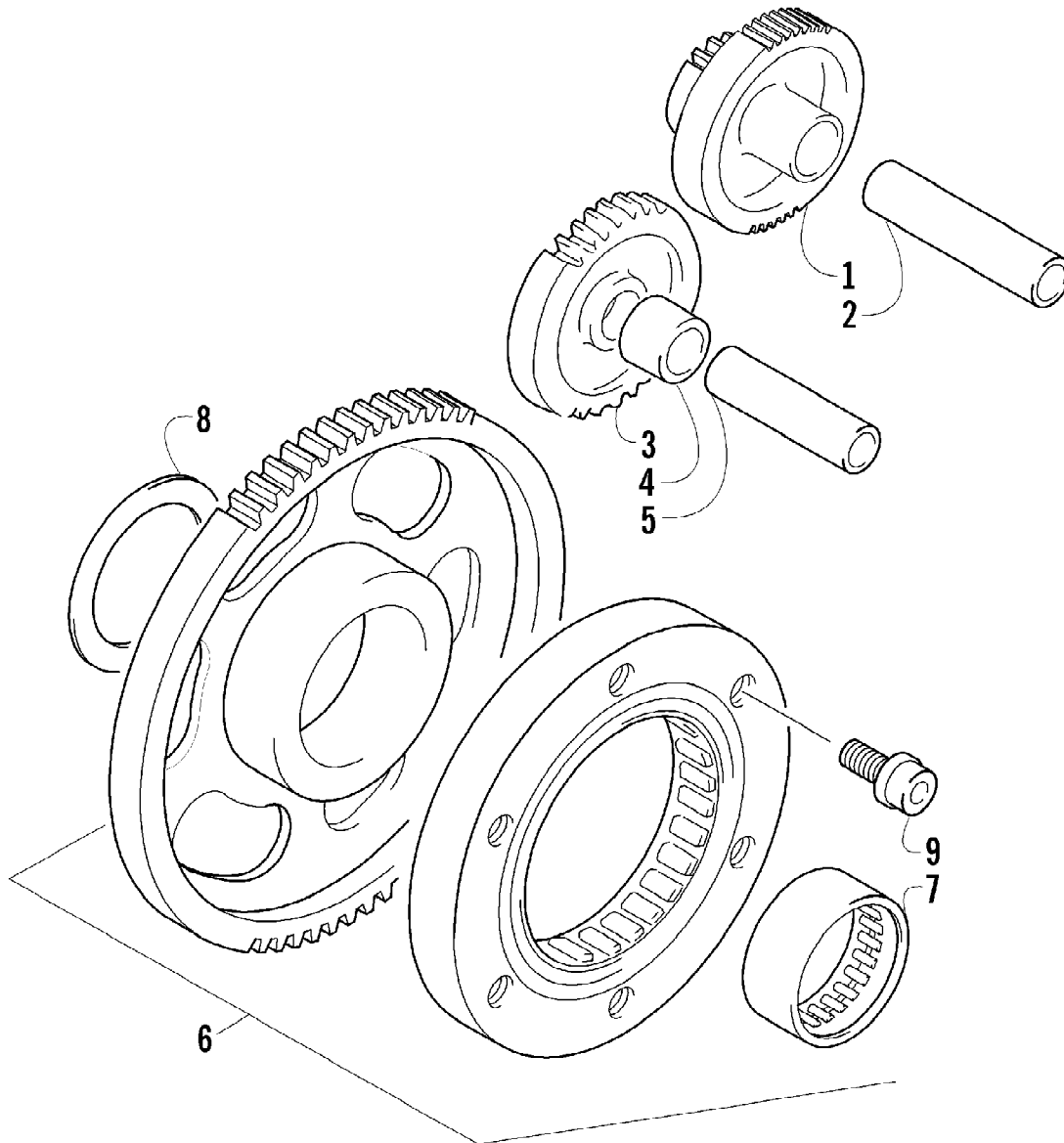
Ref #	Part Number	Qty	S/P/F	Description
1	3446-327	1	/P	Yoke, Propeller Shaft
2	3402-562	1		Joint, Universal (inc. 3)
3	3423-479	4		Circlip
4	3423-025	2		Nut
5	3423-028	2		Washer
6	3402-742	1		Yoke, Front Drive Output (inc. 7)
7	3402-743	1		Plate, Output
8	3446-239	1		Shaft, Secondary Driven - Front
9	3423-136	1		Nut, Secondary Driven Gear
10	3423-137	1		Washer, Secondary Driven Gear
11	3402-515	1	/P	Bearing, Secondary Driven Gear
12	3446-222	1	/P	Gear, Secondary Driven
13	3423-072	1		Ring, Secondary Driven Gear Bearing
14	3446-346	1	S	Shaft, Secondary Driven - Rear
15	3402-017	AR		Shim, 25 x 34 x 0.60mm
15	3402-018	AR		Shim, 25 x 34 x 0.65mm
15	3402-019	AR		Shim, 25 x 34 x 0.70mm
15	3402-020	AR		Shim, 25 x 34 x 0.75mm
15	3402-021	AR	S	Shim, 25 x 34 x 0.80mm
15	3402-022	AR		Shim, 25 x 34 x 0.85mm
15	3402-023	AR		Shim, 25 x 34 x 0.90mm
15	3402-024	AR		Shim, 25 x 34 x 0.95mm
15	3402-025	AR	S	Shim, 25 x 34 x 1.00mm
15	3402-028	AR		Shim, 25 x 34 x 1.05mm
15	3402-029	AR		Shim, 25 x 34 x 1.10mm
15	3402-030	AR		Shim, 25 x 34 x 1.15mm
15	3402-031	AR		Shim, 25 x 34 x 1.20mm
16	3403-210	2	/P	Bearing
17	3402-072	2		Seal, Oil
18	3402-514	1	/P	Yoke, Rear Drive Output
19	1402-026	1		Spring



Ref #	Part Number	Qty	S/P/F	Description
1	3446-246	1		Spacer, Drive Gear
2	3446-247	1		Bushing, Drive Gear No. 1
3	3446-342	1		Gear, Drive - No. 1
4	3423-036	1		Washer, Drive Gear No. 1
5	3423-066	1	/P	Circlip, Drive Gear No. 1
6	3446-343	1		Dog, Sliding
7	3402-195	1		Washer, Drive Gear No. 2
8	3446-248	1		Gear, Drive - No. 2
9	3446-103	1		Bushing, Drive Gear No. 2
10	3402-381	3	/P	Washer
11	3402-046	1		Bearing, Driveshaft - Left
12	3423-148	1		Spacer, Idle Gear
13	3446-066	1		Gear, Idle
14	3402-979	1	/P	Bearing, Countershaft - Left
15	3423-023	1		Nut
16	3423-032	1		Washer
17	3446-274	1	/P	Gear, Secondary Drive Bevel
18	3423-549	1		Shim Set
19	3402-055	1	/P	Bearing
20	3423-370	2		Screw, Machine
21	3446-031	2	/P	Retainer, Bearing
22	3446-344	1		Shaft, Output
23	3446-345	1		Gear, Driven
24	3423-548	1		Washer, Wave
25	3402-045	1	/P	Bearing
26	3446-244	1	/P	Gasket, Sensor Housing
27	3446-400	1		Housing, Speedometer Sensor
28	3006-322	1		Seal, Sensor Housing
29	3423-617	1		Washer
30	3446-402	1		Shaft, Speedometer Rotor
31	3402-837	1		Rotor, Speedometer
32	3423-767	1		Washer
33	3402-980	1		Bearing, Rotor Shaft
34	3423-766	1		O-Ring, Housing Cover
35	3446-401	1		Cover, Speedometer Housing
36	3003-290	2	/P	Gasket
37	3423-307	2	S	Screw, Cap
38	3423-226	1		Screw, Cap
39	3402-981	1		Sensor, Speedometer

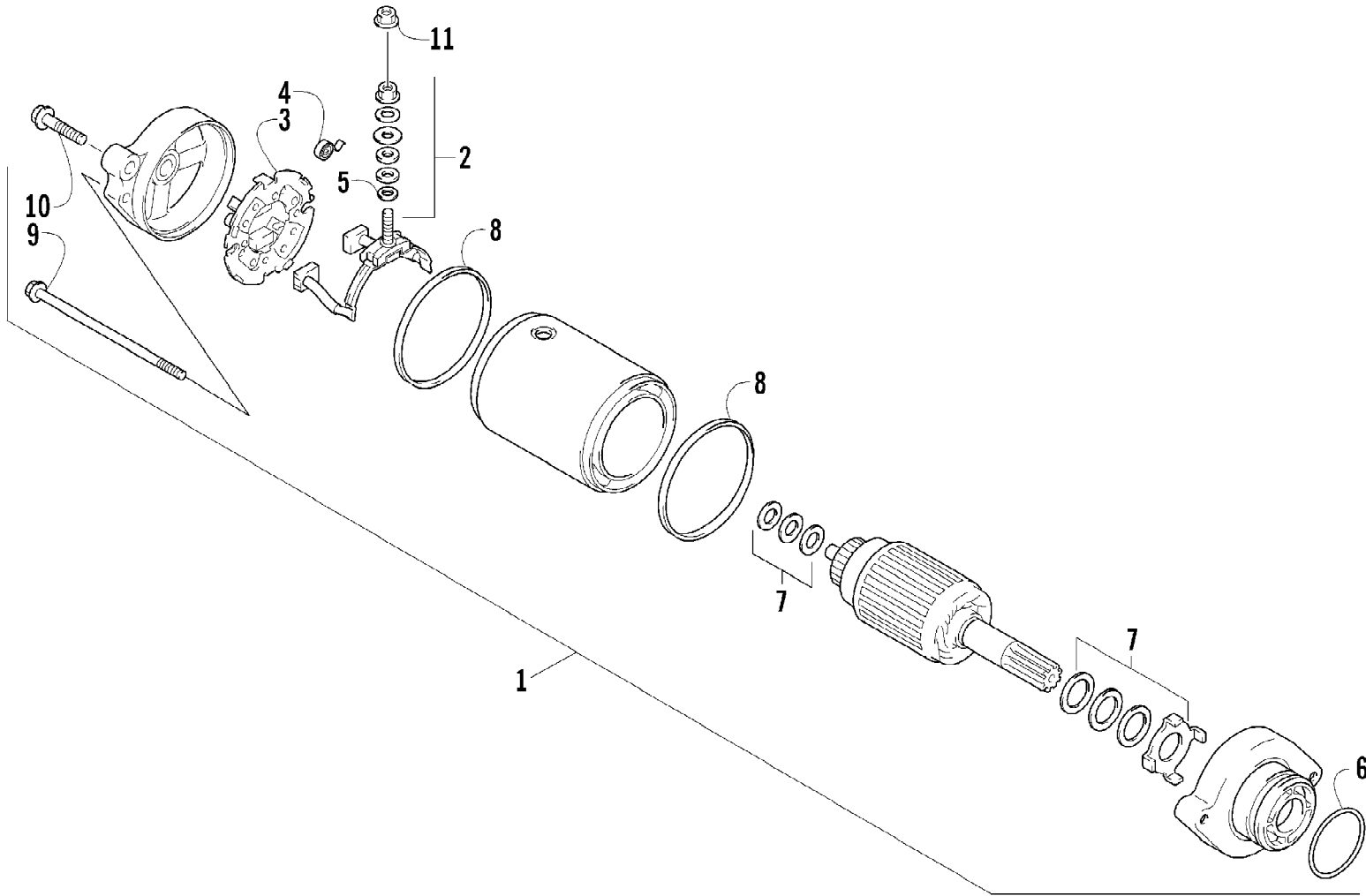


Ref #	Part Number	Qty	S/P/F	Description
1	0402-843	1	/P	Knob, Shift
2	0423-345	1		Clip, Retaining
3	1402-577	1		Plate, Shift
4	2406-345	1		Shield, Shift Plate
5	0423-357	4		Nut, Stamped
6	0502-659	1		Lever, Shift
7	0402-678	1	/P	Spring, Shift Lever
8	8424-602	1	/P	Nut
9	1502-332	1		Actuator, Shift
10	0423-299	2	/P	O-Ring
11	0402-675	1		Axle, Pivot
12	0423-182	2	/P	O-Ring
13	0423-087	1		Washer
14	8408-812	1		Screw, Cap
15	8424-802	1		Nut
16	0423-091	2		Bushing, Shift Linkage
17	1402-621	1		Pin, Mounting - Shift Linkage
18	0623-094	2		Washer
19	0423-169	2	/P	E-Ring
20	1502-204	1		Linkage, Shift - Assembly (inc. 21-22)
21	0623-294	1		Nut, Hex - Right-Hand Thread
22	0123-917	1	/P	Nut, Hex - Left-Hand Thread

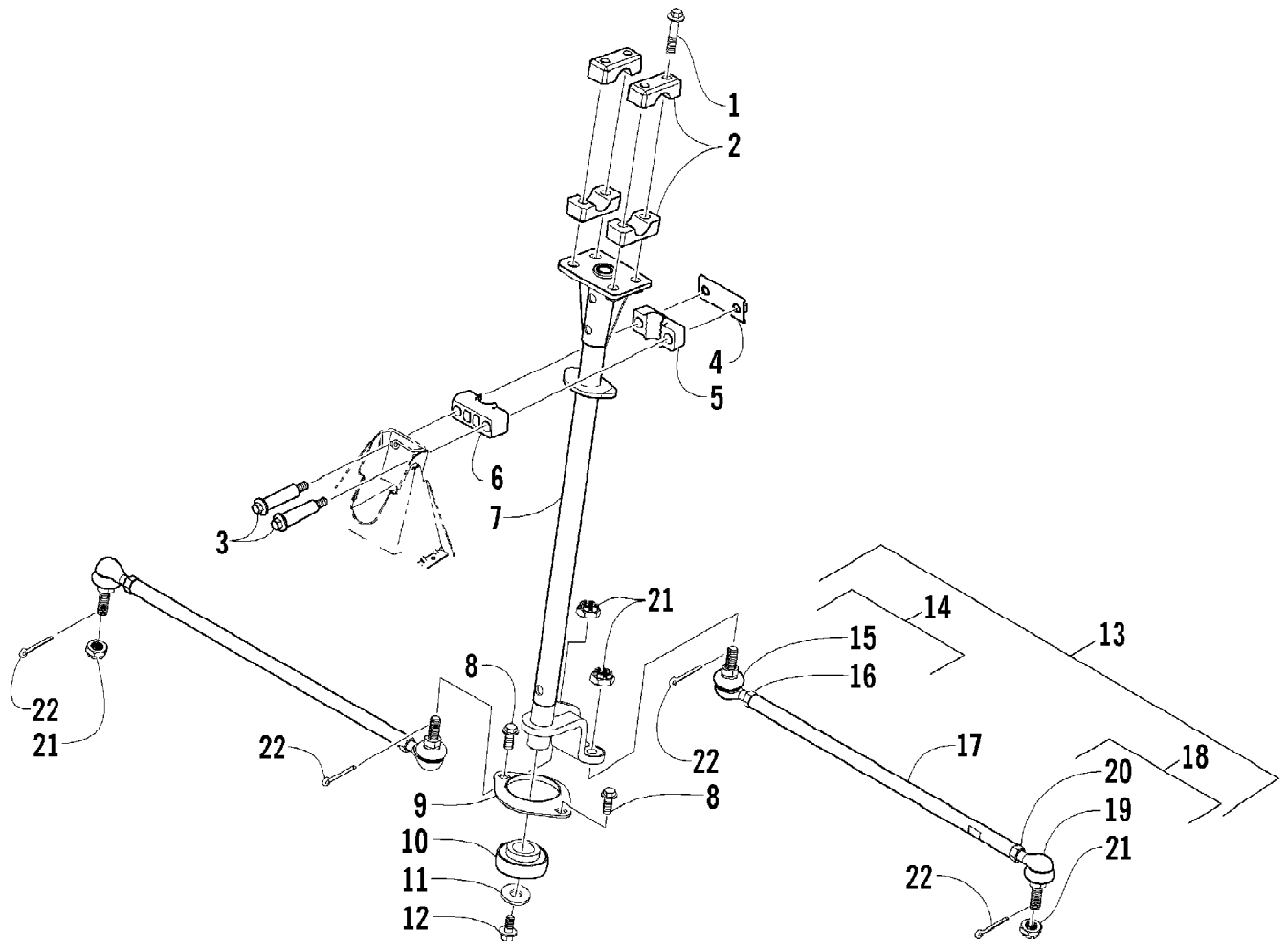


Ref #	Part Number	Qty	S/P/F	Description
1	3402-813	1	/P	Gear, Starter Idler - No. 1
2	3423-331	1		Pin
3	3402-349	1		Gear, Starter Idler - No. 2
4	3423-396	1		Spacer, Starter Idler Gear No. 2
5	3423-397	1		Pin
6	3402-457	1		Starter, Clutch - Set (inc. 7)
7	3402-063	1		Bearing
8	3423-104	1		Washer
9	3423-509	6		Bolt

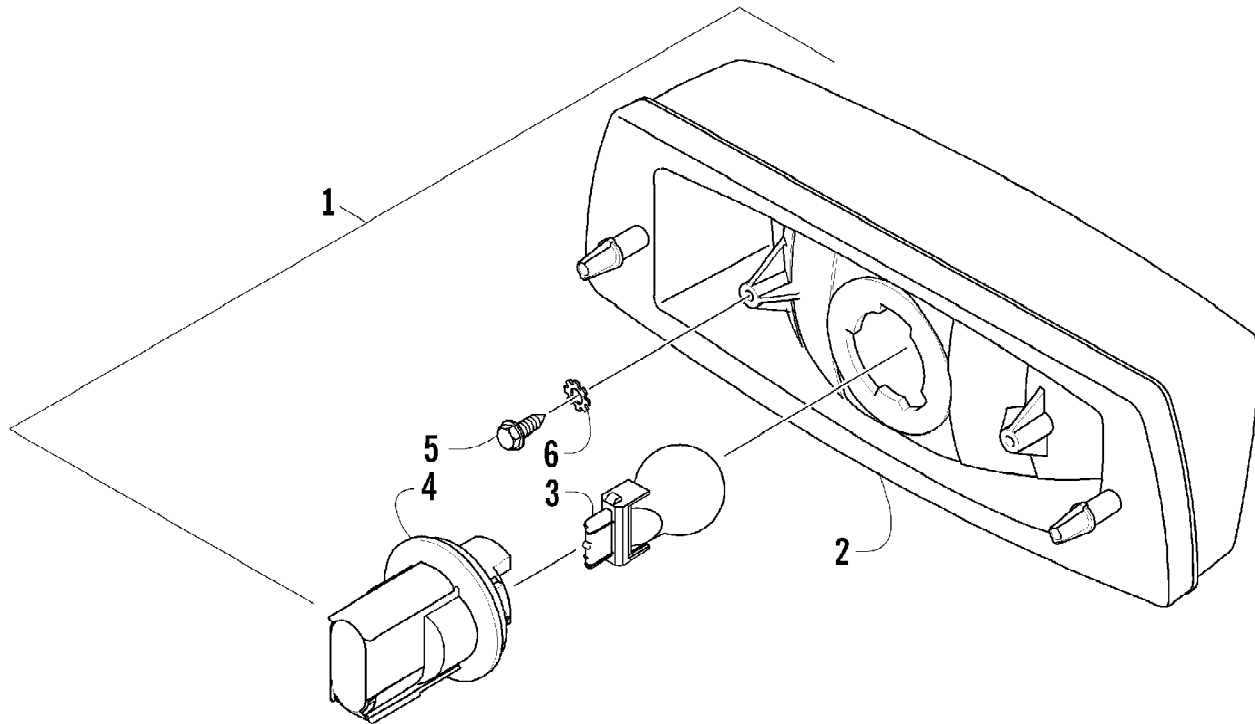
2009 ATV 500 4X4 MANUAL GREEN (A2009IBM4AUSG)
STARTER MOTOR ASSEMBLY



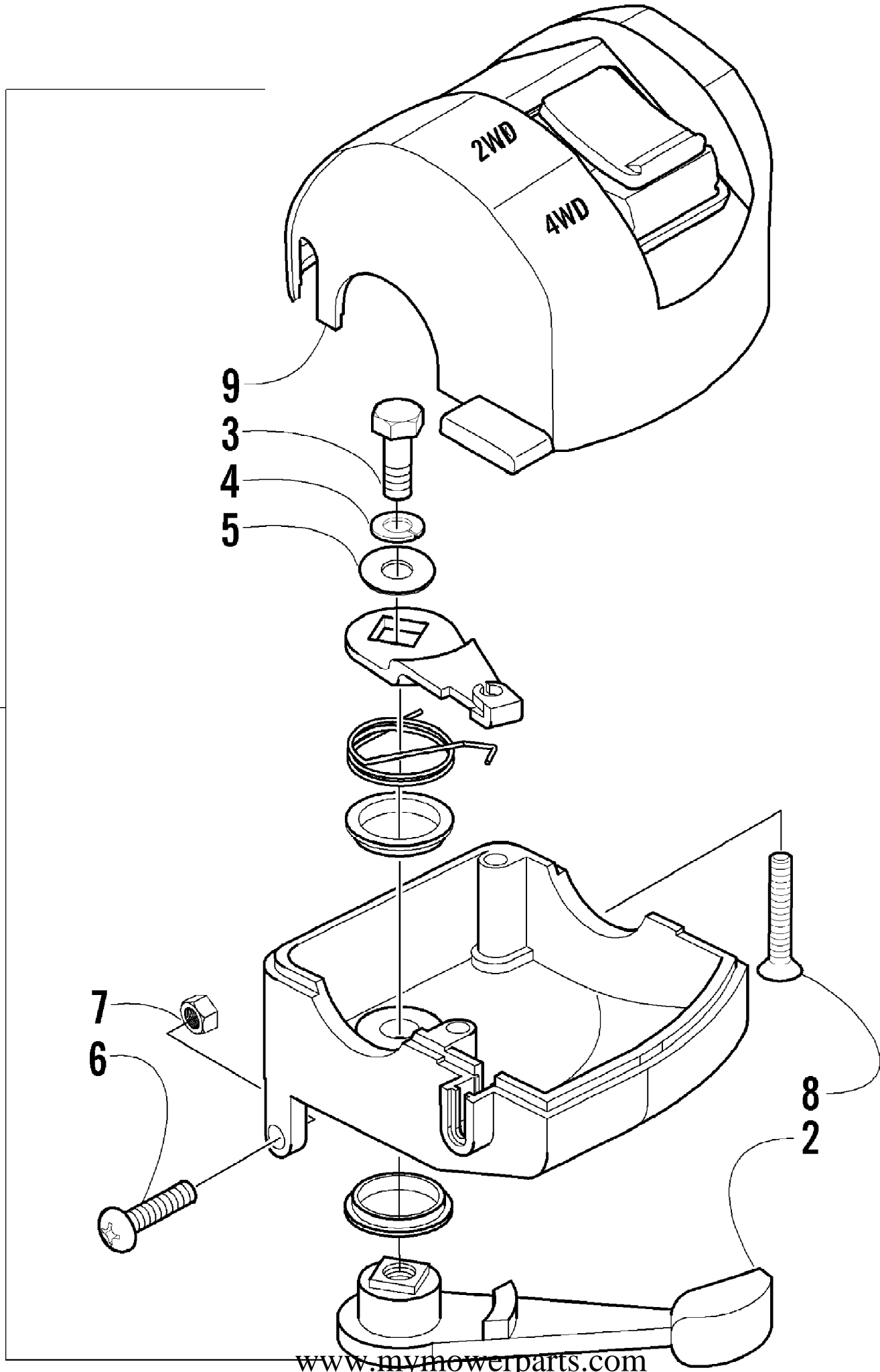
Ref #	Part Number	Qty	S/P/F	Description
1	3545-024	1	/P	Motor, Starter - Assembly (inc. 2-9)
2	3008-094	1	/P	Terminal Set, Brush
3	3008-095	1	/P	Holder Set, Brush
4	3008-096	4		Spring, Brush
5	3008-164	1		O-Ring
6	3423-084	1		O-Ring
7	3436-001	1		Washer Set
8	3008-101	2	S	O-Ring
9	3423-085	2		Screw, Cap
10	3007-369	2	/P	Screw, Cap
11	3423-195	1	/P	Nut



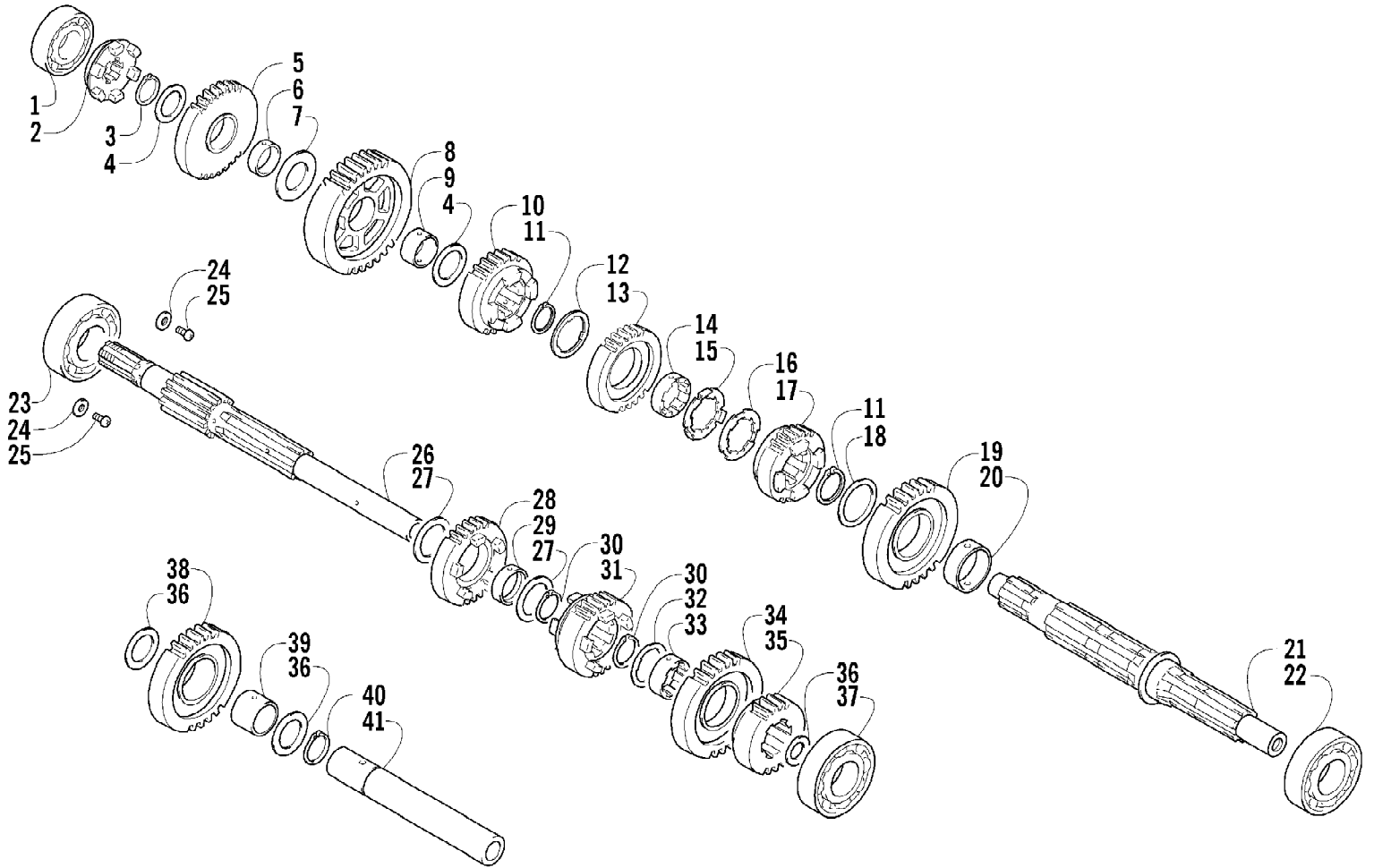
Ref #	Part Number	Qty	S/P/F	Description
1	8408-860	4		Screw, Cap
2	0405-035	4		Cap, Steering Adjuster
3	0423-505	2		Screw, Shoulder
4	0505-484	1		Cap, Housing
5	0405-138	1		Housing, Lower
6	0405-139	1		Housing, Upper
7	0505-451	1	S	Post, Steering
8	8408-816	2		Screw, Cap
9	0602-233	1		Flange, Bearing
10	0405-052	1		Bearing w/Inverted Oil Seal
11	0423-073	1		Washer
12	8409-020	1	/P	Screw, Cap
13	0505-499	2	/P	Tie Rod - Assembly (inc. 14-20)
14	0505-511	2	/P	End, Tie Rod - Left-Hand Thread - Kit (inc. 15-16 and two No. 21-22)
15	0	2	F	End, Tie Rod - Left-Hand Thread
16	0423-013	2		Nut - Left-Hand Thread
17	0405-281	2	/P	Tie Rod
18	0505-510	2	/P	End, Tie Rod - Right-Hand Thread - Kit (inc. 19-20 and two No. 21-22)
19	0	2	F	End, Tie Rod - Right-Hand Thread
20	8420-002	2	/P	Nut - Right-Hand Thread
21	0423-157	4		Nut, Lock
22	0623-175	4		Pin, Cotter



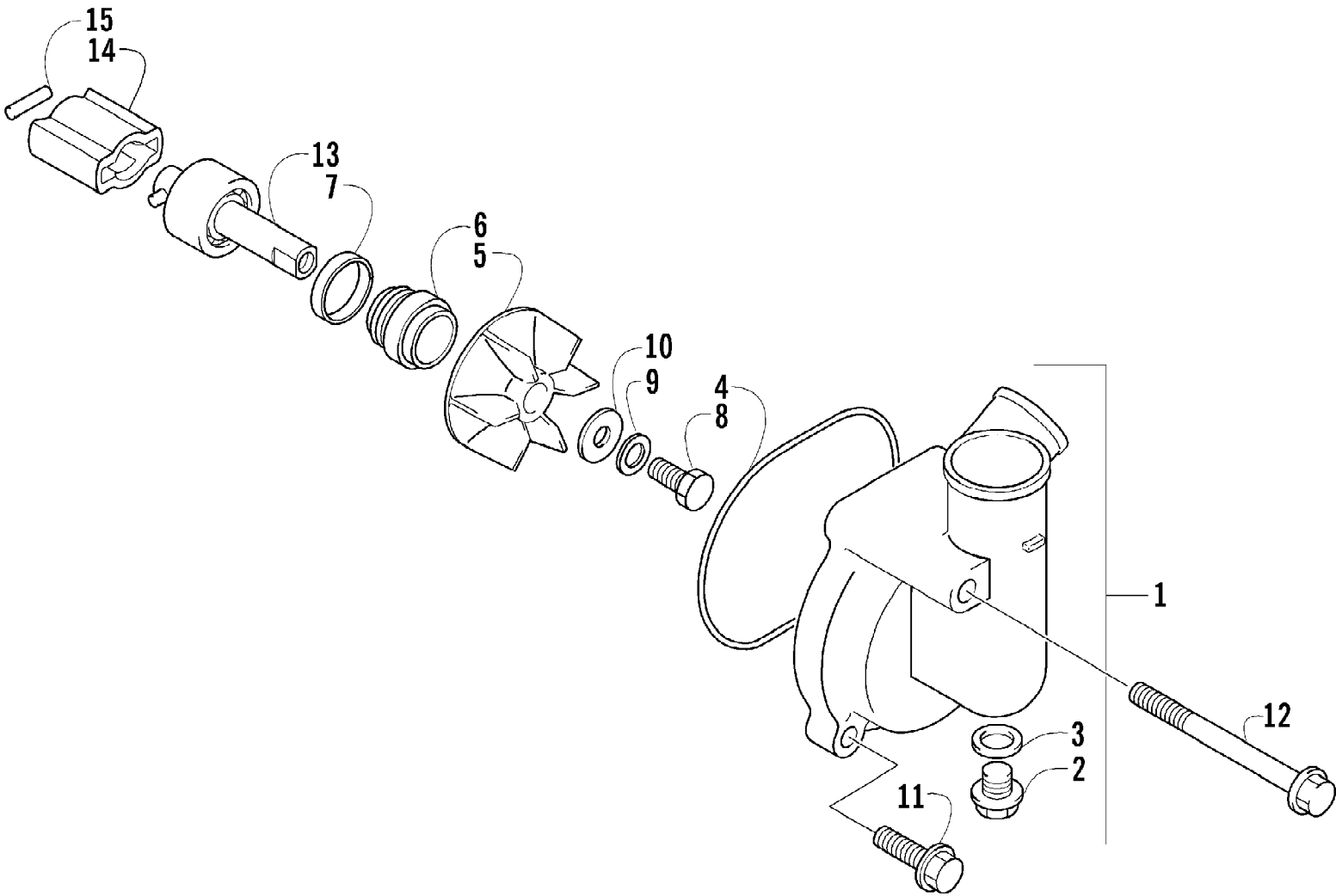
Ref #	Part Number	Qty	S/P/F	Description
1	0509-022	1		Taillight Assembly (inc. 2-4)
2	0509-025	1		Housing, Taillight
3	0409-056	1		Bulb, Taillight
4	0409-057	1		Socket, Taillight
5	0623-301	2	/P	Screw, Self-Tapping
6	8053-212	2	/P	Washer, External Tooth Lock



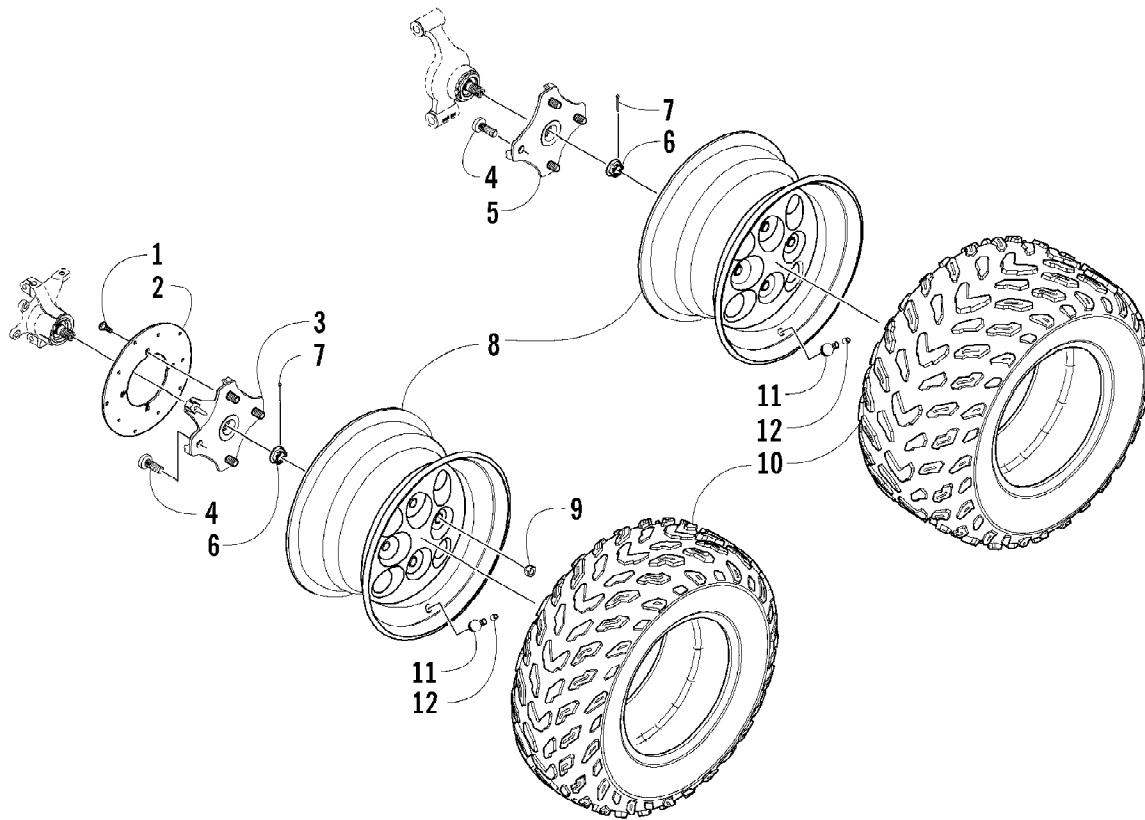
Ref #	Part Number	Qty	S/P/F	Description
1	0509-012	1		Case, Throttle - Assembly (inc. 2-9)
2	3409-001	1		Lever
3	3004-533	1	S/P	Screw, Cap
4	3004-447	1	/P	Washer, Lock
5	3003-030	1	/P	Washer
6	3423-014	1		Screw, Machine
7	3423-327	1		Nut
8	3423-199	2		Screw, Machine
9	0409-048	1		Cover, Throttle Case w/Switch



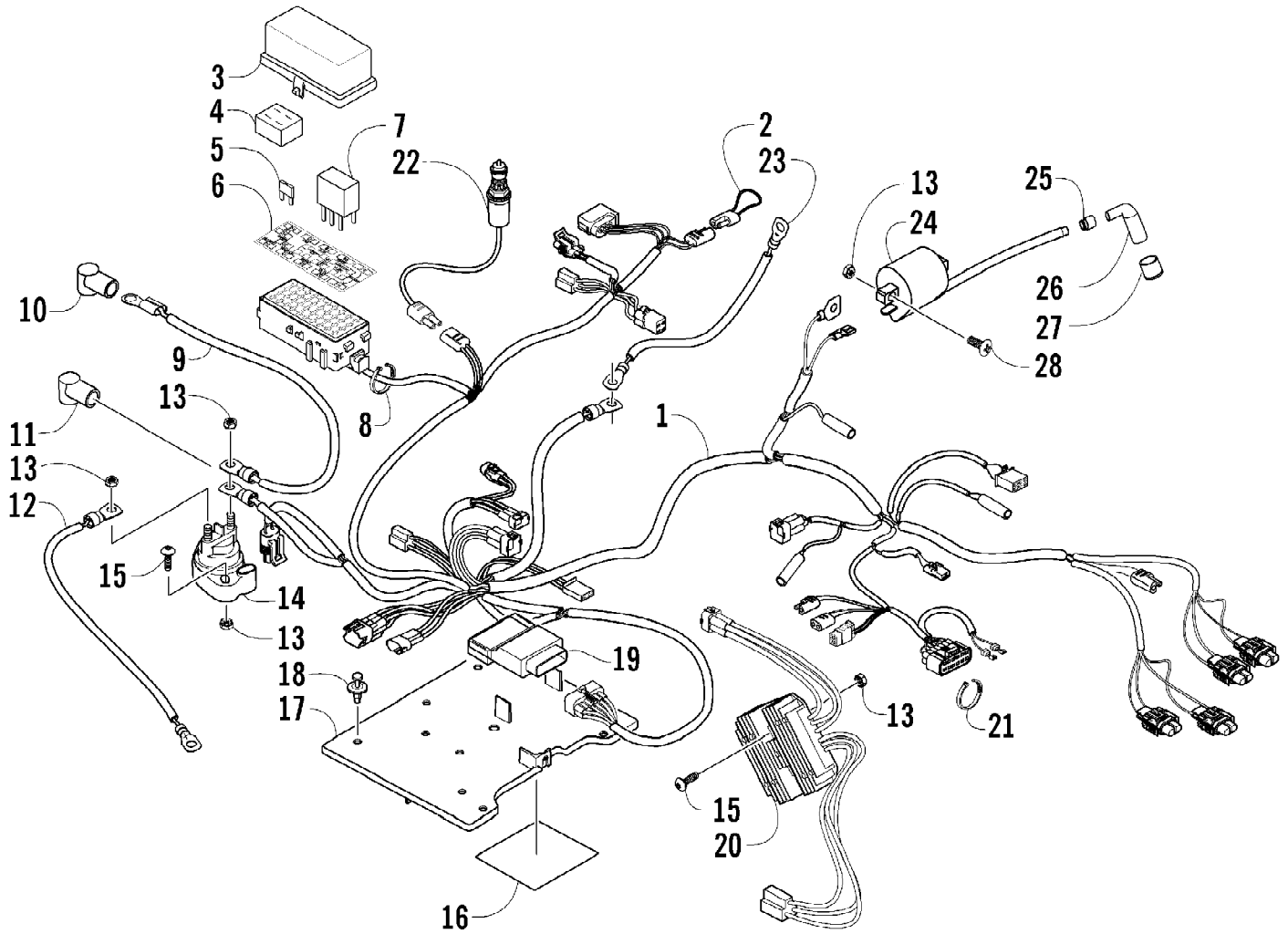
Ref #	Part Number	Qty	S/P/F	Description
1	3003-320	1	/P	Bearing, Driveshaft - Right
2	3446-030	1		Dog, Reverse
3	3423-189	1	S	Circlip
4	3402-335	2		Washer
5	3446-029	1		Gear, Reverse Driven
6	3446-032	1		Bushing, Reverse Driven Gear
7	3423-131	1		Washer, 1st Driven Gear - Right
8	3446-235	1	/P	Gear, 1st Driven
9	3402-692	1	/P	Bushing, 1st Driven Gear
10	3446-340	1		Gear, 4th Driven
11	3423-866	2	/P	Circlip
12	3423-038	1		Washer, 3rd Driven Gear - Right
13	3446-339	1		Gear, 3rd Driven
14	3446-024	1		Bushing, 3rd Driven Gear
15	3423-039	1		Washer, 3rd Driven Gear - Left
16	3423-040	1		Washer, 3rd Driven Gear - Left
17	3446-341	1		Gear, 5th Driven
18	3402-383	1		Washer, 2nd Driven Gear
19	3446-022	1		Gear, 2nd Driven
20	3402-082	1		Bushing, 2nd Driven Gear
21	3446-234	1		Driveshaft
22	3402-336	1		Bearing, Driveshaft - Middle
23	3402-050	1		Bearing, Countershaft - Right
24	3423-135	2		Retainer, Countershaft Bearing
25	3423-370	2		Screw, Machine
26	3446-014	1		Countershaft
27	3423-187	2	/P	Washer, 4th Drive Gear
28	3446-337	1		Gear, 4th Drive
29	3423-547	1		Bushing, 4th Drive Gear
30	3423-066	2	/P	Circlip
31	3446-336	1		Gear, 3rd Drive
32	3423-037	1		Washer, 5th Drive Gear
33	3446-020	1		Bushing, 5th Drive Gear
34	3446-338	1		Gear, 5th Drive
35	3446-016	1		Gear, 2nd Drive
36	3402-195	3		Washer
37	3402-179	1		Bearing, Countershaft - Middle
38	3446-237	1		Gear, Reverse Idle
39	3446-238	1		Bushing, Reverse Idle
40	3423-865	1	/P	Circlip
41	3446-236	1		Shaft, Reverse Idle



Ref #	Part Number	Qty	S/P/F	Description
1	3402-354	1	/P	Case, Water Pump (inc. 2-3)
2	3423-343	1		Plug, Drain
3	3402-436	1	/P	Gasket
4	3423-078	1		O-Ring
5	3413-001	1		Impeller
6	3005-909	1	/P	Seal, Mechanical
7	3003-356	1		Seal, Oil
8	3423-543	1		Screw, Cap
9	3003-431	1	/P	Washer
10	3003-432	1		Washer
11	3004-507	2	S	Screw, Cap
12	3007-370	1	/P	Screw, Cap
13	3413-002	1		Shaft, Pump w/Bearing
14	3413-011	1	/P	Joint, Pump Drive
15	3423-046	1		Pin, Driven Gear



Ref #	Part Number	Qty	S/P/F	Description
1	0423-557	12		Screw, Shoulder
2	1436-164	3	/P	Disc, Brake
3	3323-100	2	S	Hub, Wheel - Front (inc. 4)
4	0402-974	16	/P	Stud
5	3323-113	1	/P	Hub, Wheel - Rear - Left (inc. 4)
5	3323-100	1	S	Hub, Wheel - Rear - Right (inc. 4)
6	0423-607	4		Nut, Castle
7	0423-407	4		Pin, Cotter
8	0402-856	2		Wheel - Front
8	0402-858	2		Wheel - Rear
9	0423-408	16	/P	Nut, Mounting - Wheel
10	1402-548	2		Tire - Front
10	1402-549	2		Tire - Rear
11	0402-064	4		Stem, Valve (inc. 12)
12	0402-140	4		Cap, Valve Stem



Ref #	Part Number	Qty	S/P/F	Description
1	0486-241	1		Harness, Main (inc. 2-7)
2	0486-164	1		Tether, Accessory Connector
3	0530-008	1		Cover, Fuse Block
4	0430-037	1		Holder, Fuse
5	0430-032	4		Fuse - 10 Amp
5	0430-031	3		Fuse - 15 Amp
5	0430-030	2		Fuse - 30 Amp
6	0411-837	1		Decal, Fuse Block
7	0430-033	3		Relay (5-Pin) - 20 Amp
8	0123-788	AR	/P	Tie, Cable - 8 in.
9	0445-053	1	/P	Cable, Solenoid/Starter (inc. 10)
10	0645-019	1		Boot, Terminal
11	0645-327	1		Boot, Terminal
12	0445-055	1	/P	Cable, Battery/Solenoid
13	0623-038	8		Nut w/Washer
14	0445-058	1	/P	Solenoid
15	8476-625	4		Screw, Machine
16	0412-291	1		Shield, Heat
17	1406-600	1		Tray, Electrical
18	0623-362	4		Rivet, Reinstallable
19	3530-040	1		CDI Unit
20	3530-059	1	/P	Regulator, Voltage
21	0123-903	AR		Tie, Cable - 11.5 in.
22	0409-089	1		Switch, Brake - Assembly
23	0445-054	1	/P	Cable, Battery/Ground
24	3530-027	1		Coil, Ignition - Assembly
25	3430-009	1	/P	Seal, High Tension Wire
26	3430-007	1	/P	Cap, Spark Plug
27	3430-008	1	/P	Seal, Spark Plug
28	8476-620	2		Screw, Machine