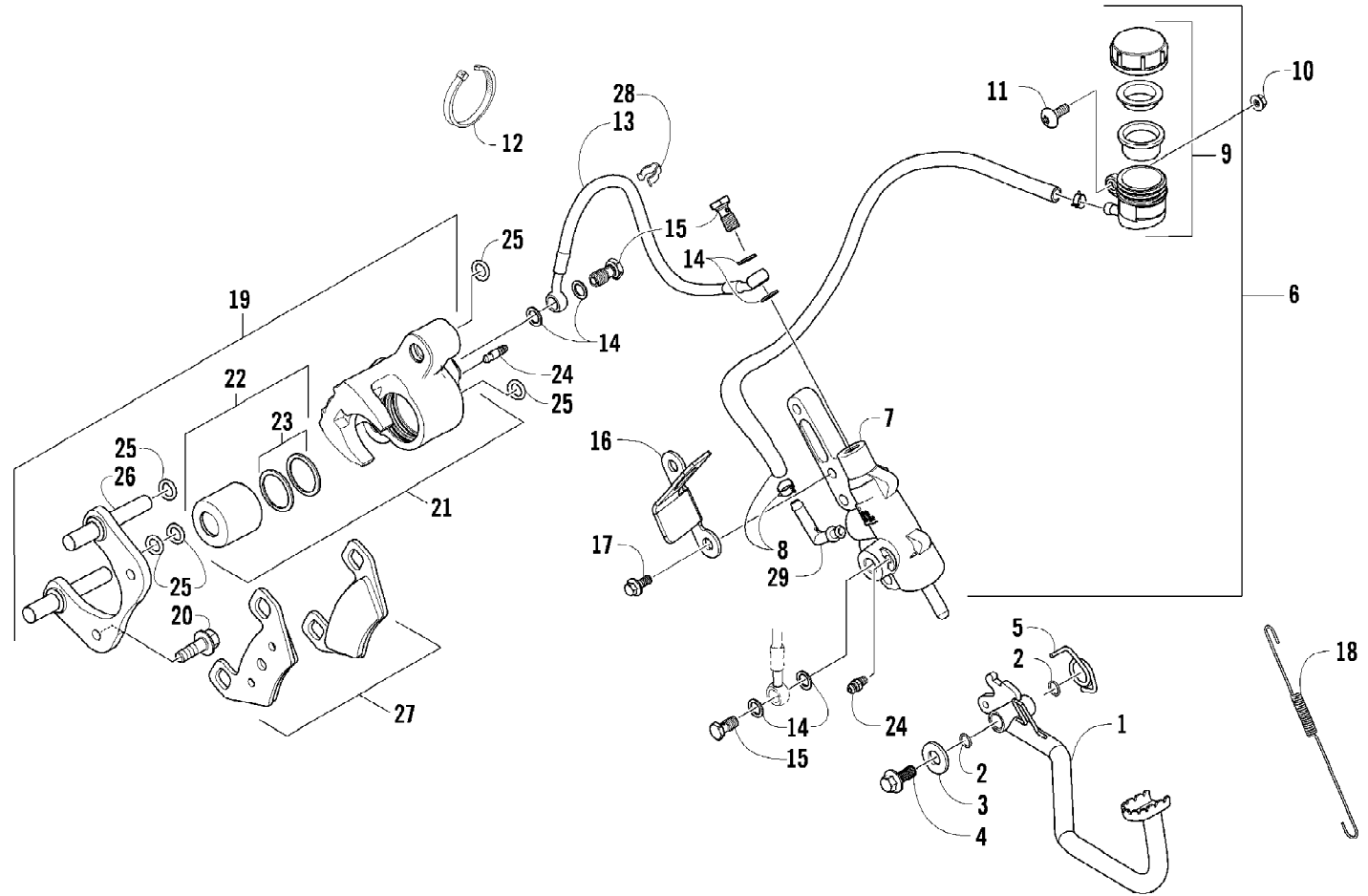


2009 ATV 400 TRV RED INTERNATIONAL (A2009TBG4BOSR)  
AIR INTAKE ASSEMBLY

Page 2 of 85

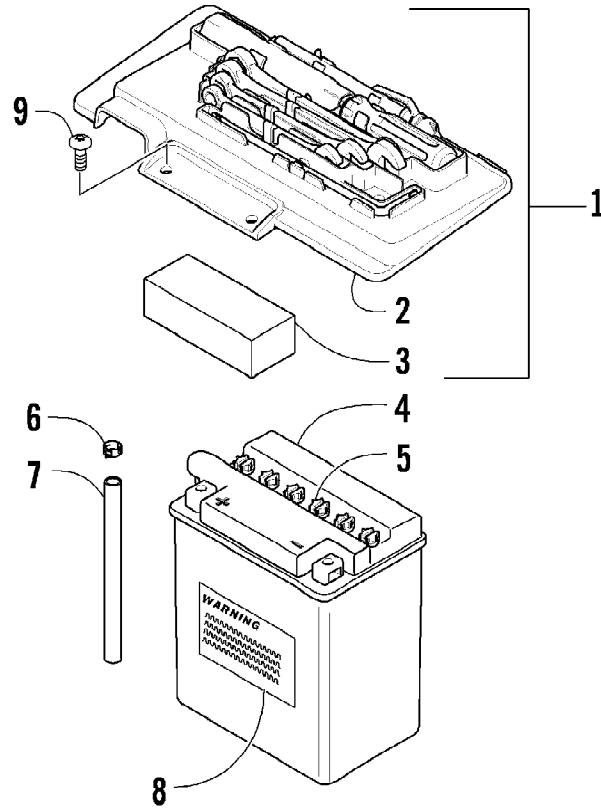
Ref #	Part Number	Qty	S/P/F	Description
1	1406-747	1		Shield, Intake
2	0623-362	2		Rivet, Reinstallable
3	0413-091	1		Diverter, Air - Top
4	0413-093	1		Diverter, Air - Bottom
5	0423-551	2		Clamp
6	0423-342	6	/P	Screw, Self-Tapping
7	0470-529	1		Duct, Air Intake
8	0470-850	1	S	Cover, Air Intake
9	0470-663	1	/P	Filter, Air
10	0470-516	1		Screen, Air Filter
11	0470-853	1	/P	Housing, Air Intake
12	0423-455	4		Clip, Spring
13	0423-454	2		Bracket, Retaining
14	0470-442	2	/P	Valve, Drain
15	1623-281	2		Clamp, Hose
16	0410-173	1	/P	Hose, Vent - Crankcase
17	0423-554	1		Clamp
18	0470-517	1		Boot, Carburetor
19	0423-019	1		Clamp
20	0470-859	1		Carburetor, CVK-36
21	0510-592	1		Hose, Drain

2009 ATV 400 TRV RED INTERNATIONAL (A2009TBG4BOSR)  
AUXILIARY BRAKE ASSEMBLY



2009 ATV 400 TRV RED INTERNATIONAL (A2009TBG4BOSR)  
AUXILIARY BRAKE ASSEMBLY

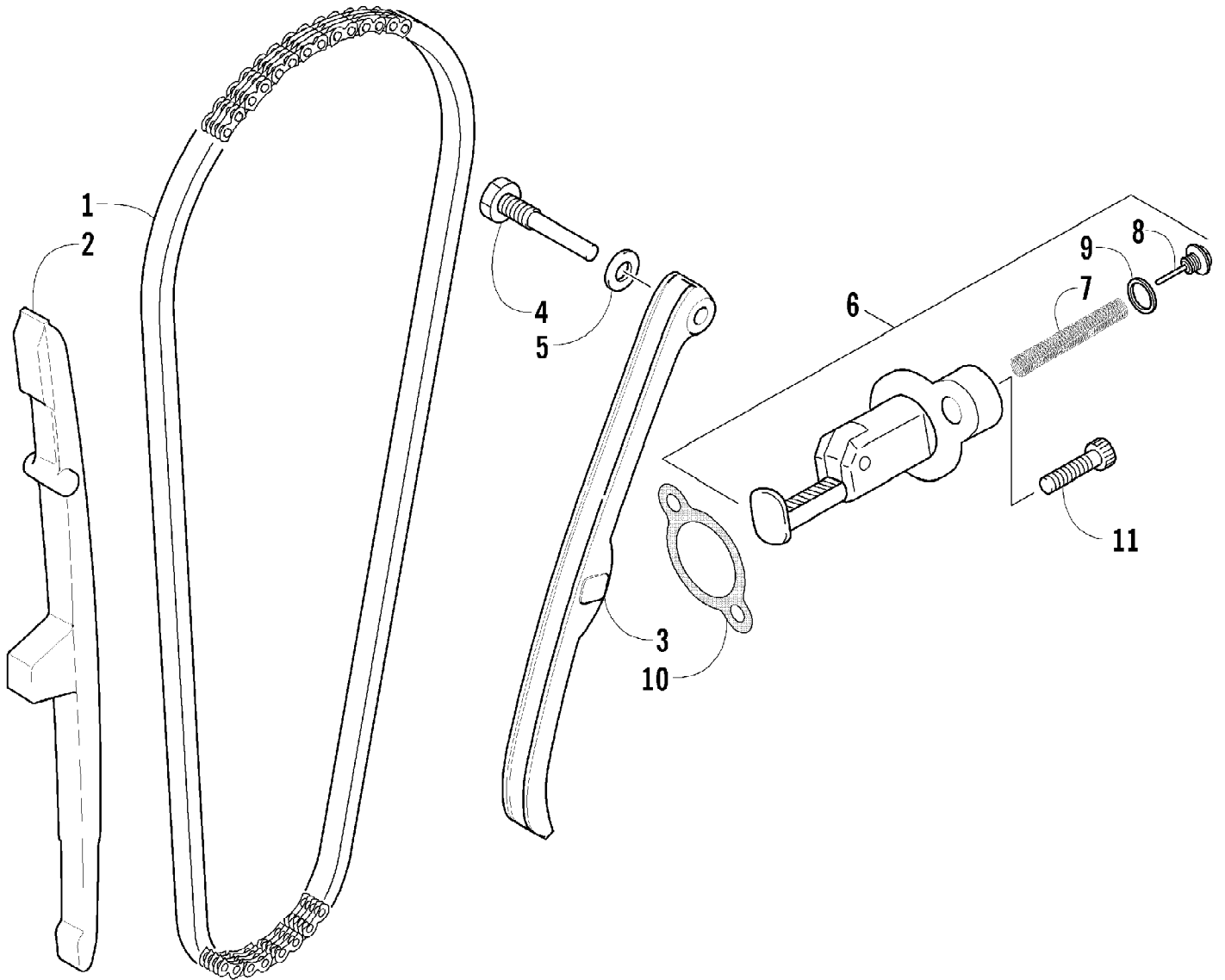
Ref #	Part Number	Qty	S/P/F	Description
	1502-294	1		Master Cylinder Replacement Kit
1	1502-063	1		Lever, Brake
2	1602-213	2	/P	O-Ring
3	8050-252	1		Washer
4	8408-816	1		Screw, Cap
5	0502-807	1		Spring, Brake Lever
6	1502-293	1		Brake Assembly (inc. 7-9)
7	0	1	F	Master Cylinder
8	0	1	F	Hose, Brake Reservoir w/Clamps
9	1502-155	1		Reservoir, Brake w/Clamp
10	0623-038	1		Nut w/Washer
11	8476-616	1		Screw, Machine
12	0123-788	AR	/P	Cable Tie - 8 in.
13	1502-140	1		Hose, Brake
14	0423-178	6		Washer, Crush
15	0423-413	3		Bolt, Banjo-Fitting
16	0502-840	1		Bracket, Switch
17	8408-625	2		Screw, Cap
18	0502-785	1		Spring, Brake Switch
19	1436-163	1		Caliper, Brake (inc. 20-23, one No. 24, and 25-27)
20	8408-821	2	/P	Screw, Cap
21	1436-161	1	/P	Housing, Caliper - Assembly - Right Rear (inc. 20, 22-23, and one No. 24)
22	0502-606	1		Piston/Seal Set (inc. 23)
23	0502-607	1		Seal Set
24	0502-609	2	/P	Valve, Bleed
25	0502-608	1		O-Ring, Guide - Set
26	0502-605	1		Bracket Assembly
27	1436-165	1	S	Pad, Brake - Set
28	1502-115	2		Clip, Brake Hose
29	1502-296	1	/P	Adapter, Hose



2009 ATV 400 TRV RED INTERNATIONAL (A2009TBG4BOSR)  
BATTERY ASSEMBLY

Page 6 of 85

Ref #	Part Number	Qty	S/P/F	Description
1	5991-655	1	/P	Battery Cover/Tool Tray Assembly (inc. 2-3)
2	2406-815	1	/P	Cover, Battery
3	0417-016	1		Pad, Battery
3	0444-122	1	S/P/F	Kit, Tool
4	0745-045	1	/P	Battery Assembly (inc. 5-8)
5	0645-045	6		Cap, Battery
6	0645-152	1		Clamp, Hose
7	0645-263	1	/P	Hose, Vent
8	0645-151	1		Decal, Warning
9	8476-620	2		Screw, Machine

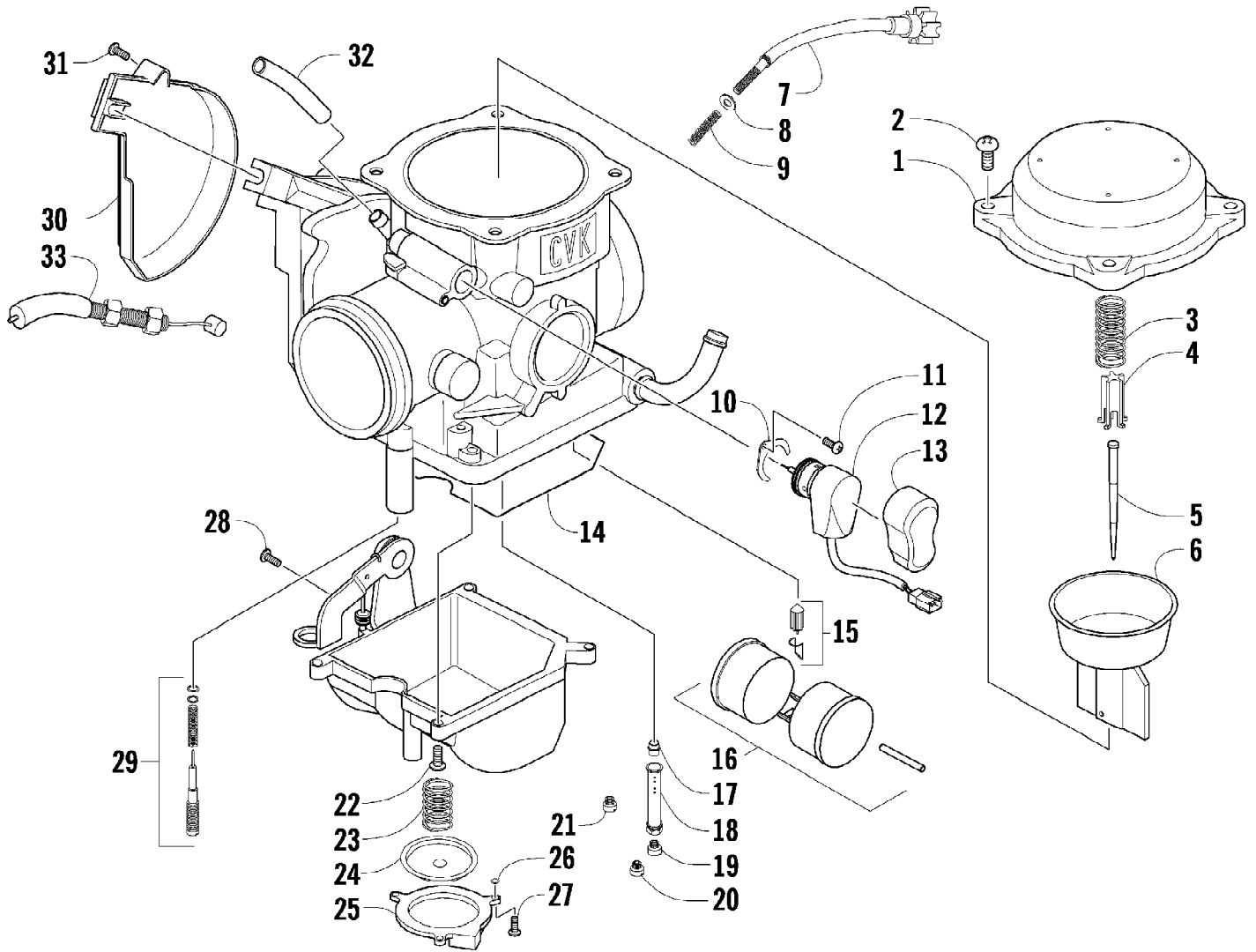


2009 ATV 400 TRV RED INTERNATIONAL (A2009TBG4BOSR)  
CAM CHAIN ASSEMBLY

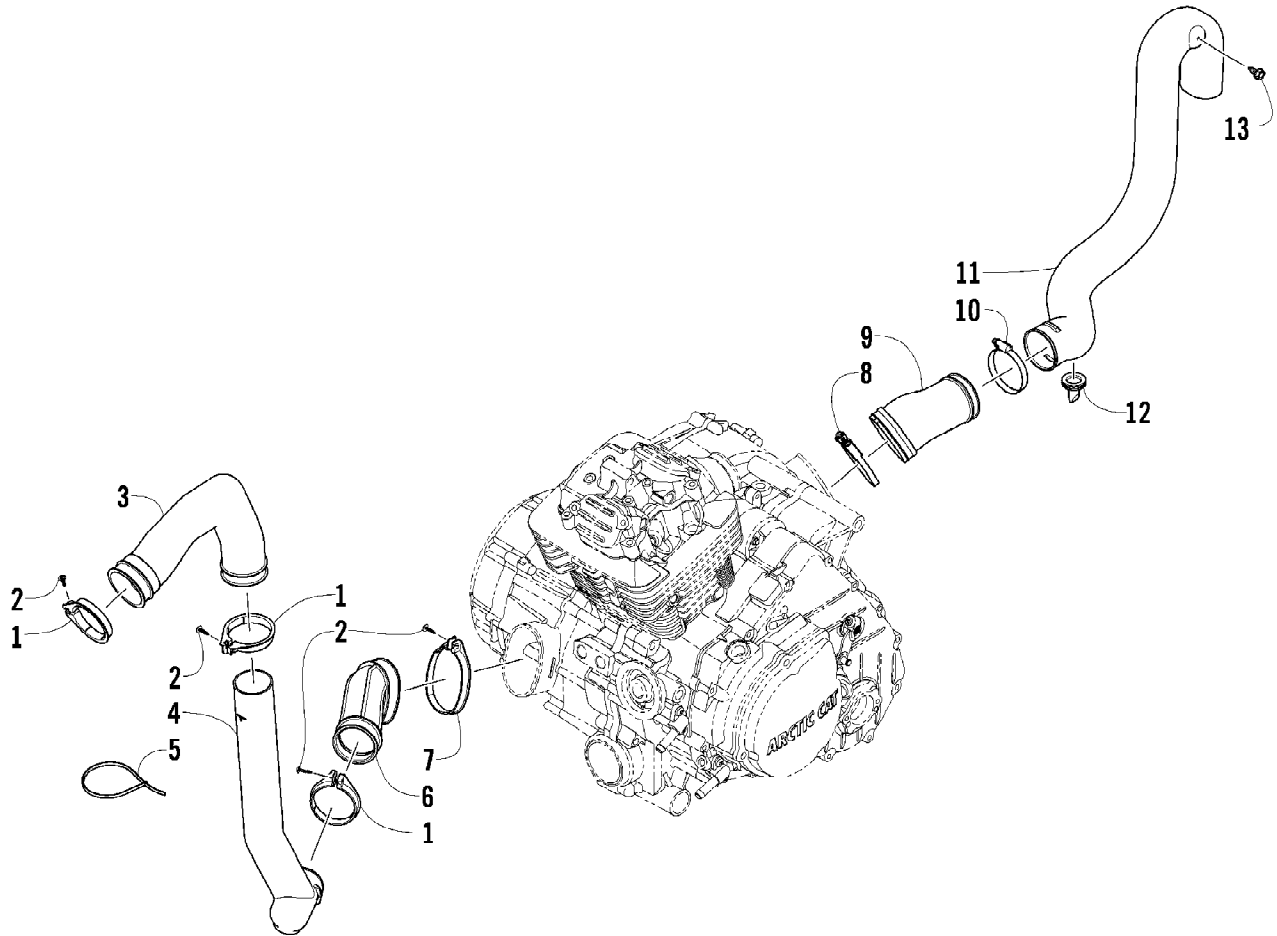
Page 8 of 85

Ref #	Part Number	Qty	S/P/F	Description
1	0810-005	1		Chain, Cam
2	0810-006	1		Guide, Chain
3	0810-007	1		Tensioner, Chain
4	0826-133	1		Pivot, Tensioner
5	0830-150	1		Washer
6	0810-054	1		Adjuster, Tensioner - Assembly (inc. 7-9)
7	0810-056	1		Spring
8	0810-061	1		Plug
9	0810-062	1		Washer
10	0830-060	1		Gasket
11	3303-360	2		Screw, Cap

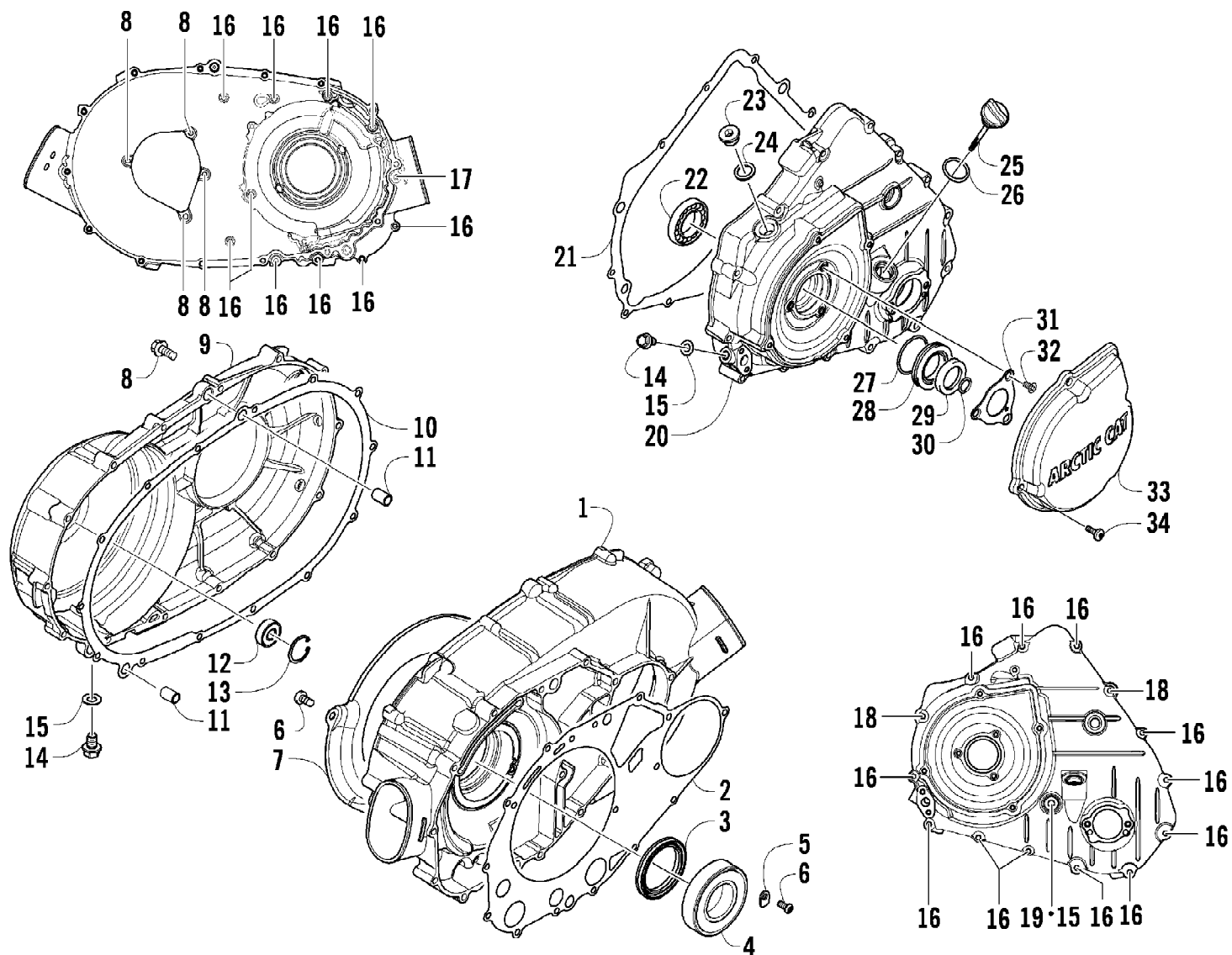




Ref #	Part Number	Qty	S/P/F	Description
	0470-859	1		Complete Carburetor Assembly
1	5507-001	1		Cover, Top
2	5507-002	4	/P	Screw, Machine
3	5507-066	1	/P	Spring
4	5507-005	1		Seat, Spring
5	5507-201	1		Jet Needle
6	5507-099	1		Piston, Vacuum
7	5507-027	1		Screw, Idle Adjust
8	5507-028	1		Washer
9	5507-029	1		Spring
10	5507-115	1		Plate
11	5507-117	1	/P	Screw, Machine
12	5507-204	1		Choke, Electric
13	5507-114	1		Cover, Electric Choke
14	5507-067	1	/P	O-Ring, Float Chamber
15	5507-183	1		Valve, Float - Set
16	5507-039	1		Float Set
17	5507-007	1		Needle Jet
18	5507-047	1	/P	Holder, Needle Jet
19	5507-075	1		Main Jet - 132
19	5507-072	1	F	Main Jet - 125
19	5507-073	1	F	Main Jet - 128
19	5507-074	1	F	Main Jet - 130
19	5507-057	1	/P/F	Main Jet - 135
19	5507-076	1	/P/F	Main Jet - 138
19	5507-043	1	F	Main Jet - 142
19	5507-042	1	/P/F	Main Jet - 145
19	5507-041	1	F	Main Jet - 148
19	5507-009	1	/P/F	Main Jet - 150
19	5507-077	1	F	Main Jet - 152
19	5507-078	1	F	Main Jet - 155
20	5507-247	1		Starter Jet - 80
21	5507-070	1	/P	Slow Jet - 40
22	5507-017	4	/P	Screw, Machine
23	5507-211	1		Spring
24	5507-197	1		Diaphragm Assembly
25	5507-198	1		Housing, Pump
26	5507-034	1		U-Ring
27	5507-035	3		Screw, Machine
28	5507-050	1	/P	Screw, Drain
29	5507-213	1		Screw, Pilot - Set
30	5507-036	1		Cover
31	5507-037	1	/P	Screw, Machine
32	0410-048	AR	S	Hose, Vent - 25 ft
33	0487-049	1	/P	Cable, Throttle

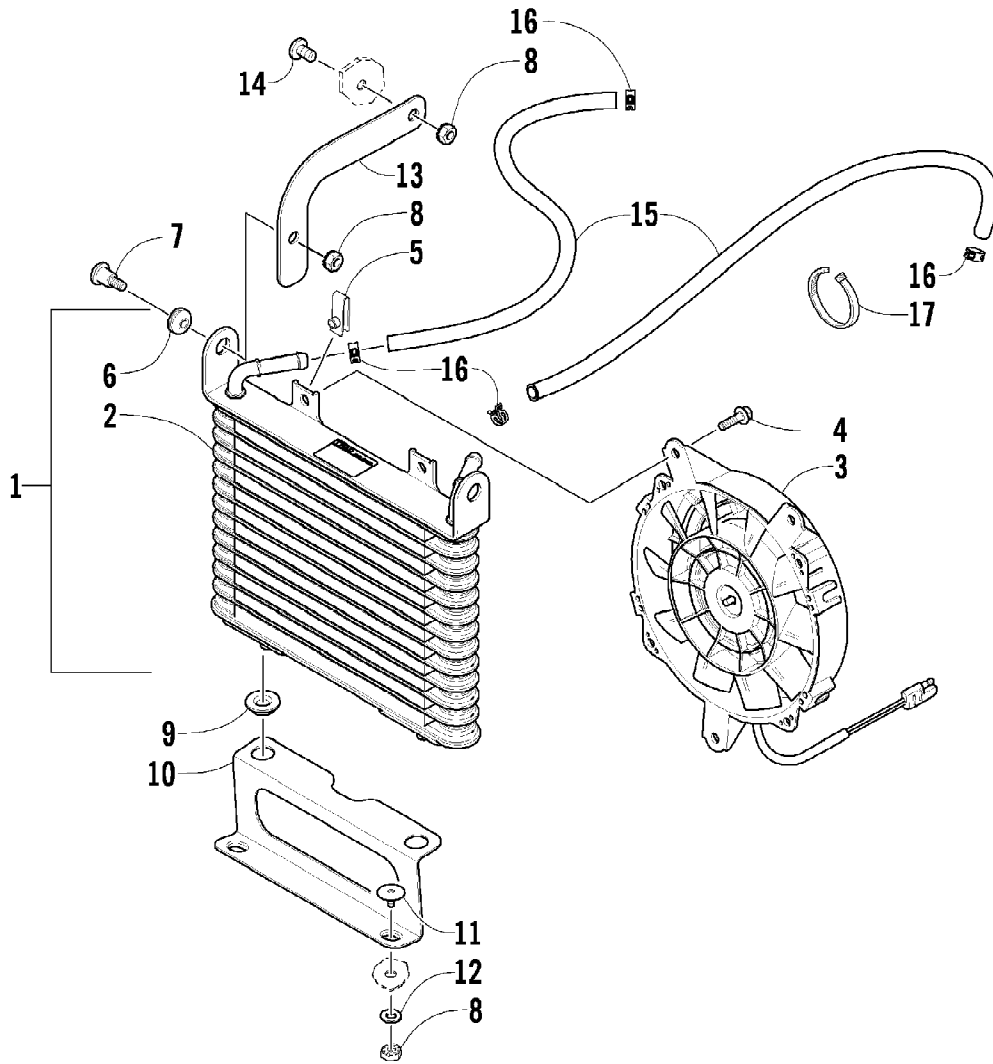


Ref #	Part Number	Qty	S/P/F	Description
1	0423-551	3		Clamp
2	0423-342	4	/P	Screw, Self-Tapping
3	0413-092	1		Boot, Duct - Air Intake - Front
4	0513-027	1		Duct, Air Intake - Front - Lower
5	0123-903	AR		Tie, Cable - 11.5 in.
6	0413-222	1		Boot, Duct - Air Intake - Lower
7	0423-550	1		Clamp
8	0423-730	1		Clamp
9	0413-060	1		Boot, Duct - Air Out
10	0423-019	1		Clamp
11	0413-106	1		Duct, Air Out
12	0470-442	1	/P	Valve, Drain
13	0623-301	1	/P	Screw, Self-Tapping



2009 ATV 400 TRV RED INTERNATIONAL (A2009TBG4BOSR)  
CLUTCH/V-BELT/MAGNETO COVER ASSEMBLY

Ref #	Part Number	Qty	S/P/F	Description
1	0806-026	1		Cover, Clutch
2	0830-055	1		Gasket
3	0830-157	1		Seal, Clutch Housing
4	0832-071	1		Bearing
5	0822-104	2		Retainer, Bearing
6	0826-144	5		Screw, Machine
7	0806-103	1		Plate, Air Intake
8	3303-386	18	/P	Screw, Cap
9	0806-027	1		Cover, V-Belt
10	0830-056	1		Gasket, V-Belt Cover
11	0829-046	6		Pin, Dowel
12	0832-023	1		Bearing
13	3303-347	1		Circlip
14	3303-365	2		Plug, Drain
15	3303-591	3		Gasket, Drain Plug
16	3304-903	22		Screw, Cap
17	0826-066	1		Screw, Cap
18	3304-191	2	/P	Screw, Cap
19	0826-068	1		Screw, Cap
20	0806-028	1		Cover, Magneto
21	0830-057	1		Gasket, Magneto Cover
22	0832-053	1		Bearing
23	0806-099	1		Plug
24	0830-141	1		Washer, Crush
25	0806-029	1		Stick, Oil Level (inc. 26)
26	3304-102	1	/P	O-Ring, Oil Level Stick
27	0830-021	1	/P	O-Ring
28	0820-037	1		Spacer
29	0830-145	1	S	Seal, Oil
30	0830-153	1		O-Ring
31	0805-178	1		Retainer, Oil Seal
32	0826-145	3		Screw, Machine
33	0820-066	1		Cover, Magneto - Outer
34	3303-617	4	/P	Screw, Machine

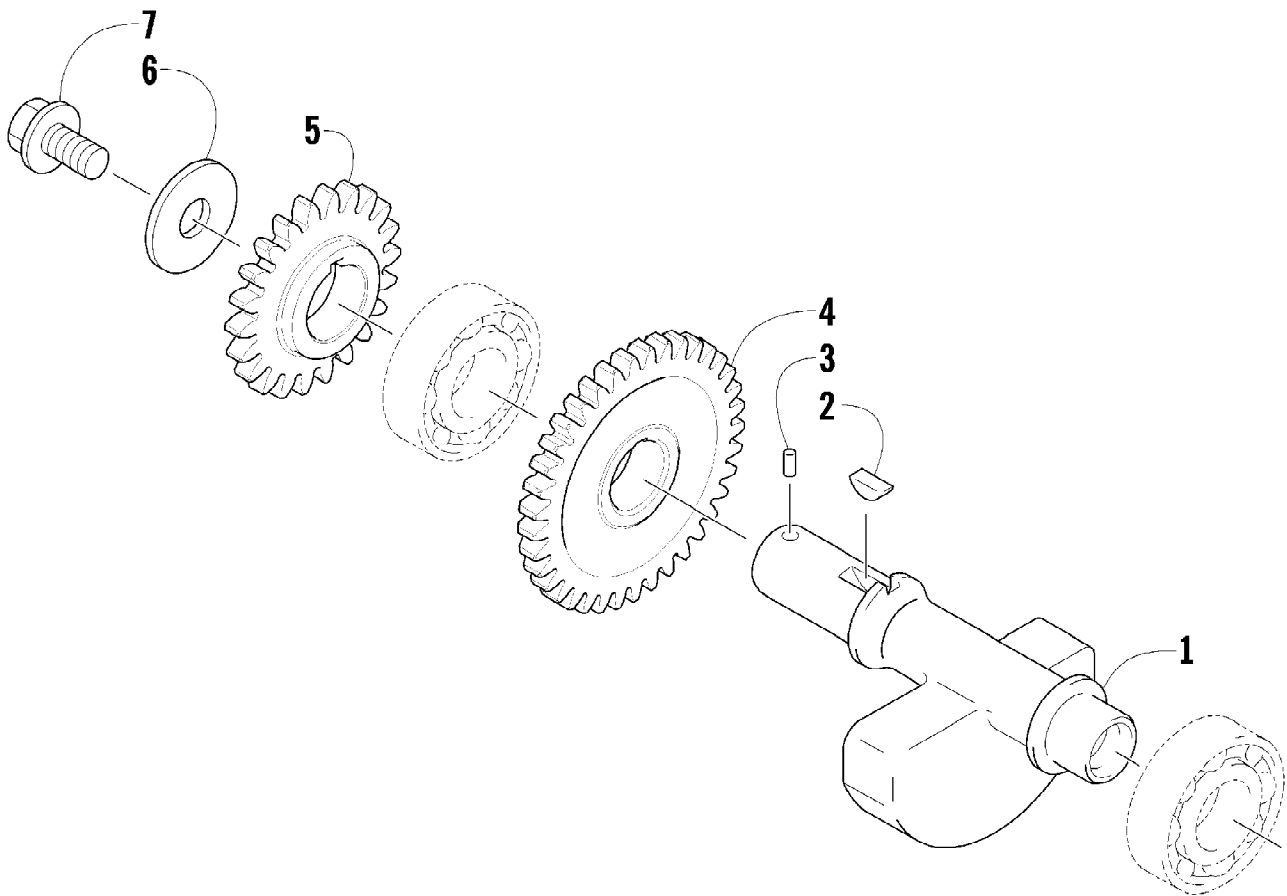


2009 ATV 400 TRV RED INTERNATIONAL (A2009TBG4BOSR)  
COOLING ASSEMBLY

Page 16 of 85

Ref #	Part Number	Qty	S/P/F	Description
1	0513-026	1		Cooler, Oil - Assembly (inc. 2-6)
2	0413-224	1		Cooler, Oil
3	0413-145	1		Fan, Cooling
4	8408-616	3		Screw, Cap
5	0423-031	3		Clip, U-Nut
6	0423-030	2		Grommet
7	0423-484	2		Screw, Shoulder
8	0623-038	6		Nut w/Washer
9	0423-028	2		Bushing, Stem
10	0513-021	1		Bracket, Mounting - Lower
11	0423-101	2		Screw, Shoulder
12	8050-222	2	/P	Washer
13	0513-020	1		Bracket, Mounting - Upper
14	8476-612	2		Screw, Machine
15	0410-044	2		Hose, Coolant
16	0423-098	4	/P	Clamp, Hose
17	0123-903	AR		Tie, Cable - 11.5 in.



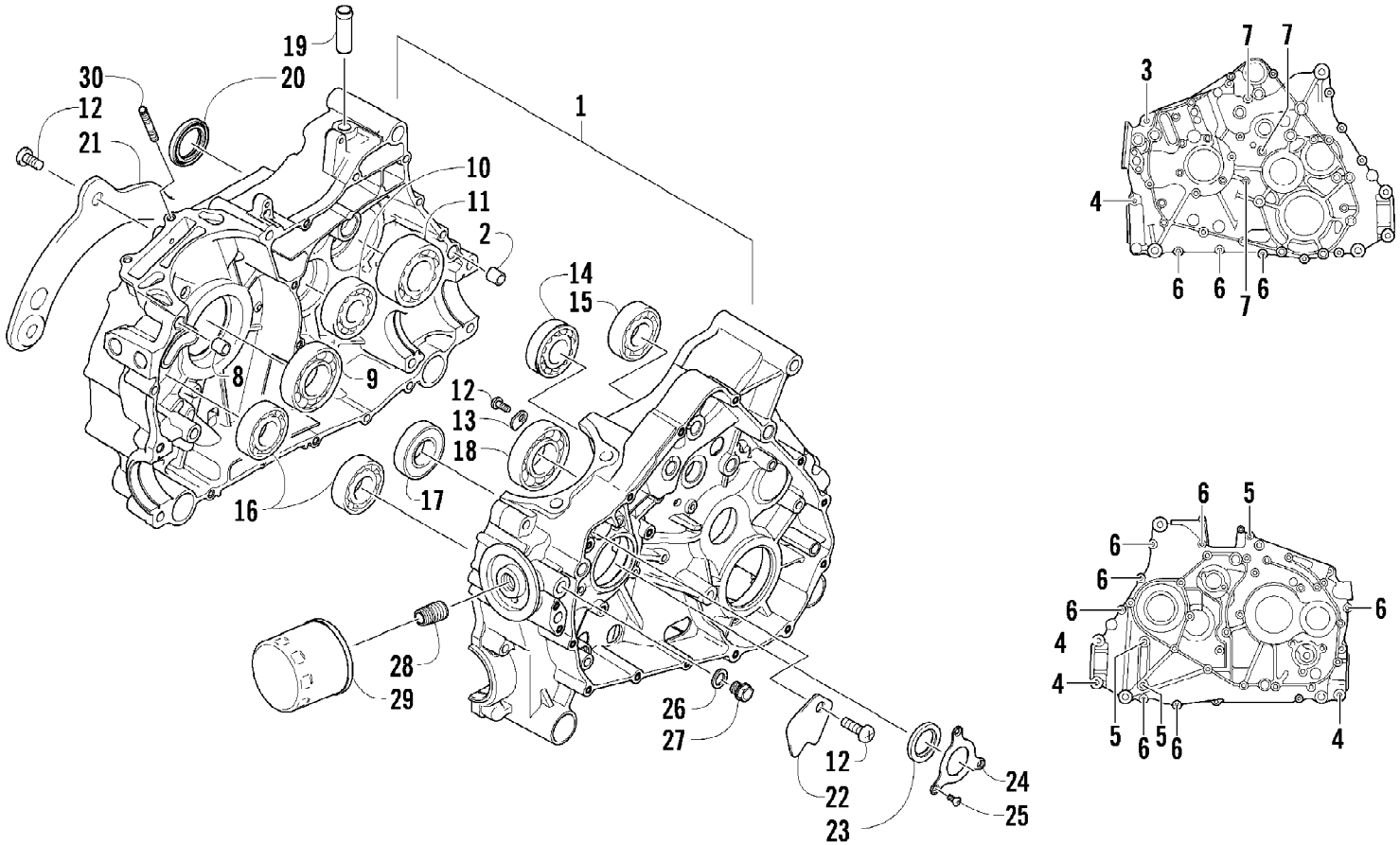


2009 ATV 400 TRV RED INTERNATIONAL (A2009TBG4BOSR)  
CRANK BALANCER ASSEMBLY

Page 18 of 85

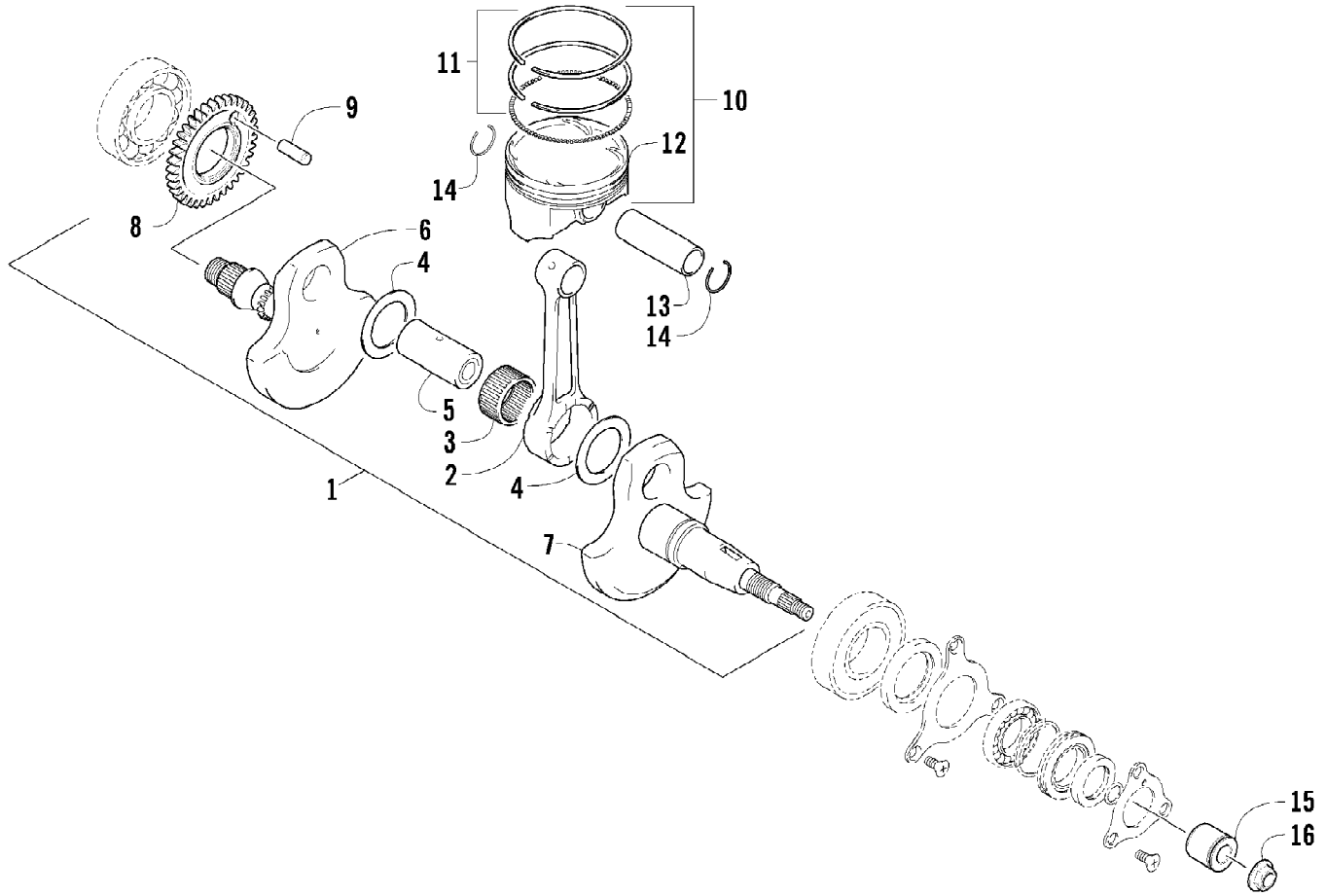
Ref #	Part Number	Qty	S/P/F	Description
1	0811-005	1		Balancer, Crank
2	0829-037	1		Key
3	3304-144	1		Pin, Alignment
4	0811-006	1		Gear, Driven
5	0811-009	1		Gear, Oil Pump Drive
6	0828-091	1		Washer
7	0826-118	1		Screw, Cap

2009 ATV 400 TRV RED INTERNATIONAL (A2009TBG4BOSR)  
CRANKCASE ASSEMBLY



Ref #	Part Number	Qty	S/P/F	Description
1	0801-021	1		Crankcase - Assembly (inc. 2-5)
2	0829-050	2		Pin, Dowel
3	3303-372	1		Screw, Cap
4	0826-126	4		Screw, Cap
5	0826-064	3		Screw, Cap
6	3303-387	10		Screw, Cap
7	0826-065	3		Screw, Cap
8	0829-046	2		Pin, Dowel
9	0832-086	1		Bearing
10	0832-073	1		Bearing
11	0832-074	1		Bearing
12	0826-144	6		Screw, Machine
13	0822-104	2		Retainer, Bearing
14	3304-195	1		Bearing
15	3304-699	1	/P	Bearing
16	0832-022	2		Bearing
17	0832-020	1		Bearing
18	0832-019	1		Bearing
19	0801-027	1		Tube, Vent - Crankcase
20	0830-066	1		Seal
21	0801-018	1		Plate, Oil Guide - Right
22	0801-019	1		Plate, Oil Guide - Left
23	0830-058	1		Seal
24	0805-018	1		Retainer
25	0826-145	3		Screw, Machine
26	0830-143	1	/P	Gasket
27	0835-004	1		Plug, Oil Pressure
28	0812-066	1		Union, Oil Filter
29	0812-029	1	S	Filter, Oil
30	3313-721	2		Bolt, Stud

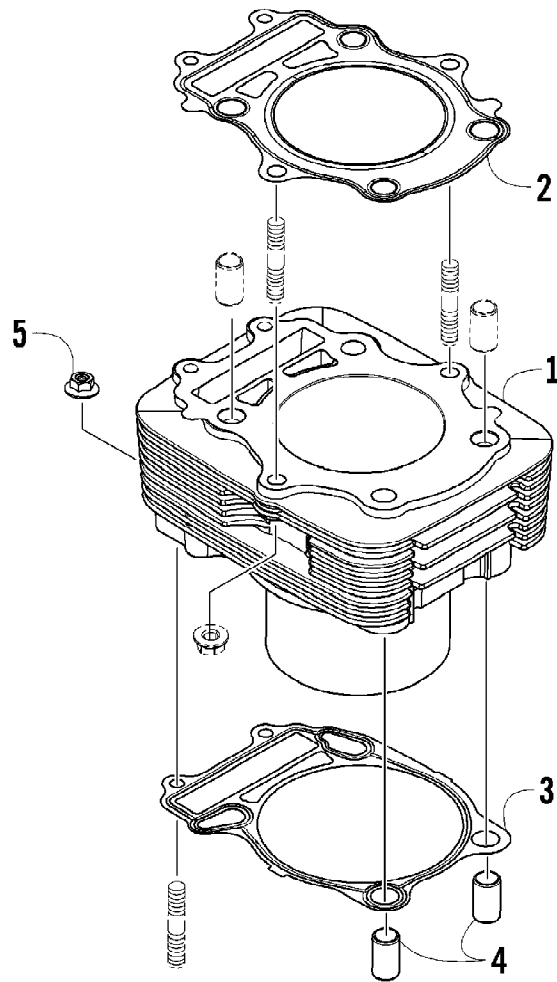
2009 ATV 400 TRV RED INTERNATIONAL (A2009TBG4BOSR)  
CRANKSHAFT AND PISTON ASSEMBLY



2009 ATV 400 TRV RED INTERNATIONAL (A2009TBG4BOSR)  
CRANKSHAFT AND PISTON ASSEMBLY

Page 22 of 85

Ref #	Part Number	Qty	S/P/F	Description
1	0805-013	1		Crankshaft Assembly (inc. 2-9)
2	0	1	F	Rod, Connecting
3	0832-018	1		Bearing
4	0828-045	2		Washer
5	0805-043	1		Pin, Crankshaft
6	0805-036	1		Crankshaft - Right
7	0805-038	1		Crankshaft - Left
8	0805-020	1		Gear, Crank Balancer Drive
9	0805-168	1		Pin, Dowel
10	0805-169	1		Piston Set (inc. 11-14)
11	0805-170	1		Ring, Piston - Set
12	0805-021	1		Piston
13	0805-023	1		Pin, Piston
14	0831-060	2		Circlip
15	0820-064	1		Bushing
16	3303-333	1	/P	Nut



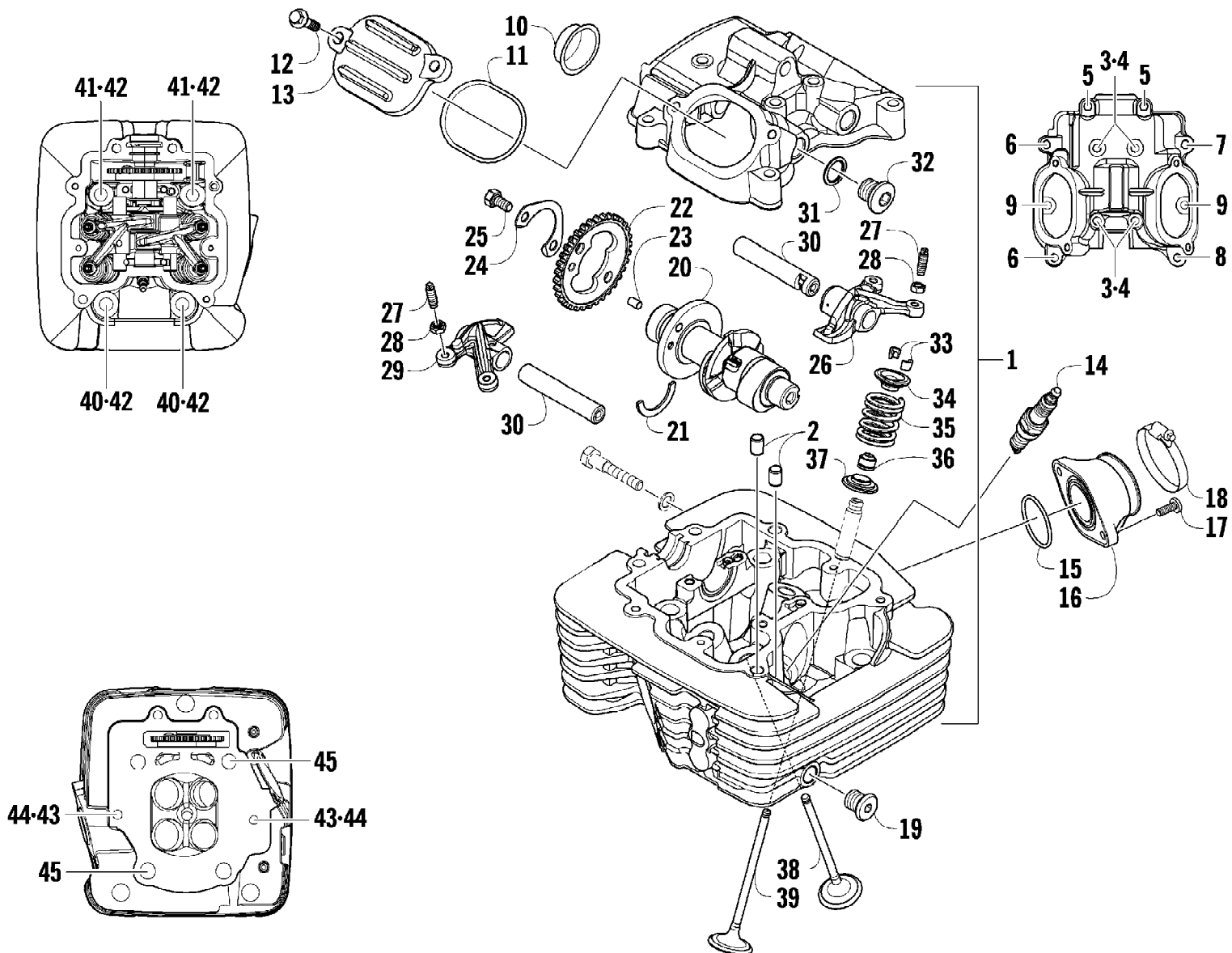
2009 ATV 400 TRV RED INTERNATIONAL (A2009TBG4BOSR)  
CYLINDER ASSEMBLY

Page 24 of 85

Ref #	Part Number	Qty	S/P/F	Description
1	0804-042	1		Cylinder
2	0830-050	1		Gasket, Cylinder Head
3	0830-053	1		Gasket, Cylinder
4	0829-046	2		Pin, Dowel
5	3303-331	2	/P	Nut

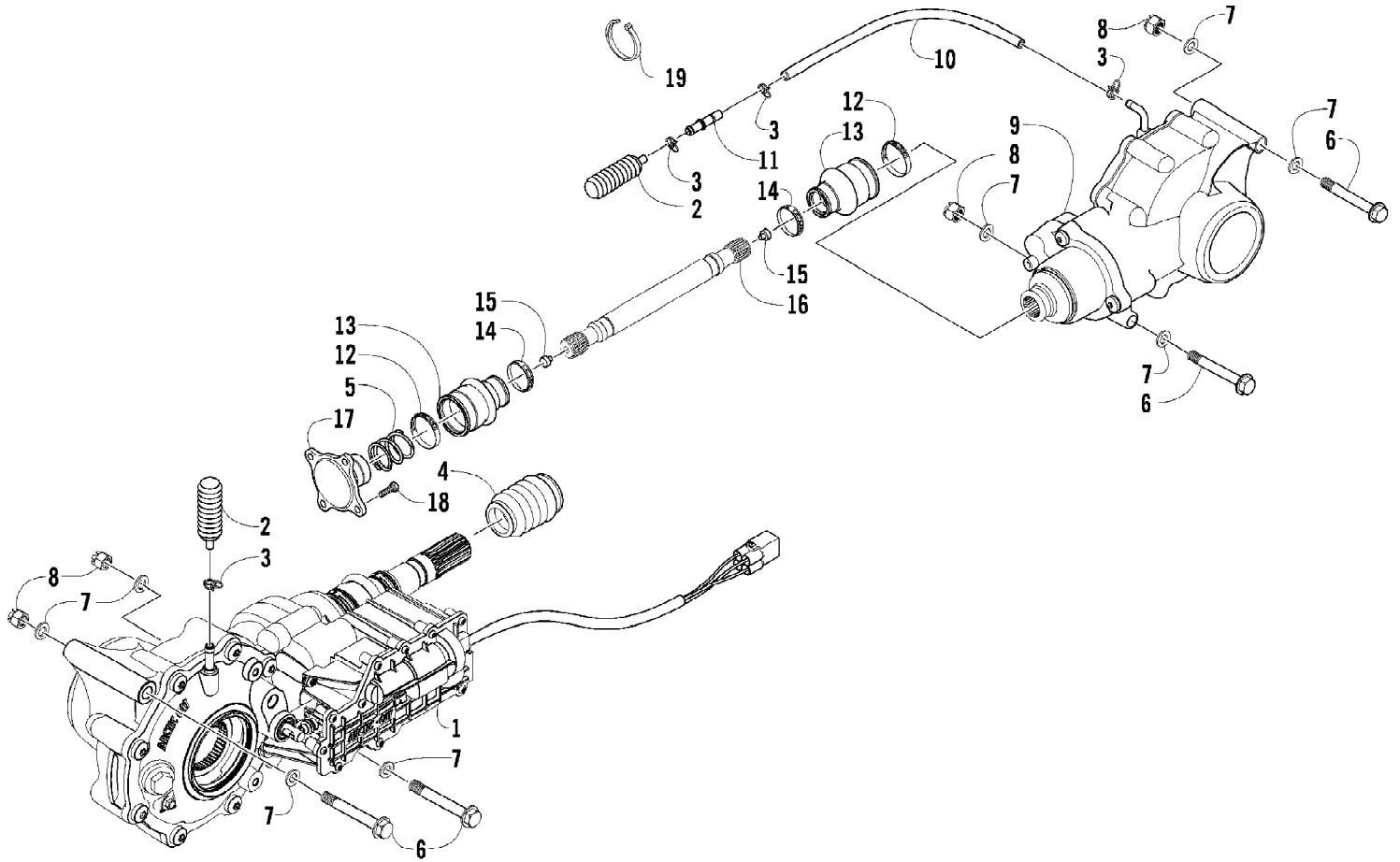


2009 ATV 400 TRV RED INTERNATIONAL (A2009TBG4BOSR)  
CYLINDER HEAD AND CAMSHAFT/VALVE ASSEMBLY



2009 ATV 400 TRV RED INTERNATIONAL (A2009TBG4BOSR)  
CYLINDER HEAD AND CAMSHAFT/VALVE ASSEMBLY

Ref #	Part Number	Qty	S/P/F	Description
1	0808-012	1	/P	Head, Cylinder (inc. 2)
2	3303-341	2		Pin, Dowel
3	0826-115	4		Screw, Cap
4	0830-155	4	/P	Gasket
5	3304-918	2		Screw, Cap
6	3303-386	2	/P	Screw, Cap
7	3304-903	1		Screw, Cap
8	0826-136	1		Screw, Cap
9	3303-384	2	/P	Screw, Cap
10	0808-112	1		Plug, Head
11	0830-139	2		O-Ring
12	3303-383	4	/P	Screw, Cap
13	0808-111	2		Cap, Inspection
14	0217-705	1	/P/F	Spark Plug
15	0470-531	1		O-Ring
16	0570-084	1		Manifold, Intake
17	8476-620	2		Screw, Machine
18	0423-832	1		Clamp
19	3303-656	1		Plug, Oil Gallery
20	0809-251	1	/P	Camshaft
21	0809-165	1		C-Ring
22	0809-166	1		Sprocket
23	0829-036	1		Pin, Alignment
24	0828-086	1		Plate, Retainer
25	0826-117	2		Screw, Cap
26	0809-145	1		Arm, Valve Rocker - Intake
27	3304-007	4	/P	Screw, Adjuster
28	3304-026	4	/P	Nut
29	0809-149	1		Arm, Valve Rocker - Exhaust
30	0809-151	2		Shaft, Rocker Arm
31	0830-143	2	/P	Gasket
32	0831-053	2		Plug, Shaft
33	3303-044	8		Cotter, Valve
34	0809-142	4		Retainer, Spring
35	0809-140	4		Spring, Valve
36	0809-190	4		Seal, Oil
37	0809-141	4		Seat, Spring
38	0809-188	2		Valve, Intake
39	0809-189	2		Valve, Exhaust
40	0826-062	2		Screw, Cap
41	0826-061	2		Screw, Cap
42	0828-044	4		Washer
43	0827-019	2		Bolt, Stud
44	3303-332	2		Nut
45	0829-013	2		Pin, Dowel

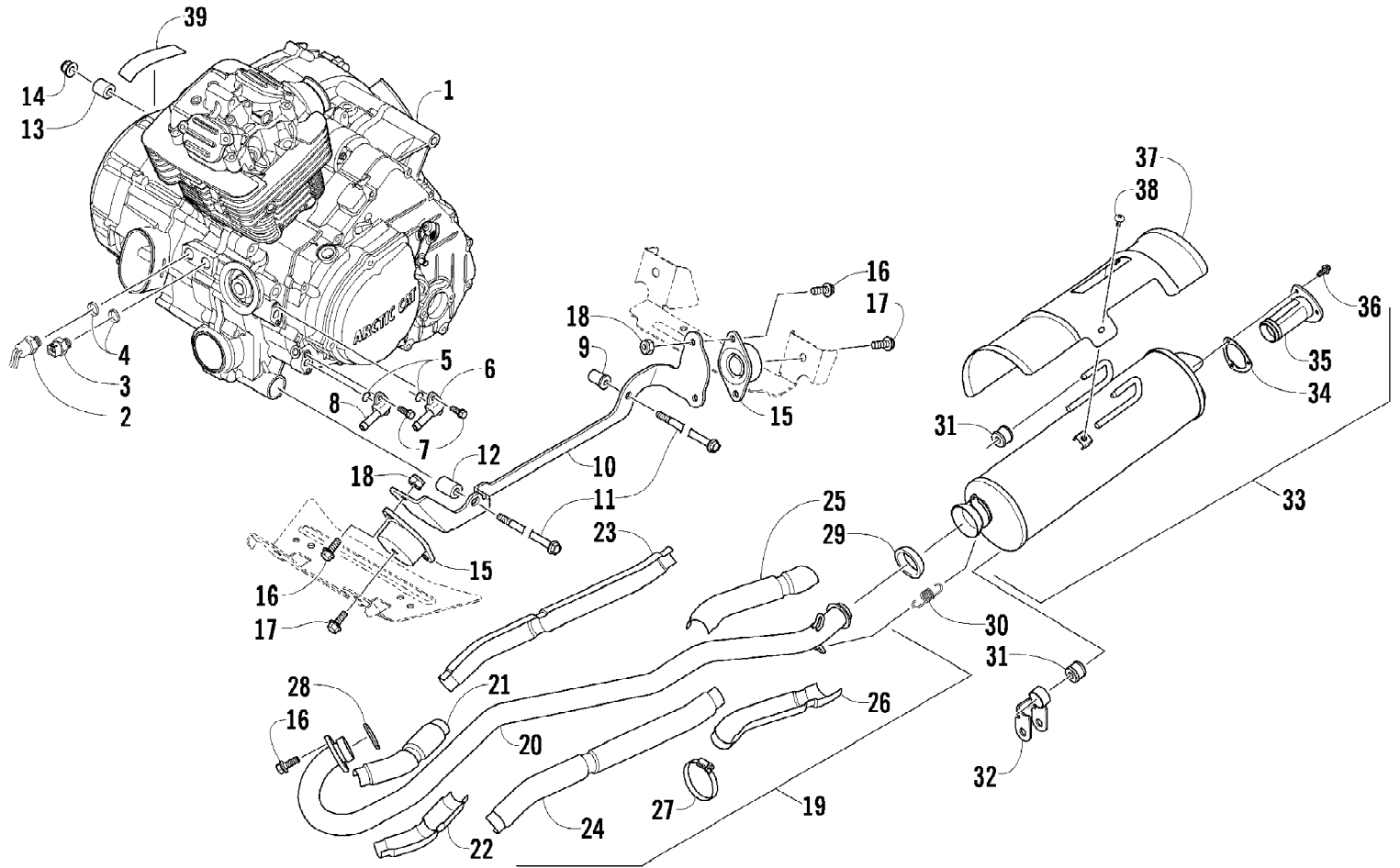


2009 ATV 400 TRV RED INTERNATIONAL (A2009TBG4BOSR)  
DRIVE TRAIN ASSEMBLY

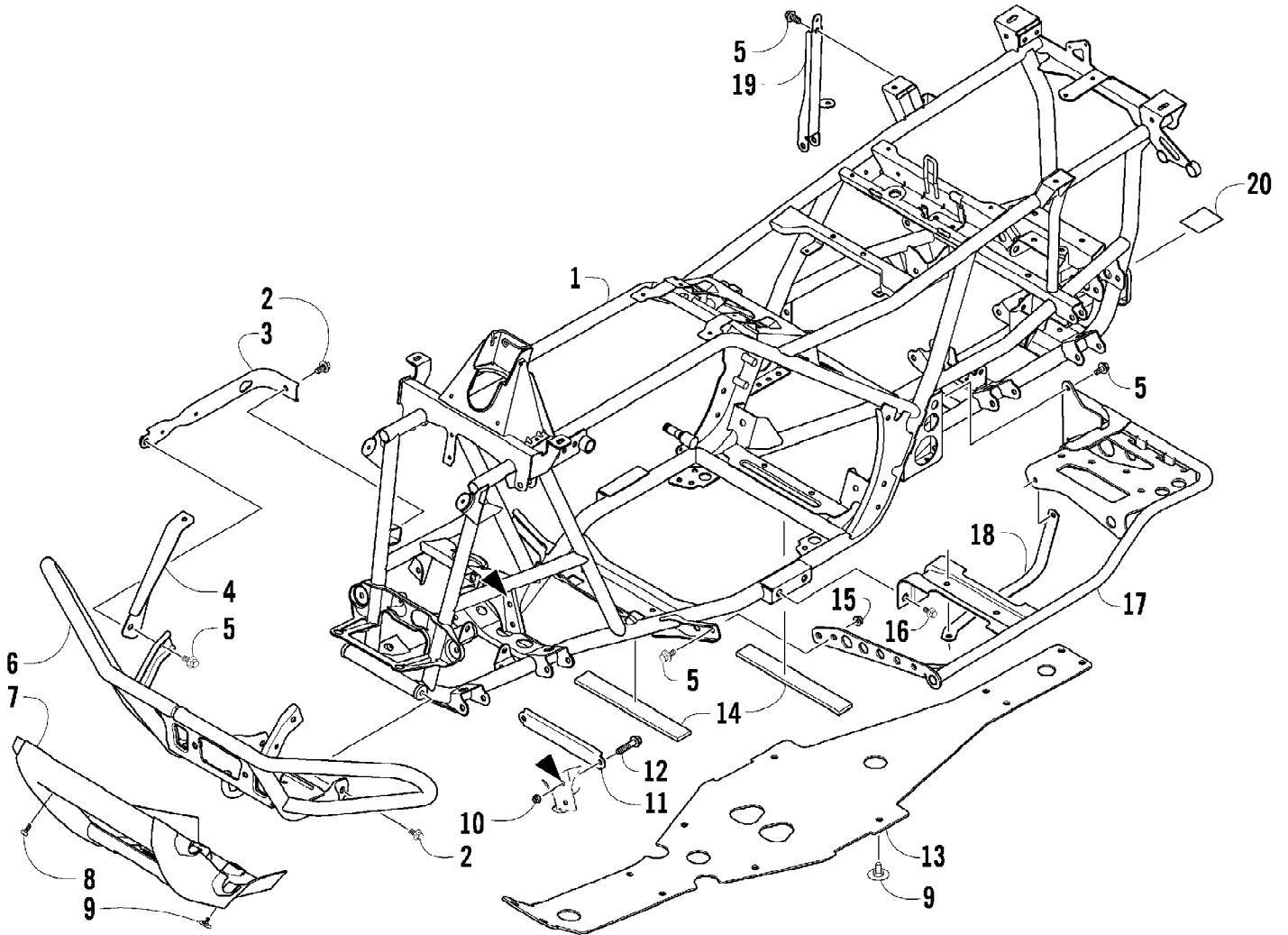
Page 28 of 85

Ref #	Part Number	Qty	S/P/F	Description
1	1502-527	1		Gearcase, Front
2	1402-620	2	/P	Bladder, Gearcase
3	0423-315	4		Clamp, Hose
4	0402-966	1		Boot, Shaft
5	1402-026	1		Spring
6	0423-404	4		Screw, Cap
7	0423-426	8		Washer
8	8428-002	4		Nut, Lock
9	1502-401	1		Gearcase, Rear
10	0410-070	AR	/P	Hose, Vent - 25 ft
11	0470-702	1	/P	Fitting, Vent
12	0423-393	2		Clamp, Boot
13	0402-985	2	/P	Boot
14	0423-411	2		Clamp, Boot
15	0673-618	2	/P	Bumper, Propeller Shaft
16	1402-092	1		Shaft, Propeller
17	0402-950	1		Flange, Output
18	8408-820	4	/P	Screw, Cap
19	0123-788	AR	/P	Tie, Cable - 8 in.

2009 ATV 400 TRV RED INTERNATIONAL (A2009TBG4BOSR)  
ENGINE AND EXHAUST



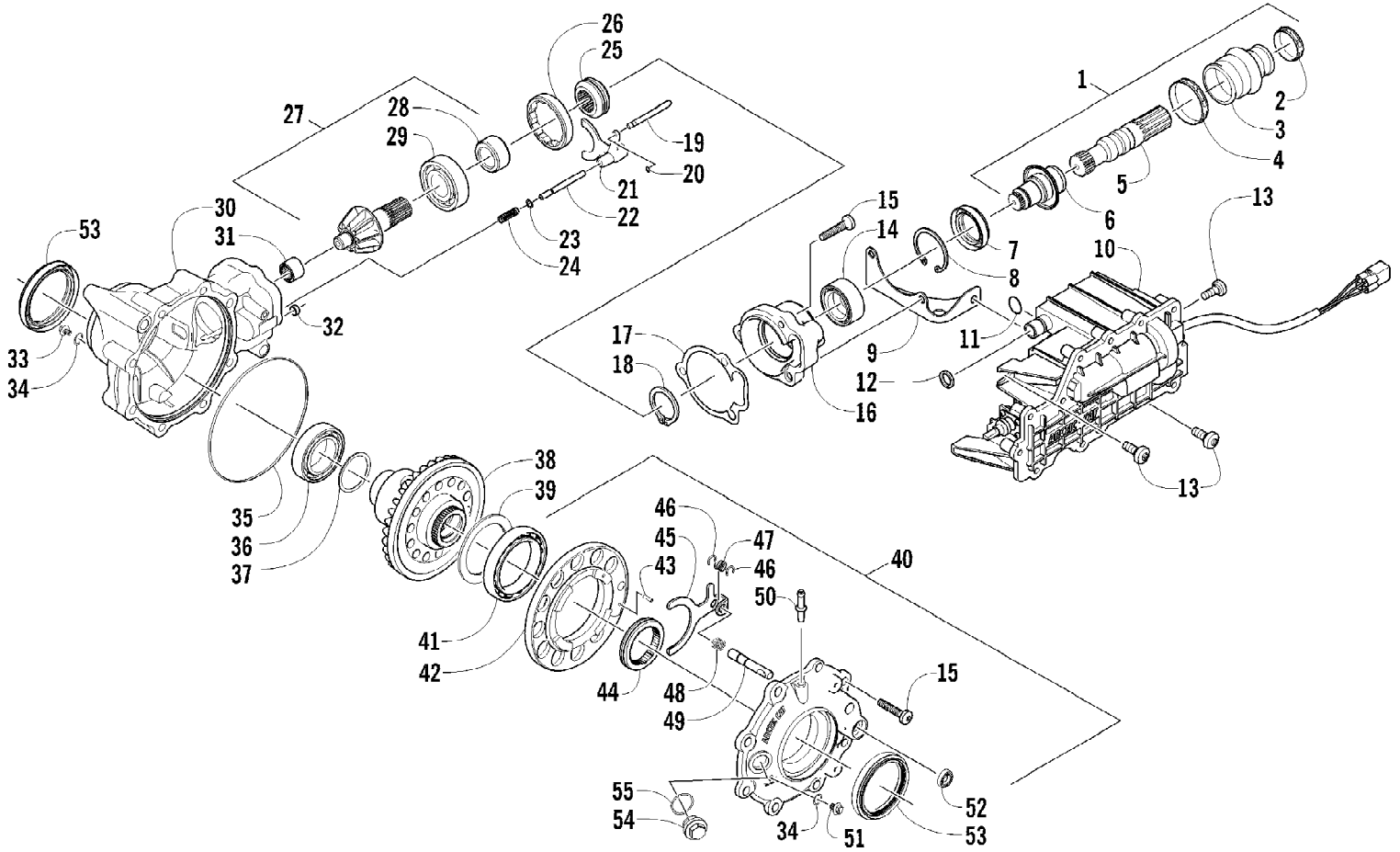
Ref #	Part Number	Qty	S/P/F	Description
1	3313-638	1		Engine, A366 (inc. 2-8)
2	3313-432	1		Switch, Temperature - Fan
3	3313-431	1		Switch, Temperature - Light
4	0830-180	2		O-Ring
5	0830-172	2		O-Ring
6	0812-059	1		Fitting, Oil
7	3303-617	4	/P	Screw, Cap
8	0812-060	1		Fitting, Oil
9	0801-108	4	S	Mount, Rubber - Engine
10	1506-740	1		Bracket, Engine - Right
10	1506-741	1		Bracket, Engine - Left
11	0423-405	2		Screw, Cap
12	0423-042	1	S	Spacer, Engine
13	0408-018	1		Spacer, Engine
14	8428-002	2		Nut, Lock
15	2406-065	4		Mount, Engine
16	8408-820	10	/P	Screw, Cap
17	8408-012	4		Screw, Cap
18	8432-802	8		Nut, Lock
19	0512-262	1		Pipe, Exhaust - Assembly (inc. 20-27)
20	0512-281	1		Pipe, Exhaust
21	0412-292	1		Shield, Exhaust Pipe - Upper - Front
22	0412-293	1		Shield, Exhaust Pipe - Lower - Front
23	0412-294	1		Shield, Exhaust Pipe - Upper - Center
24	0412-295	1		Shield, Exhaust Pipe - Lower - Center
25	0412-283	1		Shield, Exhaust Pipe - Upper - Rear
26	0412-282	1		Shield, Exhaust Pipe - Lower - Rear
27	0423-317	6	/P	Clamp
28	0412-007	1	/P	Gasket, Exhaust Pipe
29	0612-188	1	/P	Seal, Exhaust
30	0612-668	2	/P	Spring, Extension
31	0412-215	3	S	Bushing
32	1506-732	1		Channel, Muffler Support
33	0512-306	1	/P	Muffler - Assembly (inc. 34-36)
34	0412-313	1		Gasket, Spark Arrester
35	0512-219	1	/P	Arrester, Spark - Assembly
36	8408-616	3		Screw, Cap
37	0412-373	1	/P	Cover, Muffler
38	8477-610	3		Screw, Machine
39	0411-426	1		Decal, Warning - Clutch Cover



Ref #	Part Number	Qty	S/P/F	Description
1	2516-112	1		Frame, Main
2	8409-020	4	/P	Screw, Cap
3	1506-596	1	/P	Channel, Bumper Mounting - Right
3	0506-653	1	S	Channel, Bumper Mounting - Left
4	1506-562	1		Bracket, Mounting - Bumper - Right
4	1506-563	1		Bracket, Mounting - Bumper - Left
5	8408-816	11		Screw, Cap
6	1506-855	1	/P	Bumper
7	1406-360	1		Grille, Bumper
8	0423-419	2		Screw, Machine
9	0423-101	12		Screw, Shoulder
10	0423-744	2		Nut, Lock
11	1506-429	1	S	Brace, A-Arm
12	8409-025	2		Screw, Cap
13	2406-091	1		Panel, Belly
14	0406-289	2		Pad, Frame
15	8424-802	4		Nut
16	8409-016	4		Screw, Cap
17	1506-848	1		Footrest - Right
17	1506-849	1		Footrest - Left
18	2406-216	1		Strap, Footrest - Right
18	2406-217	1		Strap, Footrest - Left
19	2506-447	1		Bracket, Support
20	1411-077	1		Decal, Warning - Towing



2009 ATV 400 TRV RED INTERNATIONAL (A2009TBG4BOSR)  
FRONT DRIVE GEARCASE ASSEMBLY



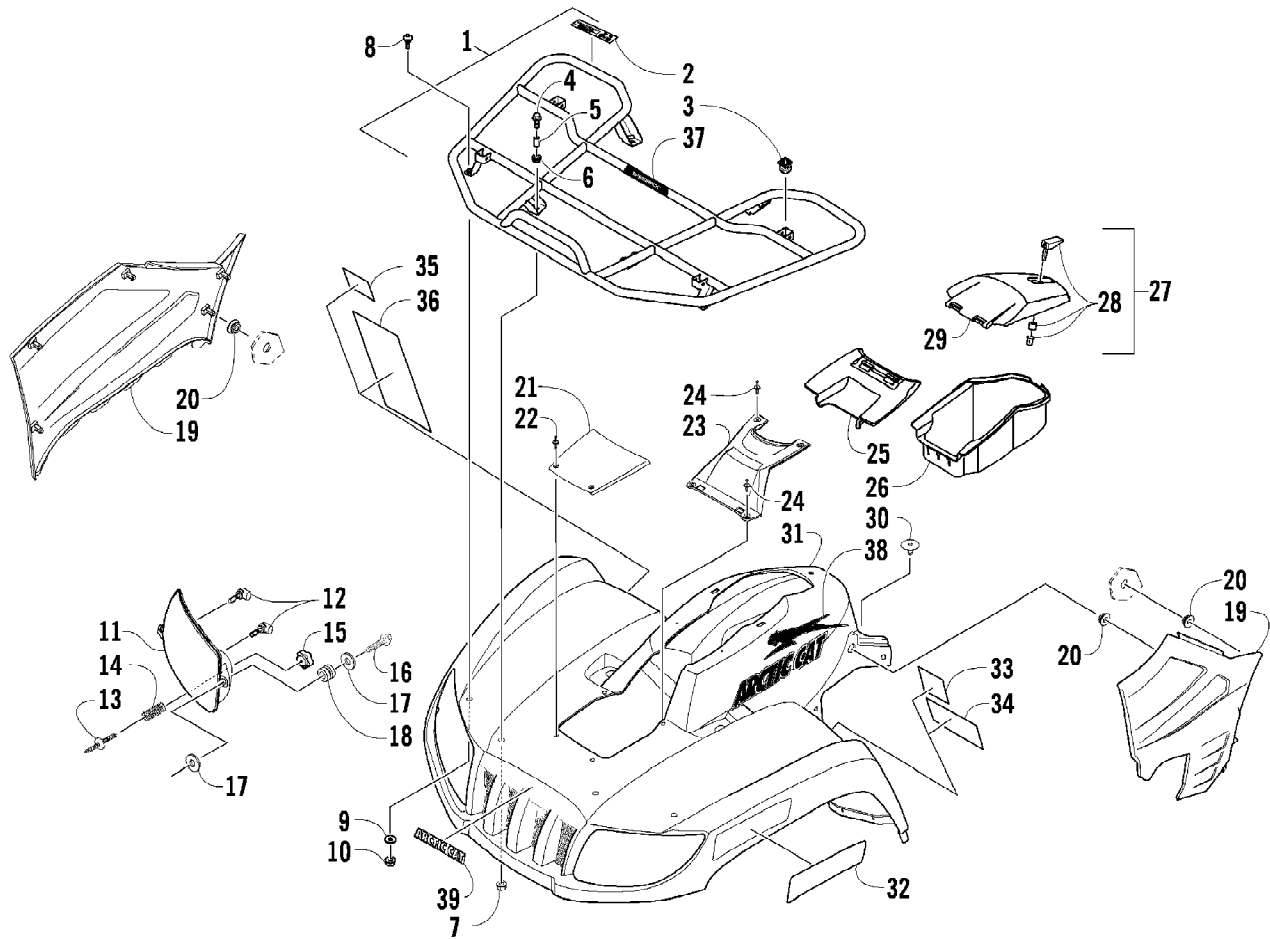
Ref #	Part Number	Qty	S/P/F	Description
	1502-527	1		Complete Front Drive Gearcase Assembly
1	1502-084	1		Shaft, Propeller - Assembly (inc. 2-6)
2	0423-411	1		Clamp
3	0402-985	1	/P	Boot, Propeller Shaft
4	0423-393	1		Clamp
5	1402-046	1		Shaft, Output
6	1502-085	1	/P	Shaft, Input
7	1402-011	1		Seal
8	0423-423	1		Ring, Retaining
9	1502-237	1		Bracket, Actuator
10	0502-585	1	S	Actuator (inc. 11)
11	1402-981	1		O-Ring
12	0423-892	1	/P	O-Ring
13	0423-396	3		Screw, Self-Tapping
14	1402-043	1		Bearing
15	0423-118	11		Screw, Self-Tapping
16	0502-528	1	/P	Housing, Pinion
17	0402-947	1		Gasket, Flange
18	0423-417	1		Ring, Retaining
19	0402-997	1		Shaft, Selector
20	0423-402	1		Ring, Retaining
21	0402-998	1		Fork, Selector
22	0402-417	1		Shaft, Shuttle
23	0423-147	1		O-Ring
24	0402-999	1		Spring, Return
25	0402-413	1		Coupler, Drive
26	0402-357	1		Collar, Lock
27	0502-784	1		Gear, Pinion - Assembly - 11T (inc. 28-29)
28	0402-336	1		Collar, Retaining
29	0402-327	1		Bearing
30	0502-514	1		Housing, Gearcase
31	0402-328	1		Bearing
32	0402-411	1		Pin, Dowel
33	1402-210	1	/P	Plug, Magnetic (inc. one No. 34)
34	0423-153	2		O-Ring
35	0423-149	1		O-Ring
36	0402-393	1		Bearing
37	0402-405	AR		Shim, 41 x 49 x 1.3 mm
37	0402-406	AR		Shim, 41 x 49 x 1.4 mm
37	0402-407	AR		Shim, 41 x 49 x 1.5 mm
37	0402-408	AR		Shim, 41 x 49 x 1.6 mm
37	0402-409	AR		Shim, 41 x 49 x 1.7 mm
38	1502-554	1	/P	Gear, Ring - 34T
39	1402-074	AR		Shim, 61 x 69 x 1.3 mm
39	1402-075	AR		Shim, 61 x 69 x 1.4 mm
39	1402-076	AR		Shim, 61 x 69 x 1.5 mm
39	1402-077	AR		Shim, 61 x 69 x 1.6 mm
39	1402-078	AR		Shim, 61 x 69 x 1.7 mm
40	1502-389	1		Cover, Gearcase (inc. one No. 34, 41-52, and one No. 53)
41	1402-053	1		Bearing
42	0502-413	1		Flange, Bearing

2009 ATV 400 TRV RED INTERNATIONAL (A2009TBG4BOSR)  
FRONT DRIVE GEARCASE ASSEMBLY

Page 35 of 85

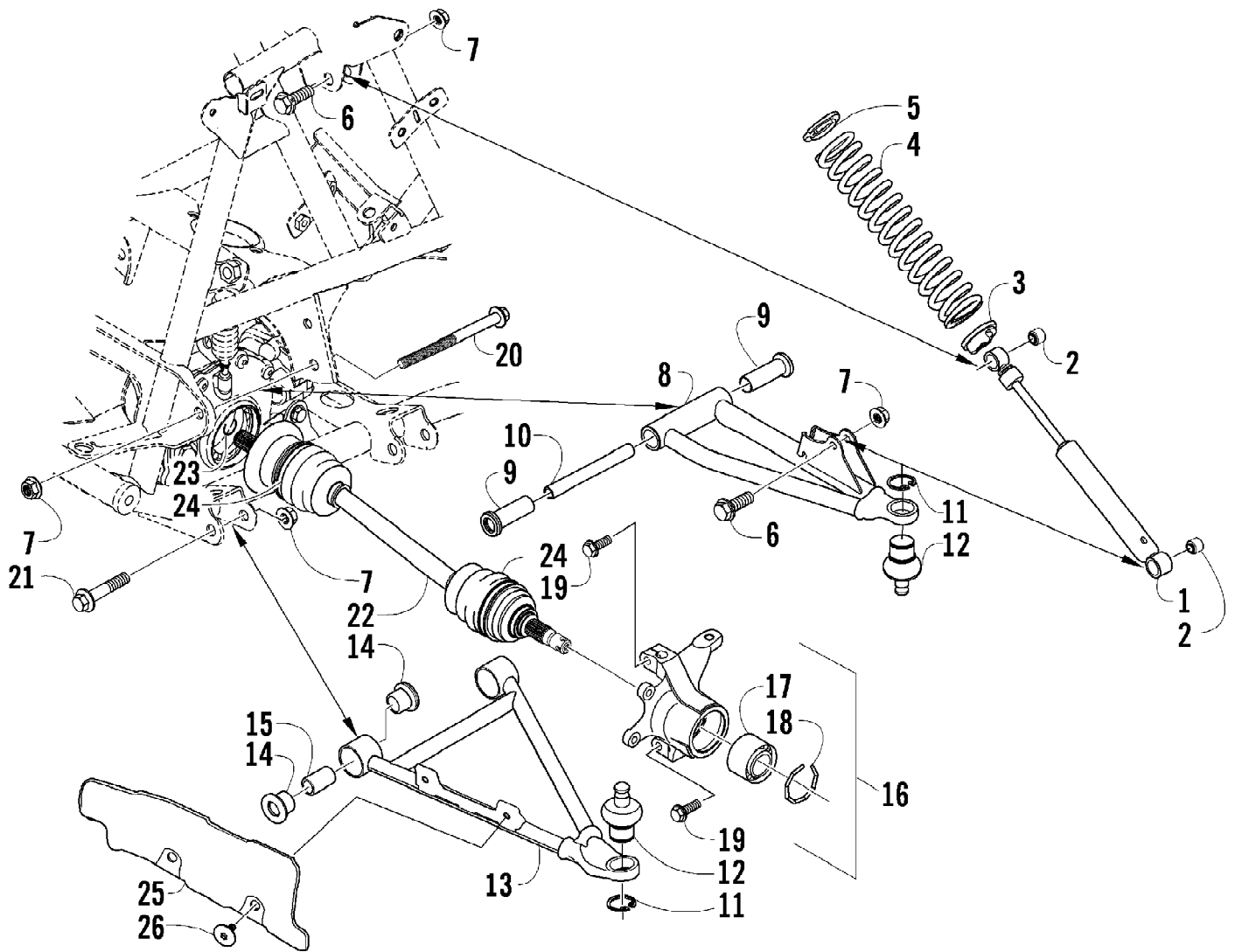
Ref #	Part Number	Qty	S/P/F	Description
43	1402-079	1		Pin, Parallel
44	1402-042	1		Collar, Sliding
45	1402-054	1		Fork
46	1402-058	2		Ring, Retaining
47	1402-057	1		Spring
48	1402-063	1		Spring
49	1402-656	1		Shaft, Lock
50	1402-104	1		Fitting
51	1402-211	1		Plug, Oil Level (inc. one No. 34)
52	1402-056	1		Seal
53	1402-713	2	S	Seal
54	0402-333	1	/P	Plug, Fill (inc. 55)
55	0423-154	1		O-Ring

2009 ATV 400 TRV RED INTERNATIONAL (A2009TBG4BOSR)  
FRONT RACK, BODY PANEL, AND HEADLIGHT ASSEMBLIES

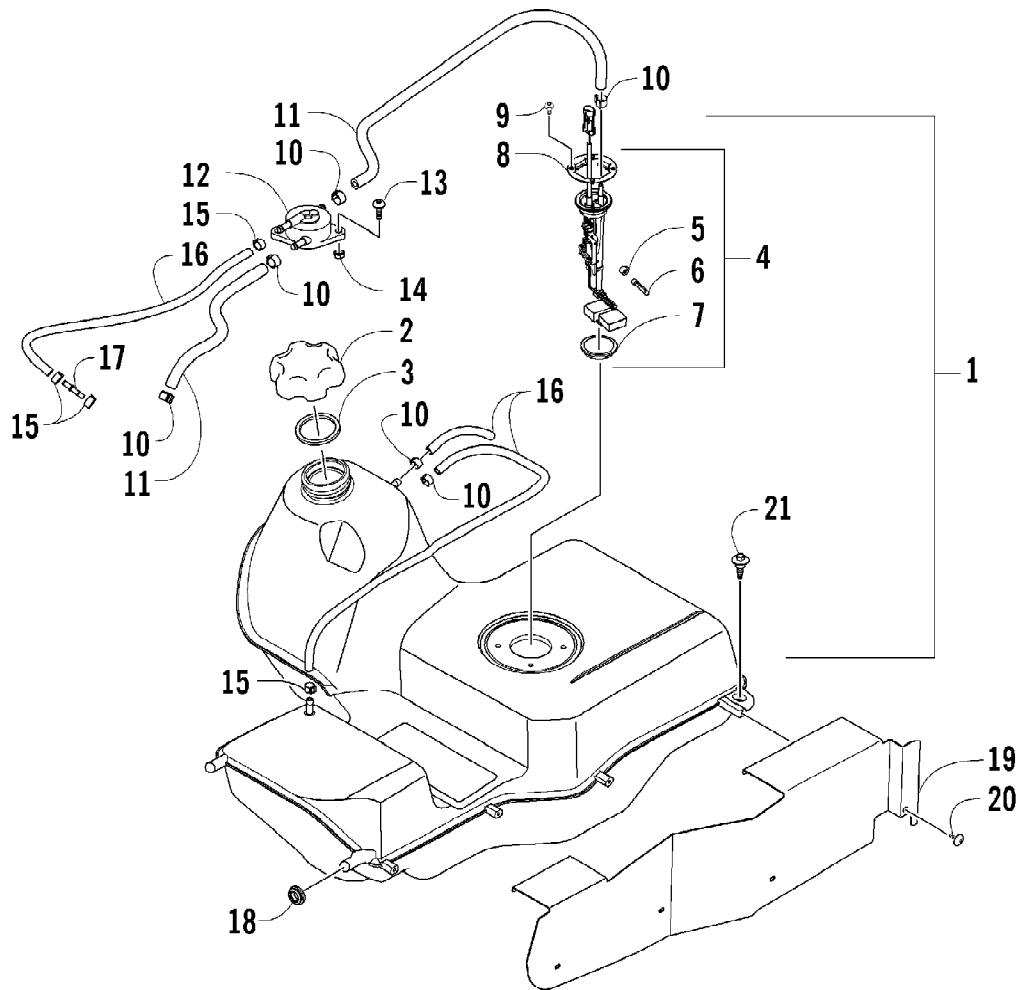


2009 ATV 400 TRV RED INTERNATIONAL (A2009TBG4BOSR)  
FRONT RACK, BODY PANEL, AND HEADLIGHT ASSEMBLIES

Ref #	Part Number	Qty	S/P/F	Description
1	2506-106	1		Rack, Front - Assembly (inc. 2-3)
2	0411-576	1		Decal, Warning - Load
3	0441-592	4	/P	Bushing
4	8410-830	4		Screw, Cap
5	0423-669	4		Spacer
6	0423-465	4		Grommet
7	8432-802	4		Nut, Lock
8	0423-654	2		Screw, Shoulder
9	8050-222	2	/P	Washer
10	0423-540	2		Nut, Lock
11	0509-044	1	/P	Headlight Assembly - Right (inc. 12)
11	0509-035	1		Headlight Assembly - Left (inc. 12)
12	0409-055	4		Bulb, Headlight
13	0423-514	2		Stud, Adjuster - Headlight
14	0423-522	2		Spring, Adjuster
15	0423-513	2		Knob, Adjuster
16	0623-785	4		Screw, Self-Tapping
17	8050-217	8	/P	Washer
18	0423-447	4		Grommet
19	2406-326	1		Panel, Side - Lower - Right
19	2406-327	1		Panel, Side - Lower - Left
20	0423-678	8		Grommet
21	1406-358	1		Cover, Access
22	0423-535	2		Rivet, Reinstallable
23	1406-484	1		Cover, Steering Post
24	0623-362	4		Rivet, Reinstallable
25	0470-513	1		Cover, Storage Box
26	1406-573	1		Box, Storage
27	2506-234	1		Lid, Storage Box w/Latch (inc. 28-29)
28	1406-599	1		Latch, Storage Box
29	0470-514	1		Lid, Storage Box
30	0423-101	2		Screw, Shoulder
31	2516-063	1	S	Panel, Fender - Assembly - Front (inc. 32-36)
32	0411-818	1		Decal, Reflector - Front - Right
32	0411-819	1		Decal, Reflector - Front - Left
33	1411-930	1	S	Decal, Warning - Age
34	1411-574	1		Decal, Warning - Off-Road Only
35	0411-894	1		Decal, Warning - Turn/Hill
36	1411-250	1		Decal, Warning - Reverse/Pre-Ride
37	1411-050	1	/P	Decal, "Speedrack"
38	1411-634	1		Decal, Side - Upper Right
38	1411-635	1		Decal, Side - Upper Left
39	1411-725	1		Decal, Front



Ref #	Part Number	Qty	S/P/F	Description
1	0403-209	2		Shock Absorber (inc. 2)
2	0403-182	4		Bushing
3	0403-102	2		Cam, Spring Adjuster
4	0503-354	2		Spring, Suspension
5	1603-889	2	/P	Retainer, Spring
6	8409-040	4		Screw, Cap
7	0423-744	10		Nut, Lock
8	0503-272	1	S	A-Arm, Upper Right (inc. 9-12)
8	0503-273	1	S	A-Arm, Upper Left (inc. 9-12)
9	0403-081	4	S	Bushing
10	0403-080	2		Axle
11	0423-009	4	/P	Ring, Retaining
12	0405-115	4	/P	Ball Joint
13	0503-380	1	/P	A-Arm, Lower Right (inc. 14-15 and two No. 11-12)
13	0503-381	1	/P	A-Arm, Lower Left (inc. 14-15 and two No. 11-12)
14	0403-115	8	S	Bushing
15	0403-114	4	S	Axle
16	0505-576	1	/P	Knuckle - Assembly - Right (inc. 17-18)
16	0505-577	1	/P	Knuckle - Assembly - Left (inc. 17-18)
17	1402-809	2	/P	Bearing
18	0423-423	2		Ring, Retaining
19	8409-030	4		Screw, Cap
20	0423-334	2		Screw, Cap
21	8409-075	4		Screw, Cap
22	1502-344	1	S/P	Axle, Drive - Right (inc. 23-24)
22	1502-345	1	S	Axle, Drive - Left (inc. 23-24)
23	0423-844	2	/P	Clip, Retaining
24	0436-276	2	S	Repair Kit, Boot
25	0441-752	1		Guard, Boot - Right
25	0441-753	1		Guard, Boot - Left
26	0423-545	4	/P	Screw, Shoulder

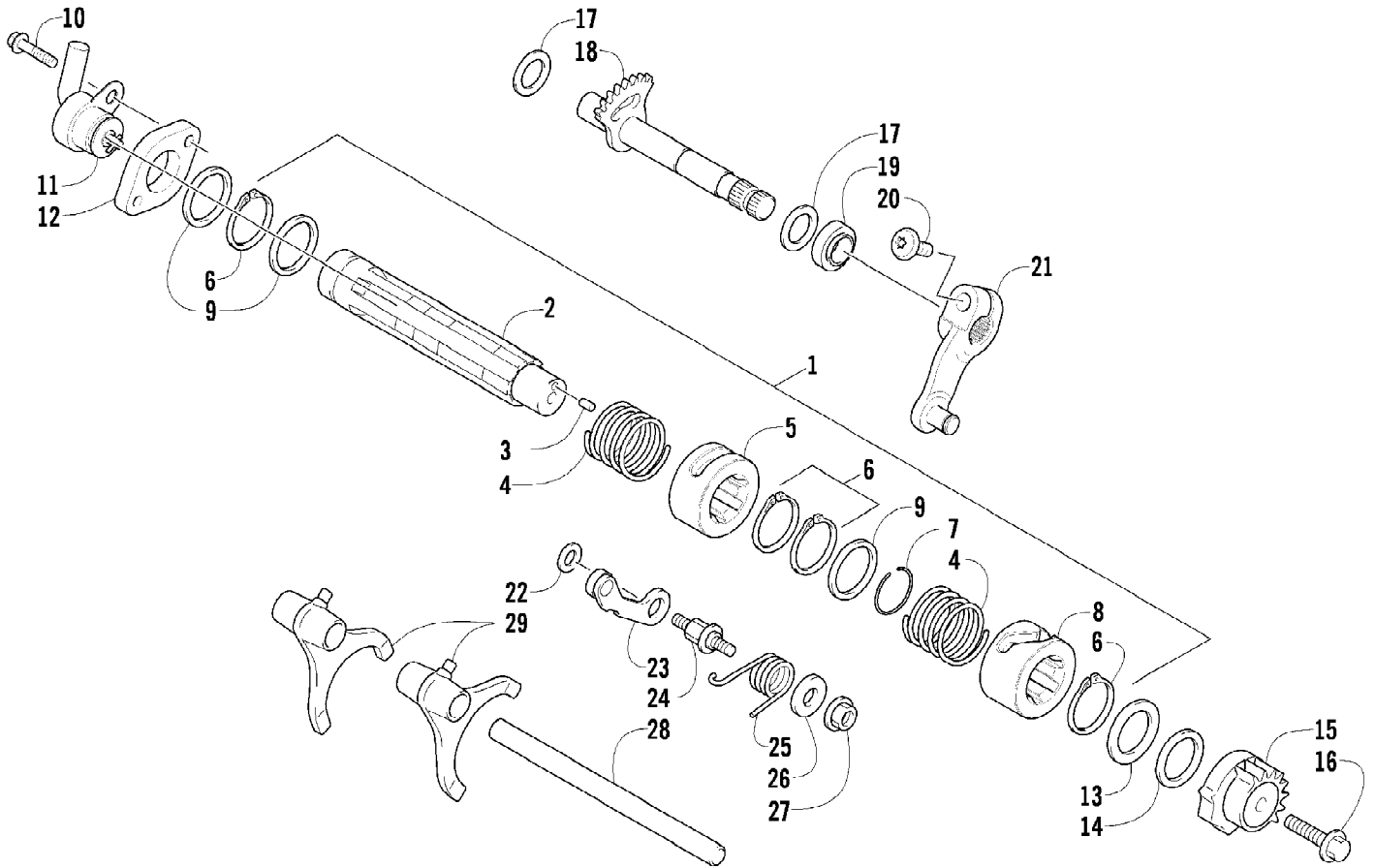




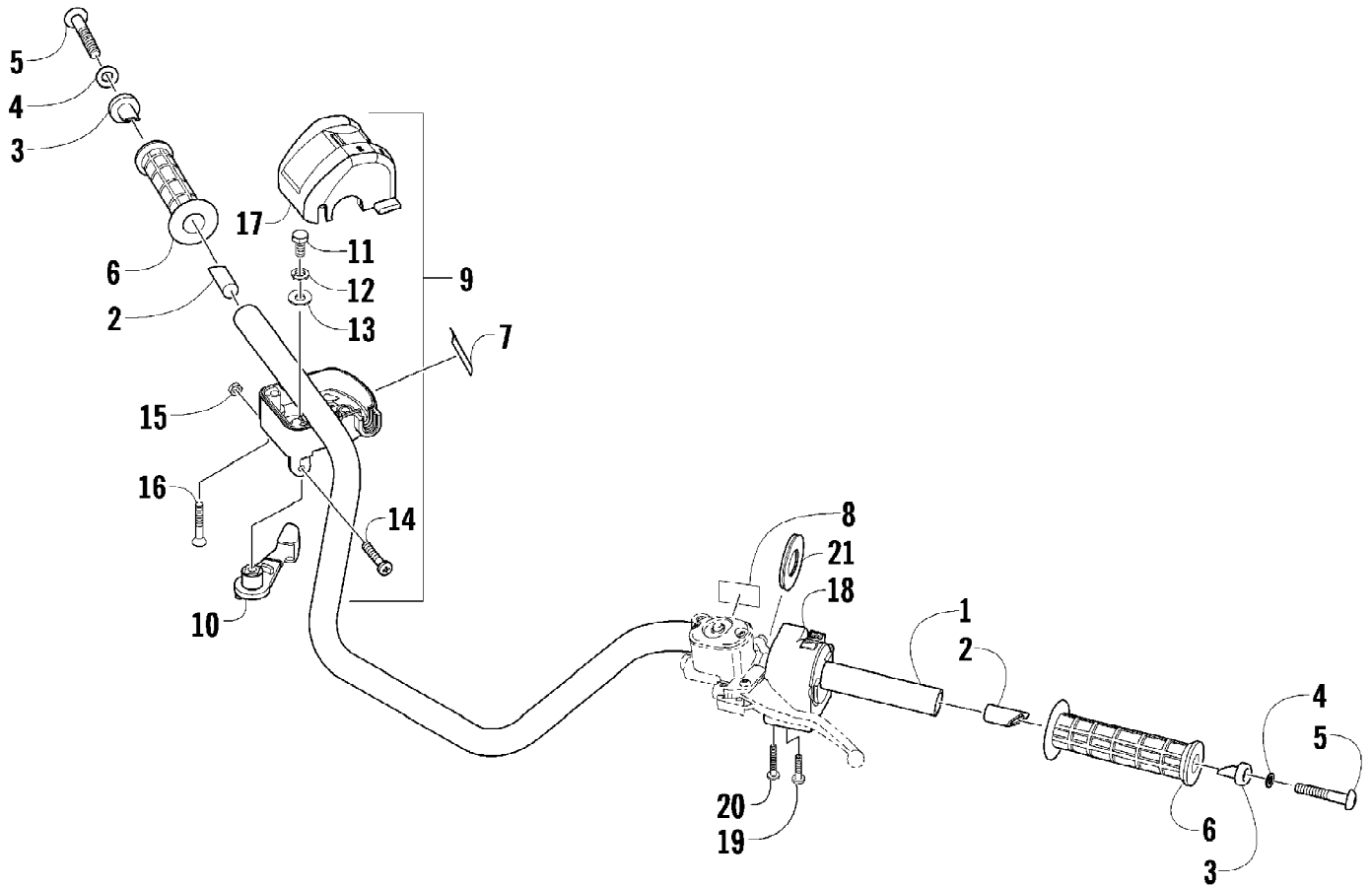
2009 ATV 400 TRV RED INTERNATIONAL (A2009TBG4BOSR)  
GAS TANK ASSEMBLY

Page 41 of 85

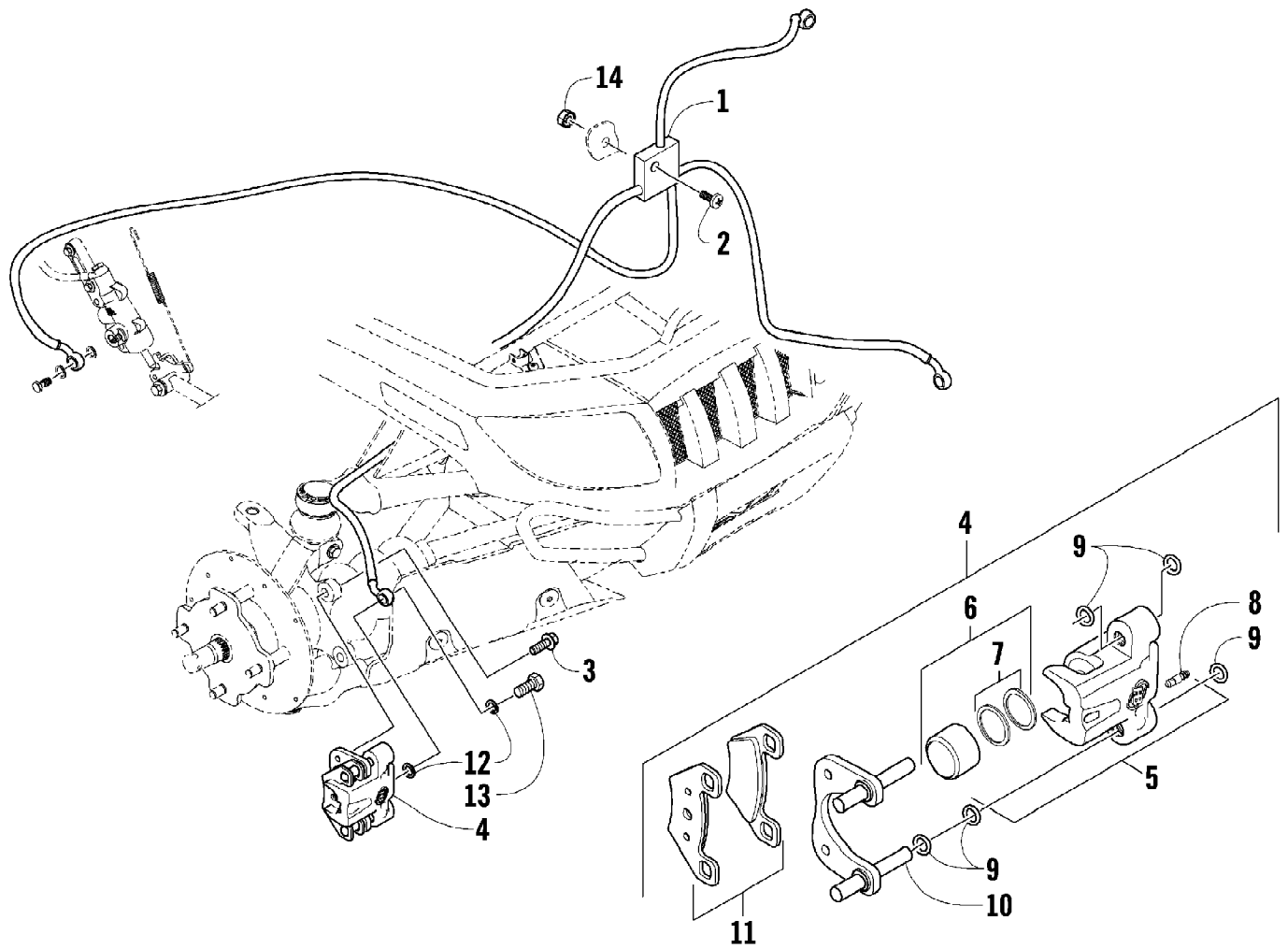
Ref #	Part Number	Qty	S/P/F	Description
1	0570-261	1	/P	Tank, Gas - Assembly w/Straps (inc. 2-9)
2	0470-438	1	/P	Cap, Gas Tank (inc. 3)
3	0109-733	1	/P	Gasket, Gas Tank Cap
4	0570-253	1	/P	Sensor, Fuel Level (inc. 5-7)
5	0423-603	1		Clamp, Hose
6	0470-475	1		Filter, Fuel
7	0470-521	1		Seal, Fuel Level Sensor
8	0470-639	1	/P	Plate, Mounting - Fuel Level Sensor
9	1623-158	4		Screw, Machine
10	0423-688	6		Clamp, Hose
11	0410-070	AR	/P	Hose, Gasline - 25 ft
12	0470-758	1	/P	Pump, Fuel
13	8476-620	2		Screw, Machine
14	0623-038	2		Nut w/Washer
15	0423-689	4		Clamp, Hose
16	0410-143	AR		Hose, Gasline - 25 ft
17	0470-702	1	/P	Fitting, Straight
18	0423-460	2		Grommet, Gas Tank
19	0470-715	1		Shield, Gas Tank
20	0623-797	4		Screw, Self-Tapping
21	0423-732	2		Screw, Shoulder



Ref #	Part Number	Qty	S/P/F	Description
1	0818-024	1	S	Shaft, Gear Shift - Assembly (inc. 2-8 and two No. 9)
2	0818-044	1	S	Shaft, Gear Shift
3	3304-439	1		Pin, Dowel
4	0818-060	2		Spring
5	0818-019	1		Cam, Reverse
6	3304-147	4	/P	Circlip
7	0831-016	1		C-Ring
8	0818-023	1		Cam, Gear Shift
9	0828-079	3		Washer
10	3303-252	2		Screw, Cap
11	3313-434	1		Switch, Gear Shift Position
12	0818-073	1		Spacer, Speed Sensor
13	0828-081	1		Washer, Thrust
14	0828-080	1		Washer, Thrust
15	0818-061	1		Plate, Gear Shift Cam
16	3304-569	1		Screw, Cap
17	0828-084	2		Washer
18	0818-022	1		Shaft, Sub-Gear Shift
19	0830-179	1		Seal
20	8468-620	1	/P	Screw, Machine
21	0818-014	1		Arm, Select
22	0828-083	1		Washer
23	0818-084	1		Stopper, Cam
24	0818-062	1		Support, Cam Stopper
25	0818-020	1		Spring
26	0828-082	1		Washer
27	3303-331	1	/P	Nut
28	0818-021	1		Shaft, Shift Fork
29	0818-088	2		Fork, Shift



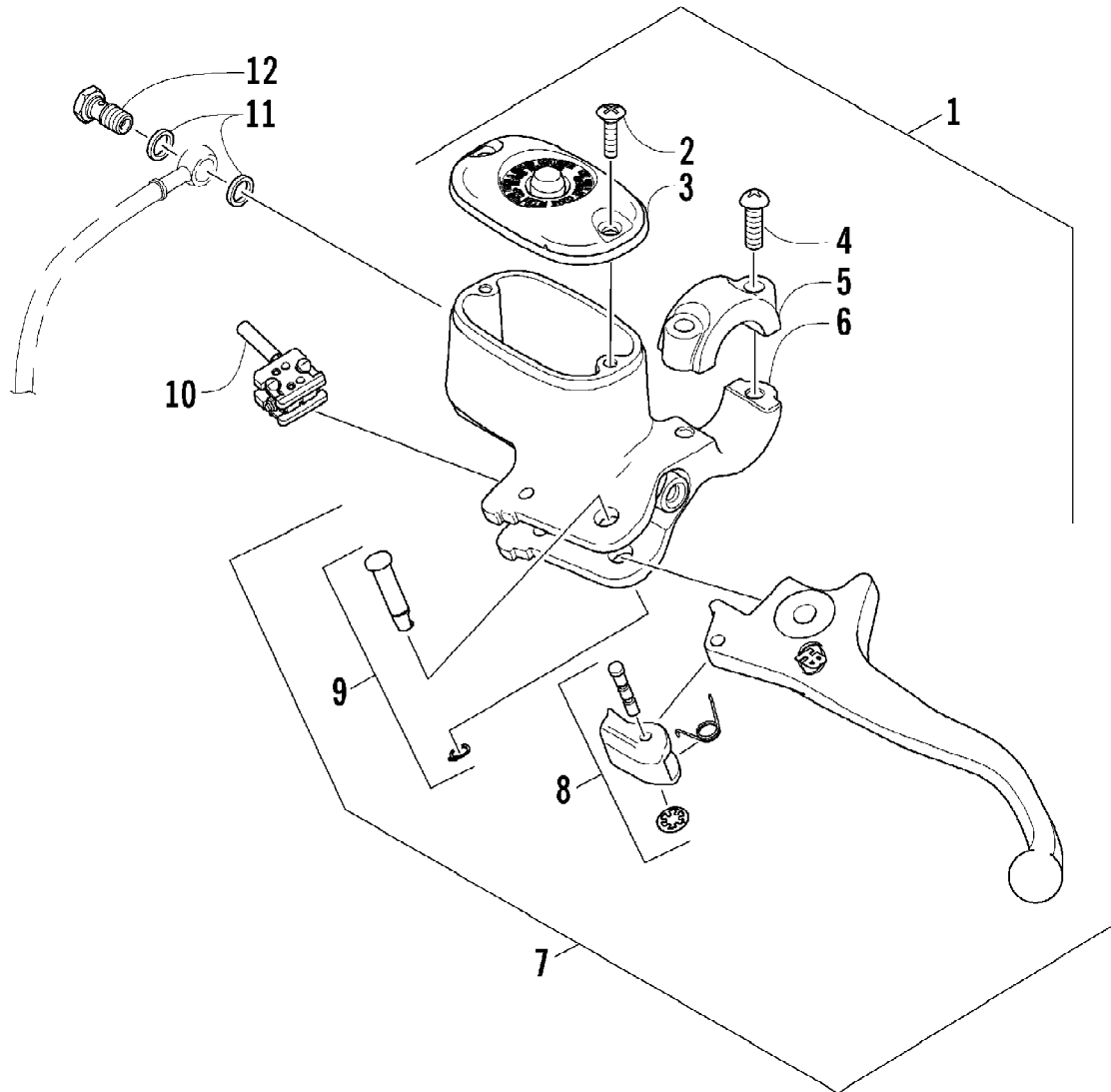
Ref #	Part Number	Qty	S/P/F	Description
1	0505-418	1	/P	Handlebar
2	0405-218	2		Plug, Handlebar
3	0405-149	2		End Cap, Handlebar
4	8050-247	2	/P	Washer
5	8477-845	2		Screw, Machine
6	0405-147	2		Grip, Handlebar
7	0411-966	1		Decal, Warning - Differential Lock
8	1411-865	1		Decal, Warning - Brake Lever Lock
9	0509-045	1		Case, Throttle - Assembly (inc. 10-17)
10	3409-001	1		Lever
11	3007-392	1	/P	Screw, Cap
12	3004-447	1	/P	Washer, Lock
13	3003-030	1	/P	Washer
14	3423-014	1		Screw, Machine
15	3423-327	1		Nut
16	3423-199	2		Screw, Machine
17	0409-119	1		Cover, Throttle Case w/Switch
18	0509-014	1		Switch, Control - Assembly (inc. 19-20)
19	0409-027	1		Screw, Machine
20	0409-028	1		Screw, Machine
21	3409-019	1		Cover, Switch Housing



2009 ATV 400 TRV RED INTERNATIONAL (A2009TBG4BOSR)  
HYDRAULIC BRAKE ASSEMBLY

Page 47 of 85

Ref #	Part Number	Qty	S/P/F	Description
1	1502-015	1		Hose, Brake - Assembly
2	8476-625	1		Screw, Machine
3	8408-821	4	/P	Screw, Cap
4	1436-162	1	S/P	Caliper, Brake - Right Front (inc. 5-11 and two No. 3)
4	1436-163	1		Caliper, Brake - Left Front (inc. 5-11 and two No. 3)
5	1436-160	1	/P	Housing, Caliper - Assembly - Right Front (inc. 6-8)
5	1436-161	1	/P	Housing, Caliper - Assembly - Left Front (inc. 6-8)
6	0502-606	2		Piston/Seal Set (inc. 7)
7	0502-607	2		Seal Set
8	0502-609	2	/P	Valve, Bleed
9	0502-608	2		O-Ring, Guide - Set
10	0502-605	2		Bracket Assembly
11	1436-165	2	S	Pad, Brake - Set
12	0423-178	4		Washer, Crush
13	0423-413	2		Bolt, Banjo-Fitting
14	0623-038	1		Nut w/Washer

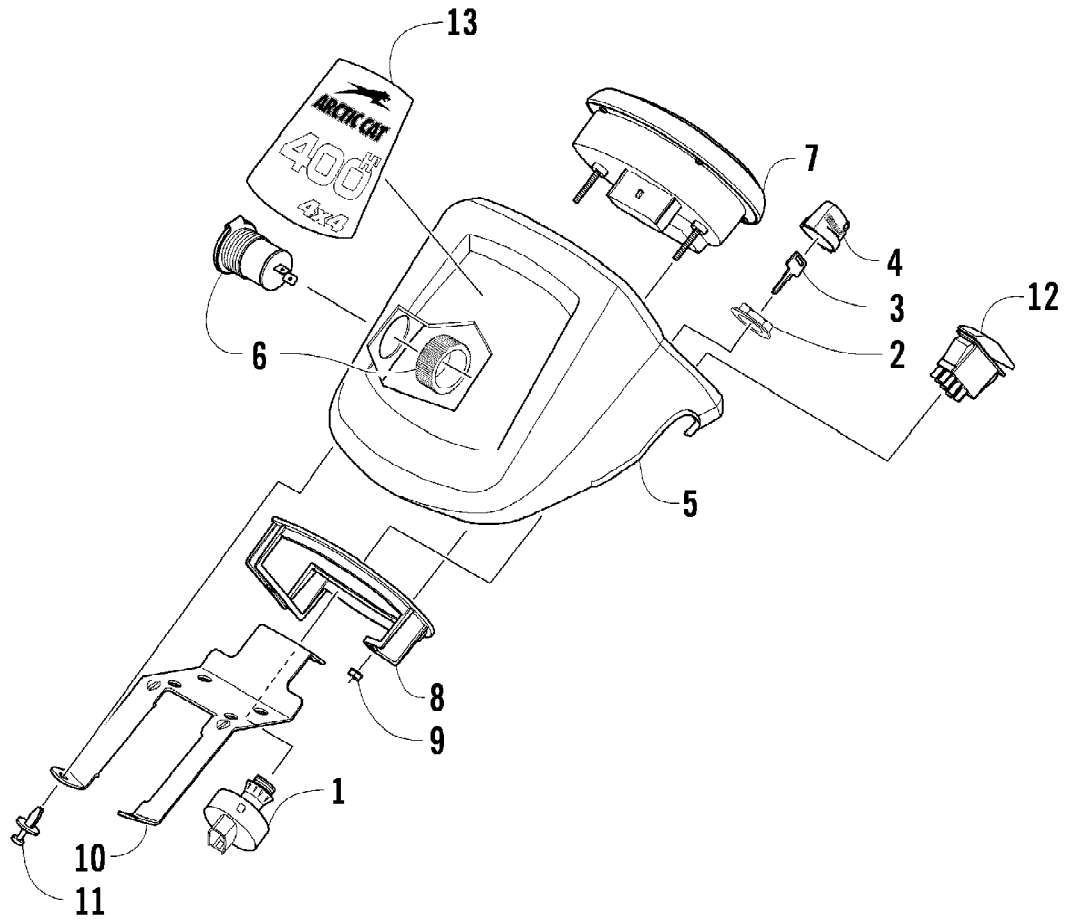




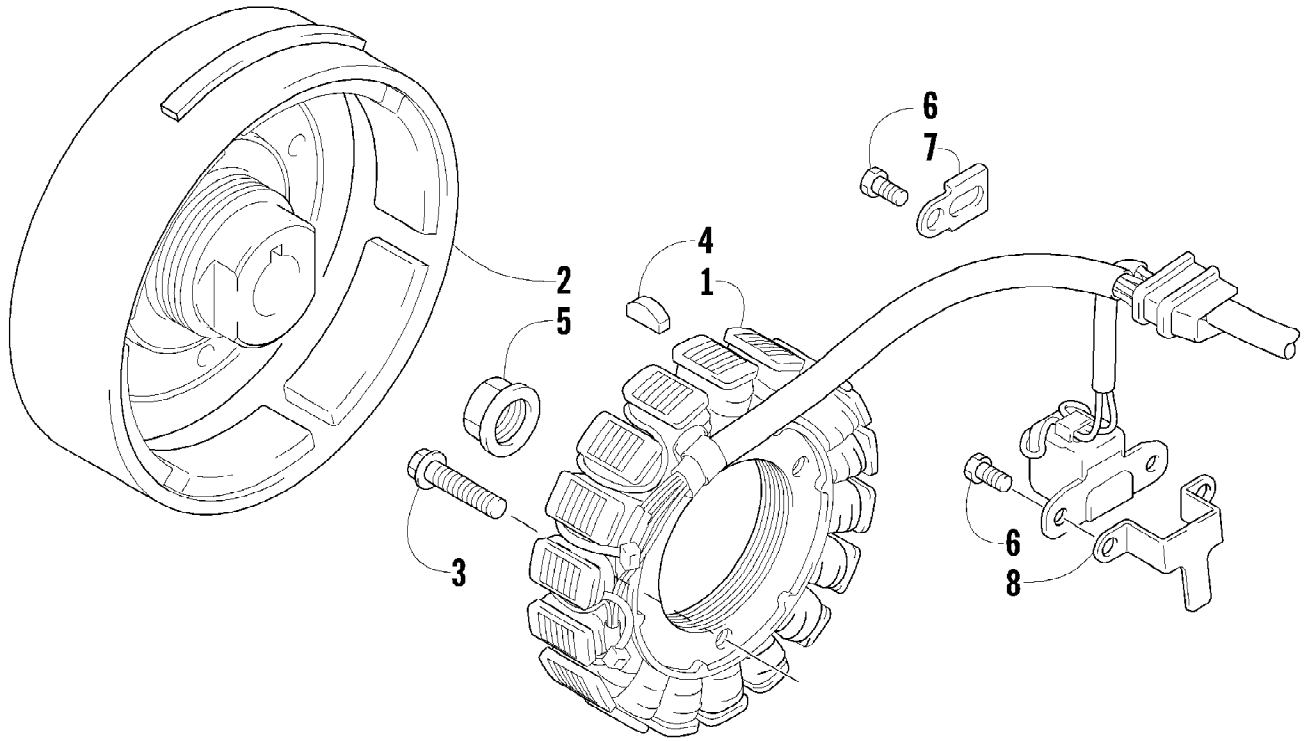
2009 ATV 400 TRV RED INTERNATIONAL (A2009TBG4BOSR)  
HYDRAULIC HAND BRAKE ASSEMBLY

Page 49 of 85

Ref #	Part Number	Qty	S/P/F	Description
1	0502-914	1	S	Brake Assembly (inc. 2-10)
2	0502-566	1		Screw, Machine
3	0502-868	1	/P	Cover, Reservoir
4	0502-568	1		Screw, Machine
5	0502-869	1		Clamp, Master Cylinder
6	0502-704	1		Master Cylinder Assembly
7	0502-866	1		Lever Assembly - Kit (inc. 8-9)
8	0502-867	1	/P	Lock, Brake Lever - Kit
9	0502-580	1		Lever Pin - Kit
10	0502-564	1	/P	Switch, Brake
11	0423-178	2		Washer, Crush
12	0423-413	1		Bolt, Banjo-Fitting



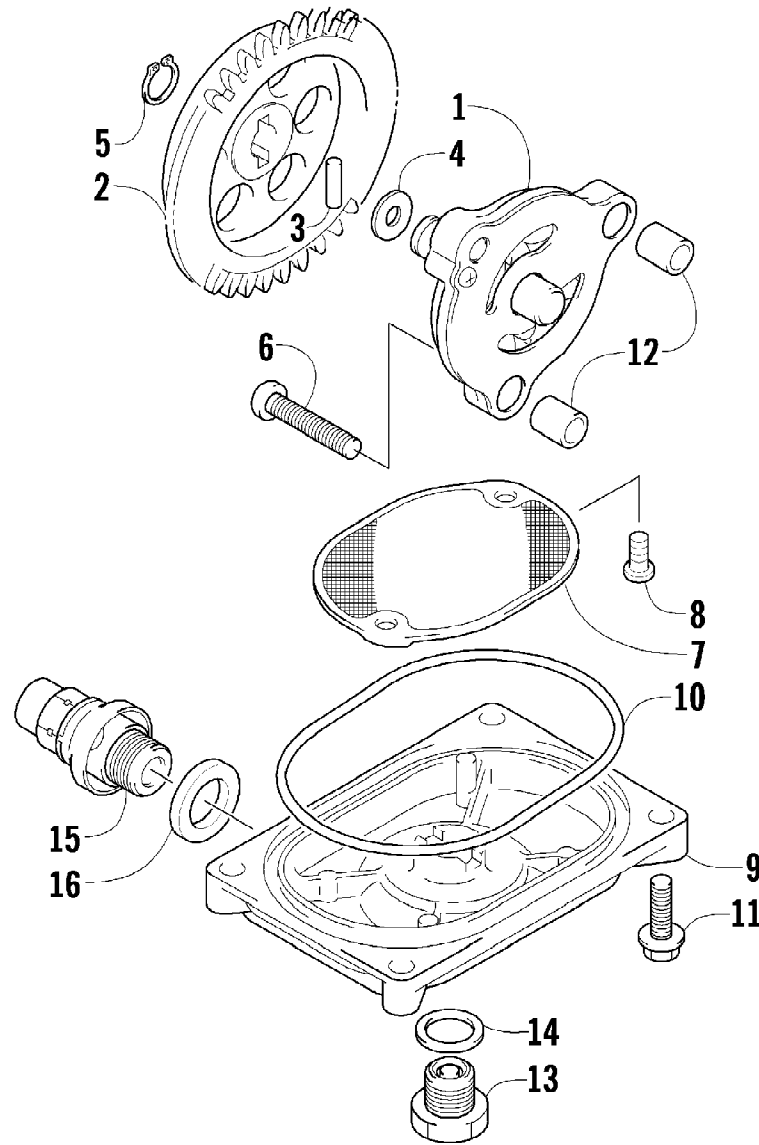
Ref #	Part Number	Qty	S/P/F	Description
1	0430-090	1	/P	Switch, Ignition - Assembly (inc. 2-4)
2	0430-050	1		Nut, Retaining
3	0430-042	1	F	Key, Ignition
3	0430-043	1	F	Key, Ignition
4	0430-054	1		Cover, Key
5	0405-310	1		Instrument Pod
6	0641-897	1	/P	Outlet, Accessory - 12V
7	0520-042	1		Gauge, Analog/LCD
8	0420-065	1	/P	Bracket, Retaining
9	0423-493	2		Nut w/Washer
10	2506-470	1		Bracket, Mounting - Instrument Pod
11	0423-535	2		Rivet, Reinstallable
12	0409-120	1		Switch, Differential Lock
13	1411-936	1		Decal, Instrument Pod



2009 ATV 400 TRV RED INTERNATIONAL (A2009TBG4BOSR)  
MAGNETO ASSEMBLY

Page 53 of 85

Ref #	Part Number	Qty	S/P/F	Description
1	3323-200	1		Stator Assembly
2	3323-164	1	/P	Rotor/Flywheel
3	3304-190	3		Screw, Cap
4	0829-039	1		Key
5	0827-046	1		Nut
6	3303-308	3		Screw, Cap
7	0802-003	1		Clamp
8	0802-004	1		Clamp

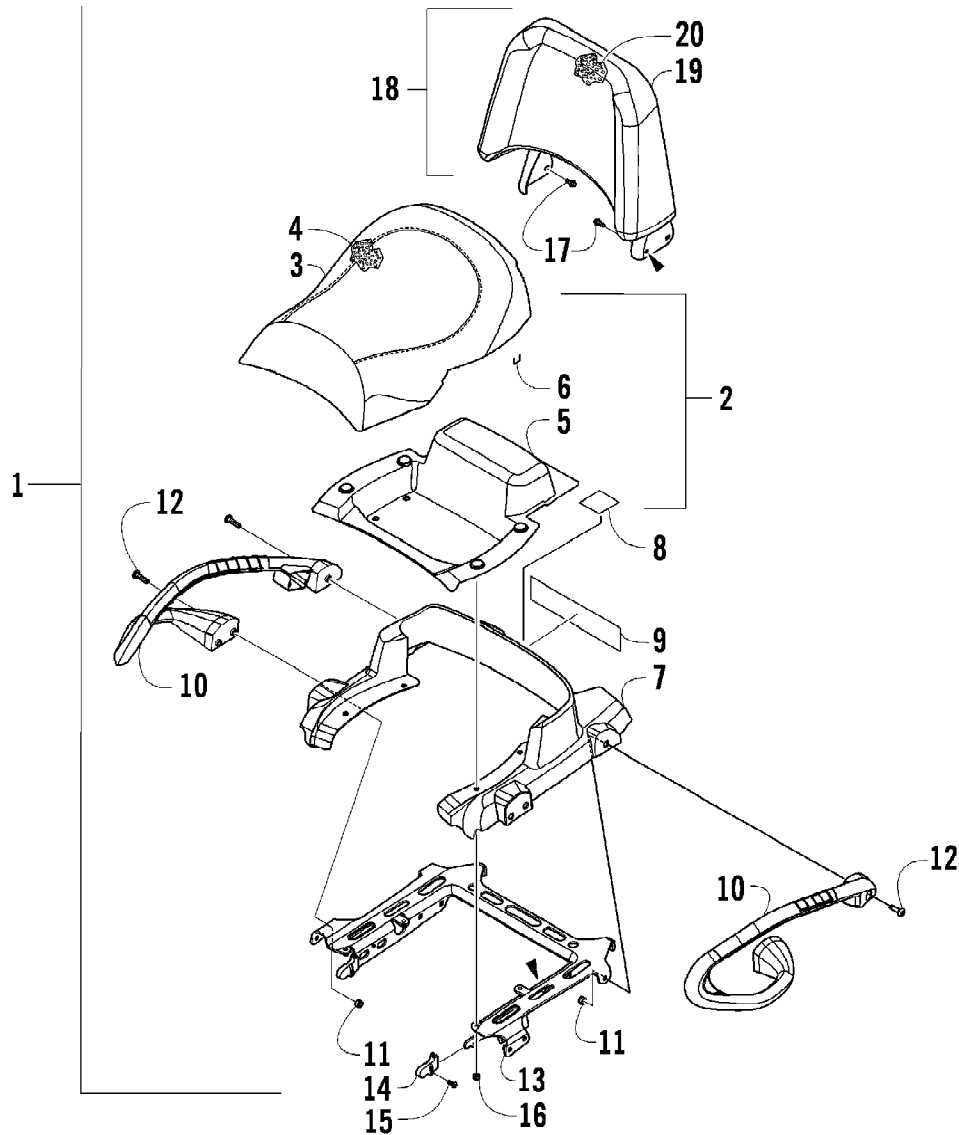


2009 ATV 400 TRV RED INTERNATIONAL (A2009TBG4BOSR)  
OIL PUMP AND STRAINER ASSEMBLY

Page 55 of 85

Ref #	Part Number	Qty	S/P/F	Description
1	0812-069	1		Pump, Oil
2	0812-010	1		Gear, Driven
3	0812-036	1		Pin, Dowel
4	0828-007	1	/P	Washer
5	0831-002	1		Ring, Retaining
6	0826-131	3		Screw, Machine
7	0812-049	1		Strainer, Oil
8	3313-722	2		Screw, Cap
9	0812-038	1		Cap, Oil Strainer
10	0830-159	1		O-Ring
11	3303-384	4	/P	Screw, Cap
12	0829-033	2		Pin, Dowel
13	0812-065	1		Plug, Drain
14	0830-143	1	/P	Gasket
15	0812-067	1		Valve, Oil Relief - Assembly (inc. 16)
16	0830-181	1		O-Ring

2009 ATV 400 TRV RED INTERNATIONAL (A2009TBG4BOSR)  
PASSENGER SEAT AND BACKREST ASSEMBLY

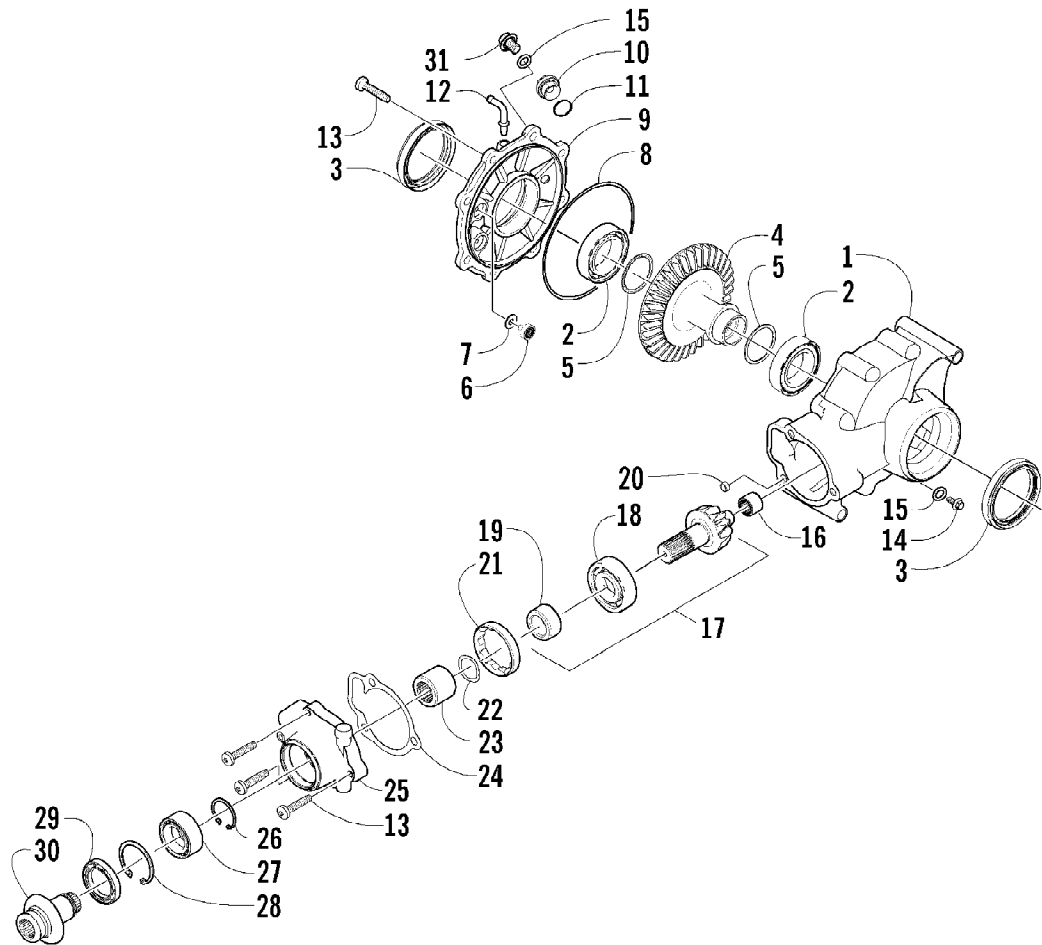




2009 ATV 400 TRV RED INTERNATIONAL (A2009TBG4BOSR)  
PASSENGER SEAT AND BACKREST ASSEMBLY

Page 57 of 85

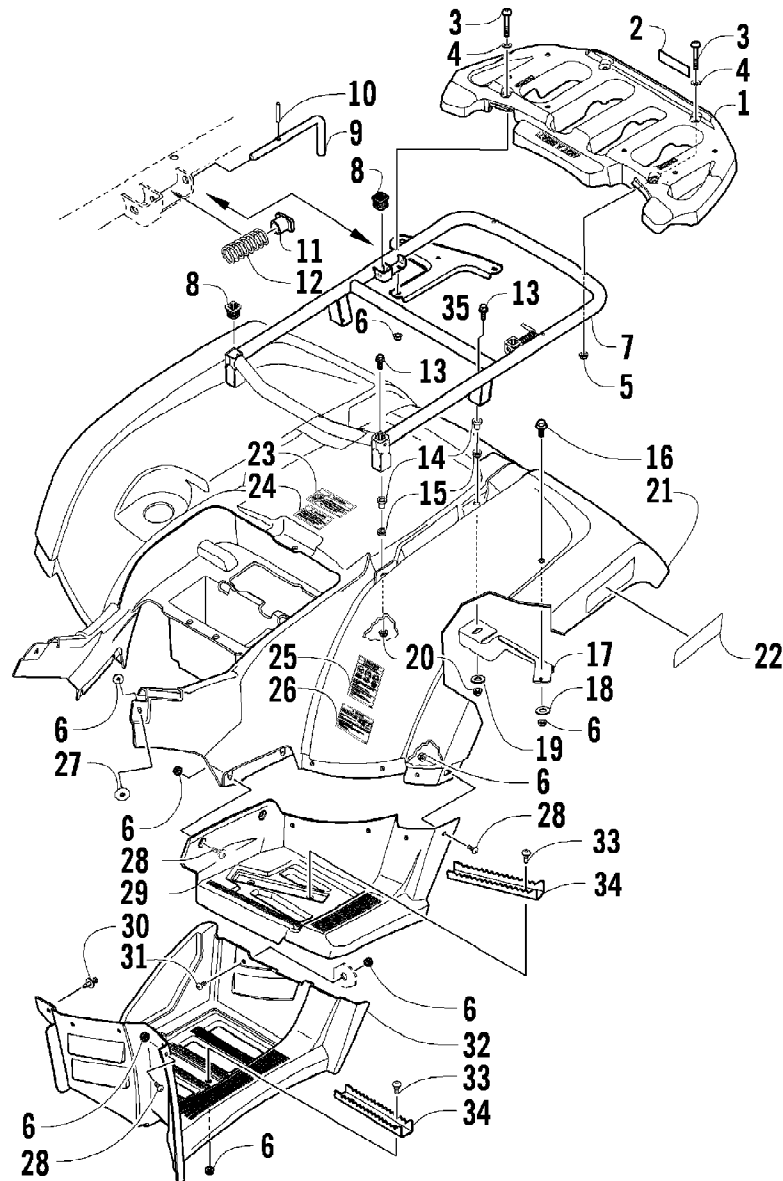
Ref #	Part Number	Qty	S/P/F	Description
1	2506-956	1		Seat, Passenger - Assembly (inc. 2-15)
2	2506-940	1		Seat, Passenger - Sub-Assembly (inc. 3-6)
3	2506-944	1		Cover, Seat - Passenger
4	2506-942	1		Foam, Seat - Passenger
5	2406-110	1		Base, Seat - Inner
6	0624-263	AR		Staple
7	2406-044	1		Base, Seat - Passenger
8	0411-814	1	/P	Decal, "Arctic Cat"
9	2406-834	1		Handhold, Passenger - Right
9	2406-835	1		Handhold, Passenger - Left
10	8432-802	6		Nut, Lock
11	8468-830	6		Screw, Machine
12	2516-040	1		Bracket, Seat Support - Assembly
13	2406-895	2		End Cap, Seat Support
14	0423-538	2		Screw, Self-Tapping
15	8427-602	4		Nut, Lock
16	8408-816	4		Screw, Cap
17	2516-020	1		Backrest Assembly (inc. 18-19)
18	2516-141	1		Cover, Backrest
19	2516-018	1		Foam, Backrest



2009 ATV 400 TRV RED INTERNATIONAL (A2009TBG4BOSR)  
REAR DRIVE GEARCASE ASSEMBLY

Page 59 of 85

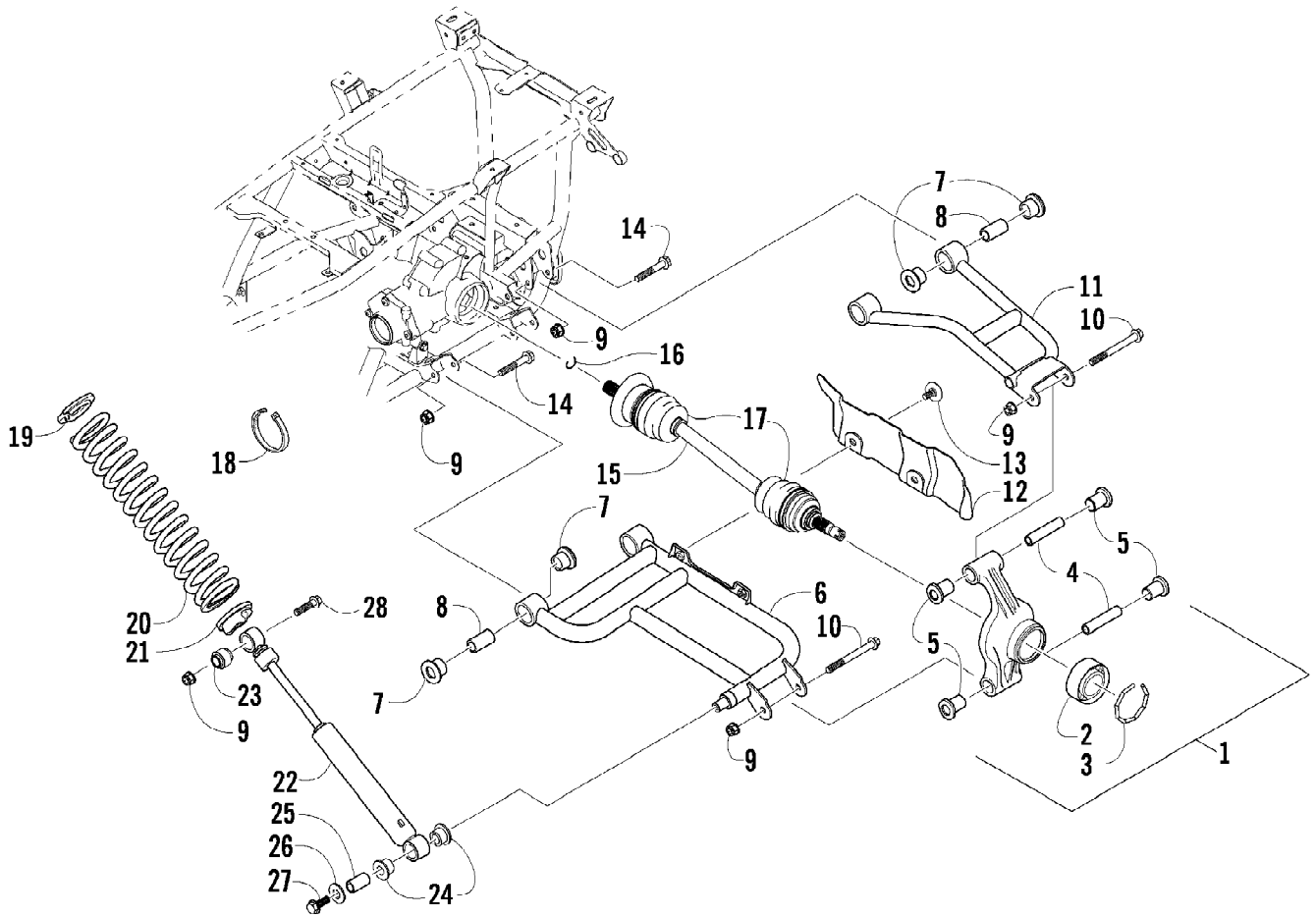
Ref #	Part Number	Qty	S/P/F	Description
	1502-401	1		Complete Rear Drive Gearcase Assembly
1	1502-317	1		Housing, Gearcase
2	0402-393	2		Bearing
3	1402-713	2	S	Seal
4	1402-033	1		Gear, Ring - 34T
5	0402-405	AR		Shim
5	0402-406	AR		Shim
5	0402-407	AR		Shim
5	0402-408	AR		Shim
5	0402-409	AR		Shim
6	0402-326	1		Button, Thrust
7	0402-429	AR		Shim
7	0402-430	AR		Shim
7	0402-431	AR		Shim
7	0402-432	AR		Shim
7	0402-433	AR		Shim
8	0423-149	1		O-Ring
9	1502-082	1		Cover, Gearcase
10	0402-333	1	/P	Plug, Magnetic (inc. 11)
11	0423-154	1		O-Ring
12	1402-102	1		Fitting
13	0423-118	11		Screw, Self-Tapping
14	1402-210	1	/P	Plug, Fill (inc. one No. 15)
15	0423-153	2		O-Ring
16	0402-328	1		Bearing
17	0502-784	1		Gear, Pinion - Assembly - 11T (inc. 18-19)
18	0402-327	1		Bearing
19	0402-336	1		Collar, Retaining
20	0402-411	1		Pin, Dowel
21	0402-331	1		Collar, Lock
22	0402-982	1		Washer, Wave
23	0402-981	1		Collar, Shaft
24	0402-947	1		Gasket, Flange
25	0502-529	1		Housing, Pinion
26	0423-417	1		Ring, Retaining
27	1402-043	1		Bearing
28	0423-423	1		Ring, Retaining
29	1402-011	1		Seal
30	1502-085	1	/P	Shaft, Input
31	1402-211	1		Plug, Oil Level (inc. one No. 15)



2009 ATV 400 TRV RED INTERNATIONAL (A2009TBG4BOSR)  
REAR RACK, BODY PANEL, AND FOOTWELL ASSEMBLIES

Page 61 of 85

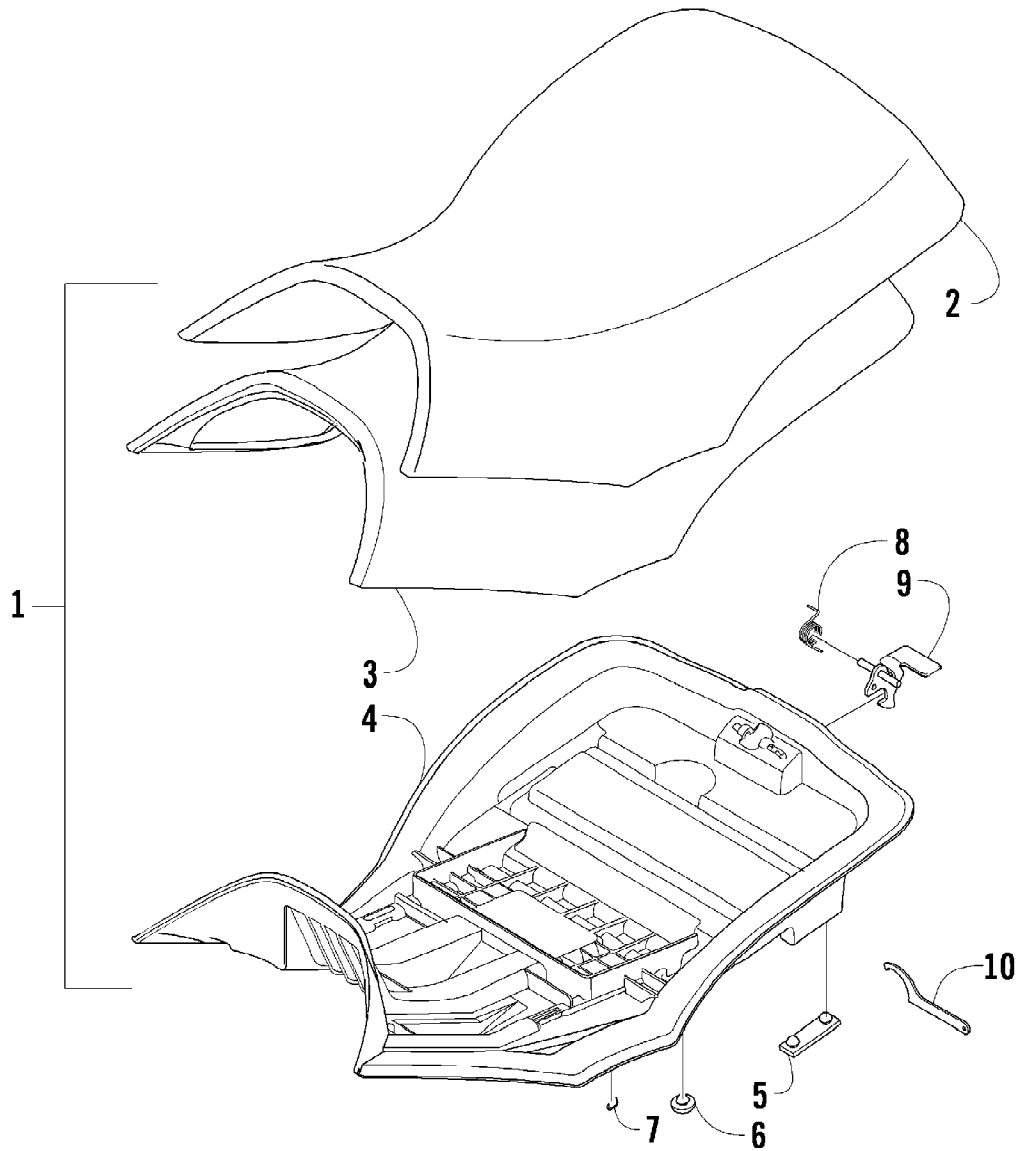
Ref #	Part Number	Qty	S/P/F	Description
1	2516-339	1	/P	Cover, Rack (inc. 2)
2	1411-201	1		Decal, Warning - Load
3	8410-640	3		Screw, Cap
4	8050-223	4		Washer
5	0423-891	2		Nut, Cap
6	0423-540	38		Nut, Lock
7	2516-169	1		Rack, Rear - Assembly (inc. 8-12)
8	0441-592	4	/P	Bushing
9	0541-504	2		Pin - Assembly (inc. 10-12)
10	0423-635	2		Pin, Roll
11	0423-677	2		Bushing, Flanged
12	0423-636	2		Spring
13	8410-835	4		Screw, Cap
14	0423-669	4		Spacer
15	0423-465	4		Grommet
16	0423-654	2		Screw, Shoulder
17	2506-092	1		Bracket, Rear Fender - Right
17	2506-093	1		Bracket, Rear Fender - Left
18	8050-222	2	/P	Washer
19	0423-087	2		Washer
20	8432-802	4		Nut, Lock
21	2516-081	1	S	Fender, Rear - Assembly (inc. 22-26)
22	1411-592	1	/P	Decal, Reflector - Rear - Right
22	1411-593	1	/P	Decal, Reflector - Rear - Left
23	1411-269	1		Decal, Warning - Passenger
24	1411-251	1		Decal, Warning - Seat/Passenger
25	1411-956	1		Decal, Passenger
26	1411-957	1	S	Decal, Warning - Tire Pressure
27	0423-101	2		Screw, Shoulder
28	0423-419	22		Screw, Machine
29	2406-042	1		Footwell, Rear - Right
29	2406-043	1		Footwell, Rear - Left
30	0623-362	2		Rivet, Reinstallable
31	8477-620	2		Screw, Machine
32	1506-813	1		Footwell - Right
32	2406-471	1	/P	Footwell - Left
33	0423-355	8		Screw, Shoulder
34	1506-125	4	/P	Footpeg
35	2506-926	1		Bracket, Mounting - Safety Flag
36	8410-645	2		Screw, Cap



2009 ATV 400 TRV RED INTERNATIONAL (A2009TBG4BOSR)  
REAR SUSPENSION ASSEMBLY

Page 63 of 85

Ref #	Part Number	Qty	S/P/F	Description
1	0504-548	1	/P	Knuckle, Right Rear - Assembly (inc. 2-5)
1	0504-549	1	/P	Knuckle, Left Rear - Assembly (inc. 2-5)
2	1402-809	2	/P	Bearing
3	0423-423	2		Ring, Retaining
4	0403-038	4	S/P	Axle
5	0403-032	8	S	Bushing
6	0504-576	1	/P	A-Arm, Rear - Lower Right (inc. 7-8)
6	0504-577	1	/P	A-Arm, Rear - Lower Left (inc. 7-8)
7	0403-115	16	S	Bushing
8	0403-114	8	S	Axle
9	0423-744	14		Nut, Lock
10	8409-000	4		Screw, Cap
11	0504-586	1	/P	A-Arm, Rear - Upper Right (inc. 7-8)
11	0504-587	1	/P	A-Arm, Rear - Upper Left (inc. 7-8)
12	0441-754	1		Guard, Boot - Rear - Right
12	0441-755	1		Guard, Boot - Rear - Left
13	0423-545	4	/P	Screw, Shoulder
14	8409-075	8		Screw, Cap
15	1502-343	2	S	Axle, Drive (inc. 16-17)
16	0423-845	2	/P	Clip, Retaining
17	0436-276	2	S	Repair Kit, Boot
18	0123-788	AR	/P	Tie, Cable - 8 in.
19	1603-889	2	/P	Retainer, Spring
20	0504-543	2		Spring, Suspension
21	0404-057	2		Cam, Spring Adjuster
22	0404-158	2		Shock Absorber (inc. 23-25)
23	0403-182	2		Bushing, Double-Bonded
24	0603-955	4		Bushing
25	1603-219	2	S	Sleeve
26	0423-087	2		Washer
27	8408-820	2	/P	Screw, Cap
28	8409-050	2		Screw, Cap

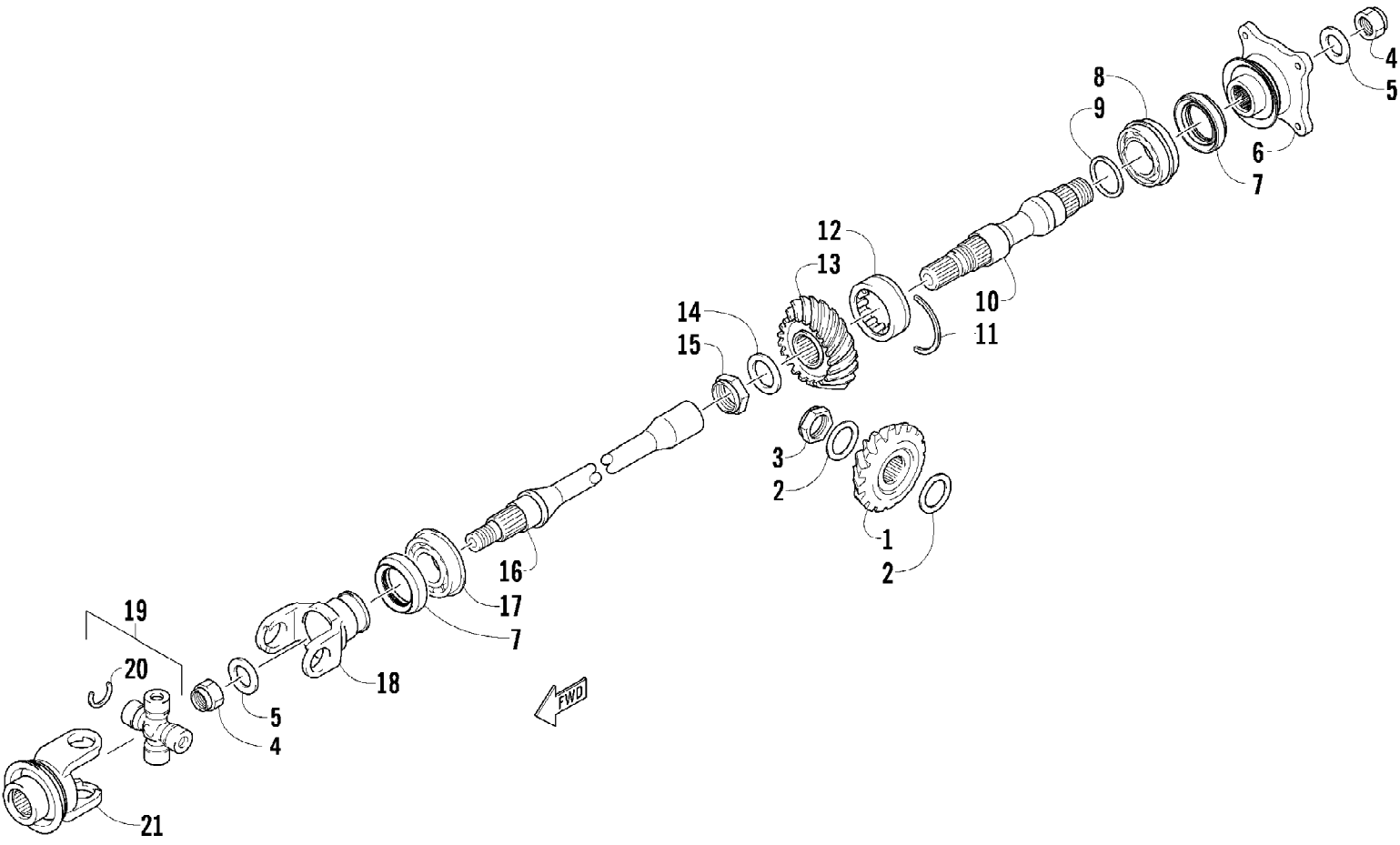




2009 ATV 400 TRV RED INTERNATIONAL (A2009TBG4BOSR)  
SEAT ASSEMBLY

Page 65 of 85

Ref #	Part Number	Qty	S/P/F	Description
1	2506-805	1		Seat Assembly (inc. 2-9)
2	2506-756	1		Cover, Seat
3	2506-755	1		Foam, Seat
4	2406-144	1	S/P	Base, Seat - Assembly (inc. 5-6)
5	0406-879	2		Bumper, Seat - Rear
6	0406-877	4	/P	Bumper, Seat - Front
7	0624-528	AR	/P	Staple
8	1406-592	1	/P	Spring, Seat Latch
9	1506-156	1		Latch, Seat
10	0441-587	1		Wrench, Spanner

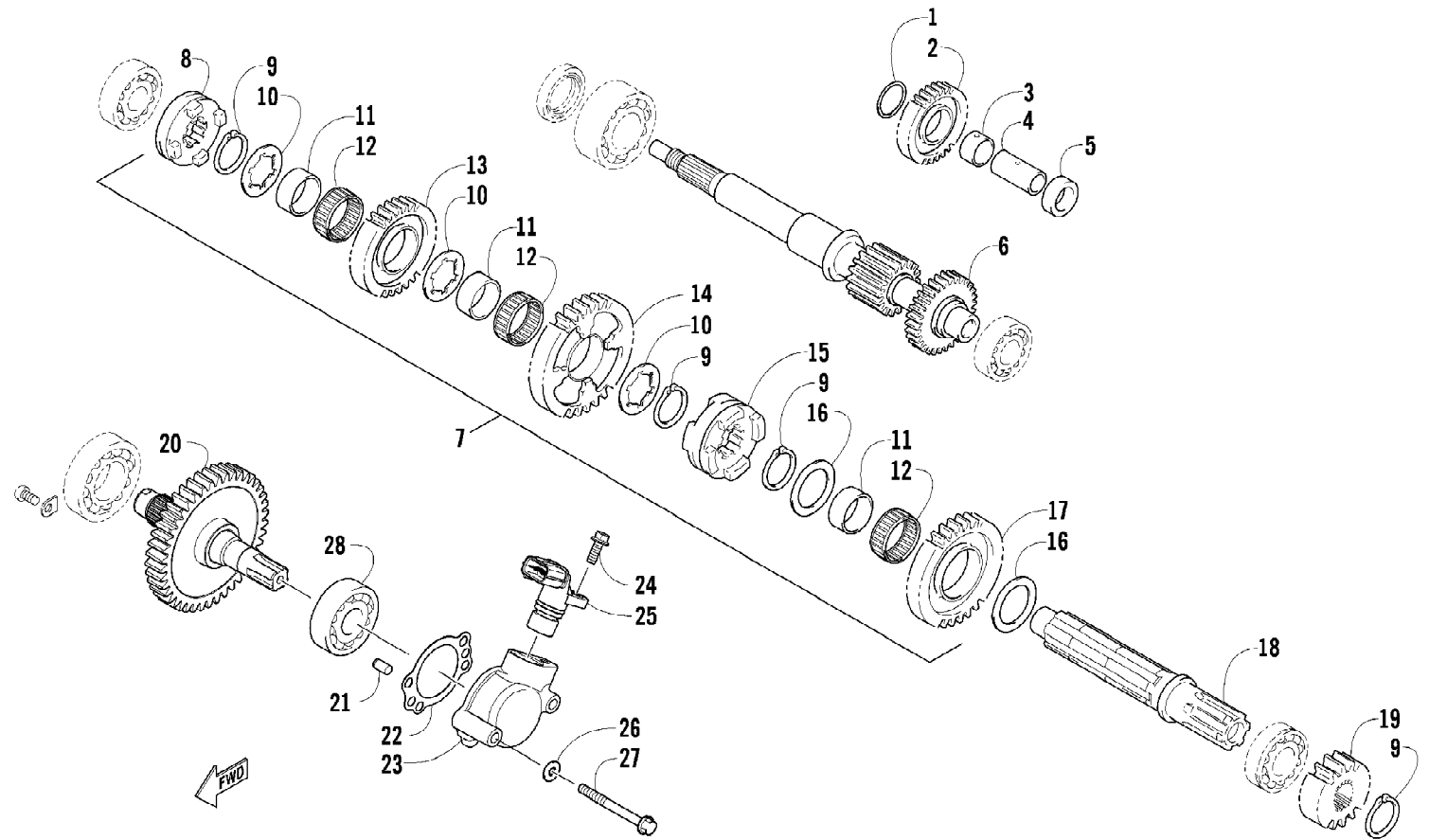


2009 ATV 400 TRV RED INTERNATIONAL (A2009TBG4BOSR)  
SECONDARY DRIVE ASSEMBLY

Page 67 of 85

Ref #	Part Number	Qty	S/P/F	Description
1	0819-018	1		Gear, Secondary Drive
2	3305-554	2	/P	Washer, Thrust
3	0827-047	1		Nut
4	0817-001	2	S	Nut
5	3304-958	2		Washer
6	0819-022	1		Flange, Output Joint
7	0830-144	2		Seal, Oil
8	0832-041	1		Bearing
9	0828-088	AR		Shim, 25 x 34
10	0819-021	1		Shaft, Secondary Driven
11	0819-070	1		C-Ring
12	0832-040	1		Bearing
13	0819-019	1		Gear, Secondary Driven
14	0828-090	1		Washer
15	0827-022	1		Nut
16	0819-020	1		Shaft, Secondary Driven
17	0832-026	1		Bearing
18	0819-063	1		Yoke, Propeller Shaft Joint
19	1402-164	1	/P	Joint, Universal - Set (inc. 20)
20	0423-450	4		Ring, Retaining
21	0819-071	1		Yoke, Drive Output

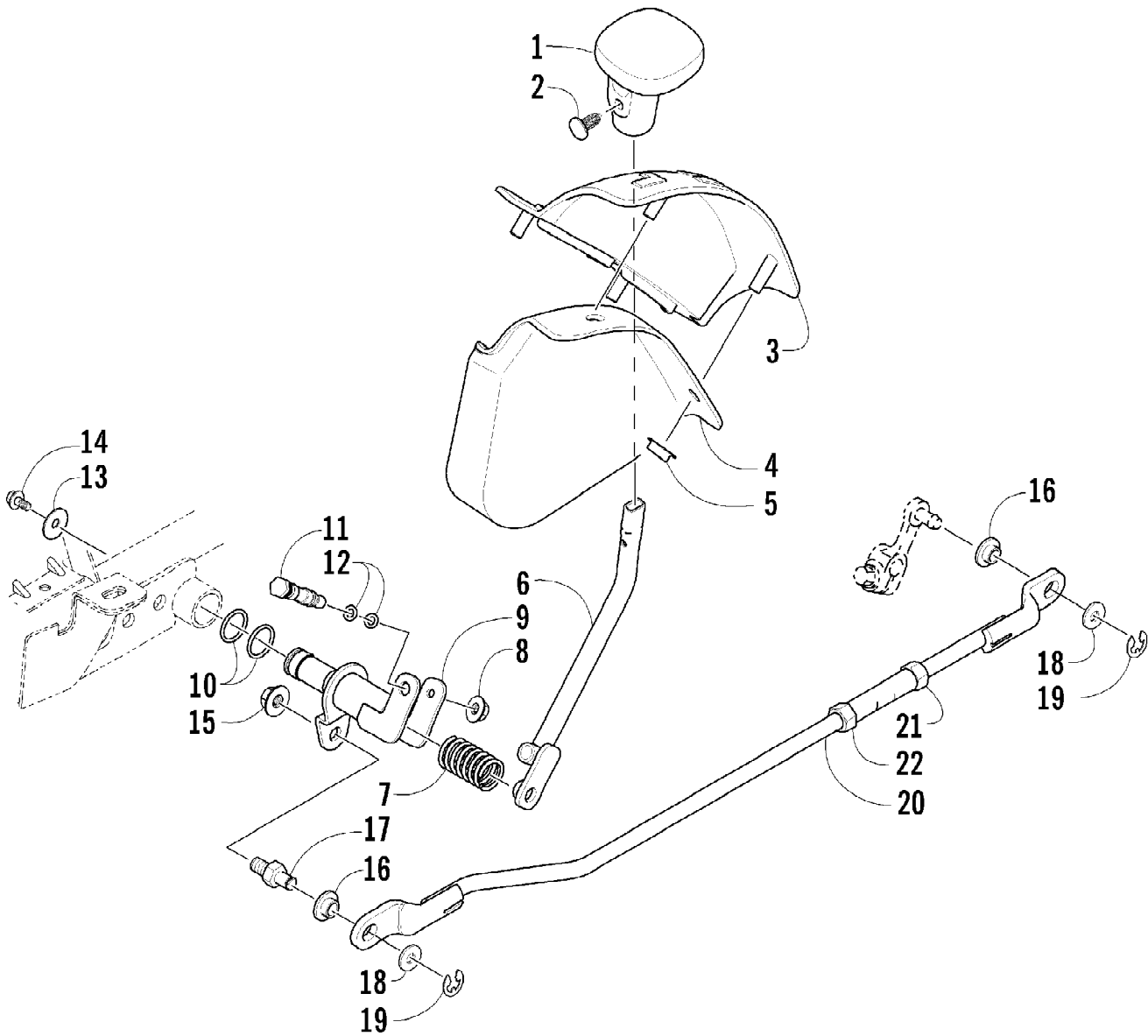
2009 ATV 400 TRV RED INTERNATIONAL (A2009TBG4BOSR)  
SECONDARY TRANSMISSION ASSEMBLY



2009 ATV 400 TRV RED INTERNATIONAL (A2009TBG4BOSR)  
SECONDARY TRANSMISSION ASSEMBLY

Page 69 of 85

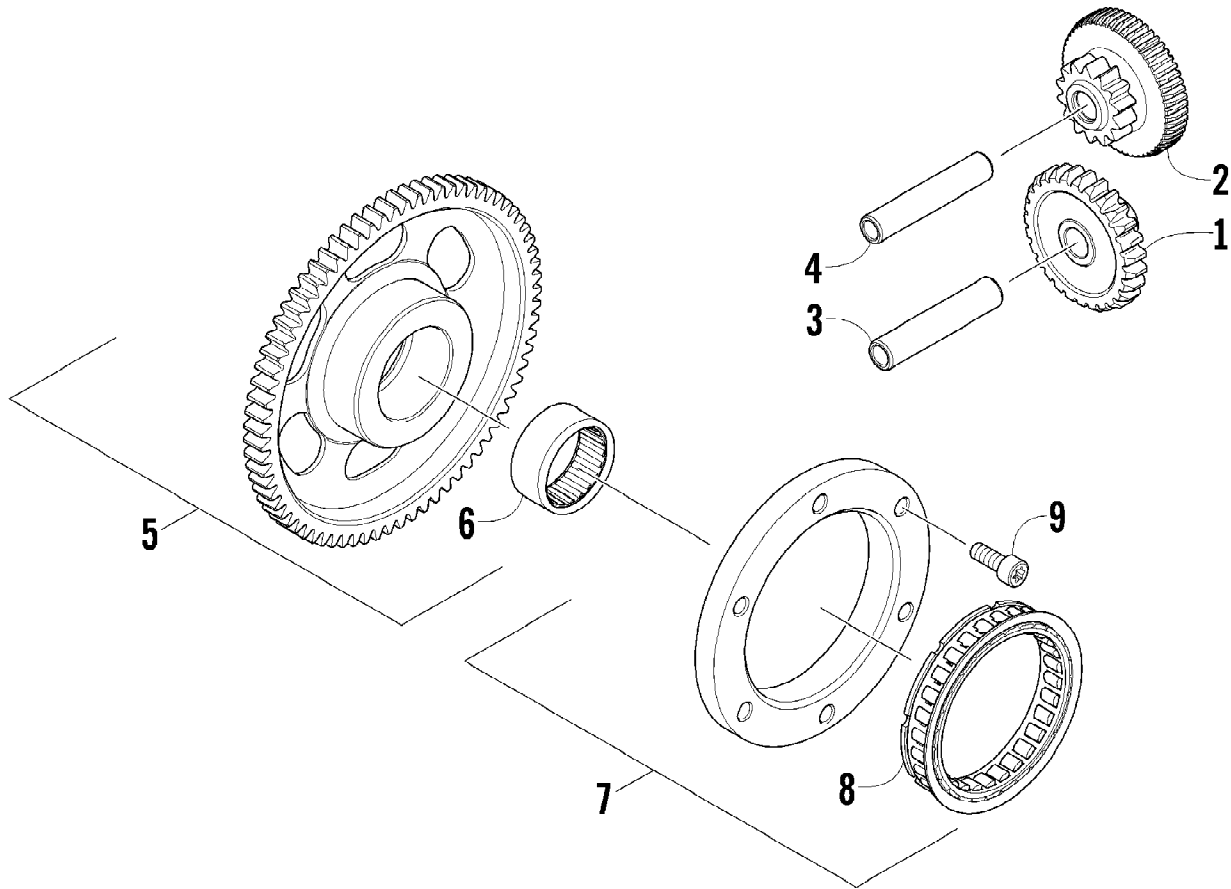
Ref #	Part Number	Qty	S/P/F	Description
1	0828-081	1		Washer
2	0822-061	1		Gear, Reverse Idle
3	0822-065	1		Bushing
4	0822-064	1		Shaft, Reverse Idle
5	0822-029	1		Spacer
6	0822-022	1		Driveshaft
7	0822-036	1		Countershaft Assembly (inc. 8-18)
8	0822-033	1		Gear Select, Reverse
9	3304-147	4	/P	Circlip
10	3304-045	3		Washer
11	0822-062	3		Bushing
12	0832-038	3		Bearing
13	0822-032	1		Gear, Reverse Driven
14	0822-063	1		Gear, Driven - Low
15	0822-027	1		Gear Select, Sliding
16	3304-044	2		Washer, Thrust
17	0822-026	1		Gear, Driven - High
18	0822-025	1		Countershaft
19	0822-028	1		Gear, Drive
20	0822-023	1		Shaft, Output
21	3303-395	2		Pin, Dowel
22	0830-156	1		Gasket, Housing
23	0822-105	1		Housing, Speedometer Sensor
24	3303-382	1	/P	Screw, Cap
25	3313-172	1		Sensor, Speedometer
26	0830-155	2	/P	Gasket
27	3303-387	2		Screw, Cap
28	3304-198	1		Bearing



2009 ATV 400 TRV RED INTERNATIONAL (A2009TBG4BOSR)  
SHIFT LEVER ASSEMBLY

Page 71 of 85

Ref #	Part Number	Qty	S/P/F	Description
1	0402-843	1	/P	Knob, Shift
2	0423-345	1		Clip, Retaining
3	1402-576	1		Plate, Shift
4	2406-345	1		Shield, Shift Plate
5	0423-357	4		Nut, Stamped
6	0502-659	1		Lever, Shift
7	0402-678	1	/P	Spring, Shift Lever
8	8424-602	1	/P	Nut
9	1502-332	1		Actuator, Shift
10	0423-299	2	/P	O-Ring
11	0402-675	1		Axle, Pivot
12	0423-182	2	/P	O-Ring
13	0423-087	1		Washer
14	8408-812	1		Screw, Cap
15	8424-802	1		Nut
16	0423-091	2		Bushing
17	1402-621	1		Pin, Mounting
18	0623-094	2		Washer
19	0423-169	2	/P	E-Ring
20	1502-201	1		Linkage, Shift - Assembly (inc. 21-22)
21	0623-294	1		Nut, Hex - Right-Hand Thread
22	0123-917	1	/P	Nut, Hex - Left-Hand Thread

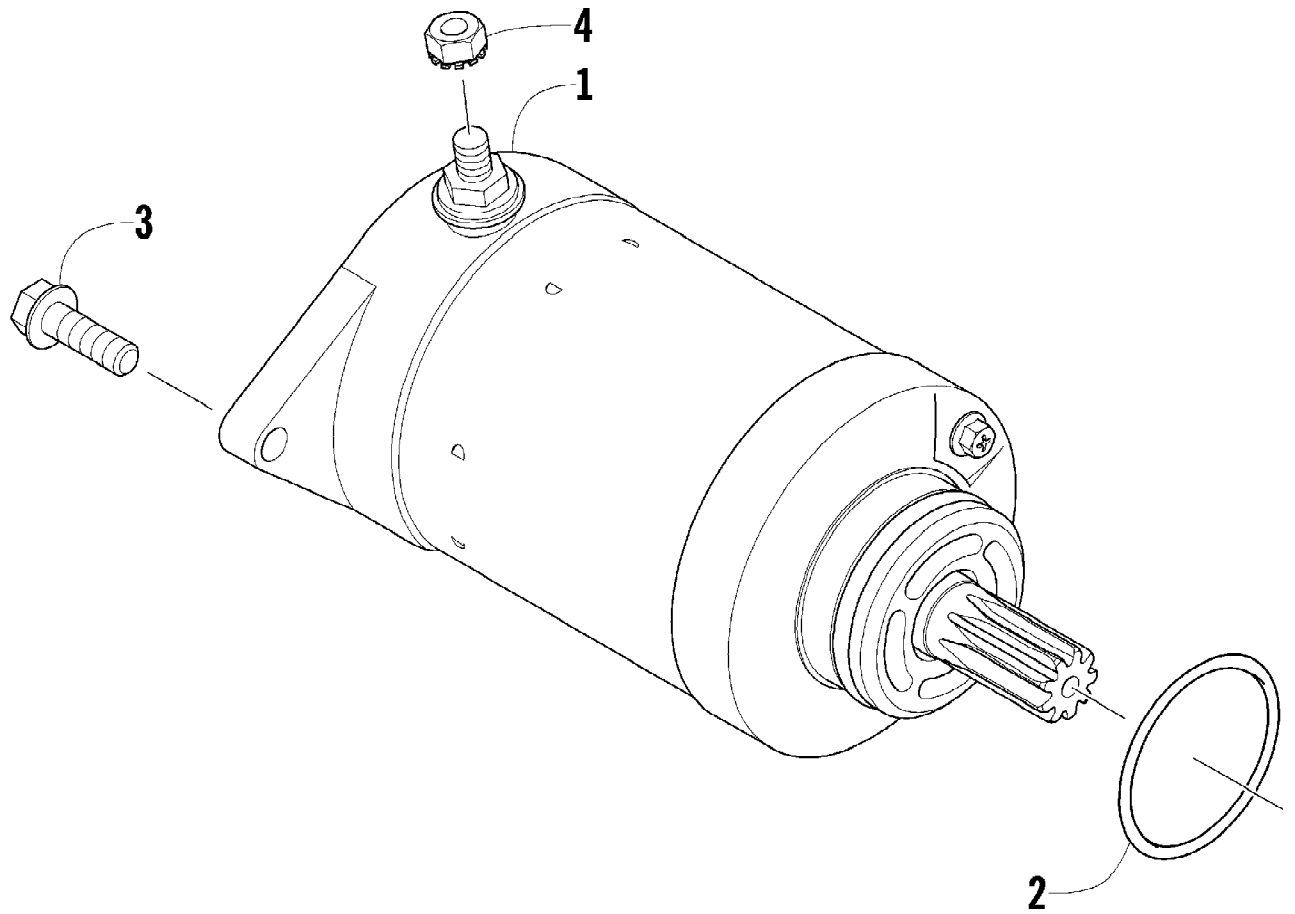




2009 ATV 400 TRV RED INTERNATIONAL (A2009TBG4BOSR)  
STARTER CLUTCH ASSEMBLY

Page 73 of 85

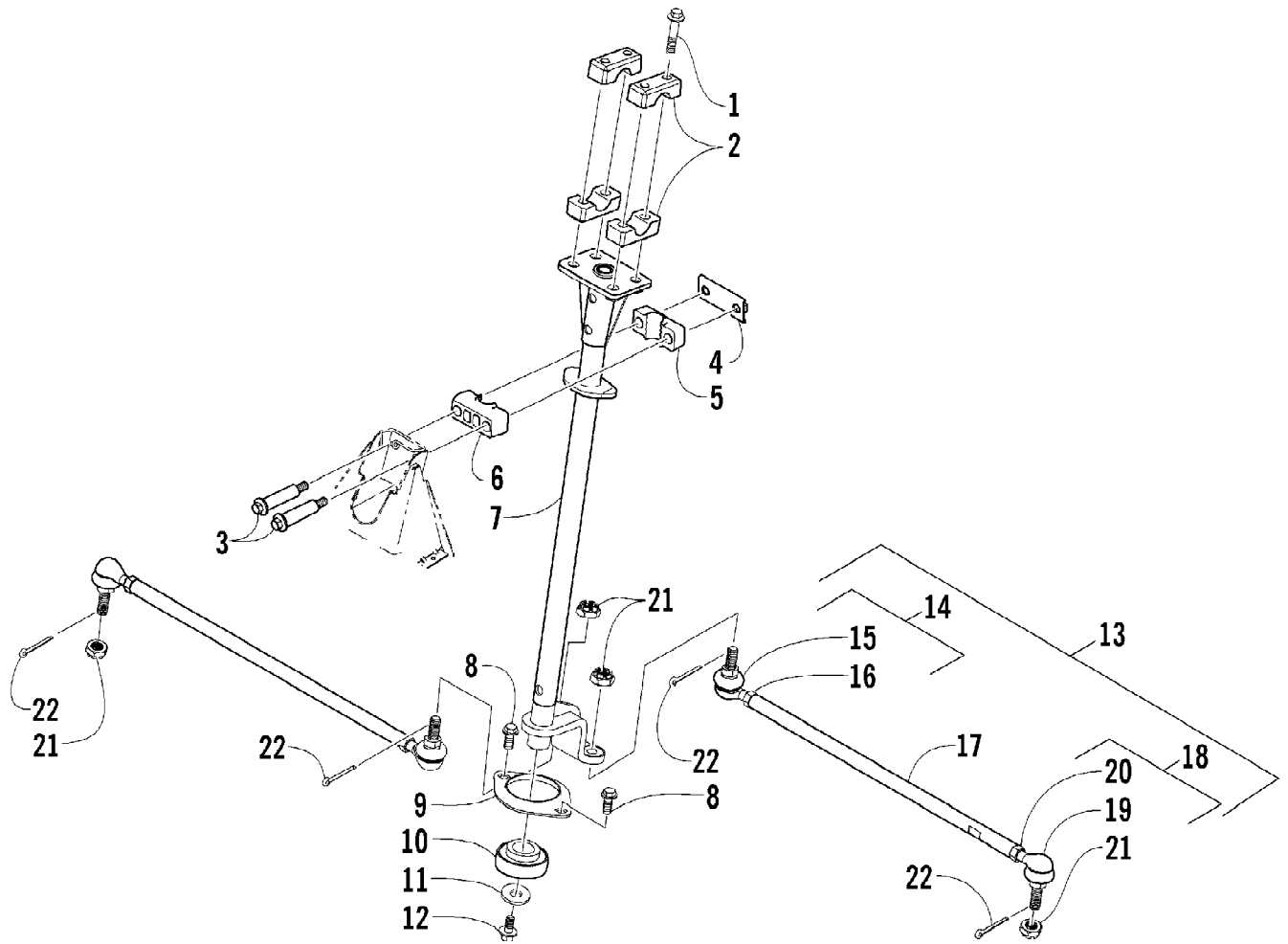
Ref #	Part Number	Qty	S/P/F	Description
1	0815-022	1		Gear, Starter Idler - No. 2
2	0815-025	1		Gear, Starter Idler - No. 1
3	0815-015	1		Pin, Starter Idler Gear No. 2
4	0815-007	1		Pin, Starter Idler Gear No. 1
5	0815-023	1		Gear, Starter Clutch (inc. 6)
6	0832-069	1		Bearing
7	0802-044	1	/P	Clutch, One-Way (inc. 8)
8	0802-046	1	S	Bearing
9	0826-120	6		Screw, Cap



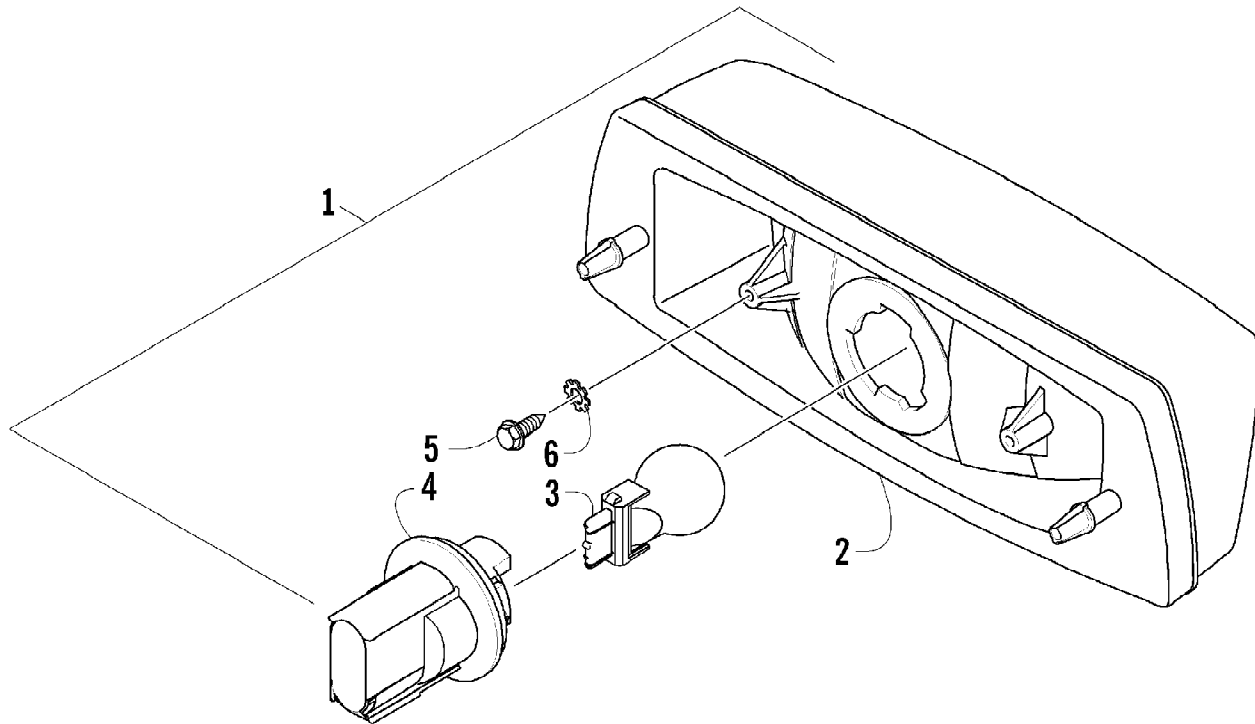
2009 ATV 400 TRV RED INTERNATIONAL (A2009TBG4BOSR)  
STARTER MOTOR ASSEMBLY

Page 75 of 85

Ref #	Part Number	Qty	S/P/F	Description
1	3313-433	1	S	Motor, Starter - Assembly (inc. 2)
2	3304-104	1		O-Ring
3	3303-385	2		Screw, Cap
4	3304-011	1		Nut w/Washer



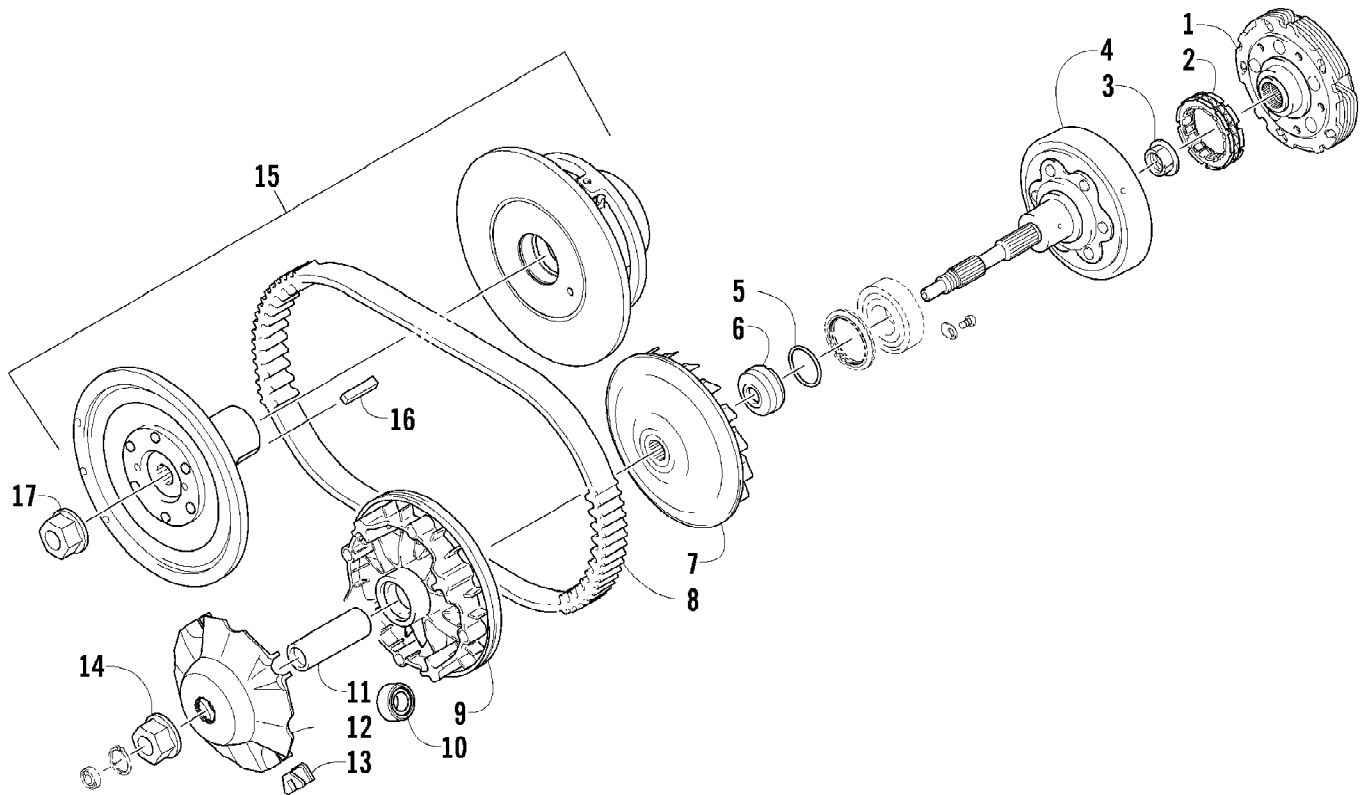
Ref #	Part Number	Qty	S/P/F	Description
1	8408-860	4		Screw, Cap
2	0405-035	4		Cap, Steering Adjuster
3	0423-505	2		Screw, Shoulder
4	0505-484	1		Cap, Housing
5	0405-138	1		Housing, Lower
6	0405-139	1		Housing, Upper
7	0505-451	1	S	Post, Steering
8	8408-816	2		Screw, Cap
9	0602-233	1		Flange, Bearing
10	0405-052	1		Bearing w/Inverted Oil Seal
11	0423-073	1		Washer
12	8409-020	1	/P	Screw, Cap
13	0505-499	2	/P	Tie Rod - Assembly (inc. 14-20)
14	0505-511	2	/P	End, Tie Rod - Left-Hand Thread - Kit (inc. 15-16 and two No. 21-22)
15	0	2	F	End, Tie Rod - Left-Hand Thread
16	0423-013	2		Nut - Left-Hand Thread
17	0405-281	2	/P	Tie Rod
18	0505-510	2	/P	End, Tie Rod - Right-Hand Thread - Kit (inc. 19-20 and two No. 21-22)
19	0	2	F	End, Tie Rod - Right-Hand Thread
20	8420-002	2	/P	Nut - Right-Hand Thread
21	0423-157	4		Nut, Lock
22	0623-175	4		Pin, Cotter



2009 ATV 400 TRV RED INTERNATIONAL (A2009TBG4BOSR)  
TAILLIGHT ASSEMBLY

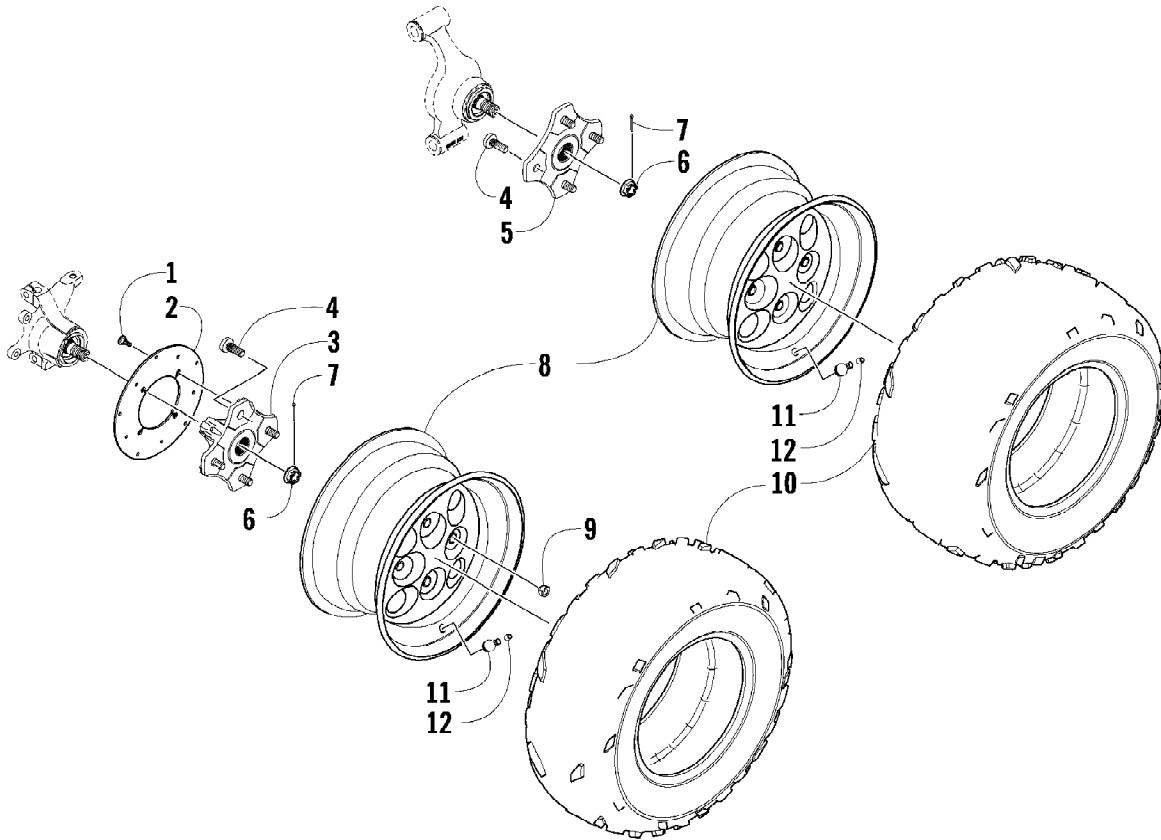
Page 79 of 85

Ref #	Part Number	Qty	S/P/F	Description
1	0509-022	1		Taillight Assembly (inc. 2-4)
2	0509-025	1		Housing, Taillight
3	0409-056	1		Bulb, Taillight
4	0409-057	1		Socket, Taillight
5	0623-301	2	/P	Screw, Self-Tapping
6	8053-212	2	/P	Washer, External Tooth Lock





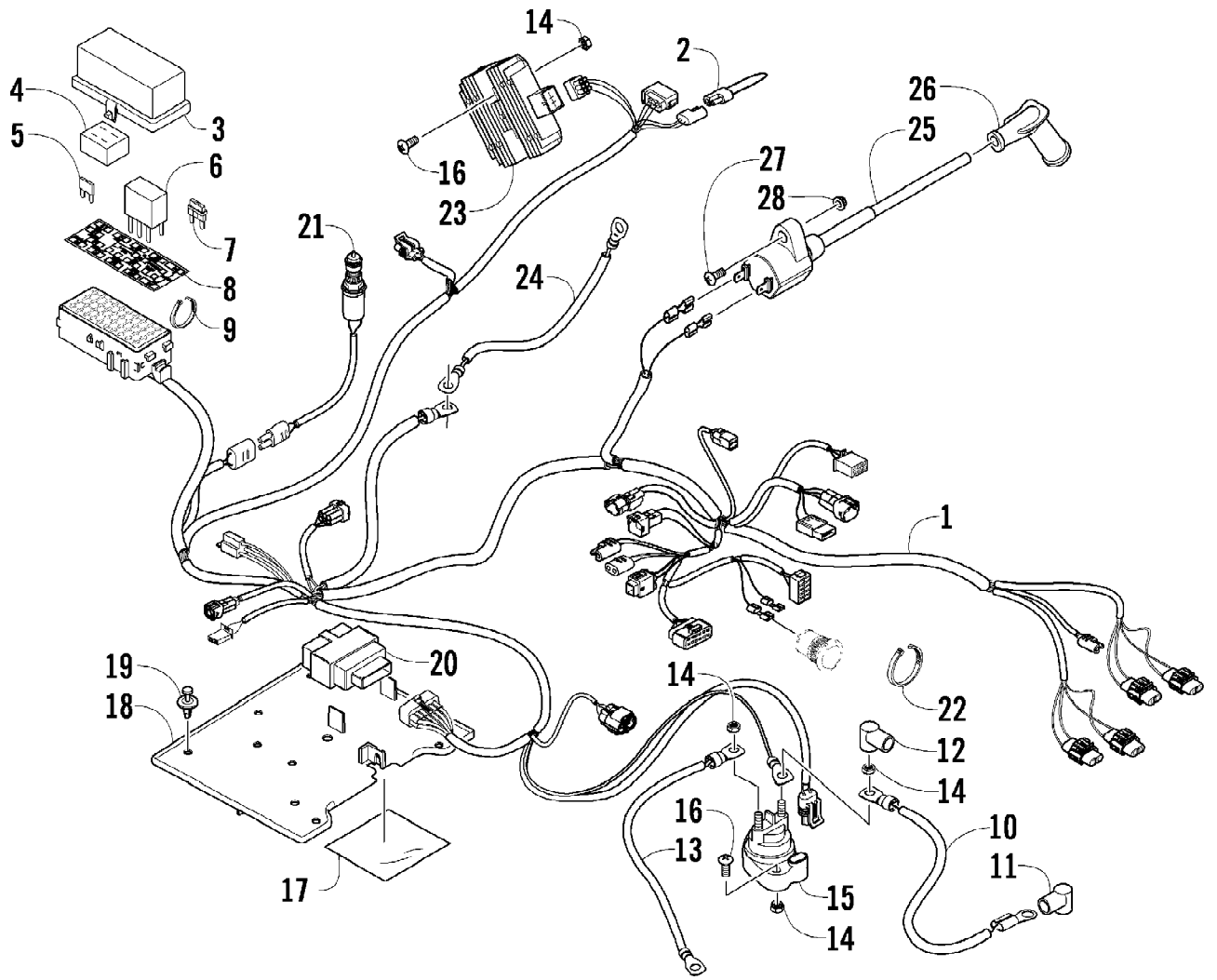
Ref #	Part Number	Qty	S/P/F	Description
1	0823-197	1		Shoe, Clutch - Assembly
2	0823-198	1		Clutch, One-Way
3	0827-050	1		Nut
4	0823-200	1		Housing, Clutch
5	0470-531	1		O-Ring
6	0823-058	1		Spacer
7	0823-203	1		Face, Fixed Drive
8	0823-228	1		Belt, Drive
9	0823-207	1		Face, Movable Drive
10	0823-210	8		Roller, Movable Drive Face
11	0823-206	1		Spacer, Movable Drive Face
12	0823-213	1		Plate, Movable Drive Face
13	0823-214	4		Damper, Movable Drive Face
14	3323-165	1	/P	Nut
15	0823-294	1	/P	Clutch, Driven - Assembly (inc. 16)
16	0829-043	1		Key
17	0827-058	1		Nut



2009 ATV 400 TRV RED INTERNATIONAL (A2009TBG4BOSR)  
WHEEL AND TIRE ASSEMBLY

Page 83 of 85

Ref #	Part Number	Qty	S/P/F	Description
1	0423-557	12		Screw, Shoulder
2	1436-164	3	/P	Disc, Brake
3	3323-100	2	S	Hub, Wheel - Front (inc. 4)
4	0402-974	16	/P	Stud
5	3323-100	1	S	Hub, Wheel - Rear - Right (inc. 4)
5	3323-113	1	/P	Hub, Wheel - Rear - Left (inc. 4)
6	0423-607	4		Nut, Castle
7	0423-407	4		Pin, Cotter
8	1402-776	2		Wheel - Front
8	1402-777	2		Wheel - Rear
9	0423-408	16	/P	Nut, Lug
10	1402-658	2		Tire - Front
10	1402-659	2		Tire - Rear
11	0402-064	4		Stem, Valve (inc. 12)
12	0402-140	4		Cap, Valve Stem



Ref #	Part Number	Qty	S/P/F	Description
1	0486-302	1		Harness, Main (inc. 2-8)
2	0486-164	1		Tether, Accessory Connector
3	0530-008	1		Cover, Fuse Block
4	0430-037	1		Holder, Fuse
5	0430-034	1		Diode
6	0430-045	2	/P	Relay (4-Pin) - 20 Amp
7	0430-032	4		Fuse - 10 Amp
7	0430-031	3		Fuse - 15 Amp
7	0430-030	2		Fuse - 30 Amp
8	1411-963	1		Decal, Fuse Block
9	0123-788	AR	/P	Tie, Cable - 8 in.
10	0445-053	1	/P	Cable, Solenoid/Starter (inc. 11)
11	0645-019	1		Boot, Terminal
12	0645-327	1		Boot, Terminal
13	0445-055	1	/P	Cable, Battery/Solenoid
14	0623-038	6		Nut w/Washer
15	0445-058	1	/P	Solenoid
16	8476-625	4		Screw, Machine
17	0412-291	1		Foil, Protective
18	1406-787	1		Tray, Electrical
19	0623-362	4		Rivet, Reinstallable
20	3313-436	1		CDI Unit
21	0409-089	1		Switch, Brake - Assembly
22	0123-903	AR		Cable Tie - 11.5 in.
23	0824-037	1	/P	Regulator, Voltage
24	0445-054	1	/P	Cable, Battery/Ground
25	3323-216	1		Coil, Ignition - Assembly (inc. 26)
26	3313-695	1		Cap, Spark Plug
27	8470-525	1		Screw, Machine
28	8427-502	1		Nut, Lock