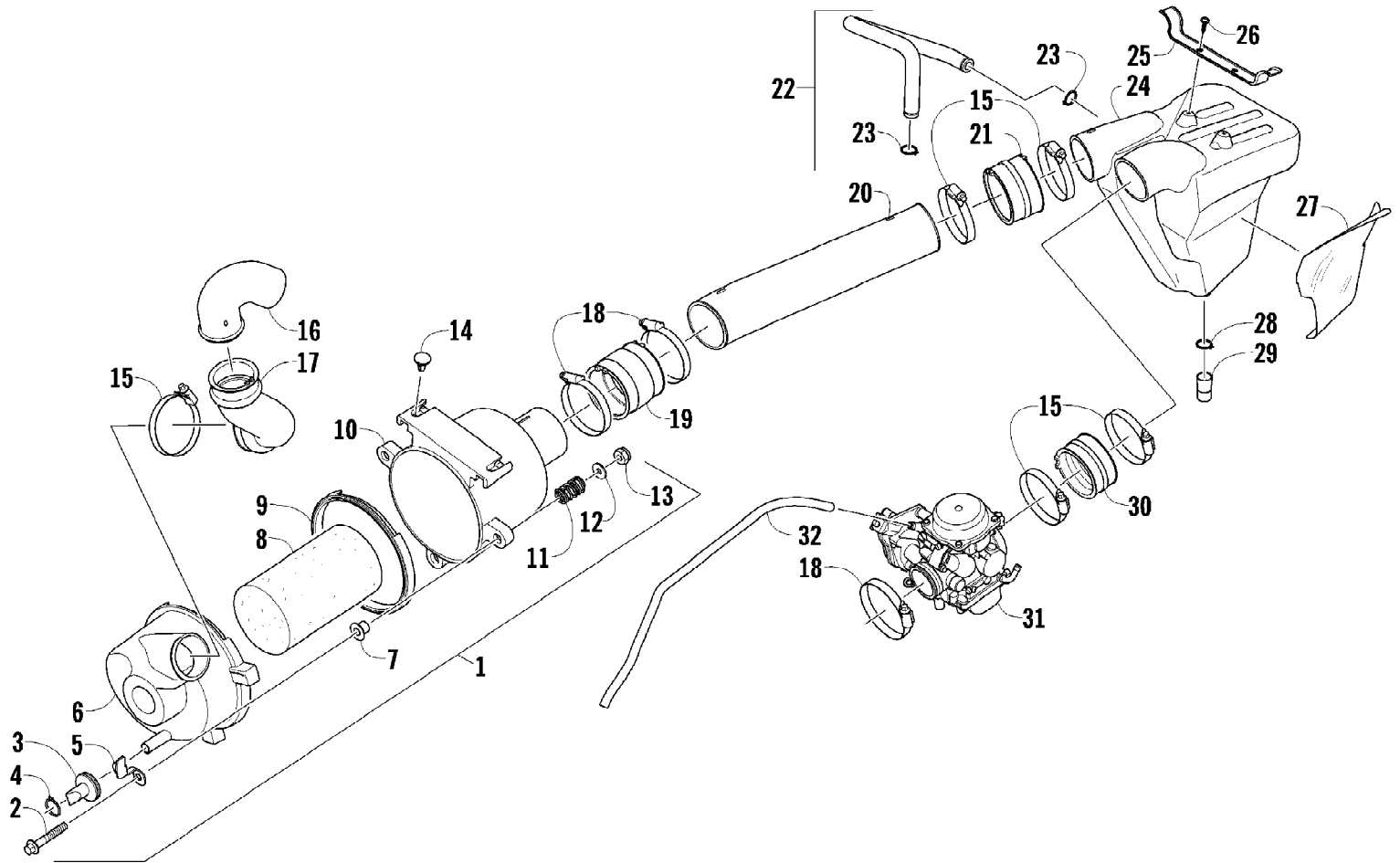


2009 ATV 366 4X4 AUTOMATIC RED (A2009IDG4BUSR)
AIR INTAKE ASSEMBLY

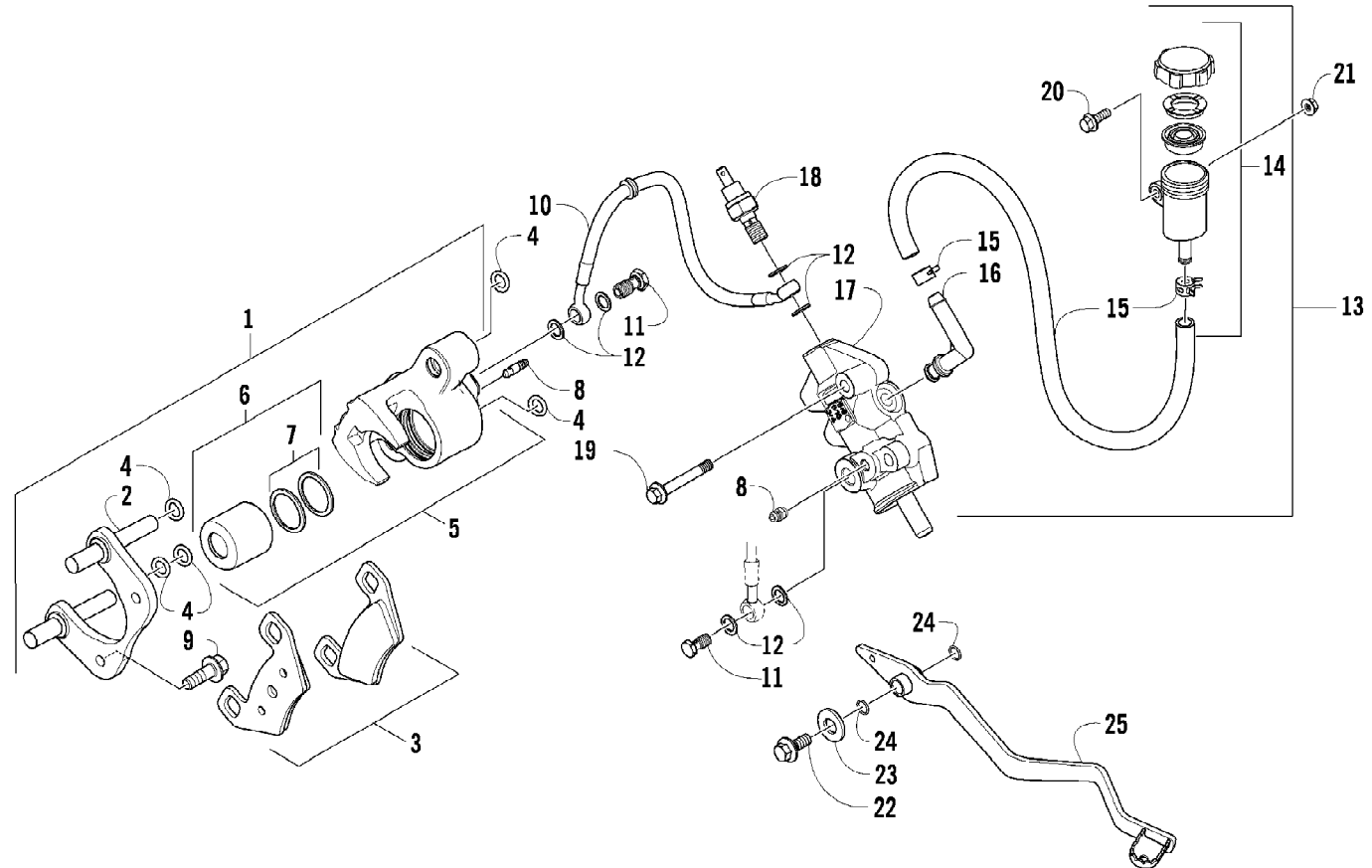


2009 ATV 366 4X4 AUTOMATIC RED (A2009IDG4BUSR)
AIR INTAKE ASSEMBLY

Page 2 of 78

Ref #	Part Number	Qty	S/P/F	Description
1	3313-395	1		Filter, Air - Assembly (inc. 2-13)
2	8408-850	3		Screw, Cap
3	0470-442	1	/P	Valve, Drain
4	3313-705	1		Clamp
5	3313-375	3		Latch
6	3313-376	1		Cover, Air Filter
7	0423-669	3		Spacer
8	3313-378	1		Element, Air Filter
9	3313-446	1		Gasket, Air Filter
10	3313-377	1		Housing, Air Filter
11	0402-678	3	/P	Spring
12	8050-222	3	/P	Washer
13	3304-668	3		Nut, Lock
14	3305-448	2		Clip, Retaining
15	0423-380	5	/P	Clamp
16	3313-366	1		Boot, Air Intake - Top
17	3313-367	1		Boot, Air Intake - Bottom
18	0423-098	3	/P	Clamp
19	3313-275	1		Boot, Air Intake
20	3313-063	1		Boot, Air Intake
21	3313-274	1		Boot, Air Intake
22	3313-397	1		Hose, Oil Catch (inc. 23)
23	3304-167	2		Clamp, Hose
24	3313-224	1		Housing, Air Intake
25	3313-356	1		Bracket, Mounting - Air Intake Housing
26	3304-409	2	/P	Screw, Self-Tapping
27	3313-374	1	S	Foil, Protective
28	3313-706	1		Clamp
29	3313-543	1		Pipe, Drain
30	3313-551	1		Boot, Air Intake - Carburetor
31	0470-843	1	S	Carburetor, CVK34
32	3313-476	1		Hose, Vent

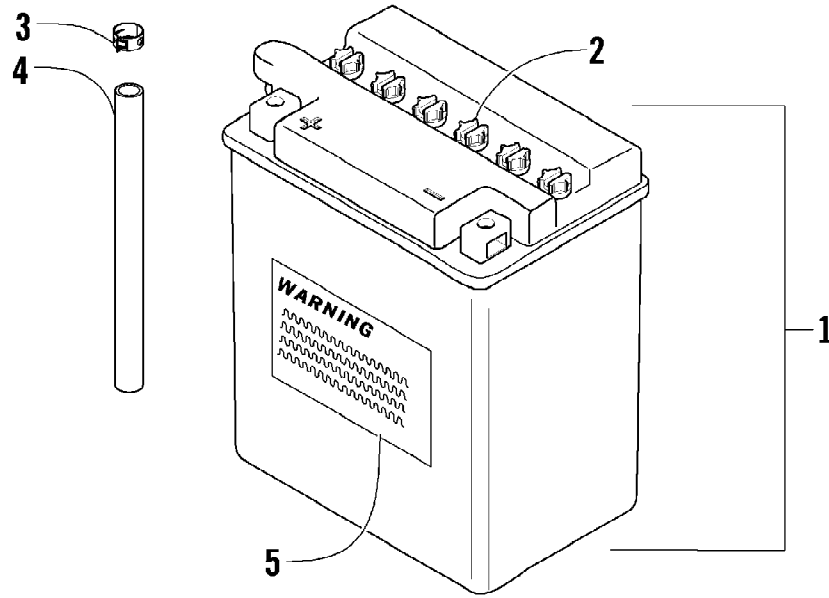
2009 ATV 366 4X4 AUTOMATIC RED (A2009IDG4BUSR)
AUXILIARY BRAKE ASSEMBLY



2009 ATV 366 4X4 AUTOMATIC RED (A2009IDG4BUSR)
AUXILIARY BRAKE ASSEMBLY

Page 4 of 78

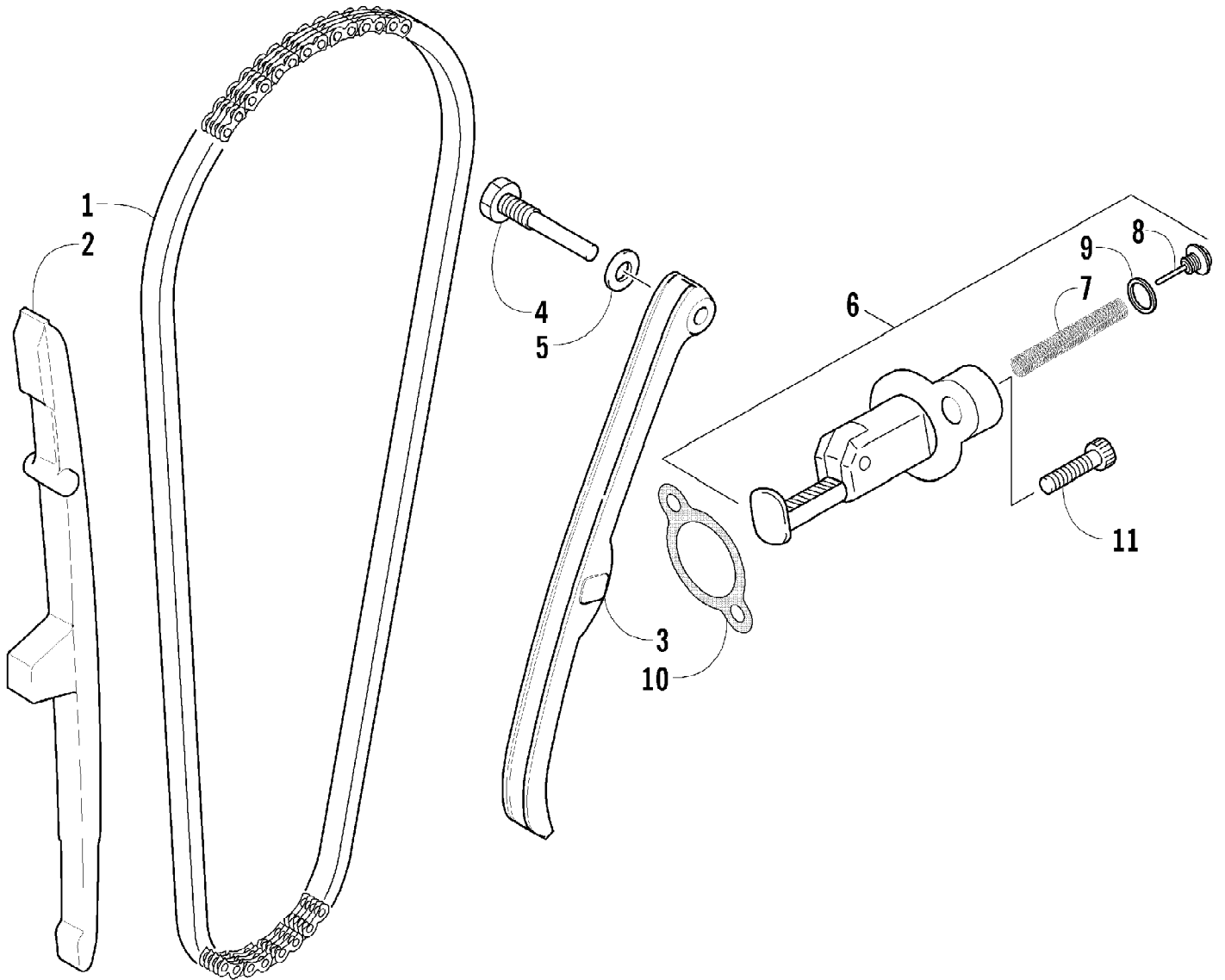
Ref #	Part Number	Qty	S/P/F	Description
1	1436-163	1		Caliper, Brake (inc. 2-8)
2	0502-605	1		Bracket Assembly
3	1436-165	1	S	Pad, Brake - Set
4	0502-608	1		O-Ring, Guide - Set
5	1436-161	1	/P	Housing, Caliper - Assembly (inc. 6-8)
6	0502-606	1		Piston/Seal Set (inc. 7)
7	0502-607	1		Seal Set
8	0502-609	2	/P	Valve, Bleed
9	3305-784	2		Screw, Cap
10	3313-315	1		Hose, Brake
11	3303-257	2	/P	Bolt, Banjo-Fitting
12	3303-284	6	/P	Washer, Crush
13	3313-478	1	/P	Brake Assembly (inc. 14-17)
14	1502-141	1		Reservoir, Brake
15	3313-489	1		Hose, Brake Fluid Reservoir w/Clamps
16	1502-296	1	/P	Adapter, Hose
17	0	1	F	Master Cylinder
18	3313-239	1		Switch, Brake
19	3303-386	2	/P	Screw, Cap
20	3303-384	1	/P	Screw, Cap
21	3304-654	1	/P	Nut, Lock
22	3304-543	1	/P	Screw, Cap
23	8050-252	1		Washer
24	1602-213	2	/P	O-Ring
25	3313-156	1	/P	Lever, Brake



2009 ATV 366 4X4 AUTOMATIC RED (A2009IDG4BUSR)
BATTERY ASSEMBLY

Page 6 of 78

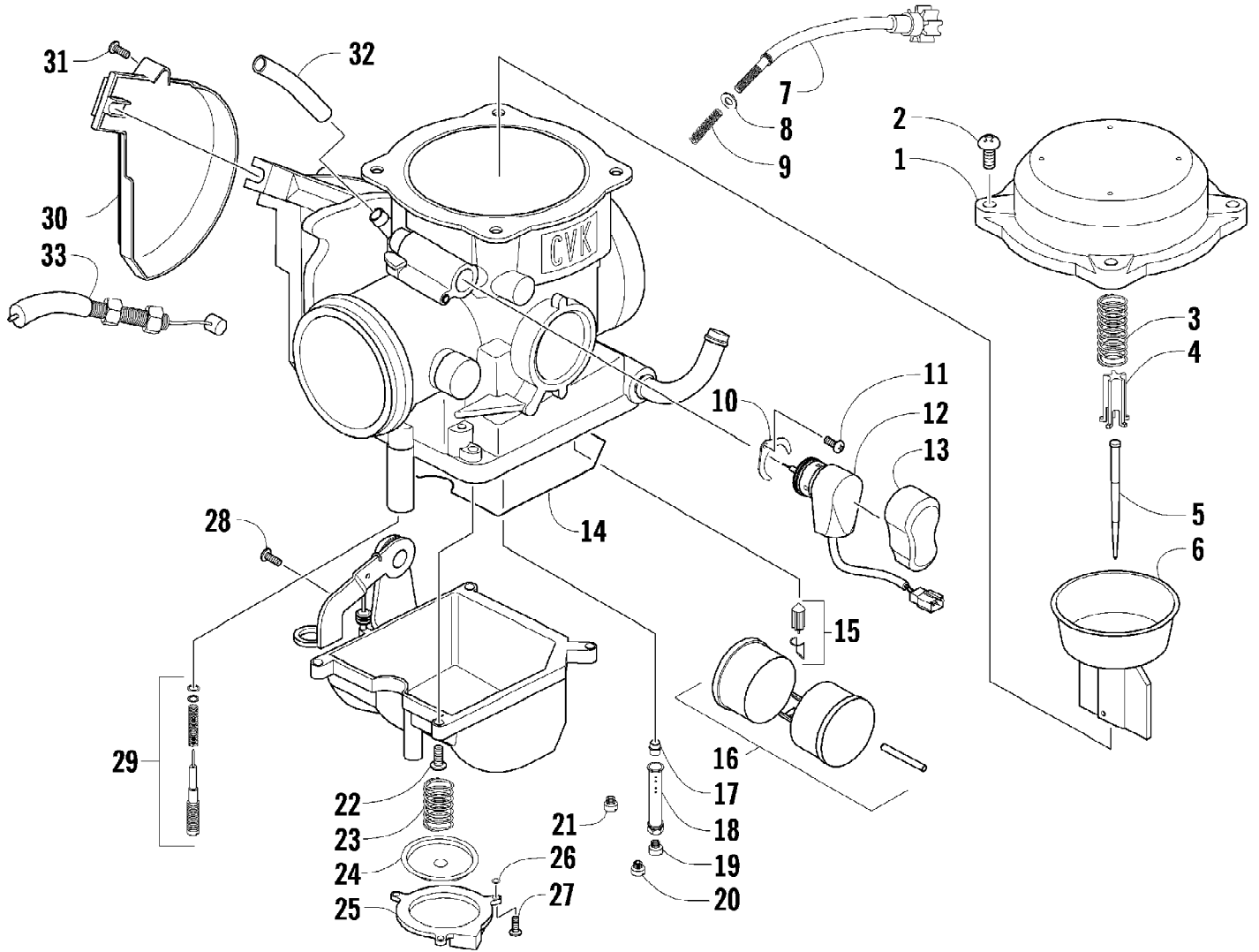
Ref #	Part Number	Qty	S/P/F	Description
1	0745-045	1	/P	Battery Assembly (inc. 2-5)
2	0645-045	6		Cap
3	0645-152	1		Clamp, Hose
4	0645-263	1	/P	Hose, Vent
5	0645-151	1		Decal, Warning



2009 ATV 366 4X4 AUTOMATIC RED (A2009IDG4BUSR)
CAM CHAIN ASSEMBLY

Page 8 of 78

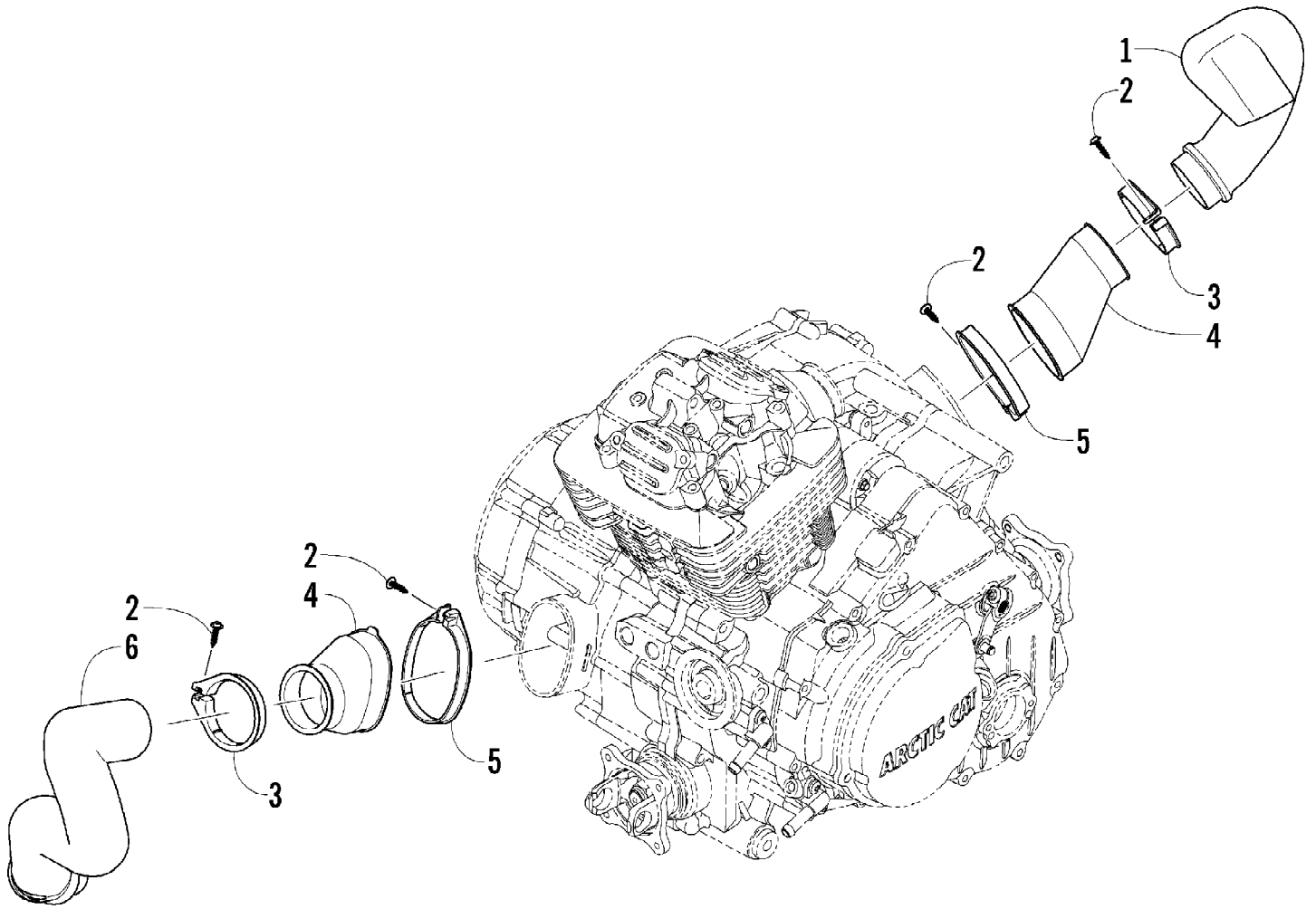
Ref #	Part Number	Qty	S/P/F	Description
1	0810-005	1		Chain, Cam
2	0810-006	1		Guide, Chain
3	0810-007	1		Tensioner, Chain
4	0826-133	1		Pivot, Tensioner
5	0830-150	1		Washer
6	0810-054	1		Adjuster, Tensioner - Assembly (inc. 7-9)
7	0810-056	1		Spring
8	0810-061	1		Plug
9	0810-062	1		Washer
10	0830-060	1		Gasket
11	3303-360	2		Screw, Cap



2009 ATV 366 4X4 AUTOMATIC RED (A2009IDG4BUSR)
CARBURETOR

Page 10 of 78

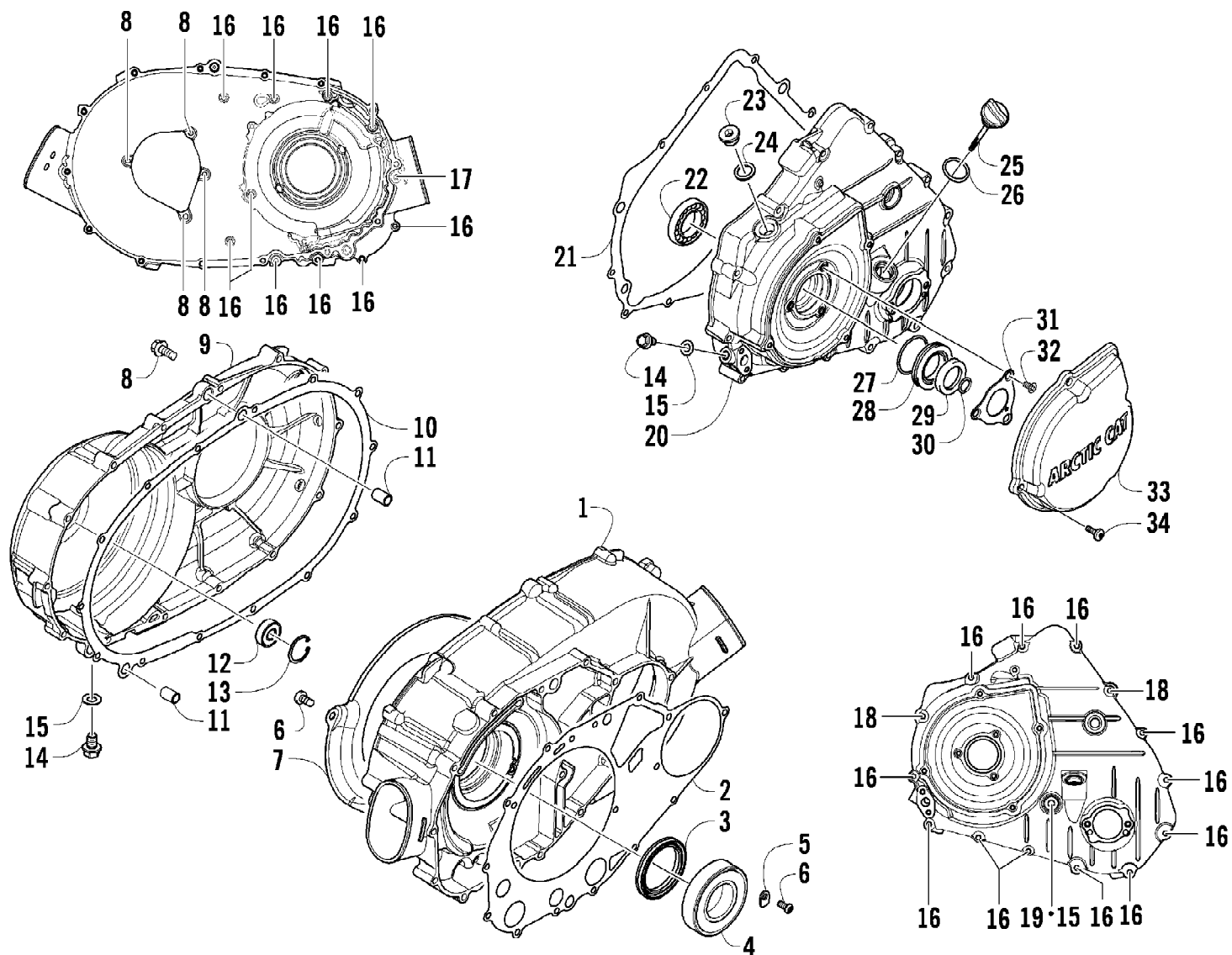
Ref #	Part Number	Qty	S/P/F	Description
	0470-843	1	S	Complete Carburetor Assembly
1	5507-001	1		Cover, Top
2	5507-002	4	/P	Screw, Machine
3	5507-240	1		Spring
4	5507-005	1		Seat, Spring
5	5507-243	1		Jet Needle
6	5507-109	1	S	Piston, Vacuum
7	5507-027	1		Screw, Idle Adjust
8	5507-028	1		Washer
9	5507-029	1		Spring
10	5507-115	1		Plate
11	5507-117	1	/P	Screw, Machine
12	5507-180	1		Choke, Electric
13	5507-114	1		Cover, Electric Choke
14	5507-067	1	/P	O-Ring, Float Chamber
15	5507-107	1		Valve, Float - Set
16	5507-039	1		Float Set
17	5507-007	1		Needle Jet
18	5507-047	1	/P	Holder, Needle Jet
19	3305-434	1		Main Jet - 112
19	5507-242	1	F	Main Jet - 108
19	5507-166	1	F	Main Jet - 110
19	5507-126	1	F	Main Jet - 115
19	5507-241	1	F	Main Jet - 118
20	5507-097	1	/P	Starter Jet - 75
21	5507-246	1	/P	Slow Jet - 38
22	5507-017	4	/P	Screw, Machine
23	5507-032	1		Spring
24	5507-182	1	S/P	Diaphragm Assembly
25	5507-198	1		Housing, Pump
26	5507-034	1		U-Ring
27	5507-035	3		Screw, Machine
28	5507-050	1	/P	Screw, Drain
29	5507-111	1		Screw, Pilot - Set
30	5507-036	1		Cover
31	5507-037	1	/P	Screw, Machine
32	0410-048	AR	S	Hose, Vent - 25 ft
33	0487-049	1	/P	Cable, Throttle



2009 ATV 366 4X4 AUTOMATIC RED (A2009IDG4BUSR)
CASE/BELT COOLING ASSEMBLY

Page 12 of 78

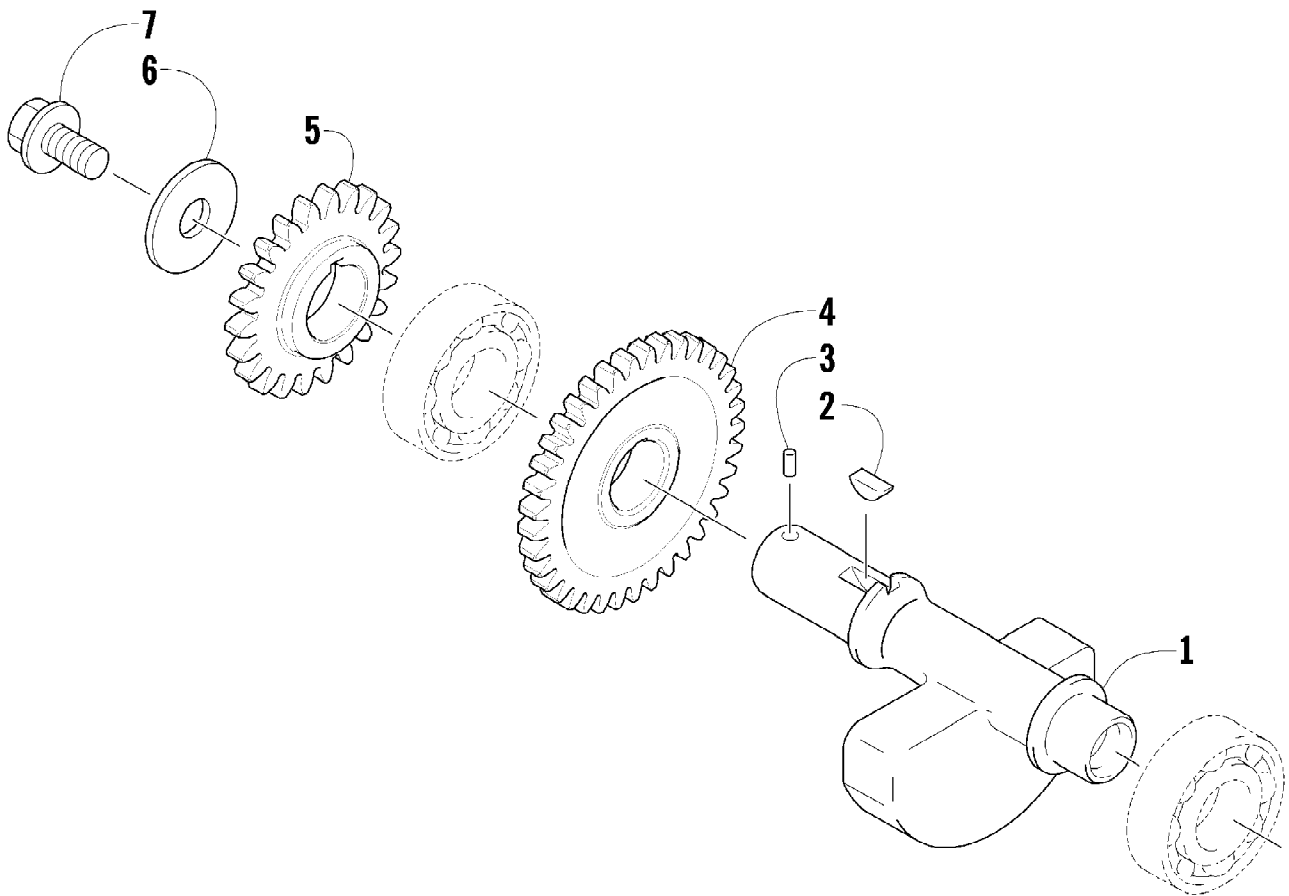
Ref #	Part Number	Qty	S/P/F	Description
1	3313-064	1		Duct, Belt - Air Out
2	3313-786	4		Screw, Self-Tapping
3	0423-551	2		Clamp, Plastic
4	0413-049	2		Boot, Duct
5	0423-550	2		Clamp, Plastic
6	3313-065	1		Duct, Belt - Air In



2009 ATV 366 4X4 AUTOMATIC RED (A2009IDG4BUSR)
CLUTCH/V-BELT/MAGNETO COVER ASSEMBLY

Page 14 of 78

Ref #	Part Number	Qty	S/P/F	Description
1	0806-026	1		Cover, Clutch
2	0830-055	1		Gasket
3	0830-157	1		Seal, Clutch Housing
4	0832-071	1		Bearing
5	0822-104	2		Retainer, Bearing
6	0826-144	5		Screw, Machine
7	0806-103	1		Plate, Air Intake
8	3303-386	18	/P	Screw, Cap
9	0806-027	1		Cover, V-Belt
10	0830-056	1		Gasket, V-Belt Cover
11	0829-046	6		Pin, Dowel
12	0832-023	1		Bearing
13	3303-347	1		Circlip
14	3303-365	2		Plug, Drain
15	3303-591	3		Gasket, Drain Plug
16	3304-903	22		Screw, Cap
17	0826-066	1		Screw, Cap
18	3304-191	2	/P	Screw, Cap
19	0826-068	1		Screw, Cap
20	0806-028	1		Cover, Magneto
21	0830-057	1		Gasket, Magneto Cover
22	0832-053	1		Bearing
23	0806-099	1		Plug
24	0830-141	1		Washer, Crush
25	0806-029	1		Stick, Oil Level (inc. 26)
26	3304-102	1	/P	O-Ring, Oil Level Stick
27	0830-021	1	/P	O-Ring
28	0820-037	1		Spacer
29	0830-145	1	S	Seal, Oil
30	0830-153	1		O-Ring
31	0805-178	1		Retainer, Oil Seal
32	0826-145	3		Screw, Machine
33	0820-066	1		Cover, Magneto - Outer
34	3303-617	4	/P	Screw, Machine

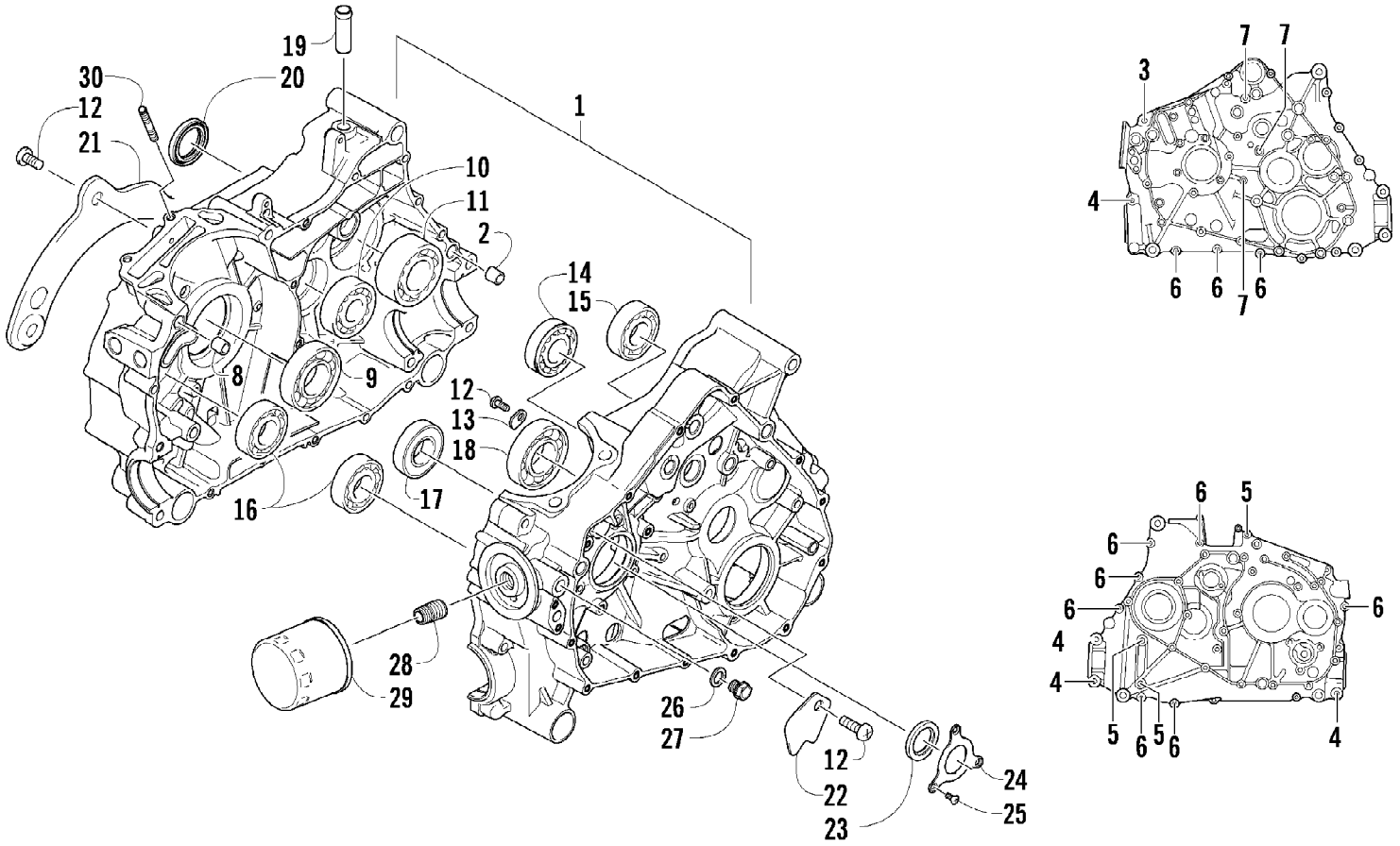


2009 ATV 366 4X4 AUTOMATIC RED (A2009IDG4BUSR)
CRANK BALANCER ASSEMBLY

Page 16 of 78

Ref #	Part Number	Qty	S/P/F	Description
1	0811-005	1		Balancer, Crank
2	0829-037	1		Key
3	3304-144	1		Pin, Alignment
4	0811-006	1		Gear, Driven
5	0811-009	1		Gear, Oil Pump Drive
6	0828-091	1		Washer
7	0826-118	1		Screw, Cap

2009 ATV 366 4X4 AUTOMATIC RED (A2009IDG4BUSR)
CRANKCASE ASSEMBLY

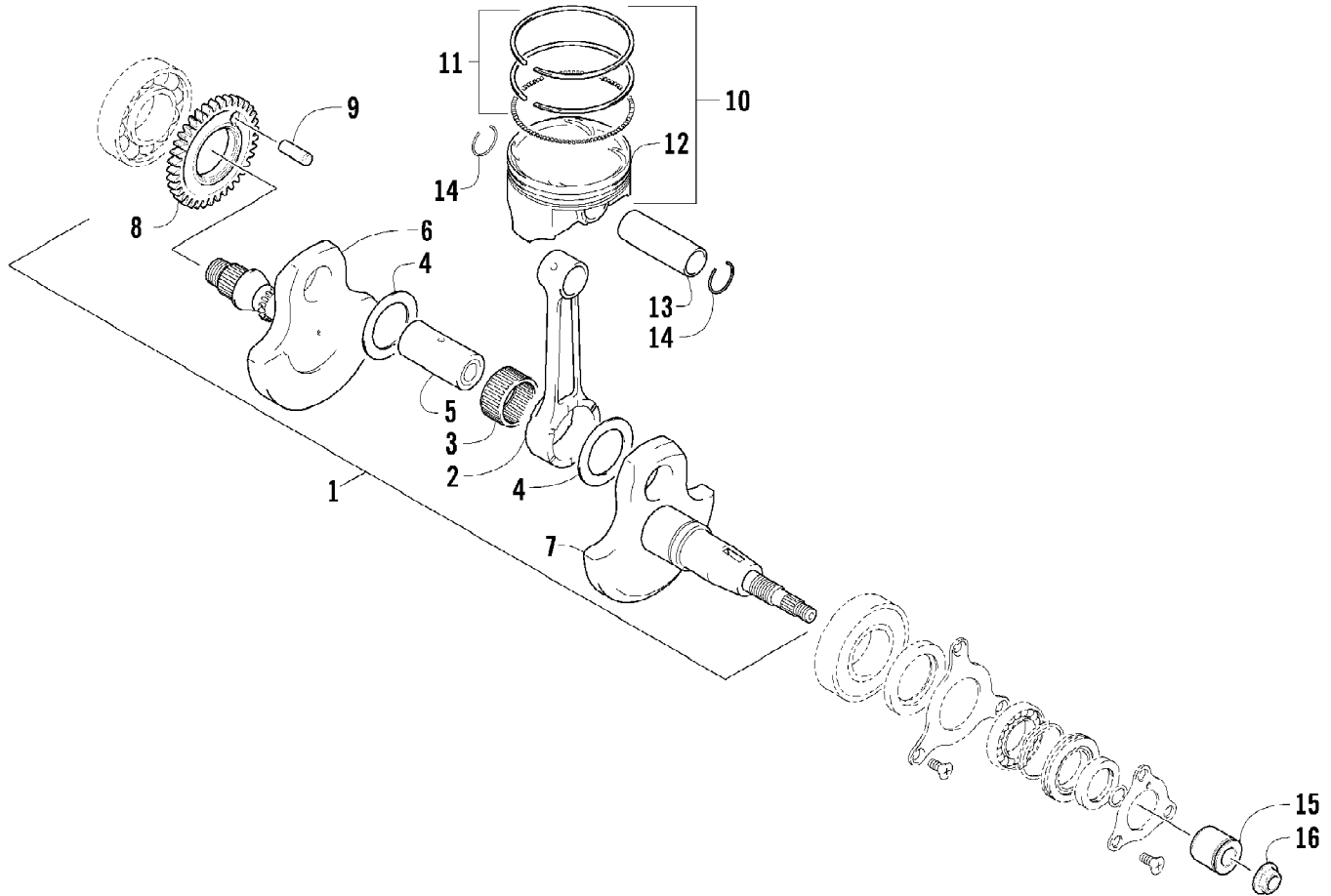


2009 ATV 366 4X4 AUTOMATIC RED (A2009IDG4BUSR)
CRANKCASE ASSEMBLY

Page 18 of 78

Ref #	Part Number	Qty	S/P/F	Description
1	0801-021	1		Crankcase - Assembly (inc. 2-5)
2	0829-050	2		Pin, Dowel
3	3303-372	1		Screw, Cap
4	0826-126	4		Screw, Cap
5	0826-064	3		Screw, Cap
6	3303-387	10		Screw, Cap
7	0826-065	3		Screw, Cap
8	0829-046	2		Pin, Dowel
9	0832-086	1		Bearing
10	0832-073	1		Bearing
11	0832-074	1		Bearing
12	0826-144	6		Screw, Machine
13	0822-104	2		Retainer, Bearing
14	3304-195	1		Bearing
15	3304-699	1	/P	Bearing
16	0832-022	2		Bearing
17	0832-020	1		Bearing
18	0832-019	1		Bearing
19	0801-027	1		Tube, Vent - Crankcase
20	0830-066	1		Seal
21	0801-018	1		Plate, Oil Guide - Right
22	0801-019	1		Plate, Oil Guide - Left
23	0830-058	1		Seal
24	0805-018	1		Retainer
25	0826-145	3		Screw, Machine
26	0830-143	1	/P	Gasket
27	0835-004	1		Plug, Oil Pressure
28	0812-066	1		Union, Oil Filter
29	0812-029	1	S	Filter, Oil
30	3313-721	2		Bolt, Stud

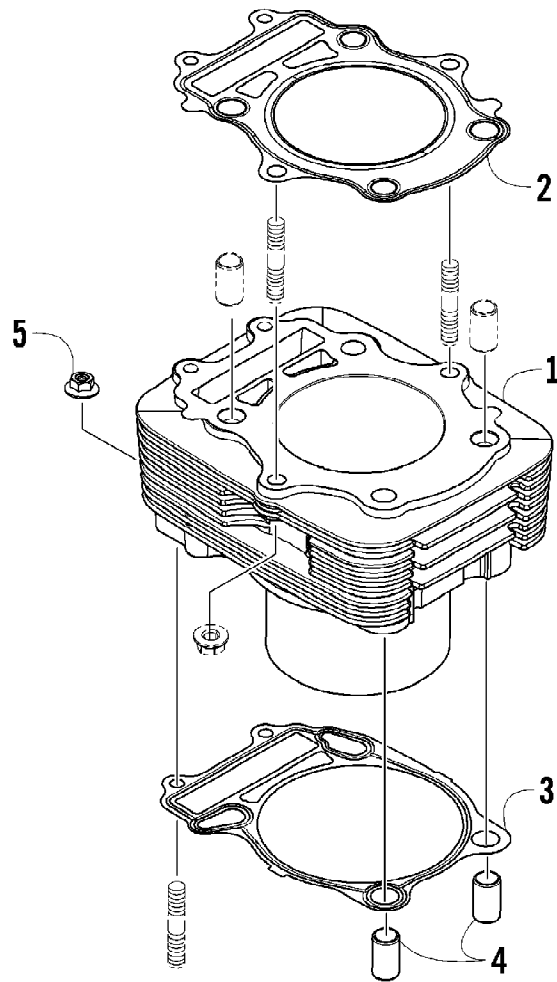
2009 ATV 366 4X4 AUTOMATIC RED (A2009IDG4BUSR)
CRANKSHAFT AND PISTON ASSEMBLY



2009 ATV 366 4X4 AUTOMATIC RED (A2009IDG4BUSR)
CRANKSHAFT AND PISTON ASSEMBLY

Page 20 of 78

Ref #	Part Number	Qty	S/P/F	Description
1	0805-013	1		Crankshaft Assembly (inc. 2-9)
2	0	1	F	Rod, Connecting
3	0832-018	1		Bearing
4	0828-045	2		Washer
5	0805-043	1		Pin, Crankshaft
6	0805-036	1		Crankshaft - Right
7	0805-038	1		Crankshaft - Left
8	0805-020	1		Gear, Crank Balancer Drive
9	0805-168	1		Pin, Dowel
10	0805-169	1		Piston Set (inc. 11-14)
11	0805-170	1		Ring, Piston - Set
12	0805-021	1		Piston
13	0805-023	1		Pin, Piston
14	0831-060	2		Circlip
15	0820-064	1		Bushing
16	3303-333	1	/P	Nut

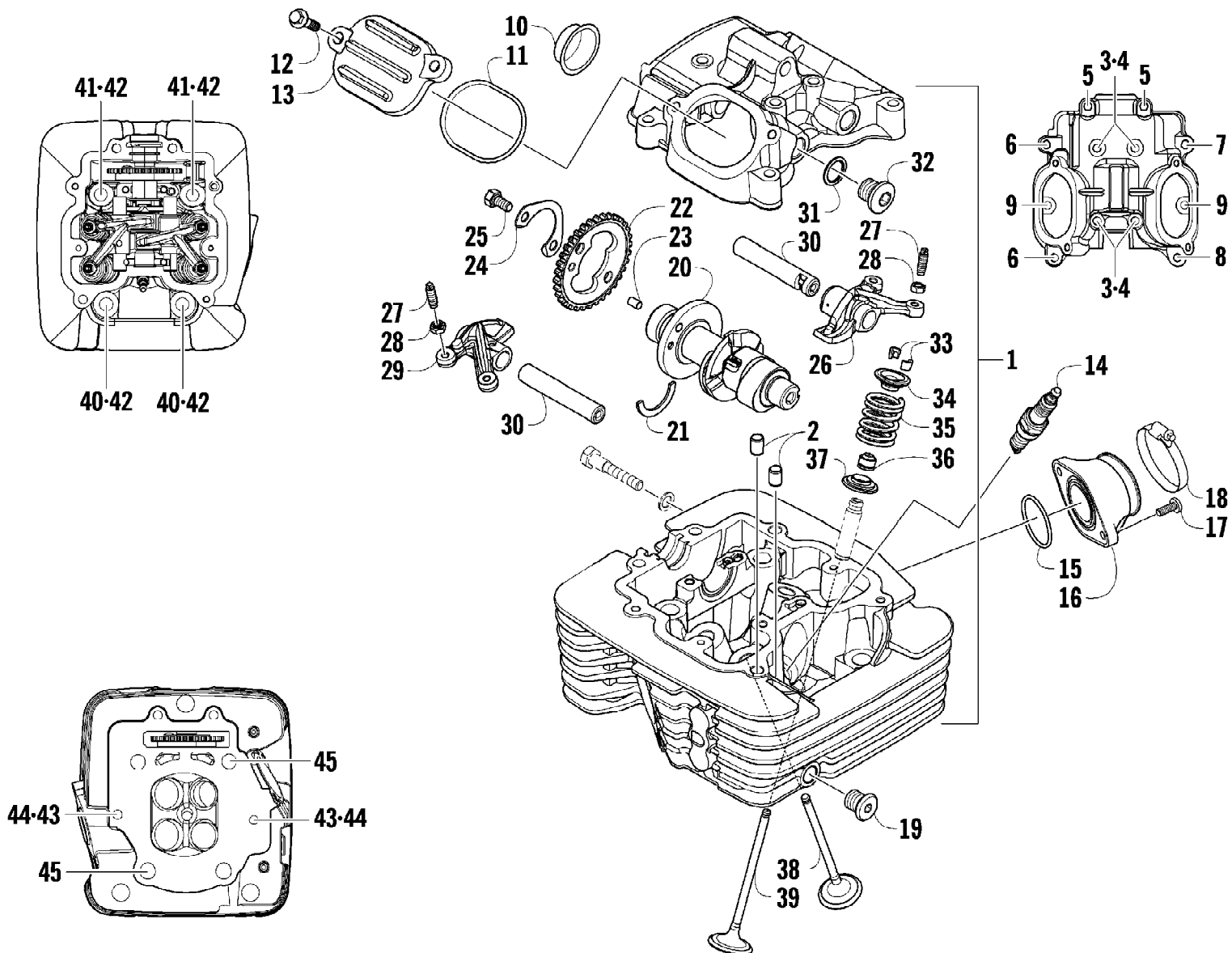


2009 ATV 366 4X4 AUTOMATIC RED (A2009IDG4BUSR)
CYLINDER ASSEMBLY

Page 22 of 78

Ref #	Part Number	Qty	S/P/F	Description
1	0804-042	1		Cylinder
2	0830-050	1		Gasket, Cylinder Head
3	0830-053	1		Gasket, Cylinder
4	0829-046	2		Pin, Dowel
5	3303-331	2	/P	Nut

2009 ATV 366 4X4 AUTOMATIC RED (A2009IDG4BUSR)
CYLINDER HEAD AND CAMSHAFT/VALVE ASSEMBLY

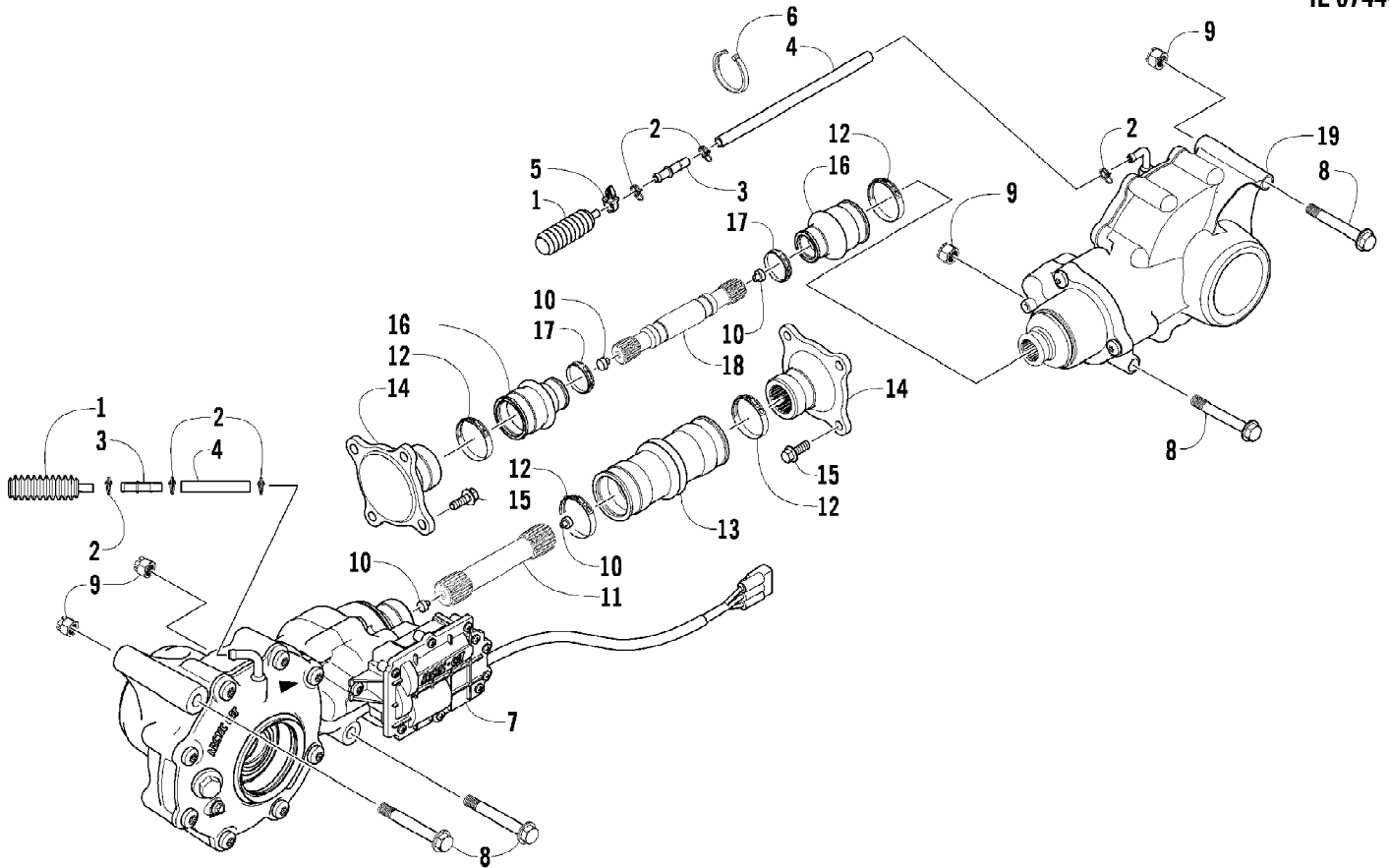


2009 ATV 366 4X4 AUTOMATIC RED (A2009IDG4BUSR)
CYLINDER HEAD AND CAMSHAFT/VALVE ASSEMBLY

Page 24 of 78

Ref #	Part Number	Qty	S/P/F	Description
1	0808-012	1	/P	Head, Cylinder (inc. 2)
2	3303-341	2		Pin, Dowel
3	0826-115	4		Screw, Cap
4	0830-155	4	/P	Gasket
5	3304-918	2		Screw, Cap
6	3303-386	2	/P	Screw, Cap
7	3304-903	1		Screw, Cap
8	0826-136	1		Screw, Cap
9	3303-384	2	/P	Screw, Cap
10	0808-112	1		Plug, Head
11	0830-139	2		O-Ring
12	3303-383	4	/P	Screw, Cap
13	0808-111	2		Cap, Inspection
14	0217-705	1	/P/F	Spark Plug
15	0470-531	1		O-Ring
16	0570-084	1		Manifold, Intake
17	8476-620	2		Screw, Machine
18	0423-832	1		Clamp
19	3303-656	1		Plug, Oil Gallery
20	0809-251	1	/P	Camshaft
21	0809-165	1		C-Ring
22	0809-166	1		Sprocket
23	0829-036	1		Pin, Alignment
24	0828-086	1		Plate, Retainer
25	0826-117	2		Screw, Cap
26	0809-145	1		Arm, Valve Rocker - Intake
27	3304-007	4	/P	Screw, Adjuster
28	3304-026	4	/P	Nut
29	0809-149	1		Arm, Valve Rocker - Exhaust
30	0809-151	2		Shaft, Rocker Arm
31	0830-143	2	/P	Gasket
32	0831-053	2		Plug, Shaft
33	3303-044	8		Cotter, Valve
34	0809-142	4		Retainer, Spring
35	0809-140	4		Spring, Valve
36	0809-190	4		Seal, Oil
37	0809-141	4		Seat, Spring
38	0809-188	2		Valve, Intake
39	0809-189	2		Valve, Exhaust
40	0826-062	2		Screw, Cap
41	0826-061	2		Screw, Cap
42	0828-044	4		Washer
43	0827-019	2		Bolt, Stud
44	3303-332	2		Nut
45	0829-013	2		Pin, Dowel

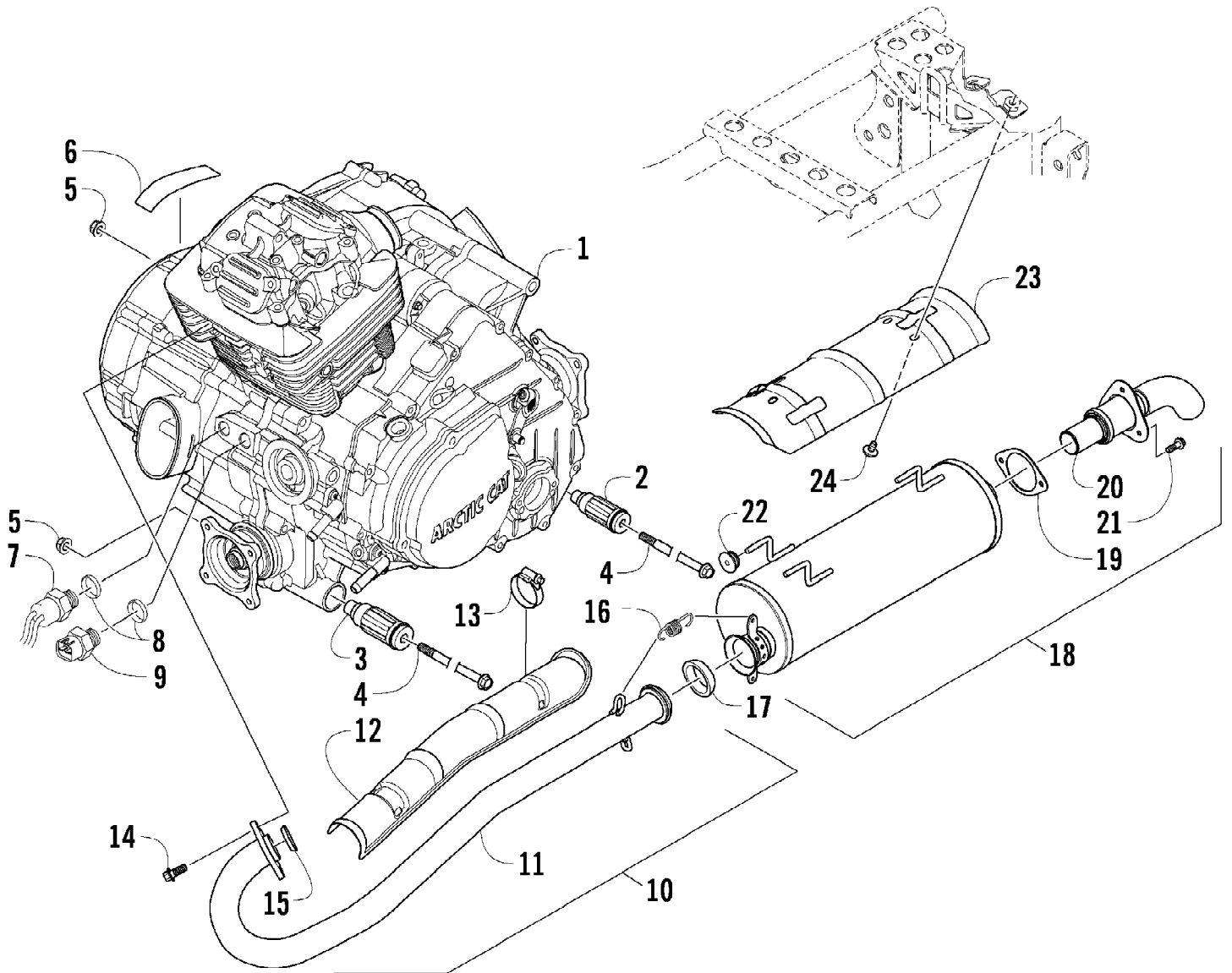
IL 0744-226



2009 ATV 366 4X4 AUTOMATIC RED (A2009IDG4BUSR)
DRIVE TRAIN ASSEMBLY

Page 26 of 78

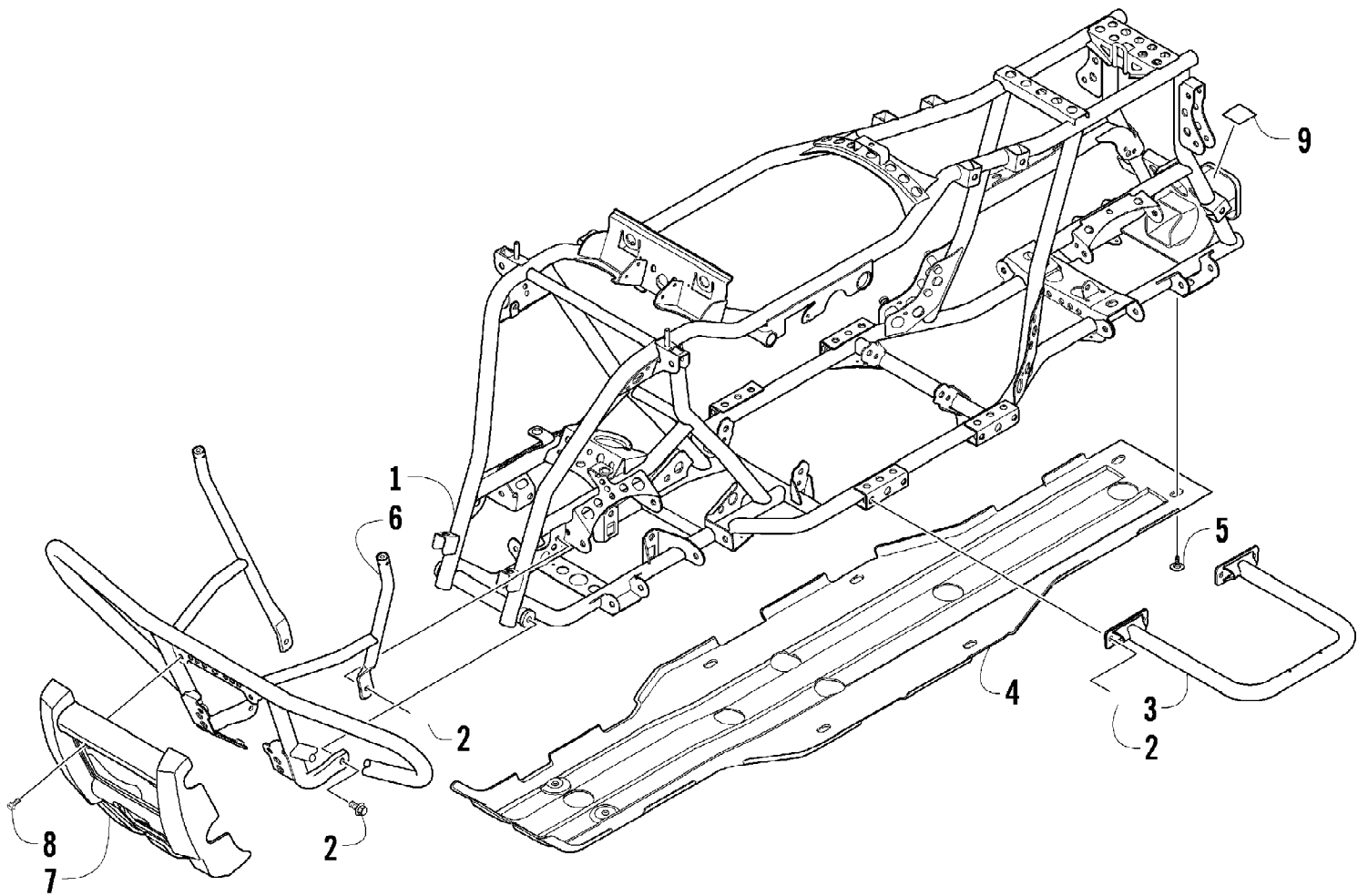
Ref #	Part Number	Qty	S/P/F	Description
1	3304-170	2	/P	Bladder, Gearcase
2	0423-315	6		Clamp, Hose
3	3323-150	2		Fitting, Vent
4	0410-048	AR	S	Hose, Vent
5	0623-101	1		Clip, Routing
6	0123-788	AR	/P	Tie, Cable - 8 in.
7	1502-398	1		Gearcase, Front
8	3305-787	4		Screw, Cap
9	3304-031	4	/P	Nut, Lock
10	0673-618	4	/P	Bumper, Propeller Shaft
11	0402-963	1		Shaft, Propeller
12	0423-393	4		Clamp, Boot
13	0402-954	1		Boot, Coupler
14	0402-950	2		Flange, Output
15	3304-565	8	/P	Screw, Cap
16	3313-111	2	/P	Boot
17	0423-411	2		Clamp, Boot
18	1402-234	1		Shaft, Propeller
19	1502-487	1		Gearcase, Rear



2009 ATV 366 4X4 AUTOMATIC RED (A2009IDG4BUSR)
ENGINE AND EXHAUST

Page 28 of 78

Ref #	Part Number	Qty	S/P/F	Description
1	3313-400	1		Engine (inc. 2-3)
2	0801-092	3		Mount, Rubber - Engine
3	0801-144	1		Mount, Rubber - Engine
4	3323-174	2		Screw, Cap
5	3304-031	2	/P	Nut, Lock
6	0411-426	1		Decal, Warning - Clutch Cover
7	3313-432	1		Switch, Temperature - Fan
8	0830-180	2		O-Ring
9	3313-431	1		Switch, Temperature - Light
10	3313-364	1		Pipe, Exhaust - Assembly (inc. 11-13)
11	3313-024	1		Pipe, Exhaust
12	3313-025	1		Shield, Exhaust
13	0423-317	2	/P	Clamp
14	3313-710	2		Screw, Cap
15	0412-007	1	/P	Gasket, Exhaust Pipe
16	0612-668	2	/P	Spring, Extension
17	0612-188	1	/P	Seal, Exhaust
18	3313-640	1		Muffler - Assembly (inc. 19-21)
19	3323-144	1		Gasket, Spark Arrester
20	3313-720	1		Arrester, Spark - Assembly
21	3305-344	3	/P	Screw, Cap
22	3313-264	3		Bushing
23	3313-026	1		Cover, Muffler
24	3313-711	3		Screw, Machine

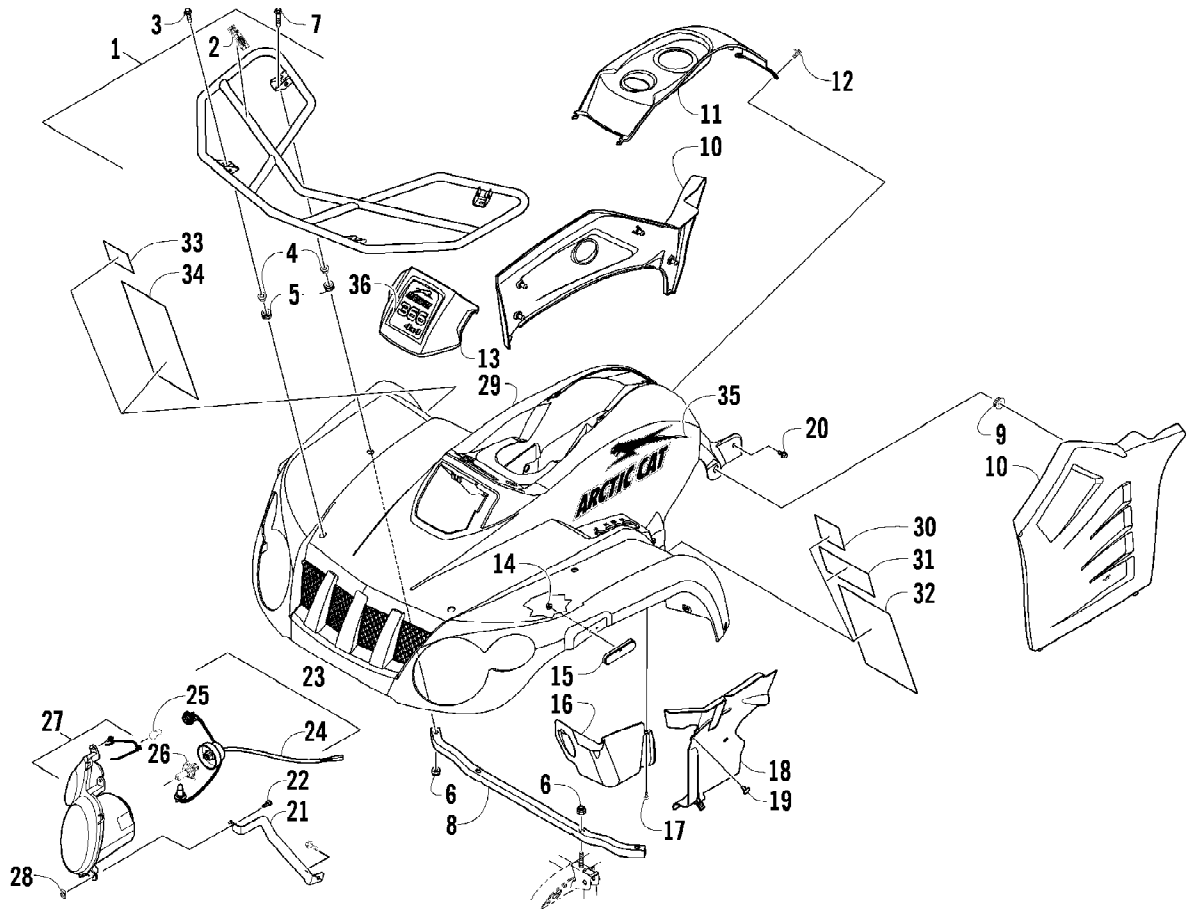


2009 ATV 366 4X4 AUTOMATIC RED (A2009IDG4BUSR)
FRAME AND RELATED PARTS

Page 30 of 78

Ref #	Part Number	Qty	S/P/F	Description
1	3313-727	1		Frame, Main
2	3304-543	12	/P	Screw, Cap
3	3313-351	2		Footrest
4	3313-234	1	S	Panel, Belly
5	0423-545	10	/P	Screw, Shoulder
6	3313-357	1		Bumper - Front
7	3313-697	1	S	Fascia, Bumper
8	3304-587	4	/P	Screw, Cap
9	1411-077	1		Decal, Warning - Towing

2009 ATV 366 4X4 AUTOMATIC RED (A2009IDG4BUSR)
FRONT BODY, RACK, AND HEADLIGHT ASSEMBLY

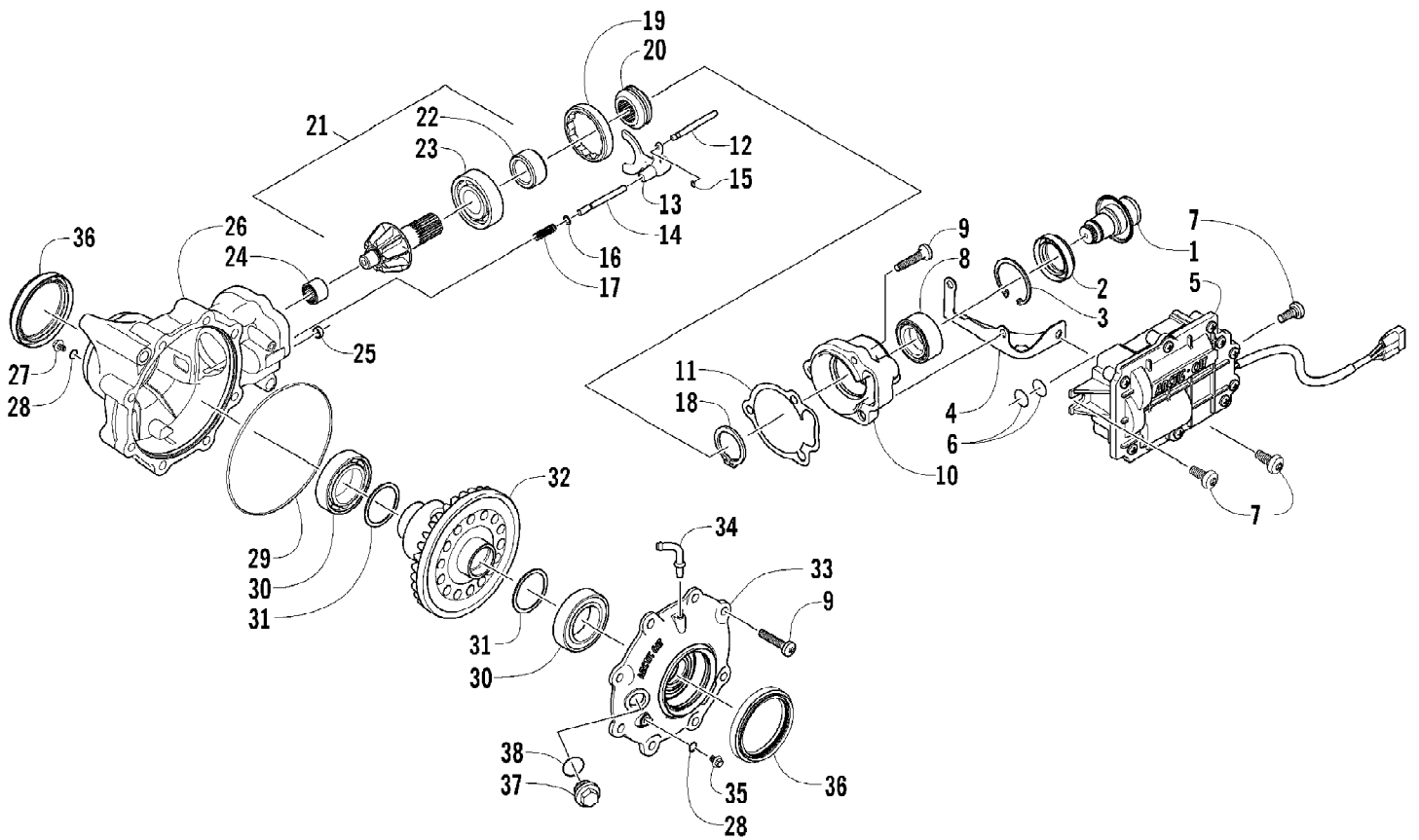


2009 ATV 366 4X4 AUTOMATIC RED (A2009IDG4BUSR)
FRONT BODY, RACK, AND HEADLIGHT ASSEMBLY

Page 32 of 78

Ref #	Part Number	Qty	S/P/F	Description
1	3313-372	1		Rack, Front - Assembly (inc. 2)
2	1411-681	1		Decal, Warning - Load
3	3313-713	2		Screw, Cap
4	0423-669	4		Spacer
5	0423-465	4		Grommet
6	3304-668	4		Nut, Lock
7	3313-522	2		Screw, Cap
8	3313-469	1		Tube, Mounting
9	0423-678	10		Grommet
10	3313-192	1		Panel, Side - Lower - Right
10	3313-193	1		Panel, Side - Lower - Left
11	3313-188	1		Cover, Gas Tank
12	3304-057	2	/P	Rivet, Plastic
13	3313-266	1		Cover, Access - Electrical
14	3304-774	2		Nut, Lock
15	3313-359	2	/P	Reflector
16	3313-466	1		Shield, Linkage
17	3304-650	3	/P	Screw, Self-Tapping
18	3313-444	1		Panel, Splash - Right
18	3313-445	1		Panel, Splash - Left
19	3303-592	2		Clip, Retaining
20	3305-783	2		Screw, Cap
21	3313-492	1		Bracket, Support - Headlight - Right
21	3313-493	1		Bracket, Support - Headlight - Left
22	3304-029	8	/P	Screw, Cap
23	3313-516	1		Headlight - Assembly - Right (inc. 24-27)
23	3313-517	1		Headlight - Assembly - Left (inc. 24-27)
24	3313-173	2		Socket, Headlight - Assembly
25	3313-508	2	/P	Bulb
26	3303-846	2	/P	Bulb, Headlight
27	3313-249	1		Lens, Headlight - Assembly - Right
27	3313-495	1		Lens, Headlight - Assembly - Left
28	3304-061	8	/P	Clip, U-Nut
29	3313-723	1		Panel, Fender - Front (inc. 30-34)
30	0411-835	1		Decal, Warning - Turn/Hill
31	1411-804	1	/P	Decal, Warning - Age
32	1411-932	1	/P	Decal, Warning - General
33	1411-574	1		Decal, Warning - Off-Road Only
34	1411-250	1		Decal, Warning - Reverse/Pre-Ride
35	1411-634	1		Decal, Side - Upper Right
35	1411-635	1		Decal, Side - Upper Left
36	1411-691	1	/P	Decal, Instrument Pod

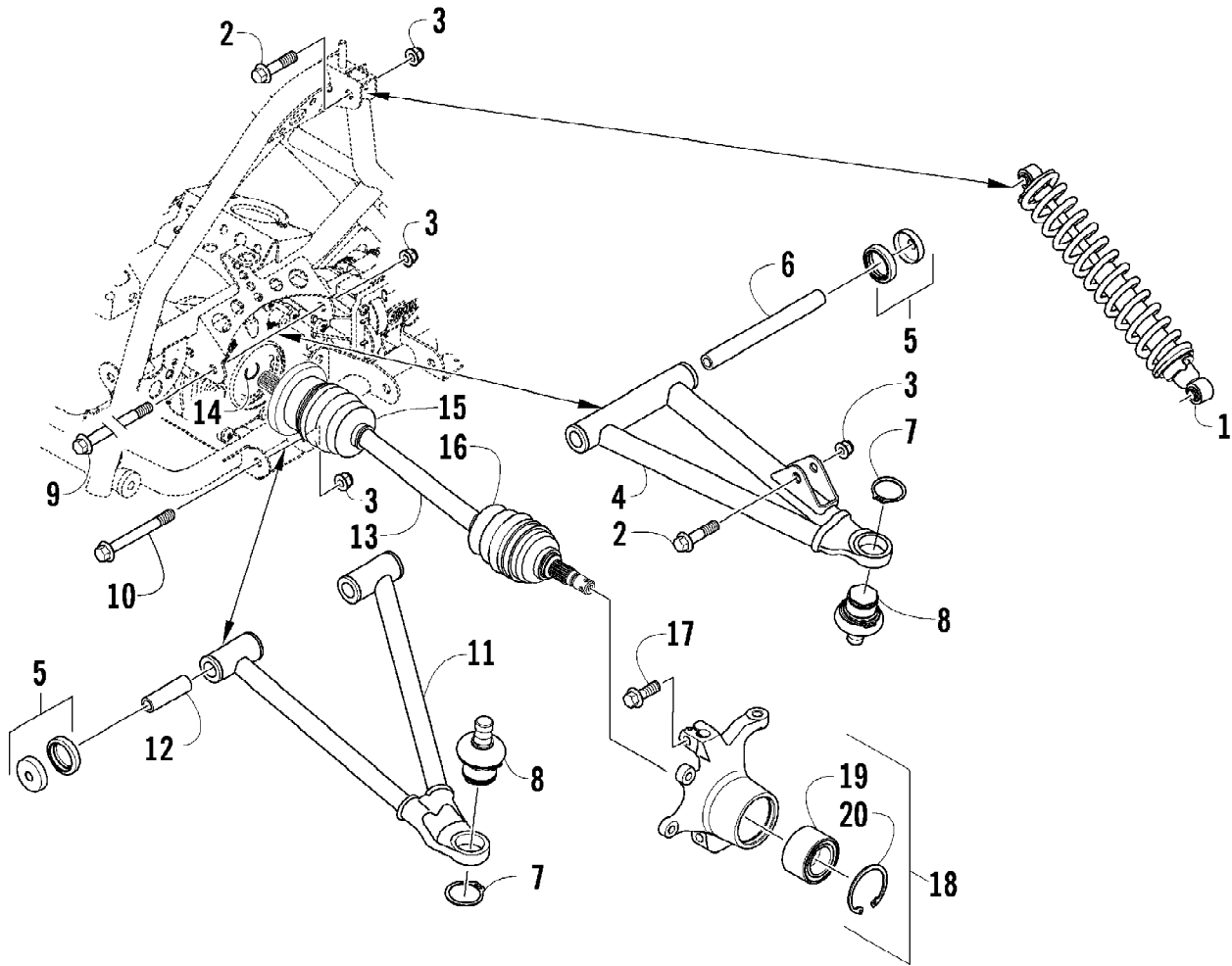
2009 ATV 366 4X4 AUTOMATIC RED (A2009IDG4BUSR)
FRONT DRIVE GEARCASE ASSEMBLY



2009 ATV 366 4X4 AUTOMATIC RED (A2009IDG4BUSR)
FRONT DRIVE GEARCASE ASSEMBLY

Page 34 of 78

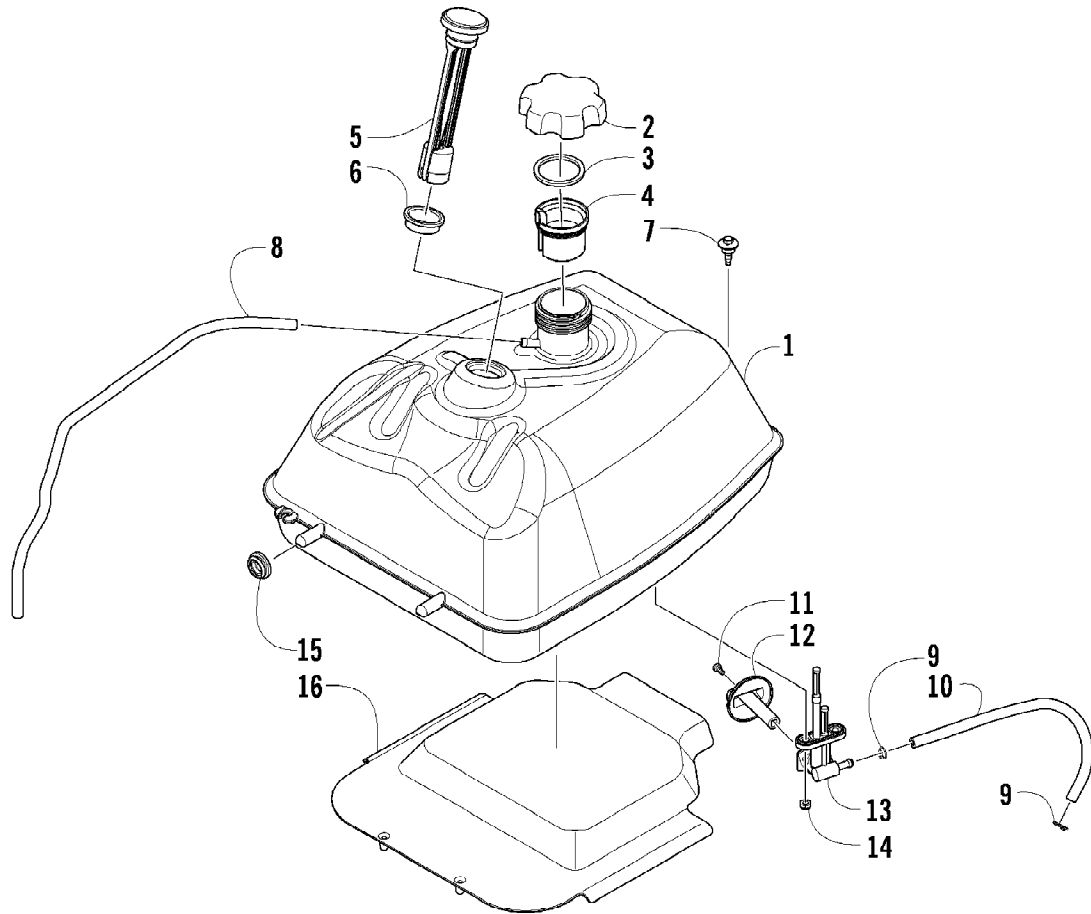
Ref #	Part Number	Qty	S/P/F	Description
	1502-398	1		Complete Front Drive Gearcase Assembly
1	1502-085	1	/P	Shaft, Input
2	1402-011	1		Seal
3	0423-423	1		Ring, Retaining
4	0502-347	1		Bracket, Actuator
5	0502-296	1		Actuator (inc. one No. 6)
6	0423-892	2	/P	O-Ring
7	0423-396	3		Screw, Self-Tapping
8	1402-043	1		Bearing
9	0423-118	11		Screw, Self-Tapping
10	0502-528	1	/P	Housing, Pinion
11	0402-947	1		Gasket, Flange
12	0402-997	1		Shaft, Selector
13	0402-998	1		Fork, Selector
14	0402-417	1		Shaft, Shuttle
15	0423-402	1		Ring, Retaining
16	0423-147	1		O-Ring
17	0402-999	1		Spring, Return
18	0423-417	1		Ring, Retaining
19	0402-357	1		Collar, Lock
20	0402-413	1		Coupler, Drive
21	0502-784	1		Gear, Pinion - Assembly - 11T (inc. 22-23)
22	0402-336	1		Collar, Retaining
23	0402-327	1		Bearing
24	0402-328	1		Bearing
25	0402-411	1		Pin, Dowel
26	0502-514	1		Housing, Gearcase
27	1402-210	1	/P	Plug, Magnetic (inc. one No. 28)
28	0423-153	2		O-Ring
29	0423-149	1		O-Ring
30	0402-393	2		Bearing
31	0402-405	AR		Shim
31	0402-406	AR		Shim
31	0402-407	AR		Shim
31	0402-408	AR		Shim
31	0402-409	AR		Shim
32	1502-229	1		Gear, Ring - 34T
33	1502-081	1		Cover, Gearcase
34	1402-102	1		Fitting, 90°
35	1402-211	1		Plug, Oil Level (inc. one No. 28)
36	1402-713	2	S	Seal
37	0402-333	1	/P	Plug, Fill (inc. 38)
38	0423-154	1		O-Ring



2009 ATV 366 4X4 AUTOMATIC RED (A2009IDG4BUSR)
FRONT SUSPENSION ASSEMBLY

Page 36 of 78

Ref #	Part Number	Qty	S/P/F	Description
1	3313-330	2		Shock/Spring Assembly
2	3303-376	4	/P	Screw, Cap
3	3304-031	10	/P	Nut, Lock
4	3313-084	1		A-Arm, Upper Right (inc. 5-8)
4	3313-085	1		A-Arm, Upper Left (inc. 5-8)
5	3313-113	12		Seal
6	3313-679	2	S	Axle
7	0423-009	4	/P	Ring, Retaining
8	0405-115	4	/P	Ball Joint
9	3313-430	2		Screw, Cap
10	3304-183	4	/P	Screw, Cap
11	3313-080	1		A-Arm, Lower Right (inc. 5, 7, 8, and 12)
11	3313-081	1		A-Arm, Lower Left (inc. 5, 7, 8, and 12)
12	3313-107	4		Axle
13	3313-447	2		Axle, Drive - Front (inc. 14-16)
14	0423-844	2	/P	Clip, Retaining
15	3313-560	1		Repair Kit, Boot - Drive Axle - Inbound
16	3313-558	1		Repair Kit, Boot - Drive Axle - Outbound
17	8409-030	4		Screw, Cap
18	0505-460	1		Knuckle - Assembly - Right (inc. one No. 19-20)
18	0505-461	1	S	Knuckle - Assembly - Left (inc. one No. 19-20)
19	1402-027	2	S/P	Bearing
20	0423-423	2		Ring, Retaining

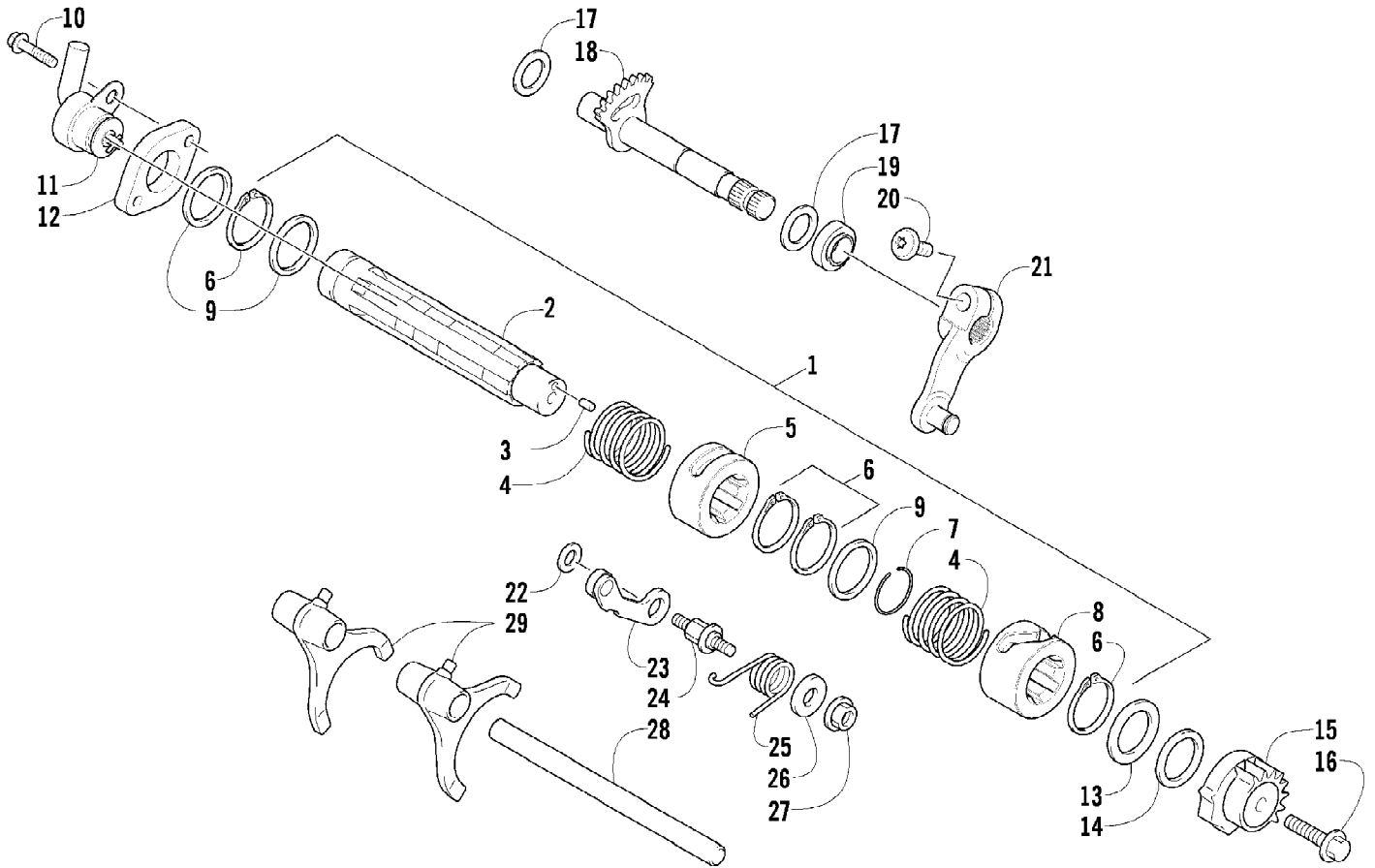


2009 ATV 366 4X4 AUTOMATIC RED (A2009IDG4BUSR)
GAS TANK ASSEMBLY

Page 38 of 78

Ref #	Part Number	Qty	S/P/F	Description
1	3313-284	1		Tank, Gas
2	3323-094	1		Cap, Gas Tank (inc. 3)
3	0109-733	1	/P	Gasket, Cap
4	3313-328	1	/P	Neck, Gas Tank Extension
5	3313-324	1	S	Gauge, Gas - Assembly (inc. 6)
6	3323-092	1		Seal, Gas Gauge
7	0423-732	1		Screw, Shoulder
8	3313-322	1		Hose, Gasline
9	3313-684	2		Clamp, Hose
10	3313-288	1		Hose, Gasline
11	0423-146	1		Screw, Machine
12	3313-287	1		Knob, Gas Tank Valve
13	3313-325	1		Valve, Gas Tank
14	3304-431	2	/P	Nut, Lock
15	0423-460	2		Grommet
16	3313-286	1		Shield, Heat

2009 ATV 366 4X4 AUTOMATIC RED (A2009IDG4BUSR)
GEAR SHIFTING ASSEMBLY

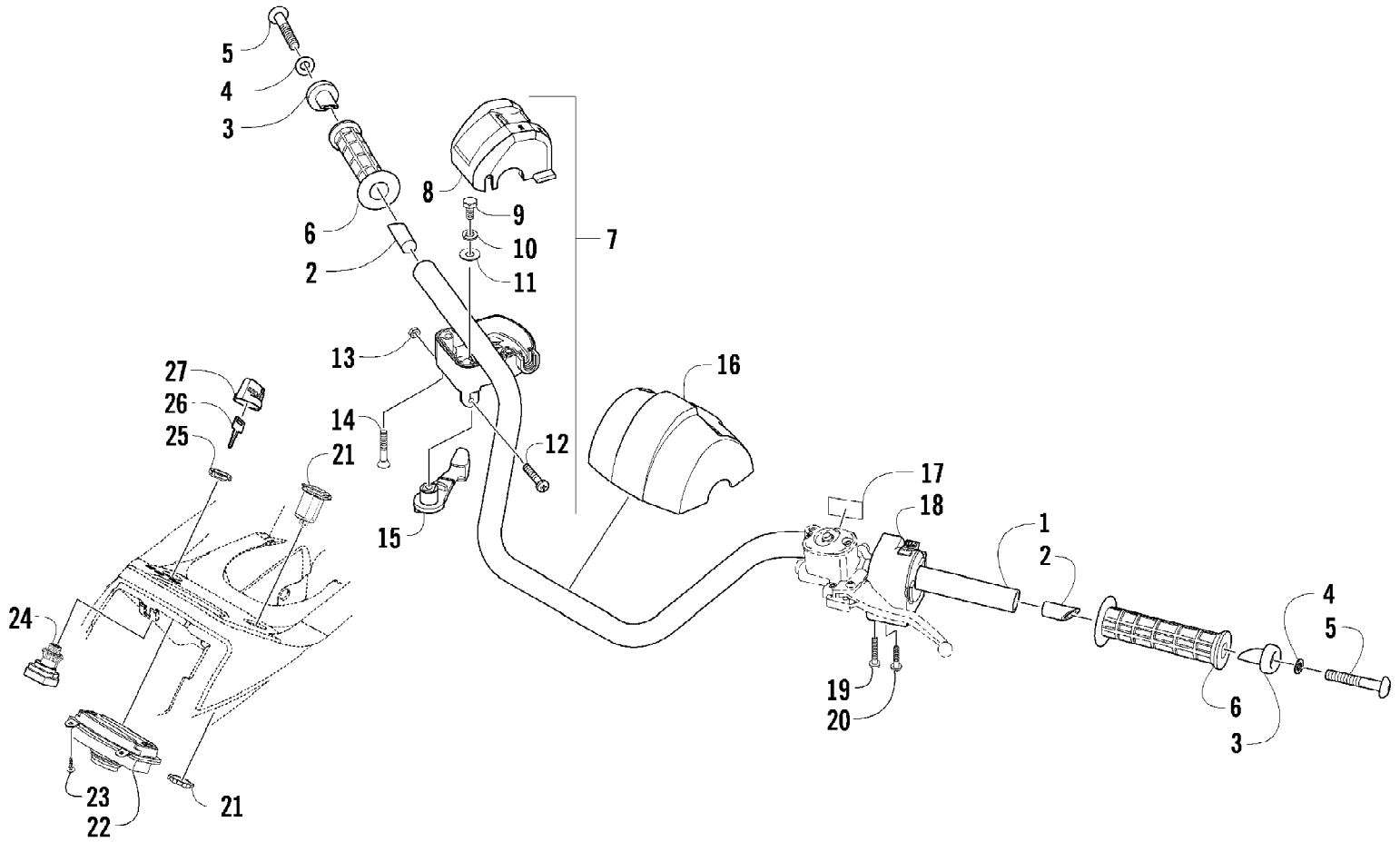


2009 ATV 366 4X4 AUTOMATIC RED (A2009IDG4BUSR)
GEAR SHIFTING ASSEMBLY

Page 40 of 78

Ref #	Part Number	Qty	S/P/F	Description
1	0818-024	1	S	Shaft, Gear Shift - Assembly (inc. 2-8 and two No. 9)
2	0818-044	1	S	Shaft, Gear Shift
3	3304-439	1		Pin, Dowel
4	0818-060	2		Spring
5	0818-019	1		Cam, Reverse
6	3304-147	4	/P	Circlip
7	0831-016	1		C-Ring
8	0818-023	1		Cam, Gear Shift
9	0828-079	3		Washer
10	3303-252	2		Screw, Cap
11	3313-434	1		Switch, Gear Shift Position
12	0818-073	1		Spacer, Speed Sensor
13	0828-081	1		Washer, Thrust
14	0828-080	1		Washer, Thrust
15	0818-061	1		Plate, Gear Shift Cam
16	3304-569	1		Screw, Cap
17	0828-084	2		Washer
18	0818-022	1		Shaft, Sub-Gear Shift
19	0830-179	1		Seal
20	8468-620	1	/P	Screw, Machine
21	0818-014	1		Arm, Select
22	0828-083	1		Washer
23	0818-084	1		Stopper, Cam
24	0818-062	1		Support, Cam Stopper
25	0818-020	1		Spring
26	0828-082	1		Washer
27	3303-331	1	/P	Nut
28	0818-021	1		Shaft, Shift Fork
29	0818-088	2		Fork, Shift

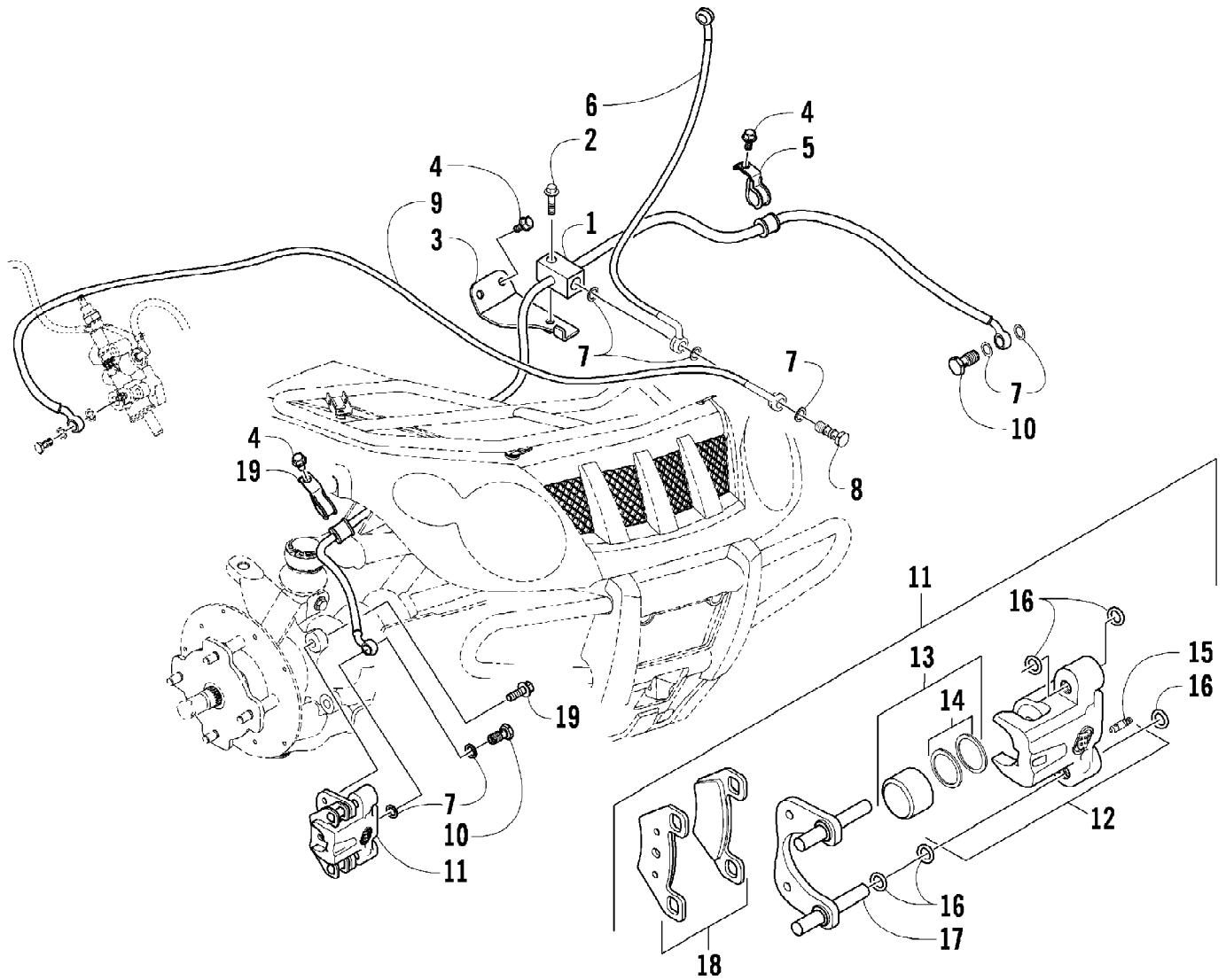
2009 ATV 366 4X4 AUTOMATIC RED (A2009IDG4BUSR)
HANDLEBAR ASSEMBLY



2009 ATV 366 4X4 AUTOMATIC RED (A2009IDG4BUSR)
HANDLEBAR ASSEMBLY

Page 42 of 78

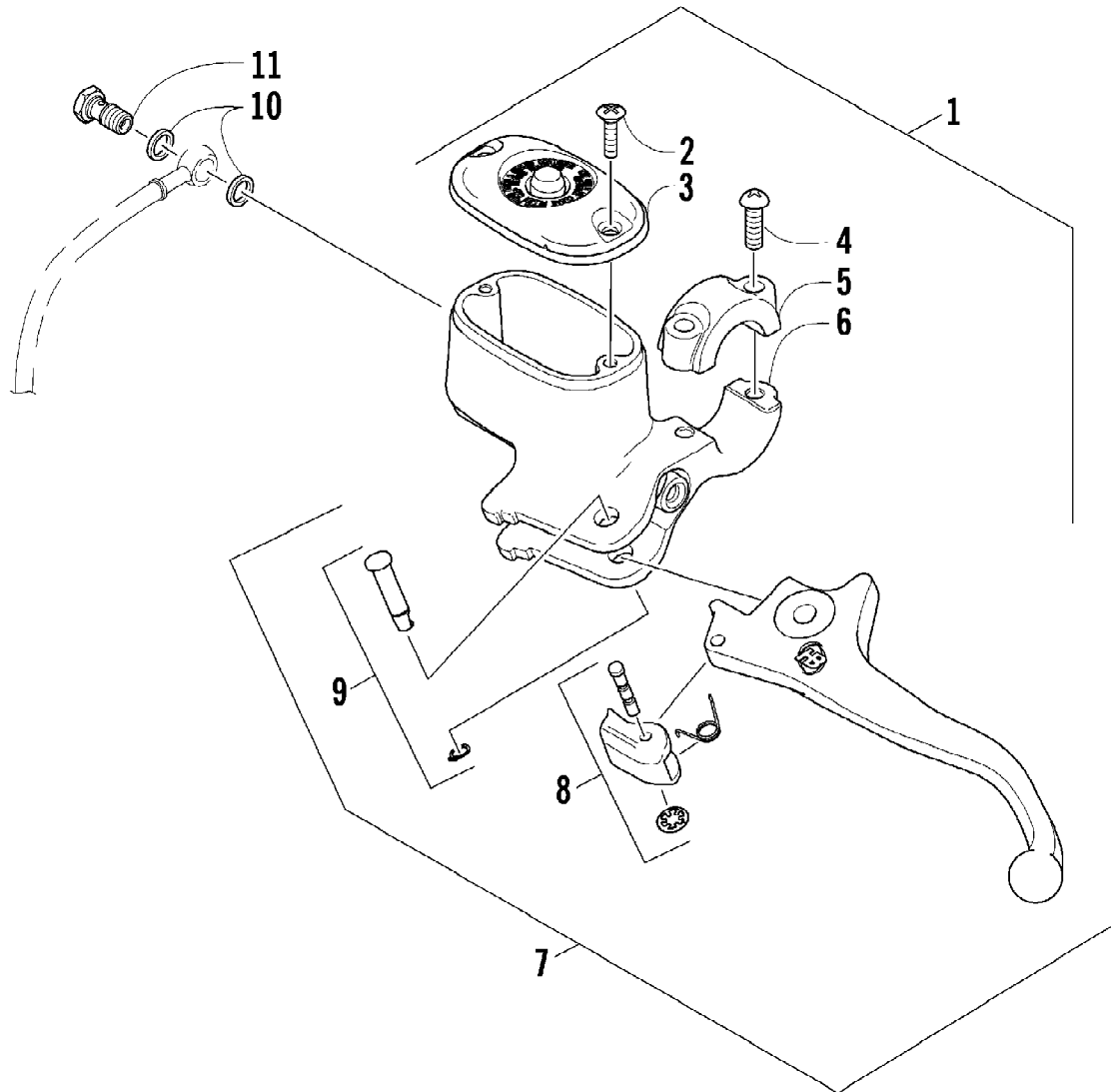
Ref #	Part Number	Qty	S/P/F	Description
1	3313-059	1		Handlebar
2	0405-148	2		Plug, Handlebar
3	0405-149	2		End Cap, Handlebar
4	8050-247	2	/P	Washer
5	8477-845	2		Screw, Machine
6	0405-147	2		Grip, Handlebar
7	0509-012	1		Case, Throttle - Assembly (inc. 8-15)
8	0409-048	1		Cover, Throttle Case w/Switch
9	3007-392	1	/P	Screw, Cap
10	3004-447	1	/P	Washer, Lock
11	3003-030	1	/P	Washer
12	3423-014	1		Screw, Machine
13	3423-327	1		Nut
14	3423-199	2		Screw, Machine
15	3409-001	1		Lever
16	3313-457	1		Cover, Post - Steering
17	1411-865	1		Decal, Brake Lever Lock
18	3313-428	1		Switch, Control - Assembly (inc. 19-20)
19	0409-028	1		Screw, Machine
20	0409-027	1		Screw, Machine
21	3313-468	1		Outlet, Accessory - 12V
22	3313-435	1		Speedometer - Assembly
23	3304-650	3	/P	Screw, Self-Tapping
24	3313-439	1		Switch, Ignition - Assembly (inc. 25-27)
25	0430-050	1		Nut, Flange - Ignition Switch
26	3409-007	1	/P/F	Key, Ignition - Blank
27	0430-054	1		Cover, Key



2009 ATV 366 4X4 AUTOMATIC RED (A2009IDG4BUSR)
HYDRAULIC BRAKE ASSEMBLY

Page 44 of 78

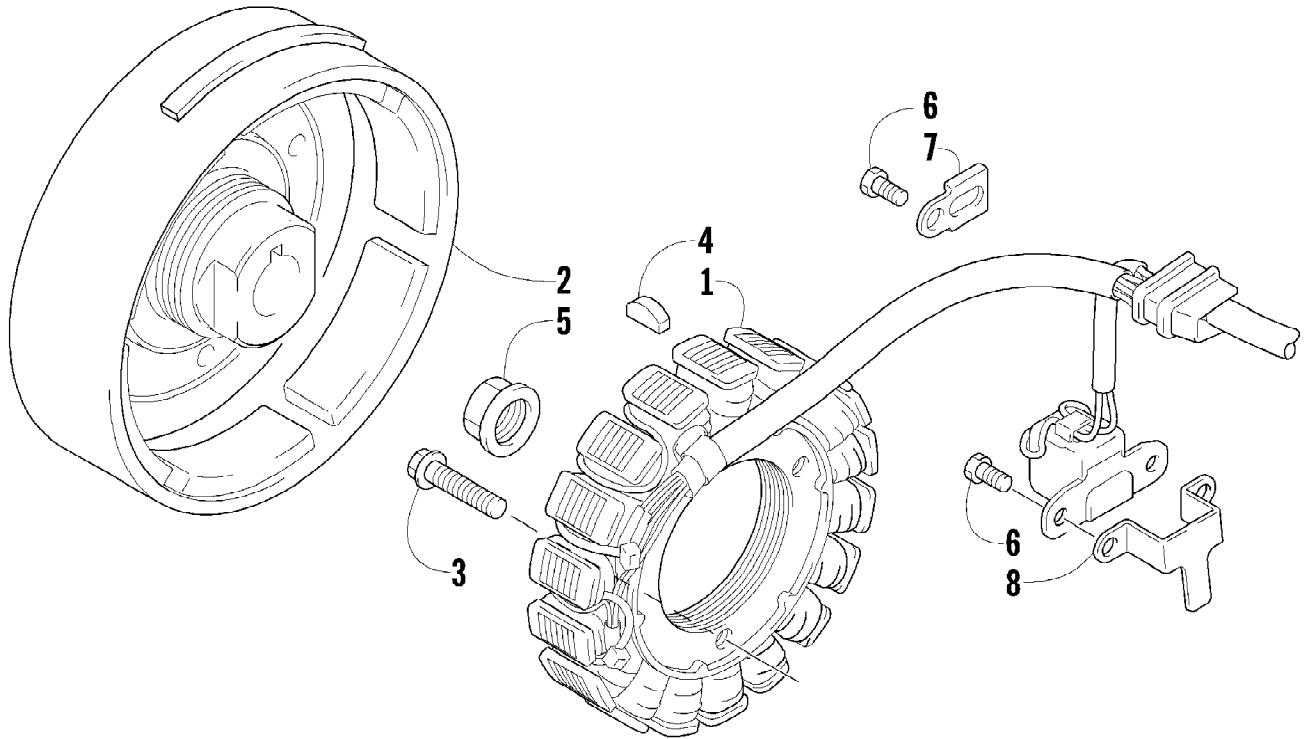
Ref #	Part Number	Qty	S/P/F	Description
1	3313-750	1	/P	Hose, Brake - Assembly
2	3303-361	1		Screw, Cap
3	3313-523	1		Bracket, Mounting - Brake Hose Assembly
4	3304-553	3		Screw, Cap
5	3303-919	2		Clamp, Brake Hose
6	3313-422	1		Hose, Brake
7	3303-284	7	/P	Washer, Crush
8	3304-674	1	/P	Bolt, Banjo-Fitting - Double
9	3313-423	1		Hose, Brake
10	3303-257	2	/P	Bolt, Banjo-Fitting
11	1436-162	1	S/P	Caliper, Brake - Right (inc. 12-18)
11	1436-163	1		Caliper, Brake - Left (inc. 12-18)
12	1436-160	1	/P	Housing, Caliper - Assembly - Right (inc. 13-15)
12	1436-161	1	/P	Housing, Caliper - Assembly - Left (inc. 13-15)
13	0502-606	2		Piston/Seal Set (inc. 14)
14	0502-607	2		Seal Set
15	0502-609	2	/P	Valve, Bleed
16	0502-608	2		O-Ring, Guide - Set
17	0502-605	2		Bracket Assembly
18	1436-165	2	S	Pad, Brake - Set
19	3305-785	4		Screw, Cap



2009 ATV 366 4X4 AUTOMATIC RED (A2009IDG4BUSR)
HYDRAULIC HAND BRAKE ASSEMBLY

Page 46 of 78

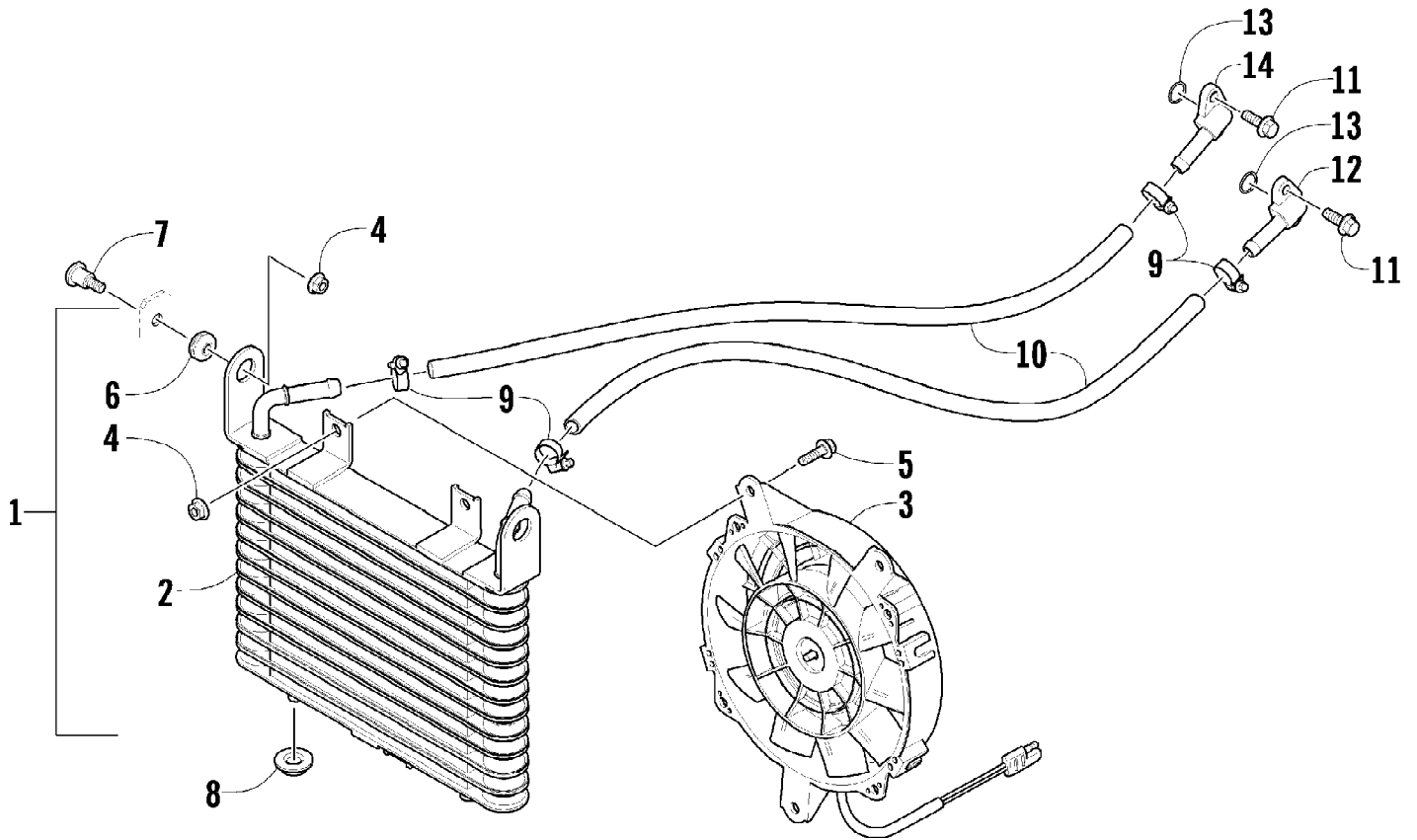
Ref #	Part Number	Qty	S/P/F	Description
1	3313-316	1		Brake Assembly (inc. 2-9)
2	0502-566	2		Screw, Machine
3	0502-868	1	/P	Cover, Reservoir
4	0502-568	2		Screw, Machine
5	0502-869	1		Clamp, Master Cylinder
6	0502-704	1		Master Cylinder Assembly
7	0502-866	1		Lever Assembly - Kit (inc. 8-9)
8	0502-867	1	/P	Lock, Brake Lever - Kit
9	0502-580	1		Lever Pin - Kit
10	3303-284	2	/P	Washer, Crush
11	3303-257	1	/P	Bolt, Banjo-Fitting



2009 ATV 366 4X4 AUTOMATIC RED (A2009IDG4BUSR)
MAGNETO ASSEMBLY

Page 48 of 78

Ref #	Part Number	Qty	S/P/F	Description
1	3323-200	1		Stator Assembly
2	3323-164	1	/P	Rotor/Flywheel
3	3304-190	3		Screw, Cap
4	0829-039	1		Key
5	0827-046	1		Nut
6	3303-308	3		Screw, Cap
7	0802-003	1		Clamp
8	0802-004	1		Clamp

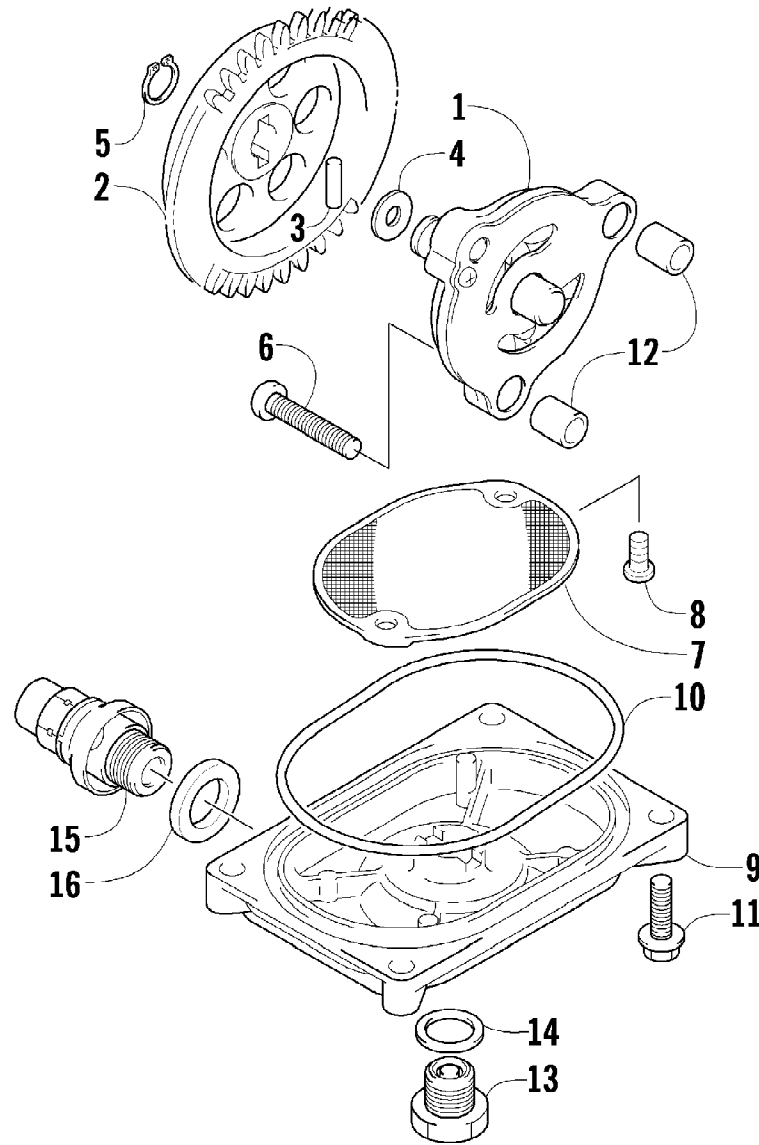


2009 ATV 366 4X4 AUTOMATIC RED (A2009IDG4BUSR)
OIL COOLER ASSEMBLY

Page 50 of 78

Ref #	Part Number	Qty	S/P/F	Description
1	3323-202	1		Cooler, Oil - Assembly (inc. 2-3, three No. 4, and 5-6)
2	3323-203	1		Cooler, Oil
3	3323-204	1		Fan, Cooling
4	3304-654	5	/P	Nut, Lock
5	3304-587	3	/P	Screw, Cap
6	0423-030	2		Grommet
7	3313-166	2		Screw, Shoulder
8	0423-028	2		Bushing, Stem
9	0423-098	4	/P	Clamp, Hose
10	0410-044	2		Hose, Oil
11	3303-617	4	/P	Screw, Cap
12	0812-059	1		Fitting, Oil
13	0830-172	2		O-Ring
14	0812-060	1		Fitting, Oil

2009 ATV 366 4X4 AUTOMATIC RED (A2009IDG4BUSR)
OIL PUMP AND STRAINER ASSEMBLY

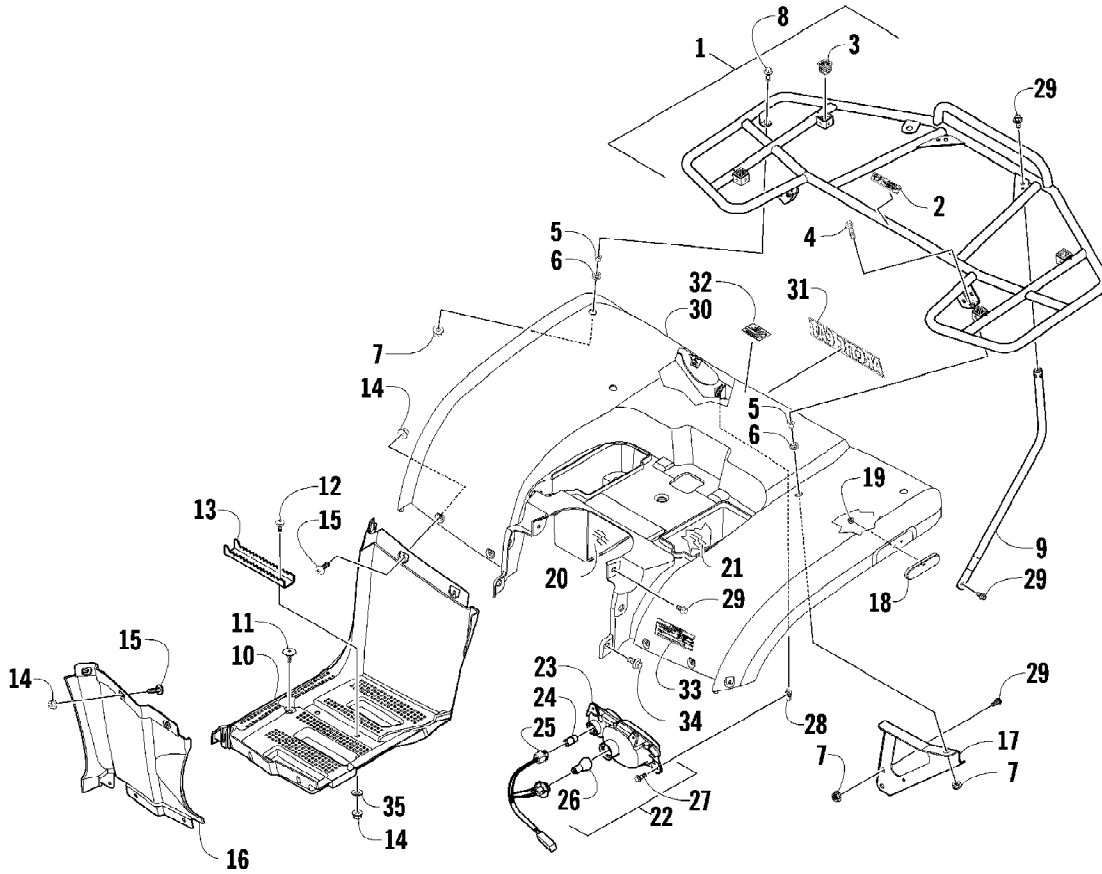


2009 ATV 366 4X4 AUTOMATIC RED (A2009IDG4BUSR)
OIL PUMP AND STRAINER ASSEMBLY

Page 52 of 78

Ref #	Part Number	Qty	S/P/F	Description
1	0812-069	1		Pump, Oil
2	0812-010	1		Gear, Driven
3	0812-036	1		Pin, Dowel
4	0828-007	1	/P	Washer
5	0831-002	1		Ring, Retaining
6	0826-131	3		Screw, Machine
7	0812-049	1		Strainer, Oil
8	3313-722	2		Screw, Cap
9	0812-038	1		Cap, Oil Strainer
10	0830-159	1		O-Ring
11	3303-384	4	/P	Screw, Cap
12	0829-033	2		Pin, Dowel
13	0812-065	1		Plug, Drain
14	0830-143	1	/P	Gasket
15	0812-067	1		Valve, Oil Relief - Assembly (inc. 16)
16	0830-181	1		O-Ring

2009 ATV 366 4X4 AUTOMATIC RED (A2009IDG4BUSR)
REAR BODY, RACK, AND TAILLIGHT ASSEMBLY

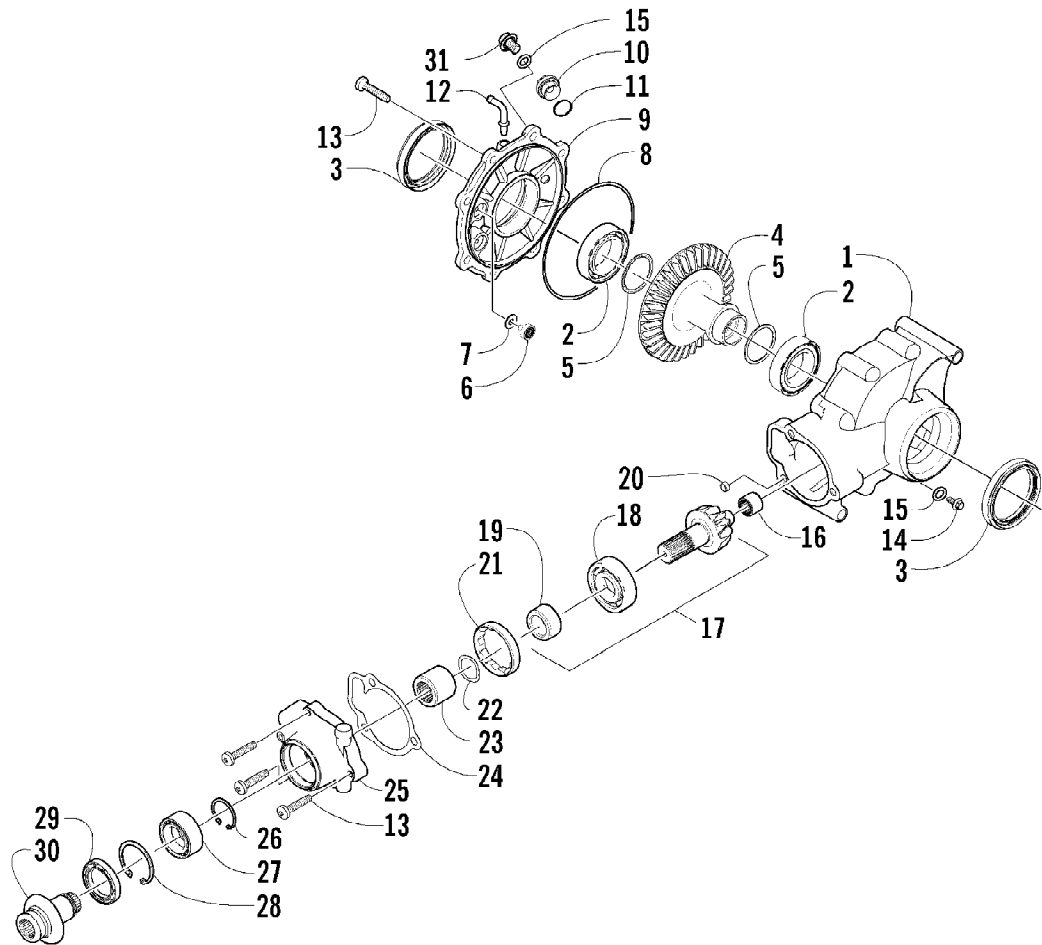


2009 ATV 366 4X4 AUTOMATIC RED (A2009IDG4BUSR)
 REAR BODY, RACK, AND TAILLIGHT ASSEMBLY

Page 54 of 78

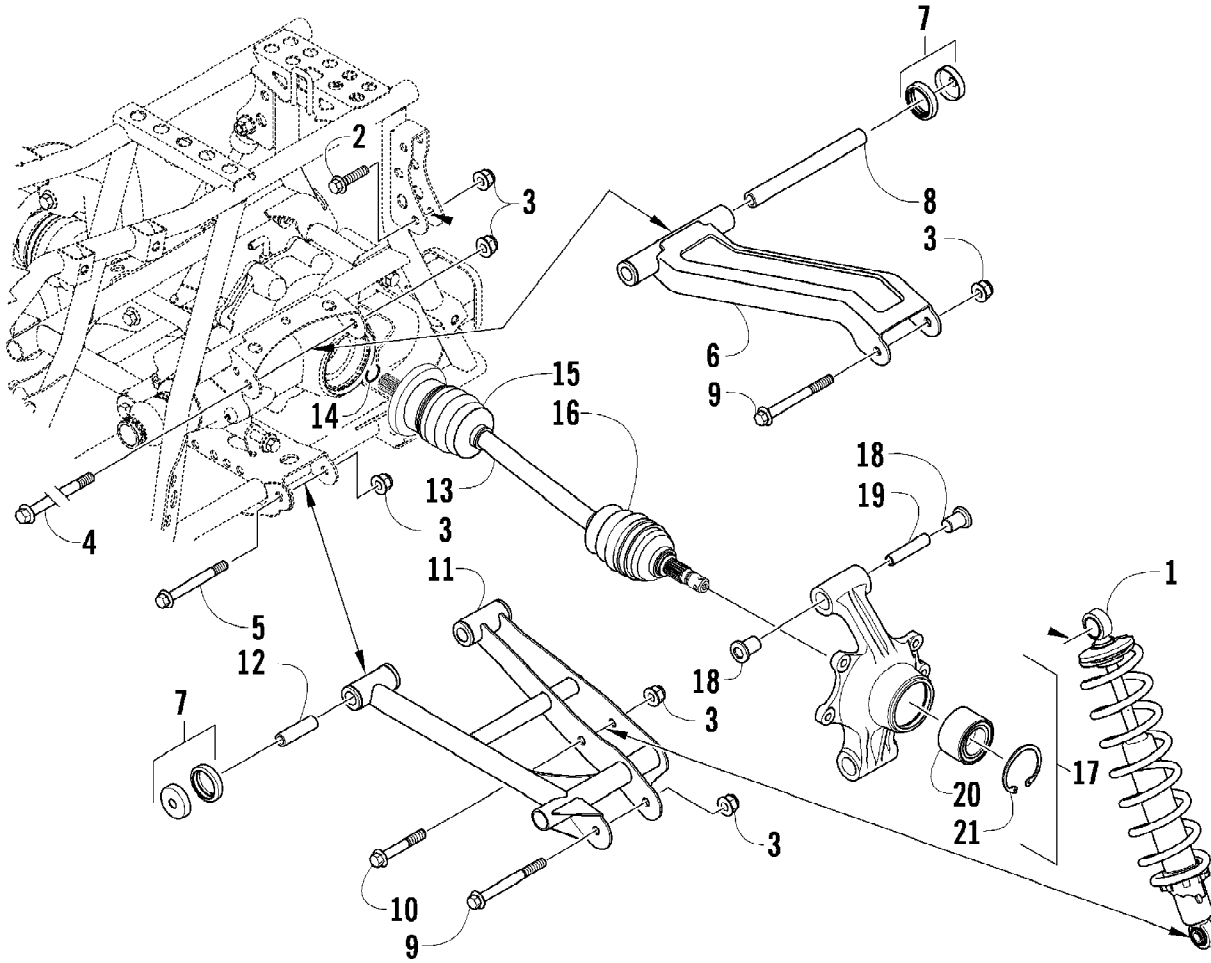
Ref #	Part Number	Qty	S/P/F	Description
1	3313-373	1		Rack, Rear - Assembly (inc. 2-3)
2	1411-682	1		Decal, Warning - Load
3	0441-592	4	/P	Bushing
4	8410-830	2		Screw, Cap
5	0423-669	4		Spacer
6	0423-465	4		Grommet
7	3304-668	8		Nut, Lock
8	3313-522	2		Screw, Cap
9	3313-449	2		Tube, Mounting
10	3313-194	1		Footwell - Rear - Right
10	3313-195	1		Footwell - Rear - Left
11	0423-545	2	/P	Screw, Shoulder
12	3304-586	4	/P	Screw, Shoulder
13	1506-125	2	/P	Footpeg
14	3304-538	22	S	Nut, Lock
15	3305-703	18		Screw, Machine
16	3313-462	1		Footwell - Front - Right
16	3313-463	1		Footwell - Front - Left
17	3313-352	1		Bracket, Mounting - Rear Rack - Right
17	3313-353	1		Bracket, Mounting - Rear Rack - Left
18	3313-360	2	/P	Reflector
19	3304-774	2		Nut, Lock
20	3313-362	1	/P	Foil, Protective - Right
21	3313-363	1		Foil, Protective - Left
22	3313-382	1		Taillight Assembly - Right (inc. 23-26)
22	3313-383	1		Taillight Assembly - Left (inc. 23-26)
23	0	1	F	Housing, Taillight - Right
23	0	1	F	Housing, Taillight - Left
24	3313-508	2	/P	Bulb, Backup
25	3313-499	2		Socket, Taillight - Assembly
26	3303-849	2	/P	Bulb, Taillight
27	3304-029	8	/P	Screw, Cap
28	3304-061	8	/P	Clip, U-Nut
29	3304-543	8	/P	Screw, Cap
30	3313-725	1		Panel, Fender - Rear (inc. 31-33)
31	1411-725	1		Decal, Rear
32	1411-809	1	/P	Decal, Warning - Passenger
33	1411-893	1		Decal, Warning - Tire Pressure
34	3305-783	2		Screw, Cap
35	3305-852	4		Washer

2009 ATV 366 4X4 AUTOMATIC RED (A2009IDG4BUSR)
REAR DRIVE GEARCASE ASSEMBLY



2009 ATV 366 4X4 AUTOMATIC RED (A2009IDG4BUSR)
REAR DRIVE GEARCASE ASSEMBLY

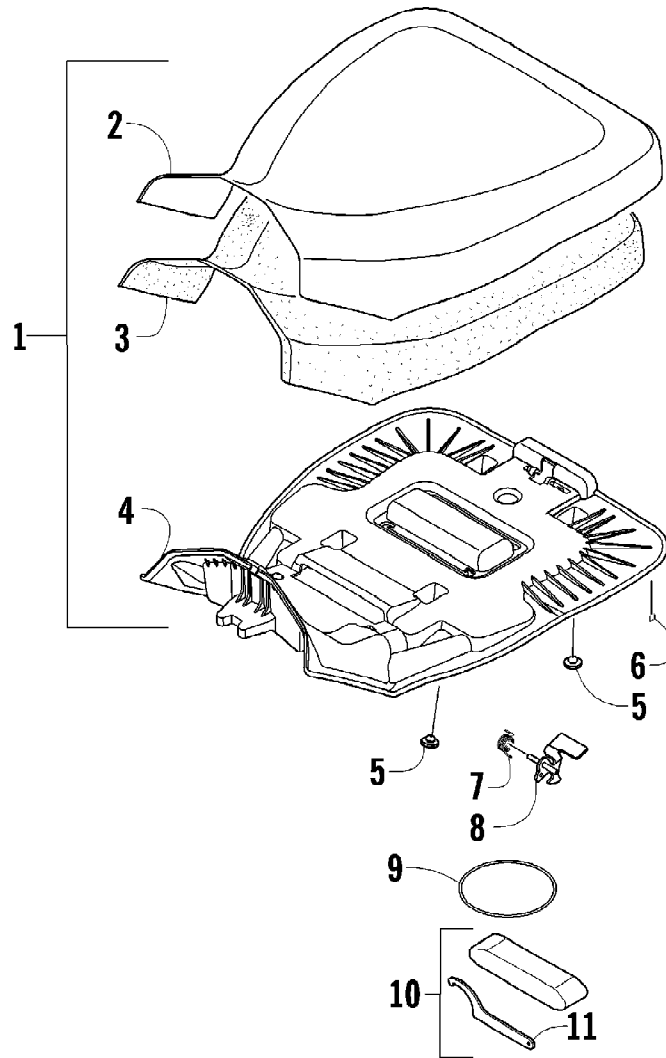
Ref #	Part Number	Qty	S/P/F	Description
	1502-487	1		Complete Rear Drive Gearcase Assembly
1	1502-317	1		Housing, Gearcase
2	0402-393	2		Bearing
3	1402-713	2	S	Seal
4	1402-033	1		Gear, Ring - 34T
5	0402-405	AR		Shim
5	0402-406	AR		Shim
5	0402-407	AR		Shim
5	0402-408	AR		Shim
5	0402-409	AR		Shim
6	0402-326	1		Button, Thrust
7	0402-429	AR		Shim
7	0402-430	AR		Shim
7	0402-431	AR		Shim
7	0402-432	AR		Shim
7	0402-433	AR		Shim
8	0423-149	1		O-Ring
9	1502-082	1		Cover, Gearcase
10	0402-333	1	/P	Plug, Fill (inc. 11)
11	0423-154	1		O-Ring
12	1402-102	1		Fitting, 90°
13	0423-118	11		Screw, Self-Tapping
14	0402-450	1	S	Plug, Magnetic (inc. one No. 15)
15	0423-153	2		O-Ring
16	0402-328	1		Bearing
17	0502-784	1		Gear, Pinion - Assembly - 11T (inc. 18-19)
18	0402-327	1		Bearing
19	0402-336	1		Collar, Retaining
20	0402-411	1		Pin, Dowel
21	0402-331	1		Collar, Lock
22	0402-982	1		Washer, Wave
23	0402-981	1		Collar, Shaft
24	0402-947	1		Gasket, Flange
25	0502-529	1		Housing, Pinion
26	0423-417	1		Ring, Retaining
27	1402-043	1		Bearing
28	0423-423	1		Ring, Retaining
29	1402-011	1		Seal
30	1502-085	1	/P	Shaft, Input
31	1402-211	1		Plug, Oil Level (inc. one No. 15)



2009 ATV 366 4X4 AUTOMATIC RED (A2009IDG4BUSR)
 REAR SUSPENSION ASSEMBLY

Page 58 of 78

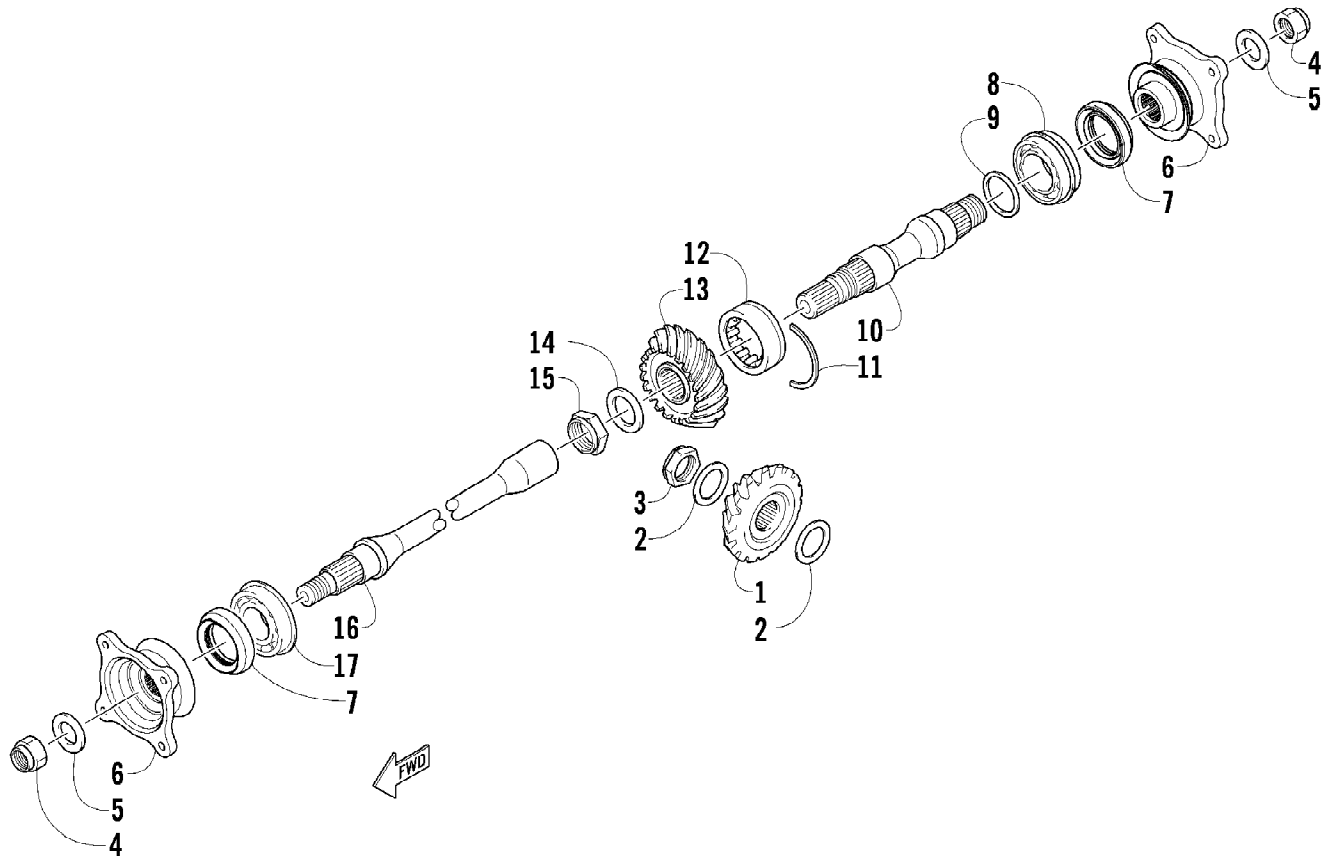
Ref #	Part Number	Qty	S/P/F	Description
1	3313-541	2		Shock/Spring Assembly
2	3303-376	2	/P	Screw, Cap
3	3304-031	14	/P	Nut, Lock
4	3313-430	2		Screw, Cap
5	3304-183	4	/P	Screw, Cap
6	3313-120	1		A-Arm, Upper Right (inc. 7-8)
6	3313-121	1		A-Arm, Upper Left (inc. 7-8)
7	3313-113	12		Seal
8	3313-679	2	S	Axle
9	8409-000	4		Screw, Cap
10	8409-065	2		Screw, Cap
11	3313-134	1		A-Arm, Lower Right (inc. 7 and 12)
11	3313-135	1		A-Arm, Lower Left (inc. 7 and 12)
12	3313-107	4		Axle
13	3313-448	2		Axle, Drive (inc. 14-16)
14	0423-845	2	/P	Ring, Retaining
15	3313-560	1		Repair Kit, Boot - Drive Axle - Inbound
16	3313-558	1		Repair Kit, Boot - Drive Axle - Outbound
17	0504-374	1	S	Knuckle - Assembly - Right (inc. 18-21)
17	0504-373	1	S/P	Knuckle - Assembly - Left (inc. 18-21)
18	0403-032	8	S	Bushing
19	0403-038	4	S/P	Axle
20	1402-027	2	S/P	Bearing
21	0423-423	2		Ring, Retaining



2009 ATV 366 4X4 AUTOMATIC RED (A2009IDG4BUSR)
SEAT ASSEMBLY

Page 60 of 78

Ref #	Part Number	Qty	S/P/F	Description
1	3313-199	1		Seat Assembly (inc. 2-8)
2	0	1	F	Cover, Seat
3	3313-198	1		Foam, Seat
4	3313-196	1		Base, Seat
5	0406-877	6	/P	Bumper, Seat
6	0624-528	AR	/P	Staple
7	1406-592	1	/P	Spring, Seat Latch
8	1506-156	1		Latch, Seat
9	3313-236	1		Retainer, Tool Kit
10	3304-648	1		Kit, Tool
11	1441-797	1	F	Wrench, Spanner

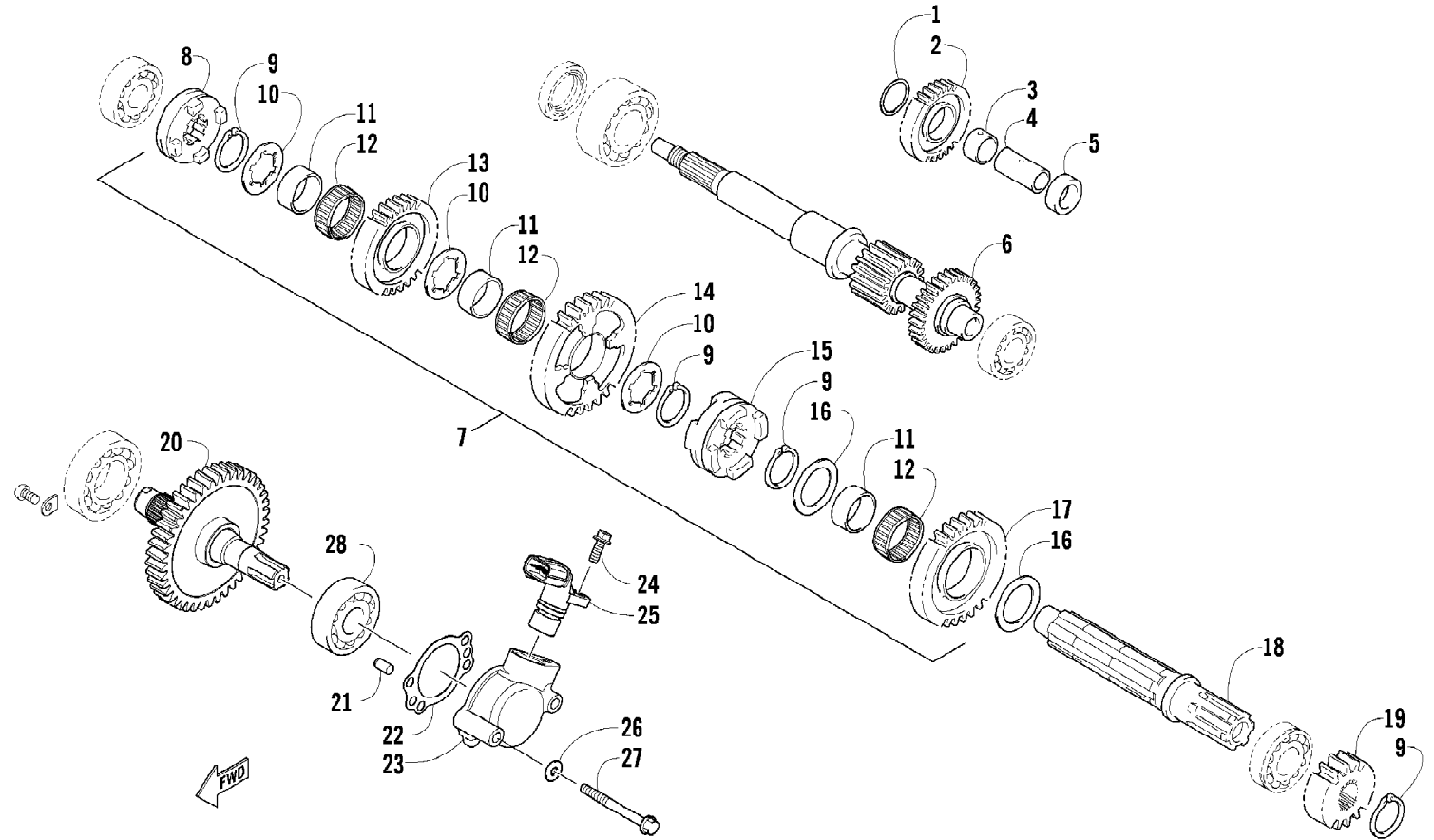


2009 ATV 366 4X4 AUTOMATIC RED (A2009IDG4BUSR)
SECONDARY DRIVE ASSEMBLY

Page 62 of 78

Ref #	Part Number	Qty	S/P/F	Description
1	0819-018	1		Gear, Secondary Drive
2	3305-554	2	/P	Washer, Thrust
3	0827-047	1		Nut
4	0817-001	2	S	Nut
5	3304-958	2		Washer
6	0819-022	2		Flange, Output Joint
7	0830-144	2		Seal, Oil
8	0832-041	1		Bearing
9	0828-088	AR		Shim, 25 x 34
10	0819-021	1		Shaft, Secondary Driven
11	0819-070	1		C-Ring
12	0832-040	1		Bearing
13	0819-019	1		Gear, Secondary Driven
14	0828-090	1		Washer
15	0827-022	1		Nut
16	0819-020	1		Shaft, Secondary Driven
17	0832-026	1		Bearing

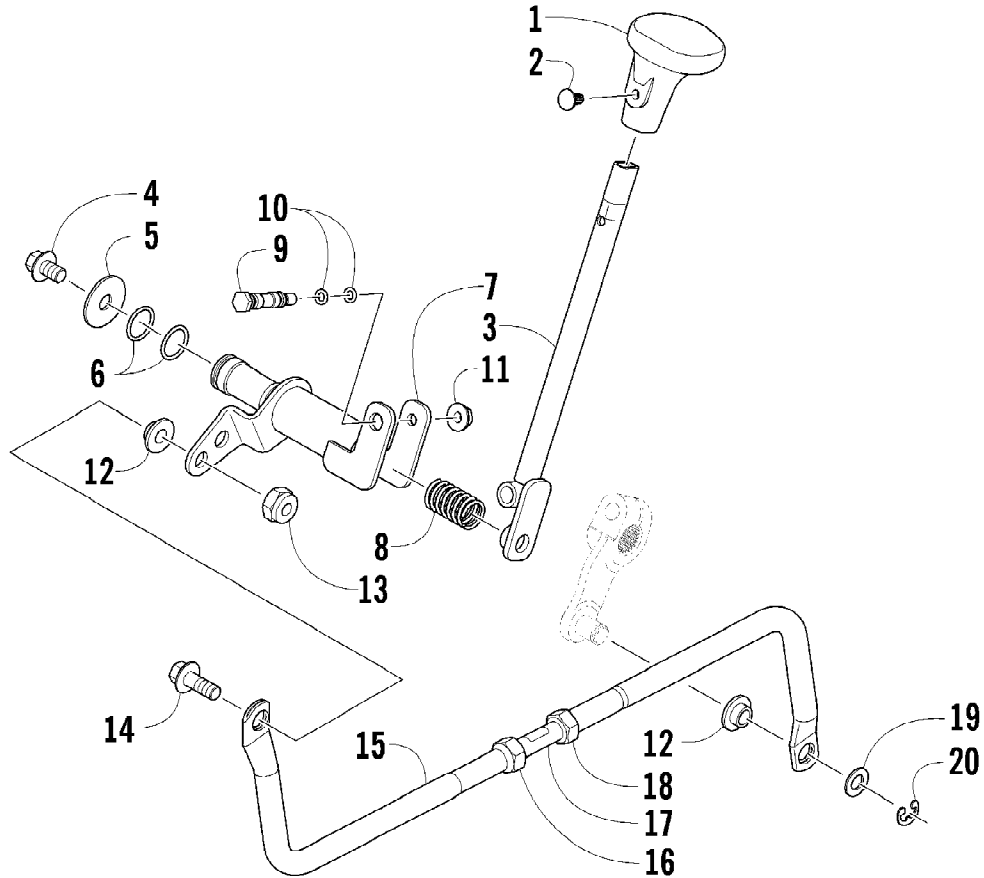
2009 ATV 366 4X4 AUTOMATIC RED (A2009IDG4BUSR)
SECONDARY TRANSMISSION ASSEMBLY



2009 ATV 366 4X4 AUTOMATIC RED (A2009IDG4BUSR)
SECONDARY TRANSMISSION ASSEMBLY

Page 64 of 78

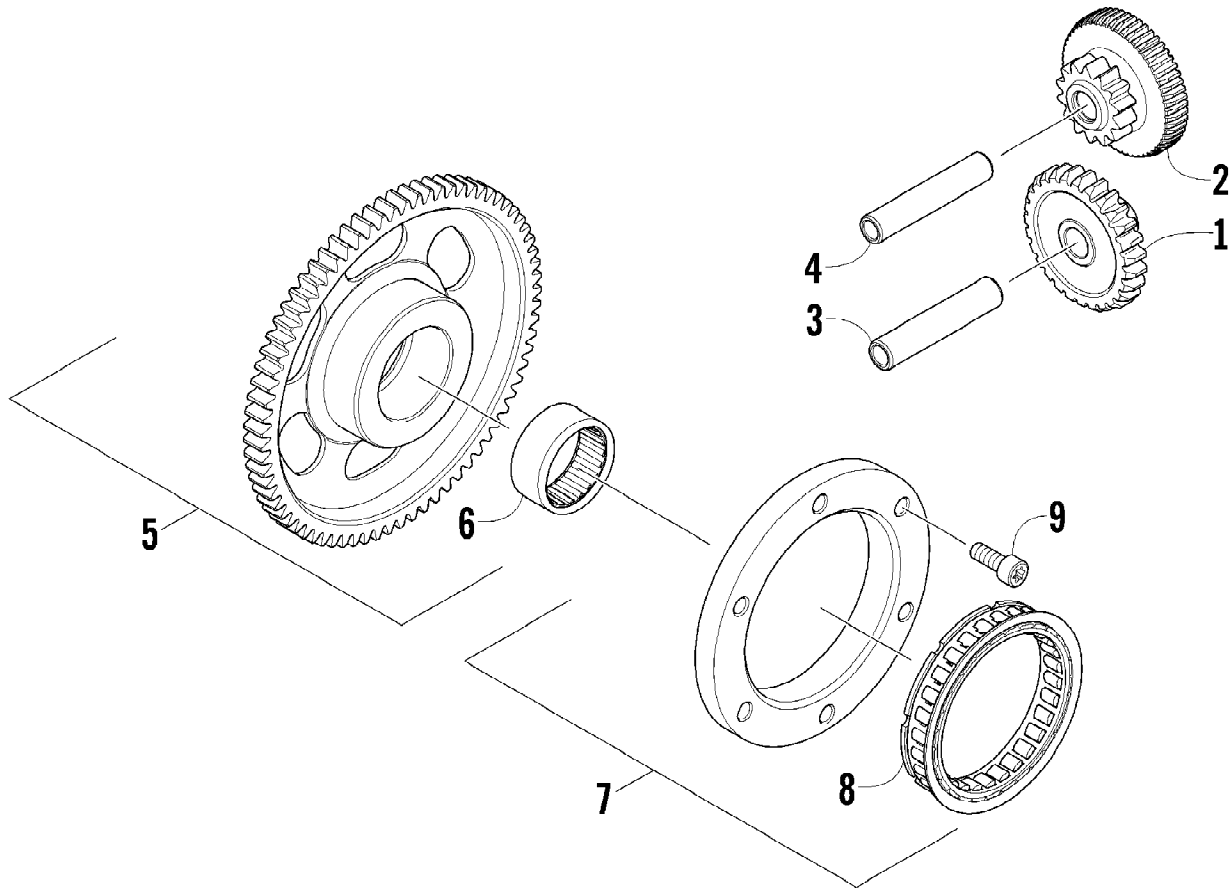
Ref #	Part Number	Qty	S/P/F	Description
1	0828-081	1		Washer
2	0822-061	1		Gear, Reverse Idle
3	0822-065	1		Bushing
4	0822-064	1		Shaft, Reverse Idle
5	0822-029	1		Spacer
6	0822-022	1		Driveshaft
7	0822-036	1		Countershaft Assembly (inc. 8-18)
8	0822-033	1		Gear Select, Reverse
9	3304-147	4	/P	Circlip
10	3304-045	3		Washer
11	0822-062	3		Bushing
12	0832-038	3		Bearing
13	0822-032	1		Gear, Reverse Driven
14	0822-063	1		Gear, Driven - Low
15	0822-027	1		Gear Select, Sliding
16	3304-044	2		Washer, Thrust
17	0822-026	1		Gear, Driven - High
18	0822-025	1		Countershaft
19	0822-028	1		Gear, Drive
20	0822-023	1		Shaft, Output
21	3303-395	2		Pin, Dowel
22	0830-156	1		Gasket, Housing
23	0822-105	1		Housing, Speedometer Sensor
24	3303-382	1	/P	Screw, Cap
25	3313-172	1		Sensor, Speedometer
26	0830-155	2	/P	Gasket
27	3303-387	2		Screw, Cap
28	3304-198	1		Bearing



2009 ATV 366 4X4 AUTOMATIC RED (A2009IDG4BUSR)
SHIFT LEVER ASSEMBLY

Page 66 of 78

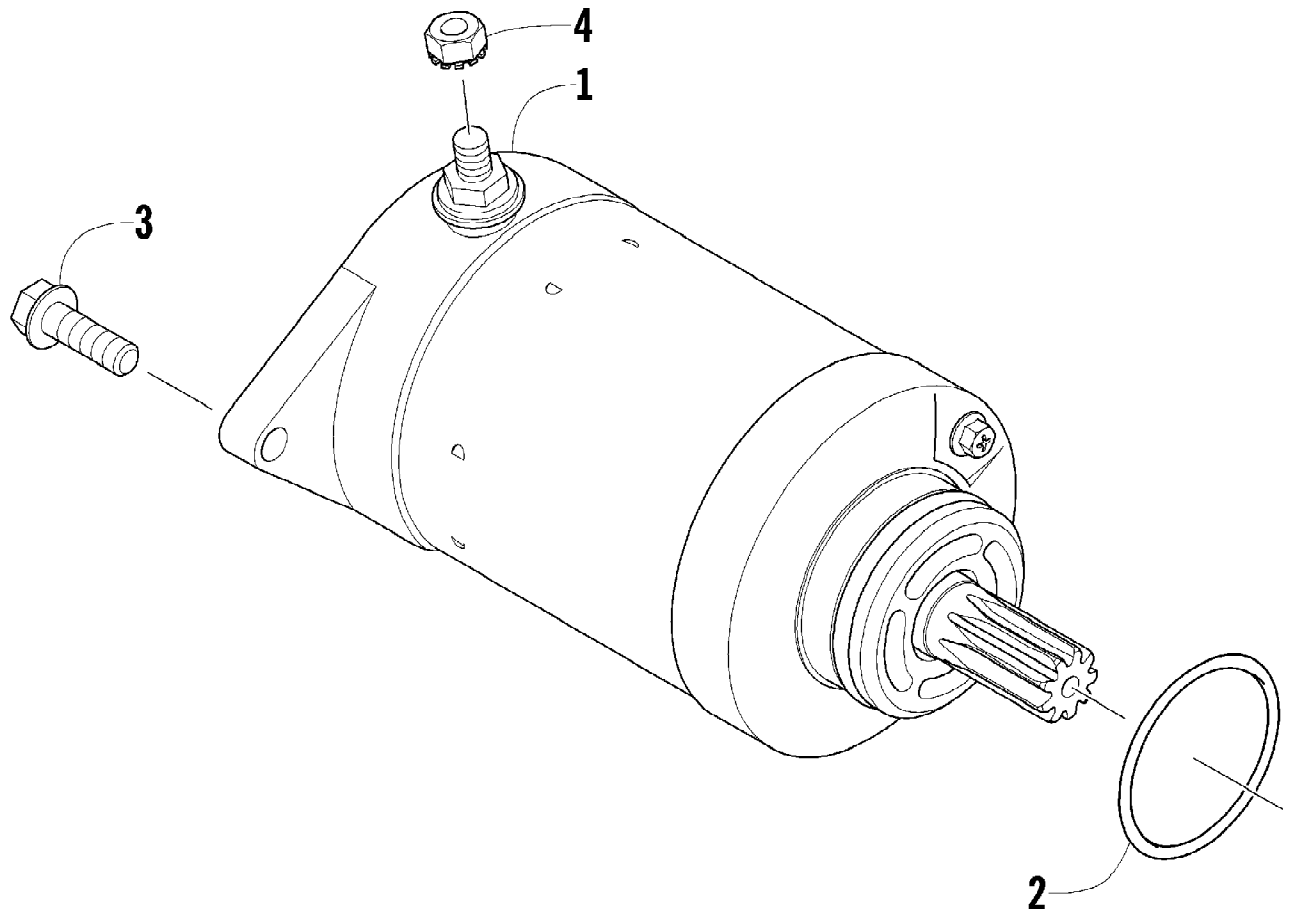
Ref #	Part Number	Qty	S/P/F	Description
1	0402-845	1		Knob, Shift Lever
2	0423-345	1		Clip, Retaining
3	3313-317	1		Lever, Shift
4	3304-544	1		Screw, Cap
5	0423-087	1		Washer
6	0423-299	2	/P	O-Ring
7	3313-051	1		Actuator, Shift
8	0402-678	1	/P	Spring, Shift Lever
9	0402-675	1		Axle, Pivot
10	0423-182	2	/P	O-Ring
11	3304-654	1	/P	Nut, Lock
12	3323-037	2		Bushing
13	3304-668	1		Nut, Lock
14	3304-565	1	/P	Screw, Cap
15	3313-054	1		Linkage, Shift - Assembly (inc. 16-18)
16	0423-013	1		Nut, Hex - Left-Hand Thread
17	3313-278	1		Adjuster, Shift Linkage
18	3303-325	1		Nut, Hex - Right-Hand Thread
19	8050-252	1		Washer
20	0423-169	1	/P	E-Ring



2009 ATV 366 4X4 AUTOMATIC RED (A2009IDG4BUSR)
STARTER CLUTCH ASSEMBLY

Page 68 of 78

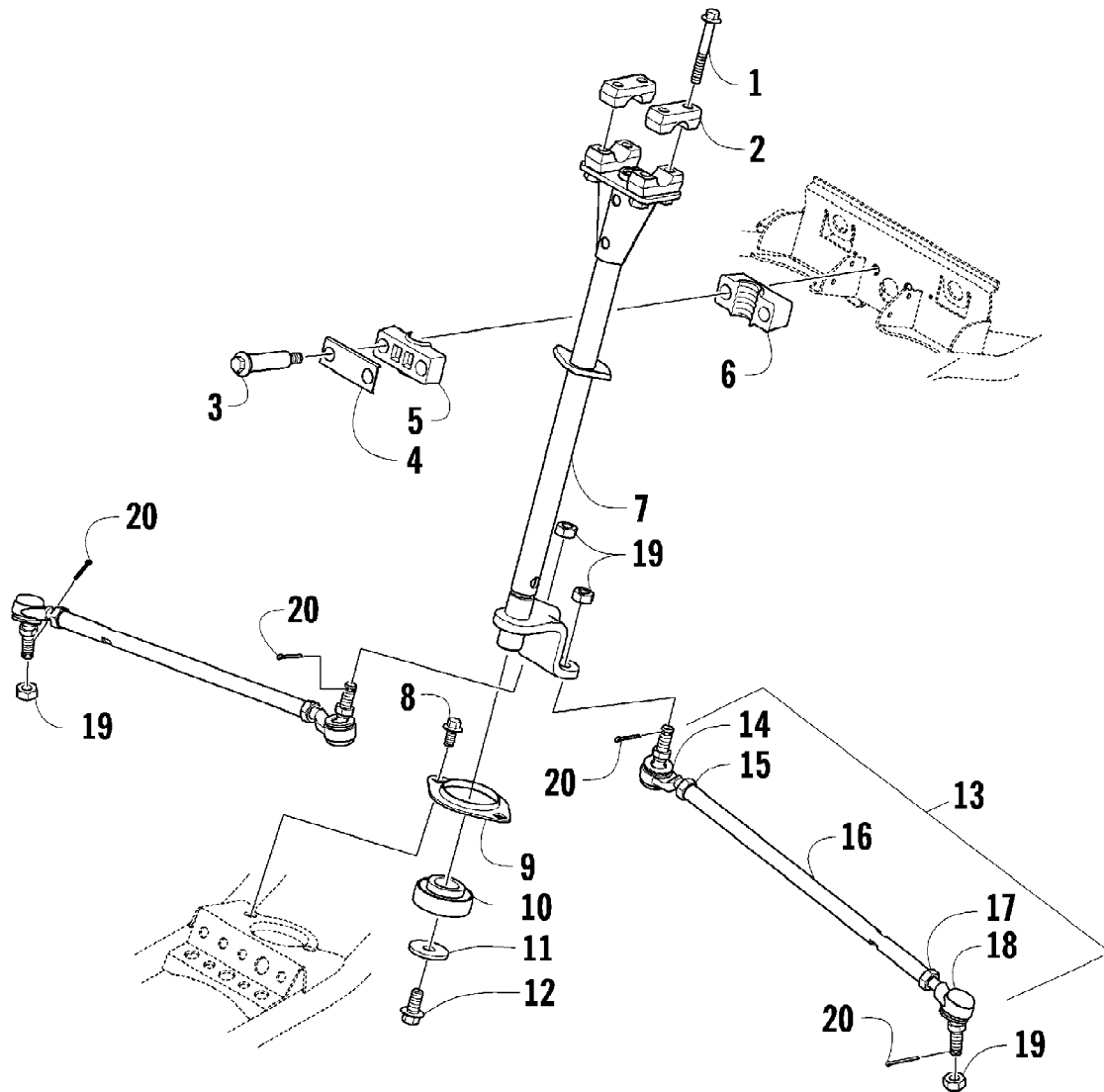
Ref #	Part Number	Qty	S/P/F	Description
1	0815-022	1		Gear, Starter Idler - No. 2
2	0815-025	1	F	Gear, Starter Idler - No. 1
2	0815-031	1	F	Gear, Starter Idler - No. 1
3	0815-015	1		Pin, Starter Idler Gear No. 2
4	0815-007	1		Pin, Starter Idler Gear No. 1
5	0815-023	1		Gear, Starter Clutch (inc. 6)
6	0832-069	1		Bearing
7	0802-044	1	/P	Clutch, One-Way (inc. 8)
8	0802-046	1	S	Bearing
9	0826-120	6		Screw, Cap



2009 ATV 366 4X4 AUTOMATIC RED (A2009IDG4BUSR)
STARTER MOTOR ASSEMBLY

Page 70 of 78

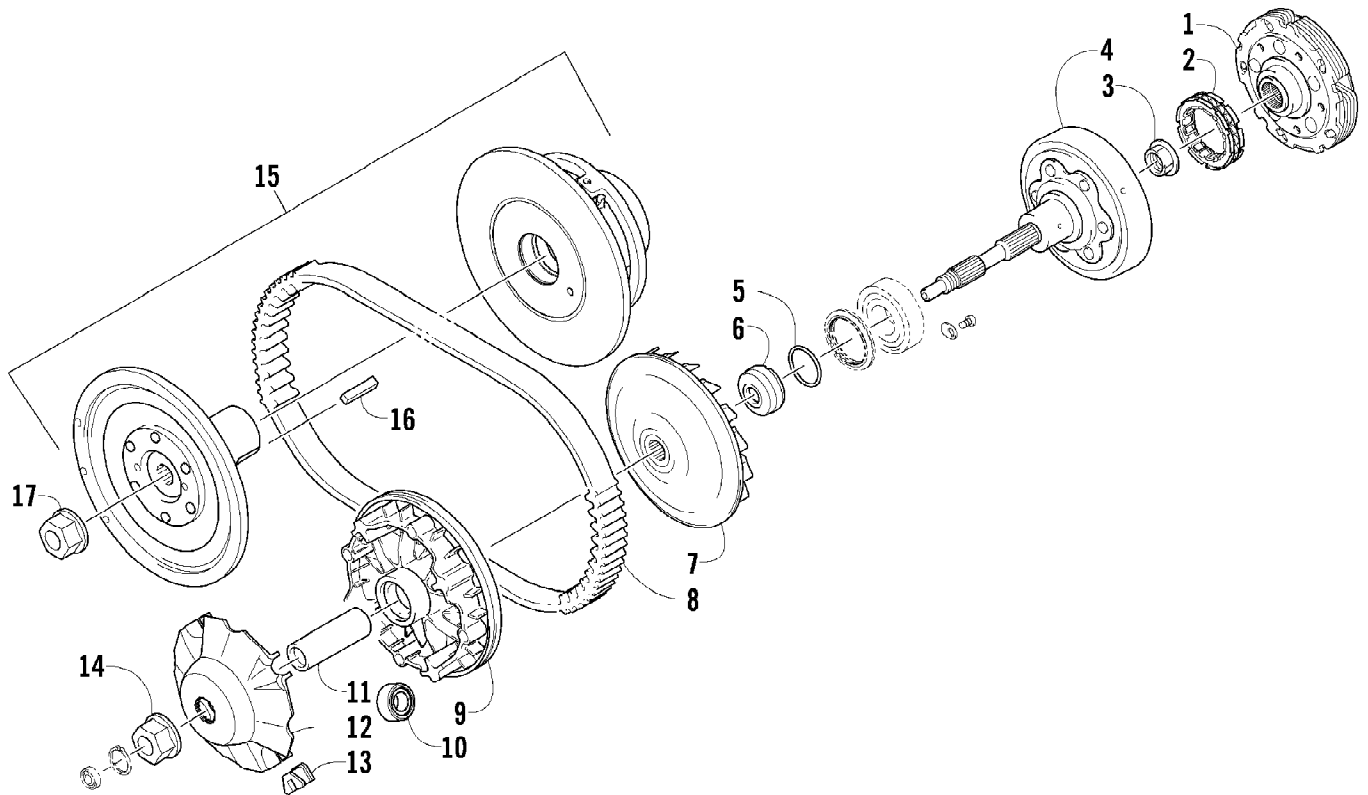
Ref #	Part Number	Qty	S/P/F	Description
1	3313-433	1	S/F	Motor, Starter - Assembly (inc. 2)
1	3313-719	1	F	Motor, Starter - Assembly (inc. 2)
2	3304-104	1		O-Ring
3	3303-385	2		Screw, Cap
4	3304-011	1		Nut w/Washer



2009 ATV 366 4X4 AUTOMATIC RED (A2009IDG4BUSR)
STEERING ASSEMBLY

Page 72 of 78

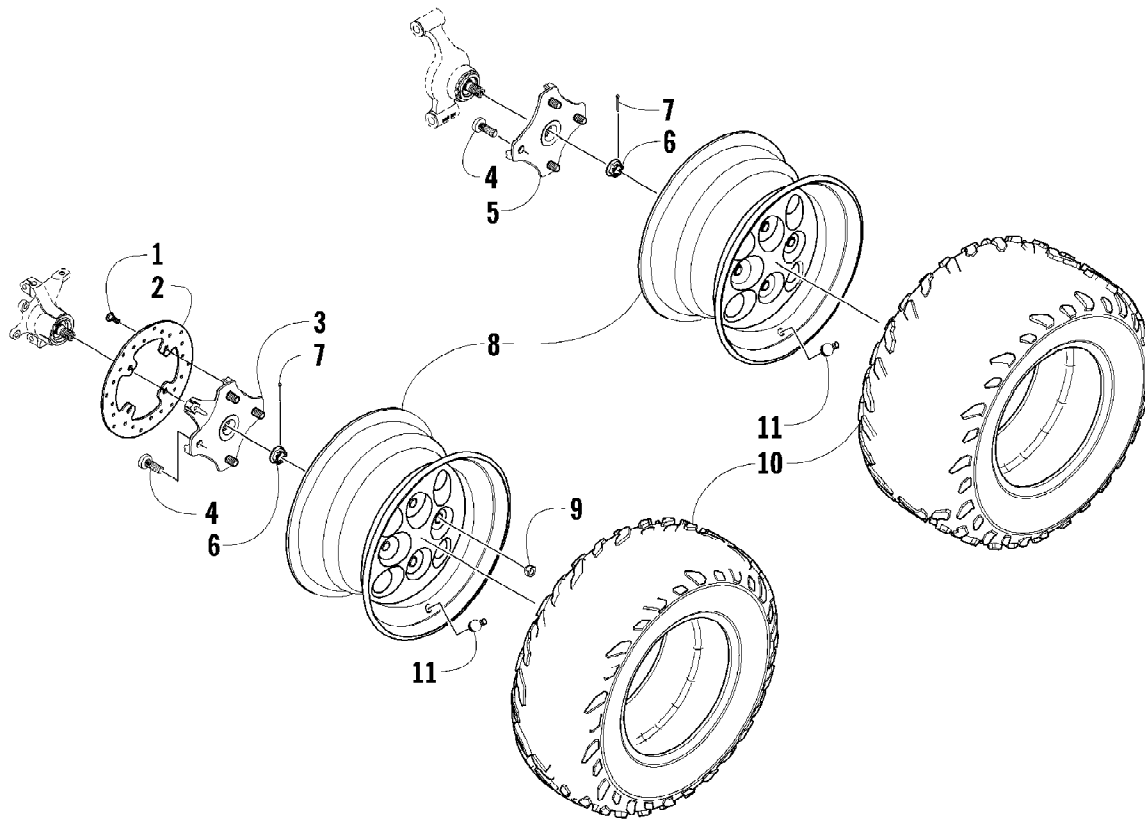
Ref #	Part Number	Qty	S/P/F	Description
1	8408-860	4		Screw, Cap
2	0405-035	2		Cap, Steering Adjuster
3	0423-505	2		Screw, Shoulder
4	0405-166	1		Cap, Housing
5	3323-052	1		Housing - Upper
6	3323-051	1		Housing - Lower
7	3313-056	1		Post, Steering
8	3304-565	2	/P	Screw, Cap
9	0602-233	1		Flange, Bearing
10	0405-052	1		Bearing w/Inverted Oil Seal
11	0423-073	1		Washer
12	8408-820	1	/P	Screw, Cap
13	3313-102	2		Tie Rod - Assembly (inc. 14-18)
14	0	2	F	End, Tie Rod - Left-Hand Thread
15	0	2	F	Nut - Left-Hand Thread
16	0	2	F	Tie Rod
17	0	2	F	Nut - Right-Hand Thread
18	0	2	F	End, Tie Rod - Right-Hand Thread
19	0423-157	4		Nut, Lock
20	3303-621	4	/P	Pin, Cotter



2009 ATV 366 4X4 AUTOMATIC RED (A2009IDG4BUSR)
TRANSMISSION ASSEMBLY

Page 74 of 78

Ref #	Part Number	Qty	S/P/F	Description
1	0823-197	1		Shoe, Clutch - Assembly
2	0823-198	1		Clutch, One-Way
3	0827-050	1		Nut
4	0823-200	1		Housing, Clutch
5	0470-531	1		O-Ring
6	0823-058	1		Spacer
7	0823-203	1		Face, Fixed Drive
8	0823-228	1		Belt, Drive
9	0823-207	1		Face, Movable Drive
10	0823-210	8		Roller, Movable Drive Face
11	0823-206	1		Spacer, Movable Drive Face
12	0823-213	1		Plate, Movable Drive Face
13	0823-214	4		Damper, Movable Drive Face
14	3323-165	1	/P	Nut
15	0823-294	1	/P	Clutch, Driven - Assembly (inc. 16)
16	0829-043	1		Key
17	0827-058	1		Nut

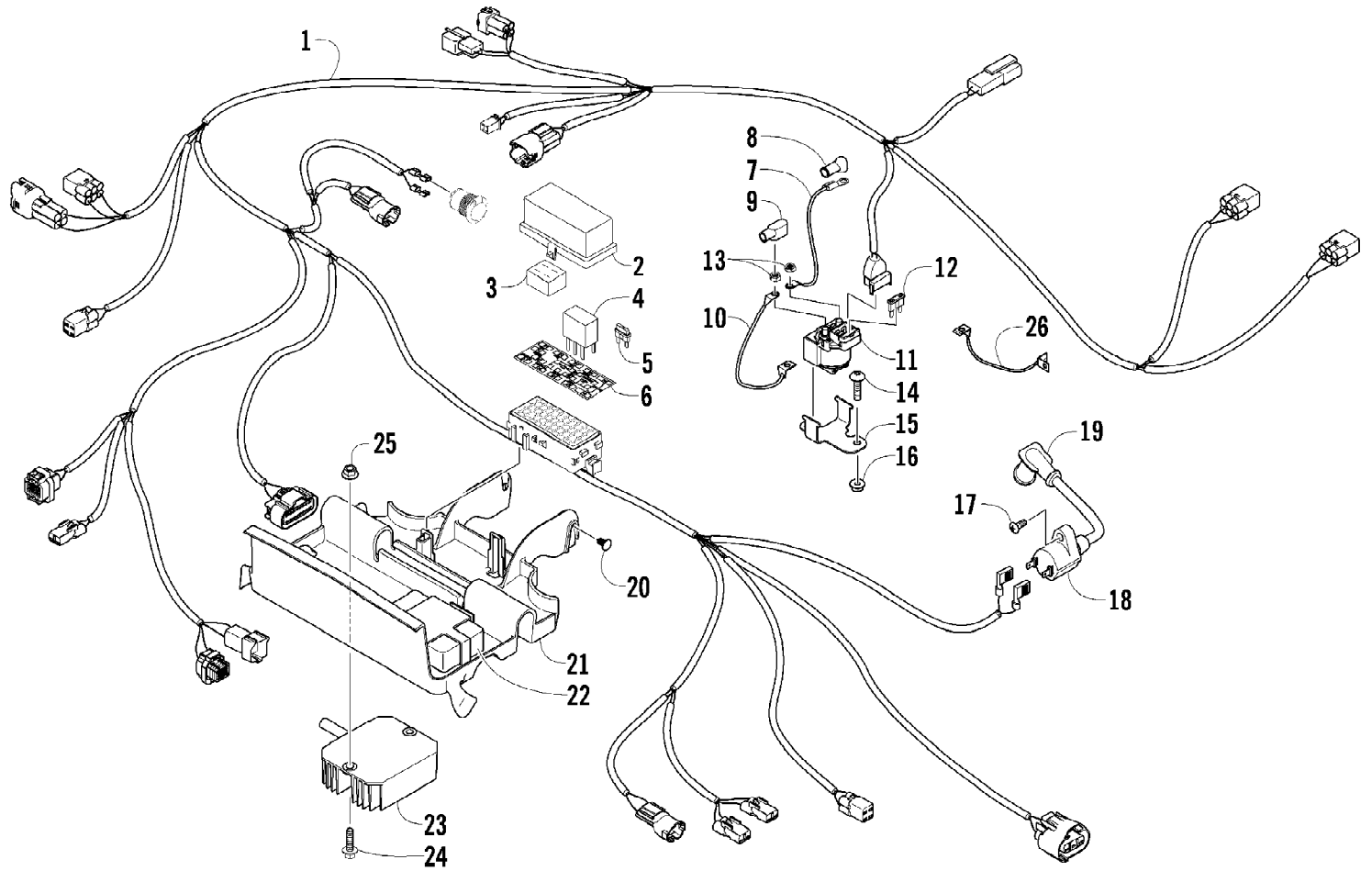


2009 ATV 366 4X4 AUTOMATIC RED (A2009IDG4BUSR)
WHEEL AND TIRE ASSEMBLY

Page 76 of 78

Ref #	Part Number	Qty	S/P/F	Description
1	0423-557	12		Screw, Shoulder
2	1436-164	3	/P	Disc, Brake
3	3323-100	2	S	Hub, Wheel - Front (inc. 4)
4	0402-974	16	/P	Stud
5	3323-100	1	S	Hub, Wheel - Right Rear (inc. 4)
5	3323-113	1	/P	Hub, Wheel - Left Rear (inc. 4)
6	0423-607	4		Nut, Castle
7	0423-407	4		Pin, Cotter
8	3313-306	4	/P	Wheel
9	0423-408	16	/P	Nut, Lug
10	3313-311	2		Tire - Front
10	3313-312	2		Tire - Rear
11	3303-887	4		Stem, Valve

2009 ATV 366 4X4 AUTOMATIC RED (A2009IDG4BUSR)
WIRING HARNESS ASSEMBLY



2009 ATV 366 4X4 AUTOMATIC RED (A2009IDG4BUSR)
WIRING HARNESS ASSEMBLY

Page 78 of 78

Ref #	Part Number	Qty	S/P/F	Description
1	3313-437	1		Harness, Main (inc. 2-6)
2	0530-008	1		Cover, Fuse Block
3	0430-037	1		Holder, Fuse
4	0430-033	3		Relay - 10 Amp
5	0430-032	4		Fuse - 10 Amp
5	0430-031	3		Fuse - 15 Amp
5	0430-030	2		Fuse - 30 Amp
6	0411-837	1		Decal, Fuse Block
7	3313-527	1		Cable, Solenoid/Starter (inc. 8)
8	0	1	F	Boot, Terminal
9	0645-327	1		Boot, Terminal
10	3313-526	1		Cable, Battery/Solenoid
11	3313-464	1		Solenoid (inc. 12)
12	0630-098	1		Fuse - 30 Amp
13	0623-038	2		Nut w/Washer
14	3305-703	2		Screw, Machine
15	3313-467	1		Bracket, Mounting - Solenoid
16	3304-538	2	S	Nut
17	3303-252	1		Screw, Machine
18	3323-216	1		Coil, Ignition - Assembly
19	3313-695	1		Cap, Spark Plug
20	0423-345	2		Clip, Retaining
21	3313-273	1		Tray, Electrical
22	3313-436	1		CDI Unit
23	3323-208	1		Regulator, Voltage
24	3305-344	2	/P	Screw, Cap
25	3303-331	2	/P	Nut
26	3313-525	1		Cable, Battery/Ground