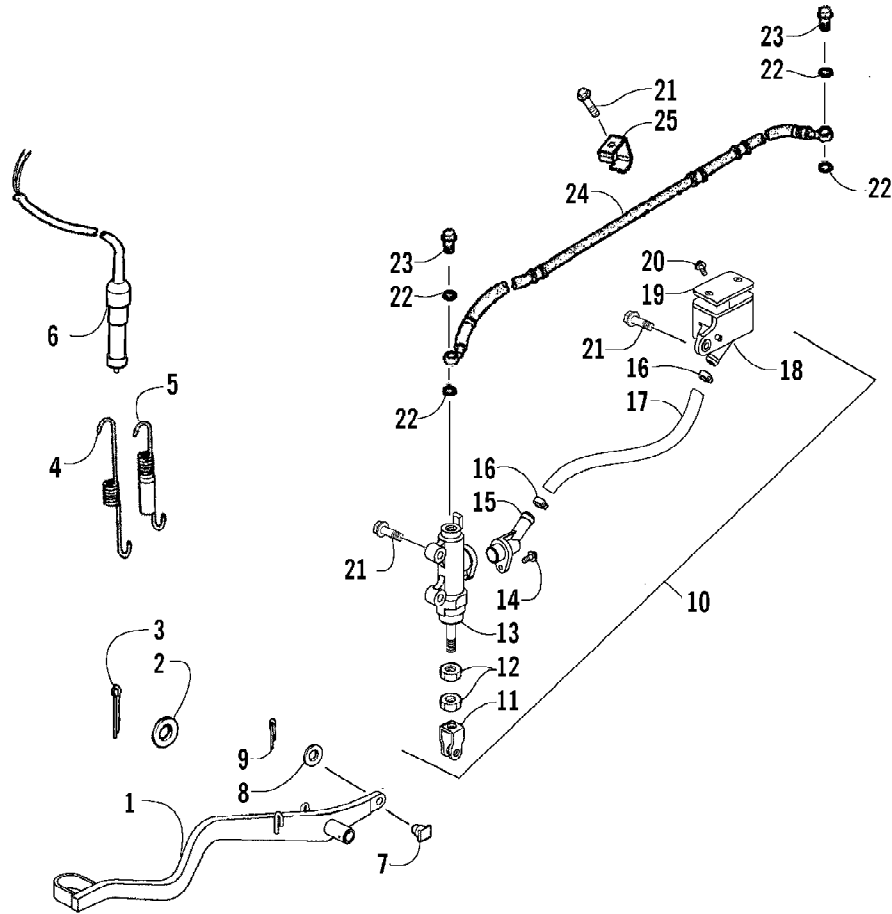


2009 ATV 250 UTILITY 2X4 AUTOMATIC RED (A2009KUE2BUSR)  
AIR INTAKE ASSEMBLY

Page 2 of 67

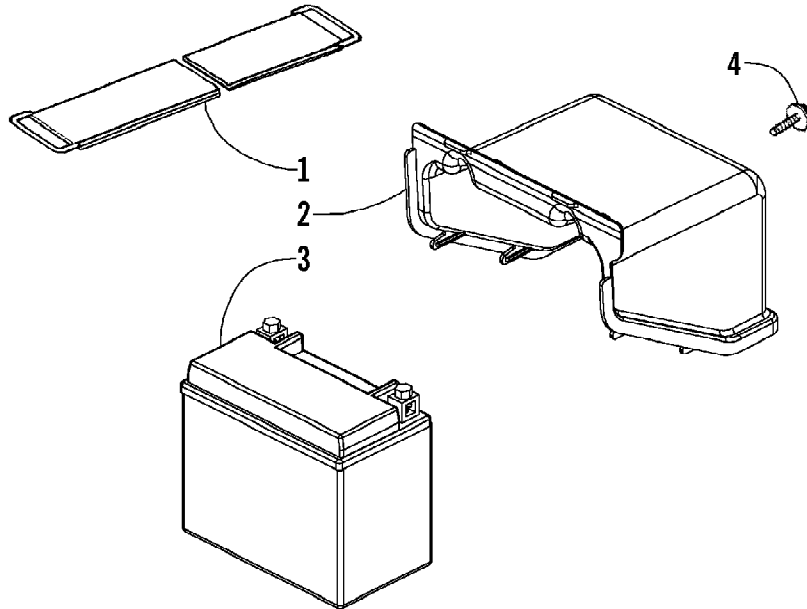
Ref #	Part Number	Qty	S/P/F	Description
1	3303-705	1		Cover, Housing
2	3303-708	4		Clip, Spring
3	3303-703	1		Seal, Housing Cover
4	3303-704	1		Filter, Air - Assembly (inc. 5)
5	0	1	F	Filter, Foam
6	3304-416	1		Clamp, Hose w/Screw
7	3305-423	1		Housing, Air Filter
8	3304-652	2		Screw, Machine
9	3303-716	1		Clip, Tube
10	3305-424	1		Tube, Drain
11	3303-709	2		Clamp, Hose w/Screw
12	3303-710	1		Duct
13	3304-062	1		Screw, Body
14	3304-433	2		Clip, Tube
15	3303-711	1		Joint, Blow-By
16	3304-117	2		Screw, Machine
17	3303-734	1		Tube B - Oil Catch (inc. one No. 18)
18	3303-714	2		Clip, Tube
19	3303-706	1		Catch, Oil
20	3304-553	2		Screw, Cap
21	3303-735	1		Tube C - Oil Catch (inc. two No. 22)
22	3303-712	3		Clip, Tube
23	3303-733	1		Tube A - Oil Catch (inc. one No. 18)



2009 ATV 250 UTILITY 2X4 AUTOMATIC RED (A2009KUE2BUSR)  
AUXILIARY BRAKE ASSEMBLY

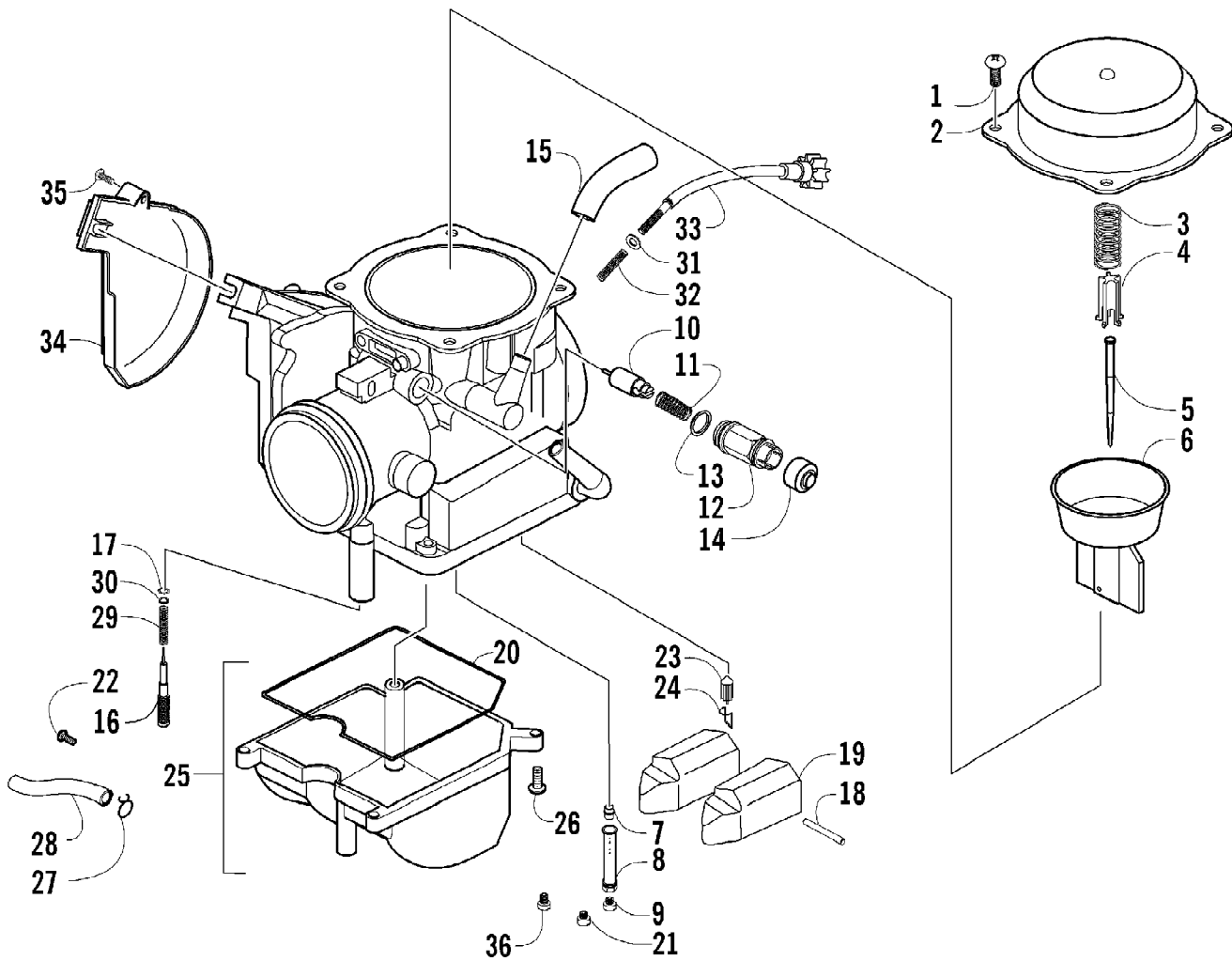
Page 4 of 67

Ref #	Part Number	Qty	S/P/F	Description
1	3303-926	1		Lever, Brake
2	3304-139	2		Washer
3	3304-143	1		Pin, Cotter
4	3303-855	1		Spring, Stop - Brake Lever
5	3303-929	1		Spring, Set - Brake Lever
6	3303-854	1		Switch, Brake
7	3303-927	1		Pin, Clevis
8	3304-050	1		Washer
9	3304-141	1		Pin, Cotter
10	3304-306	1		Brake Assembly - Rear (inc. 11-20)
11	3303-928	1		Actuator, Push Rod
12	3304-128	2		Nut
13	0	1	F	Master Cylinder
14	3303-321	1		Screw w/Washer
15	3304-307	1		Connector
16	3303-895	2		Clamp, Hose
17	3304-308	1		Hose, Brake
18	3303-896	1		Reservoir, Brake
19	3304-332	1		Cover, Brake Reservoir
20	3304-119	2		Screw, Machine
21	3304-551	3	/P	Screw, Cap
22	3303-284	4	/P	Washer, Crush
23	3303-257	2	/P	Bolt, Banjo-Fitting
24	3303-889	1		Hose, Brake
25	3303-891	1		Clamp, Retaining



2009 ATV 250 UTILITY 2X4 AUTOMATIC RED (A2009KUE2BUSR)  
BATTERY ASSEMBLY

Ref #	Part Number	Qty	S/P/F	Description
1	3303-937	1		Strap, Battery
2	3303-995	1		Cover, Battery
3	3304-275	1	/P	Battery
4	3304-029	2	/P	Screw, Cap

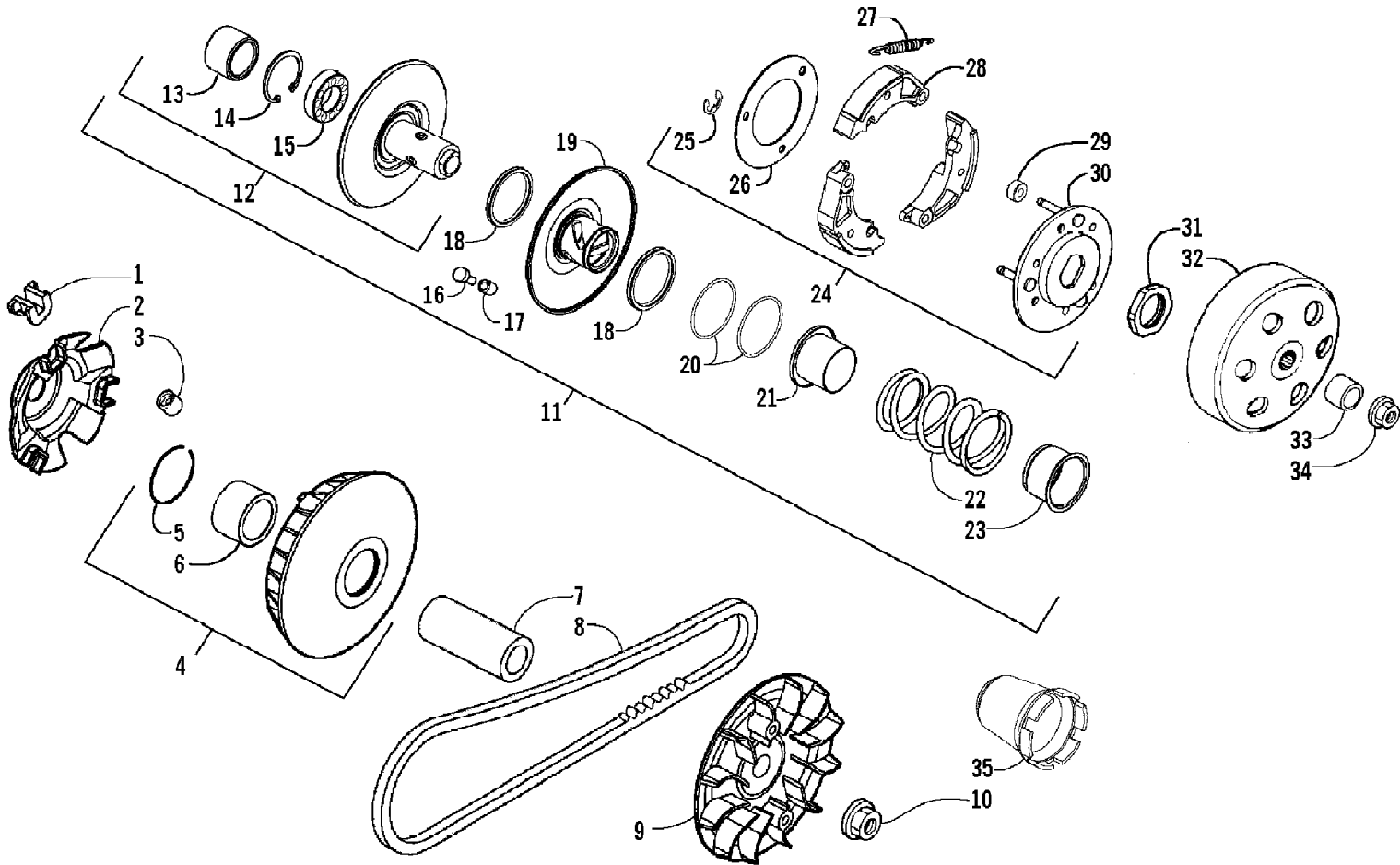


2009 ATV 250 UTILITY 2X4 AUTOMATIC RED (A2009KUE2BUSR)  
CARBURETOR ASSEMBLY

Page 8 of 67

Ref #	Part Number	Qty	S/P/F	Description
	3305-537	1		Complete Carburetor Assembly
1	5507-002	2	/P	Screw, Machine
2	5507-051	1		Top
3	3305-432	1		Spring, Compression
4	3305-538	1		Seat, Spring
5	3305-540	1	/P	Needle, Jet
6	3305-433	1	S/P	Piston, Vacuum
7	3305-436	1	S	Jet, Needle
8	5507-047	1	/P	Holder, Jet Needle
9	5507-126	1		Jet, Main - 115
10	5507-022	1		Valve, Starter
11	5507-023	1		Spring, Coil
12	5507-025	1		Cap
13	5507-024	1		O-Ring
14	5507-026	1		Cable, Sealing Cap
15	3305-427	1	S	Tube
16	3305-442	1		Screw, Pilot
17	3304-237	1		O-Ring
18	3304-451	1		Pin, Float Arm
19	3305-550	1		Float, Set
20	5507-068	1		O-Ring
21	3305-539	1	S	Jet, Slow
22	5507-050	1	/P	Screw, Drain
23	3304-242	1		Valve, Float (inc. 24)
24	0	1	F	Clip
25	3305-430	1	S	Chamber, Float - Assembly
26	5507-017	4	/P	Screw, Machine
27	3304-474	1		Clamp, Tube
28	3305-428	1		Tube, Drain
29	5507-226	1		Spring
30	5507-225	1		Washer
31	5507-028	1		Washer
32	5507-029	1		Spring
33	3305-437	1		Screw, Stop
34	3305-441	1		Cover, Top - Assembly
35	5507-037	1	/P	Screw, Machine
36	5507-058	1		Jet, Starter

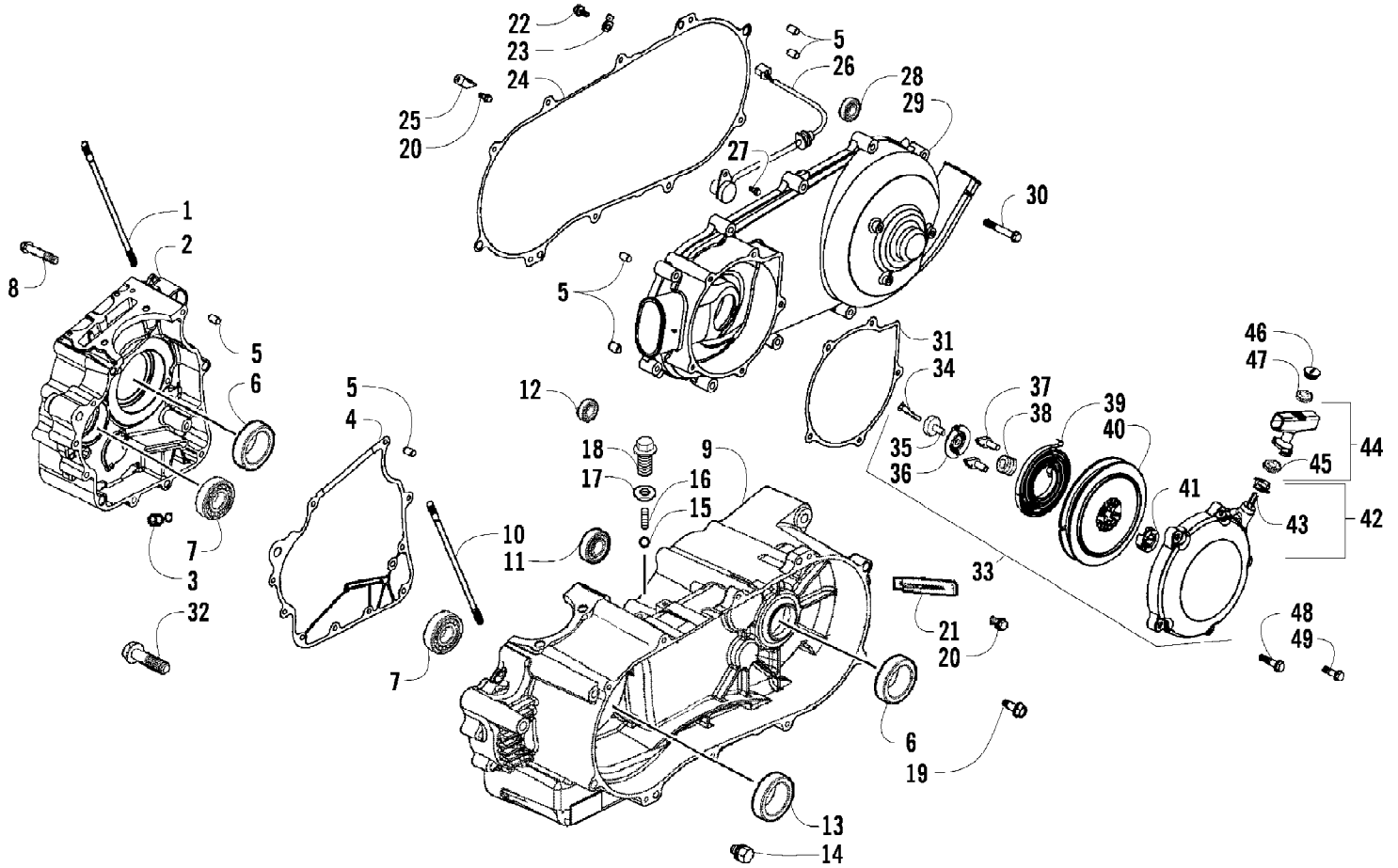




Ref #	Part Number	Qty	S/P/F	Description
1	3303-774	3		Slide
2	3303-773	1		Plate, Ramp
3	3303-772	6		Guide, Roller
4	3303-770	1		Face, Movable - Drive (inc. 5-6)
5	3304-160	1		Ring, Retaining
6	3303-771	1		Bushing
7	3303-769	1		Sleeve, Drive Face
8	3303-782	1		Belt, Drive
9	3303-768	1		Face, Fixed - Drive
10	3304-024	1		Nut, Jam
11	3303-781	1		Clutch, Driven - Assembly (inc. 12-31)
12	3303-783	1		Face, Fixed - Driven (inc. 13-15)
13	3304-072	1		Bearing
14	3304-149	1		Circlip
15	3304-070	1		Bearing
16	3303-786	4		Pin, Roller Guide
17	3303-787	4		Roller, Guide
18	3304-082	2		Seal, Oil
19	3303-785	1		Face, Movable - Driven
20	3304-107	2		O-Ring
21	3303-789	1		Collar, Seal
22	3303-788	1		Spring, Driven Face
23	3303-790	1		Collar, Spring
24	3303-775	1		Clutch, Centrifugal - Assembly (inc. 25-30)
25	3304-054	3		E-Ring
26	3303-777	1		Plate, Side
27	3303-778	3		Spring, Clutch
28	3303-779	3		Weight, Clutch
29	3303-780	3		Rubber, Clutch Damper
30	3303-776	1		Plate, Drive Clutch
31	3304-025	1	/P	Nut
32	3303-767	1		Clutch, Outer
33	3303-638	1		Sleeve, Driveshaft
34	3304-023	1		Nut, Jam
35	3303-828	1		Ratchet, Face

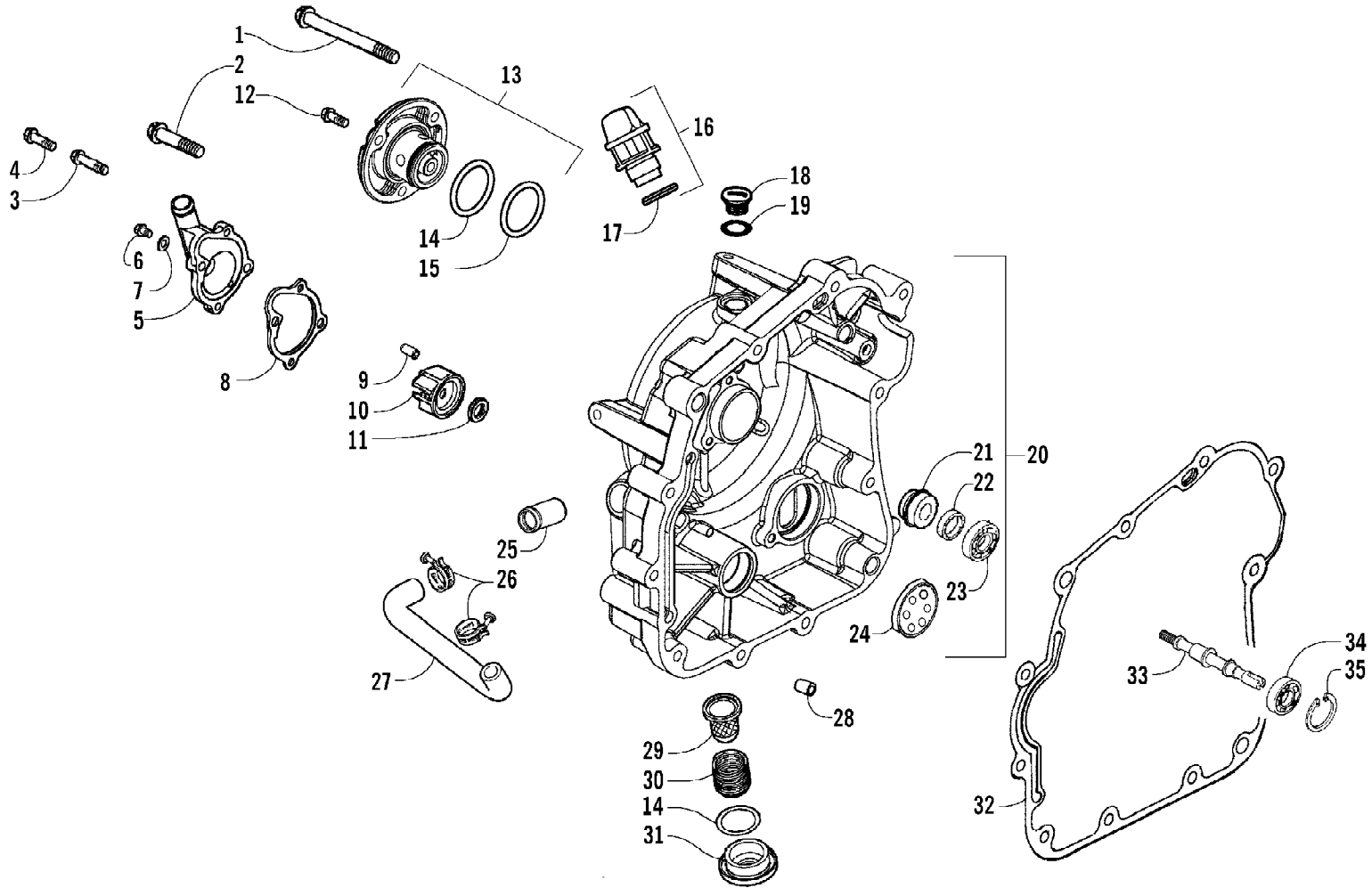


Ref #	Part Number	Qty	S/P/F	Description
1	3303-743	1	/P	Shroud, Radiator
2	3303-263	4	/P	Screw w/Washer
3	3303-744	1		Screen, Radiator
4	3304-123	6	/P	Screw w/Washer
5	3303-741	1		Fan, Cooling
6	3303-742	1		Motor, Fan
7	3303-739	1		Shroud, Fan
8	3304-586	3	/P	Screw, Cap
9	3303-984	1		Bracket, Radiator - Lower
10	3304-116	4		Screw, Cap
11	3303-737	1		Radiator Assembly
12	3303-759	1		Hose, Cooling - Radiator/Engine
13	3304-164	2		Clamp, Hose
14	3303-862	1		Switch, Temperature
15	3304-587	6	/P	Screw, Cap
16	3303-983	1		Bracket, Radiator - Upper
17	3304-165	4	/P	Clamp, Hose
18	3303-761	1		Hose, Cooling - Radiator
19	3304-553	1		Screw, Cap
20	3303-738	1		Neck, Filler
21	3303-748	1		Cap, Radiator
22	3304-654	2	/P	Nut
23	3303-740	1		Bracket, Mounting - Filler Neck
24	3304-066	1		Tube, Water Pump - Assembly (inc. 25)
25	3304-161	2		Clamp, Hose
26	3303-993	1		Shield, Master Cylinder
27	3303-749	1		Cap, Reserve Tank
28	3304-253	1		Tank, Reserve
29	3304-163	2		Clamp, Hose
30	3303-349	1		Clamp, Hose
31	3303-745	1		Hose, Drain - Reserve Tank
32	3303-746	1		Hose, Reserve Tank
33	3304-650	8	/P	Screw, Self-Tapping
34	3303-637	1		Duct, Cooling - Cover
35	3305-440	1		Clamp w/Screw
36	3303-633	1		Duct, Cooling
37	3303-636	1		Clamp w/Screw
38	3303-635	1		Clamp w/Screw
39	3303-634	1		Duct, Cooling
40	3303-640	1		Element, Duct
41	3303-760	1		Hose, Cooling - Engine/Radiator



Ref #	Part Number	Qty	S/P/F	Description
1	3304-008	2		Bolt, Stud
2	3303-626	1		Crankcase - Right (inc. 3)
3	3304-065	1		Plug, Cone-Type
4	3303-628	1		Gasket, Crankcase
5	3303-342	6		Pin, Dowel
6	3304-091	2		Seal, Oil
7	3304-198	2		Bearing
8	3304-191	4	/P	Screw, Cap
9	3303-629	1		Crankcase - Left
10	3304-009	2		Bolt, Stud
11	3304-195	1		Bearing
12	3304-074	1	/P	Bearing
13	3304-079	1		Seal, Oil
14	3304-052	1	/P	Plug, Drain
15	3304-205	1		Ball, Steel
16	3304-063	1		Spring, Bolt Seat Inner
17	3304-021	1		Washer, Bolt Seat
18	3304-109	1		Bolt, Seat Ball Stopper
19	3303-365	1		Screw, Cap
20	3303-381	3		Screw, Cap
21	3304-158	1		Clamp, Wire
22	3304-005	2		Screw, Cap
23	3304-039	2		Plate, Bearing Holder
24	3303-642	1		Gasket, Crankcase Cover - Left
25	3303-843	2		Clamp, Wire
26	3303-856	1		Cable, Gear Change
27	3304-187	1		Screw, Cap
28	3304-073	1	/P	Bearing
29	3303-632	1		Cover, Crankcase - Left
30	3304-003	8		Screw, Cap
31	3304-101	1		Gasket, Starter Cover
32	3304-004	2		Screw, Cap
33	3305-459	1		Recoil Starter - Assembly (inc. 34-47)
34	3304-113	1		Screw, Cap
35	3303-651	1		Insert, Collar
36	3303-649	1		Guide, Ratchet
37	3303-646	2		Ratchet
38	3303-647	1		Spring, Ratchet Guide
39	3303-645	1		Spiral, Starter
40	3305-346	1		Reel, Starter Spiral
41	3303-648	1		Spacer, Starter - Reel/Cover
42	3303-639	1		Cover, Starter (inc. 43)
43	3303-650	1		Rope, Starter
44	3303-652	1		Handle, Starter Rope (inc. 45)
45	3304-103	1		O-Ring
46	3305-269	1		Cap, Starter Rope Handle
47	3304-137	1		Washer
48	3304-190	2		Screw, Cap
49	3303-384	3	/P	Screw, Cap

2009 ATV 250 UTILITY 2X4 AUTOMATIC RED (A2009KUE2BUSR)  
CRANKCASE COVER ASSEMBLY

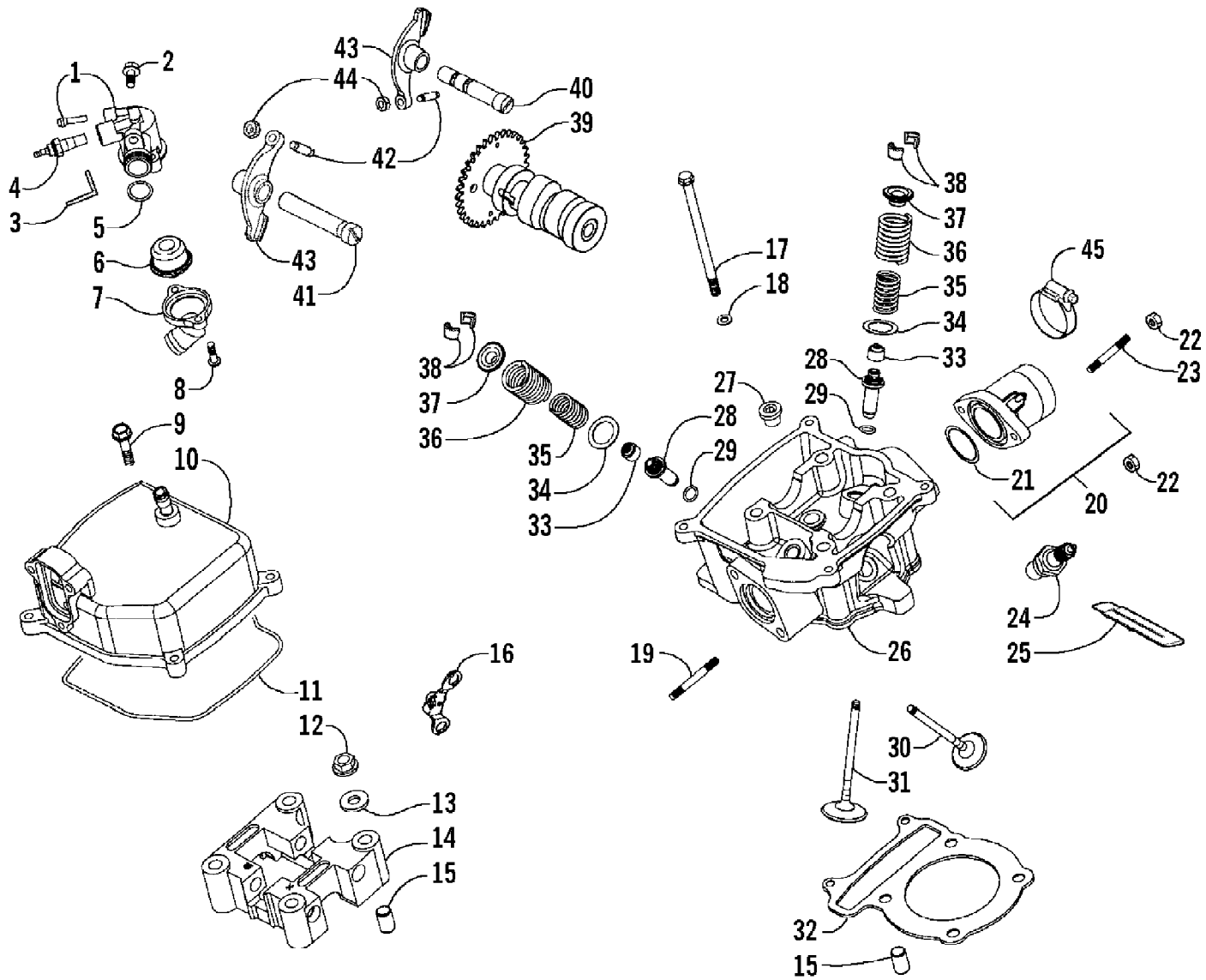


2009 ATV 250 UTILITY 2X4 AUTOMATIC RED (A2009KUE2BUSR)  
CRANKCASE COVER ASSEMBLY

Ref #	Part Number	Qty	S/P/F	Description
1	3304-192	8		Screw, Cap
2	3303-387	4		Screw, Cap
3	3303-385	2		Screw, Cap
4	3303-619	2	/P	Screw, Cap
5	3303-752	1		Cover, Water Pump
6	3304-186	1		Screw, Cap
7	3304-049	1		Washer
8	3303-753	1		Gasket, Water Pump
9	3303-341	2		Pin, Dowel
10	3303-750	1		Impeller, Water Pump
11	3304-038	1		Washer
12	3303-382	3	/P	Screw, Cap
13	3304-013	1		Cap, Crankcase Cover - Assembly (inc. one No. 14 and 15)
14	3304-096	2	/P	O-Ring
15	3304-098	1		O-Ring
16	3303-695	1		Gauge, Oil Level (inc. 17)
17	3304-102	1	/P	O-Ring
18	3304-012	1		Cap
19	3304-099	1		O-Ring
20	3303-631	1		Cover, Crankcase (inc. 21-25)
21	3303-751	1		Seal, Mechanical
22	3304-078	1		Seal, Oil
23	3304-068	1		Bearing
24	3303-696	1		Finder, Oil Level
25	0	1	F	Sleeve
26	3304-165	2	/P	Clamp, Hose
27	3303-758	1		Hose, Water
28	3303-342	2		Pin, Dowel
29	3303-691	1	/P	Screen, Oil Filter
30	3303-692	1	/P	Spring, Oil Filter
31	3303-021	1		Cap, Oil Filter
32	3303-641	1		Gasket
33	3303-754	1		Shaft, Water Pump
34	3304-193	1		Bearing
35	3304-148	1		Ring, Retaining

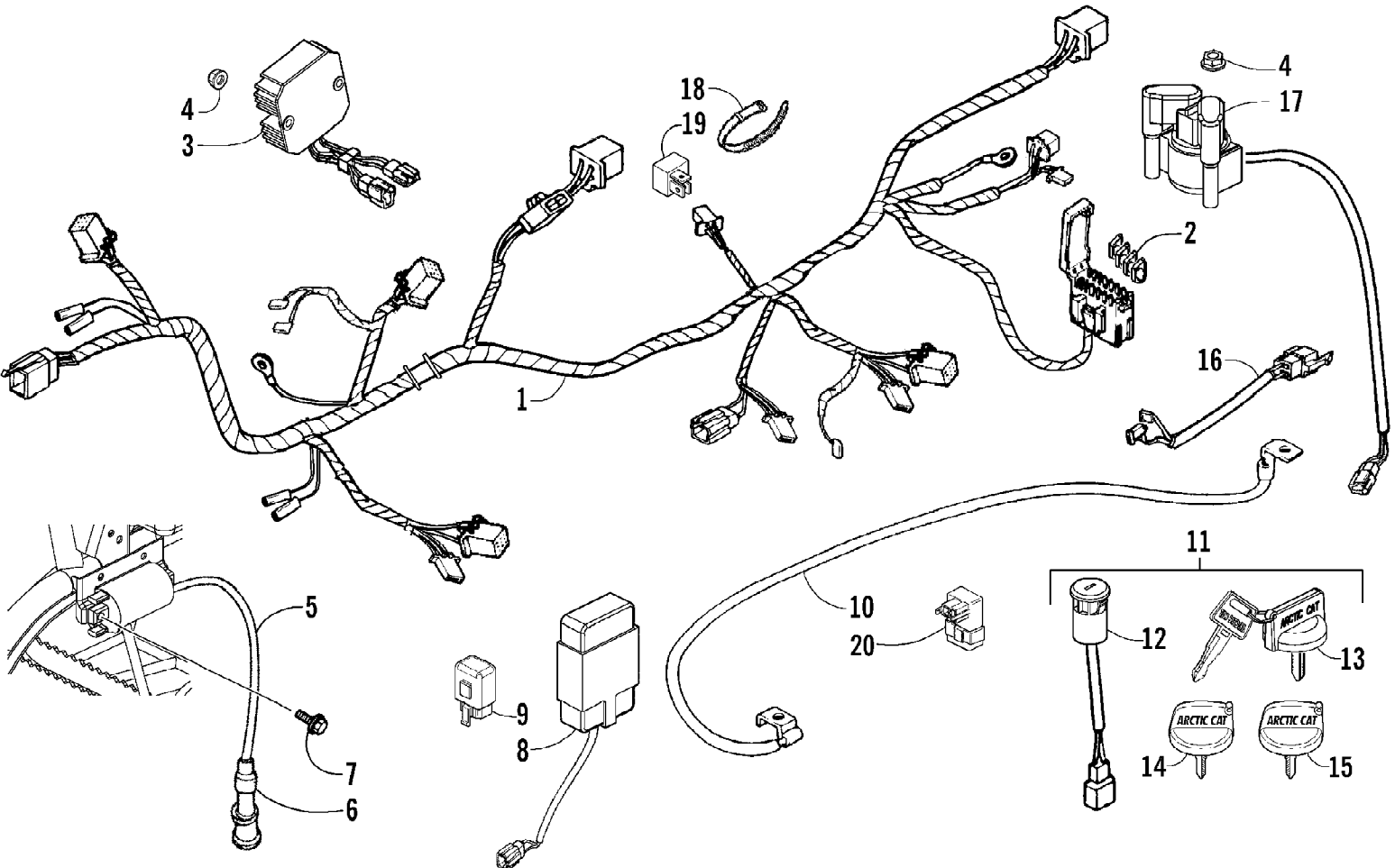


2009 ATV 250 UTILITY 2X4 AUTOMATIC RED (A2009KUE2BUSR)  
CYLINDER HEAD ASSEMBLY

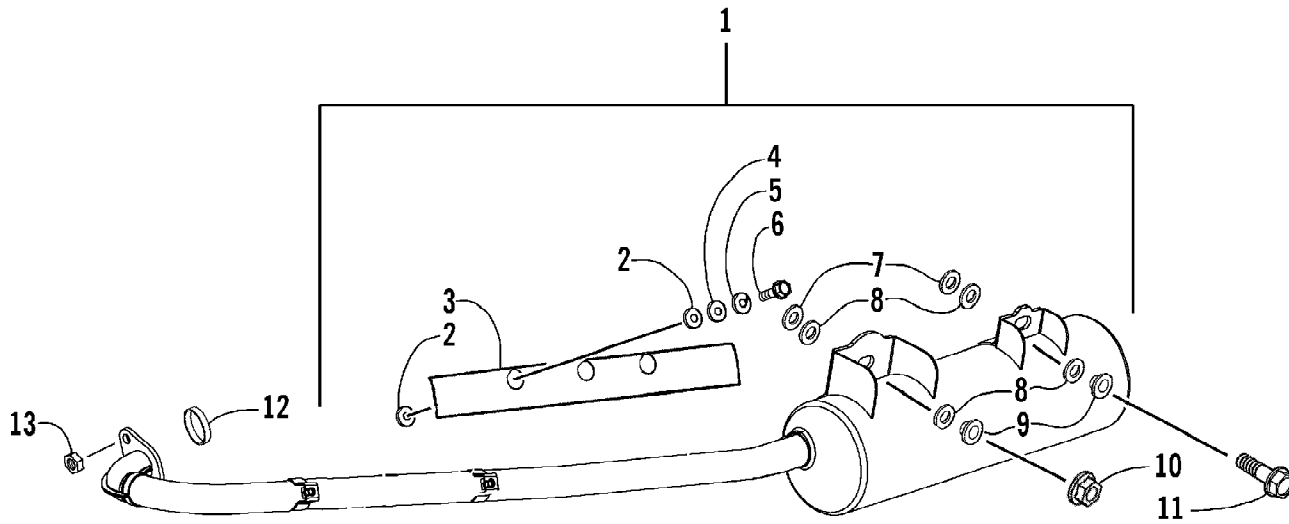


Ref #	Part Number	Qty	S/P/F	Description
	3305-533	1		Complete Engine Assembly AC50EA
1	3303-756	1		Housing, Thermostat - Upper
2	3303-617	1	/P	Screw, Cap
3	3303-860	1		Terminal, Ground
4	3303-861	1		Sensor, Coolant Temperature
5	3304-094	1		O-Ring
6	3303-755	1		Thermostat
7	3303-757	1		Housing, Thermostat - Lower
8	3304-118	2		Screw, Machine
9	3303-360	4		Screw, Cap
10	3303-660	1		Cover, Cylinder Head
11	3303-661	1		Gasket, Cylinder Head Cover
12	3303-332	4		Nut, Lock
13	3304-048	4	/P	Washer
14	3303-658	1		Holder, Camshaft
15	3303-342	4		Pin, Dowel
16	3303-670	1		Plate, Stopper - Assembly
17	3303-390	2		Screw, Cap
18	3304-049	2		Washer
19	3304-010	2		Bolt, Stud
20	3305-460	1		Manifold, Intake (inc. 21)
21	3304-097	1		O-Ring
22	3304-124	2		Nut
23	3304-114	2		Bolt, Stud
24	0217-730	1	/P	Spark Plug (DPR7EA-9)
25	3304-157	1		Clamp, Wire
26	3303-655	1		Head, Cylinder (inc. 27-29)
27	3303-656	1		Bolt, Sealing
28	0	2	F	Guide, Valve
29	3304-461	2		O-Ring
30	3303-680	1		Valve, Intake
31	3303-681	1		Valve, Exhaust
32	3303-659	1		Gasket, Head Cylinder
33	3303-657	2	/P	Seal, Valve Stem
34	3303-043	2		Seat, Valve Spring
35	3303-683	2		Spring, Valve - Inner
36	3303-682	2		Spring, Valve - Outer
37	3303-042	2	/P	Retainer, Valve Spring
38	3303-044	4		Valve, Cotter
39	3303-669	1		Camshaft
40	3303-674	1		Shaft, Rocker Arm - Intake
41	3303-675	1		Shaft, Rocker Arm - Exhaust
42	3304-007	2	/P	Screw, Gap Adjuster
43	3303-673	2		Arm, Rocker
44	3304-026	2	/P	Nut, Gap Adjuster
45	3305-410	1		Clamp

2009 ATV 250 UTILITY 2X4 AUTOMATIC RED (A2009KUE2BUSR)  
ELECTRICAL AND WIRING HARNESS ASSEMBLY



Ref #	Part Number	Qty	S/P/F	Description
1	3303-838	1		Harness, Main (inc. 2)
2	3304-210	1		Fuse - 10 Amp
2	3304-211	2		Fuse - 15 Amp
2	3304-212	1		Fuse - 30 Amp
3	3303-836	1		Regulator, Voltage
4	3303-331	4	/P	Nut
5	3303-830	1		Coil, Ignition (inc. 6)
6	3305-425	1		Cap, Noise Suppression
7	3303-382	2	/P	Screw, Cap
8	3303-829	1		CDI Unit
9	3303-867	1		Relay, Start-in-Gear
10	3303-841	1		Cable, Battery
11	3303-850	1		Switch, Ignition - Assembly (inc. 12-15)
12	0	1	F	Switch, Ignition
13	3304-522	1		Cover, Key - "Arctic Cat"
14	3304-520	1		Key, Ignition - Set - Right-Side Cut
15	3304-521	1		Key, Ignition - Set - Left-Side Cut
16	3303-134	1	/P	Sub-Cord
17	3303-857	1		Relay, Starter
18	3303-840	1		Tie, Cable
19	3303-837	1		Diode, Neutral
20	3304-523	1		Relay, Lighting Control

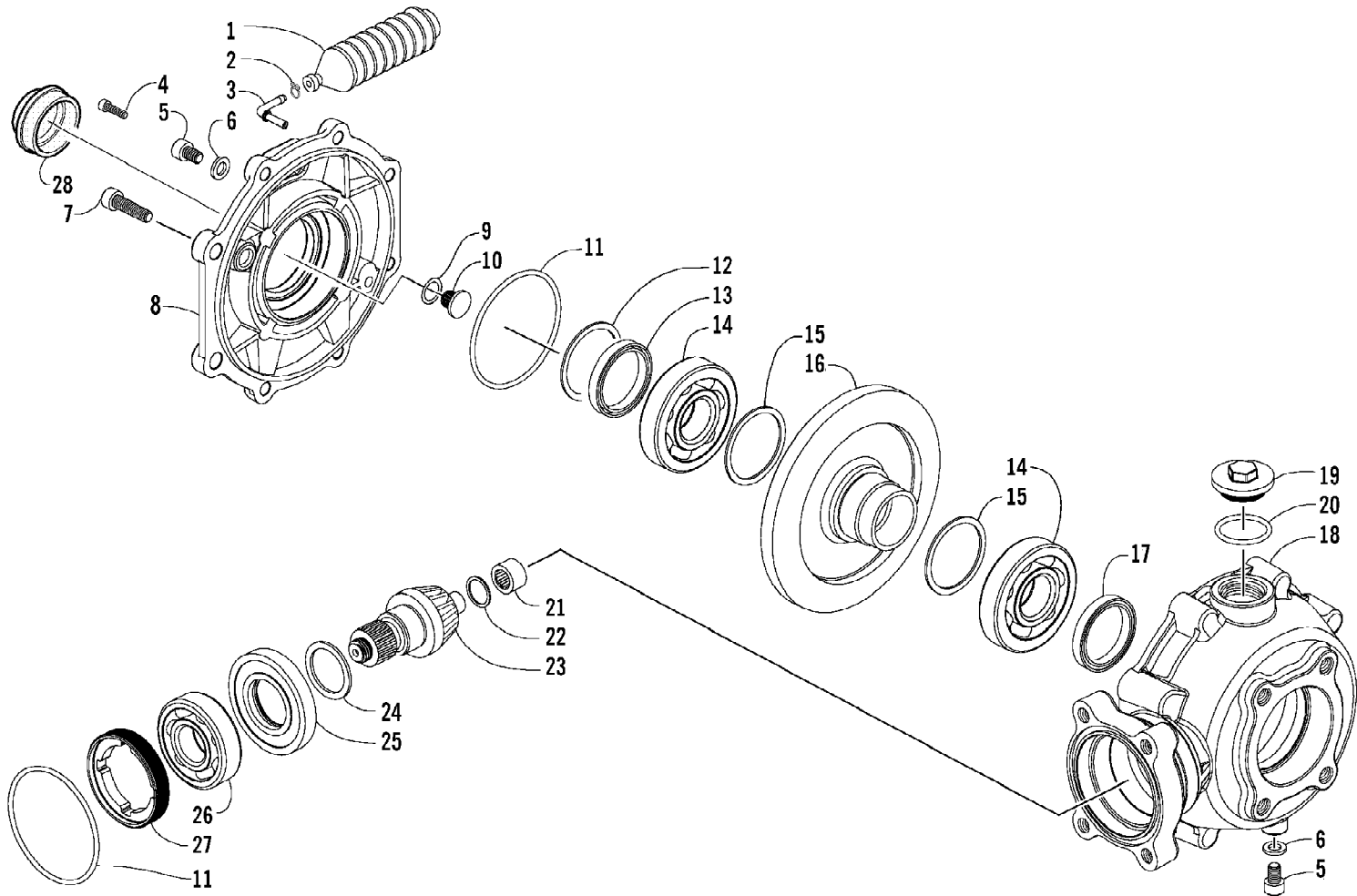


2009 ATV 250 UTILITY 2X4 AUTOMATIC RED (A2009KUE2BUSR)  
EXHAUST ASSEMBLY

Page 22 of 67

Ref #	Part Number	Qty	S/P/F	Description
1	3303-729	1		Muffler - Assembly (inc. 2-9)
2	3303-727	4		Packing, Exhaust Shield
3	3303-730	1		Shield, Exhaust
4	3304-134	2		Washer
5	3304-140	2		Washer, Lock
6	3303-381	2		Screw, Cap
7	3303-726	2		Bushing
8	3303-728	4		Packing
9	3303-731	2		Collar
10	3303-332	1		Nut
11	3304-175	1		Screw, Cap
12	3303-725	1		Gasket, Exhaust Pipe
13	3304-125	2		Nut

2009 ATV 250 UTILITY 2X4 AUTOMATIC RED (A2009KUE2BUSR)  
FINAL DRIVE ASSEMBLY



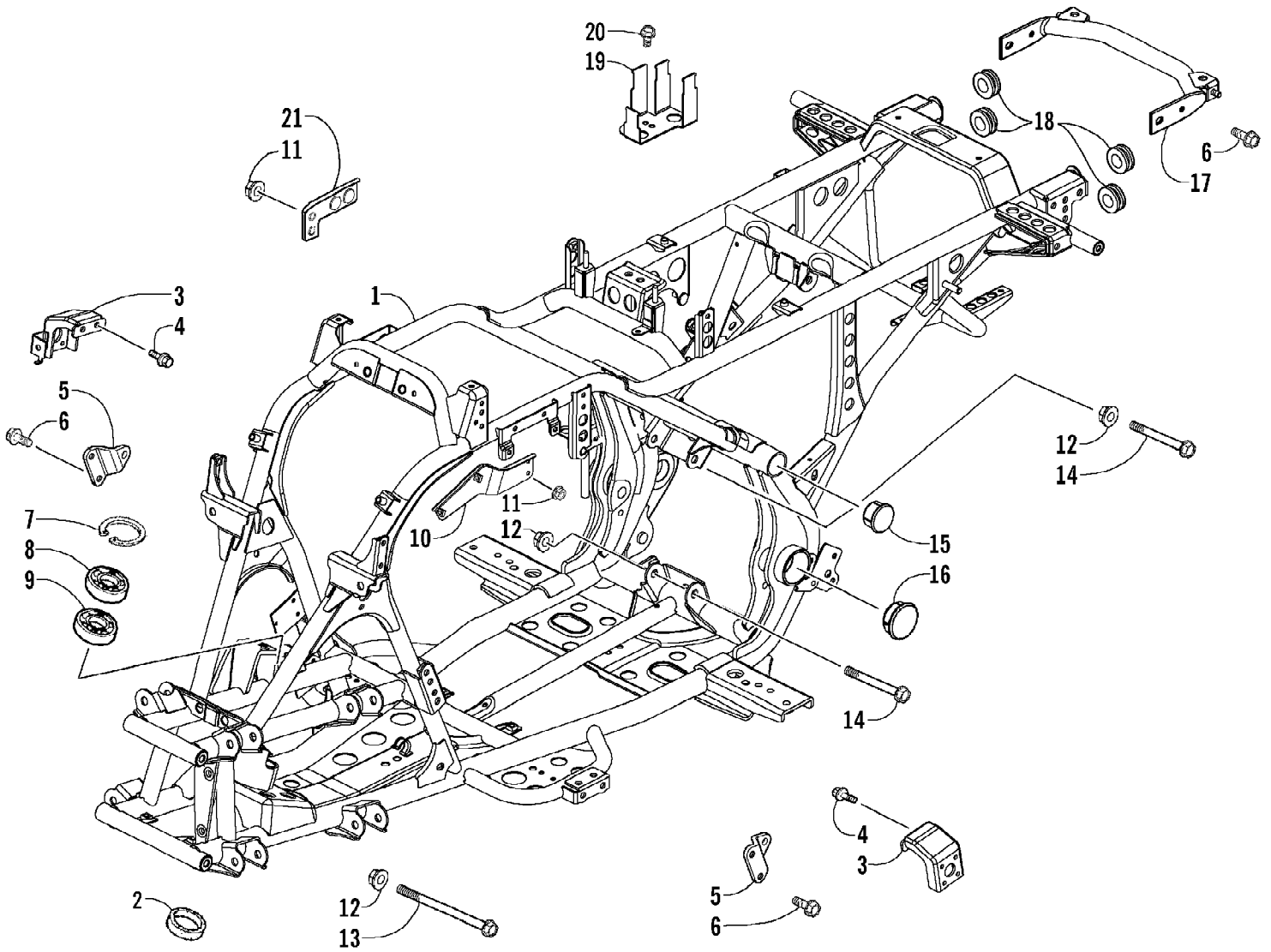
2009 ATV 250 UTILITY 2X4 AUTOMATIC RED (A2009KUE2BUSR)  
FINAL DRIVE ASSEMBLY

Page 24 of 67

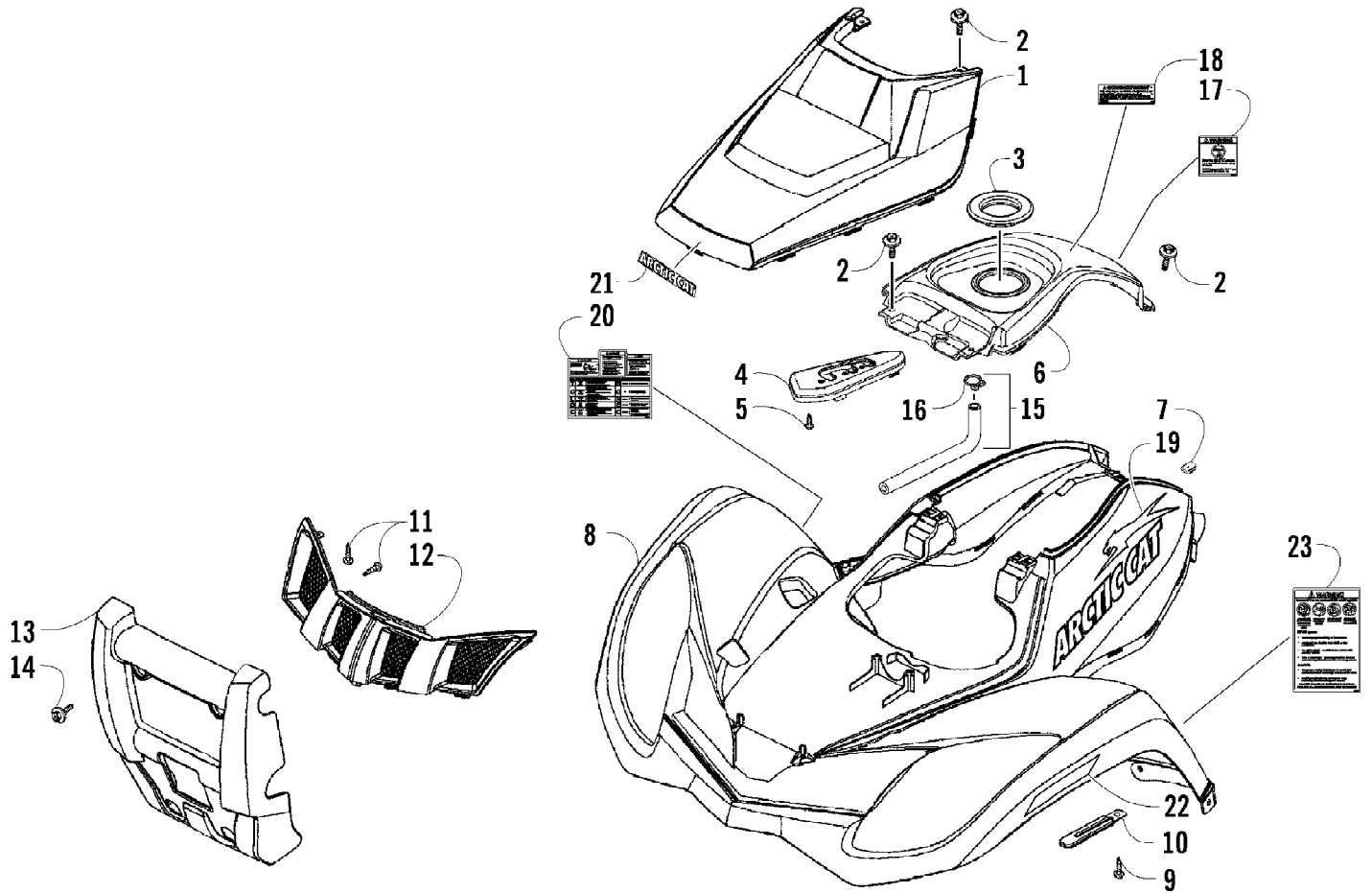
Ref #	Part Number	Qty	S/P/F	Description
	3305-894	1		Complete Gearcase Assembly
1	3304-170	1	/P	Bladder, Rear Gearcase
2	3304-669	1		Clip
3	3303-877	1		Fitting, Bladder
4	3304-177	6		Screw, Cap
5	3303-365	2		Screw, Cap
6	3303-591	2		Washer
7	3304-178	2		Screw, Cap
8	3303-873	1		Cover, Rear Gearcase
9	3303-879	1		Shim
10	3303-878	1		Pin, Ring Gear
11	3304-095	2		O-Ring
12	3304-670	1		O-Ring
13	3304-092	1		Seal, Oil
14	3304-194	2		Bearing
15	3305-311	AR		Shim, 46 x 54 x 1.47 mm
15	3303-881	AR		Shim
15	3305-310	AR		Shim
16	3305-549	1		Gear, Ring
17	3304-093	1		Seal, Oil
18	3303-872	1		Gearcase - Rear
19	3303-021	1		Plug, Fill
20	3304-096	1	/P	O-Ring
21	3304-076	1		Bearing, Needle
22	3303-874	1		O-Ring
23	3303-875	1		Gear, Pinion
24	3305-313	AR		Shim, 31 x 40 x 1.97 mm
24	3305-312	AR		Shim
24	3303-880	AR		Shim
25	3304-085	1		Seal, Dust
26	3304-196	1		Bearing
27	3304-027	1		Nut, Lock
28	3313-670	1		Seal



2009 ATV 250 UTILITY 2X4 AUTOMATIC RED (A2009KUE2BUSR)  
FRAME AND RELATED PARTS ASSEMBLY



Ref #	Part Number	Qty	S/P/F	Description
1	3303-933	1		Frame, Main
2	3304-064	1		Seal, Dust
3	3303-942	1		Bracket, Mounting - Front Rack - Right
3	3303-943	1		Bracket, Mounting - Front Rack - Left
4	3304-553	4		Screw, Cap
5	3303-938	2		Bracket, Mounting - Engine
6	3304-543	8	/P	Screw, Cap
7	3304-150	1		Circlip
8	3304-203	1		Bearing
9	3303-298	1		Seal, Oil
10	3303-935	1	/P	Bracket, Mounting - Clutch/Gas Tank
11	3304-654	4	/P	Nut
12	3323-178	3		Nut
13	3304-184	1	/P	Screw, Cap
14	3304-183	2	/P	Screw, Cap
15	3304-658	2		End Cap
16	3303-999	2		End Cap
17	3303-936	1		Bracket, Mounting - Rear Rack
18	3303-239	4		Grommet
19	3303-934	1		Bracket, Mounting - Starter/Magneto Switch
20	3304-409	1	/P	Screw, Cap
21	3304-655	1		Bracket, Mounting - Brake Switch

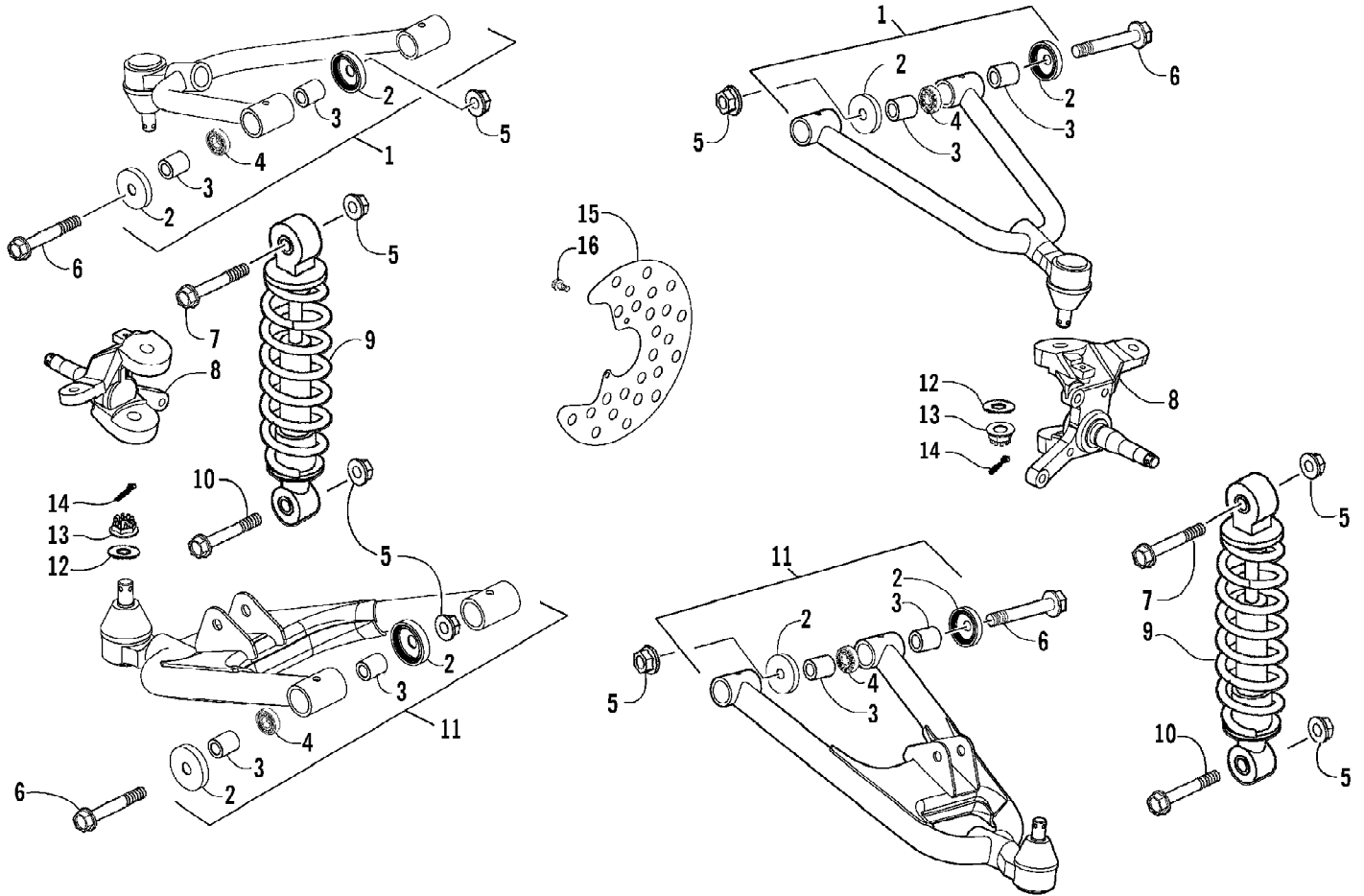


2009 ATV 250 UTILITY 2X4 AUTOMATIC RED (A2009KUE2BUSR)  
FRONT BODY PANEL ASSEMBLY

Page 28 of 67

Ref #	Part Number	Qty	S/P/F	Description
1	3303-978	1		Cover, Front
2	3304-029	6	/P	Screw, Cap
3	3303-721	1		Grommet, Gas Tank Cover
4	3303-976	1		Guide, Shift Handle
5	3304-650	2	/P	Screw, Self-Tapping
6	3304-539	1		Cover, Gas Tank
7	3304-061	6	/P	Clip, U-Nut
8	3303-974	1		Fender, Front
9	3304-651	2		Screw, Self-Tapping
10	3304-156	2		Clamp, Wire
11	3304-645	4	/P	Screw, Self-Tapping
12	3303-981	1		Grille, Front
13	3303-980	1	S	Bumper, Front
14	3304-587	4	/P	Screw, Cap
15	3303-720	1		Tube, Fuel Drain (inc. 16)
16	3303-349	1		Clamp, Hose
17	1411-804	1	/P	Decal, Warning - Age
18	1411-577	1		Decal, Warning - Not for Highways
19	1411-636	1		Decal, Side - Upper Right
19	1411-637	1		Decal, Side - Upper Left
20	1411-173	1		Decal, Pre-Ride Inspection
21	1411-825	1		Decal, Front
22	1411-180	1		Decal, Reflector - Front - Right
22	1411-181	1		Decal, Reflector - Front - Left
23	1411-932	1	/P	Decal, Warning - General

2009 ATV 250 UTILITY 2X4 AUTOMATIC RED (A2009KUE2BUSR)  
FRONT SUSPENSION ASSEMBLY

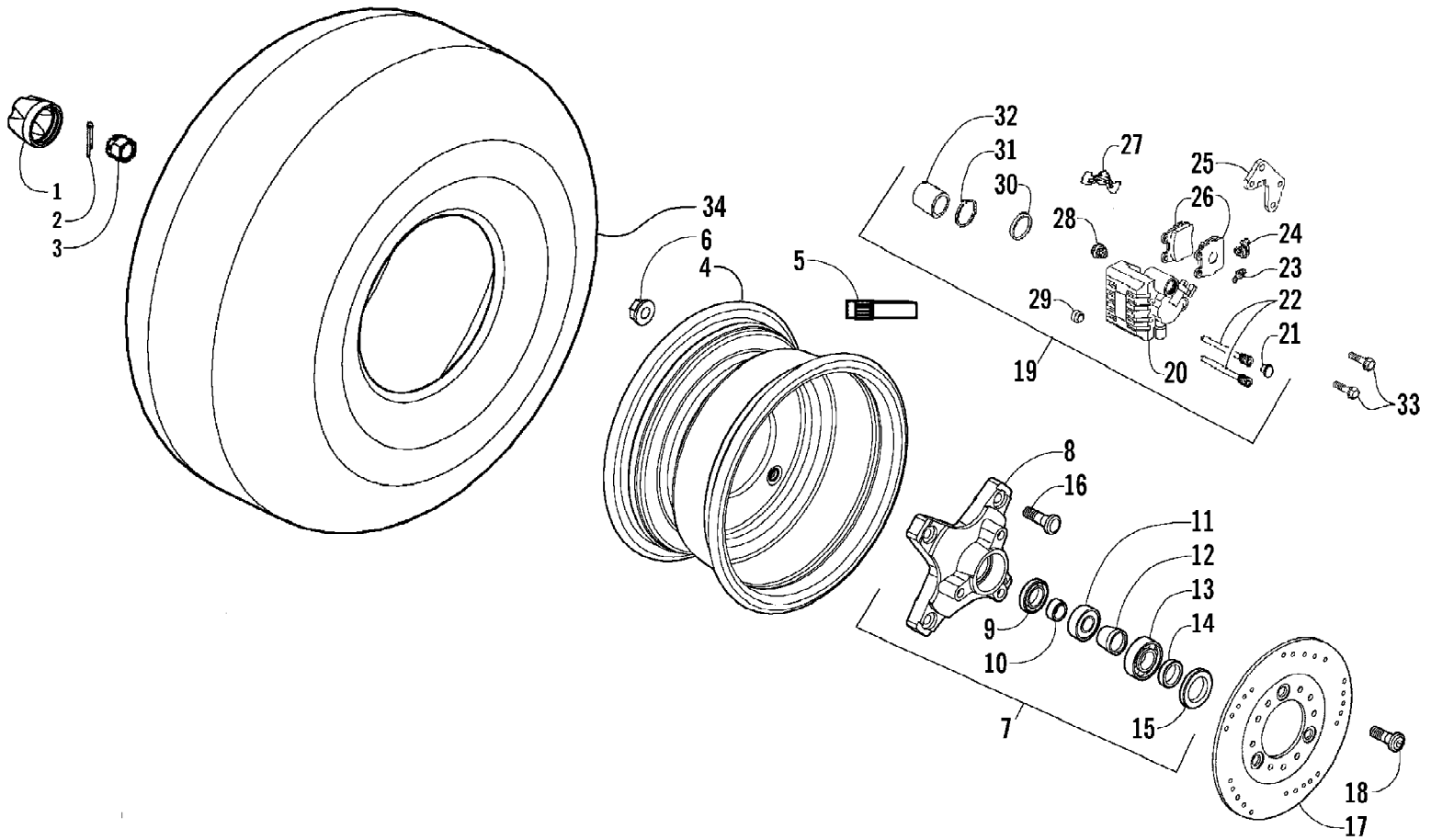


2009 ATV 250 UTILITY 2X4 AUTOMATIC RED (A2009KUE2BUSR)  
FRONT SUSPENSION ASSEMBLY

Page 30 of 67

Ref #	Part Number	Qty	S/P/F	Description
1	3303-964	1		A-Arm Assembly - Upper Right (inc. 2-4)
1	3303-967	1		A-Arm Assembly - Upper Left (inc. 2-4)
2	3304-090	16		Seal, Oil
3	3304-689	16	/P	Bushing, Swing Arm
4	3304-199	8		Bearing
5	3323-178	12		Nut
6	3304-182	8	/P	Screw, Cap
7	3303-376	2	/P	Screw, Cap
8	3303-930	1		Knuckle - Assembly - Right
8	3303-932	1		Knuckle - Assembly - Left
9	3303-941	2		Shock/Spring - Assembly
10	3304-595	2	/P	Screw, Cap
11	3303-966	1		A-Arm Assembly - Lower Right (inc. 2-4)
11	3303-968	1		A-Arm Assembly - Lower Left (inc. 2-4)
12	3303-335	4		Washer
13	3303-328	4		Nut, Castle
14	3303-470	4		Pin, Cotter
15	3303-920	2		Guard, Brake Disc
16	3303-356	4	/P	Screw, Cap

2009 ATV 250 UTILITY 2X4 AUTOMATIC RED (A2009KUE2BUSR)  
FRONT WHEELS AND BRAKE ASSEMBLY

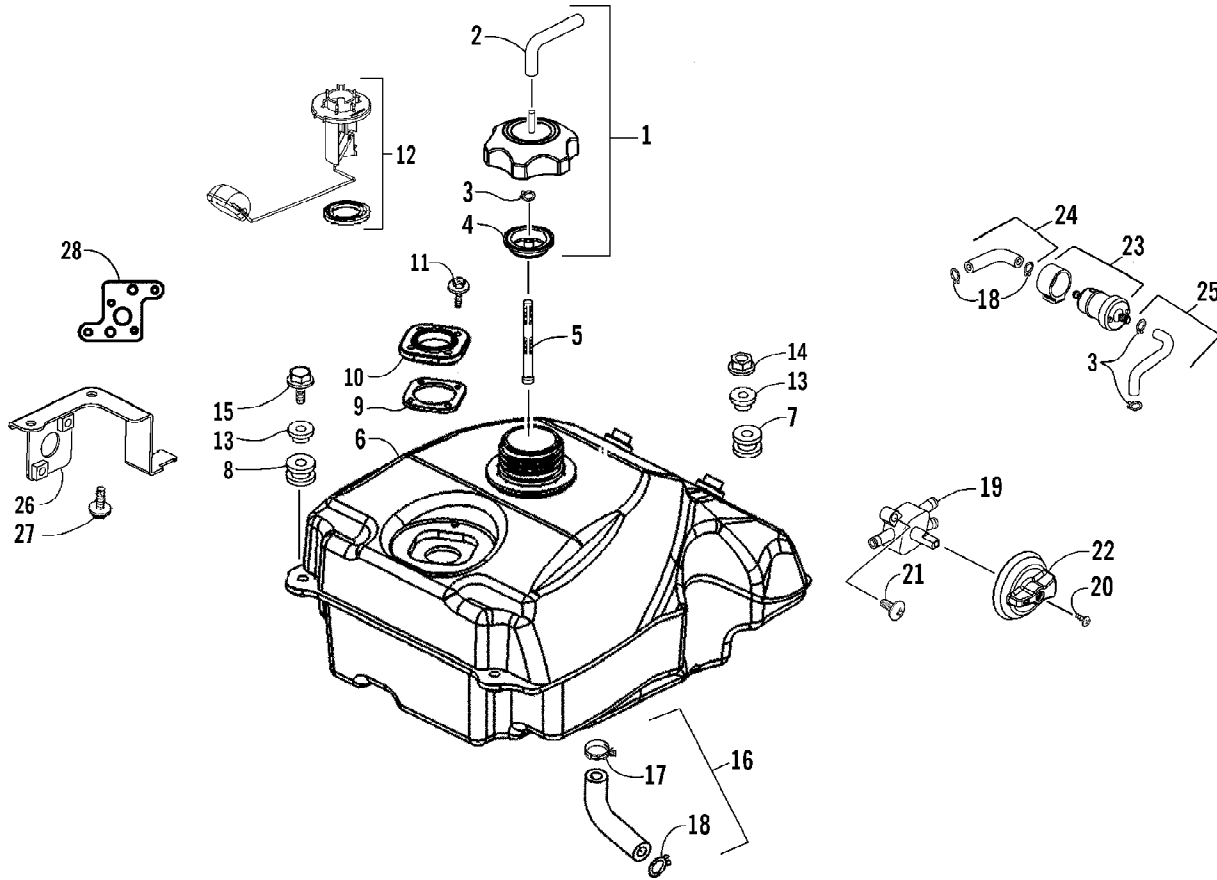


2009 ATV 250 UTILITY 2X4 AUTOMATIC RED (A2009KUE2BUSR)  
FRONT WHEELS AND BRAKE ASSEMBLY

Page 32 of 67

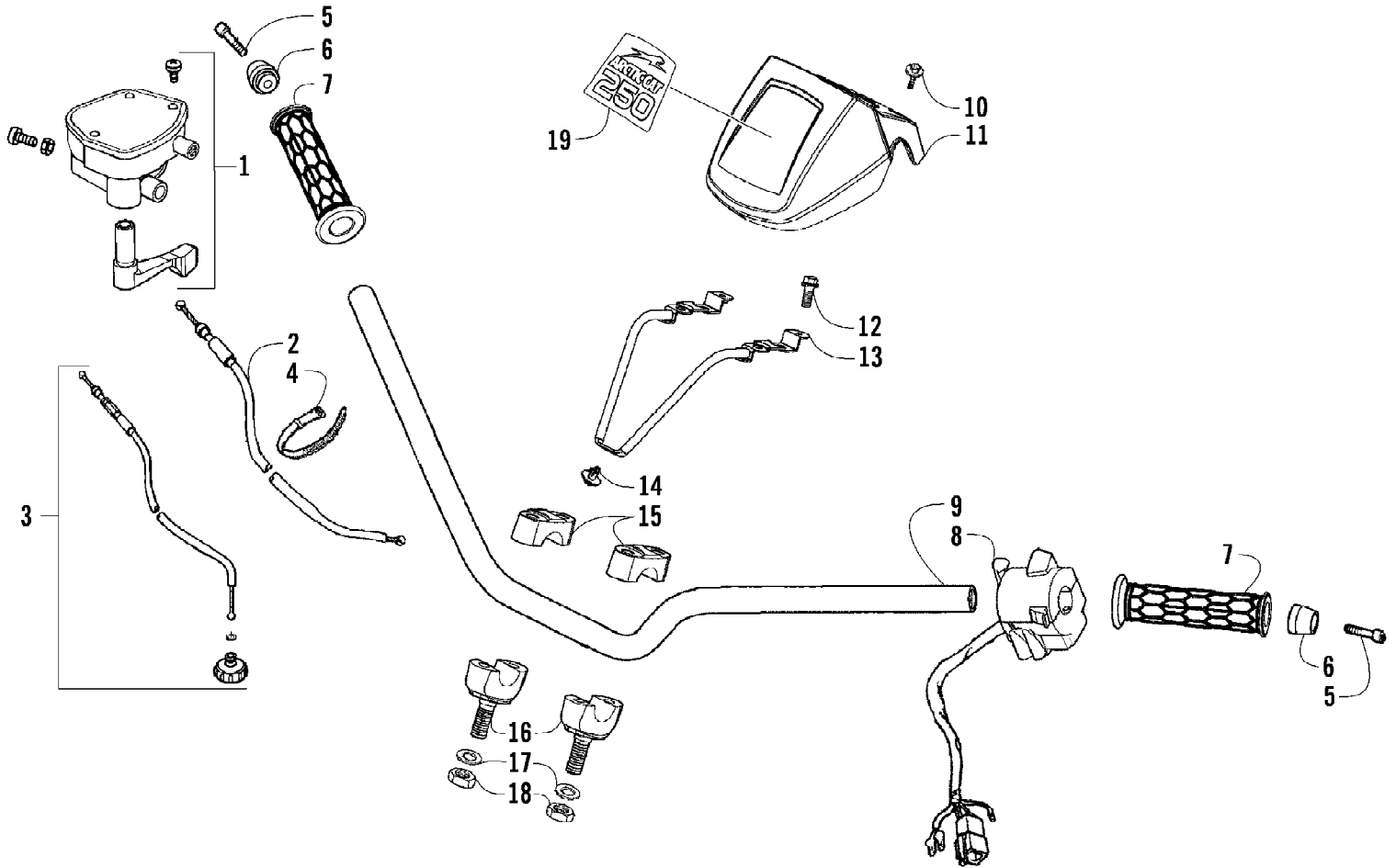
Ref #	Part Number	Qty	S/P/F	Description
1	3303-931	2		Cap, Wheel
2	3303-340	2		Pin, Cotter
3	3303-330	2		Nut
4	3303-902	2	/P	Wheel, Front
5	3304-562	2		Valve, Wheel
6	3304-028	8		Nut, Wheel
7	3303-903	2		Hub, Wheel - Assembly - Front (inc. 8-16)
8	0	2	F	Hub, Wheel - Front
9	3304-089	2		Seal, Oil
10	3303-898	2		Collar, Wheel - Inside
11	3304-200	2		Bearing
12	3303-900	2		Collar, Wheel - Center
13	3304-202	2		Bearing
14	3303-899	2		Collar, Wheel - Outside
15	3304-088	2		Seal, Oil
16	3304-014	8		Bolt, Hub
17	3303-912	1		Disc, Brake - Front - Right
17	3303-918	1		Disc, Brake - Front - Left
18	3304-015	6		Bolt
19	3304-313	1	/P	Caliper Assembly - Front - Right (inc. 20-32)
19	3303-921	1		Caliper Assembly - Front - Left (inc. 20-32)
20	0	1	F	Housing, Caliper - Assembly - Right
20	0	1	F	Housing, Caliper - Assembly - Left
21	3304-334	2		Plug
22	3304-326	4		Pin
23	3304-330	2		Valve, Bleed
24	3304-331	2		Cap, Bleed Valve
25	3304-317	1		Bracket, Right
25	3304-328	1		Bracket, Left
26	3303-908	2		Pad, Brake - Set
27	3304-315	2		Spring, Brake Pad
28	3304-322	2		Boot A
29	3304-329	2		Bushing
30	3303-922	2		Seal, Piston - Inner
31	3303-910	2		Seal, Dust - Outer
32	3303-909	2		Piston
33	3304-174	4		Screw, Cap
34	3303-904	2		Tire, Front





Ref #	Part Number	Qty	S/P/F	Description
1	3304-246	1	/P	Cap, Gas Tank - Assembly (inc. 2, one No. 3, and 4)
2	3304-169	1		Hose, Vent
3	3303-348	3		Clamp, Tube
4	0	1	F	Diaphragm
5	3303-058	1		Screen, Fuel Strainer
6	3305-415	1		Tank, Gas - Assembly (inc. 7-10)
7	3304-647	2		Grommet
8	3303-406	2		Grommet
9	0	1	F	Seal, Gas Tank
10	0	1	F	Collar, Gas Tank
11	3305-397	4		Screw w/Washer
12	3305-545	1		Sensor, Fuel Level
13	3303-226	4		Collar, Front Fender
14	3303-331	2	/P	Nut
15	3304-551	2	/P	Screw, Cap
16	3305-416	2		Tube, Gas Tank - Assembly (inc. 17 and two No. 18)
17	3303-351	2		Clamp, Hose
18	3303-349	4		Clamp, Hose
19	3303-700	1		Valve, Gas Tank (inc. 20)
20	3304-120	1		Screw, Machine
21	3303-316	2		Screw, Machine
22	3303-701	1		Cover, Gas Tank Valve
23	3305-501	1		Strainer, Fuel - Assembly
24	3305-421	1		Tube, Fuel Strainer - Assembly (inc. two No. 18)
25	3305-422	1		Tube, Fuel Strainer - Assembly (inc. two No. 3)
26	3305-419	1		Bracket, Mounting - Gas Tank Valve
27	3304-409	2	/P	Screw, Machine
28	3305-551	1		Bracket, Mounting - Gas Tank

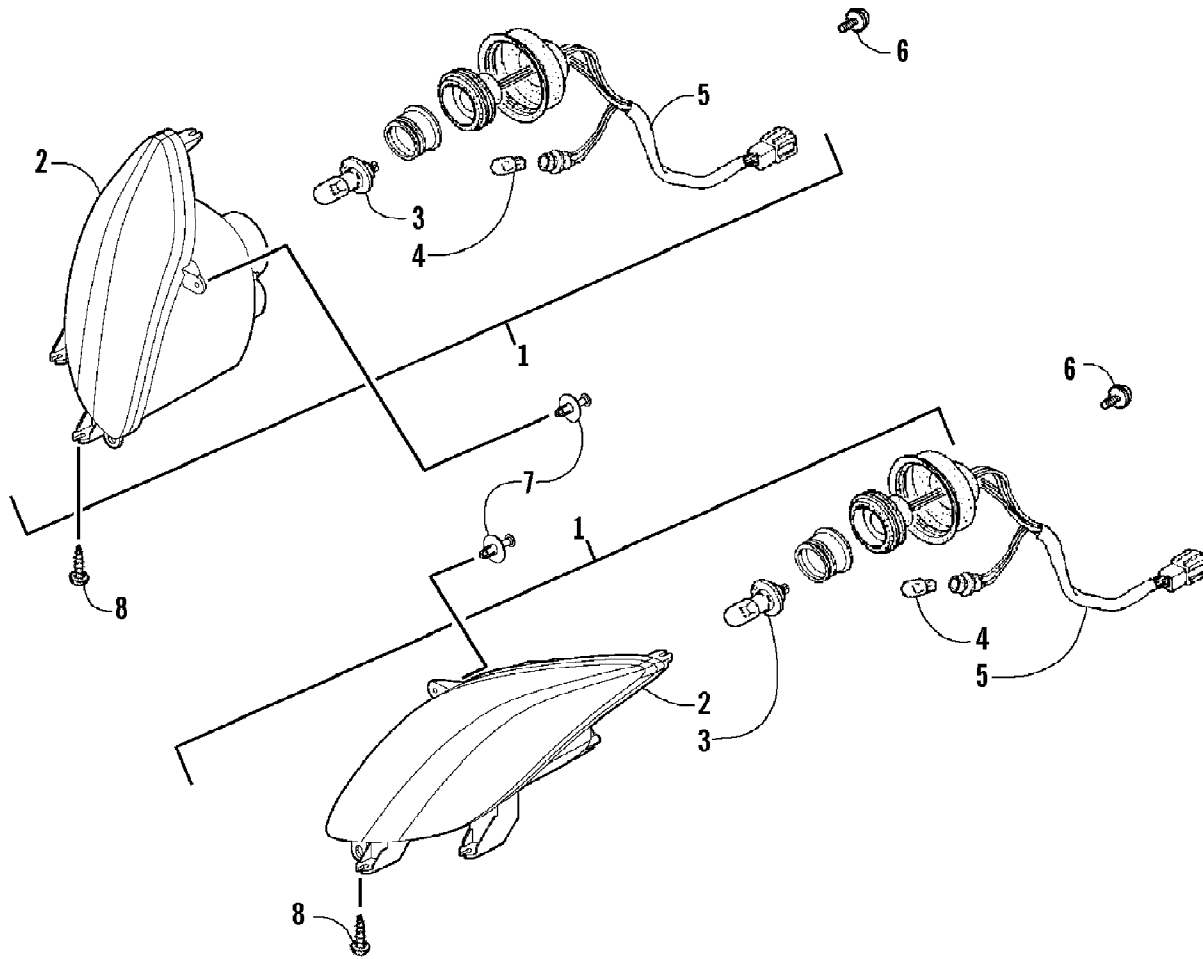
2009 ATV 250 UTILITY 2X4 AUTOMATIC RED (A2009KUE2BUSR)  
HANDLEBAR AND CONTROLS ASSEMBLY



2009 ATV 250 UTILITY 2X4 AUTOMATIC RED (A2009KUE2BUSR)  
HANDLEBAR AND CONTROLS ASSEMBLY

Page 36 of 67

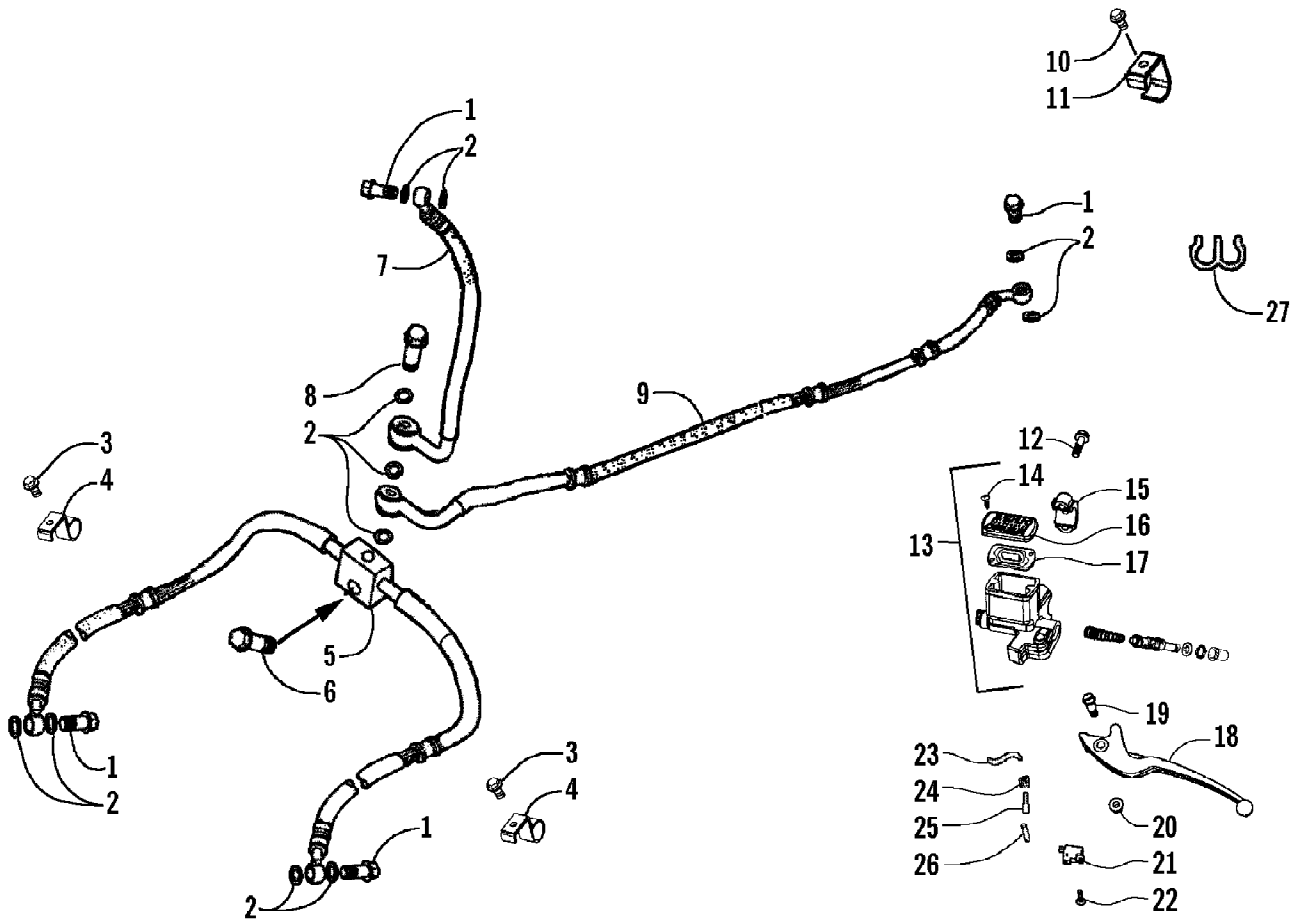
Ref #	Part Number	Qty	S/P/F	Description
1	3303-953	1		Lever, Throttle - Assembly
2	3305-462	1		Cable, Choke
3	1502-297	1	S	Cable, Throttle - Kit
4	3303-839	1		Tie, Cable
5	3304-016	2		Screw, Cap
6	3305-541	2		End Cap, Handlebar
7	3303-203	2	S	Grip, Handlebar
8	3303-852	1	/P	Switch Assembly - Left
9	3305-457	1		Handlebar
10	3304-029	2	/P	Screw, Cap
11	3303-958	1		Instrument Pod
12	3305-400	4		Screw, Cap
13	3303-951	1		Bracket, Instrument Pod
14	3304-552	1		Clip, Retaining
15	3303-954	1		Clamp, Handlebar - Upper
16	3303-955	1		Clamp, Handlebar - Lower
17	3305-088	2	/P	Washer
18	3303-325	2		Nut
19	1411-622	1		Decal, Instrument Pod



2009 ATV 250 UTILITY 2X4 AUTOMATIC RED (A2009KUE2BUSR)  
HEADLIGHT ASSEMBLY

Page 38 of 67

Ref #	Part Number	Qty	S/P/F	Description
1	3303-844	1		Headlight - Assembly - Right (inc. 2-5)
1	3303-845	1		Headlight - Assembly - Left (inc. 2-5)
2	3304-643	1		Lens - Right
2	3304-644	1		Lens - Left
3	3303-846	2	/P	Bulb, Headlight
4	3303-847	2		Bulb, Position
5	0	2	F	Socket Assembly
6	3304-587	2	/P	Screw, Cap
7	3304-057	2	/P	Clip, Retaining
8	3304-645	6	/P	Screw, Self-Tapping



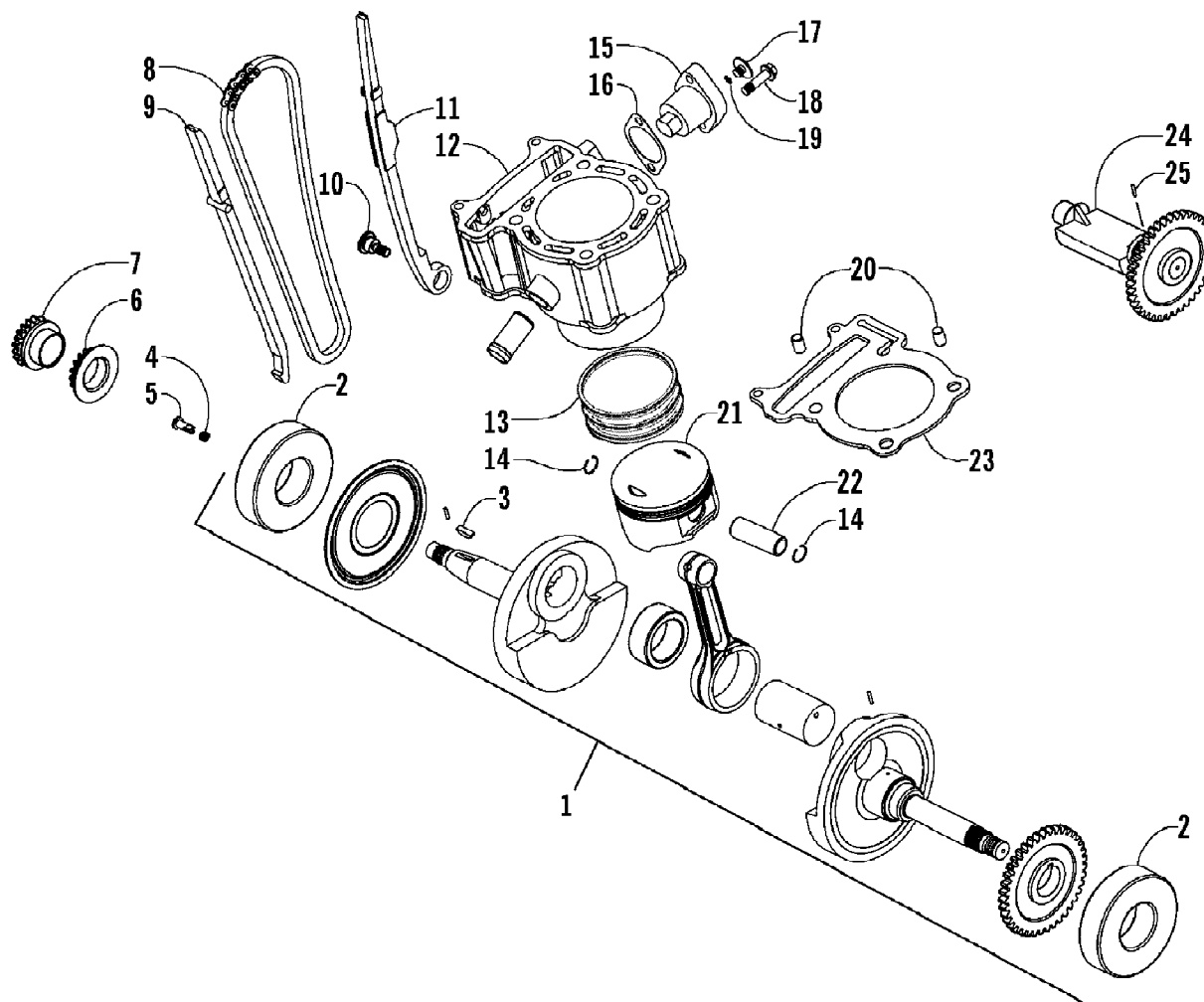
2009 ATV 250 UTILITY 2X4 AUTOMATIC RED (A2009KUE2BUSR)  
 HYDRAULIC BRAKE HOSE AND HAND BRAKE ASSEMBLY

Page 40 of 67

Ref #	Part Number	Qty	S/P/F	Description
1	3303-257	4	/P	Bolt, Banjo-Fitting
2	3303-284	11	/P	Washer, Crush
3	3304-553	2		Screw, Cap
4	3303-919	2		Clamp, Brake Hose - Front
5	3304-320	1		Hose, Brake w/Junction Block - Front
6	3304-176	1		Screw, Cap
7	3304-321	1		Hose, Brake - Assembly - Front
8	3304-674	1	/P	Bolt, Banjo-Fitting - Double
9	3303-914	1		Hose, Brake - Assembly - Rear
10	3303-356	1	/P	Screw, Cap
11	3303-891	1		Clamp, Brake Hose - Rear
12	3304-746	2		Screw, Cap
13	3303-894	1		Master Cylinder - Assembly - Rear Brake (inc. 14-17)
14	3303-318	2		Screw, Machine
15	3303-175	1	/P	Clamp, Master Cylinder
16	3303-923	1		Cover, Master Cylinder
17	3303-925	1		Diaphragm, Master Cylinder
18	3304-369	1	/P	Lever, Brake
19	3304-017	1		Bolt, Brake Lever
20	3304-654	1	/P	Nut
21	3303-141	1	/P	Switch, Brake
22	3303-321	1		Screw w/Washer
23	3304-442	1	/P	Lock, Brake Lever
24	3304-678	1		Spring, Return - Brake Lever
25	3304-679	1		Pin - Brake Lever
26	3304-680	1		Clip - Brake Lever
27	3304-675	1		Clip, Hose - Double



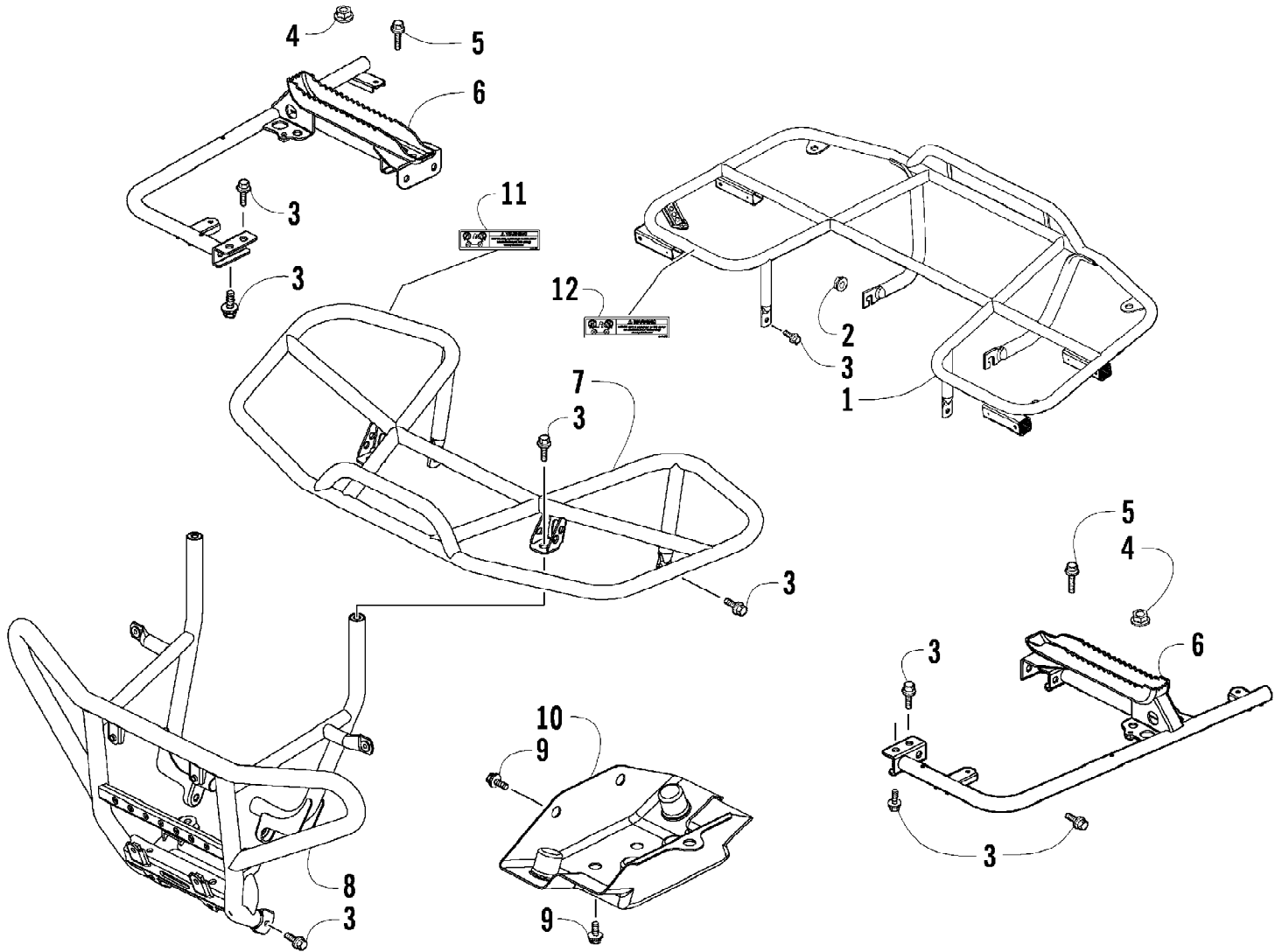
2009 ATV 250 UTILITY 2X4 AUTOMATIC RED (A2009KUE2BUSR)  
PISTON AND CRANKSHAFT ASSEMBLY



2009 ATV 250 UTILITY 2X4 AUTOMATIC RED (A2009KUE2BUSR)  
 PISTON AND CRANKSHAFT ASSEMBLY

Page 42 of 67

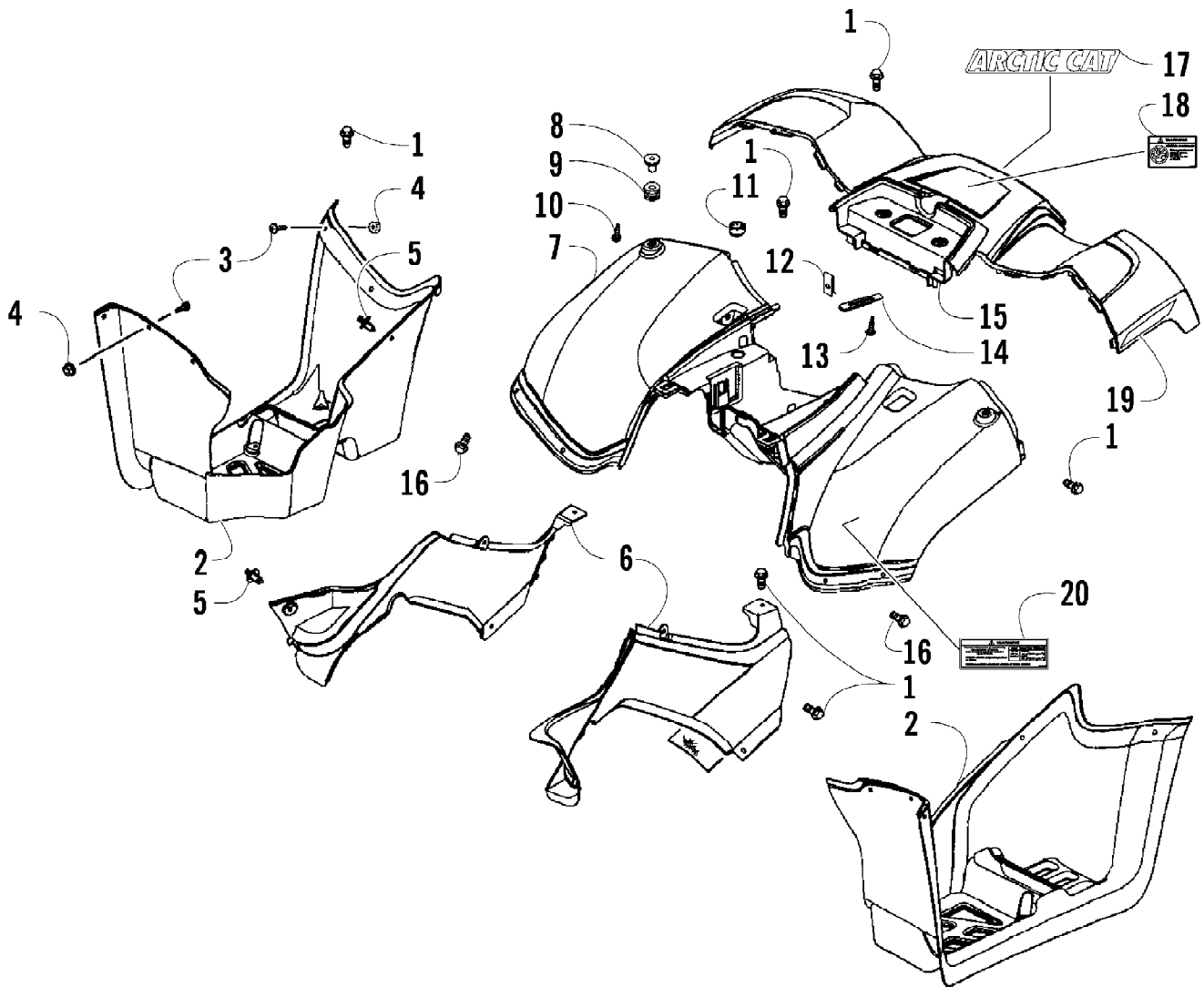
Ref #	Part Number	Qty	S/P/F	Description
1	3303-663	1		Crankshaft Assembly (inc. 2)
2	3304-420	2	/P	Bearing
3	3304-145	1		Key
4	3303-694	1		Spring, Oil Through
5	3303-693	1		Oil Through
6	3304-236	1		Gear, Timing
7	3303-689	1		Gear, Oil Pump Drive
8	3303-671	1		Chain, Cam
9	3303-679	1		Guide, Cam Chain
10	3303-678	1		Pivot, Cam Chain Tensioner
11	3303-676	1		Tensioner, Cam Chain
12	3303-653	1		Cylinder Assembly
13	3303-664	1	/P	Ring Set, Piston
14	3304-159	2		Circlip
15	3303-677	1		Lifter, Cam Chain Tensioner
16	3303-035	1		Gasket, Cylinder
17	3304-006	1		Screw w/Washer
18	3304-002	2	/P	Screw, Cap
19	3304-100	1	/P	O-Ring
20	3303-342	2		Pin, Dowel
21	3303-665	1		Piston
22	3303-666	1		Pin, Piston
23	3303-654	1	S	Gasket, Cylinder
24	3303-667	1		Balancer, Crankshaft (inc. 25)
25	3304-439	1		Key



2009 ATV 250 UTILITY 2X4 AUTOMATIC RED (A2009KUE2BUSR)  
RACKS AND BUMPER ASSEMBLY

Page 44 of 67

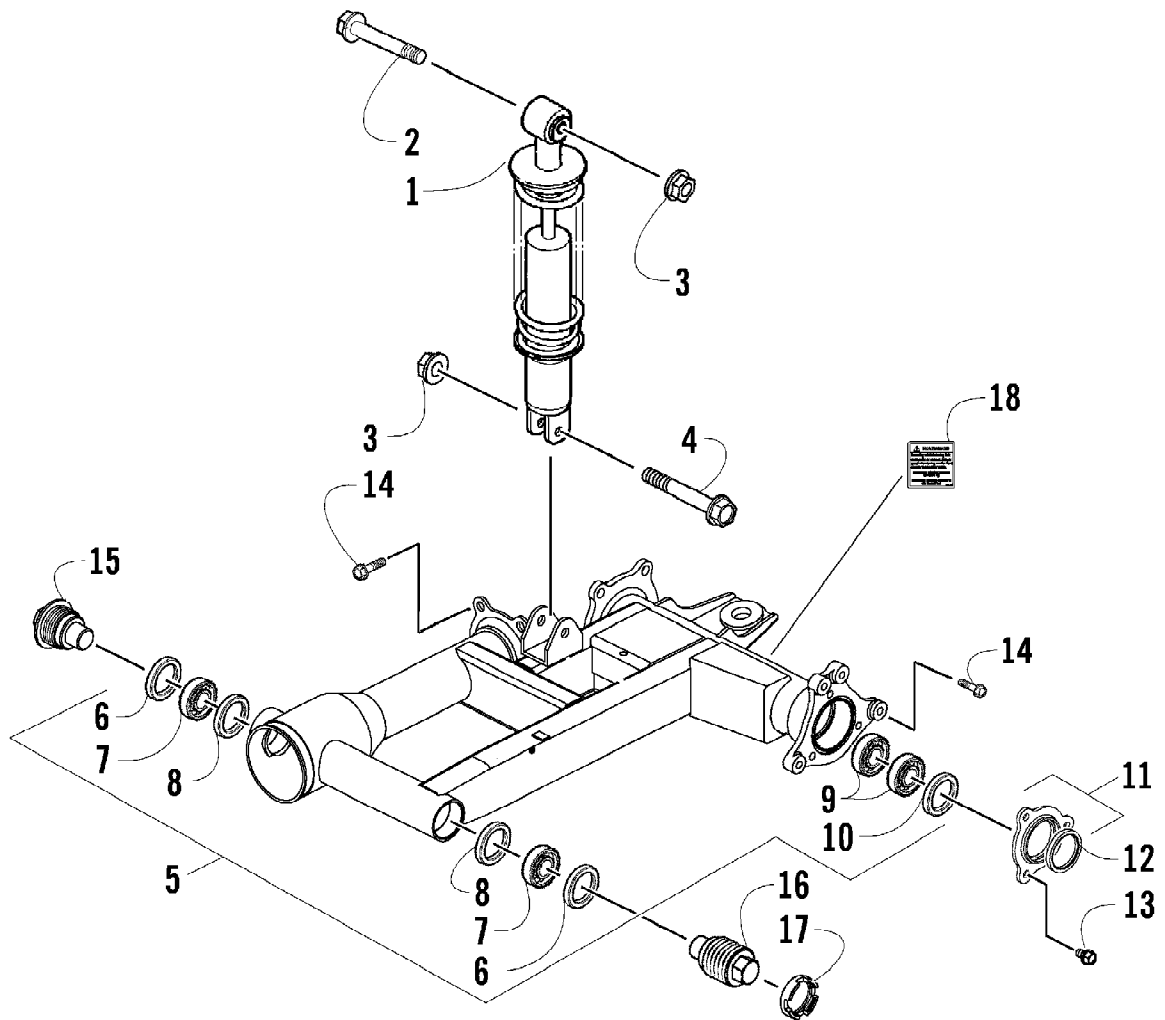
Ref #	Part Number	Qty	S/P/F	Description
1	3305-464	1		Rack, Rear
2	3304-668	2		Nut, Lock
3	3304-543	18	/P	Screw, Cap
4	3303-332	2		Nut
5	3303-616	2	/P	Screw, Cap
6	3303-939	1		Bracket, Floor Panel - Right
6	3303-940	1		Bracket, Floor Panel - Left
7	3303-988	1		Rack, Front
8	3304-001	1		Bumper, Front - Assembly
9	3304-544	3		Screw, Cap
10	3303-871	1		Plate, Skid - Assembly
11	0411-576	1		Decal, Warning - Front Rack
12	0411-201	1		Decal, Warning - Rear Rack



2009 ATV 250 UTILITY 2X4 AUTOMATIC RED (A2009KUE2BUSR)  
REAR BODY PANEL ASSEMBLY

Page 46 of 67

Ref #	Part Number	Qty	S/P/F	Description
1	3304-587	19	/P	Screw, Cap
2	3303-991	1		Mudguard, Floor - Right
2	3303-992	1		Mudguard, Floor - Left
3	3303-251	11	/P	Screw, Machine
4	3304-538	11	S	Nut
5	3305-448	3		Clip, Retaining
6	3303-997	1		Fender, Rear - Lower Right
6	3303-998	1		Fender, Rear - Lower Left
7	3303-989	1		Fender, Rear
8	3303-233	2		Collar, Insert
9	3303-227	2		Grommet
10	3304-650	10	/P	Screw, Self-Tapping
11	3303-232	2		Grommet
12	3304-061	2	/P	Clip, U-Nut
13	3304-651	1		Screw, Self-Tapping
14	3304-156	1		Clip, Wire
15	3303-994	1		Molding, Rear Fender
16	3304-586	2	/P	Screw w/Washer
17	1411-318	1		Decal, "Arctic Cat" - White
18	1411-809	1	/P	Decal, Warning - Passenger
19	1411-178	1		Decal, Reflector - Rear - Right
19	1411-179	1		Decal, Reflector - Rear - Left
20	1411-805	1	/P	Decal, Warning - Tire/Load

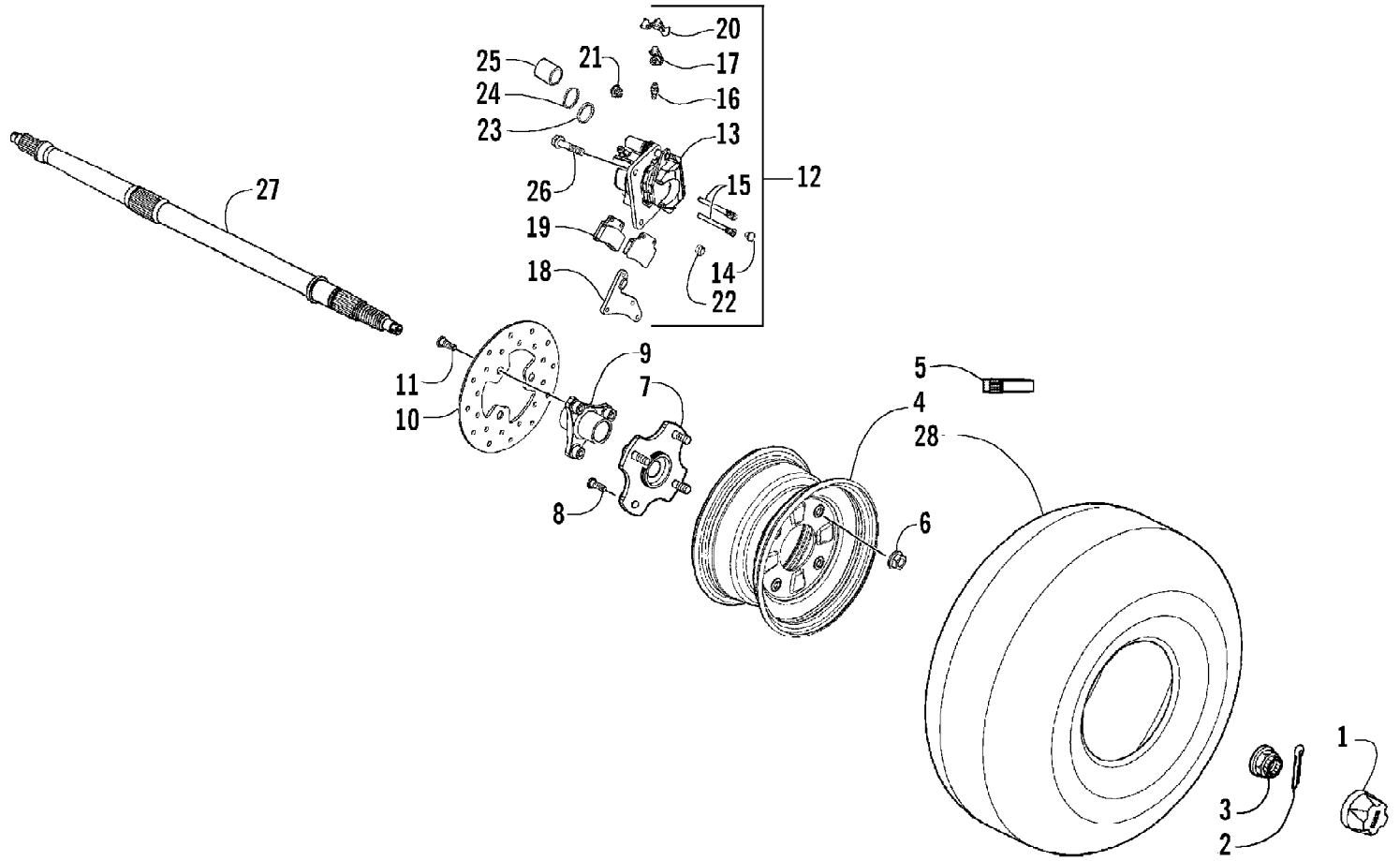


2009 ATV 250 UTILITY 2X4 AUTOMATIC RED (A2009KUE2BUSR)  
 REAR SUSPENSION ASSEMBLY

Page 48 of 67

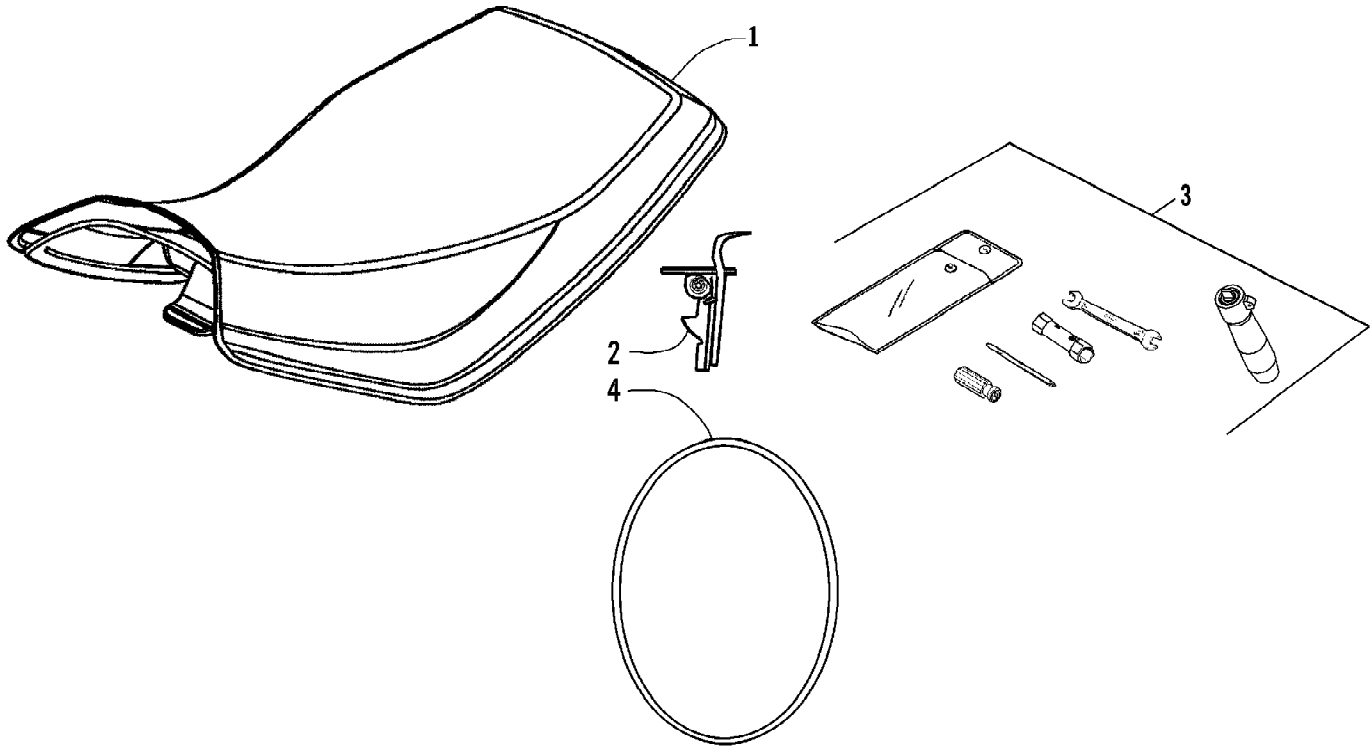
Ref #	Part Number	Qty	S/P/F	Description
1	3303-949	1		Shock/Spring - Assembly
2	3304-182	1	/P	Screw, Cap
3	3323-178	2		Nut
4	3304-185	1		Screw, Cap
5	3303-944	1		Fork - Assembly - Rear (inc. 6-10)
6	3304-086	2		Seal, Dust
7	3304-666	2		Bearing
8	3303-946	2		Seal, Grease
9	3304-201	2		Bearing
10	3304-106	1		O-Ring
11	3305-547	1	/P	Gasket w/Seal (inc. 12)
12	3305-548	1	/P	Seal, Oil
13	3304-544	3		Screw, Cap
14	3304-181	8		Screw, Cap
15	3304-018	1		Bolt, Right
16	3304-019	1		Bolt, Left
17	3304-020	1		Nut
18	1411-102	1		Decal, Warning - Towing



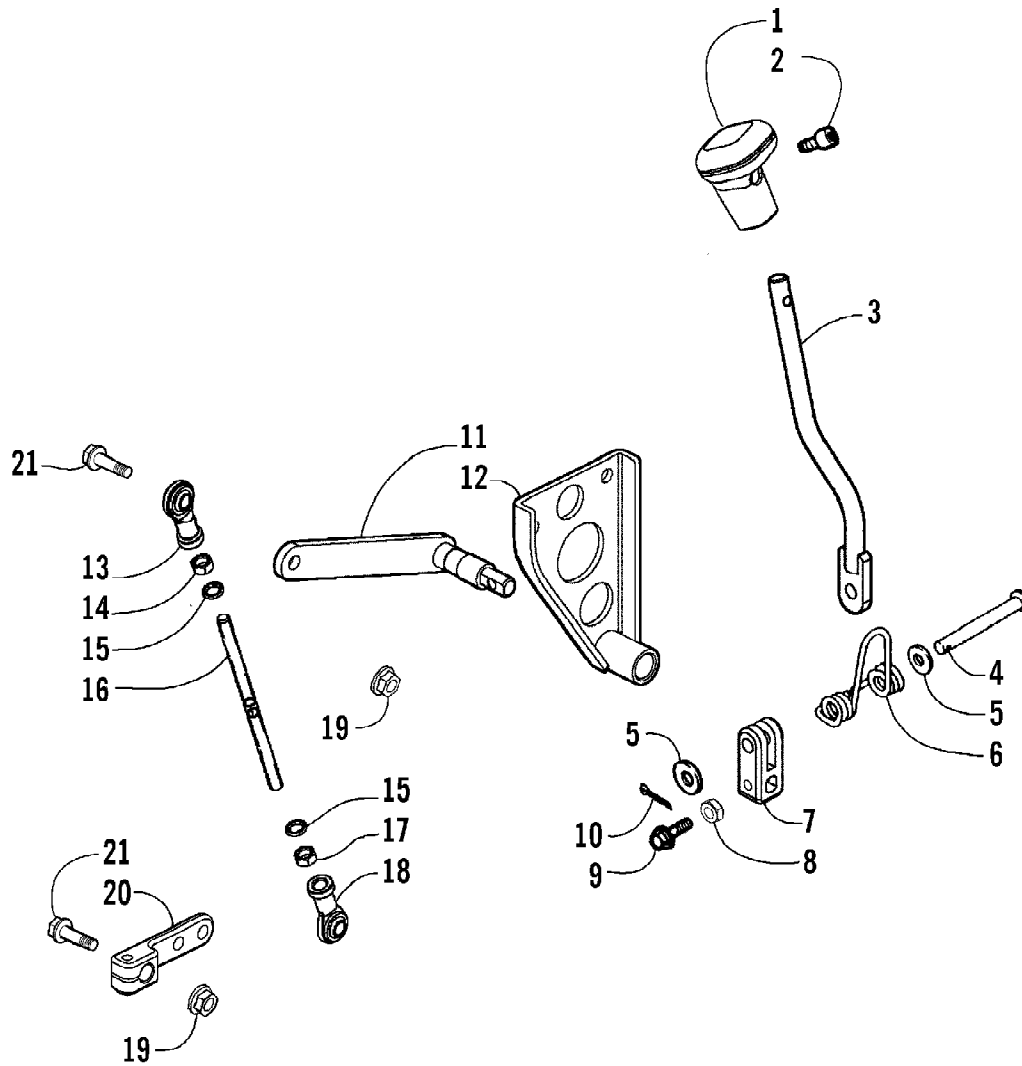


2009 ATV 250 UTILITY 2X4 AUTOMATIC RED (A2009KUE2BUSR)  
REAR WHEELS, AXLE, AND BRAKE ASSEMBLY

Ref #	Part Number	Qty	S/P/F	Description
1	3303-931	2		Cap, Wheel
2	3303-340	2		Pin, Cotter
3	3304-129	2		Nut
4	3303-883	2	/P	Wheel, Rear
5	3304-562	2		Valve, Wheel
6	3304-028	8		Nut, Wheel
7	3304-296	2		Hub, Wheel - Rear (inc. 8)
8	3304-014	8		Bolt, Hub
9	3303-893	1		Hub, Brake Disc
10	3303-913	1		Disc, Brake
11	3304-015	3		Bolt
12	3303-888	1		Caliper Assembly - Foot Brake (inc. 13-25)
12	3303-892	1		Caliper Assembly - Hand Brake (inc. 13-25)
13	0	1	F	Housing, Caliper - Assembly - Right
13	0	1	F	Housing, Caliper - Assembly - Left
14	3304-334	2		Plug
15	3304-326	4		Pin
16	3304-330	2		Bleed Valve
17	3304-331	2		Cap, Bleed Valve
18	3303-911	2		Bracket
19	3303-908	2		Pad, Brake - Set
20	3304-315	2		Spring, Brake Pad
21	3304-322	2		Boot A
22	3304-329	2		Bushing
23	3305-380	1	/P	Seal, Piston - Inner - Foot Brake
23	3303-922	1		Seal, Piston - Inner - Hand Brake
24	3305-377	1	/P	Seal, Dust - Outer - Foot Brake
24	3303-910	1		Seal, Dust - Outer - Hand Brake
25	3304-314	1	/P	Piston - Foot Brake
25	3303-909	1		Piston - Hand Brake
26	3304-565	4	/P	Screw, Cap
27	3305-546	1	/P	Axle, Wheel - Rear
28	3303-885	2		Tire, Rear



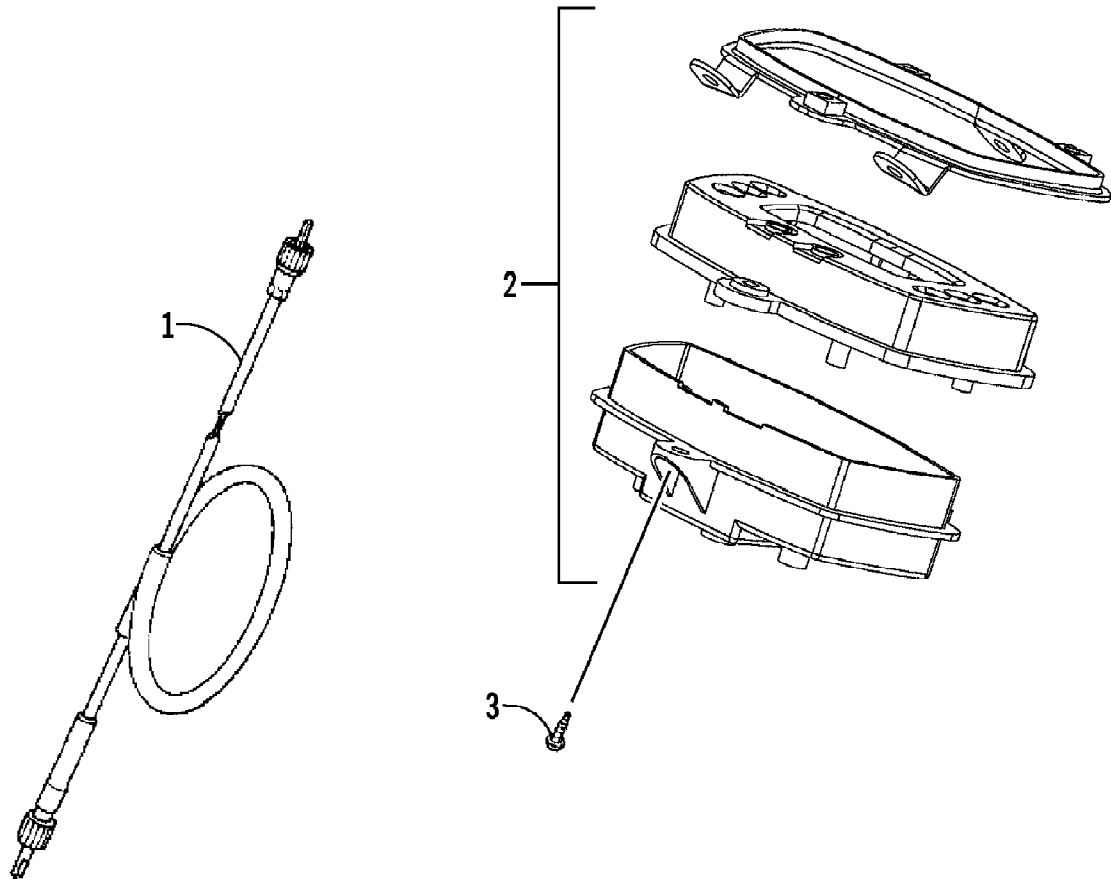
Ref #	Part Number	Qty	S/P/F	Description
1	3303-985	1		Seat - Assembly (inc. 2)
2	3303-986	1		Latch, Seat - Hook Assembly
3	3304-648	1		Kit, Tool
4	3303-242	1		Retainer, Tool Kit



2009 ATV 250 UTILITY 2X4 AUTOMATIC RED (A2009KUE2BUSR)  
SHIFT LEVER ASSEMBLY

Page 54 of 67

Ref #	Part Number	Qty	S/P/F	Description
1	3303-823	1		Knob, Gear Shift
2	3304-401	1		Screw, Cap
3	3303-816	1	/P	Rod, Gear Shift
4	3303-817	1		Pin, Gear Shift
5	3304-138	2		Washer
6	3303-818	1		Spring, Gear Shift
7	3303-819	1		Bracket, Gear Shift
8	3305-340	1	/P	Nut
9	3303-382	1	/P	Screw, Cap
10	3304-142	1		Pin, Cotter
11	3303-821	1		Lever, Gear Shift
12	3305-299	1		Cover, Gear Shift
13	3303-970	1		Ball Joint, Tie Rod - Right
14	3304-125	1		Nut
15	3303-607	2	/P	Washer
16	3303-822	1		Tie Rod
17	3304-126	1		Nut
18	3303-972	1		Ball Joint, Tie Rod - Left
19	3303-332	4		Nut
20	3303-814	1		Link, Gear Shift
21	3304-176	2		Screw, Cap



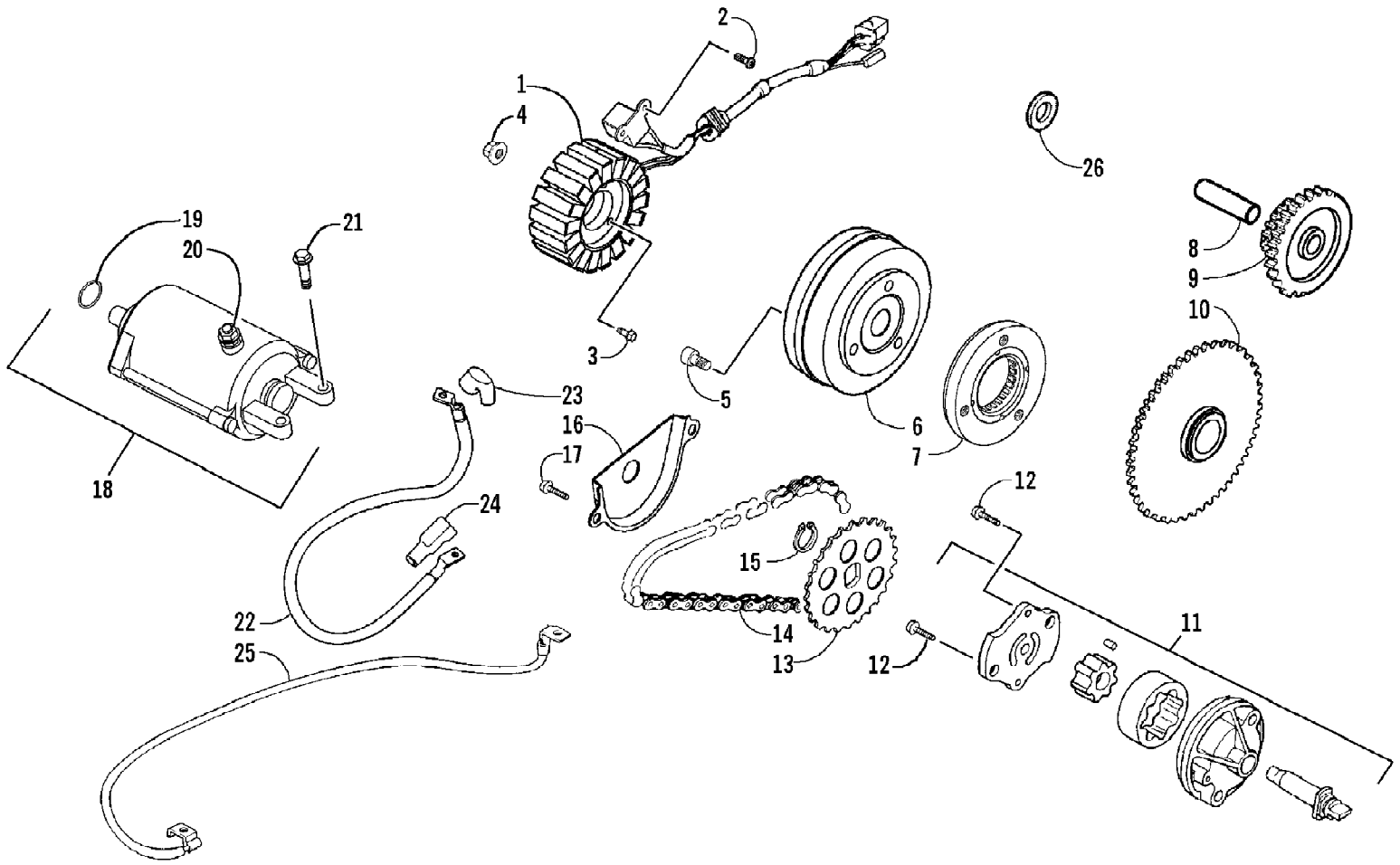
2009 ATV 250 UTILITY 2X4 AUTOMATIC RED (A2009KUE2BUSR)  
SPEEDOMETER AND CABLE ASSEMBLY

Page 56 of 67

Ref #	Part Number	Qty	S/P/F	Description
1	3303-906	1	/P	Cable, Speedometer
2	3303-859	1		Gauge, Speedometer - Assembly
3	3304-645	3	/P	Screw, Self-Tapping



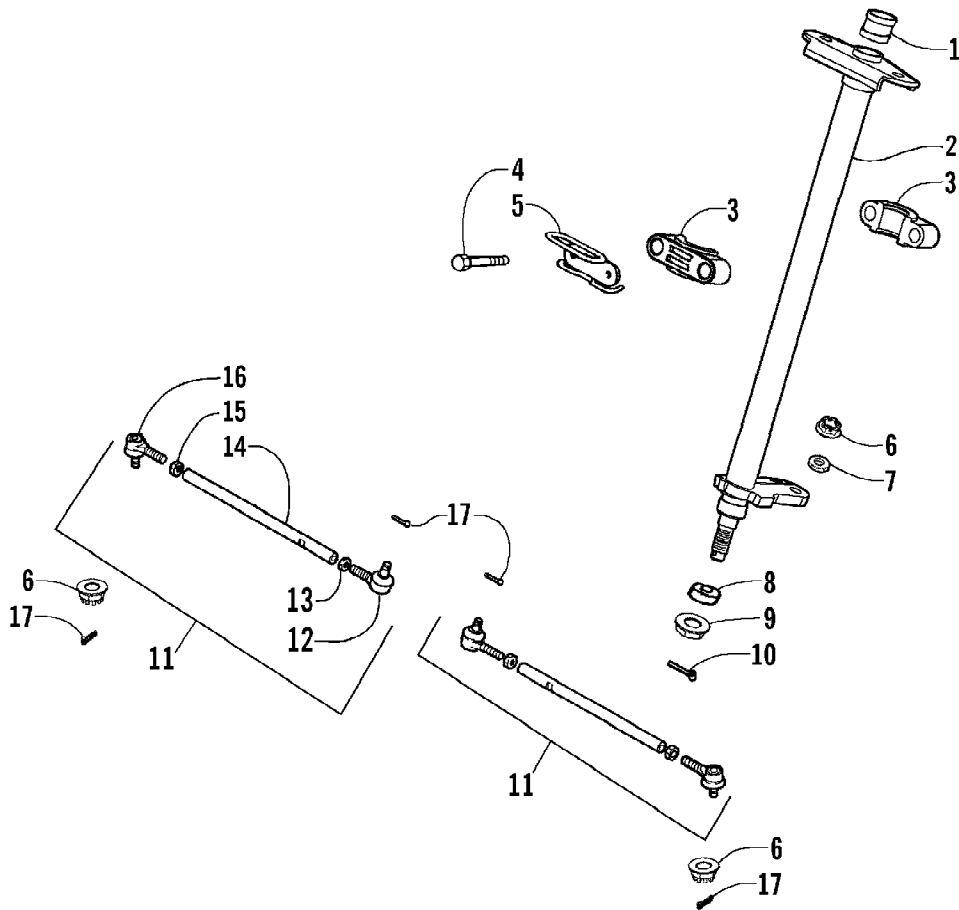
2009 ATV 250 UTILITY 2X4 AUTOMATIC RED (A2009KUE2BUSR)  
STARTER MOTOR AND MAGNETO ASSEMBLY



2009 ATV 250 UTILITY 2X4 AUTOMATIC RED (A2009KUE2BUSR)  
STARTER MOTOR AND MAGNETO ASSEMBLY

Page 58 of 67

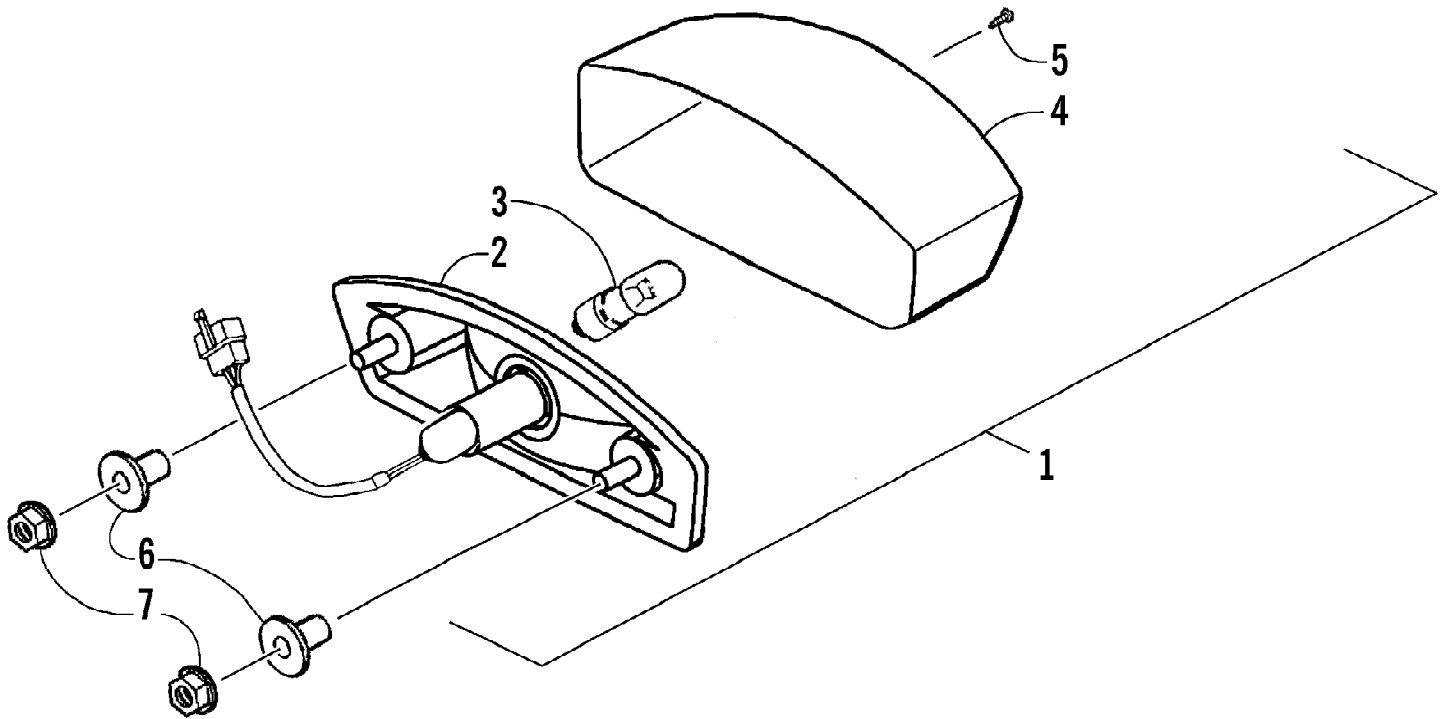
Ref #	Part Number	Qty	S/P/F	Description
1	3303-833	1		Stator
2	3304-118	2		Screw, Machine
3	3304-111	3		Screw, Cap
4	3304-024	1		Nut
5	3304-208	3		Screw, Cap
6	3303-832	1		Flywheel
7	3305-412	1		Clutch, One-Way
8	3303-825	1		Shaft, Starter Reduction
9	3303-824	1		Gear, Starter Reduction
10	3305-411	1	/P	Gear, Starter
11	3303-687	1		Pump, Oil
12	3303-385	2		Screw, Cap
13	3303-688	1		Sprocket, Drive - Oil Pump
14	3303-690	1		Chain, Oil Pump
15	3304-146	1		Circlip
16	3303-697	1		Separator, Oil
17	3303-381	2		Screw, Cap
18	3304-274	1		Motor, Starter (inc. 19-20)
19	3304-104	1		O-Ring
20	3304-011	2		Nut w/Washer
21	3304-002	2	/P	Screw, Cap
22	3304-277	1		Cable, Starter Motor (inc. 23-24)
23	3305-251	1		Boot, Starter Motor Terminal
24	3305-252	1		Boot, Starter Solenoid
25	3303-842	1		Cable, Ground
26	3304-036	1		Washer, Thrust



2009 ATV 250 UTILITY 2X4 AUTOMATIC RED (A2009KUE2BUSR)  
STEERING POST ASSEMBLY

Page 60 of 67

Ref #	Part Number	Qty	S/P/F	Description
1	3305-496	1	/P	Bushing
2	3303-957	1		Post, Steering
3	3303-961	2		Block, Mounting - Steering Post
4	3304-649	2		Screw, Cap
5	3303-962	1		Clamp, Mounting Block
6	3304-130	4		Nut, Castle
7	3304-136	2		Washer
8	3303-960	1		Collar, Steering Post - Lower
9	3304-032	1		Nut, Flange
10	3303-470	1		Pin, Cotter
11	3303-969	2		Tie Rod - Assembly (inc. 12-16)
12	3303-973	2		Ball Joint, Tie Rod - Left
13	3303-327	2		Nut, Hex - Left
14	3304-376	2		Tube, Tie Rod
15	3303-326	2		Nut, Hex - Right
16	3303-971	2		Ball Joint, Tie Rod - Right
17	3304-143	4		Pin, Cotter

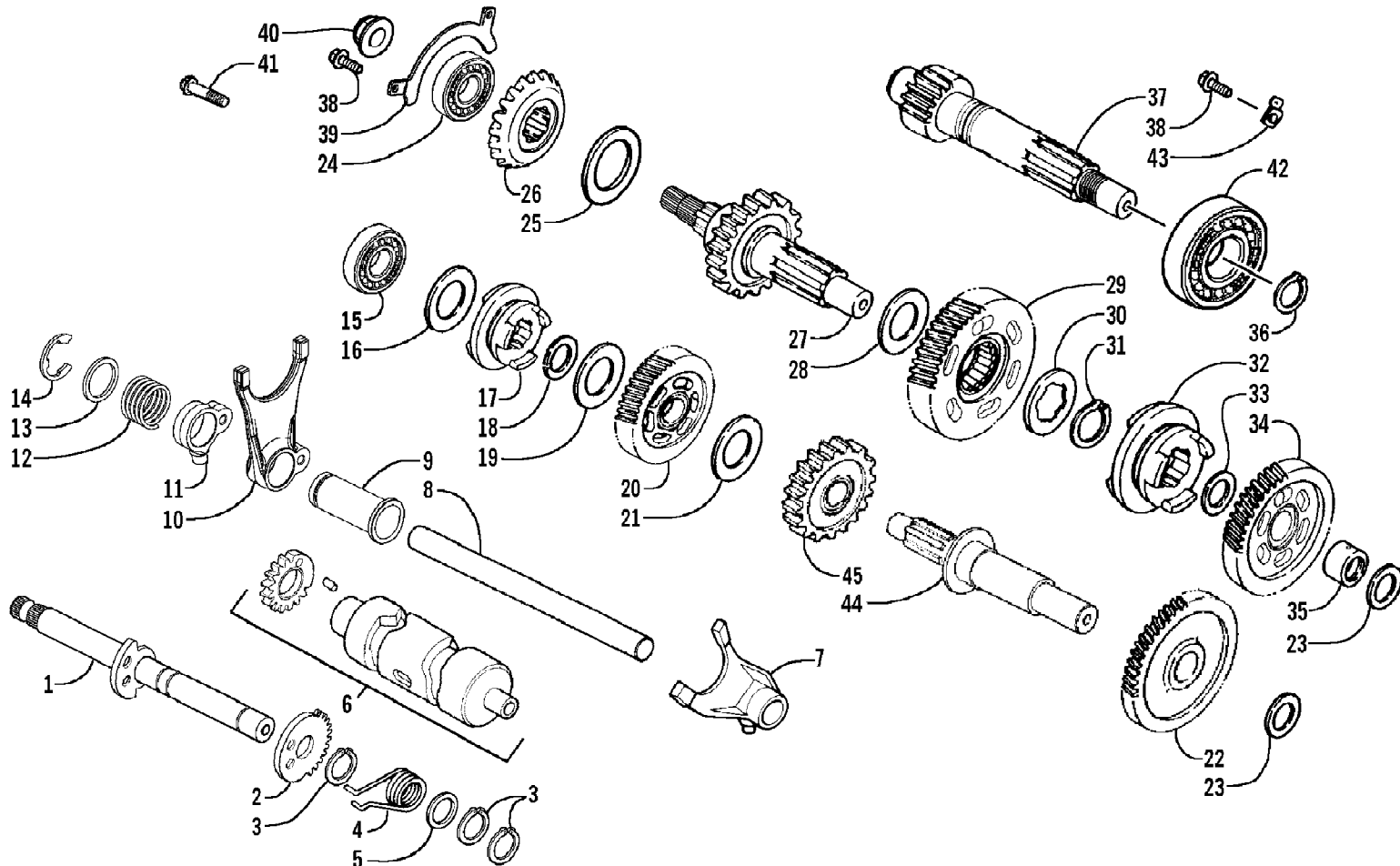


2009 ATV 250 UTILITY 2X4 AUTOMATIC RED (A2009KUE2BUSR)  
TAILLIGHT ASSEMBLY

Page 62 of 67

Ref #	Part Number	Qty	S/P/F	Description
1	3303-136	1	/P	Taillight - Assembly (inc. 2-5)
2	3303-422	1		Base
3	3303-849	1	/P	Bulb
4	3303-421	1	/P	Lens
5	3304-537	2		Screw, Machine
6	3303-226	2		Collar, Front Fender
7	3305-396	2		Nut

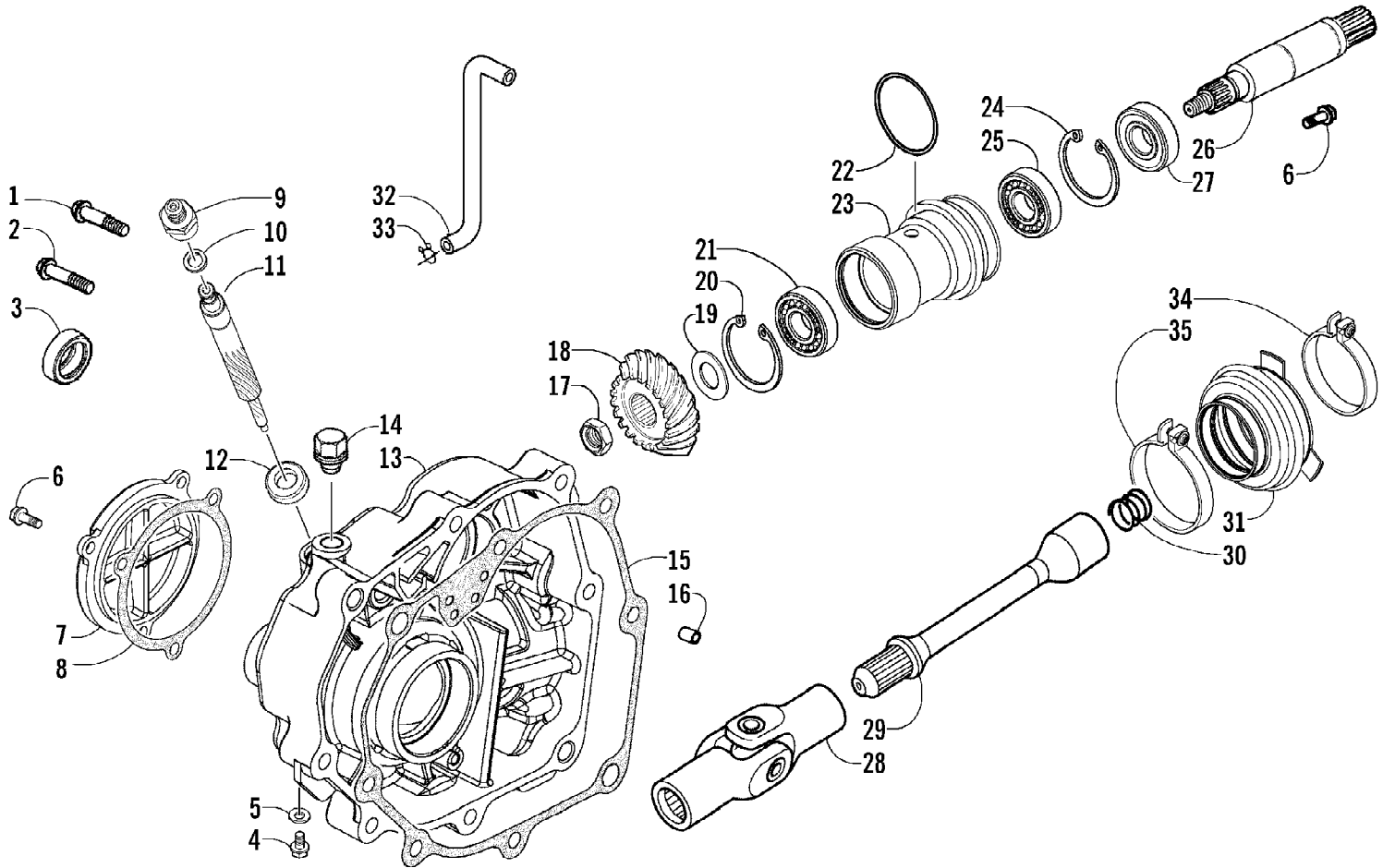
2009 ATV 250 UTILITY 2X4 AUTOMATIC RED (A2009KUE2BUSR)  
TRANSMISSION ASSEMBLY



Ref #	Part Number	Qty	S/P/F	Description
1	3303-812	1		Spindle, Gear Shift Cam
2	3303-815	1		Gear, Shift Handle
3	3304-153	3		Circlip
4	3303-813	1		Spring, Gear Shift Return
5	3304-036	1		Washer, Thrust
6	3305-552	1		Cam, Gear Shift - Assembly
7	3303-805	1		Fork, Gear Shift - Left
8	3303-806	1		Shaft, Gear Shift Fork
9	3303-807	1		Sleeve, Fork
10	3303-804	1		Fork, Gear Shift - Right
11	3303-808	1		Guide, Right Fork
12	3304-821	1	/P	Spring, Cam
13	3304-051	1		Washer
14	3304-154	1		E-Ring
15	3304-197	1		Bearing
16	3304-637	1		Washer, Thrust
17	3305-657	1		Shift, Forward - Dog
18	3304-056	1		Circlip
19	3305-871	1		Washer
20	3305-656	1		Gear, Forward
21	3305-674	1		Washer, Thrust
22	3303-793	1		Gear, Counter
23	3305-554	2	/P	Washer, Thrust
24	3304-194	1		Bearing
25	3304-525	AR		Shim, Drive Bevel Gear - A
25	3304-526	AR		Shim, Drive Bevel Gear - B
25	3304-527	AR		Shim, Drive Bevel Gear - C
25	3304-528	AR		Shim, Drive Bevel Gear - D
25	3304-529	AR		Shim, Drive Bevel Gear - E
25	3304-530	AR		Shim, Drive Bevel Gear - F
25	3304-531	AR		Shim, Drive Bevel Gear - G
25	3304-532	AR		Shim, Drive Bevel Gear - H
25	3304-533	AR		Shim, Drive Bevel Gear - I
25	3304-534	AR		Shim, Drive Bevel Gear - J
25	3304-535	AR		Shim, Drive Bevel Gear - K
25	3304-536	AR		Shim, Drive Bevel Gear - L
26	3303-801	1		Gear, Bevel - Drive
27	3303-784	1		Shaft, Main
28	3304-044	1		Washer, Thrust
29	3304-622	1		Gear, Lower - Driven
30	3304-045	1		Washer, Spline
31	3304-056	1		Circlip
32	3305-556	1		Shift, Reverse - Dog
33	3304-043	1		Washer, Thrust
34	3303-797	1		Gear, Reverse
35	3304-074	1	/P	Bearing, Needle
36	3304-147	1	/P	Circlip
37	3303-791	1		Driveshaft
38	3304-005	3		Screw, Cap
39	3304-041	1		Plate, Retaining
40	3304-033	1		Nut
41	3304-112	1		Screw, Cap
42	3304-067	1		Bearing



Ref #	Part Number	Qty	S/P/F	Description
43	3305-655	1		Plate, Retaining
44	3305-654	1		Countershaft
45	3303-800	1		Gear, Lower - Drive



Ref #	Part Number	Qty	S/P/F	Description
1	3303-615	2		Screw, Cap
2	3303-614	7	S	Screw, Cap
3	3304-081	1		Seal, Oil
4	3303-365	1		Screw, Cap
5	3303-591	1		Washer
6	3303-383	7	/P	Screw, Cap
7	3303-763	1		Cap, Transmission Case
8	3303-766	1		Gasket, Transmission Case Cap
9	3304-108	1	/P	Bolt, Tachometer
10	3304-047	1	/P	Washer
11	3303-662	1		Gear, Tachometer
12	3304-077	2	/P	Seal, Oil
13	3303-762	1		Case, Transmission (inc. one No. 12)
14	3304-052	1	/P	Plug, Drain
15	3303-765	1		Gasket, Transmission Case
16	3303-342	2		Pin, Dowel
17	3304-131	1		Nut
18	3303-802	1		Gear, Bevel - Driven
19	3304-624	AR		Shim, Driven Bevel Gear - A
19	3304-625	AR		Shim, Driven Bevel Gear - B
19	3304-626	AR		Shim, Driven Bevel Gear - C
19	3304-627	AR		Shim, Driven Bevel Gear - D
19	3304-628	AR		Shim, Driven Bevel Gear - E
19	3304-629	AR		Shim, Driven Bevel Gear - F
19	3304-630	AR		Shim, Driven Bevel Gear - G
19	3304-631	AR		Shim, Driven Bevel Gear - H
19	3304-632	AR		Shim, Driven Bevel Gear - I
19	3304-633	AR		Shim, Driven Bevel Gear - J
19	3304-634	AR		Shim, Driven Bevel Gear - K
19	3304-635	AR		Shim, Driven Bevel Gear - L
20	3304-151	1		Circlip
21	3304-069	1		Bearing
22	3304-105	1		O-Ring
23	3303-764	1		Case, Final Shaft
24	3304-152	1		Circlip
25	3304-071	1		Bearing
26	3304-642	1	/P	Shaft, Final
27	3304-087	1		Seal, Oil
28	3303-869	1		Joint, Yoke
29	3303-868	1		Shaft, Propeller
30	3303-870	1		Spring, Propeller Shaft
31	3303-945	1		Boot, Joint
32	3303-630	1		Tube, Breather - Transmission
33	3304-433	1		Clamp, Tube
34	3304-058	1		Clamp
35	3304-059	1		Clamp