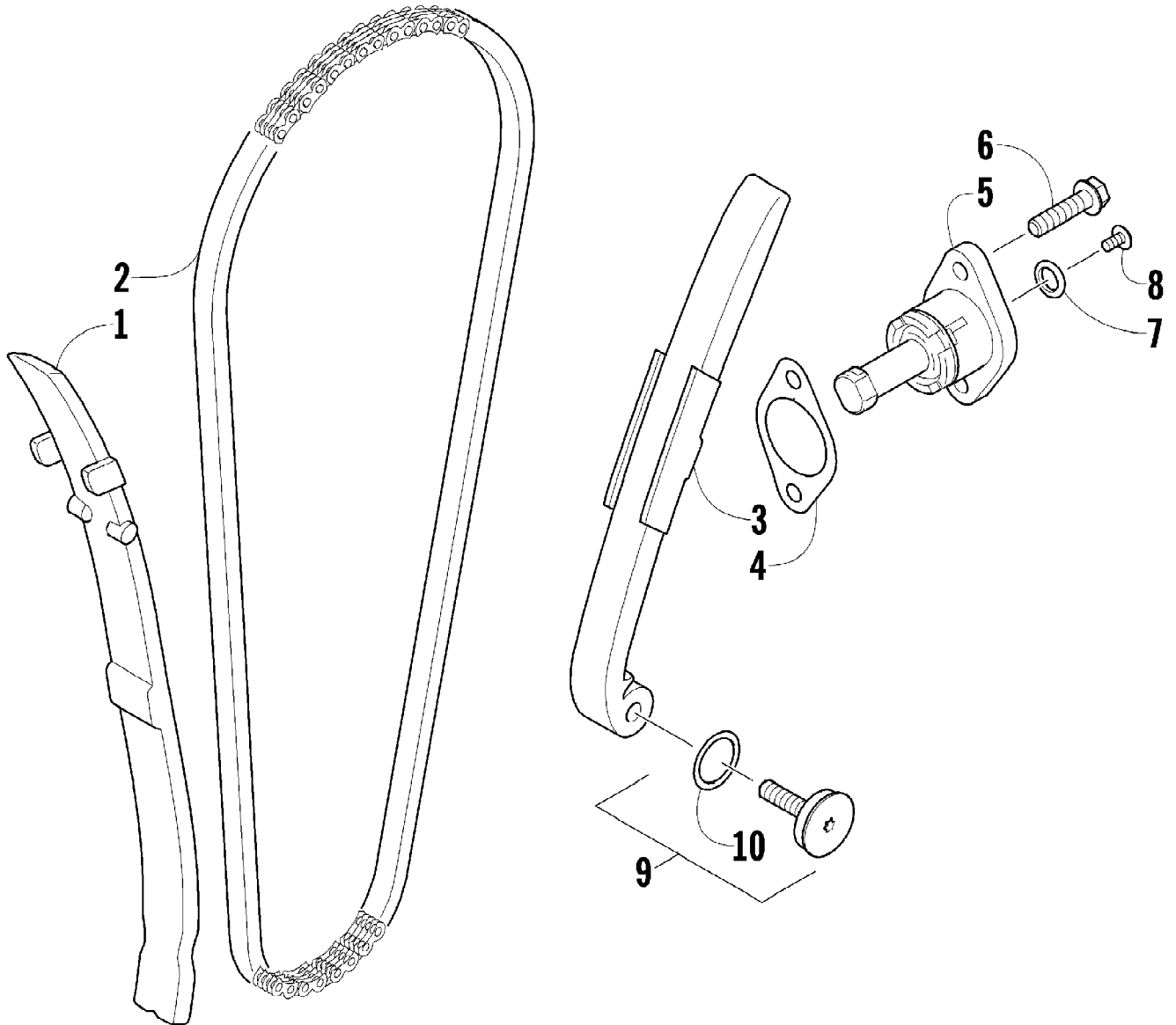


2009 ATV 150 UTILITY 2X4 AUTOMATIC RED (A2009KYC2BUSR)
AIR INTAKE ASSEMBLY

Page 2 of 58

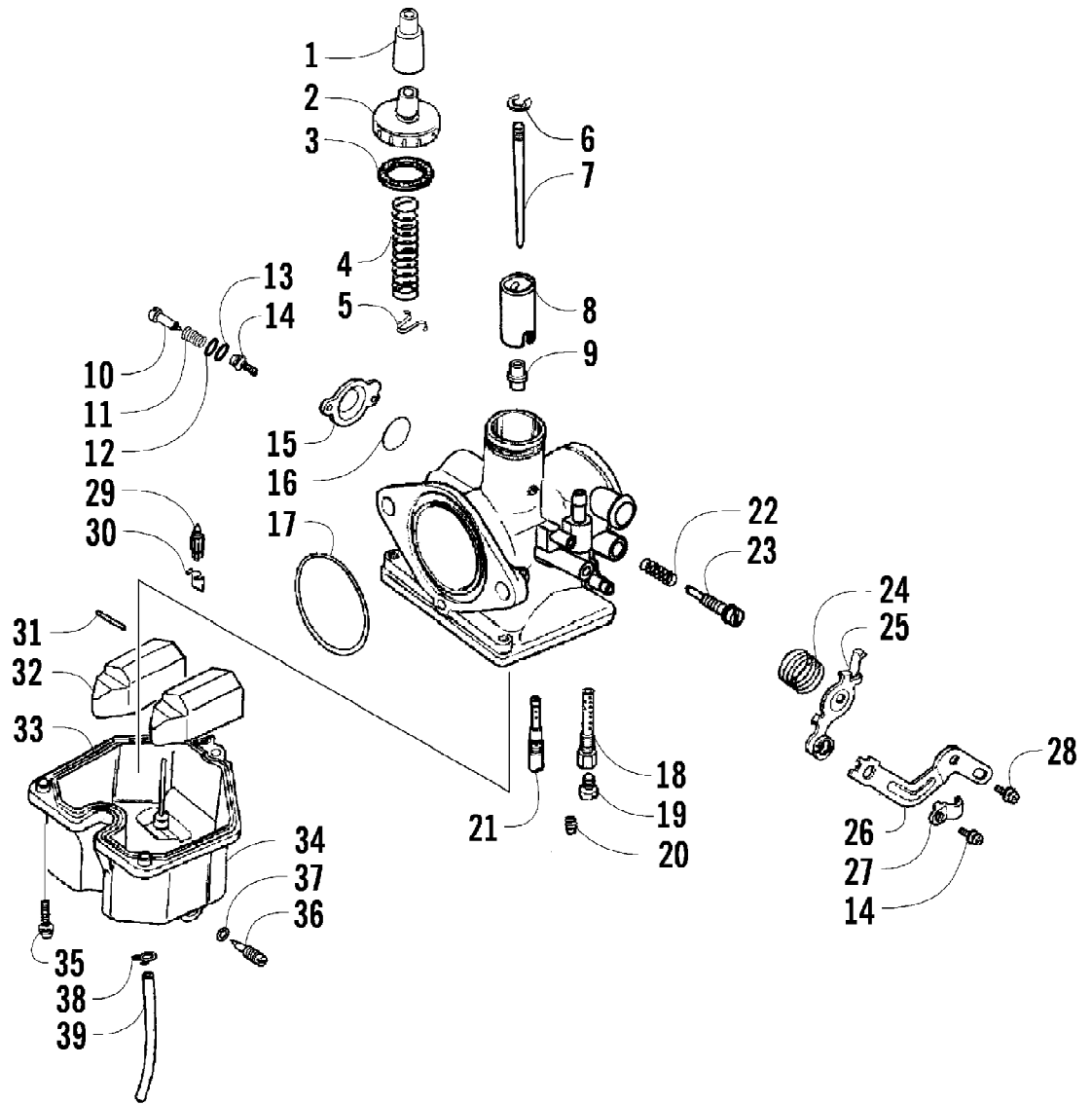
Ref #	Part Number	Qty	S/P/F	Description
1	3305-183	4		Screw, Self-Tapping
2	3305-758	1		Cover, Air Silencer
3	3305-173	1		Seal
4	3305-177	1		Silencer, Air
5	3303-709	1		Clamp, Hose (inc. 6)
6	3304-117	1		Screw, Machine
7	3303-064	1	/P	Catch, Oil
8	3303-052	1		Clamp, Hose
9	3305-170	1		Hose
10	3303-252	1		Clamp, Hose
11	3303-350	2		Clamp, Hose
12	3305-171	1		Hose
13	3303-609	2		Clamp, Hose
14	3305-185	1		Hose, Drain
15	3305-182	1		Plug, Drain
16	3303-385	2		Screw, Cap
17	3305-179	1		Fitting, Elbow
18	3305-180	1		Grommet
19	3305-184	1		Screw, Self-Tapping
20	3305-175	2		Plate
21	3305-172	1		Filter, Air
22	3305-174	2		Screen



2009 ATV 150 UTILITY 2X4 AUTOMATIC RED (A2009KYC2BUSR)
CAM CHAIN ASSEMBLY

Page 4 of 58

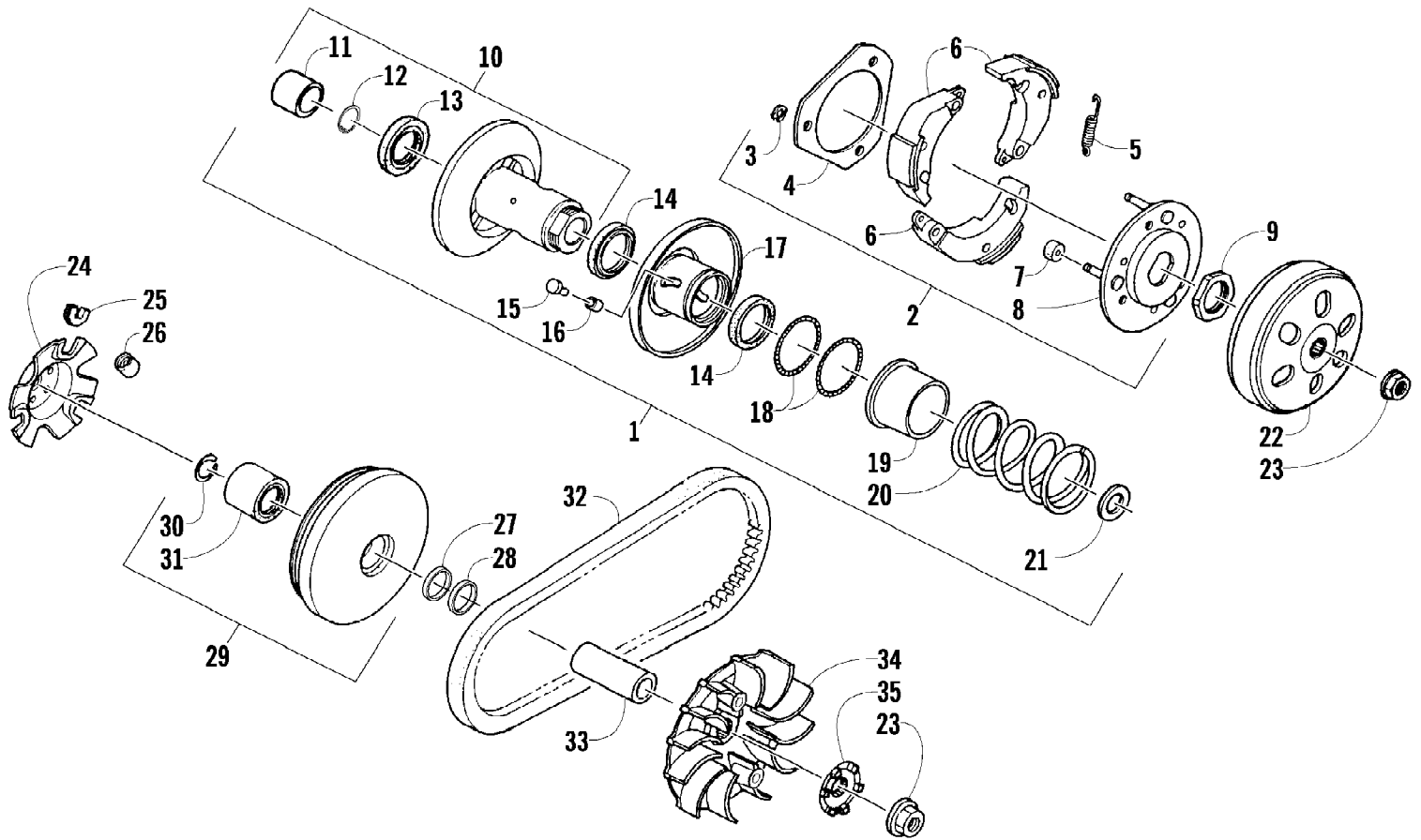
Ref #	Part Number	Qty	S/P/F	Description
1	3304-932	1		Guide, Chain
2	3304-924	1		Chain, Cam
3	3304-930	1		Tensioner, Chain
4	3303-035	1		Gasket
5	3303-677	1		Tensioner Assembly
6	3303-243	2	S	Screw, Cap
7	3304-100	1	/P	O-Ring
8	3304-006	1		Screw, Adjuster
9	3304-931	1		Adjuster, Tension (inc. 10)
10	3303-301	1	/P	O-Ring



2009 ATV 150 UTILITY 2X4 AUTOMATIC RED (A2009KYC2BUSR)
CARBURETOR ASSEMBLY

Page 6 of 58

Ref #	Part Number	Qty	S/P/F	Description
	3305-058	1		Complete Carburetory Assembly
1	3305-059	1		Seal, Cap
2	3305-052	1		Adjuster, Cable
3	3304-217	1		Gasket
4	3304-230	1		Spring, Compression
5	3304-454	1		Clip, Needle
6	3304-240	1		E-Clip
7	3305-061	1		Jet Needle
8	3305-062	1		Valve, Throttle
9	3304-456	1		Needle Jet
10	3305-051	1		Screw, Adjuster
11	3304-231	1		Spring, Compression
12	3304-250	1		Washer
13	3304-237	1		O-Ring
14	5507-117	3	/P	Screw, Machine
15	3305-056	1		Plate, Cover - Diaphragm
16	3305-063	1		O-Ring
17	3304-238	1		O-Ring
18	3304-447	1		Holder, Needle Jet
19	3304-441	1		Main Jet (98)
20	3304-214	1		Holder, Main Jet
21	3305-050	1		Slow Jet
22	3304-232	1		Spring, Compression
23	3304-455	1		Screw, Stop
24	3305-057	1		Spring, Torsion
25	3305-053	1		Lever, Choke
26	3305-055	1		Bracket, Choke Cable
27	3305-054	1		Clamp, Retaining
28	3304-429	1		Screw, Machine
29	3304-242	1		Valve, Float
30	3304-249	1		Clip, Float Valve
31	3304-451	1		Pin, Float Arm
32	3304-444	1		Float, Set
33	3305-761	1		Gasket, Float Chamber
34	3304-220	1		Chamber, Float - Assembly
35	3304-428	3		Screw, Machine
36	3304-243	1		Screw, Drain
37	3304-239	1		O-Ring
38	3304-452	1		Clamp, Hose
39	3305-060	1		Hose, Drain

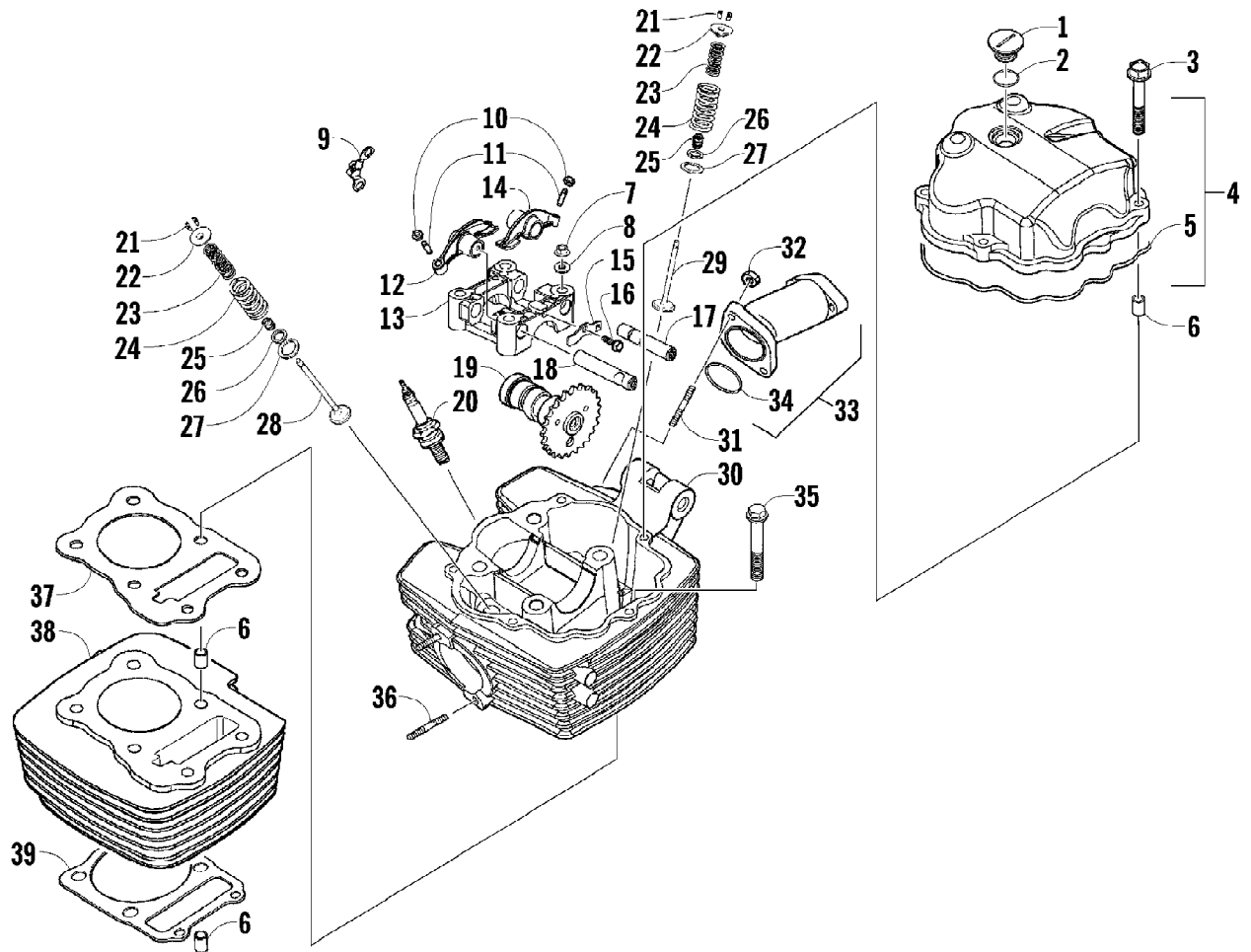


2009 ATV 150 UTILITY 2X4 AUTOMATIC RED (A2009KYC2BUSR)
CLUTCH ASSEMBLY

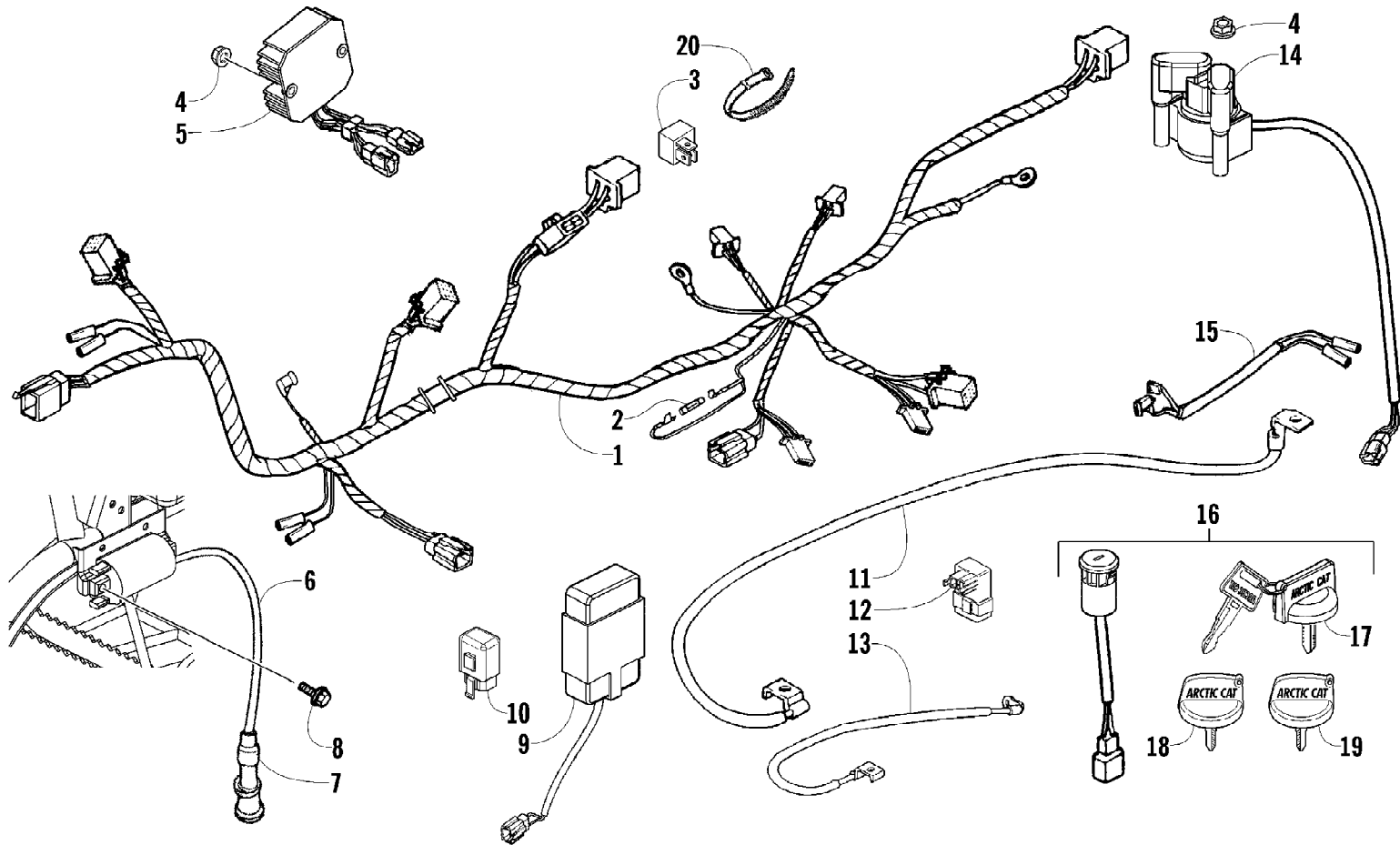
Page 8 of 58

Ref #	Part Number	Qty	S/P/F	Description
1	3304-986	1		Pulley, Driven - Assembly (inc. 2-21)
2	3304-981	1		Clutch, Centrifugal - Assembly (inc. 3-8)
3	3304-054	3		Ring, Retaining
4	3304-983	1		Plate, Clutch
5	3304-984	3		Spring
6	3304-985	3		Weight, Clutch
7	3303-780	3		Roller
8	3304-982	1		Plate, Clutch
9	3304-994	1		Nut
10	3304-988	1		Face, Driven - Fixed (inc. 11-13)
11	3304-996	1		Bearing
12	3304-149	1		Ring, Retaining
13	3304-070	1		Bearing
14	3304-997	2		Seal
15	3304-990	3		Pin, Guide
16	3303-787	3		Guide, Roller
17	3304-989	1		Face, Driven - Movable
18	3304-998	2		O-Ring
19	3303-789	1		Sleeve, Spring
20	3304-991	1		Spring
21	3304-995	1		Washer, Thrust
22	3304-973	1		Clutch, Outer
23	3303-334	2		Nut
24	3304-979	1		Plate, Ramp
25	3304-980	3		Slide
26	3304-978	6		Roller
27	3305-744	1		Collar
28	3305-745	1		Collar
29	3304-976	1		Face, Drive - Movable (inc. 30-31)
30	3304-160	1		Ring, Retaining
31	3304-977	1		Sleeve
32	3304-987	1	/P	Belt, Drive
33	3304-975	1		Sleeve
34	3304-974	1		Face, Drive
35	3304-993	1		Ratchet, Kick Starter

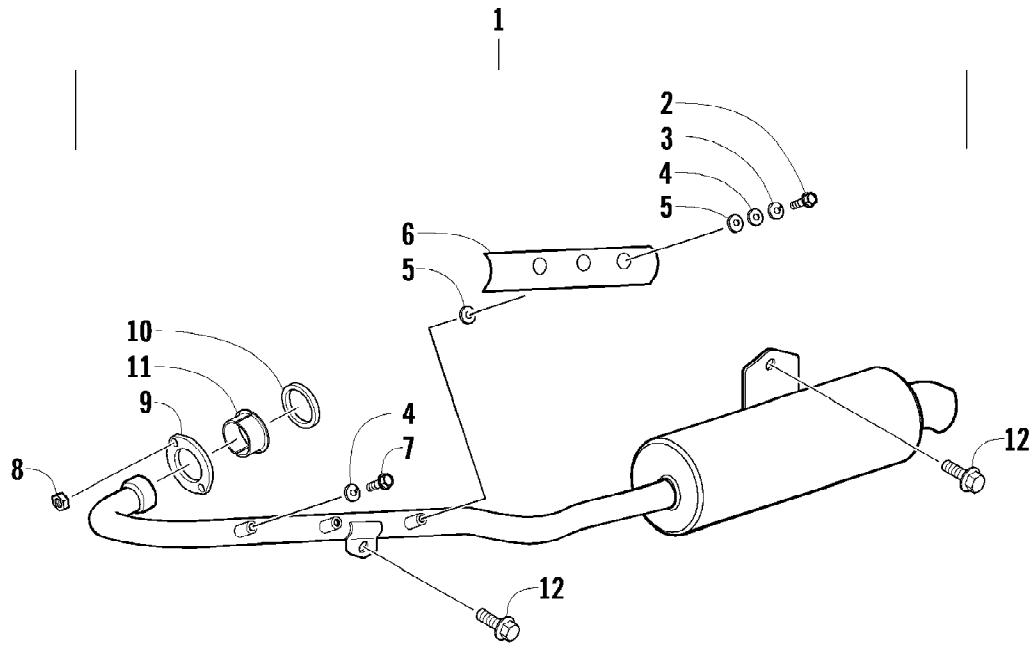
2009 ATV 150 UTILITY 2X4 AUTOMATIC RED (A2009KYC2BUSR)
CYLINDER HEAD ASSEMBLY



Ref #	Part Number	Qty	S/P/F	Description
	3305-754	1	F	Complete Engine Assembly
1	3304-012	1		Cap, Inspection
2	3304-099	1		O-Ring
3	3303-611	4		Screw, Cap
4	3304-914	1		Cover, Cylinder Head (inc. 5)
5	3304-915	1		Gasket
6	3303-342	6		Pin, Dowel
7	3303-332	4		Nut
8	3303-227	4		Washer
9	3304-923	1		Plate, Stop
10	3304-942	2		Nut
11	3304-941	2		Screw, Adjuster
12	3304-926	1		Arm, Rocker - Exhaust
13	3304-921	1		Retainer, Camshaft
14	3304-925	1		Arm, Rocker - Intake
15	3304-929	1		Plate, Retaining
16	3303-381	1		Screw, Cap
17	3304-927	1		Shaft, Rocker Arm - Intake
18	3304-928	1		Shaft, Rocker Arm - Exhaust
19	3304-922	1		Camshaft
20	3304-919	1		Spark Plug (DR-8EA)
21	3304-940	4		Valve, Cotter
22	3304-937	2		Retainer, Valve Spring
23	3304-936	2		Spring, Valve - Inner
24	3304-935	2		Spring, Valve - Outer
25	3304-920	2		Seal, Valve Stem
26	3304-939	2		Seat, Valve Spring - Inner
27	3304-938	2		Seat, Valve Spring - Outer
28	3304-934	1		Valve, Exhaust
29	3304-933	1		Valve, Intake
30	3305-741	1		Head, Cylinder
31	3304-114	2		Bolt, Stud
32	3304-124	2		Nut
33	3304-916	1		Pipe, Intake (inc. 34)
34	3304-097	1		O-Ring
35	3304-918	2		Screw, Cap
36	3304-917	2		Bolt, Stud
37	3304-913	1		Gasket, Cylinder Head
38	3304-910	1		Cylinder
39	3304-911	1		Gasket, Cylinder



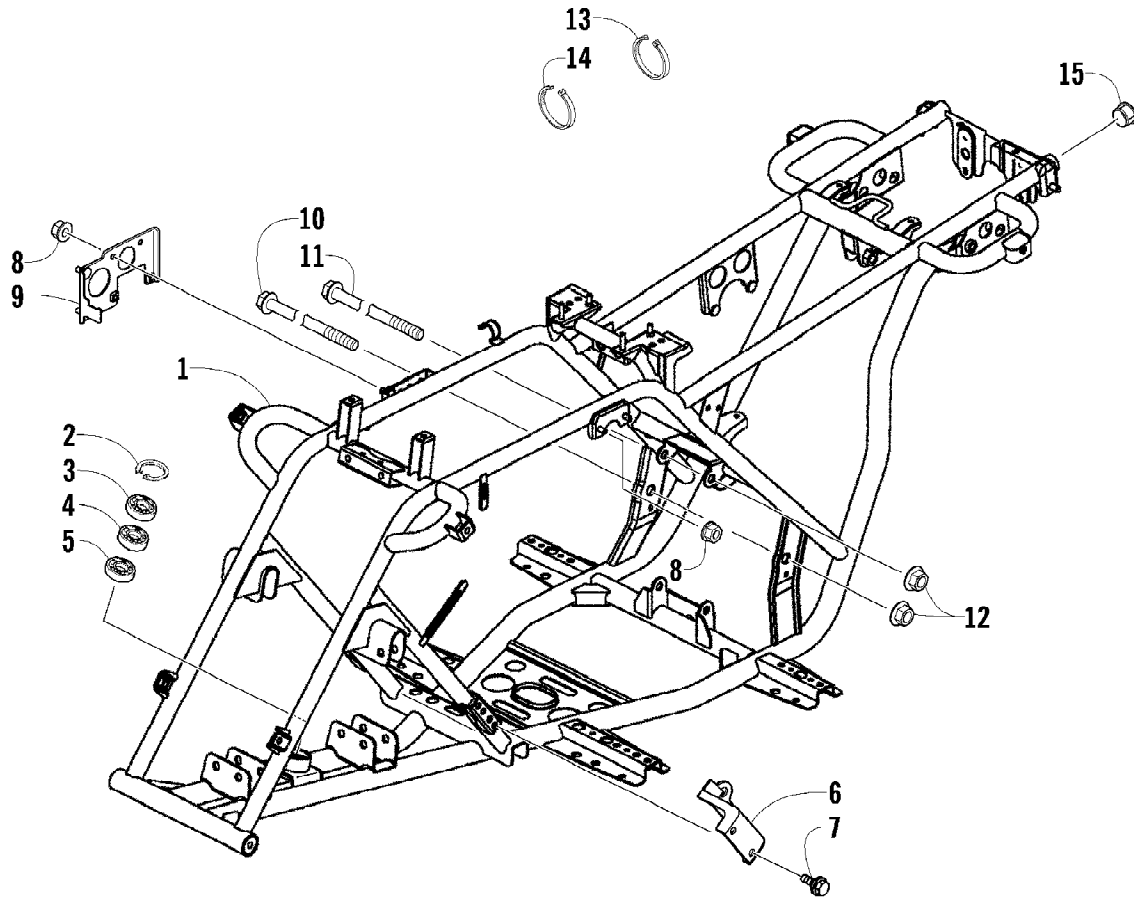
Ref #	Part Number	Qty	S/P/F	Description
1	3305-748	1		Harness, Main (inc. 2-3)
2	3305-233	1		Fuse - 20 Amp
3	3303-837	1		Diode, Neutral
4	3303-331	4	/P	Nut
5	3303-836	1		Regulator, Voltage
6	3305-222	1		Coil, Ignition (inc. 7)
7	3305-223	1		Cap, Noise Suppression
8	3305-143	2	S	Screw, Cap
9	3305-727	1		CDI Unit
10	3303-867	1		Relay, Start-in-Gear
11	3305-225	1		Cable, Battery
12	3304-523	1		Relay, Lighting Control
13	3304-969	1		Harness, Ground
14	3303-857	1		Relay, Starter
15	3305-012	1		Sub-Cord
16	3305-756	1		Switch, Ignition - Assembly (inc. 17-19)
17	3304-522	1		Cover, Key - "Arctic Cat"
18	3304-520	1		Key, Ignition - Set - Right-Side Cut
19	3304-521	1		Key, Ignition - Set - Left-Side Cut
20	3303-289	1	/P	Tie, Cable



2009 ATV 150 UTILITY 2X4 AUTOMATIC RED (A2009KYC2BUSR)
EXHAUST ASSEMBLY

Page 14 of 58

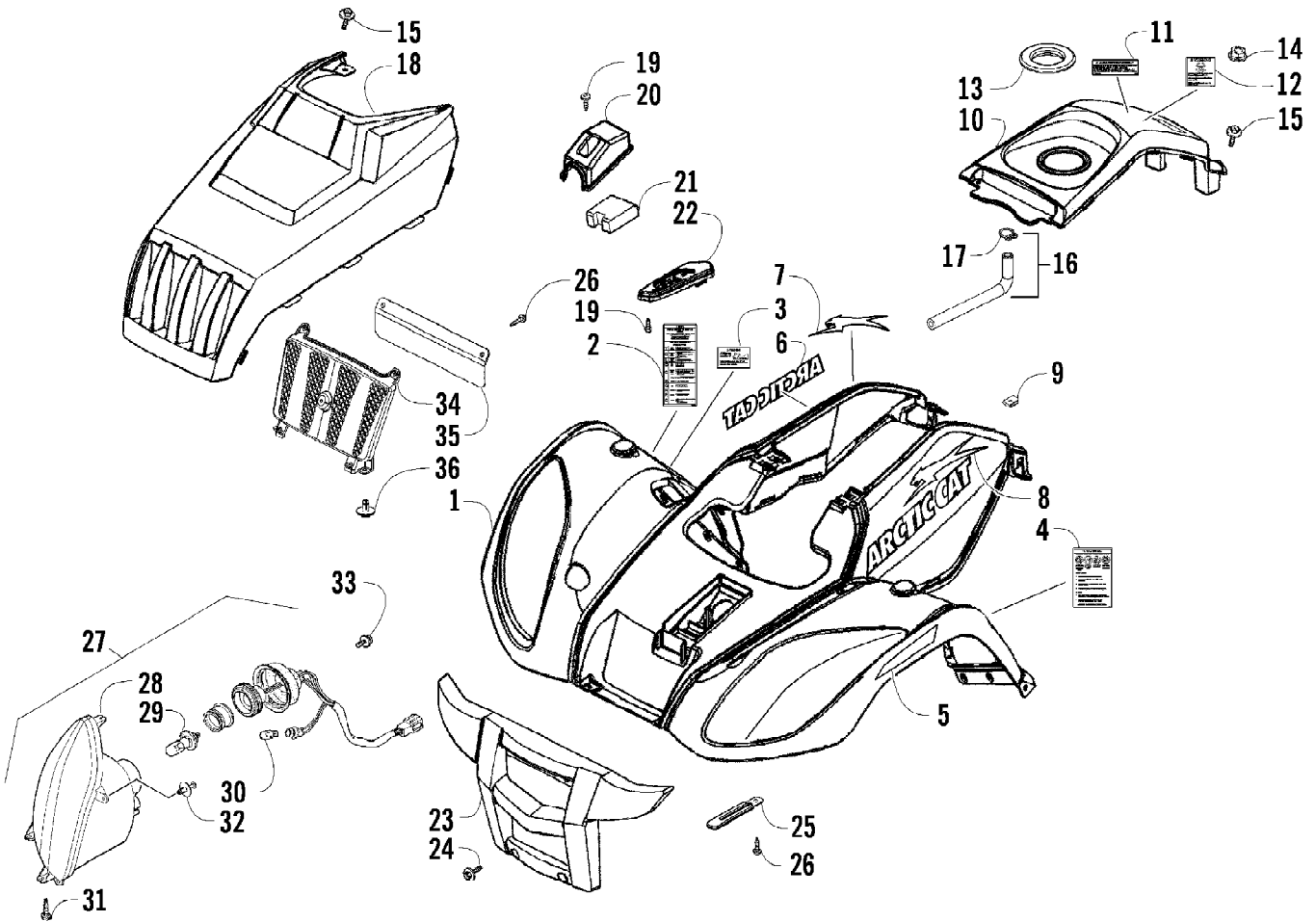
Ref #	Part Number	Qty	S/P/F	Description
1	3305-750	1		Pipe, Exhaust (inc. 2-7)
2	3304-686	2	/P	Screw, Cap
3	3304-140	2		Washer, Lock
4	3304-134	2		Washer
5	3303-727	4		Washer, Fiber
6	3303-730	1		Shield, Exhaust
7	3305-782	2		Screw, Cap
8	3304-124	2		Nut
9	3305-186	1		Flange, Exhaust
10	3305-188	1		Gasket, Exhaust
11	3305-187	2		Coupler, Exhaust
12	3305-749	2		Screw, Cap



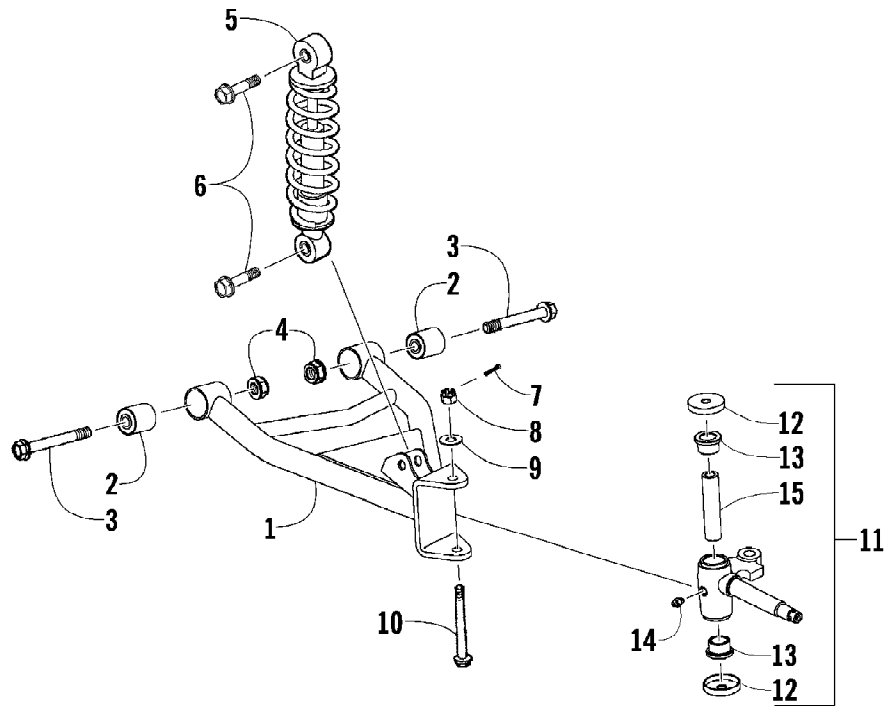
2009 ATV 150 UTILITY 2X4 AUTOMATIC RED (A2009KYC2BUSR)
FRAME AND RELATED PARTS ASSEMBLY

Page 16 of 58

Ref #	Part Number	Qty	S/P/F	Description
1	3305-704	1		Frame, Main
2	3303-347	1		Ring, Retaining
3	3303-295	1		Seal, Oil
4	3303-298	1		Seal, Oil
5	3303-392	1		Bearing
6	3305-239	2		Bracket, Mounting - Engine
7	3304-544	4		Screw, Cap
8	3303-331	4	/P	Nut
9	3305-237	1		Bracket, Mounting - Coil/Regulator
10	3304-184	1	/P	Screw, Cap
11	3305-705	2		Screw, Cap
12	3304-031	3	/P	Nut
13	3303-593	1		Tie, Cable
14	3303-289	1	/P	Tie, Cable
15	3305-242	2		Plug



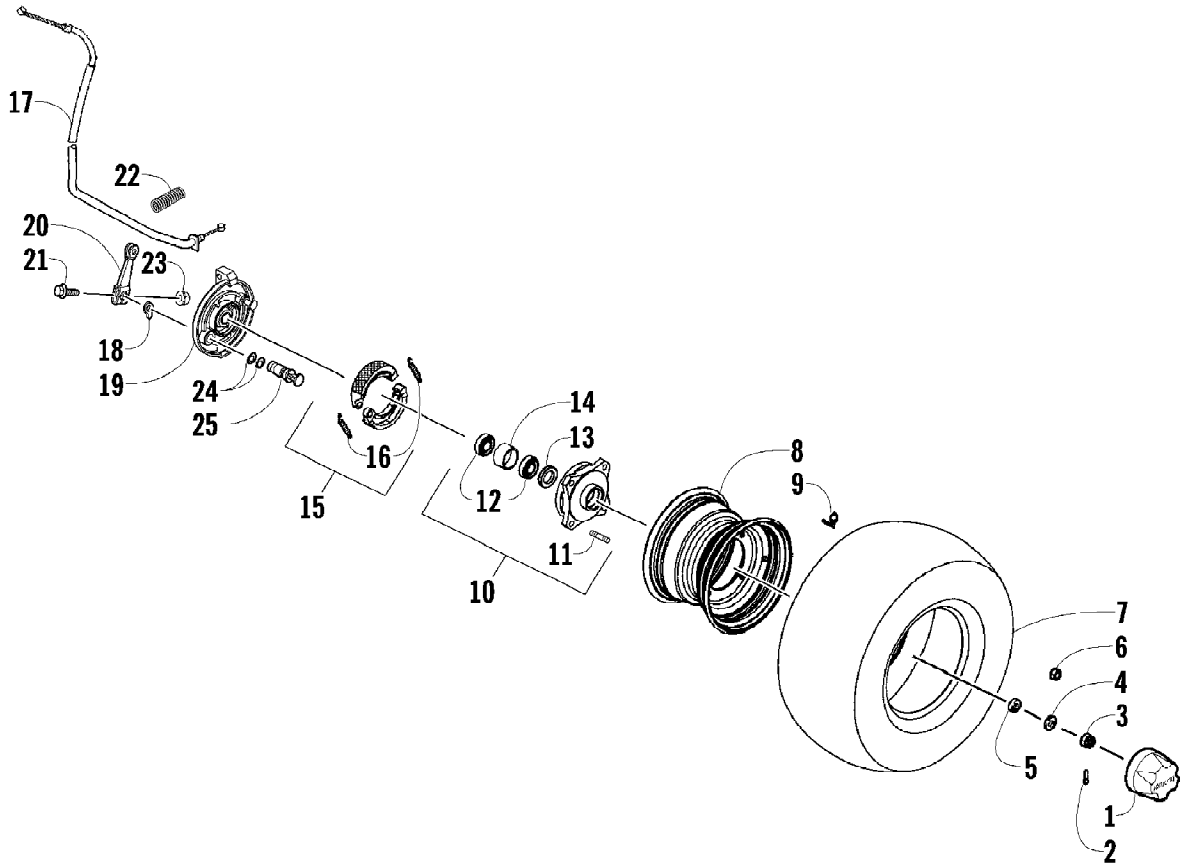
Ref #	Part Number	Qty	S/P/F	Description
1	3305-696	1		Fender, Front (inc. 2-5)
2	1411-943	1		Decal, Pre-Ride Inspection
3	0411-836	1		Decal, Warning - Hill
4	1411-932	1	/P	Decal, Warning - General
5	1411-180	1		Decal, Reflector - Right
5	1411-181	1		Decal, Reflector - Left
6	1411-976	1		Decal, Side - Front Right
7	1411-978	1		Decal, Side - Rear Right
8	1411-637	1		Decal, Side - Left
9	3304-061	8	/P	Clip, U-Nut
10	3305-764	1	S	Cover, Gas Tank (inc. 11-12)
11	1411-577	1		Decal, Warning - Not for Highways
12	1411-377	1		Decal, Warning - Age
13	3303-721	1		Grommet, Cover
14	3303-331	2	/P	Nut
15	3304-029	6	/P	Screw, Machine
16	3305-701	1		Hose, Fuel Drain (inc. 17)
17	3303-349	1		Clamp, Hose
18	3305-697	1		Cover, Front
19	3304-650	3	/P	Screw, Self-Tapping
20	3305-095	1	/P	Cover, CVT Element
21	3305-096	1		Element, CVT
22	3305-092	1		Guide, Shift Handle
23	3305-700	1		Bumper, Front
24	3304-587	4	/P	Screw, Machine
25	3304-156	2		Clamp, Wire
26	3304-651	7		Screw, Self-Tapping
27	3303-844	1		Headlight - Assembly - Right (inc. 28-30)
27	3303-845	1		Headlight - Assembly - Left (inc. 28-30)
28	3304-643	1		Lens, Headlight - Right
28	3304-644	1		Lens, Headlight - Left
29	3303-846	2	/P	Bulb, Headlight
30	3303-847	2		Bulb, Turn Signal
31	3304-645	6	/P	Screw, Self-Tapping
32	3304-057	2	/P	Rivet, Reinstallable
33	3304-587	2	/P	Screw, Machine
34	3305-699	1	S	Grille, Front
35	3305-698	1		Support, Grille
36	3304-057	2	/P	Rivet, Reinstallable



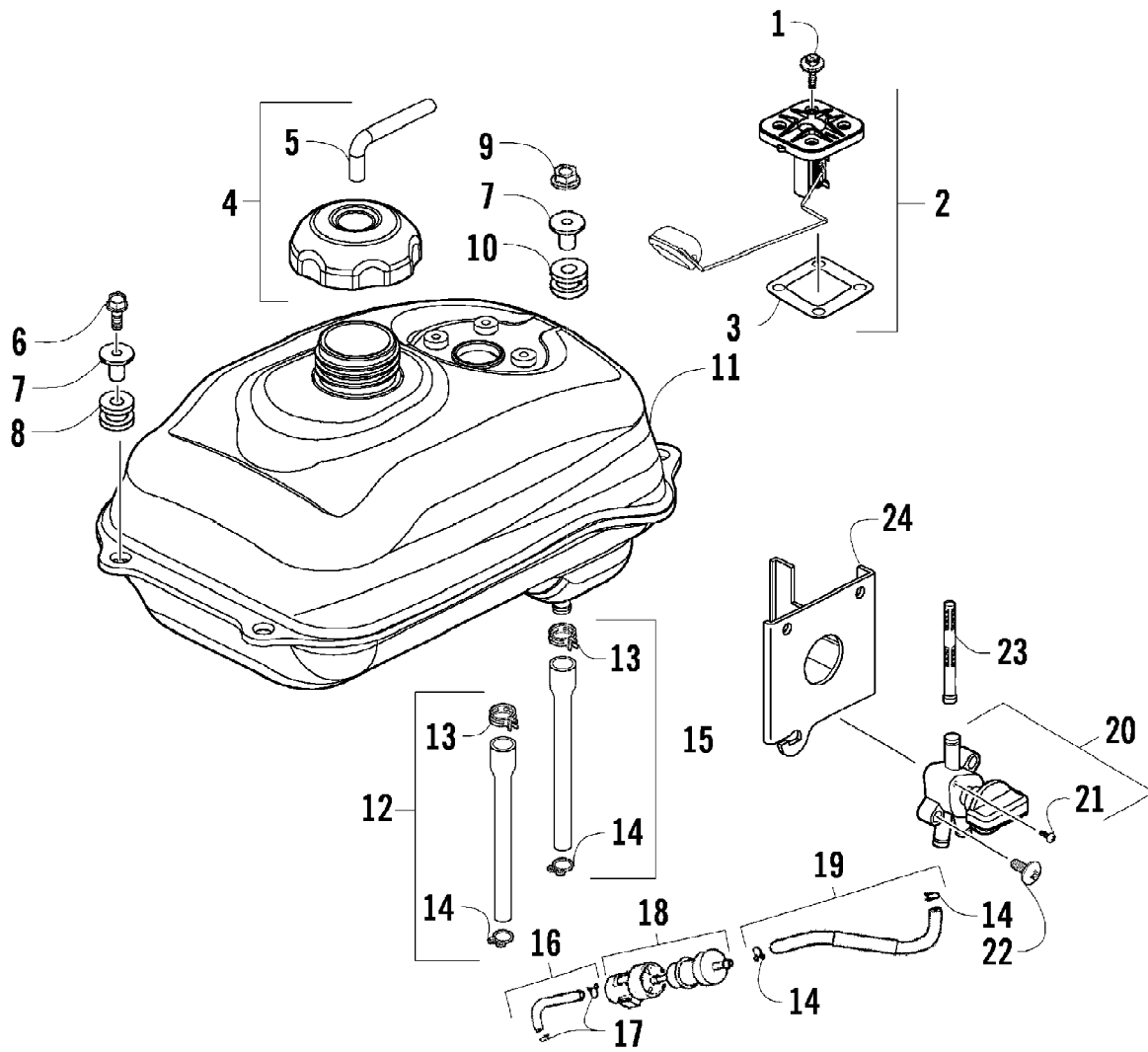
2009 ATV 150 UTILITY 2X4 AUTOMATIC RED (A2009KYC2BUSR)
FRONT SUSPENSION ASSEMBLY

Page 20 of 58

Ref #	Part Number	Qty	S/P/F	Description
1	3305-208	1		A-Arm Assembly - Right (inc. 2)
1	3305-209	1		A-Arm Assembly - Left (inc. 2)
2	3304-689	4	/P	Bushing
3	3304-182	4	/P	Screw, Cap
4	3304-031	4	/P	Nut
5	3305-204	2		Shock/Spring Assembly
6	3303-376	4	/P	Screw, Cap
7	3305-724	2		Pin, Cotter
8	3305-011	2		Nut, Lock
9	3305-107	2		Washer
10	3305-202	2		Screw, Cap
11	3305-198	1		Knuckle - Assembly - Right (inc. 12-15)
11	3305-203	1		Knuckle - Assembly - Left (inc. 12-15)
12	3305-201	4		Cap
13	3305-199	4		Bushing
14	3303-393	2		Fitting, Grease
15	3305-200	2		Axle



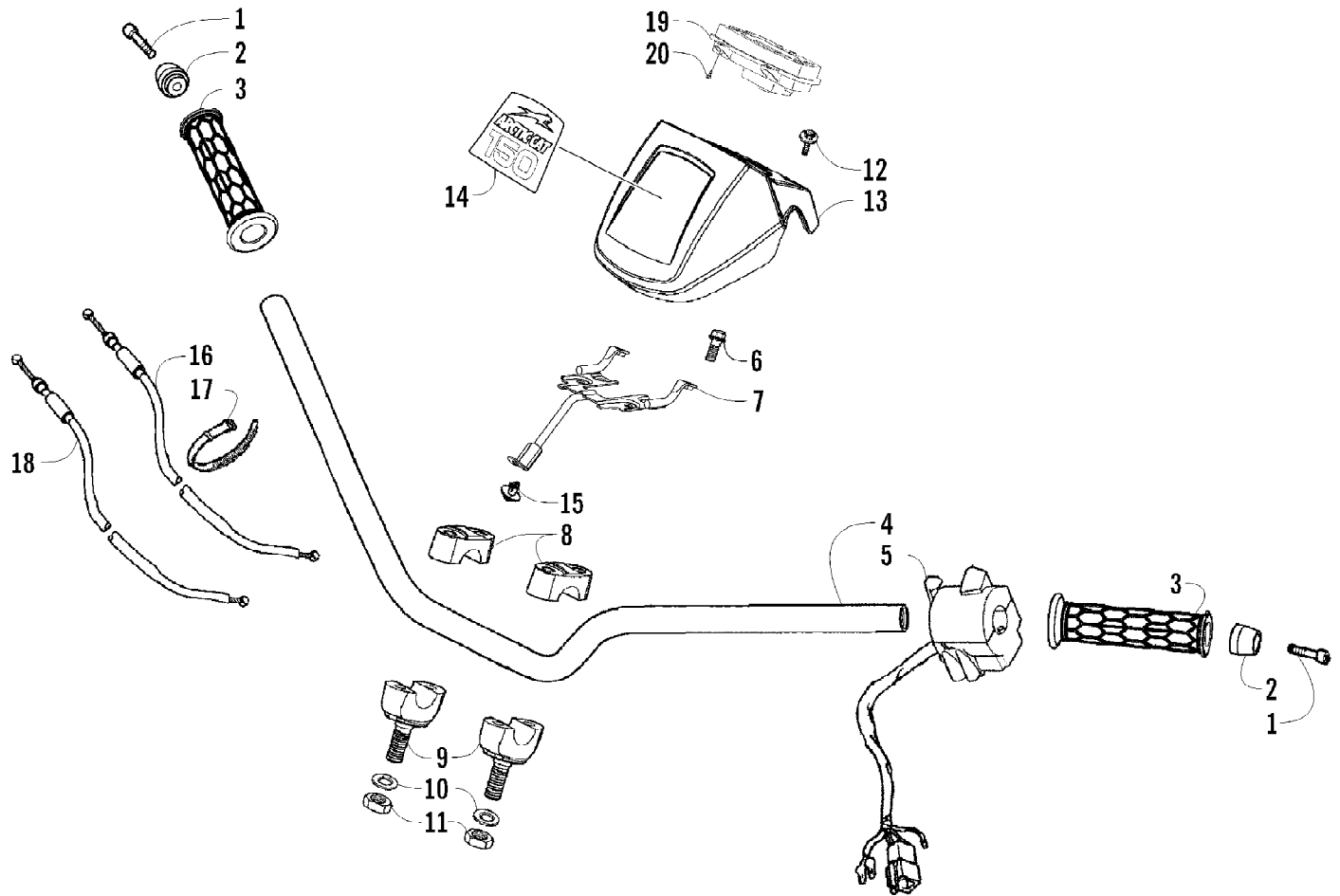
Ref #	Part Number	Qty	S/P/F	Description
1	3303-931	2		Cap, Wheel
2	3303-340	2		Pin, Cotter
3	3303-330	2		Nut, Lock
4	3305-124	2		Washer
5	3305-108	2		Spacer
6	3304-028	8		Nut, Lug
7	3305-112	2		Tire
8	3303-902	2	/P	Wheel - Assembly (inc. 9)
9	3303-887	2		Stem, Valve
10	3305-109	2		Hub, Front - Assembly (inc. 11-14)
11	3305-126	8		Bolt, Stud
12	3303-468	4		Bearing
13	3303-456	2		Seal, Dust
14	3305-110	2		Spacer
15	3305-720	2	/P	Shoe, Front - Assembly (inc. 16)
16	3305-116	4		Spring
17	3305-077	1		Cable, Brake - Right
17	3305-079	1		Cable, Brake - Left
18	3305-118	2		Indicator, Wear
19	3305-114	1		Panel - Front - Right
19	3305-121	1		Panel - Front - Left
20	3305-120	1		Arm, Brake - Right
20	3305-122	1		Arm, Brake - Left
21	3303-611	2		Screw, Cap
22	3303-172	2		Spring
23	3303-331	2	/P	Nut
24	3305-125	4		Seal, Oil
25	3305-119	2		Cam, Brake



2009 ATV 150 UTILITY 2X4 AUTOMATIC RED (A2009KYC2BUSR)
GAS TANK ASSEMBLY

Page 24 of 58

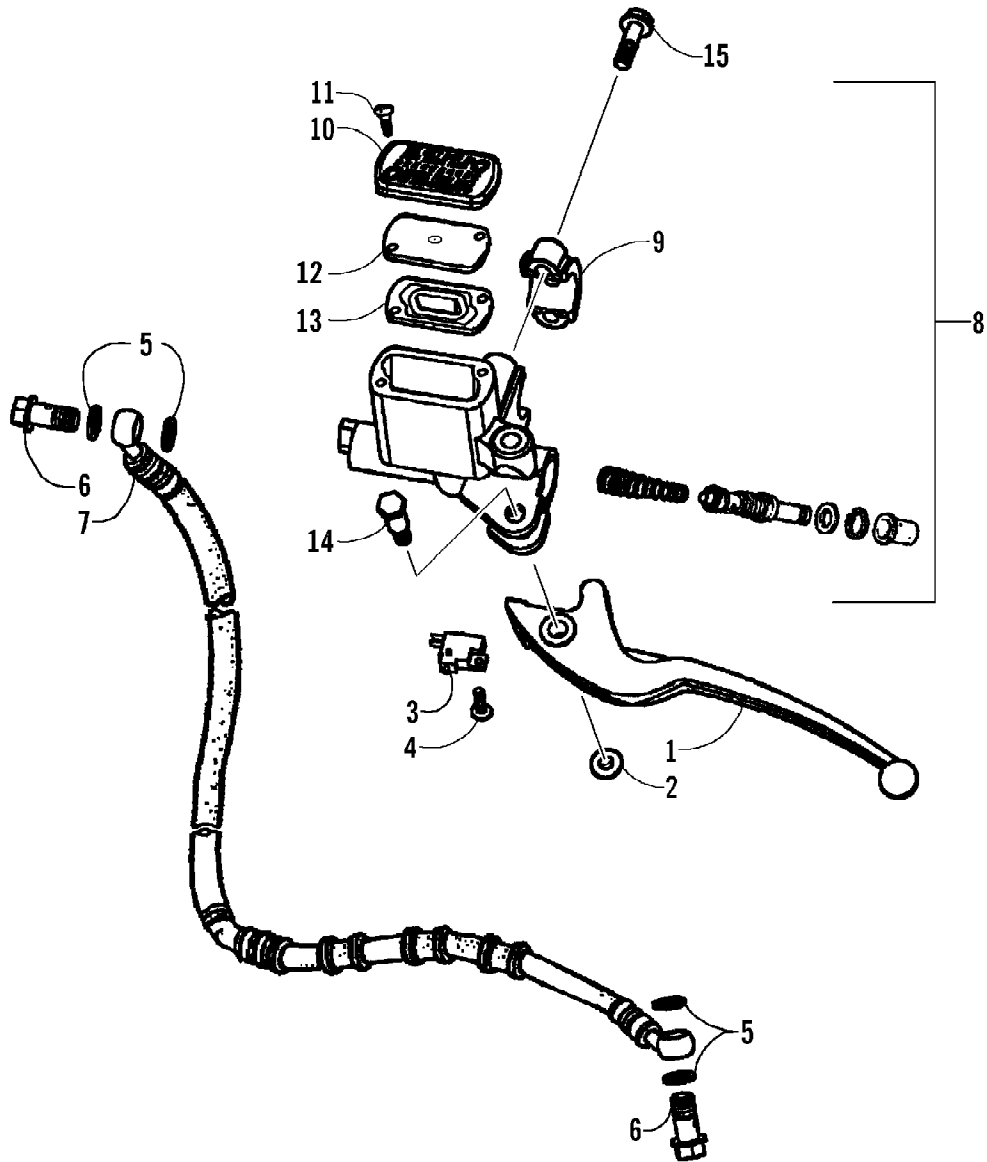
Ref #	Part Number	Qty	S/P/F	Description
1	3305-397	4		Screw, Cap
2	3305-737	1		Pump, Fuel (inc. 3)
3	3305-772	1		Seal
4	3304-246	1	/P	Cap, Gas Tank (inc. 5)
5	3304-169	1		Hose, Vent
6	3304-551	2	/P	Screw, Cap
7	3303-226	4		Insert
8	3304-647	2		Grommet
9	3303-331	2	/P	Nut
10	3303-406	2		Grommet
11	3305-734	1		Tank, Gas
12	3305-735	1		Hose Assembly (inc. 13-14)
13	3303-351	2		Clamp, Hose
14	3303-349	4		Clamp, Hose
15	3305-736	1		Hose Assembly (inc. 13-14)
16	3305-739	1		Hose Assembly (inc. 17)
17	3303-348	2		Clamp, Hose
18	3303-699	1	/P	Filter, Fuel
19	3305-738	1		Hose Assembly (inc. 14)
20	3303-057	1		Shut-Off, Fuel (inc. 21)
21	3304-120	2		Screw, Machine
22	3303-316	2		Screw, Machine
23	3303-058	1		Strainer, Fuel
24	3305-074	1		Bracket, Mounting - Fuel Shut-Off



2009 ATV 150 UTILITY 2X4 AUTOMATIC RED (A2009KYC2BUSR)
HANDLEBAR AND CONTROLS ASSEMBLY

Page 26 of 58

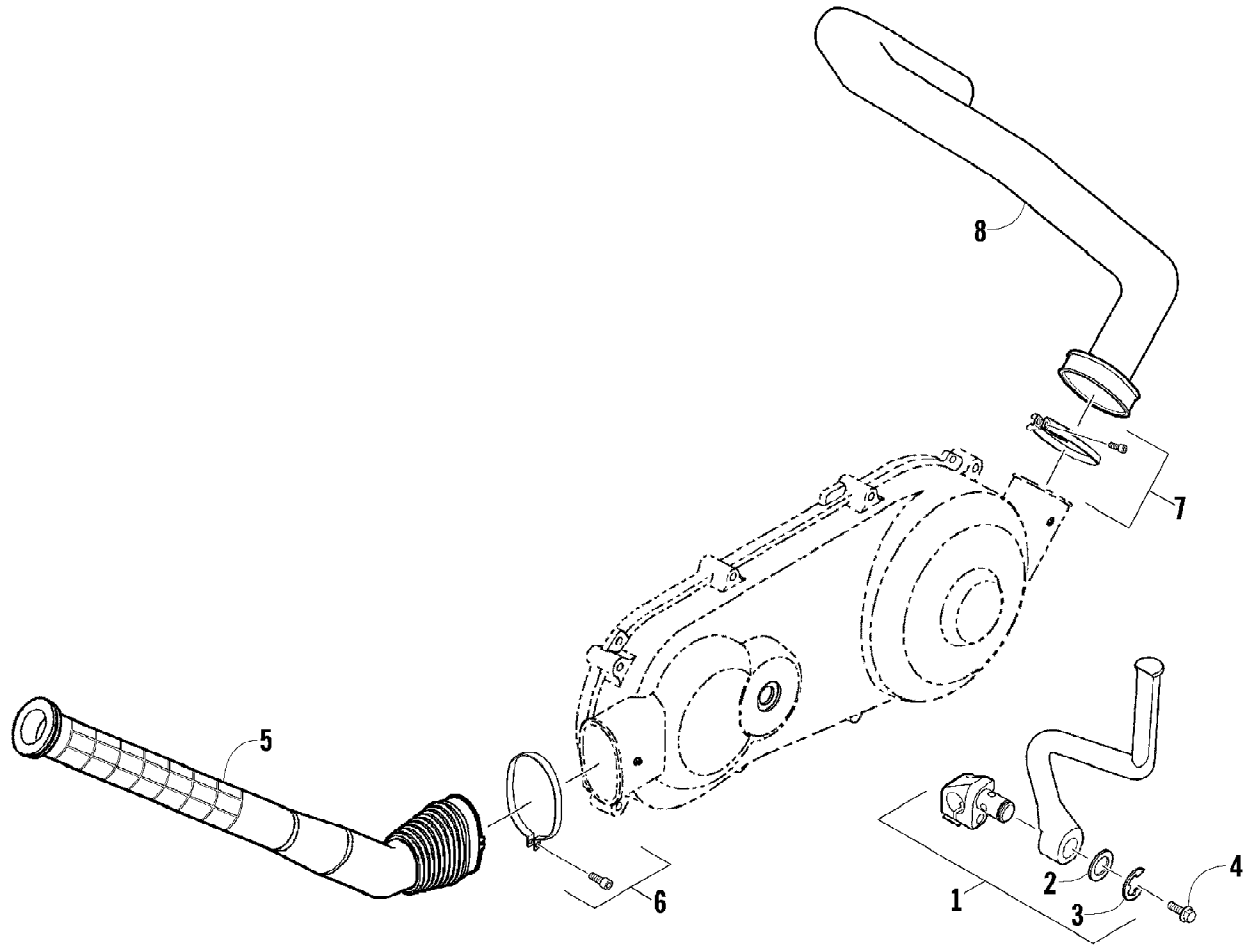
Ref #	Part Number	Qty	S/P/F	Description
1	3304-016	2		Screw, Cap
2	3305-541	2		End Cap, Handlebar
3	3303-203	2	S	Grip, Handlebar
4	3305-714	1		Handlebar
5	3303-852	1	/P	Switch Assembly
6	3305-400	4		Screw, Cap
7	3305-715	1		Bracket, Instrument Pod
8	3303-954	2		Clamp, Handlebar - Upper
9	3303-955	2		Clamp, Handlebar - Lower
10	3305-088	2	/P	Washer
11	3303-325	2		Nut
12	3304-029	2	/P	Screw, Machine
13	3303-958	1		Instrument Pod
14	1411-621	1		Decal, Instrument Pod
15	3304-552	1		Rivet, Reinstallable
16	3305-072	1		Cable, Throttle
17	3303-839	2		Tie, Cable
18	3303-723	1		Cable, Choke
19	3305-766	1		Gauge, Speedometer
20	3304-645	3	/P	Screw, Self-Tapping



2009 ATV 150 UTILITY 2X4 AUTOMATIC RED (A2009KYC2BUSR)
HYDRAULIC HAND BRAKE ASSEMBLY

Page 28 of 58

Ref #	Part Number	Qty	S/P/F	Description
1	3305-084	1	S	Lever
2	3304-654	1	/P	Nut
3	3303-141	1	/P	Switch Assembly
4	3303-321	1		Screw, Machine
5	3303-284	4	/P	Washer, Crush
6	3303-257	2	/P	Bolt, Banjo-Fitting
7	3305-076	1		Hose, Brake - Assembly
8	3305-716	1	S	Brake, Master Cylinder - Assembly (inc. 9-14)
9	3303-175	1	/P	Clamp, Handlebar
10	3303-174	1	/P	Cover, Master Cylinder
11	3303-318	2		Screw, Machine
12	3305-250	1		Plate, Diaphragm
13	3305-309	1		Diaphragm
14	3303-254	1	/P	Screw, Shoulder
15	3304-551	2	/P	Screw, Cap

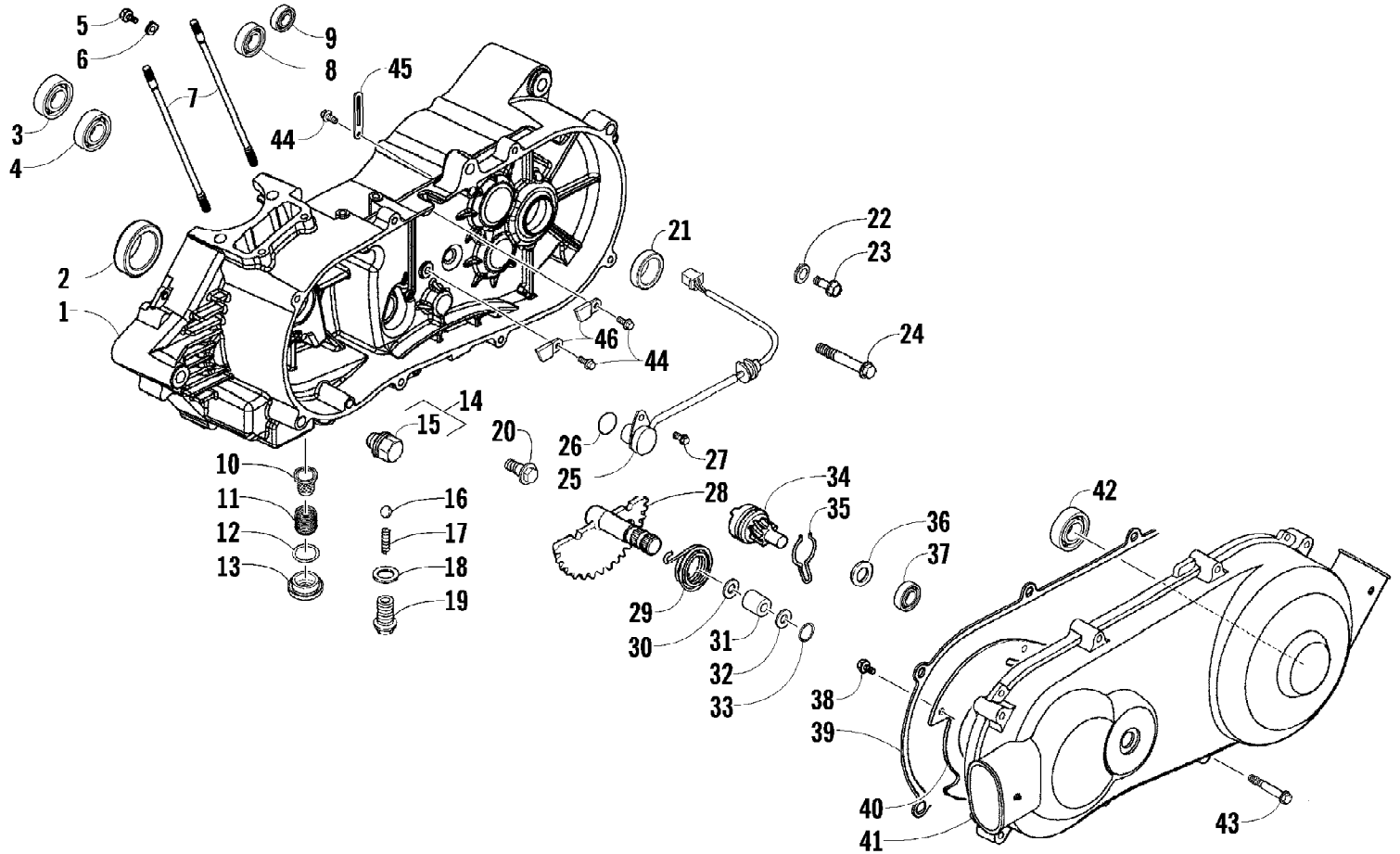


2009 ATV 150 UTILITY 2X4 AUTOMATIC RED (A2009KYC2BUSR)
KICK STARTER AND COOLING DUCT ASSEMBLY

Page 30 of 58

Ref #	Part Number	Qty	S/P/F	Description
1	3303-549	1	/P	Arm, Kick Starter (inc. 2-3)
2	3305-195	1		Washer
3	3305-247	1	/P	E-Clip
4	3304-551	1	/P	Screw, Cap
5	3305-235	1		Duct, Cooling
6	3303-635	1		Clamp w/Screw
7	3303-636	1		Clamp w/Screw
8	3305-234	1		Duct, Cooling

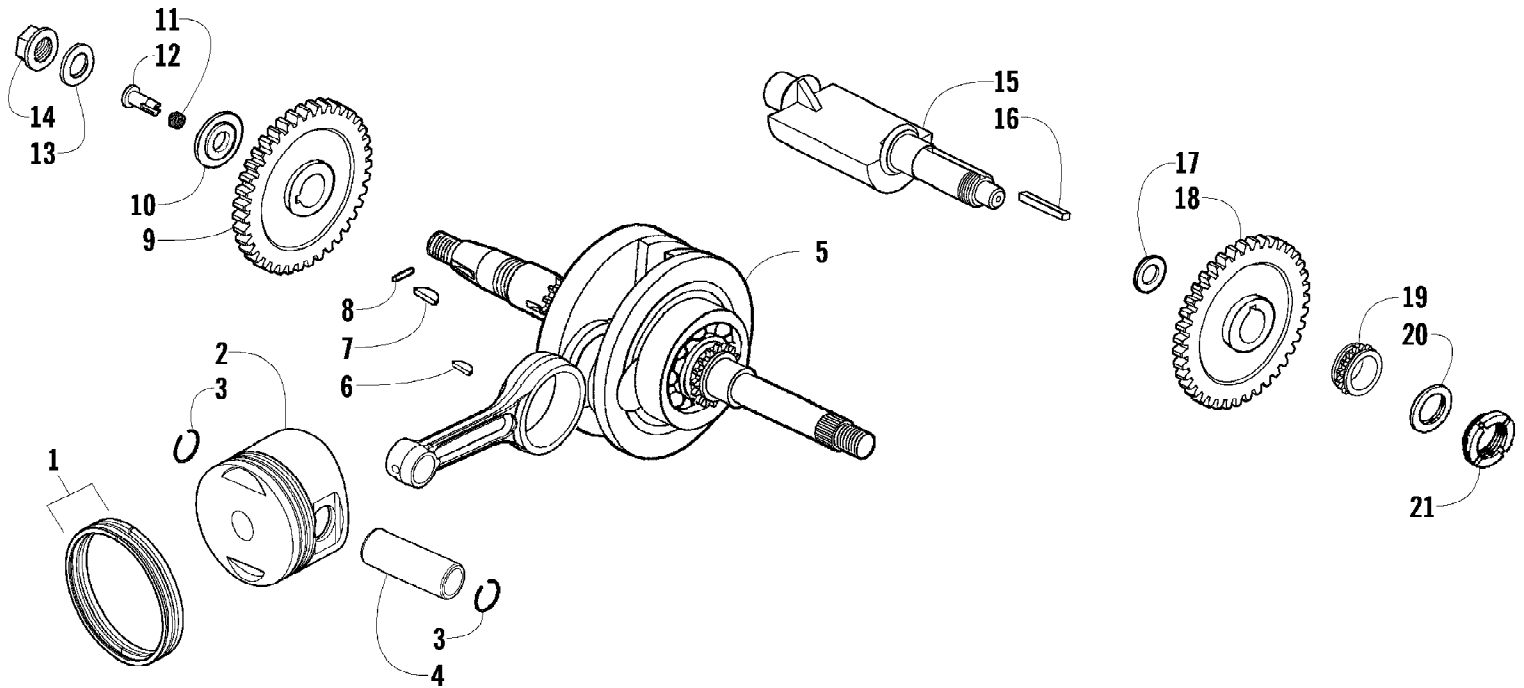
2009 ATV 150 UTILITY 2X4 AUTOMATIC RED (A2009KYC2BUSR)
LEFT CRANKCASE AND COVER ASSEMBLY



2009 ATV 150 UTILITY 2X4 AUTOMATIC RED (A2009KYC2BUSR)
LEFT CRANKCASE AND COVER ASSEMBLY

Page 32 of 58

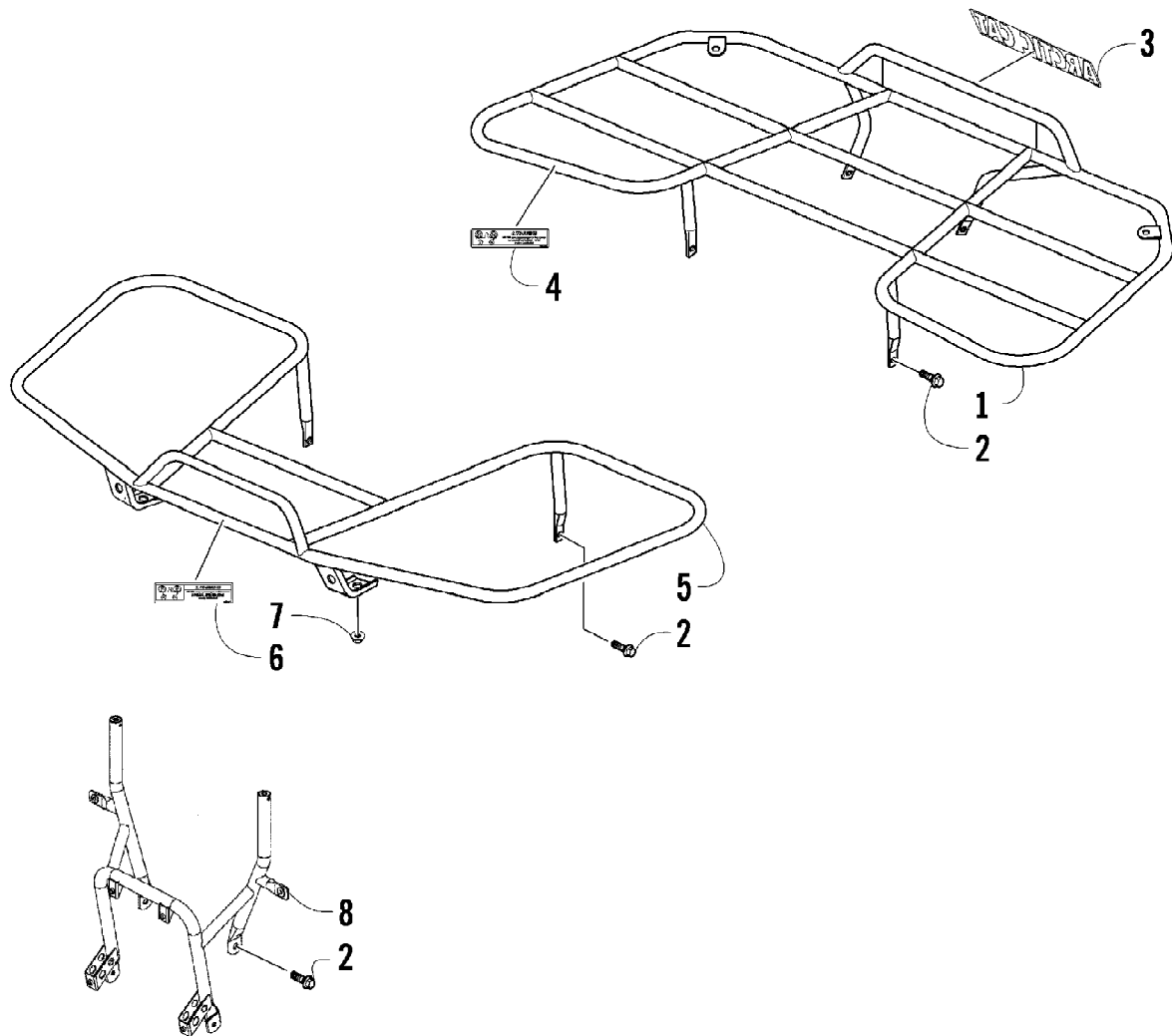
Ref #	Part Number	Qty	S/P/F	Description
1	3304-888	1		Crankcase - Left
2	3304-901	1		Seal, Oil
3	3304-197	1		Bearing
4	3304-905	1		Bearing
5	3304-005	2		Screw, Cap
6	3304-039	2		Retainer, Bearing
7	3304-008	2		Bolt, Stud
8	3304-907	1		Bearing
9	3303-465	1		Bearing
10	3303-691	1	/P	Screen, Filter
11	3303-692	1	/P	Spring
12	3304-096	1	/P	O-Ring
13	3303-021	1		Cap, Inspection
14	3304-052	1	/P	Plug, Drain (inc. 15)
15	0	1	F	O-Ring
16	3304-205	1		Bearing, Ball
17	3304-063	1		Spring, Seat
18	3304-021	1		Washer
19	3304-109	1		Screw, Seat
20	3304-435	1		Screw, Cap
21	3303-297	1	/P	Seal, Oil
22	3303-591	1		Washer
23	3303-365	2		Screw, Cap
24	3304-903	2		Screw, Cap
25	3304-895	1		Switch, Gear Shift (inc. 26)
26	3305-776	1	/P	O-Ring
27	3304-187	1		Screw, Cap
28	3304-894	1		Gear, Kick Start
29	3303-122	1		Spring
30	3303-121	1		Washer
31	3303-120	1		Spacer
32	3305-777	1		Washer
33	3303-345	1		Ring, Retaining
34	3304-893	1		Gear, Kick Start Drive
35	3303-117	1		Spring
36	3303-272	1		Washer, Thrust
37	3304-900	1		Bearing
38	3303-391	3		Screw, Cap
39	3304-892	1		Gasket
40	3304-891	1		Plate, Cover
41	3304-890	1		Cover, Crankcase
42	3304-897	1		Bearing
43	3304-004	8		Screw, Cap
44	3303-381	3		Screw, Cap
45	3304-158	1		Clamp, Wire
46	3303-843	2		Retainer, Wire



2009 ATV 150 UTILITY 2X4 AUTOMATIC RED (A2009KYC2BUSR)
PISTON AND CRANKSHAFT ASSEMBLY

Page 34 of 58

Ref #	Part Number	Qty	S/P/F	Description
1	3304-946	1		Ring Set, Piston
2	3304-947	1		Piston
3	3304-961	2		Circlip
4	3304-948	1		Pin, Piston
5	3304-945	1		Crankshaft Assembly
6	3304-960	1		Key
7	3304-959	2		Key
8	3304-962	1		Pin, Alignment
9	3304-950	1		Gear, Timing
10	3304-956	1		Washer, Thrust
11	3303-694	1		Spring
12	3303-693	1		Oil Through
13	3304-036	1		Washer, Thrust
14	3304-954	1		Nut
15	3304-951	1		Shaft, Balancer
16	3304-949	1		Key
17	3304-958	1		Washer
18	3304-953	1		Gear, Balancer
19	3304-952	1		Gear, Oil Pump Drive
20	3304-957	1		Washer
21	3304-955	1		Nut

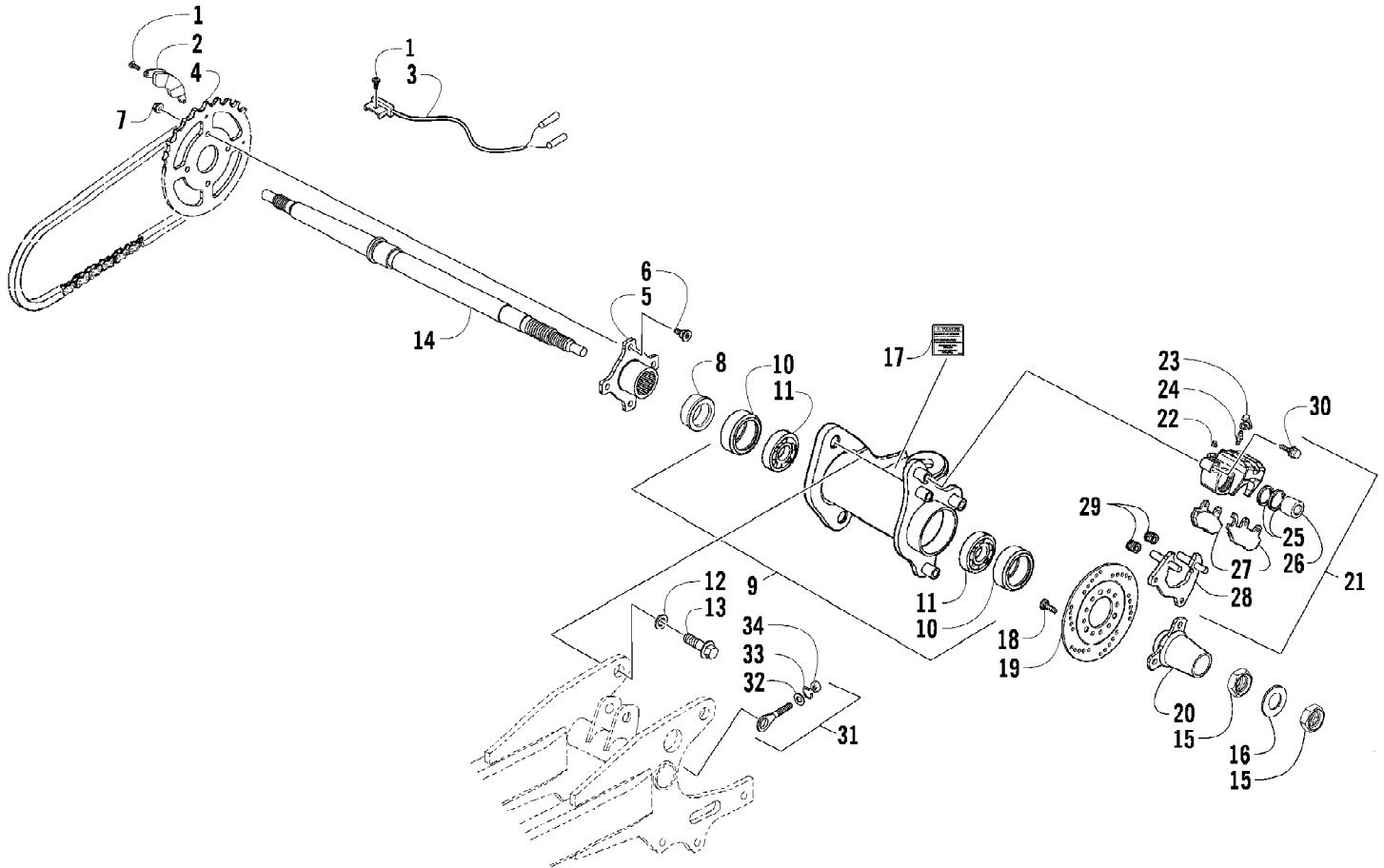


2009 ATV 150 UTILITY 2X4 AUTOMATIC RED (A2009KYC2BUSR)
RACKS AND BUMPER ASSEMBLY

Page 36 of 58

Ref #	Part Number	Qty	S/P/F	Description
1	3305-706	1		Rack, Rear
2	3304-543	10	/P	Screw, Cap
3	0411-814	1	/P	Decal, "Arctic Cat"
4	1411-444	1		Decal, Warning - Load - Rear
5	3305-707	1		Rack, Front
6	1411-201	1		Decal, Warning - Load - Front
7	3304-668	2		Nut
8	3305-708	1		Bumper

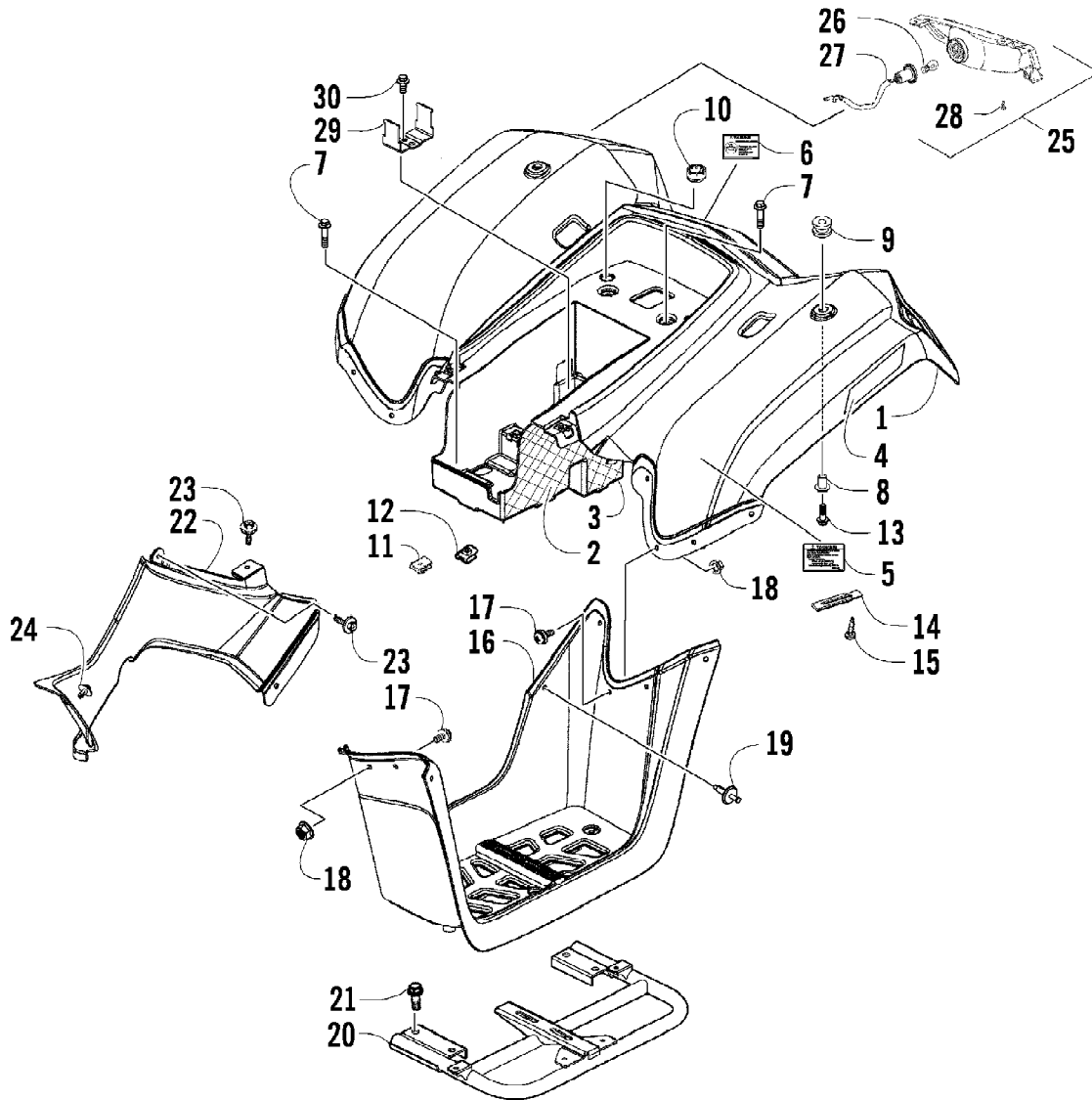
2009 ATV 150 UTILITY 2X4 AUTOMATIC RED (A2009KYC2BUSR)
REAR AXLE AND BRAKE ASSEMBLY



2009 ATV 150 UTILITY 2X4 AUTOMATIC RED (A2009KYC2BUSR)
REAR AXLE AND BRAKE ASSEMBLY

Page 38 of 58

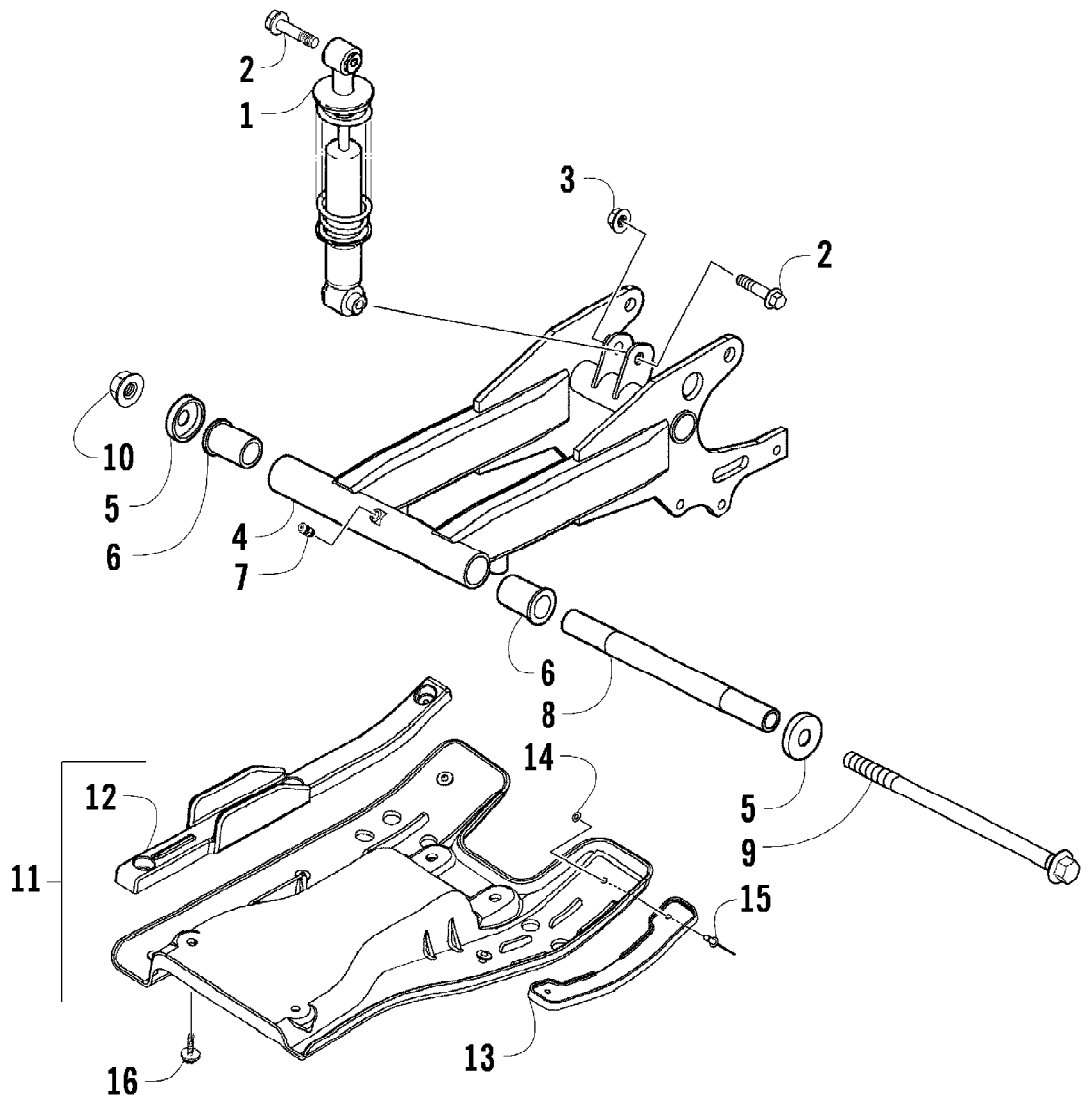
Ref #	Part Number	Qty	S/P/F	Description
1	3305-070	3		Screw, Self-Tapping
2	3305-069	1		Magnet, Speed Sensor
3	3305-068	1		Sensor, Speed
4	3305-722	1		Sprocket, Final Drive
5	3305-129	1		Retainer, Sprocket
6	3305-142	4		Screw, Cap
7	3304-031	4	/P	Nut
8	3305-132	1		Spacer
9	3305-133	1		Housing, Rear Axle (inc. 10-11)
10	3305-144	2		Seal
11	3305-145	2		Bearing
12	3303-281	4		Washer
13	3303-379	4		Screw, Cap
14	3305-131	1		Axle, Rear
15	3305-141	2		Nut
16	3305-127	1		Washer
17	1411-942	1		Decal, Warning - Towing
18	3303-253	3	/P	Screw, Cap
19	3303-162	1		Disc, Brake
20	3305-138	1		Bracket, Brake Disc
21	3303-568	1	/P	Caliper, Brake - Assembly (inc. 22-29)
22	3304-333	1		Plug
23	3304-303	1		Cap, Bleed Valve
24	3304-302	1		Valve, Bleed
25	3304-327	2	S	Seal, Piston
26	3304-592	1	S	Piston
27	3304-567	1	/P	Set, Brake Pad
28	3303-469	1	/P	Bracket, Brake Caliper
29	3304-322	2		Boot, Protective
30	3303-256	2		Screw, Cap
31	3305-194	1		Adjuster, Chain - Assembly (inc. 32-34)
32	3304-135	1	/P	Washer
33	3303-607	1	/P	Washer, Lock
34	3304-125	1		Nut



2009 ATV 150 UTILITY 2X4 AUTOMATIC RED (A2009KYC2BUSR)
REAR BODY PANEL AND TAILLIGHT ASSEMBLIES

Page 40 of 58

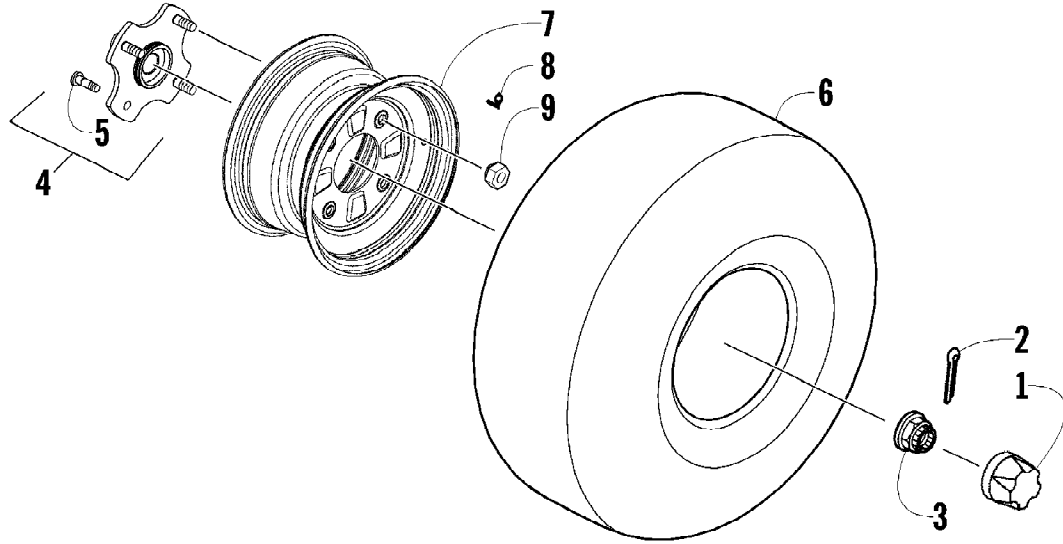
Ref #	Part Number	Qty	S/P/F	Description
1	3305-763	1	S	Fender, Rear (inc. 2-6)
2	3305-163	1		Foil, Protective
3	3305-164	1		Foil, Protective - Rear
4	1411-178	1		Decal, Reflector - Right
4	1411-179	1		Decal, Reflector - Left
5	1411-939	1		Decal, Warning - Tire/Load
6	1411-809	1	/P	Decal, Warning - Passenger
7	3304-587	11	/P	Screw, Machine
8	3303-233	2		Insert
9	3303-227	2		Grommet
10	3303-232	2		Grommet
11	3304-061	5	/P	Clip, U-Nut
12	3303-267	3		Clip, U-Nut
13	3304-586	2	/P	Screw, Cap
14	3304-156	2		Clamp, Wire
15	3304-121	2		Screw, Self-Tapping
16	3305-165	1	S	Footwell - Right
16	3305-166	1	S	Footwell - Left
17	3305-703	16		Screw, Machine
18	3304-538	16	S	Nut, Lock
19	3305-448	2		Rivet, Reinstallable
20	3305-160	1		Support, Footwell - Right
20	3305-161	1		Support, Footwell - Left
21	3304-543	8	/P	Screw, Cap
22	3305-167	1		Fender, Lower - Right
22	3305-168	1		Fender, Lower - Left
23	3304-029	4	/P	Screw, Machine
24	3303-592	2		Rivet, Reinstallable
25	3305-732	1		Taillight - Assembly - Right (inc. 26-27)
25	3305-733	1		Taillight - Assembly - Left (inc. 26-27)
26	3303-444	2	S	Bulb, Taillight
27	3305-731	2		Harness, Taillight
28	3304-645	8	/P	Screw, Self-Tapping
29	3305-238	1		Bracket, Mounting - Starter/Magneto Switch
30	3303-308	1		Screw, Cap



2009 ATV 150 UTILITY 2X4 AUTOMATIC RED (A2009KYC2BUSR)
 REAR SUSPENSION ASSEMBLY

Page 42 of 58

Ref #	Part Number	Qty	S/P/F	Description
1	3305-207	1		Shock/Spring Assembly
2	3303-376	2	/P	Screw, Cap
3	3323-178	1		Nut
4	3305-205	1		Fork - Assembly (inc. 5-8)
5	3303-192	2		Cap
6	3304-359	2		Bushing
7	3303-393	1		Fitting, Grease
8	3304-358	1		Axle
9	3305-130	1		Screw, Cap
10	3304-411	1		Nut
11	3305-197	1		Guard, Rear Suspension - Assembly (inc. 12-15)
12	3305-726	1		Guard, Chain
13	3305-725	1		Guard, Brake Disc
14	3305-773	4		Washer
15	3305-774	4		Rivet
16	3304-587	4	/P	Screw, Machine

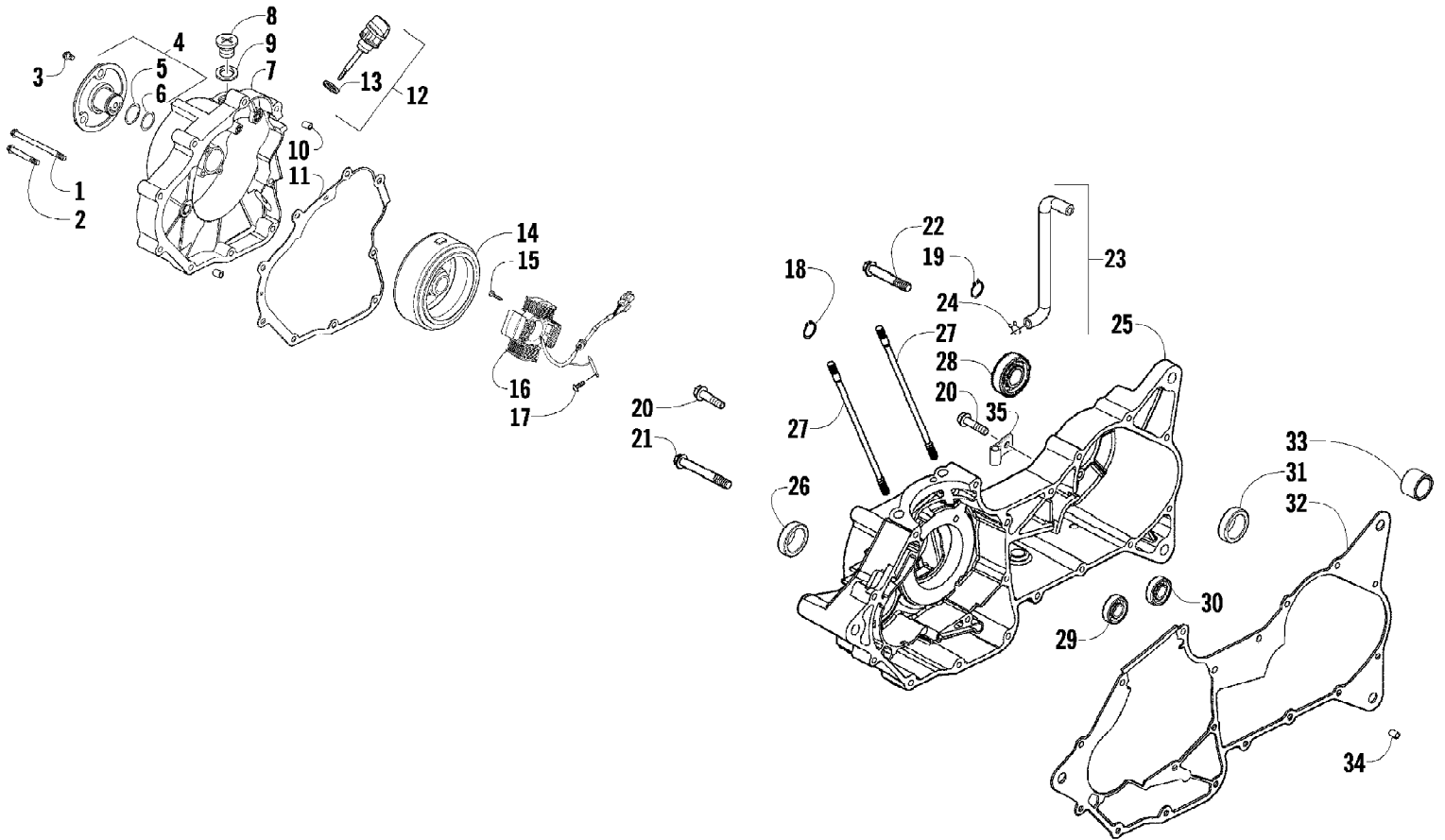


2009 ATV 150 UTILITY 2X4 AUTOMATIC RED (A2009KYC2BUSR)
REAR WHEEL ASSEMBLY

Page 44 of 58

Ref #	Part Number	Qty	S/P/F	Description
1	3303-931	2		Cap, Wheel
2	3304-340	2	S	Pin, Cotter
3	3305-211	2		Nut, Lock
4	3304-296	2		Hub, Wheel (inc. 5)
5	3304-014	8		Bolt, Carriage
6	3303-885	2		Tire
7	3303-883	2	/P	Wheel - Assembly (inc. 8)
8	3303-887	2		Stem, Valve
9	3304-028	8		Nut, Lug

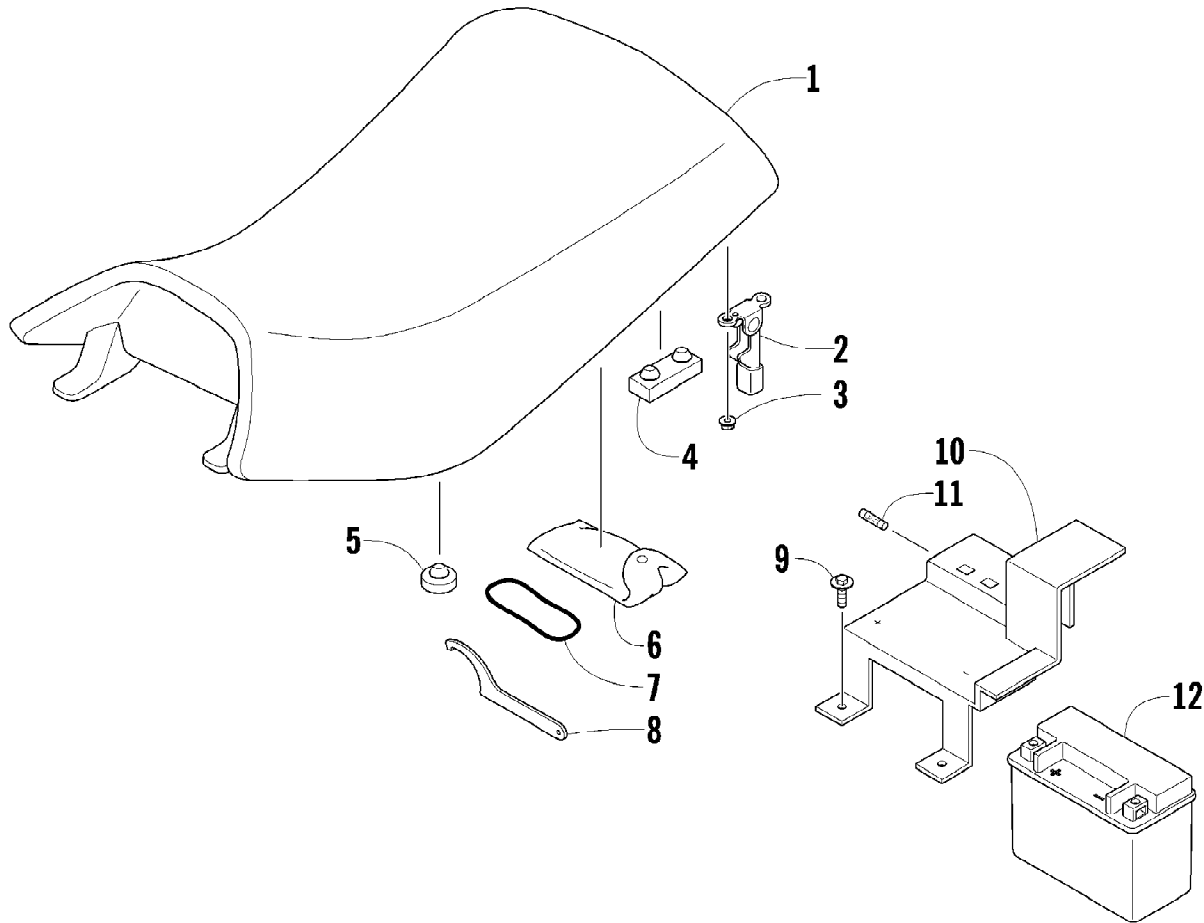
2009 ATV 150 UTILITY 2X4 AUTOMATIC RED (A2009KYC2BUSR)
RIGHT CRANKCASE AND COVER ASSEMBLY



2009 ATV 150 UTILITY 2X4 AUTOMATIC RED (A2009KYC2BUSR)
RIGHT CRANKCASE AND COVER ASSEMBLY

Page 46 of 58

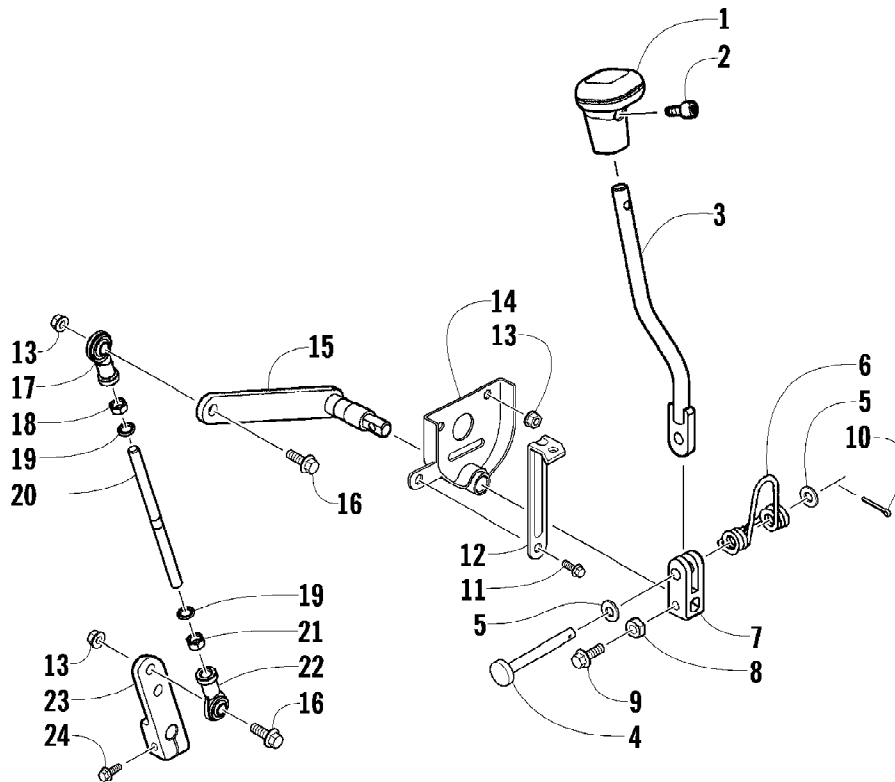
Ref #	Part Number	Qty	S/P/F	Description
1	3304-192	8		Screw, Cap
2	3303-387	1		Screw, Cap
3	3303-381	3		Screw, Cap
4	3305-742	1		Cap, Crankcase Cover - Assembly (inc. 5-6)
5	3304-971	2		O-Ring
6	3304-596	1		O-Ring
7	3304-963	1		Cover, Crankcase
8	3304-012	1		Cap, Inspection
9	3304-099	1		O-Ring
10	3303-342	2		Pin, Dowel
11	3304-964	1		Gasket
12	3303-050	1		Gauge, Oil Level (inc. 13)
13	3304-102	1	/P	O-Ring
14	3304-965	1	/P	Rotor/Flywheel
15	3304-113	3		Screw, Machine
16	3304-967	1	/P	Stator
17	3304-118	2		Screw, Machine
18	3303-344	1		Ring, Retaining
19	3304-514	1		Ring, Retaining
20	3304-190	7		Screw, Cap
21	3304-904	2		Screw, Cap
22	3304-903	1		Screw, Cap
23	3304-889	1		Hose, Vent (inc. 24)
24	3304-433	1		Clamp, Hose
25	3304-884	1		Crankcase - Right
26	3304-081	1		Seal, Oil
27	3304-008	2		Bolt, Stud
28	3304-195	1		Bearing
29	3304-699	1	/P	Bearing
30	3304-909	1		Bearing
31	3304-425	1		Seal, Oil
32	3304-887	1		Gasket
33	3304-898	1	/P	Bearing
34	3303-342	4		Pin, Dowel
35	3304-972	1		Clamp, Routing



2009 ATV 150 UTILITY 2X4 AUTOMATIC RED (A2009KYC2BUSR)
SEAT, BATTERY, AND TOOL KIT ASSEMBLIES

Page 48 of 58

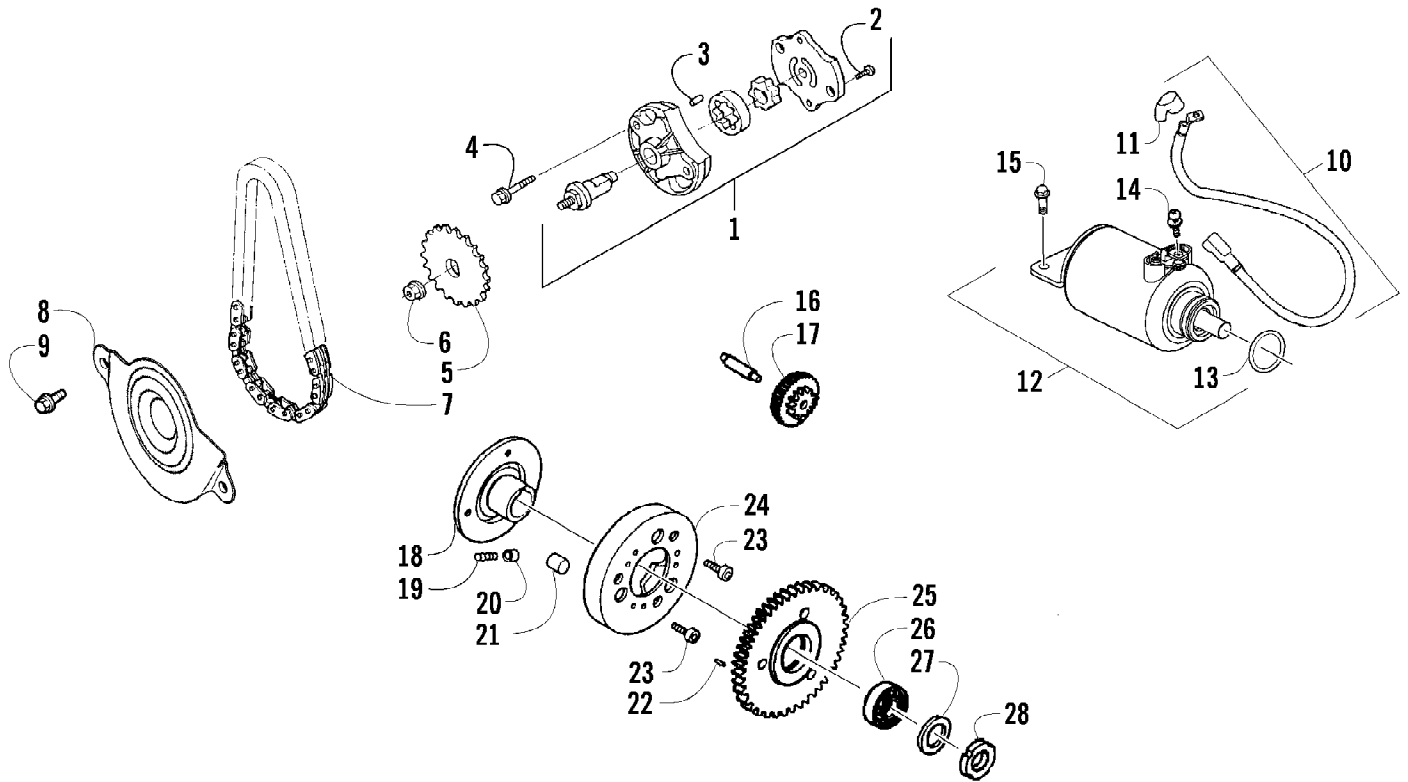
Ref #	Part Number	Qty	S/P/F	Description
1	3305-729	1		Seat Assembly (inc. 2-3)
2	3304-392	1		Latch, Seat
3	3303-331	2	/P	Nut
4	0	2	F	Bumper, Seat - Rear
5	3304-568	2		Bumper, Seat - Front
6	3305-730	1		Kit, Tool
7	3303-242	1		Retainer, Tool Kit
8	1441-797	1	F	Wrench, Spanner
9	3304-029	2	/P	Screw, Machine
10	3305-157	1		Cover, Battery (inc. 11)
11	3305-233	1		Fuse - 20 Amp
12	3445-034	1	/P	Battery



2009 ATV 150 UTILITY 2X4 AUTOMATIC RED (A2009KYC2BUSR)
SHIFT LEVER ASSEMBLY

Page 50 of 58

Ref #	Part Number	Qty	S/P/F	Description
1	3303-823	1		Knob, Gear Shift
2	3304-401	1		Screw, Cap
3	3305-717	1		Rod, Gear Shift
4	3303-817	1		Pin, Gear Shift
5	3304-135	2	/P	Washer
6	3303-818	1		Spring
7	3303-819	1		Bracket, Gear Shift
8	3305-340	1	/P	Nut
9	3303-382	1	/P	Screw, Cap
10	3304-142	1		Pin, Cotter
11	3305-702	1		Screw, Cap
12	3305-090	1		Support, Fender
13	3303-332	4		Nut
14	3305-038	1		Cover, Gear Shift
15	3305-039	1		Lever, Gear Shift
16	3305-719	2		Screw, Cap
17	3303-970	1		Ball Joint, Tie Rod - Right
18	3304-125	1		Nut
19	3303-607	2	/P	Washer
20	3305-718	1		Tie Rod
21	3304-126	1		Nut
22	3303-972	1		Ball Joint, Tie Rod - Left
23	3305-036	1		Link, Gear Shift
24	3304-112	1		Screw, Cap



2009 ATV 150 UTILITY 2X4 AUTOMATIC RED (A2009KYC2BUSR)
STARTER MOTOR AND OIL PUMP ASSEMBLY

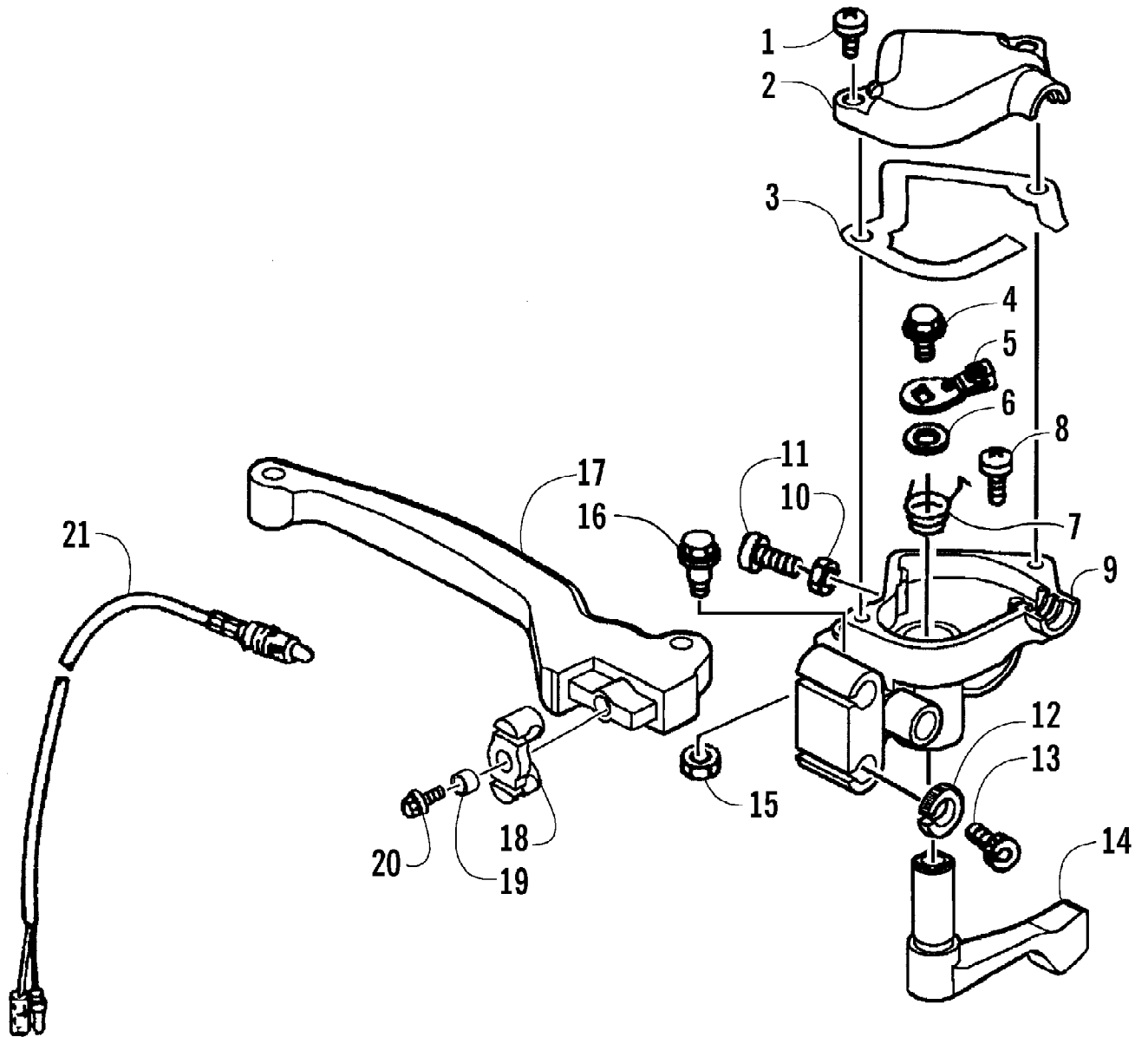
Page 52 of 58

Ref #	Part Number	Qty	S/P/F	Description
1	3304-999	1		Pump, Oil - Assembly (inc. 2-3)
2	3304-426	1		Screw, Machine
3	3304-144	1		Pin, Dowel
4	3303-385	2		Screw, Cap
5	3303-046	1		Sprocket
6	3303-331	1	/P	Nut
7	3305-002	1		Chain, Oil Pump
8	3305-003	1		Cover, Chain
9	3303-381	2		Screw, Cap
10	3305-012	1		Cable, Starter (inc. 11)
11	3305-252	1		Boot, Terminal
12	3305-011	1		Motor, Starter (inc. 13)
13	3304-104	1		O-Ring
14	3305-019	1		Screw, Machine
15	3303-382	2	/P	Screw, Cap
16	3305-005	1		Shaft, Reduction Gear
17	3305-004	1		Gear, Reduction
18	3305-009	1		Plate, Clutch
19	3305-008	3		Spring
20	3303-395	3		Roller, Starter
21	3305-015	3		Roller
22	3304-959	1		Pin, Spring
23	3305-020	3		Screw, Cap
24	3305-746	1		Clutch, Outer
25	3305-006	1		Gear, Starter
26	3305-016	1		Bearing
27	3305-014	1		Washer, Thrust
28	3305-013	1		Nut

2009 ATV 150 UTILITY 2X4 AUTOMATIC RED (A2009KYC2BUSR)
STEERING ASSEMBLY

Page 54 of 58

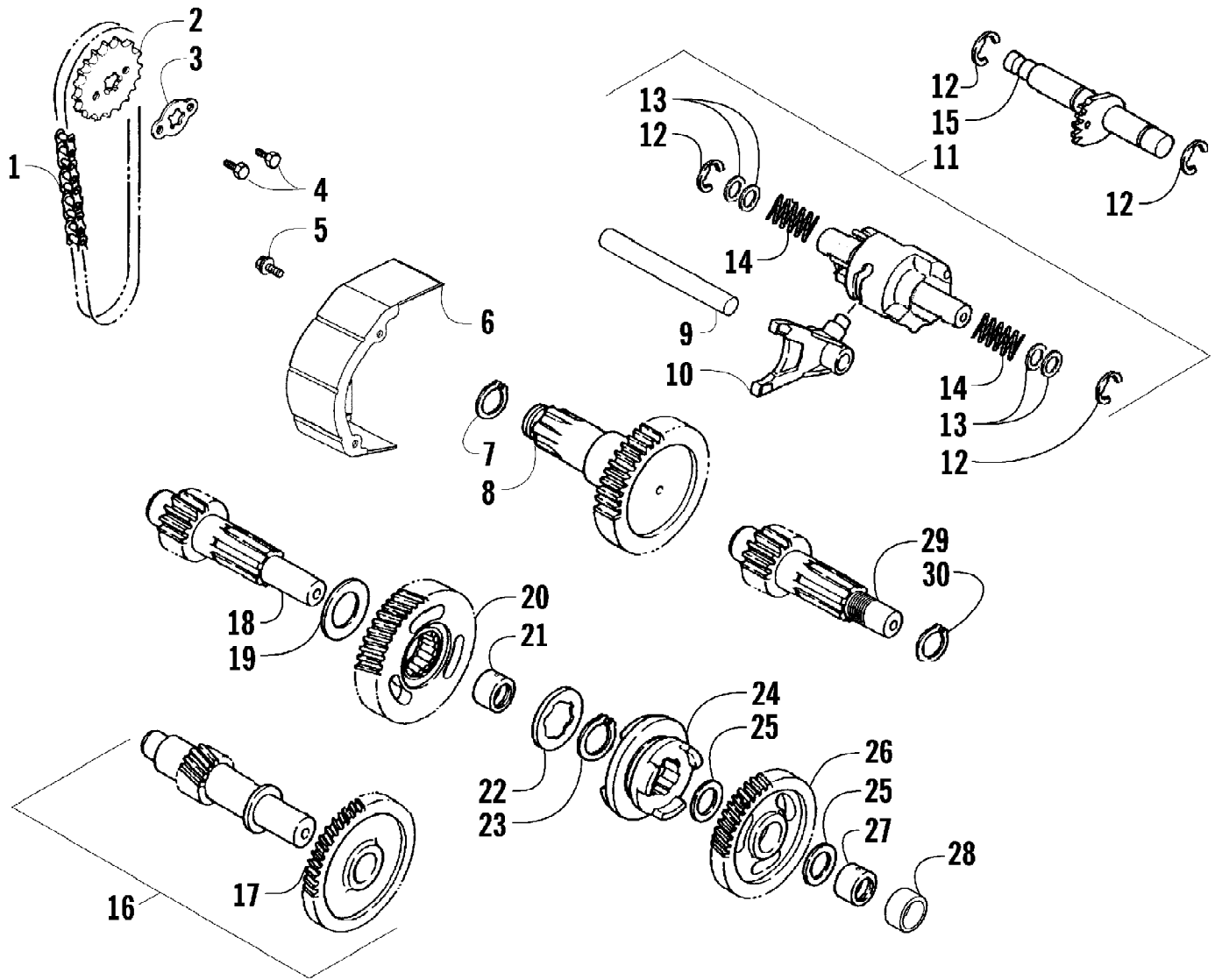
Ref #	Part Number	Qty	S/P/F	Description
1	3305-496	1	/P	Bushing, Sleeve
2	3305-103	1		Post, Steering
3	3303-961	2		Block, Mounting - Steering Post
4	3304-649	2		Screw, Cap
5	3303-962	1		Clamp, Mounting Block
6	3304-130	4		Nut
7	3305-107	2		Washer
8	3305-104	1		Collar, Steering Post - Lower
9	3304-032	1		Nut
10	3303-470	1		Pin, Cotter
11	3305-105	2		Tie Rod - Assembly (inc. 12-16)
12	3303-973	2		Ball Joint, Tie Rod - Left
13	3303-327	2		Nut, Hex - Left
14	3305-106	2		Tube, Tie Rod
15	3303-326	2		Nut, Hex - Right
16	3303-971	2		Ball Joint, Tie Rod - Right
17	3304-143	4		Pin, Cotter



2009 ATV 150 UTILITY 2X4 AUTOMATIC RED (A2009KYC2BUSR)
THROTTLE CONTROL ASSEMBLY

Page 56 of 58

Ref #	Part Number	Qty	S/P/F	Description
	3303-447	1		Complete Throttle Control Assembly
1	3303-315	2		Screw, Machine
2	3303-207	1		Cover, Throttle Control
3	3303-209	1		Gasket, Cover
4	3304-554	1		Screw, Cap
5	3304-555	1		End, Parking Brake
6	3304-556	1		Spacer
7	3304-557	1		Stop, Parking Brake
8	3303-397	1		Screw, Machine
9	3303-204	1		Housing, Throttle Control
10	3303-324	1		Nut
11	3304-558	1		Screw, Machine
12	3303-271	2		Nut
13	3303-208	2		Screw, Adjuster
14	3303-200	1		Lever, Throttle
15	3303-262	1		Nut
16	3303-255	1		Screw, Shoulder
17	3305-083	1		Lever, Brake
18	3303-201	1		Retainer, Brake Cable
19	3303-202	1		Spacer
20	3303-358	1	S/P	Screw, Cap
21	3303-140	1		Switch, Brake



2009 ATV 150 UTILITY 2X4 AUTOMATIC RED (A2009KYC2BUSR)
TRANSMISSION ASSEMBLY

Page 58 of 58

Ref #	Part Number	Qty	S/P/F	Description
1	3305-042	1		Chain, Drive
2	3305-030	1		Sprocket, Drive
3	3305-031	1		Plate, Retaining
4	3303-307	2		Screw, Cap
5	3304-686	2	/P	Screw, Cap
6	3305-743	1		Cover, Chain
7	3304-147	1	/P	Ring, Retaining
8	3305-025	1		Shaft, Output
9	3304-513	1		Shaft, Shift Fork
10	3305-032	1		Fork, Shift
11	3305-035	1		Drum, Gear Shift - Assembly (inc. two No. 12 and 13-14)
12	3304-153	4		E-Ring
13	3304-412	4		Washer, Thrust
14	3305-034	2		Spring
15	3304-269	1	/P	Shaft, Gear Shift
16	3305-023	1		Shaft, Counterbalance (inc. 17)
17	3303-793	1		Gear, Counterbalance
18	3305-021	1		Shaft, Main
19	3305-044	1		Washer, Thrust
20	3305-027	1		Gear, Reverse
21	3305-046	1		Bearing
22	3305-045	1		Washer, Splined
23	3304-638	1		Ring, Retaining
24	3305-029	1		Gear Select, Sliding
25	3303-275	2	/P	Washer, Thrust
26	3305-026	1		Gear, Forward
27	3305-024	1		Bushing
28	3305-028	1		Spacer
29	3305-022	1		Shaft, Drive
30	3303-344	1		Ring, Retaining