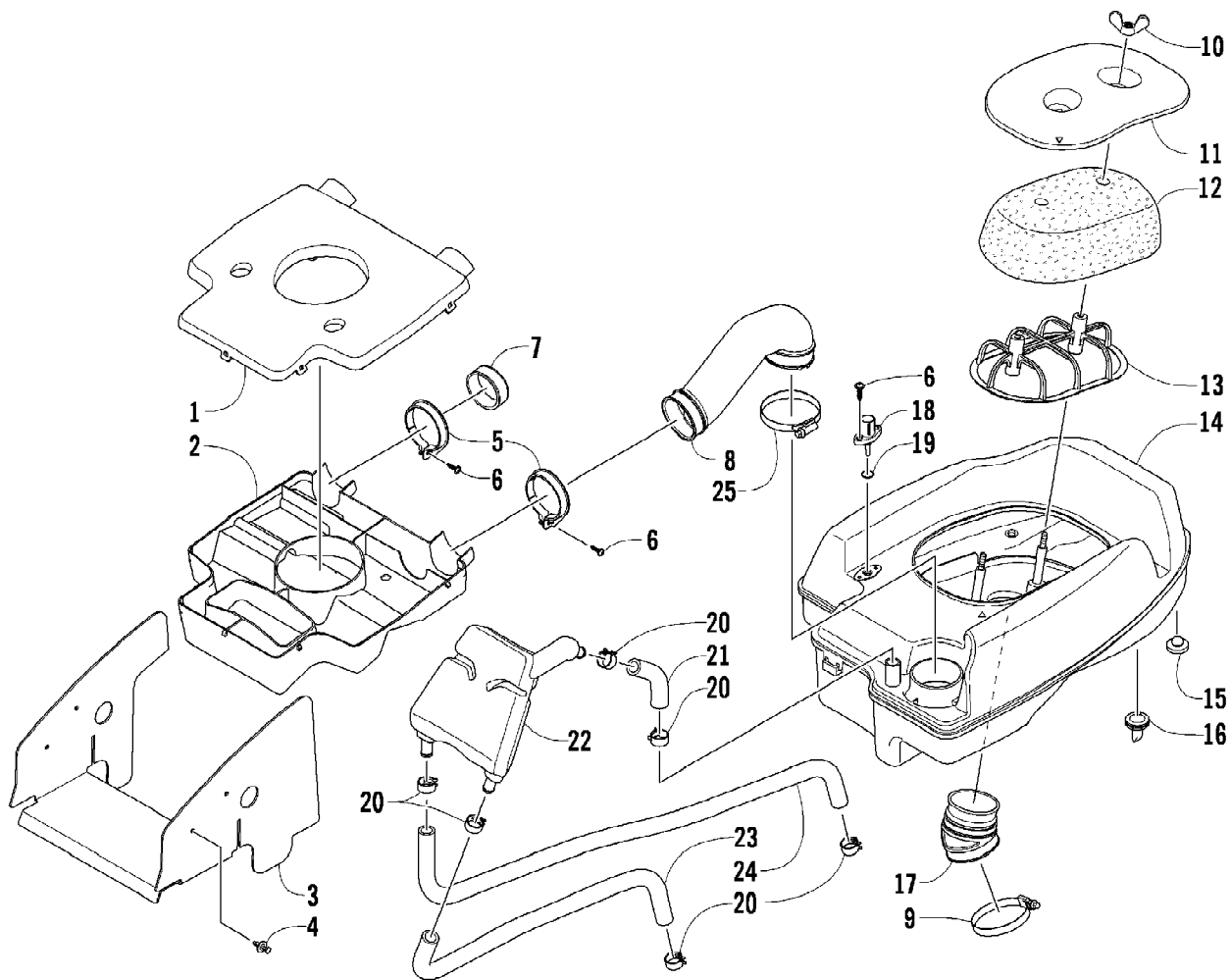


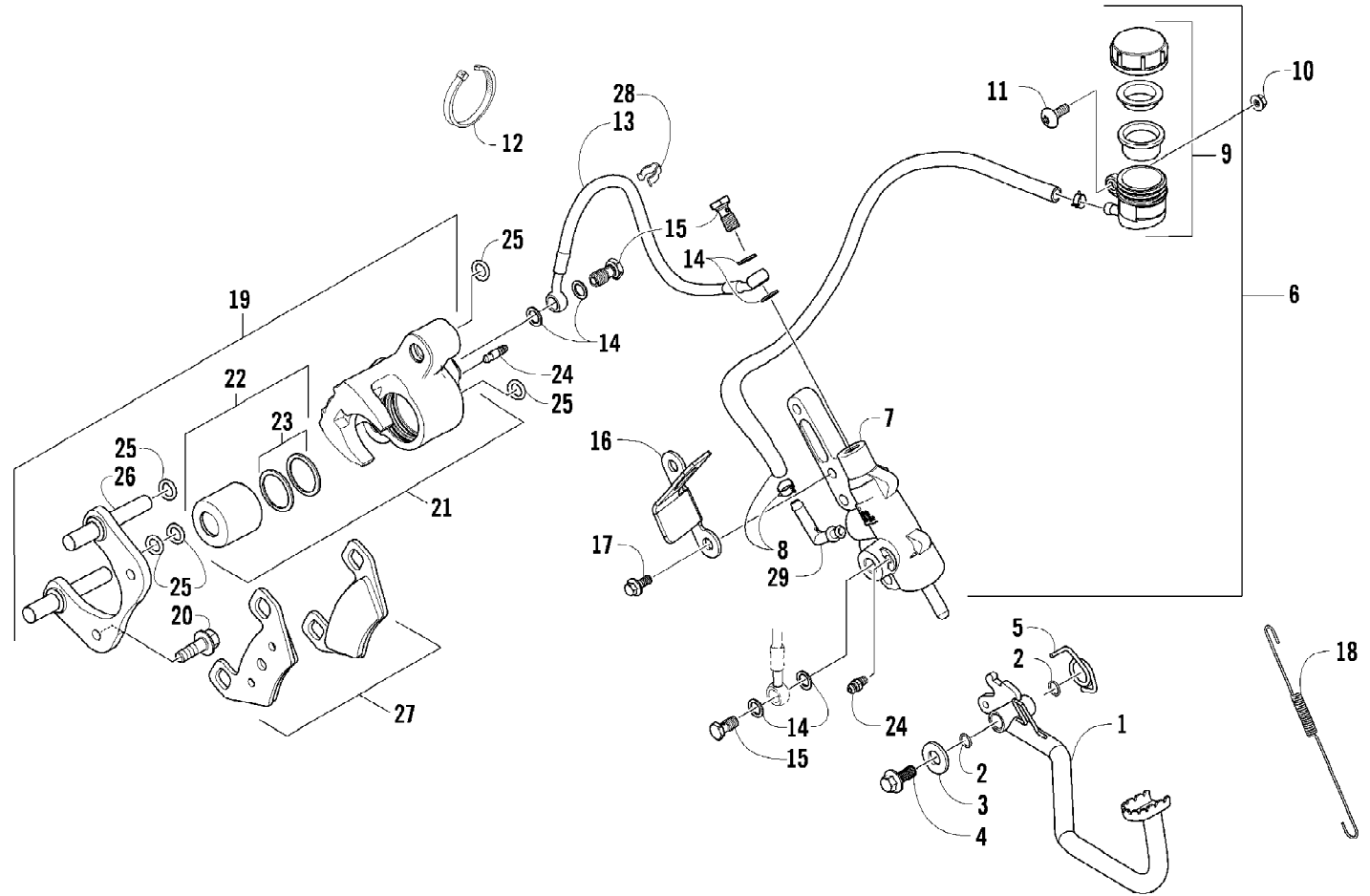
2009 ATV 1000 TRV CRUISER SUNSET ORANGE INTERNATIONAL (A2009TCTP4E0SK) 91
AIR INTAKE ASSEMBLY



2009 ATV 1000 TRV CRUISER SUNSET ORANGE INTERNATIONAL (A2009TCV14E2SK) 91
AIR INTAKE ASSEMBLY

Ref #	Part Number	Qty	S/P/F	Description
1	0413-091	1		Diverter, Air - Top
2	0413-093	1		Diverter, Air - Bottom
3	2406-509	1		Shroud, Splash
4	0623-362	2		Rivet, Reinstallable
5	0423-551	2		Clamp
6	0423-342	4	/P	Screw, Self-Tapping
7	0413-096	1		Cap, Air Intake - Diverter
8	0470-583	1		Boot, Air Intake
9	0423-019	1		Clamp
10	0423-716	2		Wing Nut
11	0470-832	1	/P	Cover, Air Intake
12	0470-828	1		Filter, Air
13	0470-731	1	/P	Support, Air Filter
14	0570-221	1		Housing, Air Intake
15	0406-877	4	/P	Bumper
16	0470-442	2	/P	Valve, Drain
17	0470-638	1		Boot, Throttle Body
18	0430-055	1		Sensor, Air Temperature (inc. 19)
19	5507-224	1		O-Ring
20	1623-285	6		Clamp, Hose
21	0410-152	1		Hose, Separator Tank
22	0470-718	1		Tank, Separator
23	0410-150	1		Hose, Crankcase
24	0410-151	1		Hose, Crankcase
25	0423-066	1		Clamp, Hose

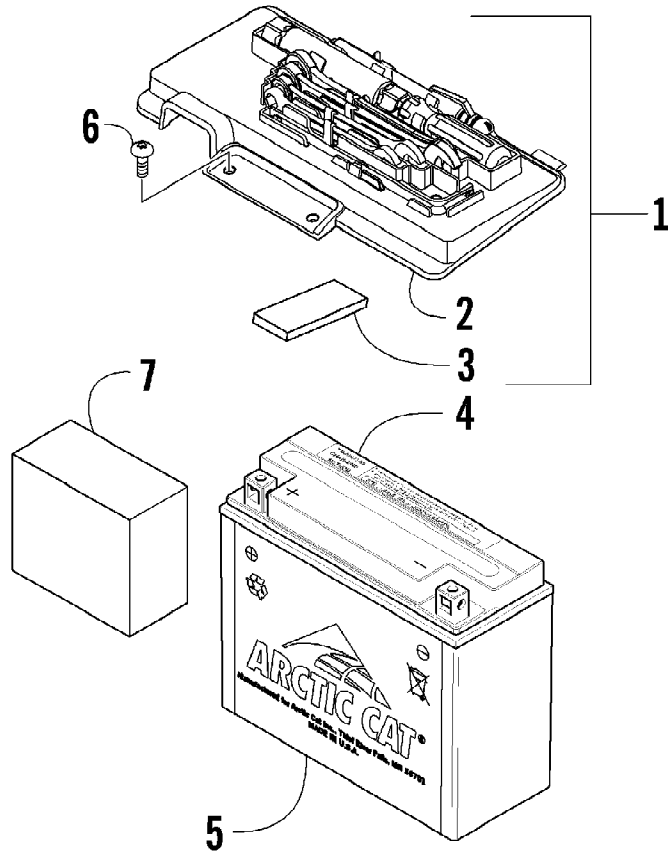
2009 ATV 1000 TRV CRUISER SUNSET ORANGE INTERNATIONAL (A2009TCTP14E3SK) 91
AUXILIARY BRAKE ASSEMBLY



2009 ATV 1000 TRV CRUISER SUNSET ORANGE INTERNATIONAL (A2009TCV14E0SK) 91
AUXILIARY BRAKE ASSEMBLY

Ref #	Part Number	Qty	S/P/F	Description
	1502-294	1		Master Cylinder Replacement Kit
1	1502-162	1		Lever, Brake
2	1602-213	2	/P	O-Ring
3	8050-252	1		Washer
4	8408-816	1		Screw, Cap
5	0502-807	1		Spring, Brake Lever
6	1502-293	1		Brake Assembly (inc. 7-9)
7	0	1	F	Master Cylinder
8	0	1	F	Hose, Brake Reservoir w/Clamps
9	1502-155	1		Reservoir, Brake w/Clamp
10	0623-038	1		Nut w/Washer
11	8476-616	1		Screw, Machine
12	0123-788	AR	/P	Cable Tie - 8 in.
13	1502-140	1		Hose, Brake
14	0423-178	6		Washer, Crush
15	0423-413	3		Bolt, Banjo-Fitting
16	0502-840	1		Bracket, Switch
17	8408-625	2		Screw, Cap
18	0502-785	1		Spring, Brake Switch
19	1436-162	1	S/P	Caliper, Brake (inc. 20-23, one No. 24, and 25-27)
20	8408-821	2	/P	Screw, Cap
21	1436-160	1	/P	Housing, Caliper - Assembly - Right Rear (inc. 20, 22-23, and one No. 24)
22	0502-606	1		Piston/Seal Set (inc. 23)
23	0502-607	1		Seal Set
24	0502-609	2	/P	Valve, Bleed
25	0502-608	1		O-Ring, Guide - Set
26	0502-605	1		Bracket Assembly
27	1436-165	1	S	Pad, Brake - Set
28	1502-115	2		Clip, Brake Hose
29	1502-296	1	/P	Adapter, Hose

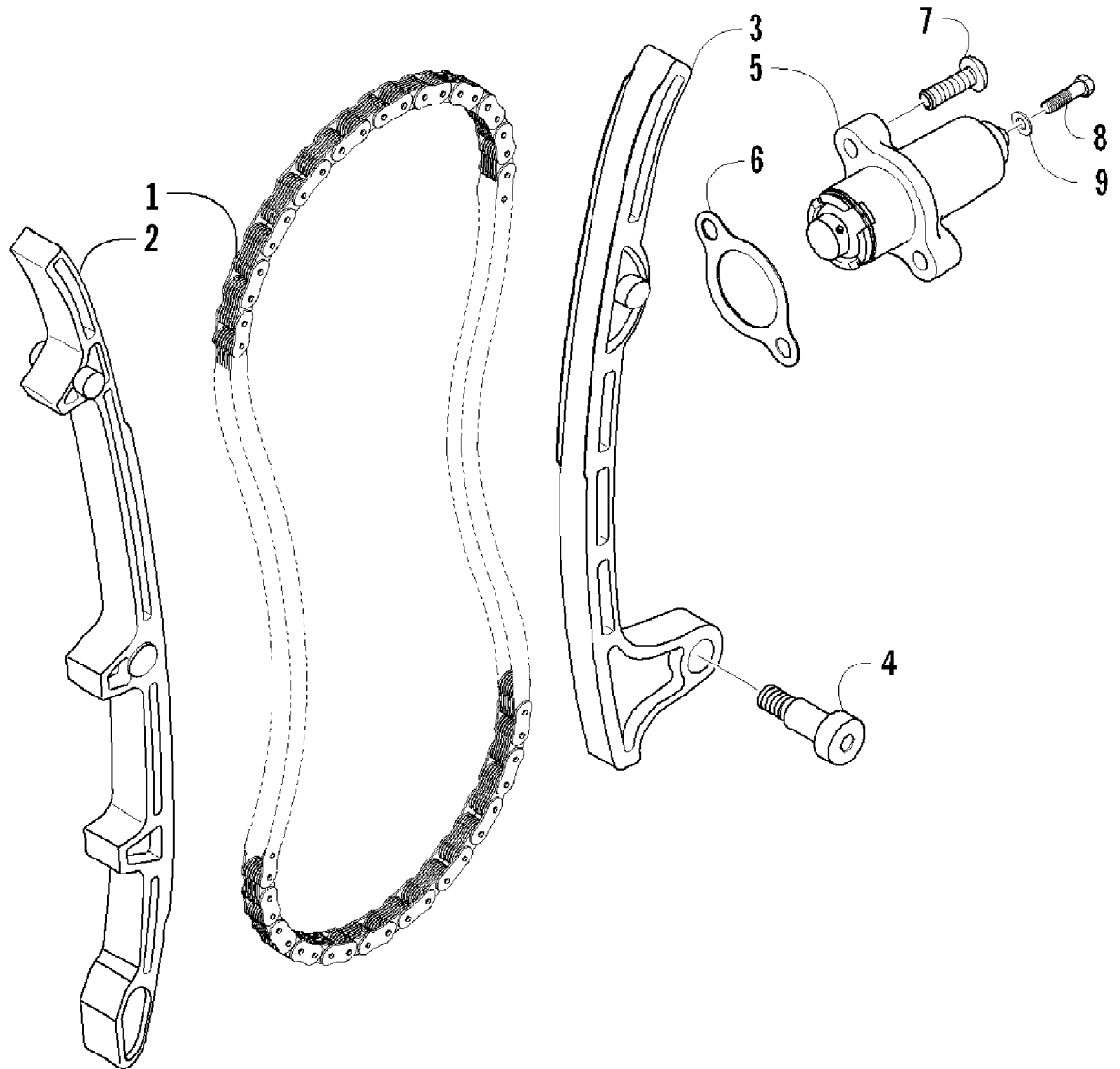
2009 ATV 1000 TRV CRUISER SUNSET ORANGE INTERNATIONAL (A2009TCV14E03K) 91
BATTERY ASSEMBLY



2009 ATV 1000 TRV CRUISER SUNSET ORANGE INTERNATIONAL (A2009TCV14E0SK) 91
 BATTERY ASSEMBLY

Ref #	Part Number	Qty	S/P/F	Description
1	5991-655	1	/P	Battery Cover/Tool Tray Assembly (inc. 2-3)
2	2406-815	1	/P	Cover, Battery
3	0417-016	1		Pad, Battery
3	0444-122	1	S/P/F	Kit, Tool
4	0645-480	1		Battery Assembly (inc. 5)
5	0645-430	1		Decal, Warning
6	8476-620	2		Screw, Machine
7	0417-017	1		Foam, Battery

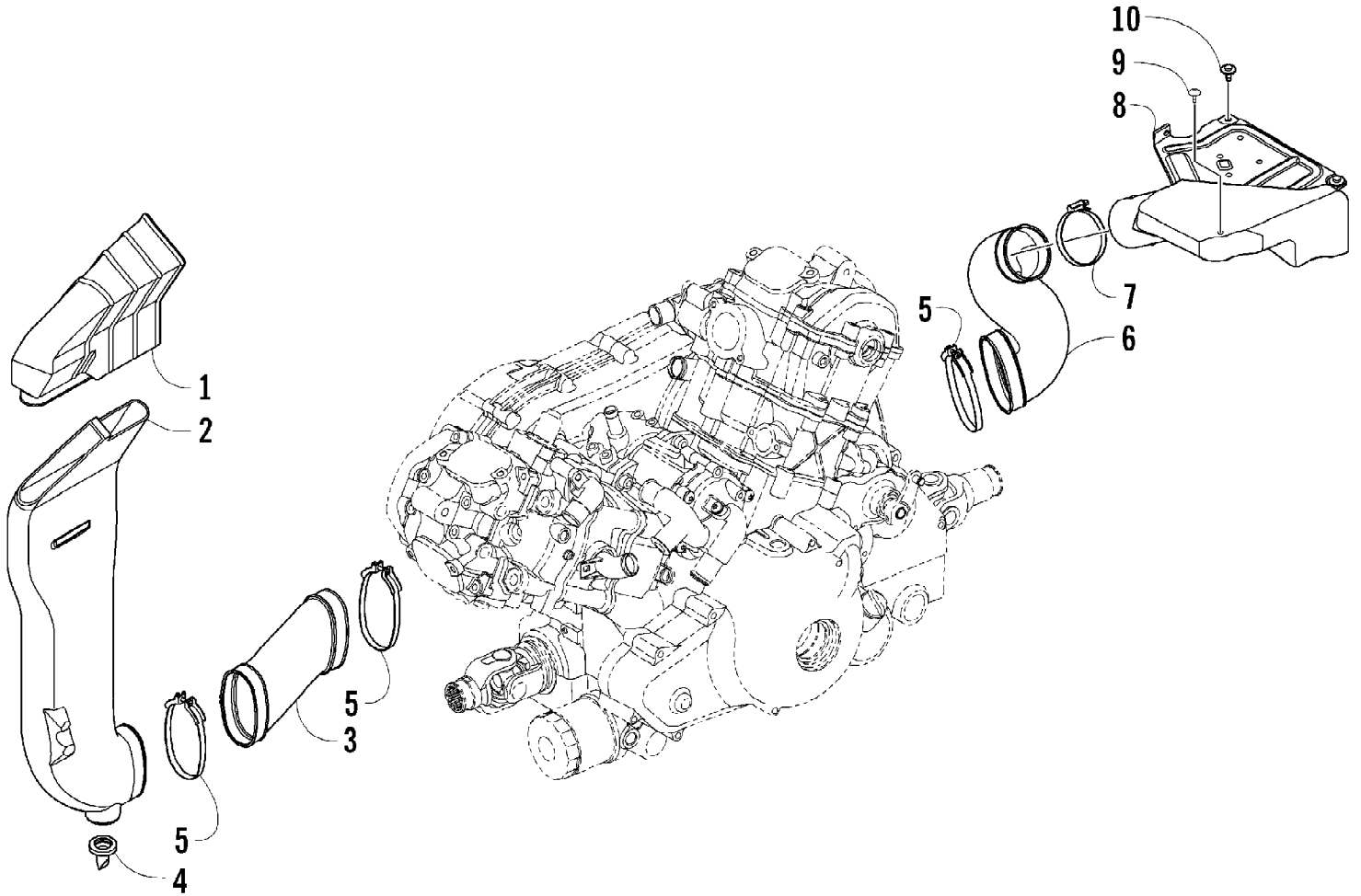
2009 ATV 1000 TRV CRUISER SUNSET ORANGE INTERNATIONAL (A2009T0P14E0SK) 91
CAM CHAIN ASSEMBLY



2009 ATV 1000 TRV CRUISER SUNSET ORANGE INTERNATIONAL (A2009TCV14E0SK)1
 CAM CHAIN ASSEMBLY

Ref #	Part Number	Qty	S/P/F	Description
1	0810-001	2		Chain, Cam
2	0810-046	2		Guide, Chain
3	0810-049	2		Tensioner, Chain
4	0826-106	2		Pivot, Tensioner
5	0810-004	2		Adjuster, Tensioner - Assembly
6	0830-134	2		Gasket
7	8468-620	4	/P	Screw, Machine
8	8400-610	2		Screw, Cap
9	0828-129	2		Washer

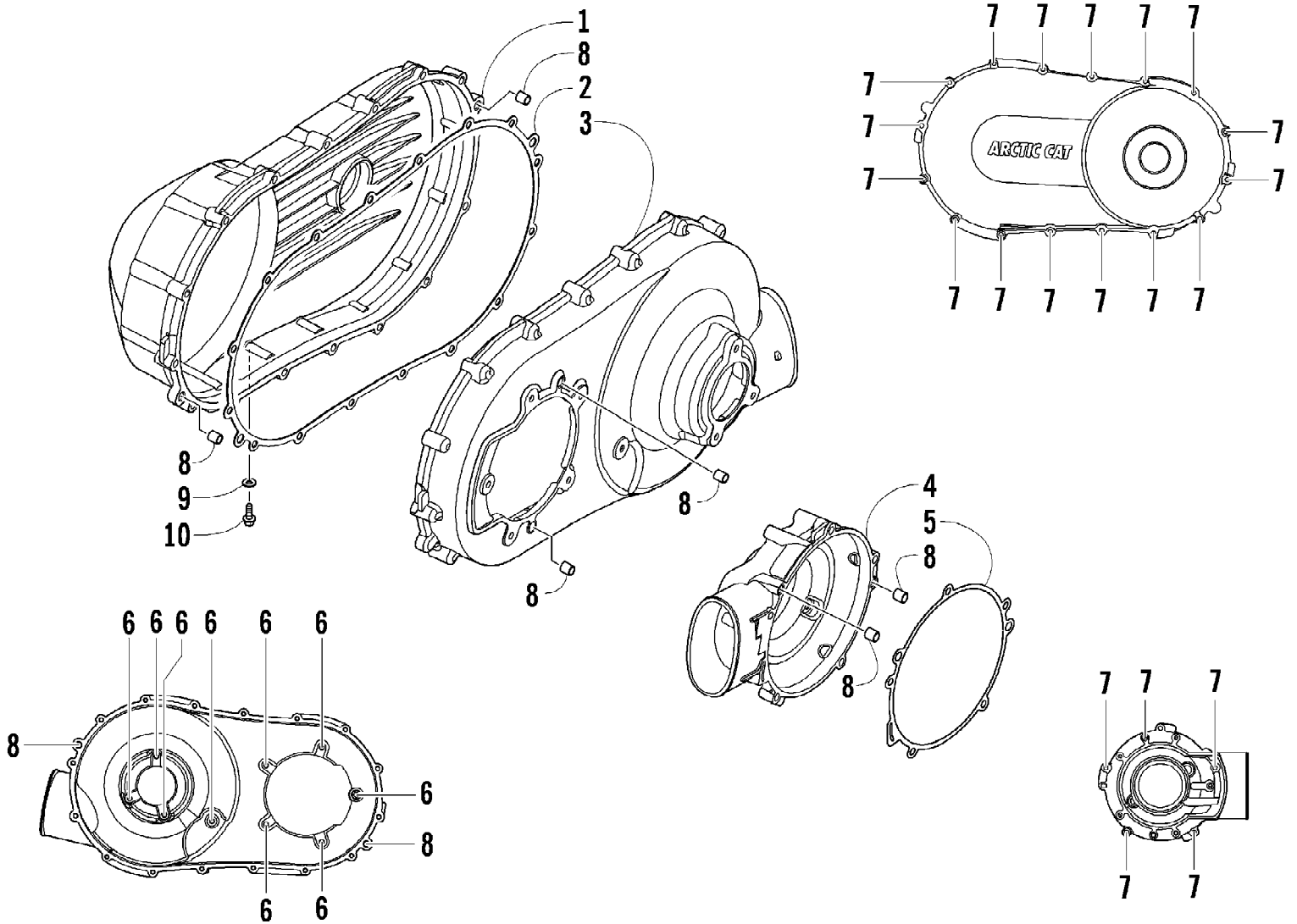
2009 ATV 1000 TRV CRUISER SUNSET ORANGE INTERNATIONAL (A2009TCV14E9SK) 91
CASE/BELT COOLING ASSEMBLY



2009 ATV 1000 TRV CRUISER SUNSET ORANGE INTERNATIONAL (A2009TEC4E10SK)1
CASE/BELT COOLING ASSEMBLY

Ref #	Part Number	Qty	S/P/F	Description
1	0413-137	1		Shroud, Air - Air In
2	0413-138	1		Duct, Cooling - Air In
3	0413-139	1		Boot, Cooling - Air In
4	0470-442	1	/P	Valve, Drain
5	0423-730	3		Clamp
6	0413-135	1		Boot, Cooling - Air Out
7	0423-019	1		Clamp
8	0413-207	1		Duct, Cooling - Air Out
9	0623-797	1		Screw, Self-Tapping
10	0623-362	2		Rivet, Reinstallable

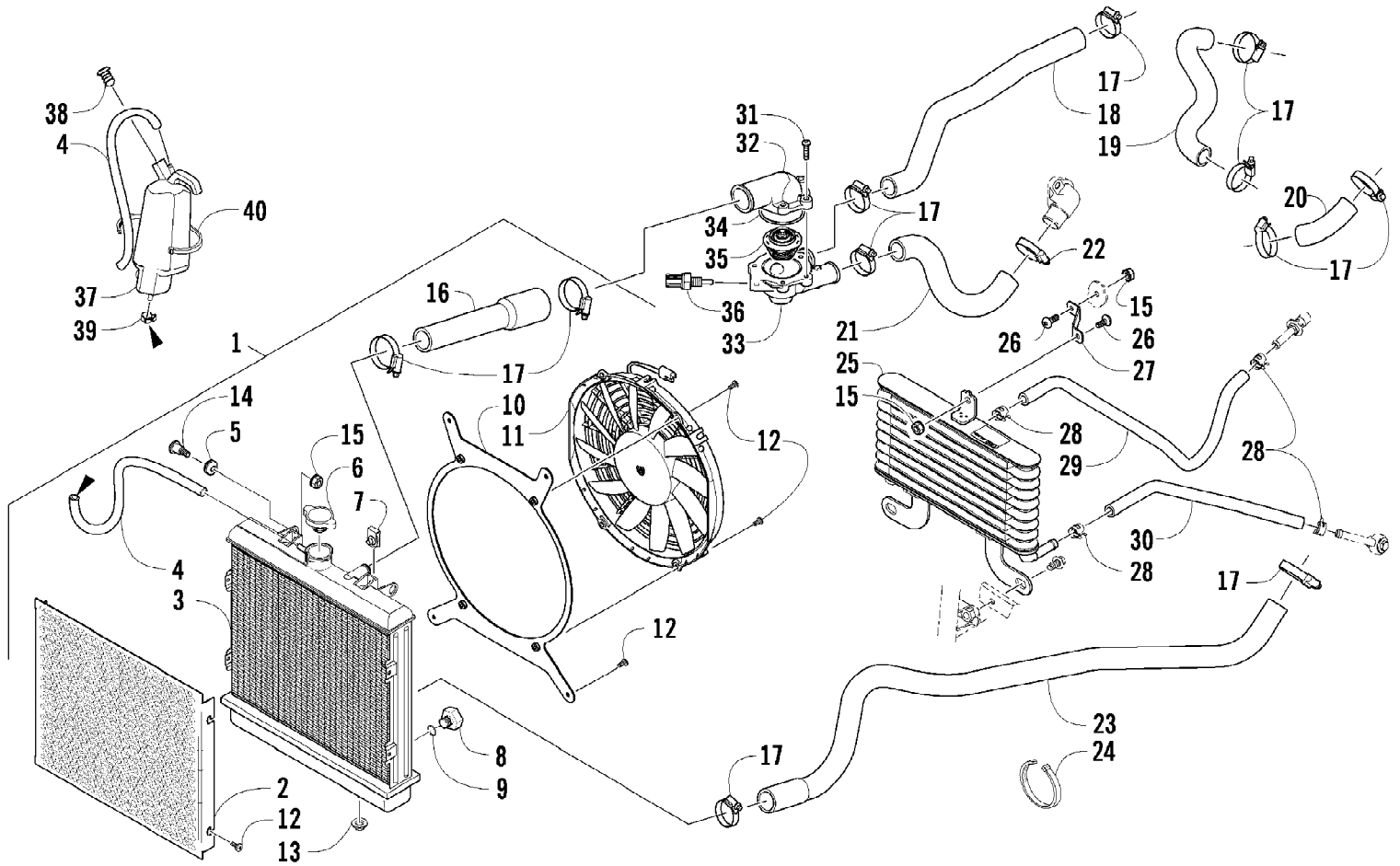
2009 ATV 1000 TRV CRUISER SUNSET ORANGE INTERNATIONAL (A2009TEP4E10SK)1
CLUTCH SIDE ENGINE COVERS



2009 ATV 1000 TRV CRUISER SUNSET ORANGE INTERNATIONAL (A2009TEC4E12SK)1
CLUTCH SIDE ENGINE COVERS

Ref #	Part Number	Qty	S/P/F	Description
1	0806-068	1	S	Cover, Outside
2	0830-137	1		Gasket, Cover
3	0806-067	1		Cover, Inside
4	0806-064	1		Cover, Clutch
5	0830-133	1		Gasket, Clutch Cover
6	8468-616	9		Screw, Machine
7	8468-630	21		Screw, Machine
8	0829-001	6	S	Pin, Dowel
9	0830-013	1		Washer, Crush
10	8408-812	1		Screw, Cap

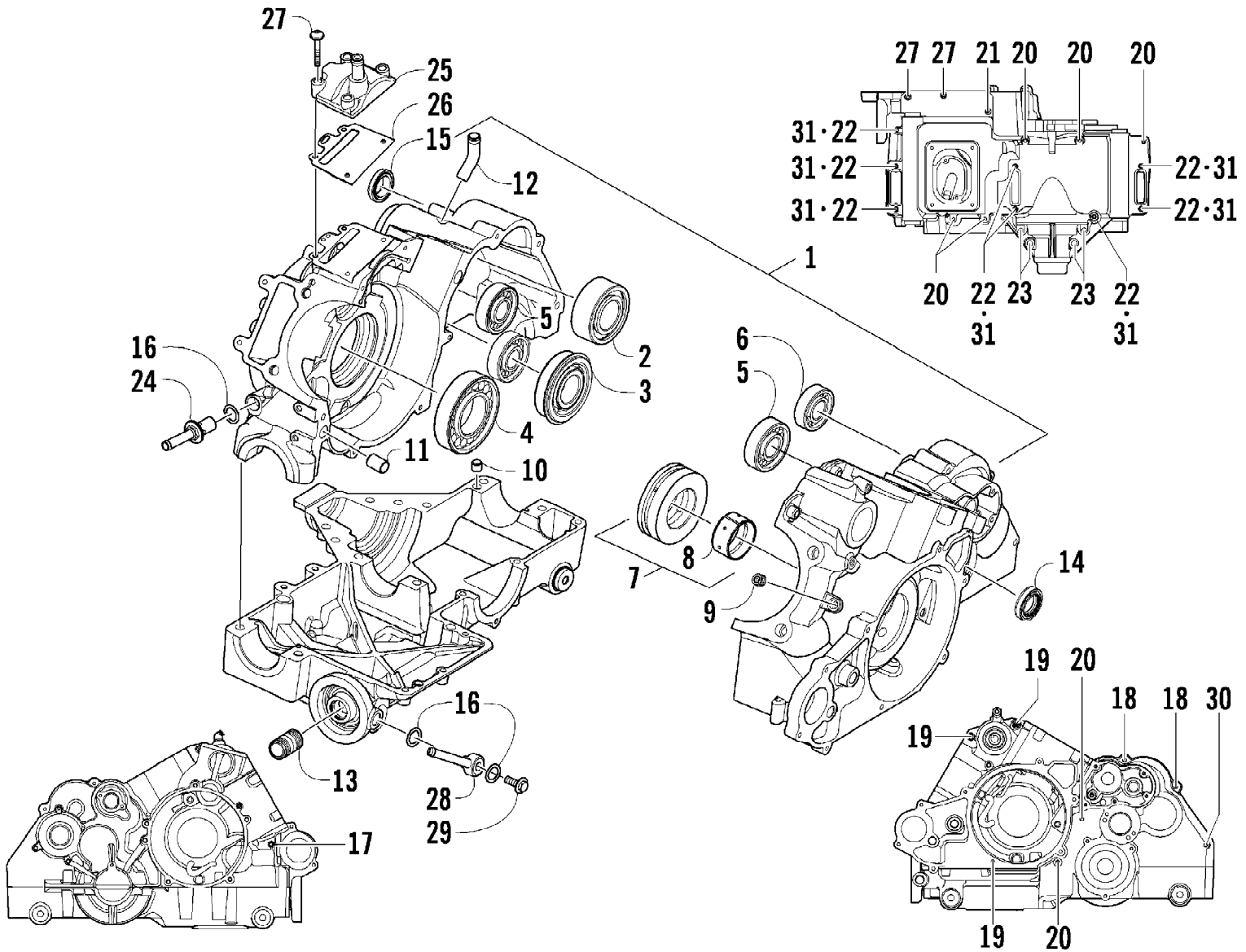
2009 ATV 1000 TRV CRUISER SUNSET ORANGE INTERNATIONAL (A2009TE1413SK) 91
COOLING ASSEMBLY



2009 ATV 1000 TRV CRUISER SUNSET ORANGE INTERNATIONAL (A2009TEC4E10SK)1
COOLING ASSEMBLY

Ref #	Part Number	Qty	S/P/F	Description
1	0413-212	1	S	Radiator Assembly (inc. 2-12)
2	0413-214	1		Screen, Radiator
3	0413-216	1		Radiator
4	0610-011	AR	/P	Hose - 25 ft
5	0423-030	2		Grommet
6	0413-002	1	S	Cap, Radiator
7	1623-637	4		Clip, U-Nut
8	0413-195	1		Plug, Drain
9	1602-213	1	/P	O-Ring
10	0413-217	1		Bracket, Mounting - Fan
11	0413-123	1	/P	Fan, Cooling
12	8470-510	12		Screw, Machine
13	0423-028	2		Bushing, Stem
14	0423-484	2		Screw, Shoulder
15	0623-038	4		Nut w/Washer
16	0410-120	1		Hose, Coolant - Radiator/Thermostat - Upper
17	0423-496	11		Clamp, Hose
18	0410-118	1		Hose, Coolant - No. 2
19	0410-116	1		Hose, Coolant
20	0410-115	1		Hose, Coolant - Crossover
21	0410-117	1		Hose, Coolant - No. 1
22	1623-093	1		Clamp, Hose
23	0410-119	1		Hose, Coolant - Suction Pump - Lower
24	0123-788	AR	/P	Cable Tie - 8 in.
25	0413-211	1	/P	Cooler, Oil
26	8476-612	2		Screw, Machine
27	0513-022	1		Bracket, Mounting - Oil Cooler - Upper
28	0423-632	4		Clamp, Hose
29	0410-149	1		Hose, Oil Cooler - In
30	0410-168	1		Hose, Oil Cooler - Out
31	8470-520	4		Screw, Machine
32	0808-092	1		Cover, Thermostat
33	0808-091	1		Housing, Thermostat
34	0830-173	1		O-Ring
35	0808-093	1		Thermostat
36	0808-124	1		Sensor, Engine Coolant Temperature
37	0413-086	1		Bottle, Overflow
38	0413-087	1		Plug
39	0124-045	1	/P	Clamp, Hose
40	0623-316	AR		Tie, Cable - 14 in.

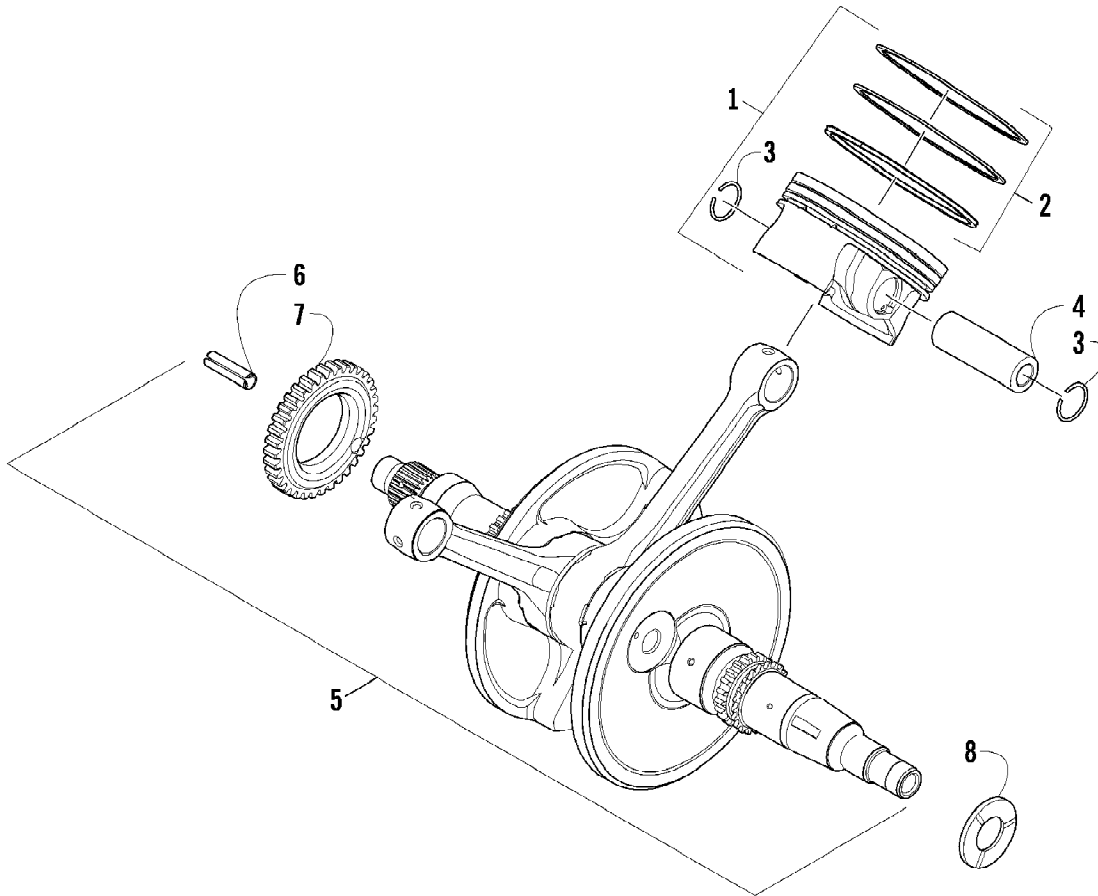
2009 ATV 1000 TRV CRUISER SUNSET ORANGE INTERNATIONAL (A2009TE14E10SK) 91
CRANKCASE ASSEMBLY



2009 ATV 1000 TRV CRUISER SUNSET ORANGE INTERNATIONAL (A2009TEC4E10SK)1
CRANKCASE ASSEMBLY

Ref #	Part Number	Qty	S/P/F	Description
1	0801-074	1		Crankcase - Assembly (inc. 2-15)
2	0832-048	1	/P	Bearing
3	0832-058	1	S	Bearing
4	0832-042	1	/P	Bearing
5	0832-050	3	/P	Bearing
6	0832-049	1	/P	Bearing
7	0832-055	1		Bearing - Assembly (inc. 8)
8	0832-057	1		Bearing
9	0801-002	1		Plug, Engine Case
10	0829-001	2	S	Pin, Dowel
11	0829-002	2		Pin, Dowel
12	0801-118	1		Pipe, Breather
13	0812-008	1		Union, Oil Filter
14	0822-052	1		Seal, Countershaft - Right
15	0830-035	1		Seal, Driveshaft
16	0812-026	3		Gasket, Washer
17	8468-685	1		Screw, Machine
18	8468-650	2		Screw, Machine
19	8468-625	3		Screw, Machine
20	8468-665	7		Screw, Machine
21	8468-640	1		Screw, Machine
22	8412-870	8		Screw, Cap
23	8412-830	4		Screw, Cap
24	0812-051	1		Fitting, Oil - Threaded
25	0801-088	1		Cover, Breather
26	0830-160	1		Gasket, Breather
27	8468-630	6		Screw, Machine
28	0812-028	1		Fitting, Oil - 40°
29	0812-025	1		Bolt, Oil
30	8468-670	1		Screw, Machine
31	0830-008	7		Washer
32	0830-107	4		Gasket

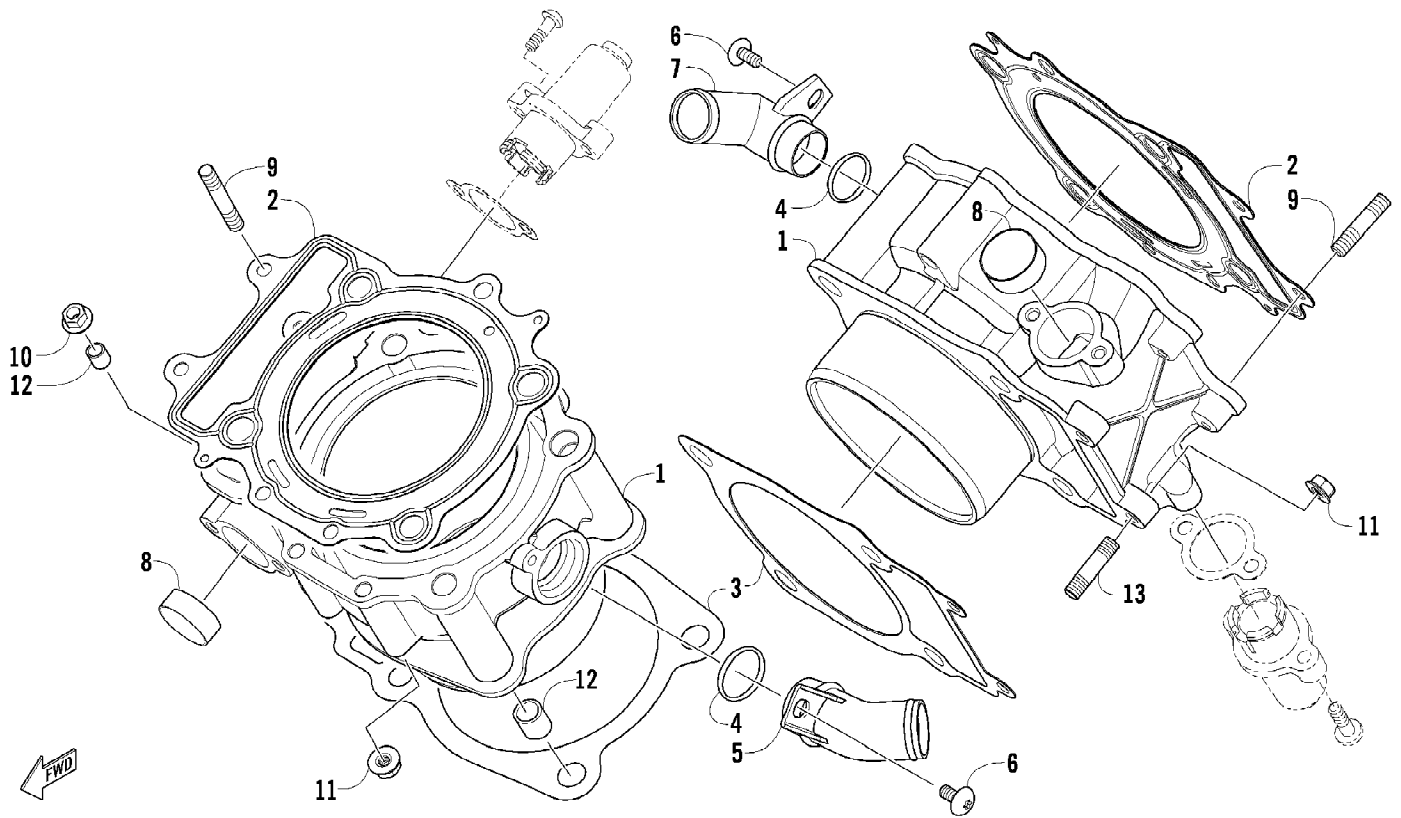
2009 ATV 1000 TRV CRUISER SUNSET ORANGE INTERNATIONAL (A2009TE4E10SK) 91
CRANKSHAFT AND PISTON ASSEMBLY



2009 ATV 1000 TRV CRUISER SUNSET ORANGE INTERNATIONAL (A2009TEC4E10SK)1
 CRANKSHAFT AND PISTON ASSEMBLY

Ref #	Part Number	Qty	S/P/F	Description
1	0805-299	2	/P	Piston Set - Assembly (inc. 2-4)
2	0805-164	2		Ring, Piston - Set
3	0805-199	4		Circlip, Piston Pin
4	0805-198	2		Pin, Piston
5	0805-200	1	S	Crankshaft - Assembly (inc. 6-7)
6	0805-204	1		Pin, Spring
7	0805-201	1		Gear, Crankshaft
8	0805-273	1		Washer, Thrust

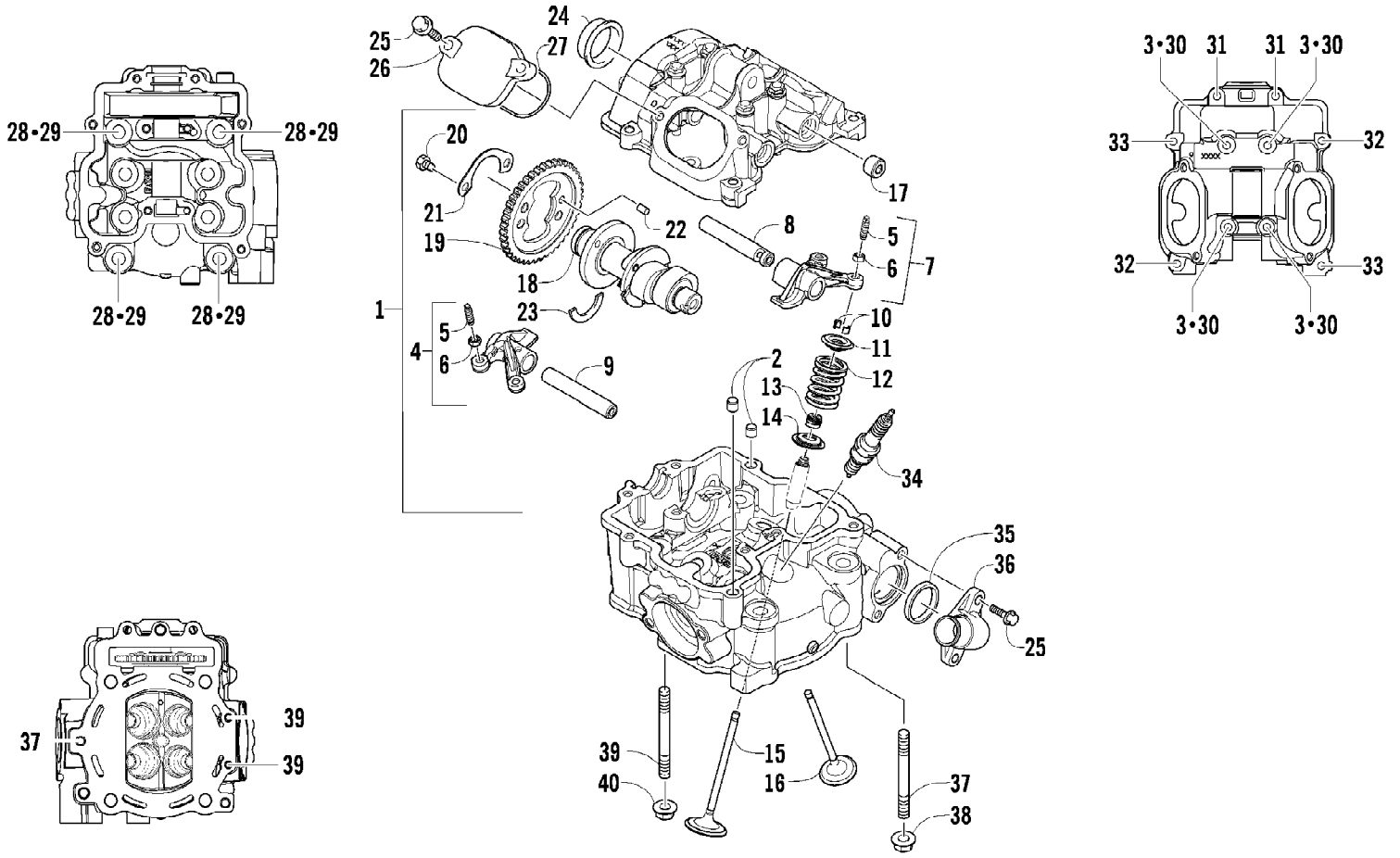
2009 ATV 1000 TRV CRUISER SUNSET ORANGE INTERNATIONAL (A2009TEC14E10SK) 91
CYLINDER ASSEMBLY



2009 ATV 1000 TRV CRUISER SUNSET ORANGE INTERNATIONAL (A2009TEC4E20SK) 91
CYLINDER ASSEMBLY

Ref #	Part Number	Qty	S/P/F	Description
1	0804-031	2		Cylinder
2	0830-126	2	S	Gasket, Head
3	0830-127	2		Gasket, Base
4	0830-007	2		O-Ring
5	0804-046	1		Union, Coolant Hose
6	8468-612	2		Screw, Machine
7	0804-030	1		Union, Coolant Hose
8	0804-037	2		Plug, Cylinder
9	0827-002	4		Bolt, Stud
10	8424-804	2		Nut
11	8424-604	8		Nut
12	0829-002	8		Pin, Dowel
13	0827-018	4		Bolt, Stud

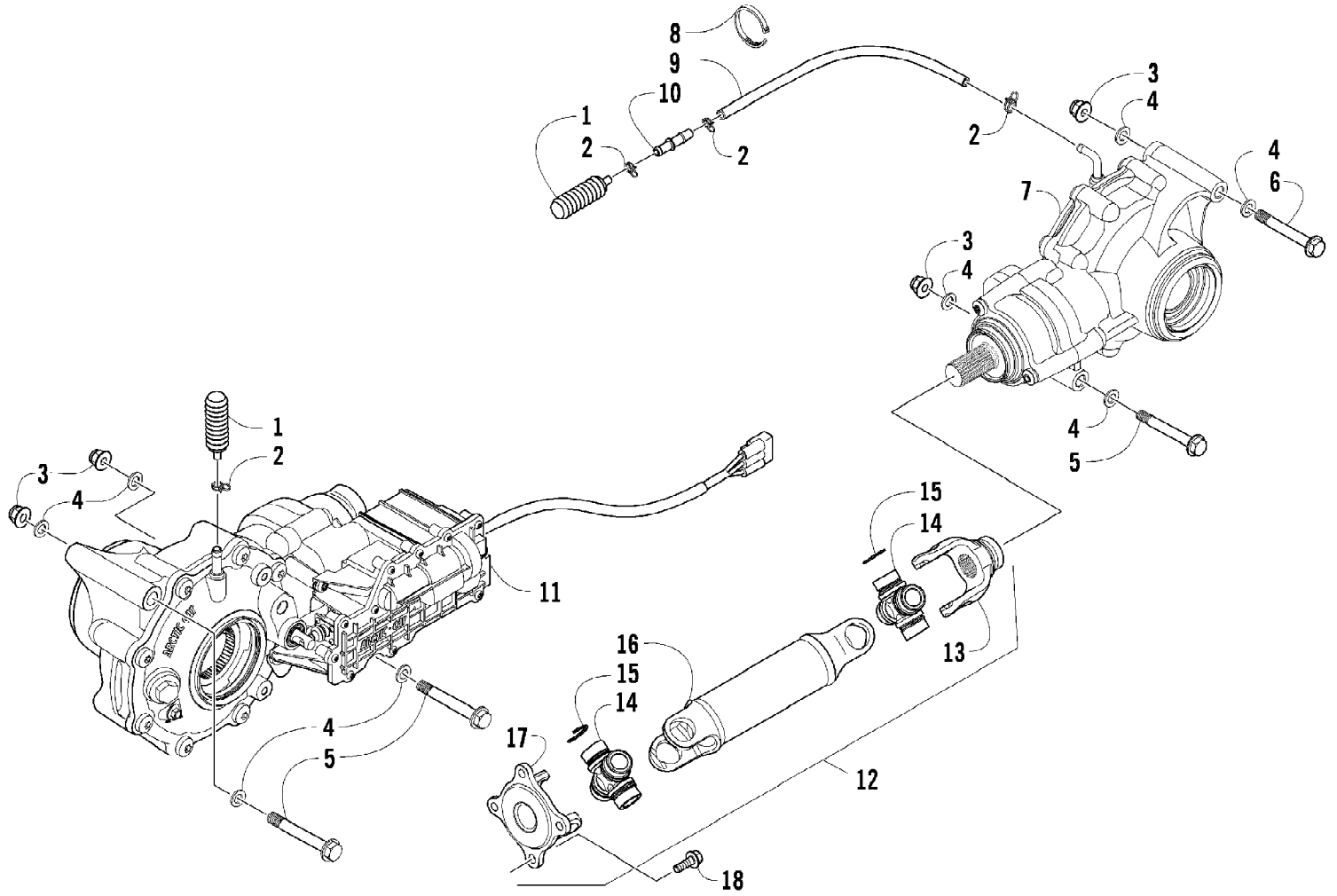
2009 ATV 1000 TRV CRUISER SUNSET ORANGE INTERNATIONAL (A2009TE4E20SK) 91
CYLINDER HEAD AND CAMSHAFT/VALVE ASSEMBLY



2009 ATV 1000 TRV CRUISER SUNSET ORANGE INTERNATIONAL (A2009TEC14E22SK) 91
CYLINDER HEAD AND CAMSHAFT/VALVE ASSEMBLY

Ref #	Part Number	Qty	S/P/F	Description
1	0808-135	2	S	Head, Cylinder - Assembly (inc. 2-17)
2	0829-001	4	S	Pin, Dowel
3	0826-001	8		Screw, Cap
4	0809-202	2	S	Arm, Valve Rocker - Intake (inc. two No. 5-6)
5	0809-033	8	S	Screw, Adjuster
6	0827-007	8		Nut
7	0809-205	2	S	Arm, Valve Rocker - Exhaust (inc. two No. 5-6)
8	0809-008	2		Shaft, Rocker Arm - Exhaust
9	0809-007	2		Shaft, Rocker Arm - Intake
10	0809-014	16		Cotter, Valve
11	0809-013	8		Retainer, Spring
12	0809-138	8	S	Spring, Valve
13	0830-016	8	S	Seal, Oil
14	0809-006	8		Seat, Spring - Valve
15	0809-040	4	S	Valve, Exhaust
16	0809-039	4	S	Valve, Intake
17	0831-066	4		Plug, Shaft
18	0809-246	1	/P	Camshaft, Front Cylinder
18	0809-248	1	/P	Camshaft, Rear Cylinder
19	0809-002	2		Sprocket
20	0826-034	4		Screw, Cap
21	0828-004	2		Plate, Retainer
22	0829-049	2		Pin, Dowel
23	0809-003	2		C-Ring
24	0808-077	2		Plug, Cylinder Head
25	0826-007	12		Screw, Cap
26	0808-003	4		Cap, Inspection
27	0830-167	4	/P	O-Ring
28	0808-090	8		Screw, Cap
29	0830-147	8	/P	Washer
30	0830-107	8		Gasket
31	0826-002	4		Screw, Cap
32	0826-005	4		Screw, Cap
33	0826-006	4		Screw, Cap
34	0217-799	2	/P/F	Spark Plug
35	0830-120	2		Seal
36	0808-008	2		Cover, Thermostat
37	0827-031	2		Bolt, Stud
38	8424-804	2		Nut
39	0827-030	4		Bolt, Stud
40	8424-604	4		Nut

2009 ATV 1000 TRV CRUISER SUNSET ORANGE INTERNATIONAL (A2009TE04E23K) 91
DRIVE TRAIN ASSEMBLY

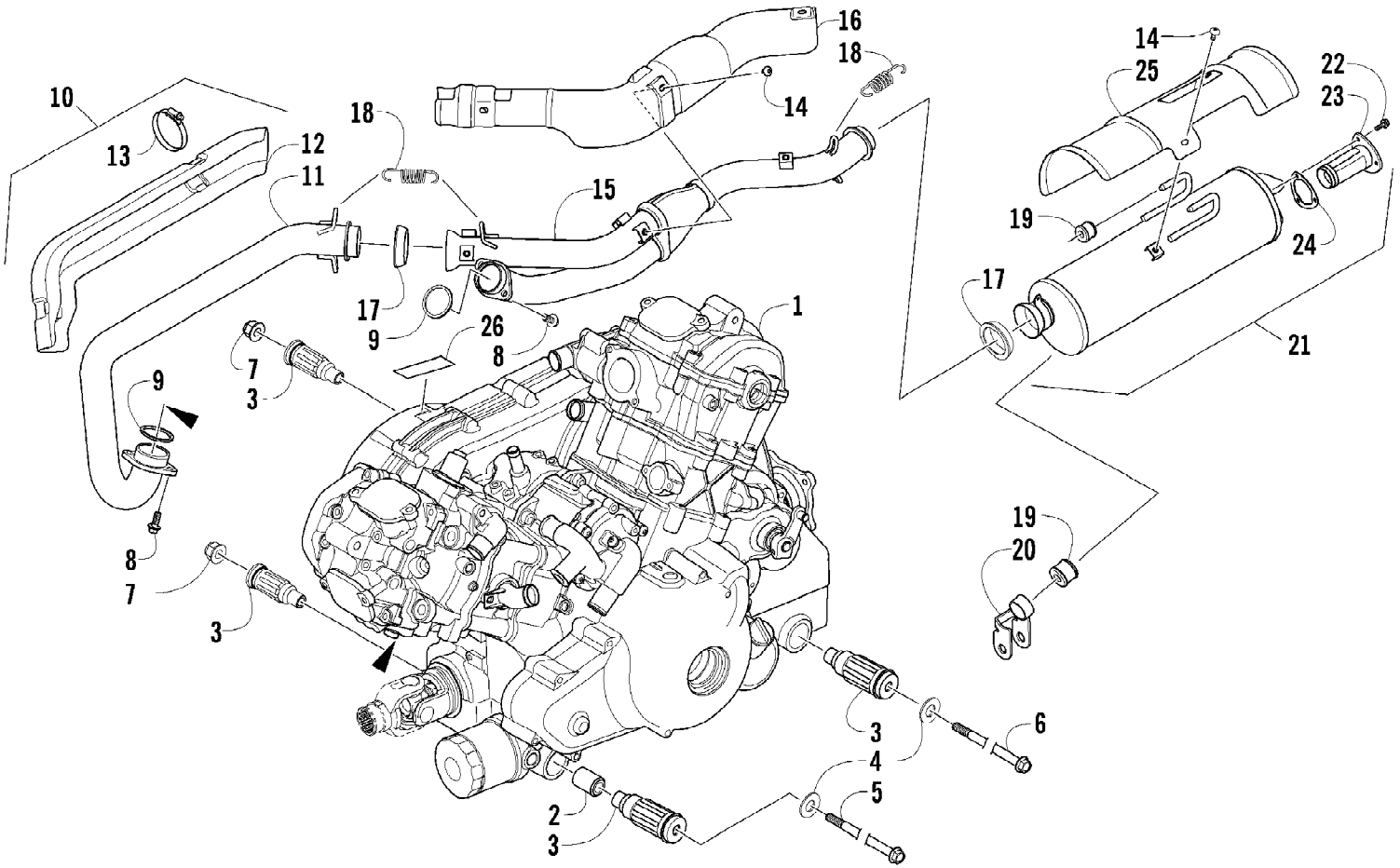


2009 ATV 1000 TRV CRUISER SUNSET ORANGE INTERNATIONAL (A2009TEC4E20SK)1
DRIVE TRAIN ASSEMBLY

Page 2 of 3

Ref #	Part Number	Qty	S/P/F	Description
1	1402-620	2	/P	Bladder, Gearcase
2	0423-315	4		Clamp, Hose
3	8428-002	4		Nut, Lock
4	0423-426	8		Washer
5	0423-404	3		Screw, Cap
6	0423-830	1		Screw, Cap
7	1502-403	1		Gearcase, Rear
8	0123-788	AR	/P	Tie, Cable - 8 in.
9	0410-070	AR	/P	Hose, Vent - 25 ft
10	0470-702	1	/P	Fitting, Vent
11	1502-395	1		Gearcase, Front
12	1502-338	1		Driveshaft, Rear - Assembly (inc. 13-17)
13	1402-567	1		Yoke, Slip
14	0402-944	2	/P	Joint, Universal (inc. four No. 15)
15	0423-395	8		Ring, Retaining
16	1502-337	1		Driveshaft, Rear
17	1402-689	1		Yoke, Flange
18	8408-820	4	/P	Screw, Cap

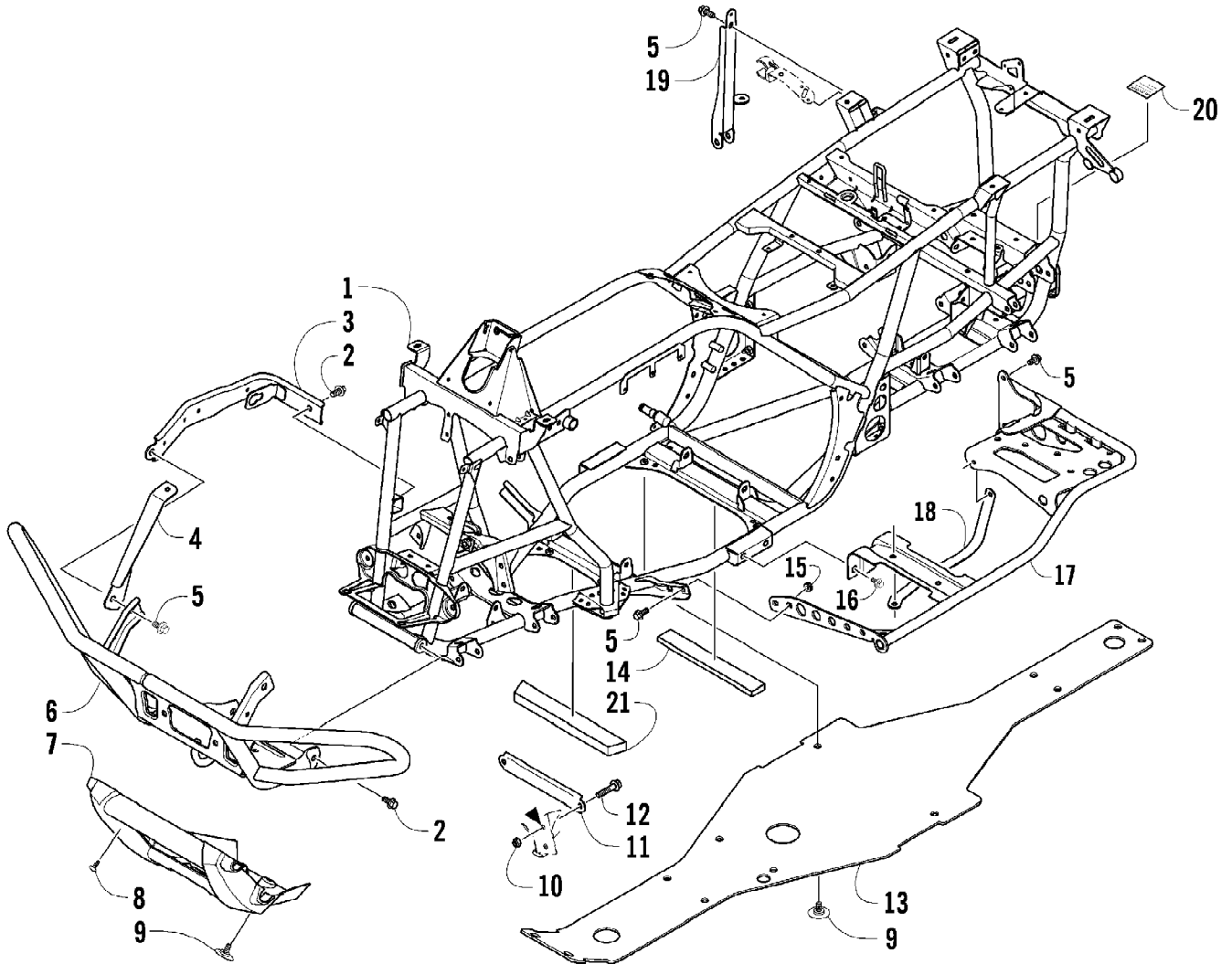
2009 ATV 1000 TRV CRUISER SUNSET ORANGE INTERNATIONAL (A2009TEC14E25K) 91
ENGINE AND EXHAUST



2009 ATV 1000 TRV CRUISER SUNSET ORANGE INTERNATIONAL (A2009TEC4E20SK)1
ENGINE AND EXHAUST

Ref #	Part Number	Qty	S/P/F	Description
1	0800-075	1	S/P	Engine, A950D (inc. 2-3)
2	0801-128	1		Spacer, Engine Mount
3	0801-091	4		Mount, Engine
4	0423-426	2		Washer
5	0423-734	1		Screw, Cap
6	0423-451	1		Screw, Cap
7	8428-002	2		Nut, Lock
8	8408-820	4	/P	Screw, Cap
9	0412-338	2	/P	Gasket, Exhaust Pipe
10	0512-433	1		Pipe, Exhaust - Assembly (inc. 11-13)
11	0512-349	1		Pipe, Exhaust
12	0412-400	1		Shield, Exhaust Pipe
13	0423-317	2	/P	Clamp
14	8477-610	8		Screw, Machine
15	0512-453	1		Pipe, Exhaust - Rear
16	0412-484	1		Shield, Exhaust Pipe - Rear
17	0412-375	2	/P	Seal, Exhaust Pipe
18	0612-668	4	/P	Spring, Extension
19	0412-215	3	S	Bushing
20	1506-732	1		Channel, Muffler Support
21	0512-355	1	/P	Muffler - Assembly (inc. 22-24)
22	8408-616	3		Screw, Cap
23	0512-219	1	/P	Arrester, Spark - Assembly
24	0412-313	1		Gasket, Spark Arrester
25	0412-373	1	/P	Cover, Muffler
26	0411-426	1		Decal, Warning - Clutch Cover

2009 ATV 1000 TRV CRUISER SUNSET ORANGE INTERNATIONAL (A2009TE14E20SK) 91
FRAME AND RELATED PARTS

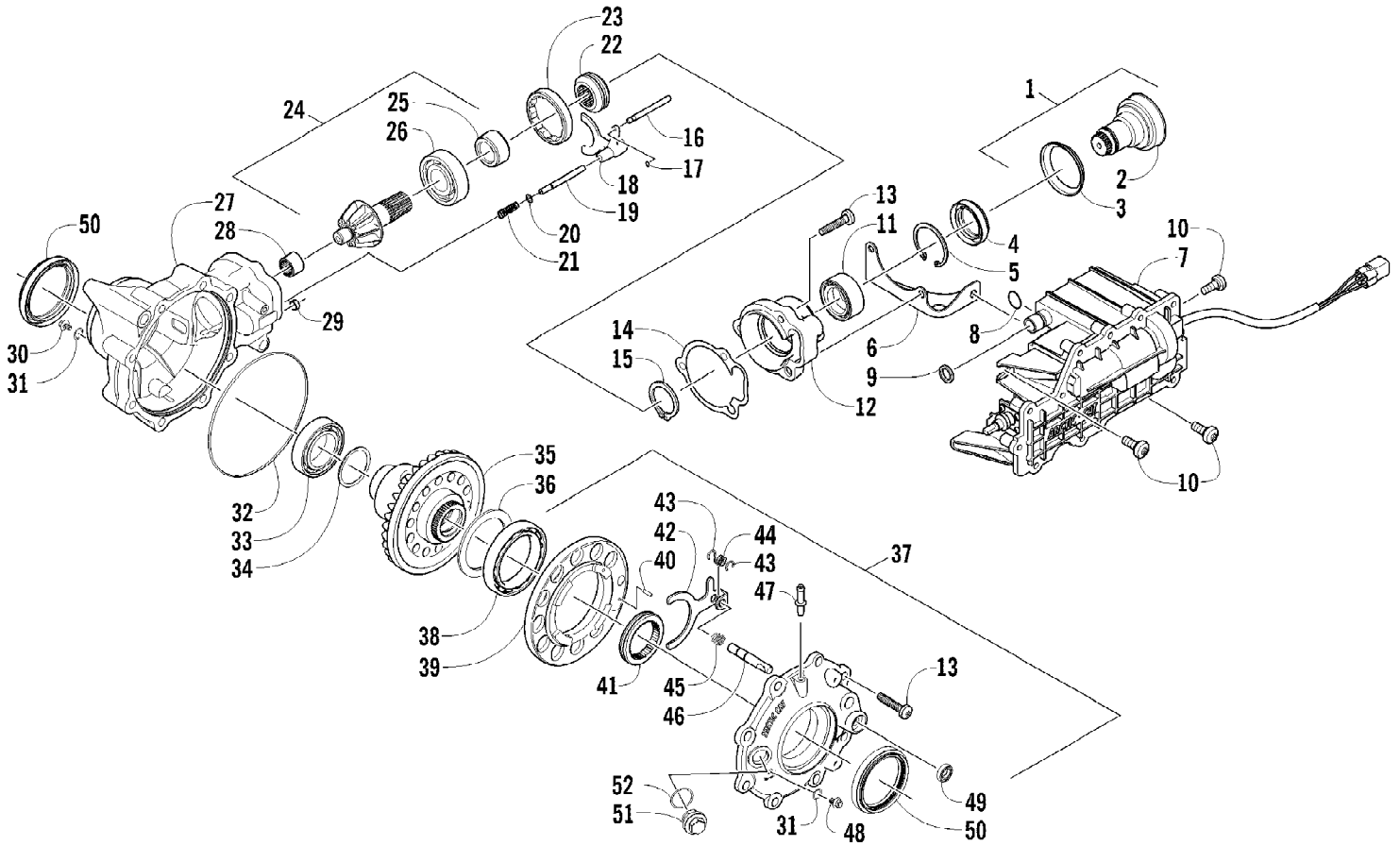


2009 ATV 1000 TRV CRUISER SUNSET ORANGE INTERNATIONAL (A2009TEC4E2SK)1
FRAME AND RELATED PARTS

Page 28 of 31

Ref #	Part Number	Qty	S/P/F	Description
1	2506-769	1		Frame, Main
2	8409-020	4	/P	Screw, Cap
3	2506-813	1		Channel, Bumper Mounting - Right
3	2506-285	1		Channel, Bumper Mounting - Left
4	1506-562	1		Bracket, Mounting - Bumper - Right
4	1506-563	1		Bracket, Mounting - Bumper - Left
5	8408-816	11		Screw, Cap
6	1506-855	1	/P	Bumper
7	1406-360	1		Grille, Bumper
8	0423-419	2		Screw, Machine
9	0423-101	12		Screw, Shoulder
10	0423-744	2		Nut, Lock
11	1506-429	1	S	Brace, A-Arm
12	8409-025	2		Screw, Cap
13	2406-718	1		Panel, Belly
14	0406-289	1		Pad, Frame
15	8424-802	4		Nut
16	8409-016	4		Screw, Cap
17	2506-776	1		Footrest - Right
17	1506-849	1		Footrest - Left
18	2406-788	1		Strap, Footrest - Right
18	2406-789	1		Strap, Footrest - Left
19	2506-447	1		Bracket, Support
20	1411-077	1		Decal, Warning - Towing
21	2506-701	1		Pad, Frame

2009 ATV 1000 TRV CRUISER SUNSET ORANGE INTERNATIONAL (A2009T00429SK) 91
FRONT DRIVE GEARCASE ASSEMBLY



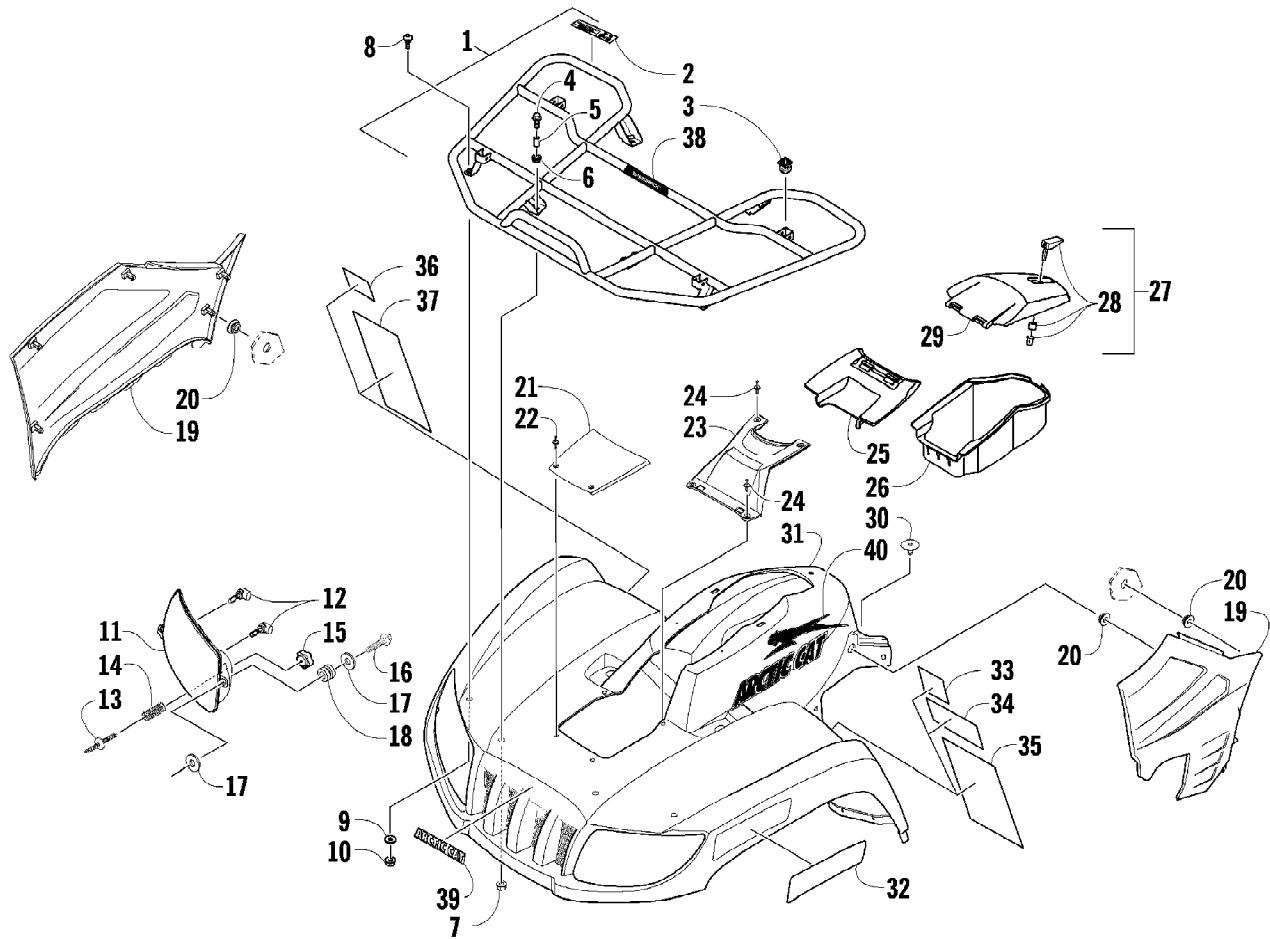
2009 ATV 1000 TRV CRUISER SUNSET ORANGE INTERNATIONAL (A2009TEC4E30SK)91
FRONT DRIVE GEARCASE ASSEMBLY

Ref #	Part Number	Qty	S/P/F	Description
	1502-395	1		Complete Front Drive Gearcase Assembly
1	0502-923	1		Shaft, Propeller - Assembly (inc. 2-3)
2	1402-438	1		Shaft, Input
3	1402-168	1		Deflector
4	1402-011	1		Seal
5	0423-423	1		Ring, Retaining
6	1502-237	1		Bracket, Actuator
7	0502-585	1	S	Actuator (inc. 8)
8	1402-981	1		O-Ring
9	0423-892	1	/P	O-Ring
10	0423-396	3		Screw, Self-Tapping
11	1402-043	1		Bearing
12	0502-528	1	/P	Housing, Pinion
13	0423-118	11		Screw, Self-Tapping
14	0402-947	1		Gasket
15	0423-417	1		Ring, Retaining
16	0402-997	1		Shaft, Selector
17	0423-402	1		Ring, Retaining
18	0402-998	1		Fork, Selector
19	0402-417	1		Shaft, Shuttle
20	0423-147	1		O-Ring
21	0402-999	1		Spring, Return
22	0402-413	1		Coupler, Drive
23	0402-357	1		Collar, Lock
24	0502-784	1		Gear, Pinion - Assembly - 11T (inc. 25-26)
25	0402-336	1		Collar, Retaining
26	0402-327	1		Bearing
27	0502-514	1		Housing, Gearcase
28	0402-328	1		Bearing
29	0402-411	1		Pin, Dowel
30	1402-210	1	/P	Plug, Magnetic (inc. one No. 31)
31	0423-153	2		O-Ring
32	0423-149	1		O-Ring
33	0402-393	1		Bearing
34	0402-405	AR		Shim, 41 x 49 x 1.3 mm
34	0402-406	AR		Shim, 41 x 49 x 1.4 mm
34	0402-407	AR		Shim, 41 x 49 x 1.5 mm
34	0402-408	AR		Shim, 41 x 49 x 1.6 mm
34	0402-409	AR		Shim, 41 x 49 x 1.7 mm
35	1502-554	1	/P	Gear, Ring - 34T
36	1402-074	AR		Shim, 61 x 69 x 1.3 mm
36	1402-075	AR		Shim, 61 x 69 x 1.4 mm
36	1402-076	AR		Shim, 61 x 69 x 1.5 mm
36	1402-077	AR		Shim, 61 x 69 x 1.6 mm
36	1402-078	AR		Shim, 61 x 69 x 1.7 mm
37	1502-389	1		Cover, Gearcase (inc. one No. 31, 38-49 and one No. 50)
38	1402-053	1		Bearing
39	0502-413	1		Flange, Bearing
40	1402-079	1		Pin, Alignment
41	1402-042	1		Collar, Sliding
42	1402-054	1		Fork

2009 ATV 1000 TRV CRUISER SUNSET ORANGE INTERNATIONAL (A2009TE4E30SK)1
 FRONT DRIVE GEARCASE ASSEMBLY

Ref #	Part Number	Qty	S/P/F	Description
43	1402-058	2		Ring, Retaining
44	1402-057	1		Spring
45	1402-063	1		Spring
46	1402-656	1		Shaft, Lock
47	1402-104	1		Fitting
48	1402-211	1		Plug, Oil Level (inc. one No. 31)
49	1402-056	1		Seal
50	1402-713	2	S	Seal
51	0402-333	1	/P	Plug, Fill (inc. 52)
52	0423-154	1		O-Ring

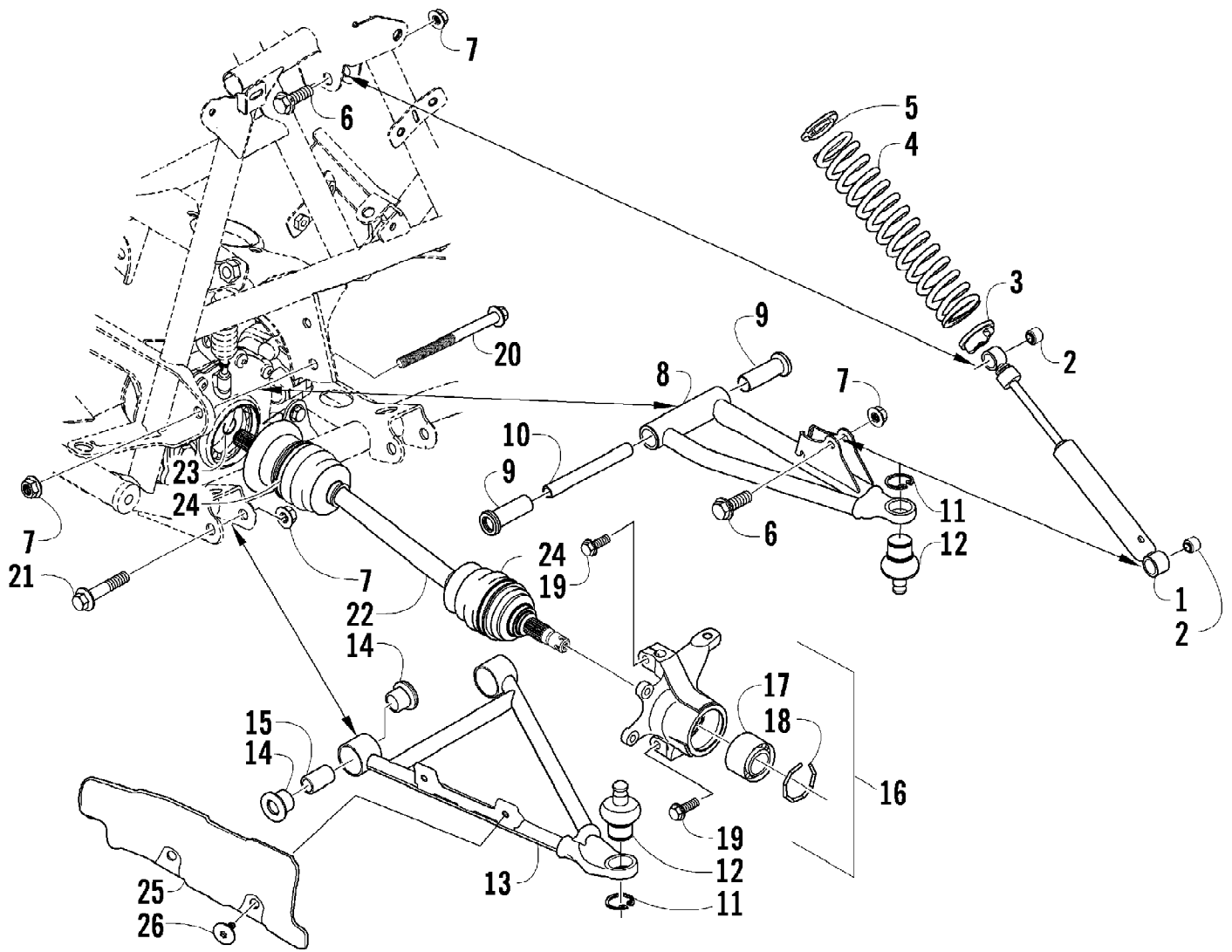
2009 ATV 1000 TRV CRUISER SUNSET ORANGE INTERNATIONAL (A2009TE14E32SK) 91
FRONT RACK, BODY PANEL, AND HEADLIGHT ASSEMBLIES



2009 ATV 1000 TRV CRUISER SUNSET ORANGE INTERNATIONAL (A2009TEC4E3SK)91
FRONT RACK, BODY PANEL, AND HEADLIGHT ASSEMBLIES

Ref #	Part Number	Qty	S/P/F	Description
1	2506-106	1		Rack, Front - Assembly (inc. 2-3)
2	0411-576	1		Decal, Warning - Load
3	0441-592	4	/P	Bushing
4	8410-830	4		Screw, Cap
5	0423-669	4		Spacer
6	0423-465	4		Grommet
7	8432-802	4		Nut, Lock
8	0423-654	2		Screw, Shoulder
9	8050-222	2	/P	Washer
10	0423-540	2		Nut, Lock
11	0509-044	1	/P	Headlight Assembly - Right (inc. 12)
11	0509-035	1		Headlight Assembly - Left (inc. 12)
12	0409-055	4		Bulb, Headlight
13	0423-514	2		Stud, Adjuster - Headlight
14	0423-522	2		Spring, Adjuster
15	0423-513	2		Knob, Adjuster
16	0623-785	4		Screw, Self-Tapping
17	8050-217	8	/P	Washer
18	0423-447	4		Grommet
19	2406-802	1		Panel, Side - Lower - Right
19	2406-803	1		Panel, Side - Lower - Left
20	0423-678	8		Grommet
21	1406-358	1		Cover, Access
22	0423-535	2		Rivet, Reinstallable
23	1406-484	1		Cover, Steering Post
24	0623-362	4		Rivet, Reinstallable
25	0470-513	1		Cover, Storage Box
26	1406-573	1		Box, Storage
27	2506-234	1		Lid, Storage Box w/Latch (inc. 28-29)
28	1406-599	1		Latch, Storage Box
29	0470-514	1		Lid, Storage Box
30	0423-101	2		Screw, Shoulder
31	2516-070	1	S	Panel, Fender - Assembly - Front (inc. 32-37)
32	0411-818	1		Decal, Reflector - Front - Right
32	0411-819	1		Decal, Reflector - Front - Left
33	1411-930	1	S	Decal, Warning - Age
34	1411-574	1		Decal, Warning - Off-Road Only
35	1411-906	1		Decal, Warning - Throttle
36	0411-894	1		Decal, Warning - Turn/Hill
37	1411-250	1		Decal, Warning - Reverse/Pre-Ride
38	1411-050	1	/P	Decal, "Speedrack"
39	1411-725	1		Decal, Front
40	1411-634	1		Decal, Side - Upper Right
40	1411-635	1		Decal, Side - Upper Left

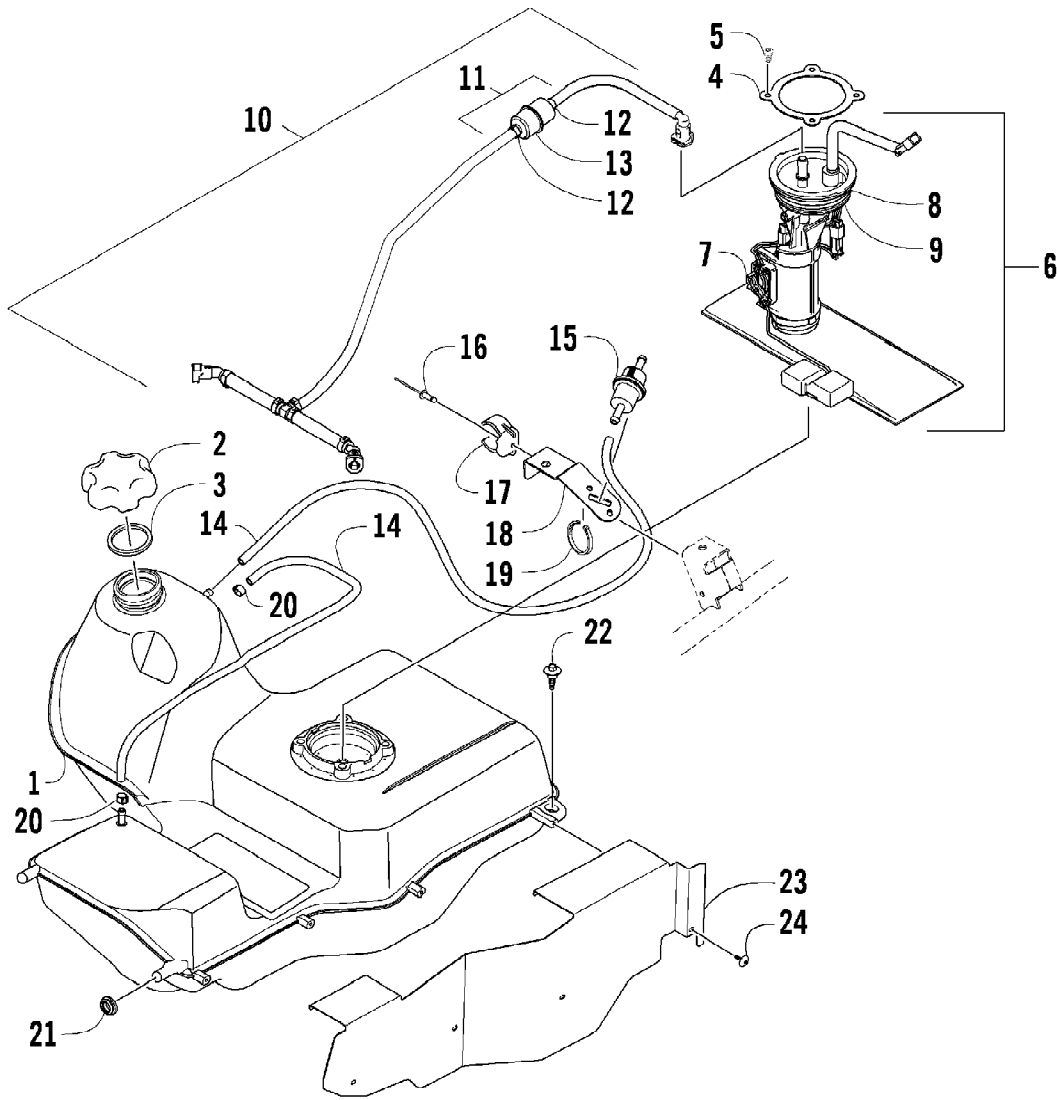
2009 ATV 1000 TRV CRUISER SUNSET ORANGE INTERNATIONAL (A2009TE14E30SK)1
FRONT SUSPENSION ASSEMBLY



2009 ATV 1000 TRV CRUISER SUNSET ORANGE INTERNATIONAL (A2009TE14E3SK)91
FRONT SUSPENSION ASSEMBLY

Ref #	Part Number	Qty	S/P/F	Description
1	0403-209	2		Shock Absorber (inc. 2)
2	0403-182	4		Bushing
3	0403-102	2		Cam, Spring Adjuster
4	0503-353	2		Spring, Suspension
5	1603-889	2	/P	Retainer, Spring
6	8409-040	4		Screw, Cap
7	0423-744	10		Nut, Lock
8	0503-196	1	S	A-Arm, Upper Right (inc. 9-12)
8	0503-197	1		A-Arm, Upper Left (inc. 9-12)
9	0403-081	4	S	Bushing
10	0403-080	2		Axle
11	0423-009	4	/P	Ring, Retaining
12	0405-115	4	/P	Ball Joint
13	0503-376	1	/P	A-Arm, Lower Right (inc. 14-15 and two No. 11-12)
13	0503-377	1	/P	A-Arm, Lower Left (inc. 14-15 and two No. 11-12)
14	0403-115	8	S	Bushing
15	0403-114	4	S	Axle
16	0505-578	1		Knuckle - Assembly - Right (inc. 17-18)
16	0505-579	1	/P	Knuckle - Assembly - Left (inc. 17-18)
17	1402-809	2	/P	Bearing
18	0423-423	2		Ring, Retaining
19	8409-030	4		Screw, Cap
20	0423-334	2		Screw, Cap
21	8409-075	4		Screw, Cap
22	1502-344	1	S/P	Axle, Drive - Right (inc. 23-24)
22	1502-345	1	S	Axle, Drive - Left (inc. 23-24)
23	0423-844	2	/P	Clip, Retaining
24	0436-276	2	S	Repair Kit, Boot
25	1406-034	1		Guard, Boot - Right
25	1406-035	1		Guard, Boot - Left
26	0423-545	4	/P	Screw, Shoulder

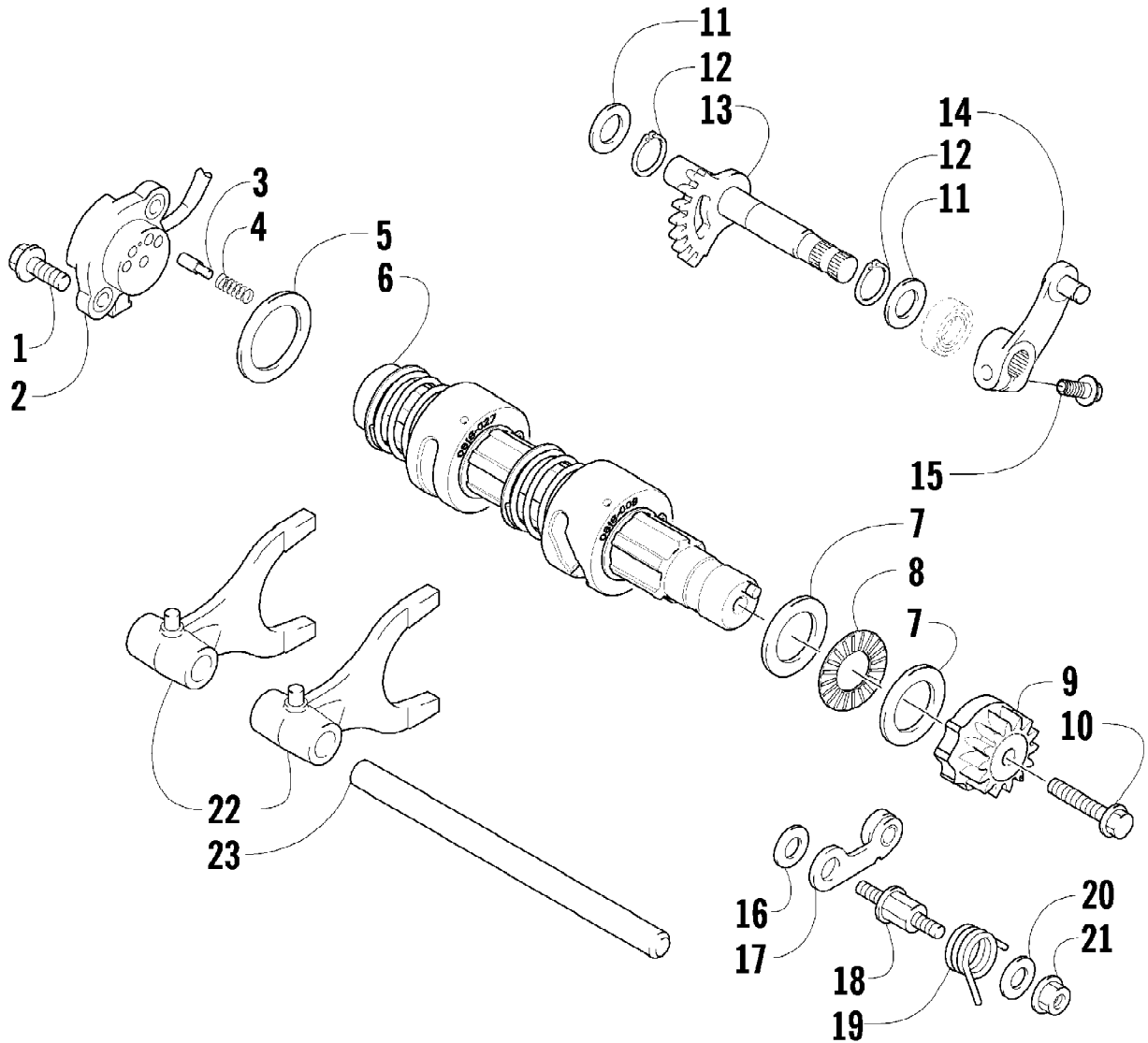
2009 ATV 1000 TRV CRUISER SUNSET ORANGE INTERNATIONAL (A2009TEC14E30K) 91
GAS TANK ASSEMBLY



2009 ATV 1000 TRV CRUISER SUNSET ORANGE INTERNATIONAL (A2009TE4E30SK)1
GAS TANK ASSEMBLY

Ref #	Part Number	Qty	S/P/F	Description
1	0570-206	1		Tank, Gas - Assembly (inc. 2-5)
2	0470-438	1	/P	Cap, Gas Tank (inc. 3)
3	0109-733	1	/P	Gasket, Gas Tank Cap
4	0470-606	1		Plate, Mounting - Fuel Pump
5	8476-612	4		Screw, Self-Tapping
6	0570-271	1	/P	Pump, Fuel - Assembly (inc. 7-9)
7	0570-252	1	/P	Sensor, Fuel Level - Kit (inc. 8-9)
8	0470-614	1		Seal, Fuel Pump
9	0470-613	1		Seal, Fuel Pump
10	0570-247	1		Hose, Gasline - Assembly (inc. 11-13)
11	0570-246	1		Filter, Fuel - Kit (inc. 12-13)
12	0	2	F	Clamp, Hose
13	0	1	F	Filter, Fuel
14	0410-070	AR	/P	Hose, Gasline - 25 ft
15	0510-335	1	/P	Filter, In-Line
16	8060-628	1		Rivet
17	1670-826	1		Bracket, Fuel Filter
18	0470-794	1		Bracket, Filter Mounting
19	0123-788	AR	/P	Tie, Cable - 8 in.
20	0423-688	2		Clamp, Hose
21	0423-460	2		Grommet
22	0423-732	2		Screw, Shoulder
23	0470-822	1		Shield, Heat
24	0623-797	4		Screw, Self-Tapping

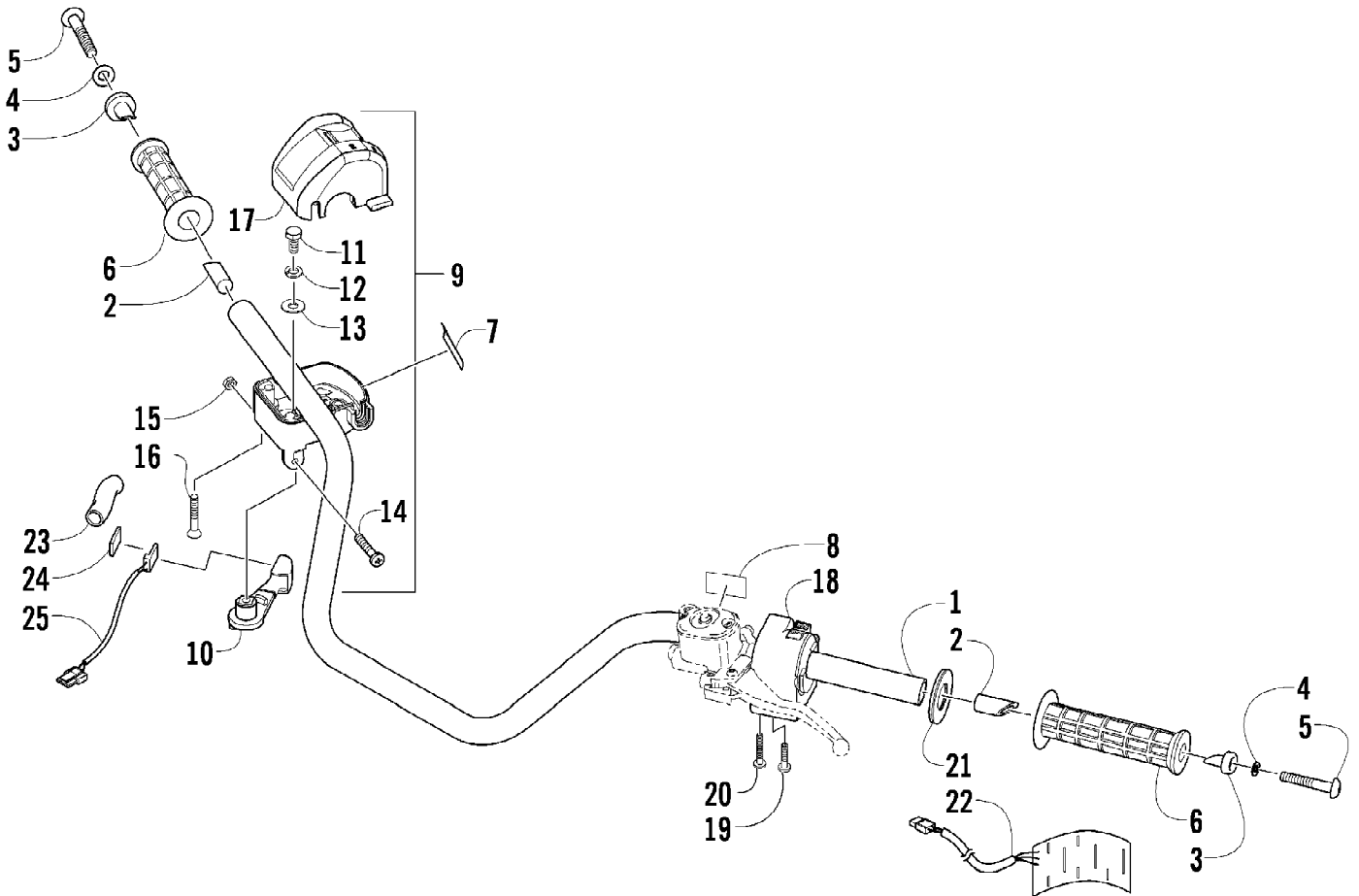
2009 ATV 1000 TRV CRUISER SUNSET ORANGE INTERNATIONAL (A2009TEC14E3SK) 91
GEAR SHIFTING ASSEMBLY



2009 ATV 1000 TRV CRUISER SUNSET ORANGE INTERNATIONAL (A2009TEC4E3SK)1
GEAR SHIFTING ASSEMBLY

Ref #	Part Number	Qty	S/P/F	Description
1	8470-520	2		Screw, Machine
2	0409-091	1		Switch, Gear Shift Position
3	0818-013	2		Contact
4	0818-017	2		Spring
5	0828-040	1		Washer
6	0818-046	1		Shaft, Gear Shift - Assembly
7	0828-095	2		Washer, Thrust
8	0832-052	1	/P	Bearing, Thrust
9	0818-055	1		Cam, Gear Shift
10	0826-006	1		Screw, Cap
11	0828-036	2		Washer
12	0831-010	2		Ring, Retaining
13	0818-007	1	/P	Shaft, Sub-Gear Shift
14	0818-014	1		Arm, Shift
15	8468-620	1	/P	Screw, Machine
16	0828-038	1		Washer
17	0818-002	1		Stopper, Cam
18	0818-004	1		Support, Cam Stopper
19	0818-090	1		Spring
20	0828-035	1		Washer
21	8424-602	1	/P	Nut
22	0818-072	2	/P	Fork, Shift
23	0818-006	1		Shaft, Shift Fork

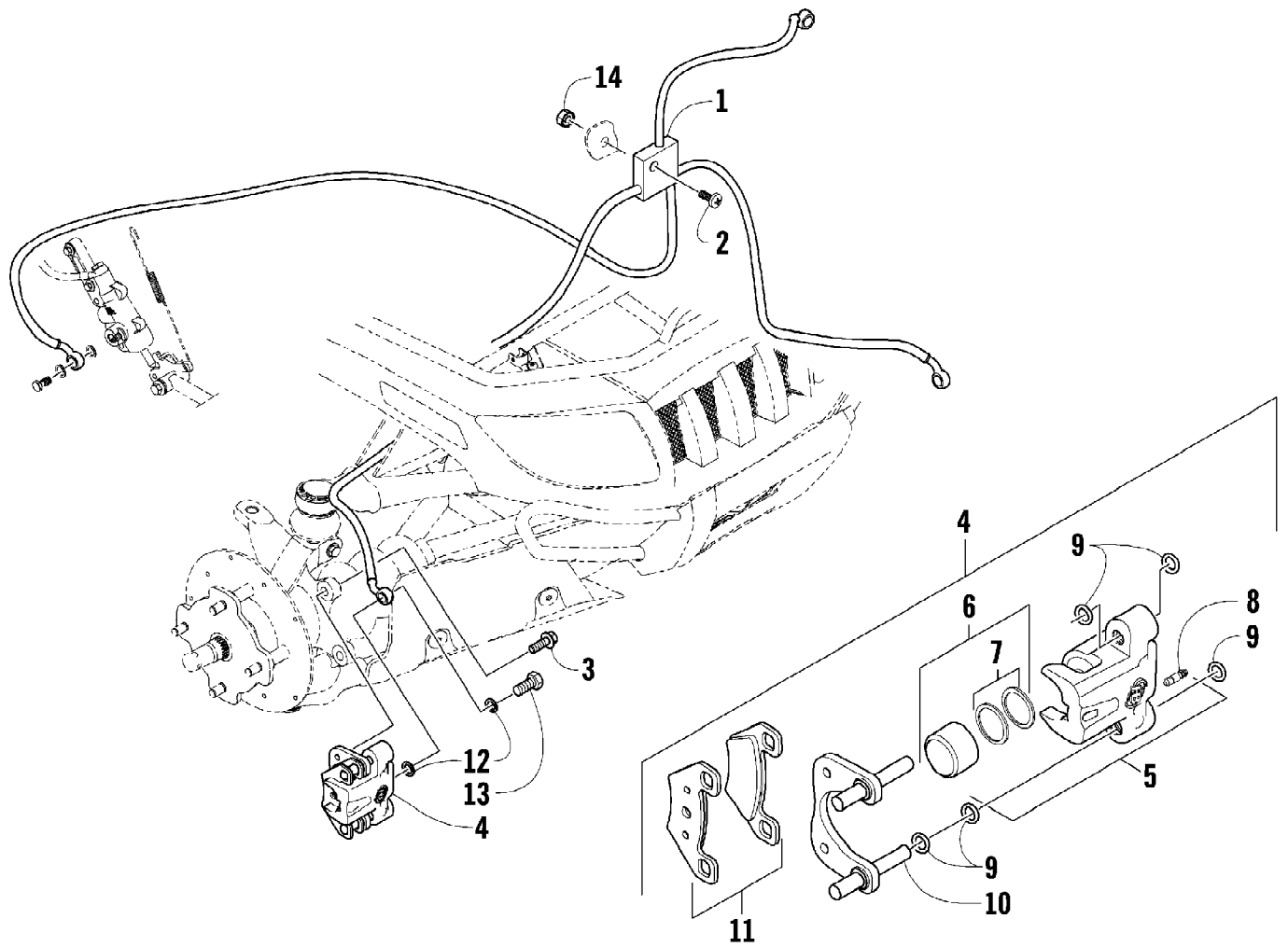
2009 ATV 1000 TRV CRUISER SUNSET ORANGE INTERNATIONAL (A2009TEP4E10SK)91
HANDLEBAR ASSEMBLY



2009 ATV 1000 TRV CRUISER SUNSET ORANGE INTERNATIONAL (A2009TE4E10SK)1
HANDLEBAR ASSEMBLY

Ref #	Part Number	Qty	S/P/F	Description
1	0505-418	1	/P	Handlebar
2	0405-218	2		Plug, Handlebar
3	0405-149	2		End Cap, Handlebar
4	8050-247	2	/P	Washer
5	8477-845	2		Screw, Machine
6	0405-147	2		Grip, Handlebar
7	0411-966	1		Decal, Warning - Differential Lock
8	1411-865	1		Decal, Warning - Brake Lever Lock
9	0509-045	1		Case, Throttle - Assembly (inc. 10-17)
10	3409-001	1		Lever
11	3007-392	1	/P	Screw, Cap
12	3004-447	1	/P	Washer, Lock
13	3003-030	1	/P	Washer
14	3423-014	1		Screw, Machine
15	3423-327	1		Nut
16	3423-199	2		Screw, Machine
17	0409-119	1		Cover, Throttle Case w/Switch
18	0509-014	1		Switch, Control - Assembly (inc. 19-20)
19	0409-027	1		Screw, Machine
20	0409-028	1		Screw, Machine
21	3409-019	1		Cover, Switch Housing
22	0609-800	2		Element, Handwarmer
23	0441-498	1		Tube, Shrink
24	0617-248	1	/P	Pad, Insulator
25	0409-117	1	S	Element, Thumbwarmer

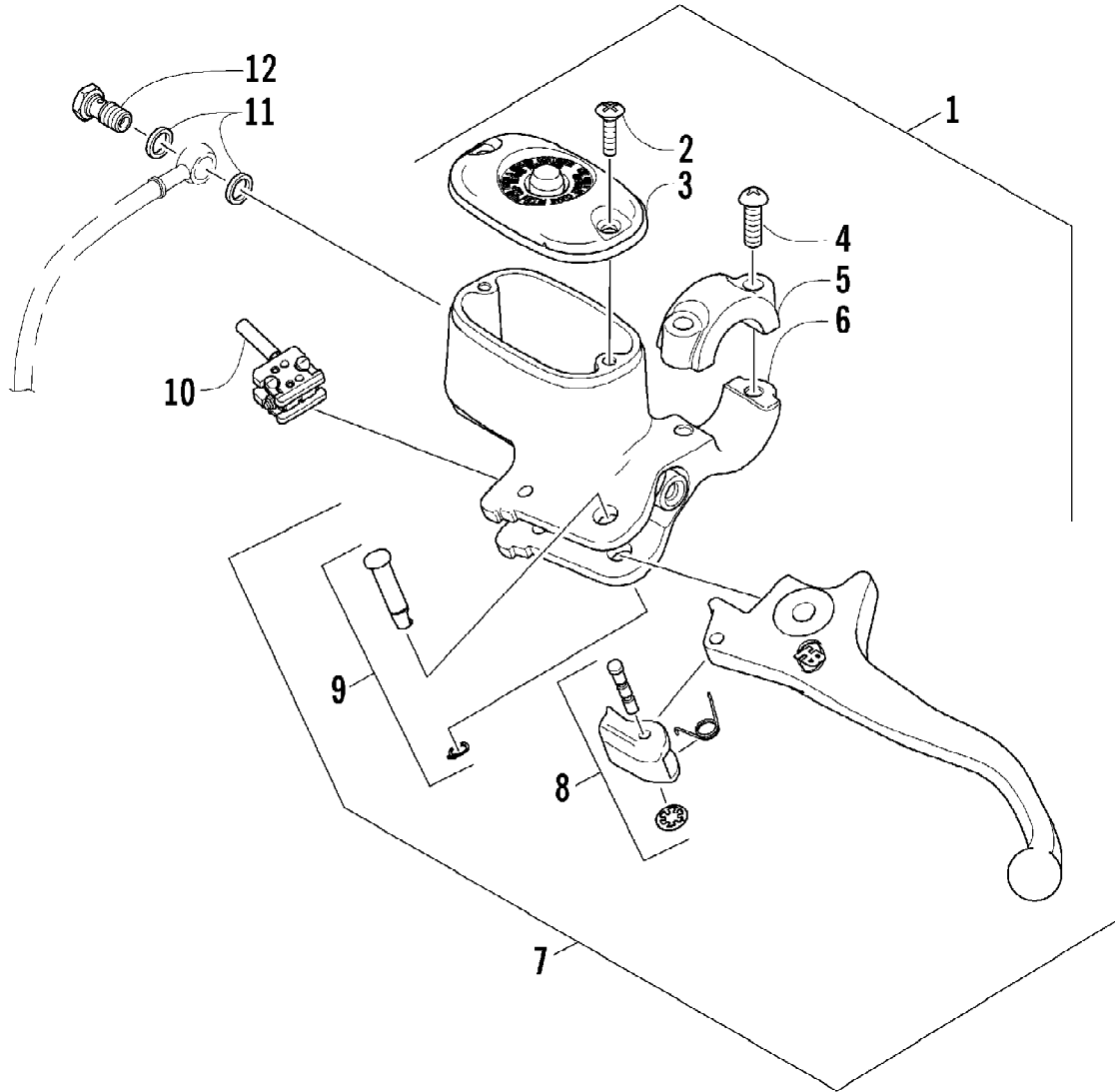
2009 ATV 1000 TRV CRUISER SUNSET ORANGE INTERNATIONAL (A2009TE14E12SK) 91
HYDRAULIC BRAKE ASSEMBLY



2009 ATV 1000 TRV CRUISER SUNSET ORANGE INTERNATIONAL (A2009TEC4E13K)1
HYDRAULIC BRAKE ASSEMBLY

Ref #	Part Number	Qty	S/P/F	Description
1	1502-015	1		Hose, Brake - Assembly
2	8476-625	1		Screw, Machine
3	8408-821	4	/P	Screw, Cap
4	1436-162	1	S/P	Caliper, Brake - Right Front (inc. 5-11 and two No. 3)
4	1436-163	1		Caliper, Brake - Left Front (inc. 5-11 and two No. 3)
5	1436-160	1	/P	Housing, Caliper - Assembly - Right Front (inc. 6-8)
5	1436-161	1	/P	Housing, Caliper - Assembly - Left Front (inc. 6-8)
6	0502-606	2		Piston/Seal Set (inc. 7)
7	0502-607	2		Seal Set
8	0502-609	2	/P	Valve, Bleed
9	0502-608	2		O-Ring, Guide - Set
10	0502-605	2		Bracket Assembly
11	1436-165	2	S	Pad, Brake - Set
12	0423-178	4		Washer, Crush
13	0423-413	2		Bolt, Banjo-Fitting
14	0623-038	1		Nut w/Washer

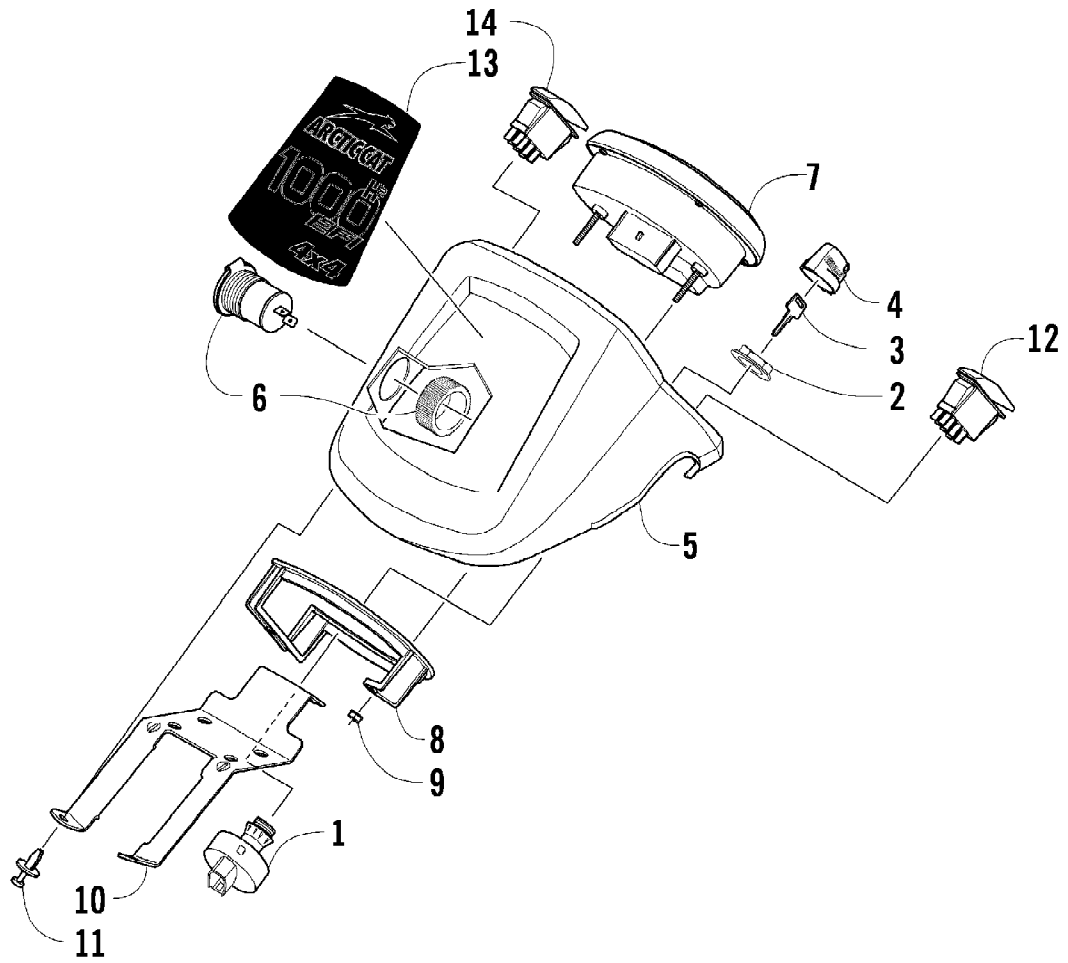
2009 ATV 1000 TRV CRUISER SUNSET ORANGE INTERNATIONAL (A2009TE44E10SK) 91
HYDRAULIC HAND BRAKE ASSEMBLY



2009 ATV 1000 TRV CRUISER SUNSET ORANGE INTERNATIONAL (A2009TEC4E15K)1
 HYDRAULIC HAND BRAKE ASSEMBLY

Ref #	Part Number	Qty	S/P/F	Description
1	0502-914	1	S	Brake Assembly (inc. 2-10)
2	0502-566	1		Screw, Machine
3	0502-868	1	/P	Cover, Reservoir
4	0502-568	1		Screw, Machine
5	0502-869	1		Clamp, Master Cylinder
6	0502-704	1		Master Cylinder Assembly
7	0502-866	1		Lever Assembly - Kit (inc. 8-9)
8	0502-867	1	/P	Lock, Brake Lever - Kit
9	0502-580	1		Lever Pin - Kit
10	0502-564	1	/P	Switch, Brake
11	0423-178	2		Washer, Crush
12	0423-413	1		Bolt, Banjo-Fitting

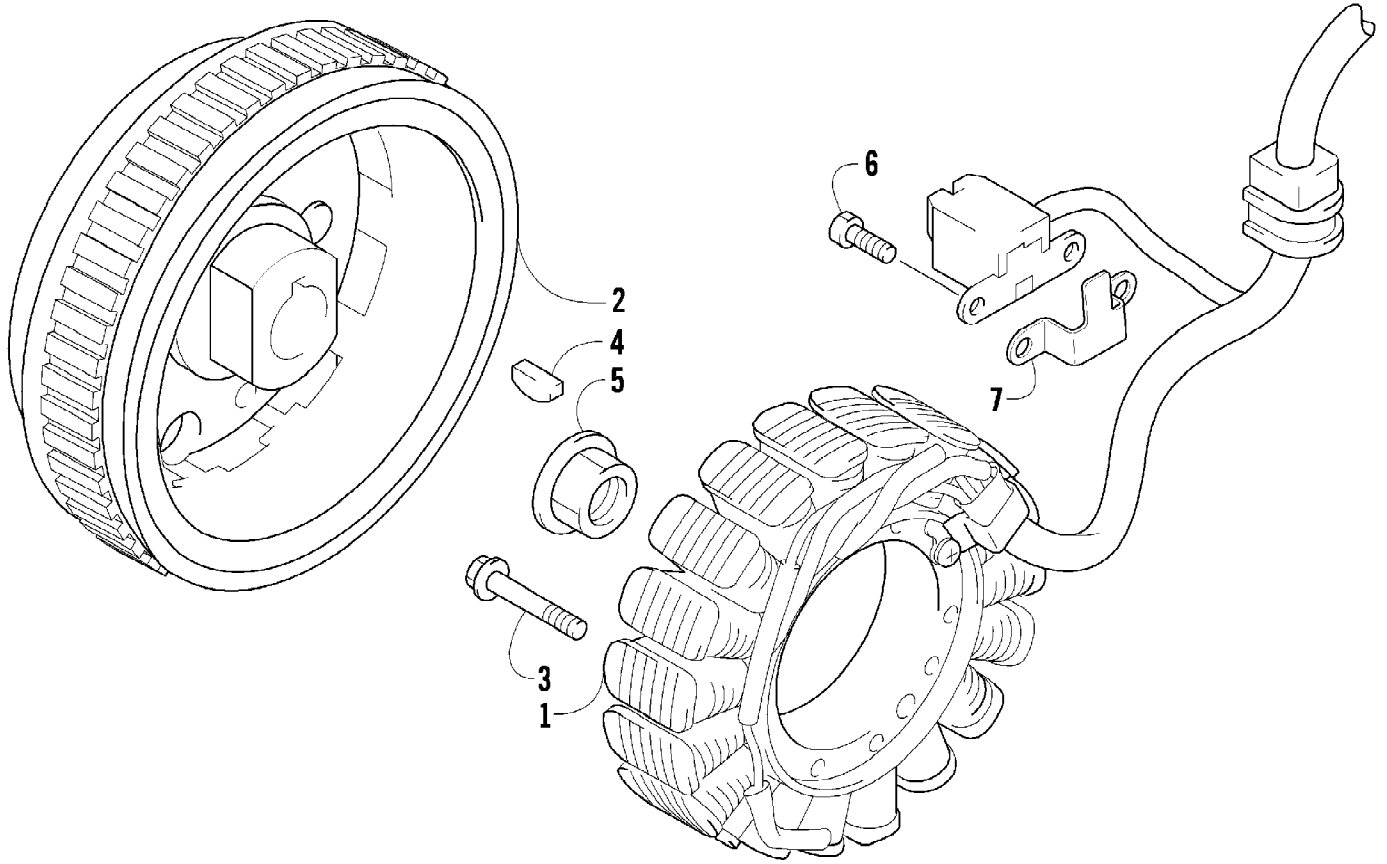
2009 ATV 1000 TRV CRUISER SUNSET ORANGE INTERNATIONAL (A2009TE44E10SK) 91
INSTRUMENT POD ASSEMBLY



2009 ATV 1000 TRV CRUISER SUNSET ORANGE INTERNATIONAL (A2009TEP4E0SK)1
 INSTRUMENT POD ASSEMBLY

Ref #	Part Number	Qty	S/P/F	Description
1	0430-090	1	/P	Switch, Ignition - Assembly (inc. 2-4)
2	0430-050	1		Nut, Retaining
3	0430-042	1	F	Key, Ignition
3	0430-043	1	F	Key, Ignition
4	0430-054	1		Cover, Key
5	0505-545	1		Instrument Pod
6	0641-897	1	/P	Outlet, Accessory - 12V
7	0520-032	1		Gauge, LCD
8	0420-065	1	/P	Bracket, Retaining
9	0423-493	2		Nut w/Washer
10	2506-470	1		Bracket, Mounting - Instrument Pod
11	0423-535	2		Rivet, Reinstallable
12	0409-120	1		Switch, Differential Lock
13	1411-843	1		Decal, Instrument Pod
14	0409-121	1		Switch, Handwarmer

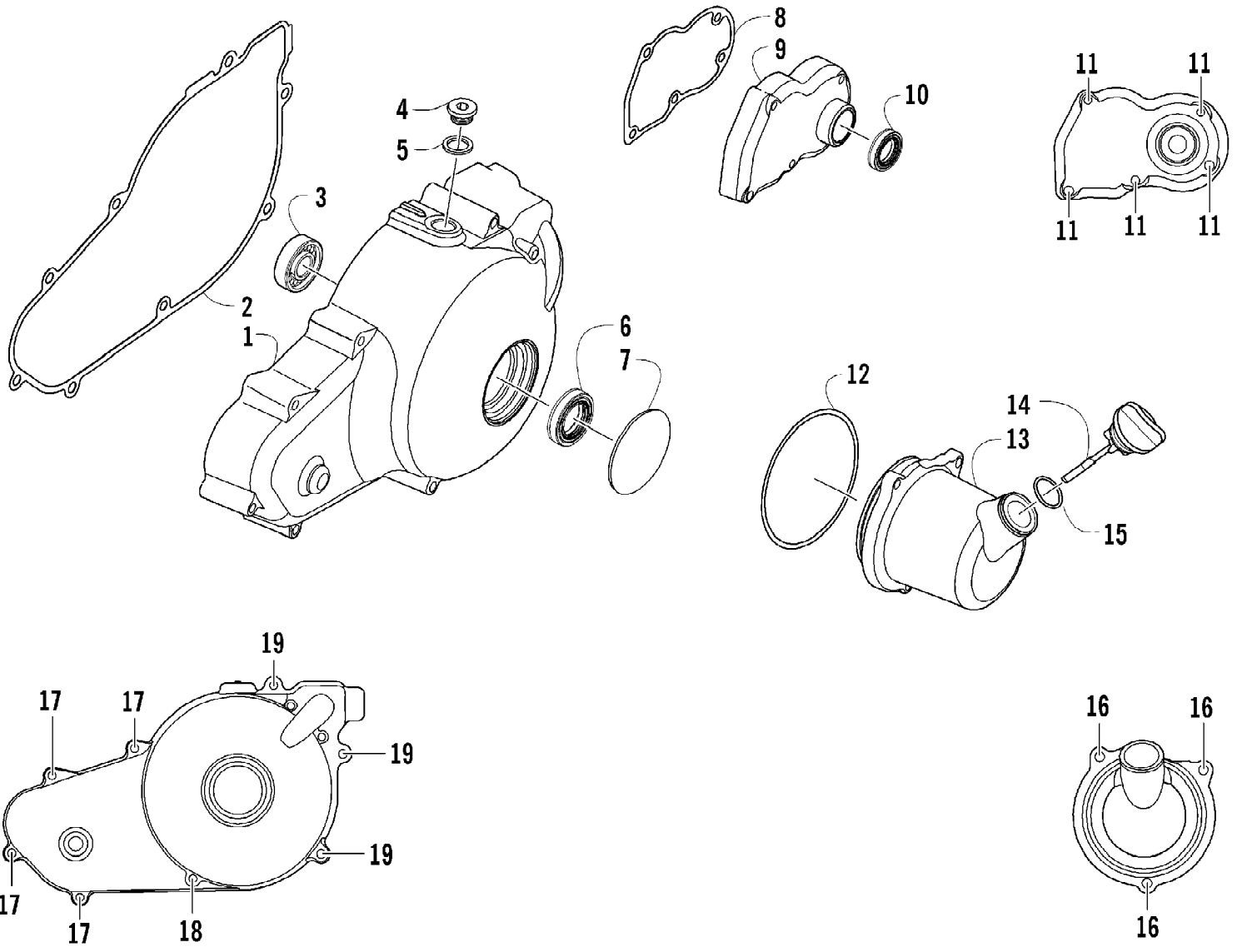
2009 ATV 1000 TRV CRUISER SUNSET ORANGE INTERNATIONAL (A2009TEC14E18SK) 91
MAGNETO ASSEMBLY



2009 ATV 1000 TRV CRUISER SUNSET ORANGE INTERNATIONAL (A2009TEV4E19SK)1
MAGNETO ASSEMBLY

Ref #	Part Number	Qty	S/P/F	Description
1	0802-041	1		Stator - Assembly
2	0802-042	1		Rotor/Flywheel
3	0826-102	3		Screw, Machine
4	0829-012	1		Key
5	0827-010	1		Nut
6	8470-510	4		Screw, Machine
7	0831-064	1		Clamp

2009 ATV 1000 TRV CRUISER SUNSET ORANGE INTERNATIONAL (A2009TE04E03K) 91
MAGNETO SIDE ENGINE COVERS

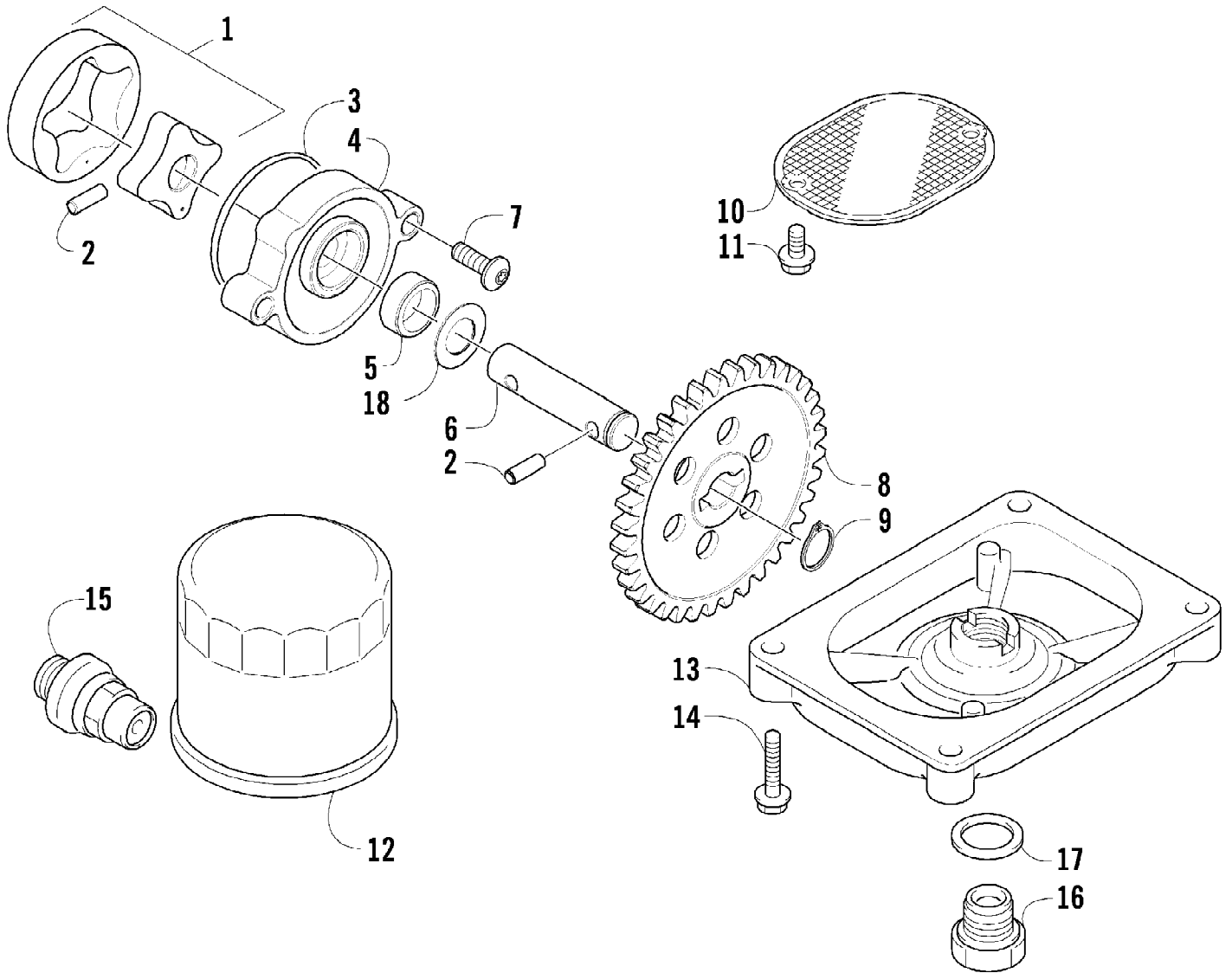


2009 ATV 1000 TRV CRUISER SUNSET ORANGE INTERNATIONAL (A2009TEC4E50SK)1
MAGNETO SIDE ENGINE COVERS

Page 50 of 91

Ref #	Part Number	Qty	S/P/F	Description
1	0806-062	1		Cover, Magneto
2	0830-132	1		Gasket, Magneto Cover
3	0832-010	1		Bearing
4	0806-022	1		Plug, Check
5	0830-015	1		Washer, Crush
6	0830-176	1	/P	Seal, Cap
7	0806-066	1		Cap, Magneto Cover
8	0830-161	1		Gasket, Gear Shift Cover
9	0818-070	1		Cover, Gear Shift
10	0830-044	1		Seal, Gear Shift Cover
11	8468-630	5		Screw, Machine
12	0830-162	1		O-Ring, Oil Filler Cover
13	0801-081	1		Cover, Oil Filler
14	0801-073	1		Stick, Oil Level (inc. 15)
15	0830-010	1		O-Ring
16	8468-620	3	/P	Screw, Machine
17	8468-650	4		Screw, Machine
18	8468-695	1		Screw, Machine
19	8468-665	3		Screw, Machine

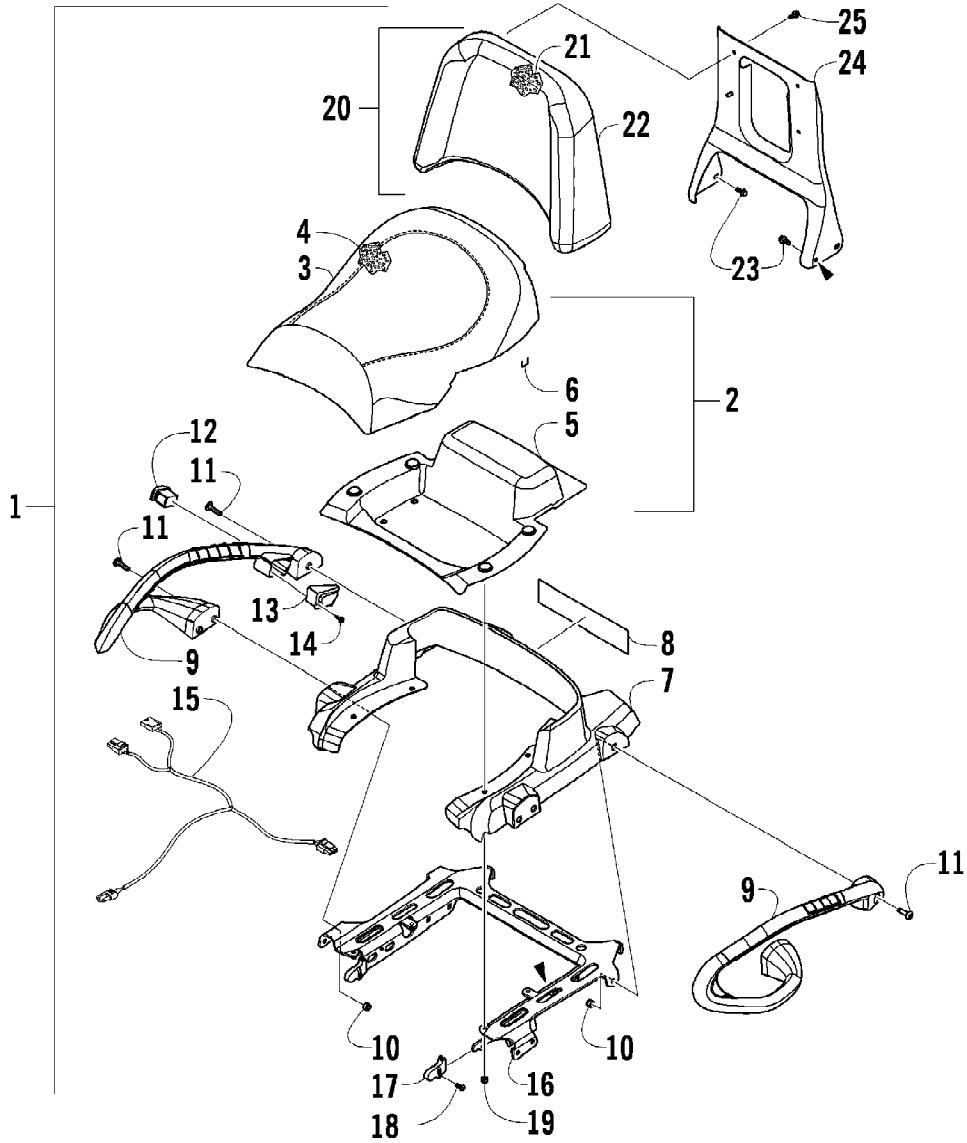
2009 ATV 1000 TRV CRUISER SUNSET ORANGE INTERNATIONAL (A2009TE04E32SK) 91
OIL FILTER/PUMP ASSEMBLY



2009 ATV 1000 TRV CRUISER SUNSET ORANGE INTERNATIONAL (A2009TEC4E3SK)1
OIL FILTER/PUMP ASSEMBLY

Ref #	Part Number	Qty	S/P/F	Description
1	0812-041	1		Gerotor - Set
2	0829-009	2		Pin, Dowel
3	0812-048	1		O-Ring
4	0812-040	1		Housing, Oil Pump
5	0812-047	1		Seal, Oil Pump
6	0812-046	1		Shaft, Oil Pump
7	8468-620	2	/P	Screw, Machine
8	0812-045	1		Gear, Driven
9	0831-002	1		Ring, Retaining
10	0812-057	1	/P	Strainer, Oil
11	0826-040	2		Screw, Machine
12	0812-029	1	S	Filter, Oil
13	0812-053	1		Cap, Oil Strainer
14	8468-625	4		Screw, Machine
15	0812-052	1		Valve, Oil-Relief - Assembly
16	0812-006	1		Plug, Drain
17	0830-017	1		Gasket, Drain Plug
18	0828-007	1	/P	Shim

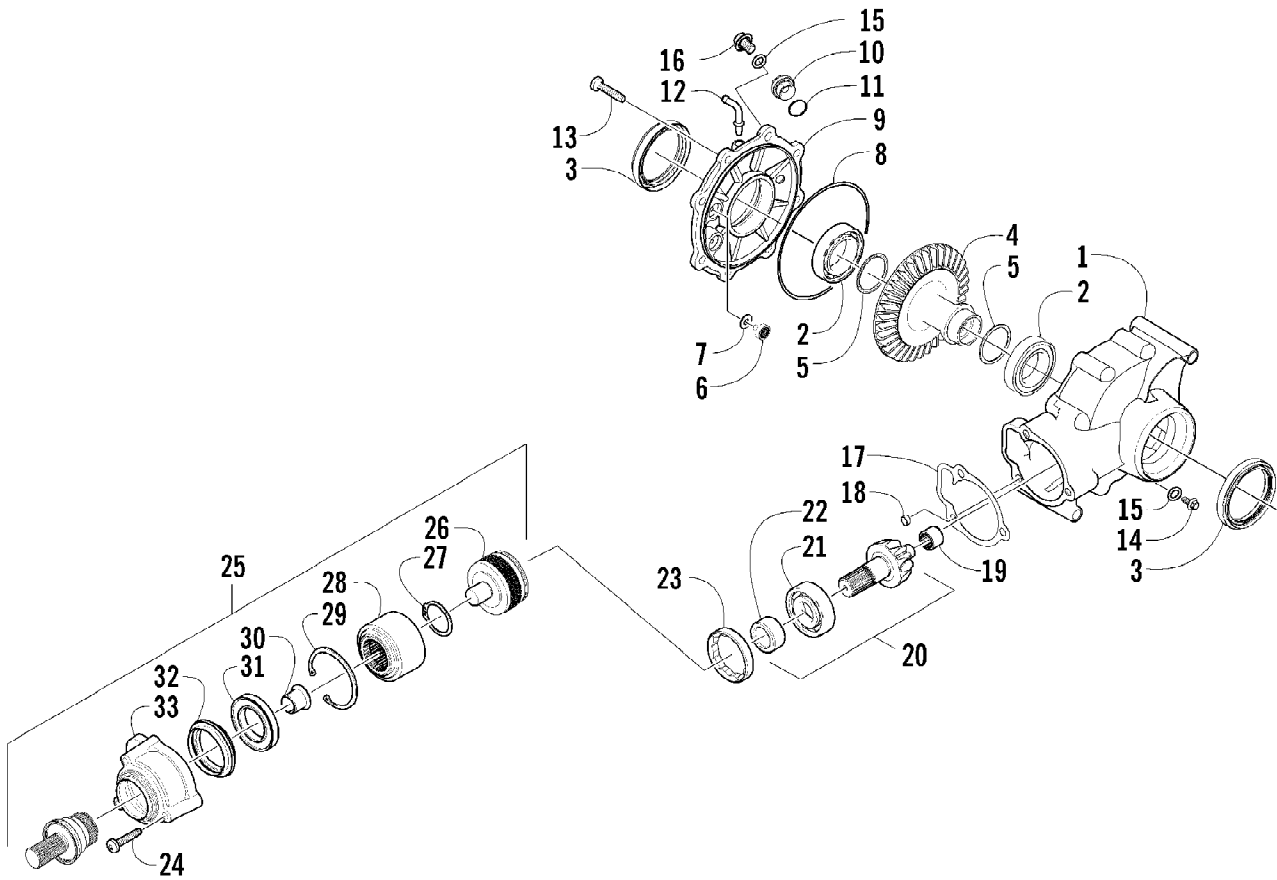
2009 ATV 1000 TRV CRUISER SUNSET ORANGE INTERNATIONAL (A2009TEC14E50SK) 91
PASSENGER SEAT AND BACKREST ASSEMBLY



2009 ATV 1000 TRV CRUISER SUNSET ORANGE INTERNATIONAL (A2009TEC4E5SK)1
PASSENGER SEAT AND BACKREST ASSEMBLY

Ref #	Part Number	Qty	S/P/F	Description
1	2506-938	1		Seat, Passenger - Assembly (inc. 2-19)
2	2506-940	1		Seat, Passenger - Sub-Assembly (inc. 3-6)
3	2506-944	1		Cover, Seat - Passenger
4	2506-942	1		Foam, Seat - Passenger
5	2406-110	1		Base, Seat - Inner
6	0624-263	AR		Staple
7	2406-044	1		Base, Seat - Passenger
8	0411-814	1	/P	Decal, "Arctic Cat"
9	2406-744	1		Handhold, Passenger - Right
9	2406-745	1		Handhold, Passenger - Left
10	8432-802	6		Nut, Lock
11	8468-830	6		Screw, Machine
12	0409-126	1		Switch, Handwarmer
13	2416-042	1		Cover, Switch
14	0423-342	2	/P	Screw, Self-Tapping
15	0486-318	1		Harness, Adapter - Handwarmer
16	2516-040	1		Bracket, Seat Support - Assembly
17	2406-895	2		End Cap, Seat Support
18	0423-538	2		Screw, Self-Tapping
19	8427-602	4		Nut, Lock
20	2506-806	1		Backrest Assembly (inc. 21-22)
21	2406-765	1		Foam, Backrest
22	2406-768	1		Cover, Backrest
23	8408-816	4		Screw, Cap
24	2506-955	1		Bracket, Backrest Support
25	0423-889	4		Screw, Cap

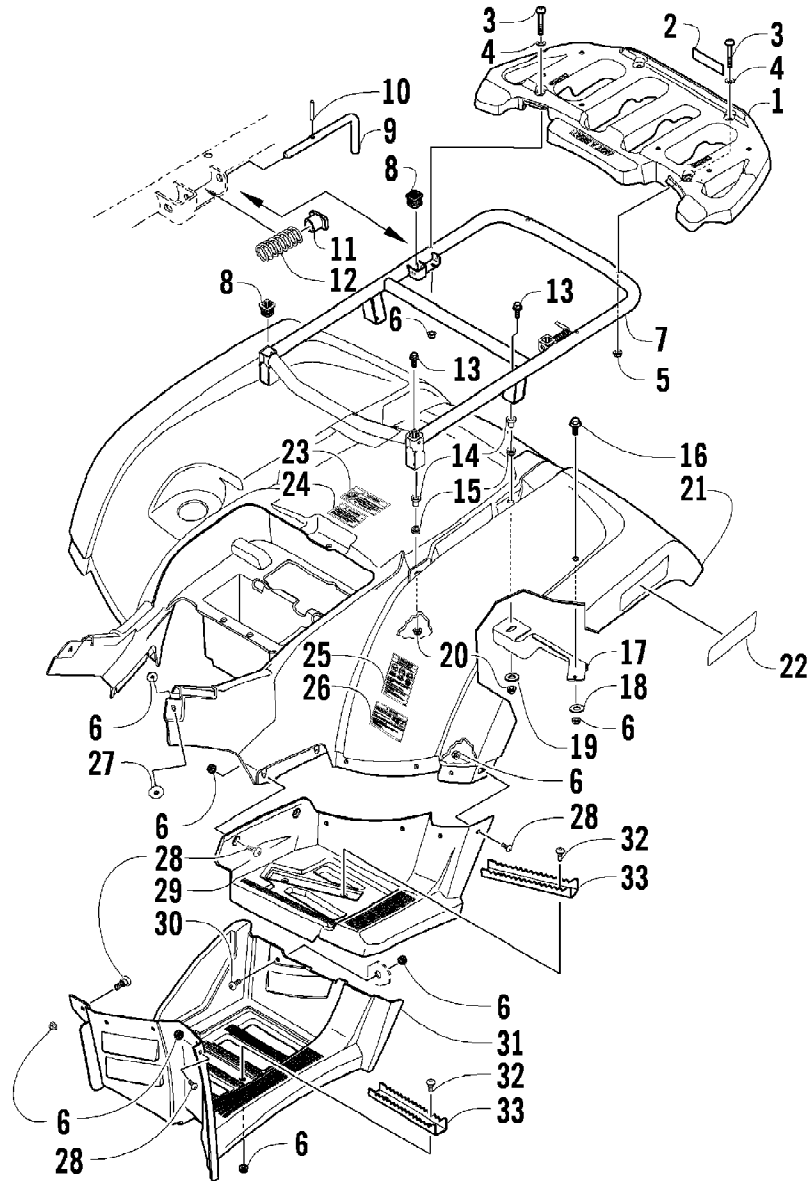
2009 ATV 1000 TRV CRUISER SUNSET ORANGE INTERNATIONAL (A2009TEC4E30SK)1
REAR DRIVE GEARCASE ASSEMBLY



2009 ATV 1000 TRV CRUISER SUNSET ORANGE INTERNATIONAL (A2009TEC4E5SK) 91
REAR DRIVE GEARCASE ASSEMBLY

Ref #	Part Number	Qty	S/P/F	Description
	1502-403	1		Complete Rear Drive Gearcase Assembly
1	1502-317	1		Housing, Gearcase
2	0402-393	2		Bearing
3	1402-713	2	S	Seal
4	1402-033	1		Gear, Ring - 34T
5	0402-405	AR		Shim
5	0402-406	AR		Shim
5	0402-407	AR		Shim
5	0402-408	AR		Shim
5	0402-409	AR		Shim
6	0402-326	1		Button, Thrust
7	0402-429	AR		Shim
7	0402-430	AR		Shim
7	0402-431	AR		Shim
7	0402-432	AR		Shim
7	0402-433	AR		Shim
8	0423-149	1		O-Ring
9	1502-082	1		Cover, Gearcase
10	0402-333	1	/P	Plug, Fill (inc. 11)
11	0423-154	1		O-Ring
12	1402-102	1		Fitting
13	0423-118	8		Screw, Self-Tapping
14	0402-450	1	S	Plug, Magnetic (inc. one No. 15)
15	0423-153	2		O-Ring
16	1402-211	1		Plug, Oil Level (inc. one No. 15)
17	0402-947	1		Gasket
18	0402-411	1		Pin, Dowel
19	0402-328	1		Bearing
20	0502-784	1		Gear, Pinion - Assembly - 11T (inc. 21-22)
21	0402-327	1		Bearing
22	0402-336	1		Collar, Retaining
23	0402-331	1		Collar, Lock
24	0423-834	3		Screw, Self-Tapping
25	1502-284	1		Shaft, Input (inc. 26-33)
26	1502-287	1		Cartridge, Clutch - Assembly
27	0423-799	1		Ring, Retaining - External
28	1402-682	1		Basket, Clutch
29	0423-798	1		Ring, Retaining - Internal
30	1402-678	1		Bearing, Flange
31	1402-677	1		Bearing
32	1402-687	1		Seal
33	1502-285	1		Housing, Input

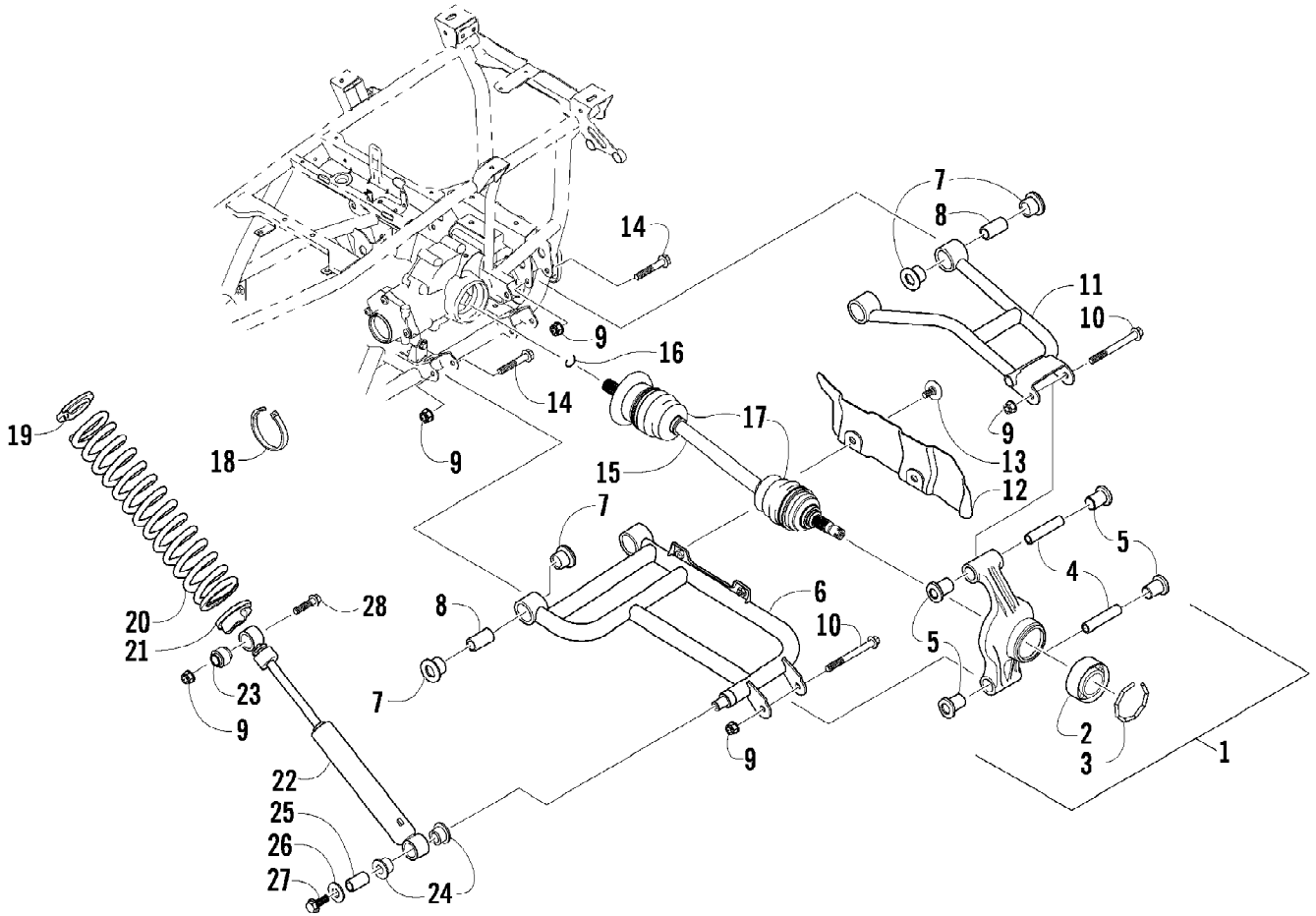
2009 ATV 1000 TRV CRUISER SUNSET ORANGE INTERNATIONAL (A2009TEC14E3SK) 91
REAR RACK, BODY PANEL, AND FOOTWELL ASSEMBLIES



2009 ATV 1000 TRV CRUISER SUNSET ORANGE INTERNATIONAL (A2009TEC4459SK) 91
REAR RACK, BODY PANEL, AND FOOTWELL ASSEMBLIES

Ref #	Part Number	Qty	S/P/F	Description
1	2516-339	1	/P	Cover, Rack (inc. 2)
2	1411-201	1		Decal, Warning - Load
3	8410-640	4		Screw, Cap
4	8050-223	4		Washer
5	0423-891	2		Nut, Cap
6	0423-540	40		Nut, Lock
7	2516-169	1		Rack, Rear - Assembly (inc. 8-12)
8	0441-592	4	/P	Bushing
9	0541-504	2		Pin - Assembly (inc. 10-12)
10	0423-635	2		Pin, Roll
11	0423-677	2		Bushing, Flanged
12	0423-636	2		Spring
13	8410-835	4		Screw, Cap
14	0423-669	4		Spacer
15	0423-465	4		Grommet
16	0423-654	2		Screw, Shoulder
17	2506-092	1		Bracket, Rear Fender - Right
17	2506-093	1		Bracket, Rear Fender - Left
18	8050-222	2	/P	Washer
19	0423-087	2		Washer
20	8432-802	4		Nut, Lock
21	2516-808	1	S	Fender, Rear - Assembly (inc. 22-26)
22	1411-592	1	/P	Decal, Reflector - Rear - Right
22	1411-593	1	/P	Decal, Reflector - Rear - Left
23	1411-269	1		Decal, Warning - Passenger
24	1411-251	1		Decal, Warning - Seat/Passenger
25	1411-956	1		Decal, Passenger
26	2411-176	1		Decal, Warning - Tire Pressure
27	0423-101	2		Screw, Shoulder
28	0423-419	24		Screw, Machine
29	2406-042	1		Footwell, Rear - Right
29	2406-043	1		Footwell, Rear - Left
30	8477-620	2		Screw, Machine
31	2506-856	1		Footwell - Right
31	2506-857	1		Footwell - Left
32	0423-355	8		Screw, Shoulder
33	1506-125	4	/P	Footpeg

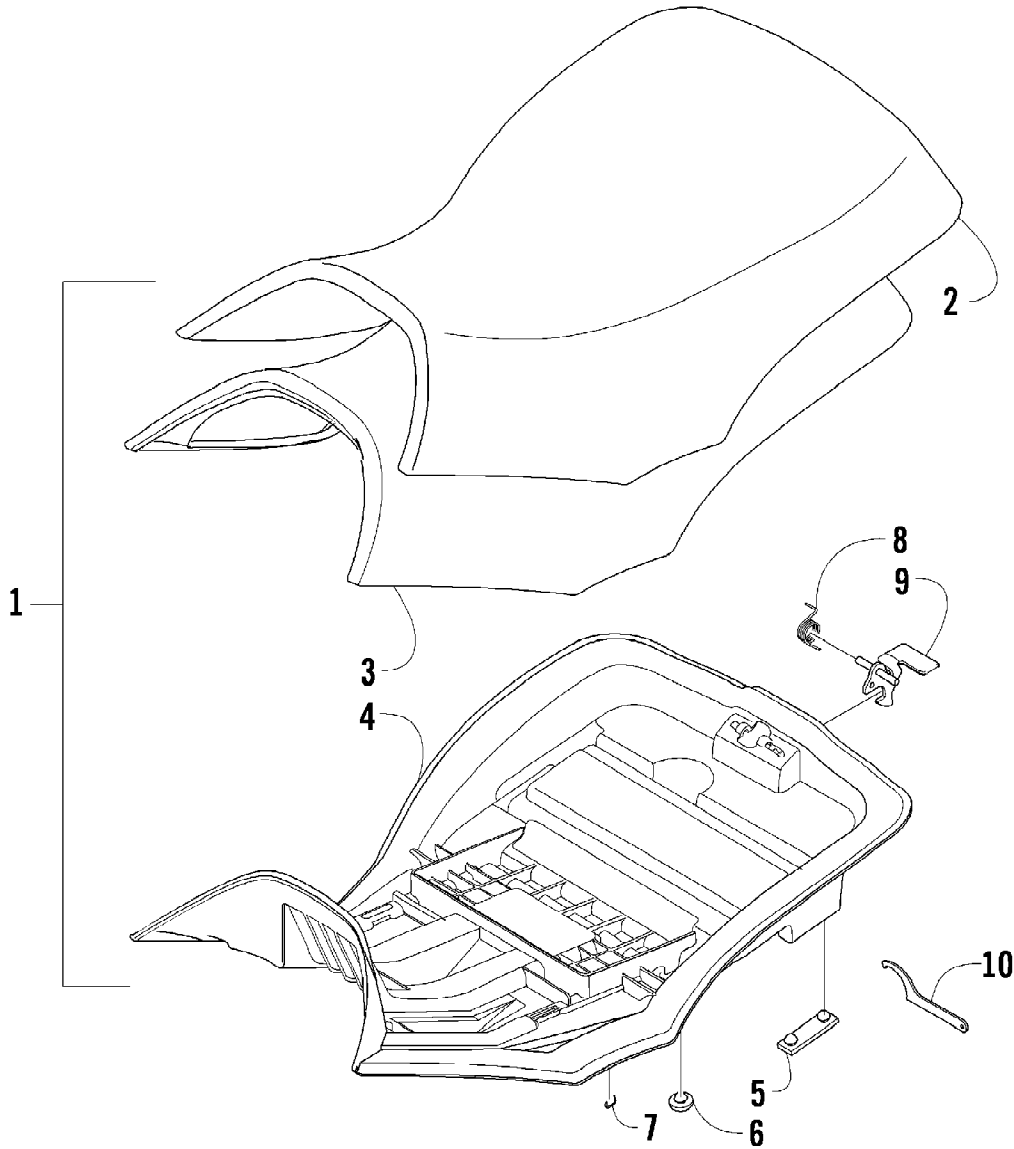
2009 ATV 1000 TRV CRUISER SUNSET ORANGE INTERNATIONAL (A2009TRV1000SK91) REAR SUSPENSION ASSEMBLY



2009 ATV 1000 TRV CRUISER SUNSET ORANGE INTERNATIONAL (A2009TEC4E0SK) 91
REAR SUSPENSION ASSEMBLY

Ref #	Part Number	Qty	S/P/F	Description
1	0504-550	1	/P	Knuckle, Right Rear - Assembly (inc. 2-5)
1	0504-551	1	/P	Knuckle, Left Rear - Assembly (inc. 2-5)
2	1402-809	2	/P	Bearing
3	0423-423	2		Ring, Retaining
4	0403-038	4	S/P	Axle
5	0403-032	8	S	Bushing
6	0504-572	1		A-Arm, Rear - Lower Right (inc. 7-8)
6	0504-573	1		A-Arm, Rear - Lower Left (inc. 7-8)
7	0403-115	16	S	Bushing
8	0403-114	8	S	Axle
9	0423-744	14		Nut, Lock
10	8409-000	4		Screw, Cap
11	0504-582	1		A-Arm, Rear - Upper Right (inc. 7-8)
11	0504-583	1	/P	A-Arm, Rear - Upper Left (inc. 7-8)
12	1406-068	1		Guard, Boot - Rear - Right
12	1406-069	1		Guard, Boot - Rear - Left
13	0423-545	4	/P	Screw, Shoulder
14	8409-075	8		Screw, Cap
15	1502-343	2	S	Axle, Drive (inc. 16-17)
16	0423-845	2	/P	Clip, Retaining
17	0436-276	2	S	Repair Kit, Boot
18	0123-788	AR	/P	Tie, Cable - 8 in.
19	1603-889	2	/P	Retainer, Spring
20	0504-542	2		Spring, Suspension
21	0404-057	2		Cam, Spring Adjuster
22	0404-158	2		Shock Absorber (inc. 23-25)
23	0403-182	2		Bushing, Double-Bonded
24	0603-955	4		Bushing
25	1603-219	2	S	Sleeve
26	0423-087	2		Washer
27	8408-820	2	/P	Screw, Cap
28	8409-050	2		Screw, Cap

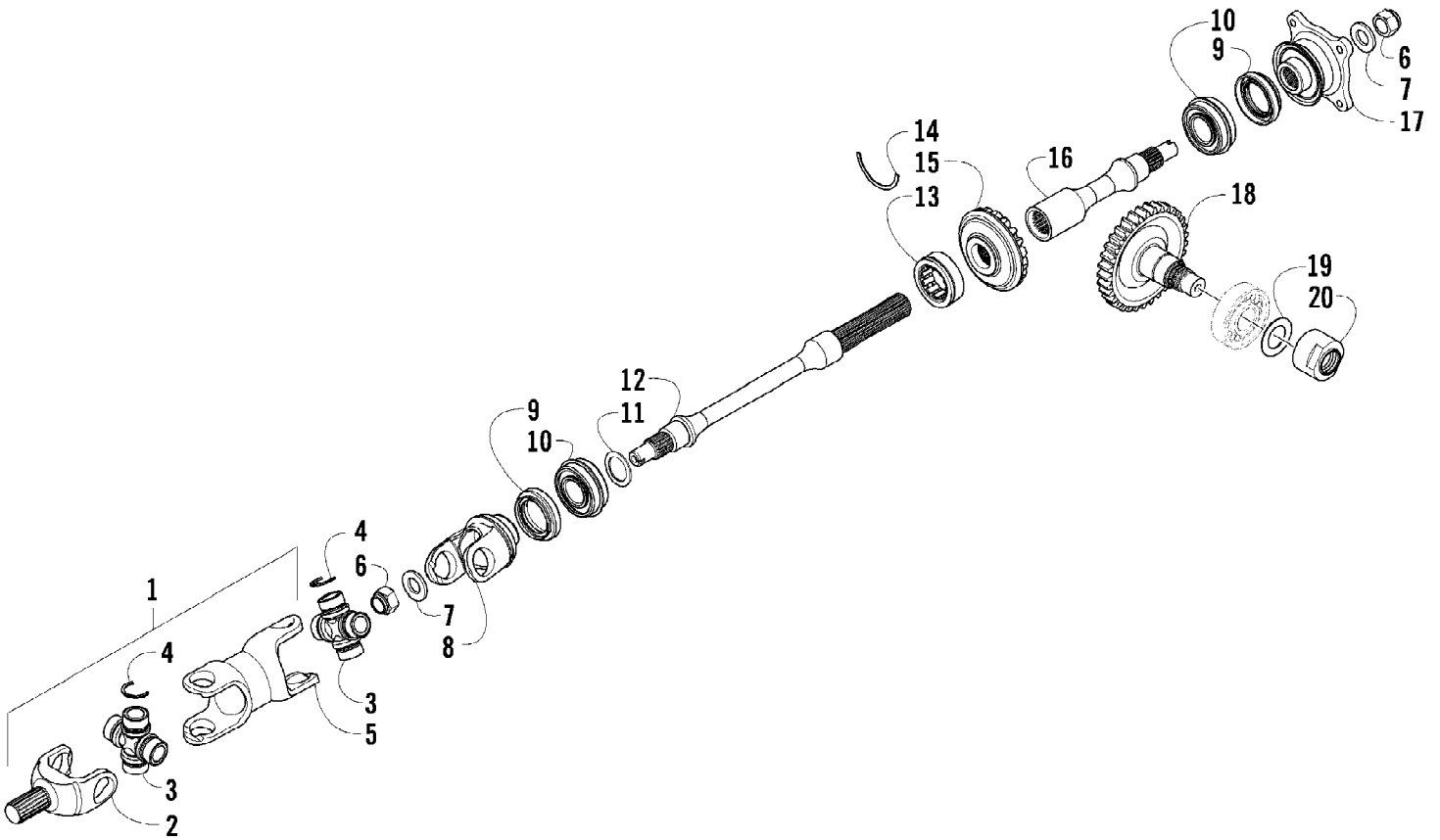
2009 ATV 1000 TRV CRUISER SUNSET ORANGE INTERNATIONAL (A2009TEC14B2SK) 91
SEAT ASSEMBLY



2009 ATV 1000 TRV CRUISER SUNSET ORANGE INTERNATIONAL (A2009TEC4E3SK)1
 SEAT ASSEMBLY

Ref #	Part Number	Qty	S/P/F	Description
1	2506-384	1	S	Seat Assembly (inc. 2-9)
2	2506-756	1		Cover, Seat
3	2506-755	1		Foam, Seat
4	2406-525	1		Base, Seat - Assembly (inc. 5-6)
5	0406-879	2		Bumper, Seat - Rear
6	0406-877	4	/P	Bumper, Seat - Front
7	0624-528	AR	/P	Staple
8	1406-592	1	/P	Spring, Seat Latch
9	1506-156	1		Latch, Seat
10	0441-587	1		Wrench, Spanner

2009 ATV 1000 TRV CRUISER SUNSET ORANGE INTERNATIONAL (A2009TE404B03K) 91
SECONDARY DRIVE ASSEMBLY

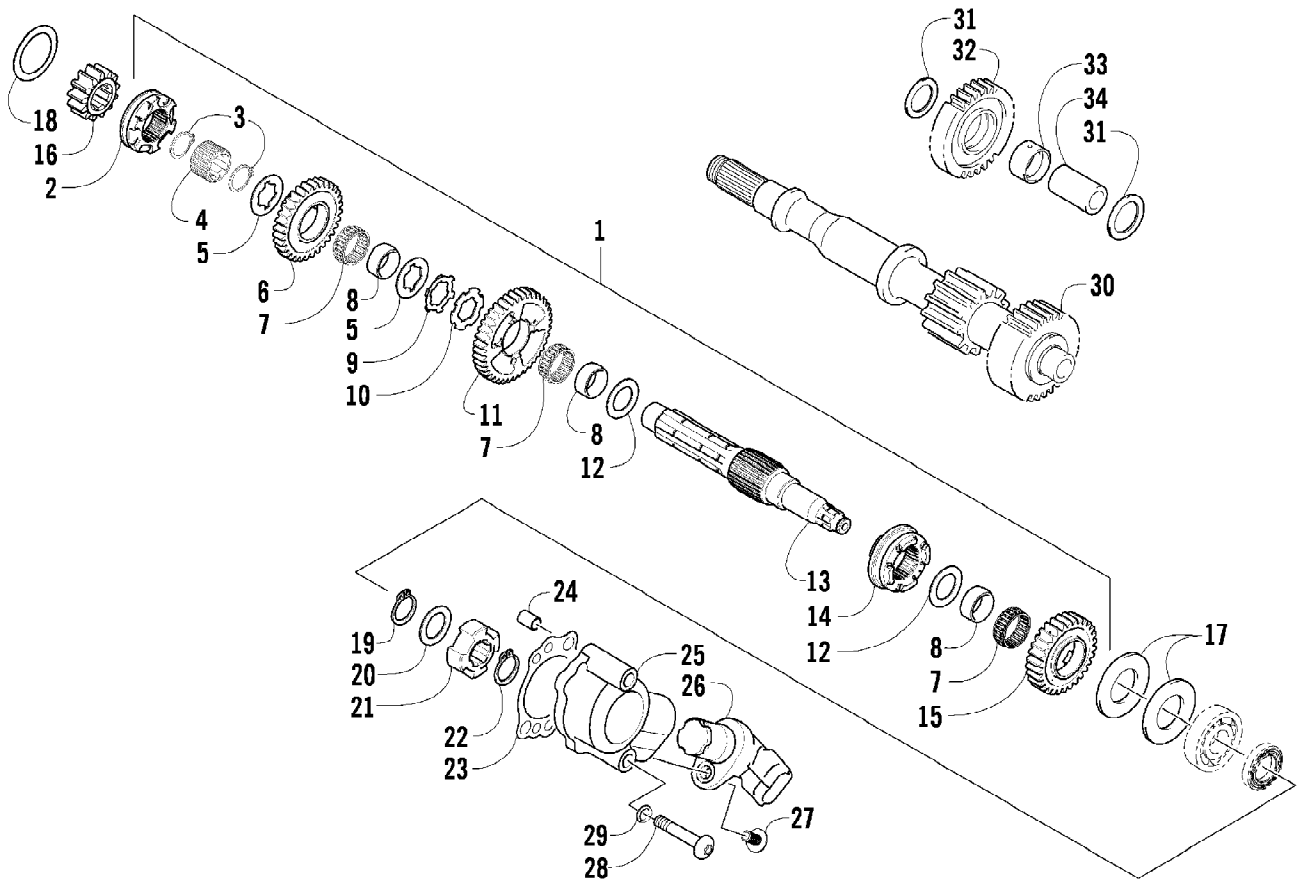


2009 ATV 1000 TRV CRUISER SUNSET ORANGE INTERNATIONAL (A2009TEC4E5SK)1
SECONDARY DRIVE ASSEMBLY

Page 4 of 5

Ref #	Part Number	Qty	S/P/F	Description
1	1502-342	1	/P	Driveshaft, Front - Assembly (inc. 2, one No. 3, four No. 4, and 5)
2	1402-701	1		Yoke, Slip
3	0402-944	2	/P	Joint, Universal (inc. four No. 4)
4	0423-395	8		Ring, Retaining
5	1502-341	1		Driveshaft, Front
6	0827-013	2		Nut
7	0828-020	2		Washer
8	1502-325	1		Yoke, Drive Output
9	0830-043	2		Seal, Oil
10	0832-017	2		Bearing
11	0828-021	AR		Shim, 25 x 34 x 0.25 mm
11	0828-022	AR		Shim, 25 x 34 x 0.30 mm
11	0828-023	AR		Shim, 25 x 34 x 0.70 mm
11	0828-024	AR		Shim, 25 x 34 x 0.90 mm
11	0828-025	AR		Shim, 25 x 34 x 0.95 mm
11	0828-026	AR		Shim, 25 x 34 x 1.00 mm
11	0828-027	AR		Shim, 25 x 34 x 1.05 mm
11	0828-028	AR		Shim, 25 x 34 x 1.10 mm
11	0828-029	AR		Shim, 25 x 34 x 1.15 mm
12	0819-003	1	S	Shaft, Secondary Driven – Front
13	0832-016	1		Bearing, Driven Gear
14	0819-011	1		Ring, Driven Bearing
15	0822-106	1		Gear, Secondary Driven
16	0819-053	1		Shaft, Secondary Driven - Rear
17	0819-005	1		Flange, Output Joint
18	0822-108	1		Gear, Secondary Drive
19	0828-119	AR		Shim, 30 x 48 x 0.25 mm
19	0828-120	AR		Shim, 30 x 48 x 0.30 mm
19	0828-121	AR		Shim, 30 x 48 x 0.35 mm
19	0828-122	AR		Shim, 30 x 48 x 0.90 mm
19	0828-123	AR		Shim, 30 x 48 x 0.95 mm
19	0828-124	AR		Shim, 30 x 48 x 1.00 mm
19	0828-125	AR		Shim, 30 x 48 x 1.05 mm
19	0828-126	AR		Shim, 30 x 48 x 1.10 mm
19	0828-127	AR		Shim, 30 x 48 x 1.15 mm
20	0827-060	1		Nut

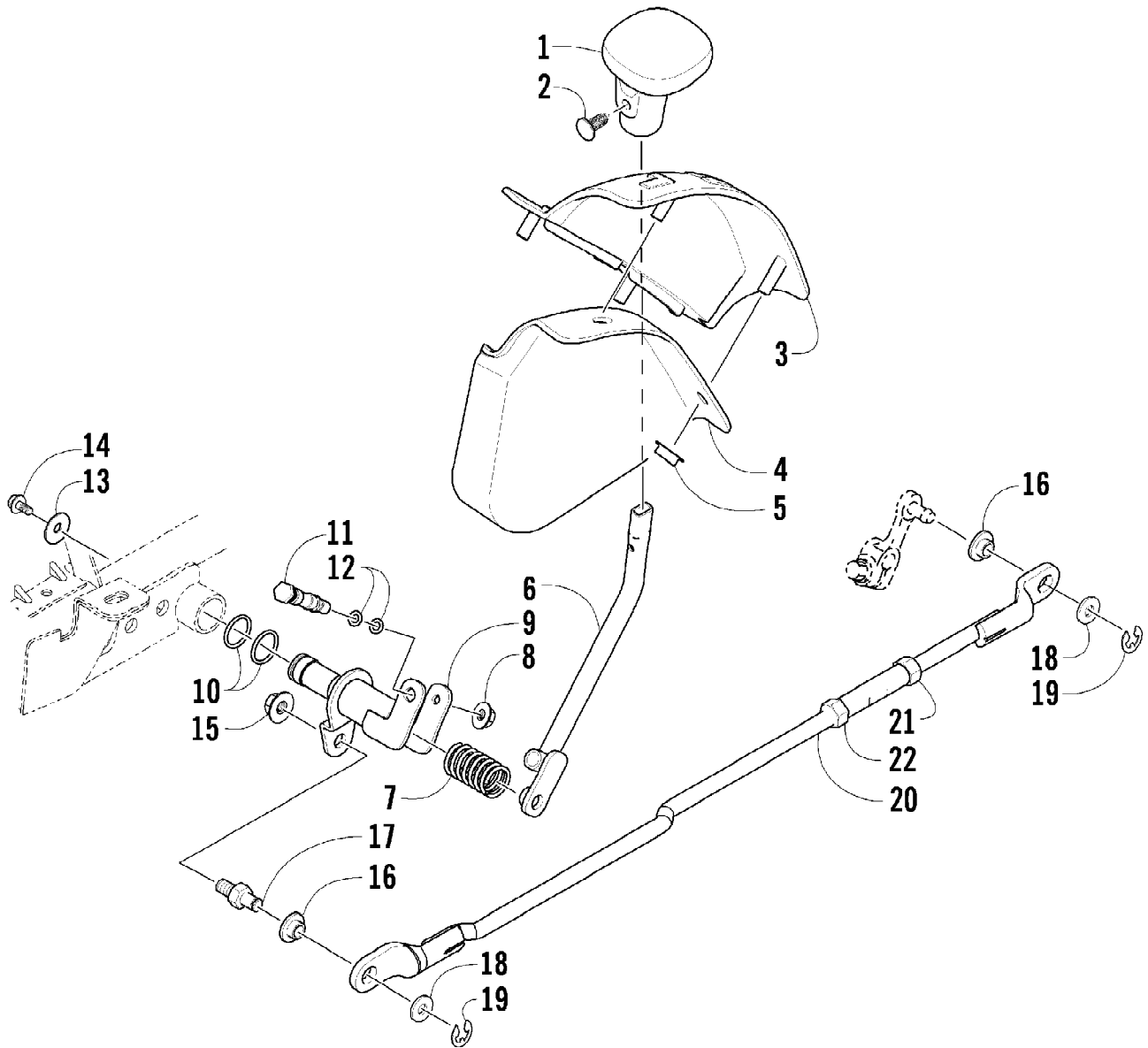
2009 ATV 1000 TRV CRUISER SUNSET ORANGE INTERNATIONAL (A2009TEC14E03K) 91
SECONDARY TRANSMISSION ASSEMBLY



2009 ATV 1000 TRV CRUISER SUNSET ORANGE INTERNATIONAL (A2009TEC4E0SK)1
SECONDARY TRANSMISSION ASSEMBLY

Ref #	Part Number	Qty	S/P/F	Description
1	1502-149	1	S	Countershaft Assembly (inc. 2-15)
2	0822-014	1		Gear Select, Reverse
3	0831-011	2		Ring, Retaining
4	0822-045	1		Spacer, Reverse Driven Gear
5	0828-008	2		Washer
6	0822-013	1		Gear, Reverse Driven
7	0832-011	3		Bearing
8	0822-005	3		Bushing
9	0828-014	1		Washer, Lock
10	0828-015	1		Washer, Lock
11	0822-004	1		Gear, Driven - Low
12	0822-046	2		Washer, Driven Gear
13	0822-003	1		Countershaft
14	0822-007	1		Gear Select, Sliding
15	0822-006	1		Gear, Driven - High
16	0822-089	1		Gear, Drive
17	0828-011	2		Washer
18	0828-019	1		Washer, Thrust
19	0831-040	1		Ring, Retaining
20	0828-069	1		Washer, Thrust
21	0822-050	1		Trigger, Speedometer Sensor
22	0831-039	1		Ring, Retaining
23	0830-129	1		Gasket
24	0829-023	2		Pin, Dowel
25	0822-049	1		Housing, Speedometer Sensor
26	0824-042	1	/P	Sensor, Speedometer
27	8468-620	1	/P	Screw, Machine
28	8468-645	2		Screw, Machine
29	0830-107	2		Seal
30	0822-001	1		Driveshaft
31	0828-016	2		Washer, Thrust
32	0822-011	1		Gear, Reverse Idle
33	0822-012	1		Bushing
34	0822-015	1		Shaft, Reverse Idle

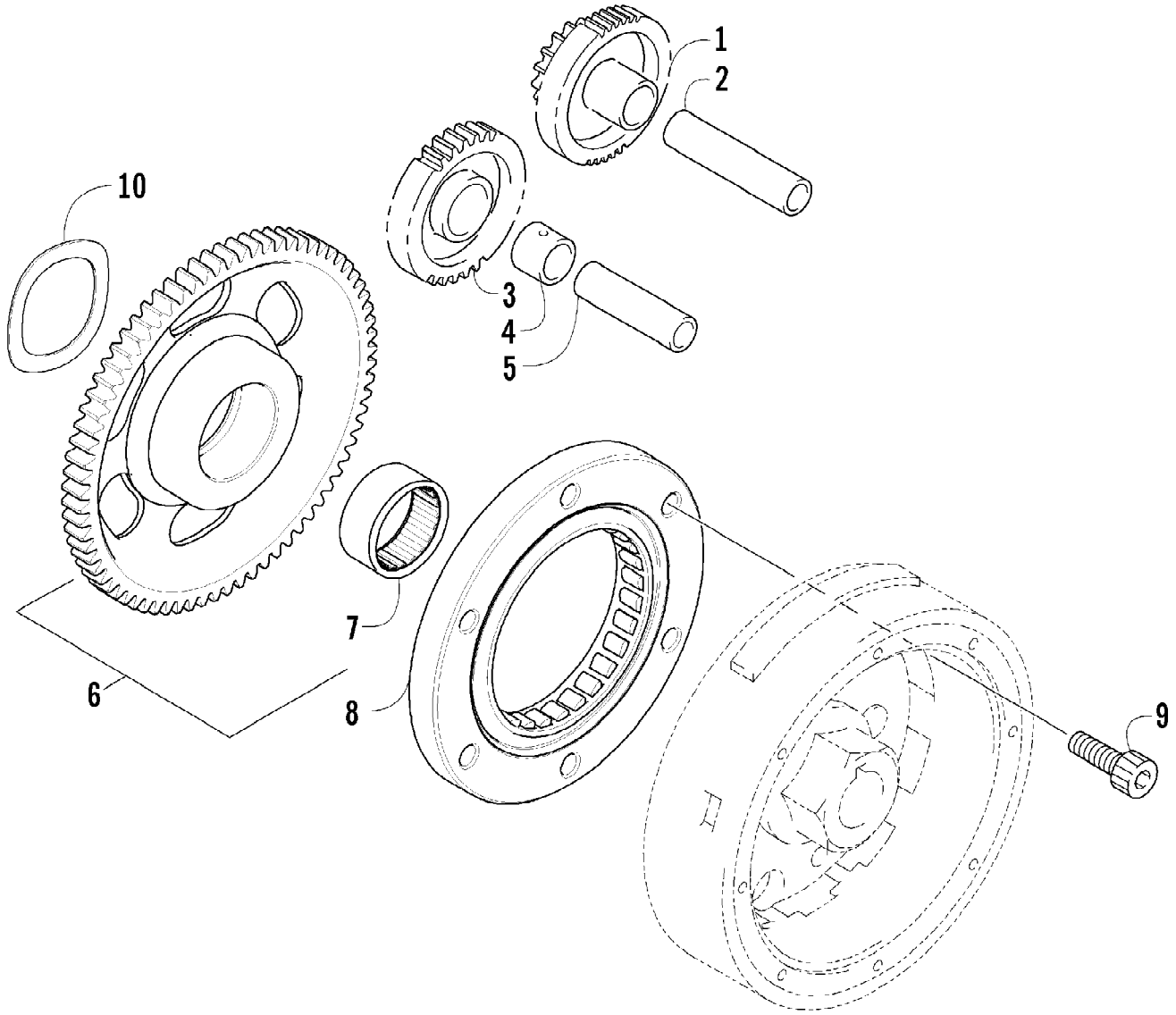
2009 ATV 1000 TRV CRUISER SUNSET ORANGE INTERNATIONAL (A2009TEC14EBSK) 91
SHIFT LEVER ASSEMBLY



2009 ATV 1000 TRV CRUISER SUNSET ORANGE INTERNATIONAL (A2009TEC4E9SK) 91
SHIFT LEVER ASSEMBLY

Ref #	Part Number	Qty	S/P/F	Description
1	0402-843	1	/P	Knob, Shift
2	0423-345	1		Clip, Retaining
3	1402-576	1		Plate, Shift
4	2406-345	1		Shield, Shift Plate
5	0423-357	4		Nut, Stamped
6	0502-659	1		Lever, Shift
7	0402-678	1	/P	Spring, Shift Lever
8	8424-602	1	/P	Nut
9	1502-332	1		Actuator, Shift
10	0423-299	2	/P	O-Ring
11	0402-675	1		Axle, Pivot
12	0423-182	2	/P	O-Ring
13	0423-087	1		Washer
14	8408-812	1		Screw, Cap
15	8424-802	1		Nut
16	0423-091	2		Bushing
17	1402-621	1		Pin, Mounting
18	0623-094	2		Washer
19	0423-169	2	/P	E-Ring
20	1502-227	1		Linkage, Shift - Assembly (inc. 21-22)
21	0623-294	1		Nut, Hex - Right-Hand Thread
22	0123-917	1	/P	Nut, Hex - Left-Hand Thread

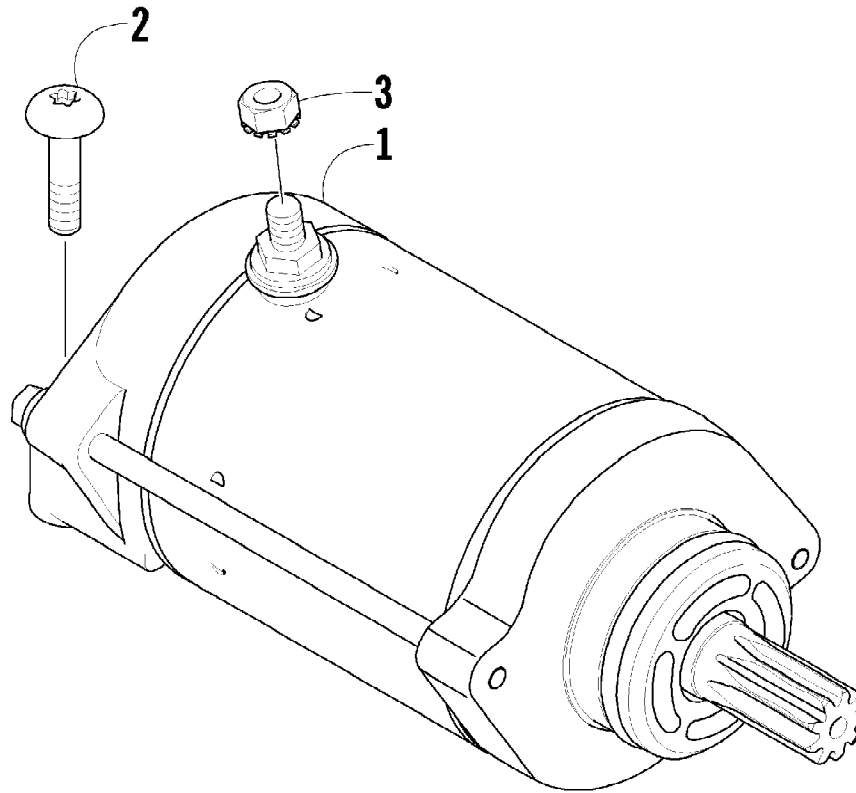
2009 ATV 1000 TRV CRUISER SUNSET ORANGE INTERNATIONAL (A2009TE04E70SK) 91
STARTER CLUTCH ASSEMBLY



2009 ATV 1000 TRV CRUISER SUNSET ORANGE INTERNATIONAL (A2009TE4E70SK)1
 STARTER CLUTCH ASSEMBLY

Ref #	Part Number	Qty	S/P/F	Description
1	0815-001	1		Gear, Starter Idler - No. 1
2	0829-031	1	/P	Shaft, Starter Gear
3	0815-002	1		Gear, Starter Idler - No. 2
4	0815-003	1		Spacer, Starter Idler Gear No. 2
5	0829-032	1	/P	Shaft, Starter Gear
6	0815-004	1		Gear, Starter Clutch (inc. 7)
7	0832-079	1	/P	Bearing
8	0802-035	1		Clutch, Starter
9	0826-069	6		Screw, Machine
10	0828-113	1		Washer, Wave

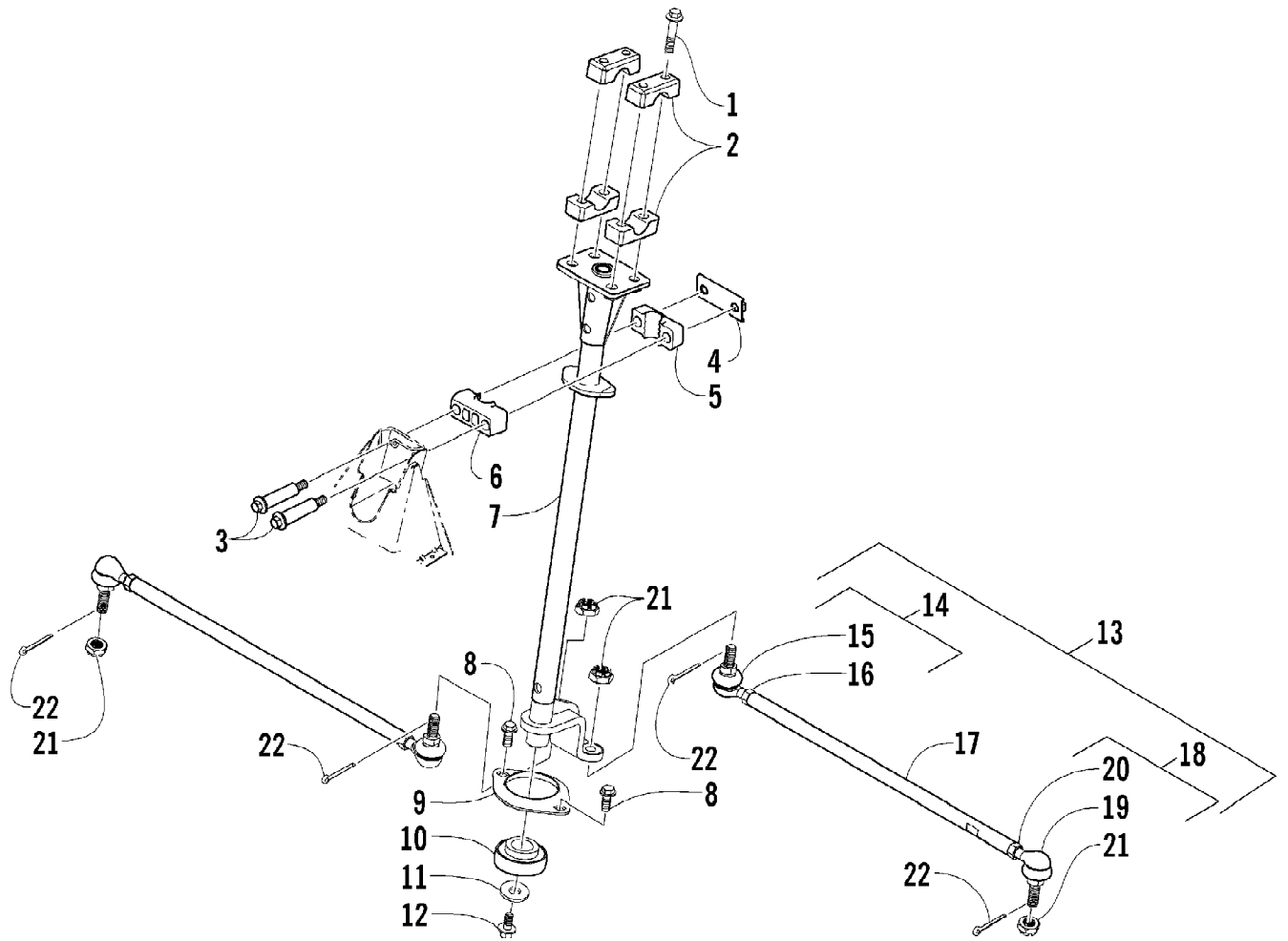
2009 ATV 1000 TRV CRUISER SUNSET ORANGE INTERNATIONAL (A2009TEC14E72SK) 91
STARTER MOTOR ASSEMBLY



2009 ATV 1000 TRV CRUISER SUNSET ORANGE INTERNATIONAL (A2009TEC473K)1
STARTER MOTOR ASSEMBLY

Ref #	Part Number	Qty	S/P/F	Description
1	0825-013	1	/P	Motor, Starter - Assembly
2	8476-625	2		Screw, Machine
3	0623-038	1		Nut w/Washer

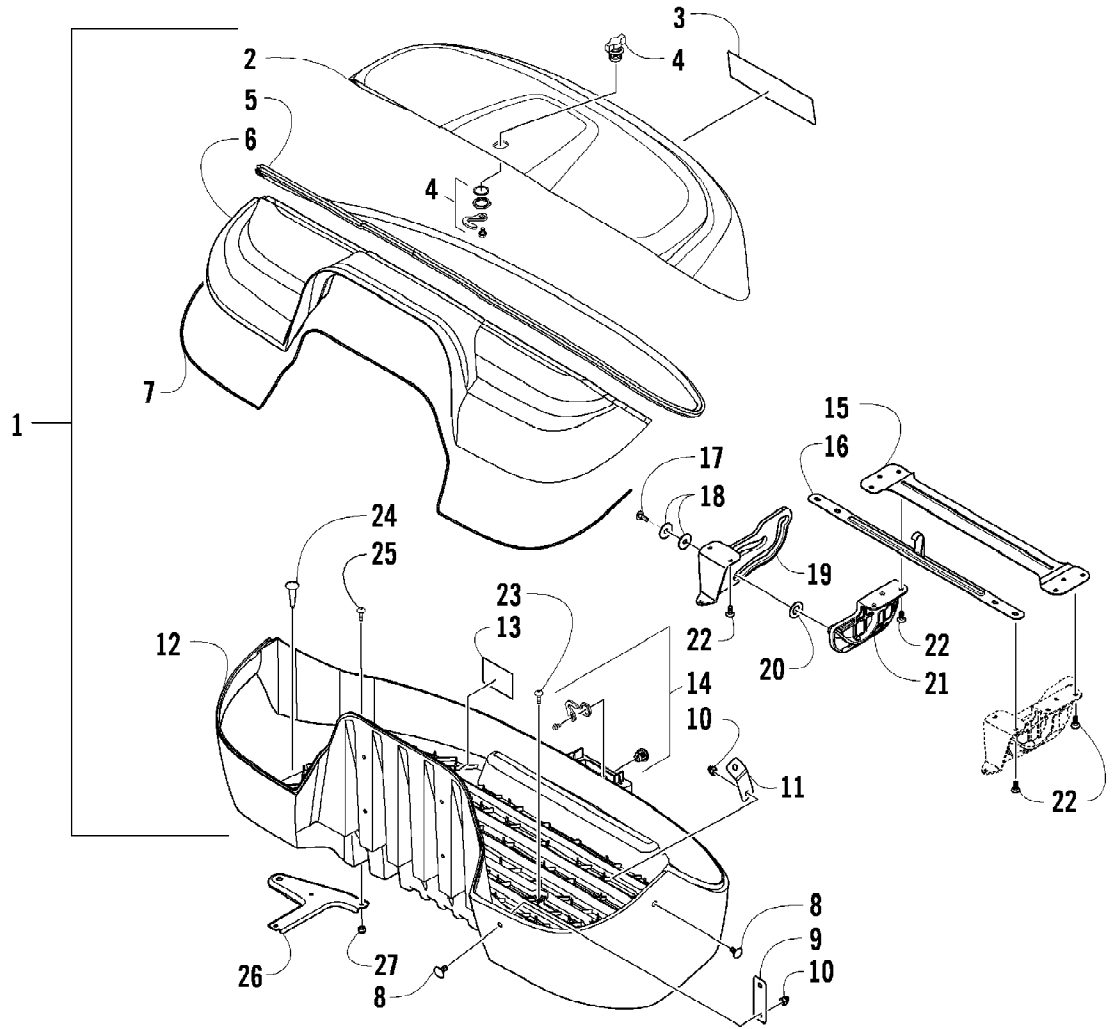
2009 ATV 1000 TRV CRUISER SUNSET ORANGE INTERNATIONAL (A2009TE470SK) 91
STEERING ASSEMBLY



2009 ATV 1000 TRV CRUISER SUNSET ORANGE INTERNATIONAL (A2009TEC475K) 91
STEERING ASSEMBLY

Ref #	Part Number	Qty	S/P/F	Description
1	8408-860	4		Screw, Cap
2	0405-035	4		Cap, Steering Adjuster
3	0423-505	2		Screw, Shoulder
4	0505-484	1		Cap, Housing
5	0405-138	1		Housing, Lower
6	0405-139	1		Housing, Upper
7	0505-451	1	S	Post, Steering
8	8408-816	2		Screw, Cap
9	0602-233	1		Flange, Bearing
10	0405-052	1		Bearing w/Inverted Oil Seal
11	0423-073	1		Washer
12	8409-020	1	/P	Screw, Cap
13	0505-499	2	/P	Tie Rod - Assembly (inc. 14-20)
14	0505-511	2	/P	End, Tie Rod - Left-Hand Thread - Kit (inc. 15-16 and two No. 21-22)
15	0	2	F	End, Tie Rod - Left-Hand Thread
16	0423-013	2		Nut - Left-Hand Thread
17	0405-281	2	/P	Tie Rod
18	0505-510	2	/P	End, Tie Rod - Right-Hand Thread - Kit (inc. 19-20 and two No. 21-22)
19	0	2	F	End, Tie Rod - Right-Hand Thread
20	8420-002	2	/P	Nut - Right-Hand Thread
21	0423-157	4		Nut, Lock
22	0623-175	4		Pin, Cotter

2009 ATV 1000 TRV CRUISER SUNSET ORANGE INTERNATIONAL (A2009TE04E70SK) 91
STORAGE BOX ASSEMBLY

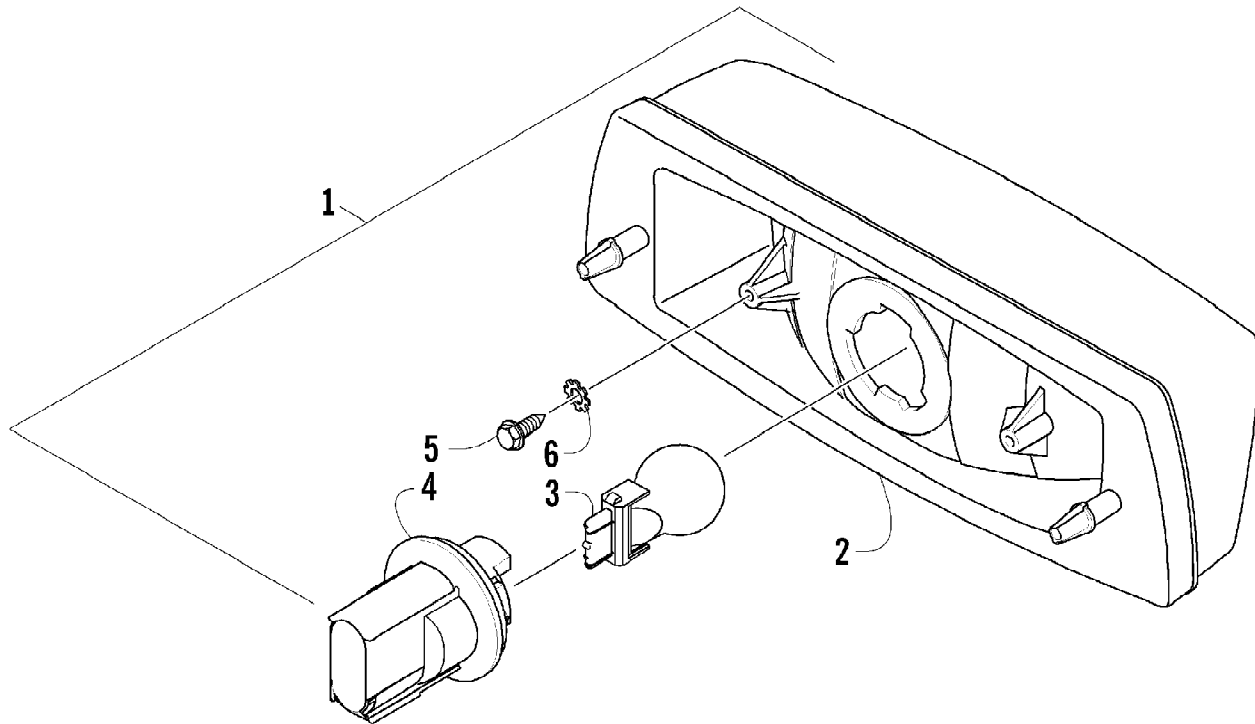


2009 ATV 1000 TRV CRUISER SUNSET ORANGE INTERNATIONAL (A2009TEC4E70SK)1
STORAGE BOX ASSEMBLY

Page 7 of 9

Ref #	Part Number	Qty	S/P/F	Description
1	2516-096	1	S	Box, Storage - Assembly (inc. 2-22)
2	2516-098	1	S	Lid, Storage Box
3	1411-725	1		Decal, "Arctic Cat"
4	2406-907	1		Latch, Storage Box Top
5	2406-787	1		Seal, Storage Box Lid
6	2516-124	1	S	Top, Storage Box
7	2406-793	1		Seal, Storage Box Top
8	0423-895	8		Bolt, Carriage
9	2516-116	2		Plate, Retaining
10	0423-901	8		Nut, Cap
11	2516-117	2		Plate, Retaining
12	2516-337	1	S	Bottom, Storage Box (inc. 13)
13	1411-877	1		Decal, Warning - Storage Box
14	2406-792	1	S	Latch, Storage Box Lid
15	2506-922	1		Brace, Lid - Storage Box
16	2506-921	1		Brace, Top - Storage Box
17	0423-355	4		Screw, Shoulder
18	0423-087	8		Washer
19	2406-760	2		Hinge, Half w/Slot
20	0623-675	4		Washer
21	2406-761	2		Hinge, Half w/Tab
22	8477-616	12		Screw, Machine
23	0423-889	10		Screw, Machine
24	2406-843	4		Plug
25	8477-620	3		Screw, Machine
26	2506-926	1		Bracket, Mounting - Safety Flag
27	0423-540	3		Nut, Lock

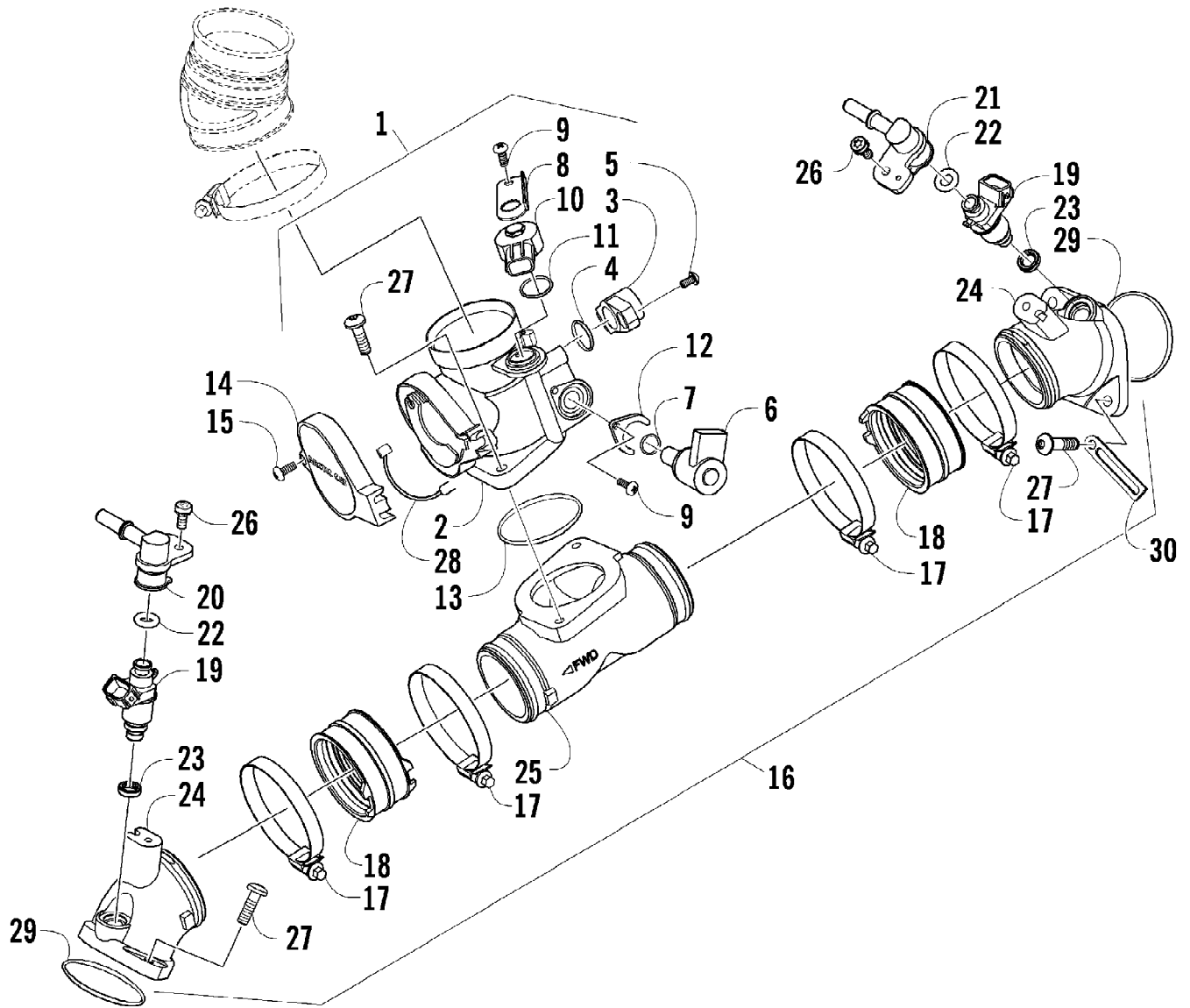
2009 ATV 1000 TRV CRUISER SUNSET ORANGE INTERNATIONAL (A2009TEC1478K) 91
TAILLIGHT ASSEMBLY



2009 ATV 1000 TRV CRUISER SUNSET ORANGE INTERNATIONAL (A2009TEC479SK) 91
 TAILLIGHT ASSEMBLY

Ref #	Part Number	Qty	S/P/F	Description
1	0509-022	1		Taillight Assembly (inc. 2-4)
2	0509-025	1		Housing, Taillight
3	0409-056	1		Bulb, Taillight
4	0409-057	1		Socket, Taillight
5	0623-301	2	/P	Screw, Self-Tapping
6	8053-212	2	/P	Washer, External Tooth Lock

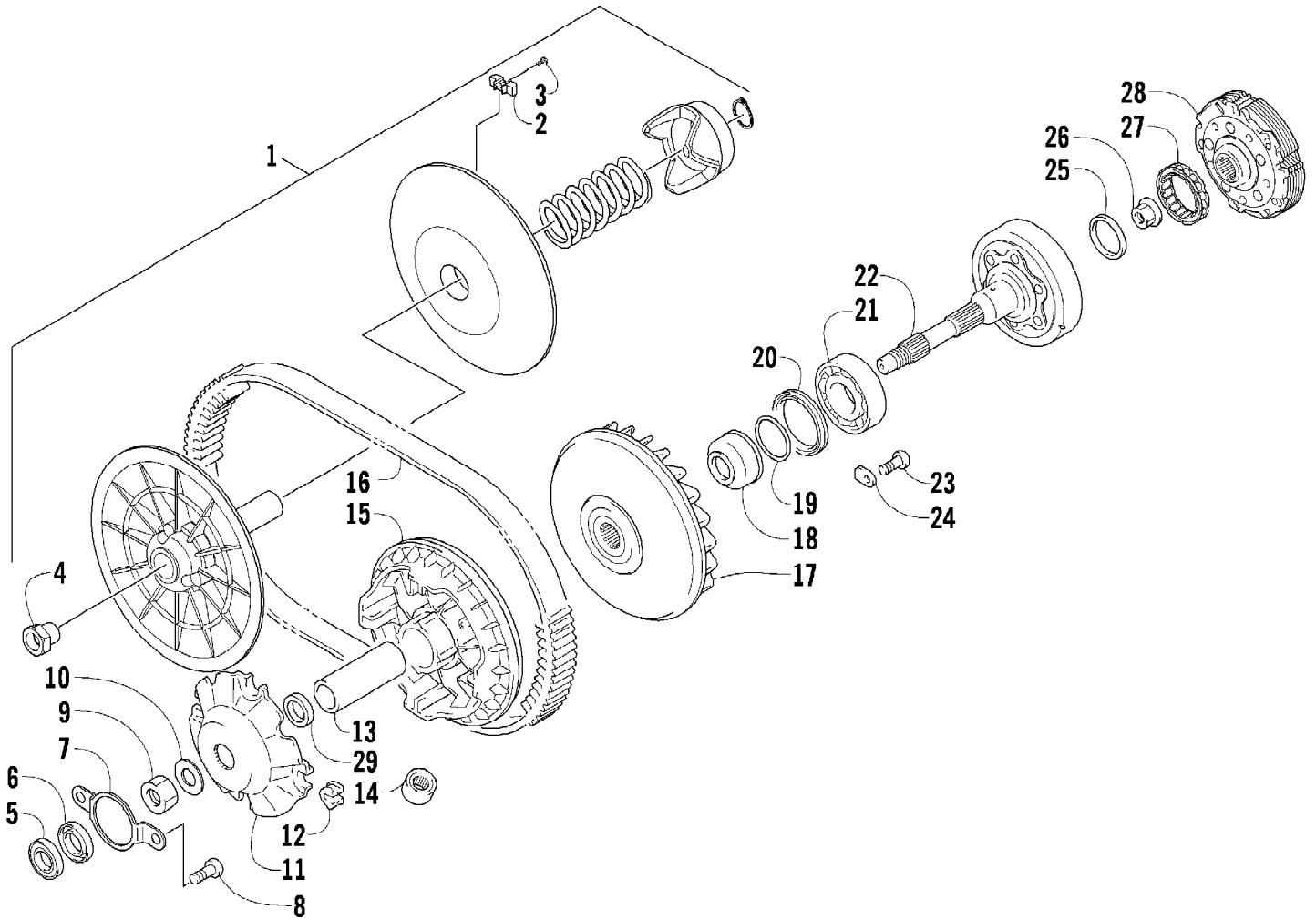
2009 ATV 1000 TRV CRUISER SUNSET ORANGE INTERNATIONAL (A2009TEC14E03K91) THROTTLE BODY ASSEMBLY



2009 ATV 1000 TRV CRUISER SUNSET ORANGE INTERNATIONAL (A2009TEC4E0SK)1
THROTTLE BODY ASSEMBLY

Ref #	Part Number	Qty	S/P/F	Description
1	0470-686	1		Throttle - Assembly (inc. 2-15)
2	0	1	F	Throttle Body
3	0430-072	1		Sensor, Throttle Position
4	5507-234	1		O-Ring, Throttle Position Sensor
5	5507-231	1		Screw, Machine
6	0430-074	1		Valve, ISC
7	5507-233	1		O-Ring, ISC Valve
8	5507-227	1		Bracket, MAP Sensor
9	5507-117	2	/P	Screw, Machine
10	0430-073	1		Sensor, MAP
11	5507-232	1		O-Ring, MAP Sensor
12	5507-229	1		Plate, ISC Valve
13	5507-235	1		O-Ring
14	5507-223	1		Cover
15	5507-037	1	/P	Screw, Machine
16	0570-230	1		Manifold, Intake - Assembly (inc. 17-26)
17	0423-066	4		Clamp
18	0470-660	2		Boot, Intake - Manifold
19	0470-688	2		Injector, Fuel
20	0470-763	1		Rail, Fuel - Front Cylinder
21	0470-764	1		Rail, Fuel - Rear Cylinder
22	0470-767	2		O-Ring, Fuel Injector
23	0470-768	2		Ring, Seal - Fuel Injector
24	0570-140	2		Manifold, Intake
25	0570-156	1		Plenum, Intake
26	0423-371	2		Screw, Machine
27	0826-008	6		Screw, Machine
28	0487-046	1		Cable, Throttle
29	0830-090	2		O-Ring
30	3002-964	1	/P	Clamp, Wire

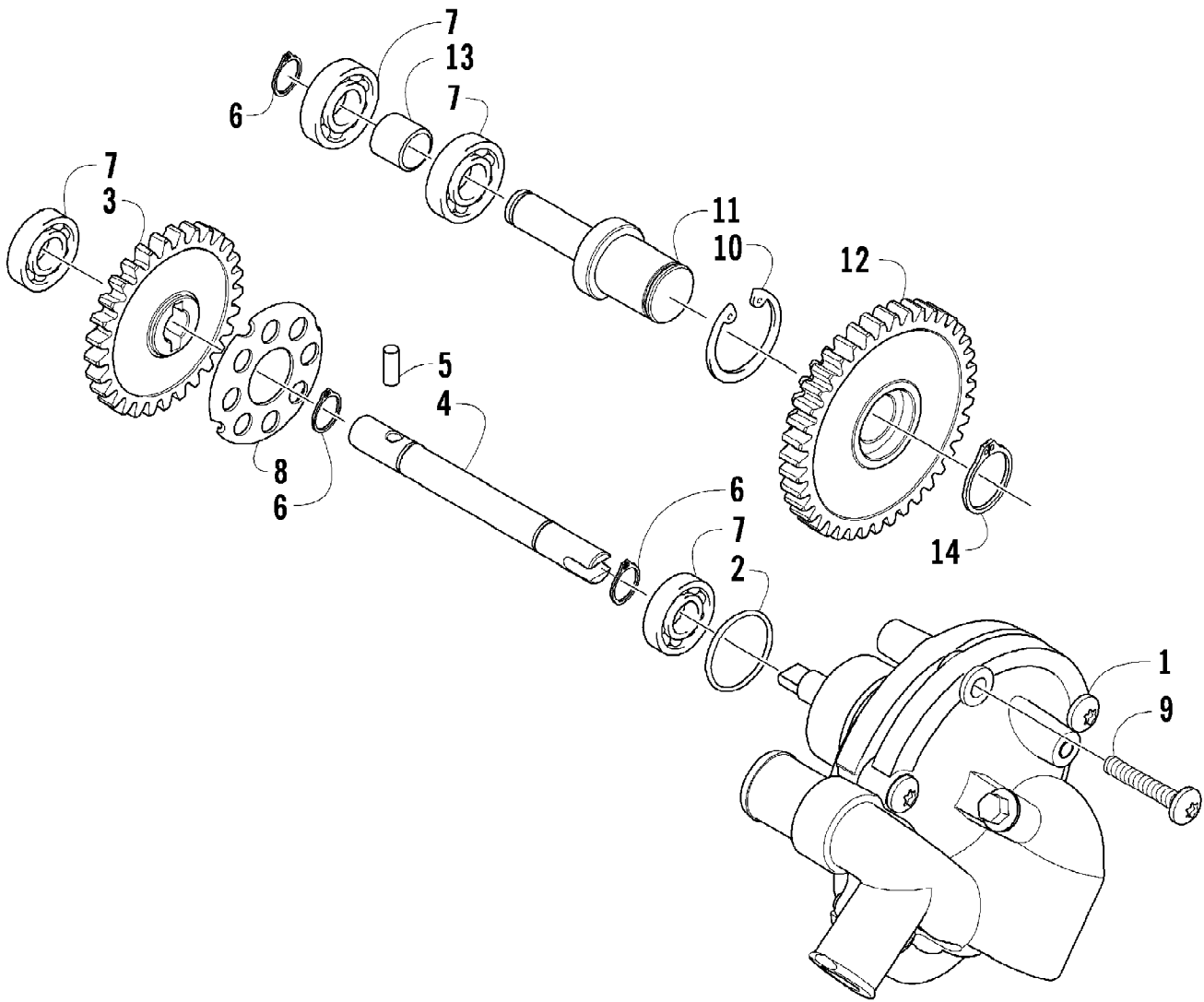
2009 ATV 1000 TRV CRUISER SUNSET ORANGE INTERNATIONAL (A2009TEC14B2SK) 91
TRANSMISSION ASSEMBLY



2009 ATV 1000 TRV CRUISER SUNSET ORANGE INTERNATIONAL (A2009TEC4E3SK) 91
TRANSMISSION ASSEMBLY

Ref #	Part Number	Qty	S/P/F	Description
1	0823-157	1	S/P	Pulley, Driven - Assembly (inc. 2-4)
2	0823-176	3	/P	Shoe, Cam
3	0823-177	3		Screw, Machine
4	0823-178	1		Nut, Driven Pulley
5	0832-010	1		Bearing
6	0830-176	1	/P	Seal
7	0823-020	1		Retainer, Bearing
8	0826-031	2		Screw, Machine
9	0827-010	1		Nut
10	0828-106	1		Washer
11	0823-008	1		Plate, Movable Drive Face
12	0823-010	4		Damper, Movable Drive Face
13	0823-265	1		Spacer, Movable Drive Face
14	0823-170	8	/P	Roller, Movable Drive Face
15	0823-159	1		Face, Movable Drive
16	0823-231	1		Belt, Drive
17	0823-156	1	/P	Face, Fixed Drive
18	0823-015	1		Spacer, Fixed Drive Face
19	0470-531	1		O-Ring
20	0830-188	1	/P	Seal, Clutch Housing - Right
21	0832-047	1	S	Bearing
22	0823-096	1	S	Housing, Clutch
23	0826-029	2		Screw, Machine
24	0822-010	2	/P	Retainer, Bearing
25	0830-189	1	/P	Seal, Clutch Housing - Left
26	0827-011	1		Nut
27	0823-018	1		Clutch, One-Way
28	0823-098	1	S	Clutch, Centrifugal - 6 Plate
29	0823-292	1		Spacer

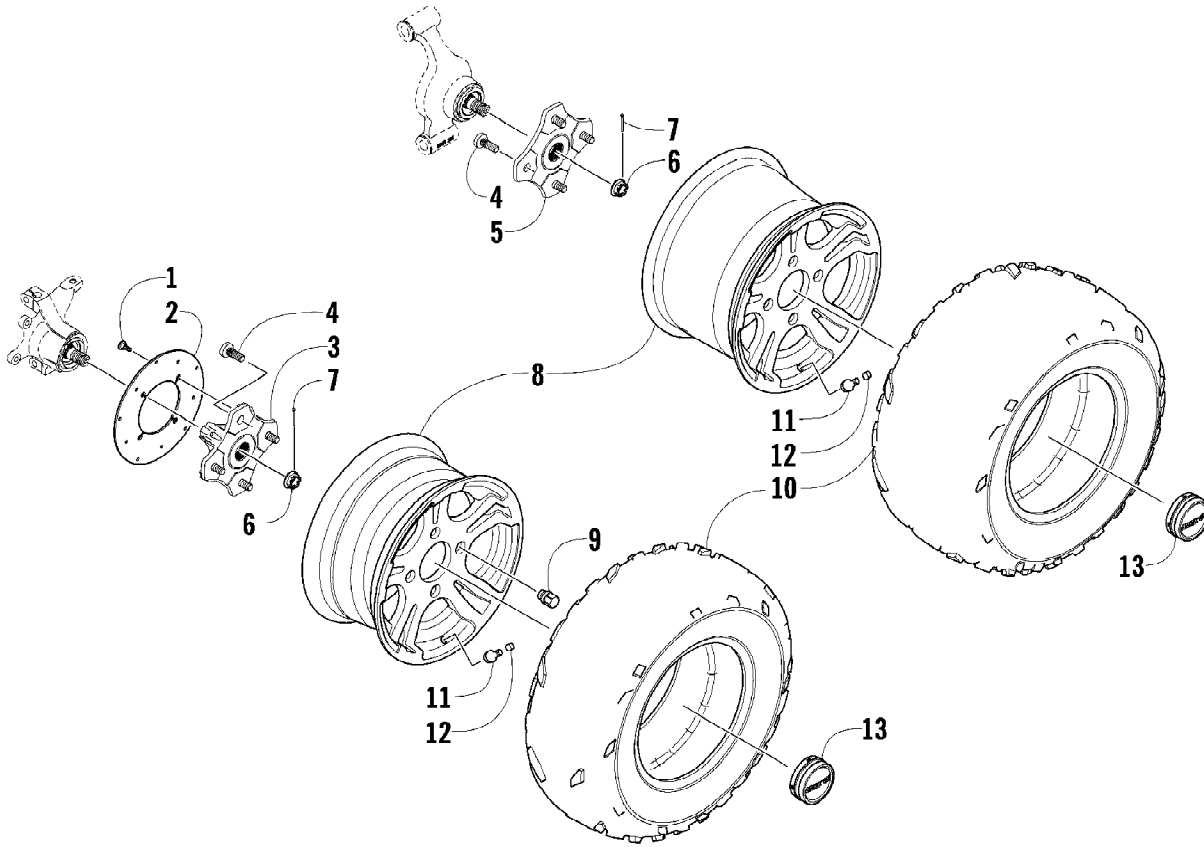
2009 ATV 1000 TRV CRUISER SUNSET ORANGE INTERNATIONAL (A2009TEC4E03K) 91
WATER PUMP ASSEMBLY



2009 ATV 1000 TRV CRUISER SUNSET ORANGE INTERNATIONAL (A2009TEC4E5SK)1
 WATER PUMP ASSEMBLY

Ref #	Part Number	Qty	S/P/F	Description
1	0813-036	1	S	Pump, Water - Assembly (inc. 2)
2	0830-029	1		O-Ring
3	0813-029	1		Gear, Driven
4	0813-030	1		Shaft, Driven Gear
5	0829-009	1		Pin, Dowel
6	0831-002	3		Ring, Retaining
7	0832-046	4	/P	Bearing
8	0801-089	1		Disc, Breather
9	8468-650	2		Screw, Machine
10	0831-004	1		Ring, Retaining
11	0813-026	1		Shaft, Water Pump Idler Gear
12	0813-027	1		Gear, Idler - Water Pump - Drive
13	0813-028	1		Spacer, Idler - Water Pump
14	0831-040	1		Ring, Retaining

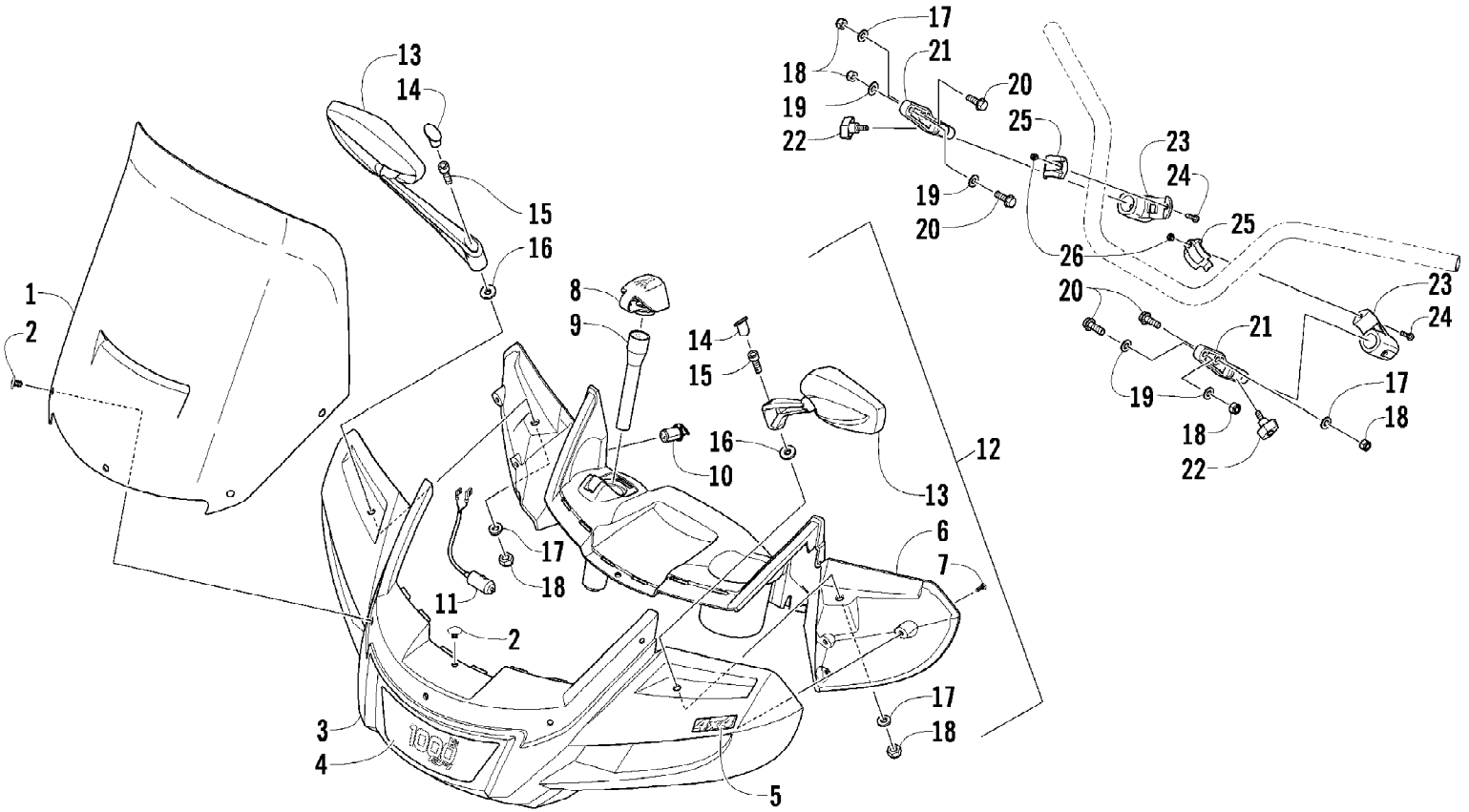
2009 ATV 1000 TRV CRUISER SUNSET ORANGE INTERNATIONAL (A2009TEC14B0SK) 91
WHEEL AND TIRE ASSEMBLY



2009 ATV 1000 TRV CRUISER SUNSET ORANGE INTERNATIONAL (A2009TEC4E0SK)1
 WHEEL AND TIRE ASSEMBLY

Ref #	Part Number	Qty	S/P/F	Description
1	0423-557	12		Screw, Shoulder
2	1436-164	3	/P	Disc, Brake
3	1502-437	2		Hub, Wheel - Front (inc. 4)
4	0402-974	16	/P	Stud
5	1502-437	2		Hub, Wheel - Rear (inc. 4)
6	0423-607	4		Nut, Castle
7	0423-407	4		Pin, Cotter
8	1402-730	2		Wheel - Front
8	1402-731	2		Wheel - Rear
9	0423-618	16		Nut, Lug
10	1402-699	2		Tire - Front
10	1402-700	2		Tire - Rear
11	0402-064	4		Stem, Valve (inc. 12)
12	0402-140	4		Cap, Valve Stem
13	1402-736	4		Cap, Wheel

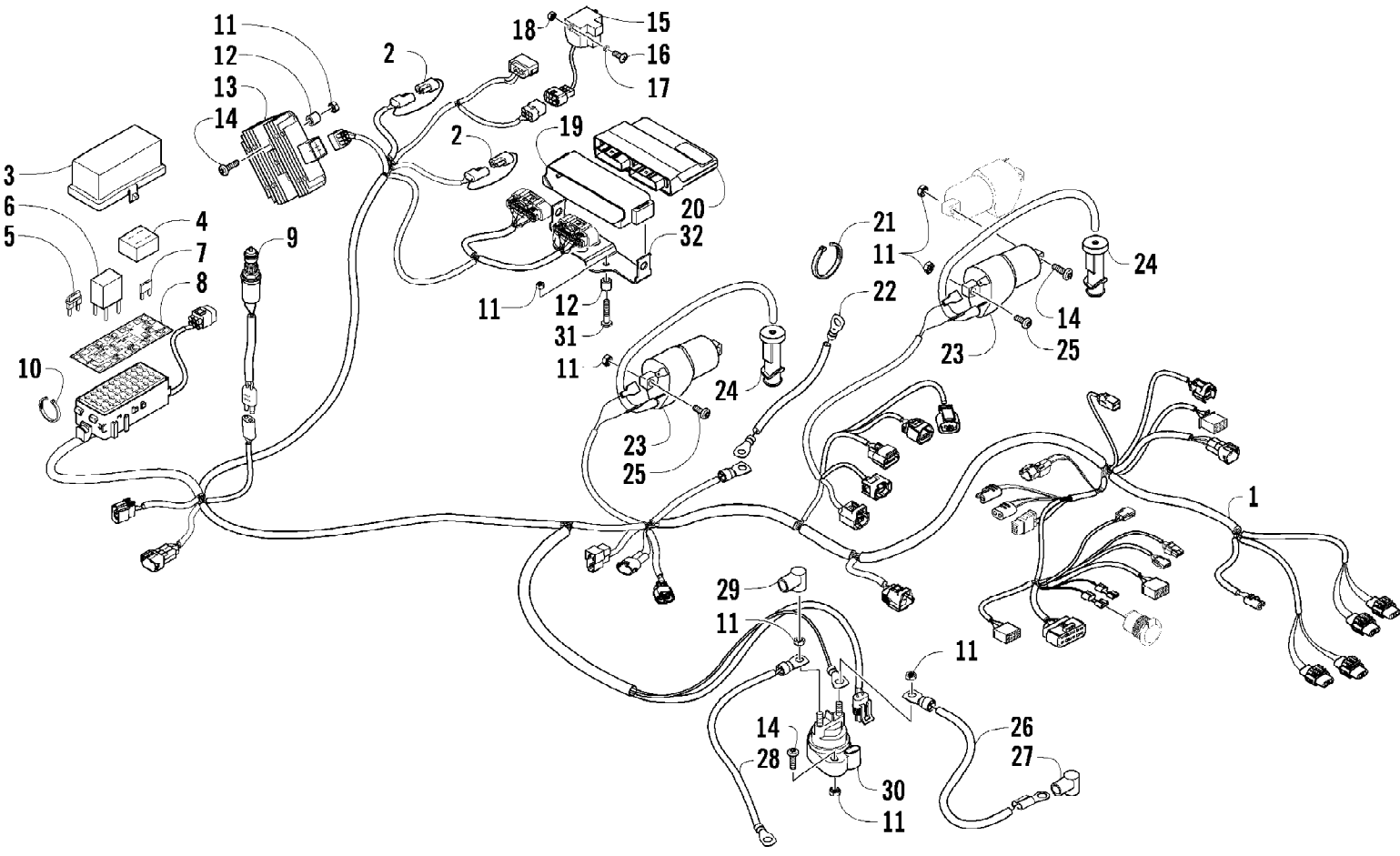
2009 ATV 1000 TRV CRUISER SUNSET ORANGE INTERNATIONAL (A2009TRV1000) WINDSHIELD ASSEMBLY



2009 ATV 1000 TRV CRUISER SUNSET ORANGE INTERNATIONAL (A2009TEC4E9SK)1
WINDSHIELD ASSEMBLY

Ref #	Part Number	Qty	S/P/F	Description
1	0405-333	1		Windshield
2	0423-767	6	S	Clip, Retaining
3	0505-554	1		Base, Windshield
4	1411-987	1		Decal, Base - 1000 EFI
5	1411-989	1		Decal, Base - "4x4"
6	0405-332	1		Console - Black
7	0423-950	6		Screw, Self-Tapping
8	0405-353	1		Cover, Flashlight
9	1441-839	1		Flashlight
10	0641-897	1	/P	Outlet, Accessory - 12V
11	0486-319	1		Adapter, Harness - Outlet Accessory
12	1436-326	1	/P	Kit, Mirror (inc. 13-16 and two No. 17-18)
13	0405-322	1	S	Mirror - Right
13	0405-323	1	S	Mirror - Left
14	0423-952	2		Plug
15	8440-830	2		Screw, Cap
16	0423-951	2		Washer, Rubber
17	8450-128	4		Washer
18	8431-803	6		Nut
19	0423-948	4		Washer
20	0423-949	4		Screw, Cap
21	0405-352	2	S	Pin, Mounting - Tapered
22	1441-624	2		Knob, Adjuster
23	0405-350	2	S	Clamp, Handlebar
24	8471-520	2		Screw, Machine
25	0405-351	2	S	Cap, Handlebar Clamp
26	8431-503	2		Nut, Lock

2009 ATV 1000 TRV CRUISER SUNSET ORANGE INTERNATIONAL (A2009TEC14E30SK)91
WIRING HARNESS ASSEMBLY



2009 ATV 1000 TRV CRUISER SUNSET ORANGE INTERNATIONAL (A2009TEC4E0SK)1
WIRING HARNESS ASSEMBLY

Ref #	Part Number	Qty	S/P/F	Description
1	0486-317	1	/P	Harness, Main (inc. 2-8)
2	0486-164	2		Tether, Accessory Connector
3	0530-008	1		Cover, Fuse Block
4	0430-037	1		Holder, Fuse
5	0430-034	2		Diode
6	0430-045	5	/P	Relay (4-Pin) - 20 Amp
7	0430-032	6		Fuse - 10 Amp
7	0430-031	3		Fuse - 15 Amp
7	0430-030	2		Fuse - 30 Amp
8	1411-940	1		Decal, Fuse Block
9	0409-089	1		Switch, Brake - Assembly
10	0123-788	AR	/P	Tie, Cable - 8 in.
11	0623-038	11		Nut w/Washer
12	0423-036	4		Spacer
13	0824-037	1	/P	Regulator, Voltage
14	8476-630	5		Screw, Machine
15	0409-064	1		Switch, Tilt Sensor
16	8468-425	2		Screw, Machine
17	0123-802	2		Washer
18	0423-493	2		Nut w/Washer
19	0430-059	1		Cushion, ECU
20	0530-016	1		ECU
21	0123-903	AR		Tie, Cable - 11.5 in.
22	0445-071	1		Cable, Battery/Ground
23	0824-043	2		Coil, Ignition - Assembly
24	0824-049	2	/P	Cap, Spark Plug
25	8476-620	2		Screw, Machine
26	0445-066	1		Cable, Solenoid/Starter (inc. 27)
27	0645-019	1		Boot, Terminal
28	0445-062	1		Cable, Battery/Solenoid
29	0645-327	1		Boot, Terminal - Solenoid
30	0445-058	1	/P	Solenoid
31	8476-635	2		Screw, Machine
32	2406-728	1		Bracket, Mounting - ECU