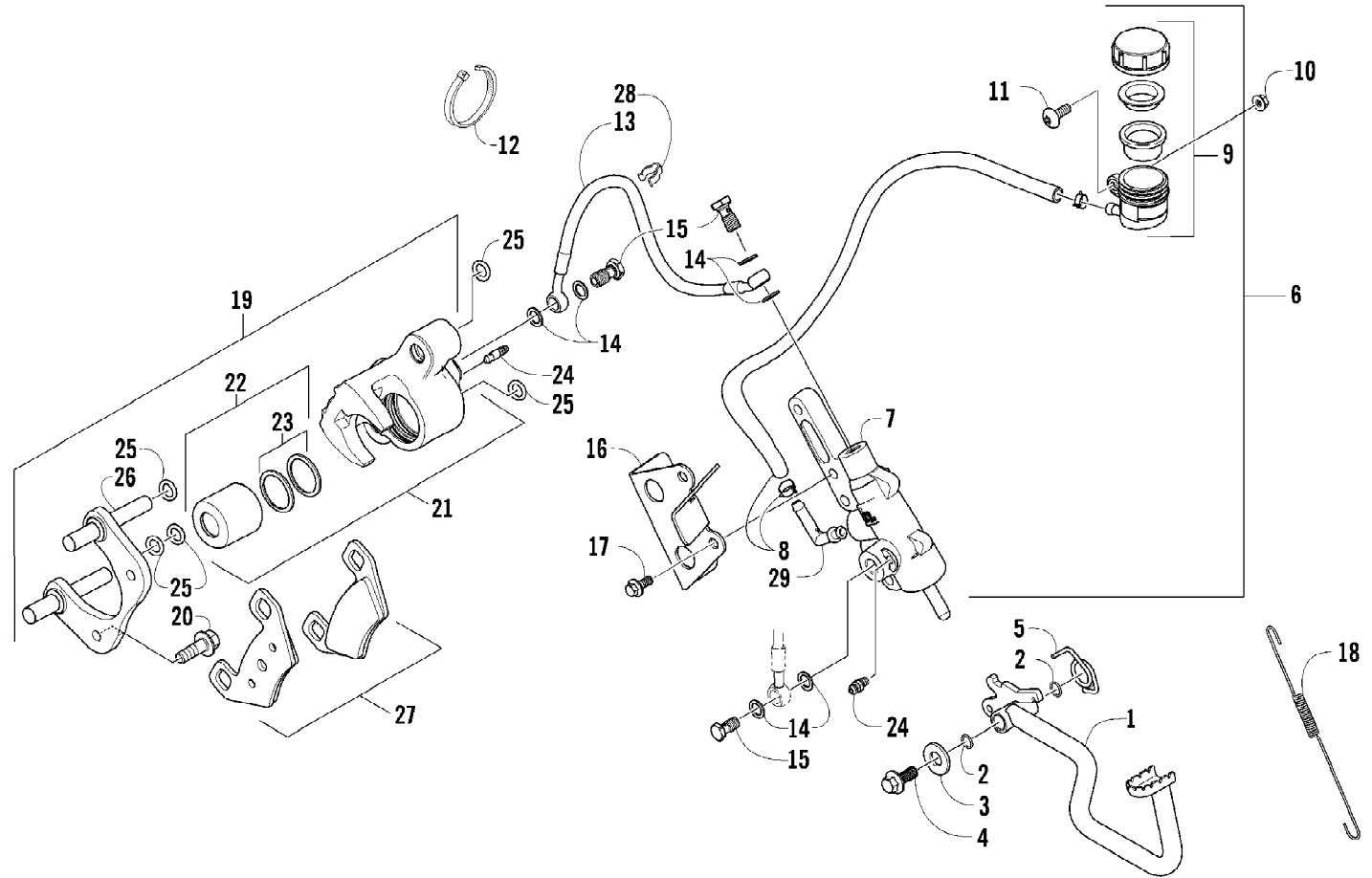
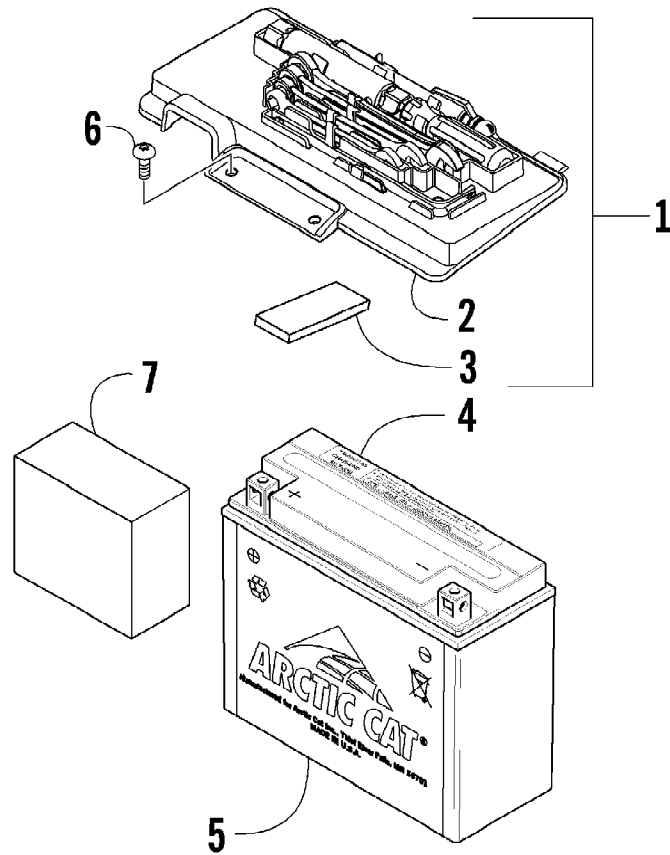


| Ref # | Part Number | Qty | S/P/F | Description |
|-------|-------------|-----|-------|-----------------------------------|
| 1 | 0470-850 | 1 | S | Cover, Intake |
| 2 | 0470-560 | 1 | | Screen, Air Filter |
| 3 | 0470-558 | 1 | | Filter, Air |
| 4 | 0470-728 | 1 | | Housing, Intake |
| 5 | 0423-455 | 4 | | Clip, Spring |
| 6 | 0470-749 | 1 | | Duct, Engine Intake |
| 7 | 0423-763 | 1 | | Grommet |
| 8 | 0570-215 | 1 | | Resonator |
| 9 | 0470-729 | 1 | | Boot |
| 10 | 0423-342 | 4 | /P | Screw, Self-Tapping |
| 11 | 0423-019 | 2 | | Clamp, Boot |
| 12 | 0470-442 | 1 | /P | Valve, Drain |
| 13 | 0410-172 | 1 | /P | Hose, Vent |
| 14 | 1623-281 | 2 | | Clamp, Hose |
| 15 | 0423-766 | 1 | | Cap, Drain |
| 16 | 1623-287 | 1 | | Clamp |
| 17 | 0423-554 | 1 | | Clamp, Boot |
| 18 | 0470-511 | 1 | | Boot |
| 19 | 0430-055 | 1 | | Sensor, Air Temperature (inc. 20) |
| 20 | 5507-224 | 1 | | O-Ring |
| 21 | 2406-604 | 1 | | Panel, Shield |
| 22 | 0623-362 | 2 | | Rivet, Reinstallable |



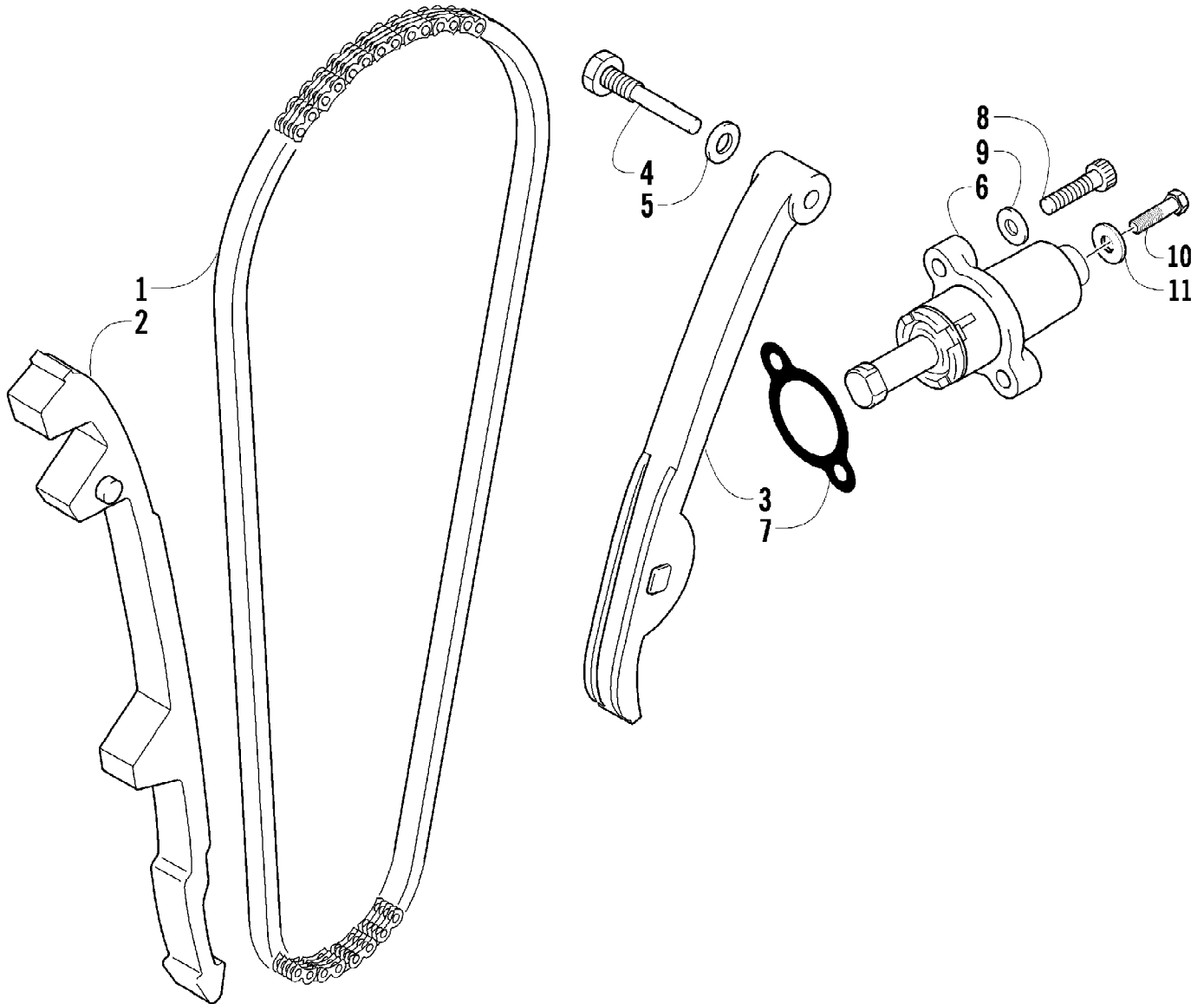
| Ref # | Part Number | Qty | S/P/F | Description |
|-------|-------------|-----|-------|---|
| | 1502-295 | 1 | | Master Cylinder Replacement Kit |
| 1 | 1502-063 | 1 | | Lever, Brake |
| 2 | 1602-213 | 2 | /P | O-Ring |
| 3 | 8050-252 | 1 | | Washer |
| 4 | 8408-816 | 1 | | Screw, Cap |
| 5 | 0502-807 | 1 | | Spring, Brake Lever |
| 6 | 1502-293 | 1 | | Brake Assembly (inc. 7-9) |
| 7 | 0 | 1 | F | Master Cylinder |
| 8 | 0 | 1 | F | Hose, Brake Reservoir w/Clamps |
| 9 | 1502-155 | 1 | | Reservoir, Brake w/Clamp |
| 10 | 0623-038 | 1 | | Nut w/Washer |
| 11 | 8476-616 | 1 | | Screw, Machine |
| 12 | 0123-788 | AR | /P | Tie, Cable - 8 in. |
| 13 | 1502-593 | 1 | | Hose, Brake |
| 14 | 0423-178 | 6 | | Washer, Crush |
| 15 | 0423-413 | 3 | | Bolt, Banjo-Fitting |
| 16 | 1502-179 | 1 | | Bracket, Switch |
| 17 | 8408-625 | 2 | | Screw, Cap |
| 18 | 0502-785 | 1 | | Spring, Brake Switch |
| 19 | 1436-163 | 1 | | Caliper, Brake (inc. 20-23, one No. 24, and 25-27) |
| 20 | 8408-821 | 2 | /P | Screw, Cap |
| 21 | 1436-161 | 1 | /P | Housing, Caliper - Assembly - Right Rear (inc. 20, 22-23, and one No. 24) |
| 22 | 0502-606 | 1 | | Piston/Seal Set (inc. 23) |
| 23 | 0502-607 | 1 | | Seal Set |
| 24 | 0502-609 | 2 | /P | Valve, Bleed |
| 25 | 0502-608 | 1 | | O-Ring, Guide - Set |
| 26 | 0502-605 | 1 | | Bracket Assembly |
| 27 | 1436-165 | 1 | S | Pad, Brake - Set |
| 28 | 1502-115 | 2 | | Clip, Brake Hose |
| 29 | 1502-296 | 1 | /P | Adapter, Hose |



2009 ATV 550 H1 EFI 4X4 AUTOMATIC CAT GREEN (A2009IBO4EUSZ)
BATTERY ASSEMBLY

Page 6 of 85

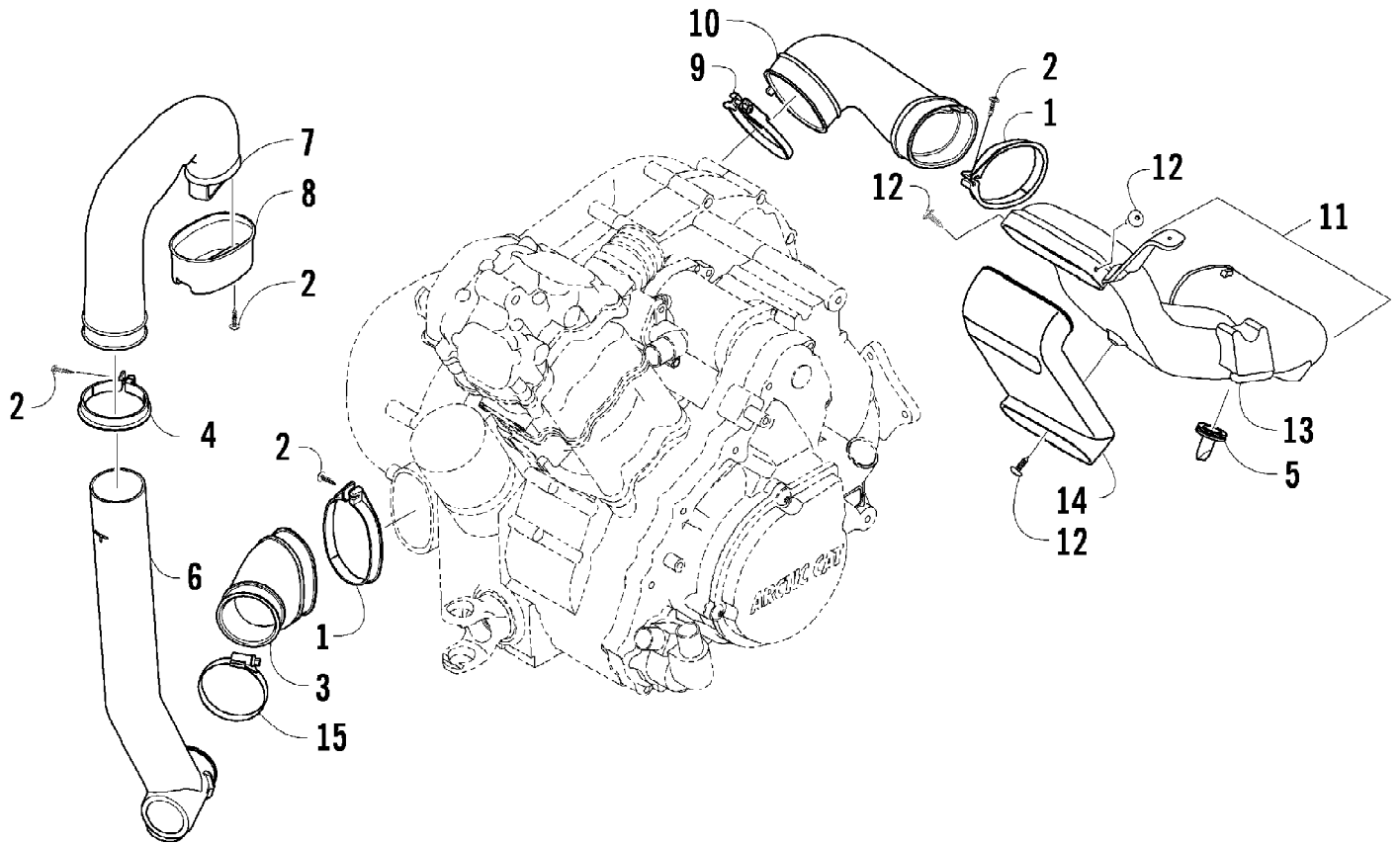
| Ref # | Part Number | Qty | S/P/F | Description |
|-------|-------------|-----|-------|---|
| 1 | 5991-655 | 1 | /P | Battery Cover/Tool Tray Assembly (inc. 2-3) |
| 2 | 2406-815 | 1 | /P | Cover, Battery |
| 3 | 0417-016 | 1 | | Pad, Battery |
| 3 | 0444-122 | 1 | S/P/F | Kit, Tool |
| 4 | 0645-480 | 1 | | Battery Assembly (inc. 5) |
| 5 | 0645-430 | 1 | | Decal, Warning |
| 6 | 8476-620 | 2 | | Screw, Machine |
| 7 | 0417-012 | 1 | | Foam, Battery |



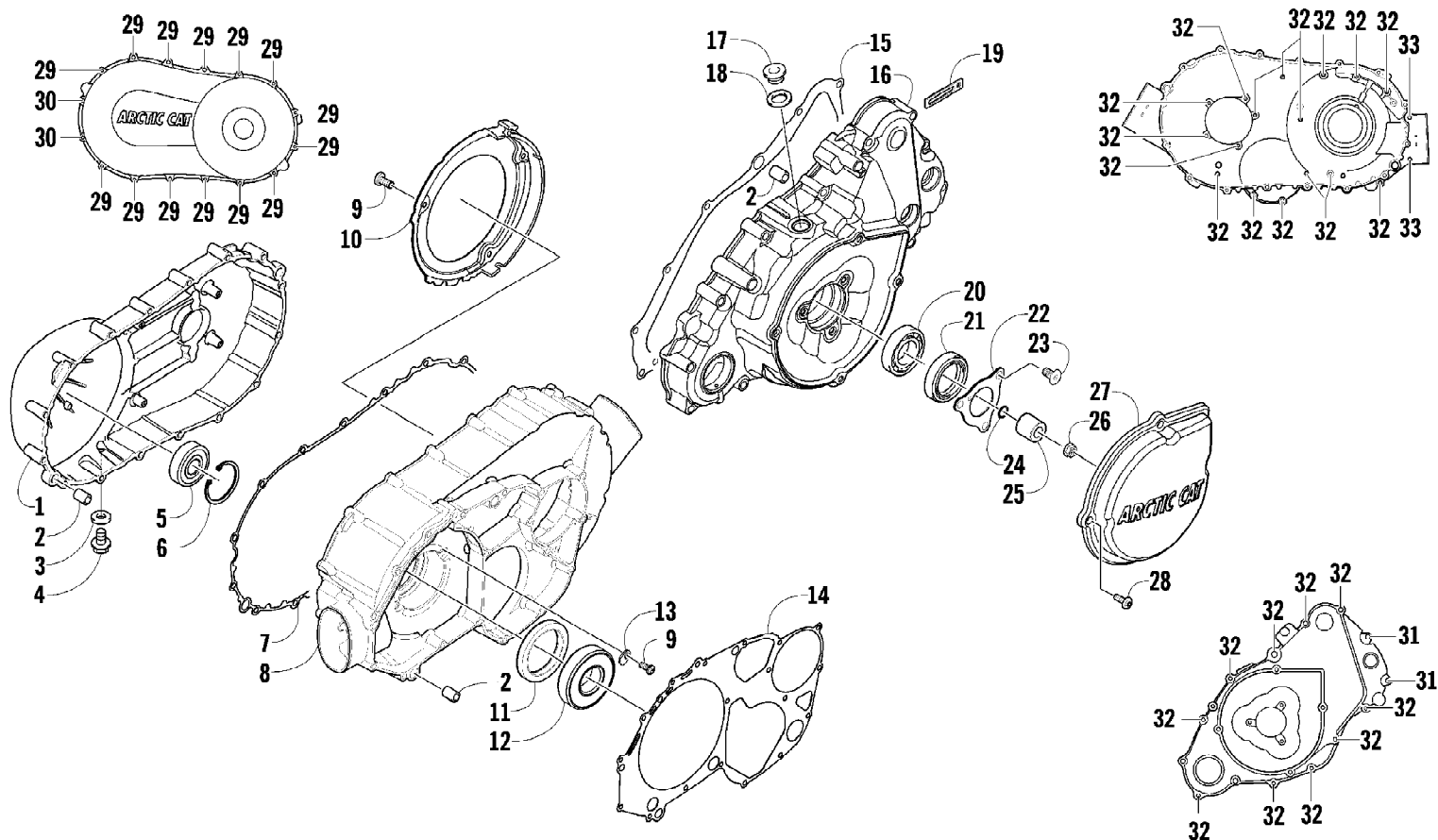
2009 ATV 550 H1 EFI 4X4 AUTOMATIC CAT GREEN (A2009IBO4EUSZ)
CAM CHAIN ASSEMBLY

Page 8 of 85

| Ref # | Part Number | Qty | S/P/F | Description |
|-------|-------------|-----|-------|--------------------------------|
| 1 | 0810-001 | 1 | | Chain, Cam |
| 2 | 0810-002 | 1 | | Guide, Chain |
| 3 | 0810-003 | 1 | | Tensioner, Chain |
| 4 | 0826-036 | 1 | | Pivot, Tensioner |
| 5 | 0830-025 | 1 | | Washer, Crush |
| 6 | 0810-004 | 1 | | Adjuster, Tensioner - Assembly |
| 7 | 0830-018 | 1 | | Gasket |
| 8 | 8468-625 | 2 | | Screw, Machine |
| 9 | 0830-107 | 2 | | Gasket |
| 10 | 8400-610 | 1 | | Screw, Cap |
| 11 | 0828-129 | 1 | | Washer |



| Ref # | Part Number | Qty | S/P/F | Description |
|-------|-------------|-----|-------|--|
| 1 | 0423-550 | 2 | | Clamp, Plastic |
| 2 | 0423-342 | 5 | /P | Screw, Self-Tapping |
| 3 | 0413-198 | 1 | /P | Boot, Duct - Air Intake - Front |
| 4 | 0423-551 | 1 | | Clamp, Boot |
| 5 | 0470-442 | AR | /P | Valve, Drain |
| 6 | 0513-027 | 1 | | Duct, Air Intake - Front - Lower |
| 7 | 0470-750 | 1 | | Duct, Air Intake - Front - Upper |
| 8 | 0470-729 | 1 | | Cup, Air Intake |
| 9 | 0423-730 | 1 | | Clamp, Boot |
| 10 | 0413-206 | 1 | /P | Boot, Duct - Air Out - Rear |
| 11 | 0470-824 | 1 | /P | Duct, Air Out - Rear (inc. three No. 12 and 13-14) |
| 12 | 0623-784 | 4 | | Screw, Self-Tapping |
| 13 | 0470-825 | 1 | | Duct |
| 14 | 0470-778 | 1 | | Duct |
| 15 | 0423-019 | 1 | | Clamp, Hose |

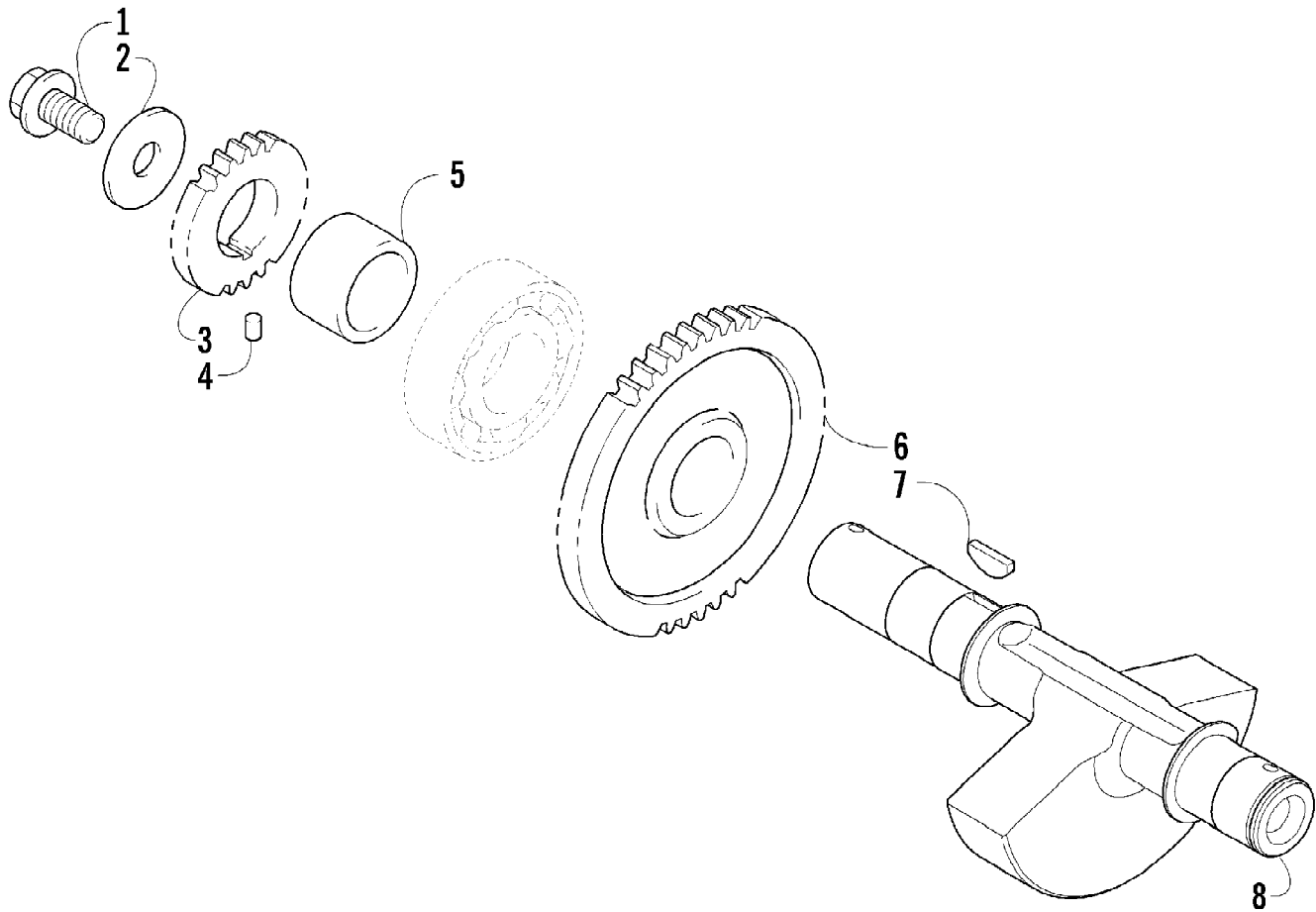


2009 ATV 550 H1 EFI 4X4 AUTOMATIC CAT GREEN (A2009IBO4EUSZ)
CLUTCH/V-BELT/MAGNETO COVER ASSEMBLY

Page 12 of 85

| Ref # | Part Number | Qty | S/P/F | Description |
|-------|-------------|-----|-------|---------------------------|
| 1 | 0806-089 | 1 | | Cover, V-Belt |
| 2 | 0829-002 | 6 | | Pin, Dowel |
| 3 | 0830-013 | 1 | | Washer, Crush |
| 4 | 8408-812 | 1 | | Screw, Cap |
| 5 | 0832-060 | 1 | | Bearing |
| 6 | 0831-078 | 1 | | Ring, Retaining |
| 7 | 0830-174 | 1 | /P | Gasket, V-Belt Cover |
| 8 | 0806-086 | 1 | | Cover, Clutch |
| 9 | 0826-029 | 5 | | Screw, Machine |
| 10 | 0806-048 | 1 | | Plate, Air Intake |
| 11 | 0830-188 | 1 | /P | Seal |
| 12 | 0832-047 | 1 | S | Bearing |
| 13 | 0822-010 | 2 | /P | Retainer, Bearing |
| 14 | 0830-116 | 1 | /P | Gasket, Clutch Cover |
| 15 | 0830-128 | 1 | | Gasket, Magneto Cover |
| 16 | 0806-082 | 1 | /P | Cover, Magneto - Assembly |
| 17 | 0806-022 | 1 | | Plug |
| 18 | 0830-015 | 1 | | Washer, Crush |
| 19 | 3002-964 | 1 | /P | Clamp, Wire |
| 20 | 0832-045 | 1 | S | Bearing |
| 21 | 0830-158 | 1 | | Seal |
| 22 | 0805-008 | 1 | | Retainer, Seal |
| 23 | 0826-031 | 3 | | Screw, Machine |
| 24 | 0830-108 | 1 | | O-Ring |
| 25 | 0820-061 | 1 | | Bushing |
| 26 | 0827-008 | 1 | | Nut |
| 27 | 0820-062 | 1 | | Cover, Magneto |
| 28 | 8468-616 | 4 | | Screw, Machine |
| 29 | 8468-645 | 14 | | Screw, Machine |
| 30 | 8468-655 | 2 | | Screw, Machine |
| 31 | 8468-625 | 2 | | Screw, Machine |
| 32 | 8468-640 | 26 | | Screw, Machine |
| 33 | 8468-675 | 2 | | Screw, Machine |

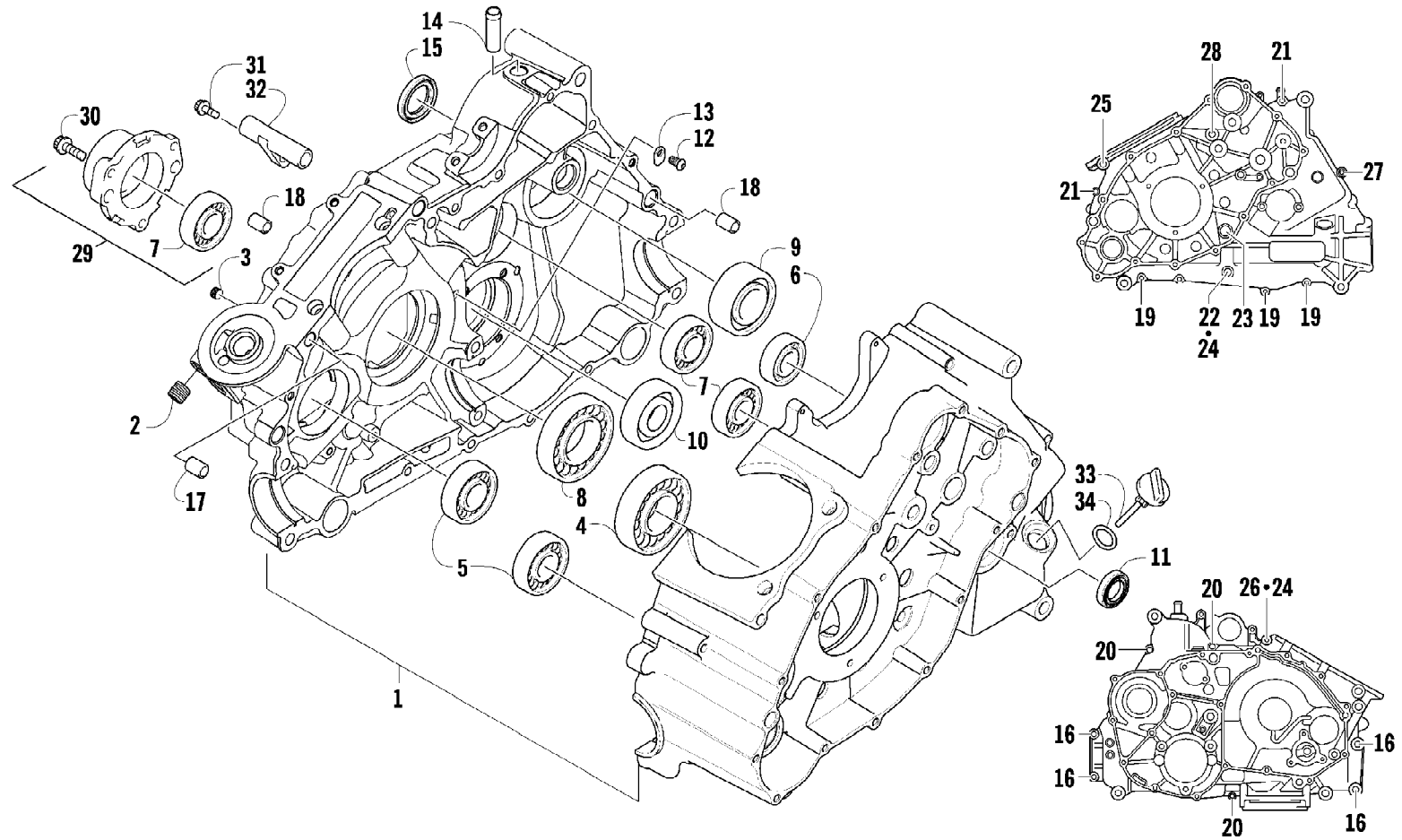
| Ref # | Part Number | Qty | S/P/F | Description |
|-------|-------------|-----|-------|-------------------------------|
| 1 | 0413-199 | 1 | S | Radiator Assembly (inc. 2-13) |
| 2 | 0413-205 | 1 | | Radiator |
| 3 | 0413-007 | 1 | | Screen |
| 4 | 0413-002 | 1 | S | Cap |
| 5 | 0423-030 | 2 | | Grommet |
| 6 | 0610-016 | AR | /P | Hose - 25 ft |
| 6 | 0610-015 | AR | /P | Hose - 100 ft |
| 7 | 0413-203 | 1 | | Shroud, Fan |
| 8 | 0413-123 | 1 | /P | Fan, Cooling |
| 9 | 8475-512 | 4 | | Screw, Machine |
| 10 | 0423-351 | 1 | | Clamp, Wire |
| 11 | 0623-378 | 8 | | Screw, Self-Tapping |
| 12 | 0413-195 | 1 | | Plug, Drain |
| 13 | 1602-213 | 1 | /P | O-Ring |
| 14 | 0423-484 | 2 | | Screw, Shoulder |
| 15 | 0623-038 | 2 | | Nut w/Washer |
| 16 | 0423-028 | 2 | | Bushing, Stem |
| 17 | 0410-002 | 1 | | Hose, Coolant - Upper |
| 18 | 0410-022 | 1 | | Hose, Coolant - Crossover |
| 19 | 0410-041 | 1 | | Hose, Coolant - Lower |
| 20 | 0423-496 | 6 | | Clamp, Hose |
| 21 | 0123-903 | AR | | Tie, Cable - 11.5 in. |



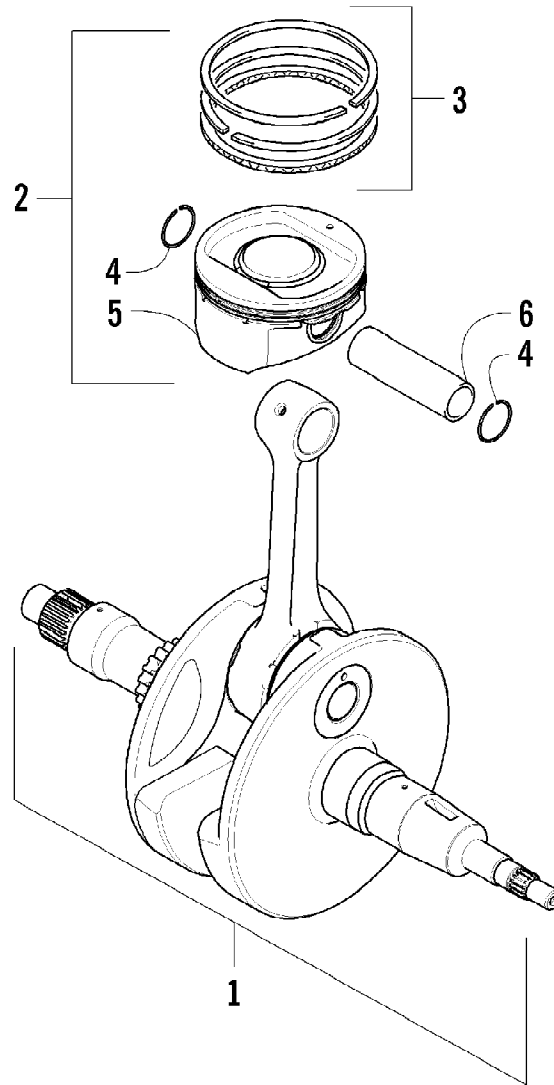
2009 ATV 550 H1 EFI 4X4 AUTOMATIC CAT GREEN (A2009IBO4EUSZ)
CRANK BALANCER ASSEMBLY

Page 16 of 85

| Ref # | Part Number | Qty | S/P/F | Description |
|-------|-------------|-----|-------|----------------------|
| 1 | 0826-033 | 1 | | Screw, Cap |
| 2 | 0828-003 | 1 | | Washer |
| 3 | 0811-003 | 1 | | Gear, Oil Pump Drive |
| 4 | 0829-007 | 1 | | Pin, Dowel |
| 5 | 0811-004 | 1 | | Spacer |
| 6 | 0811-002 | 1 | | Gear, Driven |
| 7 | 0829-006 | 1 | | Key |
| 8 | 0811-017 | 1 | | Balancer, Crank |



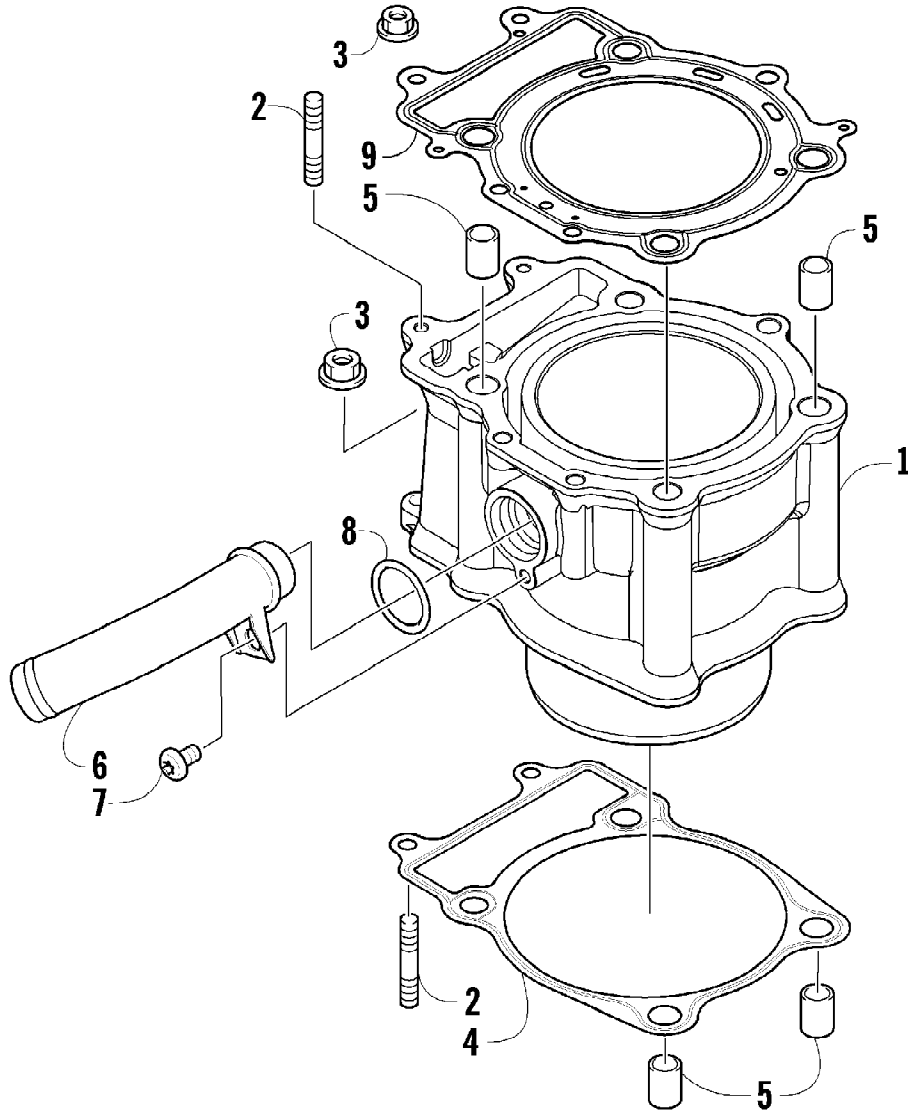
| Ref # | Part Number | Qty | S/P/F | Description |
|-------|-------------|-----|-------|---|
| 1 | 0801-153 | 1 | S | Crankcase Assembly (inc. 2-15) |
| 2 | 0812-064 | 2 | | Plug |
| 3 | 0801-002 | 1 | | Plug |
| 4 | 0832-043 | 1 | /P | Bearing |
| 5 | 0832-044 | 2 | /P | Bearing |
| 6 | 0832-049 | 1 | /P | Bearing |
| 7 | 0832-050 | 3 | /P | Bearing |
| 8 | 0832-042 | 1 | /P | Bearing |
| 9 | 0832-048 | 1 | /P | Bearing |
| 10 | 0832-015 | 1 | S/P | Bearing |
| 11 | 0822-052 | 1 | | Seal, Countershaft |
| 12 | 0826-100 | 4 | | Screw, Machine |
| 13 | 0822-010 | 4 | /P | Retainer, Bearing |
| 14 | 0801-028 | 1 | | Pipe, Breather |
| 15 | 0830-035 | 1 | | Seal, Driveshaft |
| 16 | 8412-850 | 4 | | Screw, Cap |
| 17 | 0829-003 | 1 | | Pin, Dowel |
| 18 | 0829-002 | 5 | | Pin, Dowel |
| 19 | 8468-645 | 3 | | Screw, Machine |
| 20 | 8468-655 | 3 | | Screw, Machine |
| 21 | 8468-675 | 2 | | Screw, Machine |
| 22 | 8412-860 | 1 | | Screw, Cap |
| 23 | 0826-017 | 1 | | Screw, Cap |
| 24 | 0830-008 | 2 | | Gasket |
| 25 | 0826-019 | 1 | | Screw, Cap |
| 26 | 0826-018 | 1 | | Screw, Cap |
| 27 | 8468-695 | 1 | | Screw, Machine |
| 28 | 8468-680 | 1 | | Screw, Machine |
| 29 | 0801-029 | 1 | | Housing, Secondary Shaft (inc. one No. 7) |
| 30 | 0826-105 | 3 | | Screw, Cap |
| 31 | 0826-038 | 1 | | Screw, Cap |
| 32 | 0801-069 | 1 | | Pipe, Breather |
| 33 | 0801-143 | 1 | | Stick, Oil Level |
| 34 | 0830-010 | 1 | | O-Ring |



2009 ATV 550 H1 EFI 4X4 AUTOMATIC CAT GREEN (A2009IBO4EUSZ)
CRANKSHAFT AND PISTON ASSEMBLY

Page 20 of 85

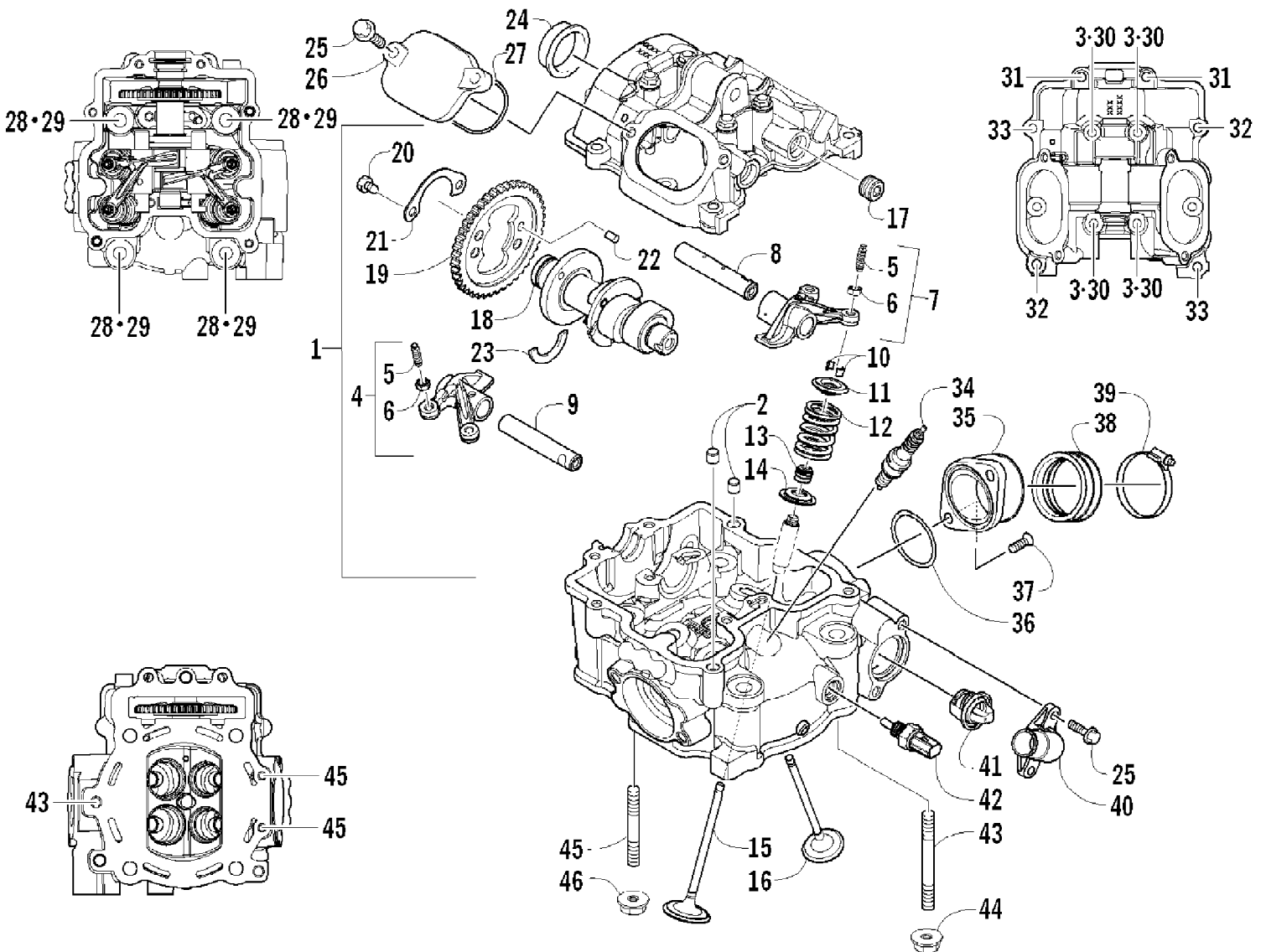
| Ref # | Part Number | Qty | S/P/F | Description |
|-------|-------------|-----|-------|-----------------------|
| 1 | 0805-073 | 1 | S | Crankshaft Assembly |
| 2 | 0805-064 | 1 | | Piston Set (inc. 3-6) |
| 3 | 0805-065 | 1 | | Ring, Piston - Set |
| 4 | 0831-001 | 2 | | Circlip, Piston Pin |
| 5 | 0 | 1 | F | Piston |
| 6 | 0805-012 | 1 | | Pin, Piston |



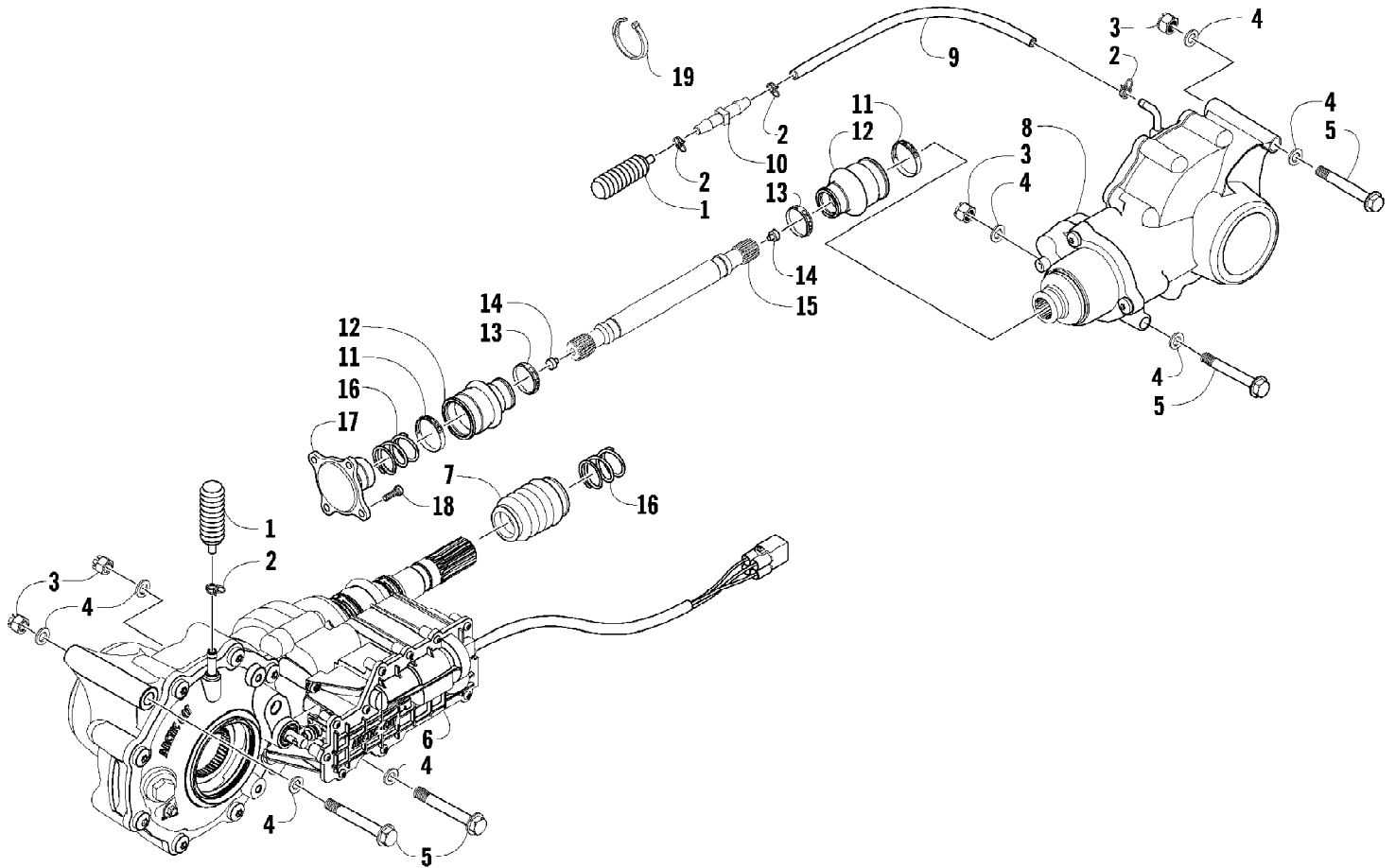
2009 ATV 550 H1 EFI 4X4 AUTOMATIC CAT GREEN (A2009IBO4EUSZ)
CYLINDER ASSEMBLY

Page 22 of 85

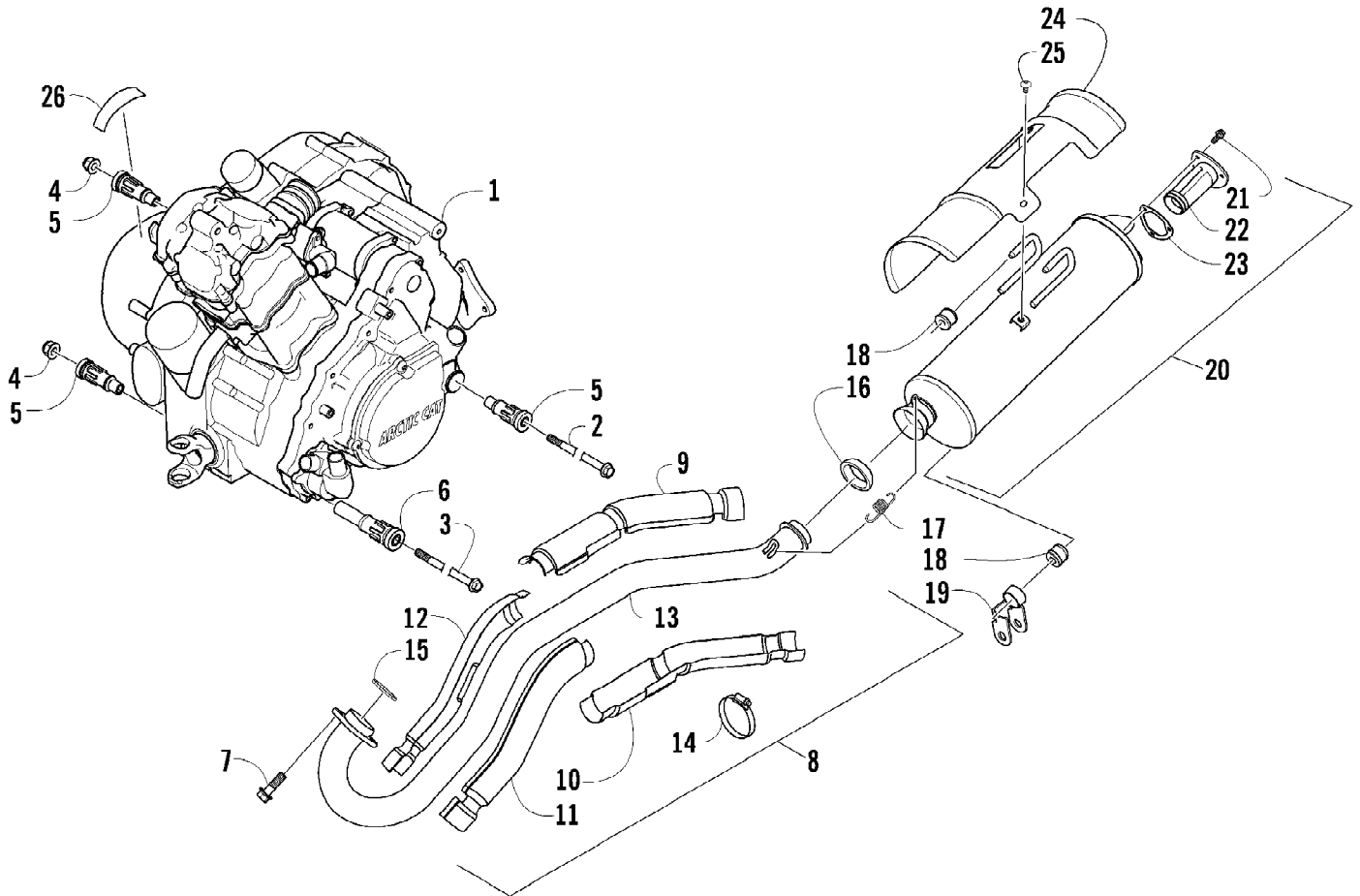
| Ref # | Part Number | Qty | S/P/F | Description |
|-------|-------------|-----|-------|-----------------------|
| 1 | 0804-019 | 1 | S | Cylinder |
| 2 | 0827-002 | 4 | | Bolt, Stud |
| 3 | 8424-604 | 4 | | Nut |
| 4 | 0830-084 | 1 | | Gasket, Base |
| 5 | 0829-002 | 4 | | Pin, Dowel |
| 6 | 0804-047 | 1 | /P | Union, Coolant Hose |
| 7 | 8468-612 | 1 | | Screw, Machine |
| 8 | 0830-007 | 1 | | O-Ring |
| 9 | 0830-097 | 1 | | Gasket, Cylinder Head |



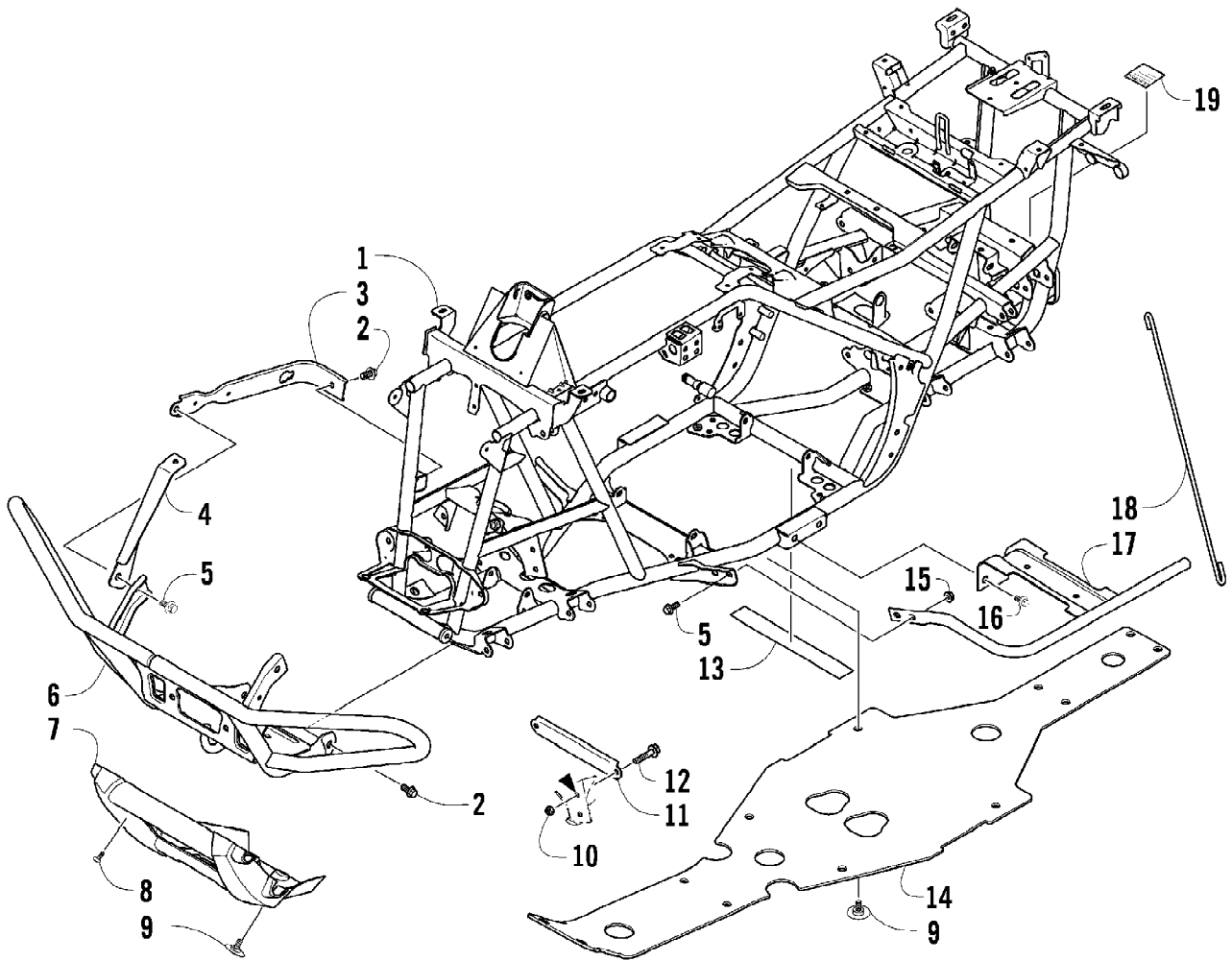
| Ref # | Part Number | Qty | S/P/F | Description |
|-------|-------------|-----|-------|--|
| 1 | 0808-137 | 1 | | Head, Cylinder - Assembly (inc. 2-17) |
| 2 | 0829-001 | 2 | S | Pin, Dowel |
| 3 | 0826-001 | 4 | | Screw, Cap |
| 4 | 0809-205 | 1 | S | Arm, Valve Rocker - Exhaust (inc. two No. 5-6) |
| 5 | 0809-033 | 4 | S | Screw, Adjuster |
| 6 | 0827-007 | 4 | | Nut |
| 7 | 0809-202 | 1 | S | Arm, Valve Rocker - Intake (inc. two No. 5-6) |
| 8 | 0809-007 | 1 | | Shaft, Rocker Arm - Intake |
| 9 | 0809-008 | 1 | | Shaft, Rocker Arm - Exhaust |
| 10 | 0809-014 | 8 | | Cotter, Valve |
| 11 | 0809-013 | 4 | | Retainer, Spring |
| 12 | 0809-138 | 4 | S | Spring, Valve |
| 13 | 0830-016 | 4 | S | Seal, Oil |
| 14 | 0809-006 | 4 | | Seat, Spring - Valve |
| 15 | 0809-039 | 2 | S | Valve, Intake |
| 16 | 0809-040 | 2 | S | Valve, Exhaust |
| 17 | 0831-066 | 2 | | Plug, Shaft |
| 18 | 0809-245 | 1 | /P | Camshaft |
| 19 | 0809-002 | 1 | | Sprocket |
| 20 | 0826-034 | 2 | | Screw, Cap |
| 21 | 0828-004 | 1 | | Plate, Retainer |
| 22 | 0829-049 | 1 | | Pin, Dowel |
| 23 | 0809-003 | 1 | | C-Ring |
| 24 | 0808-077 | 1 | | Plug, Cylinder Head |
| 25 | 0826-007 | 6 | | Screw, Cap |
| 26 | 0808-003 | 2 | | Cap, Inspection |
| 27 | 0830-167 | 2 | /P | O-Ring |
| 28 | 0808-037 | 4 | /P | Screw, Cap |
| 29 | 0830-147 | 4 | /P | Washer |
| 30 | 0830-107 | 4 | | Gasket |
| 31 | 0826-002 | 2 | | Screw, Cap |
| 32 | 0826-005 | 2 | | Screw, Cap |
| 33 | 0826-006 | 2 | | Screw, Cap |
| 34 | 0217-799 | 1 | /P/F | Spark Plug |
| 35 | 0470-668 | 1 | | Flange, Intake Manifold |
| 36 | 0830-090 | 1 | | O-Ring |
| 37 | 0826-008 | 2 | | Screw, Machine |
| 38 | 0470-669 | 1 | S | Boot |
| 39 | 0423-066 | 1 | | Clamp |
| 40 | 0808-008 | 1 | | Cover, Thermostat |
| 41 | 0808-078 | 1 | | Thermostat |
| 42 | 0808-124 | 1 | | Sensor, Engine Coolant Temperature |
| 43 | 0827-031 | 1 | | Bolt, Stud |
| 44 | 8424-804 | 1 | | Nut |
| 45 | 0827-030 | 2 | | Bolt, Stud |
| 46 | 8424-604 | 2 | | Nut |



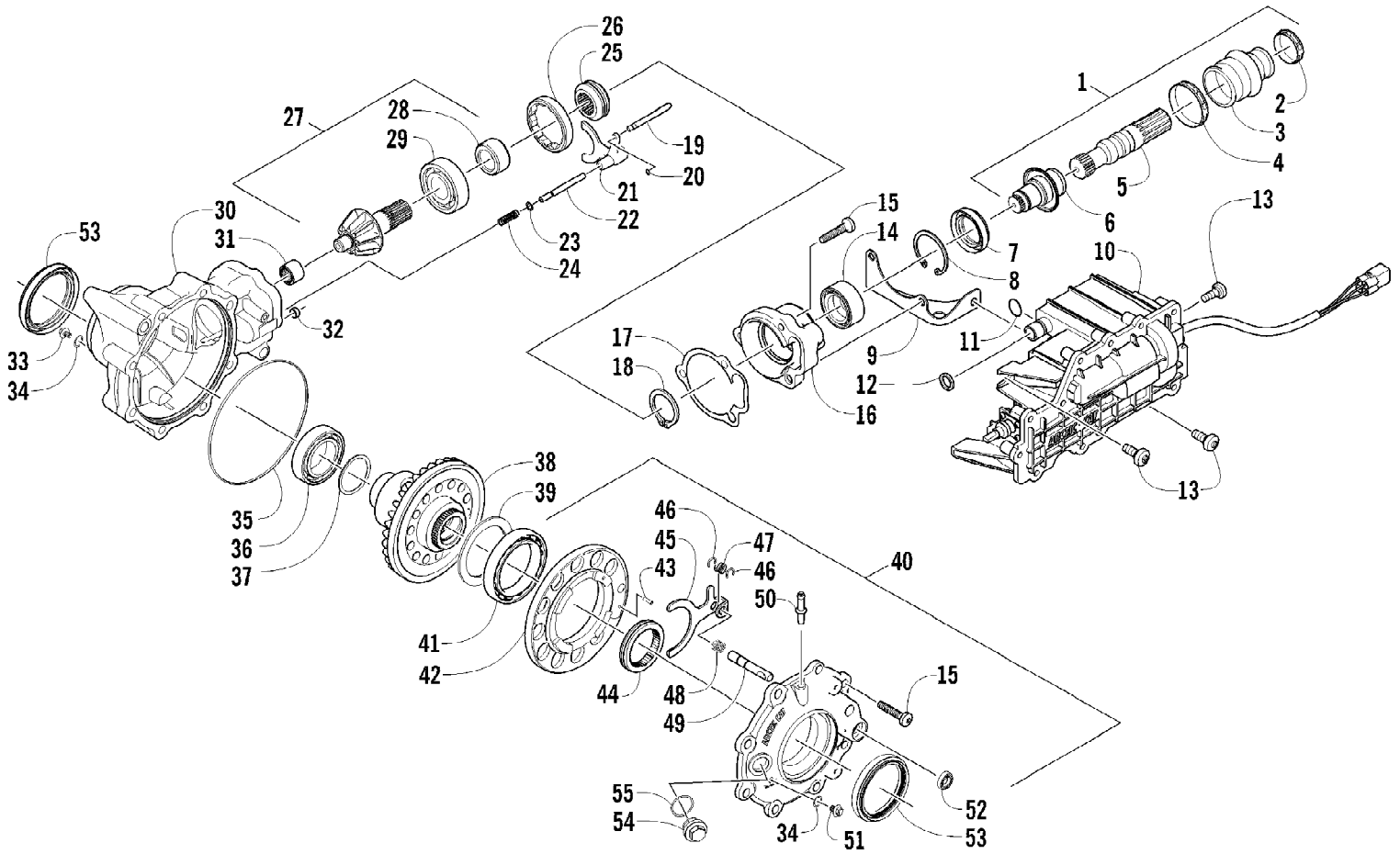
| Ref # | Part Number | Qty | S/P/F | Description |
|-------|-------------|-----|-------|-------------------------|
| 1 | 1402-620 | 2 | /P | Bladder, Gearcase |
| 2 | 0423-315 | 4 | | Clamp, Fitting |
| 3 | 8428-002 | 4 | | Nut, Lock |
| 4 | 0423-426 | 8 | | Washer |
| 5 | 0423-404 | 4 | | Screw, Cap |
| 6 | 1502-394 | 1 | | Gearcase, Front |
| 7 | 0402-966 | 1 | | Boot, Shaft |
| 8 | 1502-402 | 1 | /P | Gearcase, Rear |
| 9 | 0410-070 | AR | /P | Hose, Vent |
| 10 | 0470-702 | 1 | /P | Fitting, Vent |
| 11 | 0423-393 | 2 | | Clamp, Boot |
| 12 | 0402-985 | 2 | /P | Boot |
| 13 | 0423-411 | 2 | | Clamp, Boot |
| 14 | 0673-618 | 2 | /P | Bumper, Propeller Shaft |
| 15 | 1402-233 | 1 | | Shaft, Propeller |
| 16 | 1402-026 | 2 | | Spring |
| 17 | 0402-950 | 1 | | Flange, Output |
| 18 | 8408-820 | 4 | /P | Screw, Cap |
| 19 | 0123-788 | AR | /P | Tie, Cable - 8 in. |



| Ref # | Part Number | Qty | S/P/F | Description |
|-------|-------------|-----|-------|--------------------------------------|
| 1 | 0800-073 | 1 | | Engine, A550F |
| 2 | 0423-451 | 1 | | Screw, Cap |
| 3 | 0423-405 | 1 | | Screw, Cap |
| 4 | 8428-002 | 2 | | Nut, Lock |
| 5 | 0801-129 | 3 | | Mount, Rubber - Engine |
| 6 | 0801-122 | 1 | | Mount, Rubber - Engine |
| 7 | 8408-820 | 2 | /P | Screw, Cap |
| 8 | 0512-345 | 1 | /P | Pipe, Exhaust - Assembly (inc. 9-14) |
| 9 | 0412-350 | 1 | | Shield, Exhaust Pipe - Outer - Rear |
| 10 | 0412-339 | 1 | | Shield, Exhaust Pipe - Inner - Rear |
| 11 | 0412-349 | 1 | | Shield, Exhaust Pipe - Inner - Front |
| 12 | 0412-348 | 1 | | Shield, Exhaust Pipe - Outer - Front |
| 13 | 0512-344 | 1 | | Pipe, Exhaust |
| 14 | 0423-317 | 4 | /P | Clamp |
| 15 | 0412-338 | 1 | /P | Gasket, Exhaust |
| 16 | 0412-375 | 1 | /P | Seal, Exhaust |
| 17 | 0612-668 | 2 | /P | Spring, Extension |
| 18 | 0412-215 | 3 | S | Bushing |
| 19 | 1506-732 | 1 | | Channel, Muffler Support |
| 20 | 0512-355 | 1 | /P | Muffler - Assembly (inc. 21-23) |
| 21 | 8408-616 | 3 | | Screw, Cap |
| 22 | 0512-219 | 1 | /P | Arrester, Spark - Assembly |
| 23 | 0412-313 | 1 | | Gasket, Spark Arrester |
| 24 | 0412-373 | 1 | /P | Cover, Muffler |
| 25 | 8477-610 | 3 | | Screw, Machine |
| 26 | 0411-426 | 1 | | Decal, Warning - Clutch Cover |



| Ref # | Part Number | Qty | S/P/F | Description |
|-------|-------------|-----|-------|------------------------------------|
| 1 | 2506-541 | 1 | | Frame, Main |
| 2 | 8409-020 | 4 | /P | Screw, Cap |
| 3 | 1506-596 | 1 | /P | Channel, Bumper Mounting - Right |
| 3 | 0506-653 | 1 | S | Channel, Bumper Mounting - Left |
| 4 | 1506-562 | 1 | | Bracket, Mounting - Bumper - Right |
| 4 | 1506-563 | 1 | | Bracket, Mounting - Bumper - Left |
| 5 | 8408-816 | 6 | | Screw, Cap |
| 6 | 1506-855 | 1 | /P | Bumper, Front |
| 7 | 1406-360 | 1 | | Fascia, Bumper - Front |
| 8 | 0423-419 | 2 | | Screw, Machine |
| 9 | 0423-101 | 12 | | Screw, Shoulder |
| 10 | 0423-744 | 2 | | Nut, Lock |
| 11 | 1506-429 | 1 | S | Brace, A-Arm |
| 12 | 8409-025 | 2 | | Screw, Cap |
| 13 | 0406-289 | 2 | | Pad, Frame |
| 14 | 1406-030 | 1 | | Panel, Belly |
| 15 | 8424-802 | 4 | | Nut |
| 16 | 8409-016 | 4 | | Screw, Cap |
| 17 | 1506-380 | 1 | | Footrest - Right |
| 17 | 1506-379 | 1 | | Footrest - Left |
| 18 | 2506-423 | 2 | | Rod, Support |
| 19 | 1411-077 | 1 | | Decal, Warning - Towing |

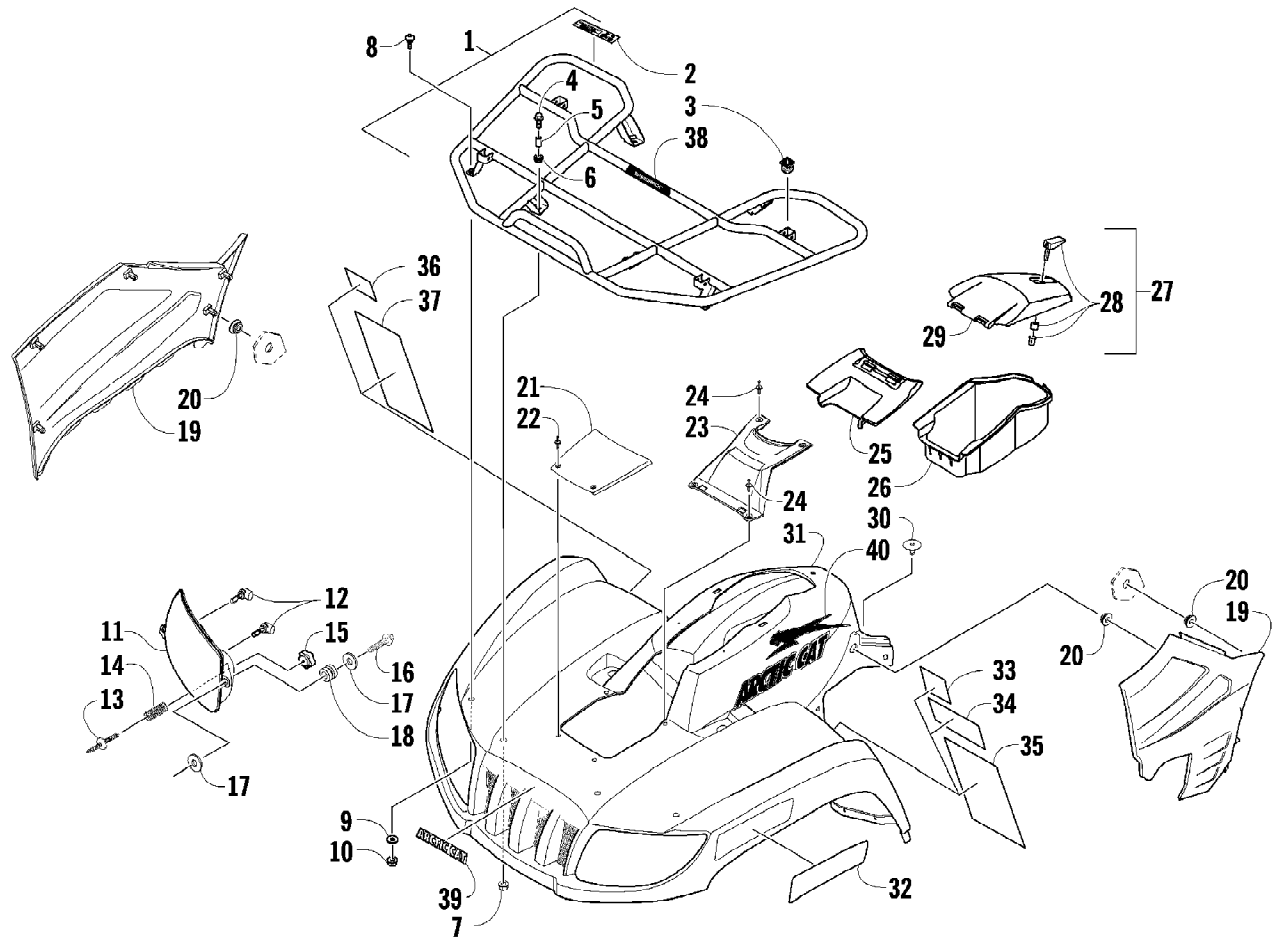


| Ref # | Part Number | Qty | S/P/F | Description |
|-------|-------------|-----|-------|--|
| | 1502-394 | 1 | | Complete Front Drive Gearcase Assembly |
| 1 | 1502-083 | 1 | | Shaft, Propeller - Assembly (inc. 2-6) |
| 2 | 0423-411 | 1 | | Clamp |
| 3 | 0402-985 | 1 | /P | Boot, Propeller Shaft |
| 4 | 0423-393 | 1 | | Clamp |
| 5 | 1402-045 | 1 | | Shaft, Output |
| 6 | 1502-085 | 1 | /P | Shaft, Input |
| 7 | 1402-011 | 1 | | Seal |
| 8 | 0423-423 | 1 | | Ring, Retaining |
| 9 | 1502-237 | 1 | | Bracket, Actuator |
| 10 | 0502-585 | 1 | S | Actuator (inc. 11) |
| 11 | 1402-981 | 1 | | O-Ring |
| 12 | 0423-892 | 1 | /P | O-Ring |
| 13 | 0423-396 | 3 | | Screw, Self-Tapping |
| 14 | 1402-043 | 1 | | Bearing |
| 15 | 0423-118 | 11 | | Screw, Self-Tapping |
| 16 | 0502-528 | 1 | /P | Housing, Pinion |
| 17 | 0402-947 | 1 | | Gasket, Flange |
| 18 | 0423-417 | 1 | | Ring, Retaining |
| 19 | 0402-997 | 1 | | Shaft, Selector |
| 20 | 0423-402 | 1 | | Ring, Retaining |
| 21 | 0402-998 | 1 | | Fork, Selector |
| 22 | 0402-417 | 1 | | Shaft, Shuttle |
| 23 | 0423-147 | 1 | | O-Ring |
| 24 | 0402-999 | 1 | | Spring, Return |
| 25 | 0402-413 | 1 | | Coupler, Drive |
| 26 | 0402-357 | 1 | | Collar, Lock |
| 27 | 0502-783 | 1 | | Gear, Pinion - Assembly - 10T (inc. 28-29) |
| 28 | 0402-336 | 1 | | Collar, Retaining |
| 29 | 0402-327 | 1 | | Bearing |
| 30 | 0502-514 | 1 | | Housing, Gearcase |
| 31 | 0402-328 | 1 | | Bearing |
| 32 | 0402-411 | 1 | | Pin, Dowel |
| 33 | 1402-210 | 1 | /P | Plug, Magnetic (inc. one No. 34) |
| 34 | 0423-153 | 2 | | O-Ring |
| 35 | 0423-149 | 1 | | O-Ring |
| 36 | 0402-393 | 1 | | Bearing |
| 37 | 0402-405 | AR | | Shim, 41 x 49 x 1.3 mm |
| 37 | 0402-406 | AR | | Shim, 41 x 49 x 1.4 mm |
| 37 | 0402-407 | AR | | Shim, 41 x 49 x 1.5 mm |
| 37 | 0402-408 | AR | | Shim, 41 x 49 x 1.6 mm |
| 37 | 0402-409 | AR | | Shim, 41 x 49 x 1.7 mm |
| 38 | 1502-555 | 1 | /P | Gear, Ring - 36T |
| 39 | 1402-074 | AR | | Shim, 61 x 69 x 1.3 mm |
| 39 | 1402-075 | AR | | Shim, 61 x 69 x 1.4 mm |
| 39 | 1402-076 | AR | | Shim, 61 x 69 x 1.5 mm |
| 39 | 1402-077 | AR | | Shim, 61 x 69 x 1.6 mm |
| 39 | 1402-078 | AR | | Shim, 61 x 69 x 1.7 mm |
| 40 | 1502-389 | 1 | | Cover, Gearcase (inc. one No. 34, 41-52, and one No. 53) |
| 41 | 1402-053 | 1 | | Bearing |
| 42 | 0502-413 | 1 | | Flange, Bearing |

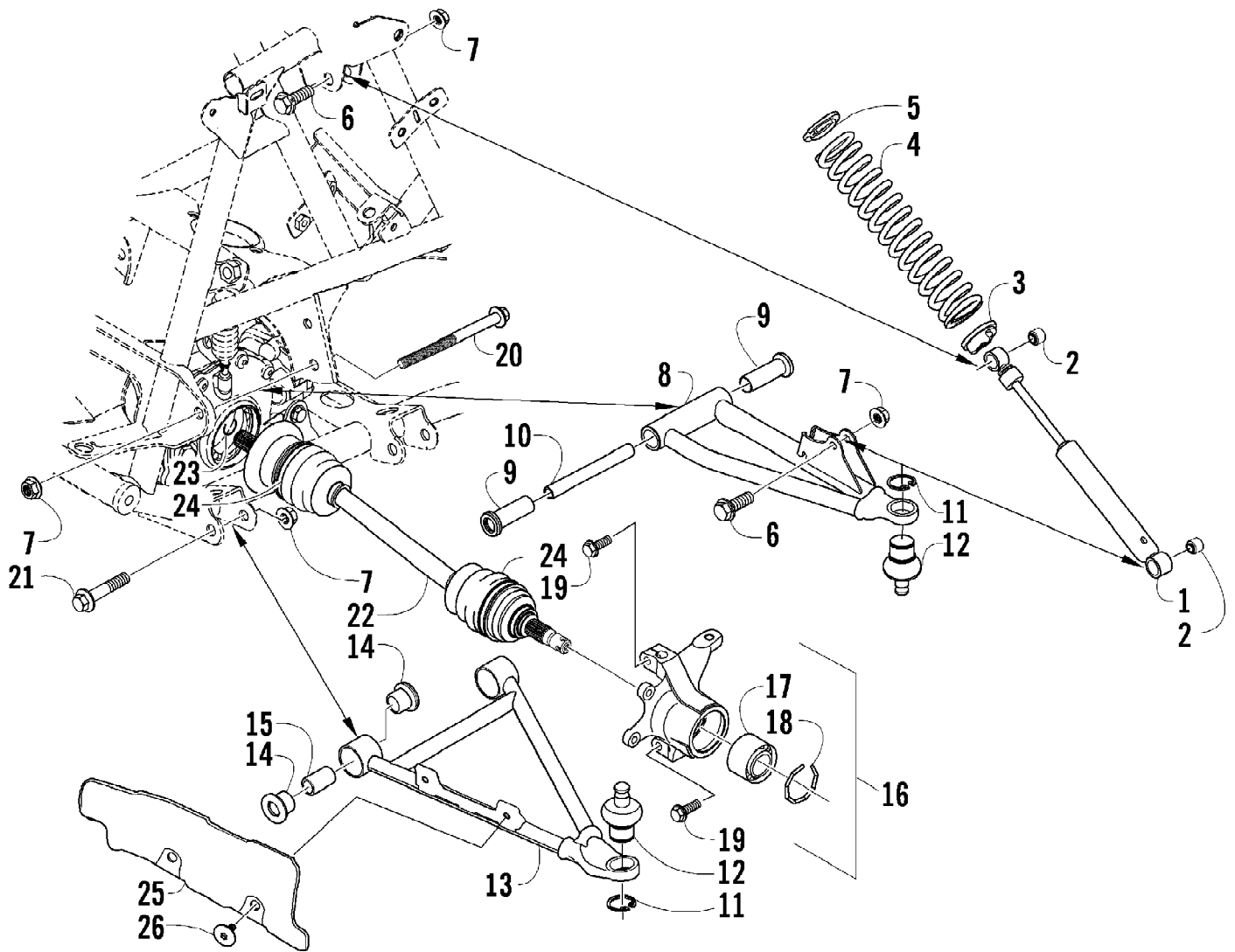
2009 ATV 550 H1 EFI 4X4 AUTOMATIC CAT GREEN (A2009IBO4EUSZ)
FRONT DRIVE GEARCASE ASSEMBLY

Page 33 of 85

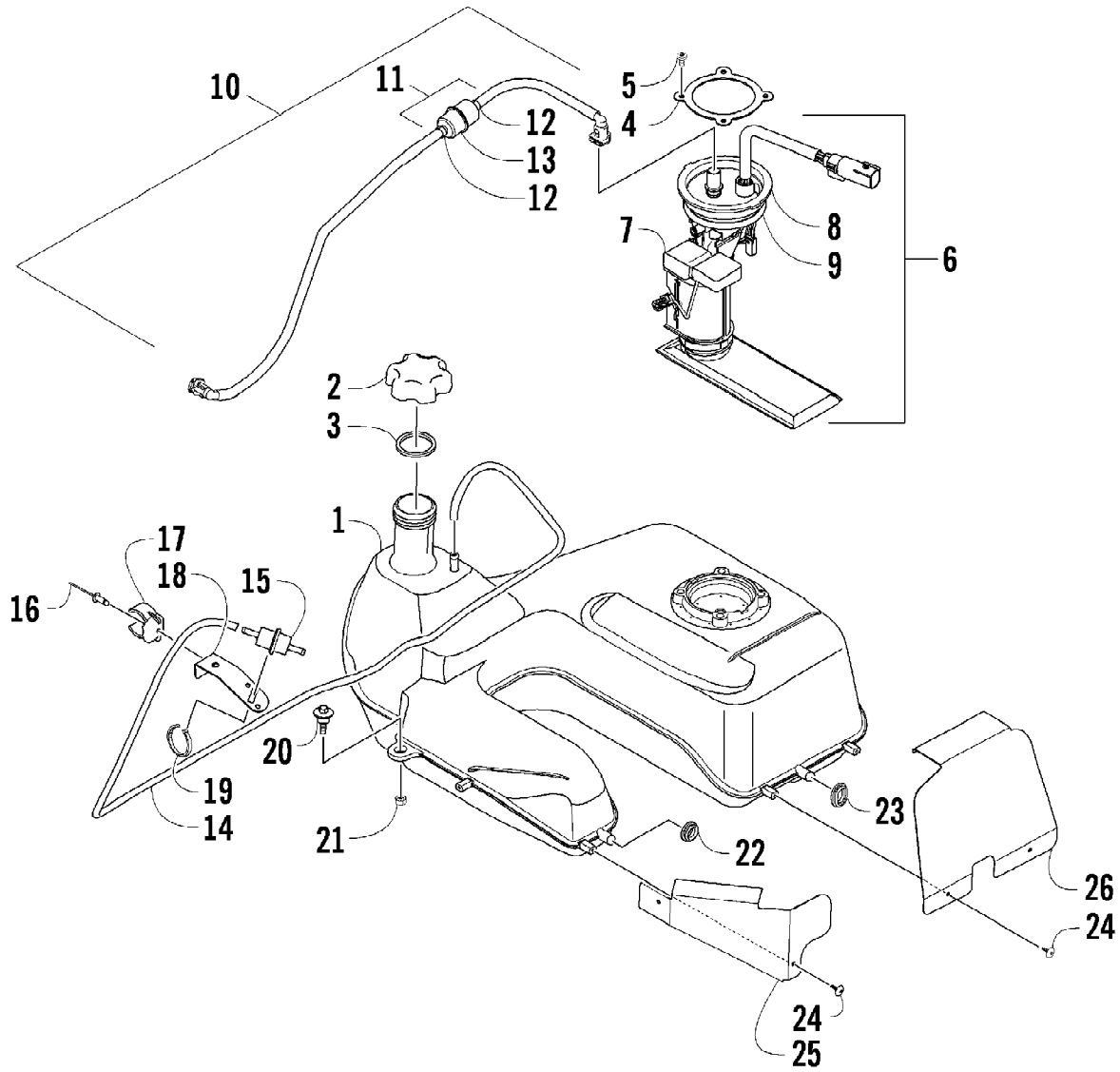
| Ref # | Part Number | Qty | S/P/F | Description |
|-------|-------------|-----|-------|-----------------------------------|
| 43 | 1402-079 | 1 | | Pin, Parallel |
| 44 | 1402-042 | 1 | | Collar, Sliding |
| 45 | 1402-054 | 1 | | Fork |
| 46 | 1402-058 | 2 | | Ring, Retaining |
| 47 | 1402-057 | 1 | | Spring |
| 48 | 1402-063 | 1 | | Spring |
| 49 | 1402-656 | 1 | | Shaft, Lock |
| 50 | 1402-104 | 1 | | Fitting |
| 51 | 1402-211 | 1 | | Plug, Oil Level (inc. one No. 34) |
| 52 | 1402-056 | 1 | | Seal |
| 53 | 1402-713 | 2 | S | Seal |
| 54 | 0402-333 | 1 | /P | Plug, Fill (inc. 55) |
| 55 | 0423-154 | 1 | | O-Ring |



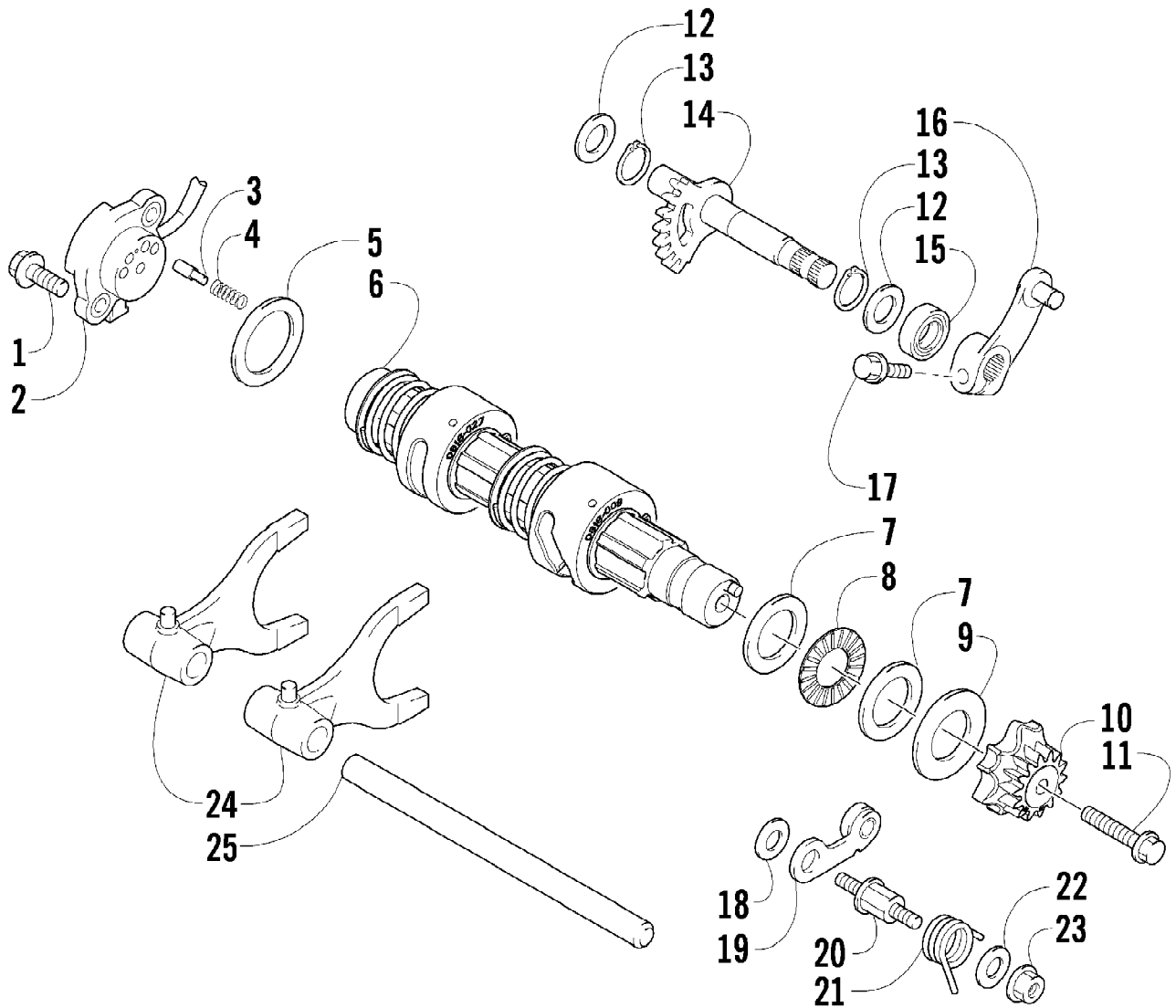
| Ref # | Part Number | Qty | S/P/F | Description |
|-------|-------------|-----|-------|---|
| 1 | 2506-106 | 1 | | Rack, Front - Assembly (inc. 2-3) |
| 2 | 0411-576 | 1 | | Decal, Warning - Load |
| 3 | 0441-592 | 4 | /P | Bushing |
| 4 | 8410-830 | 4 | | Screw, Cap |
| 5 | 0423-669 | 4 | | Spacer |
| 6 | 0423-465 | 4 | | Grommet |
| 7 | 8432-802 | 4 | | Nut, Lock |
| 8 | 0423-654 | 2 | | Screw, Shoulder |
| 9 | 8050-222 | 2 | /P | Washer |
| 10 | 0423-540 | 2 | | Nut, Lock |
| 11 | 0509-044 | 1 | /P | Headlight Assembly - Right (inc. 12) |
| 11 | 0509-035 | 1 | | Headlight Assembly - Left (inc. 12) |
| 12 | 0409-055 | 4 | | Bulb, Headlight |
| 13 | 0423-514 | 2 | | Stud, Adjuster - Headlight |
| 14 | 0423-522 | 2 | | Spring, Adjuster |
| 15 | 0423-513 | 2 | | Knob, Adjuster |
| 16 | 0623-785 | 4 | | Screw, Self-Tapping |
| 17 | 8050-217 | 8 | /P | Washer |
| 18 | 0423-447 | 4 | | Grommet |
| 19 | 2406-300 | 1 | | Panel, Side - Lower - Right |
| 19 | 2406-419 | 1 | | Panel, Side - Lower - Left |
| 20 | 0423-678 | 8 | | Grommet |
| 21 | 1406-358 | 1 | | Cover, Access |
| 22 | 0423-535 | 2 | | Rivet, Reinstallable |
| 23 | 1406-484 | 1 | | Cover, Steering Post |
| 24 | 0623-362 | 4 | | Rivet, Reinstallable |
| 25 | 0470-513 | 1 | | Cover, Storage Box |
| 26 | 1406-573 | 1 | | Box, Storage |
| 27 | 2506-234 | 1 | | Lid, Storage Box w/Latch (inc. 28-29) |
| 28 | 1406-599 | 1 | | Latch, Storage Box |
| 29 | 0470-514 | 1 | | Lid, Storage Box |
| 30 | 0423-101 | 2 | | Screw, Shoulder |
| 31 | 2516-051 | 1 | S | Panel, Fender - Assembly - Front (inc. 32-37) |
| 32 | 0411-818 | 1 | | Decal, Reflector - Front - Right |
| 32 | 0411-819 | 1 | | Decal, Reflector - Front - Left |
| 33 | 1411-804 | 1 | /P | Decal, Warning - Age |
| 34 | 1411-574 | 1 | | Decal, Warning - Off-Road Only |
| 35 | 1411-932 | 1 | /P | Decal, Warning - General |
| 36 | 0411-835 | 1 | | Decal, Warning - Turn/Hill |
| 37 | 1411-250 | 1 | | Decal, Warning - Reverse/Pre-Ride |
| 38 | 1411-050 | 1 | /P | Decal, "Speedrack" |
| 39 | 1411-725 | 1 | | Decal, Front |
| 40 | 1411-634 | 1 | | Decal, Side - Upper Right |
| 40 | 1411-635 | 1 | | Decal, Side - Upper Left |



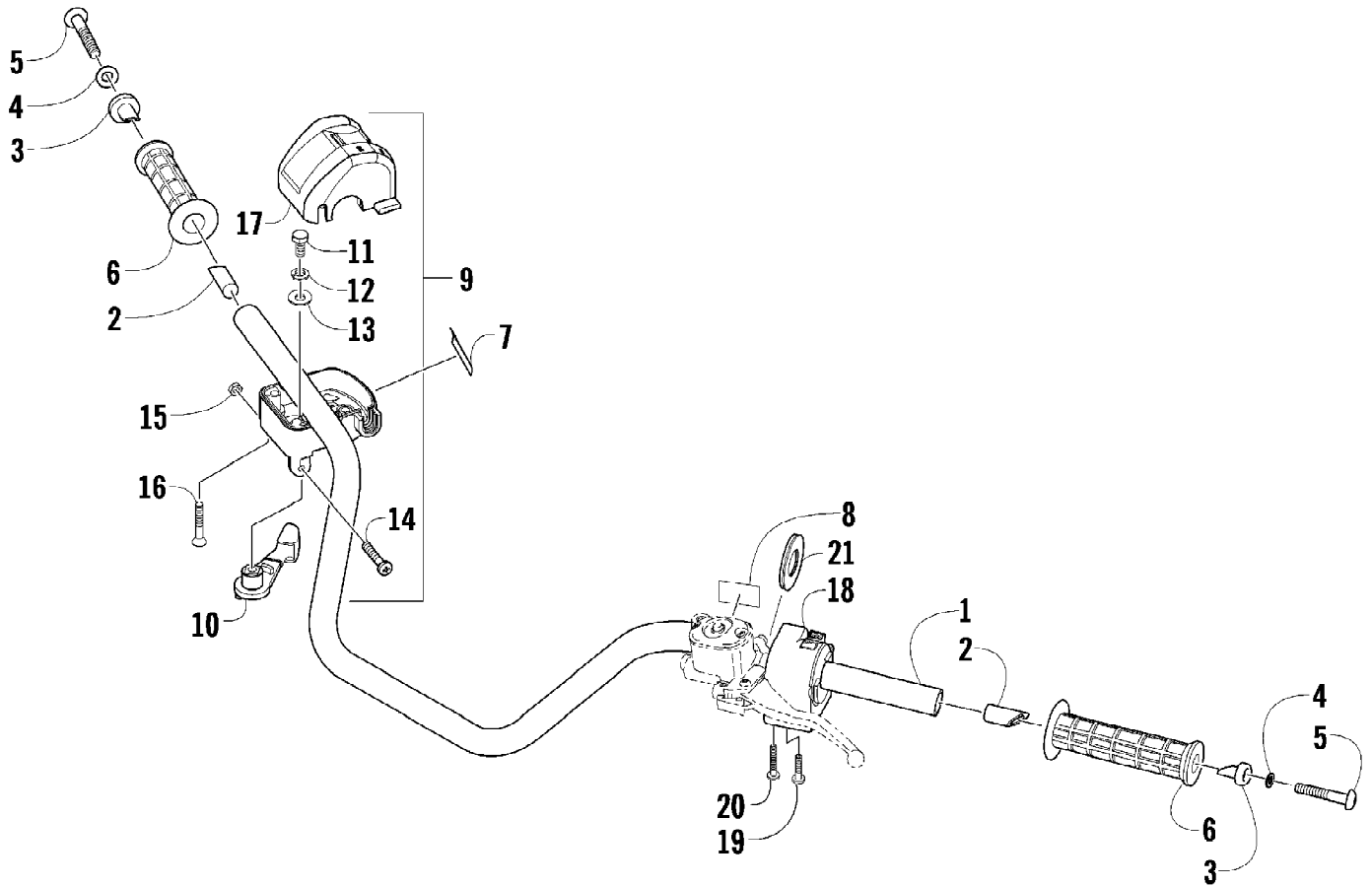
| Ref # | Part Number | Qty | S/P/F | Description |
|-------|-------------|-----|-------|---|
| 1 | 0403-209 | 2 | | Shock Absorber (inc. 2) |
| 2 | 0403-182 | 4 | | Bushing |
| 3 | 0403-102 | 2 | | Cam, Spring Adjuster |
| 4 | 0503-354 | 2 | | Spring, Suspension |
| 5 | 1603-889 | 2 | /P | Retainer, Spring |
| 6 | 8409-040 | 4 | | Screw, Cap |
| 7 | 0423-744 | 10 | | Nut, Lock |
| 8 | 0503-272 | 1 | S | A-Arm, Upper Right (inc. 9-12) |
| 8 | 0503-273 | 1 | S | A-Arm, Upper Left (inc. 9-12) |
| 9 | 0403-081 | 4 | S | Bushing |
| 10 | 0403-080 | 2 | | Axle |
| 11 | 0423-009 | 4 | /P | Ring, Retaining |
| 12 | 0405-115 | 4 | /P | Ball Joint |
| 13 | 0503-342 | 1 | S | A-Arm, Lower Right (inc. 14-15 and two No. 11-12) |
| 13 | 0503-343 | 1 | S | A-Arm, Lower Left (inc. 14-15 and two No. 11-12) |
| 14 | 0403-115 | 8 | S | Bushing |
| 15 | 0403-114 | 4 | S | Axle |
| 16 | 0505-460 | 1 | | Knuckle - Assembly - Right (inc. 17-18) |
| 16 | 0505-461 | 1 | S | Knuckle - Assembly - Left (inc. 17-18) |
| 17 | 1402-027 | 2 | S/P | Bearing |
| 18 | 0423-423 | 2 | | Ring, Retaining |
| 19 | 8409-030 | 4 | | Screw, Cap |
| 20 | 0423-334 | 2 | | Screw, Cap |
| 21 | 8409-075 | 4 | | Screw, Cap |
| 22 | 1502-344 | 1 | S/P | Axle, Drive - Right (inc. 23-24) |
| 22 | 1502-345 | 1 | S | Axle, Drive - Left (inc. 23-24) |
| 23 | 0423-844 | 2 | /P | Clip, Retaining |
| 24 | 0436-276 | 2 | S | Repair Kit, Boot |
| 25 | 0441-752 | 1 | | Guard, Boot - Right |
| 25 | 0441-753 | 1 | | Guard, Boot - Left |
| 26 | 0423-545 | 4 | /P | Screw, Shoulder |



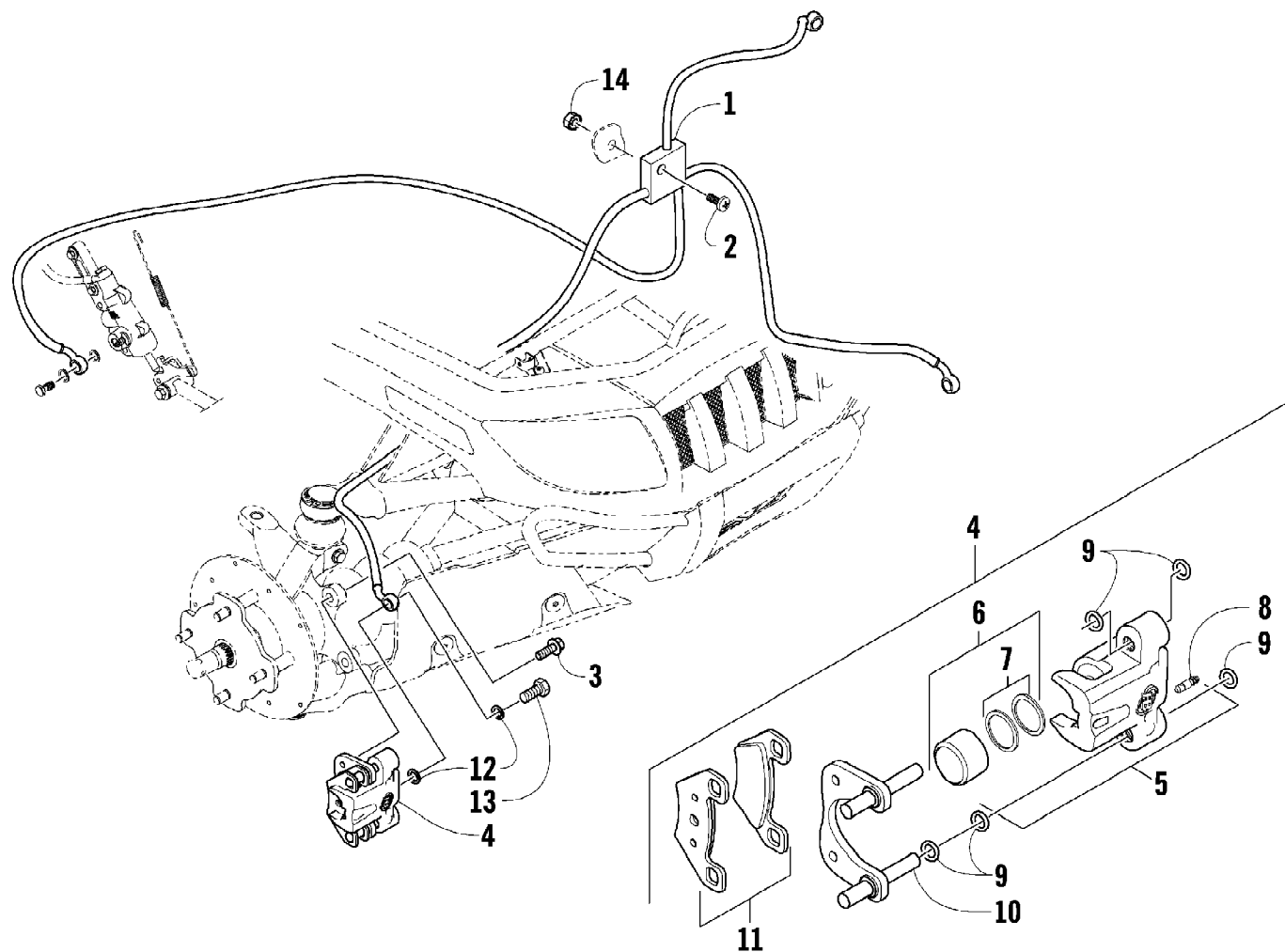
| Ref # | Part Number | Qty | S/P/F | Description |
|-------|-------------|-----|-------|---|
| 1 | 0570-159 | 1 | | Tank, Gas - Assembly (inc. 2-5 and one No. 9) |
| 2 | 0470-438 | 1 | /P | Cap, Gas (inc. 3) |
| 3 | 0109-733 | 1 | /P | Gasket, Gas Cap |
| 4 | 0470-606 | 1 | | Plate, Mounting - Fuel Pump |
| 5 | 8476-612 | 4 | | Screw, Self-Tapping |
| 6 | 0570-271 | 1 | /P | Pump, Fuel - Assembly (inc. 7-9) |
| 7 | 0570-252 | 1 | /P | Sensor, Fuel Level - Kit (inc. 8-9) |
| 8 | 0470-614 | 1 | | Seal, Fuel Pump |
| 9 | 0470-613 | 1 | | Seal, Fuel Pump |
| 10 | 0570-243 | 1 | | Hose, Gasline - Assembly (inc. 11-13) |
| 11 | 0570-246 | 1 | | Filter, Fuel - Kit (inc. 12-13) |
| 12 | 0 | 2 | F | Clamp, Hose |
| 13 | 0 | 1 | F | Filter, Fuel |
| 14 | 0410-070 | AR | /P | Hose, Gasline - 25 ft |
| 15 | 0510-335 | 1 | /P | Filter, In-Line |
| 16 | 8060-628 | 1 | | Rivet |
| 17 | 1670-826 | 1 | | Bracket, Fuel Filter |
| 18 | 0470-827 | 1 | | Bracket, Filter Mounting |
| 19 | 0123-788 | AR | /P | Tie, Cable - 8 in. |
| 20 | 0423-732 | 2 | | Screw, Shoulder |
| 21 | 0623-038 | 1 | | Nut w/Washer |
| 22 | 0423-460 | 1 | | Grommet |
| 23 | 0423-806 | 1 | | Grommet |
| 24 | 0623-797 | 4 | | Screw, Self-Tapping |
| 25 | 0470-709 | 1 | | Shield, Heat - Gas Tank - Front |
| 26 | 0470-710 | 1 | | Shield, Heat - Gas Tank - Rear |



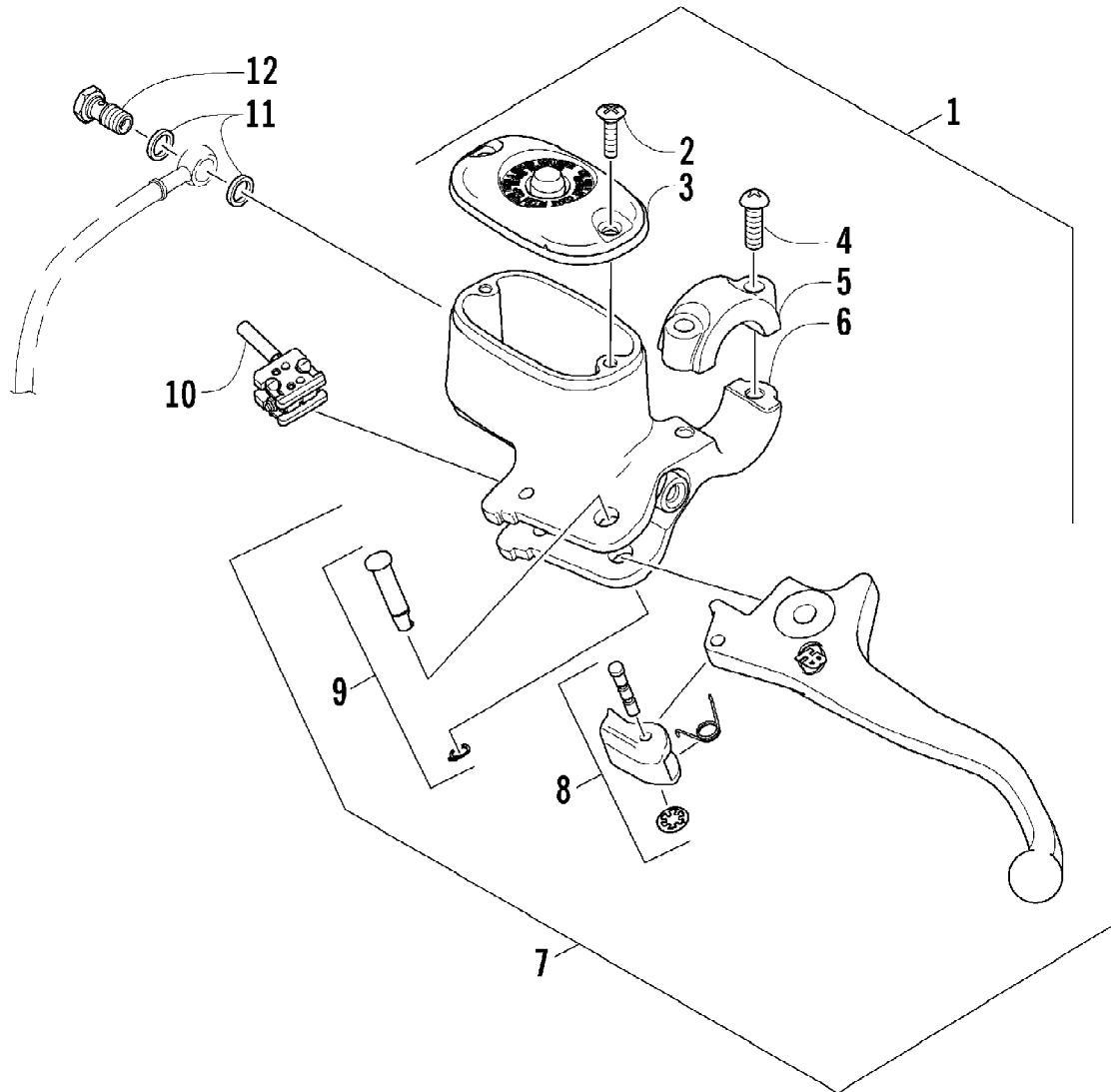
| Ref # | Part Number | Qty | S/P/F | Description |
|-------|-------------|-----|-------|------------------------------|
| 1 | 8470-520 | 2 | | Screw, Machine |
| 2 | 0409-090 | 1 | /P | Switch, Gear Shift Position |
| 3 | 0818-013 | 2 | | Contact |
| 4 | 0818-017 | 2 | | Spring |
| 5 | 0828-040 | 1 | | Washer |
| 6 | 0818-046 | 1 | | Shaft, Gear Shift - Assembly |
| 7 | 0828-095 | 2 | | Washer |
| 8 | 0832-052 | 1 | /P | Bearing, Thrust |
| 9 | 0828-037 | 1 | | Washer |
| 10 | 0818-089 | 1 | /P | Plate, Gear Shift Cam |
| 11 | 0826-006 | 1 | | Screw, Cap |
| 12 | 0828-036 | 2 | | Washer |
| 13 | 0831-010 | 2 | | Ring, Retaining |
| 14 | 0818-007 | 1 | /P | Shaft, Sub-Gear Shift |
| 15 | 0830-044 | 1 | | Seal, Sub-Gear Shift Shaft |
| 16 | 0818-014 | 1 | | Arm, Select |
| 17 | 8468-620 | 1 | /P | Screw, Machine |
| 18 | 0828-038 | 1 | | Washer |
| 19 | 0818-002 | 1 | | Stopper, Cam |
| 20 | 0818-004 | 1 | | Support, Cam Stopper |
| 21 | 0818-090 | 1 | | Spring |
| 22 | 0828-035 | 1 | | Washer |
| 23 | 8424-602 | 1 | /P | Nut |
| 24 | 0818-072 | 2 | /P | Fork, Shift |
| 25 | 0818-006 | 1 | | Shaft, Shift Fork |



| Ref # | Part Number | Qty | S/P/F | Description |
|-------|-------------|-----|-------|---|
| 1 | 0505-418 | 1 | /P | Handlebar |
| 2 | 0405-218 | 2 | | Plug, Handlebar |
| 3 | 0405-149 | 2 | | End Cap, Handlebar |
| 4 | 8050-247 | 2 | /P | Washer |
| 5 | 8477-845 | 2 | | Screw, Machine |
| 6 | 0405-147 | 2 | | Grip, Handlebar |
| 7 | 0411-966 | 1 | | Decal, Warning - Differential Lock |
| 8 | 1411-865 | 1 | | Decal, Warning - Brake Lever Lock |
| 9 | 0509-045 | 1 | | Case, Throttle - Assembly (inc. 10-17) |
| 10 | 3409-001 | 1 | | Lever |
| 11 | 3004-533 | 1 | S/P | Screw, Cap |
| 12 | 3004-447 | 1 | /P | Washer, Lock |
| 13 | 3003-030 | 1 | /P | Washer |
| 14 | 3423-014 | 1 | | Screw, Machine |
| 15 | 3423-327 | 1 | | Nut |
| 16 | 3423-199 | 2 | | Screw, Machine |
| 17 | 0409-119 | 1 | | Cover, Throttle Case w/Switch |
| 18 | 0509-014 | 1 | | Switch, Control - Assembly (inc. 19-21) |
| 19 | 0409-027 | 1 | | Screw, Machine |
| 20 | 0409-028 | 1 | | Screw, Machine |
| 21 | 3409-019 | 1 | | Cover, Switch Housing |



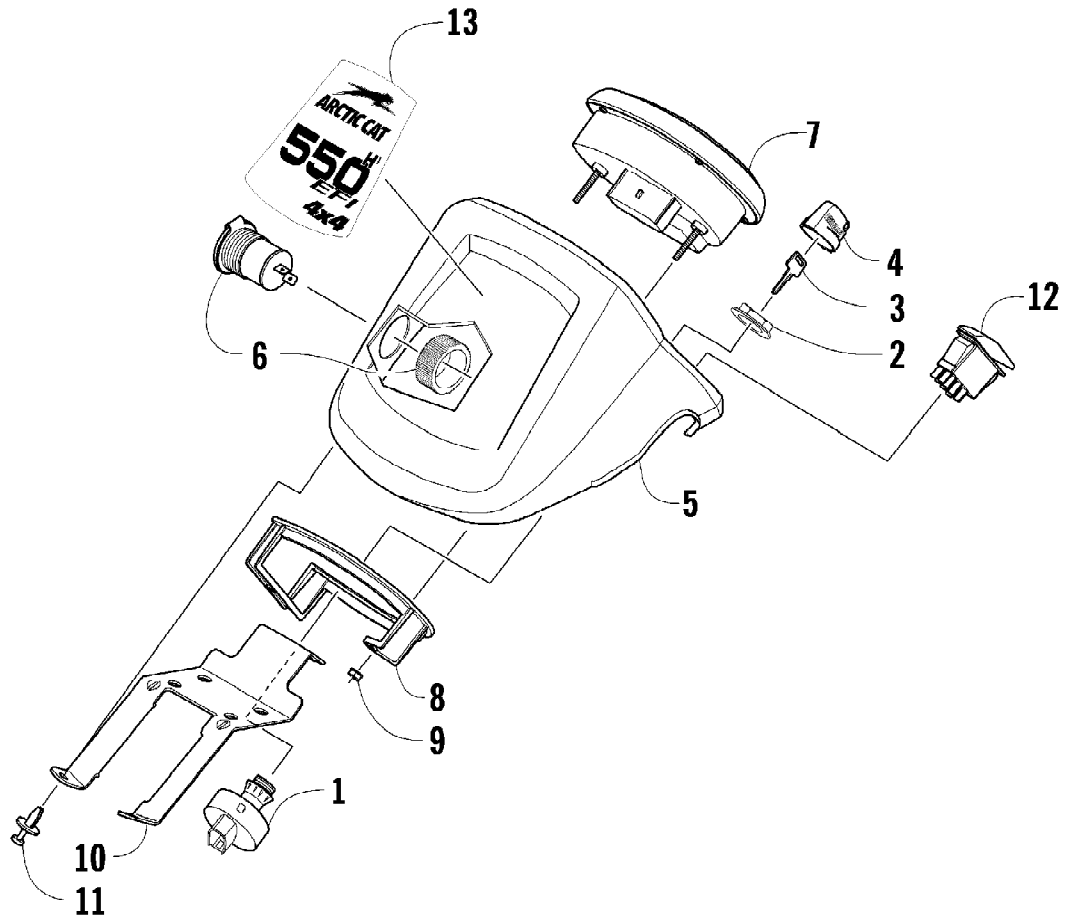
| Ref # | Part Number | Qty | S/P/F | Description |
|-------|-------------|-----|-------|--|
| 1 | 1502-015 | 1 | | Hose, Brake - Assembly |
| 2 | 8476-625 | 1 | | Screw, Machine |
| 3 | 8408-821 | 4 | /P | Screw, Cap |
| 4 | 1436-162 | 1 | S/P | Caliper, Brake - Right Front (inc. 5-11 and two No. 3) |
| 4 | 1436-163 | 1 | | Caliper, Brake - Left Front (inc. 5-11 and two No. 3) |
| 5 | 1436-160 | 1 | /P | Housing, Caliper - Assembly - Right Front (inc. 6-8) |
| 5 | 1436-161 | 1 | /P | Housing, Caliper - Assembly - Left Front (inc. 6-8) |
| 6 | 0502-606 | 2 | | Piston/Seal Set (inc. 7) |
| 7 | 0502-607 | 2 | | Seal Set |
| 8 | 0502-609 | 2 | /P | Valve, Bleed |
| 9 | 0502-608 | 2 | | O-Ring, Guide - Set |
| 10 | 0502-605 | 2 | | Bracket Assembly |
| 11 | 1436-165 | 2 | S | Pad, Brake - Set |
| 12 | 0423-178 | 4 | | Washer, Crush |
| 13 | 0423-413 | 2 | | Bolt, Banjo-Fitting |
| 14 | 0623-038 | 1 | | Nut w/Washer |



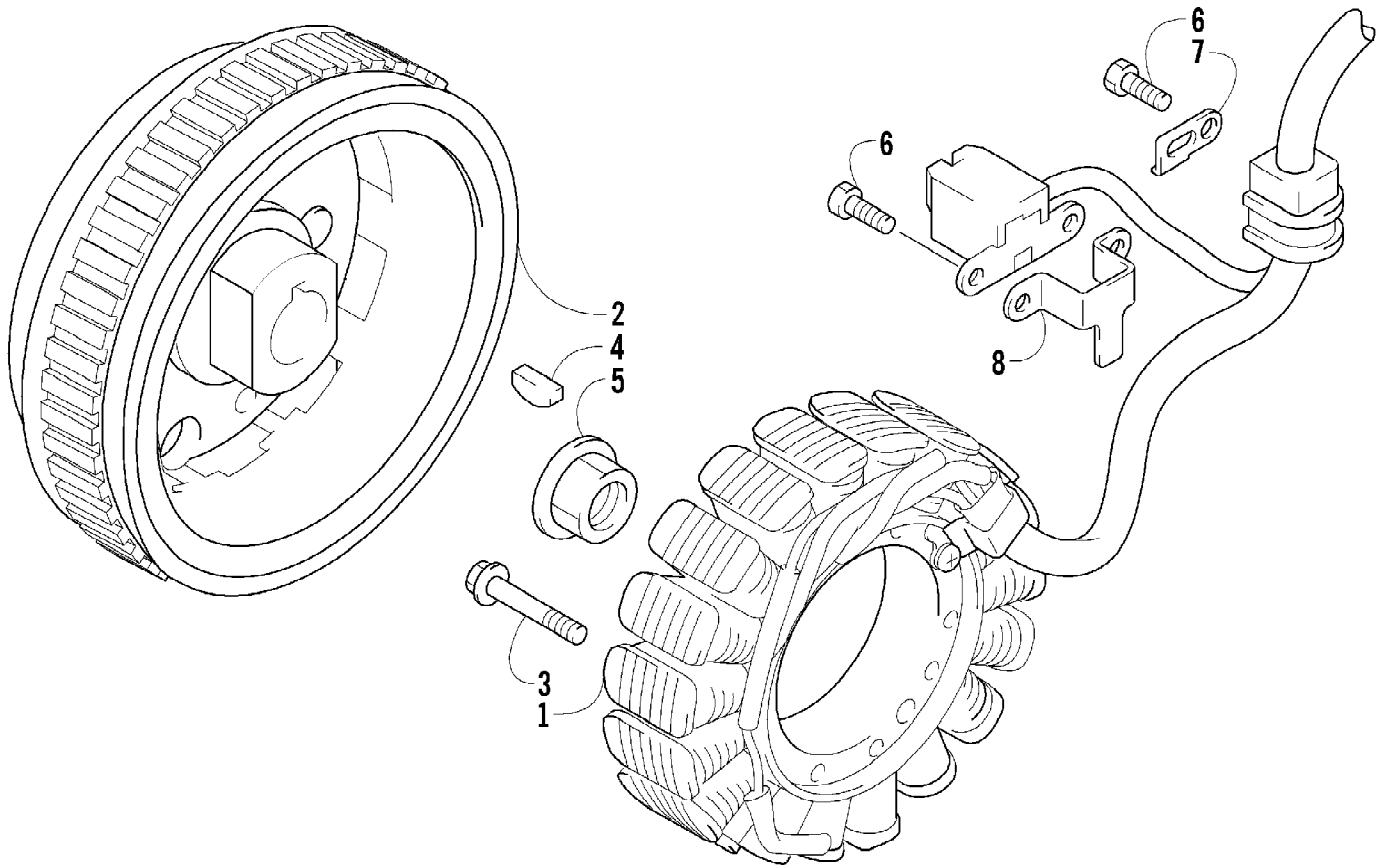
2009 ATV 550 H1 EFI 4X4 AUTOMATIC CAT GREEN (A2009IBO4EUSZ)
HYDRAULIC HAND BRAKE ASSEMBLY

Page 47 of 85

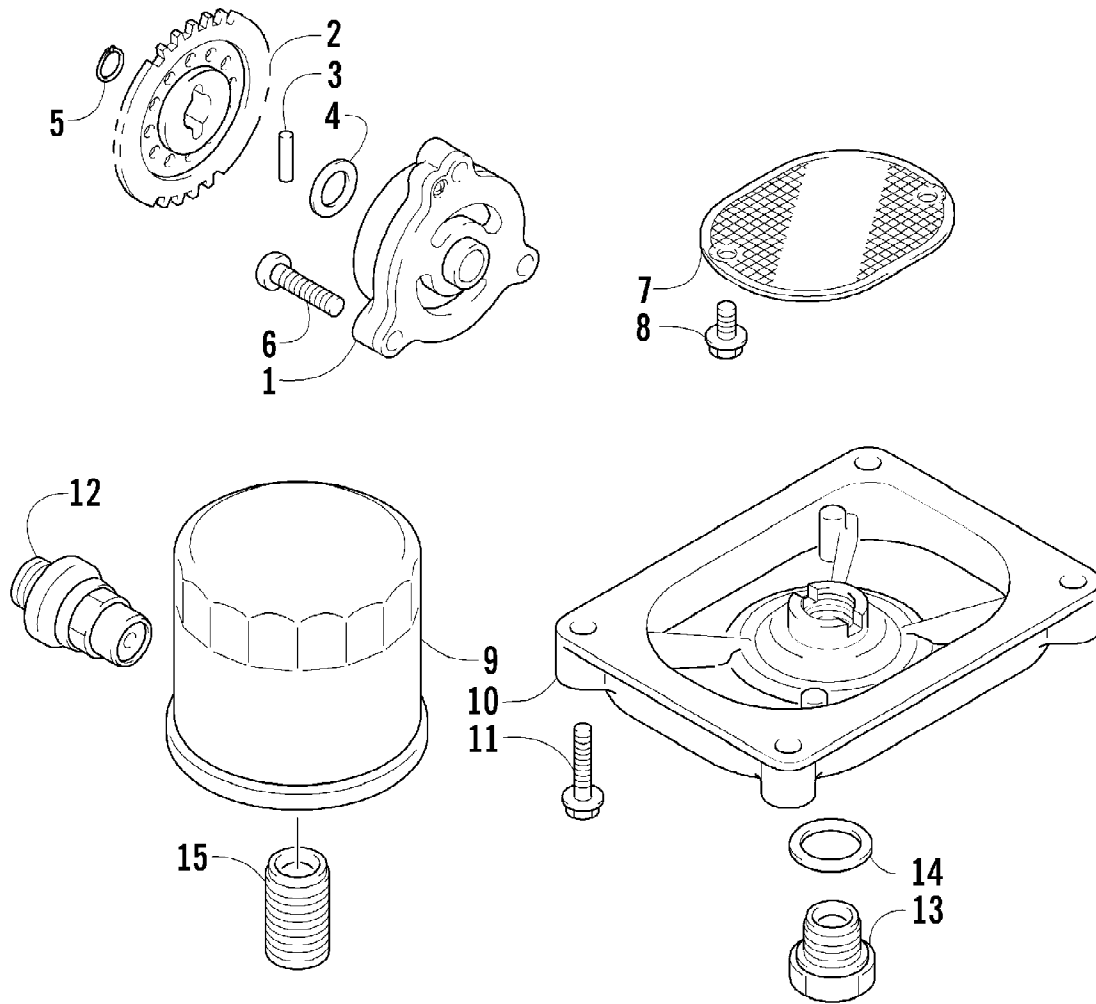
| Ref # | Part Number | Qty | S/P/F | Description |
|-------|-------------|-----|-------|---------------------------------|
| 1 | 0502-914 | 1 | S | Brake Assembly (inc. 2-10) |
| 2 | 0502-566 | 1 | | Screw, Machine |
| 3 | 0502-868 | 1 | /P | Cover, Reservoir |
| 4 | 0502-568 | 1 | | Screw, Machine |
| 5 | 0502-869 | 1 | | Clamp, Master Cylinder |
| 6 | 0502-704 | 1 | | Master Cylinder Assembly |
| 7 | 0502-866 | 1 | | Lever Assembly - Kit (inc. 8-9) |
| 8 | 0502-867 | 1 | /P | Lock, Brake Lever - Kit |
| 9 | 0502-580 | 1 | | Lever Pin - Kit |
| 10 | 0502-564 | 1 | /P | Switch, Brake |
| 11 | 0423-178 | 2 | | Washer, Crush |
| 12 | 0423-413 | 1 | | Bolt, Banjo-Fitting |



| Ref # | Part Number | Qty | S/P/F | Description |
|-------|-------------|-----|-------|--|
| 1 | 0430-090 | 1 | /P | Switch, Ignition - Assembly (inc. 2-4) |
| 2 | 0430-050 | 1 | | Nut, Retaining |
| 3 | 0430-042 | 1 | F | Key, Ignition |
| 3 | 0430-043 | 1 | F | Key, Ignition |
| 4 | 0430-054 | 1 | | Cover, Key |
| 5 | 0405-312 | 1 | | Instrument Pod |
| 6 | 0641-897 | 1 | /P | Outlet, Accessory - 12V |
| 7 | 0520-040 | 1 | | Gauge, LCD |
| 8 | 0420-065 | 1 | /P | Bracket, Retaining |
| 9 | 0423-493 | 2 | | Nut w/Washer |
| 10 | 2506-470 | 1 | | Bracket, Mounting - Instrument Pod |
| 11 | 0423-535 | 2 | | Rivet, Reinstallable |
| 12 | 0409-120 | 1 | | Switch, Differential Lock |
| 13 | 1411-875 | 1 | | Decal, Instrument Pod |



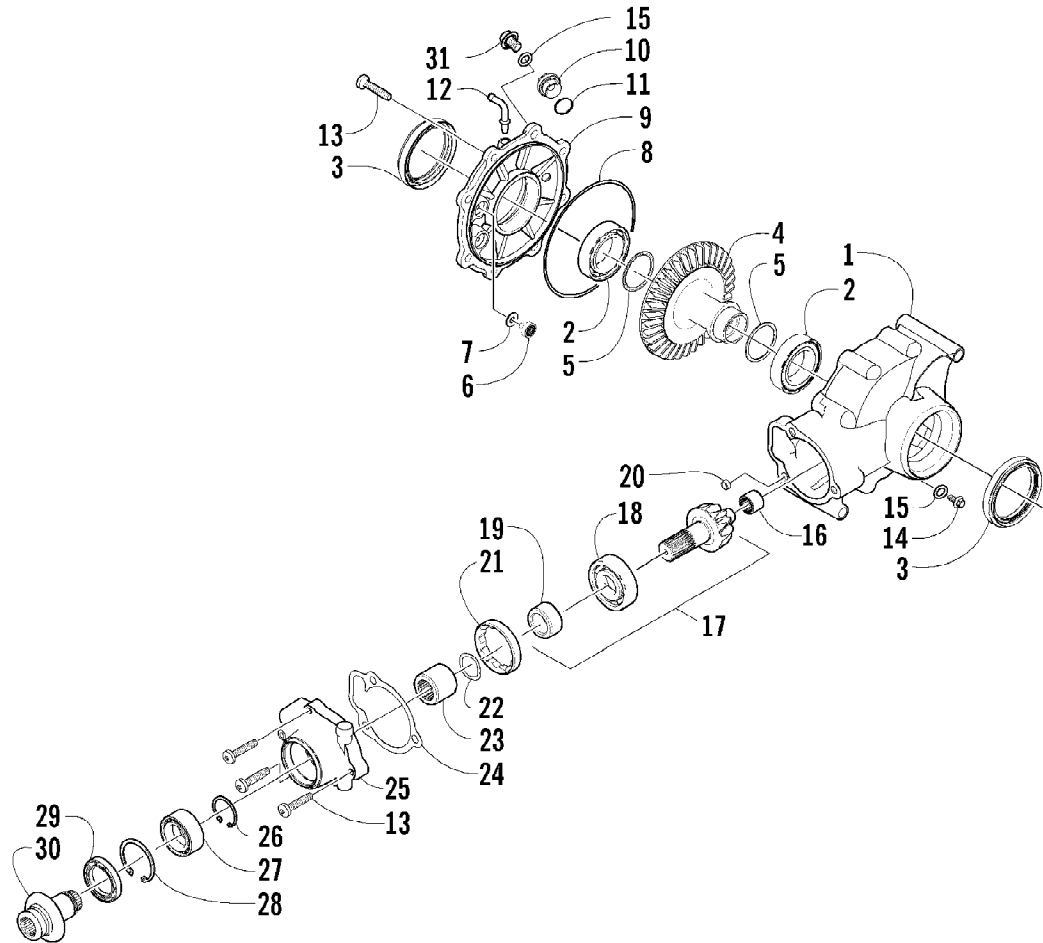
| Ref # | Part Number | Qty | S/P/F | Description |
|-------|-------------|-----|-------|-------------------|
| 1 | 0802-041 | 1 | | Stator - Assembly |
| 2 | 0802-048 | 1 | | Rotor/Flywheel |
| 3 | 0826-102 | 3 | | Screw, Machine |
| 4 | 0829-012 | 1 | | Key |
| 5 | 0827-014 | 1 | | Nut |
| 6 | 8470-510 | 3 | | Screw, Machine |
| 7 | 0802-015 | 1 | | Clamp - No. 1 |
| 8 | 0802-016 | 1 | | Clamp - No. 2 |



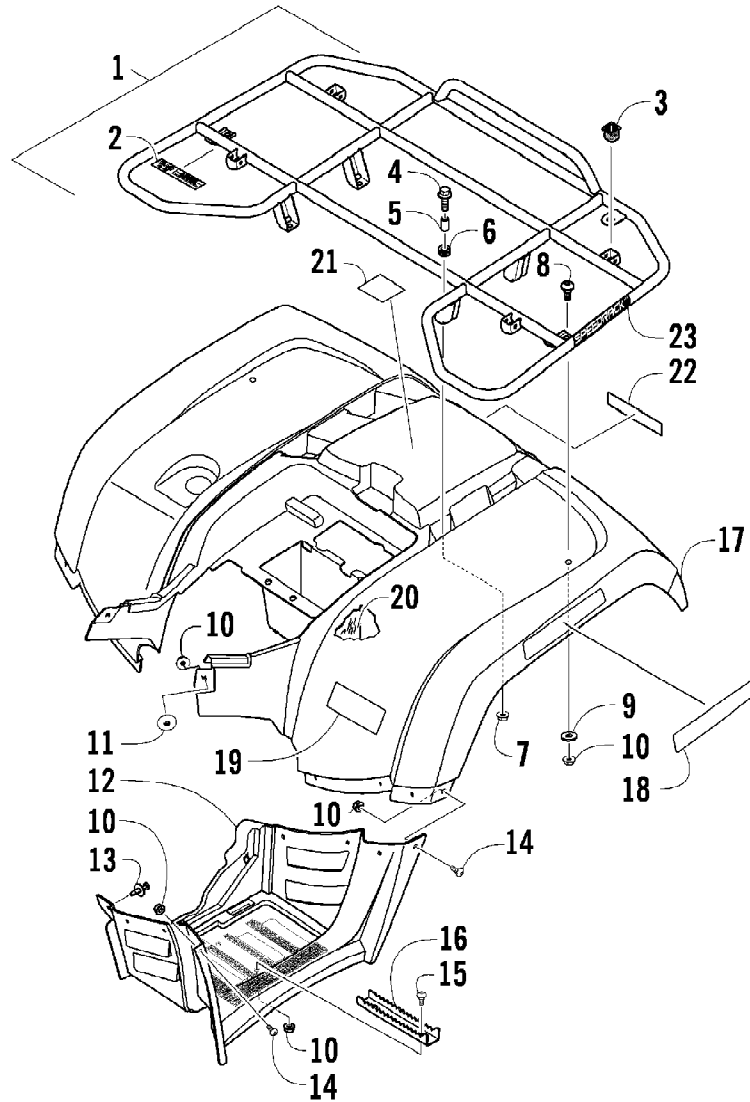
2009 ATV 550 H1 EFI 4X4 AUTOMATIC CAT GREEN (A2009IBO4EUSZ)
OIL FILTER/PUMP ASSEMBLY

Page 53 of 85

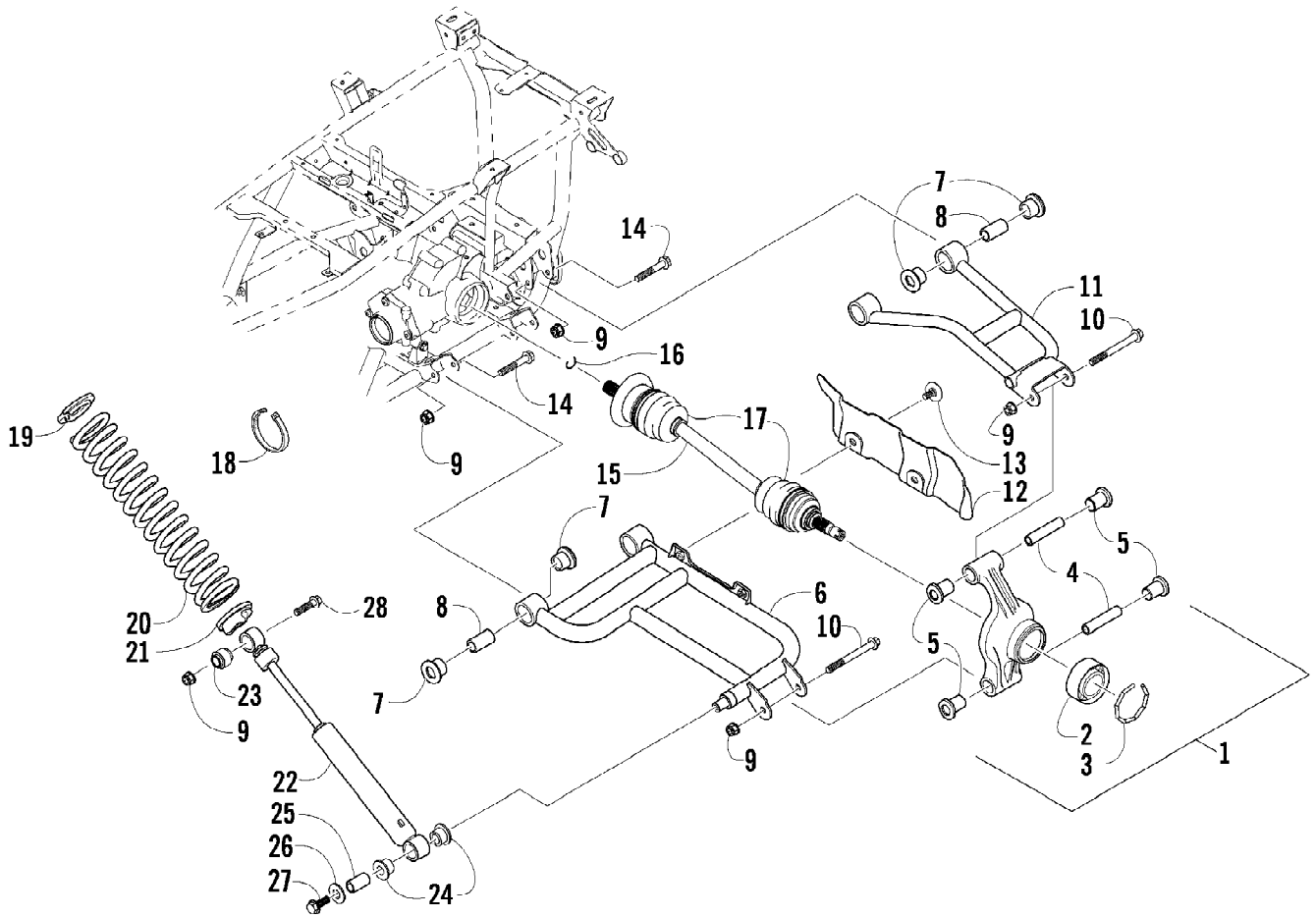
| Ref # | Part Number | Qty | S/P/F | Description |
|-------|-------------|-----|-------|------------------------------|
| 1 | 0812-023 | 1 | | Pump, Oil |
| 2 | 0812-002 | 1 | S | Gear, Driven |
| 3 | 0829-009 | 1 | | Pin |
| 4 | 0828-007 | 1 | /P | Washer |
| 5 | 0831-002 | 1 | | Ring, Retaining |
| 6 | 0826-039 | 3 | | Screw, Machine |
| 7 | 0812-057 | 1 | /P | Strainer, Oil |
| 8 | 0826-040 | 2 | | Screw, Machine |
| 9 | 0812-029 | 1 | S | Filter, Oil |
| 10 | 0812-053 | 1 | | Cap, Oil Strainer |
| 11 | 8468-625 | 4 | | Screw, Machine |
| 12 | 0812-007 | 1 | | Valve, Oil-Relief - Assembly |
| 13 | 0812-006 | 1 | | Plug, Drain |
| 14 | 0830-017 | 1 | | Gasket, Drain Plug |
| 15 | 0812-008 | 1 | | Union, Filter |



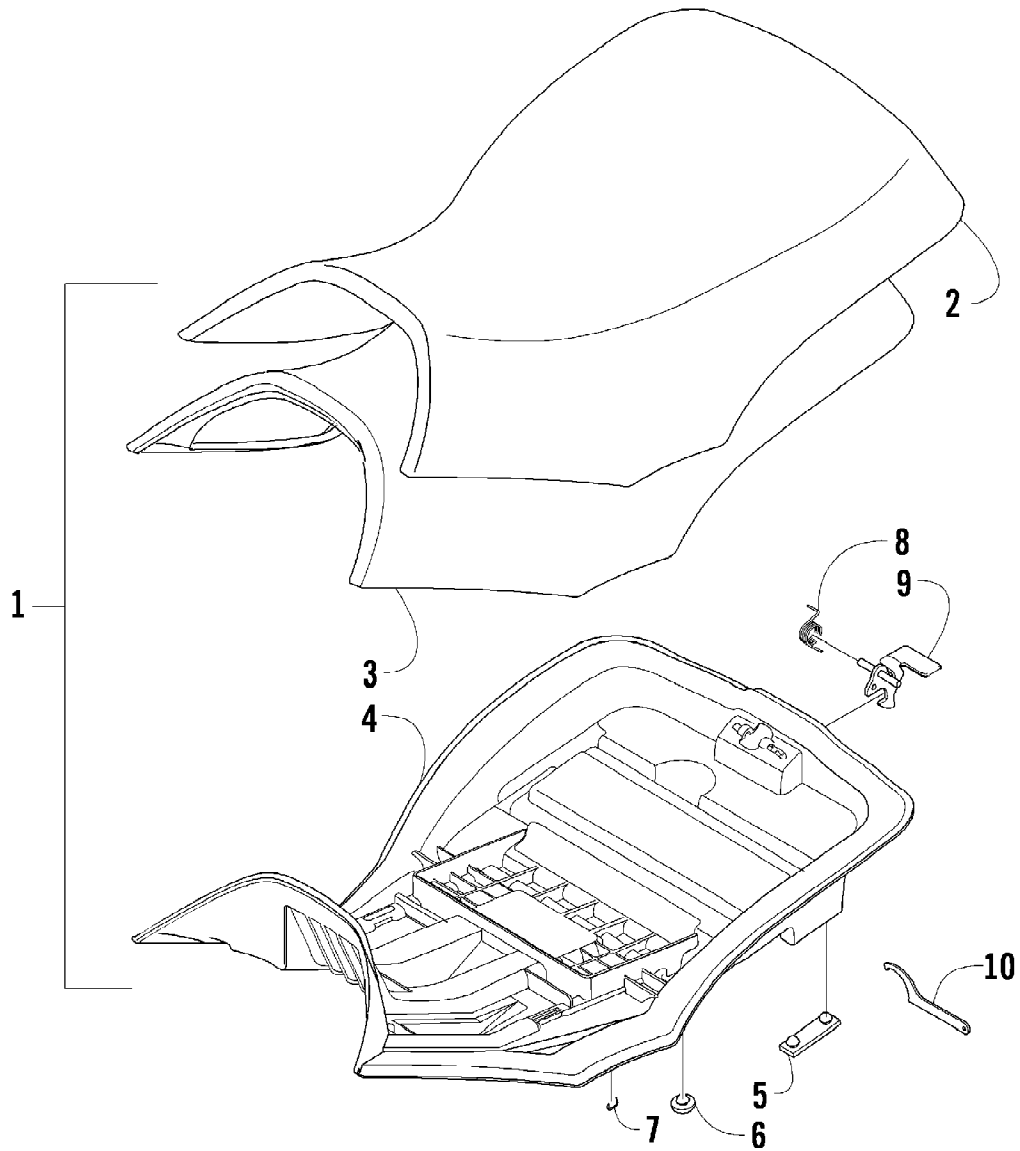
| Ref # | Part Number | Qty | S/P/F | Description |
|-------|-------------|-----|-------|--|
| | 1502-402 | 1 | /P | Complete Rear Drive Gearcase Assembly |
| 1 | 1502-317 | 1 | | Housing, Gearcase |
| 2 | 0402-393 | 2 | | Bearing |
| 3 | 1402-713 | 2 | S | Seal |
| 4 | 1402-032 | 1 | | Gear, Ring - 36T |
| 5 | 0402-405 | AR | | Shim, 41 x 49 x 1.3 mm |
| 5 | 0402-406 | AR | | Shim, 41 x 49 x 1.4 mm |
| 5 | 0402-407 | AR | | Shim, 41 x 49 x 1.5 mm |
| 5 | 0402-408 | AR | | Shim, 41 x 49 x 1.6 mm |
| 5 | 0402-409 | AR | | Shim, 41 x 49 x 1.7 mm |
| 6 | 0402-326 | 1 | | Button, Thrust |
| 7 | 0402-429 | AR | | Shim, 6.3 x 18 x 1.3 mm |
| 7 | 0402-430 | AR | | Shim, 6.3 x 18 x 1.4 mm |
| 7 | 0402-431 | AR | | Shim, 6.3 x 18 x 1.5 mm |
| 7 | 0402-432 | AR | | Shim, 6.3 x 18 x 1.6 mm |
| 7 | 0402-433 | AR | | Shim, 6.3 x 18 x 1.7 mm |
| 8 | 0423-149 | 1 | | O-Ring |
| 9 | 1502-082 | 1 | | Cover, Gearcase |
| 10 | 0402-333 | 1 | /P | Plug, Magnetic (inc. 11) |
| 11 | 0423-154 | 1 | | O-Ring |
| 12 | 1402-102 | 1 | | Fitting |
| 13 | 0423-118 | 11 | | Screw, Self-Tapping |
| 14 | 1402-210 | 1 | /P | Plug, Fill (inc. one No. 15) |
| 15 | 0423-153 | 2 | | O-Ring |
| 16 | 0402-328 | 1 | | Bearing |
| 17 | 0502-783 | 1 | | Gear, Pinion - Assembly - 10T (inc. 18-19) |
| 18 | 0402-327 | 1 | | Bearing |
| 19 | 0402-336 | 1 | | Collar, Retaining |
| 20 | 0402-411 | 1 | | Pin, Dowel |
| 21 | 0402-331 | 1 | | Collar, Lock |
| 22 | 0402-982 | 1 | | Washer, Wave |
| 23 | 0402-981 | 1 | | Collar, Shaft |
| 24 | 0402-947 | 1 | | Gasket, Flange |
| 25 | 0502-529 | 1 | | Housing, Pinion |
| 26 | 0423-417 | 1 | | Ring, Retaining |
| 27 | 1402-043 | 1 | | Bearing |
| 28 | 0423-423 | 1 | | Ring, Retaining |
| 29 | 1402-011 | 1 | | Seal |
| 30 | 1502-085 | 1 | /P | Shaft, Input |
| 31 | 1402-211 | 1 | | Plug, Oil Level (inc. one No. 15) |



| Ref # | Part Number | Qty | S/P/F | Description |
|-------|-------------|-----|-------|--|
| 1 | 2506-125 | 1 | | Rack, Rear - Assembly (inc. 2-3) |
| 2 | 0411-648 | 1 | | Decal, Warning - Load |
| 3 | 0441-592 | 4 | /P | Bushing |
| 4 | 8410-830 | 4 | | Screw, Cap |
| 5 | 0423-669 | 4 | | Spacer |
| 6 | 0423-465 | 4 | | Grommet |
| 7 | 8432-802 | 4 | | Nut, Lock |
| 8 | 0423-654 | 2 | | Screw, Shoulder |
| 9 | 8050-222 | 2 | /P | Washer |
| 10 | 0423-540 | 24 | | Nut, Lock |
| 11 | 0423-101 | 2 | | Screw, Body |
| 12 | 1406-356 | 1 | | Footwell - Right |
| 12 | 2406-429 | 1 | /P | Footwell - Left |
| 13 | 0623-362 | 2 | | Rivet, Reinstallable |
| 14 | 0423-419 | 16 | | Screw, Machine |
| 15 | 0423-355 | 4 | | Screw, Shoulder |
| 16 | 1506-125 | 2 | /P | Footpeg |
| 17 | 2516-072 | 1 | /P | Panel, Fender - Assembly - Rear (inc. 18-22) |
| 18 | 1411-592 | 1 | /P | Decal, Reflector - Right |
| 18 | 1411-593 | 1 | /P | Decal, Reflector - Left |
| 19 | 1411-806 | 1 | S | Decal, Warning - Tire Pressure |
| 20 | 0470-658 | 1 | | Foil, Protective |
| 21 | 1411-809 | 1 | /P | Decal, Passenger |
| 22 | 1411-725 | 1 | | Decal, Rear |
| 23 | 0411-965 | 2 | | Decal, "Speedrack" |



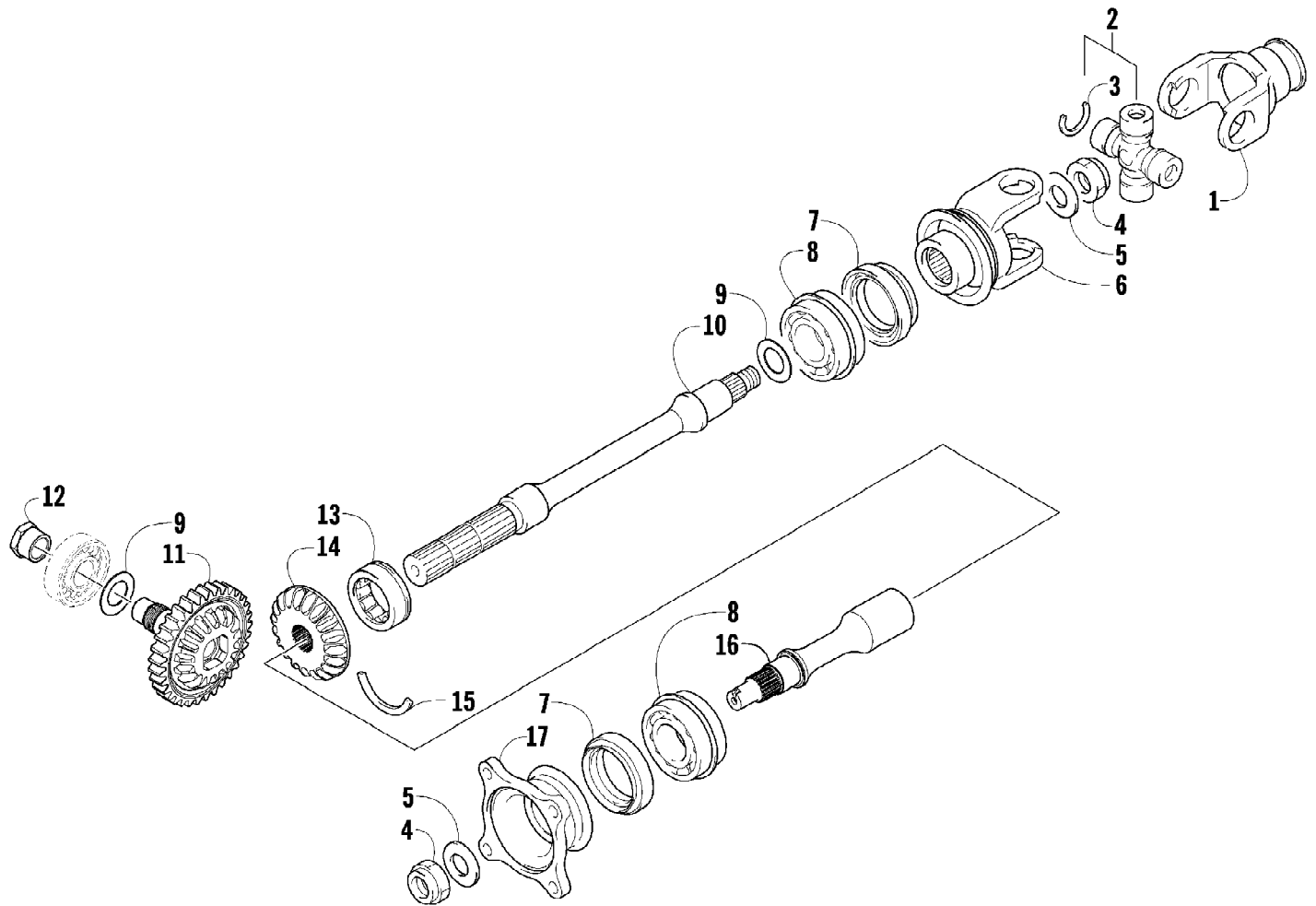
| Ref # | Part Number | Qty | S/P/F | Description |
|-------|-------------|-----|-------|---|
| 1 | 0504-372 | 1 | S | Knuckle, Right Rear - Assembly (inc. 2-5) |
| 1 | 0504-373 | 1 | S/P | Knuckle, Left Rear - Assembly (inc. 2-5) |
| 2 | 1402-027 | 2 | S/P | Bearing |
| 3 | 0423-423 | 2 | | Ring, Retaining |
| 4 | 0403-038 | 4 | S/P | Axle |
| 5 | 0403-032 | 8 | S | Bushing |
| 6 | 0504-526 | 1 | S | A-Arm, Rear - Lower Right (inc. 7-8) |
| 6 | 0504-527 | 1 | S | A-Arm, Rear - Lower Left (inc. 7-8) |
| 7 | 0403-115 | 16 | S | Bushing |
| 8 | 0403-114 | 8 | S | Axle |
| 9 | 0423-744 | 14 | | Nut, Lock |
| 10 | 8409-000 | 4 | | Screw, Cap |
| 11 | 0504-512 | 1 | S | A-Arm, Rear - Upper Right (inc. 7-8) |
| 11 | 0504-513 | 1 | S | A-Arm, Rear - Upper Left (inc. 7-8) |
| 12 | 0441-754 | 1 | | Guard, Boot - Rear - Right |
| 12 | 0441-755 | 1 | | Guard, Boot - Rear - Left |
| 13 | 0423-545 | 4 | /P | Screw, Shoulder |
| 14 | 8409-075 | 8 | | Screw, Cap |
| 15 | 1502-343 | 2 | S | Axle, Drive (inc. 16-17) |
| 16 | 0423-845 | 2 | /P | Clip, Retaining |
| 17 | 0436-276 | 2 | S | Repair Kit, Boot |
| 18 | 0123-788 | AR | /P | Tie, Cable - 8 in. |
| 19 | 1603-889 | 2 | /P | Retainer, Spring |
| 20 | 0504-538 | 2 | | Spring, Suspension |
| 21 | 0404-057 | 2 | | Cam, Spring Adjuster |
| 22 | 0404-158 | 2 | | Shock Absorber (inc. 23-25) |
| 23 | 0403-182 | 2 | | Bushing, Double-Bonded |
| 24 | 0603-955 | 4 | | Bushing |
| 25 | 1603-219 | 2 | S | Sleeve |
| 26 | 0423-087 | 2 | | Washer |
| 27 | 8408-820 | 2 | /P | Screw, Cap |
| 28 | 8409-040 | 1 | | Screw, Cap - Right |
| 28 | 8409-050 | 1 | | Screw, Cap - Left |



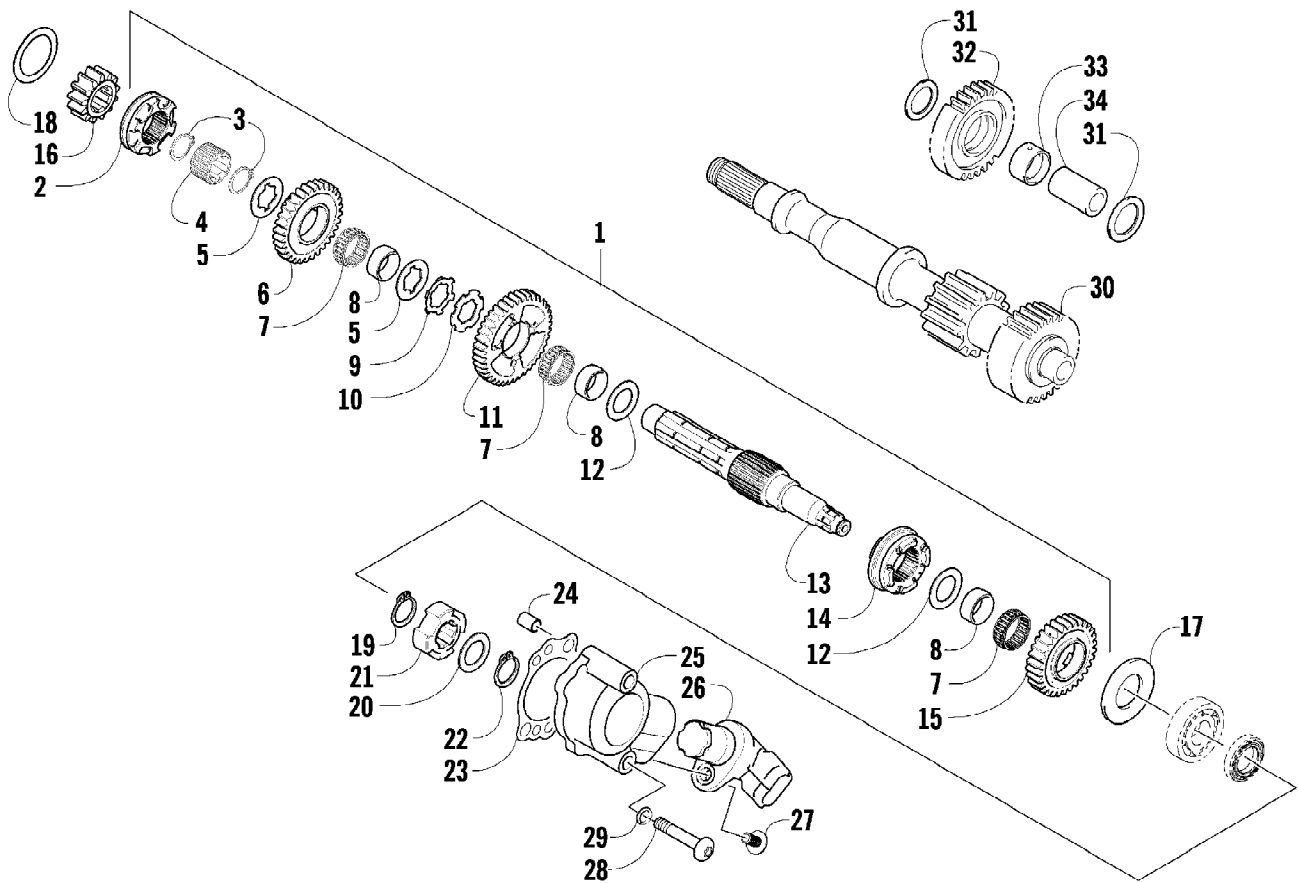
2009 ATV 550 H1 EFI 4X4 AUTOMATIC CAT GREEN (A2009IBO4EUSZ)
SEAT ASSEMBLY

Page 61 of 85

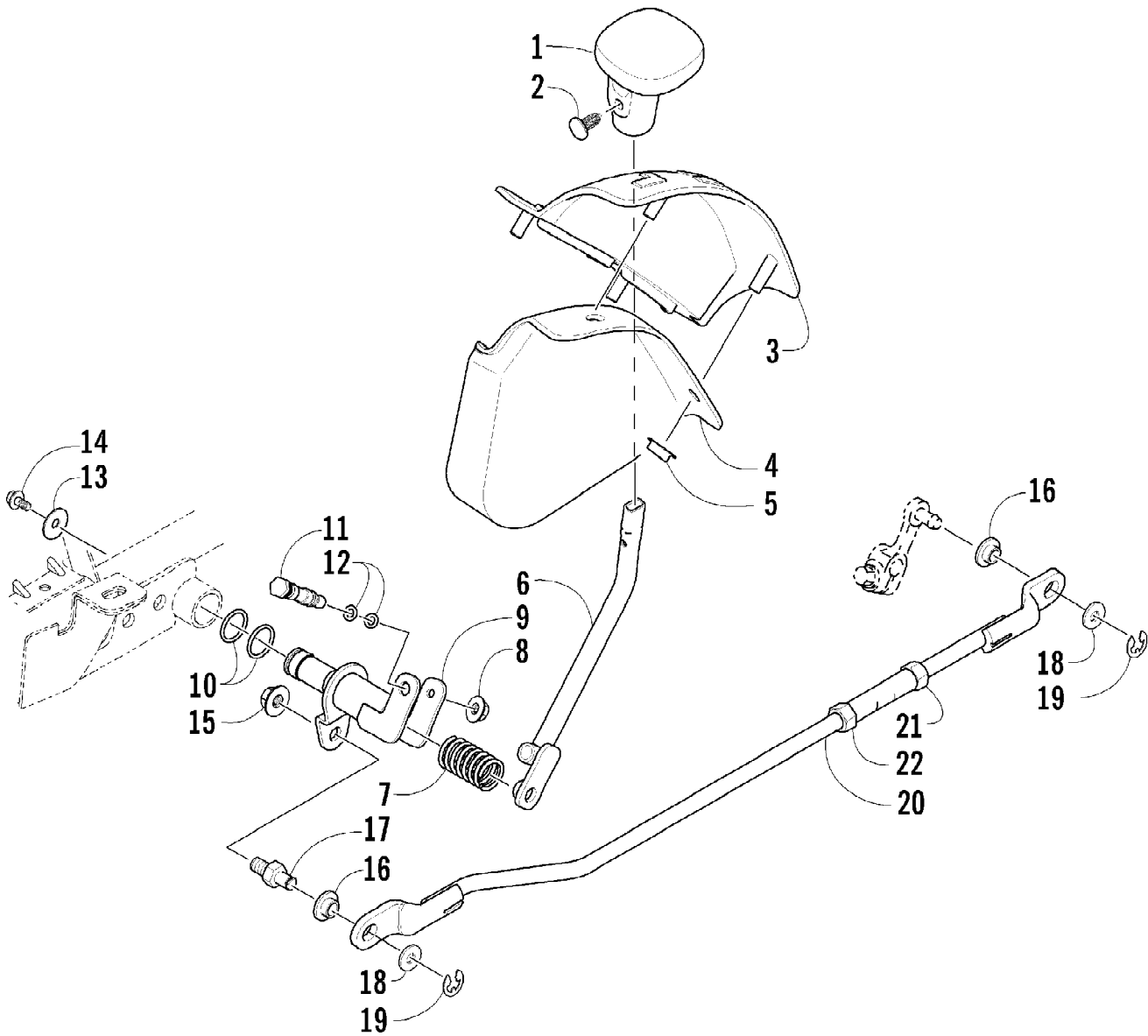
| Ref # | Part Number | Qty | S/P/F | Description |
|-------|-------------|-----|-------|----------------------------------|
| 1 | 2506-805 | 1 | | Seat Assembly (inc. 2-9) |
| 2 | 2506-756 | 1 | | Cover, Seat |
| 3 | 2506-755 | 1 | | Foam, Seat |
| 4 | 2406-144 | 1 | S/P | Base, Seat - Assembly (inc. 5-6) |
| 5 | 0406-879 | 2 | | Bumper, Seat - Rear |
| 6 | 0406-877 | 4 | /P | Bumper, Seat - Front |
| 7 | 0624-528 | AR | /P | Staple |
| 8 | 1406-592 | 1 | /P | Spring, Seat Latch |
| 9 | 1506-156 | 1 | | Latch, Seat |
| 10 | 0441-587 | 1 | | Wrench, Spanner |



| Ref # | Part Number | Qty | S/P/F | Description |
|-------|-------------|-----|-------|---------------------------------|
| 1 | 0819-063 | 1 | | Yoke, Propeller Shaft Joint |
| 2 | 1402-164 | 1 | /P | Joint, Universal - Set (inc. 3) |
| 3 | 0423-450 | 4 | | Ring, Retaining |
| 4 | 0827-013 | 2 | | Nut |
| 5 | 0828-020 | 2 | | Washer |
| 6 | 0819-061 | 1 | | Yoke, Drive Output |
| 7 | 0830-043 | 2 | | Seal, Oil |
| 8 | 0832-017 | 2 | | Bearing |
| 9 | 0828-021 | AR | | Shim, 25 x 34 x 0.25 mm |
| 9 | 0828-022 | AR | | Shim, 25 x 34 x 0.30 mm |
| 9 | 0828-023 | AR | | Shim, 25 x 34 x 0.70 mm |
| 9 | 0828-024 | AR | | Shim, 25 x 34 x 0.90 mm |
| 9 | 0828-025 | AR | | Shim, 25 x 34 x 0.95 mm |
| 9 | 0828-026 | AR | | Shim, 25 x 34 x 1.00 mm |
| 9 | 0828-027 | AR | | Shim, 25 x 34 x 1.05 mm |
| 9 | 0828-028 | AR | | Shim, 25 x 34 x 1.10 mm |
| 9 | 0828-029 | AR | | Shim, 25 x 34 x 1.15 mm |
| 10 | 0819-003 | 1 | S | Shaft, Secondary Driven - Front |
| 11 | 0822-107 | 1 | | Gear, Secondary Drive |
| 12 | 0827-052 | 1 | | Nut |
| 13 | 0832-016 | 1 | | Bearing |
| 14 | 0822-106 | 1 | | Gear, Secondary Driven |
| 15 | 0819-011 | 1 | | Ring, Driven Bearing |
| 16 | 0819-053 | 1 | | Shaft, Secondary Driven - Rear |
| 17 | 0819-005 | 1 | | Flange, Output Joint |



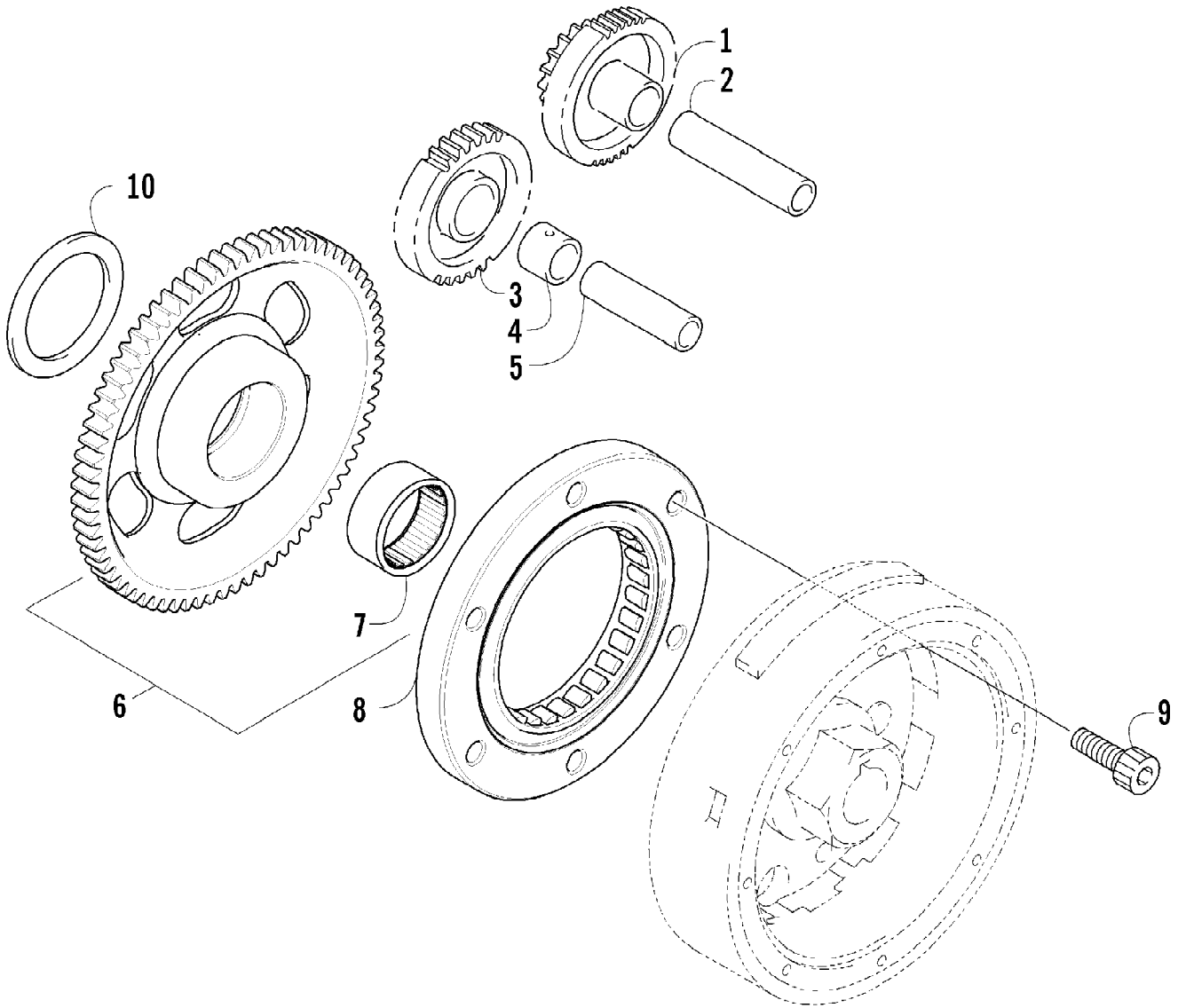
| Ref # | Part Number | Qty | S/P/F | Description |
|-------|-------------|-----|-------|-----------------------------------|
| 1 | 1502-149 | 1 | S | Countershaft Assembly (inc. 2-15) |
| 2 | 0822-014 | 1 | | Gear Select, Reverse |
| 3 | 0831-011 | 2 | | Ring, Retaining |
| 4 | 0822-045 | 1 | | Spacer, Reverse Driven Gear |
| 5 | 0828-008 | 2 | | Washer |
| 6 | 0822-013 | 1 | | Gear, Reverse Driven |
| 7 | 0832-011 | 3 | | Bearing |
| 8 | 0822-005 | 3 | | Bushing |
| 9 | 0828-014 | 1 | | Washer, Lock |
| 10 | 0828-015 | 1 | | Washer, Lock |
| 11 | 0822-004 | 1 | | Gear, Driven - Low |
| 12 | 0822-046 | 2 | | Washer, Driven Gear |
| 13 | 0822-003 | 1 | | Countershaft |
| 14 | 0822-007 | 1 | | Gear Select, Sliding |
| 15 | 0822-006 | 1 | | Gear, Driven - High |
| 16 | 0822-089 | 1 | | Gear, Drive |
| 17 | 0828-011 | 1 | | Washer |
| 18 | 0828-019 | 1 | | Washer, Thrust |
| 19 | 0831-040 | 1 | | Ring, Retaining |
| 20 | 0828-069 | 1 | | Washer, Thrust |
| 21 | 0822-050 | 1 | | Trigger, Speedometer Sensor |
| 22 | 0831-039 | 1 | | Ring, Retaining |
| 23 | 0830-129 | 1 | | Gasket |
| 24 | 0829-023 | 2 | | Pin, Dowel |
| 25 | 0822-049 | 1 | | Housing, Speedometer Sensor |
| 26 | 0824-042 | 1 | /P | Sensor, Speedometer |
| 27 | 8468-620 | 1 | /P | Screw, Machine |
| 28 | 8468-645 | 2 | | Screw, Machine |
| 29 | 0830-107 | 2 | | Seal, Fastener |
| 30 | 0822-001 | 1 | | Driveshaft |
| 31 | 0828-016 | 2 | | Washer, Thrust |
| 32 | 0822-011 | 1 | | Gear, Reverse Idle |
| 33 | 0822-012 | 1 | | Bushing |
| 34 | 0822-015 | 1 | | Shaft, Reverse Idle |



2009 ATV 550 H1 EFI 4X4 AUTOMATIC CAT GREEN (A2009IBO4EUSZ)
SHIFT LEVER ASSEMBLY

Page 67 of 85

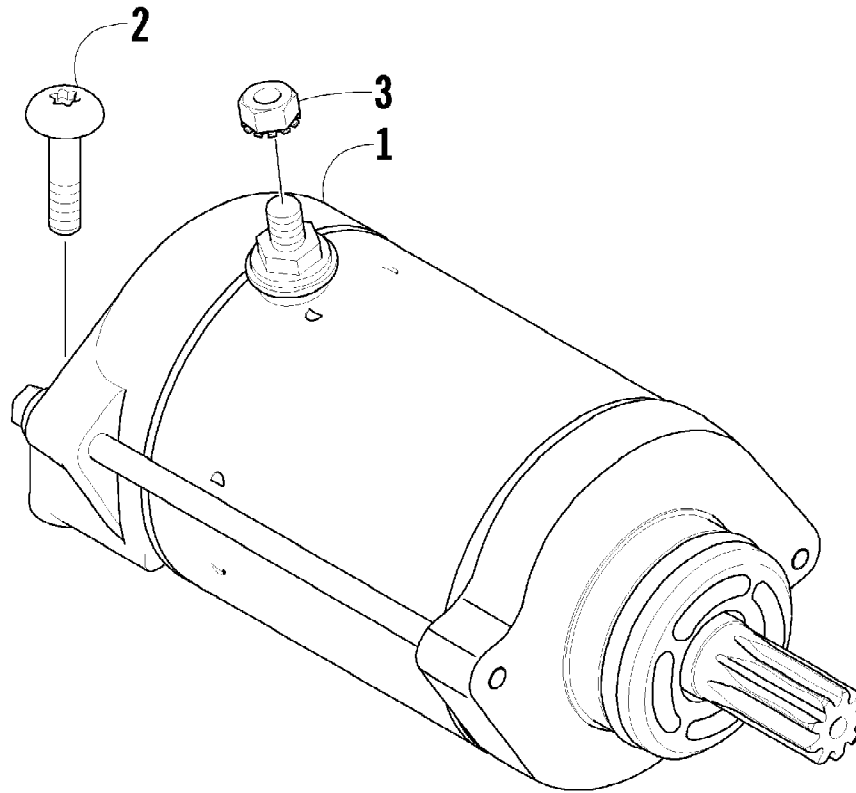
| Ref # | Part Number | Qty | S/P/F | Description |
|-------|-------------|-----|-------|--|
| 1 | 0402-843 | 1 | /P | Knob, Shift |
| 2 | 0423-345 | 1 | | Clip, Retaining |
| 3 | 1402-576 | 1 | | Plate, Shift |
| 4 | 2406-345 | 1 | | Shield, Shift Plate |
| 5 | 0423-357 | 4 | | Nut, Stamped |
| 6 | 0502-659 | 1 | | Lever, Shift |
| 7 | 0402-678 | 1 | /P | Spring, Shift Lever |
| 8 | 8424-602 | 1 | /P | Nut |
| 9 | 1502-332 | 1 | | Actuator, Shift |
| 10 | 0423-299 | 2 | /P | O-Ring |
| 11 | 0402-675 | 1 | | Axle, Pivot |
| 12 | 0423-182 | 2 | /P | O-Ring |
| 13 | 0423-087 | 1 | | Washer |
| 14 | 8408-812 | 1 | | Screw, Cap |
| 15 | 8424-802 | 1 | | Nut |
| 16 | 0423-091 | 2 | | Bushing |
| 17 | 1402-621 | 1 | | Pin, Mounting |
| 18 | 0623-094 | 2 | | Washer |
| 19 | 0423-169 | 2 | /P | E-Ring |
| 20 | 1502-200 | 1 | | Linkage, Shift - Assembly (inc. 21-22) |
| 21 | 0623-294 | 1 | | Nut, Hex - Right-Hand Thread |
| 22 | 0123-917 | 1 | /P | Nut, Hex - Left-Hand Thread |



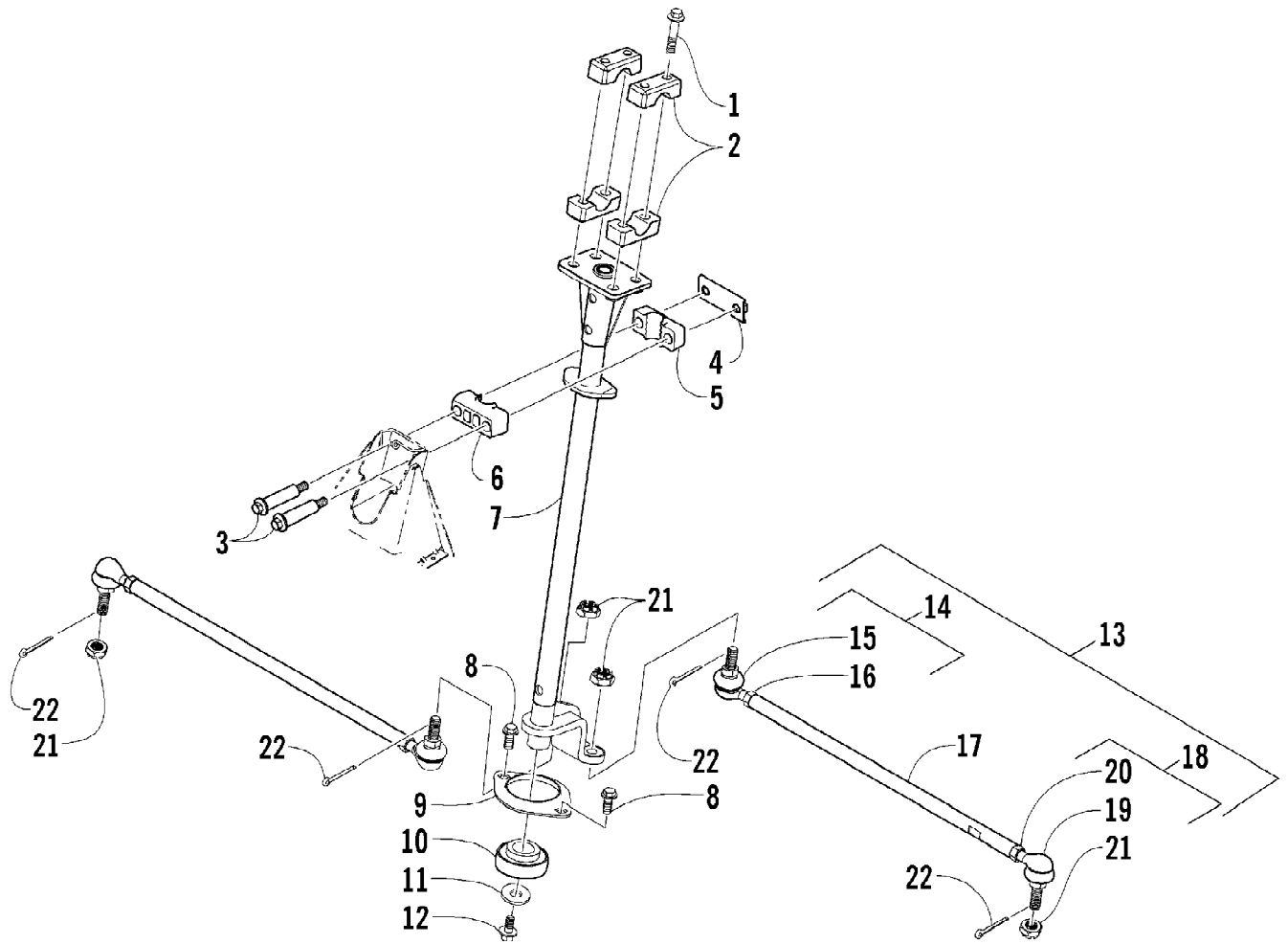
2009 ATV 550 H1 EFI 4X4 AUTOMATIC CAT GREEN (A2009IBO4EUSZ)
STARTER CLUTCH ASSEMBLY

Page 69 of 85

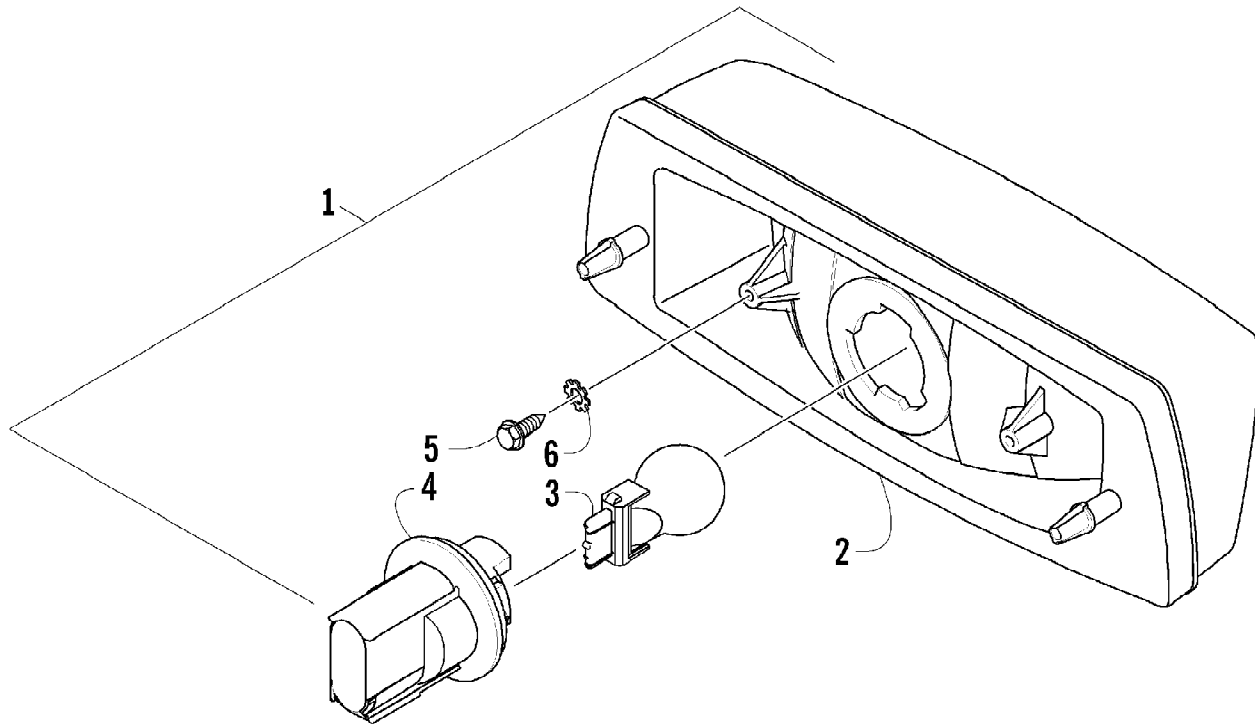
| Ref # | Part Number | Qty | S/P/F | Description |
|-------|-------------|-----|-------|----------------------------------|
| 1 | 0815-001 | 1 | | Gear, Starter Idler - No. 1 |
| 2 | 0829-031 | 1 | /P | Shaft, Starter Gear |
| 3 | 0815-002 | 1 | | Gear, Starter Idler - No. 2 |
| 4 | 0815-003 | 1 | | Spacer, Starter Idler Gear No. 2 |
| 5 | 0829-032 | 1 | /P | Shaft, Starter Gear |
| 6 | 0815-004 | 1 | | Gear, Starter Clutch (inc. 7) |
| 7 | 0832-004 | 1 | S | Bearing |
| 8 | 0802-035 | 1 | | Clutch, Starter |
| 9 | 0826-069 | 6 | | Screw, Machine |
| 10 | 0828-094 | 1 | | Washer |



| Ref # | Part Number | Qty | S/P/F | Description |
|-------|-------------|-----|-------|---------------------------|
| 1 | 0825-013 | 1 | /P | Motor, Starter - Assembly |
| 2 | 8476-625 | 2 | | Screw, Machine |
| 3 | 0623-038 | 1 | | Nut w/Washer |



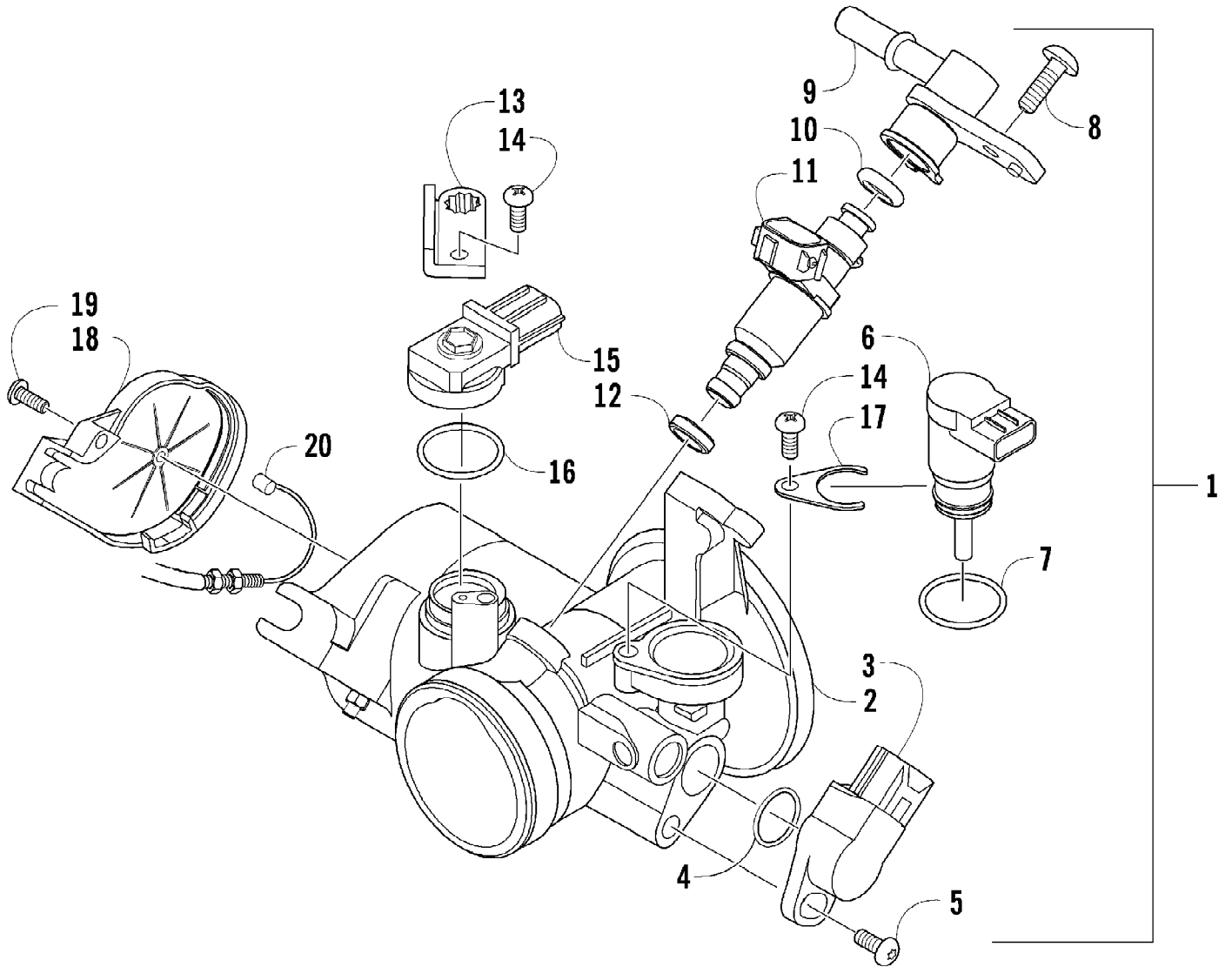
| Ref # | Part Number | Qty | S/P/F | Description |
|-------|-------------|-----|-------|---|
| 1 | 8408-860 | 4 | | Screw, Cap |
| 2 | 0405-035 | 4 | | Cap, Steering Adjuster |
| 3 | 0423-505 | 2 | | Screw, Shoulder |
| 4 | 0505-484 | 1 | | Cap, Housing |
| 5 | 0405-138 | 1 | | Housing, Lower |
| 6 | 0405-139 | 1 | | Housing, Upper |
| 7 | 0505-451 | 1 | S | Post, Steering |
| 8 | 8408-816 | 2 | | Screw, Cap |
| 9 | 0602-233 | 1 | | Flange, Bearing |
| 10 | 0405-052 | 1 | | Bearing w/Inverted Oil Seal |
| 11 | 0423-073 | 1 | | Washer |
| 12 | 8409-020 | 1 | /P | Screw, Cap |
| 13 | 0505-499 | 2 | /P | Tie Rod - Assembly (inc. 14-20) |
| 14 | 0505-511 | 2 | /P | End, Tie Rod - Left-Hand Thread - Kit (inc. 15-16 and two No. 21-22) |
| 15 | 0 | 2 | F | End, Tie Rod - Left-Hand Thread |
| 16 | 0423-013 | 2 | | Nut - Left-Hand Thread |
| 17 | 0405-281 | 2 | /P | Tie Rod |
| 18 | 0505-510 | 2 | /P | End, Tie Rod - Right-Hand Thread - Kit (inc. 19-20 and two No. 21-22) |
| 19 | 0 | 2 | F | End, Tie Rod - Right-Hand Thread |
| 20 | 8420-002 | 2 | /P | Nut - Right-Hand Thread |
| 21 | 0423-157 | 4 | | Nut, Lock |
| 22 | 0623-175 | 4 | | Pin, Cotter |



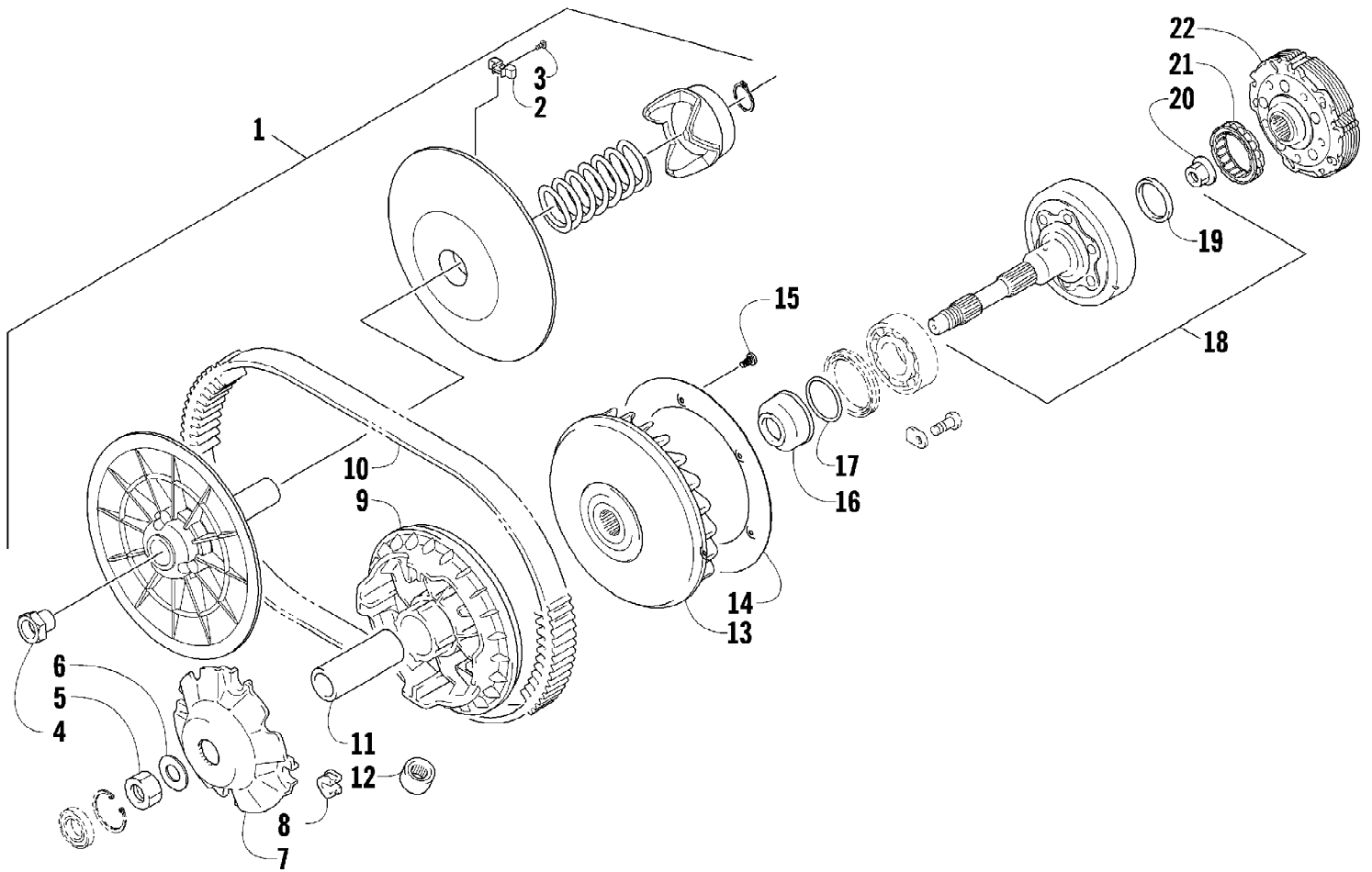
2009 ATV 550 H1 EFI 4X4 AUTOMATIC CAT GREEN (A2009IBO4EUSZ)
TAILLIGHT ASSEMBLY

Page 75 of 85

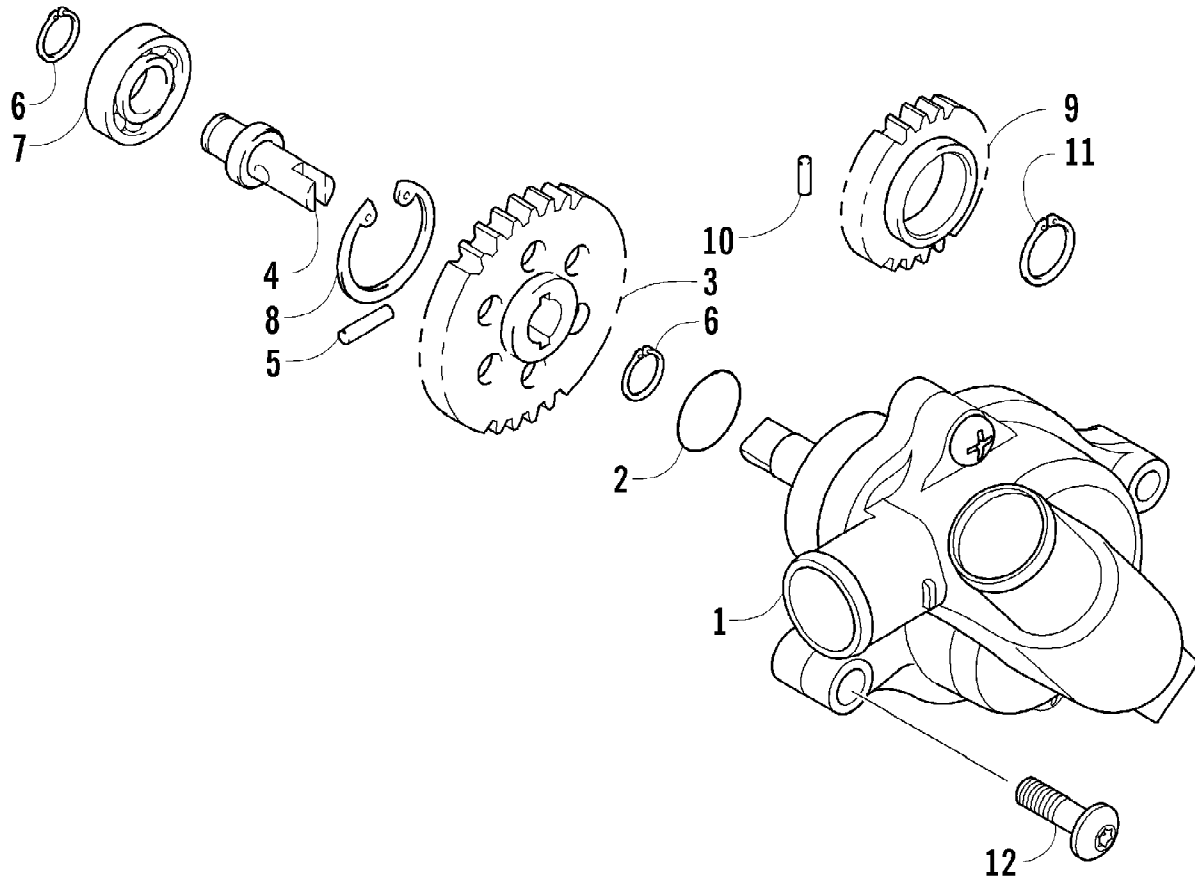
| Ref # | Part Number | Qty | S/P/F | Description |
|-------|-------------|-----|-------|-------------------------------|
| 1 | 0509-022 | 1 | | Taillight Assembly (inc. 2-4) |
| 2 | 0509-025 | 1 | | Housing, Taillight |
| 3 | 0409-056 | 1 | | Bulb, Taillight |
| 4 | 0409-057 | 1 | | Socket, Taillight |
| 5 | 0623-301 | 2 | /P | Screw, Self-Tapping |
| 6 | 8053-212 | 2 | /P | Washer, External Tooth Lock |



| Ref # | Part Number | Qty | S/P/F | Description |
|-------|-------------|-----|-------|---------------------------------|
| 1 | 0470-753 | 1 | | Throttle - Assembly (inc. 2-19) |
| 2 | 0 | 1 | F | Throttle Body |
| 3 | 0430-072 | 1 | | Sensor, Throttle Position |
| 4 | 5507-234 | 1 | | O-Ring |
| 5 | 5507-231 | 1 | | Screw, Machine |
| 6 | 0430-074 | 1 | | Valve, ISC |
| 7 | 5507-233 | 1 | | O-Ring |
| 8 | 5507-238 | 1 | | Screw, Machine |
| 9 | 0470-687 | 1 | | Rail, Fuel |
| 10 | 0470-767 | 1 | | O-Ring |
| 11 | 0470-762 | 1 | | Injector, Fuel |
| 12 | 0470-768 | 1 | | Seal |
| 13 | 5507-227 | 1 | | Bracket, MAP Sensor |
| 14 | 5507-117 | 2 | /P | Screw, Machine |
| 15 | 0430-073 | 1 | | Sensor, MAP |
| 16 | 5507-232 | 1 | | O-Ring |
| 17 | 5507-229 | 1 | | Plate, ISC Valve |
| 18 | 5507-223 | 1 | | Cover |
| 19 | 5507-037 | 1 | /P | Screw, Machine |
| 20 | 0487-057 | 1 | | Cable, Throttle |



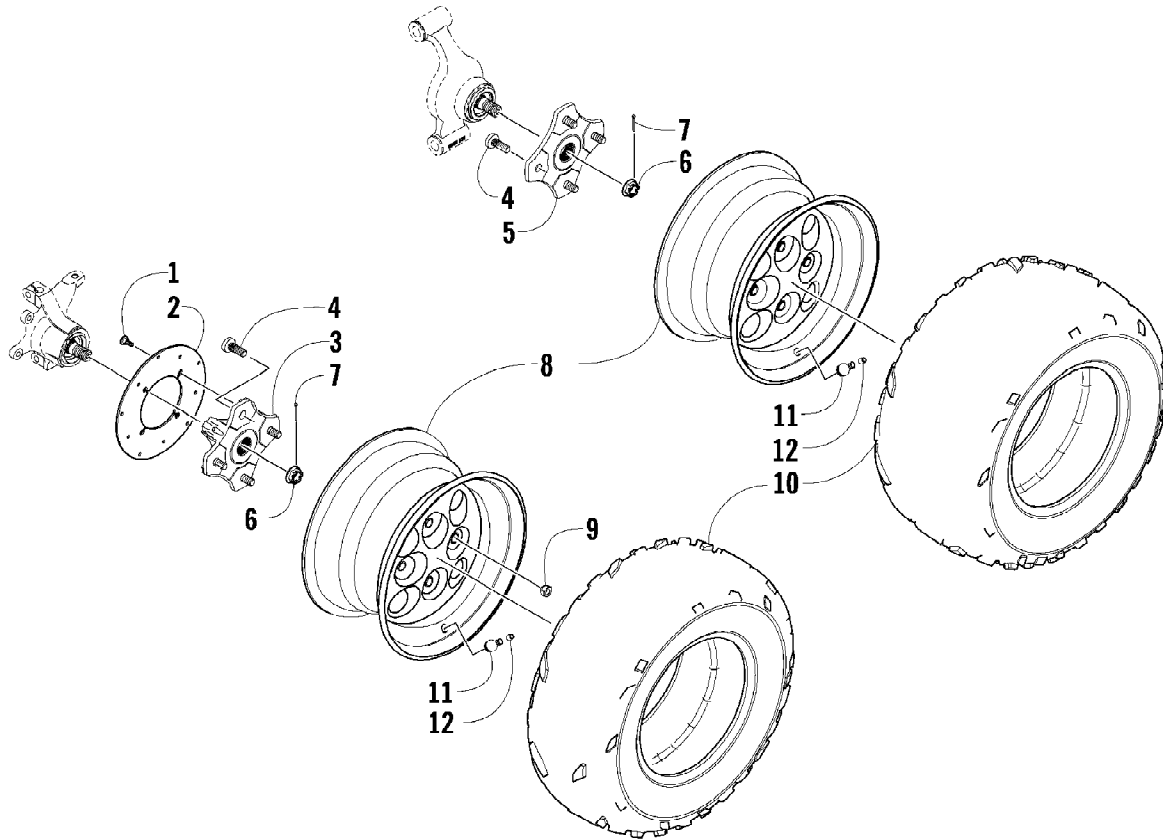
| Ref # | Part Number | Qty | S/P/F | Description |
|-------|-------------|-----|-------|--------------------------------------|
| 1 | 0823-157 | 1 | S/P | Pulley, Driven - Assembly (inc. 2-4) |
| 2 | 0823-176 | 3 | /P | Shoe, Cam |
| 3 | 0823-177 | 3 | | Screw, Machine |
| 4 | 0823-178 | 1 | | Nut |
| 5 | 0827-010 | 1 | | Nut |
| 6 | 0828-106 | 1 | | Washer |
| 7 | 0823-008 | 1 | | Plate, Movable Drive Face |
| 8 | 0823-010 | 4 | | Damper, Movable Drive Face |
| 9 | 0823-159 | 1 | | Face, Movable Drive |
| 10 | 0823-013 | 1 | | Belt, Drive |
| 11 | 0823-149 | 1 | | Spacer |
| 12 | 0823-167 | 8 | /P | Roller |
| 13 | 0823-156 | 1 | /P | Face, Fixed Drive |
| 14 | 0823-131 | 1 | | Shroud, Drive Face |
| 15 | 0623-914 | 6 | | Screw, Self-Tapping |
| 16 | 0823-015 | 1 | | Spacer, Fixed Drive Face |
| 17 | 0470-531 | 1 | | O-Ring |
| 18 | 0823-096 | 1 | S | Housing, Clutch - Assembly (inc. 19) |
| 19 | 0830-189 | 1 | /P | Seal |
| 20 | 0827-011 | 1 | | Nut |
| 21 | 0823-018 | 1 | | Clutch, One-Way |
| 22 | 0823-098 | 1 | S | Clutch, Centrifugal - 6 Plate |



2009 ATV 550 H1 EFI 4X4 AUTOMATIC CAT GREEN (A2009IBO4EUSZ)
WATER PUMP ASSEMBLY

Page 81 of 85

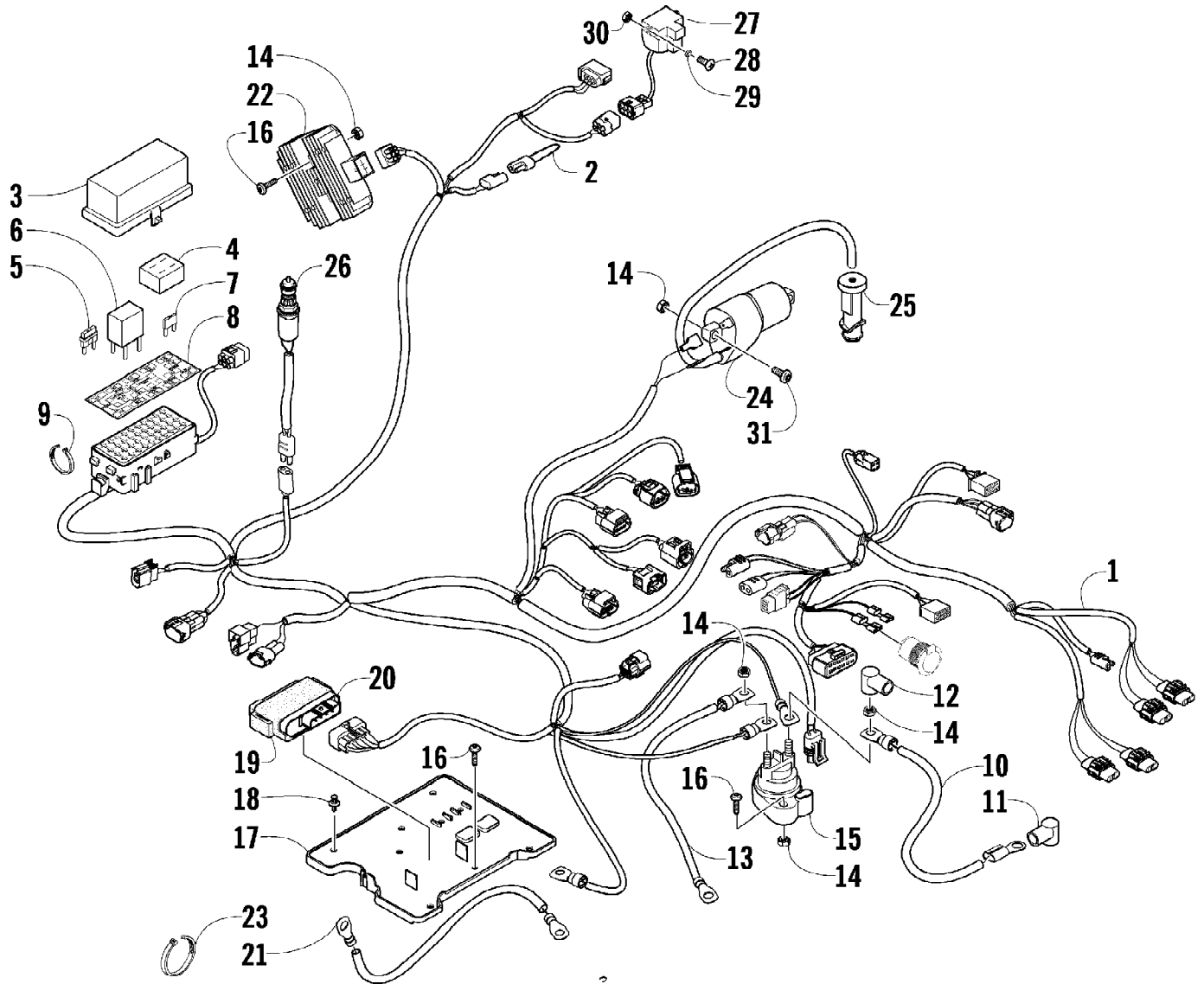
| Ref # | Part Number | Qty | S/P/F | Description |
|-------|-------------|-----|-------|---------------------------------|
| 1 | 0813-001 | 1 | | Pump, Water - Assembly (inc. 2) |
| 2 | 0830-029 | 1 | | O-Ring |
| 3 | 0813-004 | 1 | | Gear, Driven |
| 4 | 0813-005 | 1 | | Shaft, Driven Gear |
| 5 | 0829-009 | 1 | | Pin |
| 6 | 0831-002 | 2 | | Ring, Retaining |
| 7 | 0832-046 | 1 | /P | Bearing |
| 8 | 0831-004 | 1 | | Ring, Retaining |
| 9 | 0811-003 | 1 | | Gear, Water Pump Drive |
| 10 | 0829-007 | 1 | | Pin |
| 11 | 0831-005 | 1 | | Ring, Retaining |
| 12 | 8468-665 | 2 | | Screw, Machine |



2009 ATV 550 H1 EFI 4X4 AUTOMATIC CAT GREEN (A2009IBO4EUSZ)
WHEEL AND TIRE ASSEMBLY

Page 83 of 85

| Ref # | Part Number | Qty | S/P/F | Description |
|-------|-------------|-----|-------|------------------------------------|
| 1 | 0423-557 | 12 | | Screw, Shoulder |
| 2 | 1436-164 | 3 | /P | Disc, Brake |
| 3 | 3323-100 | 2 | S | Hub, Wheel - Front (inc. 4) |
| 4 | 0402-974 | 16 | /P | Stud |
| 5 | 3323-113 | 1 | /P | Hub, Wheel - Rear - Left (inc. 4) |
| 5 | 3323-100 | 1 | S | Hub, Wheel - Rear - Right (inc. 4) |
| 6 | 0423-607 | 4 | | Nut, Castle |
| 7 | 0423-407 | 4 | | Pin, Cotter |
| 8 | 1402-776 | 2 | | Wheel - Front |
| 8 | 1402-777 | 2 | | Wheel - Rear |
| 9 | 0423-408 | 16 | /P | Nut, Lug |
| 10 | 1402-658 | 2 | | Tire - Front |
| 10 | 1402-659 | 2 | | Tire - Rear |
| 11 | 0402-064 | 4 | | Stem, Valve (inc. 12) |
| 12 | 0402-140 | 4 | | Cap, Valve Stem |



| Ref # | Part Number | Qty | S/P/F | Description |
|-------|-------------|-----|-------|-----------------------------------|
| 1 | 0486-282 | 1 | | Harness, Main (inc. 2-8) |
| 2 | 0486-164 | 1 | | Tether, Accessory Connector |
| 3 | 0530-008 | 1 | | Cover, Fuse Block |
| 4 | 0430-037 | 1 | | Holder, Fuse |
| 5 | 0430-034 | 2 | | Diode |
| 6 | 0430-045 | 5 | /P | Relay (4-Pin) - 20 Amp |
| 7 | 0430-032 | 5 | | Fuse - 10 Amp |
| 7 | 0430-031 | 3 | | Fuse - 15 Amp |
| 7 | 0430-030 | 2 | | Fuse - 30 Amp |
| 8 | 1411-526 | 1 | | Decal, Fuse Block |
| 9 | 0123-788 | AR | /P | Tie, Cable - 8 in. |
| 10 | 0445-064 | 1 | | Cable, Solenoid/Starter (inc. 11) |
| 11 | 0645-019 | 1 | | Boot, Terminal |
| 12 | 0645-327 | 1 | | Boot, Terminal |
| 13 | 0445-062 | 1 | | Cable, Battery/Solenoid |
| 14 | 0623-038 | 8 | | Nut w/Washer |
| 15 | 0445-058 | 1 | /P | Solenoid |
| 16 | 8476-625 | 6 | | Screw, Machine |
| 17 | 2406-643 | 1 | | Tray, Electrical |
| 18 | 0623-362 | 3 | | Rivet, Reinstallable |
| 19 | 0430-076 | 1 | | Cushion, ECU |
| 20 | 0530-019 | 1 | | ECU |
| 21 | 0445-070 | 1 | | Cable, Battery/Ground |
| 22 | 0824-037 | 1 | /P | Regulator, Voltage |
| 23 | 0123-903 | AR | | Tie, Cable - 11.5 in. |
| 24 | 0824-043 | 1 | | Coil, Ignition |
| 25 | 0824-049 | 1 | /P | Cap, Spark Plug |
| 26 | 0409-089 | 1 | | Switch, Brake - Assembly |
| 27 | 0409-064 | 1 | | Switch, Tilt Sensor |
| 28 | 8468-425 | 2 | | Screw, Machine |
| 29 | 0123-802 | 2 | | Washer |
| 30 | 0423-493 | 2 | | Nut w/Washer |
| 31 | 8476-620 | 2 | | Screw, Machine |